

All Out Racing  *All Out Racing*
 Performance Performance
 Motorcycle Parts Motorcycle Parts
 440-985-3853 440-985-3853

ALL OUT RACING
 Performance Motorcycle Parts
 440-985-3853

SUZUKI

RF600R

SERVICE MANUAL

All Out Racing  *All Out Racing*
 Performance Performance
 Motorcycle Parts Motorcycle Parts
 440-985-3853 440-985-3853

ALL OUT RACING
 Performance Motorcycle Parts
 440-985-3853

SUZUKI

RF600R

SERVICE MANUAL

FOREWORD

This manual contains an introductory description on SUZUKI RF600R and procedures for its inspection/service and overhaul of its main components. Other information considered as generally known is not included.

Read GENERAL INFORMATION section to familiarize yourself with outline of the vehicle and MAINTENANCE and other sections to use as a guide for proper inspection and service.

This manual will help you know the vehicle better so that you can assure your customers of your optimum and quick service.

* This manual has been prepared on the basis of the latest specification at the time of publication.

If modification has been made since then, difference may exist between the content of this manual and the actual vehicle.

* Illustrations in this manual are used to show the basic principles of operation and work procedures.

They may not represent the actual vehicle exactly in detail.

* This manual is intended for those who have enough knowledge and skills for servicing SUZUKI vehicles. Without such knowledge and skills, you should not attempt servicing by relying on this manual only.

Instead, please contact your nearby authorized SUZUKI motorcycle dealer.

IMPORTANT

All street-legal Suzuki motorcycles with engine displacement of 50cc or greater are subject to Environmental Protection agency emission regulations. These regulations set specific standards for exhaust emission output levels as well as particular servicing requirements. This manual includes specific information required to properly inspect and service RF600R in accordance with all EPA regulations. It is strongly recommended that the chapter on Emission Control, Periodic Servicing and Carburetion be thoroughly reviewed before any type of service work is performed.

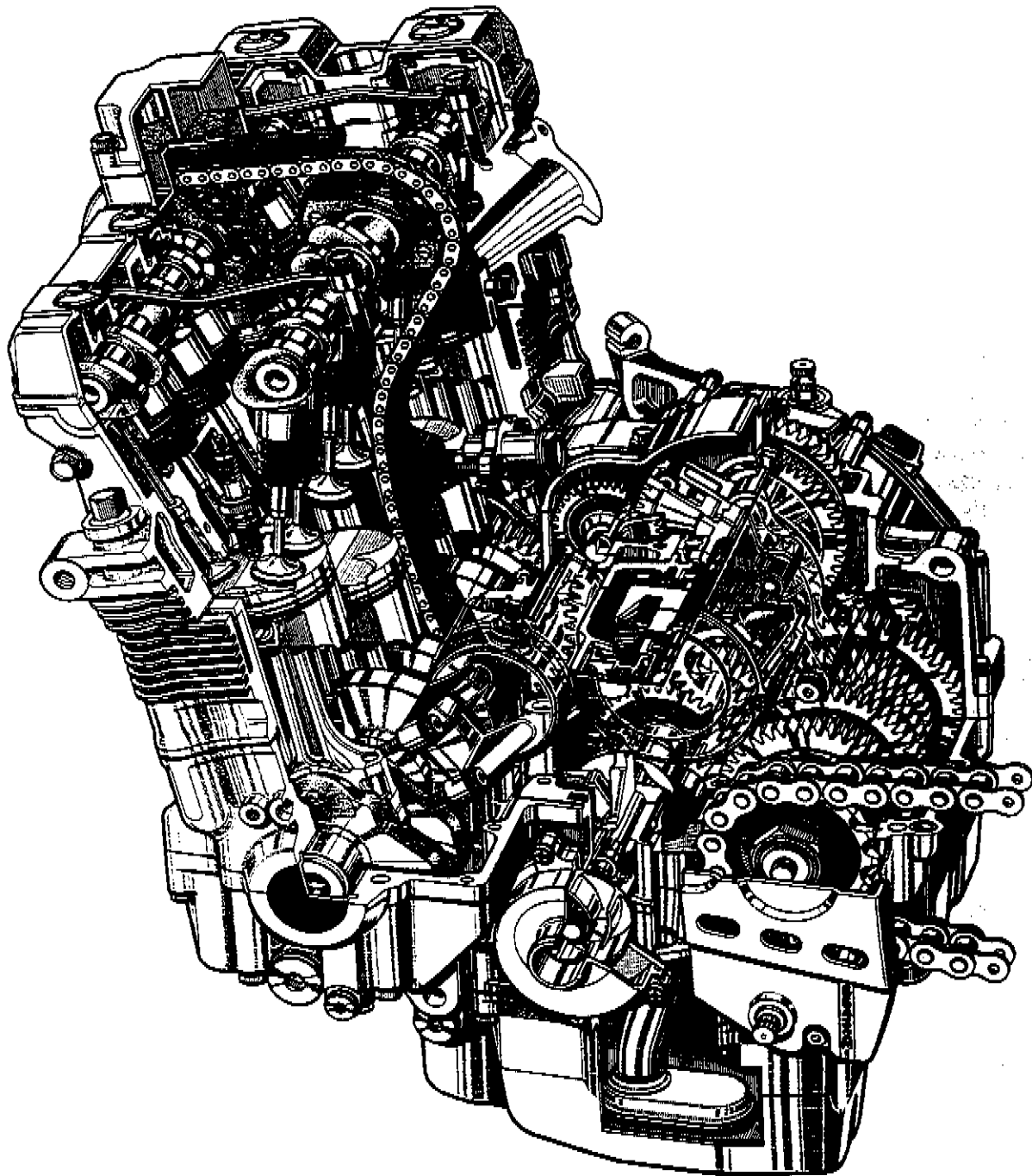
Further information concerning the EPA emission regulations and U.S. Suzuki's emission control program can be found in the U.S. SUZUKI EMISSION CONTROL PROGRAM MANUAL/SERVICE BULLETIN.

GROUP INDEX

GENERAL INFORMATION	1
PERIODIC MAINTENANCE AND TUNE-UP PROCEDURES	2
ENGINE	3
FUEL AND LUBRICATION SYSTEM	4
COOLING SYSTEM	5
ELECTRICAL SYSTEM	6
CHASSIS	7
SERVICING INFORMATION	8
EMISSION CONTROL INFORMATION	9
RF600RS ('95-MODEL)	10
RF600RT ('96-MODEL)	11
RF600RV ('97-MODEL)	12

SUZUKI MOTOR CORPORATION

Motorcycle Service Department

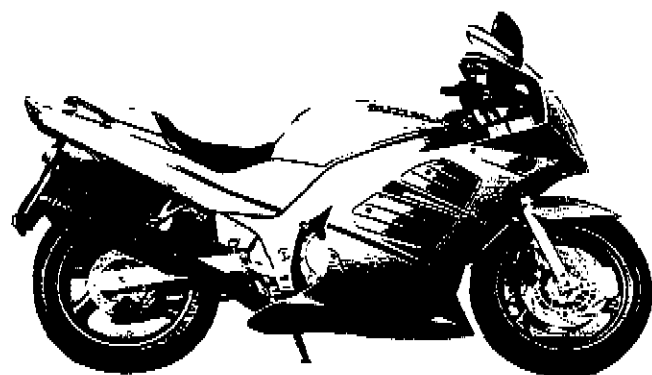
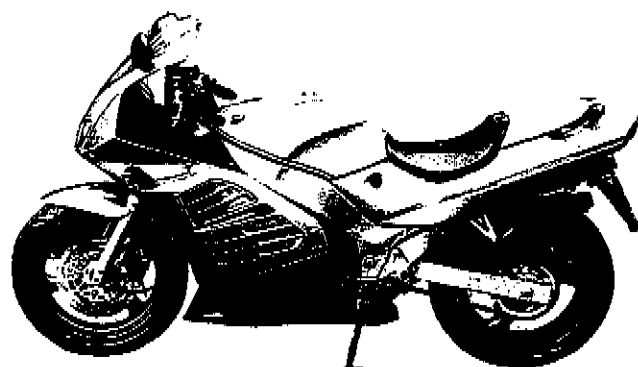


GENERAL INFORMATION

1

CONTENTS

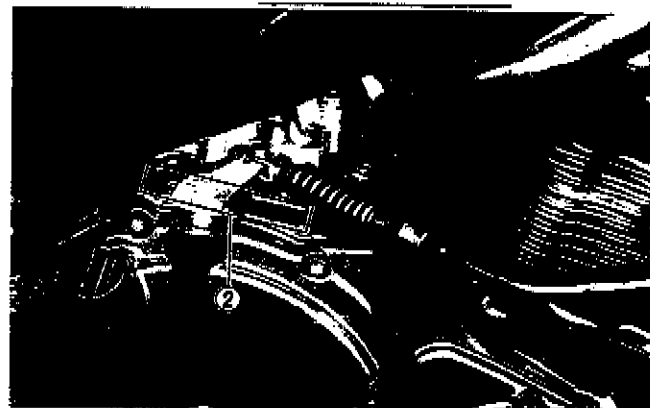
SUZUKI RF600RR ('94-MODEL)	1- 1
SERIAL NUMBER LOCATION	1- 1
FUEL, OIL AND ENGINE COOLANT RECOMMENDATIONS	1- 1
FUEL	1- 1
ENGINE OIL	1- 2
BRAKE FLUID	1- 2
FRONT FORK OIL	1- 2
ENGINE COOLANT	1- 2
WATER FOR MIXING	1- 2
ANTI-FREEZE/ENGINE COOLANT	1- 2
LIQUID AMOUNT OF WATER/ENGINE COOLANT	1- 2
BREAK-IN PROCEDURES	1- 3
CYLINDER IDENTIFICATION	1- 3
SPECIAL MATERIALS	1- 4
PRECAUTIONS AND GENERAL INSTRUCTIONS	1- 7
REPLACEMENT PARTS	1- 7
INFORMATION LABELS	1- 8
SPECIFICATIONS	1-10
COUNTRY OR AREA	1-12

1-1 GENERAL INFORMATION**SUZUKI RF600RR ('94-MODEL)****RIGHT SIDE****LEFT SIDE**

*Difference between photographs and actual motorcycles depends on the markets.

SERIAL NUMBER LOCATION

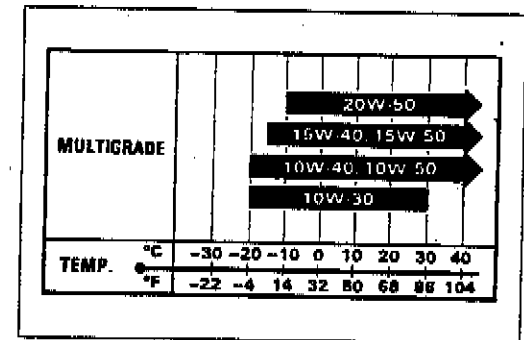
The frame serial number or V.I.N. (Vehicle Identification Number) ① is stamped on the right side of the steering head pipe. The engine serial number ② is located on the right side of the crankcase. These numbers are required especially for registering the machine and ordering spare parts.

**FUEL, OIL AND ENGINE COOLANT RECOMMENDATIONS****FUEL**

1. Use only unleaded gasoline of at least 87 pump octane ($\frac{R+M}{2}$) method or 91 octane or higher rated by the research method.
2. Suzuki recommends that customers use alcohol free, unleaded gasoline whenever possible.
3. Use of blended gasoline containing MTBE (Methyl Tertiary Butyl Ether) is permitted.
4. Use of blended gasoline/alcohol fuel is permitted provided that it contains not more than 10% ethanol. Gasoline/alcohol fuel may contain up to 5% methanol if appropriate cosolvents and corrosion inhibitors are present.
5. If the performance of the vehicle is unsatisfactory while using blended gasoline/alcohol fuel, you should switch to alcohol free unleaded gasoline.
6. Failure to follow these guideline could possibly void applicable warranty coverage. Check with you fuel supplier to be sure that the fuel you intend to use meets the requirements listed above.

GENERAL INFORMATION 1-2**ENGINE OIL**

SUZUKI recommends the use of SUZUKI PERFORMANCE 4 MOTOR OIL or an oil which is rated SE or SF under the API (American Petroleum Institute) classification system. The viscosity rating is SAE 10W/40. If an SAE 10W/40 motor oil is not available, select an alternate according to the right chart.

**BRAKE FLUID**

Specification and classification: DOT4

WARNING:

- * Since the brake system of this motorcycle is filled with a glycol-based brake fluid by the manufacturer, do not use or mix different types of fluid such as silicone-based and petroleum-based fluid for refilling the system, otherwise serious damage will result.
- * Do not use any brake fluid taken from old or used or unsealed containers.
- * Never re-use brake fluid left over from a previous servicing, which has been stored for a long period.

FRONT FORK OIL

Use fork oil # 10

ENGINE COOLANT

Use an anti-freeze/engine coolant compatible with an aluminum radiator, mixed with distilled water only.

WATER FOR MIXING

Use distilled water only. Water other than distilled water can corrode and clog the aluminum radiator.

ANTI-FREEZE/ENGINE COOLANT

The engine coolant perform as a corrosion and rust inhabit as well as anti-freeze. Therefore, the engine coolant should be used at all times even though the atmospheric temperature in your area does not go down to freezing point.

LIQUID AMOUNT OF WATER/ENGINE COOLANT

Solution capacity (total): 2450 ml (2.6/2.2 US/Imp qt)

For engine coolant mixture information, refer to cooling system section, page 5-4.

CAUTION:

Mixing of anti-freeze/engine coolant should be limited to 60%. Mixing beyond it would reduce its efficiency. If the anti-freeze/engine coolant mixing ratio is below 50%, rust inhabiting performance is greatly reduced. Be sure to mix it above 50% even though the atmospheric temperature does not go down to the freezing point.

1-3 GENERAL INFORMATION

BREAK-IN PROCEDURES

During manufacture only the best possible materials are used and all machined parts are finished to a very high standard but it is still necessary to allow the moving parts to "BREAK-IN" before subjecting the engine to maximum stresses. The future performance and reliability of the engine depends on the care and restraint exercised during its early life. The general rules are as follows.

- Keep to these break-in engine speed limits:

Initial 800 km (500 miles): Below 7000 r/min

Up to 1600 km (1000 miles): Below 10000 r/min

Over 1600 km (1000 miles): Below 13500 r/min


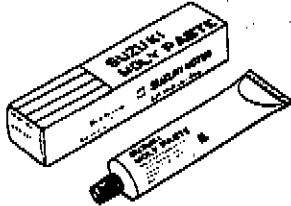
- Upon reaching an odometer reading of 1600 km (1000 miles) you can subject the motorcycle to full throttle operation. However, do not exceed 13500 r/min at any time.

CYLINDER IDENTIFICATION

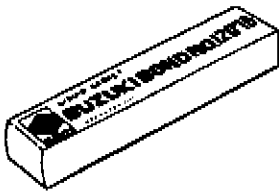


The four cylinders of this engine are identified as No.1, No.2, No.3 and No.4 cylinder, as counted from left to right (as viewed by the rider on the seat).

SPECIAL MATERIALS



The materials listed below are needed for maintenance work on the RF600R, and should be kept on hand for ready use. They supplement such standard materials as cleaning fluids, lubricants, emery cloth and the like. How to use them and where to use them are described in the text of this manual.

MATERIAL	PART	PAGE
 <p data-bbox="203 997 541 1050">SUZUKI SUPER GREASE "A" 99000-25030</p>	<ul style="list-style-type: none"> • Brake pedal pivot • Footrest pivot • Gearshift lever pivot • Side-stand pivot and spring hook • Driveshaft oil seal • Generator O-ring • Starter motor O-ring • Water pump O-ring • Starter motor oil seal • Wheel bearing • Speedometer gear box dust seal • Steering stem bearing and dust seal • Swingarm spacer, washer, bearing and dust seal • Cushion lever/rod bearing • Water pump oil seal • Sprocket mounting drum bearing and oil seal 	<p>2- 2</p> <p>2- 2</p> <p>2- 2</p> <p>2- 2</p> <p>3-42</p> <p>3-57</p> <p>3-57</p> <p>3-56</p> <p>6-17</p> <p>7-9, 44</p> <p>7-10</p> <p>7-32</p> <p>7-51</p> <p>7-52</p> <p>5-13</p> <p>7-45</p>
 <p data-bbox="203 1420 459 1473">SUZUKI MOLY PASTE 99000-25140</p>	<ul style="list-style-type: none"> • Valve stem • Conrod big end bearing • Countershaft and driveshaft • Piston pin • Crankshaft journal bearing • Camshaft journal and cam face • Starter motor armature end 	<p>3-26</p> <p>3-36</p> <p>3-42</p> <p>3-58</p> <p>3-49</p> <p>3-60</p> <p>6-17</p>

1-5 GENERAL INFORMATION

MATERIAL	PART	PAGE
 <p>SUZUKI BOND NO.1207B 99104-31140</p>	<ul style="list-style-type: none"> • Oil pressure switch • Mating surface of upper and lower crankcases • Mating surface of clutch cover • Signal generator lead wire grommet • Mating surface of starter clutch cover • Mating surface of signal generator cover • Camshaft end cap and head cover groove • Water pump mechanical seal 	<p>3-51 3-49 3-54 3-55 3-56 3-64 3-64 5-13</p>
 <p>THREAD LOCK SUPER "1303" 99000-32030</p>	<ul style="list-style-type: none"> • Cam sprocket bolt • Cam chain guide screw and bolt • Starter clutch bolt • Gearshift arm stopper bolt 	<p>3-29 3-30 3-46 3-51</p>
 <p>THREAD LOCK "1342" 99000-32050</p>	<ul style="list-style-type: none"> • Starter motor housing bolt • Front fork damper rod bolt • Countershaft bearing retainer screw • Gearshift cam guide screw and pawl lifter screw and nut • Carburetor set plate screw • Generator bearing retainer screw • Oil pump mounting bolt • Gearshift cam stopper bolt • Gearshift cam stopper plate bolt • Engine sprocket cover bolt • Throttle valve screw • Front fork damper rod bolt 	<p>6-17 7-27 3-51 3-51 4-11 6- 7 3-47 3-20 3-47 3- 6 4-14 7-27</p>

GENERAL INFORMATION 1-6

MATERIAL	PART	PAGE
 <p data-bbox="194 569 558 621">THREAD LOCK SUPER "1360" 99000-32130</p>	<ul style="list-style-type: none"><li data-bbox="773 217 1082 243">• Brake disc mounting bolt	7-9, 47
 <p data-bbox="194 998 470 1020">SUZUKI FORK OIL #10</p>	<ul style="list-style-type: none"><li data-bbox="773 647 905 673">• Front fork	7-28

1-7 GENERAL INFORMATION

PRECAUTIONS AND GENERAL INSTRUCTIONS

Observe the following items without fail when disassembling and reassembling motorcycles.

- Do not run engine indoors with little or no ventilation.
- Be sure to replace packing, gaskets, circlips, O-rings and cotter pins with new ones.

CAUTION:

Never reuse a circlip. After a circlip has been removed from a shaft, it should be discarded and a new circlip must be installed.

When installing a new circlip, care must be taken not to expand the end gap larger than required to slip the circlip over the shaft.

After installing a circlip, always insure that it is completely seated in its groove and securely fitted.

- Tighten cylinder head and case bolts and nuts beginning with larger diameter and engine with smaller diameter, and from inside to out-side diagonally, to the specified tightening torque.
- Use special tools where specified.
- Use genuine parts and recommended oils.
- When 2 or more persons work together, pay attention to safety of each other.
- After the reassembly, check parts for tightness and operation.
- Treat gasoline, which is extremely flammable and highly explosive, with greatest care. Never use gasoline as cleaning solvent.

Warning, Caution and Note are included in this manual occasionally, describing the following contents.

WARNING **The personal safety of the rider may be involved. Disregarding this information could result in injury to the rider.**

CAUTION **These instructions point out special service procedures or precautions that must be followed to avoid damaging the machine.**

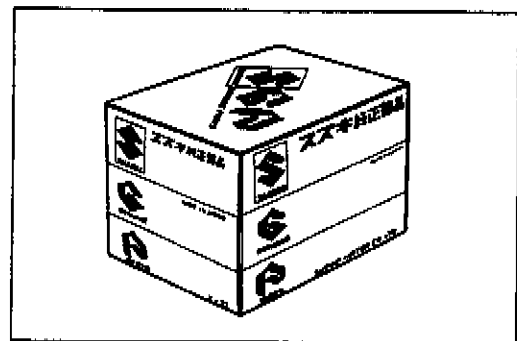
NOTE *This provides special information to make maintenance easier or important instructions clearer.*

REPLACEMENT PARTS

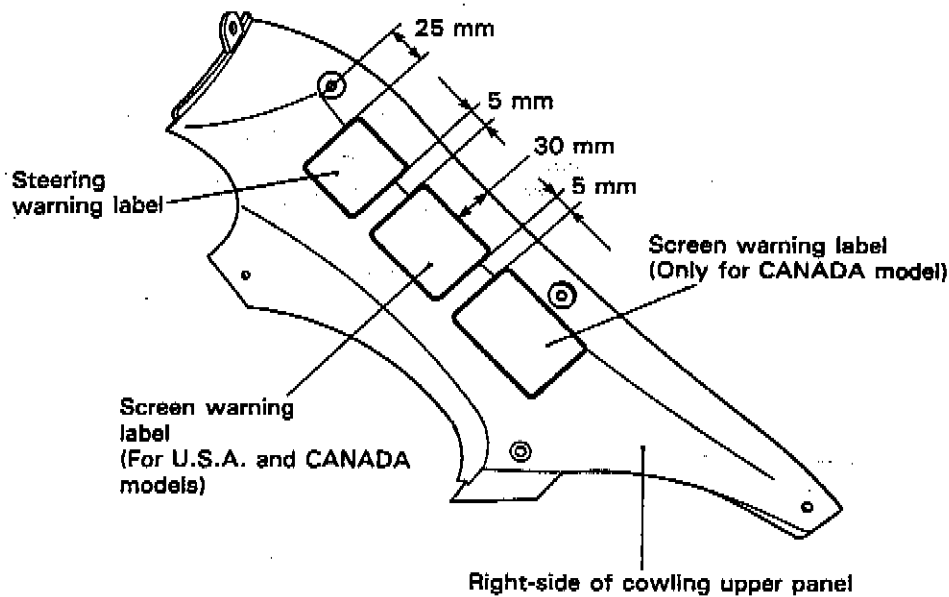
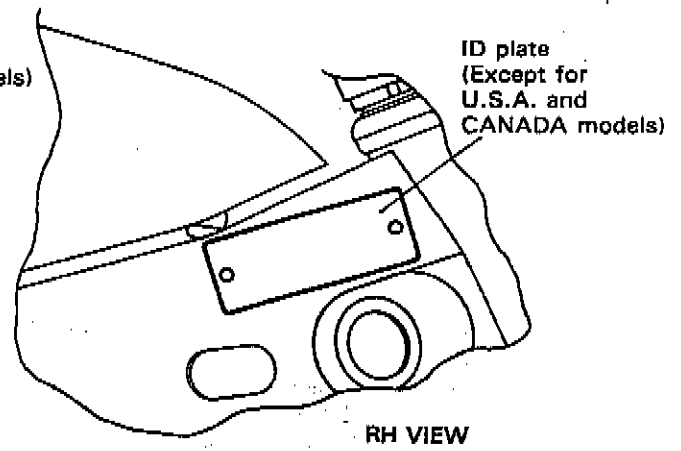
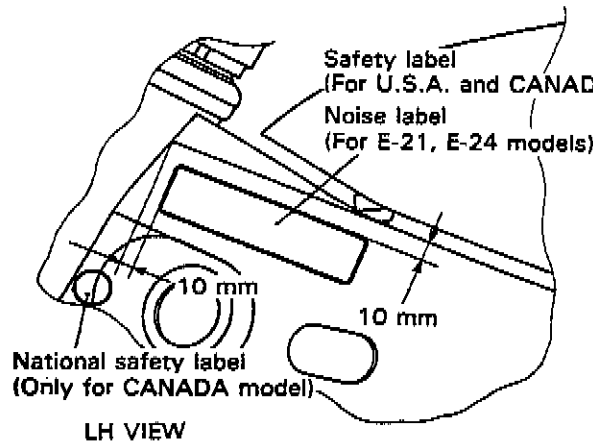
When you replace any parts, use only genuine SUZUKI replacement parts, or their equivalent. Genuine SUZUKI parts are high quality parts which are designed and built specifically for SUZUKI vehicles.

CAUTION:

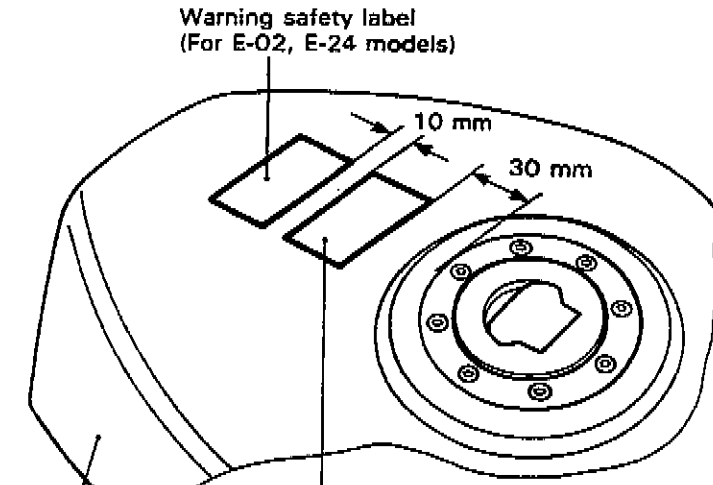
Use of replacement parts which are not equivalent in quality to genuine SUZUKI parts can lead to performance problems and damage.



INFORMATION LABELS



1-9 GENERAL INFORMATION



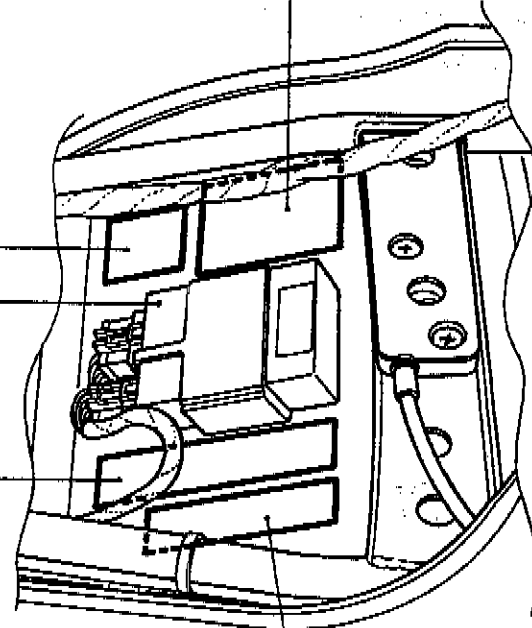
Fuel caution information
(For E-02, E-24 models)
Warning safety label
(Except for E-02, E-24 models)

Vacuum hose routing diagram
(Only for Calif. model)

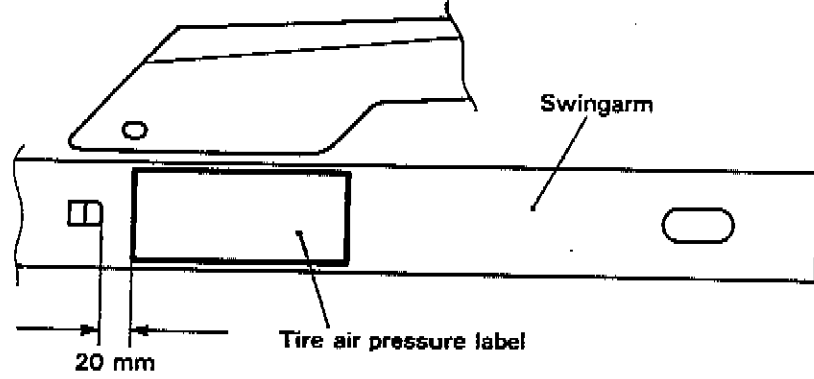
Battery caution label

Ignitor unit

Information label
(For U.S.A. model)



Noise label
(For U.S.A. model)



SPECIFICATIONS

DIMENSIONS AND DRY MASS

Overall length	2 110 mm (83.1 in)
Overall width	710 mm (28.0 in)
Overall height	1 175 mm (46.3 in)
Wheelbase	1 430 mm (56.3 in)
Ground clearance	120 mm (4.7 in)
Dry mass	195 kg (429 lbs) ... For E-03 model
	198 kg (436 lbs) ... For E-33 model

ENGINE

Type	Four-stroke, Water-cooled, DOHC, TSCC
Number of cylinders	4
Bore	65.0 mm (2.559 in)
Stroke	45.2 mm (1.780 in)
Piston displacement	599 cm ³ (36.5 cu. in)
Carburetor	MIKUNI BDST33 For E-33 model
	MIKUNI BDST36 For E-03 model
Air cleaner	Non-woven fabric element
Starter system	Electric starter
Lubrication system	Wet sump

TRANSMISSION

Clutch	Wet multi-plate type
Transmission	6-speed constant mesh
Gearshift pattern	1-down, 5-up
Primary reduction ratio	1.744 (75/43)
Final reduction ratio	3.071 (43/14)
Gear ratios, Low	3.142 (44/14)
2nd	2.058 (35/17)
3rd	1.650 (33/20)
4th	1.428 (30/21)
5th	1.260 (29/23)
Top	1.120 (28/25)
Drive chain	RK50GSVZ1, 108 links or DID 50VA7, 108 links

1-11 GENERAL INFORMATION**CHASSIS**

Front suspension	Telescopic, coil spring, oil damped, spring pre-load adjustable.
Rear suspension	Link type system, oil damped, coil spring, spring pre-load adjustable and rebound damping force adjustable.
Steering angle	30° (right & left)
Caster	65°
Trail	103 mm (4.1 in)
Turning radius	3.2 m (10.5 ft)
Front brake	Disc brake, twin
Rear brake	Disc brake
Front tire size	120/70 ZR17, tubeless
Rear tire size	160/60 ZR17, tubeless
Front fork stroke	120 mm (4.7 in)
Rear wheel travel	130 mm (5.1 in)

ELECTRICAL

Ignition type	Electronic Ignition (Fully Transistorized)
Ignition timing	4° B.T.D.C. at 1500 r/min For E-33 model 7° B.T.D.C. at 1500 r/min For E-03 model
Spark plug	N.G.K.: CR9E, NIPPONDENSO U27ESR-N
Battery	12V 28.8 kC (8 Ah)/10 HR
Generator	Three-phase A.C. Generator
Main fuse	30A
Fuse	15/15/15/10/10A
Headlight	12V 60/55W
Turn signal light	12V 21W
Taillight	12V 5W
Brake light	12V 21W x 2
License plate light	12V 5W
Speedometer light	12V 1.7W x 2
Tachometer light	12V 1.7W x 2
Engine coolant temp. meter light	12V 1.7W
Neutral indicator light	12V 3.4W
High beam indicator light	12V 3.4W
Turn signal indicator light	12V 3.4W
Oil pressure indicator light	12V 3.4W

CAPACITIES

Fuel tank, including reserve	17.0 L (4.5/3.7 US/Imp gal) ... For E-03 model 16.0 L (4.2/3.5 US/Imp gal) ... For E-33 model
Engine oil, oil change	3 000 ml (3.2/2.6 US/Imp qt)
with filter change	3 300 ml (3.5/2.9 US/Imp qt)
overhaul	3 900 ml (4.1/3.4 US/Imp qt)
Front fork oil	503 ml (17.0/17.7 US/Imp oz)
Coolant	2 450 ml (2.6/2.2 US/Imp qt)

These specifications are subject to change without notice.

COUNTRY OR AREA

The series of symbols on the left stand for the countries or area on the right.

SYMBOL	COUNTRY or AREA
E-02	England
E-03	U.S.A.
E-33	California (U.S.A.)
E-04	France
E-15	Finland
E-16	Norway
E-17	Sweden
E-18	Switzerland
E-21	Belgium
E-22	Germany
E-24	Australia
E-25	Netherlands
E-28	Canada
E-34	Italy
E-53	Spain

PERIODIC MAINTENANCE AND TUNE-UP PROCEDURES

CONTENTS

PERIODIC MAINTENANCE SCHEDULE	2- 1
PERIODIC MAINTENANCE CHART	2- 1
LUBRICATION POINTS	2- 2
MAINTENANCE AND TUNE-UP PROCEDURES	2- 3
EXHAUST PIPE BOLTS	2- 3
AIR CLEANER	2- 3
TAPPET CLEARANCE	2- 4
SPARK PLUG	2- 8
ENGINE OIL AND OIL FILTER	2- 9
FUEL LINE	2-10
FUEL FILTER	2-10
CARBURETOR	2-10
CLUTCH	2-11
DRIVE CHAIN	2-11
COOLING SYSTEM	2-13
BRAKE	2-14
TIRE	2-16
STEERING	2-17
FRONT FORK	2-18
REAR SUSPENSION	2-18
CHASSIS BOLTS AND NUTS	2-19
COMPRESSION PRESSURE CHECK	2-21
OIL PRESSURE CHECK	2-22

2-1 PERIODIC MAINTENANCE AND TUNE-UP PROCEDURES

PERIODIC MAINTENANCE SCHEDULE

IMPORTANT: The periodic maintenance intervals and service requirements have been established in accordance with EPA regulations. Following these instructions will ensure that the motorcycle will not exceed emission standards and it will also ensure the reliability and performance of the motorcycle.

The chart below lists the recommended intervals for all the required periodic service work necessary to keep the motorcycle operating at peak performance and economy. Mileages are expressed in terms of kilometer, miles and time for your convenience.

NOTE:

More frequent servicing may be performed on motorcycles that are used under severe conditions however, it is not necessary for ensuring emission level compliance.

PERIODIC MAINTENANCE CHART

Item	Interval	km	1000	6000	12000	18000	24000
		miles	600	4000	7500	11000	15000
		months	2	12	24	36	48
Exhaust pipe bolts		—	T	T	T	T	T
Air cleaner		—	I	I	R	I	
Tappet clearance		—	—	I	—	I	
Spark plug		—	I	R	I	R	
Engine oil		R	R	R	R	R	
Engine oil filter		R	—	R	—	R	
Fuel line (EVAP hose California model only)		—	I	I	I	I	I
		Replace every 4 years					
Fuel filter		—	—	C	—	C	
Engine idle rpm (Carburetor)		I	I	I	I	I	
Throttle cable play (Carburetor)		I	I	I	I	I	
Clutch cable play		—	I	I	I	I	
Drive chain		I	I	I	I	I	
		Lubricate every 1000 km (600 miles)					
Radiator hose		—	I	I	I	I	
		Replace every 4 years					
Engine coolant		Replace every 2 years					
Brake		I	I	I	I	I	
Brake hose		—	I	I	I	I	
		Replace every 4 years					
Brake fluid		—	I	I	I	I	
		Replace every 2 years					
Tire		—	I	I	I	I	
Steering		I	—	I	—	I	
Front fork		—	—	I	—	I	
Rear suspension		—	—	I	—	I	
Chassis bolts and nuts		T	T	T	T	T	

I = Inspection and adjust, clean, lubricate or replace as necessary

C = Clean

R = Replace

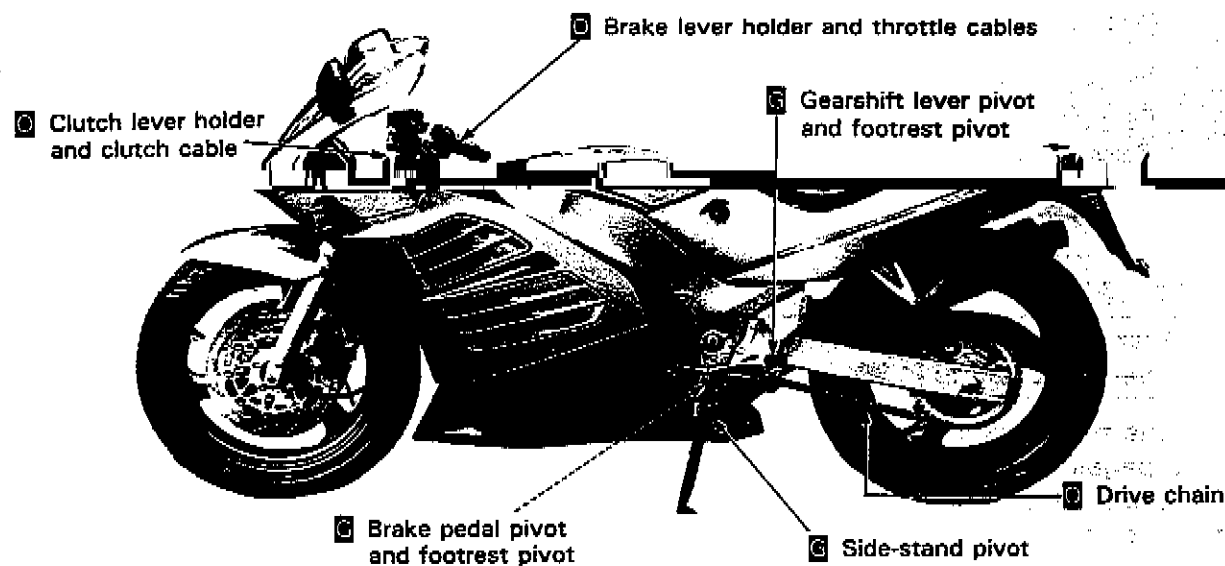
T = Tighten

LUBRICATION POINTS

Proper lubrication is important for smooth operation and long life of each working part of the motorcycle.

Major lubrication points are indicated below.

- ⓪ Oil
- Ⓜ Grease



NOTE:

- * Before lubricating each part, clean off any rusty spots and wipe off any grease, oil, dirt or grime.
- * Lubricate exposed parts which are subject to rust, with a rust preventative spray whenever the motorcycle has been operated under wet or rainy conditions.

2.3 PERIODIC MAINTENANCE AND TUNE-UP PROCEDURES

MAINTENANCE AND TUNE-UP PROCEDURES

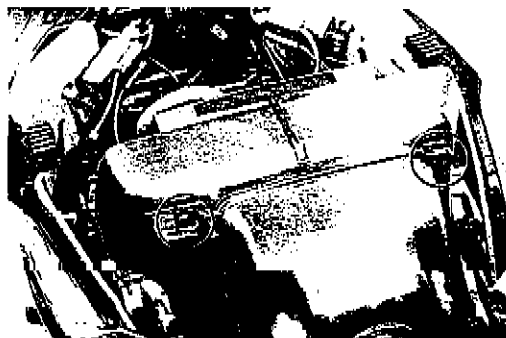
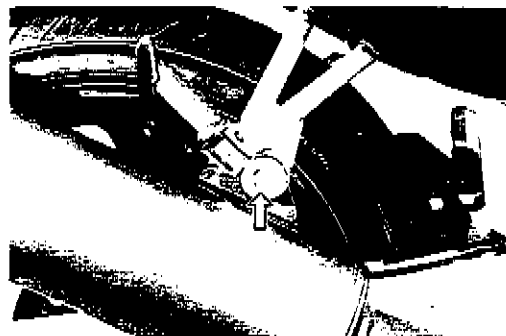
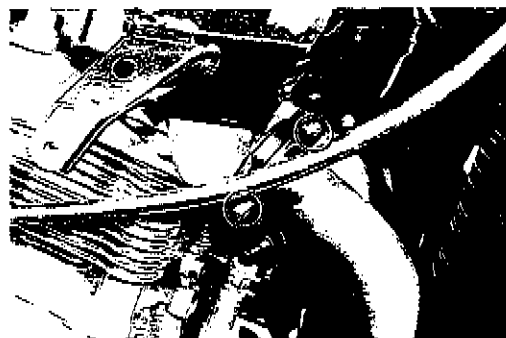
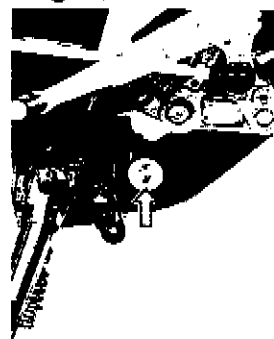
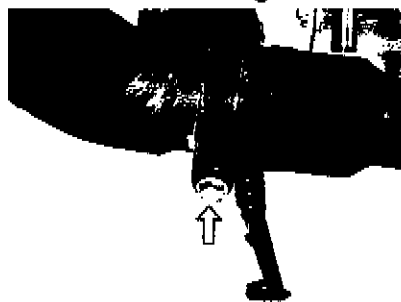
This section describes the servicing procedures for each item of the Periodic Maintenance requirements.

EXHAUST PIPE BOLTS

Tighten Every 6000 km (4000 miles, 12 months).

- Remove the lower cowling assembly. (Refer to page 7-2.)
- Remove the radiator mounting bolts. (Refer to page 3-4.)
- Tighten the exhaust pipe clamp bolts and muffler mounting bolts to the specified torque with a torque wrench.

Exhaust pipe clamp bolt 18–28 N·m
& Muffler mounting bolt : (1.8–2.8 kg-m, 13.0–20.0 lb-ft)



AIR CLEANER

**Inspect Every 6000 km (4000 miles, 12 months) and
Replace Every 18000 km (11000 miles, 36 months).**

- Remove the seats, frame cover assembly and fuel tank. (Refer to pages 7-5 and 4-5.)
- Remove the air cleaner element by removing the screws.
- Carefully use air hose to blow the dust from the cleaner element.

CAUTION:

Always use air pressure on the inside of the air cleaner element. If air pressure is used on the outside, dirt will be forced into the pores of the air cleaner element thus restricting air flow through the air cleaner element.

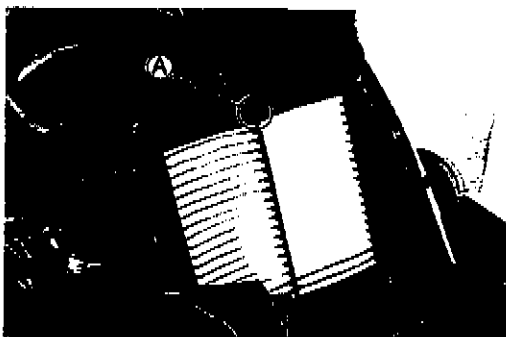
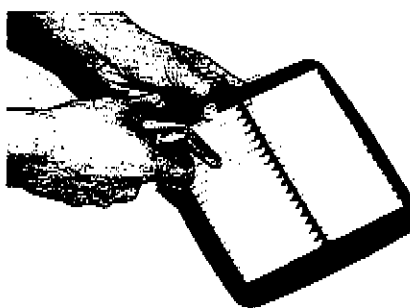
- Reinstall the cleaned or new air cleaner element in the reverse order of removal.
- When installing the air cleaner element in the cleaner case, make sure that the \otimes mark (A) comes upward.

CAUTION:

If driving under dusty condition, clean the air cleaner element more frequently. The surest way to accelerate engine wear is to use the engine without the element or to use a ruptured element. Make sure that the air cleaner is in good condition at all times. Life of the engine depends largely on this component!

NOTE:

When you clean the air cleaner element, drain water from the air cleaner drain hose by removing the drain plug.



TAPPET CLEARANCE

Inspect Every 12000 km (7500 miles, 24 months).

- Remove the seats, frame cover assembly, lower cowling assembly and fuel tank. (Refer to pages 7-2, 7-5 and 4-5.)
- Remove the air cleaner box and carburetors. (Refer to pages 3-2 and 3.)
- Remove all the spark plugs.
- Remove the cylinder head cover. (Refer to page 3-10.)

The tappet clearance specification is different for both intake and exhaust valves.

Tappet clearance adjustment must be checked and adjusted, 1) at the time of periodic inspection, 2) when the valve mechanism is serviced, and 3) when the camshafts are disturbed by removing them for servicing.

Tappet clearance (when cold):

IN. : 0.10–0.20 mm (0.004–0.008 in)

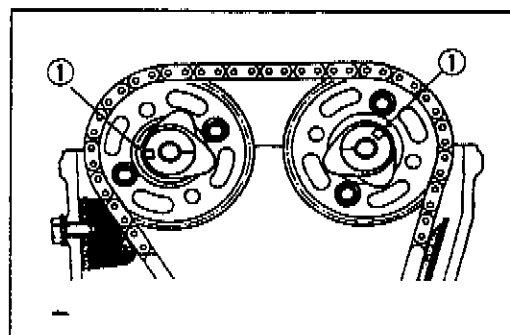
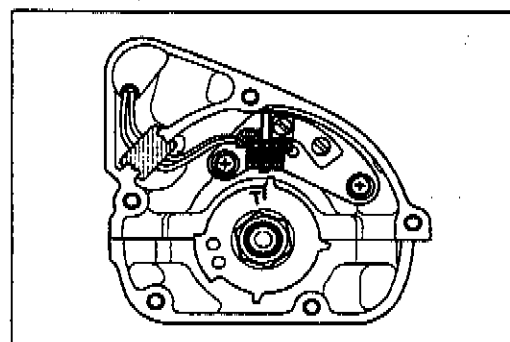
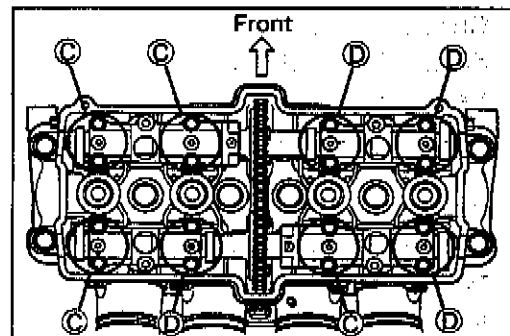
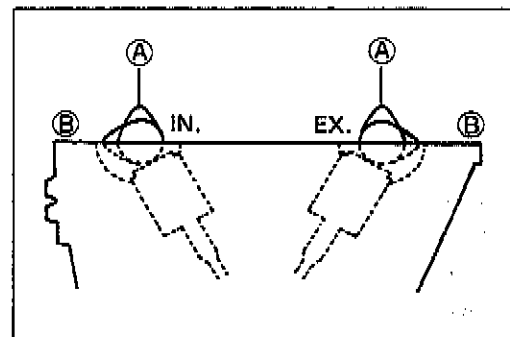
EX.: 0.20–0.30 mm (0.008–0.012 in)

NOTE:

- * The cam must be at positions, **A** or **B**, in order to check the tappet clearance, or to adjust tappet clearance. Clearance readings should not be taken with the cam in any other position than these two positions.
- * The clearance specification is for **COLD** state.
- * To turn the crankshaft for clearance checking, be sure to use a 19-mm wrench, and rotate in the normal running direction. All spark plugs should be removed.





- Turn crankshaft to bring the "T" mark on the rotor to the center of pick-up coil and also to bring the notches **①** in the right ends of both camshafts (Ex and In) to the positions shown. In this condition, read the tappet clearance at the valves **C** (In and Ex of No.1 cylinder, Ex of No.2 and In of No.3).
- Use a thickness gauge between the tappet and the cam. If the clearance is out of specification, bring it into the specified range.

09900-20803: Thickness gauge



2.5 PERIODIC MAINTENANCE AND TUNE-UP PROCEDURES

- Turn the crankshaft 360° (one rotation) to bring the "T" mark on the rotor to the center of pick-up coil and also to bring the notches ① to the positions shown.
- Read the clearance at the remaining valves ② and adjust the clearance if necessary.

Cam Position	Notch ① position	
	Intake Camshaft	Exhaust Camshaft
Ⓒ		
Ⓓ		

TAPPET CLEARANCE ADJUSTMENT

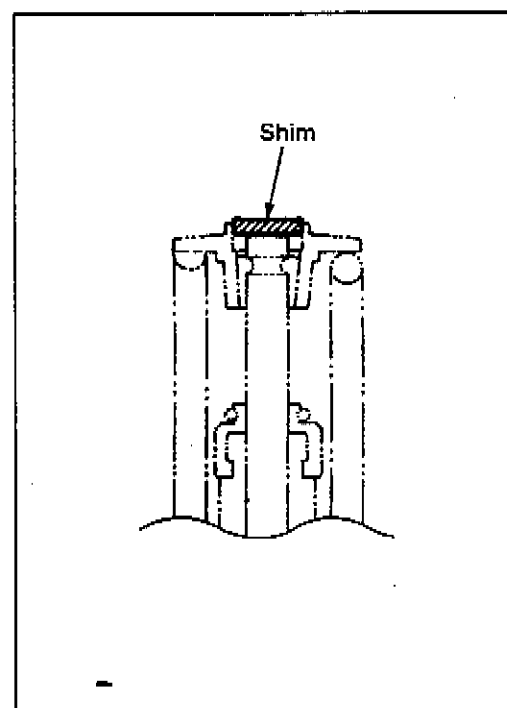
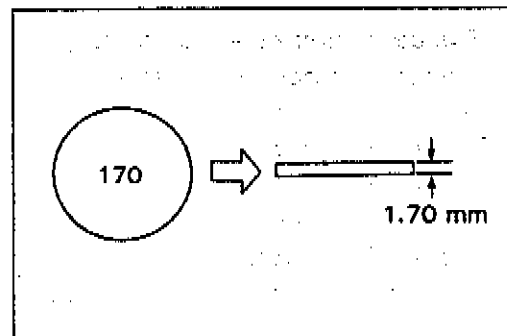
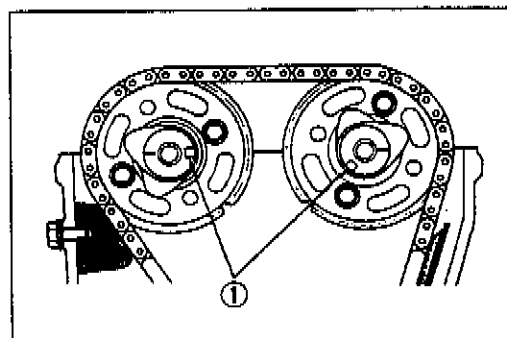
The clearance is adjusted by replacing the existing tappet shim by a thicker or thinner shim.

- Remove the intake or exhaust camshafts. (Refer to page 3-11.)
- Remove the tappet and shim by fingers or magnetic hand. (Refer to page 3-21.)
- Check the figures printed on the shim. These figures indicate the thickness of the shim, as illustrated.
- Select a replacement shim that will provide a clearance within the specified range. For the purpose of this adjustment, a total of 21 sizes of tappet shim are available ranging from 1.20 to 2.20 mm in steps of 0.05 mm. Fit the selected shim to the valve stem end, with numbers toward tappet. Be sure to check shim size with micrometer to ensure its size.

Refer to the tappet shim selection table for details.

NOTE:

- * Be sure to apply engine oil to tappet shim top and bottom faces.
- * When seating the tappet shim, be sure to face figure printed surface to the tappet.
- After replacing the tappet shim and camshafts, rotate the engine so that the tappet is depressed fully. This will squeeze out oil trapped between the shim and the tappet that could cause an incorrect measurement, then check the clearance again to confirm that it is within the specified range.
- When installing the cylinder head cover, apply SUZUKI BOND NO.1207B to the head cover groove and cam end caps. (Refer to page 3-64.)
- Tighten the head cover bolts to the specified torque. (Refer to page 3-65.)



(INTAKE SIDE)

TAPPET SHIM SET NO. (12800-05820)

TAPPET SHIM SELECTION TABLE (INTAKE)
TAPPET SHIM NO.(12892-05C00- X X X)

MEA- SURED TAPPET CLEARANCE (mm)	SUFFIX NO.	SPECIFIED CLEARANCE/NO ADJUSTMENT REQUIRED																				
		120	125	130	135	140	145	150	155	160	165	170	175	180	185	190	195	200	205	210	215	220
0.00-0.04	PRESENT SHIM SIZE (mm)	1.20	1.25	1.30	1.35	1.40	1.45	1.50	1.55	1.60	1.65	1.70	1.75	1.80	1.85	1.90	1.95	2.00	2.05	2.10	2.15	2.20
		1.20	1.25	1.30	1.35	1.40	1.45	1.50	1.55	1.60	1.65	1.70	1.75	1.80	1.85	1.90	1.95	2.00	2.05	2.10	2.15	2.20
0.05-0.09	PRESENT SHIM SIZE (mm)	1.20	1.25	1.30	1.35	1.40	1.45	1.50	1.55	1.60	1.65	1.70	1.75	1.80	1.85	1.90	1.95	2.00	2.05	2.10	2.15	2.20
		1.20	1.25	1.30	1.35	1.40	1.45	1.50	1.55	1.60	1.65	1.70	1.75	1.80	1.85	1.90	1.95	2.00	2.05	2.10	2.15	2.20
0.10-0.20	PRESENT SHIM SIZE (mm)	1.20	1.25	1.30	1.35	1.40	1.45	1.50	1.55	1.60	1.65	1.70	1.75	1.80	1.85	1.90	1.95	2.00	2.05	2.10	2.15	2.20
		1.20	1.25	1.30	1.35	1.40	1.45	1.50	1.55	1.60	1.65	1.70	1.75	1.80	1.85	1.90	1.95	2.00	2.05	2.10	2.15	2.20
0.21-0.25	PRESENT SHIM SIZE (mm)	1.30	1.35	1.40	1.45	1.50	1.55	1.60	1.65	1.70	1.75	1.80	1.85	1.90	1.95	2.00	2.05	2.10	2.15	2.20		
		1.30	1.35	1.40	1.45	1.50	1.55	1.60	1.65	1.70	1.75	1.80	1.85	1.90	1.95	2.00	2.05	2.10	2.15	2.20		
0.26-0.30	PRESENT SHIM SIZE (mm)	1.35	1.40	1.45	1.50	1.55	1.60	1.65	1.70	1.75	1.80	1.85	1.90	1.95	2.00	2.05	2.10	2.15	2.20			
		1.35	1.40	1.45	1.50	1.55	1.60	1.65	1.70	1.75	1.80	1.85	1.90	1.95	2.00	2.05	2.10	2.15	2.20			
0.31-0.35	PRESENT SHIM SIZE (mm)	1.40	1.45	1.50	1.55	1.60	1.65	1.70	1.75	1.80	1.85	1.90	1.95	2.00	2.05	2.10	2.15	2.20				
		1.40	1.45	1.50	1.55	1.60	1.65	1.70	1.75	1.80	1.85	1.90	1.95	2.00	2.05	2.10	2.15	2.20				
0.36-0.40	PRESENT SHIM SIZE (mm)	1.45	1.50	1.55	1.60	1.65	1.70	1.75	1.80	1.85	1.90	1.95	2.00	2.05	2.10	2.15	2.20					
		1.45	1.50	1.55	1.60	1.65	1.70	1.75	1.80	1.85	1.90	1.95	2.00	2.05	2.10	2.15	2.20					
0.41-0.45	PRESENT SHIM SIZE (mm)	1.50	1.55	1.60	1.65	1.70	1.75	1.80	1.85	1.90	1.95	2.00	2.05	2.10	2.15	2.20						
		1.50	1.55	1.60	1.65	1.70	1.75	1.80	1.85	1.90	1.95	2.00	2.05	2.10	2.15	2.20						
0.46-0.50	PRESENT SHIM SIZE (mm)	1.55	1.60	1.65	1.70	1.75	1.80	1.85	1.90	1.95	2.00	2.05	2.10	2.15	2.20							
		1.55	1.60	1.65	1.70	1.75	1.80	1.85	1.90	1.95	2.00	2.05	2.10	2.15	2.20							
0.51-0.55	PRESENT SHIM SIZE (mm)	1.60	1.65	1.70	1.75	1.80	1.85	1.90	1.95	2.00	2.05	2.10	2.15	2.20								
		1.60	1.65	1.70	1.75	1.80	1.85	1.90	1.95	2.00	2.05	2.10	2.15	2.20								
0.56-0.60	PRESENT SHIM SIZE (mm)	1.65	1.70	1.75	1.80	1.85	1.90	1.95	2.00	2.05	2.10	2.15	2.20									
		1.65	1.70	1.75	1.80	1.85	1.90	1.95	2.00	2.05	2.10	2.15	2.20									
0.61-0.65	PRESENT SHIM SIZE (mm)	1.70	1.75	1.80	1.85	1.90	1.95	2.00	2.05	2.10	2.15	2.20										
		1.70	1.75	1.80	1.85	1.90	1.95	2.00	2.05	2.10	2.15	2.20										
0.66-0.70	PRESENT SHIM SIZE (mm)	1.75	1.80	1.85	1.90	1.95	2.00	2.05	2.10	2.15	2.20											
		1.75	1.80	1.85	1.90	1.95	2.00	2.05	2.10	2.15	2.20											
0.71-0.75	PRESENT SHIM SIZE (mm)	1.80	1.85	1.90	1.95	2.00	2.05	2.10	2.15	2.20												
		1.80	1.85	1.90	1.95	2.00	2.05	2.10	2.15	2.20												
0.76-0.80	PRESENT SHIM SIZE (mm)	1.85	1.90	1.95	2.00	2.05	2.10	2.15	2.20													
		1.85	1.90	1.95	2.00	2.05	2.10	2.15	2.20													
0.81-0.85	PRESENT SHIM SIZE (mm)	1.90	1.95	2.00	2.05	2.10	2.15	2.20														
		1.90	1.95	2.00	2.05	2.10	2.15	2.20														
0.86-0.90	PRESENT SHIM SIZE (mm)	1.95	2.00	2.05	2.10	2.15	2.20															
		1.95	2.00	2.05	2.10	2.15	2.20															
0.91-0.95	PRESENT SHIM SIZE (mm)	2.00	2.05	2.10	2.15	2.20																
		2.00	2.05	2.10	2.15	2.20																
0.96-1.00	PRESENT SHIM SIZE (mm)	2.05	2.10	2.15	2.20																	
		2.05	2.10	2.15	2.20																	
1.01-1.05	PRESENT SHIM SIZE (mm)	2.10	2.15	2.20																		
		2.10	2.15	2.20																		
1.06-1.10	PRESENT SHIM SIZE (mm)	2.15	2.20																			
		2.15	2.20																			
1.11-1.15	PRESENT SHIM SIZE (mm)	2.20																				
		2.20																				

HOW TO USE THIS CHART:

- I. Measure tappet clearance. "ENGINE IS COLD"
- II. Measure present shim size.
- III. Match clearance in vertical column with present shim size in horizontal column.

EXAMPLE

Tappet clearance is 0.23 mm
Present shim size 1.70 mm
Shim size to be used 1.80 mm

2-7 PERIODIC MAINTENANCE AND TUNE-UP PROCEDURES

(EXHAUST SIDE)

TAPPET SHIM SELECTION TABLE (EXHAUST)
TAPPET SHIM NO.(12892-05C00- x x x)

TAPPET SHIM SET NO. (12800-05820)

MEA- SURED TAPPET CLEARANCE (mm)	SUFFIX NO.	SPECIFIED CLEARANCE/ADJUSTMENT REQUIRED																				
		120	125	130	135	140	145	150	155	160	165	170	175	180	185	190	195	200	205	210	215	220
0.09-0.09	PRESENT SHIM SIZE (mm)	1.20	1.25	1.30	1.35	1.40	1.45	1.50	1.55	1.60	1.65	1.70	1.75	1.80	1.85	1.90	1.95	2.00	2.05	2.10	2.15	2.20
	0.09-0.09	1.20	1.25	1.30	1.35	1.40	1.45	1.50	1.55	1.60	1.65	1.70	1.75	1.80	1.85	1.90	1.95	2.00	2.05	2.10	2.15	2.20
	0.10-0.14	1.20	1.25	1.30	1.35	1.40	1.45	1.50	1.55	1.60	1.65	1.70	1.75	1.80	1.85	1.90	1.95	2.00	2.05	2.10	2.15	2.20
	0.15-0.19	1.20	1.25	1.30	1.35	1.40	1.45	1.50	1.55	1.60	1.65	1.70	1.75	1.80	1.85	1.90	1.95	2.00	2.05	2.10	2.15	2.20
0.20-0.30	1.20	1.25	1.30	1.35	1.40	1.45	1.50	1.55	1.60	1.65	1.70	1.75	1.80	1.85	1.90	1.95	2.00	2.05	2.10	2.15	2.20	
0.31-0.35	1.30	1.35	1.40	1.45	1.50	1.55	1.60	1.65	1.70	1.75	1.80	1.85	1.90	1.95	2.00	2.05	2.10	2.15	2.20	2.20	2.20	2.20
0.36-0.40	1.35	1.40	1.45	1.50	1.55	1.60	1.65	1.70	1.75	1.80	1.85	1.90	1.95	2.00	2.05	2.10	2.15	2.20	2.20	2.20	2.20	2.20
0.41-0.45	1.40	1.45	1.50	1.55	1.60	1.65	1.70	1.75	1.80	1.85	1.90	1.95	2.00	2.05	2.10	2.15	2.20	2.20	2.20	2.20	2.20	2.20
0.46-0.50	1.45	1.50	1.55	1.60	1.65	1.70	1.75	1.80	1.85	1.90	1.95	2.00	2.05	2.10	2.15	2.20	2.20	2.20	2.20	2.20	2.20	2.20
0.51-0.55	1.50	1.55	1.60	1.65	1.70	1.75	1.80	1.85	1.90	1.95	2.00	2.05	2.10	2.15	2.20	2.20	2.20	2.20	2.20	2.20	2.20	2.20
0.56-0.60	1.55	1.60	1.65	1.70	1.75	1.80	1.85	1.90	1.95	2.00	2.05	2.10	2.15	2.20	2.20	2.20	2.20	2.20	2.20	2.20	2.20	2.20
0.61-0.65	1.60	1.65	1.70	1.75	1.80	1.85	1.90	1.95	2.00	2.05	2.10	2.15	2.20	2.20	2.20	2.20	2.20	2.20	2.20	2.20	2.20	2.20
0.66-0.70	1.65	1.70	1.75	1.80	1.85	1.90	1.95	2.00	2.05	2.10	2.15	2.20	2.20	2.20	2.20	2.20	2.20	2.20	2.20	2.20	2.20	2.20
0.71-0.75	1.70	1.75	1.80	1.85	1.90	1.95	2.00	2.05	2.10	2.15	2.20	2.20	2.20	2.20	2.20	2.20	2.20	2.20	2.20	2.20	2.20	2.20
0.76-0.80	1.75	1.80	1.85	1.90	1.95	2.00	2.05	2.10	2.15	2.20	2.20	2.20	2.20	2.20	2.20	2.20	2.20	2.20	2.20	2.20	2.20	2.20
0.81-0.85	1.80	1.85	1.90	1.95	2.00	2.05	2.10	2.15	2.20	2.20	2.20	2.20	2.20	2.20	2.20	2.20	2.20	2.20	2.20	2.20	2.20	2.20
0.86-0.90	1.85	1.90	1.95	2.00	2.05	2.10	2.15	2.20	2.20	2.20	2.20	2.20	2.20	2.20	2.20	2.20	2.20	2.20	2.20	2.20	2.20	2.20
0.91-0.95	1.90	1.95	2.00	2.05	2.10	2.15	2.20	2.20	2.20	2.20	2.20	2.20	2.20	2.20	2.20	2.20	2.20	2.20	2.20	2.20	2.20	2.20
0.96-1.00	1.95	2.00	2.05	2.10	2.15	2.20	2.20	2.20	2.20	2.20	2.20	2.20	2.20	2.20	2.20	2.20	2.20	2.20	2.20	2.20	2.20	2.20
1.01-1.05	2.00	2.05	2.10	2.15	2.20	2.20	2.20	2.20	2.20	2.20	2.20	2.20	2.20	2.20	2.20	2.20	2.20	2.20	2.20	2.20	2.20	2.20
1.06-1.10	2.05	2.10	2.15	2.20	2.20	2.20	2.20	2.20	2.20	2.20	2.20	2.20	2.20	2.20	2.20	2.20	2.20	2.20	2.20	2.20	2.20	2.20
1.11-1.15	2.10	2.15	2.20	2.20	2.20	2.20	2.20	2.20	2.20	2.20	2.20	2.20	2.20	2.20	2.20	2.20	2.20	2.20	2.20	2.20	2.20	2.20
1.16-1.20	2.15	2.20	2.20	2.20	2.20	2.20	2.20	2.20	2.20	2.20	2.20	2.20	2.20	2.20	2.20	2.20	2.20	2.20	2.20	2.20	2.20	2.20
1.21-1.25	2.20	2.20	2.20	2.20	2.20	2.20	2.20	2.20	2.20	2.20	2.20	2.20	2.20	2.20	2.20	2.20	2.20	2.20	2.20	2.20	2.20	2.20

HOW TO USE THIS CHART:

- I. Measure tappet clearance. "ENGINE IS COLD"
- II. Measure present shim size.
- III. Match clearance in vertical column with present shim size in horizontal column.

EXAMPLE

Tappet clearance is 0.33 mm
Present shim size 1.70 mm
Shim size to be used 1.80 mm

SPARK PLUG

Inspect at 6000 km (4000 miles, 12 months), 18000 km (11000 miles, 36 months) and Replace Every 12000 km (7500 miles, 24 months).

- Remove the seats, frame cover assembly and fuel tank. (Refer to pages 7-5 and 4-5.)
- Remove all the spark plugs.

NOTE:

If it is difficult to remove the spark plug cap, pry up it with a screwdriver.

09930-10121: Spark plug socket wrench set

09930-14530: Universal joint

09914-24510: T handle

09900-20803: Thickness gauge

	Standard	Cold type	Hot type
NGK	CR9E	CR10E	CR8E
ND	U27ESR-N	U31ESR-N	U24ESR-N

CARBON DEPOSIT

Check to see the carbon deposit on the plug.

If the carbon is deposited, remove it with a spark plug cleaner machine or carefully using a tool with a pointed end.

SPARK PLUG GAP

Measure the plug gap with a thickness gauge if it is correct. If not, adjust it to the following gap.

Spark plug gap	Standard
	0.7–0.8 mm (0.028–0.032 in)

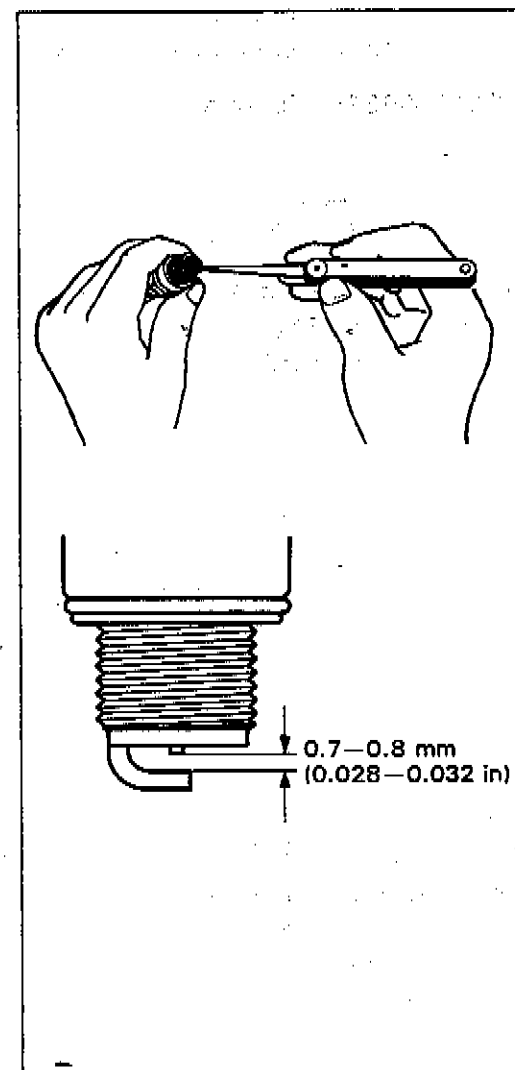
09900-20803: Thickness gauge

ELECTRODE'S CONDITION

Check to see the worn or burnt condition of the electrodes. If it is extremely worn or burnt, replace the plug. And also replace the plug if it has a broken insulator, damaged thread, etc.

CAUTION:

Confirm the thread size and reach when replacing the plug. If the reach is too short, carbon will be deposited on the screw portion of the plug hole and engine damage may result.



2-9 PERIODIC MAINTENANCE AND TUNE-UP PROCEDURES**ENGINE OIL AND OIL FILTER****(ENGINE OIL)**

Replace Initially at 1000 km (600 miles, 2 months) and Every 6000 km (4000 miles, 12 months) thereafter.

OIL FILTER

Replace Initially at 1000 km (600 miles, 2 months) and Every 12000 km (7500 miles, 24 months) thereafter.

Oil should be changed while the engine is warm. Oil filter replacement at the above intervals, should be done together with the engine oil change.

- Keep the motorcycle upright.
- Place an oil pan below the engine, and drain the oil by removing the drain plug ① and filler cap ②.
- Remove the oil filter ③ by using the oil filter wrench. (Special tool ㉞)
- Apply engine oil lightly to the gasket of the new filter before installation.
- Install the new filter turning it by hand until you feel that the filter gasket contacts the mounting surface. Then tighten it 2 turns using the oil filter wrench. (Special tool ㉞)

09915-40610: Oil filter wrench**NOTE:**

To properly tighten the filter, use the special tool. Never tighten the filter by hand.

- Fit the drain plug ① securely, and pour fresh oil through the oil filler. The engine will hold about 3.3 L (3.5 US qt) of oil. Use an API classification of SE or SF oil with SAE 10W/40 viscosity.
- Start up the engine and allow it to run for several seconds at idling speed.
- Turn off the engine and wait about one minute, then check the oil level through the inspection window ④. If the level is below mark "F", add oil to that level.

NECESSARY AMOUNT OF ENGINE OIL

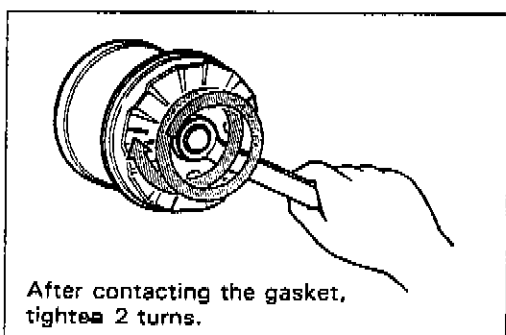
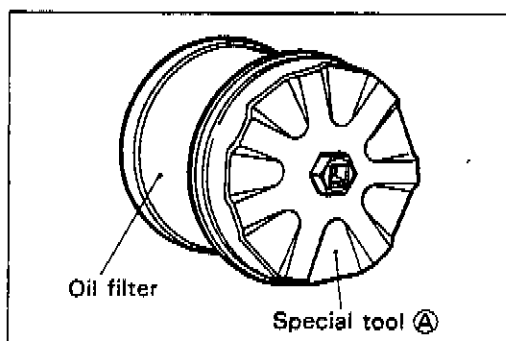
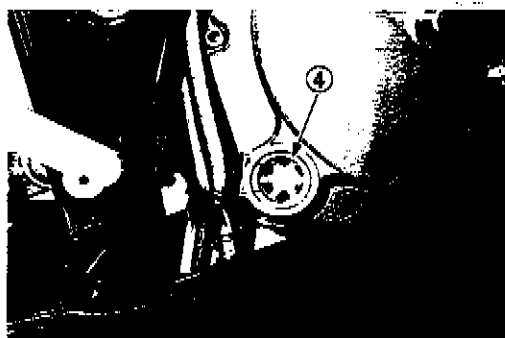
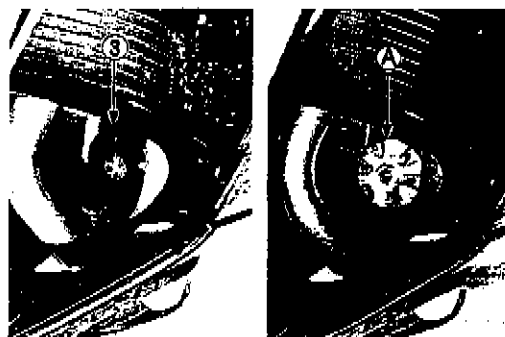
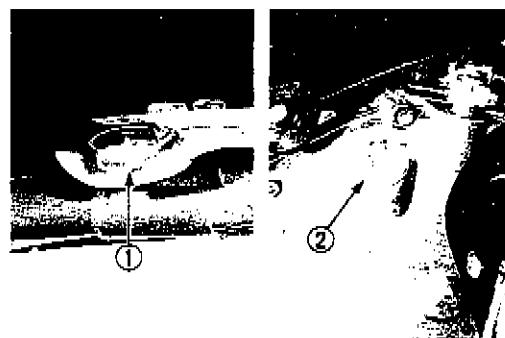
Oil change: 3.0 L (3.2/2.6 US/Imp qt)

Filter change: 3.3 L (3.5/2.9 US/Imp qt)

Overhaul engine: 3.9 L (4.1/3.4 US/Imp qt)

CAUTION:

Use **SUZUKI MOTORCYCLE GENUINE OIL FILTER** only, since the other make's genuine filters and after-market parts may differ in thread specifications (thread diameter and pitch), filtering performance and durability, which could cause engine damage or oil leaks. Suzuki automobile genuine oil filter is also not usable for the motorcycles.



FUEL LINE (EVAP HOSE ... California model only)

Inspect Every 6000 km (4000 miles, 12 months).
Replace Every 4 years.

FUEL FILTER

Clean Every 12000 km (7500 miles, 24 months).

(Refer to page 4-5.)

CARBURETOR**IDLE RPM (Idling adjustment)**

Inspect Initially at 1000 km (600 miles, 2 months) and
Every 6000 km (4000 miles, 12 months) thereafter.

NOTE:

Make this adjustment when the engine is hot.

- Connect a tachometer.
- Start up the engine and set its speed at anywhere between 1200 and 1400 r/min by turning throttle stop screw ①.

Engine idle speed:

1300 ± 100 r/min E-03

1350 ± 100 r/min E-33

THROTTLE CABLE PLAY**Pulling cable play ①**

There should be 0.5—1.0 mm (0.02—0.04 in) play ① in the throttle cable. Adjust the throttle cable play with the following procedures.

- Loosen the lock nut ① and turn the adjuster ② in or out until the specified play is obtained.
- Tighten the lock nut ① while holding the adjuster.

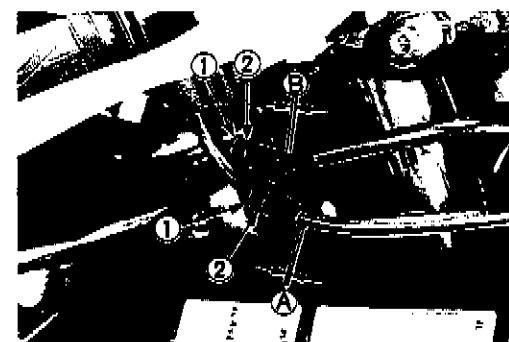
Returning cable play ②

- Adjust the returning cable to the specified play in the same manner as the pulling cable play adjustment.

Throttle cable play (① and ②): 0.5—1.0 mm (0.02—0.04 in)

WARNING:

After the adjustment is completed, check that handlebar movement does not raise the engine idle speed and that the throttle grip returns smoothly and automatically.



2-11 PERIODIC MAINTENANCE AND TUNE-UP PROCEDURES**CLUTCH**

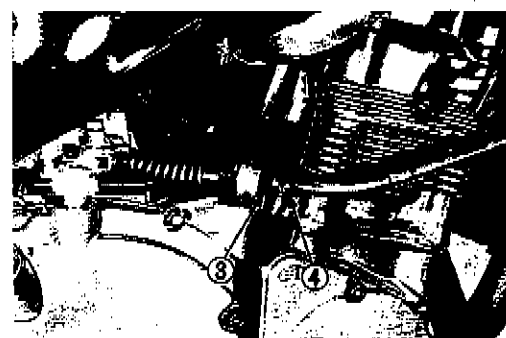
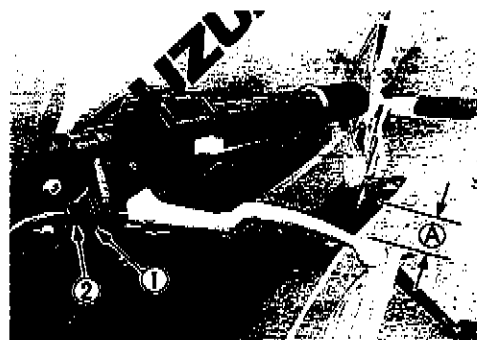
Inspect Every 6000 km (4000 miles, 12 months).

- Remove the lower cowling assembly.
- Loosen the cable adjuster lock nut ① and screw in the cable adjuster ②.
- Loosen the cable adjuster lock nut ③ and screw in the cable adjuster ④ to provide a play in the cable.
- Adjust the clutch lever play A with the cable adjuster ④ until play of the clutch lever is within the following value.

Clutch lever play A

10–15 mm (0.4–0.6 in)

- If the specified play can not be obtained with the cable adjuster ④, carry out the adjustment with the cable adjuster ② on the clutch lever side.
- After adjusting the play, tighten the both cable adjuster lock nuts, ① and ③.

**DRIVE CHAIN**

Inspect Initially at 1000 km (600 miles, 2 months) and Every 6000 km (4000 miles, 12 months) thereafter. Lubricate Every 1000 km (600 miles).

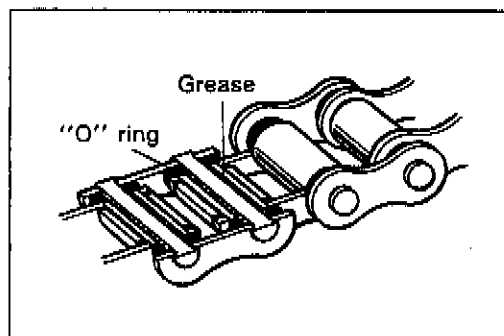
Visually check the drive chain for the possible defects listed below. (Support the motorcycle by a jack and a wooden block, turn the rear wheel slowly by hand with the transmission shifted to Neutral.)

- | | |
|---------------------------|-----------------------------|
| * Loose pins | * Excessive wear |
| * Damaged rollers | * Improper chain adjustment |
| * Dry or rusted links | * Missing O-ring seals |
| * Kinked or binding links | |

If any defects are found, the drive chain must be replaced.

NOTE:

When replacing the drive chain, replace the drive chain and sprockets as a set.



CHECKING

- Remove the axle cotter pin. (For E-03, 28 and 33 models)
 - Loosen the axle nut ① .
 - Tense the drive chain fully by turning both chain adjusters ② .
-
- Count out 21 pins (20 pitches) on the chain and measure the distance between the two points. If the distance exceeds the service limit, the chain must be replaced.

	Service Limit
Drive chain 20-pitch length	319.4 mm (12.6 in)

ADJUSTING

- Loosen or tighten both chain adjusters ② until the chain has 30–40 mm (1.2–1.6 in) of slack in the middle between engine and rear sprockets. The mark ③ on both chain adjusters must be at the same position on the scale to ensure that the front and rear wheels are correctly aligned.
- Place the motorcycle on its side-stand for accurate adjustment.
- After adjusting the drive chain, tighten the axle nut ① securely.
- Tighten both chain adjusters ② securely.

Rear axle nut: 85–115 N·m
(8.5–11.5 kg·m, 61.5–83.0 lb-ft)

CLEANING AND LUBRICATING

- Wash the chain with kerosene. If the chain tends to rust quickly, the intervals must be shortened.

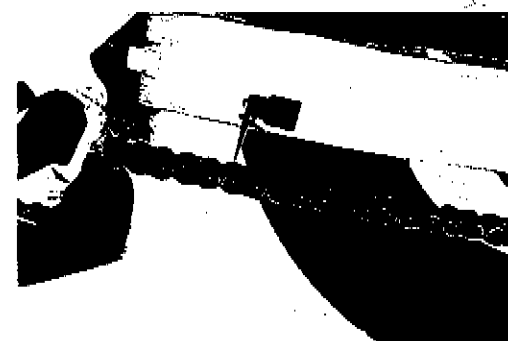
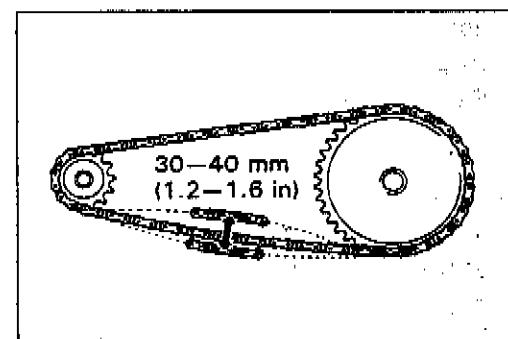
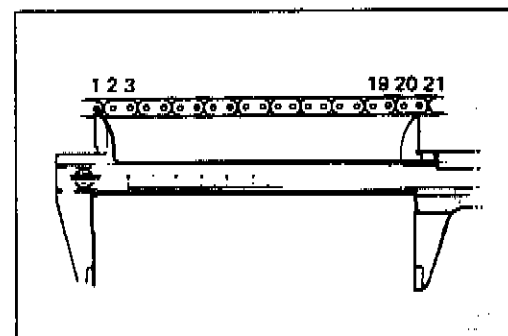
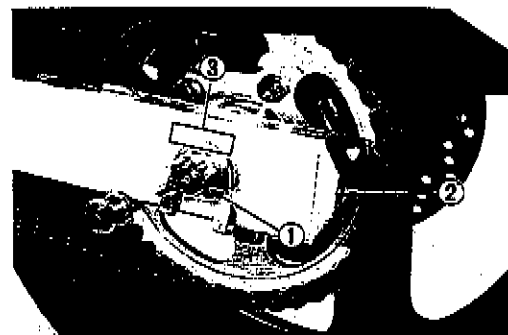
CAUTION:

Do not use trichlene, gasoline or any similar fluids: These fluids have too great a dissolving power for this chain and, what is more important, they can damage the "O"-rings (or seals) confining the grease in the bush to pin clearance. Remember, high durability comes from the presence of grease in that clearance.

- After washing and drying the chain, oil it with a heavy-weight motor oil.

CAUTION:

- * Do not use any oil sold commercially as "drive chain oil". Such oil can damage the "O"-rings (or seals).
- * The standard drive chain TAKASAGO RK50GSVZ1 or DAIDO DID50VA7. SUZUKI recommends that this standard drive chain should be used for the replacement.



2-13 PERIODIC MAINTENANCE AND TUNE-UP PROCEDURES

COOLING SYSTEM

Inspect Every 6000 km (4000 miles, 12 months).
 Replace engine coolant Every 2 years.
 Replace radiator hoses Every 4 years.

ENGINE COOLANT LEVEL

- Keep the motorcycle upright.
- Check the engine coolant level by observing the upper and lower limit lines on the engine coolant reservoir.
- If the level is below the lower limit line, add engine coolant to the upper limit line from the engine coolant reservoir filler.



ENGINE COOLANT CHANGE

- Remove the seats, frame cover assembly, lower cowling assembly and right side of cowling upper panel. (Refer to pages 7-2 and 5.)
- Remove the radiator cap ① and disconnect the water hose ②, and drain engine coolant.

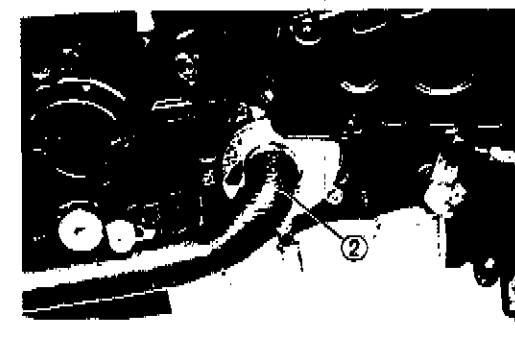


WARNING:

- * Do not open the radiator cap when the engine is hot, as you may be injured by escaping hot liquid or vapor.
- * Engine coolant may be harmful if swallowed or if it comes in contact with skin or eyes. If engine coolant gets into the eyes or in contact with the skin, flush thoroughly with plenty of water. If swallowed, induce vomiting and call physician immediately!



- Flush the radiator with fresh water if necessary.
- Connect the water hose ② securely.
- Pour the specified engine coolant up to the radiator inlet.



NOTE:

For engine coolant information, refer to page 5-4.

- Close the radiator cap ① securely.
- After warming up and cooling down the engine, add the specified engine coolant up to the engine coolant reservoir.



CAUTION:

Repeat above procedure several times and make sure that the radiator is filled with engine coolant up to the engine coolant reservoir.

Engine coolant capacity: 2450 ml (2.6/2.2 US/Imp qt)

BRAKE**(BRAKE)**

Inspect Initially at 1000 km (600 miles, 2 months) and Every 6000 km (4000 miles, 12 months) thereafter.

(BRAKE HOSE AND BRAKE FLUID)

Inspect Every 6000 km (4000 miles, 12 months). Replace hoses Every 4 years. Replace fluid Every 2 years.

BRAKE FLUID LEVEL

- Keep the motorcycle upright and place the handlebars straight.
- Check the brake fluid level by observing the lower limit lines on the front and rear brake fluid reservoirs.
- When the level is below the lower limit line, replenish with brake fluid that meets the following specification.

Specification and Classification: DOT4

WARNING:

The brake system of this motorcycle is filled with a glycol-based brake fluid. Do not use or mix different types of fluid such as silicone-based or petroleum-based. Do not use any brake fluid taken from old, used or unsealed containers. Never re-use brake fluid left over from the last servicing or stored for a long period.

WARNING:

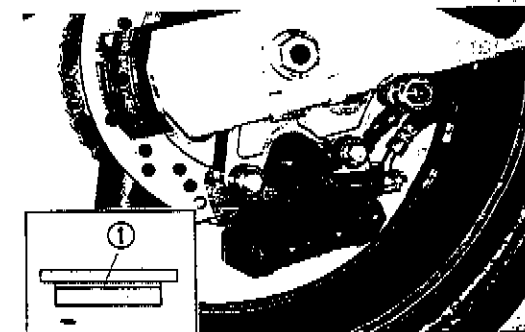
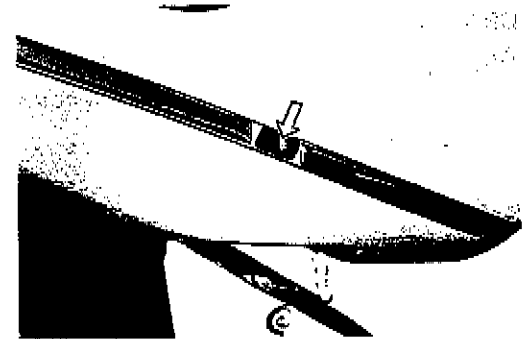
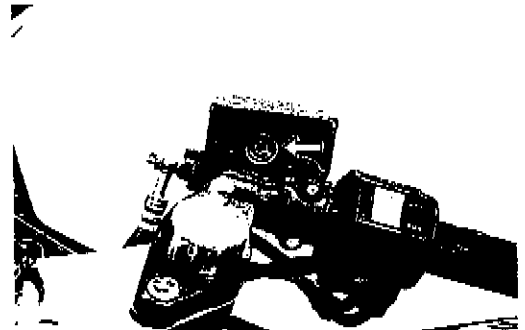
Brake fluid, if it leaks, will interfere with safe running and immediately discolor painted surfaces. Check the brake hoses and hose joints for cracks and oil leakage before riding.

BRAKE PADS

The extent of brake pad wear can be checked by observing the grooved limit line ① on the pad. When the wear exceeds the grooved limit line, replace the pads with new ones. (Refer to pages 7-17 and 7-35.)

CAUTION:

Replace the brake pad as a set, otherwise braking performance will be adversely affected.

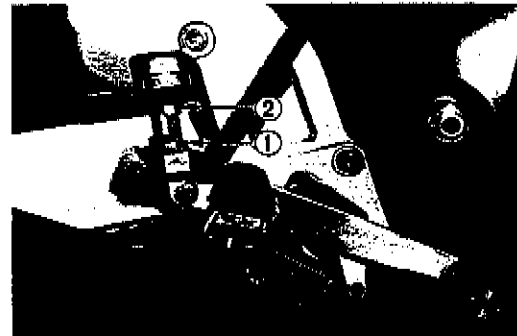
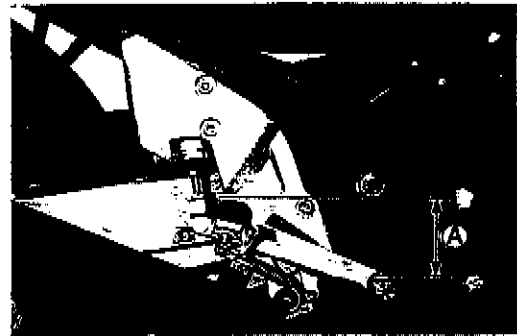


2-15 PERIODIC MAINTENANCE AND TUNE-UP PROCEDURES

BRAKE PEDAL HEIGHT

- Loosen the lock nut ① and rotate the push rod ② to locate brake pedal 50–60 mm (2.0–2.4 in) Ⓐ below the top face of the footrest.
- Retighten the lock nut ① to secure the push rod ② in the proper position.

Brake pedal height Ⓐ: 50–60 mm (2.0–2.4 in)



BRAKE LIGHT SWITCH

Adjust the rear brake light switch so that the brake light will come on just before pressure is felt when the brake pedal is depressed.



AIR BLEEDING THE BRAKE FLUID CIRCUIT

Air trapped in the fluid circuit acts like a cushion to absorb a large proportion of the pressure developed by the master cylinder and thus interferes with the full braking performance of the brake caliper. The presence of air is indicated by "sponginess" of the brake lever and also by lack of braking force. Considering the danger to which such trapped air exposes the machine and rider, it is essential that, after re-mounting the brake and restoring the brake system to the normal condition, the brake fluid circuit be purged of air in the following manner:

- Fill up the master cylinder reservoir to the "UPPER" line. Replace the reservoir cap to prevent entry of dirt.
- Attach a pipe to the caliper bleeder valve, and insert the free end of the pipe into a receptacle.

Bleeder valve

tightening torque: 6–9 N·m

(0.6–0.9 kg-m, 4.5–6.5 lb-ft)

- Front brake: Bleed the air from the air bleeder valve.
- Squeeze and release the brake lever several times in rapid succession and squeeze the lever fully without releasing it. Loosen the bleeder valve by turning it a quarter of a turn so that the brake fluid runs into the receptacle; this will remove the tension of the brake lever causing it to touch the handlebar grip. Then, close the valve, pump and squeeze the lever, and open the valve. Repeat this process until the fluid flowing into the receptacle no longer contains air bubbles.

NOTE:

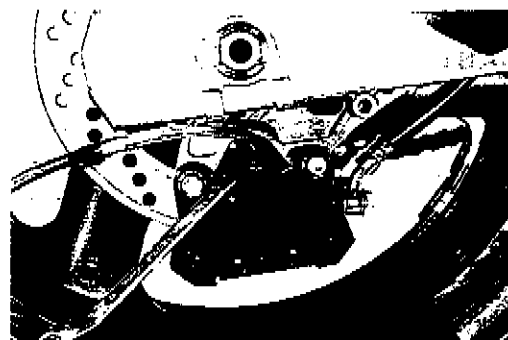
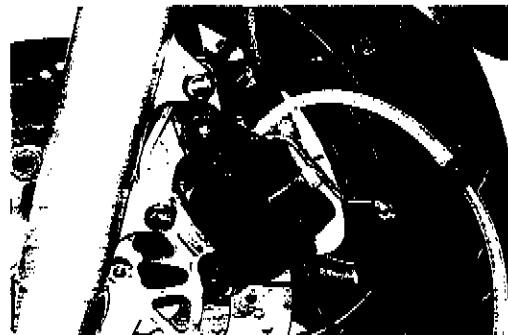
Replenish the brake fluid in the reservoir as necessary while bleeding the brake system. Make sure that there is always some fluid visible in the reservoir.

- Close the bleeder valve, and disconnect the pipe. Fill the reservoir to the "UPPER" line.

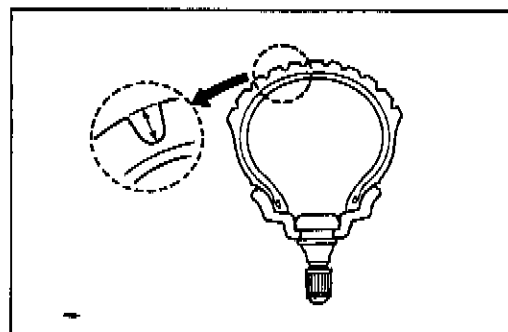
CAUTION:

Handle brake fluid with care: the fluid reacts chemically with paint, plastics, rubber materials etc.

- The only difference between bleeding the front and rear brakes is that the rear master cylinder is actuated by a pedal.

**TIRE**

Inspect Every 6000 km (4000 miles, 12 months).



2-17 PERIODIC MAINTENANCE AND TUNE-UP PROCEDURES

TIRE TREAD CONDITION

Operating the motorcycle with excessively worn tires will decrease riding stability and consequently invite a dangerous situation. It is highly recommended to replace a tire when the remaining depth of tire tread reaches the following specification.

Tire tread depth limit: **FRONT 1.6 mm (0.06 in)**
REAR 2.0 mm (0.08 in)

tain the correct tire pressure for good roadability or shorter tire life will result. Cold inflation tire pressure is as follows.

COLD INFLATION TIRE PRESSURE	SOLO RIDING			DUAL RIDING		
	kPa	kg/cm ²	psi	kPa	kg/cm ²	psi
FRONT	225	2.25	33	250	2.50	36
REAR	250	2.50	36	290	2.90	42

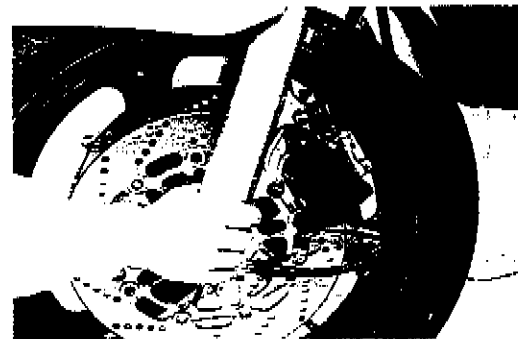
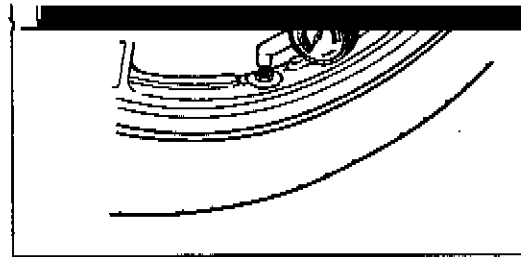
CAUTION:

The standard tire fitted on this motorcycle is 120/70 ZR17 for front (DUNLOP D202F) and 160/60 ZR17 for rear (DUNLOP D202). The use of tires other than those specified may cause instability. It is highly recommended to use a SUZUKI Genuine Tire.

STEERING

Inspect Initially at 1000 km (600 miles, 2 months) and Every 12000 km (7500 miles, 24 months) thereafter.

Taper roller type bearings are used on the steering system for better handling. Steering should be adjusted properly for smooth turning of handlebars and safe running. Overtight steering prevents smooth turning of the handlebars and too loose steering will cause poor stability. Check that there is no play in the front fork assembly by supporting the machine so that the front wheel is off the ground, with the wheel straight ahead, grasp the lower fork tubes near the axle and pull forward. If play is found, perform steering bearing adjustment as described in page 7-33 of this manual.



FRONT FORK

Inspect Every 12000 km (7500 miles, 24 months).

Inspect the front forks for oil leakage, scoring or scratches on the outer surface of the inner tubes. Replace any defective parts, if necessary. (Refer to page 7-24.)

REAR SUSPENSION

Inspect Every 12000 km (7500 miles, 24 months).

Inspect the rear shock absorber for oil leakage and check that there is no play in the swingarm assembly.

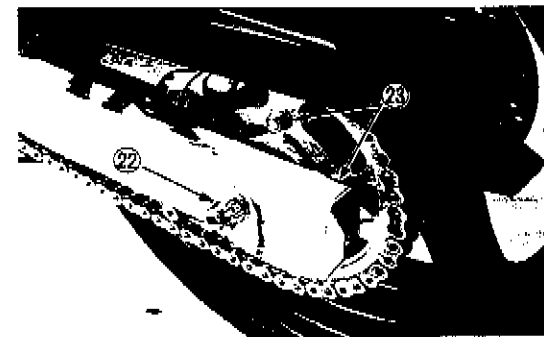
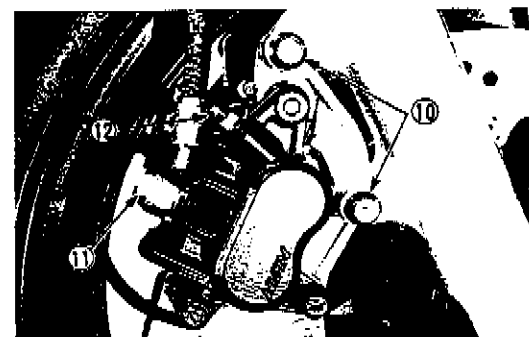
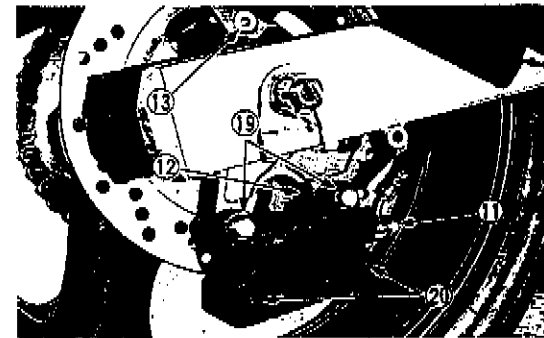
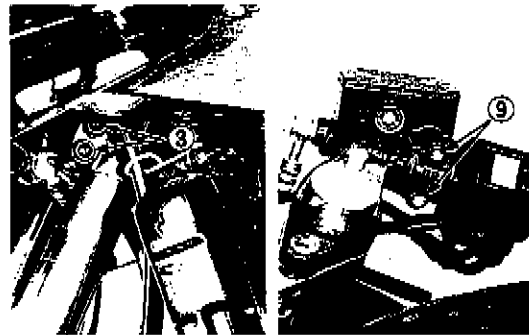
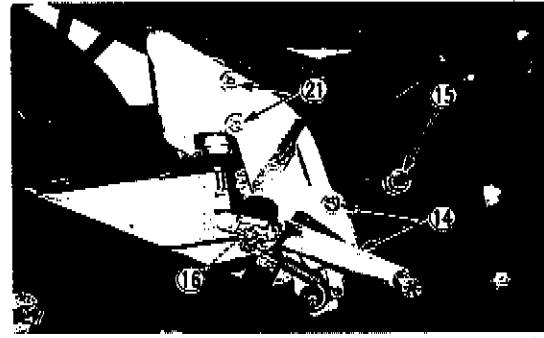
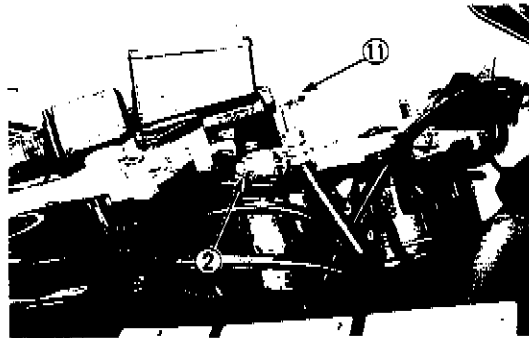
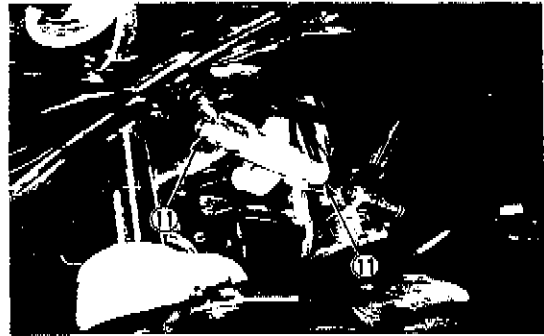
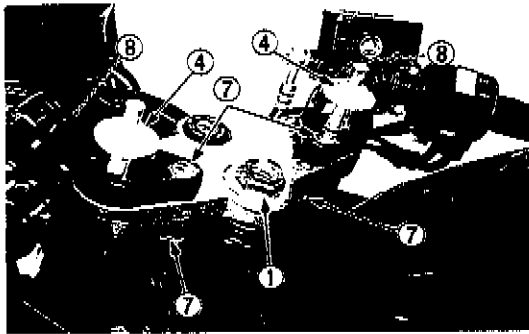
2-19 PERIODIC MAINTENANCE AND TUNE-UP PROCEDURES**CHASSIS BOLTS AND NUTS**

Tighten Initially at 1000 km (600 miles, 2 months) and Every 6000 km (4000 miles, 12 months) thereafter.

The nuts and bolts listed below are important safety related parts. They must be retightened when necessary to the specified torque with a torque wrench. (Refer to page 2-20 for the locations of the following nuts and bolts on the motorcycle.)

Item	N-m	kg-m	lb-ft
① Steering stem head nut	80-100	8.0-10.0	58.0-72.5
② Front fork upper clamp bolt	18-28	1.8-2.8	13.0-20.0
③ Front fork lower clamp bolt	18-28	1.8-2.8	13.0-20.0
④ Front fork cap bolt	30-40	3.0-4.0	21.5-29.0
⑤ Front axle	50-80	5.0-8.0	36.0-58.0
⑥ Front axle pinch bolt	18-28	1.8-2.8	13.0-20.0
⑦ Handlebar holder mounting bolt and nut	22-35	2.2-3.5	16.0-25.5
⑧ Handlebar set bolt	18-28	1.8-2.8	13.0-20.0
⑨ Front brake master cylinder mounting bolt	8-12	0.8-1.2	6.0-8.5
⑩ Front brake caliper mounting bolt	20-30	2.0-3.0	14.5-21.5
⑪ Brake hose union bolt (Cylinder & Caliper)	15-20	1.5-2.0	11.0-14.5
⑫ Air bleeder valve (Front & Rear)	6-9	0.6-0.9	4.5-6.5
⑬ Front and rear disc bolt	18-28	1.8-2.8	13.0-20.0
⑭ Front footrest bracket mounting bolt	18-28	1.8-2.8	13.0-20.0
⑮ Swingarm pivot nut	85-115	8.5-11.5	61.5-83.0
⑯ Front footrest nut	42-66	4.2-6.6	30.5-47.5
⑰ Rear shock absorber mounting nut (Upper & Lower)	40-60	4.0-6.0	29.0-43.5
⑱ Rear cushion lever/rod mounting nut	70-100	7.0-10.0	50.5-72.5
⑲ Rear brake caliper mounting bolt	20-30	2.0-3.0	14.5-21.5
⑳ Rear brake caliper housing bolt	30-36	3.0-3.6	21.5-26.0
㉑ Rear brake master cylinder mounting bolt	18-28	1.8-2.8	13.0-20.0
㉒ Rear axle nut	85-115	8.5-11.5	61.5-83.0
㉓ Rear sprocket nut	48-72	4.8-7.2	35.0-52.0

PERIODIC MAINTENANCE AND TUNE-UP PROCEDURES 2-20



2-21 PERIODIC MAINTENANCE AND TUNE-UP PROCEDURES

COMPRESSION PRESSURE CHECK

The compression of a cylinder is a good indicator of its internal condition.

The decision to overhaul the cylinder is often based on the results of a compression test. Periodic maintenance records kept at your dealership should include compression readings for each maintenance service.

COMPRESSION PRESSURE SPECIFICATION

Standard	Limit	Difference
1000—1500 kPa (10—15 kg/cm ²) (142—213 psi)	800 kPa (8 kg/cm ²) (114 psi)	200 kPa (2 kg/cm ²) (28 psi)

Low compression pressure can indicate any of the following conditions:

- * Excessively worn cylinder wall
- * Worn-down piston or piston rings
- * Piston rings stuck in grooves
- * Poor seating of valves
- * Ruptured or otherwise defective cylinder head gasket

Overhaul the engine in the following cases:

- * Compression pressure in one of the cylinders is less than 800 kPa (8 kg/cm², 114 psi).
- * Difference in compression pressure between any two cylinders is more than 200 kPa (2 kg/cm², 28 psi).
- * All compression pressure are below 1000 kPa (10 kg/cm², 142 psi) even when they measure more than 800 kPa (8 kg/cm², 114 psi).

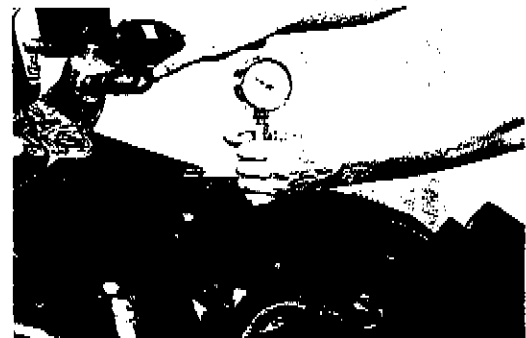
COMPRESSION TEST PROCEDURE

NOTE:

- * *Before testing the engine for compression pressure, make sure that the cylinder head bolts are tightened to the specified torque values and valves are properly adjusted.*
- * *Have the engine warmed up by idling before testing.*
- * *Be sure that the battery used is in fully-charged condition.*

Remove the parts concerned and test the compression pressure in the following manner.

- Remove the seats, fuel tank and lower cowling. (Refer to pages 7-2 and 4-5.)
- Remove all the spark plugs.
- Fit the compression gauge in one of the plug holes, while taking care that the connection tight.
- Keep the throttle grip in full-open position.
- While cranking the engine a few seconds with the starter, and record the maximum gauge reading as the compression of that cylinder.
- Repeat this procedure with the other cylinders.



09915-64510: Compression gauge

09915-63310: Adaptor

OIL PRESSURE CHECK

Check periodically the oil pressure in the engine to judge roughly the condition of the moving parts.

OIL PRESSURE SPECIFICATION

Above 300 kPa (3.0 kg/cm ² , 43 psi) Below 600 kPa (6.0 kg/cm ² , 85 psi)	at 3000 r/min., Oil temp. at 60°C (140°F)
--	---

If the oil pressure is lower or higher than the specification, the following causes may be considered.

LOW OIL PRESSURE

- * Clogged oil filter
- * Oil leakage from the oil passage way
- * Damaged O-ring
- * Defective oil pump
- * Combination of above items

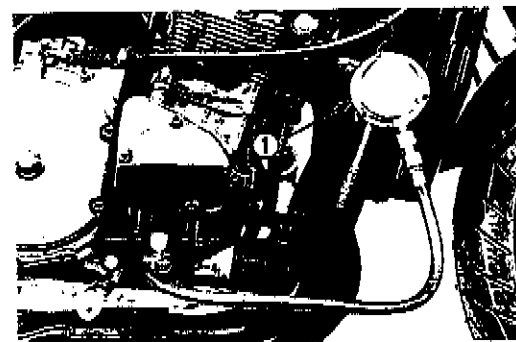
HIGH OIL PRESSURE

- * Used a engine oil which is too heavy a weight
- * Clogged oil passage way
- * Combination of above items

OIL PRESSURE TEST PROCEDURE

Start the engine and check if the oil pressure indicator light is turned on. If it keeps on lighting, check the oil pressure indicator light circuit. If it is in good condition, check the oil pressure in the following manner.

- Remove the lower cowling.
- Remove the main oil gallery plug.
- Install the oil pressure gauge ① with adaptor in the position shown in the figure.
- Warm up the engine as follows:
Summer 10 min. at 2000 r/min.
Winter 20 min. at 2000 r/min.
- After warming up, increase the engine speed to 3000 r/min. (with the engine tachometer), and read the oil pressure gauge.



09915-74510: Oil pressure gauge

09915-74540: Adaptor

09915-77330: Meter (for high pressure)

The following information is provided for your information only. It is not intended to be used as a substitute for the actual data or as a basis for any action.

The following information is provided for your information only. It is not intended to be used as a substitute for the actual data or as a basis for any action.

The following information is provided for your information only. It is not intended to be used as a substitute for the actual data or as a basis for any action.

The following information is provided for your information only. It is not intended to be used as a substitute for the actual data or as a basis for any action.

The following information is provided for your information only. It is not intended to be used as a substitute for the actual data or as a basis for any action.

ENGINE

CONTENTS

ENGINE COMPONENTS REMOVABLE WITH ENGINE IN PLACE	3- 1
ENGINE REMOVAL AND REINSTALLATION	3- 2
ENGINE REMOVAL	3- 2
ENGINE REINSTALLATION	3- 7
ENGINE DISASSEMBLY	3-10
ENGINE COMPONENTS INSPECTION AND SERVICE	3-21
CYLINDER HEAD	3-21
VALVE	3-22
CAMSHAFT	3-27
CAM CHAIN TENSIONER	3-30
CYLINDER	3-30
PISTON	3-31
PISTON RING	3-32
PISTON PIN	3-33
CONROD	3-33
CRANKSHAFT	3-36
CLUTCH	3-40
OIL PUMP	3-40
TRANSMISSION	3-41
STARTER CLUTCH	3-45
ENGINE REASSEMBLY	3-47

3-1 ENGINE**ENGINE COMPONENTS REMOVABLE WITH ENGINE IN PLACE**

The parts listed below can be removed and reinstalled without removing the engine from the frame. Refer to the page listed in each section for removal and reinstallation instructions.

ENGINE CENTER

	See page
Radiator	3- 4
Exhaust pipe/muffler	3- 5
Oil pressure switch	3-51
Oil hose	3-11
Oil filter	3-10
Oil cooler	3-10
Oil pan	3-17
Engine oil pressure regulator	3-50
Oil sump filter	3-17
Carburetors	3- 3
Cam chain tensioner	3-11 and 63
Cylinder head cover	3-10 and 65
Cylinder head breather cover	3-10
Camshafts	3-11 and 60
Cylinder head	3-12 and 59
Cylinder	3-12 and 59
Water pipe (Front side)	3-10 and 65
Water pipe (Rear side)	3-10 and 65
Pistons	3-13 and 58
Starter motor	3-13 and 57
Generator	3-13 and 57
Starter clutch cover	3-13 and 56
Starter idle gear	3-14 and 56
Starter clutch	3-14 and 56

ENGINE LEFT SIDE

	See page
Gearshift lever	3- 6
Engine sprocket cover	3- 6
Water pump	3-16
Engine sprocket and drive chain	3- 6
Neutral indicator switch body	3-16

ENGINE RIGHT SIDE

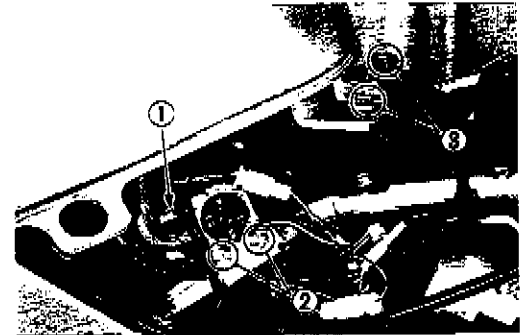
	See page
Clutch cover	3-14 and 54
Signal generator	3-14 and 55
Clutch pressure, drive and driven plates	3-15 and 53
Clutch sleeve hub	3-15 and 53
Oil pump driven gear	3-16 and 52
Generator/oil pump drive gears	3-15 and 53
Primary driven gear	3-15 and 53
Gearshift shaft	3-16 and 52
Gearshift cam shifter	3-16 and 47

ENGINE REMOVAL AND REINSTALLATION

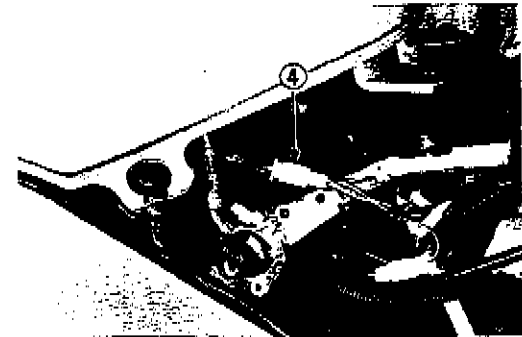
ENGINE REMOVAL

Before taking the engine out of the frame, wash the engine with a steam cleaner. The procedure of engine removal is sequentially explained in the following steps, and engine installation is effected by reversing the removal procedure.

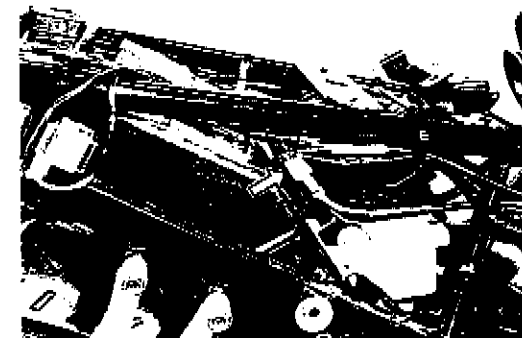
- Remove the oil drain plug to drain out engine oil.
- Remove the front and rear seats.
- Remove the frame cover assembly. (See page 7-5.)
- Remove the lower cowling assembly. (See page 7-2.)
- Turn the fuel cock to "OFF" position and disconnect the fuel hose ① from the fuel cock.
- Remove the fuel cock mounting screws ②.
- Remove the fuel tank mounting bolts ③.



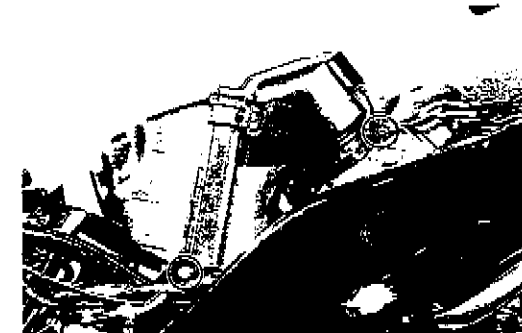
- Disconnect the fuel level indicator switch lead wire coupler ④ and remove the fuel tank.



- Disconnect the battery ⊖ lead wire terminal and battery ⊖ lead wire coupler.



- Loosen the respective carburetor clamp screws (air cleaner side).
- Remove the air cleaner box by removing its mounting screws, left and right.

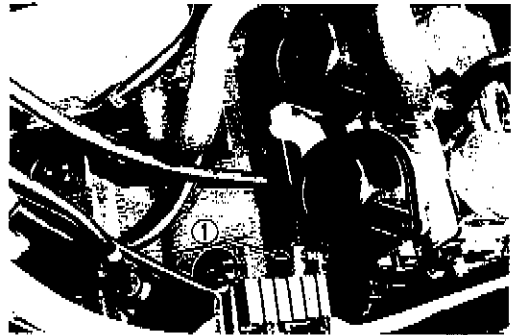


3-3 ENGINE

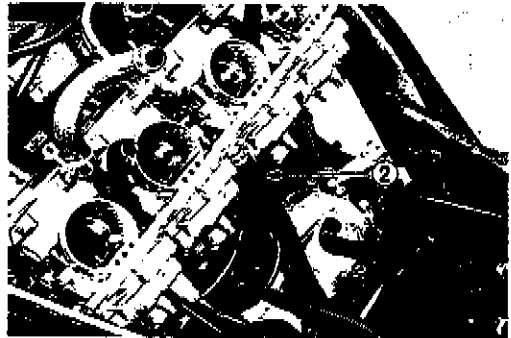
- Disconnect the throttle cables from the throttle grip.



- Disconnect the starter cable ① from the carburetor assembly.



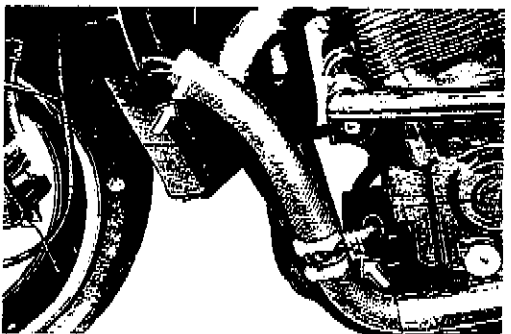
- Disconnect the fuel hose ② from the carburetor assembly.
- Loosen the respective carburetor clamp screws (engine side) and remove the carburetor assembly.

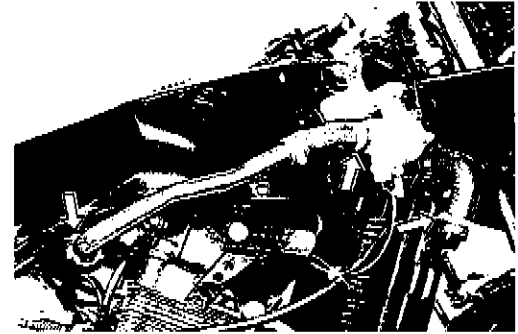


- Disconnect the water hose by loosening its clamp to drain out engine coolant.

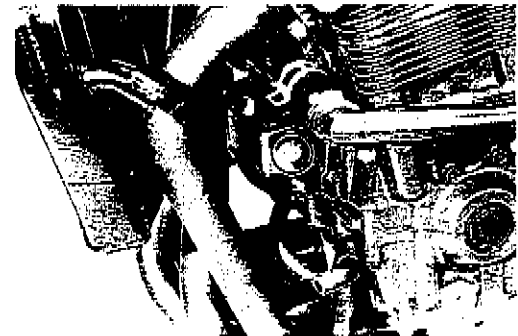


- Disconnect the water hoses by loosening their clamps.

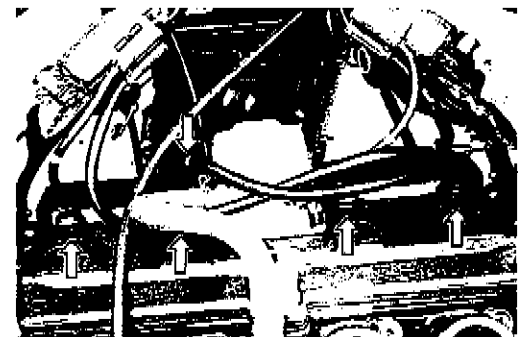




- Remove the radiator by removing its mounting bolts.



- Disconnect all the spark plug caps.
- Disconnect the breather hose.

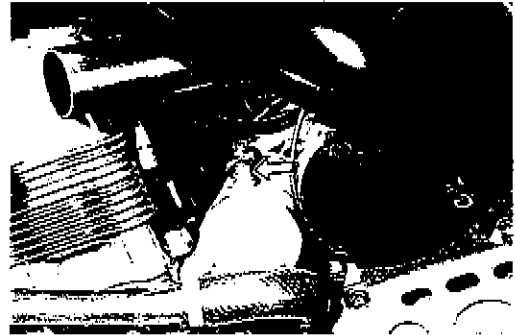


- Remove the clutch release lever and disconnect the clutch cable.



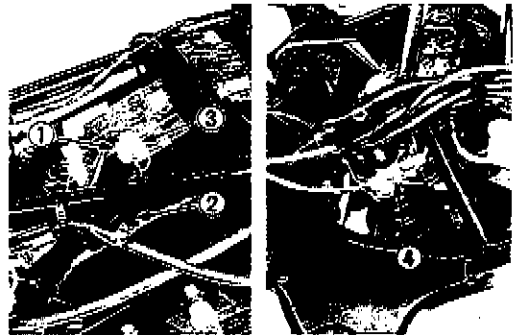
3-5 ENGINE

- Disconnect the starter motor lead wire.



- Disconnect the various lead wires.

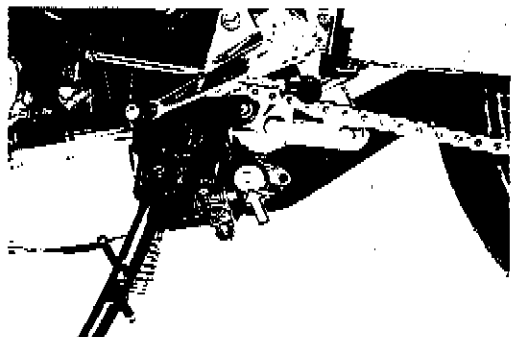
- ① Signal generator
- ② Generator
- ③ Oil pressure switch
- ④ Neutral switch



- Remove the eight exhaust pipe clamp bolts.

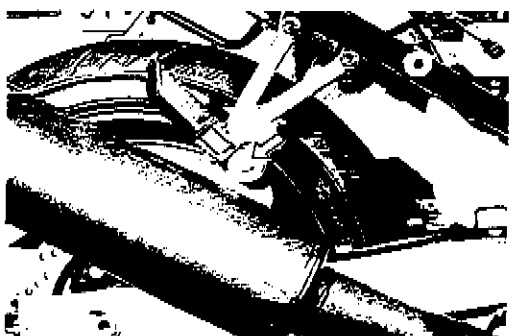


- Remove the muffler mounting bolts, then remove the exhaust pipe/muffler assembly.

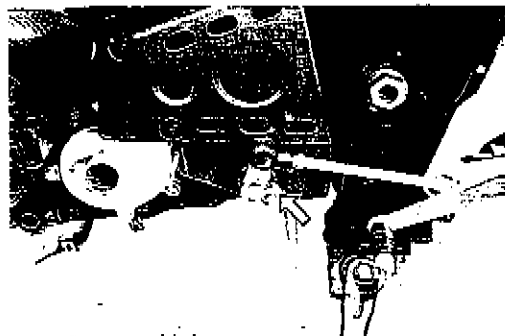
**NOTE:**

When installing a new exhaust pipe/muffler connector, clean any old dried sealer from the exhaust pipe and from inside the muffler and the exhaust gas sealer should be applied to both the inside and outside of the exhaust pipe/muffler connector.

EXHAUST GAS SEALER: PERMATEX 1372



- Remove the gearshift lever by removing its mounting bolt.



- Remove the engine sprocket cover by removing the bolts.

NOTE:

*When installing the engine sprocket cover bolts, apply a small quantity of the **THREAD LOCK "1342"** to their threads.*

99000-32050: THREAD LOCK "1342"

Tightening torque: 4–7 N·m

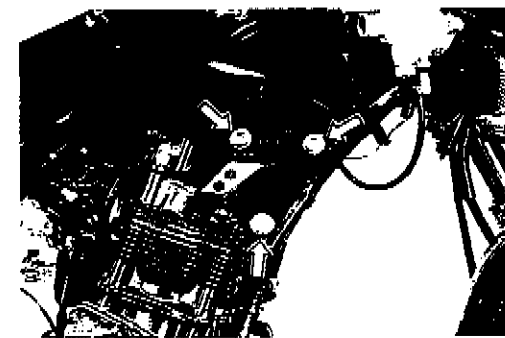
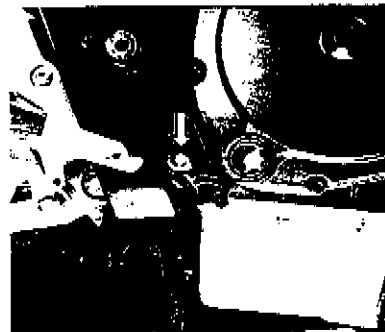
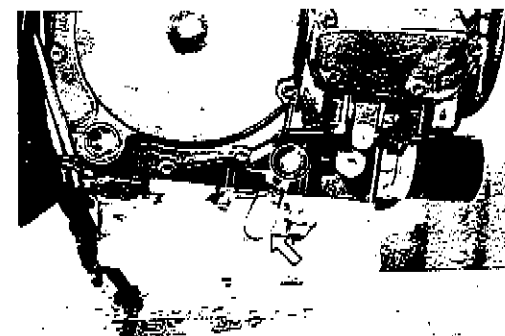
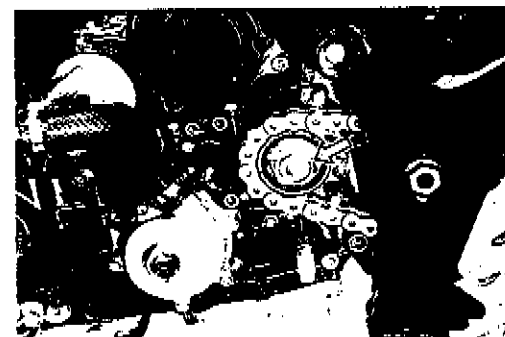
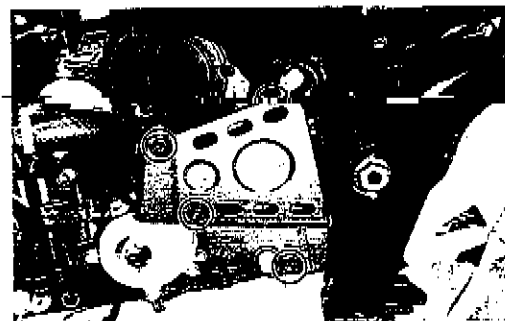
(0.4–0.7 kg·m, 3.0–5.0 lb·ft)

- Remove the engine sprocket nut while depressing the rear brake pedal.
- Remove the engine sprocket.

NOTE:

If it is difficult to remove the engine sprocket, loosen the axle nut and chain adjusting nuts to provide additional chain slack.

- Remove the lower cowling brackets, left and right.
- Support the engine with a proper engine jack.
- Remove the engine mounting bolts, nuts, spacers and brackets.
- Gradually lower the engine assembly.



3-7 ENGINE**ENGINE REINSTALLATION**

Reinstall the engine in the reverse order of engine removal.

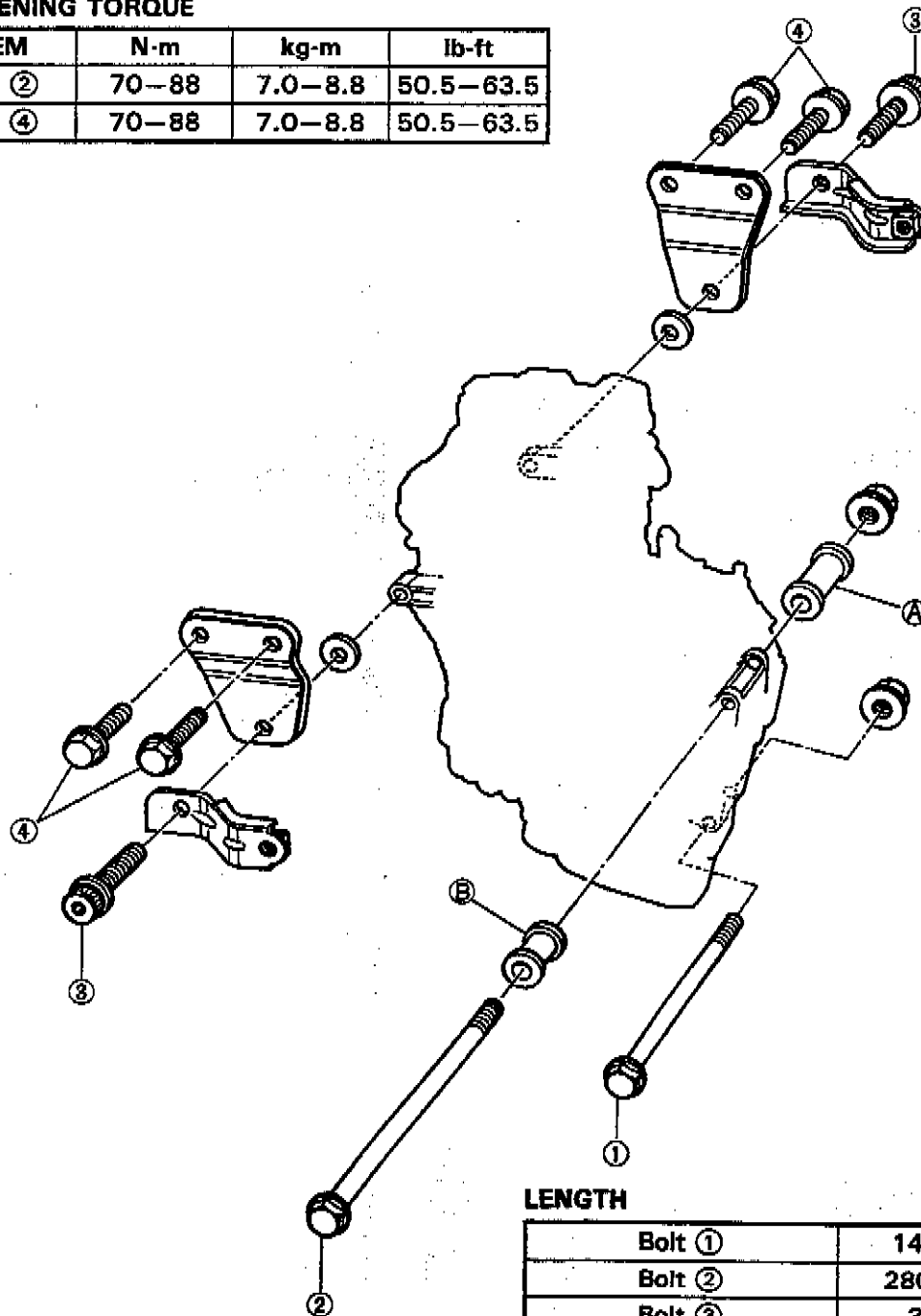
- Insert the two long bolts from left side. Install the brackets, spacers, bolts and nuts properly, as shown in the following illustration.

NOTE:

The engine mounting nuts are self-locking. Once the nut has been removed, it is no longer of any use. Be sure to use new nuts and tighten them to the specified torque.

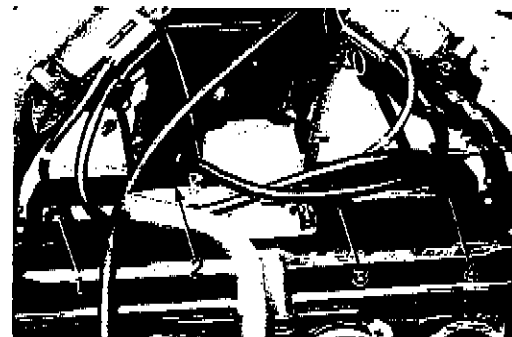
TIGHTENING TORQUE

ITEM	N-m	kg-m	lb-ft
①, ②	70-88	7.0-8.8	50.5-63.5
③, ④	70-88	7.0-8.8	50.5-63.5

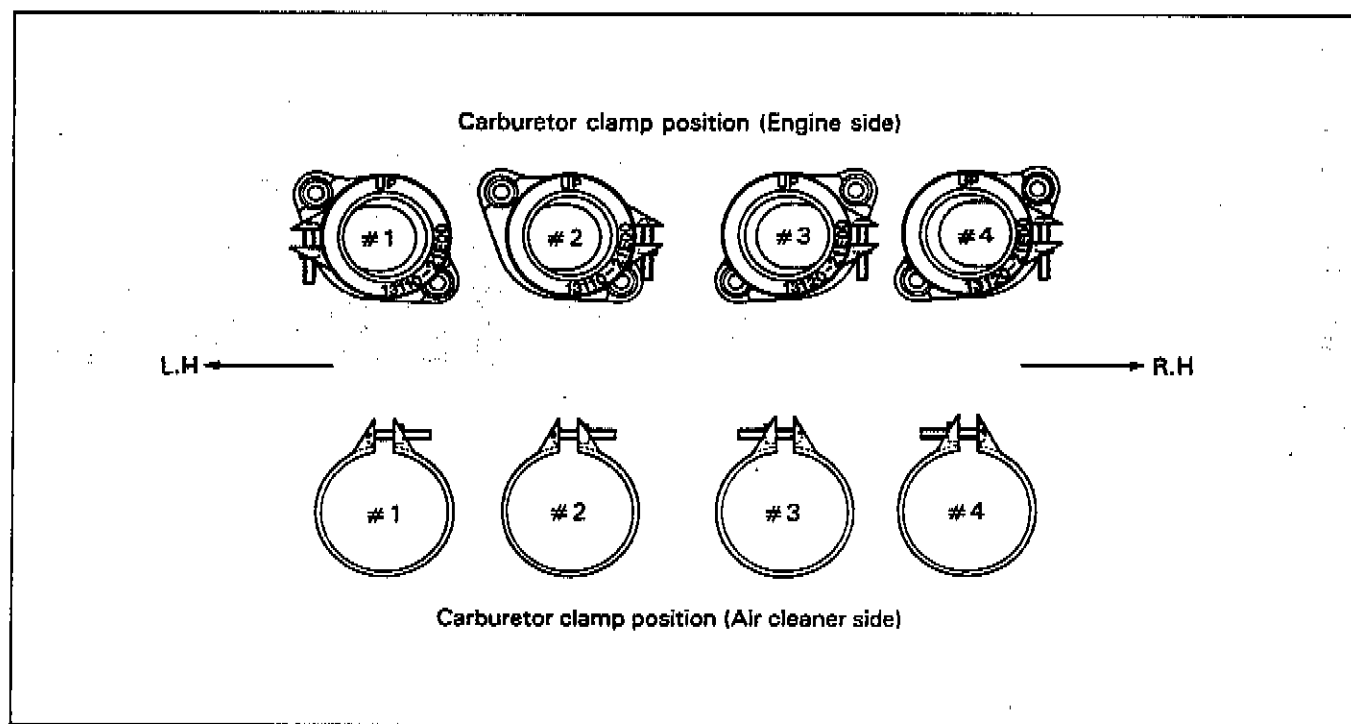
**LENGTH**

Bolt ①	140 mm (5.5 in)
Bolt ②	280 mm (11.0 in)
Bolt ③	30 mm (1.2 in)
Bolt ④	30 mm (1.2 in)
Spacer RH (A)	65 mm (2.6 in)
Spacer LH (B)	45 mm (1.8 in)

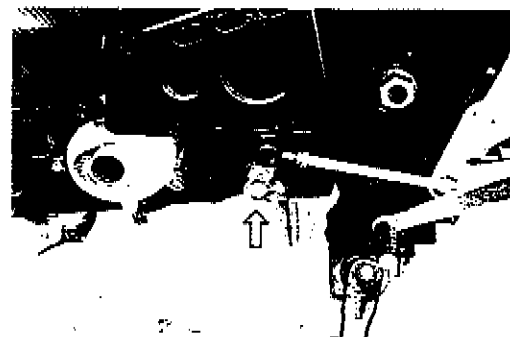
- Replace the plug caps on the spark plugs so that their code markings correspond to the cylinder numbers arranged in the order of 1, 2, 3, and 4 from the left hand.



- Locate the carburetor clamps, as shown in the illustration.



- Install the gearshift lever to the gearshift shaft in the correct position.

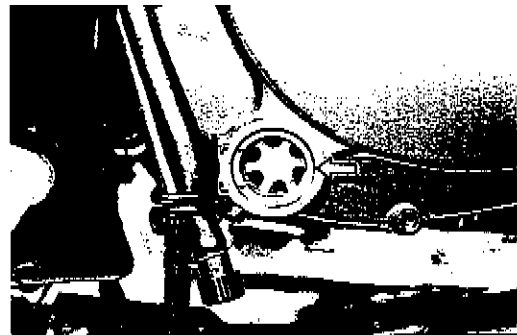


3-9 ENGINE

- After remounting the engine, route wiring harnesses, cables and hoses properly by referring to the sections, for wire routing, cable routing and hose routing. (See pages 8-12 through 22.)
- Adjust the following items to the specification.

	Page
* Filling engine coolant	2-13
* Clutch cable play	2-11
* Throttle cable play	2-10
* Idling adjustment	4-18
* Balancing carburetors	4-17
* Drive chain	2-11
- Pour 3.9 L (4.1/3.4 US/Imp qt) of engine oil SAE 10W/40 graded SE or SF into the engine after overhauling engine.
- Start up the engine and allow it run for several minutes at idle speed. About several minutes after stopping engine, check that the oil level remains between the marks of oil level inspection window.

Change	3000 ml (3.2/2.6 US/Imp qt)
Filter change	3300 ml (3.5/2.9 US/Imp qt)
Overhaul	3900 ml (4.1/3.4 US/Imp qt)



ENGINE DISASSEMBLY

- Remove the oil filter by using the special tool.

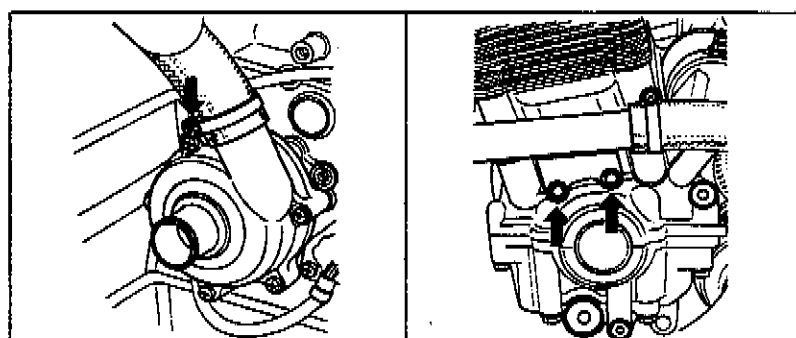
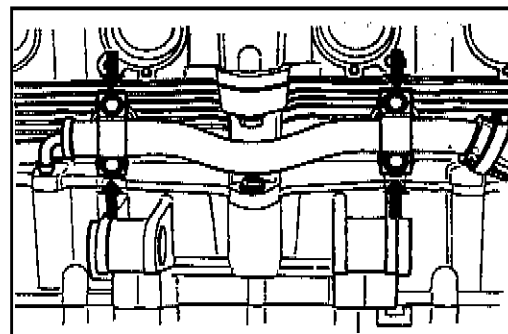
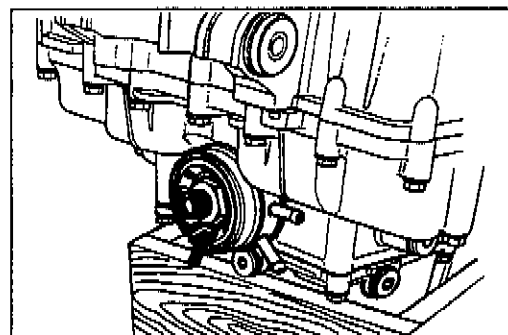
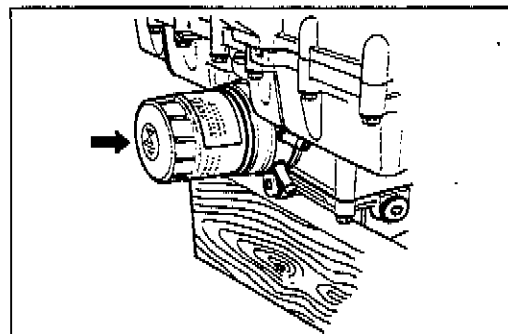
09915-40610: Oil filter wrench

NOTE:

Refer to page 2-9 for installation procedures.

- Remove the oil cooler by removing its union bolt.

- Remove the inlet and outlet water pipes/hoses by removing the mounting bolts and clamp screws.

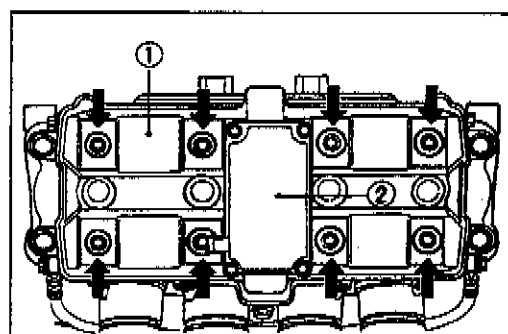
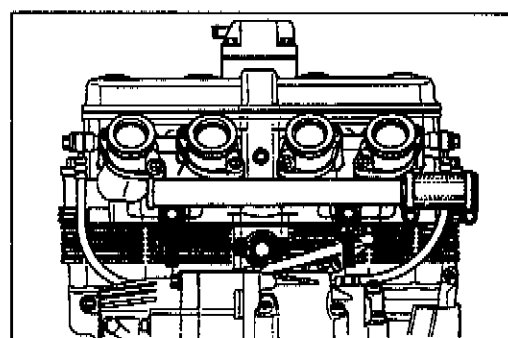


- Remove the cylinder head cover ① by removing the bolts.

NOTE:

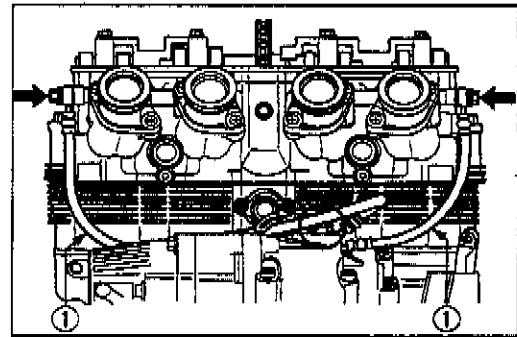
The cylinder head breather cover ② is to be removed only when replacing it or when removing the engine from the frame.

09914-25811: 6 mm "T" type hexagon wrench

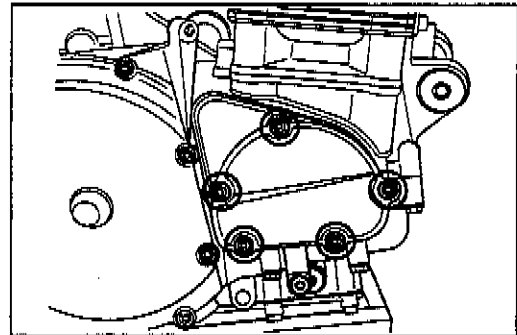


3-11 ENGINE

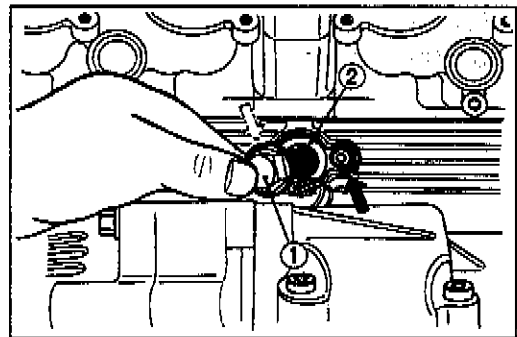
- Remove the left and right oil hoses ① by removing the union bolts.



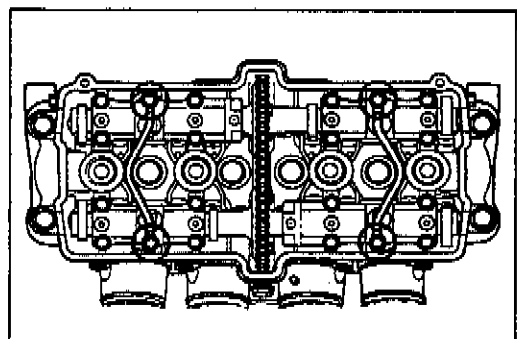
- Remove the signal generator cover by removing the bolts.
09911-73730: 5 mm "T" type hexagon wrench



- After removing the spring holder bolt ① and spring ②, remove the cam chain tensioner by removing the mounting bolts.



- Remove the left and right oil pipes by removing the bolts.

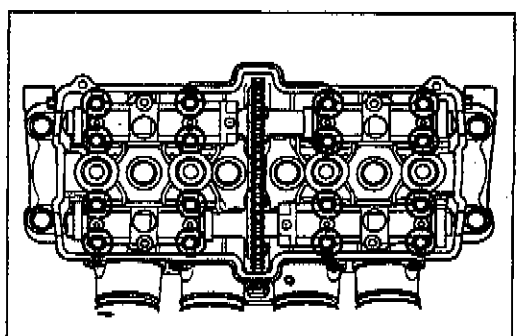


- Remove the four camshaft journal holders by removing the bolts.

NOTE:

Be sure to loosen camshaft journal holder bolts evenly by shifting the wrench diagonally.

- Remove the two camshafts, intake and exhaust.



- The cylinder head becomes free for removal when its one 6-mm bolt **(A)** and twelve 10-mm bolts are removed.

09911-74520: Long socket 12 mm

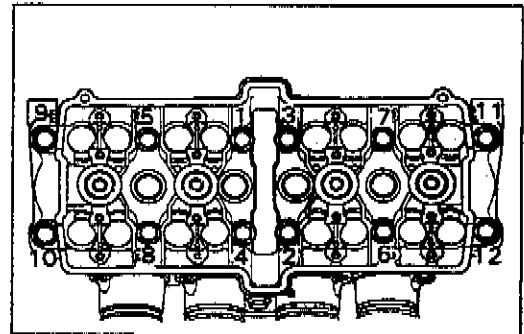
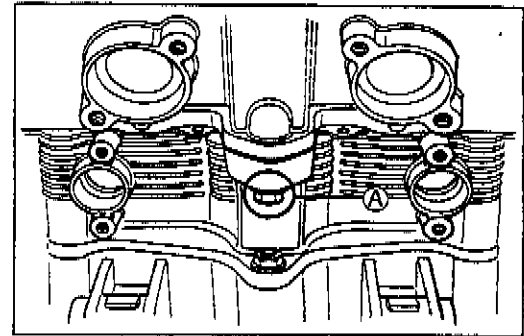
09914-24510: T-handle

NOTE:

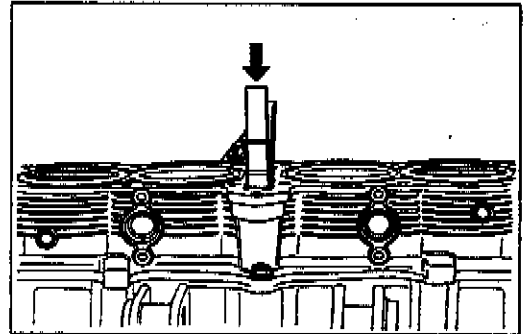
When loosening the cylinder head bolts, loosen each bolt little by little, in a descending order, according to the numbers.

CAUTION:

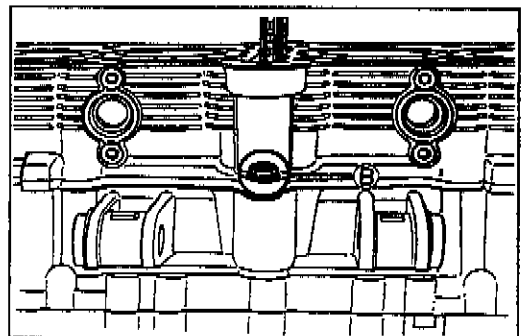
Be careful not to damage the fins when removing or handling the cylinder head. This precaution applies to the cylinder block also.



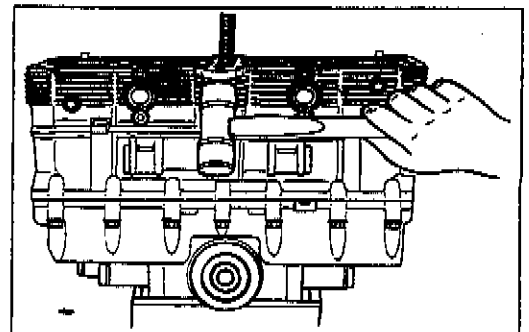
- Remove the cam chain guide.



- Remove the cylinder nut **(B)**.

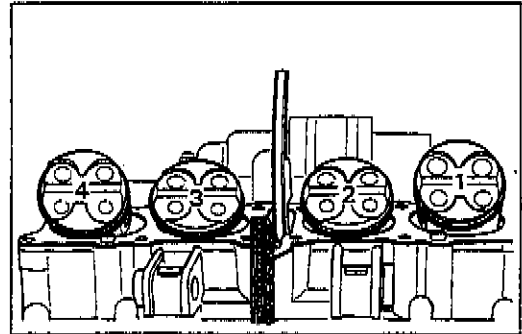


- Firmly grip the cylinder block at both ends, and lift it straight up. If the block does not come off, lightly tap on the finless portions of the block with a plastic mallet to make the gasketed joint loose.

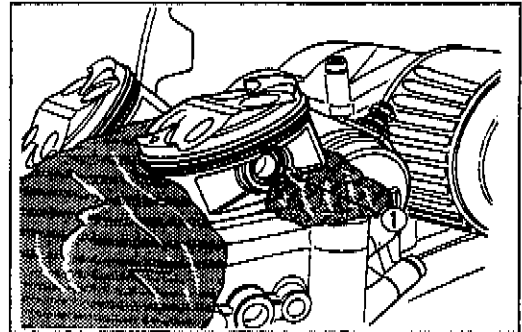


3-13 ENGINE

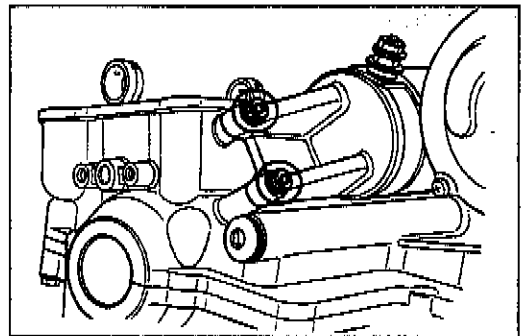
- Scribe the cylinder number on the head of the respective pistons.



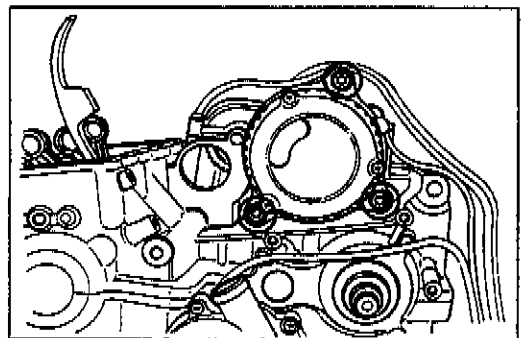
- Place a cloth beneath the piston so as not to drop any parts in the crankcase, and remove the circlip ① with long-nose pliers.
- Draw out the piston pin. Place each piston pin in the same piston as that it was removed from.



- Remove the starter motor by removing the bolts.

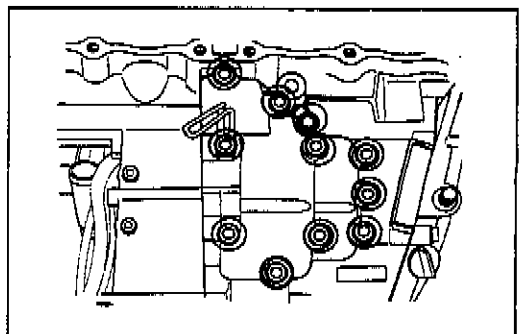


- Remove the generator by removing the bolts.

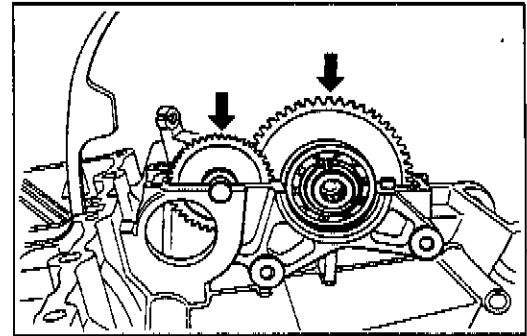


- Remove the starter clutch cover by removing the bolts.

09911-73730: 5 mm "T" type hexagon wrench

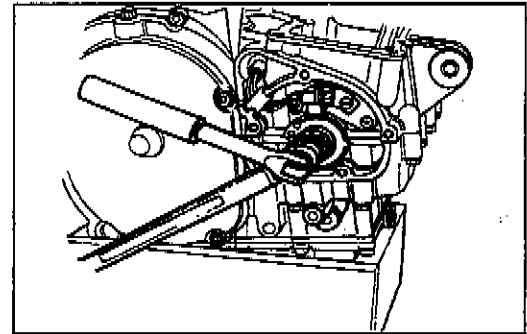


- Remove the starter idle gear and its shaft.
- Remove the starter clutch assembly.

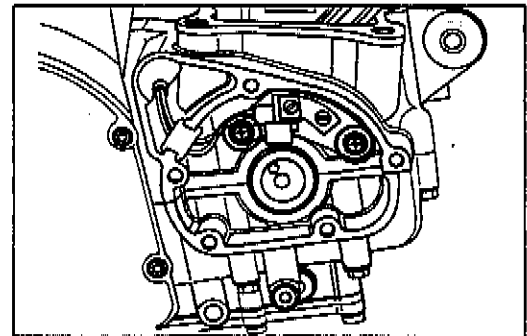


- Remove the signal generator rotor by removing the bolt.

09900-00410: Hexagon wrench set

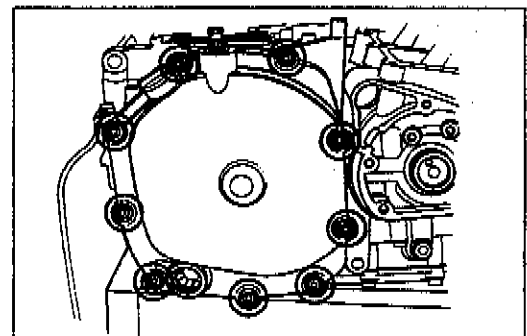


- Remove the signal generator stator by removing the two screws.



- Remove the clutch cover by removing the bolts.

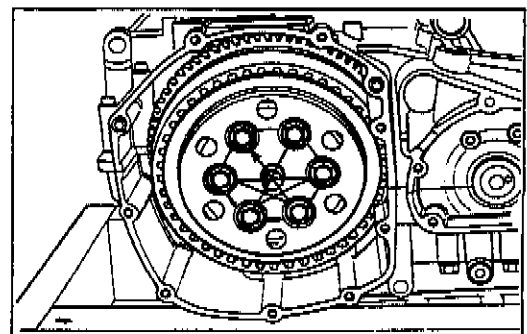
09911-73730: 5 mm "T" type hexagon wrench



- Remove the clutch spring set bolts diagonally while holding the conrod with the special tool.

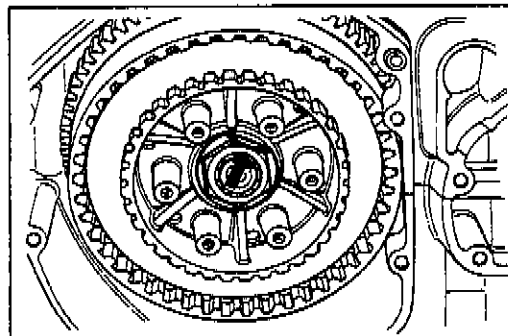
09910-20116: Conrod stopper

- Remove the clutch pressure plate along with its release bearing and rack.



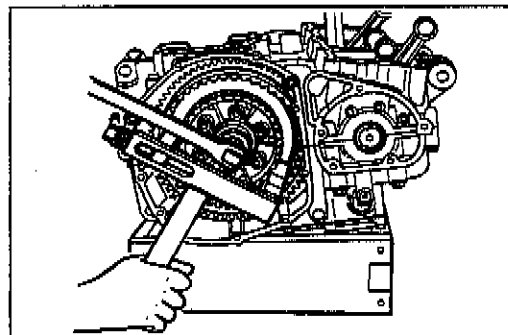
3-15 ENGINE

- Flatten the lock washer of the clutch sleeve nut.

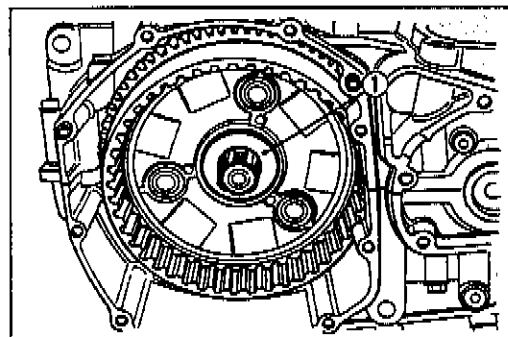


- After removing the several clutch plates, remove the clutch sleeve hub nut after firmly locking the clutch sleeve hub with a clutch sleeve hub holder, and then remove the remainder of clutch drive and driven plates along with the clutch sleeve hub.

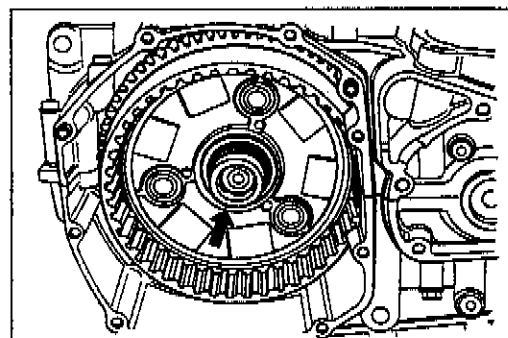
09920-53740: Clutch sleeve hub holder



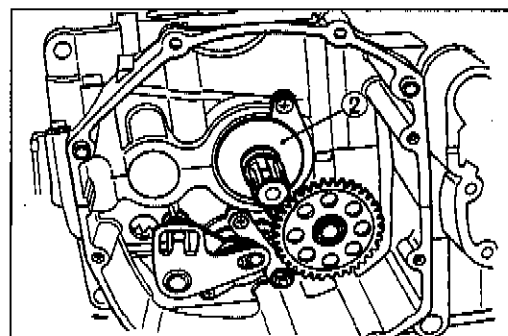
- Remove the thrust washer ① .



- With the spacer and bearing removed, the primary driven gear (integral with the clutch housing) is free to disengage from the primary drive gear.
- Remove the primary driven gear assembly with the generator/oil pump drive gears.



- Remove the thrust washer ② .

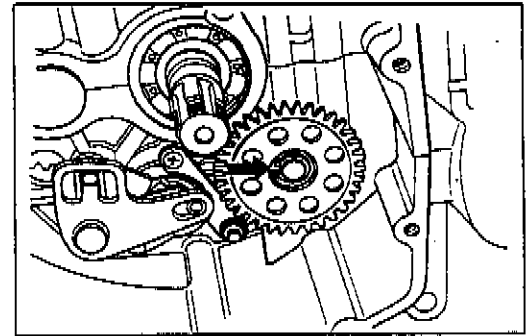


- Remove the oil pump driven gear by removing the circlip.

09900-06107: Snap ring pliers

NOTE:

Do not lose the circlip, pin and washers.



- Remove the circlip and washer from the gearshift shaft.

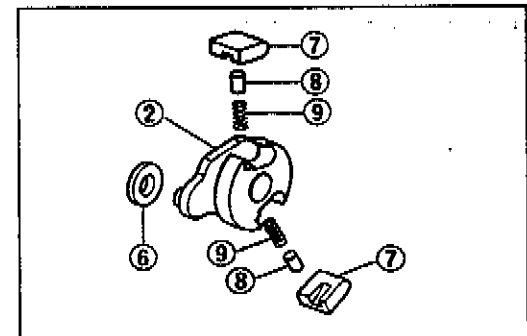
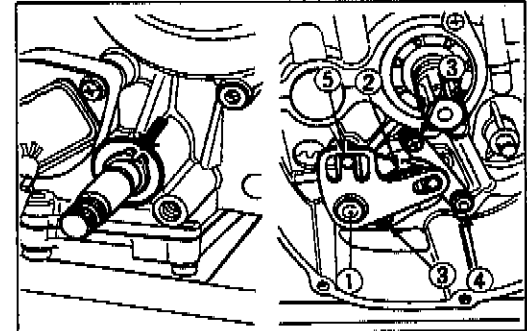
09900-06107: Snap ring pliers

- Draw out the gearshift shaft/gearshift arm ①, and then remove the cam shifter ② by removing the screws ③, nut ④ and arm stopper bolt ⑤.

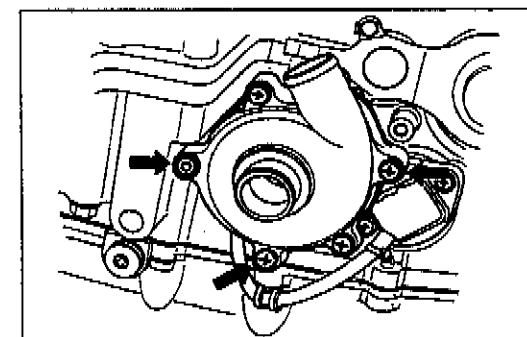
09900-09003: Impact driver set

NOTE:

When removing the cam shifter ②, do not lose the gear shifting roller ⑥, pawl ⑦, pin ⑧ and spring ⑨.



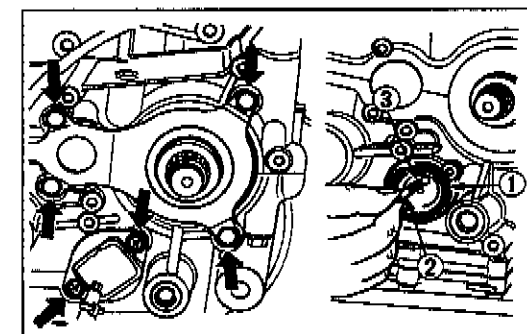
- Remove the water pump by removing the mounting screws and nut.



- Flatten the lock portions of the oil seal retainer and remove it by removing the four bolts.
- Remove the neutral position indicator switch by removing the screws.

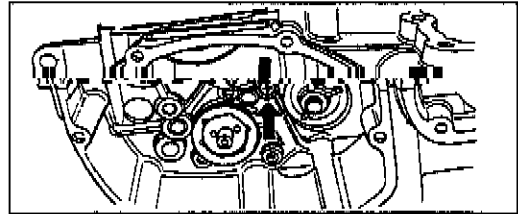
NOTE:

Do not lose the O-ring ①, switch contact ② and its spring ③.

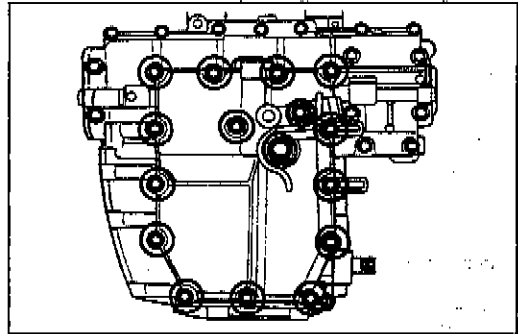


3-17 ENGINE

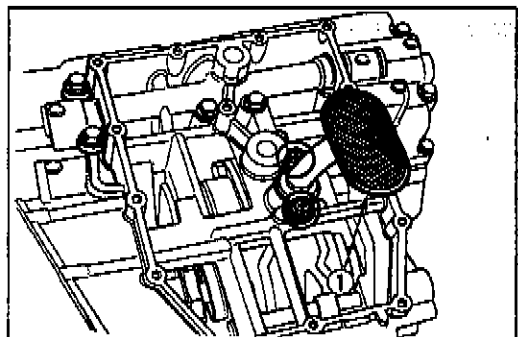
- Remove the countershaft bearing retainer by removing the two screws.



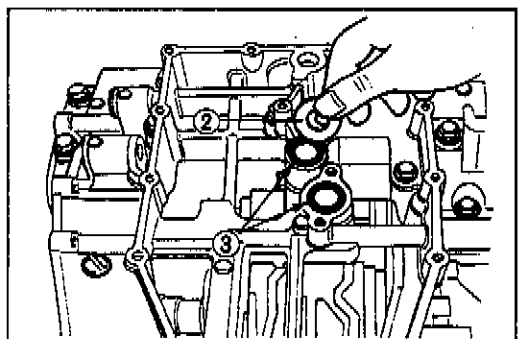
- Remove the oil pan by removing the bolts.



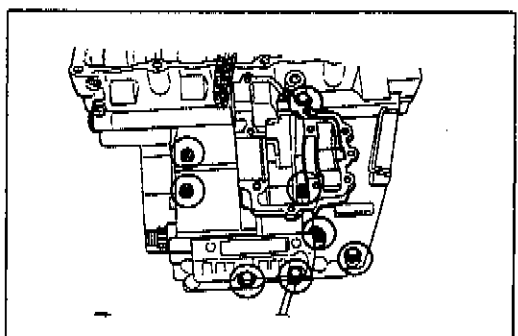
- Remove the oil sump filter ① by removing the two bolts.



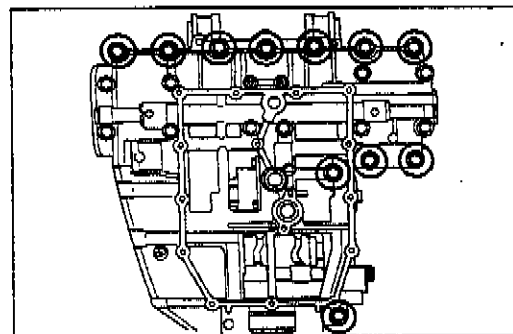
- Remove the shim ② and O-rings ③ .



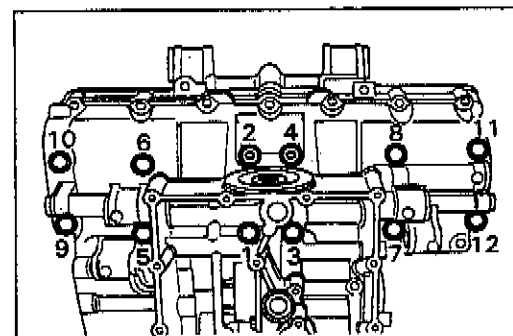
- Remove the upper crankcase tightening bolts.



- Remove the lower crankcase tightening bolts.



- When removing the crankshaft tightening bolts, loosen them in the descending order of numbers assigned to these bolts.
- Make sure that all bolts are removed without fail. Hammer lightly the lower crankcase side with a plastic hammer to separate the upper and lower crankcase halves and then lift the latter.



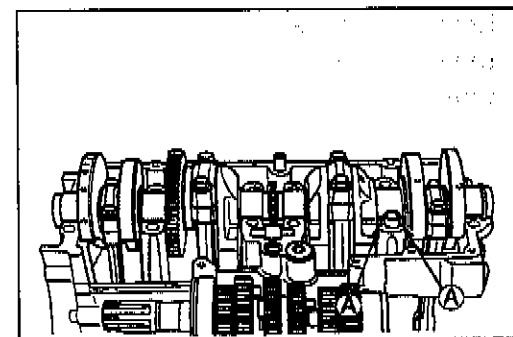
CAUTION:

Do not drop the crankshaft journal bearings from the lower crankcase.

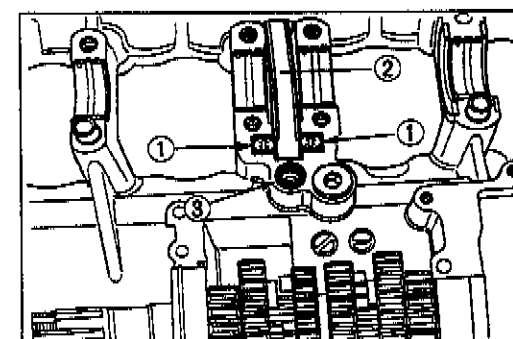
- Remove the crankshaft assembly from the upper crankcase.

NOTE:

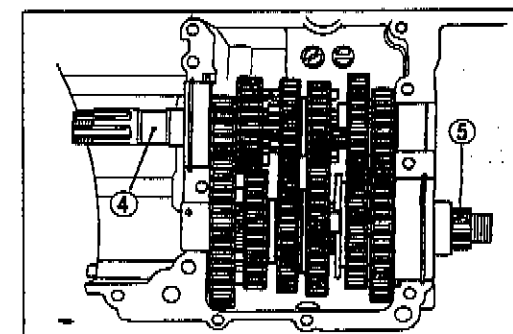
Bear in mind that the crankshaft thrust bearings **A** are located between the shaft and the case.



- Remove the two dampers **1** and cam chain guide **2**.
- Remove the O-ring **3**.

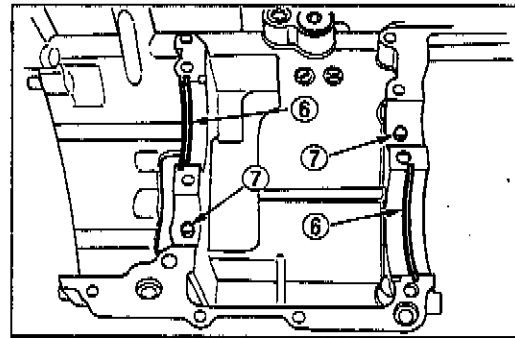


- Remove the countershaft assembly **4** and driveshaft assembly **5**.

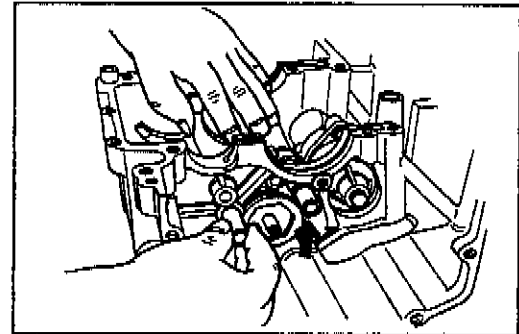


3-19 ENGINE**NOTE:**

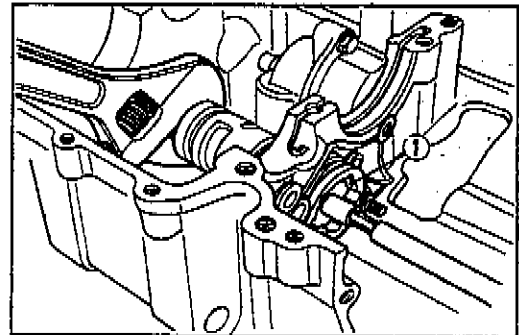
Do not lose the C-rings ⑥ and bearing pins ⑦ .



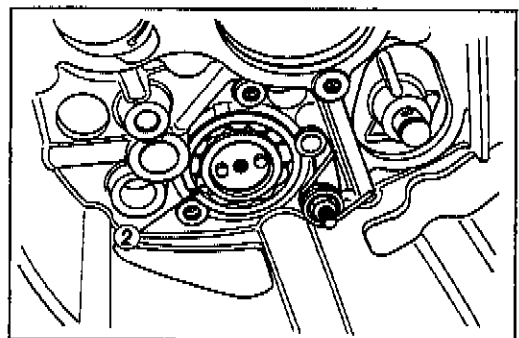
- Hold the gearshift forks by hand while drawing out the gearshift fork shafts from the lower crankcase.



- Remove the gearshift cam stopper plate ① by removing the bolt while holding the gearshift cam with an adjuster wrench.



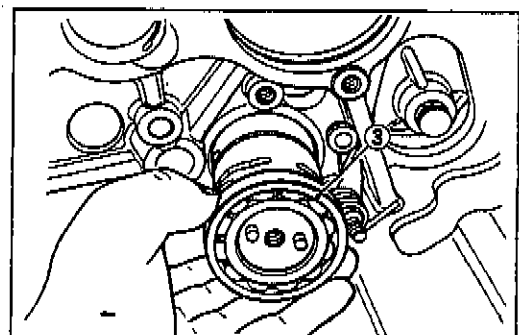
- Remove the washer ② .



- Draw out the gearshift cam with bearing from the lower crankcase.

NOTE:

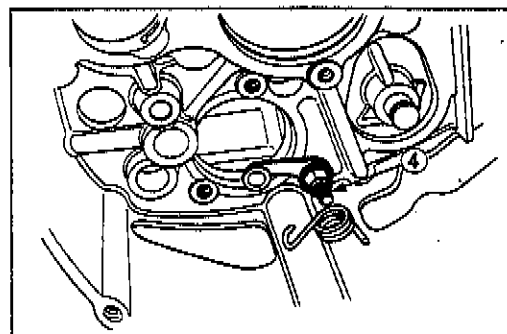
Rotate the bearing ③ on the gearshift cam by hand to inspect for abnormal noise and smooth rotation. Replace the bearing if there is anything unusual.



NOTE:

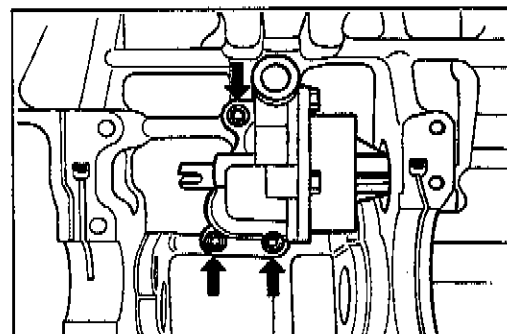
When replacing the gearshift cam stopper bolt ④, apply a small quantity of **THREAD LOCK "1342"** to the bolt.

99000-32050: THREAD LOCK "1342"

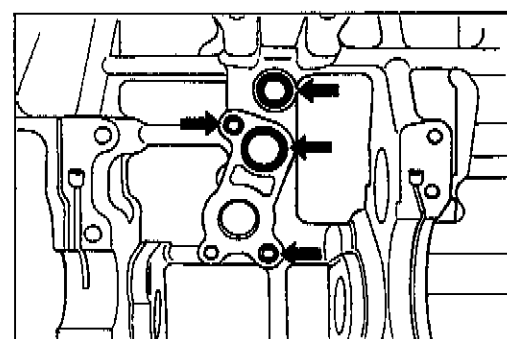
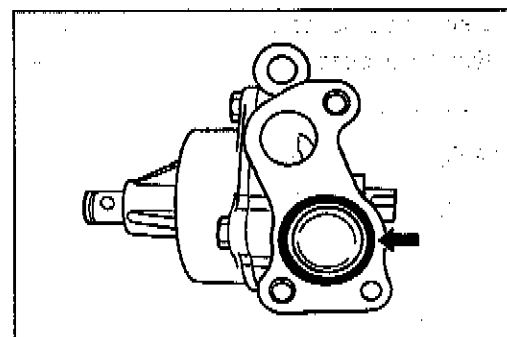


- Remove the oil pump by removing the mounting bolts.

09900-00410: Hexagon wrench set



- Remove the oil pump O-rings and dowel pins.



3-21 ENGINE

ENGINE COMPONENTS INSPECTION AND SERVICE

CYLINDER HEAD SERVICE

CAUTION:

Be sure to identify each removed part as to its location, and lay the parts out in groups designated as "No.1", "No.2", "Exhaust", "Inlet", so that each will be restored to the original location during assembly.

NOTE:

If valve guides have to be removed for replacement after inspecting related parts, carry out the steps shown in valve guide servicing.

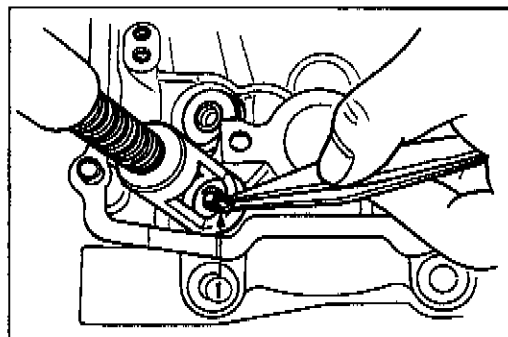
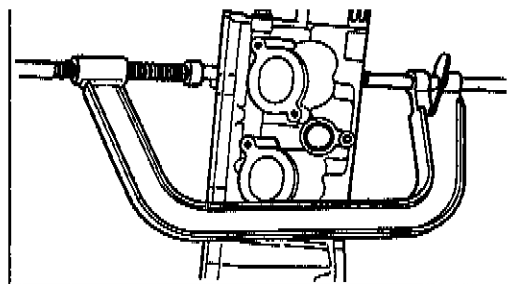
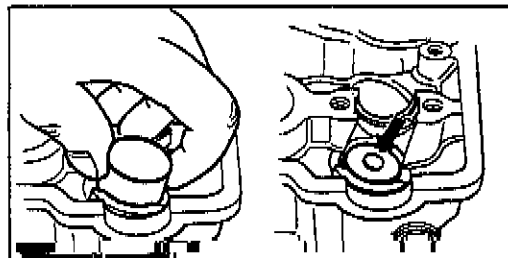
- Remove the tappets and shims by fingers or magnetic hand.

Use the correct number of tappets and shims.

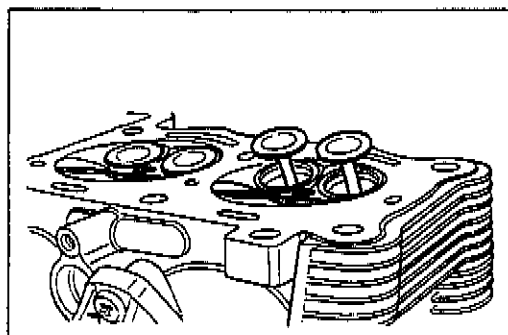
09916-14510: Valve lifter

09916-14520: Valve lifter attachment

09916-84511: Tweezers



- Remove the valve spring retainer, valve spring and valve spring seat.
- Pull out the valve from the other side.



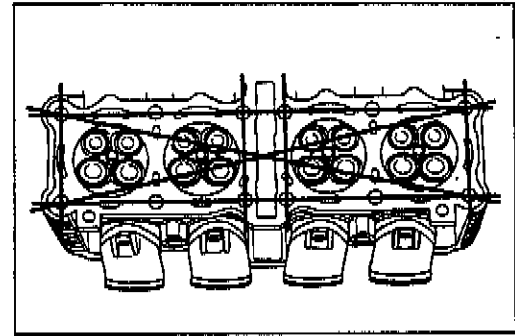
CYLINDER HEAD DISTORTION

Decarbonize the combustion chambers.

Check the gasketed surface of the cylinder head for distortion with a straightedge and thickness gauge, taking a clearance reading at several places indicated. If the largest reading at any position of the straightedge exceeds the limit, replace the cylinder head.

09900-20803: Thickness gauge

Service Limit: 0.2 mm (0.008 in.)



VALVE STEM RUNOUT

Support the valve with "V" blocks, as shown, and check its runout with a dial gauge.

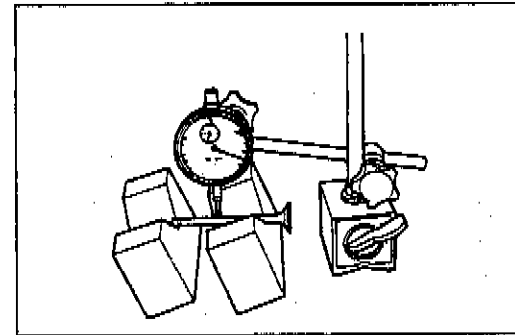
The valve must be replaced if the runout exceeds the limit.

09900-20606: Dial gauge (1/100 mm)

09900-20701: Magnetic stand

09900-21304: V-block (100 mm)

Service Limit: 0.05 mm (0.002 in)



VALVE HEAD RADIAL RUNOUT

Place the dial gauge at right angles to the valve head face, and measure the valve head radial runout.

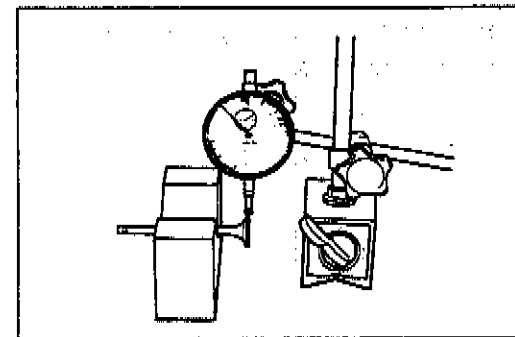
If it measures more than the limit, replace the valve.

09900-20606: Dial gauge (1/100 mm)

09900-20701: Magnetic stand

09900-21304: V-block (100 mm)

Service Limit: 0.03 mm (0.001 in.)

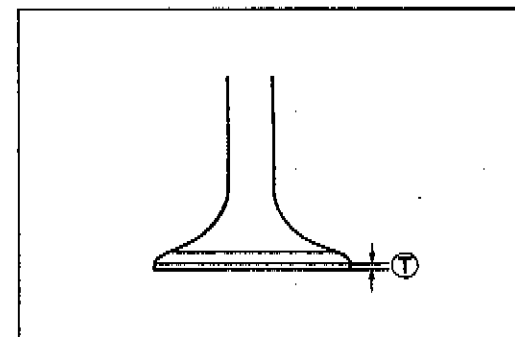


VALVE FACE WEAR

Visually inspect each valve for wear of its seating face. Replace any valve with an abnormally worn face. The thickness $\text{\textcircled{T}}$ decreases as the wear of the face advances. Measure the thickness and, if the thickness is found to have been reduced to the limit, replace it.

09900-20102: Vernier calipers

Service Limit $\text{\textcircled{T}}$: 0.5 mm (0.02 in)



VALVE STEM DEFLECTION

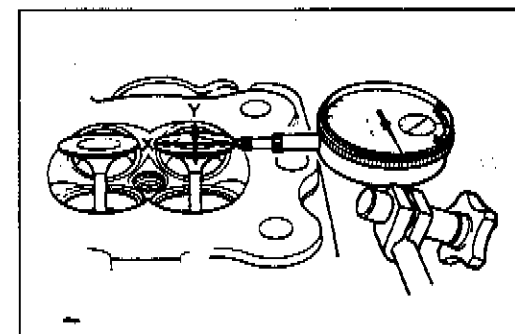
Lift the valve about 10 mm (0.39 in) from the valve seat. Measure the valve stem deflection in two directions, "X" and "Y", perpendicular to each other, by positioning the dial gauge as shown. If the deflection measured exceeds the limit, (see below) then determine whether the valve or the guide should be replaced with a new one.

09900-20606: Dial gauge (1/100 mm)

09900-20701: Magnetic stand

Service Limit

Intake and exhaust valves: 0.35 mm (0.014 in)



3-23 ENGINE**VALVE STEM WEAR**

If the valve stem is worn down to the limit, as measured with a micrometer, where the clearance is found to be in excess of the limit indicated, replace the valve; if the stem is within the limit, then replace the guide. After replacing valve or guide, be sure to recheck the clearance.

09900-20205: Micrometer (0–25 mm)

Standard

Intake valves : 4.465–4.480 mm (0.1758–0.1764 in)

Exhaust valves: 4.455–4.470 mm (0.1754–0.1760 in)

VALVE GUIDE SERVICING

- Using the valve guide remover ①, drive the valve guide out toward the intake or exhaust camshaft side.

09916-43210: Valve guide remover/installer

NOTE:

- * *Discard the removed valve guide subassemblies.*
- * *Only oversized valve guides are available as replacement parts. (Part No. 11115-17E70)*

- Re-finish the valve guide holes in cylinder head with the reamer and handle.

09916-34580: Valve guide reamer

09916-34542: Reamer handle

- Oil the stem hole, too, of each valve guide and drive the guide into the guide hole with the valve guide installer and attachment.

09916-43210: Valve guide remover/installer

09916-43230: Attachment

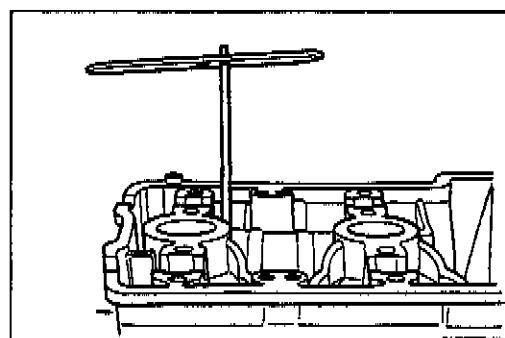
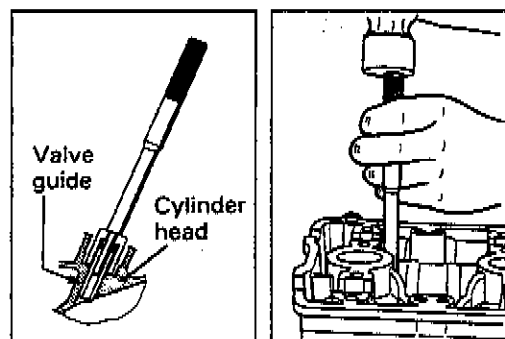
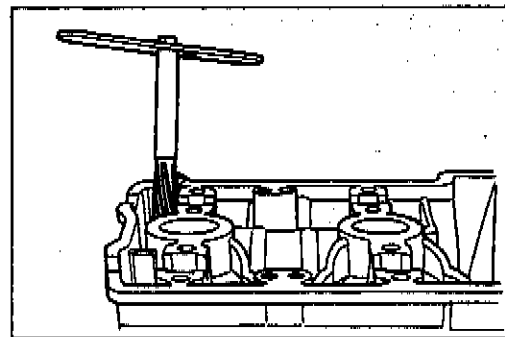
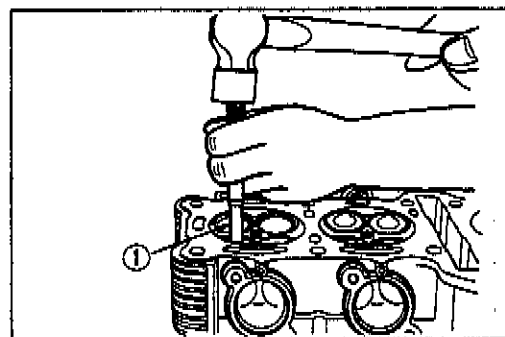
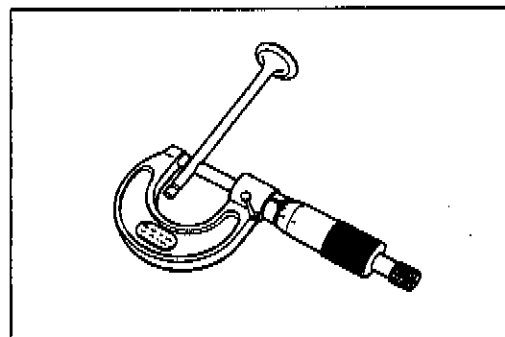
CAUTION:

Failure to oil the valve guide hole before driving the new guide into place may result in a damaged guide or head.

- After fitting the valve guides, re-finish their guiding bores with the reamer. Be sure to clean and oil the guides after reaming.

09916-33210: Valve guide reamer

09916-34542: Reamer handle



VALVE SEAT WIDTH

- Coat the valve seat uniformly with Prussian blue. Fit the valve and tap the coated seat with the valve face in a rotating manner, in order to obtain a clear impression of the seating contact. In this operation, use the valve lapper to hold the valve head.
- The ring-like dye impression left on the valve face must be continuous-without any break. In addition, the width of the dye ring, which is the visualized seat "width", must be within the following specification:

Standard

Valve seat width $\text{\textcircled{W}}$: 0.9–1.1 mm (0.035–0.043 in)

If either requirement is not met, correct the seat by servicing is as follows:

VALVE SEAT SERVICING

The valve seats for both intake and exhaust valves are machined to four different angles. (The seat contact surface is cut 45°.)

	INTAKE		EXHAUST
45°	N-116 or N-122	45°	N-116 or N-122
30°	N-126	15°	N-120 or N-121
60°	N-111		

Valve seat cutter: (N-111), (N-126), (N-121), (N-122),
(N-116) and (N-120)
Solid pilot: (N-100-4.5)

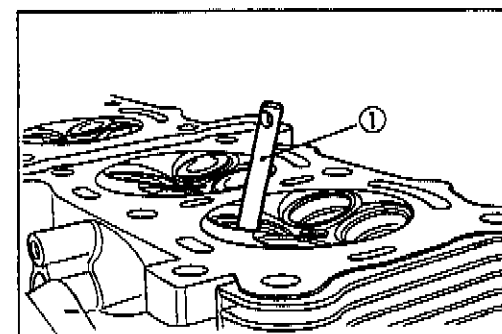
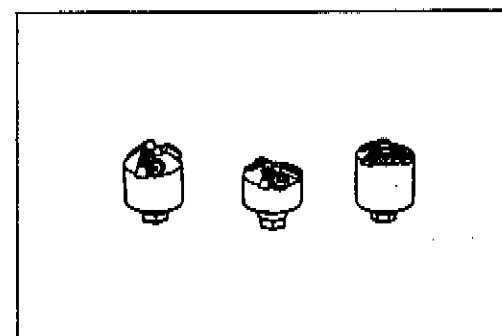
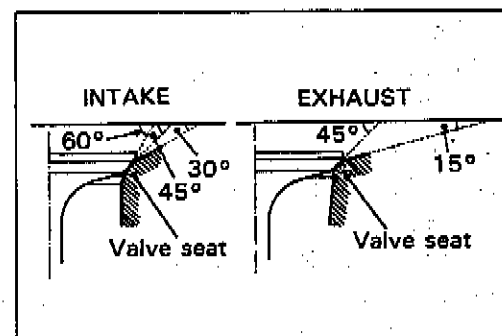
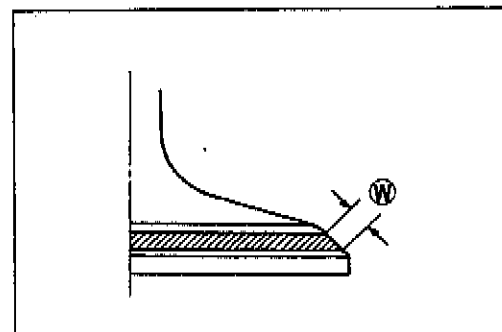
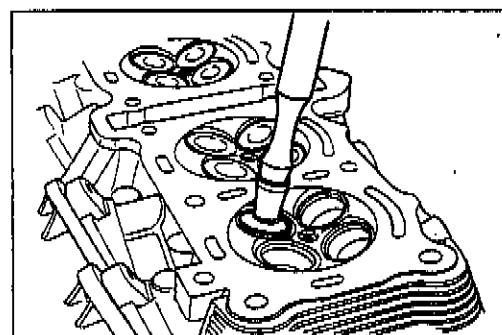
NOTE:

The valve seat contact area must be inspected after each cut.

- Insert the solid pilot $\text{\textcircled{1}}$ with a slight rotation. Seat the pilot snugly. Install the 45° cutter, attachment and T-handle.
- Using the 45° cutter, descale and clean up the seat with one or two turns.
- Inspect the seat by the previously described seat width measurement procedure. If the seat is pitted or burned, additional seat conditioning with the 45° cutter is required.

NOTE:

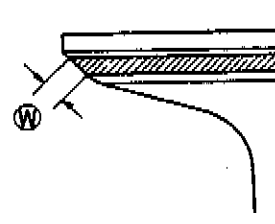
Cut only the minimum amount necessary from the seat to prevent the possibility of the tappet shim replacement.



3-25 ENGINE

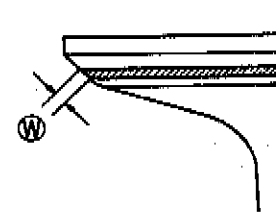
If the contact area is too high on the valve, or if it is too wide, use the 15° cutter (for exhaust side) and 30°/60° cutters (for intake side) to lower and narrow the contact area.

Contact area too high and too wide on face of valve



If the contact area is too low or too narrow, use the 45° cutter to raise and widen the contact area.

Contact area too low and too narrow on face of valve



- After the desired seat position and width is achieved, use the 45° cutter very lightly to clean up any burrs caused by the previous cutting operations.

CAUTION:

DO NOT use lapping compound after the final cut is made. The finished valve seat should have a velvety smooth finish and not a highly polished or shiny finish. This will provide a soft surface for the final seating of the valve which will occur during the first few seconds of engine operation.

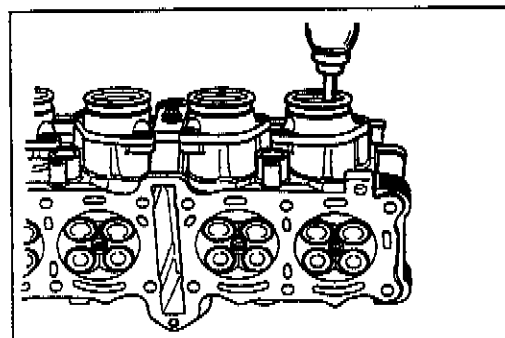
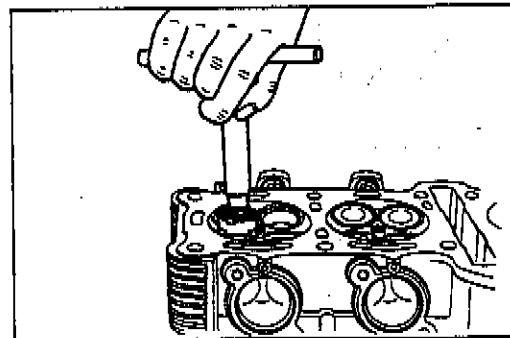
- Clean and assemble the head and valve components. Fill the intake and exhaust ports with gasoline to check for leaks. If any leaks occur, inspect the valve seat and face for burrs or other things that could prevent the valve from sealing.

WARNING:

Always use extreme caution when handling gasoline.

NOTE:

After servicing the valve seats, be sure to check the tappet clearance after the cylinder head has been reinstalled. (see page 2-4.)



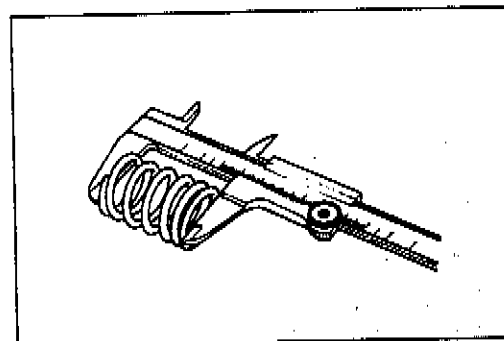
VALVE SPRING

The force of the coil spring keeps the valve seat tight. Weakened spring result in reduced engine power output, and often account for the chattering noise coming from the valve mechanism.

Check the valve spring for proper strength by measuring its free length and also by the force required to compress it. If the spring length is less than the service limit, or if the force required to compress the spring does not fall within the range specified, replace the spring.

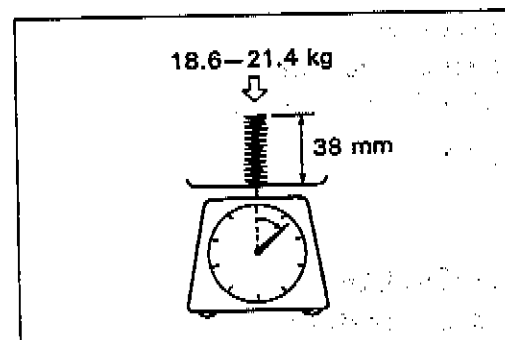
Valve spring free length

Service Limit: 43.0 mm (1.69 in)



Valve spring tension

Standard: 18.6–21.4 kg/38 mm (41.0–47.2 lbs/1.5 in)



REASSEMBLY

- Oil each oil seal, and press-fit them into position with the valve guide installer.

09916-43210: Valve guide remover/installer

CAUTION:

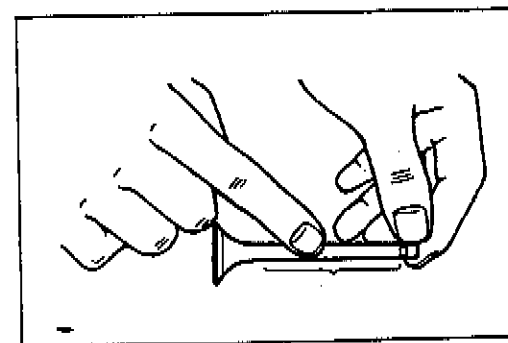
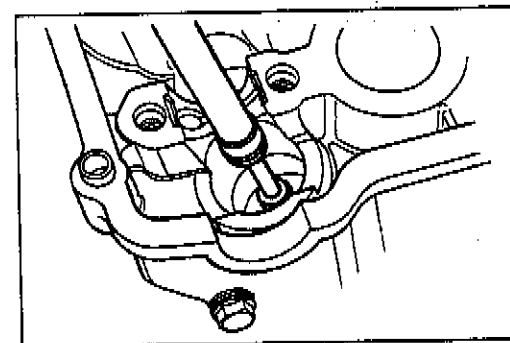
Do not reuse the oil seals.

- Install each valve spring seat.
- Insert the valves, with their stems coated with high quality molybdenum disulfide lubricant (SUZUKI MOLY PASTE) all around and along the full stem length without any break.

CAUTION:

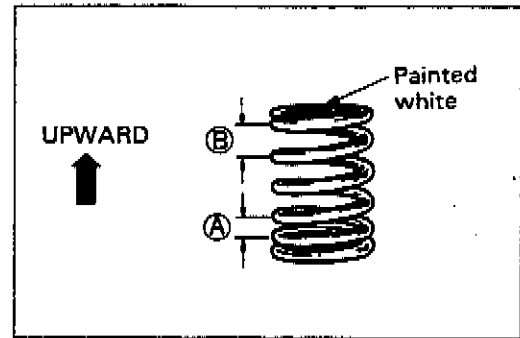
When inserting each valve, take care not to damage the lip of the oil seal.

99000-25140: SUZUKI MOLY PASTE

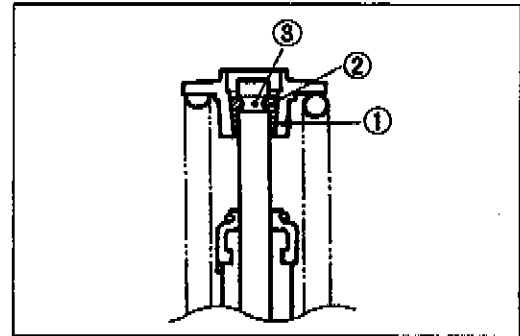


3-27 ENGINE

- Install the valve spring with the small-pitch portion **(A)** facing cylinder head. **(B)** Large-pitch portion.



- Put on the valve spring retainer and, using the valve lifter, press down the spring, fit the cotter halves to the stem end, and release the lifter to allow the cotter **(1)** to wedge in between retainer and stem. Be sure that the rounded lip **(2)** of the cotter fits snugly into the groove **(3)** in the stem end.



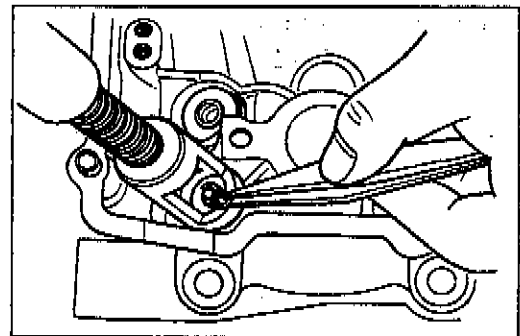
- 09916-14510: Valve lifter
- 09916-14520: Valve lifter attachment
- 09916-84511: Tweezers

CAUTION:

Be sure to restore each spring, valve, shim and tappet to their original positions.

NOTE:

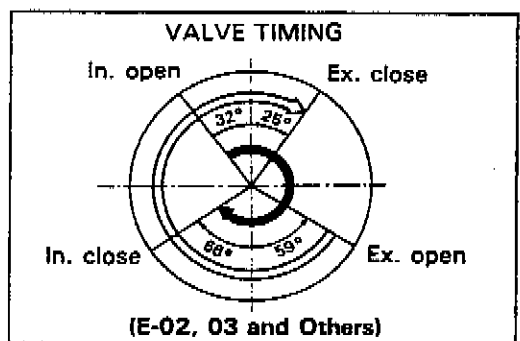
Apply engine oil to the shim and tappet before fitting them.



CAMSHAFT

Both camshafts should be checked for runout and also for wear of cams and journals if the engine has been noted as giving abnormal noise or vibration or lack power output. Any of these conditions may be caused by camshafts worn down or distorted to the service limit.

	In. open	In. close	Ex. open	Ex. close
E-04	36°	62°	55°	29°
E-18 and 33	9°	65°	59°	22°

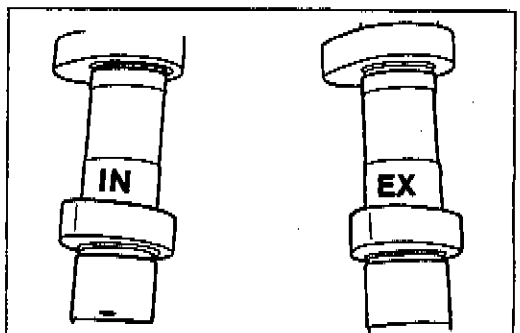
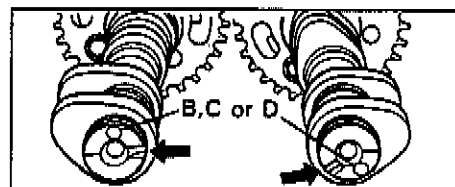


The exhaust camshaft can be distinguished from that of the intake by the embossed letters "EX" (for exhaust) as against letters "IN" (for intake).

Similarly, the right end can be distinguished by the notch from the left end.

I.D. code

	In.	Ex.
E-04	D	D
E-18 and 33	C	C
E-02,03 and others	B	B



CAM WEAR

Worn-down cams are often the cause of mistimed valve operation resulting in reduced power output.

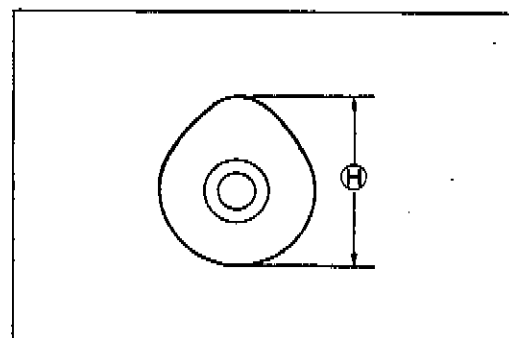
The limit of cam wear is specified for both intake and exhaust cams in terms of cam height \ominus , which is to be measured with a micrometer. Replace camshafts if found worn down to the limit.

09900-20202: Micrometer (25–50 mm)

Cam height \ominus

Service Limit

	Intake cams	Exhaust cams
E-02,03 and others	36.02 mm (1.418 in)	35.61 mm (1.402 in)
E-18 and 33	34.25 mm (1.348 in)	33.83 mm (1.332 in)
E-04	36.02 mm (1.418 in)	35.61 mm (1.402 in)



CAMSHAFT JOURNAL WEAR

Determine whether or not each journal is worn down to the limit by measuring the oil clearance with the camshaft installed in place. Use the plastigauge $\textcircled{1}$ to read the clearance at the widest portion, which is specified as follows:

Camshaft-Journal oil clearance (IN & EX)

Service Limit: 0.150 mm (0.0059 in)

09900-22301: Plastigauge

NOTE:

Install each holder to their original positions. (page 3-62.)

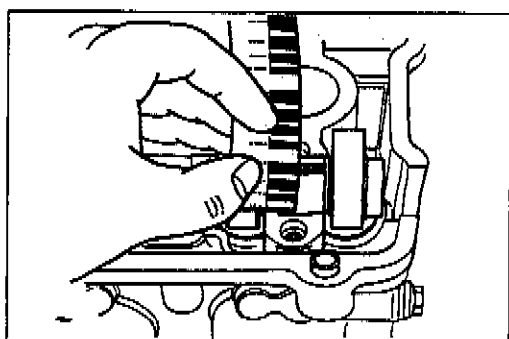
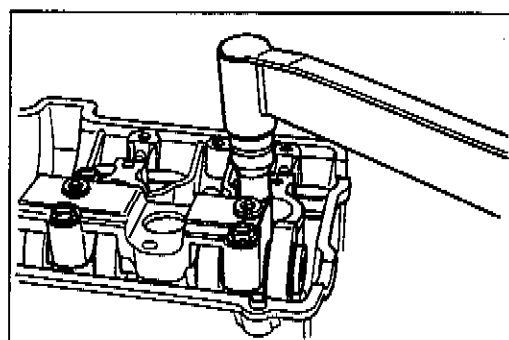
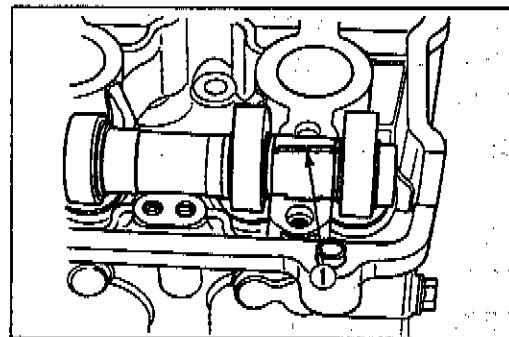
Tighten the camshaft holder bolts evenly and diagonally to the specified torque.

**Tightening torque: 8–12 N·m
(0.8–1.2 kg·m, 6.0–8.5 lb·ft)**

NOTE:

Do not rotate the camshafts with the plastigauge in place.

Remove the camshaft holders, and read the width of the compressed plastigauge with envelope scale. This measurement should be taken at the widest part.

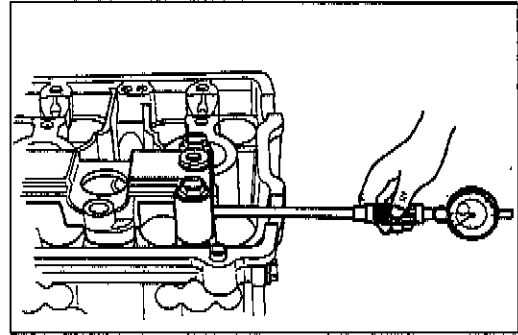


3-29 ENGINE

If the camshaft journal oil clearance measured exceeds the limit, measure the inside diameter of the camshaft journal holder and outside diameter of the camshaft journal. Replace the camshaft or the cylinder head depending upon which one exceeds the specification.

Standard

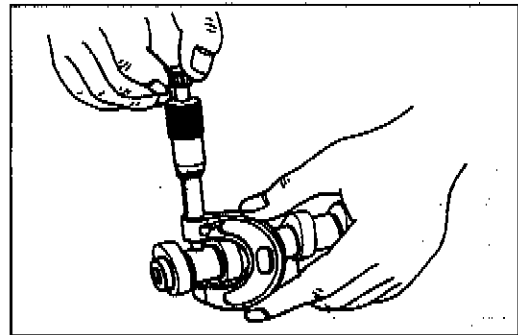
Journal holder I.D. (IN & EX): 22.012–22.025 mm
(0.8666–0.8671 in)



09900-20205: Micrometer (0–25 mm)

Standard

Camshaft journal O.D. (IN & EX): 21.959–21.980 mm
(0.8645–0.8654 in)



CAMSHAFT RUNOUT

Measure the runout with a dial gauge. Replace the camshaft if the runout exceeds the limit.

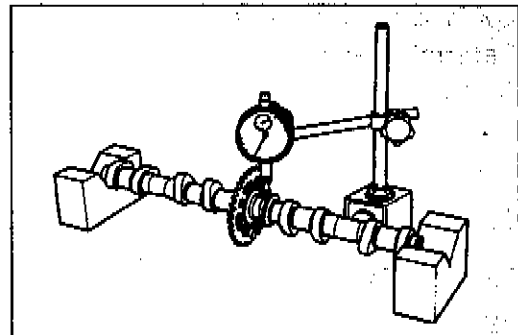
Camshaft runout (IN & EX)

Service Limit: 0.1 mm (0.004 in)

09900-20606: Dial gauge (1/100 mm, 10 mm)

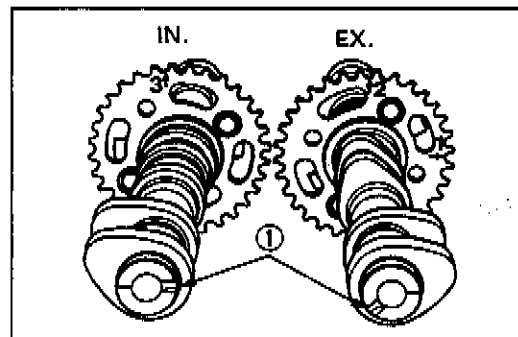
09900-20701: Magnetic stand

09900-21304: V-block (100 mm)



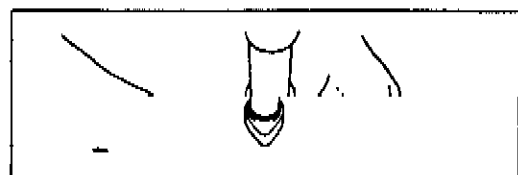
CAM SPROCKET

The fixed position of each cam sprocket on each camshaft is determined by arrow mark "3" (on INTAKE sprocket) or arrow marks "1" and "2" (on EXHAUST sprocket) located (as shown) in reference to the notch ① in the right end of each camshaft.



REASSEMBLY

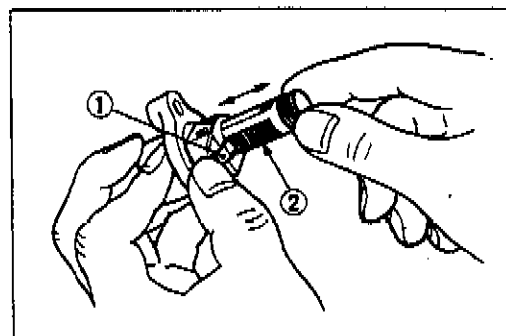
- Apply THREAD LOCK SUPER "1303" to the threads of
 (2.4–2.6 kg-m, 17.5–19.0 lb-ft)



CAM CHAIN TENSIONER

The cam chain tensioner is maintained at the proper tension by an automatically adjusted tensioner.

Unlock the ratchet mechanism ①, and move the push rod ② in place to see if it slides smoothly. If any stickiness is noted or ratchet mechanism is faulty, replace the cam chain tensioner assembly with a new one.



CAM CHAIN GUIDE

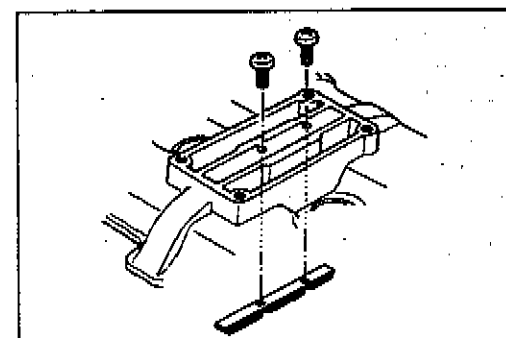
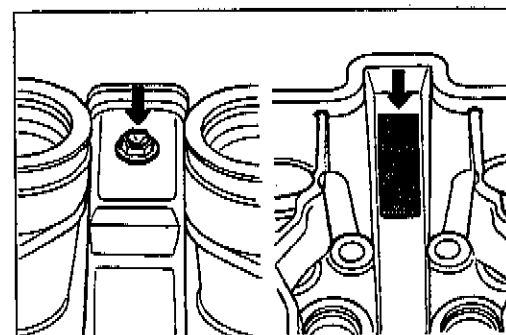
NOTE:

When replacing the cam chain guides, apply **SUZUKI THREAD LOCK SUPER "1303"** to threads of bolt and screws.

99000-32030: THREAD LOCK SUPER "1303"

Cam chain guide

mounting bolt: 4–7 N·m
(0.4–0.7 kg-m, 3.0–5.0 lb-ft)



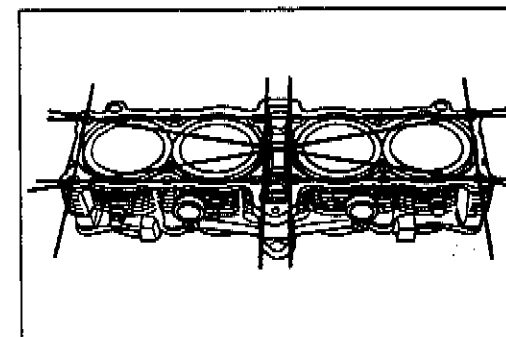
CYLINDER BLOCK DISTORTION

Check the gasketed surface of the cylinder block for distortion with a straightedge and thickness gauge, taking a clearance reading at several places as indicated. If the largest reading at any position of the straightedge exceeds the limit, replace the cylinder block.

09900-20803: Thickness gauge

Cylinder distortion

Service Limit: 0.2 mm (0.008 in)



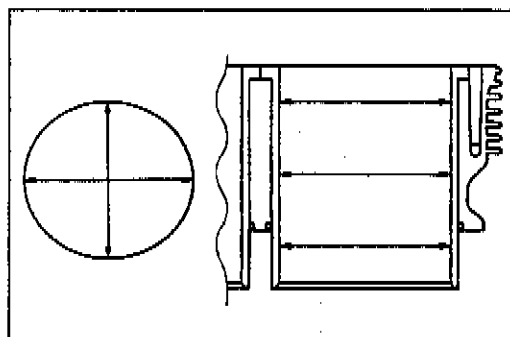
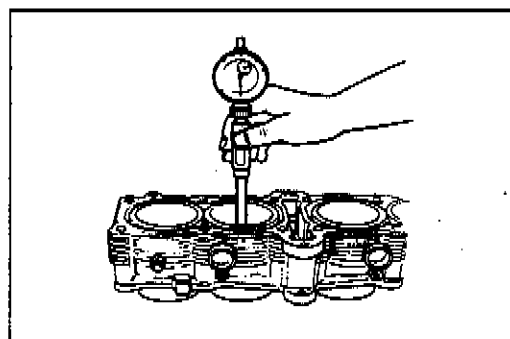
3-31 ENGINE**CYLINDER BORE**

Measure the cylinder bore diameter at six places. If any one of the measurements exceeds the limit, overhaul the cylinder and replace the piston with an oversize piston. The remaining cylinders must be also rebored accordingly. Otherwise, the imbalance might cause excess vibration.

Cylinder bore

Service Limit: 65.075 mm (2.5620 in)

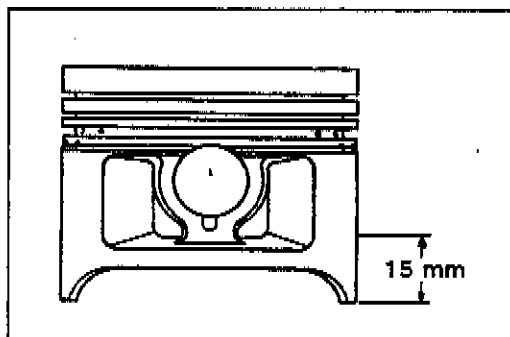
09900-20508: Cylinder gauge set

**PISTON DIAMETER**

Using a micrometer, measure the piston's outside diameter at the place shown in Fig. If the measurement is less than the limit, replace the piston.

Service Limit: 64.880 mm (2.5543 in)

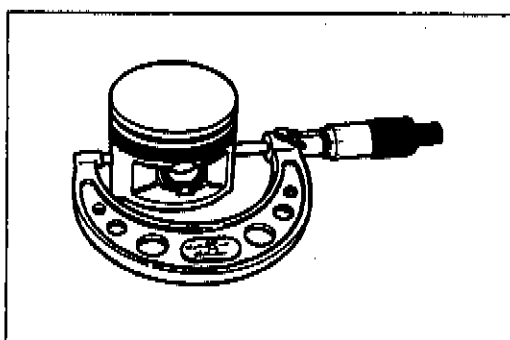
09900-20203: Micrometer (50–75 mm)

**PISTON-CYLINDER CLEARANCE**

As a result of the above measurement, if the piston clearance exceeds the following limit, overhaul the cylinder and use an oversize piston, or replace both cylinder and piston.

Service Limit: 0.12 mm (0.0047 in)

Piston oversize: 0.5, 1.0 mm

**PISTON RING-GROOVE CLEARANCE**

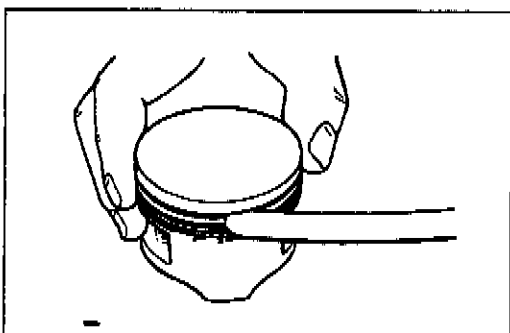
Using a thickness gauge, measure the side clearances of the 1st and 2nd rings. If any of the clearances exceeds the limit, replace both piston and piston rings.

09900-20803: Thickness gauge

Piston ring-groove clearance

Service Limit

1st & 2nd: 0.18 mm (0.007 in)



Piston ring groove width

1st : 0.83—0.85 mm (0.032—0.033 in)

Standard 2nd: 0.82—0.84 mm (0.032—0.033 in)

Oil : 1.51—1.53 mm (0.059—0.060 in)

Piston ring thickness**Standard**

1st & 2nd: 0.77—0.79 mm (0.030—0.031 in)

PISTON RING FREE END GAP AND PISTON RING END GAP

Before installing piston rings, measure the free end gap of each ring using vernier calipers. Next, fit the ring in the cylinder, and measure each ring end gap using a thickness gauge.

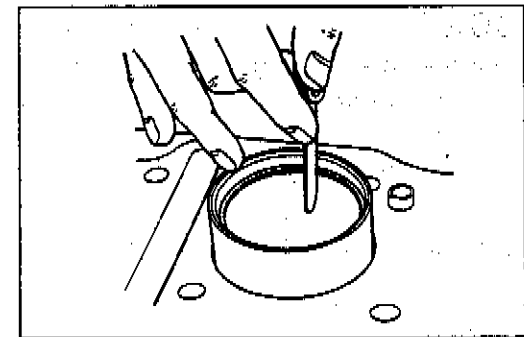
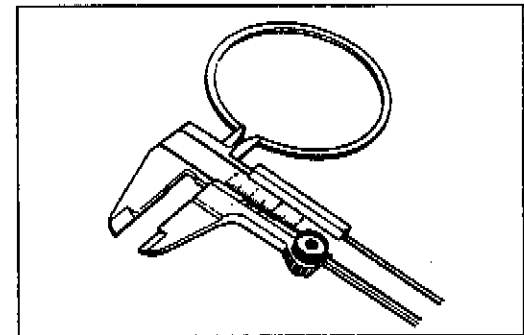
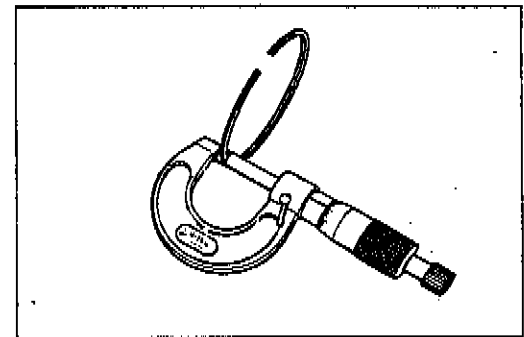
If any ring has an excess end gap, replace the ring.

Piston ring free end gap

Service Limit 1st : 6.0 mm (0.24 in)
2nd: 6.4 mm (0.25 in)

09900-20102: Vernier calipers**Piston ring end gap****Service Limit**

1st & 2nd: 0.5 mm (0.02 in)

09900-20803: Thickness gauge**Oversize piston ring**

The following two types of oversize piston ring are used. They bear the following identification numbers.

	1st	2nd
0.5 mm	50	50
1.0 mm	100	100

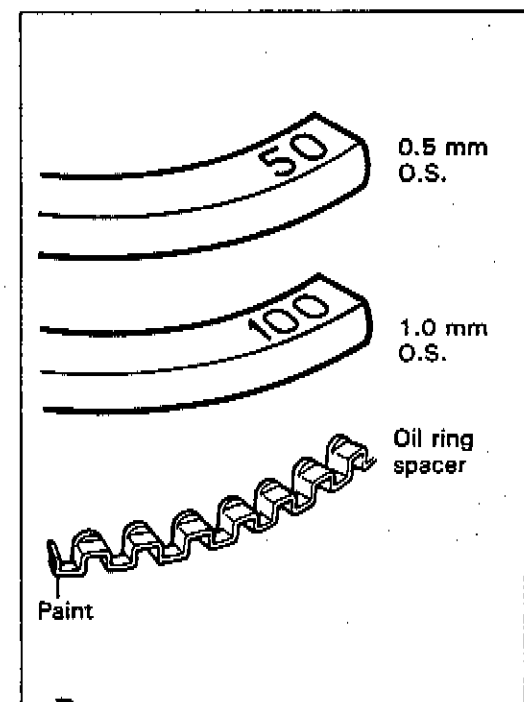
Oversize oil ring

The following two types of oversize oil ring are available as optional parts. They bear the following identification marks.

SIZE	COLOR
STD	NIL
0.5 mm O.S.	Painted red
1.0 mm O.S.	Painted yellow

Oversize side rail

Just measure out side diameter to identify the size.



3-33 ENGINE**PISTON PIN AND PIN BORE**

Using a small bore gauge, measure the piston pin bore inside diameter, and using a micrometer, measure the piston pin outside diameter. If the difference between these two measurements is more than the limits, replace both piston and piston pin.

Piston pin bore I.D.

Service Limit: 16.030 mm (0.6311 in)

09900-20602: Dial gauge (1/1000 mm, 1 mm)

09900-22401: Small bore gauge (10–18 mm)

Using a micrometer, measure the piston pin outside diameter at three positions.

Piston pin O.D.

Service Limit: 15.980 mm (0.6291 in)

09900-20602: Micrometer (0–25 mm)

Using a small bore gauge, measure the conrod small end inside diameter.

09900-20602: Dial gauge (1/1000 mm, 1 mm)

09900-22401: Small bore gauge (10–18 mm)

Conrod small end I.D.

Service Limit: 16.040 mm (0.6315 in)

If the conrod small end inside diameter exceeds the above-mentioned limit, replace the conrod.

CONROD BIG END SIDE CLEARANCE

Check the conrod side clearance by using a thickness gauge. If the clearance exceeds the limit, replace conrod or crankshaft.

Service Limit: 0.3 mm (0.01 in)

09900-20803: Thickness gauge

Standard

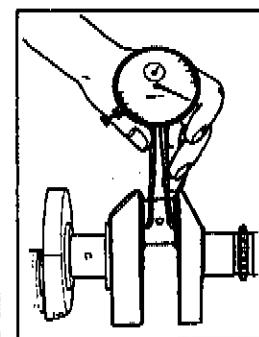
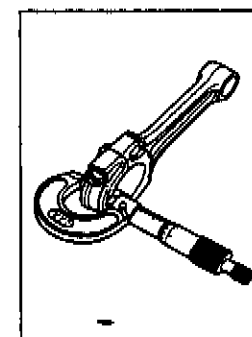
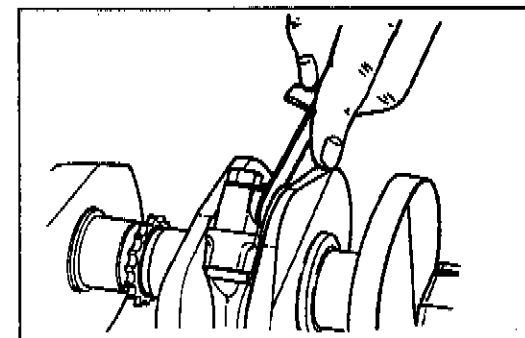
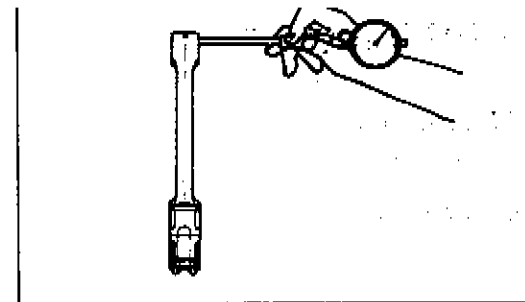
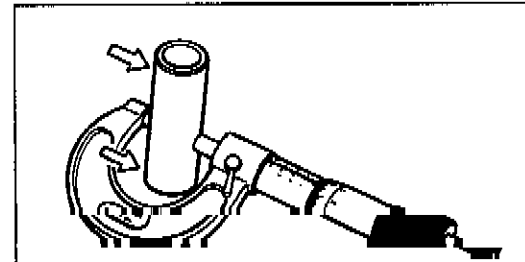
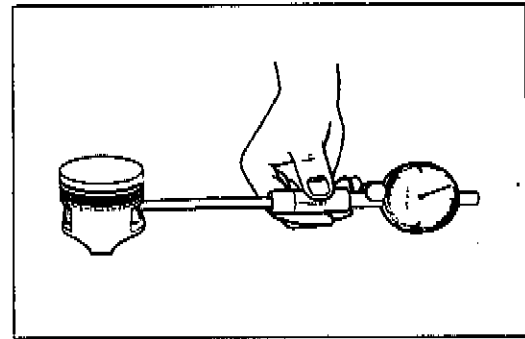
Big end width: 20.95–21.00 mm (0.825–0.827 in)

Standard

Crank pin width: 21.10–21.15 mm (0.831–0.833 in)

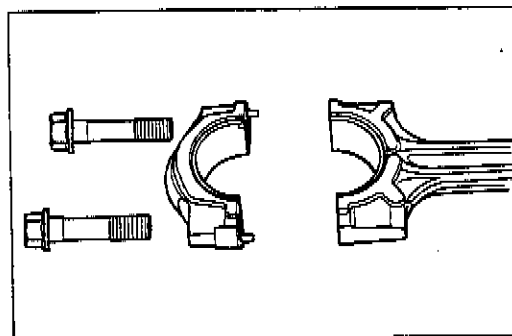
09900-20205: Micrometer (0–25 mm)

09900-20605: Dial calipers (10–34 mm)



CONROD-CRANK PIN BEARING SELECTION

- Remove the bearing cap bolts, and tap the bearing cap lightly with plastic hammer to remove the bearing cap.
- Remove the rods, and mark them to identify the cylinder position.
- Inspect the bearing surfaces for any sign of fusion, pitting, burn, or flaws. If any, replace them with a specified set of bearings.



- Place plastigauge axially on the crank pin avoiding the oil hole, at TDC or BDC side as shown.
- Tighten the bearing cap bolts with two-step torque values.

Initial tightening torque: 32–37 N·m

(3.2–3.7 kg·m, 23.0–27.0 lb·ft)

Final tightening torque: 65–68 N·m

(6.5–6.8 kg·m, 47.0–49.0 lb·ft)

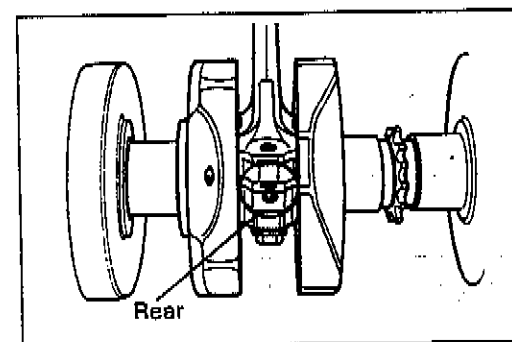
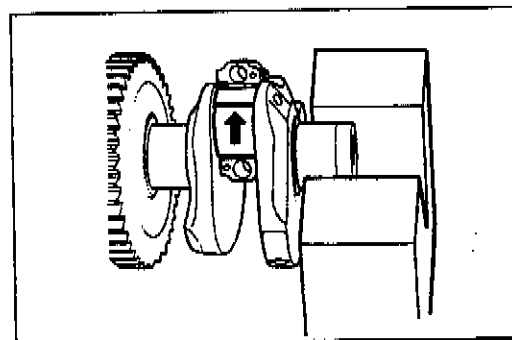
09900-22301: Plastigauge

NOTE:

When fitting bearing cap to crank pin, be sure to discriminate one end from the other, namely front and rear.

NOTE:

Never rotate the crankshaft or conrod when a piece of plastigauge is in the clearance.

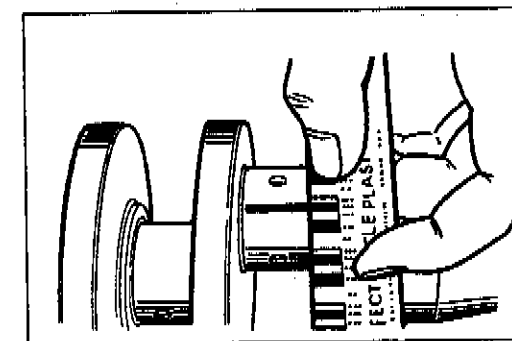


- Remove the caps, and measure the width of compressed plastigauge with envelope scale. This measurement should be taken at the widest part.

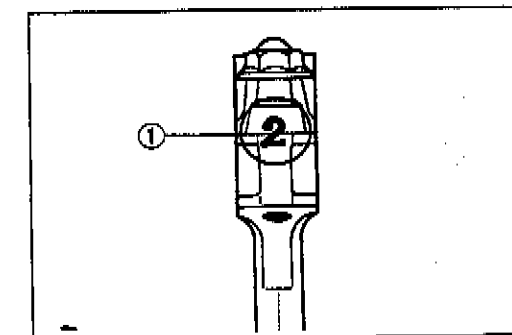
Crank pin bearing oil clearance

Standard: 0.032–0.056 mm (0.0013–0.0022 in)

Service Limit: 0.080 mm (0.0031 in)



- If oil clearance exceeds the service limit, select the specified bearings from the bearing selection table.
- Check the corresponding conrod I.D. code number ①, "1" or "2".



3-35 ENGINE

- Check the corresponding crank pin O.D. code number ②, "1", "2" or "3".

Bearing selection table

		Crank pin O.D. ②		
		1	2	3
Conrod I.D. ①	1	Green	Black	Brown
	2	Black	Brown	Yellow

Conrod I.D. specification

Code	I.D. specification
1	37.000–37.008 mm (1.4567–1.4570 in)
2	37.008–37.016 mm (1.4570–1.4573 in)

Crank pin O.D. specification

Code	O.D. specification
1	33.992–34.000 mm (1.3383–1.3386 in)
2	33.984–33.992 mm (1.3380–1.3383 in)
3	33.976–33.984 mm (1.3376–1.3380 in)

09900-20202: Micrometer (25–50 mm)**Bearing thickness**

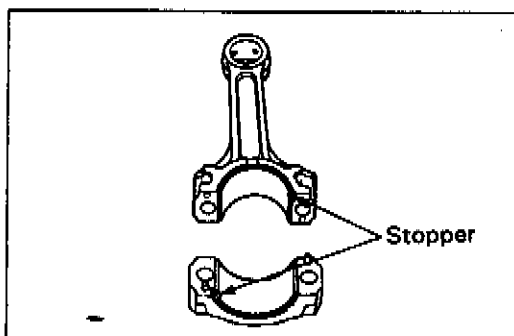
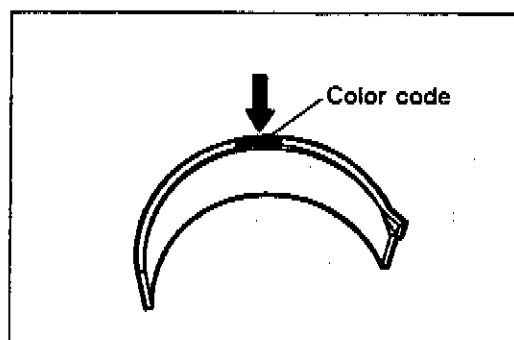
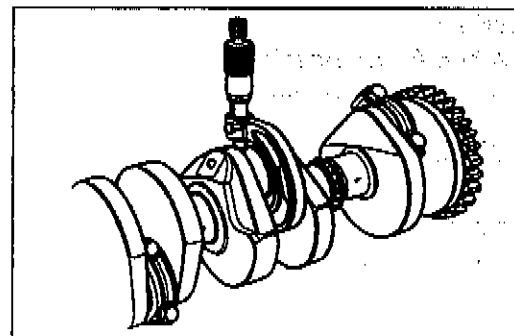
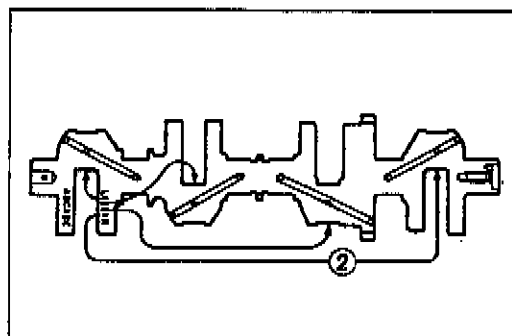
Color (Part No.)	Thickness
Green (12164-18E00-0A0)	1.480–1.484 mm (0.0583–0.0584 in)
Black (12164-18E00-0B0)	1.484–1.488 mm (0.0584–0.0586 in)
Brown (12164-18E00-0C0)	1.488–1.492 mm (0.0586–0.0587 in)
Yellow (12164-18E00-0D0)	1.492–1.496 mm (0.0587–0.0589 in)

CAUTION:

Bearing should be replaced as a set.

BEARING ASSEMBLY

- When fitting the bearings to the bearing cap and conrod, be sure to fix the stopper part first, and press in the other end.



- Apply engine oil or SUZUKI MOLY PASTE to the crank pin and bearing surface.

99000-25140: SUZUKI MOLY PASTE

- When mounting the conrod on the crankshaft, make sure that numeral figure ① of the conrod faces rearward.
- Tighten the bearing cap bolts with specified torque.

Initial tightening torque: 32–37 N·m
(3.2–3.7 kg·m, 23.0–27.0 lb-ft)

Final tightening torque : 65–68 N·m
(6.5–6.8 kg·m, 47.0–49.0 lb-ft)

- Check the conrod movement for smooth turning.

CRANKCASE-CRANKSHAFT BEARING SELECTION

- Inspect each bearing of upper and lower crankcases for any damage.

- Place the plastigauge on each crankshaft journal in the usual manner.

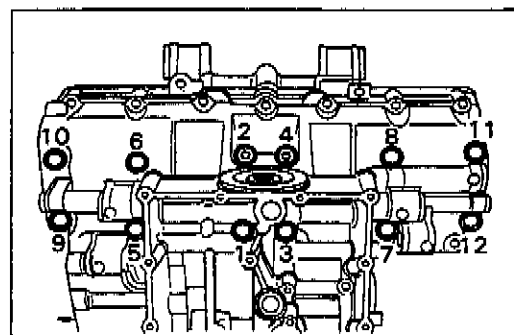
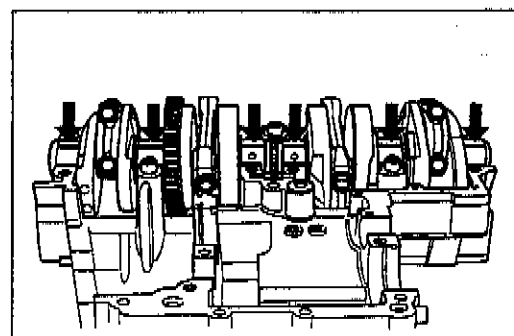
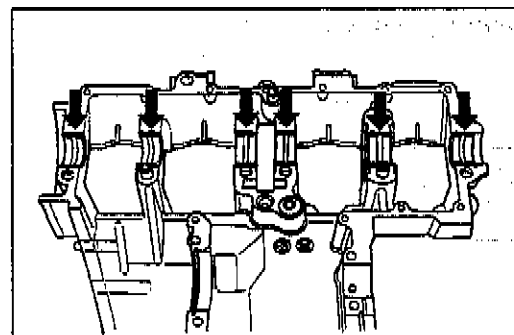
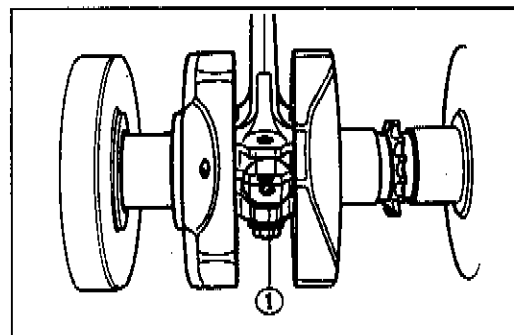
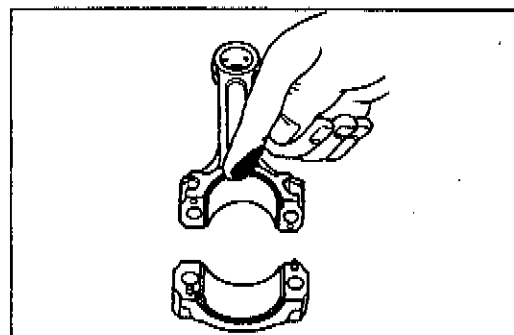
09900-22301: Plastigauge

NOTE:

Do not place the plastigauge on the oil hole, and do not rotate the shaft when plastigauge is in place.

- Mate the lower crankcase with the upper crankcase, and tighten the crankshaft tightening bolts with specified torque value in the indicated order.

Tightening torque	Initial Tightening	Final Tightening
9 mm bolt	13 N·m 1.3 kg·m 9.5 lb-ft	24–28 N·m 2.4–2.8 kg·m 17.5–20.0 lb-ft



3-37 ENGINE

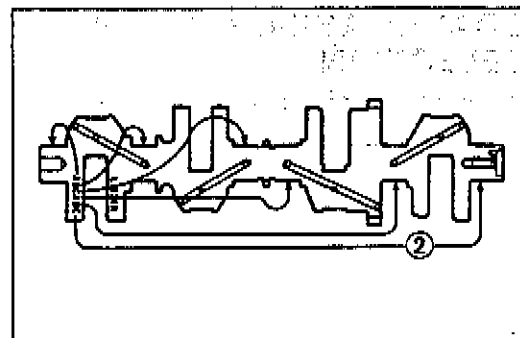
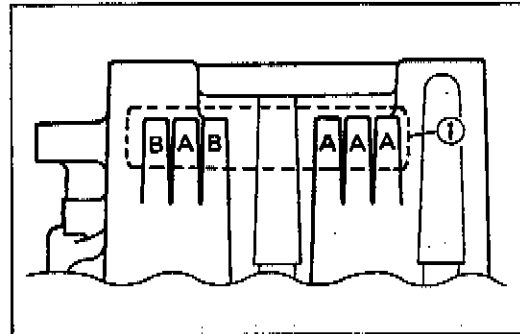
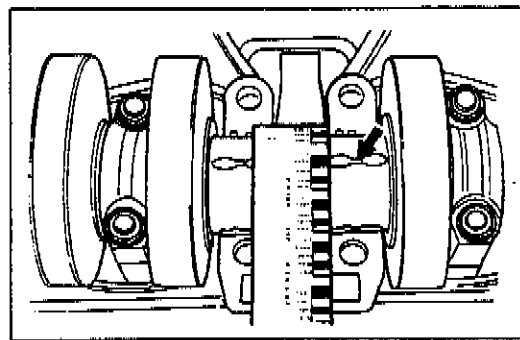
- Remove the lower crankcase, and measure the width of compressed plastigauge in the usual manner.

Crank journal bearing oil clearance

Standard: 0.020–0.044 mm (0.0008–0.0017 in)

Service Limit: 0.08 mm (0.0031 in)

- If the width at the widest part exceeds the limit, replace the set of bearings with new ones by referring to the selection table.
- Check the corresponding crankcase journal I.D. code number ①, "A" or "B" which are stamped on the rear of upper crankcase.
- Check the corresponding crankshaft journal O.D. code number ②, "A", "B" or "C" which are stamped on the crankshaft.

**Bearing selection table**

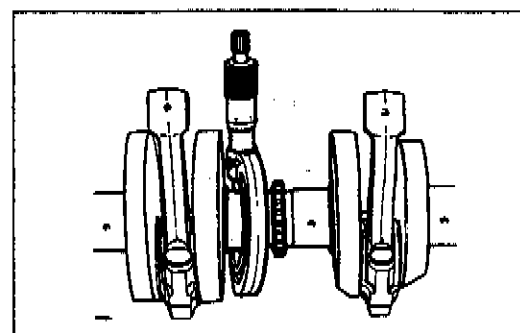
		Crankshaft O.D. ②		
		Code	A	B
Crankcase I.D. ①	A	Green	Black	Brown
	B	Black	Brown	Yellow

Crankcase I.D. specification

Code	I.D. specification
A	37.000–37.008 mm (1.4567–1.4570 in)
B	37.008–37.016 mm (1.4570–1.4573 in)

Crankshaft journal O.D. specification

Code	O.D. specification
A	33.992–34.000 mm (1.3383–1.3386 in)
B	33.984–33.992 mm (1.3380–1.3383 in)
C	33.976–33.984 mm (1.3376–1.3380 in)



09900-20202: Micrometer (25–50 mm)

Bearing thickness specification (Grooved bearing with oil hole For lower case)

Color (Part No.)	Specification
Green (12229-17E00-0A0)	1.486—1.490 mm (0.0585—0.0587 in)
Black (12229-17E00-0B0)	1.490—1.494 mm (0.0587—0.0588 in)
Brown (12229-17E00-0C0)	1.494—1.498 mm (0.0588—0.0590 in)
Yellow (12229-17E00-0D0)	1.498—1.502 mm (0.0590—0.0591 in)

NOTE:

- * Grooved bearings have the same specification as the Grooved bearing with oil hole.
- * These parts numbers are shown as follows.
12229-17E10-XXX. (Grooved bearing)

CRANKSHAFT THRUST CLEARANCE

- With the crankshaft, right-side thrust bearing and left-side thrust bearing inserted in the upper crankcase, use a thickness gauge to measure the thrust clearance on the left-side.
 - Ⓡ: Right-side thrust bearing
 - Ⓛ: Left-side thrust bearing

NOTE:

Push the crankshaft to the left-side, so that there is no clearance on the right-side thrust bearing.

Thrust clearance

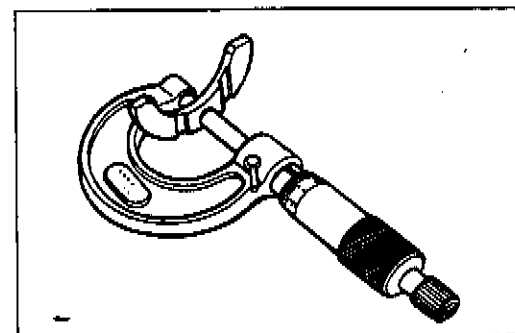
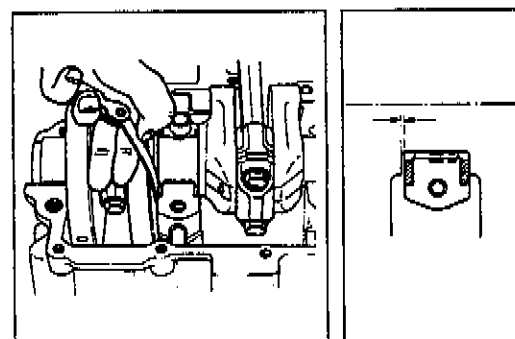
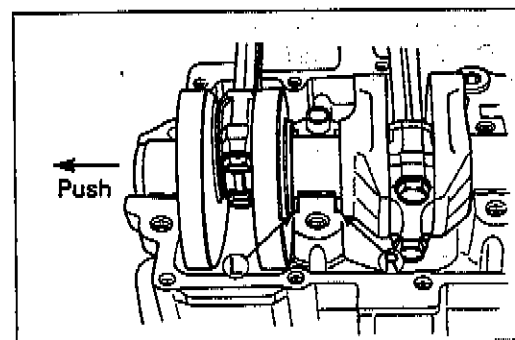
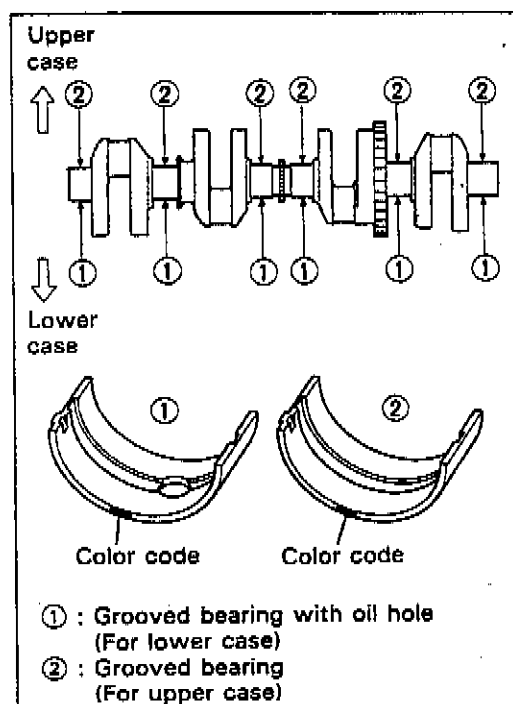
Standard: 0.055—0.110 mm (0.0022—0.0043 in)

If the thrust clearance exceeds the standard range, adjust the thrust clearance by the following procedures:

- Remove the right-side thrust bearing and measure its thickness with a micrometer. If the thickness of the right-side thrust bearing is below standard, replace with a new bearing and once again perform the thrust clearance measurement listed above, checking to make sure it is within standard.

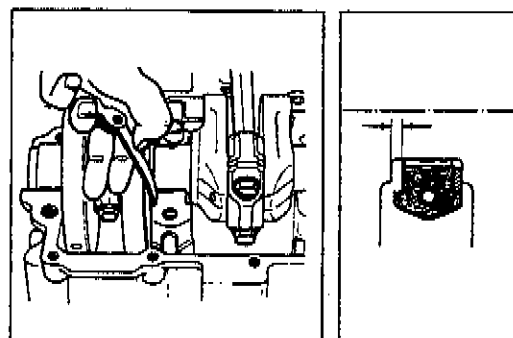
Right-side thrust bearing thickness

Standard: 2.425—2.450 mm (0.0955—0.0965 in)



3-39 ENGINE

- If the right-side thrust bearing is within the standard range, reinsert the right-side thrust bearing and remove the left-side thrust bearing.
- As shown in the illustration, use a thickness gauge to measure the clearance before inserting of the left-side thrust bearing, and select a left-side thrust bearing from the selection table.

**Thrust bearing selection table**

Clearance before inserting left-side thrust bearing	Color (Part No.)	Thrust bearing thickness	Thrust clearance
2.560—2.585 mm (0.1008—0.1018 in)	White (12228-17E00-0F0)	2.475—2.500 mm (0.0974—0.0984 in)	0.060—0.110 mm (0.0024—0.0043 in)
2.535—2.560 mm (0.0998—0.1008 in)	Yellow (12228-17E00-0E0)	2.450—2.475 mm (0.0965—0.0974 in)	0.060—0.110 mm (0.0024—0.0043 in)
2.510—2.535 mm (0.0988—0.0998 in)	Green (12228-17E00-0D0)	2.425—2.450 mm (0.0955—0.0965 in)	0.060—0.110 mm (0.0024—0.0043 in)
2.485—2.510 mm (0.0978—0.0988 in)	Blue (12228-17E00-0C0)	2.400—2.425 mm (0.0945—0.0955 in)	0.060—0.110 mm (0.0024—0.0043 in)
2.460—2.485 mm (0.0969—0.0978 in)	Black (12228-17E00-0B0)	2.375—2.400 mm (0.0935—0.0945 in)	0.060—0.110 mm (0.0024—0.0043 in)
2.430—2.460 mm (0.0957—0.0969 in)	Red (12228-17E00-0A0)	2.350—2.375 mm (0.0925—0.0935 in)	0.055—0.110 mm (0.0022—0.0043 in)

- After selecting a left-side thrust bearing, insert it and again perform the thrust clearance measurement to make sure it falls within the standard range.

NOTE:

Right-side thrust bearing has the same specification as the GREEN (12228-17E00-0D0) of left-side thrust bearing.

CRANKSHAFT RUNOUT

Support the crankshaft with "V" blocks as shown, with the two end journals resting on the blocks. Set up the dial gauge, as shown, and rotate the crankshaft slowly to read the runout. Replace the crankshaft if the runout is greater than the limit.

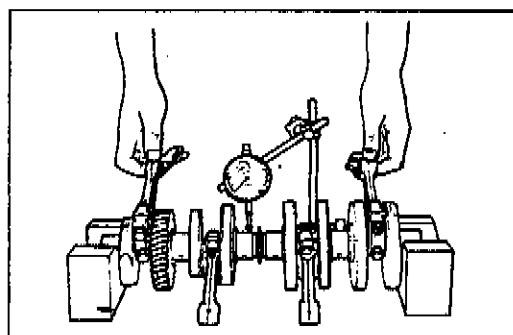
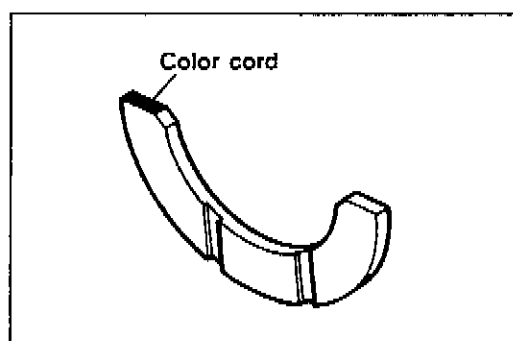
09900-20606: Dial gauge (1/100 mm, 10 mm)

09900-20701: Magnetic stand

09900-21304: V-block (100 mm)

Crankshaft runout

Service Limit: 0.05 mm (0.002 in)



CLUTCH DRIVE AND DRIVEN PLATES

These plates are expendable: they are meant to be replaced when found worn down or distorted to the respective limit: use a vernier calipers to check thickness and a thickness gauge and surface plate to check distortion.

09900-20102: Vernier calipers (200 mm)

09900-20803: Thickness gauge

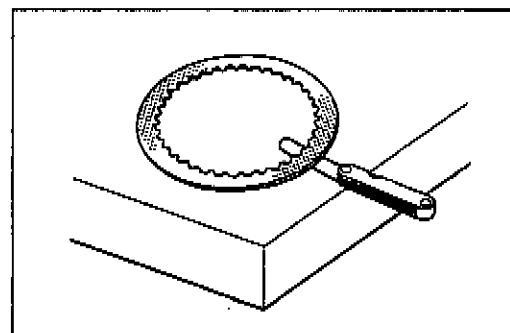
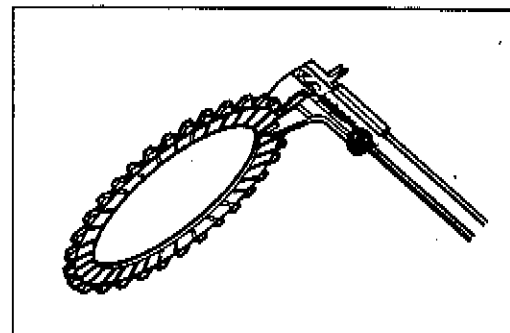
Drive plate thickness

Standard: 2.12–2.28 mm (0.083–0.090 in)

Service Limit: 1.82 mm (0.072 in)

Driven plate distortion

Service Limit: 0.10 mm (0.004 in)



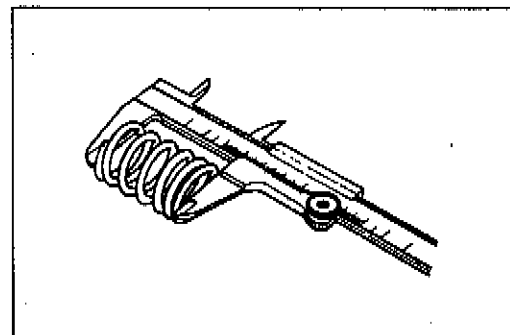
CLUTCH SPRING FREE LENGTH

Measure the free length of each coil spring with vernier calipers, and compare the elastic strength of each with the specified limit. Replace all the springs if any one of springs is not within the limit.

09900-20102: Vernier calipers (200 mm)

Clutch spring free length

Service Limit: 47.5 mm (1.87 in)



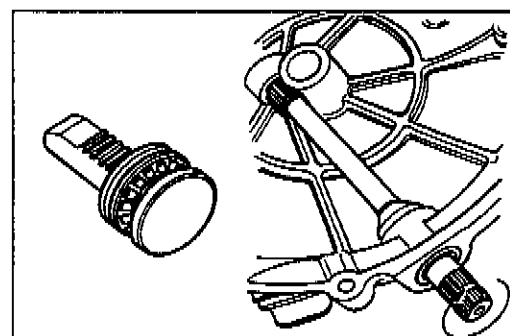
CLUTCH RELEASE BEARING

Inspect the clutch release bearing for any abnormality to decide whether it can be reused or should be replaced.

Smooth engagement and disengagement of the clutch depends much on the condition of this bearing.

CLUTCH RELEASE PINION AND RACK

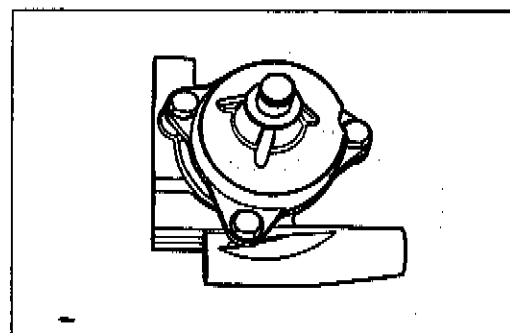
Rotate the clutch release pinion by hand to inspect for a smooth rotation. If a large resistance is felt to rotation, inspect the pinion and rack for damage or wear. If the defect is found, replace them as a set.



OIL PUMP

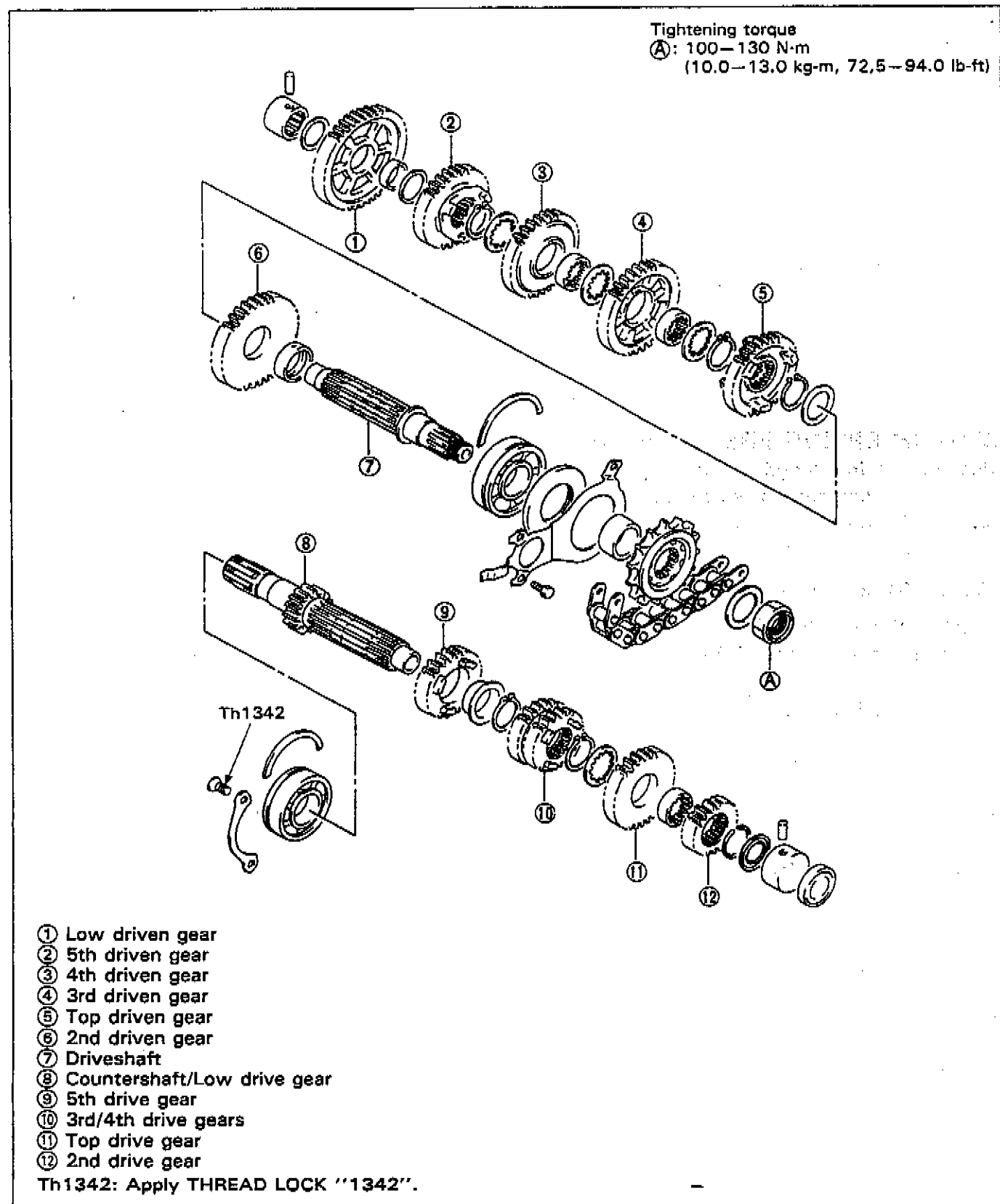
CAUTION:

Do not attempt to disassemble the oil pump assembly. The oil pump is available only as an assembly.



3-41 ENGINE**TRANSMISSION****DISASSEMBLY**

- Disassemble the transmission gears as shown in the illustration.



REASSEMBLY

Assemble the countershaft and driveshaft in the reverse order of disassembly. Pay attention to the following points:

NOTE:

- * Before installing the gears, rotate the bearing by hand to inspect for abnormal noise and smooth rotation. Replace the bearing if there is anything unusual.
- * Before installing the gears, lightly coat moly paste or engine oil to the driveshaft and countershaft.
- * Before installing the oil seal, apply grease to the oil seal lip.

99000-25140: SUZUKI MOLY PASTE

99000-25030: SUZUKI SUPER GREASE "A"

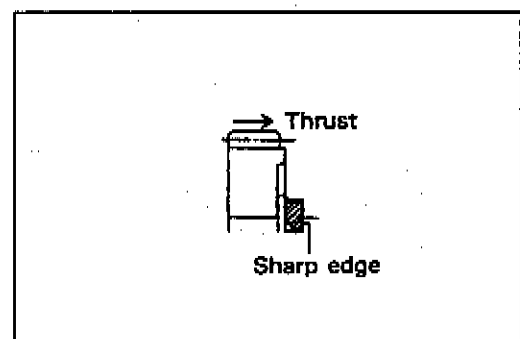
CAUTION:

- * Never reuse a circlip. After a circlip has been removed from a shaft, it should be discarded, a new circlip must be installed.
- * When installing a new circlip, care must be taken not to expand the end gap larger than required to slip the circlip over the shaft.
- * After installing a circlip, always insure that it is completely seated in its groove and securely fitted.

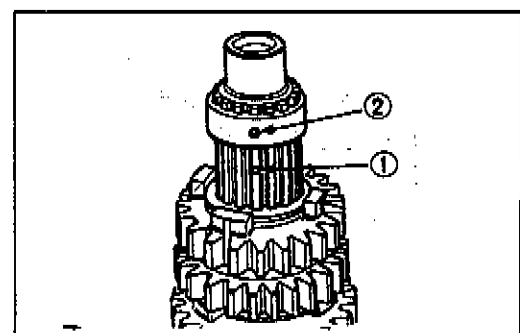
NOTE:

In reassembling the transmission, attention must be given to the locations and positions of washers and circlips. The cross sectional view given here will serve as a reference for correctly mounting the gears, washers and circlips. (Refer to page 3-43.)

- When installing a new circlip, pay attention to the direction of the circlip. Fit it to the side where the thrust is as shown in the illustration.

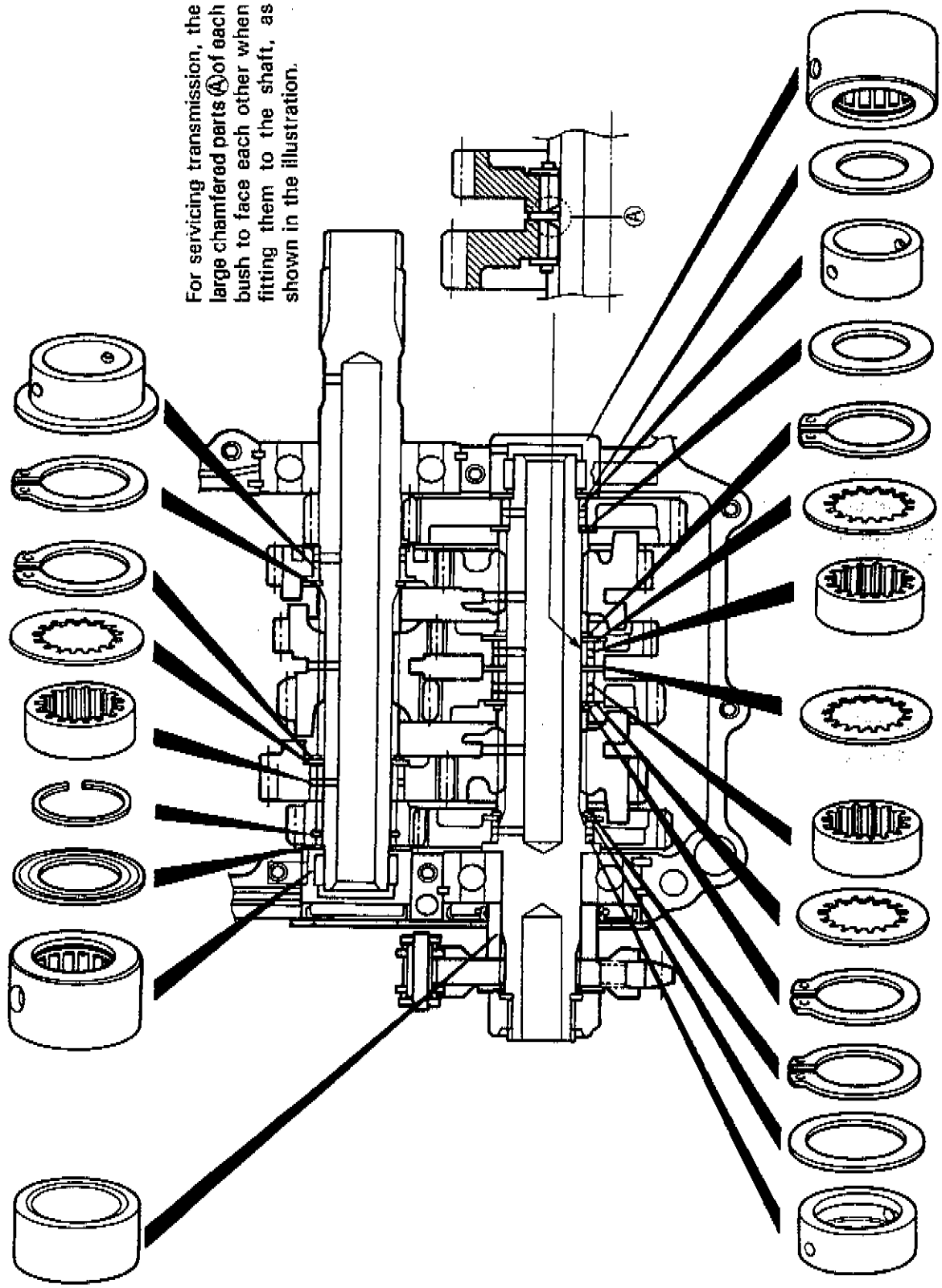


- When installing the gear bushing onto the shaft, align the shaft oil hole ① with the bushing oil hole ②.



3-43 ENGINE

For servicing transmission, the large chamfered parts (A) of each bush to face each other when fitting them to the shaft, as shown in the illustration.



GEARSHIFT FORK-GROOVE CLEARANCE

Using a thickness gauge, check the gearshift fork clearance in the groove of its gear.

The clearance for each of the three gearshift forks plays an important role in the smoothness and positiveness of the shifting action.

Gearshift fork-Groove clearance

Standard : 0.10–0.30 mm (0.004–0.012 in)

Service Limit: 0.50 mm (0.020 in)

If the clearance checked is noted to exceed the limit specified, replace the fork or its gear, or both.

09900-20803: Thickness gauge

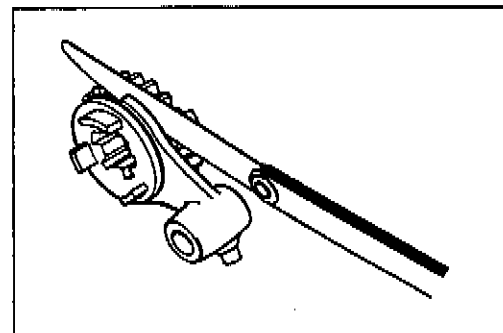
09900-20102: Vernier calipers

Shift fork groove width

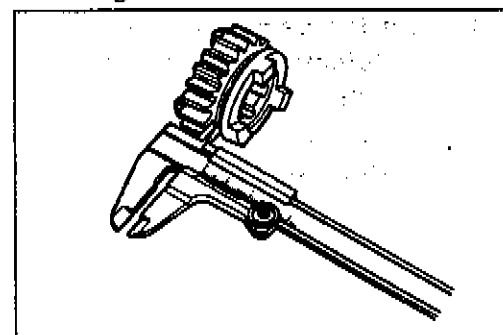
Standard: 5.00–5.10 mm (0.197–0.201 in)

Shift fork thickness

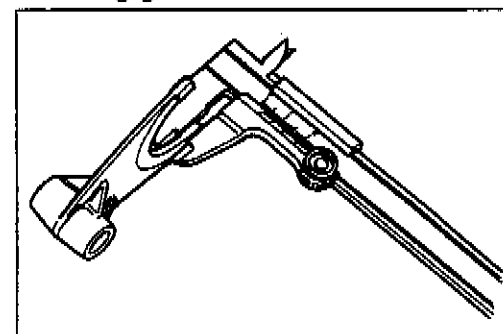
Standard: 4.80–4.90 mm (0.189–0.193 in)



Checking clearance



Checking groove width



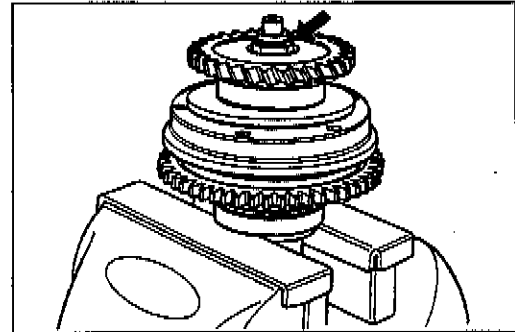
Checking thickness

3-45 ENGINE**STARTER CLUTCH****DISASSEMBLY AND INSPECTION**

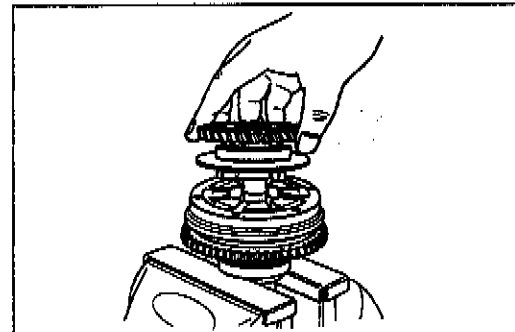
- Hold the starter clutch shaft to use a vise and appropriate pieces of soft metals, and remove the nut as shown in the Fig.

CAUTION:

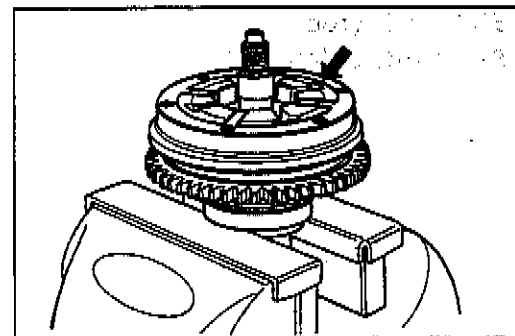
This is a left-hand thread nut.



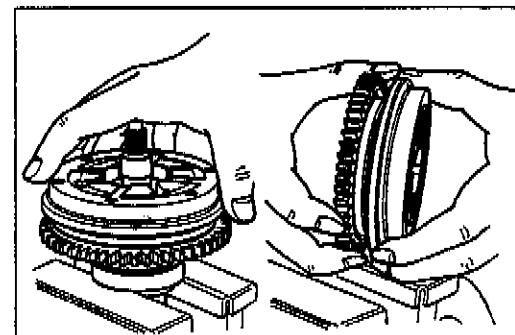
- Remove the generator driven gear assembly.



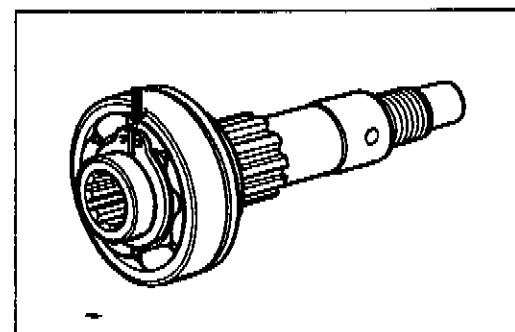
- Inspect the dampers for wear and damage. If any defects are found, replace the dampers as a set.
- Inspect the starter clutch and its contacting surface of the starter driven gear for wear or damage. If they are found to be damaged, replace them with new ones.



- Remove the starter clutch and its driven gear.
- Remove the driven gear from the starter clutch.



- Remove the circlip from the starter clutch shaft.
09900-06107: Snap ring pliers



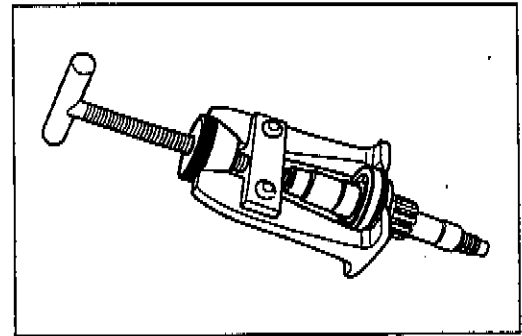
- Remove the bearing with a bearing puller.

NOTE:

Before removing the bearing, rotate the outer race by hand to inspect for abnormal noise and smooth rotation.

CAUTION:

The removed bearing should be replaced with a new one.

**REASSEMBLY**

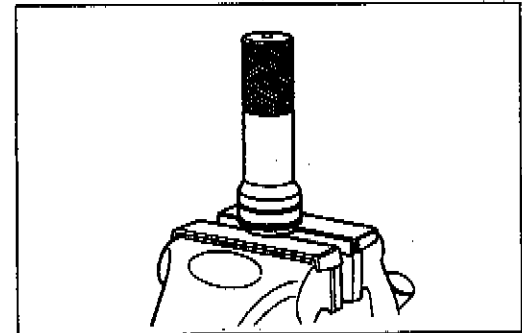
Assemble the starter clutch in the reverse order of disassembly. Pay attention to the following points:

NOTE:

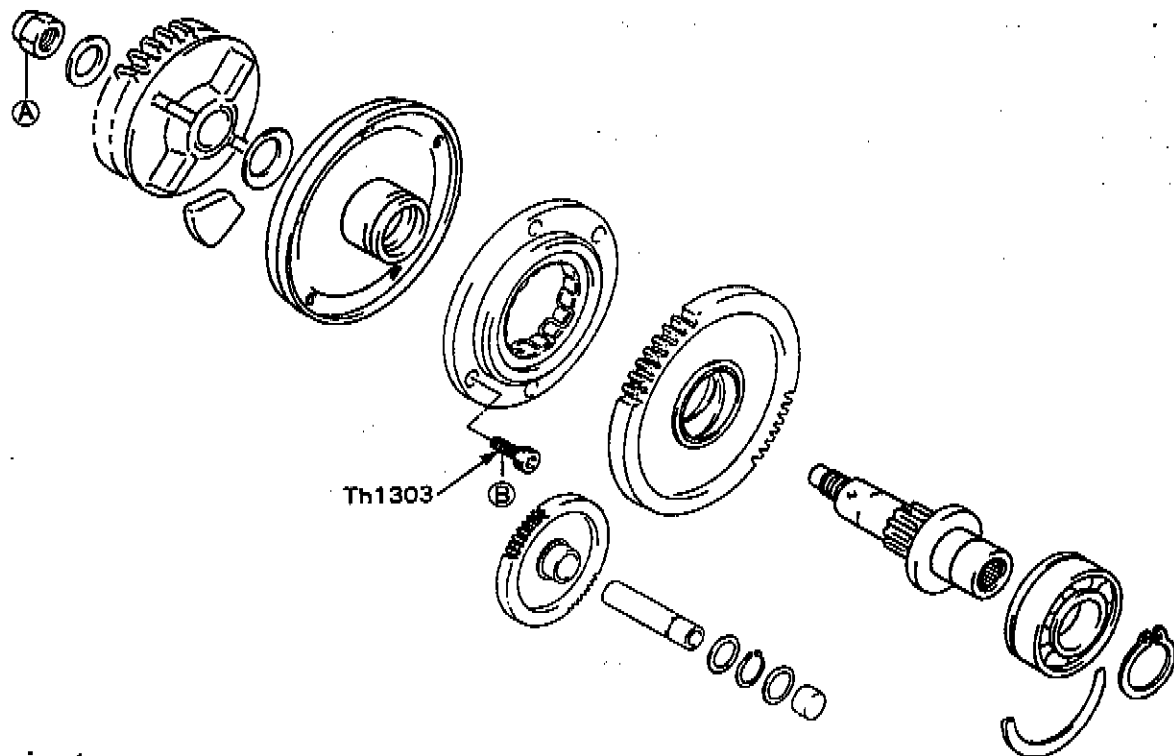
Apply engine oil to each starter clutch part before reassembling.

- Install the bearing with a bearing installer.

09951-16080: Bearing installer



Th1303: Apply THREAD LOCK SUPER "1303".

**Tightening torque**

ITEM	N-m	kg-m	lb-ft
Ⓐ	40-60	4.0-6.0	29.0-43.5
Ⓑ	8-12	0.8-1.2	6.0-8.5

3-47 ENGINE**ENGINE REASSEMBLY**

The engine is reassembled by carrying out the steps of disassembly in the reversed order, but there are a number of steps which demand special descriptions or precautionary measures.

NOTE:

Apply engine oil to each running and sliding part before reassembling.

- Fit the O-rings (① , ② and ③) and dowel pins ④ to the correct positions, as shown in the Figs.

CAUTION:

Replace the O-rings with new ones to prevent oil leakage.

- Install the oil pump to the lower crankcase with three bolts and tighten them to the specified torque.

NOTE:

Apply a small quantity of THREAD LOCK "1342" to the bolts.

99000-32050: THREAD LOCK "1342"

Tightening torque: 8–12 N·m

(0.8–1.2 kg·m, 6.0–8.5 lb-ft)

NOTE:

Check the oil jets (⑤ and ⑥) fitted on the lower crankcase for clogging.

Each oil jet can be distinguished by the numbers and colors.

- ⑤ Oil jet Number 12, Yellow
- ⑥ Oil jet Number 14, White

- Install the gearshift cam related parts.

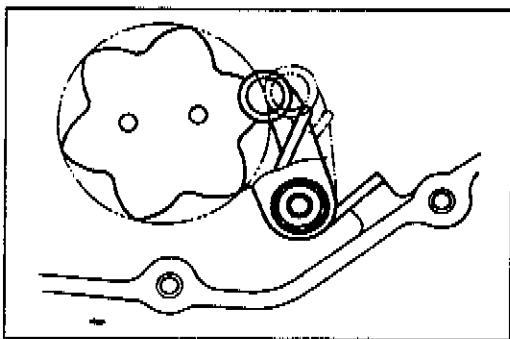
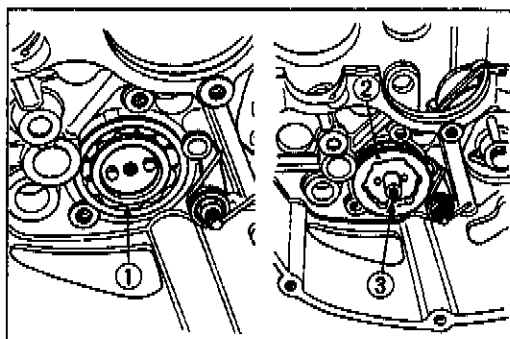
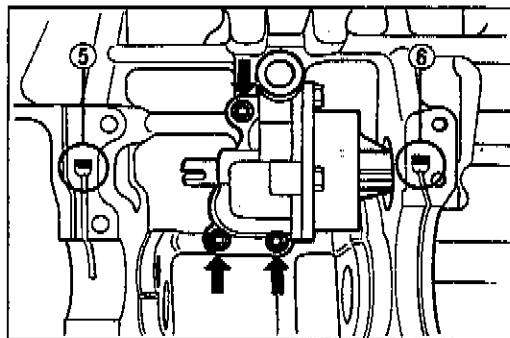
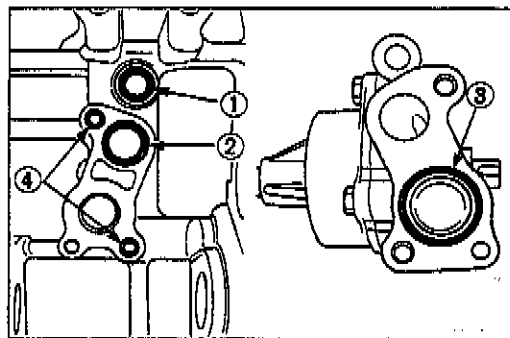
- ① Washer
- ② Gearshift cam stopper plate
- ③ Bolt

NOTE:

When installing the gearshift cam stopper plate ② , apply a small quantity of THREAD LOCK "1342" to its bolt ③ .

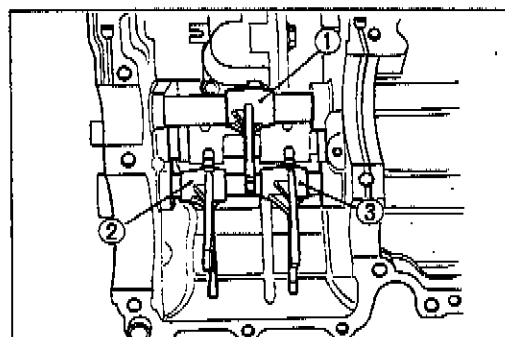
99000-32050: THREAD LOCK "1342"

- Position the gearshift cam as shown in Fig. so that the gearshift forks and transmission can be installed easily.

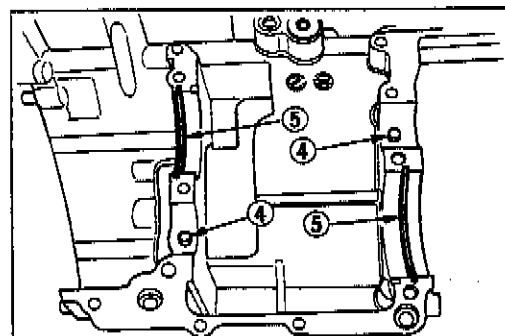


- Install the gearshift forks to the crankcase in the correct positions and directions.

- ① For 3rd/4th drive gears
- ② For Top driven gear
- ③ For 5th driven gear



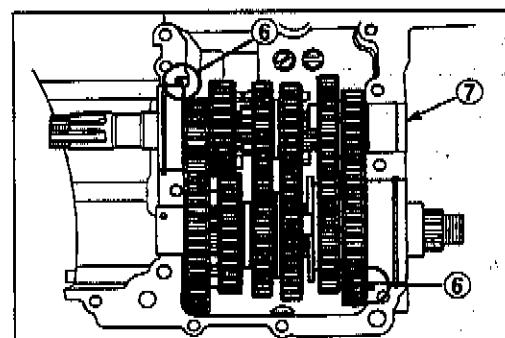
- Fit the bearing pins ④ and C-rings ⑤ on the upper crankcase.



- Install the countershaft assembly and driveshaft assembly on the upper crankcase.

NOTE:

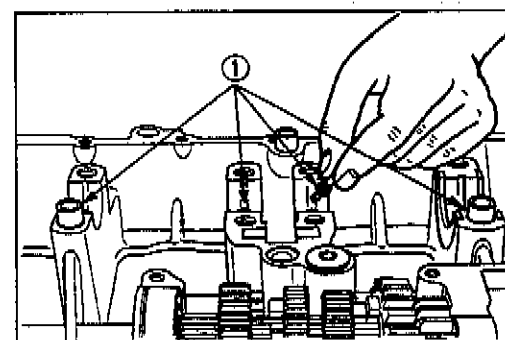
- * Be sure to install the bearing dowel pins ⑥ in the respective positions.
- * Install the countershaft end cap to the position ⑦.
- * Make sure that the countershaft turns freely while holding the driveshaft. If not, shift the gear which is engaged to the neutral position.



NOTE:

Before fitting the crankshaft journal bearings, check the nozzles ① fitted on the upper crankcase for clogging.

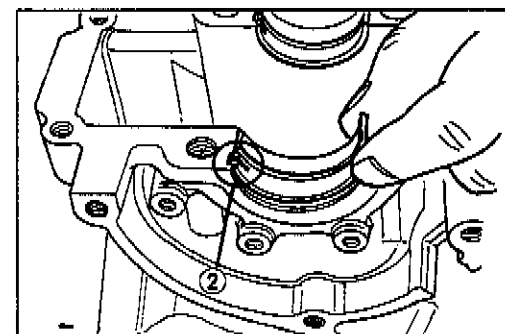
- ① Nozzle (4 pcs) For upper case



- When fitting the crankshaft journal bearings to the upper and lower crankcases, be sure to fix the stopper part ② first and press the other end. (Refer to page 3-38.)

CAUTION:

Do not touch the bearing surfaces with your hands. Grasp by the edge of the bearing shell.



3-49 ENGINE

- Install the cam chain guide ① and two dampers ② properly.

NOTE:

Be sure to face the arrow mark on the damper to the front and rear, not to the left and right.

- Fit the O-ring ③ .

CAUTION:

Replace the O-ring with a new one to prevent oil leakage.

- Before installing the crankshaft, apply SUZUKI MOLY PASTE to each journal bearing lightly.

99000-25140: SUZUKI MOLY PASTE

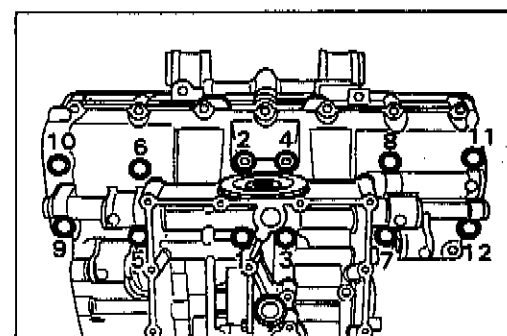
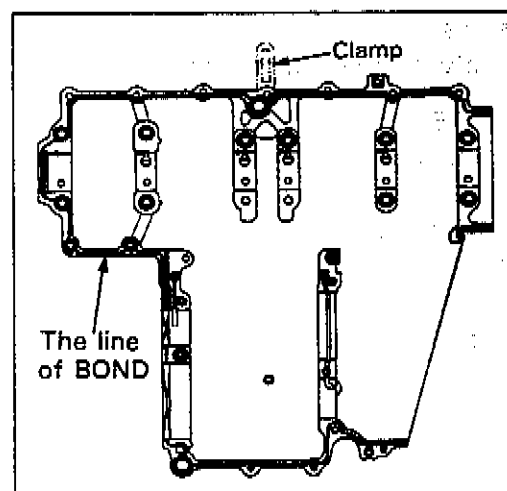
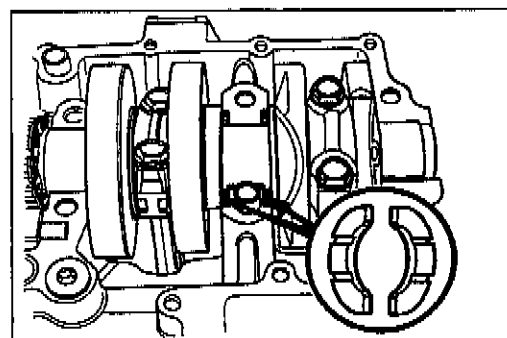
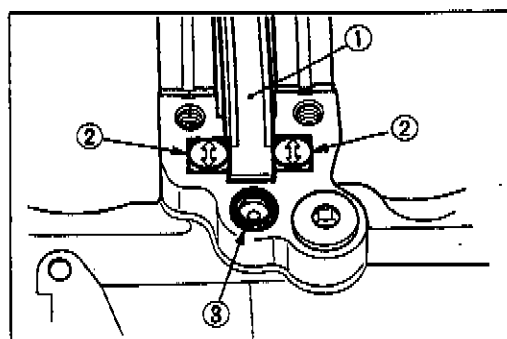
- Install the crankshaft with the cam chain to the upper crankcase.
- Insert the right and left-thrust bearings with oil grooved facing the crank web. (Refer to page 3-38.)
- Clean the mating surfaces of the crankcases before matching the upper and lower ones.
- Install the dowel pins to the upper crankcase.
- Apply SUZUKI BOND NO. 1207B to the mating surface of the lower crankcase and crankshaft left end cap in the following procedure.

99104-31140: SUZUKI BOND NO. 1207B**NOTE:**

Use of SUZUKI BOND NO. 1207B is as follows:

- * *Make surfaces free from moisture, oil, dust and other foreign materials.*
- * *Spread on surfaces thinly to form an even layer, and assemble the cases within few minutes.*
- * *Take extreme care not to apply any BOND NO. 1207B to the bearing surfaces.*
- * *Apply to cornered surface as it forms a comparatively thick film.*
- Tighten the crankshaft tightening 9-mm bolts in ascending order of numbers assigned to these bolts, tightening each bolt a little at a time to equalize the pressure. Tighten the lower and upper crankcase tightening bolts to the specified torque values.

Tightening torque	Initial tightening			Final tightening		
	N·m	kg·m	lb-ft	N·m	kg·m	lb-ft
6 mm bolt	6	0.6	4.5	13	1.3	9.5
8 mm bolt	13	1.3	9.5	26	2.6	19.0
9 mm bolt	13	1.3	9.5	26	2.6	19.0

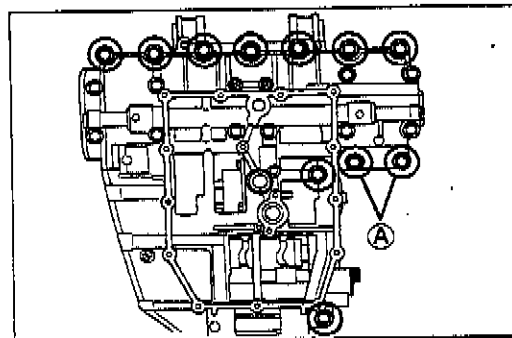


- Fit the new gaskets to the lower crankcase bolts **A** correctly as shown in the Fig.

CAUTION:

Use a new gasket to prevent oil leakage.

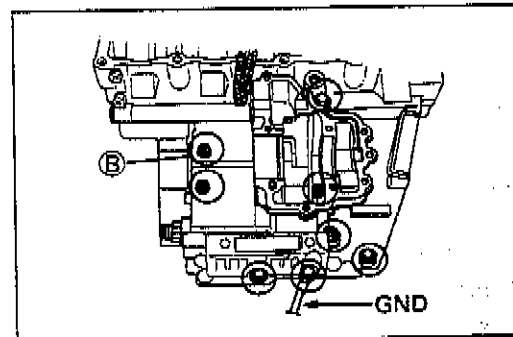
09900-00410: Hexagon bit wrench set



- Fit the engine ground wire to the correct position as shown in the Fig.
- Fit a new gasket to the upper crankcase bolt **B** correctly as shown in the Fig.

CAUTION:

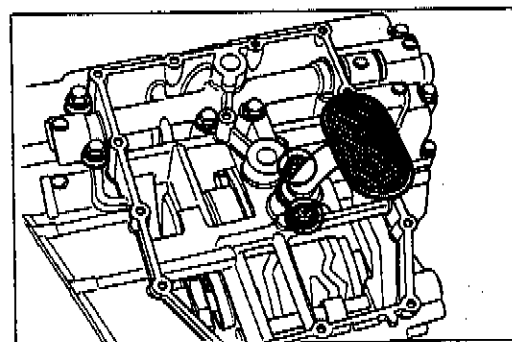
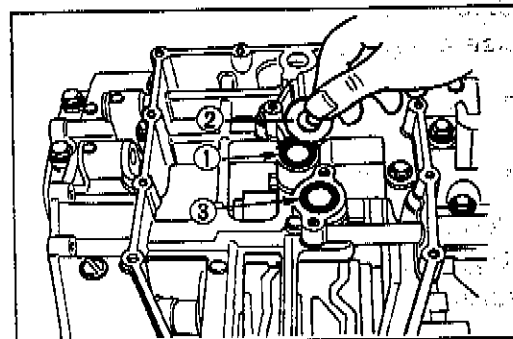
Use a new gasket to prevent oil leakage.



- Fit a new O-ring **1** and shim **2**.
- Fit a new O-ring **3** and install the oil sump filter to the lower crankcase.

CAUTION:

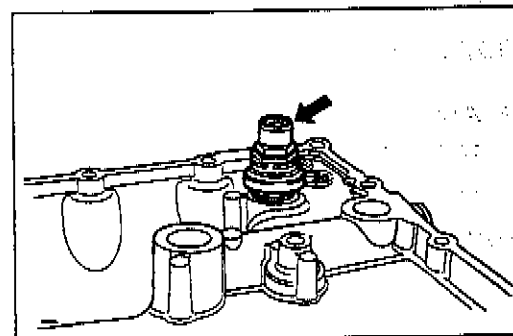
Replace the O-rings with new ones to prevent oil leakage.



- Seat the washer and install the oil pressure regulator to the oil pan and tighten it to the specified torque.

Tightening torque: 25–30 N·m

(2.5–3.0 kg-m, 18.0–21.5 lb-ft)



3-51 ENGINE**NOTE:**

When replacing the oil pressure switch, apply **SUZUKI BOND NO. 1207B** to its thread lightly.

99104-31140: SUZUKI BOND NO. 1207B

- Fit the gasket and install the oil pan. Tighten the oil pan bolts to the specified torque.

Tightening torque: 12–16 N·m
(1.2–1.6 kg-m, 8.5–11.5 lb-ft)

NOTE:

- * Fit a new gasket to the oil pan bolt **(A)** correctly as shown in the Fig.
- * Fit the lead wire clamps to the oil pan bolts **(B)** correctly as shown in the Fig.

CAUTION:

Use a new gasket to prevent oil leakage.

- Tighten the engine oil drain plug to the specified torque. (Refer to page 8-29.)
- Install the countershaft bearing retainer with two screws.

NOTE:

Apply a small quantity of **THREAD LOCK "1342"** to the two screws.

99000-32050: THREAD LOCK "1342"

- Install each gear shifting pawl into the cam shifter. The large shoulder **(A)** must face to the outside as shown.

- Apply a small quantity of **THREAD LOCK "1342"** to the screws **(1)** and nut **(2)**.

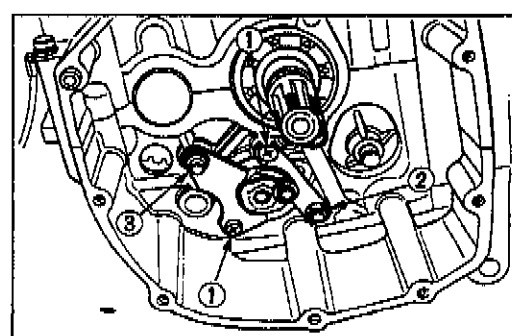
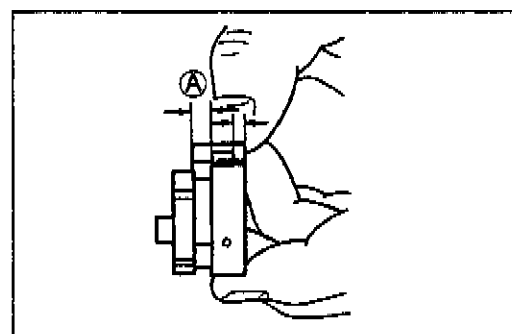
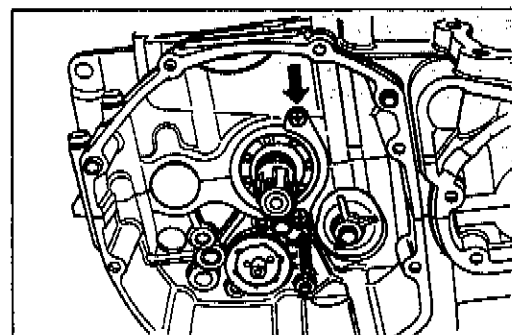
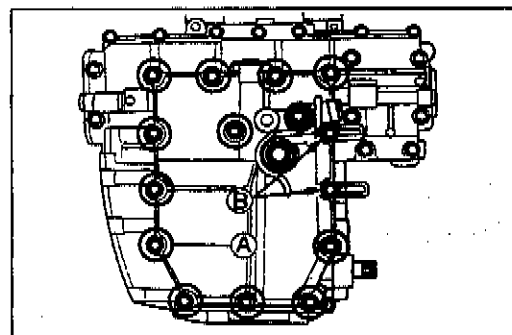
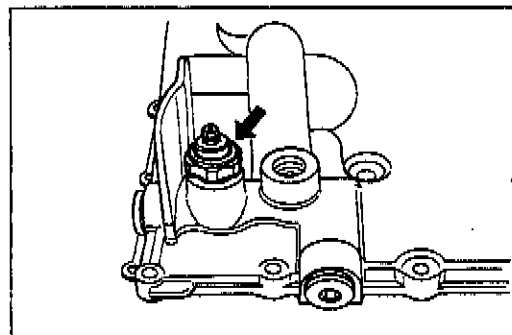
99000-32050: THREAD LOCK "1342"

09900-09003: Impact driver set

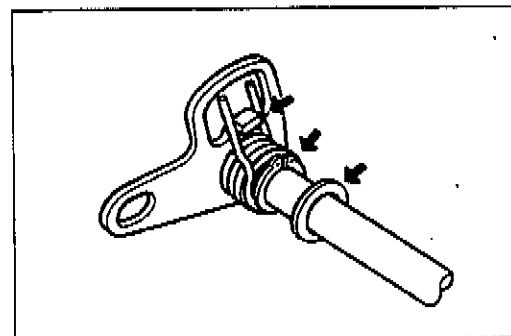
- Apply a small quantity of **THREAD LOCK SUPER "1303"** to the gearshift arm stopper bolt **(3)** and tighten it to the specified torque.

99000-32030: THREAD LOCK SUPER "1303"

Tightening torque: 15–23 N·m
(1.5–2.3 kg-m, 11.0–16.5 lb-ft)



- Install the gearshift shaft return spring, circlip and washer onto the gearshift shaft properly.

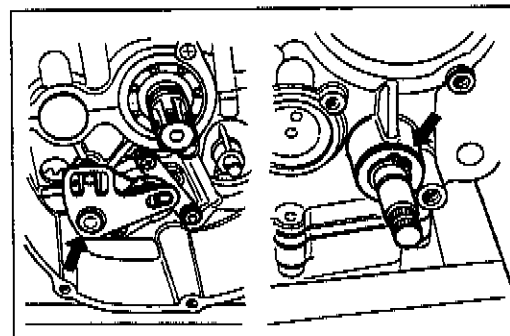


- Install the gearshift shaft and washer.
- Fix the gearshift shaft with the circlip.

09900-06107: Snap ring pliers

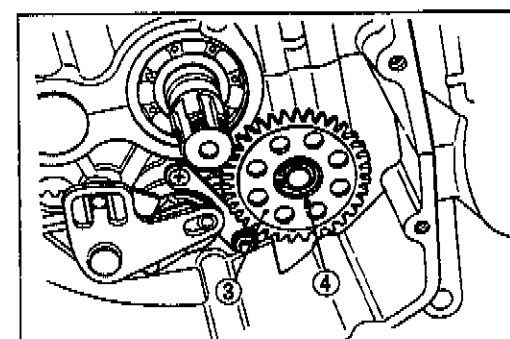
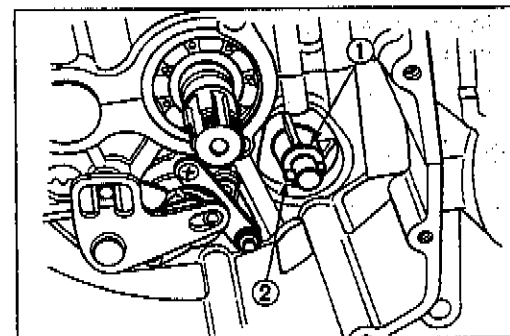
CAUTION:

Replace the gearshift shaft oil seal with a new one.



- Install the washer ①, pin ②, oil pump driven gear ③ and washer ④.
- Fix the oil pump driven gear with the circlip.

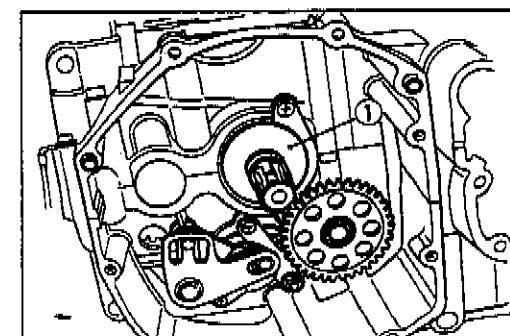
09900-06107: Snap ring pliers



- Install the thrust washer ① onto the countershaft.

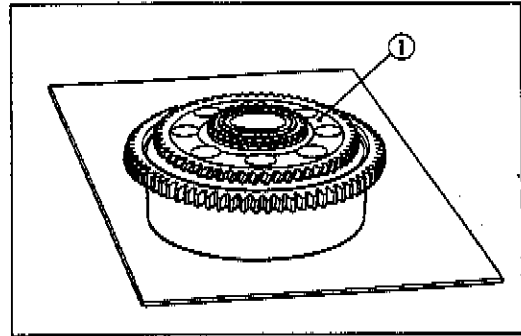
NOTE:

Flat surface of washer is positioned outside.

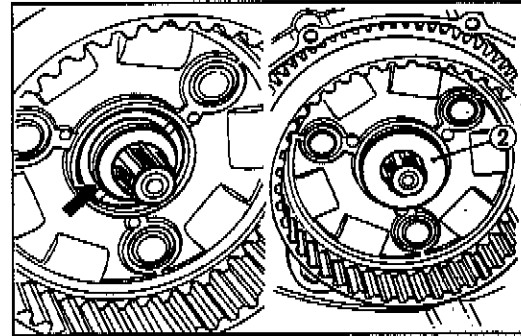


3-53 ENGINE

- Install the generator/oil pump drive gears ① onto the primary driven gear.



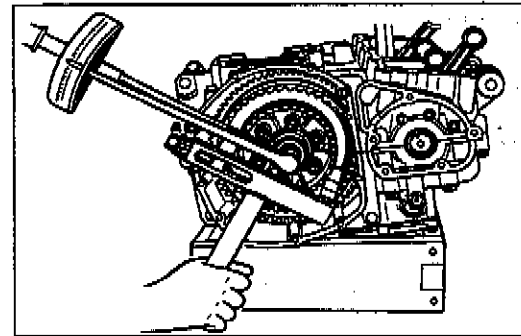
- Install the primary driven gear assembly onto the countershaft, and apply engine oil to the needle bearing and spacer.
- Install the thrust washer ② onto the countershaft.



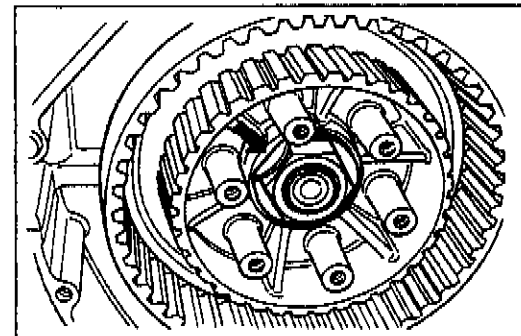
- Install the clutch sleeve hub onto the countershaft.
- Tighten the clutch sleeve hub nut to the specified torque by using the torque wrench and clutch sleeve hub holder.

09920-53740: Clutch sleeve hub holder

**Tightening torque: 80 – 100 N·m
(8.0 – 10.0 kg·m, 58.0 – 72.5 lb·ft)**

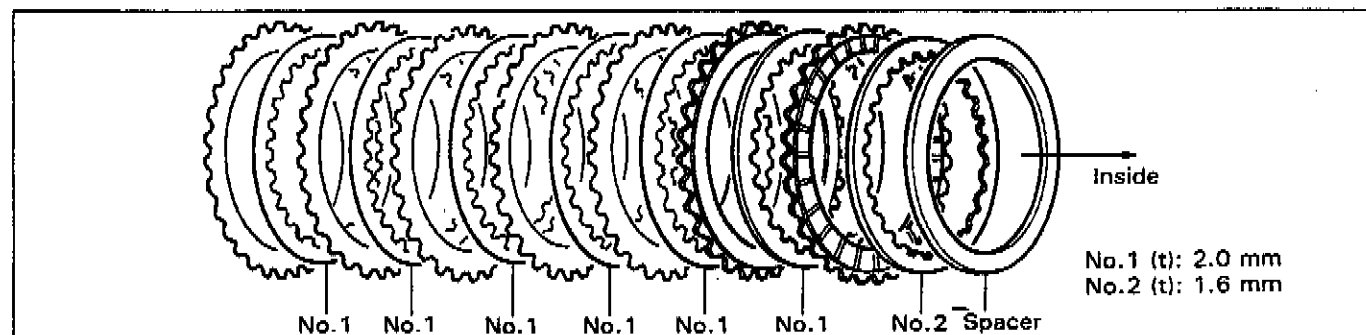


- After tightening the clutch sleeve hub nut, be sure to lock the nut by firmly bending the tongue of lock washer.

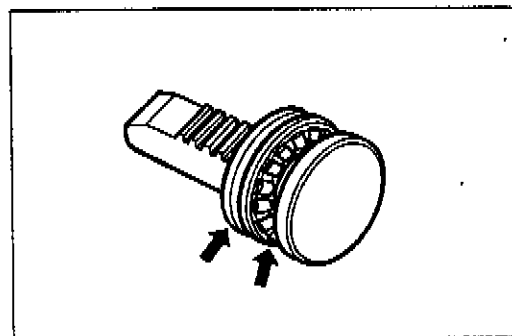


- Insert the clutch driven plates and drive plates one by one into the clutch sleeve hub in the prescribed order, driven plate first.

No. 1 and No. 2 driven plates can be distinguished by the thickness.



- Set the clutch release bearing and washer onto the clutch release rack.



- Put the clutch pressure plate onto the clutch sleeve hub.
- Put the clutch spring set bolts onto the clutch pressure plate properly.
- Tighten the clutch spring set bolts in the order.

NOTE:

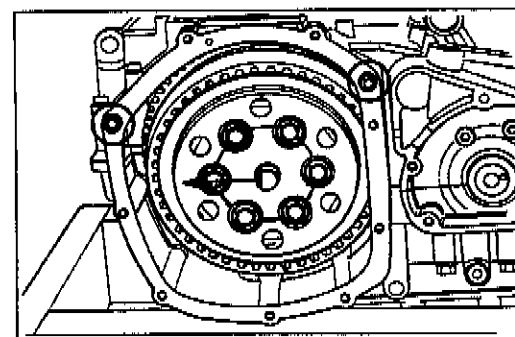
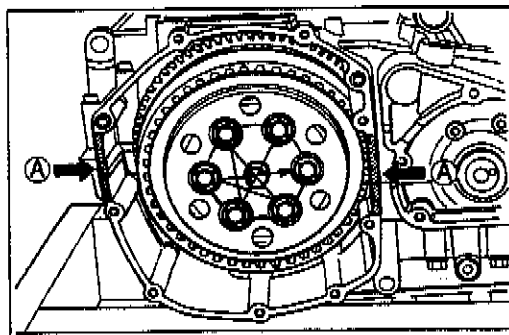
Tighten the clutch spring set bolts in the manner indicated, tightening them by degrees until they attain a uniform tightness.

**Clutch spring set bolt: 11 – 13 N·m
(1.1 – 1.3 kg·m, 8.0 – 9.5 lb·ft)**

- Coat SUZUKI BOND NO. 1207B lightly to the mating surfaces (A) between upper and lower crankcases as shown in the Fig.

99104-31140: SUZUKI BOND NO. 1207B

- Install the dowel pins, a new gasket and clutch cover.
- Face the clutch release rack to the rear side so that the clutch release rack and pinion can be engaged easily.



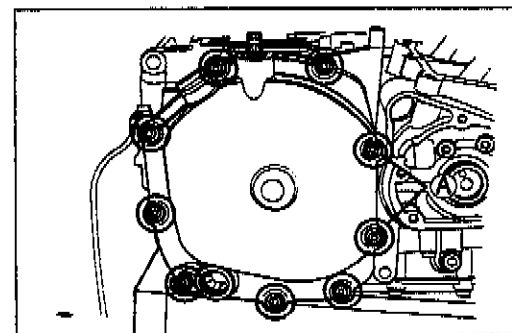
- Tighten the cover bolts securely.

NOTE:

Fit the two gaskets to the clutch cover bolts (A) correctly as shown in the Fig.

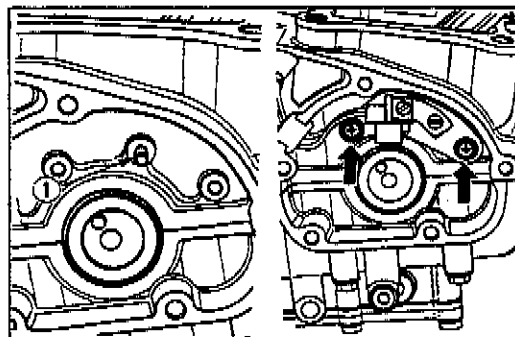
CAUTION:

Use only new gasket to prevent oil leakage.



3-55 ENGINE

- Put the signal generator dowel pin ① to the crankcase.
- Install the signal generator stator with two screws.

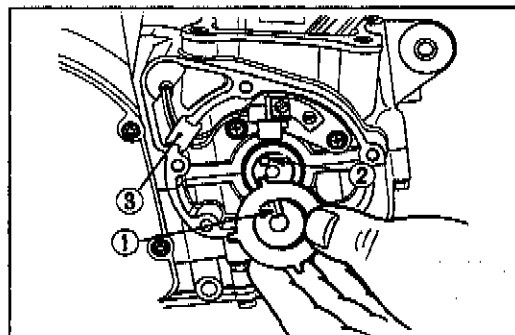


- Make sure to fit the slot ① on the back surface of the signal generator rotor over the locating pin ② at the end of crankshaft.

NOTE:

BOND NO. 1207B should be applied to the groove of the signal generator lead wire grommet ③.

99104-31140: SUZUKI BOND NO. 1207B

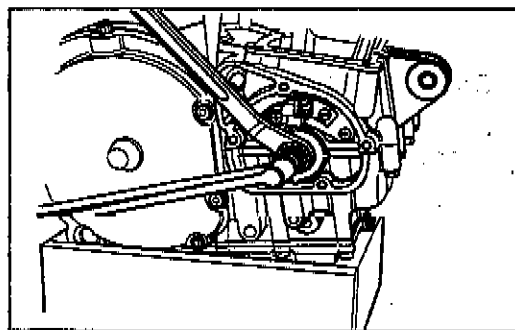


- Hold the crankshaft turning nut and tighten the rotor bolt to the specified torque using 6-mm hexagon wrench.

09900-00410: Hexagon wrench set

Tightening torque: 23–26 N·m

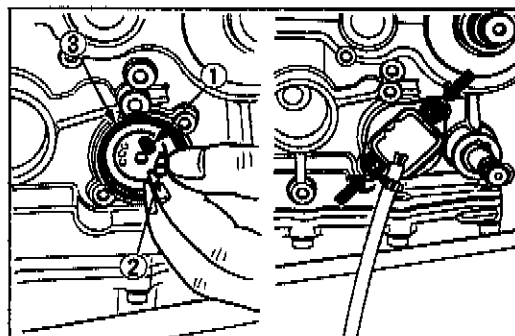
(2.3–2.6 kg-m, 16.5–19.0 lb-ft)



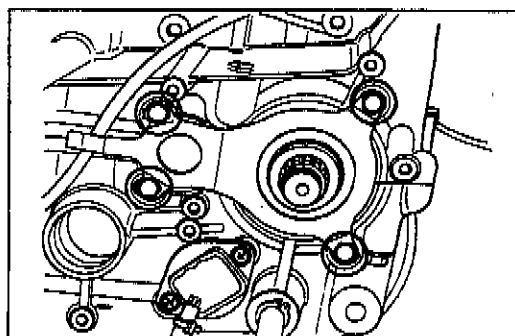
- Install the neutral position indicator switch with two screws.

NOTE:

When installing the neutral position indicator switch, be sure to locate the spring ①, switch contact ② and O-ring ③.



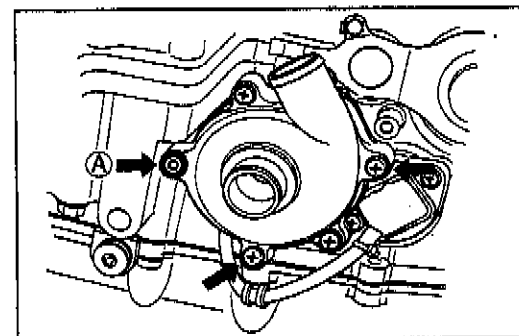
- Install the oil seal retainer with four bolts, and positively bend the lock portion of the retainer.



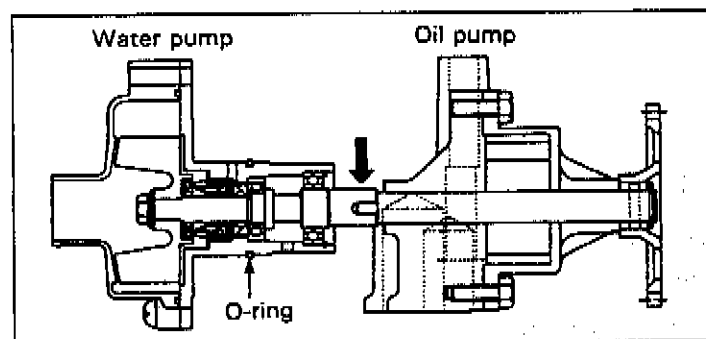
- Install the water pump with screws and nut.

NOTE:

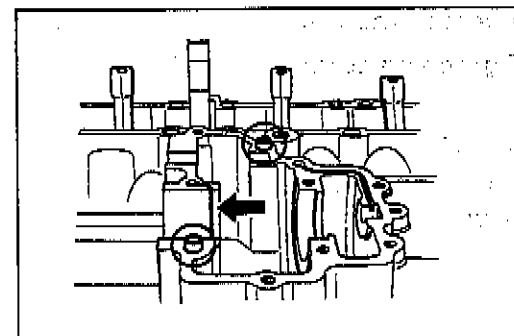
- * Apply **SUZUKI SUPER GREASE "A"** to the water pump O-ring.
- * Set the water pump shaft to the oil pump shaft.
- * When replacing the stud bolt which is located at the position ④, apply **SUZUKI BOND NO. 1207B** to its threads to prevent oil leakage.



99000-25030: SUZUKI SUPER GREASE "A"
99104-31140: SUZUKI BOND NO. 1207B



- Install the two dowel pins and C-ring.



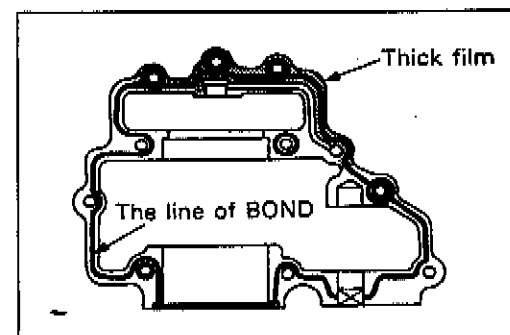
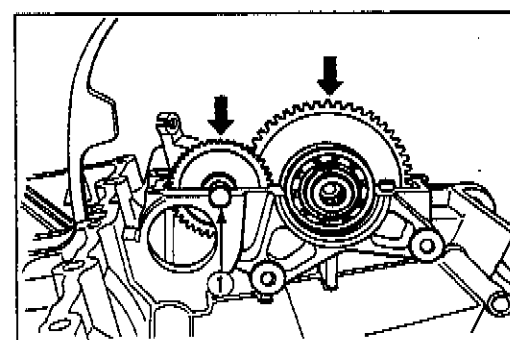
- Install the starter clutch assembly.
- Install the starter idle gear and its shaft.
- Install the shaft end cap to the position ①.
- Clean the mating surfaces of the upper crankcase and starter clutch cover.
- Apply **SUZUKI BOND NO. 1207B** to the mating surface of the starter clutch cover.

99104-31140: SUZUKI BOND NO. 1207B

NOTE:

Use of SUZUKI BOND NO. 1207B is as follows:

- * Make surfaces free from moisture, oil, dust and other foreign materials.
- * Spread on surfaces thinly to form an even layer, and assemble the cover within few minutes.
- * Take extreme care not to apply any BOND NO. 1207B to the bearing surfaces.
- * Apply to cornered surface as it forms a comparatively thick film.



3-57 ENGINE

- Place the starter clutch cover and tighten its bolts to the specified torque.

Tightening torque: 8–12 N·m
(0.8–1.2 kg-m, 6.0–8.5 lb-ft)

NOTE:

- Fit the gaskets to the starter clutch cover bolt (A) and bolts (B) correctly as shown in the Fig.
- Fit the oil hose clamp to the starter clutch cover bolt (C) correctly as shown in the Fig.

Bolt (A): Copper washer gasket

Bolt (B): Steel washer with rubber gasket

CAUTION:

Use a new gasket to prevent oil leakage.

- Install the generator with three bolts.

Tightening torque: 21–29 N·m
(2.1–2.9 kg-m, 15.0–21.0 lb-ft)

NOTE:

Apply **SUZUKI SUPER GREASE "A"** to the generator O-ring.

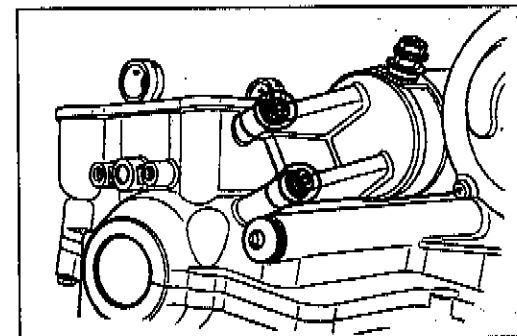
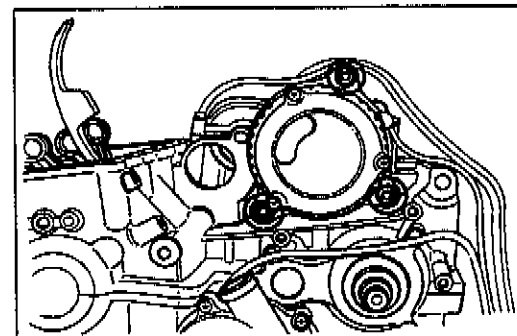
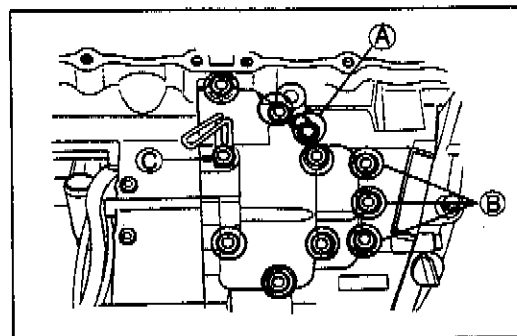
99000-25030: SUZUKI SUPER GREASE "A"

- Install the starter motor with two bolts.

Tightening torque: 4.0–7.0 N·m
(0.4–0.7 kg-m, 3.0–5.0 lb-ft)

NOTE:

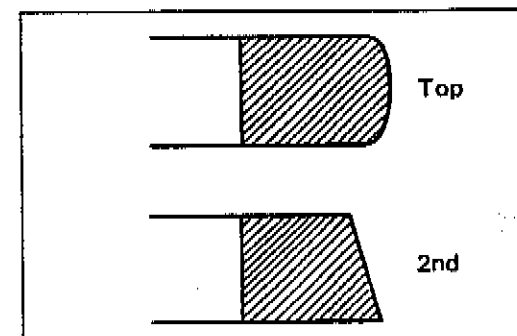
Apply **SUZUKI SUPER GREASE "A"** to the starter motor O-ring.



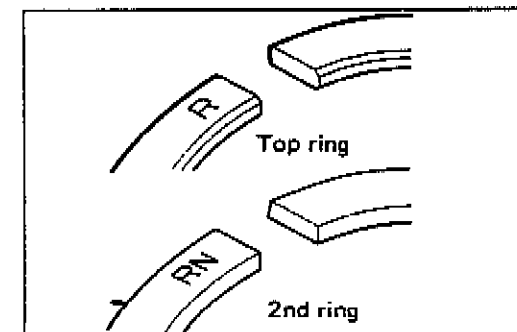
- Install the piston rings in the order of oil ring, 2nd ring and top ring.

NOTE:

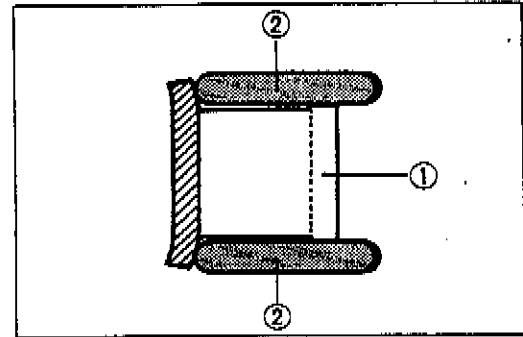
Top ring and 2nd ring differ in the shape of the ring face.



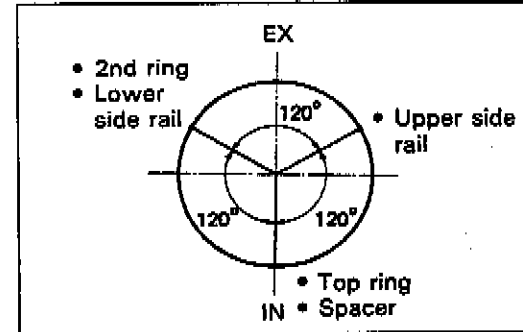
- Top and 2nd rings have a letter "R" or "RN" marked on the side. Be sure to bring the marked side to the top when fitting them to the piston.



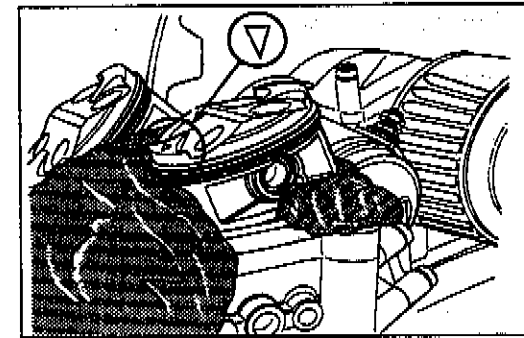
- The first member to go into the oil ring groove is a spacer ①. After placing the spacer, fit the two side rails ②. Side designations, top and bottom, are not applied to the spacer and side rails: you can position each either way.



- Position the gaps of the three rings as shown. Before inserting each piston into the cylinder, check that the gaps are so located.

**NOTE:**

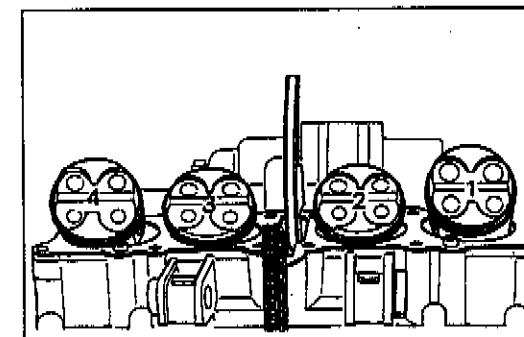
When fitting the piston, turn the triangle mark on the piston head to exhaust side.



- Be sure to install the pistons in the cylinder from which they were removed in disassembly, refer to the letter mark, "1" through "4", scribed on the piston.
- Have each piston pin moly paste oiled lightly before installing it.
- Place a cloth beneath the piston, and install the circlips.

NOTE:

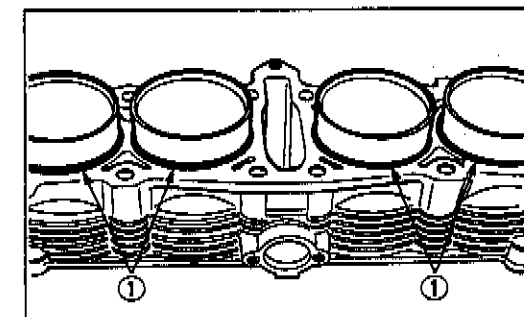
Be sure to use new circlips.



- Before putting on the cylinder block, oil the big and small ends of each conrod and also the sliding surface of each piston.
- Place the new O-rings ① to each cylinder sleeve correctly as shown in the Fig.

CAUTION:

Use a new O-ring to prevent water leakage.



3-59 ENGINE

- Place the dowel pins and new cylinder gasket on the crankcase.

CAUTION:

Use a new gasket to prevent oil leakage.

NOTE:

Be sure to identify the top surface by "UP" mark on the cylinder gasket as shown in the Fig.

- Install piston ring holders in the indicated manner. Some light resistance must be overcome to lower the cylinder block.
- With No.2 and No.3 pistons in place, install No.1 and No.4 pistons, and insert them into the cylinder.

09916-74521: Holder body

09916-74540: Band

NOTE:

Do not overtighten the special tool bands or the pistons entry into the cylinders will be difficult.

- Tighten the cylinder nut **A** to the specified torque.

Tightening torque: 7–11 N·m

(0.7–1.1 kg·m, 5.0–8.0 lb·ft)

- Install the cam chain guide **①** properly.
- Place the dowel pins and new cylinder head gasket on the cylinder.

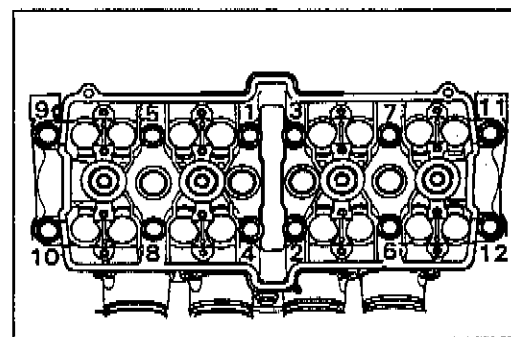
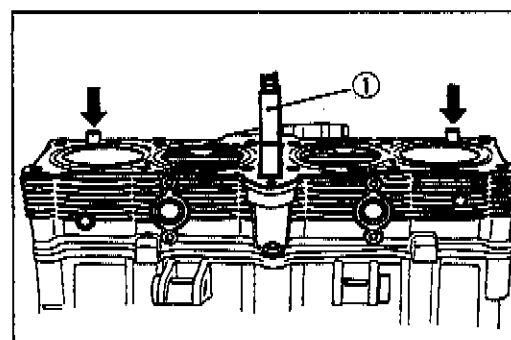
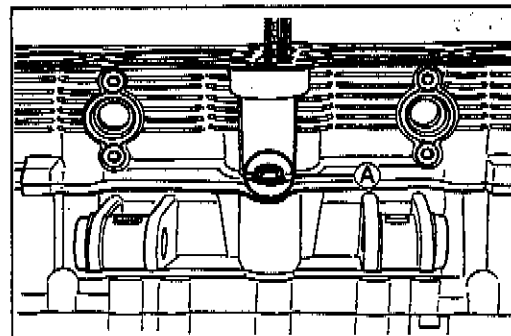
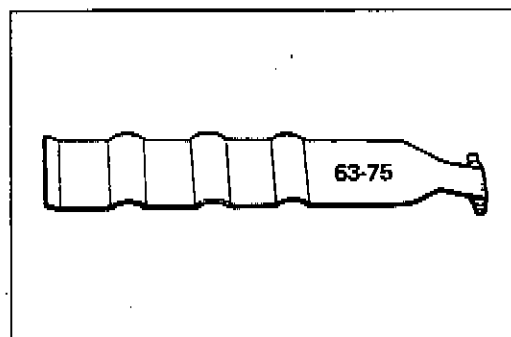
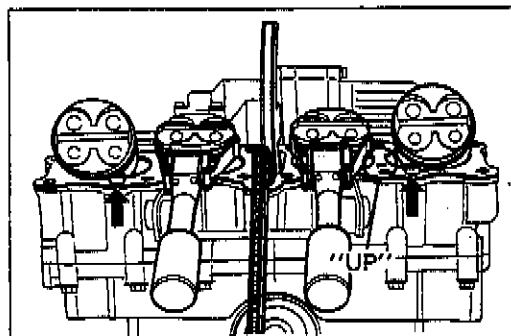
CAUTION:

Use a new gasket to prevent gas leakage.

- Place the cylinder head on the cylinder block.
- Tighten the twelve 10-mm bolts to the specified torque with a torque wrench sequentially in the ascending order of numbers.

Tightening torque: 40–45 N·m

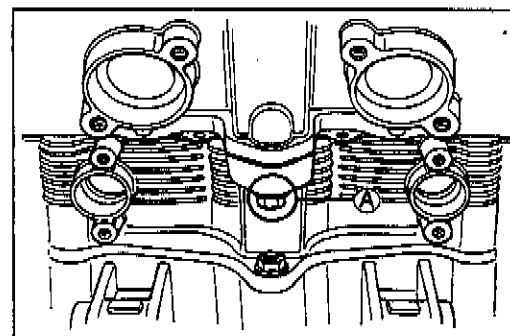
(4.0–4.5 kg·m, 29.0–32.5 lb·ft)



- After firmly tightening the twelve 10-mm bolts, install one 6-mm bolt **A** and tighten it to the specified torque.

Tightening torque: 8–12 N·m

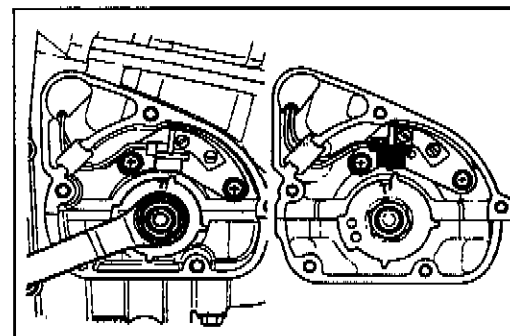
(0.8–1.2 kg·m, 6.0–8.5 lb-ft)



- While holding down the cam chain, rotate the crankshaft in normal direction to bring the "T" mark on the rotor to the center of pick-up coil.

CAUTION:

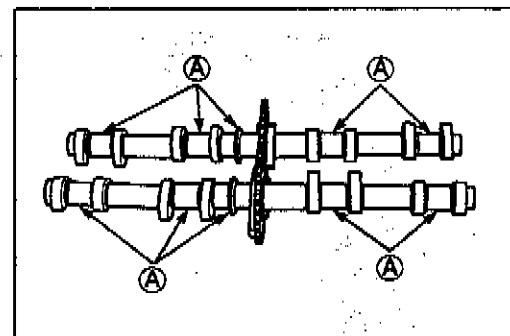
To turn over crankshaft, torque nut with a 19 mm wrench. Never try to rotate crankshaft by putting a 6 mm T-type wrench over the bolt.



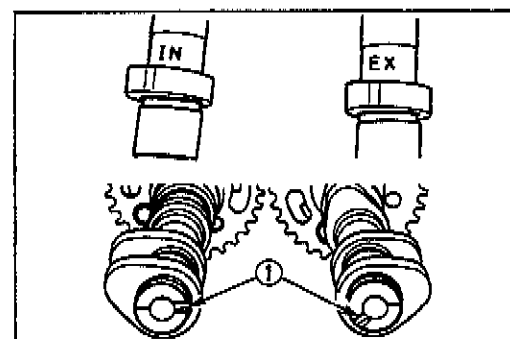
NOTE:

Just before placing the camshaft on the cylinder head, apply **SUZUKI MOLY PASTE** to its journals, fully coating each journal **A** with the paste, taking care not to leave any dry spot. Apply engine oil to the camshaft journal holders.

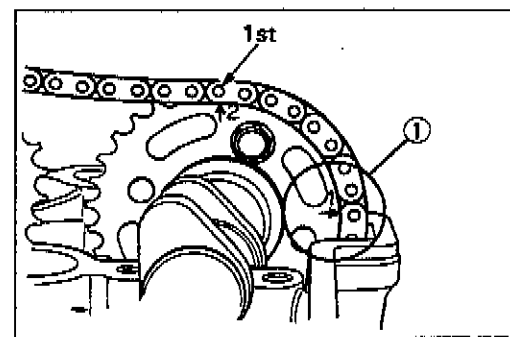
99000-25140: SUZUKI MOLY PASTE



- The exhaust camshaft can be distinguished from that of the intake by the embossed letters "EX" (for exhaust) as against letters "IN" (for intake). Similarly, the right end can be distinguished by the notch **1** at the right end.



- With "T" mark accurately lined up with the timing mark, hold the camshaft steady and lightly pull up the chain to remove the slack between the crank sprocket and exhaust sprocket.
- The exhaust sprocket bears an arrow marked "1" indicated as **1**. Turn over the exhaust camshaft so that the arrow points flush with the gasketed surface of the cylinder head. Engage the cam chain with this sprocket.

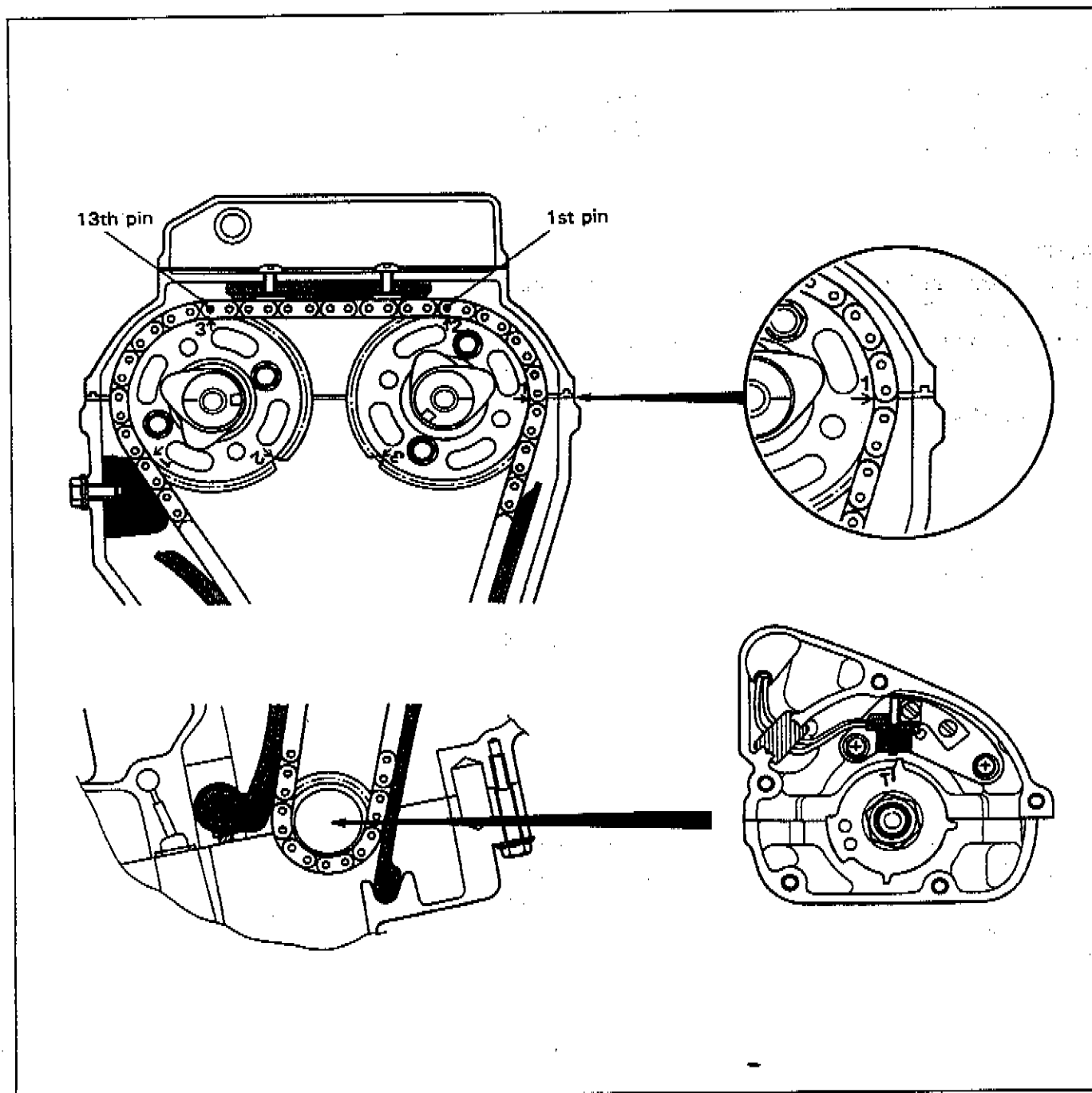
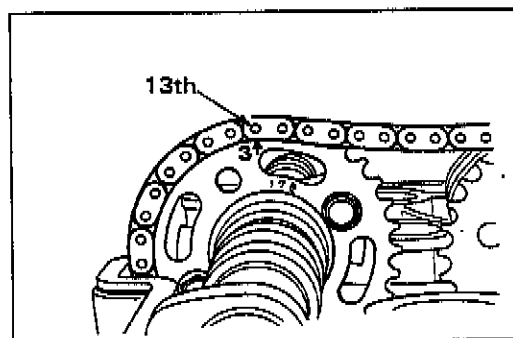


3-61 ENGINE

- The other arrow marked "2" is now pointing straight upward. Count the chain roller pins toward the intake camshaft, starting from the roller pin directly above this arrow marked "2" and ending with the 13th roller pin. Engage the cam chain with intake sprocket, locating the 13th pin at the above the arrow marked "3" on the intake sprocket.

NOTE:

The cam chain is now riding on all three sprockets. Be careful not to disturb the crankshaft until the camshaft journal holders and cam chain tensioner are secured.



- Each camshaft journal holder is identified with a cast-on letter. Install the dowel pins to each camshaft journal holder.
- Fasten the camshaft journal holders evenly by tightening the camshaft journal holder bolts sequentially in the ascending order of numbers. (Try to equalize the pressure by shifting the wrench in this above manner, to fasten the shafts evenly.)

NOTE:

Damage to head or camshaft journal holder thrust surfaces may result if the camshaft journal holders are not drawn down evenly.

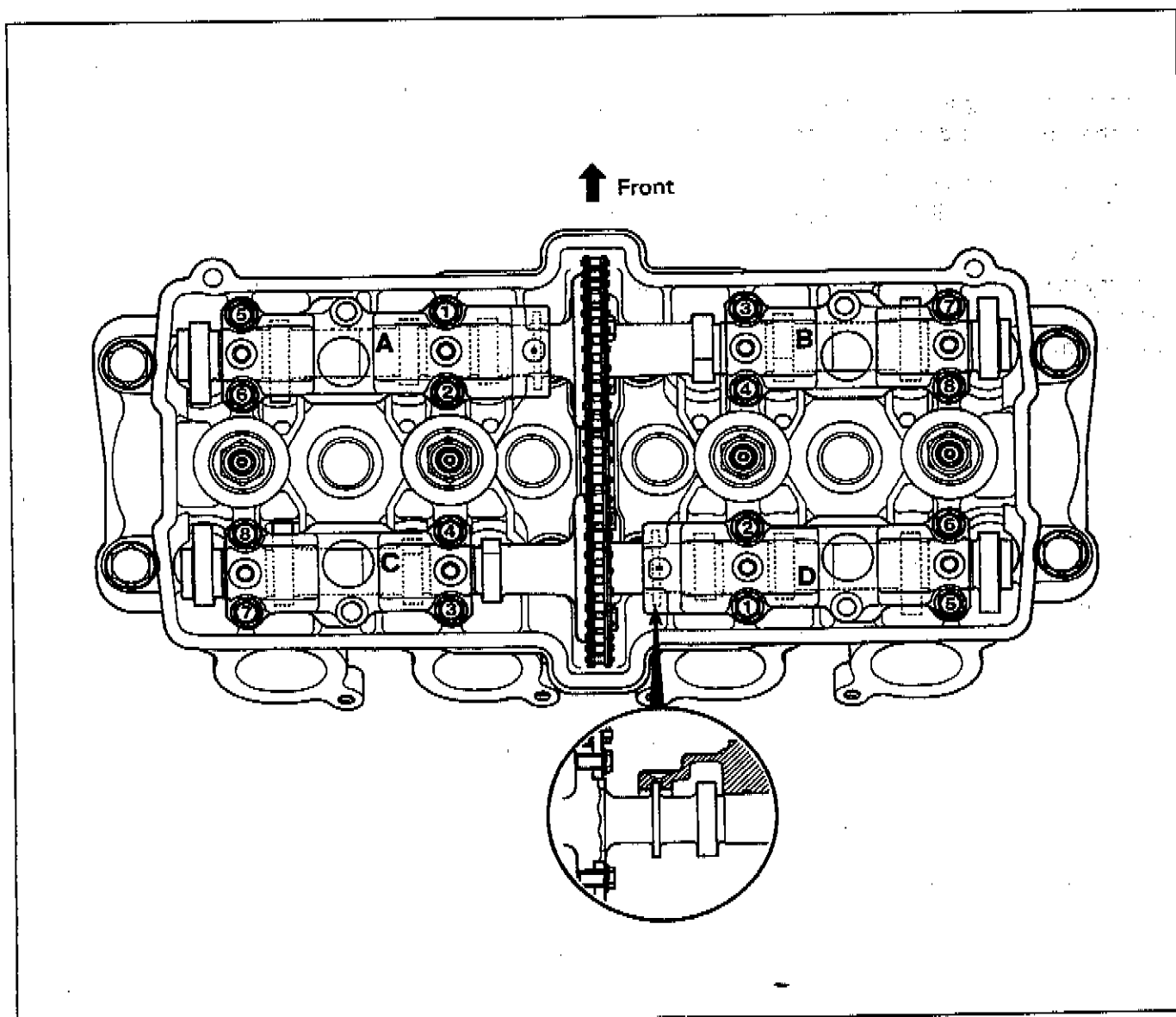
- Tighten the camshaft journal holder bolts to the specified torque.

Tightening torque: 8–12 N·m (0.8–1.2 kg·m, 6.0–8.5 lb-ft)

CAUTION:

The camshaft journal holder bolts are made of a special material and much superior in strength, compared with other types of high strength bolts.

Take special care not to use other types of bolts instead of these special bolts. To identify these bolts, each of them has a figure "9" on its head.

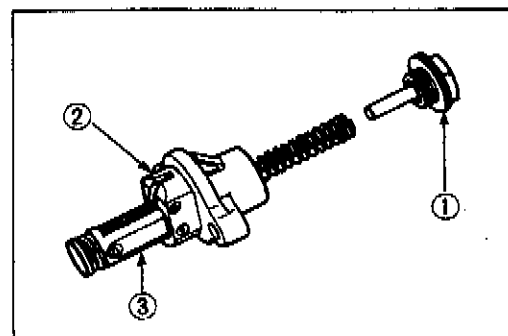


3-63 ENGINE

- After removing the spring holder bolt ① and spring, unlock the ratchet mechanism ② and push in the push rod ③ all the way.

NOTE:

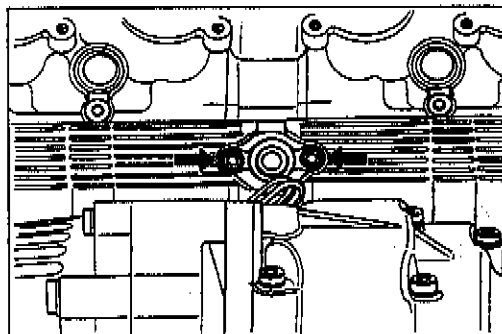
Before installing the cam chain tensioner, turn the crankshaft clockwise to remove the cam chain slack between the crank sprocket and exhaust sprocket.



- Install a new gasket and the cam chain tensioner to the cylinder block with two bolts and tighten them to the specified torque.

Tightening torque: 6–8 N·m

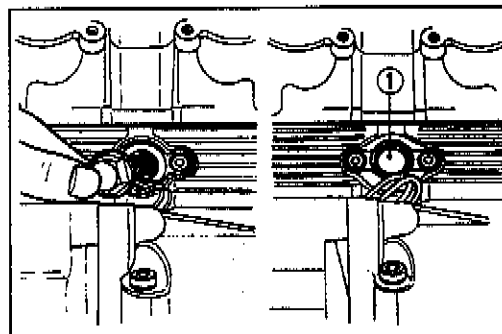
(0.6–0.8 kg·m, 4.5–6.0 lb·ft)



- Insert the spring into the cam chain tensioner and tighten the spring holder bolt ① to the specified torque.

Tightening torque: 30–45 N·m

(3.0–4.5 kg·m, 21.5–32.5 lb·ft)

**CAUTION:**

After installing the cam chain tensioner, check to be sure that the tensioner works properly by checking the slack of cam chain.

- Pour about 50 ml of engine oil in each oil pocket in the head.

NOTE:

Turn the crankshaft and check that all the moving parts such as cam follower, camshaft, work properly.

CAUTION:

Be sure to check the tappet clearance. (Refer to page 2-4.)

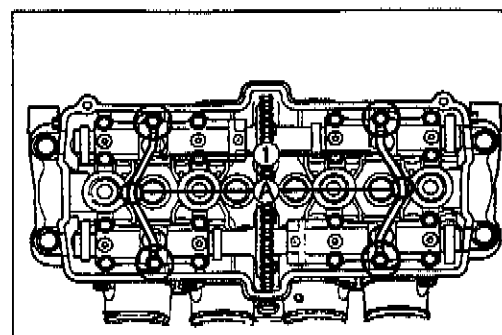
- Place the oil pipes ① to the camshaft journal holders as shown in the Fig.

NOTE:

Be sure to bring the white painted side (A) on the oil pipes to the top when installing them to the camshaft journal holders.

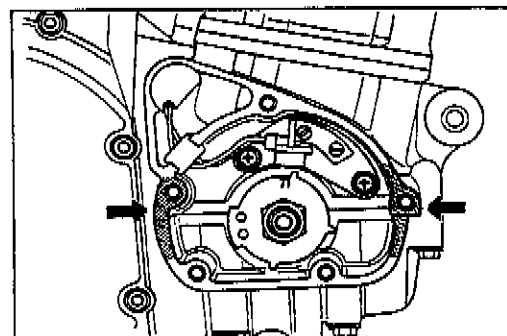
Tightening torque: 8–12 N·m

(0.8–1.2 kg·m, 6.0–8.5 lb·ft)



- Coat SUZUKI BOND NO. 1207B lightly to the mating surfaces between upper and lower crankcases as shown in the Fig.

99104-31140: SUZUKI BOND NO. 1207B



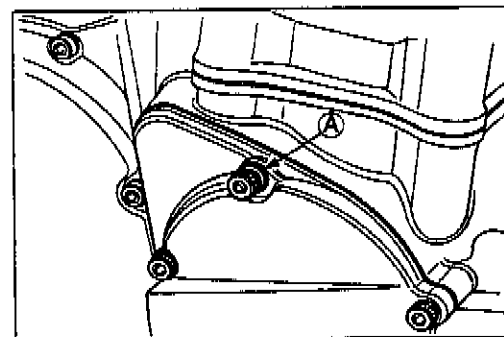
- Install a new gasket and the signal generator cover with five bolts.

NOTE:

Fit a gasket to the signal generator cover bolt (A) correctly as shown in the Fig.

CAUTION:

Use a new gasket to prevent oil leakage.



- Place the left and right oil hoses as shown in the Fig.

NOTE:

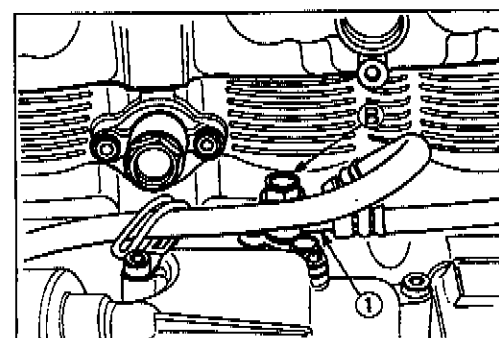
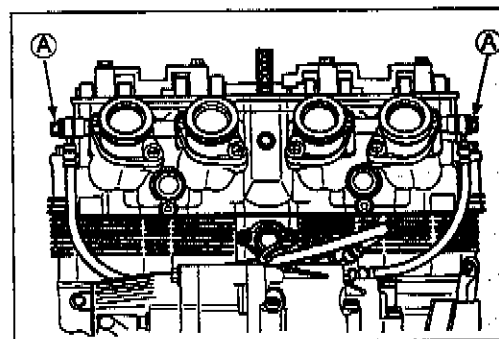
- * Install the new gaskets to both sides of the union bolt.
- * Be sure to bring the green painted side (1) on the oil hoses to the top when installing them. Refer to page 8-17.

CAUTION:

Replace the gaskets with new ones to prevent oil leakage.

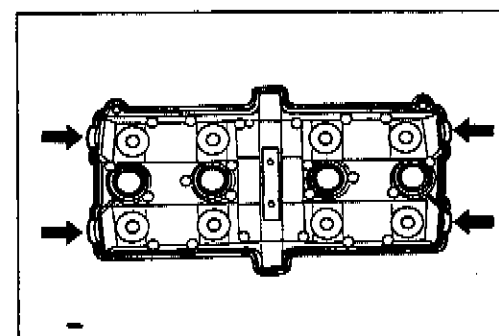
Tightening torque

- Upper side (A) : 20—23 N·m
(2.0—2.3 kg·m, 14.5—16.5 lb·ft)
- Lower side (B) : 25—29 N·m
(2.5—2.9 kg·m, 18.0—21.0 lb·ft)



- Before installing the cylinder head cover gaskets on the cylinder head cover, apply SUZUKI BOND NO. 1207B to the grooves of the head cover.
- Apply SUZUKI BOND NO. 1207B to the four cam end caps of the gasket and shown in the Fig.

99104-31140: SUZUKI BOND NO. 1207B



3-65 ENGINE

- Place the cylinder head cover on the cylinder head.
- Fit the eight gaskets to each head cover bolt.

NOTE:

Be sure to face the arrow mark on the cylinder head cover to the front side.

CAUTION:

Replace the gaskets with new ones to prevent oil leakage.

Tightening torque

Head cover bolt: 13–15 N·m

(1.3–1.5 kg-m, 9.5–11.0 lb-ft)

- Fit the new O-rings ① to the inlet and outlet water pipes.

NOTE:

Before installing the water pipes to the cylinder block, apply engine oil lightly to each O-ring.

- Install the inlet and outlet water pipes to the cylinder block.

NOTE:

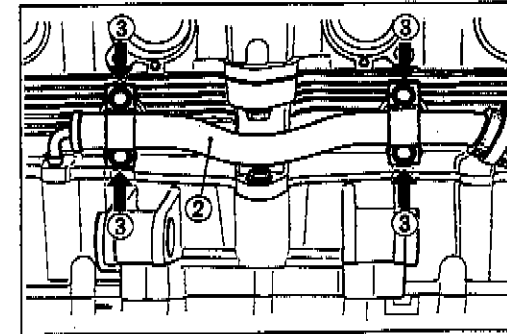
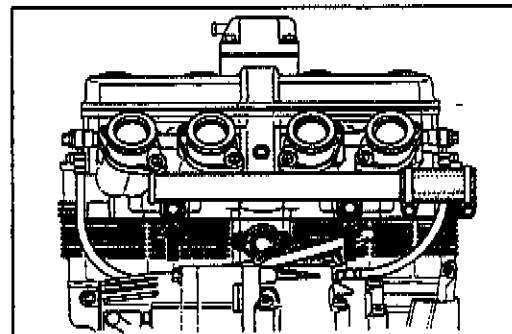
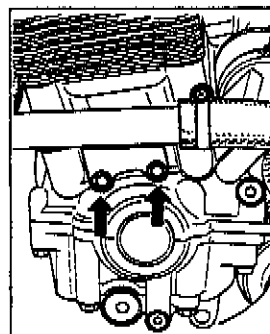
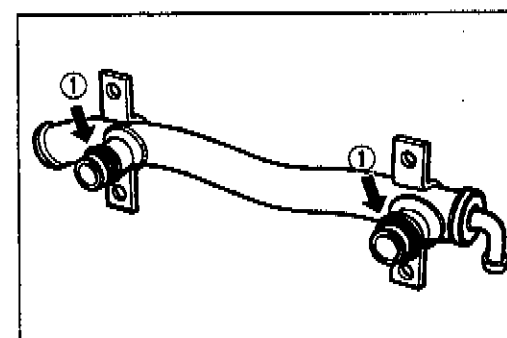
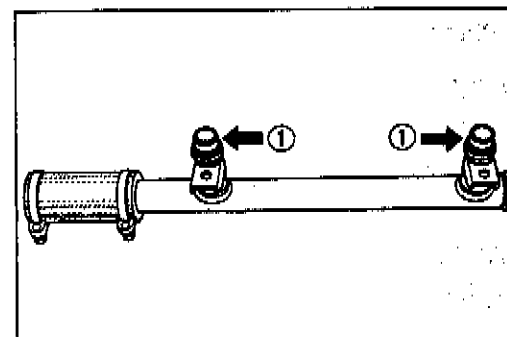
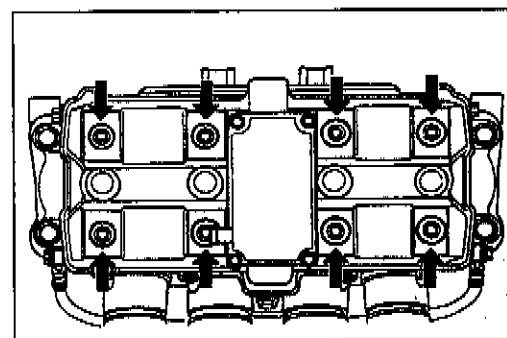
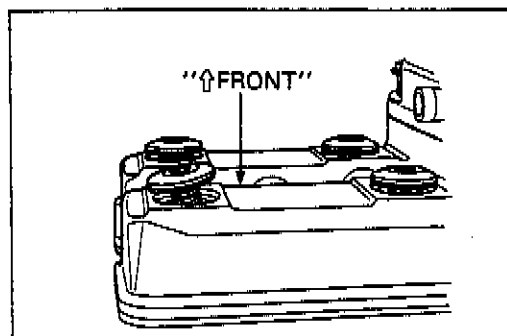
When installing the inlet water pipe ② to the cylinder block, apply a small quantity of the SUZUKI BOND NO. 1207B to the inlet water pipe mounting bolts ③.

99104-31140: SUZUKI BOND NO. 1207B

- Tighten the water pipe mounting bolts to the specified torque.

Tightening torque: 8–12 N·m

(0.8–1.2 kg-m, 6.0–8.5 lb-ft)



NOTE:

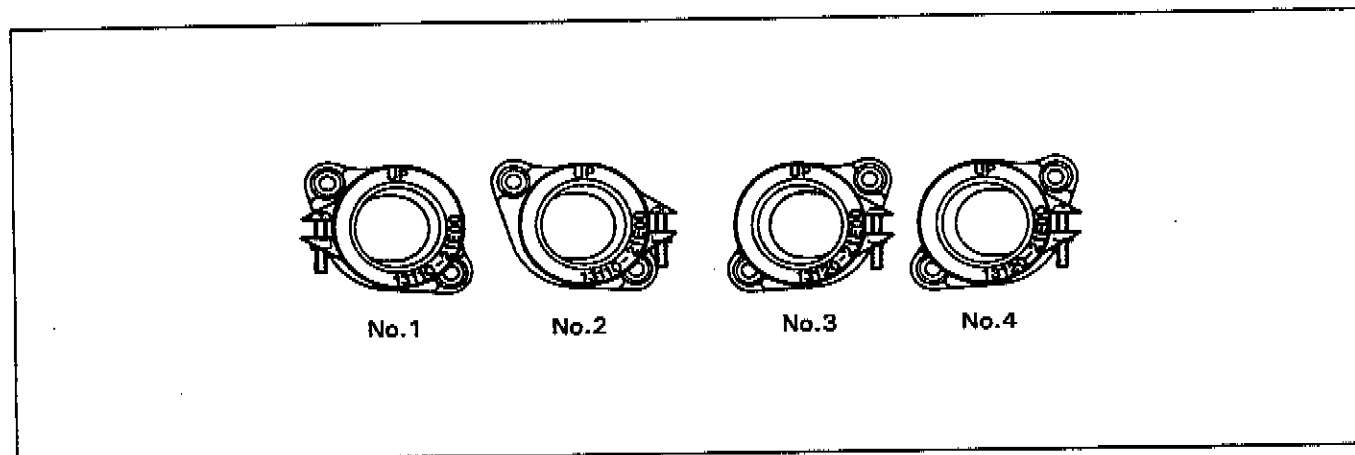
When replacing the intake pipes, identify the different intake pipes according to each I.D. code.

(13110-21E00 for No.1 cylinder)

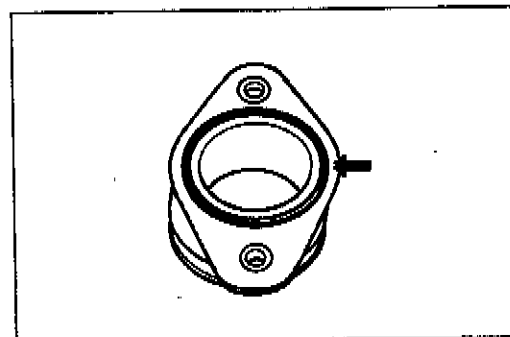
(13110-21E00 for No.2 cylinder)

(13120-21E00 for No.3 cylinder)

(13120-21E00 for No.4 cylinder)

**CAUTION:**

Use a new O-ring to prevent sucking air from the joint.

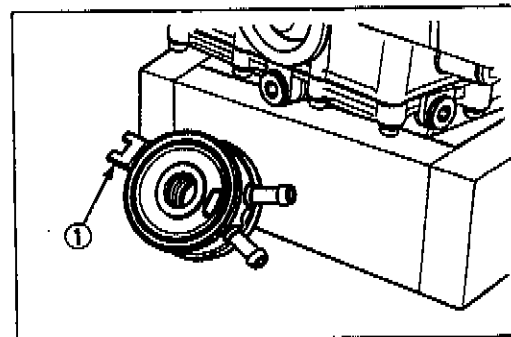


- Install the oil cooler and tighten its mounting bolt to the specified torque.

NOTE:

- * Before installing the oil cooler, apply engine oil lightly to its O-ring.
- * Set the lug ① of the oil cooler to the recess of the crankcase.

Tightening torque: 53–64 N·m
(5.3–6.4 kg·m, 38.5–46.5 lb-ft)

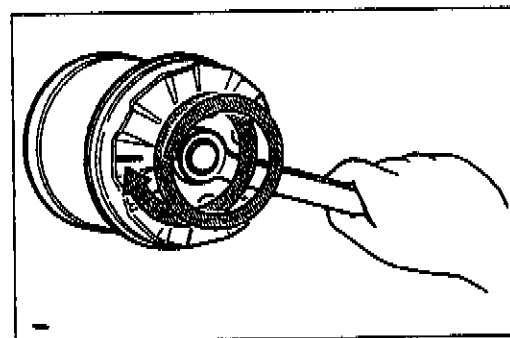


- Install the oil filter turning it by hand until you feel that the filter gasket contacts the mounting surface. Then tighten it 2 turns by using the special tool.

09915-40610: Oil filter wrench

NOTE:

Before installing the oil filter, apply engine oil lightly to its O-ring.



FUEL AND LUBRICATION SYSTEM

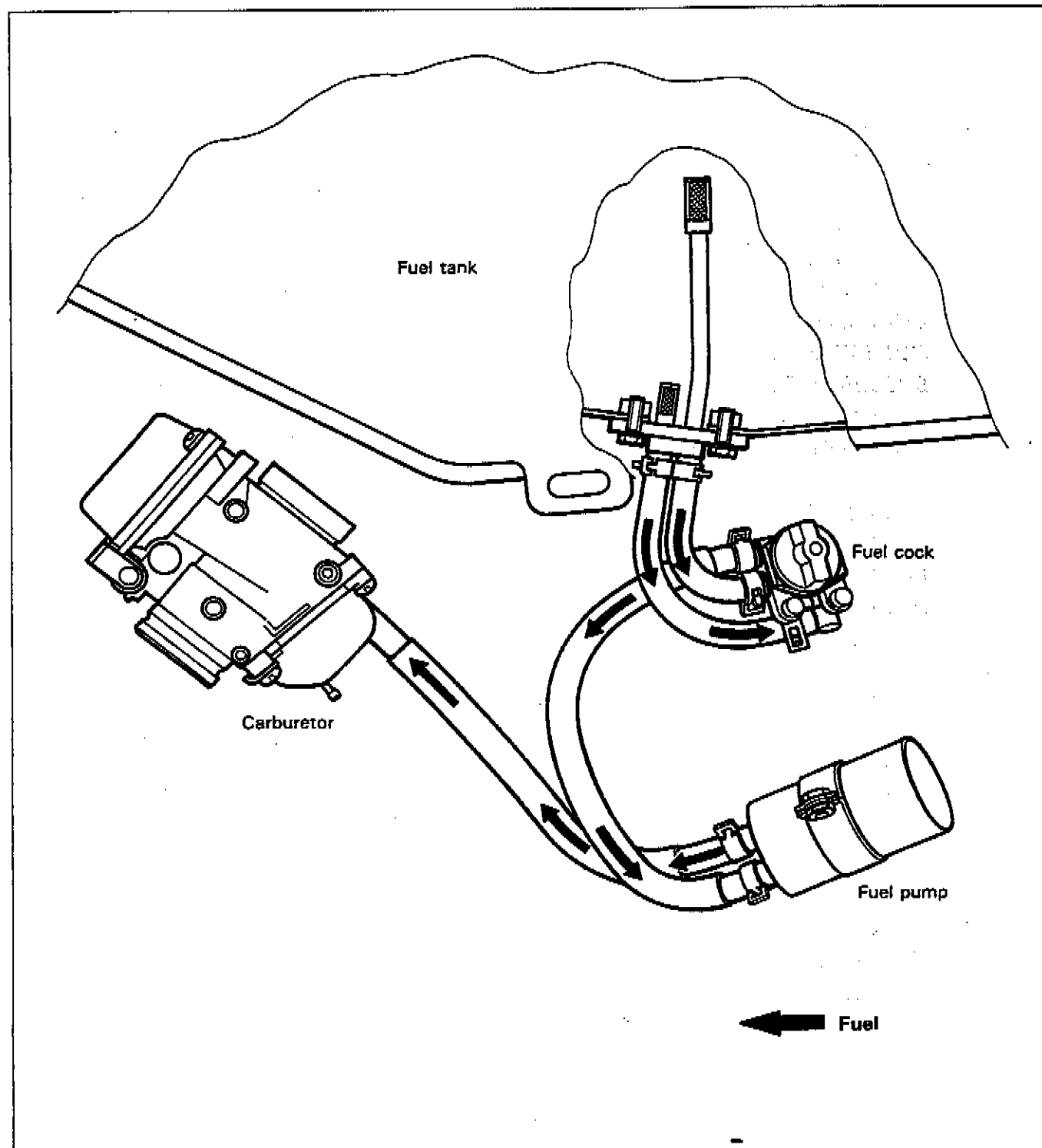
CONTENTS

FUEL SYSTEM	1 1
FUEL PUMP	4- 2
FUEL PUMP REMOVAL	4- 3
FUEL PUMP INSPECTION	4- 3
FUEL COCK	4- 4
FUEL COCK REMOVAL	4- 4
FUEL TANK AND FUEL FILTER	4- 5
FUEL TANK REMOVAL	4- 5
FUEL FILTER REMOVAL	4- 5
INSPECTION AND CLEANING	4- 5
CARBURETOR	4- 6
CONSTRUCTION	4- 6
SPECIFICATIONS	4- 7
I.D. NO. LOCATION	4- 7
DIAPHRAGM AND PISTON OPERATION	4- 8
SLOW SYSTEM	4- 9
MAIN SYSTEM	4-10
STARTER SYSTEM	4-11
FLOAT SYSTEM	4-11
REMOVAL	4-12
DISASSEMBLY	4-12
INSPECTION AND ADJUSTMENT	4-15
NEEDLE VALVE INSPECTION	4-15
FLOAT HEIGHT ADJUSTMENT	4-15
REASSEMBLY AND REMOUNTING	4-15
BALANCE OF CARBURETORS	4-16
LUBRICATION SYSTEM	4-18
OIL PRESSURE	4-18
OIL FILTER	4-18
OIL SUMP FILTER	4-18
ENGINE LUBRICATION SYSTEM CHART	4-19
ENGINE LUBRICATION SYSTEM	4-20
ENGINE OIL COOLING SYSTEM	4-21

4-1 FUEL AND LUBRICATION SYSTEM

FUEL SYSTEM

The fuel pump is operated by an electro-magnetic force and its electrical energy is supplied from the battery which is controlled by the fuel pump relay's control circuit. The fuel sent under pressure by the fuel pump flows into the float chamber when the float of the carburetor has dropped and the needle valve is open. When the needle valve closes, the pressure of the fuel in the hose connecting the carburetor and the fuel pump increases, and when the set pressure is reached, the operation of the fuel pump is stopped by the fuel pressure to prevent excessive supply.

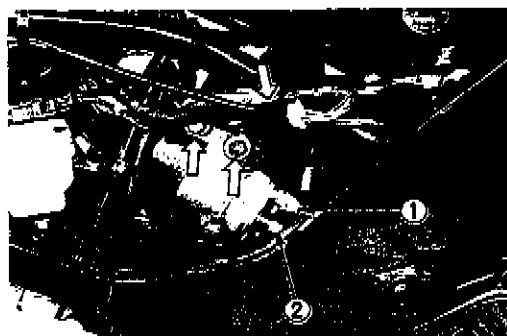


4-3 FUEL AND LUBRICATION SYSTEM**FUEL PUMP REMOVAL**

- Remove the seats. (Refer to page 7-5.)
- Remove the frame cover assembly.
- Turn the fuel cock "OFF" position and disconnect the fuel hoses (① and ②) from the fuel pump.
- Disconnect the fuel pump lead wire coupler and remove the fuel pump mounting bolts.

①: Outlet hose

②: Inlet hose

**FUEL PUMP INSPECTION**

- Using the pocket tester (x kΩ range), measure the resistance between the lead wires in the following table. If the resistance checked is incorrect, replace the fuel pump.

09900-25002: Pocket tester**NOTE:**

As capacitor, diodes, etc. are used inside this fuel pump, the resistance values will differ when an ohmmeter other than SUZUKI pocket tester is used.

(Approx. kΩ)

		⊕ Probe of tester to:			
		O/W	B/Y	Y/G	B/W
⊖ Probe of tester to:	O/W		∞	∞	∞
	B/Y	∞		∞	∞
	Y/G	∞	45-55		10-12
	B/W	∞	31-37	10-12	

WIRE COLOR

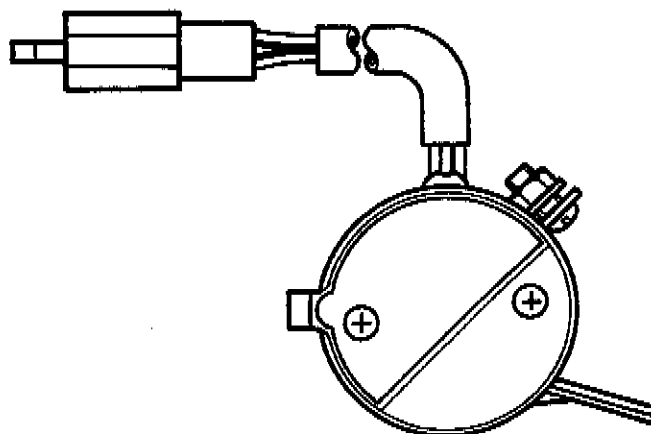
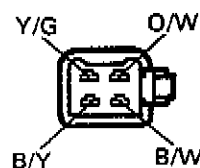
O/W : Orange with White tracer

B/Y : Black with Yellow tracer

Y/G : Yellow with Green tracer

B/W : Black with White tracer

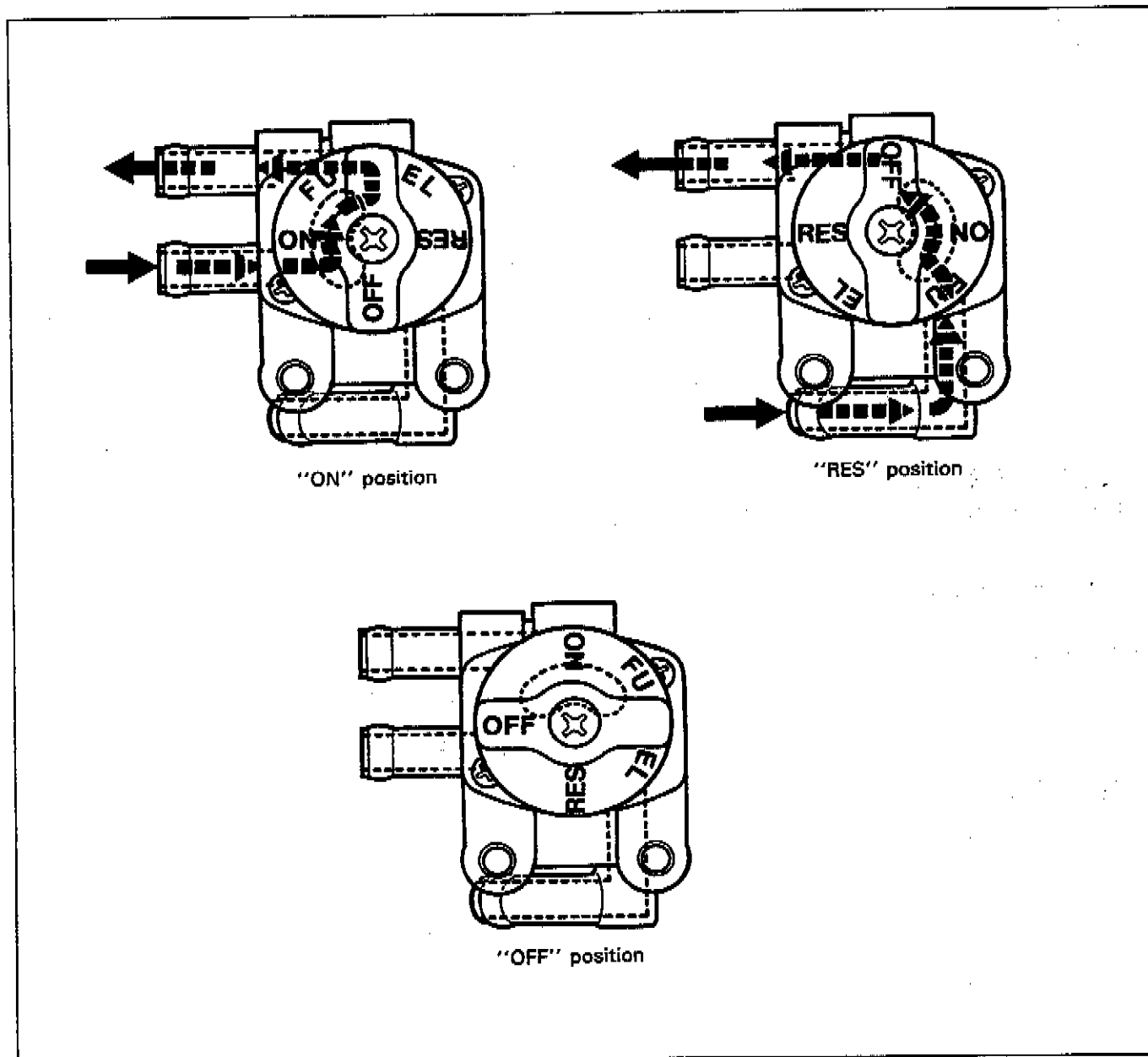
∞ : Infinity



FUEL COCK

FUEL COCK MECHANISM

A valve is provided at the end of the fuel cock lever and can switch over to "OFF", "ON" and "RES". With the valve "ON" (normal), the main passage opens. With the valve "OFF", both holes close.



FUEL COCK REMOVAL

- Remove the seats and frame cover assembly. (Refer to page 7-5.)
- Remove the fuel cock mounting screws.
- Bend the fuel hoses with a soft clip and disconnect the fuel hoses from the fuel cock.

WARNING:

Gasoline is very explosive. Extreme care must be taken.

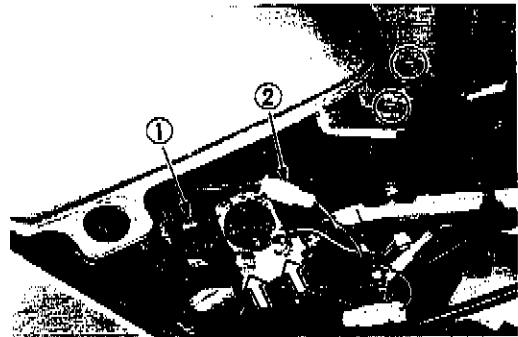


4-5 FUEL AND LUBRICATION SYSTEM

FUEL TANK AND FUEL FILTER

FUEL TANK REMOVAL

- Remove the seats and frame cover assembly. (Refer to page 7-5.)
- Turn the fuel cock to "OFF" position and disconnect the fuel cock outlet hose ①.
- Disconnect the fuel level indicator switch lead wire coupler ②.
- Remove the fuel cock mounting screws.
- Remove the fuel tank by removing the mounting bolts.



WARNING:

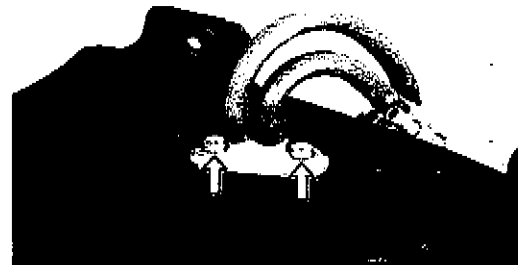
Gasoline is very explosive. Extreme care must be taken.

FUEL FILTER REMOVAL

- Remove the fuel filter assembly by removing the bolts.

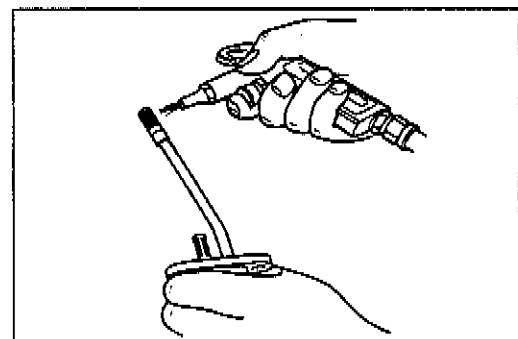
WARNING:

Gasoline is very explosive. Extreme care must be taken. Gaskets and O-ring must be replaced with new ones to prevent fuel leakage.

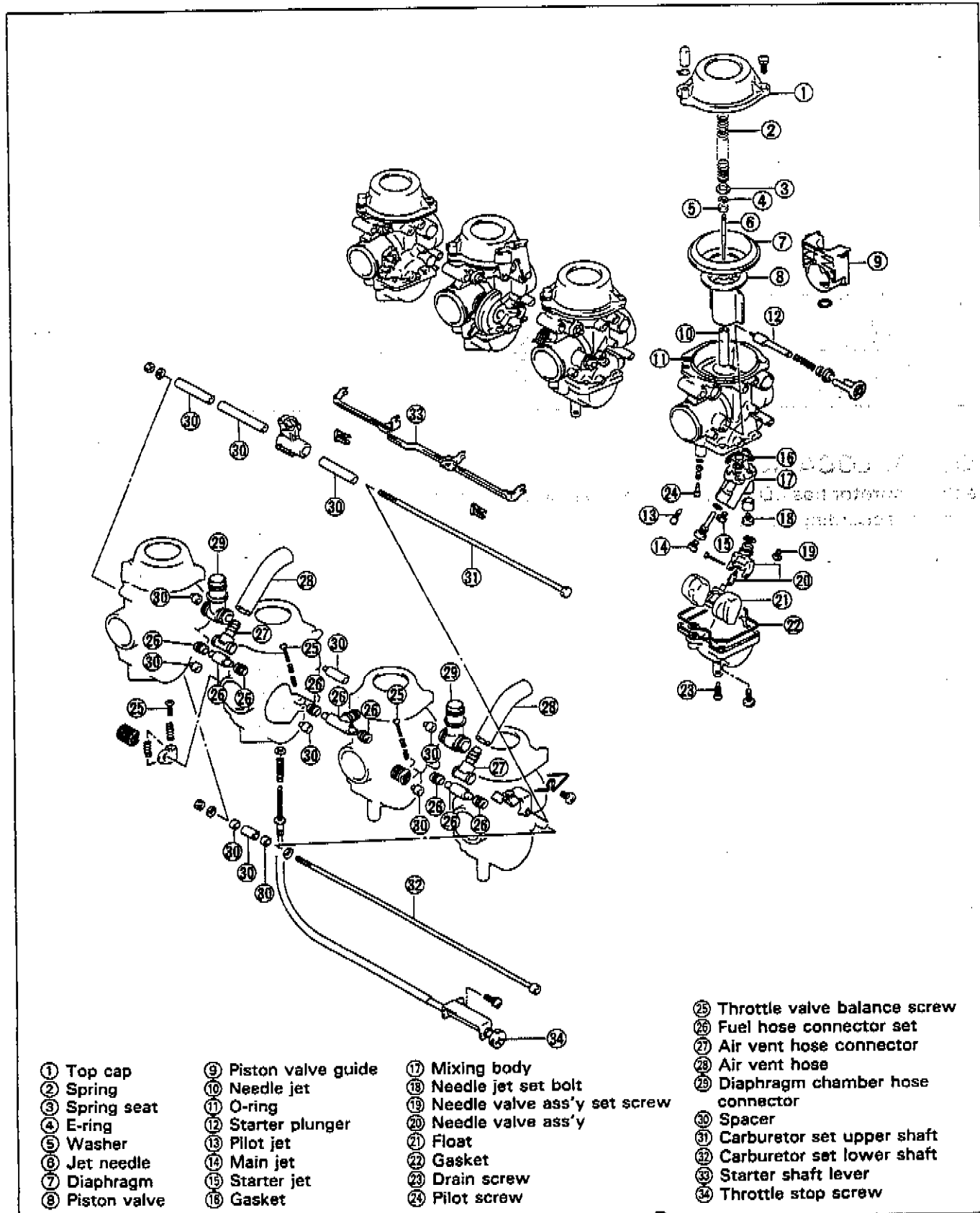


INSPECTION AND CLEANING

If the fuel filter is dirty with sediment or rust, fuel will not flow smoothly and loss in engine power may result. Clean the fuel filter with compressed air.



CARBURETOR CONSTRUCTION



- ① Top cap
- ② Spring
- ③ Spring seat
- ④ E-ring
- ⑤ Washer
- ⑥ Jet needle
- ⑦ Diaphragm
- ⑧ Piston valve

- ⑨ Piston valve guide
- ⑩ Needle jet
- ⑪ O-ring
- ⑫ Starter plunger
- ⑬ Pilot jet
- ⑭ Main jet
- ⑮ Starter jet
- ⑯ Gasket

- ⑰ Mixing body
- ⑱ Needle jet set bolt
- ⑲ Needle valve ass'y set screw
- ⑳ Needle valve ass'y
- ㉑ Float
- ㉒ Gasket
- ㉓ Drain screw
- ㉔ Pilot screw

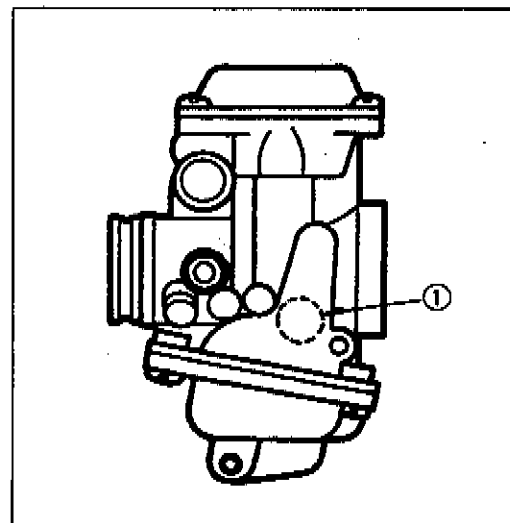
- ㉕ Throttle valve balance screw
- ㉖ Fuel hose connector set
- ㉗ Air vent hose connector
- ㉘ Air vent hose
- ㉙ Diaphragm chamber hose connector
- ㉚ Spacer
- ㉛ Carburetor set upper shaft
- ㉜ Carburetor set lower shaft
- ㉝ Starter shaft lever
- ㉞ Throttle stop screw

4-7 FUEL AND LUBRICATION SYSTEM**SPECIFICATIONS**

ITEM	SPECIFICATION	
	E-03, U.S.A.	E-33, U.S.A. (Calif. model)
Carburetor type	MIKUNI BDST36SS	MIKUNI BDST33SS
Bore size	36 mm	33 mm
I.D. No.	21E4	21E5
Idle r/min.	1 300 ± 100 r/min	1 350 ± 100 r/min
Float height	6.9 ± 1.0 mm (0.27 ± 0.04 in)	←
Main jet (M.J.)	#112.5	#107.5
Main air jet (M.A.J.)	0.6 mm	←
Jet needle (J.N.)	5E97	5E95
Needle jet (N.J.)	0-9	0-8
Throttle valve (Th.V.)	#120	←
Pilot jet (P.J.)	#15	#10
Starter jet (G.S.)	#47.5	←
Pilot screw (P.S.)	PRE-SET	←
Throttle cable play	0.5—1.0 mm (0.02—0.04 in)	

I.D. NO. LOCATION

Each carburetor has I.D. Number ① printed on the carburetor body according to its specification.

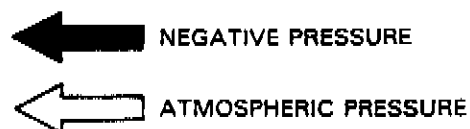
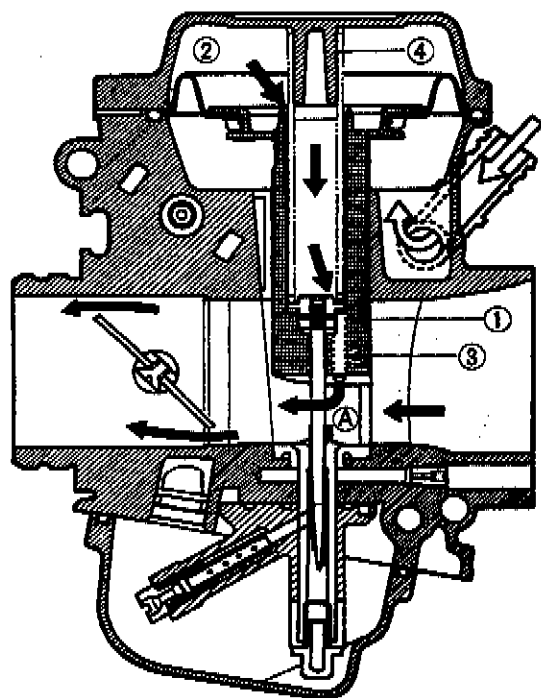


DIAPHRAGM AND PISTON OPERATION

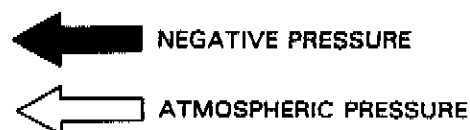
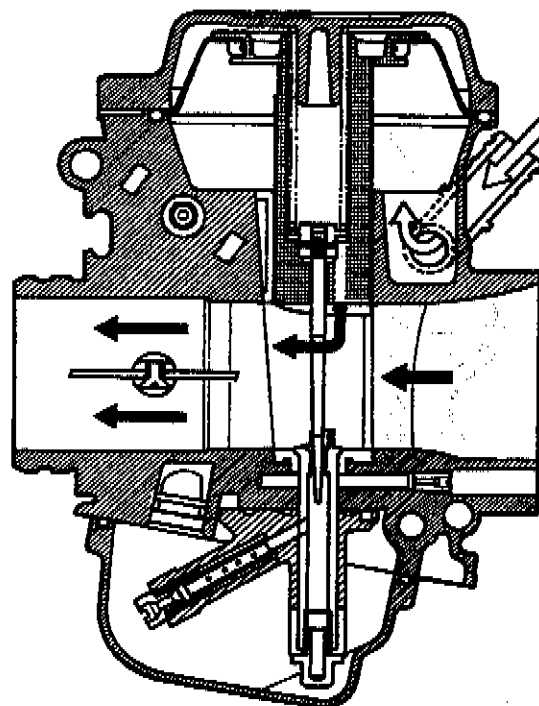
The carburetor is a variable-venturi type, whose venturi cross section area is increased or decreased automatically by the piston valve ① which moves according to the negative pressure present on the downstream side of the venturi (A). Negative pressure is admitted into the diaphragm chamber ② through two orifices ③ provided in the piston valve ①.

Rising negative pressure overcomes the spring ④ force, causing the piston valve ① to rise to increase the said area and thus prevent the air velocity from increasing. Thus, air velocity in the venturi passage is kept relatively constant for improved fuel atomization and for securing optimum ratio of fuel/air mixture.

LOWER POSITION OF PISTON VALVE



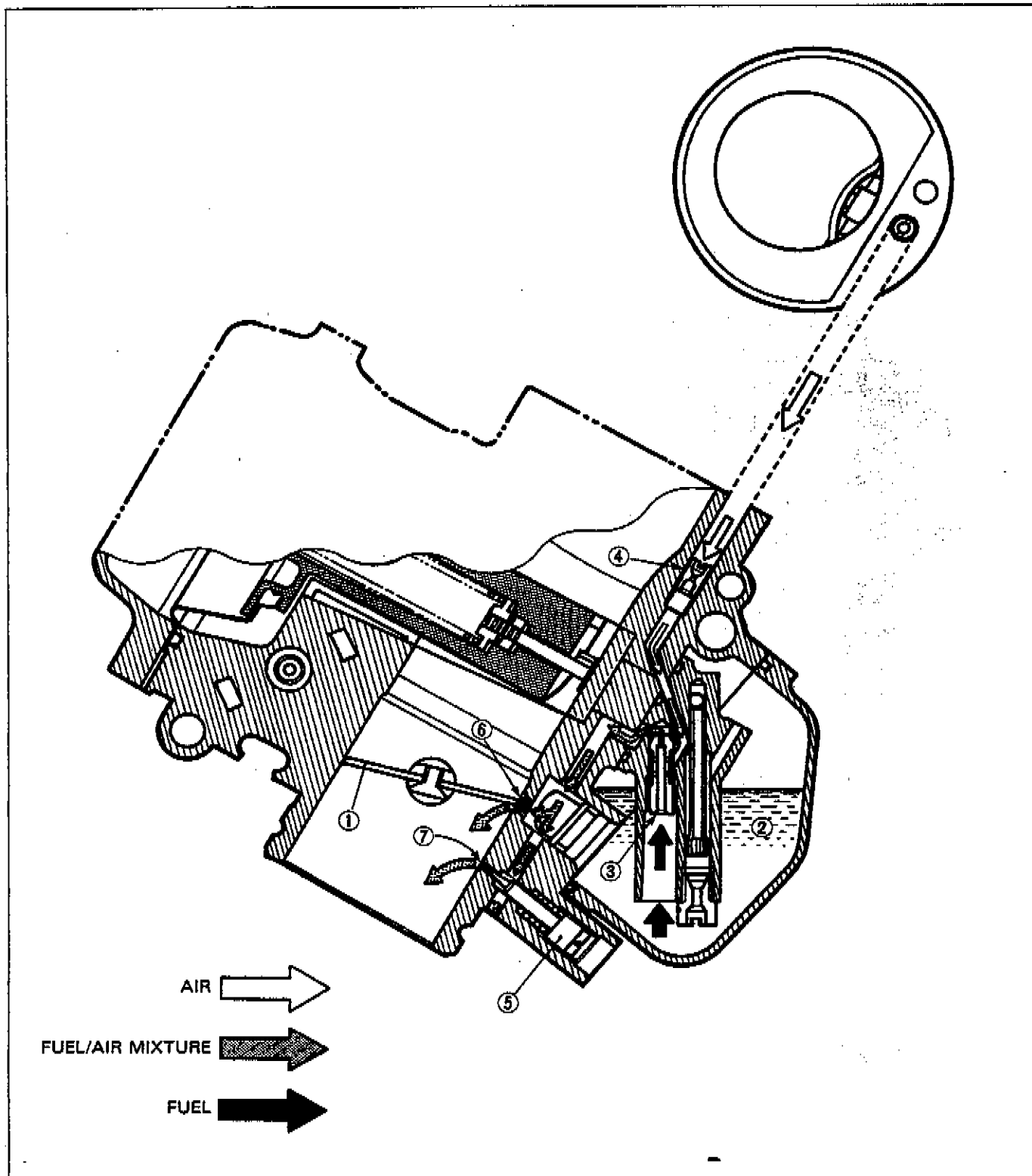
UPPER POSITION OF PISTON VALVE



4-9 FUEL AND LUBRICATION SYSTEM

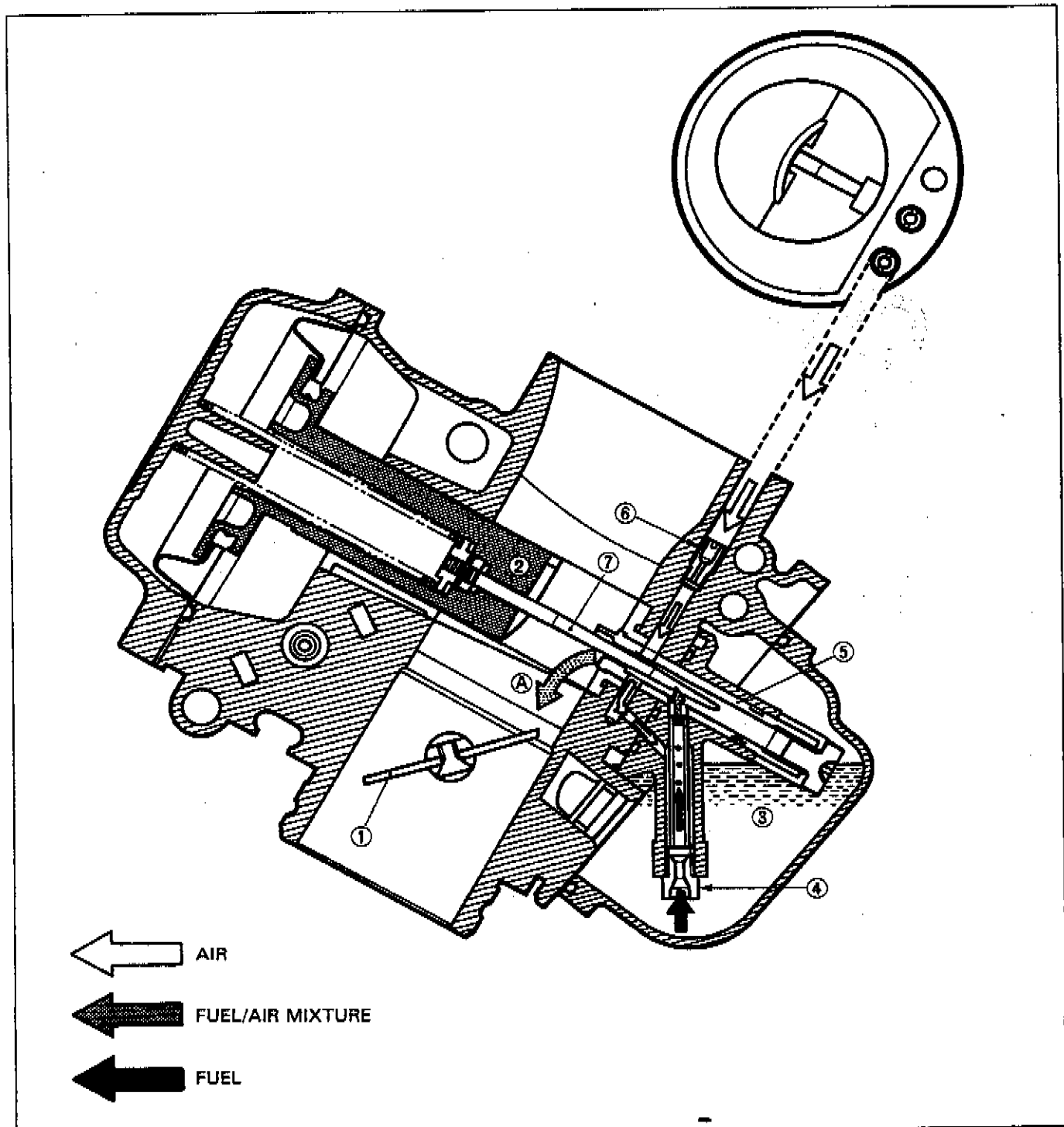
SLOW SYSTEM

This system supplies fuel during engine operation with throttle valve ① closed or slight opened. The fuel from float chamber ② is metered by pilot jet ③ where it mixes with air coming in through pilot air jet ④. This mixture, rich with fuel, then goes up through pilot passage to pilot screw ⑤. A part of the mixture is discharged into the main bore out of bypass ports ⑥. The remainder is then metered by pilot screw ⑤ and sprayed out into the main bore through pilot outlet ⑦.



MAIN SYSTEM

As throttle valve ① is opened, engine speed rises, and this increases negative pressure in the venturi ④. Consequently the piston valve ② moves upward. Meanwhile, the fuel in float chamber ③ is metered by main jet ④, and the metered fuel enters needle jet ⑤, in which it mixes with the air admitted through main air jet ⑥ to form an emulsion. The emulsified fuel then passes through the clearance between needle jet ⑤ and jet needle ⑦, and is discharged into the venturi ④, in which it meets main air stream being drawn by the engine. Mixture proportioning is accomplished in needle jet ⑤; the clearance through which the emulsified fuel must flow in large or small, depending ultimately on throttle position.

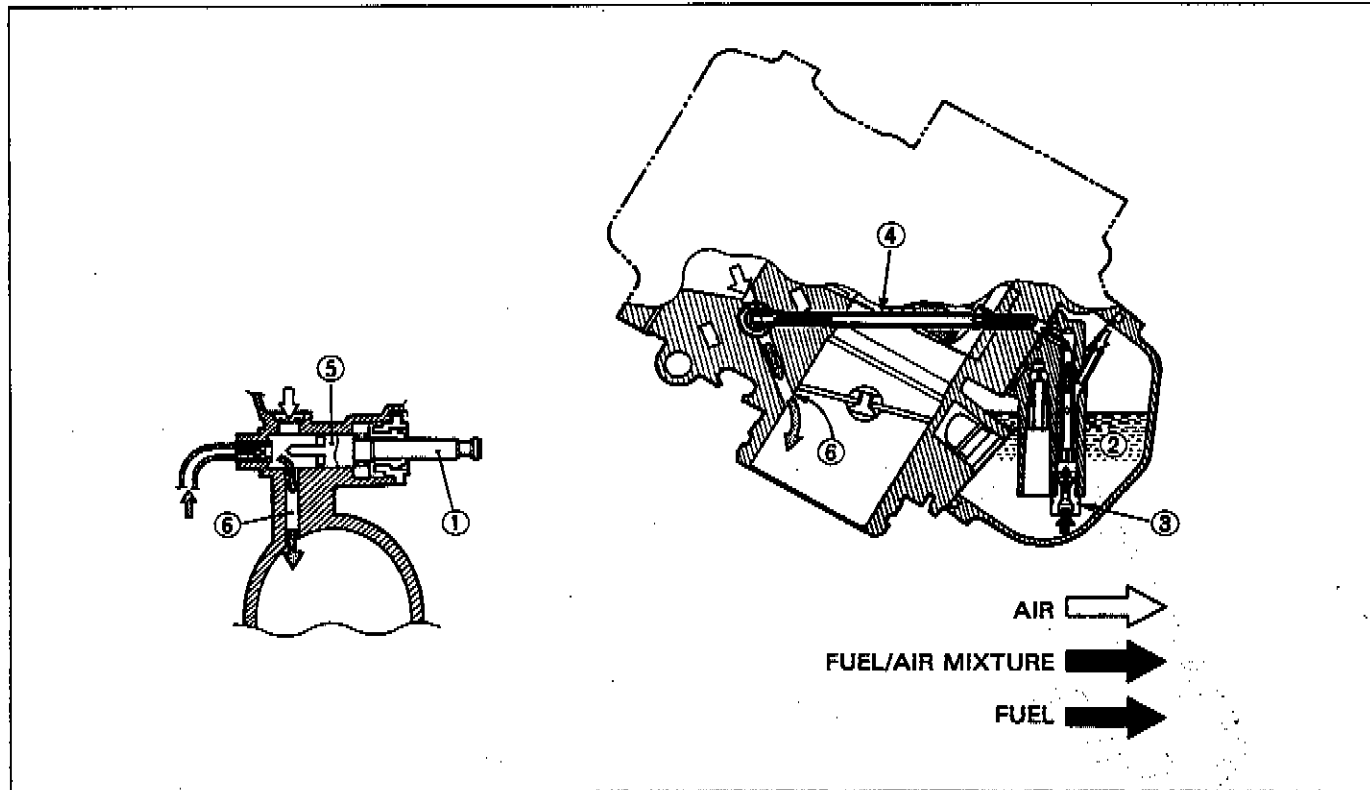


4-11 FUEL AND LUBRICATION SYSTEM

STARTER SYSTEM

Pulling up the starter shaft ①, fuel is drawn into the starter circuit from the float chamber ②. Starter jet ③ meters this fuel, which then flows into starter pipe ④ and mixes with the air coming from the float chamber ②. The mixture, rich in fuel content, reaches starter plunger ⑤ and mixes again with the air coming through a passage extending from behind the diaphragm.

The two successive mixings of fuel with air are such that proper fuel/air mixture for starting is produced when the mixture is sprayed out through starter outlet ⑥ into the main bore.



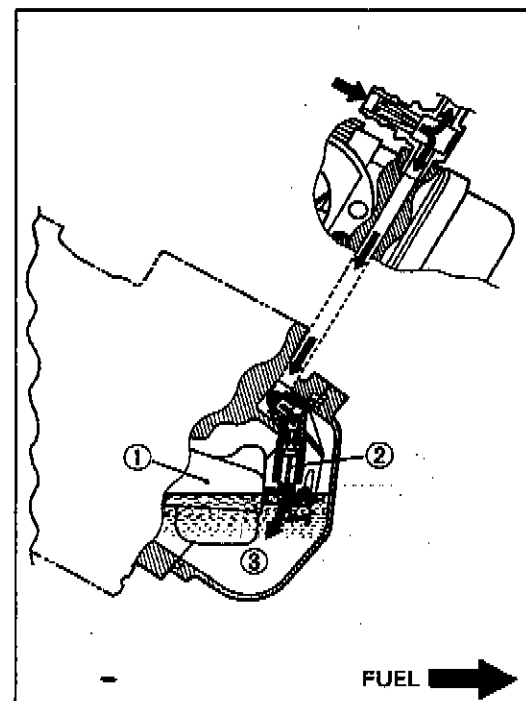
FLOAT SYSTEM

Floats ① and needle valve ② are associated with the same mechanism, so that, as the floats ① move up and down, the needle valve ② too moves likewise.

When fuel level is up in float chamber ③, floats ① are up and needle valve ② remains pushed up against valve seat. Under this condition, no fuel enters the float chamber ③.

As the fuel level falls, floats ① go down and needle valve ② unseats itself to admit fuel into the chamber ③.

In this manner, needle valve ② admits and shuts off fuel alternately to maintain a practically constant fuel level inside the float chamber ③.

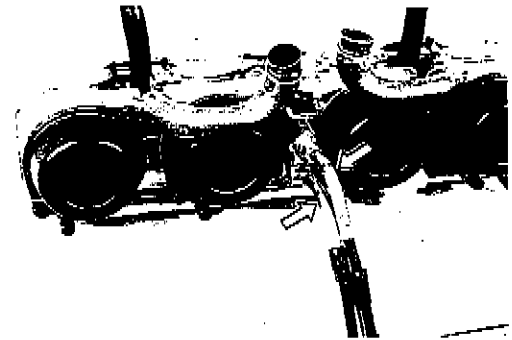


REMOVAL

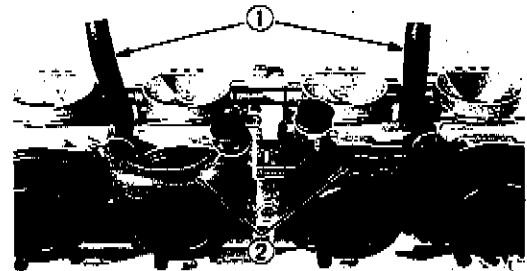
Refer to page 3-3.

DISASSEMBLY

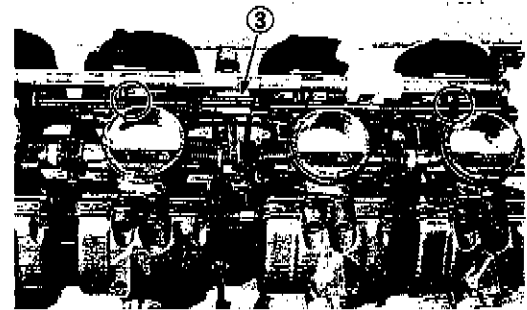
- Remove the throttle cables from the throttle lever.



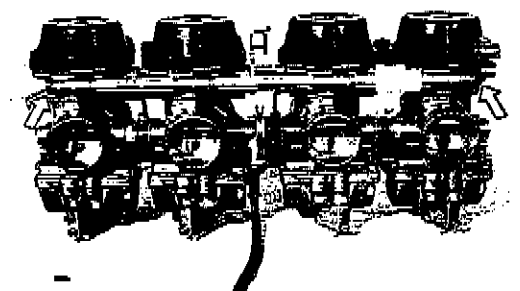
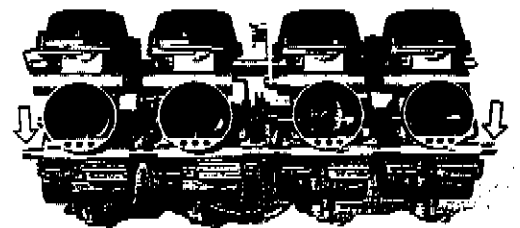
- Disconnect the air vent hoses ① and diaphragm chamber air cleaner hoses ②.



- Remove the starter shaft lever ③.

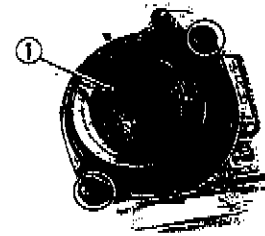


- Remove the upper and lower carburetor set shafts.
- Separate the carburetor assembly.

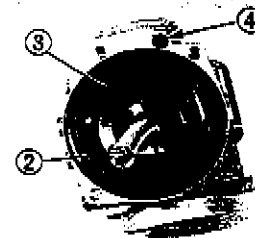


4-13 FUEL AND LUBRICATION SYSTEM

- Remove the carburetor top cap ① .



- Remove the piston valve return spring ② and piston valve with diaphragm ③ .
- Remove the O-ring ④ .

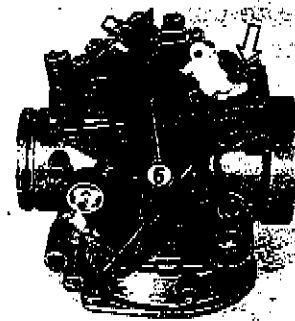


- Remove the float chamber body ⑤ .

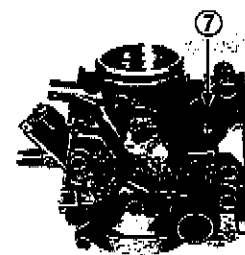
09900-09003: Impact driver set



- Remove the float assembly ⑥ .



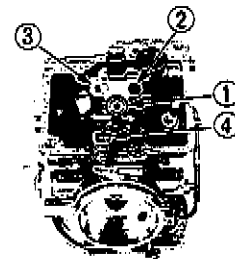
- Remove the starter plunger assembly ⑦ .



- Remove the main jet ① , pilot jet ② and starter jet ③ .

CAUTION:

Do not remove the pilot screw ④. This component is PRE-SET at the factory by the very specialized equipment.



- Remove two throttle valve screws ⑤ and pull out throttle valve plate.

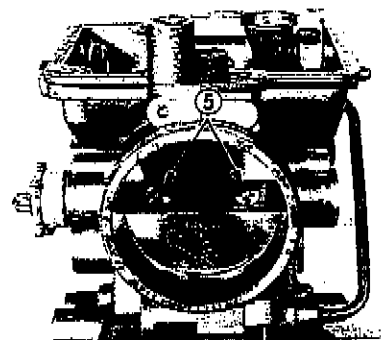
CAUTION:

These two screws are locked by punching these ends. Once removing the screws, they will be damaged.

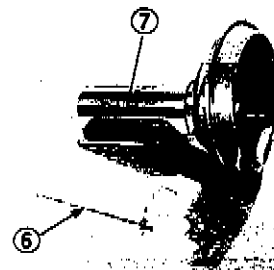
NOTE:

When reinstalling the throttle valve plate, apply a small quantity of the **THREAD LOCK "1342"** to its screws ⑤.

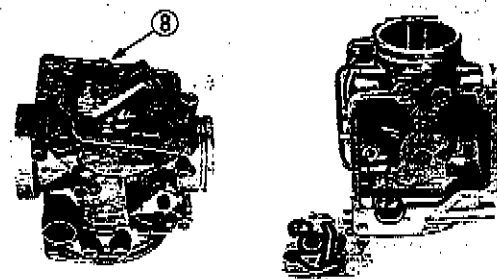
99000-32050: THREAD LOCK "1342"



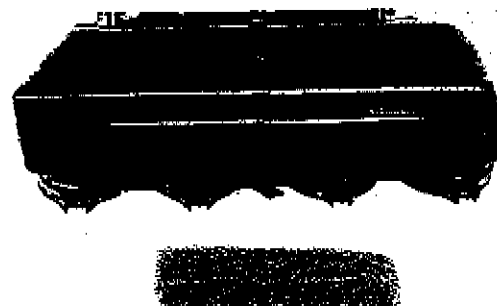
- Remove the jet needle ⑥ from the piston valve ⑦ .



- Remove the mixing body by removing the bolt ⑧ .



- Remove the carb. diaphragm chamber air cleaner element.



4-15 FUEL AND LUBRICATION SYSTEM

Cleaning of Carb. diaphragm chamber air cleaner element

- Immerse the element in the cleaning solvent and wash it clean.
- Squeeze the cleaning solvent out of the washed element by pressing it between the palms of both hands.
- Immerse the element in motor oil, and squeeze the oil out of the element leaving it slightly wet with oil.

INSPECTION AND ADJUSTMENT

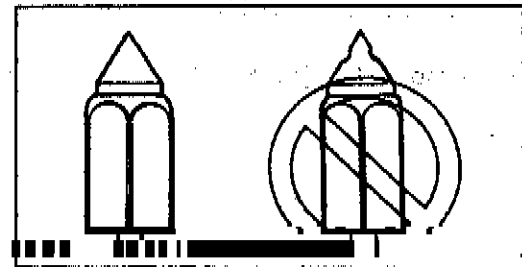
Check following items for any damage or clogging.

- | | |
|--------------------------------|----------------------------------|
| * Pilot jet | * Needle valve |
| * Main jet | * Starter jet |
| * Main air jet | * Gasket and O-ring |
| * Pilot air jet | * Throttle shaft oil seal |
| * Needle jet air bleeding hole | * Diaphragm |
| * Float | * Pilot outlet and by-pass holes |

NEEDLE VALVE INSPECTION

If foreign matter is caught between the valve seat and the needle, the gasoline will continue flowing and cause it to overflow. If the seat and needle are worn beyond the permissible limits, similar trouble will occur. Conversely, if the needle sticks, the gasoline will not flow into the float chamber. Clean the float chamber and float parts with gasoline.

Washing chamber with compressed air.

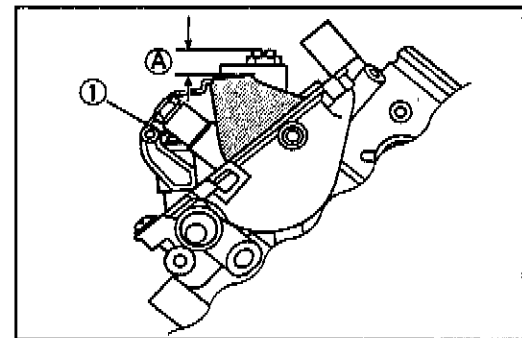


FLOAT HEIGHT ADJUSTMENT

To check the float height, invert the carburetor body, with the float arm kept free, measure the height **A** while float arm is just in contact with needle valve by using calipers. Bend the tongue **1** as necessary to bring the height **A** to this value.

Float height **A**: 6.9 ± 1.0 mm (0.27 ± 0.04 in)

09900-20102: Vernier calipers

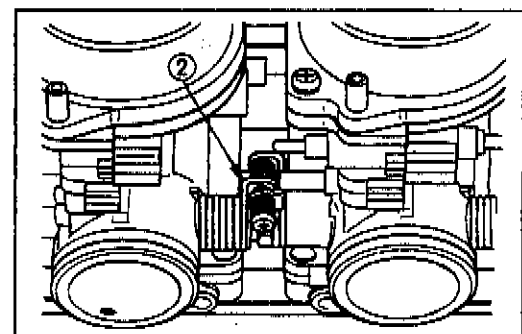


REASSEMBLY AND REMOUNTING

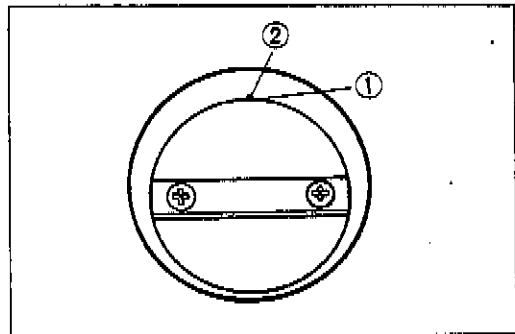
Reassemble and remount the carburetor assembly in the reverse order of disassembly and removal.

Pay attention to the following points:

- When engaging two carburetors, position the throttle valve control lever **2** correctly.



- Set each throttle valve in such a way that its top end ① meets the foremost by-pass ②. This is accomplished by turning the throttle stop screw and throttle valve balance screw.



- After all work is completed, mount the carburetors on the engine and the following adjustments are necessary.
 - * Engine idle r/min Page 2-10
 - * Throttle cable play Page 2-10
 - * Balancing carburetors Page 4-17

BALANCE OF CARBURETORS

Check the four carburetors for balancing movement according to the following procedures.

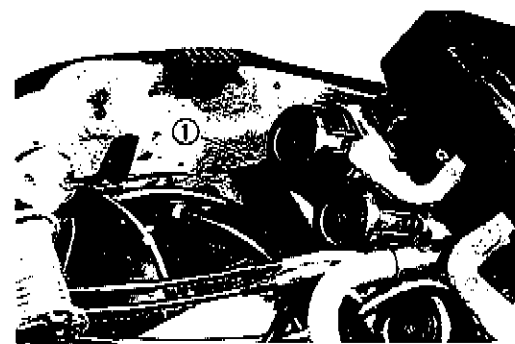
NOTE:

When balancing the carburetors, remove the fuel tank and fuel should be supplied by a separate fuel tank (A).



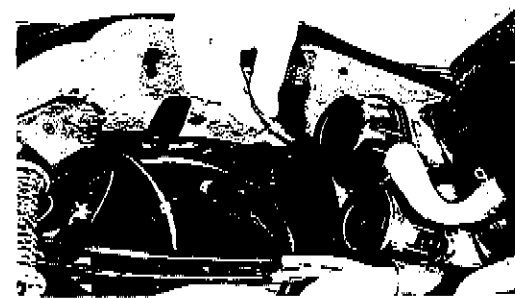
CALIBRATING EACH GAUGE

- Start up the engine and run it in idling condition for warming up.
- Stop the warmed-up engine.
- Remove the vacuum inlet cap ① for No.1 or No.4 cylinder.



- Connect one of the four rubber hoses of balancer gauge to this inlet.

09913-13121: Carburetor balancer

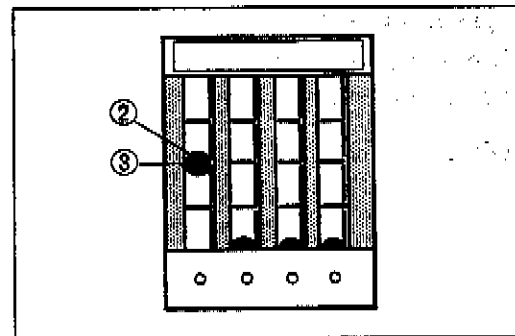
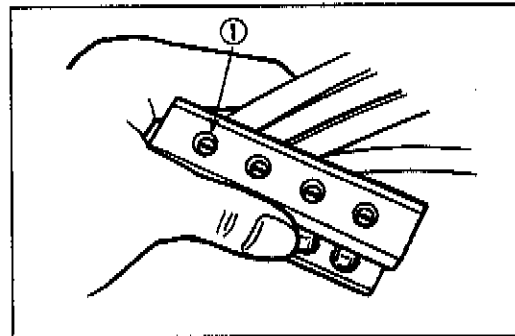


4-17 FUEL AND LUBRICATION SYSTEM

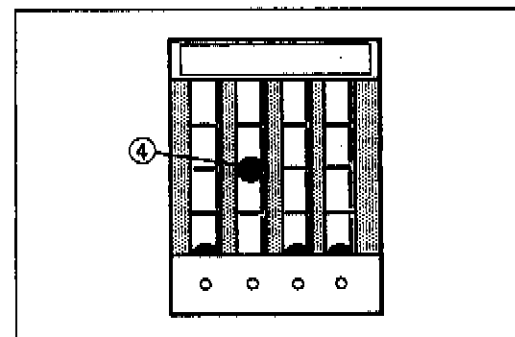
- Start up the engine and keep it running at 1 750 r/min by turning throttle stop screw.



- Turn the air screw ① of the gauge so that the vacuum acting on the tube of that hose will bring the steel ball ② in the tube to the center line ③.



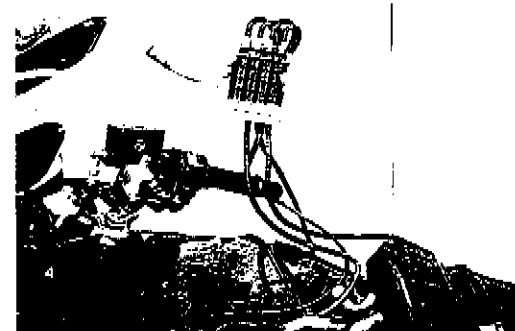
- After making sure that the steel ball stays steady at the center line, disconnect the hose from inlet and connect the next hose to the inlet.
- Turn air screw to bring the other steel ball ④ to the center line.
- Repeat the above process on the third and fourth hoses. The balancer gauge is now ready for use in balancing the carburetors.



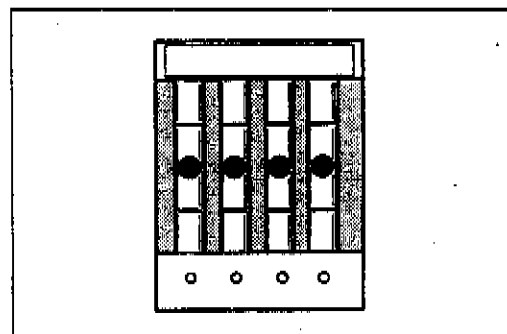
BALANCING CARBURETORS

For balancing all the carburetor movement, remove all the vacuum inlet caps from each carburetor. Connect the balancer gauge hoses to these vacuum inlets and adjust the balance of four carburetors as follows:

- Start up the engine and keep it running at 1 750 r/min to see engine tachometer reading.



A correctly adjusted carburetor has the steel balls in the Nos. 1 through 4 tubes at the same level.



- If the steel balls are not in correct positions, adjust the throttle valve balance screws correctly.
- Adjusting order is as follows.



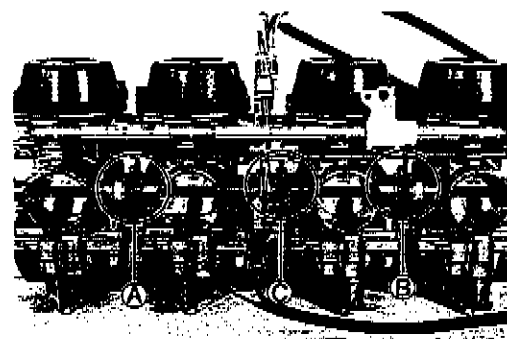
- After balancing the carburetors, set there speed between 1200 and 1400 r/min. by turning the throttle stop screw referring engine tachometer reading.

Idle r/min: 1300 ± 100 r/min ... E-03

Idle r/min: 1350 ± 100 r/min ... E-33

CAUTION:

Do not disturb the pilot screw. This component is PRE-SET at the factory by the very specialized equipment.



LUBRICATION SYSTEM

OIL PRESSURE

Refer to page 2-22.

OIL FILTER

Refer to page 2-9.

OIL SUMP FILTER

When you wash the oil pan, check to be sure that the oil sump filter is free from any sign of rupture, also wash the filter clean periodically.

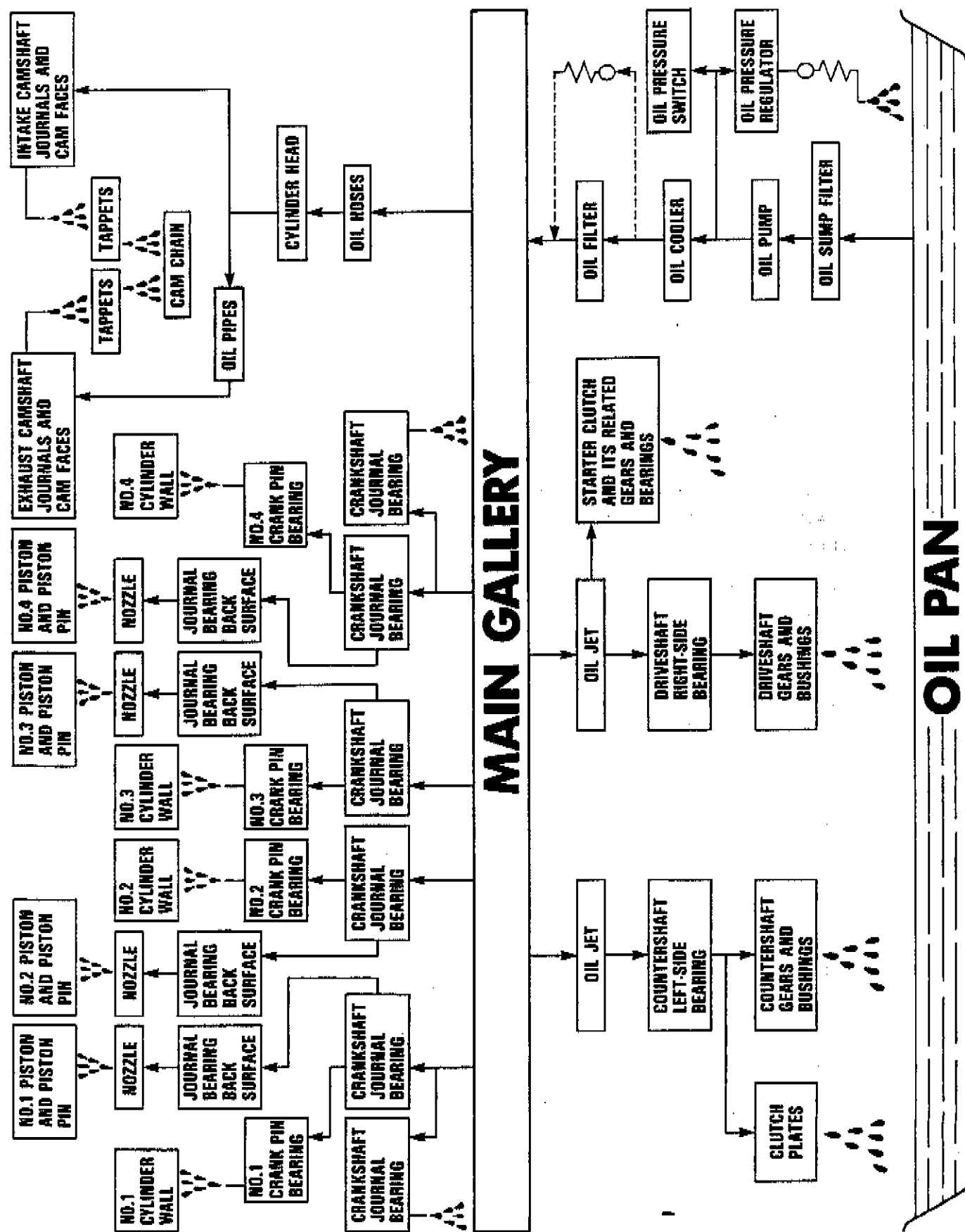
CAUTION:

Replace the oil pan gasket with a new one to prevent oil leakage.

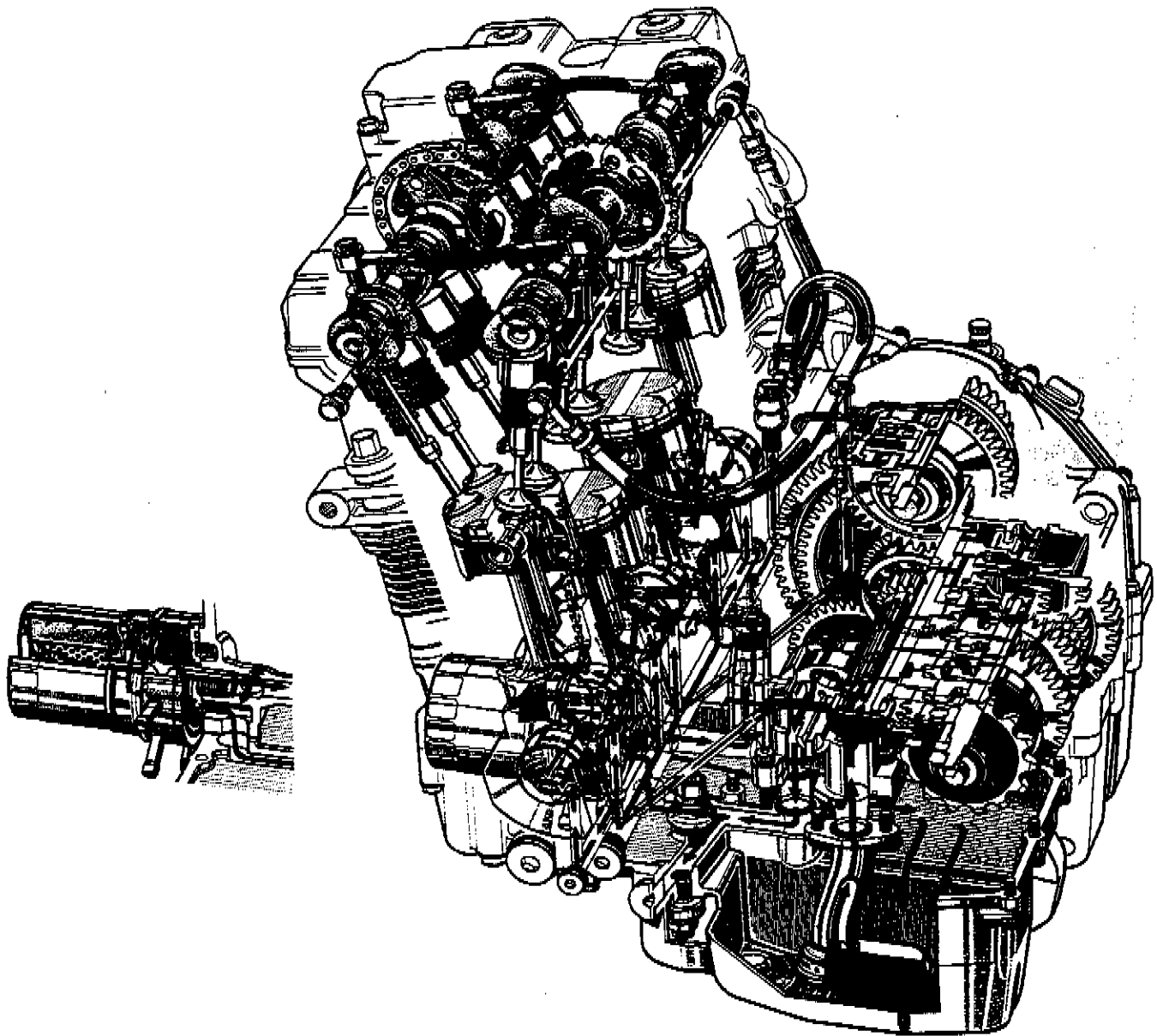
(Refer to pages 3-50 and 3-51.)

4-19 FUEL AND LUBRICATION SYSTEM

ENGINE LUBRICATION SYSTEM CHART

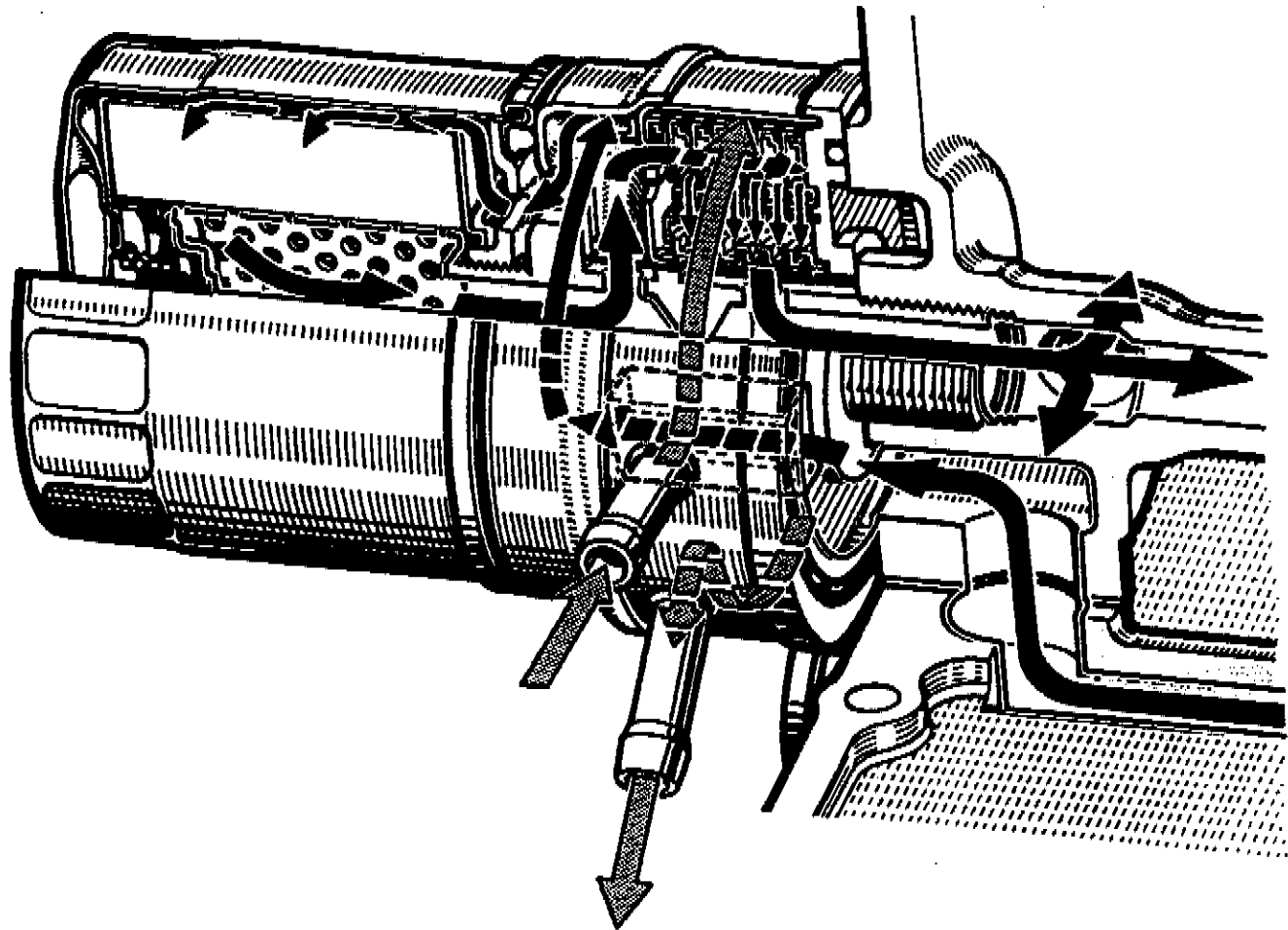


ENGINE LUBRICATION SYSTEM



4-21 FUEL AND LUBRICATION SYSTEM

ENGINE OIL COOLING SYSTEM



← WATER FLOW
← OIL FLOW

COOLING SYSTEM

CONTENTS

COOLING SYSTEM	5- 1
DESCRIPTION	5- 1
CONSTRUCTION	5- 2
COOLING SOLUTION	5- 4
COOLING SYSTEM REMOVAL AND DISASSEMBLY	5- 5
WATER HOSES AND THERMOSTAT CASE	5- 5
RADIATOR	5- 5
COOLING FAN	5- 6
ENGINE COOLANT TEMPERATURE GAUGE AND COOLING FAN THERMO-SWITCH	5- 6
THERMOSTAT	5- 6
WATER PUMP	5- 6
RADIATOR	5- 8
INSPECTION	5- 8
REMOVAL	5- 8
INSTALLATION	5- 8
ENGINE COOLANT TEMPERATURE GAUGE	5- 9
REMOVAL	5- 9
INSPECTION	5- 9
REASSEMBLY	5-10
COOLING FAN	5-10
REMOVAL	5-10
INSPECTION	5-10
COOLING FAN THERMO-SWITCH	5-10
REMOVAL	5-11
INSPECTION	5-11
REASSEMBLY	5-11
THERMOSTAT	5-12
REMOVAL	5-12
INSPECTION	5-12
REASSEMBLY	5-12
WATER PUMP	5-13
REMOVAL AND DISASSEMBLY	5-13
INSPECTION	5-13
REASSEMBLY	5-13

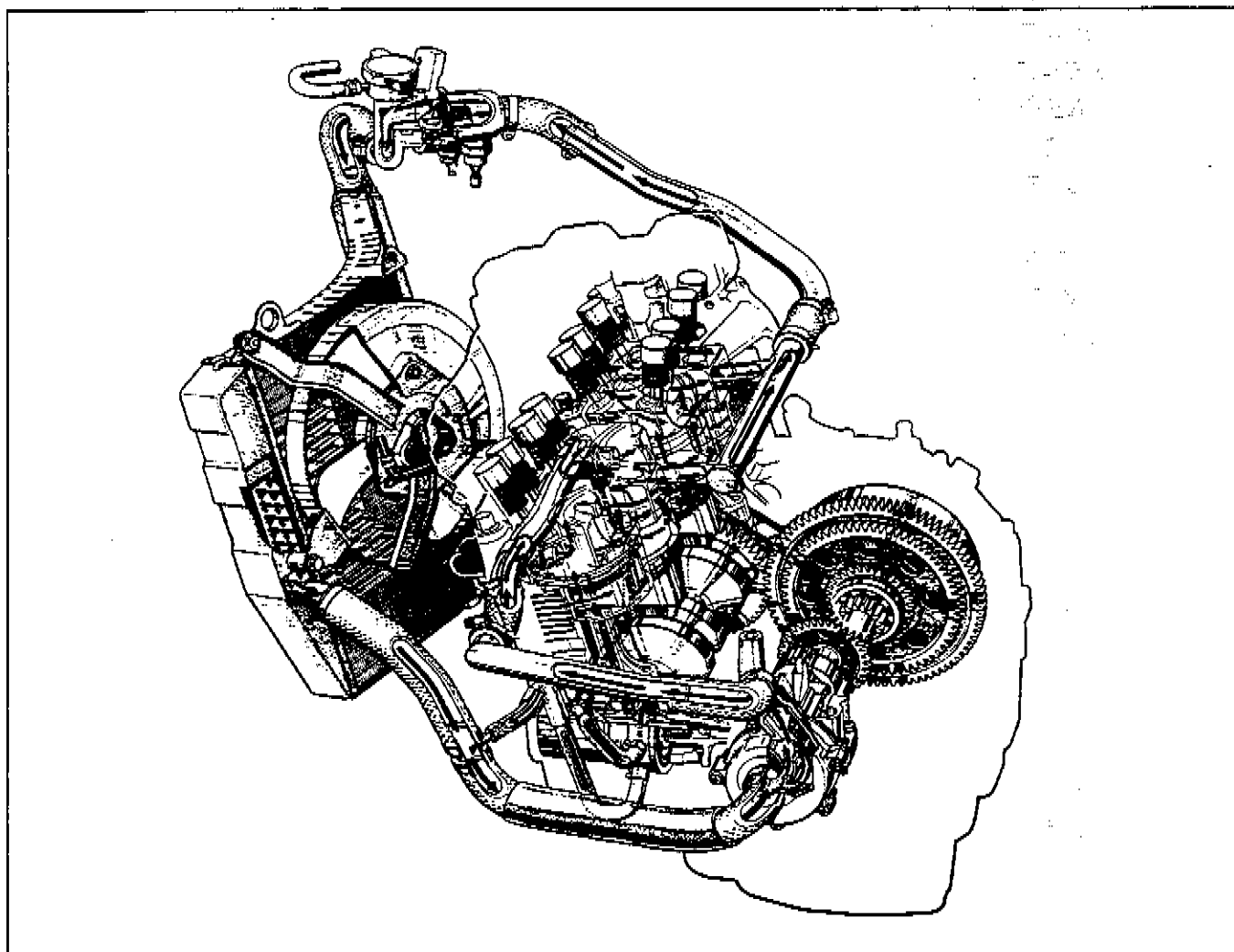
5-1 COOLING SYSTEM**COOLING SYSTEM****DESCRIPTION**

The engine is cooled by engine coolant set in forced recirculation through jackets formed in the cylinder and cylinder head, and through the radiator. For the water pump, a high-capacity centrifugal pump is used. The radiator is a tube-and-fin type made of aluminum material, which is characterized by lightness in weight and good heat dissipation.

The thermostat is of wax pellet type, complete with a valve as the means of temperature-dependent control over the flow of engine coolant through the radiator. The valve is actuated by the temperature-sensitive wax contained in the pellet.

Referring to the following illustration, the thermostat is in the closed condition, so that engine coolant recirculates through the route comprising pump, engine, by-pass hole of the thermostat and radiator in the regulated condition.

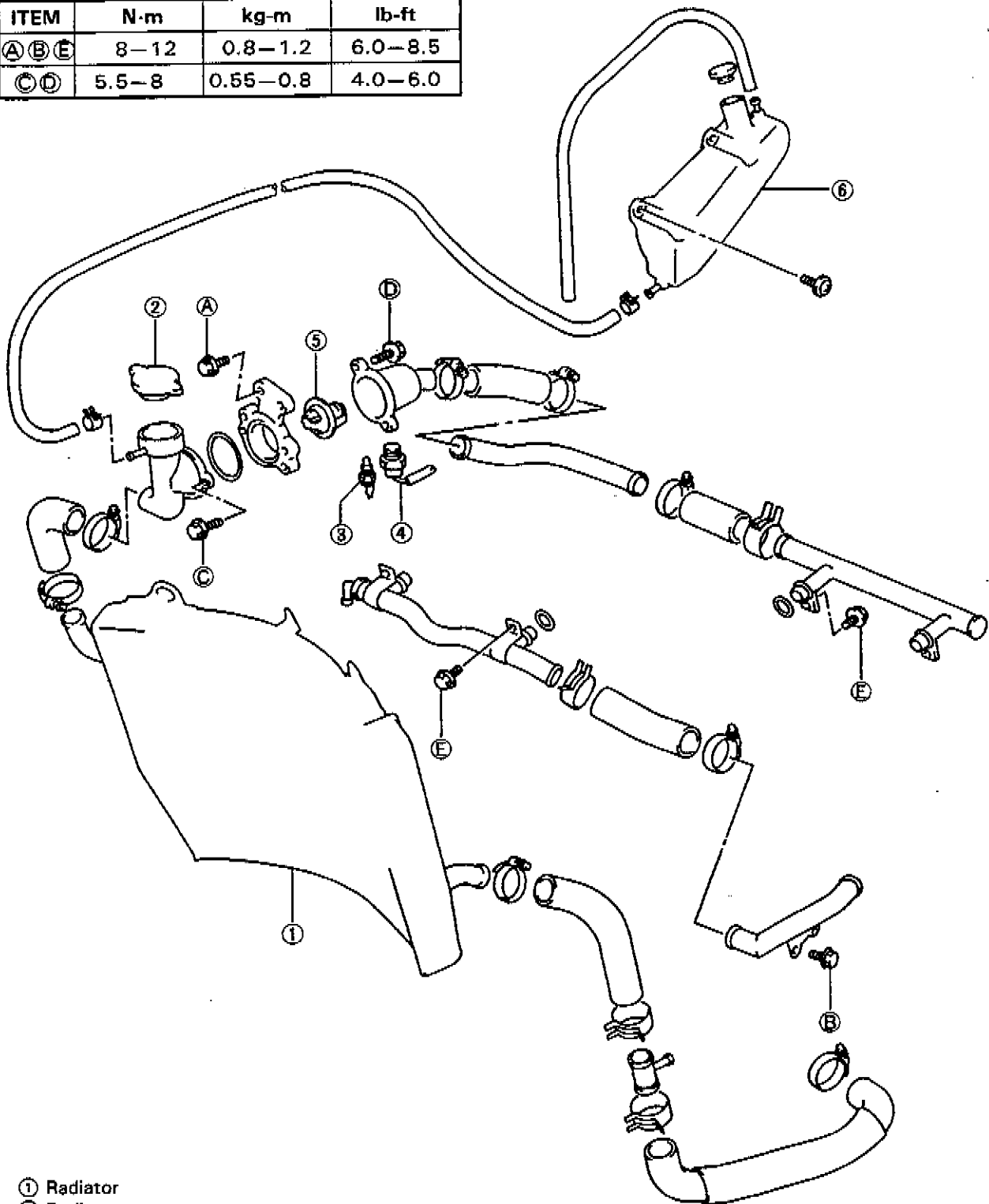
As the engine coolant temperature rises to 76.5°C and the thermostat valve unseats, the normal engine coolant flow is established. At about 90°C of engine coolant temperature, the thermostat becomes completely open and most of heat is released to the atmosphere through the radiator core.



CONSTRUCTION

Tightening torque

ITEM	N·m	kg·m	lb·ft
A B E	8-12	0.8-1.2	6.0-8.5
C D	5.5-8	0.55-0.8	4.0-6.0



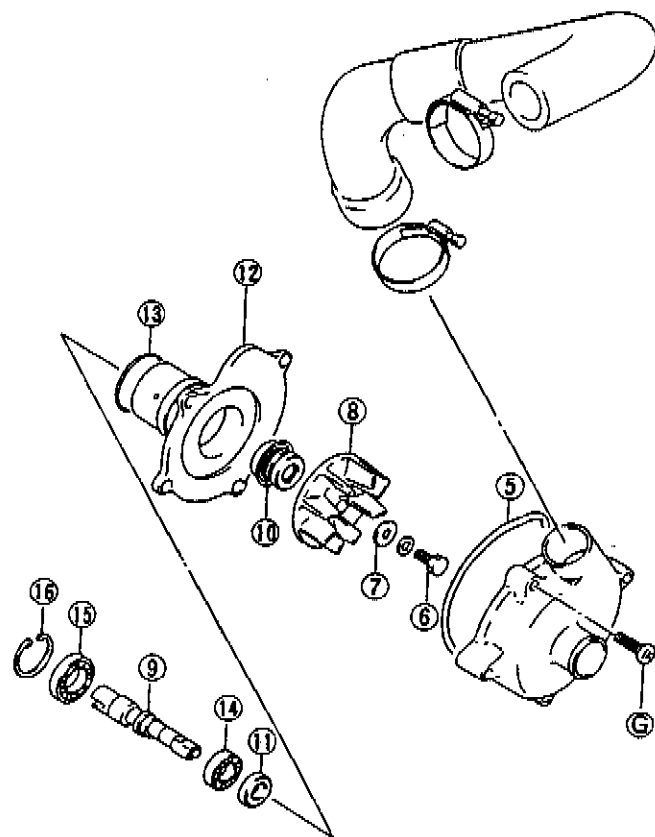
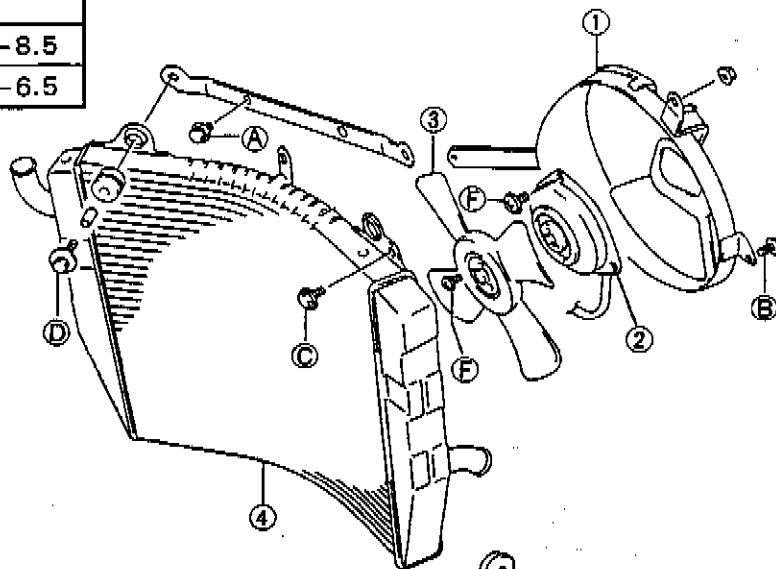
- ① Radiator
- ② Radiator cap
- ③ Engine coolant temperature gauge
- ④ Cooling fan thermo-switch
- ⑤ Thermostat
- ⑥ Engine coolant reservoir

5-3 COOLING SYSTEM

Tightening torque

ITEM	N·m	kg·m	lb·ft
Ⓐ Ⓑ Ⓒ	4-7	0.4-0.7	3.0-5.0
Ⓓ Ⓔ	8-12	0.8-1.2	6.0-8.5
Ⓕ	7-9	0.7-0.9	5.0-6.5

- ① Shroud
- ② Fan motor
- ③ Cooling fan
- ④ Radiator



- ⑤ O-ring
- ⑥ Bolt
- ⑦ Gasket
- ⑧ Impeller
- ⑨ Impeller shaft
- ⑩ Mechanical seal
- ⑪ Oil seal
- ⑫ Stuffing box
- ⑬ O-ring
- ⑭ Bearing
- ⑮ Bearing
- ⑯ Circlip

Tightening Torque

ITEM	N·m	kg·m	lb·ft
Ⓔ	7-11	0.7-1.1	5.0-8.0
⑥	7-9	0.7-0.9	5.0-6.5

COOLING SOLUTION

At the time of manufacture, the cooling system is filled with a 50 : 50 solution of distilled water and anti-freeze/summer coolant. This 50 : 50 mixture will provide excellent heat protection, and will protect the cooling system from freezing at temperatures above -31°C (-24°F).

If the motorcycle is to be exposed to temperatures below -31°C (-24°F), this mixing ratio should be increased up to 55% or 60% according to the Fig. 2.

NOTE:

The characteristics of different anti-freezes vary. Read the label to know the protection you will have.

CAUTION:

**Do not put in more than 60% anti-freeze or less than 50%.
Do not mix different brands of anti-freeze.**

50%	Water	1225 ml (1.3/1.1 US/Imp. qt)
	Engine coolant	1225 ml (1.3/1.1 US/Imp. qt)

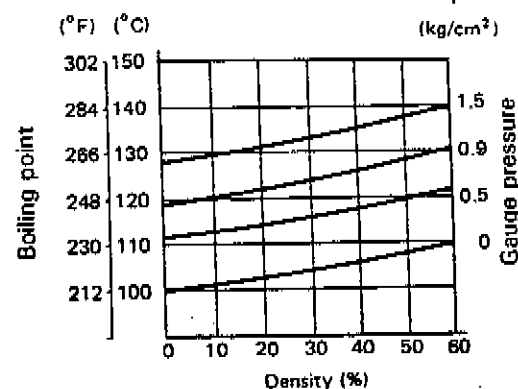


Fig. 1 Engine coolant density-boiling point curve.

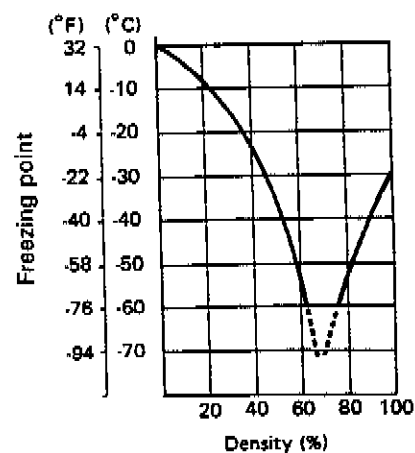


Fig. 2 Engine coolant density-freezing point curve.

5-5 COOLING SYSTEM

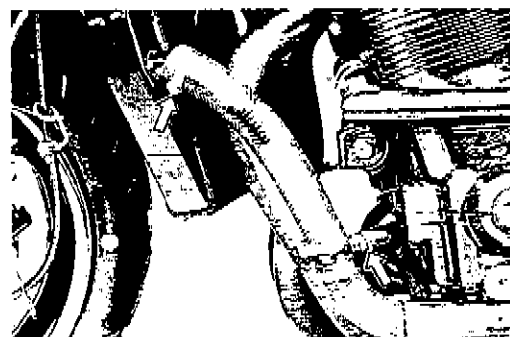
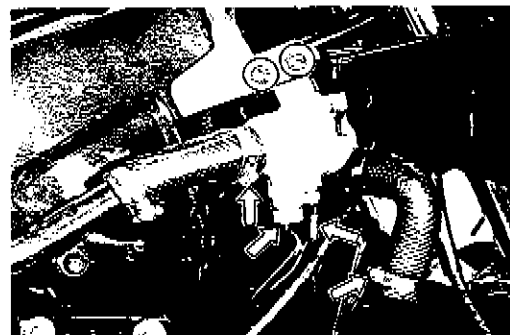
COOLING SYSTEM REMOVAL AND DISASSEMBLY

WATER HOSES AND THERMOSTAT CASE

- Remove the lower cowling. (Refer to page 7-2.)
- Remove the gearshift lever and engine sprocket cover. (Refer to page 3-6.)
- Drain out engine coolant by removing the water hose ①.

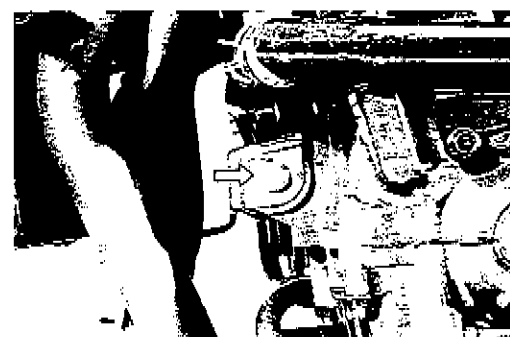


- Remove the thermostat case bracket mounting bolts.
- Loosen the clamp screws and disconnect water hoses.
- Disconnect the engine coolant temperature gauge lead wire, cooling fan switch lead wire coupler and ground wire.
- Remove the thermostat case along with the water hoses.



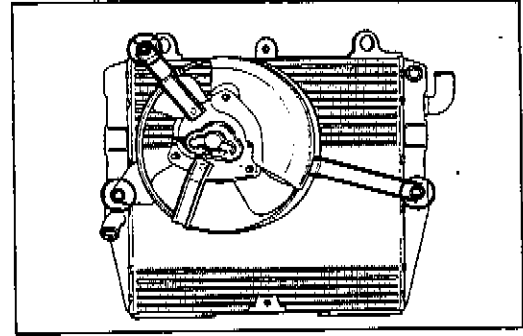
RADIATOR

- Remove the radiator by removing the mounting bolts.

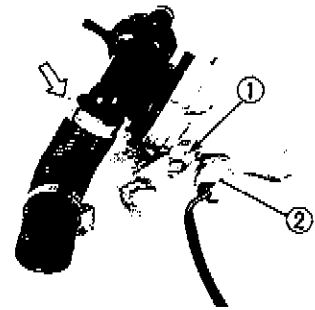


COOLING FAN

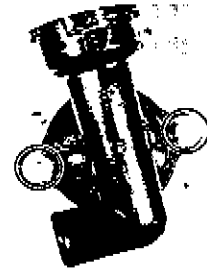
- Remove the cooling fan.

**ENGINE COOLANT TEMPERATURE GAUGE AND COOLING FAN THERMO-SWITCH**

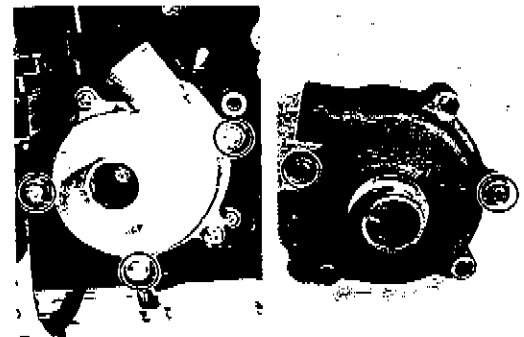
- Loosen the clamp screw and disconnect the water hose.
- Remove the water temperature gauge ① and cooling fan thermo-switch ② .

**THERMOSTAT**

- Separate the thermostat case into halves and remove the thermostat.

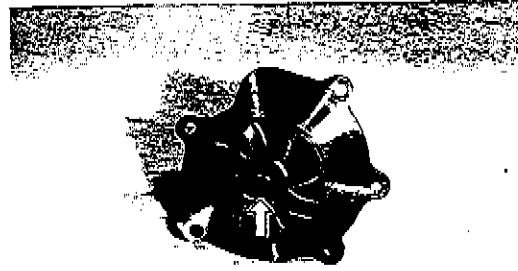
**WATER PUMP**

- Remove the gearshift lever and engine sprocket cover. (Refer to page 3-6.)
- Remove the water pump assembly.
- Remove the water pump cover.



5-7 COOLING SYSTEM

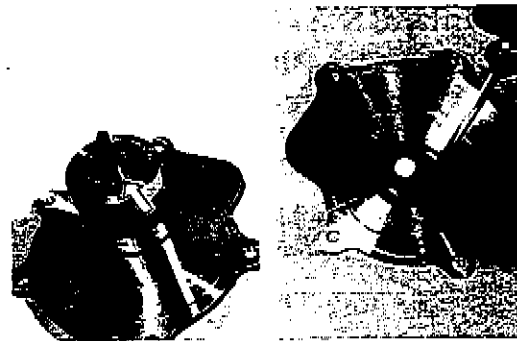
- Remove the impeller securing bolt by holding the impeller shaft with a water pump pliers.



- Remove the mechanical seal ring.



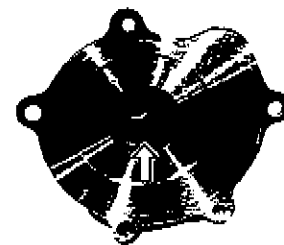
- Remove the circlip from the impeller shaft.
- Remove the impeller shaft.
- Remove the mechanical seal.



- Remove the oil seal.

CAUTION:

The removed mechanical seal or oil seal should be replaced with a new one.



- Drive out the bearings by using a suitable bar.

CAUTION:

The removed bearings should be replaced with new ones.

Refer to page 5-13 for INSPECTION AND REASSEMBLY.



RADIATOR

INSPECTION

Before removing the radiator and draining the engine coolant, inspect the following items.

1. Test the cooling system for tightness by using the radiator tester as follows: Remove the radiator cap, and connect the tester to the filler. Give a pressure of about 1.2 kg/cm^2 (17 psi, 120 kPa) and see if the system holds this pressure for 10 seconds. If the pressure should fall during this 10-second interval, it means that there is a leaking point in the system. In such a case, inspect the entire system and replace the leaking component or part.
2. Test the radiator cap for relieving pressure by using the radiator tester in the following manner: Fit the cap to the tester, as shown, and build up pressure slowly by operating the tester. Make sure that the pressure build-up stops at $1.1 \pm 0.15 \text{ kg/cm}^2$ (15.6 \pm 2.1 psi, $110 \pm 15 \text{ kPa}$) and that, with the tester held standstill, the cap is capable of that pressure for at least 10 seconds. Replace the cap if it is found not to satisfy either of these two requirements.

Radiator cap valve

release pressure: $1.1 \pm 0.15 \text{ kg/cm}^2$
(15.6 \pm 2.1 psi, $110 \pm 15 \text{ kPa}$)

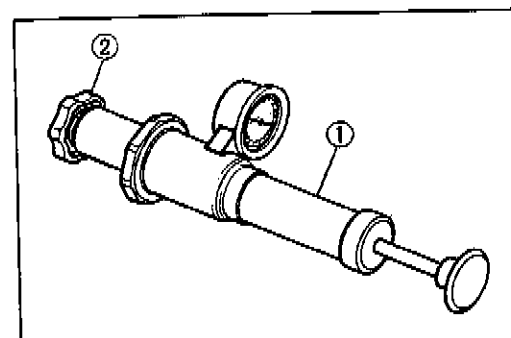
3. Road dirt or trash stuck to the fins must be removed. Use of compressed air is recommended for this cleaning. Fins bent down or dented can be repaired by straightening them with the blade of a small screwdriver.
4. Any water hose found in a cracked condition or flattened must be replaced. Any leakage from the connecting section should be corrected by proper tightening.

REMOVAL

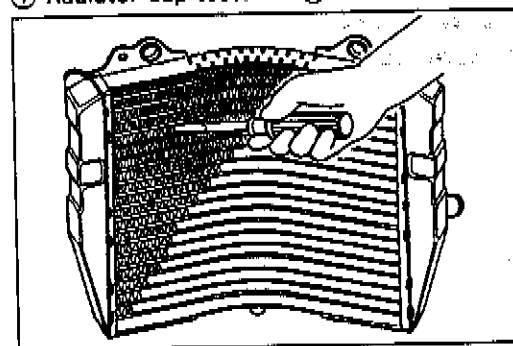
- Refer to page 5-5.

INSTALLATION

The radiator is to be installed in the reverse order of the removal procedure. After installing the radiator, be sure to add engine coolant: refer to page 2-13 for refilling information.



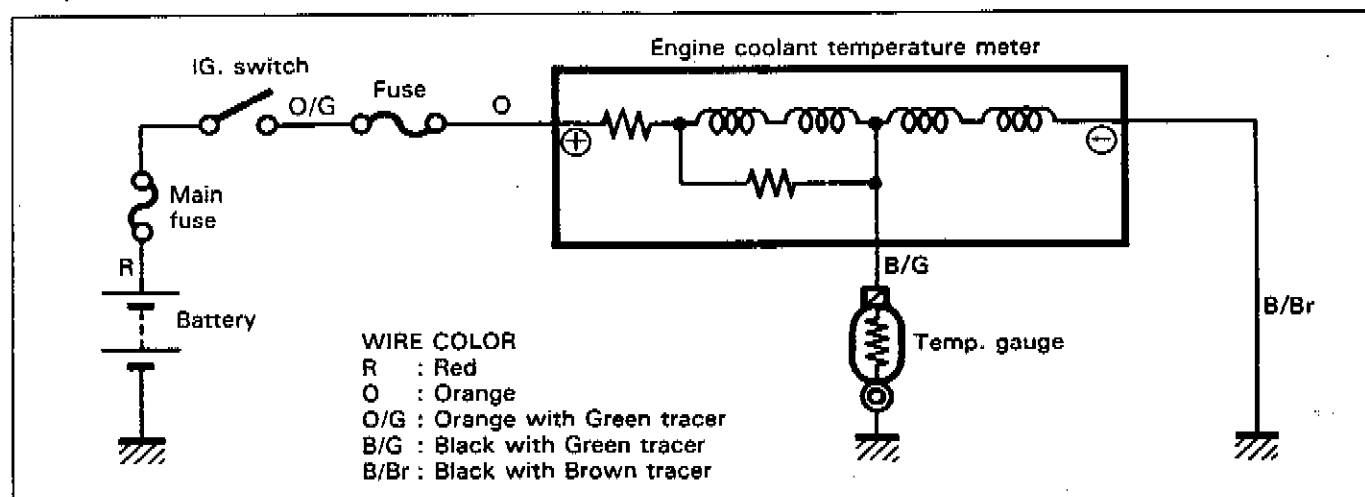
① Radiator cap tester ② Radiator cap



5-9 COOLING SYSTEM

ENGINE COOLANT TEMPERATURE GAUGE

The following circuit diagram shows the electrical wiring for the thermometer. The major components are temperature gauge in contact with engine coolant; and temperature indicator (engine coolant temperature meter).

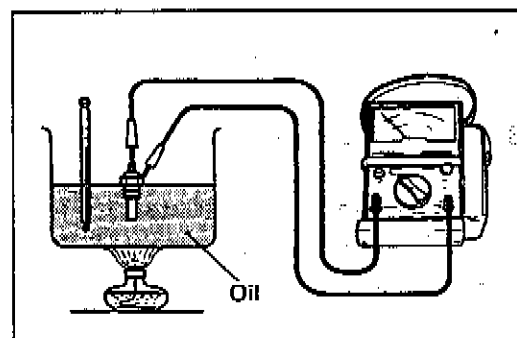


REMOVAL

- Refer to page 5-6.

INSPECTION

Test the temperature gauge at the bench to see if its ohmic value changes, as specified, with temperature. The test is to be run as follows: Connect the temperature gauge to the ohmmeter and place it in the oil contained in a pan, which is placed on a stove; heat the oil to raise its temperature slowly, reading the thermometer placed in the pan and also the ohmmeter. A temperature gauge whose ohmic value does not change in the proportion indicated in the table must be replaced.



09900-25002: Pocket tester

Temperature gauge specification

Engine coolant temperature	Standard resistance
50°C (122°F)	Approx. 153.9 Ω
80°C (176°F)	Approx. 51.9 Ω
100°C (212°F)	Approx. 27.4 Ω
120°C (248°F)	Approx. 16.1 Ω

If the resistance noted to show infinity or too much different resistance value, temperature gauge must be replaced. For inspecting the engine coolant temperature meter, refer to page 6-24.

REASSEMBLY

Apply SUZUKI BOND NO.1207B to the thread portion of the temperature gauge and tighten it to the specified torque.

99104-31140; SUZUKI BOND NO.1207B

Tightening torque

Engine coolant temperature gauge: 6.0—9.0 N·m
(0.6—0.9 kg-m, 4.5—6.5 lb-ft)

CAUTION:

Take special care when handling the temperature gauge. It may cause damage if it gets a sharp impact.

- Fill the specified engine coolant. (Refer to page 2-13.)

COOLING FAN

REMOVAL

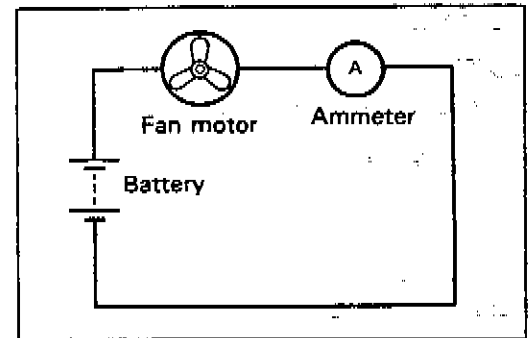
- Refer to page 5-6.

INSPECTION

Test the cooling fan drive motor for load current with an ammeter connected as shown in the illustration.

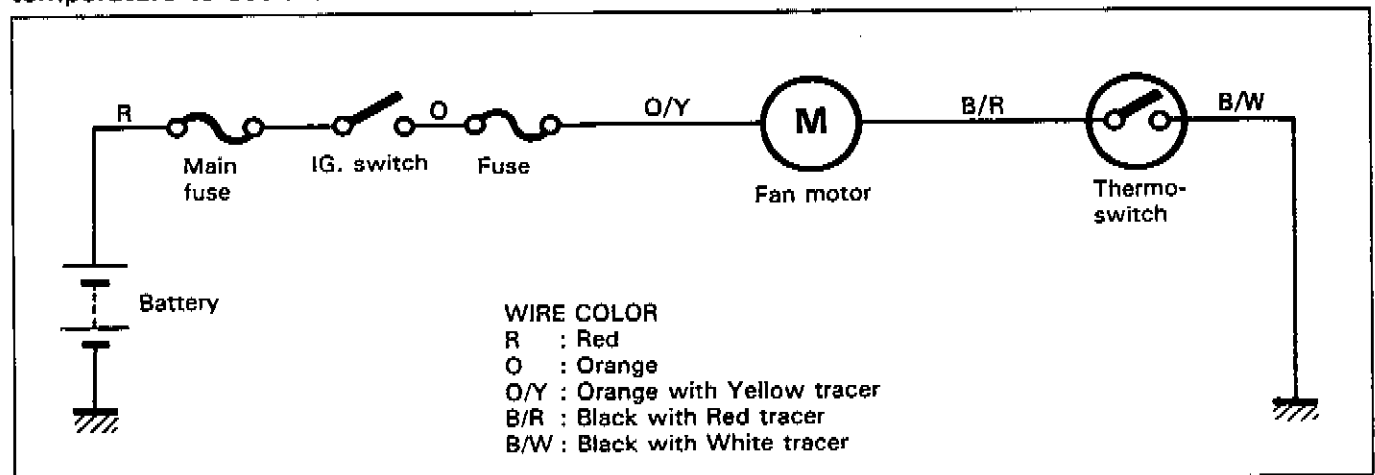
The voltmeter is for making sure that the battery applies 12 volts to the motor. With the motor with electric motor fan running at full speed, the ammeter should be indicating not more than 5 amperes.

If the fan motor does not turn, replace the motor assembly with a new one.



COOLING FAN THERMO-SWITCH

The cooling fan, being located behind the radiator, is secured to the radiator by three bolts. The fan drive motor is automatically controlled by the thermo-switch. This switch remains open when the temperature of engine coolant is low, but it closes at about 105°C (221°F) of rising engine coolant temperature to set the fan in motion.



5-11 COOLING SYSTEM

REMOVAL

- Refer to page 5-6.

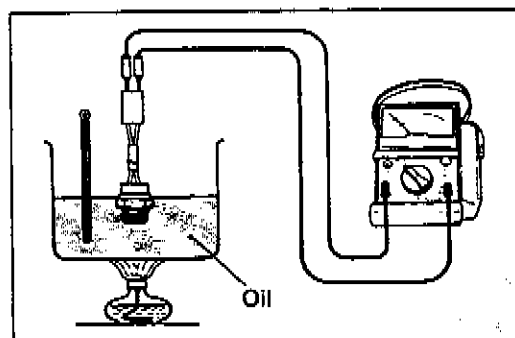
INSPECTION

- The thermo-switch must be checked for its temperature-initiated closing action at the specification value of 105°C (221°F) by testing it at the bench as shown in the figure. Connect the thermo-switch to a circuit tester and place it in the oil contained in a pan, which is placed on a stove; heat the oil to raise its temperature slowly, and read the column thermometer when the switch closes.

09900-25002: Pocket tester

Thermo-switch specification

OFF → ON	Approx. 105°C (221°F)
ON → OFF	Approx. 100°C (212°F)



REASSEMBLY

NOTE:

Do not forget the new O-ring.

Tightening torque

Thermo-switch: 9.0–14 N·m
(0.9–1.4 kg·m, 6.5–10.0 lb-ft)

CAUTION:

Take special care when handling the thermo-switch. It may cause damage if it gets a sharp impact.
Replace the O-ring with a new one.

THERMOSTAT

REMOVAL

- Refer to page 5-6.

INSPECTION

Inspect the thermostat pellet for signs of cracking.

Test the thermostat at the bench for control action, in the following manner.

- Pass a string between flange, as shown in the illustration.
- Immerse the thermostat in the water contained in a beaker, as shown in the illustration. Note that the immersed thermostat is in suspension. Heat the water by placing the beaker on a stove and observe the rising temperature on a thermometer.
- Read the thermometer just when opening the thermostat. This reading, which is the temperature level at which the thermostat valve begins to open, should be anywhere between 74.5°C (166.1°F) and 78.5°C (173.3°F).

**Thermostat valve opening temperature: 74.5–78.5°C
(166.1–173.3°F)**

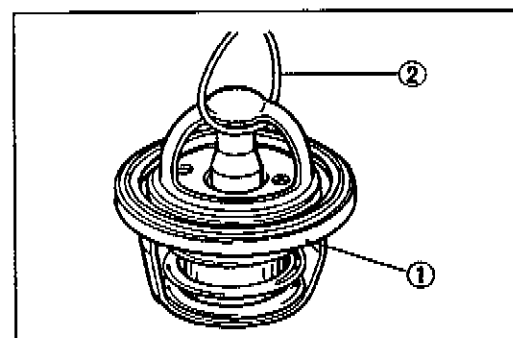
- Keep on heating the water to raise its temperature to and beyond 90°C (194°F).
- Just when the water reaches 90°C (194°F), the thermostat valve should have lifted by at least 7.0 mm (0.28 in).

**Thermostat valve lift: Over 7.0 mm at 90°C
(Over 0.28 in at 194°F)**

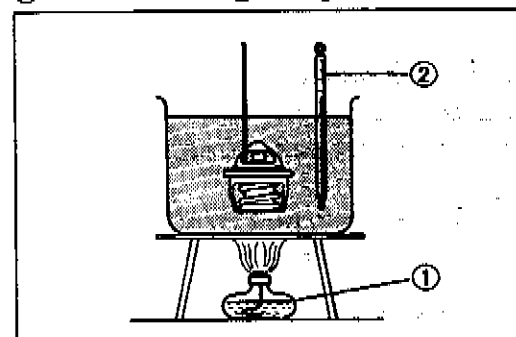
- A thermostat failing to satisfy either of the two requirements (start-to-open temperature and valve lift) must be replaced.

REASSEMBLY

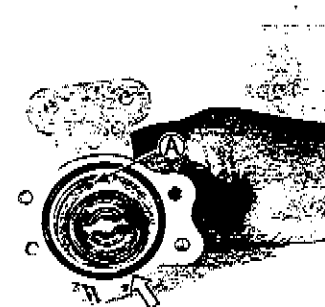
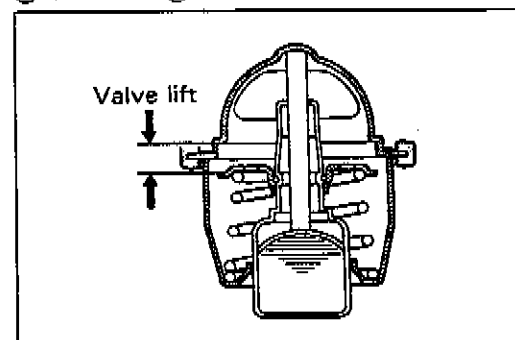
- The air bleeder hole (A) of the thermostat faces upside.
- Replace the O-ring with a new one.



① Thermostat ② String



① Stove ② Thermometer



5-13 COOLING SYSTEM

WATER PUMP

REMOVAL AND DISASSEMBLY

- Refer to page 5-6 for the water pump removal and disassembly procedures.

INSPECTION

WATER PUMP BEARING

Turn the inner race and check the bearing play. If abnormal noise occurs or any sign of stickiness is noted, replace the bearing with a new one.

MECHANICAL SEAL

Visually inspect the mechanical seal for damage, with particular attention given to the sealing face. Replace the mechanical seal that shows indications of leakage. Also replace the oil seal if necessary.

REASSEMBLY

Reassemble and remount the water pump in the reverse order of removal and disassembly. Pay attention to the following points:

- Press the new bearings into the stuffing box with the special tool and a suitable size sleeve etc.

09924-84521: Bearing Installer

- Apply grease to the oil seal lip before installing.

99000-25030: SUZUKI SUPER GREASE "A"

- Press the new oil seal into the stuffing box with the special tool and a suitable size sleeve etc.

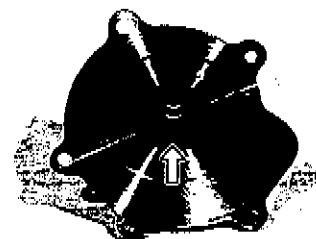
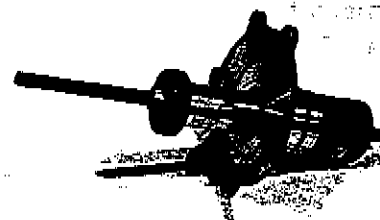
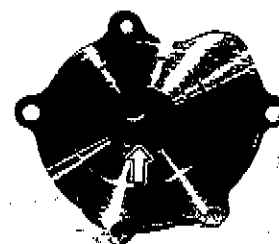
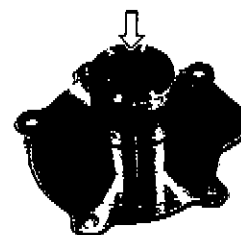
09924-84521: Bearing installer

- Press the new mechanical seal into the stuffing box with the special tool and a suitable size sleeve etc.

NOTE:

When installing the mechanical seal, apply SUZUKI BOND NO.1207B to its outer surface.

99104-31140: SUZUKI BOND NO.1207B

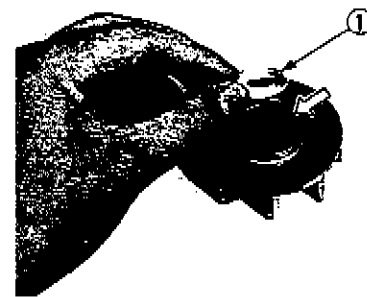
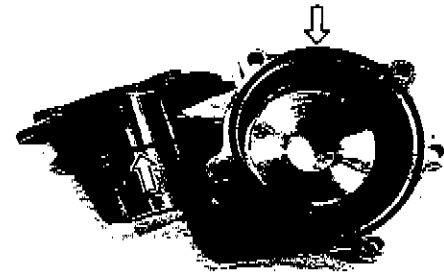


COOLING SYSTEM 5-14

- Replace the O-rings and water seal with new ones when reassembling the water pump.

NOTE:

The mechanical seal ring must be assembled with marked face ① of the ring toward the impeller.



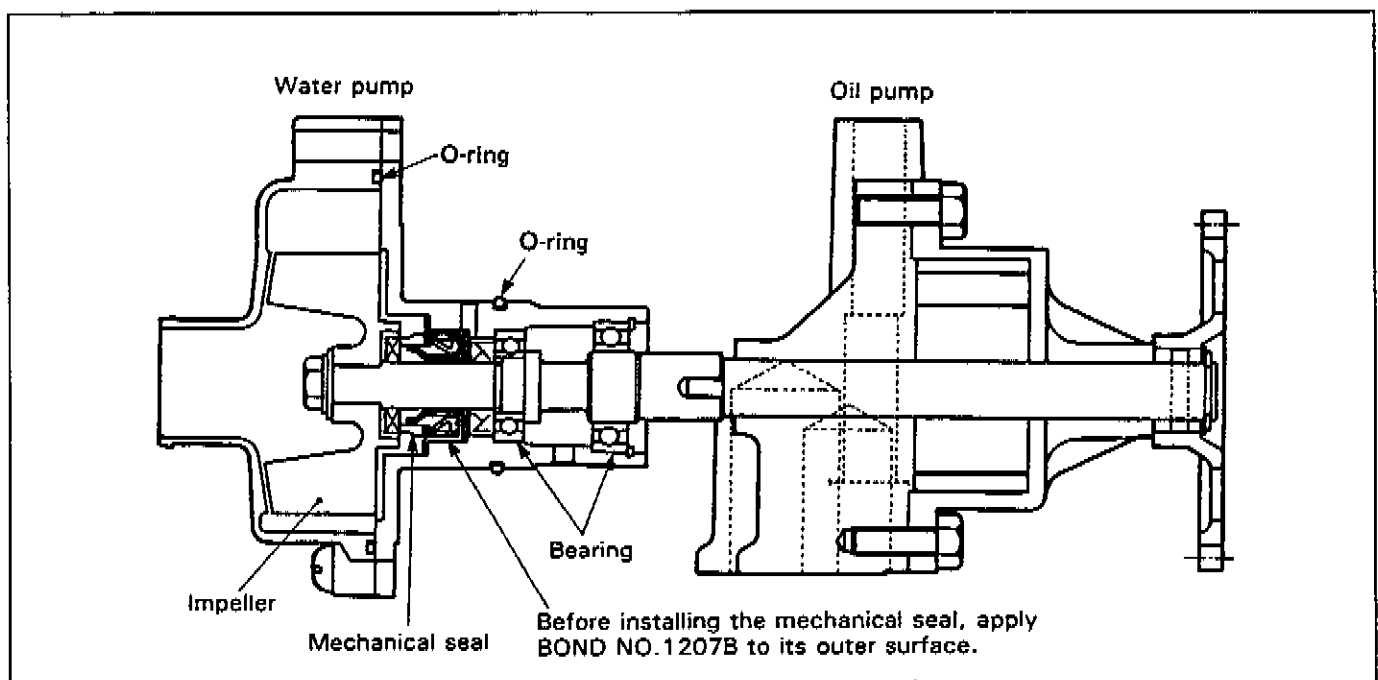
- Tightening the impeller securing bolt to the specified torque.

Tightening torque: 7–9 N·m

(0.7–0.9 kg·m, 5.0–6.5 lb-ft)

NOTE:

The seal lip side ② faces impeller.



Refer to page 8-18 for the radiator hose routing.

ELECTRICAL SYSTEM

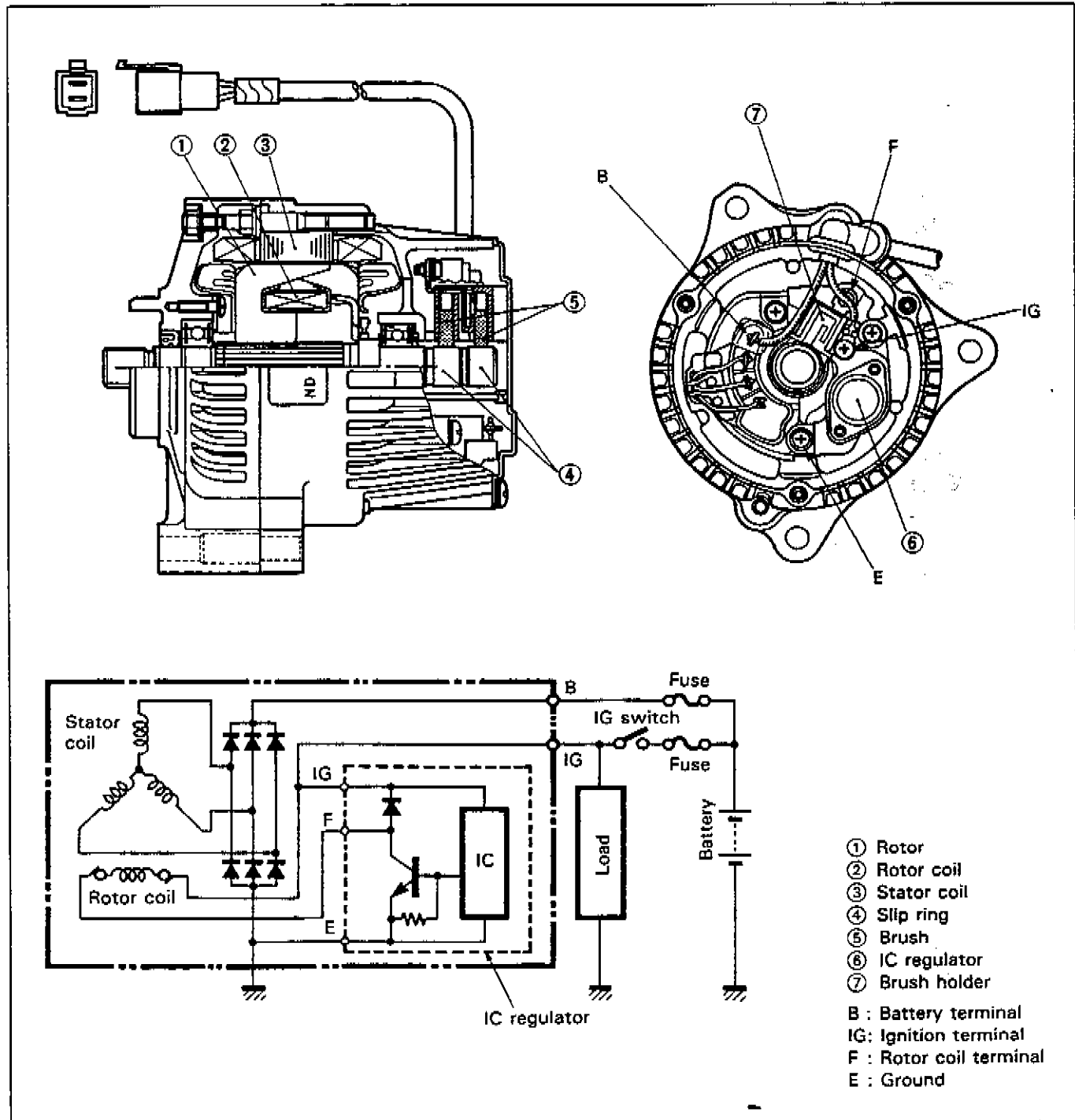
CONTENTS

CHARGING SYSTEM	6- 1
DESCRIPTION (GENERATOR WITH IC REGULATOR)	6- 1
CHARGING OUTPUT CHECK	6- 2
REMOVAL AND DISASSEMBLY	6- 2
INSPECTION	6- 4
REASSEMBLY AND REMOUNTING	6- 7
REASSEMBLY INFORMATION	6- 9
IGNITION SYSTEM	6-10
DESCRIPTION	6-10
INSPECTION	6-11
STARTER SYSTEM	6-15
DESCRIPTION	6-15
REMOVAL AND DISASSEMBLY	6-15
INSPECTION	6-16
REASSEMBLY	6-17
STARTER RELAY INSPECTION	6-18
SIDE-STAND/IGNITION INTERLOCK SYSTEM	6-19
DESCRIPTION	6-19
INSPECTION	6-20
COMBINATION METER	6-22
REMOVAL AND DISASSEMBLY	6-22
INSPECTION	6-22
ENGINE COOLANT TEMPERATURE METER	6-24
INSPECTION	6-24
FUEL LEVEL INDICATOR	6-25
INSPECTION	6-25
LAMPS	6-27
HEADLIGHT	6-27
TAIL/BRAKE LIGHT	6-27
TURN SIGNAL LIGHT	6-28
SWITCHES	6-28
RELAY	6-29
STARTER RELAY	6-29
SIDE-STAND RELAY	6-29
TURN SIGNAL RELAY	6-29
BATTERY	6-30
SPECIFICATIONS	6-30
INITIAL CHARGING	6-30
SERVICING	6-31
RECHARGING OPERATION	6-32

B-1 ELECTRICAL SYSTEM**CHARGING SYSTEM****DESCRIPTION (GENERATOR WITH IC REGULATOR)**

The generator features a solid state regulator that is mounted inside the generator. All regulator components are enclosed into a solid mold, and this unit is attached to the brush holder frame. The regulator voltage setting cannot be adjusted.

Two brushes carry current through the two slip rings to the rotor coil mounted on the rotor. The stator windings are assembled on the inside of a laminated core that forms part of the generator housing. A rectifier bridge connected to the stator windings contains six diodes, and electrically changes the stator A.C. voltages to a D.C. voltage which appears at the generator output terminal.



CHARGING OUTPUT CHECK

- Remove the front seat.
- Start the engine and keep it running at 5 000 r/min.
- Measure the DC voltage between the battery terminals \oplus and \ominus with a pocket tester. If the tester reads under 13.5V, check the stator coil, rectifier and IC regulator mounted in the generator.

CAUTION:

If the pocket tester is set to read current or resistance and a voltage is applied across the test probes, damage will result. Therefore, it is important that the tester knob on the pocket tester be set the proper position before making any measurements.

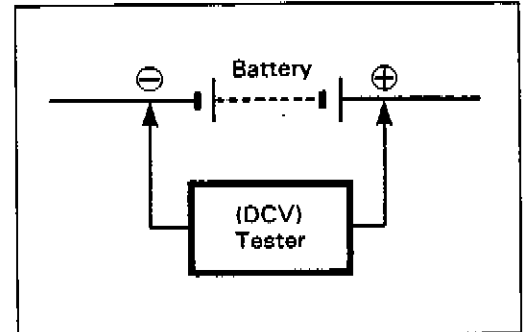
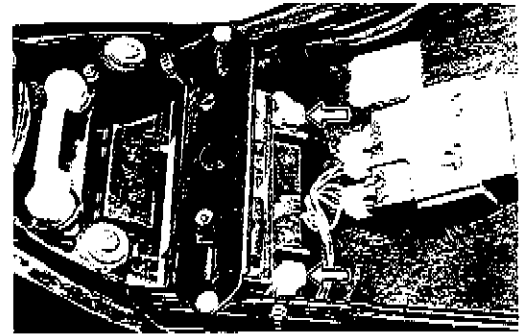
NOTE:

When making this test, be sure that the battery is fully-charged condition.

09900-25002: Pocket tester

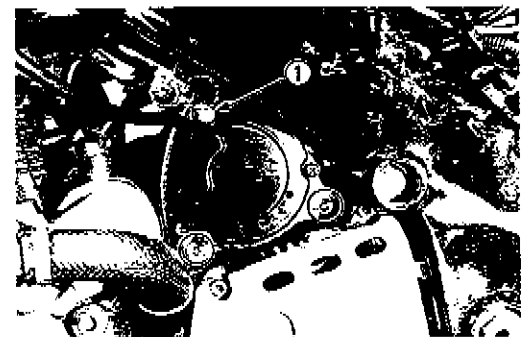
Tester knob indication: DC25V

STD charging output	Above DC13.5V at 5 000 r/min
---------------------	---------------------------------



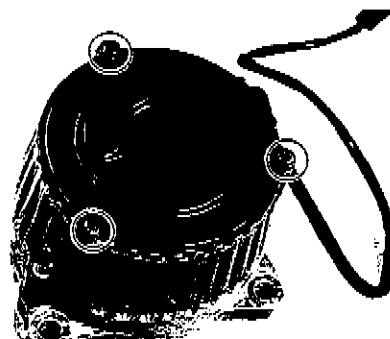
REMOVAL AND DISASSEMBLY

- Remove the seats and frame cover assembly.
- Remove the lower cowling. (Refer to page 7-2.)
- Disconnect the generator lead wires coupler.
- Remove the throttle stop screw bracket bolt ①.
- Remove the generator by removing the bolts.

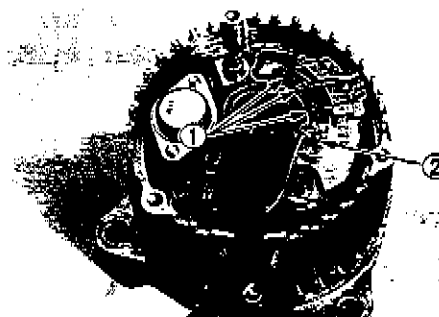


6-3 ELECTRICAL SYSTEM

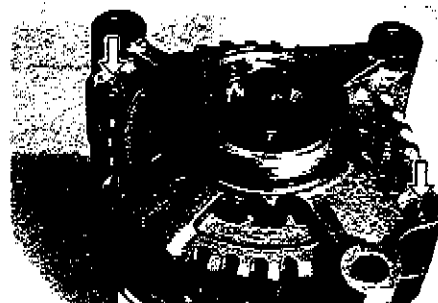
- Remove the generator end cover.



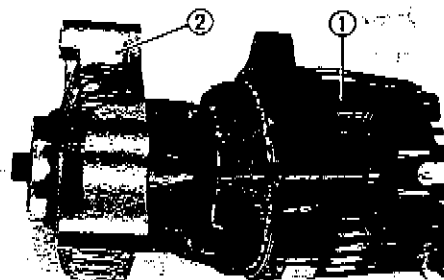
- Disconnect the stator coil lead wires ① and battery lead wire ② by using a soldering iron.
- Remove the brush holder, IC regulator and rectifier to remove three screws.



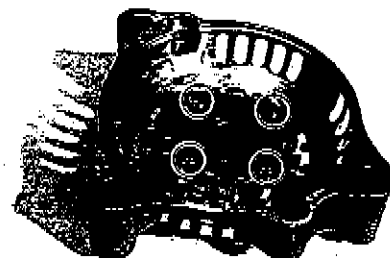
- Remove the two nuts.



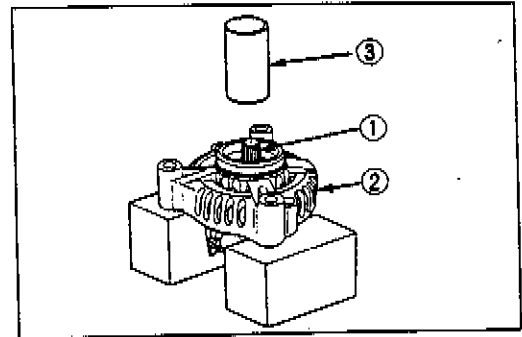
- Remove the generator housing ① from generator end housing ②.



- Remove the four bearing retainer screws.



- Remove the rotor ① from generator end housing ② by using a hand-press ③ as shown.



INSPECTION

ROTOR BEARING

Inspect the rotor bearings for abnormal noise and smooth rotation to rotate them by hand. If there is anything unusual, remove the bearing with a bearing puller.

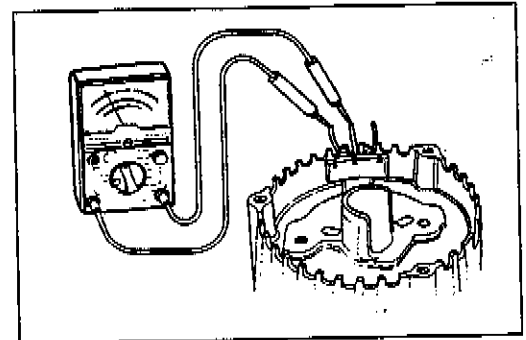
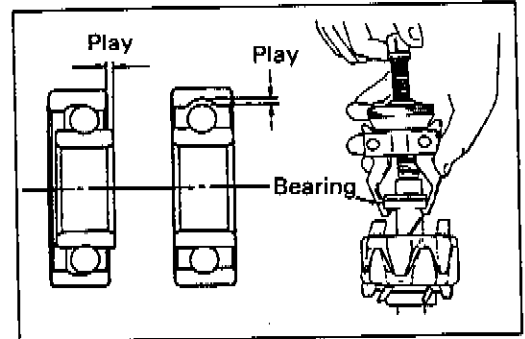
09913-60910: Bearing puller (40–60 mm)

CAUTION:

The removed bearing should be replaced with a new one.

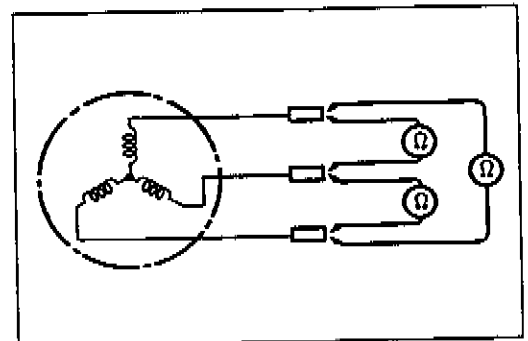
STATOR COIL CONTINUITY CHECK

Check the continuity between the lead wires of the stator with a pocket tester. If there is no continuity, replace the stator. Also check that the stator core is insulated.



09900-25002: Pocket tester

Tester knob indication: X 1Ω range

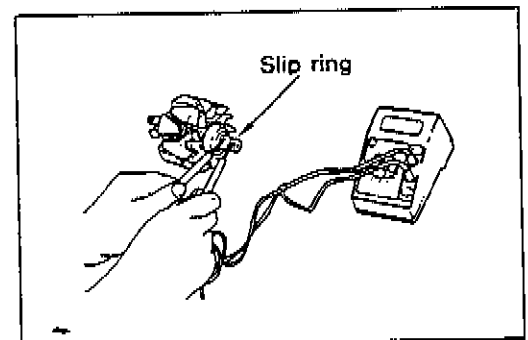


ROTOR COIL CONTINUITY CHECK

Check the continuity between the two slip rings of the rotor with a pocket tester. If there is no continuity, replace the rotor. Also check that the rotor is insulated.

09900-25002: Pocket tester

Tester knob indication: x 1Ω range



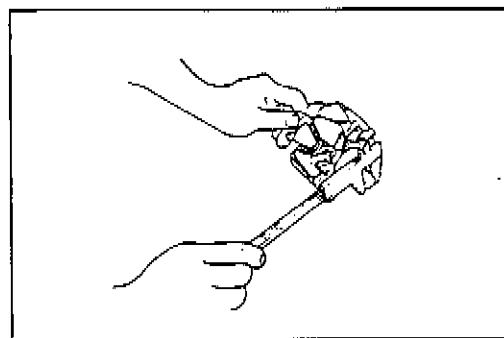
6-5 ELECTRICAL SYSTEM

SLIP RING

If the slip ring surface is dirty, polish it with #400 fine emery paper to protect the charging performance. After polishing, wipe the slip ring with a clean dry cloth.

09900-20102: Vernier calipers (200 mm)

Slip ring O.D.	Service Limit
	14.0 mm (0.55 in)

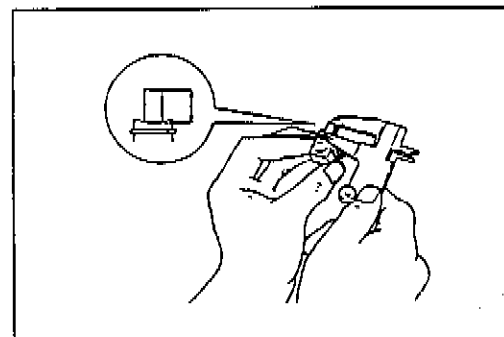


CARBON BRUSH

Measure the length of the brushes as shown. If it exceeds the service limit, replace them with new ones.

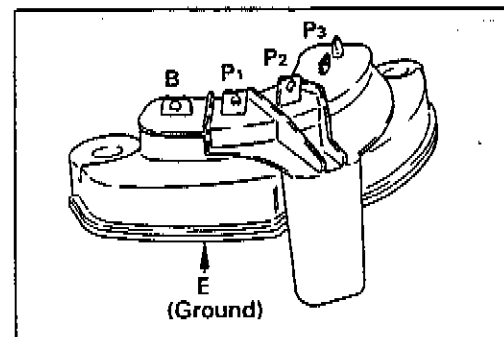
09900-20102: Vernier calipers (200 mm)

Brush length	Service Limit
	4.5 mm (0.18 in)



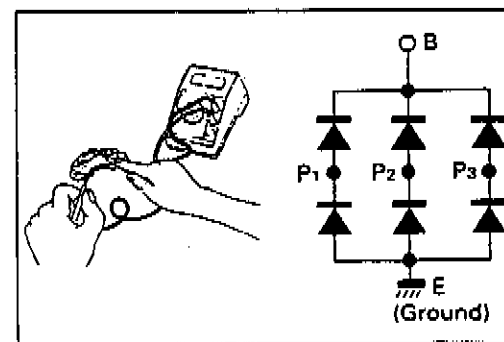
RECTIFIER

Check the continuity between terminals and ground. Put one tester lead to terminal "B" and the other lead to ground or other terminals; then swap the two leads. Of the two tester indications, one should be continuity, and the other should be infinity (non continuity). If not, replace the rectifier assembly.



09900-25002: Pocket tester

Tester knob indication: X 1Ω range



IC REGULATOR

Use a variable DC power source, switch, bulb and pocket tester, check the IC regulator, which requires two steps described below:

First check:

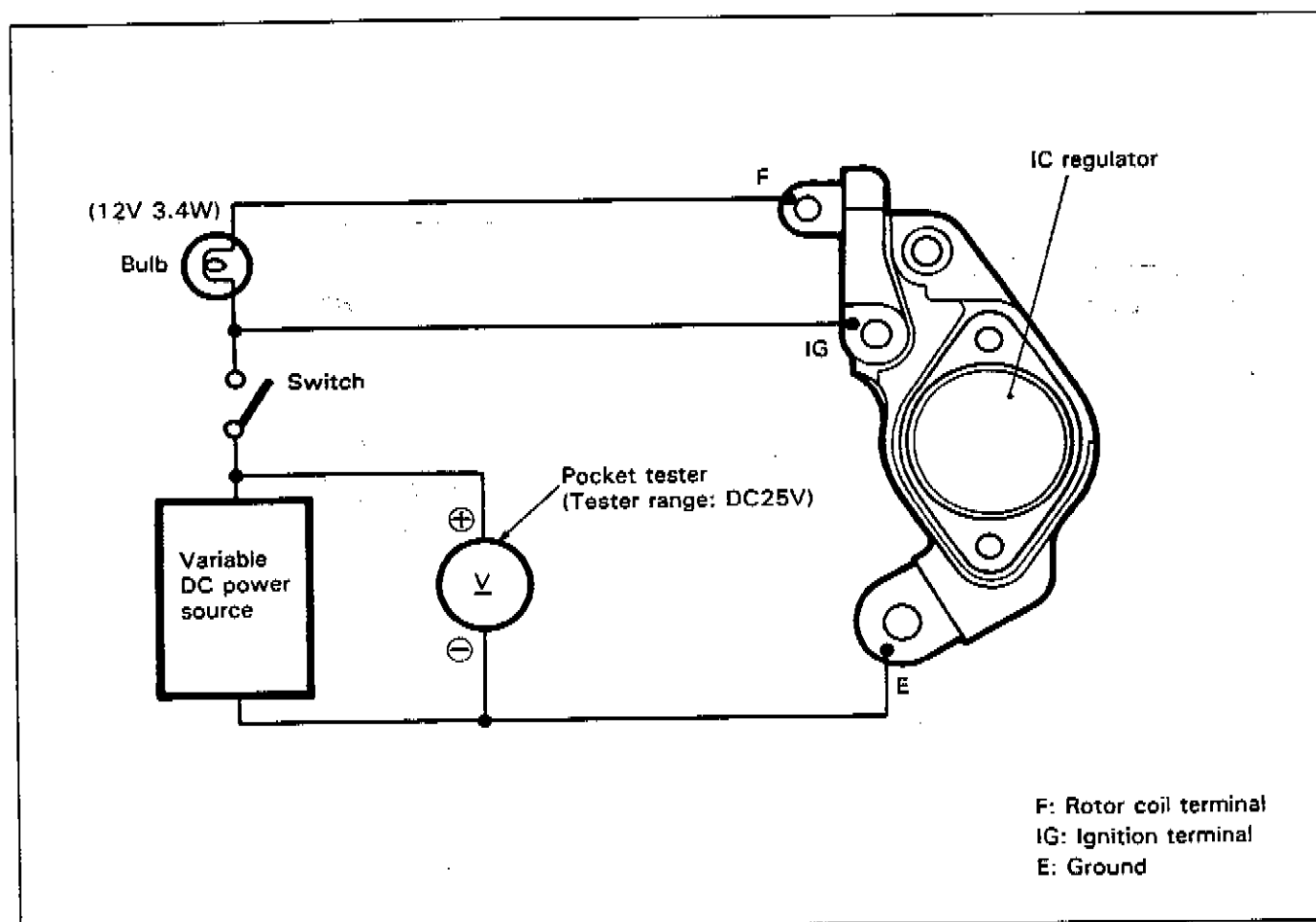
Set the variable DC power source to 12V and turn the switch to the ON position. If the bulb does not light, replace the IC regulator. If the bulb is lighting ON, this IC regulator has passed the first check.

Second check:

Under the above condition, set the variable DC power source to 14.5V, if the bulb goes out, the IC regulator is in good condition. If the bulb remains lit, replace the IC regulator.

09900-25002: Pocket tester

Tester knob indication: DC25V



6-7 ELECTRICAL SYSTEM

REASSEMBLY AND REMOUNTING

Reassemble and remount the generator in the reverse order of disassembly and removal. Pay attention to the following points:

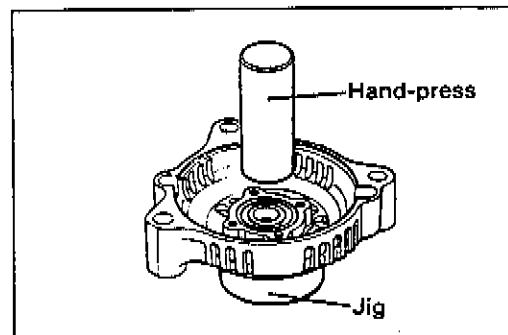
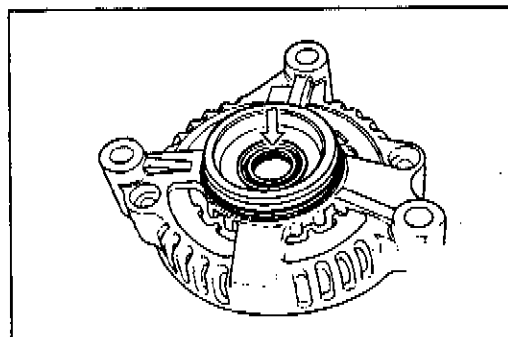
- Apply grease to the lip of the oil seal.

99000-25030: SUZUKI SUPER GREASE "A"

CAUTION:

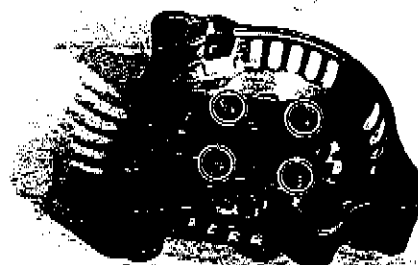
The removed oil seal should be replaced with a new one.

- Install the bearing by using a hand-press as shown.

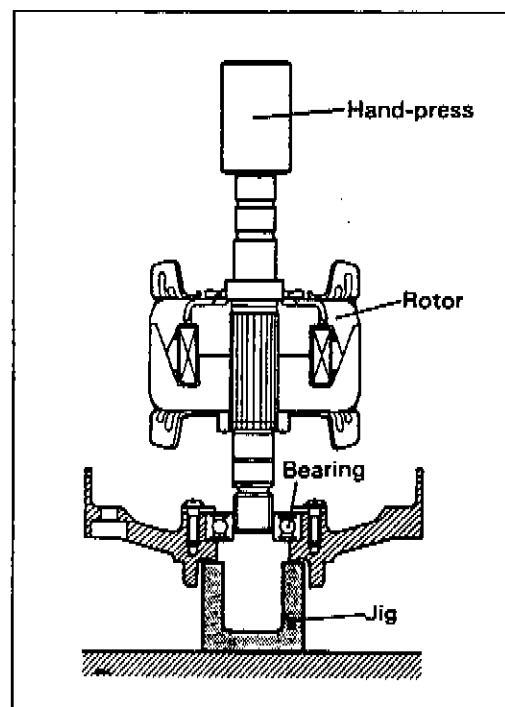
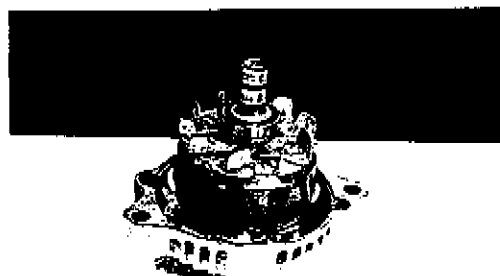


- Apply a small quantity of THREAD LOCK "1342" to the bearing retainer screws.

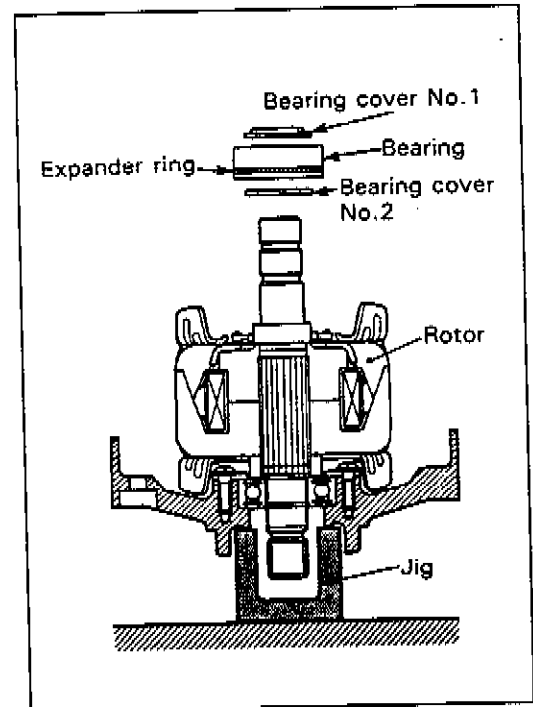
99000-32050: THREAD LOCK "1342"



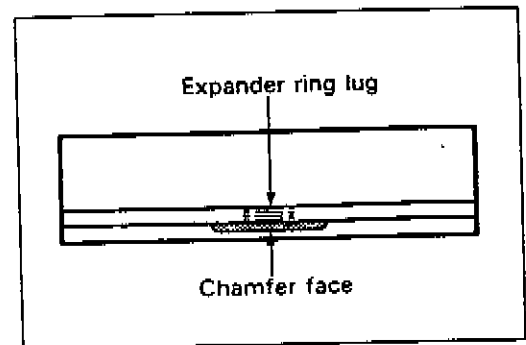
- Install the rotor and bearing by using a hand-press as shown.



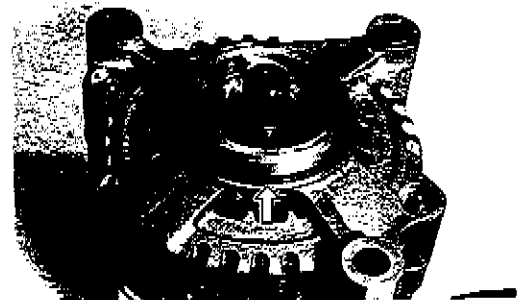
ELECTRICAL SYSTEM 6-8

**NOTE:**

Before reinstalling the slip ring side bearing to generator end housing, turn the expander ring and align the expander ring lug with the center of chamfer face of bearing outer race.



- Fit a new O-ring to the generator end housing.

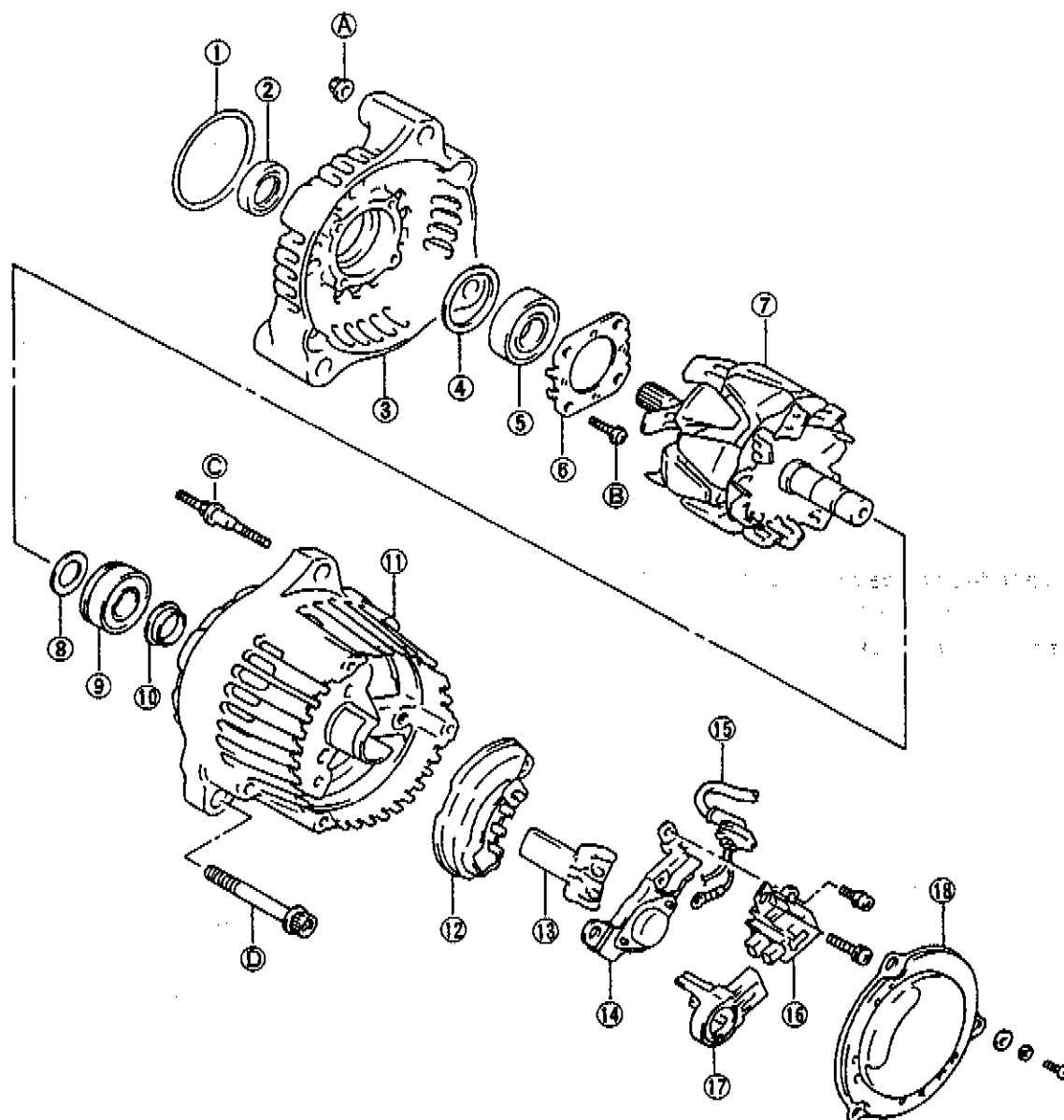


- Align the lug ① of the generator end cover with the groove ② of the lead wire grommet.



6-9 ELECTRICAL SYSTEM

REASSEMBLY INFORMATION



- | | |
|-------------------------|-----------------------|
| ① O-ring | ⑪ Generator housing |
| ② Oil seal | ⑫ Rectifier |
| ③ Generator end housing | ⑬ Rectifier cover |
| ④ Bearing seat | ⑭ IC regulator |
| ⑤ Bearing | ⑮ Generator lead wire |
| ⑥ Bearing retainer | ⑯ Brush holder |
| ⑦ Rotor | ⑰ Brush cover |
| ⑧ Bearing cover No. 2 | ⑱ Generator end cover |
| ⑨ Bearing | |
| ⑩ Bearing cover No. 1 | |

Tightening torque			
ITEM	N-m	kg-m	lb-ft
Ⓐ	3.7-5.5	0.37-0.55	2.6-4.0
Ⓑ	2.2-3.3	0.22-0.33	1.5-2.5
Ⓒ	3.7-5.5	0.37-0.55	2.6-4.0
Ⓓ	21-29	2.1-2.9	15.0-21.0

IGNITION SYSTEM (DIGITAL IGNITOR)

DESCRIPTION

The fully transistorized ignition system consists of a signal generator, ignitor unit (including 8-BIT MICROCOMPUTER and CERAMIC 4MHZ VIBRATOR), ignition coils and spark plugs. The characteristic of the ignition timing is programmed and stored in the "ROM" (READ ONLY MEMORY) of the ignitor unit.

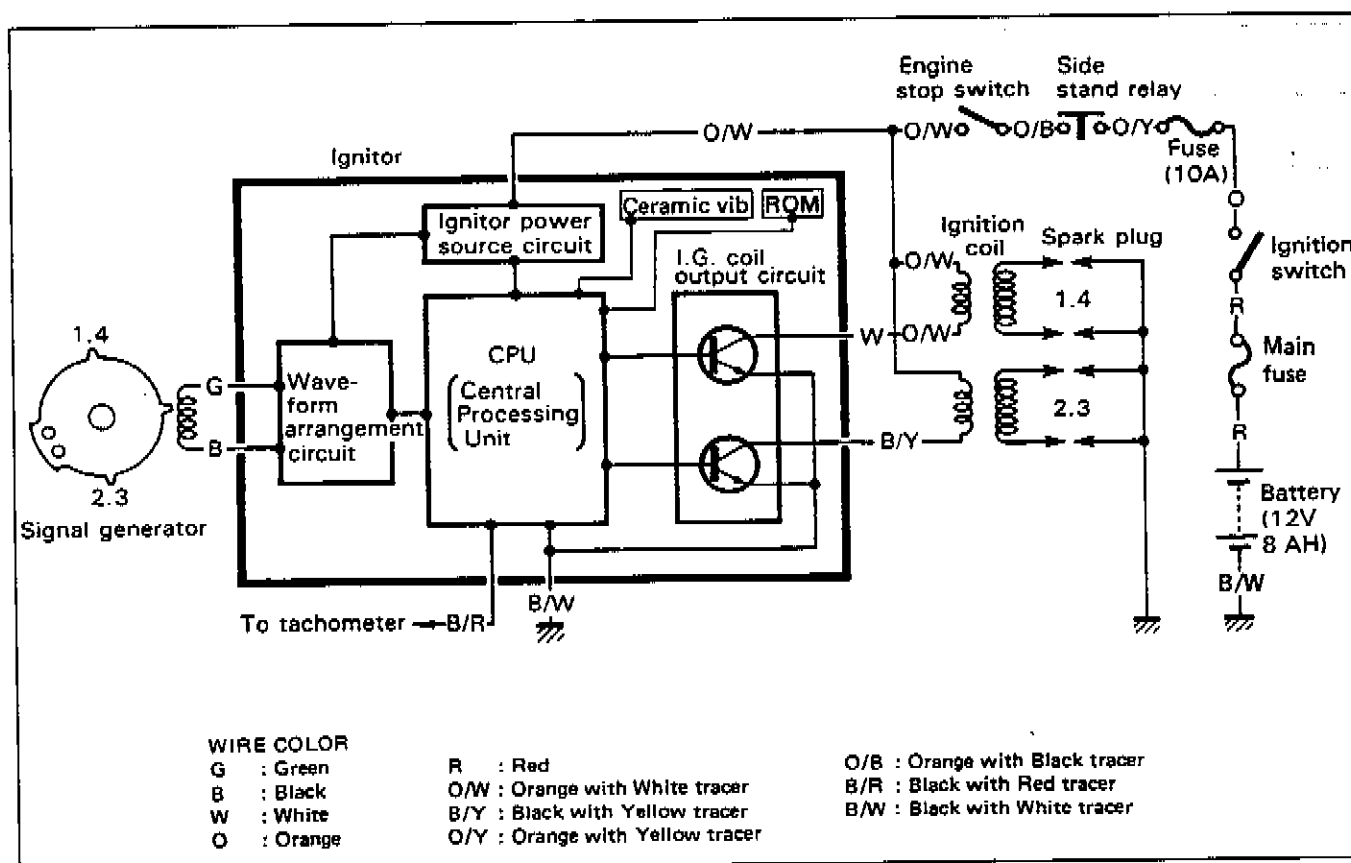
The signal generator comprises the rotor tip and pickup coil.

The signal generator is mounted at the right end of the crankshaft. The induced signal in the signal generator is sent to wave-form arrangement circuit, and CPU receives this signal and calculates the best ignition timing from the signal of ceramic vibrator and data stored in the ROM. The CPU outputs signal to the transistor of the I.G. coil output circuit which is connected to the primary windings of the ignition coil which is turned OFF and ON accordingly, thus it induces the secondary current on the ignition coil secondary windings and produce the spark between spark plug gaps.

Ignition cut-off circuit is incorporated in the ignitor unit to prevent over-running engine. If engine r/min. reaches 12 800 r/min., this circuit cuts off the ignition primary current for all spark plugs.

CAUTION:

Engine can run over 12 800 r/min. without load, even if the ignition cut-off circuit is effective, and it may cause engine damage. Do not run the engine without load over 12 800 r/min. at anytime.



6-11 ELECTRICAL SYSTEM

INSPECTION

IGNITION COIL (Checking with Electro Tester)

- Remove the seats, frame cover assembly and fuel tank. (Refer to pages 7-5 and 4-5.)
- Remove the ignition coils.

NOTE:

Make sure that the three-needle sparking distance of electro tester is set at 8 mm (0.3 in).

- With the tester and jumper wire, test the ignition coil for sparking performance in accordance with the following two steps.

STEP ① : Connect the jumper wire to the spark plug cap and ignition coil ground.

STEP ② : Switch over the jumper wire to the other plug cap and ground.

If no sparking or orange color sparking occurs in the above conditions, it may be caused by defective coil.

09900-28106: Electro tester

Spark performance	Over 8 mm (0.3 in)
-------------------	--------------------

IGNITION COIL (Checking with Pocket Tester)

- A SUZUKI pocket tester or an ohm meter may be used, instead of the electro tester. In either case, the ignition coil is to be checked for continuity in both primary and secondary windings. Exact ohmic readings are not necessary, but, if the windings are in sound condition, their continuity will be noted with these approximate ohmic values.

09900-25002: Pocket tester

Ignition coil resistance	
Primary	\oplus tap — \ominus tap 2.4—3.2 Ω Tester range: (X 1 Ω)
Secondary	Plug cap — Plug cap 30—40 k Ω Tester range: (X 1 k Ω)

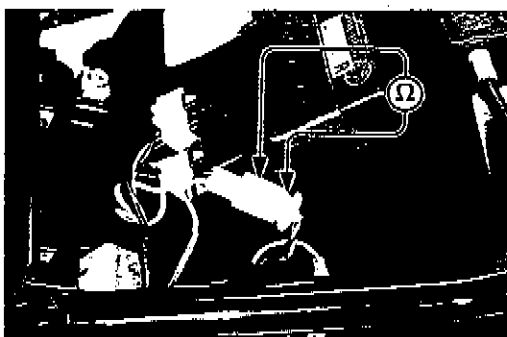
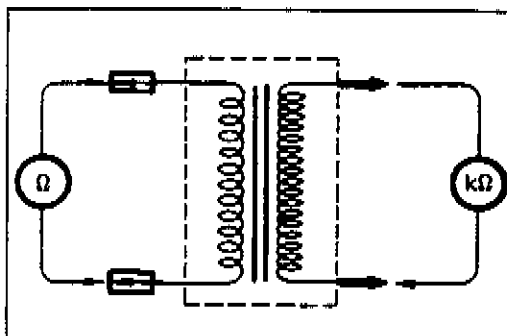
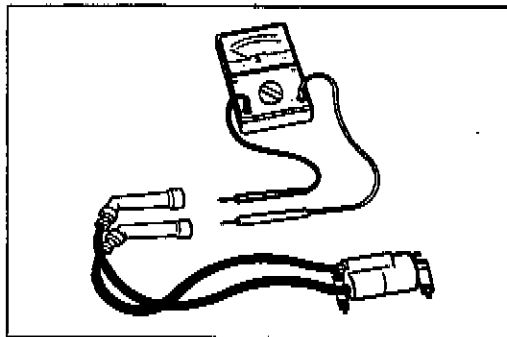
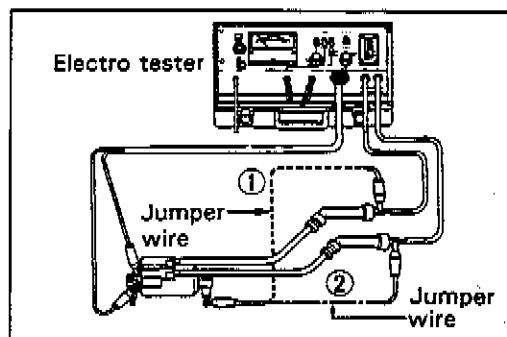
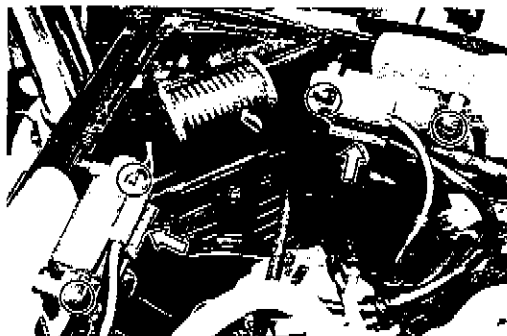
SIGNAL GENERATOR (Checking with Pocket Tester)

- Remove the front seat and disconnect the lead wires.
- Measure the resistance between lead wires. If the resistance is infinity or less than the specifications, the signal generator must be replaced.

09900-25002: Pocket tester

Signal coil resistance	Approx. 135—200 Ω (Black—Green)
------------------------	---

Tester knob indication: X 100 Ω range



SPARK PLUGS

- Remove the seats, frame cover assembly and fuel tank. (Refer to pages 7-5 and 4-5.)
- Remove all the spark plugs.

Carbon Deposit

Check to see the carbon deposit on the plug. If the carbon is deposited, remove it with a spark plug cleaner machine or carefully using a tool with a pointed end.

Spark Plug Gap

Measure the plug gap with a thickness gauge if it is correct. If not, adjust it to the following gap.

09900-20803: Thickness gauge

Spark plug gap	Standard
	0.7—0.8 mm (0.028—0.032 in)

Electrode's Condition

Check to see a worn or burnt condition of the electrode. If it is extremely worn or burnt, replace the plug. Also replace the plug if it has a broken insulator, damaged thread, etc.

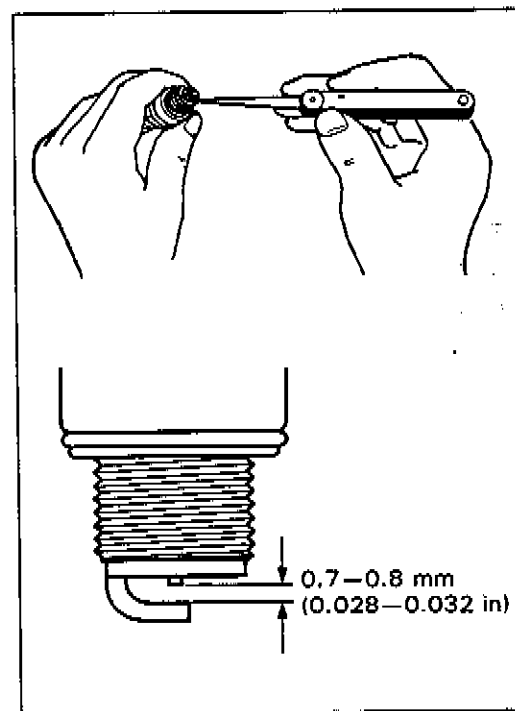
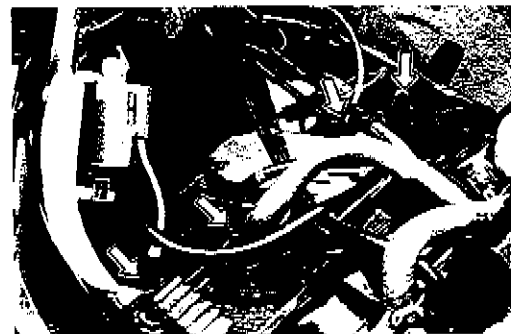
Heat Range

NGK CR9E should be used as the standard. However, the heat range of the spark plug should be selected to meet the requirements of speed, actual load, fuel and etc. Proper heat range would be indicated if all insulators were LIGHT BROWN in color. If they are baked white, they should be replaced with a cold type plug NGK CR10E or NIPPONDENSO U31ESR-N.

	Standard	Cold type	Hot type
NGK	CR9E	CR10E	CR8E
NIPPONDENSO	U27ESR-N	U31ESR-N	U24ESR-N

CAUTION:

Confirm the thread size and reach when replacing the plug. If the reach is too short, carbon will be deposited on the screw portion of the plug hole and engine damage may result.



6-13 ELECTRICAL SYSTEM

IGNITOR UNIT (Checking with Digital Ignitor Checker)

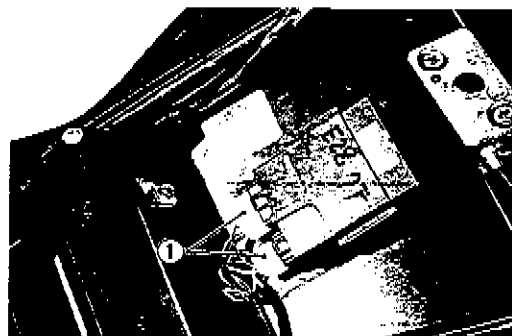
This section explains the checking procedure for the ignitor unit using Digital Ignitor Checker (special tool).

With this checker, the ignitor unit can be checked either on the machine or off the machine. The following explains the checking procedure on the machine.

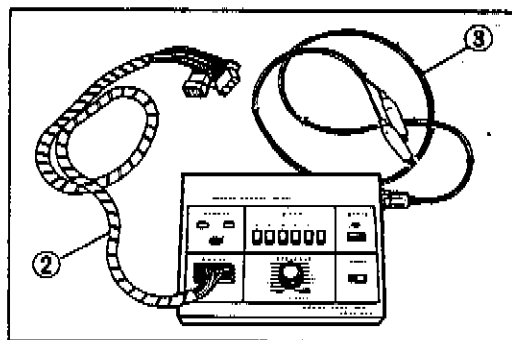
09931-94430: Digital ignitor checker

WIRING PROCEDURE:

- Remove the front seat.
- Disconnect two ignitor lead wire couplers ① at the ignitor unit.



- Prepare the ignitor checker lead wire "MODE 1" ② which comes supplied with the ignitor checker and connect its end to the ignitor unit and another end to the checker.
- Connect the power source leads ③ to the battery.



CAUTION:

- * Be sure that the **BLACK** lead is connected to the battery \ominus terminal and **RED** lead to the \oplus terminal.
- * Before connecting the power source leads, make sure that both "POWER" button and "START" switch are in "off" position (POWER button not depressed).

NOTE:

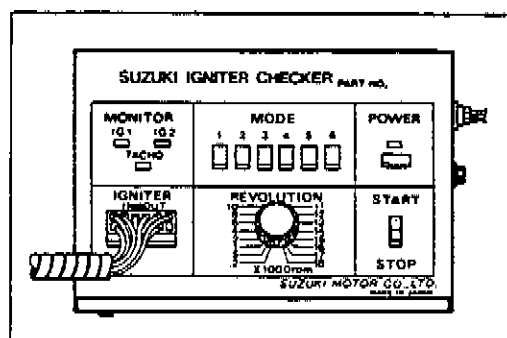
Be sure that the battery used is in fully-charged condition.

CHECK PROCEDURE:

With all the lead wires properly connected, check the ignitor unit in the following four steps.

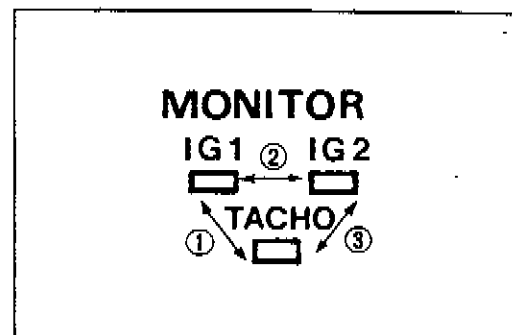
First Step:

Depress "MODE 1" button then "POWER" button. This time, "POWER" lamp should come on, if not, battery is undercharged.



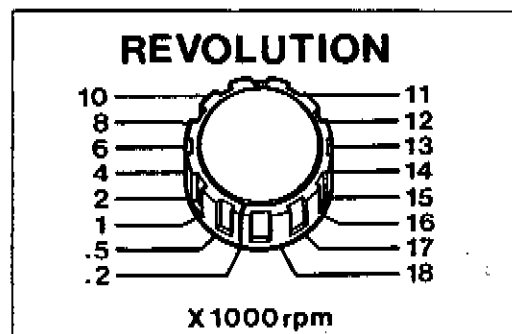
Second Step:

Set "REVOLUTION" dial pointer to ".2" position in which the checker produces the ignition primary current pulses simulating 200 r/min of engine revolution when "START" switch is turned on. With "START" switch is turned to ON position, check that three "MONITOR" lamps turn on and off in slow frequency in order of ①—②—③ or ①—③—② as illustrated.

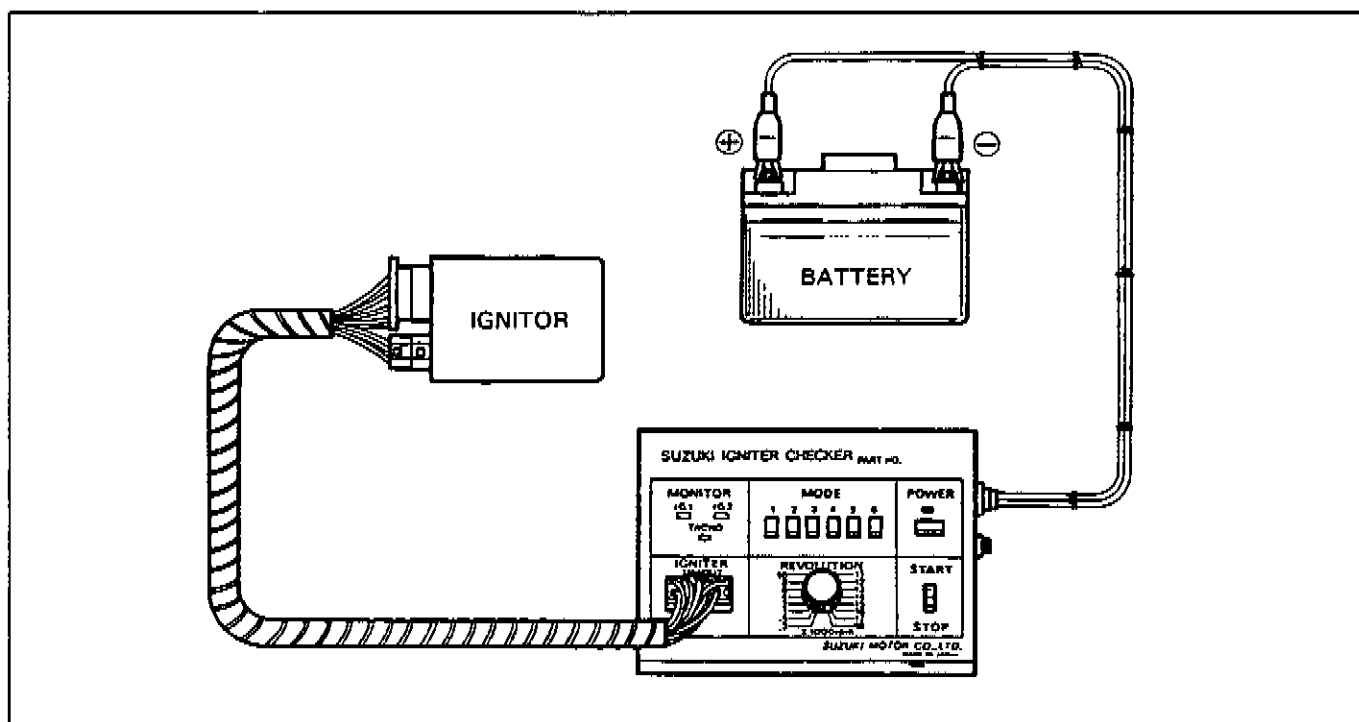
**Third Step:**

Turn "REVOLUTION" dial up gradually (assuming the engine gradually revved up) and check that the MONITOR lamp flash frequency as explained in the second step above increases. As the dial pointer passes beyond the graduation "4" (4 000 r/min), all the three lamps should show continuously lighted.

When REVOLUTION dial pointer reaches between "12" and "13" (12 000—13 000 r/min), MONITOR "IG1" and "IG2" lamps should go off while "TACHO" lamp stays on. This is because the ignition "cut-off" provided in the RF600R ignition system functions at $12\,800 \pm 100$ r/min. If the lamps go off at the graduation below "12", the engine can not perform properly and therefore the ignitor unit must be replaced.

**Fourth Step:**

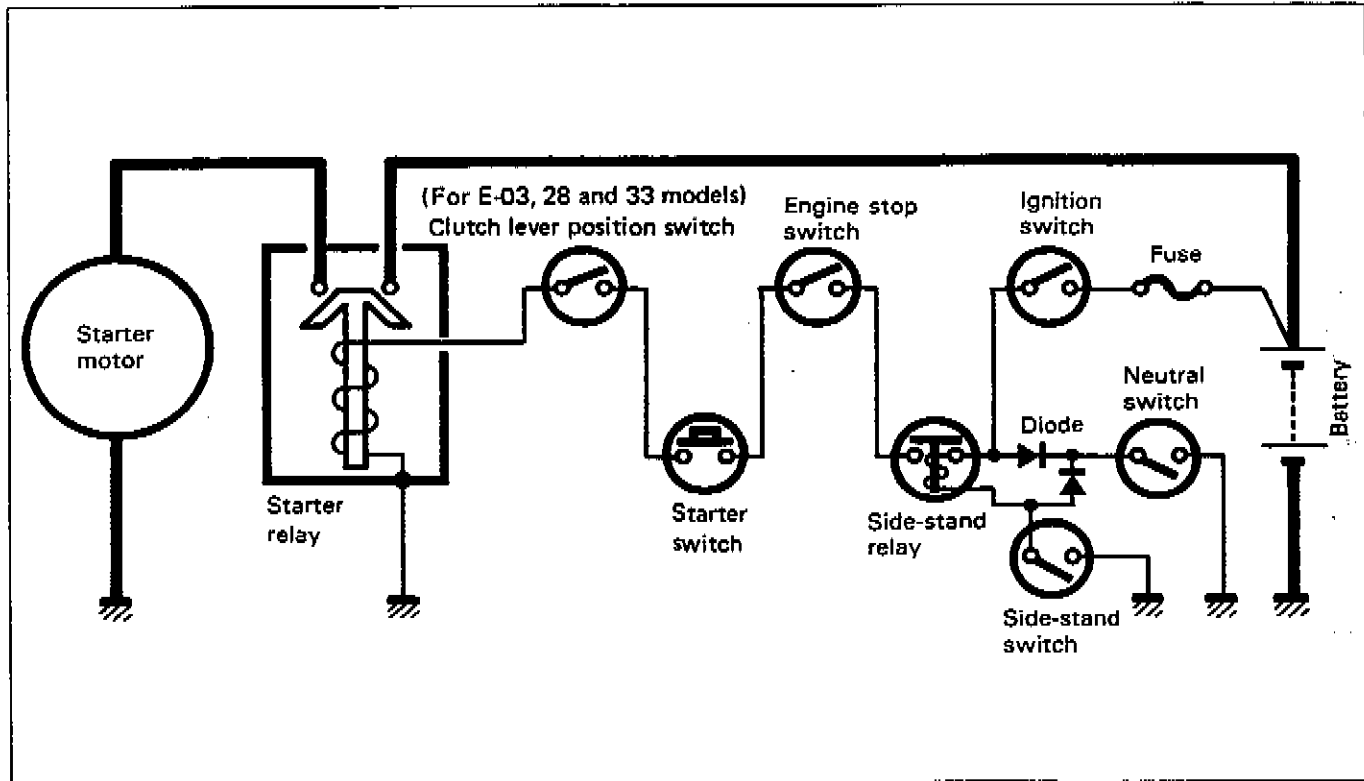
Turn "START" switch to STOP position. If the "IG1" or "IG2", or both lamps remain light more than 5 seconds, the ignitor unit must be replaced.



6-15 ELECTRICAL SYSTEM**STARTER SYSTEM****DESCRIPTION**

The starter system is shown in the diagram below: namely, the starter motor, starter relay, side-stand relay, side-stand switch, neutral switch, clutch lever position switch, starter switch, engine stop switch, IG switch and battery.

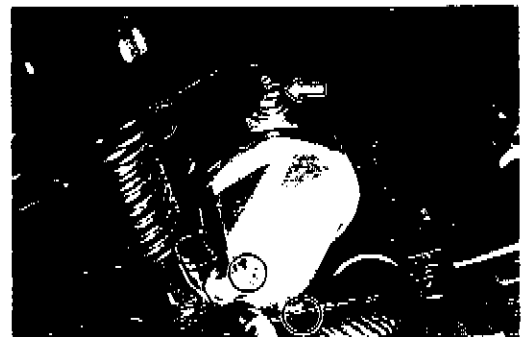
Depressing the starter switch (on the right handlebar switch box) energizes the relay, causing the contact points to close which connects the starter motor to the battery. The motor draws about 80 amperes to start the engine.

**REMOVAL AND DISASSEMBLY**

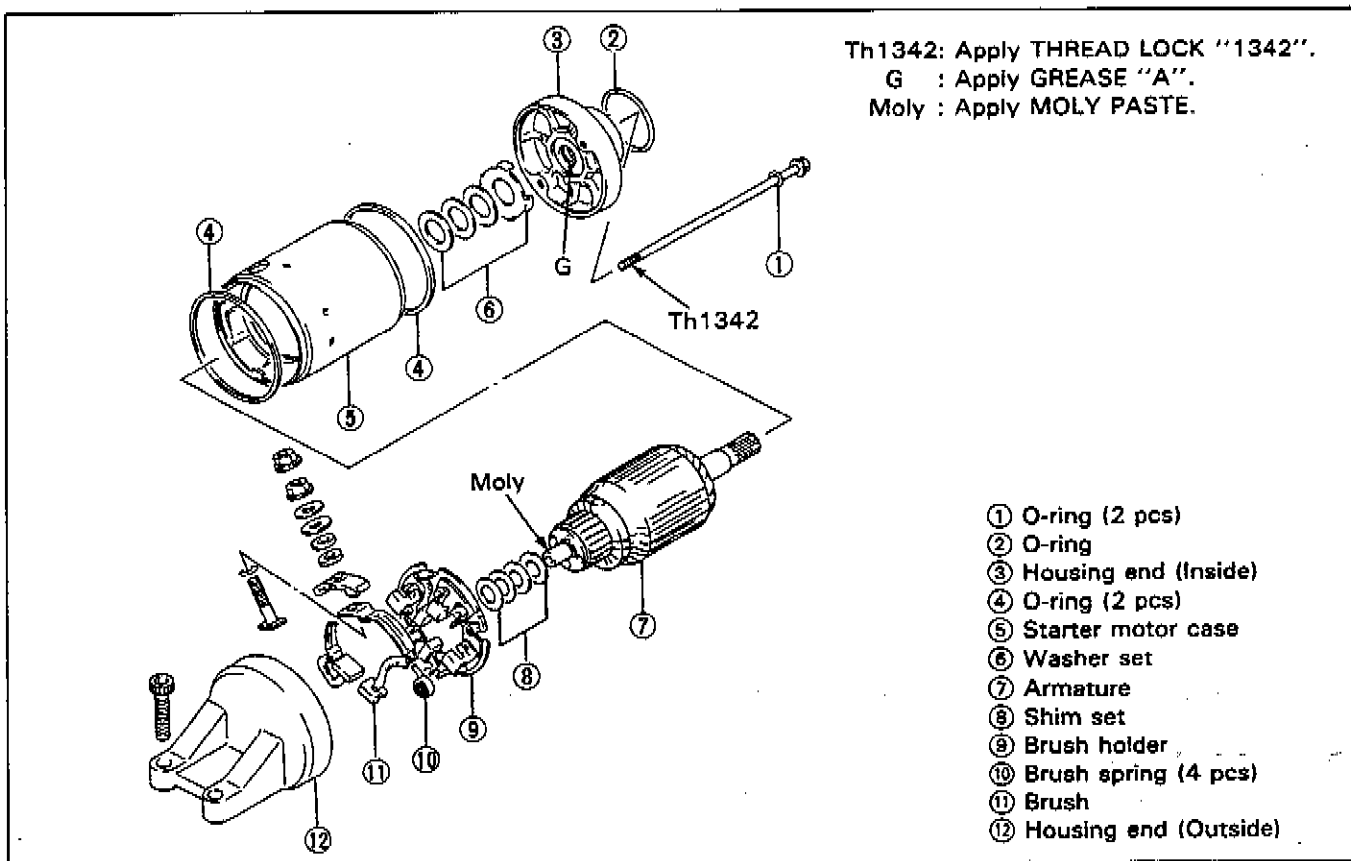
- Remove the lower cowling assembly. (Refer to page 7-2.)
- Disconnect the starter motor lead wire and remove the starter motor by removing the mounting bolts.

NOTE:

If it is difficult to remove the starter motor, remove the water hose mounting bolts to provide additional space.



- Disassemble the starter motor as shown in the illustration.



INSPECTION

CARBON BRUSH

When the brushes are worn, the motor will be unable to produce sufficient torque, and the engine will be difficult to turn over. To prevent this, periodically, measure the length of the brushes with a vernier calipers, replacing them when they are too short or chipping.

09900-20102: Vernier calipers (200 mm)

Brush length	Service Limit
	6 mm (0.2 in)

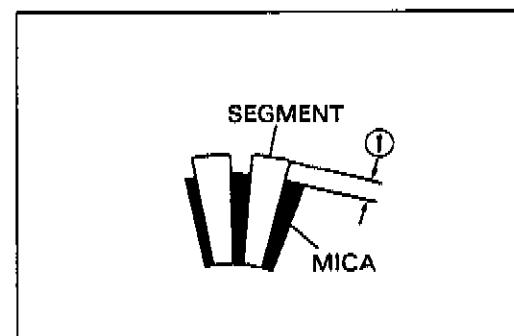
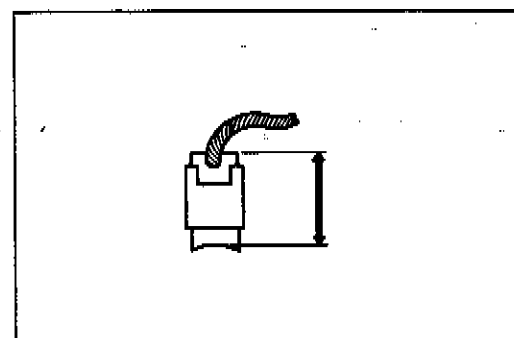
COMMUTATOR

If the commutator surface is dirty, starting performance decreases. Polish the commutator with #400 or similar fine emery paper when it is dirty. After polishing it, wipe the commutator with a clean dry cloth.

Measure the commutator under cut ① with a vernier calipers.

09900-20102: Vernier calipers (200 mm)

Commutator under-cut	Service Limit
	0.2 mm (0.008 in)

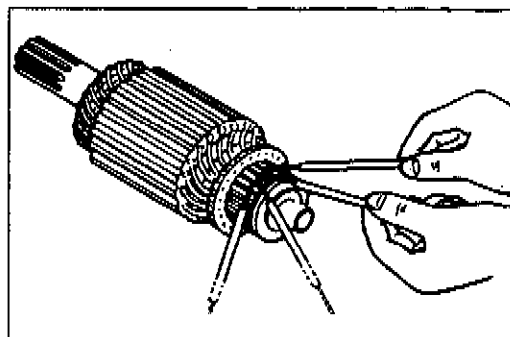


6-17 ELECTRICAL SYSTEM

ARMATURE COIL

Using a pocket tester, check the coil for open and ground by placing probe pins on each commutator segment and rotor core (to test for ground) and on any two segments at various places (to test for open), with the brushes lifted off the commutator surface.

If the coil is found to be open-circuited or grounded replace the armature. Continuous use of a defective armature will cause the starter motor to suddenly fail.



09900-25002: Pocket tester

Tester knob indication: X 10 range

OIL SEAL

Check the seal lip for damage or oil leakage. If any damage is found, replace it.

REASSEMBLY

O-RING

CAUTION:

Replace the O-rings with new ones to prevent oil leakage and moisture.

HOUSING END (Inside)

- Apply grease to the lip of oil seal. (Refer to page 6-16.)

99000-25030: SUZUKI SUPER GREASE "A"

HOUSING END (Outside)

- Apply a small quantity of SUZUKI MOLY PASTE to the armature end. (Refer to page 6-16.)

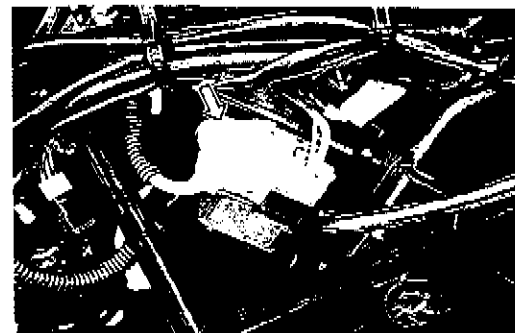
99000-25140: SUZUKI MOLY PASTE

- Apply a small quantity of THREAD LOCK "1342" to the starter motor housing screws. (Refer to page 6-16.)

99000-32050: THREAD LOCK "1342"

STARTER RELAY INSPECTION

- Remove the seats and frame cover assembly.
- Disconnect the starter motor lead wire and battery lead wire at the starter relay which is located behind the left frame cover.
- Disconnect the lead wire coupler from the starter relay.



- Apply 12 volts to ① and ② terminals, inspect the continuity between the terminals, positive and negative. If the starter relay is in sound condition, continuity is found.

09900-25002: Pocket tester

Tester knob indication: X 1 Ω range

CAUTION:

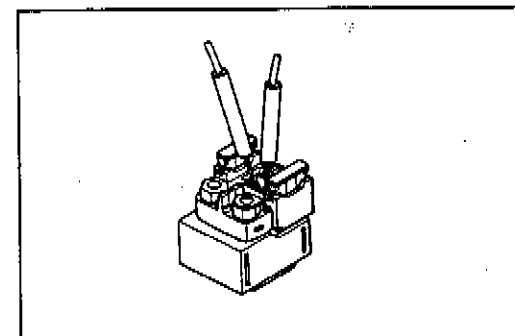
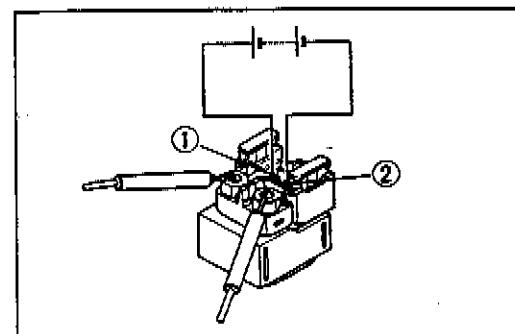
- * Do not apply a battery voltage more than 5 seconds to the starter relay as it may overheat and cause damage to the relay coil.

- Check the coil for "open", "ground" and ohmic resistance. The coil is in good condition if the resistance is as follows.

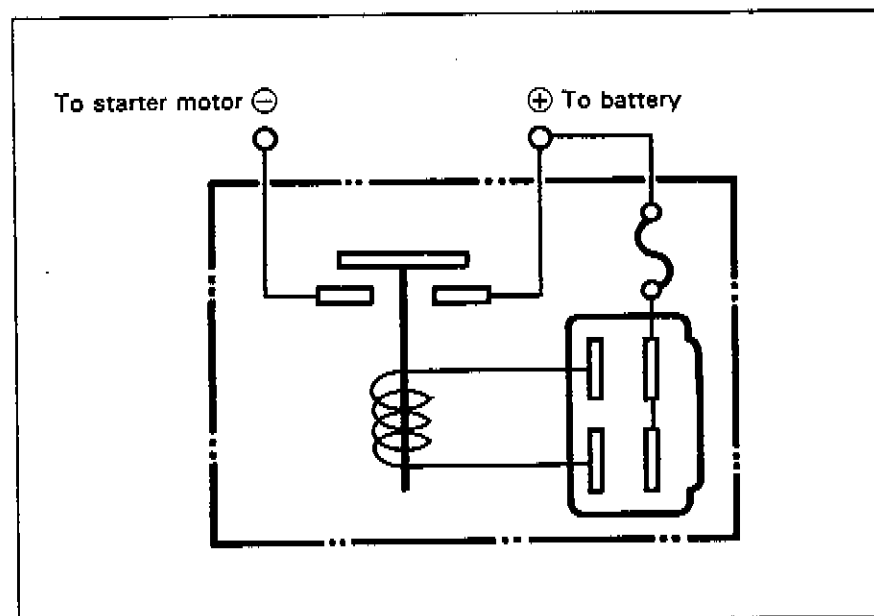
09900-25002: Pocket tester

Tester knob indication: X 1 Ω range

Starter relay resistance	Standard
	3-5 Ω



STARTER RELAY CIRCUIT DIAGRAM

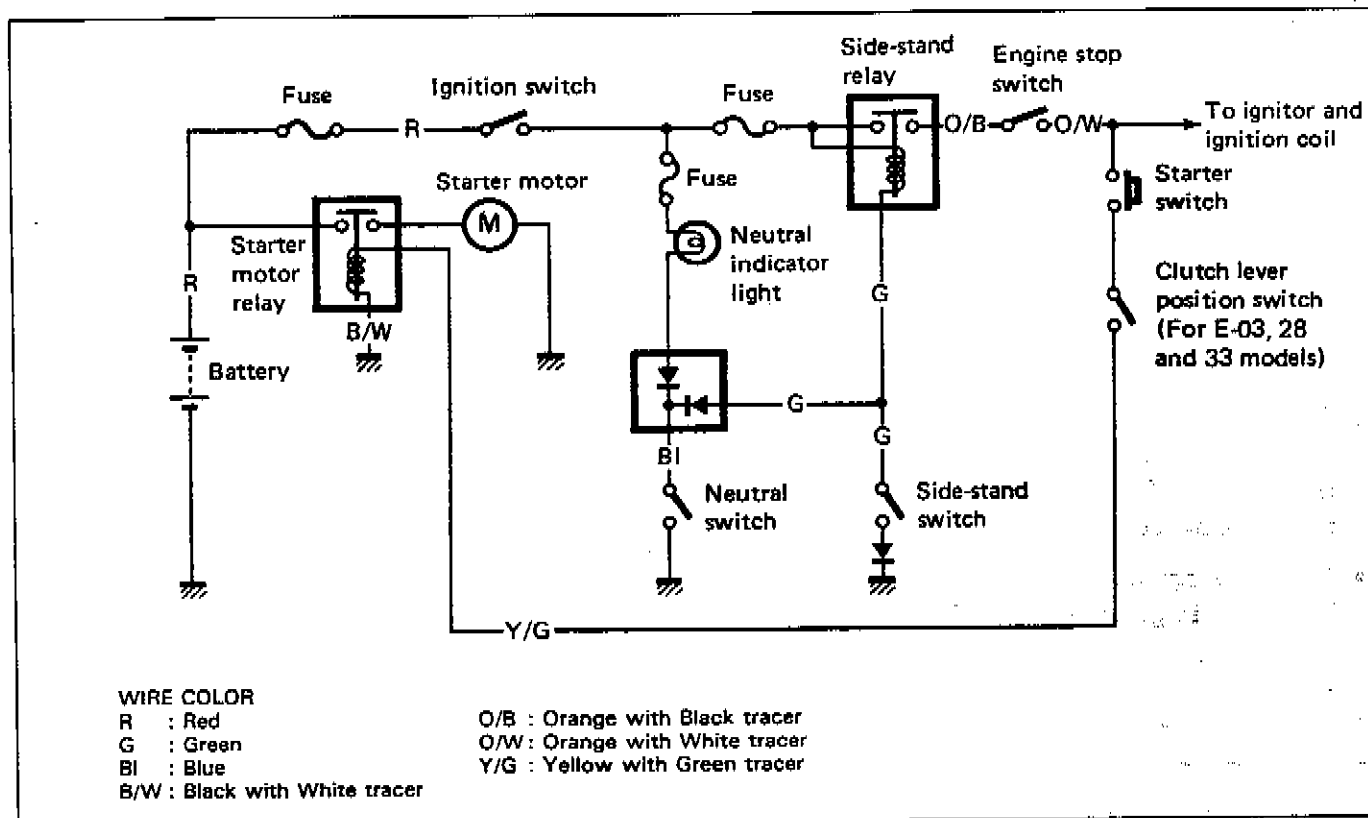


6-19 ELECTRICAL SYSTEM

SIDE-STAND/IGNITION INTERLOCK SYSTEM

DESCRIPTION

This side-stand/ignition interlock system is to prevent starting the motorcycle with the side-stand left down. The system is operated by an electric circuit provided between the battery and ignition coil.

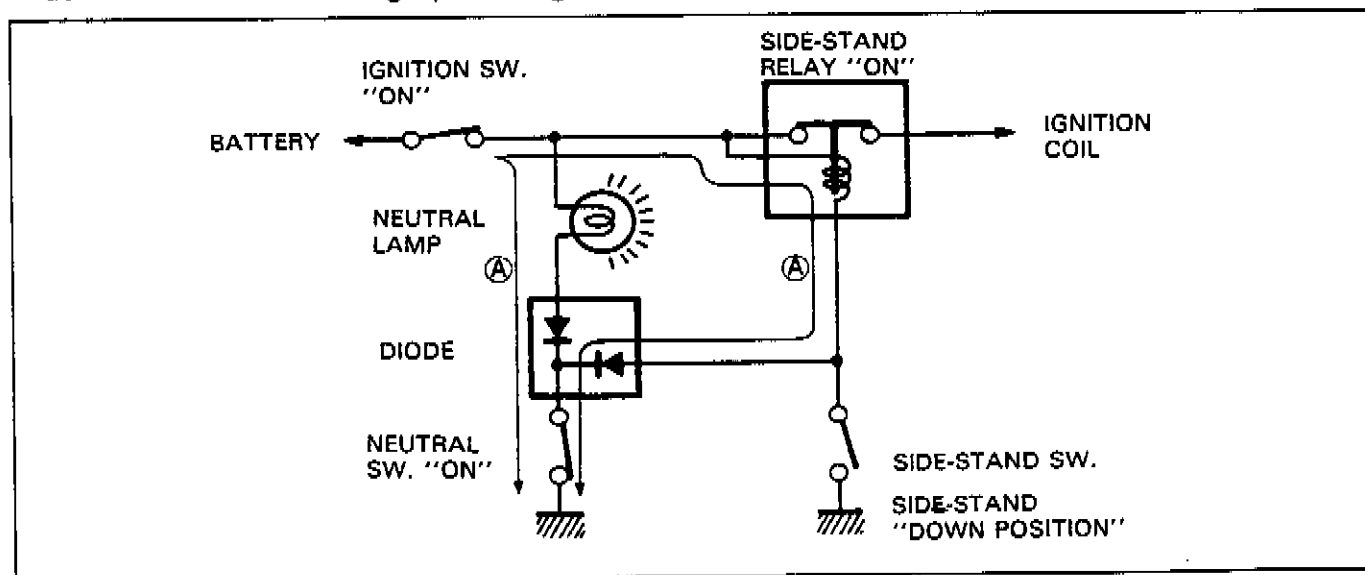


The circuit consists of relay, lamp, diode and switches and decides to live the ignition coil depending on the position of the TRANSMISSION and SIDE-STAND with the neutral and side-stand switches working mutually.

The ignition coil lives only in two situations as follows.

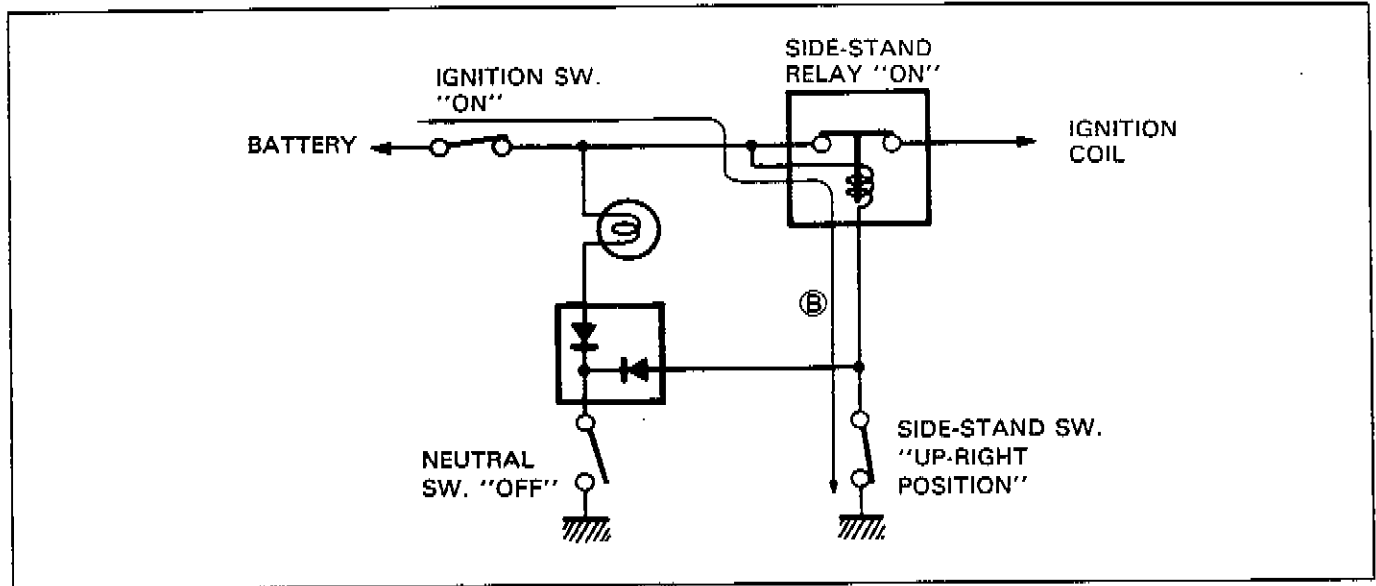
1. Transmission: "NEUTRAL (ON)" Side-stand: "DOWN (OFF)"

The current flow (A) turns "ON" the relay and the ignition coil lives even the side-stand is kept down. This is for warming up the engine.



2. Side-stand: "UP-RIGHT (ON)"

The current flow **(B)** turns "ON" the relay and the ignition coil lives. The engine can be easily started at any transmission position.



INSPECTION

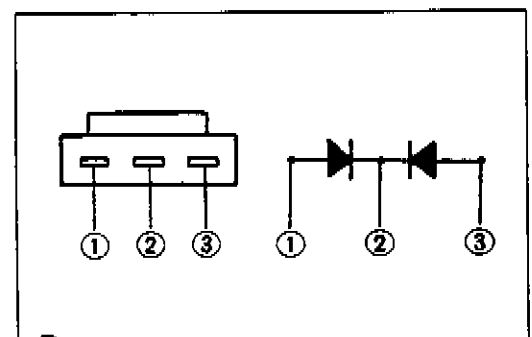
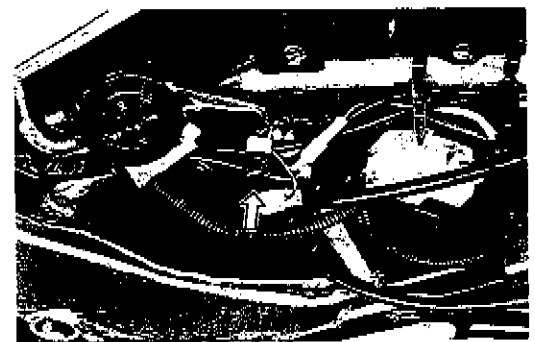
If the interlock system does not operate properly, check each component. If any abnormality is found, replace the component with a new one.

09900-25002: Pocket tester

Diode

The diode is located behind the left frame cover. The diode can pass current only in one direction.

- Check the continuity between ① and ②. If one way continuity the diode is in good condition.
- Also check the continuity between ② and ③ as required.

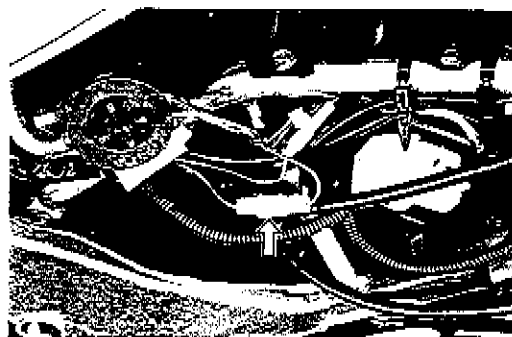


6-21 ELECTRICAL SYSTEM

Neutral switch

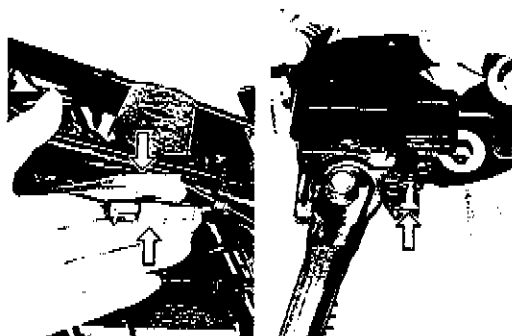
The neutral lead wire coupler is located behind the left frame cover.

- Remove the seats and frame cover assembly.
- Disconnect the neutral switch lead and check the continuity between Blue and Ground with the transmission in "NEUTRAL".



Side-stand switch

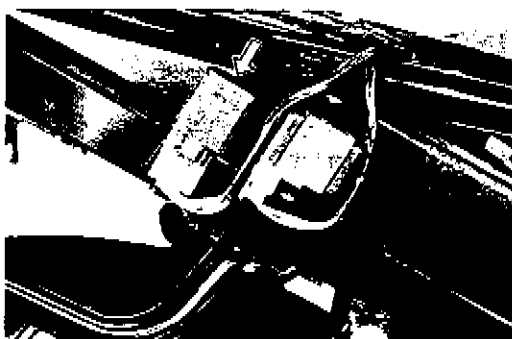
	Green	Black/White
ON (UP-right position)	○ ——— ○	○ ——— ○
OFF (Down position)		



Side-stand/ignition interlock relay

The side-stand/ignition interlock relay is located behind the right frame cover.

- Remove the seats and frame cover assembly.

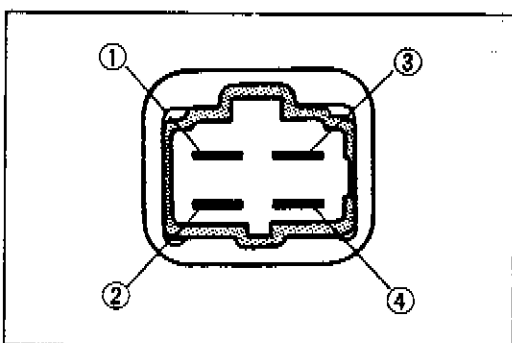


First, check the insulation between ① and ② terminals with pocket tester. Then apply 12 volts to ③ and ④ terminals, ⊕ to ③ and ⊖ to ④, and check the continuity between ① and ②.

If there is no continuity, replace it with a new one.

09900-25002: Pocket tester

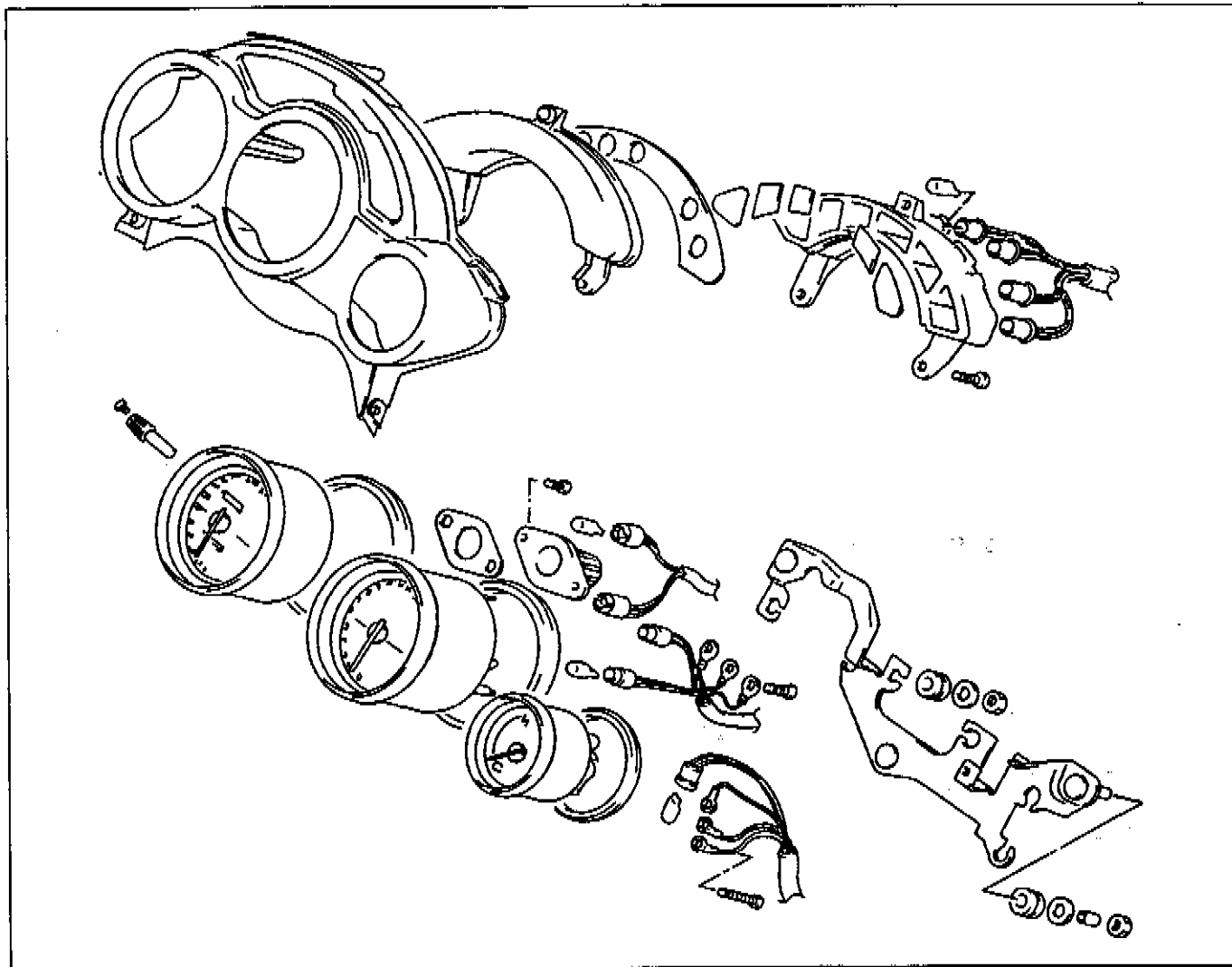
Tester knob indication: X 1Ω range



COMBINATION METER

REMOVAL AND DISASSEMBLY

- Remove the combination meter.
- Disassemble the combination meter as follows.



INSPECTION

Using the pocket tester, check the continuity between lead wires in the diagram on next page.

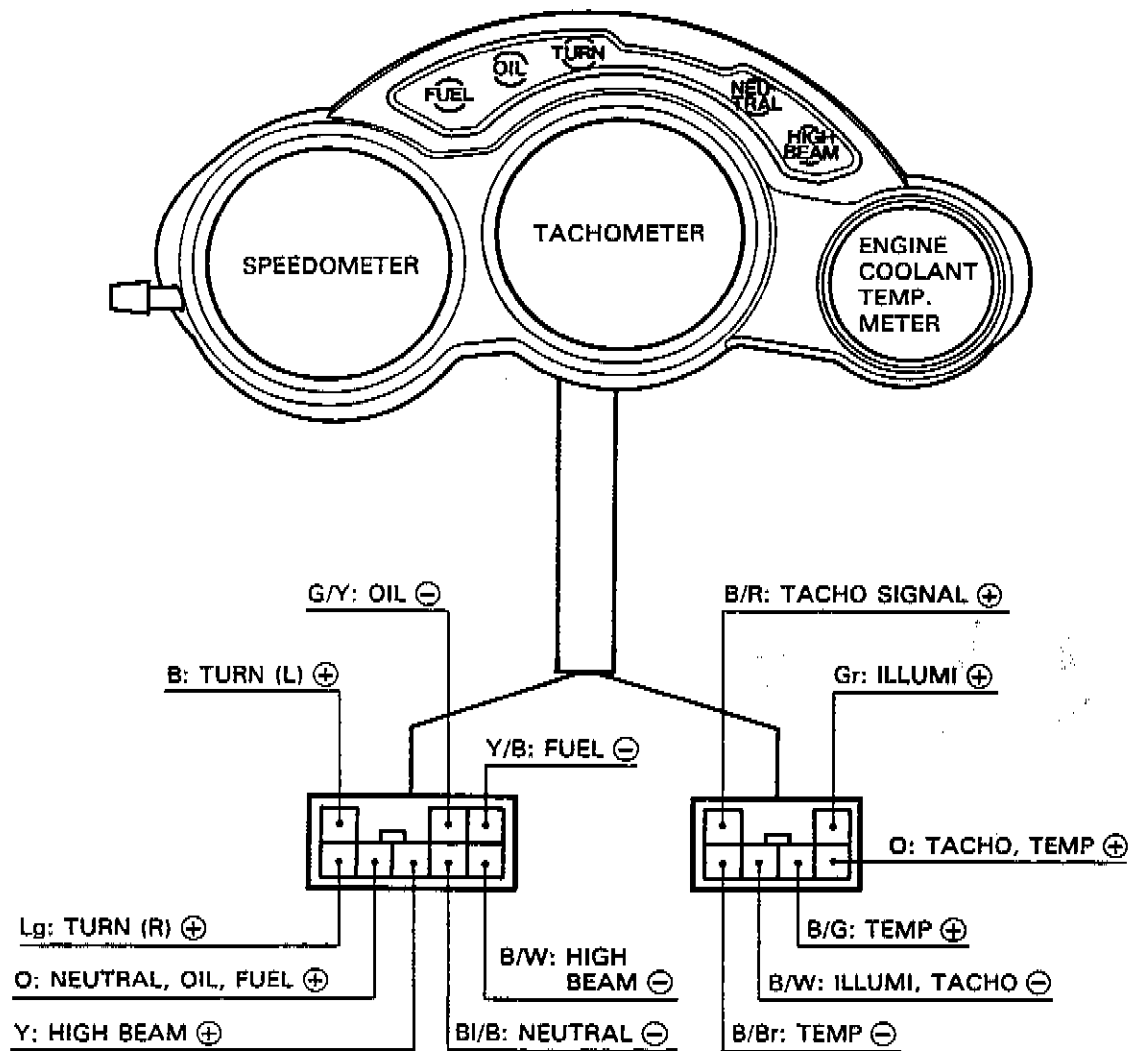
If the continuity measured is incorrect, replace the respective parts.

09900-25002: Pocket tester

Tester knob indication: X 1 Ω range

NOTE:

When making this test, it is not necessary to remove the combination meter.

6-23 ELECTRICAL SYSTEM

ITEM	⊕ Probe of tester to:	⊖ Probe of tester to:
OIL	O	G/Y
TURN (L)	B	Lg
TACHO SIGNAL	B/R	B/W
HIGH BEAM	Y	B/W
TURN (R)	Lg	B
NEUTRAL	O	BI/B
ILLUMI	Gr	B/W
TEMP	O	B/Br
TEMP	O	B/G
TACHO	O	B/W
FUEL	O	Y/B

G/Y : Green with Yellow tracer
 O : Orange
 B : Black
 B/R : Black with Red tracer
 Y : Yellow
 Lg : Light green
 Gr : Gray
 BI/B : Blue with Black tracer
 B/W : Black with White tracer
 B/BI : Black with Blue tracer
 B/Br : Black with Brown tracer
 B/G : Black with Green tracer
 B/W : Black with White tracer
 Y/B : Yellow with Black tracer

ENGINE COOLANT TEMPERATURE METER

INSPECTION

As the coil spring is installed on the needle shaft of the engine coolant temperature meter, the needle is forcibly back to the original position when ignition switch is turned OFF. To test the engine coolant temperature meter two different checks may be used. The first, and simplest test will tell if the meter is operating but will not indicate the meters accuracy throughout the range.

To perform this test, remove the service lid on the lower cowl and disconnect the B/G lead wire of the engine coolant temperature meter from the engine coolant temperature gauge. Connect a jumper wire between B/G wire coming from the main wiring harness and engine ground. With the ignition switch turned on, the engine coolant temperature meter should indicate "H".

B/G: Black with Green tracer

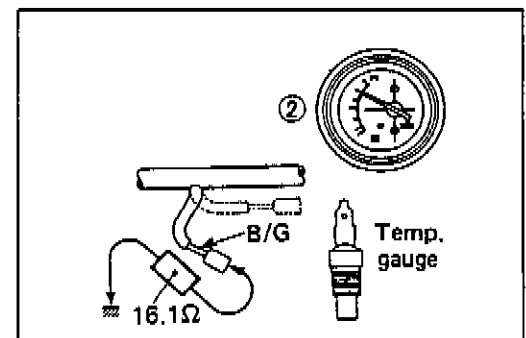
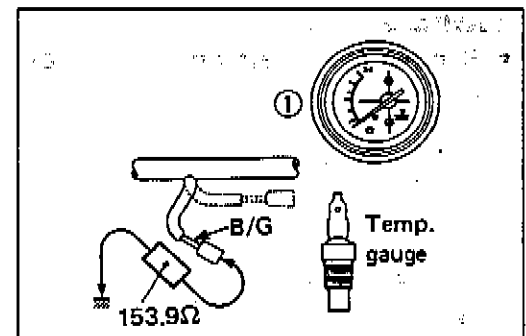
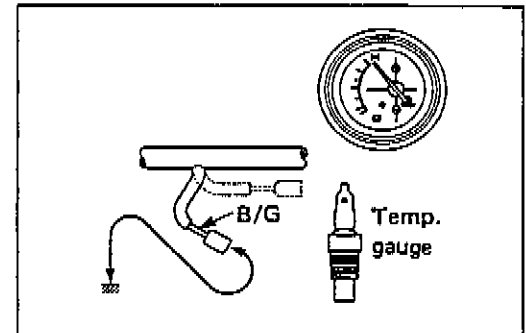
The second test will check the accuracy of the meter in the "H" and "C" positions.

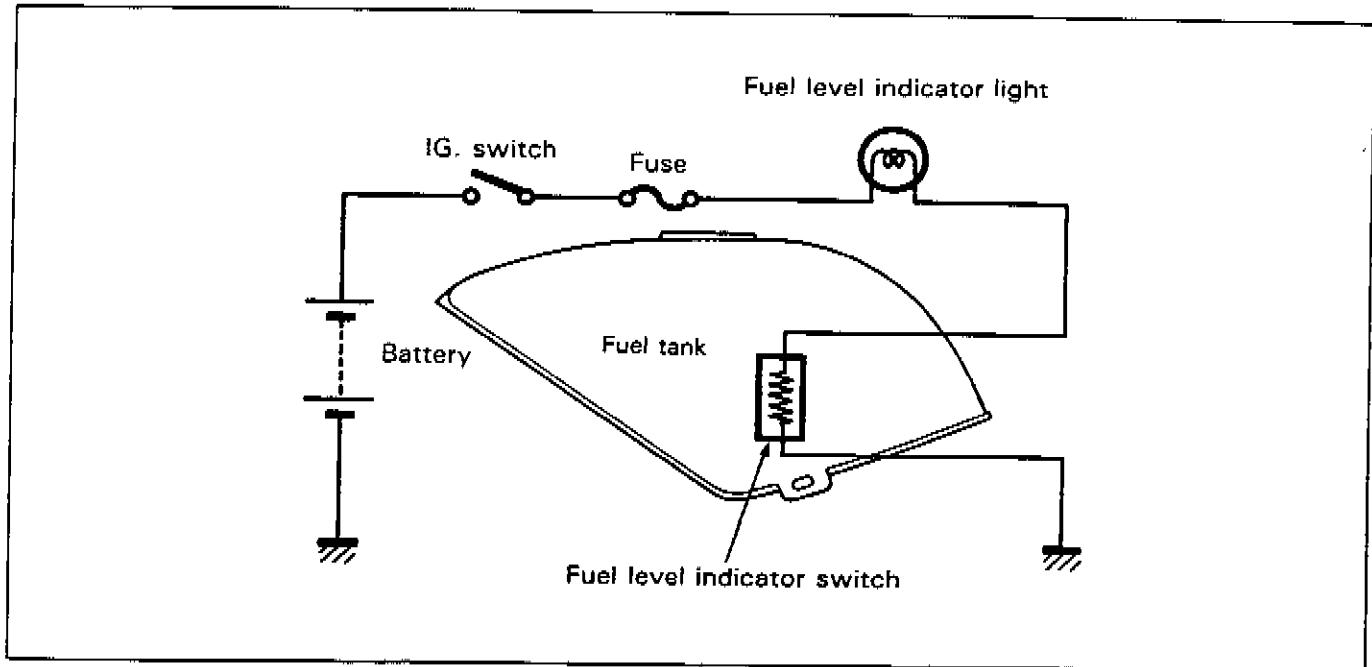
Connect a 153.9-ohm resistor between the B/G lead wire of the engine coolant temperature meter and engine ground. The engine coolant temperature meter is normal if its pointer indicates the ① position when the specified voltage is applied to the circuit and if its pointer indicates the ② position when the resistor is changed to 16.1 ohms. If either one or both indications are abnormal, replace the engine coolant temperature meter with a new one.

The relation between the position of the engine coolant temperature meter and resistance is shown in the following table.

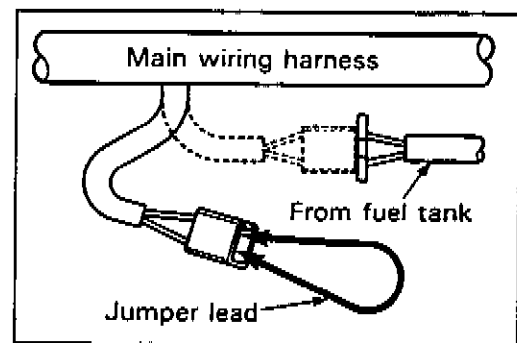
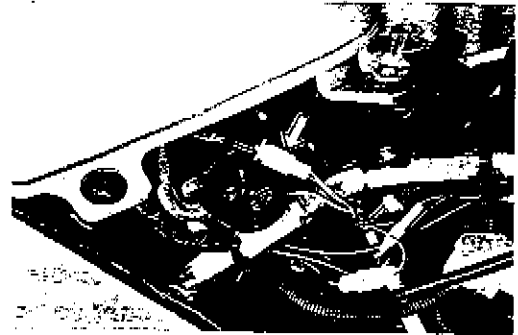
POSITION	RESISTANCE
①	153.9 Ω
②	16.1 Ω

For inspecting the engine coolant temperature gauge, refer to page 5-9.

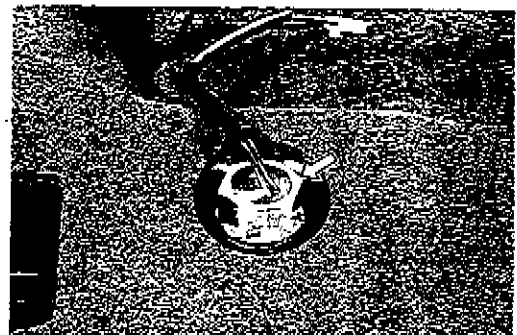


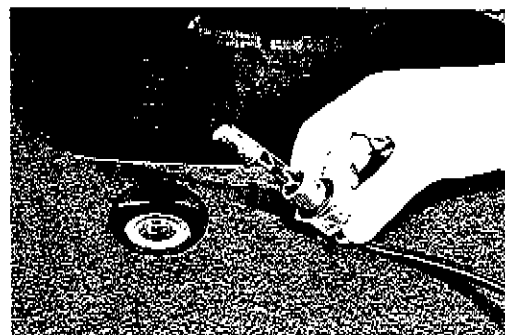
6-25 ELECTRICAL SYSTEM**FUEL LEVEL INDICATOR****INSPECTION**

- Remove the seats and frame cover assembly. (Refer to page 7-5.)
- With the engine has started, disconnect the two lead wires going into the fuel level indicator switch, connect the lead wires from the main wiring harness with a jumper lead and check whether the fuel level indicator light is ON. If a "LIGHT" is indicated, the circuit of fuel level indicator light is in good condition. If the fuel level indicator light does not light, replace the indicator bulb or repair the circuit connection. If the bulb is in good condition, the level indicator switch may be faulty, replace the indicator switch with a new one or inspect the fuel level indicator switch.

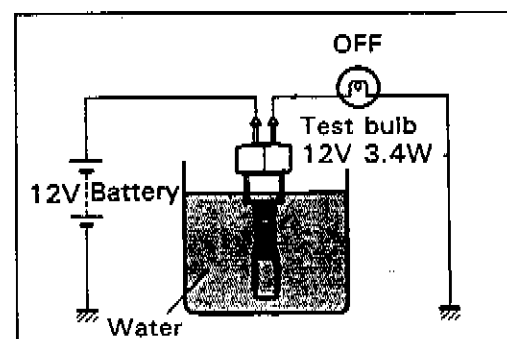
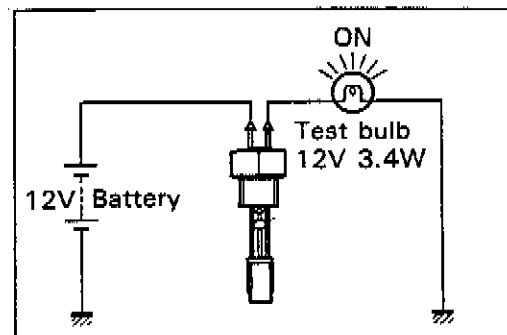


- Remove the fuel tank. (Refer to page 4-5.)
- Remove the fuel level indicator switch from the fuel tank.



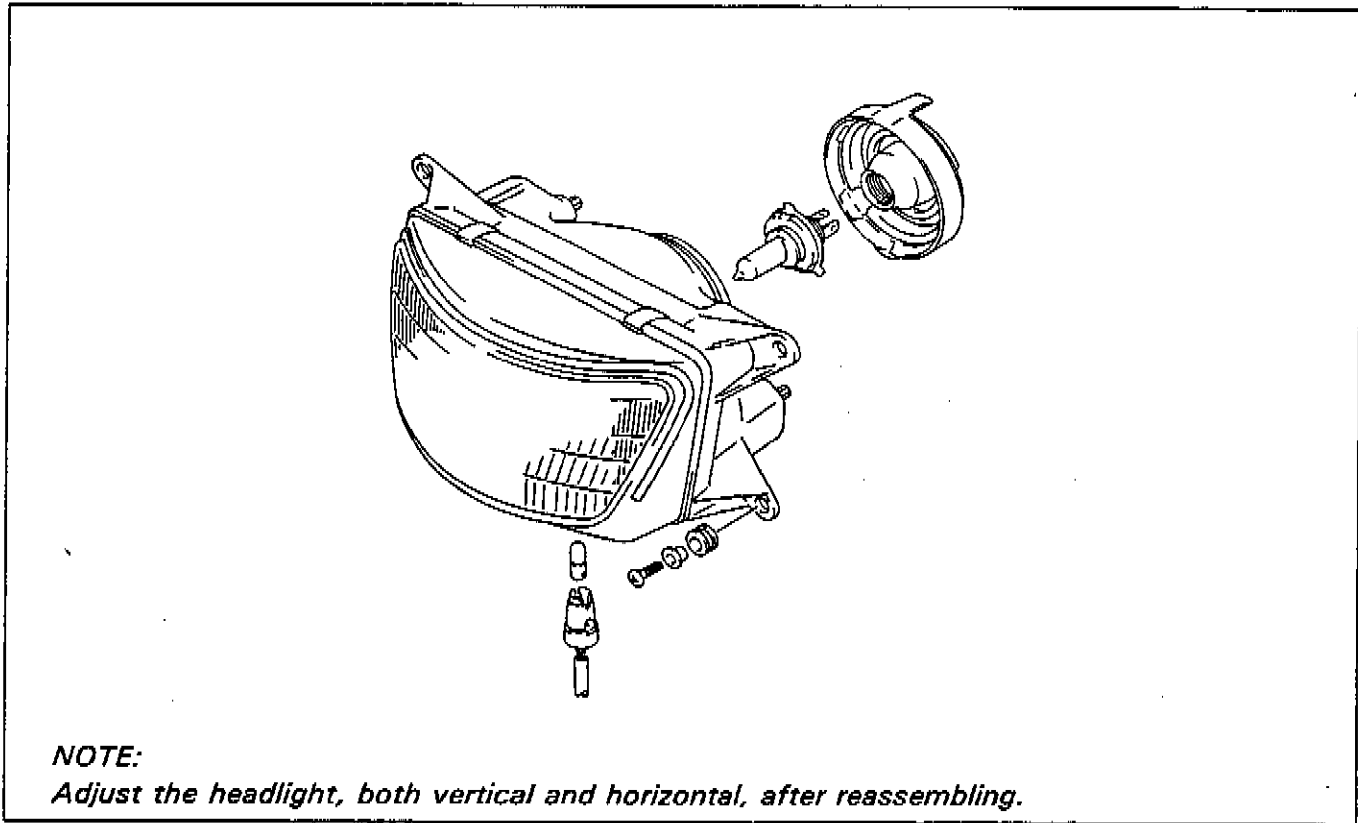


- Connect 12V battery to the fuel level indicator switch and ground through a 3.4W bulb. The bulb should light up after several seconds if the switch is in good condition.
- When the switch is immersed in water under the above condition, the bulb should go out. If the bulb remains lit, replace the fuel level indicator switch.

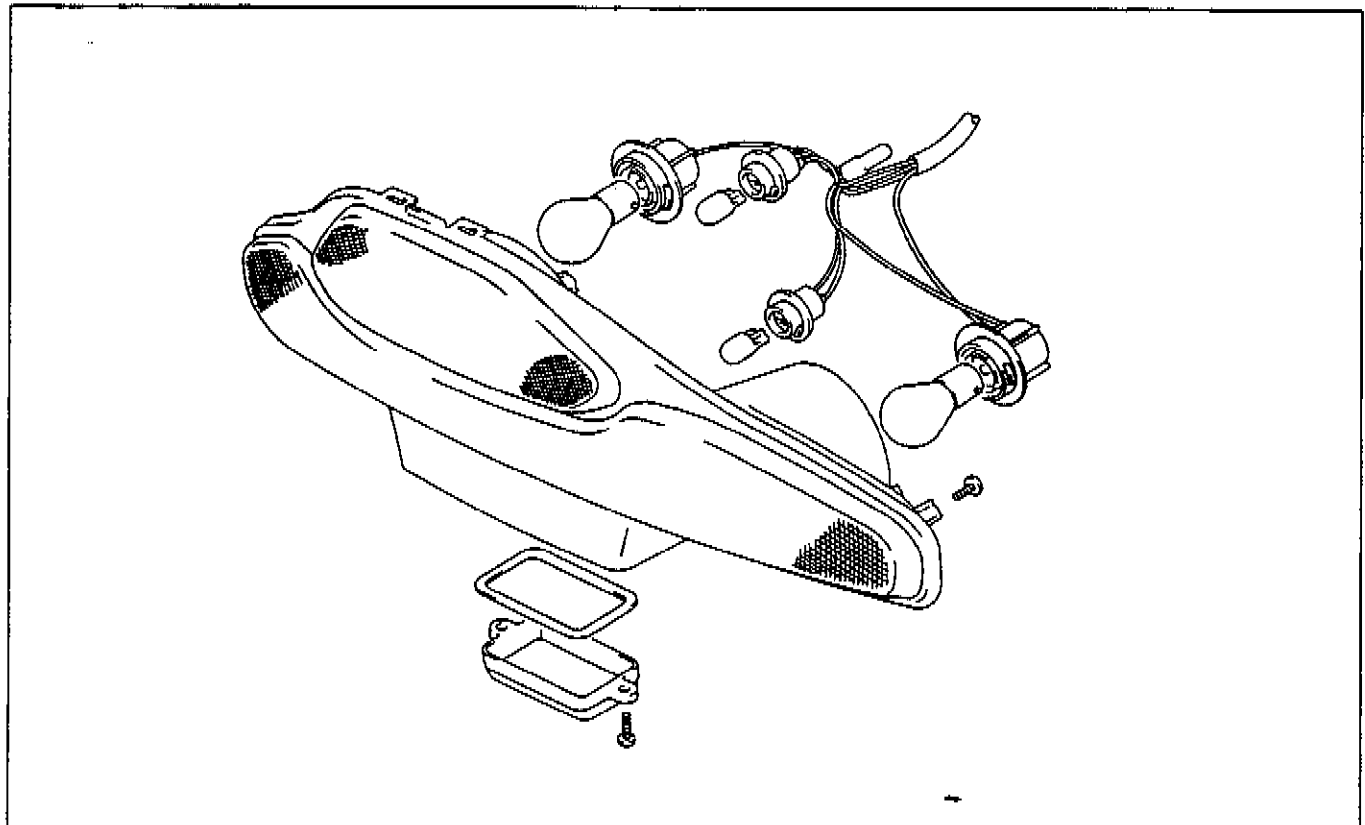


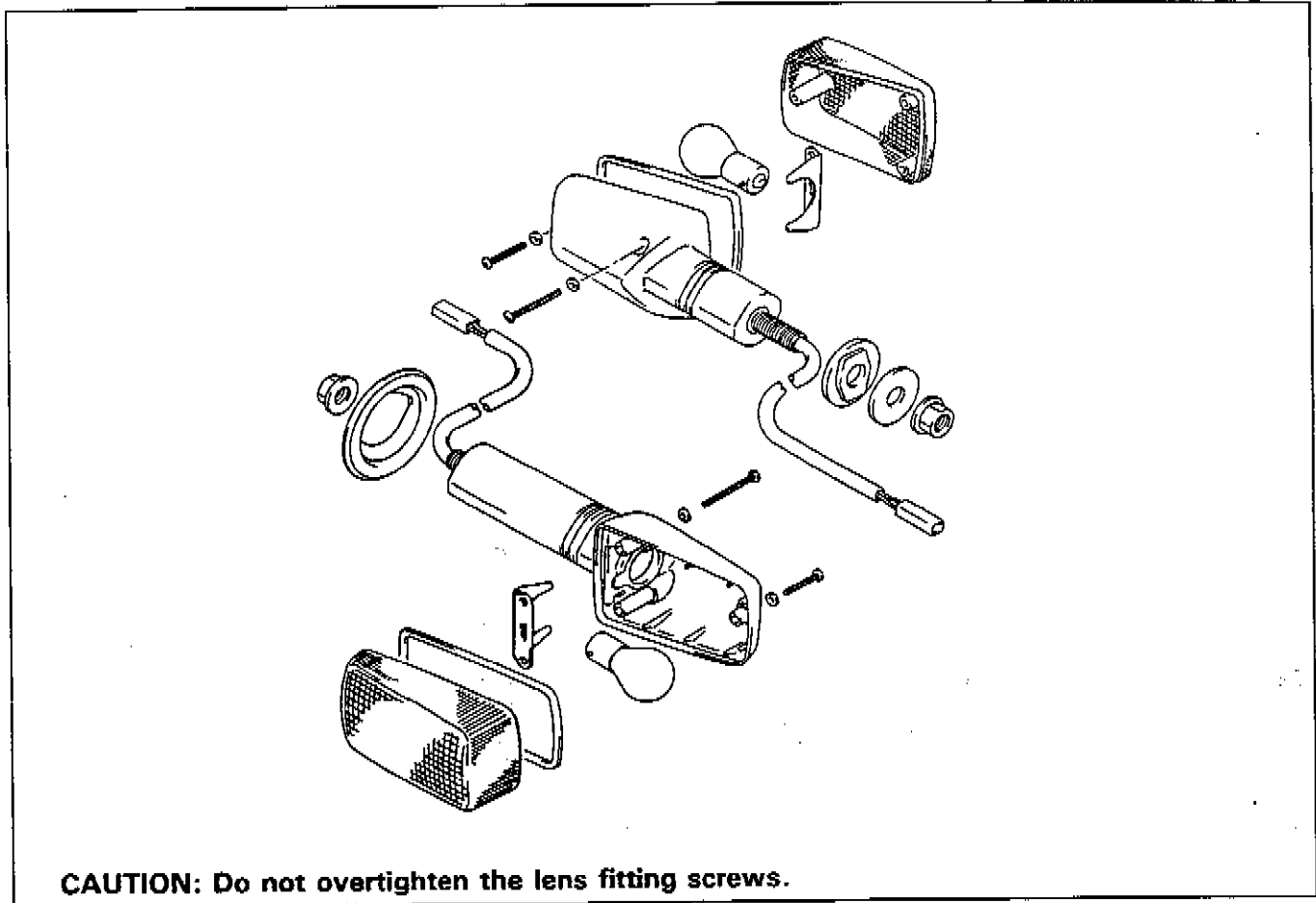
6-27 ELECTRICAL SYSTEM

**LAMPS
HEADLIGHT**



TAIL/BRAKE LIGHT



TURN SIGNAL LIGHT**SWITCHES**

Inspect each switch for continuity with the pocket tester referring to the WIRING DIAGRAM. If any abnormality is found, replace the respective switch assemblies with new ones. (Refer to the chapter 8 for wiring diagram.)

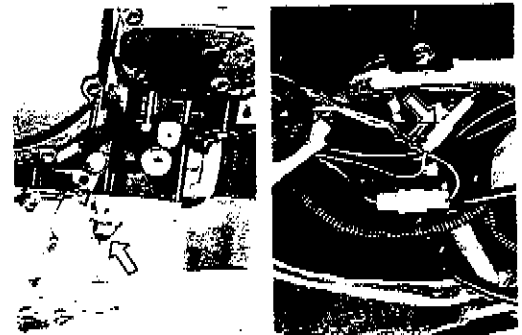
09900-25002: Pocket tester

Tester knob indication: X 1Ω range

OIL PRESSURE SWITCH

- Continuity, when engine is stopped.
- No continuity, when engine is running.

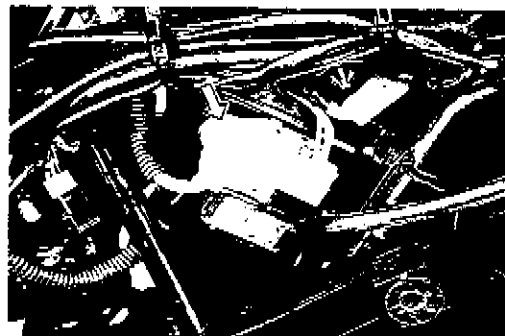
	Black or Green/Yellow	Ground
ON	○ — ○	○ — ○
OFF		

**NOTE:**

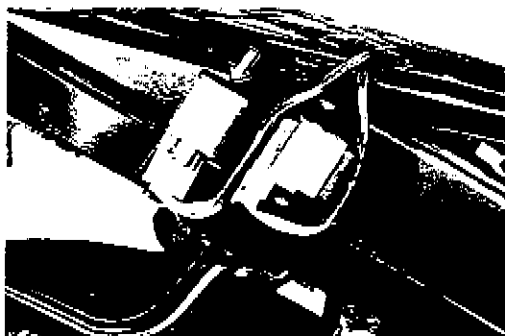
Before inspecting the oil pressure switch, check if the engine oil level is enough.

6-29 ELECTRICAL SYSTEM**RELAY****STARTER RELAY**

The starter relay is located behind the left frame cover. (Refer to page 6-18 for details.)

**SIDE-STAND RELAY**

The side-stand relay is located behind the right frame cover. (Refer to page 6-21 for details.)

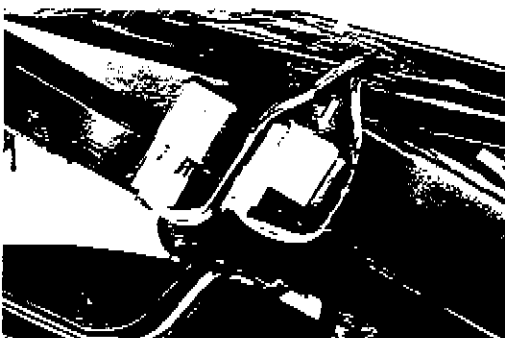
**TURN SIGNAL RELAY**

The turn signal relay is located behind the right frame cover. If the turn signal light does not light. Inspect the bulb or repair the circuit connection.

If the bulb and circuit connection checked are correct, the turn signal relay may be faulty, replace it with a new one.

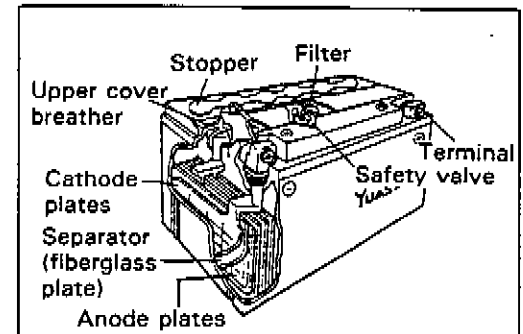
NOTE:

Be sure that the battery used is in fully-charged condition.



BATTERY SPECIFICATIONS

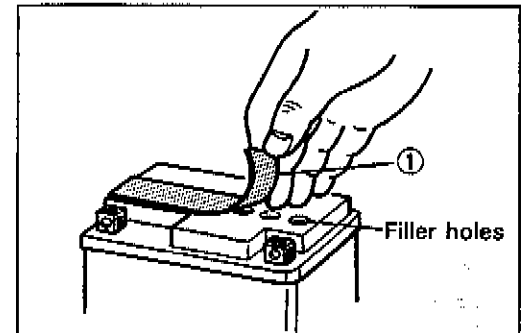
Type designation	YTX9-BS
Capacity	12V, 28.8 kC (8 Ah)/10HR
Standard electrolyte S.G.	1.320 at 20°C (68°F)



INITIAL CHARGING

Filling electrolyte

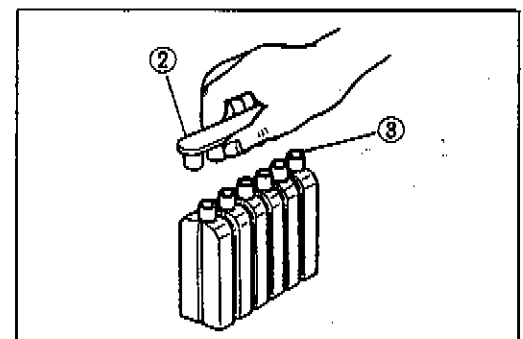
- Remove the aluminum tape ① sealing the battery electrolyte filler holes.



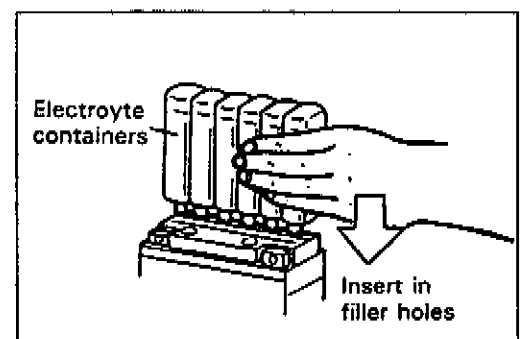
- Remove the caps ②.

NOTE:

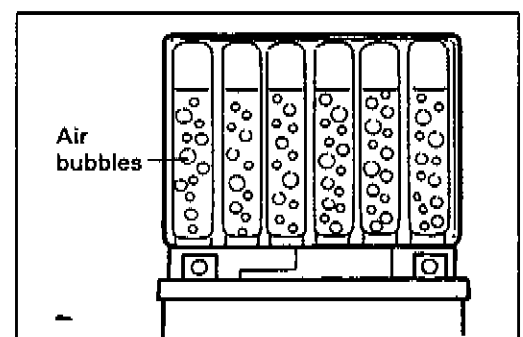
- After filling the electrolyte completely, use the removed cap ② as the sealed caps of battery-filler holes.
- Do not remove or pierce the sealed areas ③ of the electrolyte container.



- Insert the nozzles of the electrolyte container into the battery's electrolyte filler holes, holding the container firmly so that it does not fall. Take precaution not to allow any of the fluid to spill.



- Make sure air bubbles are coming up each electrolyte container, and leave in this position for about more than 20 minutes.



6-31 ELECTRICAL SYSTEM

NOTE:

If no air bubbles are coming up from a filler port, tap the bottom of the two or three times.
Never remove the container from the battery.

- After confirming that the electrolyte has entered the battery completely, remove the electrolyte containers from the battery. Wait for around 20 minutes.
- Insert the caps into the filler holes, pressing in firmly so that the top of the caps do not protrude above the upper surface of the battery's top cover.

CAUTION:

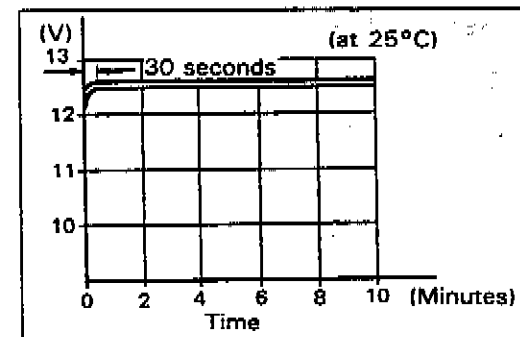
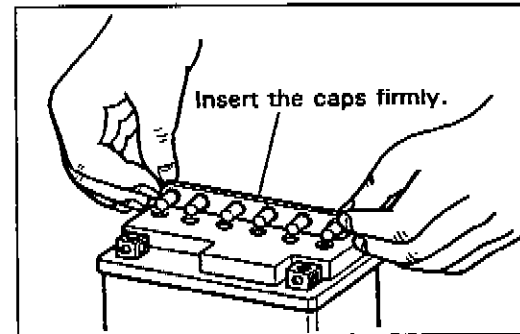
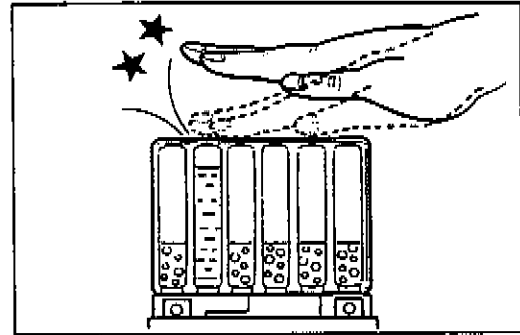
- * Never use anything except the specified battery.
- * Once install the caps to the battery; do not remove the caps.
- Using SUZUKI pocket tester, measure the battery voltage. The tester should indicate more than 12.5–12.6V (DC) as shown in the Fig. If the battery voltage is lower than the specification, charge the battery with a battery charger. (Refer to the recharging operation.)

NOTE:

Initial charging for a new battery is recommended if two years have elapsed since the date of manufacture.

SERVICING

Visually inspect the surface of the battery container. If any signs of cracking or electrolyte leakage from the sides of the battery have occurred, replace the battery with a new one. If the battery terminals are found to be coated with rust or an acidic white powdery substance, then this can be cleaned away with sandpaper.



RECHARGING OPERATION

- Using the pocket tester, check the battery voltage. If the voltage reading is less than the 12.0V (DC), recharge the battery with a battery charger.

CAUTION:

When recharging the battery, remove the battery from the motorcycle.

NOTE:

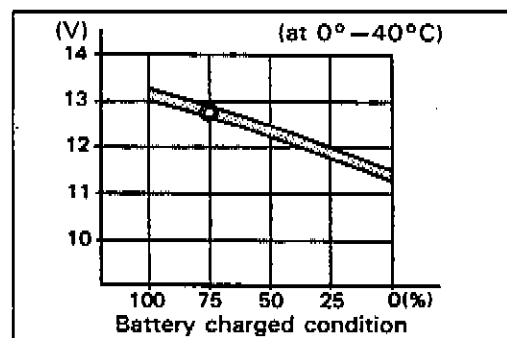
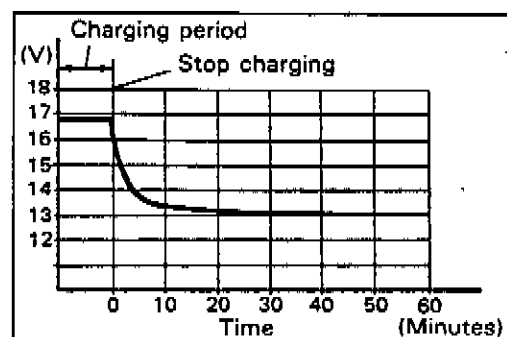
Do not remove the caps on the battery top while recharging.

Recharging time: 4A for one hour or 0.9A for 5 hours

CAUTION:

Be careful not to permit the charging current to exceed 4A at any time.

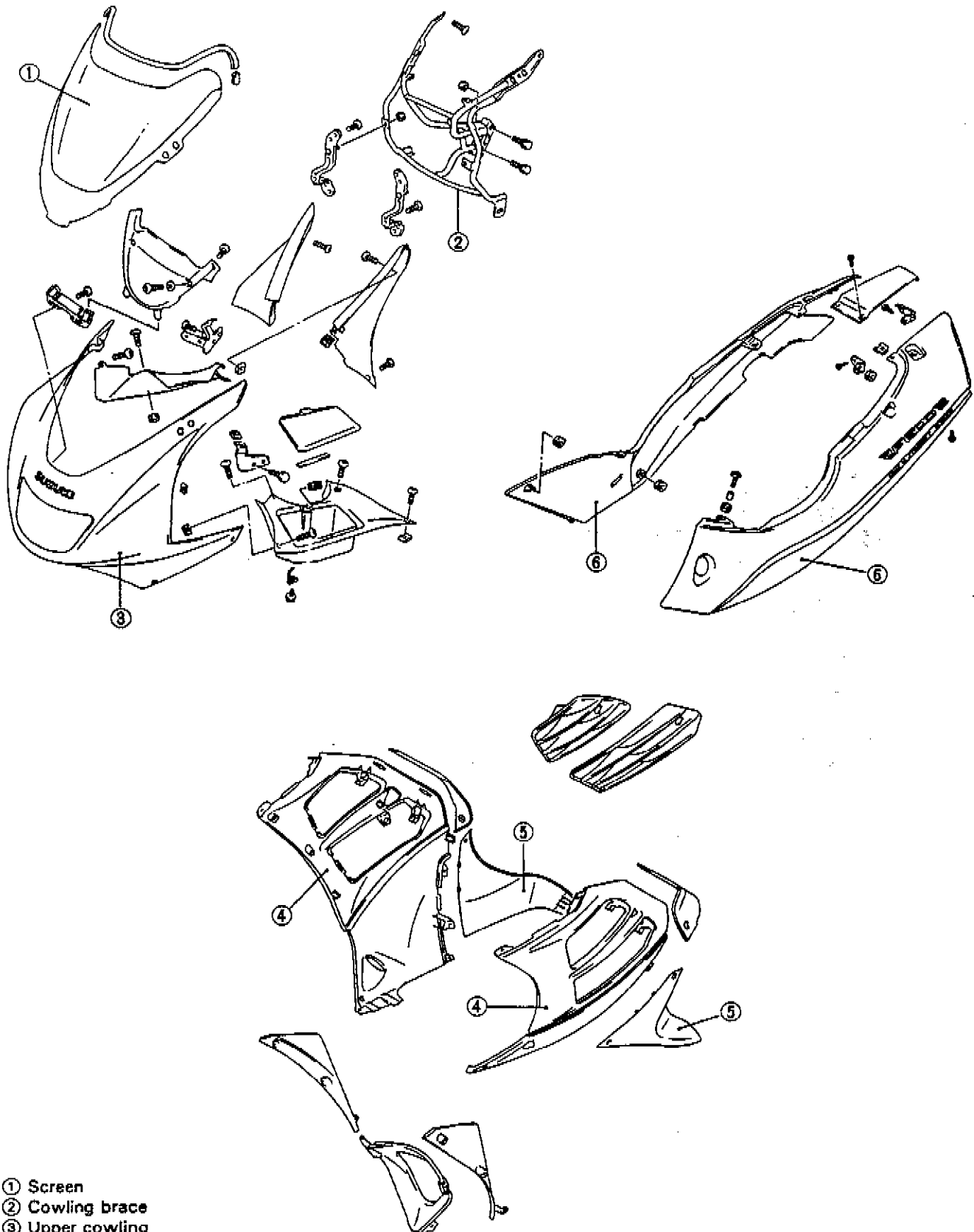
- After recharging, wait for more than 30 minutes and check the battery voltage with a pocket tester.
- If the battery voltage is less than the 12.5V, recharge the battery again.
- If battery voltage is still less than 12.5V, after recharging, replace the battery with a new one.
- When the motorcycle is not used for a long period, check the battery every 1 month to prevent the battery discharge.



CHASSIS

CONTENTS

COWLING AND FRAME COVER	7- 1
REMOVAL	7- 2
REMOUNTING	7- 6
FRONT WHEEL	7- 7
REMOVAL	7- 7
INSPECTION AND DISASSEMBLY	7- 8
REASSEMBLY AND REMOUNTING	7- 9
TIRE AND WHEEL	7-12
TIRE REMOVAL	7-12
INSPECTION	7-14
TIRE MOUNTING	7-15
FRONT BRAKE	7-17
BRAKE PAD REPLACEMENT	7-17
CALIPER REMOVAL AND DISASSEMBLY	7-19
CALIPER INSPECTION	7-20
CALIPER REASSEMBLY AND REMOUNTING	7-20
DISC SERVICING	7-21
DISC INSPECTION	7-21
MASTER CYLINDER REMOVAL AND DISASSEMBLY	7-21
MASTER CYLINDER INSPECTION	7-22
MASTER CYLINDER REASSEMBLY AND REMOUNTING	7-23
FRONT FORK	7-24
REMOVAL AND DISASSEMBLY	7-24
INSPECTION	7-26
REASSEMBLY AND REMOUNTING	7-27
SUSPENSION SETTING	7-29
STEERING	7-30
REMOVAL AND DISASSEMBLY	7-30
INSPECTION	7-31
DISASSEMBLY	7-31
REASSEMBLY AND REMOUNTING	7-32
STEERING TENSION ADJUSTMENT	7-33
IGNITION SWITCH	7-34
REAR BRAKE	7-35
BRAKE PAD REPLACEMENT	7-35
CALIPER REMOVAL AND DISASSEMBLY	7-36
CALIPER INSPECTION	7-37
CALIPER REASSEMBLY AND REMOUNTING	7-38
MASTER CYLINDER REMOVAL AND DISASSEMBLY	7-38
MASTER CYLINDER INSPECTION	7-39
MASTER CYLINDER REASSEMBLY AND REMOUNTING	7-40
REAR WHEEL	7-41
REMOVAL AND DISASSEMBLY	7-41
INSPECTION AND DISASSEMBLY	7-43
REASSEMBLY AND REMOUNTING	7-44
REAR SUSPENSION	7-47
REMOVAL	7-48
INSPECTION	7-50
REASSEMBLY AND REMOUNTING	7-51
REASSEMBLY ONTO FRAME	7-52
FINAL INSPECTION AND ADJUSTMENT	7-53
SUSPENSION SETTING	7-53

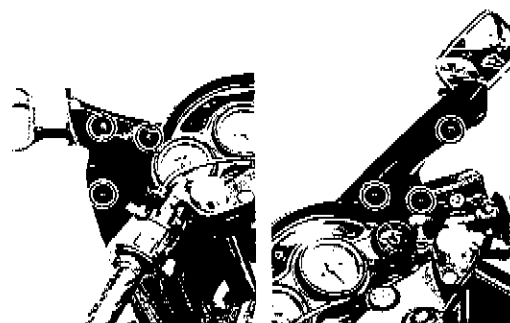
7-1 CHASSIS**COWLING AND FRAME COVER**

- ① Screen
- ② Cowling brace
- ③ Upper cowling
- ④ Lower cowling
- ⑤ Lower cowling of rear
- ⑥ Frame cover

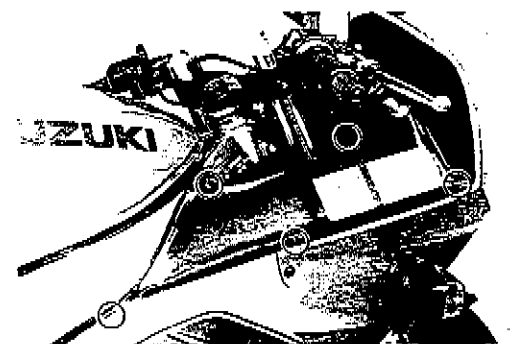
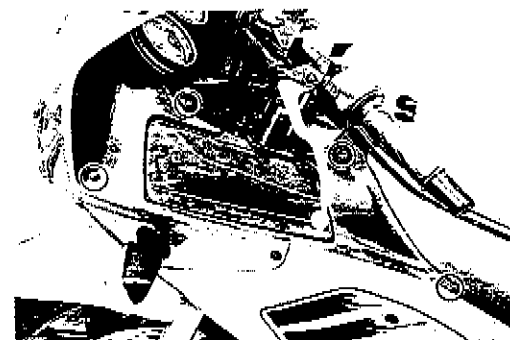
REMOVAL

COWLING ASSEMBLY AND COWLING BRACE

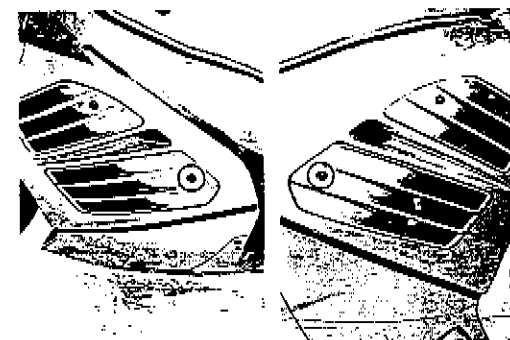
1. Remove the cowling upper panels of front by removing the screws, left and right.



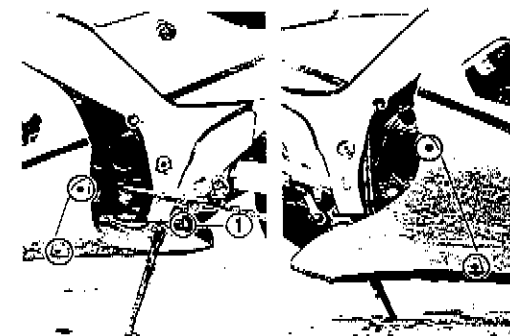
2. Remove the cowling upper panels of rear by removing the screws, left and right.



3. Remove the service lids on the lower cowling by removing the screws, left and right.

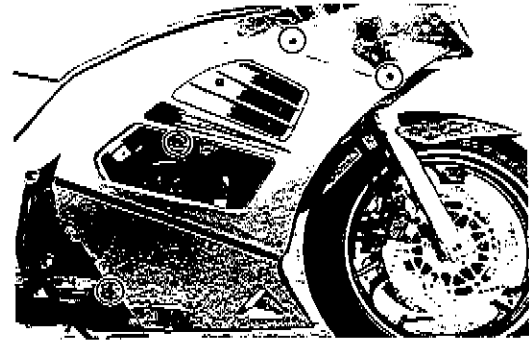
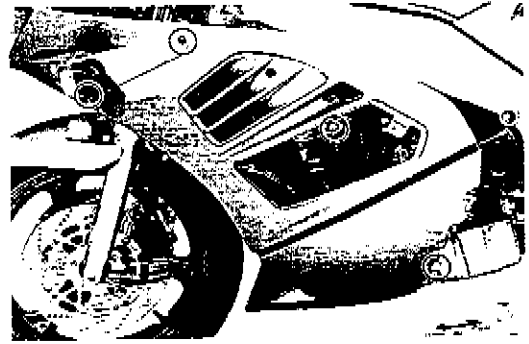


4. Remove the lower cowling of rear by removing the screws and nut ①.

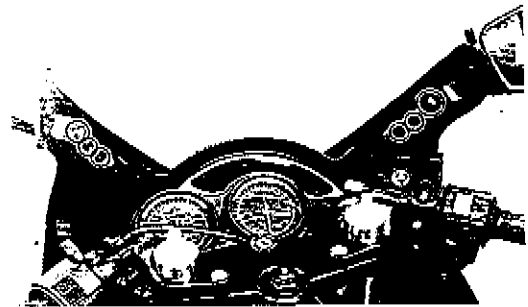


7-3 CHASSIS

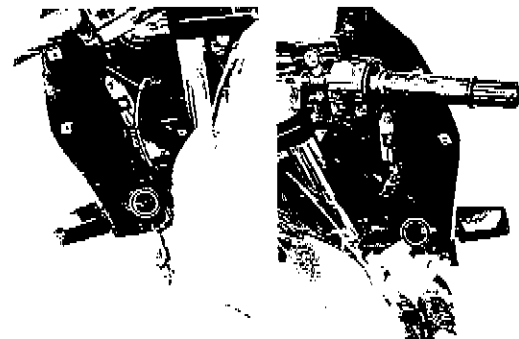
5. Remove the lower cowling assembly by removing the screws and bolts, left and right.



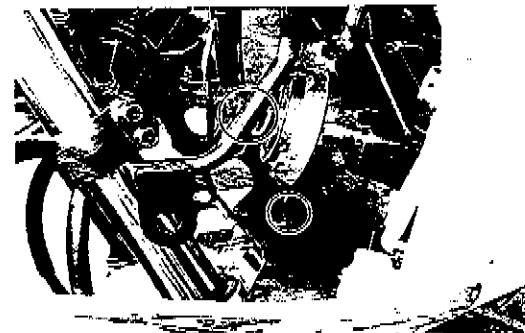
6. Remove the rear-view mirrors by removing the bolts, left and right.



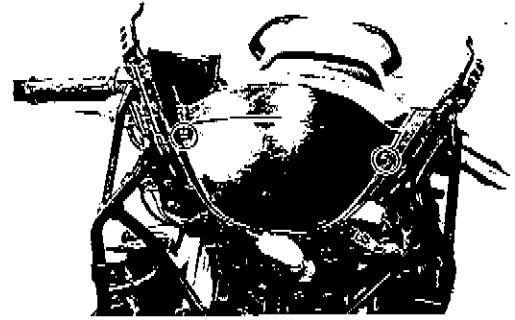
7. Remove the front turn signal lights after disconnecting the their lead wire couplers, left and right.



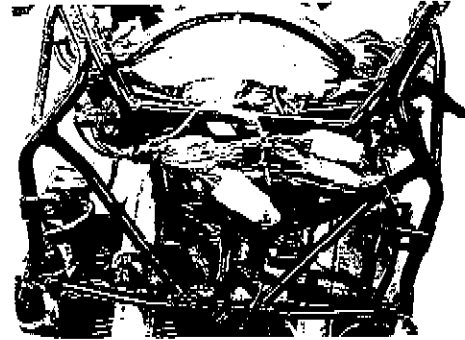
8. Disconnect the headlight and position light lead wire couplers.
9. Remove the upper cowling along with the screen and headlight.



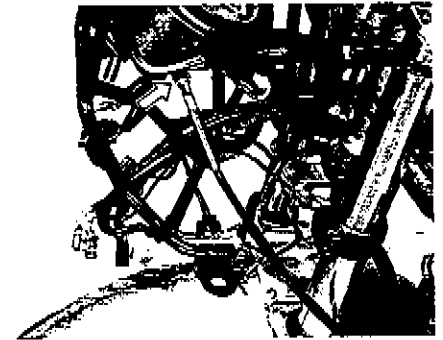
10. Remove the center panel.



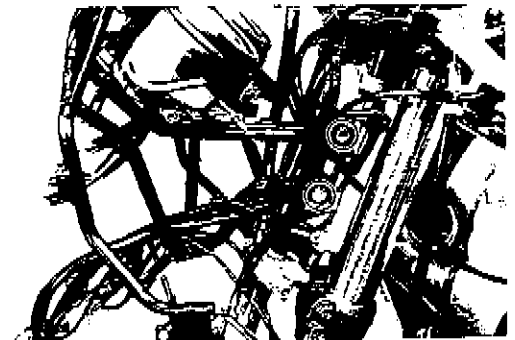
11. Disconnect the various lead wire couplers.



12. Disconnect the speedometer cable.



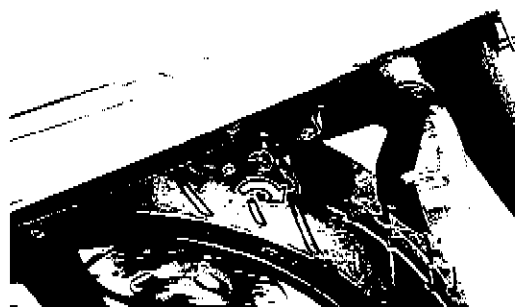
13. Remove the cowling brace along with the combination meter by removing the bolts and nut.



7-5 CHASSIS

FRAME COVER ASSEMBLY

1. Remove the front seat with the ignition key.

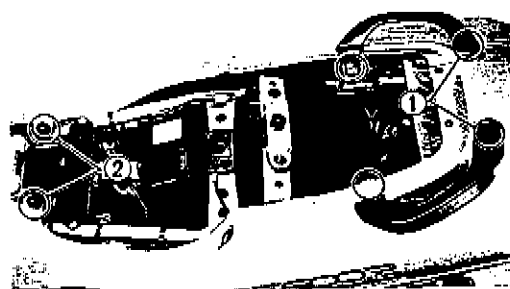


2. Remove the rear seat with the seat lock lever.

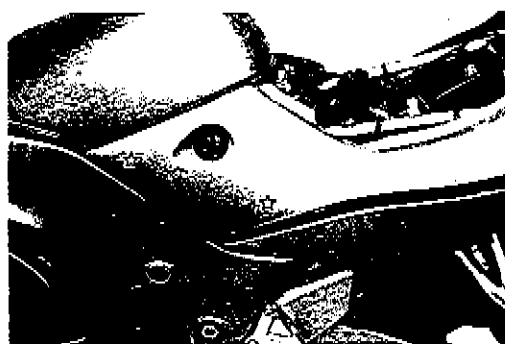


3. Remove the pillion rider grabber mounting bolts after removing the caps ① .

4. Remove the frame cover mounting screws ② .



5. Extract the hooked parts of frame cover, left and right.



☆: hooked part

6. Remove the frame cover after disconnecting the tail/brake light lead wire coupler.

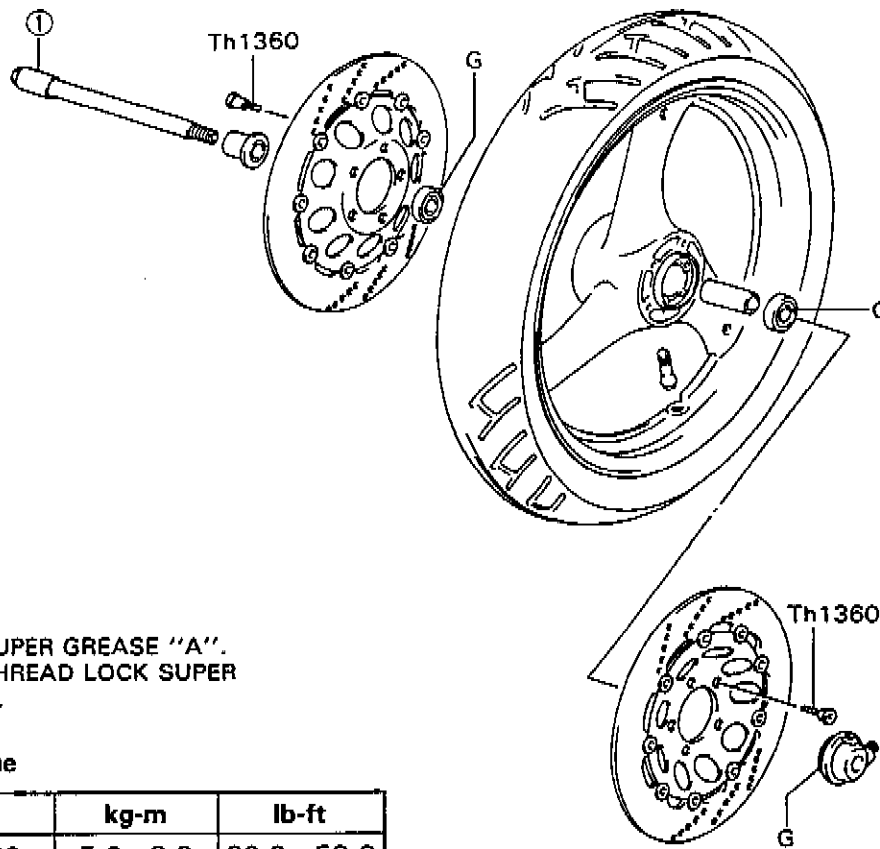


REMOUNTING

Remount the cowling and frame cover in the reverse order of its removal. (Refer to pages 8-23, 8-24 and 8-25.)

7-7 CHASSIS

FRONT WHEEL



G : Apply SUPER GREASE "A".
Th1360: Apply THREAD LOCK SUPER
"1360".

Tightening torque

ITEM	N·m	kg·m	lb·ft
①	50--80	5.0--8.0	36.0--58.0
②	18--28	1.8--2.8	13.0--20.0

REMOVAL

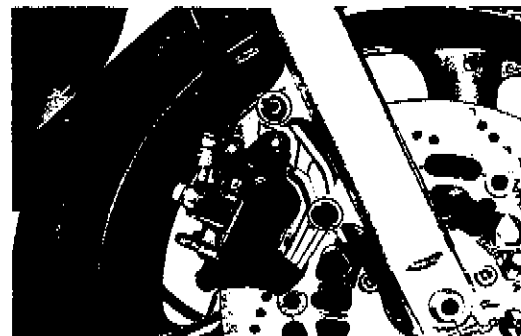
1. Remove the lower cowling. (Refer to page 7-2.)
2. Support the motorcycle with a jack or a wooden block.
3. Loosen the axle pinch bolts.
4. Loosen the axle shaft.



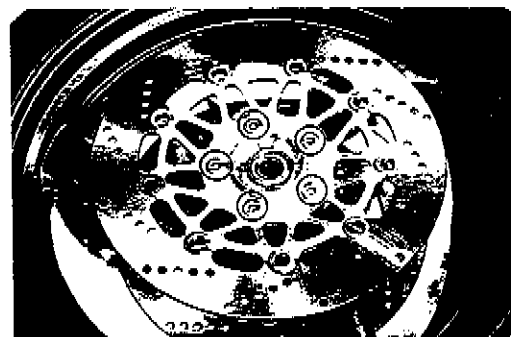
5. Remove the brake calipers, left and right.
6. Remove the axle shaft and front wheel.

CAUTION:

- * Do not operate the brake lever while dismantling the brake calipers.
- * Hang the brake calipers on the motorcycle frame with a string etc., taking care not to bend the brake hose.



7. Remove the both brake discs off the front wheel by removing the mounting bolts.



INSPECTION AND DISASSEMBLY

SPEEDOMETER GEARBOX DUST SEAL

Inspect the lip of dust seal for damage.

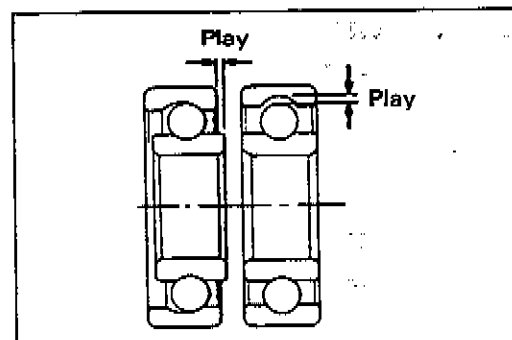
TIRE

Refer to page 7-12.



WHEEL BEARINGS

Inspect the play of the wheel bearings by hand while they are in the wheel. Rotate the inner race by hand to inspect for abnormal noise and smooth rotation. Replace the bearing if there is anything unusual.



AXLE SHAFT

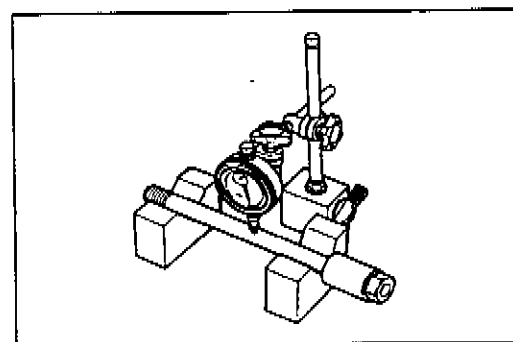
Using a dial gauge, check the axle shaft for runout and replace it if the runout exceeds the limit.

09900-20606: Dial gauge (1/100)

09900-20701: Magnetic stand

09900-21304: V-block set (100 mm)

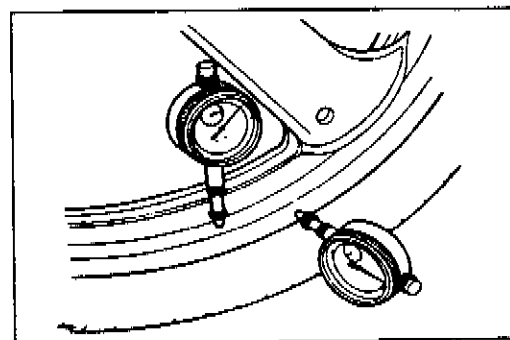
Service Limit: 0.25 mm (0.010 in)



WHEEL

Make sure that the wheel runout checked as shown does not exceed the service limit. An excessive runout is usually due to worn or loosen wheel bearings and can be reduced by replacing the bearings. If bearing replacement fails to reduce the runout, replace the wheel.

Service Limit (Axial and Radial): 2.0 mm (0.08 in)

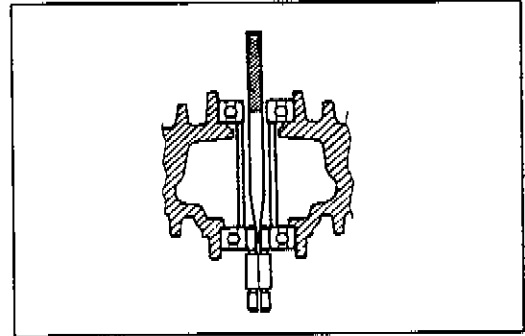


7-9 CHASSIS

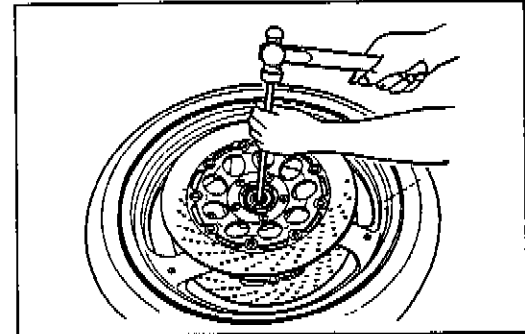
- Drive out both wheel bearings by using the special tool in the following procedures.

09941-50111: Bearing remover

- Insert the special tool into the wheel bearing.



- After inserting the wedge bar from the opposite side, lock the wedge bar in the slit of the special tool.
- Drive out the wheel bearing by knocking the wedge bar.



CAUTION:

The removed bearings should be replaced with new ones.

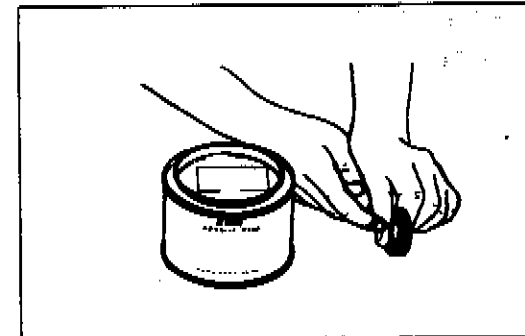
REASSEMBLY AND REMOUNTING

Reassemble and remount the front wheel in the reverse order of removal and disassembly. Pay attention to the following points:

WHEEL BEARING

- Apply grease to the bearing before installing.

99000-25030: SUZUKI SUPER GREASE "A"

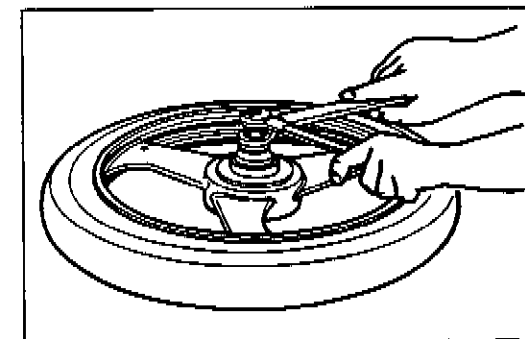


- Install the wheel bearings as follows by using the special tool.

09924-84510: Bearing installer set

NOTE:

First install the left wheel bearing, then install the right wheel bearing. The sealed cover on the bearing is positioned outside. Refer to page 7-11 for details.

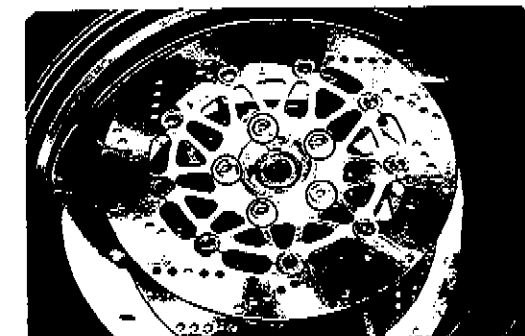


BRAKE DISC

- Make sure that the brake disc is clean and free of any greasy matter. Apply THREAD LOCK SUPER "1360" to the disc mounting bolts and tighten them to the specified torque.

Tightening torque: 18–28 N·m
(1.8–2.8 kg-m, 13.0–20.0 lb-ft)

99000-32130: THREAD LOCK SUPER "1360"



SPEEDOMETER GEARBOX

- Before installing the speedometer gearbox, apply grease to its dust seal lip and align the drive lugs ① to the recesses ② of the wheel hub and attach the speedometer gearbox to the wheel hub.

99000-25030: SUZUKI SUPER GREASE "A"

- Set the stopper on the speedometer gearbox to the lug ③ on the left front fork.

**BRAKE CALIPER**

- Tighten the brake caliper mounting bolts to the specified torque.

Tightening torque: 20–30 N·m
(2.0–3.0 kg·m, 14.5–21.5 lb-ft)

NOTE:

Push the pistons all the way into the caliper and remount the calipers.

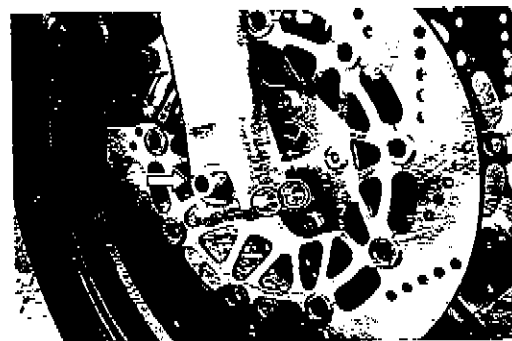
**AXLE SHAFT**

- Tighten the axle shaft to the specified torque.

Tightening torque: 50–80 N·m
(5.0–8.0 kg·m, 36.0–58.0 lb-ft)

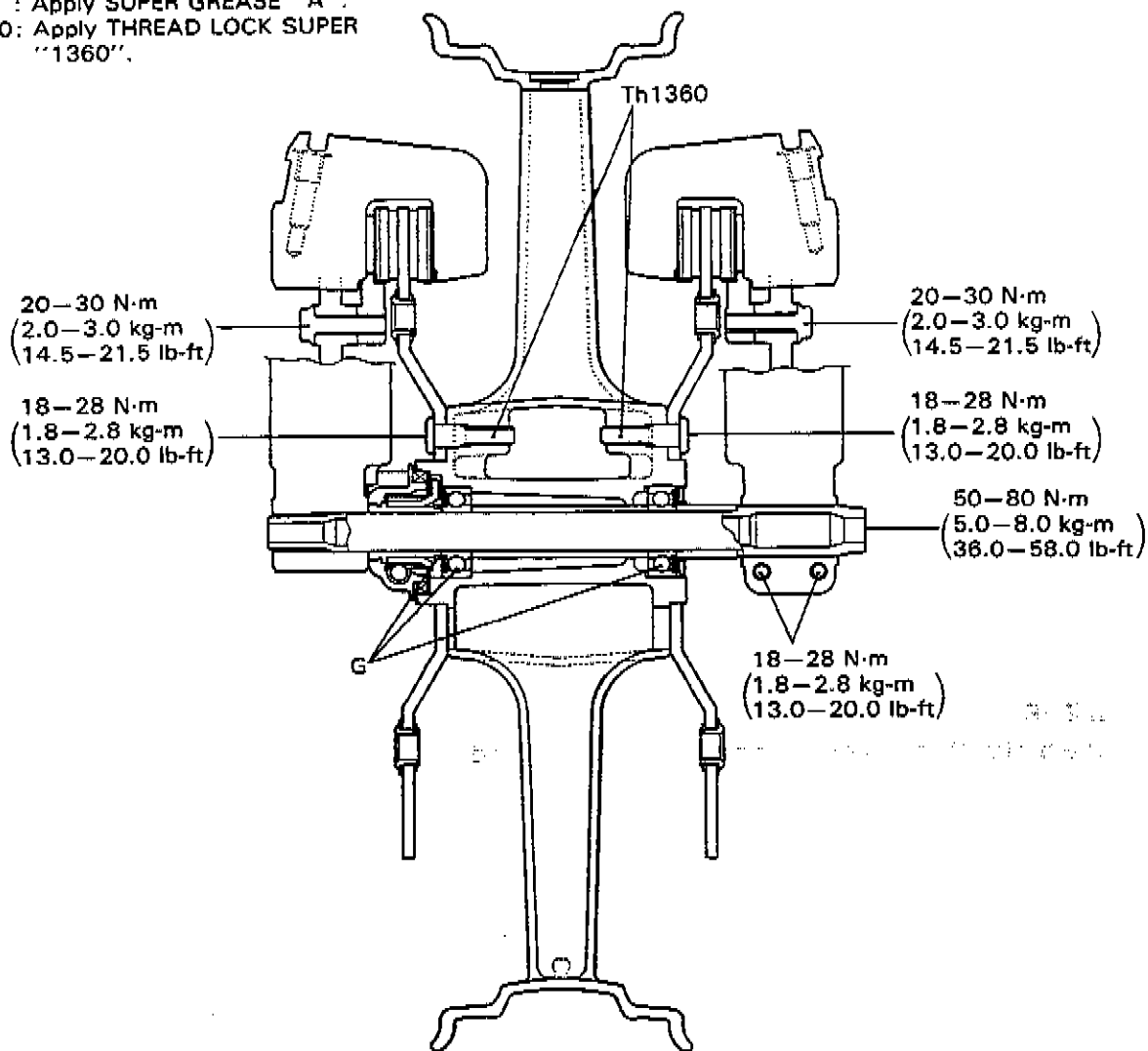
- Tighten the pinch bolt to the specified torque.

Tightening torque: 18–28 N·m
(1.8–2.8 kg·m, 13.0–20.0 lb-ft)



7-11 CHASSIS

G : Apply SUPER GREASE "A".
 Th1360: Apply THREAD LOCK SUPER "1360".

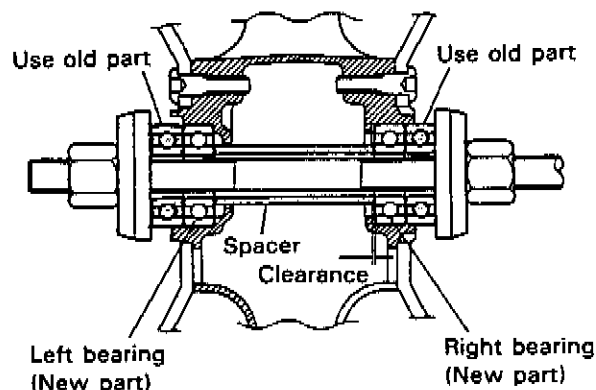
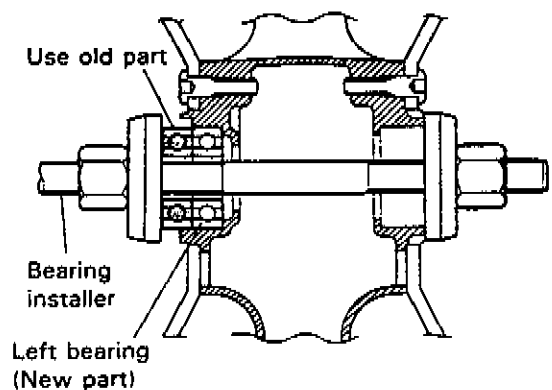


Left ←

⇒ Right

Left ←

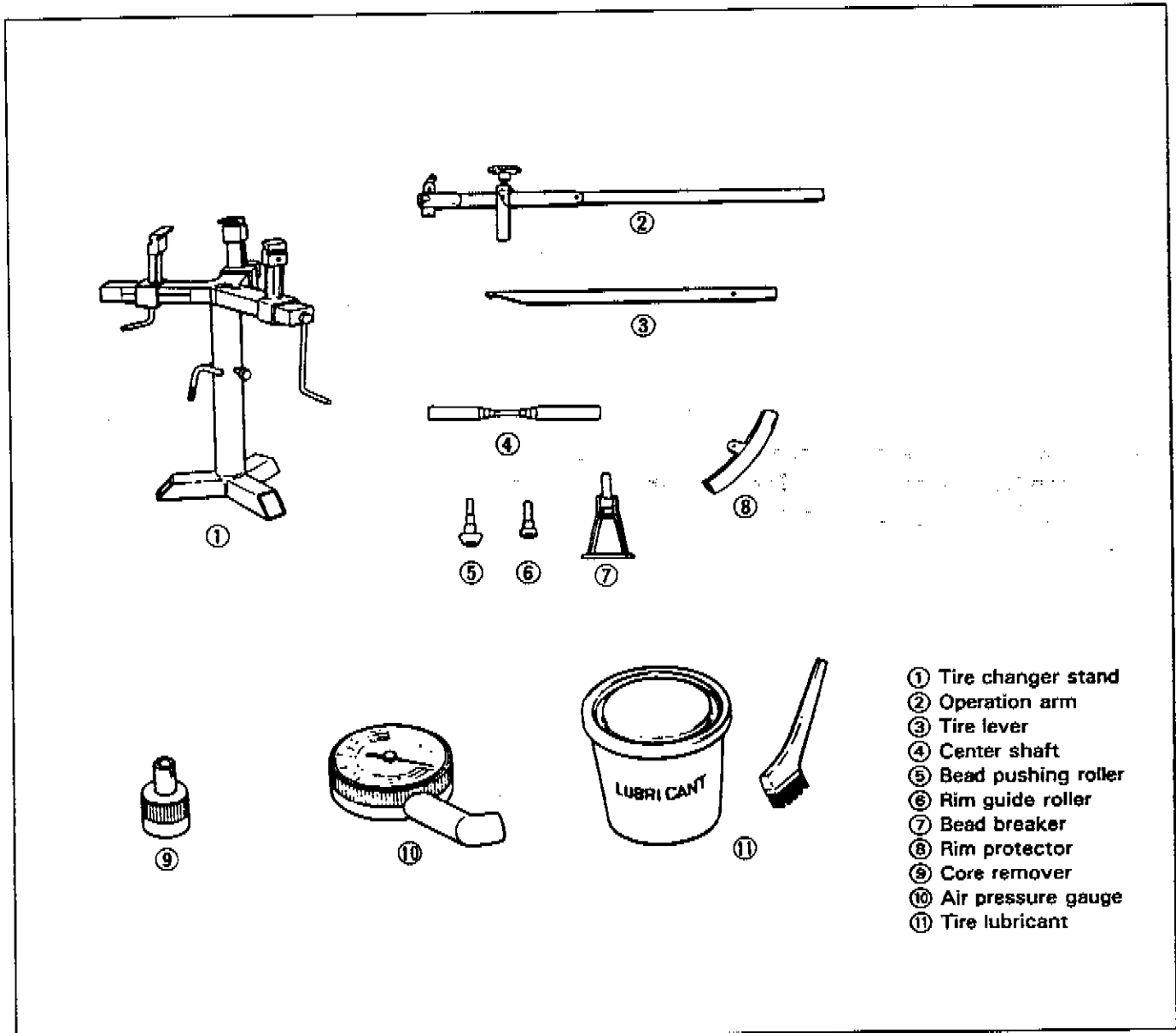
⇒ Right



TIRE AND WHEEL

TIRE REMOVAL

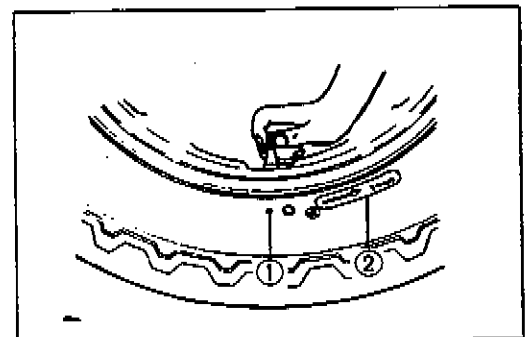
The most critical factor of a tubeless tire is the seal between the wheel rim and the tire bead. Because of this, we recommend using a tire changer which is also more efficient than tire levers. For tire removal, the following tools are required.



- Remove the valve core from the valve stem, and deflate the tire completely.

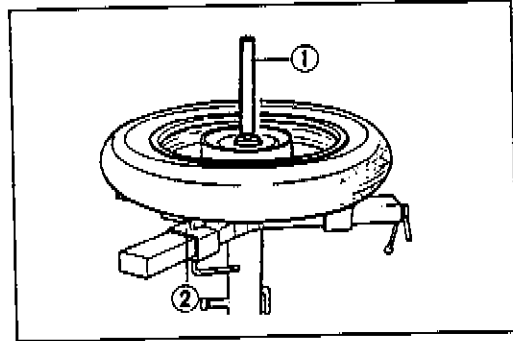
NOTE:

Mark the tire with chalk to note the position ① of the tire on the rim and rotational direction ② of the tire.

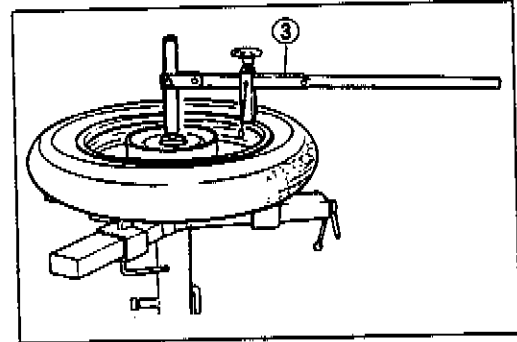


7-13 CHASSIS

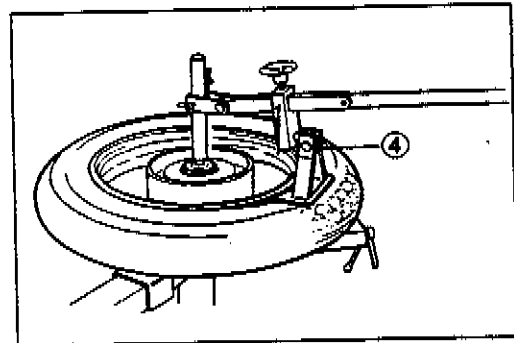
- Place the center shaft ① to the wheel, and fix the wheel with the rim holder ② .



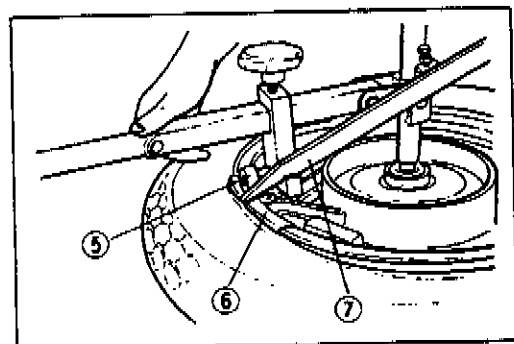
- Attach the operation arm ③ to the center shaft.



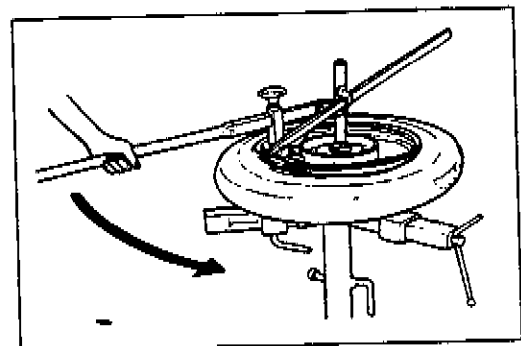
- Attach the bead breaker ④ to the operation arm, and dismount the bead from the rim. Turn the wheel over and dismount the other bead from the rim.



- Install the rim guide roller ⑤ .
- Install the rim protector ⑥ , and raise the bead with the tire lever ⑦ .



- Set the tire lever against the operation arm, and rotate the lever around the rim. Repeat this procedure to remove the other bead from the rim.

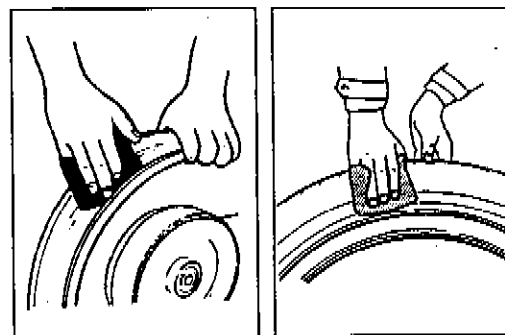


INSPECTION

WHEEL

Wipe off any rubber substance or rust from the wheel, and inspect the wheel rim. If any one of the following items is observed, replace it with a new wheel.

- * A distortion or crack.
- * Any scratches or flaws in the bead seating area.
- * Wheel runout (Axial & Radial) of more than 2.0 mm (0.08 in).



TIRE

Thoroughly inspect the removed tire, and if any one of the following items is observed, do not repair the tire. Replace with a new one.

- * A puncture or a split whose total length or diameter exceeds 6.0 mm (0.24 in).
- * A scratch or split at the side wall.
- * Tread depth less than 1.6 mm (0.06 in) in the front tire and less than 2.0 mm (0.08 in) in the rear tire.

09900-20805: Tire depth gauge

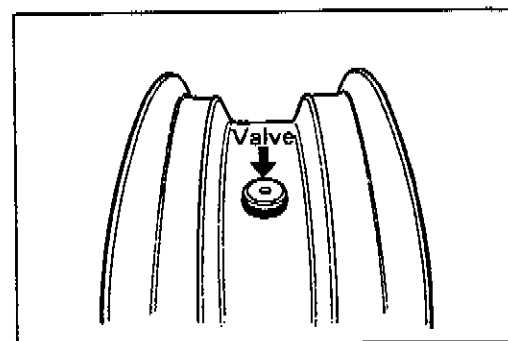
- * Ply separation.
- * Tread separation.
- * Tread wear is extraordinarily deformed or distributed around the tire.
- * Scratches at the bead.
- * Cord is cut.
- * Damage from skidding (flat spots).
- * Abnormality in the inner liner.

NOTE:

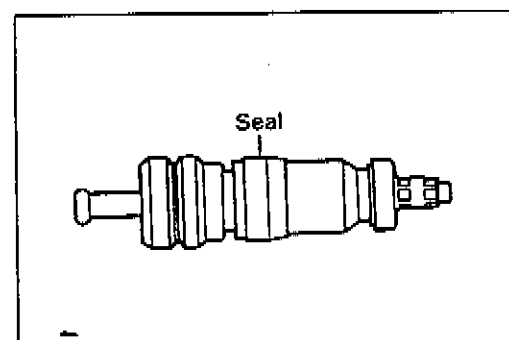
When repairing a flat tire, follow the repair instructions and use only recommended repairing materials.

VALVE INSPECTION

Inspect the valve after the tire is removed from the rim, and replace with a new valve if the seal rubber has any splits or scratches.



Inspect the removed valve core and replace with the new one if the seal is abnormally deformed or worn.



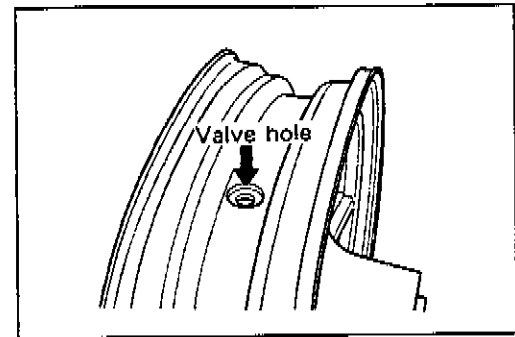
7-15 CHASSIS

VALVE INSTALLATION

Any dust or rust around the valve hole must be cleaned off. Then install the valve in the rim.

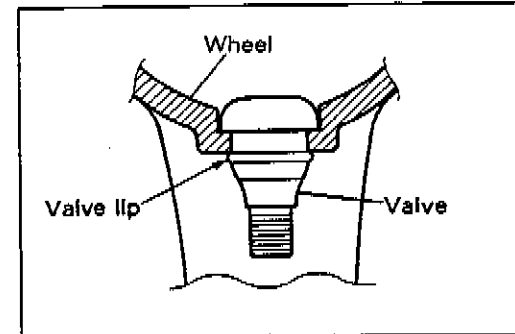
NOTE:

To properly install the valve into the valve hole, apply a special tire lubricant or neutral soapy liquid to the valve.



CAUTION:

Be careful not to damage the threads and lip of valve.

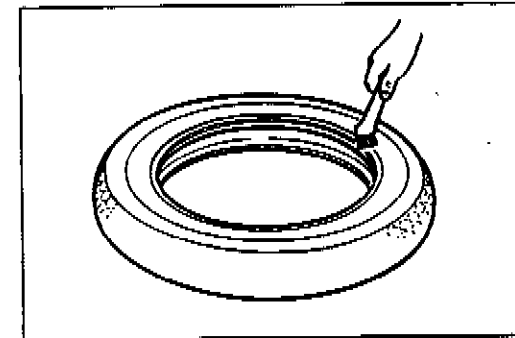


TIRE MOUNTING

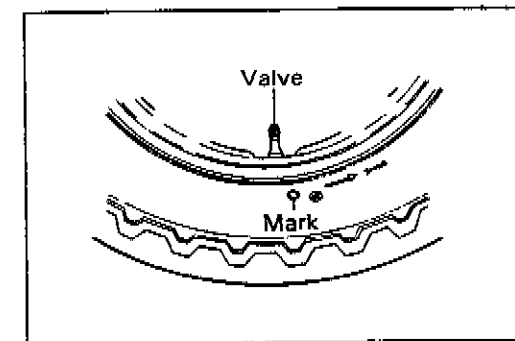
- Apply a special tire lubricant or neutral soapy liquid to the tire bead.

CAUTION:

Never apply grease, oil or gasoline to the tire bead.



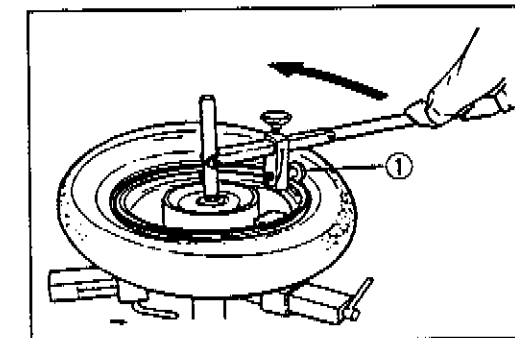
- When installing the tire, make certain that the directional arrow faces the direction of wheel rotation and align the balancing mark of the tire with the valve as shown.



- Set the bead pushing roller ①.
- Rotate the operation arm around the rim to mount the bead completely. Do the bottom bead first, then the upper bead.
- Remove the wheel from the tire changer, and install the valve core in the valve stem.

NOTE:

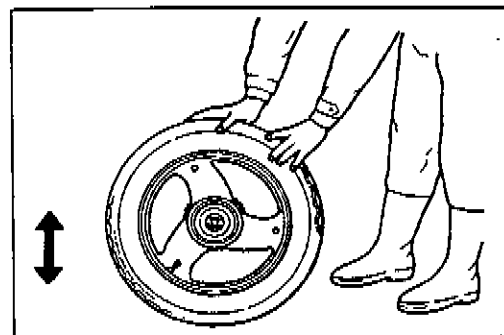
Before installing the valve core, inspect the core.



- Bounce the tire several times while rotating. This makes the tire bead expand outwards, and thus makes inflation easier.

NOTE:

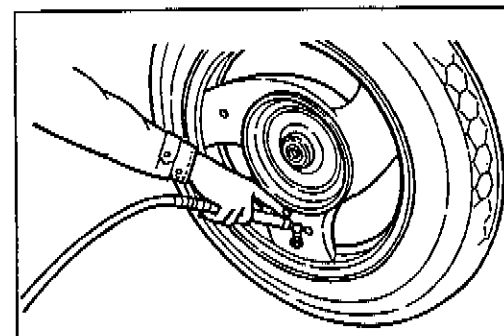
Before inflating, confirm that the balance mark lines up with the valve stem.



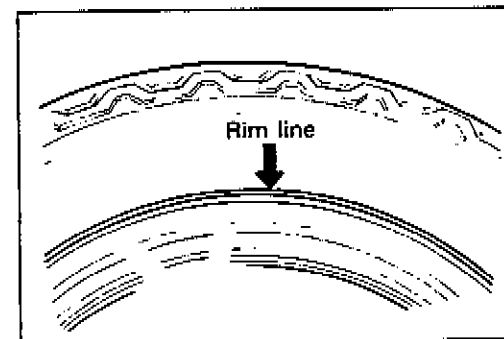
- Pump up the tire with air.

WARNING:

Do not inflate the tire to more than 400 kPa (4.0 kg/cm², 56 psi). The tire could burst with sufficient force to cause severe injury. Never stand directly over the tire while inflating it.

**NOTE:**

Check the "rim line" cast on the tire side walls. It must be equidistant from the wheel rim all the way around. If the distance between the rim line and wheel rim varies, this indicates that the bead is not properly seated. If this is so, deflate the tire completely, and unseat the bead for both sides. Coat the bead with lubricant, and try again.



- After tire is properly seated to the wheel rim, adjust the air-pressure to the recommended pressure. Correct the wheel balance if necessary.

WARNING:

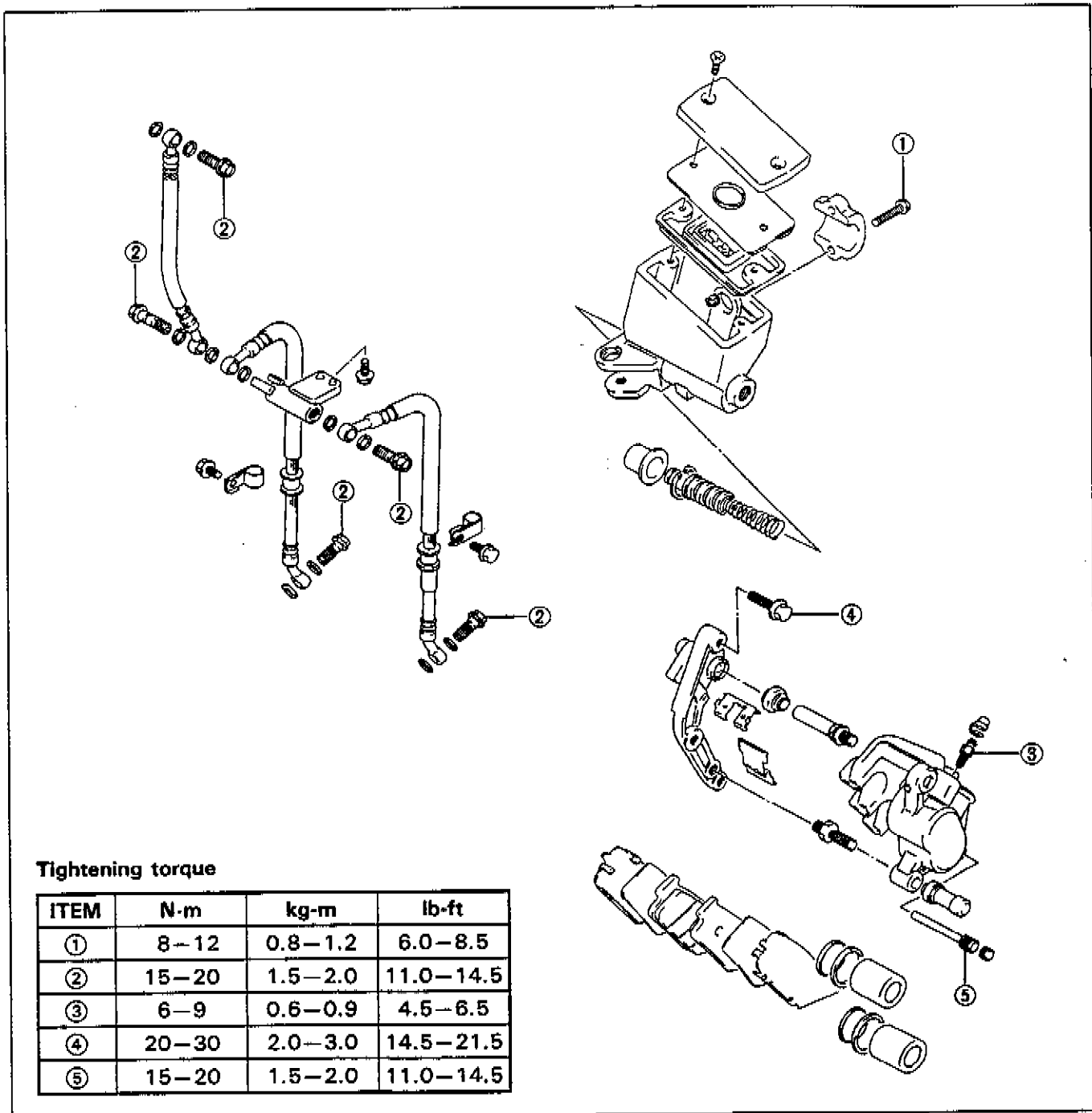
- * Do not run a repaired tire more than 50 km/h (30 mph) within 24 hours after tire repairing, since the patch may not be completely cured.
- * Do not exceed 130 km/h (80 mph) with a repaired tire.

TIRE PRESSURE

COLD INFLATION TIRE PRESSURE	SOLO RIDING			DUAL RIDING		
	kPa	kg/cm ²	psi	kPa	kg/cm ²	psi
FRONT	250	2.50	36	250	2.50	36
REAR	250	2.50	36	290	2.90	41

7-17 CHASSIS

FRONT BRAKE

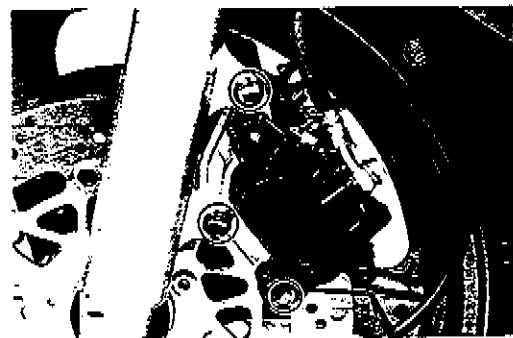


Tightening torque

ITEM	N·m	kg·m	lb·ft
①	8-12	0.8-1.2	6.0-8.5
②	15-20	1.5-2.0	11.0-14.5
③	6-9	0.6-0.9	4.5-6.5
④	20-30	2.0-3.0	14.5-21.5
⑤	15-20	1.5-2.0	11.0-14.5

BRAKE PAD REPLACEMENT

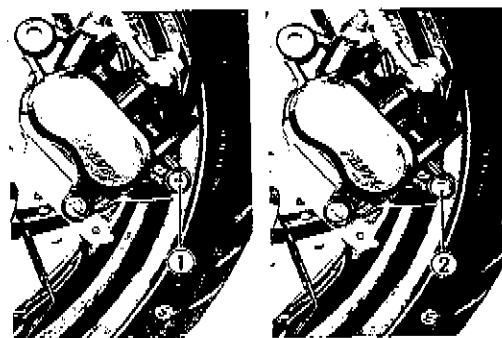
1. Remove the caliper by removing the mounting bolts and speedometer cable guide bolt (for left caliper).



2. Remove the brake pad mounting bolt cap ① .
3. Remove the brake pads by removing the pad mounting bolt ② .

CAUTION:

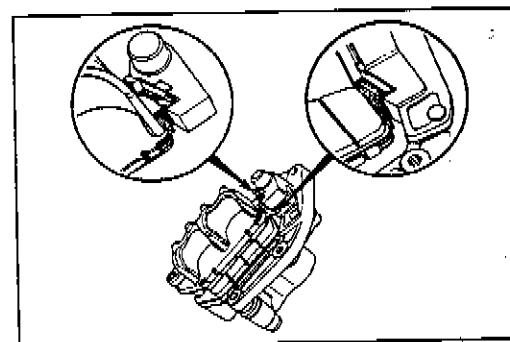
- * Do not operate the brake lever while dismantling the pads.
- * Replace the brake pads as a set, otherwise braking performance will be adversely affected.



4. Remount the new pads.

WARNING:

Make sure that the pads are properly engaged with the guide plate as shown in the illustration.

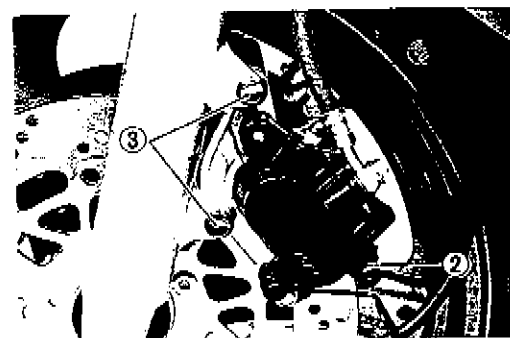


5. Tighten the pads mounting bolt ② to the specified torque.

Tightening torque: 15–20 N·m
(1.5–2.0 kg·m, 11.0–14.5 lb-ft)

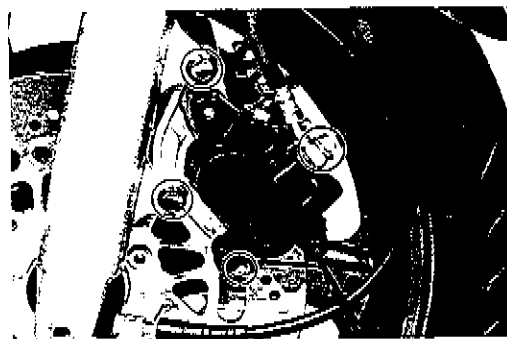
6. Tighten the caliper mounting bolts ③ to the specified torque.

Tightening torque: 20–30 N·m
(2.0–3.0 kg·m, 14.5–21.5 lb-ft)



7-18 CHASSIS**CALIPER REMOVAL AND DISASSEMBLY**

1. Disconnect the brake hose from the caliper by removing the union bolt and catch the brake fluid in a suitable receptacle.
2. Remove the brake caliper by removing the caliper mounting bolts and speedometer cable guide bolt (for left caliper).

**CAUTION:**

Never reuse the brake fluid left over from previous servicing and stored for long periods.

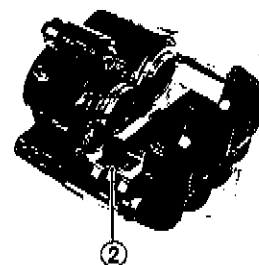
WARNING:

Brake fluid, if it leaks, will interfere with safe running and discolor painted surfaces. Check the brake hose and hose joints for cracks and oil leakage.

3. Remove the pads. (Refer to page 7-18.)
4. Remove the caliper holder ① .



5. Remove the spring ② .



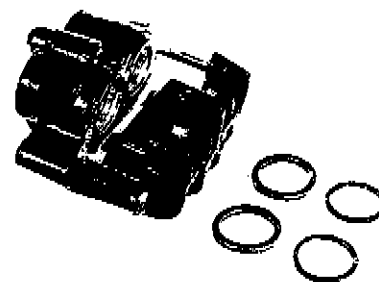
6. Place a rag over the piston to prevent its popping out and push out the piston with an air gun.

CAUTION:

Do not use high pressure air to prevent piston damage.



7. Remove the dust seals and piston seals.



CALIPER INSPECTION

CALIPER

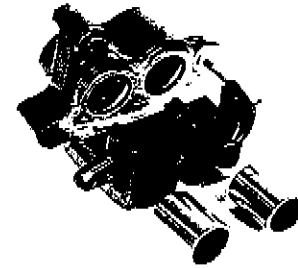
Inspect the caliper cylinder wall for nicks, scratches or other damage.

PISTON

Inspect the piston surface for any scratches or other damage.

RUBBER PARTS

The removed rubber parts should be replaced with new ones.



CALIPER REASSEMBLY AND REMOUNTING

Reassemble the caliper in the reverse order of removal and disassembly. Pay attention to the following points:

CAUTION:

- * Wash the caliper components with fresh brake fluid before reassembly. Never use cleaning solvent or gasoline to wash them.
- * Apply brake fluid to the caliper bore and piston to be inserted into the bore.

Specification and classification: DOT4

CALIPER BOLTS

- Tighten each bolt to the specified torque.

Tightening torque

Front brake caliper

mounting bolt ①: 20–30 N·m
(2.0–3.0 kg·m, 14.5–21.5 lb-ft)

Pads mounting

bolt ② : 15–20 N·m
(1.5–2.0 kg·m, 11.0–14.5 lb-ft)

Brake hose

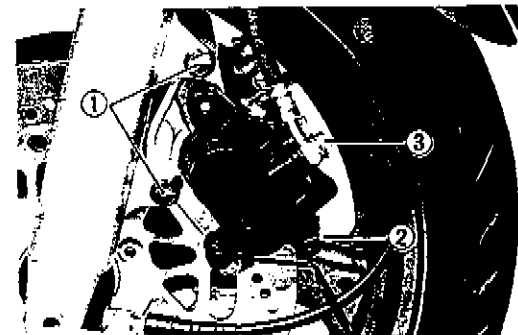
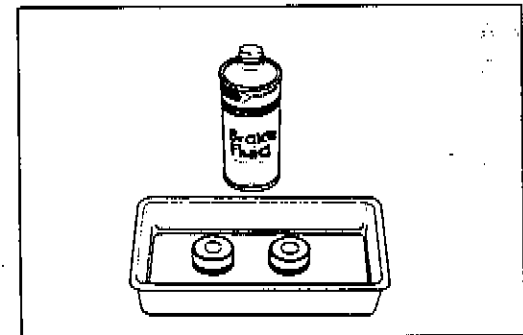
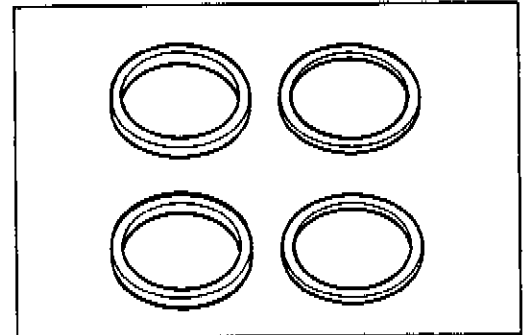
union bolt ③ : 15–20 N·m
(1.5–2.0 kg·m, 11.0–14.5 lb-ft)

CAUTION:

Bleed air from the system after reassembling the caliper. (Refer to page 2-16.)

NOTE:

Before remounting the caliper, push the piston all the way into the caliper.



7-21 CHASSIS**DISC SERVICING**

- Remove the front and rear wheels. (Refer to pages 7-7 and 7-41.)
- Remove the disc. (Refer to pages 7-8 and 7-43.)
- Install the disc. (Refer to pages 7-9 and 7-45.)

DISC INSPECTION

Using a micrometer, check the disc for wear, its thickness can be checked with disc and wheel in place. The service limits for the thickness of the discs are shown below.

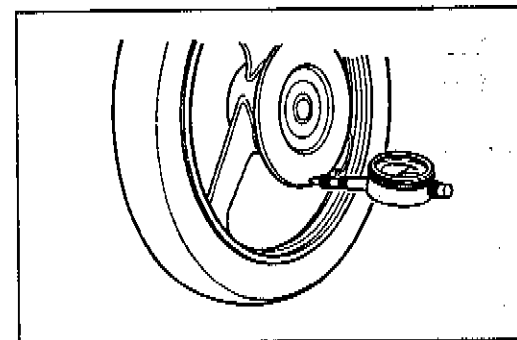
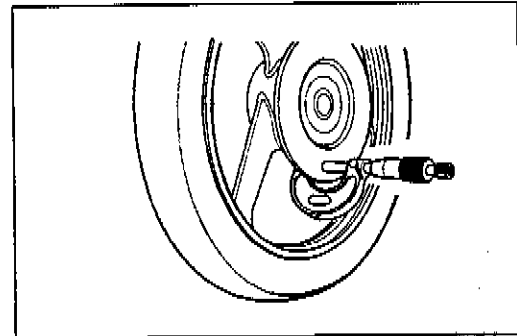
09900-20205: Micrometer (0–25 mm)

Service Limit (Front): 4.0 mm (0.16 in)
(Rear) : 4.5 mm (0.18 in)

With the disc mounted on the wheel, check the disc for face runout with a dial gauge, as shown.

09900-20606: Dial gauge (1/100 mm)
09900-20701: Magnetic stand

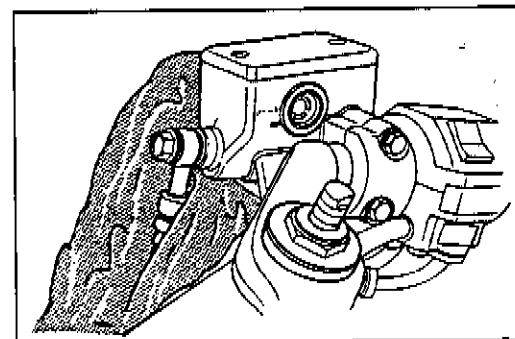
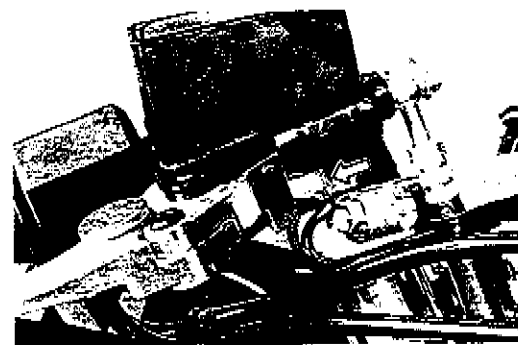
Service Limit: 0.30 mm (0.012 in)

**MASTER CYLINDER REMOVAL AND DISASSEMBLY**

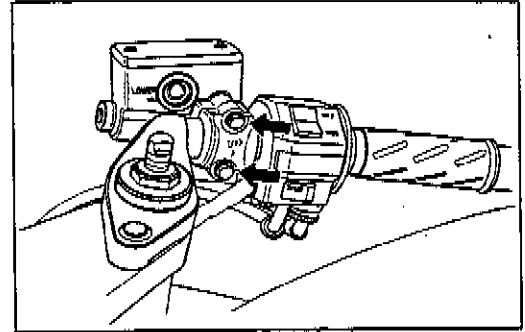
1. Disconnect the front brake light switch lead wires.
2. Place a rag underneath the union bolt on the master cylinder to catch any spilled drops of brake fluid. Remove the union bolt and disconnect the brake hose/master cylinder joint.

CAUTION:

Immediately and completely wipe off any brake fluid contacting any part of the motorcycle. The fluid reacts chemically with paint, plastics and rubber materials, etc. and will damage them severely.



3. Remove the master cylinder assembly.

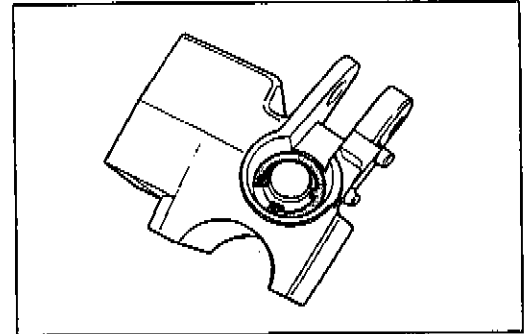


4. Remove the front brake lever, reservoir cap and diaphragm.

5. Drain brake fluid.

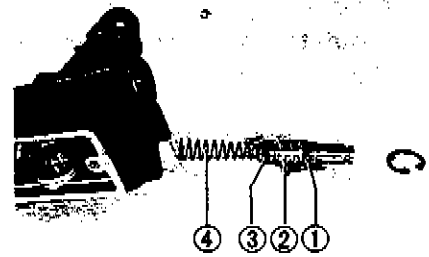
6. Remove the dust seal, then remove the circlip by using the special tool.

09900-06108: Snap ring pliers



7. Remove the piston/secondary cup, primary cup and spring.

- ① Secondary cup
- ② Piston
- ③ Primary cup
- ④ Return spring

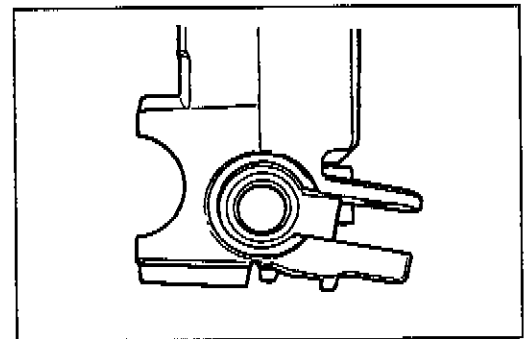


MASTER CYLINDER INSPECTION

Inspect the master cylinder bore for any scratches or other damage.

Inspect the piston surface for any scratches or other damage.

Inspect the primary cup, secondary cup and dust seal for wear or damage.



7-23 CHASSIS**MASTER CYLINDER REASSEMBLY AND REMOUNTING**

Reassemble the master cylinder in the reverse order of removal and disassembly. Pay attention to the following points:

CAUTION:

- * Wash the master cylinder components with fresh brake fluid before reassembly. Never use cleaning solvent or gasoline to wash them.
- * Apply brake fluid to the cylinder bore and all the component to be inserted into the bore.

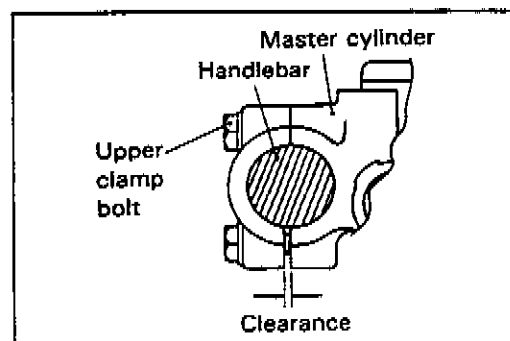
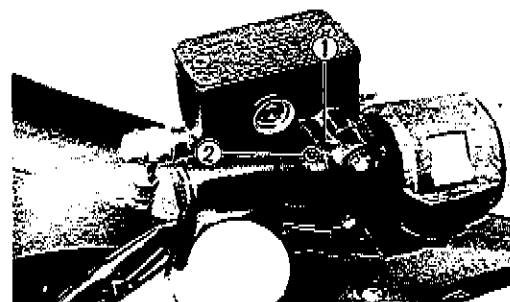
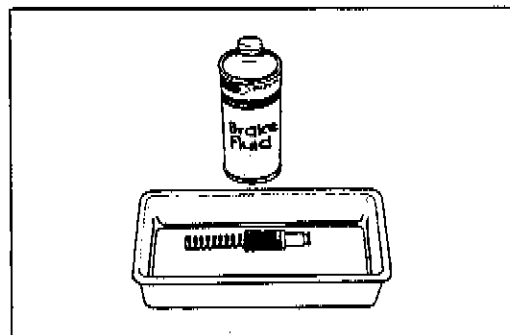
Specification and classification: DOT4

- When remounting the master cylinder on the handlebar, align the master cylinder holder's mating surface ① with punched mark ② on the handlebar and tighten the upper clamp bolt first as shown.

Tightening torque: 8–12 N·m
(0.8–1.2 kg·m, 6.0–8.5 lb·ft)

CAUTION:

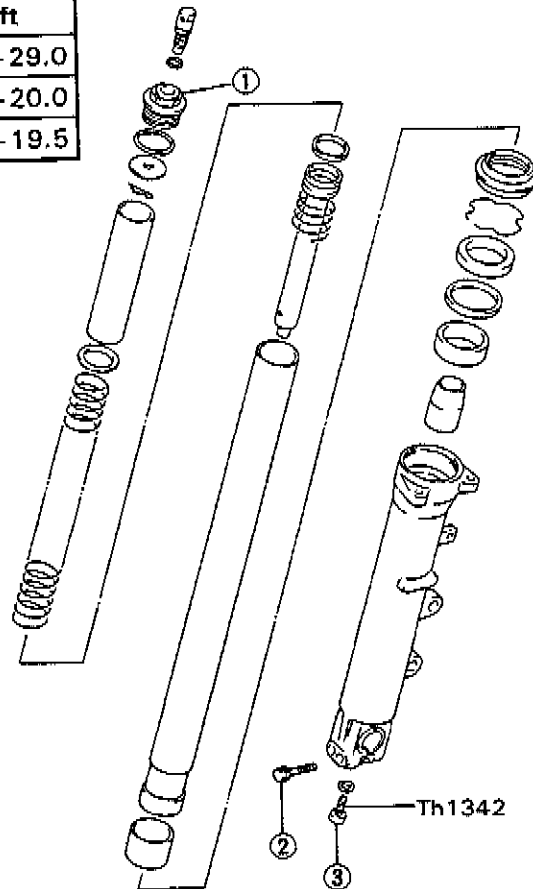
Bleed air from the system after reassembling master cylinder.
(Refer to page 2-16.)



FRONT FORK

Tightening torque

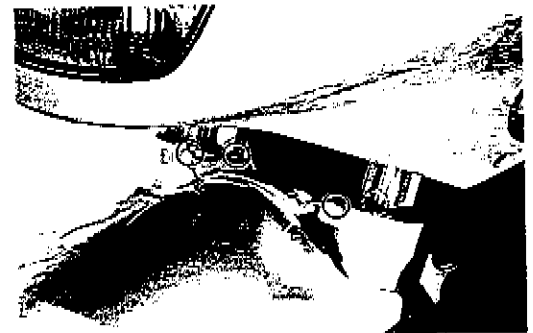
ITEM	N·m	kg·m	lb·ft
①	30-40	3.0-4.0	21.5-29.0
②	18-28	1.8-2.8	13.0-20.0
③	18-27	1.8-2.7	13.0-19.5



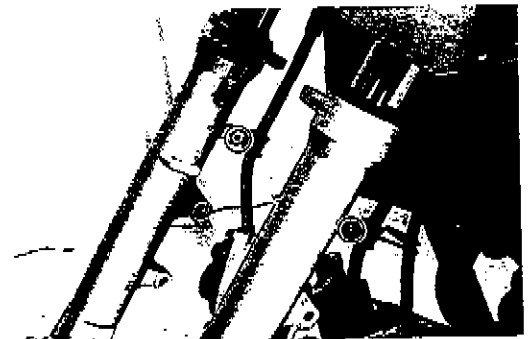
Th1342: Apply THREAD LOCK "1342".

REMOVAL AND DISASSEMBLY

1. Remove the cowling. (Refer to page 7-2.)
2. Remove the front wheel. (Refer to page 7-7.)
3. Remove the front fender brace with front fender by removing the fender brace mounting bolts.



4. Remove the brake hose clamps from the front fork.

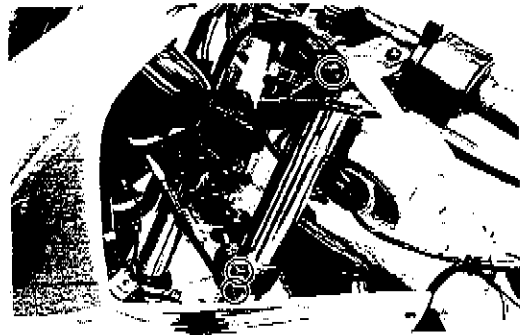


7-25 CHASSIS

6. Remove the front fork after loosening the front fork upper and lower clamp bolts.

NOTE:

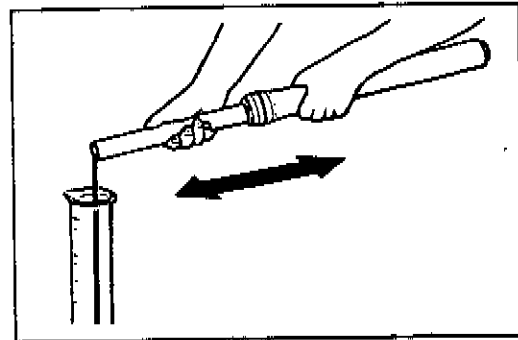
Slightly loosen the front fork cap bolt to facilitate later disassembly before loosening the front fork lower clamp bolts.



7. Remove the fork cap bolt, spacer, washer and spring.



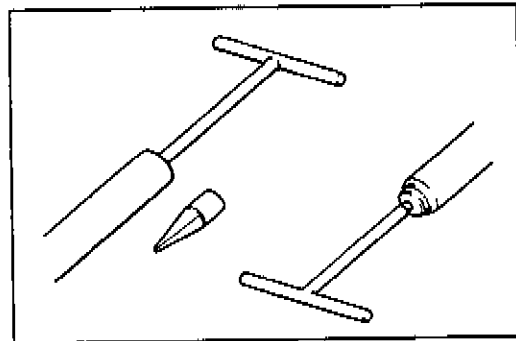
8. Invert the fork and stroke it several times to let out fork oil.
Under the inverted condition of front fork, drain oil to hold it for few minutes.



9. Remove the damper rod bolt with the special tools and 6-mm hexagon wrench.

09940-34520: "T" handle

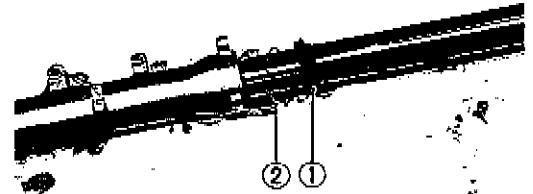
09940-34561: Attachment "D"



10. Remove the damper rod with spring.



11. Remove the dust seal ① and stopper ring ②.



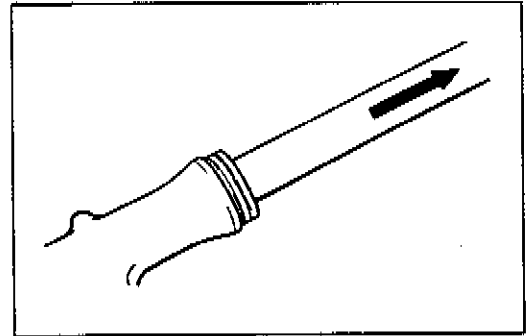
12. Remove the oil seal by slowly pulling out the inner tube.

NOTE:

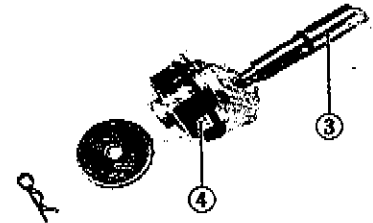
Be careful not to damage the inside of the tube.

CAUTION:

The outer tube and inner tube "ANTI-FRICTION" metals must be replaced along with oil seal and dust seal, when assembling the front fork.



13. Remove the spring adjuster ③ from the fork cap ④ by removing the clip.

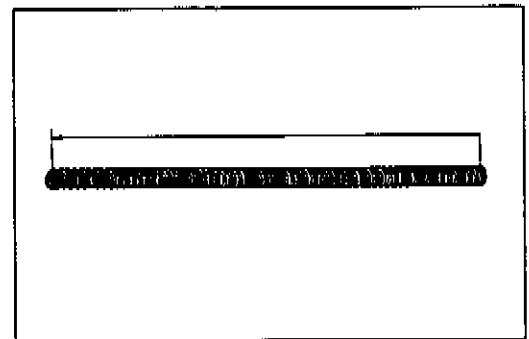


INSPECTION

FORK SPRING

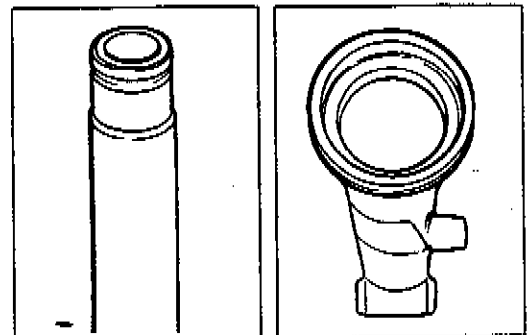
Measure the fork spring free length. If it is shorter than the service limit, replace it with a new one.

Service Limit: 390 mm (15.4 in)



INNER AND OUTER TUBE

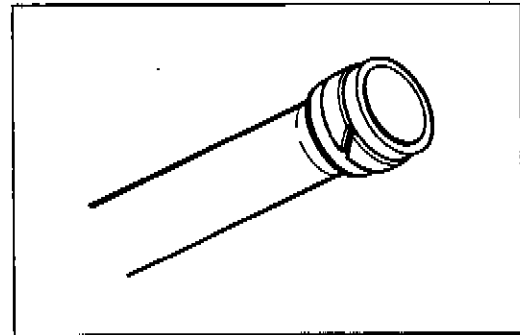
Inspect the inner tube sliding surface and outer tube sliding surface for any scuffing.



7-27 CHASSIS

DAMPER ROD RING

Inspect the damper rod ring for wear or damage.

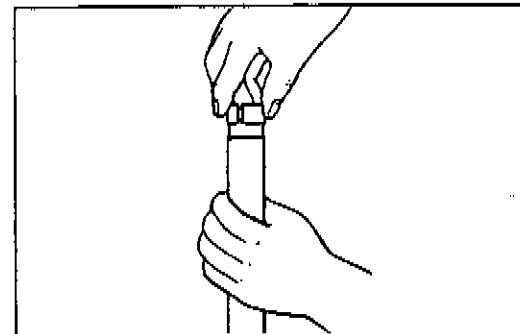


REASSEMBLY AND REMOUNTING

Reassemble and remount the front fork in the reverse order of removal and disassembly. Pay attention to the following points:

TUBE METALS AND SEALS

- Hold the inner tube vertically and clean the metal groove and install the ANTI-FRICTION metal by hand as shown.
- Install the outer tube metal ①, washer ② and oil seal ③ with the special tool.

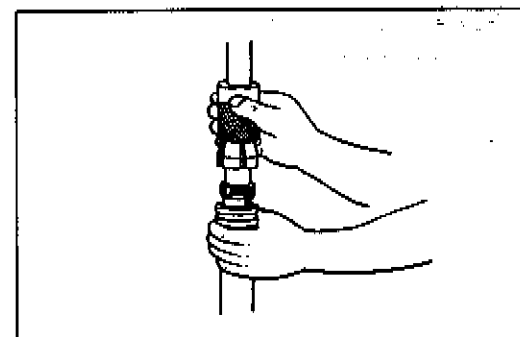


09940-50113: Front fork oil seal installer

CAUTION:

Use special care to prevent damage to the "Teflon" coated surface of the Anti-friction Inner tube metal when mounting it.

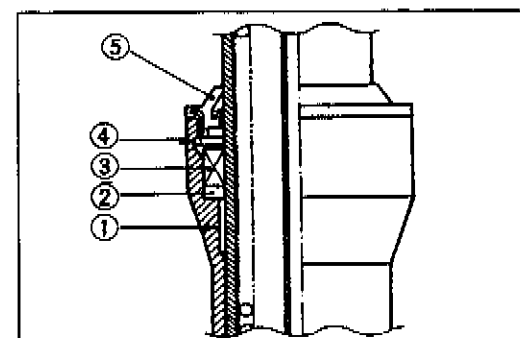
- Install the oil seal stopper ring ④.



CAUTION:

Make sure that the oil seal stopper ring fitted securely.

- Install the dust seal ⑤.



DAMPER ROD BOLT

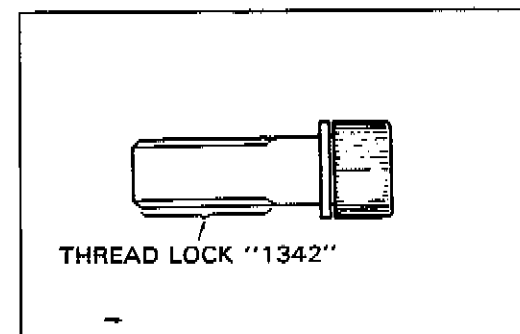
Apply THREAD LOCK "1342" to the damper rod bolt and tighten it to the specified torque with a 6-mm hexagon wrench and special tools.

99000-32050: THREAD LOCK "1342"

Tightening torque: 18--27 N·m
(1.8--2.7 kg-m, 13.0--19.5 lb-ft)

09940-34520: "T" handle

09940-34561: Attachment "D"



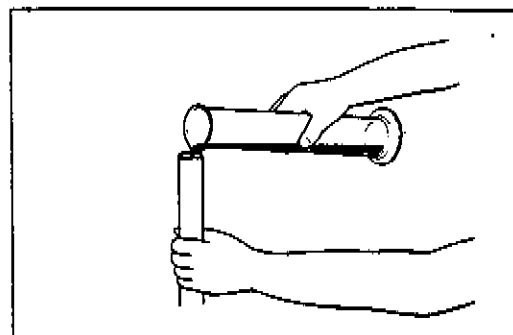
FORK OIL

- Pour specified fork oil into the inner tube.

Fork oil type: Fork oil # 10

99000-99044-10G: SUZUKI FORK OIL # 10

Capacity (each leg): 503 ml (17.0/17.7 US/Imp oz)



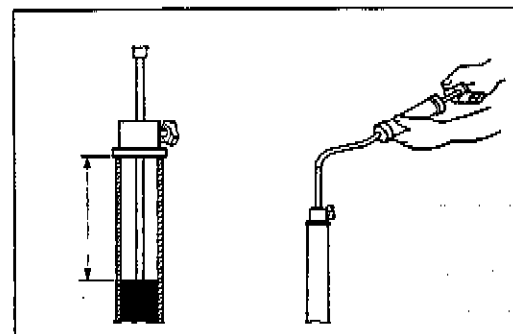
- Hold the front fork vertical and adjust the fork oil level with the special tool.

09943-74111: Fork oil level gauge

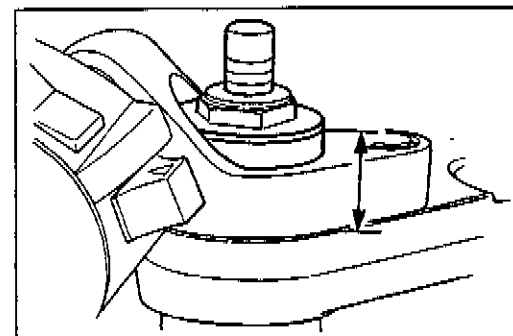
Oil level: 92 mm (3.6 in)

Note:

When adjusting the oil level, remove the fork spring and compress the inner tube fully.

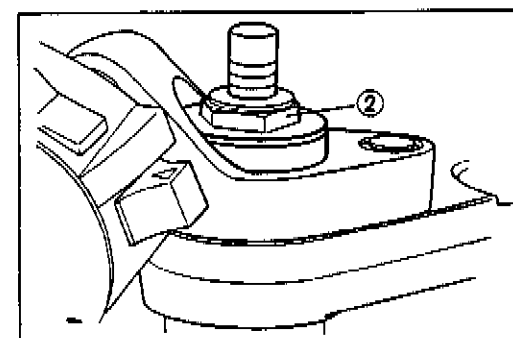
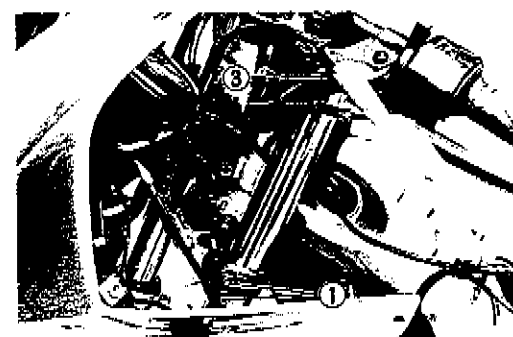


- When remounting the front fork assembly, set the upper surface of the inner tube at 22 mm (0.87 in) height from the upper surface of the steering stem upper bracket.



- Tighten the bolts to the specified torque.

Item	N·m	kg·m	lb·ft
① Fork lower clamp bolt	18–28	1.8–2.8	13.0–20.0
② Fork cap	30–40	3.0–4.0	21.5–29.0
③ Fork upper clamp bolt	18–28	1.8–2.8	13.0–20.0

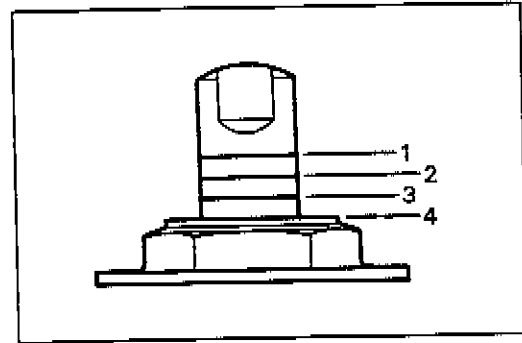


7-29 CHASSIS**SUSPENSION SETTING**

After installing the front fork, adjust the spring pre-load as follows.

SPRING PRE-LOAD ADJUSTMENT

There are four grooved lines on the side of the spring adjuster. Position 1 provides the maximum spring pre-load and position 4 provides the minimum spring pre-load.

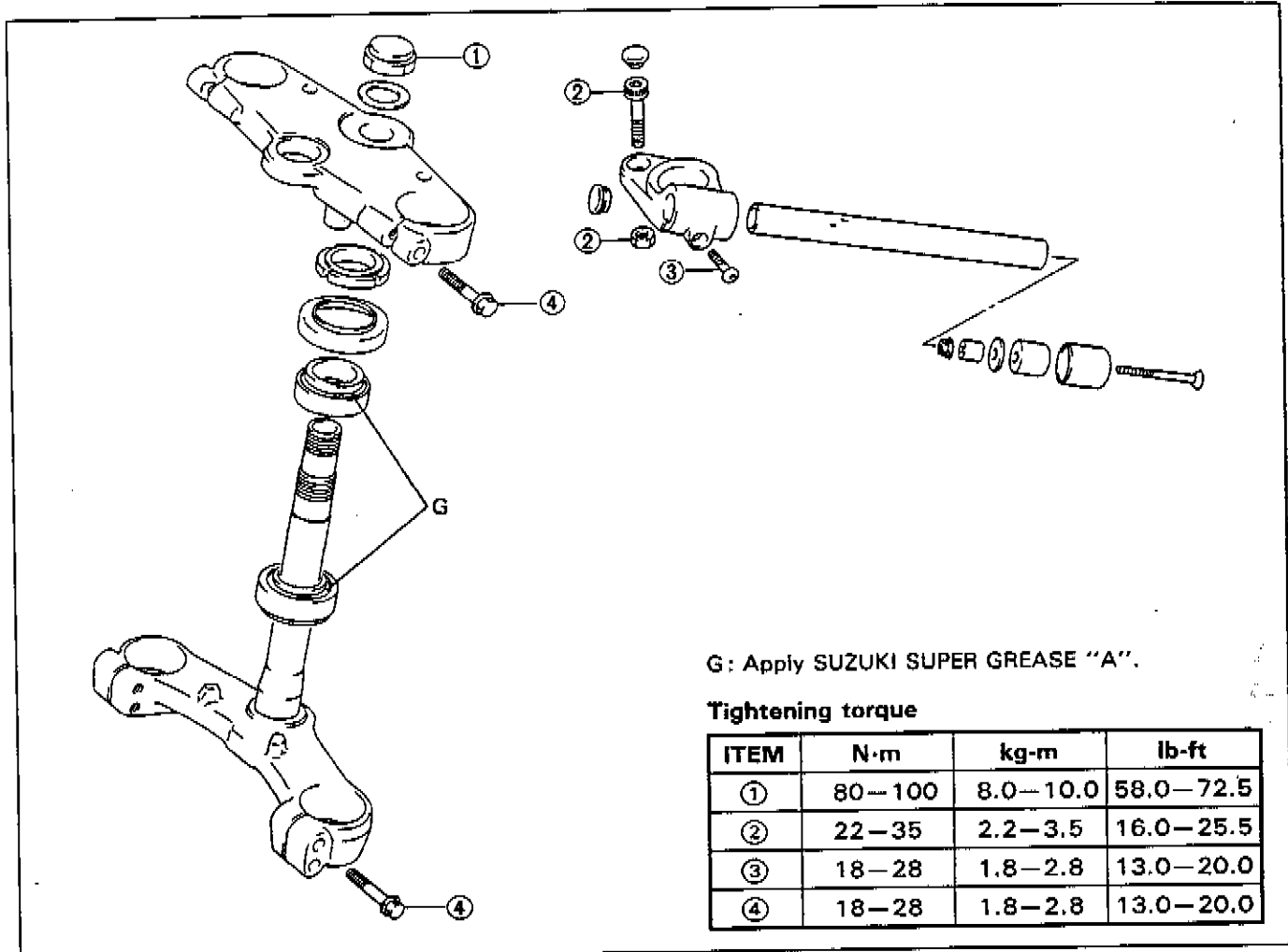
**FRONT SUSPENSION SETTING (STD)**

Item	Spring pre-road
Solo riding	4
Dual riding	4

WARNING:

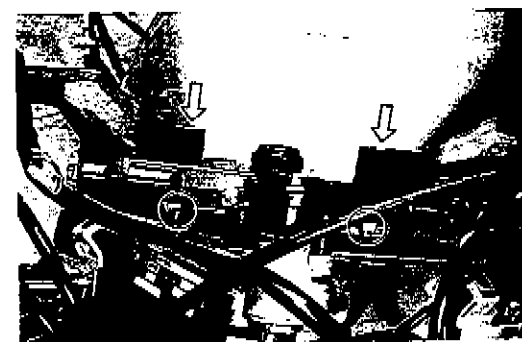
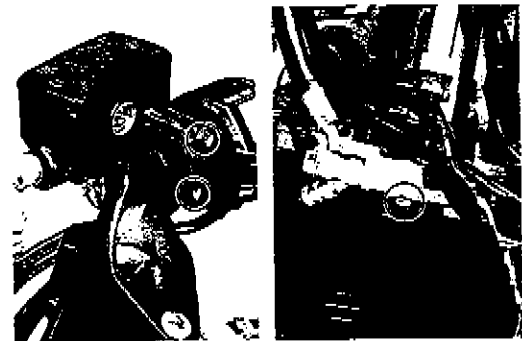
Be sure to adjust the spring pre-load on both front fork legs equally.

STEERING



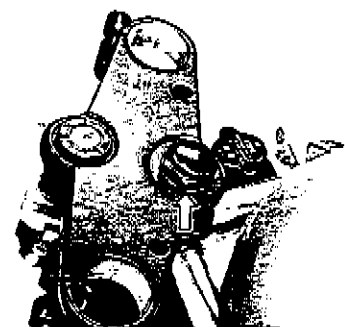
REMOVAL AND DISASSEMBLY

1. Remove the cowling and cowling brace. (Refer to page 7-2.)
2. Remove the front wheel. (Refer to page 7-7.)
3. Remove the front fork. (Refer to page 7-24.)
4. Remove the front brake master cylinder with brake calipers.
5. Remove the handlebar mounting nuts and bolts after removing the bolt caps.



7-31 CHASSIS

6. Disconnect the ignition switch lead wire coupler.
7. Remove the steering stem upper bracket by removing the nut.



8. Remove the steering stem nut with the special tool.

09940-14911: Steering stem nut wrench

9. Draw out the steering stem lower bracket.

NOTE:

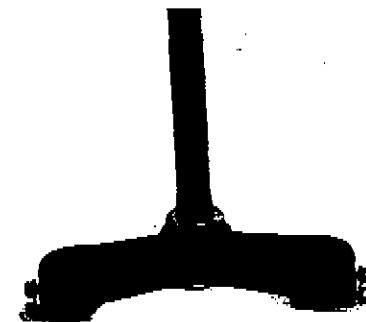
Hold the steering stem lower bracket by hand to prevent it from falling.

10. Remove the steering stem upper bearing.

**INSPECTION**

Inspect the removed parts for the following abnormalities.

- * Handlebar distortion
- * Race wear and brinelling
- * Bearing wear or damage
- * Abnormal noise of bearing
- * Distortion of steering stem

**DISASSEMBLY**

1. Remove the steering stem lower bearing with the special tool.

09941-84510: Bearing remover

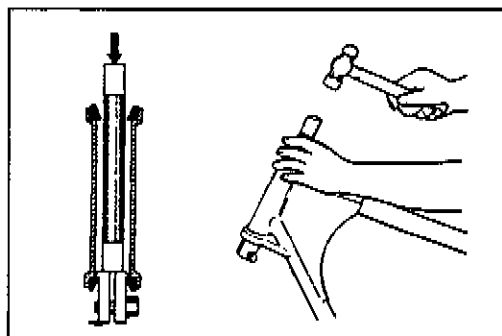
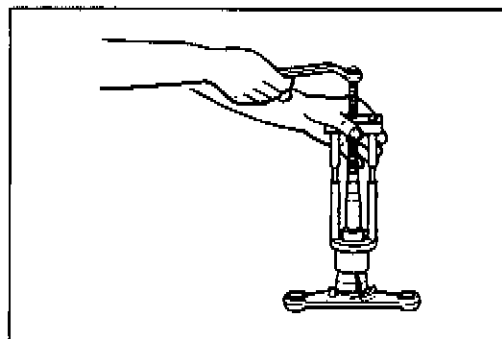
CAUTION:

The removed bearing should be replaced with a new one.

2. Drive out the steering stem bearing races, upper and lower, by using the special tools.

09941-54911: Bearing outer race remover

09941-74910: Steering bearing installer



REASSEMBLY AND REMOUNTING

Reassemble and remount the steering stem in the reverse order of removal and disassembly. Pay attention to the following points:

OUTER RACES

- Press in the upper and lower outer races by using the special tool.

09941-34513: Steering outer race installer

BEARING

- Place a suitable washer onto the lower bearing and press in the lower bearing by using the special tool.

09941-74910: Steering bearing installer

- Apply grease to the upper and lower bearings before re-mounting the steering stem.

99000-25030: SUZUKI SUPER GREASE "A"

STEM NUT

- Tighten the steering stem nut to the specified torque.

09940-14911: Steering stem nut wrench

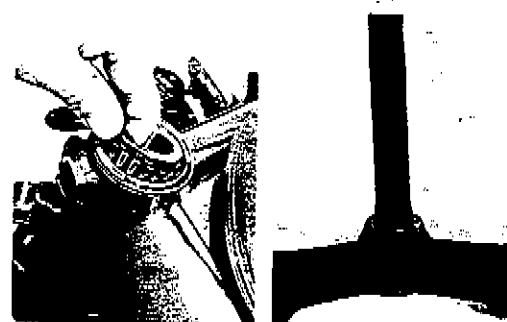
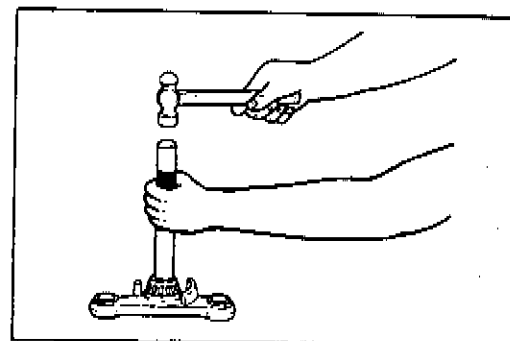
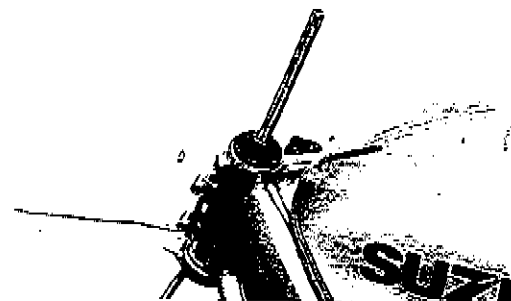
Tightening torque: 40–50 N·m

(4.0–5.0 kg·m, 29.0–36.0 lb-ft)

- Turn the steering stem lower bracket about five or six times to the left and right so that the taper roller bearing will be seated properly.
- Turn back the stem nut by 1/4–1/2 turn.

NOTE:

This adjustment will vary from motorcycle to motorcycle.



7-33 CHASSIS

- Install the front forks. (Refer to page 7-29.)
- Tighten the front fork lower clamp bolt ①, steering stem head nut ②, upper clamp bolts ③, handlebar holder mounting bolts ④ and nuts ⑤.

Tightening torque

Front fork lower clamp bolt ①	: 18–28 N·m (1.8–2.8 kg·m, 13.0–20.0 lb-ft)
Stem head nut ②	: 80–100 N·m (8.0–10.0 kg·m, 58.0–72.5 lb-ft)
Front fork upper clamp bolt ③	: 18–28 N·m (1.8–2.8 kg·m, 13.0–20.0 lb-ft)
Handlebar holder mounting bolt ④ and nut ⑤	: 22–35 N·m (2.2–3.5 kg·m, 16.0–25.5 lb-ft)

STEERING TENSION ADJUSTMENT

Check the steering movement in the following procedure.

- By supporting the motorcycle with a jack, lift the front wheel until it is off the floor by 20–30 mm (0.8–1.2 in).
- Check to make sure that the cables and wire harnesses are properly routed.
- With the front wheel in the straight ahead state, hitch the spring scale (special tool) on one handlebar grip end as shown in the figure and read the graduation when the handlebar starts moving. Do the same on the other grip end.

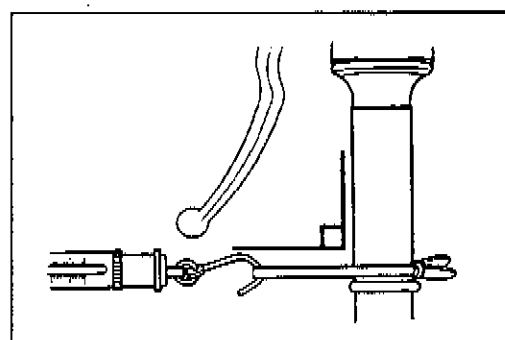
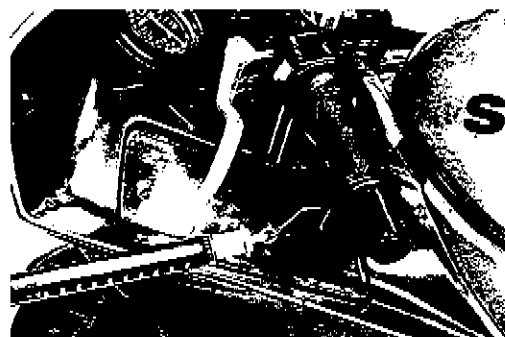
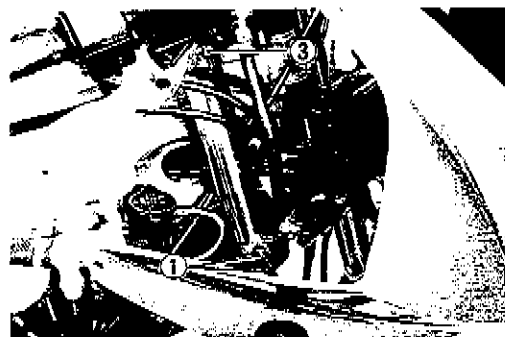
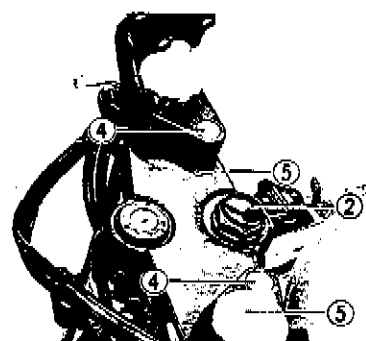
Initial force: 200–500 grams

09940-92710: Spring scale

- If the initial force read on the scale when the handlebar starts turning is either too heavy or too light, adjust it till it satisfies the specification.
 - 1) First, loosen the front fork upper clamp bolts and steering stem head nut, and then adjust the steering stem nut by loosening or tightening it.
 - 2) Tighten the head nut and clamp bolts to the specified torque and re-check the initial force with the spring scale according to the previously described procedure.
 - 3) If the initial force is found within the specified range, adjustment has been completed.

NOTE:

Hold the front fork legs, move them back and forth and make sure that the steering is not loose.



IGNITION SWITCH

- To remove the ignition switch, remove the bolt to detach the ignition switch from the steering stem upper bracket by using a center punch and hammer.



- To install the ignition switch, always use the new special bolt and follow the procedures below:

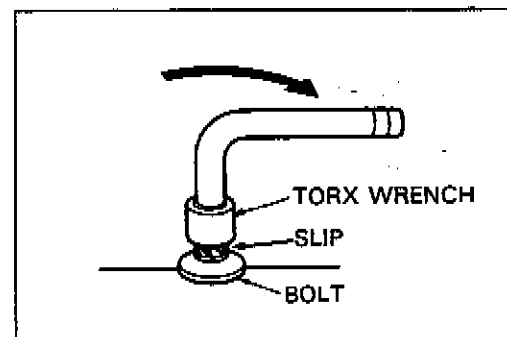
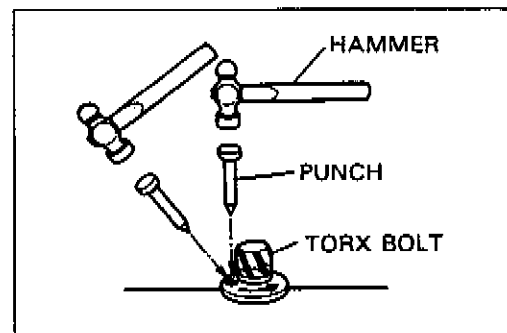
NOTE:

The spare ignition switch comes equipped with the special bolts, however, the bolt is also individually available as a spare part.

- Using the special bolts, attach the ignition switch on the steering stem upper bracket in place and run in the bolts with the special tool.

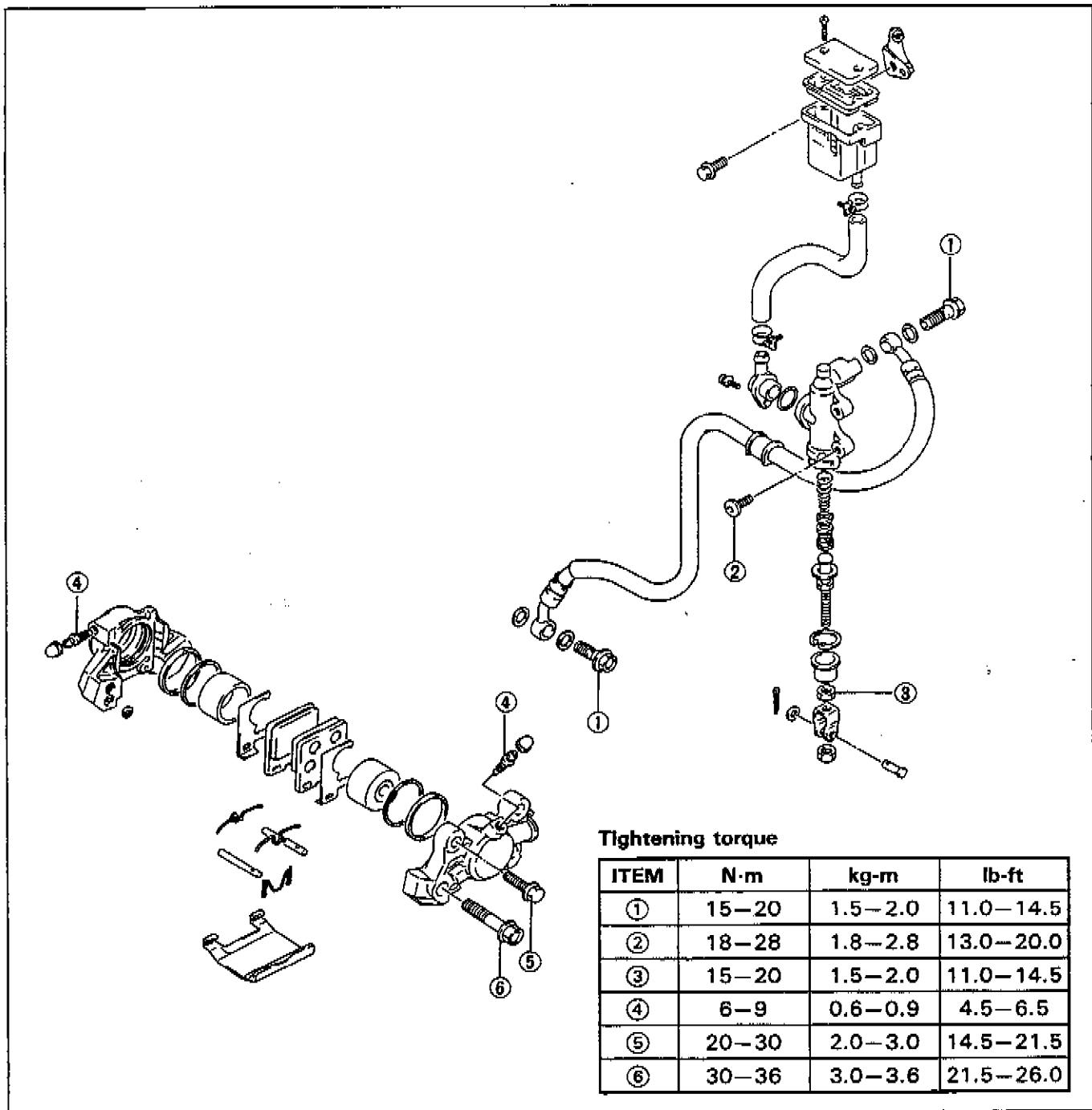
09930-11910: Torx wrench

- Continue turning the tool until the tool slips from the bolt head or the bolt head breaks off, then the bolt has become tightened to the proper specification.



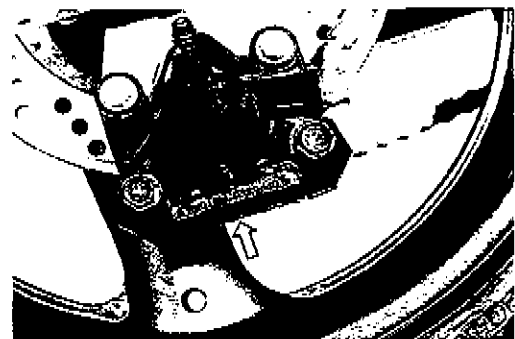
7-35 CHASSIS

REAR BRAKE

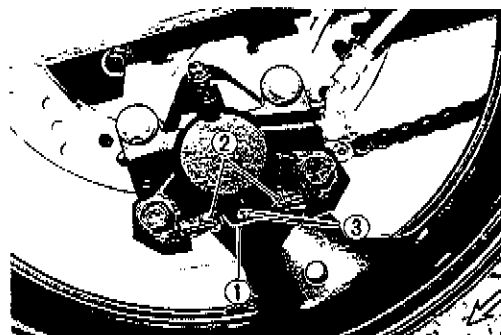


BRAKE PAD REPLACEMENT

1. Remove the dust cover.



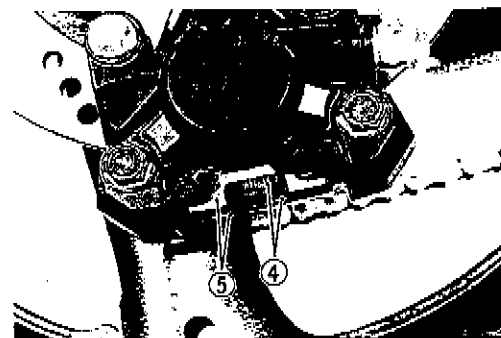
2. Remove the clip ① .
3. Draw out the pins ② and removing the springs ③ .



4. Remove the pads ④ and shims ⑤ .

CAUTION:

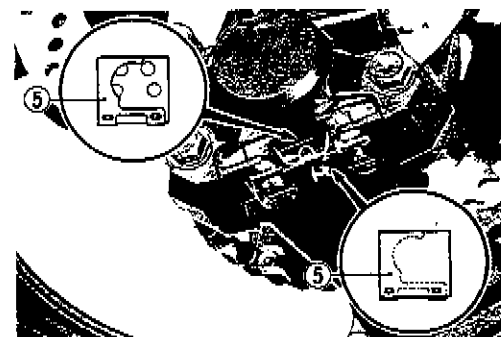
- * Do not operate the brake pedal while dismantling the pads.
- * Replace the brake pad as a set, otherwise braking performance will be adversely affected.



5. Remount the new brake pads and fit the springs, pins and clip.

CAUTION:

Be sure to install the shims ⑤ properly as shown in the illustration.

**CALIPER REMOVAL AND DISASSEMBLY**

1. Remove the union bolt ⑥ and catch the brake fluid in a suitable receptacle.

CAUTION:

Never reuse the brake fluid left over from previous servicing and stored for long periods.

WARNING:

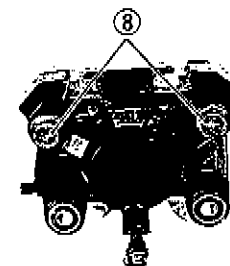
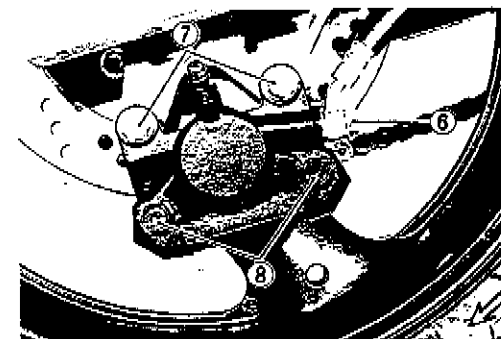
Brake fluid, if it leaks, will interfere with safe running and discolor painted surfaces. Check the brake hose and hose joints for cracks and oil leakage.

2. Remove the caliper mounting bolts ⑦ .

NOTE:

Slightly loosen the caliper housing bolts ⑧ to facilitate later disassembly before removing the caliper mounting bolts.

3. Remove the pads.
4. Remove the caliper housing bolts ⑧ .

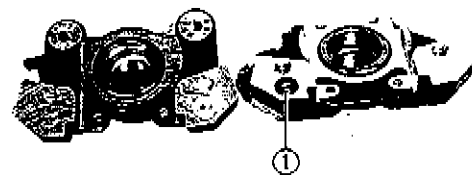


7-37 CHASSIS

- 5. Separate the caliper halves.
- 6. Remove the O-ring ① .

NOTE:

Once separate the caliper halves, replace the O-ring ① with a new one.



- 7. Place a rag over the piston to prevent it from popping out and push out the piston by using an air gun.

CAUTION:

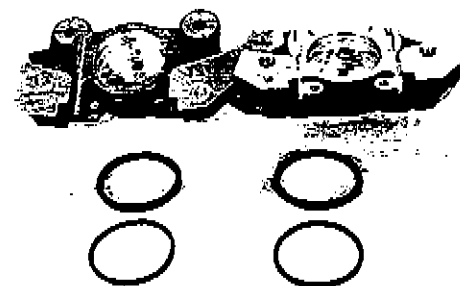
Do not use high pressure air to prevent piston damage.



- 8. Remove the pistons.



- 9. Remove the dust seals and piston seals.



CALIPER INSPECTION

CYLINDER	Refer to page 7-20.
PISTON	Refer to page 7-20.
RUBBER PARTS	Refer to page 7-20.
DISC	Refer to page 7-21.

CALIPER REASSEMBLY AND REMOUNTING

Reassemble and remount the caliper in the reverse order of removal and disassembly. Pay attention to the following points:

CAUTION:

- * Wash the caliper components with fresh brake fluid before reassembly. Never use cleaning solvent or gasoline to wash them.
- * Apply brake fluid to the caliper bore and piston to be inserted into the bore.

Specification and classification: DOT4

- Tighten each bolt to the specified torque.

Tightening torque

Rear brake caliper

housing bolt ① : 30–36 N·m
(3.0–3.6 kg-m, 21.5–26.0 lb-ft)

Rear brake caliper

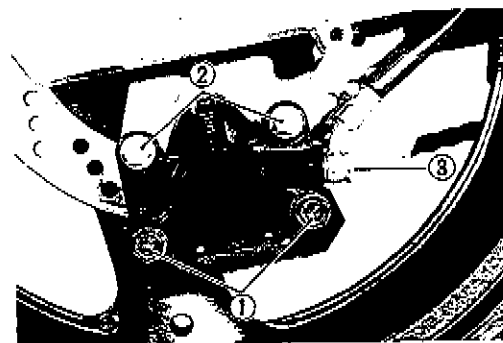
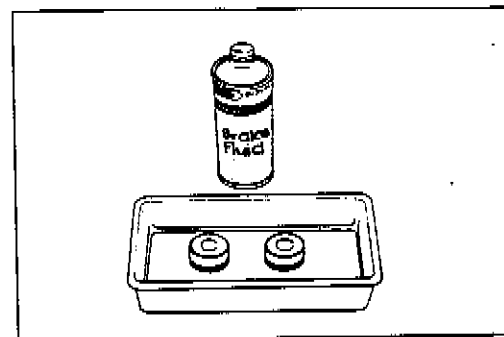
mounting bolt ② : 20–30 N·m
(2.0–3.0 kg-m, 14.5–21.5 lb-ft)

Brake hose

union bolt ③ : 15–20 N·m
(1.5–2.0 kg-m, 11.0–14.5 lb-ft)

CAUTION:

Bleed air from the system after reassembling the caliper. (Refer to page 2-16.)



MASTER CYLINDER REMOVAL AND DISASSEMBLY

1. Remove both seats.
2. Remove the frame cover. (Refer to page 7-5.)
3. Free the reservoir tank to remove its mounting bolt ④.
4. Loosen the lock nut ⑤.
5. Remove the master cylinder mounting bolts ⑥.

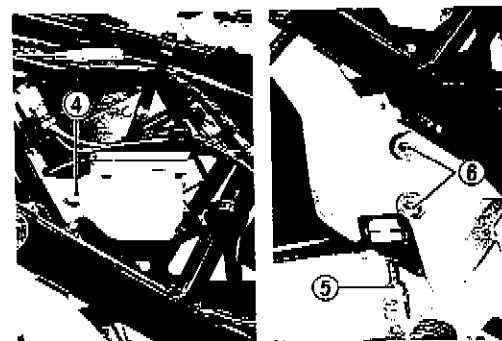
NOTE:

Slightly loosen the brake hose union bolt ⑦ to facilitate later disassembly before removing the master cylinder.

6. Place a cloth underneath the union bolt ⑦ on the master cylinder to catch spilled drops of brake fluid.
7. Loosen the union bolt and disconnect the brake hose from the master cylinder joint.

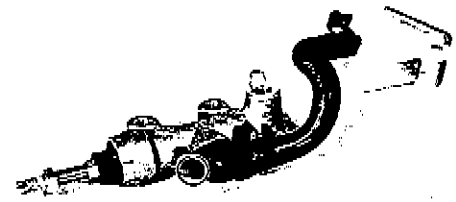
NOTE:

Immediately and completely wipe off any brake fluid contacting any part of the motorcycle. The fluid reacts chemically with paint, plastics and rubber materials, etc. and will damage them severely.

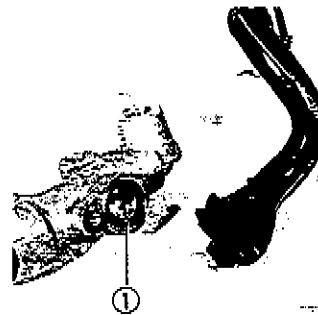


7-39 CHASSIS

8. Remove the connector by removing the screw.

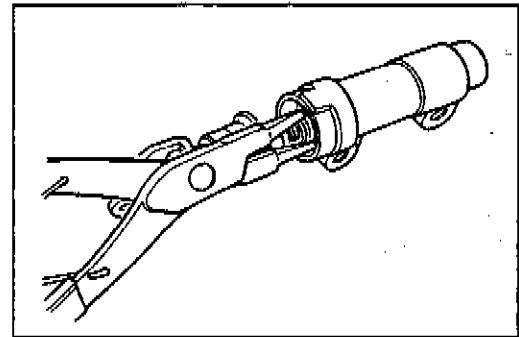


9. Remove the O-ring ①.



10. Pull out the dust seal then remove the circlip by using the special tool.

09900-06108: Snap ring pliers



11. Remove the push rod, piston/primary cup and spring.

**MASTER CYLINDER INSPECTION****CYLINDER, PISTON AND CUP SET**

- Inspect the cylinder bore wall for any scratches or other damage.
- Inspect the piston surface for any scratches or other damage.
- Inspect the cup set and each rubber part for damage.

MASTER CYLINDER REASSEMBLY AND REMOUNTING

Reassemble and remount the master cylinder in the reverse order of removal and disassembly. Pay attention to the following points:

CAUTION:

- * Wash the master cylinder components with fresh brake fluid before reassembly. Never use cleaning solvent or gasoline to wash them.
- * Apply brake fluid to the cylinder bore and all the component to be inserted into the bore.

Specification and classification: DOT4

MASTER CYLINDER BOLTS

- Tighten each bolt to the specified torque.

Tightening torque

Brake hose

union bolt ①: 15–20 N·m
(1.5–2.0 kg·m, 11.0–14.5 lb-ft)

Master cylinder

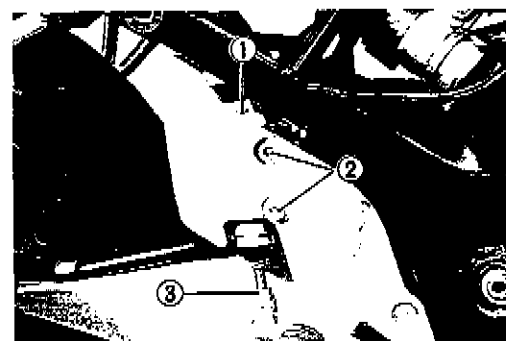
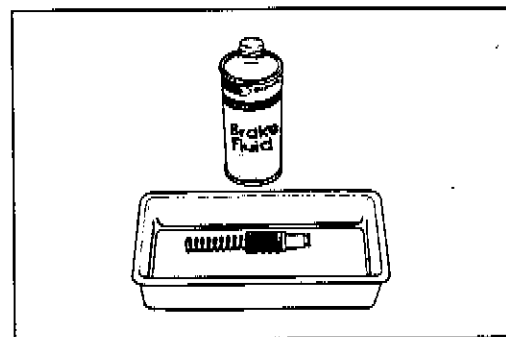
mounting bolt ②: 18–28 N·m
(1.8–2.8 kg·m, 13.0–20.0 lb-ft)

Master cylinder

rod lock nut ③: 15–20 N·m
(1.5–2.0 kg·m, 11.0–14.5 lb-ft)

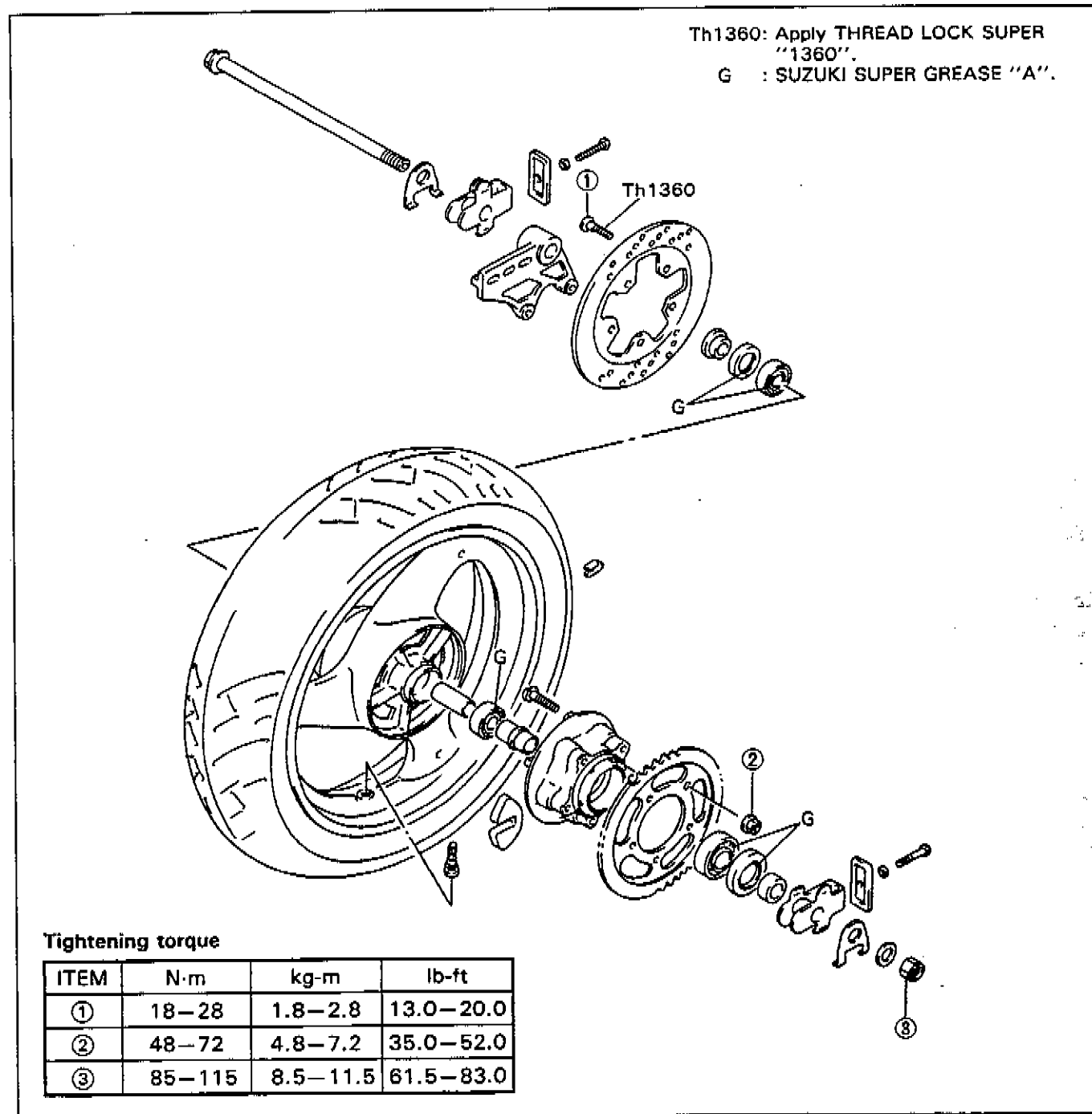
CAUTION:

Bleed air from the system after reassembling master cylinder.
(Refer to page 2-16.)



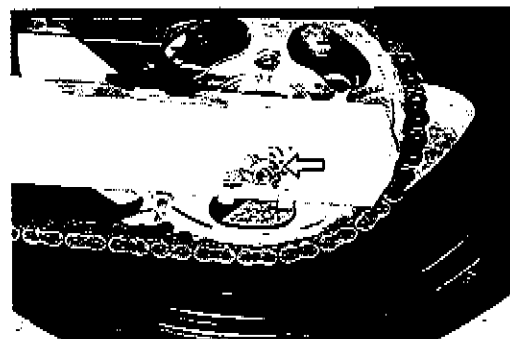
7-41 CHASSIS

REAR WHEEL



REMOVAL AND DISASSEMBLY

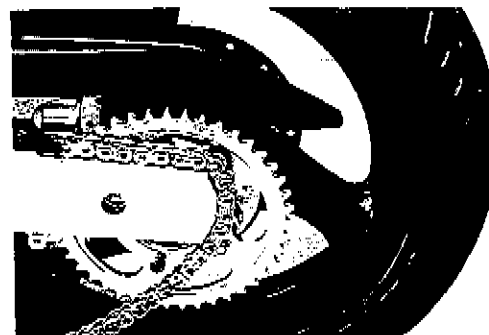
1. Remove the lower cowling of rear. (Refer to page 7-2.)
2. Support the motorcycle with a jack.
3. Remove the axle cotter pin.
4. Remove the axle nut.



5. Draw out the rear axle shaft.
6. Remove the rear wheel by disengaging the drive chain.

CAUTION:

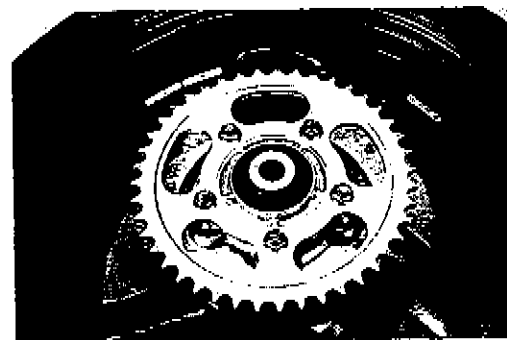
Do not operate the brake pedal while dismounting the brake caliper.



7. Draw out the rear sprocket mounting drum from the wheel.

NOTE:

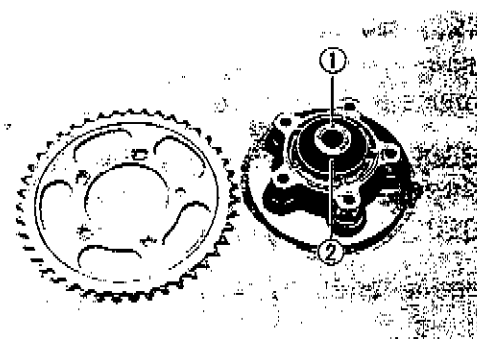
Slightly loosen the rear sprocket mounting nuts to facilitate later disassembly before separate the mounting drum.



8. Separate the rear sprocket from the mounting drum.
9. Remove the spacer ① and dust seal ②.

CAUTION:

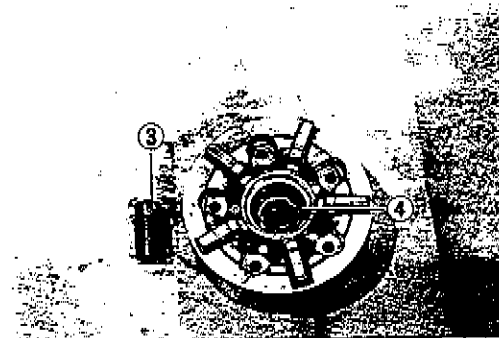
The removed dust seal should be replaced with a new one.



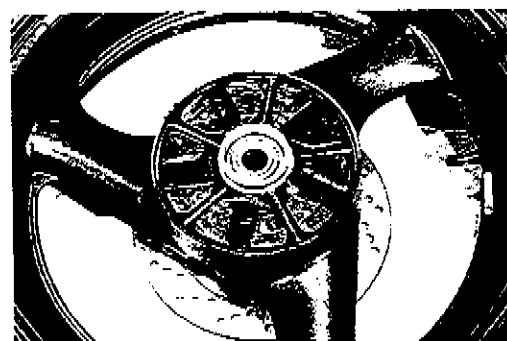
10. Remove the drum retainer ③, draw out the sprocket mounting drum bearing ④ using an appropriate tool.

CAUTION:

The removed bearing should be replaced with a new one.

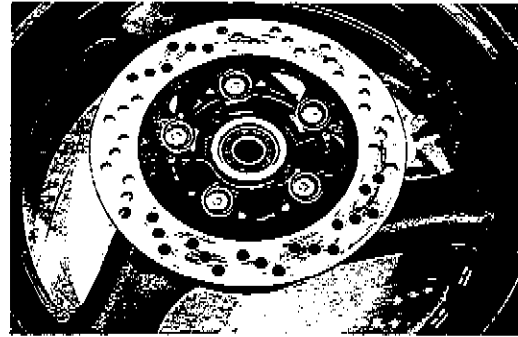


11. Remove the cushions.



7-43 CHASSIS

12. Separate the brake disc from the wheel.

**INSPECTION AND DISASSEMBLY**

TIRE Refer to page 7-12.

WHEEL BEARINGS

Inspect the play of the wheel bearings by hand while they are in the wheel. Rotate the inner race by hand to inspect for abnormal noise and smooth rotation. Replace the bearing if there is anything unusual.

CAUTION:

The removed bearings should be replaced with new ones.

AXLE SHAFT

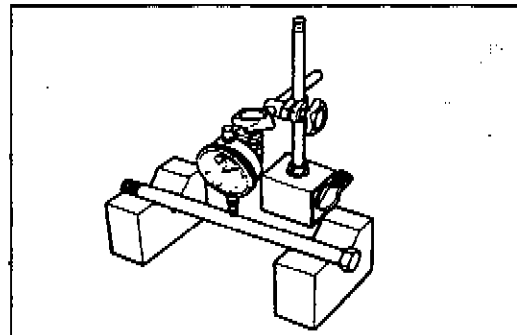
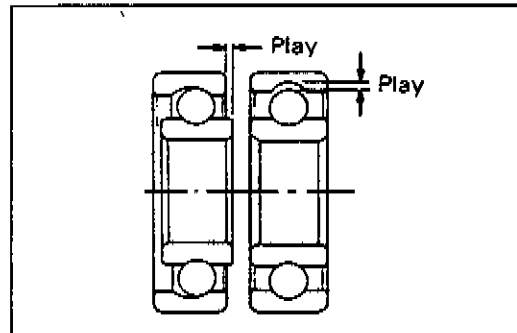
Using a dial gauge, check the axle shaft for runout and replace it if the runout exceeds the limit.

09900-20606: Dial gauge (1/100)

09900-20701: Magnetic stand

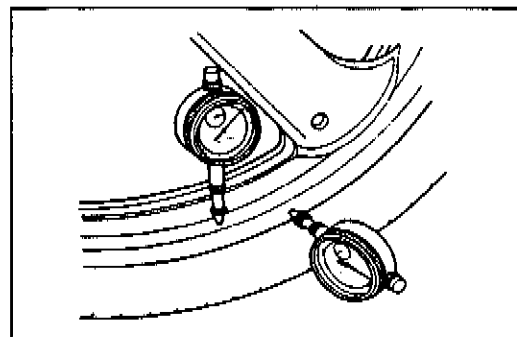
09900-21304: V-block set (100 mm)

Service Limit: 0.25 mm (0.010 in)

**WHEEL**

Make sure that the wheel runout checked as shown does not exceed the service limit. An excessive runout is usually due to worn or loose wheel bearings and can be reduced by replacing the bearings. If bearing replacement fails to reduce the runout, replace the wheel.

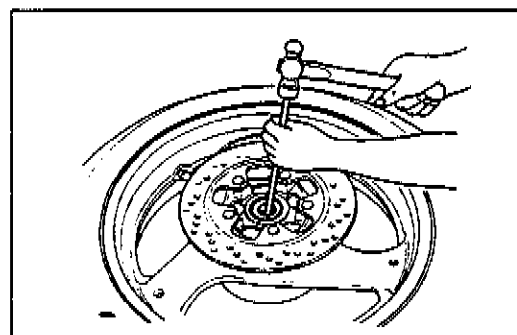
Service Limit (Axial and Radial): 2.0 mm (0.08 in)



Drive out the left and right wheel bearings with an appropriate steel bar.

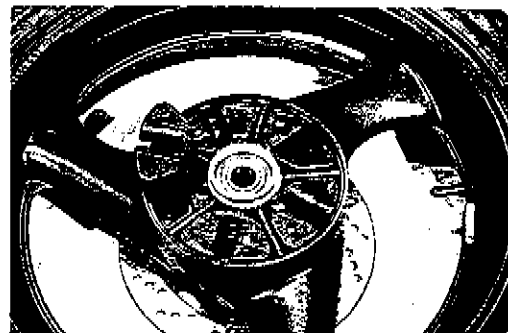
CAUTION:

The removed bearings should be replaced with new ones.

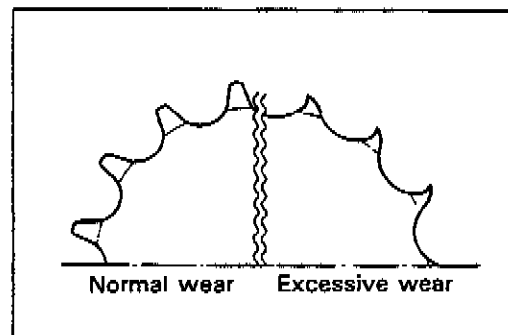


CUSHION

Inspect the cushion for wear and damage.

**SPROCKET**

Inspect the sprocket teeth for wear. If they are worn as shown, replace the sprockets and drive chain as a set.

**REASSEMBLY AND REMOUNTING**

Reassemble and remount the rear wheel in the reverse order of removal and disassembly. Pay attention to the following points:

WHEEL BEARING

- Apply grease to the bearings before installing.

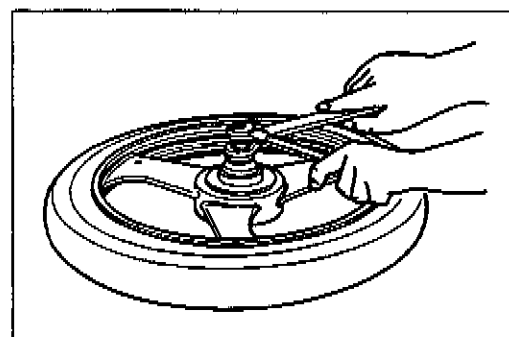
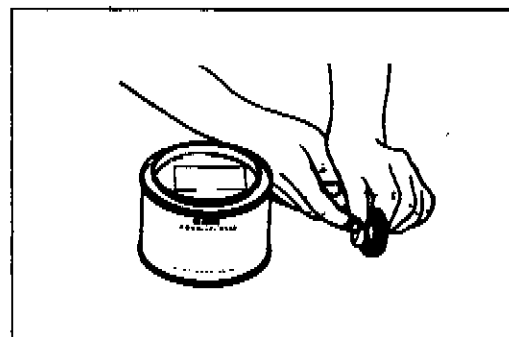
99000-25030: SUZUKI SUPER GREASE "A"

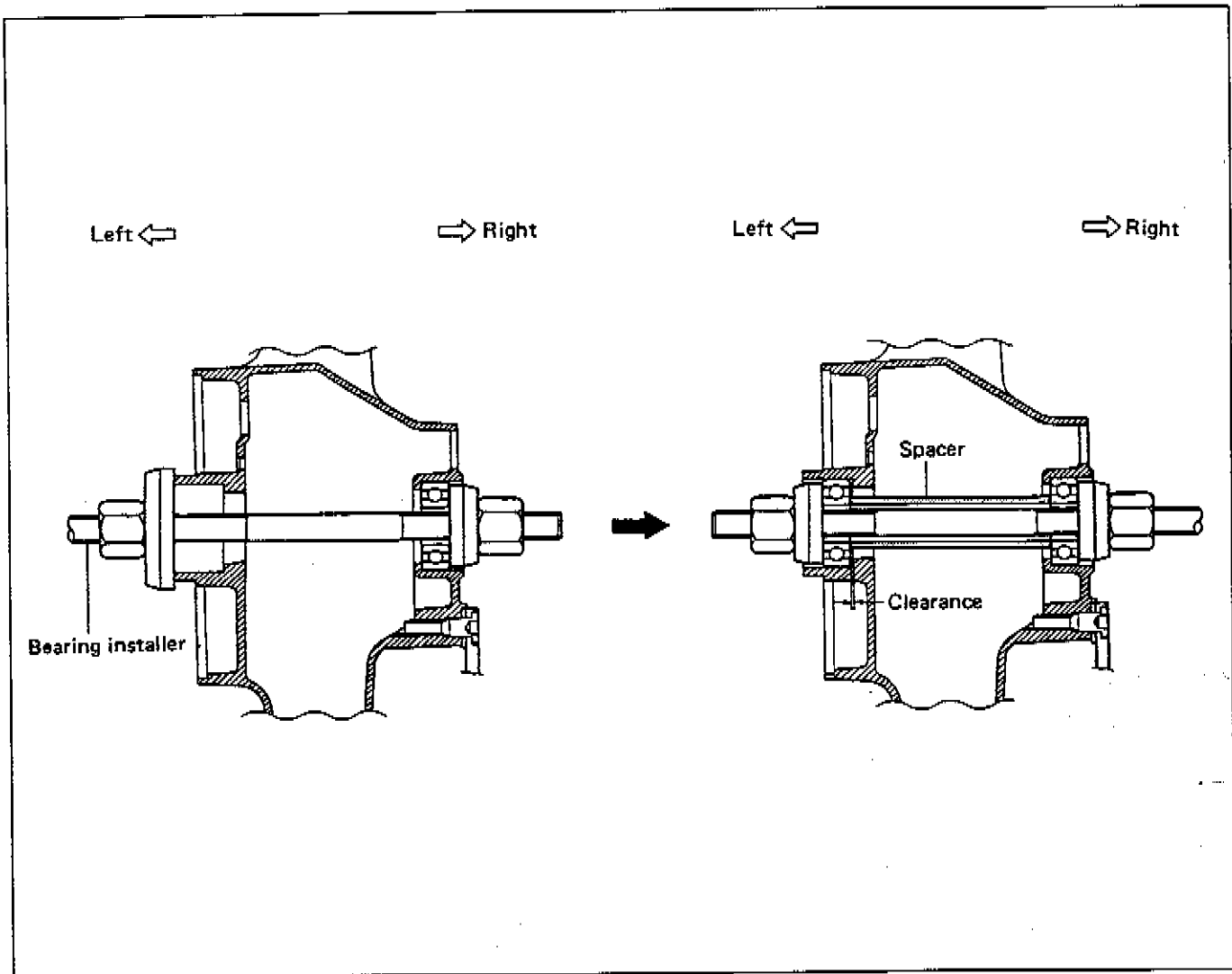
- Install the wheel bearings by using the special tool.

09941-34513: Bearing installer set

NOTE:

First install the right wheel bearing, then install the left wheel bearing. The sealed cover on the bearing is positioned outside. Refer to page 7-45 for details.



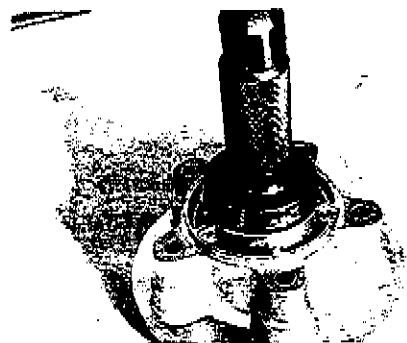
7-45 CHASSIS**MOUNTING DRUM BEARING**

- Install the bearing by using the bearing installer.

09913-75520: Bearing installer

NOTE:

Apply grease to the bearing and oil seal lip before assembling rear wheel.

**BRAKE DISC**

- Apply THREAD LOCK SUPER "1360" to the disc bolts and tighten them to the specified torque.

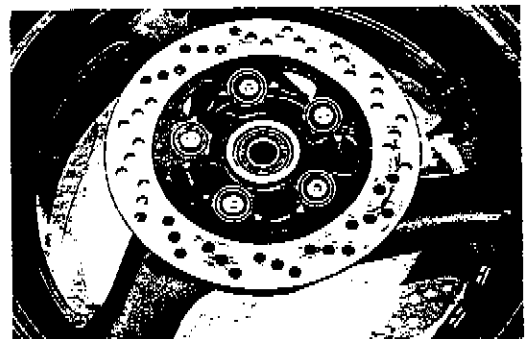
NOTE:

Make sure that the brake disc is clean and free of any greasy matter.

99000-32130: THREAD LOCK SUPER "1360"

Brake disc bolt: 18–28 N·m

(1.8–2.8 kg-m, 13.0–20.0 lb-ft)



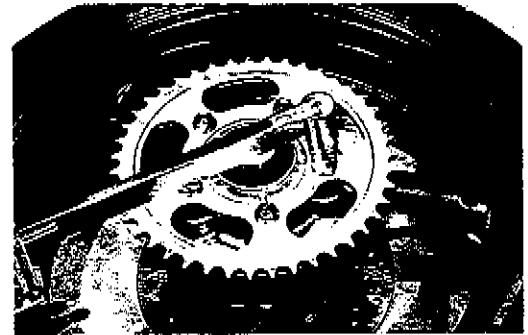
REAR SPROCKET

- Tighten the sprocket mounting nuts to the specified torque.

Rear sprocket nut: **48–72 N·m**
(4.8–7.2 kg-m, 35.0–52.0 lb-ft)

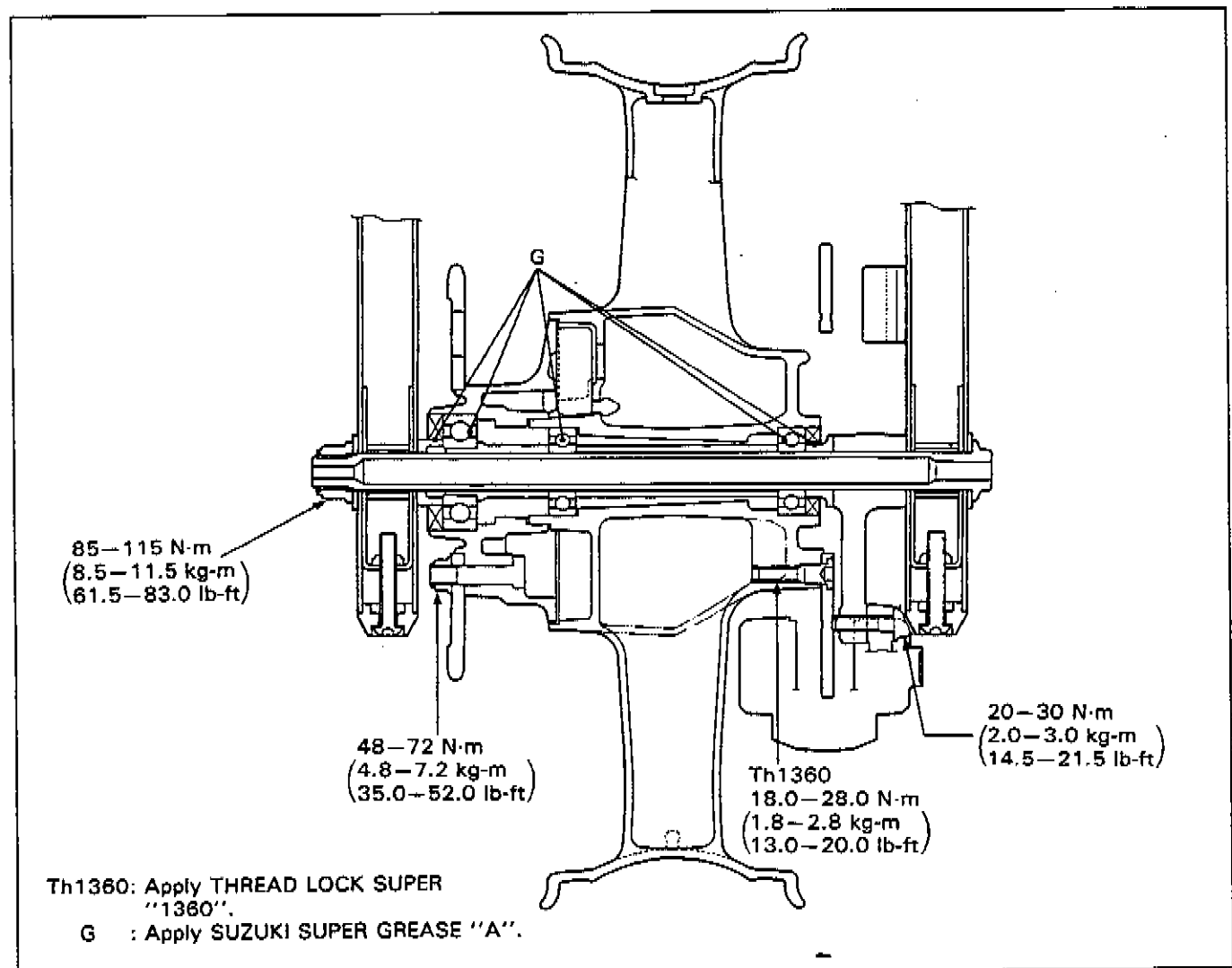
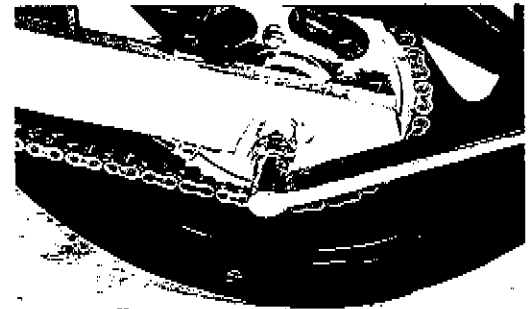
NOTE:

Face the stamped mark on the sprocket to outside.

**REAR AXLE SHAFT**

- Adjust the chain slack after rear wheel installation. (Refer to page 2-12.)
- Tighten the rear axle nut to the specified torque.
- Tighten both chain adjuster bolts securely.

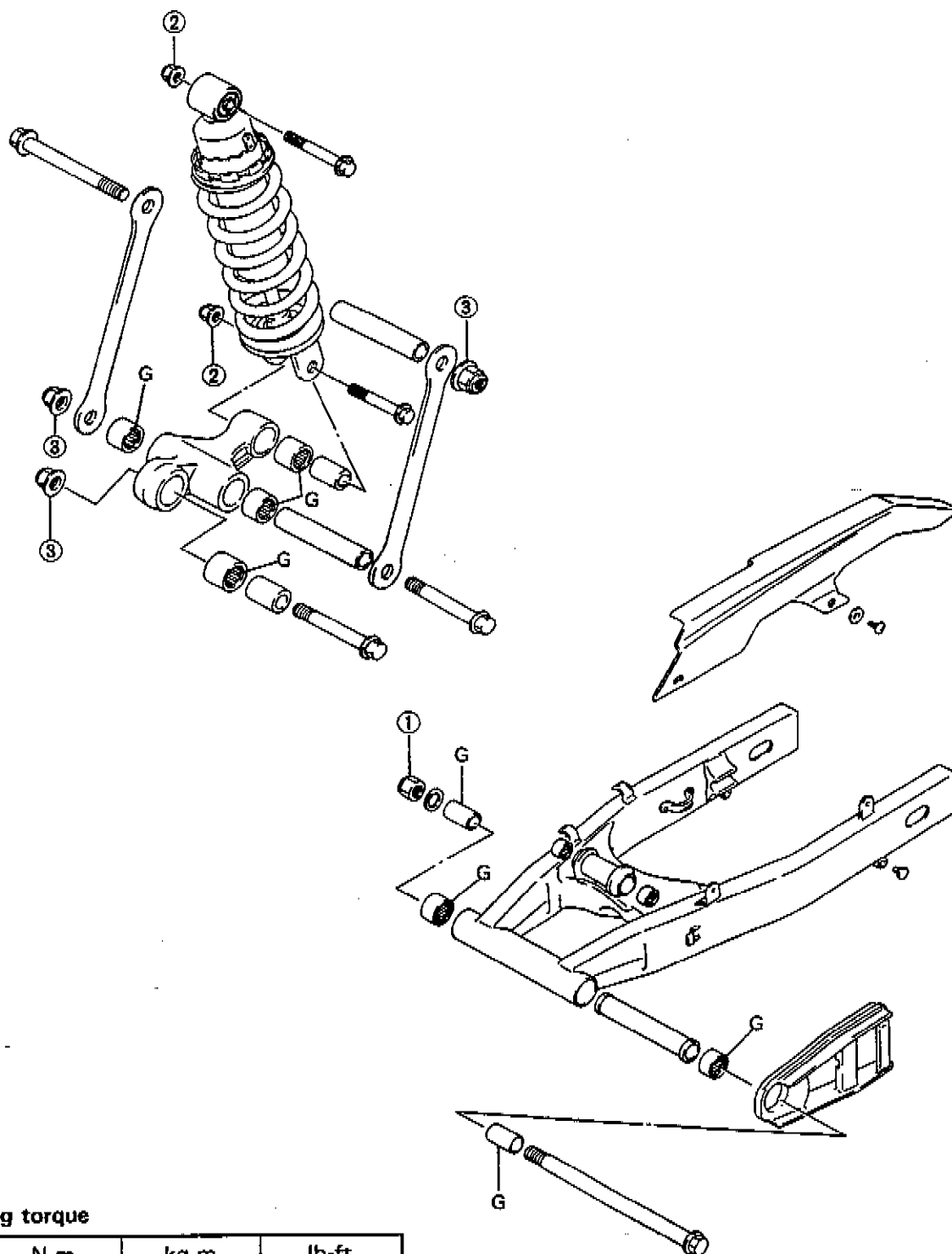
Rear axle nut: **85–115 N·m**
(8.5–11.5 kg-m, 61.5–83.0 lb-ft)



7-47 CHASSIS

REAR SUSPENSION

SWINGARM, SHOCK ABSORBER AND CUSHION LEVER



Tightening torque

ITEM	N·m	kg·m	lb·ft
①	85-115	8.5-11.5	61.5-83.0
②	40-60	4.0-6.0	29.0-43.5
③	70-100	7.0-10.0	50.5-72.5

G: Apply SUZUKI SUPER GREASE "A".

REMOVAL

1. Remove the seats and frame covers. (Refer to page 7-5.)
2. Remove the rear wheel. (Refer to page 7-41.)
3. Remove the rear brake hose union bolt.

CAUTION:

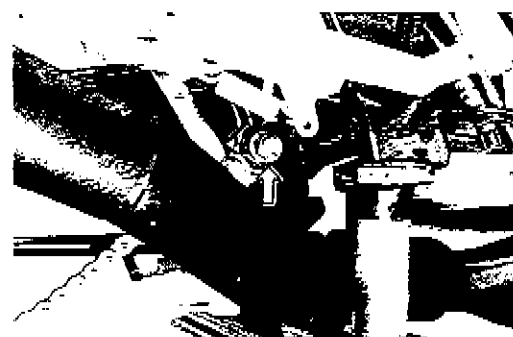
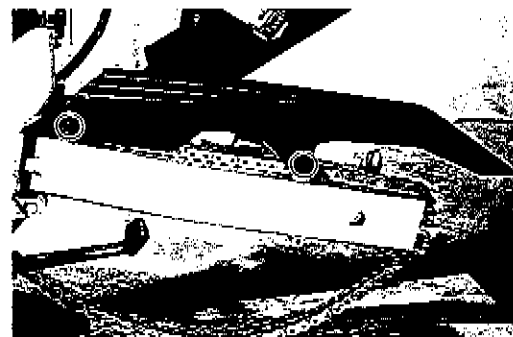
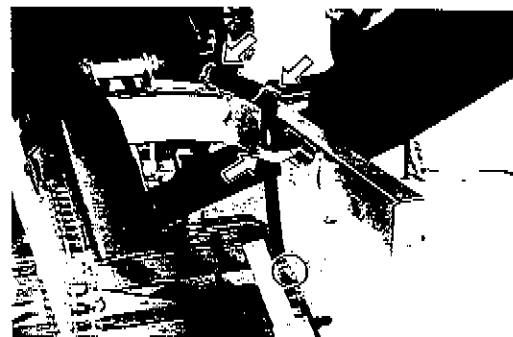
Completely wipe off any brake fluid adhering to any part of motorcycle. The fluid reacts chemically with paint, plastics, rubber materials, etc.

4. Remove the brake hose from the brake hose guides at inside of swingarm.
5. Remove the chain case.

6. Remove the shock absorber upper mounting nut and bolt.

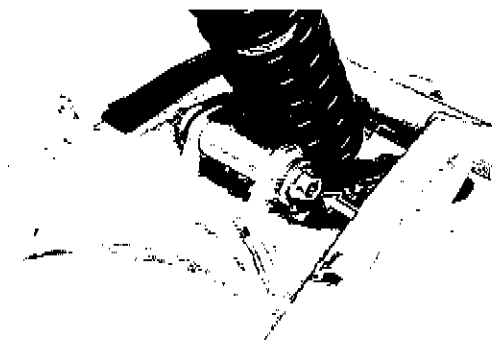
7. Remove the cushion lever mounting nut and bolt.

8. Remove the caps.
9. Remove the swingarm pivot shaft by removing the pivot shaft nut.
10. Remove the rear suspension assembly.



7-49 CHASSIS

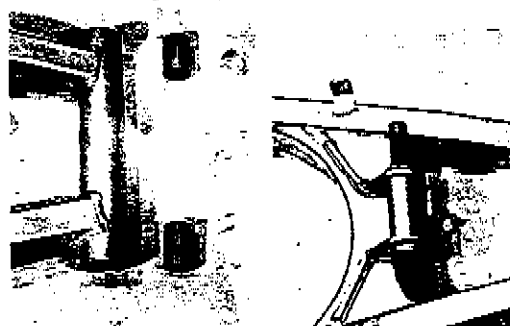
11. Remove the cushion rod mounting nut and bolt.



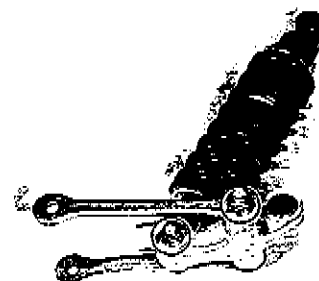
12. Remove the chain buffer.



13. Remove the spacers from swingarm.



14. Remove the rear shock absorber and cushion rods.



15. Remove the cushion lever spacers.



INSPECTION AND DISASSEMBLY

SWINGARM

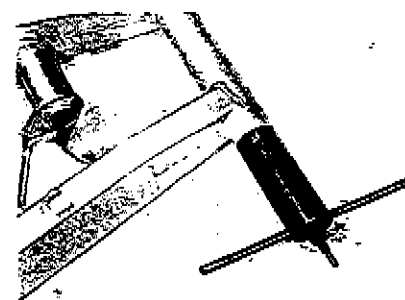
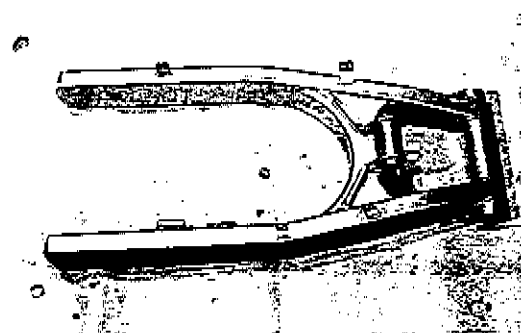
Inspect the spacer for any flaws or other damage.
 Inspect the swingarm for wear or damage.
 Insert the spacer into bearing and check the play to move the spacer up and down.
 If excessive play is noted, replace the bearing with a new one.

Draw out the swingarm bearings with the special tool.

09941-44510: Swingarm bearing remover

CAUTION:

The removed bearings should be replaced with new ones.



CUSHION LEVER

Inspect the spacer for any flaws or other damage.
 Insert the spacer into bearing and check the play to move the spacer up and down. If an excessive play is noted, replace the bearing with a new one.

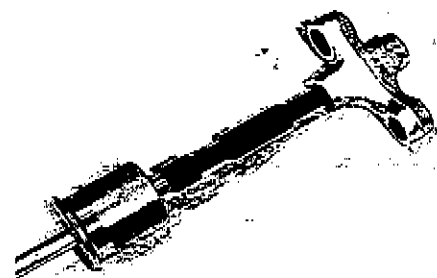
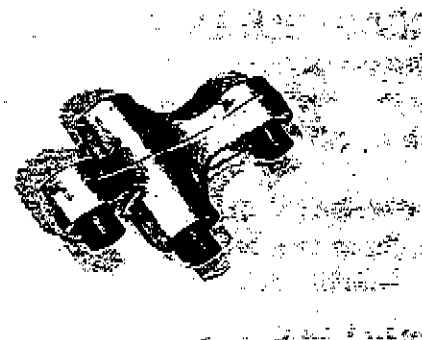
Draw out the bearing with the special tools.

09923-73210: Bearing puller

09930-30102: Sliding shaft

CAUTION:

The removed bearings should be replaced with new ones.

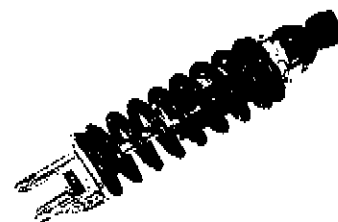


SHOCK ABSORBER

Inspect the shock absorber body for damage and oil leakage. If any defects are found, replace the shock absorber with new one.

CAUTION:

Do not attempt to disassemble the rear shock absorber unit. It is unserviceable.



7-51 CHASSIS

SWINGARM PIVOT SHAFT

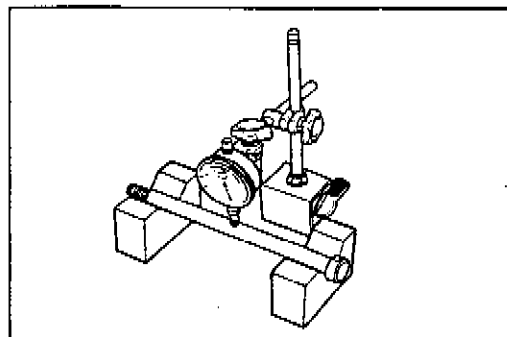
Using a dial gauge, check the pivot shaft runout and replace it if the runout exceeds the limit.

09900-20606: Dial gauge (1/100 mm, 10 mm)

09900-20701: Magnetic stand

09900-21304: V-block (100 mm)

Service Limit: 0.3 mm (0.01 in)



CHAIN BUFFER

Inspect the chain buffer for wear and damage.

If any defects are found, replace the chain buffer with a new one.



REASSEMBLY AND REMOUNTING

Reassemble and remount the swingarm and shock absorber in the reverse order of removal and disassembly, and also carry out the following steps:

SWINGARM BEARING

- Press the bearing into the swingarm pivot by using the special tool.

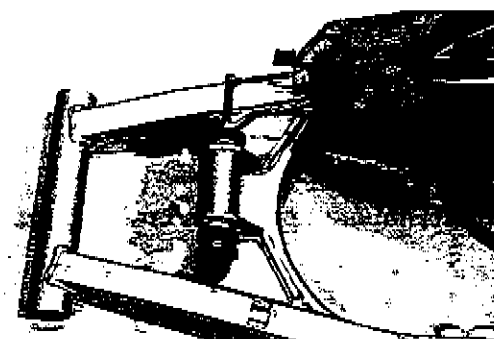
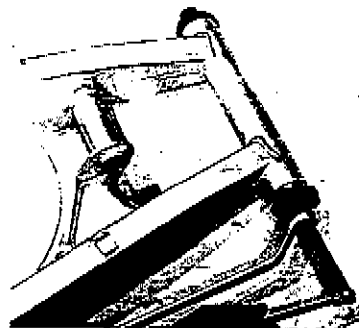
09941-34513: Steering race installer

NOTE:

When reinstalling the bearing, stamped mark of bearing is positioned outside.

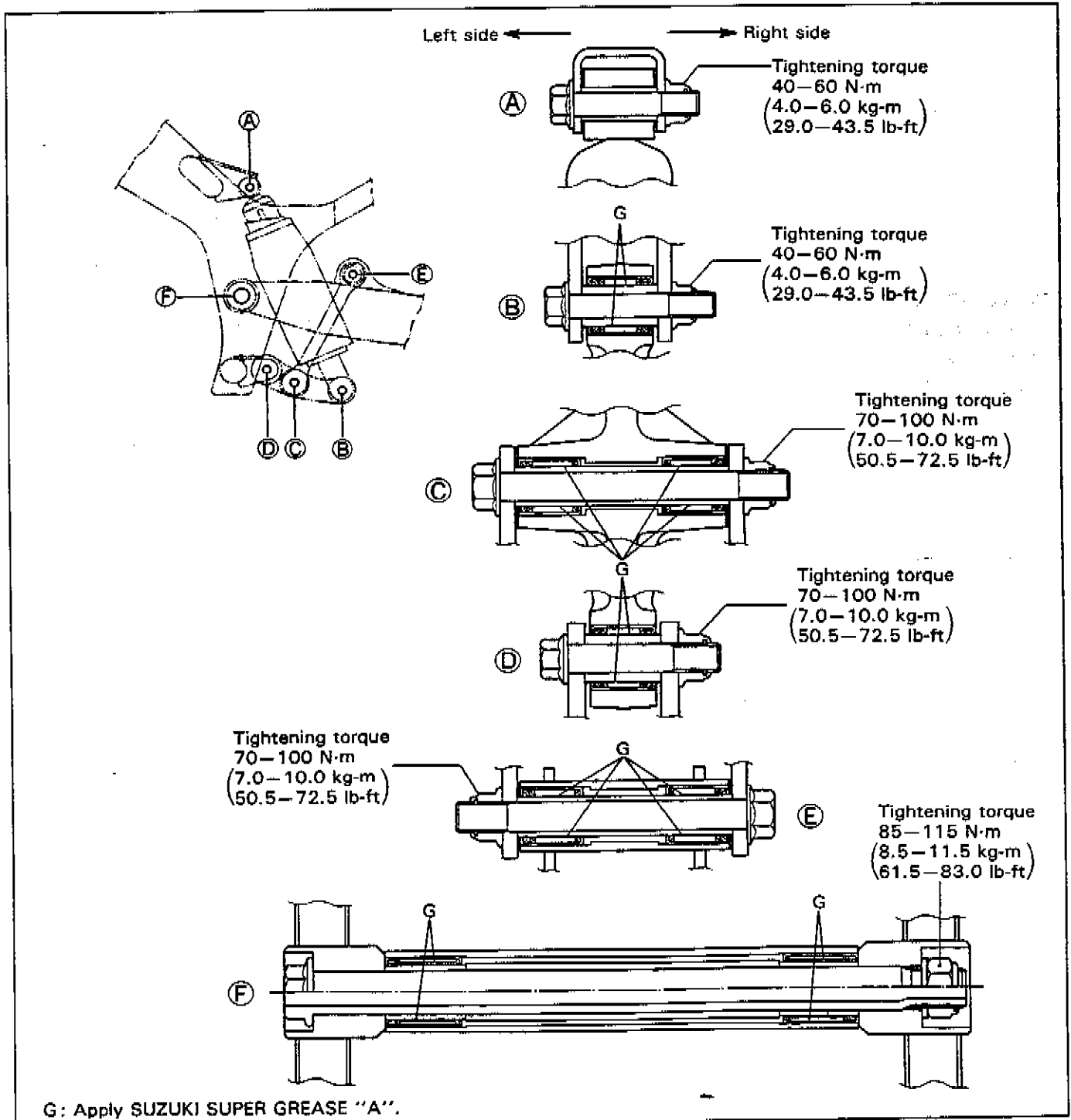
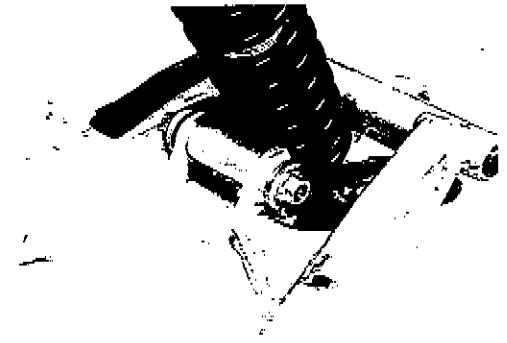
- Apply grease to the spacers and bearings.

99000-25030: SUZUKI SUPER GREASE "A"



REASSEMBLY ONTO FRAME

- First of all assemble the shock absorber, cushion lever and cushion rods onto the swingarm.



7-53 CHASSIS**FINAL INSPECTION AND ADJUSTMENT**

After installing the rear suspension and wheel, the following adjustments are required before driving.

- * Drive chain
- * Rear brake
- * Tire pressure
- * Chassis bolts and nuts
- * Shock absorber

SUSPENSION SETTING

After installing the rear suspension, adjust the spring pre-load and rebound damping force as follows.

REBOUND DAMPING FORCE ADJUSTMENT

The set position "4" provides the stiffest rebound damping force.

The set position "1" provides the softest rebound damping force.

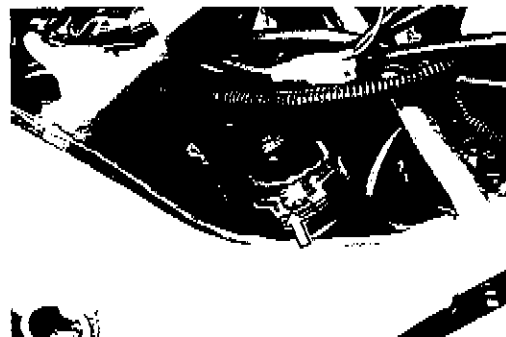
(STD position: "2")

SPRING PRE-LOAD ADJUSTMENT

The set position "7" provides the stiffest spring pre-load.

The set position "1" provides the softest spring pre-load.

(STD position: "3")

**REAR SUSPENSION SETTING**

Item		Spring set position	Damping force (Rebound)
Solo riding	Softer	2	1
	Standard	3	2
	Stiffer	4	3
Dual riding		4	4

SERVICING INFORMATION

CONTENTS

TROUBLESHOOTING	8- 1
WIRING DIAGRAM	8- 9
WIRE HARNESS, CABLE AND HOSE ROUTING	8-12
COWLING AND FRAME COVER SET UP	8-23
SPECIAL TOOLS	8-26
TIGHTENING TORQUE	8-29
SERVICE DATA	8-32

8-1 SERVICING INFORMATION

TROUBLESHOOTING

ENGINE

Complaint	Symptom and possible causes	Remedy
<p>Engine will not start, or is hard to start.</p>	<p>Compression too low</p> <ol style="list-style-type: none"> 1. Out of adjustment valve clearance. 2. Worn valve guides or poor seating of valves. 3. Mistiming valves. 4. Excessively worn piston rings. 5. Worn-down cylinder bores. 6. Too slowly starter motor cranks. 7. Poor seating of spark plugs. <p>Plugs not sparking</p> <ol style="list-style-type: none"> 1. Fouled spark plugs. 2. Wet spark plugs. 3. Defective ignition coil. 4. Open or short in high-tension cords. 5. Defective signal generator or ignitor unit. <p>No fuel reaching the carburetors</p> <ol style="list-style-type: none"> 1. Clogged fuel tank vent hose. 2. Clogged or defective fuel/cook. 3. Defective fuel pump or ignitor unit. 4. Defective carburetor needle valve. 5. Clogged fuel hose or fuel filter. 	<p>Adjust. Repair or replace. Adjust. Replace. Replace or rebore. See electrical section. Retighten.</p> <p>Clean. Clean and dry. Replace. Replace. Replace.</p> <p>Clean or replace. Clean or replace. Replace. Replace. Clean or replace.</p>
<p>Engine stalls easily.</p>	<ol style="list-style-type: none"> 1. Fouled spark plugs. 2. Defective signal generator or ignitor unit. 3. Clogged fuel hose. 4. Clogged jets in carburetors. 5. Out of adjustment valve clearance. 	<p>Clean. Replace. Clean. Clean. Adjust.</p>
<p>Noisy engine.</p>	<p>Excessive valve chatter</p> <ol style="list-style-type: none"> 1. Too large valve clearance. 2. Weakened or broken valve springs. 3. Worn tappet or cam surface. 4. Worn and burnt camshaft journal. <p>Noise seems to come from piston</p> <ol style="list-style-type: none"> 1. Worn down pistons or cylinders. 2. Fouled with carbon combustion chambers. 3. Worn piston pins or piston pin bore. 4. Worn piston rings or ring grooves. <p>Noise seems to come from timing chain</p> <ol style="list-style-type: none"> 1. Stretched chain. 2. Worn sprockets. 3. Not working tension adjuster. <p>Noise seems to come from clutch</p> <ol style="list-style-type: none"> 1. Worn splines of countershaft or hub. 2. Worn teeth of clutch plates. 3. Distorted clutch plates, driven and drive. 4. Worn clutch release bearing. 5. Weakened clutch dampers. 	<p>Adjust. Replace. Replace. Replace.</p> <p>Replace. Clean. Replace. Replace.</p> <p>Replace. Replace. Repair or replace.</p> <p>Replace. Replace. Replace. Replace. Replace the primary driven gear.</p>

Complaint	Symptom and possible causes	Remedy
Noisy engine.	<p>Noise seems to come from crankshaft</p> <ol style="list-style-type: none"> 1. Due to wear rattling bearings. 2. Worn and burnt big-end bearings. 3. Worn and burnt journal bearings. 4. Too large thrust clearance. <p>Noise seems to come from transmission</p> <ol style="list-style-type: none"> 1. Worn or rubbing gears. 2. Badly worn splines. 3. Worn or rubbing primary gears. 4. Badly worn bearings. <p>Noise seems to come from water pump</p> <ol style="list-style-type: none"> 1. Too much play on pump shaft bearing. 2. Worn or damaged mechanical seal. 3. Touches pump case and impeller. 	<p>Replace. Replace. Replace. Replace thrust bearing.</p> <p>Replace. Replace. Replace. Replace.</p> <p>Replace. Replace. Replace.</p>
Slipping clutch.	<ol style="list-style-type: none"> 1. Out of adjustment or loss of play clutch control. 2. Weakened clutch springs. 3. Worn or distorted pressure plate. 4. Distorted clutch plates, driven and drive. 	<p>Adjust. Replace. Replace. Replace.</p>
Dragging clutch.	<ol style="list-style-type: none"> 1. Out of adjustment or too much play clutch control. 2. Some clutch springs weakened. 3. Distorted pressure plate or clutch plate. 	<p>Adjust. Replace. Replace.</p>
Transmission will not shift.	<ol style="list-style-type: none"> 1. Broken gearshift cam. 2. Distorted gearshift forks. 3. Worn gearshift pawl. 	<p>Replace. Replace. Replace.</p>
Transmission will not shift back.	<ol style="list-style-type: none"> 1. Broken return spring on shift shaft. 2. Rubbing or sticky shift shaft. 3. Distorted or worn gearshift forks. 	<p>Replace. Repair or replace. Replace.</p>
Transmission jumps out of gear.	<ol style="list-style-type: none"> 1. Worn shifting gears on driveshaft or countershaft. 2. Distorted or worn gearshift forks. 3. Weakened stopper spring on gearshift stopper. 4. Worn gearshift pawl. 	<p>Replace. Replace. Replace. Replace.</p>
Engine idles poorly.	<ol style="list-style-type: none"> 1. Out of adjustment valve clearance. 2. Poor seating of valves. 3. Defective valve guides. 4. Worn tappet or cam surface. 5. Too wide spark plug gaps. 6. Defective ignition coil. 7. Defective signal generator or ignitor unit. 8. Out of adjustment in carburetors float-chamber fuel level. 9. Clogged jets or imbalance of carburetors. 10. Defective fuel pump or ignitor unit. 	<p>Adjust. Replace or repair. Replace. Replace. Adjust or replace. Replace. Replace. Adjust.</p> <p>Clean or adjust. Replace.</p>

8.3 SERVICING INFORMATION

Complaint	Symptom and possible causes	Remedy
Engine runs poorly in high speed range.	<ol style="list-style-type: none"> 1. Weakened valve springs. 2. Worn camshafts. 3. Valve timing out of adjustment. 4. Too narrow spark plug gaps. 5. Ignition not advanced sufficiently due to poorly working timing advance circuit. 6. Defective ignition coil. 7. Defective signal generator or ignitor unit. 8. Too low float-chamber fuel level. 9. Clogged air cleaner element. 10. Clogged fuel hose, resulting in inadequate fuel supply to carburetors. 11. Defective fuel pump or ignitor unit. 	<p>Replace. Replace. Adjust. Adjust. Replace ignitor unit.</p> <p>Replace. Replace. Adjust. Clean. Clean and prime.</p> <p>Replace.</p>
Dirty or heavy exhaust smoke.	<ol style="list-style-type: none"> 1. Too much engine oil in the engine. 2. Worn piston rings or cylinders. 3. Worn valve guides. 4. Scored or scuffed cylinder walls. 5. Worn valves stems. 6. Defective stem seal. 7. Worn oil ring side rails. 	<p>Check with inspection window drain out excess oil.</p> <p>Replace. Replace. Rebore or replace. Replace. Replace. Replace.</p>
Engine lacks power.	<ol style="list-style-type: none"> 1. Loss of valve clearance. 2. Weakened valve springs. 3. Out of adjustment valve timing. 4. Worn piston rings or cylinders. 5. Poor seating of valves. 6. Fouled spark plug. 7. Incorrect spark plug. 8. Clogged jets in carburetors. 9. Out of adjustment float-chamber fuel level. 10. Clogged air cleaner element. 11. Loose carburetor balancing screw. 12. Sucking air from intake pipe. 13. Too much engine oil. 14. Defective fuel pump or ignitor unit. 	<p>Adjust. Replace. Adjust. Replace. Repair. Clean or replace. Adjust or replace. Clean. Adjust. Clean. Retighten. Retighten or replace. Drain out excess oil. Replace.</p>
Engine overheats.	<ol style="list-style-type: none"> 1. Heavy carbon deposit on piston crowns. 2. Not enough oil in the engine. 3. Defective oil pump or clogged oil circuit. 4. Too low in float chambers fuel level. 5. Sucking air from intake pipes. 6. Use incorrect engine oil. 7. Defective cooling system. 	<p>Clean. Add oil. Replace or clean. Adjust. Retighten or replace. Change. See radiator section.</p>

SERVICING INFORMATION 8-4**RADIATOR**

Complaint	Symptom and possible causes	Remedy
Engine overheats.	<ol style="list-style-type: none"> 1. Not enough cooling water. 2. Clogged with dirt or trashes radiator core. 3. Erratic thermostat, stuck in closed position. 4. Faulty cooling fan. 5. Defective thermo-switch. 6. Clogged water passage. 7. Air trapped in the cooling circuit. 8. Defective water pump. 9. Use incorrect coolant. 	<p>Add coolant. Clean. Replace. Repair or replace. Replace. Clean. Bleed out air. Replace. Replace.</p>
Engine overcools.	<ol style="list-style-type: none"> 1. Erratic thermostat, stuck in full-open position. 2. Defective thermo-switch. 3. Extremely cold weather. 	<p>Replace. Replace. Put on the radiator cover.</p>

CARBURETOR

Complaint	Symptom and possible causes	Remedy
Trouble with starting.	<ol style="list-style-type: none"> 1. Clogged starter jet. 2. Clogged starter pipe. 3. Air leaking from a joint between starter body and carburetor. 4. Air leaking from carburetor's joint or vacuum gauge joint. 5. Not operation properly starter plunger. 	<p>Clean. Clean. Check starter body and carburetor for tightness, adjust and replace gasket. Check and adjust. Check and adjust.</p>
Idling or low-speed trouble.	<ol style="list-style-type: none"> 1. Clogged or loose pilot jet, pilot air jet. 2. Air leaking from carburetor's joint, vacuum gauge joint, or starter. 3. Clogged pilot outlet or bypass. 4. Not fully closed starter plunger. 	<p>Check and clean. Check and adjust. Check and clean. Check and adjust.</p>
Medium-or high speed trouble.	<ol style="list-style-type: none"> 1. Clogged main jet or main air jet. 2. Clogged needle jet. 3. Not operating properly throttle valve. 4. Clogged fuel filter. 	<p>Check and clean. Check and clean. Check throttle valve for operation. Check and clean.</p>
Overflow and fuel level fluctuations.	<ol style="list-style-type: none"> 1. Worn or damaged needle valve. 2. Broken spring in needle valve. 3. Not working properly float. 4. Foreign matter has adhered to needle valve. 5. Too high or low fuel level. 6. Defective fuel pump or ignitor unit. 	<p>Replace. Replace. Check and adjust. Clean. Adjust float height. Replace.</p>

8-5 SERVICING INFORMATION**ELECTRICAL**

Complaint	Symptom and possible causes	Remedy
No sparking or poor sparking.	<ol style="list-style-type: none"> 1. Defective ignition coil. 2. Defective spark plugs. 3. Defective signal generator or ignitor unit. 	<p>Replace. Replace. Replace.</p>
Spark plug soon become fouled with carbon.	<ol style="list-style-type: none"> 1. Mixture too rich. 2. Idling speed set too high. 3. Incorrect gasoline. 4. Dirty element in air cleaner. 5. Too cold spark plugs. 	<p>Adjust carburetors. Adjust carburetors. Change. Clean. Replace with hot type plugs.</p>
Spark plugs become fouled too soon.	<ol style="list-style-type: none"> 1. Worn piston rings. 2. Worn piston or cylinders. 3. Excessive clearance of valve stems in valve guides. 4. Worn stem oil seal. 	<p>Replace. Replace. Replace. Replace.</p>
Spark plug electrodes overheat or burn.	<ol style="list-style-type: none"> 1. Too hot spark plugs. 2. Overheated the engine. 3. Loose spark plugs. 4. Too lean mixture. 	<p>Replace with cold type plugs. Tune up. Retighten. Adjust carburetors.</p>
Generator does not charge.	<ol style="list-style-type: none"> 1. Open or short lead wires, or loose lead connections. 2. Shorted, grounded or open generator coils. 3. Shorted or punctured regulator/rectifiers. 	<p>Repair or replace or retighten. Replace. Replace.</p>
Generator does charge, but charging rate is below the specification.	<ol style="list-style-type: none"> 1. Lead wires tend to get shorted or open-circuited or loosely connected at terminals. 2. Grounded or open-circuited stator coils or generator. 3. Defective regulator/rectifier. 4. Defective cell plates in the battery. 	<p>Repair or retighten. Replace. Replace. Replace the battery.</p>
Generator overcharges.	<ol style="list-style-type: none"> 1. Internal short-circuit in the battery. 2. Damaged or defective resistor element in the regulator/rectifier. 3. Poorly grounded regulator/rectifier. 	<p>Replace the battery. Replace. Clean and tighten ground connection.</p>
Unstable charging.	<ol style="list-style-type: none"> 1. Lead wire insulation frayed due to vibration, resulting in intermittent shorting. 2. Internally shorted generator. 3. Defective regulator/rectifier. 	<p>Repair or replace. Replace. Replace.</p>
Starter button is not effective.	<ol style="list-style-type: none"> 1. Run down battery. 2. Defective switch contacts. 3. Not seating properly brushes on commutator in starter motor. 4. Defective starter relay/starter interlock switch. 	<p>Repair or replace. Replace. Repair or replace. Replace.</p>

SERVICING INFORMATION 8-6**BATTERY**

Complaint	Symptom and possible causes	Remedy
"Sulfation", acidic white powdery substance or spots on surfaces of cell plates.	<ol style="list-style-type: none"> 1. Cracked battery case. 2. Battery has been left in a run-down condition for a long time. 	<p>Replace the battery. Replace the battery.</p>
Battery runs down quickly.	<ol style="list-style-type: none"> 1. Not correct the charging system. 2. Cell plates have lost much of their active material as a result of overcharging. 3. A short-circuit condition exists within the battery. 4. Too low battery voltage. 5. Too old battery. 	<p>Check the generator, regulator/rectifier and circuit connections and make necessary adjustments to obtain specified charging operation. Replace the battery, and correct the charging system. Replace the battery. Recharge the battery fully. Replace the battery.</p>
Battery "sulfation".	<ol style="list-style-type: none"> 1. Too low or too high charging rate. (When not in use batteries should be checked at least once a month to avoid sulfation.) 2. Left unused the battery for too long in cold climate. 	<p>Replace the battery. Replace the battery, if badly sulfated.</p>
Battery discharges too rapidly.	Dirty container top and sides.	Clean.

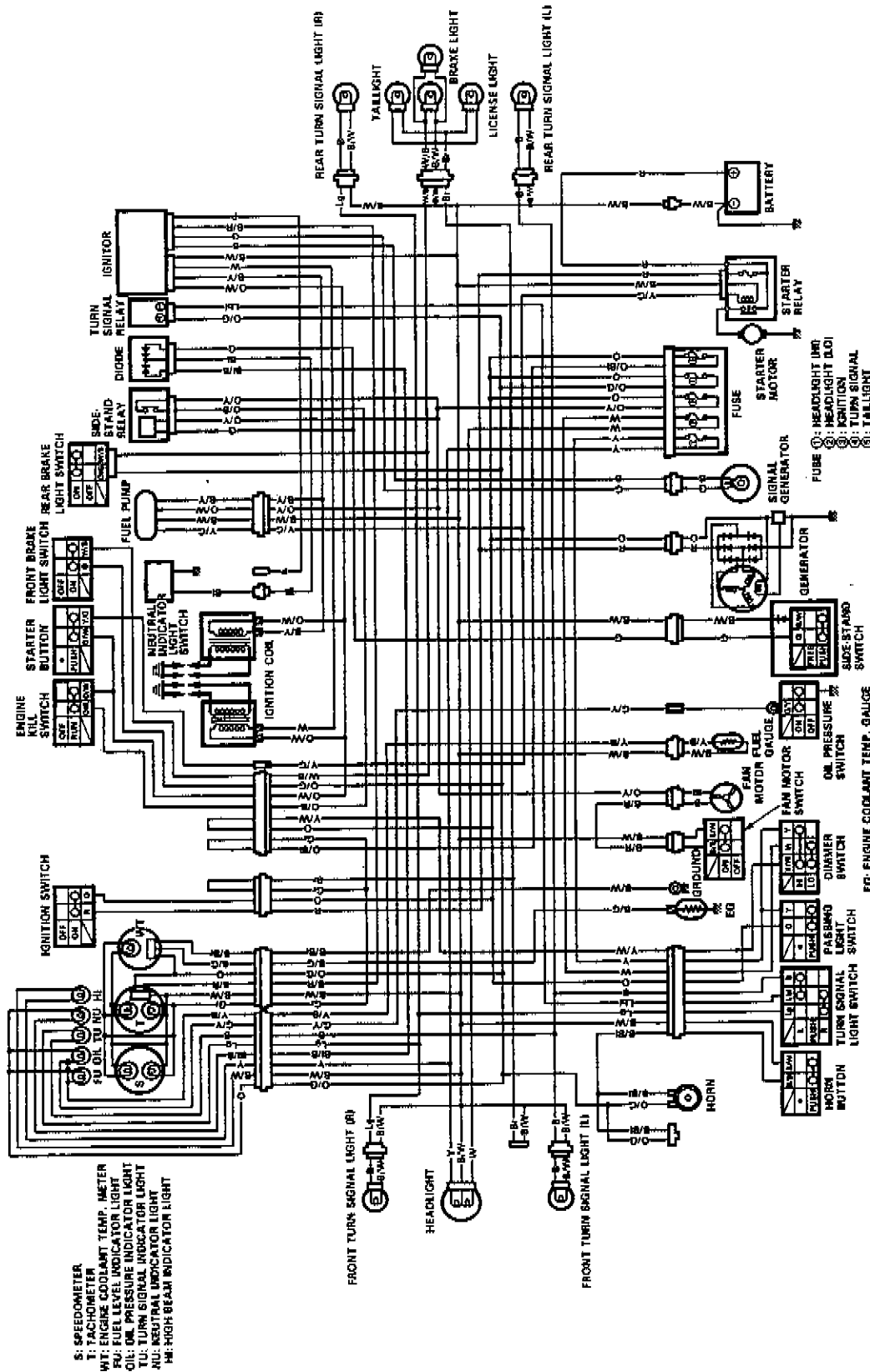
8-7 SERVICING INFORMATION**CHASSIS**

Complaint	Symptom and possible causes	Remedy
Heavy steering.	<ol style="list-style-type: none"> 1. Overtightened steering stem nut. 2. Broken bearing in steering stem. 3. Distorted steering stem. 4. Not enough pressure in tires. 	Adjust. Replace. Replace. Adjust.
Wobbly handlebars.	<ol style="list-style-type: none"> 1. Loss of balance between right and left front forks. 2. Distorted front fork. 3. Distorted front axle or crooked tire. 	Replace. Repair or replace. Replace.
Wobbly front wheel.	<ol style="list-style-type: none"> 1. Distorted wheel rim. 2. Worn front wheel bearings. 3. Defective or incorrect tire. 4. Loose axle. 5. Incorrect front fork oil. 	Replace. Replace. Replace. Retighten. Adjust.
Front suspension too soft.	<ol style="list-style-type: none"> 1. Weakened springs. 2. Not enough fork oil. 	Replace. Replenish.
Front suspension too stiff.	<ol style="list-style-type: none"> 1. Too viscous fork oil. 2. Too much fork oil. 	Replace. Drain excess oil.
Noisy front suspension.	<ol style="list-style-type: none"> 1. Not enough fork oil. 2. Loose bolts on suspension. 	Replenish. Retighten.
Wobbly rear wheel.	<ol style="list-style-type: none"> 1. Distorted wheel rim. 2. Worn rear wheel bearing or swingarm bearings. 3. Defective or incorrect tire. 4. Worn swingarm and rear cushion related bearings. 5. Loose nuts or bolts on rear suspensions. 	Replace. Replace. Replace. Replace. Retighten.
Rear suspension too soft.	<ol style="list-style-type: none"> 1. Weakened shock absorber spring. 2. Improperly set rear suspension adjuster. 3. Leakage oil of shock absorber. 4. Leakage gas of shock absorber. 	Replace. Adjust. Replace. Replace.
Rear suspension too stiff.	<ol style="list-style-type: none"> 1. Improperly set rear suspension adjuster. 2. Bent shock absorber shaft. 3. Bent swingarm. 4. Worn swingarm and rear cushion related bearings. 	Adjust. Replace. Replace. Replace.
Noisy rear suspension.	<ol style="list-style-type: none"> 1. Loose nuts or bolts on rear suspension. 2. Worn swingarm and rear cushion related bearings. 	Retighten. Replace.

SERVICING INFORMATION 8-8**BRAKES**

Complaint	Symptom and possible causes	Remedy
Insufficient brake power.	<ol style="list-style-type: none"> 1. Leakage of brake fluid from hydraulic system. 2. Worn pads. 3. Oil adhesion of engaging surface of pads. 4. Worn disc. 5. Air in hydraulic system. 	Repair or replace. Replace. Clean disc and pads. Replace. Bleed air.
Brake squeaking.	<ol style="list-style-type: none"> 1. Carbon adhesion on pad surface. 2. Tilted pad. 3. Damaged wheel bearing. 4. Loosen front-wheel axle or rear-wheel axle. 5. Worn pads. 6. Foreign material in brake fluid. 7. Clogged return port of master cylinder. 	Repair surface with sandpaper. Modify pad fitting or replace. Replace. Tighten to specified torque. Replace. Replace brake fluid. Disassemble and clean master cylinder.
Excessive brake lever stroke.	<ol style="list-style-type: none"> 1. Air in hydraulic system. 2. Insufficient brake fluid. 3. Improper quality of brake fluid. 	Bleed air. Replenish fluid to specified level; bleed air. Replace with correct fluid.
Leakage of brake fluid.	<ol style="list-style-type: none"> 1. Insufficient tightening of connection joints. 2. Cracked hose. 3. Worn piston and/or cup. 	Tighten to specified torque. Replace. Replace piston and/or cup.

For Australia

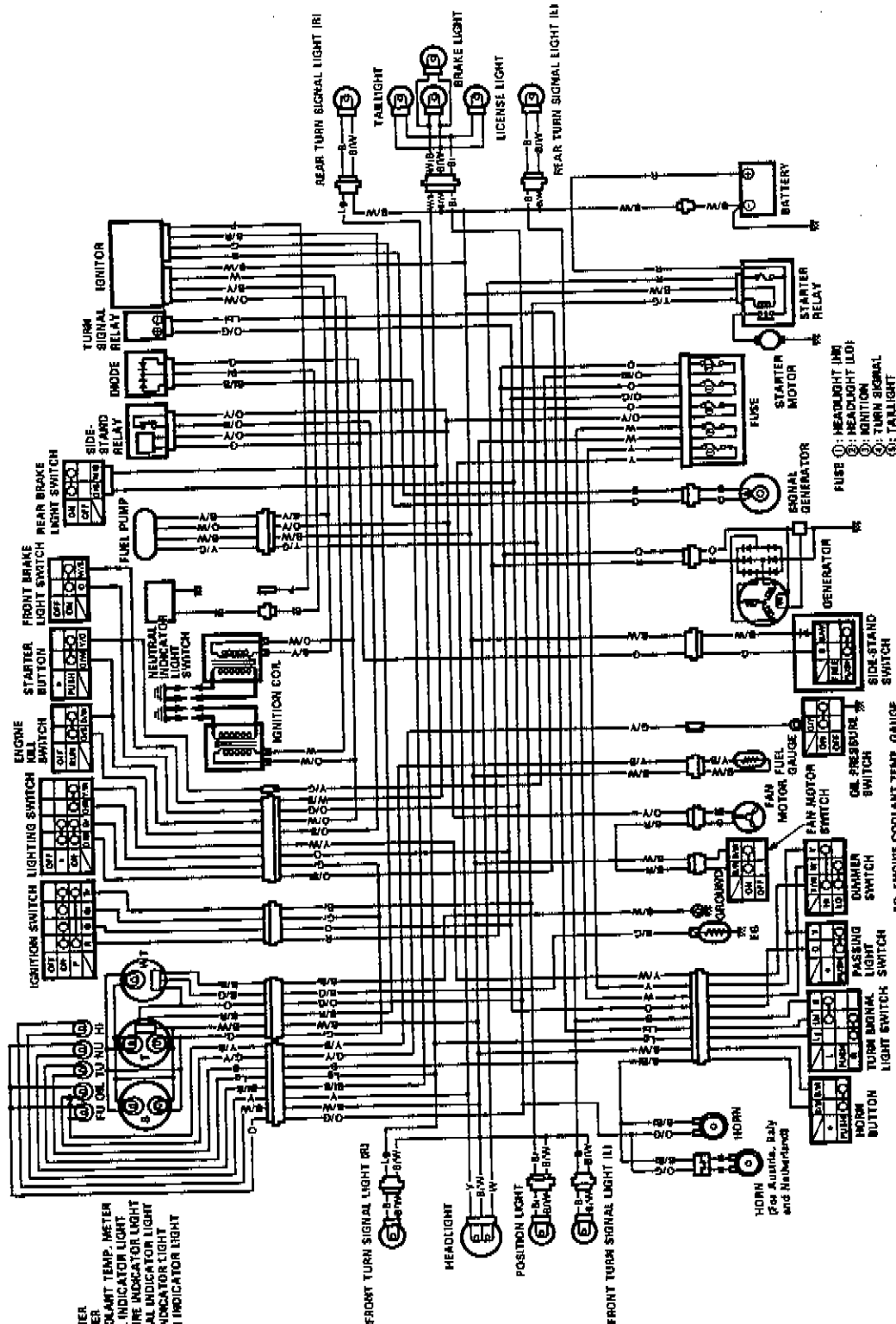


WIRE COLOR

B	Black	P	Pink
Bl	Blue	R	Red
Br	Brown	W	White
G	Green	Y	Yellow
Gr	Gray	B/Br ..	Black with Brown tracer
Lbt	Light blue	B/G	Black with Green tracer
Lg	Light green	B/Bl ..	Black with Blue tracer
O	Orange	B/R	Black with Red tracer
		O/W	Orange with White tracer
		O/Y	Orange with Yellow tracer
		W/B	White with Black tracer
		Y/B	Yellow with Black tracer
		Y/G	Yellow with Green tracer
		Y/W	Yellow with White tracer

8-11 SERVICING INFORMATION

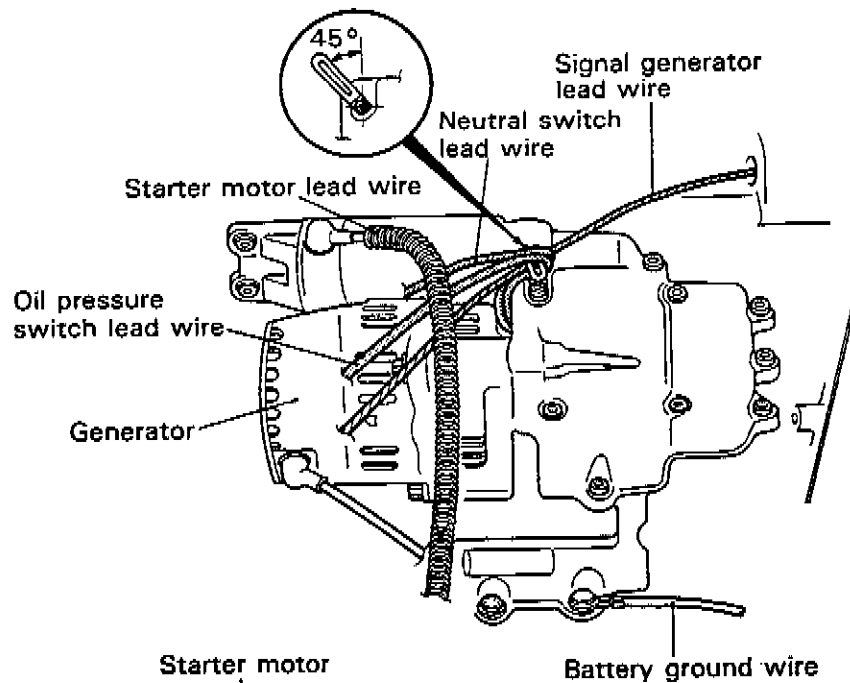
For The others



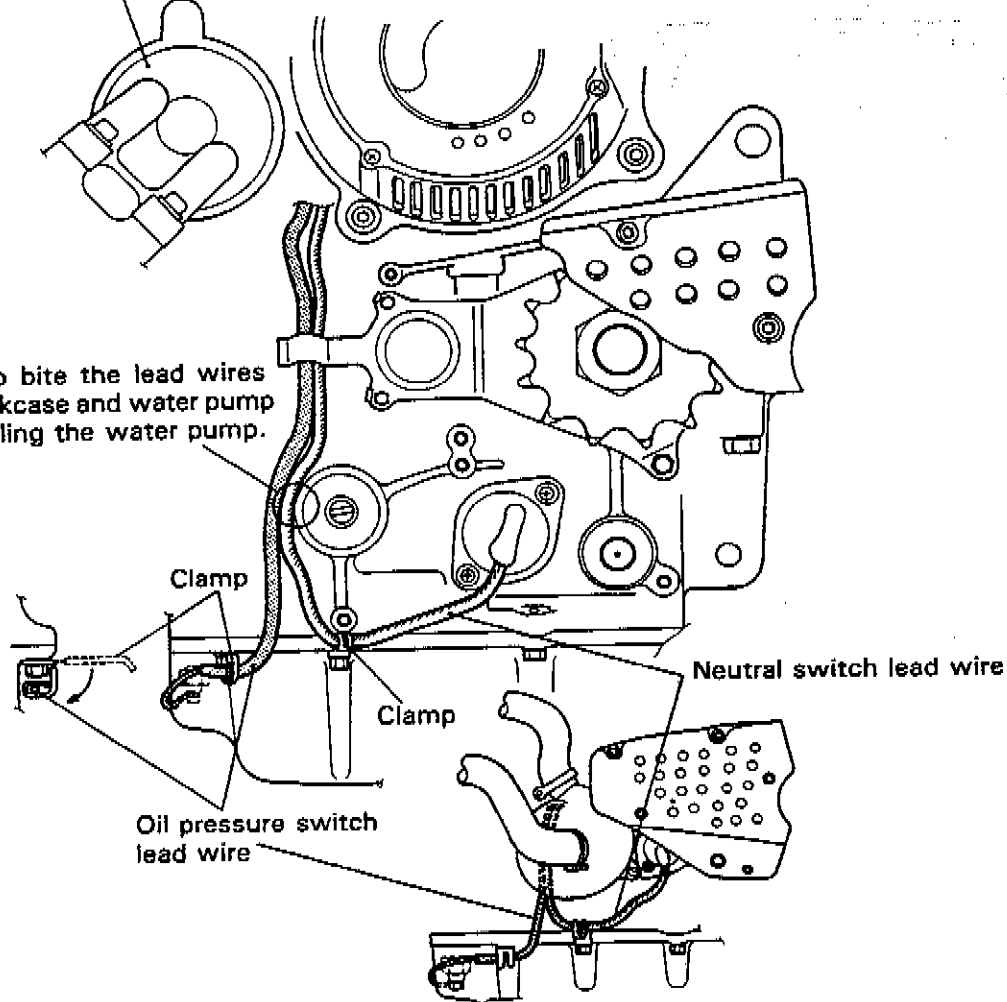
S: SPEEDOMETER
 T: TACHOMETER
 WT: ENGINE COOLANT TEMP. METER
 FU: FUEL LEVEL INDICATOR LIGHT
 OIL: OIL PRESSURE INDICATOR LIGHT
 TU: TURN SIGNAL INDICATOR LIGHT
 NU: NEUTRAL INDICATOR LIGHT
 HI: HIGH BEAM INDICATOR LIGHT

- WIRE COLOR**
- B Black
 - Bl Blue
 - Br Brown
 - G Green
 - Gr Gray
 - Lbl Light blue
 - Lg Light green
 - O Orange
 - P Pink
 - R Red
 - W White
 - Y Yellow
 - B/Br Black with Brown tracer
 - B/G Black with Green tracer
 - B/Bl Black with Blue tracer
 - B/R Black with Red tracer
 - B/W Black with White tracer
 - B/Y Black with Yellow tracer
 - Bl/B Blue with Black tracer
 - G/Y Green with Yellow tracer
 - O/B Orange with Blue tracer
 - O/Bl Orange with Green tracer
 - O/G Orange with Yellow tracer
 - O/R Orange with Red tracer
 - O/W Orange with White tracer
 - O/Y Orange with Yellow tracer
 - W/B White with Black tracer
 - Y/B Yellow with Black tracer
 - Y/G Yellow with Green tracer
 - Y/W Yellow with White tracer
- EG: ENGINE COOLANT TEMP. GAUGE

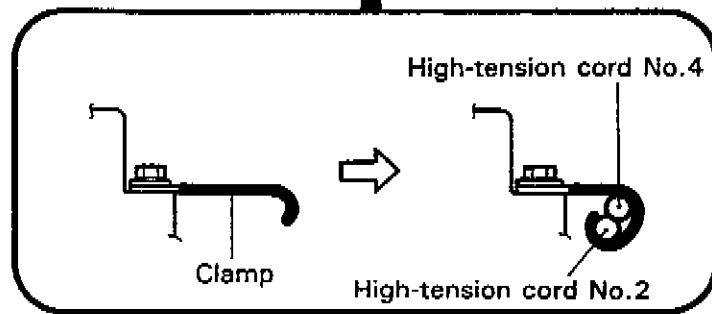
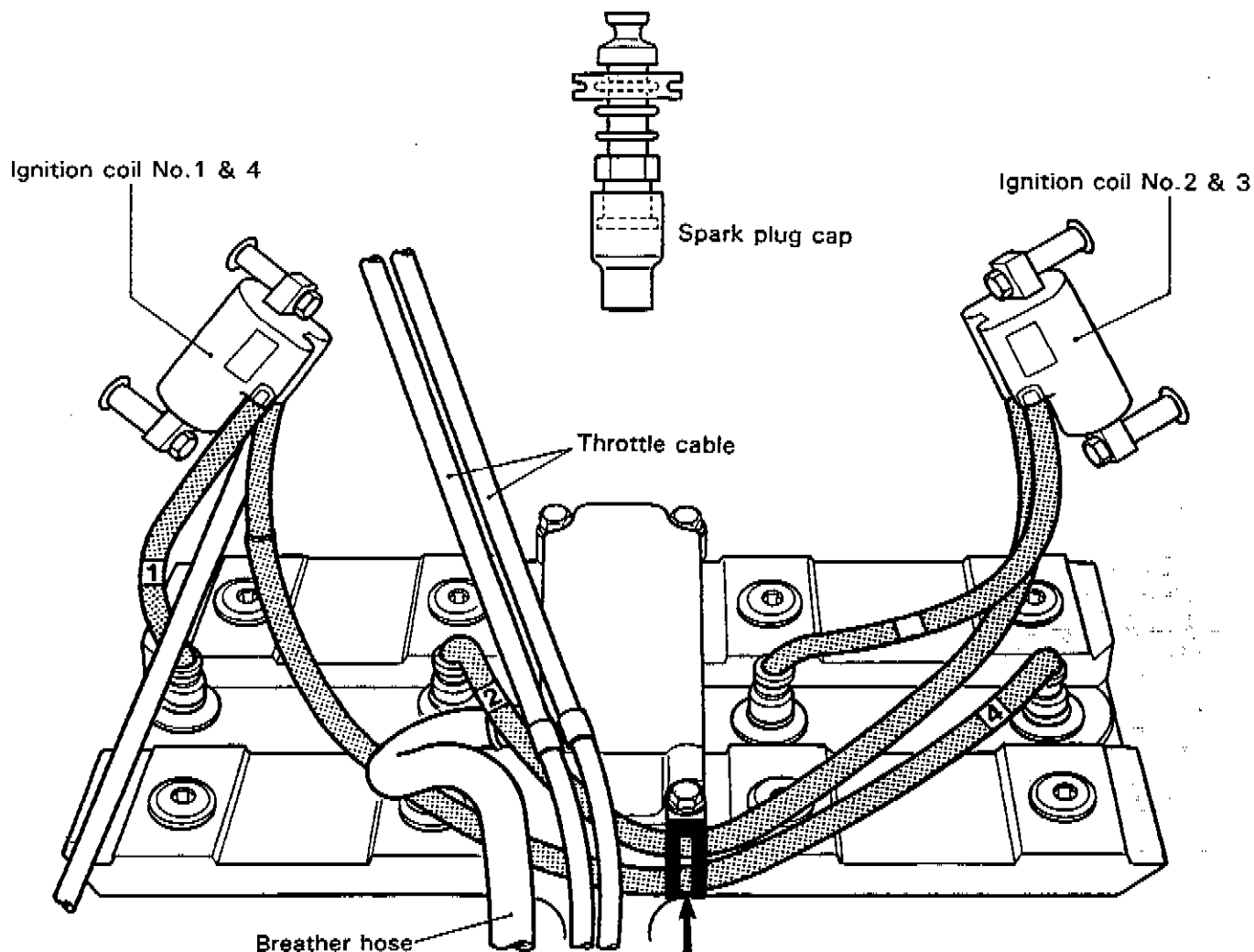
8-13 SERVICING INFORMATION



Be careful not to bite the lead wires between the crankcase and water pump case when installing the water pump.

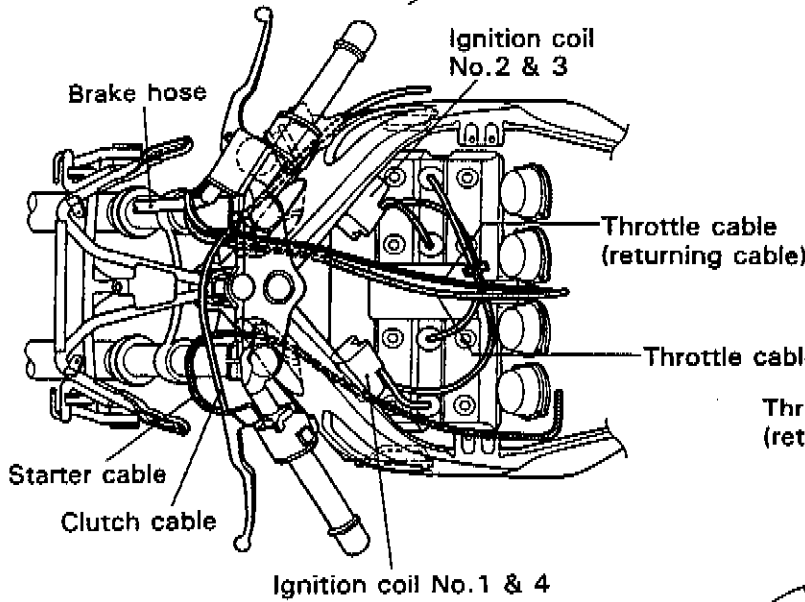
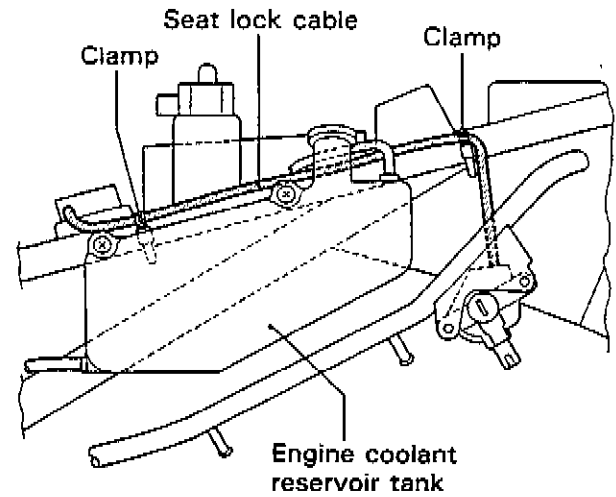
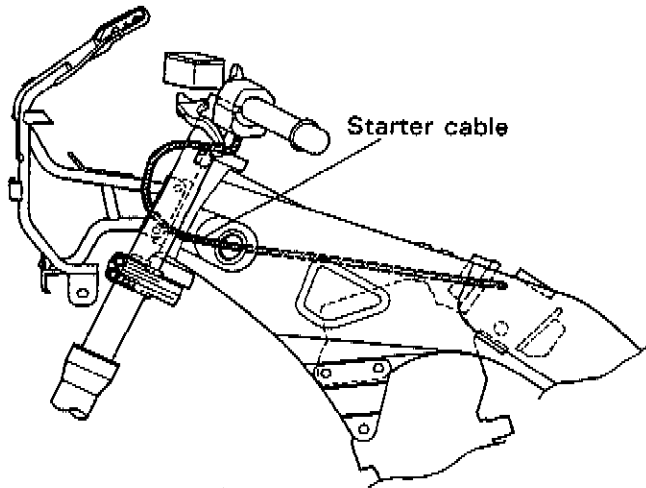


HIGH-TENSION CORD ROUTING

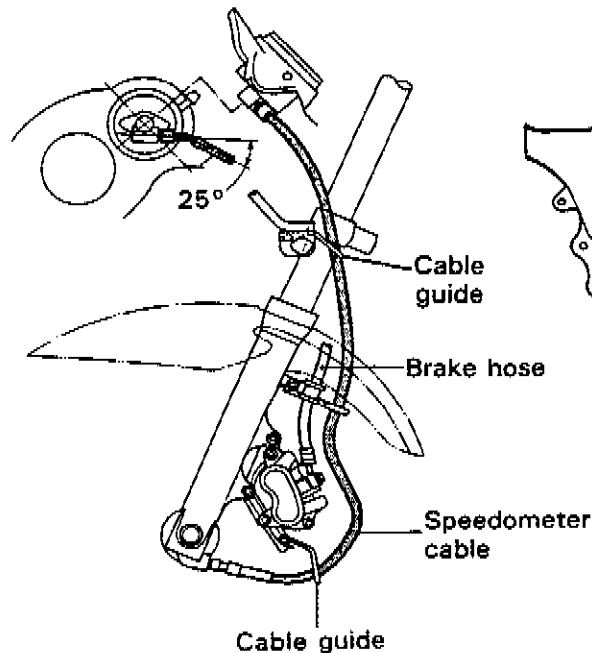
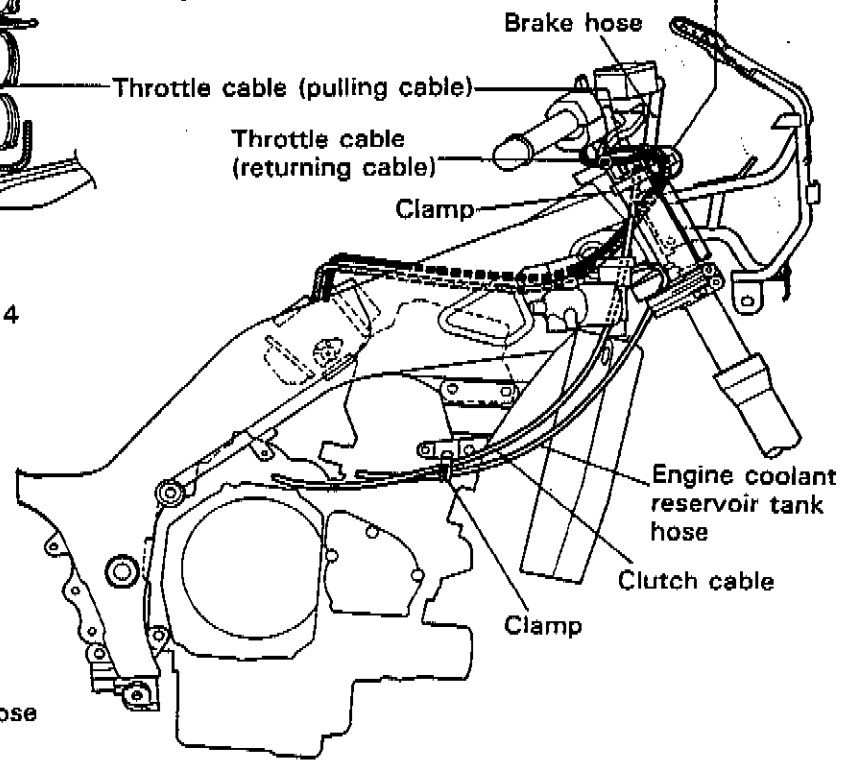


8-15 SERVICING INFORMATION

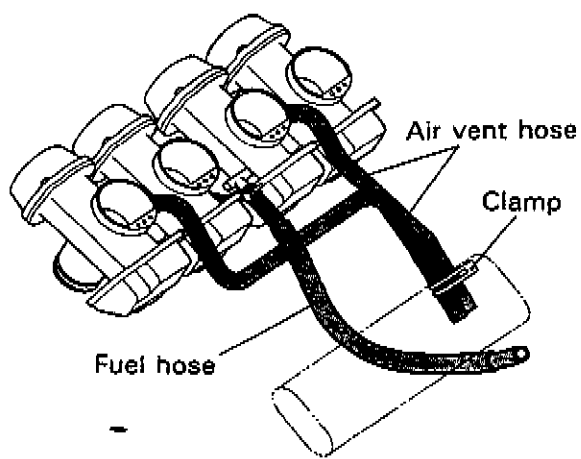
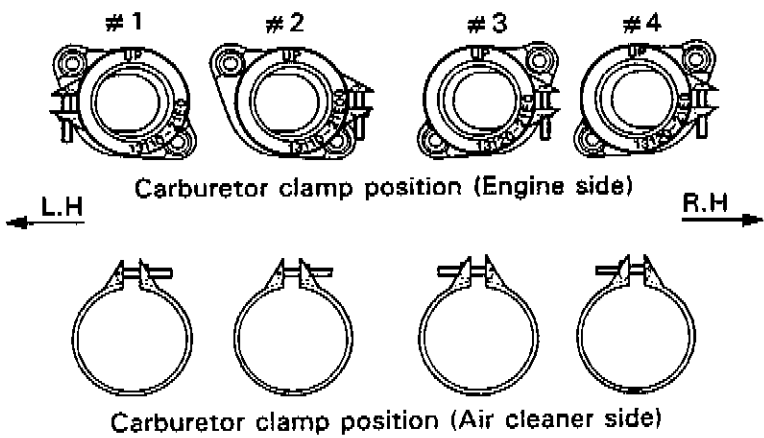
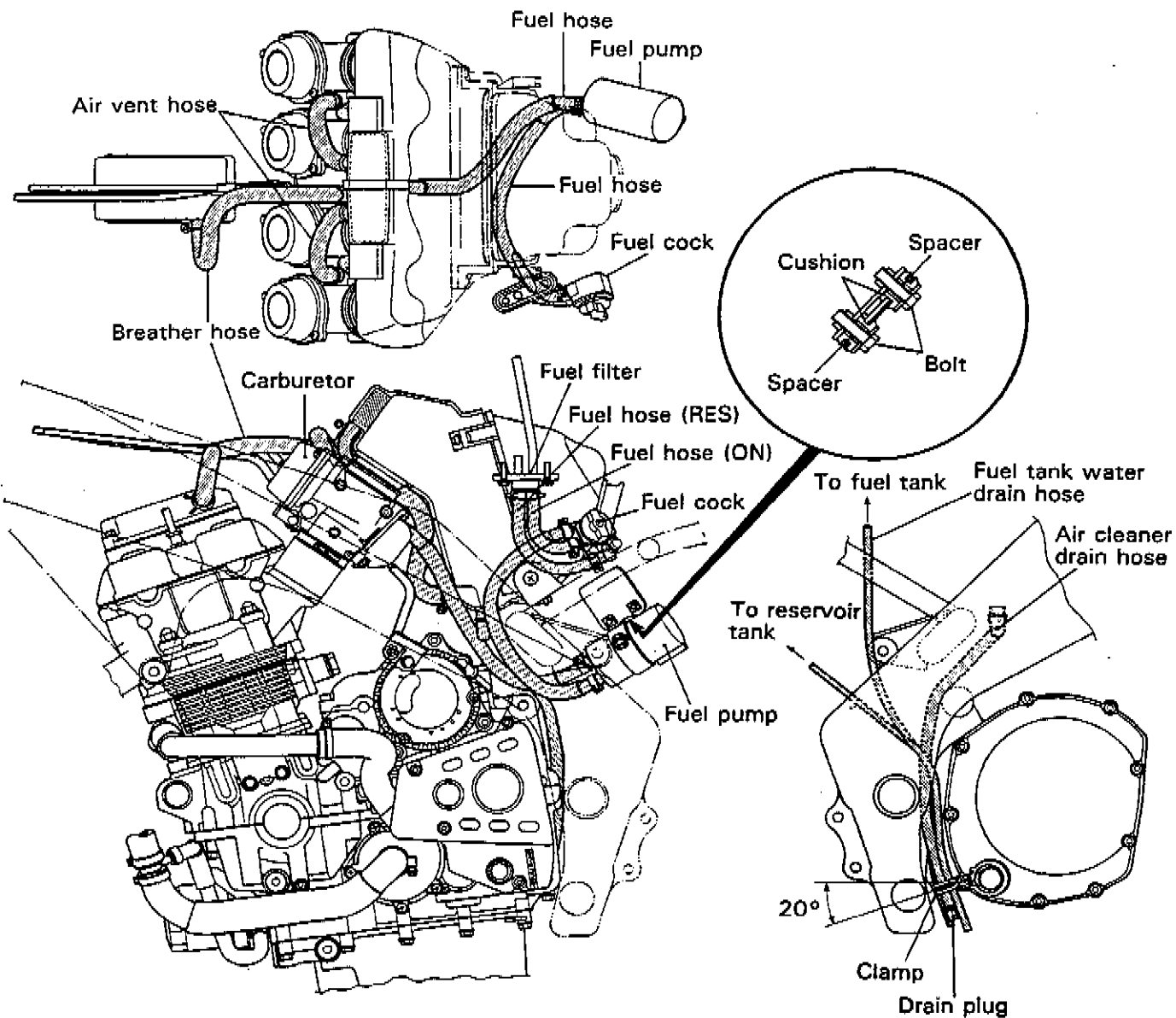
CABLE ROUTING



Pass through the throttle cables outside the brake hose.

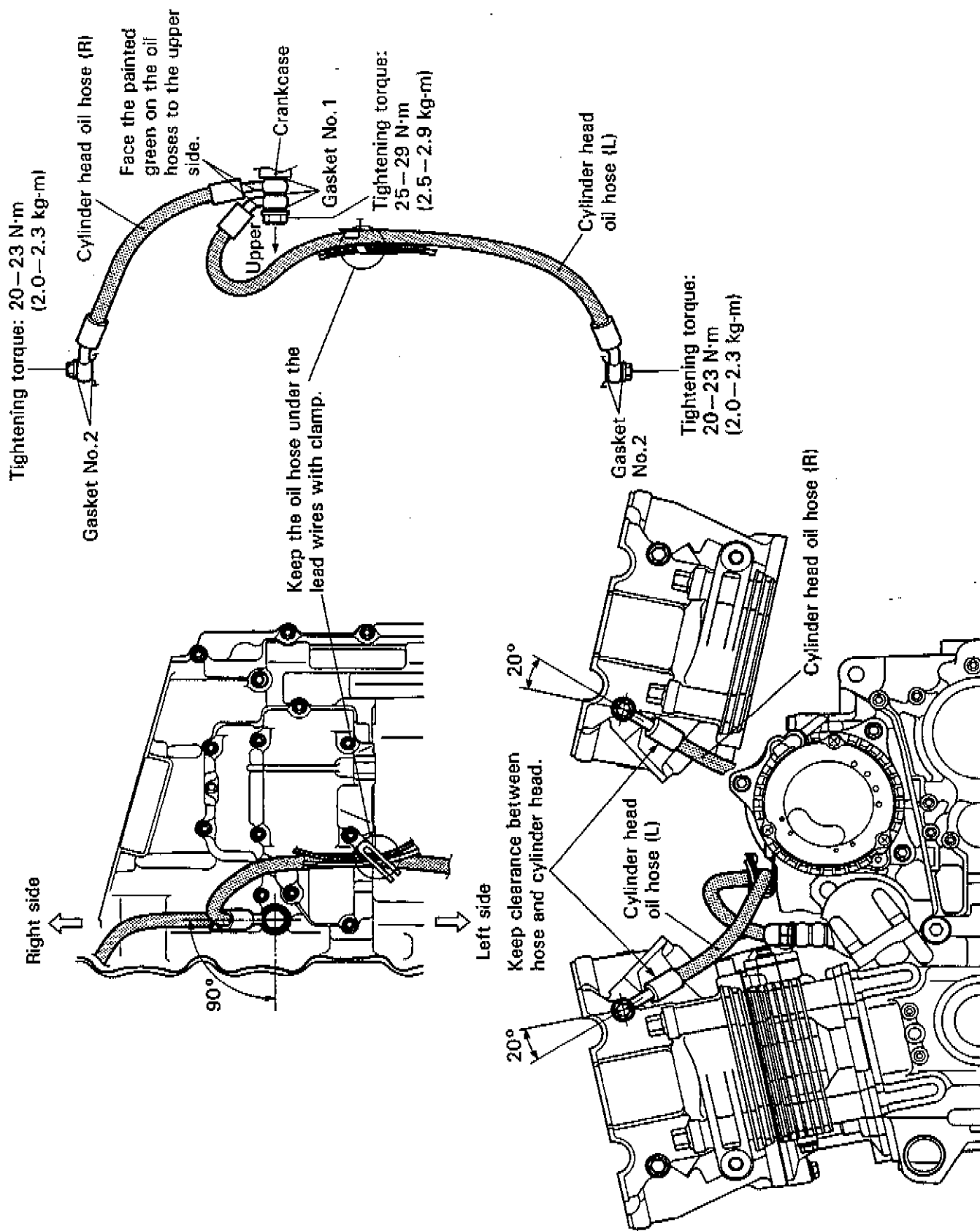


FUEL SYSTEM HOSE ROUTING

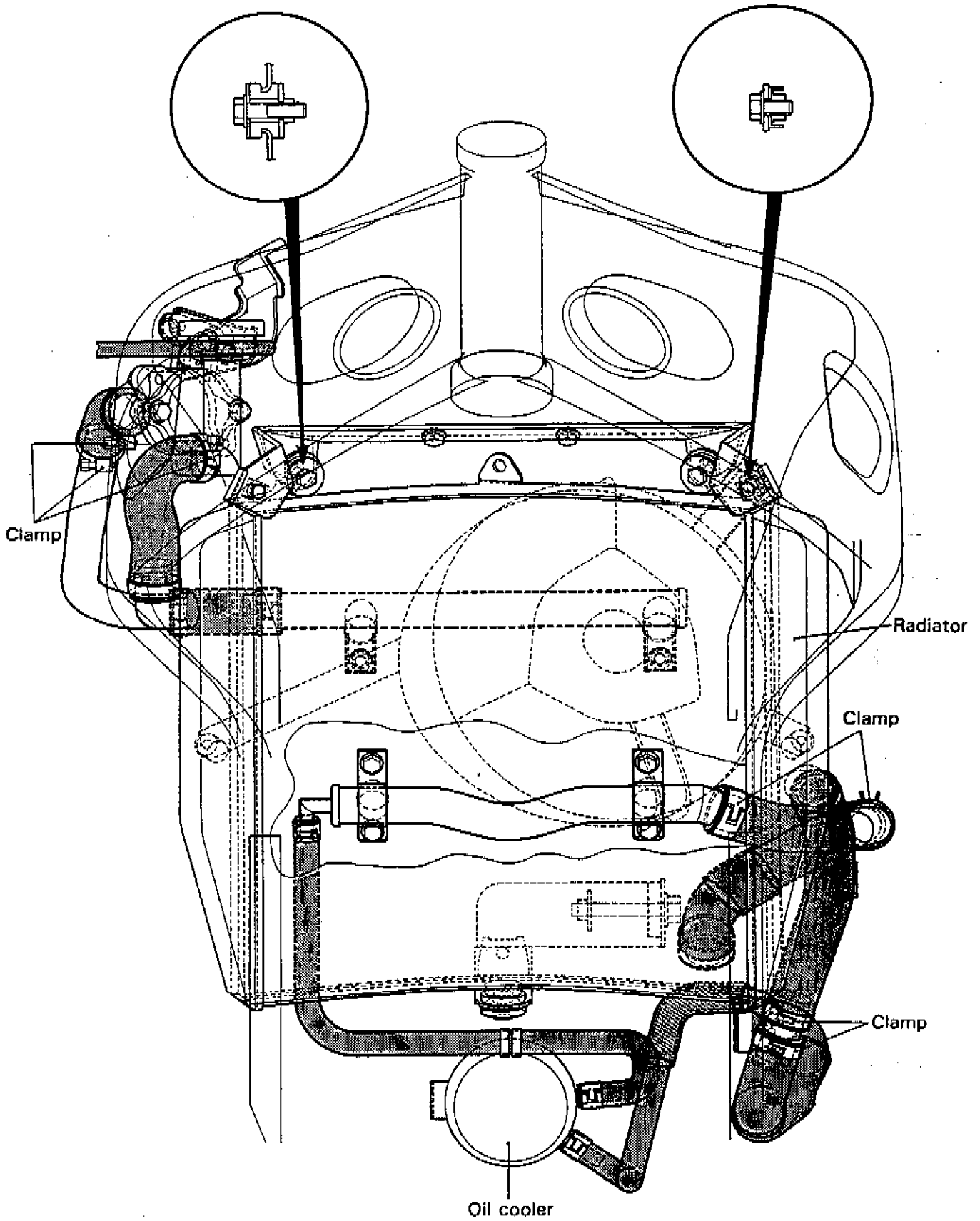


8-17 SERVICING INFORMATION

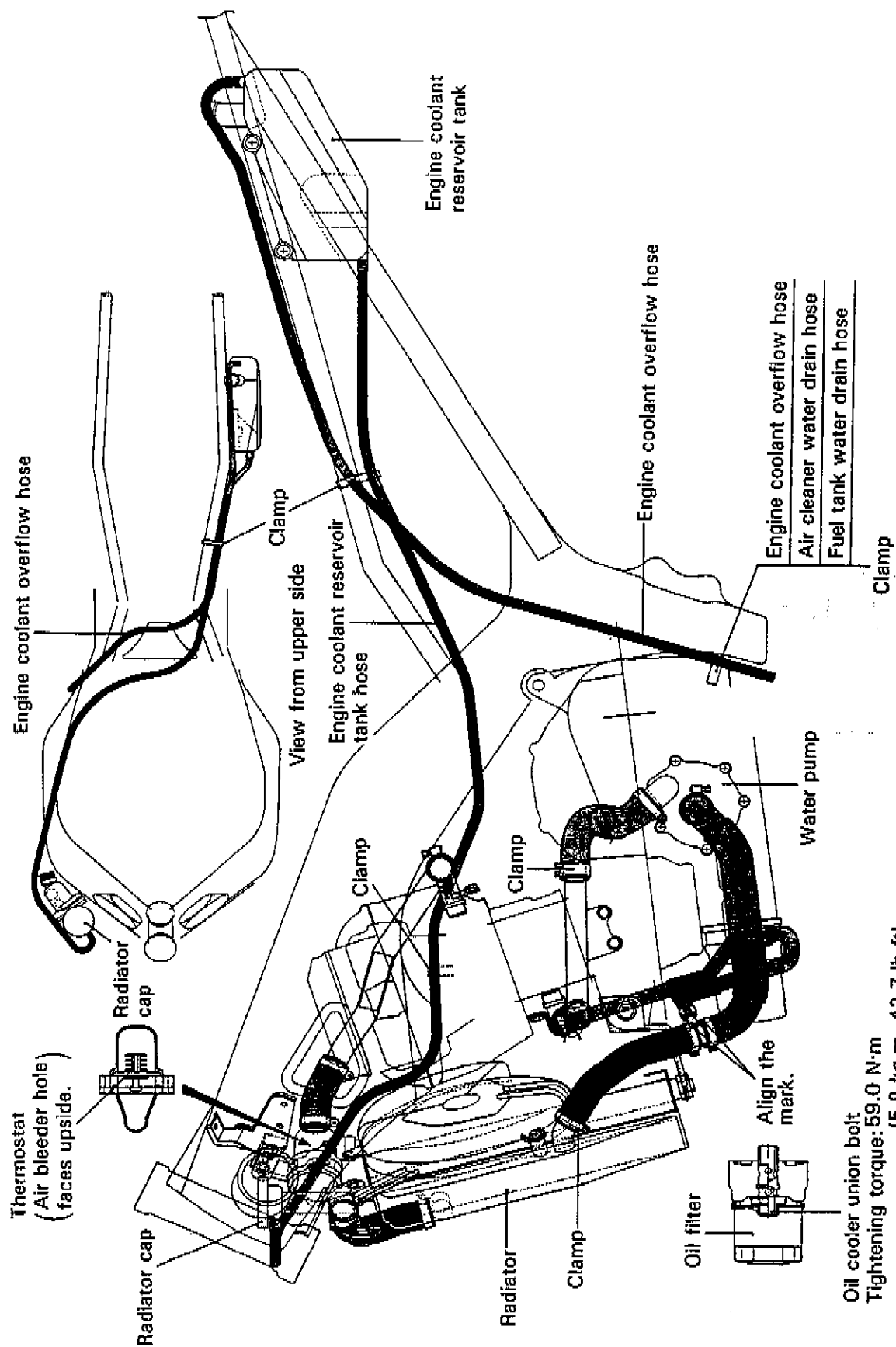
OIL HOSE ROUTING



COOLING SYSTEM HOSE ROUTING



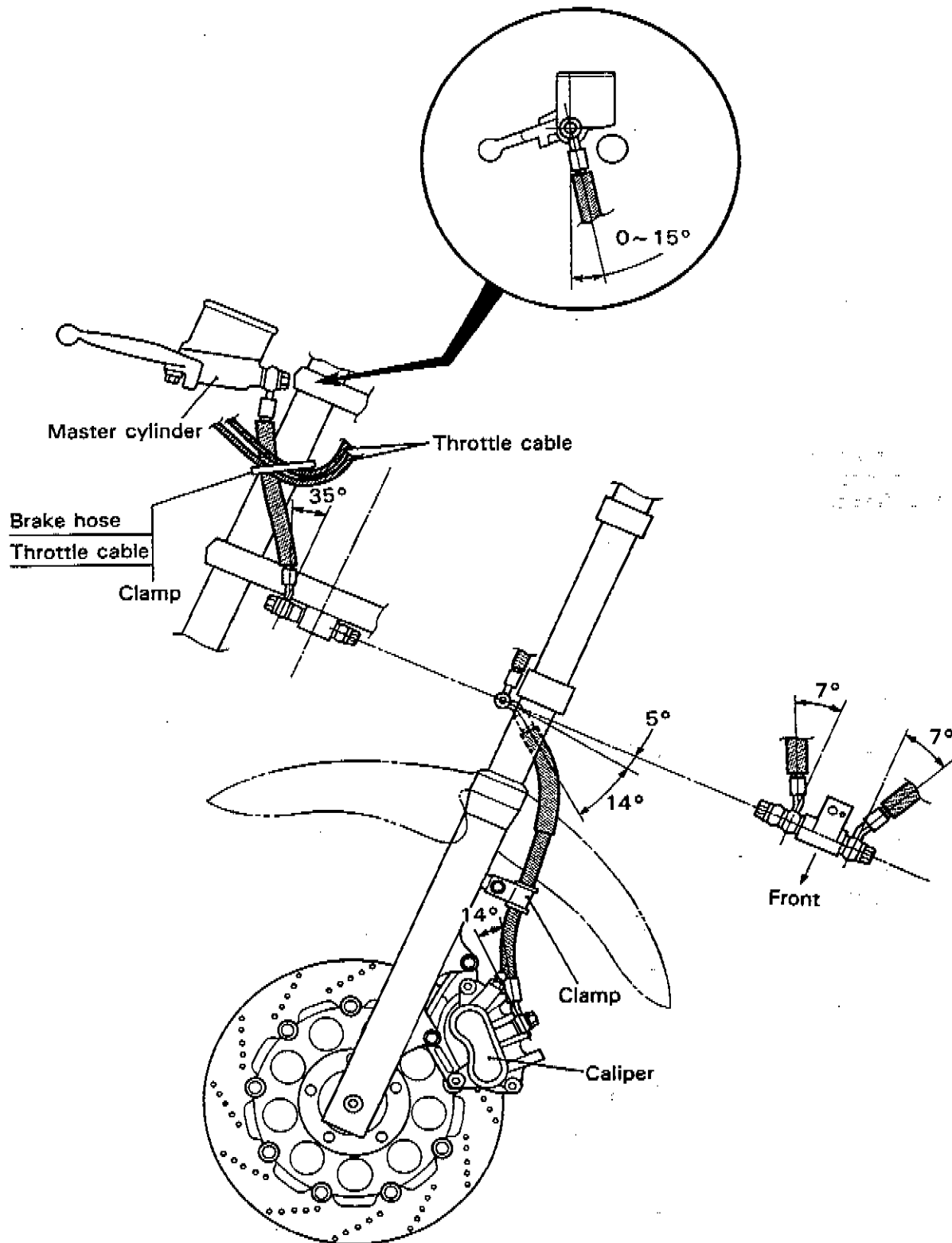
8-19 SERVICING INFORMATION



Oil cooler union bolt
 Tightening torque: 59.0 N·m
 (5.9 kg-m, 42.7 lb-ft)

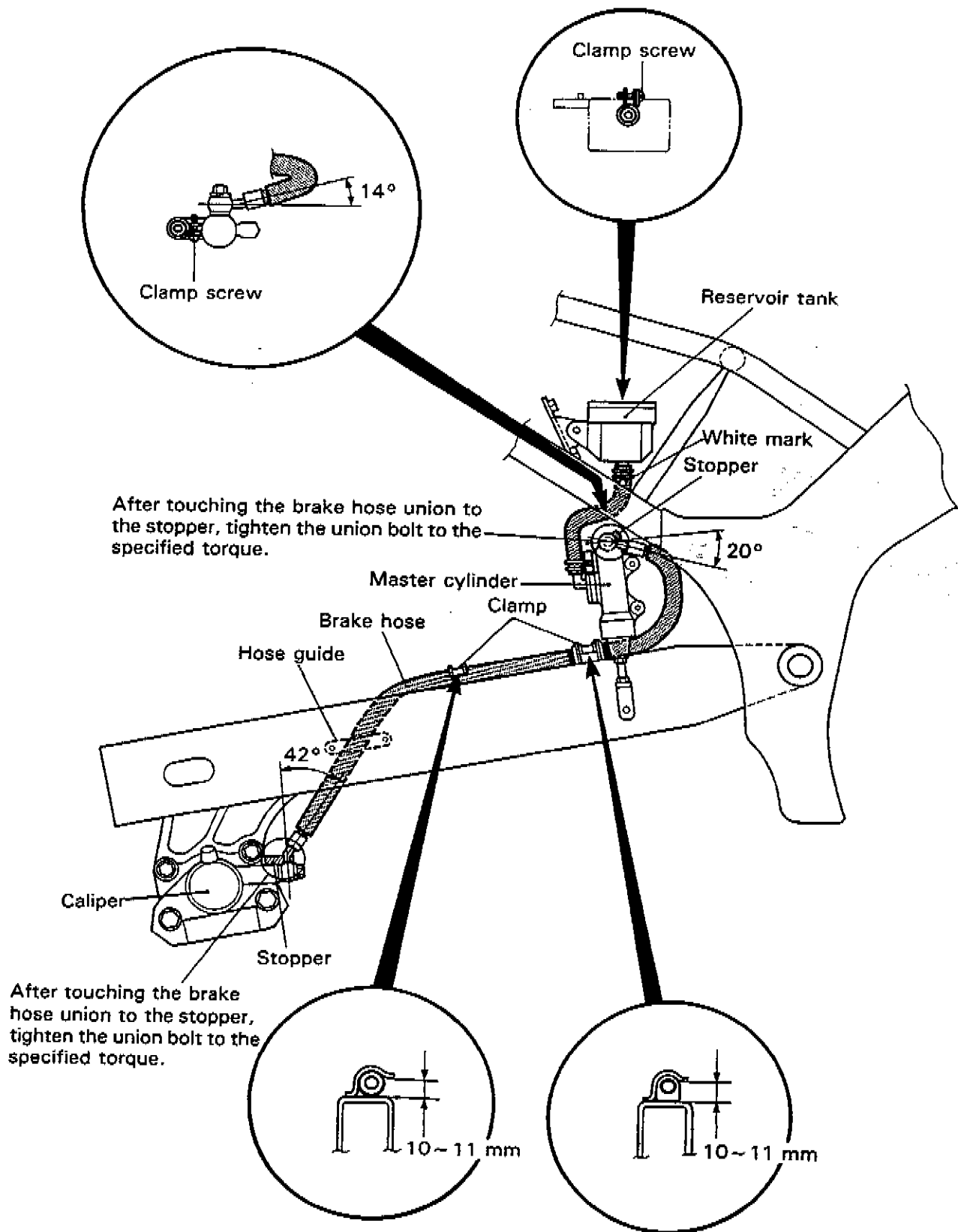
- Engine coolant overflow hose
- Air cleaner water drain hose
- Fuel tank water drain hose
- Clamp

FRONT BRAKE HOSE ROUTING

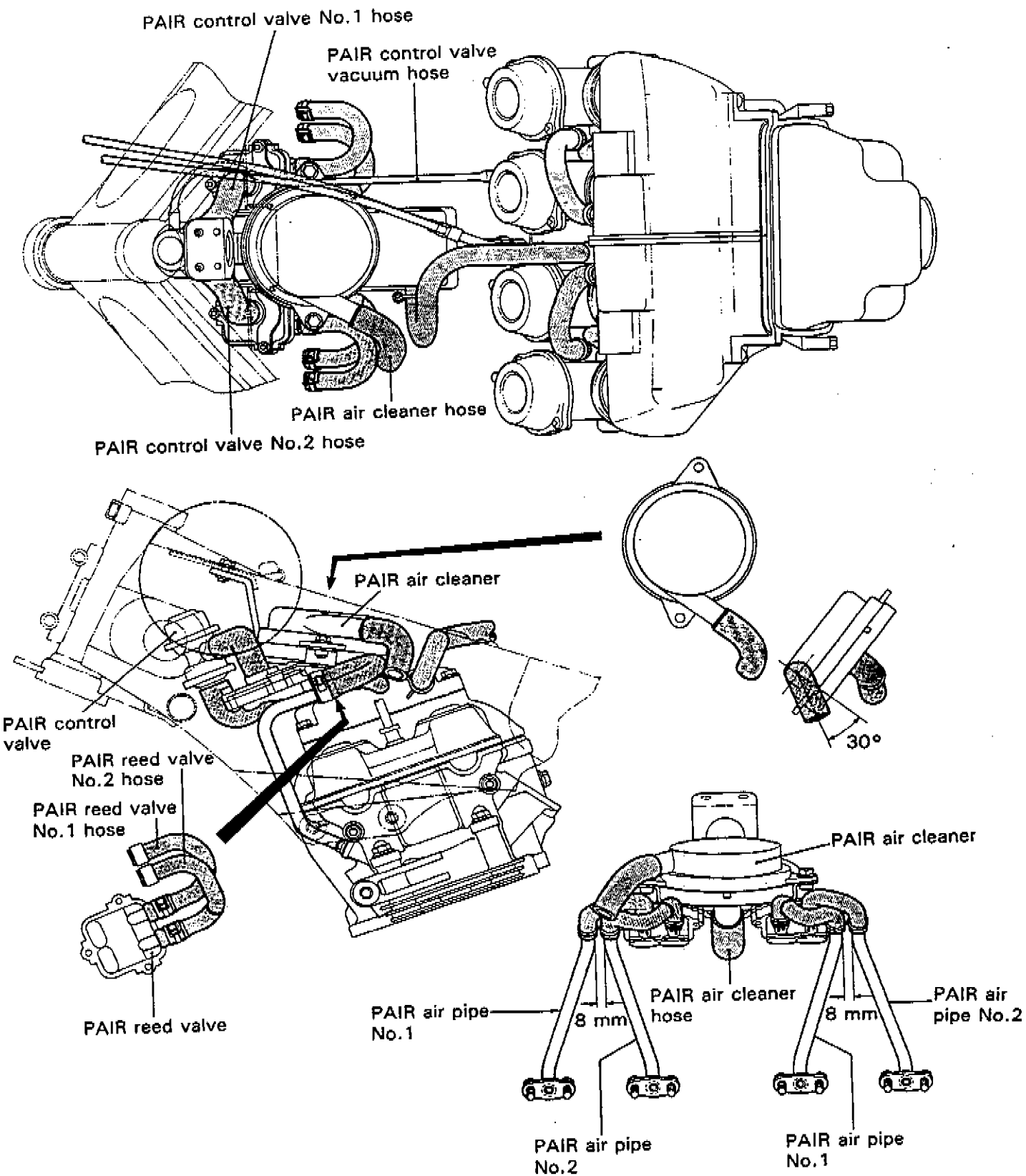


B-21 SERVICING INFORMATION

REAR BRAKE HOSE ROUTING



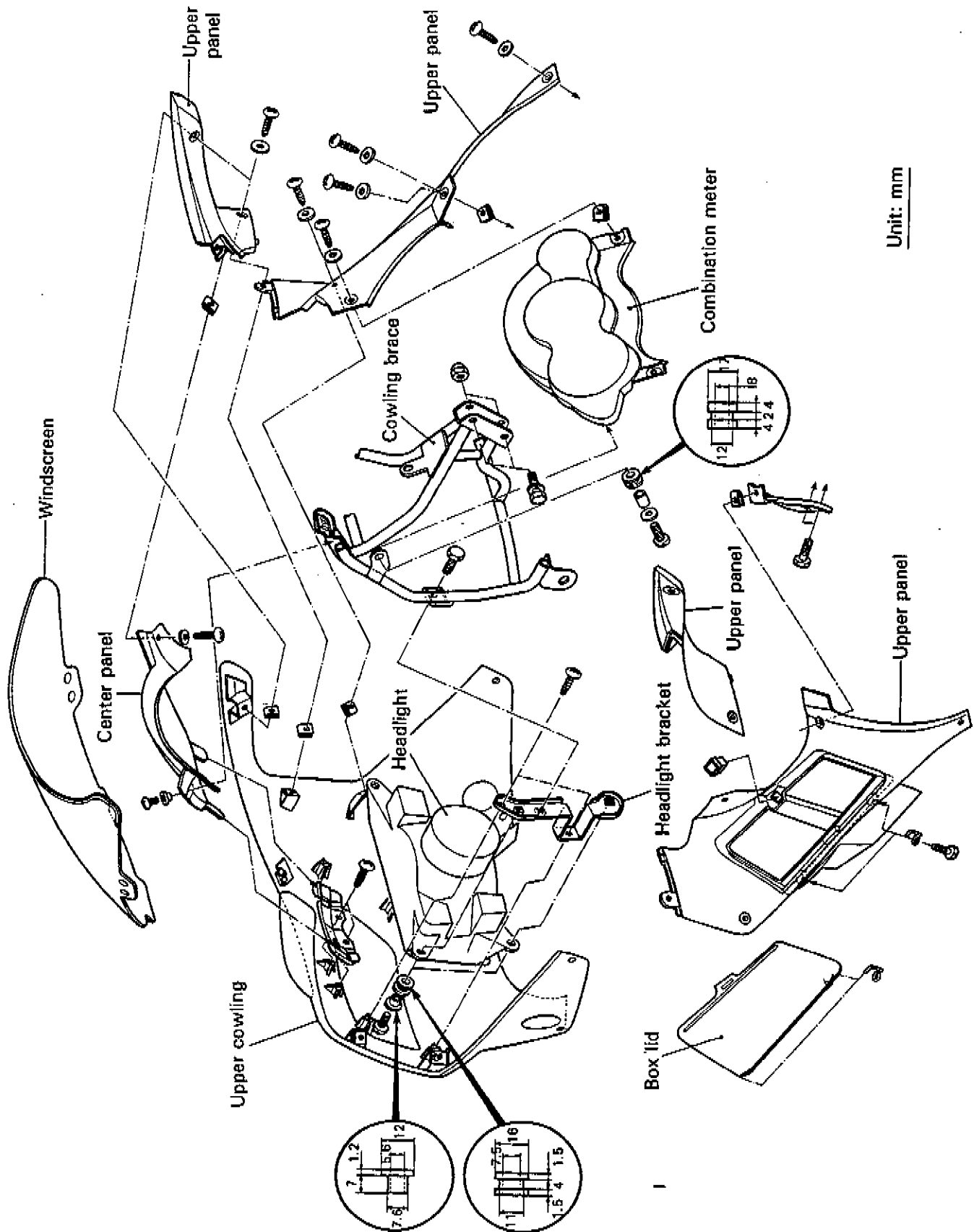
PAIR (AIR SUPPLY) SYSTEM HOSE ROUTING (For California model)



8-23 SERVICING INFORMATION

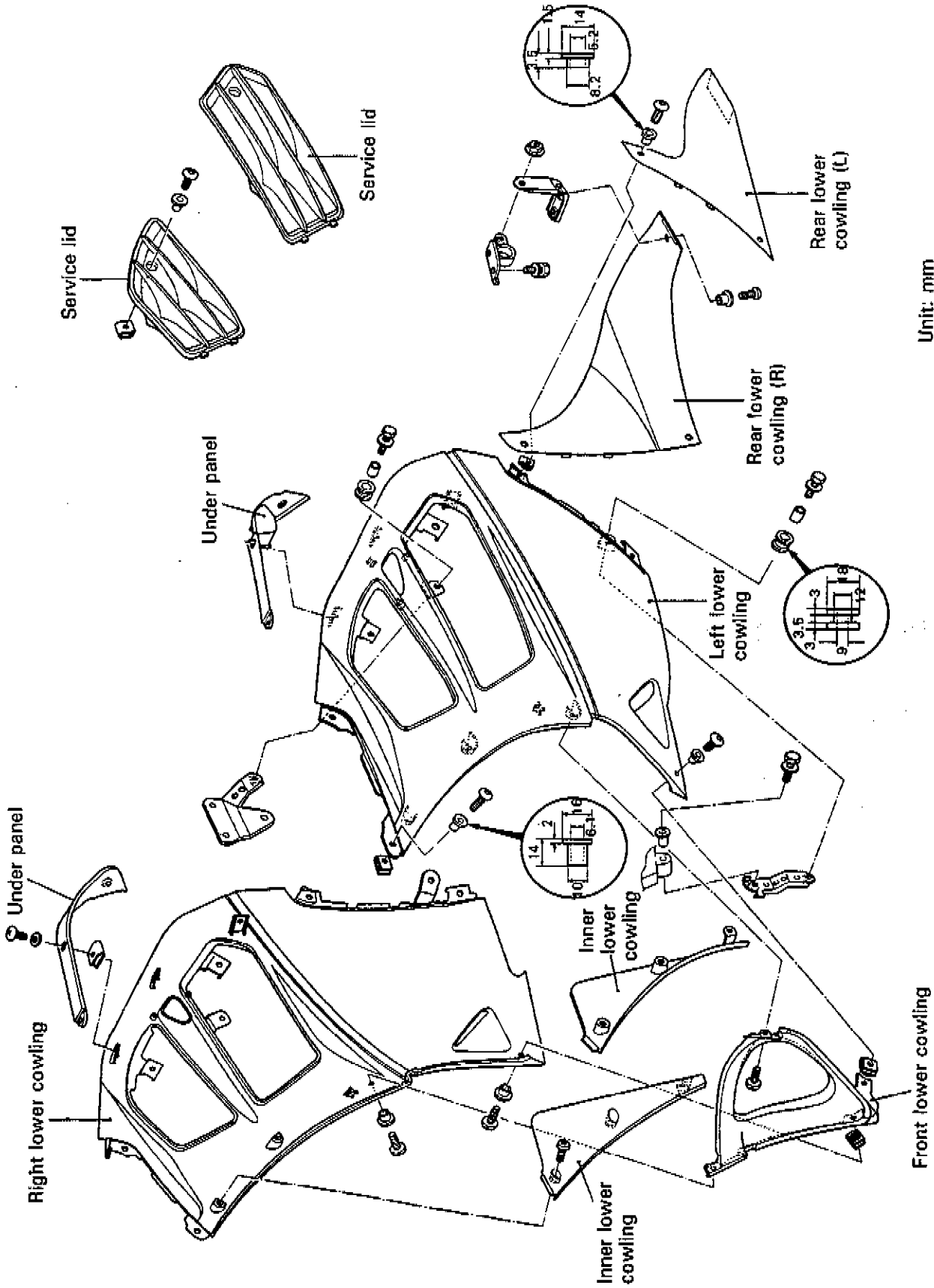
COWLING AND FRAME COVER SET UP

COWLING SET UP



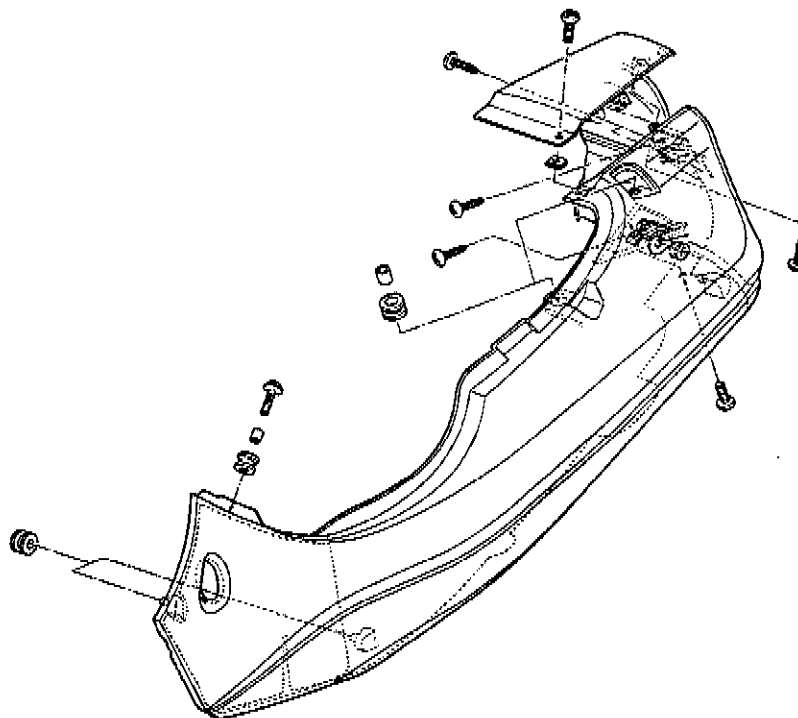
Unit: mm

SERVICING INFORMATION 8-24

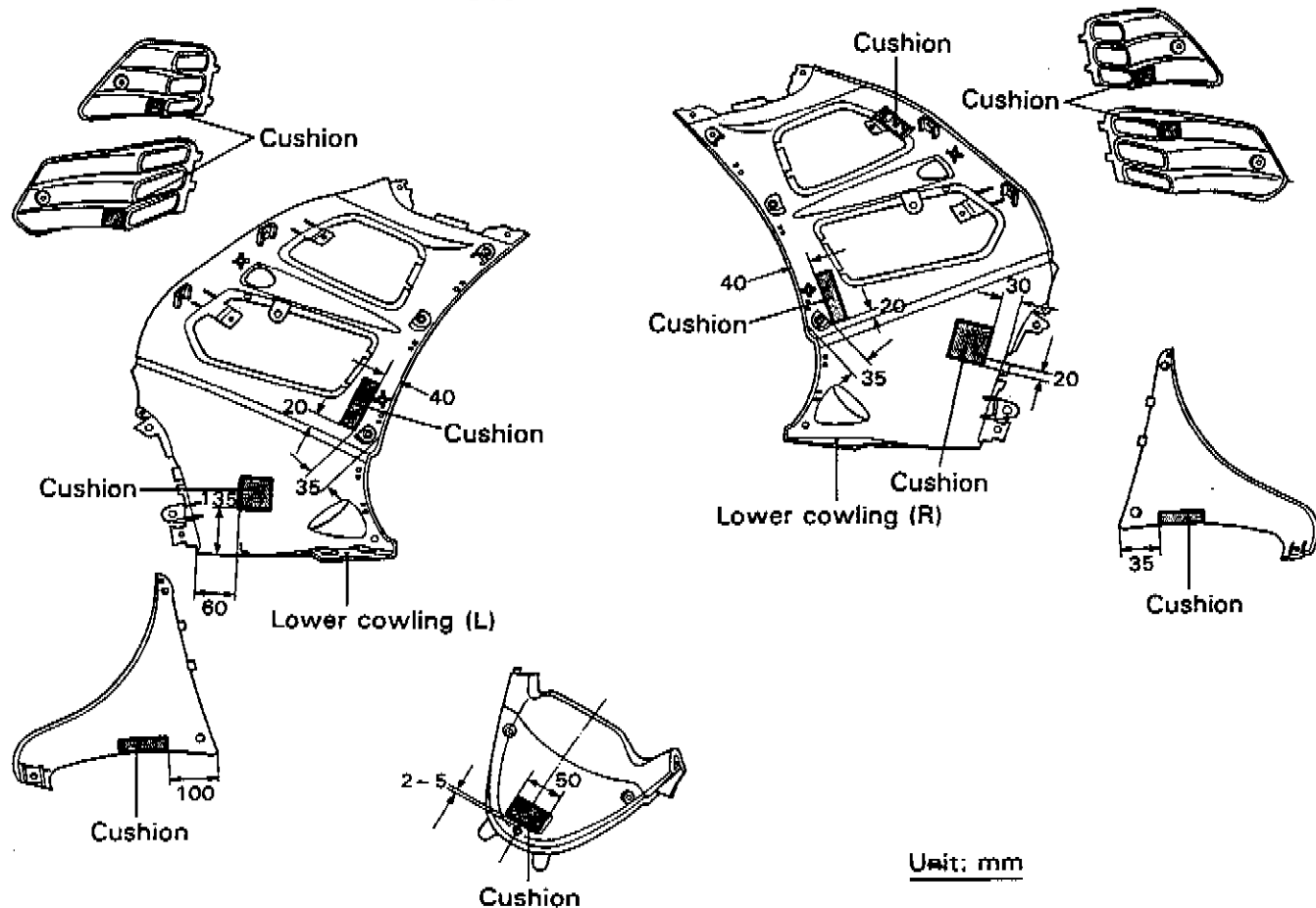


B-25 SERVICING INFORMATION

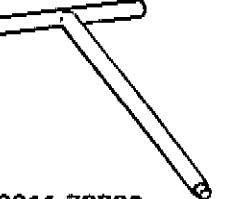
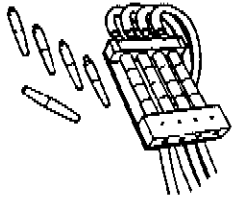
FRAME COVER SET UP



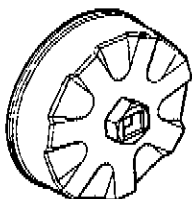


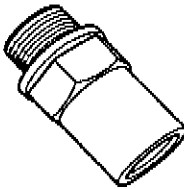
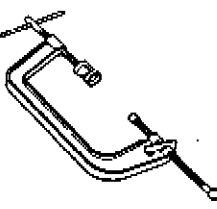
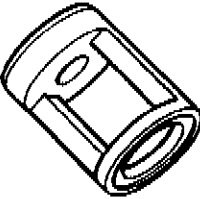
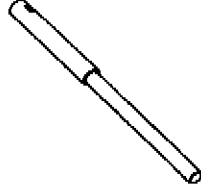
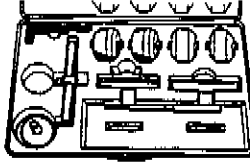



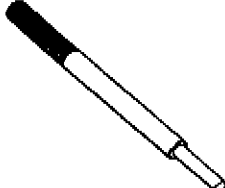
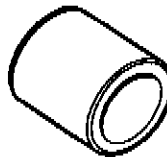

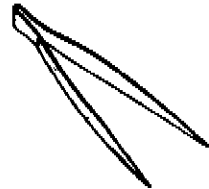
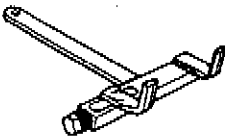

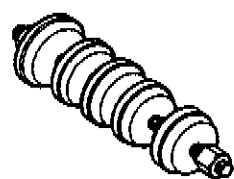
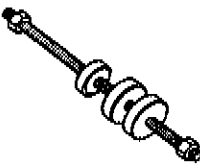


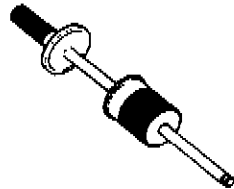
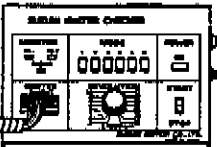
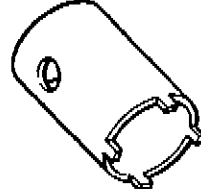
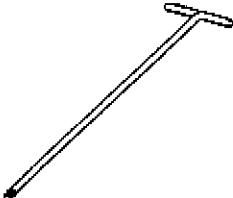
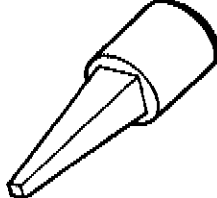

LOWER COWLING CUSHION

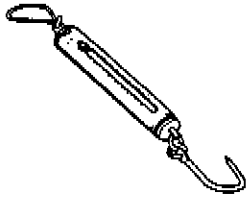

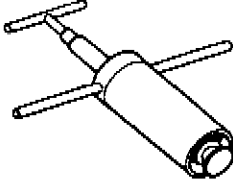
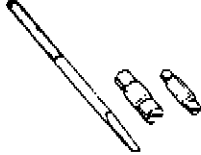
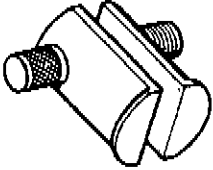

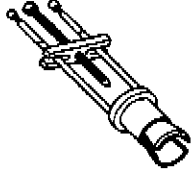
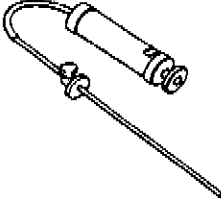



SPECIAL TOOLS

				
09900-00401 "L" type hexagon wrench set	09900-00410 Hexagon wrench set	09900-06105 Snap ring pliers	09900-06107 Snap ring pliers	09900-06108 Snap ring pliers
				
09900-09003 Impact driver set	09900-20102 Vernier calipers (1/20 mm, 200 mm)	09900-20202 Micrometer (1/100 mm, 25–50 mm)	09900-20203 Micrometer (1/100 mm, 50–75 mm)	09900-20205 Micrometer (1/1000 mm, 0–25 mm)
				
09900-20508 Cylinder gauge set (1/100 mm, 40–80 mm)	09900-20602 Dial gauge (1/1000 mm, 1 mm)	09900-20605 Dial calipers (1/100 mm, 10–34 mm)	09900-20606 Dial gauge (1/100 mm, 10 mm)	09900-20701 Magnetic stand
				
09900-20803 Thickness gauge	09900-20805 Tire depth gauge	09900-21304 V-block set (100 mm)	09900-22301 Plastigauge	09900-22401 Small bore gauge (10–18 mm)
				
09900-25002 Pocket tester	09900-28106 Electro tester	09910-20116 Con-rod holder	09911-73730 "T" type hexagon wrench (5 mm)	09911-74520 Long socket (12 mm)
				
09913-13121 Carburetor balancer	09913-60910 Bearing puller (40–60 mm)	09913-75520 Bearing installer	09914-24510 T-handle	09914-25811 "T" type hexagon wrench (6 mm)

8-27 SERVICING INFORMATION

				
09915-40610 Oil filter wrench	09915-64510 Compression gauge 09915-63310 (Adaptor)	09915-74510 Oil pressure gauge 09915-77330 (for high pressure meter)	09915-74540 Oil pressure gauge adaptor	09916-14510 Valve lifter
				
09916-14520 Valve lifter attach- ment	09916-20640 Solid pilot (N-100-4.5)	09916-21110 Valve seat cutter set	See page 3-24. Valve seat cutter head (N-111, 116, 120, 121, 122, 126)	09916-33210 Valve guide reamer (4.5 mm)
				
09916-34542 Valve guide reamer handle	09916-34580 Valve guide reamer (10.8 mm)	09916-43210 Valve guide remover/ installer	09916-43230 Attachment	09916-74521 Piston ring com- pressor body
				
09916-74540 Piston ring com- pressor band (63-75 mm)	09916-84511 Tweezers	09920-53740 Clutch sleeve hub holder	09923-73210 Bearing puller (17-20 mm)	09924-84510 Bearing installer set
				
09924-84521 Bearing installer	09930-10121 Spark plug socket wrench set	09930-11910 Torx wrench	09930-14530 Universal joint	09930-30102 Sliding shaft
				
09931-94430 Ignitor checker (Digital type)	09940-14911 Steering stem nut wrench	09940-34520 "T" handle	09940-34561 Attachment "D"	09940-50113 Front fork oil seal installer

 <p>09940-92710 Spring scale</p>	 <p>09941-34513 Steering outer race installer</p>	 <p>09941-44510 Swingarm bearing remover</p>	 <p>09941-50111 Bearing remover</p>	 <p>09941-54911 Bearing outer race remover</p>
 <p>09941-74910 Steering bearing installer</p>	 <p>09941-84510 Bearing remover</p>	 <p>09943-74111 Front fork oil level gauge</p>	 <p>09951-16080 Bearing installer</p>	

NOTE:

When ordering the special tool, please confirm whether it is available or not.

8-29 SERVICING INFORMATION**TIGHTENING TORQUE****ENGINE**

ITEM	N-m	kg-m	lb-ft
Cylinder head cover bolt	13-15	1.3-1.5	9.5-11.0
Cylinder head bolt [M: 10]	40-45	4.0-4.5	29.0-32.5
Cylinder head bolt [M: 6]	8-12	0.8-1.2	6.0-8.5
Cylinder base nut	7-11	0.7-1.1	5.0-8.0
Camshaft journal holder bolt	8-12	0.8-1.2	6.0-8.5
Cam sprocket bolt	24-26	2.4-2.6	17.5-19.0
Oil hose mounting bolt [Cylinder side]	20-23	2.0-2.3	14.5-16.5
Oil hose mounting bolt [Crankcase side]	25-29	2.5-2.9	18.0-21.0
Cam chain tensioner mounting bolt	6-8	0.6-0.8	4.5-6.0
Cam chain tensioner spring holder bolt	30-40	3.0-4.0	21.5-29.0
Conrod bearing cap bolt	65-68	6.5-6.8	47.0-49.0
Starter clutch bolt	23-28	2.3-2.8	16.5-20.0
Signal generator bolt	23-26	2.3-2.6	16.5-19.0
Crankcase bolt [M: 6]	12-16	1.2-1.6	8.5-16.5
[M: 8] [M: 9]	24-28	2.4-2.8	17.5-20.0
Oil pump mounting bolt	8-12	0.8-1.2	6.0-8.5
Oil drain plug	20-25	2.0-2.5	14.5-18.0
Oil pan bolt	12-16	1.2-1.6	8.5-11.5
Gearshift cam stopper bolt	8-12	0.8-1.2	6.0-8.5
Gearshift cam stopper plate bolt	8-12	0.8-1.2	6.0-8.5
Gearshift arm stopper bolt	15-23	1.5-2.3	11.0-16.5
Clutch sleeve hub nut	80-100	8.0-10.0	58.0-72.5
Clutch spring bolt	11-13	1.1-1.3	8.0-9.5
Exhaust pipe bolt	18-28	1.8-2.8	13.0-20.0
Muffler mounting bolt	18-28	1.8-2.8	13.0-20.0
Engine sprocket nut	100-130	10.0-13.0	72.5-94.0
Engine mounting bolt [L: 30]	50-60	5.0-6.0	36.0-43.5
[L: 140 and 280]	70-88	7.0-8.8	50.5-63.5
Starter clutch shaft nut	80-100	8.0-10.0	58.0-72.5
Generator driven gear nut	40-60	4.0-6.0	29.0-43.5
Generator mounting bolt	21-29	2.1-2.9	15.0-21.0
Oil cooler mounting bolt	53-64	5.3-6.4	38.5-46.5
Oil pressure regulator	25-30	2.5-3.0	18.0-21.5
Oil pressure switch	12-15	1.2-1.5	8.5-11.0
Oil gallery plug [M: 16]	35-45	3.5-4.5	25.5-32.5
[M: 14]	25-30	2.5-3.0	18.0-21.5
[M: 10]	12-18	1.2-1.8	8.5-13.0
Crankcase plug [M: 22]	35-45	3.5-4.5	25.5-32.5
[M: 18]	25-30	2.5-3.0	18.0-21.5
Cooling fan thermo-switch	9-14	0.9-1.4	6.5-10.0

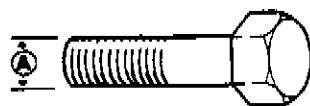
SERVICING INFORMATION 8-30**CHASSIS**

ITEM	N·m	kg-m	lb-ft
Steering stem head nut	80-100	8.0-10.0	58.0-72.5
Front fork upper clamp bolt	18-28	1.8-2.8	13.0-20.0
Front fork lower clamp bolt	18-28	1.8-2.8	13.0-20.0
Front fork cap bolt	30-40	3.0-4.0	21.5-29.0
Front fork damper rod bolt	18-27	1.8-2.7	13.0-19.5
Front axle	50-80	5.0-8.0	36.0-58.0
Front axle pinch bolt	18-28	1.8-2.8	13.0-20.0
Handlebar set bolt	18-28	1.8-2.8	13.0-20.0
Handlebar holder mounting bolt and nut	22-35	2.2-3.5	16.0-25.5
Front brake master cylinder mounting bolt	8-12	0.8-1.2	6.0-8.5
Front brake caliper mounting bolt	20-30	2.0-3.0	14.5-21.5
Front brake caliper pad mounting bolt	15-20	1.5-2.0	11.0-14.5
Brake hose union bolt (Front & Rear)	15-20	1.5-2.0	11.0-14.5
Air bleeder valve (Front & Rear)	6-9	0.6-0.9	4.5-6.5
Brake disc bolt (Front & Rear)	18-28	1.8-2.8	13.0-20.0
Front footrest bracket mounting bolt	18-28	1.8-2.8	13.0-20.0
Front footrest nut	42-66	4.2-6.6	30.5-47.5
Swingarm pivot nut	85-115	8.5-11.5	61.5-83.0
Rear shock absorber mounting nut (Upper & Lower)	40-60	4.0-6.0	29.0-43.5
Rear cushion lever/rod mounting nut	70-100	7.0-10.0	50.5-72.5
Rear brake caliper mounting bolt	20-30	2.0-3.0	14.5-21.5
Rear brake caliper housing bolt	30-36	3.0-3.6	21.5-26.0
Rear brake master cylinder mounting bolt	18-28	1.8-2.8	13.0-20.0
Rear brake master cylinder rod lock nut	15-20	1.5-2.0	11.0-14.5
Rear axle nut	85-115	8.5-11.5	61.5-83.0
Rear sprocket nut	48-72	4.8-7.2	35.0-52.0

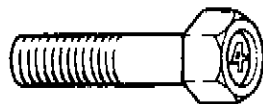
8-31 SERVICING INFORMATION**TIGHTENING TORQUE CHART**

For other bolts and nuts listed previously, refer to this chart:

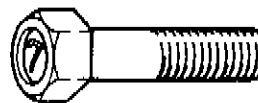
Bolt Diameter Ⓐ (mm)	Conventional or "4" marked bolt			"7" marked bolt		
	N·m	kg·m	lb·ft	N·m	kg·m	lb·ft
4	1.0–2.0	0.1–0.2	0.7–1.5	1.5–3.0	0.15–0.3	1.0–2.0
5	2.0–4.0	0.2–0.4	1.5–3.0	3.0–6.0	0.3–0.6	2.0–4.5
6	4.0–7.0	0.4–0.7	3.0–5.0	8.0–12.0	0.8–1.2	6.0–8.5
8	10.0–16.0	1.0–1.6	7.0–11.5	18.0–28.0	1.8–2.8	13.0–20.0
10	22.0–35.0	2.2–3.5	16.0–25.5	40.0–60.0	4.0–6.0	29.0–43.5
12	35.0–55.0	3.5–5.5	25.5–40.0	70.0–100.0	7.0–10.0	50.5–72.5
14	50.0–80.0	5.0–8.0	36.0–58.0	110.0–160.0	11.0–16.0	79.5–115.5
16	80.0–130.0	8.0–13.0	58.0–94.0	170.0–250.0	17.0–25.0	123.0–181.0
18	130.0–190.0	13.0–19.0	94.0–137.5	200.0–280.0	20.0–28.0	144.5–202.5



Conventional bolt



"4" marked bolt



"7" marked bolt

SERVICE DATA

VALVE + GUIDE

Unit: mm (in)

ITEM	STANDARD		LIMIT
Valve diam.	IN.	25.5 (1.00)	—
	EX.	22.5 (0.89)	—
Valve lift	IN.	E-04 and others	8.3 (0.33)
		E-18	6.6 (0.26)
	EX.	E-04 and others	7.9 (0.31)
		E-18	6.1 (0.24)
Tappet clearance (when cold)	IN.	0.10–0.20 (0.004–0.008)	—
	EX.	0.20–0.30 (0.008–0.010)	—
Valve guide to valve stem clearance	IN.	0.020–0.047 (0.0008–0.0019)	—
	EX.	0.030–0.057 (0.0012–0.0022)	—
Valve stem deflection	IN. & EX.	—	0.35 (0.014)
Valve guide I.D.	IN. & EX.	4.500–4.512 (0.1772–0.1776)	—
Valve stem O.D.	IN.	4.465–4.480 (0.1758–0.1764)	—
	EX.	4.455–4.470 (0.1754–0.1760)	—
Valve stem runout	IN. & EX.	—	0.05 (0.002)
Valve head thickness	IN. & EX.	—	0.5 (0.02)
Valve seat width	IN. & EX.	0.9–1.1 (0.035–0.043)	—
Valve head radial runout	IN. & EX.	—	0.03 (0.001)
Valve spring free length (IN. & EX.)	—		43.0 (1.69)
Valve spring tension (IN. & EX.)	18.6–21.4 kg (41.0–47.2 lbs) at length 38 mm (1.5 in)		—

8-33 SERVICING INFORMATION**CAMSHAFT + CYLINDER HEAD**

Unit: mm (in)

ITEM	STANDARD		LIMIT	
Cam height	IN.	E-04	36.312–36.368 (1.4296–1.4318)	36.02 (1.418)
		E-33	34.542–34.598 (1.3599–1.3621)	34.25 (1.348)
		E-03	36.312–36.368 (1.4296–1.4318)	36.02 (1.418)
	EX.	E-04	35.902–35.958 (1.4135–1.4157)	35.61 (1.402)
		E-33	34.122–34.178 (1.3433–1.3456)	33.83 (1.332)
		E-03	35.902–35.958 (1.4135–1.4157)	35.61 (1.402)
Camshaft journal oil clearance	IN. & EX.	0.032–0.066 (0.0013–0.0026)	0.150 (0.0059)	
Camshaft journal holder I.D.	IN. & EX.	22.012–22.025 (0.8666–0.8671)	—	
Camshaft journal O.D.	IN. & EX.	21.959–21.980 (0.8645–0.8654)	—	
Camshaft runout	IN. & EX.	—	0.10 (0.004)	
Cam chain pin (at arrow "3")	13th pin		—	
Cylinder head distortion	—		0.20 (0.008)	

CYLINDER + PISTON + PISTON RING

Unit: mm (in)

ITEM	STANDARD		LIMIT	
Compression pressure	1 000–1 500 kPa (10–15 kg/cm ²) (142–213 psi)		800 kPa (8 kg/cm ²) (114psi)	
Compression pressure difference	—		200 kPa (2 kg/cm ²) (28 psi)	
Piston to cylinder clearance	0.040–0.060 (0.0016–0.0024)		0.120 (0.0047)	
Cylinder bore	65.000–65.015 (2.5591–2.5596)		65.090 (2.5626)	
Piston diam.	64.945–64.970 (2.5569–2.5579) Measure at 15 mm (0.6 in) from the skirt end.		64.880 (2.5543)	
Cylinder distortion	—		0.20 (0.008)	
Piston ring free end gap	1st	R	Approx. 7.5 (0.29)	6.0 (0.24)
	2nd	R	Approx. 8.0 (0.31)	6.4 (0.25)
Piston ring end gap	1st		0.25–0.40 (0.010–0.016)	0.5 (0.02)
	2nd		0.25–0.40 (0.010–0.016)	0.5 (0.02)

SERVICING INFORMATION 8-34

ITEM	STANDARD		LIMIT
Piston ring to groove clearance	1st	—	0.18 (0.007)
	2nd	—	0.18 (0.007)
Piston ring groove width	1st	0.83–0.85 (0.032–0.033)	—
	2nd	0.82–0.84 (0.032–0.033)	—
	Oil	1.51–1.53 (0.059–0.060)	—
Piston ring thickness	1st	0.77–0.79 (0.030–0.031)	—
	2nd	0.77–0.79 (0.030–0.031)	—
Piston pin bore	16.002–16.008 (0.6210–0.6302)		16.030 (0.6311)
Piston pin O.D.	15.996–16.000 (0.6298–0.6299)		15.980 (0.6291)

CONROD + CRANKSHAFT

Unit: mm (in)

ITEM	STANDARD		LIMIT
Conrod small end I.D.	16.010–16.018 (0.6303–0.6306)		16.040 (0.6315)
Conrod big end side clearance	0.10–0.20 (0.004–0.008)		0.30 (0.010)
Conrod big end width	20.95–21.00 (0.825–0.827)		—
Crank pin width	21.10–21.15 (0.831–0.833)		—
Conrod big end oil clearance	0.032–0.056 (0.0013–0.0022)		0.080 (0.0031)
Crank pin O.D.	33.976–34.000 (1.3376–1.3386)		—
Crankshaft journal oil clearance	0.020–0.044 (0.0008–0.0017)		0.080 (0.0031)
Crankshaft journal O.D.	33.976–34.000 (1.3376–1.3386)		—
Crankshaft thrust clearance	0.055–0.110 (0.0022–0.0043)		—
Crankshaft thrust bearing thickness	Right side	2.425–2.450 (0.0955–0.0965)	—
	Left side	2.350–2.500 (0.0925–0.0984)	—
Crankshaft runout	—		0.05 (0.002)

OIL PUMP

ITEM	STANDARD	LIMIT
Oil pump reduction ratio	1.898 (75/43 x 37/34)	—
Oil pressure (at 60°C, 140°F)	Above 300 kPa (3.0 kg/cm ² , 43 psi) Below 600 kPa (6.0 kg/cm ² , 85 psi) at 3 000 r/min.	—

8-35 SERVICING INFORMATION**CLUTCH**

Unit: mm (in)

ITEM	STANDARD	LIMIT
Clutch lever play	10–15 (0.4–0.6)	—
Drive plate thickness	2.12–2.28 (0.083–0.090)	1.82 (0.072)
Driven plate distortion	—	0.10 (0.004)
Clutch spring free length	—	47.5 (1.87)

THERMOSTAT + RADIATOR + FAN

ITEM	STANDARD	LIMIT	
Thermostat valve opening temperature	74.5–78.5°C (166.1–173.3°F)	—	
Thermostat valve lift	Over 7 mm (0.28 in) at 90°C (194°F)	—	
Radiator cap valve opening pressure	110 kPa (1.1 kg/cm ² , 15.6 psi)	—	
Cooling fan thermo-switch operating temperature	ON	Approx. 105°C (221°F)	—
	OFF	Approx. 100°C (212°F)	—
Engine coolant temperature gauge resistance	50°C (122°F)	Approx. 153.9 Ω	—
	80°C (176°F)	Approx. 51.9 Ω	—
	100°C (212°F)	Approx. 27.4 Ω	—
	120°C (248°F)	Approx. 16.1 Ω	—

TRANSMISSION + DRIVE CHAIN

Unit: mm (in) Except ratio

ITEM	STANDARD	LIMIT	
Primary reduction ratio	1.744 (75/43)	—	
Final reduction ratio	3.071 (43/14)	—	
Gear ratios	Low	3.142 (44/14)	—
	2nd	2.058 (35/17)	—
	3rd	1.650 (33/20)	—
	4th	1.428 (30/21)	—
	5th	1.260 (29/23)	—
	Top	1.120 (28/25)	—
Shift fork to groove clearance	0.10–0.30 (0.004–0.012)	0.50 (0.020)	
Shift fork groove width	5.00–5.10 (0.197–0.201)	—	
Shift fork thickness	4.80–4.90 (0.189–0.193)	—	

SERVICING INFORMATION 8-36

ITEM	STANDARD		LIMIT
	Drive chain	Type	
Links		108 links, ENDLESS	—
20-pitch length		—	319.4 (12.6)
Drive chain slack	30—40 (1.2—1.6)		—
Gearshift lever height	55 (2.2)		—

CARBURETOR

ITEM	SPECIFICATION	
	E-03, U.S.A.	E-33, U.S.A. (Calif. model)
Carburetor type	MIKUNI BDST36SS	MIKUNI BDST33SS
Bore size	36 mm	33 mm
I.D. No.	21E4	21E5
Idle r/min.	1 300 ± 100 r/min	1 350 ± 100 r/min
Float height	6.9 ± 1.0 mm (0.27 ± 0.04 in)	←
Main jet (M.J.)	#112.5	#107.5
Main air jet (M.A.J.)	0.6 mm	←
Jet needle (J.N.)	5E97	5E95
Needle jet (N.J.)	0-9	0-8
Throttle valve (Th.V.)	#120	←
Pilot jet (P.J.)	#15	#10
Starter jet (G.S.)	#47.5	←
Pilot screw (P.S.)	PRE-SET	←
Throttle cable play	0.5—1.0 mm (0.02—0.04 in)	

ELECTRICAL

Unit: mm (in)

ITEM	SPECIFICATION		NOTE
Ignition timing	7° B.T.D.C. below 1 500 r/min.		E-03
	4° B.T.D.C. below 1 500 r/min.		E-33
Firing order	1-2-4-3		
Spark plug	Type	NGK: CR9E ND: U27ESR-N	
	Gap	0.7—0.8 (0.028—0.032)	
Spark performance	Over 8 (0.3) at 1 atm.		
Signal coil resistance	(Black—Green) Approx. 135—200 Ω		Tester range: (x 100 Ω)
Ignition coil resistance	Primary	⊕ tap — ⊖ tap Approx. 2.4—3.2 Ω	Tester range: (x 1 Ω)
	Secondary	Plug cap—Plug cap Approx. 30—40 kΩ	Tester range: (x 1 kΩ)

8-37 SERVICING INFORMATION

ITEM		SPECIFICATION		NOTE
Generator		Slip ring O.D.	Limit: 14.0 (0.55)	ND
		Brush length	Limit: 4.5 (0.18)	
Generator Max. output		Approx. 405 W at 5 000 r/min		The rotation of the generator
Regulated voltage		Above 13.5 V at 5 000 r/min.		
Starter motor		Commutator under-cut	Limit: 0.2 (0.008)	ND
Starter relay resistance		3—5 Ω		
Battery	Type designation	YTX9-BS		
	Capacity	12 V 28.8 KC (8 Ah)/10 HR		
	Standard electrolyte S.G.	1.320 at 20°C (68°F)		
Fuse size	Headlight	HI	15 A	
		LO	15 A	
	Turn signal	15 A		
	Ignition	10 A		
	Taillight	10 A		
	Main	30 A		

WATTAGE

Unit: W

ITEM		SPECIFICATION	
		E-03,33	The others
Headlight	HI	60	←
	LO	55	←
Position light			4
Taillight		5	←
Brake light		21 x 2	←
Turn signal light		21	←
Tachometer light		1.7 x 2	←
Speedometer light		1.7 x 2	←
Turn signal indicator light		3.4	←
High beam indicator light		3.4	←
Neutral indicator light		3.4	←
Oil pressure indicator light		3.4	←
Fuel level indicator light		3.4	←
License light		5	←
Engine coolant temp. meter light		1.7	←

BRAKE + WHEEL

Unit: mm (in)

ITEM		STANDARD		LIMIT
Rear brake pedal height		55 (2.2)		—
Brake disc thickness	Front	4.5 \pm 0.2 (0.177 \pm 0.008)		4.0 (0.16)
	Rear	5.0 \pm 0.2 (0.197 \pm 0.008)		4.5 (0.18)
Brake disc runout (Front & Rear)		—		0.30 (0.012)

SERVICING INFORMATION 8-38

ITEM		STANDARD		LIMIT
Master cylinder bore		Front	12.700–12.743 (0.5000–0.5017)	—
		Rear	12.700–12.743 (0.5000–0.5017)	—
Master cylinder piston diam.		Front	12.657–12.684 (0.4983–0.4993)	—
		Rear	12.657–12.684 (0.4983–0.4993)	—
Brake caliper cylinder bore	Leading	Front	25.400–25.450 (1.0000–1.0020)	—
	Trailing		25.400–25.450 (1.0000–1.0020)	—
		Rear	38.180–38.256 (1.5031–1.5061)	—
Brake caliper piston diam.	Leading	Front	25.335–25.368 (0.9974–0.9987)	—
	Trailing		25.335–25.368 (0.9974–0.9987)	—
		Rear	38.098–38.148 (1.5000–1.5019)	—
Wheel rim runout (Front & Rear)		Axial	—	2.0 (0.08)
		Radial	—	2.0 (0.08)
Wheel axle runout		Front	—	0.25 (0.010)
		Rear	—	0.25 (0.010)
Tire size		Front	120/70 ZR17	—
		Rear	160/60 ZR17	—
Tire tread depth		Front	—	1.6 (0.06)
		Rear	—	2.0 (0.08)

SUSPENSION

Unit: mm (in)

ITEM	STANDARD	LIMIT	NOTE
Front fork stroke	120 (4.7)	—	
Front fork spring free length	—	390 (15.4)	
Front fork oil level	92 (3.6)	—	
Rear wheel travel	130 (5.1)	—	
Swingarm pivot shaft runout	—	0.3 (0.01)	

8-39 SERVICING INFORMATION**TIRE PRESSURE**

COLD INFLATION TIRE PRESSURE	SOLO RIDING			DUAL RIDING		
	kPa	kg/cm ²	psi	kPa	kg/cm ²	psi
FRONT	225	2.25	33	250	2.50	36
REAR	250	2.50	36	290	2.90	42

FUEL + OIL + ENGINE COOLANT

ITEM	SPECIFICATION		NOTE
Fuel type	Use only unleaded gasoline of at least 87 pump octane ($R_{\frac{1}{2}}M$ method) or 91 octane or higher rated by the research method. Gasoline containing MTBE (Methyl Tertiary Butyl Ether), less than 10% ethanol, or less than 5% methanol with appropriate cosolvents and corrosion inhibitor is permissible.		
Fuel tank including reserve	17.0 L (4.5/3.7 US/Imp gal)		E-03
	16.0 L (4.2/3.5 US/Imp gal)		E-33
reserve	4.0 L (1.1/0.9 US/Imp gal)		
Engine oil type	SAE 10W/40, API SE or SF		
Engine oil capacity	Change	3 000 ml (3.2/2.6 US/Imp qt)	
	Filter change	3 300 ml (3.5/2.9 US/Imp qt)	
	Overhaul	3 900 ml (4.1/3.4 US/Imp qt)	
Front fork oil type	Frok oil #10		
Front fork oil capacity (each leg)	503 ml (17.0/17.7 US/Imp oz)		
Brake fluid type	DOT 4		
Engine coolant type	Use an anti-freeze/coolant compatible with aluminum radiator, mixed with distilled water only, at the ratio of 50:50.		
Engine coolant including reserve	2 450 ml (2.6/2.2 US/Imp qt)		

E-03: U.S.A., E-33: California (U.S.A.)

EMISSION CONTROL INFORMATION

CONTENTS

EMISSION CONTROL CARBURETOR COMPONENTS	9- 1
EVAPORATIVE EMISSION CONTROL SYSTEM	9- 2
CANISTER HOSE ROUTING	9- 3
PAIR SYSTEM DIAGRAM	9- 4
PAIR SYSTEM HOSE ROUTING	9- 5

9-1 EMISSION CONTROL INFORMATION

EMISSION CONTROL CARBURETOR COMPONENTS

RF600R motorcycles are equipped with precision, manufactured carburetors for emission level control. These carburetors require special mixture control components and other precision adjustments to function properly.

There are several carburetor mixture control components in each carburetor assembly. Three (3) of these components are machined to much closer tolerances than standard machined carburetor jets. These three (3) particular jets—MAIN JET, NEEDLE JET, PILOT JET—must not be replaced by standard jets. To aid in identifying these three (3) jets a different design of letter and number are used. If replacement of these close tolerance jets becomes necessary, be sure to replace them with the same type close tolerance jets marked as in the examples shown below.

The jet needle is also of special manufacture. Only one clip position is provided on the jet needle. If replacement becomes necessary the jet needle may only be replaced with an equivalent performing replacement component. Suzuki recommends that Genuine Suzuki Parts be utilized whenever possible for the best possible performance and durability.

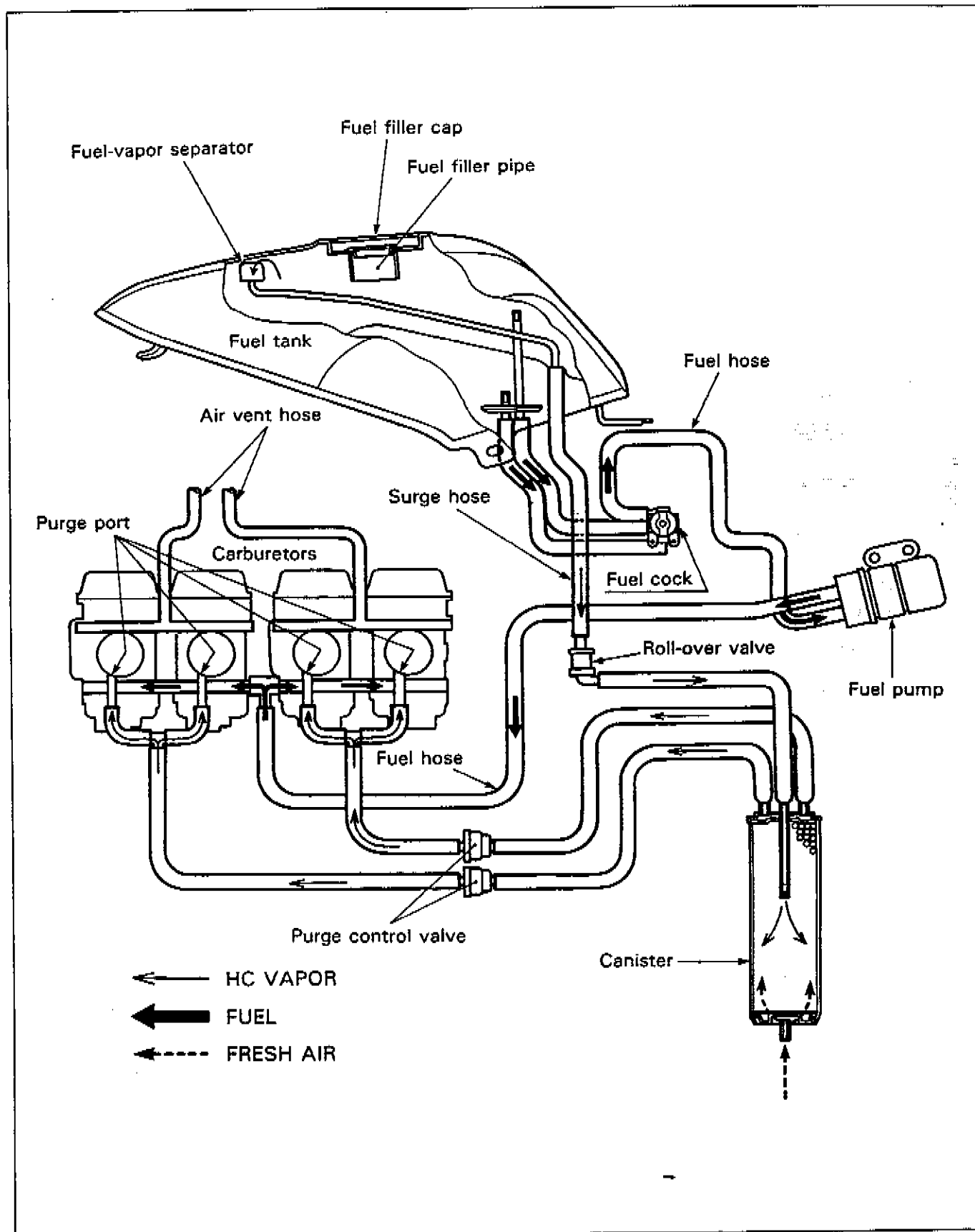
Conventional Figures Used on Standard Tolerance Jet Components	1	2	3	4	5	6	7	8	9	0
Emission Type Figures Used on Close Tolerance Jet Components	1	2	3	4	5	6	7	8	9	0

The carburetor specifications for the emission-controlled RF600R are as follows.

Carburetor I.D. No.	Main Jet	Needle Jet	Jet Needle	Pilot Jet	Pilot Screw
21E5 (California model only)	#107.5	0-8	5E95	#10	PRE-SET DO NOT ADJUST
21E4	#112.5	0-9	5E97	#15	

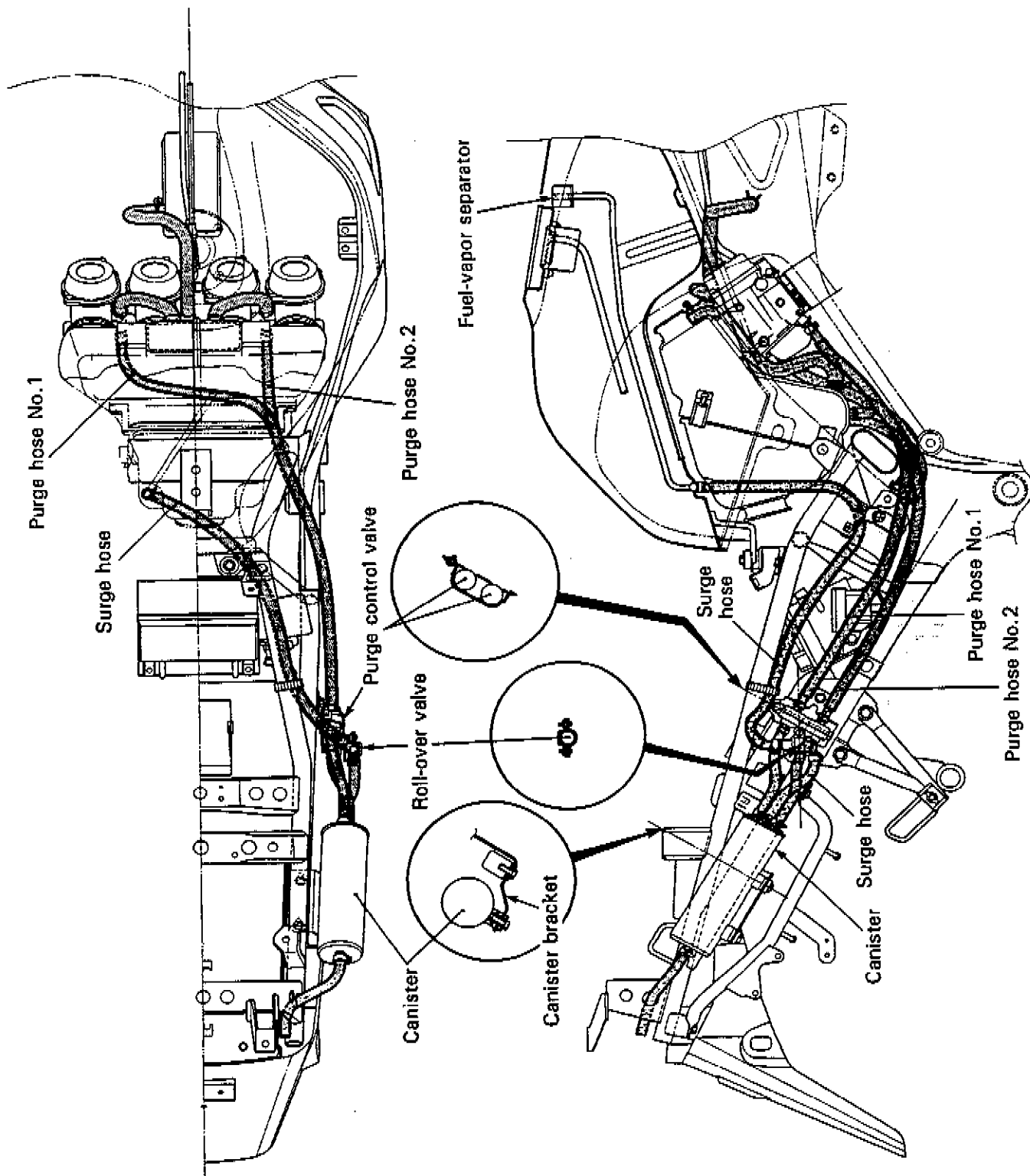
The pilot screw is pre-set by the factory utilizing specialized testing and adjusting procedures. The pilot screw is not adjustable as the idle circuit is "sealed" after factory adjustment. Adjusting, interfering with, improper replacement, or resetting of any of the carburetor components may adversely affect carburetor performance and cause the motorcycle to exceed the exhaust emission level limits. If persons, who are unaware of these special carburetor servicing requirements tamper with the carburetors the Suzuki dealer should restore the carburetors to their original condition or if unable to effect repairs, contact the distributors representative for further technical information and assistance.

EVAPORATIVE EMISSION CONTROL SYSTEM (Only for California model)

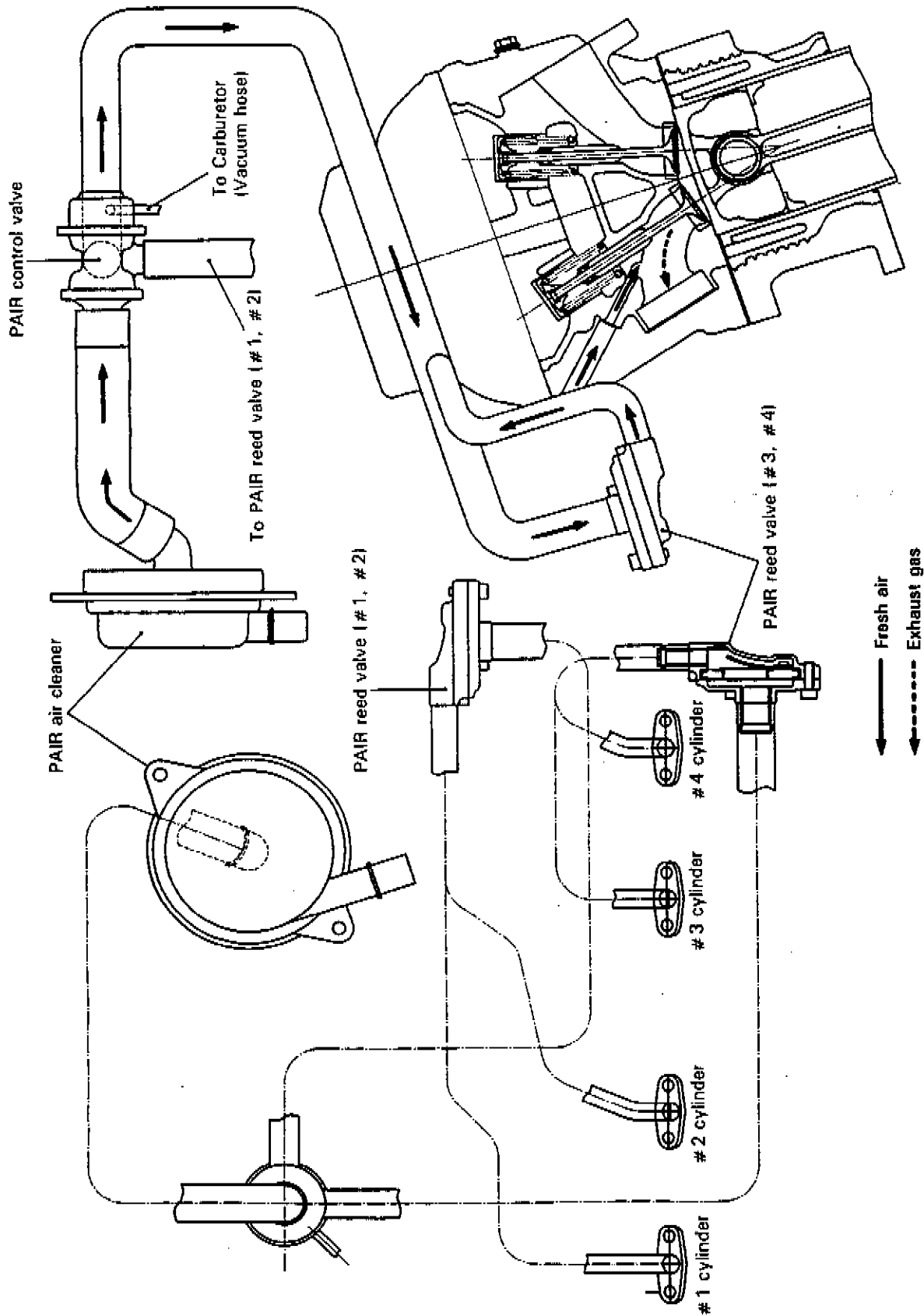


9-3 EMISSION CONTROL INFORMATION

CANISTER HOSE ROUTING (Only for California model)

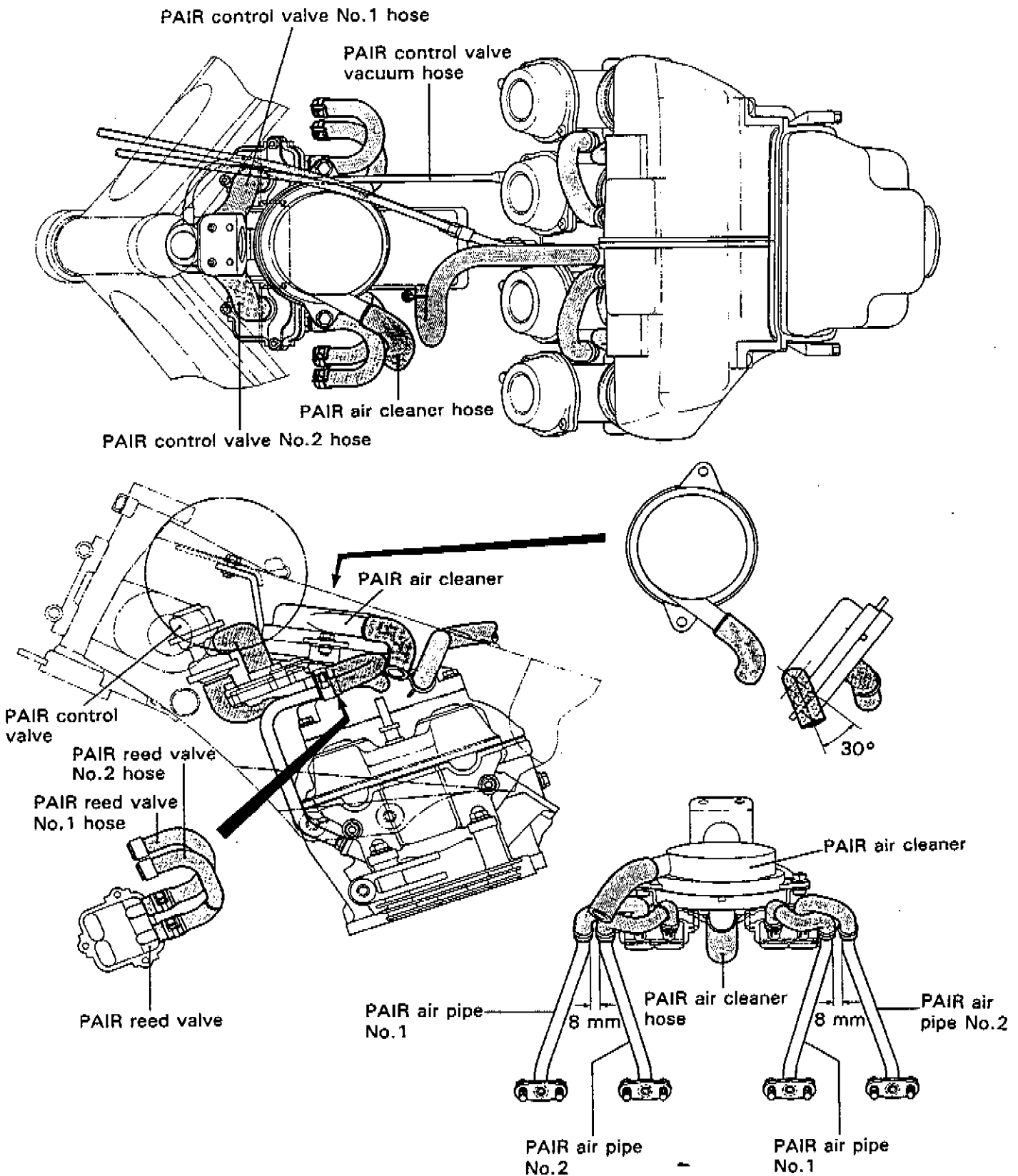


PAIR (AIR SUPPLY) SYSTEM DIAGRAM (Only for California model)



9-5 EMISSION CONTROL INFORMATION

PAIR (AIR SUPPLY) SYSTEM HOSE ROUTING (Only for California model)



RF600RS ('95-MODEL)

This chapter describes service data, service specifications and servicing procedures which differ from those of the RF600RR ('94-model).

NOTE:

- Any differences between RF600RR ('94-model) and RF600RS ('95-model) in specifications and service data are clearly indicated with the asterisk marks (*)
- Please refer to the chapters 1 through 9 for details which are not given in this chapter.

CONTENTS

SPECIFICATIONS	10- 1
SERVICE DATA	10- 3
SERVICE INFORMATION	10-12
STARTER CLUTCH	10-12
EXHAUST PIPE/MUFFLER MOUNTING	10-15
OIL PAN AND OIL SUMP FILTER	10-15
CARBURETOR	10-16
REAR BRAKE CALIPER	10-16

10-1 RF600RS ('95-MODEL)**SPECIFICATIONS****DIMENSIONS AND DRY MASS**

Overall length	2 110 mm (83.1 in)	For E-02,03,04,24,25, 28,33,34,53
	2 160 mm (85.0 in)	For E-18,22
Overall width	710 mm (28.0 in)	
Overall height	1 175 mm (46.3 in)	
Wheelbase	1 430 mm (56.3 in)	For E-03,18,33
	*1 435 mm (56.5 in)	For the others
Ground clearance	120 mm (4.7 in)	
Dry mass	195 kg (429 lbs)	
	198 kg (436 lbs)	E-33 only

ENGINE

Type	Four-stroke, Water-cooled, DOHC, TSCC	
Number of cylinders	4	
Bore	65.0 mm (2.559 in)	
Stroke	45.2 mm (1.780 in)	
Piston displacement	599 cm ³ (36.6 cu. in)	
Carburetor	MIKUNI BDST33	For E-18,33
	MIKUNI BDST36	For the others
Air cleaner	Non-woven fabric element	
Starter system	Electric starter	
Lubrication system	Wet sump	

TRANSMISSION

Clutch	Wet multi-plate type	
Transmission	6-speed constant mesh	
Gearshift pattern	1-down, 5-up	
Primary reduction ratio	1.744 (75/43)	
Final reduction ratio	3.071 (43/14)	For E-03,18,33
	*3.000 (42/14)	For the others
Gear ratios, Low	3.142 (44/14)	
2nd	2.058 (35/17)	
3rd	1.650 (33/20)	
4th	1.428 (30/21)	
5th	1.260 (29/23)	
Top	1.120 (28/25)	
Drive chain	*TAKASAGO RK50MFOZ1, 108 links	

CHASSIS

Front suspension	Telescopic, coil spring, oil damped, spring pre-load adjustable.
Rear suspension	Link type system, oil damped, coil spring, spring pre-load adjustable and rebound damping force adjustable.
Steering angle	30° (right & left)
Caster	65°
Trail	103 mm (4.1 in)
Turning radius	3.2 m (10.5 ft)
Front brake	Disc brake, twin
Rear brake	Disc brake
Front tire size	120/70 ZR17, tubeless
Rear tire size	160/60 ZR17, tubeless
Front fork stroke	120 mm (4.7 in)
Rear wheel travel	130 mm (5.1 in)

ELECTRICAL

Ignition type	Electronic Ignition (Fully Transistorized)
Ignition timing	4° B.T.D.C. at 1500 r/min For E-33 *7° B.T.D.C. at 1500 r/min For the others
Spark plug	N.G.K.: CR9E, NIPPONDENSO U27ESR-N
Battery	12V 28.8 kC (8 Ah)/10 HR
Generator	Three-phase A.C. Generator
Main fuse	30A
Fuse	15/15/15/10/10A
Headlight	12V 60/55W
Turn signal light	12V 21W x 4
Parking or city light	12V 4W Except for E-03,24,28,33
Taillight	12V 5W
Brake light	12V 21W x 2
License plate light	12V 5W
Speedometer light	12V 1.7W x 2
Tachometer light	12V 1.7W x 2
Engine coolant temp. meter light	12V 1.7W
Neutral indicator light	12V 3.4W
High beam indicator light	12V 3.4W
Turn signal indicator light	12V 3.4W
Oil pressure indicator light	12V 3.4W
Fuel level indicator light	12V 3.4W

CAPACITIES

Fuel tank, including reserve	16.0 L (4.2/3.5 US/Imp gal) For E-33 17.0 L (4.5/3.7 US/Imp gal) For the others
Engine oil, oil change	3 000 ml (3.2/2.6 US/Imp qt)
with filter change	3 300 ml (3.5/2.9 US/Imp qt)
overhaul	3 900 ml (4.1/3.4 US/Imp qt)
Front fork oil	503 ml (17.0/17.7 US/Imp oz)
Coolant	2 450 ml (2.6/2.2 US/Imp qt)

These specifications are subject to change without notice.

10-3 RF600RS ('95-MODEL)

SERVICE DATA

VALVE + GUIDE

Unit: mm (in)

ITEM	STANDARD		LIMIT
Valve diam.	IN.	25.5 (1.00)	—
	EX.	22.5 (0.89)	—
Valve lift	IN.	E-04 and others 8.3 (0.33)	—
		E-18 6.6 (0.26)	—
	EX.	E-04 and others 7.9 (0.31)	—
		E-18 6.1 (0.24)	—
Tappet clearance (when cold)	IN.	0.10–0.20 (0.004–0.008)	—
	EX.	0.20–0.30 (0.008–0.010)	—
Valve guide to valve stem clearance	IN.	0.020–0.047 (0.0008–0.0019)	—
	EX.	0.030–0.057 (0.0012–0.0022)	—
Valve stem deflection	IN. & EX.	—	0.35 (0.014)
Valve guide I.D.	IN. & EX.	4.500–4.512 (0.1772–0.1776)	—
Valve stem O.D.	IN.	4.465–4.480 (0.1758–0.1764)	—
	EX.	4.455–4.470 (0.1754–0.1760)	—
Valve stem runout	IN. & EX.	—	0.05 (0.002)
Valve head thickness	IN. & EX.	—	0.5 (0.02)
Valve seat width	IN. & EX.	0.9–1.1 (0.035–0.043)	—
Valve head radial runout	IN. & EX.	—	0.03 (0.001)
Valve spring free length (IN. & EX.)	—		43.0 (1.69)
Valve spring tension (IN. & EX.)	18.6–21.4 kg (41.0–47.2 lbs) at length 38 mm (1.5 in)		—

RF600RS ('95-MODEL) 10-4

CAMSHAFT + CYLINDER HEAD

Unit: mm (in)

ITEM	STANDARD		LIMIT	
Cam height	IN.	E-04	36.312—36.368 (1.4296—1.4318)	36.02 (1.418)
		E-18,33	34.542—34.598 (1.3599—1.3621)	34.25 (1.348)
		Others	36.312—36.368 (1.4296—1.4318)	36.02 (1.418)
	EX.	E-04	35.902—35.958 (1.4135—1.4157)	35.61 (1.402)
		E-18,33	34.122—34.178 (1.3433—1.3456)	33.83 (1.332)
		Others	35.902—35.958 (1.4135—1.4157)	35.61 (1.402)
Camshaft journal oil clearance	IN. & EX.	0.032—0.066 (0.0013—0.0026)	0.150 (0.0059)	
Camshaft journal holder I.D.	IN. & EX.	22.012—22.025 (0.8666—0.8671)	—	
Camshaft journal O.D.	IN. & EX.	21.959—21.980 (0.8645—0.8654)	—	
Camshaft runout	IN. & EX.	—	0.10 (0.004)	
Cam chain pin (at arrow "3")	13th pin		—	
Cylinder head distortion	—		0.20 (0.008)	

CYLINDER + PISTON + PISTON RING

Unit: mm (in)

ITEM	STANDARD		LIMIT	
Compression pressure	1 000—1 500 kPa (10—15 kg/cm ²) (142—213 psi)		800 kPa (8 kg/cm ²) (114psi)	
Compression pressure difference	—		200 kPa (2 kg/cm ²) (28 psi)	
Piston to cylinder clearance	0.040—0.060 (0.0016—0.0024)		0.120 (0.0047)	
Cylinder bore	65.000—65.015 (2.5591—2.5596)		65.090 (2.5626)	
Piston diam.	64.945—64.970 (2.5569—2.5579) Measure at 15 mm (0.6 in) from the skirt end.		64.880 (2.5543)	
Cylinder distortion	—		0.20 (0.008)	
Piston ring free end gap	1st	R	Approx. 7.5 (0.29)	6.0 (0.24)
	2nd	R	Approx. 8.0 (0.31)	6.4 (0.25)
Piston ring end gap	1st	0.25—0.40 (0.010—0.016)		0.5 (0.02)
	2nd	0.25—0.40 (0.010—0.016)		0.5 (0.02)

10-5 RF600RS ('95-MODEL)

ITEM	STANDARD		LIMIT
Piston ring to groove clearance	1st	—	0.18 (0.007)
	2nd	—	0.18 (0.007)
Piston ring groove width	1st	0.83–0.85 (0.032–0.033)	—
	2nd	0.82–0.84 (0.032–0.033)	—
	Oil	1.51–1.53 (0.059–0.060)	—
Piston ring thickness	1st	0.77–0.79 (0.030–0.031)	—
	2nd	0.77–0.79 (0.030–0.031)	—
Piston pin bore	16.002–16.008 (0.6210–0.6302)		16.030 (0.6311)
Piston pin O.D.	15.996–16.000 (0.6298–0.6299)		15.980 (0.6291)

CONROD + CRANKSHAFT

Unit: mm (in)

ITEM	STANDARD		LIMIT
Conrod small end I.D.	16.010–16.018 (0.6303–0.6306)		16.040 (0.6315)
Conrod big end side clearance	0.10–0.20 (0.004–0.008)		0.30 (0.010)
Conrod big end width	20.95–21.00 (0.825–0.827)		—
Crank pin width	21.10–21.15 (0.831–0.833)		—
Conrod big end oil clearance	0.032–0.056 (0.0013–0.0022)		0.080 (0.0031)
Crank pin O.D.	33.976–34.000 (1.3376–1.3386)		—
Crankshaft journal oil clearance	0.020–0.044 (0.0008–0.0017)		0.080 (0.0031)
Crankshaft journal O.D.	33.976–34.000 (1.3376–1.3386)		—
Crankshaft thrust clearance	0.055–0.110 (0.0022–0.0043)		—
Crankshaft thrust bearing thickness	Right side	2.425–2.450 (0.0955–0.0965)	—
	Left side	2.350–2.500 (0.0925–0.0984)	—
Crankshaft runout	—		0.05 (0.002)

RF600RS ('95-MODEL) 10-6

OIL PUMP

ITEM	STANDARD	LIMIT
Oil pump reduction ratio	1.898 (75/43 x 37/34)	—
Oil pressure (at 60°C, 140°F)	Above 300 kPa (3.0 kg/cm ² , 43 psi) Below 600 kPa (6.0 kg/cm ² , 85 psi) at 3 000 r/min.	—

Unit: mm (in)

CLUTCH

ITEM	STANDARD	LIMIT
Clutch lever play	10–15 (0.4–0.6)	—
Drive plate thickness	2.12–2.28 (0.083–0.090)	1.82 (0.072)
Driven plate distortion	—	0.10 (0.004)
Clutch spring free length	—	47.5 (1.87)

THERMOSTAT + RADIATOR + FAN

ITEM	STANDARD	LIMIT
Thermostat valve opening temperature	74.5–78.5°C (166.1–173.3°F)	—
Thermostat valve lift	Over 7 mm (0.28 in) at 90°C (194°F)	—
Radiator cap valve opening pressure	110 kPa (1.1 kg/cm ² , 15.6 psi)	—
Cooling fan thermo-switch operating temperature	ON	Approx. 105°C (221°F)
	OFF	Approx. 100°C (212°F)
Engine coolant temperature gauge resistance	50°C (122°F)	Approx. 153.9 Ω
	80°C (176°F)	Approx. 51.9 Ω
	100°C (212°F)	Approx. 27.4 Ω
	120°C (248°F)	Approx. 16.1 Ω

TRANSMISSION + DRIVE CHAIN

Unit: mm (in) Except ratio

ITEM	STANDARD	LIMIT
Primary reduction ratio	1.744 (75/43)	—
Final reduction ratio	E-03,18,33	3.071 (43/14)
	The others	*3.000 (42/14)
Gear ratios	Low	3.142 (44/14)
	2nd	2.058 (35/17)
	3rd	1.650 (33/20)
	4th	1.428 (30/21)
	5th	1.260 (29/23)
	Top	1.120 (28/25)

10-7 RF600RS ('95-MODEL)

ITEM	STANDARD		LIMIT
Shift fork to groove clearance	0.10—0.30 (0.004—0.012)		0.50 (0.020)
Shift fork groove width	5.00—5.10 (0.197—0.201)		—
Shift fork thickness	4.80—4.90 (0.189—0.193)		—
Drive chain	Type	RK50MFOZ1	
	Links	108 links, ENDLESS	
	20-pitch length	—	
Drive chain slack	30—40 (1.2—1.6)		—
Gearshift lever height	70 (2.8)		—

***CARBURETOR**

ITEM	SPECIFICATION		
	E-03, U.S.A.	E-33, U.S.A. (Calif. model)	E-37
Carburetor type	MIKUNI BDST36SS	MIKUNI BDST33SS	←
Bore size	36 mm	33 mm	←
I.D. No.	21EG	21EH	21EN
Idle r/min.	1 300 ± 100 r/min	1 350 ± 100 r/min	1 200 ± 100 r/min
Float height	6.9 ± 1.0 mm (0.27 ± 0.04 in)		
Main jet (M.J.)	#112.5	#107.5	#112.5
Main air jet (M.A.J.)	0.7 mm	0.6 mm	#1&4: 0.6 mm, #2&3: 1.0 mm
Jet needle (J.N.)	5E97	5E99	5D44-3rd
Needle jet (N.J.)	0-9	0-8	0-9
Throttle valve (Th.V.)	#120	←	#125
Pilot jet (P.J.)	#15	#10	#12.5
Starter jet (G.S.)	#47.5	←	←
Pilot screw (P.S.)	PRE-SET	←	PRE-SET (1-1/2 turns out)
Throttle cable play	0.5—1.0 mm (0.02—0.04 in)		

***CARBURETOR**

ITEM	SPECIFICATION			
	E-02 and others	E-22,24	E-18	E-22-U type
Carburetor type	MIKUNI BDST36SS	←	MIKUNI BDST33SS	MIKUNI BDST36SS
Bore size	36 mm	←	33 mm	36 mm
I.D. No.	21EF	21EJ	21EL	21EK
Idle r/min.	1 200 ± 100 r/min	1 300 ± 100 r/min	←	←
Float height	6.9 ± 1.0 mm (0.27 ± 0.04 in)			

RF600RS ('95-MODEL) 10-8

ITEM	SPECIFICATION			
	E-02 and others	E-22,24	E-18	E-22-U type
Main jet (M.J.)	#112.5	←	#110	#120
Main air jet (M.A.J.)	#1&4: 0.6 mm, #2&3: 1.0 mm	←	0.6 mm	0.7 mm
Jet needle (J.N.)	5D44-3rd	←	5E93-4th	5D44-2nd
Needle jet (N.J.)	O-9	←	O-8	←
Throttle valve (Th.V.)	#125	←	#120	#125
Pilot jet (P.J.)	#12.5	←	#10	#12.5
Starter jet (G.S.)	#47.5	←	←	←
Pilot screw (P.S.)	PRE-SET (1-½ turns out)	←	←	PRE-SET (1 turn out)
Throttle cable play	0.5–1.0 mm (0.02–0.04 in)			

ELECTRICAL

Unit: mm (in)

ITEM	SPECIFICATION		NOTE
Ignition timing	4° B.T.D.C. below 1 500 r/min.		E-33
	*7° B.T.D.C. below 1 500 r/min.		Others
Firing order	1-2-4-3		
Spark plug	Type	NGK: CR9E ND: U27ESR-N	
	Gap	0.7–0.8 (0.028–0.032)	
Spark performance	Over 8 (0.3) at 1 atm.		
Signal coil resistance	(Black–Green) Approx. 135–200 Ω		Tester range: (x 100 Ω)
Ignition coil resistance	Primary	⊕ tap–⊖ tap Approx. 2.4–3.2 Ω	Tester range: (x 1 Ω)
	Secondary	Plug cap–Plug cap Approx. 30–40 kΩ	Tester range: (x 1 kΩ)
Generator	Slip ring O.D.	Limit: 14.0 (0.55)	ND
	Brush length	Limit: 4.5 (0.18)	
Generator Max. output	Approx. 405 W at 5 000 r/min		The rotation of the generator
Regulated voltage	Above 13.5 V at 5 000 r/min.		
Starter motor	Commutator under-cut	Limit: 0.2 (0.008)	ND
Starter relay resistance	3–5 Ω		
Battery	Type designation	YTX9-BS	
	Capacity	12 V 28.8 kC (8 Ah)/10 HR	
	Standard electrolyte S.G.	1.320 at 20°C (68°F)	
Fuse size	Headlight	HI	15 A
		LO	15 A
	Turn signal	15 A	
	Ignition	10 A	
	Taillight	10 A	
	Main	30 A	

10-9 RF600RS ('95-MODEL)**WATTAGE**

Unit: W

ITEM		SPECIFICATION	
		E-03,24,28,33	The others
Headlight	HI	60	←
	LO	55	←
Position light			4
Taillight		5	←
Brake light		21 × 2	←
Turn signal light		21 × 4	←
Tachometer light		1.7 × 2	←
Speedometer light		1.7 × 2	←
Turn signal indicator light		3.4	←
High beam indicator light		3.4	←
Neutral indicator light		3.4	←
Oil pressure indicator light		3.4	←
Fuel level indicator light		3.4	←
License light		5	←
Engine coolant temp. meter light		1.7	←

BRAKE + WHEEL

Unit: mm (in)

ITEM		STANDARD		LIMIT
Rear brake pedal height		55 (2.2)		—
Brake disc thickness	Front	4.5 ± 0.2 (0.177 ± 0.008)	4.0 (0.16)	
	Rear	5.0 ± 0.2 (0.197 ± 0.008)	4.5 (0.18)	
Brake disc runout (Front & Rear)		—		0.30 (0.012)
Master cylinder bore	Front	12.700–12.743 (0.5000–0.5017)	—	
	Rear	12.700–12.743 (0.5000–0.5017)	—	
Master cylinder piston diam.	Front	12.657–12.684 (0.4983–0.4993)	—	
	Rear	12.657–12.684 (0.4983–0.4993)	—	
Brake caliper cylinder bore	Leading	Front	25.400–25.450 (1.0000–1.0020)	—
			Trailing	25.400–25.450 (1.0000–1.0020)
		Rear	38.180–38.256 (1.5031–1.5061)	—
Brake caliper piston diam.	Leading	Front	25.335–25.368 (0.9974–0.9987)	—
			Trailing	25.335–25.368 (0.9974–0.9987)
		Rear	38.098–38.148 (1.5000–1.5019)	—

RF600RS ('95-MODEL) 10-10

ITEM	STANDARD		LIMIT
Wheel rim runout (Front & Rear)	Axial	—	2.0 (0.08)
	Radial	—	2.0 (0.08)
Wheel axle runout	Front	—	0.25 (0.010)
	Rear	—	0.25 (0.010)
Tire size	Front	120/70 ZR17	—
	Rear	160/60 ZR17	—
Tire tread depth	Front	—	1.6 (0.06)
	Rear	—	2.0 (0.08)

SUSPENSION

Unit: mm (in)

ITEM	STANDARD	LIMIT	NOTE
Front fork stroke	120 (4.7)	—	
Front fork spring free length	—	390 (15.4)	
Front fork oil level	92 (3.6)	—	
Rear wheel travel	130 (5.1)	—	
Swingarm pivot shaft runout	—	0.3 (0.01)	

FUEL + OIL + ENGINE COOLANT

ITEM	SPECIFICATION	NOTE
Fuel type	Use only unleaded gasoline of at least 85 pump octane ($\frac{R+M}{2}$) or 91 octane or higher rated by the research method. Gasoline containing MTBE (Methyl Tertiary Butyl Ether), less than 10% ethanol, or less than 5% methanol with appropriate cosolvents and corrosion inhibitor is permissible.	E-03,33
	Use only unleaded gasoline of at least 87 pump octane ($\frac{R+M}{2}$ method) or 91 octane or higher rated by the Research Method.	E-28
	Gasoline used should be graded 85-95 octane or higher. An unleaded gasoline is recommended.	The others
Fuel tank including reserve	16.0 L (4.2/3.5 US/Imp gal)	E-33
	17.0 L (4.5/3.7 US/Imp gal)	The others
reserve	4.0 L (1.1/0.9 US/Imp gal)	

10-11 RF600RS ('95-MODEL)

ITEM	SPECIFICATION		NOTE
Engine oil type	SAE 10W/40, API SE or SF		
Engine oil capacity	Change	3 000 ml (3.2/2.6 US/lmp qt)	
	Filter change	3 300 ml (3.5/2.9 US/lmp qt)	
	Overhaul	3 900 ml (4.1/3.4 US/lmp qt)	
Front fork oil type	Frok oil #10		
Front fork oil capacity (each leg)	503 ml (17.0/17.7 US/lmp oz)		
Brake fluid type	DOT 4		
Engine coolant type	Use an anti-freeze/coolant compatible with aluminum radiator, mixed with distilled water only, at the ratio of 50:50.		
Engine coolant including reserve	2 450 ml (2.6/2.2 US/lmp qt)		

TIRE PRESSURE [E-03,33 markets]

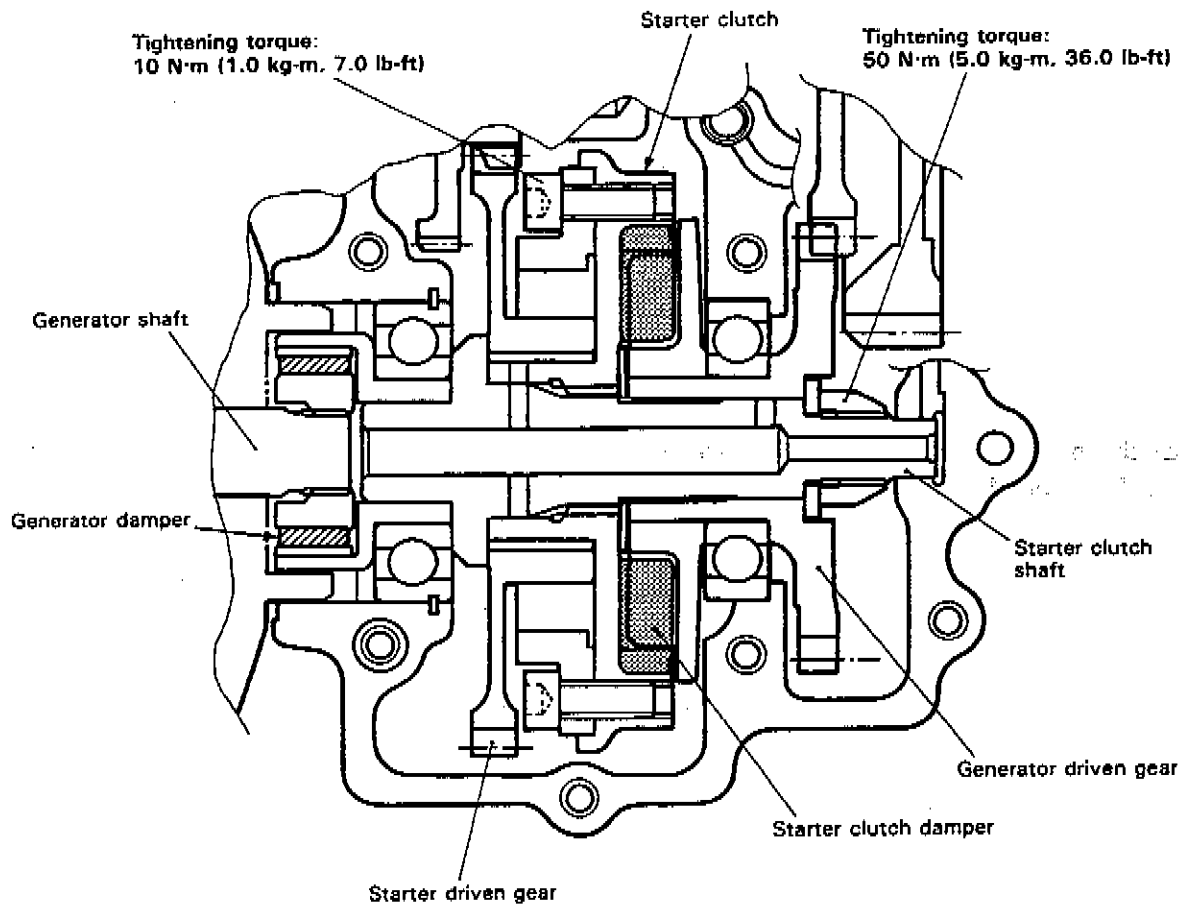
COLD INFLATION TIRE PRESSURE	SOLO RIDING			DUAL RIDING		
	kPa	kg/cm ²	psi	kPa	kg/cm ²	psi
FRONT	225	2.25	33	250	2.50	36
REAR	250	2.50	36	290	2.90	42

TIRE PRESSURE [The other markets]

COLD INFLATION TIRE PRESSURE	SOLO RIDING			DUAL RIDING		
	kPa	kg/cm ²	psi	kPa	kg/cm ²	psi
FRONT	250	2.50	36	250	2.50	36
REAR	250	2.50	36	290	2.90	42

SERVICE INFORMATION

STARTER CLUTCH

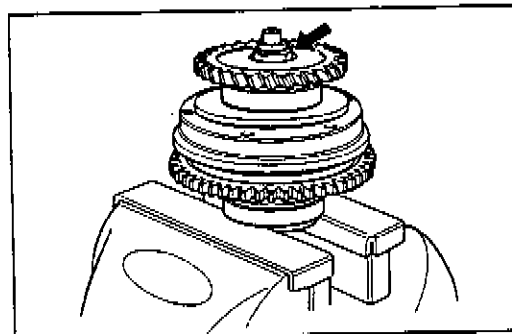


10-13 RF600RS ('95-MODEL)**DISASSEMBLY AND INSPECTION**

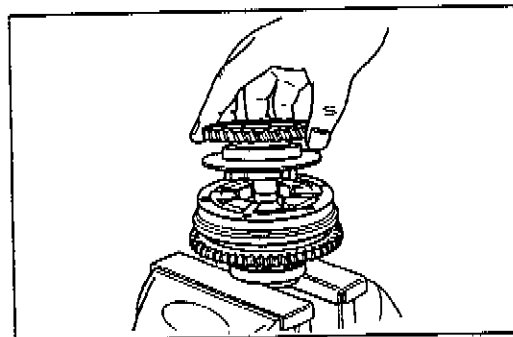
- Hold the starter clutch shaft to use a vise and appropriate pieces of soft metals, and remove the nut as shown in the Fig.

CAUTION:

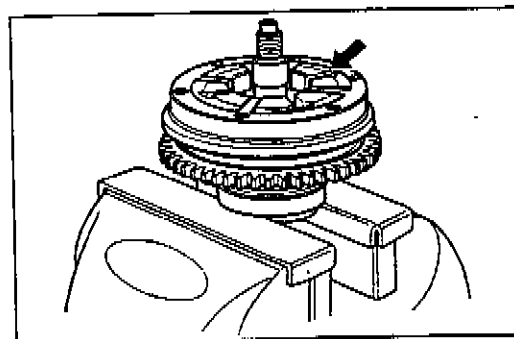
This is a left-hand thread nut.



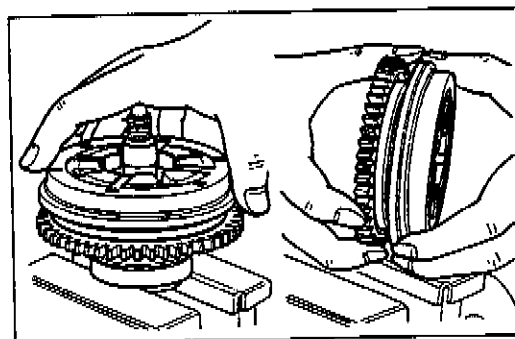
- Remove the generator driven gear assembly.



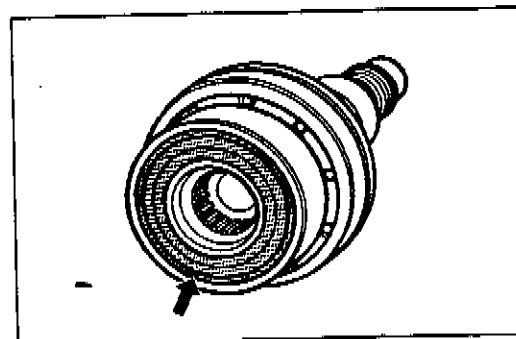
- Inspect the dampers for wear and damage. If any defects are found, replace the dampers as a set.
- Inspect the starter clutch and its contacting surface of the starter driven gear for wear or damage. If they are found to be damaged, replace them with new ones.



- Remove the starter clutch and its driven gear.
- Remove the driven gear from the starter clutch.



- Inspect the generator damper for damage. If any defects are found, replace the damper or starter clutch shaft assembly.



RF600RS ('95-MODEL) 10-14

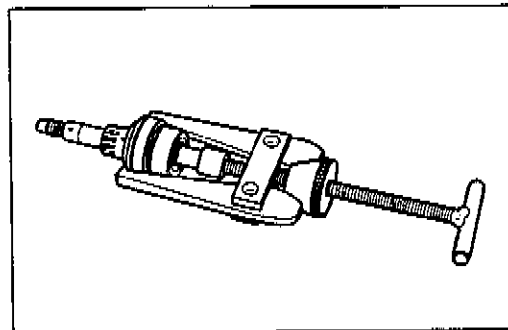
- Remove the bearing and generator damper from the starter clutch shaft with a bearing puller.

NOTE:

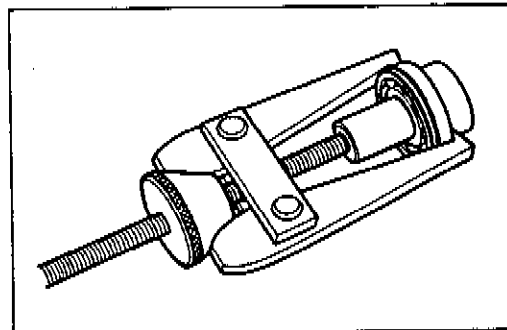
Before removing the bearing, rotate the outer race by hand to inspect for abnormal noise and smooth rotation.

CAUTION:

The removed bearing should be replaced with a new one.



- Remove the bearing from the generator damper.

**REASSEMBLY**

Assemble the starter clutch in the reverse order of disassembly. Pay attention to the following points:

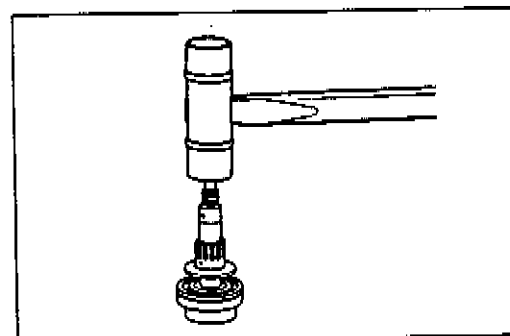
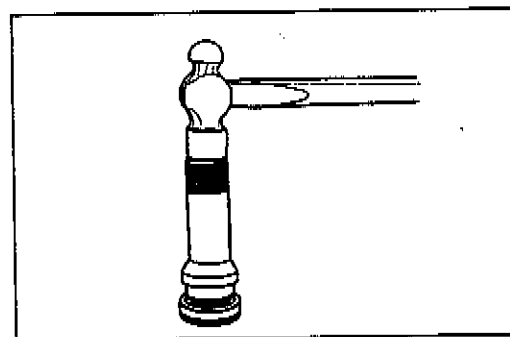
NOTE:

Apply engine oil to each starter clutch part before reassembling.

- Install the bearing to the generator damper with a bearing installer.

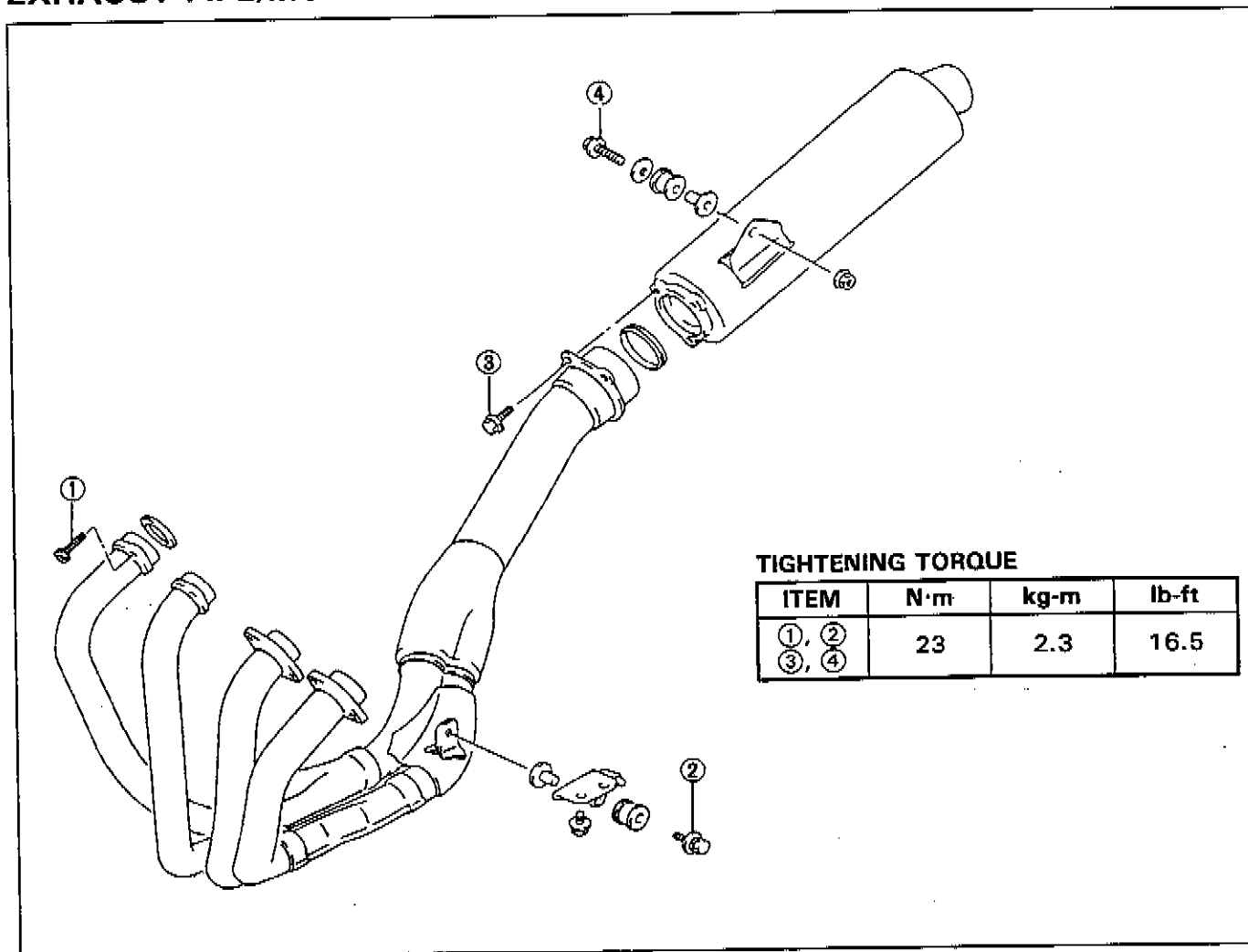
TOOL 09951-16080: Bearing installer

- Install the starter clutch shaft into the generator damper by tapping with a plastic mallet.



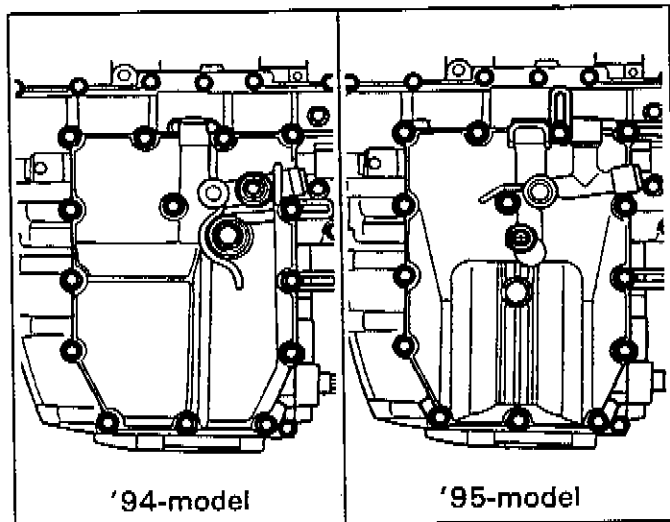
10-15 RF600RS ('95-MODEL)

EXHAUST PIPE/MUFFLER MOUNTING

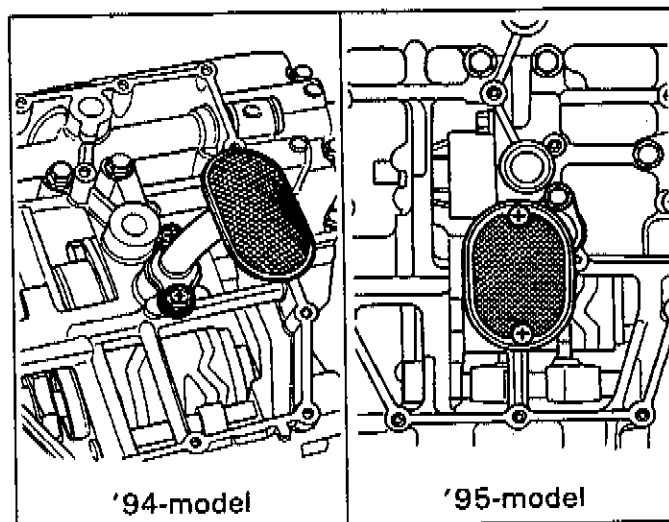


OIL PAN AND OIL SUMP FILTER

OIL PAN



OIL SUMP FILTER



CARBURETOR

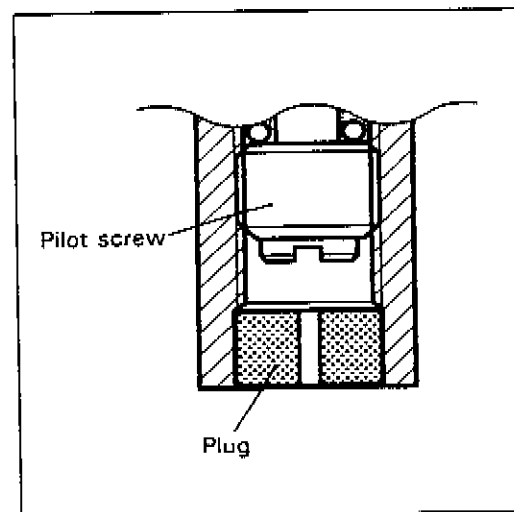
PILOT SCREW REMOVAL AND INSTALLATION

- Remove the plug by carefully punching a hole in it using an awl or suitable tool.
- Before removing the pilot screw, determine the setting by slowly turning it clockwise and count the number of turns required to lightly seat the screw. Turn the screw counterclockwise to remove it.


NOTE:

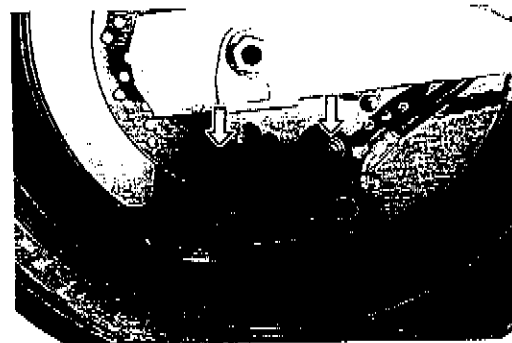
This counted number is important when reassembling pilot screw to original position.

- When installing the pilot screw, turn it in fully but not tightly. From that position turn it out the same number as counted during removal.
- Install the new plug in the pilot screw hole.



REAR BRAKE CALIPER

-  Caliper mounting bolt: 28–33 N·m
(2.8–3.3 kg·m, 20.0–24.0 lb-ft)



RF600RT ('96-MODEL)

This chapter describes service data and service information which differ from those of the RF600RS ('95-model).

NOTE:

- Any differences between RF600RS ('95-model) and RF600RT ('96-model) in service data are clearly indicated with the asterisk marks (*).
- Please refer to the chapters 1 through 10 for details which are not given in this chapter.

CONTENTS

SPECIFICATIONS	11- 1
SERVICE DATA	11- 2
SERVICE INFORMATION	11-11
REAR BRAKE AND TORQUE LINK ROD	11-11

11-1 RF600RT ('96-MODEL)

SPECIFICATIONS

DIMENSIONS AND DRY MASS

Overall length	2 160 mm (85.0 in) E18, 22
	2 110 mm (83.1 in) Others
Overall width	710 mm (28.0 in)
Overall height	1 175 mm (46.3 in)
Wheelbase	1 430 mm (56.3 in)
Ground clearance	120 mm (4.7 in)
Seat height	790 mm (31.1 in)
Dry mass	195 kg (429 lbs) Others
	198 kg (436 lbs) E33

ENGINE

Type	Four-stroke, liquid-cooled, DOHC, TSCC
Valve clearance, IN.	0.10—0.20 mm (0.004—0.008 in)
EX	0.20—0.30 mm (0.008—0.012 in)
Number of cylinders	4
Bore	65.0 mm (2.559 in)
Stroke	45.2 mm (1.780 in)
Piston displacement	599 cm ³ (36.6 cu. in)
Corrected compression ratio	12.0 : 1
Carburetor	BDST33, four E18,33
	BDST36, four Others
Air cleaner	Non-woven fabric element
Starter system	Starter motor
Lubrication system	Wet sump

TRANSMISSION

Clutch	Wet multi-plate type
Transmission	6-speed constant mesh
Gearshift pattern	1-down, 5-up
Primary reduction ratio	1.744 (75/43)
Gear ratios, Low	3.142 (44/14)
2nd	2.058 (35/17)
3rd	1.650 (33/20)
4th	1.428 (30/21)
5th	1.260 (29/23)
Top	1.120 (28/25)
Final reduction ratio	3.071 (43/14) E03, 18, 33
	3.000 (42/14) Others
Drive chain	RK50MFOZ1, 108 links

CHASSIS

Front suspension	Telescopic, coil spring, oil damped, spring preload adjustable
Rear suspension	Link type, spring preload 7-way adjustable, damping force 4-way adjustable
Front suspension stroke	120 mm (4.7 in)
Rear suspension travel	130 mm (5.1 in)
Caster	65°
Trail	103 mm (4.06 in)
Steering angle	30°
Turning radius	3.2 m (10.5 ft)
Front brake	Disk brake, twin, hydraulically operated
Rear brake	Disk brake, hydraulically operated
Front tire size	120/70ZR17
Rear tire size	160/60ZR17

ELECTRICAL

Ignition type	Electronic ignition (Transistorized)
Ignition timing	4° B.T.D.C. below 1500 r/min E18,33
	7° B.T.D.C. below 1500 r/min Others
Spark plug	NGK CR9E or NIPPONDENSO U27ESR-N
Battery	12V 28.8kC (8 Ah)/10 HR
Generator	Three-phase A.C. generator
Circuit breaker	30A
Fuse	15/15/10/15/10A
Headlight	12V 60/55W
Position light	12V 4W except E24,28
Turn signal light	12V 21W x 4
Taillight	12V 5W
Brake light	12V 21W x 2
License plate light	12V 5W
Speedometer light	12V 1.7W x 2
Tachometer light	12V 1.7W x 2
Neutral indicator light	12V 3.4W
High beam indicator light	12V 3.4W
Turn signal indicator light	12V 3.4W
Oil pressure indicator light	12V 3.4W
Fuel indicator light	12V 3.4W

CAPACITIES

Fuel tank, including reserve	16.0 L (4.2/3.5 US/Imp gal) E33
	17.0 L (4.5/3.7 US/Imp gal) Others
Reserve	4.0 L (1.1/0.9 US/Imp gal)
Engine oil, oil change	3 000 ml (3.2/2.6 US/Imp qt)
with filter change	3 300 ml (3.5/2.9 US/Imp qt)
overhaul	3 900 ml (4.1/3.4 US/Imp qt)
Engine coolant	2 450 ml (2.6/2.2 US/Imp qt)
Front fork oil	503 ml (17.0/17.7 US/Imp oz)

SERVICE DATA

VALVE + GUIDE

Unit: mm (in)

ITEM	STANDARD		LIMIT
Valve diam.	IN.	25.5 (1.00)	—
	EX.	22.5 (0.89)	—
Valve lift	IN.	E-04 and others	8.3 (0.33)
		E-18	6.6 (0.26)
	EX.	E-04 and others	7.9 (0.31)
		E-18	6.1 (0.24)
Tappet clearance (when cold)	IN.	0.10–0.20 (0.004–0.008)	—
	EX.	0.20–0.30 (0.008–0.010)	—
Valve guide to valve stem clearance	IN.	0.020–0.047 (0.0008–0.0019)	—
	EX.	0.030–0.057 (0.0012–0.0022)	—
Valve stem deflection	IN. & EX.	—	0.35 (0.014)
Valve guide I.D.	IN. & EX.	4.500–4.512 (0.1772–0.1776)	—
Valve stem O.D.	IN.	4.465–4.480 (0.1758–0.1764)	—
	EX.	4.455–4.470 (0.1754–0.1760)	—
Valve stem runout	IN. & EX.	—	0.05 (0.002)
Valve head thickness	IN. & EX.	—	0.5 (0.02)
Valve seat width	IN. & EX.	0.9–1.1 (0.035–0.043)	—
Valve head radial runout	IN. & EX.	—	0.03 (0.001)
Valve spring free length (IN. & EX.)	—		43.0 (1.69)
Valve spring tension (IN. & EX.)	18.6–21.4 kg (41.0–47.2 lbs) at length 38 mm (1.5 in)		—

11.3 RF600RT ('96-MODEL)

CAMSHAFT + CYLINDER HEAD

Unit: mm (in)

ITEM	STANDARD		LIMIT	
Cam height	IN.	E-04	36.312–36.368 (1.4296–1.4318)	36.02 (1.418)
		E-18,33	34.542–34.598 (1.3599–1.3621)	34.25 (1.348)
		Others	36.312–36.368 (1.4296–1.4318)	36.02 (1.418)
	EX.	E-04	35.902–35.958 (1.4135–1.4157)	35.61 (1.402)
		E-18,33	34.122–34.178 (1.3433–1.3456)	33.83 (1.332)
		Others	35.902–35.958 (1.4135–1.4157)	35.61 (1.402)
Camshaft journal oil clearance	IN. & EX.	0.032–0.066 (0.0013–0.0026)	0.150 (0.0059)	
Camshaft journal holder I.D.	IN. & EX.	22.012–22.025 (0.8666–0.8671)	—	
Camshaft journal O.D.	IN. & EX.	21.959–21.980 (0.8645–0.8654)	—	
Camshaft runout	IN. & EX	—	0.10 (0.004)	
Cam chain pin (at arrow "3")	13th pin		—	
Cylinder head distortion	—		0.20 (0.008)	

CYLINDER + PISTON + PISTON RING

Unit: mm (in)

ITEM	STANDARD		LIMIT	
Compression pressure	1 000–1 500 kPa (10–15 kg/cm ²) (142–213 psi)		800 kPa (8 kg/cm ²) (114psi)	
Compression pressure difference	—		200 kPa (2 kg/cm ²) (28 psi)	
Piston to cylinder clearance	0.040–0.060 (0.0016–0.0024)		0.120 (0.0047)	
Cylinder bore	65.000–65.015 (2.5591–2.5596)		65.090 (2.5626)	
Piston diam.	64.945–64.970 (2.5569–2.5579) Measure at 15 mm (0.6 in) from the skirt end.		64.880 (2.5543)	
Cylinder distortion	—		0.20 (0.008)	
Piston ring free end gap	1st	R	Approx. 7.5 (0.29)	6.0 (0.24)
	2nd	R	Approx. 8.0 (0.31)	6.4 (0.25)
Piston ring end gap	1st		0.25–0.40 (0.010–0.016)	0.5 (0.02)
	2nd		0.25–0.40 (0.010–0.016)	0.5 (0.02)

RF600RT ('96-MODEL) 11-4

ITEM	STANDARD		LIMIT
Piston ring to groove clearance	1st	—	0.18 (0.007)
	2nd	—	0.18 (0.007)
Piston ring groove width	1st	0.83–0.85 (0.032–0.033)	—
	2nd	0.82–0.84 (0.032–0.033)	—
	Oil	1.51–1.53 (0.059–0.060)	—
Piston ring thickness	1st	0.77–0.79 (0.030–0.031)	—
	2nd	0.77–0.79 (0.030–0.031)	—
Piston pin bore	16.002–16.008 (0.6210–0.6302)		16.030 (0.6311)
Piston pin O.D.	15.996–16.000 (0.6298–0.6299)		15.980 (0.6291)

CONROD + CRANKSHAFT

Unit: mm (in)

ITEM	STANDARD		LIMIT
Conrod small end I.D.	16.010–16.018 (0.6303–0.6306)		16.040 (0.6315)
Conrod big end side clearance	0.10–0.20 (0.004–0.008)		0.30 (0.010)
Conrod big end width	20.95–21.00 (0.825–0.827)		—
Crank pin width	21.10–21.15 (0.831–0.833)		—
Conrod big end oil clearance	0.032–0.056 (0.0013–0.0022)		0.080 (0.0031)
Crank pin O.D.	33.976–34.000 (1.3376–1.3386)		—
Crankshaft journal oil clearance	0.020–0.044 (0.0008–0.0017)		0.080 (0.0031)
Crankshaft journal O.D.	33.976–34.000 (1.3376–1.3386)		—
Crankshaft thrust clearance	0.055–0.110 (0.0022–0.0043)		—
Crankshaft thrust bearing thickness	Right side	2.425–2.450 (0.0955–0.0965)	—
	Left side	2.350–2.500 (0.0925–0.0984)	—
Crankshaft runout	—		0.05 (0.002)

11-5 RF600RT ('96-MODEL)

OIL PUMP

ITEM	STANDARD	LIMIT
Oil pump reduction ratio	1.898 (75/43 x 37/34)	—
Oil pressure (at 60°C, 140°F)	Above 300 kPa (3.0 kg/cm ² , 43 psi) Below 600 kPa (6.0 kg/cm ² , 85 psi) at 3 000 r/min.	—

CLUTCH

Unit: mm (in)

ITEM	STANDARD	LIMIT
Clutch lever play	10–15 (0.4–0.6)	—
Drive plate thickness	2.12–2.28 (0.083–0.090)	1.82 (0.072)
Driven plate distortion	—	0.10 (0.004)
Clutch spring free length	—	47.5 (1.87)

THERMOSTAT + RADIATOR + FAN

ITEM	STANDARD	LIMIT	
Thermostat valve opening temperature	74.5–78.5°C (166.1–173.3°F)	—	
Thermostat valve lift	Over 7 mm (0.28 in) at 90°C (194°F)	—	
Radiator cap valve opening pressure	110 kPa (1.1 kg/cm ² , 15.6 psi)	—	
Cooling fan thermo-switch operating temperature	ON	Approx. 105°C (221°F)	—
	OFF	Approx. 100°C (212°F)	—
Engine coolant temperature gauge resistance	50°C (122°F)	Approx. 153.9 Ω	—
	80°C (176°F)	Approx. 51.9 Ω	—
	100°C (212°F)	Approx. 27.4 Ω	—
	120°C (248°F)	Approx. 16.1 Ω	—

TRANSMISSION + DRIVE CHAIN

Unit: mm (in) Except ratio

ITEM	STANDARD	LIMIT	
Primary reduction ratio	1.744 (75/43)	—	
Final reduction ratio	E-03,18,33	3.071 (43/14)	—
	The others	3.000 (42/14)	—
Gear ratios	Low	3.142 (44/14)	—
	2nd	2.058 (35/17)	—
	3rd	1.650 (33/20)	—
	4th	1.428 (30/21)	—
	5th	1.260 (29/23)	—
	Top	1.120 (28/25)	—

RF600RT ('96-MODEL) 11-6

ITEM	STANDARD		LIMIT
Shift fork to groove clearance	0.10—0.30 (0.004—0.012)		0.50 (0.020)
Shift fork groove width	5.00—5.10 (0.197—0.201)		—
Shift fork thickness	4.80—4.90 (0.189—0.193)		—
Drive chain	Type	RK50MFOZ1	
	Links	108 links, ENDLESS	
	20-pitch length	—	
Drive chain slack	30—40 (1.2—1.6)		—
Gearshift lever height	70 (2.8)		—

CARBURETOR

ITEM	SPECIFICATION		
	E-03, U.S.A.	E-33, U.S.A. (Calif. model)	E-37
Carburetor type	MIKUNI BDST36SS	MIKUNI BDST33SS	MIKUNI BDST36SS
Bore size	36 mm	33 mm	36 mm
I.D. No.	21EG	21EH	21EN
Idle r/min.	1 300 ± 100 r/min	1 350 ± 100 r/min	1 200 ± 100 r/min
Float height	6.9 ± 1.0 mm (0.27 ± 0.04 in)		
Main jet (M.J.)	#112.5	#107.5	#112.5
Main air jet (M.A.J.)	0.7 mm	0.6 mm	#1&4: 0.6 mm, #2&3: 1.0 mm
Jet needle (J.N.)	5E97	5E99	5D44-3rd
Needle jet (N.J.)	0-9	0-B	0-9
Throttle valve (Th.V.)	#120	←	#125
Pilot jet (P.J.)	#15	#10	#12.5
Starter jet (G.S.)	#47.5	←	←
Pilot screw (P.S.)	PRE-SET	←	PRE-SET (1-½ turns out)
Throttle cable play	0.5—1.0 mm (0.02—0.04 in)		

CARBURETOR

ITEM	SPECIFICATION			
	E-02 and others	E-22,24	E-18	E-22-U type
Carburetor type	MIKUNI BDST36SS	←	MIKUNI BDST33SS	MIKUNI BDST36SS
Bore size	36 mm	←	33 mm	36 mm
I.D. No.	21EF	21EJ	21EL	21EK
Idle r/min.	1 200 ± 100 r/min	1 300 ± 100 r/min	←	←
Float height	6.9 ± 1.0 mm (0.27 ± 0.04 in)			

11-7 RF600RT ('96-MODEL)

ITEM	SPECIFICATION			
	E-02 and others	E-22,24	E-18	E-22-U type
Main jet (M.J.)	#112.5	←	#110	#120
Main air jet (M.A.J.)	#1&4: 0.6 mm, #2&3: 1.0 mm	←	0.6 mm	0.7 mm
Jet needle (J.N.)	5D44-3rd	←	5E93-4th	5D44-2nd
Needle jet (N.J.)	O-9	←	O-8	←
Throttle valve (Th.V.)	#125	←	#120	#125
Pilot jet (P.J.)	#12.5	←	#10	#12.5
Starter jet (G.S.)	#47.5	←	←	←
Pilot screw (P.S.)	PRE-SET (1-1/2 turns out)	←	←	PRE-SET (1 turn out)
Throttle cable play	0.5-1.0 mm (0.02-0.04 in)			

ELECTRICAL

Unit: mm (in)

ITEM	SPECIFICATION		NOTE
Ignition timing	4° B.T.D.C. below 1 500 r/min.		E-18,33
	7° B.T.D.C. below 1 500 r/min.		Others
Firing order	1-2-4-3		
Spark plug	Type	NGK: CR9E ND: U27ESR-N	
	Gap	0.7-0.8 (0.028-0.032)	
Spark performance	Over 8 (0.3) at 1 atm.		
Signal coil resistance	(Black-Green) Approx. 135-200 Ω		Tester range: (x 100 Ω)
Ignition coil resistance	Primary	⊕ tap - ⊖ tap Approx. 2.4-3.2 Ω	Tester range: (x 1 Ω)
	Secondary	Plug cap - Plug cap Approx. 30-40 kΩ	Tester range: (x 1 kΩ)
Generator	Slip ring O.D.	Limit: 14.0 (0.55)	ND
	Brush length	Limit: 4.5 (0.18)	
Generator Max. output	Approx. 405 W at 5 000 r/min		The rotation of the generator
Regulated voltage	Above 13.5 V at 5 000 r/min.		
Starter motor	Commutator under-cut	Limit: 0.2 (0.008)	ND
Starter relay resistance	3-5 Ω		
Battery	Type designation	YTX9-BS	
	Capacity	12 V 28.8 kC (8 Ah)/10 HR	
	Standard electrolyte S.G.	1.320 at 20°C (68°F)	
Fuse size	Headlight	HI	15 A
		LO	15 A
	Turn signal	15 A	
	Ignition	10 A	
	Taillight	10 A	
	Main	30 A	

WATTAGE

Unit: W

ITEM		SPECIFICATION	
		E-03,24,28,33	The others
Headlight	HI	60	↑
	LO	55	↑
Position light			4
Taillight		5	↑
Brake light		21 × 2	↑
Turn signal light		21 × 4	↑
Tachometer light		1.7 × 2	↑
Speedometer light		1.7 × 2	↑
Turn signal indicator light		3.4	↑
High beam indicator light		3.4	↑
Neutral indicator light		3.4	↑
Oil pressure indicator light		3.4	↑
Fuel level indicator light		3.4	↑
License light		5	↑
Engine coolant temp. meter light		1.7	↑

BRAKE + WHEEL

Unit: mm (in)

ITEM		STANDARD		LIMIT	
Rear brake pedal height		55 (2.2)		—	
Brake disc thickness	Front	4.5 ± 0.2 (0.177 ± 0.008)		4.0 (0.16)	
	Rear	5.0 ± 0.2 (0.197 ± 0.008)		4.5 (0.18)	
Brake disc runout (Front & Rear)		—		0.30 (0.012)	
Master cylinder bore	Front	12.700—12.743 (0.5000—0.5017)		—	
	Rear	12.700—12.743 (0.5000—0.5017)		—	
Master cylinder piston diam.	Front	12.657—12.684 (0.4983—0.4993)		—	
	Rear	12.657—12.684 (0.4983—0.4993)		—	
Brake caliper cylinder bore	Leading	Front	25.400—25.450 (1.0000—1.0020)		—
			25.400—25.450 (1.0000—1.0020)		—
	Trailing	Rear	38.180—38.256 (1.5031—1.5061)		—
Brake drum	..	Front	25.335—25.368 (1.0000—1.0017)		—
	Trailing		25.335—25.368 (1.0000—1.0017)		—

11-9 RF600RT ('96-MODEL)

ITEM	STANDARD		LIMIT
Wheel rim runout (Front & Rear)	Axial	—	2.0 (0.08)
	Radial	—	2.0 (0.08)
Wheel axle runout	Front	—	0.25 (0.010)
	Rear	—	0.25 (0.010)
Tire size	Front	120/70 ZR17	—
	Rear	160/60 ZR17	—
Tire tread depth	Front	—	1.6 (0.06)
	Rear	—	2.0 (0.08)

SUSPENSION

Unit: mm (in)

ITEM	STANDARD	LIMIT	NOTE
Front fork stroke	120 (4.7)	—	
Front fork spring free length	—	390 (15.4)	
Front fork oil level	92 (3.6)	—	
Rear wheel travel	130 (5.1)	—	
Swingarm pivot shaft runout	—	0.3 (0.01)	

FUEL + OIL + ENGINE COOLANT

ITEM	SPECIFICATION	NOTE
Fuel type	Use only unleaded gasoline of at least 85 pump octane ($\frac{R+M}{2}$) or 91 octane or higher rated by the research method. Gasoline containing MTBE (Methyl Tertiary Butyl Ether), less than 10% ethanol, or less than 5% methanol with appropriate cosolvents and corrosion inhibitor is permissible.	E-03,33
	Use only unleaded gasoline of at least 87 pump octane ($\frac{R+M}{2}$ method) or 91 octane or higher rated by the Research Method.	E-28
	Gasoline used should be graded 85-95 octane or higher. An unleaded gasoline is recommended.	The others
Fuel tank including reserve	16.0 L (4.2/3.5 US/Imp gal)	E-33
	17.0 L (4.5/3.7 US/Imp gal)	The others
	reserve 4.0 L (1.1/0.9 US/Imp gal)	

RF600RT ('96-MODEL) 11-10

ITEM	SPECIFICATION		NOTE
Engine oil type	SAE 10W/40, API SE, SF or SG		
Engine oil capacity	Change	3 000 ml (3.2/2.6 US/lmp qt)	
	Filter change	3 300 ml (3.5/2.9 US/lmp qt)	
	Overhaul	3 900 ml (4.1/3.4 US/lmp qt)	
Front fork oil type	Frok oil #10		
Front fork oil capacity (each leg)	503 ml (17.0/17.7 US/lmp oz)		
Brake fluid type	DOT 4		
Engine coolant type	Use an anti-freeze/coolant compatible with aluminum radiator, mixed with distilled water only, at the ratio of 50:50.		
Engine coolant including reserve	2 450 ml (2.6/2.2 US/lmp qt)		

TIRE PRESSURE [E-03.33 markets]

COLD INFLATION TIRE PRESSURE	SOLO RIDING			DUAL RIDING		
	kPa	kg/cm ²	psi	kPa	kg/cm ²	psi
FRONT	225	2.25	33	250	2.50	36
REAR	250	2.50	36	290	2.90	42

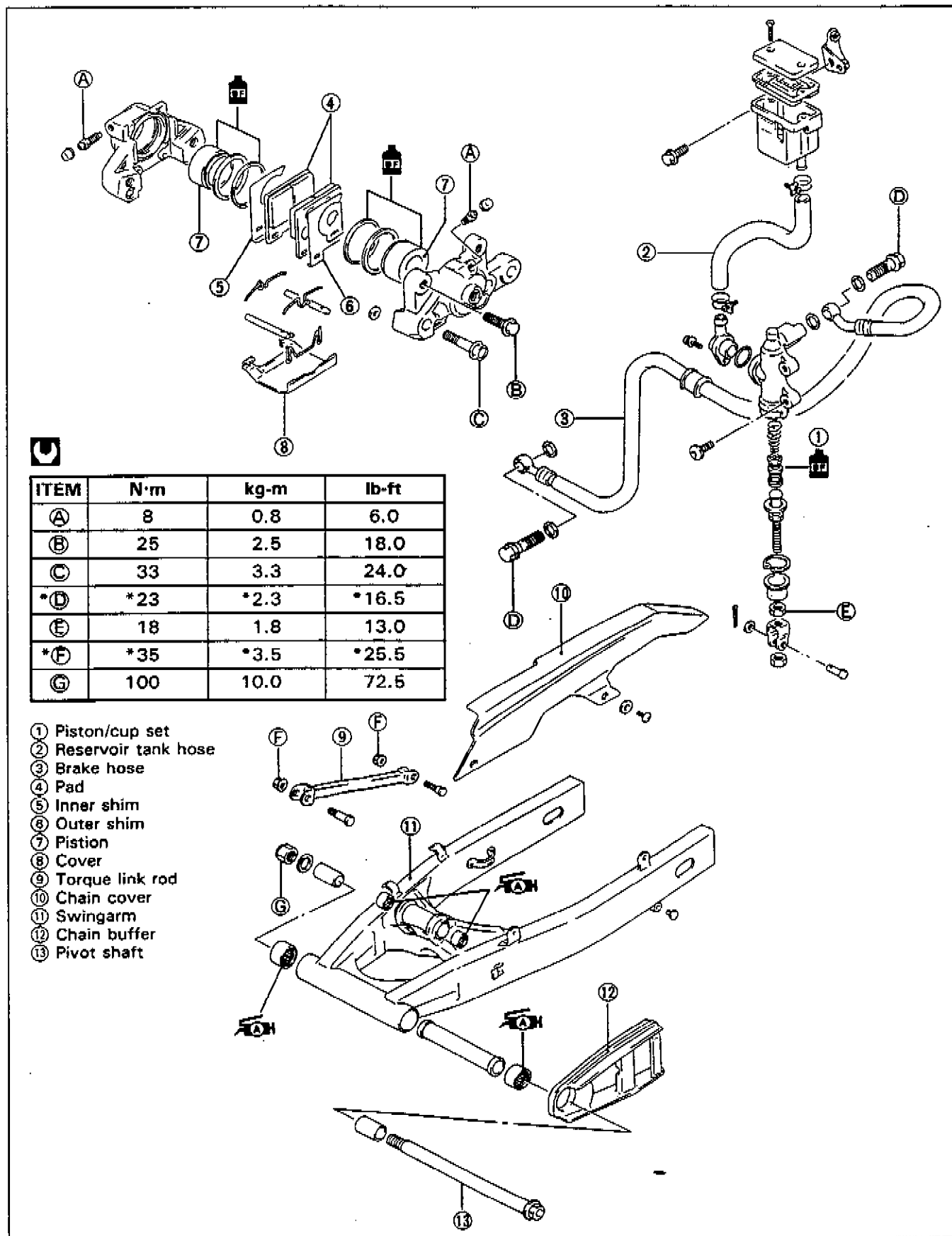
TIRE PRESSURE [The other markets]

COLD INFLATION TIRE PRESSURE	SOLO RIDING			DUAL RIDING		
	kPa	kg/cm ²	psi	kPa	kg/cm ²	psi
FRONT	250	2.50	36	250	2.50	36
REAR	250	2.50	36	290	2.90	42

11-11 RF600RT ('96-MODEL)

SERVICE INFORMATION

REAR BRAKE AND TORQUE LINK ROD



RF600RV ('97-MODEL)

CONTENTS

SPECIFICATIONS	12- 1
SERVICE DATA	12- 2

NOTE:

The specifications and service data are the same as those of the '96-MODEL.

12-1 RF600RV ('97-MODEL)

SPECIFICATIONS

DIMENSIONS AND DRY MASS

Overall length	2 160 mm (85.0 in) E18, 22
	2 110 mm (83.1 in) Others
Overall width	710 mm (28.0 in)
Overall height	1 175 mm (46.3 in)
Wheelbase	1 430 mm (56.3 in)
Ground clearance	120 mm (4.7 in)
Seat height	790 mm (31.1 in)
Dry mass	195 kg (429 lbs)

ENGINE

Type	Four-stroke, liquid-cooled, DOHC, TSCC
Valve clearance, IN	0.10—0.20 mm (0.004—0.008 in)
EX	0.20—0.30 mm (0.008—0.012 in)
Number of cylinders	4
Bore	65.0 mm (2.559 in)
Stroke	45.2 mm (1.780 in)
Displacement	599 cm ³ (36.6 cu. in)
Corrected compression ratio	12.0 : 1
Carburetor	BDST33, four . . . E18 BDST38, four . . . Others
Air cleaner	Non-woven fabric element
Starter system	Starter motor
Lubrication system	Wet sump

TRANSMISSION

Clutch	Wet multi-plate type
Transmission	6-speed constant mesh
Gearshift pattern	1-down, 5-up
Primary reduction ratio	1.744 (75/43)
Gear ratios, Low	3.142 (44/14)
2nd	2.058 (35/17)
3rd	1.650 (33/20)
4th	1.428 (30/21)
5th	1.260 (29/23)
Top	1.120 (28/25)
Final reduction ratio	3.071 (43/14) . . . E18 3.000 (42/14) . . . Others
Drive chain	RK50MFOZ1, 108 links

CHASSIS

Front suspension	Telescopic, coil spring, oil damped, spring preload adjustable
Rear suspension	Link type, spring preload 7-way adjustable, damping force 4-way adjustable
Front suspension stroke	120 mm (4.7 in)
Rear suspension travel	130 mm (5.1 in)
Caster	25°
Trail	103 mm (4.06 in)
Steering angle	30°
Turning radius	3.2 m (10.5 ft)
Front brake	Disk brake, twin
Rear brake	Disk brake
Front tire size	120/70ZR17
Rear tire size	160/60ZR17

ELECTRICAL

Ignition type	Electronic ignition (Transistorized)
Ignition timing	4° B.T.D.C. below 1500 r/min . . . E18 7° B.T.D.C. below 1500 r/min . . . Others
Spark plug	NGK CR9E or NIPPONDENSO U27ESR-N
Battery	12V 28.8kC (8 Ah)/10 HR
Generator	Three-phase A.C. generator
Main fuse	30A
Fuse	15/15/10/15/10A
Headlight	12V 60/55W
Position light	12V 4W . . . except E24
Turn signal light	12V 21W x 4
Taillight	12V 5W
Brake light	12V 21W x 2
License plate light	12V 5W
Speedometer light	12V 1.7W x 2
Tachometer light	12V 1.7W x 2
Neutral indicator light	12V 3.4W
High beam indicator light	12V 3.4W
Turn signal indicator light	12V 3.4W
Oil pressure indicator light	12V 3.4W
Fuel indicator light	12V 3.4W
Temp. meter light	12V 1.7W

CAPACITIES

Fuel tank, including reserve	17.0 L (4.5/3.7 US/Imp gal)
Reserve	4.0 L (1.1/0.9 US/Imp gal)
Engine oil, oil change	3 000 ml (3.2/2.6 US/Imp qt)
with filter change	3 300 ml (3.5/2.9 US/Imp qt)
overhaul	3 900 ml (4.1/3.4 US/Imp qt)
Engine coolant	2 450 ml (2.6/2.2 US/Imp qt)
Front fork oil	503 ml (17.0/17.7 US/Imp oz)

SERVICE DATA

VALVE + GUIDE

Unit: mm (in)

ITEM	STANDARD		LIMIT	
Valve diam.	IN.	25.5 (1.00)	—	
	EX.	22.5 (0.89)	—	
Valve lift	IN.	E-04 and others	8.3 (0.33)	—
		E-18	6.6 (0.26)	—
	EX.	E-04 and others	7.9 (0.31)	—
		E-18	6.1 (0.24)	—
Tappet clearance (when cold)	IN.	0.10–0.20 (0.004–0.008)	—	
	EX.	0.20–0.30 (0.008–0.010)	—	
Valve guide to valve stem clearance	IN.	0.020–0.047 (0.0008–0.0019)	—	
	EX.	0.030–0.057 (0.0012–0.0022)	—	
Valve stem deflection	IN. & EX.	—	0.35 (0.014)	
Valve guide I.D.	IN. & EX.	4.500–4.512 (0.1772–0.1776)	—	
Valve stem O.D.	IN.	4.465–4.480 (0.1758–0.1764)	—	
	EX.	4.455–4.470 (0.1754–0.1760)	—	
Valve stem runout	IN. & EX.	—	0.05 (0.002)	
Valve head thickness	IN. & EX.	—	0.5 (0.02)	
Valve seat width	IN. & EX.	0.9–1.1 (0.035–0.043)	—	
Valve head radial runout	IN. & EX.	—	0.03 (0.001)	
Valve spring free length (IN. & EX.)	—		43.0 (1.69)	
Valve spring tension (IN. & EX.)	18.6–21.4 kg (41.0–47.2 lbs) at length 38 mm (1.5 in)		—	

12-3 RF600RV ('97-MODEL)

CAMSHAFT + CYLINDER HEAD

Unit: mm (in)

ITEM	STANDARD		LIMIT	
Cam height	IN.	E-04	36.312—36.368 (1.4296—1.4318)	36.02 (1.418)
		E-18,33	34.542—34.598 (1.3599—1.3621)	34.25 (1.348)
		Others	36.312—36.368 (1.4296—1.4318)	36.02 (1.418)
	EX.	E-04	35.902—35.958 (1.4135—1.4157)	35.61 (1.402)
		E-18,33	34.122—34.178 (1.3433—1.3456)	33.83 (1.332)
		Others	35.902—35.958 (1.4135—1.4157)	35.61 (1.402)
Camshaft journal oil clearance	IN. & EX.	0.032—0.066 (0.0013—0.0026)	0.150 (0.0059)	
Camshaft journal holder I.D.	IN. & EX.	22.012—22.025 (0.8666—0.8671)	—	
Camshaft journal O.D.	IN. & EX.	21.959—21.980 (0.8645—0.8654)	—	
Camshaft runout	IN. & EX.	—	0.10 (0.004)	
Cam chain pin (at arrow "3")	13th pin		—	
Cylinder head distortion	—		0.20 (0.008)	

CYLINDER + PISTON + PISTON RING

Unit: mm (in)

ITEM	STANDARD		LIMIT	
Compression pressure	1 000—1 500 kPa (10—15 kg/cm ²) (142—213 psi)		800 kPa (8 kg/cm ²) (114psi)	
Compression pressure difference	—		200 kPa (2 kg/cm ²) (28 psi)	
Piston to cylinder clearance	0.040—0.060 (0.0016—0.0024)		0.120 (0.0047)	
Cylinder bore	65.000—65.015 (2.5591—2.5596)		65.090 (2.5626)	
Piston diam.	64.945—64.970 (2.5569—2.5579) Measure at 15 mm (0.6 in) from the skirt end.		64.880 (2.5543)	
Cylinder distortion	—		0.20 (0.008)	
Piston ring free end gap	1st	R	Approx. 7.5 (0.29)	6.0 (0.24)
	2nd	R	Approx. 8.0 (0.31)	6.4 (0.25)
Piston ring end gap	1st	0.25—0.40 (0.010—0.016)		0.5 (0.02)
	2nd	0.25—0.40 (0.010—0.016)		0.5 (0.02)

RF600RV ('97-MODEL) 12-4

ITEM	STANDARD		LIMIT
Piston ring to groove clearance	1st	—	0.18 (0.007)
	2nd	—	0.18 (0.007)
Piston ring groove width	1st	0.83–0.85 (0.032–0.033)	—
	2nd	0.82–0.84 (0.032–0.033)	—
	Oil	1.51–1.53 (0.059–0.060)	—
Piston ring thickness	1st	0.77–0.79 (0.030–0.031)	—
	2nd	0.77–0.79 (0.030–0.031)	—
Piston pin bore	16.002–16.008 (0.6210–0.6302)		16.030 (0.6311)
Piston pin O.D.	15.996–16.000 (0.6298–0.6299)		15.980 (0.6291)

CONROD + CRANKSHAFT

Unit: mm (in)

ITEM	STANDARD		LIMIT
Conrod small end I.D.	16.010–16.018 (0.6303–0.6306)		16.040 (0.6315)
Conrod big end side clearance	0.10–0.20 (0.004–0.008)		0.30 (0.010)
Conrod big end width	20.95–21.00 (0.825–0.827)		—
Crank pin width	21.10–21.15 (0.831–0.833)		—
Conrod big end oil clearance	0.032–0.056 (0.0013–0.0022)		0.080 (0.0031)
Crank pin O.D.	33.976–34.000 (1.3376–1.3386)		—
Crankshaft journal oil clearance	0.020–0.044 (0.0008–0.0017)		0.080 (0.0031)
Crankshaft journal O.D.	33.976–34.000 (1.3376–1.3386)		—
Crankshaft thrust clearance	0.055–0.110 (0.0022–0.0043)		—
Crankshaft thrust bearing thickness	Right side	2.425–2.450 (0.0955–0.0965)	—
	Left side	2.350–2.500 (0.0925–0.0984)	—
Crankshaft runout	—		0.05 (0.002)

12-5 RF600RV ('97-MODEL)**OIL PUMP**

ITEM	STANDARD	LIMIT
Oil pump reduction ratio	1.898 (75/43 x 37/34)	—
Oil pressure (at 60°C, 140°F)	Above 300 kPa (3.0 kg/cm ² , 43 psi) Below 600 kPa (6.0 kg/cm ² , 85 psi) at 3 000 r/min.	—

CLUTCH

Unit: mm (in)

ITEM	STANDARD	LIMIT
Clutch lever play	10–15 (0.4–0.6)	—
Drive plate thickness	2.12–2.28 (0.083–0.090)	1.82 (0.072)
Driven plate distortion	—	0.10 (0.004)
Clutch spring free length	—	47.5 (1.87)

THERMOSTAT + RADIATOR + FAN

ITEM	STANDARD	LIMIT	
Thermostat valve opening temperature	74.5–78.5°C (166.1–173.3°F)	—	
Thermostat valve lift	Over 7 mm (0.28 in) at 90°C (194°F)	—	
Radiator cap valve opening pressure	110 kPa (1.1 kg/cm ² , 15.6 psi)	—	
Cooling fan thermo-switch operating temperature	ON	Approx. 105°C (221°F)	—
	OFF	Approx. 100°C (212°F)	—
Engine coolant temperature gauge resistance	50°C (122°F)	Approx. 153.9 Ω	—
	80°C (176°F)	Approx. 51.9 Ω	—
	100°C (212°F)	Approx. 27.4 Ω	—
	120°C (248°F)	Approx. 16.1 Ω	—

TRANSMISSION + DRIVE CHAIN

Unit: mm (in) Except ratio

ITEM	STANDARD	LIMIT	
Primary reduction ratio	1.744 (75/43)	—	
Final reduction ratio	E-03,18,33	3.071 (43/14)	—
	The others	3.000 (42/14)	—
Gear ratios	Low	3.142 (44/14)	—
	2nd	2.058 (35/17)	—
	3rd	1.650 (33/20)	—
	4th	1.428 (30/21)	—
	5th	1.260 (29/23)	—
	Top	1.120 (28/25)	—

RF600RV ('97-MODEL) 12-6

ITEM	STANDARD		LIMIT
	Shift fork to groove clearance	0.10—0.30 (0.004—0.012)	
Shift fork groove width	5.00—5.10 (0.197—0.201)		—
Shift fork thickness	4.80—4.90 (0.189—0.193)		—
Drive chain	Type	RK50MFOZ1	
	Links	108 links, ENDLESS	
	20-pitch length	— 319.4 (12.6)	
Drive chain slack	30—40 (1.2—1.6)		—
Gearshift lever height	70 (2.8)		—

CARBURETOR

ITEM	SPECIFICATION		
	E-03, U.S.A.	E-33, U.S.A. (Calif. model)	E-37
Carburetor type	MIKUNI BDST36SS	MIKUNI BDST33SS	MIKUNI BDST36SS
Bore size	36 mm	33 mm	36 mm
I.D. No.	21EG	21EH	21EN
Idle r/min.	1 300 ± 100 r/min	1 350 ± 100 r/min	1 200 ± 100 r/min
Float height	6.9 ± 1.0 mm (0.27 ± 0.04 in)		
Main jet (M.J.)	#112.5	#107.5	#112.5
Main air jet (M.A.J.)	0.7 mm	0.6 mm	#1&4: 0.6 mm, #2&3: 1.0 mm
Jet needle (J.N.)	5E97	5E99	5D44-3rd
Needle jet (N.J.)	0-9	0-8	0-9
Throttle valve (Th.V.)	#120	←	#125
Pilot jet (P.J.)	#15	#10	#12.5
Starter jet (G.S.)	#47.5	←	←
Pilot screw (P.S.)	PRE-SET	←	PRE-SET (1-½ turns out)
Throttle cable play	0.5—1.0 mm (0.02—0.04 in)		

CARBURETOR

ITEM	SPECIFICATION			
	E-02 and others	E-22,24	E-18	E-22-U type
Carburetor type	MIKUNI BDST36SS	←	MIKUNI BDST33SS	MIKUNI BDST36SS
Bore size	36 mm	←	33 mm	36 mm
I.D. No.	21EF	21EJ	21EL	21EK
Idle r/min.	1 200 ± 100 r/min	1 300 ± 100 r/min	←	←
Float height	6.9 ± 1.0 mm (0.27 ± 0.04 in)			

12.7 RF600RV ('97-MODEL)

ITEM	SPECIFICATION			
	E-02 and others	E-22,24	E-18	E-22-U type
Main jet (M.J.)	# 112.5	←	# 110	# 120
Main air jet (M.A.J.)	# 1&4: 0.6 mm, # 2&3: 1.0 mm	←	0.6 mm	0.7 mm
Jet needle (J.N.)	5D44-3rd	←	5E93-4th	5D44-2nd
Needle jet (N.J.)	O-9	←	O-8	←
Throttle valve (Th.V.)	# 125	←	# 120	# 125
Pilot jet (P.J.)	# 12.5	←	# 10	# 12.5
Starter jet (G.S.)	# 47.5	←	←	←
Pilot screw (P.S.)	PRE-SET (1-1/2 turns out)	←	←	PRE-SET (1 turn out)
Throttle cable play	0.5-1.0 mm (0.02-0.04 in)			

ELECTRICAL

Unit: mm (in)

ITEM	SPECIFICATION		NOTE
Ignition timing	4° B.T.D.C. below 1 500 r/min.		E-33
	7° B.T.D.C. below 1 500 r/min.		Others
Firing order	1-2-4-3		
Spark plug	Type	NGK: CR9E ND: U27ESR-N	
	Gap	0.7-0.8 (0.028-0.032)	
Spark performance	Over 8 (0.3) at 1 atm.		
Signal coil resistance	(Black-Green) Approx. 135-200 Ω		Tester range: (x 100 Ω)
Ignition coil resistance	Primary	⊕ tap - ⊖ tap Approx. 2.4-3.2 Ω	Tester range: (x 1 Ω)
	Secondary	Plug cap - Plug cap Approx. 30-40 kΩ	Tester range: (x 1 kΩ)
Generator	Slip ring O.D.	Limit: 14.0 (0.55)	ND
	Brush length	Limit: 4.5 (0.18)	
Generator Max. output	Approx. 405 W at 5 000 r/min		The rotation of the generator
Regulated voltage	Above 13.5 V at 5 000 r/min.		
Starter motor	Commutator under-cut	Limit: 0.2 (0.008)	ND
Starter relay resistance	3-5 Ω		
Battery	Type designation	YTX9-BS	
	Capacity	12 V 28.8 kC (8 Ah)/10 HR	
	Standard electrolyte S.G.	1.320 at 20°C (68°F)	
Fuse size	Headlight	HI	15 A
		LO	15 A
	Turn signal	15 A	
	Ignition	10 A	
	Taillight	10 A	
	Main	30 A	

Unit: W

WATTAGE

ITEM		SPECIFICATION	
		E-03,24,28,33	The others
Headlight	HI	60	←
	LO	55	←
Position light			4
Taillight		5	←
Brake light		21 × 2	←
Turn signal light		21 × 4	←
Tachometer light		1.7 × 2	←
Speedometer light		1.7 × 2	←
Turn signal indicator light		3.4	←
High beam indicator light		3.4	←
Neutral indicator light		3.4	←
Oil pressure indicator light		3.4	←
Fuel level indicator light		3.4	←
License light		5	←
Engine coolant temp. meter light		1.7	←

Unit: mm (in)

BRAKE + WHEEL

ITEM		STANDARD		LIMIT
Rear brake pedal height		55 (2.2)		—
Brake disc thickness	Front	4.5 ± 0.2 (0.177 ± 0.008)	4.0 (0.16)	
	Rear	5.0 ± 0.2 (0.197 ± 0.008)	4.5 (0.18)	
Brake disc runout (Front & Rear)		—		0.30 (0.012)
Master cylinder bore	Front	12.700–12.743 (0.5000–0.5017)	—	
	Rear	12.700–12.743 (0.5000–0.5017)	—	
Master cylinder piston diam.	Front	12.657–12.684 (0.4983–0.4993)	—	
	Rear	12.657–12.684 (0.4983–0.4993)	—	
Brake caliper cylinder bore	Leading	Front	25.400–25.450 (1.0000–1.0020)	—
			25.400–25.450 (1.0000–1.0020)	—
	Trailing	Rear	38.180–38.256 (1.5031–1.5061)	—
Brake caliper piston diam.	Leading	Front	25.335–25.368 (0.9974–0.9987)	—
			25.335–25.368 (0.9974–0.9987)	—
	Trailing	Rear	38.098–38.148 (1.5000–1.5019)	—

12-9 RF600RV ('97-MODEL)

ITEM	STANDARD		LIMIT
	Wheel rim runout (Front & Rear)	Axial	—
Radial		—	2.0 (0.08)
Wheel axle runout	Front	—	0.25 (0.010)
	Rear	—	0.25 (0.010)
Wheel rim size	Front	J17 × MT3.50	—
	Rear	J17 × MT4.50	—
Tire size	Front	120/70 ZR17	—
	Rear	160/60 ZR17	—
Tire tread depth	Front	—	1.6 (0.06)
	Rear	—	2.0 (0.08)

SUSPENSION

Unit: mm (in)

ITEM	STANDARD	LIMIT	NOTE
Front fork stroke	120 (4.7)	—	
Front fork spring free length	—	390 (15.4)	
Front fork oil level	92 (3.6)	—	
Rear wheel travel	130 (5.1)	—	
Swingarm pivot shaft runout	—	0.3 (0.01)	

FUEL + OIL + ENGINE COOLANT

ITEM	SPECIFICATION	NOTE
Fuel type	Use only unleaded gasoline of at least 85 pump octane ($\frac{R+M}{2}$) or 91 octane or higher rated by the research method. Gasoline containing MTBE (Methyl Tertiary Butyl Ether), less than 10% ethanol, or less than 5% methanol with appropriate cosolvents and corrosion inhibitor is permissible.	E-03,33
	Use only unleaded gasoline of at least 87 pump octane ($\frac{R+M}{2}$ method) or 91 octane or higher rated by the Research Method.	E-28
	Gasoline used should be graded 85-95 octane or higher. An unleaded gasoline is recommended.	The others
Fuel tank including reserve	16.0 L (4.2/3.5 US/Imp gal)	E-33
	17.0 L (4.5/3.7 US/Imp gal)	The others
reserve	4.0 L (1.1/0.9 US/Imp gal)	

RF600RV ('97-MODEL) 12-10


ITEM	SPECIFICATION		NOTE
Engine oil type	SAE 10W/40, API SF or SG		
Engine oil capacity	Change	3 000 ml (3.2/2.6 US/lmp qt)	
	Filter change	3 300 ml (3.5/2.9 US/lmp qt)	
	Overhaul	3 900 ml (4.1/3.4 US/lmp qt)	
Front fork oil type	Fork oil # 10		
Front fork oil capacity (each leg)	503 ml (17.0/17.7 US/lmp oz)		
Brake fluid type	DOT 4		
Engine coolant type	Use an anti-freeze/coolant compatible with aluminum radiator, mixed with distilled water only, at the ratio of 50:50.		
Engine coolant including reserve	2 450 ml (2.6/2.2 US/lmp qt)		

TIRE PRESSURE [E-03,33 markets]

COLD INFLATION TIRE PRESSURE	SOLO RIDING			DUAL RIDING		
	kPa	kg/cm ²	psi	kPa	kg/cm ²	psi
FRONT	225	2.25	33	250	2.50	36
REAR	250	2.50	36	290	2.90	42

TIRE PRESSURE [The other markets]

COLD INFLATION TIRE PRESSURE	SOLO RIDING			DUAL RIDING		
	kPa	kg/cm ²	psi	kPa	kg/cm ²	psi
FRONT	250	2.50	36	250	2.50	36
REAR	250	2.50	36	290	2.90	42


All Out Racing  *All Out Racing*
 Performance Performance
 Motorcycle Parts Motorcycle Parts
 440-985-3853 440-985-3853

ALL OUT RACING
 Performance Motorcycle Parts
440-985-3853




Prepared by
SUZUKI MOTOR CORPORATION
 Motorcycle Service Department
 3rd Ed. April, 1997
 1st Ed. July, 1993
 Part No. 99500-35033-03E
 Printed in Japan

322

All Out Racing  *All Out Racing*
 Performance Performance
 Motorcycle Parts Motorcycle Parts
 440-985-3853 440-985-3853

ALL OUT RACING
 Performance Motorcycle Parts
440-985-3853



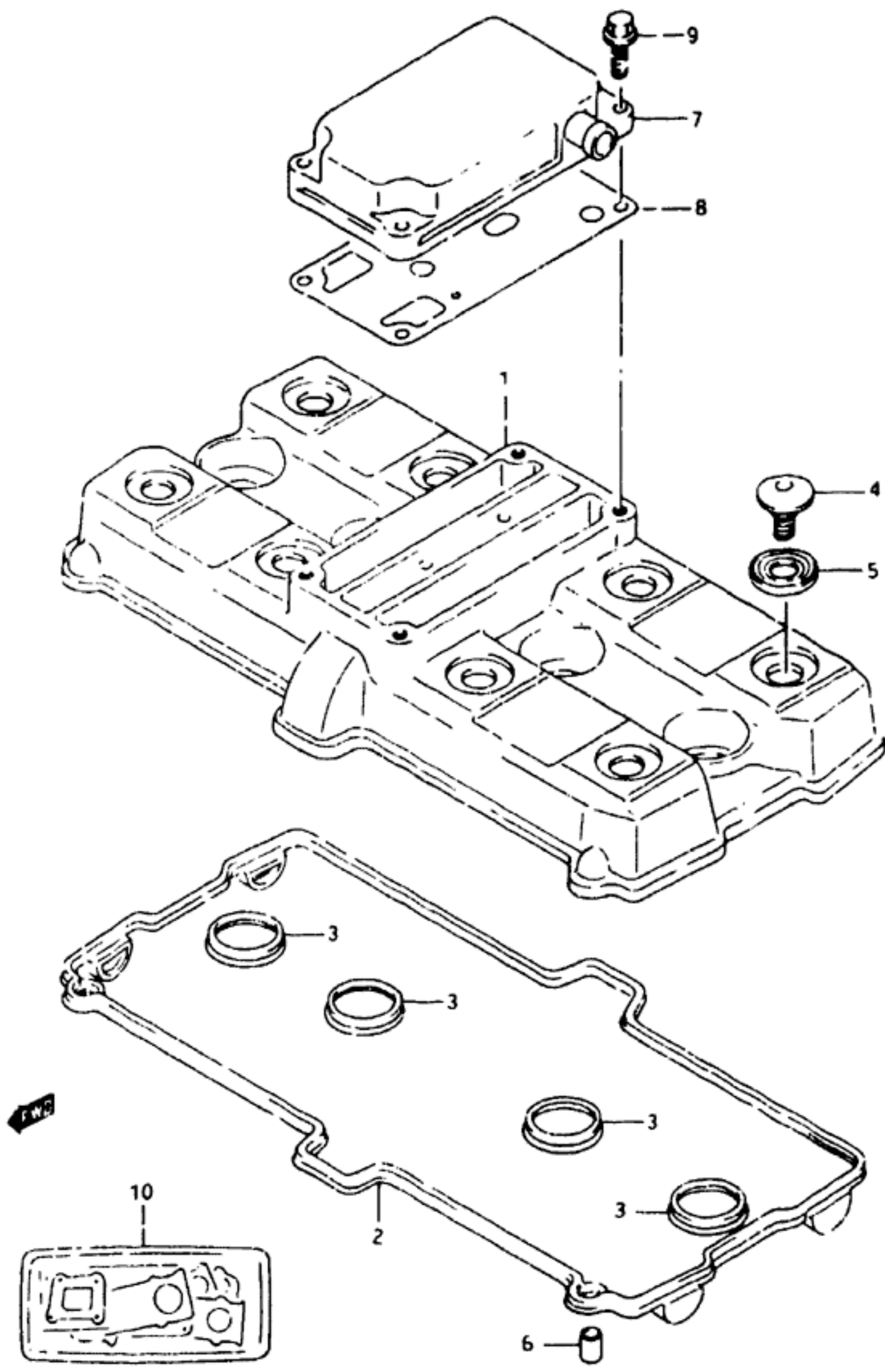

Prepared by
SUZUKI MOTOR CORPORATION

Motorcycle Service Department
3rd Ed. April, 1997
1st Ed. July, 1993
Part No. 99500-35033-03E
Printed in Japan

FIG. 1

1

FIG. 1 (B- 2) GRINDER HEAD COVER



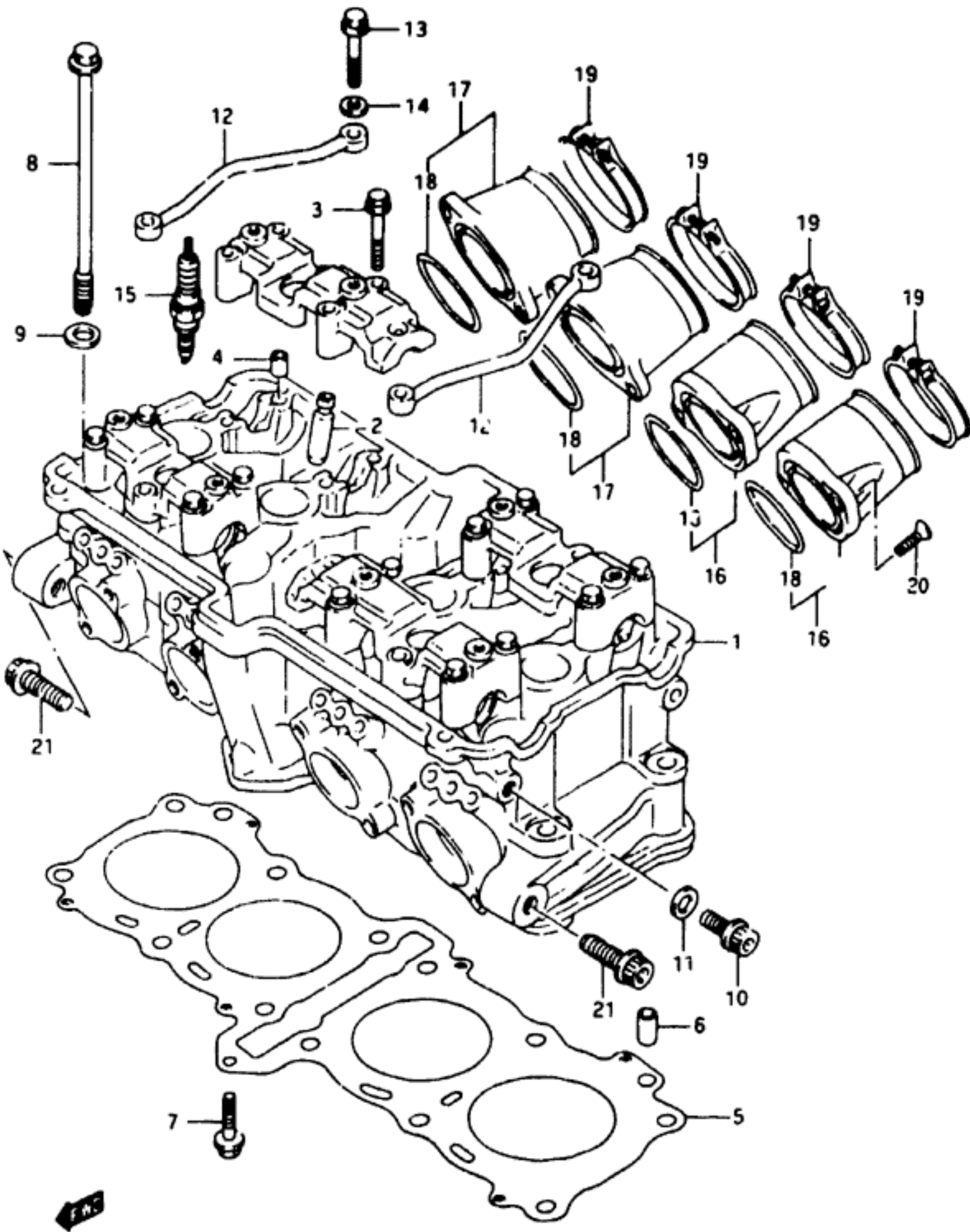
REF. NO.	PART NO.	DESCRIPTION	Q'TY	REMARKS
1	11171-31E00	COVER, cylinder head	1	
2	11173-21E00	GASKET, head cover No.1	1	
3	11170-17E00	GASKET, head cover No.2	4	
4	09106-07009	BOLT (L:5.5)	8	
5	09161-11008	WASHER	8	
6	09206-08001	PIN	2	
7	11175-31E00	COVER, breather	1	
8	11177-17E00	GASKET, breather cover	1	
9	01550-06253	BOLT	4	
10-1	11401-17811	GASKET SET	1	model R
10-2	11401-17812	GASKET SET	1	model S
10-3	11401-17813	GASKET SET	1	model T

RF600RT E3

B2

FIG. 2

FIG. 2 (B-3) CYLINDER HEAD



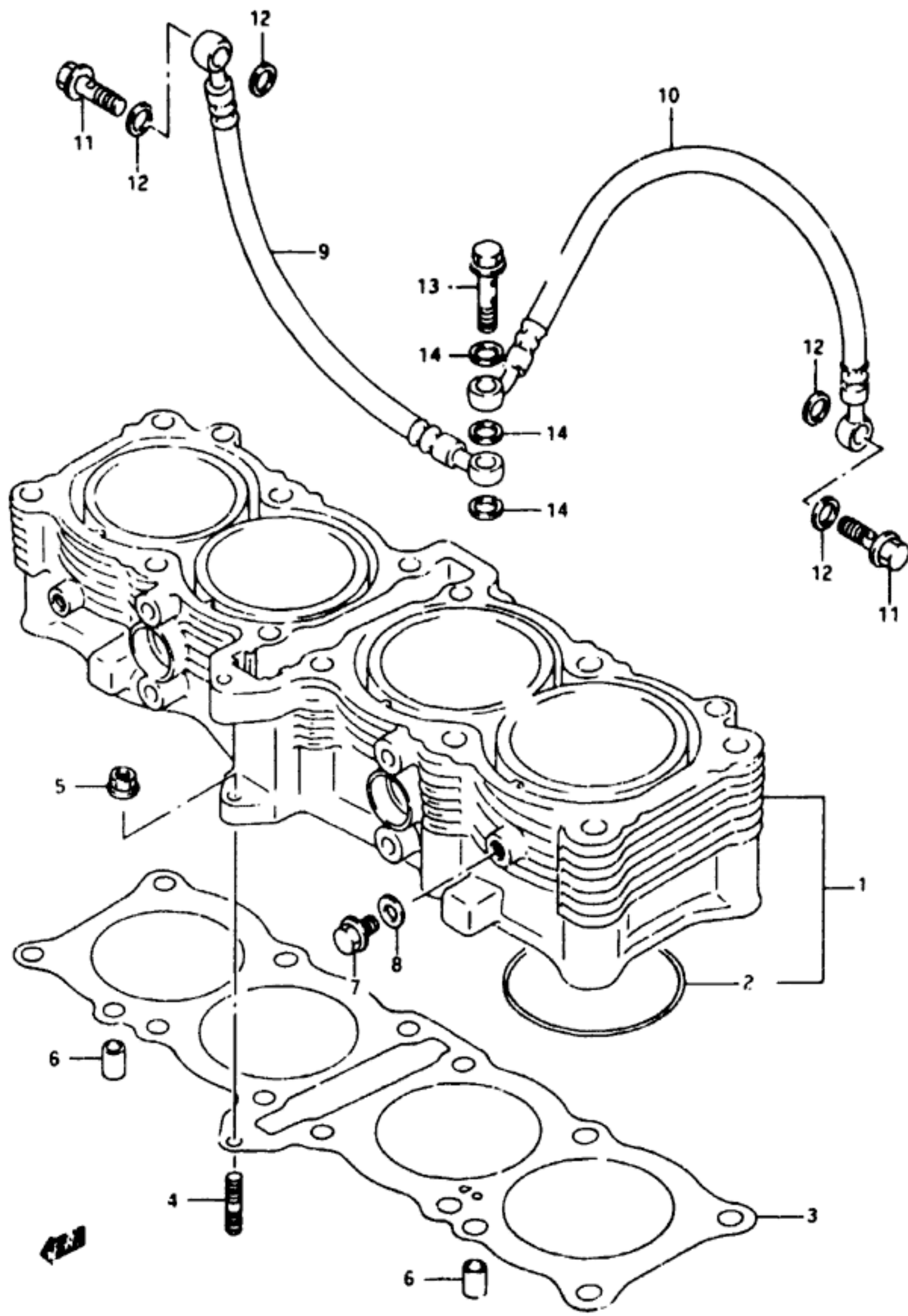
REF. NO.	PART NO.	DESCRIPTION	Q'TY	REMARKS
1-1	11100-21E00	HEAD ASSY, cylinder	1	
1-2	11100-21E10	HEAD ASSY, cylinder	1	CALIFORNIA ONLY
2	11115-17E70	.GUIDE, valve	16	
3	09103-06165	.BOLT (6x45)	16	
4	09206-09001	.PIN	8	
5	11141-18E01	GASKET, cylinder head	1	
6	04211-11189	PIN	2	
7	01550-06303	BOLT	1	
8	09103-10272	BOLT (10x160)	12	
9	09160-10082	WASHER	12	
10	07120-08163	BOLT, oil gallery EX	2	
11	09168-08015	GASKET	2	
12	11131-17E00	PIPE, oil	2	
13	09103-06026	BOLT (6x39)	4	
14	08322-01063	WASHER	4	
15-1	09482-00458	SPARK PLUG (NGK, CR9E)	4	
15-2	09482-00459	SPARK PLUG (ND, U27ESR-N)	4	
15-3	09482-00456	SPARK PLUG (NGK, CR0E)	4	OPT
15-4	09482-00460	SPARK PLUG (NGK, CR10E)	4	OPT
15-5	09482-00457	SPARK PLUG (ND, U24ESR-N)	4	OPT
15-6	09482-00461	SPARK PLUG (ND, U31ESR-N)	4	OPT
16	13101-21E00	PIPE, intake No.1	2	
17	13102-21E00	PIPE, intake No.2	2	
18	07280-42003	.O RING	4	
19	09402-52208	CLAMP	4	
20	09120-06010	SCREW (6x16)	8	
21	07120-10303	BOLT, engine mounting	2	

RF400RT E3

B3

AIR CLEANER..... C-07 COWLING BODY..... G-02 FRAME COVER..... F-09 FUEL PUMP..... C-10 MUFFLER..... C-08 REAR MASTER CYLINDER..... I-10 STARTING MOTOR..... E-02
 ALTERNATOR..... E-03 FRAMECASE COVER..... B-07 FRAME..... E-09 WHEEL FAUCET..... C-10 WHEEL SPACER..... C-08 WHEEL STUD..... I-10

FIG. 3



3

FIG. 3 (B- 4) CYLINDER

REF. NO.	PART NO.	DESCRIPTION	Q'TY	REMARKS
1-1	1210-21E10	CYLINDER	1	model R
1-2	11210-21E11	CYLINDER	1	model S/T
2	09280-71004	.O RING	4	
3	11241-21E00	GASKET, cylinder	1	
4-1	01421-06205	STUD BOLT	1	model R
4-2	01421-06203	STUD BOLT	1	model S/T
5	08316-10063	NUT	1	
6	04211-11189	PIN	2	
7	17415-14300	BOLT, cylinder drain	2	model R
8	09168-08008	GASKET	2	model R
9	11281-21E00	HOSE, oil RH	1	
10	11282-21E00	HOSE, oil LH	1	
11	11284-17E00	BOLT, oil hose union	2	
12	09168-08016	GASKET	4	
13	11285-32C00	BOLT, oil hose union	1	
14	09161-10009	GASKET	3	

RF600RT E3

84

FIG.4

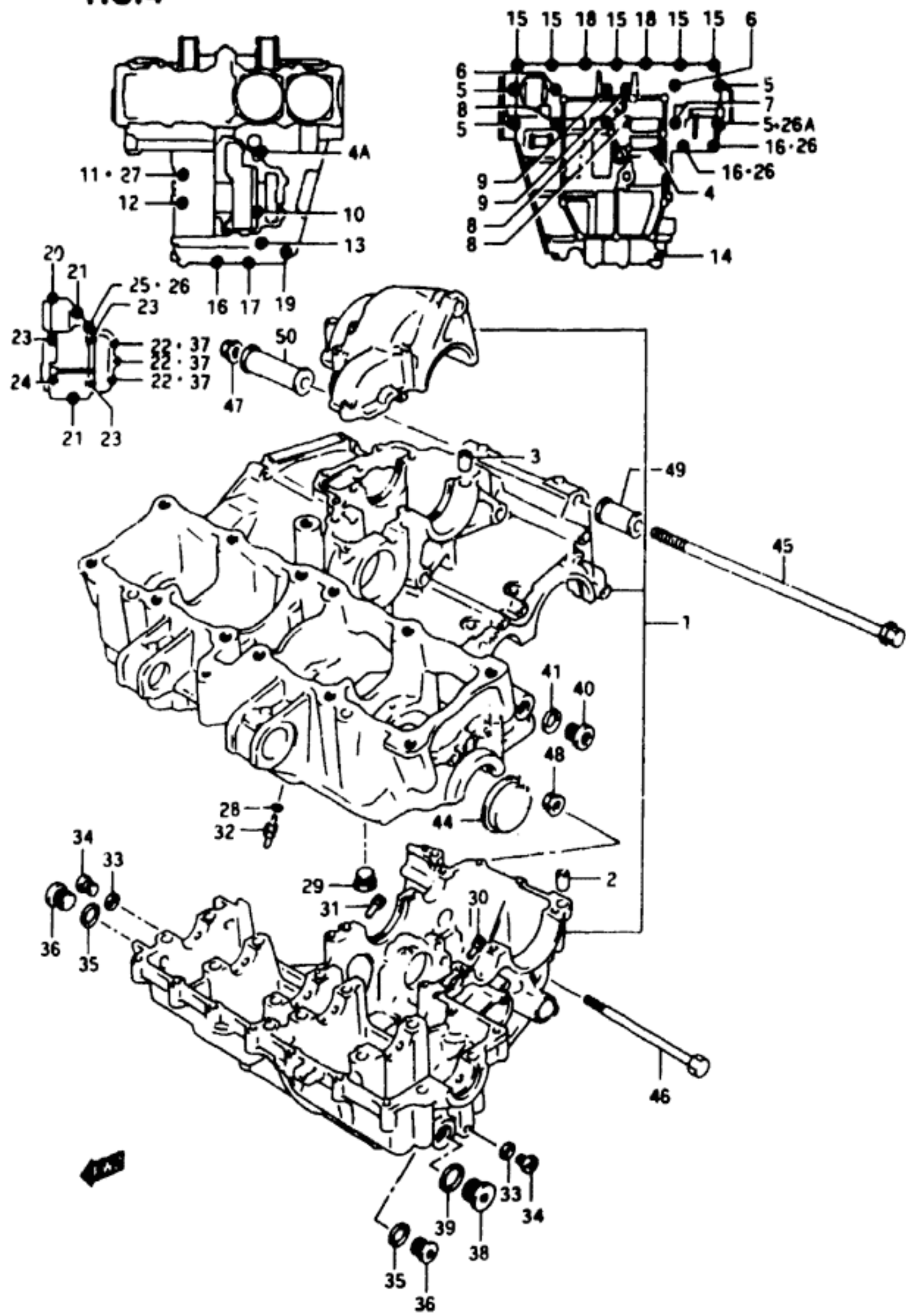


FIG.4 (B- 5) CRANKCASE

REF. NO.	PART NO.	DESCRIPTION	Q'TY	REMARKS
1-1	11300-17848	CRANKCASE SET	1	model R
1-2	11302-46891	CRANKCASE SET	1	model S
1-3	11302-46892	CRANKCASE SET	1	model T
2	09206-13004	.PIN	4	ATTENTION PARTS MANAGERS! Engine Cases and Frames for this model must be ordered on the Frame/Engine Case Order Form (part # 99924-FC001). If you have any questions regarding these procedures, please call your Parts Coordinator before placing your order.
3	04211-09129	.PIN	2	
4	09103-06167	.BOLT (6x105)	1	
4A	09103-06067	.BOLT (6x105)	1	
5	09103-09007	.BOLT (9x80)	4	
6	09103-09008	.BOLT (9x95)	2	
7	09103-09009	.BOLT (9x105)	1	
8	09103-09010	.BOLT (9x115)	3	
9	09106-09001	.BOLT (9x60)	2	
10	07130-06753	.BOLT	1	
11	07130-08503	.BOLT	1	
12	07130-08603	.BOLT	1	
13	07130-08803	.BOLT	1	
14	01550-08603	.BOLT	1	
15	01550-06353	.BOLT	5	
16	01550-06403	.BOLT	3	
17	01550-06403	.BOLT	1	
18	01550-06503	.BOLT	2	
19	01550-06653	.BOLT	1	
20	07130-06253	.BOLT	1	
21	07130-06353	.BOLT	2	
22	07130-06403	.BOLT	3	
23	07130-06503	.BOLT	3	
24	07130-06603	.BOLT	1	
25	09103-06062	.BOLT (6x145)	1	
26	09168-06018	.GASKET	3	
26A	09168-10031	.GASKET	1	model S/T
27	09168-08016	.GASKET	1	
28	09280-04004	.O RING	4	
29	09248-18002	.PLUG, upper	1	
30	09493-24010	.JET, oil gallery mission L	1	

RF600RT E3

85

AIR CLEANER..... C-07 COOLING BODY..... G-02 FRAME COVER..... F-09 FUEL PUMP..... C-10 MUFFLER..... 7-08 WEAR MASTER CYLINDER.....

FIG.5

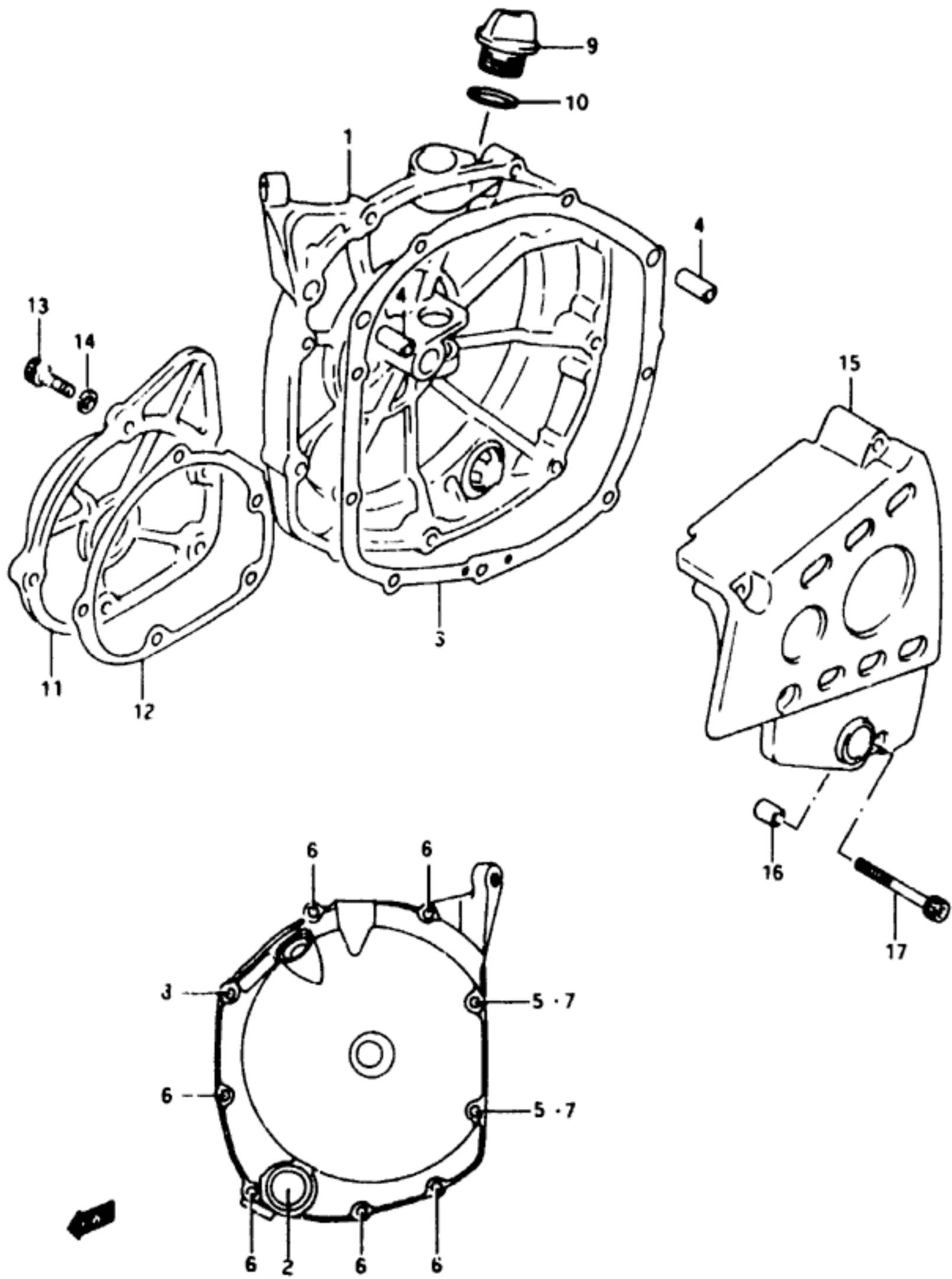


FIG.5 (B-7) CRANKCASE COVER

REF.NO.	PART NO.	DESCRIPTION	Q'TY	REMARKS
1	11340-21E00	COVER, clutch	1	
2	11971-33210	.LENS, oil level	1	
3	11482-17E00	GASKET, clutch cover	1	
4	04211-09109	PIN	2	
5	09168-06024	GASKET	2	
6	07130-06253	BOLT	6	
7	07130-06303	BOLT	2	
8	07130-06353	BOLT	1	
9	09259-20012	PLUG, engine oil filler	1	
10	09280-17003	O RING	1	
11	11381-31E00	COVER, signal generator	1	
12	11491-17E01	GASKET, signal generator cover	1	
13	09106-06082	BOLT (6x23)	5	
14	09168-06024	GASKET	1	
15	11361-21E10	COVER, engine sprocket	1	
16	04211-09129	PIN	1	
17	09106-06083	BOLT	4	

FIG.6

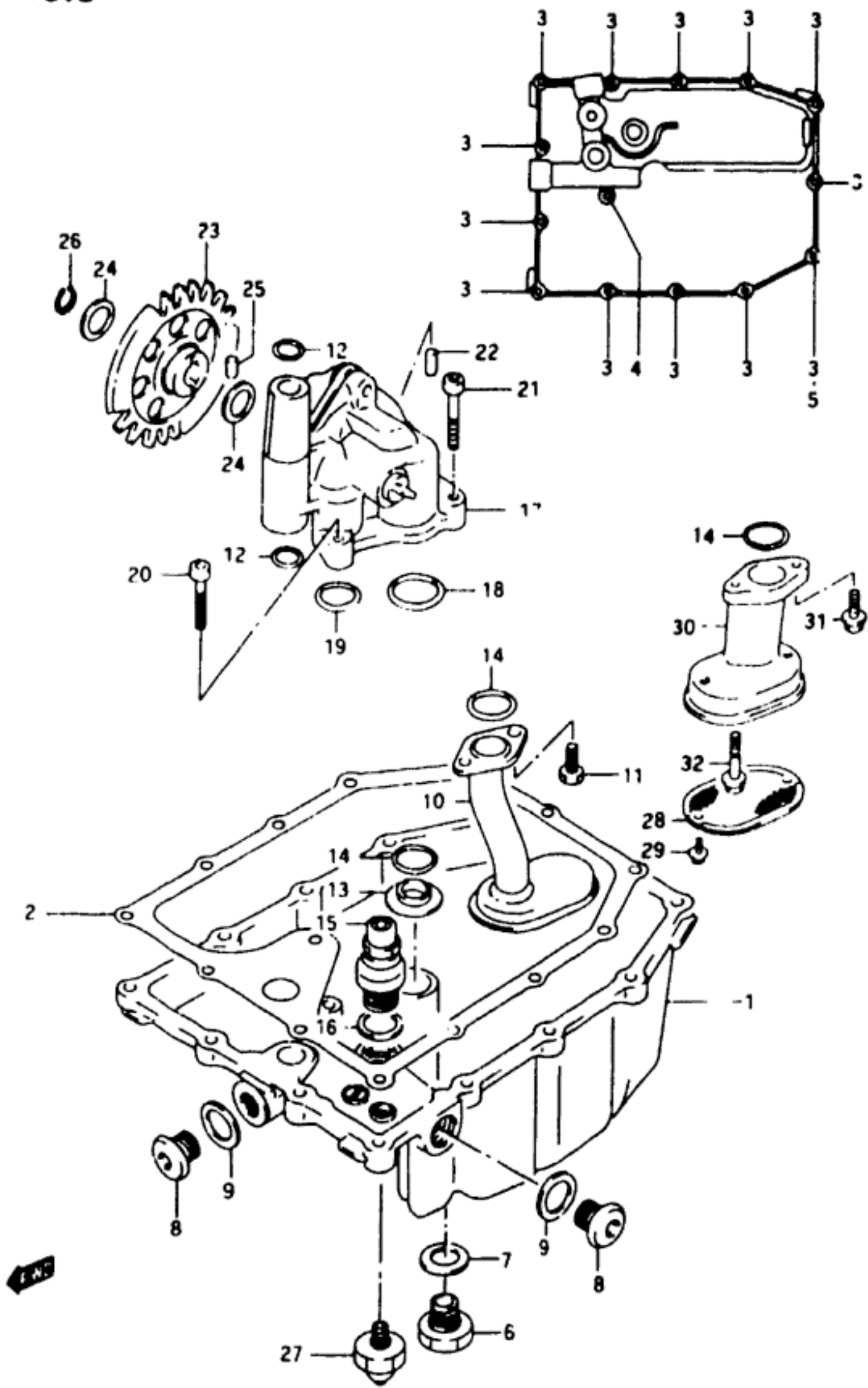


FIG.6 (B- 8) OIL PAN - OIL PUMP

REF.NO.	PART NO.	DESCRIPTION	Q'TY	REMARKS
1-1	11511-17E00	PAN, oil	1	model R
1-2	11511-46E02	PAN, oil	1	model S/T
2-1	11489-17E00	GASKET, oil pan	1	model R
2-2	11489-17E01	GASKET, oil pan	1	model S/T
3	01547-06253	BOLT	3	
4-1	01547-06303	BOLT	1	model R
4-2	01547-06353	BOLT	1	model S/T
5	09168-06024	GASKET	1	
6	09247-14001	PLUG, Oil drain	1	
7	09168-14002	GASKET	1	
8	09248-16010	PLUG, oil gallery	2	
9	09168-16002	GASKET	2	
10	16520-17E00	STRAINER, engine oil	1	model R
11	09128-06039	BOLT (6x16)	2	model R
12	09280-12012	O RING, oil gallery	2	
13	16529-27A01	GASKET, outlet	1	
14	09280-18009	O RING	2	
15-1	16440-17C07	VALVE ASSY, oil relief	1	model R/S
15-2	16440-17C06	VALVE ASSY, oil relief	1	model T
16	09168-16002	WASHER	1	
17	16400-17E00	PUMP ASSY, engine oil	1	
18	09280-26005	O RING	1	
19	09280-18009	O RING	1	
20	07130-06303	BOLT	1	
21	07130-06353	BOLT	2	
22	04211-09129	PIN	2	
23	16332-19C00	GEAR, oil pump driven	1	
24	08221-12205	WASHER	2	
25	09261-03006	PIN	1	
26	08331-31126	CIRCLIP	1	
27	37820-33000	SWITCH, oil pressure	1	
28	16520-38A00	STRAINER, engine oil	1	model S/T
29	01580-05123	BOLT	2	model S/T
30	16525-44E01	PROTECTOR, oil strainer	1	model S/T
31	01550-06203	BOLT	1	model S/T
32	01550-06553	BOLT	1	model S/T

RF600RT E3

FIG. 7

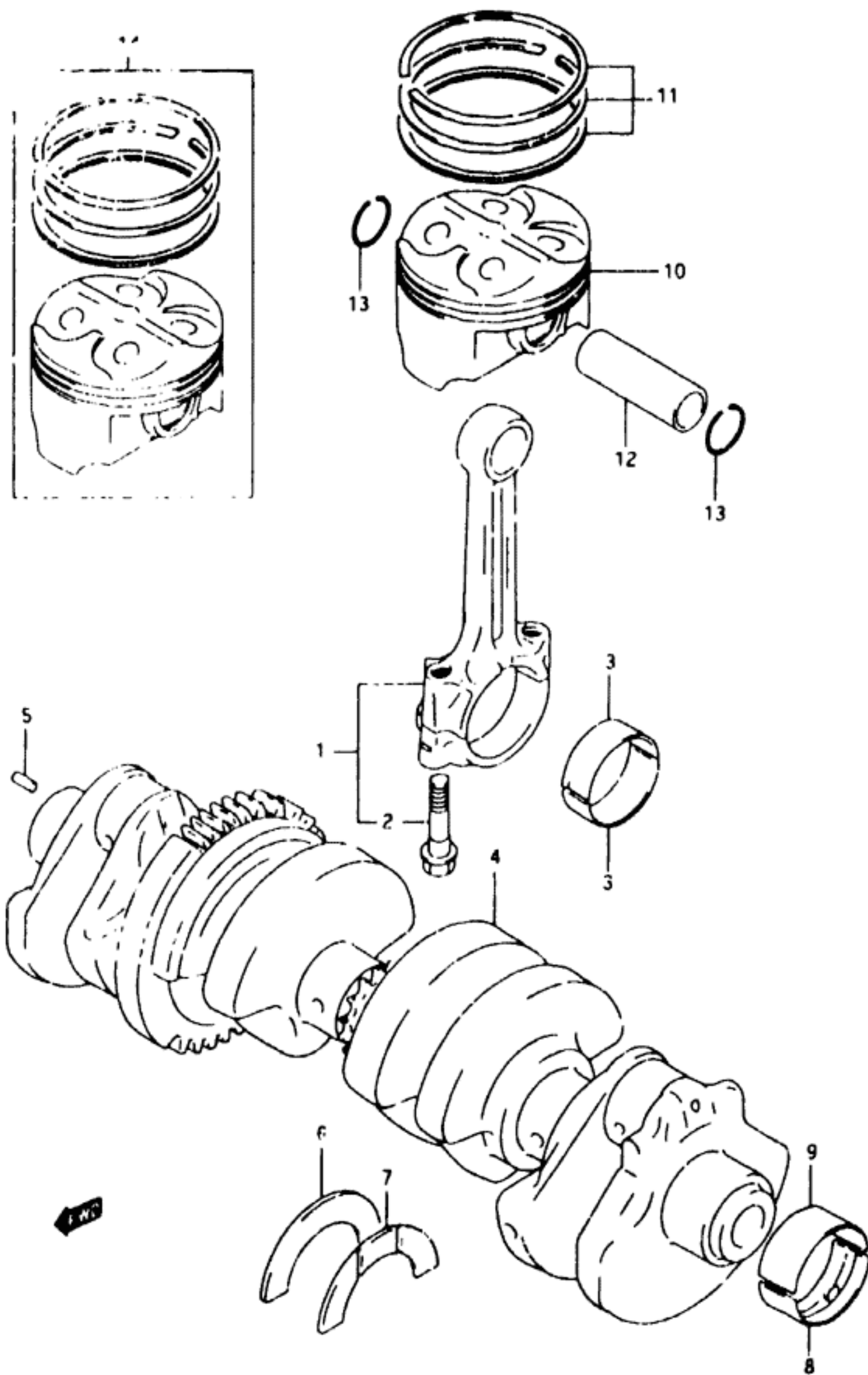


FIG. 7 (B- 9) CRANKSHAFT

REF. NO.	PART NO.	DESCRIPTION	Q'TY	REMARKS
1	12160-18E02	ROD ASSY, connecting	4	THERE IS A BEARING KIT AVAILABLE FOR THIS MODEL PART NUMBER 99104-BRGKT-007 REFER TO PARTS BULLETIN J 431-92-02 FOR EXPLANATION
2	12163-27A52	.BOLT	8	
3-1	12164-18E00-0A0	BEARING, crank pin (Green)	8	
3-2	12164-18E00-0B0	BEARING, crank pin (Black)	8	
3-3	12164-18E00-0C0	BEARING, crank pin (Brown)	8	
3-4	12164-18E00-0D0	BEARING, crank pin (Yellow)	8	
4	12000-10012	CRANKSHAFT SET	1	
5	04221-04089	.PIN	1	
6	12228-17E00-0D0	.BEARING, thrust RH (Green)	1	
7-1	12228-17E00-0A0	.BEARING, thrust LH (Red)	1	
7-2	12228-17E00-0B0	.BEARING, thrust LH (Black)	1	
7-3	12228-17E00-0C0	.BEARING, thrust LH (Blue)	1	
7-4	12228-17E00-0D0	.BEARING, thrust LH (Green)	1	
7-5	12228-17E00-0E0	.BEARING, thrust LH (Yellow)	1	
7-6	12228-17E00-0F0	.BEARING, thrust LH (White)	1	
8-1	12229-17E00-0A0	BEARING, crankshaft (Green)	6	LOWER
8-2	12229-17E00-0B0	BEARING, crankshaft (Black)	6	
8-3	12229-17E00-0C0	BEARING, crankshaft (Brown)	6	
8-4	12229-17E00-0D0	BEARING, crankshaft (Yellow)	6	
9-1	12229-17E10-0A0	BEARING, crankshaft (Green)	6	UPPER
9-2	12229-17E10-0B0	BEARING, crankshaft (Black)	6	
9-3	12229-17E10-0C0	BEARING, crankshaft (Brown)	6	
9-4	12229-17E10-0D0	BEARING, crankshaft (Yellow)	6	
10-1	12111-18E12-0F0	PISTON	4	model R
10-2	12111-18E20-0F0	PISTON	4	model S/T
11	12140-18E10	RING SET, piston	4	
12	12151-78110	PIN, piston	4	
13	09301-16001	CIRCLIP	8	
14-1	12100-18E10-050	PISTON SET (OS:0.5)	4	model R OPT
14-2	12100-18E10-100	PISTON SET (OS:1.0)	4	model R OPT
14-3	12100-18E20-050	PISTON SET (OS:0.5)	4	model S/T OPT
14-4	12100-18E20-100	PISTON SET (OS:1.0)	4	model S/T OPT

RF600RT E3

B9

FIG. 8

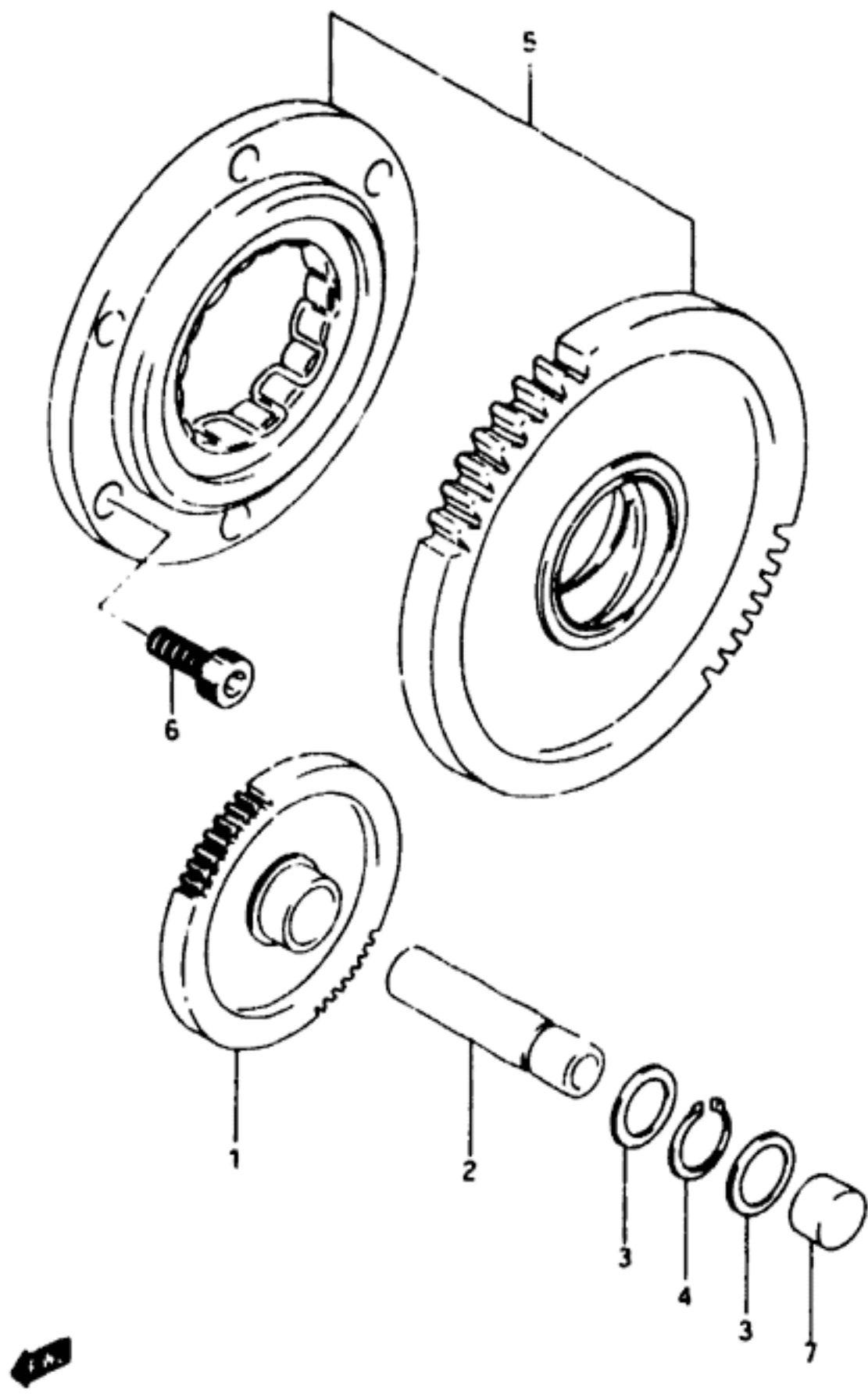


FIG. 8 (B-10) STARTER CLUTCH

REF. NO.	PART NO.	DESCRIPTION	Q'TY	REMARKS
1	12611-21E00	GEAR, starter idle (NT:12/56)	1	
2	12616-17E00	SHAFT, starter idle gear	1	
3	08221-12185	WASHER	2	
4	08331-31126	CIRCLIP	1	
5-1	12600-21810	CLUTCH SET, starter	1	model R/S
5-2	12600-21811	CLUTCH SET, strater	1	model T
6-1	07130-06163	BOLT	4	model R
6-2	07130-06123	BOLT	4	model S/T
7	09241-12006	PLUG, starter idle shaft	1	

RF600RT E3

B10

AIR CLEANER..... C-07	COILING BODY..... S-02	FRAME COV'G..... F-09	FUEL PUMP..... C-10	MUFFLER..... C-08	REAR MASTER CYLINDER..... I-10	STARTING MOTOR..... S-02
ALTERNATOR..... S-03	CRANKCASE COVER..... S-07	FRAME..... F-02	FUEL TANK..... F-05	OIL COOLER - OIL FE..... C-11	REAR SWINGING ARM..... I-02	STEERING SYM..... H-03
BATTERY..... E-08	CRANKCASE..... S-05	FRONT BRAKE WHEEL..... M-02	HEAD LIGHT..... A-02			

FIG. 9

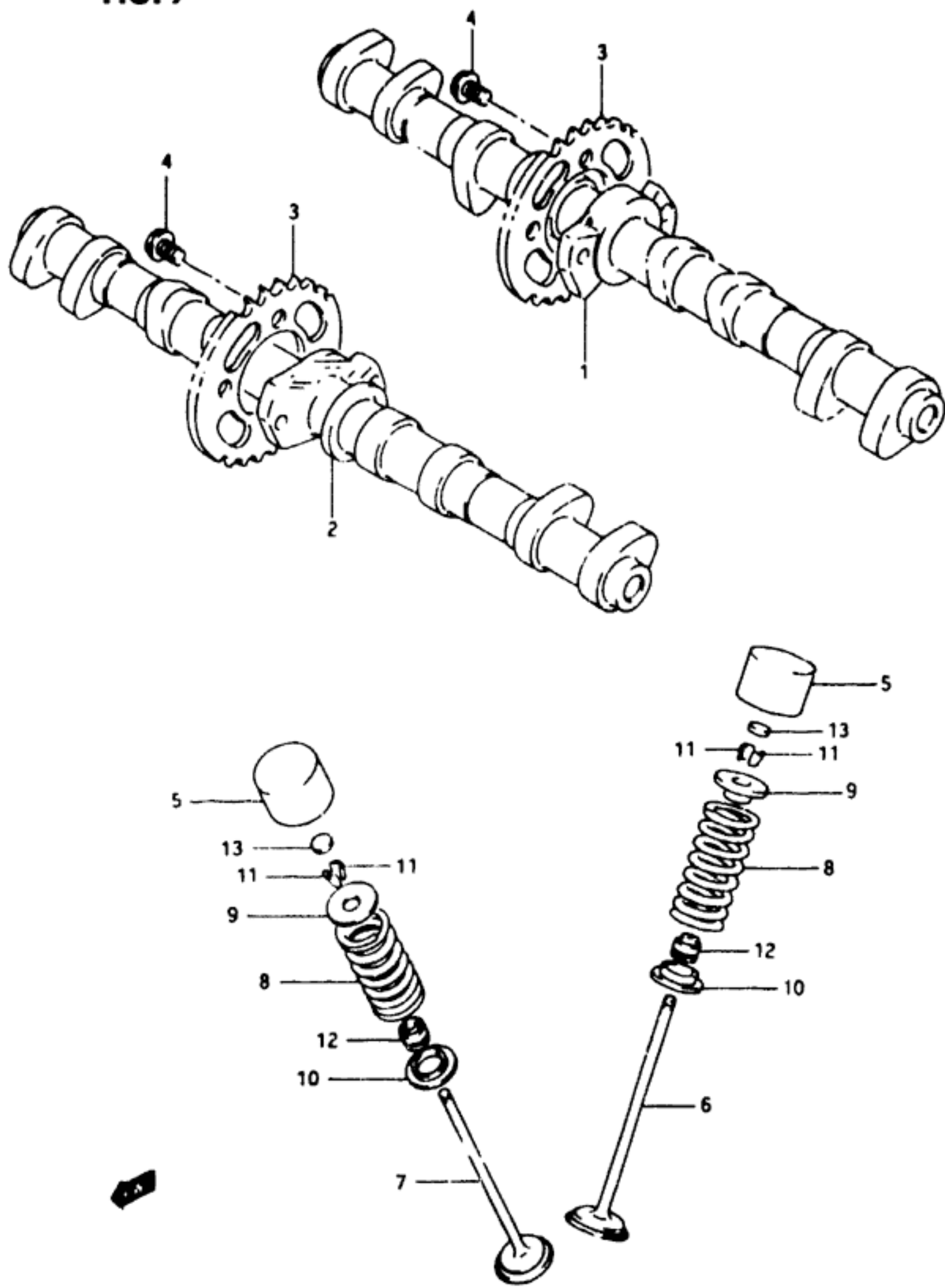


FIG. 9 (B-11) CAM SHAFT - VALVE

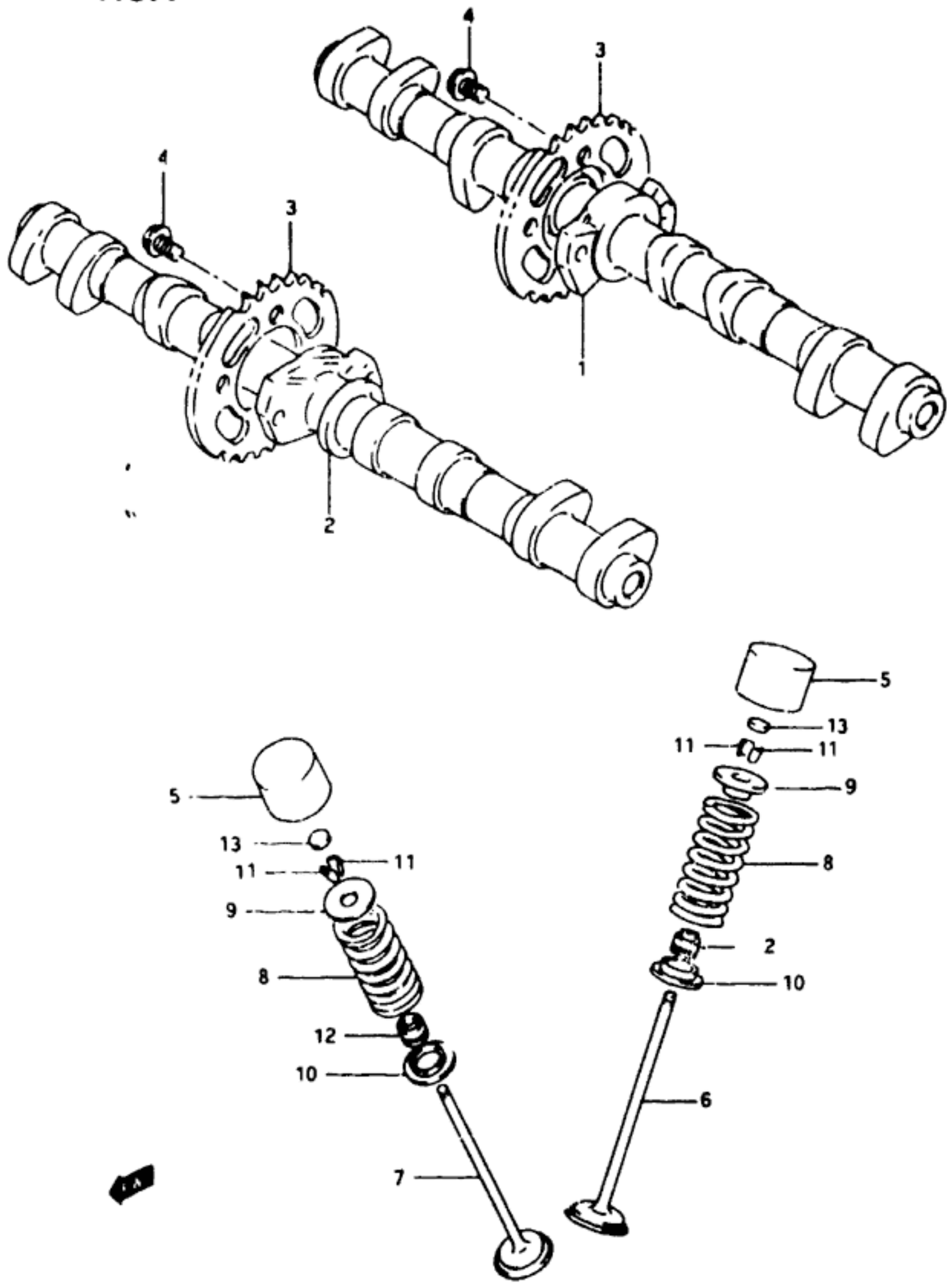
REF. NO.	PART NO.	DESCRIPTION	Q'TY	REMARKS
1-1	12711-21E00	CAM SHAFT, intake	1	model R
1-2	12711-21E30	CAM SHAFT, intake	1	model S/T
1-3	12711-21E10	CAM SHAFT, intake	1	CALIFORNIA ONLY
2-1	12721-21E00	CAM SHAFT, exhaust	1	model R
2-2	12721-21E30	CAM SHAFT, exhaust	1	model S/T
2-3	12721-21E10	CAM SHAFT, exhaust	1	CALIFORNIA ONLY
3	12741-17E00	SPROCKET, cam shaft	2	
4	09103-07001	BOLT	4	
5	12891-18E00	TAPPET	16	
6	12911-18E00	VALVE, intake	8	
7	12912-18E00	VALVE, exhaust	8	
8	12921-17E00	SPRING, valve	16	
9-1	12931-17E00	RETAINER, valve spring	16	model R
9-2	12931-17E01	RETAINER, valve spring	16	model S/T
10	12933-17E00	SEAT, valve spring	16	
11	12932-32C00	COTTER, valve	32	
12	09289-04002	OIL SEAL	16	
13-1	12892-05C00-120	SHIM, tappet (T:1.20)	16	
13-2	12892-05C00-125	SHIM, tappet (T:1.25)	16	
13-3	12892-05C00-130	SHIM, tappet (T:1.30)	16	
13-4	12892-05C00-135	SHIM, tappet (T:1.35)	16	
13-5	12892-05C00-140	SHIM, tappet (T:1.40)	16	
13-6	12892-05C00-145	SHIM, tappet (T:1.45)	16	
13-7	12892-05C00-150	SHIM, tappet (T:1.50)	16	
13-8	12892-05C00-155	SHIM, tappet (T:1.55)	16	
13-9	12892-05C00-160	SHIM, tappet (T:1.60)	16	
13-10	12892-05C00-165	SHIM, tappet (T:1.65)	16	
13-11	12892-05C00-170	SHIM, tappet (T:1.70)	16	
13-12	12892-05C00-175	SHIM, tappet (T:1.75)	16	
13-13	12892-05C00-180	SHIM, tappet (T:1.80)	16	
13-14	12892-05C00-185	SHIM, tappet (T:1.85)	16	
13-15	12892-05C00-190	SHIM, tappet (T:1.90)	16	
13-16	12892-05C00-195	SHIM, tappet (T:1.95)	16	
13-17	12892-05C00-200	SHIM, tappet (T:2.00)	16	
13-18	12892-05C00-205	SHIM, tappet (T:2.05)	16	
13-19	12892-05C00-210	SHIM, tappet (T:2.10)	16	
13-20	12892-05C00-215	SHIM, tappet (T:2.15)	16	

RF600RT E3

B11

AIR CLEANER..... C-07 COILING BODY..... B-02 FRAME COVER..... F-09 FUEL PUMP..... C-10 MUFFLER..... C-08 REAR MASTER CYLINDER 1-10 STARTING MOTOR..... E-02
 ALTERNATOR..... E-03 CRANKCASE COVER..... B-07 FRAME..... F-08 MIRROR TANK..... C-09

FIG. 9



11

FIG. 9 (B-12) CAM SHAFT - VALVE

REF.NO.	PART NO.	DESCRIPTION	Q'TY	REMARKS
13-21	12892-05C00-220	SHIM, tappet (T:2.2G)	16	
14	12800-05820	SHIM SET, tappet Inc. Ref.No.13-1-13-21 (5pcs. each) & No.15	1	OPT, Not shown
15	99000-69491	CASE, tappet shim	1	OPT

RF600RT E3

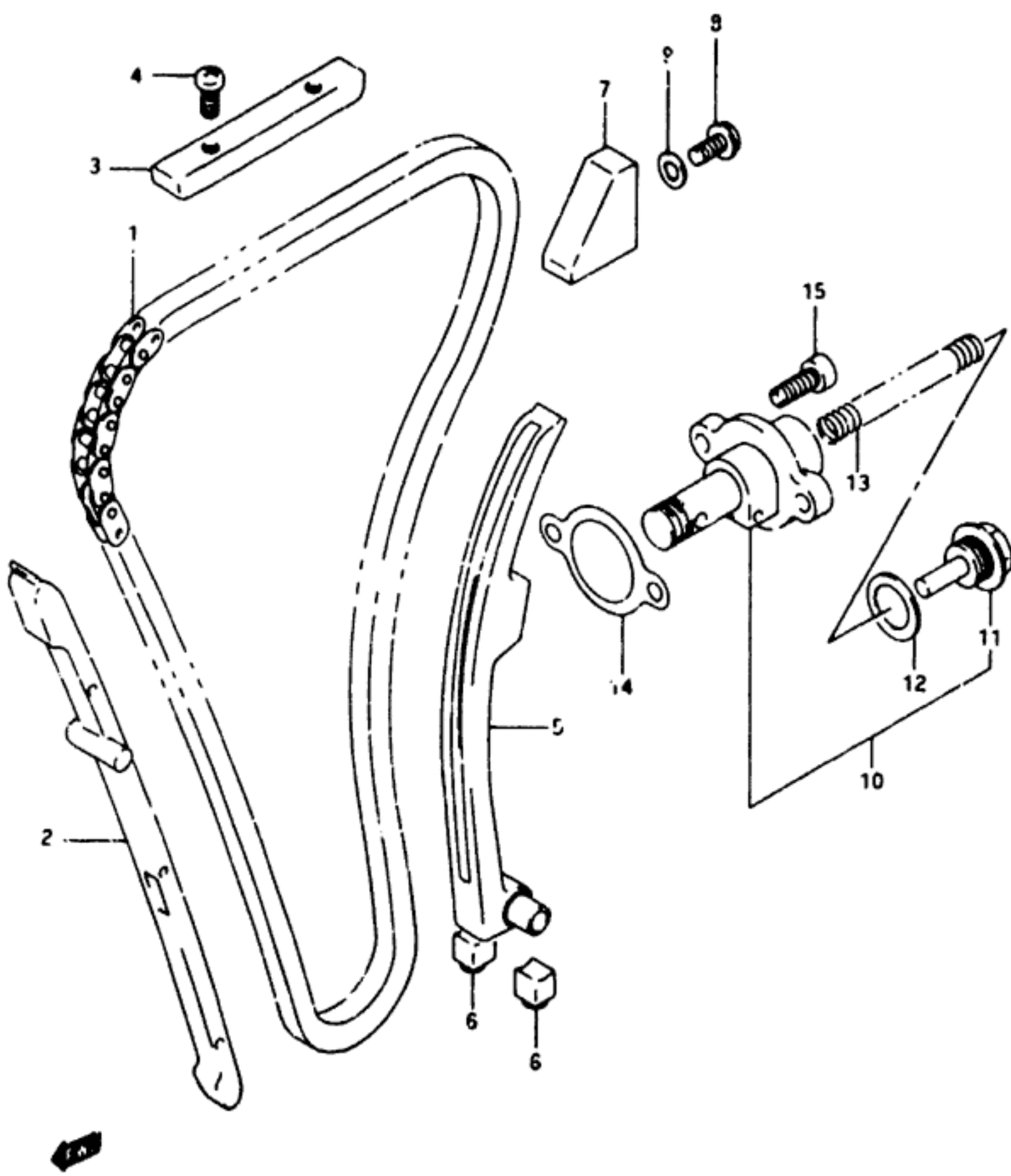
B12

FIG. 10

12

FIG. 10 (B-13) CAM CHAIN

REF. NO.	PART NO.	DESCRIPTION	Q'TY	REMARKS
1-1	12750-17E00	CHAIN, cam shaft drive	1	model R
1-2	12760-17E01	CHAIN, cam shaft drive	1	model S/T
2	12771-17E00	GUIDE, cam chain No.1	1	
3	12787-18E00	GUIDE, cam chain No.2	1	
4	02112-05103	SCREW	2	
5	12810-17E01	TENSIONER, cam chain	1	
6	12814-34200	CUSHION	2	
7-1	12791-17E00	GUIDE, cam chain No.3	1	model R
7-2	12791-17E01	GUIDE, cam chain No.3	1	model S/T
8-1	01550-06123	BOLT	1	model R
8-2	01550-06163	BOLT	1	model S/T
9	09168-06023	WASHER	1	
10	12830-26012	ADJUSTER ASSY, tensioner	1	
11	12834-27A00	.PLUG	1	
12	12832-27A00	.GASKET	1	
13	12833-26010	.SPRING	1	
14	12837-27A10	GASKET, adjuster	1	
15-1	09106-06082	BOLT (6x23)	2	model R/S
15-2	09106-06079	BOLT (6x22)	2	model T

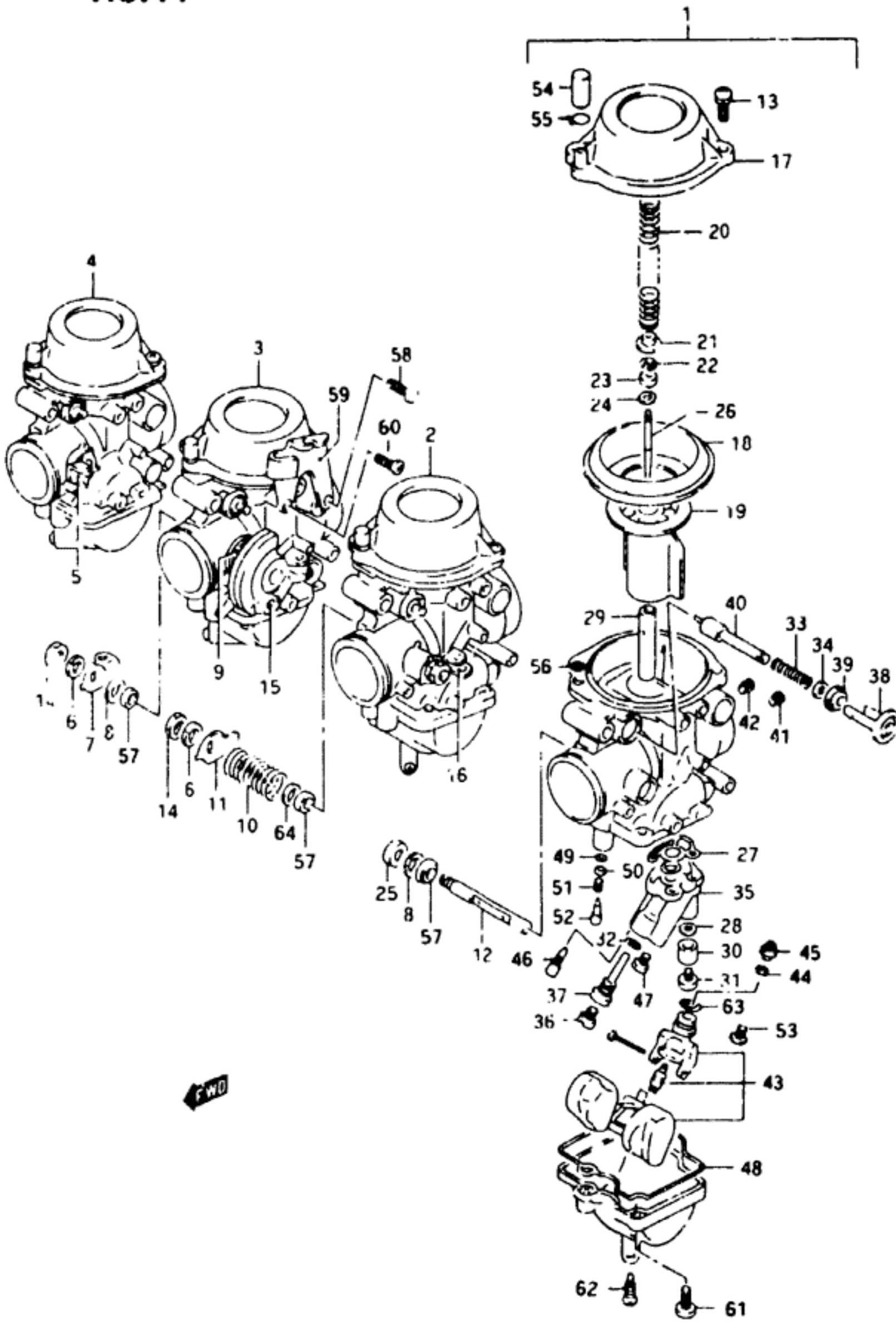


MF600RT E3

B13

FIG. 11

FIG. 11 (C- 2) CARBURETOR



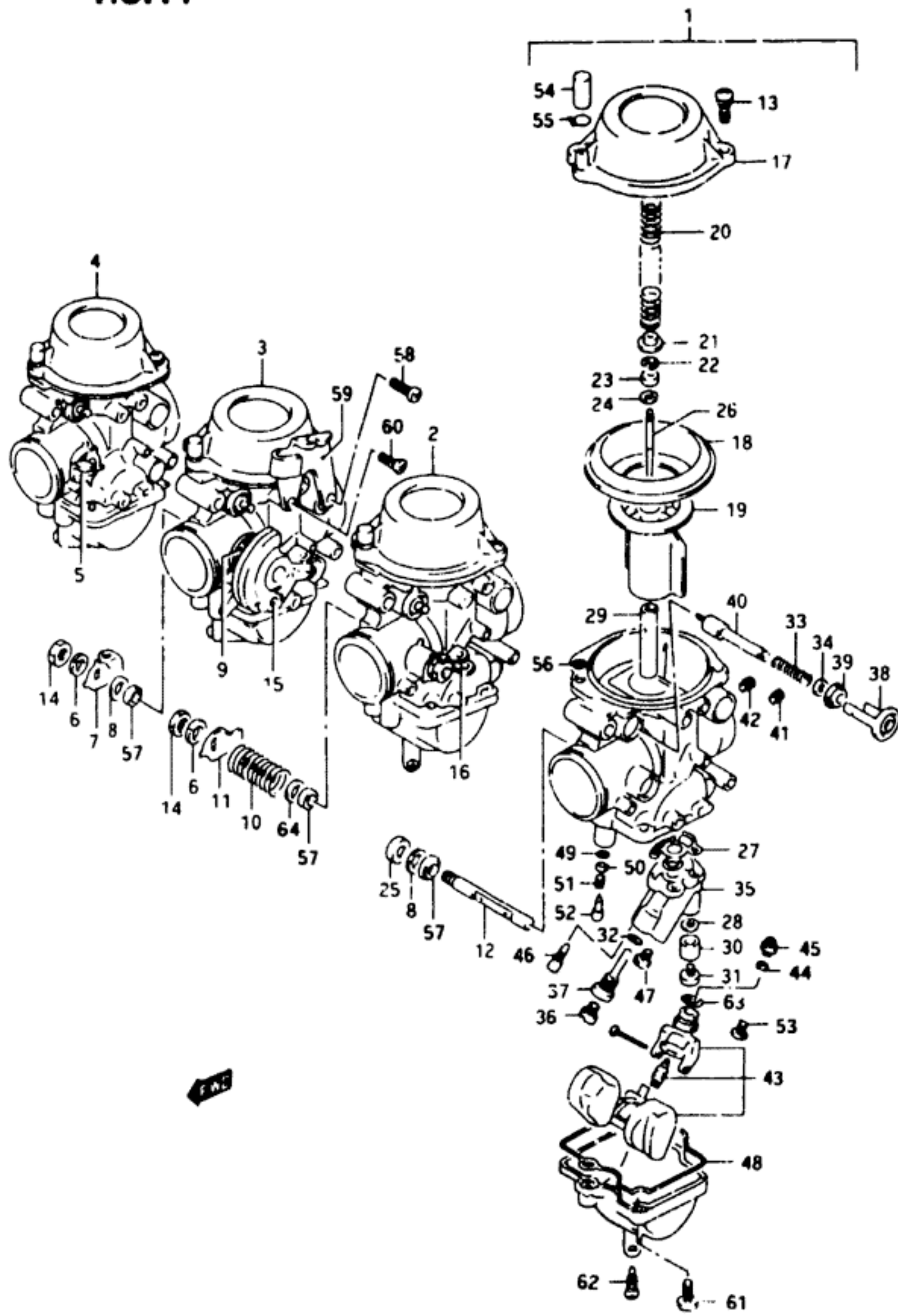
REF. NO.	PART NO.	DESCRIPTION	Q'TY	REMARKS
1-1	13201-21E40	CARBURETOR ASSY, LH	1	model R
1-2	13201-21EG0	CARBURETOR ASSY, LH	1	model S/T
1-3	13201-21E50	CARBURETOR ASSY, LH	1	CALIFORNIA ONLY, model R
1-4	13201-21EH0	CARBURETOR ASSY, LH	1	CALIFORNIA ONLY model S/T
2-1	13202-21E40	CARBURETOR ASSY, ML	1	model R
2-2	13202-21EG0	CARBURETOR ASSY, ML	1	model S/T
2-3	13202-21E50	CARBURETOR ASSY, ML	1	CALIFORNIA ONLY, model R
2-4	13202-21EH0	CARBURETOR ASSY, ML	1	CALIFORNIA ONLY model S/T
3-1	13203-21E40	CARBURETOR ASSY, MR	1	model R
3-2	13203-21EG0	CARBURETOR ASSY, MR	1	model S/T
3-3	13203-21E50	CARBURETOR ASSY, MR	1	CALIFORNIA ONLY, model R
3-4	13203-21EH0	CARBURETOR ASSY, MR	1	CALIFORNIA ONLY model S/T
4-1	13204-21E40	CARBURETOR ASSY, RH	1	model R
4-2	13204-21EG0	CARBURETOR ASSY, RH	1	model S/T
4-3	13204-21E50	CARBURETOR ASSY, RH	1	CALIFORNIA ONLY, model R
4-4	13204-21EH0	CARBURETOR ASSY, RH	1	CALIFORNIA ONLY model S/T
5	13204-21E30	.SHAFT, throttle	1	RH
6-1	08321-21087	.WASHER	2	ML, MR, model R
6-2	08321-01087	.WASHER	2	ML, MR, model S/T
7	13553-21E10	.LEVER, throttle	1	MR
8	13557-47070	.GASKET	1	
9	13573-21E10	.SPRING	1	MR
10	13573-21E00	.SPRING	1	ML
11	13550-21E10	.LEVER, throttle	1	ML
12	13550-21E00	.SHAFT, throttle	1	LH
13	02112-75103	.SCREW	8	
14	08310-00083	.NUT	2	ML, MR
15	13550-21E20	.SHAFT, throttle	1	MR
16	13553-21E00	.SHAFT, throttle	1	ML
17-1	13502-17E20	.COVER, diaphragm	3	
17-2	13502-33C00	.COVER, diaphragm	4	CALIFORNIA ONLY
18-1	13507-17C00	.DIAPHRAGM	4	model R
18-2	13507-17C01	.DIAPHRAGM	4	model S/T

RF600RT E3

C2

FIG. 11

FIG. 11 (C- 3) CARBURETOR



REF. NO.	PART NO.	DESCRIPTION	Q'TY	REMARKS
19	13501-18E00	.VALVE, piston	1	
20	13417-12D00	.SPRING	4	
21	13382-42A00	.RING	4	
22	13394-40D20	.CLIP, needle	4	
23	13387-47D10	.RING	4	
24	13382-44G30	.WASHER	4	
25	13574-32C00	.RING	2	LH, RH
26-1	13383-21E10	.NEEDLE, jet (5E97-1)	4	
26-2	13383-21F10	.NEEDLE, jet (5E97-1)	4	CALIFORNIA ONLY, model R
26-3	13383-21E30	.NEEDLE, jet (5E95-1)	4	CALIFORNIA ONLY, model S/T
27	13251-33C00	.O RING	4	
28	13332-05A10	.WASHER	4	
29-1	09494-00B10	.JET, needle (0-9)	4	model R
29-2	09494-00B34	.JET, needle (0-9)	4	model S/T
29-3	09494-00B14	.JET, needle (0-8)	4	CALIFORNIA ONLY, model R
29-4	09494-00B53	.JET, needle (0-8)	4	CALIFORNIA ONLY, model S/T
30	13331-21E40	.RING	4	
31	13602-06C20	.SCREW	4	
32	13294-33C00	.O RING	4	
33	13417-26D00	.SPRING	4	
34	13432-47G90	.WASHER	4	
35	13220-21E00	.HOLDER, jet	4	
36-1	09491-22025	.JET, main (112.5)	4	
36-2	09491-22025	.JET, main (112.5)	4	CALIFORNIA ONLY, model R
36-3	09491-21020	.JET, main (107.5)	4	CALIFORNIA ONLY, model S/T
37-1	13385-33C20	.HOLDER, jet	4	
37-2	13385-21E00	.HOLDER, jet	4	CALIFORNIA ONLY
38	13418-17C10	.HOLDER, guide	4	
39	13418-17C00	.CAP, starter	4	
40	13411-05320	.PLUNGER ASSY	4	

RF600HT E3

C3

AIR CLEANER..... C-07 COILING BODY..... S-02 FRAME COVER..... F-07 FUEL PUMP..... C-10 MUFFLER..... C-08 REAR MASTER CYLINDER..... S-02
 ALTERNATOR..... B-03 CRANKCASE COVER..... B-07 FRAME..... F-02 FUEL TANK..... F-05 OIL PAN..... C-05 STARTING MOTOR..... B-02

FIG. 11

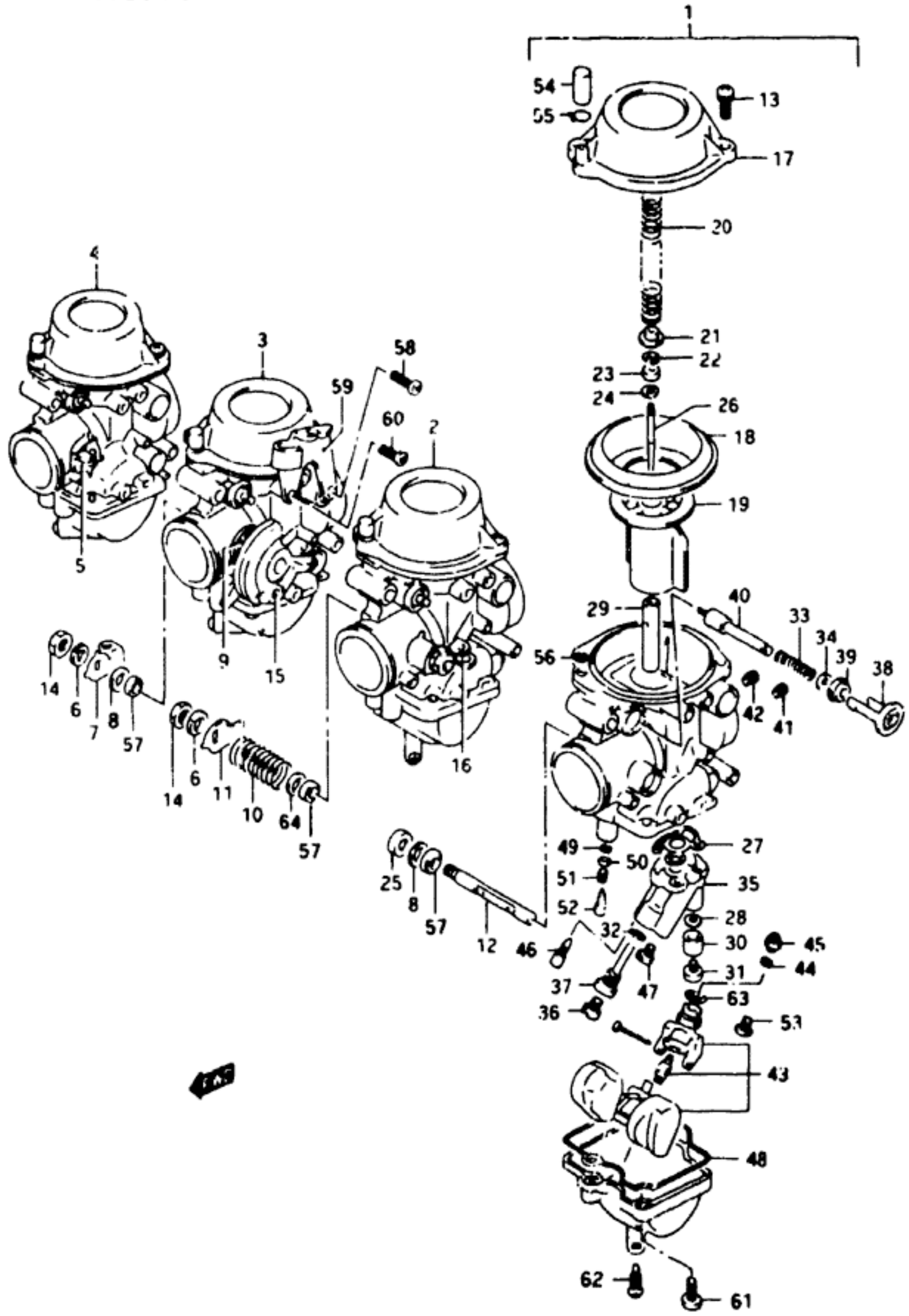
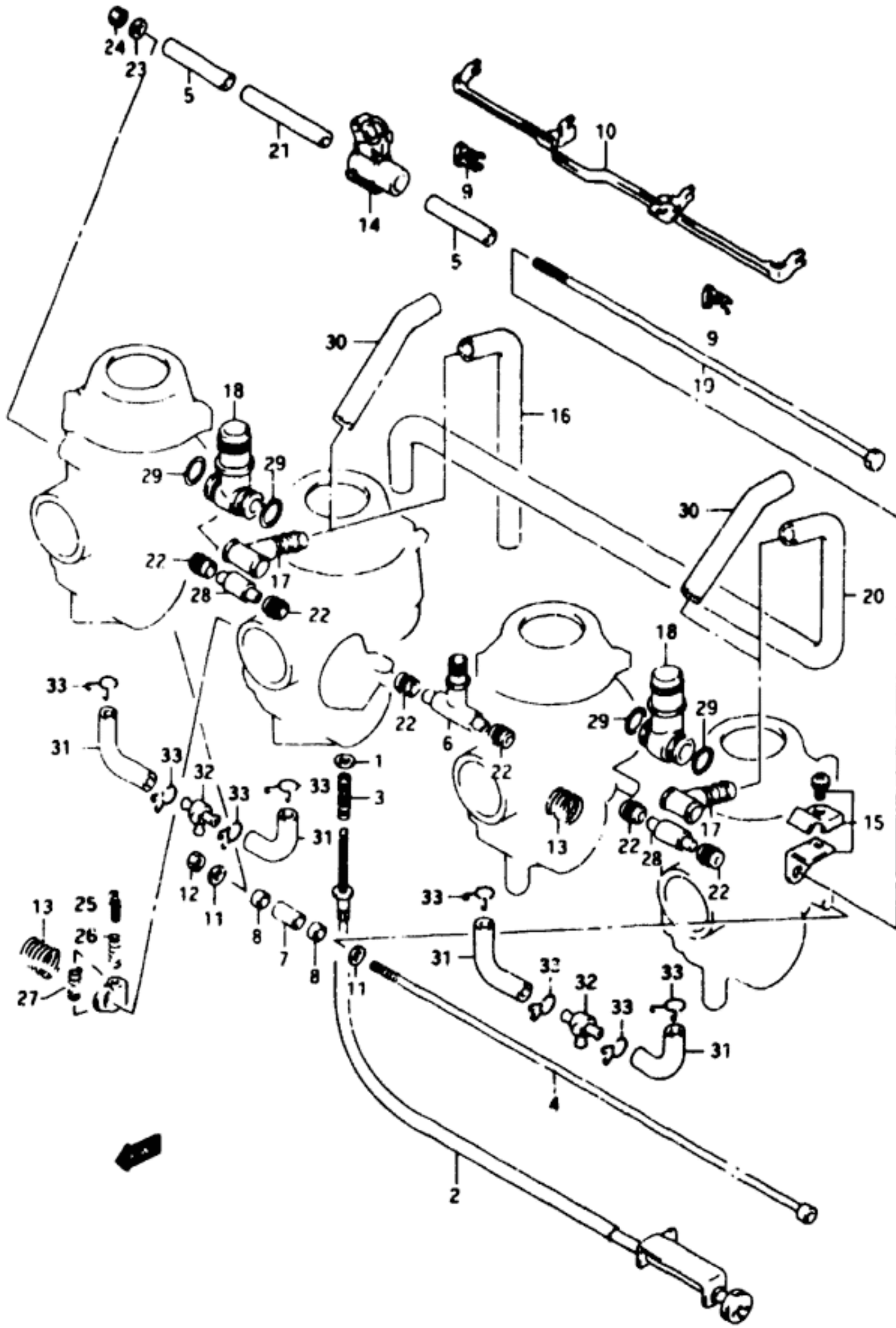


FIG. 11 (C-#) CARBURETOR

REF. NO.	PART NO.	DESCRIPTION	Q'TY	REMARKS
41-1	09493-60004	.JET, main air (0.6)	4	model R
41-2	09493-70009	.JET, main air (0.7)	4	model S/T
41-3	09493-60004	.JET, main air (0.6)	4	CALIFORNIA ONLY
42-1	09493-29002	.JET, pilot air (1.45)	4	
42-2	09493-27002	.JET, pilot air (1.35)	4	CALIFORNIA ONLY
43	13250-21E00	.FLOAT/NEEDLE VALVE ASSY	4	
44	13331-06C20	.RING	4	
45	13376-84110	.FILTER	4	
46-1	09492-15017	.JET, pilot (15)	4	
46-2	09492-10702	.JET, pilot (10)	4	CALIFORNIA ONLY
47	09491-47001	.JET, starter (47.5)	4	
48	13258-33C00	.SEAL	4	
49	13295-29900	.O RING	4	
50	13791-29900	.WASHER	4	
51	13268-47070	.SPRING	4	
52	13279-47070	.SCREW, pilot (1.1/4)	4	
53	13602-05A10	.SCREW	4	
54	13508-17C00	.CAP	4	
55	13671-33600	.CLIP	4	model R/S
56	13251-06C10	.O RING	4	
57	13611-51010	.SEAL	6	
58	13602-05148	.SCREW	1	NR
59-1	13627-21E00	.BRACKET	1	NR, model R
59-2	13627-31E00	.BRACKET	1	NR, model S/T
60-1	13603-05108	.SCREW	1	NR, model R/S
60-2	02122-05103	.SCREW	1	NR, model T
61	02112-05127	.SCREW	8	
62	13247-13A00	.SCREW, drain	4	
63	13374-44080	.O RING	4	
64	13557-0700E	.RING	1	ML

FIG.12



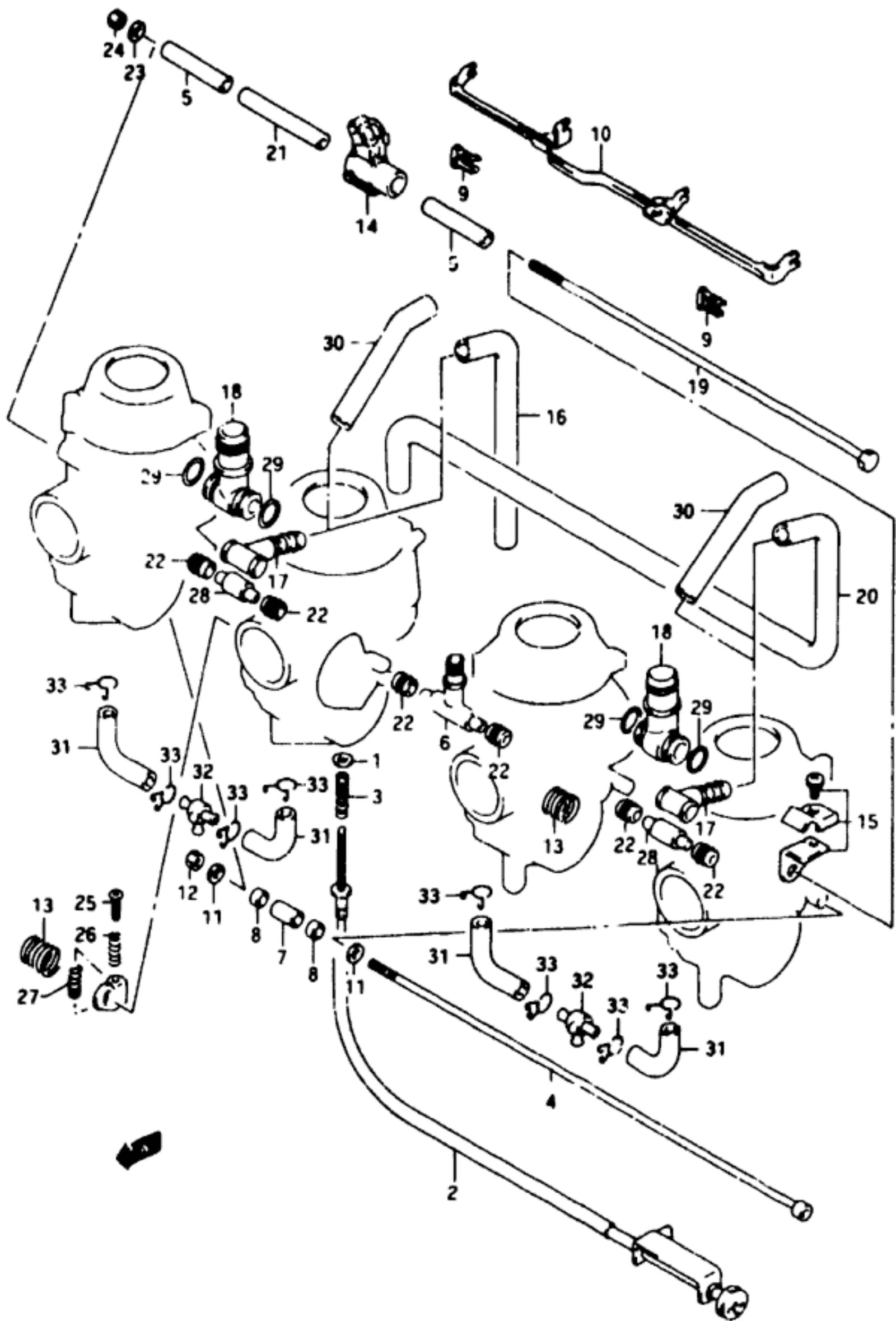
REF. NO.	PART NO.	DESCRIPTION	Q'TY	REMARKS
1	13427-38300	WASHER	1	
2	13267-21E00	ADJUSTER	1	
3	13271-33C00	SPRING	1	
4	13612-21E00	BOLT	1	
5	13331-21E00	RING	2	
6	13683-21E00	NIPPLE	1	
7	13331-21E20	RING	1	
8	13331-21E30	RING	2	
9	13439-17C00	HOLDER	2	
10	13413-3.E00	LEVER, starter	1	
11-1	13606-00A10	WASHER	2	model R/S
11-2	08322-01053	WASHER	2	model T
12-1	13607-33C00	NUT	1	model R
12-2	08310-00053	NUT	1	model S/T
13	13573-06C10	SPRING	2	
14	13413-06C10	JOINT	1	
15	13624-33C00	BRACKET ASSY	1	
16	13683-21E10	HOSE (ID:9xOD:13)	1	
17	13683-34C00	HOSE	2	
18	13685-33C00	NIPPLE	2	
19	13612-21E10	BOLT	1	
20	13683-21E00	HOSE (ID:9xOD:13)	1	
21	13331-21E10	RING	1	
22	13673-44B00	SEAL	6	
23-1	13606-06C00	WASHER	1	model R/S
23-2	08322-01063	WASHER	1	model T
24-1	13607-06C00	NUT	1	model R/S
24-2	08310-00063	NUT	1	model T
25	13267-44B00	SCREW	3	
26	13271-44B00	SPRING	3	
27	13268-96110	SPRING	3	
28	13685-21E10	PIPE	2	
29-1	13509-33C00	O RING	4	model R/S
29-2	09280-10005	O RING	4	model T
30	13683-21E30	HOSE	2	CALIFORNIA ONLY

RF600RT E3

C5

AIR CLEANER..... C-07 EDLING BODY..... G-02 FRAME COVER..... F-09 FUEL PUMP..... C-10 MUFFLER..... C-08 REAR MASTER CYLINDER.....

FIG. 12



17

FIG. 12 (C- 6) CARBURETOR FITTINGS

REF. NO.	PART NO.	DESCRIPTION	Q'TY	REMARKS
31-1	13684-48800	HOSE	4	CALIFORNIA ONLY, model R
31-2	13684-48810	HOSE	4	CALIFORNIA ONLY model S/T
32	13685-48800	NIPPLE	2	CALIFORNIA ONLY
33	09401-10410	CLIP	8	CALIFORNIA ONLY

RF600RT E3

C8

FIG. 13

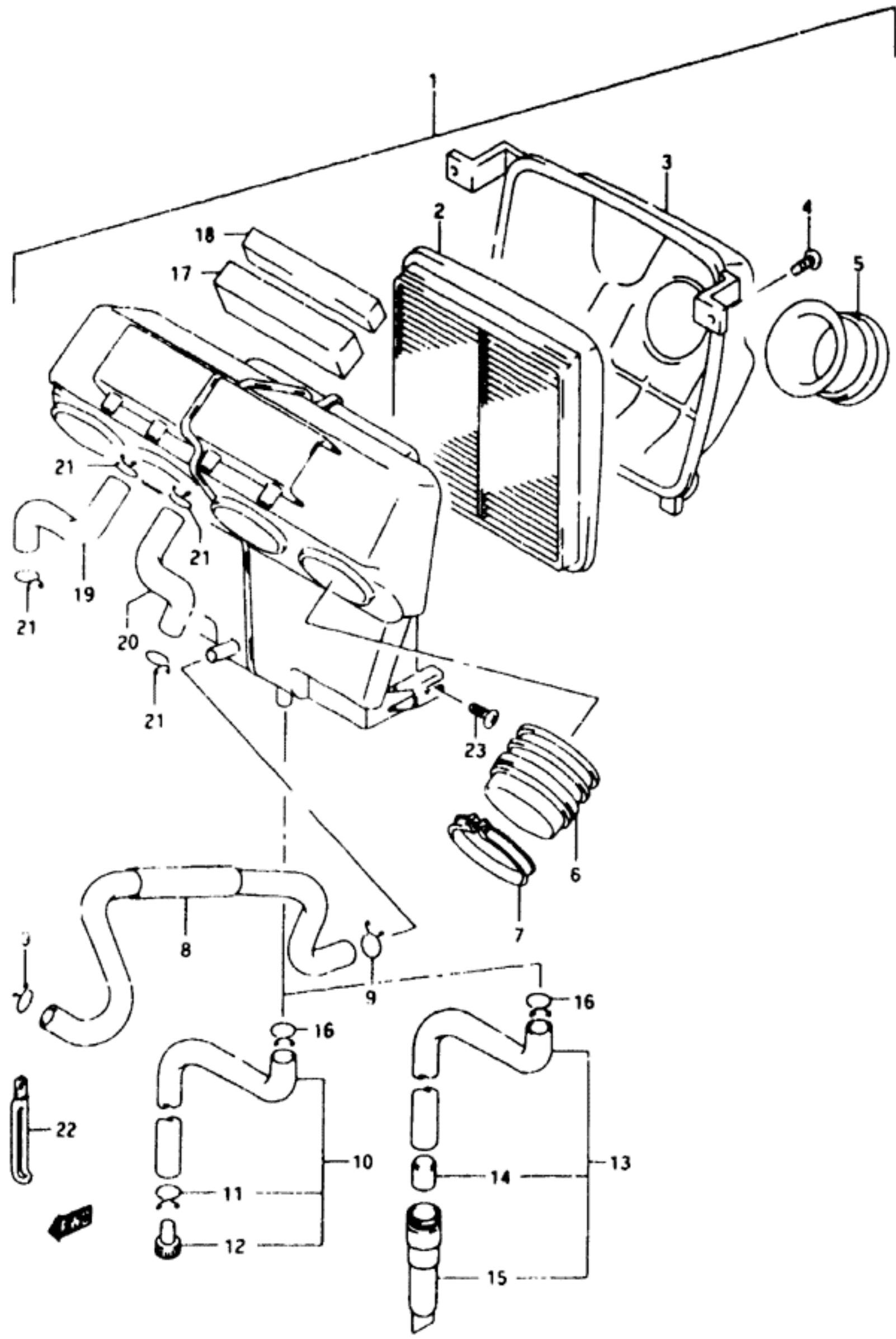


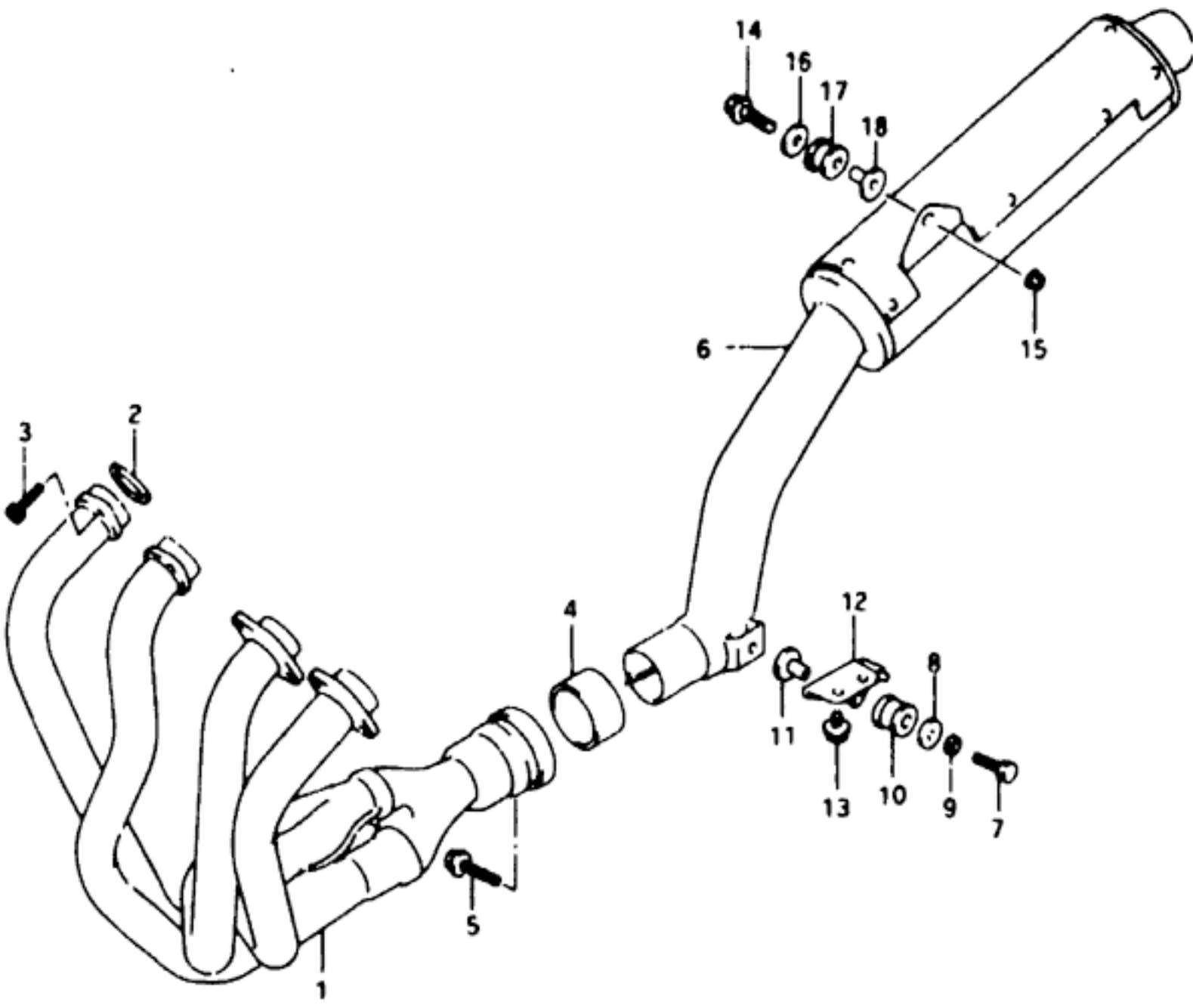
FIG. 13 (C- 7) AIR CLEANER

REF.NO.	PART NO.	DESCRIPTION	Q'TY	REMARKS
1-1	13700-21E00	CLEANER ASSY, air	1	model R
1-2	13700-21E02	CLEANER ASSY, air	1	model S
1-3	13700-21E03	CLEANER ASSY, air	1	model T
2	13780-21E00	.FILTER, air	1	
3	13740-21E00	.CAP, air cleaner	1	
4-1	02142-05164	.SCREW	2	model R
4-2	02142-05167	.SCREW	2	model S/T
5	13891-17E00	.TUBE, inlet	1	
6	13881-21E00	.TUBE, outlet	4	
7	09402-58207	.CLAMP	4	
8	13850-21E00	.TUBE, breather	1	
9-1	13824-48810	.CLIP	2	model R
9-2	09401-16401	.CLIP	2	model S/T
10	13870-21428	.TUBE, train	1	model R
11	13824-18910	.CLIP	1	model R
12	13877-38A00	.STUPPER, drain	1	model R
13	13870-21628	.TUBE, drain	1	model S/T
14	13789-00020	.FILTER, drain	1	model S/T
15	13872-00A00	.CAP, tube drain	1	model S/T
16-1	13824-00A00	.CLIP	1	model R/S
16-2	09401-13409	.CLIP	1	model T
17	13783-21E01	.FILTER, carb air, No.1	1	
18-1	13784-21E00	.FILTER, carb air, No.2	1	model R
18-2	13784-21E01	.FILTER, carb air, No.2	1	model S/T
19	13855-21E00	.TUBE, carb air R	1	
20	13856-21E00	.TUBE, carb air L	1	
21-1	13824-48810	.CLIP	4	model R/S
21-2	09401-16401	.CLIP	4	model T
22-1	09404-06426	CLAMP, drain tube	1	model R
22-2	09404-06433	CLAMP, drain tube	1	model S/T
23	02142-06123	SCREW	2	

FIG.14

FIG.14 (C- 8) MUFFLER (model R)

REF.NO.	PART NO.	DESCRIPTION	Q'TY	REMARKS
1	14100-21E00	PIPE, exhaust RM	1	
2	14181-17E00	GASKET, exhaust pipe	4	
3	07130-08253	BOLT	8	
4	14771-07000	CONNECTOR, muffler	1	
5	01550-08403	BOLT	1	
6	14310-21E00	BODY, muffler	1	
7	01500-08403	BOLT	1	
8	09160-08002	WASHER (0.5x29x1.6)	1	
9	08321-01083	LOCK WASHER	1	
10	09320-12048	CUSHION	1	
11	09180-08152	SPACER	1	
12	14770-21E00	BRACKET, muffler	1	
13	01550-08163	BOLT	2	
14	01550-08457	BOLT	1	
15	08316-10083	NUT	1	
16	09160-08106	WASHER (0.1x33x1.6)	1	
17	09320-12049	CUSHION	1	
18	09180-08156	SPACER	1	



Refer to FIG.14A(C-9) for model S/T

600RT E3

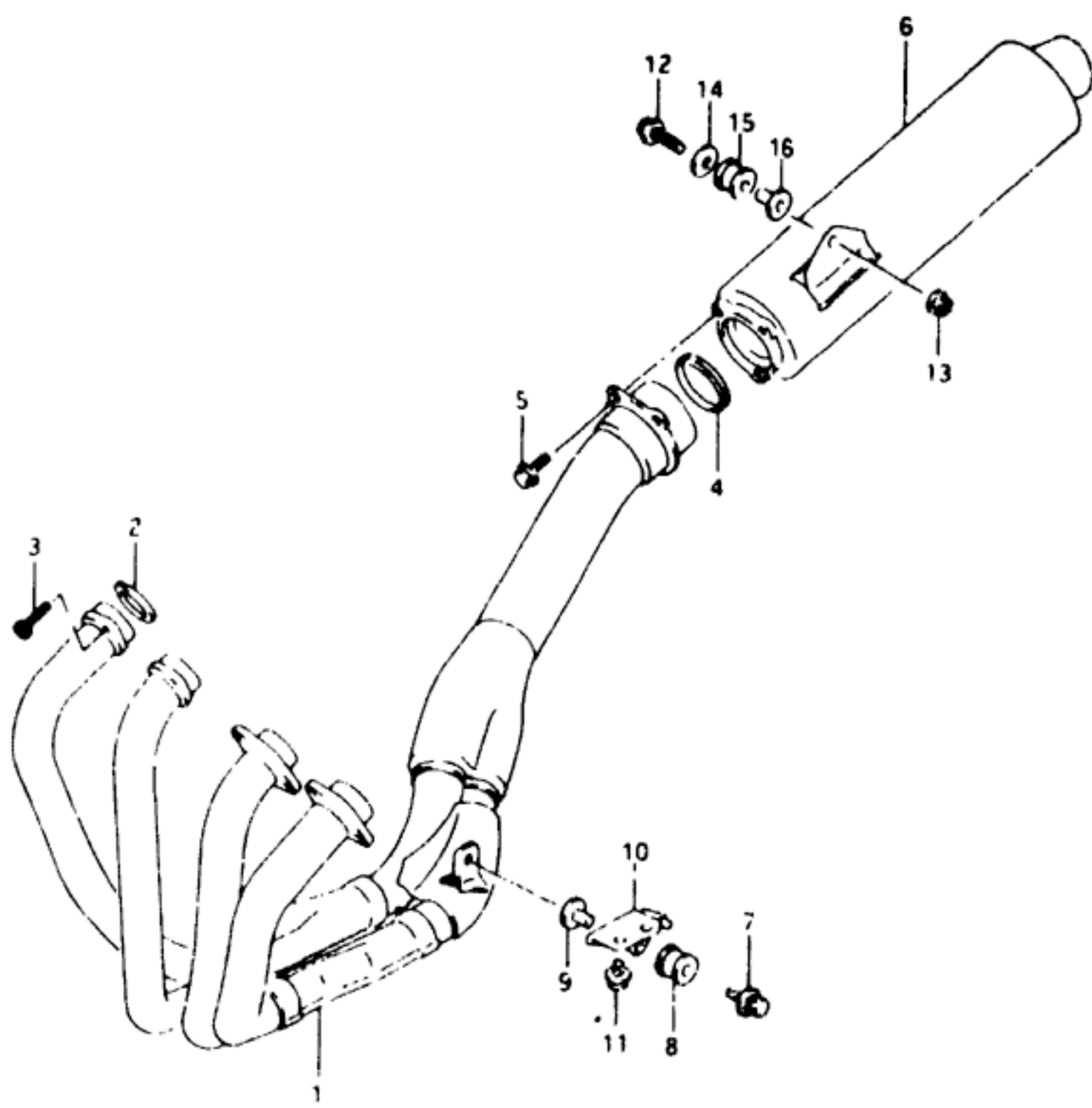
CR

AIR CLEANER..... C-07	COILING BODY..... 6-02	FRAME COVER..... F-09	FUEL PUMP..... C-10	MUFFLER..... C-08	REAR MASTER CYLINDER..... I-10	STARTING MOTOR..... S-02
ALTERNATOR..... E-07	CRANKCASE COVER... D-07	FRAME..... F-02	FUEL TANK..... F-05	OIL COU. BA - OIL FI C-11	REAR SWINGING ARM... I-02	STEERING STEN..... H-03
BATTERY..... E-06	CRANKCASE..... D-05	FRONT BRAKE HOSE... H-04	GEAR SHIFTING..... D-09	OIL PAN - OIL PUMP. B-08	REAR WHEEL..... I-05	TAIL LAMP..... E-14
CAW CHAIN..... B-13	CRANKSHAFT..... D-09	FRONT CALIPERS..... H-05	HANDLE BAR..... F-12	OPTIOJAL..... I-11	REAR WHEEL..... I-05	TRANSMISSION..... D-07
CAW SHAFT - ALVE.. B-11	CYLINDER HEAD COVER D-02	FRONT DAMPER..... H-02	HANDLE LEVER..... F-13			

FIG. 14 A

FIG. 14A(C- 9) MUFFLER (model S/T)

REF. NO.	PART NO.	DESCRIPTION	Q'TY	REMARKS
1-1	14100-21E60	PIPE, exhaust	1	model S
1-2	14100-21E61	PIPE, exhaust	1	model T
2	14181-17E00	GASKET, exhaust pipe	4	
3	07130-08253	BOLT	6	
4	14181-31E00	GASKET, muffler joint	1	
5	09106-08132	BOLT, muffler joint	3	
6	14310-31E40	BODY, muffler	1	
7	09118-08152	BOLT	1	
8	09320-12064	CUSHION	1	
9	09180-08152	SPACER	1	
10	14770-31E00	BRACKET, muffler	1	
11	01550-08163	BOLT	2	
12	01550-08457	BOLT	1	
13	08361-25063	NUT	1	
14	09360-08106	WASHER (8.1x33x1.6)	1	
15	09320-12049	CUSHION	1	
16	09180-06156	SPACER	1	

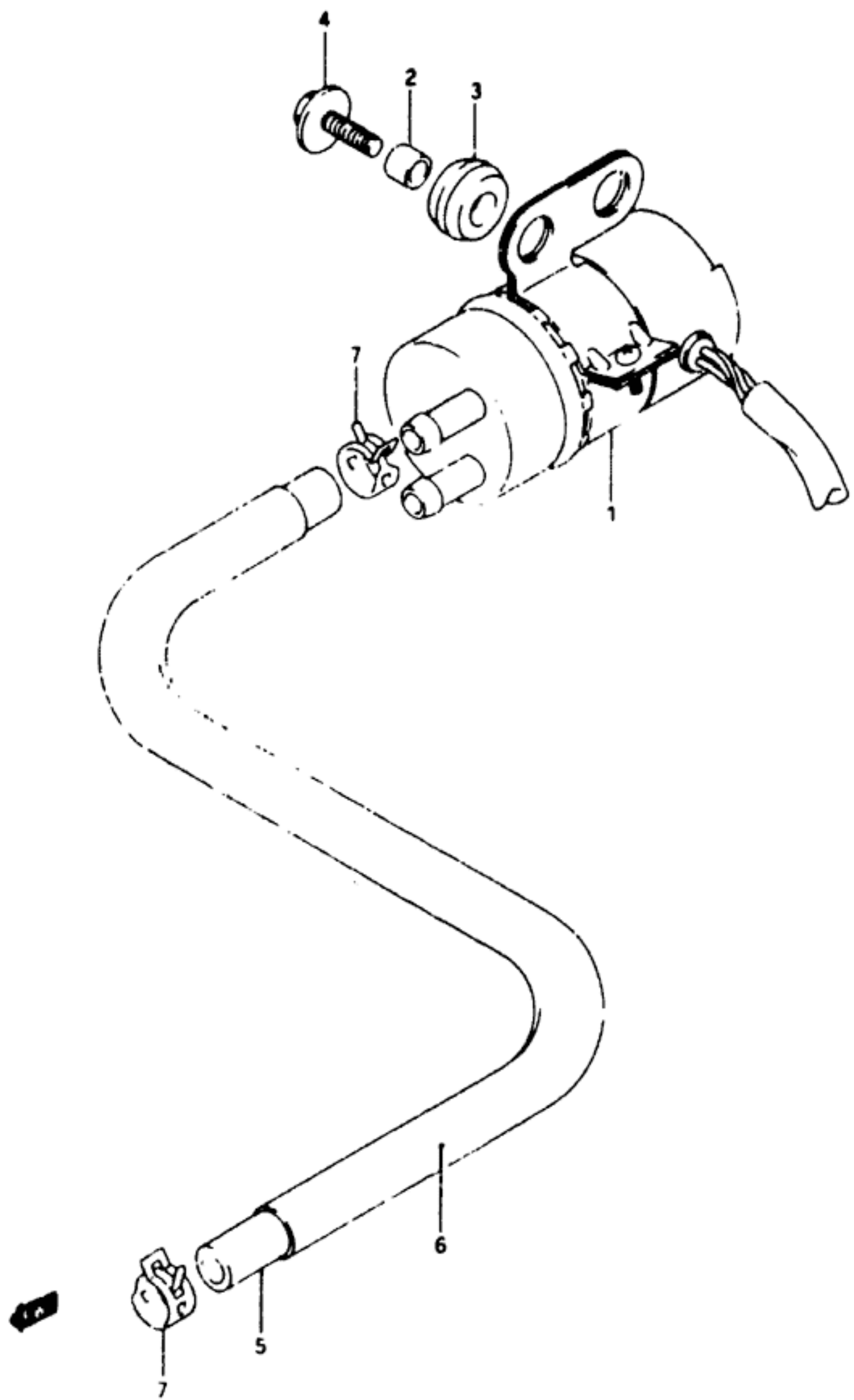


RF600RT E3

C9

FIG.15

FIG.15 (C-10) FUEL PUMP



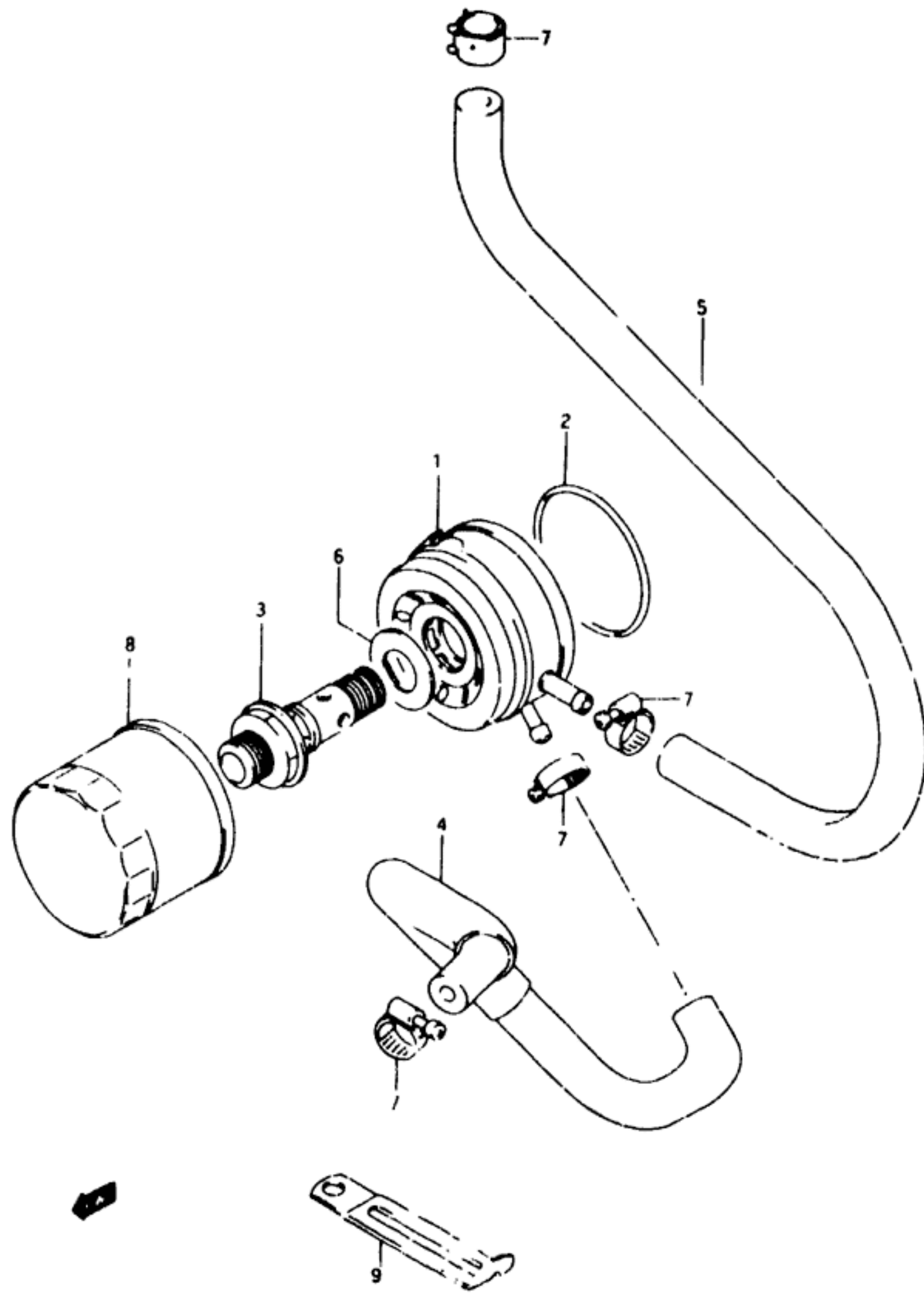
REF.NO.	PART NO.	DESCRIPTION	Q'TY	REMARKS
1	15100-21E01	PUMP ASSY, Fuel	1	
2	09180-06011	SPACER	2	
3	09320-09009	CUSHION	2	
4	09116-06010	BOLT	2	
5-1	09354-70133-600	HOSE	1	600-370 model R/S
5-2	09354-70123-600	HOSE	1	600-380 model T
6	09351-14152-600	PROTECTOR	1	600-33C
7-1	09401-12404	CLIP	2	model R/S
7-2	09401-11407	CLIP	2	model T

RF600RT E3

C10

FIG.16

FIG.16 (C-11) OIL COOLER - OIL FILTER



RF600RT E3

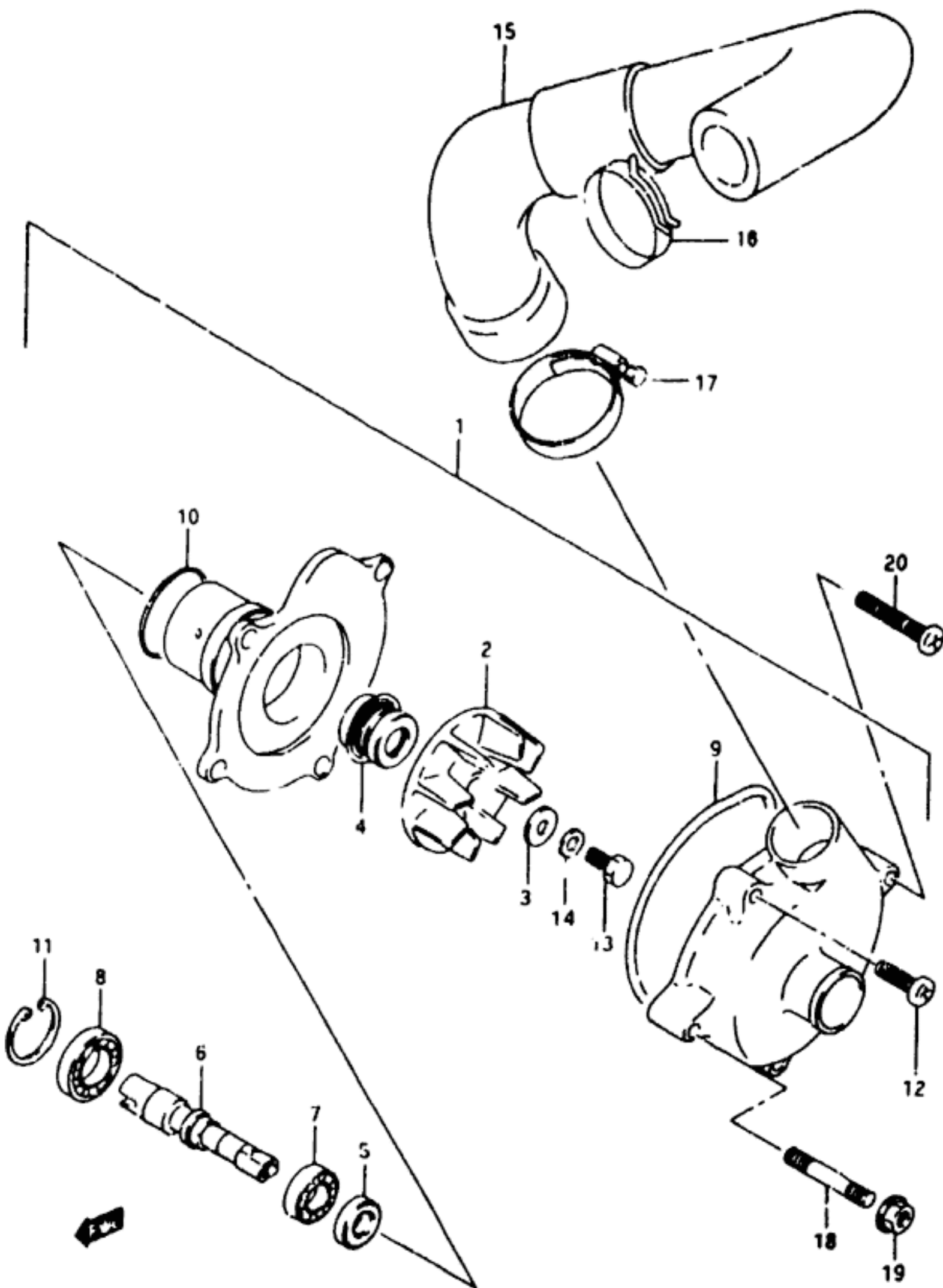
C11

REF.NO.	PART NO.	DESCRIPTION	Q'TY	REMARKS
1	16400-17E00	COOLER ASSY, oil	1	
2	09280-64003	O RING (O:3.1, ID:63.9)	1	
3	16591-33000	BOLT, oil cooler union	1	
4	16461-31E00	HOSE, oil cooler, water in	1	
5-1	16471-17E01	HOSE, oil cooler, water out	1	model R
5-2	16471-17E02	HOSE, oil cooler, water out	1	model S/T
6	08221-22333	WASHER	1	
7	09401-13410	CLAMP	4	
8	16510-06B01	FILTER ASSY, engine oil	1	
9-1	09404-06402	CLAMP	1	model R
9-2	09404-06429	CLAMP	1	model S/T

AIR CLEANER..... C-07 FUELING BODY..... 6-02 FRAME COVER..... 7-09 FUEL PUMP..... C-10 MUFFLER..... C-08 REAR MASTER CYLINDER 1-10 STARTING MOTOR..... 8-02
 ALTERNATOR..... 8-03 CRANKCASE COVER..... 8-07 FRAME..... 8-08 WATER PUMP..... C-11

FIG. 17

FIG.17 (C-12) WATER PUMP



REF. NO.	PART NO.	DESCRIPTION	Q'TY	REMARKS
1-1	17400-17E00	PUMP ASSY, water	1	model R
1-2	17400-17E01	PUMP ASSY, wa. er	1	model S/T
2	17491-17E00	.IMPELLER, water pump	1	
3	09168-06025	.GASKET	1	
4	17470-46A00	.SEAL, mechanical	1	
5-1	17461-38A00	.OIL SEAL	1	model R/S
5-2	09283-10004	.OIL SEAL	1	model T
6-1	17511-17E00	.SHAFT, water pump	1	model R
6-2	17511-17E01	.SHAFT, water pump	1	model S/T
7-1	08113-69010	.BEARING	1	model R
7-2	09262-10014	.BEARING (10x26x8)	1	model S/T
8-1	09262-15008	.BEARING (15x28x7)	1	model R
8-2	09262-12001	.BEARING (12x28x8)	1	model S/T
9	17418-33A00	.O RING	1	
10	17435-33A00	.O RING	1	
11	08331-41206	.CINCLIP	1	model R
12	02112-06163	.SCREW	2	
13	09100-06099	.BOLT (Lx13)	1	
14	09164-06006	.LOCK WASHER	1	
15	17854-17E01	HOSE, water pump outlet	1	
16	09401-26A04	CLAMP	1	
17-1	09402-33502	CLAMP	1	model R
17-2	09401-38511	CLAMP	1	model S/T
18	09108-06117	BOLT	1	
19	08316-10063	NUT	1	
20	02112-06353	SCREW	2	

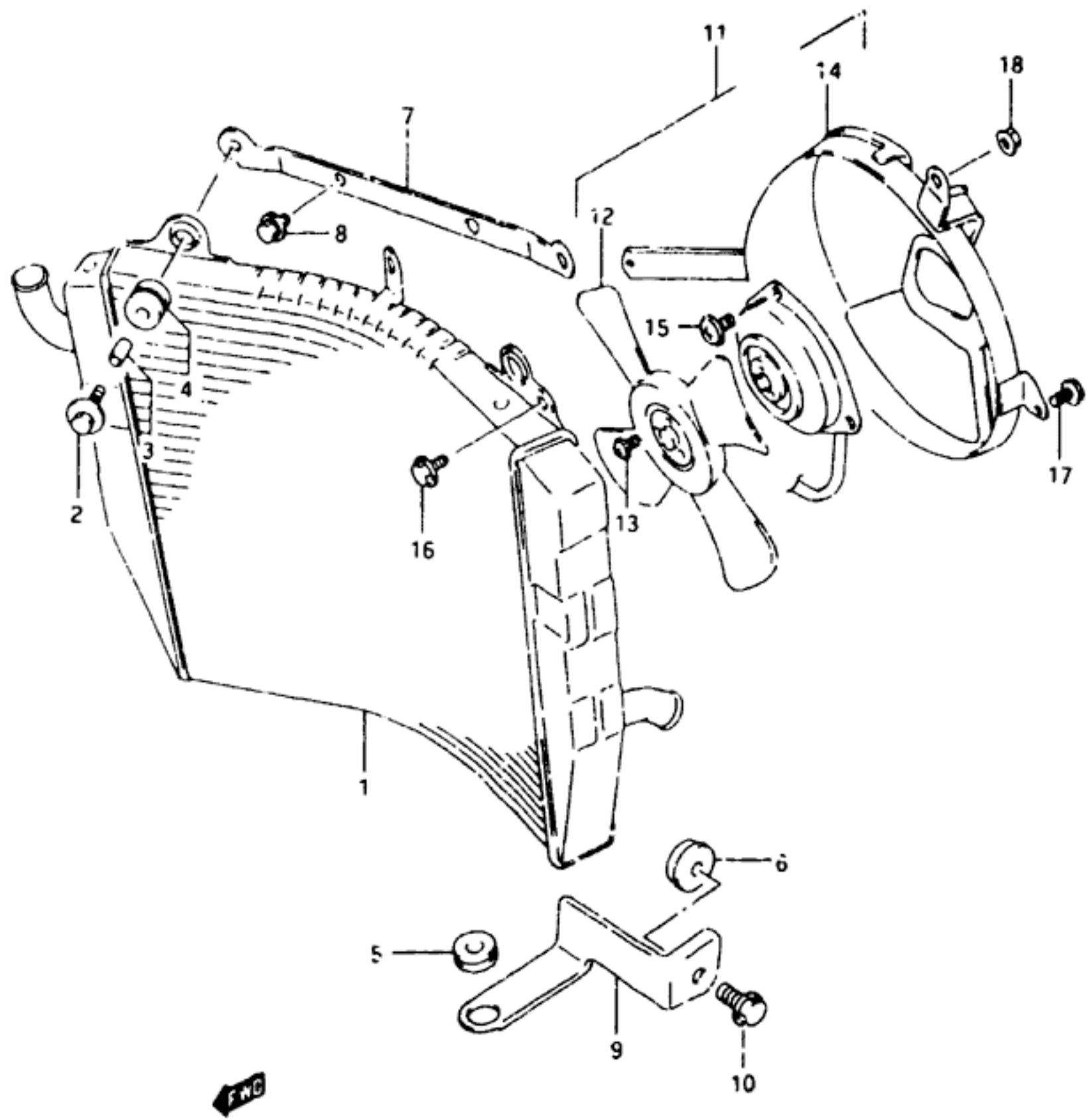
RF600RT E3

C12

AIR CLEANER..... C-07	COOLING BODY..... B-02	FRAME COVER..... F-09	FUEL PUMP..... L-10	MUFFLER..... C-08	REAR MASTER CYLINDER..... I-10	STARTING MOTOR..... B-02
ALTERNATOR..... F-03	CRANKCASE COVER..... B-07	FRAME..... F-02	FUEL TANK..... F-05	DIL COOLER - OIL FI C-11	REAR SLIDING ARM..... I-05	
BATTERY..... B-01						

FIG.18

FIG.18 (D- 2) RADIATOR



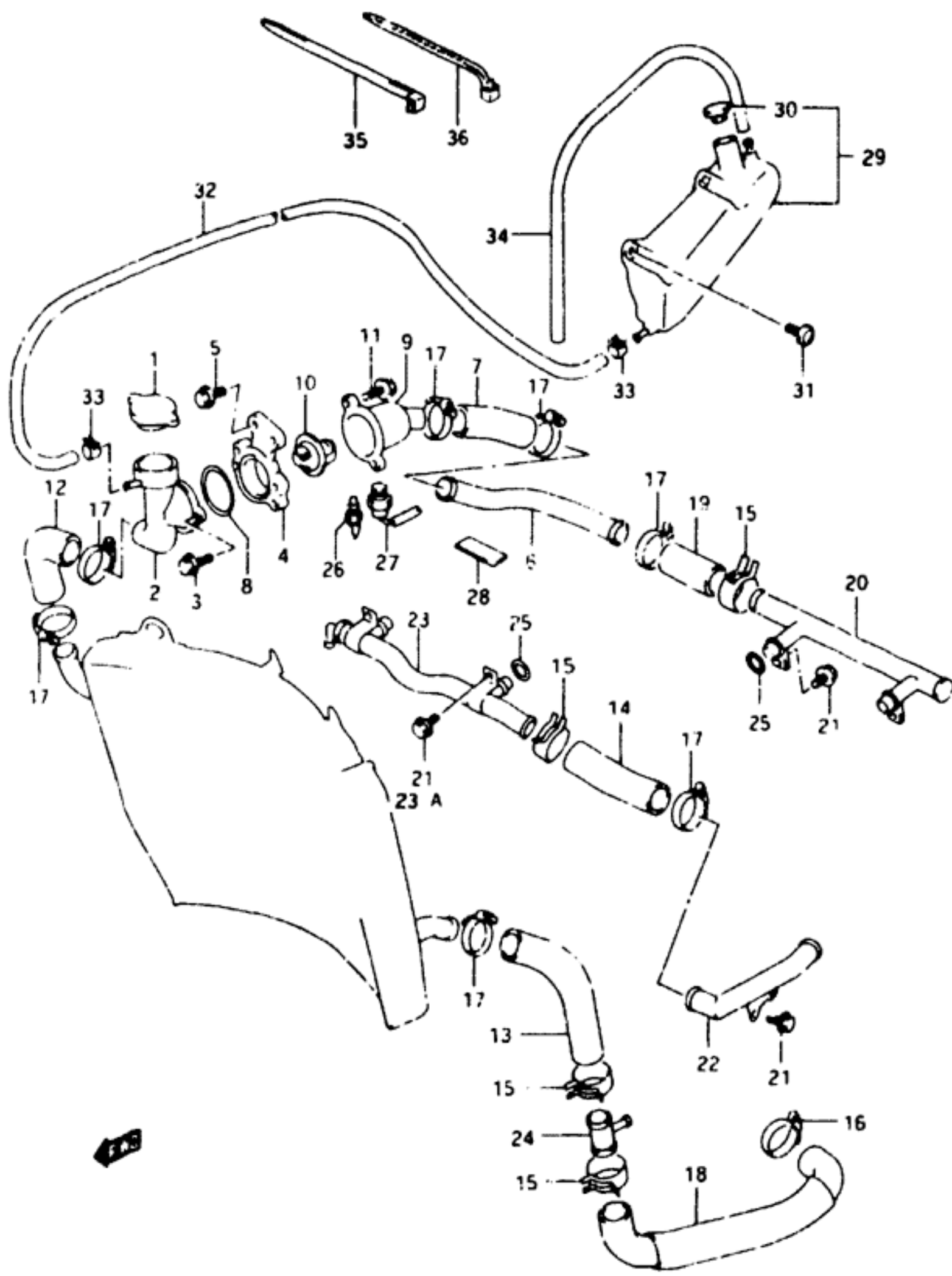
REF.NO.	PART NO.	DESCRIPTION	Q'TY	REMARKS
1	17710-21E00	RADIATOR ASSY, water	1	
2	09116-06147	BOLT	2	
3	09180-07004	SPACER (6.5x10.5x12)	2	
4	17787-19A00	CUSHION, radiator upper	2	
5	09320-12053	CUSHION, radiator lower	1	
6	17761-21E00	SPACER, radiator lower	1	
7-1	17740-21E00	BRACKET, radiator upper	1	model R
7-2	17740-21E01	BRACKET, radiator upper	1	model S/T
8	01580-06163	BOLT	2	
9-1	17750-21E00	BRACKET, radiator lower	1	model R
9-2	17750-21E02	BRACKET, radiator lower	1	model S/T
10	01550-08553	BOLT	1	
11	17800-21E01	FAN ASSY, radiator	1	
12	17820-17E00	FAN ASSY	1	
13-1	17801-05A00	BOLT (M4x0.7)	3	model R
13-2	02112-04063	SCREW	3	model S/T
14	17770-21E00	SHROUD ASSY, fan	1	
15-1	17801-45C00	SCREW (M5x0.8)	3	model R
15-2	02142-05083	SCREW	3	model S/T
16	01550-06123	BOLT	1	
17	01550-06103	BOLT	2	
18	08316-10063	NUT	1	

RF600RT E3

D2

FIG. 19

FIG. 19 (D-3) RADIATOR HOSE



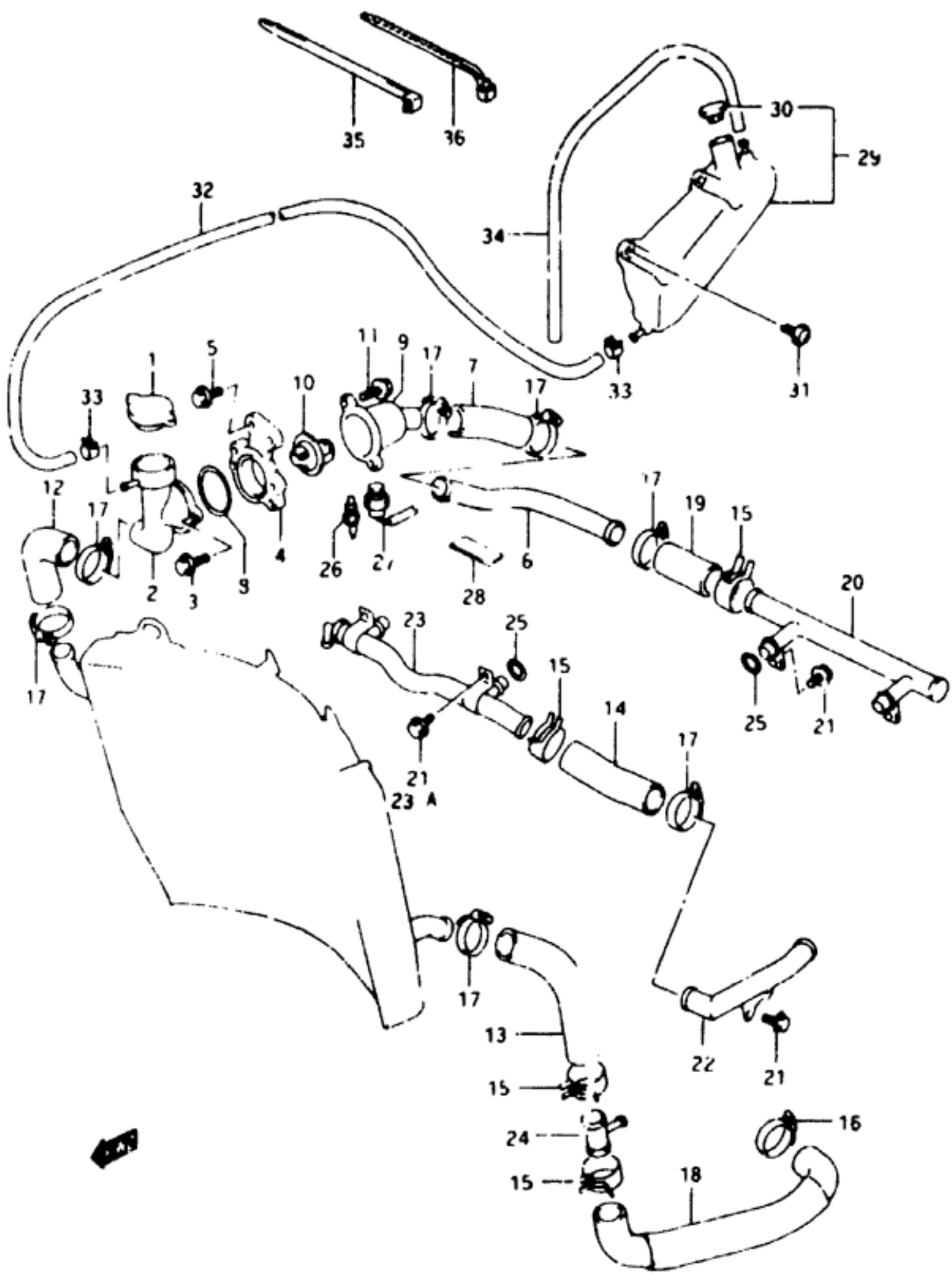
REF. NO.	PART NO.	DESCRIPTION	Q'TY	REMARKS
1	17730-12C01	CAP, radiator, l.1	1	
2	17791-32C0C	CONDUCTION, radiator	1	
3	01550-06163	BOLT	2	
4	17792-12C00	BRACKET, conduction	1	
5	01550-06103	BOLT	2	
6	17831-21E02	PIPE, conduction inlet	1	
7-1	17851-24000	HOSE, conduction inlet	1	model R/S
7-2	17856-17E50	HOSE, conduction inlet	1	model T
8	09280-44005	O RING (O:2.4, ID:43.2)	1	
9	17662-21E00	CONNECTOR, thermostat inlet	1	
10	17670-32C01	THERMOSTAT, water	1	
11	01550-06203	BOLT	2	
12	17851-21E00	HOSE, radiator inlet	1	
13	17852-17E00	HOSE, radiator outlet	1	
14-1	17855-17E02	HOSE, head inlet joint	1	model R
14-2	17856-17E50	HOSE, head inlet joint	1	model S/T
15	09401-26404	CLAMP, water hose No.1	4	
16-1	09402-33502	CLAMP, water hose No.2	1	model R
16-2	09402-38511	CLAMP, water hose No.2	1	model S/T
17-1	09402-30502	CLAMP, water hose No.3	7	model R
17-2	09402-32511	CLAMP, water hose No.3	7	model S/T
18	17853-17E00	HOSE, water pump inlet	1	
19	17856-21E00	HOSE, head outlet	1	
20	17880-21E02	PIPE, head outlet	1	
21	01517-06125	BOLT	8	model R
21A	01550-06123	BOLT, cylinder/head pipe	4	model S/T
21B-	09103-06184	BOLT, cylinder inlet pipe	4	model S
21B-2	09103-06083	BOLT, cylinder inlet pipe	4	model T
22-1	17860-21E01	PIPE, cylinder side	1	model R
22-2	17860-17E00	PIPE, cylinder side	1	model S/T
23	17870-21E01	PIPE, cylinder inlet	1	
24-1	17890-21E01	UNION, hose joint	1	model R
24-2	17890-17E01	UNION, hose joint	1	model S/T
25	05280-18009	O RING (O:32, ID:17.8)	4	

RF600RT E3

D3

AIR CLEANER..... C-07	EDLING BODY..... G-02	FRAME COVER..... F-09	FUEL PUMP..... C-10	MUFFLER..... C-08	REAR MASTER CYLINDER..... I-10	STARTING MOTOR..... S-02
ALTERNATOR..... E-03	FRANKS' COVER..... B-07	FRAME..... F-02	FUEL TANK..... F-05	OIL COOLER..... D-11	REAR SWINGING ARM..... I-09	STARTING STRAP..... M-01

FIG.19



26

FIG.19 (D- 4) RADIATOR HOSE

REF.NO.	PART NO.	DESCRIPTION	Q'TY	REMARKS
26	74050-20A00	GAUGE ASSY, water temperature	1	
27	17680-45000	SWITCH, radiator fan	1	
28-1	94476-17E00	CUSHION, conduction pipe	1	model R/S
28-2	51553-15240	CUSHION, conduction pipe	1	model T
29	17910-21E00	TANK ASSY, reservoir	1	
30	17932-12C00	CAP, reservoir tank	1	
31	09136-06022	SCREW (6x16)	2	
32	17981-21E00	HOSE, reservoir tank inlet	1	
33	09401-08A11	CLIP	2	
34-1	17982-31E00	HOSE, over flow	1	model R/S
34-2	17981-21E00	HOSE, over flow	1	model T
35	09407-22404	CLAMP	1	
36-1	09407-18402	CLAMP	1	model R/S
36-2	09407-18403	CLAMP	1	model T

5F600RT E3

D4

FIG. 20

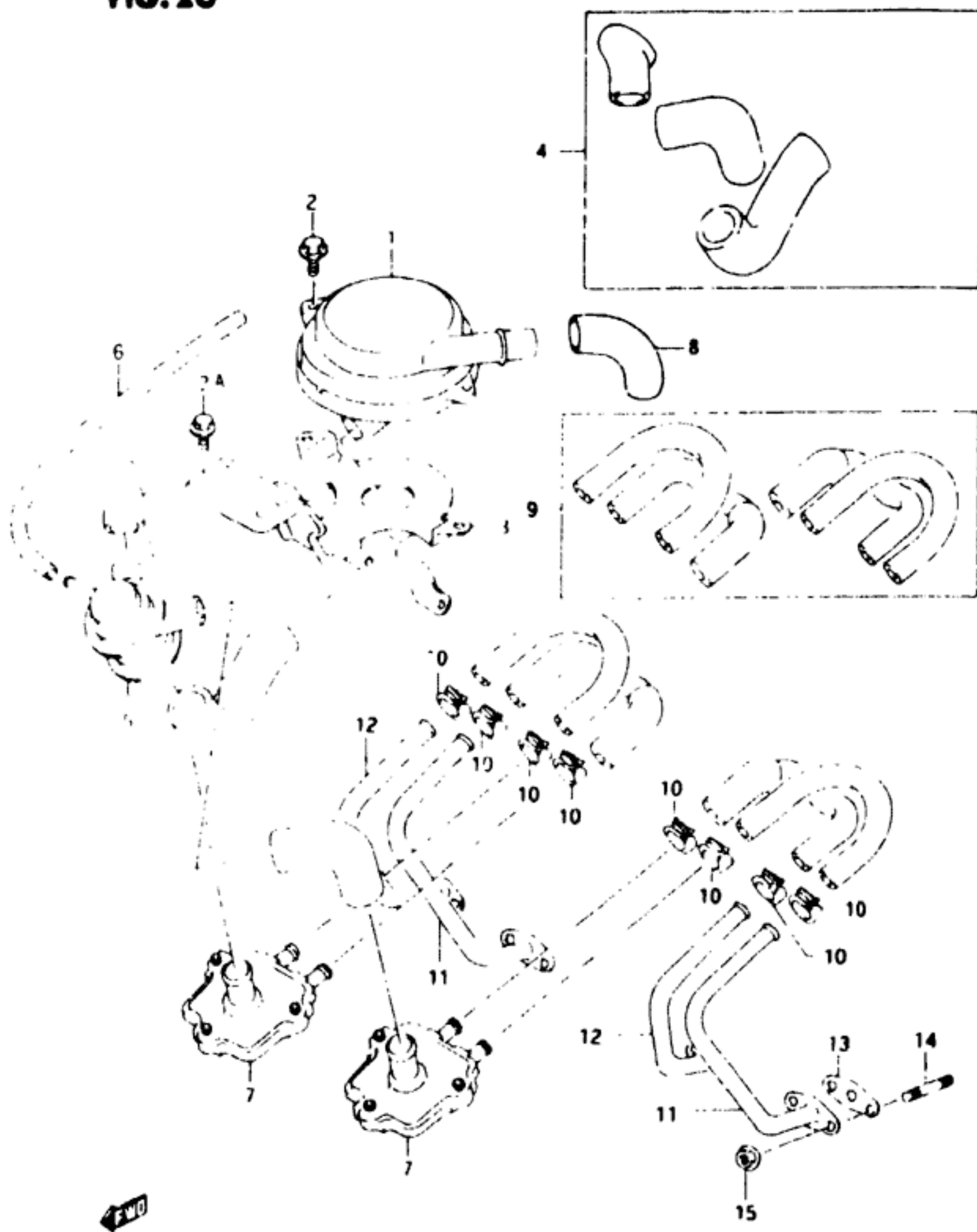


FIG. 20 (D- 5) SECOND AIR (CALIFORNIA ONLY)

REF. NO.	PART NO.	DESCRIPTION	Q'TY	REMARKS
1-1	18700-26001	CLEANER ASSY, 2nd air	1	model R/S
1-2	18700-17C03	CLEANER ASSY, 2nd air	1	model T
2	01550-06123	BOLT	2	
2A	01547-06123	BOLT	2	
3	18750-21E00	BRACKET, 2nd air cleaner	1	
4	18420-17810	HOSE SET, 2nd air No.2	1	
5	18510-46E00	VALVE ASSY, air switching	1	
6	09354-45853-600	HOSE, vacuum	1	L:600-300
7	18450-48800	VALVE ASSY, 2nd air reed	2	
8	18731-17C00	HOSE, 2nd air cleaner inlet	1	
9	18410-21810	HOSE SET, 2nd air No.1	1	
10	09401-13413	CLIP	8	
11	18410-21E00	PIPE, 2nd air No.1	2	
12	18420-21E00	PIPE, 2nd air No.2	2	
13	18441-45C00	GASKET, 2nd air pipe	4	
14	01421-06163	STUD BOLT	8	
15	08316-10063	NUT	8	

RF600RT E3

D5

AIR CLEANER..... 1-07 ENGINE BODY..... 5-02 FRAME COVER..... 8-09 FUEL PUMP..... C-10 MUFFLER..... C-08 REAR MASTER CYLINDER..... 1-10 STARTING MOTOR..... 2-08

FIG. 21

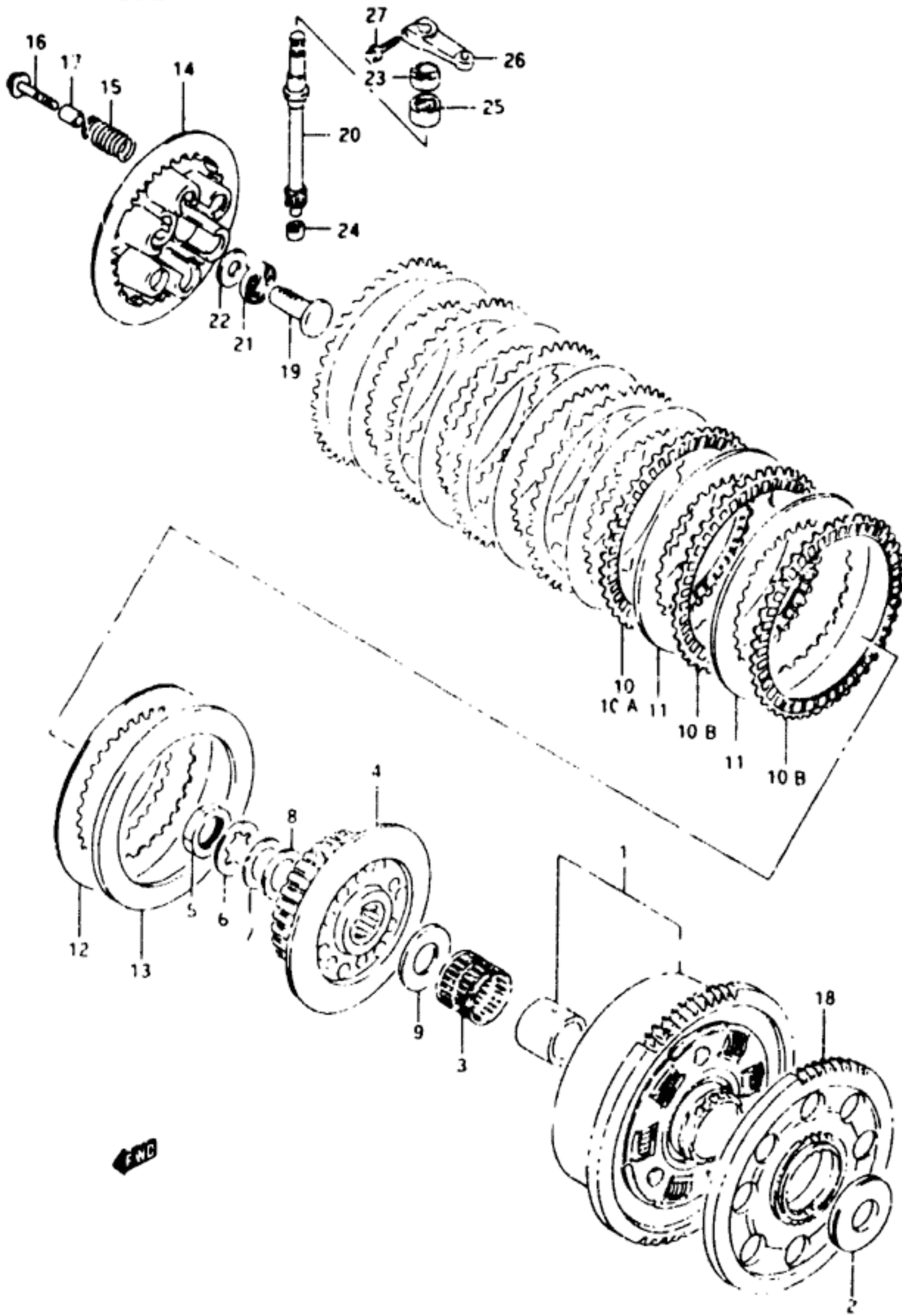
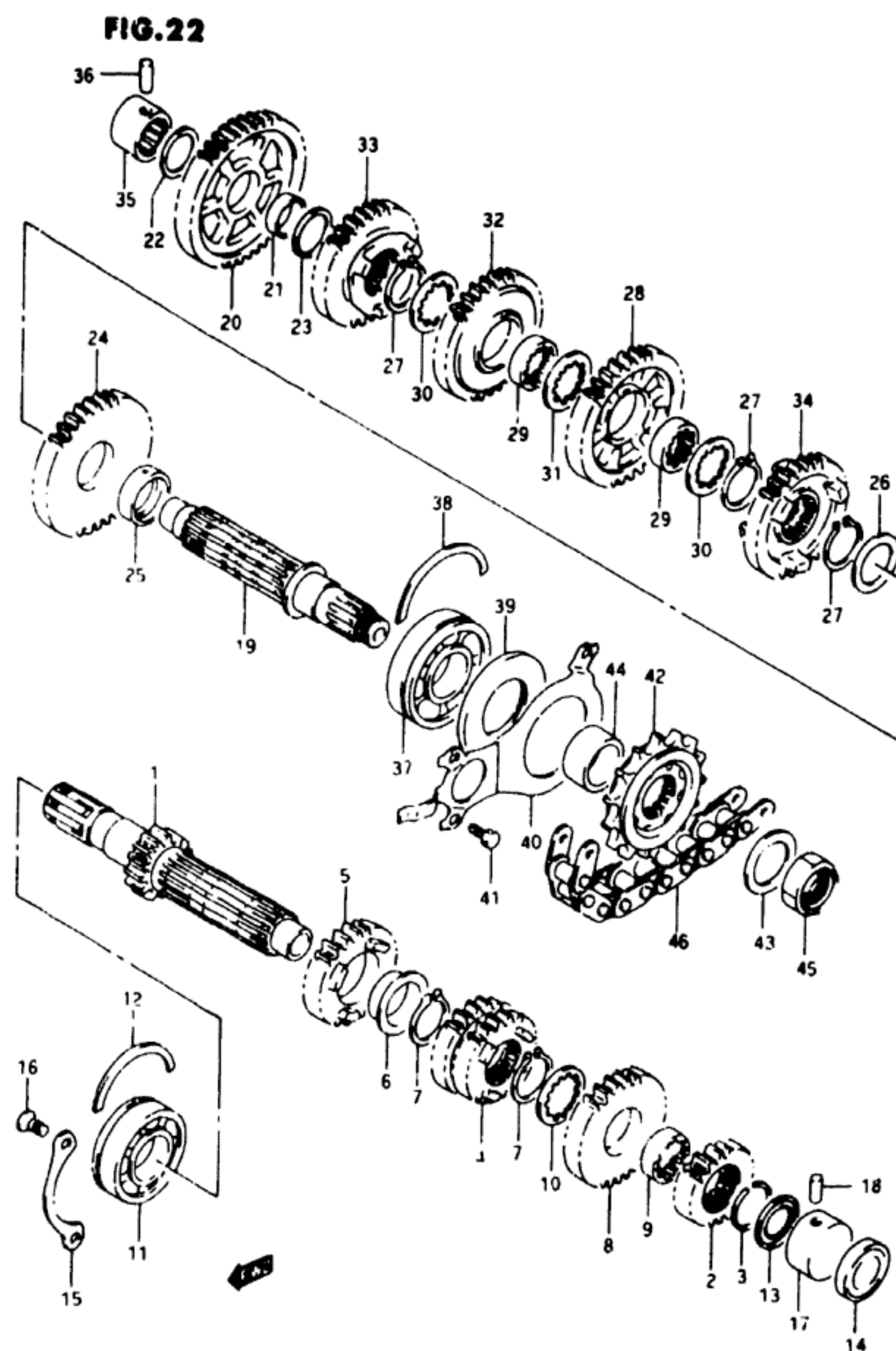


FIG. 21 (D- 6) CLUTCH

REF. NO.	PART NO.	DESCRIPTION	Q'TY	REMARKS
1	21200-210A1	GEAR, primary drive (NT:75)	1	
2	09160-25067	WASHER	1	
3	09263-35017	BEARING	1	
4	21410-17E10	HUB, sleeve	1	
5	09140-24012	NUT	1	
6	09167-25007	WASHER	1	
7	09164-25001	WASHER, wave	1	
8	08211-25441	WASHER	1	
9	09160-25056	WASHER (25x50x2.5)	1	
10	21441-17E10	PLATE, drive (T:2.2)	7	model R/S
10A	21441-17E10	PLATE, clutch drive No.1	5	model T
10B	21441-17E21	PLATE, clutch drive No.2	2	model T
11	21451-17E00	PLATE, driven, No.1 (T:2.0)	6	
12	21451-17C00	PLATE, driven, No.2 (T:1.6)	1	
13	21443-21E00	SPACER, clutch plate	1	
14	21462-17E01	DISC, pressure	1	
15	09440-20020	SPRING	6	
16	09116-06161	BOLT (6x40)	6	
17	09180-06198	SPACER (6.2x12x16)	6	
18	22721-21E01	GEAR, generator drive (NT:34/61)	1	
19	23165-21E00	RACK, release	1	
20	23261-21E00	PINION, release	1	
21	09263-15003	BEARING (15x28x2)	1	
22	09160-15045	WASHER (15.5x28x1)	1	
23	09285-12002	OIL SEAL (12x22x9)	1	
24	09263-10013	BEARING (10x14x10)	1	
25	09263-15012	BEARING (15x22x12)	1	
26	23271-17C00	ARM, clutch release	1	
27	01500-06203	BOLT	1	



REF. NO.	PART NO.	DESCRIPTION	Q'TY	REMARKS
1	24120-17E10	COUNTERSHAFT (NT:14)	1	
2	24221-17E00	GEAR, 2nd drive (NT:17)	1	
3	09380-27004	CIRCLIP	1	
4	24231-17E00	GEAR, 3/4th drive (NT:20/21)	1	
5	24251-17E10	GEAR, 5th drive (NT:23)	1	
6	09301-28001	BUSH	1	
7	09380-27001	CIRCLIP	2	
8	24261-17E10	GEAR, 6th drive (NT:25)	1	
9	24262-17E00	BUSH	1	
10	09167-27001	WASHER	1	
11-1	09262-25051	BEARING, RH	1	model R
11-2	09262-25105	BEARING, RH	1	model S/T
12-1	09390-62006	C RING	1	model R/S
12-2	09390-62012	C RING	1	model T
13	09285-20006	OIL SEAL	1	
14	23116-27A30	CAP, counter shaft	1	
15	24741-27A00	HOLDER, bearing	1	
16	02122-06163	SCREW	2	
17	09263-20069	BEARING, LH	1	
18	04221-07129	PIN	1	
19	24131-17E10	DRIVESHAFT	1	
20	24311-17E20	GEAR, 1st driven (NT:44)	1	
21	09300-22008	BUSH	1	
22	08211-20341	WASHER, RH	1	
23	08211-22341	WASHER, LH	1	
24	24321-17E10	GEAR, 2nd driven (NT:35)	1	
25	09300-28003	BUSH	1	
26	08211-28381	WASHER	1	
27	09380-27001	CIRCLIP	3	
28	24331-17E02	GEAR, 3rd driven (NT:33)	1	
29	24332-17E02	BUSH	2	
30	09167-27001	WASHER, LH	2	
31	09167-27002	WASHER	1	
32-1	24341-17E02	GEAR, 4th driven (NT:30)	1	model R/S
32 ?	24341-17E03	GEAR, 4th driven (NT:30)	1	model T

RF600RT E3

D7

FIG. 22

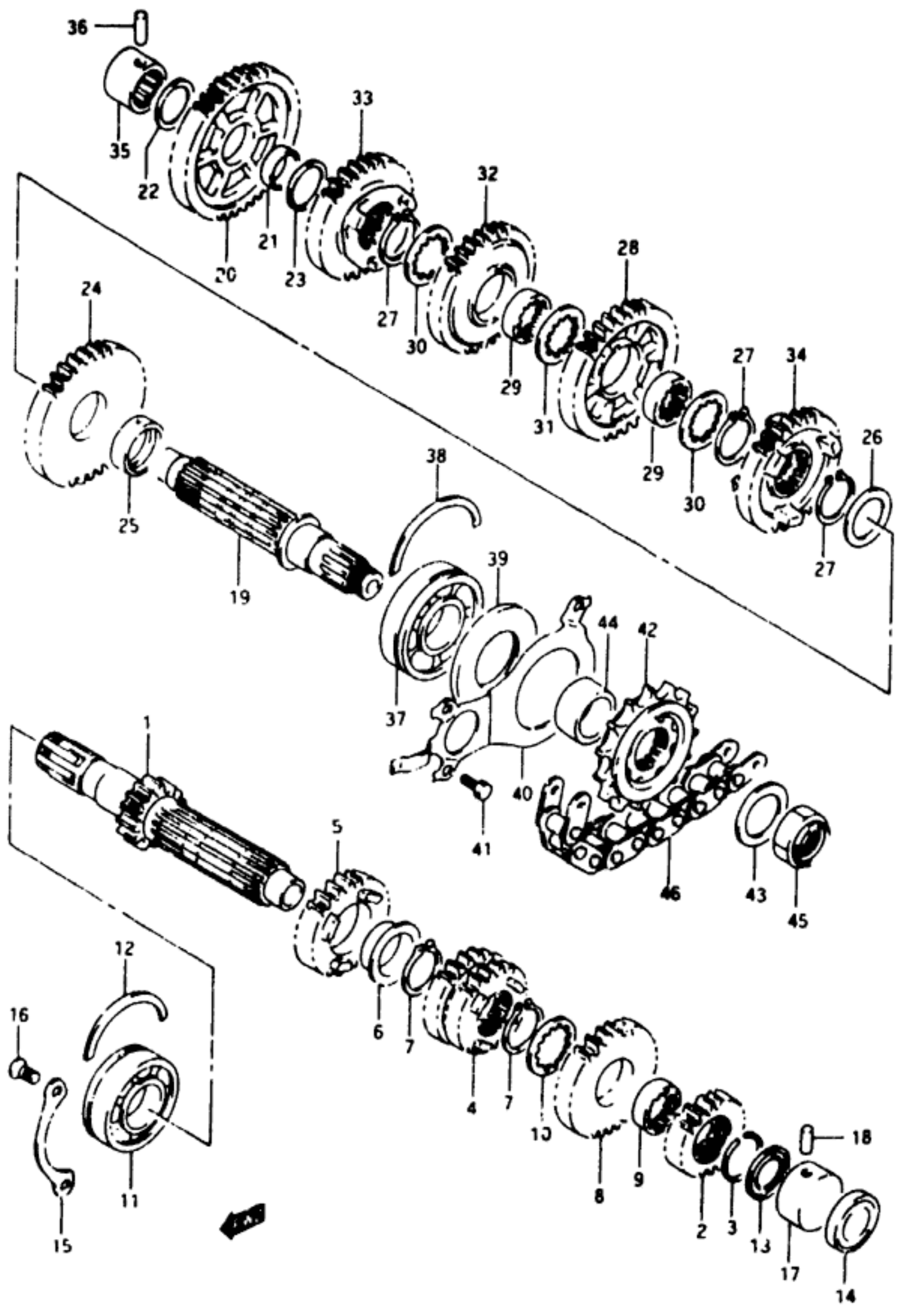


FIG. 22 (D- 8) TRANSMISSION

REF. NO.	PART NO.	DESCRIPTION	Q'TY	REMARKS
33	24351-17E02	GEAR, 5th driven (NT:29)	1	
34	24361-17E20	GEAR, 6th driven (NT:28)	1	
35	09263-20040	BEARING, RM	1	
36	04221-07209	PIN (L:20)	1	
37	09262-20025	BEARING, LM	1	
38	09390-70001	C RING	1	
39	09283-36008	OIL SEAL (36x70x6)	1	
40	24751-17E00	PLATE	1	
41	01500-06123	SCREW	4	
42	27510-21E00	SPROCKET, engine (NT:14)	1	
43	08211-25402	WASHER	1	
44	09180-25098	SPACER (25x36x17.7)	1	
45	09159-20004	NUT	1	
46	27600-21E00-108	CHAIN, drive (108LE) RK	1	

RF600T E3

D8

AIR CLEANER..... C-07	COILING BODY..... G-02	FRAME COVER..... F-09	FUEL PUMP..... C-10	MUFFLER..... C-08	REAR MASTER CYLINDR J-10	STARTING MOTOR..... E-02
ALTERNATOR..... F-03	CRANKCASE COVER..... G-07	FRAME..... F-02	FUEL TANK..... F-05	OIL COOLER - OIL FI C-11	REAR SWINGING ARM.. I-02	STEERING STEM..... M-03
BATTERY..... E-08	CRANKSHAFT..... G-05	FRONT BRAKE HOSE... M-04	GEAR SHIFTING..... G-09	OIL PAN - OIL PUMP. G-08	REAR WHEEL..... I-05	TAIL LAMP..... E-14
CAM CHAIN..... G-13	CRANKSHAFT COVER G-09	FRONT CALIPERS..... M-03	HANDLE BAR..... F-12	OPTIONAL..... J-11	SEAT..... G-11	TRANSMISSION..... G-07
CAM SHAFT - VALVE.. G-11	CYLINDER HEAD COVER G-02	FRONT DAMPER..... M-03	HANDLE COVER..... F-11			

FIG. 23

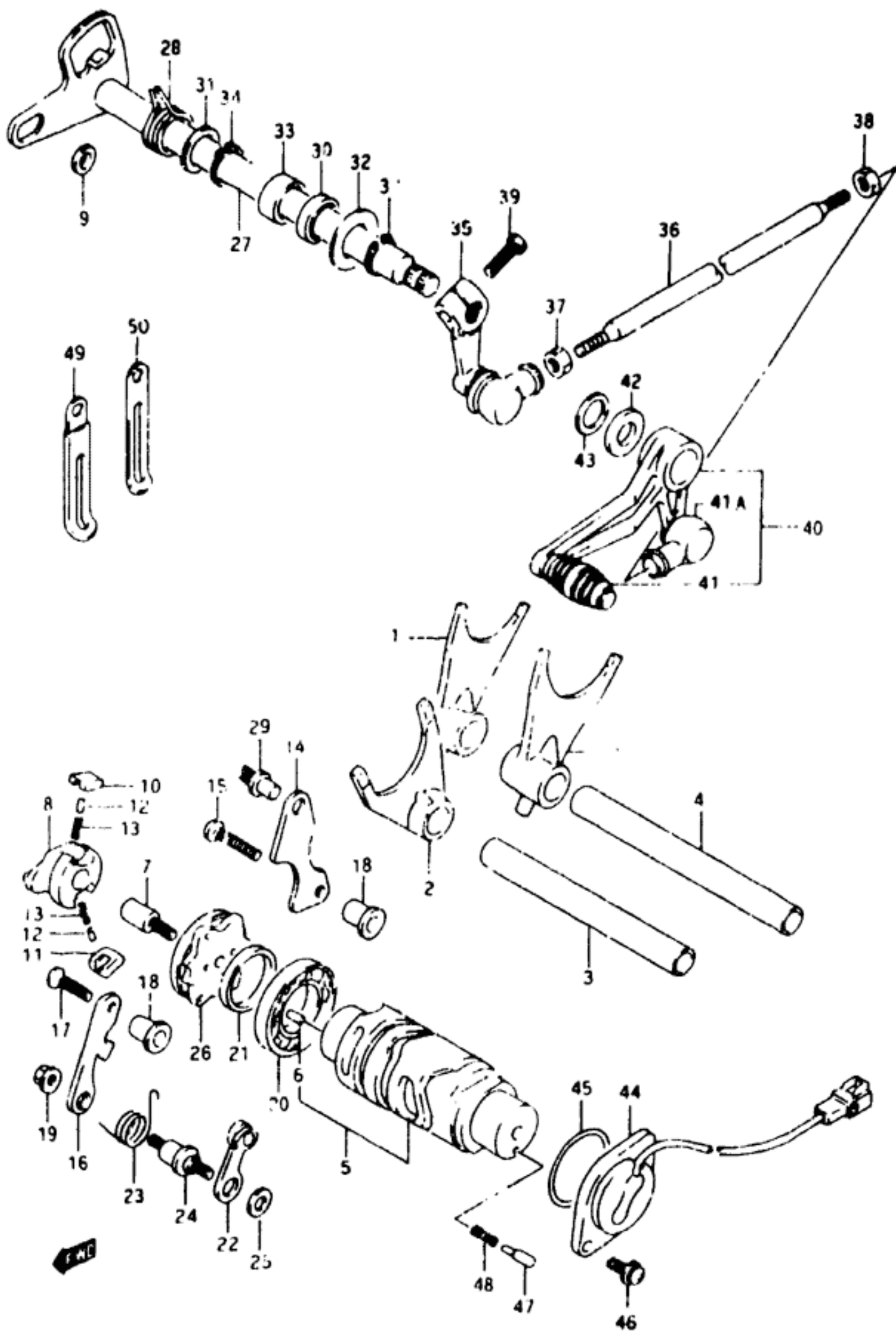


FIG. 23 (D- 9) GEAR SHIFTING

REF. NO.	PART NO.	DESCRIPTION	Q'TY	REMARKS
1	25211-17E00	FORK, gear shifting No.1	2	
2	25231-17E00	FORK, gear shifting No.3	1	
3	25411-26001	SHAFT, fork (L:110)	1	
4	25411-27A00	SHAFT, fork (L:120)	1	
5	25310-17E01	CAM, gear shifting	1	
6	04221-04089	.PIN	2	
7	25312-12C00	PIN, shift cam driven gear	1	
8	25322-33C00	SHIFTER, cam	1	
9	09180-07014	ROLLER	1	
10	25323-34201	PIN, No.1	1	
11	25324-34201	PIN, No.2	1	
12	09261-05003	PIN	2	
13	09440-04003	SPRING	2	
14	25331-26000	LIFTER, pawl	1	
15	02112-06303	SCREW	1	
16	25341-17F00	GUIDE, cam	1	
17	02122-06303	SCREW	1	
18	09180-05202	SPACER	2	
19	08316-10063	NUT	1	
20	09262-25006	BEARING (25x7x8)	1	
21	09160-25059	WASHER (25x32x3)	1	
22	25350-26001	STOPPER, cam	1	
23-1	25355-26010	SPRING	1	model R/S
23-2	25355-26021	SPRING	1	model T
24	25356-12C00	SUPPORT, stopper	1	
25	08211-06141	WASHER	1	
26	25357-12C00	PLATE, stopper	1	
27	25510-17E00	SHAFT, gear shifting	1	
28-1	09444-20002	SPRING	1	model R/S
28-2	09444-20003	SPRING	1	model T
29	25671-01000	STOPPER, arm	1	
30	09283-14006	OIL SEAL	1	
31	08211-14221	WASHER, RH	1	
32	09160-14016	WASHER, LH	1	
33	09263-14027	BEARING (14x20x12)	1	
34	08331-31146	CIRCLIP	2	

RF600RT E3

DO

FIG. 23

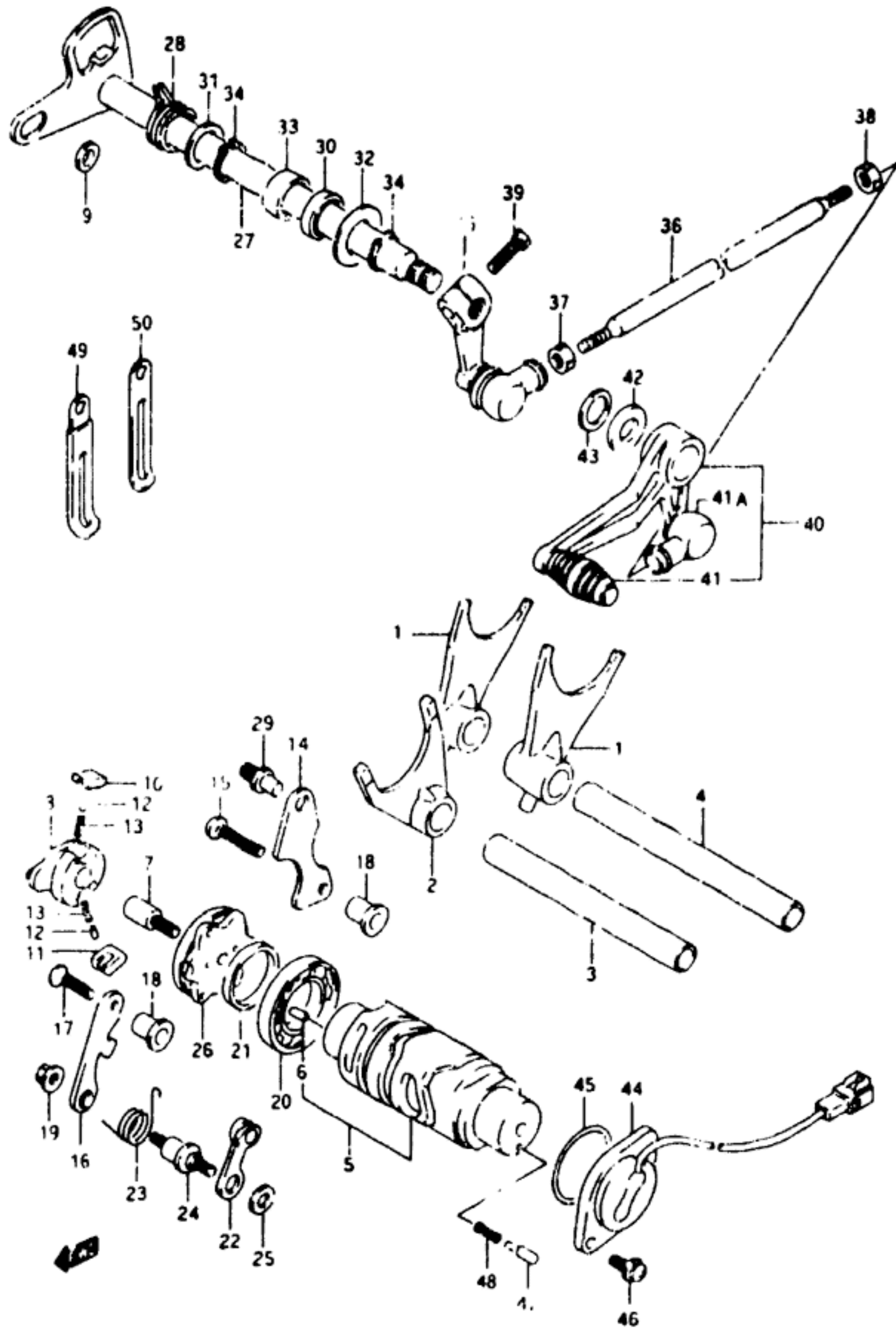


FIG. 23 (D-10) GEAR SHIFTING

REF. NO.	PART NO.	DESCRIPTION	Q'TY	REMARKS
35	25520-19C02	ARM, gear shift link	1	
36-1	25523-21E00	ROD, gear shift link (L:185)	1	model R/S
36-2	25525-21E10	ROD, gear shift link (L:185)	1	model T
37	09140-06011	NUT	1	
38	08310-00067	NUT	1	
39	01500-06257	BOLT	1	
40	25600-17C03	LEVER ASSY, gear shifting	1	
41	25652-16500	.RUBBER	1	
41A	25526-47000	.COVER,dust	1	
42	09160-14052	WASHER, shift lever,R	1	
43	09160-18022	WASHER (18x24x1)	1	
44	37720-48800	BODY, gear shifting switch	1	
45	09280-35006	O RING (O:2.4,I0:35.5)	1	
46	02112-75163	SCREW	2	
47	09209-05011	CONTACT	1	
48	09440-04010	SPRING	1	
49-1	09404-06402	CLAMP (L:50)	2	
49-2	09404-06429	CLAMP (L:45)	3	
50-1	09404-06422	CLAMP (L:50)	1	
50-2	09404-06426	CLAMP (L:95)	1	
50-3	09404-06433	CLAMP (L:80)	1	

RF600RT E3

D10

FIG. 24

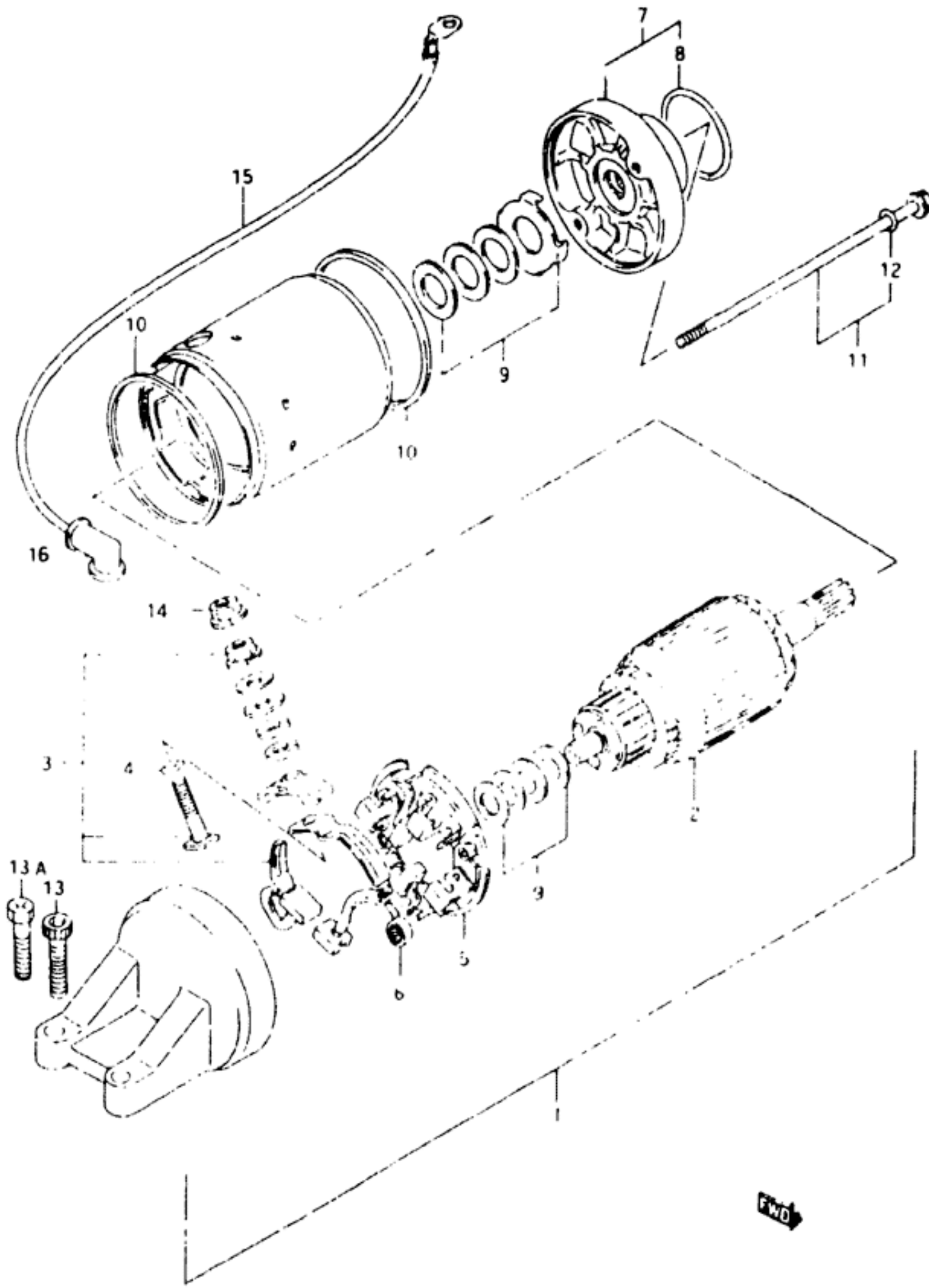


FIG. 24 (E- 2) STARTING MOTOR

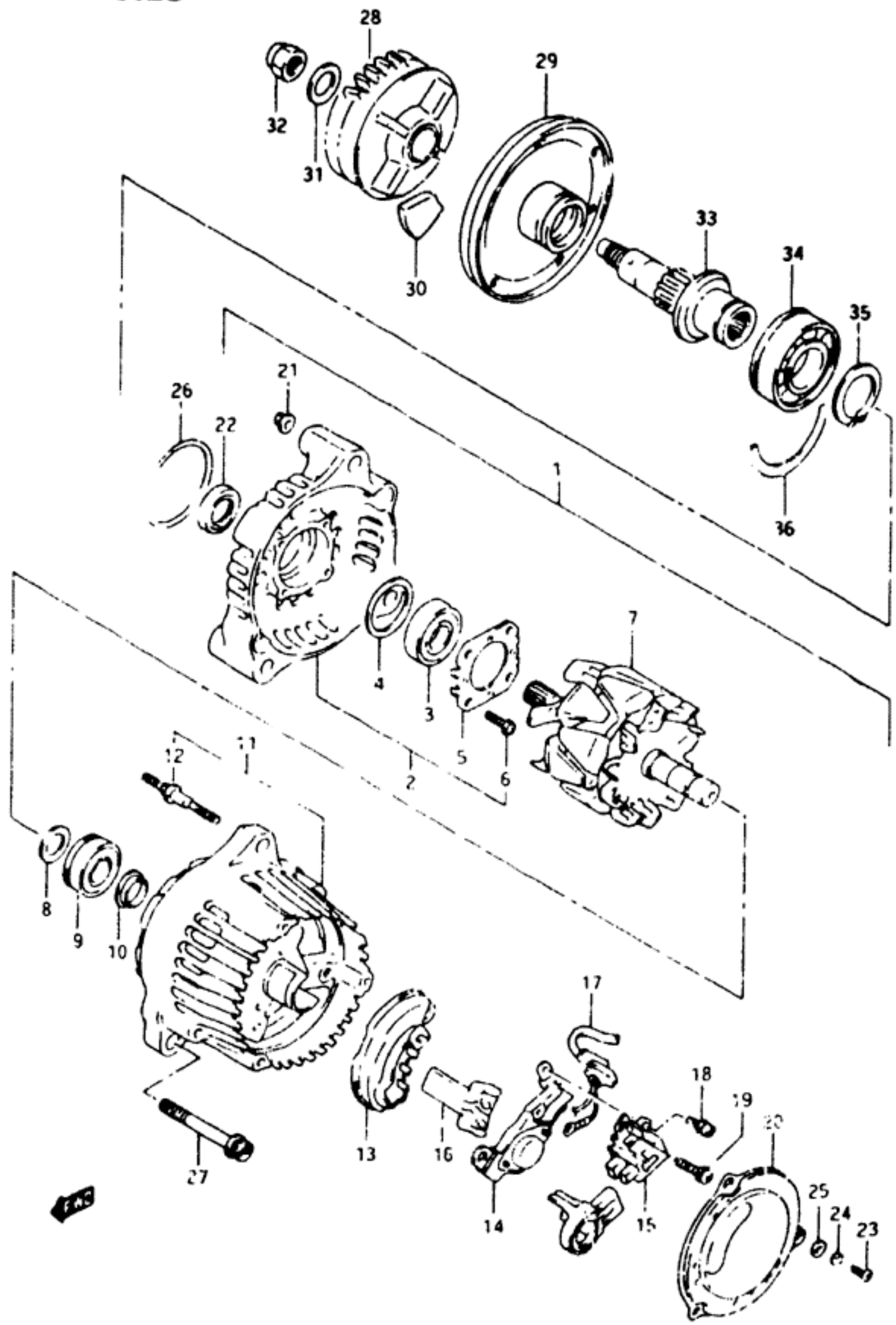
REF. NO.	PART NO.	DESCRIPTION	Q'TY	REMARKS
1	31100-46E00	MOTOR, starting	1	
2	31311-19C02	.ARMATURE	1	
3	31130-19B10	.TERMINAL SET, brush	1	
4	31143-49040	.O RING	1	
5	31132-46E00	.BRUSH HOLDER SET	1	
6	31135-31300	.SPRING, brush	2	
7	31150-46E00	.BRACKET ASSY, front	1	
8-1	31156-46E00	.O RING	1	model R/S
8-2	31156-48B00	.O RING	1	model T
9	31170-19B10	.WASHER SET	1	
10	31264-31300	.O RING	2	
11	31280-19B10	.BOLT ASSY	4	
12	31143-49040	.O RING	2	
13	07120-06253	BOLT	2	model R
13A	09128-06024	SCREW	2	model S/T
14	08361-33068	NUT	1	
5	33810-21F00	WIRE, starter motor	1	
16	31861-48B10	.CAP, starter motor	1	

RF600RT E3

E2

FIG.25

FIG.25 (E-3) ALTERNATOR (model R)



REF. NO.	PART NO.	DESCRIPTION	Q'TY	REMARKS
1-1	31400-17E02	ALTERNATOR ASSY	1	-E.No.N708-108342
1-2	31401-17E20	ALTERNATOR ASSY	1	E.No.N708-108343-
2	31500-17E00	.FRAME, drive end	1	
3	31612-06800	.BEARING	1	
4	31613-48800	.COVER, bearing	1	
5	31585-85251	.RETAINER, bearing	1	
6	31586-17E00	.SCREW, bearing retainer	4	
7-1	31710-17E02	.ROTOR ASSY	1	-E.No.N708-108342
7-2	31710-17E20	.ROTOR ASSY	1	E.No.N708-108343-
8	31613-82610	.COVER (1)	1	
9	31612-48800	.BEARING	1	
10	31613-27A10	.COVER (2)	1	
11	31611-17E00	.FRAME, end	1	
12	31587-85250	.STUD BOLT	2	
13	31621-27A00	.HOLDER, rectifier	1	
14	32500-27A00	.REGULATOR	1	
15	31636-48800	.HOLDER, brush	1	
16	31687-17E00	.COVER, rectifier	1	
17	31400-17E00	.LEAD WIRE	1	
18	02112-04063	.SCREW	2	
19	31688-27A00	.SCREW (5x17)	3	
20	31614-17E00	.COVER	1	
21	08310-00053	.NUT	2	
22	31780-48800	.OIL SEAL SET	1	
23	02112-05085	.SCREW	3	
24	08321-21055	.LOCK WASHER	1	
25	08322-21055	.WASHER	3	
26	31156-17E00	O RING	1	
27	07120-08653	BOLT	3	
28	22730-21E00	GEAR, generator driven (NT:30)	1	
29	22734-21E00	HOUSING, damper	1	
30	21231-17E10	DAMPER	8	
31	08211-12243	WASHER	1	
32	09159-12010	NUT	1	

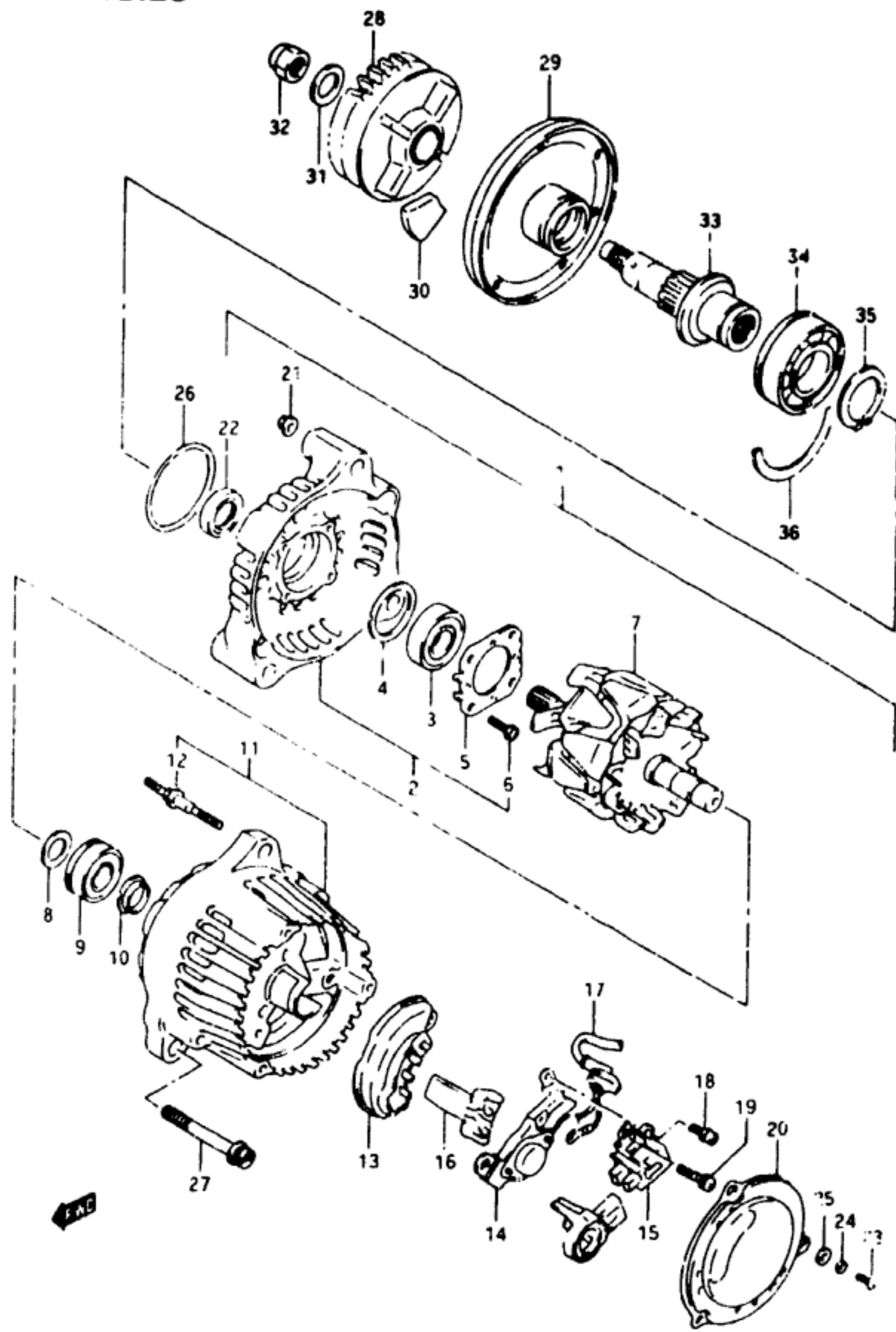
Refer to FIG.25A(E-3) for model S/I

RF600RT E3

E3

AIR CLEANER..... C-07	COOLING BODY..... 6-02	FRAME COVER..... 2-09	FUEL PUMP..... C-10	MUFFLER..... C-08	REAR MASTER CYLINDER..... 1-10	STARTING MOTOR..... 8-02
ALTERNATOR..... E-03	CRANKCASE COVER..... 8-07	FRONT..... 2-02	FUEL TANK..... F-05	REAR COIL SPRING..... 1-02	REAR MASTER CYLINDER..... 1-10	

FIG.25



33

FIG.25 (E- 4) ALTERNATOR (model R)

REF.NO.	PART NO.	DESCRIPTION	Q'TY	REMARKS
33	22732-21E00	SHAFT, generator drive	1	
34	09262-25110	BEARING	1	
35	08331-31256	CINCLIP	1	
36	09390-52003	C RING	1	

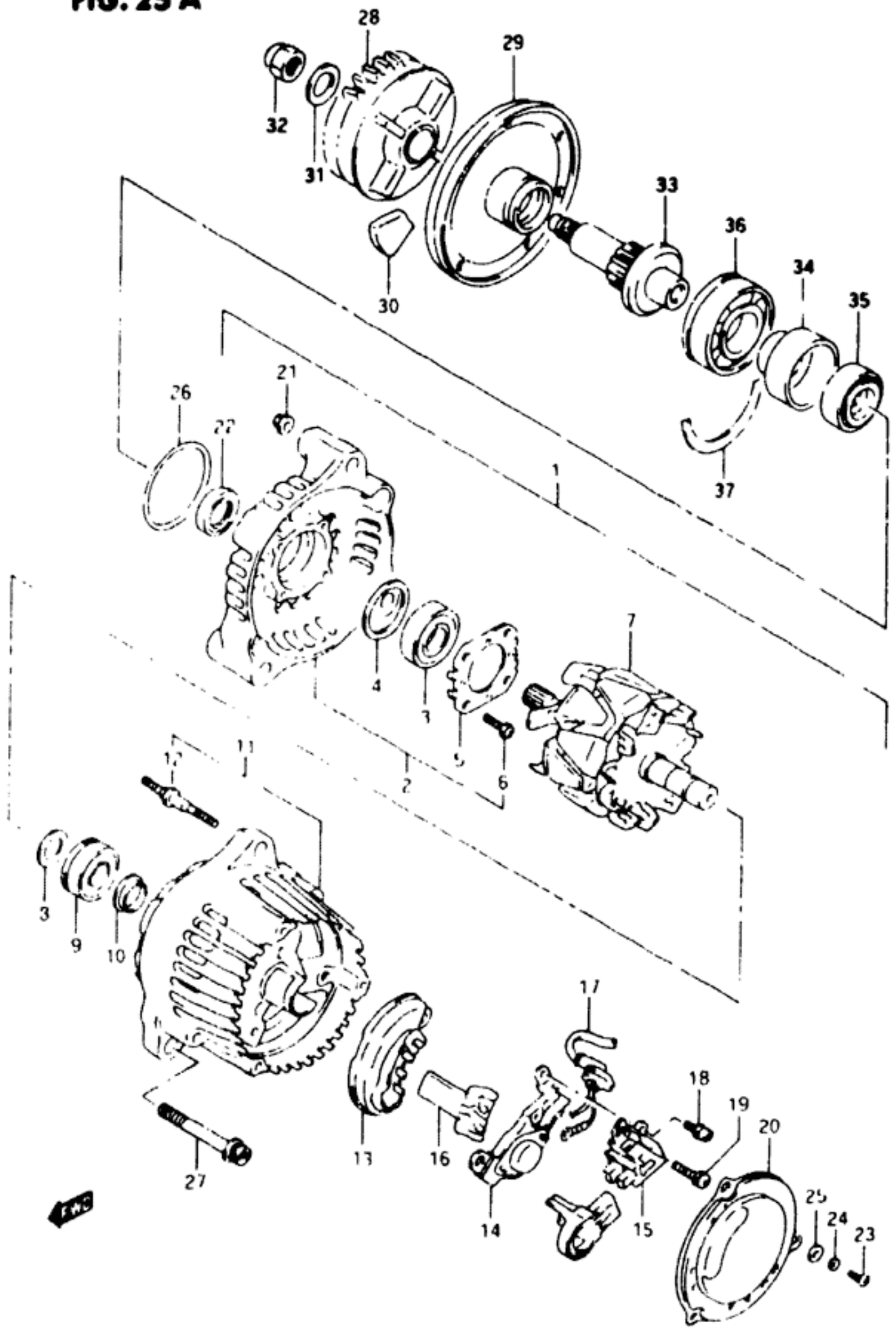
Refer to FIG.25A(E-5) for model S/T

REFSOORT E3

E4

FIG. 25 A

FIG. 25A(E- 5) ALTERNATOR (model S/T)

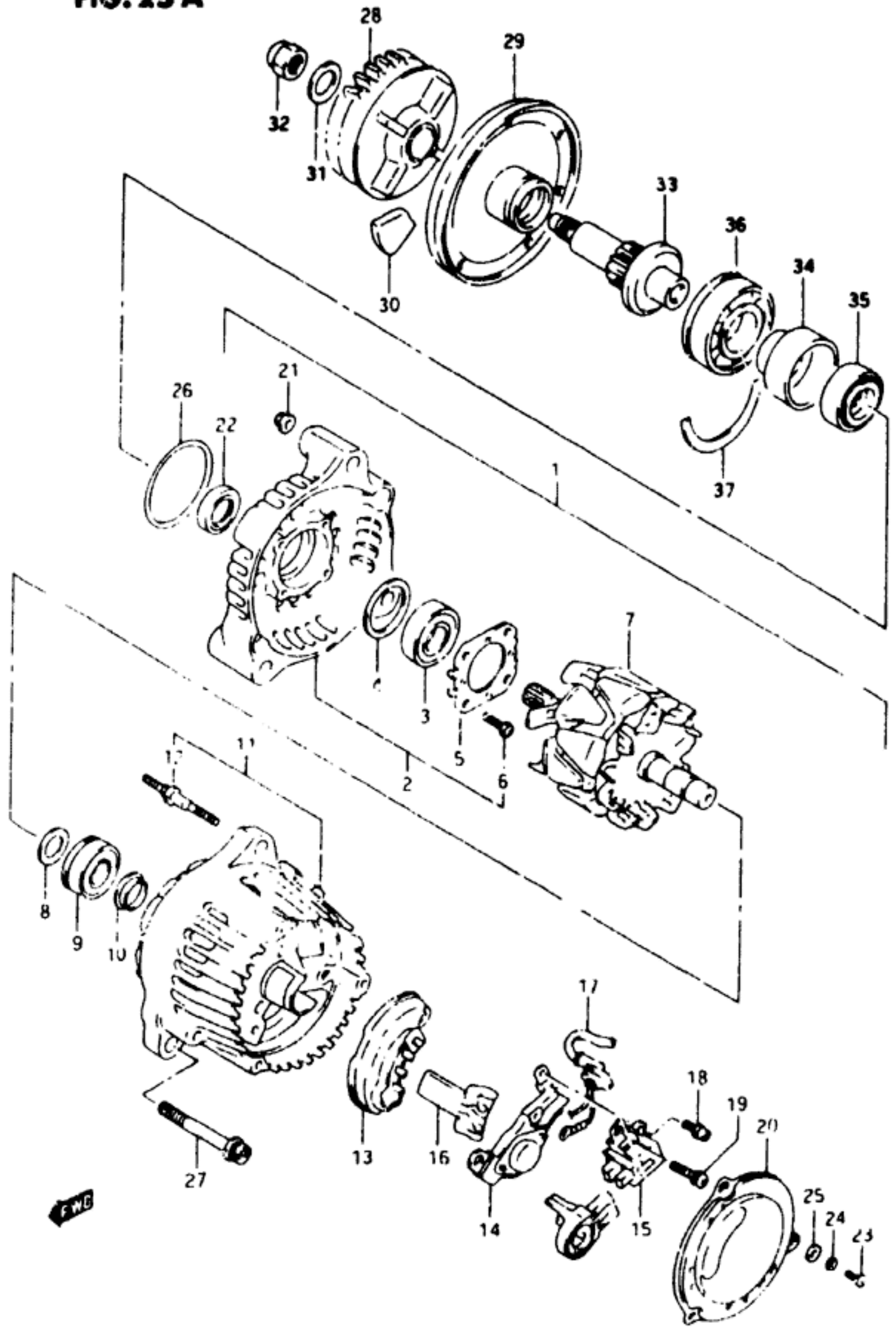


REF.NO.	PART NO.	DESCRIPTION	Q'TY	REMARKS
1	31400-17E30	ALTERNATOR ASSY	1	
2	31580-17E00	.FRAME, drive end	1	
3	31612-06B00	..BEARING	1	
4	31613-48B00	..COVER, bearing	1	
5	31585-85251	..RE LINER, bearing	1	
6	31586-17E00	..SCREW, bearing retainer	4	
7	31710-17E30	.ROTOR ASSY	1	
8	31613-82610	.CRITER (1)	1	
9	31612-48B00	.BEARING	1	
10	31613-27A10	.COVER (2)	1	
11	31611-17E00	.FRAME, end	1	
12	31587-85250	..STUD BOLT	2	
13	31621-27A00	.HOLDER, rectifier	1	
14	32500-27A00	.REGULATOR	1	
15	31636-48B00	.HOLDER, brush	1	
16	31687-17E00	.COVER, rectifier	1	
17	31480-17E00	.LEAD WIRE	1	
18	02112-04063	.SCREW	2	
19	31688-27A00	.SCREW (5x17)	3	
20	31614-17E00	.COVER	1	
21	08310-00053	.NUT	2	
22	31780-27X50	.OIL SEAL SET	1	
23	02112-03085	.SCREW	3	
24	08321-01053	.LOCK WASHER	3	
25	08322-01053	.WASHER	3	
26	31156-17E00	O RING	1	
27	07120-08653	BOLT	3	
28	22730-21E00	GEAR, generator driven (NT:30)	1	
29	22734-21E00	HOUSING, damper	1	
30	21231-17E10	DAMPER	8	
31	08211-12243	WASHER	1	
32	09159-12010	NUT	1	

RF600RT E3

E5

FIG. 25 A



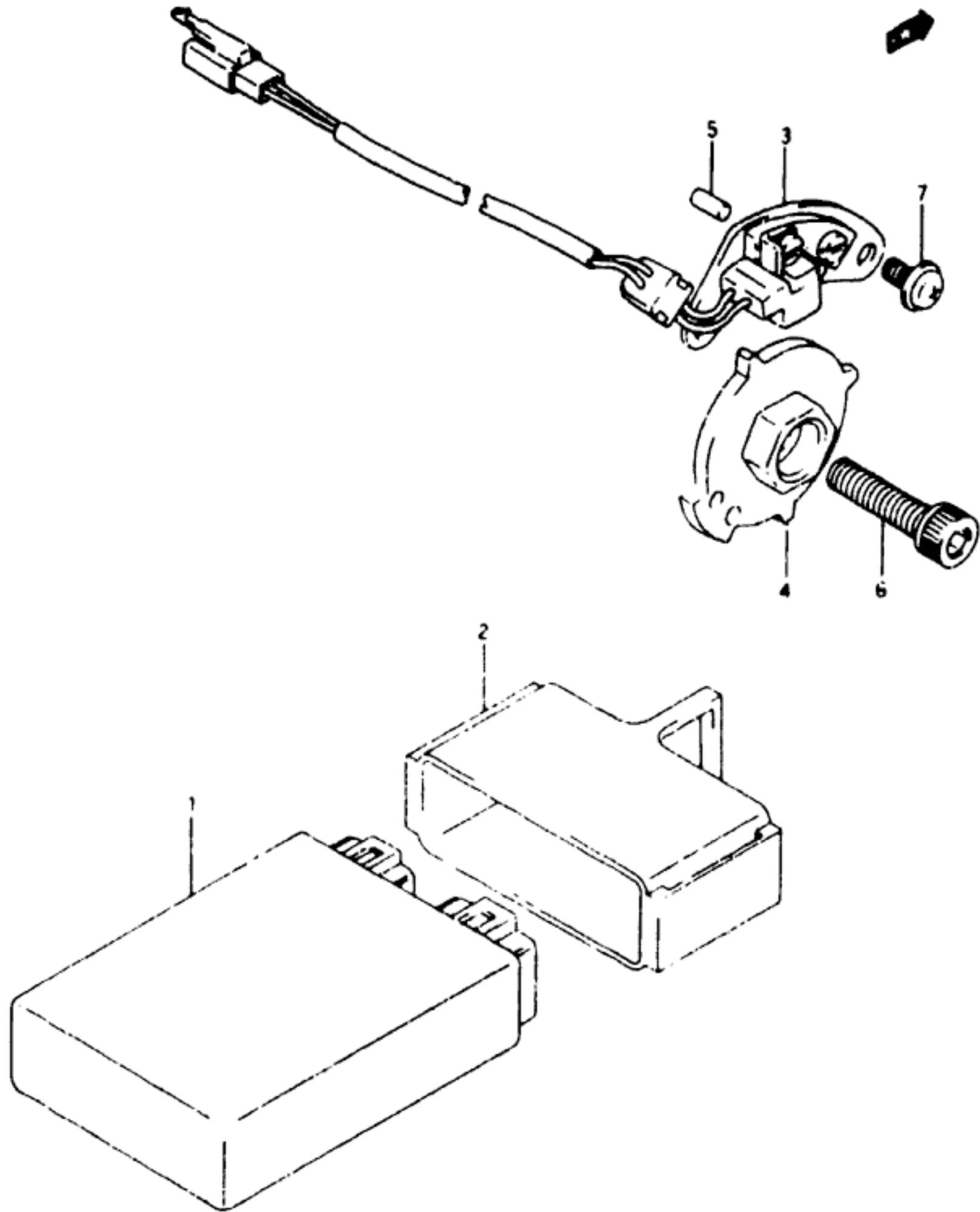
37

FIG. 25A(E- 6) ALTERNATOR (model S/T)

REF. NO.	PART NO.	DESCRIPTION	Q'TY	REMARKS
33	22732-46E00	SHAFT, generator drive	1	
34	22736-46E00	HUB, generator drive	1	
35	22740-46E00	COUPLING, generator	1	
36	09262-25116	BEARING, generator drive	1	
37	09390-52003	C RING	1	

RF600R1 E3

FIG.26



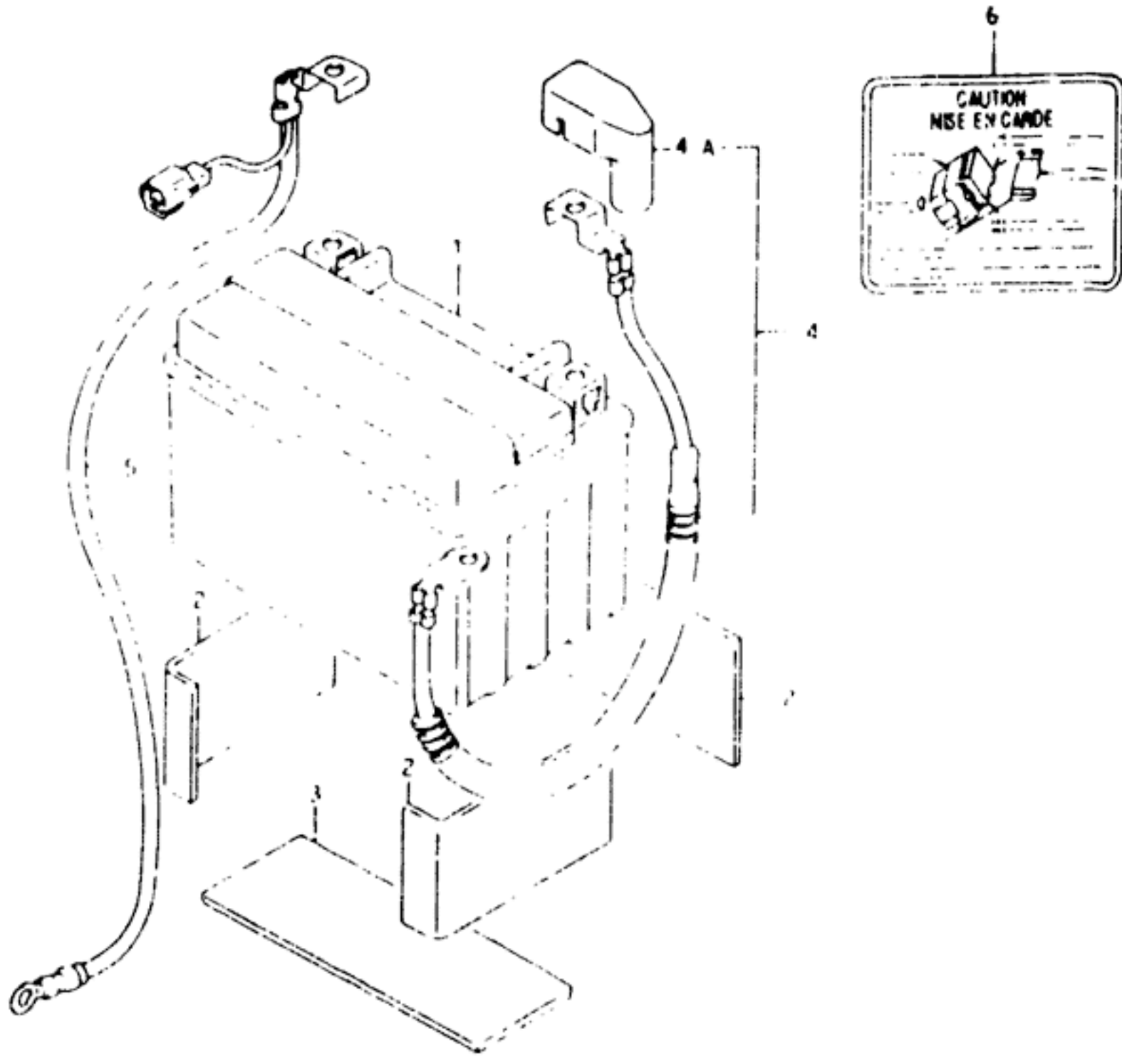
REF. NO.	PART NO.	DESCRIPTION	Q'TY	REMARKS
1-1	32900-21E40	IGNITER ASSY	1	model R
1-2	32900-21E40	IGNITER ASSY	1	model S/T
1-3	32900-21E70	IGNITER ASSY	1	CALIFORNIA ONLY, model R
1-4	32900-21E80	IGNITER ASSY	1	CALIFORNIA ONLY, model S/T
2	32980-40C01	CUSHION	1	
3	33110-17E00	SIGNAL GENERATOR ASSY	1	
4	33120-17E20	MOTOR, signal	1	
5	04221-04089	PIN	1	
6	07130-08303	BOLT	1	
7-1	02142-05103	SCREW	2	model R/S
7-2	02112-05103	SCREW	2	model T

FIG. 27

39

FIG. 27 (E- 8) BATTERY

REF. NO.	PART NO.	DESCRIPTION	Q'TY	REMARKS
1	33610-10000	BATTERY (1.7V, 10AH) YTX9-BS	1	
2	33651-37000	CUSHION	3	cut as required profile (50x115)
3	33651-37000	CUSHION	1	cut as required profile (50x115)
4	33620-21E00	LEAD WIRE (+)	1	
4A	33624-33C10	.C.W.P, battery plus	1	
5-1	33660-17E00	LEAD WIRE (-)	1	model R
5-2	33660-46E00	LEAD WIRE (-)	1	model S/T
6	33690-17E00	PLATE, battery caution	1	



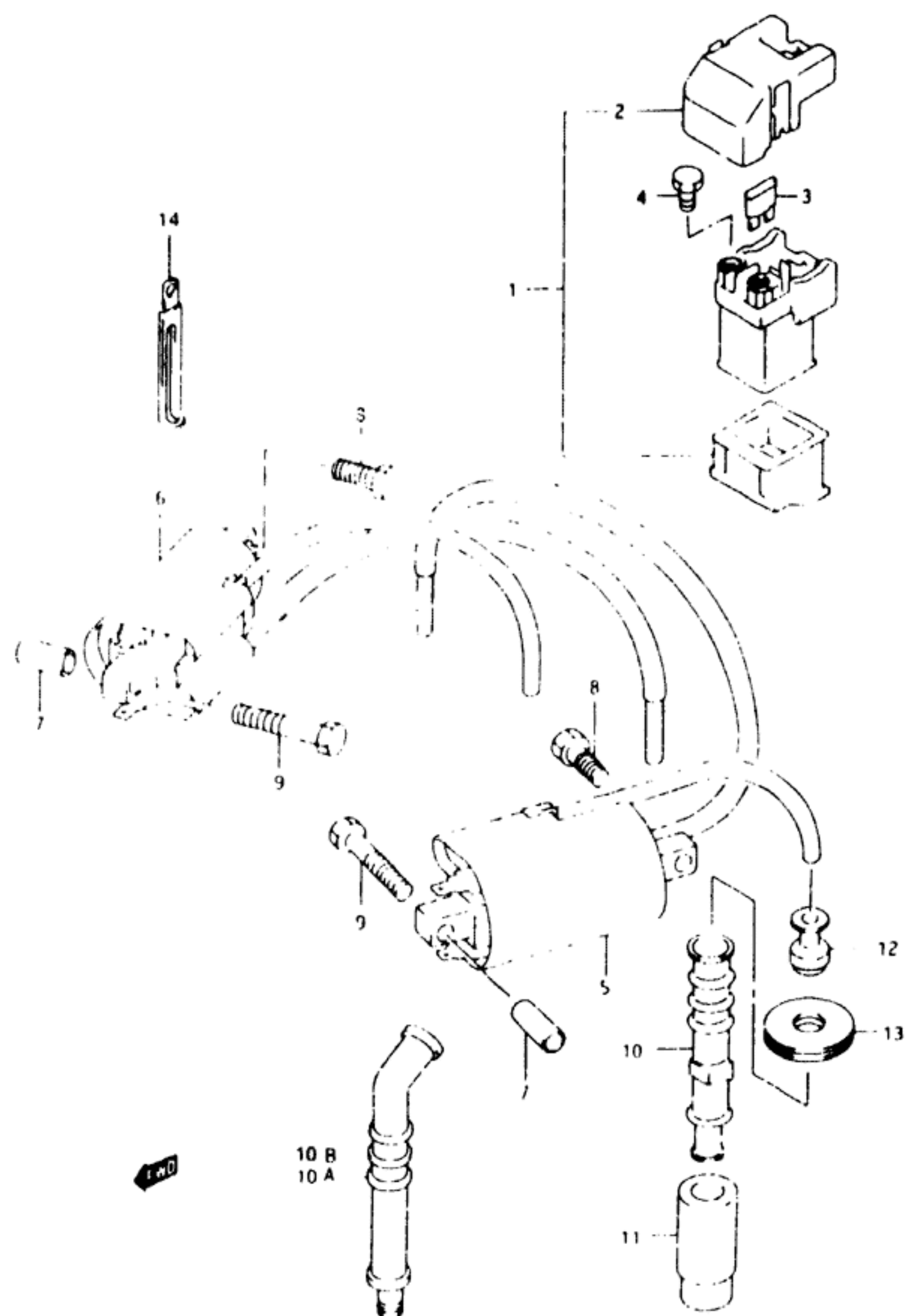
RF600.T E3

E3

AIR CLEANER..... C-07 FUELING BODY..... C-09 FRAME COVER.....

FIG. 28

FIG. 28 (E- 9) ELECTRICAL

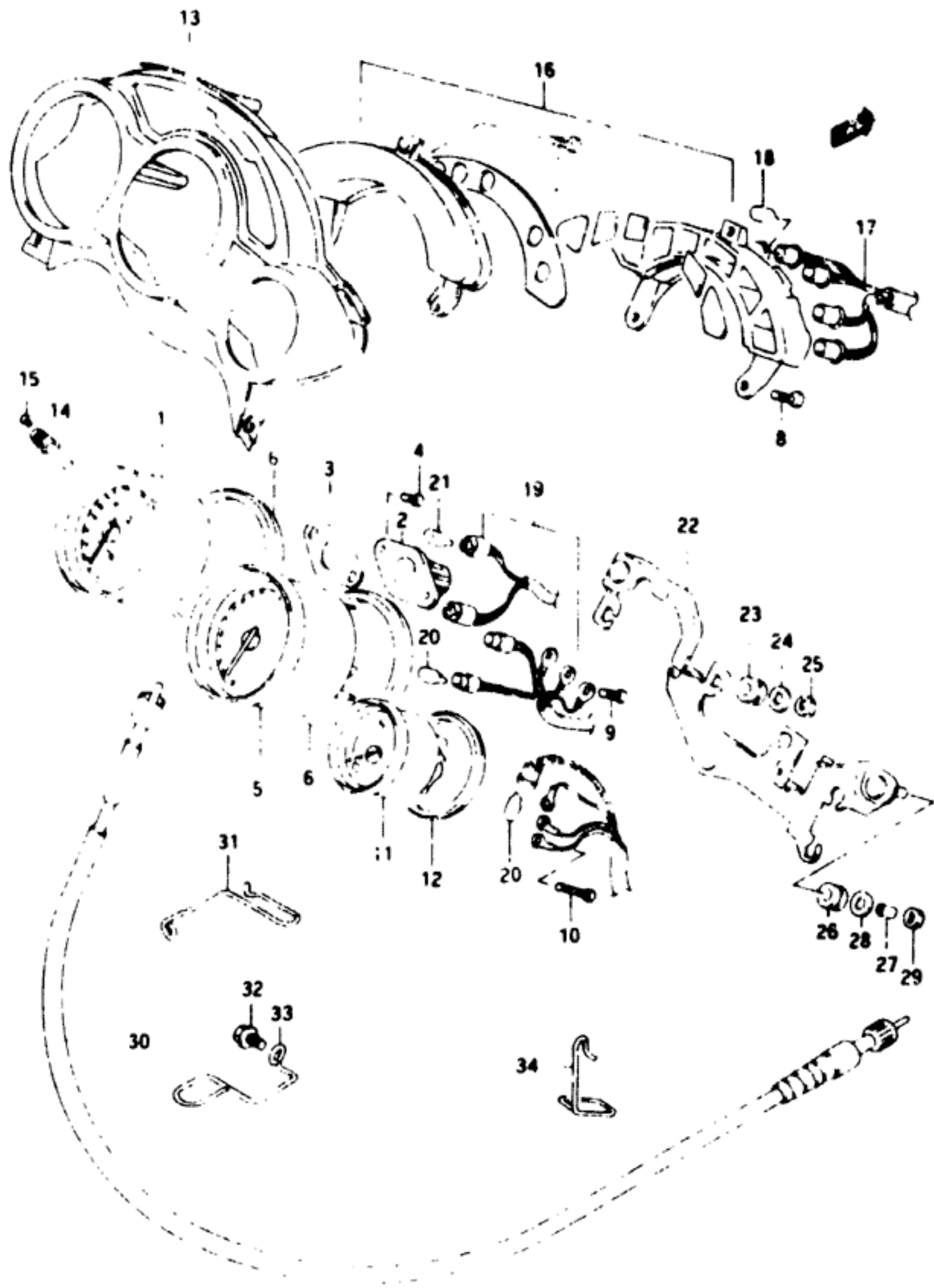


REF. NO.	PART NO.	DESCRIPTION	Q'TY	REMARKS
1	31800-21E10	RELAY, starting motor	1	
2	31861-21E10	.COVER	1	
3	09481-30101	.FUSE (30A)	2	
4	09128-06013	BOLT	2	
5	33410-21E00	COIL, ignition No.1	1	
6	33420-21E00	COIL, ignition No.2	1	
7	09180-06244	SPACER	2	
8	01500-06203	BOLT, ignition coil No.1	2	
9	09100-06123	BOLT, ignition coil No.2	2	
10	33510-17E00	CAP, spark plug	4	w/ del R
10A	33510-17E10	CAP, spark plug	4	model S
10B	33510-17E11	CAP, spark plug	4	model T
11	33341-20C00	SEAL, plug	4	
12	33342-38B00	SEAL, high tension cord	4	
13	33343-17E01	COVER	4	
14-1	09404-06404	CLAMP, high tension cord	1	model R
14-2	09404-06431	CLAMP, high tension cord	1	model S/T

RF600RT E3

E0

FIG. 29



REF. NO.	PART NO.	DESCRIPTION	Q'TY	REMARKS
1	34120-21E20	SPEEDOMETER (Mile/Kilo)	1	
2	34131-40B10	BOX, meter gear	1	
3	34132-17C00	GASKET	1	
4	02112-74103	SCREW	2	
5	34210-21E10	TACHOMETER	1	
6	34191-21E10	DAMPER	2	
7-1	34183-14900	SCREW (4x14)	1	model R
7-2	34184-12B00	SCREW (4x14)	1	model S/T
8-1	34183-21E00	SCREW (4x20)	3	model R
8-2	34183-21E01	SCREW (4x20)	3	model S/T
9-1	34249-17E10	SCREW (3x10)	3	model R
9-2	34149-19D00	SCREW (3x10)	3	model S/T
10	34243-09A00	SCREW (3x22)	3	
11-1	34420-21E10	METER, temp	1	model R
11-2	34420-21E20	METER, temp	1	model S/T
12	34191-21E20	DAMPER	1	
13	34190-21E10	HOOD, meter	1	
14	34124-21E10	KNOB	1	
15-1	34931-13A00	SCREW	1	model R
15-2	04139-02003	SCREW	1	model S/T
16	36301-21E20	BOX ASSY, pilot	1	
17-1	36394-21E10	CORU ASSY, pilot bulb	1	model R
17-2	36394-21E11	CORU ASSY, pilot bulb	1	model S/T
19	09471-120B2	BULB (12V,3.4W)	5	
19	34170-21E10	CORU ASSY	1	
20	09471-12100	BULB (12V,1.7W)	2	
21	09471-12108	BULB (12V,1.7W)	3	
22	34950-21E12	BRACKET, meter	1	
23	34189-21E10	CUSHION	6	
24-1	34727-41A10	WASHER	6	model R
24-2	09160-04017	WASHER	6	model S/T
25	08310-00047	NUT	6	
26	09320-08048	GROMMET	3	
27	09180-06044	SPACER	3	

RF600R1 E3

E10

FIG. 29

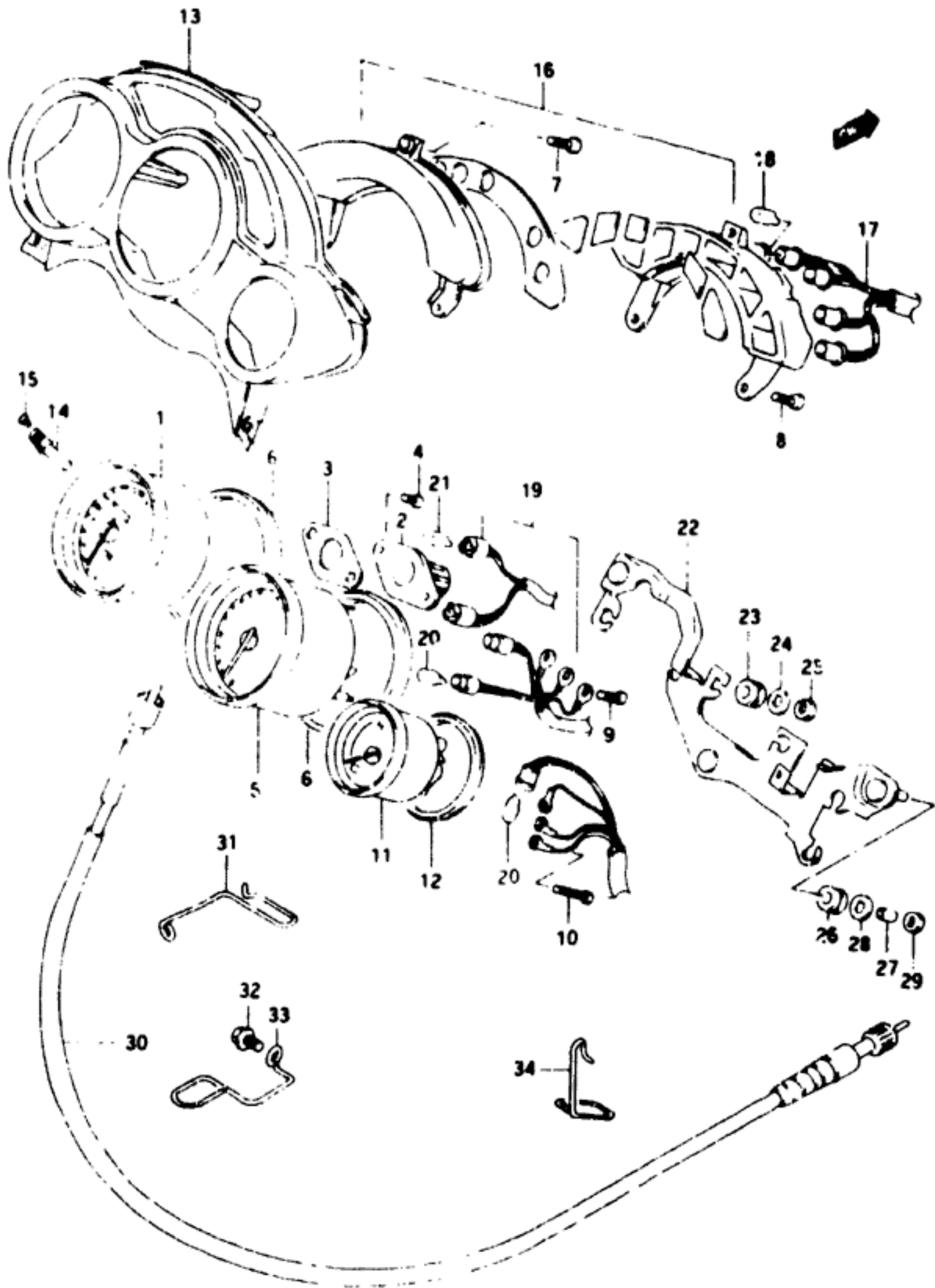


FIG. 29 (E-11) SPEEDOMETER

REF. NO.	PART NO.	DESCRIPTION	Q'TY	REMARKS
28-1	09160-06006	WASHER	3	model R
26-2	09160-06026	WASHER	3	model S/T
29-1	08316-10063	NUT	3	model R
29-2	09160-06027	NUT	3	model S/T
30	34710-47021	CABLE ASSY, speedometer	1	
31	34938-21E00	GUIDE, meter No. 1	1	
32	01550-06123	BOLT	2	
33	34938-21E11	GUIDE, meter No. 2	1	
34	34938-21E20	GUIDE, meter No. 2	1	

RF600RT E3

E11

AIR CLEANER..... C-07 COILING BODY..... 8-02 FRAME COVER..... F-09 FUEL PUMP..... L-10 MUFFLER..... C-08 REAR MASTER CYLINDER..... 1-10 STARTING MOTOR..... L-02
 ALTERNATOR..... 8-03 FRAMECASE COVER..... 8-07 FRAME..... 2-08 FUEL VALVE..... 2-09

FIG. 30

FIG. 30 (E-12) HEADLAMP



QTY	PART NO.	DESCRIPTION	REMARKS
1	35100-2100-999	HEADLAMP ASSY	
1	35173-48800	.COVER, socket	
1	09471-12060	BULB (12V,60/55W)	
4	09320-07014	CUSHION	
4	09169-05018	WASHER	
4	02142-05163	SCREW	model R/S
4	02112-05163	SCREW	model 1
2	35950-14A00	REFLECTOR, front side	
2	35956-21E00	BRACKET	
2	08310-00053	NUT	

RF600RT E3

Ef2

AIR CLEANER..... C-07 EDLING PUMP..... S-02 FRAME COVER..... F-09 FUEL PUMP..... C-10 MUFFLER..... C-08 REAR MASTER CYLINDER 1-10 STARTING MOTOR..... E-02
 ALTERNATOR..... E-03 FRAMECAP. COVER..... B-07 FRAME..... F-02 FUEL TANK..... F-05 BIL. COILS..... C-05 REAR MASTER CYLINDER 2-10 STARTING MOTOR..... E-02

FIG-31

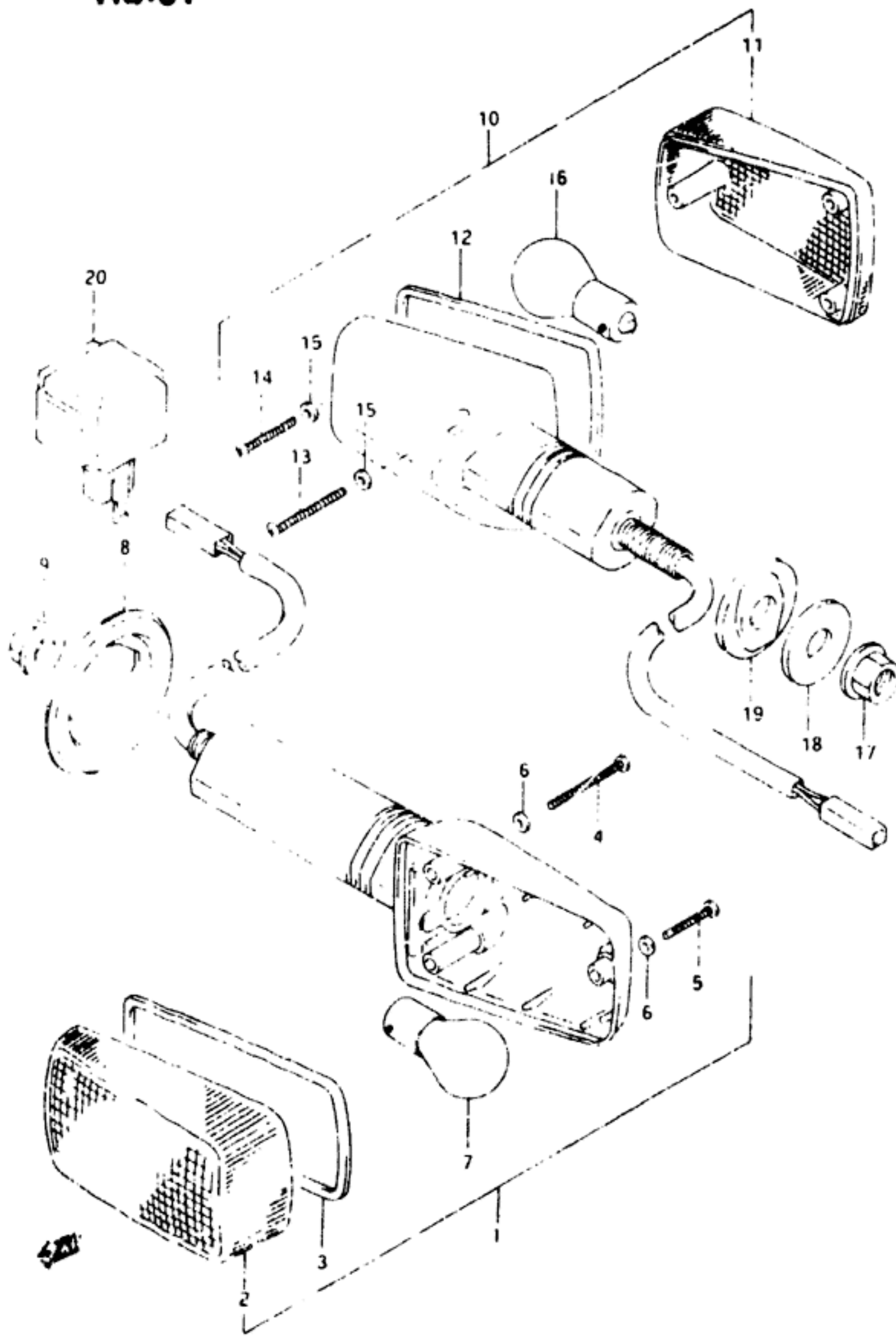


FIG.31 (E-13) TURN SIGNAL LAMP

REF. NO.	PART NO.	DESCRIPTION	Q'TY	REMARKS
1-1	35601-29E30	LAMP ASSY, front turnsignal	2	model R/S
1-2	35601-29E30	LAMP ASSY, front turnsignal	2	model T
2	35612-17C20	.LENS	2	
3	35613-27A00	.GASKET	2	
4	35623-27A00	.TAPPING SCREW	4	
5	35725-40S11	.TAPPING SCREW	2	
6	35627-27A02	.GASKET	6	
7	09471-12045	.BULB (12V,21W)	2	
8	35674-27A01	GROMMET	2	
9	08316-10103	NUT	2	
10	35603-21E30	LAMP ASSY, rear turnsignal	2	
11	35652-17C20	.LENS	2	
12	35613-27A00	.GASKET	2	
13	35623-27A00	.TAPPING SCREW	4	
14	35725-40S11	.TAPPING SCREW	2	
15	35627-27A12	.GASKET	6	
16	09471-12045	.BULB (12V,21W)	2	
17-1	08316-10103	NUT	2	model R
17-2	08310-00103	NUT	2	model S/T
18-1	09160-10094	WASHER	2	model R
18-2	09160-10501	WASHER	2	model S/T
19	35695-17C00	SPACER	2	
20	38610-45001	RELAY ASSY, turnsignal	1	

RF600RT E3

E13

AIR CLEANER..... E-07	EDLING BODY..... 8-02	FRAME COVER..... F-09	FUEL PUMP..... C-10	FUELLER..... C-08	REAR MASTER CYLINDER..... J-10	STARTING MOTOR..... E-02
ALTERNATOR..... 8-03	CRANKCASE COVER..... M-07	FRAM..... F-02	FUEL TANK..... F-05	DIL COOLER - OIL FI..... C-11	REAR SWINGING ARM..... J-02	STEERING STOP..... N-03
BATTERY..... 4-08	CRANKCASE..... 8-05	FRONT BRAKE HOSE..... H-06	GEAR SHIFTING..... D-09	DIL PAN - OIL PUMP..... 8-08	REAR WHEEL..... J-05	TAIL LAMP..... T-16
CAM CHAIN..... 8-13	CRANKSHAFT..... 8-09	FRONT CALIPELS..... H-04	MANDLE BAR..... 8-15	NAVAL.....		

FIG. 32

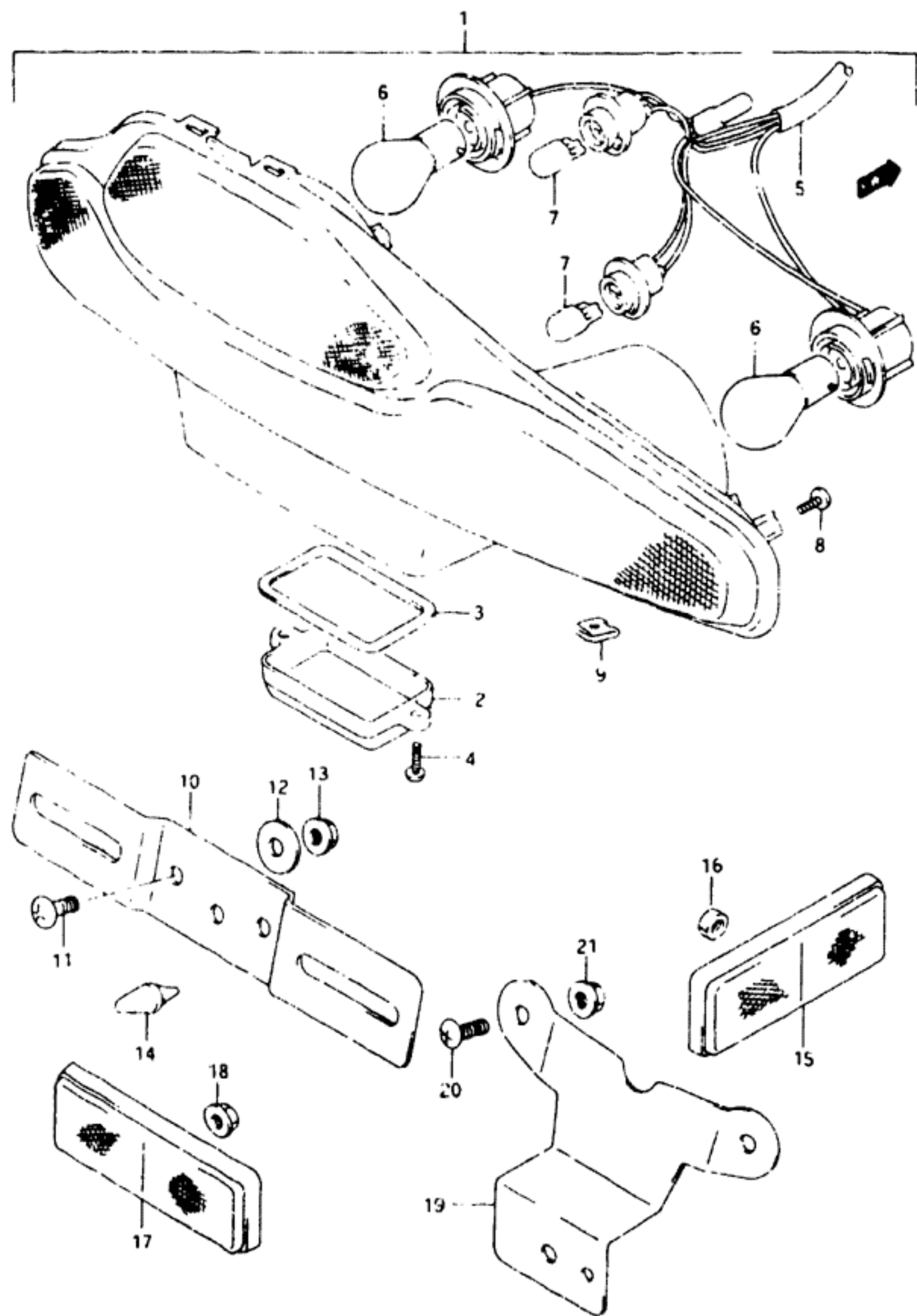


FIG. 32 (E-14) TAIL LAMP

REF. NO.	PART NO.	DESCRIPTION	Q'TY	REMARKS
1-1	35710-21E00	LAMP ASSY, rear combination	1	model R/S
1-2	35710-21E01	LAMP ASSY, rear combination	1	model T
2	35912-21E00	.L.E.S, license	1	
3	35913-26000	.GASKET	1	
4	03211-04123	.SCREW, license	2	
5-1	35710-21E00	.SOCKET ASSY	1	model R/S
5-2	35710-21E01	.SOCKET ASSY	1	model T
6	09471-12045	.BULB (12V,21W)	2	
7	09471-12081	.BULB (12V,5W)	2	
8-1	03541-14123	.SCREW	6	model R/S
8-2	03511-14123	SCREW	6	model T
9	09148-05021	NUT	2	
10	35927-48B30	BRACKET, license plate	1	
11	02142-06123	SCREW	2	
12-1	09160-06059	WASHER	2	model R
12-2	09160-06088	WASHER	2	model S/T
13-1	08316-20063	NUT	2	model R
13-2	08310-00063	NUT	2	model S
13-3	08316-10063	NUT	2	model T
14	09321-06029	CUSHION	1	
15	35970-24060	REFLECTOR, rear side	2	
16	08310-00053	NUT	2	
17	35970-24060	REFLECTOR, rear	1	
18	08310-00053	NUT	1	
19	35974-21E00	BRACKET, rear reflector	1	
20	02142-06123	SCREW	2	
21-1	08316-20063	NUT	2	model R/S
21-2	08316-10063	NUT	2	model T

RF600RT E3

E14

AIR CLEANER..... C-07	COUPLING BODY..... G-02	FRAME COVER..... F-09	FUEL PUMP..... C-10	MUFFLER..... C-08	REAR MASTER CYLINDER I-10	STARTING MOTOR..... E-02
ALTERNATOR..... E-03	FRAMECASE COVER..... B-07	FRAME..... F-02	FUEL TANK..... F-15	DIL COOLER - GIL FI C-11	REAR SWINGING ARM... I-02	STEERING STEM..... M-01
BATTERY..... E-04	FRAMECASE..... B-04	FRONT FENDER..... F-01				

FIG. 33

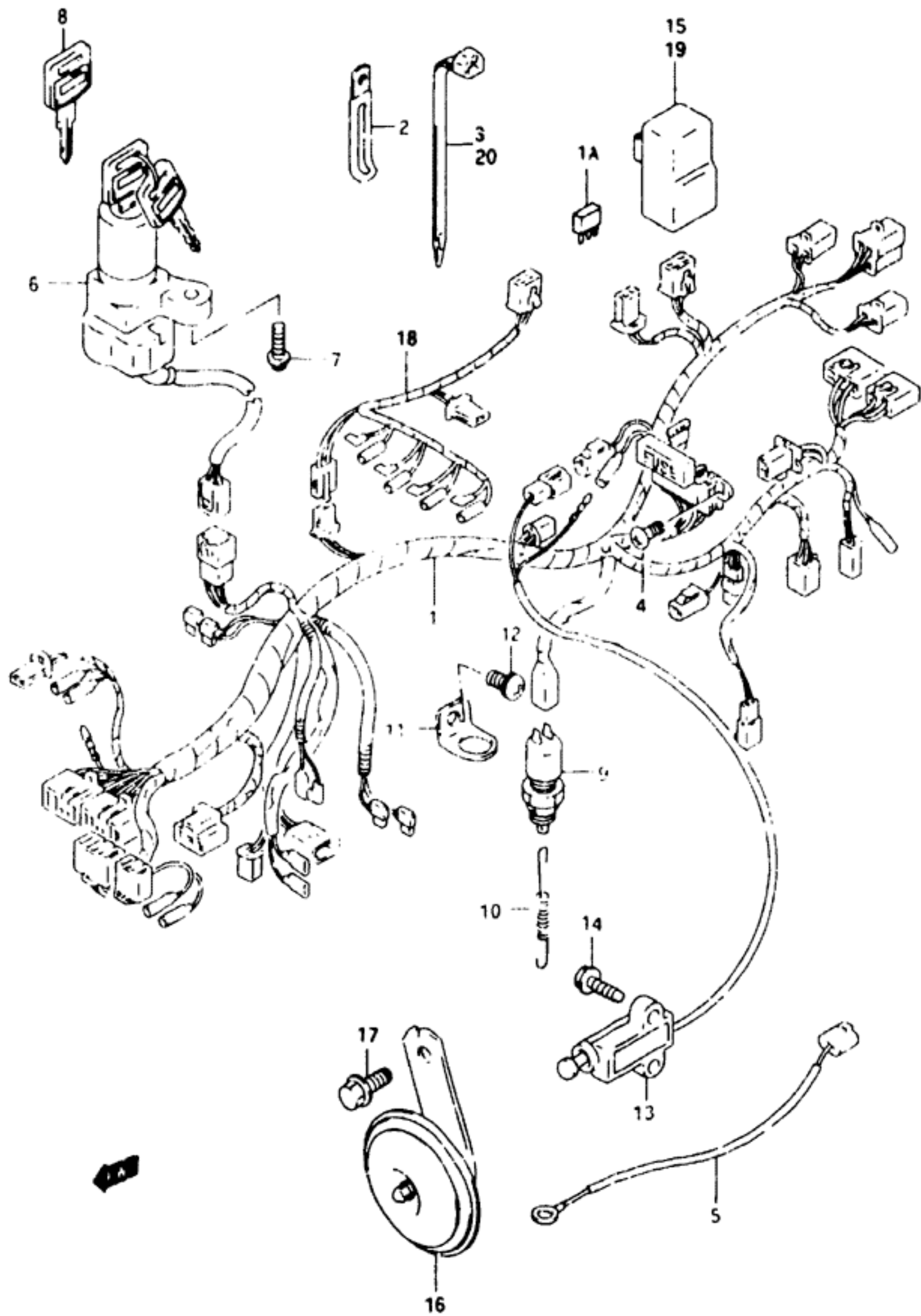
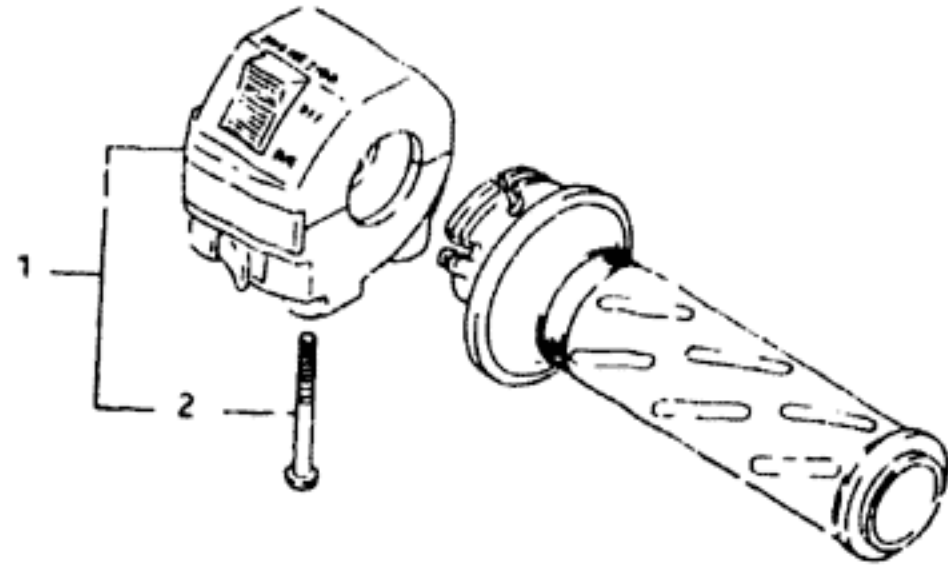
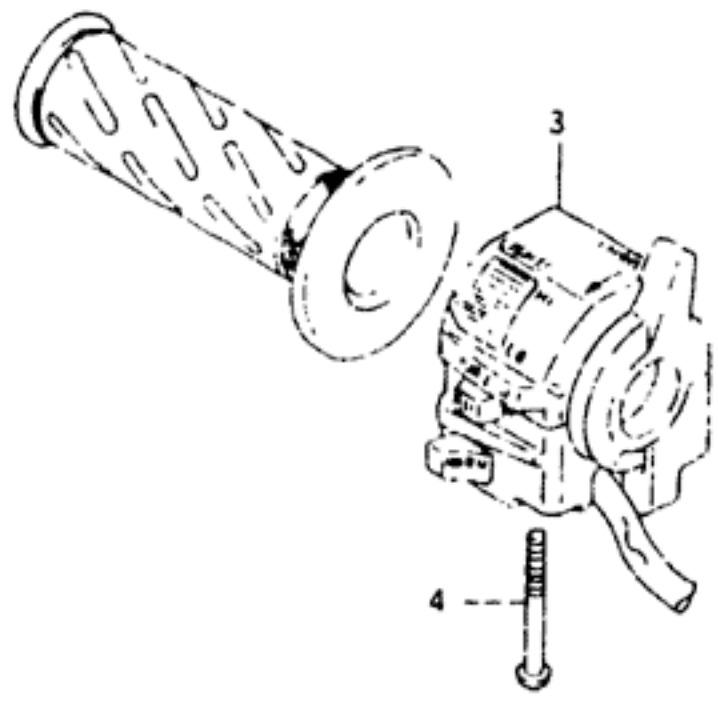


FIG. 33 (E-15) WIRING HARNESS

REF. NO.	PART NO.	DESCRIPTION	QTY	REMARKS
1-1	36610-21F10	HARNES, wiring	1	model R
1-2	36610-21E11	HARNES, wiring	1	model S/T
1A	36611-38A00	.DIODE	1	
2-1	09404-06206	CLAMP	1	model R/S
2-2	09404-06429	CLAMP	1	model T
3-1	09407-14403	CLAMP (L:125)	10	
3-2	09407-18403	CLAMP (L:165)	5	
4	02142-06123	SCREW, fuse box	2	
5-1	36851-21E00	WIRE, oil switch lead	1	model R
5-2	36851-17E10	WIRE, oil switch lead	1	model S/T
6	37100-26002	LOCK ASSY, steering	1	
7	09139-06026	BOLT	2	
8	37746-36D10	KEY, blank	1	
9	37740-24A00	SWITCH ASSY, stop lamp	1	
10	09443-06012	SPRING	1	
11	43251-21E00	BRACKET, stop switch	1	
12	02142-06083	SCREW	1	
13-1	37840-44A20	SWITCH ASSY, side stand	1	model R
13-2	37840-44X50	SWITCH ASSY, side stand	1	model S/T
14	01550-06203	BOLT	2	
15	38740-24X50	RELAY ASSY, side stand	1	
16-1	38502-21E00	HORN ASSY, low	1	model R/S
16-2	38502-21F01	HORN ASSY, low	1	model T
17	01550-08163	BOLT	1	
18	36859-21E00	WIRE, carb heater lead	1	OPT, model S/T
19	38740-24X50	RELAY	1	OPT, model S/T
20	09407-14403	CLAMP	1	OPT, model S/T

RF600RT E

REF. NO.	PART NO.	DESCRIPTION	Q'TY	REMARKS
1-1	37200-17E31	SWITCH ASSY, handle RH	1	model R/S
1-2	37200-17E40	SWITCH ASSY, handle RH	1	model T
2	02112-05455	SCREW	2	
3	37400-17E31	SWITCH ASSY, handle Lh	1	
4	02112-05355	.SCREW	2	



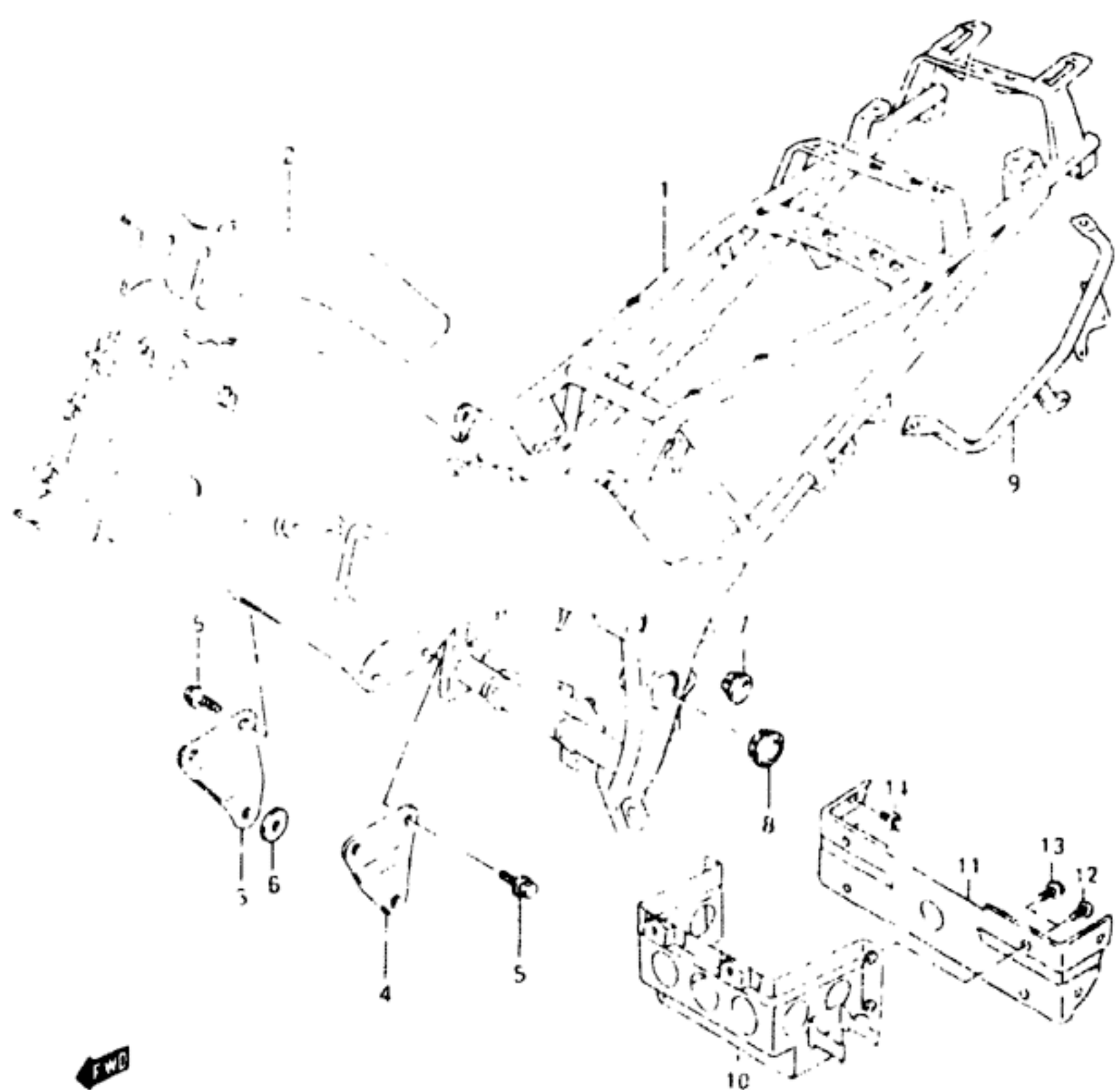
RF600RT E3

E18

AIR CLEANER..... C-07	COUPLING BODY..... G-02	FRAME COVER..... F-09	FUEL PUMP..... C-10	MUFFLER..... C-08	REAR MASTER CYLINDER..... I-10	STARTING MOTOR..... E-02
ALT. WATER..... E-03	FRAMECASE COVER..... B-07	FRAME..... F-02	FUEL TANK..... F-05	OIL COOLER - OIL PUMP..... C-11	REAR SWINGING ARM..... I-02	STEERING STEM..... M-03
BATT. RT..... E-08	FRAMECASE..... B-05	FRONT BRAKE HOSE..... H-04	GEAR SHIFTING..... D-09	OIL PAN - OIL PUMP..... D-08	REAR WHEEL..... I-05	TAIL LAMP..... E-14
CAP CHAIN..... B-13	HANGSHAFT..... B-09	FRONT CALIPERS..... M-05	HANDLE BAR..... F-12	OPTIONAL..... I-11	SEAT..... G-11	TRANSMISSION..... D-07
CA. SHAFT - VALVE..... B-11	CYLINDER HEAD COVER..... B-02	FRONT DAMPER..... M-02	HANDLE LEVER..... F-13	RADIATOR HOSE..... D-03	SECOND AIR..... D-05	TURN SIGNAL LAMP..... E-13
CAM SHAFT..... F-07	CYLINDER HEAD..... B-03	FRONT FENDER..... F-11	HEADLAMP..... E-14	RADIATOR..... D-02	SIGNAL GENERATOR..... E-07	UNDER COUPLING BODY..... G-04
CAM LIFTOR FITTINGS..... C-05	CYLINDER..... B-04	FRONT MASTER CYLINDER..... M-07	HEADLAMP..... E-12	REAR CALIPER..... I-07	SPEEDOMETER..... E-10	WATER PUMP..... C-12
CARBURETOR..... C-02	ELECTRICAL..... E-09	FRONT WHEEL..... M-04	INSULATION PARTS..... E-03	REAR CUSHION LEVER..... I-04	STAND..... F-03	WIRING HARNESS..... E-15
CLUTCH..... D-04	FOOTREST..... F-04	FUEL COCK..... F-08	LABEL..... G-10	REAR FENDER..... F-14	STARTER CLUTCH..... B-10	

FIG. 35

FIG. 35 (F- 2) FRAME



REF. NO.	PART NO.	DESCRIPTION	Q'TY	REMARKS
1-1	41100-21E20-1TY	FRAME (Red)	1	model R
1-2	41100-21E20-34R	FRAME (Blue)	1	model R
1-3	41100-21E40-12V	FRAME (Green)	1	model S
1-4	41100-21E40-28V	FRAME (Red)	1	model S
1-5	41100-21E40-35W	Fr. E (Charcoal)	1	model T NOTE BELOW
2-1	41891-21E01	SHIELD, heat RH	1	model R
2-2	41891-21E02	SHIELD, heat RH	1	model S/T
2-3	41892-21E01	SHIELD, heat LH	1	model R
2-4	41892-21E02	SHIELD, heat LH	1	model S/T
3	41911-21E20	PLATE, engine mount RH	1	
4	41921-21E20	PLATE, engine mount LH	1	
5	07120-10303	BOLT	4	
6	09160-10070	WASHER, inner	2	
7	43585-47001	CAP, mount boss	2	
8	43585-21E00	CAP, pivot	2	
9-1	43970-21E10	GRIP, rear RH	1	
9-2	43980-21E10	GRIP, rear LH	1	
10-1	41540-21E10	HOLDER, battery	1	model R
10-2	41540-21E11	HOLDER, battery	1	model S/T
11	41561-21E00	PLATE	1	
12	02142-06123	SCREW	4	model R
13	01550-06123	BOLT	4	model S/T
14	01550-06163	BOLT, side	4	

****Engine Cases and Frames for this model must be ordered on the Frame Engine Case Order Form (99924-FC002). If you have any questions regarding these procedures, please call your Parts Coordinator before placing your order.

RF600RT E3

F2

FIG. 36

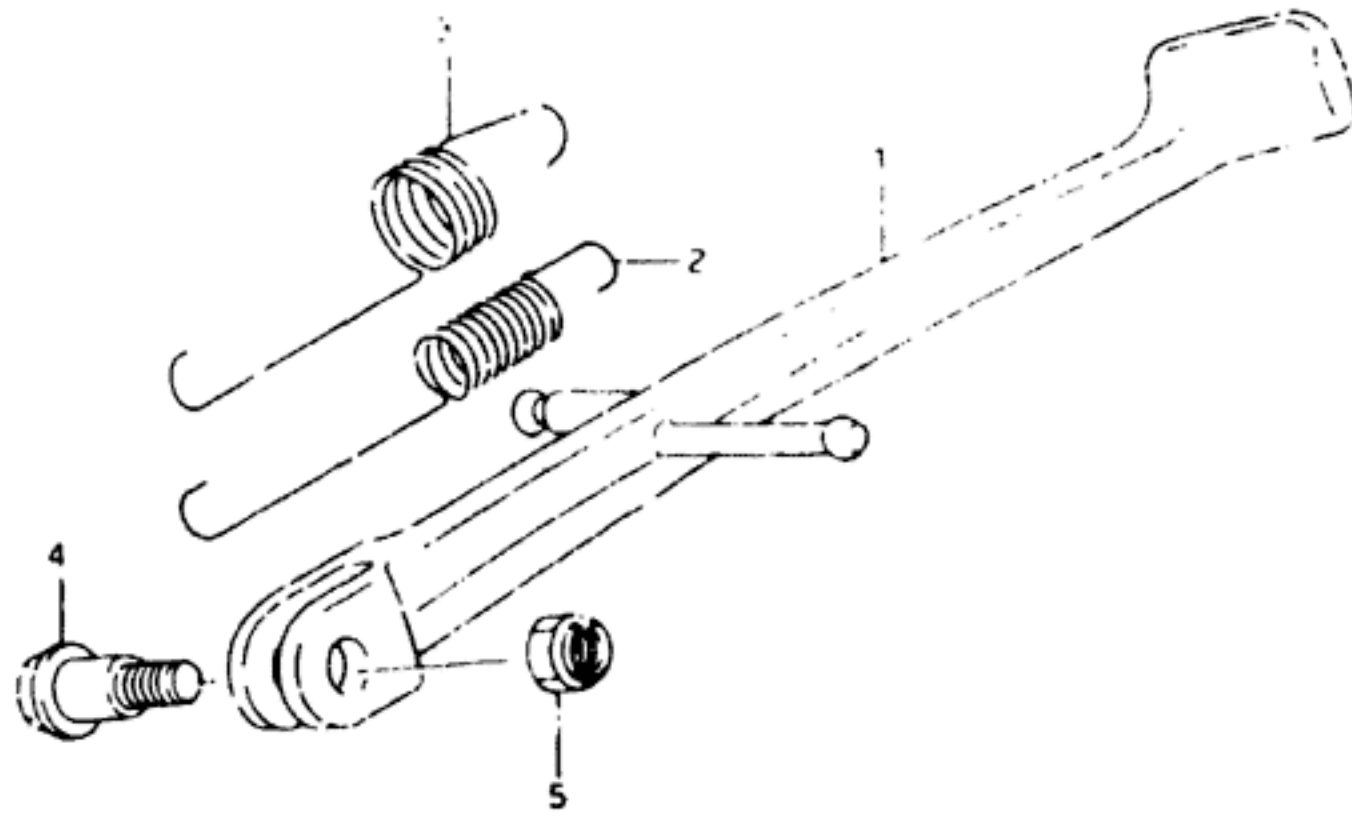
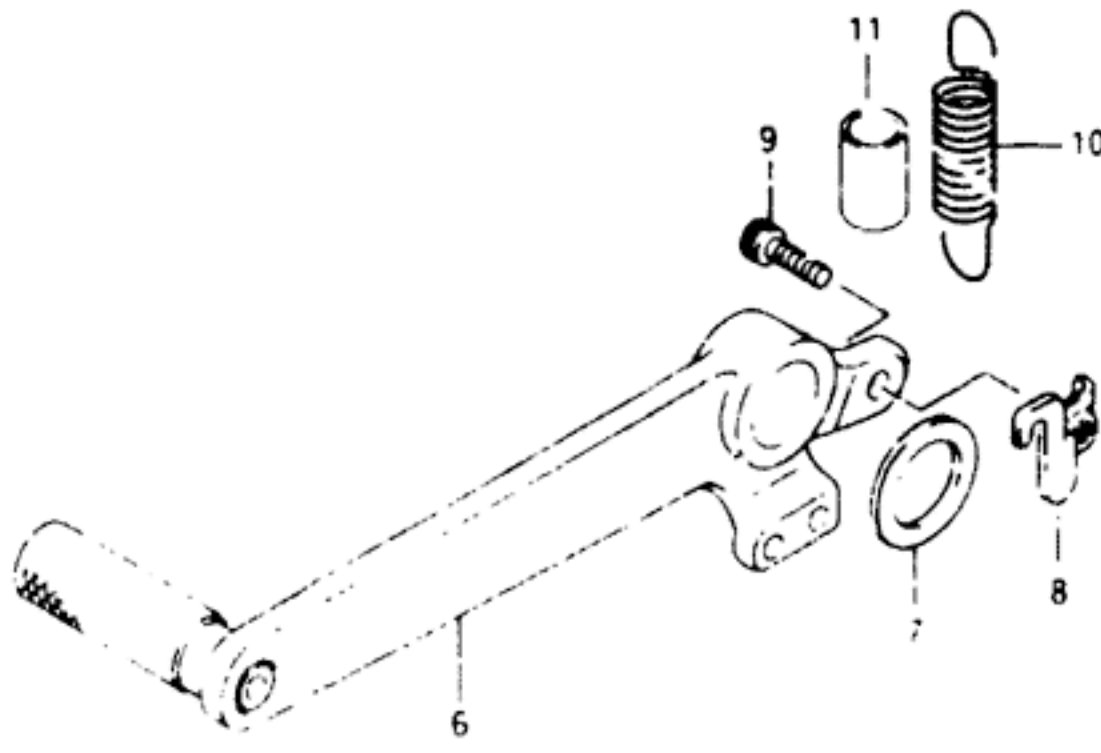


FIG. 36 (F- 3) STAND

REF. NO.	PART NO.	DESCRIPTION	Q'TY	REMARKS
1-1	42310-21E00	STAND, prop	1	model R
1-2	42310-31E00	STAND, prop	1	model S/T
2	09443-15046	SPRING, inner	1	
3	09443-22017	SPRING, outer	1	
4	09111-10027	BOLT	1	
5	09159-10027	NUT	1	
6-1	43110-10000	PEDAL, brake	1	model R
6-2	43111-31E00	PEDAL, brake	1	model S
6-3	43111-31E01	PEDAL, brake	1	model T
7	09160-18022	WASHER	1	
8	43560-32C00	BRACKET, stop switch spring	1	
9-1	07130-05167	BOLT	1	model R
9-2	02112-05163	SCREW	1	model S/T
10	09443-13029	SPRING	1	
11	43261-17C00	TUBE	1	

RF600RT E3

F3

AIR CLEANER..... C-07	EDWING BODY..... G-02	FRAME CLVER..... F-09	FUEL PUMP..... C-10	MUFFLER..... C-08	REAR MASTER CYLINDER..... I-10	STARTING MOTOR..... E-02
ALTERNATOR..... B-03	CRANKCASE COVER..... B-07	FRAME..... F-02	FUEL TANK..... F-05	DIL COU'ER - OIL FI..... C-11	REAR SWINGING ARM..... I-02	STEERING STEM..... H-03
BATTERY..... E-08	CRANKCASE..... B-05	FRONT BRAKE HOSE..... H-04	LEAR SHIFTING..... H-06			

FIG. 37

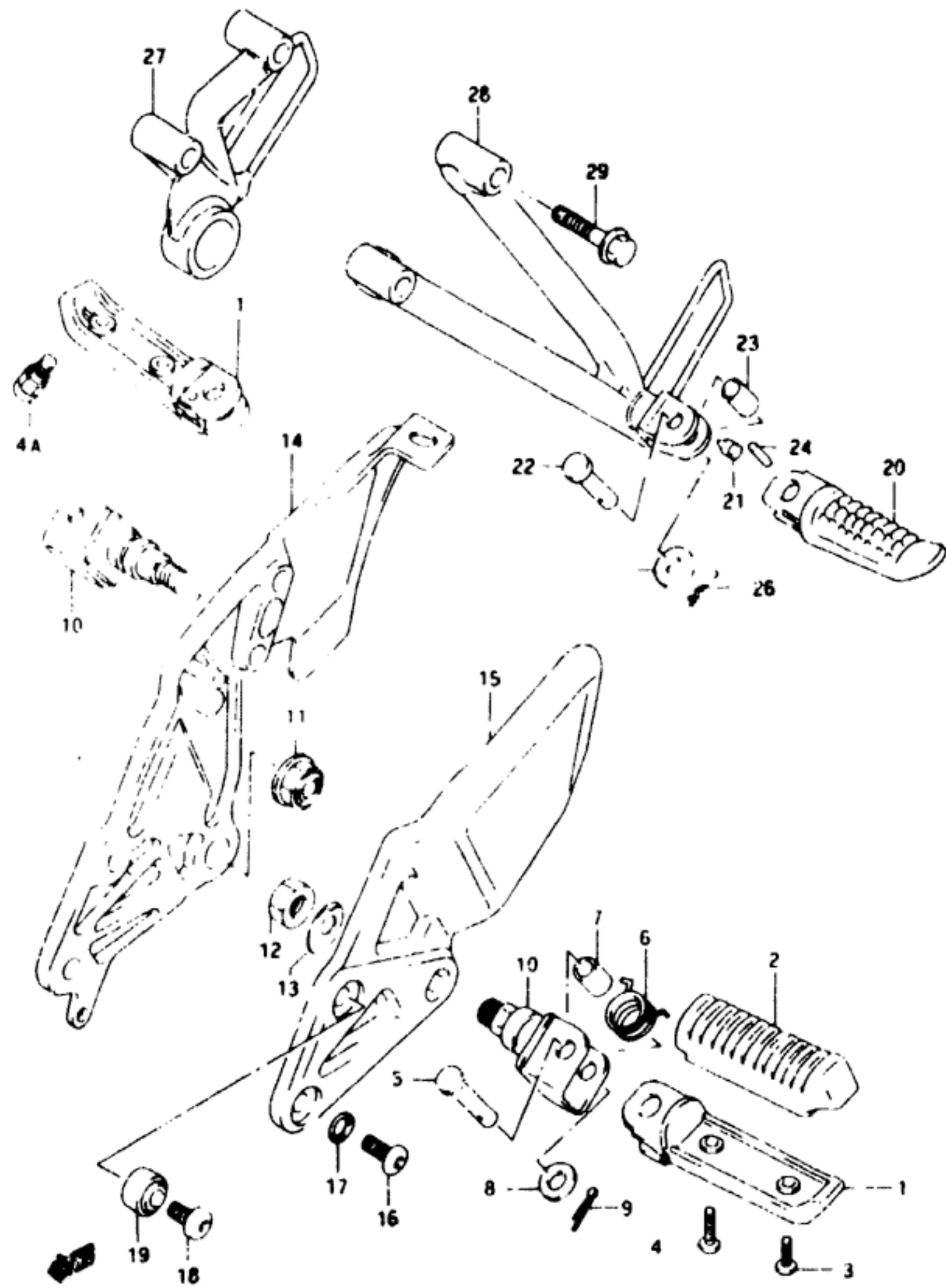



FIG. 37 (F- 4) FOOTREST

Q'TY

REF. NO.	PART NO.	DESCRIPTION	Q'TY	REMARKS
1-1	43511-40C00	BAR, front footrest RH	1	model R
1-2	43511-31E00	BAR, front footrest RH	1	model S/T
1-3	43521-40C00	BAR, front footrest LH	1	
2	43550-40C11	RUBBER	2	
3	02112-35163	SCREW, outer	2	
4	02112-35203	SCREW, inner	2	
4A	43576-48B01	St. OP. bar	1	model S/T
5	09200-08257	PIN	2	
6-1	09448-19020	SPRING	2	model R/S
6-2	09448-18022	SPRING	2	model T
7	09180-08149	SPACER	2	
8	09160-08043	WASHER	2	model R
9	04111-25158	COTTER PIN	2	
10	43570-11000	HOLDER, bar	2	
11	08319-31128	NUT, RH	1	
12	08310-00123	NUT, LH	1	
13	43214-17C01	WASHER, LH	1	
14	43511-21E00	BRACKET, footrest RH	1	
15	43521-21E00	BRACKET, footrest LH	1	
16	0150-08203	BOLT	2	
17	09164-08015	WASHER	4	
18	09106-08129	BOLT	4	
19	09319-08025	BUSH	2	
20-1	43611-32C00	BAR, pillion RH	1	
20-2	43621-32C00	BAR, pillion LH	1	
21	43691-17C00	CUSHION	2	
22	09200-08067	PIN	2	
23	09180-08149	SPACER	2	
24	09261-04003	PIN	2	
25	08322-01087	WASHER	2	
26	04111-25158	COTTER PIN	2	
27-1	43810-21E10	BRACKET, pillion RH	1	model R
27-2	43810-21E20	BRACKET, pillion RH	1	model S
27-3	43810-21E20-019	BRACKET, pillion RH (Black)	1	model T
28-1	43820-21E10	BRACKET, pillion LH	1	model R/S
28-2	43820-21E10-019	BRACKET, pillion LH (Black)	1	model T
29	01550-08403	BOLT	4	

RF600RT E3

F4


All Out Racing  *All Out Racing*
 Performance Performance
 Motorcycle Parts Motorcycle Parts
 440-985-3853 440-985-3853

ALL OUT RACING
 Performance Motorcycle Parts
440-985-3853




Prepared by
SUZUKI MOTOR CORPORATION
 Motorcycle Service Department
 3rd Ed. April, 1997
 1st Ed. July, 1993
 Part No. 99500-35033-03E
 Printed in Japan

322

All Out Racing  *All Out Racing*
 Performance Performance
 Motorcycle Parts Motorcycle Parts
 440-985-3853 440-985-3853

ALL OUT RACING
 Performance Motorcycle Parts
440-985-3853




Suzuki RF 600 R



Vierzylinder-Viertakt, Reihe, 600 ccm, dt. Vers. 72 kW (98 PS) bei 11.500 /min, *25 kW (34 PS), 221 kg, Sitzhöhe 78 cm, 228 km/h

PAGE 00001
TABLAO DE COLORES
COLOUR CHART
PALETTE

COLOUR NO. NO DE COLORES NAME COLOR FAARBILDE	COLOR DESCRIPTION DESCRIPCION DE COLORES DESCRIPTION DE COULEUR FARBESCHRIFTUNG	COLOUR NO. NO DE COLORES NAME COLOR FAARBILDE	COLOR DESCRIPTION DESCRIPCION DE COLORES DESCRIPTION DE COULEUR FARBESCHRIFTUNG
ARZ	289-288	170	URBAN GRAY METALLIC
BT5	018-178-087	180	URBAN GRAY METALLIC 2
BT8	178-178-087	189	WARM SILVER METALLIC
BS5	178-178	212	SHIMMY SILVER METALLIC
BS1	152-158	288	MAHLE ITALIAN RED
CSA	152-204-087	217	EMERALD BROWN METALLIC 1
CSB	152-248	243	BLACK (DEPI-BLONN)
CSL	020-252-087	248	CANDY STARLIT BLUE METALLIC
CSM	170-282-087	258	CARIBBEAN GRAY METALLIC NO. 2
CSN	152-288-288	888	LIFE RED
CSF	182-178-128	885	WREST GRAY
CSH	178-128	887	BLUR
CSF	TRADITIONAL SILVER METALLIC	872	BLUR
CSH	SILVER		
CSH	BLUR		
112	CAT PURPLE METALLIC		
11C	PHANTOM PINK METALLIC		
11U	LIGHT PURPLE METALLIC		
11Y	ROUSE RED NO.2		
18J	WREST SILVER METALLIC		
12P	CANDY TEAL BLUEISH C. BLUE		
12C	URBAN MIDIAN GRAY METALLIC		

MILLIMETER - INCH CONVERSION CHART
TABLAO DE CONVERSION DE MILLIMETRES - POUCES
CUADRO DE CONVERSION A UNIDAD DE MILLIMETRO - PULGADA
MILLIMETER = ZOLL UMBRECHNUNGSTABELLE

	0	1	2	3	4	5	6	7	8	9
80	.000	.039	.079	.118	.157	.197	.236	.276	.315	.354
90	.039	.079	.118	.157	.197	.236	.276	.315	.354	.394
20	.000	.039	.079	.118	.157	.197	.236	.276	.315	.354
30	.039	.079	.118	.157	.197	.236	.276	.315	.354	.394
40	.079	.118	.157	.197	.236	.276	.315	.354	.394	.433
50	.118	.157	.197	.236	.276	.315	.354	.394	.433	.473
60	.157	.197	.236	.276	.315	.354	.394	.433	.473	.513
70	.197	.236	.276	.315	.354	.394	.433	.473	.513	.553
80	.236	.276	.315	.354	.394	.433	.473	.513	.553	.593
90	.276	.315	.354	.394	.433	.473	.513	.553	.593	.633
20	.000	.039	.079	.118	.157	.197	.236	.276	.315	.354
30	.039	.079	.118	.157	.197	.236	.276	.315	.354	.394
40	.079	.118	.157	.197	.236	.276	.315	.354	.394	.433
50	.118	.157	.197	.236	.276	.315	.354	.394	.433	.473
60	.157	.197	.236	.276	.315	.354	.394	.433	.473	.513
70	.197	.236	.276	.315	.354	.394	.433	.473	.513	.553
80	.236	.276	.315	.354	.394	.433	.473	.513	.553	.593
90	.276	.315	.354	.394	.433	.473	.513	.553	.593	.633

How to Read
 Made in Mexico
 Made in USA
 Anleisung

	0	1	2	3	4
80	0.000	0.039	0.079	0.118	0.157
12	0.000	0.039	0.079	0.118	0.157
20	0.000	0.039	0.079	0.118	0.157
30	0.000	0.039	0.079	0.118	0.157

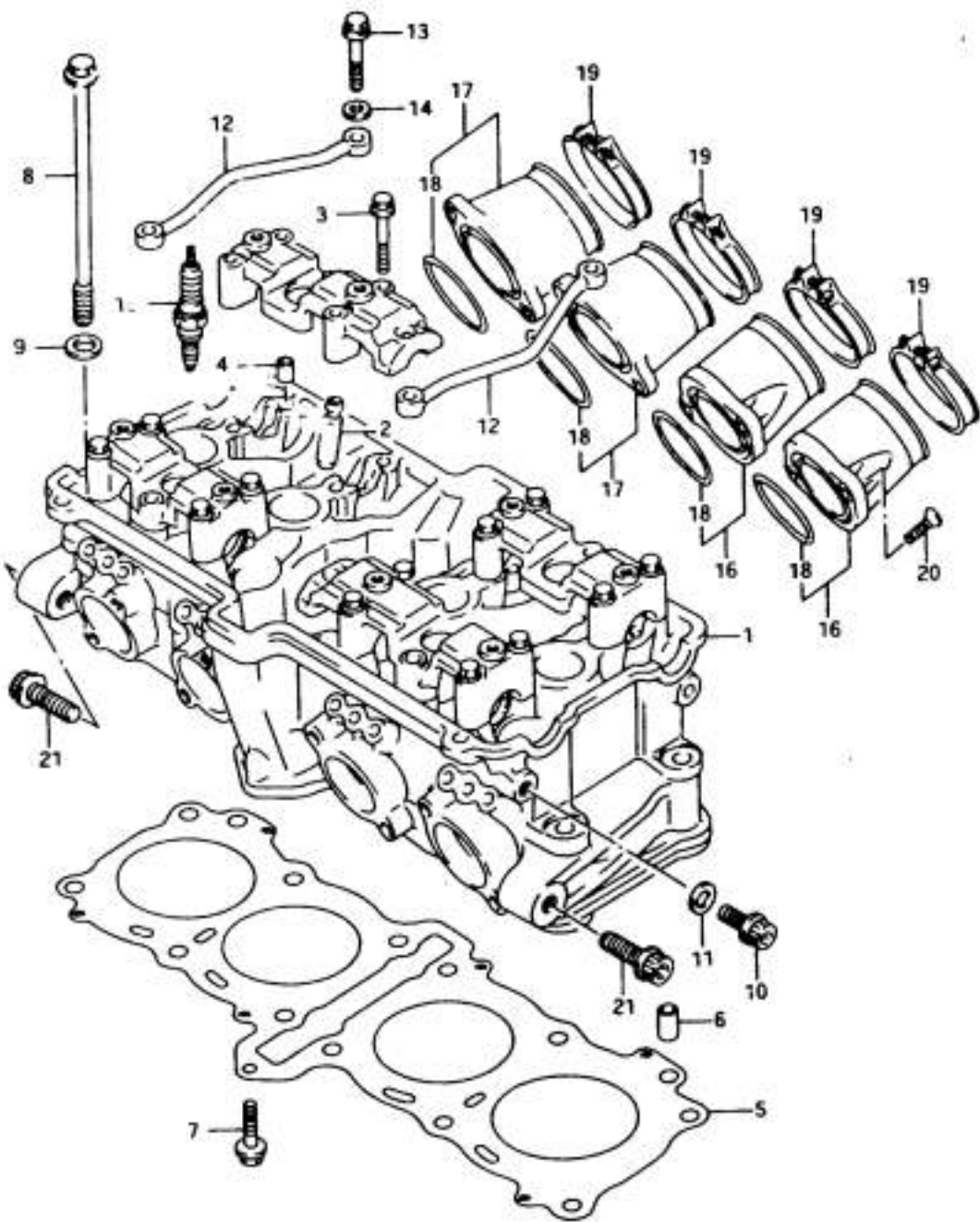
21 millimeters equal 0.906 inches
 22 millimeters equal 0.866 inches
 23 millimeters = 0.906 inches
 23 millimeter entspricht 0.906 Zoll

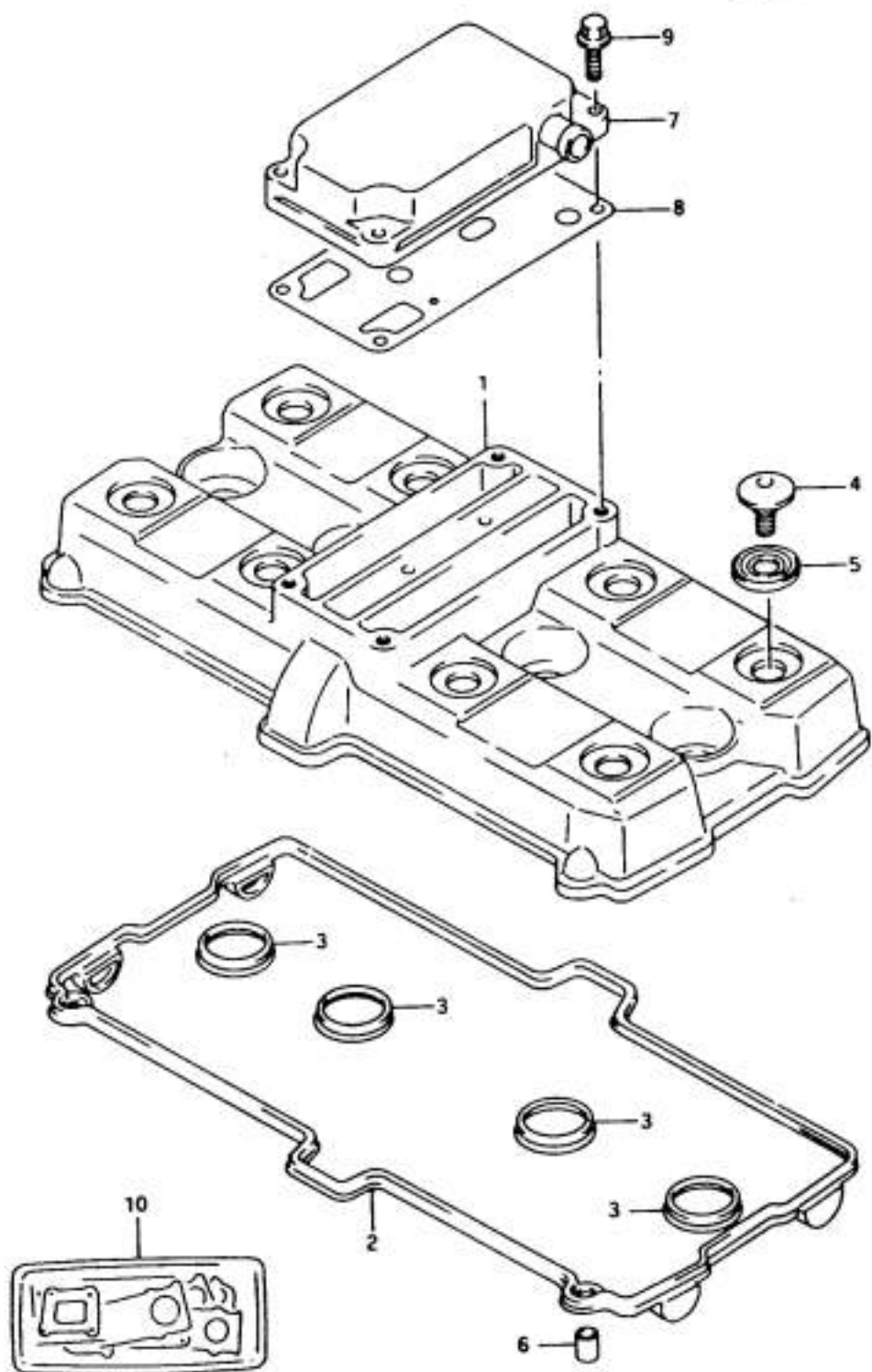
Colors are subject to change without notice or obligation.

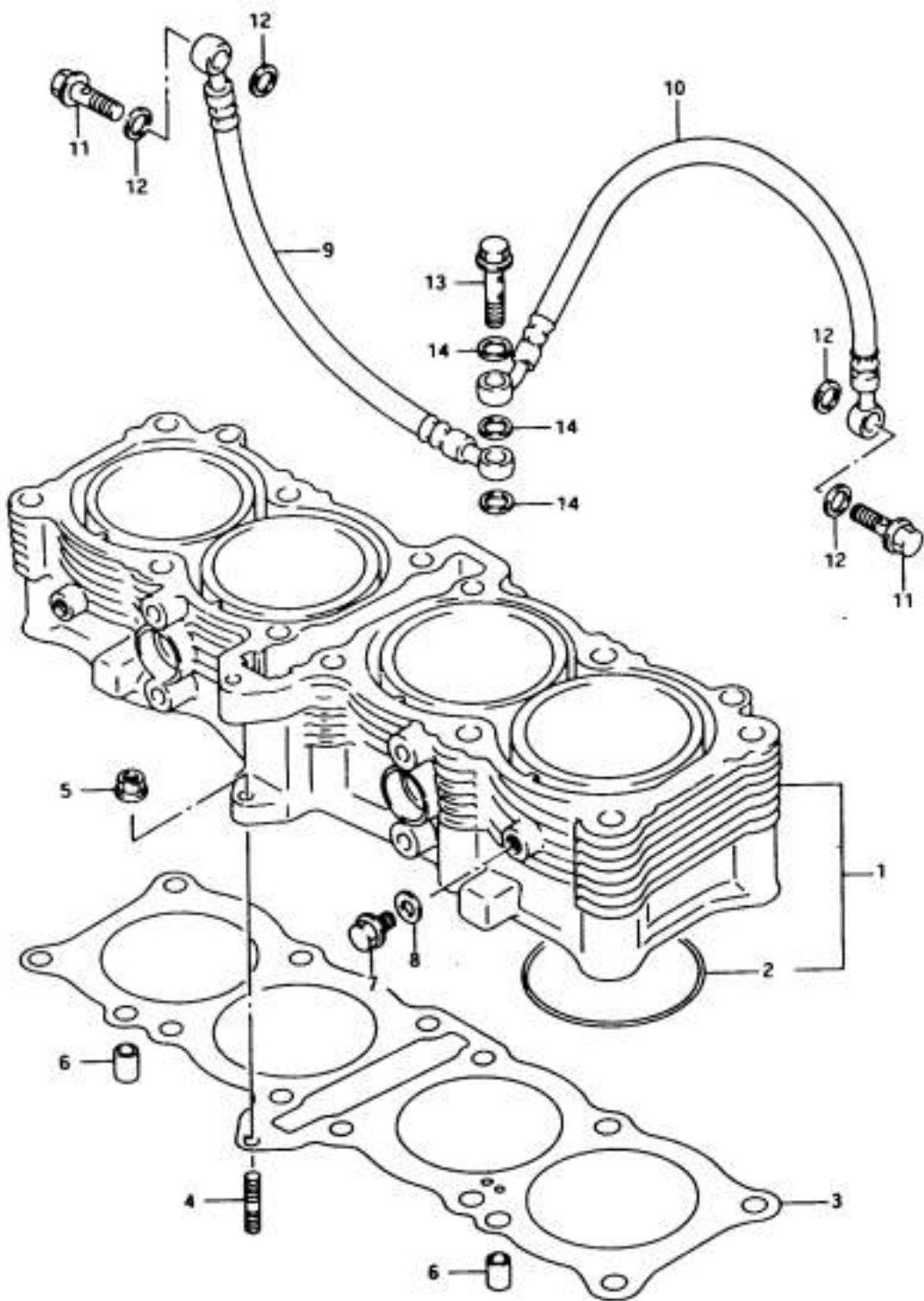
Les couleurs livrées sont susceptibles d'être modifiées sans préavis et/ou obligation de notre part.

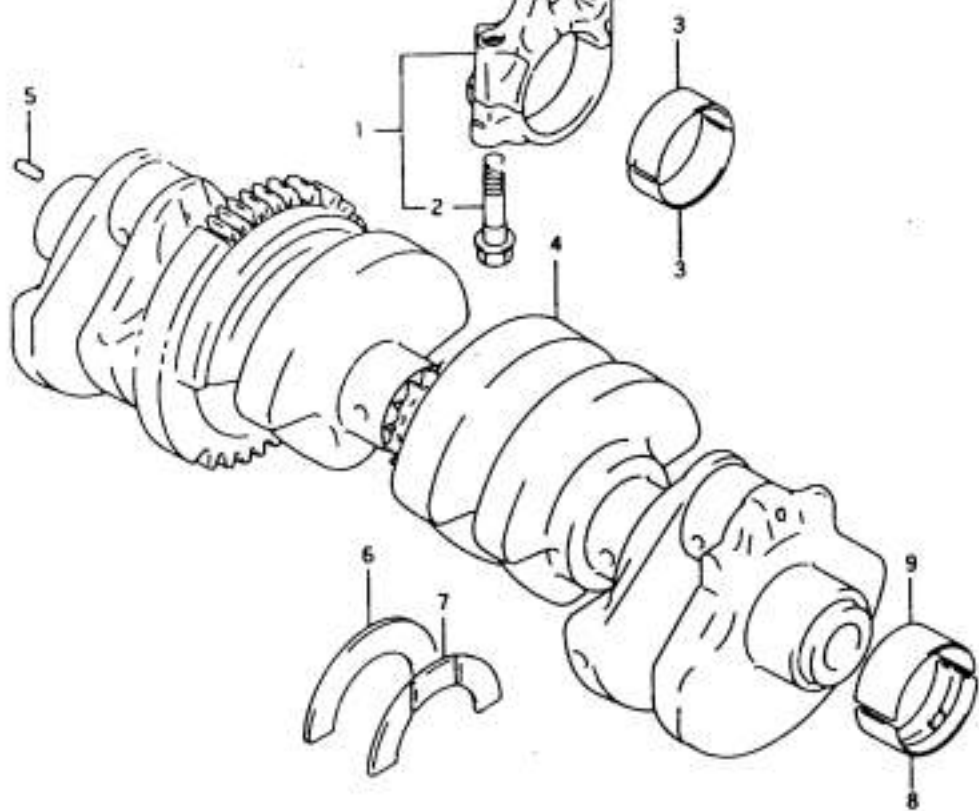
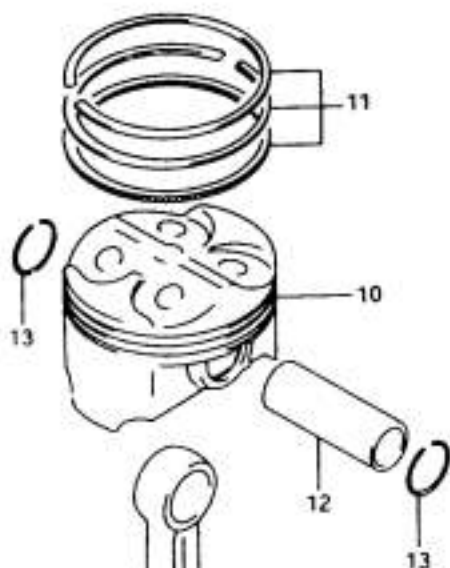
El contenido está sujeto a modificaciones sin previo aviso.

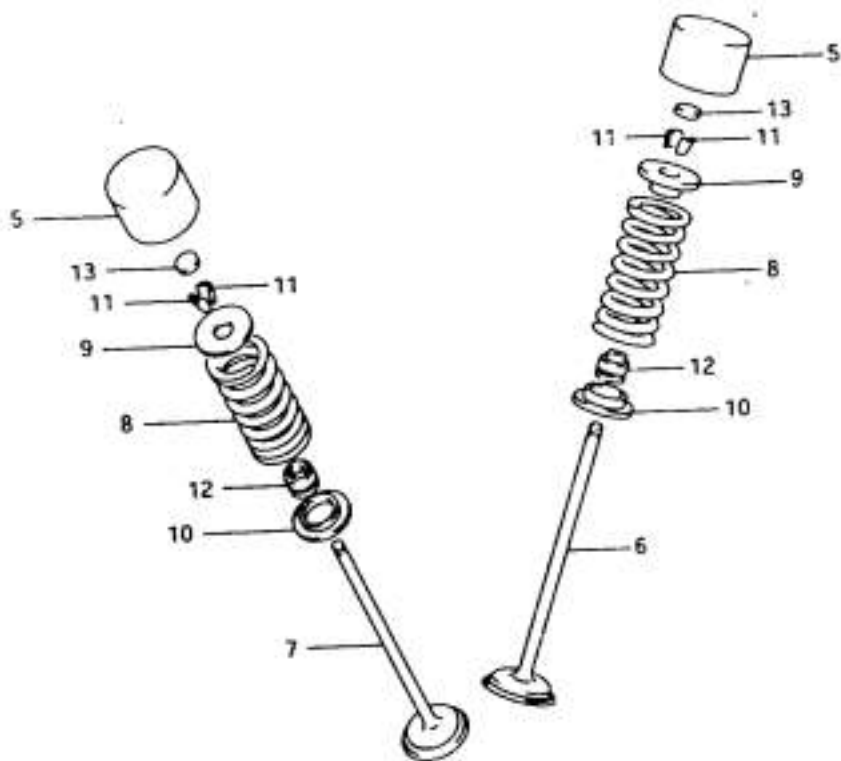
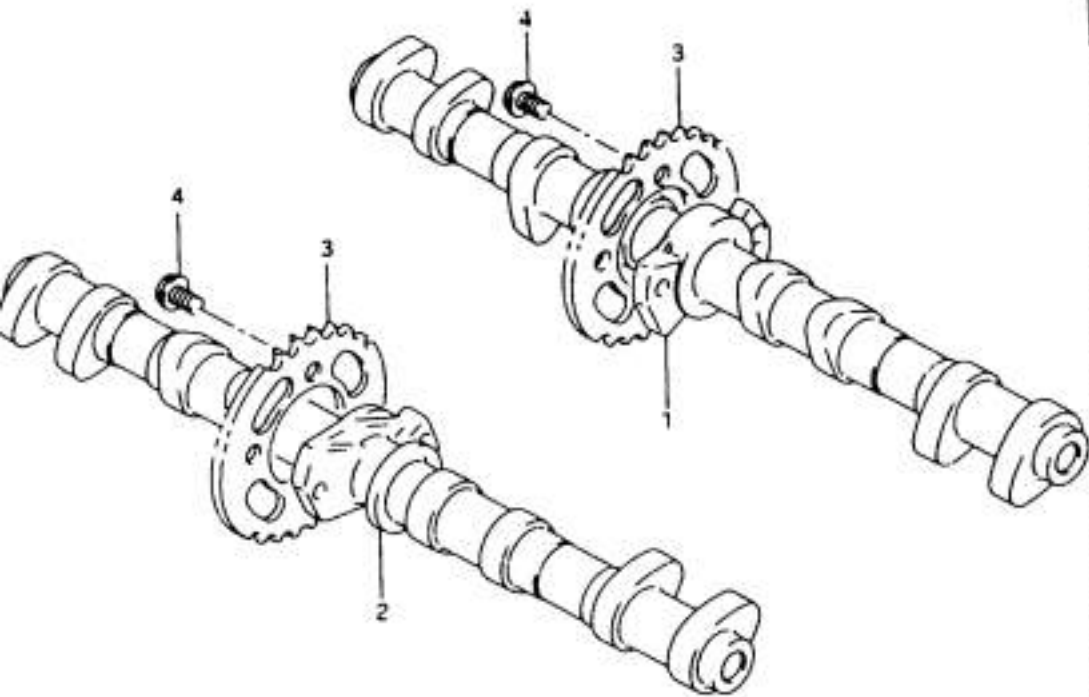
Farben sind vorbehalten.

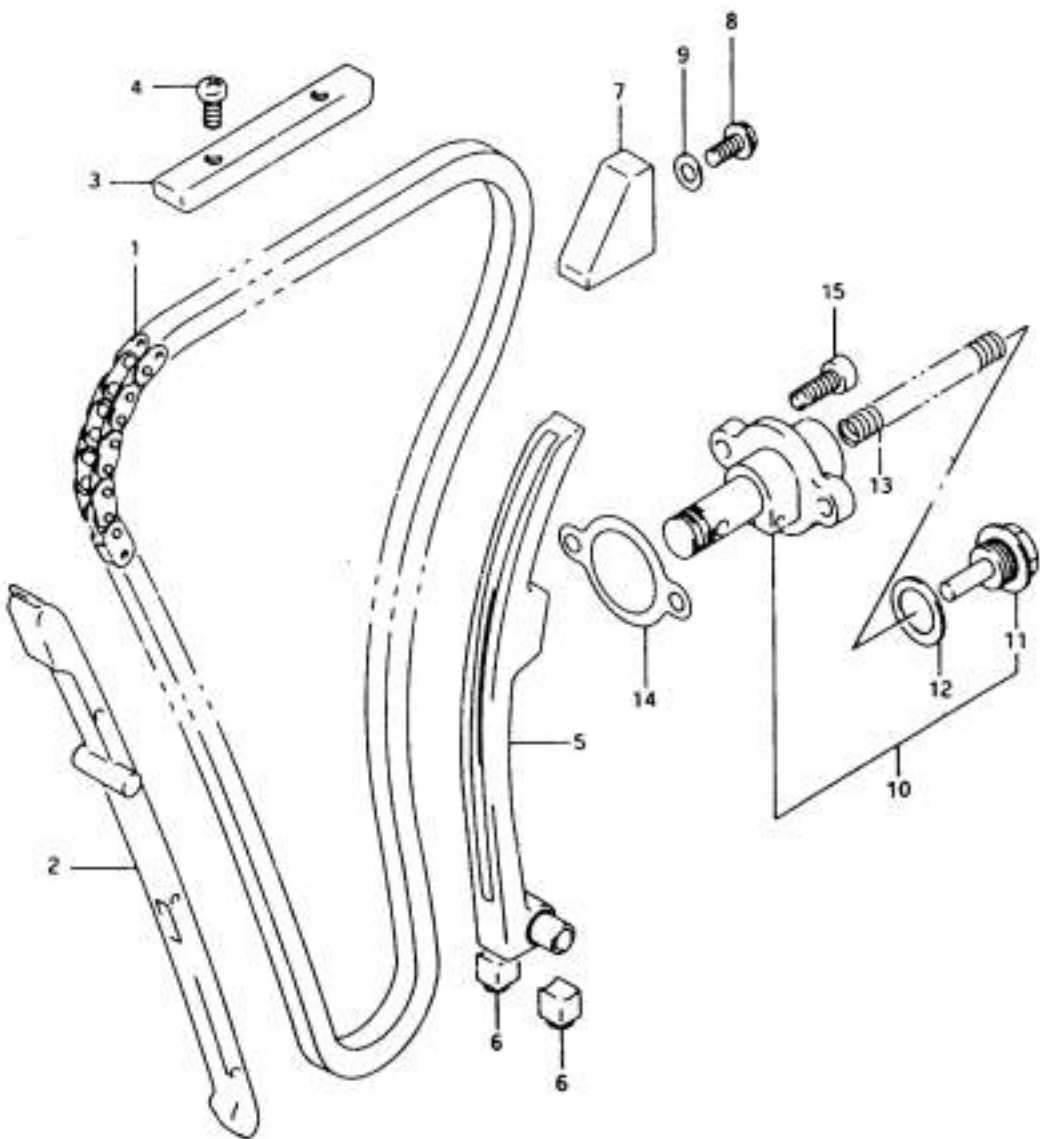


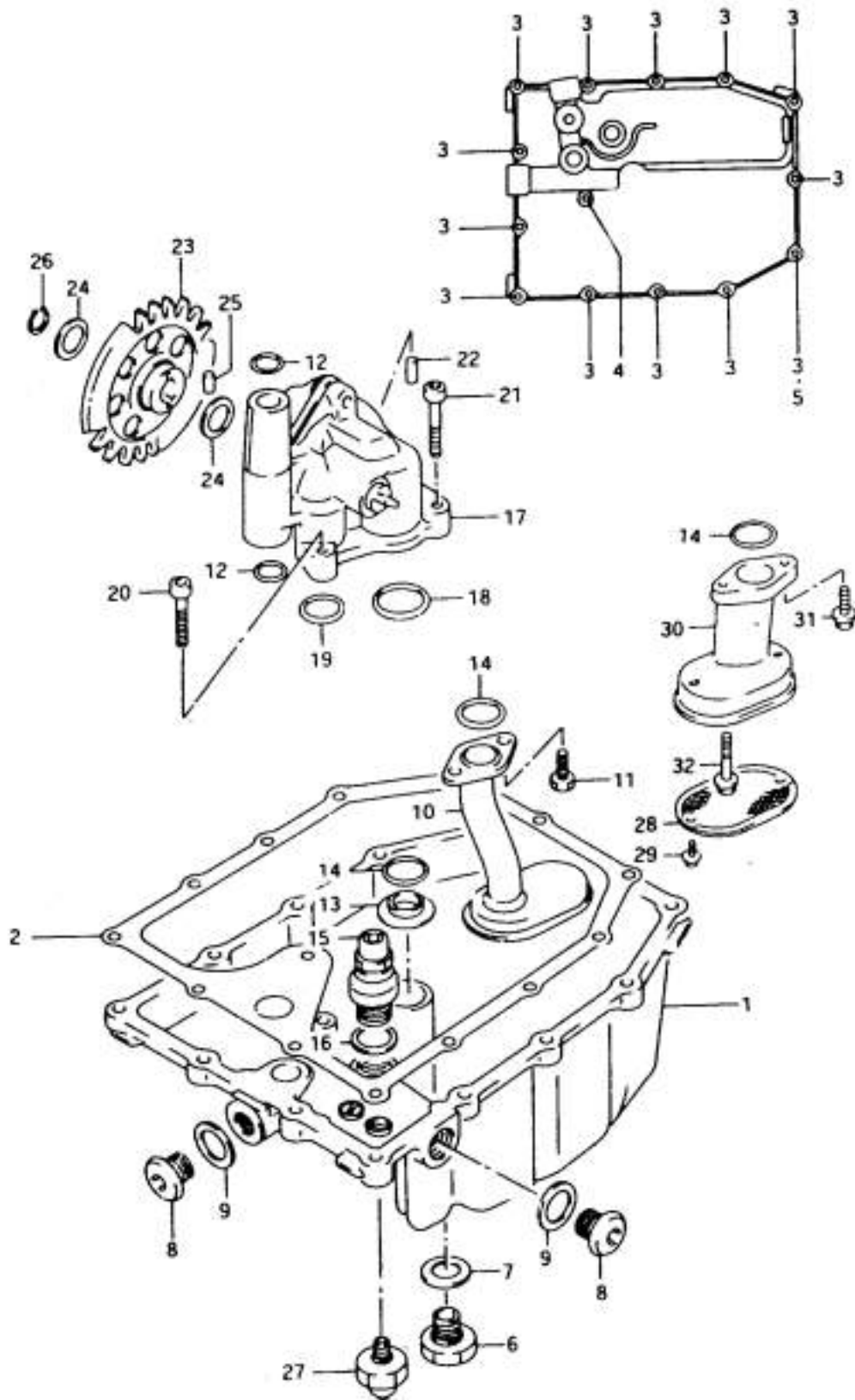


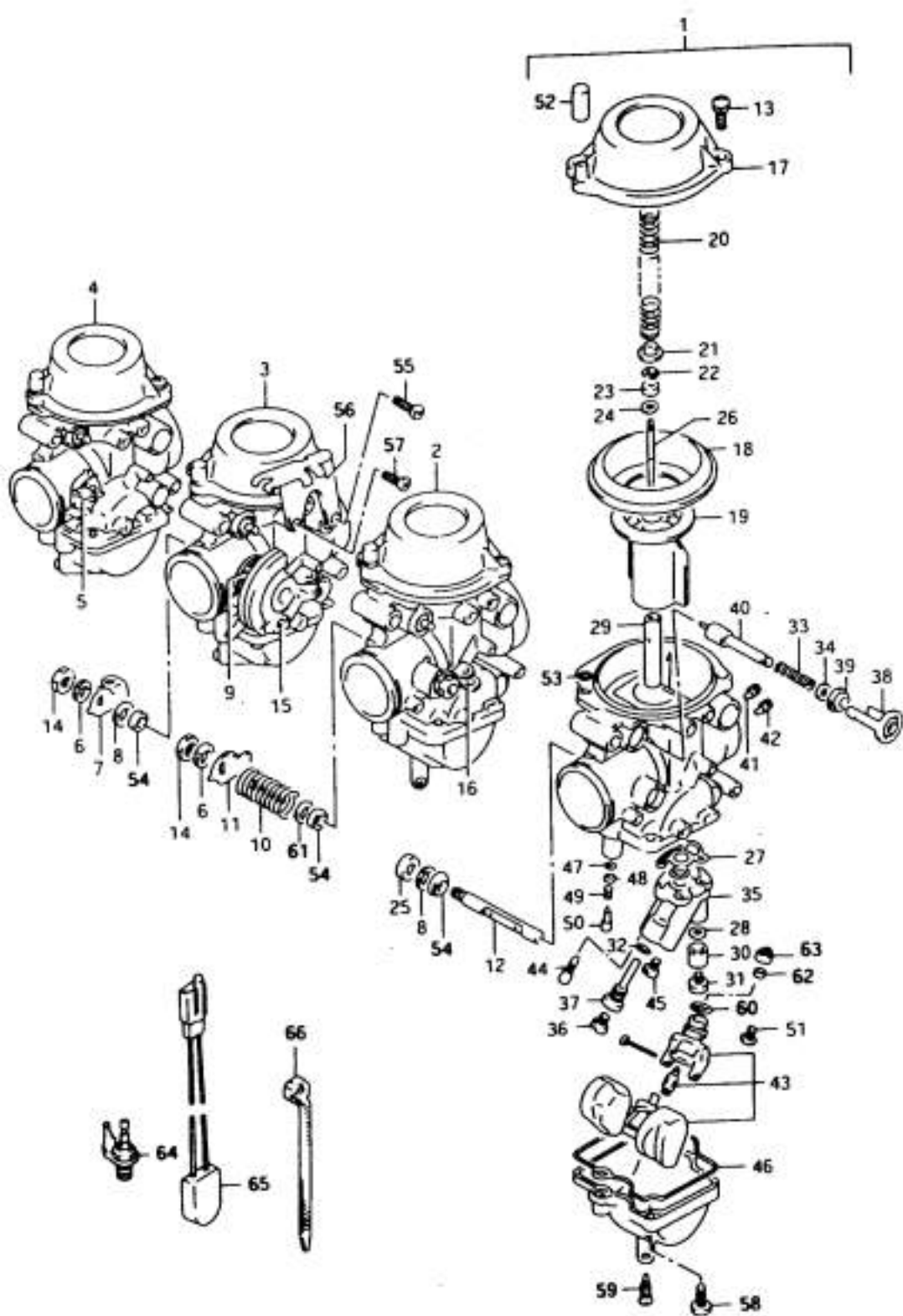


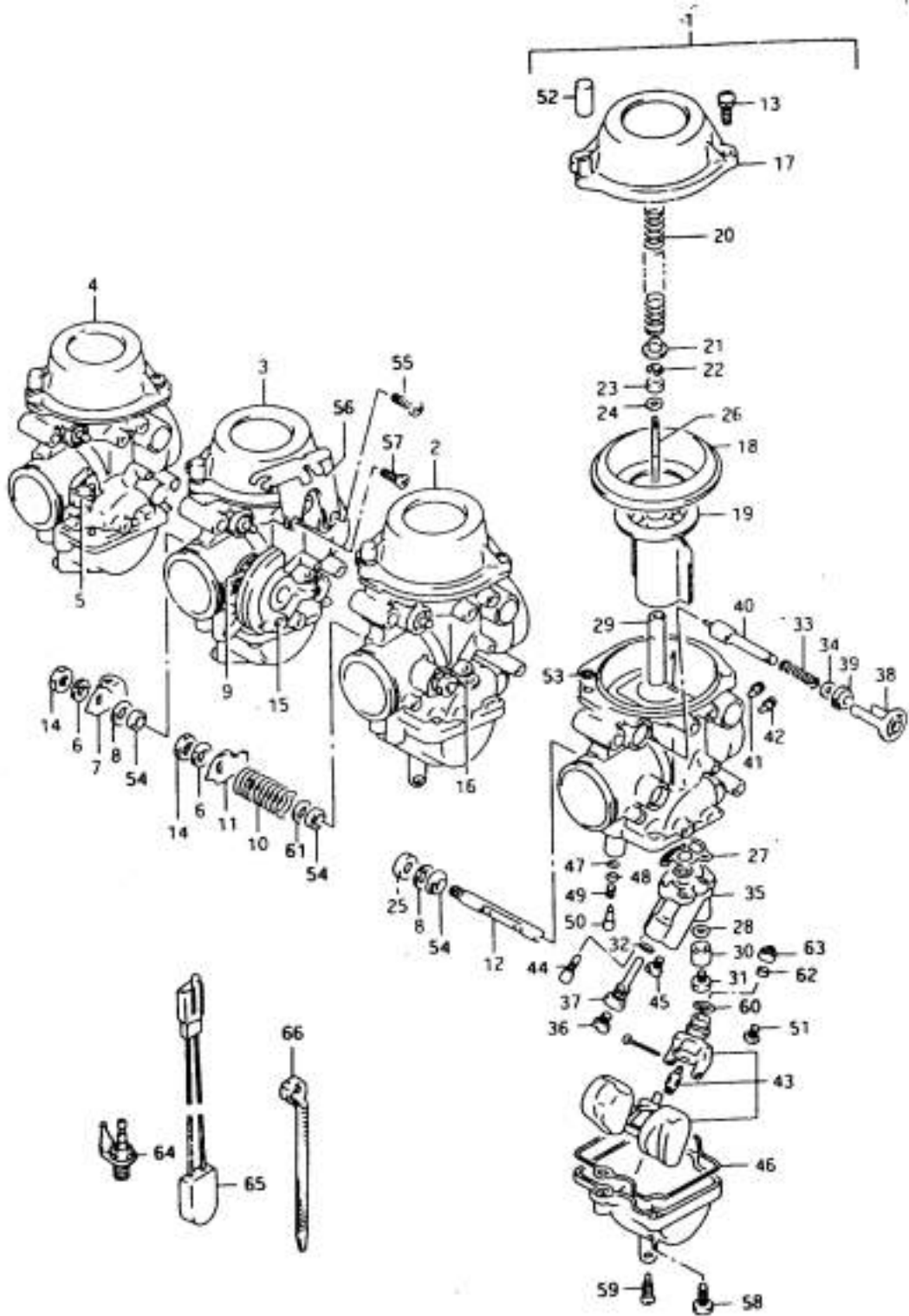


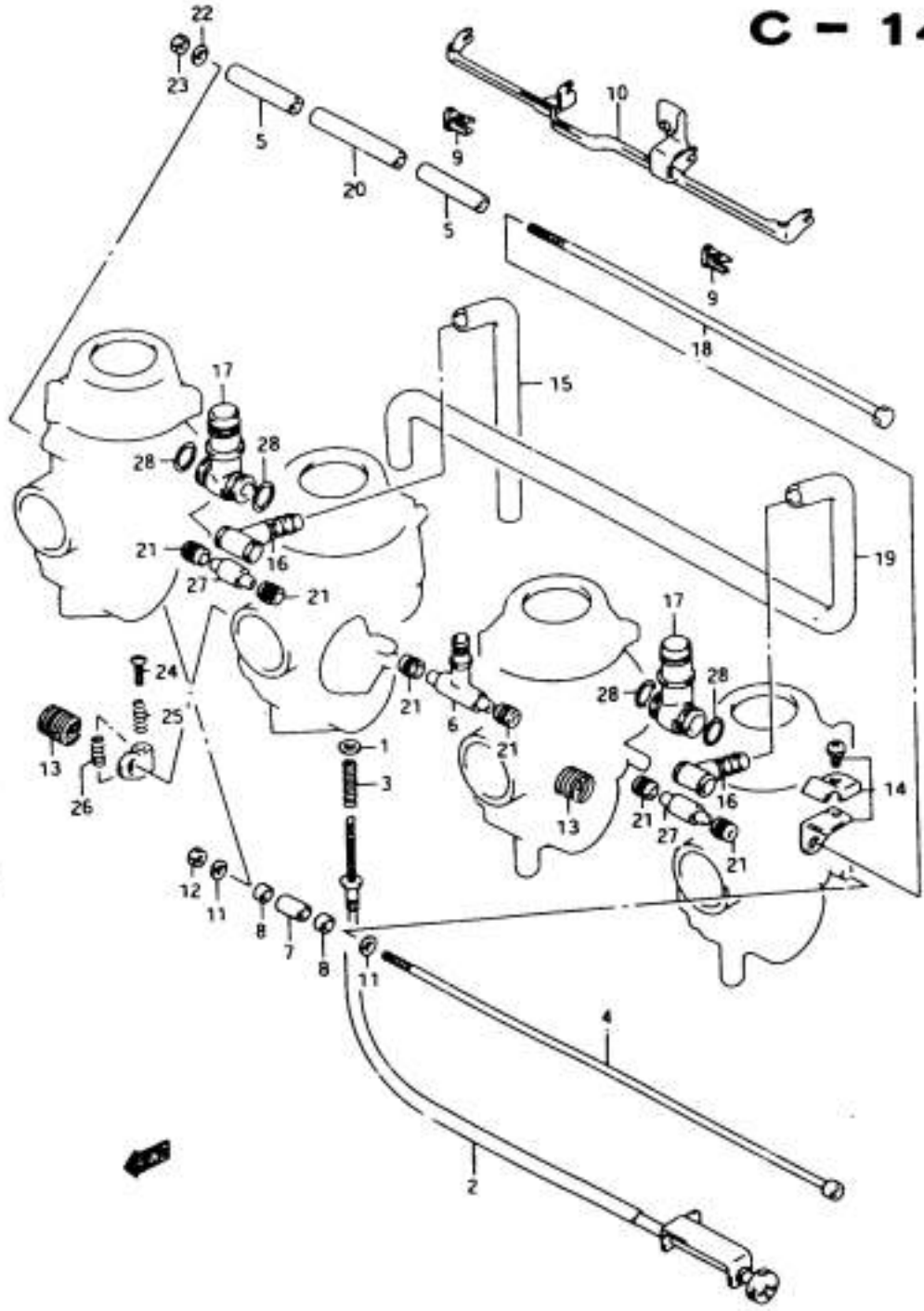


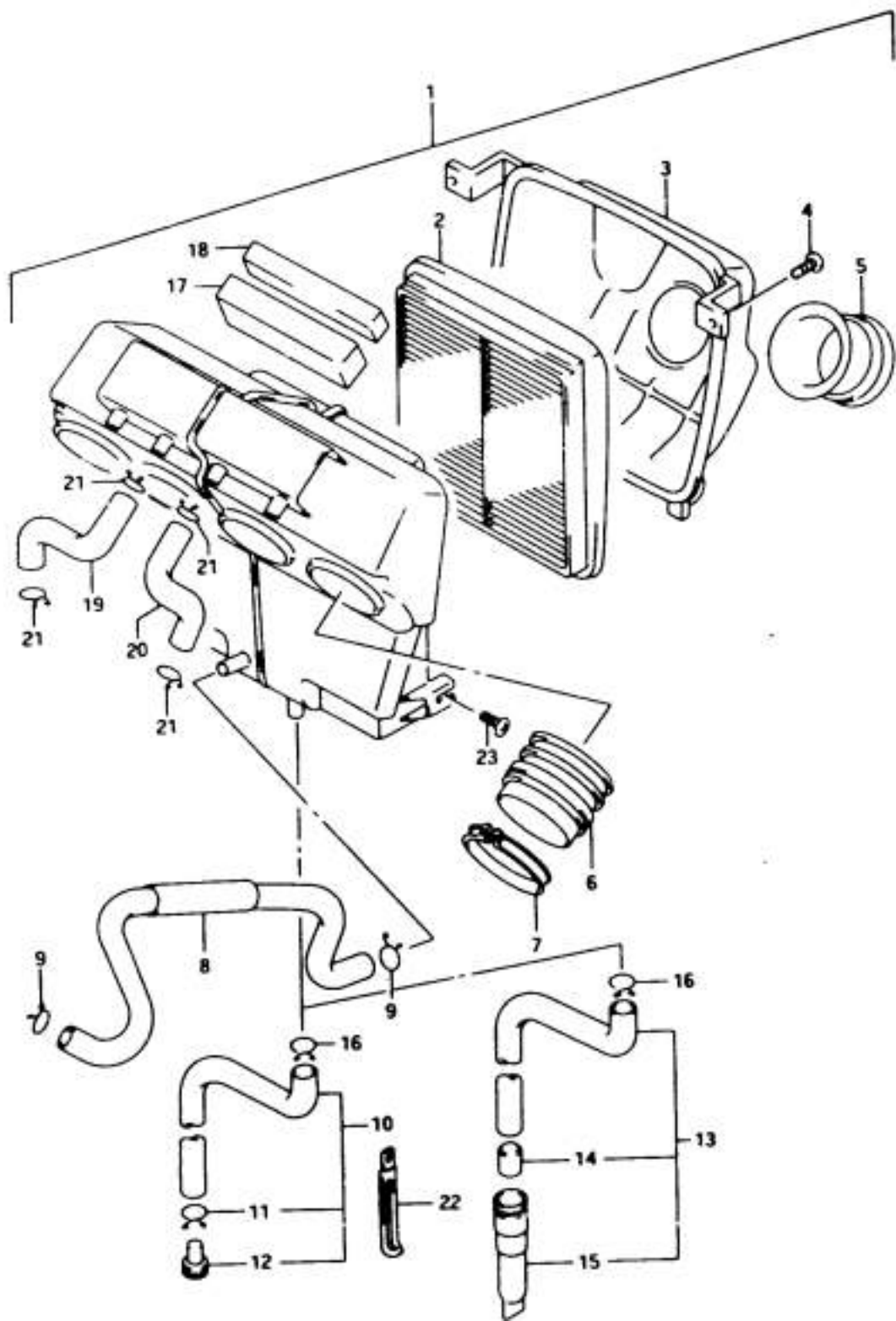




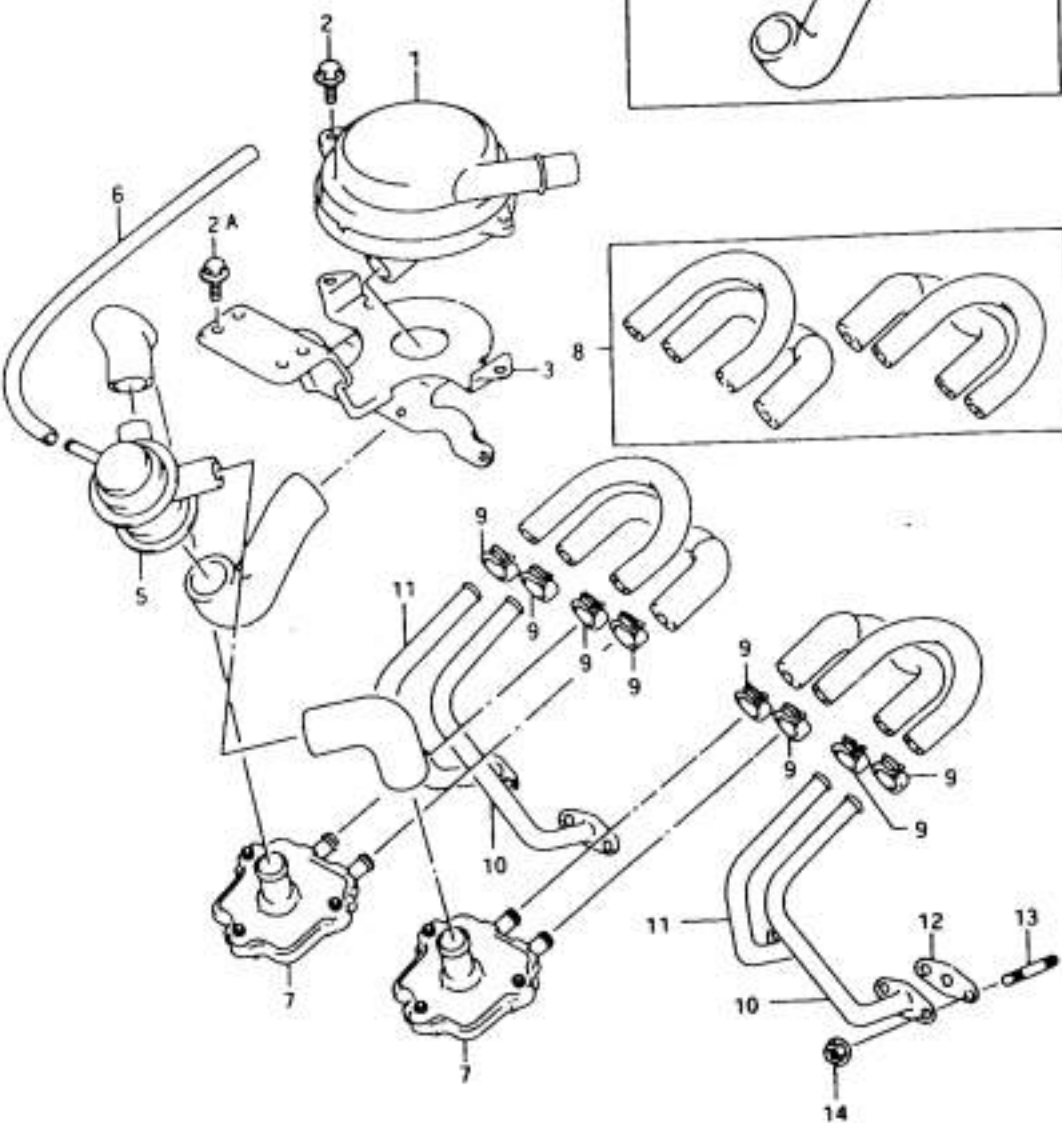
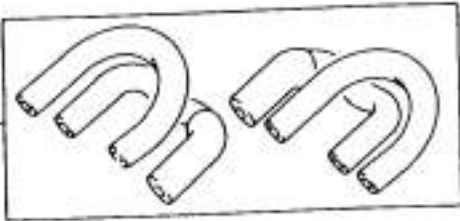
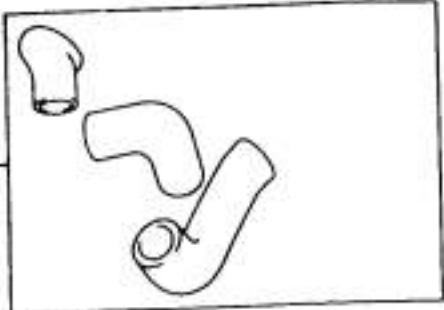


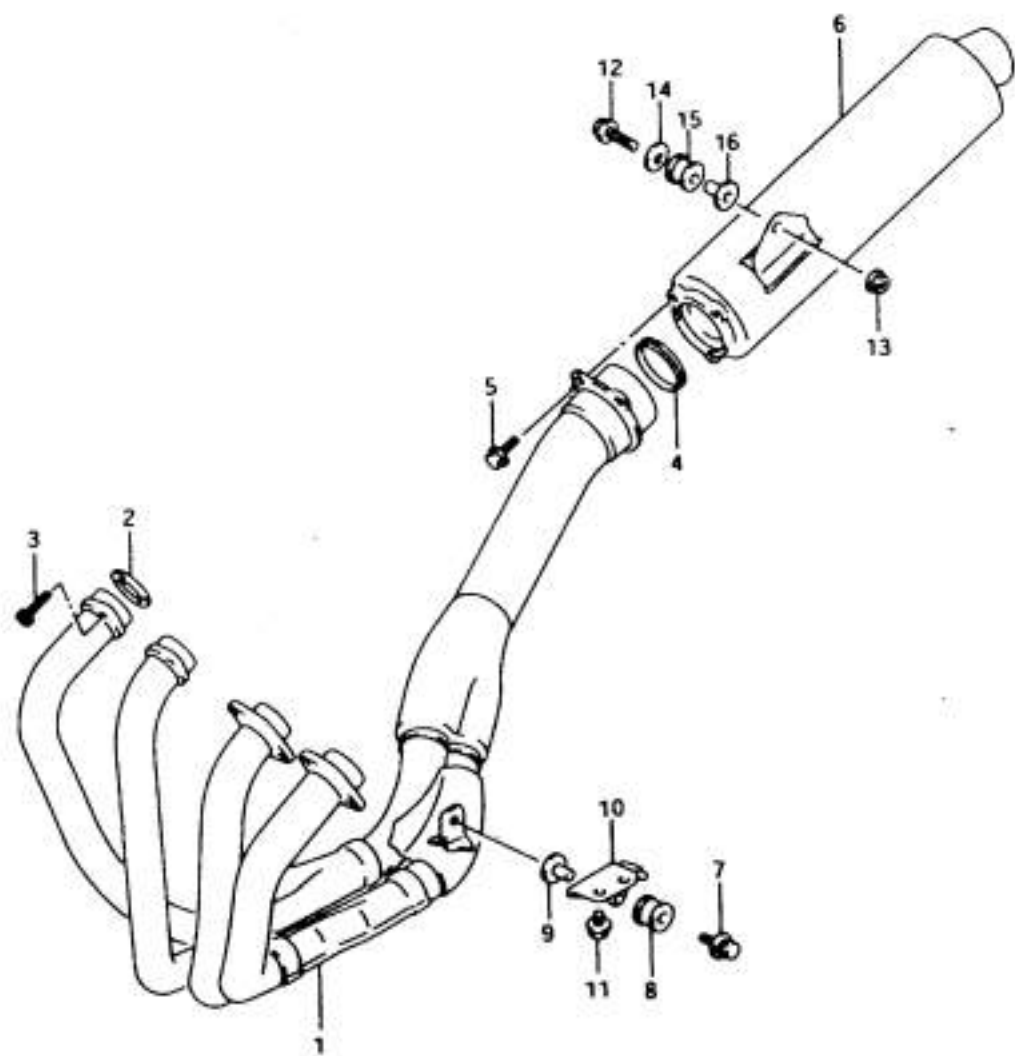


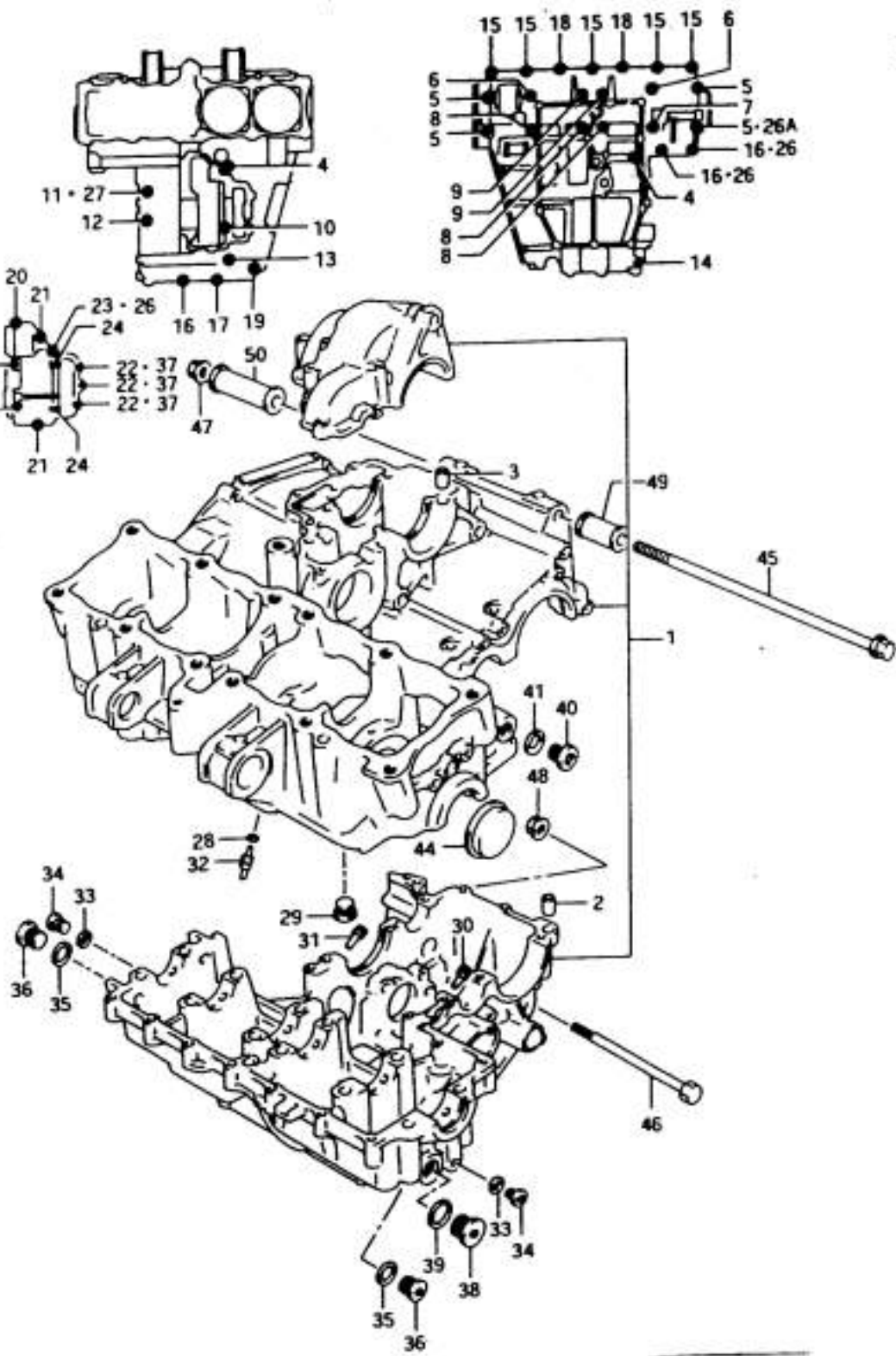


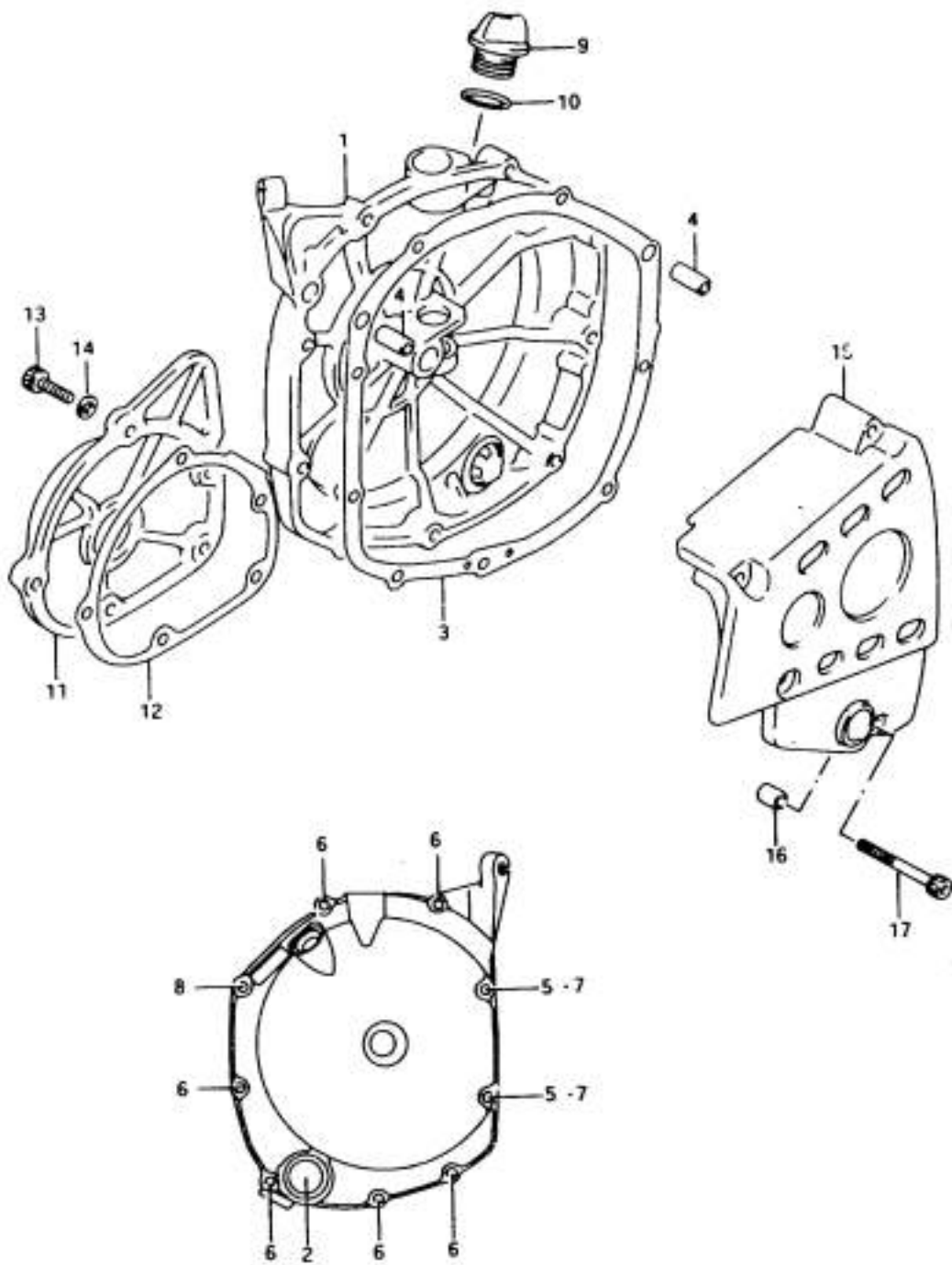


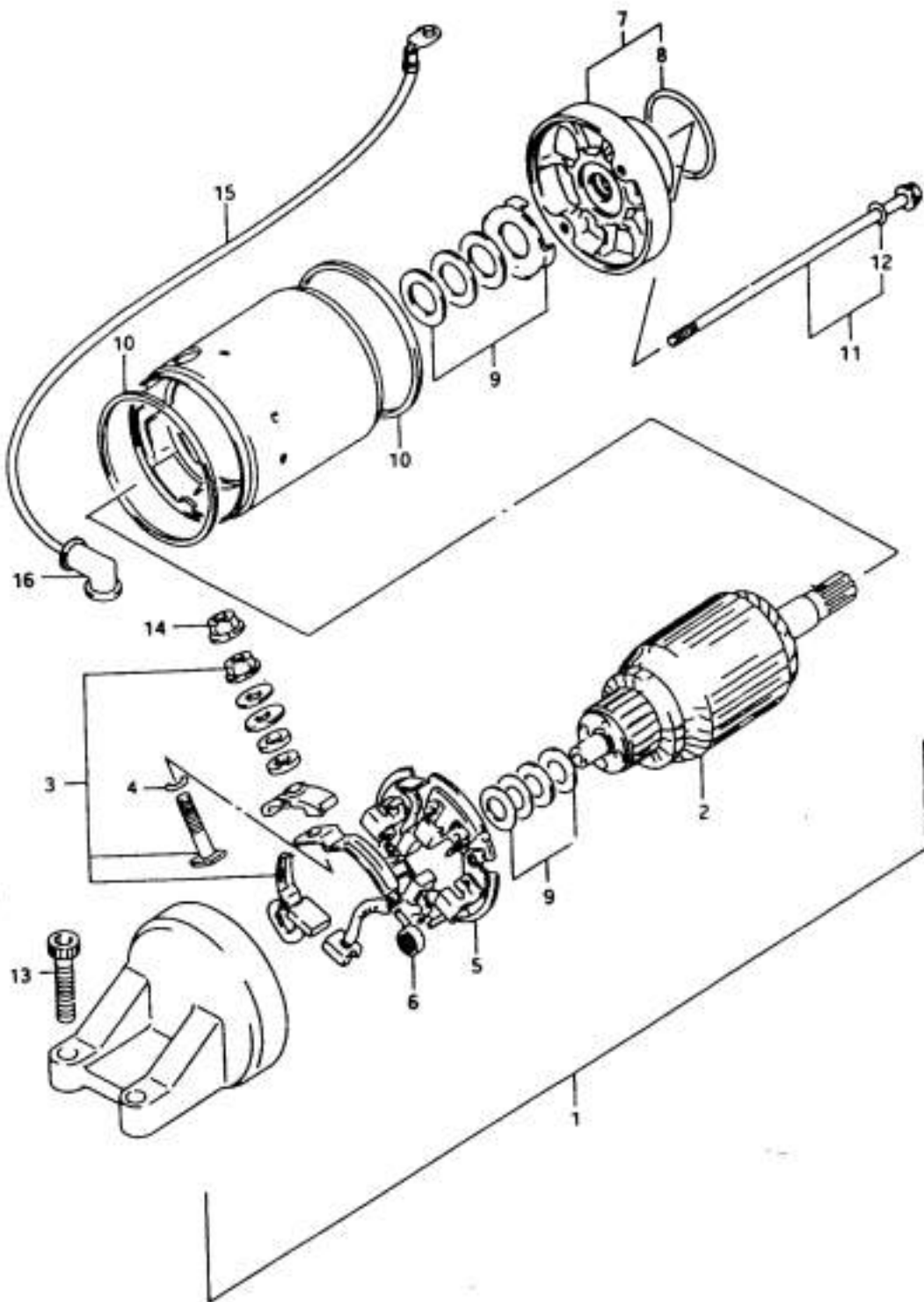
4

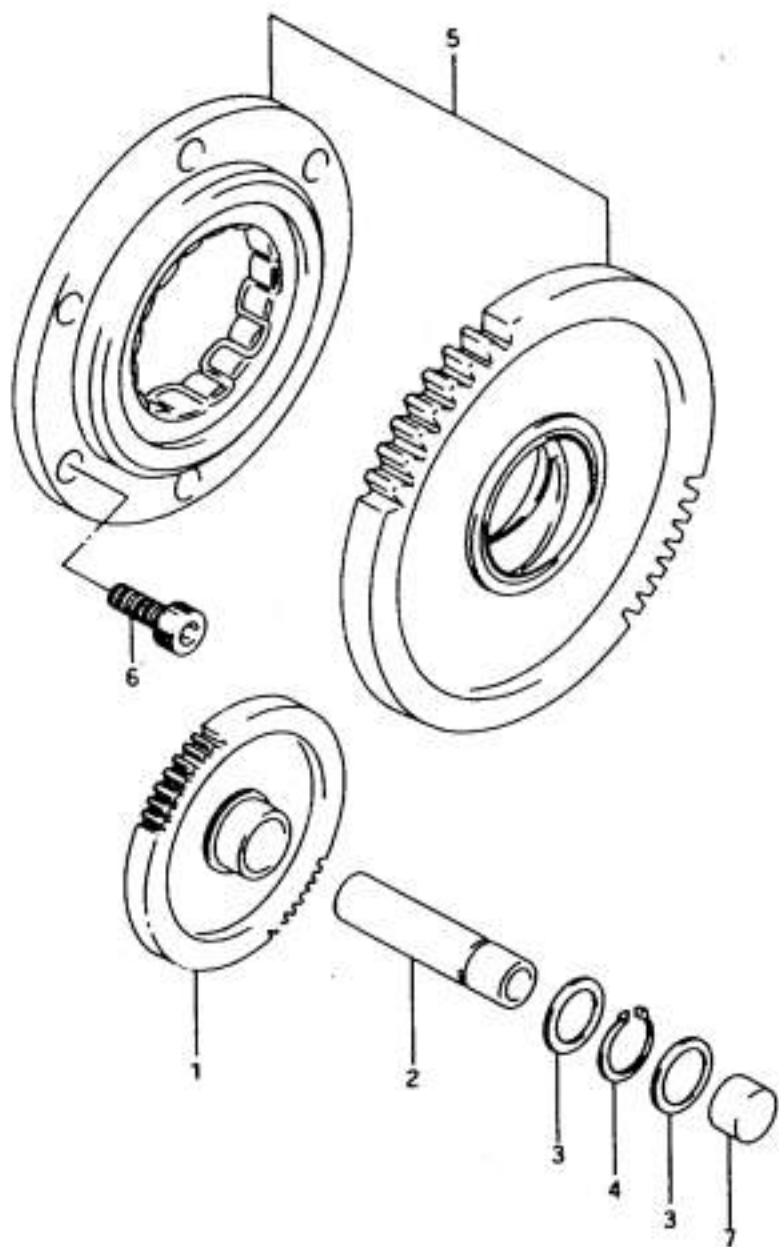












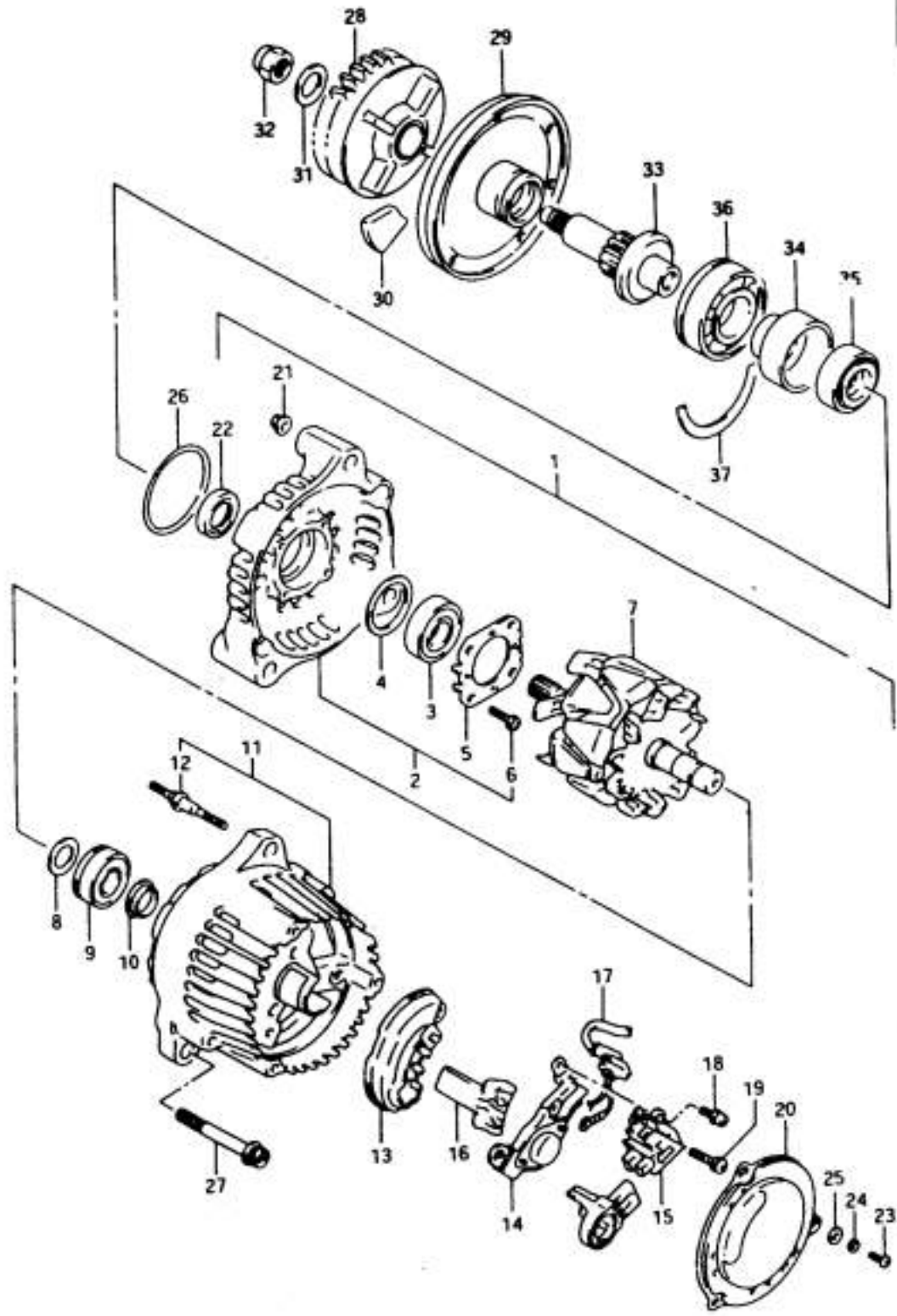
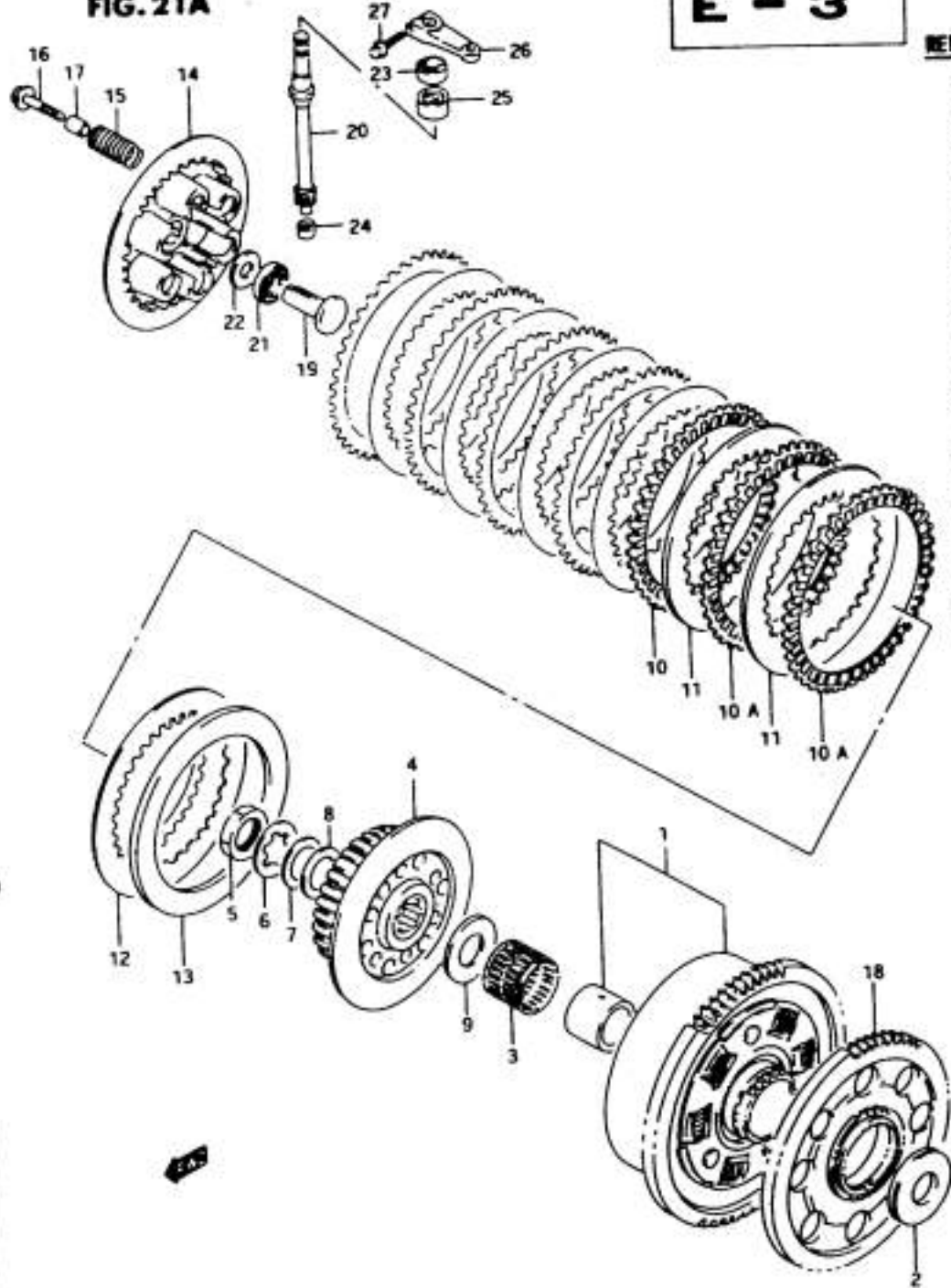
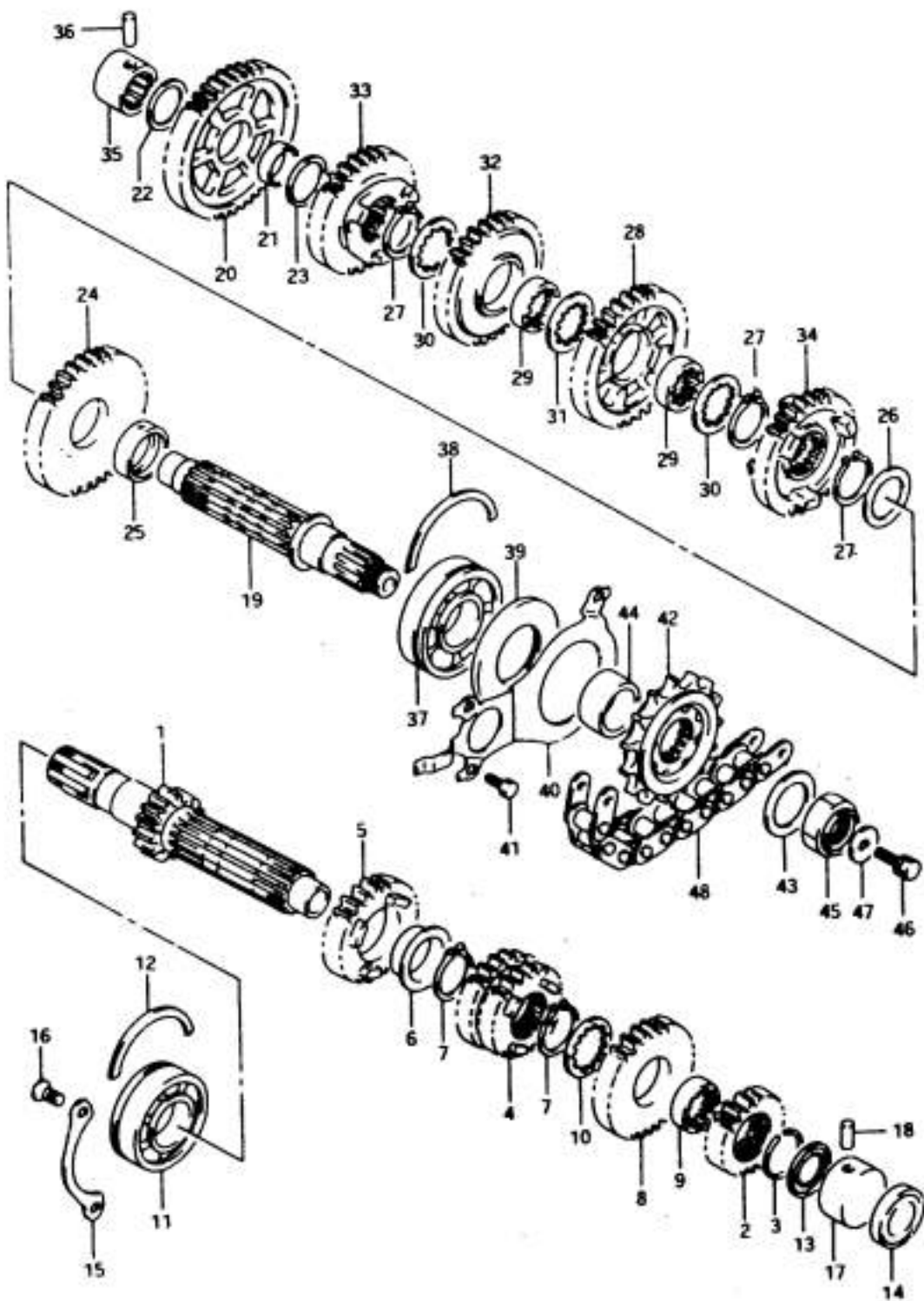
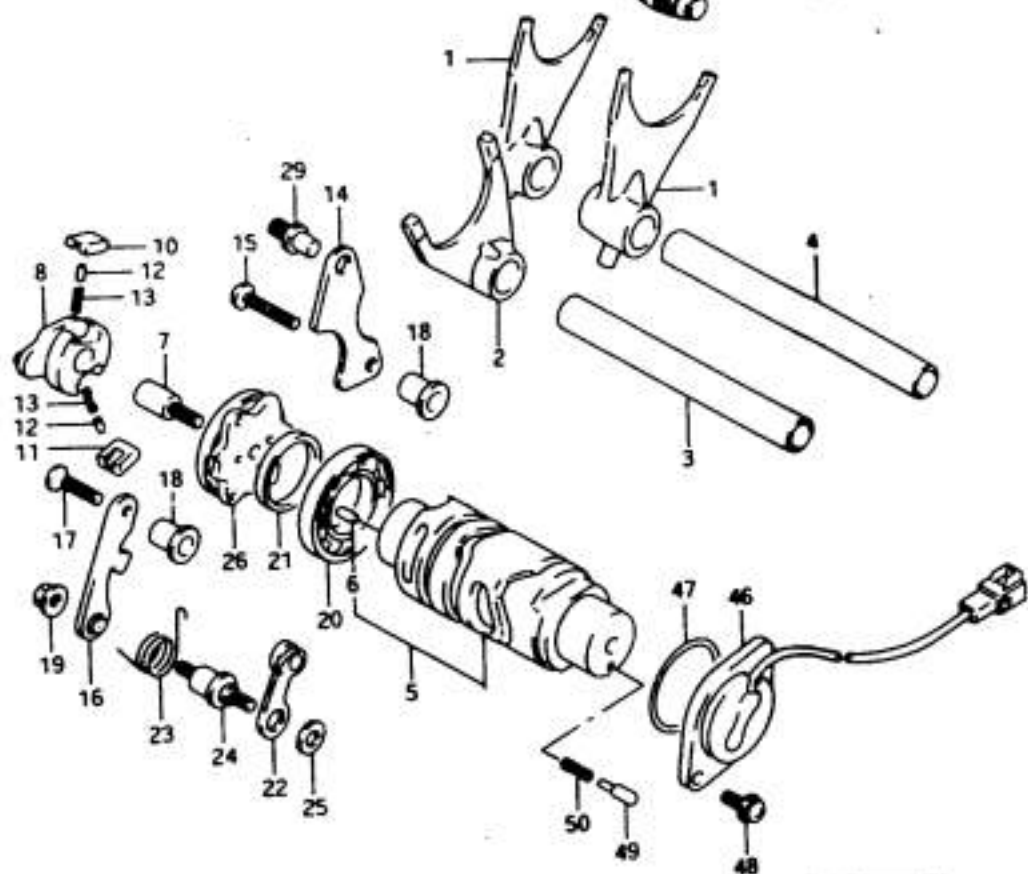
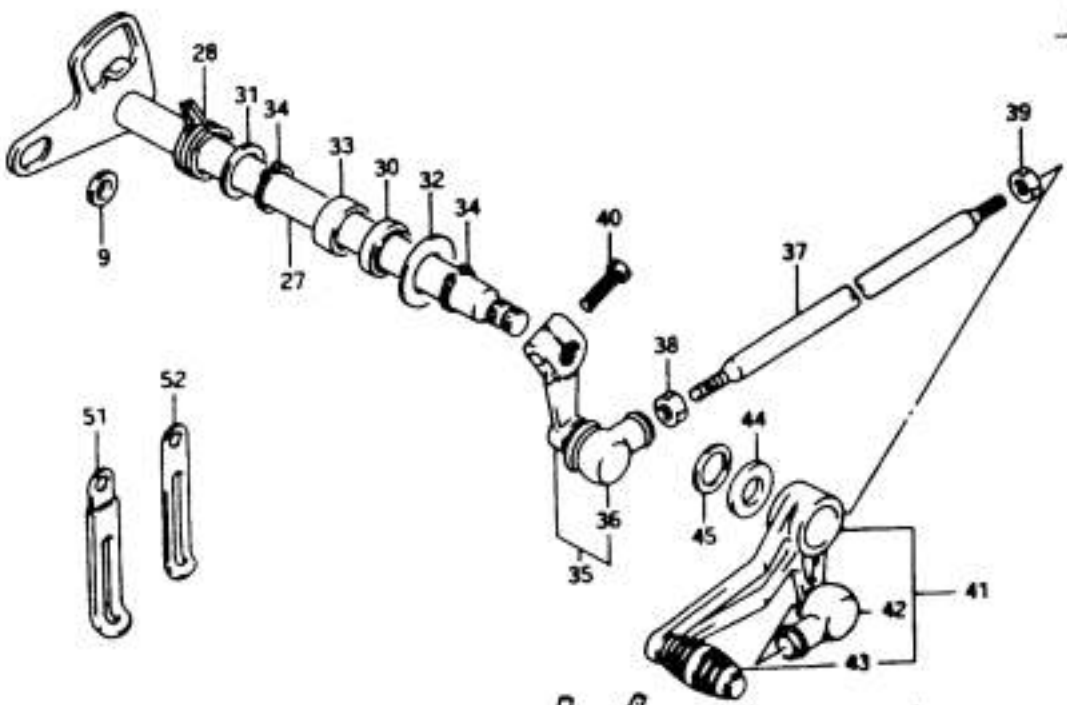


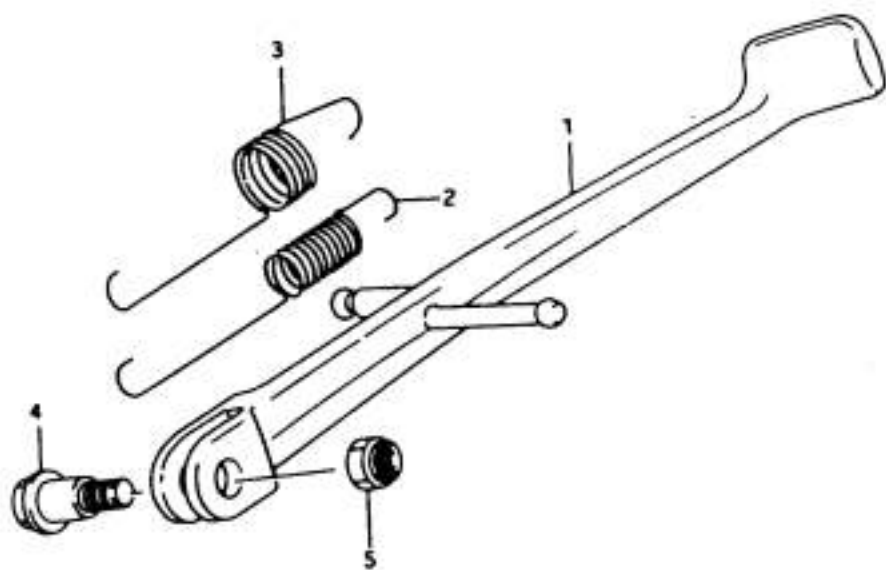
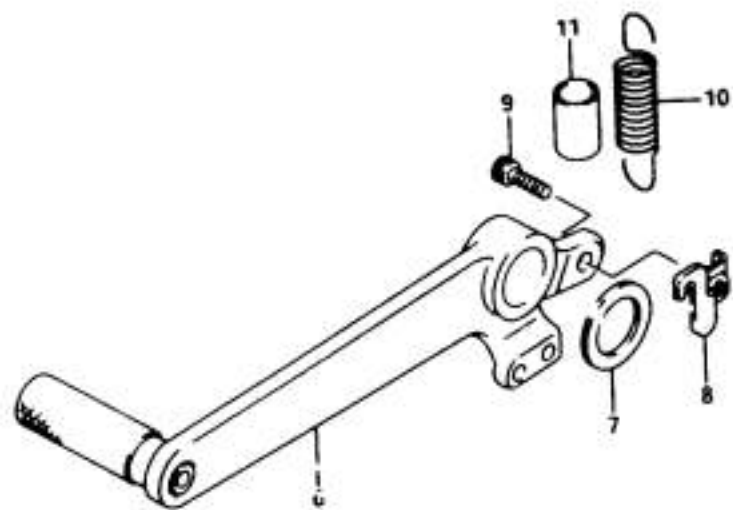
FIG. 21A**E - 3**

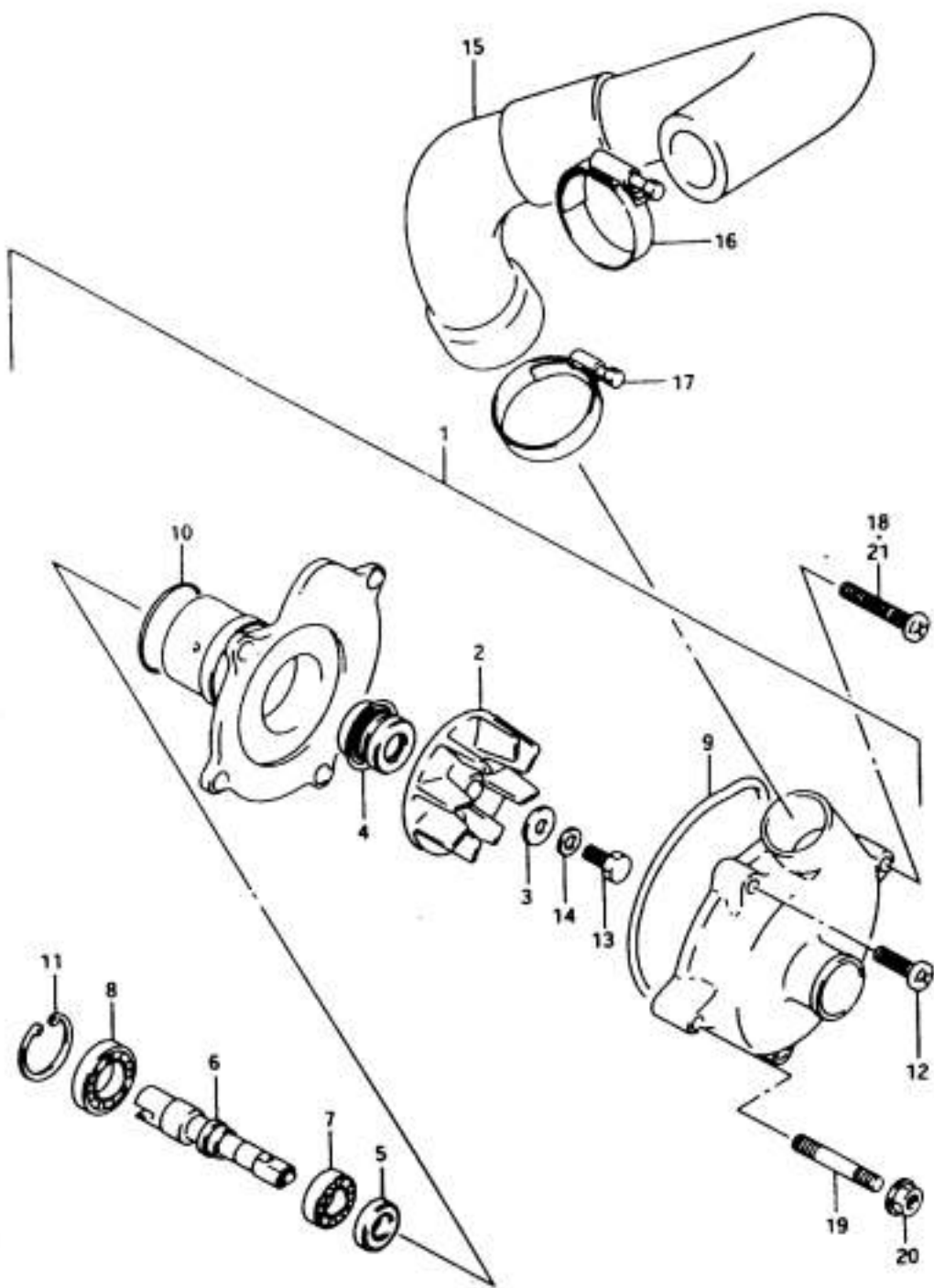
REF. N

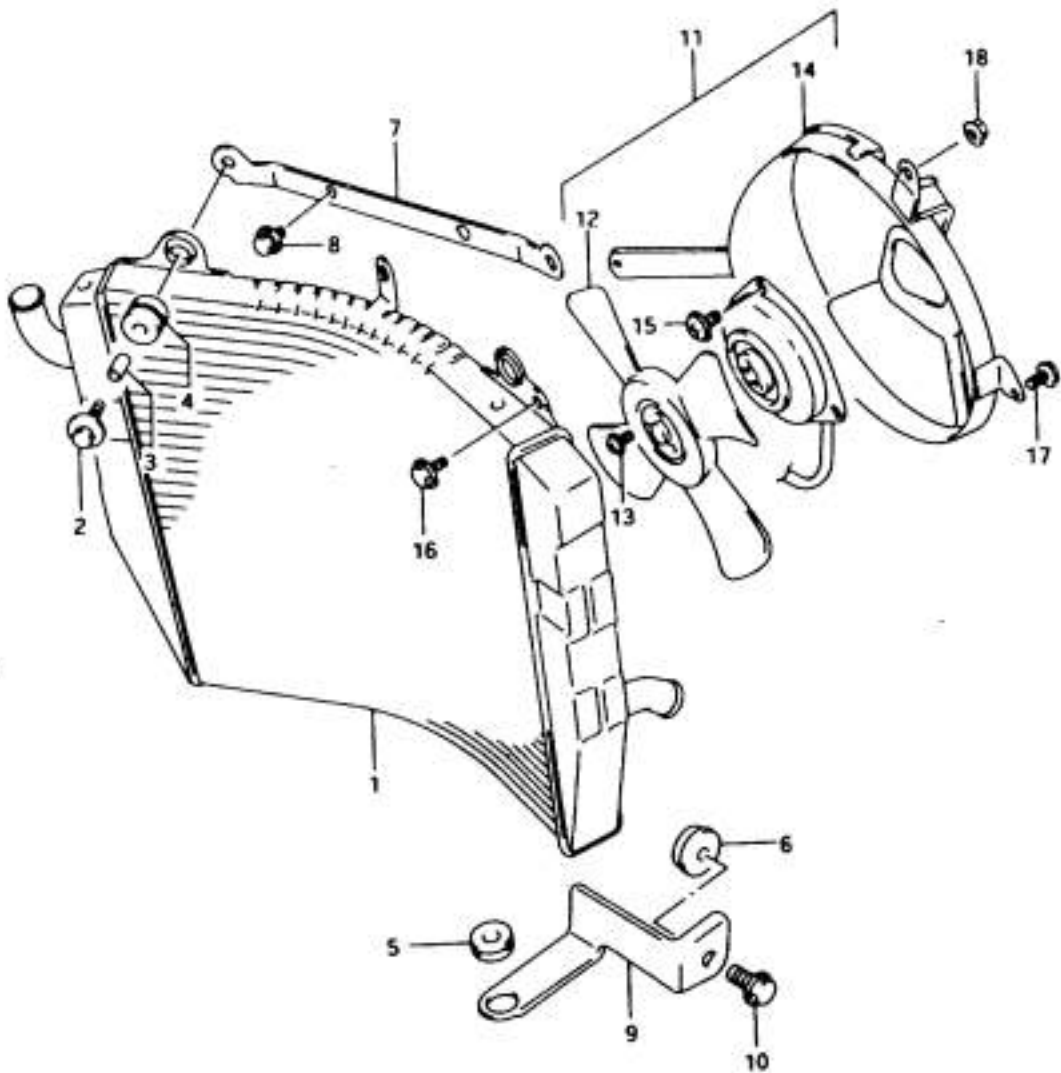
1
2
3
4
5
6
7
8
9
10
11
12
13
14
15
16
17
18
19
20
21
22
23
24
25
26
27

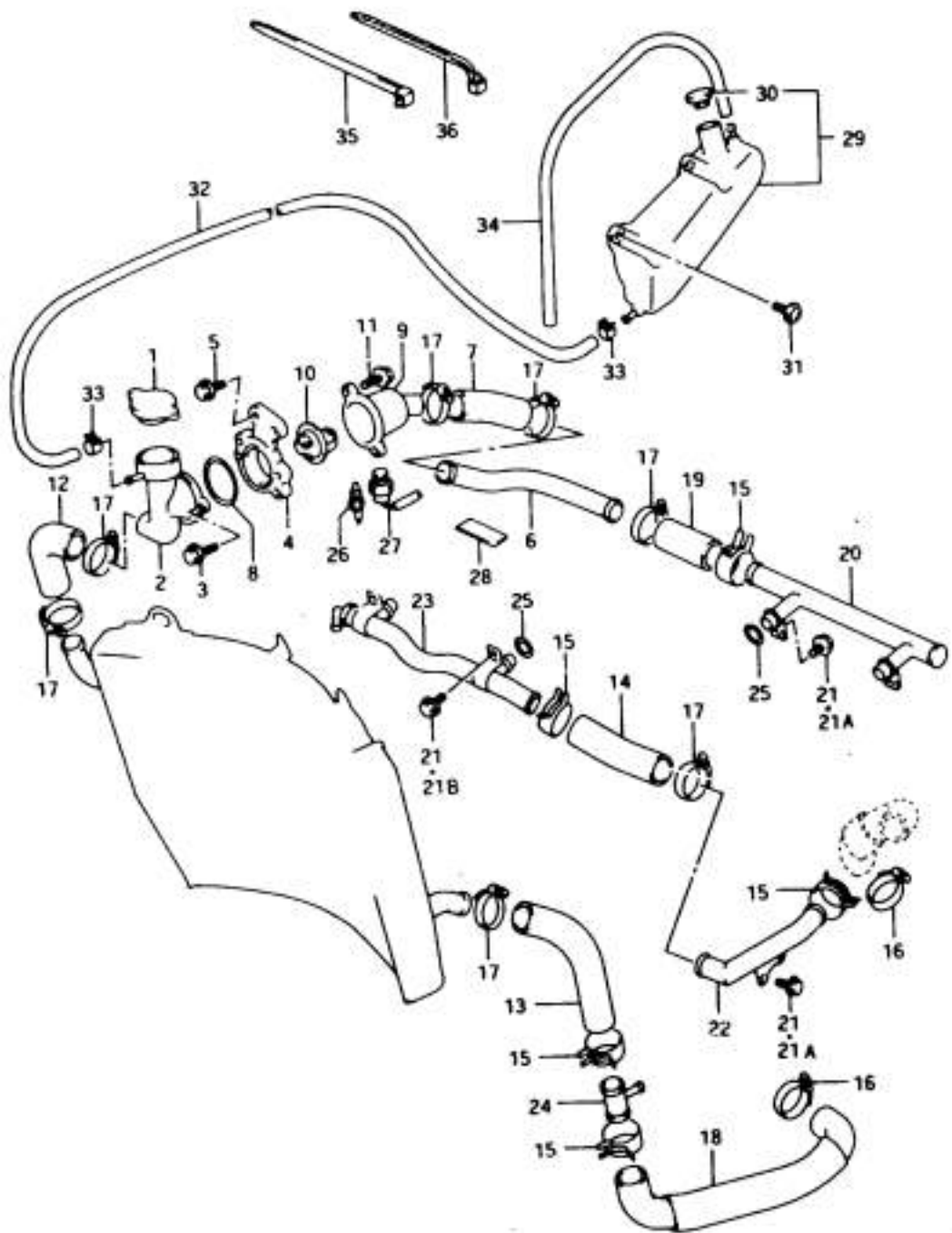


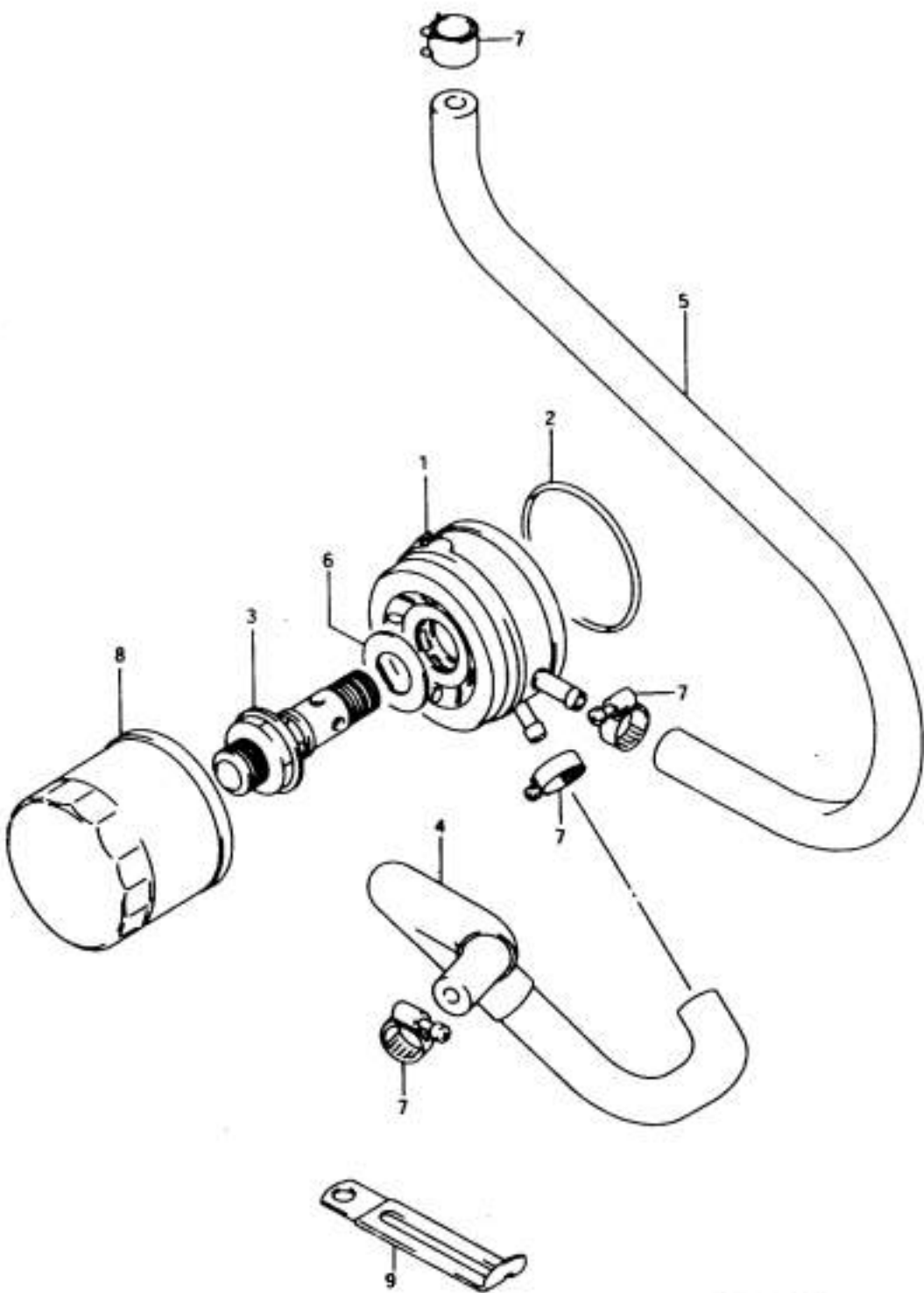


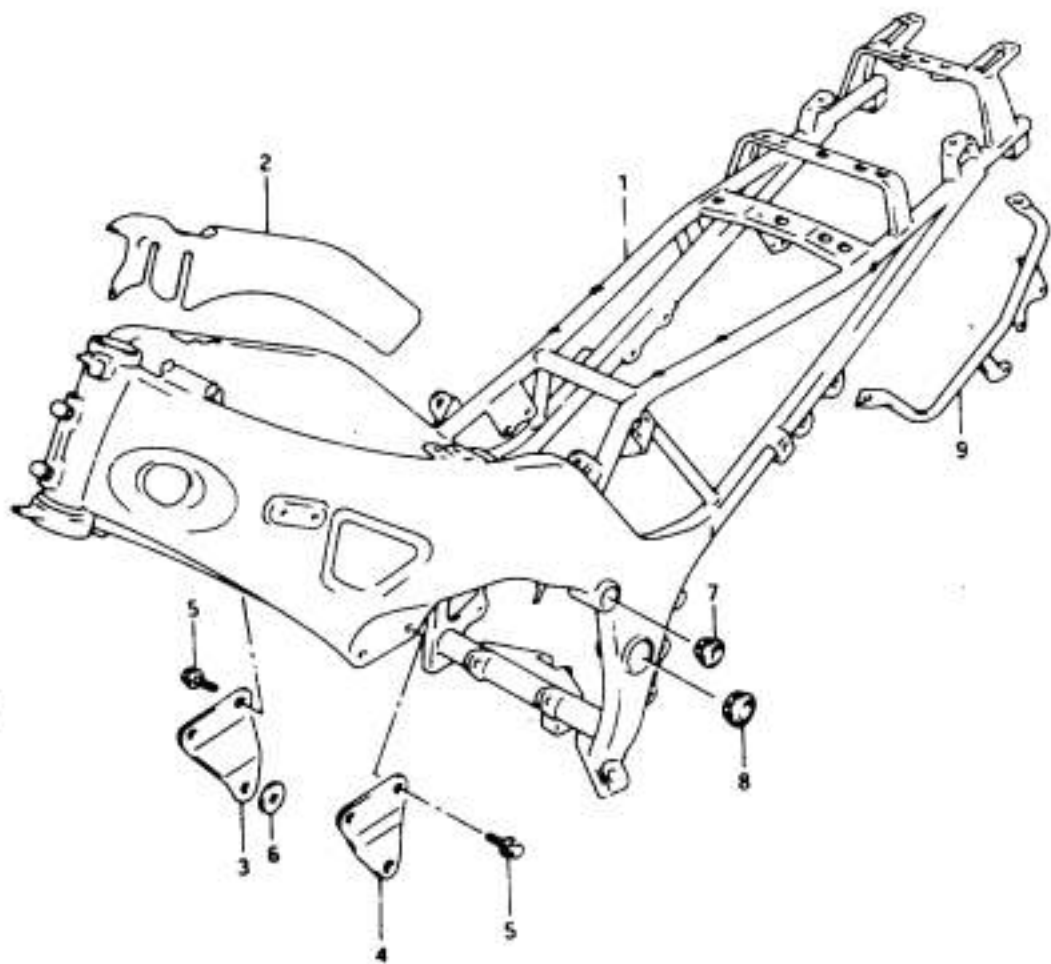


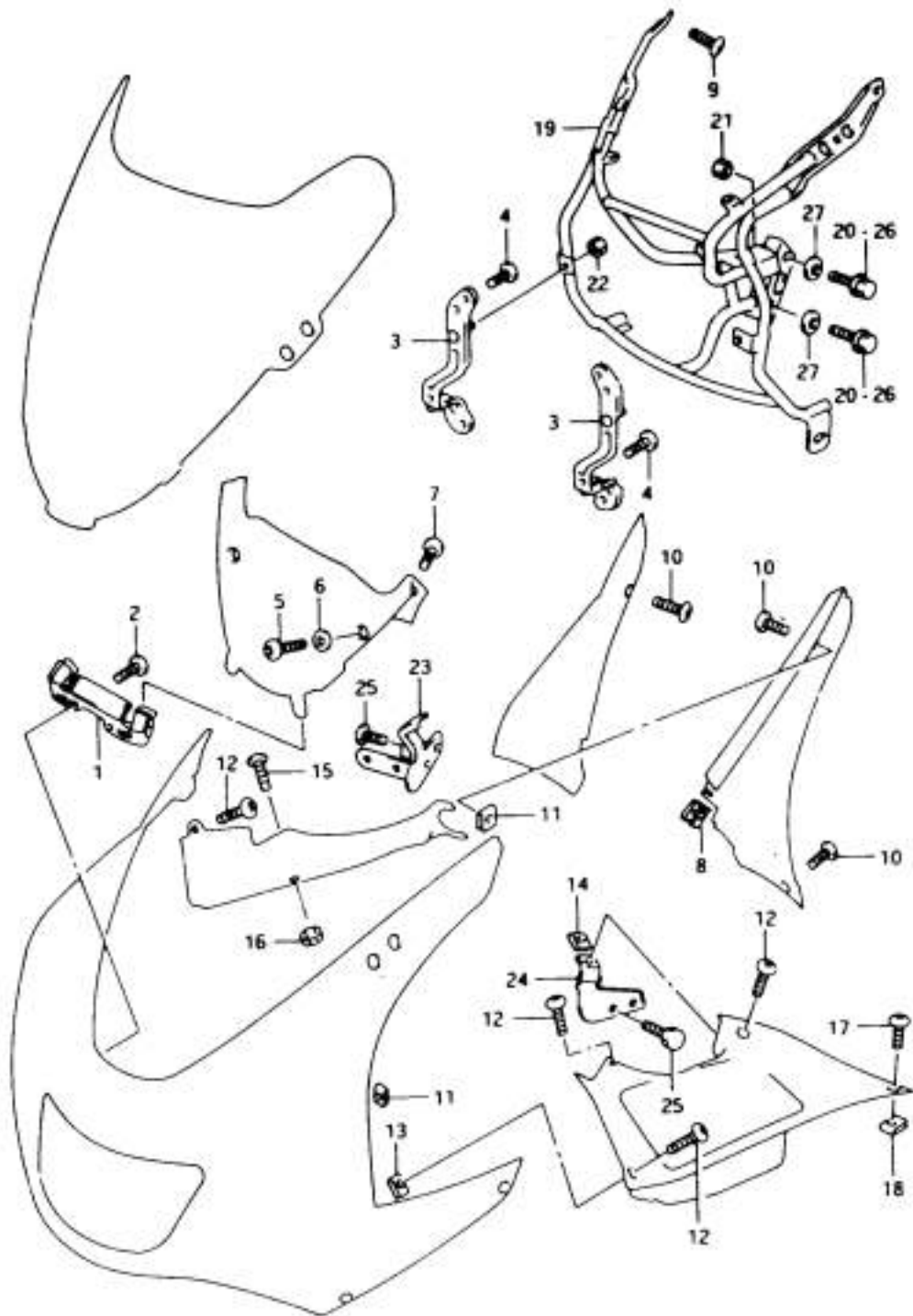


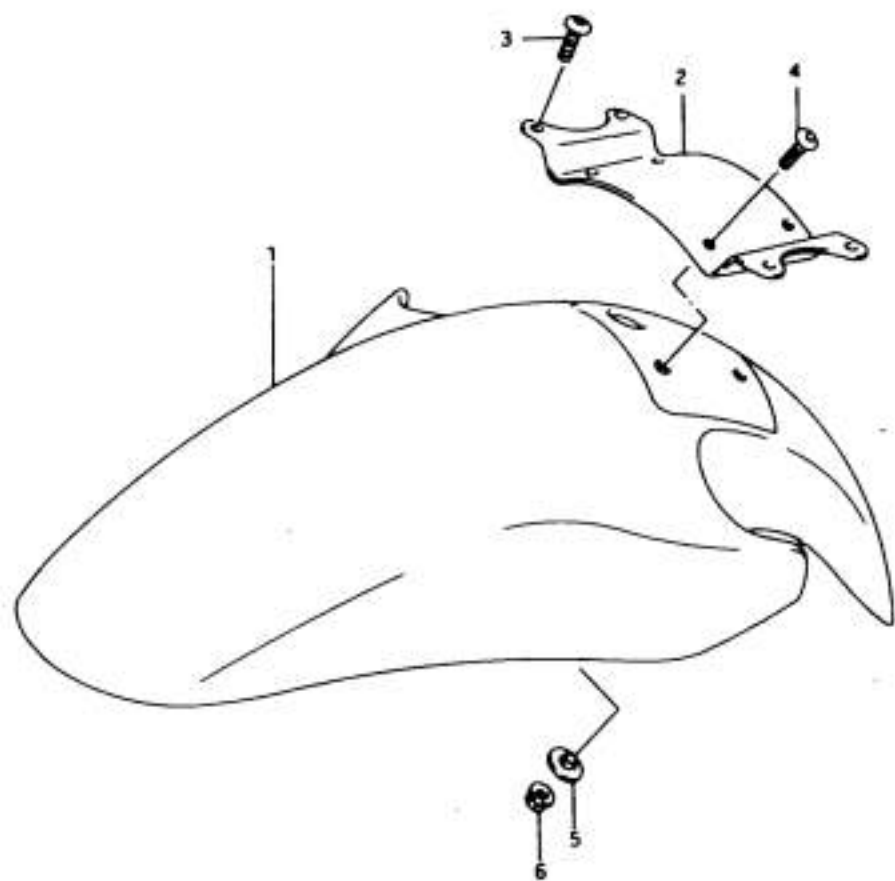


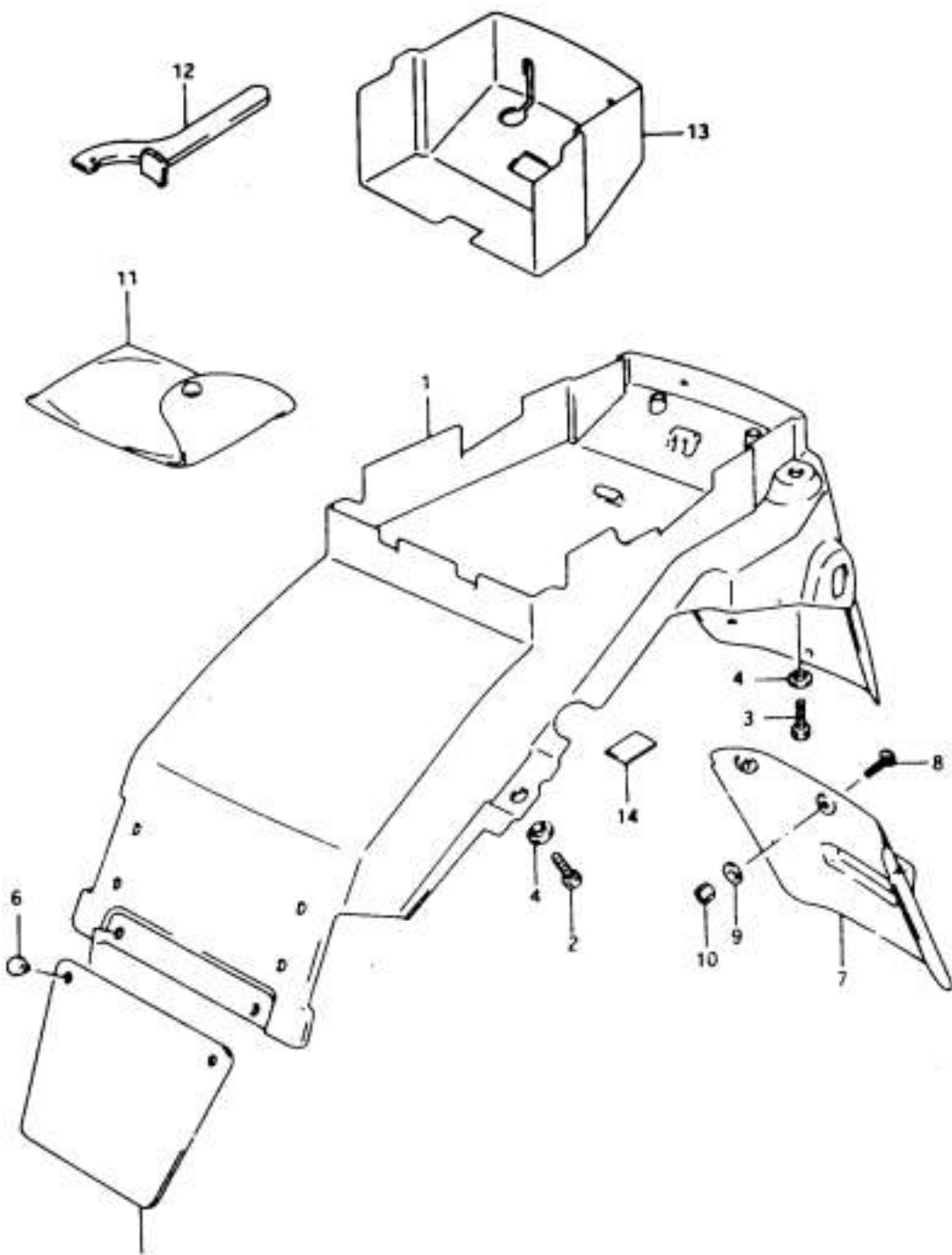


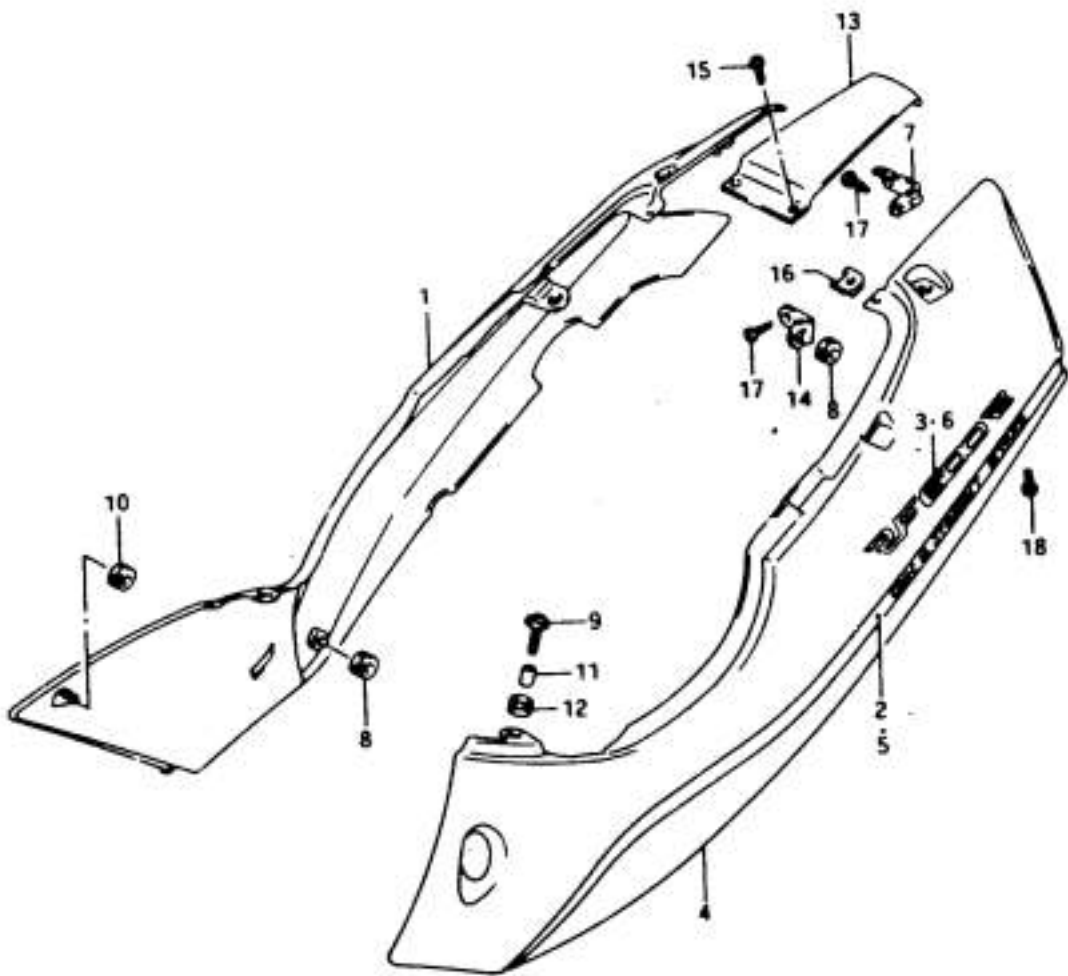












1 - 2

