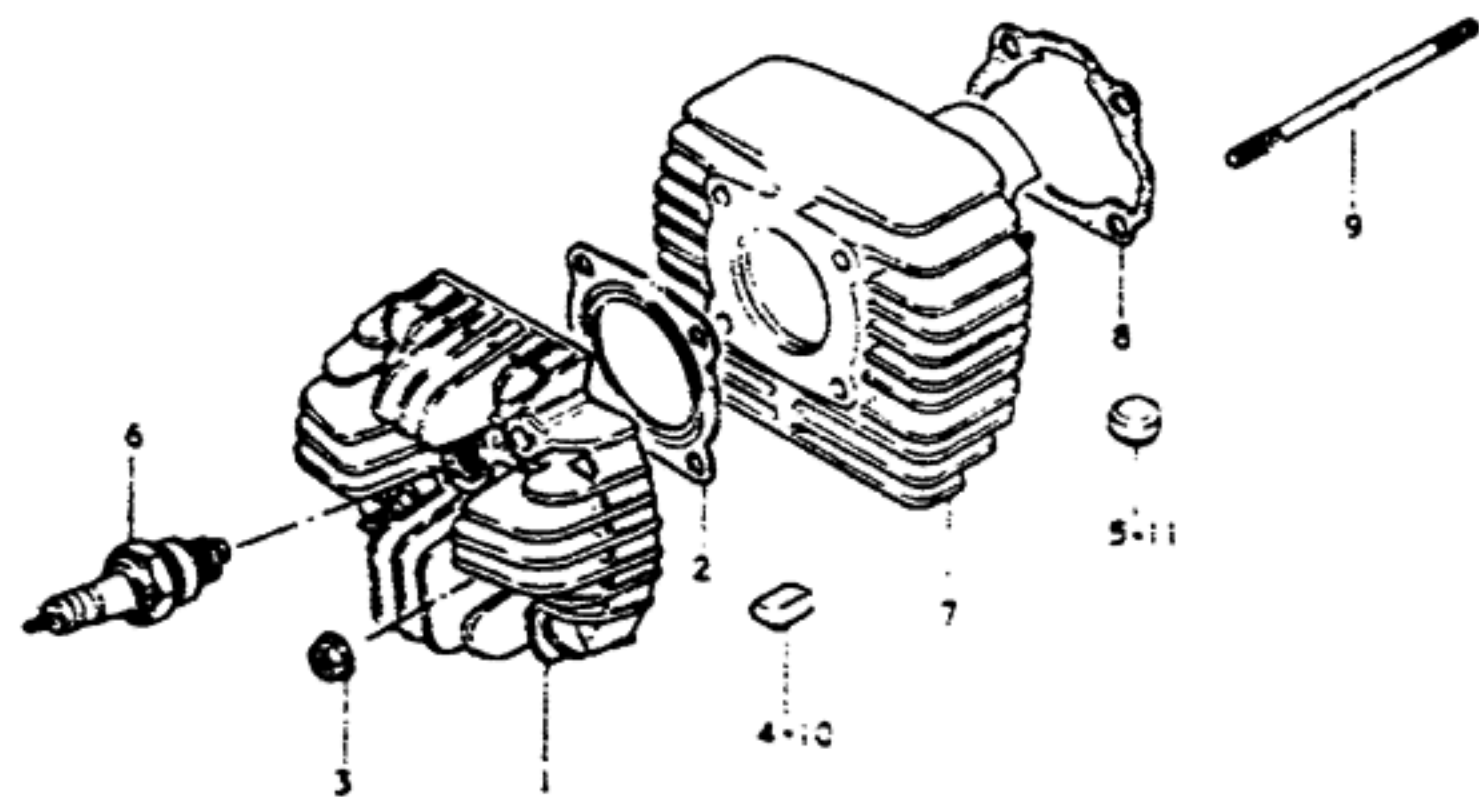


FIG.1



1

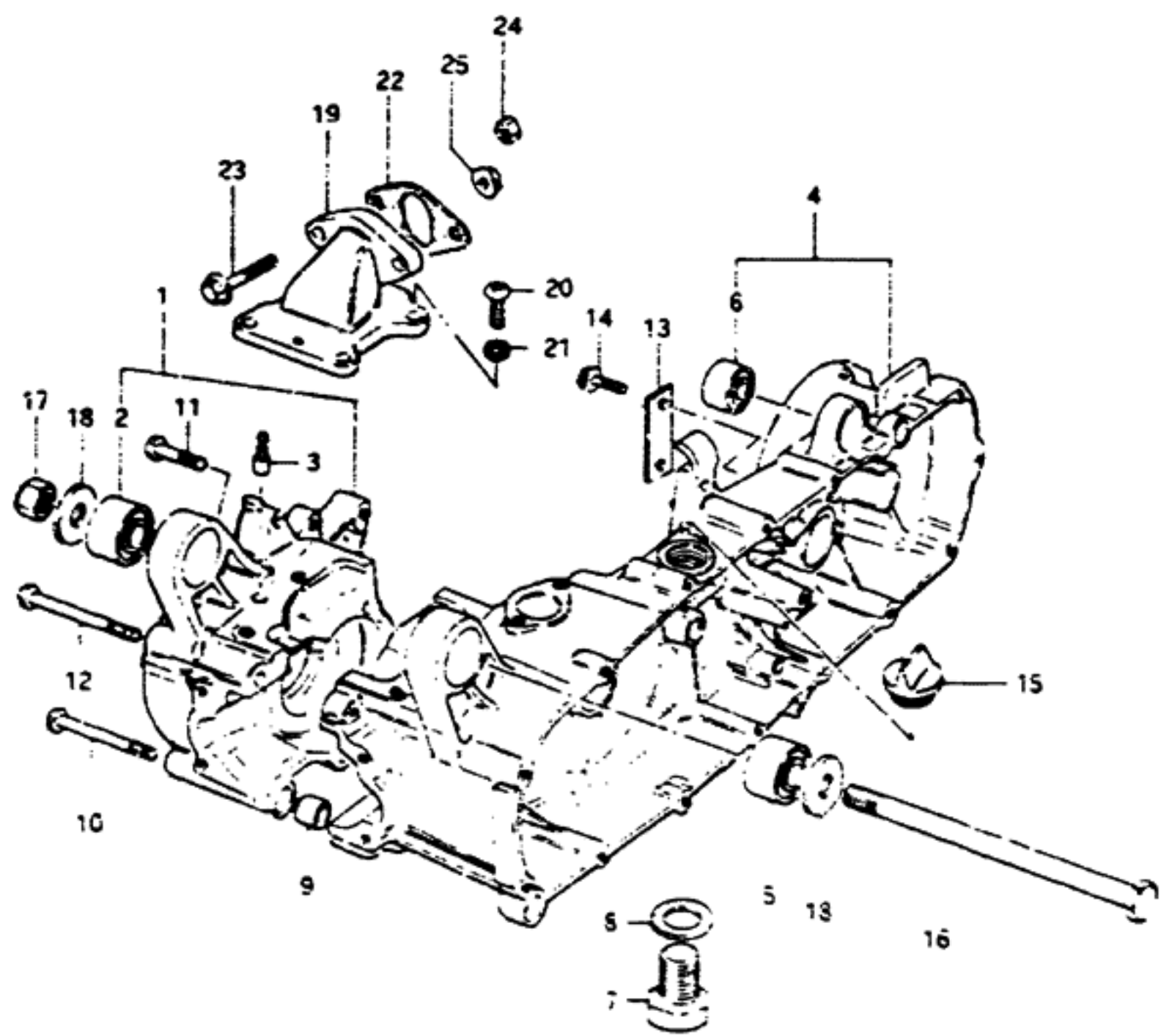
FIG.1 CYLINDER

Ref. No.	Part No.	Description	Qty	Remarks
1	11111-02500	CYLINDER HEAD	1	
2	11141-06110	GASKET	1	
3	08316-16068	NUT	4	
4	11151-08400	RUBBER PAD, head No.1	4	
5	11252-28000	RUBBER PAD, head No.2	2	
6-1	09482-00170	SPARK PLUG (BP4HA)	1	NGK
6-2	09482-00171	SPARK PLUG (W14FP-UL)	1	ND
7	11211-02402	CYLINDER	1	
8	11241-02300	GASKET	1	
9	01421-06909	STUD BOLT	4	
10	11252-02300	RUBBER PAD, cylinder No.1	10	
11	11252-28000	RUBBER PAD, cylinder No.2	2	

\* ENGINE GASKET SET : SEE FIG.37 (F-4)

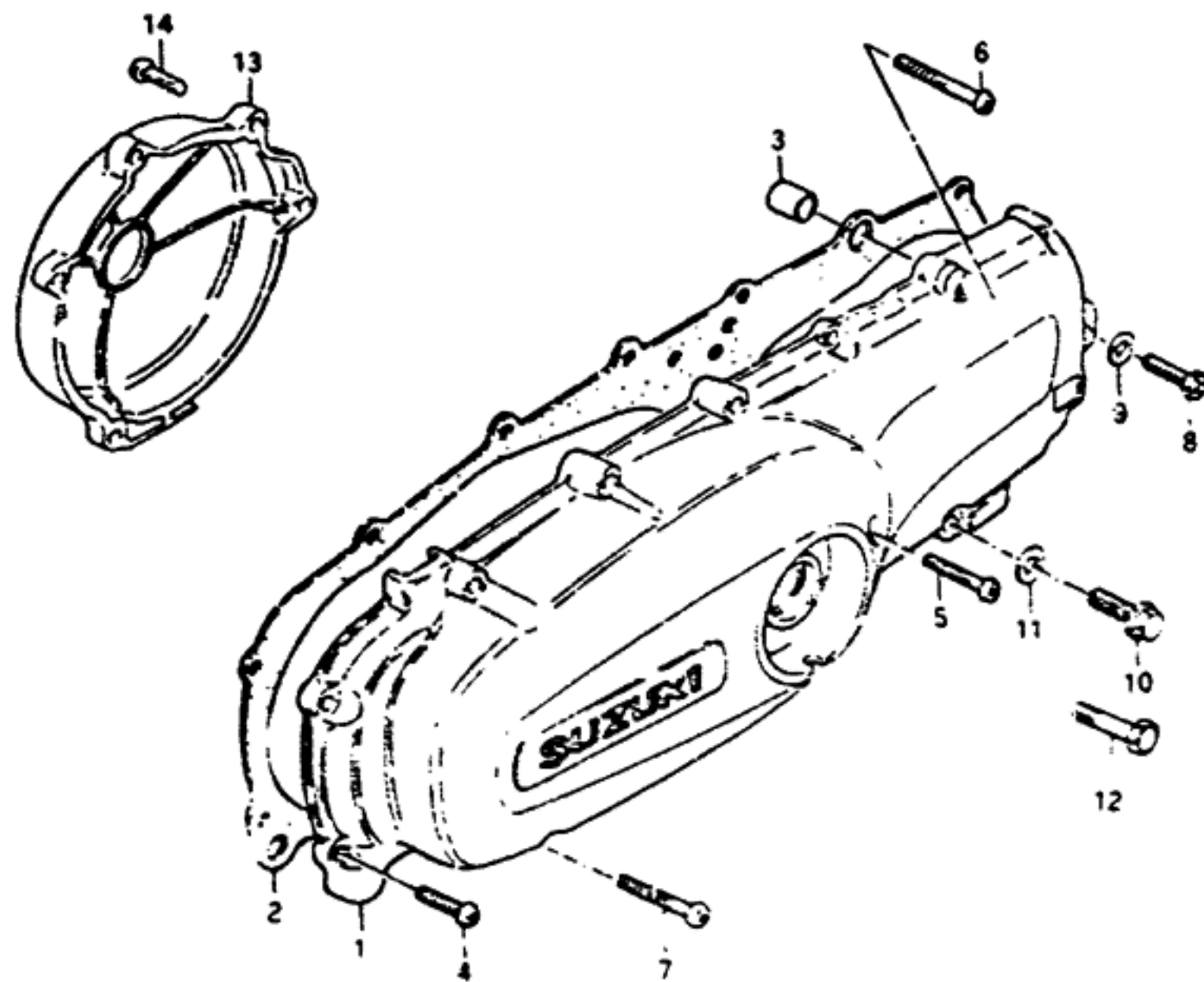
FIG.2

FIG.2 CRANKCASE



Ref. No.	Part No.	Description	Qty	Remarks
1	11300-02880	RIGHT CRANKCASE SET	1	
2	09319-10027	·BUSH, engine mount	1	
3-1	16824-02300	·UNION, oil hose (OD:5.5)	1	
3-2	16824-02301	·UNION, oil hose (OD:6.0)	1	
4-1	11301-02880	LEFT CRANKCASE SET	1	model T, ~E.No.146304
4-2	11301-02681	LEFT CRANKCASE SET	1	model T, E.No.146305~
4-3	11301-02882	LEFT CRANKCASE SET	1	model X
5	09319-10027	·BUSH, engine mount	1	
6	09319-10032	·BUSH, shock absorber	1	
7	09247-10001	·PLUG, oil drain	1	E.No.146305~
8	09168-10002	·GASKET	1	E.No.146305~
9	09206-13001	PIN	2	
10	02112-06758	SCREW (6x75)	1	
11	02112-06658	SCREW (6x65)	1	
12	02112-06408	SCREW (6x40)	3	
13	11329-02300	PLATE, breather	1	
14	09360-06011	BOLT	1	
15	09259-20003	PLUG, oil filler	1	
16-1	61211-43000	BOLT, engine mount (L:155)	1	model T
16-2	09100-10161	BOLT, engine mount (L:145)	1	model X
17-1	09159-10011	NUT	1	model T
17-2	08310-11106	NUT	1	model X
18	08322-11108	WASHER	2	
19	13150-02310	REED VALVE	1	
20	02112-06208	SCREW (6x20)	4	
21	08321-21068	LOCK WASHER	4	
22	13125-02310	GASKET	1	
23	01517-06208	BOLT (6x20)	1	
24	08310-22068	NUT	1	
25	08316-16068	NUT	1	

**FIG.3**

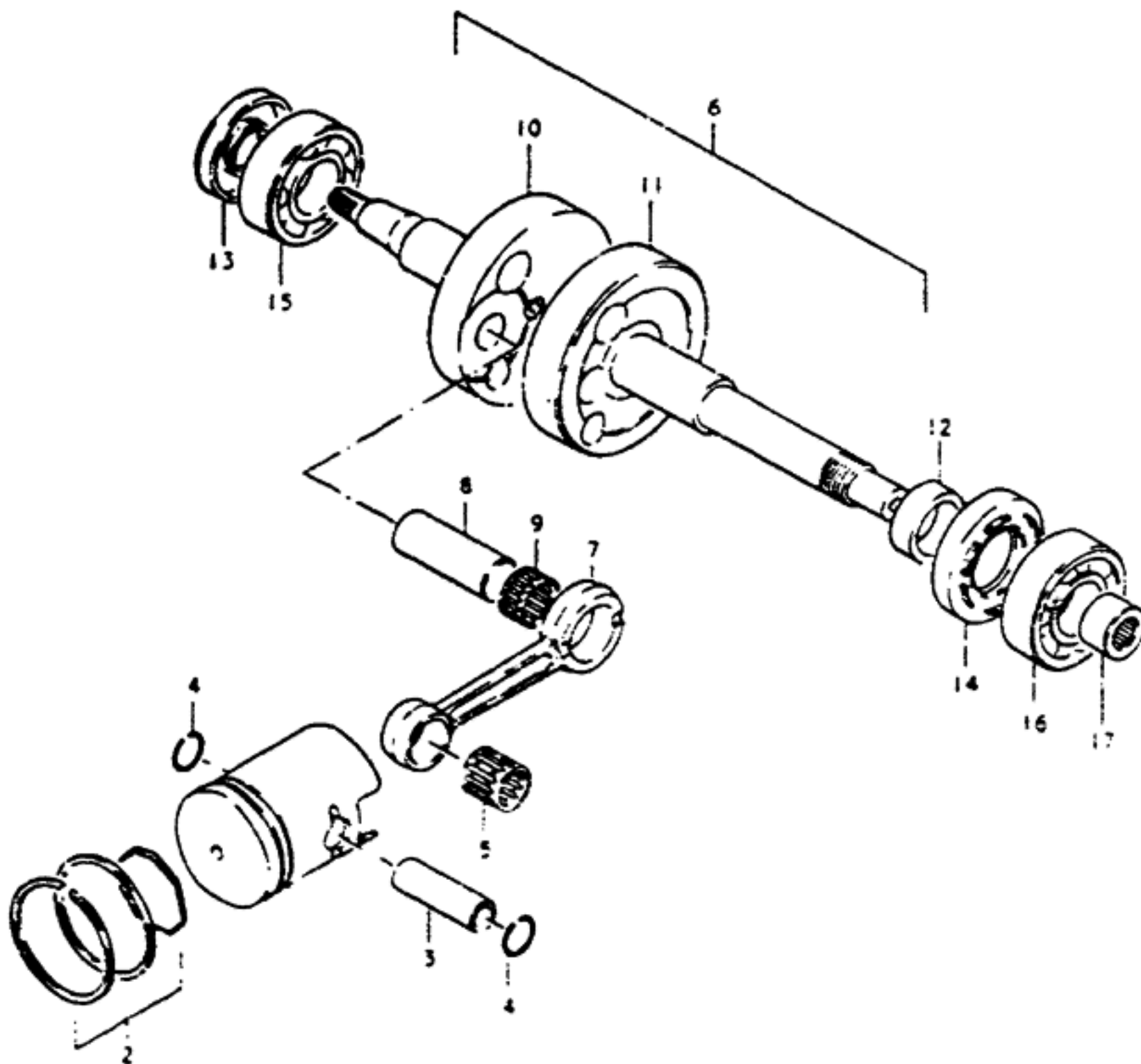


**FIG.3 CRANKCASE COVER?**

Ref. No.	Part No.	Description	Qty	Remarks
1-1	11341-02411	COVER, clutch	1	model T, ~E. No. 146304
1-2	11341-02412	COVER, clutch	1	model T, X, E. No. 146305~
2	11482-02303	GASKET	1	
3	09206-13001	PIN	2	
4	02112-06658	SCREW (6x65)	1	
5	02112-06458	SCREW (6x45)	1	
6	02112-06408	SCREW (6x40)	6	
7	02112-06258	SCREW (6x25)	6	
8	09128-06024	BOLT, oil level	1	
9	09168-06004	GASKET	1	
10	01517-08258	BOLT, oil drain	1	~E. No. 146304
11	09168-08008	GASKET	1	~E. No. 146304
12	01107-08258	BOLT	1	E. No. 146305~
13	11351-02302	COVER, magneto	1	
14	02112-06208	SCREW (6x20)	5	

FIG.4

FIG.4 CRANKSHAFT



Ref. No.	Part No.	Description	Qty	Remarks
1-1	12110-35613	PISTON (STD)	1	
1-2	12110-35613-050	PISTON (OS:0.5)	1	
1-3	12110-35613-100	PISTON (OS:1.0)	1	
2-1	12140-43000	RING SET, piston (STD)	1	
2-2	12140-46110-050	RING SET, piston (OS:0.5)	1	
2-3	12140-46110-100	RING SET, piston (OS:1.0)	1	
3	12151-02000	PIN, piston	1	
4	09381-12001	CIRCLIP	2	
5	09263-12003	BEARING	1	
6-1	12200-02510	CRANKSHAFT ASSY	1	model T, ~E. No. 128098
6-2	12200-02511	CRANKSHAFT ASSY	1	model T, X, E. No. 128099~
7	12161-04001	ROD, connecting	1	
8	12211-02300	PIN, crank	1	
9	09263-15014	BEARING	1	
10-1	12221-02510	CRANKSHAFT, RH	1	model T, ~E. No. 128098
10-2	12221-02511	CRANKSHAFT, RH	1	model T, X, E. No. 128099~
11	12261-02510	CRANKSHAFT, LH	1	
12	09180-20021	SPACER, LH (15.3x21.7x63)	1	
13	09283-20034	OIL SEAL, RH	1	
14	09283-26015	OIL SEAL, LH	1	
15	09262-20048	BEARING, RH	1	
16	09262-20019	BEARING, middle	1	
17	09263-12014	BEARING, LH	1	

FIG.5

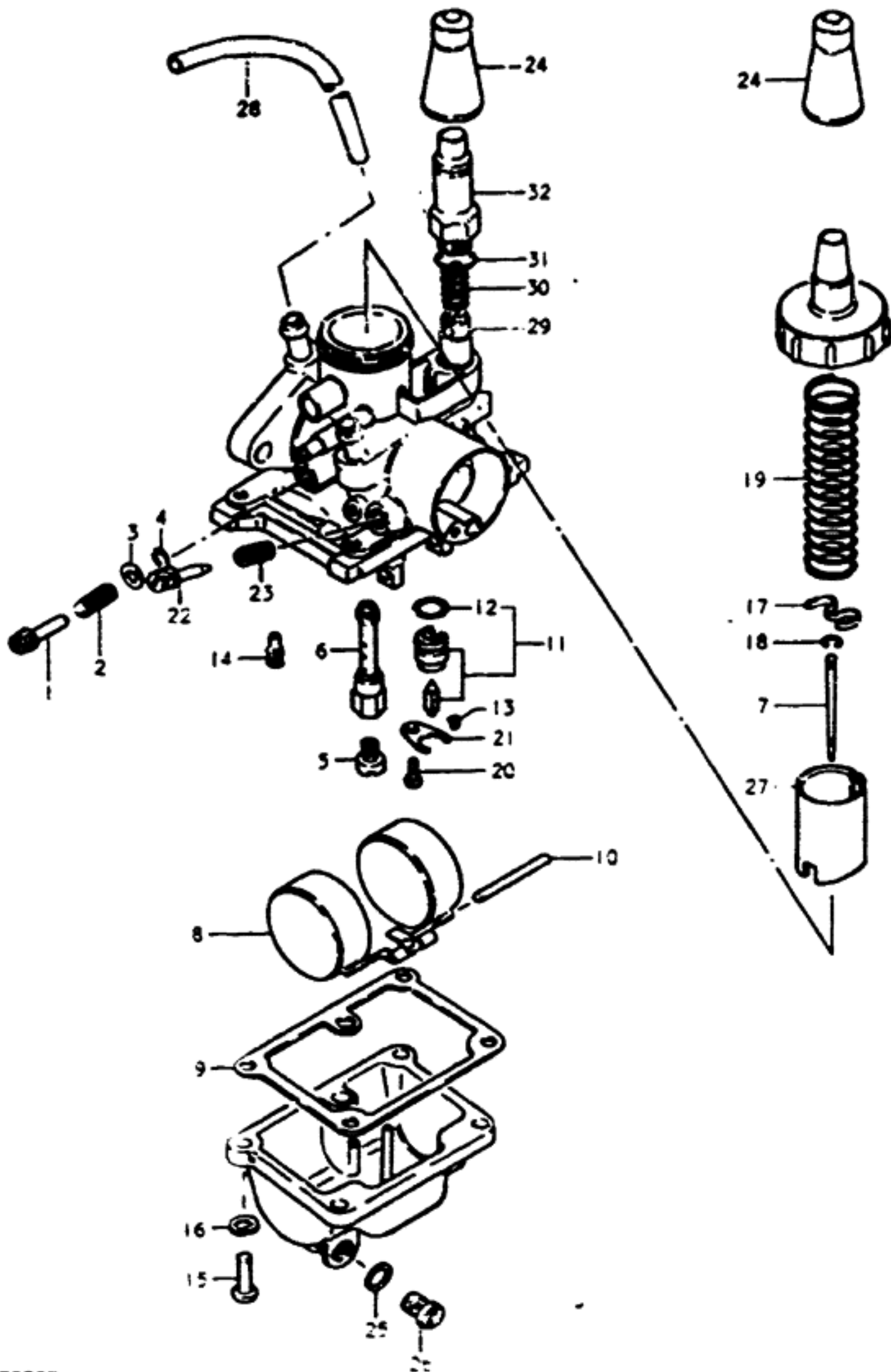
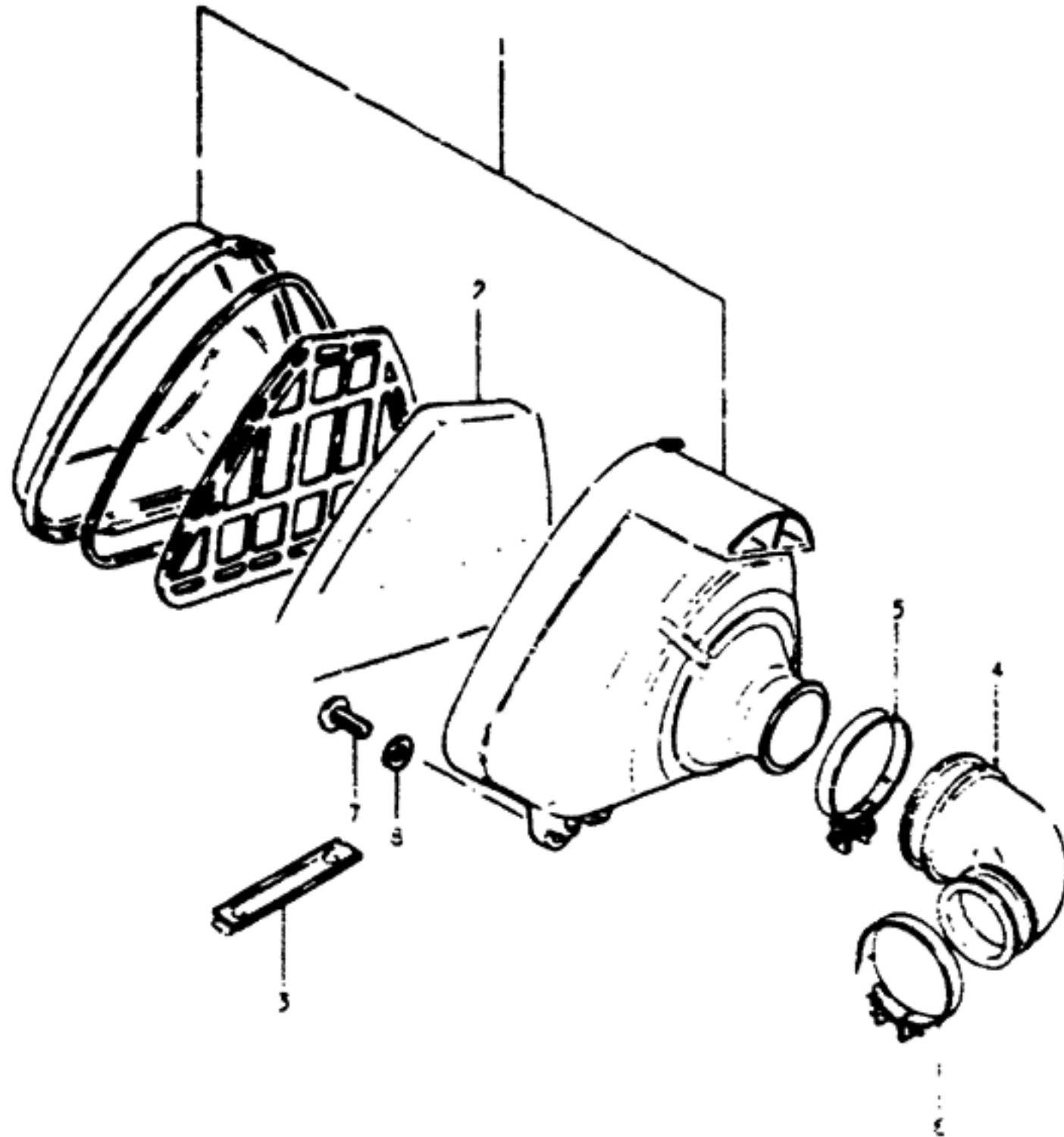


FIG.5 CARBURETOR

Ref. No.	Part No.	Description	Qty	Remarks
	13200-02510	CARBURETOR ASSY	1	
1	13267-35011	•SCREW, throttle stop	1	
2	13268-35010	•SPRING	1	
3	13291-35010	•WASHER	1	
4	13295-33010	•O RING	1	
5	09491-77005	•JET, main (75)	1	
6	09494-00266	•JET, needle (E-6)	1	
7	13383-02330	•NEEDLE, jet (3F13-3)	1	
8	13252-02410	•FLOAT	1	
9	13251-02410	•GASKET	1	
10	13254-20010	PIN, float	1	
11	13370-02421	•VALVE ASSY, needle	1	
12	13374-47610	•O RING	1	
13	13377-02410	•CLIP	1	
14	09492-15007	•JET, pilot (15)	1	
15	02112-04168	•SCREW	4	
16	08321-21048	•LOC. WASHER	4	
17	13581-04010	•SEAT, spring	1	
18	13394-12110	•CLIP	1	
19	13573-02330	•SPRING	1	
20	02112-03088	•SCREW	1	
21	13373-46710	•PLATE	1	
22	13269-04010	•SCREW, air	1	
23	13268-01010	•SPRING	1	
24	13681-33010	•BOOT	2	
25	13249-05010	•GASKET	1	
26	13247-05010	•PLUG, drain	1	
27	13551-02330	•VALVE, throttle (CA:2.0)	1	
28	13613-45050	•HOSE	1	
29	13411-01010	•VALVE, starter	1	
30	13417-01010	•SPRING	1	
31	13278-02330	•O RING	1	
32	13418-02330	•CAP	1	

FIG.6

FIG.6 AIR CLEANER



Ref. No.	Part No.	Description	Qty	Remarks
1	13700-02510-189	CLEANER ASSY, air	1	Eglet White
2	13781-02500	·FILTER	1	
3	13821-00010	·SLIDER	1	
4	13881-02320	·TUBE, outlet	1	
5	09402-40205	·CLAMP, air cleaner side	1	
6	09402-34205	·CLAMP, carburetor side	1	
7	02142-06167	SCREW -	1	
8	09160-06007	WASHER (6.5x18x1.6)	1	

**FIG. 7**

7

**FIG. 7 MUFFLER**

Ref. No.	Part No.	Description	Qty	Remarks
1	14181-03310	GASKET	1	
2	09100-06064	BOLT	2	
3	08321-21068	LOCK WASHER	2	
4	14310-02401	MUFFLER	1	
5	01107-08258	BOLT	1	
6	08321-21088	LOCK WASHER	1	
7	08322-21088	WASHER	1	
8	14780-02401-126	COVER, muffler	1	Pearl Metallic
9	02112-05108	SCREW	2	
10	08321-21058	LOCK WASHER	2	
11	08322-21058	WASHER	2	

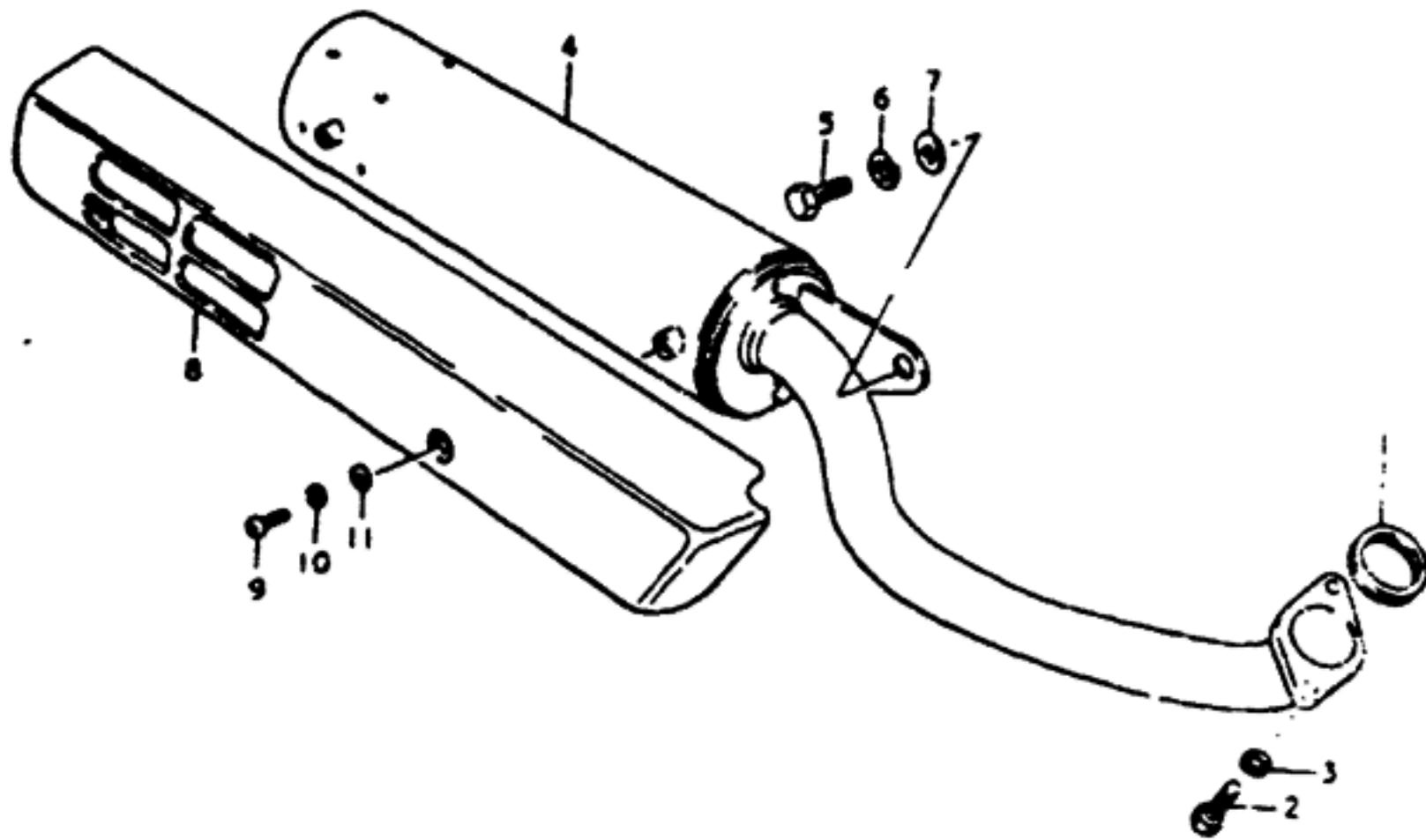


FIG. 8

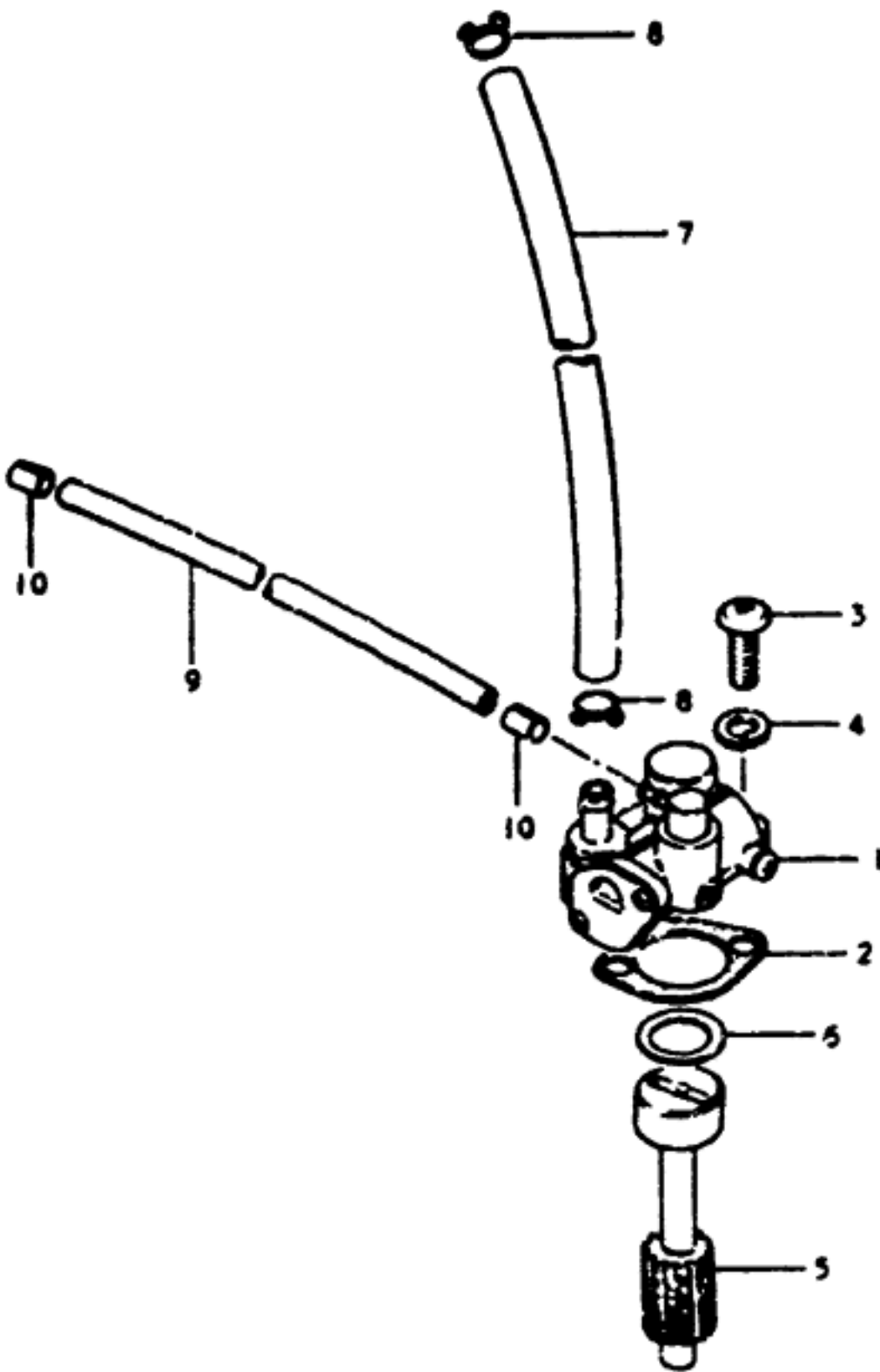


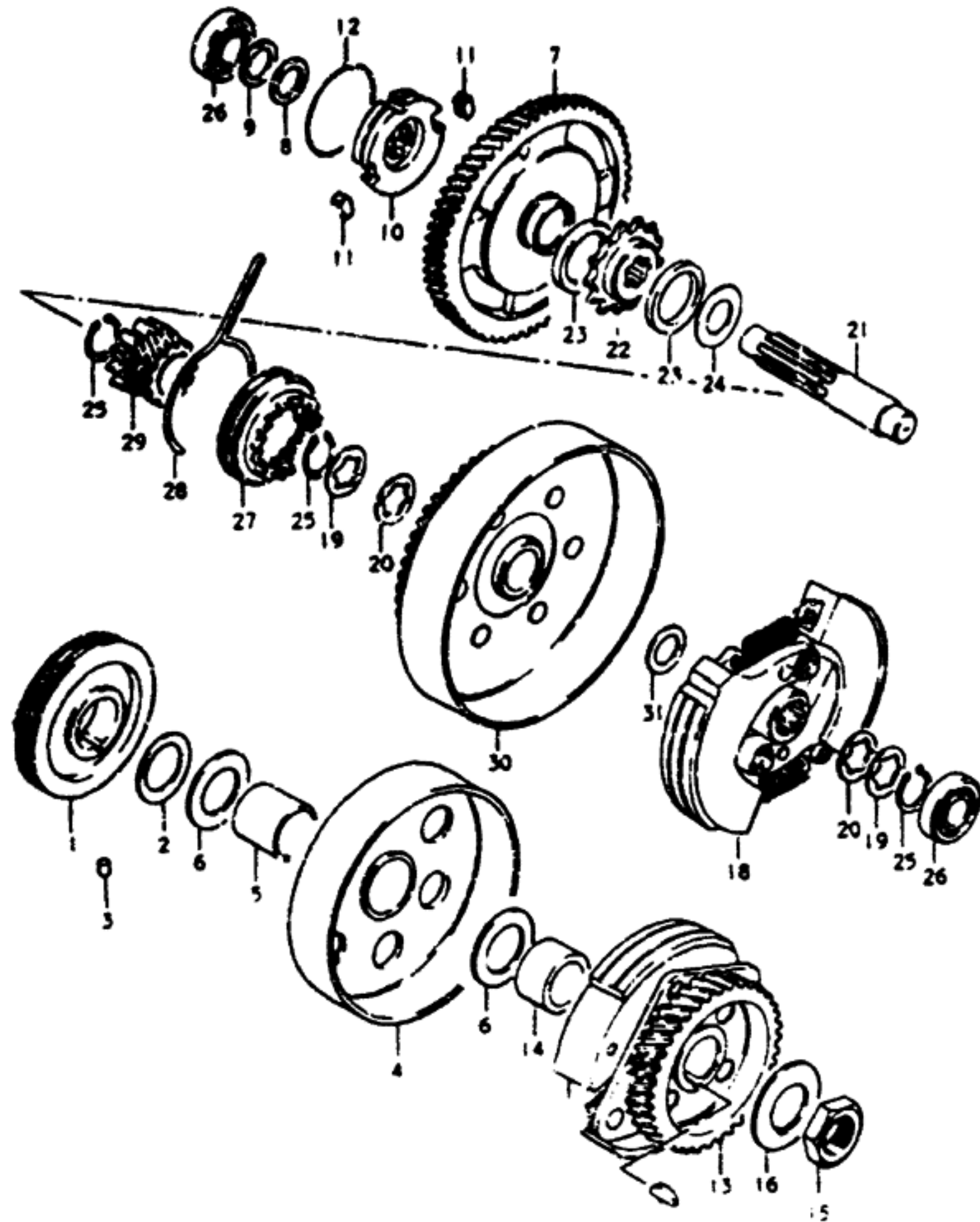
FIG. 8 OIL PUMP

Ref. No.	Part No.	Description	Q'ty	Remarks
1	16100-02330	OIL PUMP	1	
2	16731-02300	GASKET	1	
3	02112-05168	SCREW	2	
4	08321-21058	LOCK WASHER	2	
5	16331-02302	GEAR, driven (NT:14)	1	
6	08212-16202	WASHER	1	
7-1	09343-04033	HOSE, oil No. 1 (L:210)	1	model T
7-2	09343-04025	HOSE, oil No. 1 (L:260)	1	model X
8	09401-08401	CLAMP	2	
9	09343-02018	HOSE, oil No. 2 (L:150)	1	
10	09401-04401	CLAMP	2	



FIG. 9

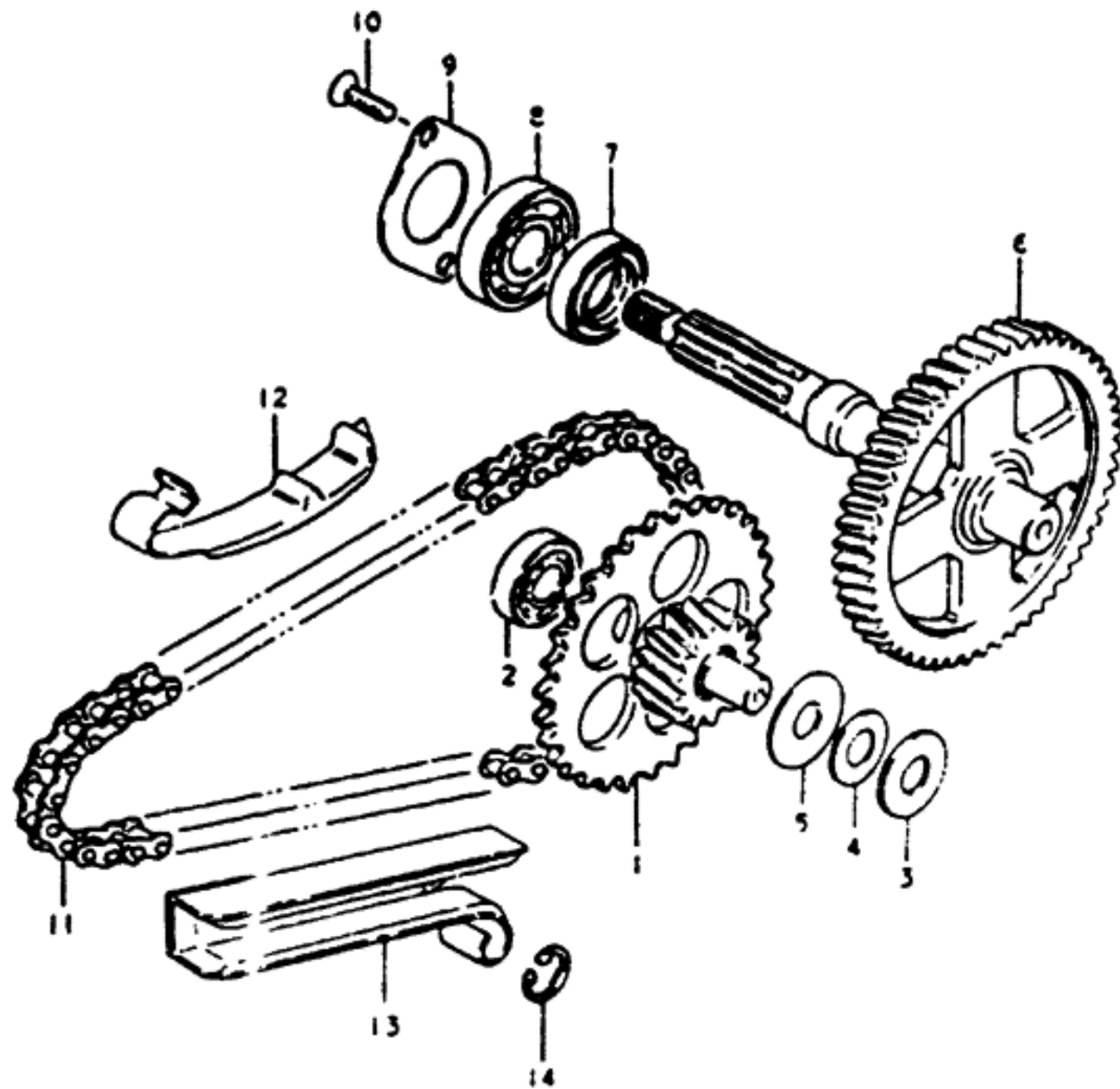
FIG. 9 TRANSMISSION



Ref. No.	Part No.	Description	Q'ty	Remarks
1	16321-02302	GEAR, oil pump drive (NT:2)	1	
2	09164-20004	WAVE WASHER	1	
3	06211-04063	PIN	1	
4	21110-02410	GEAR, primary drive (NT:29)	1	
5	09180-16016	SPACER (16x20x22)	1	
6	08211-15302	WASHER	2	
7	21200-02403	GEAR, primary driven (NT:62)	1	
8	09160-12037	WASHER (12x34x1)	1	
9	08221-12225	SHIM	1	
10	21262-02403	INNER, one way	1	
11	21263-02401	PAWL, one way	2	
12	09380-36001	SPRING	1	
13	21500-02411	CLUTCH, No.1 (NT:38)	1	
14	09180-16021	SPACER	1	
15	09140-16014	PIUT	1	
16	09166-16010	LOCK WASHER	1	
17	08341-31039	KEY	1	
18	21500-02402	CLUTCH, No.2	1	
19	09161-15002	RING, rubber	2	
20	09167-15001	WASHER	2	
21	24121-02405	COUNTERSHAFT	1	
22	24171-02401	SPROCKET, drive (NT:13)	1	
23	09161-22003	DAMPER, chain	2	
24	08211-15261	WASHER	1	
25	08331-31159	CIRCLIP	3	
26	09262-12001	BEARING	2	
27	26231-02301	STARTER, kick	1	
28	26234-02300	RETAINER SPRING	1	
29	26261-02500	GEAR, kick idle (NT:11)	1	
30	26280-02406	GEAR, kick driven	1	
31	08221-15204	SHIM	AR(0-3)	

FIG.10

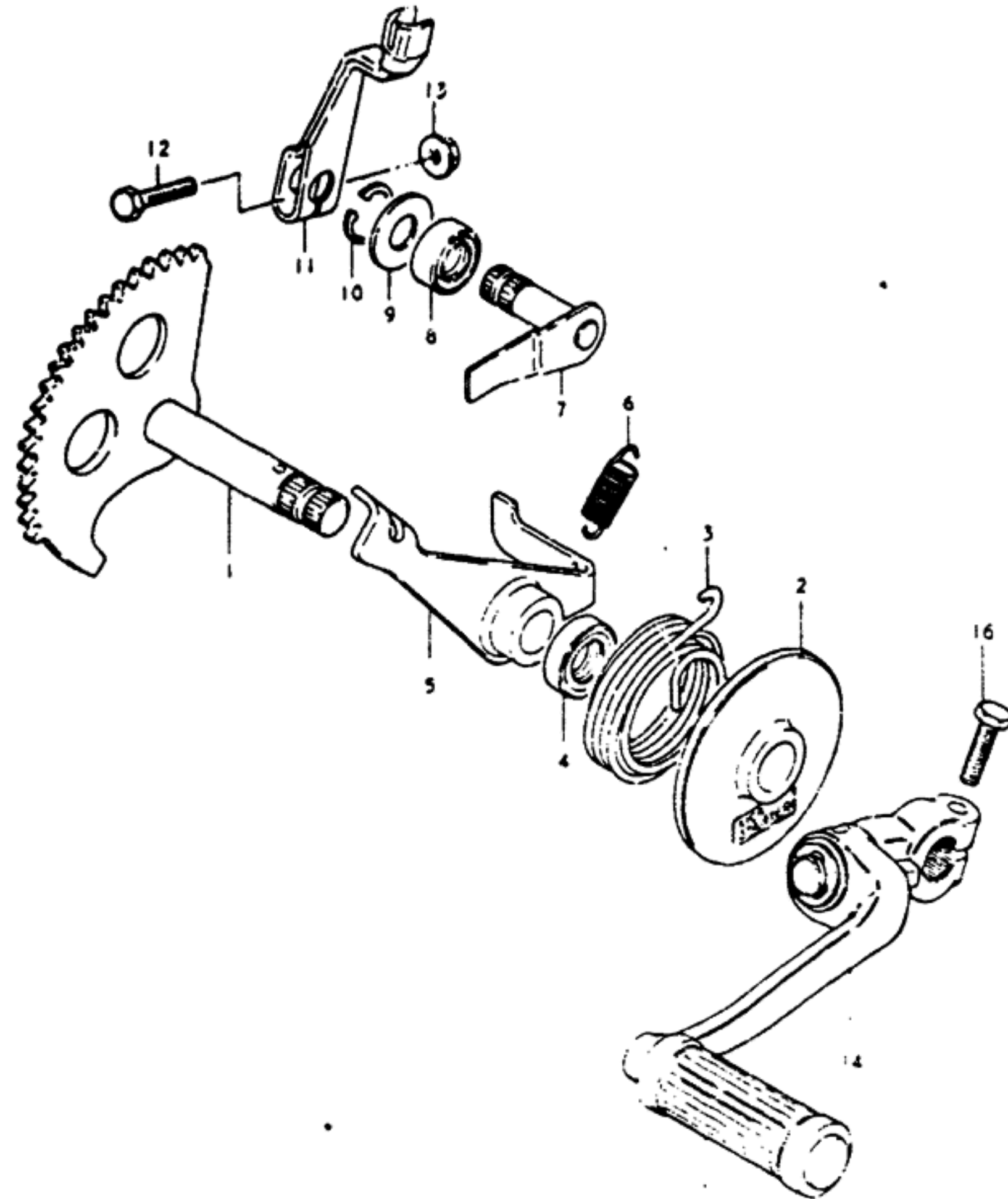
FIG.10 FINAL DRIVE - CHAIN



Ref. No.	Part No.	Description	Q'ty	Remarks
1	24210-02500	GEAR, final drive (NT:19/31)	1	
2	09262-12001	BEARING, RH	1	
3	08211-12241	WASHER	1	
4	08221-12204	SHIM (T:0.2)	AR(0~3)	
5	09181-12006	SHIM (T:0.3)	AR(0~1)	
6	24130-02500	DRIVESHAFT (NT:60)	1	
7	09283-20021	OIL SEAL	1	
8	08133-63027	BEARING	1	
9	24751-02400	RETAINER	1	
10	02122-06168	SCREW	2	
11	27600-02310	CHAIN, drive (270x64L)	1	
12	27631-02353	TENSIONER, chain	1	
13	27631-02450	GUIDE, chain	1	
14	08332-11089	E RING	1	

FIG. 11

FIG. 11 KICK STARTER



Ref. No.	Part No.	Description	Qty	Remarks
1	26210-02501	SHAFT, kick starter	1	
2	26221-02500	GUIDE, spring	1	
3	09448-56001	SPRING	1	
4	09285-14001	OIL SEAL	1	
5	26232-02301	GUIDE, kick starter	1	
6	09443-09018	SPRING	1	
7	26233-02300	LIFTER, kick starter	1	
8	09285-12002	OIL SEAL	1	
9	09160-12020	WASHER (12.5x27x1.6)	1	
10	08332-11108	E RING	1	
11	26236-02400	LEVER, lifter	1	
12	01107-06238	BOLT	1	
13	08316-18068	NUT	1	
14	26300-02500	LEVER ASSY, kick starter	1	
15	26352-01000	COVER	1	
16	01107-06208	BOLT	1	

FIG. 12

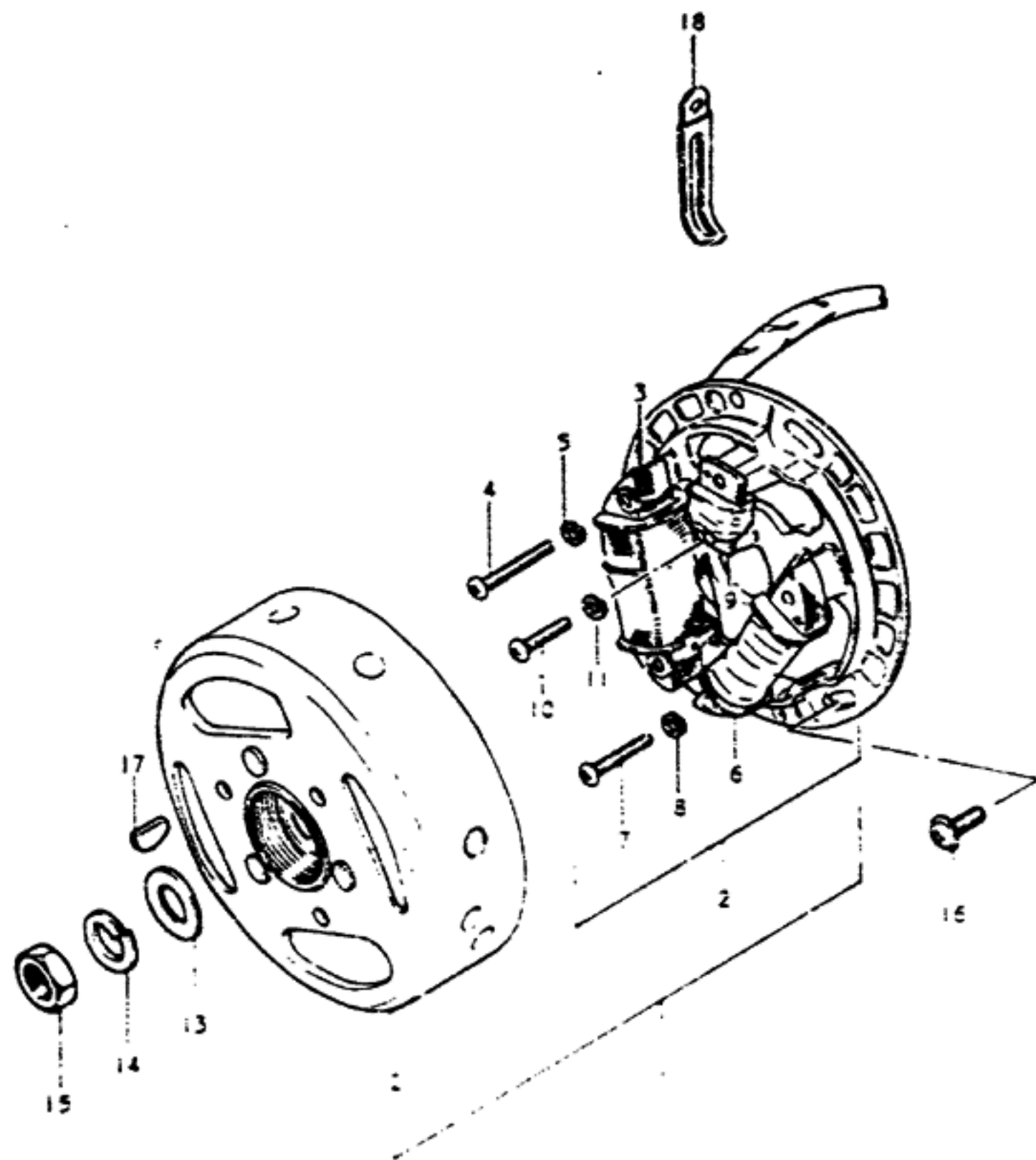
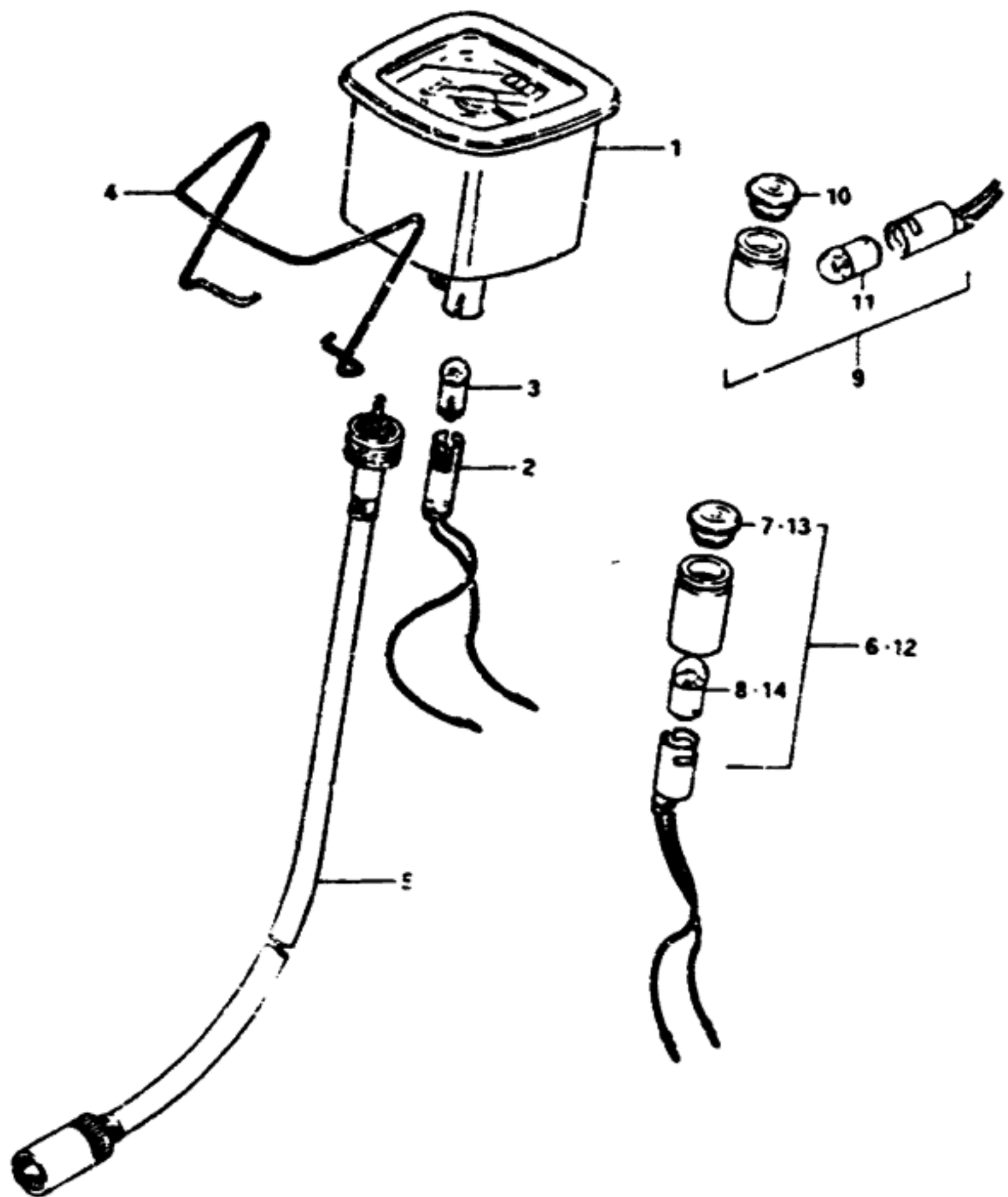


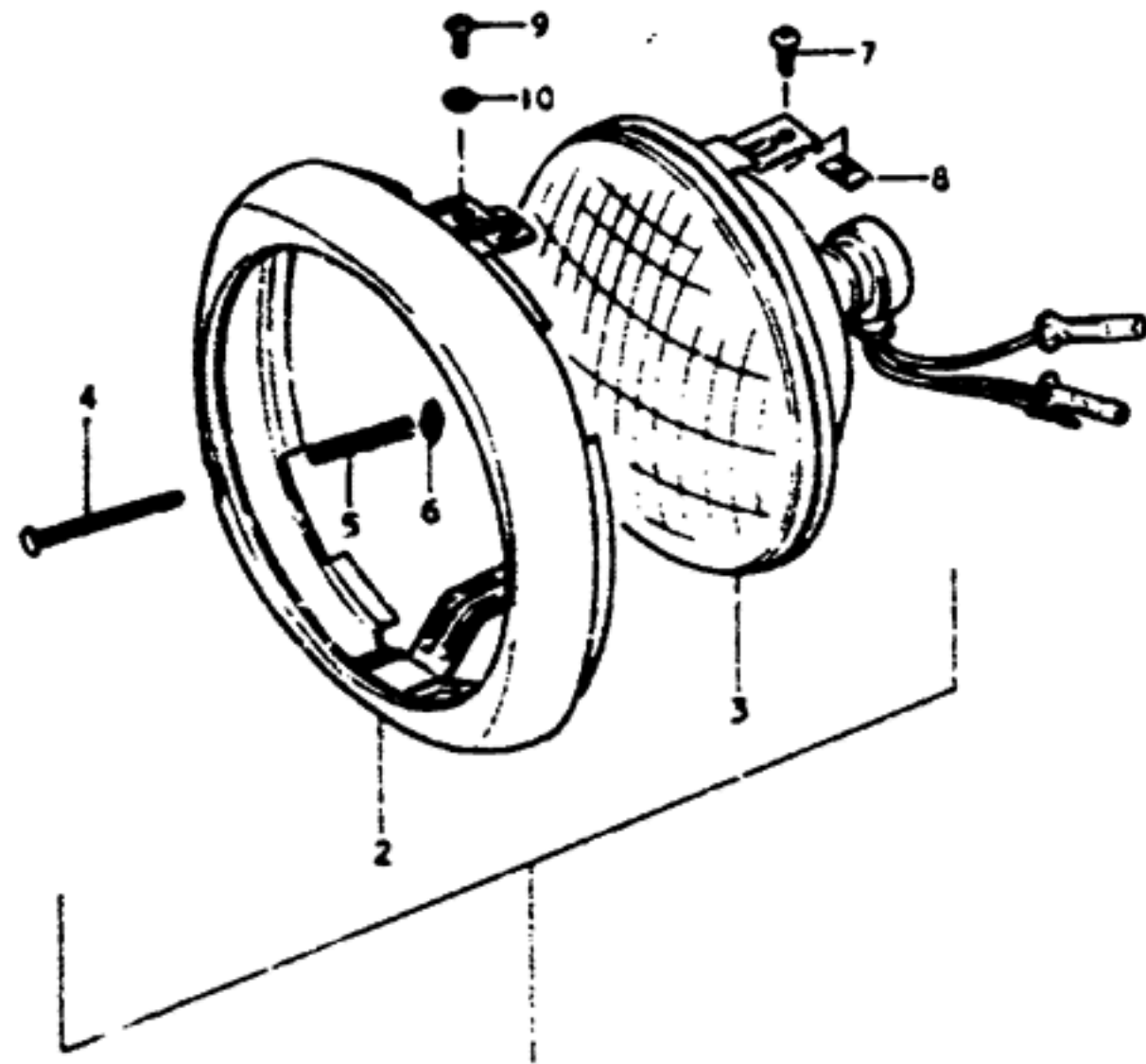
FIG. 12 MAGNETO

Ref. No.	Part No.	Description	Qty	Remarks
1	32100-02540	MAGNETO	1	
2	32101-02540	·STATOR ASSY	1	
3	32120-02540	··COIL, lighting	1	
4	02112-04258	··SCREW	2	
5	08321-21048	··LOCK WASHER	2	
6	32140-02540	··COIL, primary	1	
7	02112-04168	··SCREW	2	
8	08321-21048	··LOCK WASHER	2	
9	32150-02530	··SENSOR, timing	1	
10	02112-04168	··SCREW	1	
11	08321-21048	··LOCK WASHER	1	
12	32102-02540	·ROTOR	1	
13	08322-21108	WASHER	1	
14	08321-21108	LOCK WASHER	1	
15	08310-11108	NUT	1	
16	09139-05011	SCREW	3	
17	08341-31039	KEY	1	
18	09404-06401	CLAMP	1	



Ref. No.	Part No.	Description	Qty	Remarks
1	34100-1010	SPEEDOMETER ASSY	1	
2	34173-43220	•SOCKET	1	
3	09471-06004	•BULB (6V,1.5W)	1	
4	34981-02421	SPRING	1	
5-1	34910-02500	CABLE, speedometer	1	model T
5-2	34910-02501	CABLE, speedometer	1	model X
6	36330-02500	LAMP ASSY, beam indicator	1	
7	36331-02500	•LENS	1	model T
8	09471-06001	•BULB (6V,1.7W)	1	
9	36330-02510	LAMP ASSY, beam indicator	1	
10	36331-02500	•LENS	1	
11	09471-06001	•BULB (6V,1.7W)	1	model X
12	36340-02500	LAMP, turn signal pilot	1	
13	36341-02500	•LENS	1	
14	09471-06002	•BULB (6V,3W)	1	

FIG. 14



14

FIG. 14 HEADLAMP

Ref. No.	Part No.	Description	Qty	Remarks
1	35100-02230	HEADLAMP ASSY	1	
2	35111-02430	-RIM	1	
3	35121-02230	-UNIT (6V, 20/20W)	1	
4	35151-06020	-SCREW	1	
5	35154-01330	-SPRING	1	
6	35155-01321	-NUT	1	
7	02112-05088	-SCREW	2	
8	35135-12610	-NUT	2	
9	02142-04127	SCREW	1	
10	08322-21048	WASHER	1	

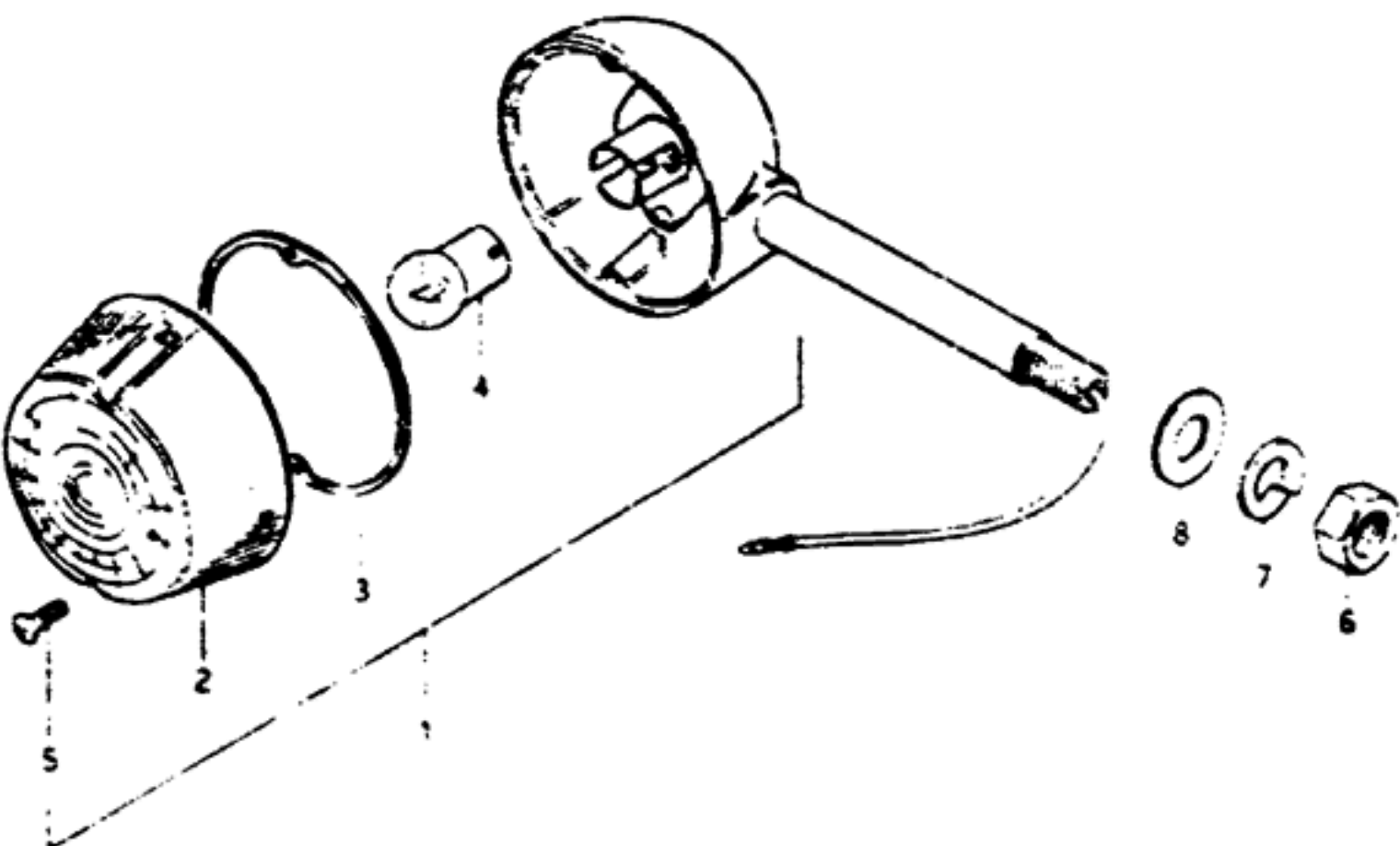
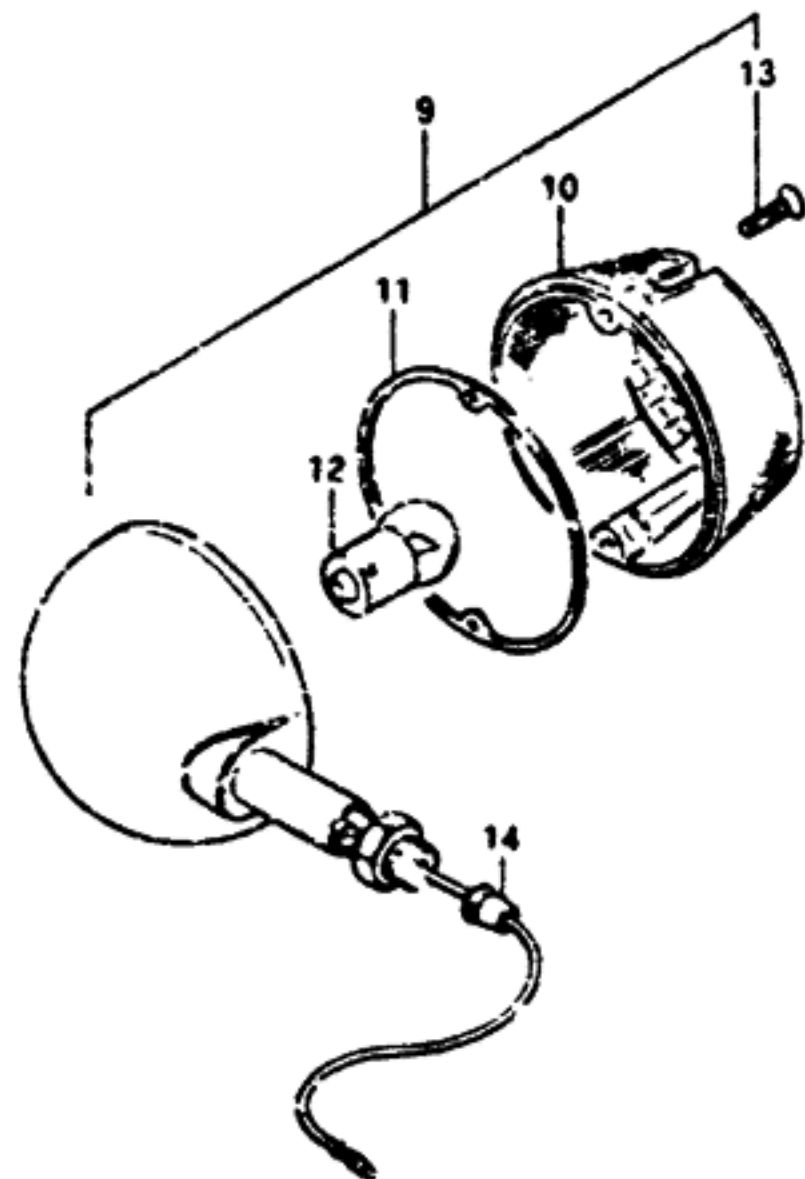
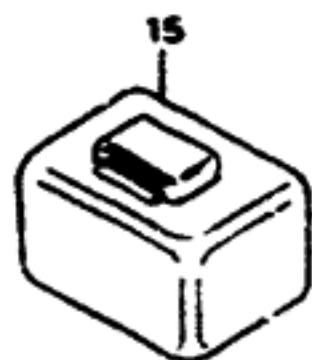
FIG. 15

15

FIG. 15 TURN SIGNAL LAMP (F550X)

Qty

Ref. No.	Part No.	Description	Qty	Remarks
1	35601-02530	LAMP, front turn signal	2	
2	35612-12611	·LENS	2	
3	35613-02230	·GASKET	2	
4	09471-06011	·BULB (6V,21cp)	2	
5	02132-03168	·SCREW	4	
6	08310-11108	NUT	2	
7	00321-21108	·LOCK WASHER	2	
8	08322-11108	·WASHER	2	
9	35603-02530	LAMP, rear turn signal	2	
10	35612-12611	·LENS	2	
11	35613-02230	·GASKET	2	
12	09471-06011	·BULB (6V,21cp)	2	
13	02132-03168	·SCREW	4	
14	35661-06111	·GROMMET	2	
15	38610-486G	RELAY, turn signal	1	



F550X

F550X

C5



FIG. 16

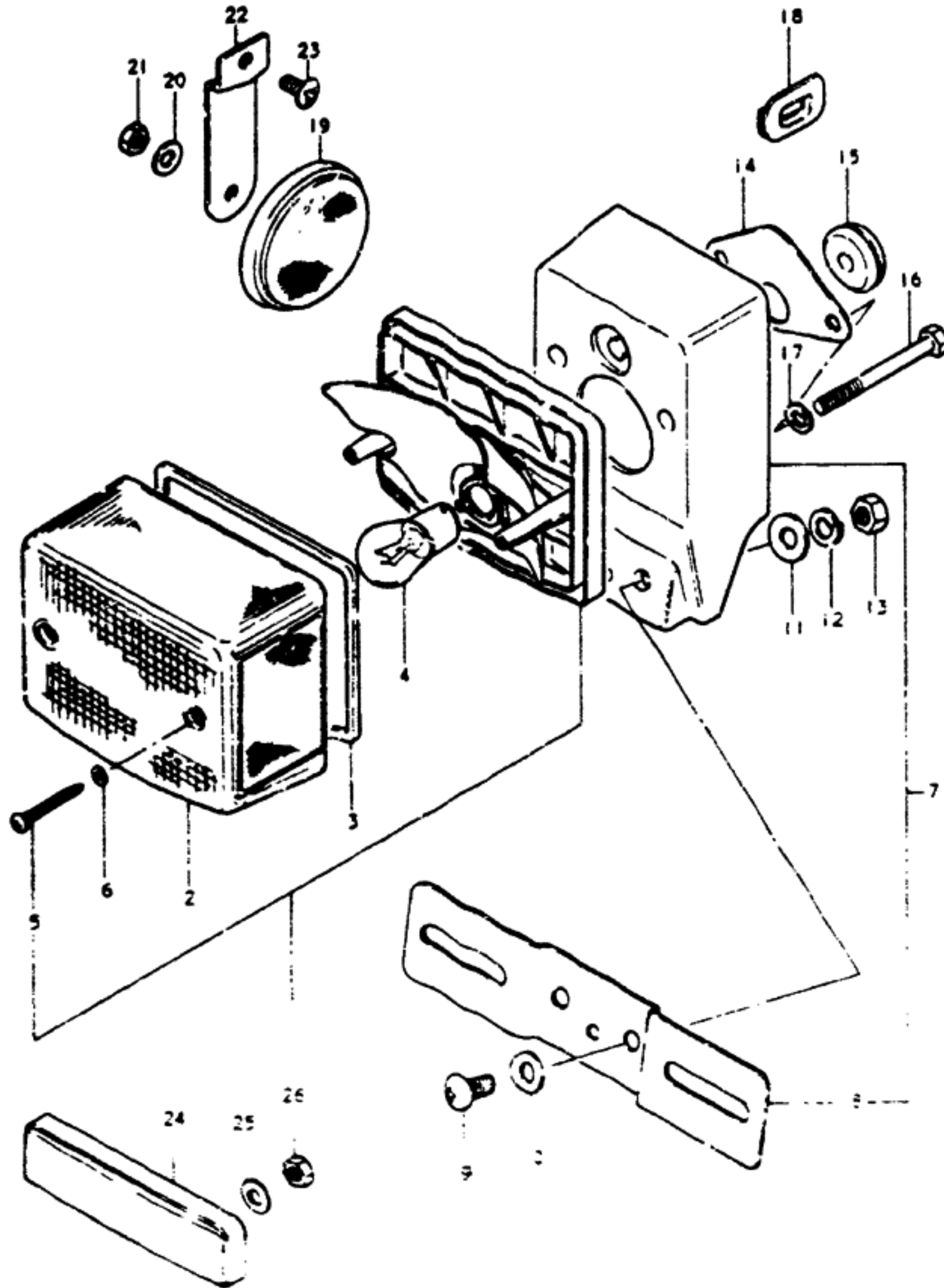
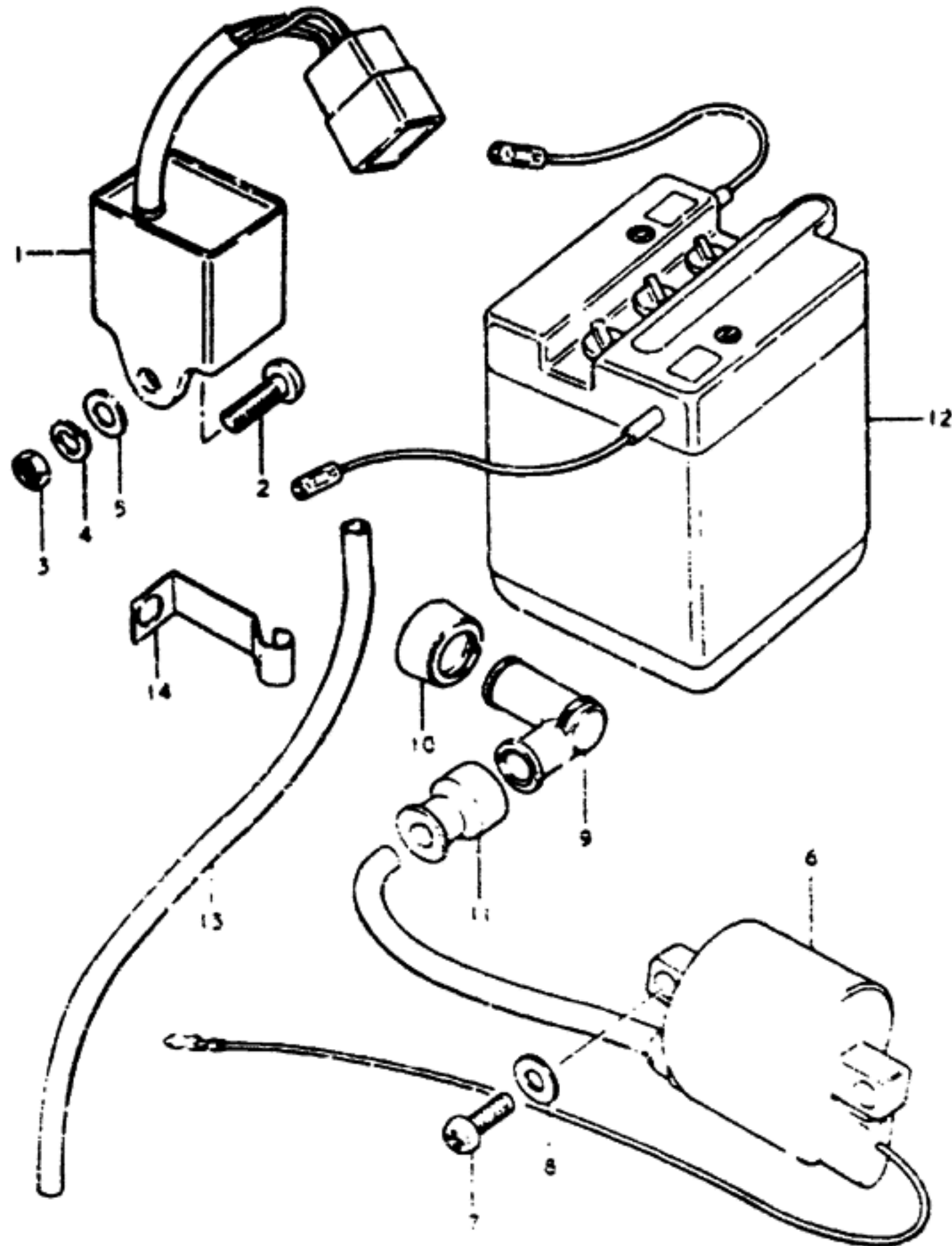


FIG. 16 REAR COMBINATION LAMP

Ref. No.	Part No.	Description	Qty	Remarks
1	35710-02530	LAMP ASSY, rear combination	1	
2	35712-48510	LENS	1	
3	35713-48510	GASKET	1	
4	09471-06009	BULB (6V, 21/3cp)	1	
5	03211-04306	SCREW	2	
6	35627-43010	GASKET	2	
7	35730-02530	BRACKET ASSY	1	
8	35927-02530	PLATE, license	1	
9	02112-06168	SCREW	2	
10	08322-21068	WASHER	2	
11	09160-06007	WASHER (6.5x18x1.6)	2	
12	08321-21068	LOCK WASHER	2	
13	08310-11068	NUT	2	
14	35793-02530	PLATE	1	
15	09308-07005	GROMMET	1	
16	09100-05007	BOLT	2	
17	08321-21058	LOCK WASHER	2	
18	09308-08012	GROMMET	1	
19	35950-45010	REFLEX REFLECTOR, front	2	
20	08322-21058	WASHER	2	
21	08310-11058	NUT	2	
22	35975-02530	BRACKET, reflex reflector	2	model A
23	02142-05087	SCREW	2	
24	35970-02230	REFLEX REFLECTOR, rear	1	
25	08322-21058	WASHER	2	
26	08310-11058	NUT	2	



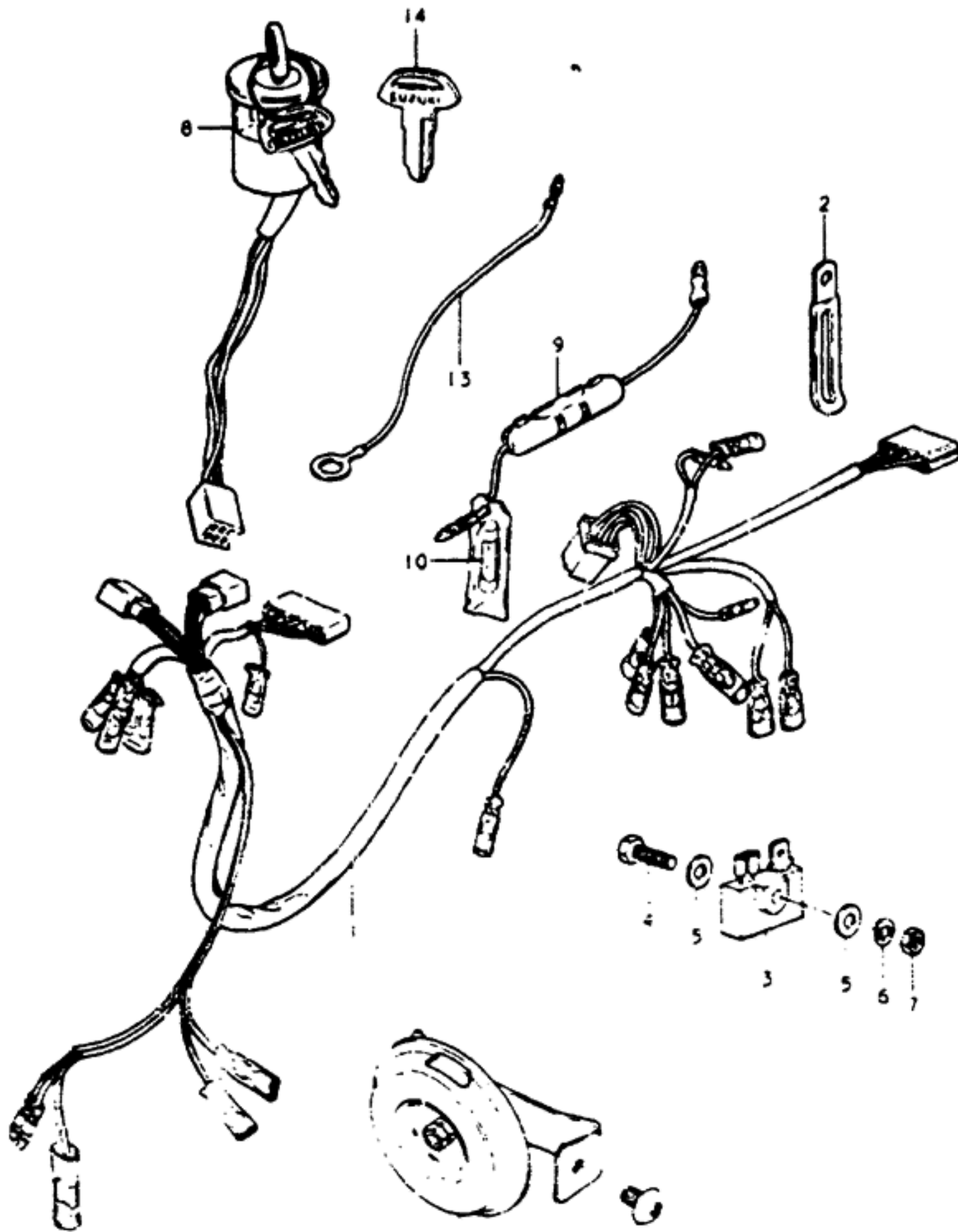
FIG. 17



Ref. No.	Part No.	Description	Qty	Remarks
1	32900-02530	C.D.I. UNIT	1	
2	02112-06208	SCREW	1	
3	08310-11068	NUT	1	
4	08321-21068	LOCK WASHER	1	
5	08322-21068	WASHER	1	
6	33410-02530	COIL ASSY, ignition	1	
7	02112-05168	SCREW	2	
8	08322-21058	WASHER	2	
9	33510-22010	CAP, spark plug	1	
10	33541-69010	SEAL, spark plug	1	
11	33542-99000	SEAL, hightension cord	1	
12	33610-02600	BATTERY (6V, 4AH)	1	
13	33680-02500	HOSE	1	
14	33681-02500	CLAMP	1	

FIG. 18

FIG. 18 WIRING HARNESS



Ref. No.	Part No.	Description	Qty	Remarks
1-1	36610-02511	WIRING HARNESS	1	model T
1-2	36610-02512	WIRING HARNESS	1	model X
2-1	09404-06401	CLAMP	1	
2-2	09404-06404	CLAMP	1	
3	32800-19063	RECTIFIER	1	
4	01104-05258	BOLT	1	
5	08322-21058	WASHER	2	
6	08321-21058	LOCK WASHER	1	
7	08310-11058	NUT	1	
8	37110-02420	SWITCH ASSY, ignition	1	
9	36740-02200	FUSE CASE ASSY	1	
10	09481-10001	FUSE (10A)	1	
11	38500-02570	HORN	1	
12	02142-06088	SCREW	1	
13	36851-02551	LEAD WIRE, earth	1	
14	37145-02400	KEY, blank	1	CPT

FIG.19

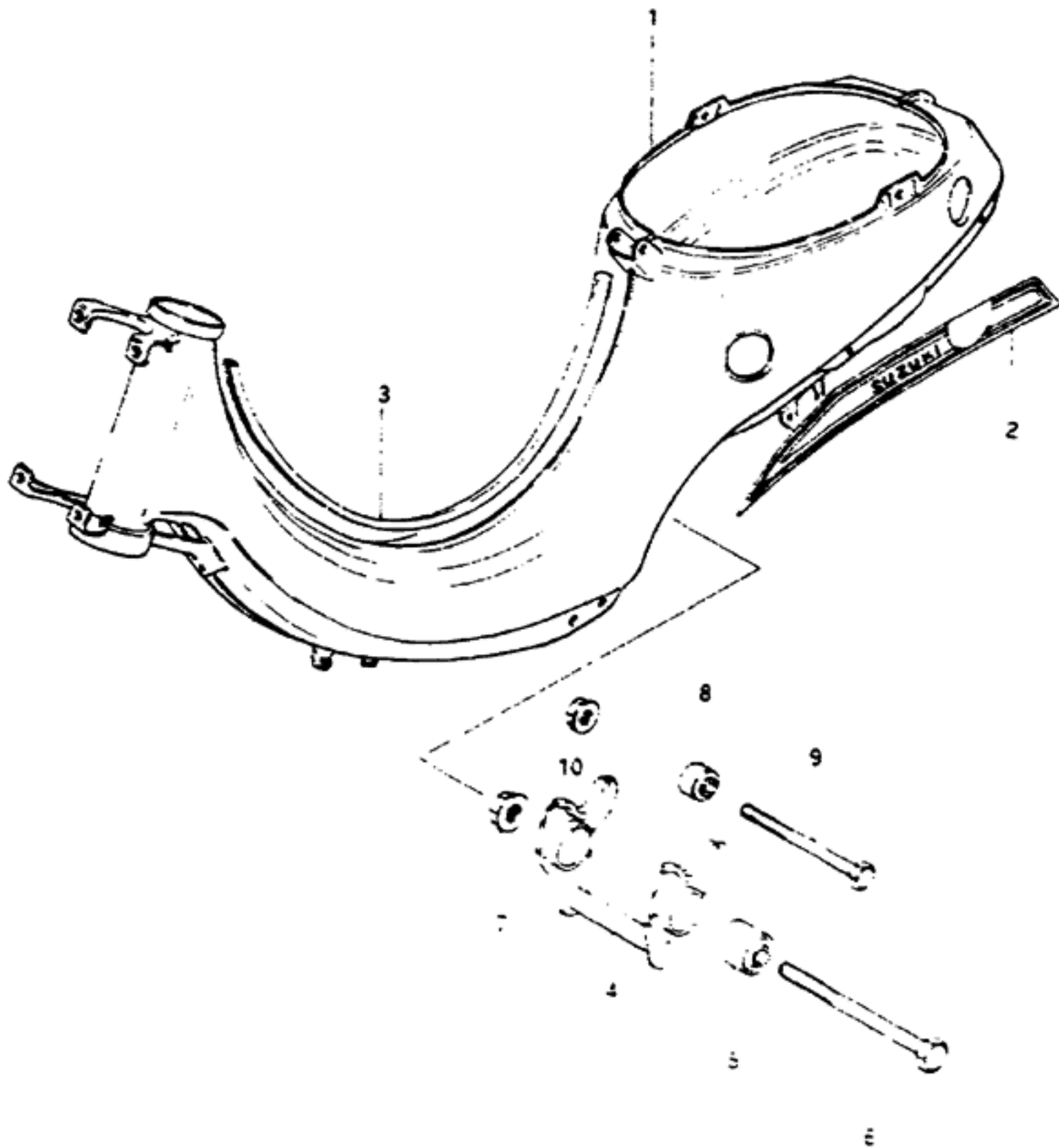


FIG.19 FRAME (model T/X : F.No.3101002)

Ref. No.	Part No.	Description	Q'ty	Remarks
1-1	41100-02500-07P	FRAME (Red)	1	model T
1-2	41100-02500-10G	FRAME (Orange)	1	model X
2	68100-02830-74C	TAPE SET, frame side	1	
3	41951-02500	MOULDING, frame	1	
4	41100-02831	BRACKET SET, crankcase	1	
5	093.9-10027	-BUSH	2	
6	09100-10049	BOLT (10x140)	1	
7	08319-31108	NUT	1	
8	09320-08019	CUSHION	2	
9	09100-08078	BOLT (8x120)	1	
10	08319-31088	NUT	1	

FIG.20 (D-3) : model X : F.No.3101003-

FIG. 20

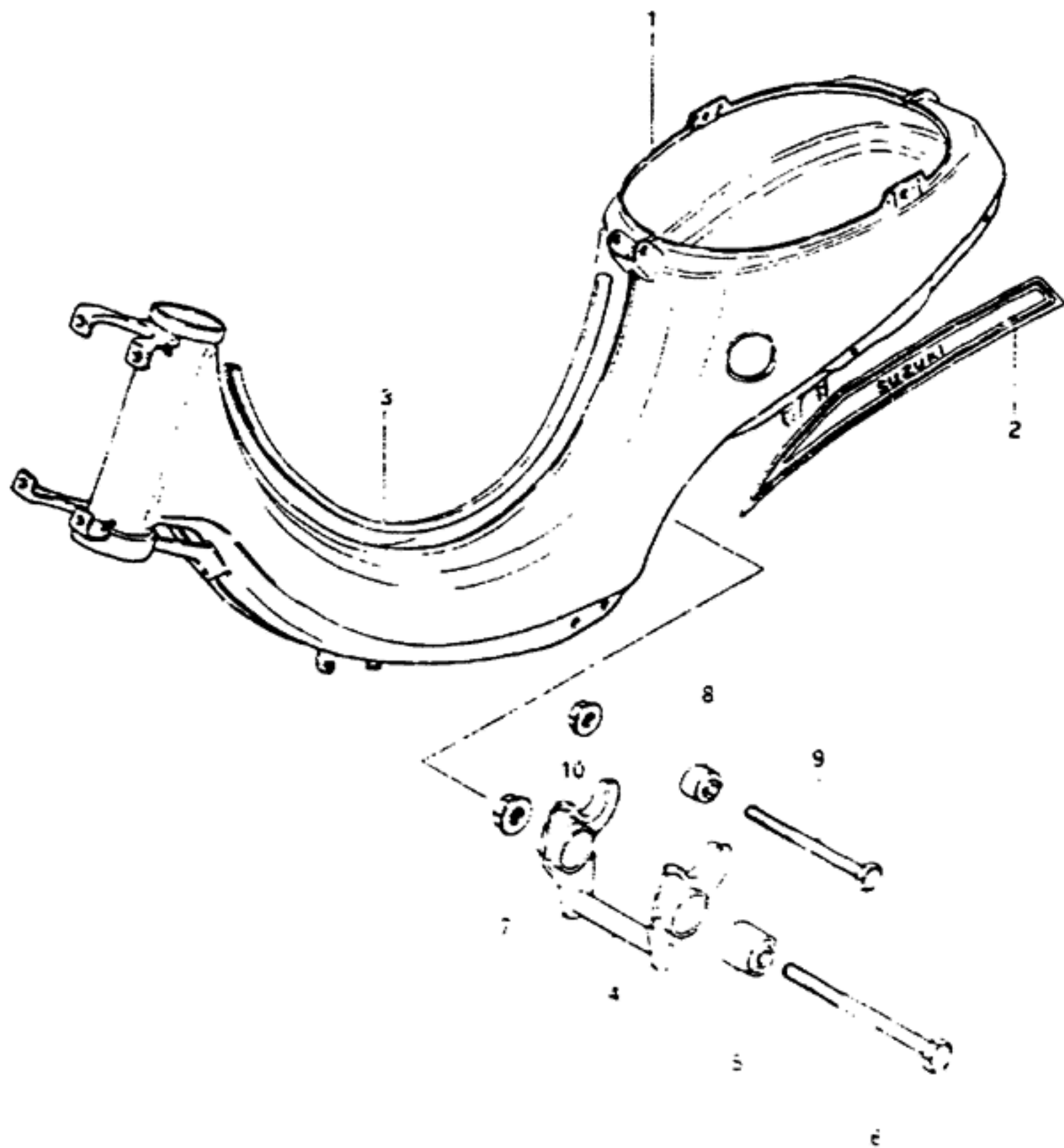


FIG.20 FRAME (model X : F.No.3101003~)

Ref. No.	Part No.	Description	Qty	Remarks
1	41100-02521-10G	FRAME (Orange)	1	
2	68100-02860-74C	TAPE SET, frame side	1	
3	41951-02500	MOULDING, frame	1	
4	41100-02831	BRACKET SET, crankcase	1	
5	09319-10027	BUSH	2	
6	09100-10049	BOLT (10x140)	1	
7	08319-31108	NUT	1	
8	09320-08019	CUSHION	2	
9	09100-08078	BOLT (8x120)	1	
10	08319-31088	NUT	1	

FIG.21

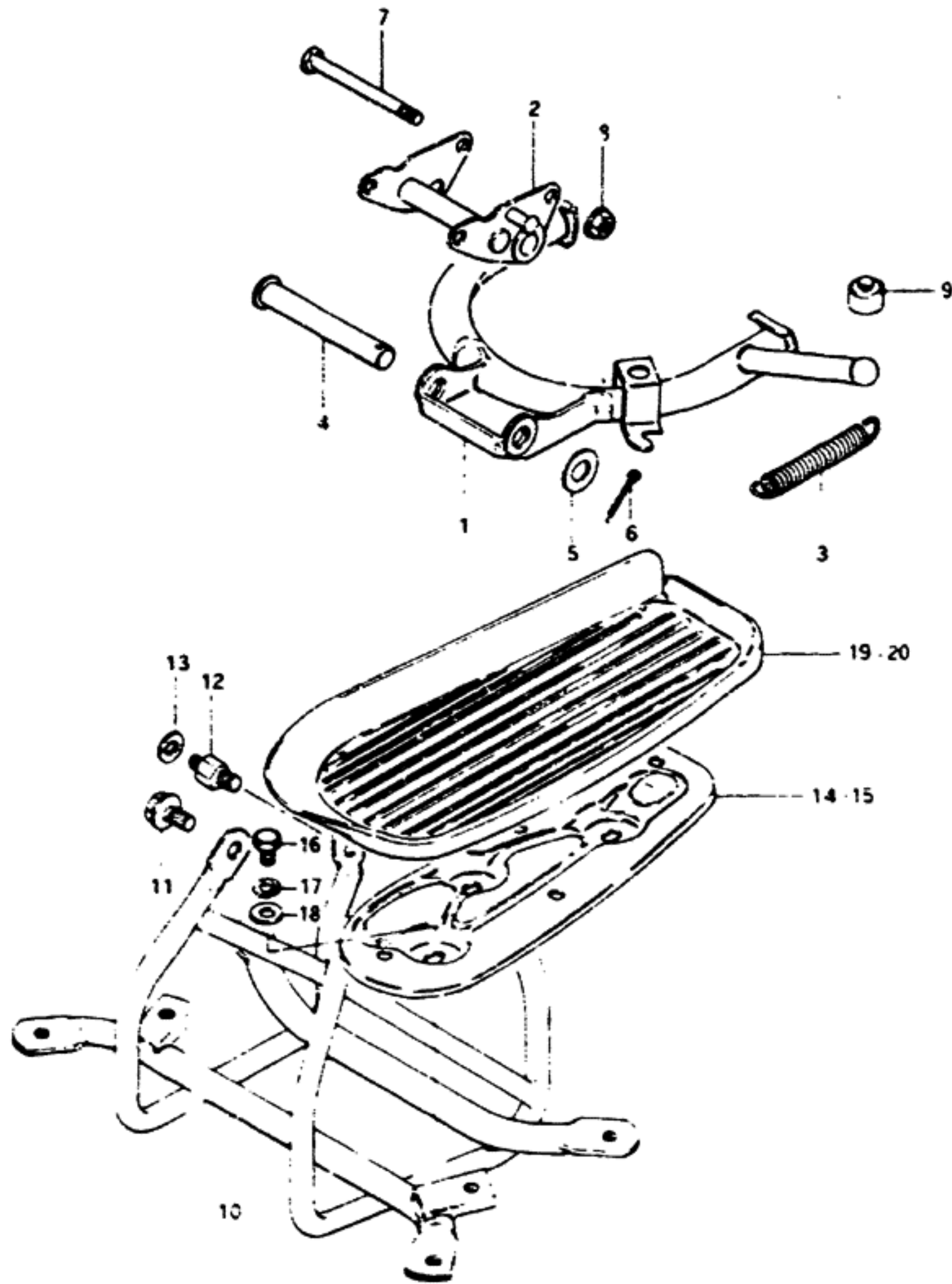


FIG.21 CENTER STAND - FOOTREST

Ref. No.	Part No.	Description	Qty	Remarks
1	42100-02500	STAND, center	1	
2	42270-02400	BRACKET	1	
3	09443-14017	SPRING	1	
4	42211-02400	SHAFT	1	
5	08322-11128	WASHER	1	
6	04111-25208	COTTER PIN	1	
7	09100-06057	BOLT (6x8)	2	
8	38319-31066	NUT	2	
9	09321-10002	CUSHION	1	
10-1	43510-02500-07P	BAR, front footrest (Red)	1	model T
10-2	43510-02500-737	BAR, front footrest (Silver)	1	model X
11	01517-08168	BOLT, front	2	
12	09119-08028	BOLT, rear	2	
13	08322-11088	WASHER, rear	2	
14	43546-02500-019	PLATE, RH (Black)	1	
15	43547-02500-019	PLATE, LH (Black)	1	
16	01107-06128	BOLT	6	
17	08321-21068	LOCK WASHER	6	
18	08322-21068	WASHER	6	
19	43551-02500	RUBBER, RH	1	
20	43561-02500	RUBBER, LH	1	

FIG. 22

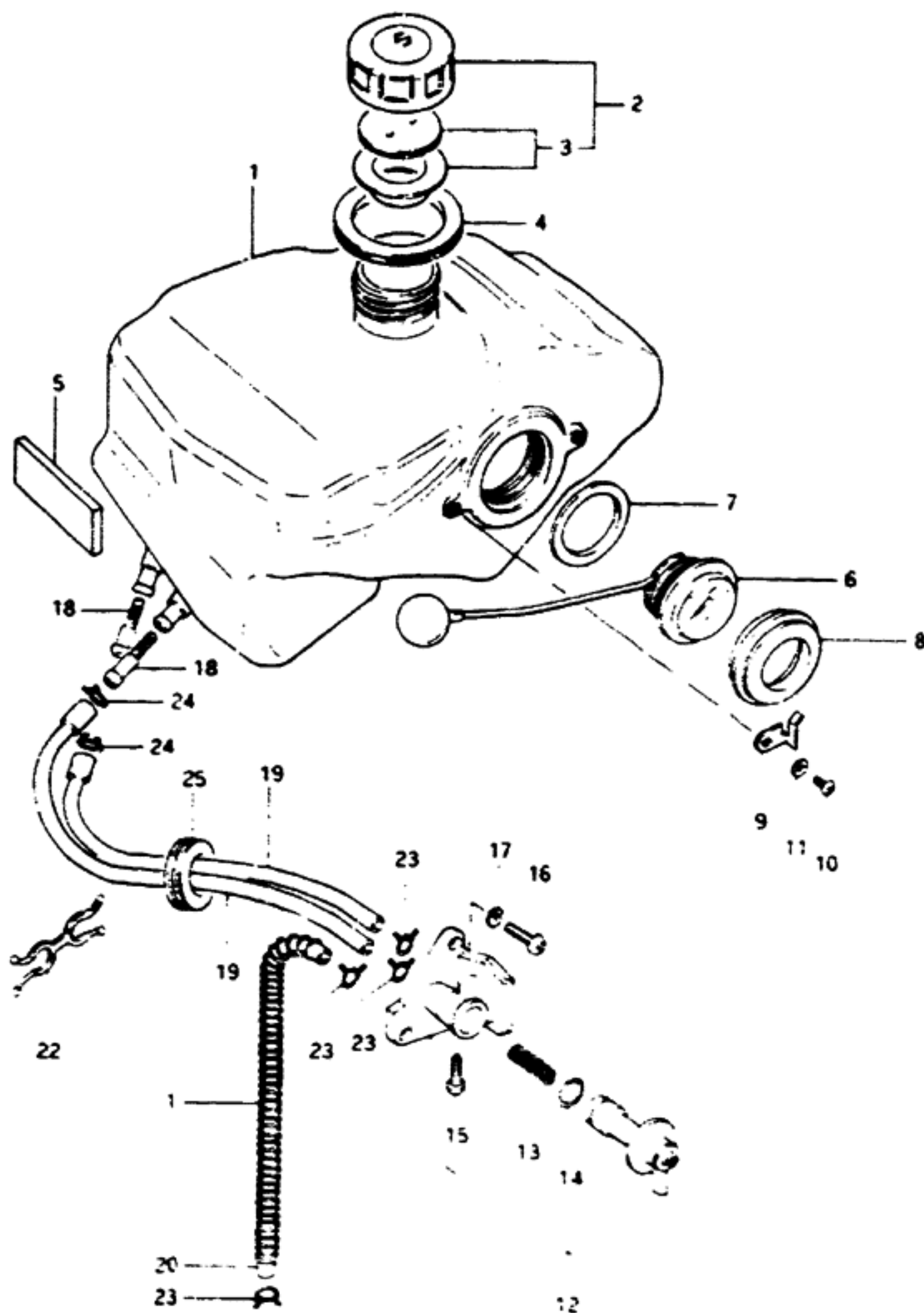


FIG. 22 FUEL TANK (model T)

Ref. No.	Part No.	Description	Qty	Remarks
1	44111-02500	TANK, fuel	1	
2	44000-27809	CAP SET, fuel tank	1	
3	44660-18818	GASKET SET, fuel tank	1	
4	44261-27000	CUSHION, fuel tank	1	
5	44628-02500	PROTECTOR, fuel tank	1	
6	44580-02510	GAUGE, fuel level	1	
7	44583-02500	GASKET	1	
8	09320-31001	GROMMET	1	
9	44591-02500	STOPPER, fuel gauge	2	
10	02112-03068	SCREW	2	
11	08322-21038	WASHER	2	
12	44300-02570	COCK ASSY, fuel	1	
13	44357-32470	SPRING	1	
14	44353-32470	O RING	1	
15	44343-41370	SCREW	1	
16	02112-05168	SCREW	2	
17	08321-21058	LOCK WASHER	2	
18	44322-27001	FILTER, fuel	2	
19	09343-05164	HOSE, reserve	2	
20	09343-05129	HOSE, fuel	1	
21	09440-10009	SPRING	1	
22	09408-00024	CLAMP	1	
23	09401-08402	CLIP, lower	4	
24	09401-10401	CLIP, upper	2	
25	09320-25001	GROMMET	1	

FIG. 23 (D-6) model X NF No 3101002  
 FIG. 24 (D-7) model X F. No 3101003

FIG. 23

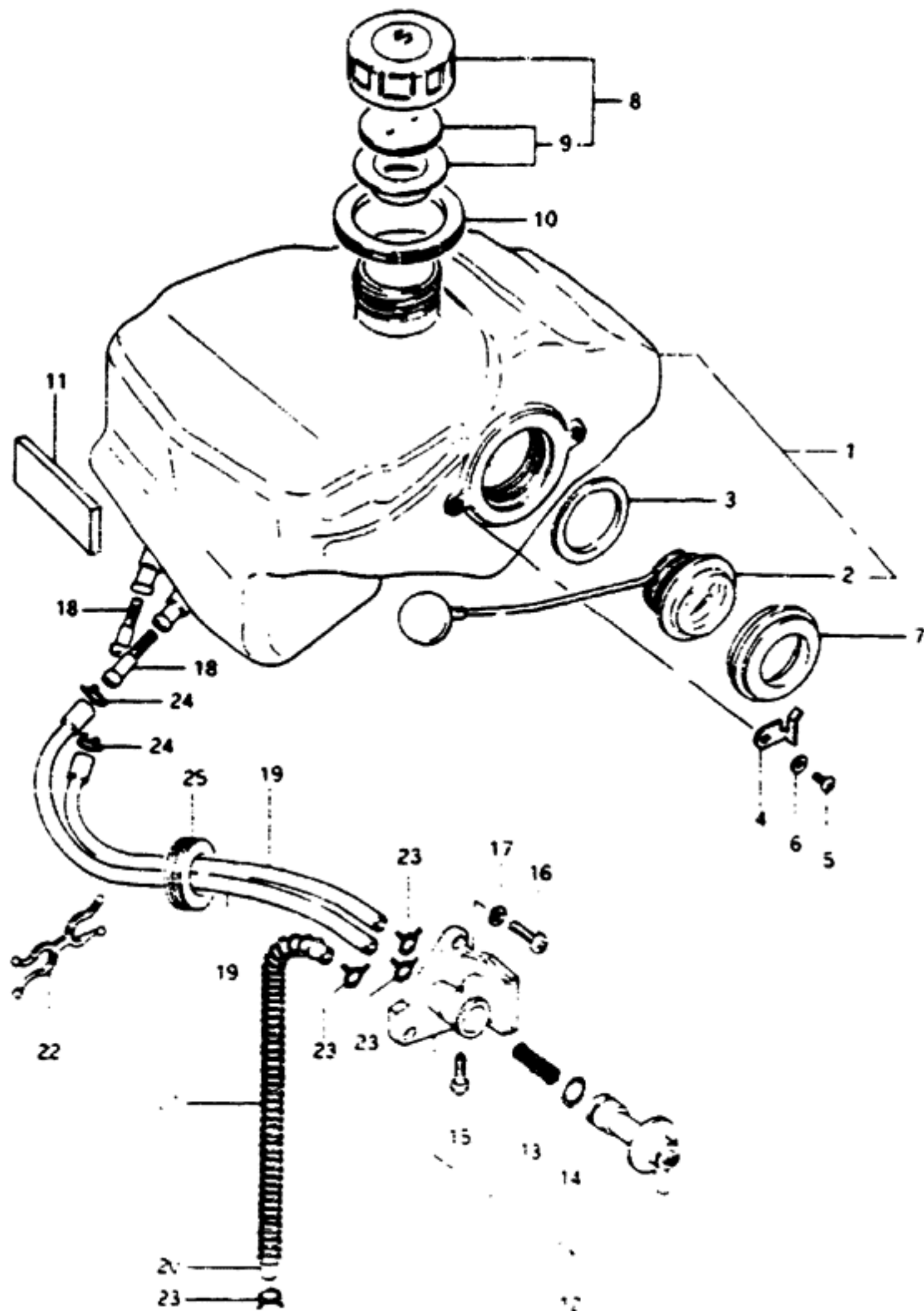


FIG. 23 FUEL TANK (model X : F.No. 3101002)

Ref. No.	Part No.	Description	Qty	Remarks
1	44100-02821	TANK SET, fuel	1	
2	44580-02510	GAUGE, fuel level	1	
3	44583-02501	GASKET	1	
4	44591-02500	STOPPER	2	
5	02112-03068	SCREW	2	
6	08322-21038	WASHER	2	
7	09320-31001	GROMMER	1	
8	44200-27810	CAP SET, fuel	1	
9	44660-18818	GASKET	1	
10	44261-27000	RUBBER	1	
11	44628-02500	PROTECTOR	1	
12	44300-02571	COCK ASSY, fuel	1	
13	44357-32470	SPRING	1	
14	44353-32470	O RING	1	
15	44343-41370	SCREW	1	
16	02112-05168	SCREW	2	
17	08321-21058	LOCK WASHER	2	
18	44322-27001	FILTER, fuel	2	
19	09343-05164	HOSE, reserve	2	
20	09343-05129	HOSE, fuel (L: 240-180)	1	
21	09440-10009	SPRING	1	
22	09408-00024	CLAMP	1	
23	09401-08401	CLIP, lower	4	
24	09401-10401	CLIP, upper	2	
25	09320-25001	GROMMET	1	



FIG. 24

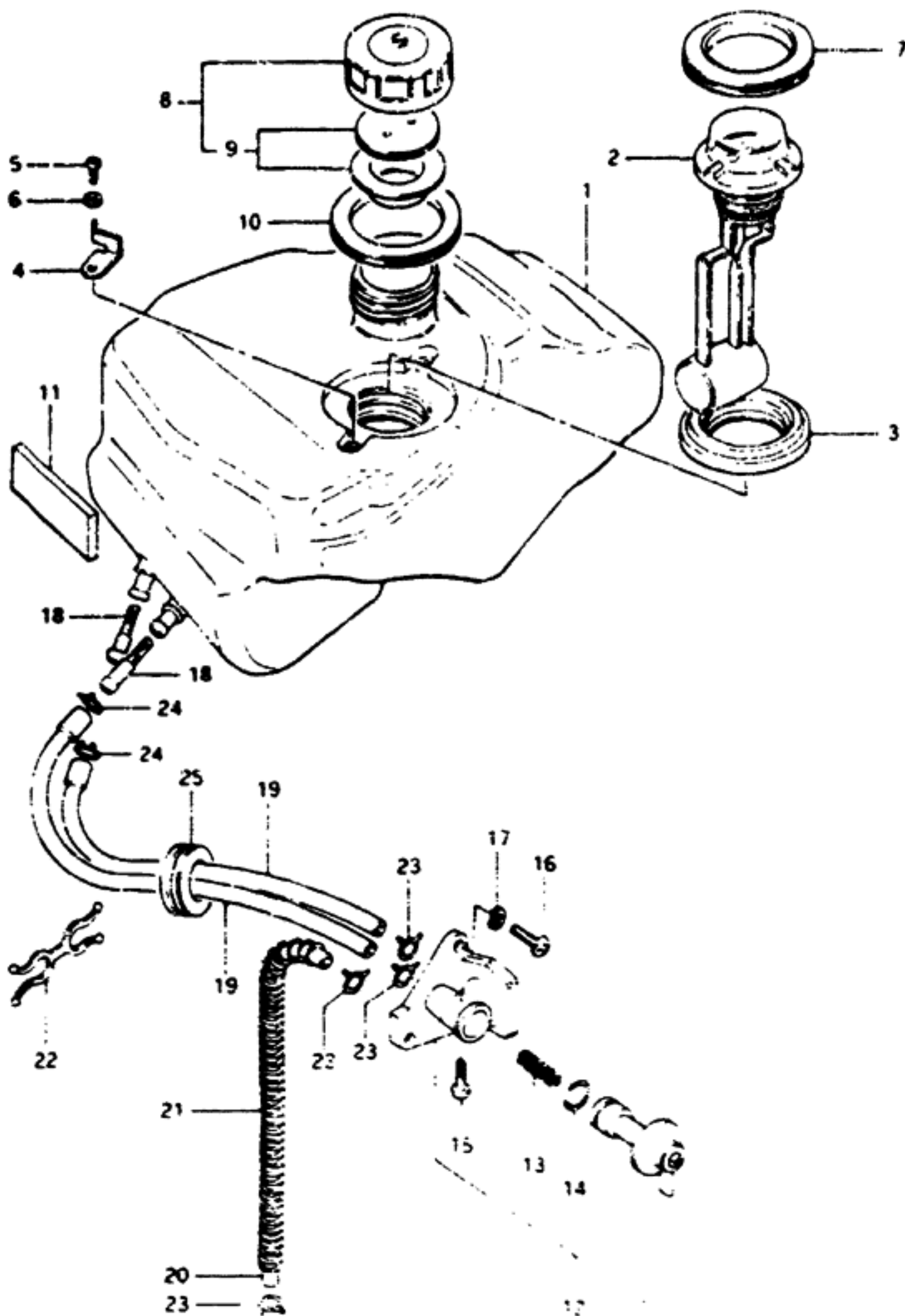
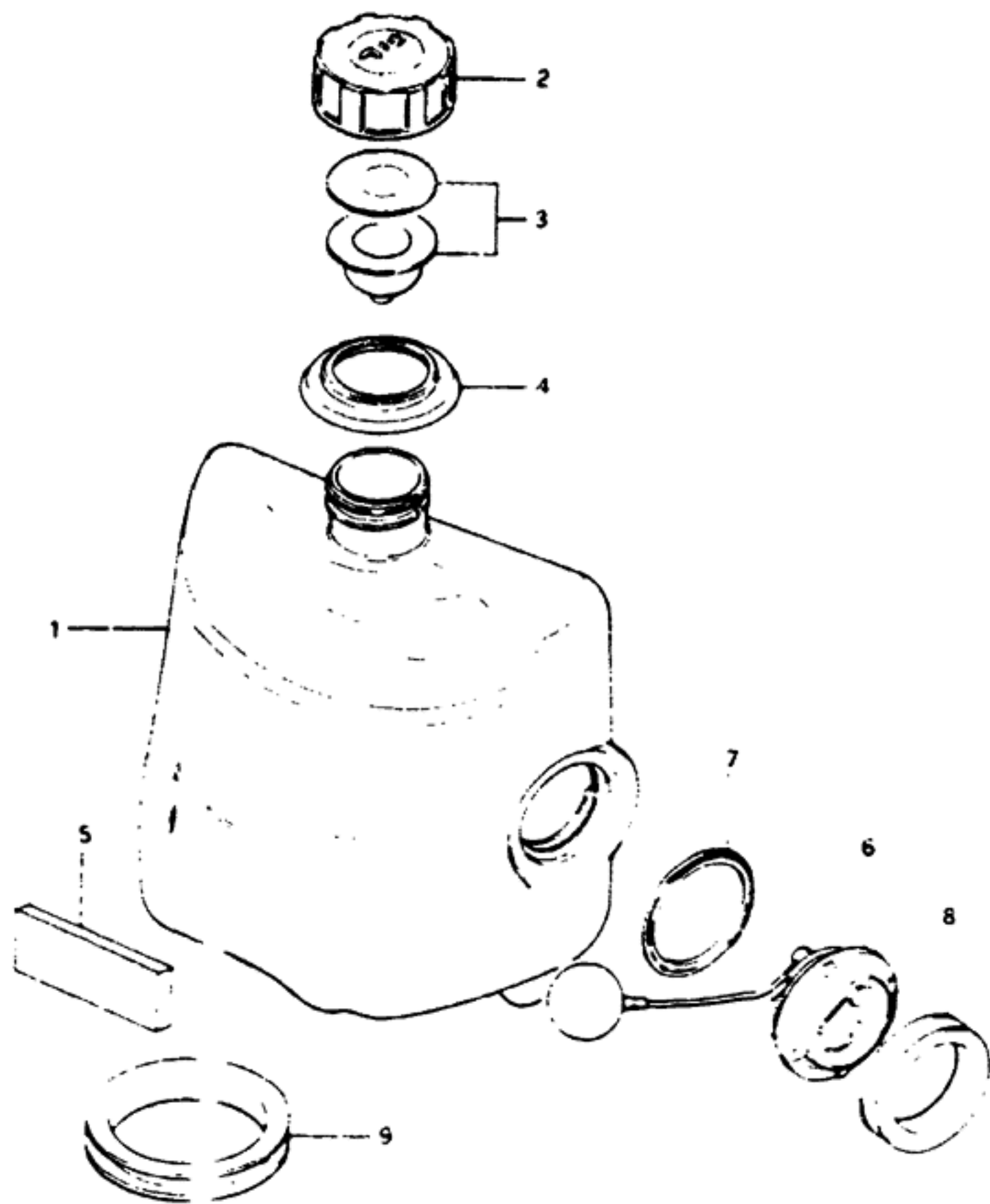


FIG. 24 FUEL TANK (model X : ~F.No.3101003)

Ref. No.	Part No.	Description	Qty	Remarks
1	44111-02530	TANK, fuel	1	
2	44580-02540	GAUGE, fuel level	1	
3	44583-02501	GASKET	1	
4	44591-02500	STOPPER	2	
5	02112-03068	SCREW	1	
6	08322-21038	WASHER	2	
7	09320-31001	GROMMER	1	
8	44200-27810	CAP SET, fuel	1	
9	44660-16818	GASKET	1	
10	44261-27000	RUBBER	1	
11	44628-02500	PROTECTOR	1	
12	44300-02571	COCK ASSY, fuel	1	
13	44357-32470	SPRING	1	
14	44353-32470	O RING	1	
15	44343-41370	SCREW	1	
16	02112-05168	SCREW	2	
17	08321-21058	LOCK WASHER	2	
18	44322-27001	FILTER, fuel	2	
19	09343-05164	HOSE, reserve	2	
20	09343-05129	HOSE, fuel (L.240-180)	1	
21	09440-10309	SPRING	1	
22	09408-00024	CLAMP	1	
23	09401-08401	CLIP, lower	4	
24	09401-10401	CLIP, upper	2	
25	09320-25001	GROMMET	1	



**FIG. 25**



**FIG. 25 OIL TANK**

Ref. No.	Part No.	Description	Qty	Remarks
1	44611-02500	TANK, oil	1	
2	44651-05003	CAP, oil tank	1	
3	44600-30832	GASKET SET	1	
4	44667-43000	RUBBER, oil tank inlet	1	
5	44628-02500	PROTECTOR, oil tank	1	
6	44670-02510	GAUGE ASSY, oil level	1	
7	44675-07510	GASKET	1	
8	09320-31001	GROMMET	1	
9	09320-46001	GROMMET	1	

FIG. 26

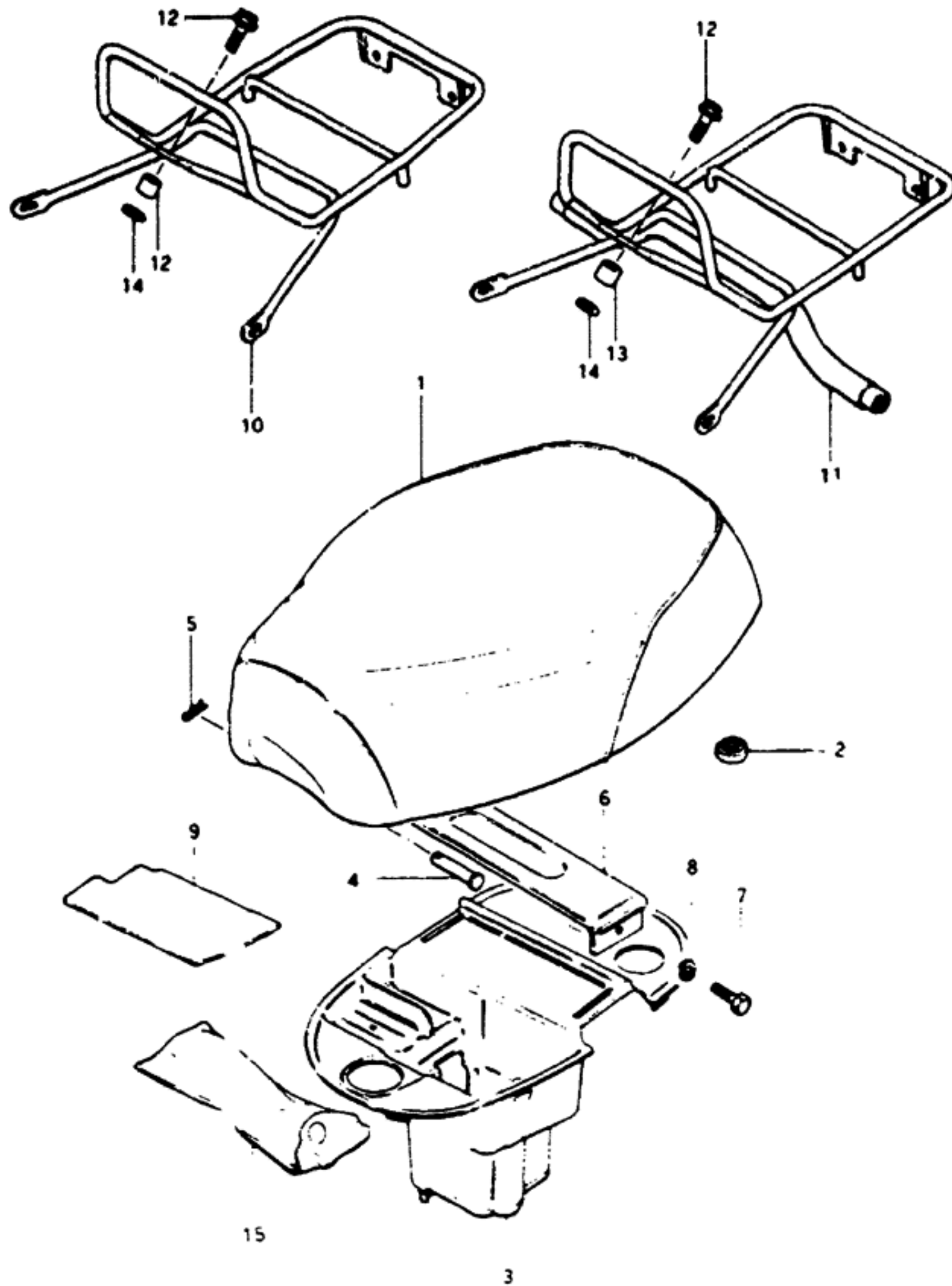


FIG. 26 SEAT

Ref. No.	Part No.	Description	Q'ty	Remarks
1	45100-02510-866	SEAT ASSY (Black)	1	
2	09321-14003	CUSHION	2	
3-1	47181-02500	COVER, frame upper	1	
3-2	47181-02520	COVER, frame upper	1	model X:F.No.3101003~
4	09200-08002	PIN, front	1	
5	09385-06001	CLIP	1	
6	45260-02502	BRACKET, lower	1	
7	01107-06108	BOLT	2	
8	08321-21068	LOCK WASHER	2	
9	47184-02500	COVER, upper	1	
10	46310-02510	CARRIER, rear	1	model T
11	46310-02511	CARRIER, rear	1	model X
12	01517-08208	BOLT	1	
13	09180-08075	SPACER (8.6x13.8x9.8)	1	
14	09160-08051	WASHER (8.5x23x1.2)	1	
15	09800-00161	TOOL ASSY	1	

FIG. 27

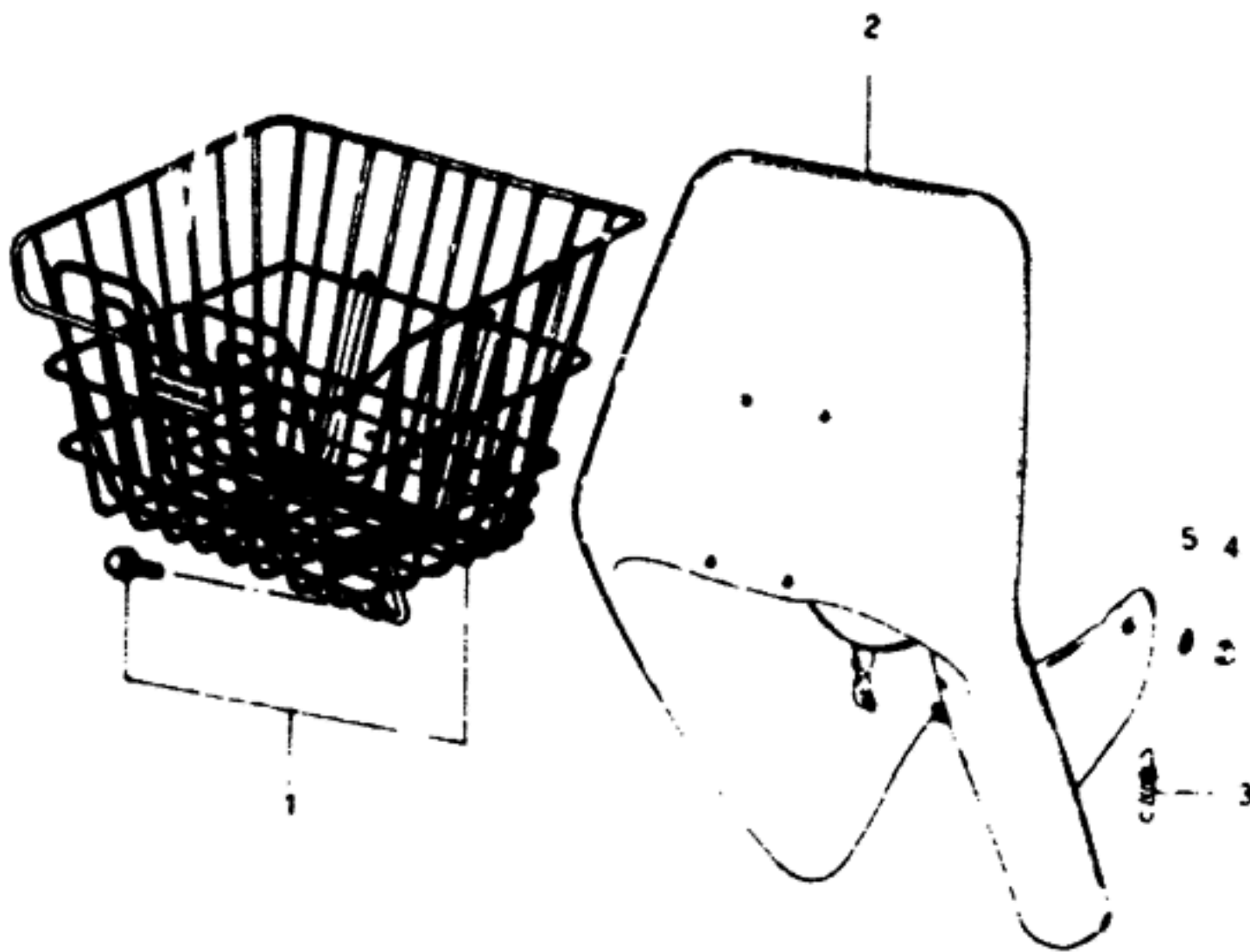


FIG. 27 LEG SHIELD

Ref. No.	Part No.	Description	Qty	Remarks
1	46500-02841	BASKET SET, front	1	
2	48111-02500-189	LEG SHIELD (White)	1	
3-1	09442-11011	SPRING	1	model T
3-2	09443-09012	SPRING	1	model X
4	08313-11068	NUT	2	
5	08322-21068	WASHER	2	

FIG. 28

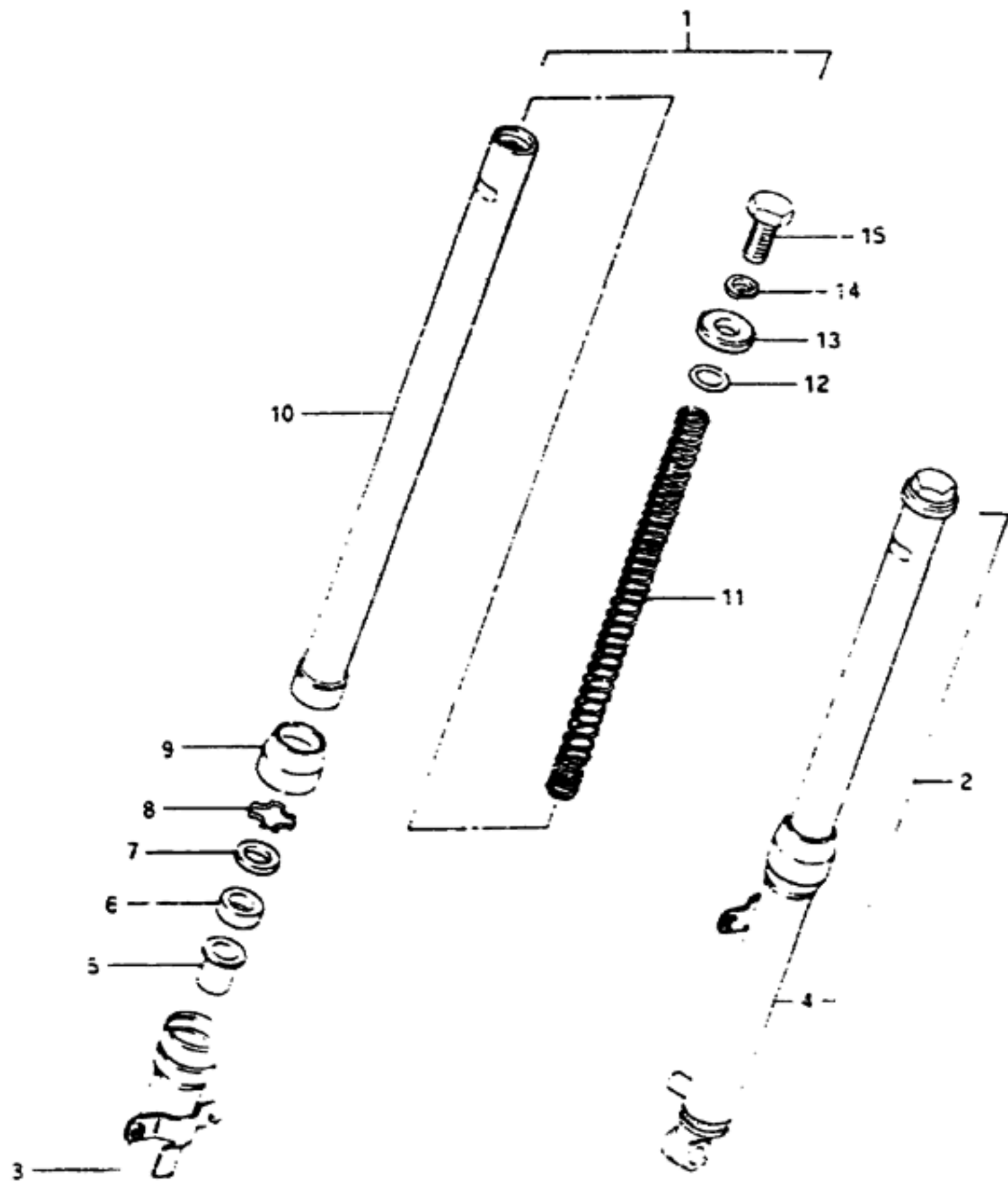


FIG. 28 FRONT FORK

Ref. No.	Part No.	Description	Qty	Remarks
1	51103-02500-126	DAMPER ASSY, fork RH	1	Pearl Metallic
2	51104-02500-126	DAMPER ASSY, fork LH	1	Pearl Metallic
3	51130-02500-126	-OUTER TUBE RH	1	
4	51140-02500-126	-OUTER TUBE LH	1	
5	51152-22680	-SLIDE METAL	2	
6	51153-02500	-OIL SEAL	2	
7	51558-22680	-WASHER	2	
8	51156-43010	-RING, stopper	2	
9	51173-02500	-DUST SEAL	2	
10	51111-02500	-INNER TUBE	2	
11	51171-02500	-SPRING	2	
12	51181-22011	-O RING	2	
13	51356-27510	-WASHER	2	
14	08321-21108	-LOCK WASHER	2	
15	51352-02500	-BOLT	2	

FIG. 29

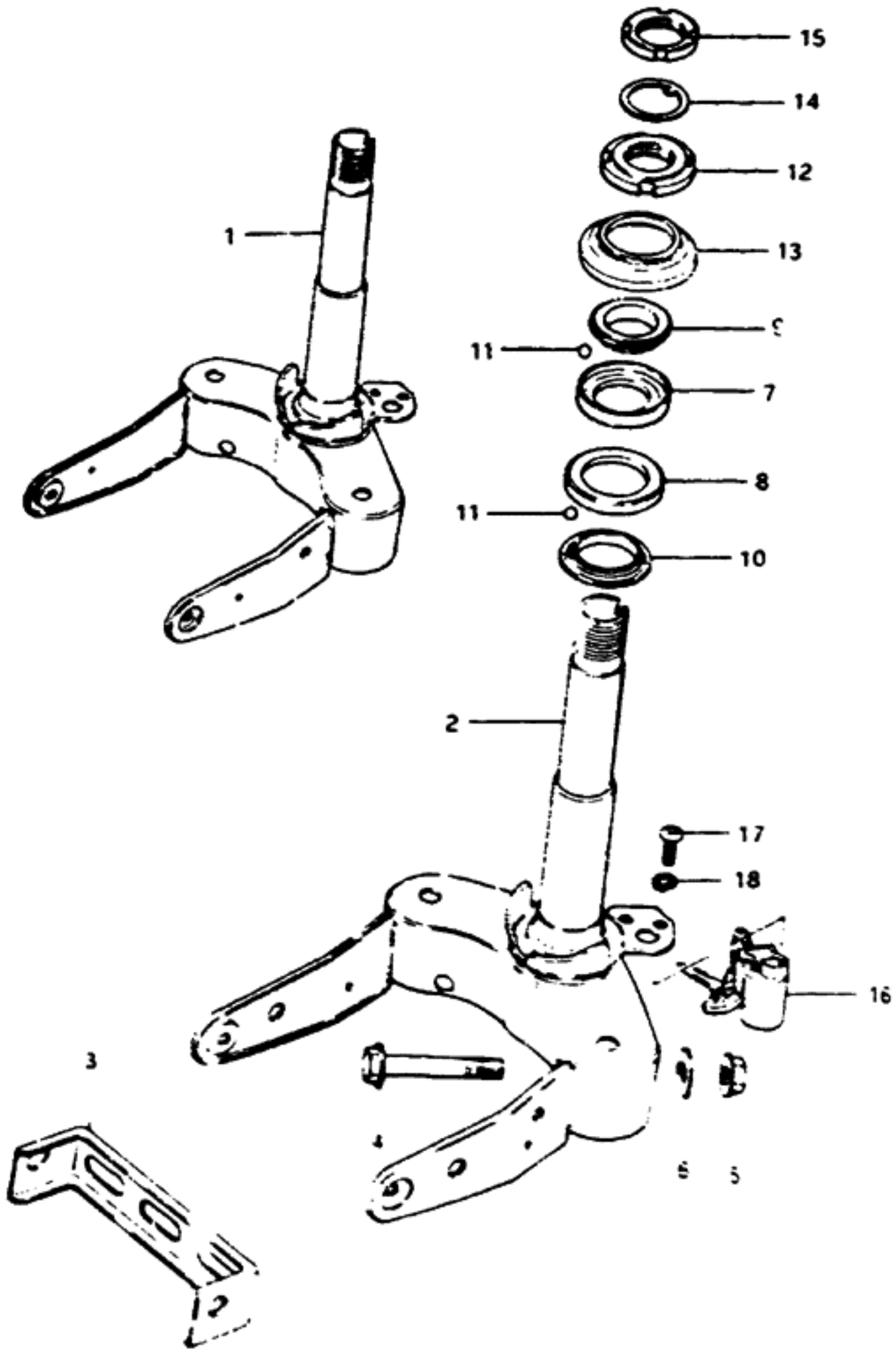
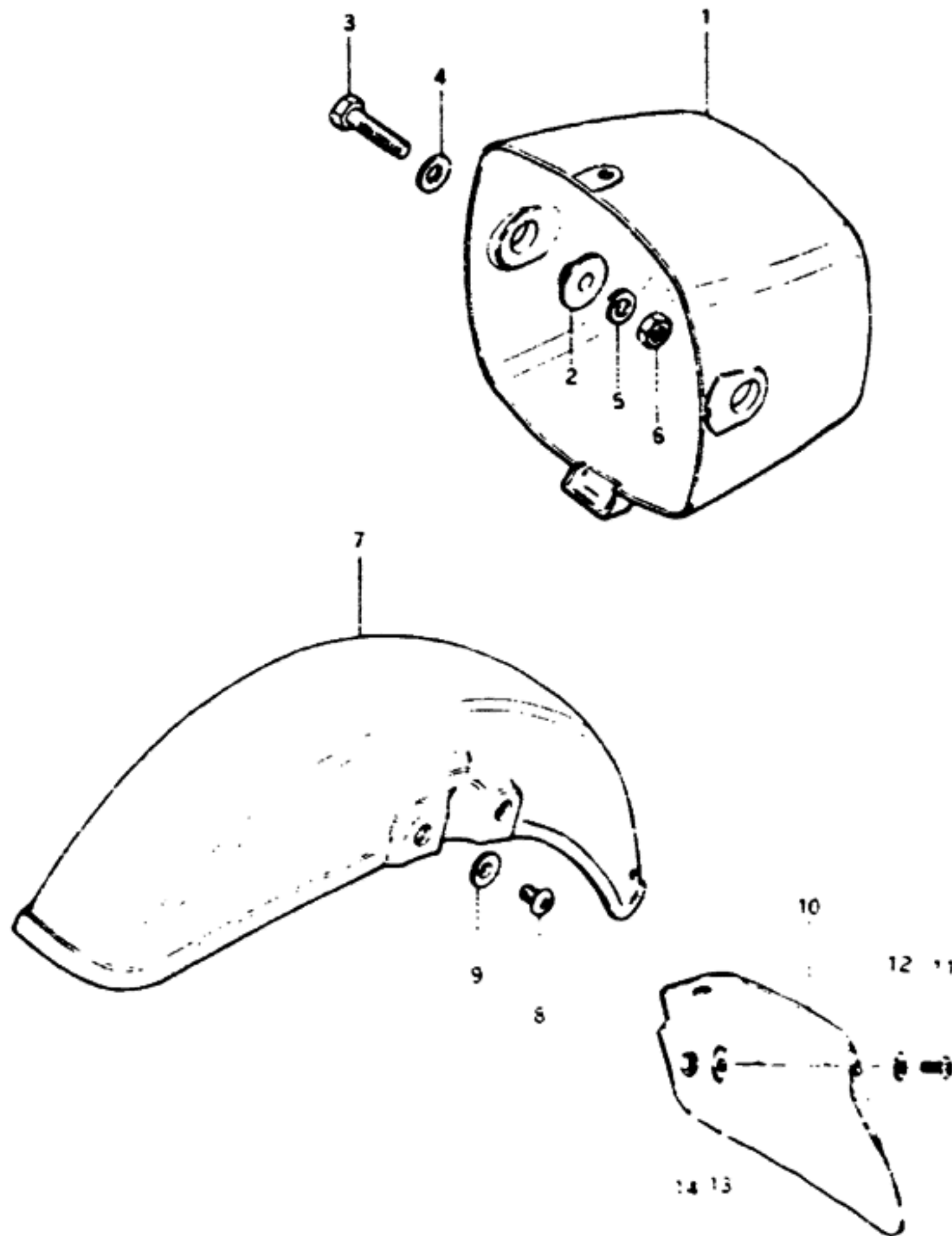


FIG. 29 STEERING STEM

Ref. No.	Part No.	Description	Qty	Remarks
1	51410-02510-07P	STEERING STEM (Red)	1	model T
2	51410-02521-10G	STEERING STEM (Orange)	1	model X
3	51534-02500	BRACKET	1	
4	09103-10027	BOLT	2	
5	02319-31108	NUT	2	
6	08322-21108	WASHER	2	
7	51611-20002	RACE, steering inner upper	1	
8	51612-04000	RACE, steering inner lower	1	
9	51621-28000	RACE, steering outer upper	1	
10	51622-04000	RACE, steering outer lower	1	
11	06111-06003	STEEL BALL	47	
12	51631-28000	NUT, steering stem	1	
13	51643-25001	DUST SEAL, steering upper	1	
14	09166-26001	WASHER, steering lock	1	
15	51632-02400	NUT, steering stem	1	
16	51910-25310	LOCK ASSY, steering	1	
17	02112-05168	SCREW	2	
18	08321-21058	LOCK WASHER	2	

FIG. 30

FIG. 30 HEADLAMP HOUSING - FRONT FENDER



Ref. No.	Part No.	Description	Q'ty	Remarks
1-1	51811-02200-07P	HOUSING, headlamp (Red)	1	model T
1-2	51811-02200-10G	HOUSING, headlamp (Orange)	1	model X
2-1	51821-02400	SPACER	2	model T
2-2	51821-02401	SPACER	1	model X
3	01107-06208	BOLT	2	
4	08322-21068	WASHER	2	
5	08321-21068	LOCK WASHER	2	
6	08310-11066	NUT	2	
7	53111-02500-189	FENDER, front (Eglet white)	1	
8	02142-06128	SCREW	4	
9	09169-06028	WASHER	4	
10	53311-02500	MUD FLAP	1	
11	02112-05128	SCREW	2	
12	08322-21058	WASHER	2	
13	09160-05013	WASHER (5.2x15x1)	2	
14	08310-11058	NUT	2	

FIG.31

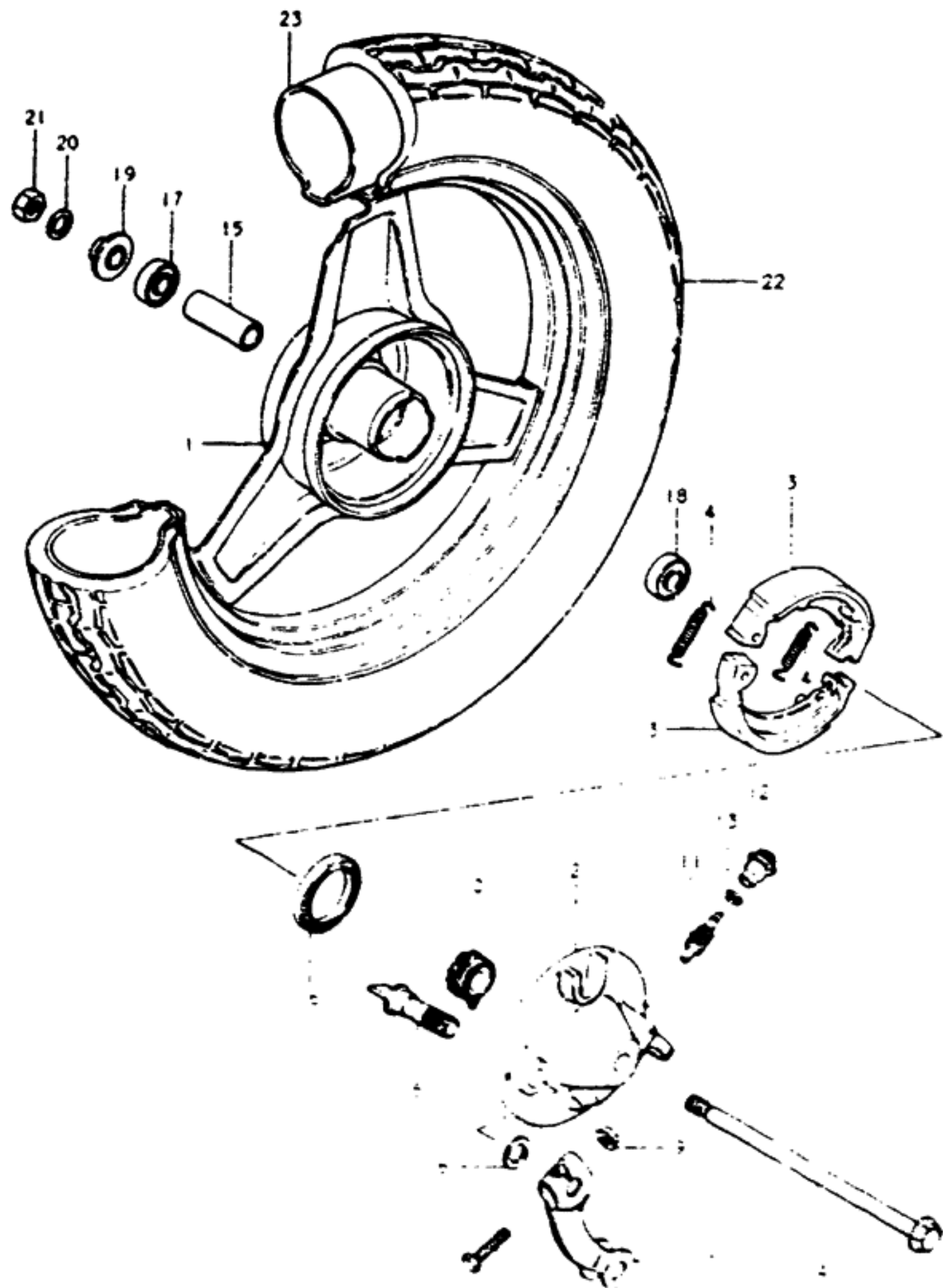


FIG.31 FRONT WHEEL

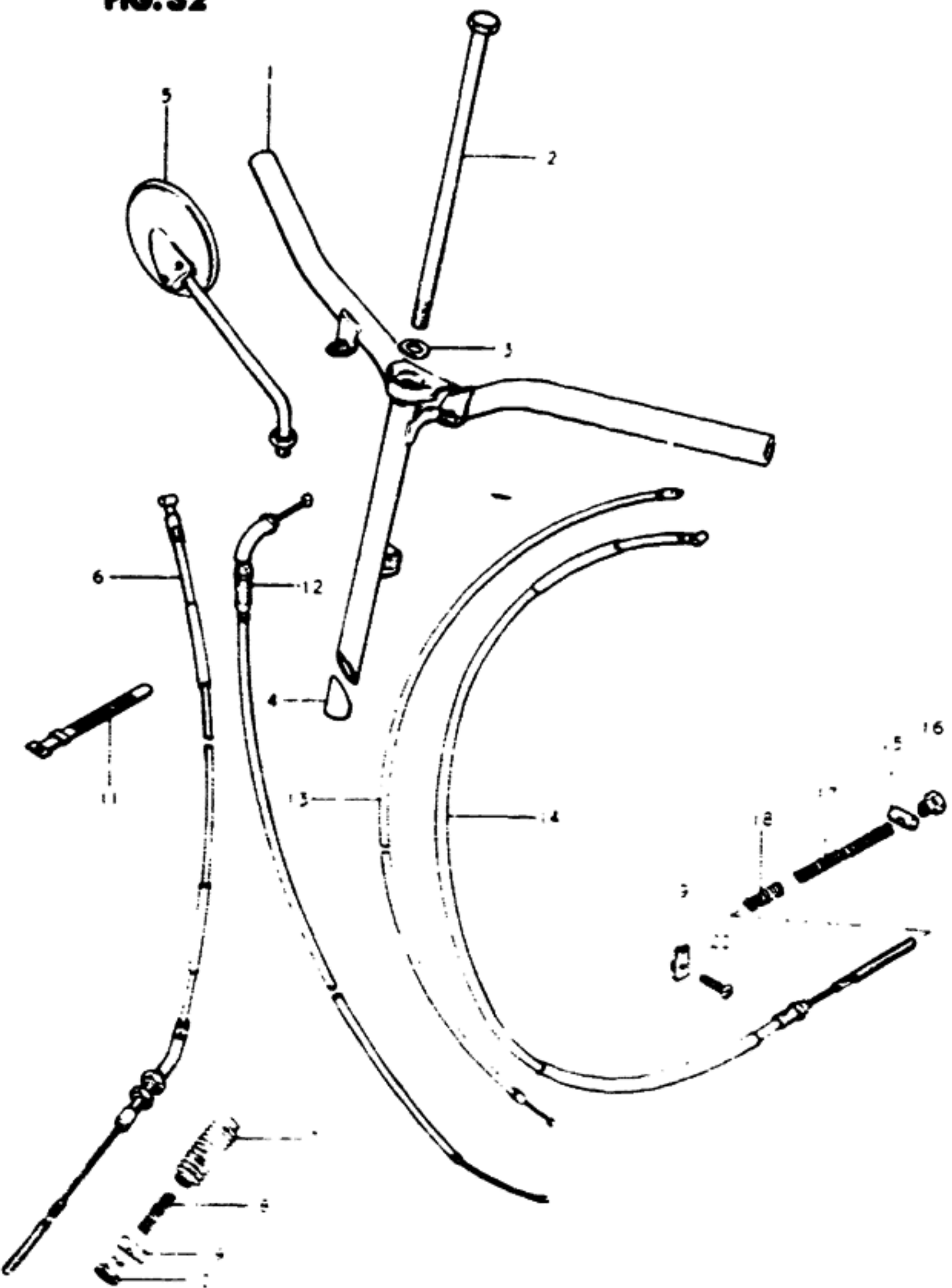
Ref. No.	Part No.	Description	Qty	Remarks
1-1	54140-02310-126	WHEEL, front (Pearl Metallic)	1	model T
1-2	54140-02311-126	WHEEL, front (Pearl Metallic)	1	model X
2	54210-02500	PANEL, anchor	1	
3	54410-02310	SHOE, brake	2	
4	09443-06029	SPRING	2	
5	54441-G2301	CAM, brake	1	
6	08322-11108	WASHER	1	
7	54451-02301	LEVER, brake cam	1	
8	09100-05003	BOLT (5x25)	1	
9	08316-1605R	NUT	1	
10-1	54611-02500	GEAR, speedometer (NT:17)	1	model T
10-2	54611-02501	GEAR, speedometer (NT:17)	1	model X
11-1	54621-02500	PINION, speedometer (NT:10)	1	model T
11-2	54621-02501	PINION, speedometer (NT:10)	1	model X
12-1	54632-02200	BUSH	1	model T
12-2	54632-02201	BUSH	1	model X
13	09160-05001	WASHER (5.1x9x0.1)	1	
14	54711-02500	AXLE, front	1	
15	54730-02400	SPACER, hub bearing	1	
16	09285-34002	OIL SEAL	1	
17	08123-62007	BEARING, RH	1	
18	08143-62007	BEARING, LH	1	
19	54740-02300	SPACER	1	
20	08322-11108	WASHER	1	
21	08319-21108	NUT	1	
22	55100-02510	TIRE (2 75-10-2PR)	1	
23	55200-02300	TUBE (2 50-10)	1	

FIG. 32

FIG. 32 HANDLEBAR

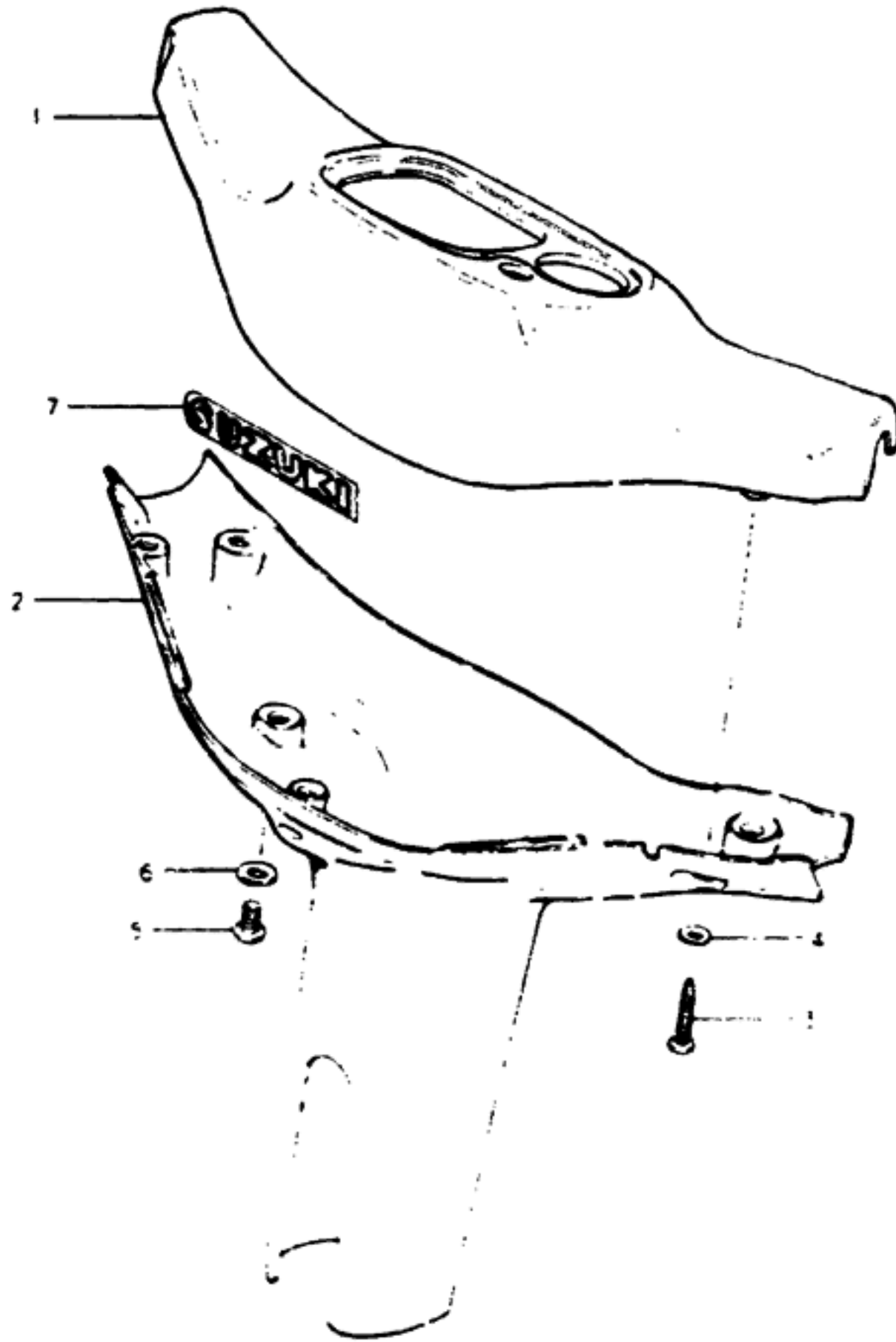
Qty

Ref. No.	Part No.	Description	Qty	Remarks
1	56110-02500	HANDLEBAR	1	
2	09100-12023	BOLT (12x273)	1	
3	06322-11128	WASHER	1	
4	58251-02401	STOP, handle expander	1	
5	56500-02300	MIRROR, rear view	1	
6	58110-02500	CABLE, front brake	1	
7	09287-07001	DUST SEAL	1	
8	09440-06003	SPRING	1	
9	09209-10001	PIN	1	
10	09150-05004	NUT	1	
11	09407-12403	CLAMP	1	
12	58300-02510	CABLE, throttle	1	
13-1	58410-02500	CABLE, starter	1	model T
13-2	58410-02501	CABLE, starter	1	mc Jet A
14	58510-02500	CABLE, rear brake	1	
15	09209-10001	PIN	1	
16	09150-05004	NUT	1	
17	09440-06019	SPRING	1	
18	09440-08019	SPRING	1	
19	58570-02500	PLATE	1	
20	02112-06208	SCREW	1	





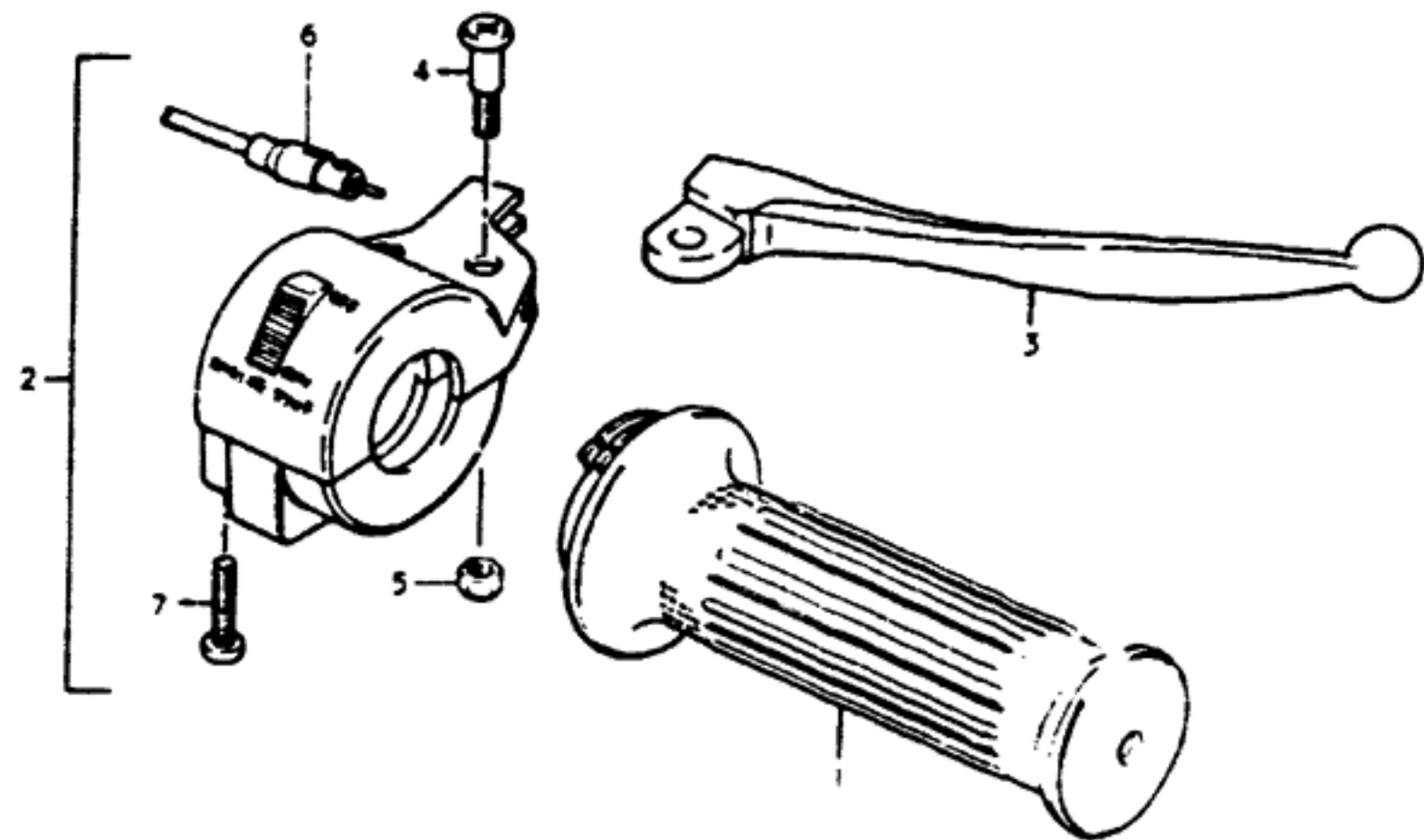
**FIG. 33**



**FIG. 33 HANDLE COVER**

Ref. No.	Part No.	Description	Qty	Remarks
1-1	56311-02500-07P	COVER, handle upper (Red)	1	model T
1-2	56311-02510-10G	COVER, handle upper(Orange)	1	model X
2-1	56321-02500-07P	COVER, handle lower (Red)	1	model T
2-2	56321-02510-10G	COVER, handle lower(Orange)	1	model X
3	09132-04005	SCREW	5	
4	08322-21048	WASHER	5	
5	02112-06128	SCREW	3	
6	08322-21068	WASHER	3	
7	68165-13000	EMBLEM	1	

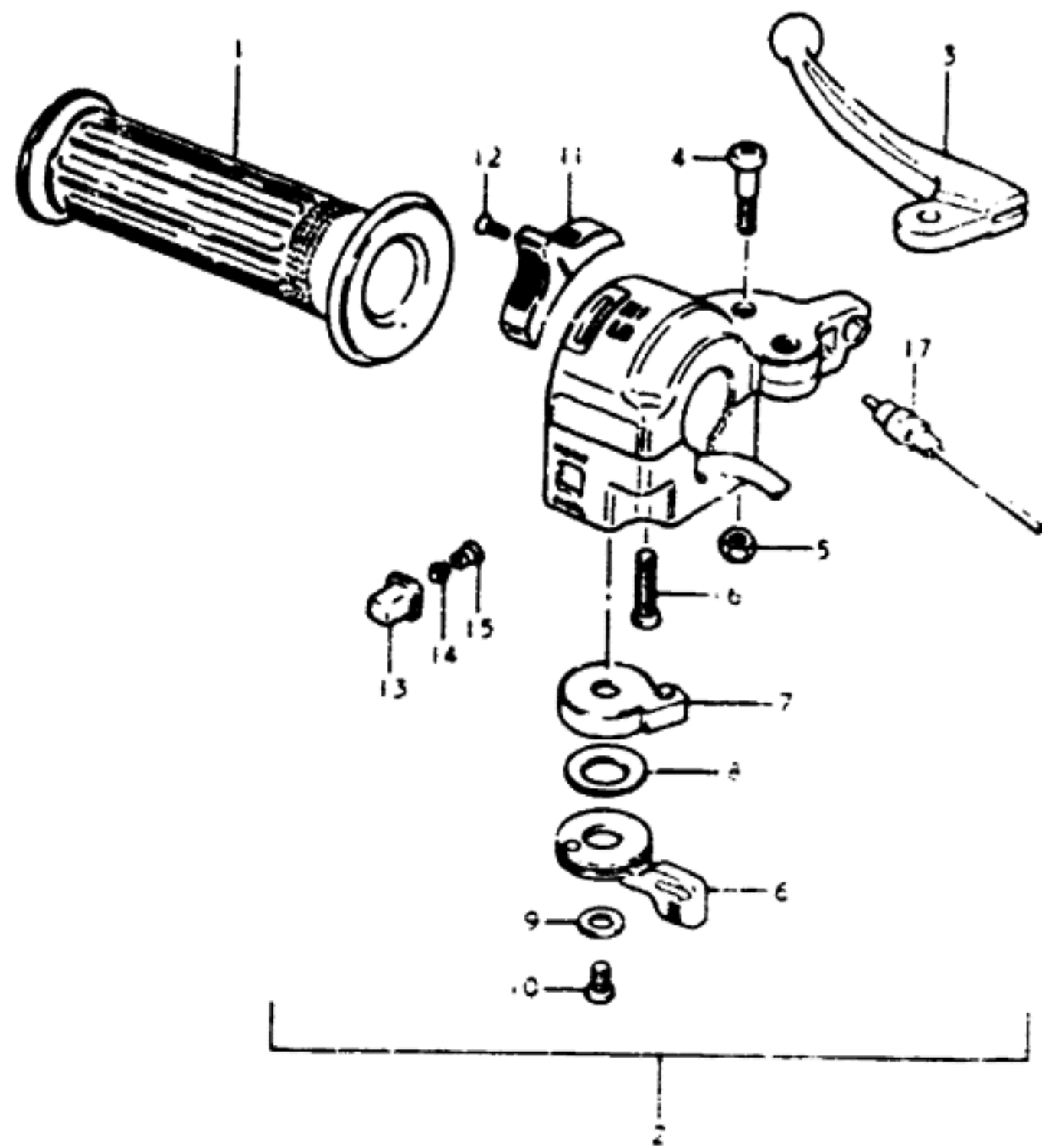
**FIG. 34**



**FIG. 34 RIGHT HANDLE SWITCH**

Ref. No.	Part No.	Description	Qty	Remarks
1	57110-27501	GRIP, throttle	1	
2	57300-02510	LEVER, front brake & switch	1	
3	57421-27500	LEVER, front brake	1	
4	57431-01011	SCREW	1	
5	57633-27500	NUT	1	
6	57470-02510	SWITCH, stop	1	
7	09125-05105	SCREW	2	

**FIG. 35**



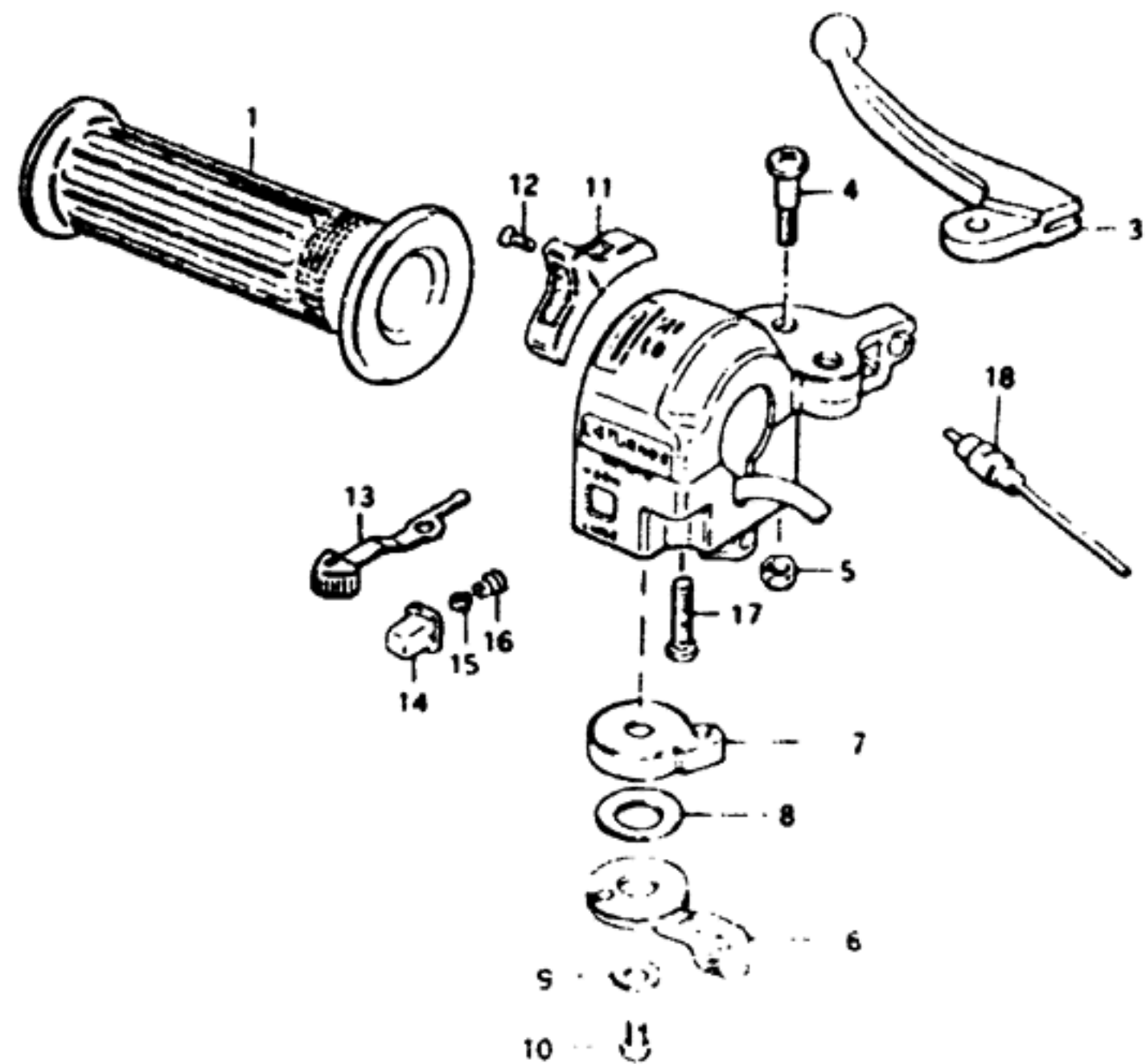
**FIG. 35 LEFT HANDLE SWITCH (FS50T)**

Ref. No.	Part No.	Description	Qty	Remarks
1	57211-46111	GRIP, LH	1	
2	57500-02510	LEVER, rear brake & switch	1	
3	57621-27500	LEVER, rear brake	1	
4	57431-01011	SCREW	1	
5	57633-27500	NUT	1	
6	58721-27502	LEVER, starter	1	
7	58711-27500	BODY, starter lever	1	
8	58722-03010	WASHER, adjust	1	
9	08322-21058	WASHER	1	
10	02112-05088	SCREW	1	
11	57320-27500	KNOB, dimmer	1	
12	02132-03068	SCREW	1	
13	57371-45000	BUTTON	1	
14	57372-45000	CONTACT	1	
15	57382-45000	SPRING	1	
16	02112-05208	SCREW	2	
17	57470-02510	SWITCH, stop	1	

FIG. 34 (E-10) : FS50X

FIG. 36

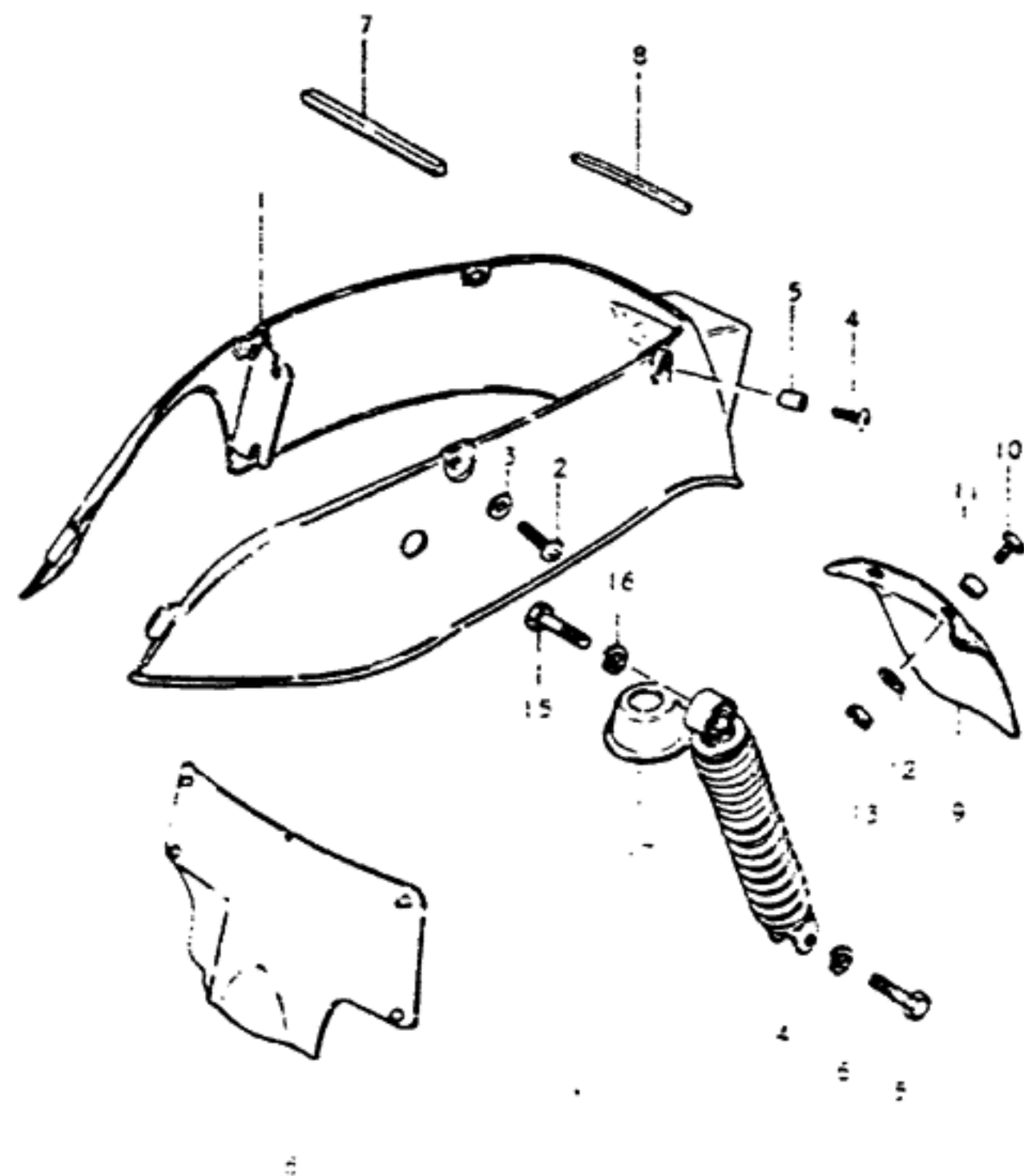
FIG. 36 LEFT HANDLE SWITCH (FS50X)



Ref. No.	Part No.	Description	Q'ty	Remarks
1	57211-46111	GRIP, LH	1	
2	57500-02530	LEVER, rear brake & switch	1	
3	57621-27500	•LEVER, rear brake	1	
4	57431-01011	•SCREW	1	
5	57633-27500	•NUT	1	
6	58721-27502	•LEVER, starter	1	
7	58711-27500	•BODY, starter lever	1	
8	58722-03010	•WASHER, adjust	1	
9	08322-21058	•WASHER	1	
10	02112-05088	•SCREW	1	
11	57320-27500	•KNOB, dimmer	1	
12	02132-03068	•SCREW	1	
13	57651-27500	•KNOB, turn signal	1	
14	57371-45000	•BUTTON	1	
15	57372-45000	•CONTACT	1	
16	57382-45000	•SPRING	1	
17	02112-05208	•SCREW	2	
18	57470-02511	•SWITCH, stop	1	

FIG. 37

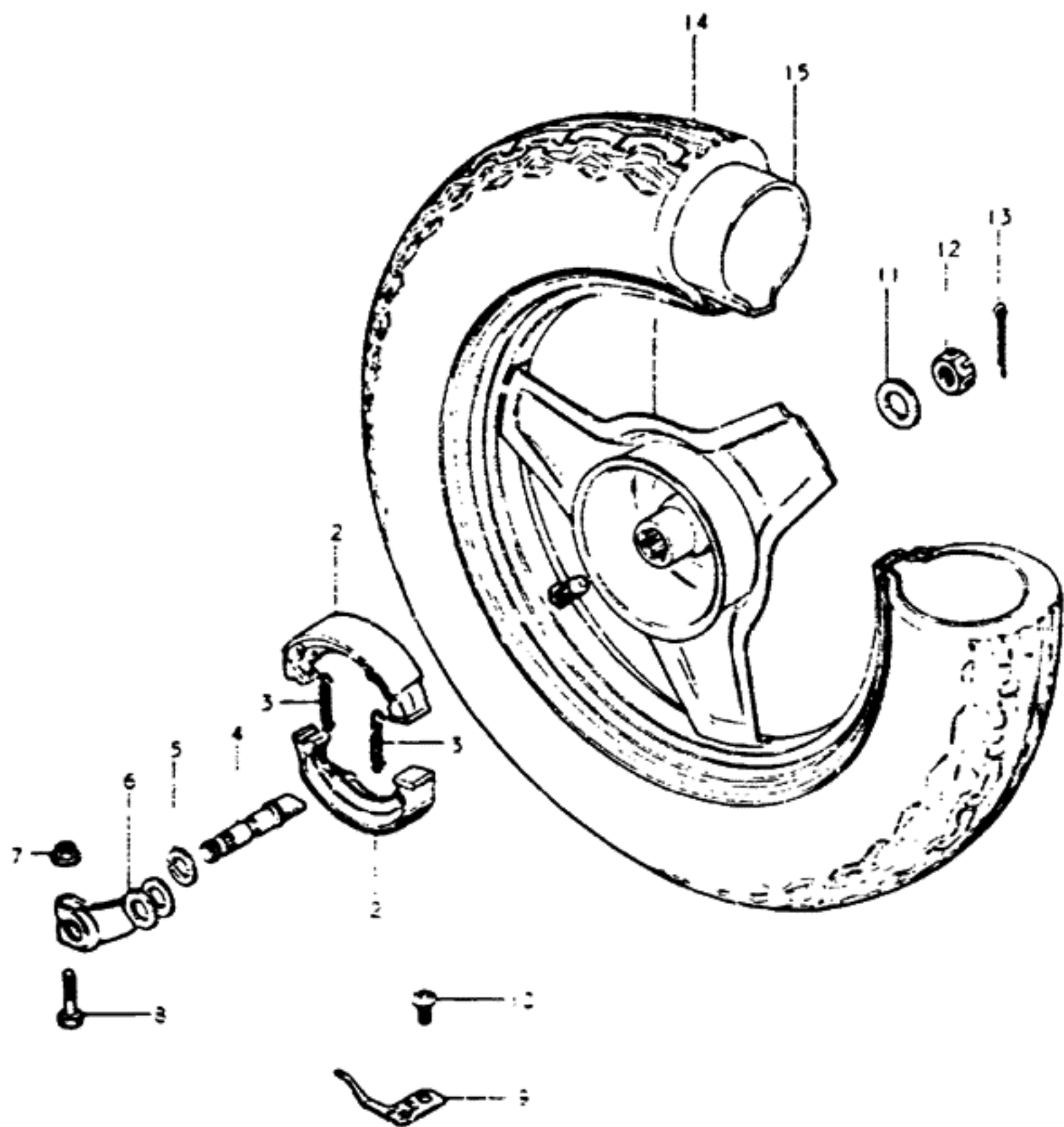
FIG. 37 REAR FENDER



Ref. No.	Pa.	Description	Q'ty	Remarks
1-1	63111-02500-189	FENDER, rear	1	Eglet White model T
1-2	63111-02510-189	FENDER, rear	1	Eglet White model X
2	02142-06207	SCREW, front	2	
3	09160-06007	WASHER (6.5x18x1.6)	2	
4	02142-06258	SCREW, rear	2	
5	09180-08048	SPACER (8x12x15)	2	
6	63411-02500	MUD GUARD, front	1	
7	63412-02500	MUD GUARD, No.2	1	
8	63413-02500	MUD GUARD, No.3	1	
9	63311-02500	EXTENSION	1	
10	09125-06009	SCREW	2	
11	09180-06001	SPACER (6.2x8.3x5.7)	2	
12	09160-06028	WASHER (6.5x18x1)	2	
13	08310-11068	NUT	2	
14-1	62100-02500	SHOCK ABSORBER ASSY	1	model T
14-2	62100-02501	SHOCK ABSORBER ASSY	1	model X
15	09100-10107	BOLT (10x34)	2	
16	06321-21108	LOCK WASHER	2	
17	62179-02500	CAP	1	

FIG.38

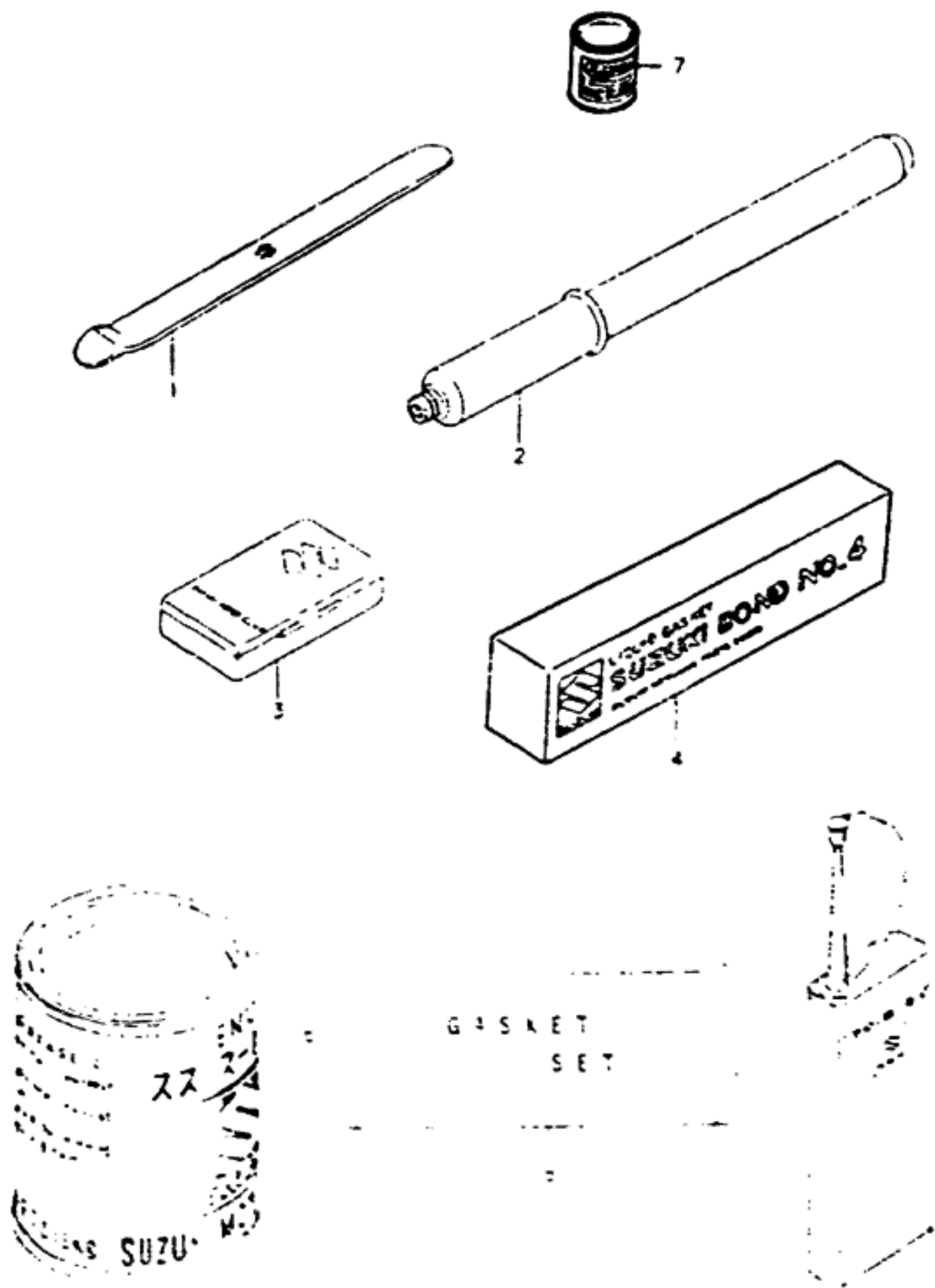
FIG.38 REAR WHEEL



Ref. No.	Part No.	Description	Q'ty	Remarks
1-1	64150-02310-126	WHEEL, rear	1	Pearl Metallic,model T
1-2	64150-02311-126	WHEEL, rear	1	Pearl Metallic,model X
2	54410-02310	SHOE, brake	2	
3	09443-06023	SPRING, shoe	2	
4	64441-02500	CAM, brake	1	
5	08322-11108	WASHER, cam	1	
6	64451-02301	LEVER, cam	1	
7	08316-16058	NUT	1	
8	09100-05003	BOLT (5x25)	1	
9	64492-02200	PLATE, lining indicator	1	
10	02112-06108	SCREW	1	
11	08322-11128	WASHER	1	
12	08314-41128	NUT	1	
13	04111-30308	COTTER PIN	1	
14	55100-02510	TIRE (2.75-10-2PR)	1	IRC
15	55200-02300	TUBE (2.50-10)	1	

FIG.39

FIG.39 OPTIONAL



Ref. No.	Part No.	Description	Qty	Remarks
1	09825-00002	LEVER, tire	2	
2	09821-00004	INFLATOR, air	1	
3	09826-00001	TOOL, inner tube repairing	1	
4	99000-31030	SUZUKI BOND, No.4	1	NET:100g
5	99000-32040	CEMENT, thread lock	1	NET:200g
6	99000-25030	GREASE, super	1	NET:150g
7-1	99000-10109-019	PAINT (Black)	1	NET:90g,model X
7-2	99000-10109-189	PAINT (Eglet White)	1	NET:90g
7-3	99000-10209-126	PAINT (Pearl Metallic)	1	NET:90g
7-4	99000-10209-07P	PAINT (Marble Pure Red)	1	NET:90g,model T
7-5	99000-10209-10G	PAINT (Marble Milano Orange)	1	NET:90g,model X
8	11400-02840	GASKET SET	1	