



FORWARD

CONTENTS

HOW TO USE THIS MANUAL

MECHANISM ILLUSTRATIONS



HD125 / 200

SERVICE MANUAL

This service manual contains the technical data of each component inspection and repair for the SANYANG HD 125 / 200 motorcycle. The manual is shown with illustrations and focused on “Service Procedures”, “Operation Key Points”, and “Inspection Adjustment” so that provides technician with service guidelines.

If the style and construction of the motorcycle, HD 125 / 200, are different from that of the photos, pictures shown in this manual, the actual vehicle shall prevail. Specifications are subject to change without notice.

**Service Department
SANYANG INDUSTRY CO., LTD.**

HOW TO USE THIS MANUAL



This service manual describes basic information of different system parts and system inspection & service for SANYANG HD 125/200 motorcycles. In addition, please refer to the manual contents in detailed for the model you serviced in inspection and adjustment.

The first chapter covers general information and trouble diagnosis.

The second chapter covers service maintenance information and special tools manual.

The third to the 11th chapters cover engine and driving systems.

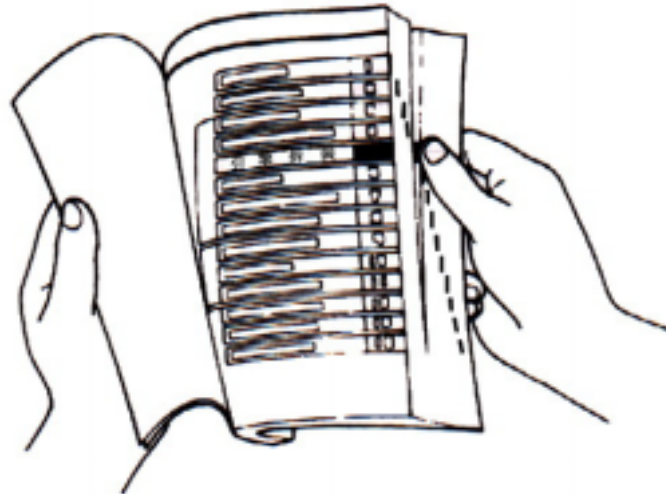
The 12th chapter is cooling system.

The 13th to the 16th chapter is contained the parts set of assembly frame body.

The 17th chapter is electrical equipment.

The 18th chapter is wiring diagram.

Please see index of content for quick having the special parts and system information.



There are 4 buttons, “[Forward](#)”, “[Contents](#)”, “[How to use this manual](#)” and “[Mechanism Illustrations](#)” on the CD-R version, and can be access to these items by click the mouse.

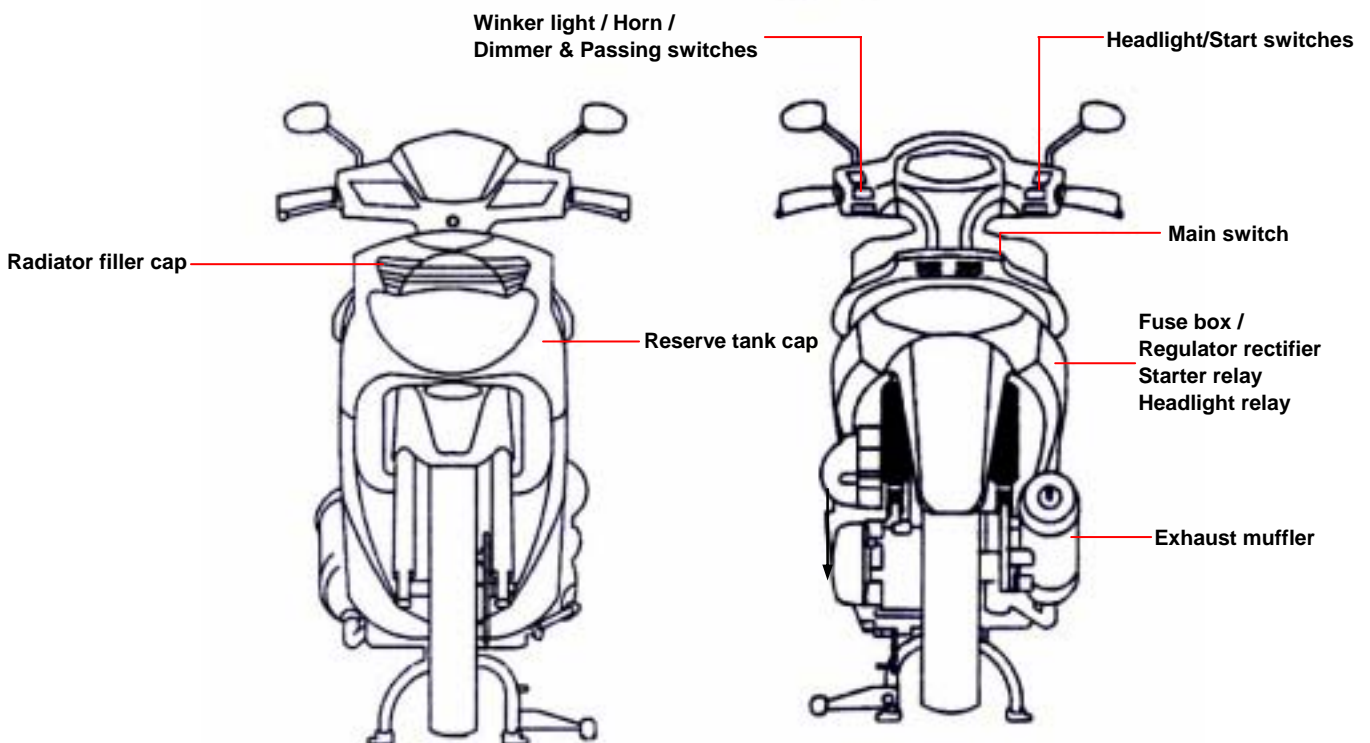
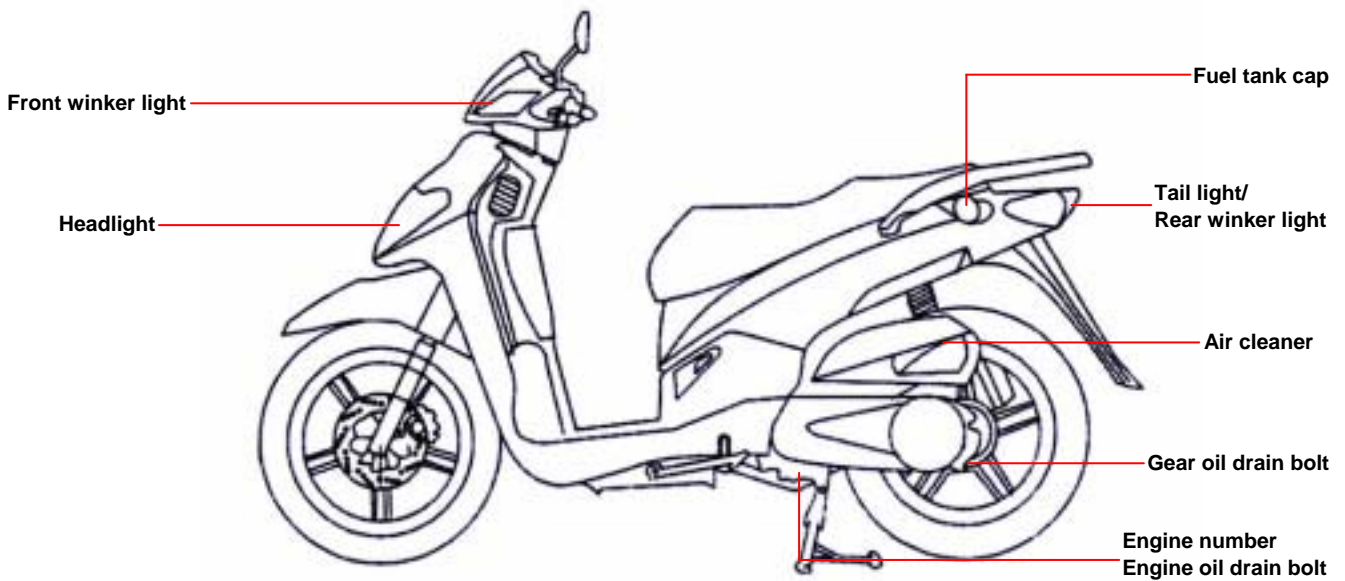
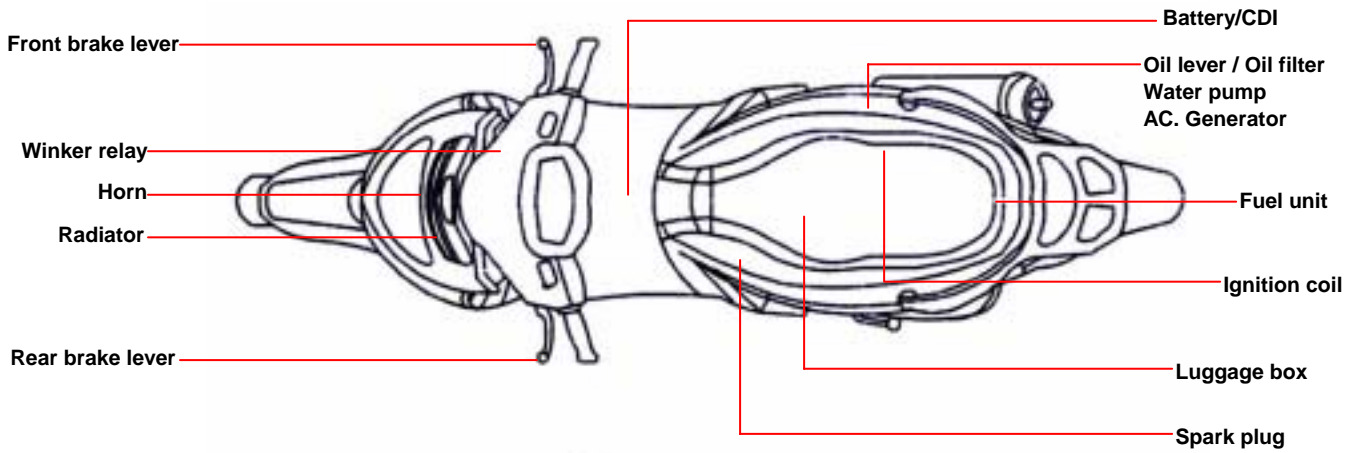
If user wants to look for the content of each chapter, selecting the words of each chapter on the contents can reach to each chapter. There are two buttons, “Homepage and contents, onto the top line of first page of the each chapter. Thus, if the user needs to check other chapters, he can click the top buttons to back the homepage or contents. The content of each chapter can be selected too. Therefore, when needs to checking the content inside of the chapter, click the content words of the chapter so that can back to the initial section of the content. In addition, there is a “[To this chapter contents](#)” button at the second page of each content so that clicking the button can back to the contents of this chapter.

Page	Content	Index
1-1 ~ 1-18	GENERAL INFORMATION	1
2-1 ~ 2-16	SERVICE MAINTENANCE INFORMATION	2
3-1 ~ 3-8	LUBRICATION SYSTEM	3
4-1 ~ 4-12	FUEL SYSTEM	4
5-1 ~ 5-8	ENGINE REMOVAL	5
6-1 ~ 6-14	CYLINDER HEAD/VALVE	6
7-1 ~ 7-8	CYLINDER/PISTON	7
8-1 ~ 8-14	“V” TYPE BELT DRIVING SYSTEM/KICK-STARTER	8
9-1 ~ 9-10	FINAL DRIVING MECHANISM	9
10-1 ~ 10-8	ALTERNATOR	10
11-1 ~ 11-8	CRANKSHAFT/ CRANKCASE	11
12-1 ~ 12-14	COOLING SYSTEM	12
13-1 ~ 13-16	BODY COVER	13
14-1 ~ 14-14	BRAKE SYSTEM	14
15-1 ~ 15-10	STEERING/FRONT WHEEL/SUSPENSION	15
16-1 ~ 16-6	REAR WHEEL/SUSPENSION	16
17-1 ~ 17-20	ELECTRICAL EQUIPMENT	17
18-1 ~ 18-2	ELECTRICAL DIAGRAM	18

MECHANISM ILLUSTRATIONS



LH12W / LH18W





1. GENERAL INFORMATION

Symbols and Marks..... 1-1	Specifications..... 1-10
General safety..... 1-2	Torque Values 1-11
Service Precautions 1-3	Troubles Diagnosis..... 1-13
Specifications..... 1-9	Parts to Be Greased..... 1-17

Symbols and Marks

Symbols and marks are used in this manual to indicate what and where the special service are needed, in case supplemental information is procedures needed for these symbols and marks, explanations will be added to the text instead of using the symbols or marks.

	Warning	Means that serious injury or even death may result if procedures are not followed.
	Caution	Means that equipment damages may result if procedures are not followed.
	Engine oil	Limits to use SAE 10W-30 API SG class oil. Warranty will not cover the damage that caused by not apply with the limited engine oil. (Recommended oil: KING MATE G-3 oil)
	Grease	King Mate G-3 is recommended.
	Gear oil	King Mate gear oil serials are recommended. (Bramax HYPOID GEAR OIL # 140)
	Locking sealant	Apply sealant, medium strength sealant should be used unless otherwise specified.
	Oil seal	Apply with lubricant.
	Renew	Replace with a new part before installation.
	Brake fluid	Use recommended brake fluid DOT3 or WELLRUN brake fluid.
	Special tools	Special tools
	Correct	Meaning correct installation.
	Wrong	Meaning wrong installation.
	Indication	Indication of components.
	Directions	Indicates position and operation directions
		Components assembly directions each other.
		Indicates where the bolt installation direction, --- means that bolt cross through the component (invisibility).

1. GENERAL INFORMATION

General safety

Carbon monoxide

If you must run your engine, ensure the place is well ventilated. Never run your engine in a closed area. Run your engine in an open area, if you have to run your engine in a closed area, be sure to use an extractor.

Caution

Exhaust contains toxic gas which may cause one to lose consciousness and even result in death.

Gasoline

Gasoline is a low ignition point and explosive material. Work in a well-ventilated place, no flame or spark should be allowed in the work place or where gasoline is being stored.

Caution

Gasoline is highly flammable, and may explode under some conditions, keep it away from children.

Used engine oil

Caution

Prolonged contact with used engine oil (or transmission oil) may cause skin cancer although it might not be verified.

We recommend that you wash your hands with soap and water right after contacting. Keep the used oil beyond reach of children.

Hot components

Caution

Components of the engine and exhaust system can become extremely hot after engine running. They remain very hot even after the engine has been stopped for some time. When performing service work on these parts, wear insulated gloves and wait until cooling off.

Battery

Caution

Battery emits explosive gases; flame is strictly prohibited. Keep the place well ventilated when charging the battery.

Battery contains sulfuric acid (electrolyte) which can cause serious burns so be careful do not be spray on your eyes or skin. If you get battery acid on your skin, flush it off immediately with water. If you get battery acid in your eyes, flush it off immediately with water and then go to hospital to see an ophthalmologist.

If you swallow it by mistake, drink a lot of water or milk, and take some laxative such as castor oil or vegetable oil and then go to see a doctor.

Keep electrolyte beyond reach of children.

Brake shoe

Do not use an air hose or a dry brush to clean components of the brake system, use a vacuum cleaner or the equivalent to avoid dust flying.

Caution

Inhaling brake shoe or pad ash may cause disorders and cancer of the breathing system

Brake fluid

Caution

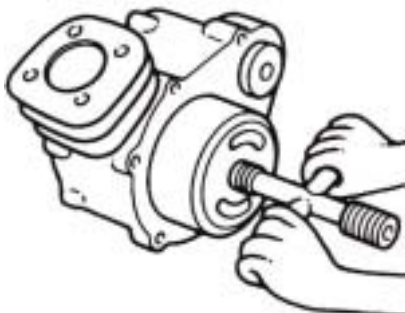
Spilling brake fluid on painted, plastic, or rubber parts may cause damage to the parts. Place a clean towel on the above-mentioned parts for protection when servicing the brake system. Keep the brake fluid beyond reach of children.

Service Precautions

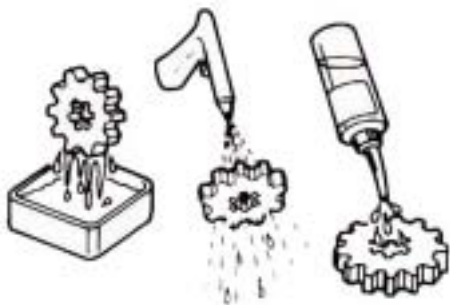
- Always use with Sanyang genuine parts and recommended oils. Using non-designed parts for Sanyang motorcycle may damage the motorcycle.



- Special tools are designed for remove and install of components without damaging the parts being worked on. Using wrong tools may result in parts damaged.



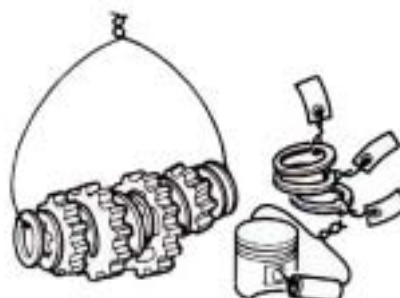
- When servicing this motorcycle, use only metric tools. Metric bolts, nuts, and screws are not interchangeable with the English system, using wrong tools and fasteners may damage this vehicle.
- Clean the outside of the parts or the cover before removing it from the motorcycle. Otherwise, dirt and deposit accumulated on the part's surface may fall into the engine, chassis, or brake system to cause a damage.
- Wash and clean parts with high ignition point solvent, and blow dry with compressed air. Pay special attention to O-rings or oil seals because most cleaning agents have an adverse effect on them.



- Never bend or twist a control cable to prevent unsmooth control and premature worn out.



- Rubber parts may become deteriorated when old, and prone to be damaged by solvent and oil. Check these parts before installation to make sure that they are in good condition, replace if necessary.
- When loosening a component which has different sized fasteners, operate with a diagonal pattern and work from inside out. Loosen the small fasteners first. If the bigger ones are loosen first, small fasteners may receive too much stress.
- Store complex components such as transmission parts in the proper assemble order and tie them together with a wire for ease of installation later.

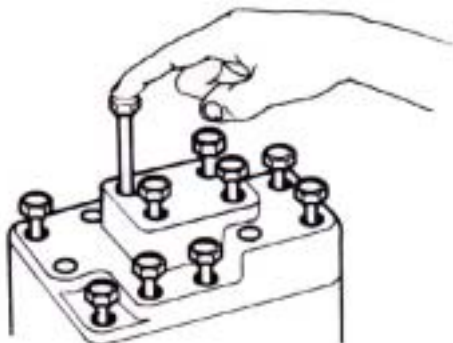


- Note the reassemble position of the important components before disassembling them to ensure they will be reassembled in correct dimensions (depth, distance or position).
- Components not to be reused should be replaced when disassembled including gaskets metal seal rings, O-rings, oil seals, snap rings, and split pins.

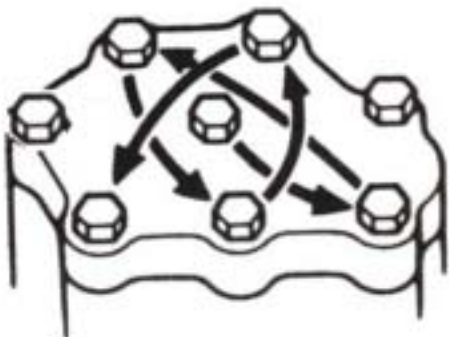


1. GENERAL INFORMATION

- The length of bolts and screws for assemblies, cover plates or boxes is different from one another, be sure they are correctly installed. In case of confusion, Insert the bolt into the hole to compare its length with other bolts, if its length out side the hole is the same with other bolts, it is a correct bolt. Bolts for the same assembly should have the same length.



- Tighten assemblies with different dimension fasteners as follows: Tighten all the fasteners with fingers, then tighten the big ones with special tool first diagonally from inside toward outside, important components should be tightened 2 to 3 times with appropriate increments to avoid warp unless otherwise indicated. Bolts and fasteners should be kept clean and dry. Do not apply oil to the threads.



- When oil seal is installed, fill the groove with grease, install the oil seal with the name of the manufacturer facing outside, check the shaft on which the oil seal is to be installed for smoothness and for burrs that may damage the oil seal.



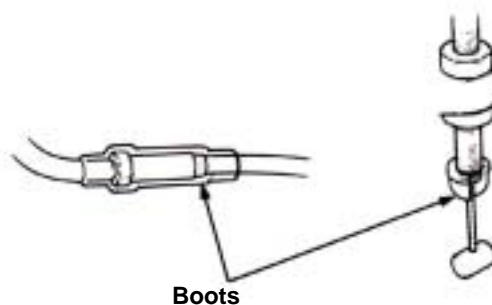
- Remove residues of the old gasket or sealant before reinstallation, grind with a grindstone if the contact surface has any damage.



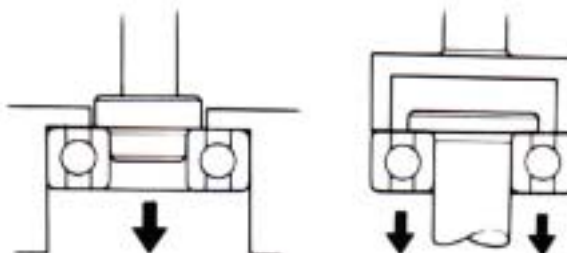
- The ends of rubber hoses (for fuel, vacuum, or coolant) should be pushed as far as they can go to their connections so that there is enough room below the enlarged ends for tightening the clamps.



- Rubber and plastic boots should be properly reinstalled to the original correct positions as designed.



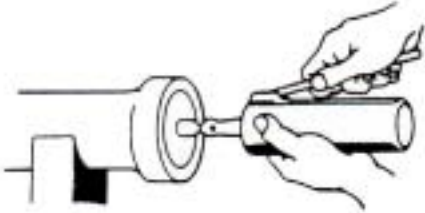
- The tool should be pressed against two (inner and outer) bearing races when removing a ball bearing. Damage may result if the tool is pressed against only one race (either inner race or outer race). In this case, the bearing should be replaced. To avoid damaging the bearing, use equal force on both races.



Both of these examples can result in bearing damage.

1. GENERAL INFORMATION

- Lubricate the rotation face with specified lubricant on the lubrication points before assembling.



- Check if positions and operation for installed parts is in correct and properly.



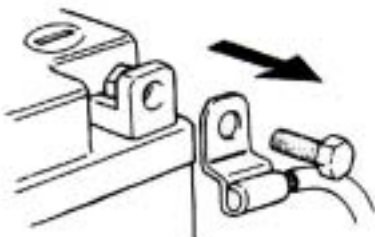
- Make sure service safety each other when conducting by two persons.



- Note that do not let parts fall down.



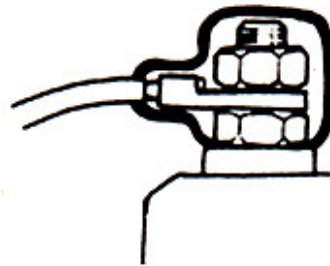
- Before battery removal operation, it has to remove the battery negative (-) cable firstly. Notre tools like open-end wrench do not contact with body to prevent from circuit short and create spark.



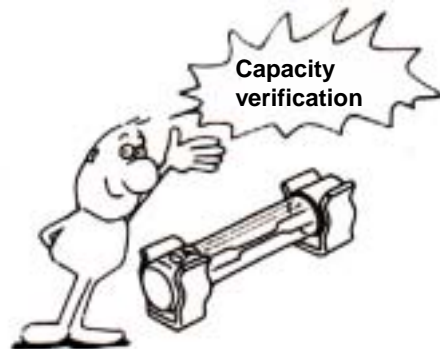
- After service completed, make sure all connection points is secured. Battery positive (+) cable should be connected firstly.
- And the two posts of battery have to be greased after connected the cables.



- Make sure that the battery post caps are located in properly after the battery posts had been serviced.

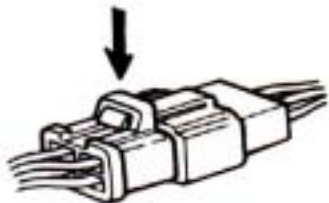


- If fuse burned, it has to find out the cause and solved it. And then replace with specified capacity fuse.



1. GENERAL INFORMATION

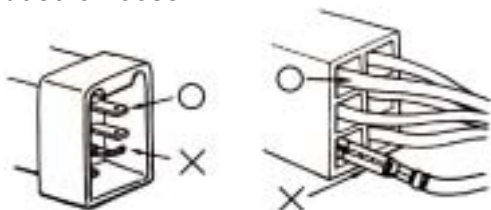
- When separating a connector, it locker has to be unlocked firstly. Then, conduct the service operation.



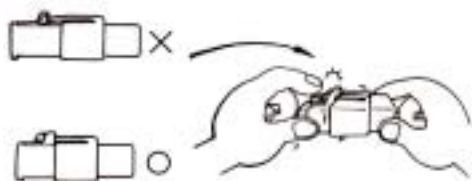
- Do not pull the wires as removing a connector or wires. Hold the connector body.



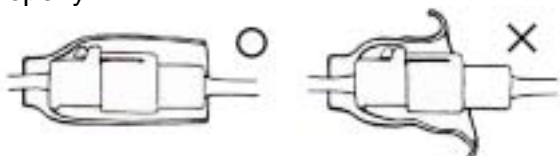
- Make sure if the connector pins are bent, extruded or loosen.



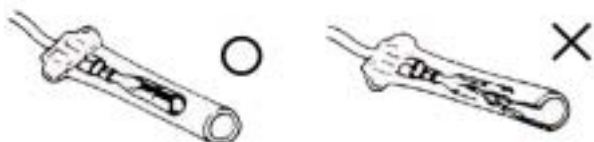
- Insert the connector completely. If there are two lockers on two connector sides, make sure the lockers are locked in properly. Check if any wire loose.



- Check if the connector is covered by the twin connector boot completely and secured properly.



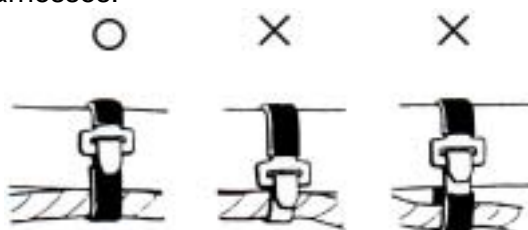
- Before terminal connection, check if the boot is crack or the terminal is loose.



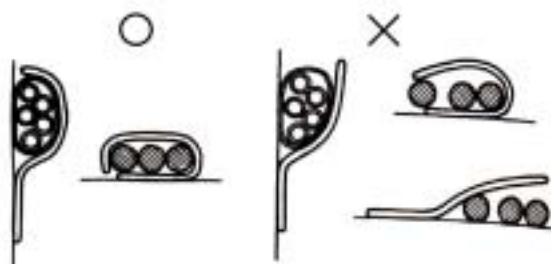
- Insert the terminal completely. Check if the terminal is covered by the boot. Do not let boot open facing up.



- Secure wires and wire harnesses to the frame with respective wire bands at the designated locations. Tighten the bands so that only the insulated surfaces contact the wires or wire harnesses.



- Wire band and wire harness have to be clamped secured properly.

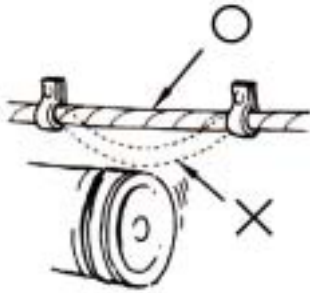


- Do not squeeze wires against the weld or its clamp.

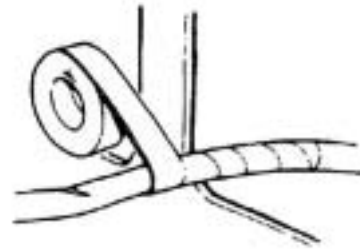


1. GENERAL INFORMATION

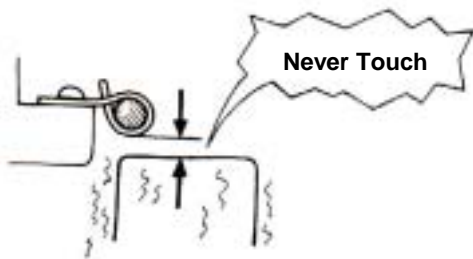
- Do not let the wire harness contact with rotating, moving or vibrating components as routing the harness.



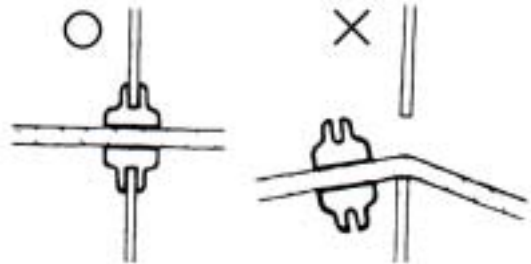
- Protect wires or wire harnesses with electrical tape or tube if they contact a sharp edge or corner. Thoroughly clean the surface where tape is to be applied.



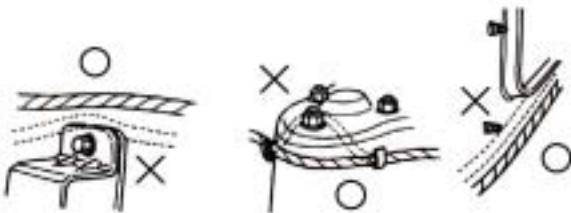
- Keep wire harnesses far away from the hot parts.



- Secure the rubber boot firmly as applying it on wire harness.



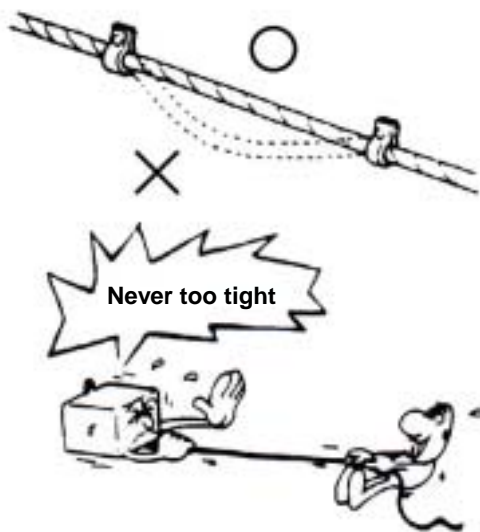
- Route wire harnesses to avoid sharp edges or corners and also avoid the projected ends of bolts and screws.



- Never use wires or harnesses which insulation has been broken. Wrap electrical tape around the damaged parts or replace them.



- Route harnesses so that they neither pull too tight nor have excessive slack.

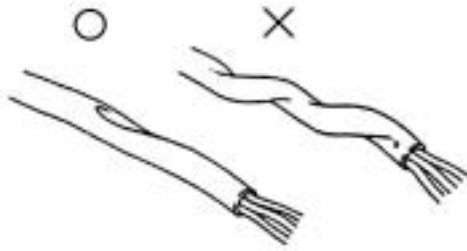


- Never clamp or squeeze the wire harness as installing other components.

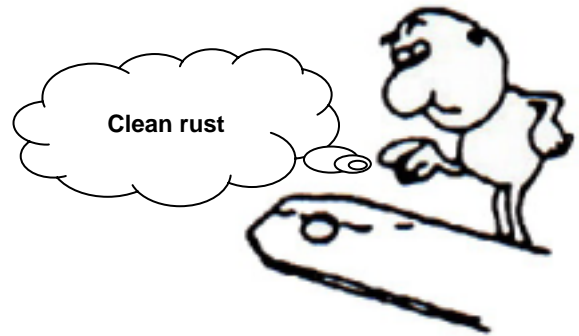


1. GENERAL INFORMATION

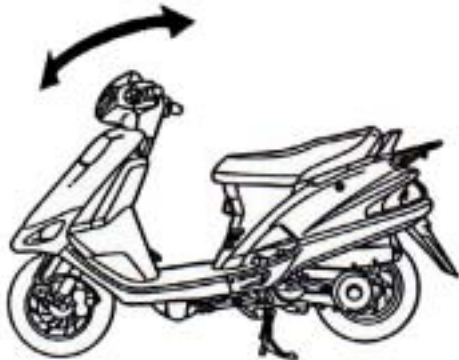
- Do not let the wire harness been twisted as installation.



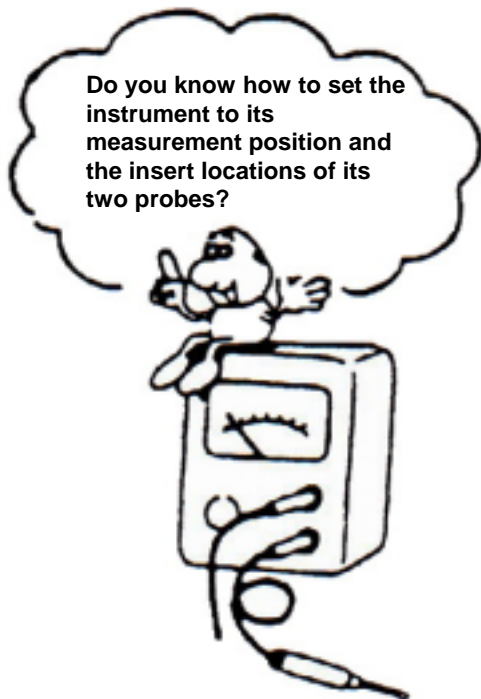
- With sand paper to clean rust on connector pins/terminals if found. And then conduct connection operation later.



- Wire harnesses routed along the handlebar should not be pulled too tight or have excessive slack, be rubbed against or interfere with adjacent or surrounding parts in all steering positions.



- Before operating a test instrument, operator should read the operation manual of the instrument. And then, conduct test in accordance with the instruction.



Specifications

MAKER		SANYANG		MODEL		LH18W-6		
Dimension	Overall Length	2064 mm		Suspension System	Front	Telescopic Fork		
	Overall Width	760 mm			Rear	Unit Swing		
	Overall Height	1165 mm		Tire Specifications	Front	100 / 80 – 16 50P/TL		
	Wheel Base	1385 mm			Rear	120 / 80 - 16 60P/TL		
Weight	Curb Weight	Front	53 kg	Brake System	Front	Disk (220mm)		
		Rear	82 kg		Rear	Drum (130mm)		
		Total	135 kg					
	Passengers/Weight		Two /110 kg		Performance	Max. Speed	Above 108 km/hr	
	Total Weight	Front	75 kg			Climb Ability	Below 28°	
		Rear	170 kg		Reduction	Primary Reduction	Belt	
Total		245 kg		Secondary Reduction		Gear		
Type		4-Stroke Engine		Clutch		Centrifugal, dry type		
Installation and arrangement		Vertical, below center, incline 80°		Transmission	C.V.T.			
Fuel Used		Unleaded		Speedometer		0 ~ 140 km/hr		
Cycle/Cooling		4-stroke/water cooled		Horn		93~112 dB/A		
Engine	Cylinder	Bore	61 mm	Muffler		Expansion & Pulse Type		
		Stroke	58.6 mm	Exhaust Pipe Position and Direction		Right side, and Backward		
		Number/Arrangement	Single Cylinder		Lubrication System		Forced circulation & splashing	
	Displacement		171.2 cc		Exhaust Concentration	Solid Particulate		
	Compression Ratio		10.8 : 1			CO	Below 5.5 g/ km	
	Max. HP		11.4kw / 8000rpm			HC	Below 1.0g/ km	
	Max. Torque		15.3Nm / 6500rpm		E.E.C.			
	Ignition		C.D.I.		P.C.V.			
	Starting System		Power & Foot		Catalytic reaction control system			

1. GENERAL INFORMATION

Specifications

MAKER		SANYANG		MODEL		LH12W-6		
Dimension	Overall Length	2064 mm		Suspension System	Front	Telescopic Fork		
	Overall Width	706 mm			Rear	Unit Swing		
	Overall Height	1165 mm		Tire Specifications	Front	100 / 80 -16 50P/TL		
	Wheel Base	1385 mm			Rear	120 / 80 -16 60P/TL		
Weight	Curb Weight	Front	53 kg	Brake System	Front	Disk (220mm)		
		Rear	82 kg		Rear	Drum (130mm)		
		Total	135 kg					
	Passengers/ Weight		Two/110 kg		Performance	Max. Speed	Above 100 km/hr	
	Total Weight	Front	75 kg			Climb Ability	Below 28°	
		Rear	170 kg		Reduction	Primary Reduction	Belt	
Total		245 kg		Secondary Reduction		Gear		
Type		4-Stroke Engine		Clutch		Centrifugal, dry type		
Installation and arrangement		Vertical, below center, incline 80°		Transmission		C.V.T.		
Fuel Used		Unleaded		Speedometer		0 ~ 140 km/hr		
Cycle/Cooling		4-Stroke/Water Cooled		Horn		93~112 dB/A		
Engine	Cylinder	Bore	57 mm	Muffler		Expansion & Pulse Type		
		Stroke	48.8 mm	Exhaust Pipe Position and Direction		Right side, and Backward		
		Number / Arrangement	Single Cylinder		Lubrication System		Forced circulation & splashing	
	Displacement		124.5 cc		Exhaust Concentration	Solid Particulate		
	Compression Ratio		10.5 : 1			CO		Below 5.5g/km
	Max. HP		9.2kw / 8500rpm			HC		Below 1.2 g/km
	Max. Torque		10.9Nm / 6500rpm		E.E.C.			
	Ignition		C.D.I.		P.C.V.			
Starting System		Power & Foot		Catalytic Reaction Control System		Yes		

Torque Values

The torque values listed in above table are for more important tighten torque values. Please see standard values for not listed in the table.

Standard Torque Values for Reference

Type	Tighten Torque	Type	Tighten Torque
5 mm bolt、 nut	0.45~0.6kgf-m	5 mm screw	0.35~0.5kgf-m
6 mm bolt、 nut	0.8~1.2kgf-m	6 mm screw、 SH nut	0.7~ 1.1kgf-m
8 mm bolt、 nut	1.8~2.5kgf-m	6 mm bolt、 nut	1.0 ~1.4kgf-m
10 mm bolt、 nut	3.0~4.0kgf-m	8 mm bolt、 nut	2.4 ~3.0kgf-m
12 mm bolt、 nut	5.0~6.0kgf-m	10 mm bolt、 nut	3.5~4.5kgf-m

Engine Torque Values

Item	Q'ty	Thread Dia. (mm)	Torque Value(kgf-m)	Remarks
Cylinder head nut	4	8	2.0~2.4	Apply oil to thread
Cylinder head right bolt	2	8	2.0~2.4	
Cylinder head stud bolt (inlet pipe)	2	6	0.7~1.1	
Cylinder head stud bolt (EX. pipe)	2	7	0.5~1.0	
Tappet adjustment hole cap bolt	6	6	1.0~1.4	
Tappet adjustment screw nut	4	5	0.7~1.1	
Spark plug	1	10	1.0~1.2	
Carburetor insulator bolt	2	6	0.7~1.1	
Cylinder stud bolt	4	8	0.7~1.1	
Engine left cover bolt	7	6	1.1~1.5	
Engine oil draining bolt	1	12	1.1~1.5	
Engine oil strainer cap	1	30	1.3~1.7	
Mission draining bolt	1	8	0.8~1.2	
Mission filling bolt	1	10	0.8~1.2	
Clutch driving plate nut	1	28	5.0~6.0	
Clutch outer nut	1	12	5.0~6.0	
Drive face nut	1	12	5.0~6.0	
Flywheel nut	1	12	5.0~6.0	
Crankcase bolts	7	6	0.8~1.2	
Mission case bolt	7	8	2.0~2.4	

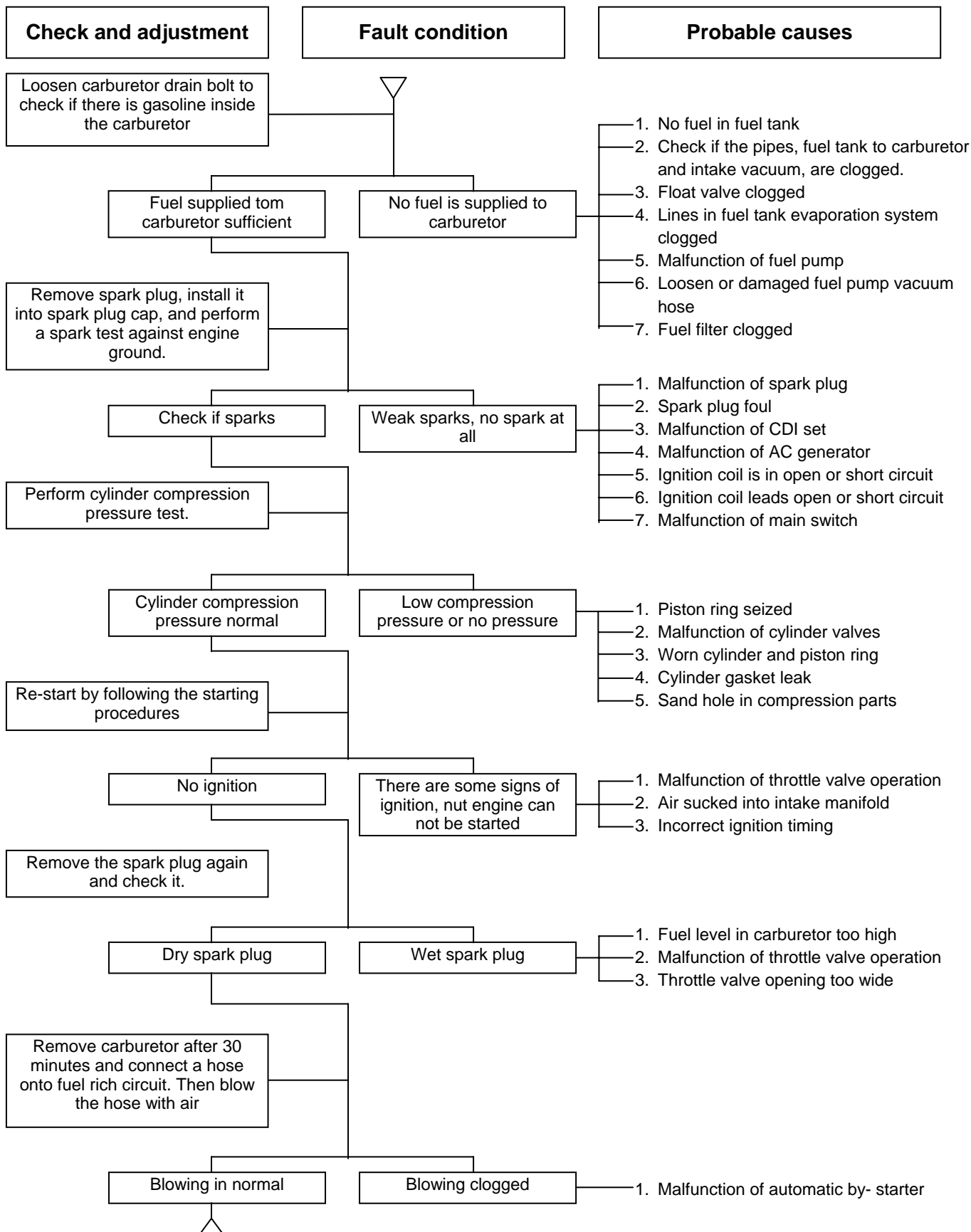
1. GENERAL INFORMATION

Frame Torque Values

Item	Q'ty	Thread Dia. (mm)	Torque Value(kgf-m)	Remarks
Stopper nut for engine hanger rubber	1	8	1.8~2.2	
Engine hanger nut	2	12	4.0~5.0	
Engine hanger bolt	1	12	4.0~5.0	
Engine connection bolt	1	10	3.5~4.5	
Front wheel axle nut	1	12	5.0~7.0	
Rear wheel shaft nut	1	14	10.0~12.0	
Rear fork	2	8	4.0~5.0	
Rear cushion upper bolt	2	10	3.5~4.5	
Rear cushion under bolt	2	8	2.4~3.0	
Nut for steering post	1	10	4.0~5.0	
Front cushion	4	8	2.4~3.0	
Brake lever nut	2	6	0.8~1.2	
Nut for the rear brake arm	1	6	0.5~0.6	
Front brake hose bolt	4	10	3.0~4.0	
Front brake caliper bolt	4	6	3.0~3.5	
Front brake disk mounting bolt	7	8	4.0~4.5	
Air-bleed valve	1	5	0.5~0.6	
Speedometer cable locking screw	1	5	0.15~0.3	
Exhaust muffler bolt	3	8	3.2~3.8	
Exhaust muffler connection nut	2	7	1.0~1.2	

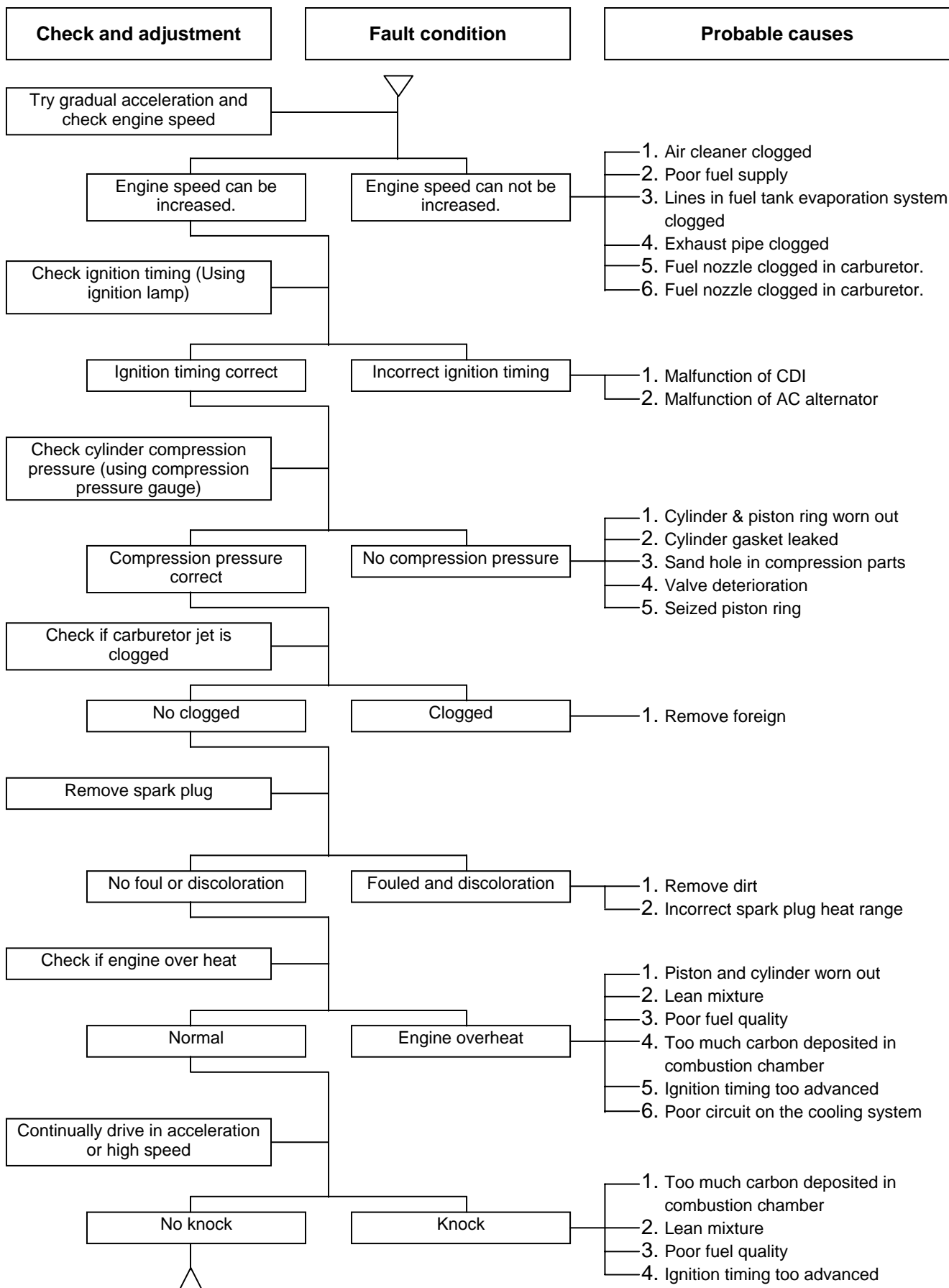
Troubles Diagnosis

A. Engine hard to start or can not be started

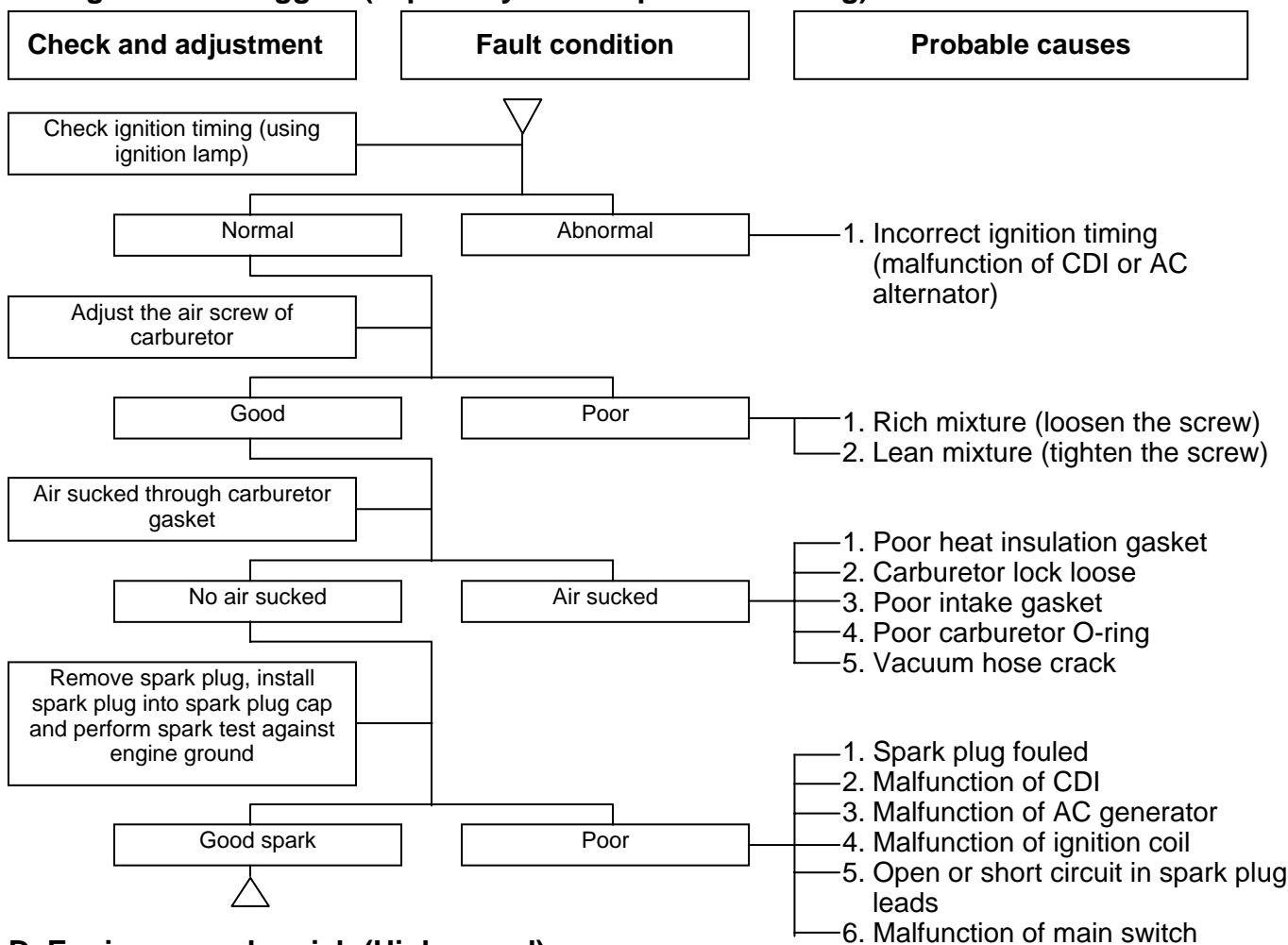


1. GENERAL INFORMATION

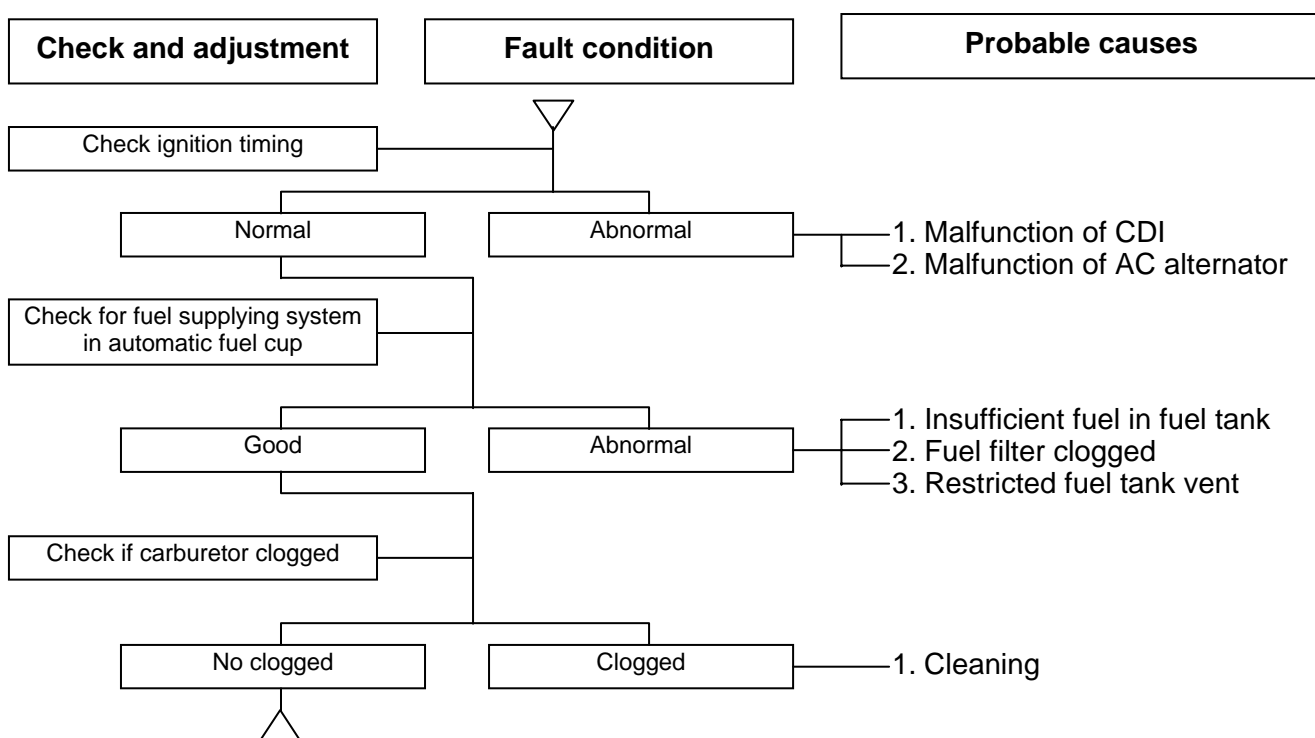
B. Engine run sluggish (Speed does not pick up, lack of power)



C. Engine runs sluggish (especially in low speed and idling)

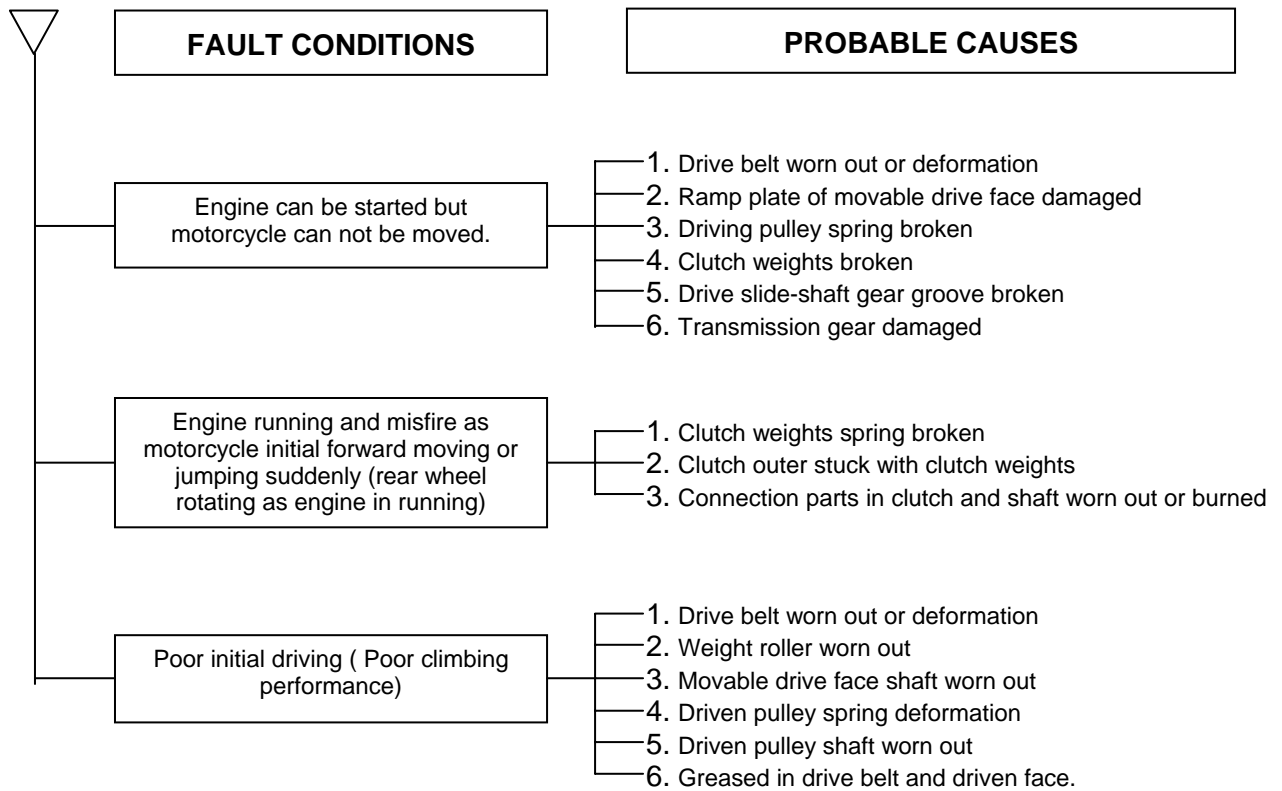


D. Engine runs sluggish (High speed)

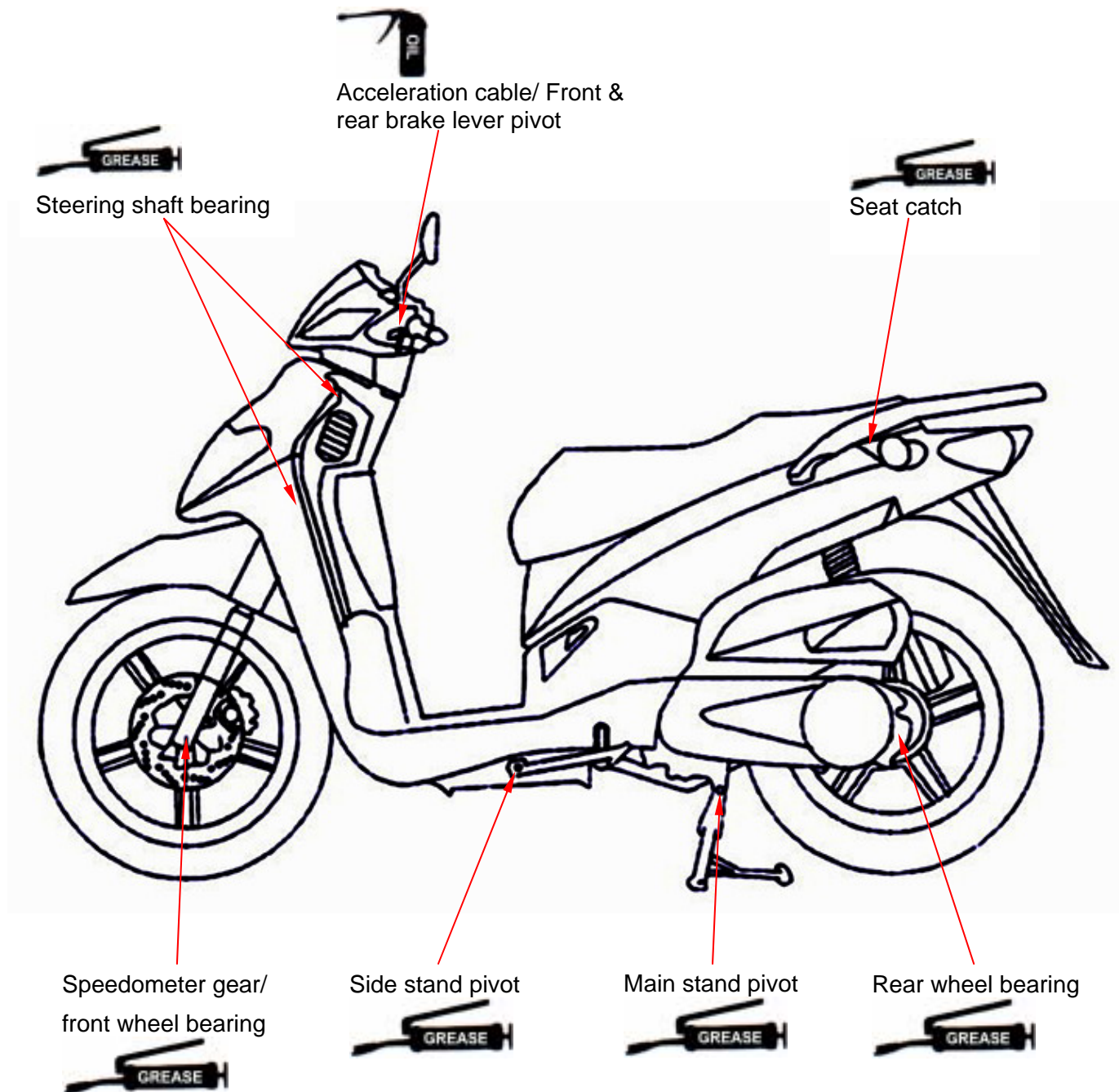


1. GENERAL INFORMATION

E. Clutch, driving and driving pulley



Parts to Be Greased



1. GENERAL INFORMATION

Note:

Precautions in Operation	2-1	Brake Light Switch/Starting Inhibitor Switch	2-10
Periodical Maintenance Schedule	2-2	Headlight Beam Distance	2-10
Fuel Lines / Cable	2-3	Clutch Disc Wear	2-10
Air Cleaner	2-4	Side Stand	2-11
Spark Plug	2-4	Cushion	2-11
Valve Clearance	2-5	Nuts, Bolts Tightness	2-11
Carburetor Idle Speed Adjustment	2-6	Wheel/Tire	2-12
Ignition System	2-7	Steering Handle Top Bearing	2-12
Cylinder Compression Pressure	2-7	Special Tools List	2-13
Drive Belt	2-8		
Brake System (Front Disk Brake)	2-8		

Precautions in Operation

Specification

Fuel Tank Capacity		8000 c.c.
Engine Oil	Capacity	1000 c.c.
	Change	800 c.c.
Transmission Gear oil	Capacity	110 c.c.
	Change	100 c.c.
Capacity of coolant	Engine + radiator	780 c.c.
	Reservoir upper	420 c.c.
Clearance of throttle valve		2~6 mm
Spark plug	Type	NGK CR8E
	Gap	0.8 mm
"F" Mark in idling speed		BTDC 13° / 1000 rpm
Full timing advanced		BTDC 27° / 6000 rpm
Idling speed		1600±100 rpm
Cylinder compression pressure		12.0 ±2 kgf/cm ²
Valve clearance: IN/EX		0.12 ± 0.02 mm
Tire dimension	Front	100/80-16 50P
	Rear	120/80-16 60P
Tire pressure (cold)	Single	Front: 1.75 kg/cm ² rear : 2.25 kg/cm ²
	Two persons	Front: 1.75 kg/cm ² rear : 2.50 kg/cm ²
Battery		12V8Ah (MF battery) type: YTX9-BS

2. MAINTENANCE INFORMATION



Periodical Maintenance Schedule

Maintenance Code	Item	Every 300KM	1 Month every 1,000KM	3 month every 3,000KM	6 month every 6000KM	1 year every 12,000KM	15 month every 14,500KM	
1	Air cleaner	I		C		R		
2	2nd air jet leaner	I		C		R		
3	Fuel filter	I			I	R		
4	Oil filter	C			C			
5	Engine oil change	R	Replacement for every 1000 km					
6	Tire pressure	I	I					
7	Battery inspection	I	I					
8	Brake & free ply check	I	I					
9	Steering handle check	I			I			
10	Cushion operation check	I			I			
11	Every screw tightening	I	I					
12	Gear oil check for leaking	I	I					
13	Spark plug check or change	I		I	R			
14	Gear oil change	R	Replacement for every 5000 km					
15	Frame lubrication				L			
16	Exhaust pipe	I	I					
17	Ignition timing	I	I					
18	emission check in Idling	A	I					
19	Throttle operation	I		I				
20	Engine bolt tightening	I		I				
21	CVT driving device(belt)				I	R		
22	CVT driving device(roller)				C			
23	Lights/electrical equipment/multi-meters	I	I					
24	Main/side stands & springs	I			I			
25	Fuel lines	I		I				
26	Cushions			I				
27	Cam chain	I		I				
28	Valve clearance	I		A				
29	Crankcase evaporative	I		C				
30	Crankcase blow-by		Replacement for every 2000 km					
31	2nd air jet system	I		I	C			
32	Evaporative control system			I				
33	Lines & connections in cooling	I	I					
34	Coolant reservoir	I	I					
35	Coolant	I	I			R		

Code: I ~ Inspection, cleaning, and adjustment R ~ Replacement C ~ Cleaning (replaced if necessary) L ~ Lubrication

Have your motorcycle checked, adjusted, and recorded maintenance data periodically by your SYM Authorized Dealer to maintain the motorcycle at the optimum condition

The above maintenance schedule is established by taking the monthly 1000 kilometers as a reference which ever comes first.

Remarks: 1. **These marks “ ” in the schedule are emission control items. According to EPA regulations, these items must be performed normally periodical maintenance following the use r manual instructions. They are prohibited to be adjusted or repaired by unauthorized people. Otherwise, SYM is no responsible for the charge.**

2. Clean or replace the air cleaner element more often when the motorcycle is operated on dusty roads or in the Heavily- polluted environment.
3. Maintenance should be performed more often if the motorcycle is frequently operated in high speed and after the motorcycle has accumulated a higher mileage.
4. Preventive maintenance
 - a. Ignition system - Perform maintenance and check when continuous abnormal ignition, misfire, after-burn, overheating occur.
 - b. Carbon deposit removal - Remove carbon deposits in cylinder head, piston heads, exhaust system when power is obvious lower. Than ever

Fuel Lines / Cable

Remove luggage box.
Remove rear carrier.
Remove body covers.
Check all lines, and replace it when they are deterioration, damage or leaking.

Warning

Gasoline is a low ignition material so any kind of fire is strictly prohibited as dealing it.

Acceleration Operation

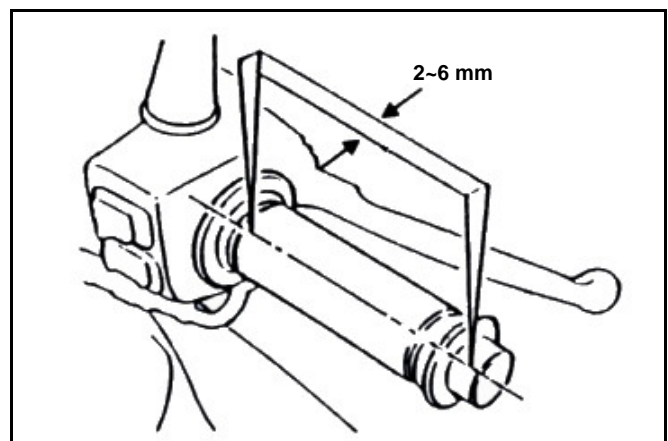
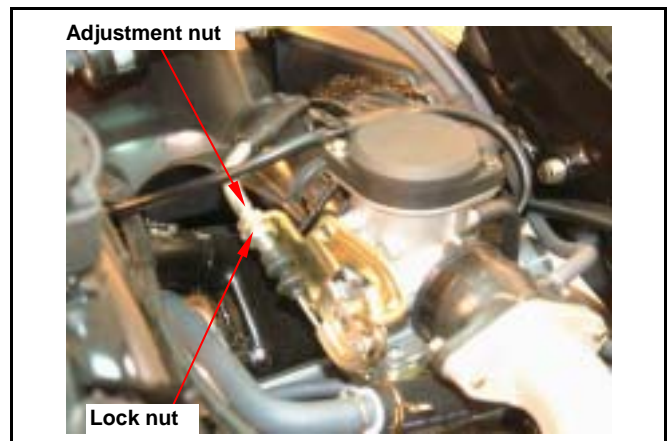
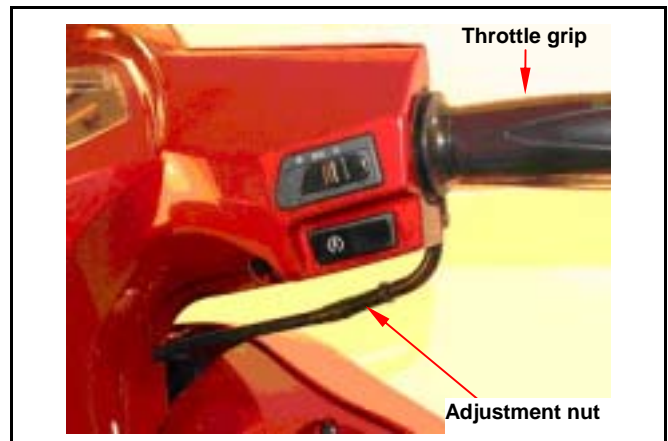
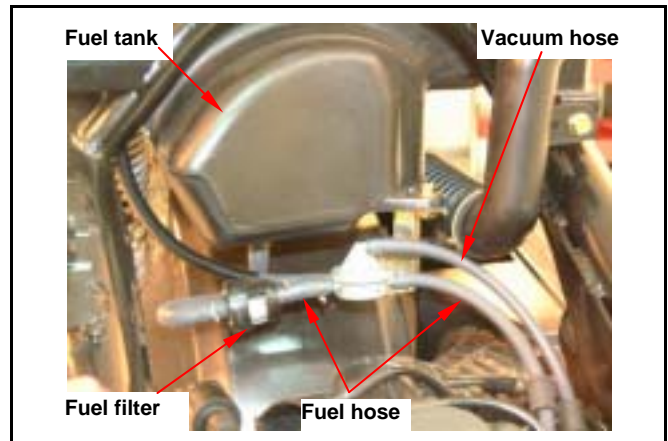
Have a wide open of throttle valve as handle in any position and release it to let back original (full closed) position.
Check handle if its operation is smooth.
Check acceleration cable and replace it if deteriorated, twisted or damaged.
Lubricate the cable if operation is not smooth
Measure the throttle grip free play in its flange part.

Adjustment can be done in either end.
Secondary adjustment is conducted from top side.
Remove rubber boot, loosen fixing nut, and then adjust it by turning the adjustment nut.

Primary adjustment is conducted from bottom side.

Loosen fixing nut, and adjust by turning the adjustment nut.
Tighten the fixing nut, and check acceleration operation condition.

Free play: 2~6 mm.

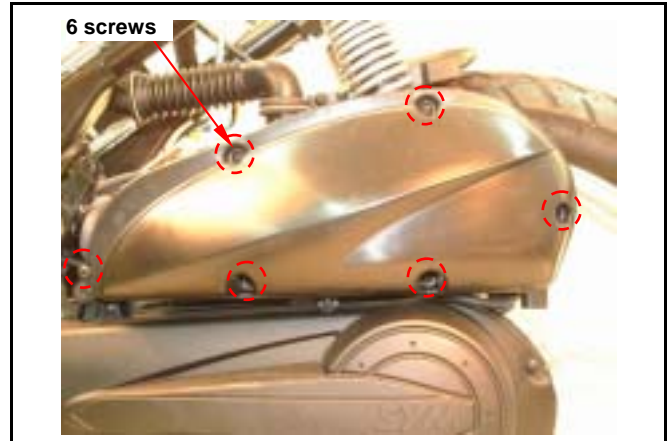


2. MAINTENANCE INFORMATION

Air Cleaner

Air Cleaner Element

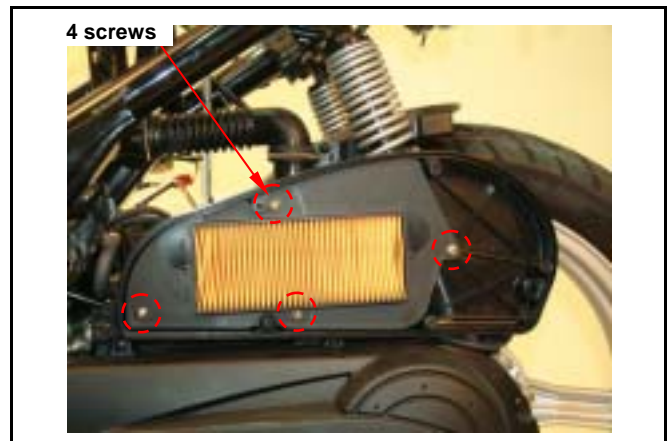
Remove 6 screws from the air cleaner cover and then remove the cover.



Remove 4 screws, and then remove the air cleaner element.

Caution

The air cleaner element is made of paper so do not soap it into water or wash it with water.



Spark Plug

Remove central cover.
Remove spark plug cap.
Clean dirt around the spark plug hole.
Remove spark plug.

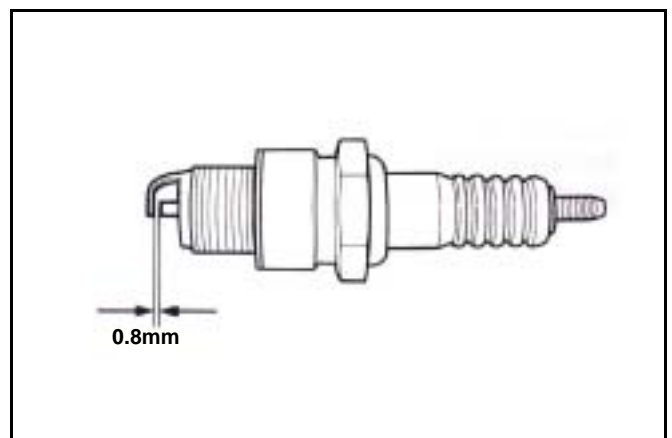


Measure the spark plug gap.
Spark plug gap : 0.8 mm
Carefully bend ground electrode of the plug to adjust the gap if necessary.
Hold spark plug washer and install the spark plug by screwing it.

Tighten torque: 1.0~1.2kgf-m

Connect spark plug cap.

Recommended spark plug: CR8E



Valve Clearance

Caution

Checks and adjustment must be performed when the engine temperature is below 35 .

Remove trunk.

Remove central cover.

Remove valve adjustment cap.

Remove cylinder head side cover.

Turn camshaft bolt in C.W. direction and let the "T" mark on the camshaft sprocket align with cylinder head mark so that piston is placed at TDC position in compression stroke.

Caution

Do not turn the bolt in C.C.W. direction to prevent from camshaft bolt looseness.

Valve clearance inspection and adjustment.

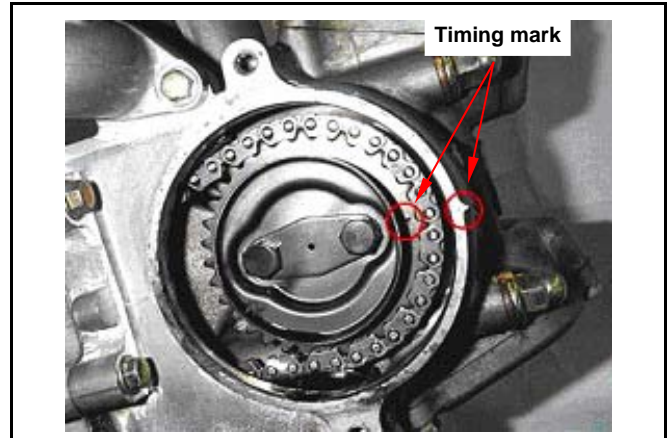
Check & adjust valve clearance with feeler gauge.

Valve clearance (IN/EX): 0.12 ± 0.02 mm

Loosen fixing nut and turn the adjustment nut for adjustment.

Caution

Re-check the valve clearance after tightened the fixing nut.



2. MAINTENANCE INFORMATION

Carburetor Idle Speed Adjustment

Caution

- Inspection & adjustment for idle speed have to be performed after all parts in engine that needed adjustment have been adjusted.
- Idle speed check and adjustment have to be done after engine is being warm up. (It is enough that operates engine from stop to running for 10 minutes.)

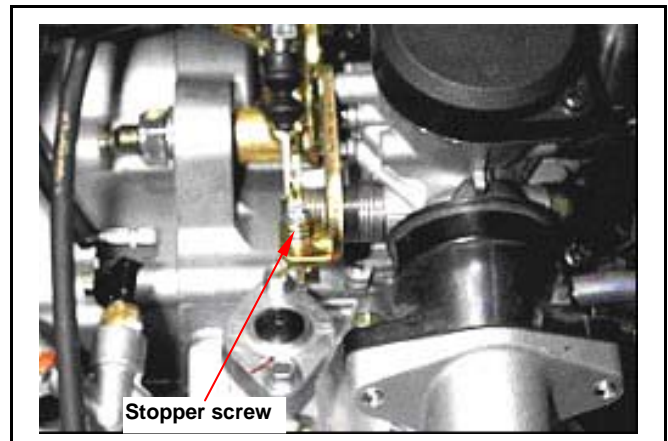
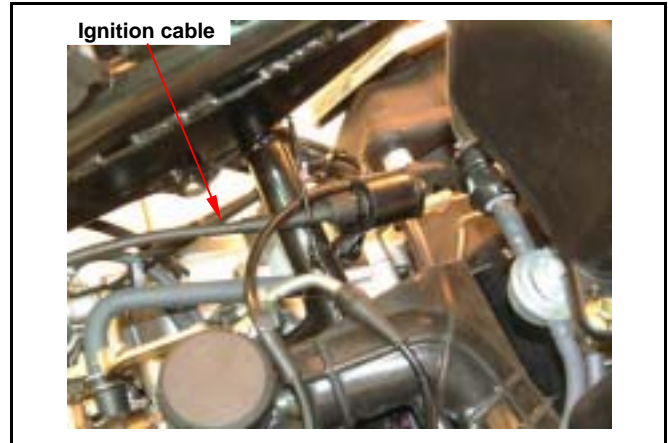
Park the motorcycle with main stand and warm up engine.

Connect tachometer (the wire clamp of tachometer is connected to the high tension cable).

Open carburetor cover from the luggage box.

Turn the throttle valve stopper screw to specified idle speed.

Specified idle speed: 1600 ± 100 rpm

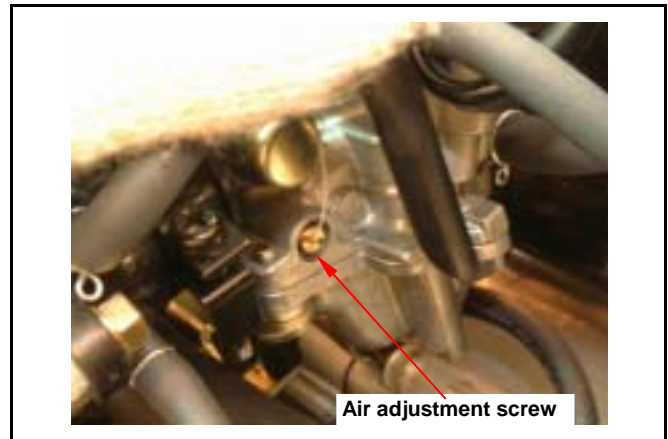


Emission adjustment in idle speed

Warm up the engine for around 10 minutes and then conduct this adjustment.

1. Connect the tachometer onto engine.
2. Adjust the idle speed adjustment screw and let engine runs in 1600 ± 100 rpm.
3. Insert the exhaust sampling pipe of exhaust analyzer into the front section of exhaust pipe. Adjust the air adjustment screw so that emission value in idle speed is within standard.
4. Slightly accelerate the throttle valve and release it immediately. Repeat this for 2~3 times.
5. Read engine RPM and value on the exhaust analyzer. Repeat step 2 to step 4 procedures until measured value within standard.

Emission standard **CO: below 2.5~3.5%**
HC: below 2000ppm



Ignition System

Caution

- C.D.I ignition system is set by manufacturer so it can not be adjusted.
- Ignition timing check procedure is for checking whether CDI function is in normal or not.

Remove right side cover.

Remove ignition timing hole cap located in front upper side of engine right cover.

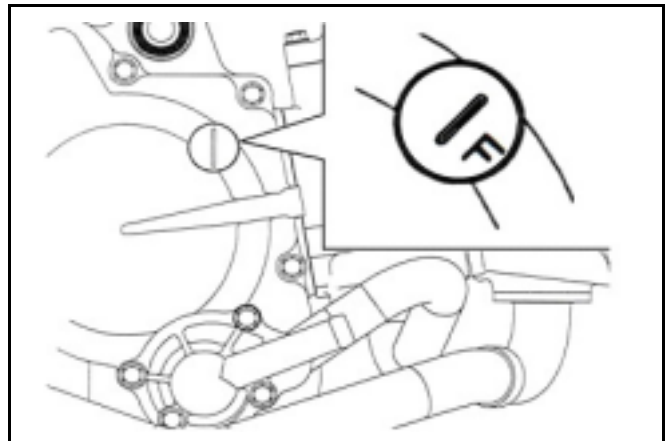
Connect tachometer and ignition lamp.

Start engine.

As engine in idle speed: 1600 rpm, aim at the mark "F" with the ignition lamp. Then, it is means that ignition timing is correct.

Increase engine speed to 6000 rpm to check ignition advance degree. If indent is located within the ignition advance degrees, it is means that the ignition advance degree is in normal.

If ignition timing is incorrect, check CDI set, pulse rotor and pulse generator. Replace it if malfunction of these parts is found.



Cylinder Compression Pressure

Warm up engine.

Turn off the engine.

Remove the trunk.

Remove the central cover.

Remove spark plug cap and spark plug.

Install compression gauge.

Full open the throttle valve, and rotate the engine by means of starter motor.

Caution

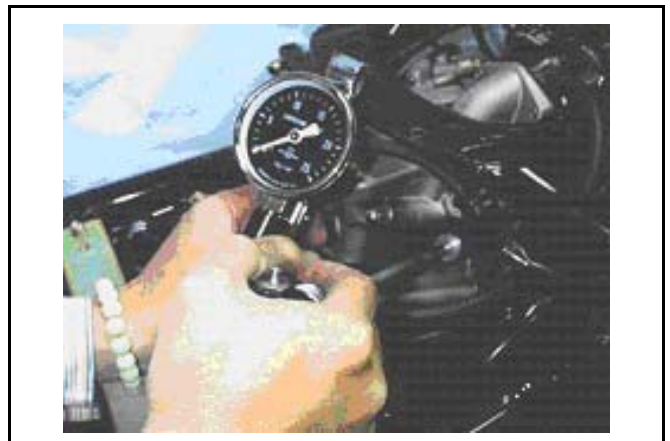
Rotate the engine until the reading in the gauge no more increasing.
Usually, the highest pressure reading will be obtained in 4~7 seconds.

Compression pressure: $12 \pm 2 \text{ Kg/cm}^2$

Check following items if the pressure is too low:

- Incorrect valve clearance.
- Valve leaking.
- Cylinder head leaking, piston, piston ring and cylinder worn out.

If the pressure is too high, it means carbon deposits in combustion chamber or piston head.



2. MAINTENANCE INFORMATION

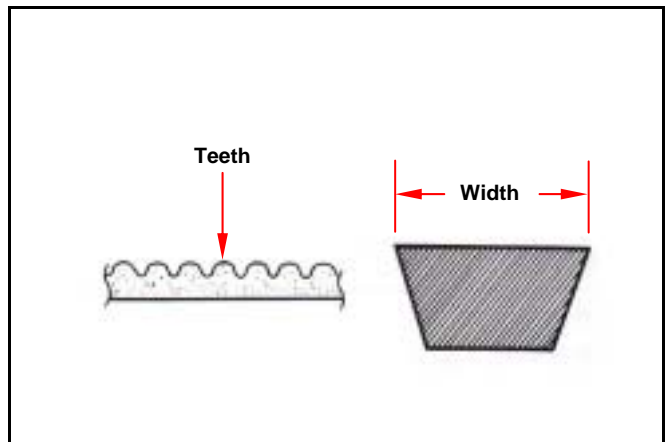
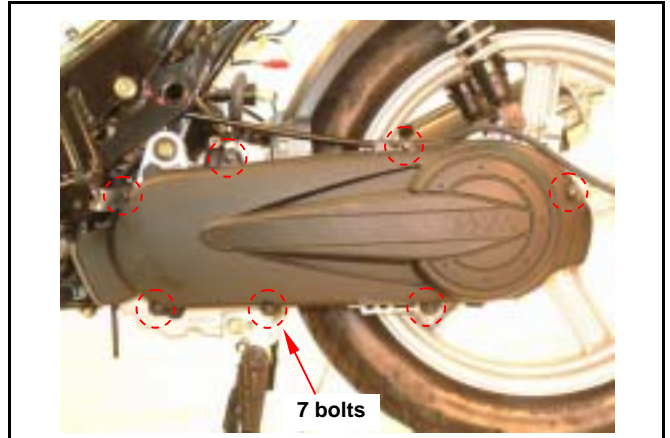
Drive Belt

Remove mounting bolt located under air cleaner.
Remove 7 bolts of the engine left side cover and the cover.

Check if the belt is crack or worn out.

Replace the belt if necessary or in accord with the periodical maintenance schedule to replace it.

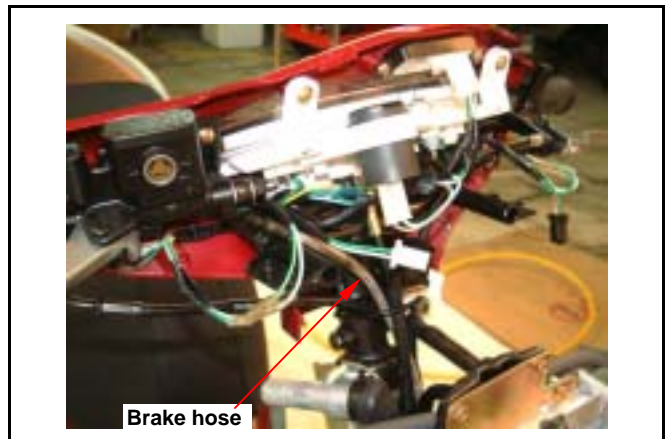
Width limit: 18.5mm or above



Brake System (Front Disk Brake)

Brake System Hose

Make sure the brake hoses for corrosion or leaking oil.

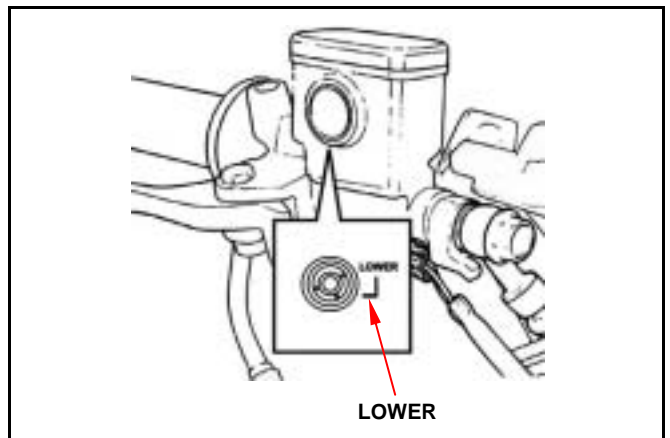


Brake Fluid

Check brake fluid level in the brake fluid reservoir. If the level is lower than the LOWER limit, add brake fluid to UPPER limit. Also check brake system for leaking if low brake level found

Caution

- In order to maintain brake fluid in the reservoir in horizontal position, do not remove the cap until handle stop.
- Do not operate the brake lever after the cap had been removed. Otherwise, the brake fluid will spread out if operated the lever.
- Do not mix non-compatible brake fluid together.



Filling Out Brake Fluid

Tighten the drain valve, and add brake fluid. Operate the brake lever so that brake fluid contents inside the brake system hoses.

Air Bleed Operation

Connect a transparent hose to draining valve. Hold the brake lever and open air bleeding valve. Perform this operation alternative until there is no air inside the brake system hoses.

⚠ Caution

Before closing the air bleed valve, do not release the brake lever.

Added Brake Fluid

Add brake fluid to UPPER limit lever. Recommended brake fluid: DOT3 or DOT4 WELL RUN brake fluid.

⚠ Caution

Never mix or use dirty brake fluid to prevent from damage brake system or reducing brake performance.

Brake Lining Wear

The indent mark on brake lining is the wear limitation. Replace the brake lining if the wear limit mark closed to the edge of brake disc.

⚠ Caution

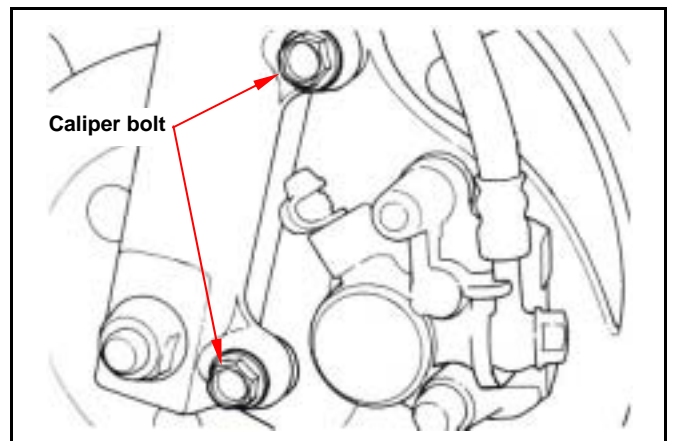
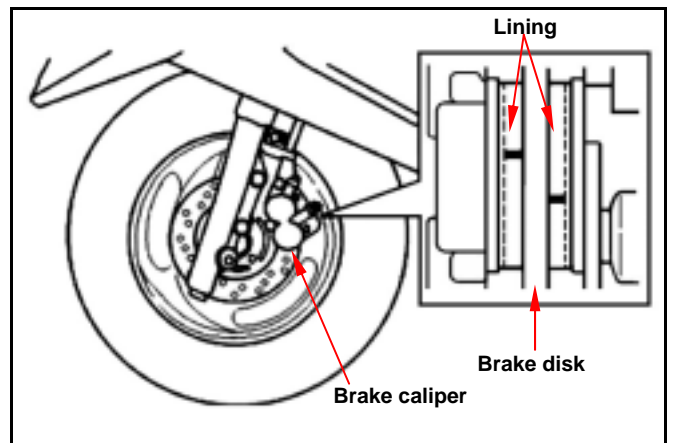
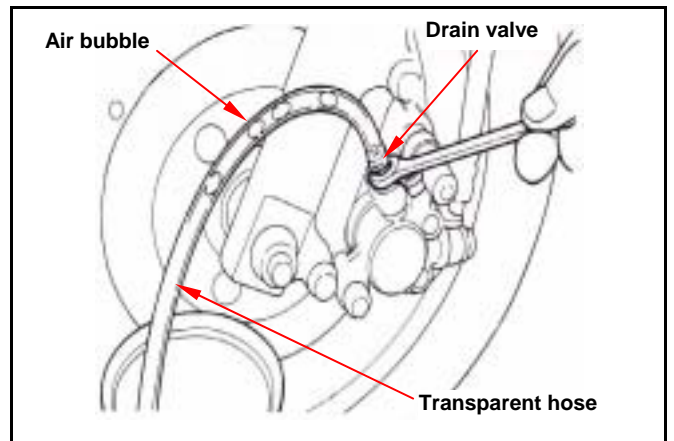
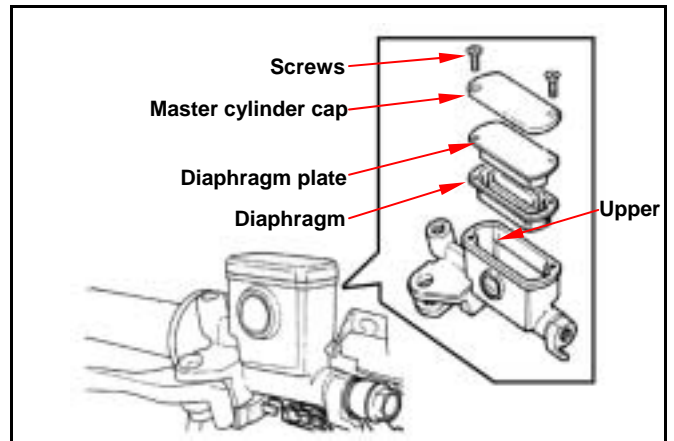
It is not necessary to remove brake hose when replacing the brake lining.

Remove the brake clipper bolt, and take out the clipper.

⚠ Caution

Do not operate the brake lever after the clipper removed to avoid clipping the brake lining.

Pry out the brake lining with a flat driver if lining is clipped.



2. MAINTENANCE INFORMATION

Make sure the brake lining condition. Replace the lining if the brake lining wear limitation groove close to the brake disc.

Brake Lining Replacement

Compress the caliper and let the brake lining out of the caliper mounting plate. Compress the brake lining locking spring. Remove the inner brake lining firstly and then remove the outer brake lining.

Compress the brake caliper at first as installation. Install the inner brake lining firstly, and then install the outer brake lining.

Caution

In order to maintain brake power balance, the brake lining must be replaced with one set.

Brake Light Switch/Starting Inhibitor Switch

The brake lamp switch is to light up brake lamp as brake applied.

Make sure that electrical starter can be operated only under brake applying.

Headlight Beam Distance

Turn on main switch

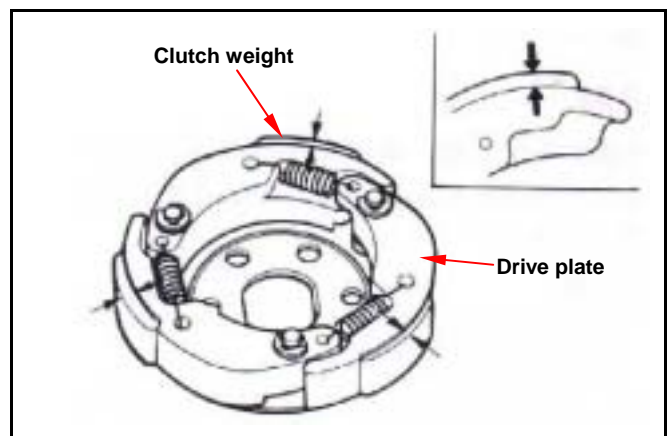
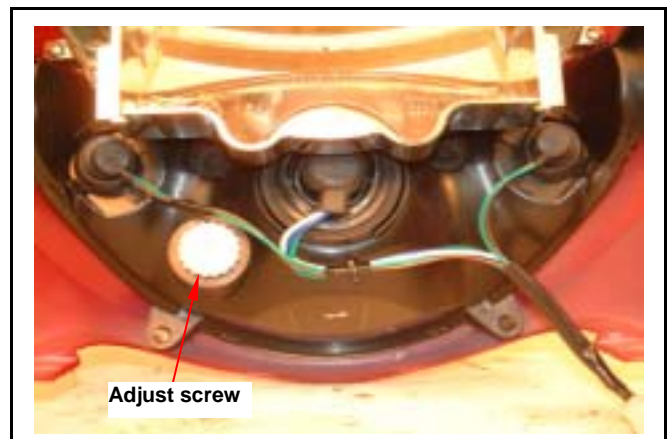
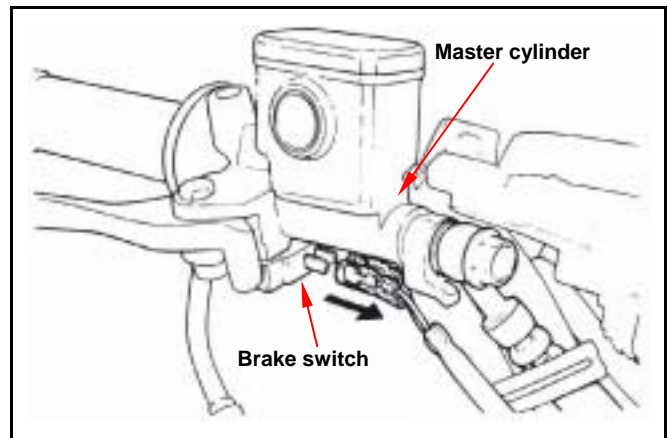
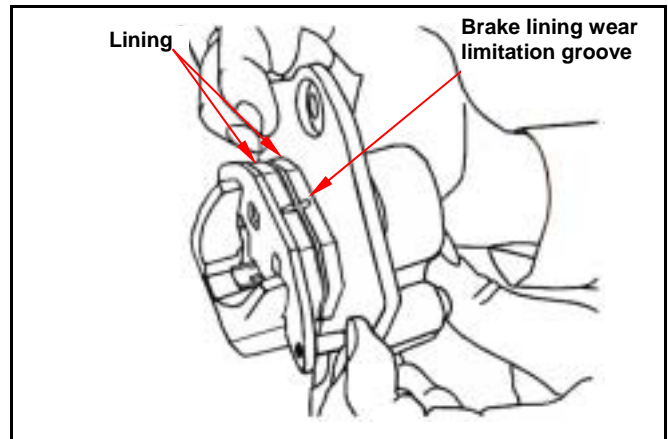
Headlight beam adjustment. Turn the headlight adjustment screw to adjust headlight beam high.

Caution

- To adjust the headlight beam follows related regulations.
- Improper headlight beam adjustment will make in coming driver dazzled or insufficient lighting.

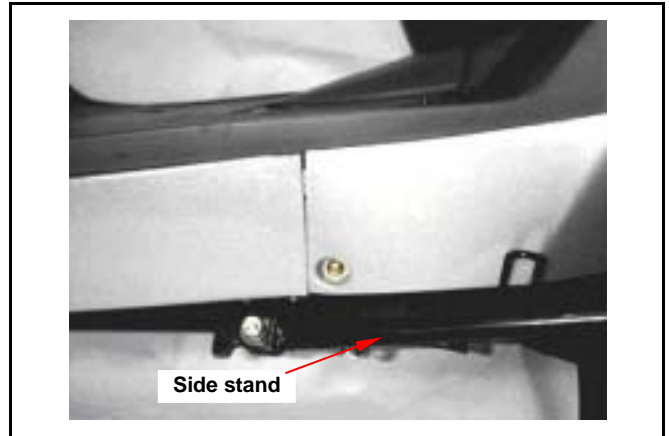
Clutch Disc Wear

Run the motorcycle and increase throttle valve opening gradually to check clutch operation. If the motorcycle is in forward moving and shaking, check clutch disc condition. Replace it



Side Stand

Check side stand spring for damage or looseness. Press down side stand and pull it with spring gauge. If gauge reading is over 2 kg, it means that the spring capacity is in normal. Check if side stand set is operated smoothly. Make sure that side stand is no bending or deformation.



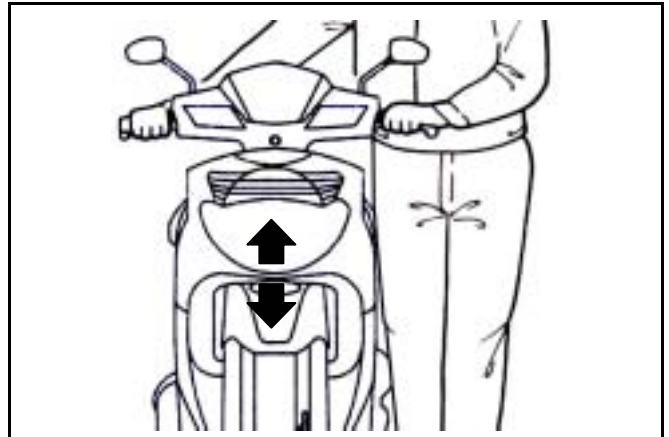
Cushion

Warning

- Do not ride the motorcycle with poor cushion.
- Looseness, wear or damage cushion will make poor stability and drive-ability.

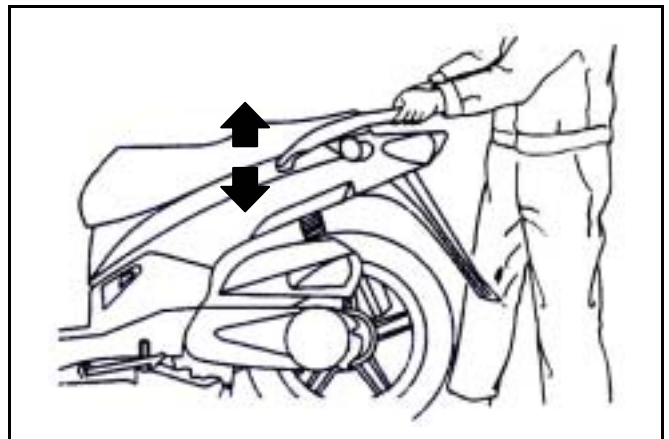
Front cushion

Press down the front cushion for several times to check its operation. Check if it is damaged. Replace relative parts if damage is found. Tighten all nuts and bolts.



Rear Cushion

Press down the front cushion for several times to check its operation. Check if it is damaged. Replace relative parts if damage is found. Park motorcycle with main stand. Turn the rear wheel forcefully and check if engine bracket bushing is worn out. Replace the bushing if looseness is found. Tighten all nuts and bolts.



Nuts, Bolts Tightness

Perform periodical maintenance in accordance with the Periodical Maintenance Schedule.

Check if all bolts and nuts on the frame are tightened securely.

Check all fixing pins, snap rings, hose clamps, and wire holders for security.

2. MAINTENANCE INFORMATION

Wheel/Tire

Caution

Tire pressure check should be done as cold engine.

Check if tire surface is ticked with nails, stones or other materials.

Appointed tire pressure

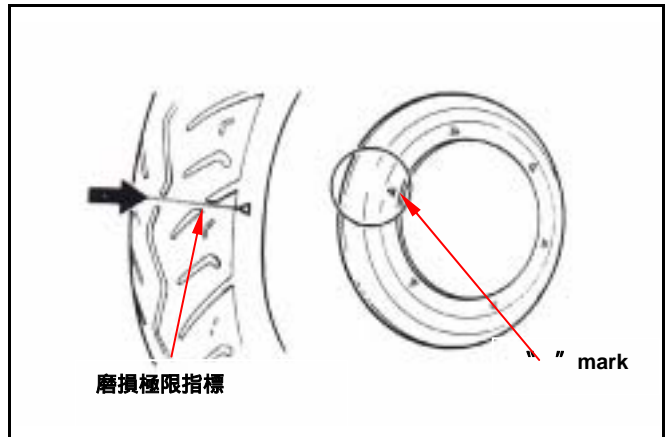
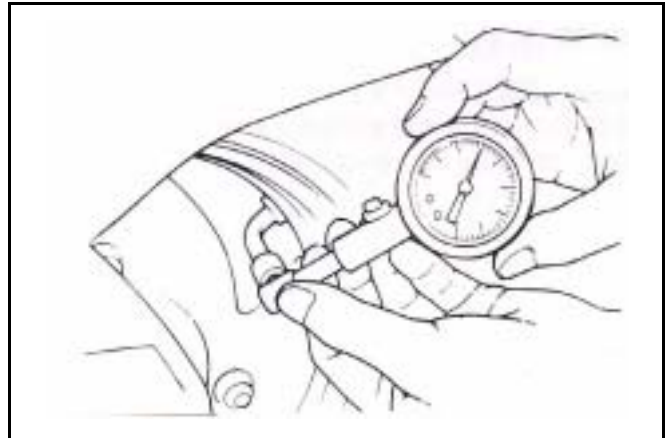
Tire size		Front tire	Rear tire
Tire pressure as cold engine (Kg/cm ²)	Load for under 90 Kg	1.75	2.25
	Full loaded	1.75	2.5

Check if front and rear tires' pressure is in normal. Measure tire thread depth from tire central surface.

Replace the tire if the depth is not come with following specification:

Front tire: 1.5 mm

Rear tire: 2.0 mm



Steering Handle Top Bearing

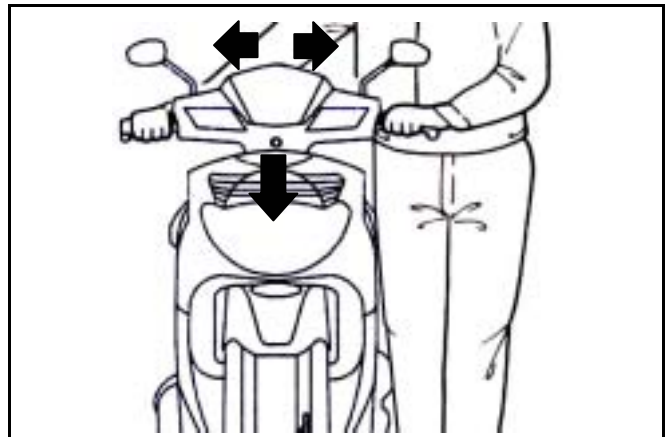
Caution

Check all wires and cables if they are interfered with the rotation of steering handle bar.

Lift the front wheel out of ground.

Turn handle from right to left alternative and check if turning is smoothly.

If handle turning is uneven and bending, or the handle can be operated in vertical direction, then adjust the handle top bearing.



Special Tools List

					
NAME	R/L. CRANK DISASS. TOOL	NAME	CRANK SHAFT PULLER	NAME	L. CRANK SHAFT BRG. DRIVER
NO	SYM-1120000-H9A	NO	SYM-1130000-H9A	NO	SYM-9100200-H9A
		 <p>(30mm)</p>		 <p>(22mm)</p>	
NAME	CRANK SHAFT BRG. FIXING SOCKET	NAME	CRANK CASE BUSH PULLER	NAME	CRANK CASE BUSH PULLER
NO	SYM-9100210-H9A	NO	SYM-1120310	NO	SYM-1120320
					
NAME	VALVE COTTER REMOVE & ASSEMBLY TOOL	NAME	TAPPET ADJUSTING WRENCH	NAME	TAPPET ADJUSTER
NO	SYM-1471110/20	NO	SYM-9001200	NO	SYM-9001209
					
NAME	UNIVERSAL HOLDER	NAME	CLUTCH NUT WRENCH	NAME	CLUTCH SPRING COMPRESSOR
NO	SYM-2210100	NO	SYM-9020200	NO	SYM-2301000

2. MAINTENANCE INFORMATION

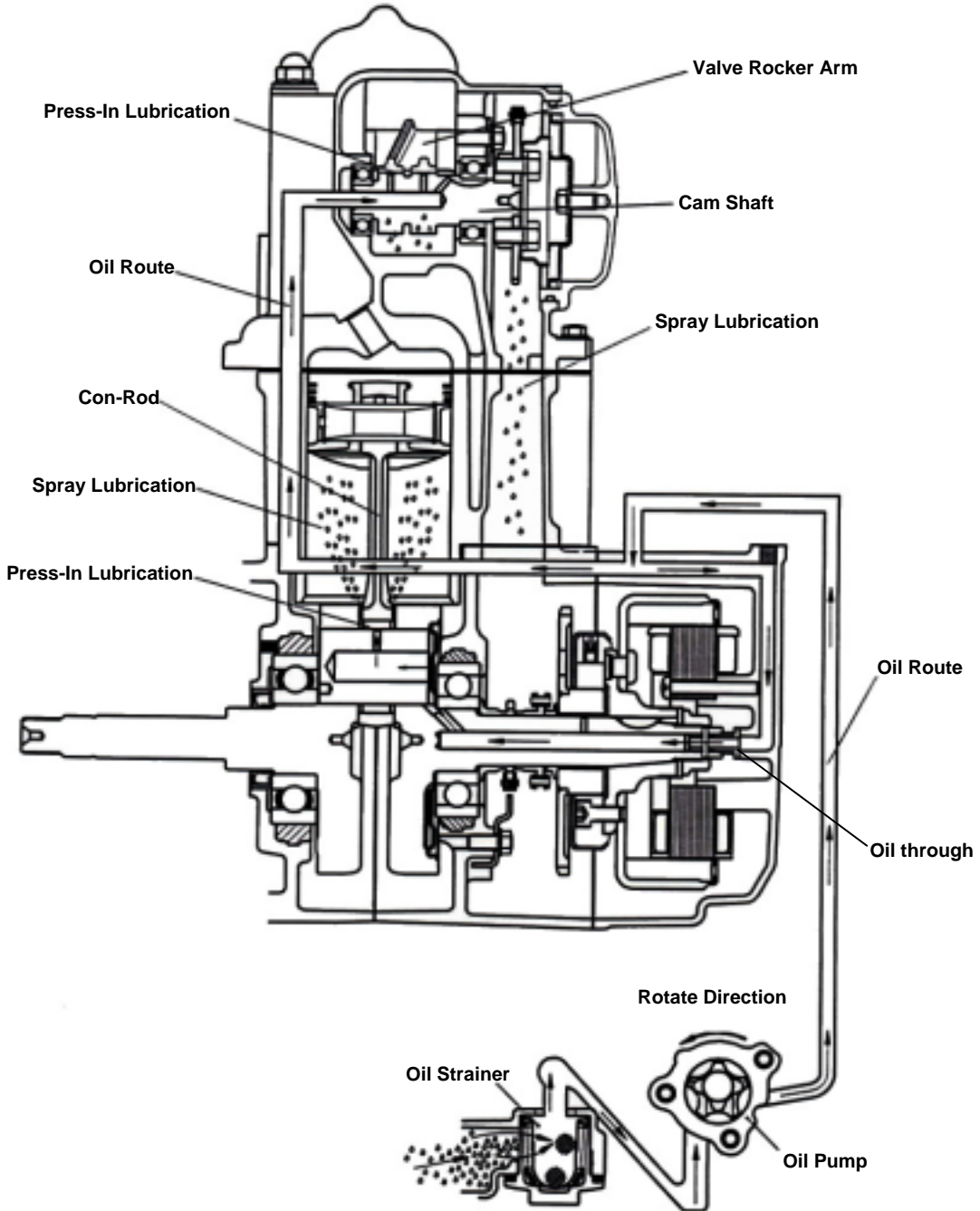


					
NAME	INNER BEARING PULLER	NAME	OUTER BEARING PULLER	NAME	AC.G. FLYWHEEL PULLER
NO	SYM-6204002	NO	SYM-6204001	NO	SYM-3110A00
					
(12*20*5)		(6901)			
NAME	WATER PUMP OIL SEAL DRIVER	NAME	WATER PUMP BEARING DRIVER	NAME	WATER PUMP MECHANICAL SEAL DRIVER
NO	SYM-9120500-H9A	NO	SYM-9100100	NO	SYM-1721700-H9A
					
(6301)		(6204)		(6203/6004UZ)	
NAME	BEARING DRIVER	NAME	BEARING DRIVER	NAME	BEARING DRIVER Ø17mm
NO	SYM-9610000	NO	SYM-9110400	NO	SYM-9620000
					
(20*32*6)		(25*40*8)		(27*42*7)	
NAME	OIL SEAL DRIVER	NAME	OIL SEAL DRIVER	NAME	OIL SEAL DRIVER
NO	SYM-9120200	NO	SYM-9121600	NO	SYM-9125500

					
NAME	Drive shaft puller	NAME	Drive shaft install bush	NAME	Extension bush (long)
NO	SYM-1130000-L	NO	SYM-1130010	NO	SYM-1130031
					
NAME	Extension bush (short)	NAME		NAME	
NO	SYM-1130032	NO		NO	
NAME		NAME		NAME	
NO		NO		NO	
NAME		NAME		NAME	
NO		NO		NO	

Note:

Precautions in Operation 3-2	Engine Oil Strainer Clean 3-3
Troubleshooting 3-2	Oil Pump 3-4
Engine Oil 3-3	Gear Oil 3-7



3. LUBRICATION SYSTEM

Precautions in Operation

General Information:

- This chapter contains maintenance operation for the engine oil pump and gear oil replacement.

Specifications

Engine oil quantity Disassembly: 1000 c.c.

Change: 800 c.c.

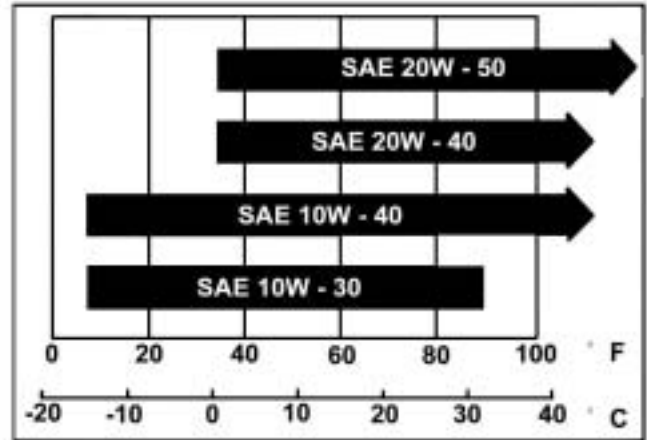
Oil viscosity SAE 10W-30 (Recommended King serial oils)

Gear oil Disassembly: 110 c.c.

Change: 100 c.c.

Gear oil viscosity SAE 140

(Recommended SYM Hypoid gear oils)



單位:mm

Items		Standard (mm)	Limit (mm)
Oil pump	Inner rotor clearance	0.15	0.20
	Clearance between outer rotor and body	0.15~0.20	0.25
	Clearance between rotor side and body	0.04~0.09	0.12

Torque value

Torque value oil strainer cap	1.5~3.0kgf-m
Gear oil drain plug	1.0~1.5kgf-m
Gear oil inspection bolt	1.0~1.5kgf-m
Oil pump connection bolt	0.8~1.2kgf-m

Troubleshooting

Low engine oil level

- Oil leaking
- Valve guide or seat worn out
- Piston ring worn out

Low oil pressure

- Low engine oil level
- Clogged in oil strainer, circuits or pipes
- Oil pump damage

Dirty oil

- No oil change in periodical
- Cylinder head gasket damage
- Piston ring worn out

Engine Oil

Turn off engine, and park the motorcycle in flat surface with main stand.

Check oil level with oil dipstick

So not screw the dipstick into engine as checking.

If oil level is nearly low level, fill out recommended oil to upper level.

Oil Change

Caution

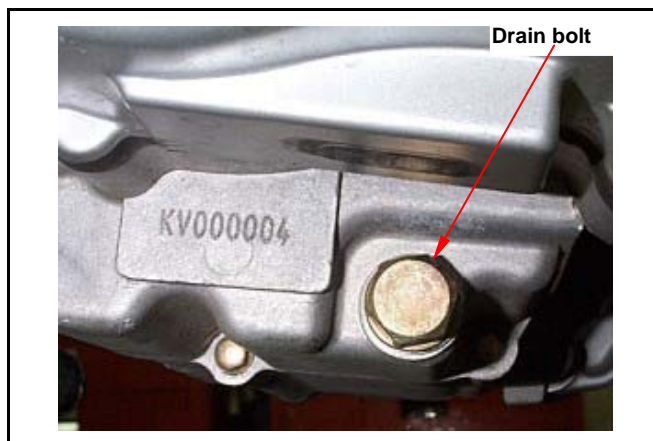
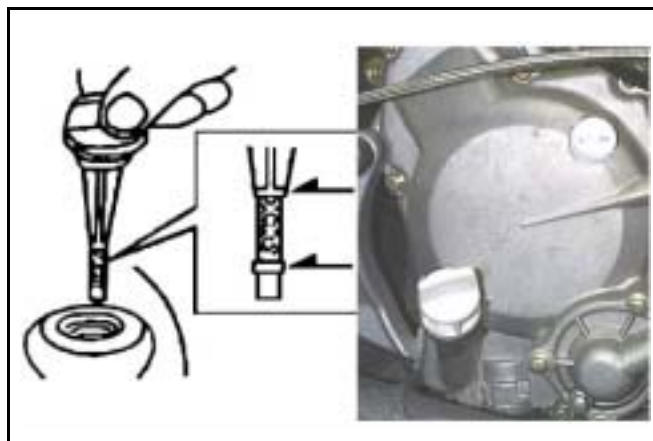
Drain oil as engine warmed up so that make sure oil can be drained smoothly and completely.

Place a oil pan under the motorcycle, and remove oil drain bolt.

After drained, make sure washer can be re-used.

Install oil drain bolt.

Torque value : 1.9~2.5kgf-m



Engine Oil Strainer Clean

Drain engine oil out.

Remove oil strainer and spring.

Clean oil strainer.

Check if O-ring can be re-used.

Install oil strainer and spring.

Install oil strainer cap.

Torque value : 1.9~2.5kgf-m

Add oil to crankcase (oil viscosity SAE 10W-30)

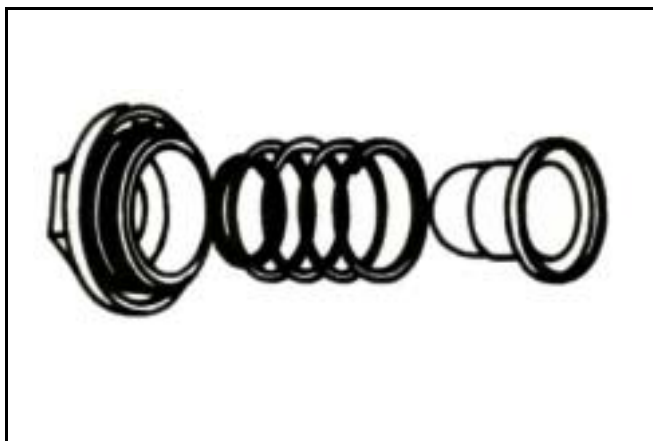
Recommended using King serial oil.

Engine oil capacity: 0.8L when replacing

Install dipstick, start the engine for running several minutes.

Turn off engine, and check oil level again.

Check if engine oil leaks.



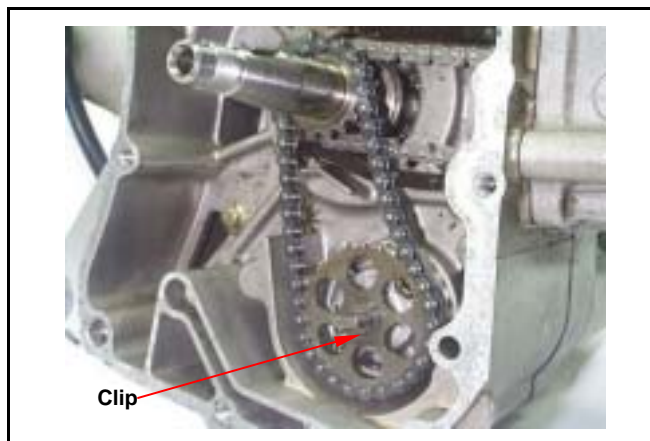
3. LUBRICATION SYSTEM

Oil Pump

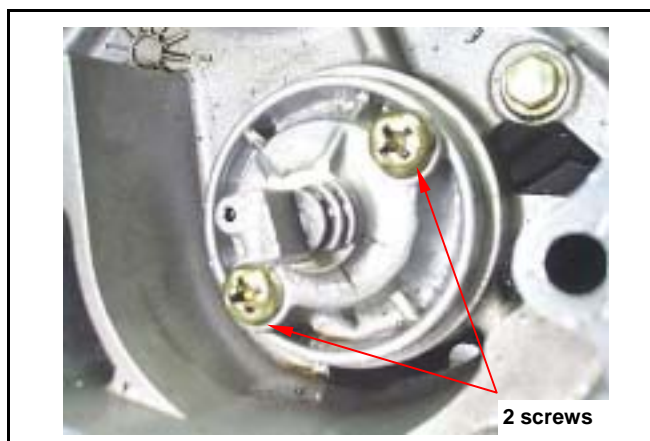
Oil Pump Removal

Remove generator and starting gear. (Refer to chapter 10) .

Remove snap ring and take out oil pump driving chain and sprocket.



Make sure that pump shaft can be rotated freely.
Remove 2 bolts on the oil pump, and then remove oil pump.



Oil Pump Disassembly

Remove the screws on oil pump cover and disassemble the pump as illustration shown.



Oil Pump Inspection

Check the clearance between oil pump body and outer rotor.

Limit: 0.25 mm



Check clearance between inner and outer rotors.

Limit: 0.20 mm



Check clearance between rotor side face and pump body

Limit: 0.12 mm



Oil Pump Re-assembly

Install inner and outer rotors into the pump body
Align the indent on driving shaft with that of inner rotor. Install the driving shaft
Install fixing pin



Install the oil pump cover and fixing pin properly



3. LUBRICATION SYSTEM

Oil Pump Installation

Install the oil pump, and then tighten bolts.

Torque value : 0.8~1.2kgf-m



Make sure that oil pump shaft can be rotated freely.



Install oil pump driving chain and sprocket, and then install snap ring onto oil pump shaft.



Install starting gear and generator.
(Refer to chapter 10)

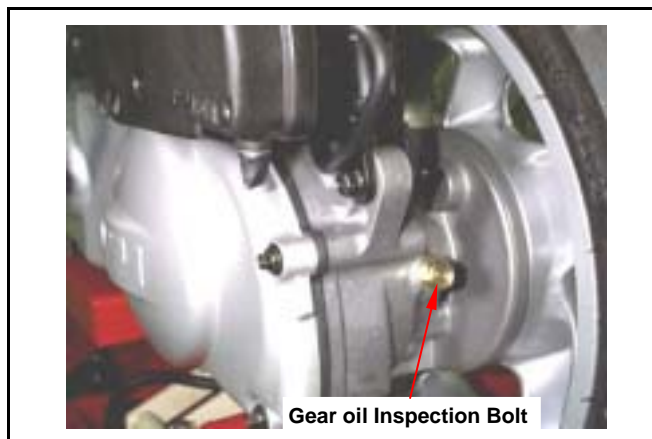


Gear Oil

Oil level inspection

Park the motorcycle on flat surface with main stand.

Turn off engine and remove oil inspection bolt.



Gear oil Inspection Bolt

Gear lubrication oil quantity has to be measured with measure device.

If oil level is too low, add gear oil. Recommended using King series oils.

Install oil inspection bolt.



Gear oil drain plug

Gear Oil Change

Remove oil level inspection bolt.

Remove drain plug and drain oil out.

Install the drain plug after drained.

Torque value: 1.0~1.4kgf-m

Make sure that the drain plug washer can be re-used.

Add oil to specified quantity from the inspection hole.

Gear Oil Quantity: 100 c.c. when replacing

Make sure that the bolt washer can be re-used, and install the bolt.

Start engine and run engine for 2-3 minutes.

Turn off engine and make sure that oil level is in correct level.

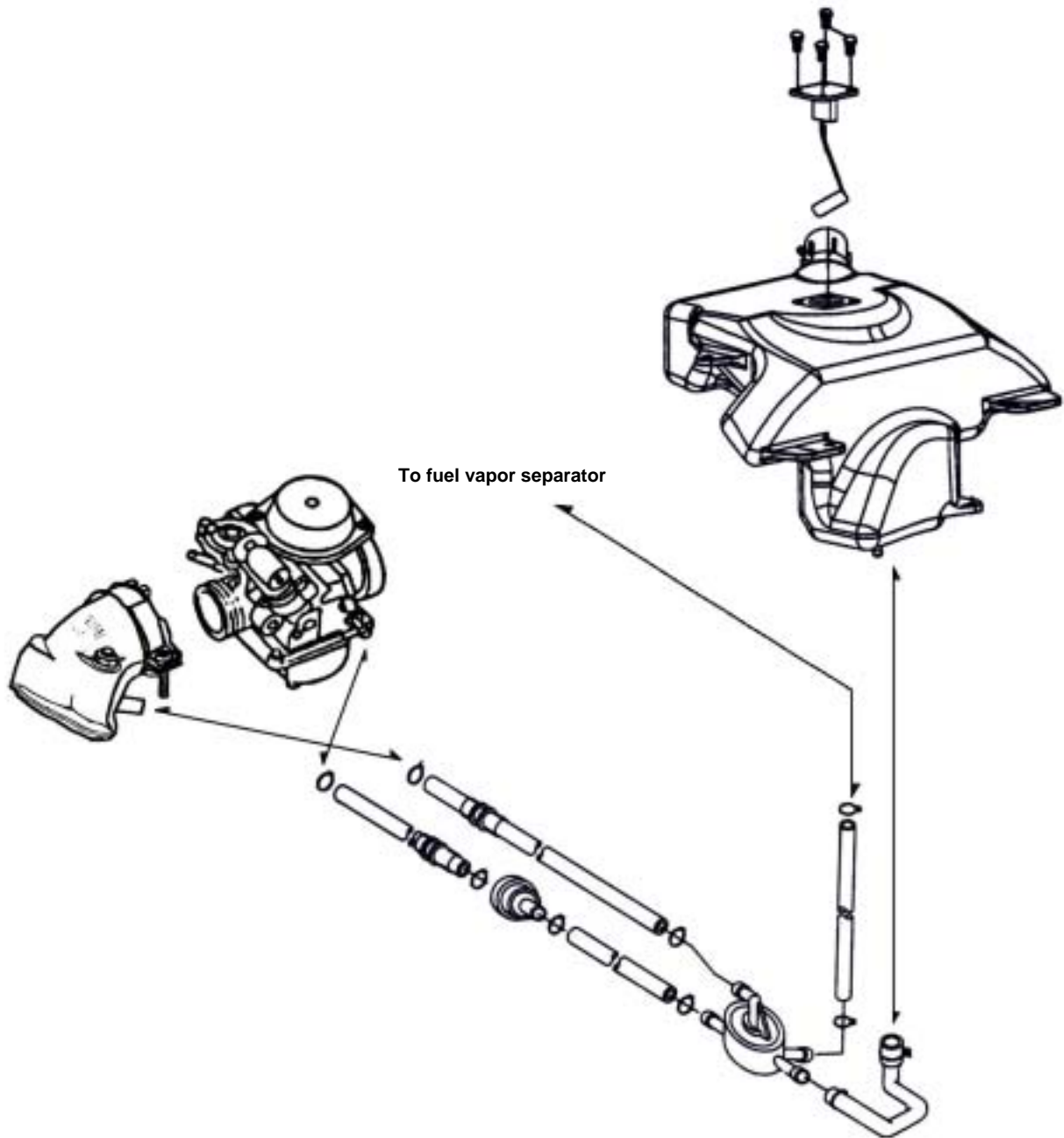
Make sure that no oil leaking.

3. LUBRICATION SYSTEM



Notes:

Precautions in Operation.....	4-2	Auto By-Starter	4-7
Trouble Diagnosis.....	4-3	Float Chamber.....	4-8
Carburetor removal.....	4-4	Fuel Tank.....	4-10
Vacuum chamber	4-4	Air Cleaner.....	4-11
Air Cut-Off Valve	4-6		



4. FUEL SYSTEM

Precautions in Operation

General Information

Warning

Gasoline is a low ignition point and explosive materials, so always work in a well-ventilated place and strictly prohibit flame when working with gasoline.

Cautions

- Do not bend off throttle cable. Damaged throttle cable will make unstable drive-ability.
- When disassembling fuel system parts, pay attention to O-ring position, replace with new one as re-assembly
- There is a drain screw in the float chamber for draining residual gasoline.
- Do not disassemble auto by-starter and air cut valve arbitrarily.

Specification

ITEM	LH12W-6	LH18W-6
Carburetor diameter	24 mm	25 mm
I.D. number	CVK039	CVK066
Fuel level	20.5 mm	20.5 mm
Main injector	#105	#108
Idle injector	#35	#35
Idle speed	1600±100 rpm	1600±100 rpm
Throttle handle clearance	2~6 mm	2~6 mm
Pilot screw	2 1/4 turns	1 1/2 turns

Tool

Special service tools

Vacuum/air pressure pump
Fuel level gauge

Trouble Diagnosis

Poor engine start

- No fuel in fuel tank
- Clogged fuel tube
- Too much fuel in cylinder
- No spark from spark plug(malfunction of ignition system)
- Clogged air cleaner
- Malfunction of auto by-starter
- Malfunction of throttle operation

Stall after started

- Malfunction of auto by-starter
- Incorrect ignition timing
- Malfunction of carburetor
- Dirty engine oil
- Air existing in intake system
- Incorrect idle speed

Rough idle

- Malfunction of ignition system
- Incorrect idle speed
- Malfunction of carburetor
- Dirty fuel

Intermittently misfire as acceleration

- Malfunction of ignition system

Late ignition timing

- Malfunction of ignition system
- Malfunction of carburetor

Power insufficiency and fuel consuming

- Fuel system clogged
- Malfunction of ignition system

Mixture too lean

- Clogged fuel injector
- Vacuum piston stick and closed
- Malfunction of float valve
- Fuel level too low in float chamber
- Clogged fuel tank cap vent
- Clogged fuel filter
- Obstructed fuel pipe
- Clogged air vent hose
- Air existing in intake system

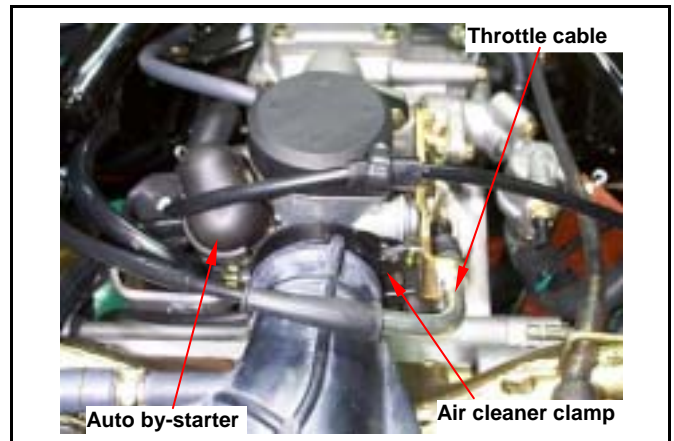
Mixture too rich

- Clogged air injector
- Malfunction of float valve
- Fuel level too high in float chamber
- Malfunction of auto by-starter
- Dirty air cleaner

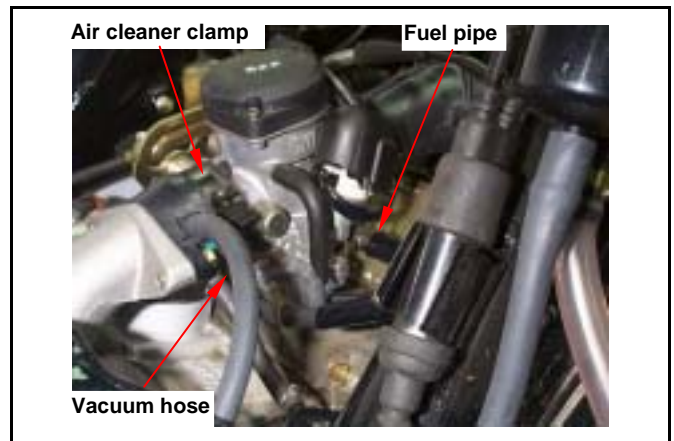
4. FUEL SYSTEM

Carburetor removal

Remove the luggage box.
Loosen the adjustment nut and fixing nut of throttle valve cable, and release the cable from carburetor.
Disconnect automatic by-starter connector.
Release the clamp strip of air cleaner.



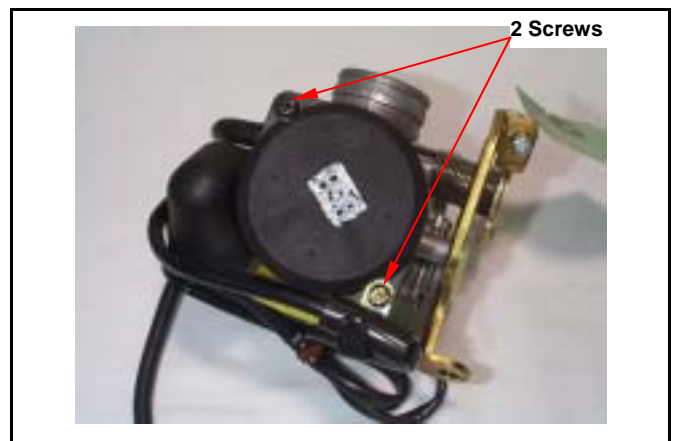
Remove fuel pipe, vacuum hose.
Release the clamp strip of carburetor insulator.



Vacuum chamber

Removal

Loosen drain screw, and drain out residual fuel in float chamber.
Remove 2 screws of vacuum chamber cover and the cover.



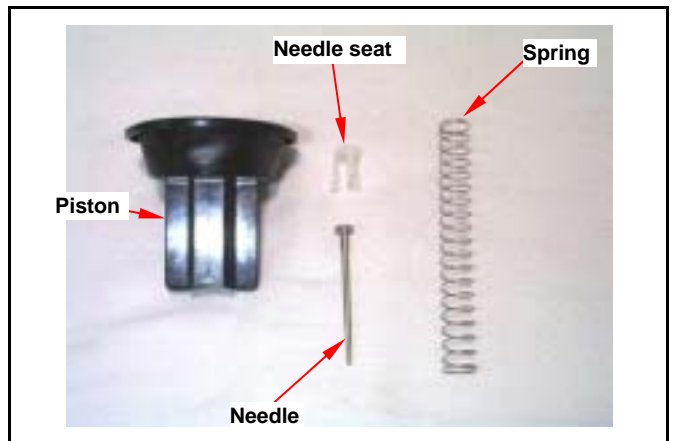
Remove compress spring and vacuum piston.



Check if the vacuum piston for wear out, crack or other damage.
Check if the diaphragm for damage or crack.

Installation

Install needle, spring and needle seat to vacuum piston.



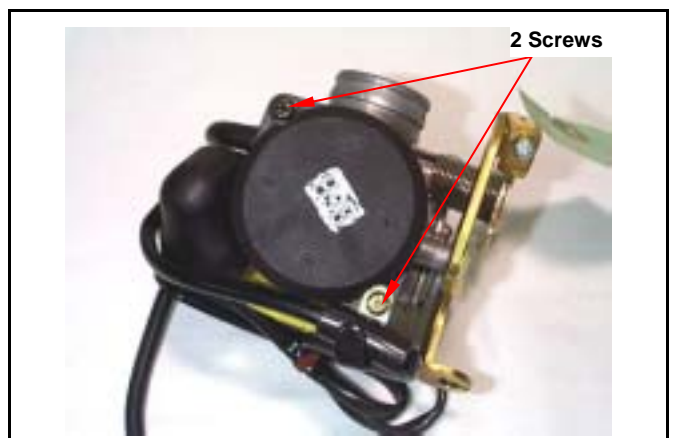
Install vacuum piston to carburetor body and align the indent on the diaphragm.
Install compress spring.



Install vacuum chamber cover and tighten 2 screws.

Caution

- Do not damage vacuum diaphragm.
- When tightening the vacuum chamber screw, hold down vacuum piston.



4. FUEL SYSTEM

Air Cut-Off Valve

Inspection

Disconnect vacuum hose and air vent hose from the air cut-off valve.

Connect a hose from vacuum hose connector to vacuum pump.

Connect air pump to air vent hose.

Apply with specified vacuum to air cut-off valve.

Vacuum value: 420~500 mm-Hg

Pump compressed air from air pump to air vent hose.

Caution

The vacuum can not be over 600 mm-Hg. Or the air cut-off will be damaged.

If the valve is in normal, it will restrict air-flow.

If air-flow is no restrict, replace carburetor assembly.



Auto By-Starter

Inspection

Turn off engine and waiting for over 10 minutes for cooling.

Check resistance across the two terminals of the auto by-starter.

Resistance value: Max. 10 (Measured after engine stopped for more than 10 minutes)

Replace the auto starter with a new one if resistance value exceeds standard.

Remove carburetor, allow it to cool off for 30 minutes.

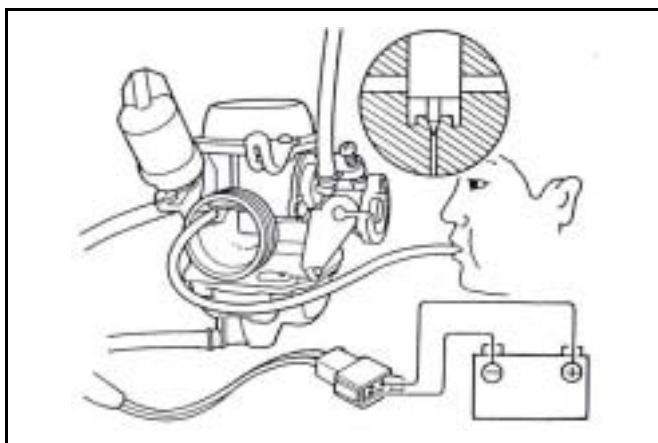
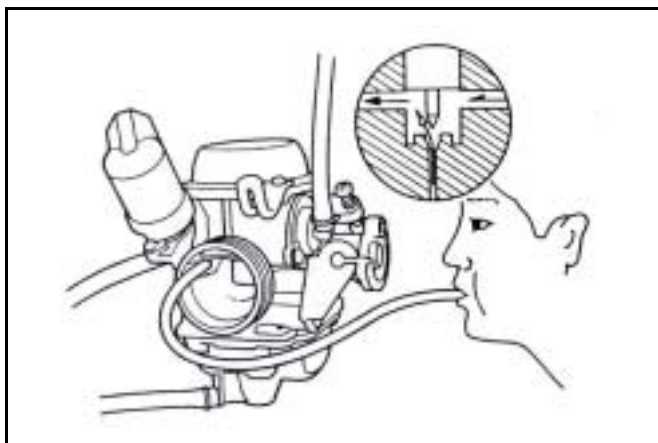
Connect a pressure tester from air pump.

Connect by-starter circuit.

Pump compressed air to the circuit.

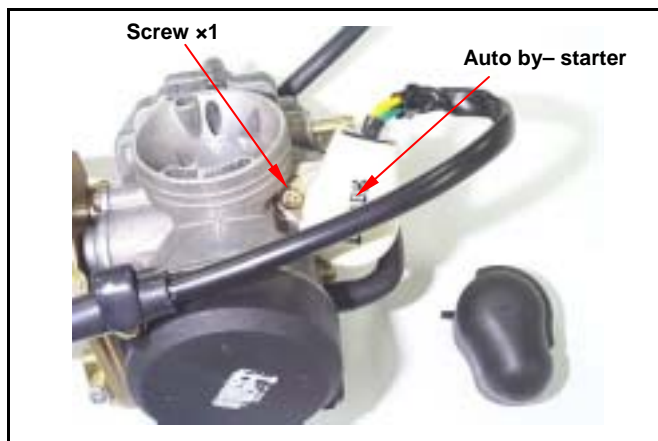
Replace the auto by-starter if the circuit clogged.

Connect battery posts (12V) to starter's connectors. After 5 minutes, test the by-starter circuit with compressed air. If air flows through the circuit, then, replace the starter.



Removal

Remove fixing plate screw, and then remove the plate and auto by-starter from carburetor.



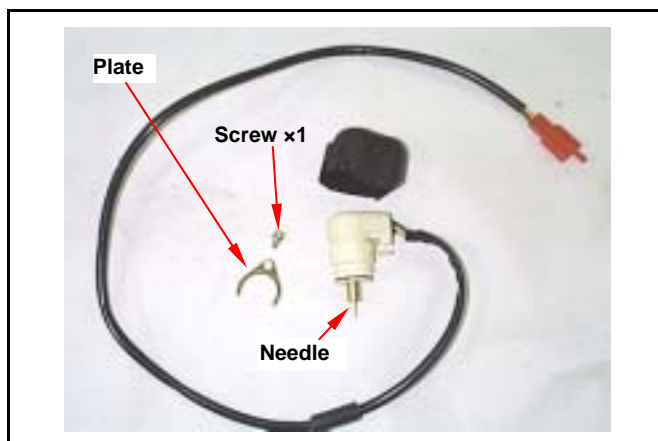
Valve inspection

Check if auto by-starter and valve needle for damage or wear out.

Installation

Install auto by-starter to the bottom of carburetor body.

Install fixing plate to the upper groove of auto by-starter, and install its flat surface to carburetor. Install screw and tighten it.



4. FUEL SYSTEM

Float Chamber

Disassembly

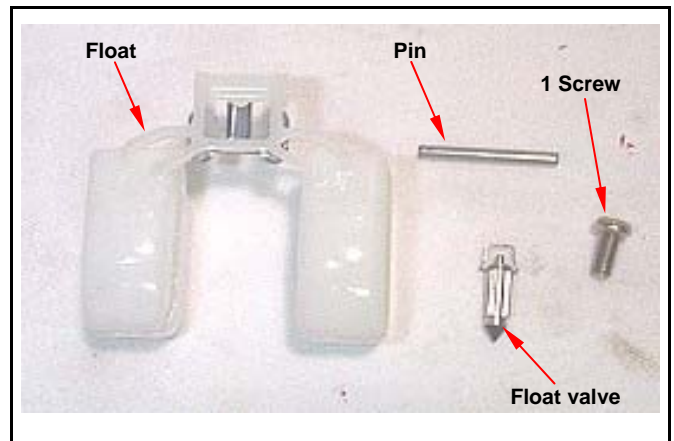
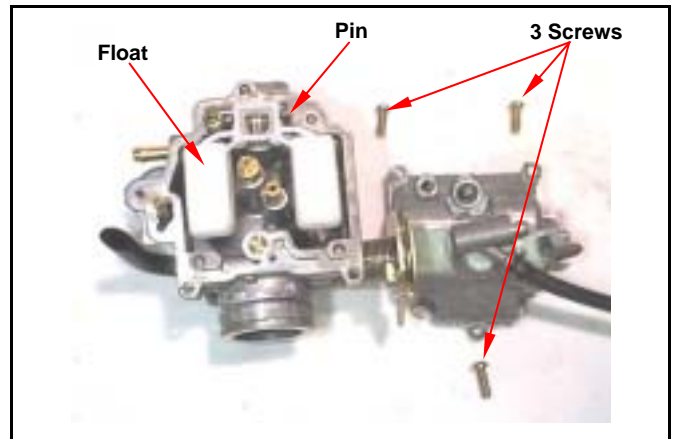
Remove 3 mounting screws and remove float chamber cover.
Remove the float pin and float.

Checking

Check float valve and valve seat for damage, blocking.
Check float valve for wearing, and check valve seat face for wear, dirt.

Caution

In case of worn out or dirt, the float valve and valve seat will not tightly close causing fuel level to increase and as a result, fuel flooding. A worn out or dirty float valve must be replaced with a new one.

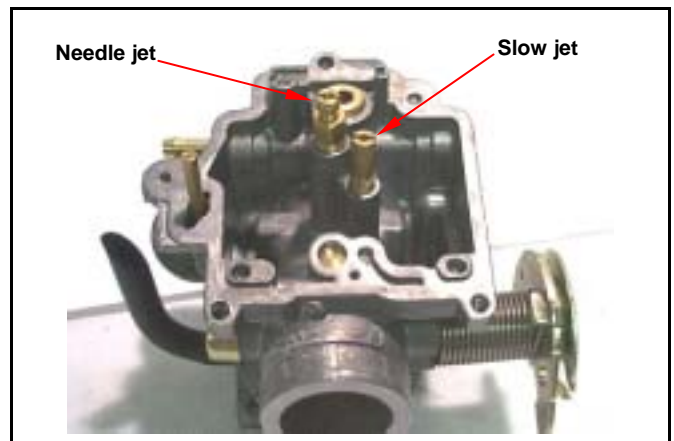


Remove main jet, fuel needle jet holder, needle jet, slow jet, pilot screw.

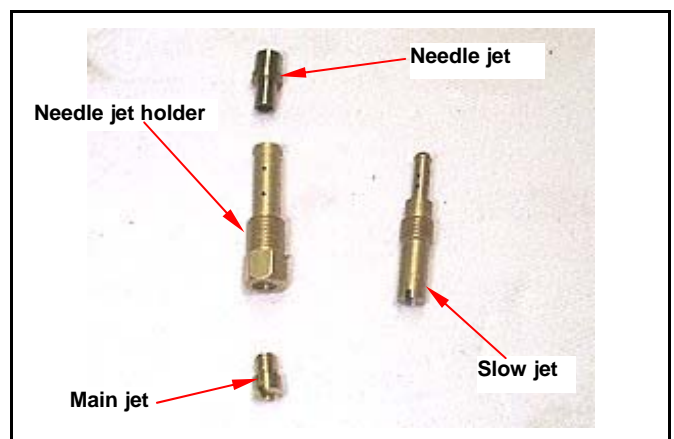
Caution

Take care not to damage jets and adjust screw.

- Before removing adjustment screw, turn it all the way down and note the number of turns.
- Do not turn adjust screw forcefully to avoid damaging valve seat face.



Clean jets with cleaning fluid. Then use compressed air to blow the dirt off.
Blow carburetor body passages with compressed air.



Assembly

Install main jet, fuel needle jet holder, fuel needle jet slow jet and pilot screw.

Caution

Set the pilot screw in according to number of turns noted before it was removed.

Install the float valve, float, and float pin.

Checking fuel level

Caution

- Check again to ensure float valve, float for proper installation.
- To ensure correct measurement, position the float meter in such a way so that float chamber face is vertical to the main jet.

Fuel level: 20.5 mm

Installation of carburetor

Install carburetor in the reverse order of removal. Following adjustments must be made after installation.

- Throttle cable adjustment.
- Idle adjustment

Adjustment of pilot screw

Caution

- Pilot screw was set at factory, so no adjustment is needed. Note the number of turns it takes to screw it all the way in for ease of installation.
- The main stand must be used to support the motorcycle to perform the adjustments.

Use a tachometer when adjusting engine RPM. Screw in adjustment screw gently, then back up to standard turns.

Standard turns: 2 ± 1/2 (1 1/2 ~ 2 1/2) turns

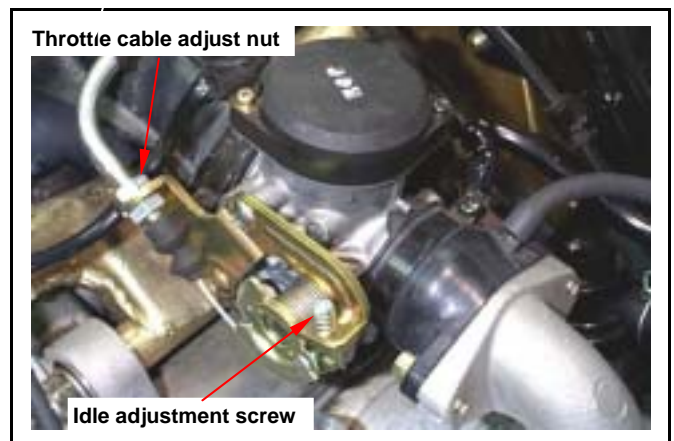
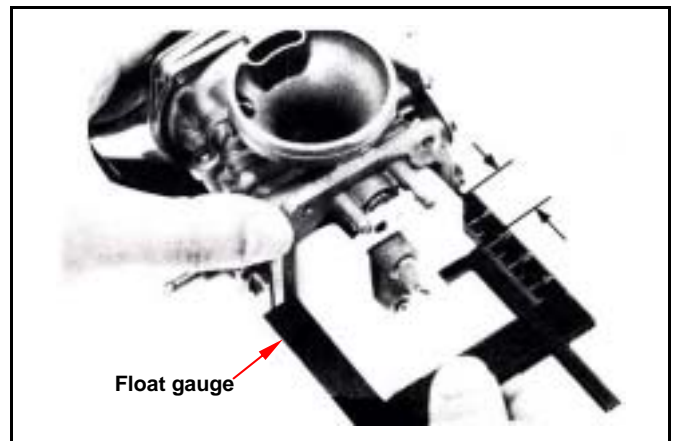
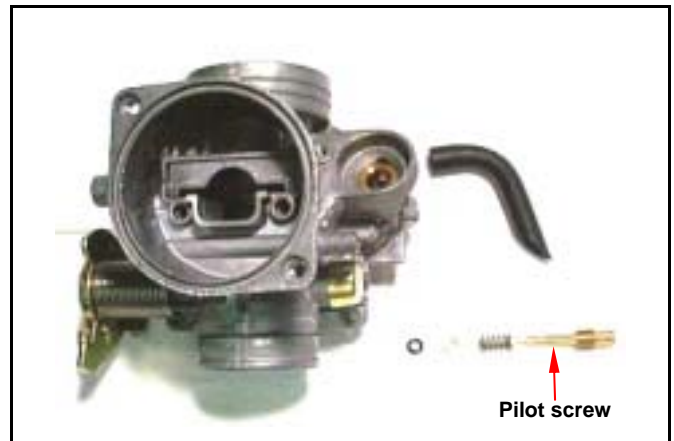
Warm up engine, adjust the stopper screw of throttle valve to standard RPM.

Idle speed rpm: 1600 ± 100 rpm

Connect the hose of exhaust analyzer to exhaust front end. Press test key on the analyzer. Adjust the pilot screw and read CO reading on the analyzer

CO standard value: 1.0~1.5 %

Accelerate in gradual increments, make sure rpm and CO value are in standard value after engine running in stable. If rpm and CO value fluctuated, repeat the procedures described above for adjusting to standard value.



4. FUEL SYSTEM

Fuel Tank

Fuel unit removal

Open the seat.
 Remove the luggage box (6 bolts and 1 screw).
 Remove rear carrier (4 bolts).
 Remove body cover.
 Disconnect fuel unit connector.
 Remove fuel unit (4 screws).

Caution

- Do not bend the float arm of fuel unit
- Do not fill out too much fuel to fuel tank.

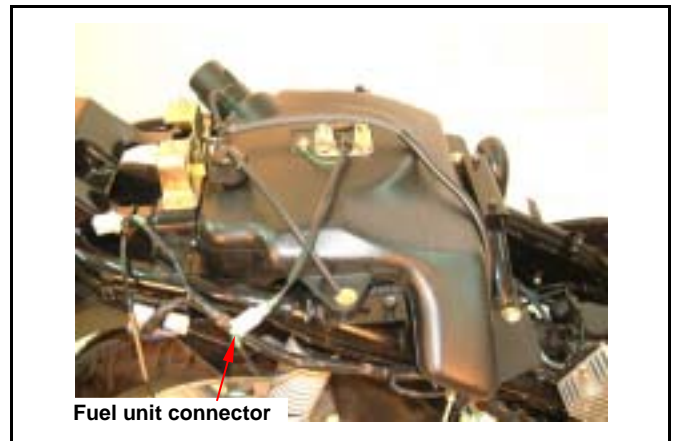
Fuel unit inspection. (Refer to electrical equipment chapter 17)

Fuel unit installation

Install the gauge in the reverse order of removal.

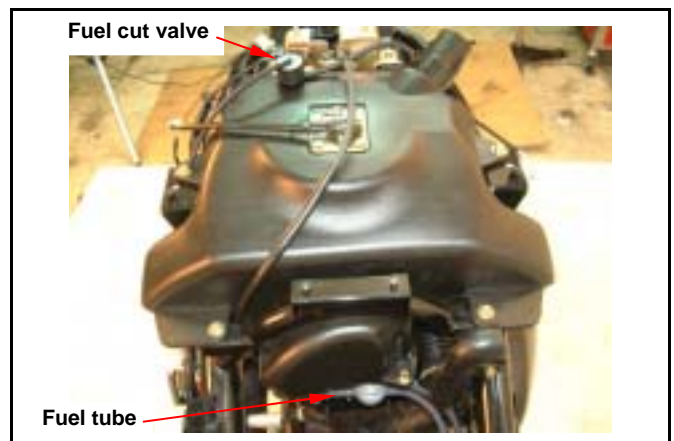
Caution

Do not forget to install the gasket of fuel unit or damage it.



Fuel tank removal

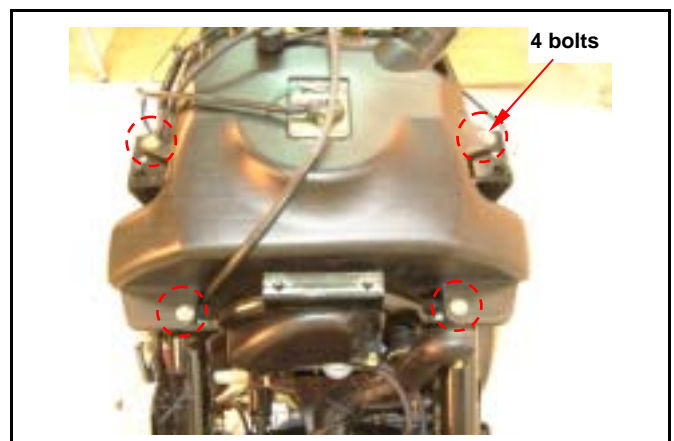
Remove the Fuel cut valve assembly and Fuel tube.



Remove fuel tank (4 screws).

Installation

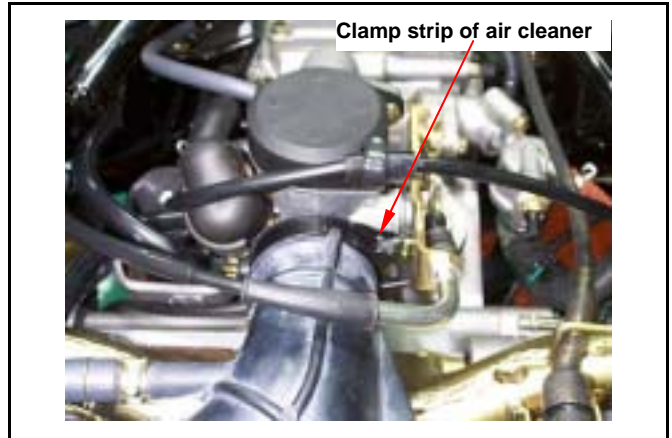
Install the tank in the reverse order of removal.



Air Cleaner

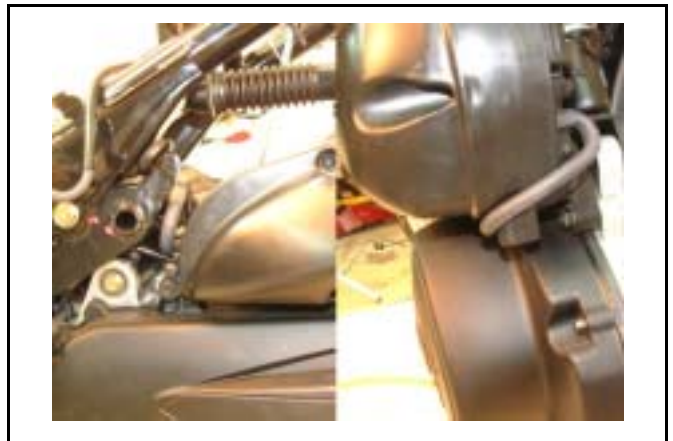
Removal

Open the seat.
 Remove the luggage box (6 bolts and 1 screw).
 Loosen the clamp strip of air cleaner.
 Remove the Vapor hose.
 Remove the Air cleaner (2 bolts).



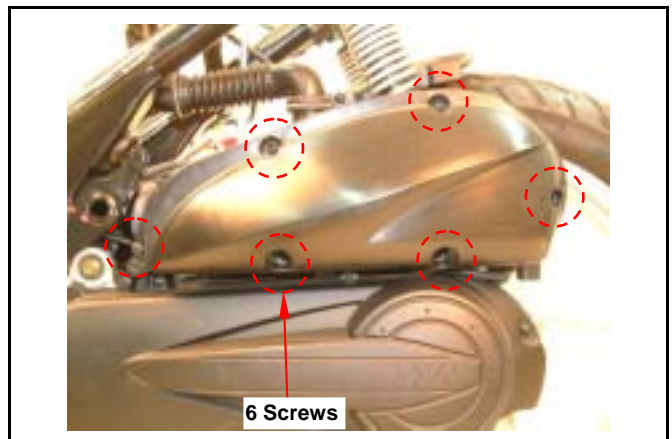
Installation

Install the tank in the reverse order of removal.



Cleaning air cleaner element

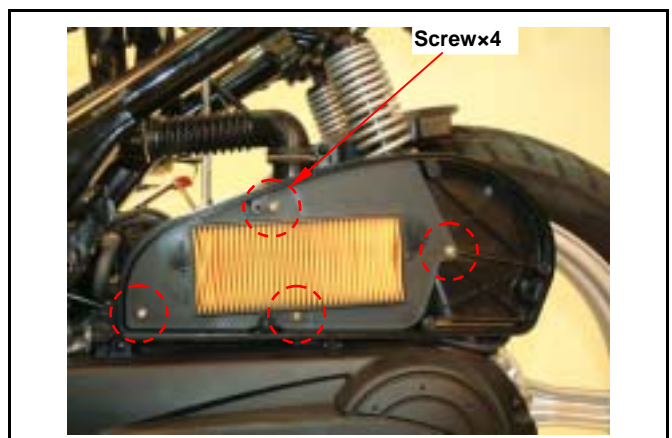
Remove air cleaner cover (6 screws).



Remove the Air cleaner element. (Screw×4)
 With compressed air to cleaning dirty around the element. Replace it if it is too dirty to clean.

Caution

The air cleaner element is made of paper so do not soap it into water or wash it with water.



4. FUEL SYSTEM



Notes:

Precautions in Operation	5-1	Removal of Engine Hanger Bush	5-6
Removal of Engine	5-2	Engine Hanger Installation	5-7
Engine Hanger removal.....	5-5	Engine Installation.....	5-7

Precautions in Operation

General Information

- The engine has to be supported with special service tools that can be lifted or adjustable.
- The following parts can be serviced as engine mounted on frame.
- Carburetor.
- Driving pulley, driving belt, clutch, and driving disc assembly.
- Final gear reduction mechanism.

Specification

Item		Capacity
Engine oil capacity	Replacement	800 c.c.
	Disassembly	1000 c.c.
Gear oil capacity	Replacement	100 c.c.
	Disassembly	110 c.c.
Coolant capacity	Engine & radiator	780 c.c.
	Reservoir	420 c.c. AS indicator shown
	Total	1200 c.c.

Torque Value

Engine mounting bolt	4.0~5.0kgf-m
Rear cushion upper connection bolt	3.5~4.5kgf-m
Rear cushion under connection bolt	2.4~3.0kgf-m
Engine hanger bolt	4.0~5.0kgf-m
Rear wheel axle nut	11.0~13.0kgf-m

5. ENGINE REMOVAL

Removal of Engine

Open seat and remove the luggage box (6 bolts and 1 screw).

Remove rear carrier (4 bolts).

Remove battery cover (2 screws).

Remove battery negative (-) post.

Remove battery positive (+) post.

Remove tail light connector.

Remove right and left body cover (2 bolts).

Disconnect the auto by-starter wire connector.

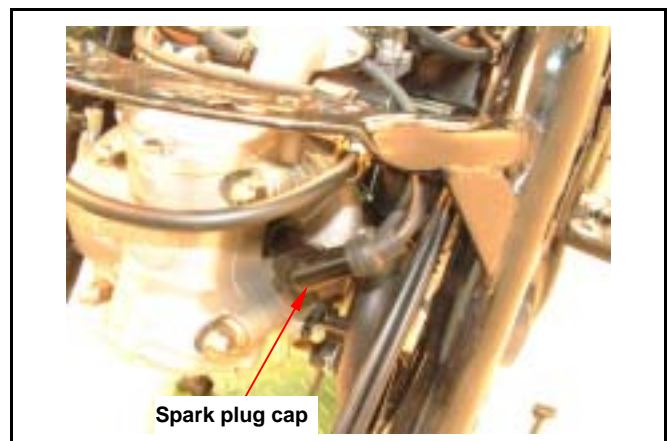
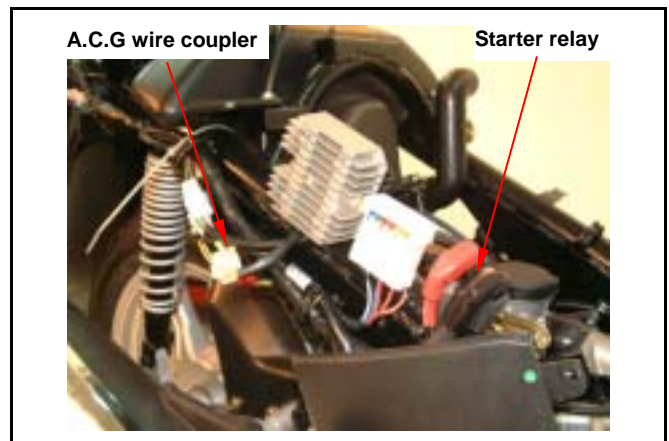
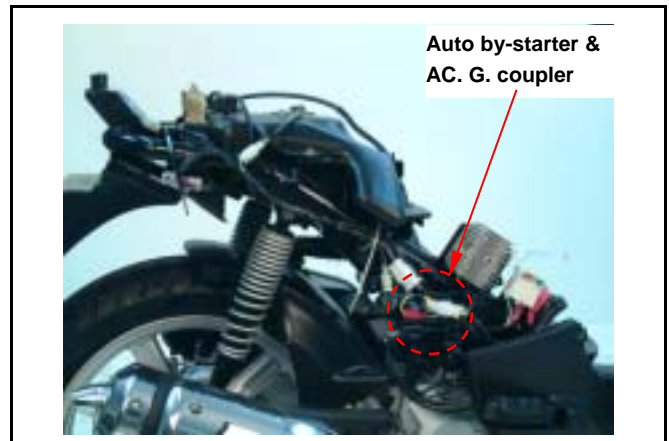
Disconnect A.C.G wire connectors.

Remove starter motor wire from relay.

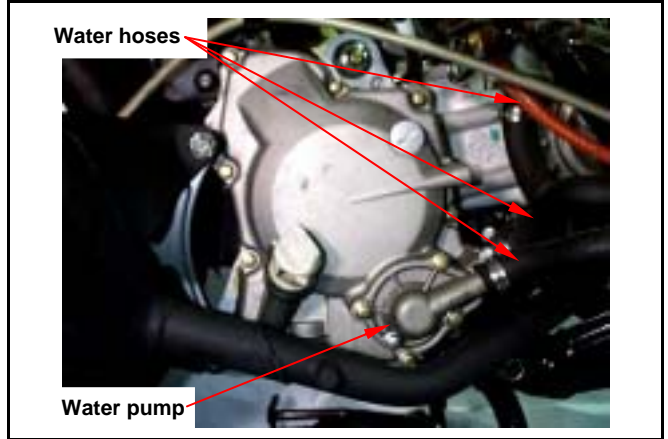
Remove spark plug cap.

Remove fuel pipe, vacuum tube and throttle valve wire from carburetor.

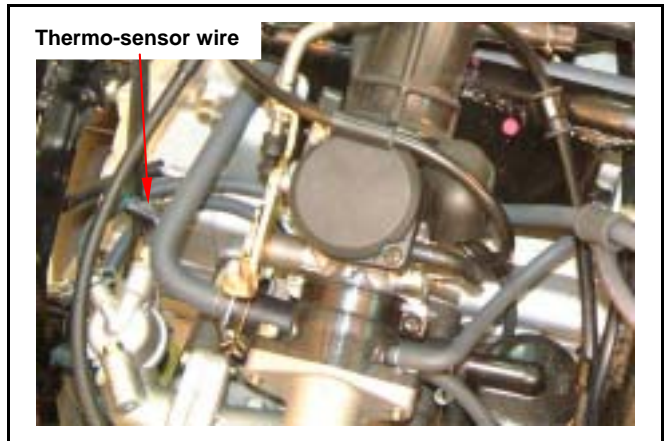
Loosen the screw of air cleaner duct strip, and then remove the duct.



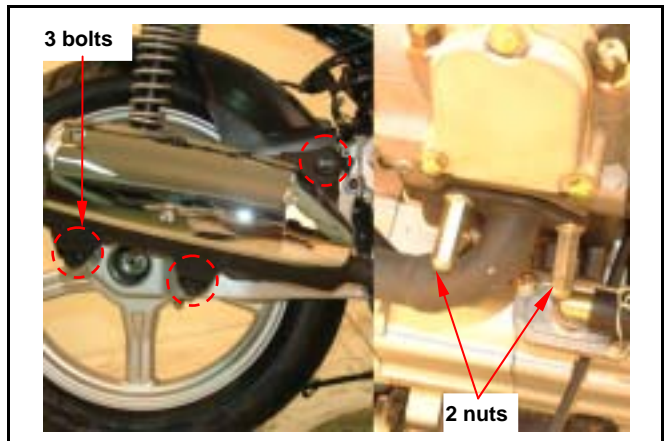
Remove water hoses from water pump.



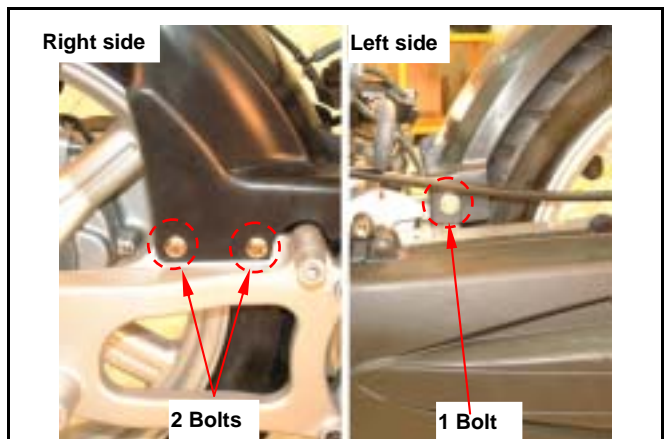
Remove the thermo-sensor wire.



Remove the muffler (3 bolts, 2 nuts).

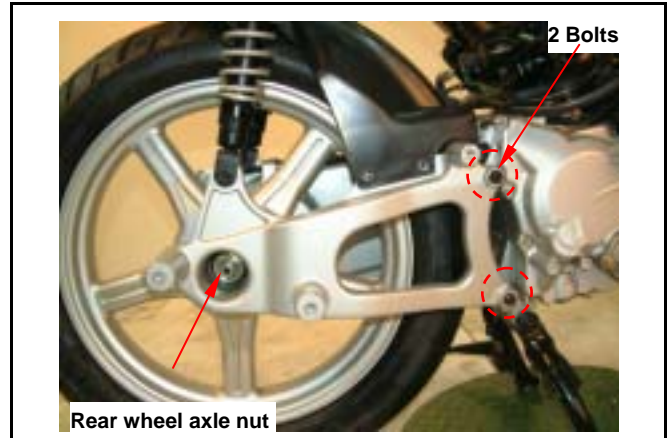


Remove rear inner fender



5. ENGINE REMOVAL

Remove the mounting bolt of right-rear cushion.
 Remove the rear fork mounting bolt. (2 bolts)
 Remove rear wheel mounting nut.



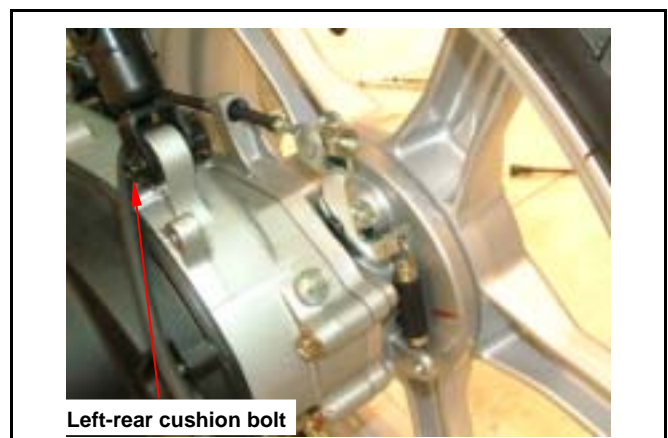
Remove rear fork and collars.



Remove rear wheel.



Remove the mounting bolt of left-rear cushion.

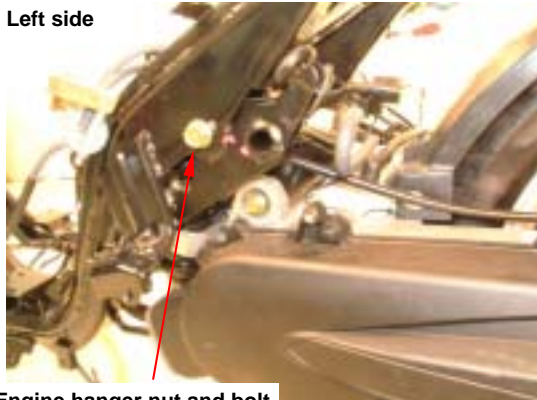


Remove the right and left side engine hanger mounting bolts and nuts, then remove engine.

⚠ Caution

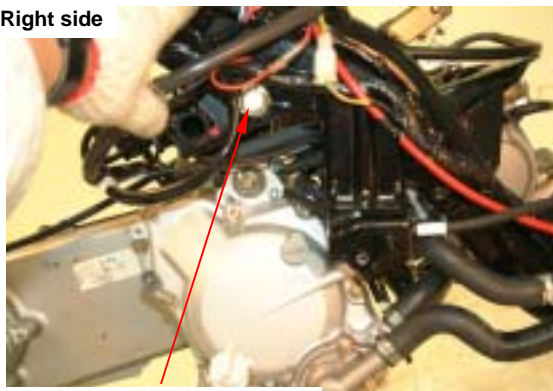
Support engine and frame separately with special supportors to prevent from engine or frame falling down.

Left side



Engine hanger nut and bolt

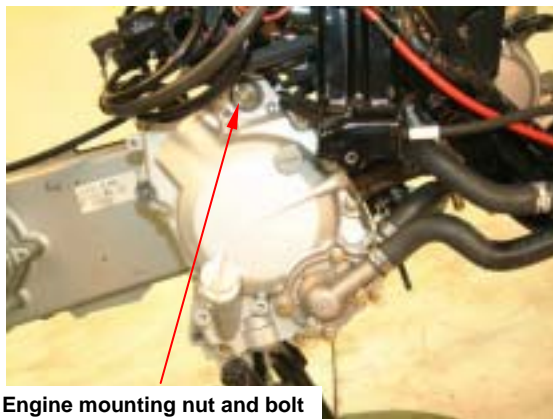
Right side



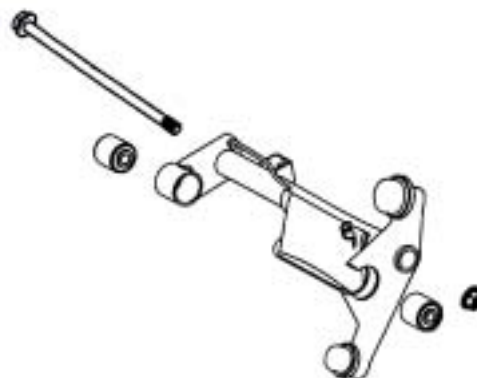
Engine mounting nut and bolt

Engine Hanger removal

Remove the engine mounting bolt and nut, then remove engine hanger.



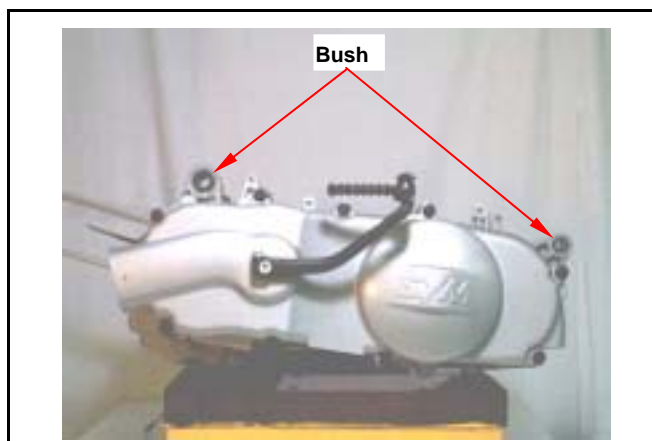
Engine mounting nut and bolt



5. ENGINE REMOVAL

Removal of Engine Hanger Bush

Check if engine hanger bush and cushion rubber bush for damage.



Pressing out

If engine hanger and the rear cushion rubber bush damaged. Then, with the bush remover / presser, \varnothing 30mm & \varnothing 22mm, to press the bush out, and replace it with new one.

Engine hanger bush: **30mm**

Rear cushion bush: **22mm**



Place the detent section of the bush remover toward the bush, and drive both the pressing ring and bolt in to press the bush out.



Pressing In

Place the flat section of the remover toward the bush, and then drive the bush, pressing ring, and bolt in to install the bush.



Engine Hanger Installation

Install engine hanger onto engine.

Install engine mounting bolts & nuts and then tighten the nuts.

Torque value: 4.0~5.0kgf-m

Engine Installation

Check if the bush of engine hanger parts and cushion for damage.

Install engine in the reverse procedures of removal.

Caution

- Pay attention of foot & hand safety as engine installation to avoid hurting.
- Do not bend or twist wires.
- Cables wires have to be routed in accordance with normal layout.
- Small-end bearing collar has to forward to inside (bearing) as assembling the rear fork.

Engine hanger Bolt:

Torque value: 4.0~5.0kgf-m

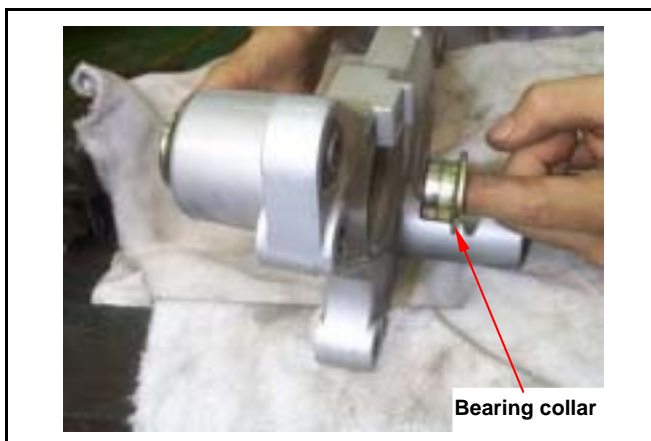
Rear cushion bolt:

Torque value: upper : 3.5~4.5kgf-m

under : 2.4~3.0kgf-m

Rear wheel axle nut:

Torque value: 11.0~13.0kgf-m



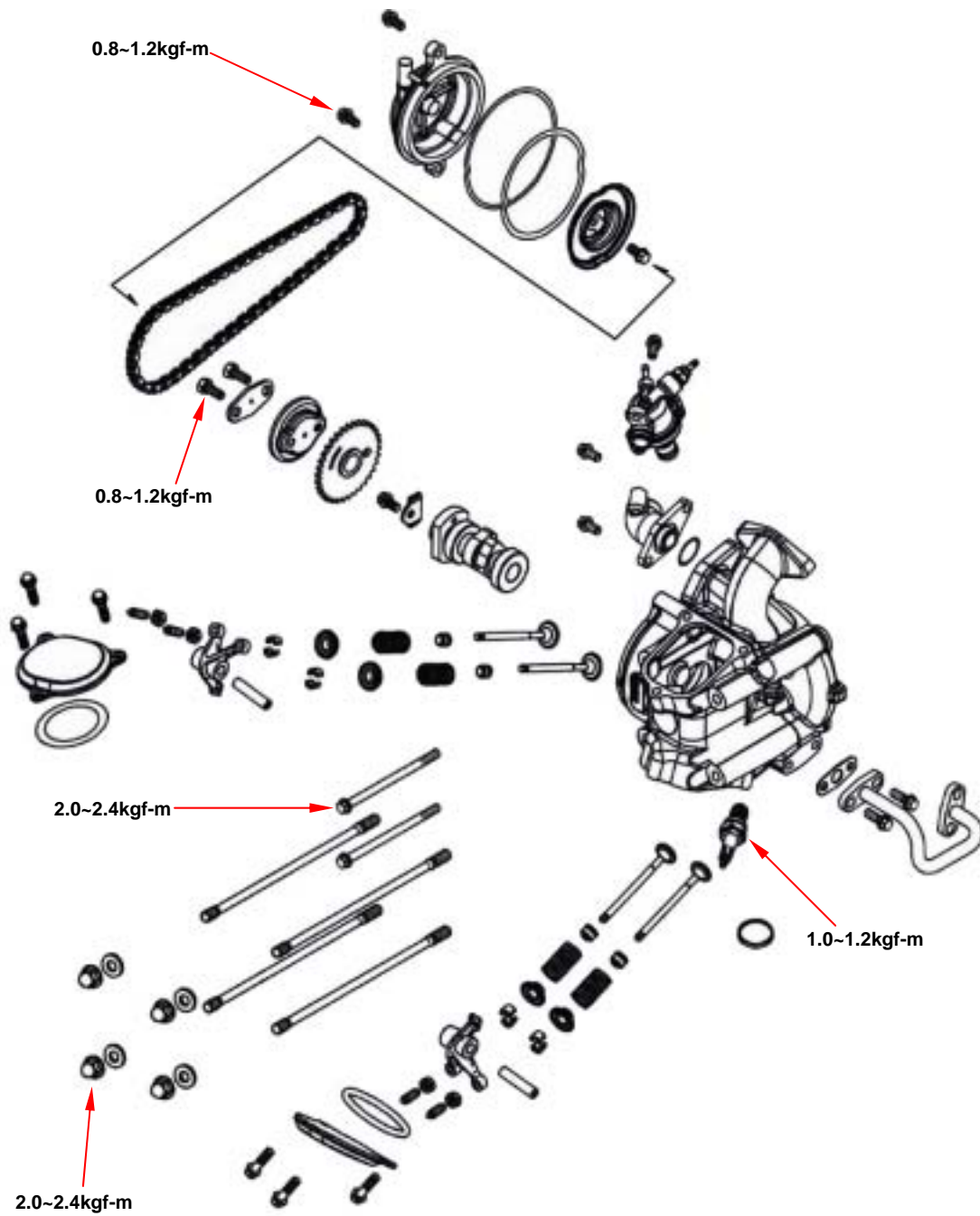
5. ENGINE REMOVAL



Note:

Mechanism Diagram	6-1	Valve Stem Replacement.....	6-8
Precautions in Operation	6-2	Valve Seat Inspection and Service...	6-9
Troubleshooting.....	6-3	Cylinder Head Reassembly.....	6-11
Cylinder Head Removal.....	6-4	Cylinder Head Installation.....	6-12
Cylinder Head Disassembly.....	6-6	Valve Clearance Adjustment.....	6-14
Cylinder Head Inspection.....	6-7		

Mechanism Diagram



6. CYLINDER HEAD/VALVE

Precautions in Operation

General Information

- This chapter is contained maintenance and service for cylinder head, valve, and camshaft as well as rocker arm.
- Cylinder head service can be carried out when engine is in frame.

Specification

Item			Standard	Limit
Compression pressure			12+/-2 kg/cm ²	---
Camshaft	Height of cam lobe	Intake	30.800~30.920	3.075
		Exhaust	30.411~30.531	30.26
Rocker arm	ID of valve rocker arm		12.000~12.018	12.10
	OD of valve rocker arm shaft		11.966~11.984	11.910
Valve	OD of valve stem	Intake	4.975~4.990	4.900
		Exhaust	4.955~4.970	4.900
	Guide seat		5.000~5.012	5.030
	Clearance between valve stem and guide	Intake	0.010~0.037	0.080
		Exhaust	0.030~0.057	0.100
	Free length of valve spring		35.000	31.500
	Valve seat width		1.000	1.6
Tilt angle of cylinder head			---	0.05

Torque Value

Cylinder head bolt (LH)	2.0~2.4kgf-m
Cylinder head Nut	2.0~2.4kgf-m
Sealing bolt of cam chain auto-tensioner	0.8~1.2kgf-m
Bolt of cam chain auto-tensioner	1.2~1.6kgf-m
Cam sprocket cover bolts	0.8~1.2kgf-m
Cam sprocket bolt	0.8~1.2kgf-m
Spark plug	1.0~1.2kgf-m

Tools

Special service tools

Valve reamer: 5.0mm
 Valve guide driver: 5.0mm
 Valve spring compressor

Troubleshooting

Engine performance will be effected by troubles on engine top parts. The trouble usually can be determined or by performing cylinder compression test and judging the abnormal noise generated.

Low compression pressure

1. Valve

- Improper valve adjustment
- Burnt or bent valve
- Improper valve timing
- Valve spring damage
- Valve carbon deposit.

2. Cylinder head

- Cylinder head gasket leaking or damage
- Tilt or crack cylinder

3. Piston

- Piston ring worn out.

High compression pressure

- Too much carbon deposit on combustion chamber or piston head

Noise

- Improper valve clearance adjustment
- Burnt valve or damaged valve spring
- Camshaft wear out or damage
- Chain wear out or looseness
- Auto-tensioner wear out or damage
- Camshaft sprocket
- Rocker arm or rocker arm shaft wear out

6. CYLINDER HEAD/VALVE

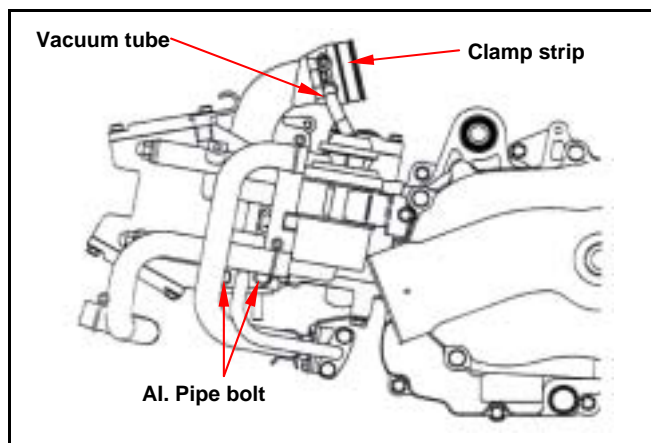
Cylinder Head Removal

Remove seat, luggage box and body cover.

Remove engine. (Refer to chapter 5)

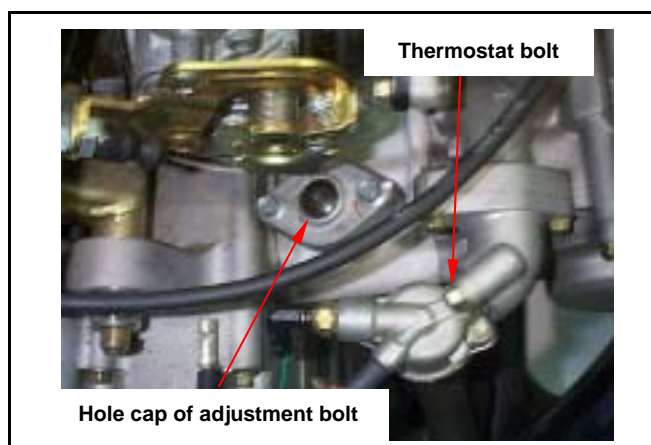
Remove the clamp strip bolt of carburetor, and disconnect vacuum tube from the carburetor insulator.

Remove Air Injection system (AI) pipe mounting bolt.

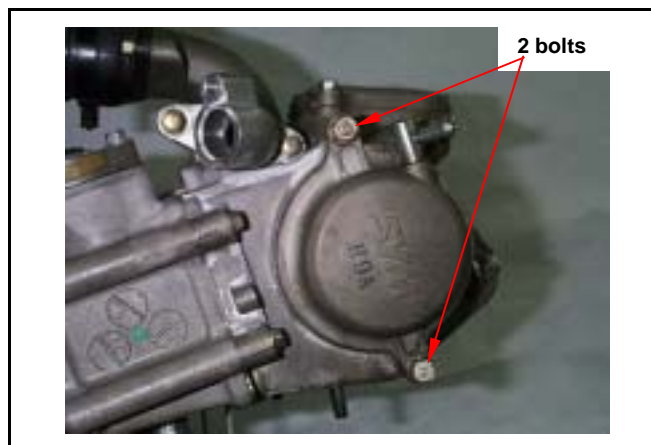


Remove 1 bolt of thermostat and then remove the thermostat.

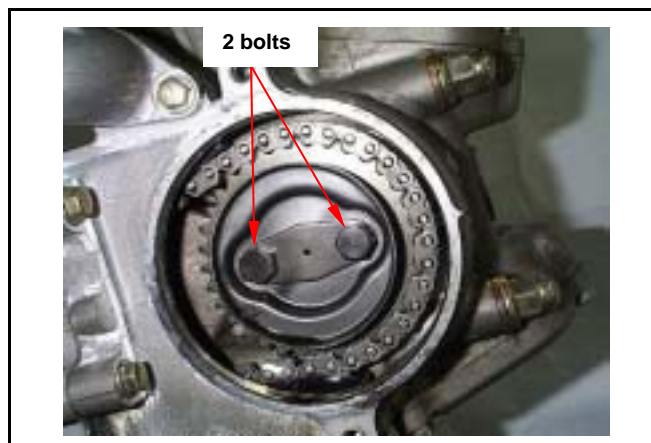
Remove hole cap for the adjustment bolt of cam chain tensioner, and then loosen the tensioner by turning a flat-driver in C.W direction.



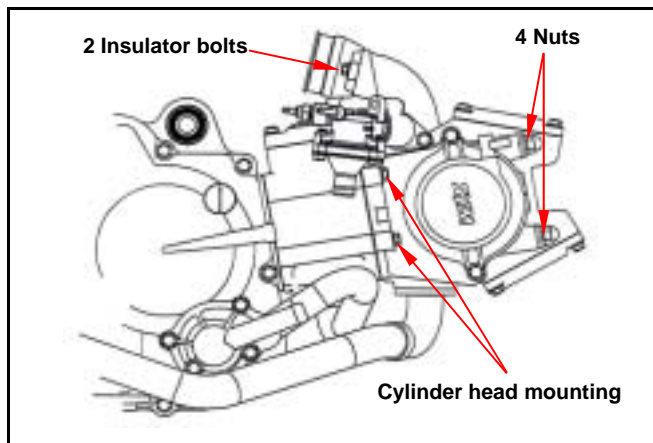
Remove the side cover mounting bolts of cylinder head, and then take out the side cover.



Remove cam sprocket bolts and then remove the sprocket by prying chain out.



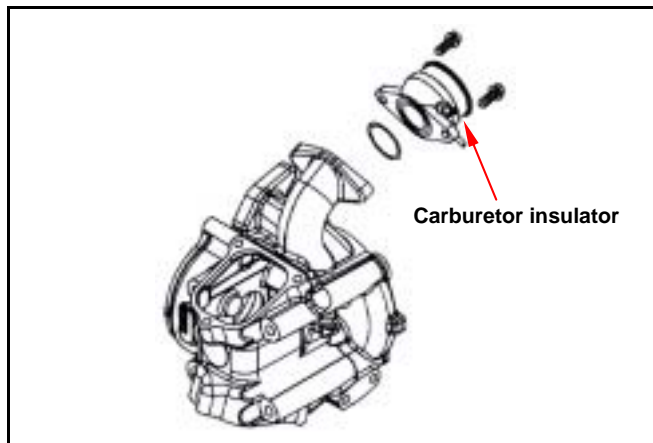
Remove the 2 cylinder head mounting bolts from cylinder head right side, and then remove 4 nuts and washers from cylinder head upper side.



Remove the cylinder head.



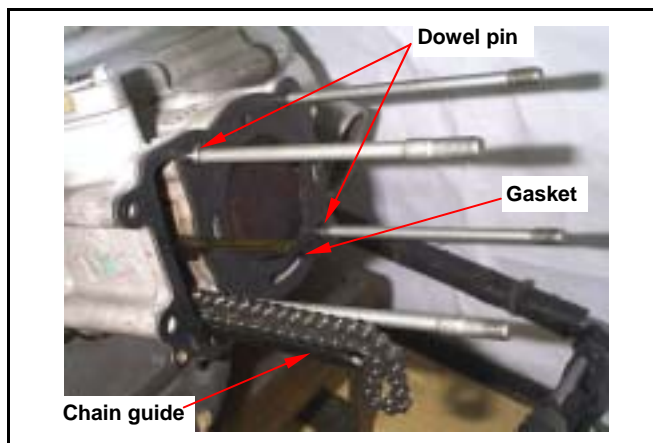
Remove 2 bolts of carburetor insulator and then take the insulator out.



Remove cylinder head gasket and 2 dowel pins. Remove chain guide. Clean up residues from the matching surfaces of cylinder and cylinder head.

⚠ Caution

- Do not damage the matching surfaces of cylinder and cylinder head.
- Avoid residues of gasket or foreign materials falling into crankcase as cleaning.



6. CYLINDER HEAD/VALVE

Cylinder Head Disassembly

Remove the hole cap of intake & exhaust valve clearance adjustment. There are 6 bolts. Then, remove the cap.



Remove the rocker arm pin stopper plate, and then screw a 5mm bolt into the rocker arm pin. Finally, remove the pin and the rocker arm.

Screw a 6 mm bolt into cam sprocket mounting bolt hole, and then pull the camshaft out.



Use a valve compressor to press the valve spring.

Caution

- In order to avoid losing spring elasticity, do not press the spring too much. Thus, press length is based on the valve cotter in which can be removed.

Special Service Tool:

Valve spring remover (SYM-1471110)

Valve spring installer (SYM-1471120)



Remove valve stem guide seal.
Clean carbon deposits in combustion chamber.
Clean residues and foreign materials on cylinder head matching surface.

Caution

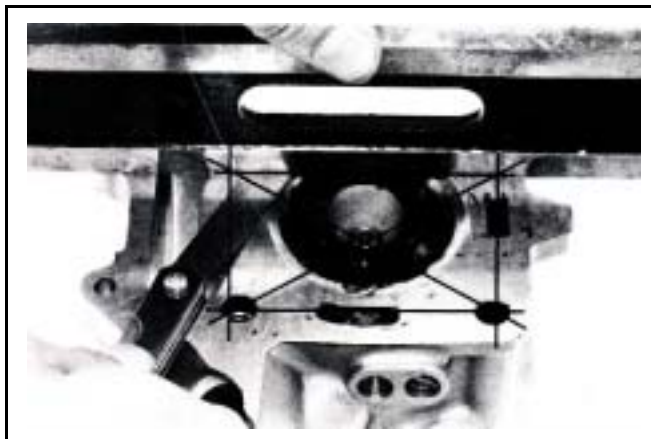
Do not damage the matching surface of cylinder head.



Cylinder Head Inspection

Check if spark plug and valve holes are cracked. Measure cylinder head warp with a straightedge and thickness gauge.

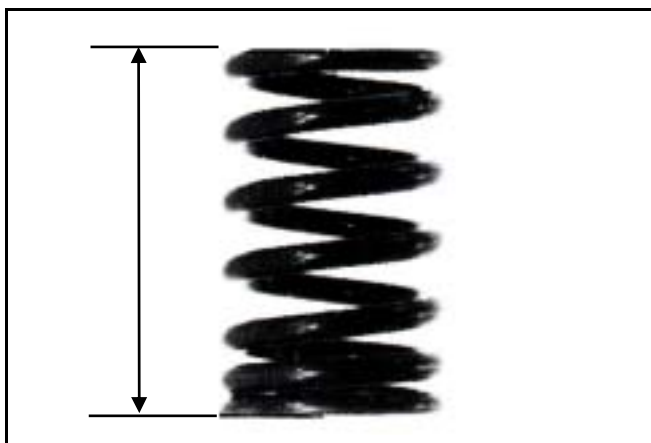
Service limit: 0.5 mm



Valve spring free length

Measure the free length of intake and exhaust valve springs.

Service limit: 28.90 mm

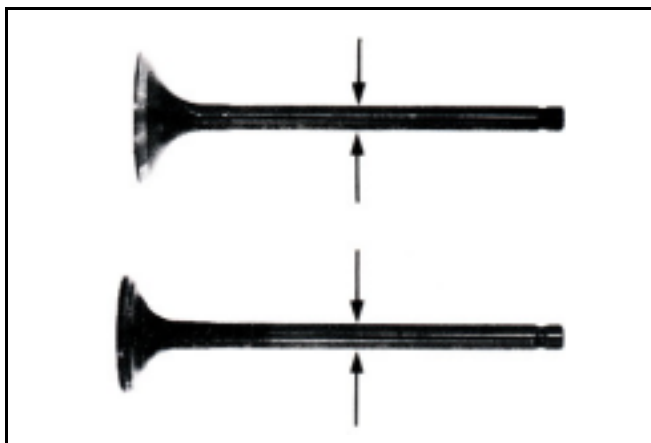


Valve stem

Check if valve stems are bend, crack or burn. Check the operation condition of valve stem in valve guide, and measure & record the valve stem outer diameter.

Service Limit: IN: 4.90 mm

EX: 4.90 mm



Valve guide

Caution

Before measuring the valve guide, clean carbon deposits with reamer.

Tool: 5.0 mm valve guide reamer

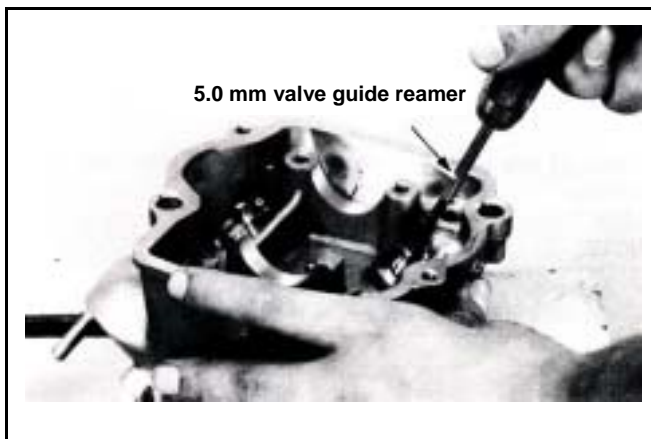
Measure and record each valve guide inner diameters.

Service limit: 5.03 mm

The difference that the inner diameter of valve guide deducts the outer diameter of valve stem is the clearance between the valve stem and valve guide.

Service Limit: IN 0.08 mm

EX 0.10 mm



6. CYLINDER HEAD/VALVE

Caution

If clearance between valve stem and valve guide exceeded service limit, check whether the new clearance that only replaces new valve guide is within service limit or not. If so, replace valve guide.

Correct it with reamer after replacement.
If clearance still exceeds service limit after replaced valve guide, replace valve stem too.

Caution

It has to correct valve seat when replacing valve guide.

Valve Stem Replacement

Heat up cylinder head to 100~150 °C with heated plate or toaster.

Caution

- Do not let torch heat cylinder head directly. Otherwise, the cylinder head may be deformed as heating it.
- Wear on a pair of glove to protect your hands when operating.

Hold the cylinder head, and then press out old valve guide from combustion chamber side.

Tool: Valve guide driver: 5.0 mm

Caution

- Check if new valve guide is deformation after pressed it in.
- When pressing in the new valve guide, cylinder head still have to be kept in 100~150 °C.

Adjust the valve guide driver and let valve guide height is in 13 mm.

Press in new valve guide from rocker arm side.

Tool: Valve guide driver: 5.0 mm

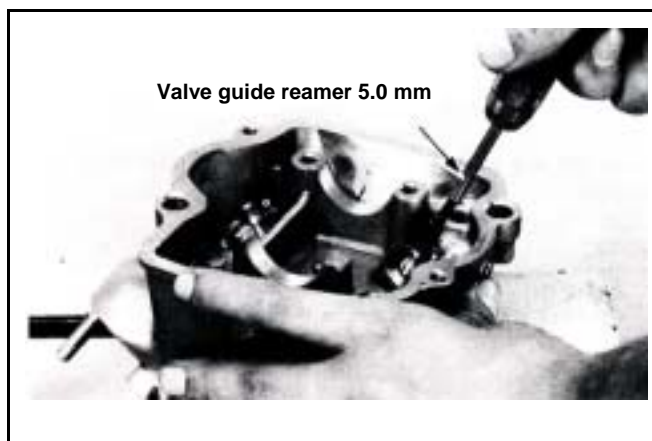
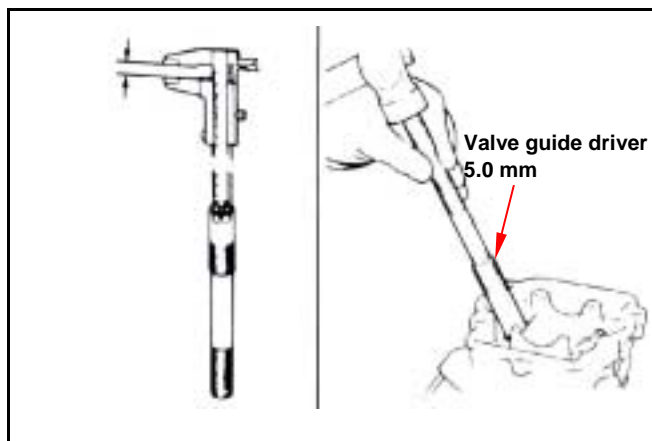
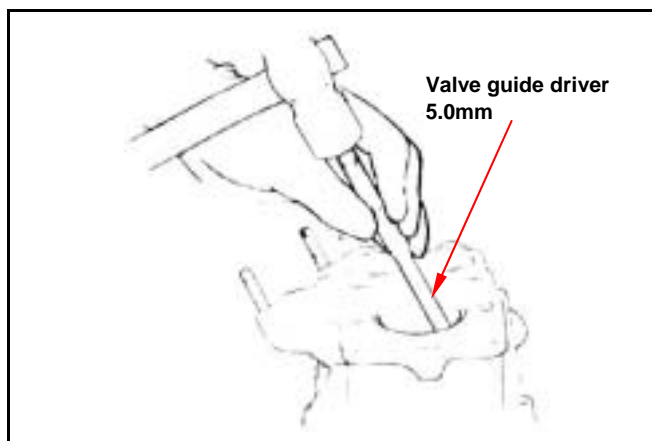
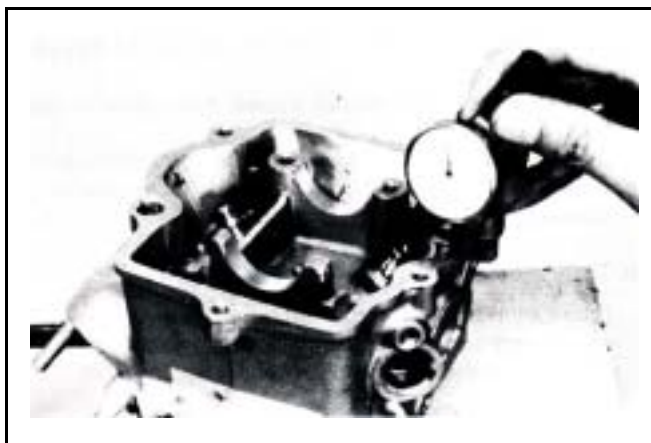
Wait for the cylinder head cooling down to room temperature, and then correct the new valve guide with reamer.

Caution

- Using cutting oil when correcting valve guide with a reamer.
- Turn the reamer in same direction when it be inserted or rotated.

Correct valve seat, and clean up all metal residues from cylinder head.

Tool: Valve guide reamer: 5.0 mm



Valve Seat Inspection and Service

Clean up all carbon deposits onto intake and exhaust valves.
 Apply with emery slightly onto valve contact face.
 Grind valve seat with a rubber hose or other manual grinding tool.

⚠ Caution

- Do not let emery enter into between valve stem and valve guide.
- Clean up the emery after corrected, and apply with engine oil onto contact faces of valve and valve seat.

Remove the valve and check its contact face.

⚠ Caution

Replace the valve with new one if valve seal is roughness, wear out, or incomplete contacted with valve seat.

Valve seat inspection

If the valve seat is too width, narrow or rough, correct it.

Valve seat width

Service limit: 1.6mm

Check the contact condition of valve seat.

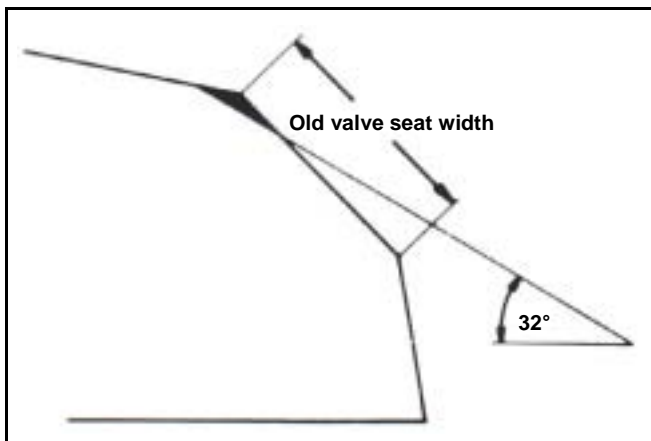
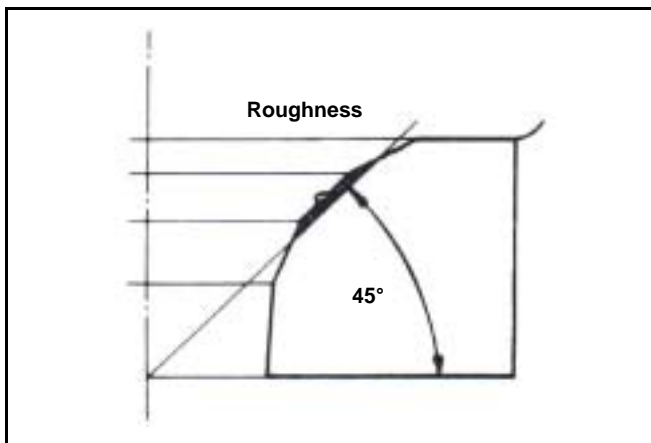
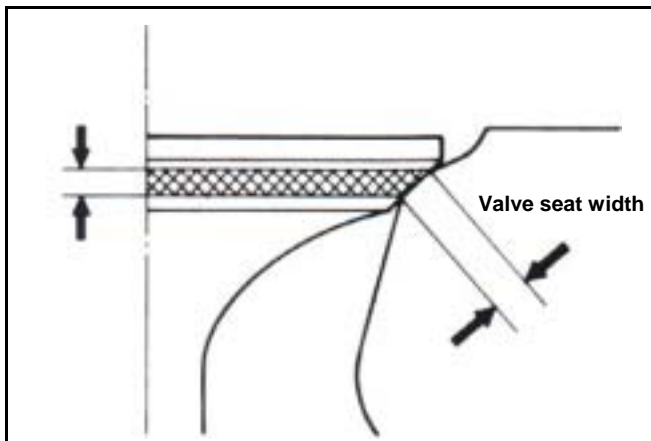
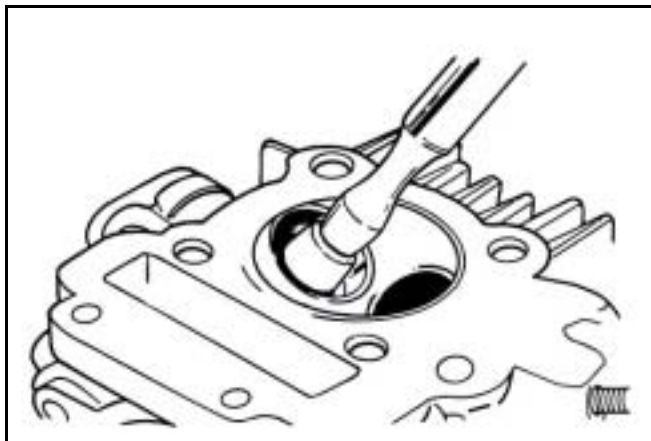
Valve seat grinding

The worn valve seat has to be ground with valve seat chamfer cutter.
 Refer to operation manual of the valve seat chamfer cutter.
 Use 45° valve seat chamfer cutter to cut any rough or uneven surface from valve seat.

⚠ Caution

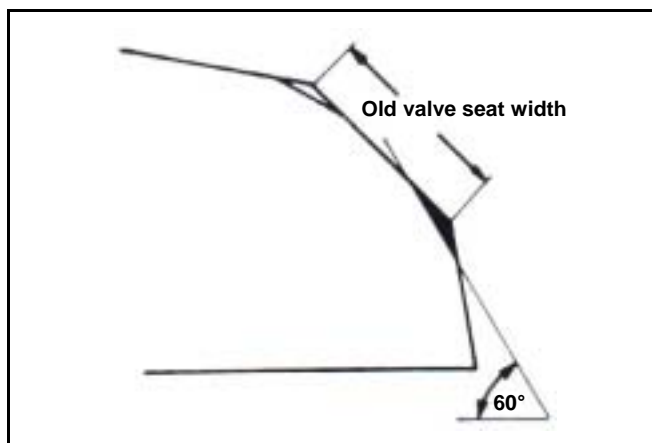
After valve guide had been replaced, it has to be ground with 45° valve seal chamfer cutter to correct its seat face.

Use 32° cutter to cut a quarter upper part out.



6. CYLINDER HEAD/VALVE

Use 60° cutter to cut a quarter lower part out.
Remove the cutter and check new valve seat.

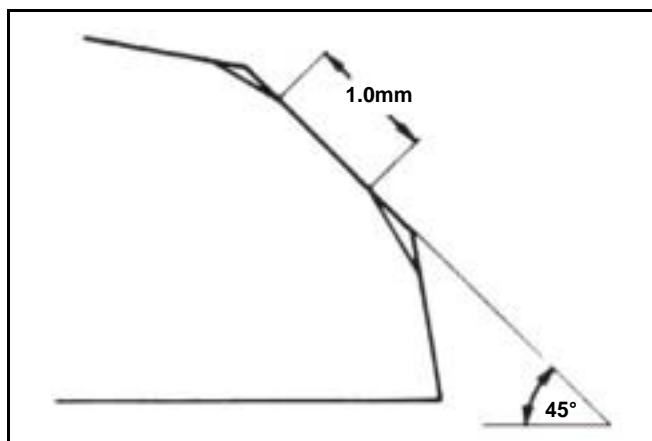


Use 45° cutter to grind the valve seat to specified width.

Caution

Make sure that all roughness and uneven faces had been ground.

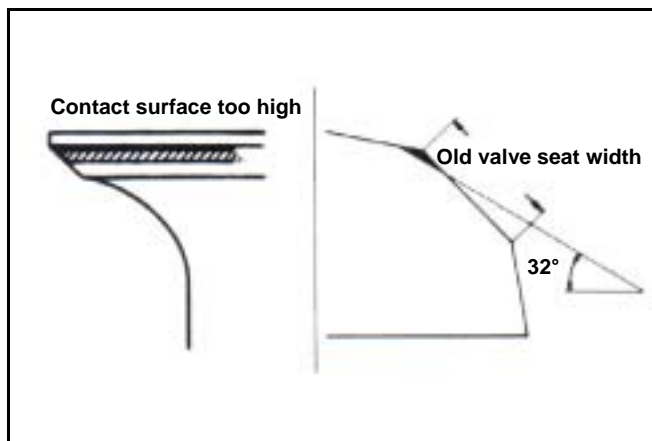
Grind valve seat again if necessary.



Coat the valve seat surface with red paint.
Install the valve through valve guide until the valve contacting with valve seat, slightly press down the valve but do not rotate it so that a seal track will be created on contact surface.

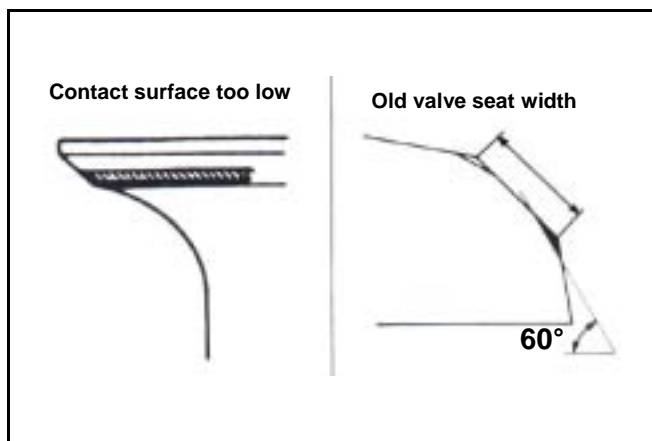
Caution

The contact surfaces of valve and valve seat are very important to the valve sealing capacity.

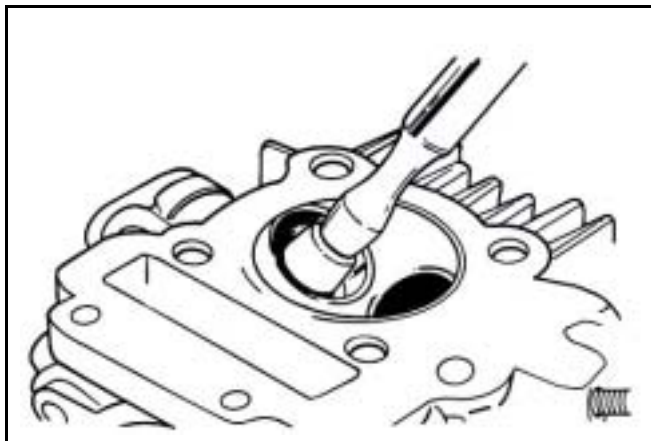


If the contact surface too high, grind the valve seat with 32° cutter.
Then, grind the valve seat to specified width.

If the contact surface too low, grind the valve seat with 60° cutter.
Then, grind the valve seat to specified width.



After the valve seat ground, coat valve seat surface with emery and then slightly press the ground surface.
Clean up all emery coated onto cylinder and valve after ground.

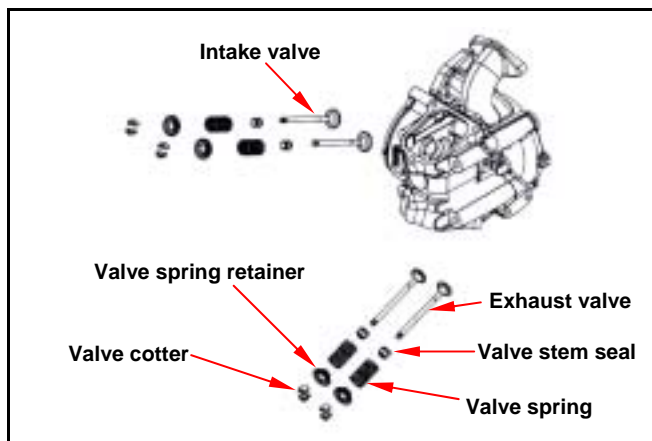


Cylinder Head Reassembly

Lubricate valve stem with engine oil, and then insert the valve into valve guide.
Install new valve stem oil seal.
Install valve springs and retainers.

Caution

The closed coils of valve spring should face down to combustion chamber.



Use valve spring compressor to press valve spring.

Caution

In order to avoid damaging the valve stem and the cylinder head, in the combustion chamber place a rag between the valve spring remover/installer as compressing the valve spring directly.

Special Service Tool:

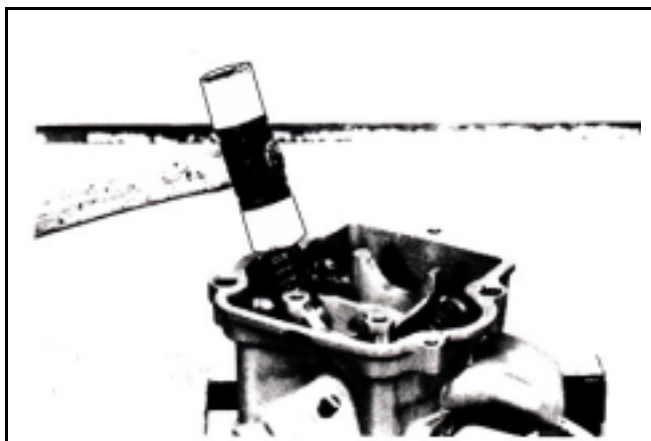
Valve spring remover (SYM-1471110)

Valve spring installer (SYM-1471120)

Tap valve stem to make valve retainer and valve stem sealing properly.

Caution

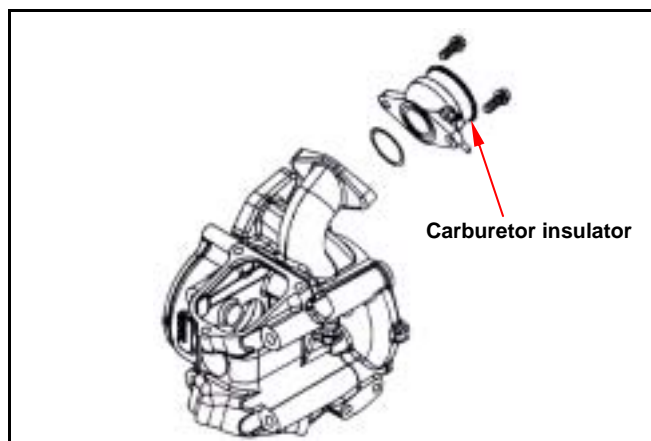
Place and hold cylinder head on to working table so that can prevent from valve damaged.



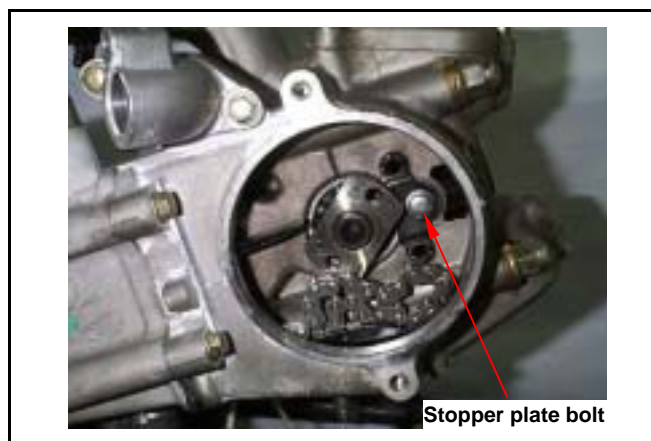
6. CYLINDER HEAD/VALVE

Cylinder Head Installation

Install a new O-ring into the indent of carburetor insulator, and then install the insulator onto cylinder head with 2 bolts.



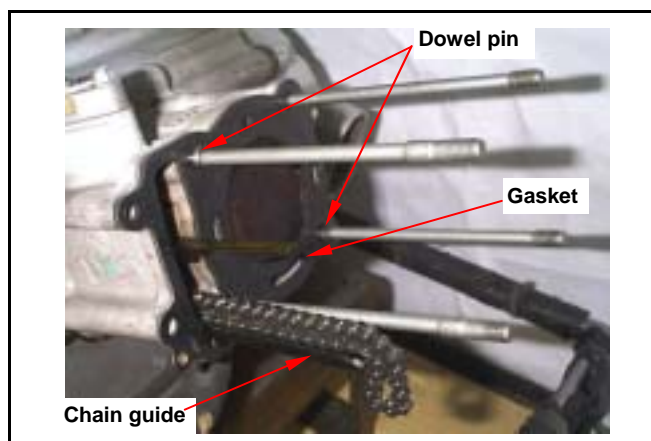
Install camshaft into cylinder head, and align rocker pin with rocker arm pin hole. Then, insert the rocker arm pin.
Install rocker arm pin mounting plate.



Clean up all residues and foreign materials onto the matching surfaces of both cylinder and cylinder head.
Install chain guide.
Install 2 set pins and cylinder head gasket.

Caution

Do not damage the matching surfaces of cylinder and cylinder head.
Avoid residues of gasket or foreign materials falling into crankcase as cleaning.



Loosen the tensioner by turning a flat-driver in C.W direction.
Install cylinder head.



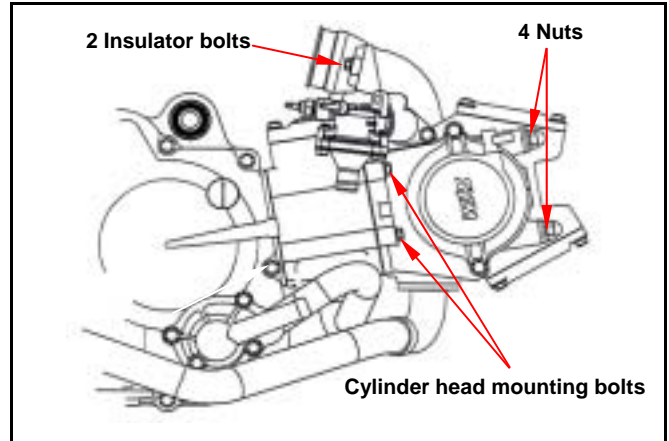
Tighten 4 nuts and washers on the cylinder head upper side, and then tighten 2 cylinder head mounting bolts of cylinder head side cover.

Torque value: 2.0~2.4kgf-m

Install and tighten spark plug
Torque value: 2.0~2.4kgf-m

⚠ Caution

This model is equipped with more precision 4-valve mechanism so its tighten torque can not be exceeded standard value in order to avoid causing cylinder head deformation, engine noise and leaking so that motorcycle's performance be effected.

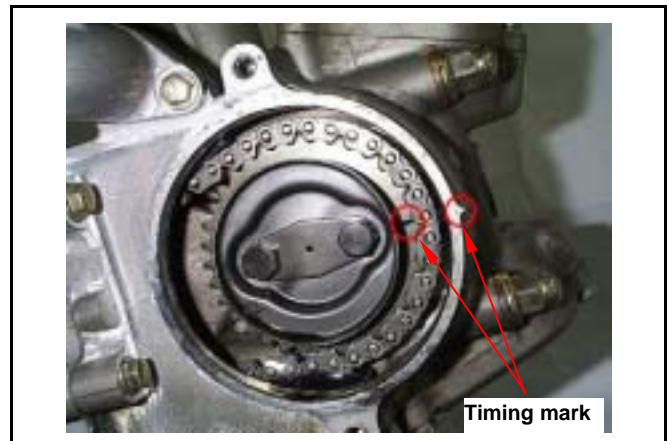


Install cam chain on to sprocket and align the timing mark on the sprocket with that of cylinder head.

Align sprocket bolt hole with camshaft bolt hole. Tighten the sprocket mounting bolt.

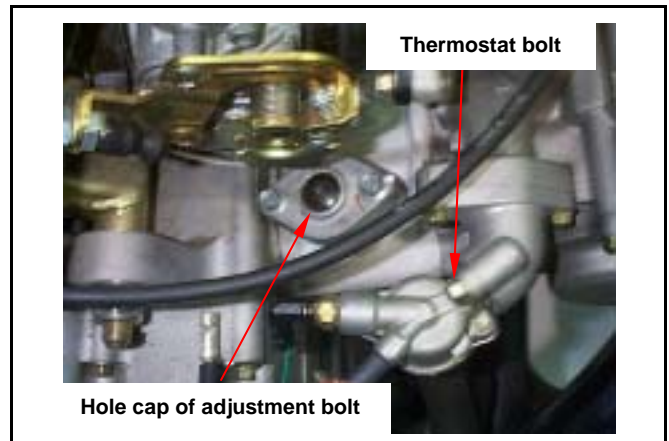
⚠ Caution

Make sure timing marks are matched.

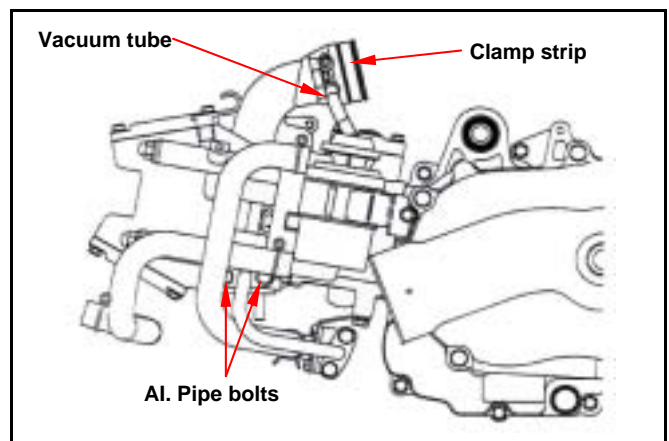


Install a new O-ring onto thermostat and tighten its mounting bolts.

Loosen sprocket chain tensioner and let it contact with chain plate tightly. Tighten the bolt cap of tensioner adjustment hole.



Install Air Injection system (AI) pipe. (2 bolts)
 Install carburetor insulator onto carburetor and tighten clamp strip bolt. Install the vacuum hose of carburetor insulator.



6. CYLINDER HEAD/VALVE

Valve Clearance Adjustment

Loosen valve clearance adjustment nuts and bolts located on valve rocker arm.

Measure and adjust valve clearance with feeler gauge.

After valve clearance had been adjusted to standard value, hold adjustment bolt and then tighten the Adjustment nut.

Standard Value: IN 0.12 ± 0.02 mm
EX 0.12 ± 0.02 mm

Install the valve clearance adjustment hole cap. (3 bolts)

Caution

The gasket is paper type. In case of broken, replace it and clean the Remnant gasket.

Start the engine after assembly. Remove the intake valve adjustment hole cap and make sure that engine oil flows onto the cylinder head. Stop the engine after confirmed, and then install the intake valve adjustment hole cap.

Install the seat, luggage box and the body cover.

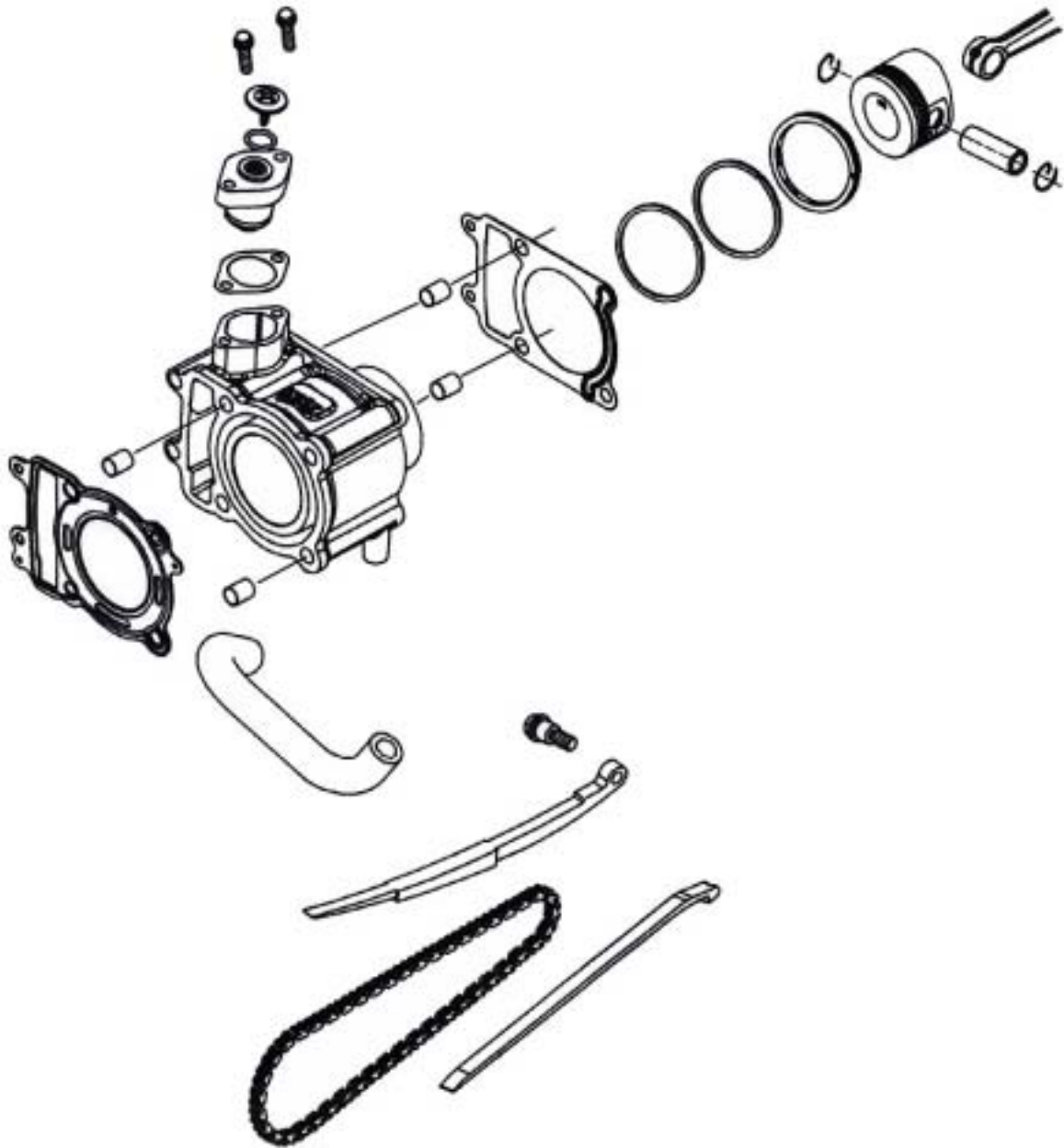
Caution

- If lubricant does not flow to cylinder head, engine components will be worn out seriously. Thus, it must be confirmed.
- When checking lubricant flowing condition, run the engine in idle speed. Do not accelerate engine speed.



Mechanism Diagram	7-1	Piston Removal	7-4
Precautions in Operation	7-2	Piston Ring Installation	7-6
Trouble Diagnosis.....	7-2	Piston Installation	7-7
Cylinder Removal.....	7-3	Cylinder Installation.....	7-7

Mechanism Diagram



7. CYLINDER/PISTON

Precautions in Operation

General Information

- Both cylinder and piston service cannot be carried out when engine mounted on frame.

Specification Unit : mm

LH12W & LH18W

Item		Standard	Limit	
Cylinder	ID (LA18W not included)	56.995~57.015	57.016	
	Bend	-	0.050	
Piston/ Piston ring	Clearance between piston rings	Top ring	0.015~0.050	
		2 nd ring	0.015~0.050	
	Ring-end gap	Top ring	0.150~0.300	
		2 nd ring	0.300~0.450	
		Oil ring side rail	0.200~0.700	
	OD of piston (LA18W not included)		56.985~57.005	56.900
	Clearance between piston and cylinder		0.010~0.040	0.100
ID of piston pin boss		15.002~15.008	15.040	
OD of piston pin		14.960~15.000	14.930	
Clearance between piston and piston pin		0.002~0.014	0.020	
ID of connecting rod small-end		15.016~15.034	15.060	

LH18W

Item		Standard	Limit
Cylinder	ID	60.995~61.015	61.016
Piston	OD of piston	60.985~61.005	60.900

Trouble Diagnosis

Low or Unstable Compression Pressure

- Cylinder or piston ring worn out

Knock or Noise

- Cylinder or piston ring worn out
- Carbon deposits on cylinder head top-side
- Piston pin hole and piston pin wear out

Smoking in Exhaust Pipe

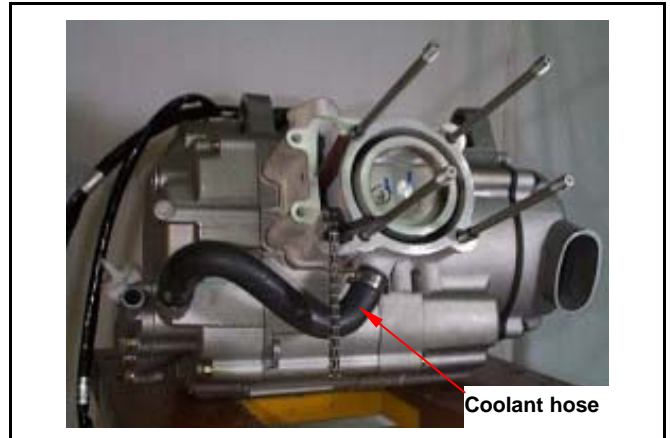
- Piston or piston ring worn out
- Piston ring installation improperly
- Cylinder or piston damage

Engine Overheat

- Carbon deposits on cylinder head top side
- Cooling pipe clogged or not enough in coolant flow

Cylinder Removal

Remove cylinder head (refer to chapter 6).
Remove coolant hose from cylinder.
Remove cylinder.



Remove cylinder gasket and dowel pin.
Cover the holes of crankcase and cam chain with a piece of cloth.
Clean up all residues or foreign materials from the two matching surfaces of cylinder and crankcase.

Caution

- Soap the residues into solvent so that the residues can be removed more easily.



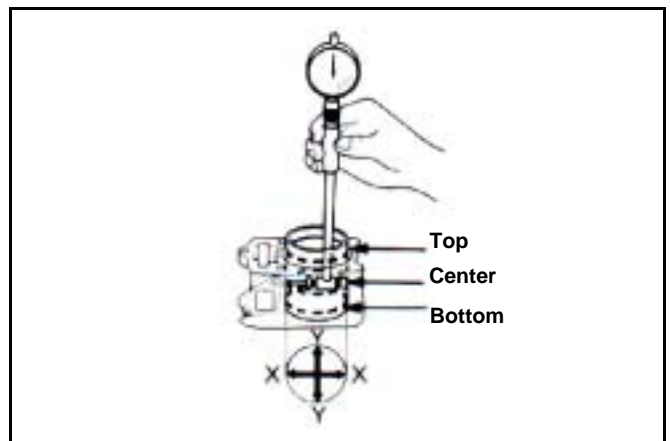
Inspection

Check if the inner diameter of cylinder is wear out or damaged.

In the 3 positions, top, center and bottom, of cylinder, measure the X and Y values respective in the cylinder.

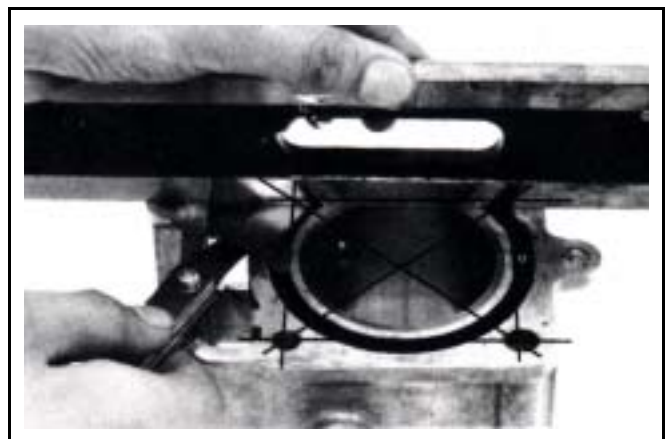
Service limit: LH12W: 57.016

LH18W: 61.10 mm



Check cylinder if warp.

Service limit: 0.05 mm



7. CYLINDER/PISTON

Piston Removal

Plug crankcase opening with a cleaning cloth to prevent from piston pin snap ring or other foreign materials falling into crankcase when disassembling.

Hold another snap ring with pliers.

Push out the piston pin from the side that not removed the snap ring.



Inspection

Measure clearance between piston ring and its grooves.

Service Limit: Top ring: 0.09 mm
2nd ring: 0.09 mm



Remove piston rings

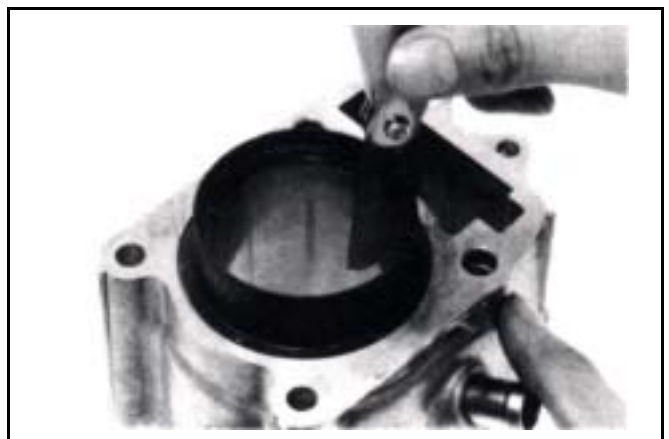
Check if the piston rings are damaged or its grooves are worn.

Caution

Pay attention to remove piston rings because they are fragile.

Place piston rings respective into cylinder below 20 mm of cylinder top. In order to keep the piston rings in horizontal level in cylinder, push the rings with piston.

Service Limit: Top ring: 0.50 mm
2nd ring: 0.65 mm



Measure the outer diameter of piston pin.

Service Limit: 15.040 mm



Measure the inner diameter of connecting rod small end.

Service Limit: 15.06 mm



Measure the inner diameter of piston pin hole.

Service Limit: 15.04 mm

Calculate clearance between piston pin and its hole.

Service Limit: 0.02 mm



Measure piston outer diameter.

Caution

The measurement position is 10 mm distance from piston bottom side, and 90° to piston pin.

Service limit : 60.90 mm

Compare measured value with service limit to calculate the clearance between piston and cylinder.



7. CYLINDER/PISTON

Piston Ring Installation

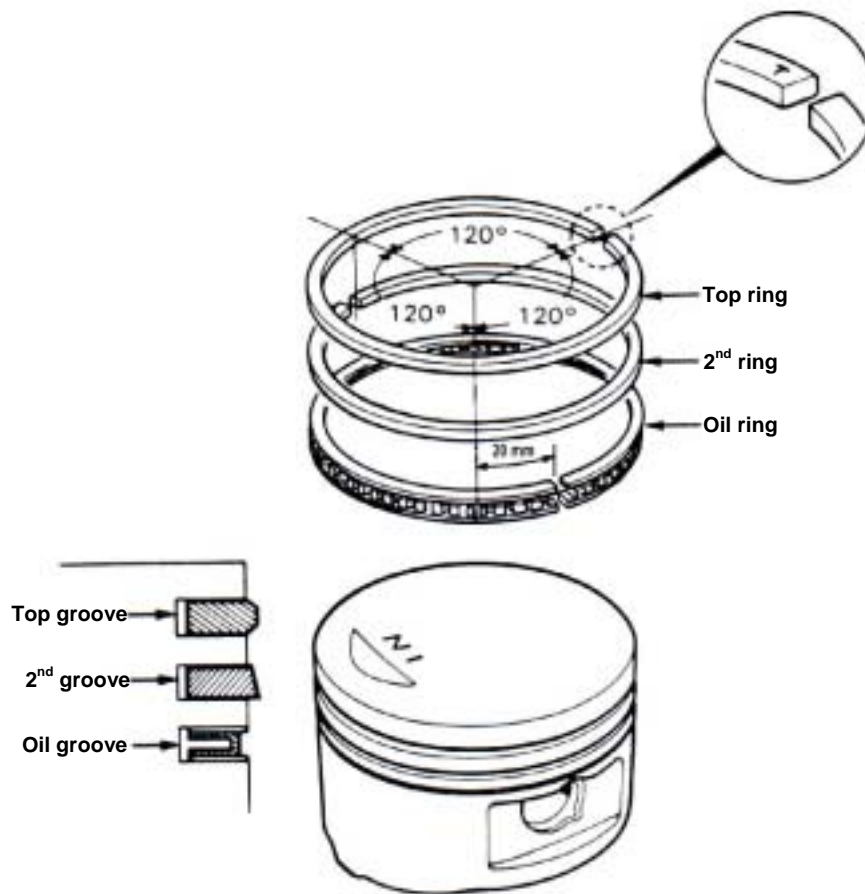
Clean up piston top, ring groove, and piston surface.

Install the piston ring onto piston carefully.

Place the openings of piston ring as diagram shown.

Caution

- Do not damage piston and piston rings as installation.
- All marks on the piston rings must be forwarded to up side.
- Make sure that all piston rings can be rotated freely after installed.



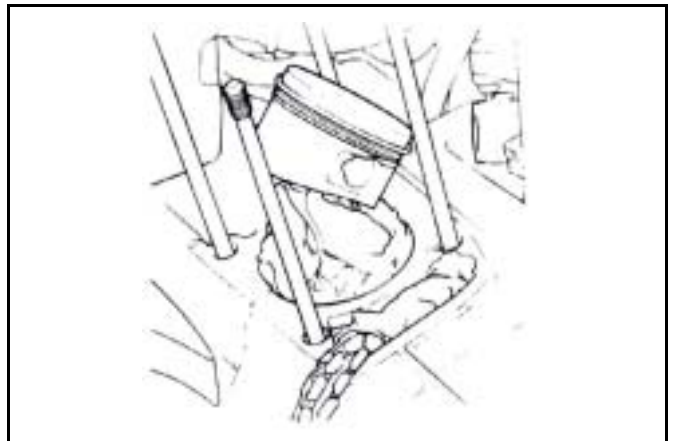
Piston Installation

Install piston and piston pin, and place the IN marks on the piston top side forward to intake valve.

Install new piston pin snap ring.

Caution

- Do not let the opening of piston pin snap ring align with the opening piston ring.
- Place a piece of cloth between piston and crankcase in order to prevent snap ring from falling into crankcase as operation.



Cylinder Installation

Clean up all residues and foreign materials on the matching surface of crankcase. Pay attention to not let these residues and foreign materials fall into crankcase.

Caution

Soap the residues into solvent so that the residues can be removed more easily.

Install dowel pins and new gasket.

Coat engine oil to inside of cylinder, piston and piston rings.

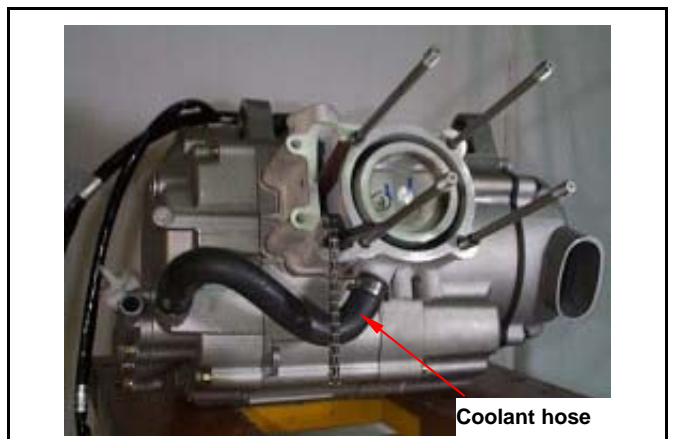
Care to be taken when installing piston into cylinder. Press piston rings in one by one as installation.

Caution

Do not push piston into cylinder forcefully because piston and piston rings will be damaged.

Install coolant hose onto cylinder.

Install cylinder head (refer to Chapter 6).



7. CYLINDER/PISTON

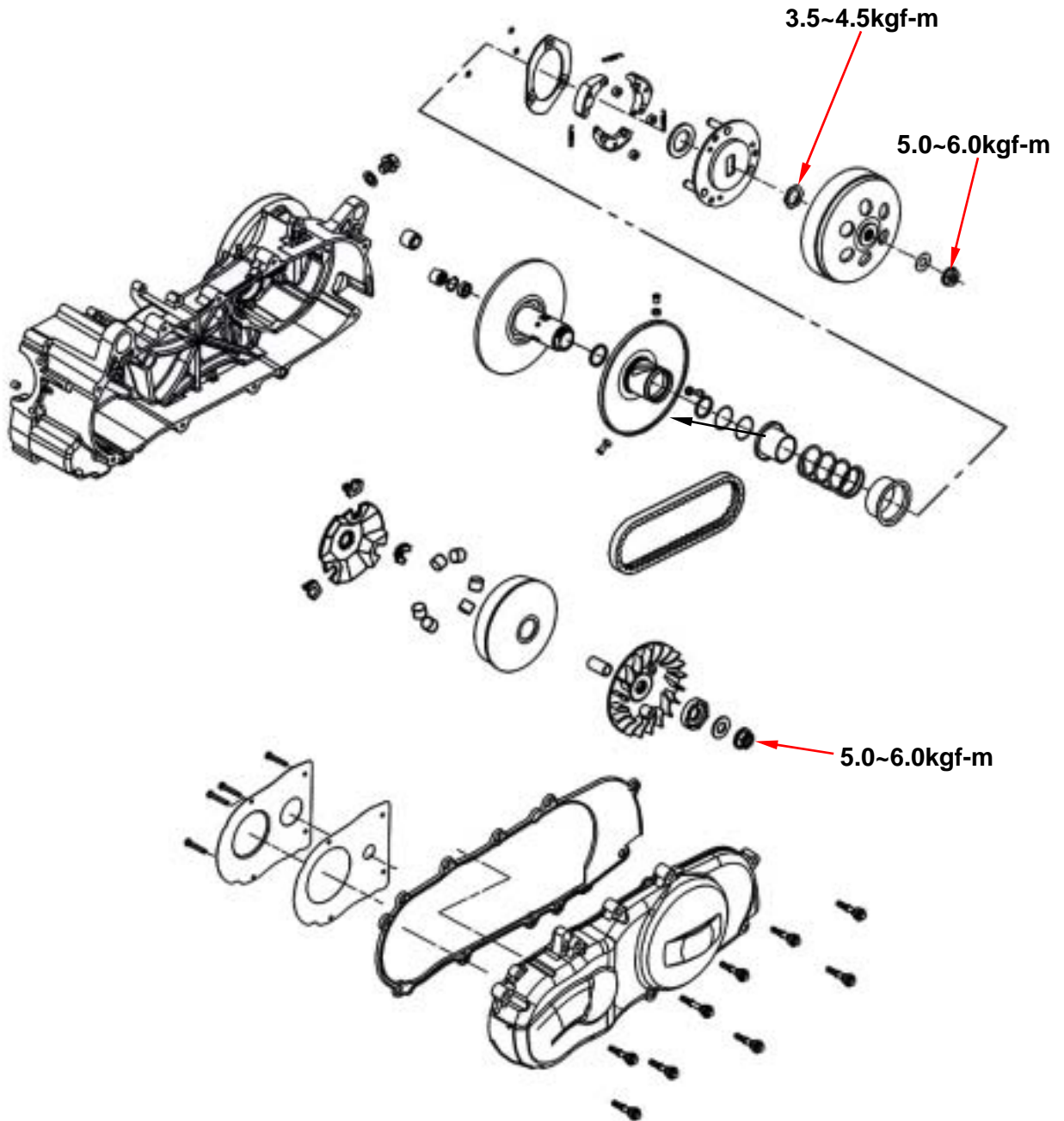


Notes:

8. V-BELT DRIVING SYSTEM/KICK STARTER

Mechanism Diagram 8-1	Driving Belt.....8-4
Maintenance Description..... 8-2	Drive Face.....8-6
Trouble Diagnosis 8-2	Clutch Outer/Driven Pulley.....8-9
Left Crankcase Cover 8-3	

Mechanism Diagram



8. V-BELT DRIVING SYSTEM/KICK STARTER



Maintenance Description

Precautions in Operation

General Information

- Drive face, clutch outer, and driven pulley can be serviced on the motorcycle.
- Driving belt and driving pulley must be free of grease.

Specification Unit : mm

Item	Standard value (mm)	Limit (mm)
Driving belt width	19.000	17.500
ID of drive face boss	27.000~27.021	27.060
OD of drive face	26.970~26.990	26.940
OD of roller	19.950~20.100	19.500
ID of clutch outer	130.000~130.200	130.500
Thickness of clutch weight	4.000~4.100	2.000
Free length of driven pulley spring	88.300	83.200
OD of driven pulley	33.965~33.985	33.940
ID of drive face	34.000~34.025	34.060

Torque value

- Driven face nut: 5.0~6.0kgf-m
- Clutch outer nut: 5.0~6.0kgf-m

Special Service Tools

Clutch spring compressor: SYM-2301000
 Inner bearing puller: SYM-6204002
 Clutch nut wrench 39 x 41 mm: SYM-9020200
 Universal holder: SYM-2210100
 Bearing driver: SYM-9100100

Trouble Diagnosis

Engine can be started but motorcycle can not be moved

1. Worn driving Belt
2. Worn drive face
3. Worn or damaged clutch weight
4. Broken driven pulley

Insufficient horsepower or poor high speed performance

1. Worn driving belt
2. Insufficient spring force of driven pulley
3. Worn roller
4. Driven pulley operation un-smoothly

Shudder or misfire when driving

1. Broken clutch weight
2. Worn clutch weight



8. V-BELT DRIVING SYSTEM/KICK STARTER

Left Crankcase Cover

Left crankcase cover removal

Remove body cover.

Remove air cleaner. (2 bolts)

Remove L crankcase cover. (7 bolts)



Left crankcase cover install

Install left crankcase cover in the reverse procedures of removal.



8. V-BELT DRIVING SYSTEM/KICK STARTER



Driving Belt

Removal

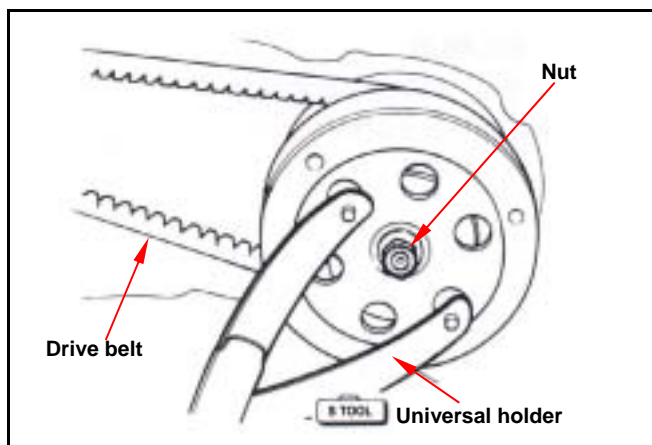
Remove left crankcase cover
Hold drive face with universal holder, and remove nut and drive face.



Hold clutch outer with universal holder, and remove nut and clutch outer.

⚠ Caution

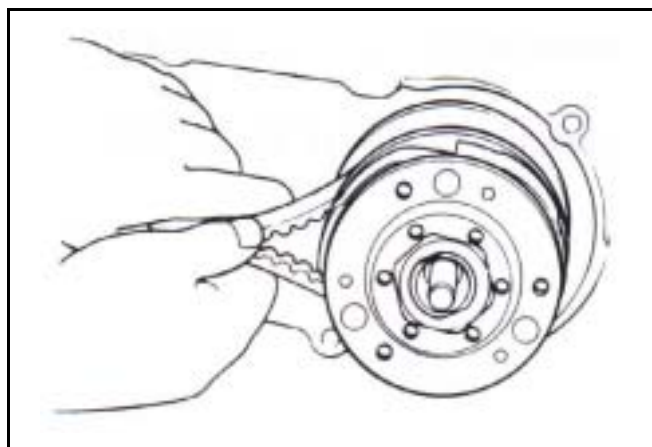
- Using special service tools for tightening or loosening the nut.
- Fixed rear wheel or rear brake will damage reduction gear system.



Push the driving belt into belt groove as diagram shown so that the belt can be loosened, and then remove the driven pulley.

Remove driven pulley. Do not remove driving belt.

Remove the driving belt from the groove of driven pulley.



Inspection

Check the driving belt for crack or wear. Replace it if necessary.

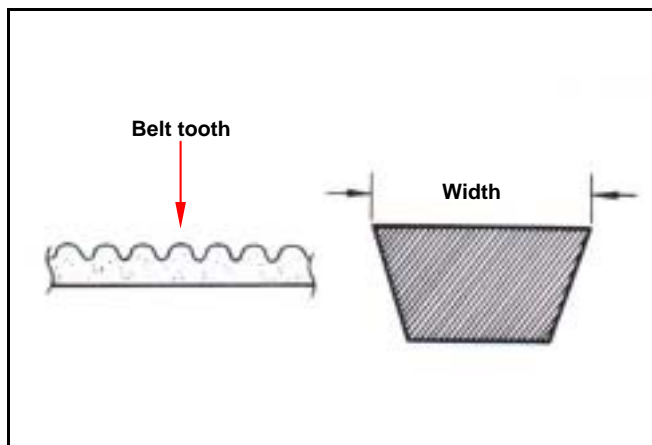
Measure the width of driving belt as diagram shown.

Service Limit: 17.5 mm

Replace the belt if exceeds the service limit.

⚠ Caution

- Using the genuine parts for replacement.
- The surfaces of driving belt or pulley must be free of grease.
- Clean up all grease or dirt before installation.



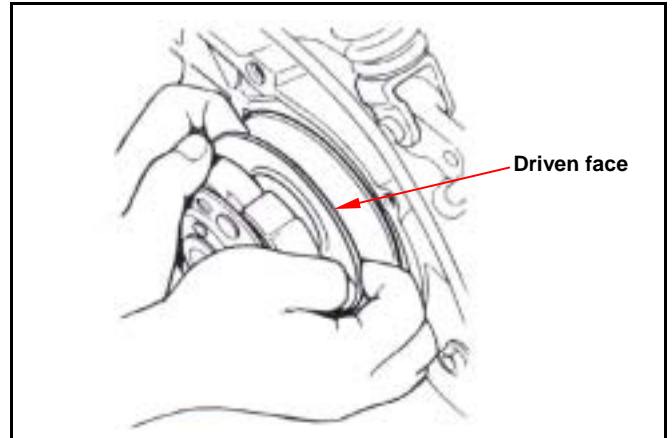
8. V-BELT DRIVING SYSTEM/KICK STARTER

Installation

Caution

Pull out driven face to avoid it closing.

Install driving belt onto driven pulley.



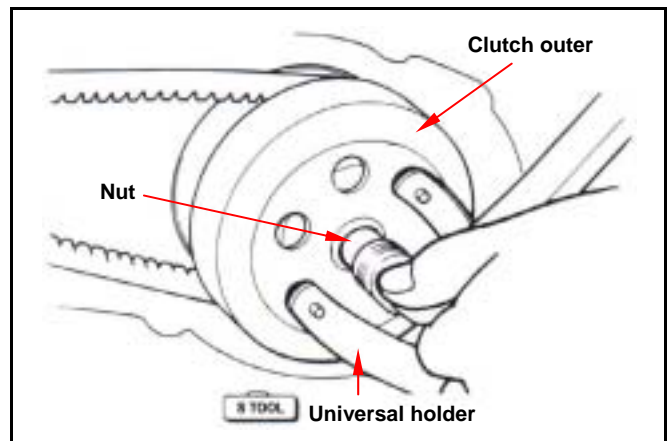
Install the driven pulley that has installed the belt onto drive shaft.

On the drive belt another end to the movable drive face.



Install the clutch outer with universal holder, and then tighten nut to specified torque value.

Torque value: 5.0~6.0kgf-m



Install the drive face with universal holder, and then tighten nut to specified torque value.

Torque value: 5.0~6.0kgf-m



8. V-BELT DRIVING SYSTEM/KICK STARTER



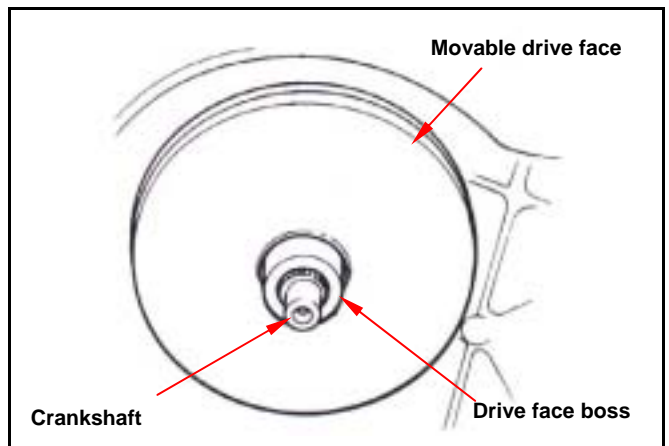
Drive Face

Removal

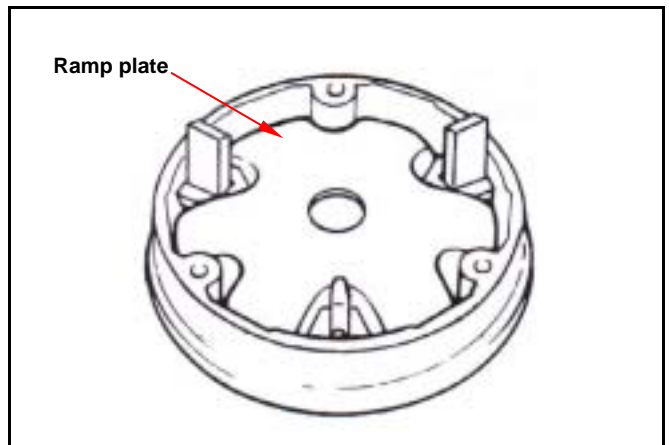
Remove left crankcase cover.
 Hold generator flywheel with universal holder, and then remove drive face nut.
 Remove drive face.



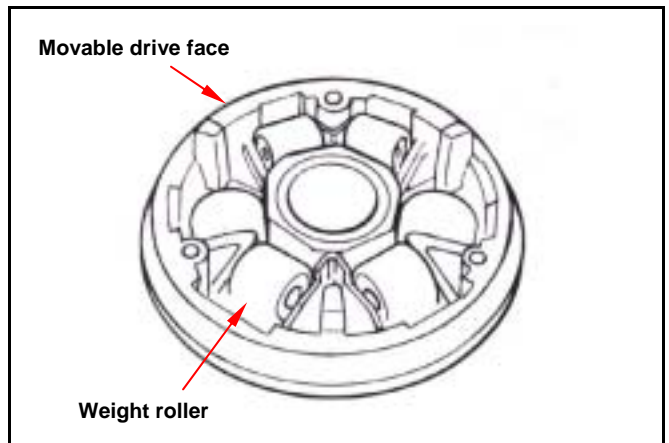
Remove driving belt and movable drive face comp from crankshaft.



Remove ramp plate.



Remove weight rollers from movable drive face.



8. V-BELT DRIVING SYSTEM/KICK STARTER

Inspection

The weight rollers are to press movable drive face by means of centrifuge force.

Thus, if weight rollers are worn out or damaged, the centrifuge force will be effected.

Check if rollers are worn or damaged. Replace it if necessary.

Measure each roller's outer diameter. Replace it if exceed the service limit.

Service limit: 19.50 mm

Weight: 14.5g

Check if drive face boss is worn or damaged and replace it if necessary.

Measure the outer diameter of movable drive face, and replace it if it exceed service limit.

Service limit: 26.94 mm

Measure the inner diameter of movable drive face, and replace it if it exceed service limit.

Service limit: 27.06 mm

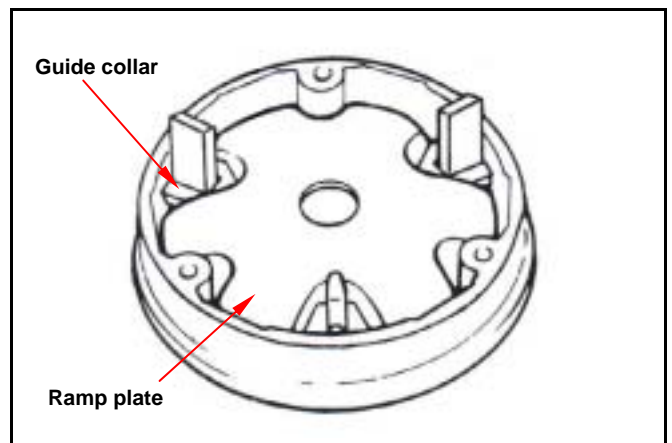
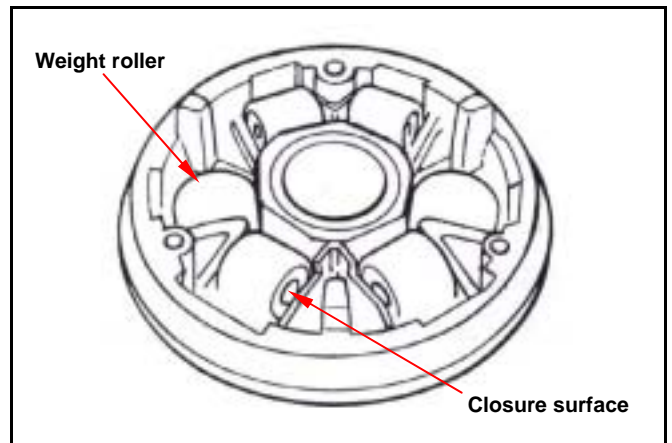
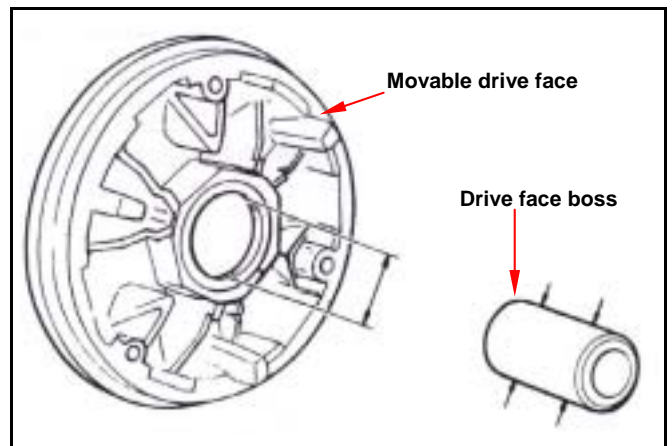
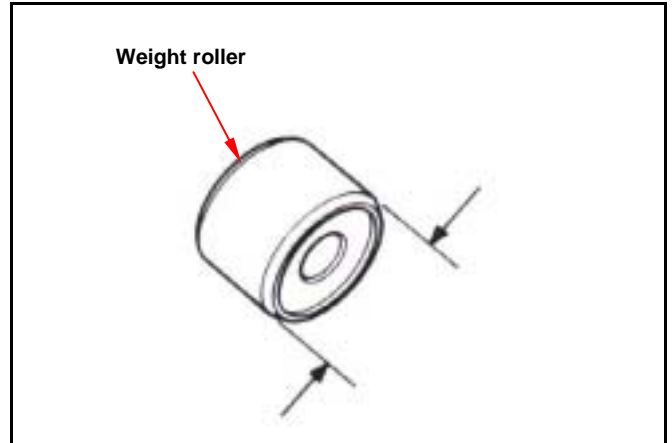
Reassembly/installation

Install weight rollers.

Caution

The weight roller two end surfaces are not certainly same. In order to lengthen the roller life and prevented exceptionally wears the occurrence, Please end surface of the closure surface counter clockwise assembles onto movable drive face.

Install ramp plate.



8. V-BELT DRIVING SYSTEM/KICK STARTER

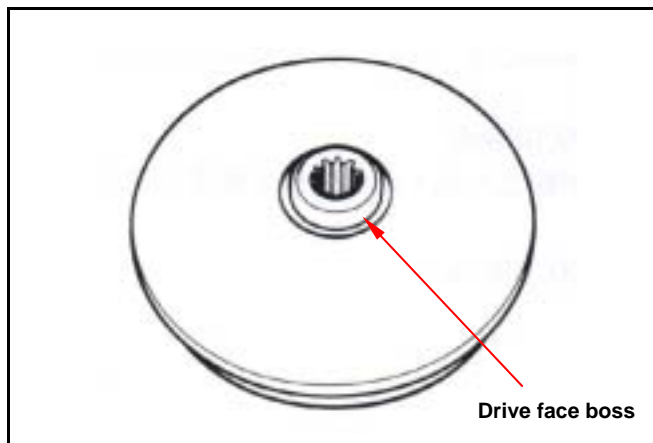


With 4~5g grease spreads wipes drives in the movable drive face axis hole.

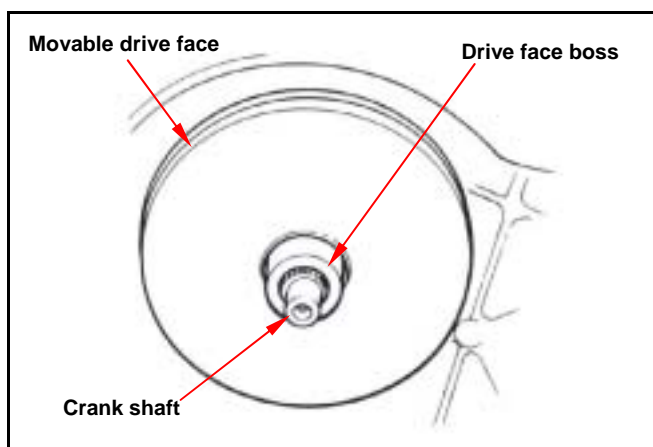
Install drive face boss.

⚠ Caution

The movable drive face surface has to be free of grease. Clean it with cleaning solvent.

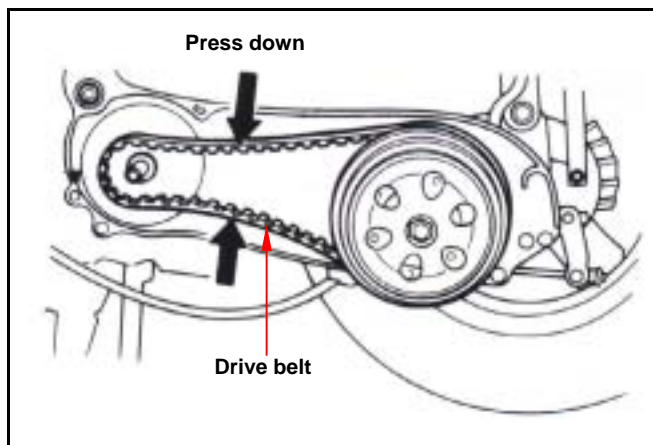


Install movable drive face comp. onto crankshaft.



Driven pulley installation

Press driving belt into pulley groove, and then pull the belt onto drive shaft.



Install drive face, washer and nut.

⚠ Caution

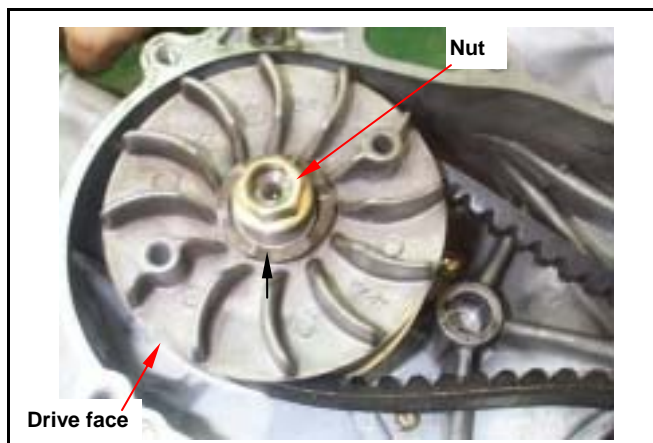
Make sure that two sides of pulley surfaces have to be free of grease. Clean it with cleaning solvent.

Hold drive face with universal holder.

Tighten nut to specified torque.

Torque value: 5.0~6.0kgf-m

Install left crankcase cover.



Clutch Outer/Driven Pulley

Disassembly

Remove drive belt and clutch outer/driven pulley. Install clutch spring compressor onto the pulley assembly, and operate the compressor to let the wrench be installed more easily.

⚠ Caution

Do not press the compressor too much.

Hold the clutch spring compressor onto bench vise, and then remove mounting nut with special service tool.

Release the clutch spring compressor and remove clutch weight and spring from driven pulley.

Remove seal collar from driven pulley.

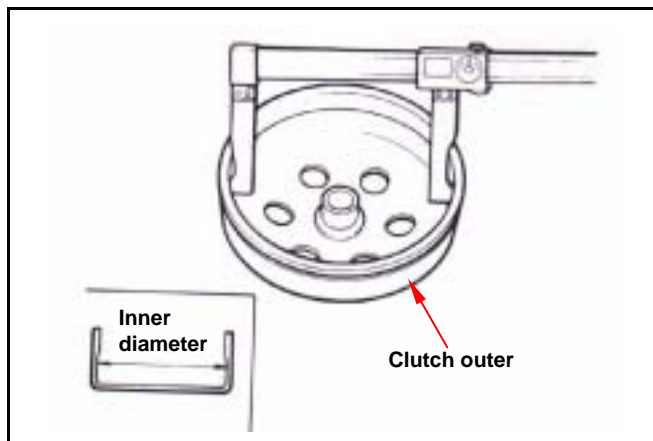
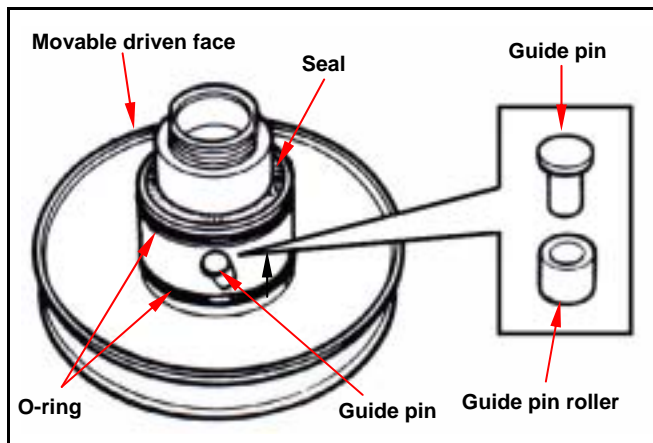
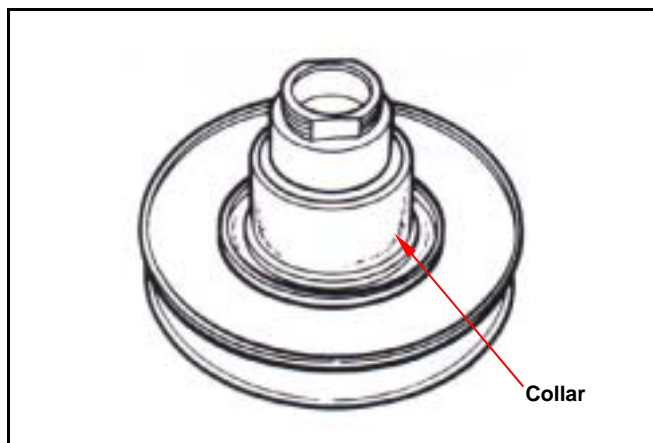
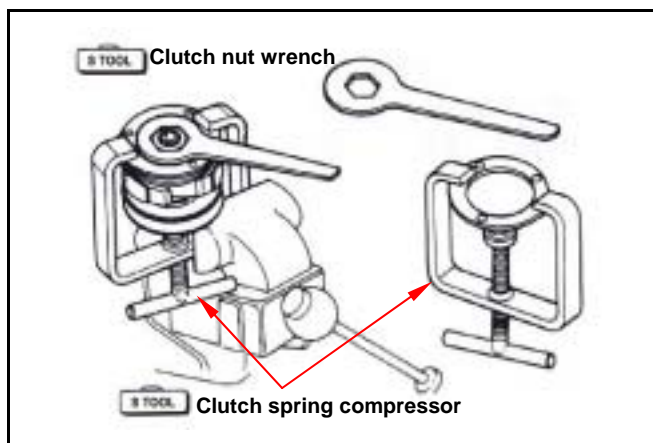
Remove guide pin, guide pin roller, and movable driven face, and then remove O-ring & oil seal seat from movable driven face.

Inspection

Clutch outer

Measure the inner diameter of clutch outer. Replace the clutch outer if exceed service limit.

Service limit: 130.5 mm



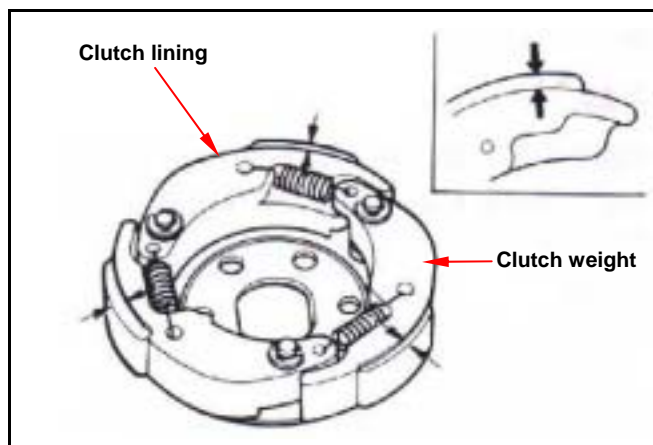
8. V-BELT DRIVING SYSTEM/KICK STARTER



Clutch lining

Measure each clutch weight thickness. Replace it if exceeds service limit.

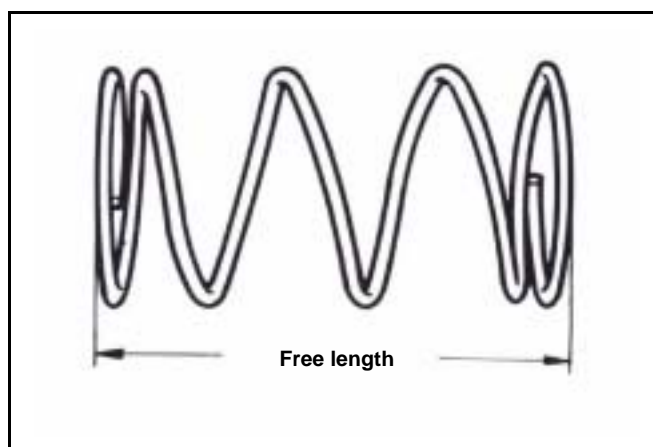
Service limit: 2.0 mm



Driven pulley spring

Measure the length of driven pulley spring. Replace it if exceeds service limit.

Service limit: 83.2 mm



Driven pulley

Check following items:

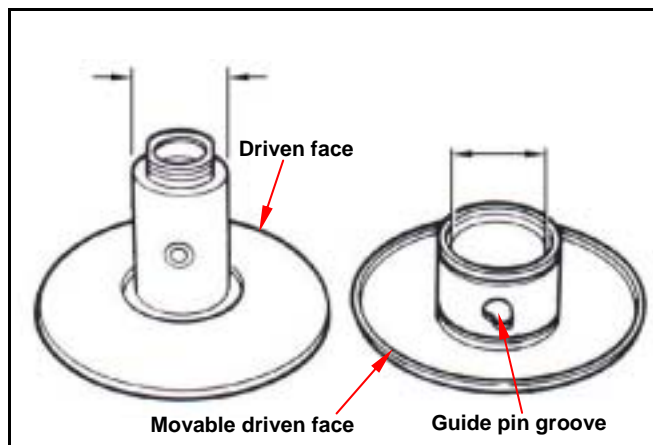
- If both surfaces are damaged or worn.
- If guide pin groove is damaged or worn.

Replace damaged or worn components.

Measure the outer diameter of driven face and the inner diameter of movable driven face. Replace it if exceeds service limit.

Service limit: Outer diameter 33.94 mm

Inner diameter 34.06 mm



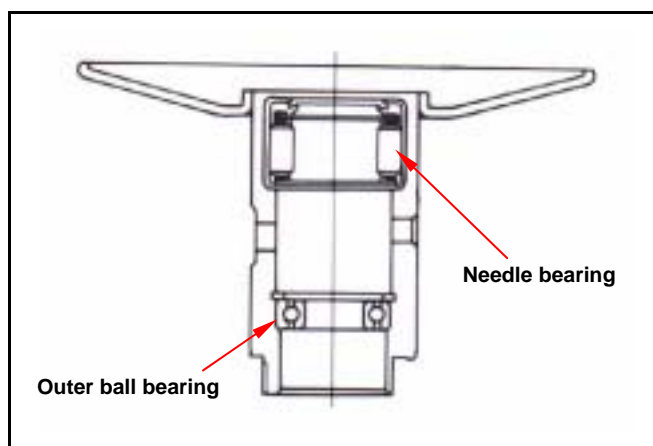
Driven Pulley Bearing Inspection

Check if the inner bearing oil seal is damage. Replace it if necessary.

Check if needle bearing is damage or too big clearance. Replace it if necessary.

Rotate the inside of inner bearing with fingers to check if the bearing rotation is in smooth and silent.

Check if the bearing outer parts are closed and fixed. Replace it if necessary.



8. V-BELT DRIVING SYSTEM/KICK STARTER

Clutch weight Replacement

Remove snap ring and washer, and then remove clutch weight and spring from driving plate.

⚠ Caution

Some of models are equipped with one mounting plate instead of 3 snap rings.

Check if spring is damage or insufficient elasticity.

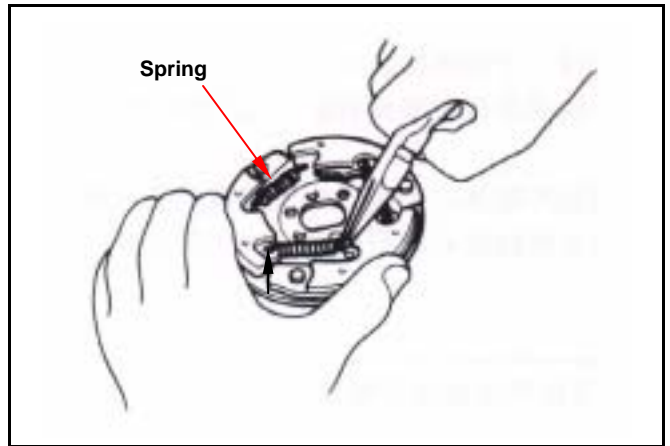
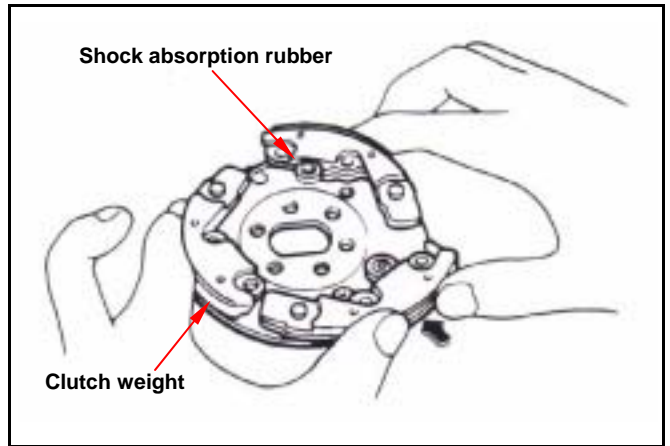
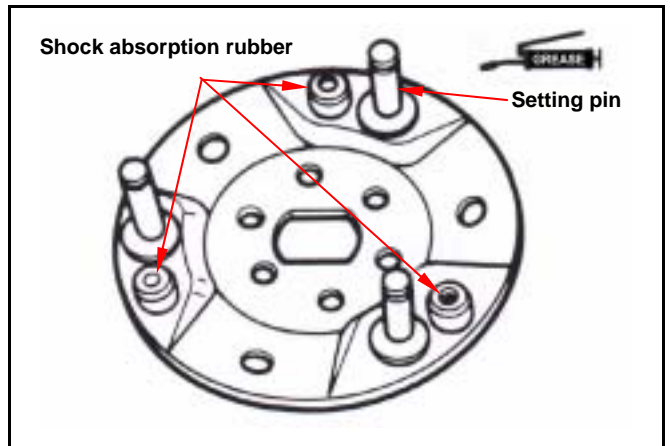
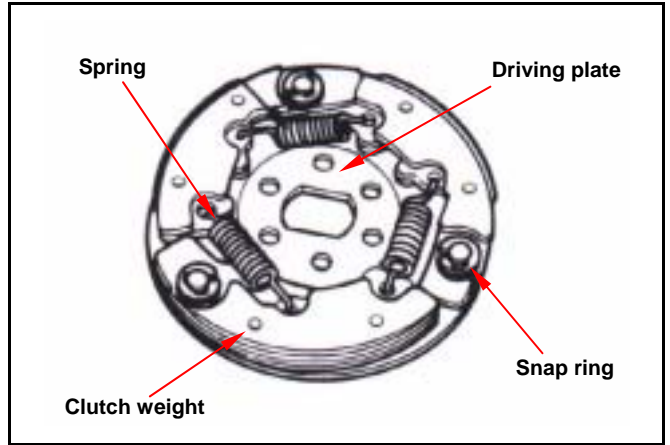
Check if shock absorption rubber is damage or deformation. Replace it if necessary.
Apply with grease onto setting pins.

Install new clutch weight onto setting pin and then push to the specified location.
Apply with grease onto setting pins.
But, the clutch block should not be greased. If so, replace it.

⚠ Caution

Grease or lubricant will damage the clutch weight and effect the block's connection capacity.

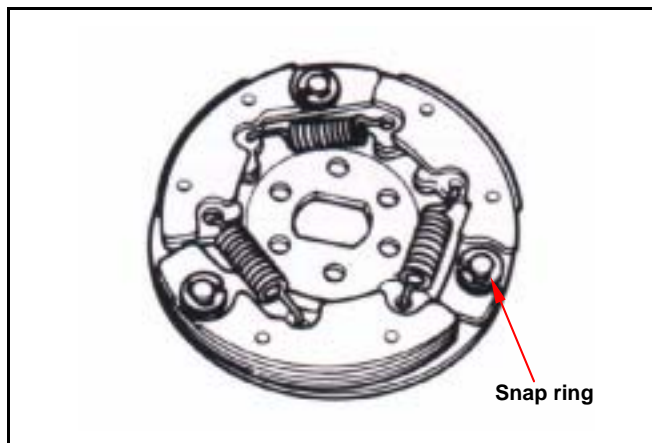
Install the spring into groove with pliers.



8. V-BELT DRIVING SYSTEM/KICK STARTER



Install snap ring and mounting plate onto setting pin.

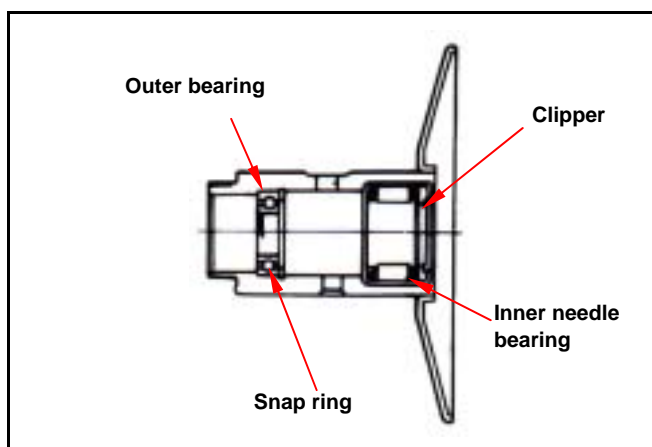


Replacement of Driven Pulley Bearing

Remove inner bearing.

⚠ Caution

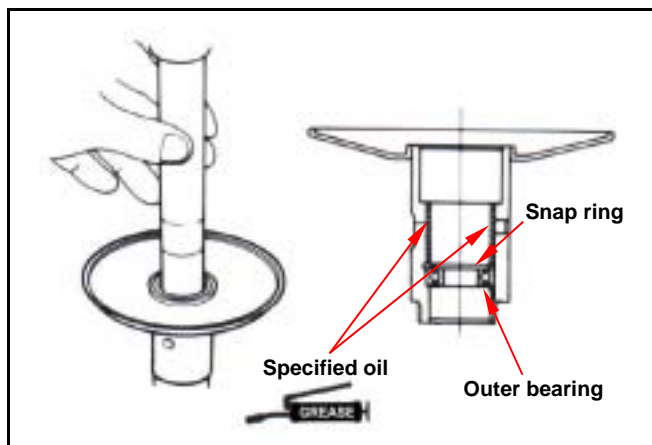
- If the inner bearing equipped with oil seal on side in the driven pulley, then remove the oil seal firstly.
- If the pulley equipped with ball bearing, it has to remove snap ring and then the bearing.



Remove snap ring and then push bearing forward to other side of inner bearing.

Place new bearing onto proper position and its sealing end should be forwarded to outside.

Apply with specified oil.

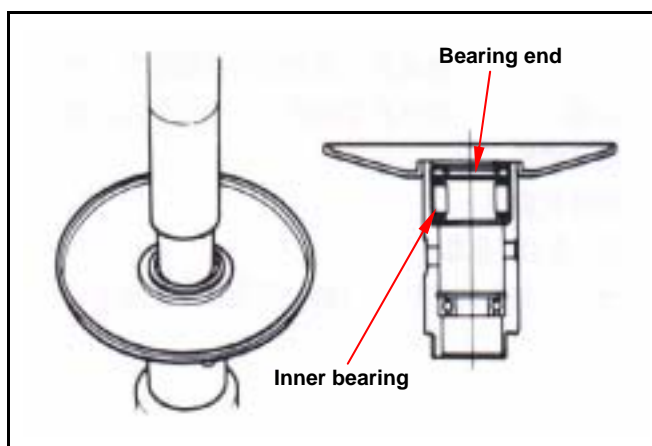


Install new inner bearing.

⚠ Caution

- Its sealing end should be forwarded to outside as bearing installation.
- Install needle bearing with hydraulic presser. Install ball bearing by means of hydraulic presser.

Install snap ring into the groove of driving face. Align oil seal lip with bearing, and then install the new oil seal (if necessary).



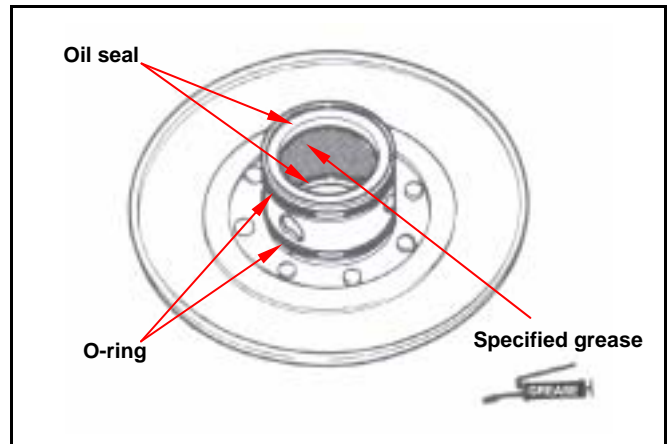
8. V-BELT DRIVING SYSTEM/KICK STARTER

Installation of Clutch OUTER/Driven Pulley

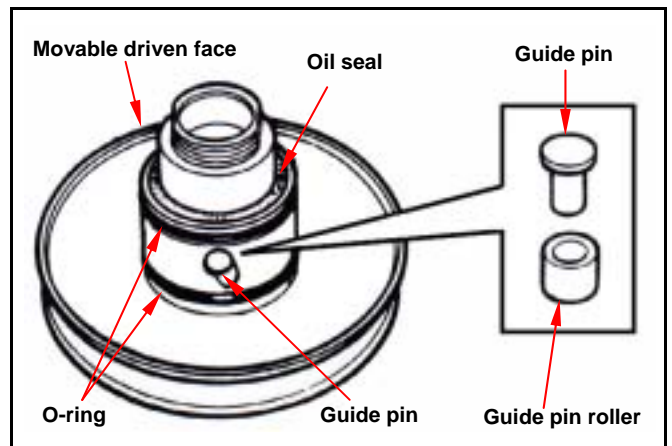
Assembly

Install new oil seal and O-ring onto movable driven face.

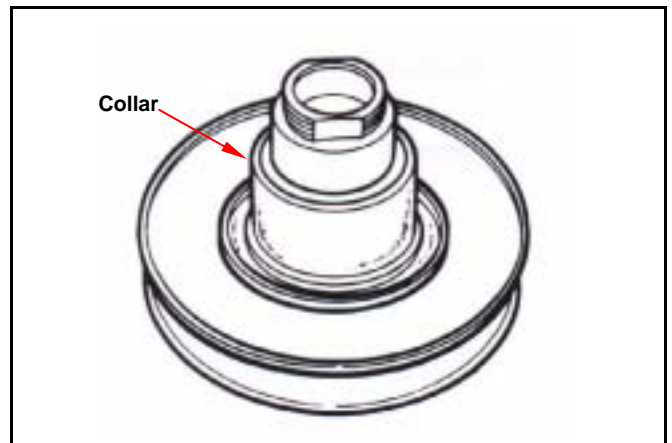
Apply with specified grease to lubricate the inside of movable driven face.



Install the movable driven face onto driven face.
Install the guide pin and guide pin roller.



Install the collar.



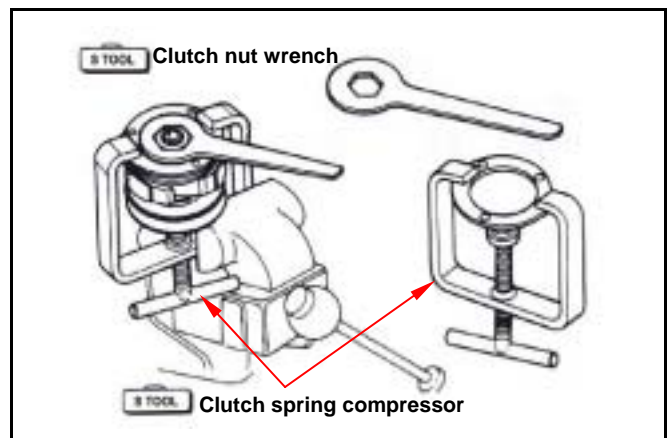
Install driving belt, spring and clutch weight COMP. into clutch spring compressor, and press down the assembly by turning manual lever until mounting nut that can be installed.

Hold the compressor by bench vise and tighten the mounting nut to specified torque with clutch nut wrench.

Remove the clutch spring compressor.

Torque value: 5.0~6.0kgf-m

Install clutch outer/driven pulley and driving belt onto driving shaft.



8. V-BELT DRIVING SYSTEM/KICK STARTER

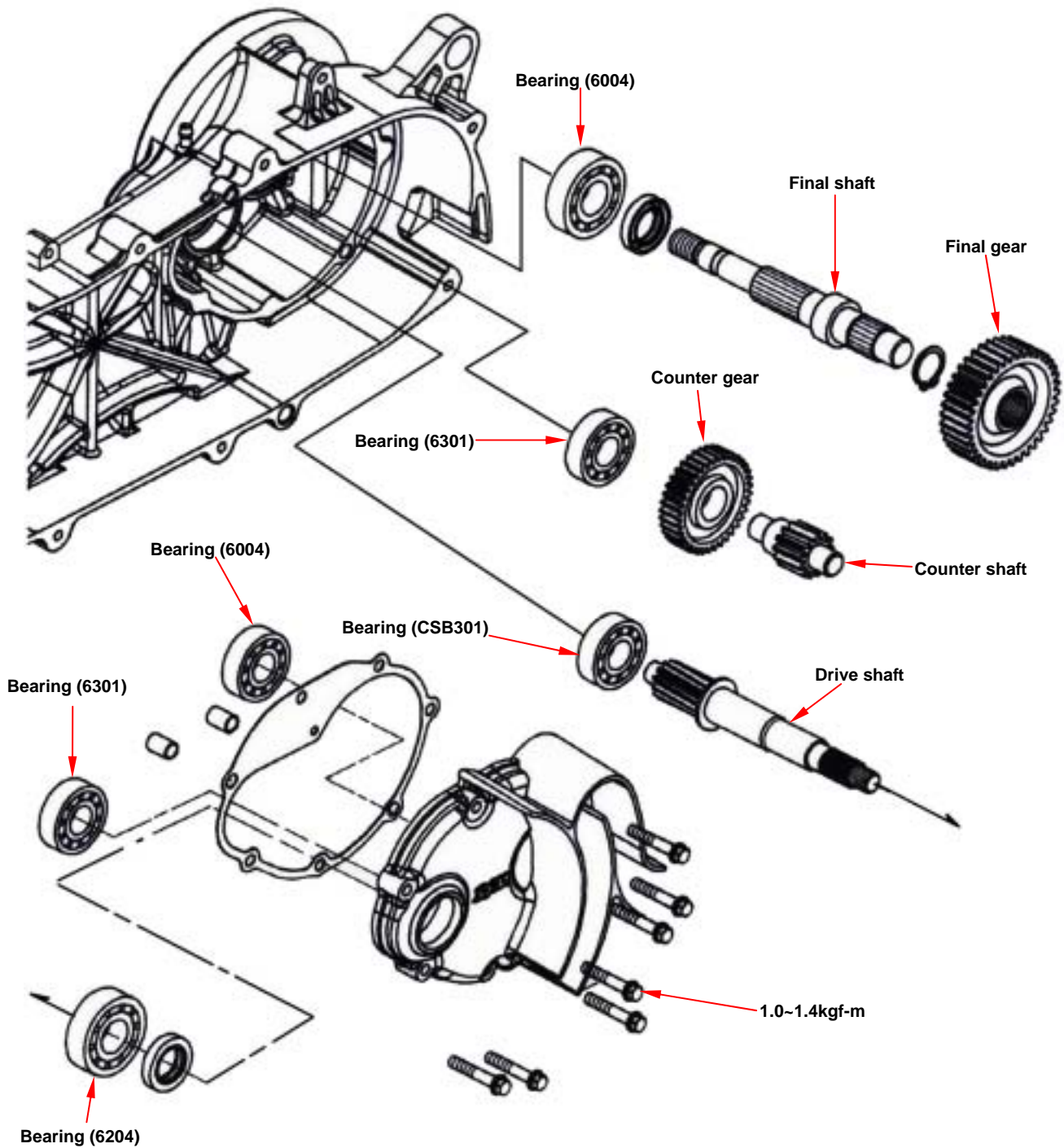


Notes:

9. FINAL DRIVING MECHANISM

Mechanism Diagram 9-1	Inspection of Final Driving Mechanism 9-4
Precautions in operation 9-2	Bearing Replacement 9-5
Trouble Diagnosis 9-2	Re-assembly of Final Driving Mechanism 9-8
Disassembly of Final Driving Mechanism 9-3	

Mechanism Diagram



9. FINAL DRIVING MECHANISM

Precautions in operation

Specification

Application oil: scooter gear oil
Recommended oil: KING MATE serial gear oils
Oil quantity: 110 c.c. (100 c.c. when replacing)

Torque value

Gear box cover 1.0~1.4kgf-m

Tools

Special tools

Bearing (6203/6004UZ) driver: SYM-9620000
Bearing (6204) driver: SYM-9110400
Bearing (6301) driver: SYM-9610000
Oil seal (27*42*7) driver: SYM-9125500
Oil seal (20*32*6) driver: SYM-9120200
Inner bearing puller: SYM-6204002
Outer bearing puller: SYM-6204001
Drive shaft puller: SYM-1130000-L
Drive shaft install bush: SYM-1130010
Extension bush (long): SYM-1130031
Extension bush (short): SYM-1130032

Trouble Diagnosis

Engine can be started but motorcycle can not be moved.

- Damaged driving gear
- Burnt out driving gear

Noise

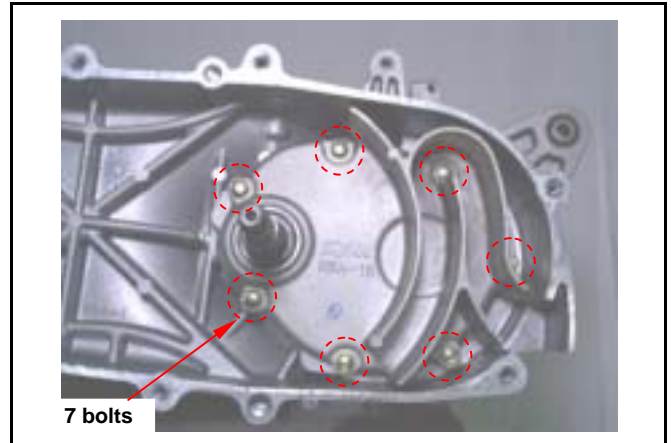
- Worn or burnt gear
- Worn gear

Gear oil leaks

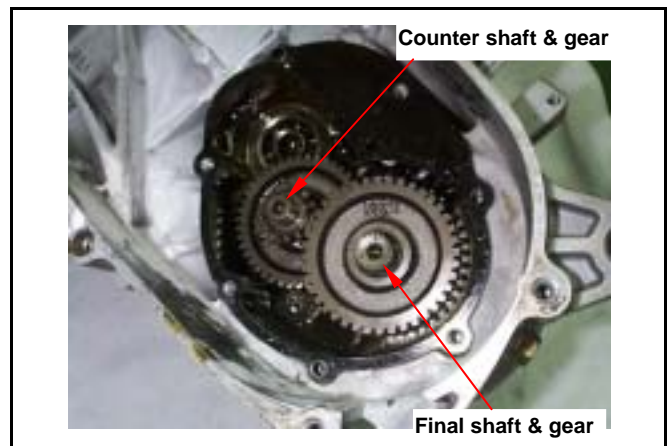
- Excessive gear oil.
- Worn or damage oil seal

Disassembly of Final Driving Mechanism

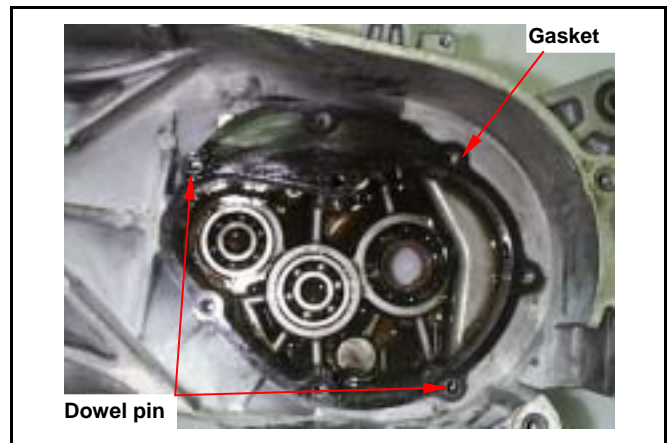
Remove driven pulley.
 Drain gear oil out from gear box.
 Remove gear box cover bolts and then remove the cover and drive shaft.



Remove final gear and shaft.
 Remove counter shaft and gear.



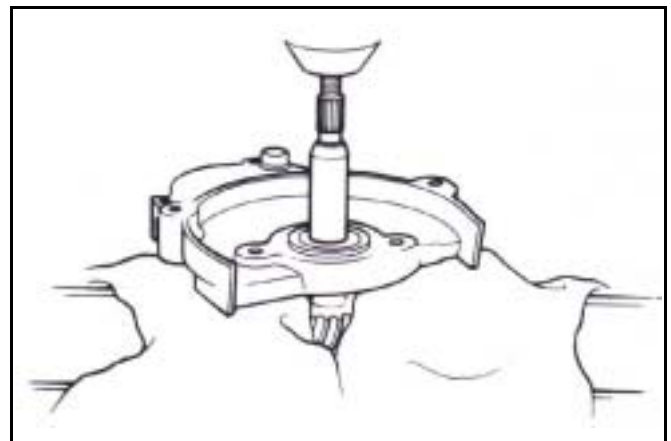
Remove gasket and dowel pin.



Remove the drive shaft.
 In order to avoid damaging the gear box cover, in the cover place a rag between the cover and table.

Caution

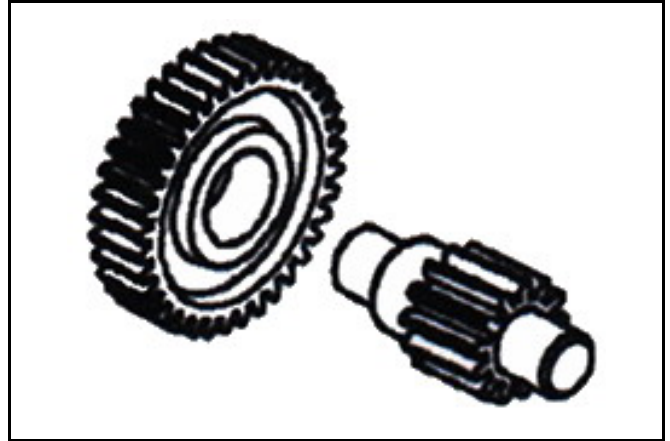
- If non- essential do not remove the drive shaft from the cover upper side.
- If remove the drive shaft from the gear box cover, then its bearing has to be replaced.



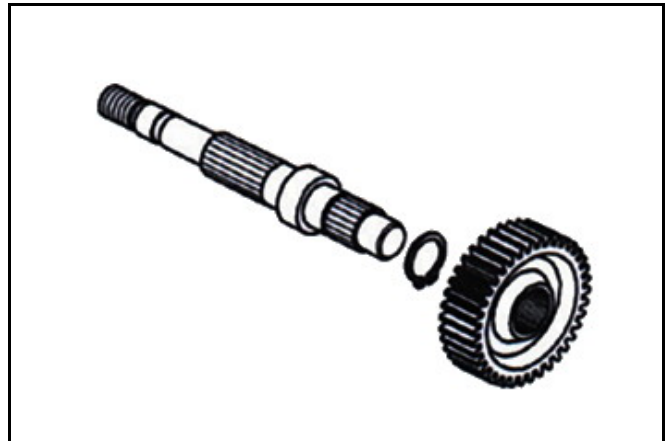
9. FINAL DRIVING MECHANISM

Inspection of Final Driving Mechanism

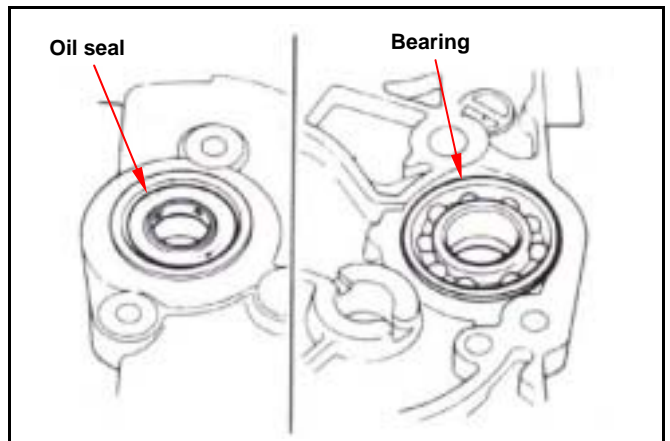
Check if the countershaft is wear or damage.



Check if the final shaft and gear are burn, wear or damage.



Check bearings on gear box.
 Rotate each bearing's inner ring with fingers.
 Check if bearings can be turned in smooth and silent, and also check if bearing outer ring is mounted on gear tightly.
 If bearing rotation is uneven, noising, or loose bearing mounted, then replace it.
 Check oil seal for wear or damage, and replace it if necessary.

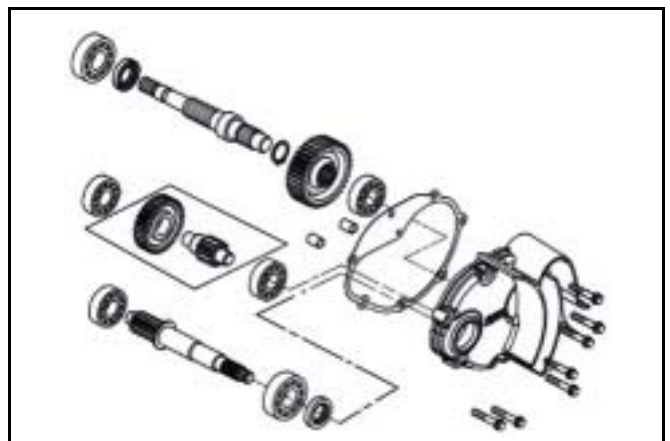


Check gear box cover bearing as the same way above, and replace it if necessary.

Caution

- If remove the drive shaft from the cover upper side, then its bearing has to be replaced.

Check drive shaft and gear for wear or damage.



Bearing Replacement

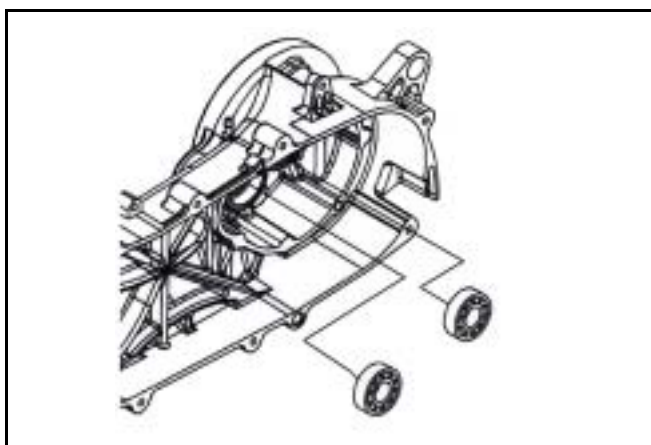
Caution

- Never install used bearings. Once bearing removed, it has to be replaced with new one.

Remove driving shaft bearing and counter shaft bearing from left crankcase using following tools:

Special tool:

Inner bearing puller



Install new drive shaft bearing and counter shaft bearing into left crankcase.

Special tool:

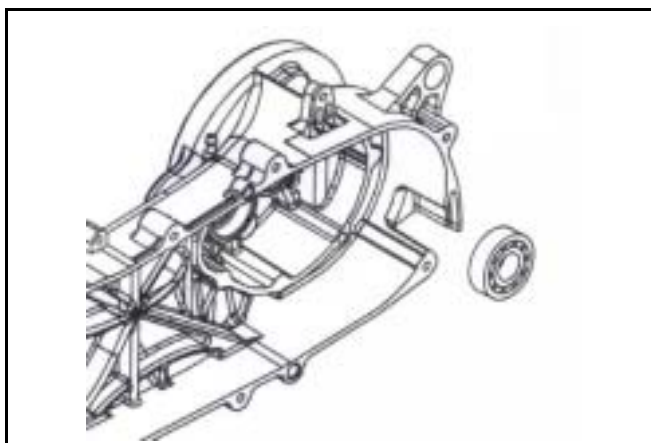
Bearing driver (6301)



Remove oil seal, and then remove final shaft bearing from left crankcase.

Special tool:

Inner bearing puller



9. FINAL DRIVING MECHANISM

Install new final shaft seal.

Special tool:
Oil seal driver (27*42*7)



Install new final shaft bearing.

Special tool:
Bearing driver (6203/6004UZ)



Press out the drive shaft from gear box cover.
Using shaft protector as operation.
Remove oil seal from gear box cover and discard the seal.

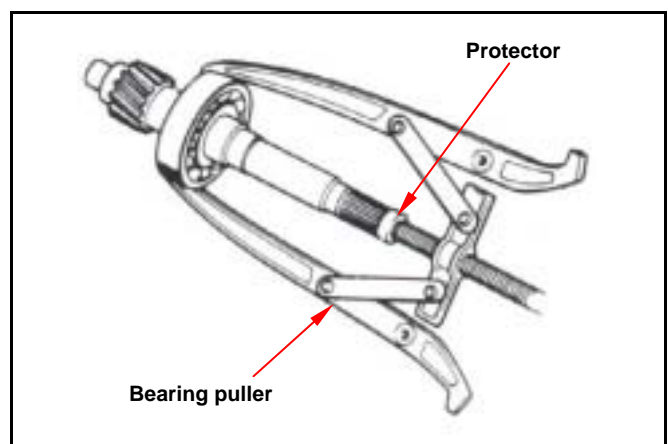
Use inner bearing puller to remove the final shaft bearing and counter shaft bearing from the cover.

Special tool:
Inner bearing puller



If the drive shaft is pulled out with its bearing, then remove the bearing with bearing puller and shaft protector.

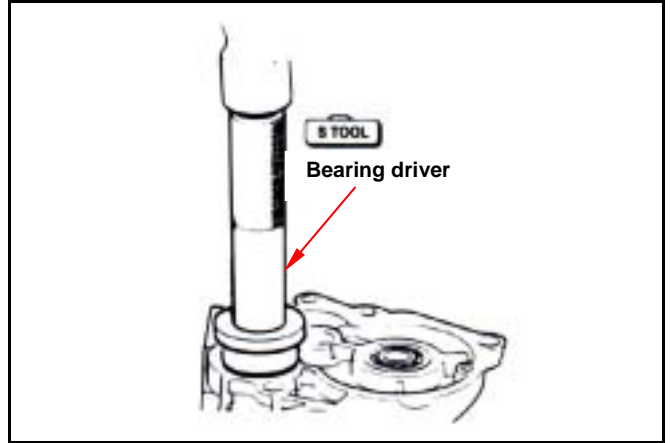
Special tool:
Multi-functional bearing puller or Outer bearing puller
Shaft protector



Install a new drive shaft bearing onto gear box cover.

Special tool:

Bearing driver (6204)

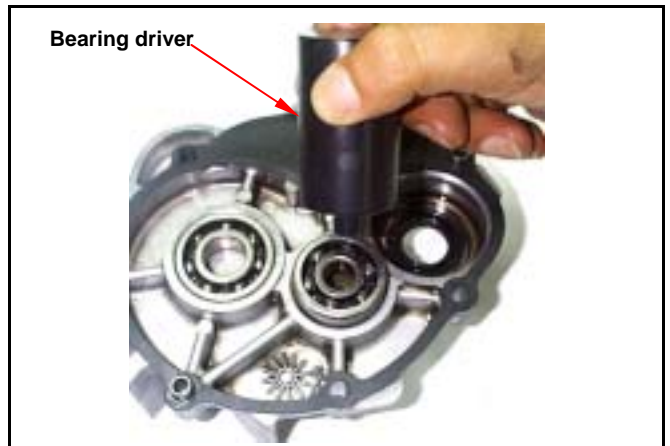


Install a new final shaft bearing and counter shaft bearing onto gear box cover.

Special tool:

Bearing driver (6203/6004UZ)

Bearing driver (6301)



Install drive shaft.

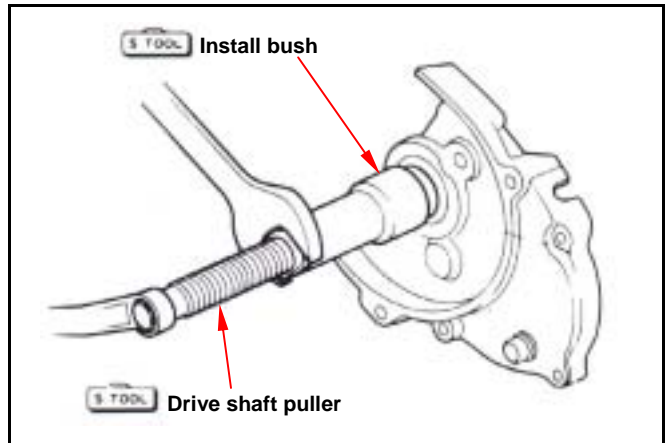
Special tool:

Drive shaft puller

Drive shaft install bush

Extension bush (long)

Extension bush (short)



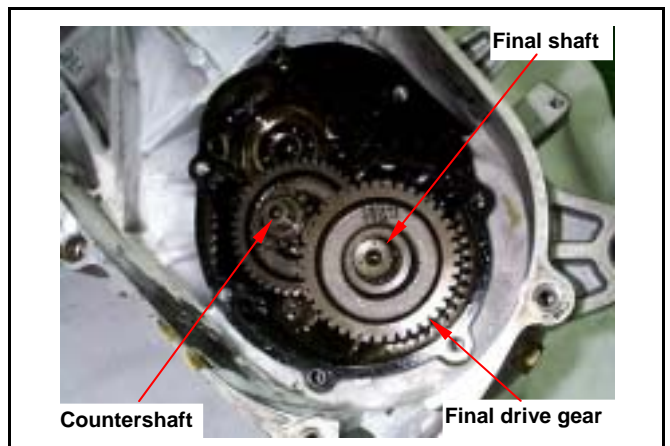
9. FINAL DRIVING MECHANISM

Re-assembly of Final Driving Mechanism

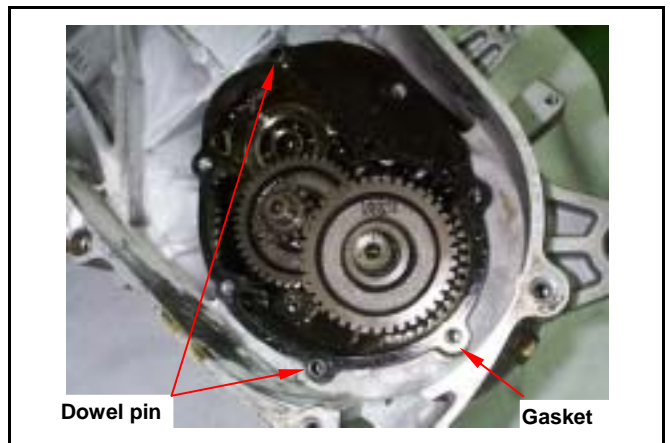
Apply with grease onto the oil seal lip of final driving shaft.



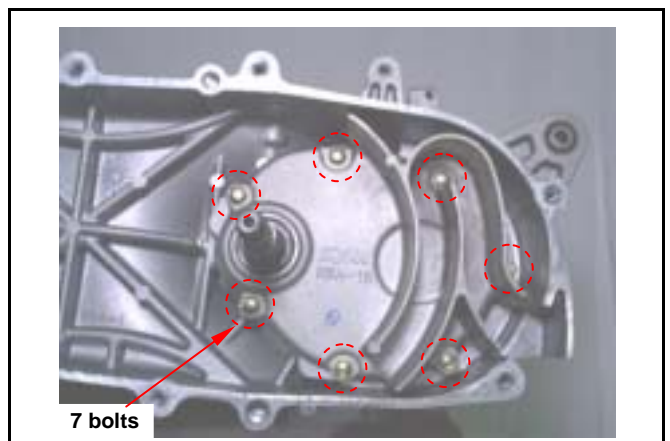
Install countershaft, counter gear, final shaft and final driving gear.



Install dowel pin and new gasket.



Install gear box cover and bolts, and tighten.
Torque value: 1.0~1.4kgf-m



Apply with grease onto new oil seal lip, and then install the oil seal.

Special tool:

Oil seal driver (20*32*6)



Install driven pulley/clutch outer/belt.
Install movable drive face, drive face and left crankcase.
Install rear wheel.
Add gear oil.



9. FINAL DRIVING MECHANISM

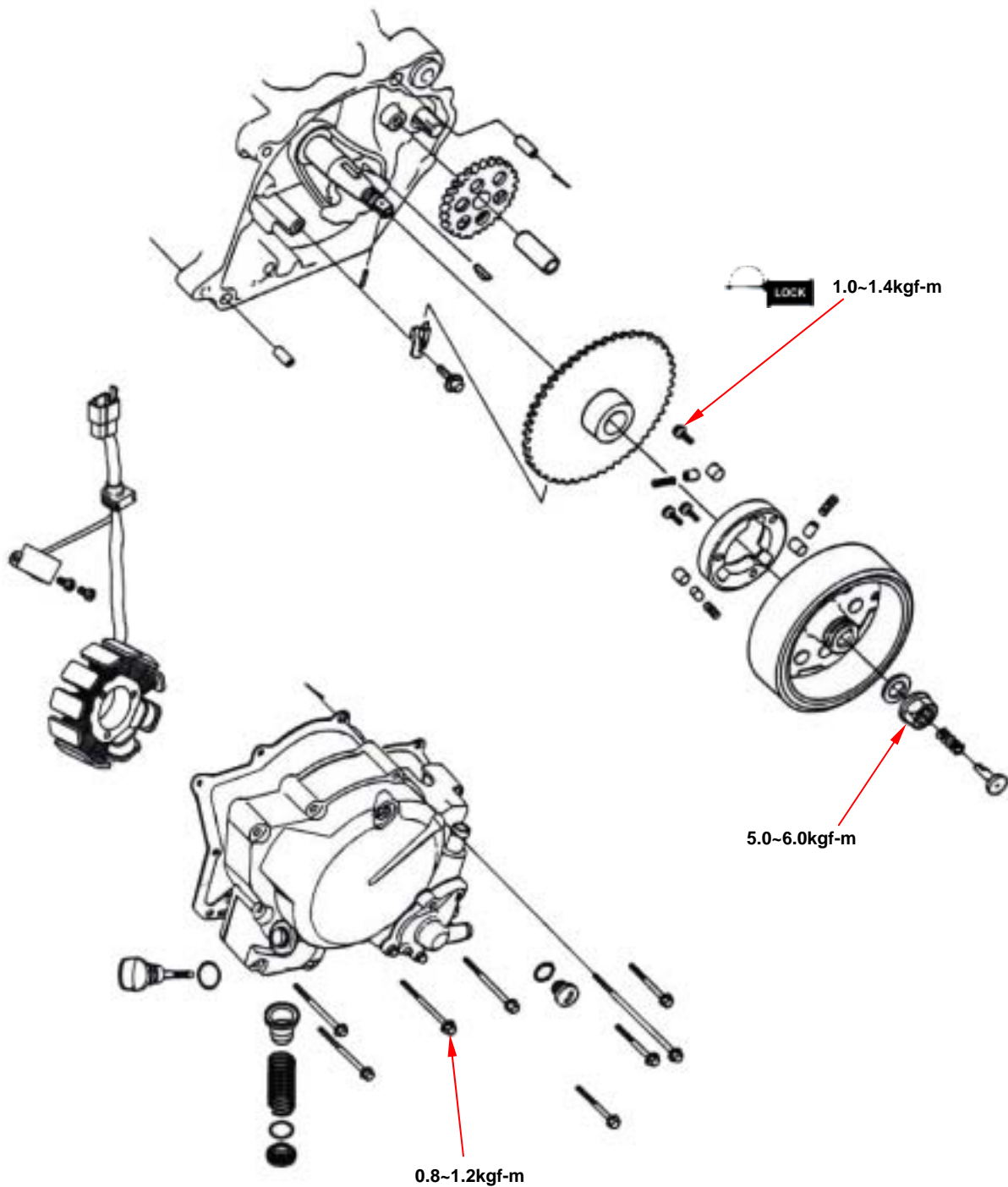


Notes:

10. ALTERNATOR/STARTING CLUTCH

Mechanism Diagram10-1	Starting Clutch 10-4
Precautions in Operation.....10-2	Flywheel Installation..... 10-7
Right Crankcase Cover Removal10-3	A.C.G. Set Installation..... 10-7
A.C.G. Set Removal.....10-3	Right Crankcase Cover Installation.. 10-7
Flywheel Removal10-3	

Mechanism Diagram



10. ALTERNATOR/STARTING CLUTCH

Precautions in Operation

General information

- Refer to chapter 5: Engine removal and installation
- Refer to chapter 16: The troubleshooting and inspection of alternator
- Refer to chapter 16: The service procedures and precaution items of starter motor

Specification

Item	Standard value (mm)	Limit (mm)
ID of starting clutch gear	20.026~20.045	20.100
OD of starting clutch gear	42.175~42.200	42.100

Torque value

Flywheel nut	5.0~6.0kgf-m
Starting clutch hexagon bolt	1.0~1.4kgf-m with adhesive
8 mm bolts	0.8~1.2kgf-m
12 mm bolts	1.0~1.4kgf-m

Tools

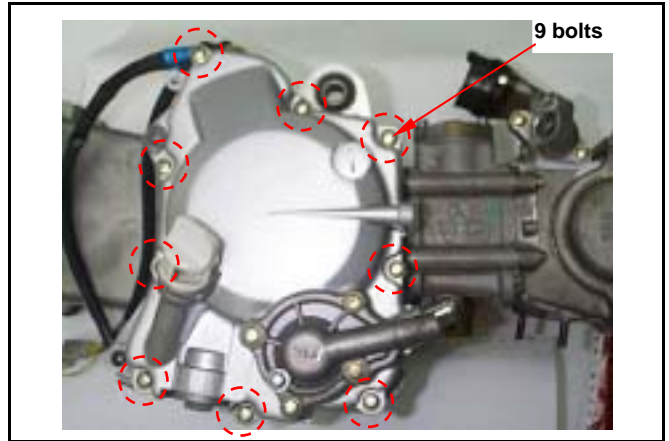
Special tools

A.C.G. flywheel puller: SYM-3110A00

Universal holder: SYM-2210100

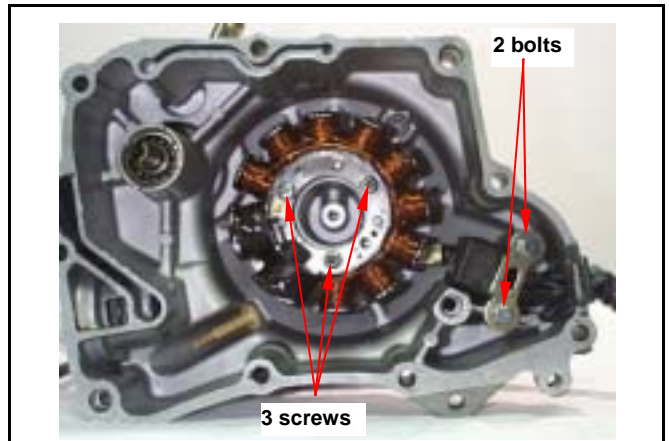
Right Crankcase Cover Removal

Remove 9 bolts from the right crankcase cover.
 Remove the right crankcase cover.
 Remove dowel pin and gasket.



A.C.G. Set Removal

Remove 2 mounted bolts from pulse generator and then remove it.
 Remove 3 screws from right crankcase cover and A.C.G. set.



Flywheel Removal

Remove left crankcase cover.
 Remove oil through from crankshaft.



Hold the flywheel by drive face with universal holder, and remove its nut.

Special tool:
Universal Holder



10. ALTERNATOR/STARTING CLUTCH

Remove the oil through guide pin from crankshaft.



Pull out flywheel with A.C.G. flywheel puller.

Special tool:

A.C.G. Flywheel puller



Starting Clutch

Removal

Remove starting driven gear.



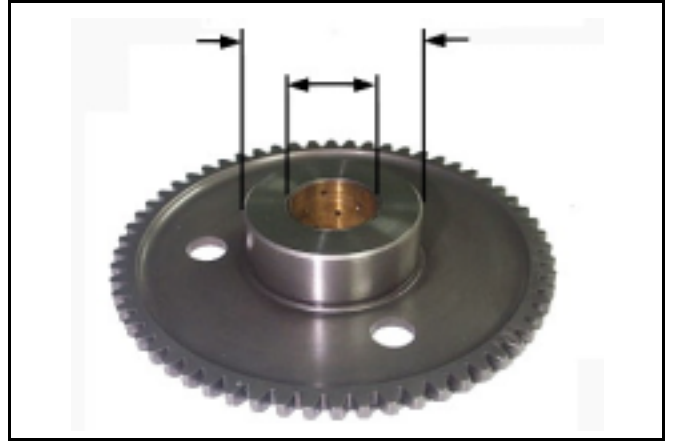
Remove mounting plate, starter reduction gear, and the shaft.



Starting Clutch Inspection

Check the starting clutch gear for wear or damage.
Measure the ID and OD of the starting clutch gear.

Service Limit: ID: 20.1 mm
OD: 42.10 mm



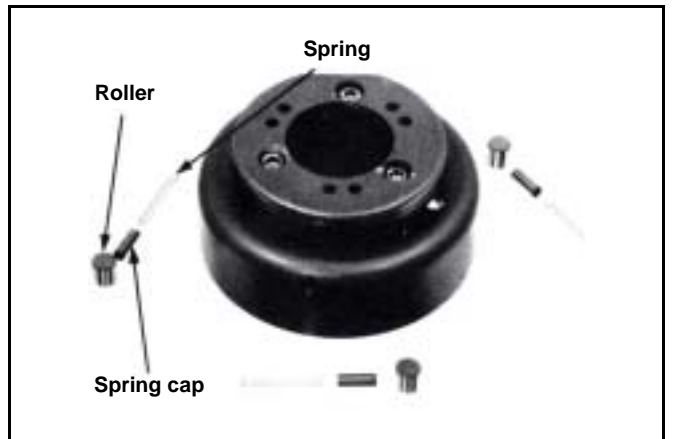
Check the starting reduction gear and shaft for wear or damage.



Install one way clutch onto starting clutch gear.
Hold flywheel and rotate starting clutch gear.
The starting clutch gear should be rotated in C.C.W direction freely, but not C.W direction.
(View as shown in this figure.)



Remove the rollers, spring caps, and springs of clutch on the one way clutch that located on the back of flywheel.
Check each roller and plug for wear or damage.
Install rollers, plugs and springs.



10. ALTERNATOR/STARTING CLUTCH

Remove 3 hexagon bolts with air and hex socket wrenches.



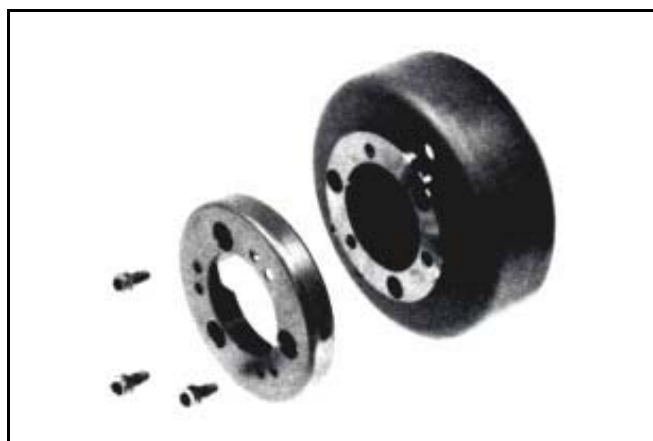
Disassembly

Install the components in the reverse procedures of removal.

Caution

Tape a tightening tape onto the thread of hexagon bolt.

Torque value: 1.0~1.4kgf-m



Installation

Install reduction gear shaft and reduction gear.



Install starting clutch gear onto crankshaft.



Flywheel Installation

Align the key on crankshaft with the flywheel groove, and then install the flywheel.
 Insert the oil through guide pin onto crankshaft.
 Make sure that there is no other material stock on it. If so, clean it up.



Hold the flywheel with flywheel holder, and tighten its nut.

Torque value: 5.0~6.0kgf-m

Tool:

Flywheel holder
 Install spring and oil through.

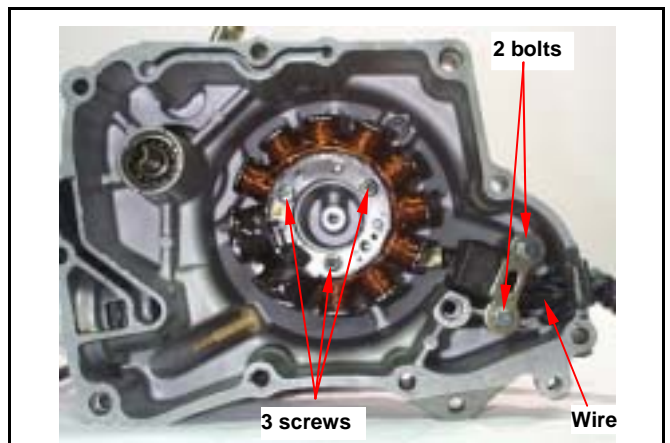


A.C.G. Set Installation

Install the A.C.G. set onto right crankcase cover (3 screws).
 Install pulse generator (2 screws).
 Tie the wire harness securely onto the indent of crankcase.

⚠ Caution

Make sure that the wire harness is placed under pulse generator.



Right Crankcase Cover Installation

Install dowel pin and new gasket.
 Install right crankcase cover onto the crankcase.
 Note: Align the water pump shaft indent with the oil pump shaft.
 Install right crankcase cover (9 screws).



10. ALTERNATOR/STARTING CLUTCH

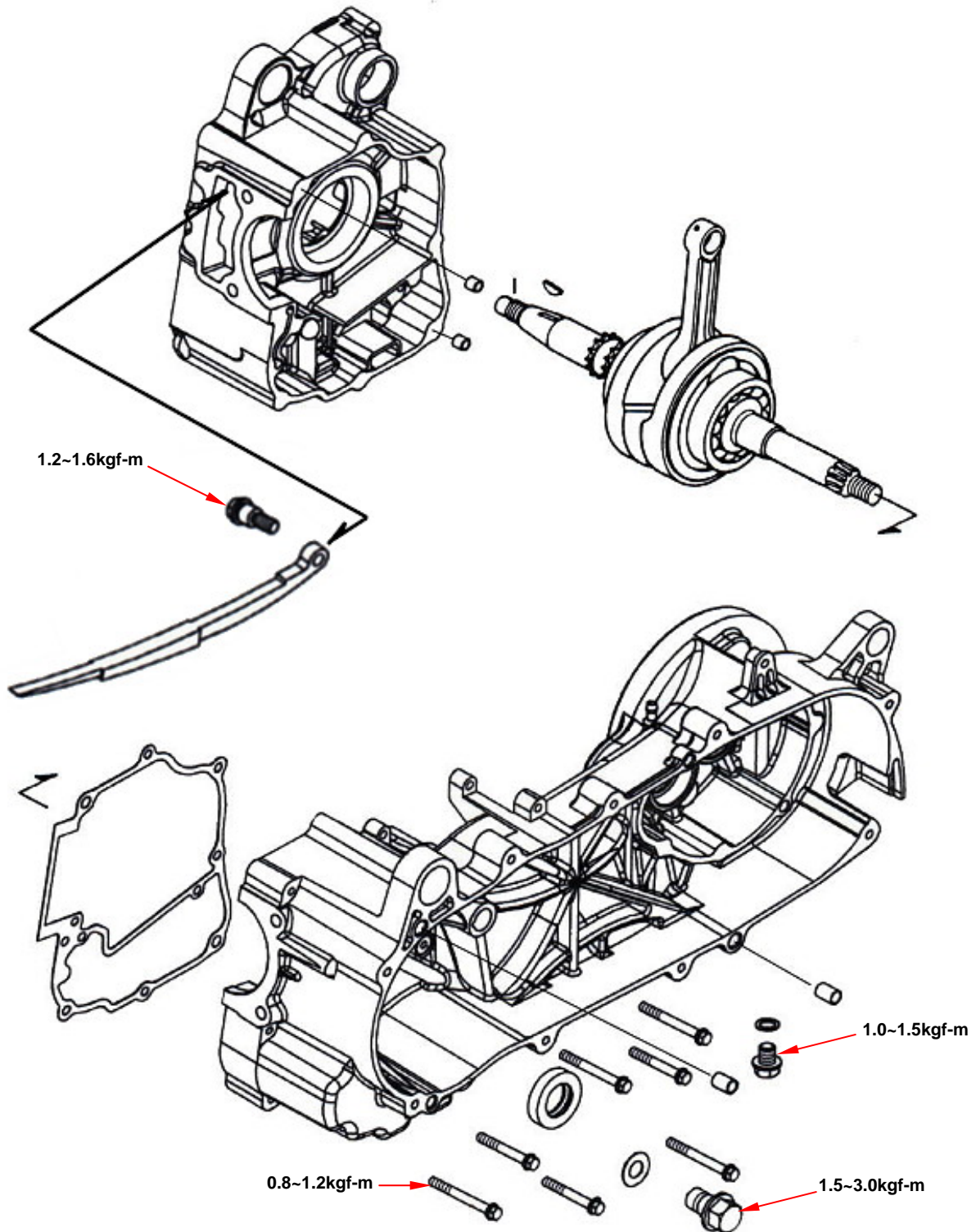
Install the water pump cover onto crankcase cover.

Connect water hose to the right crankcase cover and water pump cover.



Mechanism Diagram11-1	Disassembly of crankcase 11-3
General information11-2	Crankshaft Inspection 11-5
Trouble diagnosis11-2	Assembly of crankcase 11-6

Mechanism Diagram



11. CRANKCASE / CRANK

General information

Operational precautions

- This Section concerns disassembly of the crankcase for repair purpose.
- Remove following components before disassembling crankcase.
 - Engine Section 5
 - Cylinder head Section 6
 - Cylinder and piston Section 7
 - Drive pulley and driven pulley Section 8
 - AC generator/Start driven gear Section 10
 - Starting motor Section 16
- In case it requires replacing the crankshaft bearing, the driving chain of engine oil pump or the timing chain, it is preferably to replace crankshaft as a unit.

Specification

Unit: mm

	Item	Standard	Limit
Crankshaft	Connecting rod side clearance of the big end	0.100~0.400	0.600
	Vertical clearance of the big end of the connecting rod	0~0.008	0.050
	Run-out	-	0.100

Torque value

Bolts for crankcase	0.8~1.2kgf-m
Bolts for cam chain adjuster	1.2~1.6kgf-m

Tools

Special tools

R/L. crank disassemble/ install tool: SYM-1300001-H9A
 L. crank shaft bearing driver: SYM-9100200-H9A
 Crank shaft bearing fixing socket: SYM-9100210-H9A
 Crank shaft puller: SYM-1130000-H9A
 L. crank shaft oil seal driver (25*40*8): SYM-9121600
 Outer bearing puller: SYM-6204010
 Inner bearing puller: SYM-6204020
 Clutch nut wrench: SYM-9020200

Trouble diagnosis

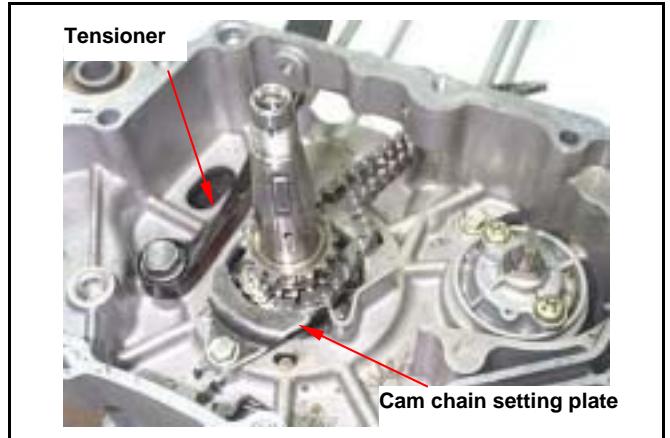
Engine noise

- Loose crankshaft bearing
- Loose crankshaft pin bearing
- Worn out piston pin and pin hole

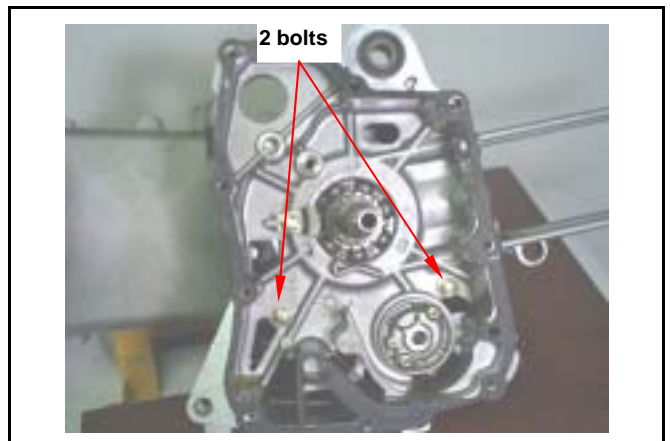
Disassembly of crankcase

Remove the cam chain setting plate, and then remove cam chain.

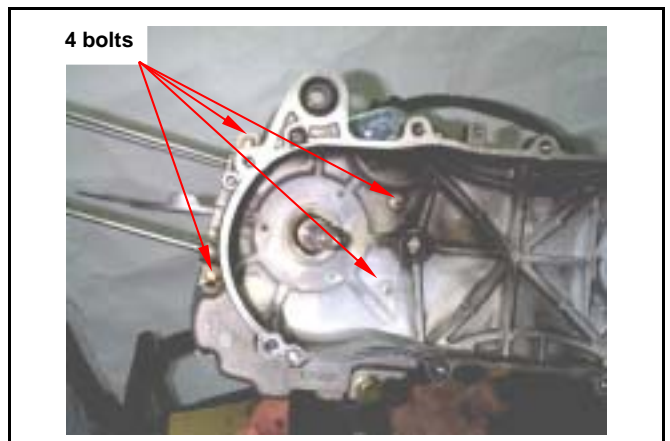
Loosen the bolt and remove the tensioner.



Loosen 2 bolts on the right crankcase.



Loosen 4 bolts on the left crankcase.



Place right crankshaft case downward and left up crankcase.

⚠ Caution

Care should be taken not to damage the contact surfaces.



11. CRANKCASE / CRANK

Remove crank by left crank shaft.
Refer to chapter 2: Special tools

Special tool:

R/L. crank case disassemble/install tool
(SYM-1120000-H9A)



Remove crankshaft from right crankcase.



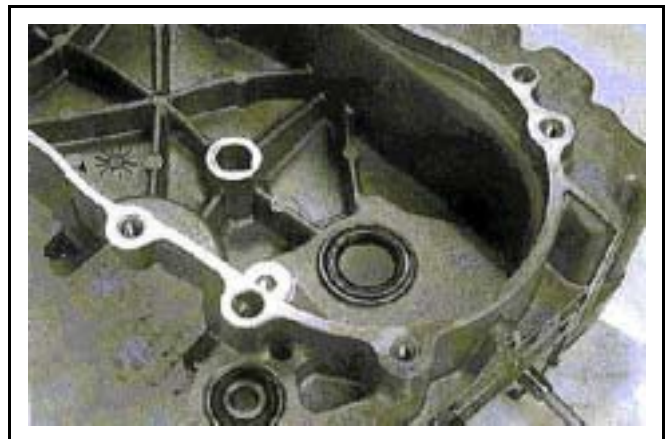
Remove gasket and dowel pins.
Scrape gasket residues off the crankcase contact surface.

⚠ Caution

Do not damage contact surface of the gasket.
It is better to moisten the gasket residue for
easy scrapping.



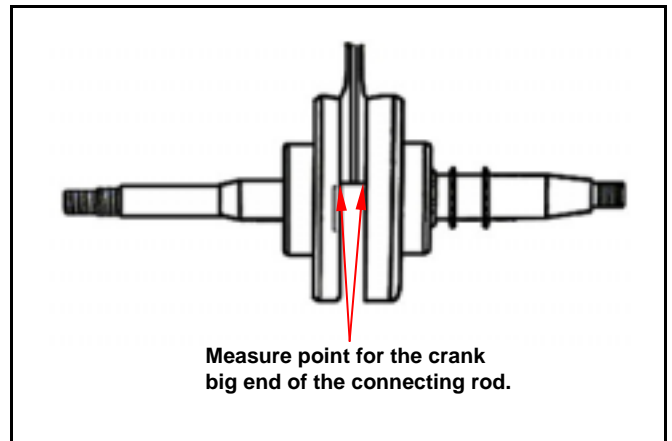
Check any damage in oil seal.
Replace with new one if damaged.



Crankshaft Inspection

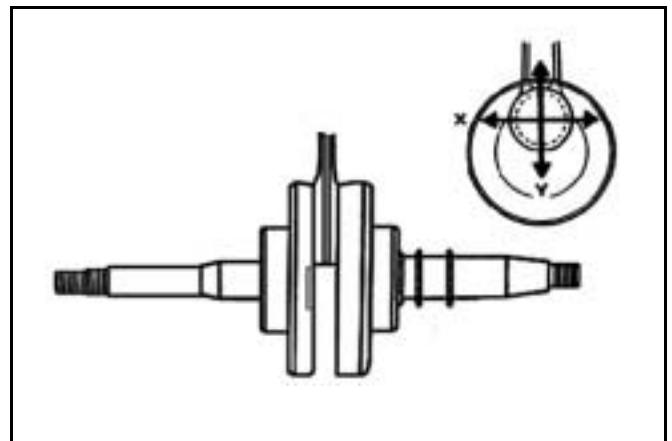
Use a thickness gauge to measure left and right clearance of connecting rod big end.

Service limit: 0.6 mm



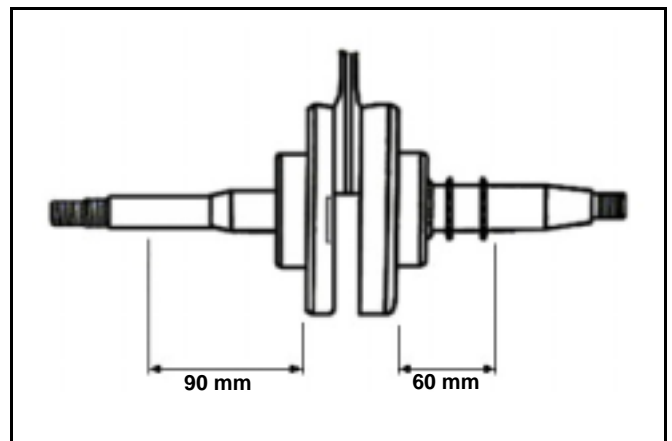
Measure the clearance of the big end at the vertical directions.

Service limit: 0.05 mm



Place the crankshaft on a V-block, measure run-out of the crankshaft.

Service limit: 0.10 mm



Check crankshaft bearing

Use hand to crank the bearing to see it moves freely, smoothly and noiseless.

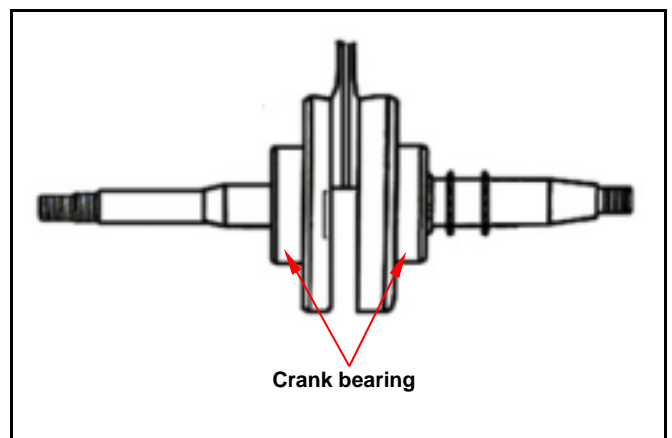
Check the inner ring to see it links firmly on the bearing.

If any roughness, noise and loose linkage are detected, replace the bearing with new one.

Caution

The bearing shall be replaced in pair.

Special tool: outer bearing puller



11. CRANKCASE / CRANK

Assembly of crankcase

Special tool:

R/L. crank case disassemble/install tool

L. crank shaft bearing driver

Crank shaft bearing fixing socket

Crank shaft puller

Clutch nut wrench

The new bearing and bearing driver, puts on the left crank case.

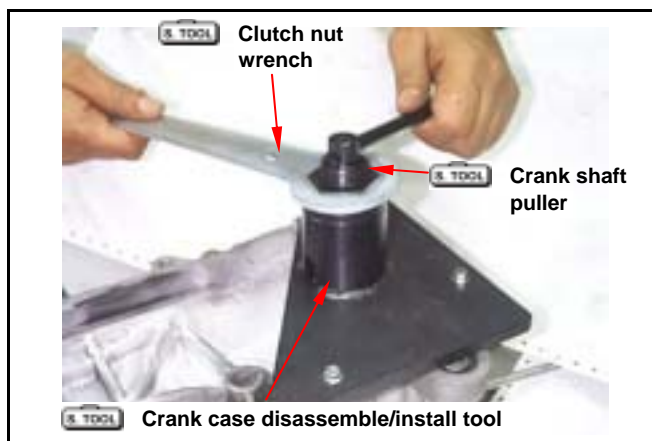


Install R/L. crank case disassemble/install tool on the left crank case.

Again turns on crank shaft puller on the bearing driver spiral tooth.

Gradually tightens the crank shaft puller upper cap nut, presses in the bearing to locate.

After the bearing presses in to locate, opens the R/L. crank case disassemble/install tool, takes down the bearing driver.



Installs crank to the left crank case.



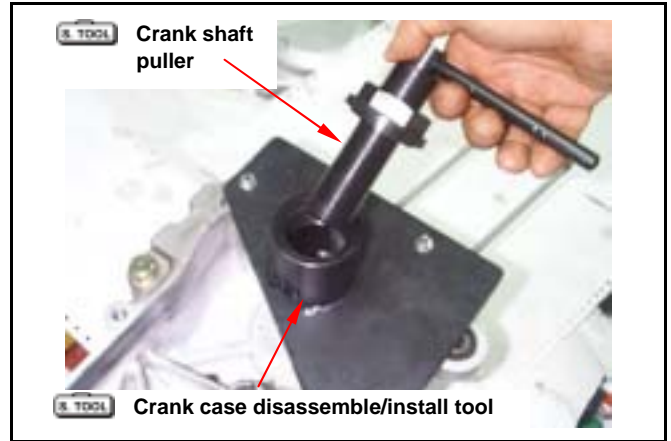
Direct the crank shaft bearing fixing socket to crank shaft.



Install R/L. crank case disassemble/install tool on the left crank case.
 Again turns on crank shaft puller on the crankshaft spiral tooth.

⚠ Caution

Crank shaft puller lock into on as far as possible the crank spiral tooth, prevented pulls the bad crank spiral tooth.



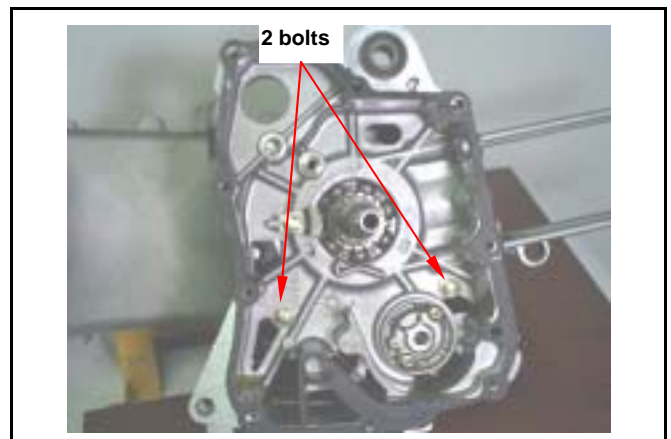
Gradually tightens the crank shaft puller upper cap nut, drags into the crank to locate.



Install 2 new dowel pin and new gasket.
 Install the right crankcase onto the left crankcase.

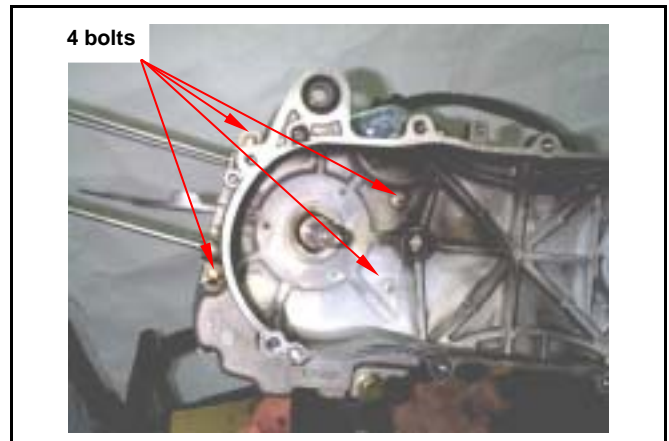


Tighten 2 bolts on the crankcase.
Torque value: 0.8~1.2kgf-m



11. CRANKCASE / CRANK

Tighten 4 bolts on the crankcase.
Torque value: 0.8~1.2kgf-m



Clean the crankshaft.
 Apply a layer of grease on the lip of oil seal, Puts
 on the left crank shaft.
 Install the oil seal in the left crankcase with care
 not to damage the lip of the oil seal.

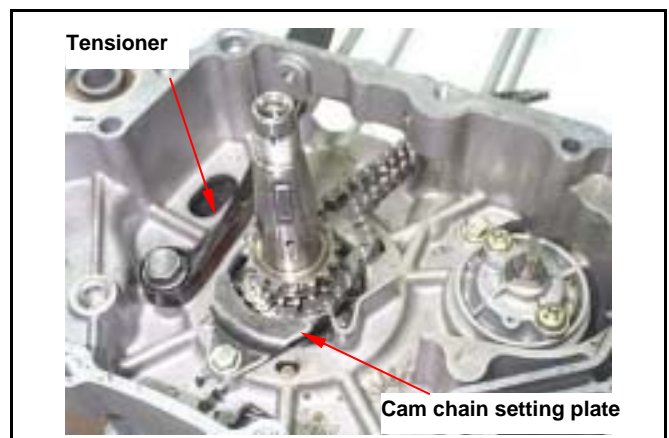


By oil seal driver (25x40x8), oil seal will knock into
 locate.

Special tool:
Oil seal driver (25*40*8)

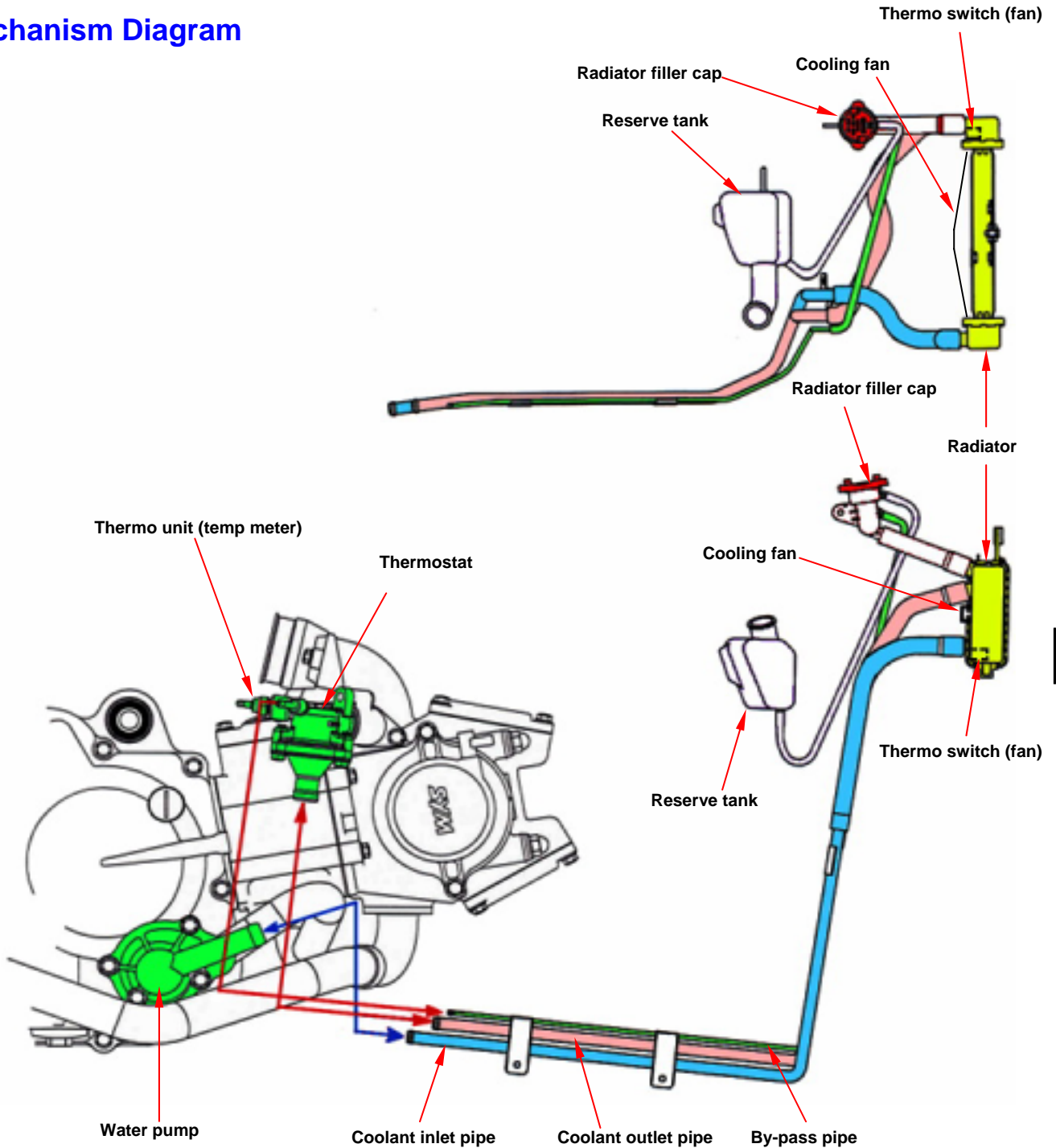


Install the tensioner and tighten the bolts.
Torque value: 1.2 ~1.6kgf-m
 Install the cam chain.
 Install the cam chain setting plate.



Mechanism Diagram12-1	System Test..... 12-5
General Information12-2	Radiator 12-6
Trouble Diagnosis12-2	Water Pump 12-8
Trouble Diagnosis for Cooling System12-3	Thermostat 12-12

Mechanism Diagram



12. COOLING SYSTEM

General Information

General

Warning:

While the engine is running, never attempt to open the radiator filler cap, the pressurized hot coolant may shoot out and cause serious scalding injury. No maintenance work is allowed to perform unless the engine is completely cooled down.

- Refill the radiator with distilled water or specified additives.
- Add coolant to the reservoir.
- The cooling system can be serviced on the motorcycle.
- Never spill the coolant to the painted surface.
- Test the cooling system for any leakage after the repair.
- Please refer to Section 17 for inspection of the temperature sensor switch for the fan motor and the water thermometer.

Technical Specification

Item	Specification
Pressure to open filler cap	0.75~1.05 kg/cm ²
Capacity of coolant: Engine + radiator	780 c.c.
Reservoir upper	420 c.c.
Thermostat	Begins to activate at 71-80 Stroke: 3.5 ~ 4.5 mm/80
Boiling point	Not-pressure: 107.7 Pressurized: 125.6

Torque Value

For water pump rotor 1.0~1.4kgf-m

Tools Requirement

Special tools

Water pump bearing driver (6901): SYM-9100100
 Water pump oil seal driver (Inner): SYM-9120500-H9A
 Water pump mechanical seal driver: SYM-1721700-H9A
 Inner bearing puller: SYM-6204020

Trouble Diagnosis

The engine temperature is too high

- The water thermometer and the temperature sensor do not work properly.
- The thermostat is stuck to closed.
- Insufficient coolant.
- The water hose and jacket are clogged.
- Fan motor malfunction.
- The filler cap of the radiator malfunction.

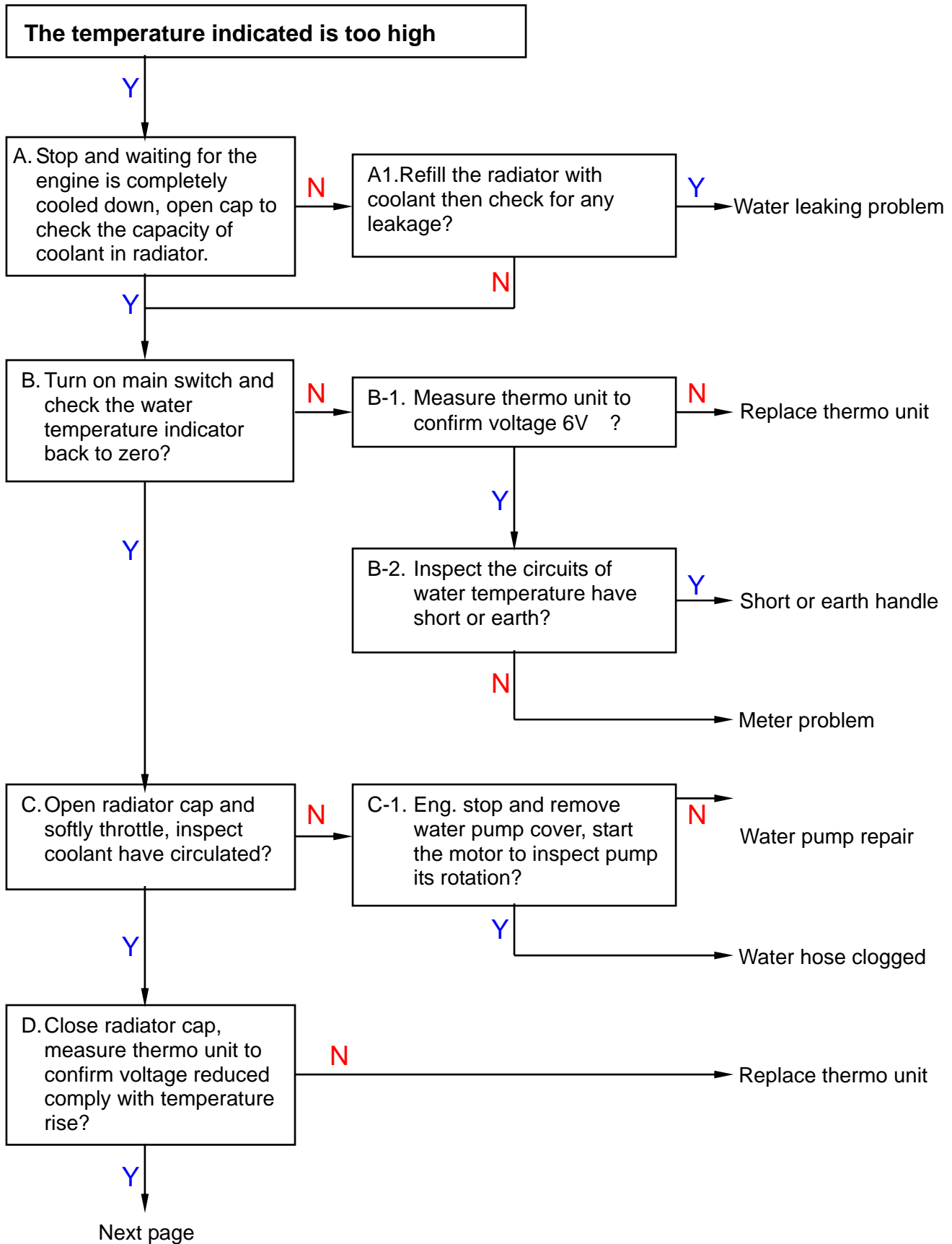
The engine temperature is too low

- The water thermometer and the temperature sensor malfunction.
- The thermostat is stuck to open.

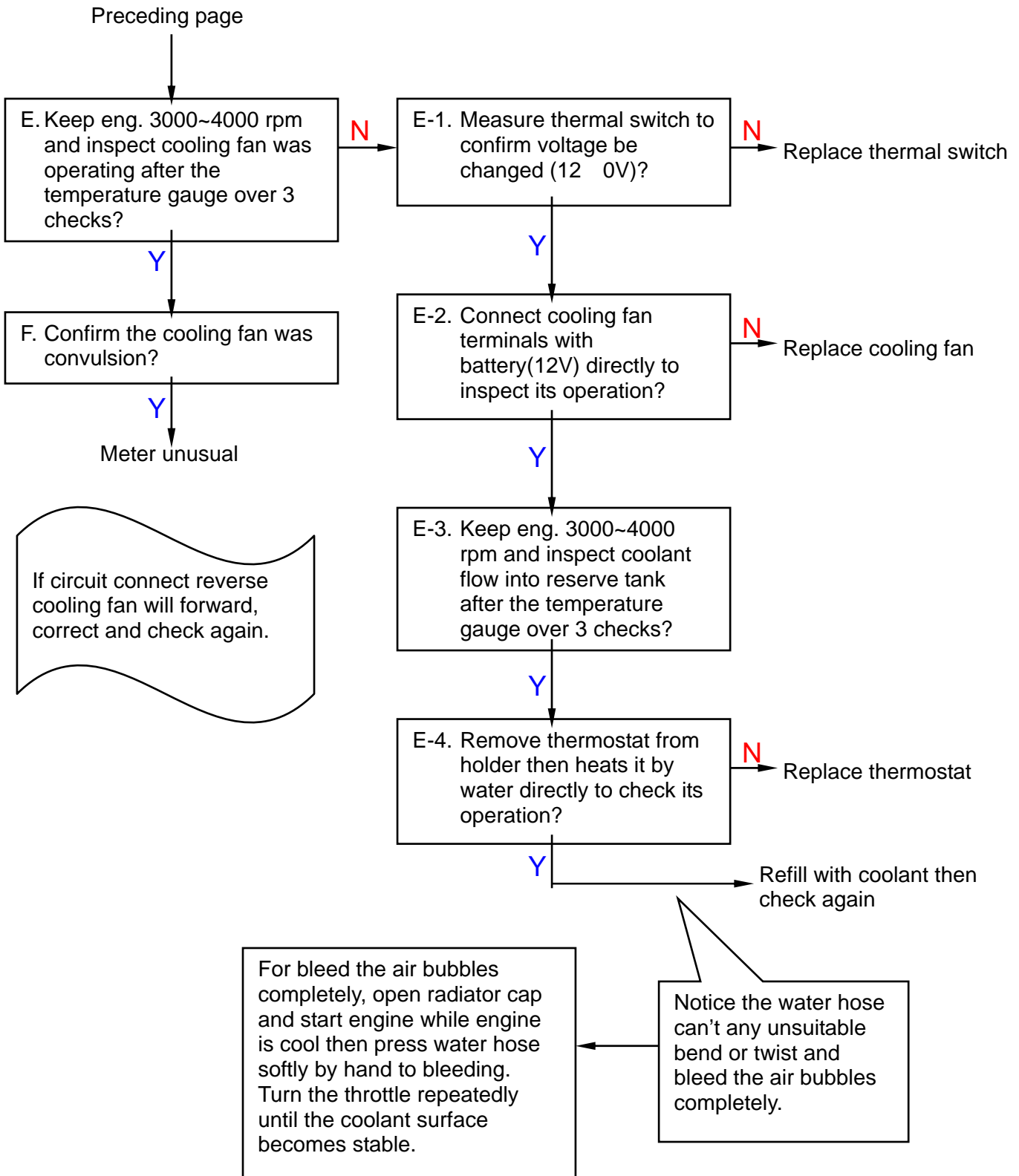
Coolant is leaking

- The water pump mechanical seal does not function properly.
- The O ring is deteriorated.
- The water hose is broken or aged.

Trouble Diagnosis for Cooling System



12. COOLING SYSTEM



System Test

Test on the filler cap

Hermetically seal the filler cap, apply water and pressure to the filler cap. Replace it with new one if found failing to maintain the specified pressure within a given time limit, or the opening pressure is too high or too low. The specified pressure shall be maintained at least for 6 seconds in the test

Relief pressure for the filler cap: 0.75-1.05 kg/cm²

Apply pressure to the radiator, engine and water hose to check for any leakage

⚠ Caution

Pressure which is too high may damage the radiator. Never use pressure which exceeds 1.05 kg/cm².

If the system fails to maintain the specified pressure for at least 6 seconds, repair or replace parts.

Change of coolant

⚠ Warning

Never attempt to carry out service work on the cooling system unless the engine is completely cooled down, otherwise, you may get scalded.

Remove the front cover, and then remove filler cap.

Place a water pan under the water pump, loosen the drain bolt to drain out the coolant. Reinstall the drain bolt.

Refilling system with coolant and bleeding the air bubbles.

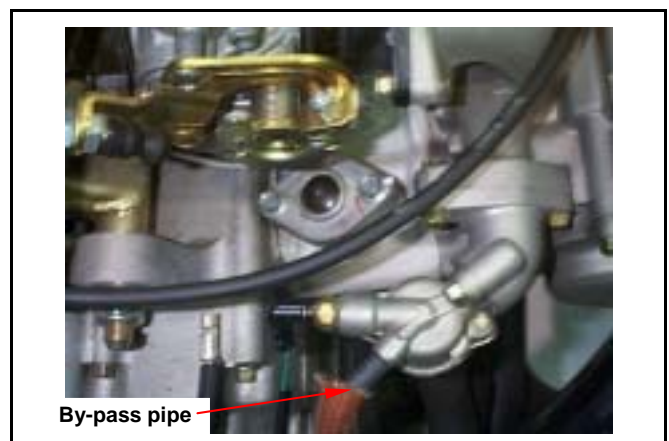
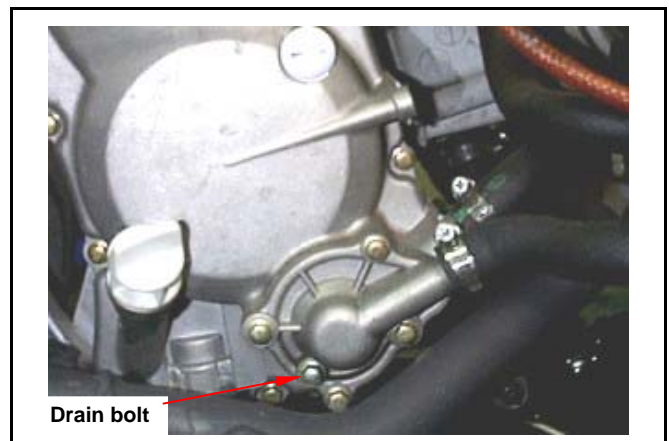
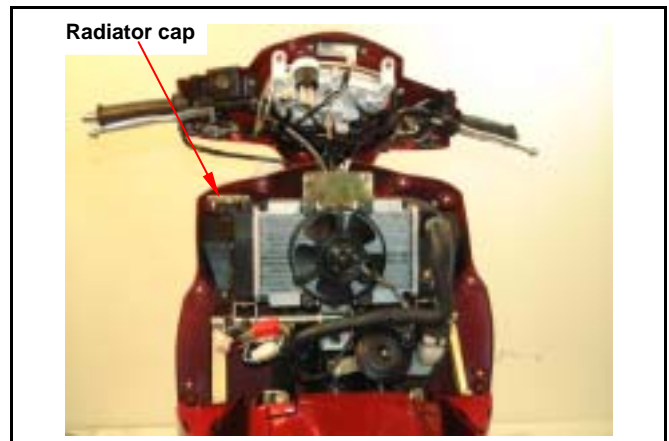
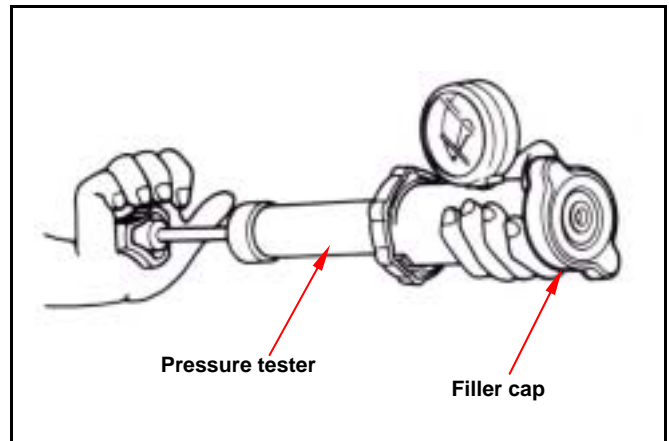
- Run the engine, and remove by-pass pipe.
- Check by-pass hole whether has the air bubble to emit.
- If emits without the air bubble, only has the coolant to flow out, then backflow pipe joint on, engine flameout.
- Remove radiator filler cap.
- Starts the engine, inspects does not have the air bubble in the radiator coolant, also the coolant liquid level is stable.
- Stop the engine. Add coolant to proper level if necessary.
- Screw and tighten up the radiator filler cap.

⚠ Caution

In order to avoid the water tank rusting, please do not use the unclear trade mark refrigerant.

Coolant recommended: SYM Bramax radiator agent.

Concentration: 50%



12. COOLING SYSTEM

Check reserve tank

- Remove the front cover, and then remove reserve tank filler cap.
- Check the liquid level in the reservoir. Add coolant to proper level if too low.
- Reinstall the reserve tank filler cap.

Caution

The reserve tank liquid level can't be too high, after avoids the water temperature elevating, in the cooling system the refrigerant backflow floods.



Radiator

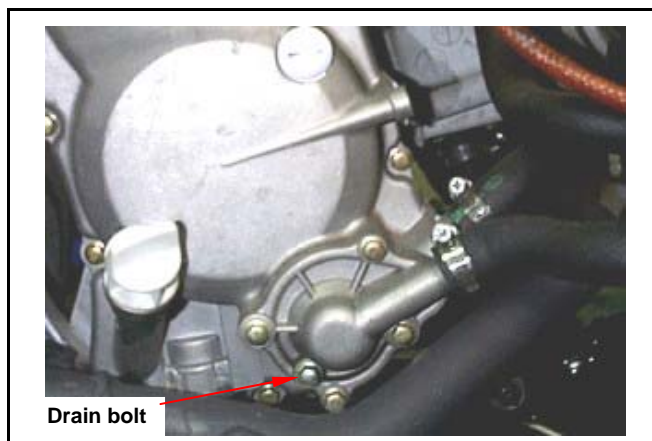
Check

Remove the front cover, check for any leakage from weld seam.
Blow radiator clean using compressed air. If the radiator is blocked by dirt, use low pressure water jet to clean it.
Care shall be taken when straightening the sink fan.

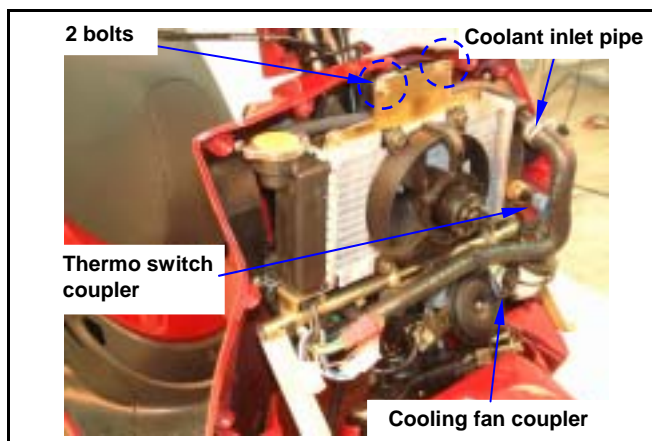


Removal

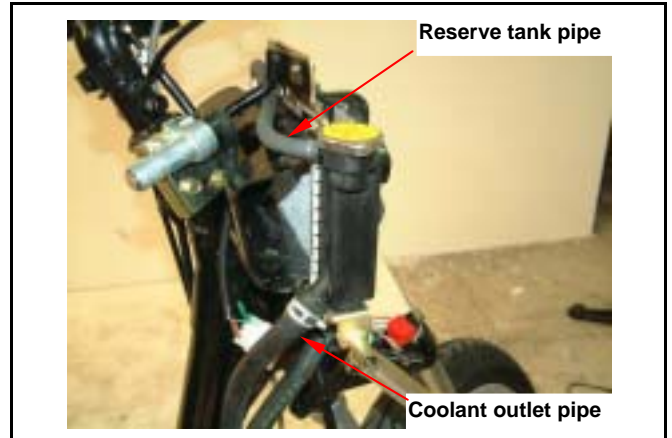
Coolant leakage
Sets at a vessel underneath the water pump, dismantles the drain bolt to leak off in the cooling system refrigerant.



Remove front cover.
Disconnect the couplers for the thermo switch and fan motor.
Remove coolant inlet pipe.
Loosen the radiator 2 bolts.



Remove coolant outlet pipe and reserve tank pipe, and then remove radiator and cooling fan.



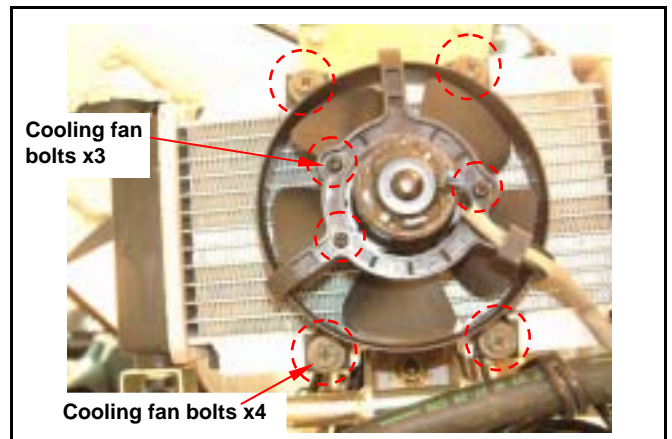
Disassembly

Loosen the 4 bolts from the fan duct, and then remove the fan duct and radiator plate.

Loosen the 4 bolts from the fan and remove the fan.

Loosen 3 screws from the fan motor, and take off the fan motor.

Remove nut to remove the fan from fan motor.



Assembly

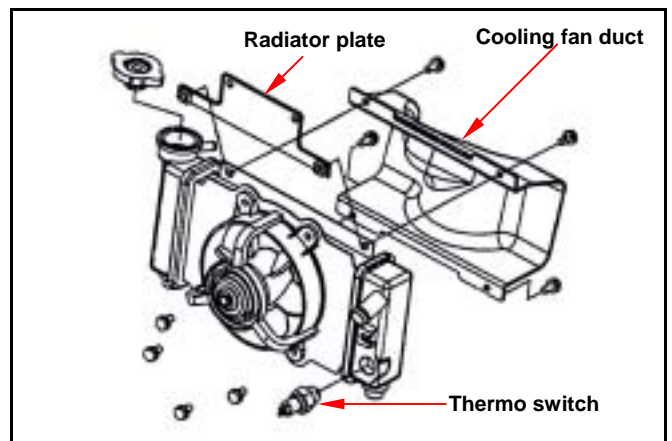
Install fan motor onto fan shroud and insert the fan into the motor shaft.

Apply a coat of the adhesive to the shaft thread of the motor, and then install the washer and the lock nut.

Tighten the fan shroud onto the radiator with four bolts. Please refer to chapter 17 for the inspection of the thermo switch.

Caution

Liquid packing must be applied to the thermo switch before installing to avoid damaging the radiator.



Installation

Install the removed parts in the reverse order of removal.

Install radiator in the reverse order of removal.

Upon completion, check for any leakage.

12. COOLING SYSTEM

Water Pump

Check water pump seal / cooling system divulges inspection

- Disassembles the refrigerant drain bolt, overflows little buckles the N actually fluid, confirmed overflows the refrigerant whether has the greasy dirt.
- Turns on lathe the engine oil gauge rule, the inspection engine oil whether does have bleaches situation of the emulsified.

If has the above two kind of interior to divulge the phenomenon, possibly for the water pump inner two seal damages, the engine cooling system damages or the cylinder and the cylinder head gasket damages, please first dismantles the right crank case to say A confirms the replacement water pump seal, if does not have the question to take apart for overhaul cooling system of system again the cylinder head, the cylinder.

Removal of water pump

Loosen the drain bolt to drain out the coolant.

Remove the water hose.

Loosen three bolts and remove the pump cover.

Loosen 9 bolts and remove the right cover.

Take off the gasket and dowel pin.

Turn pump rotor clockwise and remove.

Caution

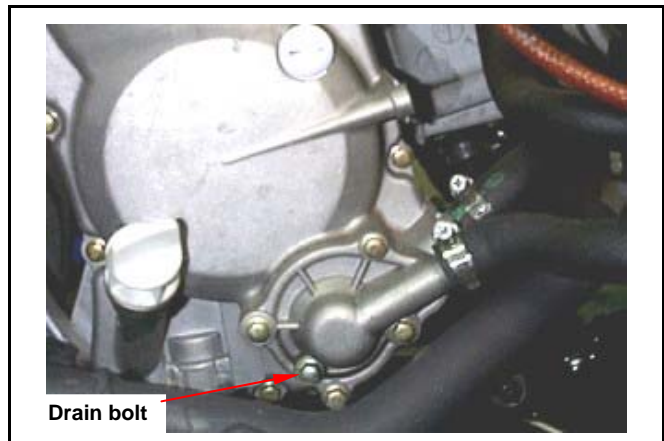
The rotor is provided with left turn thread.

Remove the circlip from the right crankcase cover.
Remove the water pump shaft and the inner bearing.

Remove the outside bearing by inner bearing puller.

Rotate the inner ring of bearing, the bearing shall move smoothly and quietly.

If the bearing does not rotate smoothly or produces a noise, replace it with new one.



Check any wear and damage of the mechanical seal and inside seal.

⚠ Caution

The mechanical seal and inside seal must be replaced as a unit.

Replacement of Mechanical Seal

Remove the inside bearing by inner bearing puller. Drive the mechanical seal and inner seal out of the right crankcase.

Special tools:

Inner bearing puller

Water pump bearing driver

⚠ Caution

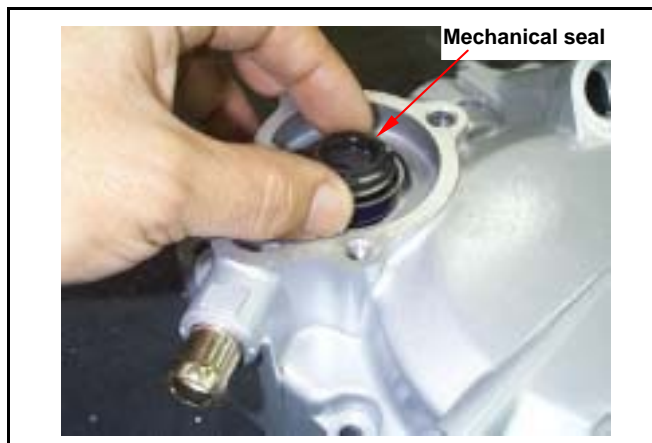
Replace a new mechanical seal after removing it.

Apply a coat of sealant to the mating surfaces of the right crankcase before installing the new mechanical seal.

Install the mechanical seal onto the right crankcase.

Special tools:

Water pump mechanical seal driver



12. COOLING SYSTEM

Install the new inner seal onto the right crankcase.

Special tools:

Water pump oil seal driver (inner)



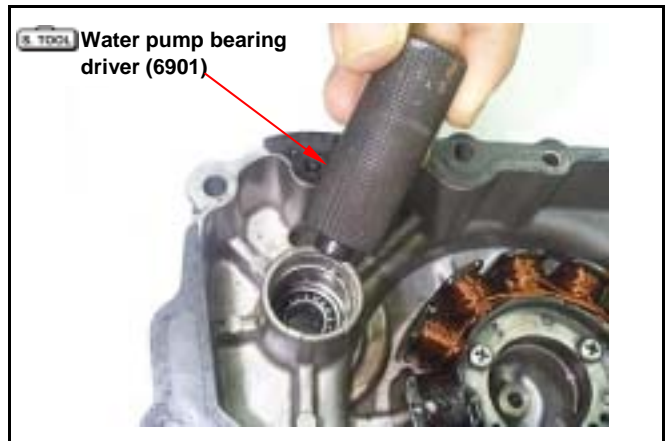
Install a new outside bearing to the right crankcase cover.

Special tools:

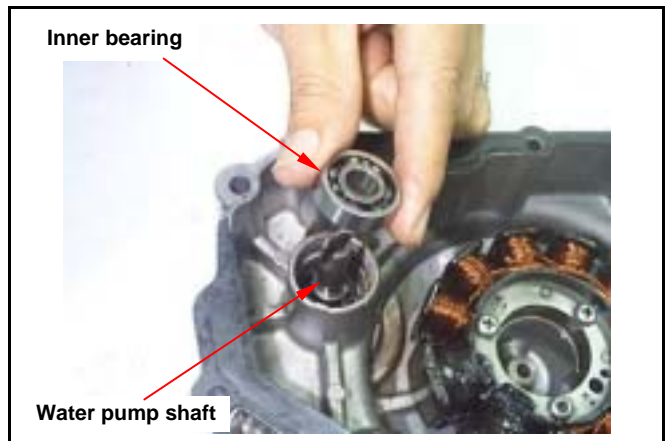
Water pump bearing driver (6901)

⚠ Caution

Do not reuse old bearing. It must be replaced with a new one once it has been removed.



Mount the water pump shaft and the inner bearing to the right crankcase cover.



Install the circlip to hold the inner bearing.



Install the seal washer into the rotor.

⚠ Caution

Washer must be replaced together with the mechanical seal.

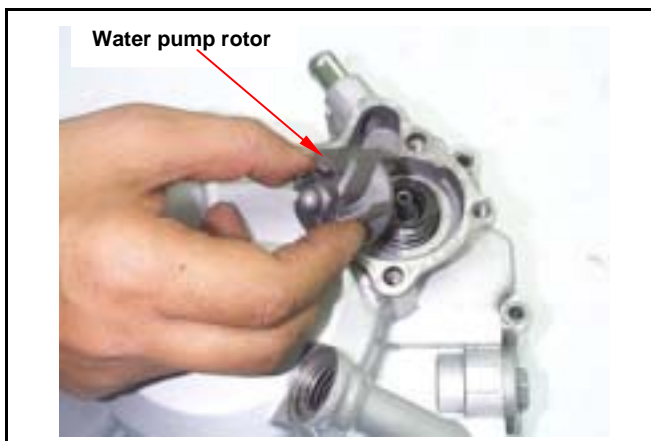


Install the rotor onto the water pump shaft and tighten.

Torque Value: 1.0~1.4kgf-m

⚠ Caution

The rotor is left thread.



Install the dowel pin and right cover gasket.
The rotation water pump rotor, causes the water pump drive shaft scoop channel, aligns the oil pump drive shaft flange, install the right crank case. (bolts x 9)



Install the dowel pin and new gasket.
Install the water pump cover with 4 bolts.



12. COOLING SYSTEM

Thermostat

Please refer to chapter 17 for inspection of temperature sensor.

Removal

Remove the luggage box and body cover.
 Drain out the coolant.
 Disconnect the cable of temperature sensor.
 Disconnect the by-pass pipe.
 Remove the thermostat set. (1 bolt)

Installation

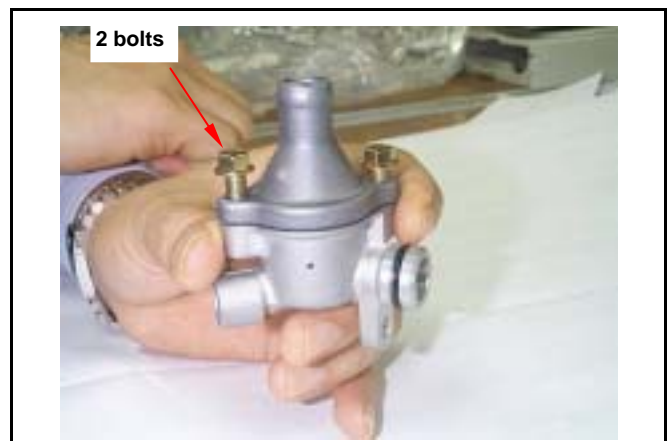
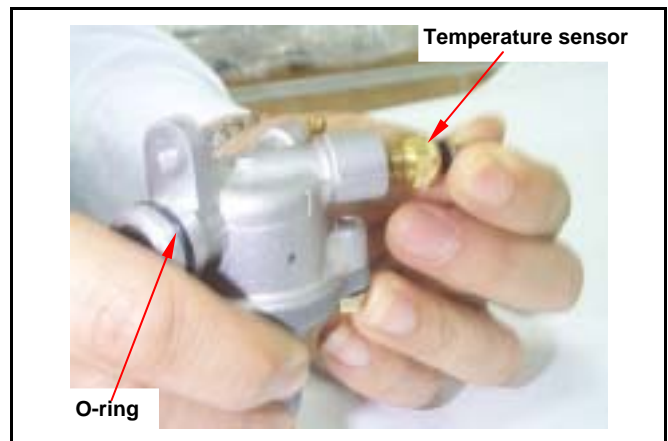
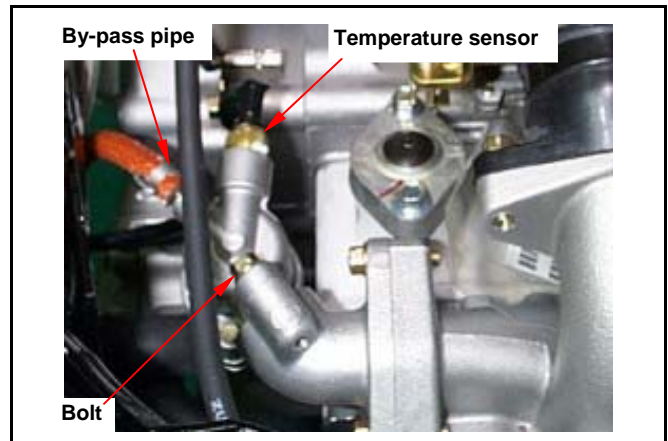
Apply a coat of sealant or equivalent to the thread of temperature sensor and install it on the holder.
 Connect the cable to the temperature sensor.
 Refill the coolant and bleed out the air bubble (Page 12-5).
 Install the luggage box and body cover.

Disassembly

Remove the temperature sensor and O-ring from the thermostat body.

Remove 2 bolts and separate the thermostat body from the cover.

Remove the thermostat.



Inspection

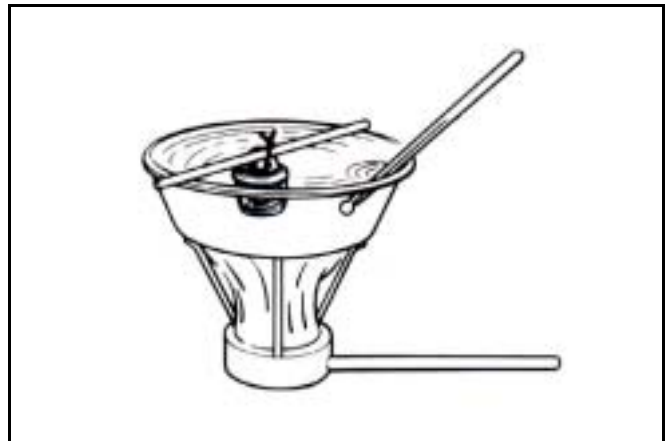
Visually inspect thermostat for any damage.



Place the thermostat into heated water to check its operation.

⚠ Caution

Whenever the thermostat and the thermometer are in contact to the wall of heated water container, the reading displayed is incorrect. If the valve of the thermostat remains open at room temperature or the valve operation is not corresponding to the temperature change, then it must be replaced.



Technical Data

Valve begins to open	71 ~ 80
Valve stroke	3.5 ~ 4.5 mm at 80

Assembly

Install in reverse order of removal.

⚠ Caution

Always use a new O-ring and apply a coat of grease on it before installing.



Refill the specified coolant as necessary.

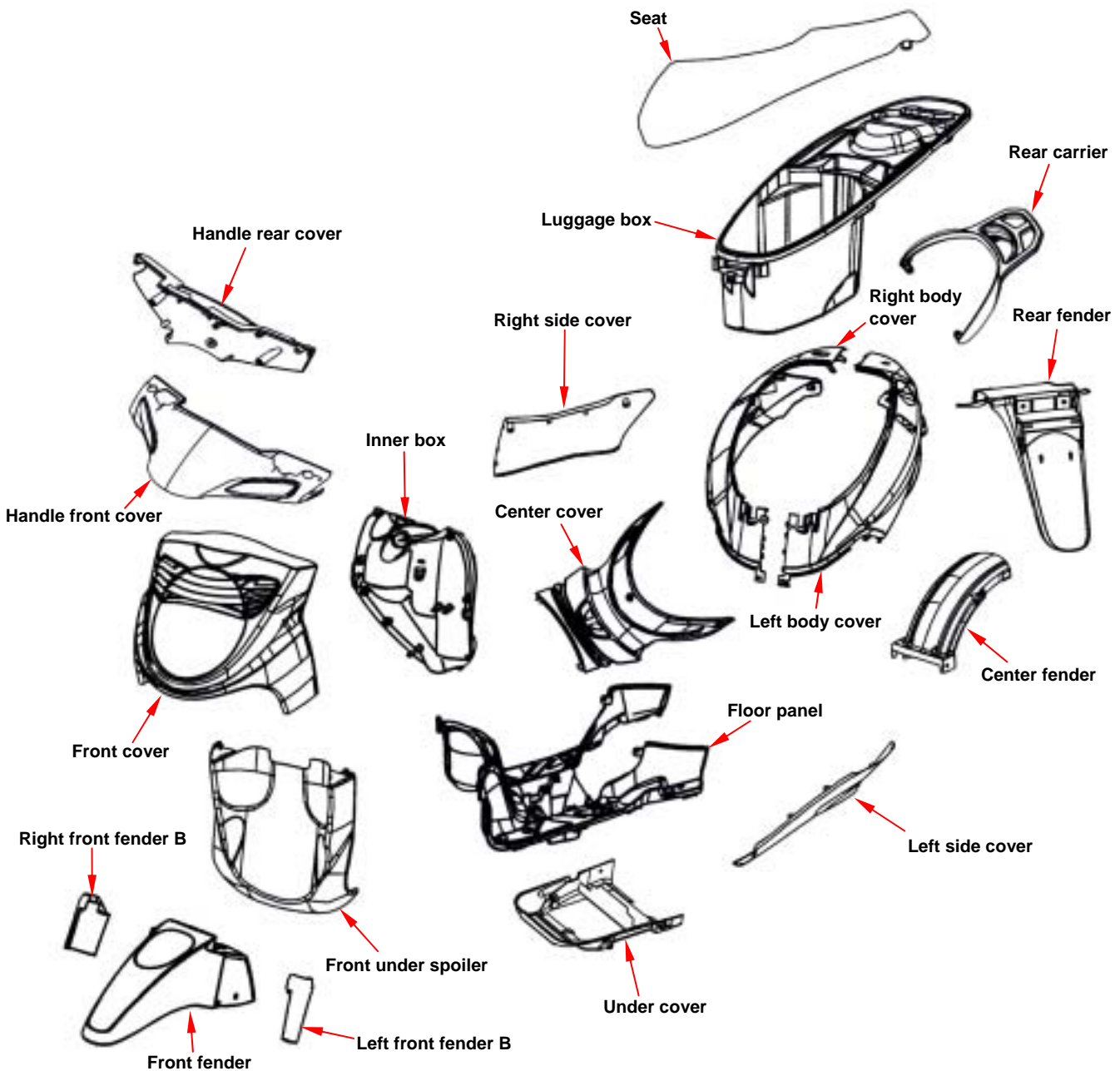
12. COOLING SYSTEM



Notes:

Mechanism Diagram	13-1	Rear carrier.....	13-9
Maintenance.....	13-2	Body cover	13-10
Front cover.....	13-3	Inner box.....	13-11
Handle front cover.....	13-4	Floor panel	13-12
Handle rear cover	13-5	Front fender.....	13-13
Side cover	13-6	Rear fender.....	13-15
Front under spoiler	13-7	Center fender	13-15
Luggage box	13-8		

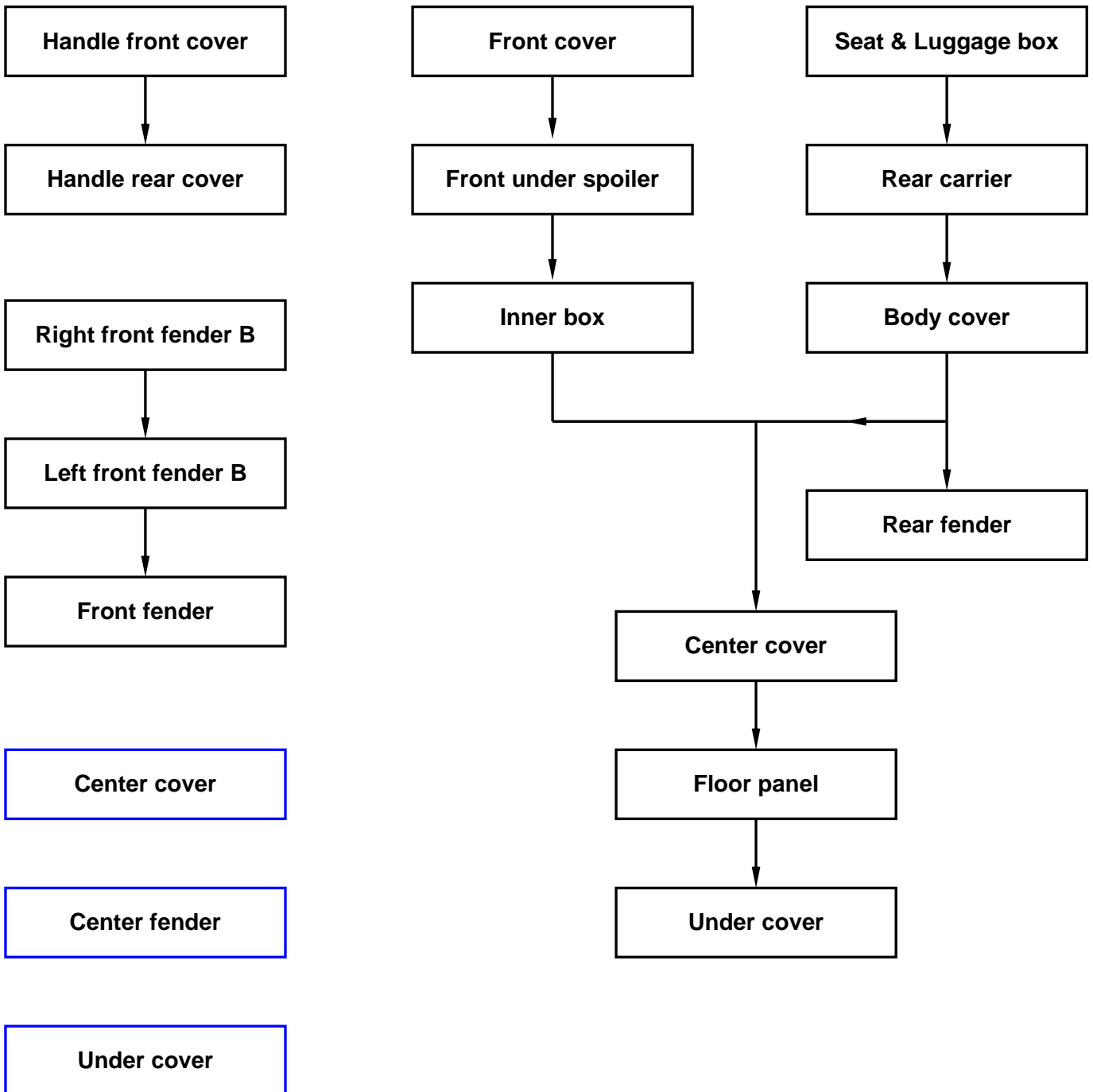
Mechanism Diagram



13. BODY COVER

Maintenance

Body covers disassemble sequence:



- Be careful not to damage various covers in assembly or disassembly operation.
- Never injure hooks molded on the body covers.
- Align the buckles on the guards with slot on the covers.
- Make sure that each hook is properly installed during the assembly.
- Never compact forcefully or hammer the guard and the covers during assembly.

Front cover

Remove

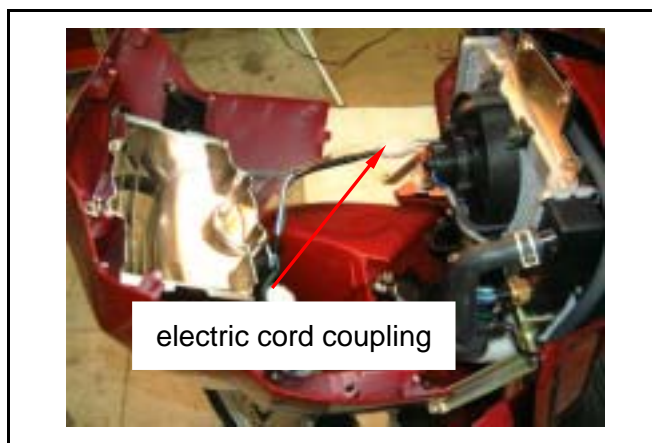
Loosen 8 screw from the front cover.



Loosen 2 screw bottom of front handle cover.



Remove headlight coupler, and then remove front cover.



Installation

Install in reverse order of removal procedures.



13. BODY COVER

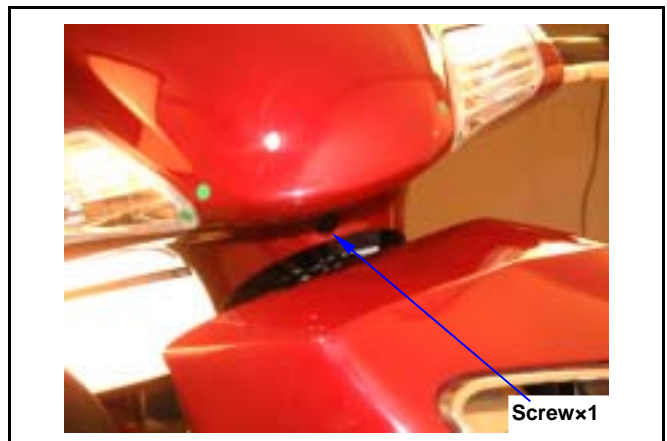
Handle front cover

Disassembly

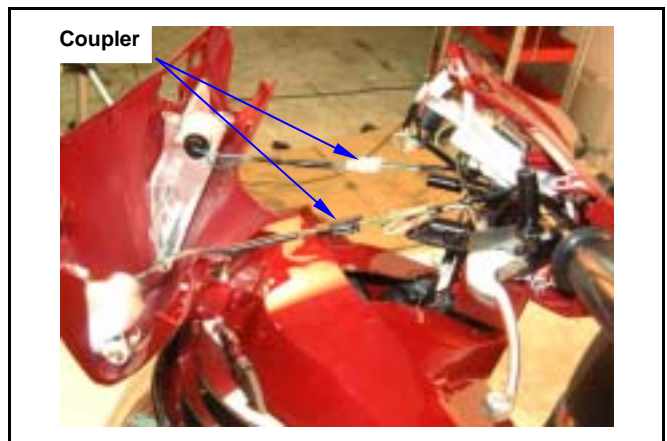
Loosen 2 screws from handle rear cover rear side.



Loosen 1 screw from front handle cover.



Remove front winker light cord coupler.



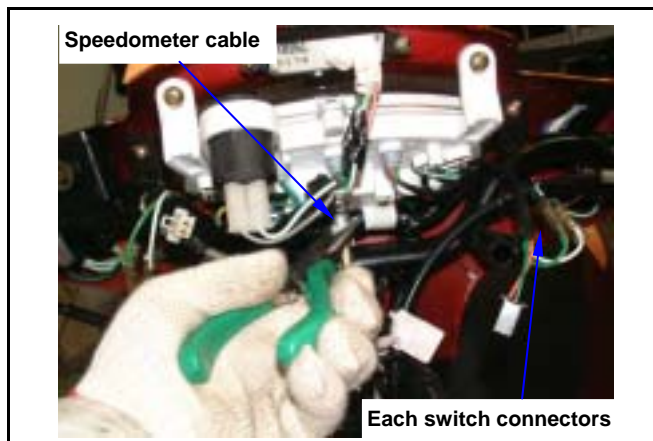
Remove the handle front cover.



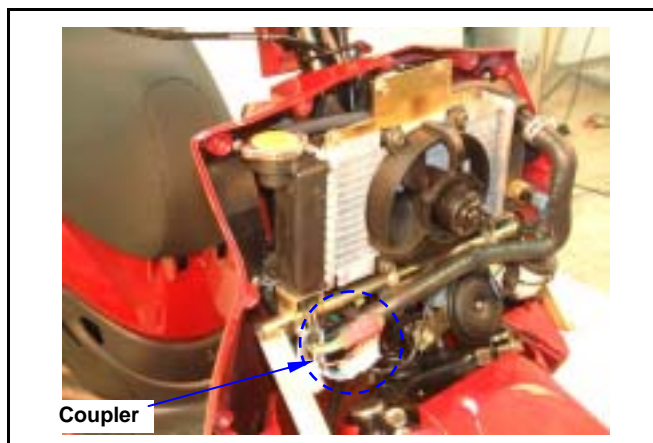
Handle rear cover

Remover

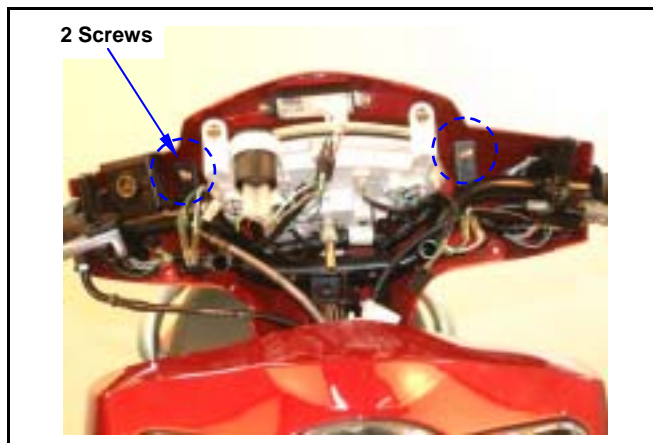
- Remove front cover.
- Remove speedometer cable.
- Disconnect each switch connectors.



Remove electric line coupler from the radiator.



Loosen 2 screws from the handle rear cover.



- Loosen 1 screw from backside of the handle rear cover.
- Remove handle rear cover.

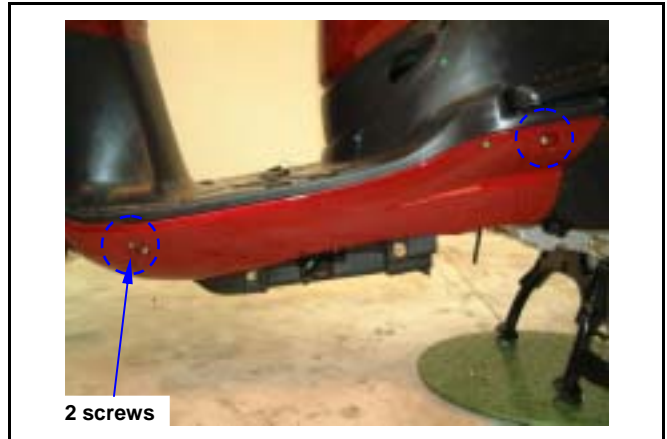


13. BODY COVER

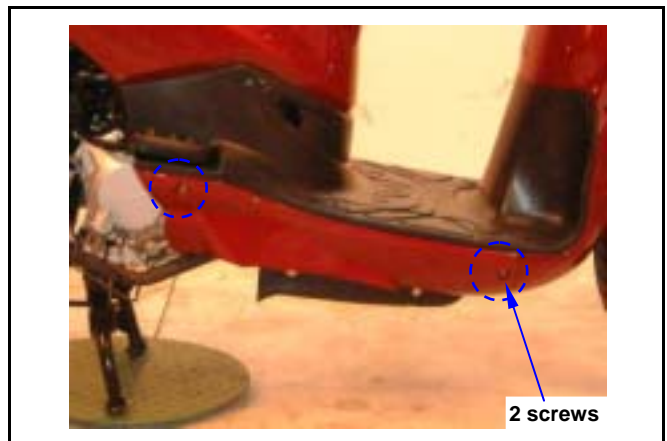
Side cover

Remove

Loosen 2 screws from the left side cover.



Loosen 2 screws from the right side cover.



Remove the right & left side cover.



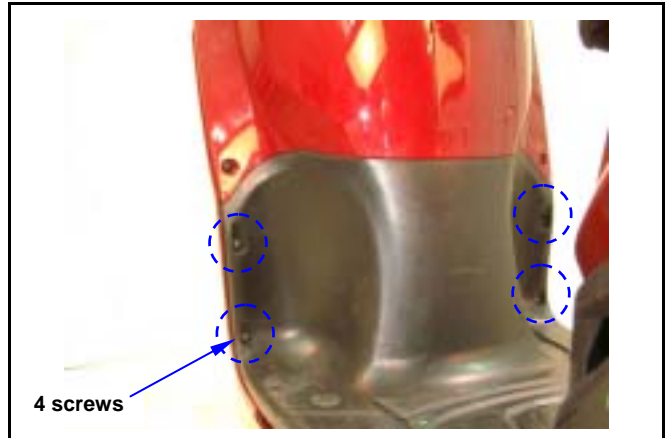
Installation

Install in reverse order of removal procedures.

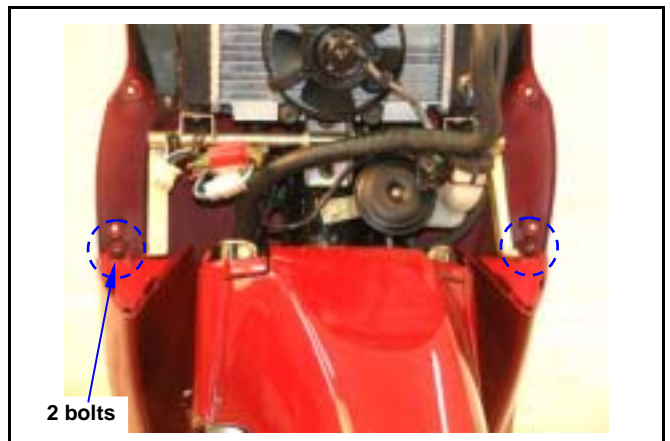
Front under spoiler**Remove**

Remove front cover.

Loosen 4 screw of the inner box side.



Loosen 2 screws from front side of the front under spoiler.



Remove the front under spoiler.

**Installation**

Install in reverse order of removal procedures.

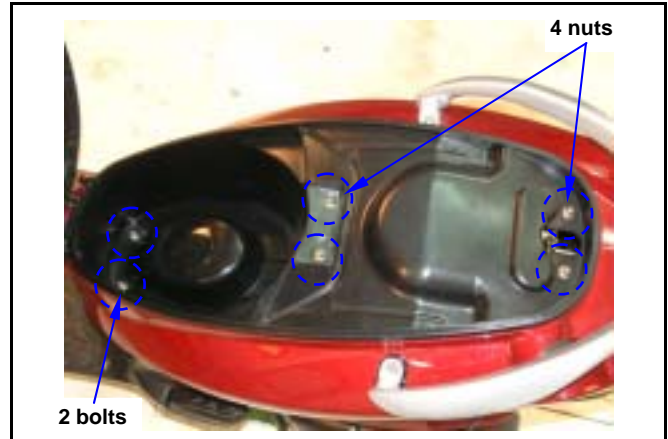
13. BODY COVER

Luggage box

Remove

Open seat.

Loosen 4 nuts & 2 bolt of the luggage box.



Loosen 1 screw from front side of the body cover.



Remove the luggage box.



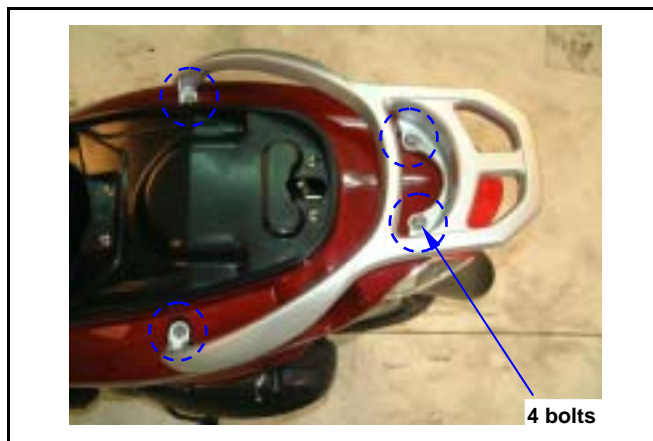
Installation

Install in reverse order of removal procedures.

Rear carrier

Remove

Loosen 4 bolts from the rear carrier.



Remove the rear carrier.



Installation

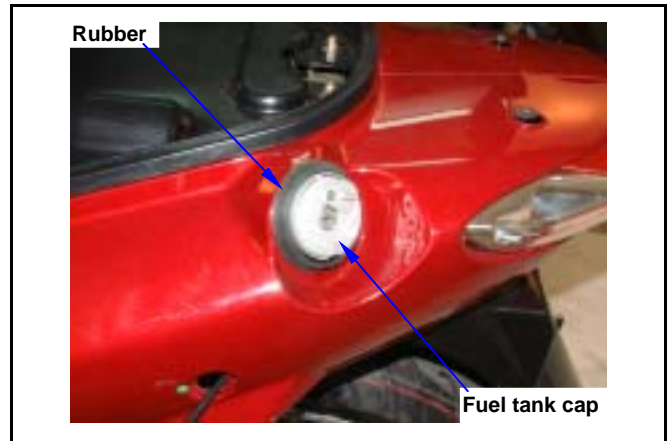
Install in reverse order of removal procedures.

13. BODY COVER

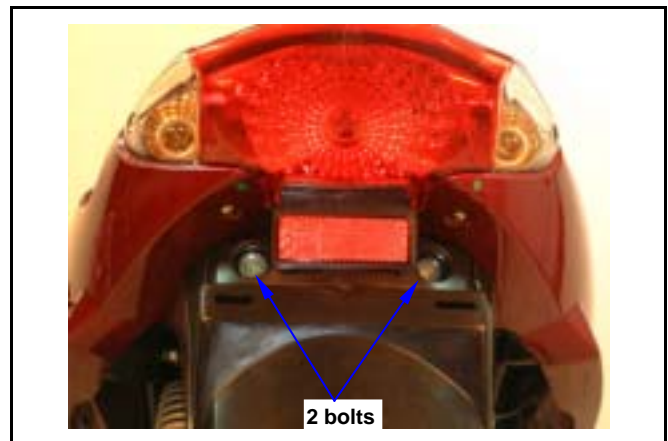
Body cover

Remove

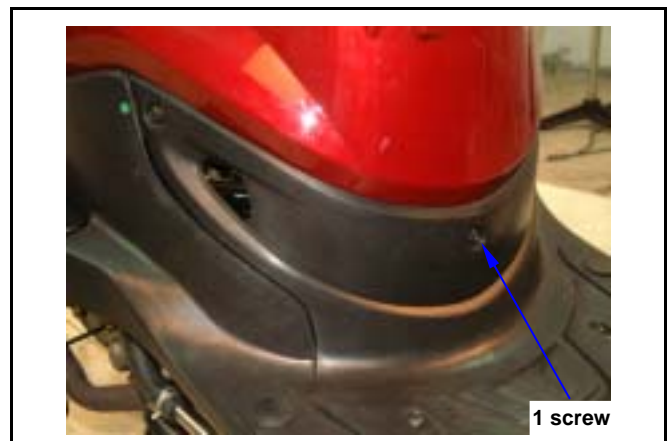
Remove luggage box and rear carrier.
Remove the fuel tank cap and rubber.



Loosen 2 bolts from the taillight underneath.



Loosen 1 screw from the center cover.



Remove electric line coupler from the taillight and seat lock cable.

Remove right and left body covers.

Installation

Install in reverse order of removal procedures.



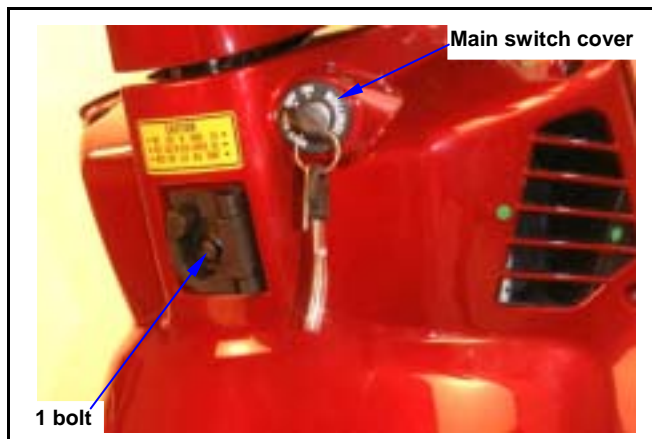
Inner box

Remove

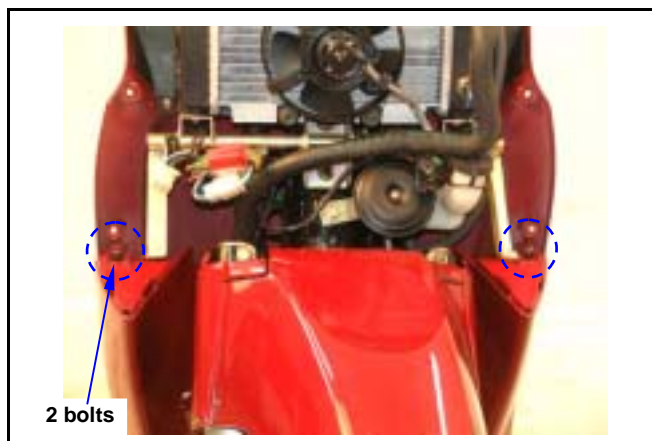
Remove the front cover.

Loosen 1 bolt from the setting at hook and remove the hook.

Remove main switch cover.



Loosen 2 screws from the under spoiler.



Remove the inner box.



Installation

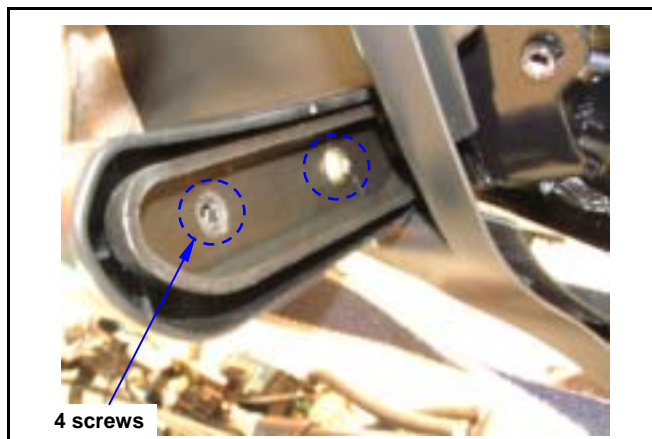
Install in reverse order of removal procedures.

13. BODY COVER

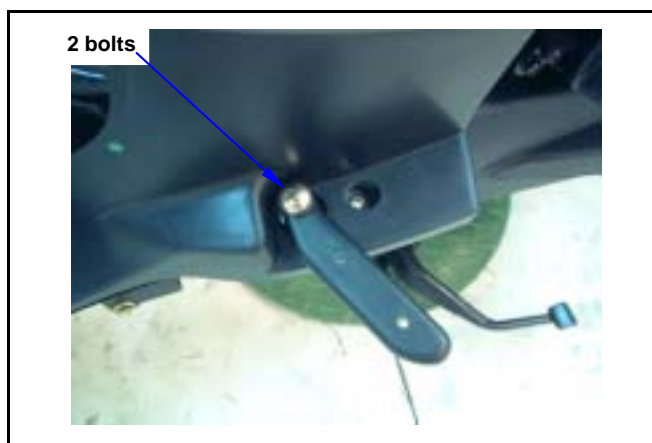
Floor panel

Remove

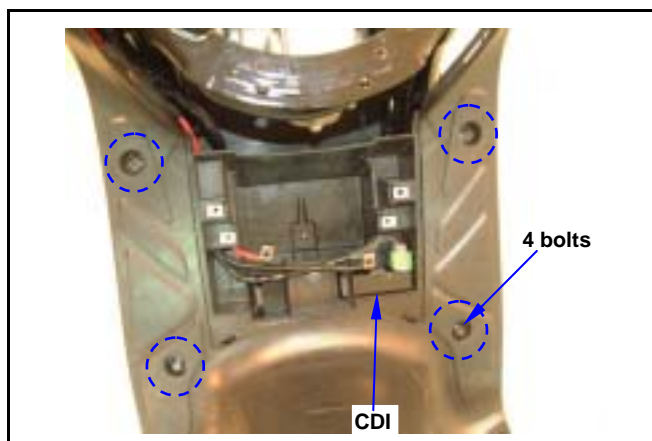
Loosen 4 screws from the right & left step bar.
Remove the right & left step bar covers.



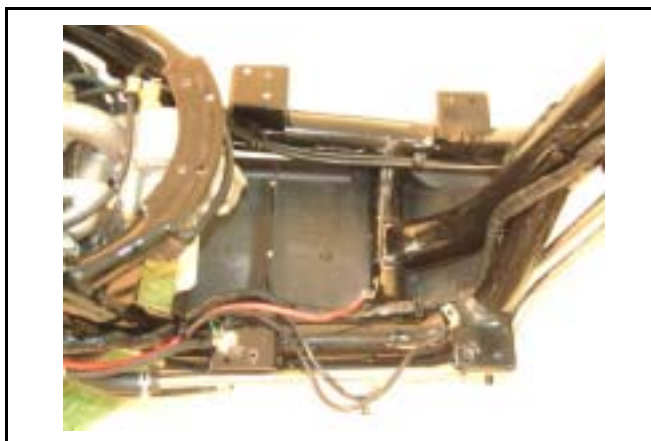
Loosen 2 screws from the right & left step bar, and then remove step bars.



Remove the battery and CDI.
Loosen 4 bolts from the floor panel.



Remove the floor panel.



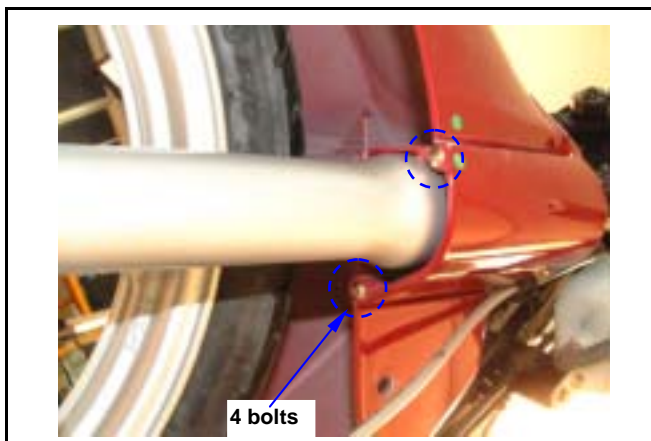
Installation

Install in reverse order of removal procedures.

Front fender

Remove

Remove right & left front fender B. (4 bolts)



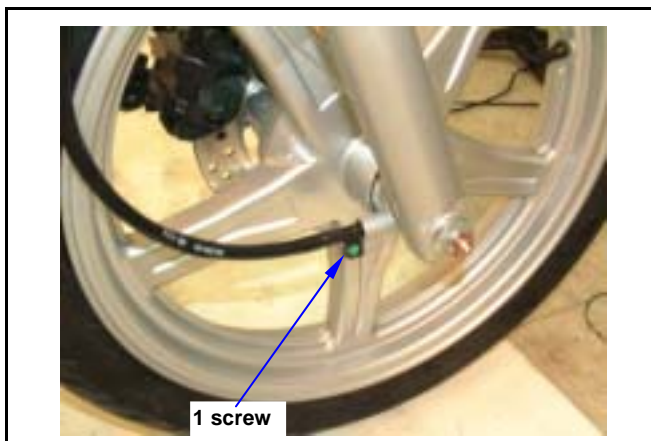
Upward pushes, after causes the tenon to fall off front, again takes out the front fender B.

Caution

- When disassemble age must pay attention, whether the tenon is separated from.
- Cannot hardly pull out, is easy to create the tenon to break off.



Remove speedometer cable. (1 screw)

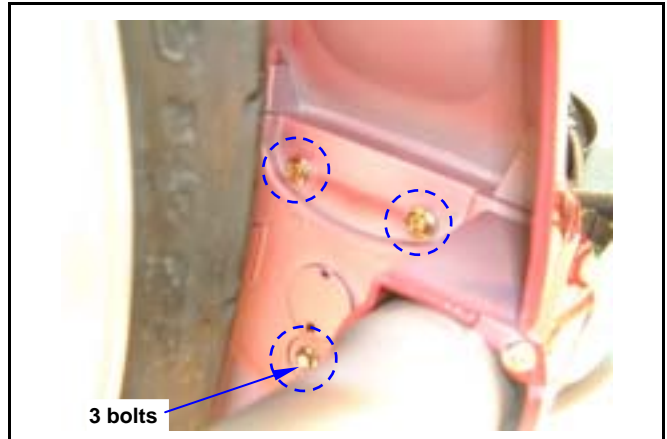


From front fender left side remove brake pipe clip.



13. BODY COVER

Use T flex socket wrench, remove front fender in upside bolt. (3 bolts)



Downward presses the front fender, will cause it to be separated from the front cushion, and then take down to front.

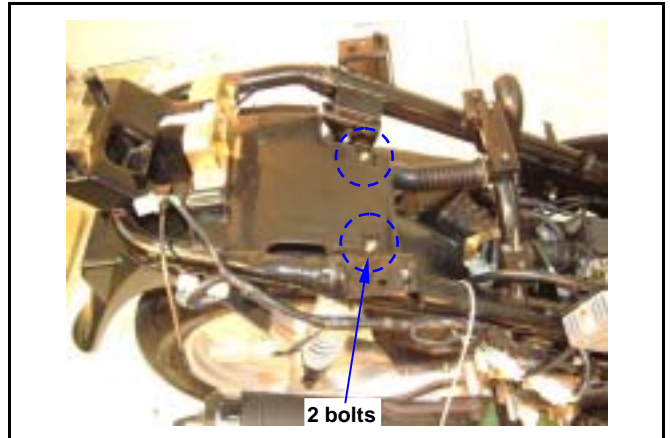


Installation

Install in reverse order of removal procedures.

Rear fender

- Remove luggage box and seat.
- Remove rear carrier.
- Remove body cover.
- Remove fuel tank.
- Remove rear fender upper side bolts. (2 bolts)



- Remove rear fender.

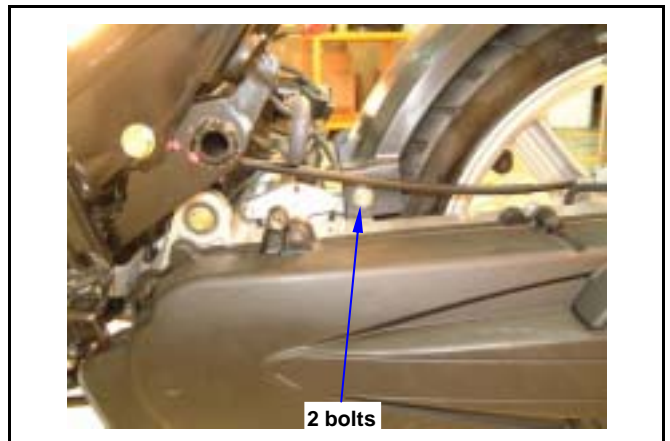
Installation

- Install in reverse order of removal procedures.



Center fender

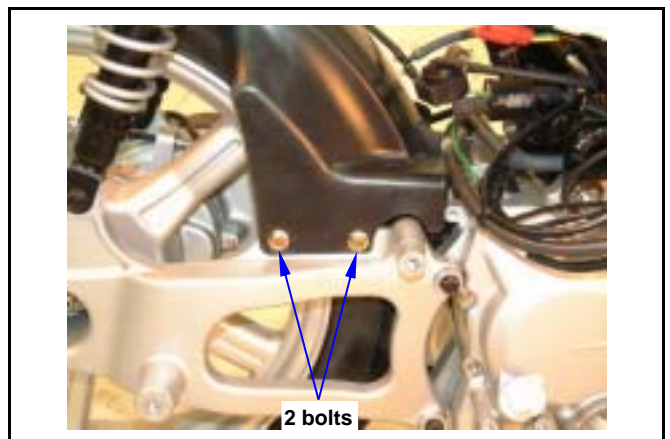
- Remove air cleaner.
- Remove center fender left side bolt. (1 bolt)



- Remove center fender right side bolts, and then remove center fender. (2 bolts)

Installation

- Install in reverse order of removal procedures.



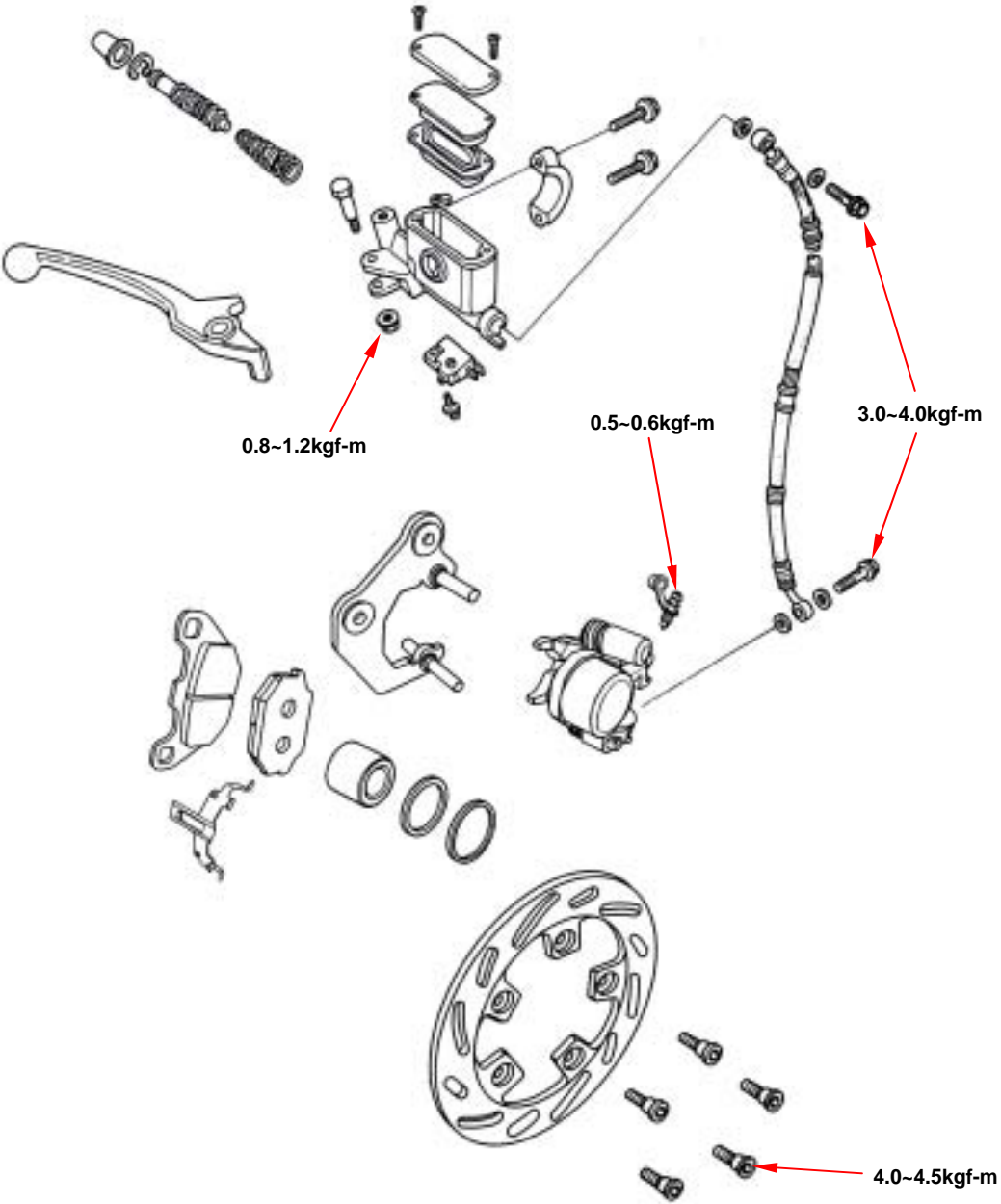
13. BODY COVER



Note:

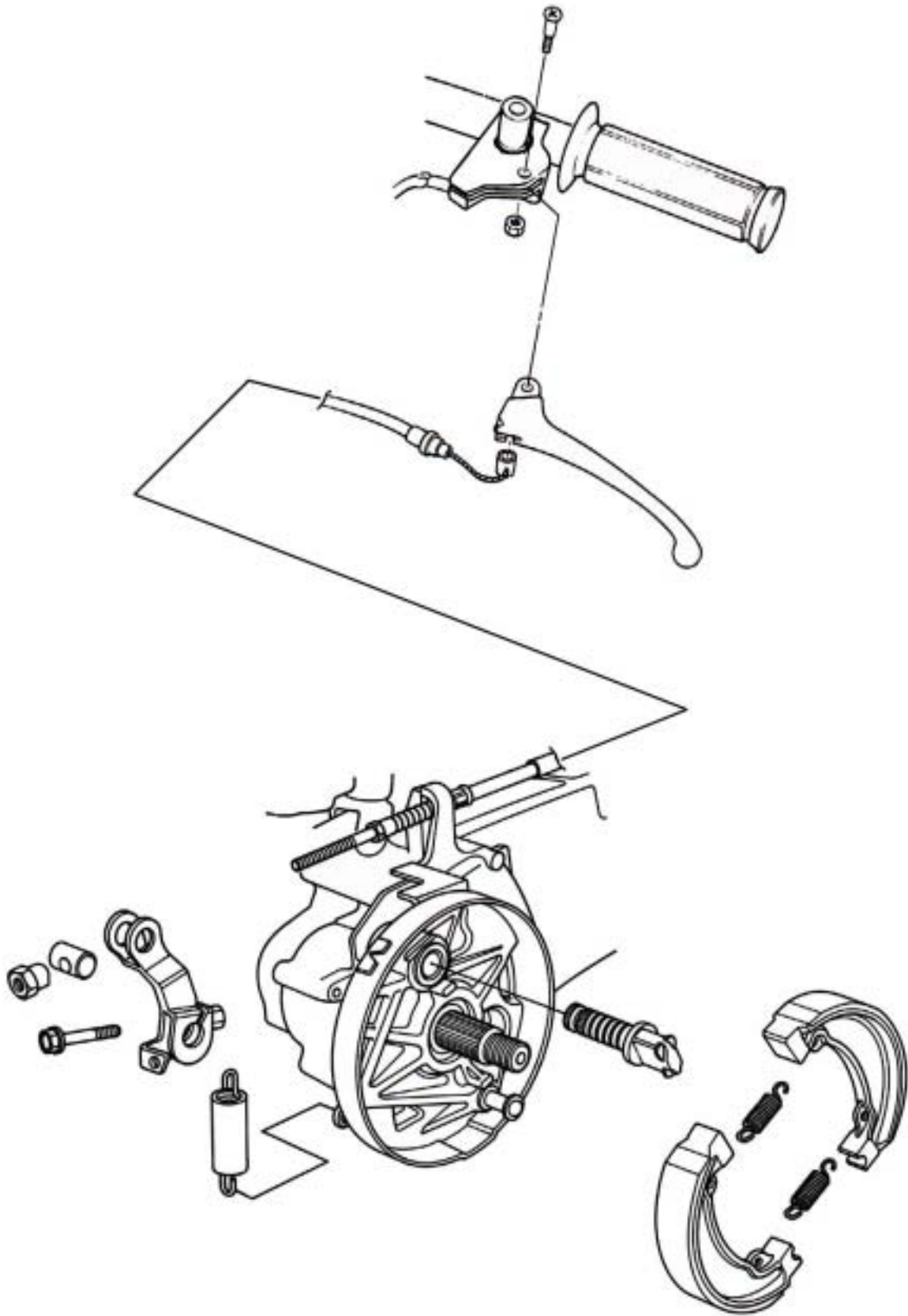
Mechanism Diagram-Front Disk Brake 14-1	Brake fluid replacement / Air-bleed 14-7
Mechanism Diagram-Rear Drum Brake 14-2	Disk Brake-Caliper 14-8
Maintenance Description 14-3	Brake Disk 14-9
Trouble Diagnosis 14-4	Disk Brake - Master Cylinder 14-9
Disk Brake System Inspection 14-5	Rear Drum Brake..... 14-12
Adding Brake Fluid..... 14-6	

Mechanism Diagram-Front Disk Brake



14. BRAKE

Mechanism Diagram-Rear Drum Brake



Maintenance Description

Operational precautions

Caution

Inhaling asbestos may cause disorders of respiration system or cancer, therefore, never use air hose or dry brush to clean brake parts. Use vacuum cleaner or other authorized tool instead.

- The brake caliper can be removed without removing the hydraulic system.
- After the hydraulic system is removed, or the brake system is felt to be too soft, bleed the hydraulic system.
- While refilling brake fluid, care should be taken not to let the foreign material entering into the brake system.
- Do not spill brake fluid on the painted surfaces, plastic or rubber parts to avoid damage.
- Check the operation of the brake system before riding.

Specifications

Item	Standard (mm)	Limit (mm)
The thickness of front and rear brake disk	4.000	2.500
Front and rear brake disk eccentricity	< 0.100	0.300
Master cylinder inner diameter	11.000 - 11.043	11.055
Master cylinder outer diameter	10.957 - 10.984	10.945
Diameter of front disk	220.000	-
Diameter of rear brake drum	130.000	-
Thickness of front brake lining	5.100	2.000
Thickness of rear brake lining	5.100	2.000

Torque values

Front brake hose bolts	3.0~4.0kgf-m
Bolt for front brake caliper	3.0~3.5kgf-m
Bolts for the front brake disk	4.0~4.5kgf-m
Brake lever nut	0.8~1.2kgf-m
Nut for the rear brake arm	0.5~0.6kgf-m
Air-bleed valve	0.5~0.6kgf-m

14. BRAKE

Trouble Diagnosis

Disk Brake

Soft brake lever

1. Air inside the hydraulic system
2. Hydraulic system leaking
3. Worn master piston
4. Worn brake pad
5. Poor brake caliper
6. Worn brake lining/disk
7. Low brake fluid
8. Blocked brake hose
9. Warp/bent brake disk
10. Bent brake lever

Hard operation of brake lever

1. Blocked brake system
2. Poor brake caliper
3. Blocked brake pipe
4. Seized/worn master cylinder piston
5. Bent brake lever

Drum Brake

Poor brake performance

1. Improper brake adjustment
2. Worn brake lining
3. Worn brake drum
4. Worn brake cam
5. Improper brake lining installation
6. Seized brake cable
7. Dirty brake lining
8. Dirty brake drum
9. Brake pad worn in brake cam area.
10. Poor contact between brake arm and camshaft indent

Uneven brake

1. Dirty brake lining/disk
2. Poor wheel alignment
3. Clogged brake hose
4. Deformed or warped brake disk
5. Restricted brake hose and fittings

Tight brake

1. Dirty brake lining/disk
2. Poor wheel alignment
3. Deformed or warped brake disk

Brake noise

1. Dirty lining
2. Deformed brake disk
3. Poor brake caliper installation
4. Imbalance brake disk or wheel

Tight operation or low return speed of brake lever

1. Worn/broken/crack return spring
2. Worn drum
3. Dirty brake lining
4. Brake seized caused from dirty brake drum
5. Seized brake cable
6. Worn brake cam
7. Improper brake lining installation

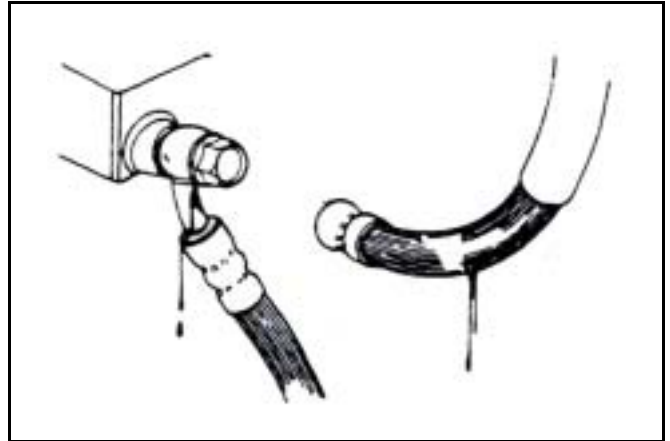
Brake noise

1. Worn brake lining
2. Worn drum
3. Dirty brake lining
4. Dirty brake drum

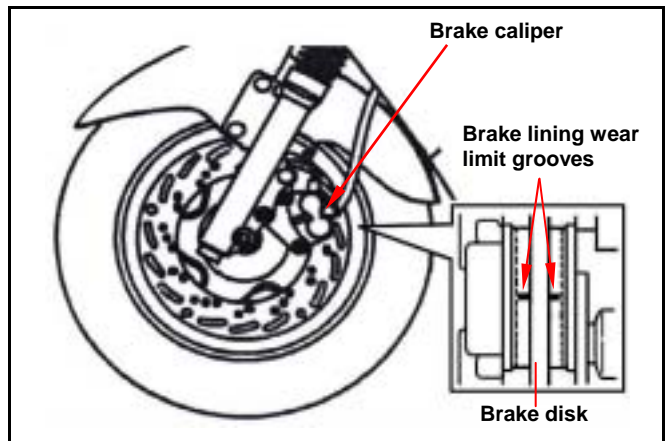
Disk Brake System Inspection

Inspection

By visual examination whether divulges or the damage, with spanner inspection brake tube seam whether becomes less crowded, and the inspection handle bar turn right or turn left, or pressure the cushion, whether besides the pipeline protection department, whether there is interferes, contacts other parts of.



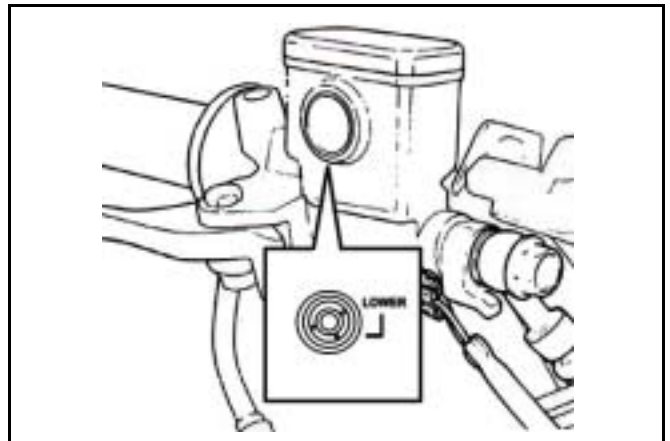
Check the brake from behind the brake caliper. The brake pad must be replaced with new lining when the brake pad wear limit reaches the brake disk.



Park the motorcycle on a level ground, and check if fluid level is under the “LOWER” mark. Recommended Brake Fluid: WELL RUN BRAKE OIL (DOT 3).

Caution

- The vehicles inclined or just stop, the survey oil level could not be accurate, had to settle the 3~5 minute.
- In order to prevent has the chemical change, please do not use counterfeiting or other unclear trade marks brake fluid.
- Uses by all means must with the trade mark brake fluid, guarantees the ghost vehicle efficiency.



14. BRAKE

Adding Brake Fluid

Before the brake fluid reservoir is removed, turn the handle so that the brake fluid reservoir becomes horizontal, and then remove the brake fluid reservoir.

When maintenance brake system, will be supposed to paint the surface or the rubber parts catches up by the rags.

Caution

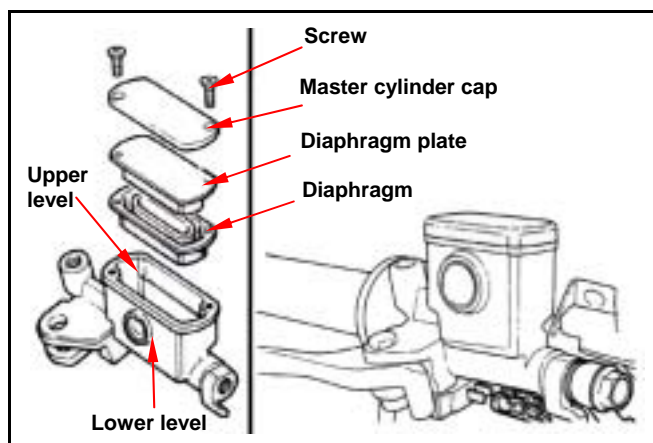
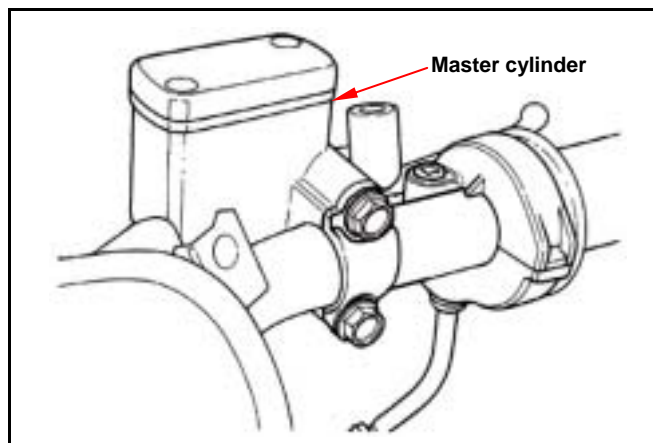
Supplement brake fluid please do not surpass the upper limit, spilled brake fluid on painted surfaces, plastic or rubber components may result in their damages.

Remove the master cylinder cap and diaphragm. Increases the high quality brake fluid, uses by all means must with the trade mark brake fluid joins in the master cylinder.

Clean the dirty brake disk.

Caution

- The dirty brake lining or disk will reduce the brake performance.
- To mixed non-compatible brake fluid will reduce brake performance.
- Foreign materials will block the system causing brake performance to be reduced or totally lost.



Brake fluid replacement / Air-bleed

Connect drain hose to air-bleed valve.
 Open the drain valve on the caliper and operate the brake lever until the old brake fluid is entirely drained out.
 Close the drain valve and add specified brake fluid into the brake master cylinder.
Recommended brake fluid: WELLRUN DOT 3 brake fluid

Connect one end of transparent hose to the drain valve, and put the other end into a container.
 Open the drain valve around 1/4 turns, and at the same time hold the brake lever until there is no air bubble in the drain hose and also feeling resistance on the brake lever.
 Close the drain valve when finishing the brake system refilling fluid procedure, and operate the brake lever to check whether air bubble is in brake system or not.

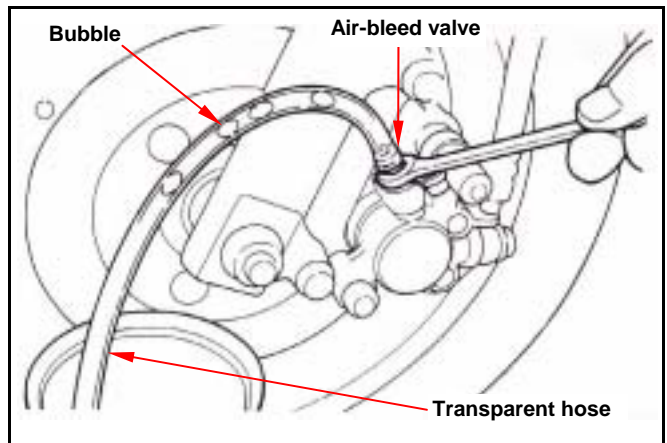
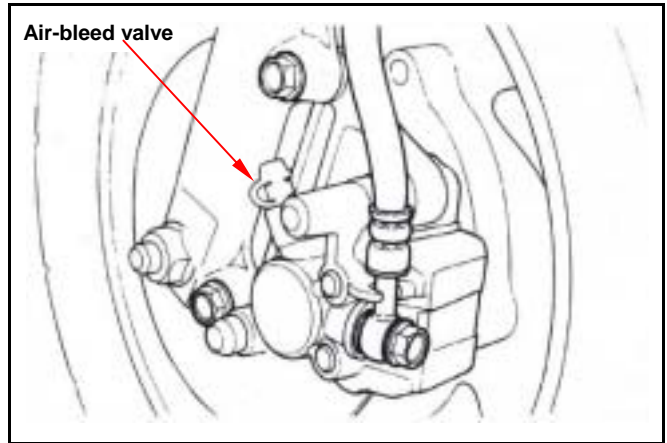
If brake is still soft, please bleed the system as described below:

1. Tightly hold the brake lever and open the drain valve around 1/4 turns, and then close the valve.

Caution

- Do not release the brake lever before the drain valve is closed.
- Always check the brake fluid level when carrying out the air bleeding procedure to avoid air enter into the system.

2. Slowly release the brake lever, and wait for a few seconds until it reaches its top position.
3. Repeat the steps 1 and 2 until there is no air bubble at the end of the hose.
4. Tightly close the drain valve.
5. Make sure the brake fluid is in the UPPER level of the master cylinder, and refill the fluid if necessary.
6. Cover the cap.



14. BRAKE

Disk Brake - Caliper

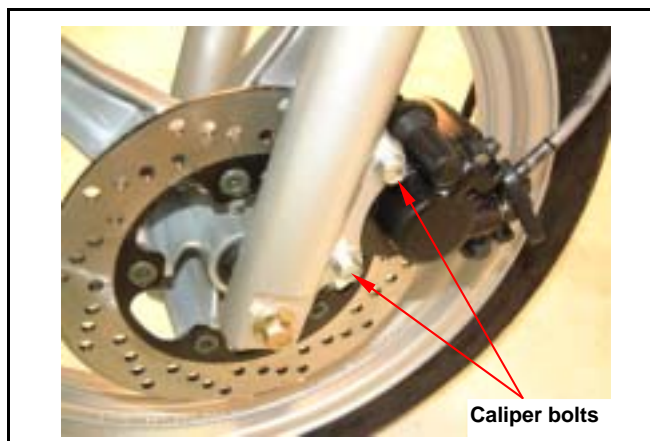
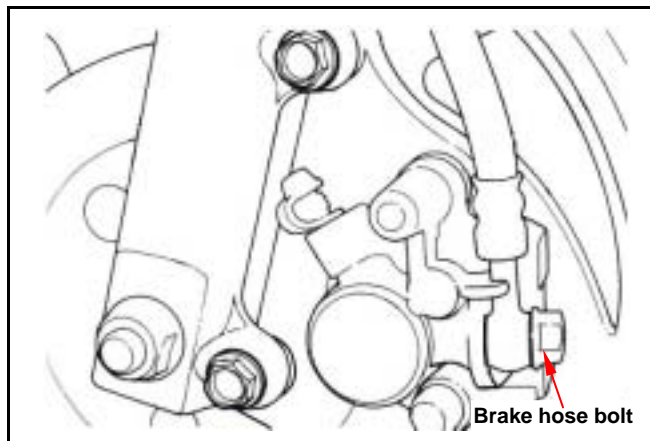
Removal

Place a container under the brake caliper, and loosen the brake hose bolt and finally remove the brake hose.

⚠ Caution

Do not spill brake fluid on painted surfaces.

Remove two caliper bolts and the caliper.

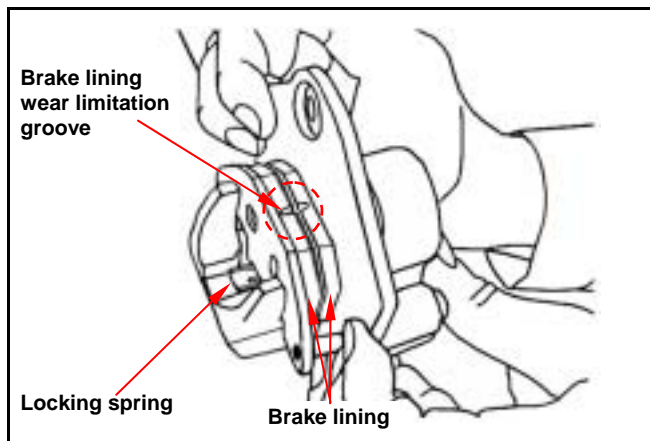


Disassembly

Make sure the brake lining condition. Replace the lining if the brake lining wear limitation groove close to the brake disk.

Brake lining replacement

Compress the caliper and let the brake lining out of the caliper mounting plate. Compress the brake lining locking spring. Remove the inner brake lining firstly and then remove the outer brake lining. Compress the brake caliper at first as installation. Install the inner brake lining firstly, and then install the outer brake lining.



Installation

Install the brake caliper and tighten the attaching bolts securely.

Torque: 3.3kgf-m

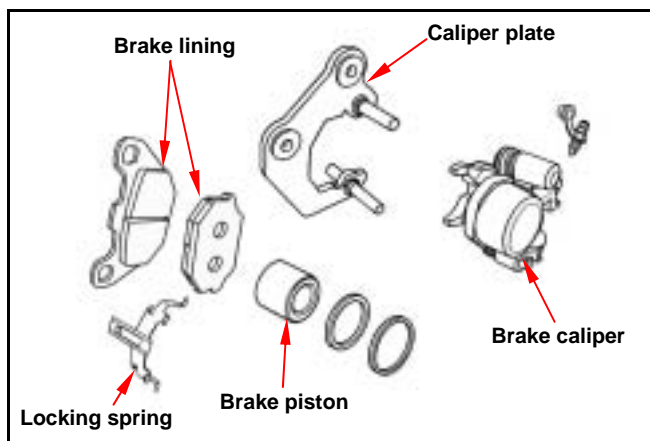
⚠ Caution

- Use M8 x 35 mm flange bolt only.
- Long bolt will impair the operation of brake disk.

Use two seal washers and hose bolts to lock the hose and brake caliper in place.

Torque: 3.5kgf-m

Refill up the brake fluid to the reservoir and make necessary air bleeding.

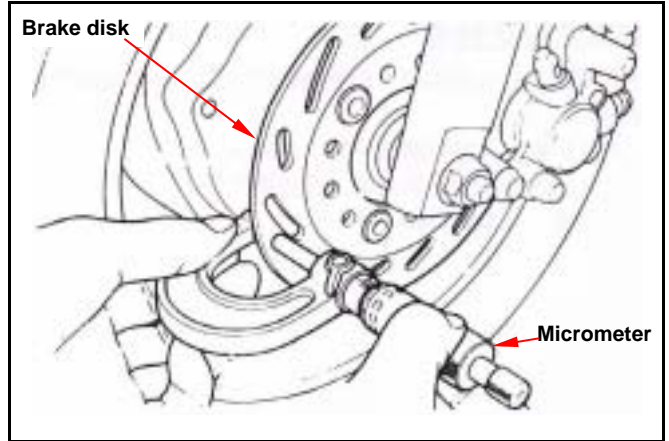


Brake Disk

Inspection

Visually check the brake disk for wear or break. Measure the thickness of the disk at several places. Replace the disk if it has exceeded the service limit.

Allowable limit: 2.0 mm

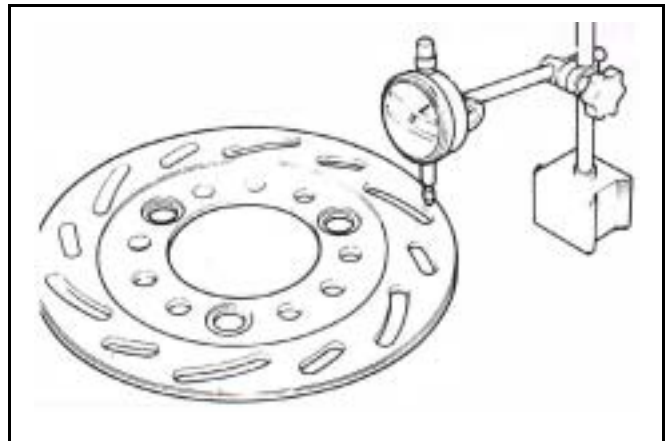


Remove the brake disk from wheel. Check the disk for deformation and bend.

Allowable limit: 0.30 mm

⚠ Caution

- The dirty brake lining or disk will reduce the brake performance.
- Brake lining includes the asbestos ingredient, cannot use the air-gun to be clean, the operator should dress the mouthpiece and the glove, use vacuum cleaner clean it.



Disk Brake - Master Cylinder

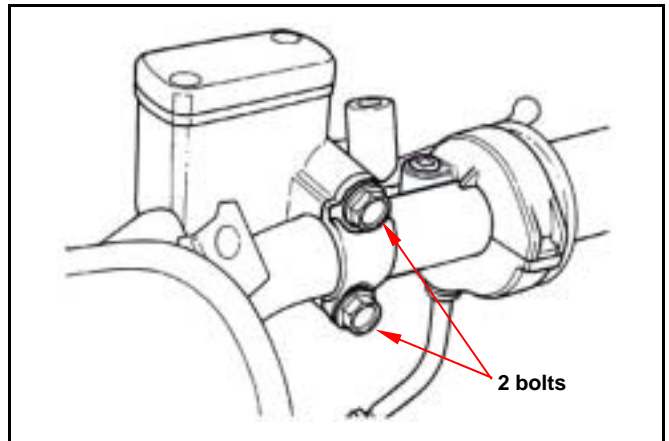
Master Cylinder Removal

⚠ Caution

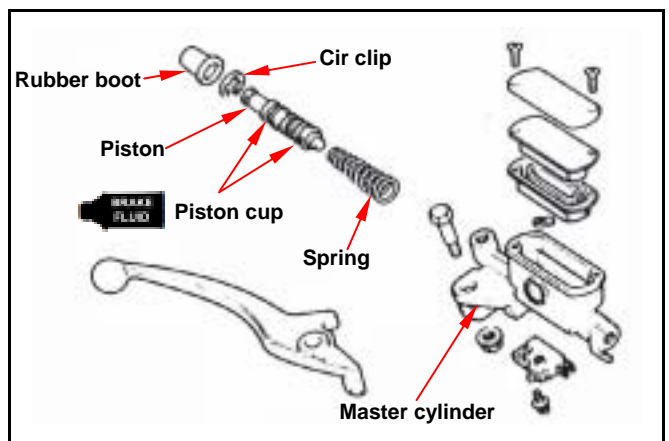
Do not let foreign materials enter into the cylinder.

⚠ Caution

The whole set of master cylinder, piston, spring, diaphragm and cir clip should be replaced as a set.



Remove the front and rear handlebar guards.
 Remove the leads of brake lamp switch.
 Drain out the brake fluid.
 Remove the brake lever from the brake master cylinder.
 Remove the brake hose.
 Remove the master cylinder bolts and the master cylinder.
 Remove the rubber pad.
 Remove the cir clip.
 Remove the piston and the spring.
 Clean the master cylinder with recommended brake fluid.



14. BRAKE

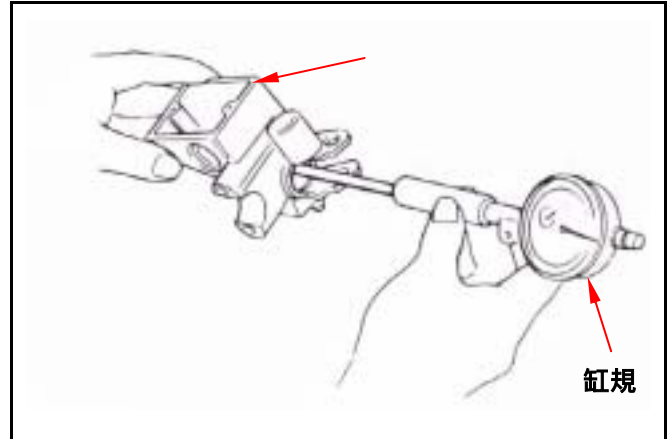
Master Cylinder Inspection

Check the master cylinder for damage or scratch.
Replace it if necessary.

Measure the cylinder inner diameter at several points along both X and Y directions.

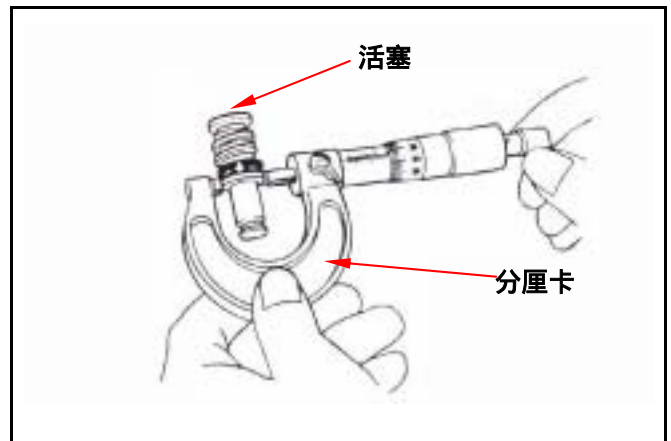
Replace the cylinder if the measured values exceed allowable limit.

Allowable limit: 12.550 mm



Measure the outer diameter of the piston.
Replace the piston if its measured value exceeds allowable limit.

Allowable limit: 12.654 mm



Master Cylinder Assembly

⚠ Caution

- It is necessary to replace the whole set comprising piston, spring, piston cup, and cir clip.
- Make sure there is no dust on all components before assembling.

Apply clean brake fluid to the piston cup, and then install the cup onto the piston.

Install the larger end of the spring onto the master cylinder.

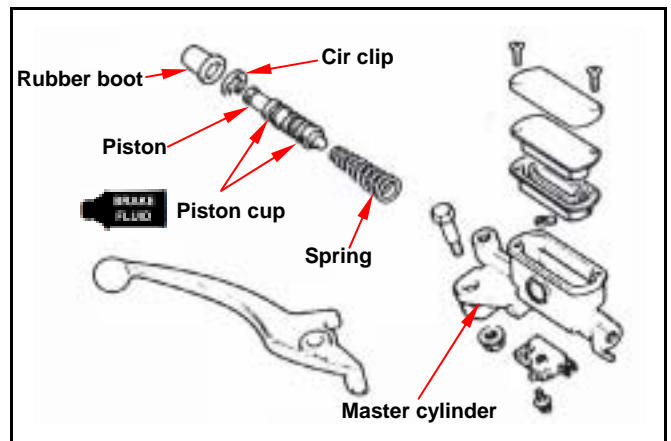
The master cup's cavity should be face inside of master cylinder when installing the master cup.

Install the cir clip.

⚠ Caution

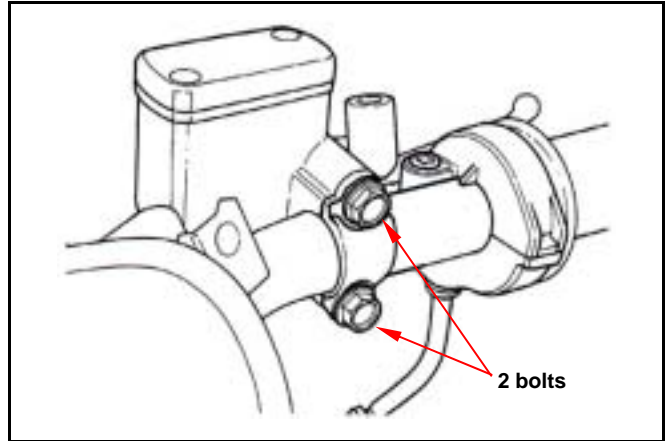
- Never install cup lip in the opposite direction.
- Make sure the cir clip is seated securely in the groove.

Install the rubber pad into groove properly.



Master Cylinder Install

Install the rubber pad into the groove correctly. Place the master cylinder onto handlebar, and install the bolts. Install the brake lever, and connect leads to brake light switch.



Connect brake hoses with 2 new washers. Tighten the brake hose bolt to the specified torque value. Make sure the hose is installed correctly. Install all wires, hoses, and components carefully so avoid to twisting them together.

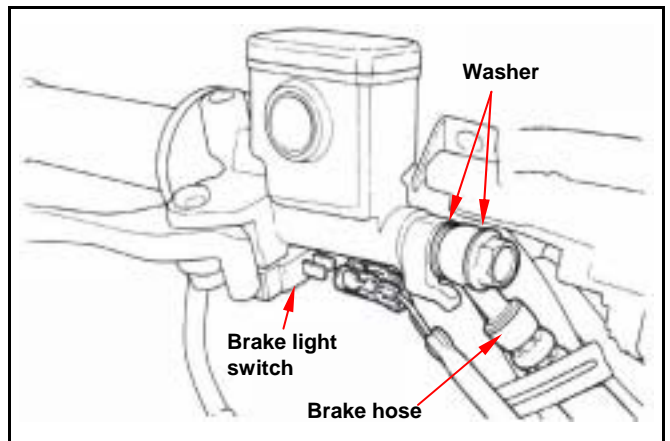
⚠ Caution

Improper routing may damage leads, hoses or pipes.

⚠ Caution

Kink of brake leads, hose or pipe may reduce brake performance.

Add specified brake fluid and bleed the system.



14. BRAKE

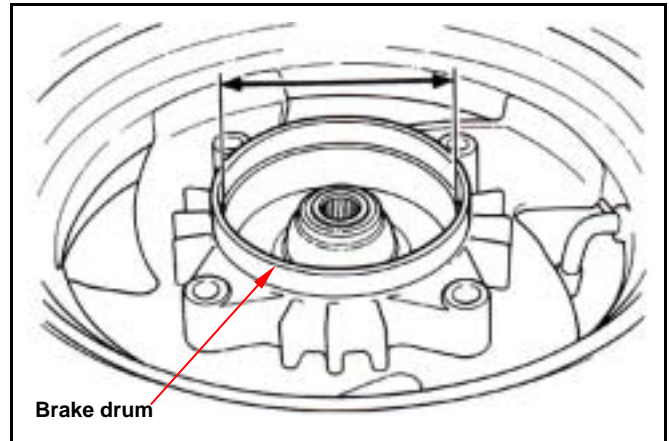
Rear Drum Brake

Remove brake drum

Remove wheel and brake drum.
To use vacuum cleaner or other alternatives to avoid danger caused from dusts.

⚠ Caution

- Inhaling brake lining ashes may cause disorders of respiration system, therefore, never use compressed air or dry brush to clean brake parts.
- Brake performance will be reduced by grease on brake lining.



Inspection brake drum

Check brake drum for damage or wear out, and replace it if necessary.
Measure the inner diameter of brake drum and record the max. value.

Allowable limit: 131.0mm

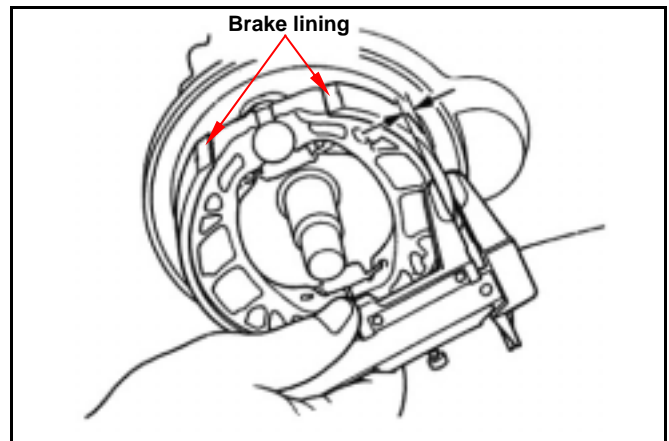
⚠ Caution

- Clean the rust onto the brake drum with #120 sand-paper.
- Measure the inner diameter of brake drum with micrometer.

Brake lining inspection

Measure the thickness of brake lining at three points (both ends and center).
If the thickness is less than specified value or if it is contaminated by oil or grease, replace as a set.

Service limit: Rear: 2.0 mm

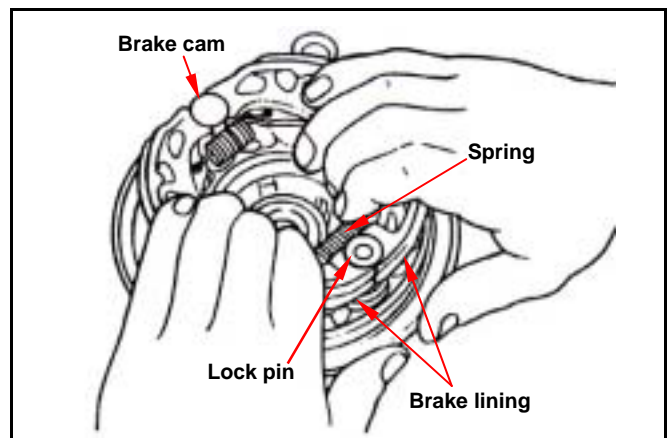


Remove brake lining

To both hands pulls open brake lining, remove brake lining from brake.

⚠ Caution

Brake linings must be replaced as a shoes.



Install brake lining

Apply with a thin coat of grease to the brake cam and the anchor pin.

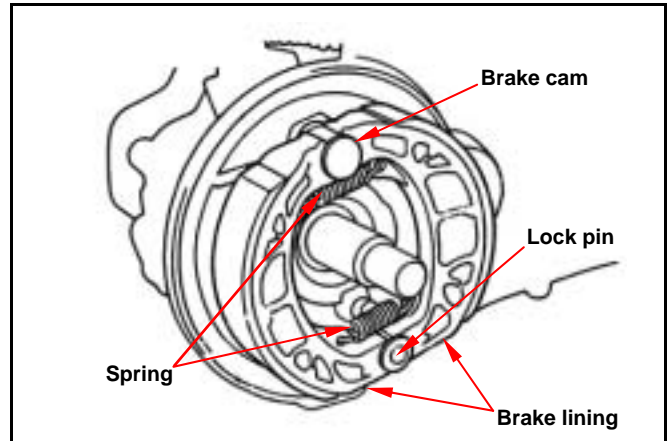
Install brake cam.

Never allow brake linings to be contaminated by oil or grease.

Wipe off the excessive grease from brake cam and the anchor pin.

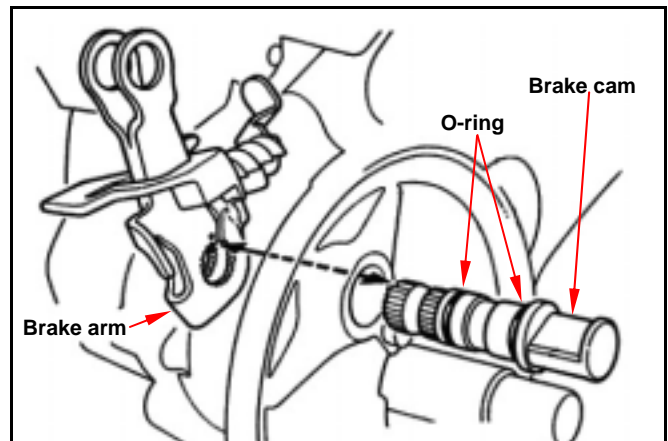
⚠ Caution

Brake efficiency will be reduced if brake linings is contaminated by oil or grease.

**Rear brake panel**

Apply a thin coat of grease between the oil seals on the brake cam shaft.

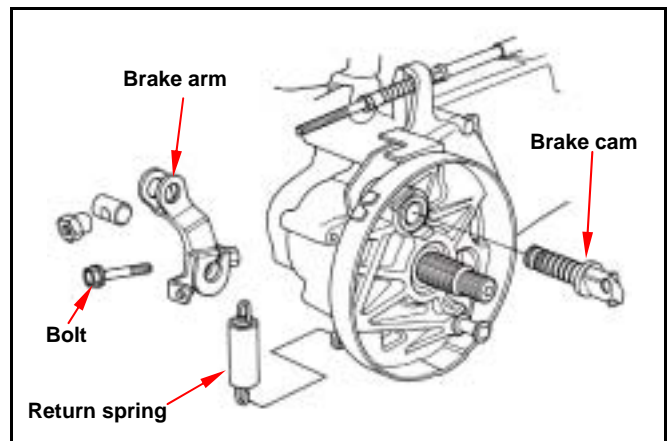
Install the brake cam and arm after aligning it with the punched point.



Tighten the bolts and nuts to specified torque:

Torque value: 0.5~0.6kgf-m

Hook on the return spring.



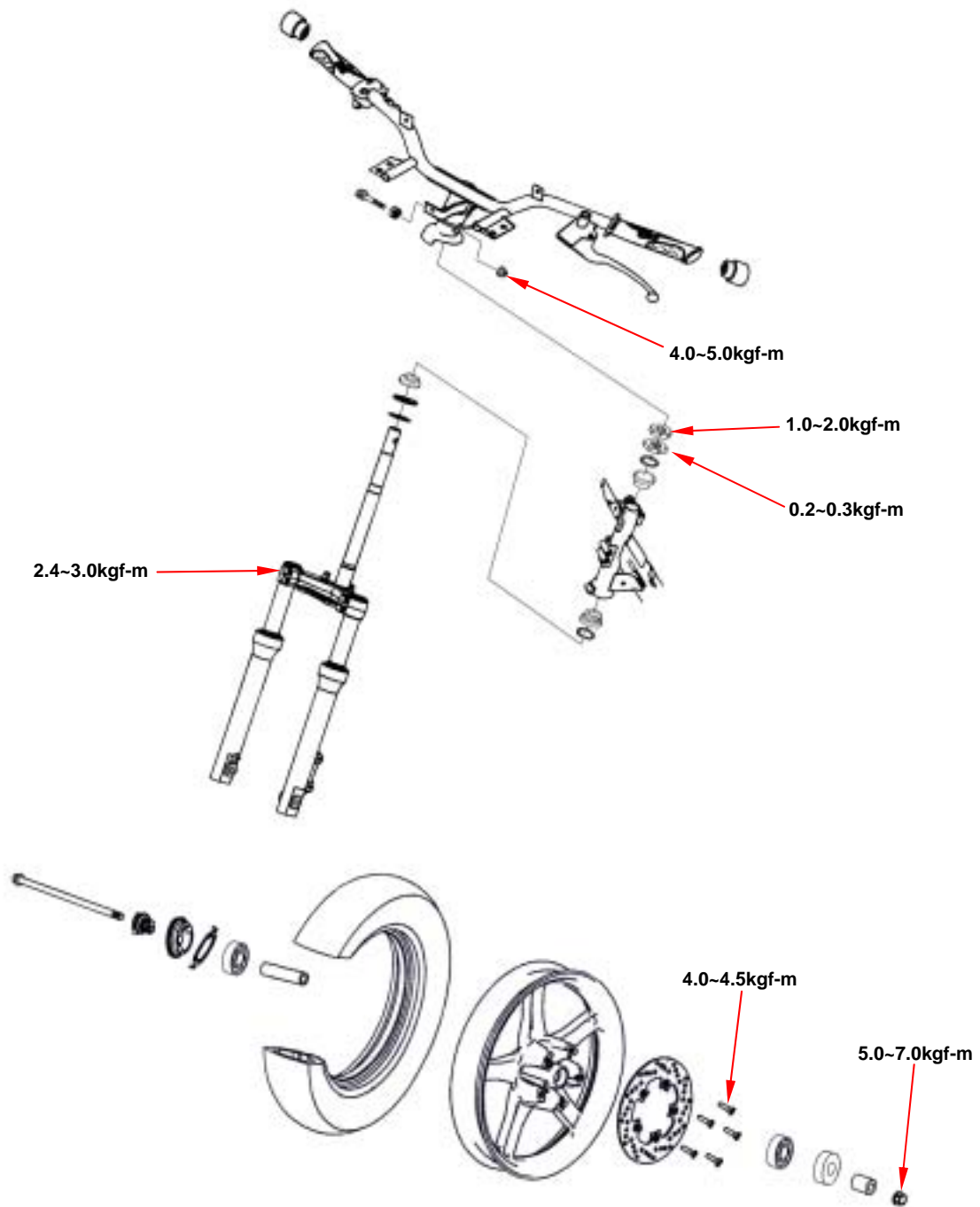
14. BRAKE

Notes:

15. STEERING / FRONT WHEEL / FRONT CUSHION

Mechanism Diagram15-1	Front Wheel 15-5
Operational Precautions15-2	Front Cushion 15-8
Trouble Diagnosis15-2	Steering Stem 15-9
Steering Handle15-3	

Mechanism Diagram



Operational Precautions

General

Please refer to the Maintenance Manual of tubeless tire in respect to the removal, repair and installation of the tire.

Torque Values

Nut for the front wheel axle	5.0 ~ 7.0kgf-m
Nut for the steering handle	4.0 ~ 5.0kgf-m
Lock nut for the steering handle stem	1.0 ~ 2.0kgf-m
Top crown for the steering handle stem	0.2 ~ 0.3kgf-m
Locating screw for the speedometer cable	0.15 ~0.3kgf-m
Front cushion upper lock bolt	2.4 ~ 3.0kgf-m

Special Tools

Steering handle top thread wrench	SYM-5320000
Inner bearing puller	SYM-6204020
Steering nut wrench	SYM-6204010
Driver 32*35mm	
Driver 42*47mm	

Trouble Diagnosis

Hard to steer

- The steering handle stem nut is too tight.
- The ball and the top crown of the steering handle stem are damaged.
- Insufficient tire pressure.

The steering handlebar is tilted

- Uneven arrangement of the front cushion.
- The front fork is bent.
- The front wheel axle is bent.

The front wheel rim run-out

- The rim is bent.
- The wheel axle nut is not tightened enough.
- Side-worn or poor tire.
- The bearing clearance of the wheel axle is too large.

Soft front cushion

- The front cushion spring is worn out.
- The oil seal of the front cushion is leaking.

Noise in front cushion

- Front cushion is warped.
- The joint of the front cushion gets loose.

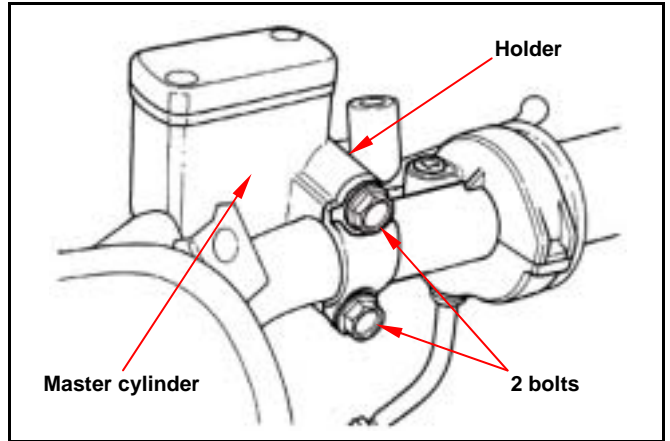
Steering Handle

Removal

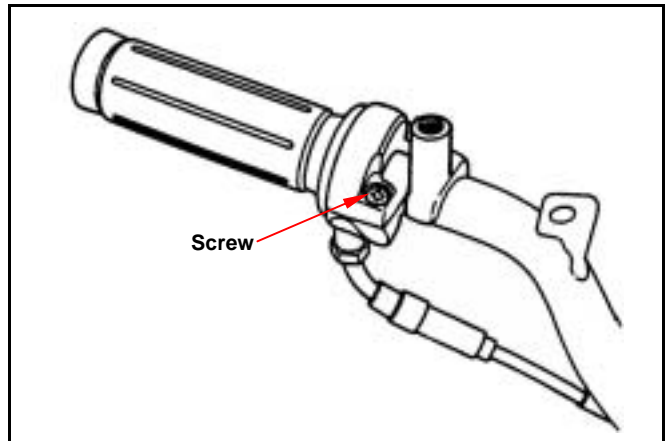
Remove the handle front cover, handle rear cover and front cover. (Refer to chapter 13)
Loosen the lock bolts for the master cylinder of the front brake.

⚠ Caution

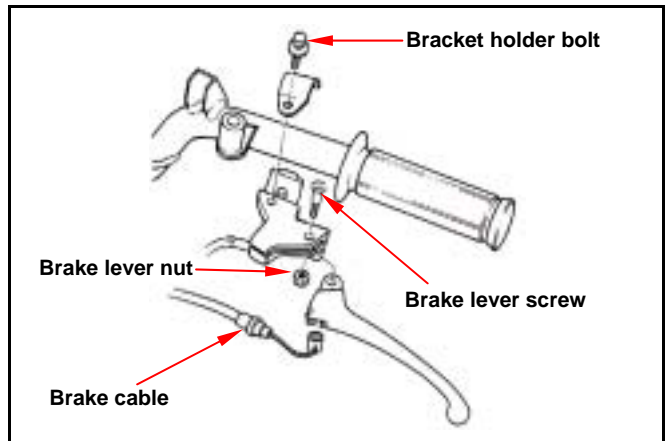
Do not let foreign materials enter into the cylinder.



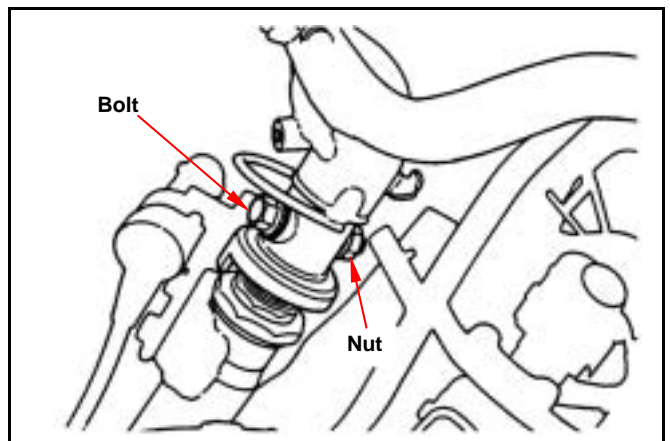
Remove throttle holder, cap, cable and grip after mounting screw removed.



Remove rear brake lever mounting nut and bolt, and then remove brake lever and cable.
Remove rear brake lever bracket after mounting bolt removed.

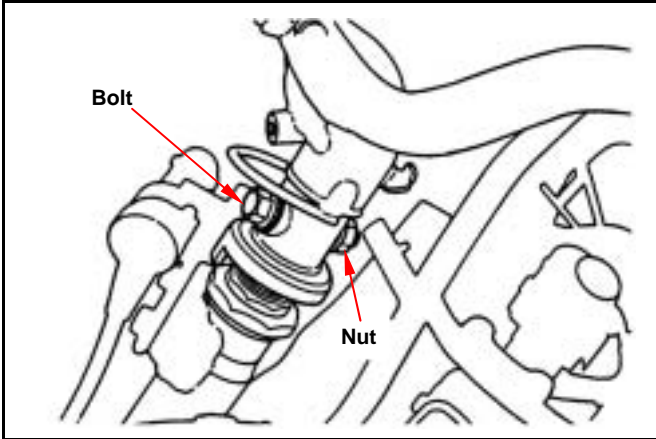


Loosen handle mounting nut.
Remove handle mounting bolt, and then remove the handle.



Installation

Install handle and align with bolt hole.
 Install bolt and nut and then tighten it.
Torque value: 4.5kgf-m

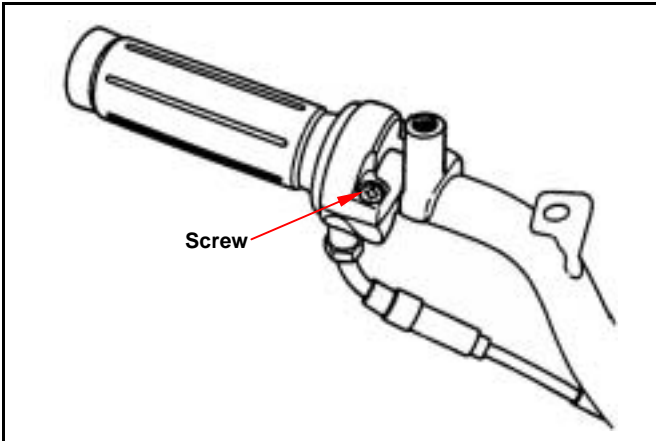


Apply with grease onto throttle cable and the sliding surface of handle.
 Align the lock pin of the throttle bracket with the hole on the handle, and then install the throttle bracket.

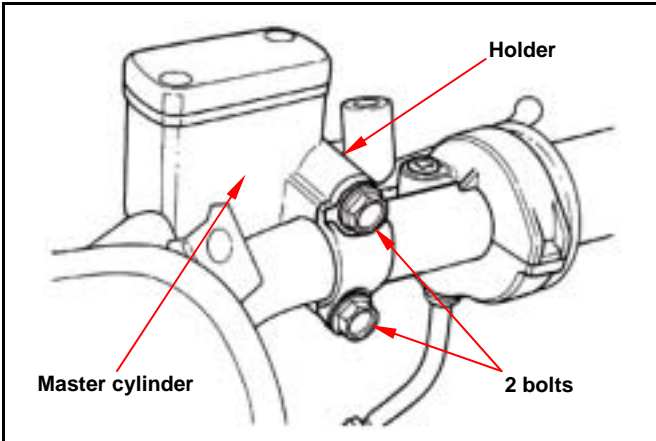
⚠ Caution

When installs the throttle cable, first spreads the grease in the terminal to receive the throttle grip again.

- After installs the handle, inspects the throttle grip, whether may change to in the direction the handle time the free position, the freedom does moves.



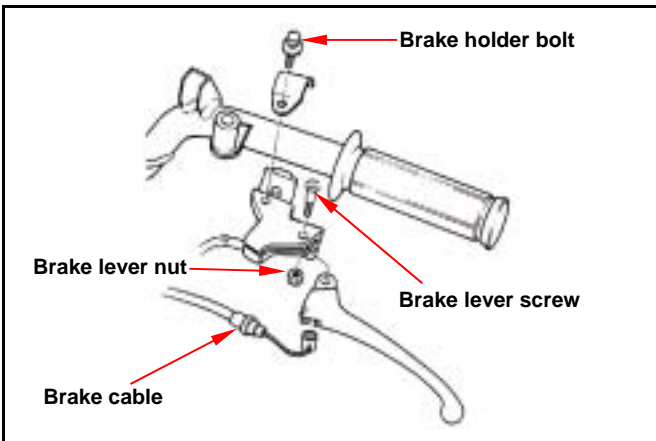
Install the lock bolts for the master cylinder of the front brake.



Align the lock pin with the hole on the handle and also install brake lever bracket. Then, tighten the brake lever bracket bolt.
 Install brake cable, lever on to bracket, and then tighten lever screw and nut.

After the installment completes, carries on the following inspection and the adjustment:

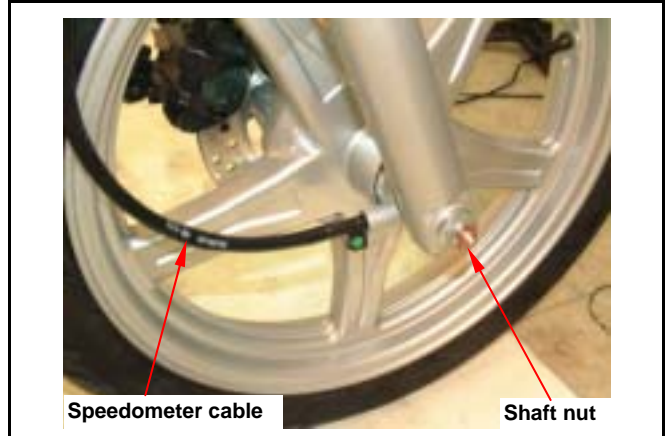
- Throttle grip operation.
- All electric appliances, the meter function.



Front Wheel

Remove

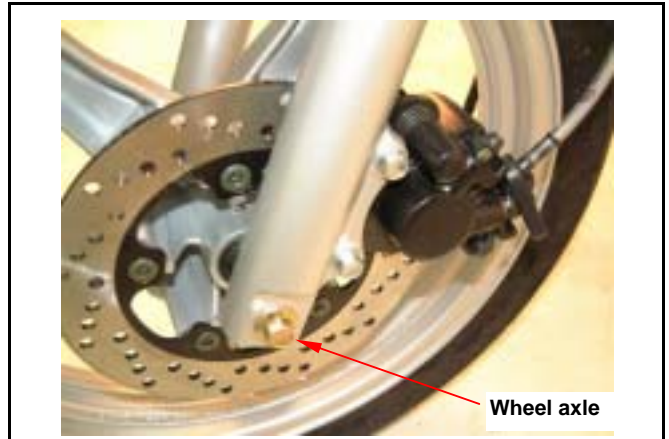
First by the bracket strut frame base, causes the front wheel to float off.
 Remove the speedometer cable.
 Turn loose the axle nut.



Pull out the front wheel axle.
 Remove the front wheel.

⚠ Caution

Care shall be taken not to push the brake lever to avoid the brake pad being squeezed out. In case that the brake pad is accidentally squeezed out, use a screwdriver to force it back to the place.

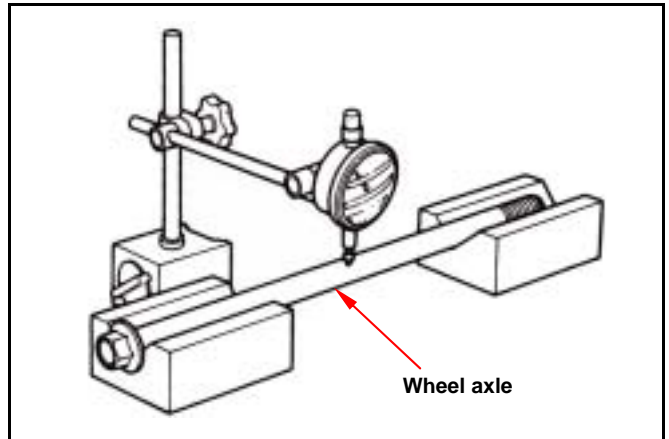


Inspection

Wheel axle

Place the wheel axle on a V block, measure its run out.

Service limit: 0.2 mm

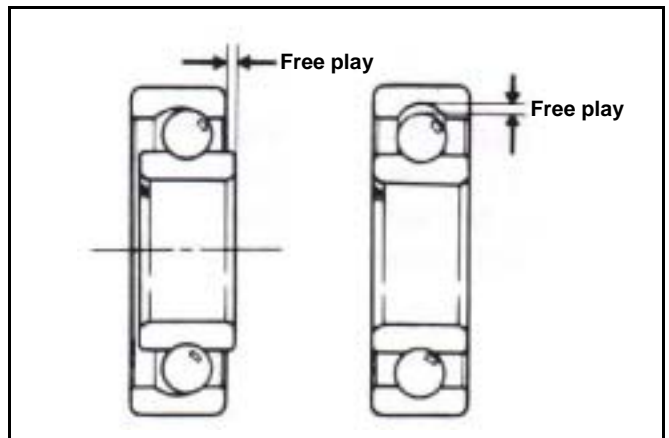


Bearing

Use finger to move the inner ring of each bearing, it shall move smoothly and quietly. Check the outer ring is securely attached on the wheel hub. If the motion of the inner ring of the bearing is not smooth, or noisy and loose when being moved, remove and discard it.

⚠ Caution

The bearing shall be replaced in pair.



15. STEERING / FRONT WHEEL / FRONT CUSHION

Wheel

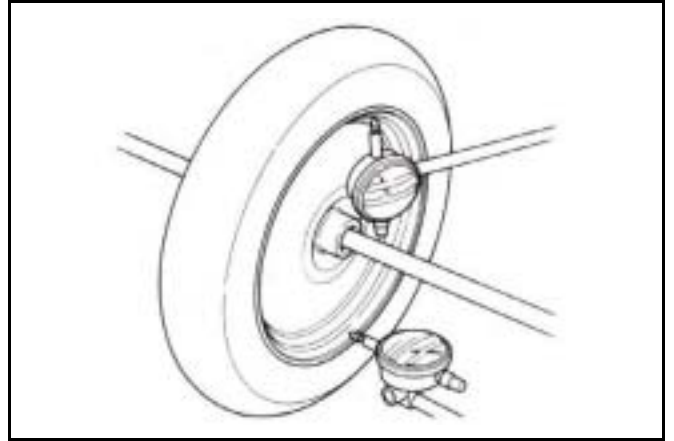
Place the wheel on to a rotation seat to check its rim wobbling.

Turn the wheel with hand and measure its rim wobbling value with a dial gauge.

Service limit:

Radial: 2.0 mm (0.08 in)

Axial: 2.0 mm (0.08 in)



Disassembly

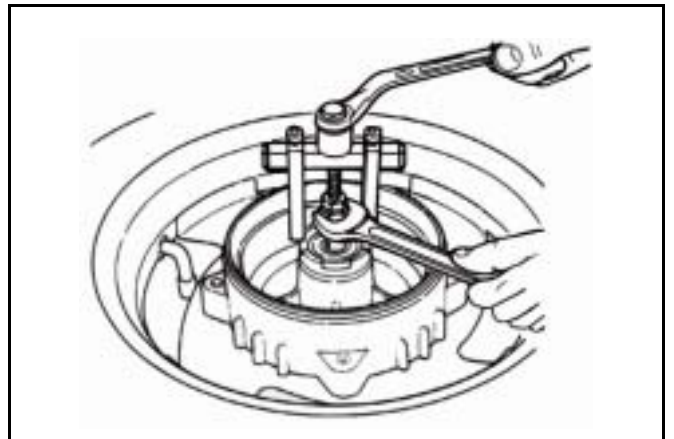
Remove 5 bolts and brake disk.

Remove dust seal, bearing and dist collar from left side.

Remove dust seal, bearing and retainer hear box from right side.

Special tools:

Inner bearing puller (SYM-6204020)



Assembly

Fill out the block of bearing by grease.

Drive the left bearing, dust seal and install the dist collar.

Install the right side bearing.

⚠ Caution

- Carefully install the bearing in correct and evenly.
- Bearing outer face should be faced up as bearing installation.

Install the brake disk and then tighten the bolts

Torque value: 4.5kgf-m

Install right side dust seal.

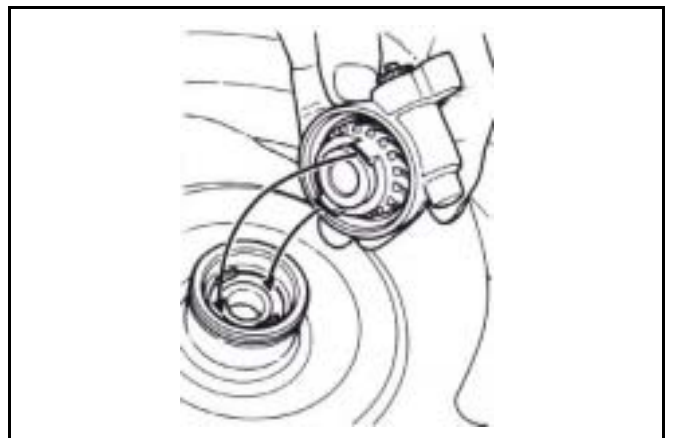
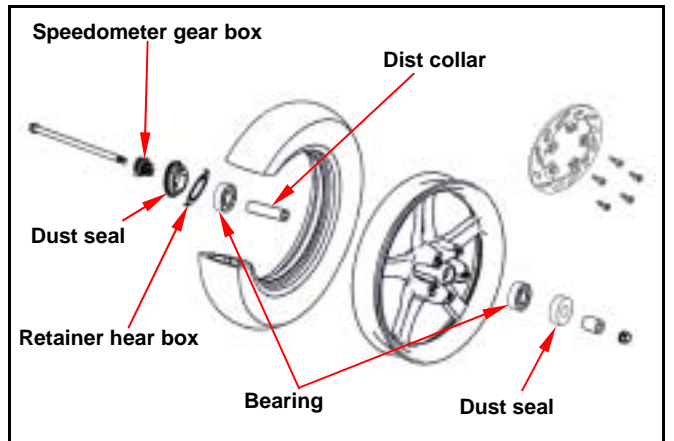
Lubricate the retainer with grease and install into the wheel hub.

Align the flange part on the speedometer gear with the slot of wheel hub.

⚠ Caution

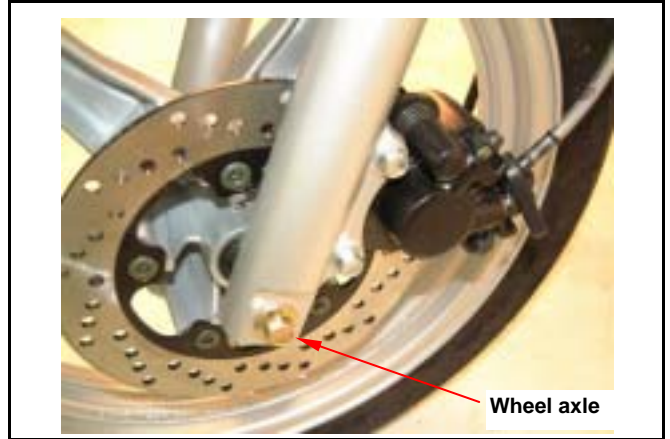
Contaminated brake lining will reduce brake performance so the brake lining, brake drum and disc must be free of grease.

Apply with grease onto the left side dust seal.
Install the dust seal and side collar.



Installation

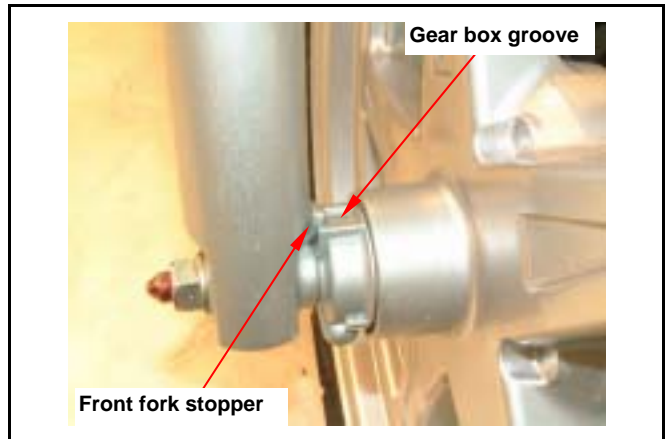
Open out brake lining with brake caliper.
Place the front wheel between the front cushion.



⚠ Caution

Align the gear box groove with the stopper flange.

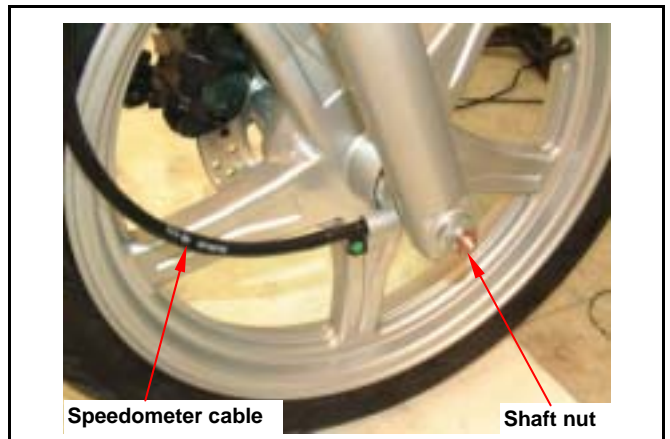
Insert the wheel axle into the wheel and the install the wheel axle nut.



Tighten the nut.

Torque value: 5.0~7.0kgf-m

Connect the speedometer cable to the speedometer gear box.



Front Cushion

Remove

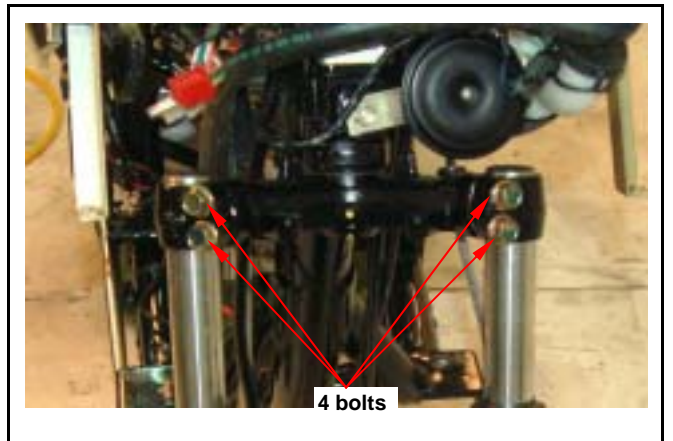
Remove front cover, front under spoiler and front fender.

Remove front brake caliper.

Remove front wheel.



Remove front cushion upper mounting bolts, and then remove front cushion.

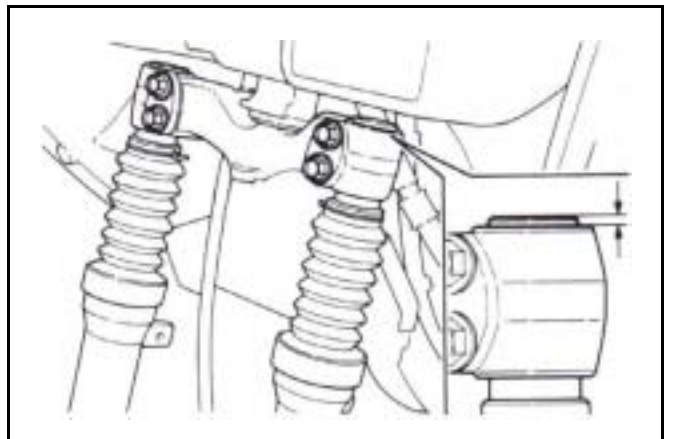


Installation

Align the cover flange with upper level of the cushion clamp, and then tighten bolts.

Torque value: 2.7kgf-m

Install the removed components in reverse order of removal procedures.



Steering Stem

Remove

Remove handle, front wheel and front cushion.
Remove the steering stem mounting nut.
Remove top cone race and front fork.

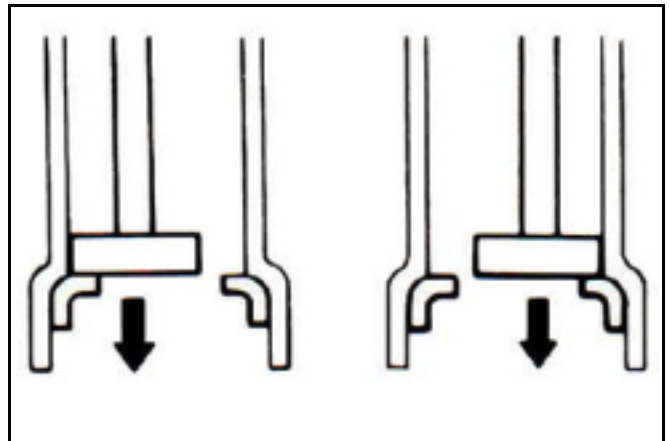
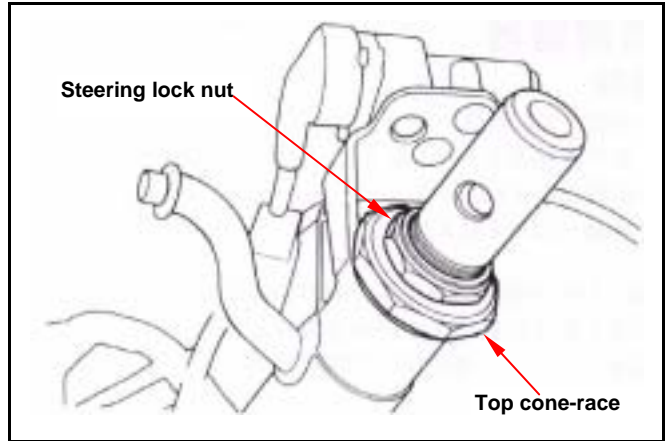
⚠ Caution

Place the steel ball onto a parts container to prevent from missing.

Slightly tap the top and bottom ball bearing seats with a plastic hammer to remove the seats.
Remove bottom cone race body with a punch.

⚠ Caution

Do not damage the steering stem.



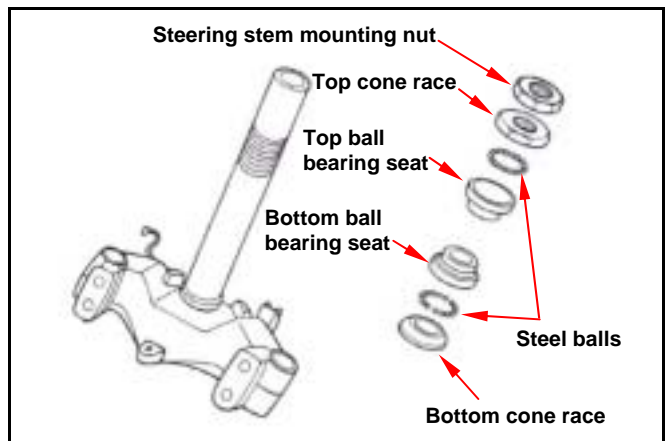
Installation

Install a new bottom cone race onto the steering stem.
Push the cone race until to mounted position.

⚠ Caution

Do not tilt the ball bearing seats as installation.

Apply with grease onto the ball bearing seats, and install steel balls onto the seats.
(Top: 26 balls, bottom: 29 balls)

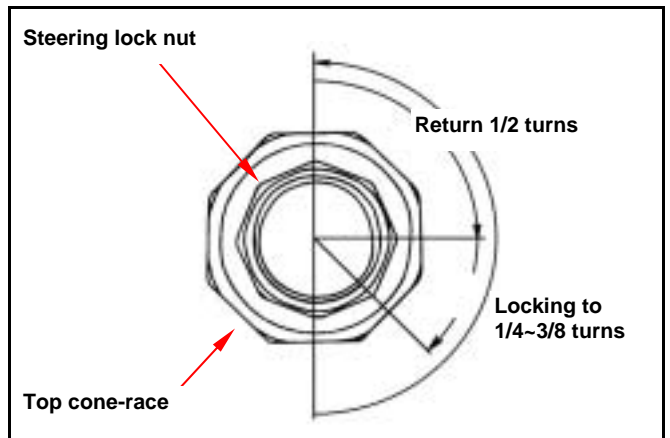


Lubricate the top cone race seat with grease.
Screw the cone race in to top ball bearing seat till touching, and then screw out the cane race 1/4~3/8 turns.

Torque value: 0.25kgf-m

⚠ Caution

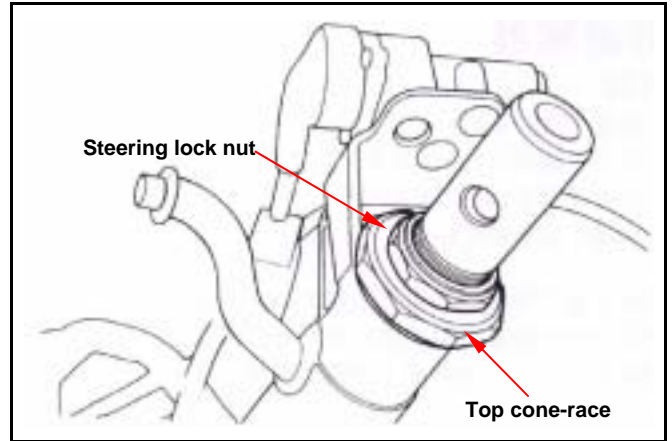
Check the steering stem that should be rotated freely and no clearance in vertical direction.



Install the steering stem mounting nut and tighten the nut by means of holding the top cone race body.

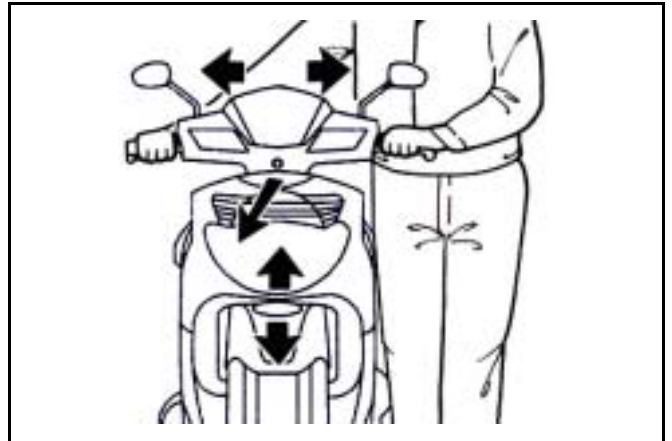
Torque value: 1.0~2.0kgf-m

Install in reverse order of removal procedures.



Shake steering handle up & down, left & right, and front & rear to check if it is loosen, has too much resistance and pulls to one side.

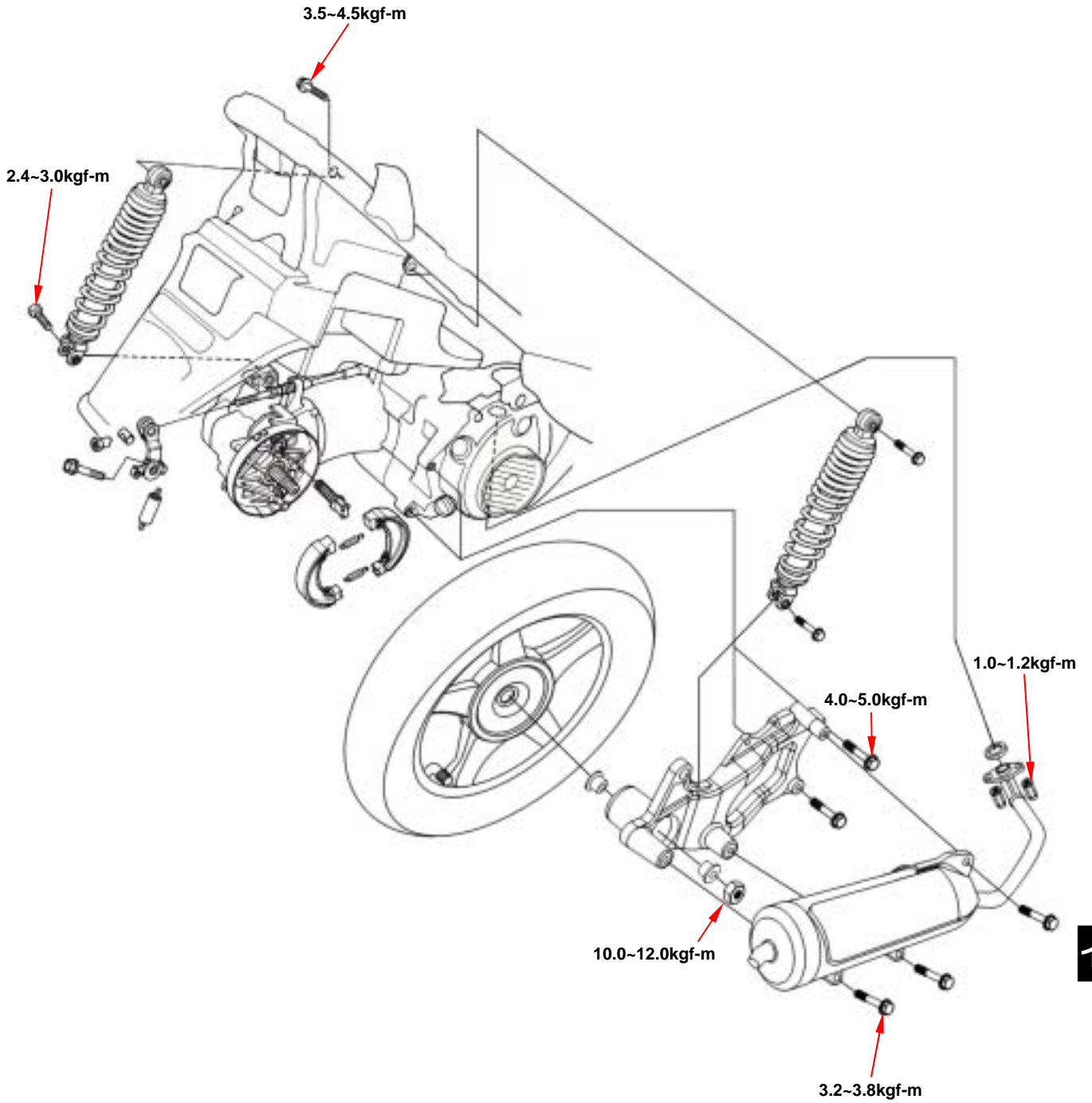
Check steering handle if it is being pulled too tight by the brake cables.



16. REAR WHEEL / REAR FORK / REAR CUSHION

Mechanism Diagram	16-1	Muffler	16-3
Operational Precaution	16-2	Rear Wheel	16-3
Trouble Diagnosis	16-2	Rear Cushion	16-5

Mechanism Diagram



Operational Precaution

General

Please refer to the Maintenance Manual for tubeless tire in respect to the removal, repair and installation of the tires.

Service data

Unit: mm

Item		Standard	Allowable Limit
Run-out of rear rim	Radial	-	2.0
	Axial	-	2.0
Thickness of rear brake lining		5.1	2.0
Sustaining stroke of rear cushion		72	-

Torque Value

Rear wheel shaft nut	10.0~12.0kgf-m
Rear cushion upper bolt	3.5~4.5kgf-m
Rear cushion under bolt	2.4~3.0kgf-m
Rear fork mounting bolt	4.0~5.0kgf-m
Exhaust muffler mounting nut	1.0~1.2kgf-m
Exhaust muffler mounting bolt	3.2~3.8kgf-m

Trouble Diagnosis

Run-out of rear wheel

- Deformed or bent wheel hub.
- Improper tires.
- Loose wheel shaft.

Soft Cushion

- The spring is too weak.

Noisy Brake

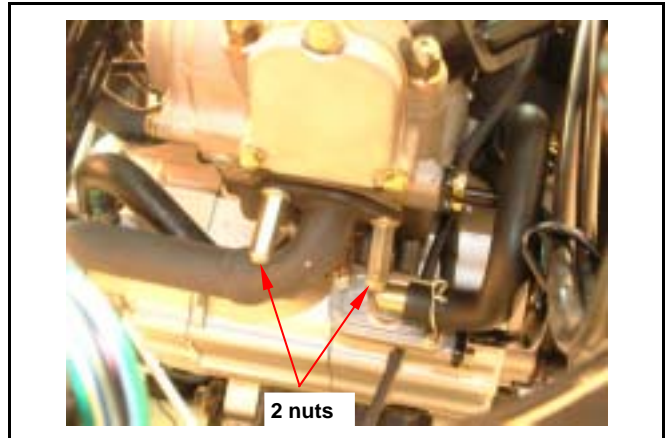
- Worn brake lining.
- Offset brake disc.
- Improper assembly of brake caliper.
- Brake disc or wheel imbalance.

Poor Performance of Brake

- Improperly adjusted brake.
- Contaminated brake disc.
- Worn brake lining.
- Air inside brake fluid pipe.
- Grease on brake disc.
- The brake fluid piping is clogged.
- The brake fluid pipe is deformed or bent.
- Insufficient amount of brake fluid in the reservoir.

Muffler**Removal**

Loosen the 2 nuts from exhaust muffler front side.



Loosen the 3 mounting bolts by exhaust muffler right side.

Remove the exhaust muffler.

Installation

Install in reverse order of removal procedures.

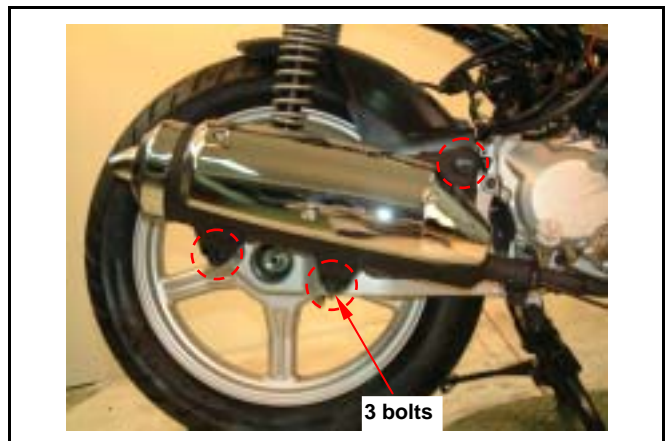
⚠ Caution

Replace the front side muffler pipe gasket if worn or deformed.

Torque Value

For mounting bolt: 3.2 ~ 3.8kgf-m

For mounting nut: 1.0 ~ 1.2kgf-m

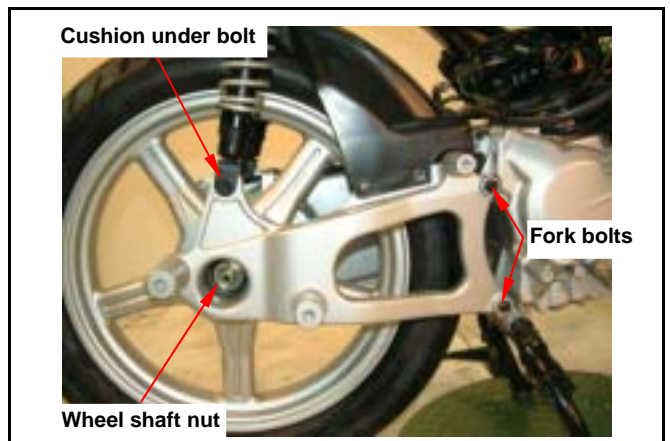
**Rear Wheel****Removal**

Remove the exhaust muffler.

Remove the lower bolt of the right side rear cushion.

Remove 2 bolts of the rear fork.

Remove 1 nut of the rear wheel shaft, and then remove outside collar.



Remove the rear fork, fork inside collar, and then remove the rear wheel.



16. REAR WHEEL / REAR FORK / REAR CUSHION

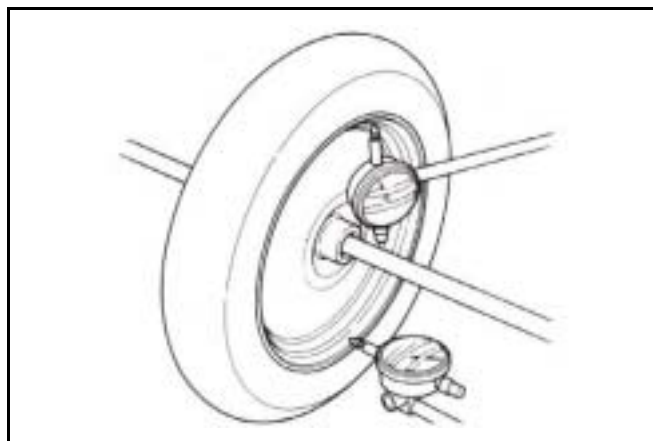


Inspection

Rear wheel rim

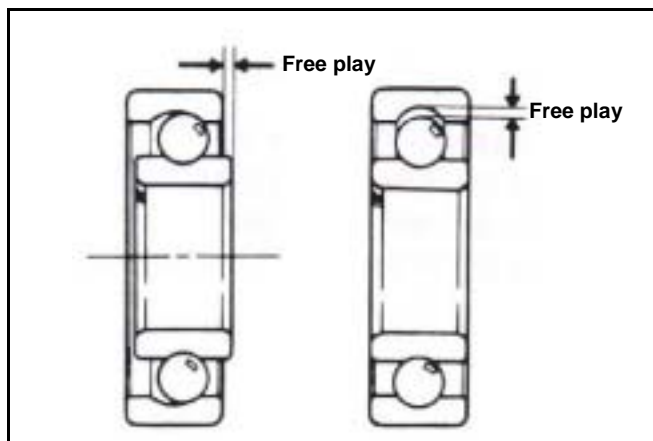
Place the wheel rim on a rotational support. Rotate it by hand and measure the run-out with a dial indicator.

Run-out limit: 2.0 mm



Rear fork bearing

Rotate the inner ring of the bearing with a finger. The bearing should move smoothly and quietly. Check the fit of the bearing and rim. Replace the bearing if its motion is not smooth or noisy.

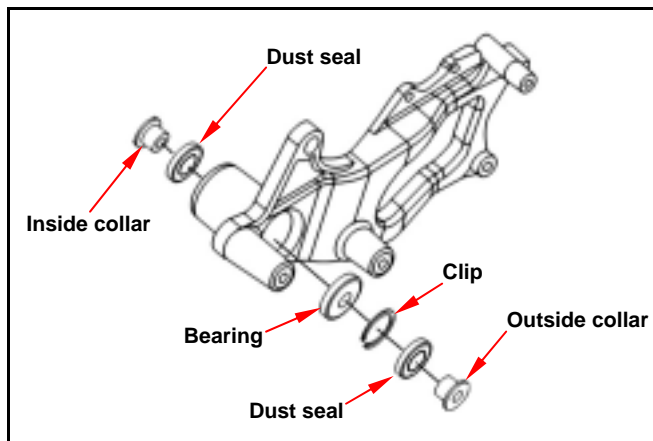


Replacement of rear fork bearing

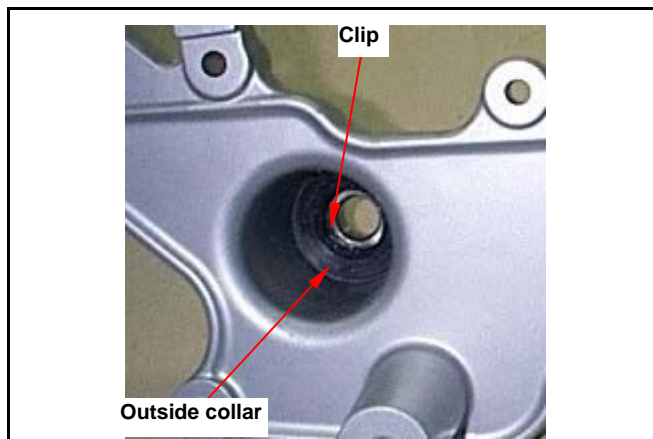
Remove the outside dust seal of the rear fork. Use inner cir clip plier to remove the bearing lock clip. Pull off the rear fork bearing by means of the inner bearing puller. Remove the inside dust seal.

⚠ Caution

Never reuse the old dust seal on the bearing.



Press in the bearing into the rear fork by bearing driver. Install the oil bearing lock clip. Install new dust seals into rear fork two side.



16. REAR WHEEL / REAR FORK / REAR CUSHION

Installation

Install the rear wheel.
 Install the inside collar on the rear fork.
 Install the rear fork onto the rear wheel shaft.
 Mount the outside collar on the rear fork.
 Tighten the rear wheel shaft nut.

Install the rear fork mounting bolts and tighten the bolts.

Align the rear cushion with the rear fork hole;
 tighten the cushion with bolts.

Install the exhaust muffler, first tighten front side mounting nuts, and then tighten the mounting bolts.

Torque Value

Rear wheel shaft nut: 10.0~12.0kgf-m

Rear cushion under bolt: 2.4~3.0kgf-m

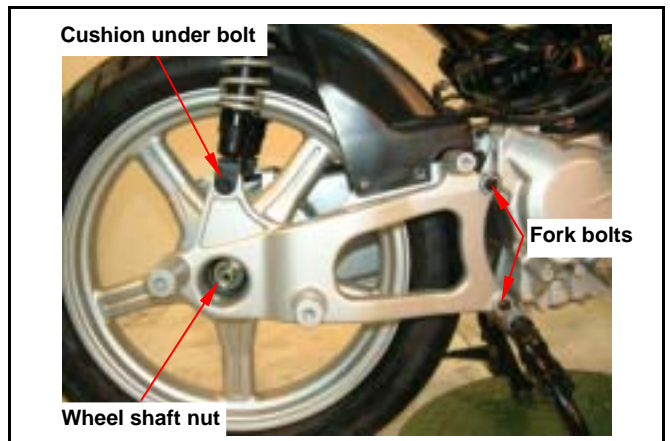
Rear fork mounting bolt: 4.0~5.0kgf-m

Exhaust muffler mounting nut: 1.0~1.2kgf-m

Exhaust muffler mounting bolt: 3.2~3.8kgf-m

⚠ Caution

Attention must be paid to their direction when rear fork collars are installed. The small ends of inner and outer collars must face to rear fork bearing.



Rear Cushion

Removal

Remove the luggage box, rear carrier and body covers.

Loosen the mounting bolts of the air cleaner (2 bolts).

Remove the exhaust muffler (3 bolts, 2 nuts).

Remove the under bolts by left / right rear cushions.

Remove the upper bolts by left / right rear cushions, and then remove the cushion.



Installation

Install in reverse order of removal procedures.

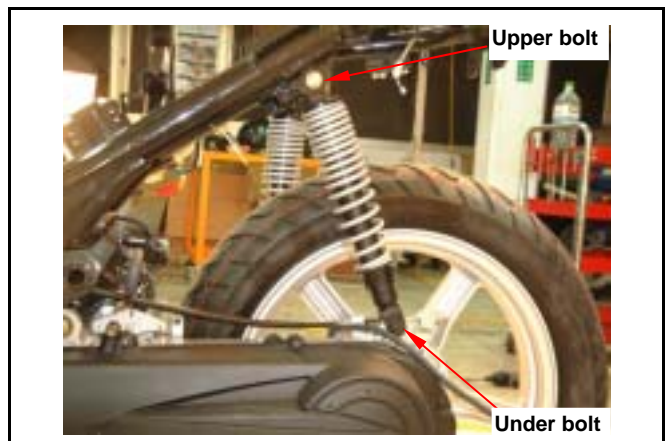
⚠ Caution

The rear cushion must be replaced as a unit. Never disassemble the rear cushion as that would damage the structure.

Torque Value

Rear cushion upper bolt: 3.5~4.5kgf-m

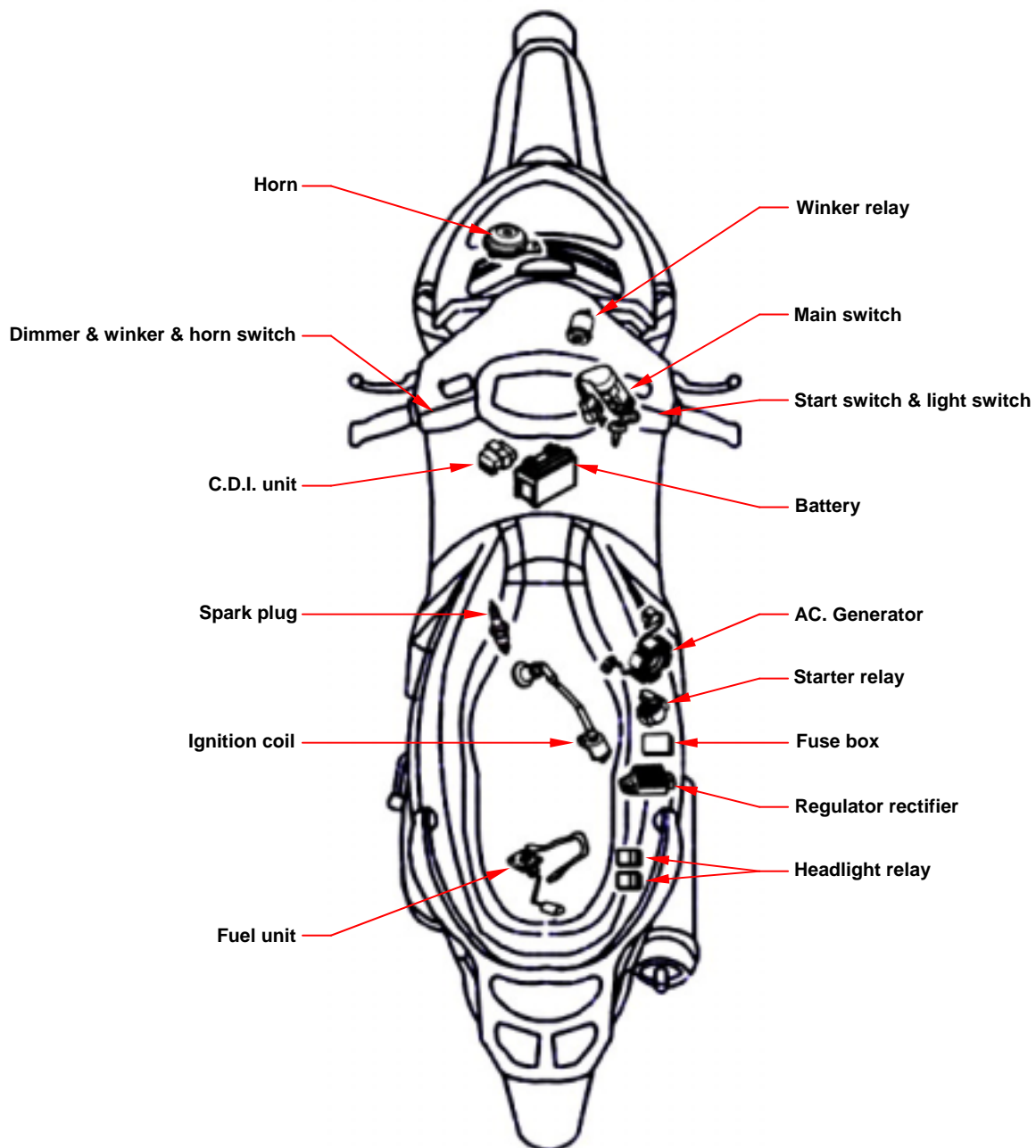
Rear cushion under bolt: 2.4~3.0kgf-m



Notes:

Mechanism Diagram	17-1	Meters	17-11
Maintenance Data	17-2	Light / Bulb	17-12
Technical Specification	17-2	Switch / Horn	17-14
Trouble Diagnosis	17-3	Fuel Unit	17-17
Battery	17-4	Cooling Fan Thermo Switch	17-18
Charging System	17-5	Thermo Unit	17-19
Ignition System	17-8	Water Temperature Meter	17-19
Starting System	17-10		

Mechanism Diagram



17. ELECTRICAL SYSTEM

Maintenance Data

Operational precaution

- When remove the battery, the disconnection sequence of cable terminals shall be strictly observed. (First disconnect the negative cable terminal, next, the positive cable terminal.)
- The model of the spark plug and the tightening torque.
- The ignition timing.
- Adjustment of headlight.
- Removal and installation of AC generator.
- The maintenance free battery requires no inspection of electrolyte level and refilling of distilled water.
- To recharge the battery, remove the battery from rack without removing ventilation caps.
- Unless in emergency, never rapid charge the battery.
- The voltage must be checked with the voltmeter while charging the battery.
- As C.D.I assembly does not require an ignition timing check. In case ignition timing is incorrect, check C.D.I and AC generator. Verify with an ignition timing light after replacement if necessary.

Technical Specification

Charging system

Description		Specification
Battery	Capacity	12V8Ah
	Charging rate	0.9A / 5 hours (standard) 4A / 1 hour (fast charging)
Leak current		< 1 mA
Charging current		1.2 A / 2000 rpm
Control voltage in charging		14.5 + 0.5 V / 2000 rpm

Ignition system

Description		Specification
Spark plug	Model	NGK CR8E (Recommended)
	Gap	0.6 - 0.7 mm
Ignition coil and resistance	Primary winding	$0.17 \pm 10\% \Omega$
	Secondary winding	Without cap: $3.1 \pm 10 K\Omega$
With cap: $8.1 \pm 10 K\Omega$		
Ignition timing "F" mark		13° TDC / 1000 rpm
		27° TDC / 6000 rpm

Trouble Diagnosis

No voltage

- Battery discharged
- The cable disconnected
- The fuse is blown
- Improper operation of the main switch

Low voltage

- The battery is not fully charged
- Poor contact
- Poor charging system
- Poor voltage regulator

No spark produced by spark plug

- The spark plug is out of work
- The cable is poorly connected, open or short-circuited
 - Between AC.G. and C.D.I.
- Poor connection between C.D.I. and ignition coil
 - Poor connection between C.D.I. and the main switch
- Poor main switch
- Poor C.D.I.
- AC.G. is out of work

Starter motor does not work

- The fuse is blown
- The battery is not fully charge
- Poor main switch
- Poor starter switch
- The front and rear brake switches do not operate correctly
- Starter relay is out of work
- The ignition coil is poorly connected, open or short-circuited
- The starter motor is out of work

Intermittent power supply

- The connector of the charging system becomes loose
- Poor connection of the battery cable
- Poor connection or short-circuit of the discharging system
- Poor connection or short-circuit of the power generation system

Charging system does not operate properly

- Burnt fuse
- Poor contact, open or short circuit
- Poor regulator
- Poor ACG

Engine does not crank smoothly

- Primary winding circuit
 - Poor ignition coil
 - Poor connection of cable and connectors
 - Poor main switch
- Secondary winding circuit
 - Poor ignition coil
 - Poor spark plug
 - Poor ignition coil cable
 - Current leakage in the spark plug
- Incorrect ignition timing
 - Poor AC.G.
 - Improper installation of the pulse sensor
 - Poor C.D.I.

Weak starter motor

- Poor charging system
- The battery is not fully charged
- Poor connection in the windings
- The motor gear is jammed by foreign material

Starter motor is working, but engine does not crank

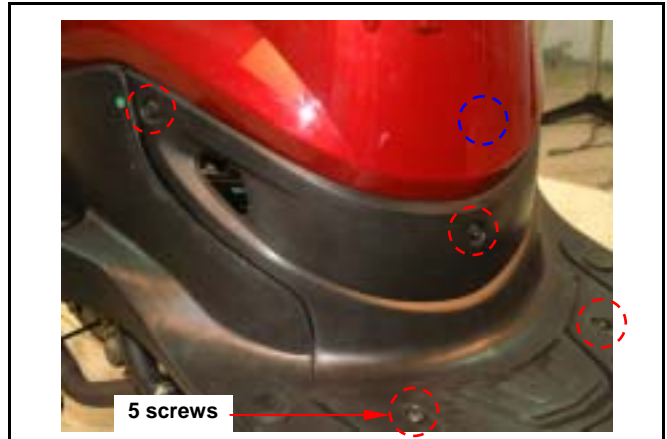
- Poor starter motor pinion
- The starter motor run in reverse direction
- Poor battery

17. ELECTRICAL SYSTEM

Battery

Removal

Loosen 5 screws and remove the battery cover.
Disconnect the negative cable terminal first, then the positive cable terminal.
Remove the battery from the motorcycle.



Voltage Check

Use the digital voltmeter to check the voltage of the battery.

Voltage:

Fully charged: 13.0~13.2 V at 20

Undercharged: Below 12.3 V at 20

Charging

Connect the positive terminal (+) of the charger to the battery positive terminal (+).
Connect the negative terminal (-) of the charger to the battery negative terminal (-).

	Standard	Maximum
Charging current	0.9A	4.0A
Charging time	5H	1H

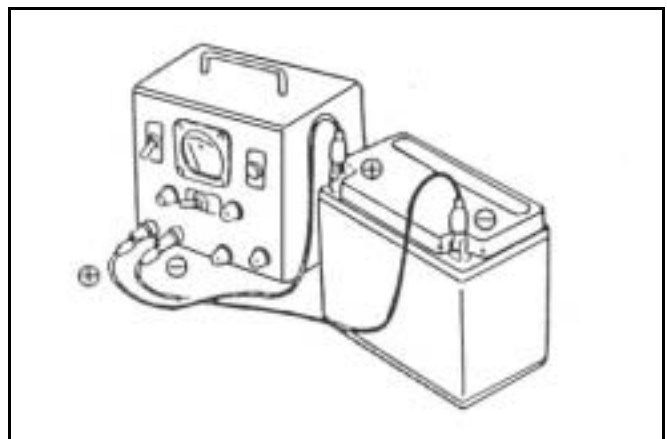
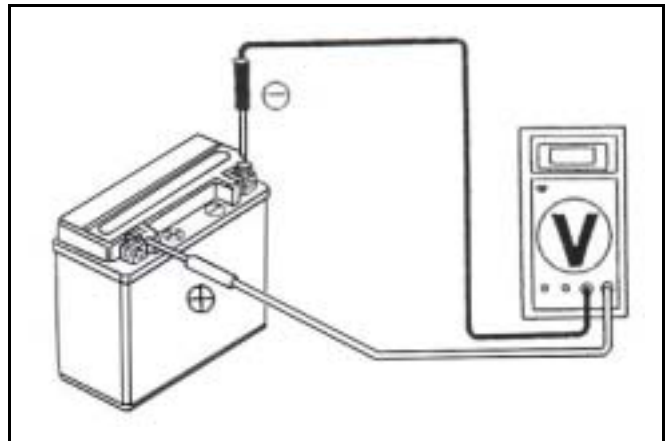
Warning

- Keep flames away while recharging.
- Charging is completely controlled by the ON/OFF switch on the charger, not by battery cables.

Caution

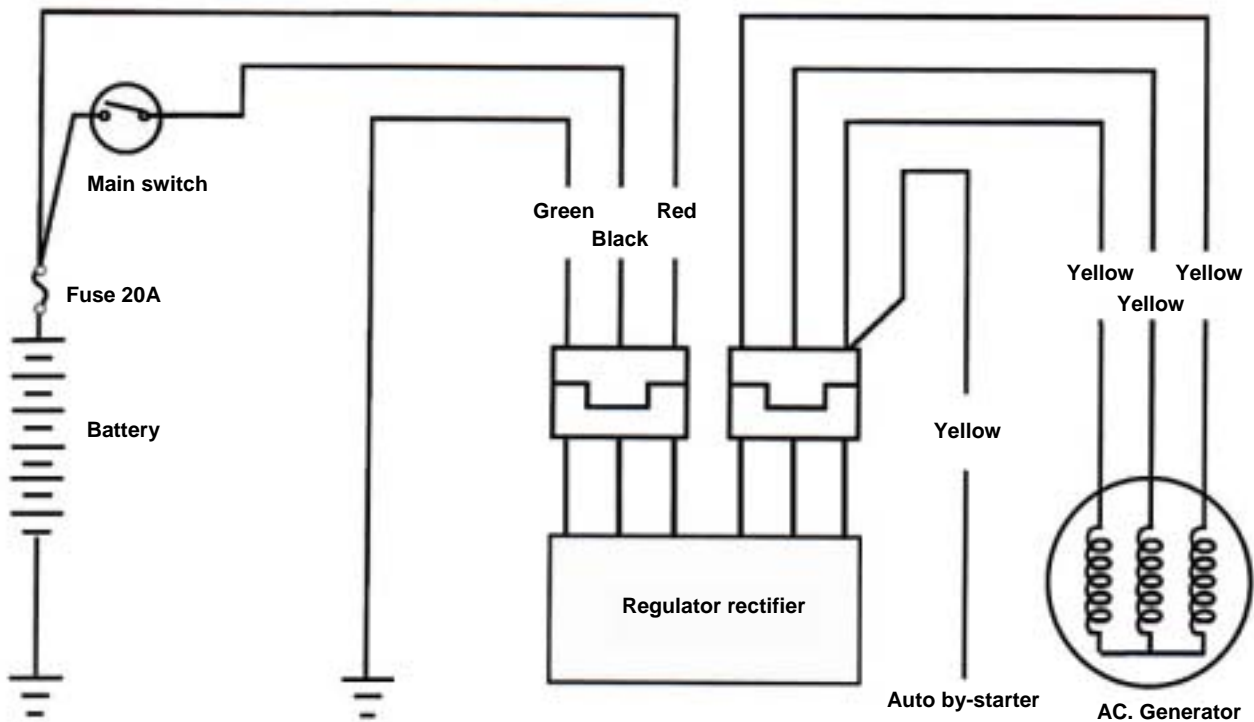
- Never rapid charge the battery unless in emergency.
- Verify the battery is recharged with current and duration prescribed above.
- Large current and fast time to charge will render damage to the battery.

When installing the battery, coat the cable terminal with grease.



Charging System

Charging circuit



Current Leakage Inspection

Turn the main switch to OFF position, and remove the negative cable terminal (-) from the battery. Connect an ammeter between the negative cable terminal and the battery negative terminal.

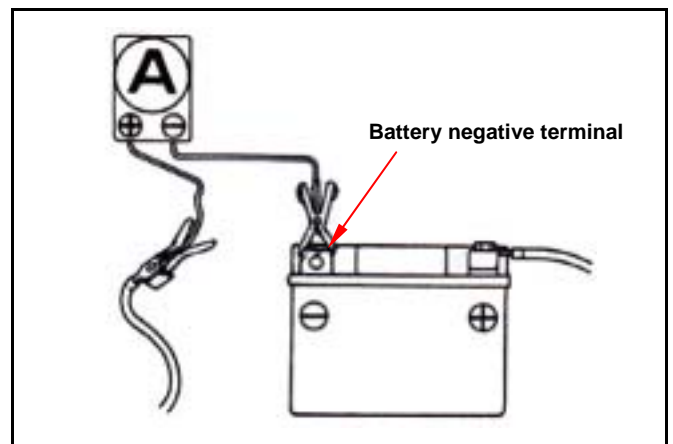
⚠ Caution

- In the current leakage test, set the current range at the largest scale, then gradually decrease to the lower scale as the test process goes to avoid possible damage to the ammeter and the fuse.
- Do not turn the main switch to ON position during test.

If the leaked current exceeds the specified value, it may indicate a short circuit.

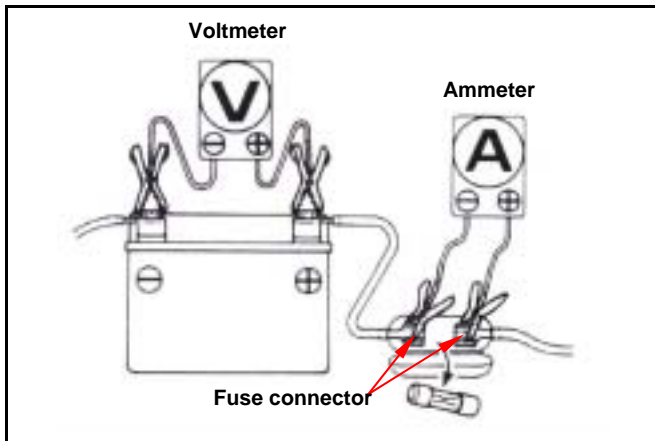
Allowable current leakage: Less than 1mA

Disconnect each cable one by one and take measurement of the current of each cable to locate the short circuit.



17. ELECTRICAL SYSTEM

Inspection on Charging Voltage



⚠ Caution

- Before conducting the inspection, be sure that the battery is fully charged. If undercharged, the current changes dramatically.
- Use a fully charged battery having a voltage larger than 13.0 V
- While starting the engine, the starter motor draws large amount of current from the battery.

After the engine is warmed up, replace original battery with a fully charged battery.

Connect a digital voltmeter to the battery terminals.

Connect an ammeter between both ends of the main fuse.

⚠ Caution

When the probe is reversibly connected, use a voltmeter having an indication that the current flows from the positive or the negative direction and the measurement should be at zero, ammeter at one direction only.

⚠ Caution

- Do not use short-circuit cable.
- It is possible to measure the current by connecting an ammeter between the battery positive terminal and the cable position terminal, however, while the starter motor is activated, the surge current the motor draws from the battery may damage the ammeter. Use the kick starter to start the engine.
- The main switch shall be turned to OFF position during the process of inspection. Never tamper with the ammeter and the cable while there is current flowing through. It may damage the ammeter.

Connect a tachometer.

Turn on the headlight to high beam and start the engine.

Accelerate the engine to the specified revolution per minute and measure the charging voltage.

Specified Charging Current:

1.2 A / 6000 rpm

Control Charging Voltage:

14.5 + 0.5 V / 2000 rpm

⚠ Caution

To replace the old battery, use a new battery with the same current and voltage.

The following problems are related to the charging system, follow the instructions provided in the checking list to correct it if any one of the problems takes place.

- (1) The charging voltage can not exceed the voltage between two battery terminals and the charging current is in the discharging direction.
- (2) The charging voltage and current are too much higher than the standard values.

The following problems are not related to the charging system; correct it if any by following steps indicate in the checking list.

- (1) The standard charging voltage and current can only reach when the revolution of the engine exceeds the specified rpm.
 - Bulbs used exceed their rate and consume too much power.
 - The replacement battery is aged and does not have enough capacity.
- (2) The charging voltage is normal, but the current is not.
 - The replacement battery is aged and does not have enough capacity.
 - Battery used do not have enough electricity or is over charged.
 - The fuse of the ammeter is blown.
 - The ammeter is improperly connected.
- (3) The charging current is normal, but the voltage is not.
 - The fuse of the voltmeter is blown.

Inspection on regulator rectifier

Remove the luggage box, rear carrier and body covers.

Disconnect two 3 pin couplers of the regulator rectifier.

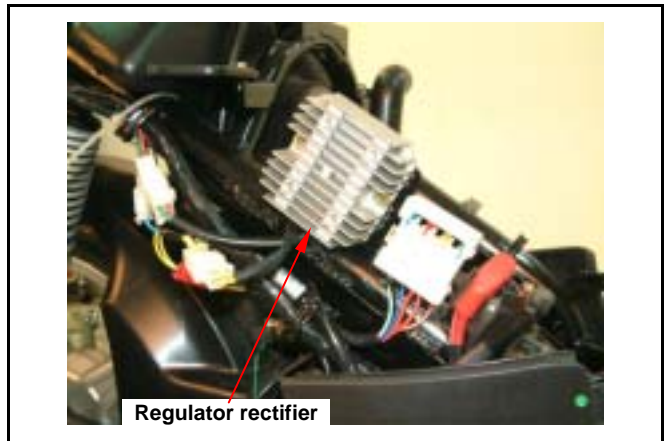
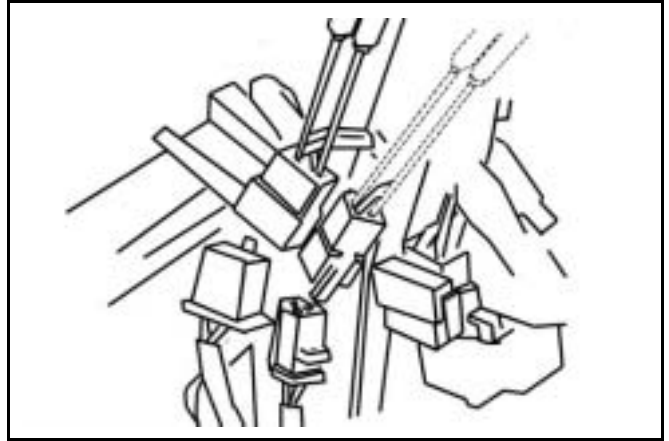
Inspection the rectifier coupler to the wire harness passes the condition.

Item	Check Points	Standard Value
Main switch connection	R – B	Battery voltage (ON)
Battery connection	R – G	Battery voltage
Charging coil	Y – Y	0.17 ~ 0.8Ω

If the readings measured are not normal, check parts in the circuit.

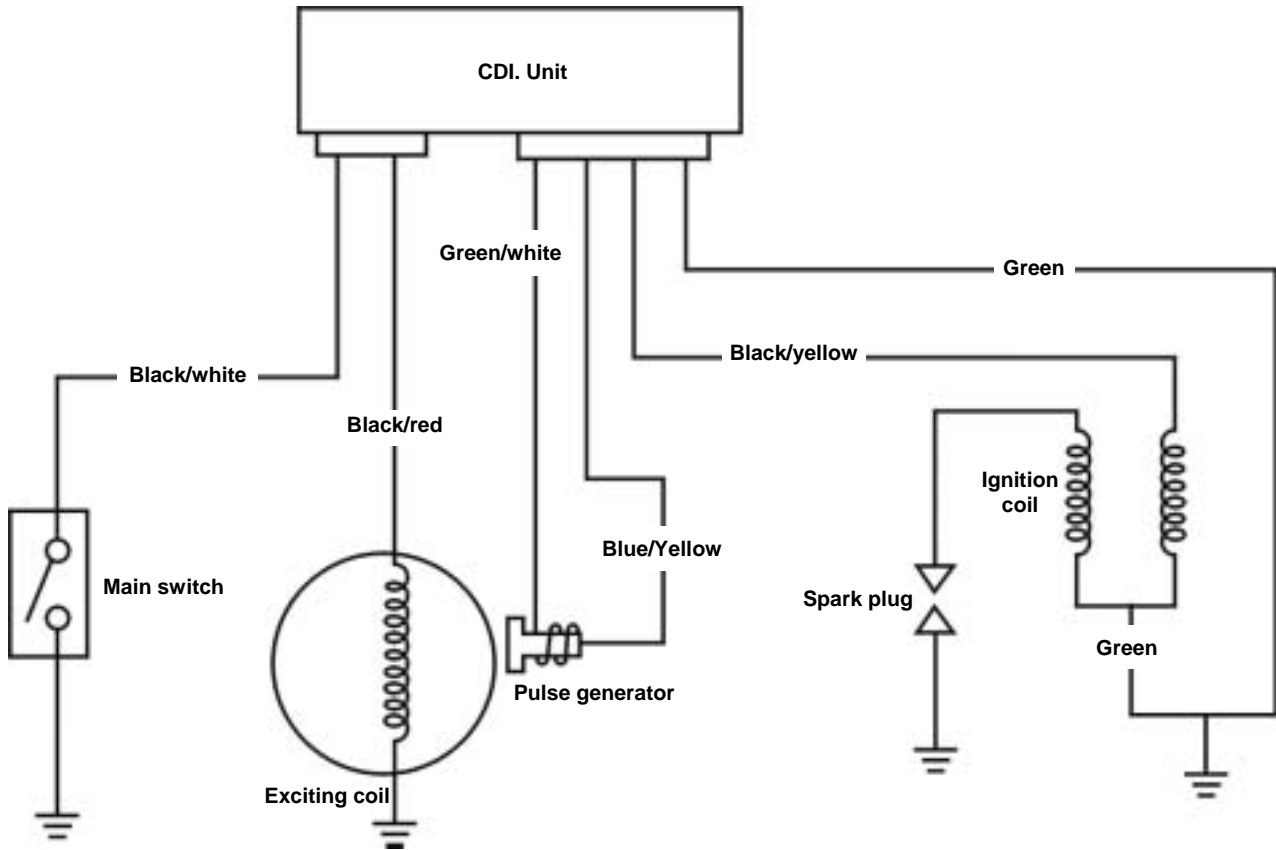
If the parts are normal, then trouble is in the wiring.

If there is nothing wrong with parts and wiring, replace the regulator rectifier.



Ignition System

Ignition circuit diagram



C.D.I unit

Disconnect connectors of the C.D.I unit.

Check the following connectors as indicated in the table at the harness side.

Item		Points to check	Result
Main switch		Black/white ~ green	-
Exciting coil		Black/red ~ green	100~200Ω
Pulse generator		Green/White ~ Blue/yellow	50~170Ω
Ignition coil	Primary circuit	Black/yellow ~ green	0.17±10%Ω
	Secondary circuit	Black/yellow ~ with no cap	3.6±10%Ω
		Black/yellow ~ with cap	7.3~11KΩ

Inspection on Ignition Coil

Remove the luggage box.

Disengage the connector of the ignition coil and the spark plug cap.

Measure the resistance between the terminals of the primary winding.

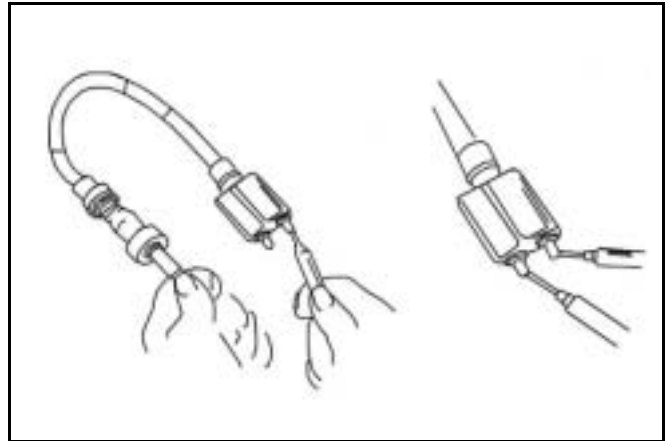
Standard resistance: $0.17\Omega \pm 10\%$

Remove the cap from the spark plug and measure the resistance between the spark plug and the primary winding.

Standard resistance:

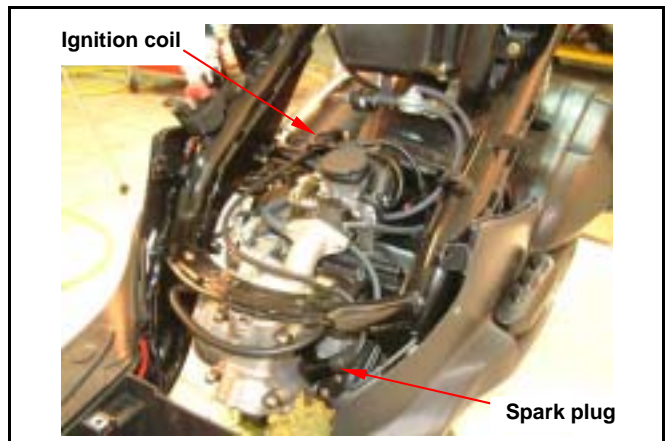
With no cap: $3.6\Omega \pm 10\%$

With cap: 7.3~11 K Ω



Replacement

Loosen the lock bolt and replace the ignition coil if necessary.



Inspection on Exciting Coil

Caution

The test can be carried out without removing the exciting coil from the engine.

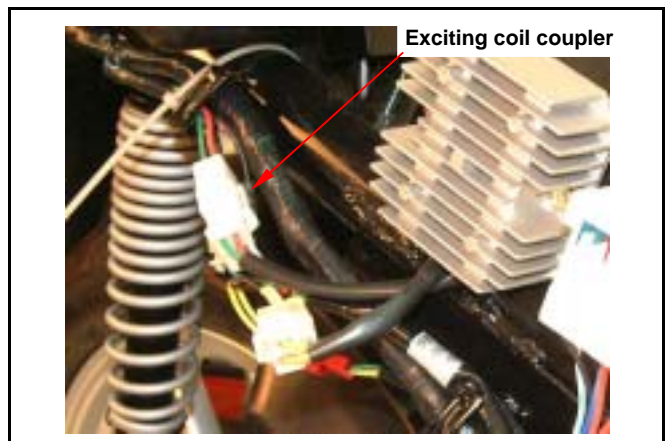
Remove the luggage box, rear carrier and body covers.

Disconnect coupler of the exciting coil.

Measure the resistance between the black/red terminal and the earth.

Standard resistance: 100~200 Ω

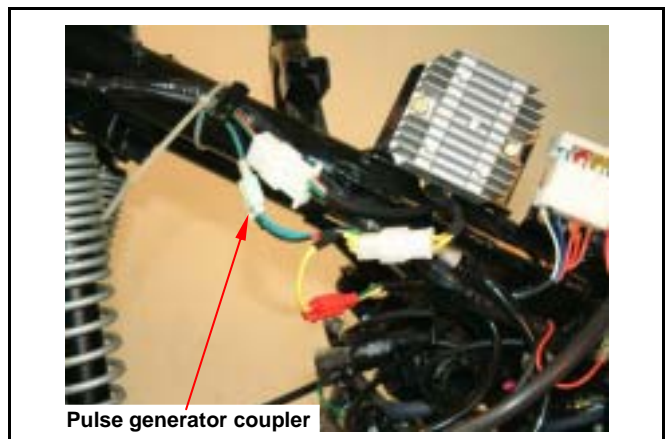
Please refer to the Section 10 for disassembly of coil.



Inspection of Pulse Generator

Disconnect the coupler of the pulse generator and measure the resistance between the terminals of green/white and blue/yellow.

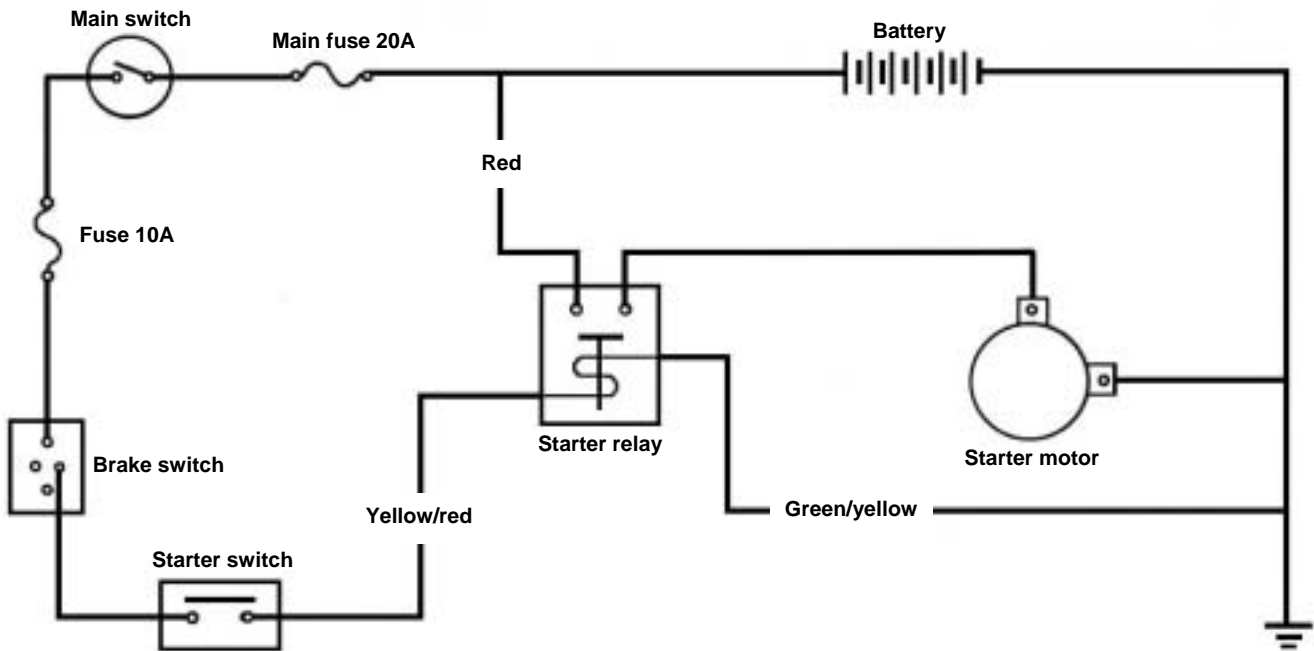
Standard resistance: 50~170 Ω



17. ELECTRICAL SYSTEM

Starting System

Starting circuit diagram



Inspection on starter relay

Open the main switch.

Press the brake.

Push down the starter switch.

If a sound of "Looh Looh" is heard, it indicates the relay function normally.



Remove the luggage box.

Disconnect the negative cable terminal of the battery.

Disconnect the cable positive terminal from the relay.

Disconnect the positive cable of the starter motor.

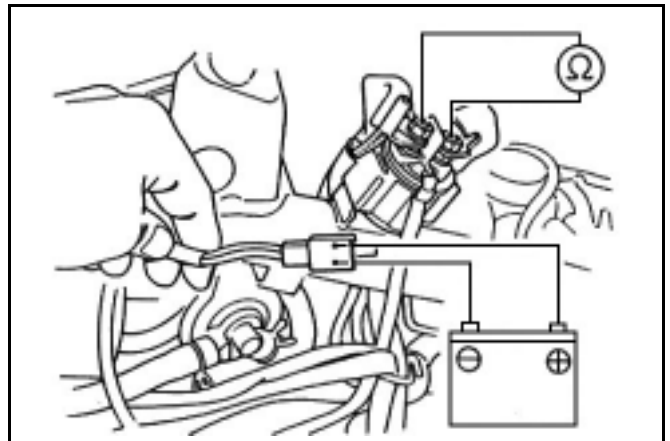
Disconnect the coupler of the relay.

Connect an ohmmeter to the large terminal end.

Connect the yellow/red cable to the battery positive terminal and the green/yellow cable to the battery negative terminal.

Check the continuity of the large terminal end.

If there is no continuity, replace the relay.



Removal of Starter motor

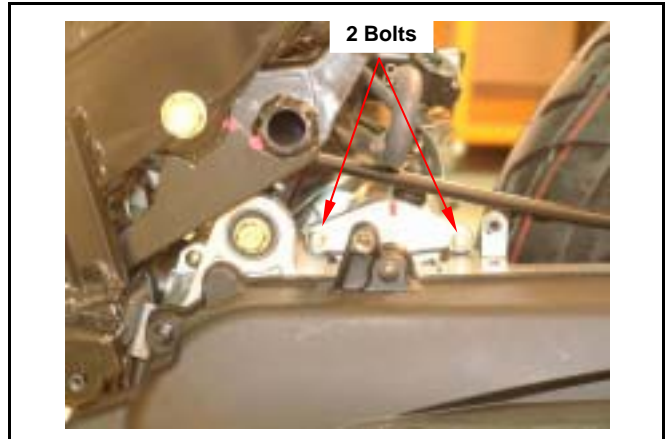
Remove the battery cover (5 screws).
 Disconnect the cable negative terminal (-), then the cable positive terminal (+).
 Remove the luggage box.
 Remove the air cleaner.



Loosen the lock bolts and remove the starter motor.

Installation of Starter motor

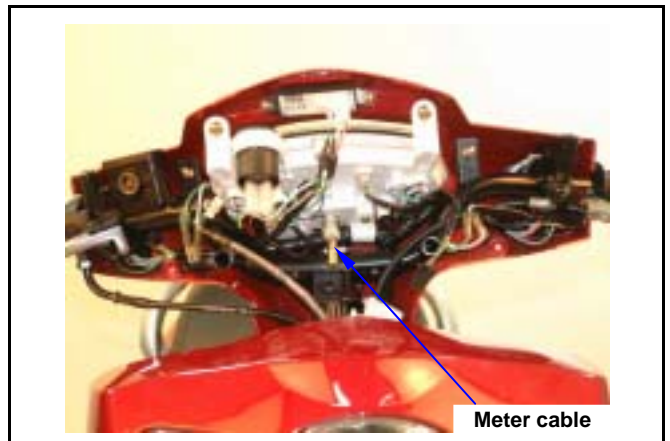
Install in reverse order of removal procedures.



Meters

Removal

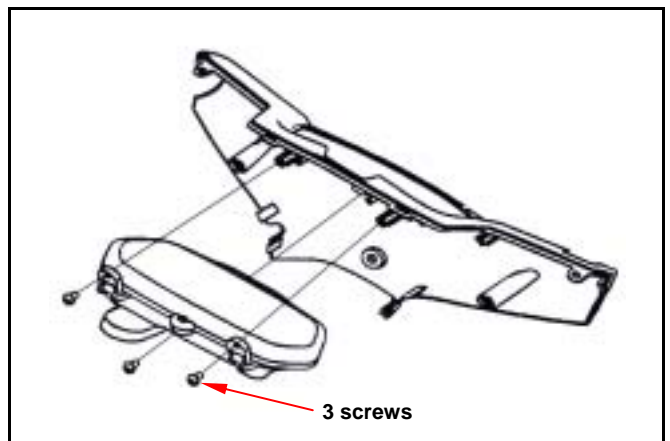
Remove handle front cover.
 Remove the front cover, and then remove meter coupler and handle switch coupler.
 Remove speedometer cable.



Remove handle rear cover and speedometer.
 Loosen 3 screws, and then remove speedometer from handle rear cover.

Installation of Starter motor

Install in reverse order of removal procedures.

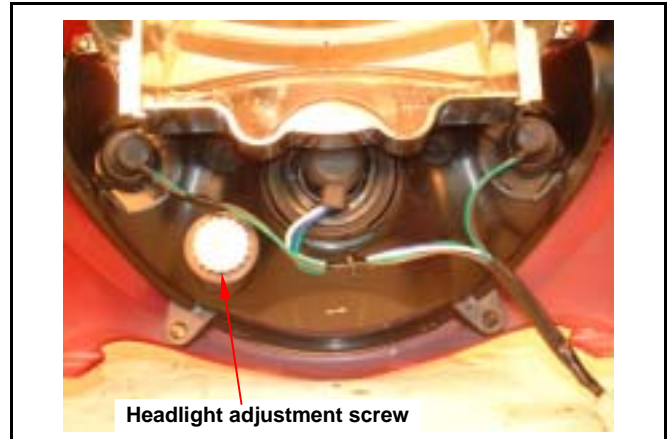


17. ELECTRICAL SYSTEM

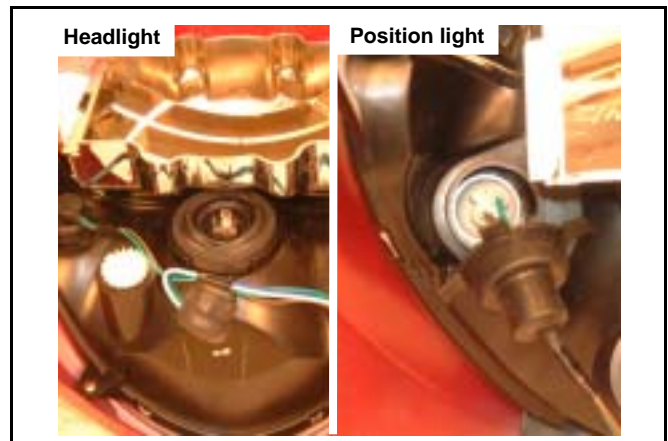
Light / Bulb

Replacing bulb for headlight

Remove the front cover.



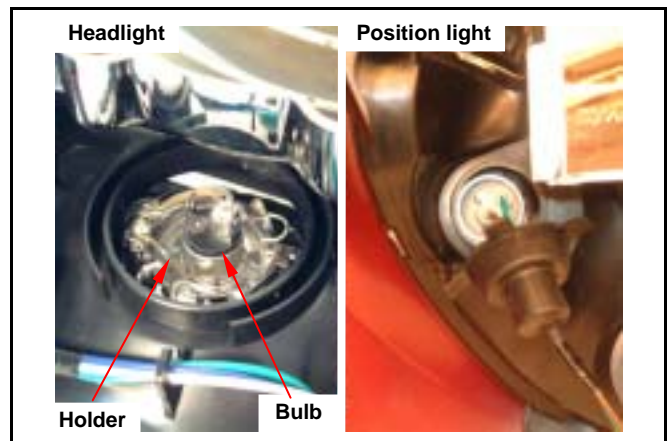
Disconnect the terminal coupler and the rubber sleeve from the headlight.



Remove the bulb spring holder and the bulb.
Replace with new bulb if necessary.

Caution

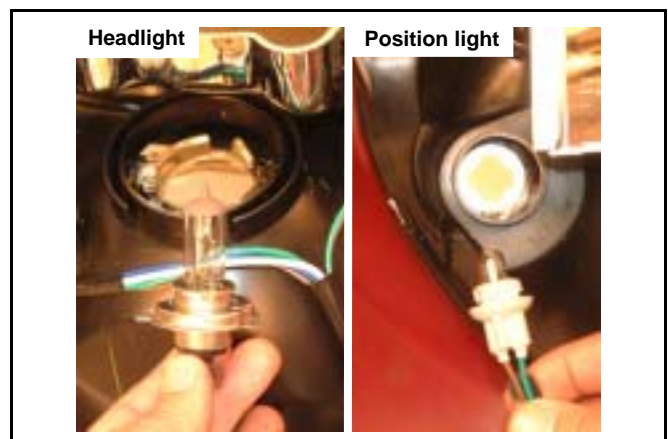
- Never touch the bulb with finger, which will create a heat point.
- Clean the fingerprint left on the bulb with alcohol.



Install the bulb of the headlight in reverse order of removal.

Upon completion of replacement, turn on the main switch to ensure the headlight works well.

Adjust the beam and distance of the headlight if necessary.



Replacing the Front winker light Bulb

Loosen fixing screws and remove the handle front cover (screw x 3).

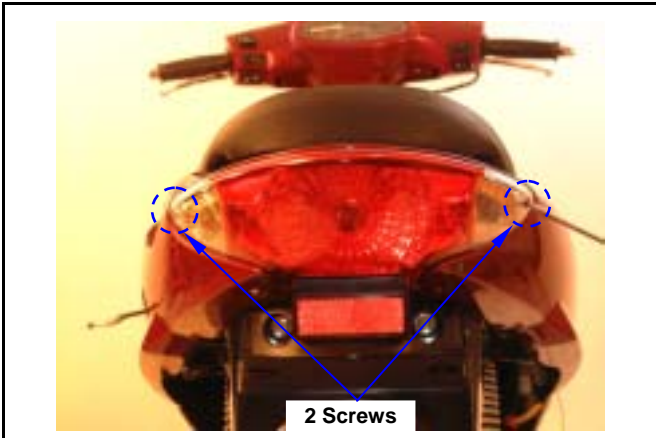


Replace with new front winker light bulb.



Replacing Bulb of taillight

Remove the taillight lens (2 screws).



Replace taillight or winker light bulb.



17. ELECTRICAL SYSTEM

Switch / Horn

Main Switch

Inspection

Remove the front cover.

Disconnect the main switch coupler.

Check the continuity between two points as indicated below:

Position \ Pin	BAT1	BAT2	I	E
LOCK			○ — ○	○ — ○
OFF			○ — ○	○ — ○
ON	○ — ○			
Wire Color	Red	Black	Black / White	Green

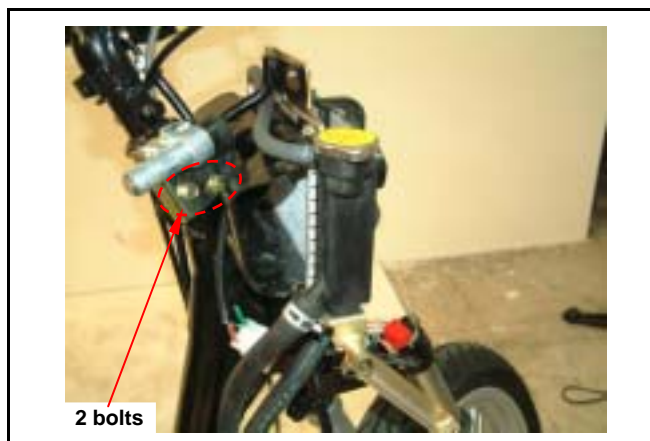
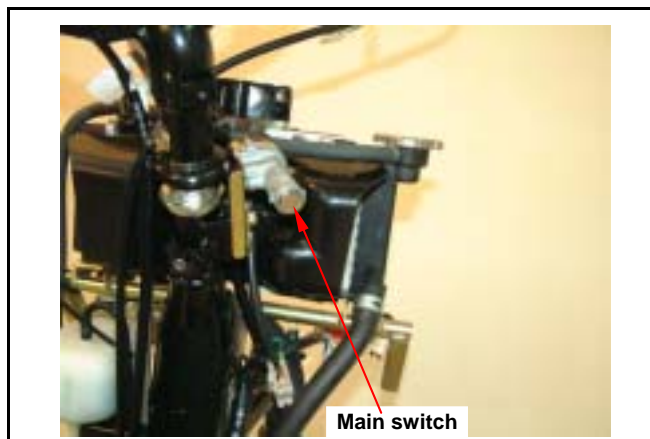
Replacement of main switch

Disconnect the coupler of the main switch and loosen the lock bolts (bolt x 2).

Remove the main switch.

Install the new main switch and tighten the lock bolts (bolt x 2).

Install the main switch coupler.



Handle switch

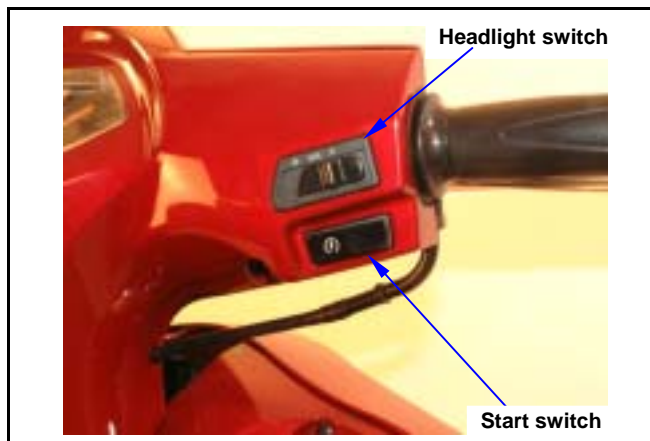
Remove the handle front cover and rear cover.

Disconnect the coupler of handle.

Check the continuity between two points as indicated in the table below.

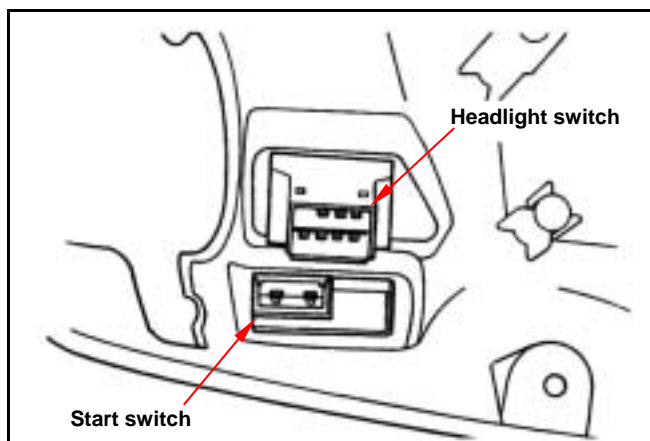
Start Switch / Headlight Switch

Position \ Pin	ST	BAT2
FREE		
⚡	○ — ○	○ — ○
Wire Color	Yellow / Red	Green



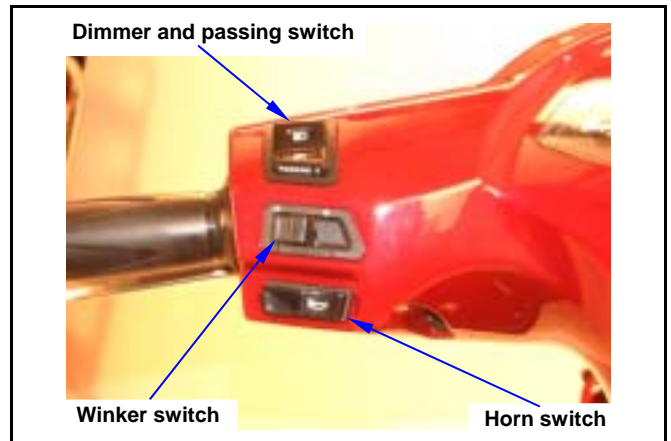
Headlight Switch

Position \ Pin	BAT3	TL	HL
☞☞☞	○ — ○	○ — ○	
☀	○ — ○	○ — ○	○ — ○
Wire color	White / Green	Brown	Blue / White



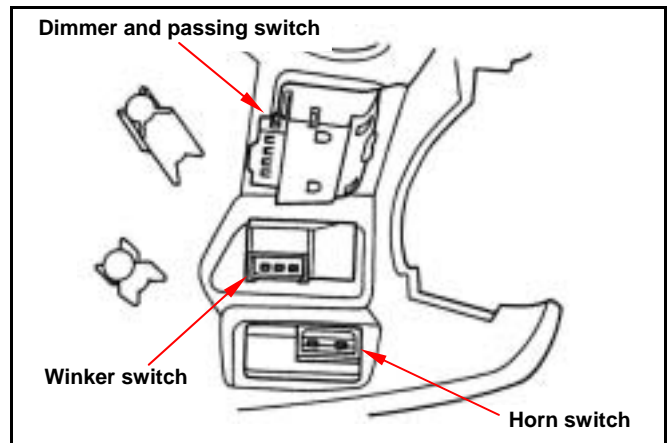
Dimmer and Passing switch

Position \ Pin	HL	LO	HI	PASS
	○ ——— ○		○	
	○	○		
PASSING	○	○		
			○ ——— ○	
Wire color	Brown / White	White	Blue	White / Green



Winker switch

Position \ Pin	R	WR	L
	○ ——— ○		
N	FROM R	○ ——— ○	
	PUSH OFF		
	FROM L		○ ——— ○
		○ ——— ○	○ ——— ○
Wire color	Light green	Gray	Orange



Horn switch

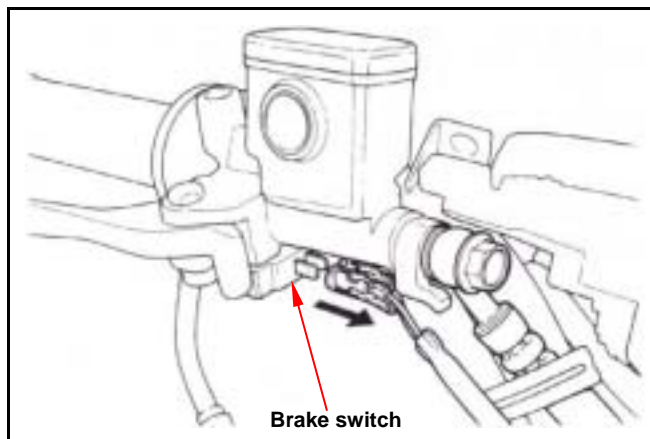
Position \ Pin	BAT3	HO
FREE		
	○ ——— ○	○ ——— ○
Wire Color	White/ Green	Light green

17. ELECTRICAL SYSTEM

Brake Switch

While grasp the brake lever firmly, the terminals of white/green and green/yellow of the brake should have continuity.

Replace the switch if damaged.



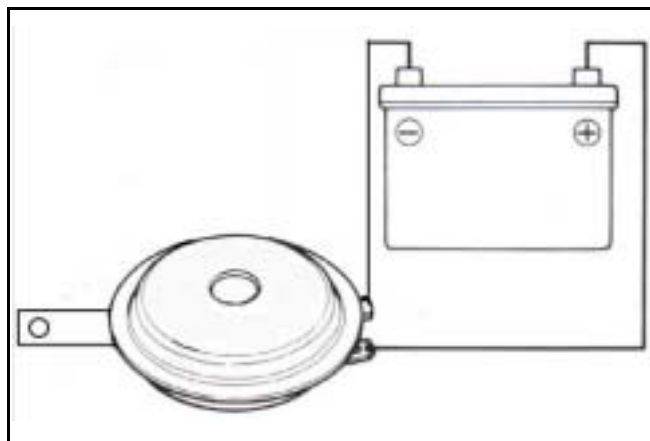
Horn

Remove the front cover.



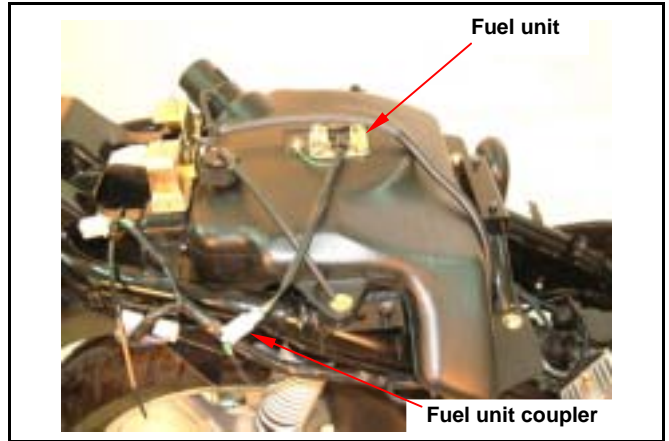
Apply 12 V power source to two terminals of the horn, the horn should sound.

Replace the horn if necessary.



Fuel Unit

Open the seat.
 Remove the luggage box.
 Remove the rear carrier.
 Remove the body cover.
 Disconnect the coupler of the fuel unit.



Remove the fuel unit (screw x 4).

⚠ Caution

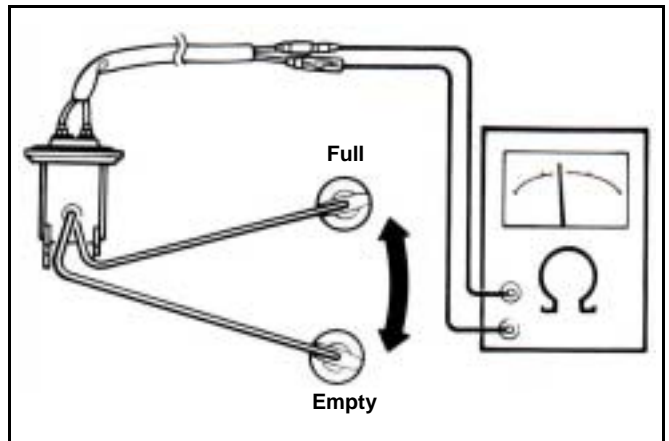
- Great care shall be taken not to damage or bend the float arm of the gauge.



When the float arm shifts to the F position or the E position, the resistance measured shall be as follows:

Position	Resistance
E (Empty)	97.5~107.5 Ω
F (Full)	4~10 Ω

Connect the wiring to the fuel unit and the ohmmeter as shown.

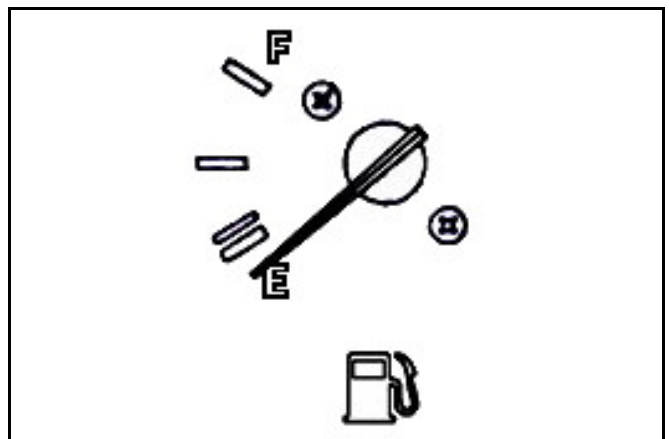


Connect the fuel unit coupler to the wire harness.
 Turn on the main switch.
 Move the float arm to verify the proper position the fuel gauge needle indicates.

Arm Position	Needle Position
Up (Full)	F (Full)
Down (Empty)	E (Empty)

⚠ Caution

While conducting the test, turn on the direction indication lamp to make sure that the battery is in serviceable condition.



17. ELECTRICAL SYSTEM

Cooling Fan Thermo Switch

The thermo switch mounted on the radiator controls the operation of the cooling fan motor. In case that the fan motor fails to work, disconnect the green and black/blue leads and connect jump wires to the terminals, then, turn on the main switch, the fan motor should operate.

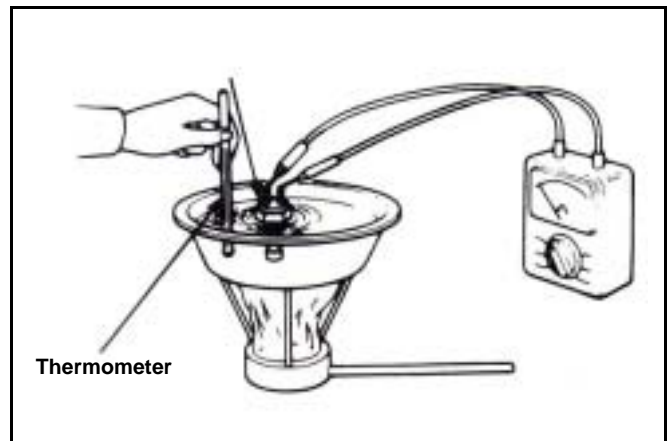
If the fan motor still fails to run, measure battery voltage between the green and black/blue leads. If there is no voltage, check for blown fuse, loose connection or short-circuit.

If the fan motor runs, check the thermo switch in the manner as described below:

Hang the thermo switch on the bowl filled with coolant to check the switch's opening and closing temperatures, confirm the switch is open circuited at room temperature, increase the coolant temperature gradually. The switch should have a continuity at 98-102 .

Caution

- Keep the coolant at a constant temperature at least for three minutes. Sudden increase the coolant temperature will cause the thermometer and the tester to indicate wrong readings.
- Never let the thermometer and the thermo switch contact the wall of the bowl, which may result in wrong readings.
- The thermo switch shall be placed in the coolant until the teeth are completely submerged.



Thermo unit

Remove the thermo unit.
Hang the thermo unit in an oil heater, heat the oil and measure the resistance at each temperature.

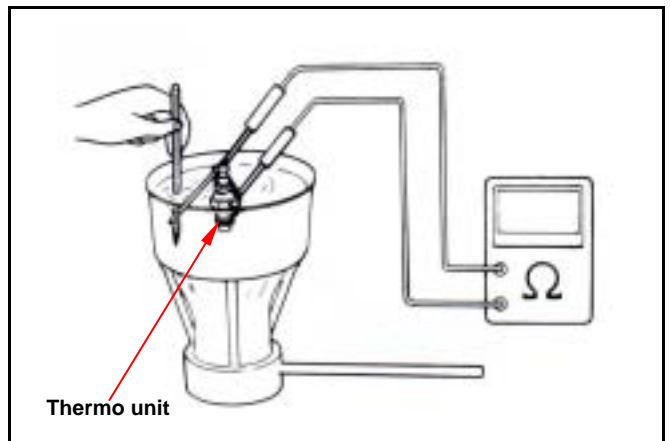
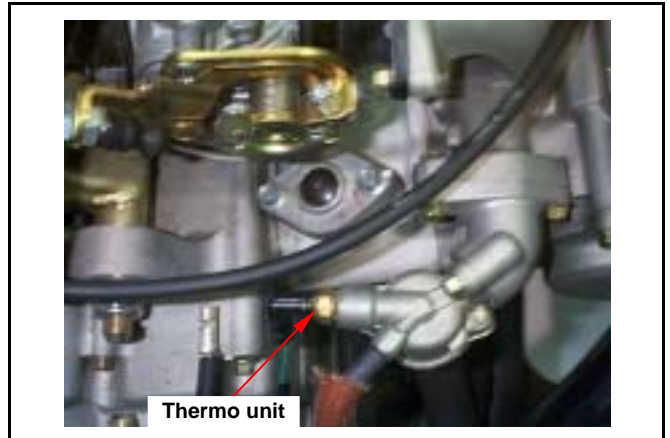
Temperature	50°C	80°C	100°C	120°C
Standard ()	134~149	47.5~57.0	26~29	14.8~17.2

⚠ Caution

- Wear gloves and goggles when performing this test.

⚠ Caution

- Engine oil should be used as a heating medium as the test temperature must be higher than 100 .
- Contacting the container wall by the thermometer and the thermo unit may result in wrong readings.

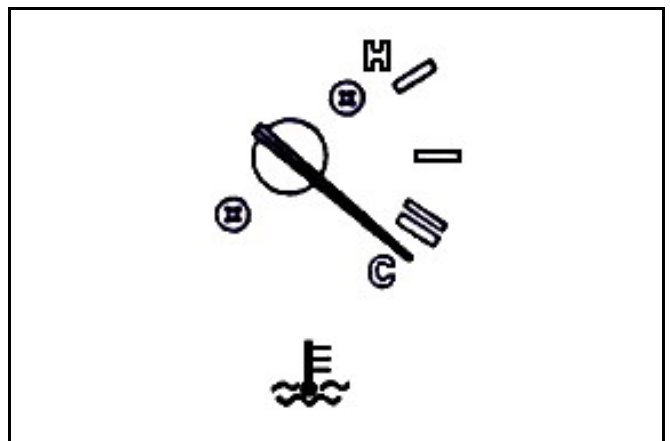


Water Temperature Meter

Disconnect the water temperature meter and connect it to engine ground.
Turn on the main switch.
The needle of the meter should move to other end, H position.

⚠ Caution

- Do not ground the water temperature more than 5 seconds, or the meter will be damaged.



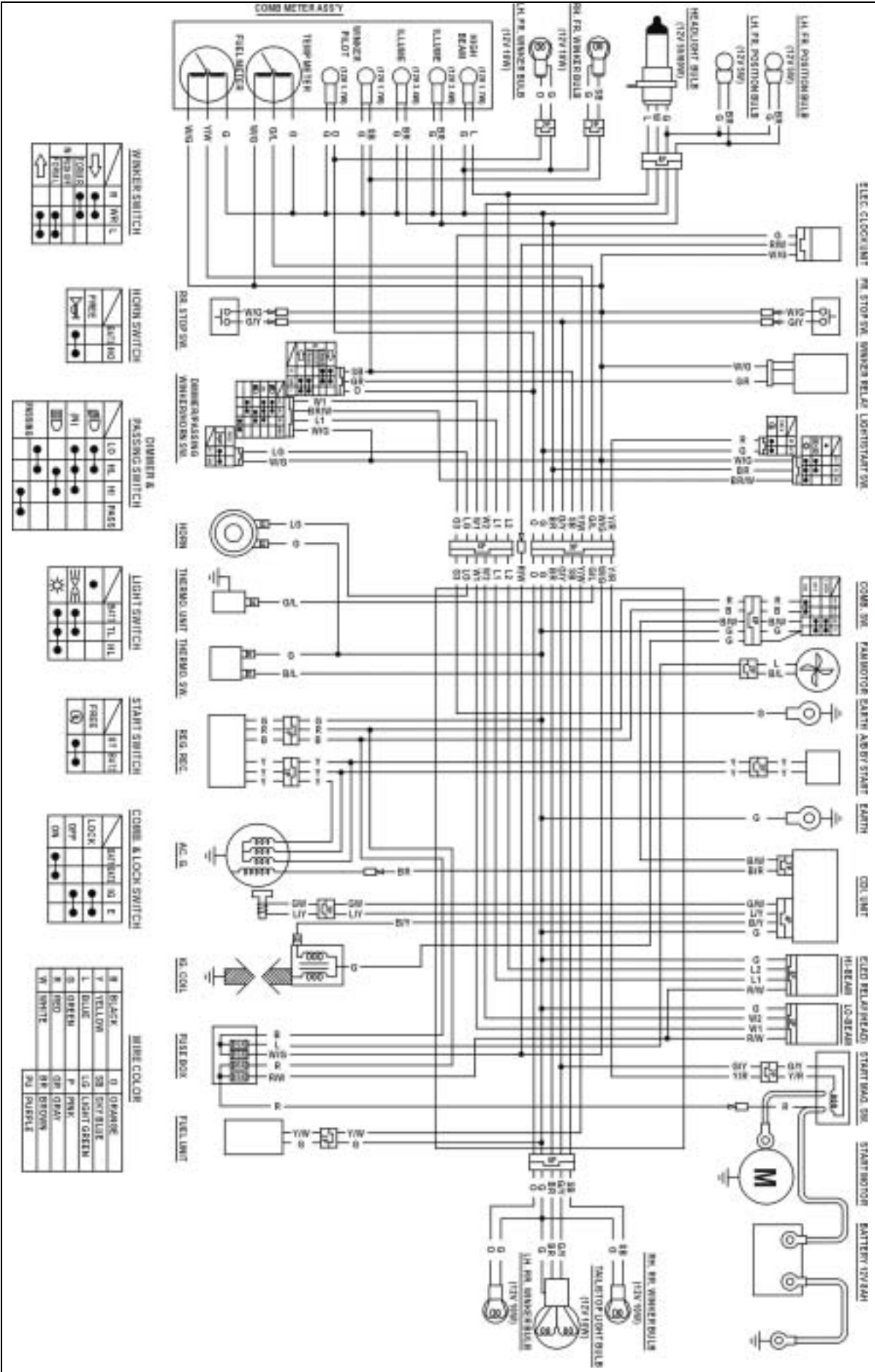
17. ELECTRICAL SYSTEM



Notes:

18. ELECTRICAL DIAGRAM

HD125 / 200 ELECTRICAL DIAGRAM



18. ELECTRICAL DIAGRAM

Notes: