

This publication contains Parts Information for the 1988-92 Eagle Premier and Dodge Monaco.

The use of this Parts Catalog and the arrangement of information herein is explained in the General Information Section as indexed below.

INDEX TO INFORMATION PAGES

- ABBREVIATIONS A-18-22
- ALPHABETICAL INDEX A- 6
- BODY PLATE INTERPRETATION A-11 & 12
- BUILD DATE MO. AND YR. A- 8
- COLOR CODED OR COMBINED PART NUMBERS. A- 7
- DATE CORRELATION TABLES A-13,14&15
- ENGINE IDENTIFICATION NUMBERS. A- 8
- GROUP SYSTEM. A- 4
- HOW TO LOCATE PARTS. A- 3
- ILLUSTRATION INDEX. A- 6
- INTERIOR TRIM. A- 7
- METRIC CONVERSION TABLE A-17
- NEWPART INDEX. A- 6
- NUMERICAL INDEX. A- 6
- PAGE NUMBERING A- 5
- PARTS CATALOG REVISION SERVICE. A- 6
- PARTS PACKAGES. A- 6
- PRICE CLASS (SERIES) INFORMATION. A-9 & 10
- PRODUCT BULLETINS. A- 6
- RIGHT AND LEFT PART NUMBERS A- 5
- SALES CODES. A-16
- SPECIFYING INFORMATION. A- 5
- STANDARD PARTS A- 6
- SYMBOLS USED IN THIS CATALOG. A- 5
- TRANSMISSION IDENTIFICATION. A- 7
- VEHICLE IDENTIFICATION PLATE. A-9 & 10

HOW TO USE THIS CATALOG AND LOCATE PARTS MICROFICHE LAYOUT

Each Fiche is 4" x 6" and contains 288 Frames. There are 12 Rows containing 24 Frames in each Row. Each Row is identified by a letter in sequence running vertically from top to bottom. Each Alphabetical Row has 24 Frames running numerically from Left to Right from 1 to 24 inclusive. Therefore, each of the 288 Frames has an Alpha/Numeric Identification. Examples: A4, C20, etc.

The Color coded "Header Strip" of each Fiche identifies the Set (i.e. 1990 - Import), the Fiche Number (i.e. Fiche 1 of 5), the date of issue and the Groups contained within the Fiche.

TO LOCATE PARTS

The Fiche is divided into Part Groups in which illustrations for parts of a similar function and/or location are published. The Group Contents Listing on the next Frame shows the type of parts contained in each Group. An Index to locate each Group is provided between each Text and Illustration Frame throughout the Fiche Catalog.

Several methods may be used to locate a specific part:

- Option 1: From the Group Contents Listing, select the Group which would contain the part to be found. Refer to the adjoining Index to determine where the Group is located and locate the Group. Frame 2, following the Group Header, will contain an Index of illustrations. Select the Illustration most likely to contain the part. Refer to the Illustration and review the Illustration most likely to contain the part. Refer to the Illustration and review the illustration and associated Text Information.
- Option 2: If the "noun" name of the part you seek is known, an Alphabetical Index of Nouns and Illustration Titles, found on the last Fiche of the Set, is provided to assist in finding the part. Several keys may be found in this index.

ABSORBER, Rear Group 17 - Group Reference
AIR CLEANER, Q Engine
 24 Colt LC - 41 Summit LC 2 - E4 - Fiche, Row and Frame Reference
PEDAL, Clutch 1 - G8:12 - Fiche, Row and Frame, and Item Reference

Fiche _____

Row and Frame _____

Item _____

- Option 3: If the part number is known refer to the Numerical Index on the last Fiche of the set, which will in turn refer you to the Fiche location of the item. Multiple references mean the part is listed more than once.
- Option 4: A complete Index of Illustrations is included on each Fiche and can be referenced in the same manner as the Alpha Index.

PART GROUP - TITLES & CONTENT

GROUP	CONTENTS
INF	Information Section
AL	Alphabetical Index
NE	Newpart Index
IL	Illustration Index (All Groups)
1	Catalog Notices
2	Front Suspension & Drive Front Suspension Components ... Steering Knuckles Front; Drive Shafts, Axles, Locking Hubs ... Front Differential
3	Rear Axle Rear Axle and Component Parts ... Rear Axle Mountings
4	Parking Brake Controls
5	Service Brakes Brake Controls and Mechanism ... Brake Warning Switch, Parking Brake Components within the Wheel ... Wheel Hardware, Bearings and Seals
6	Clutch Clutch Unit and Components ... Clutch Pedal, Controls
7	Cooling Front Grille, Grille Support, Radiator Supports, Headlamp Supports ... Radiators, Fans and Fan Motors, Hoses, Thermostats ... Transmission Cooling ... Water Pump ... Drive Belts and Pulleys ... Turbocharger Cooling
8	Electrical Switches, Relays, Solenoids, Sensors, ... Battery Trays ... Engine Electrical ... Starters, Alternators, Distributors ... Front, Rear, Interior Lamp ... Body Wiring ... Horn
8A	Instrument Panel and Console Instrument Panel and Console Electrical Parts, Clusters, Switches, Wiring ... All Hard and Soft Trim Parts ... Radio, Speakers and Antenna
9 (A, B ...)	Engine (By Engine Type) Engine Components ... Engine Oil System ... Flywheels, Torque Converters ... Engine Mounting
11	Exhaust Exhaust System Components ... Heat Shields
13	Frame, Bumper & Fascia Frame Components, Crossmembers ... Bumper and Fascia Components ... Snow Plow Parts

GROUP	CONTENTS
14	Fuel Accelerator Pedal, Linkage, Throttle Control ... Air Cleaner ... Carburetors, Throttle Body and Injection Components ... Fuel Lines, Fuel Tank ... Fuel Pump ... Turbocharger Components ... Speed Control
16	Prop. Shaft and Universal Joint
17	Rear Suspension Rear Suspension Components
18	Service Bulletin Parts
19	Steering Steering Wheels, Column ... Power Steering Pump ... Steering Gear ... Steering Linkage, Tie Rods
21M	Manual Transmission and Transfer Cases Manual Transmission, Transaxle and Components ... Gearshift Controls ... Transfer Case, Controls, Mountings ... Speedometer Pinion and Cable
21A	Automatic Transmission Automatic Transmission, Transaxle and Components ... Gearshift Controls ... Speedometer Pinion and Cable
22	Wheels Wheel Rims ... Wheel Covers, Hubcaps ... Jack and Spare Tire Storage
23	Exterior Ornamentation Exterior Ornamentation, Tape Stripes, Decals ... Exterior Moldings ... Vinyl Roof and Trim
23A	Body-Sheet Metal Except Doors Body Metal ... Stationary Glass ... Sunroof ... Convertible Top ... Hood and Deck Release
23C	Body-Doors and Related Parts Door Metal ... Door Hardware ... Door Glass ... and Regulator ... Door Mirrors ... Weatherstrips
23D	Body-Miscellaneous Lock Cylinders and Keys ... Windshield Washer/Wiper System
IT (A, B ...)	Interior Trim (By Body Code) All Interior Trim Except Dash and Console ... Seats and Seat Belts ... Seat Adjusters, Manual and Power ... Carpet ... Interior Panels and Moldings ... Security/Tonneau Covers
24	Heater and Air Heater, Air Conditioning System and Controls
25	Emission Systems Air Pump ... EGR System ... Vapor Canister
NU	Numerical Index

PAGE NUMBERING

Two-part page numbers are used throughout this catalog. The first part of the page designation indicates one major group or section. The second part indicates the actual page number in the group. For example:

2-1 indicates Group 2, Front Suspension, Page 1
3-4 indicates Group 3, Axle Rear, Page 4

In the maintenance of the Loose Leaf Parts Catalog Revision Service, it may become necessary to add information beyond the capacity of the page. In this event, an "A" page will be used. For example, if it becomes necessary, because of change, to add several part numbers to page 2-1 and space does not permit the addition, you will be given Page 2-1A. Page 2-1A should be filed immediately following Page 2-1

Figure and Item Numbers are also commonly used to identify locations in this Catalog, i.e., 14-900/8 refers to Group 14, illustration 900, Item Number 8. Illustration Numbers are always ascending sequential within the Groups

RIGHT AND LEFT PART NUMBERS

Right and Left part numbers are frequently combined on one line, e.g., 3514 444-5. Such numbers are interpreted as 3514 444 Right side application and 3514 445 Left Side. Right and Left Sides are always determined by their relationship to the driver when normally seated and looking forward.

SYMBOLS USED IN THIS PARTS CATALOG

The following symbols are commonly used with Part Number and quantity information in this Catalog:

- Precedes a new part number to the catalog and remains in subsequent issues until stock is available for shipment

AR - Indicates the quantity required may vary or is to be determined by the user.

PAR - Indicates Paint As Required.

SPECIFYING INFORMATION

The following information is included in this Parts Catalog:

- Part Name.
- Part Number.
- Model Application.
- Quantity used per vehicle.
- Description and dimensions necessary for proper identification of parts where necessary.
- Model or Engine Column:
Engine by Displacement or Vehicle Model
Code Body Style Code or Price Class.
- Effective points of model year running changes are indicated by vehicle serial number, engine number or body number where applicable. When serial number effective points are not available, production effective dates are used. (Refer to the Federal Certification Label for the build date.)
- Parts designated as CANADA or EXPORT are not available through U.S. parts outlets.

In the event replacement parts not listed herein are required due to a special service situation, Chrysler Dealers should contact their factory specifier for assistance. Problems encountered with particular part specifications can be resolved in the same manner.

PAGE NUMBERING

Two-part page numbers are used throughout this catalog. The first part of the page designation indicates one major group or section. The second part indicates the actual page number in the group. For example:

2-1 indicates Group 2, Front Suspension, Page 1

3-4 indicates Group 3, Axle Rear, Page 4

In the maintenance of the Loose Leaf Parts Catalog Revision Service, it may become necessary to add information beyond the capacity of the page. In this event, an "A" page will be used. For example, if it becomes necessary, because of change, to add several part numbers to page 2-1 and space does not permit the addition, you will be given Page 2-1A. Page 2-1A should be filed immediately following Page 2-1

Figure and Item Numbers are also commonly used to identify locations in this Catalog, i.e., 14-900/8 refers to Group 14, illustration 900, Item Number 8. Illustration Numbers are always ascending sequential within the Groups

RIGHT AND LEFT PART NUMBERS

Right and Left part numbers are frequently combined on one line, e.g., 3514 444-5. Such numbers are interpreted as 3514 444 Right side application and 3514 445 Left Side. Right and Left Sides are always determined by their relationship to the driver when normally seated and looking forward.

SYMBOLS USED IN THIS PARTS CATALOG

The following symbols are commonly used with Part Number and quantity information in this Catalog:

- Precedes a new part number to the catalog and remains in subsequent issues until stock is available for shipment

AR - Indicates the quantity required may vary or is to be determined by the user.

PAR - Indicates Paint As Required.

SPECIFYING INFORMATION

The following information is included in this Parts Catalog:

1. Part Name.
2. Part Number.
3. Model Application.
4. Quantity used per vehicle.
5. Description and dimensions necessary for proper identification of parts where necessary.
6. Model or Engine Column:
Engine by Displacement or Vehicle Model
Code Body Style Code or Price Class.
7. Effective points of model year running changes are indicated by vehicle serial number, engine number or body number where applicable. When serial number effective points are not available, production effective dates are used. (Refer to the Federal Certification Label for the build date.)
8. Parts designated as CANADA or EXPORT are not available through U.S. parts outlets.

In the event replacement parts not listed herein are required due to a special service situation, Chrysler Dealers should contact their factory specifier for assistance. Problems encountered with particular part specifications can be resolved in the same manner.

ILLUSTRATION INDEX

This index is a compilation of catalog parts description data with reference to illustrations, figures and key numbers as shown:

ILLUSTRATION INDEX	GROUP	ILLUS. NO.
FENDER D. H.	23A-1400

The first page of each group contains a listing of all illustrations within that group. Also refer to illustrations alphabetically listed in information section.

ALPHABETICAL INDEX

This index is a compilation of catalog parts description data with a reference to the location of the item by group - Figure and key number as shown in the following example:

Housing, w/Pump	7 - 1500 / 18
Group
Illustration No.
Item

The index will be expanded progressively as data is added to computer files. To locate a part by name, refer to the Alphabetical Index. This indicates the group and illustration and item number where the part is located. Alphabetical Index can be found in INF section of catalog.

NUMERICAL INDEX

A listing of Part Numbers contained in the catalog. The numbers are in numerical sequence with reference to the group and illustration and item number where the part is located.

PARTS PACKAGES

Service Parts Packages, containing all parts needed for specific service operation, are listed in their respective groups with related parts. The listing will show adaptability and model application.

STANDARD PARTS

Important attaching standard parts such as bolts, nuts, etc. are generally listed in the text of the respective major parts groups.

CATALOG AND PARTS BULLETINS

BULLETINS are issued when important changes are made in production or when corrections are to be made in the Parts Catalog between regular revisions. All catalogs should be noted and changed accordingly to remain current between revisions.

PARTS CATALOG REVISION SERVICE

Subscribers to the Lt. Truck Car Parts Catalog Revision Service will be periodically provided with revised copy incorporating the latest information. Revisions may be provided by Group or complete book copy.

NEWPART INDEX

A listing of new part numbers contained in the catalog. The numbers are in group sequence with reference to the illustration and item number where the part is located.

COLOR CODED OR COMBINED PART NUMBERS

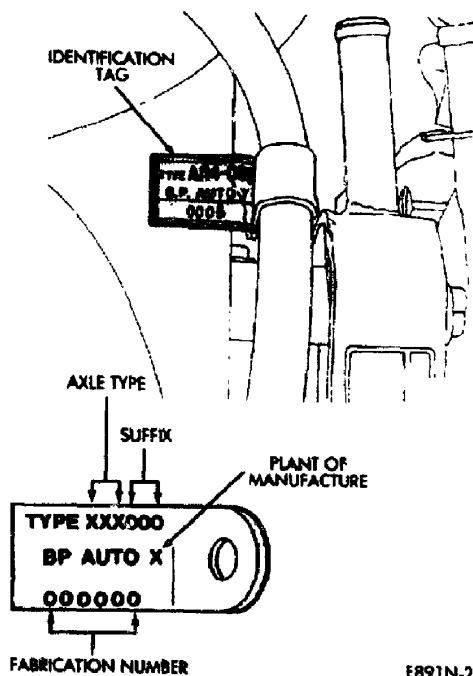
Appearing throughout this catalog are part numbers containing both letters and numbers. For example: D500 KB7. These are good serviceable part numbers. The combination of letters and numbers merely indicates the parts are keyed to the interior color of the vehicles on which they are used.

In addition, Right and Left part numbers are frequently combined on one line; e.g. D500-1 KB7. Such numbers are interpreted as D500 KB7, Right side application, and D501 KB7 Left side. Right and Left Sides are always determined by their relationship to the driver when normally seated and looking forward.

INTERIOR TRIM

Refer to the Group IT, Interior Trim section of the catalog, for information relative to Interior Soft and Hard Trim, Rolled Stock, etc.

TRANSMISSION IDENTIFICATION

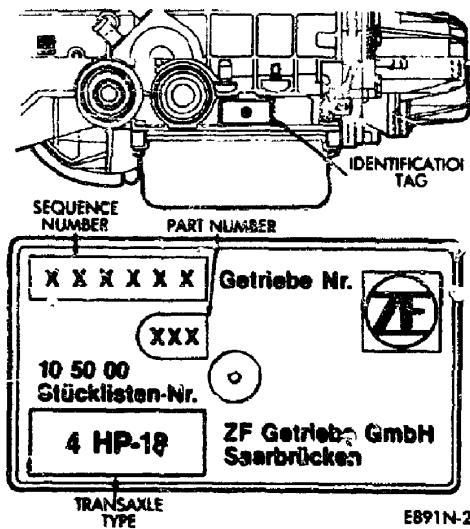


E891N-24

AR-4 TRANSAXLE

The transaxle identification tag is located next to the transaxle oil cooler on the passenger side of the case. The information on the tag provides the transaxle type, suffix, fabrication number and plant of manufacture.

Transaxles also have an additional number (consisting of the last 8 digits of the VIN) located on the upper edge of the bell housing.



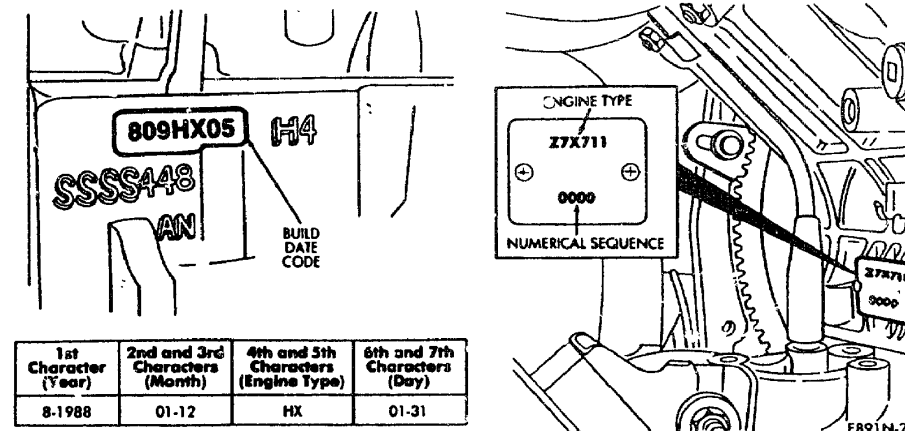
E891N-27

ZF TRANSAXLE

The transaxle identification tag is on the left (driver) side of the case just above the oil pan. The information on the plate consists of the build sequence number, manufacturer's part number and the transaxle type.

Transaxles also have an additional number (consisting of the last 8 digits of the VIN) located on the upper edge of the bell housing.

ENGINE IDENTIFICATION NUMBERS



2.5L ENGINE

The engine build date code is located on a machined surface on the right side of the cylinder block between the No. 3 and No. 4 cylinders

The numbers of the code identify the year, month and day that the engine was built.

The engines also have an additional number (consisting of the last 8 digits of the VIN) located on the right side of the engine above the build date code.

3.0L ENGINE

The engine identification tag on all 1988 and earlier 1989 Z7X-711 engines is attached to the right-hand side of the cylinder block below the exhaust manifold.

The engine identification tag on later 1989 Z7X-711 engines, all 1990-1991 Z7X-711 engines and all 1991 Z7X-715 engines is attached to the right-hand cylinder head below the front-most runner of the intake manifold.

The first six digits identify the engine type. The second row of digits identify the numerical sequence in which the engine was built.

The engines also have an additional number on the engine block which consists of the last eight digits of the vehicle identification number.

1988 VIN PLATE IDENTIFICATION										
1	2	3	4	5	6 & 7	8	9	10	11	12 thru 17
Country	Make	Vehicle Type	Engine	Trans axle	Series	Trim Pkg	Check Digit	Model Year	Assy. Plant	Serial No.

1 COUNTRY
2 = Built in Canada

2 MAKE
X = Eagle

3 VEHICLE TYPE
M = Passenger Car

4 ENGINE
Z = 2.5L (150 C.I.D.) I-4, TBI
J = 3.0L (182 C.I.D.) V-6, MPI

5 TRANSAXLE
T = AR4-Automatic 4-speed-Column
P = ZF-Automatic 4-speed-Column

6 & 7 SERIES
Series = 55
Model = Premier
Class = Intermediate
Body Style = 4-DR. Sedan

8 TRIM PACKAGE
7 = Manual Belt Restraint - Eurosport (ES)
9 = Manual Belt Restraint - Luxury (LX)

9 CHECK DIGIT
0, 1, 2, 3, 4, 5, 6, 7, 8, 9, X

10 MODEL YEAR
J = 1988

11 ASSEMBLY PLANT
A = Bramalea

12 thru 17 SERIAL NO.
Assigned at Serialization

1989-92 VIN PLATE IDENTIFICATION												
1	2	3	4	5	6	7	8	9	10	11	12 thru 17	
Country	Make	Vehicle Type	Restraint	Line	Series	Body Style	Engine	Check Digit	Model Year	Assy. Plant	Sequence No.	

1 COUNTRY
2 = Built in Canada

2 MAKE
B = Dodge
E = Eagle

3 VEHICLE TYPE
3 = Passenger Car

4 RESTRAINT
B = Manual Seat Belts
C = Automatic Seat Belts

5 LINE
B = Premier/Monaco

6 SERIES
5 = Eagle Premier LX or Dodge Monaco LE
6 = Eagle Premier ES or Dodge Monaco ES

7 BODY STYLE
6 = 4 Dr. Sedan

8 ENGINE
H = 2.5L I-4 TBI
U = 3.0L V6 MPI

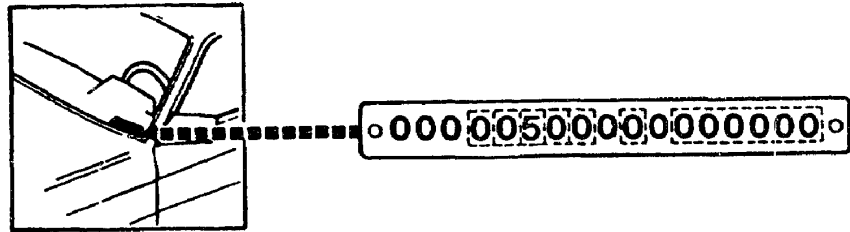
9 CHECK DIGIT
0, 1, 2, 3, 4, 5, 6, 7, 8, 9, X

10 MODEL YEAR
K = 1989 Model Year
L = 1990 Model Year
M = 1991 Model Year
N = 1992 Model Year

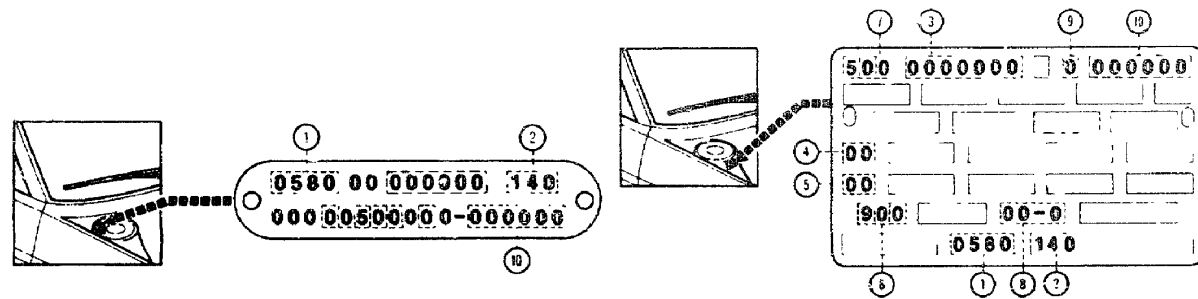
11 ASSEMBLY PLANT
H = Bramalea

12 thru 17 SEQUENCE NO.
Six Digit Number

VEHICLE IDENTIFICATION NUMBER (VIN)



1988 BODY ID PLATE



1 MANUFACTURING TYPE CODE:

L58A = Premier 4-Door Sedan
(2.5L 4 Cyl. Engine)
L58B = Premier 4-Door Sedan
(3.0L V-6 Engine)

2 COUNTRY EQUIPMENT CODE:

141 = US—49 State
142 = Canada
143 = US—California

3 BODY FABRICATION NUMBER:

A Sequential Number Assigned by the Body Framing Plant, Never Returning to Zero for the Life of the body Series, Beginning with 0.000.0001.

4 PAINT CODE — UPPER BODY

5 PAINT CODE — LOWER BODY

3D = Sterling Metallic Clearcoat
BB = Light Driftwood Metallic Clearcoat
CA = Pearl White Clearcoat
CB = Buff Yellow Clearcoat
CC = Dover Grey Metallic Clearcoat
CD = Light Baltic Metallic Clearcoat
CE = Dark Baltic Metallic Clearcoat
CJ = Vivid Red Metallic Clearcoat
CK = Dark Vivid Red Metallic Clearcoat
CL = Dark Driftwood Metallic Clearcoat
CT = Dark Cherry Metallic Clearcoat
PI = Classic Black Clearcoat

6 INTERIOR TRIM COLOR/MATERIAL CODES (1988):

5 = Premier Vehicle Line	R = Cloth Upholstery
J = 45/45 Seat - No Power	- "Pin Stripe"
K = 45/45 Seat - Power	S = Cloth Upholstery
L = 55/45 Seat - No Power	- "Diagonal Stripe"
M = 55/45 Seat - Power	A = Charcoal
J = Cloth Upholstery	B = Navy
- "Ribcord"	C = Cordovan
P = Vinyl Upholstery	D = Brownstone

7 MODEL NUMBER CODES:

5 = Premier Vehicle Line
5 = 4-Door Sedan
7 = Premier ES Model
9 = Premier LS Model

8 TRANSMISSION CODES:

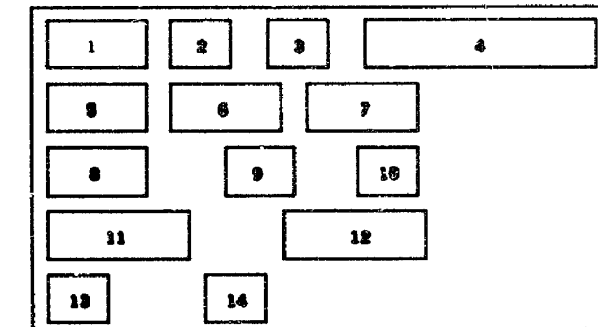
T = AR4 Automatic
P = ZF Automatic

9 ENGINE CODES:

Z = 2.5L Four Cylinder Engine
J = 3.0L V-6 Engine

10 A Sequential Serial Number Assigned by the Vehicle Manufacturer, Beginning with .000 001 Each Model Year.

1989-92 BODY I.D. PLATE



1. VEHICLE TYPE, MANUFACTURER & COUNTRY

2. ENGINE

3. BODY & TRIM LEVEL

4. MODEL YEAR & SERIAL NUMBER

5. EXTERIOR PRIMARY PAINT

HA2 = Sterling Metallic Clearcoat
HWB = Pearl White Clearcoat
HQ5 = Light Baltic Metallic Clearcoat
HQ9 = Dark Baltic Metallic Clearcoat
HE8 = Dark Vivid Red Metallic Clearcoat
HF5 = Dark Driftwood Metallic Clearcoat
HM2 = Dark Cherry Metallic Clearcoat
FX6 = Classic Black Clearcoat
HS3 = Dover Grey Metallic Clearcoat
HS4 = Dover Grey Metallic Clearcoat
HY3 = Sand Metallic Clearcoat
HQ1 = Platinum Blue Metallic Clearcoat
DX8 = Black Clearcoat
GW7 = Bright White Clearcoat
HE4 = Colorado Red Clearcoat
EE2 = Light Rosewood Pearlcoat
KBF = Medium Water Blue Satin
KS7 = Dark Silver Metallic Clearcoat
FM9 = Black Cherry Pearlcoat
KV4 = Light Champagne Metallic Clearcoat
HC1 = Diamond Blue Metallic Clearcoat

6. EXTERIOR SECONDARY PAINT

7. INTERIOR TRIM

CK = Cloth Upholstery - "Diagonal Stripe" - 45/45 Seat
CM = Cloth Upholstery - "Pin Stripe" - 55/45 Seat
JA = Leather Upholstery - 45/45 Seat
MK = Cloth Upholstery - "Pin Stripe" - 45/45 Seat
FF = Brownstone
H9 = Cordovan
QB = Navy
SA = Charcoal

8. AIR CONDITIONING

9. CRUISE COMMAND

10. REMOTE FUEL RELEASE

11. FULL CONSOLE (MINI CONSOLE)

12. POWER ANTENNA

13. SUN ROOF

14. LUGGAGE RACK

DATE CODE CORRELATION TABLE

1987 DAY NUMBER

DATE	JAN.	FEB.	MAR.	APR.	MAY	JUNE	JULY	AUG.	SEPT.	OCT.	NOV.	DEC.
1	9288	9319	9347	9378	9408	9439	9469	9500	9531	9561	9592	9622
2	9289	9320	9348	9379	9409	9440	9470	9501	9532	9562	9593	9623
3	9290	9321	9349	9380	9410	9441	9471	9502	9533	9563	9594	9624
4	9291	9322	9350	9381	9411	9442	9472	9503	9534	9564	9595	9625
5	9292	9323	9351	9382	9412	9443	9473	9504	9535	9565	9596	9626
6	9293	9324	9352	9383	9413	9444	9474	9505	9536	9566	9597	9627
7	9294	9325	9353	9384	9414	9445	9475	9506	9537	9567	9598	9628
8	9295	9326	9354	9385	9415	9446	9476	9507	9538	9568	9599	9629
9	9296	9327	9355	9386	9416	9447	9477	9508	9539	9569	9600	9630
10	9297	9328	9356	9387	9417	9448	9478	9509	9540	9570	9601	9631
11	9298	9329	9357	9388	9418	9449	9479	9510	9541	9571	9602	9632
12	9299	9330	9358	9389	9419	9450	9480	9511	9542	9572	9603	9633
13	9300	9331	9359	9390	9420	9451	9481	9512	9543	9573	9604	9634
14	9301	9332	9360	9391	9421	9452	9482	9513	9544	9574	9605	9635
15	9302	9333	9361	9392	9422	9453	9483	9514	9545	9575	9606	9636
16	9303	9334	9362	9393	9423	9454	9484	9515	9546	9576	9607	9637
17	9304	9335	9363	9394	9424	9455	9485	9516	9547	9577	9608	9638
18	9305	9336	9364	9395	9425	9456	9486	9517	9548	9578	9609	9639
19	9306	9337	9365	9396	9426	9457	9487	9518	9549	9579	9610	9640
20	9307	9338	9366	9397	9427	9458	9488	9519	9550	9580	9611	9641
21	9308	9339	9367	9398	9428	9459	9489	9520	9551	9581	9612	9642
22	9309	9340	9368	9399	9429	9460	9490	9521	9552	9582	9613	9643
23	9310	9341	9369	9400	9430	9461	9491	9522	9553	9583	9614	9644
24	9311	9342	9370	9401	9431	9462	9492	9523	9554	9584	9615	9645
25	9312	9343	9371	9402	9432	9463	9493	9524	9555	9585	9616	9646
26	9313	9344	9372	9403	9433	9464	9494	9525	9556	9586	9617	9647
27	9314	9345	9373	9404	9434	9465	9495	9526	9557	9587	9618	9648
28	9315	9346	9374	9405	9435	9466	9496	9527	9558	9588	9619	9649
29	9316		9375	9406	9436	9467	9497	9528	9559	9589	9620	9650
30	9317		9376	9407	9437	9468	9498	9529	9560	9590	9621	9651
31	9318		9377	9438		9499	9530		9591			9652

DATE CODE CORRELATION TABLE

1988 DAY NUMBER

DATE	JAN.	FEB.	MAR.	APR.	MAY	JUNE	JULY	AUG.	SEPT.	OCT.	NOV.	DEC.
1	9653	9684	9713	9744	9774	9805	9835	9866	9897	9927	9958	9988
2	9654	9685	9714	9745	9775	9806	9836	9867	9898	9928	9959	9989
3	9655	9686	9715	9746	9776	9807	9837	9868	9899	9929	9960	9990
4	9656	9687	9716	9747	9777	9808	9838	9869	9900	9930	9961	9991
5	9657	9688	9717	9748	9778	9809	9839	9870	9901	9931	9962	9992
6	9658	9689	9718	9749	9779	9810	9840	9871	9902	9932	9963	9993
7	9659	9690	9719	9750	9780	9811	9841	9872	9903	9933	9964	9994
8	9660	9691	9720	9751	9781	9812	9842	9873	9904	9934	9965	9995
9	9661	9692	9721	9752	9782	9813	9843	9874	9905	9935	9966	9996
10	9662	9693	9722	9753	9783	9814	9844	9875	9906	9936	9967	9997
11	9663	9694	9723	9754	9784	9815	9845	9876	9907	9937	9968	9998
12	9664	9695	9724	9755	9785	9816	9846	9877	9908	9938	9969	9999
13	9665	9696	9725	9756	9786	9817	9847	9878	9909	9939	9970	10000
14	9666	9697	9726	9757	9787	9818	9848	9879	9910	9940	9971	10001
15	9667	9698	9727	9758	9788	9819	9849	9880	9911	9941	9972	10002
16	9668	9699	9728	9759	9789	9820	9850	9881	9912	9942	9973	10003
17	9669	9700	9729	9760	9790	9821	9851	9882	9913	9943	9974	10004
18	9670	9701	9730	9761	9791	9822	9852	9883	9914	9944	9975	10005
19	9671	9702	9731	9762	9792	9823	9853	9884	9915	9945	9976	10006
20	9672	9703	9732	9763	9793	9824	9854	9885	9916	9946	9977	10007
21	9673	9704	9733	9764	9794	9825	9855	9886	9917	9947	9978	10008
22	9674	9705	9734	9765	9795	9826	9856	9887	9918	9948	9979	10009
23	9675	9706	9735	9766	9796	9827	9857	9888	9919	9949	9980	10010
24	9676	9707	9736	9767	9797	9828	9858	9889	9920	9950	9981	10011
25	9677	9708	9737	9768	9798	9829	9859	9890	9921	9951	9982	10012
26	9678	9709	9738	9769	9799	9830	9860	9891	9922	9952	9983	10013
27	9679	9710	9739	9770	9800	9831	9861	9892	9923	9953	9984	10014
28	9680	9711	9740	9771	9801	9832	9862	9893	9924	9954	9985	10015
29	9681	9712	9741	9772	9802	9833	9863	9894	9925	9955	9986	10016
30	9682		9742	9773	9803	9834	9864	9895	9926	9956	9987	10017
31	9683		9743	9804		9865	9896		9957			10018

DATE CODE CORRELATION TABLE

1989 DAY NUMBER

DATE	JAN.	FEB.	MAR.	APR.	MAY	JUNE	JULY	AUG.	SEPT.	OCT.	NOV.	DEC.
1	10019	10050	10078	10109	10139	10170	10200	10231	10262	10292	10323	10353
2	10020	10051	10079	10110	10140	10171	10201	10232	10263	10293	10324	10354
3	10021	10052	10080	10111	10141	10172	10202	10233	10264	10294	10325	10355
4	10022	10053	10081	10112	10142	10173	10203	10234	10265	10295	10326	10356
5	10023	10054	10082	10113	10143	10174	10204	10235	10266	10296	10327	10357
6	10024	10055	10083	10114	10144	10175	10205	10236	10267	10297	10328	10358
7	10025	10056	10084	10115	10145	10176	10206	10237	10268	10298	10329	10359
8	10026	10057	10085	10116	10146	10177	10207	10238	10269	10299	10330	10360
9	10027	10058	10086	10117	10147	10178	10208	10239	10270	10300	10331	10361
10	10028	10059	10087	10118	10148	10179	10209	10240	10271	10301	10332	10362
11	10029	10060	10088	10119	10149	10180	10210	10241	10272	10302	10333	10363
12	10030	10061	10089	10120	10150	10181	10211	10242	10273	10303	10334	10364
13	10031	10062	10090	10121	10151	10182	10212	10243	10274	10304	10335	10365
14	10032	10063	10091	10122	10152	10183	10213	10244	10275	10305	10336	10366
15	10033	10064	10092	10123	10153	10184	10214	10245	10276	10306	10337	10367
16	10034	10065	10093	10124	10154	10185	10215	10246	10277	10307	10338	10368
17	10035	10066	10094	10125	10155	10186	10216	10247	10278	10308	10339	10369
18	10036	10067	10095	10126	10156	10187	10217	10248	10279	10309	10340	10370
19	10037	10068	10096	10127	10157	10188	10218	10249	10280	10310	10341	10371
20	10038	10069	10097	10128	10158	10189	10219	10250	10281	10311	10342	10372
21	10039	10070	10098	10129	10159	10190	10220	10251	10282	10312	10343	10373
22	10040	10071	10099	10130	10160	10191	10221	10252	10283	10313	10344	10374
23	10041	10072	10100	10131	10161	10192	10222	10253	10284	10314	10345	10375
24	10042	10073	10101	10132	10162	10193	10223	10254	10285	10315	10346	10376
25	10043	10074	10102	10133	10163	10194	10224	10255	10286	10316	10347	10377
26	10044	10075	10103	10134	10164	10195	10225	10256	10287	10317	10348	10378
27	10045	10076	10104	10135	10165	10196	10226	10257	10288	10318	10349	10379
28	10046	10077	10105	10136	10166	10197	10227	10258	10289	10319	10350	10380
29	10047		10106	10137	10167	10198	10228	10259	10290	10320	10351	10381
30	10048		10107	10138	10168	10199	10229	10260	10291	10321	10352	10382
31	10049		10108		10169		10230	10261		10322		10383

DATE CODE CORRELATION TABLE

1990 DAY NUMBER

DATE	JAN.	FEB.	MAR.	APR.	MAY	JUNE	JULY	AUG.
------	------	------	------	------	-----	------	------	------

SALES CODES

Due to the increase complexity of qualifications required to describe the application of some replacement parts; particularly those related to the Emission Control System, Sales Codes are used on a selected basis in some areas of this publication.

Normally, Sales Codes will be employed as secondary qualifiers and are for the express purpose of providing positive identification of parts applicable to vehicle components or systems so complex in nature that normal methods of written qualification are either inadequate or confusing.

The Sales code will always appear after the written description of the part; will be enclosed in parenthesis; will be prefixed S/C, and will follow a hyphen appended to the S/C, e.g.: (S/C-NAE).

To determine whether or not the vehicle for which the part is being specified was built with a particular Sales Code it will be necessary to refer to the Body Code Plate depicted on page INF-10 & 11. Sales Codes are also listed on vehicle invoices and on the Maroney label which is affixed to the side glass on new units.

DEFINITION OF SALES CODES

EDM - 2.5L 4 Cyl. EFI

EFP - 3.0L V6 Cyl EFI

NAA - ELECTRONIC SPARK ADVANCE - w/Catalyst - Except California System. Used in conjunction with a Catalytic Exhaust System. Unleaded Fuel is required.

NAB - ELECTRONIC SPARK ADVANCE - w/o Catalyst. Used in conjunction with a conventional Non-Catalytic Exhaust System. Unleaded Fuel is not required. Canada & Export.

NAC - W/O ELECTRONIC SPARK ADVANCE - Used in conjunction with a Conventional Exhaust unleaded fuel is not required (Canada & Export)

NAD - W/O ELECTRONIC SPARK ADVANCE - Used in conjunction with a Conventional Exhaust unleaded fuel is not required (Canada & Export)

NAE - EMISSION CONTROLS TESTING AND LABEL - Commonly referred to as California Emission controls due to it being mandatory for designated engines on trucks sold in the State of California

NAF - HIGH ALTITUDE EMISSION CONTROL - Required for some truck lines and engine combinations sold in some geographical markets predominately above 4000 feet elevation.

NAG - USED IN CONJUNCTION WITH A CONVENTIONAL EXHAUST SYSTEM - Unleaded Fuel is not required. Canada & Export.

NAU - ALL U.S. TYPE EMISSION SYSTEMS

NEB - PERFORMANCE EXHAUST SYSTEM (LOW BACK PRESSURE)

NED - EXHAUST SYSTEM - Performance Type - With Bright Tip

W3A, W3B - Wheel Cover Class I - 13"

W4P, W4R - Wheel Cover Class III - 14"

W3A, W4C, W4D - Wheel Cover Class I - 14"

W4T, W4V, W4Y - Wheel Cover Class II - 14"

W4F, W4G - Wheel Cover Class II - 14"

W5B - Wheel Cover Class I - 15"

W4H - Wheel Cover Class II - 14"

W5E, W5B - Wheel Cover Class II - 15"

W4J, W4K - Wheel Cover Class II - 14"

W5P - Wheel Cover Class III - 15"

W4L - Wheel Cover Class II - 14"

DATE CODE CORRELATION TABLE

1991 DAY NUMBER

DATE	JAN.	FEB.	MAR.	APR.	MAY	JUNE	JULY	AUG.	SEPT.	OCT.	NOV.	DEC.
1	10749	10780	10808	10839	10869	10900	10930	10961	10992	11022	11053	11083
2	10750	10781	10809	10840	10870	10901	10931	10962	10993	11023	11054	11084
3	10751	10782	10810	10841	10871	10902	10932	10963	10994	11024	11055	11085
4	10752	10783	10811	10842	10872	10903	10933	10964	10995	11025	11056	11086
5	10753	10784	10812	10843	10873	10904	10934	10965	10996	11026	11057	11087
6	10754	10785	10813	10844	10874	10905	10935	10966	10997	11027	11058	11088
7	10755	10786	10814	10845	10875	10906	10936	10967	10998	11028	11059	11089
8	10756	10787	10815	10846	10876	10907	10937	10968	10999	11029	11060	11090
9	10757	10788	10816	10847	10877	10908	10938	10969	11000	11030	11061	11091
10	10758	10789	10817	10848	10878	10909	10939	10970	11001	11031	11062	11092
11	10759	10790	10818	10849	10879	10910	10940	10971	11002	11032	11063	11093
12	10760	10791	10819	10850	10880	10911	10941	10972	11003	11033	11064	11094
13	10761	10792	10820	10851	10881	10912	10942	10973	11004	11034	11065	11095
14	10762	10793	10821	10852	10882	10913	10943	10974	11005	11035	11066	11096
15	10763	10794	10822	10853	10883	10914	10944	10975	11006	11036	11067	11097
16	10764	10795	10823	10854	10884	10915	10945	10976	11007	11037	11068	11098
17	10765	10796	10824	10855	10885	10916	10946	10977	11008	11038	11069	11099
18	10766	10797	10825	10856	10886	10917	10947	10978	11009	11039	11070	11100
19	10767	10798	10826	10857	10887	10918	10948	10979	11010	11040	11071	11101
20	10768	10799	10827	10858	10888	10919	10949	10980	11011	11041	11072	11102
21	10769	10800	10828	10859	10889	10920	10950	10981	11012	11042	11073	11103
22	10770	10801	10829	10860	10890	10921	10951	10982	11013	11043	11074	11104
23	10771	10802	10830	10861	10891	10922	10952	10983	11014	11044	11075	11105
24	10772	10803	10831	10862	10892	10923	10953	10984	11015	11045	11076	11106
25	10773	10804	10832	10863	10893	10924	10954	10985	11016	11046	11077	11107
26	10774	10805	10833	10864	10894	10925	10955	10986	11017	11047	11078	11108
27	10775	10806	10834	10865	10895	10926	10956	10987	11018	11048	11079	11109
28	10776	10807	10835	10866	10896	10927	10957	10988	11019	11049	11080	11110
29	10777		10836	10867	10897	10928	10958	10989	11020	11050	11081	11111
30	10778		10837	10868	10898	10929	10959	10990	11021	11051	11082	11112
31	10779		10838		10899		10960	10991		11052		11113

DATE CODE CORRELATION TABLE

1992 DAY NUMBER

DATE	JAN.	FEB.	MAR.	APR.	MAY	JUNE	JULY	AUG.	SEPT.	OCT.	NOV.	DEC.
1	11114	11145	11174	11205	11235	11266	11296	11327	11358	11388	11419	11449
2	11115	11146	11175	11206	11236	11267	11297	11328	11359	11389	11420	11450
3	11116	11147	11176	11207	11237	11268	11298	11329	11360	11390	11421	11451
4	11117	11148	11177	11208	11238	11269	11299	11330	11361	11391	11422	11452
5	11118	11149	11178	11209	11239	11270	11300	11331	11362	11392	11423	11453
6	11119	11150	11179	11210	11240	11271	11301	11332	11363	11393	11424	11454
7	11120	11151	11180	11211	11241	11272	11302	11333	11364	11394	11425	11455
8	11121	11152	11181	11212	11242	11273	11303	11334	11365	11395	11426	11456
9	11122	11153	11182	11213	11243	11274	11304	11335	11366	11396	11427	11457
10	11123	11154	11183	11214	11244	11275	11305	11336	11367	11397	11428	11458
11	11124	11155	11184	11215	11245	11276	11306	11337	11368	11398	11429	11459
12	11125	11156	11185	11216	11246	11277	11307	11338	11369	11399	11430	11460
13	11126	11157	11186	11217	11247	11278	11308	11339	11370	11400	11431	11461
14	11127	11158	11187	11218	11248	11279	11309	11340	11371	11401	11432	11462
15	11128	11159	11188	11219	11249	11280	11310	11341	11372	11402	11433	11463
16	11129	11160	11189	11220	11250	11281	11311	11342	11373	11403	11434	11464
17	11130	11161	11190	11221	11251	11282	11312	11343	11374	11404	11435	11465
18	11131	11162	11191	11222	11252	11283	11313	11344	11375	11405	11436	11466
19	11132	11163	11192	11223	11253	11284	11314	11345	11376	11406	11437	11467
20	11133	11164	11193	11224	11254	11285	11315	11346	11377	11407	11438	11468
21	11134	11165	11194	11225	11255	11286	11316	11347	11378	11408	11439	11469
22	11135	11166	11195	11226	11256	11287	11317	11348	11379	11409	11440	11470
23	11136	11167	11196	11227	11257	11288	11318	11349	11380	11410	11441	11471
24	11137	11168	11197	11228	11258	11289	11319	11350	11381	11411	11442	11472
25	11138	11169	11198	11229	11259	11290	11320	11351	11382	11412	11443	11473
26	11139	11170	11199	11230	11260	11291	11321	11352	11383	11413	11444	11474
27	11140	11171	11200	11231	11261	11292	11322	11353	11384	11414	11445	11475
28	11141	11172	11201	11232	11262	11293	11323	11354	11385	11415	11446	11476
29	11142	11173	11202	11233	11263	11294	11324	11355	11386	11416	11447	11477
30	11143		11203	11234	11264	11295	11325	11356	11387	11417	11448	11478
31	11144		11204		11265		11326	11357		11418		11479

METRIC CONVERSION TABLE

LINEAR MEASUREMENT

1 foot (ft.)	= 12 inches (in.)
1 yard (yd.)	= 3 ft. = 36 in.
1 mile (statute)	= 5,280 ft.

To convert	Into	Multiply by
inches	centimeters	2.5400
inches	millimeters	25.4000
feet	meters	0.3048
feet	millimeters	304.8000
yards	meters	0.9144
miles	kilometers	1.6093

AREA MEASUREMENT

1 square foot (sq.ft.)	= 144 square inches (sq.in.)
1 square yard (sq.yd.)	= 9 square feet
1 acre	= 4,840 sq. ft.
1 square mile	= 640 acres

To convert	Into	Multiply by
square inches	sq. centimeters	6.4516
square feet	sq. meters	0.0929
square yards	sq. meters	0.8361
acres	sq. meters	4.0470
square miles	sq. kilometers	2.5900

CUBIC MEASUREMENT (VOLUME)

1 cubic foot (cu. ft.)	= 1.728 cubic inches (cu. in.)
1 cubic yard (cu. yd.)	= 27 cubic feet

To convert	Into	Multiply by
cubic inches	cu. centimeters	16.3872
cubic feet	cubic meters	0.0283
cubic yards	cubic meters	0.7646

LIQUID MEASUREMENT (CAPACITY)

1 pint (pt.)	= 28.875 cubic inches
1 quart (qt.)	= 2 pints = 57.75 cu. in.
1 gallon (gal.)	= 4 qts. = 231 cu. in.

To convert	Into	Multiply by
cubic inches	liters	0.0164
pints	liters	2.1132
quarts	liters	0.9463
gallons	liters	3.7853
cubic feet	liters	28.3162

WEIGHT MEASUREMENT

1 ounce (oz.)	= 16 drams
1 pound (lb.)	= 16 ounces
1 short ton	= 2000 pounds
1 long ton	= 2240 pounds

To convert	Into	Multiply by
drams	grams	1.7718
ounces	drams	28.3495
pounds	kilograms	0.4536
tons (short)	tons (metric)	0.9072

POWER MEASUREMENT

1 horsepower (hp)	= 746 watts	= 745.7 kilowatts (kw)
-------------------	-------------	------------------------

To convert	Into	Multiply by
horsepower (U.S.)	horsepower (met.)	1.0139
horsepower (U.S.)	kilowatts	0.7457
kilowatts	horsepower (U.S.)	1.3405

1 centimeter (cm)	= 10 millimeters (mm)
1 meter (m)	= 100 cm = 1000 mm
1 kilometer (km)	= 1000 meters

To convert	Into	Multiply by
centimeters	inches	0.3937
millimeters	inches	0.0394
meters	feet	3.2808
millimeters	feet	0.0033
meters	yards	1.0936
kilometers	miles	0.6214

1 sq. centimeter (cm ²)	= 100 sq. millimeters (mm ²)
1 sq. meter (m ²)	= 10,000 cm ²
1 are (a)	= 100 m ²
1 sq. kilometer (km ²)	= 1,000,000 m ²

To convert	Into	Multiply by
sq. centimeters	sq. inches	0.1550
sq. meters	sq. feet	10.7639
sq. meters	sq. yards	1.1960
sq. meters	acres	0.0002
sq. kilometers	sq. miles	0.3861

1 cu. centimeter (cm ³)	= 1000 cu. millimeters (mm ³)
1 cubic meter (m ³)	= 1,000,000 cm ³

To convert	Into	Multiply by
cu. centimeters	cubic inches	0.0610
cubic meters	cubic feet	35.3145
cubic meters	cubic yards	1.3079

1 centimeter (cl.)	= 10 milliliters (ml)
1 liter (l)	= 100 cl. = 1000 ml
1 kiloliter (kl)	= 1000 liters

To convert	Into	Multiply by
liters	cubic inches	61.0250
liters	pints	0.4732
liters	quarts	1.0566
liters	gallons	0.2642
liters	cubic feet	0.0353

1 centigram (cg.)	= 10 milligrams (mg.)
1 gram (g.)	= 100 cg. = 1000 mg
1 kilogram (kg.)	= 1000 grams
1 metric ton (t.)	= 1000 kg

To convert	Into	Multiply by
grams	drams	0.5644
grams	ounces	0.0353
kilograms	pounds	2.2046
tons (metric)	tons (short)	1.1023

1 horsepower (ps)	= 736 watts	= 735.5 kw
-------------------	-------------	------------

To convert	Into	Multiply by
horsepower (met.)	horsepower (U.S.)	0.9863
kilowatts	horsepower (met.)	0.7355
horsepower (met.)	kilowatts	1.2596

ABBREVIATIONS

Abbreviations as used throughout this catalog are interpreted as follows:

ABS	ABSORBER	C/BAR	CROSS BAR
ACC	ACCESSORY	CBL	CABLE
ACCEL	ACCELERATOR	C/BRD	CIRCUIT BOARD
A/CLNR	AIR CLEANER	C.BRKR	CIRCUIT BREAKER
A/COND	AIR CONDITIONING	CCW	COUNTERCLOCKWISE
ACTG	ACTUATING	C/E	COMMUTATOR END
ACTR	ACTUATOR	CHAM	CHAMFRED
ADAPT	ADAPTER-ADAPTATION	CHMBR	CHAMBER
ADJ	ADJUSTING-ADJUSTOR-ADJUSTABLE-ADJUSTMENT	CHR	CHROMIUM
A/INL	AIR INLET	C.I.	CUBIC INCH
ALTR	ALTERNATOR	C/IRON	CAST IRON
ALUM	ALUMINUM	C/CASE	CRANKCASE
AMP	AMPERE	CK/CHFT	CRANKSHAFT
AMPL	AMPLIFIER	CL	CLEANER
AMTR	AMMETER	CL/NUT	CLINCH NUT
ANCH	ANCHOR	C/LP	COURTESY LAMP
&	AND	CLSR	CLOSURE
A/OUT	AIR OUTLET	C/LTR	CIGAR OR CIGARETTE LIGHTER
APPROX	APPROXIMATE, APPROXIMATELY	C/MBR	CROSSMEMBER
AR	AS REQUIRED	COE	CAB OVER ENGINE
A/RATLR	ANTI RATTLER	COL	COLUMN
A REST	ARM REST	COMB	COMBINATION
ARM	ARMATURE	COMBN	COMBUSTION
A/SQK	ANTISQUEAK	COMP	COMPLETE, COMPONENT
ASSY	ASSEMBLY	COMPN	COMPRESSION
A/SUSP	AIR SUSPENSION	COMPR	COMPRESSOR
A.T.C.	AUTOMATIC TEMPERATURE CONTROL	COMPT	COMPARTMENT
ATT	ATTACHING	COMTR	COMMUTATOR
A/TRANS	AUTOMATIC TRANSMISSION	COND	CONDENSER
AUTO	AUTOMATIC	CONDT	CONDUIT
AUX	AUXILIARY	CONDTG	CONDITIONING
BAL	BALANCE	CONN	CONNECTING-CONNECTION-CONNECTOR
BATT	BATTERY	CONT	CONTINUED-CONTROL
BBL	BARREL	CONTD	CONTINUED
B/BRK	BOOSTER BRAKE	CONV	CONVERTER
B/CRK	BELL CRANK	COP	COPPER
B.E.	BLACK ENAMEL	CO/SHFT	COUNTERSHAFT
B/JNT	BALL JOINT	CO/WT	COUNTERWEIGHT
BLK	BLOCK	CP	CANDLEPOWER
BLT	BUILT	C/PILLAR	CENTER PILLAR
BLWR	BLOWER	CPLG	COUPLING
BMPR	BUMPER	C/SHFT	CROSS SHAFT
BOLT / RET	BOLT / RETAINER	CSTG	CASTING
BOLT / WA.	BOLT / WASHER	CTR	CENTER
BR	BRASS	CU	CUBIC
BRD	BOARD	CUSH	CUSHION
BRG	BEARING	CUST	CUSTOM
BRK	BRAKE	CV	CONVERTIBLE
BRKT	BRACKET	C/VAL	CONTROL VALVE
BRKR	BREAKER	CVR	COVER
BRT	BRIGHT	C/WT	COUNTERWEIGHT
BRZ	BRONZE	CYL	CYLINDER
BSTR	BOOSTER	DBL	DOUBLE
B/STUD	BALL STUD	D/CVR	DUST COVER
BTM	BOTTOM	D/E	DRIVE END
BTN	BUTTON	DECAL	DECALCOMANIA
B/UP	BACK UP	DEFL	DEFLECTOR
BUSH	BUSHING	DEFGR	DEFOGGER
CAD	CADIUM	DEFR	DEFROSTER
CAN	CANADA-CANADIAN	DEG (°)	DEGREE
CAP	CAPACITY	D/EXH	DUAL EXHAUST
C.A.S.	CLEANER AIR SYSTEM	DIA	DIAMETER
CARB	CARBURETOR	DIAG	DIAGONAL
CATA	CATALYTIC	DIAPH	DIAPHRAGM

ABBREVIATIONS (Cont'd)

DIFF	DIFFERENTIAL	F/TANK	FUEL TANK
DIM	DIMENSION	FTG	FITTING
DIR	DIRECT-DIRECTIONAL	F/TOP	FOLDING TOP
DIR CL	DIRECT CLUTCH	GA	GAUGE-GAGE
DIST	DISTRIBUTOR-DISTRIBUTING	GALV	GALVANIZED
DIV	DIVISION-DIVISIONAL	GARN	GARNISH
D/LINK	DRAG LINK	G/BOX	GLOVE BOX
D/LP	DOME LAMP	GEN	GENERATOR
DMPR	DAMPER	GLA	GLASS
DOM	DOMESTIC	G/MLDG	GARNISH-MOULDING
D/PINION	DRIVE PINION	GND	GROUND
DR	DOOR	GOV	GOVERNOR
D/R SHAFT	DOUBLE ROCKER SHAFT	GR	GEAR
DRIV	DRIVE	G/REG	GENERATOR-REGULATOR
DRVN	DRIVEN	GRL	GRILLE
D/SEAL	DUST SEAL	GRMT	GROMMET
D/SHLD	DUST SHIELD	G/SHIFT	GEARSHIFT
D/SW	DIMMER SWITCH	GSKT	GASKET
EBL	ELECTRIC HEATED BACK LIGHT	GVW	GROSS VEHICLE WEIGHT
ECC	ECCENTRIC	H/BRK	HAND BRAKE
ECS	EVAPORATE EMISSION CONTROL SYSTEM	H/C	HIGH COMPRESSION
E.F.I. (M)	ELECTRONIC FUEL INJECTION (METERING)	HD	HEAD
E.G.R.	EXHAUST GAS RECIRCULATION	H/D	HEAVY DUTY
ELECT	ELECTRIC	HDL	HANDLE
ELIM	ELIMINATOR	H/LIN	HEAD LINING
EMR	ENGINE MAINTENANCE REMINDER	HDS	HEADLESS
ENG	ENGINE	HDR	HEADER
EQ	EQUIPMENT	HEMI	HEMISPHERICAL
ESC	ESCUTCHEON	HEX	HEXAGON
ETC	ET CETERA	HGE	HINGE
EVAP	EVAPORATOR-EVAPORATOR	H/GUIDE	HYDRAGUIDE
EX	EXTRA	H/LP	HEADLAMP
EXC	EXCLUDE	H/PERF	HIGH PERFORMANCE
EXH	EXHAUST	H/REST	HEAD REST
EXP	EXPORT	HSG	HOUSING
EXPN	EXPANSION	H/SNK	HEAT SINK
EXT	EXTENSION	H/SHLD	HEAT SHIELD
EXTL	EXTERNAL	HT	HEATER
EXTR	EXTRUDED	HVY	HEAVY
F	FAHRENHEIT	HYD	HYDRAULIC
FACT	FACTORY	I/ARM	IDLER ARM
F/AIR	FRESH AIR	I.D.	INSIDE DIAMETER
FAST	FASTENING-FASTENER	IDENT	IDENTIFICATION
F/AXLE	FRONT AXLE	IGN	IGNITION
F/BRD	FLOOR BOARD	IN	INCH
F/CPLG	FLUID COUPLING	INCL	INCLUSIVE-INCLUDES
F/DR	FRONT DOOR	IND	INDUSTRIAL
F/FILT	FUEL FILTER	INDIC	INDICATOR
F/GA	FUEL GAGE	INL	INLET
F/IDLE	FAST IDLE	INR	INNER
FIL HD	FILLISTER HEAD	INS	INSULATING-INSULATION-INSULATOR
FIN	FINISH	INST	INSTRUMENT-INSTRUCTION
F/INJ	FUEL INJECTION	INT	INTAKE
FLD	FIELD	INTER	INTERMITTENTLY-INTERMEDIATE
FLEX	FLEXIBLE	INTL	INTERNAL
FLG	FLANGE	INTLK	INTERLOCK
FL HD	FLAT HEAD	I/PNL	INSTRUMENT PANEL
FLR	FLOOR	I/PULLEY	IDLER PULLEY
F/MLDG	FINISH MOULDING	I/S	INSIDE
FNDR	FENDER	J/BLK	JUNCTION BLOCK
F/PAN	FLOOR PAN	JNT	JOINT
F/PUMP	FUEL PUMP	K/DN	KICKDOWN
FREQ	FREQUENCY	KDX	KNOCK DOWN EXPORT
FRT	FRONT	KILO	KILOMETER
FT	FOOT-FEET	KNU	KNUCKLE

ABBREVIATIONS (Cont'd)

K/UP	KICKUP	O/RUNN	OVERRUNNING
LBS	POUNDS	O/S	OUTSIDE
L/C	LOW COMPRESSION	O/SIZE	OVERSIZE
LCF	LOW CAB FORWARD	O/TR	OUTER
L/COMPT	LUGGAGE COMPARTMENT	OUTL	OUTLET
LEA	LEATHER	OV	OVAL
LED	LIGHT EMITTING DIODE	O/W	OPTIONAL WITH
LGH	LENGTH	O/WRAP	OVERWRAP
LHD	LEFT HAND DRIVE	OZ	OUNCE
L.H. THD	LEFT HAND THREAD	P	PITCH
LIC	LICENSE	PACK	PACKING
LIN	LINING-LINER	PARK	PARKING
LK	LOCK	PART	PARTIAL PARTITION
LKG	LOCKING	PASS	PASSENGER
LK/NUT	LOCK NUT	P/BRK	POWER BRAKE
LK/WA	LOCK WASHER	P/BTN	PUSH BUTTON
LOC	LOCATING	PC/BRD	PRINTED CIRCUIT BOARD
LP	LAMP	PED	PEDAL
LPG	LIQUID PROPANE GAS	PERF	PERFORMANCE
L.S.H.	LOW SECTION HEIGHT	PIST	PISTON
LT	LEFT	PIV	PIVOT
LUB	LUBRICANT-LUBRICATING	PKG	PACKAGE
LUGG	LUGGAGE	PL	PLAIN
LVR	LEVER	P/LAMP	PARKING LAMP
LWR	LOWER	PLR	PILLAR
M / I	MARINE / INDUSTRIAL	PLT	PLATE-PLATED
M/ADJ	MANUAL ADJUSTING	PLUNG	PLUNGER
MAN	MANUAL	PL/WA	PLAIN WASHER
MANF	MANIFOLD	P/MTR	POTENTIOMETER
MAR	MARINE	PNL	PANEL
MAX	MAXIMUM	PNTD	PAINTED
MAX PERF	MAXIMUM PERFORMANCE	POS	POSITIVE
M/BRK	MANUAL BRAKE	POLY	POLYESTER
MBR	MEMBER	P/PNL	POCKET PANEL
M/CYL	MASTER CYLINDER	PRESS	PRESSURE
MECH	MECHANISM	PRI	PRIMARY
MED	MEDIUM	PROD	PRODUCTION
MEDAL	MEDALLION	P/ROD	PUSH ROD
MIL	MILITARY	PROP	PROPELLER
MIN	MINIMUM	PRPG	PROPORTIONING
MDLG	MOULDING	PSF	POUNDS PER SQUARE FOOT
MOD	MODEL	PSI	POUNDS PER SQUARE INCH
M/MTRG	MAIN METERING	P/STRG	POWER STEERING
M.P.H.	MILES PER HOUR	PT	POINT
MT	MOUNT	PTO	POWER TAKE OFF
MTG	MOUNTING	PWR	POWER
MTR	MOTOR	Q/PNL	QUARTER PANEL
M/TRANS	MANUAL TRANSMISSION	QTR	QUARTER
MTRG	METERING	Q/WDO	QUARTER WINDOW
NEG	NEGATIVE	R	RADIUS
NEUT	NEUTRAL	R/A	REAR AXLE
NI	NICKEL	R/AXLE	REAR AXLE
NO. OR #	NUMBER	RAD	RADIATOR
NOM	NOMINAL	R/CONT	REMOTE CONTROL
NO	NITROGEN OXIDE EMISSION CONTROL	RC/SHIFT	ROCKER SHAFT
N/PLT	NAME PLATE	RD	ROUND
NUT / WA	NUT AND WASHER	R/DR	REAR DOOR
O/CTR	OVER CENTER	REC	RECEIVER
O.D.	OUTSIDE DIAMETER	RECIR	RECIRCULATING
O/DRV	OVER DRIVE	RECT	RECTANGULAR
O/GA	OIL GAUGE	RECTR	RECTIFIER
OPER	OPERATING	RED	REDUCTION
OPNG	OPENING	REFL	REFLECTOR
OPP	OPPOSITE	REG	REGULATOR
OPT	OPTIONAL	REINF	REINFORCEMENT
O/PUMP	OIL PUMP	REL	RELEASE
ORN	ORNAMENT	REM	REMOTE

**GENERAL
INFORMATION**

1988-90 EAGLE PREMIER

Page INF - 19

REQ	REQUIRED	T/BKL	TURN-BUCKLE
RES	RESISTOR	T/BLK	TERMINAL BLOCK
RET	RETAINER	T/COMP	TRIMMED COMPLETE
RETG	RETAINING	T/CONT	THROTTLE CONTROL
REV	REVERSE	T/CONV	TORQUE CONVERTER
REVERB	REVERBERATOR	TEMP	TEMPERATURE
R/FLR	REAR FLOOR	TERM	TERMINAL
RHD	RIGHT HAND DRIVE	T/GA	TEMPERATURE GAUGE
RHEO	RHEOSTAT	T-GATE	TAILGATE
R.H. THD	RIGHT HAND THREAD	THD	THREAD
R/L	RIGHT AND LEFT	THK	THICK
RPM	REVOLUTIONS PER MINUTE	THERMO	THERMOSTAT
R/QTR	REAR QUARTER	3RD	THIRD
RR	REAR	THR	THRUST
RSVR	RESERVOIR	THROT	THROTTLE
RT	RIGHT	T.I.C.	THERMOSTATIC IGNITION CONTROL
R/WDO	REAR WINDOW	T/LP	TAIL LAMP
S/ABS	SHOCK ABSORBER	TORQ	TORQUE
S/C	SALES CODE	TORS	TORSION
S/COMPT	SIDE COMPARTMENT	TPI	THREADS PER INCH
S/DEFL	STONE DEFLECTOR	T/PIPE	TAIL PIPE
SECT	SECTION	T/PLT	TAPPING PLATE
SER	SERIAL-SERVICE	T/PNL	TRIM PANEL
S/EXH	SINGLE EXHAUST	TPR	TAPER
S-FIN	SEMI-FINISHED	TRANS	TRANSMISSION
S/GR	STEERING GEAR	TRANSF	TRANSFER
SHFT	SHIFT	TRIMD	TRIMMED
SHLD	SHIELD	T/SIG	TURN SIGNAL
SIG	SIGNAL	TRUN	TRUNNION
S/KNU	STEERING KNUCKLE	TST	TAIL STOP / TURNING
SLD	SLIDE	T/STRIP	TACKING STRIP
SLDG	SLIDING	TUB	TUBULAR
S/LP	STOP LAMP	U/BODY	UNDERBODY
SLTD	SLOTTED	U/DRV	UNDERDRIVE
SLV	SLEEVE	U/JNT	UNIVERSAL JOINT
S/MBR	SIDE MARKER	UNIV	UNIVERSAL
SOC	SOCKET	UPR	UPPER
SOL	SOLENOID	U/S	UNDERSIZE
SPD	SPEED	U/SEAT	UNDERSEAT
SPEEDO	SPEEDOMETER	U/W	USED WITH
SPKR	SPEAKER	V	VENTUR (QTY OF CARB BBL)
SPL	SPECIAL	VAC	VACUUM
SPL EQUIP	SPECIAL EQUIPMENT	VAL	VALVE
SPRG	SPRING	V/DMPR	VIBRATION DAMPER
S/PNL	SIDE PANEL	VENT	VENTILATOR-VENTILATING
SP/SHLD	SPLASH SHIELD	VERT	VERTICAL
SQ	SQUARE	VOL CONT	VOLUME CONTROL
S/R SHAFT	SINGLE ROCKER SHAFT	V/REG	VOLTAGE REGULATOR
S/RAIL	SIDE RAIL	V/SPD	VARIABLE SPEED
S/RING	SNAP RING	V/WING	VENT WING
S/SHLD	SIDE SHIELD	W	WATT
S/SILL	SIDE SILL	WA	WASHER
S/SPD	SINGLE SPEED	WAG	WAGON
STA	STATION-STATIONARY	WB	WHEELBASE
STAB	STABILIZER	W/BRG	WHEEL BEARING
STD	STANDARD	W/CORD	WEATHER CORD
STGHT	STRAIGHT	WDO	WINDOW
STL	STEEL	WHL	WHEEL
STRG	STEERING	W/HSE	WHEELHOUSE
STRKR	STRIKER	W/LIFT	WINDOW LIFT
STRNR	STRAINER	W/O	WITHOUT
STRTR	STARTER	W/PUMP	WATER PUMP
SUCT	SUCTION	W/REG	WINDOW REGULATOR
SUPT	SUPPORT	W/SHLD	WINDSHIELD
SUSP	SUSPENSION	W/STRIP	WEATHERSTRIP
SW	SWITCH	WT	WEIGHT
SYNCH	SYNCHRONIZER	W/WASHER	WINDSHIELD WASHER
T	TEETH	W/WPR	WINDSHIELD WIPER
TAP	TAPPING	X/MBR	X MEMBER
TBI	THROTTLE BODY INJECTION		

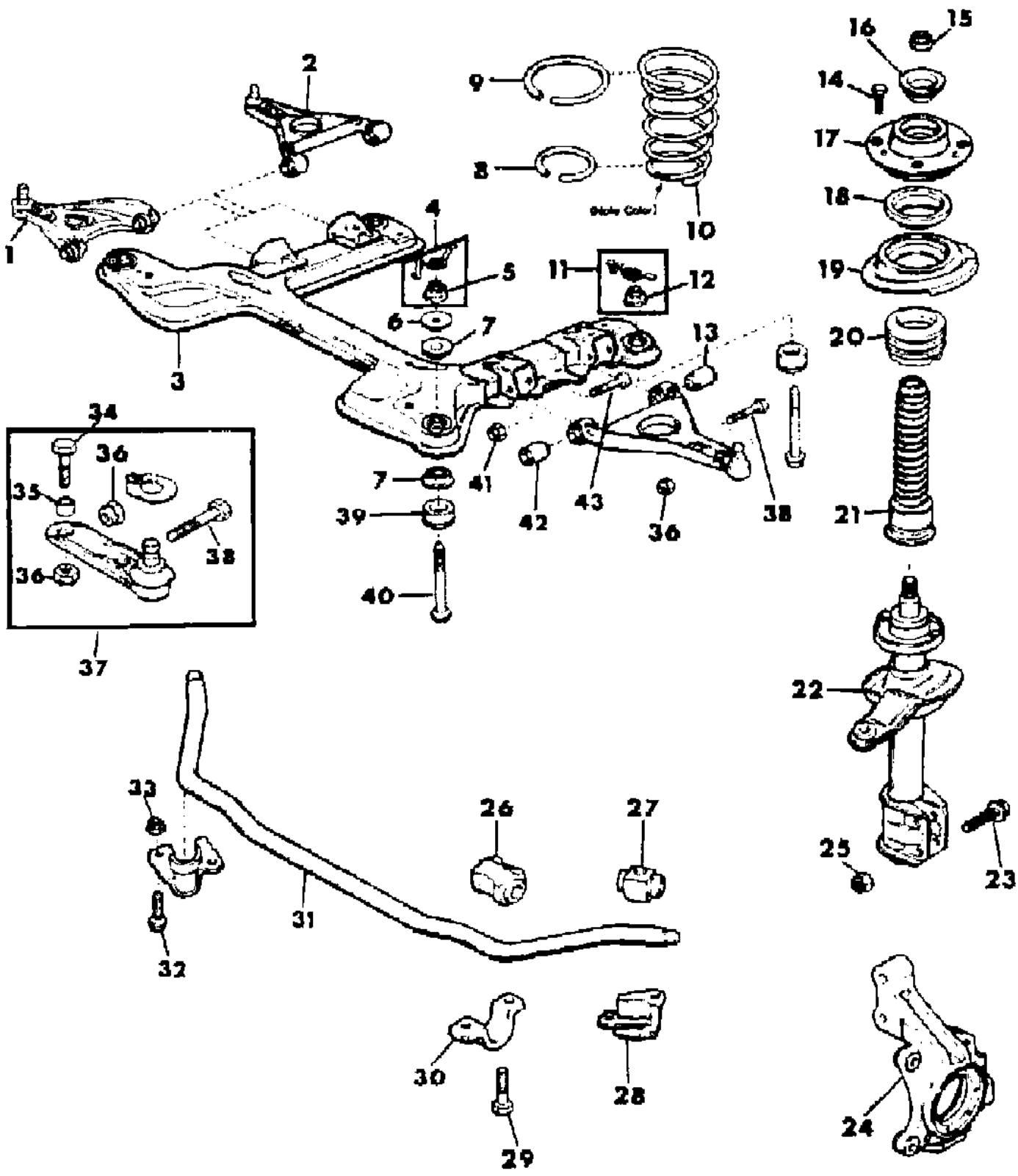
GROUP 2 - FRONT SUSPENSION & DRIVE

ILLUSTRATION TITLE	GROUP-FIG. NO.
FRONT SUSPENSION	
SUSPENSION, FRONT	Fig. 2-100
FRONT AXLE SHAFTS	
SHAFT, FRONT AXLE	Fig. 2-200

ILLUSTRATION NOT AVAILABLE AT TIME OF PUBLICATION

SUSPENSION, FRONT
Figure 2-100

8P02 100A



ITEM	PART NUMBER	QTY	BODY	MODEL	DESCRIPTION
1					ARM, Front Suspension (Stamped)
	3200 3136	1			Rt.
	3200 3137	1			Lt.
2	4585 030-1	1			ARM, Front Suspension (Cast)
3					SUBFRAME
	8350 5562	1			w/2.5L Eng.
	3200 3340	1			w/3.0L Eng. 1988-90
	5272 001	1			w/3.0L Eng. 1991-92
4	4541 036	2			CLIP ASSEMBLY ***
5	3420 2973	2			NUT
6	3200 2826	4			WASHER, w/3.0L Eng.
7	3200 3216	8			SPACER, w/2.5L Eng.
8	3200 3227	2			ISOLATOR, Spring (Length = 385mm)(cut to length)
9	3200 3227	2			ISOLATOR, Spring (Length = 580mm)
10					SPRING, Front Coil
	3200 2004	2			Blue/Yellow
	3200 1620	2			Blue/Blue
	3200 1621	2			Blue/White
	3200 1997	2			Blue/Green
	3200 2004	2			Blue/Red
	3200 2005	2			Pink/White
	3200 2852	2			Pink/Pink
	3200 2853	2			Pink/Red
11	4541 037	2			CLIP, Assembly
12	3420 2985	2			NUT
13	3200 3186	2			BUSHING
14	3420 2897	6			BOLT
15	3420 2995	2			NUT
16	J075 7687	2			CUP
17	5272 048	2			CUSHION
18	3200 2915	2			BEARING
19					CUP
	J075 7134	1			Rt. 1988-91
	4584 332	1			Rt. 1992
	J075 7133	1			Lt. 1988-91
	4584 333	1			Lt. 1992
20	3200 3229	2			BUMPER, Strut Assembly
21	3200 1990	2			COVER
22					STRUT ASSEMBLY
	3200 1602	1			Rt. w/Std. Susp. 1990

MODEL CODES:

1988:	1989:	1990-92:	1990-92:
559 - Premier LX	56 - Premier LX	DP-Monaco LE	XP-Premier LX
	557 - Premier ES		DS-Monaco ES
	66 - Premier ES		XS-Premier ES

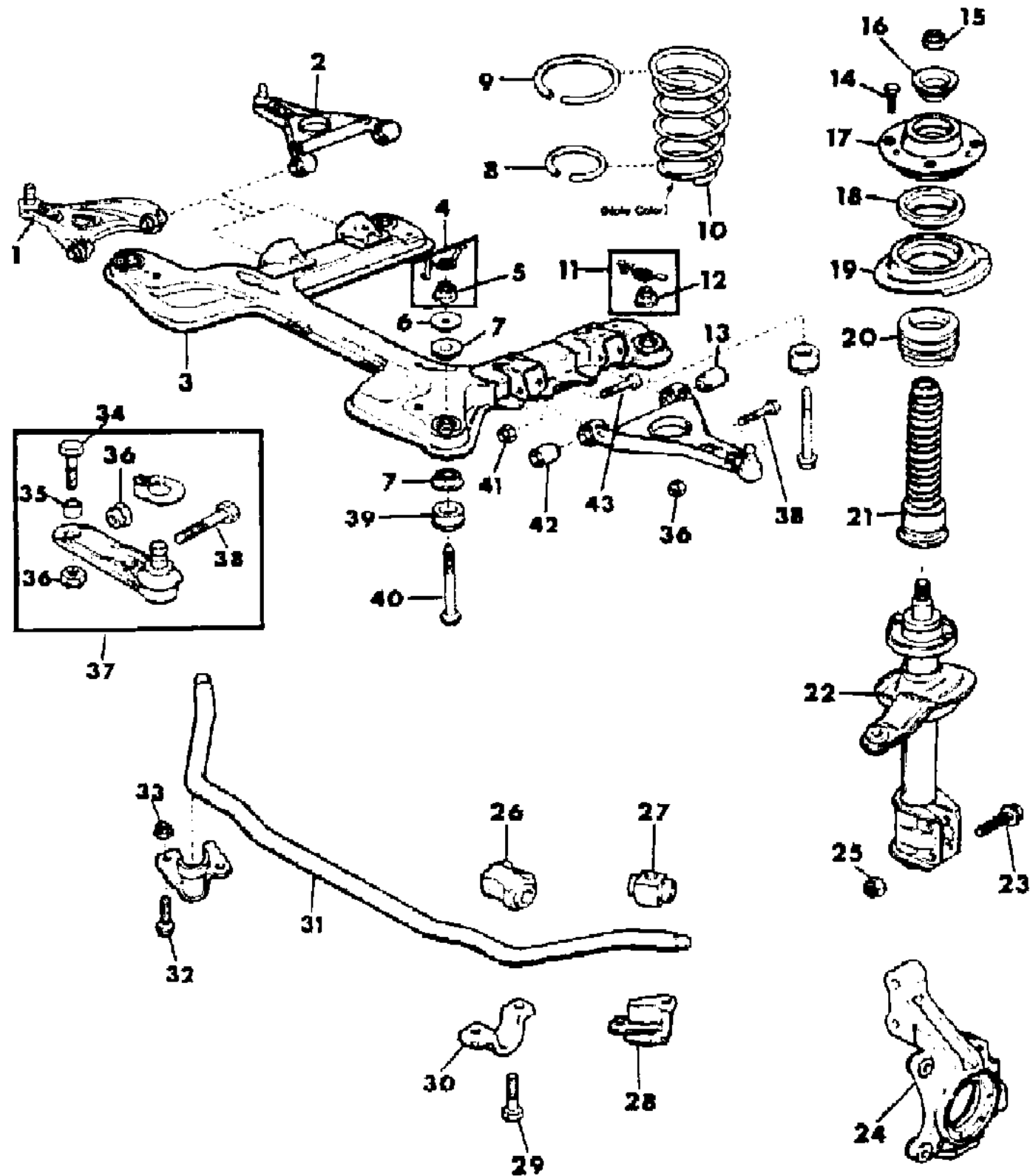
BODY STYLES:

1988:
55 = 4 dr. Sedan
1989-92:
6 = 4 Dr. Sedan

AR = Use as Required - = Non Illustrated Part P.A.R. = Paint as Required

SUSPENSION, FRONT
Figure 2-100

BP02 100A



ITEM	PART NUMBER	QTY	BODY	MODEL	DESCRIPTION
	3200 1603	1			Lt. w/Std. Susp. 1990
	5272 054	1			Rt. w/Std. Susp. 1991-92
	5272 055	1			Lt. w/Std. Susp. 1991-92
	3200 2916	1			Rt. w/Std. or H.D. Susp. 1988-89
	3200 2917	1			Lt. w/Std. or H.D. Susp. 1988-89
	5253 550	1			Rt. w/Firm Feel Susp. 1990 (Up To 5-16-90)
	4585 006	1			Rt. w/Firm Feel Susp. 1990-92 (After 5-16-90)
	5253 551	1			Lt. w/Firm Feel Susp. 1990 (Up To 5-22-90)
	4585 007	1			Lt. w/Firm Feel Susp. 1990-92 (After 5-16-90)
23	J075 7686	4			BOLT
24					PIN, Knuckle
	J076 3683	1			Rt.
	J076 3682	1			Lt.
25	1150 2815	4			NUT
26	3200 2746	2			BUSHING, Stabilizer
27	3200 2134	2			BUSHING, Stabilizer
28					BRACKET
	3200 3052	1			Rt.
	3200 3051	1			Lt.
29	J420 0089	4			SCREW
30	3200 3047	2			CLAMP
31	3200 2748	1			BAR, Front Stabilizer
32	3420 3021	4			BOLT
33	3420 3022	4			NUT
34	3420 3021	4			BOLT
35	3420 3020	4			SLEEVE
36	J303 4098	6			NUT
37	8350 5212	2			JOINT PACKAGE, Ball
38	J076 3315	2			BOLT
39	3200 2949	4			CUSHION
40	3420 2676	4			BOLT, M12x1.75-90.0mm
41	3420 1105	4			NUT
42	3200 3185	2			BUSHING
43	J076 3539	4			BOLT

MODEL CODES:

1988:	1989:	1990-92:	1990-92:
559 - Premier LX	56 - Premier LX	DP-Monaco LE	XP-Premier LX
	557 - Premier ES		DS-Monaco ES
	66 - Premier ES		XS-Premier ES

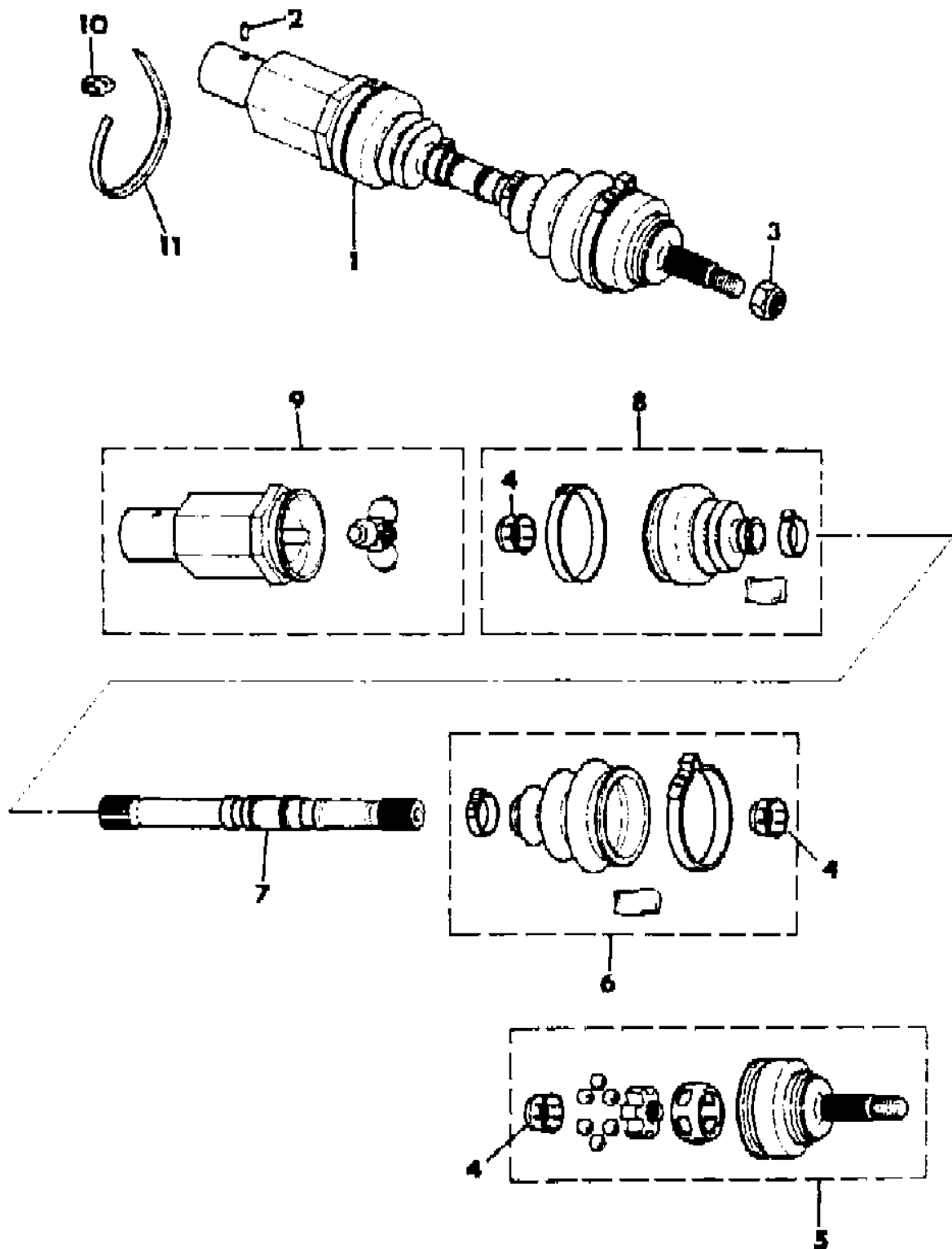
BODY STYLES:

1988:
55 = 4 dr. Sedan
1989-92:
6 = 4 Dr. Sedan

AR = Use as Required - = Non Illustrated Part P.A.R. = Paint as Required

SHAFT, FRONT AXLE
Figure 2-200

8P02 200



ITEM	PART NUMBER	QTY	BODY	MODEL	DESCRIPTION
NOTE: For 1991-92 Axle Shaft Service Parts Use The Listed Shaft Assemblies.					
1					SHAFT ASSEMBLY, Axle Front
	3300 3558	1			w/2.5L Eng. Rt.
	3300 3528	1			Lt.
	3300 3491	1			w/3.0L Eng. Rt. 1988-92 w/o ABS Brakes
	3300 4734	1			Rt. w/ABS Brakes
	3300 3490	1			Lt. 1988-91
	4511 507	1			Lt. 1992
	4511 503	1			Lt. w/ABS Brakes
2	1151 3006	2			PIN, Spring Front Shaft
3	3420 1106	2			NUT
4	8350 4791	4			RETAINER, Front Shaft Boot
5	8350 4578	2			JOINT ASSEMBLY, Front Axle (w/ABS Use Assy.)
6	8350 4576	2			BOOT PACKAGE, Front Axle
7					SHAFT, Front Axle
	8350 4786	1			w/2.5L Eng. Rt.
	8350 4785	1			Lt.
	8350 4788	1			w/3.0L Eng. Rt.
	8350 4787	1			Lt.
8	8350 4577	2			BOOT PACKAGE, Front Axle (Inner)
9	8350 4783	2			JOINT ASSEMBLY
10	J813 4129	AR			CLIP, (Package of 150 Clips)
11	J813 4128	AR			CLAMP, (Roll, 1/4"x100')

MODEL CODES:
 1988: 559 - Premier LX
 1989: 56 - Premier LX
 557 - Premier ES
 66 - Premier ES
 1990-92: DP-Monaco LE
 1990-92: XP-Premier LX
 DS-Monaco ES
 XS-Premier ES

BODY STYLES:
 1988:
 55 = 4 dr. Sedan
 1989-92:
 6 = 4 Dr. Sedan

AR = Use as Required - = Non Illustrated Part P.A.R. = Paint as Required

GROUP 4 - BRAKES, PARKING

ILLUSTRATION TITLE

GROUP-FIG. NO.

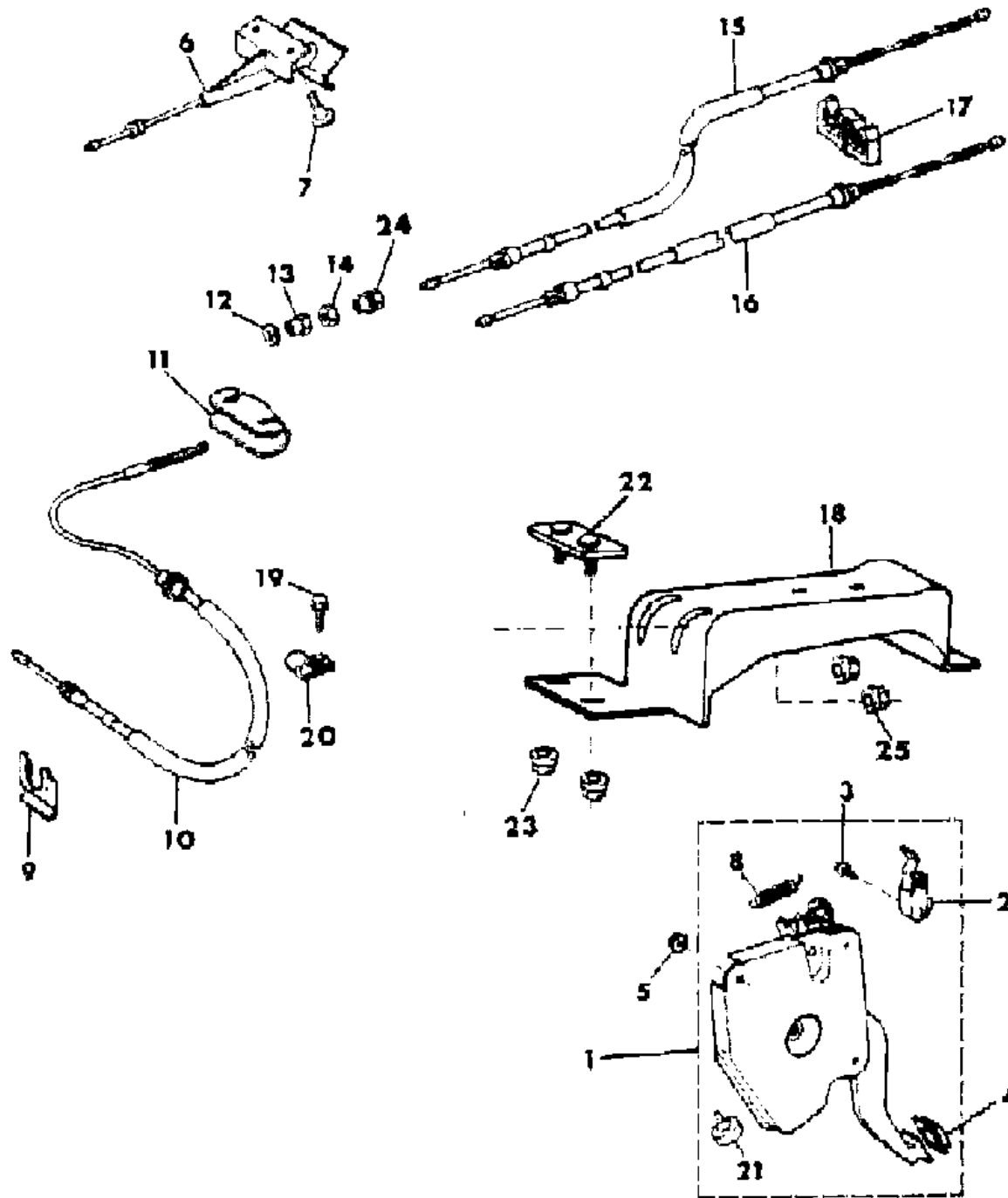
PARKING BRAKE

LEVER AND CABLES, PARKING BRAKE Fig. 4-100

ILLUSTRATION NOT AVAILABLE AT TIME OF PUBLICATION

LEVER AND CABLES, PARKING BRAKE
Figure 4-100

8P04 100C



ITEM	PART NUMBER	QTY	BODY	MODEL	DESCRIPTION
1					LEVER, Parking Brake
	3200 1679	1			1988-89
	4423 189	1			1990-92
2					SWITCH, Brake Warning Lamp
	5600 1966	1			1988-89
	5209 922	1			1990-92
3					SCREW
	J400 0774	1			1988-89
		1			1990-92 (DNS)
4					PAD, Parking Brake Pedal
	8350 2639	1			1988-89
	4019 175	1			1990-92
5					NUT
	3420 1918	3			1988-90
	1150 2811	3			1991-92
6					RELEASE, Parking Brake
	3200 2299	1			1988-90
	4423 593	1			1991-92
7					SCREW
	3420 1857	2			1988-90
		2			1991-92 (DNS)
8	8350 4860	1			SPRING
9	J321 7581	1			CLIP
10					CABLE, Parking Brake
	3200 1756	1			1988-89
	4423 509	1			1990-92
11	5200 1154	1			EQUALIZER
12	J400 3807	1			WASHER
13	5200 1387	1			NUT, 1988-89, up to 2-19-89
14	1150 0749	1			NUT, 1988-89, up to 2-19-89
15					CABLE, Brake Right
	3200 2942	1			Drum Rear
	4423 308	1			Disc Rear, 1989-90
	4423 556	1			Disc Rear, 1991-92
16					CABLE, Brake Left
	3200 1757	1			Drum Rear
	4423 309	1			Disc Rear, 1989-90
	4423 557	1			Disc Rear, 1991-92
17					CLIP
	J307 9255	2			For vehicles built up to 02-19-89

MODEL CODES:

1988:	1989:	1990-92:	1990-92:
559 - Premier LX	56 - Premier LX 557 - Premier ES 66 - Premier ES	DP-Monaco LE	XP-Premier LX DS-Monaco ES XS-Premier ES

BODY STYLES:

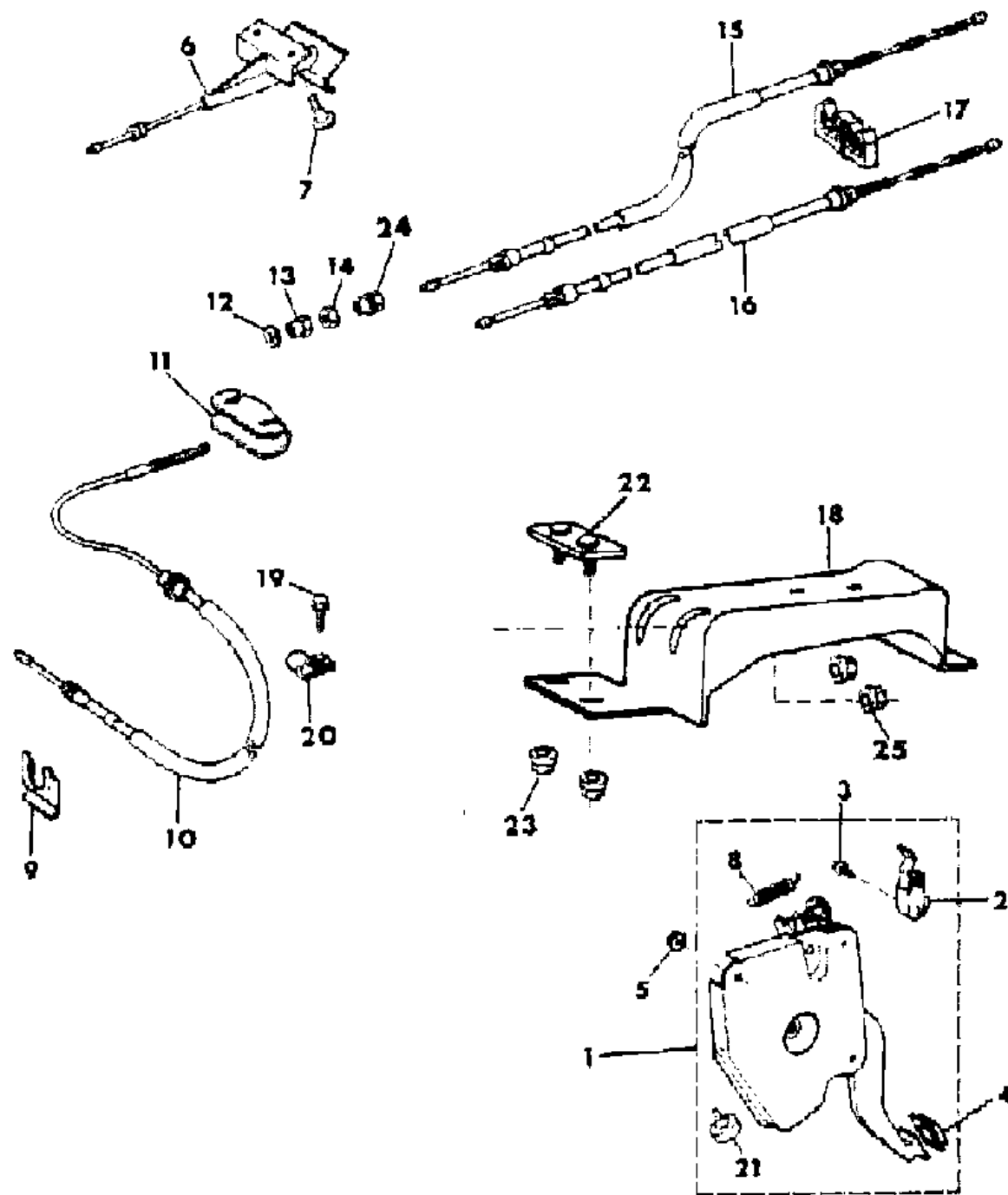
1988:
55 = 4 dr. Sedan
1989-92:
6 = 4 Dr. Sedan

AR = Use as Required - = Non Illustrated Part P.A.R. = Paint as Required

LEVER AND CABLES, PARKING BRAKE
Figure 4-100

8P04 100 C

ITEM	PART NUMBER	QTY	BODY	MODEL	DESCRIPTION
	4423 524	2			For vehicles built 02-19-89 and later
	4584 266	2			1991-92
18					BRACE
	3502 5230	1			1988-90
	4512 796	1			1991-92
19	1150 1608	1			SCREW
20	J012 0525	1			CLIP
21					BUMPER
	8350 5579	1			1988-89
	4294 843	1			1990-92
22	3502 5233	1			PLATE
23					NUT
	3420 2524	3			1988-90
	3420 1874	3			1991-92
24					NUT
	4423 571	2			1989, after 2-19-89
	6502 366	2			1990-92
25	3420 1680	2			NUT



MODEL CODES:

1988:	1989:	1990-92:	1990-92:
559 - Premier LX	56 - Premier LX 557 - Premier ES 66 - Premier ES	DP-Monaco LE	XP-Premier LX DS-Monaco ES XS-Premier ES

BODY STYLES:

1988:
55 = 4 dr. Sedan
1989-92:
6 = 4 Dr. Sedan

AR = Use as Required - = Non Illustrated Part P.A.R. = Paint as Required

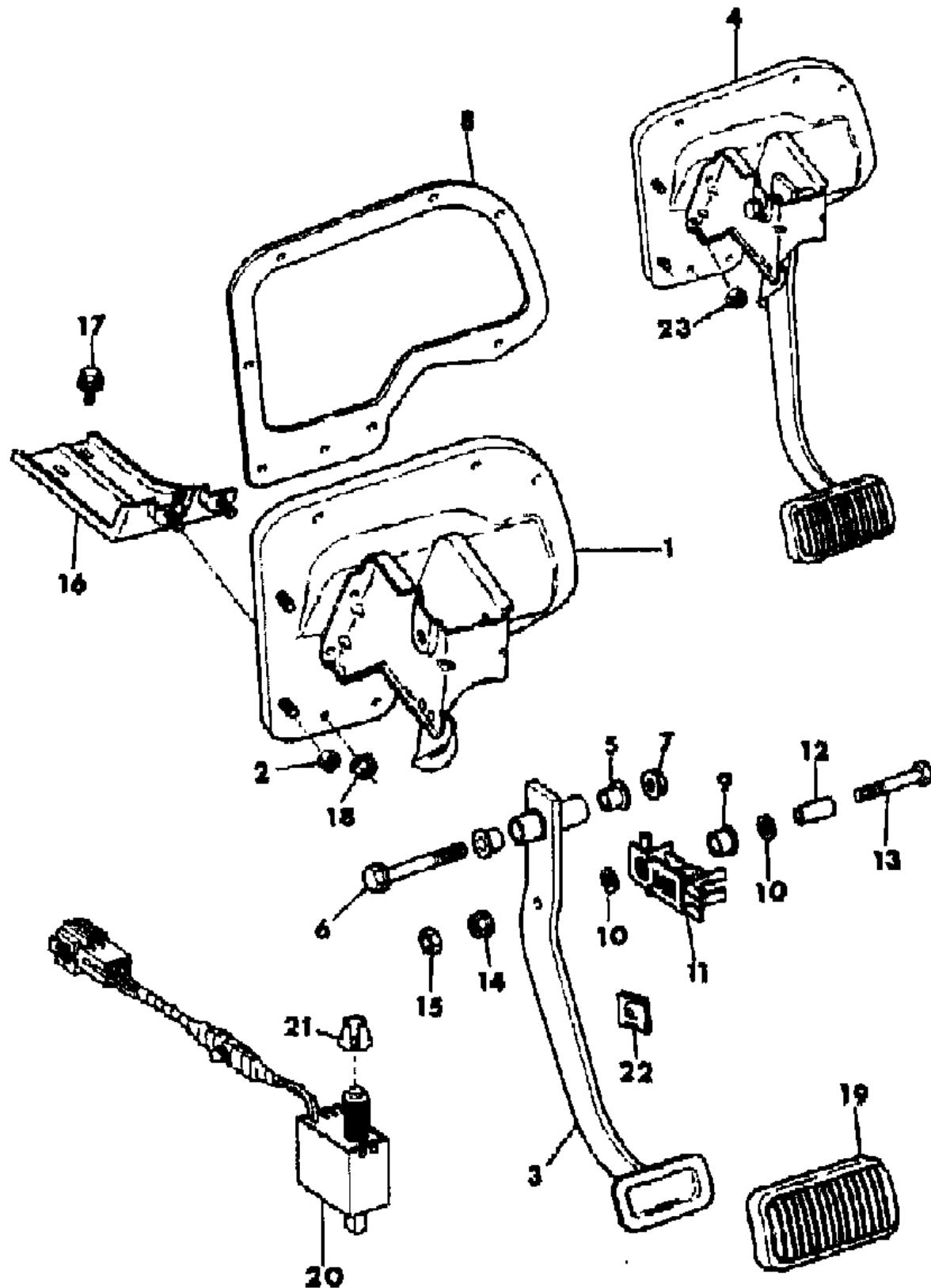
GROUP 5 - BRAKE, SERVICE

ILLUSTRATION TITLE	GROUP-FIG. NO.
BRAKE PEDAL	
PEDAL, BRAKE	Fig. 5-100
BRAKE BOOSTER AND MASTER CYLINDER	
BOOSTER AND MASTER CYLINDER W/O ANTI-LOCK BRAKES	Fig. 5-200
MASTER CYLINDER W/ANTI-LOCK BRAKES	Fig. 5-250
REAR BRAKE LINES AND HOSES (DRUM)	
LINES AND HOSES, BRAKE W/REAR DRUM	Fig. 5-300
REAR BRAKE LINES AND HOSES (DISC)	
LINES AND HOSES, BRAKE W/REAR DISC	Fig. 5-400
FRONT BRAKES	
BRAKES, FRONT	Fig. 5-500
REAR BRAKES (DRUM)	
BRAKES, REAR DRUM	Fig. 5-600
REAR BRAKES (DISC)	
BRAKES, REAR DISC	Fig. 5-700
ANTI-LOCK BRAKE SYSTEM	Fig. 5-800

ILLUSTRATION NOT AVAILABLE AT TIME OF PUBLICATION

PEDAL, BRAKE
Figure 5-100

8P05 100A



ITEM	PART NUMBER	QTY	BODY	MODEL	DESCRIPTION
1	8350 5598	1			BRACKET, Brake Pedal 1988-89 Only (1990-92 Serviced in Item #4)
2	1150 2811	8			NUT
3	8350 4952	1			PEDAL, Brake 1988-89
4	4584 290	1			1990-92, w/o Anti-Lock Brakes
	4584 291	1			1991-92, w/Anti-Lock Brakes
					BRAKE PEDAL ASSEMBLY ***
	4485 594	1			1988-89
5	4485 934	1			1990
	4509 196	1			1991-92, w/o Anti-Lock Brakes
	4509 004	1			1991-92, w/Anti-Lock Brakes
					BUSHING
6	8350 4959	2			1988-89
	4584 294	2			1990-92
7	8350 4955	1			1988-89
	4723 037	1			1990-92
8	8350 4956	1			1988-89
	4723 038	1			1990-92
9	3200 2297	1			SEAL
10	J321 5922	1			BUSHING (1988-89) ***
11	J321 5924	2			SPACER (1988-89) ***
12	J321 5938	1			SWITCH, Brake Lamp w/o Speed Control, 1988
13	J321 5928	1			BUSHING (1988-89) ***
14	J400 4486	1			BOLT (1988-89) ***
15	J400 5311	1			NUT (1988-89) ***
16	J942 0166	1			NUT (1988-89) ***
17	3200 2690	1			BRACE
18	3420 1769	2			1988-89
	3420 2452	2			1990-92
19	1150 2729	2			NUT
20	8350 4953	1			PAD, Brake Pedal 1988-89
	4584 289	1			1990-92
21	8350 5535	1			SWITCH, Brake Lamp 1988 w/o Speed Control

MODEL CODES:

1988:	1989:	1990-92:	1990-92:
559 - Premier LX	56 - Premier LX	DP-Monaco LE	XP-Premier LX
	557 - Premier ES		DS-Monaco ES
	66 - Premier ES		XS-Premier ES

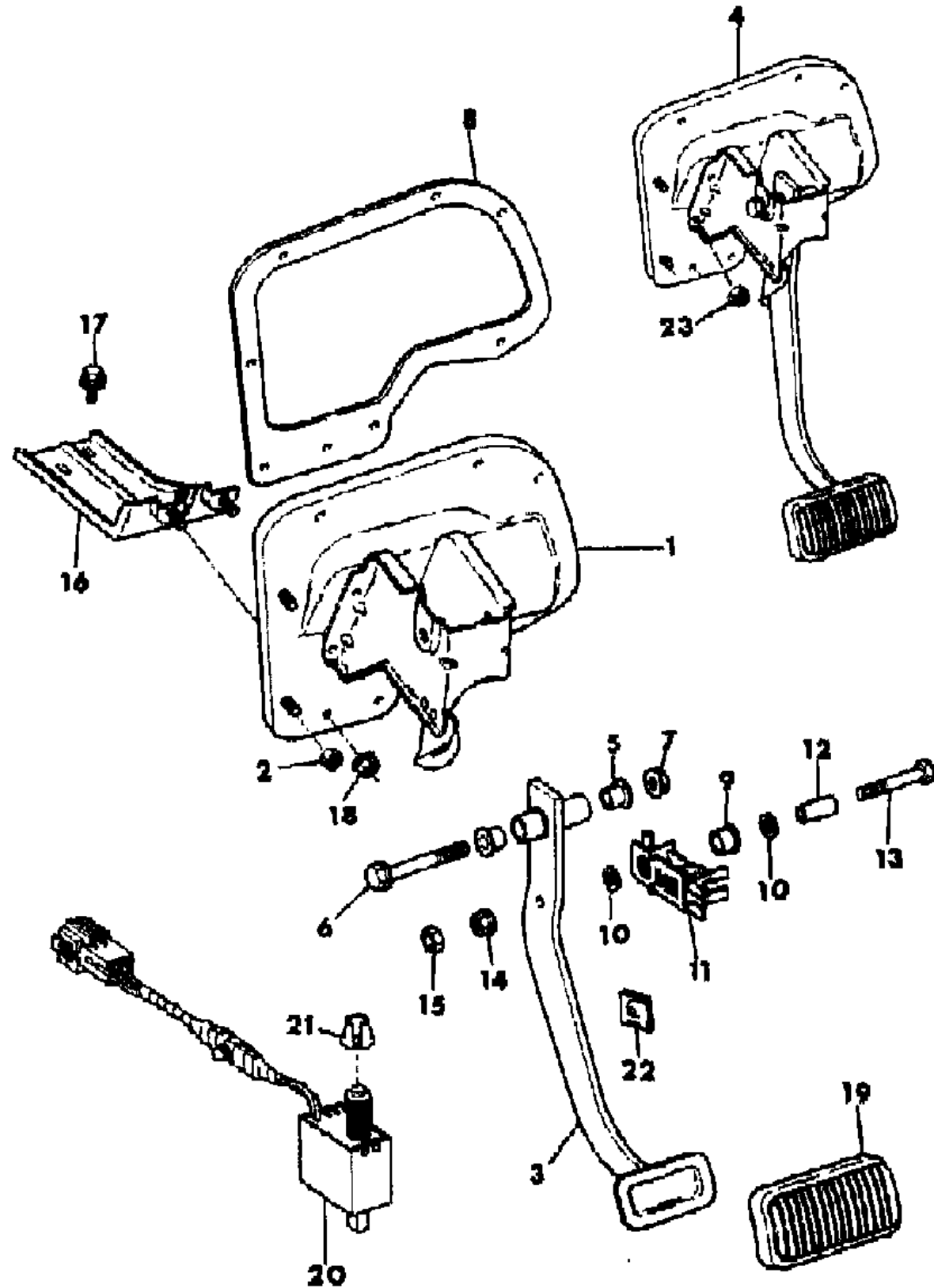
BODY STYLES:

1988:
55 = 4 dr. Sedan
1989-92:
6 = 4 Dr. Sedan

AR = Use as Required - = Non Illustrated Part P.A.R. = Paint as Required

PEDAL, BRAKE
Figure 5-100

8P05 100A



ITEM	PART NUMBER	QTY	BODY	MODEL	DESCRIPTION
	3600 3519	1			w/Speed Control 1989-90
	4535 001	1			w/o Speed Control
	4535 002	2			w/Speed Control 1991-92
	4607 055	1			w/o or w/Speed Control
-	4584 292	1			STRICKER ASSEMBLY, Brake Lamp Switch
-	4584 293	1			NUT, Sticker Retainer
21	J535 2622	1			RETAINER
22	4294 036	1			CLIP, Master Cylinder Push Rod Pin, 1990-92
23	1150 2811	4			NUT

MODEL CODES:

1988:	1989:	1990-92:	1990-92:
559 - Premier LX	56 - Premier LX 557 - Premier ES 66 - Premier ES	DP-Monaco LE	XP-Premier LX DS-Monaco ES XS-Premier ES

BODY STYLES:

1988:
55 = 4 dr. Sedan
1989-92:
6 = 4 Dr. Sedan

AR = Use as Required - = Non Illustrated Part P.A.R. = Paint as Required

BOOSTER AND MASTER CYLINDER W/O ANTI-LOCK BRAKES

Figure 5-200

8P05 200

ITEM	PART NUMBER	QTY	BODY	MODEL	DESCRIPTION
1	8350 4490	1			BOOSTER, Brake 1988-89
	4423 747	1			1990
	4509 251	1			1991-92
2	J320 8510	1			GROMMET, Valve 1988-89
	4584 099	1			1990-92
3	J448 7455	1			VALVE, Check 1988-89
	4584 098	1			1990-92
4	1150 2811	4			NUT
5	3300 0784	2			CLAMP
6					HOSE, Brake Booster Vacuum
	3200 2934	1			2.5L Engine 3.0L Engine
	3200 2946	1			1988-91
7	4584 922	1			1992
	3200 0331	1			GASKET (1988-89) ***
8	J400 6550	1			CLIP
9					CYLINDER, Brake Master
	4585 045	1			1988-90
10	4584 392	1			1991-92
11	3420 1918	2			NUT
					CAP
12	8350 4523	1			1988-89
	4485 639	1			1990
	4509 249	1			1991-92
13					SEAL
	8350 4526	2			1988-89
14	4584 096	2			1990-92
					RETAINER
15	8350 4525	1			1988-89
	4584 097	1			1990-92
16					RESERVOIR, Brake Master Cylinder
	8350 4522	1			1988-89
	4584 094	1			1990
17	4509 248	1			1991-92
	8350 4524	1			GASKET (1988-89) ***

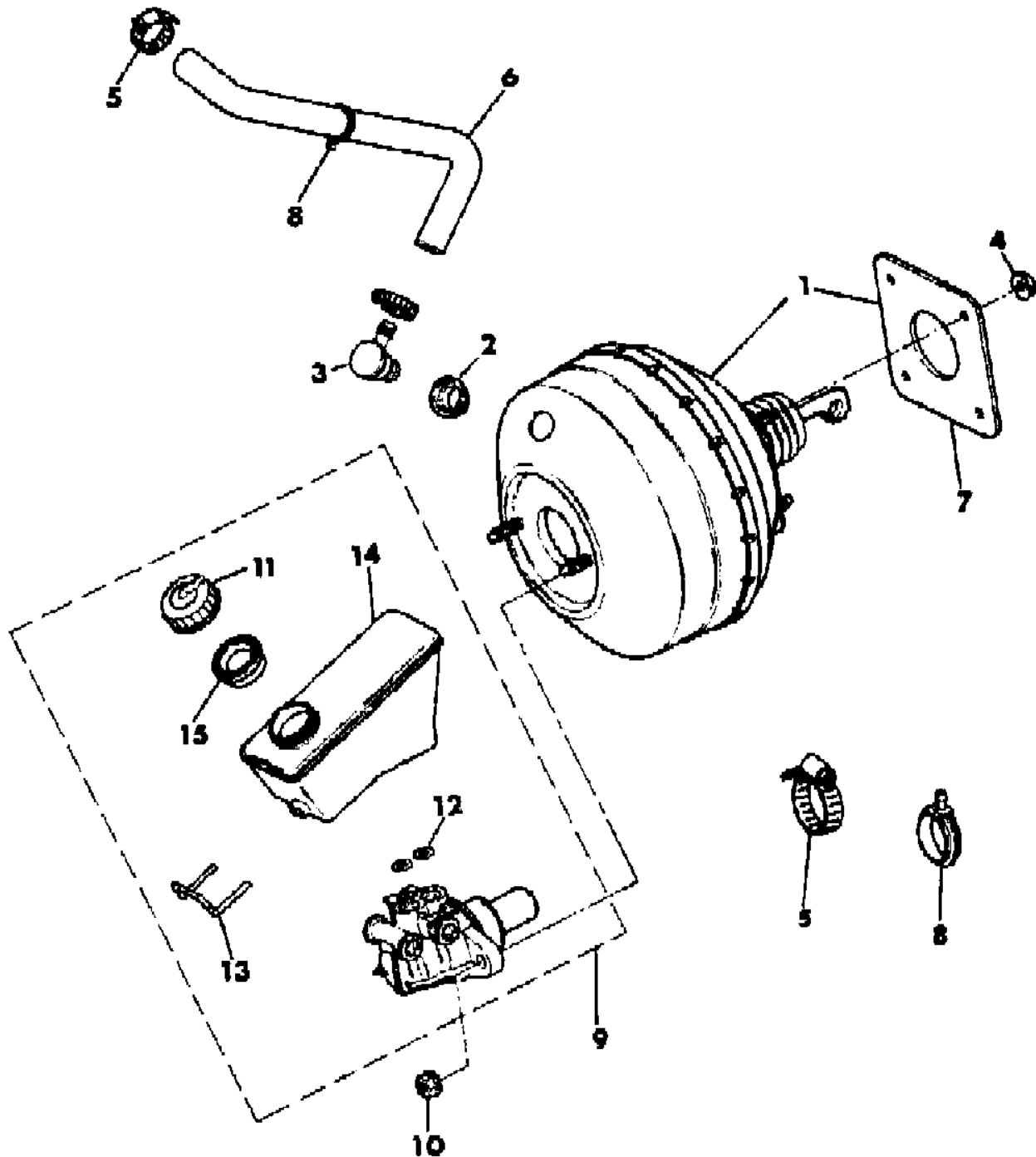
MODEL CODES:

1988:	1989:	1990-92:	1990-92:
559 - Premier LX	56 - Premier LX 557 - Premier ES 66 - Premier ES	DP-Monaco LE	XP-Premier LX DS-Monaco ES XS-Premier ES

BODY STYLES:

1988:
55 = 4 dr. Sedan
1989-92:
6 = 4 Dr. Sedan

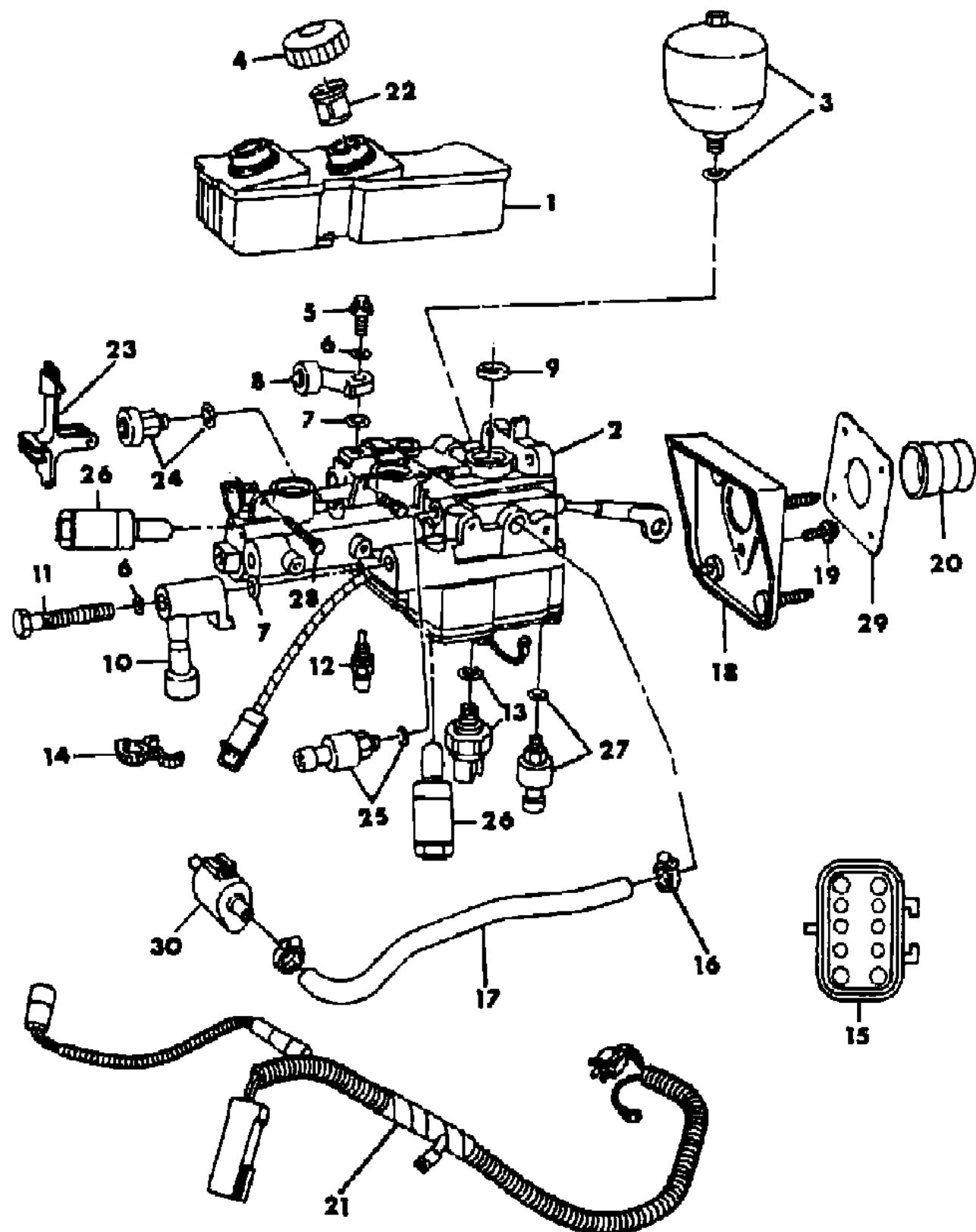
AR = Use as Required - = Non Illustrated Part P.A.R. = Paint as Required



MASTER CYLINDER W/ANTI-LOCK BRAKES

Figure 5-250

8P05 250 A



ITEM	PART NUMBER	QTY	BODY	MODEL	DESCRIPTION
1	4723 044	1			RESERVOIR PACKAGE, Brake ***
2	4485 763	1		1991	HYDRAULIC ASSEMBLY, Brake ***
	4584 895	1		1992	
3	4723 045	1			ACCUMULATOR PACKAGE ***
4	4485 639	2			CAP, Reservoir
5	4485 613	1			SCREW, Banjo Fitting
6	4509 241	AR			O-RING
7	4485 616	AR			O-RING
8	4485 612	1			FITTING
9	4485 608	3			SEAL
10	4485 960	1			FITTING
11	4485 961	1			SCREW
12	4509 003	1			SWITCH, Differential Pressure
13	4485 632	1			SWITCH, Pressure
14	6015 756	1			STRAP, Wire Harness Tie
15	4485 610	1			FITTING, Low Pressure Hose
16	3683 823	2			CLAMP
17	4485 959	1			HOSE, Low Pressure
18	4485 962	1			BRACKET and STUD ASSEMBLY, Hydraulic Assembly Mtg.
19	4485 619	3			BOLT
20	4485 958	1			BOOT
21	4509 002	1			HARNES, Wire (Includes Low Fluid Warning Switch) Tag#2820887 (D) ***
22	4485 575	2			FILTER, Reservoir
23	4485 999	1			BRACKET, Wire Harness
24	4485 638	1			ADAPTER
25	4485 633	1			TRANSDUCER, Primary ***
26	4485 520	2			VALVE, Proportioning
27	4485 633	1			TRANSDUCER, Boost ***
28	4584 401	1			PIN, Master Cylinder Mounting (Long)
29	4485 866	1			GASKET
30	4485 995	1			FILTER ASSEMBLY, Low Pressure Hose ***
31	4584 401	1			PIN, Low Pressure Filter Mounting
32	4485 630	1			PIN, Master Cylinder Mounting (Short)

MODEL CODES:

1988:	1989:	1990-92:	1990-92:
559 - Premier LX	56 - Premier LX	DP-Monaco LE	XP-Premier LX
	557 - Premier ES		DS-Monaco ES
	66 - Premier ES		XS-Premier ES

BODY STYLES:

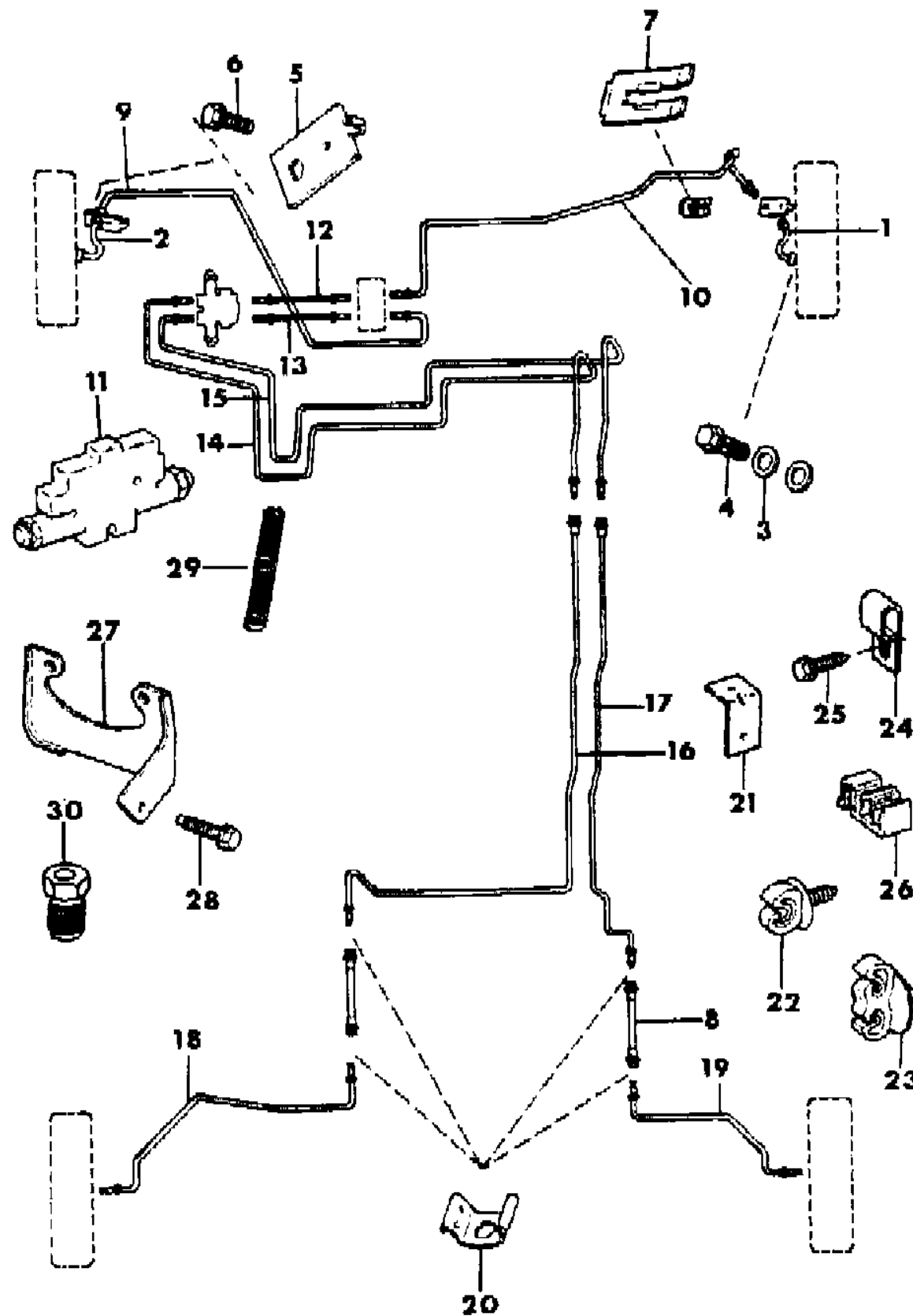
1988:
55 = 4 dr. Sedan
1989-92:
6 = 4 Dr. Sedan

AR = Use as Required - = Non Illustrated Part P.A.R. = Paint as Required

LINES AND HOSES, BRAKE W/REAR DRUM

Figure 5-300

8P05 300 A



ITEM	PART NUMBER	QTY	BODY	MODEL	DESCRIPTION
1	3200 2938	1			HOSE, Right Front Brake
	4584 150	1			1988-90
2	4637 379	1			HOSE, Left Front Brake
	4584 151	1			1988-90
3					GASKET
	3420 2709	4			For vehicles built up to 04-10-89
	6502 114	4			For vehicles built 04-10-89 and later
	6030 084	4			1991-92
4					BOLT
	3420 2708	2			1988-90
	6030 230	2			1991-92
5	3200 3063	2			BRACKET
	4584 146-7	1			1988-90
6	1150 0985	2			BOLT
7	2208 893	2			CLIP
8	3200 2937	2			HOSE, Brake
9					LINE, Brake
	3200 1749	1			PRE-FABRICATED (1988-89)
10	1843 251	AR			BULK TUBING, 25' Roll, 3/16" O.D.
	3200 2985	1			LINE, Brake
	1843 251	AR			PRE-FABRICATED (1988-89)
11					VALVE, Proportioning
	3200 1500	1			1988-89
	4485 894	1			1990
12	4509 204	1			1991-92
					LINE, Brake
	3200 2941	1			1988-90
13	4509 123	1			1991-92
					LINE, Brake
14	3200 2940	1			1988-90
	4509 122	1			1991-92
					LINE, Brake
15	3200 3085	1			1988-89
	4485 569	1			1990
	4509 109	1			1991-92

MODEL CODES:

1988:	1989:	1990-92:	1990-92:
559 - Premier LX	56 - Premier LX	DP-Monaco LE	XP-Premier LX
	557 - Premier ES		DS-Monaco ES
	66 - Premier ES		XS-Premier ES

BODY STYLES:

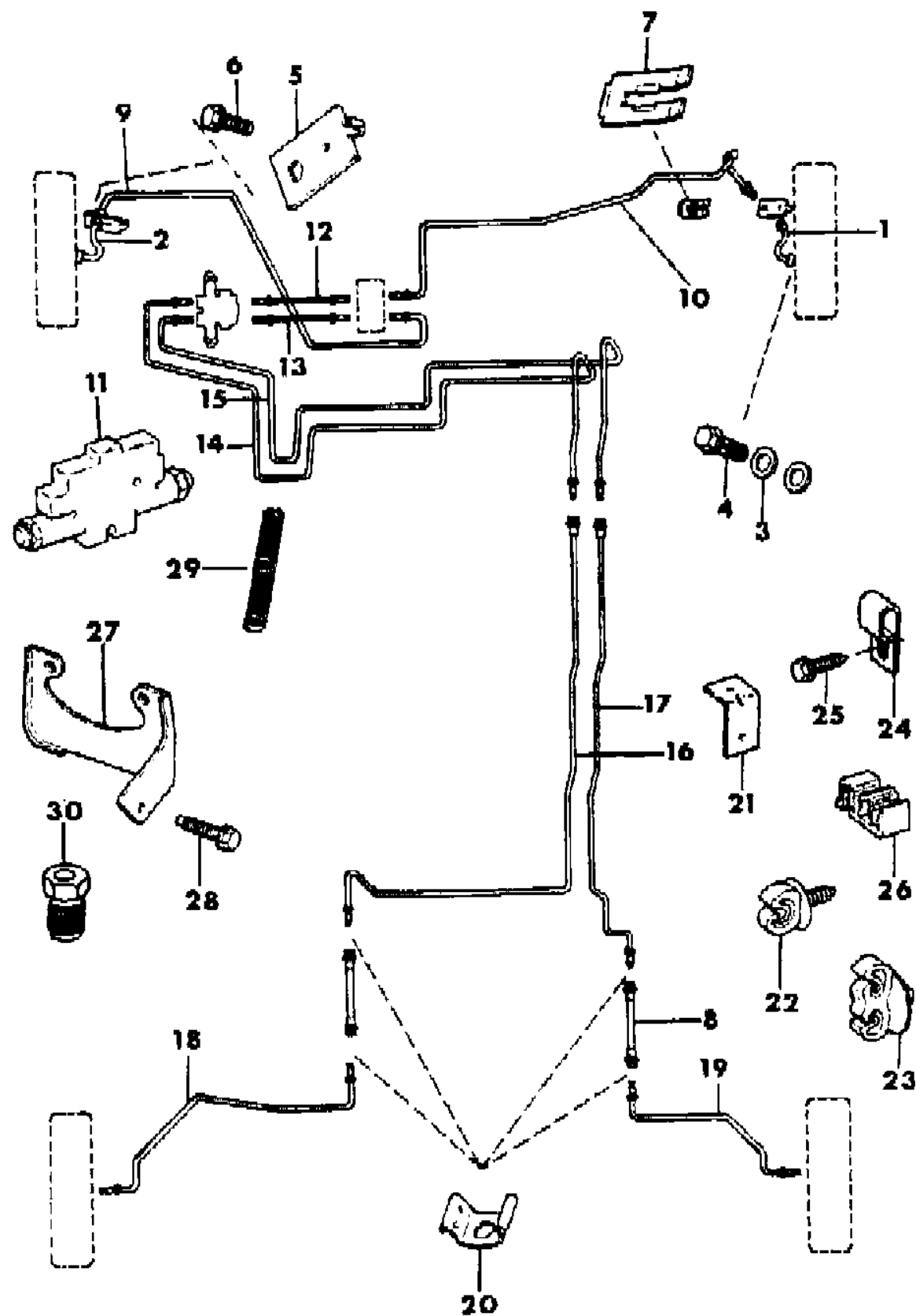
1988:
55 = 4 dr. Sedan
1989-92:
6 = 4 Dr. Sedan

AR = Use as Required - = Non Illustrated Part P.A.R. = Paint as Required

LINES AND HOSES, BRAKE W/REAR DRUM

Figure 5-300

8P05 300 A



ITEM	PART NUMBER	QTY	BODY	MODEL	DESCRIPTION
	3200 3084	1			1988-89
	4485 568	1			1990
	4509 108	1			1991-92
16					LINE, Brake
	3200 3087	1			1988-89
	4485 573	1			1990
	4509 113	1			1991-92
17					LINE, Brake
	3200 3086	1			1988-89
	4485 572	1			1990
	4509 112	1			1991-92
18					LINE, Brake
	3200 3389	1			PRE-FABRICATED (1988-89)
	1843 251	AR			BULK TUBING, 25' Roll, 3/16" O.D.
19					LINE, Brake
	3200 3388	1			PRE-FABRICATED (1988-89)
	1843 251	AR			BULK TUBING, 25' Roll, 3/16" O.D.
20	T070 5561	AR			CLIP
21	3200 3076	1			BRACKET, Brake Tube Support
22	3200 0404	1			CLIP
23					CLIP
	5300 1242	4			1988-89
	4485 561	4			1990-92
24	J314 1309	1			CLIP
25	J812 0054	1			SCREW
26	3200 2292	4			CLIP
27					BRACE
	3200 3061	1			1988-89
	4584 103	1			1990-92
28	3420 2732	1			BOLT
29	3879 283	AR			COVER, Brake Tubing
30					NUT, ISO Flare
	3200 0410	AR			1990
	6502 286	AR			1991-92
	6502 378	AR			1991-92
	6502 024	AR			1991-92

MODEL CODES:

1988:	1989:	1990-92:	1990-92:
559 - Premier LX	56 - Premier LX	DP-Monaco LE	XP-Premier LX
	557 - Premier ES		DS-Monaco ES
	66 - Premier ES		XS-Premier ES

BODY STYLES:

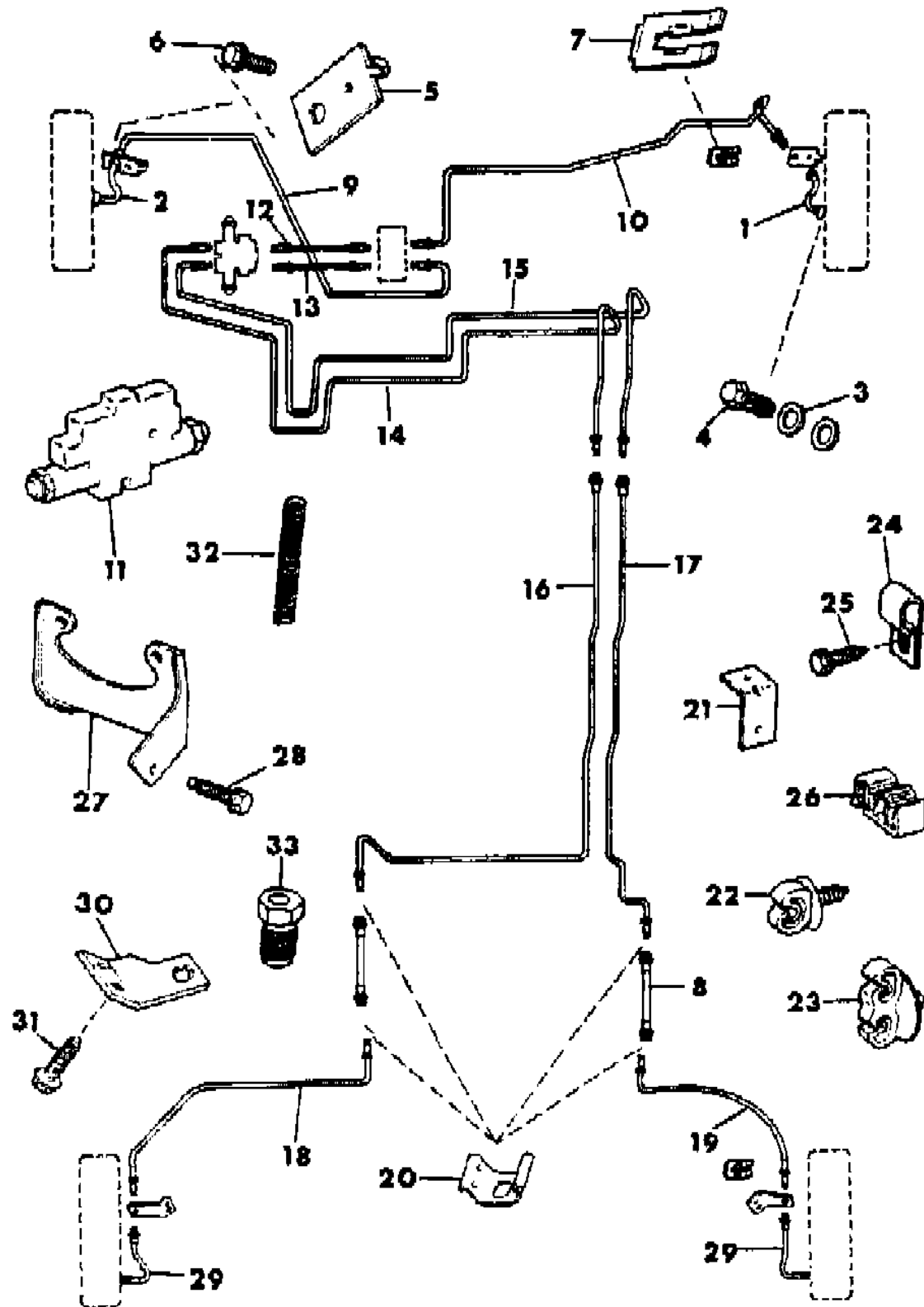
1988:
55 = 4 dr. Sedan
1989-92:
6 = 4 Dr. Sedan

AR = Use as Required - = Non Illustrated Part P.A.R. = Paint as Required

LINES AND HOSES, BRAKE W/REAR DISC

Figure 5-400

8P05 400 A



ITEM	PART NUMBER	QTY	BODY	MODEL	DESCRIPTION
1	3200 2938	1			HOSE, Right Front Brake 1988-90
	4584 150	1			1991-92
2	4637 379	1			HOSE, Left Front Brake 1988-90
	4584 151	1			1991-92
3	6502 114	4			GASKET 1988-90
	6030 084	4			1991-92
4	3420 2708	2			BOLT 1988-90
	6030 230	2			1991-92
5	3200 3063	2			BRACKET 1988-90
	4584 146-7	1			1991-92
6	1150 0985	2			BOLT 1988-90
	2208 893	2			1991-92
8	3200 2937	2			HOSE, Brake 1988-90
	1843 251	AR			1991-92
9	3200 1749	1			LINE, Brake PRE-FABRICATED (1988-89)
	1843 251	AR			BULK TUBING, 25' Roll, 3/16" O.D. ***
10	3200 2985	1			LINE, Brake PRE-FABRICATED (1988-89)
	1843 251	AR			BULK TUBING, 25' Roll, 3/16" O.D. ***
11	4485 933	1			VALVE, Proportioning 1988-90
	4509 311	1			1991-92
12	3200 2941	1			LINE, Brake 1988-90
	4509 123	1			1991-92
13	3200 2940	1			LINE, Brake 1988-90
	4509 122	1			1991-92
14	3200 3085	1			LINE, Brake 1988-89
	4485 569	1			1990
	4509 109	1			1991-92, w/o Anti-Lock Brakes
	4485 773	1			1991-92, w/Anti-Lock Brakes
15	3200 3084	1			LINE, Brake 1988-89

MODEL CODES:

1988:	1989:	1990-92:	1990-92:
559 - Premier LX	56 - Premier LX 557 - Premier ES 66 - Premier ES	DP-Monaco LE	XP-Premier LX DS-Monaco ES XS-Premier ES

BODY STYLES:

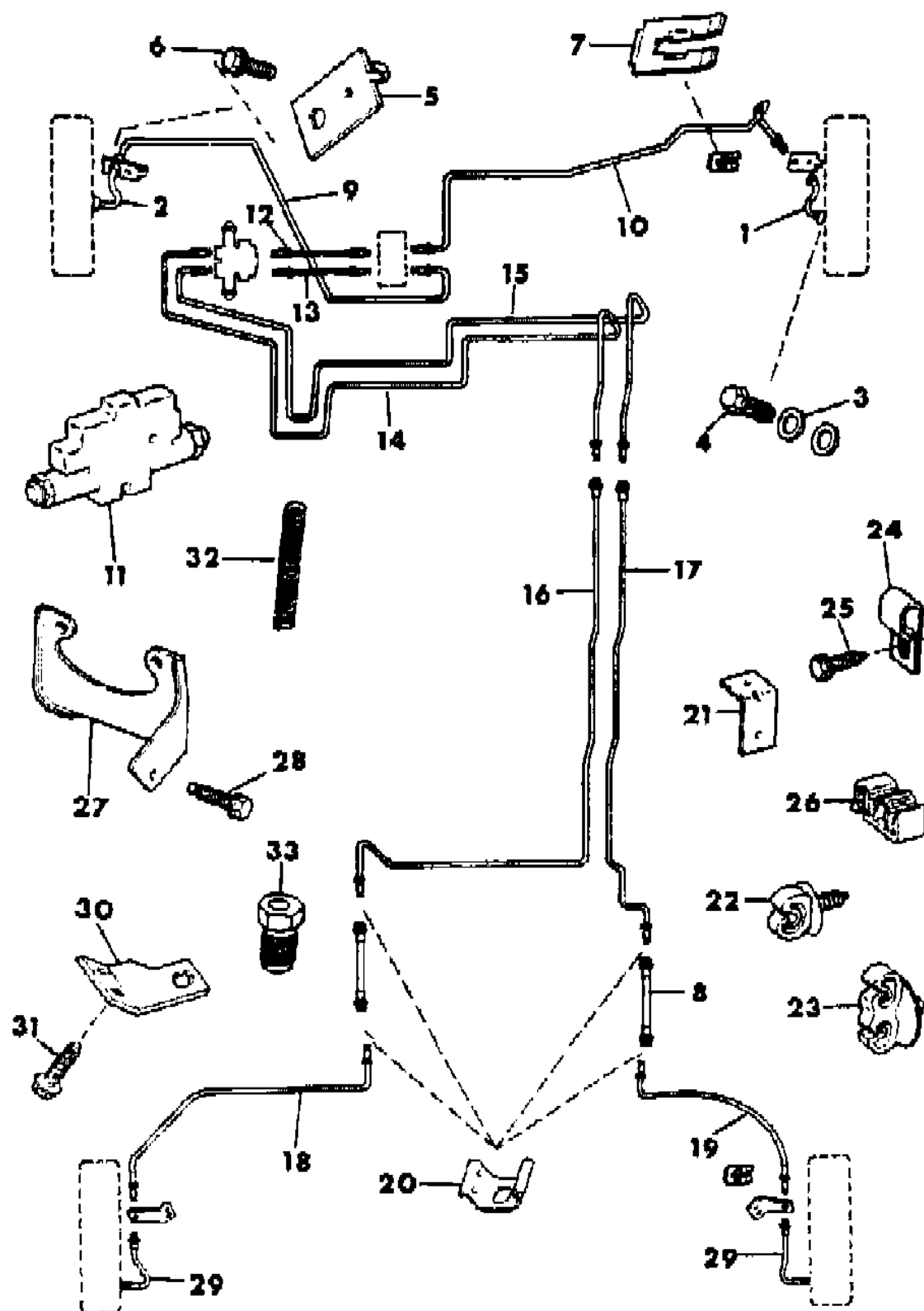
1988:
55 = 4 dr. Sedan
1989-92:
6 = 4 Dr. Sedan

AR = Use as Required - = Non Illustrated Part P.A.R. = Paint as Required

LINES AND HOSES, BRAKE W/REAR DISC

Figure 5-400

8P05 400 A



ITEM	PART NUMBER	QTY	BODY	MODEL	DESCRIPTION
	4485 568	1		1990	
	4509 108	1		1991-92, w/o Anti-Lock Brakes	
	4485 768	1		1991-92, w/Anti-Lock Brakes	
16					LINE, Brake
	3200 3087	1		1988-89	
	4485 573	1		1990	
	4509 113	1		1991-92	
17					LINE, Brake
	3200 3086	1		1988-89	
	4485 572	1		1990	
	4509 112	1		1991-92	
18	1843 251	1			LINE, Right Rear Brake, Bulk Tubing, 25' Roll, 3/16 O.D.
19	1843 251	1			LINE, Left Rear Brake, Bulk Tubing, 25' Roll, 3/16 O.D.
20	T070 5561	4			CLIP
21	3200 3076	1			BRACKET
22	3200 0404	1			CLIP
23					CLIP
	5300 1242	4		1988-89	
	4485 561	4		1990-92	
24	J314 1309	1			CLIP
25	J812 0054	1			SCREW
26		4			CLIP
	3200 2292	4		1989	
	4485 574	4		1990-92	
27					BRACE
	3200 3061	1		1988-89	
	4584 103	1		1990-92	
28	3420 2732	1			BOLT
29	3200 3396	2			HOSE, Brake
	3420 2078	2			BOLT, Brake Hose to Caliper
30					BRACKET, Rear Brake Line to Brake Hose
	3200 3132	1		Right	
	3200 3133	1		Left	
31					BOLT
	1150 4988	AR		1988-90	
	3420 2546	AR		1991-92	
32	3879 283	AR			COVER, Brake Tubing
33					NUT, ISO Flare
	3200 0410	AR		1988-90	
	6502 286	AR		1991-92	

MODEL CODES:

1988:	1989:	1990-92:	1990-92:
559 - Premier LX	56 - Premier LX	DP-Monaco LE	XP-Premier LX
	557 - Premier ES		DS-Monaco ES
	66 - Premier ES		XS-Premier ES

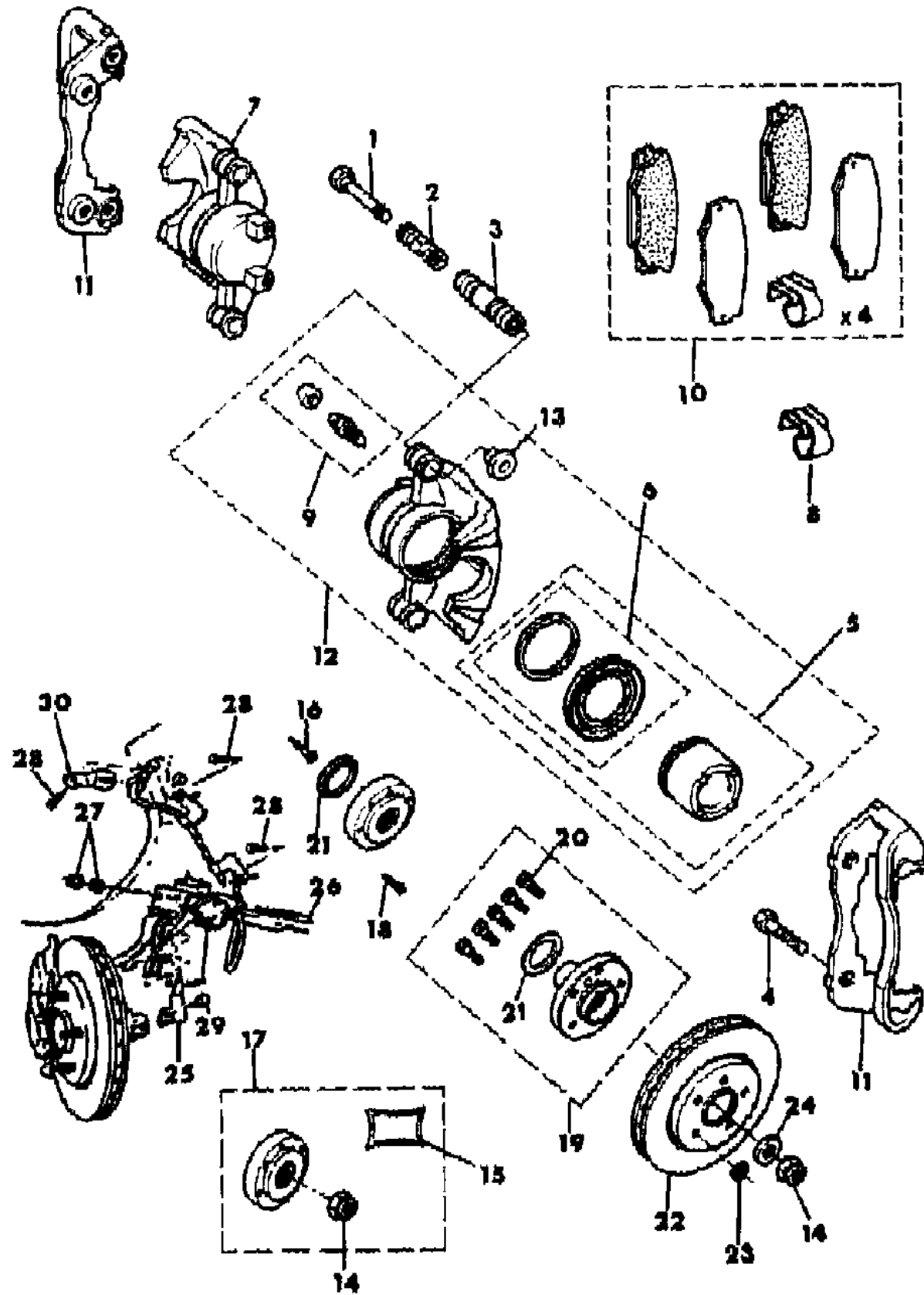
BODY STYLES:

1988:
55 = 4 dr. Sedan
1989-92:
6 = 4 Dr. Sedan

AR = Use as Required - = Non Illustrated Part P.A.R. = Paint as Required

BRAKES, FRONT
Figure 5-500

8P05 500 B



ITEM	PART NUMBER	QTY	BODY	MODEL	DESCRIPTION
1	8350 4552	4			PIN, Caliper 1988-90
	4423 639	4			1991-92
2	8350 4548	4			SLEEVE 1988-90
	4423 573	4			1991-92
3	8350 4551	4			BUSHING 1988-90
	4383 471	4			1991-92
4	3420 2854	4			BOLT 1988-90
	6502 303	4			1991-92
5	8350 4545	2			PISTON PACKAGE, Front Caliper *** 1988-90
	4713 874	2			1991-92
6	8350 4546	2			SEAL PACKAGE, Front Caliper 1988-90
	4364 781	2			1991-92
7	8350 4542	1			CALIPER, Right Front Brake (Mounts on Rear) 1988-90
	4423 467	1			1991-92
8	8350 5590	4			CLIP, Anti-Rattle 1988-89
	4423 513	4			1990, Leading
	4423 514	4			1990, Trailing
	4423 443	2			1991-92
9	8350 4547	2			SCREW PACKAGE, Bleeder *** 1988-90
	3780 788	2			SCREW, 1991-92
	5204 389	2			CAP, 1991-92
10	8350 4544	1			PAD PACKAGE, Front Brake 1988-90
	4585 035	1			1991-92
11	8350 4549	2			BRACKET, Caliper Mounting 1988-90
	4423 598	2			1991-92
12	8350 4543	1			CALIPER, Left Front Brake (Mounts on Rear) 1988-90
	4423 466	1			1991-92
13	8350 4550	4			RETAINER

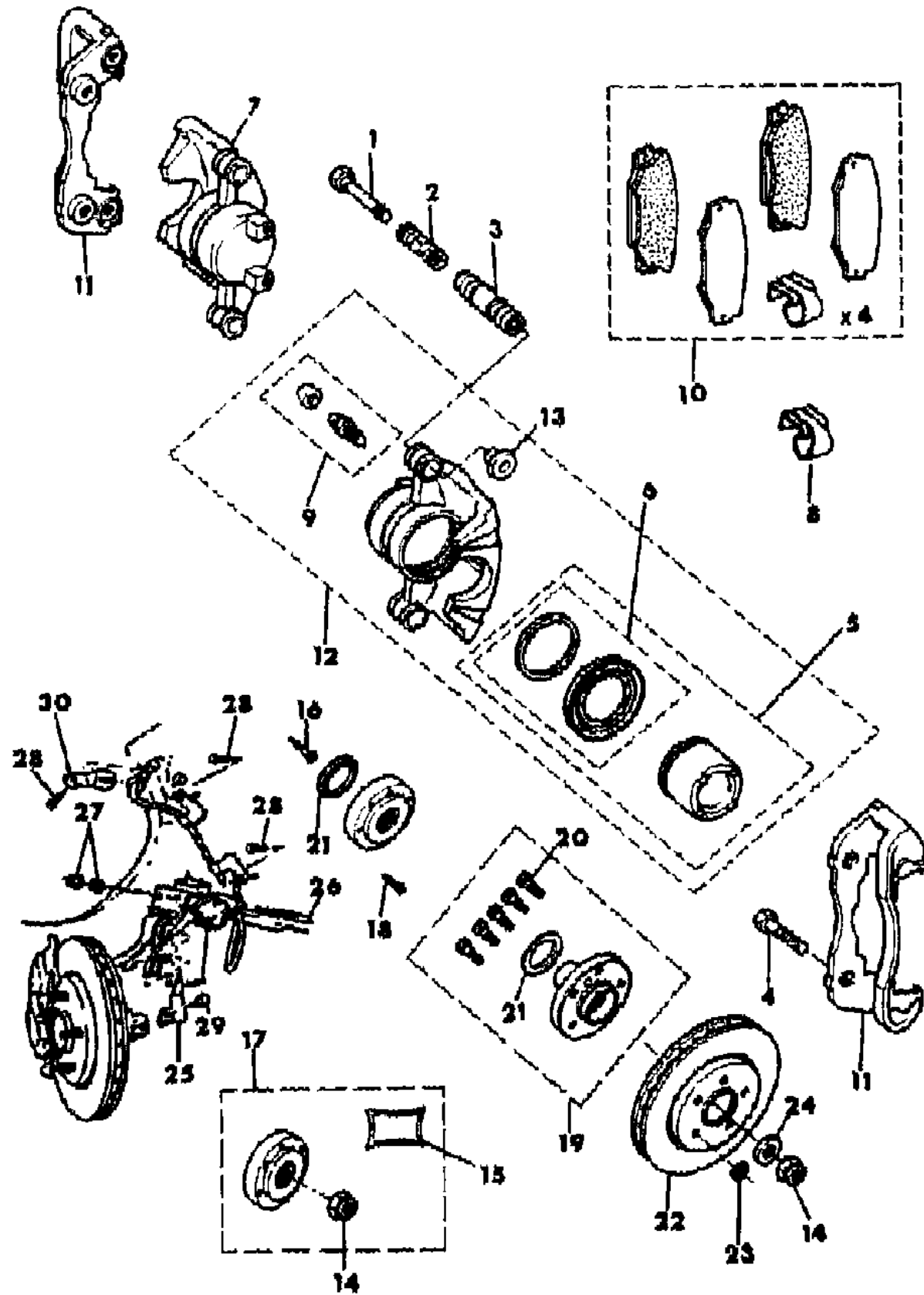
MODEL CODES:
 1988: 559 - Premier LX
 1989: 56 - Premier LX
 557 - Premier ES
 66 - Premier ES
 1990-92: DP-Monaco LE
 1990-92: XP-Premier LX
 DS-Monaco ES
 XS-Premier ES

BODY STYLES:
 1988:
 55 = 4 dr. Sedan
 1989-92:
 6 = 4 Dr. Sedan

AR = Use as Required - = Non Illustrated Part P.A.R. = Paint as Required

BRAKES, FRONT
Figure 5-500

8P05 500 B



ITEM	PART NUMBER	QTY	BODY	MODEL	DESCRIPTION
14	3420 1106	2			NUT
15	T102 2166	2			GREASE
16	3420 2693	6			BOLT
17	8350 4909	2			BEARING, Front Wheel
18	T300 7088	12			BOLT
19	3200 2277	2			HUB, Front Wheel
20	3200 0160	10			STUD, Wheel
21	J066 2816	4			DEFLECTOR, Grease
22					ROTOR, Front Brake
	3200 1481	2		1988-90	
	4423 369	2		1991	
	4584 398	2		1992	
23	1150 2737	4			NUT
24	J071 0507	2			WASHER
25	4485 786-7	1			SENSOR ASSEMBLY, Front Wheel Disc, w/Anti-Lock Brakes ***
26	4509 090	2			U-BOLT ***
27	6502 337	4			NUT
28					SCREW (DNS) ***
29	6101 419	4			BOLT
30					RETAINER, Front Sensor Wire Grommet
	4485 928	1			Right
	4485 783	1			Left

MODEL CODES:
 1988: 559 - Premier LX
 1989: 56 - Premier LX
 557 - Premier ES
 66 - Premier ES
 1990-92: DP-Monaco LE
 1990-92: XP-Premier LX
 DS-Monaco ES
 XS-Premier ES

BODY STYLES:
 1988:
 55 = 4 dr. Sedan
 1989-92:
 6 = 4 Dr. Sedan

AR = Use as Required - = Non Illustrated Part P.A.R. = Paint as Required

BRAKES, REAR DRUM
Figure 5-600

8P05 600 B

ITEM	PART NUMBER	QTY	BODY	MODEL	DESCRIPTION
1					PLATE, Backing (Left)
	8350 4535	1			1988-89
	4584 105	1			1990-92
2	3200 0147	2			PLUG, Adjusting
3					SHOE PACKAGE, Rear Brakes ***
	8350 4528	1			1988-89
	4584 110	1			1990-92
4	8350 4531	2			SPRING, Rear Brake Adjuster
5	8350 4539	1			SPRING, Rear Brake Return
6	8350 4537	1			LEVER, Cable (Left)
7	8350 4536	1			LEVER, Cable (Right)
8	8350 2900	2			WASHER
9					RETAINER
	J310 8202	2			1988-89
	4584 109	2			1990-92
10					LEVER, Adjuster (Left)
	8350 4541	1			1988-91
	4713 151	1			1992
11					ADJUSTER, Shoe - Left
	8350 4533	1			1988-89
	4584 107	1			1990
	4713 147	1			1991-92
12					ADJUSTER, Shoe - Right
	8350 4532	1			1988-89
	4584 106	1			1990
	4713 146	1			1991-92
13					RETAINER PACKAGE, Rear Brake Shoes ***
	8350 4530	1			1988-89
	4584 113	4			Spring & Cup Assembly, 1990-92
	4584 114	4			Pin, 1990-92
14					LEVER, Adjuster (Right)
	8350 4540	1			1988-91
	4713 150	1			1992
15					PLATE, Backing (Right)
	8350 4534	1			1988-89
	4584 104	1			1990-92
16	J076 2039	8			BOLT
17	8350 4538	1			SPRING, Return
18					CYLINDER, Rear Wheel
	8350 4529	2			1988-89

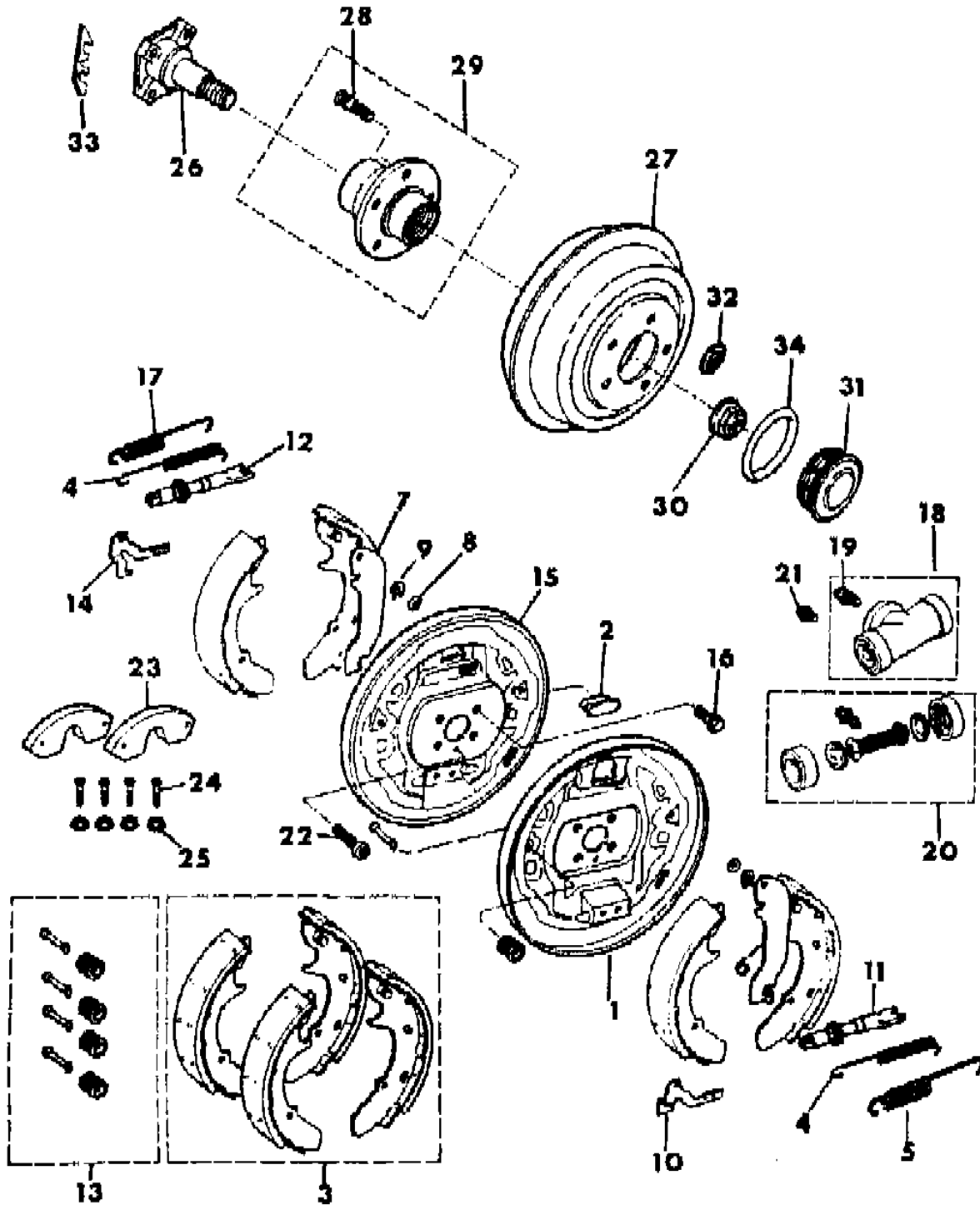
MODEL CODES:

1988:	1989:	1990-92:	1990-92:
559 - Premier LX	56 - Premier LX 557 - Premier ES 66 - Premier ES	DP-Monaco LE	XP-Premier LX DS-Monaco ES XS-Premier ES

BODY STYLES:

1988:
55 = 4 dr. Sedan
1989-92:
6 = 4 Dr. Sedan

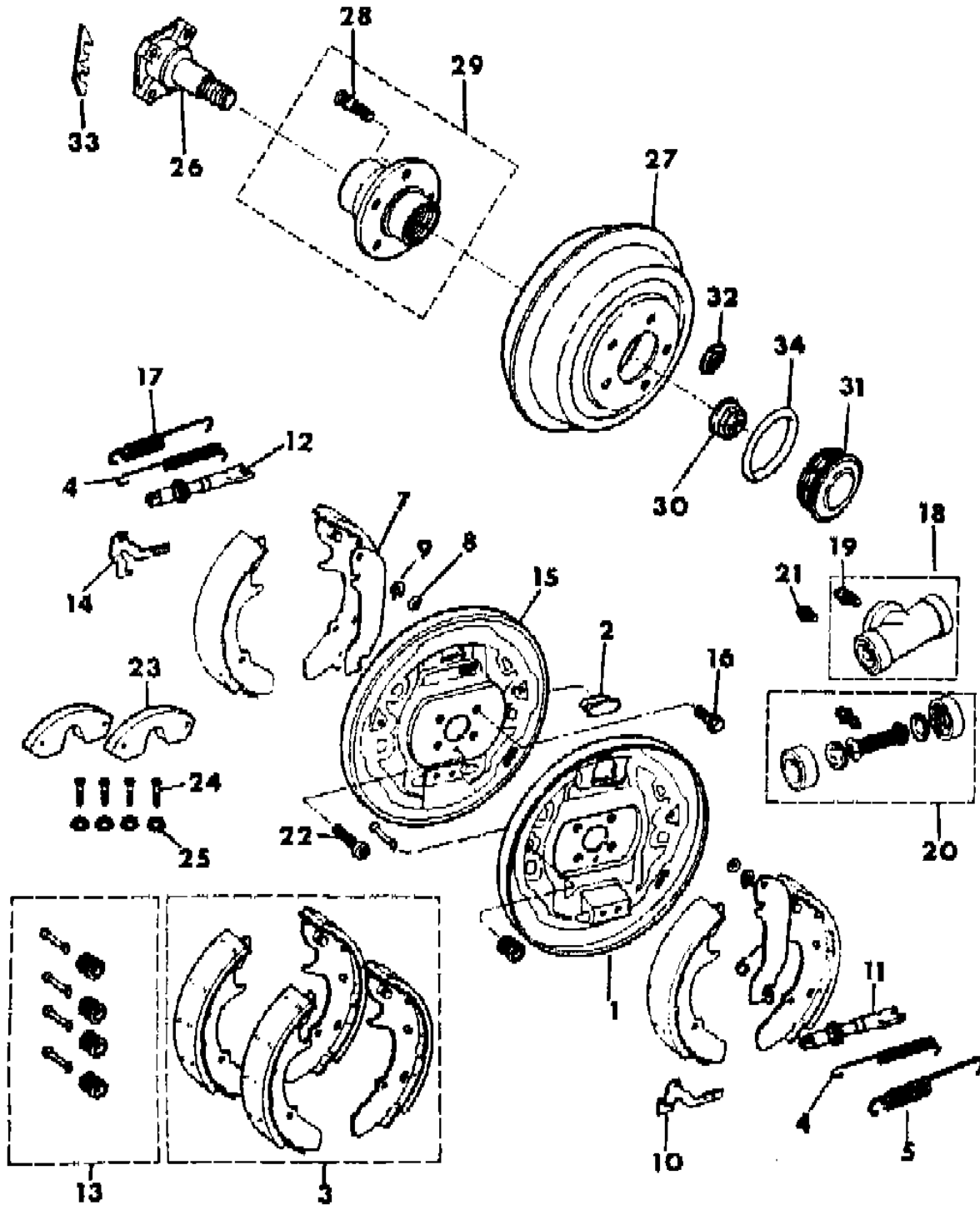
AR = Use as Required - = Non Illustrated Part P.A.R. = Paint as Required



BRAKES, REAR DRUM
Figure 5-600

8P05 600 B

ITEM	PART NUMBER	QTY	BODY	MODEL	DESCRIPTION
	4584 108	2			1990
	4584 212	2			1991-92
19	8350 4555	1			SCREW, Bleeder 1988-89
	3780 788	1			1990-92
20	8350 4554	2			REPAIR PACKAGE, Rear Wheel Cylinder (1988-89)
21	3200 0187	4			BOLT
22	3420 2546	2			BOLT
23	3200 3100	2			DAMPENER
24	3420 2124	4			BOLT
25	1150 3750	4			NUT
26	J077 7497	2			SPINDLE, Rear Axle
27					DRUM, Rear Brake
	3200 1490	2			1988
	4423 134	2			1989-92
28					STUD, Rear Wheel
	3200 0160	10			1988
	3200 3225	10			1989-92
29					HUB w/BEARING, Rear Wheel ***
	3200 2919	2			1988
	4423 537	2			1989-92
30	J303 4118	2			NUT
31	J075 4338	2			CAP
32	3420 2942	6			NUT
33	5205 114	AR			SHIM
34	4584 339	AR			O-RING, Dust Cap



MODEL CODES:

1988:	1989:	1990-92:	1990-92:
559 - Premier LX	56 - Premier LX 557 - Premier ES 66 - Premier ES	DP-Monaco LE	XP-Premier LX DS-Monaco ES XS-Premier ES

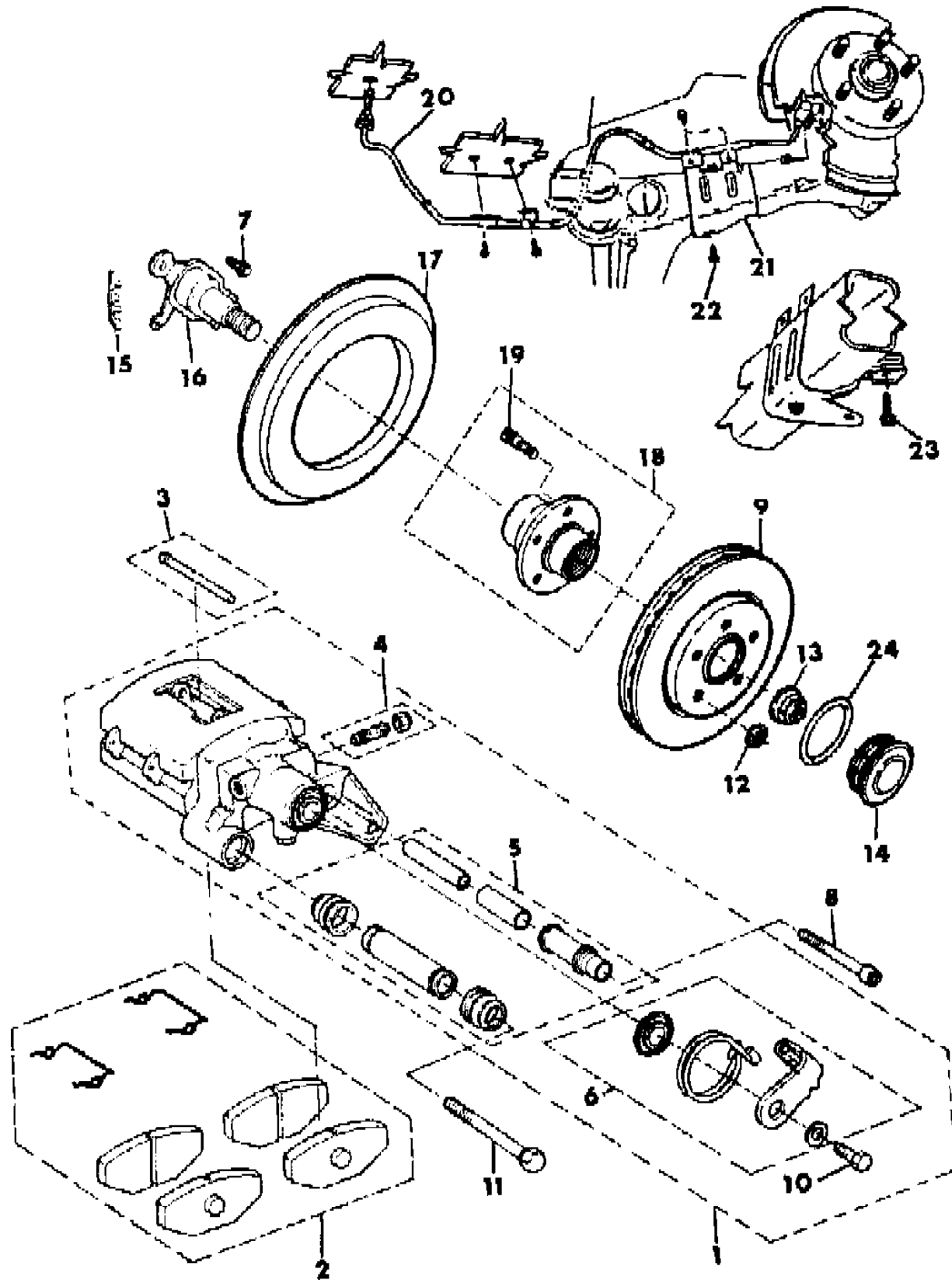
BODY STYLES:

1988:
55 = 4 dr. Sedan
1989-92:
6 = 4 Dr. Sedan

AR = Use as Required - = Non Illustrated Part P.A.R. = Paint as Required

BRAKES, REAR DISC
Figure 5-700

8P05 700 F



ITEM	PART NUMBER	QTY	BODY	MODEL	DESCRIPTION
1	4423 480-1	1			CALIPER, Rear Brake
2	4423 662	1			PAD PACKAGE, Rear Brake
3	4423 570	2			PIN, Shoe Retaining
4	4504 349	2			SCREW PACKAGE, Bleeder ***
5	4423 504	2			ATTACHING PACKAGE ***
6	4423 506-7	1			SPRING and LEVER PACKAGE ***
7	J076 2039	8			BOLT, Spindle Assembly to Axle
8	3420 2857	2			BOLT
9	3200 2858	2			ROTOR, Rear Brake
10		2			BOLT (DNS) ***
11	3420 2858	2			BOLT
12	3420 2942	6			NUT
13	J303 4118	2			NUT
14	J075 4338	2			CAP
15					SHIM
	5205 114	AR			1988-89
	5272 170	AR			1990-92
16					SPINDLE, Rear Axle
					Right
	3200 3104	1			1988-89
	5272 172	1			1990-92
					Left
	5272 123	1			1988-90
	5272 173	1			1991-92
17	3200 2859	2			SHIELD, Splash Rear Brakes
18					HUB w/BEARING, Rear Wheel ***
	4423 537	2			w/o ABS
	4423 373	2			w/ABS
19					STUD, Rear Wheel (Part of Item 18)
20	4485 798-9	1			SENSOR ASSEMBLY, Rear Wheel Disc, w/Anti-Lock Brakes ***
21	4485 920-1	1			BRACKET, Rear Wheel Speed Sensor Mounting
22	J400 4626	2			SCREW
23		2			SCREW (Not Serviced) ***
24	4584 339	AR			O-RING, Dust Cap

MODEL CODES:

1988:	1989:	1990-92:	1990-92:
559 - Premier LX	56 - Premier LX 557 - Premier ES 66 - Premier ES	DP-Monaco LE	XP-Premier LX DS-Monaco ES XS-Premier ES

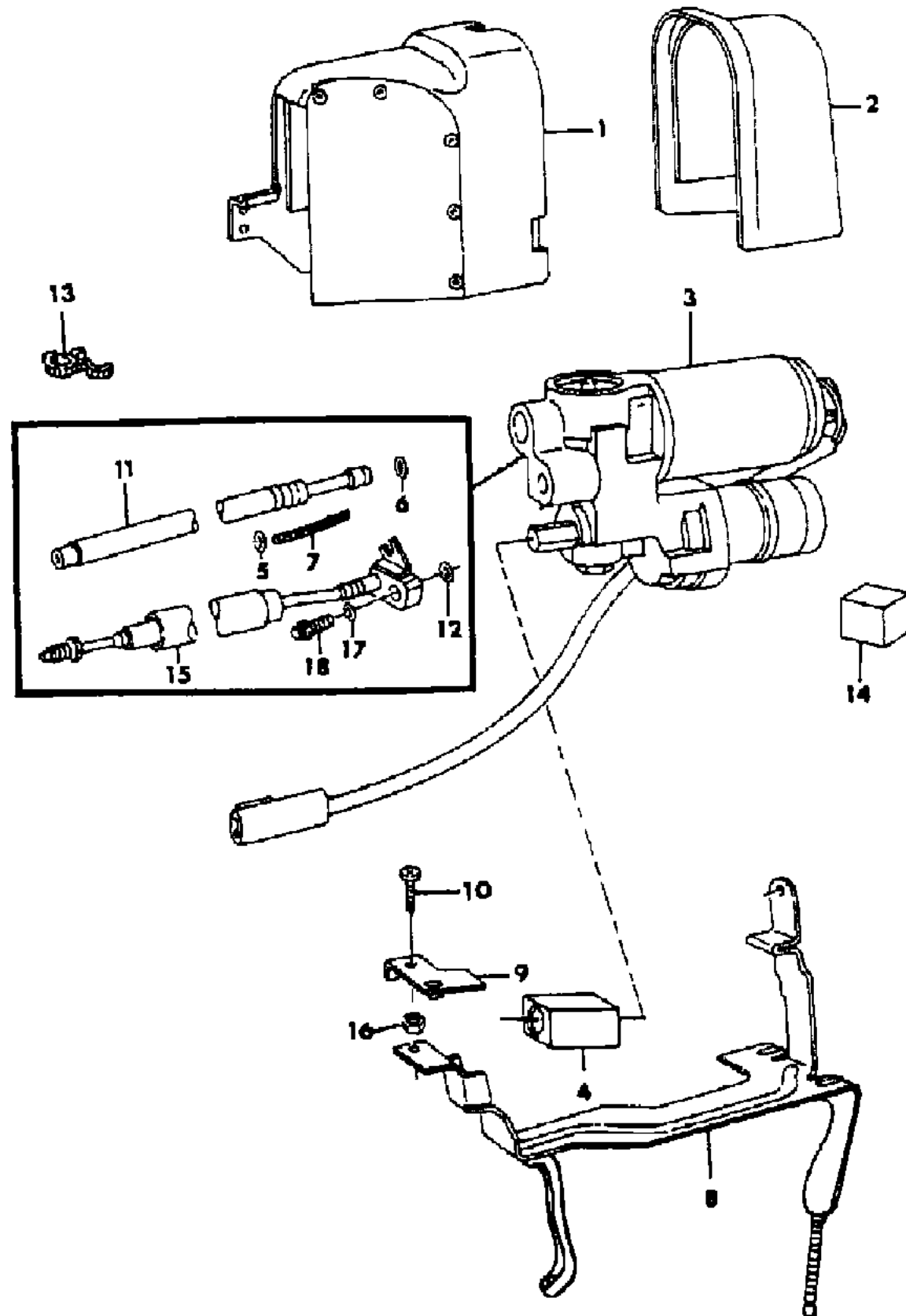
BODY STYLES:

1988:
55 = 4 dr. Sedan
1989-92:
6 = 4 Dr. Sedan

AR = Use as Required - = Non Illustrated Part P.A.R. = Paint as Required

ANTI-LOCK BRAKE SYSTEM
Figure 5-800

8P05 800 B



ITEM	PART NUMBER	QTY	BODY	MODEL	DESCRIPTION
1	4485 965	1			SHIELD AND COVER, Heat ***
2	4485 963	1			SHIELD AND BRACKETS, Heat (Includes Items #8 & 9) ***
3	4723 546	1			PUMP and MOTOR ASSEMBLY, w/o Hoses and Bracket ***
-	4509 056	1			Pump & Motor assembly, w/Hoses
-	4584 472	1			Pump & Motor w/Hoses Package, Also Includes Items #1,2,4 and 14.
4	4485 341	1			ISOLATOR ***
5	4485 949	1			O-RING
6	4485 977	1			O-RING
7	4485 948	1			FILTER
8					BRACKET (Serviced in Item #2) ***
9					BRACKET (Serviced in Item #2) ***
10					SCREW (Not Serviced) ***
11	4723 107	1			HOSE PACKAGE, Return ***
12	4485 616	1			O-RING
13	6015 756	4			STRAP
14	4485 342	1			ISOLATOR ***
15	4723 117	1			HOSE PACKAGE, High Pressure. Includes Items #12,13,17,18, 4584407 Hose, 4485116 Cover and a Tie Strap ***
16					NUT, (Not Serviced)
17	4509 241	1			O-RING
18	4720 436	1			SCREW

MODEL CODES:

1988:	1989:	1990-92:	1990-92:
559 - Premier LX	56 - Premier LX 557 - Premier ES 66 - Premier ES	DP-Monaco LE	XP-Premier LX DS-Monaco ES XS-Premier ES

BODY STYLES:

1988:
55 = 4 dr. Sedan
1989-92:
6 = 4 Dr. Sedan

AR = Use as Required - = Non Illustrated Part P.A.R. = Paint as Required

GROUP 7 - COOLING

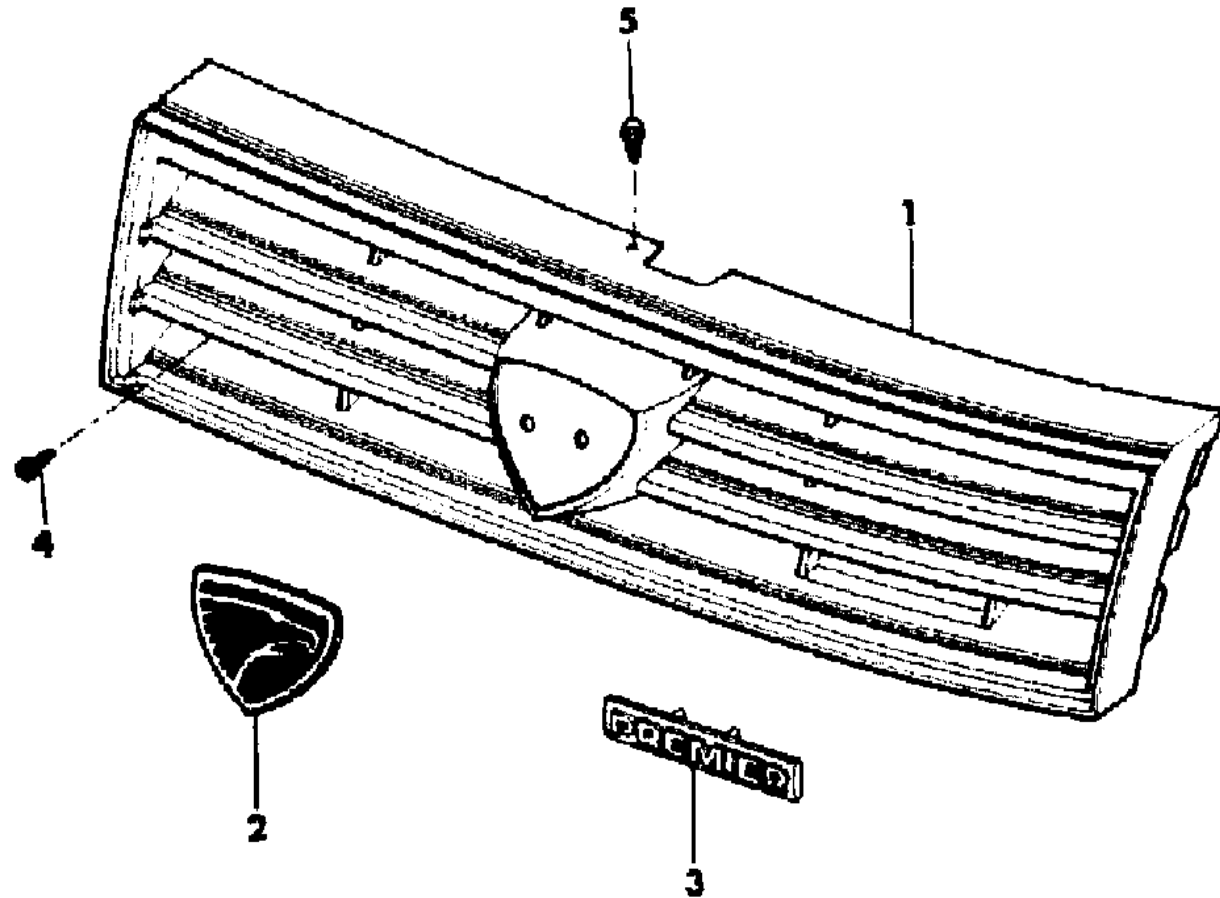
ILLUSTRATION TITLE	GROUP-FIG. NO.
GRILLE AND RELATED PARTS	
GRILLE AND RELATED PARTS	Fig. 7-100
RADIATOR AND RELATED PARTS	
RADIATOR AND RELATED PARTS 4 CYLINDER ENGINE	Fig. 7-200
RADIATOR AND RELATED PARTS 6 CYLINDER Z7X-711 1988-91	Fig. 7-300
RADIATOR AND RELATED PARTS 6 CYLINDER Z7X-715 1991-92	Fig. 7-350
COOLANT RESERVE TANKS	
COOLANT RESERVE TANKS	Fig. 7-400
OIL COOLER LINES	
OIL COOLER LINES 6 CYLINDER ENGINE, Z7X-715 1991-92	Fig. 7-450
DRIVE BELTS	
DRIVE BELTS	Fig. 7-500
DRIVE PULLEYS	
DRIVE PULLEYS 4 CYLINDER ENGINE	Fig. 7-600
DRIVE PULLEYS 6 CYLINDER ENGINE	Fig. 7-700
WATER PUMPS	
WATER PUMP 4 CYLINDER ENGINE	Fig. 7-800
WATER PUMP 6 CYLINDER ENGINE, Z7X-711 1988-1991	Fig. 7-900
WATER PUMP 6 CYLINDER ENGINE, Z7X-715 1991-92	Fig. 7-1000

ILLUSTRATION NOT AVAILABLE AT TIME OF PUBLICATION

GRILLE AND RELATED PARTS

Figure 7-100

8P07 100



ITEM	PART NUMBER	QTY	BODY	MODEL	DESCRIPTION
1					GRILLE, Radiator
					PREMIER
	4515 314	1			Primed 1989-92 (Medallion not included)
	4515 309	1			Chrome/Black
	AF23 KA2	1			Silver 1991-92
	AF23 KBF	1			Medium Blue 1991-92
	AF23 KC1	1			Diamond Blue 1991-92
	AF23 KM9	1			Dark Cherry 1991-92
	AF23 LP5	1			Teal 1992
	AF23 LRF	1			Radiant Red 1992
	AF23 KS7	1			Charcoal 1991-92
	AF23 KV4	1			Light Champagne 1991-92
	AF23 KW7	1			White 1991-92
	AF23 KX8	1			Black 1991-92 w/Sports Pkg. 1991
	ER61 KE4	1			Colorado Red
	ER61 KA2	1			Silver
	ER61 KX8	1			Black
	WH69 KW7	1			White
					MONACO
	4515 300	1			Bright
	AJ84 JX8	1			Black
	AJ84 JW7	1			White
	AJ84 JA2	1			Silver
	AJ84 JM9	1			Dark Cherry
	AJ84 JE4	1			Colorado Red
	AJ84 KBF	1			Medium Blue
	AJ84 KS7	1			Dark Silver Met.
2					MEDALLION, Grille, Eagle
	3502 6050	1			Black/Chrome
	4515 097	1			Painted
3					NAMEPLATE ***
					"Premier"
	3502 5328	1			Black/Chrome 1988-90
	4515 313	1			Bright 1991-92
	4515 096	1			Painted
	4388 555	1			"Dodge"
4	3420 2737	4			SCREW
5	1150 2843	1			SCREW

MODEL CODES:

1988:	1989:	1990-92:	1990-92:
559 - Premier LX	56 - Premier LX 557 - Premier ES 66 - Premier ES	DP-Monaco LE	XP-Premier LX DS-Monaco ES XS-Premier ES

BODY STYLES:

1988:
55 = 4 dr. Sedan
1989-92:
6 = 4 Dr. Sedan

AR = Use as Required - = Non Illustrated Part P.A.R. = Paint as Required

RADIATOR AND RELATED PARTS 4 CYLINDER ENGINE

Figure 7-200

8P07 200 B

ITEM	PART NUMBER	QTY	BODY	MODEL	DESCRIPTION
1	4546 189	1			RADIATOR (Also order Sensor 32001846)
2	8350 5381	1			DRAINCOCK
3	3200 2983	2			CLAMP
4	1150 3745	2			NUT
5					HOSE, Inlet
	3200 2778	1		1988	
	4546 050	1		1989	
6	3200 2255	1			CLAMP
7	J400 6951	1			BOLT
8					HOUSING, Thermostat
	3300 3612	1		1988	
	5300 5529	1		1989	
9	3200 2256	2			CLAMP
10	3200 2708	1			HOSE
11	8350 1426	1			THERMOSTAT PACKAGE, Engine Coolant
12	J318 9874	1			GASKET
13	J076 7751	1			SWITCH, Coolant Temp.
14	J400 6985	1			BOLT
15	3200 2366	1			CLAMP
16	3200 1771	1			HOSE, Outlet
17	3200 1846	1			SENSOR
18	3300 1029	1			GASKET
19	3200 1839	1			MODULE, Fan
20	8350 4650	1			RETAINER, Fan
21	8350 4648	1			FAN, Cooling
22	8350 4649	1			MOTOR, Fan
23	8350 5185	1			SHROUD, Fan
24	3420 1756	2			BOLT
25	8350 4651	3			SCREW
26	3300 0784	1			CLAMP
27	4546 093	2			CLIP, Shroud Mounting, Lower
28	4546 097	2			GASKET, Radiator Tank to Header
29	4546 095	1			TANK, Radiator, Inlet
30	4546 099	2			ISOLATOR, Mounting, Upper
31	4266 396	2			ISOLATOR, Mounting, Lower

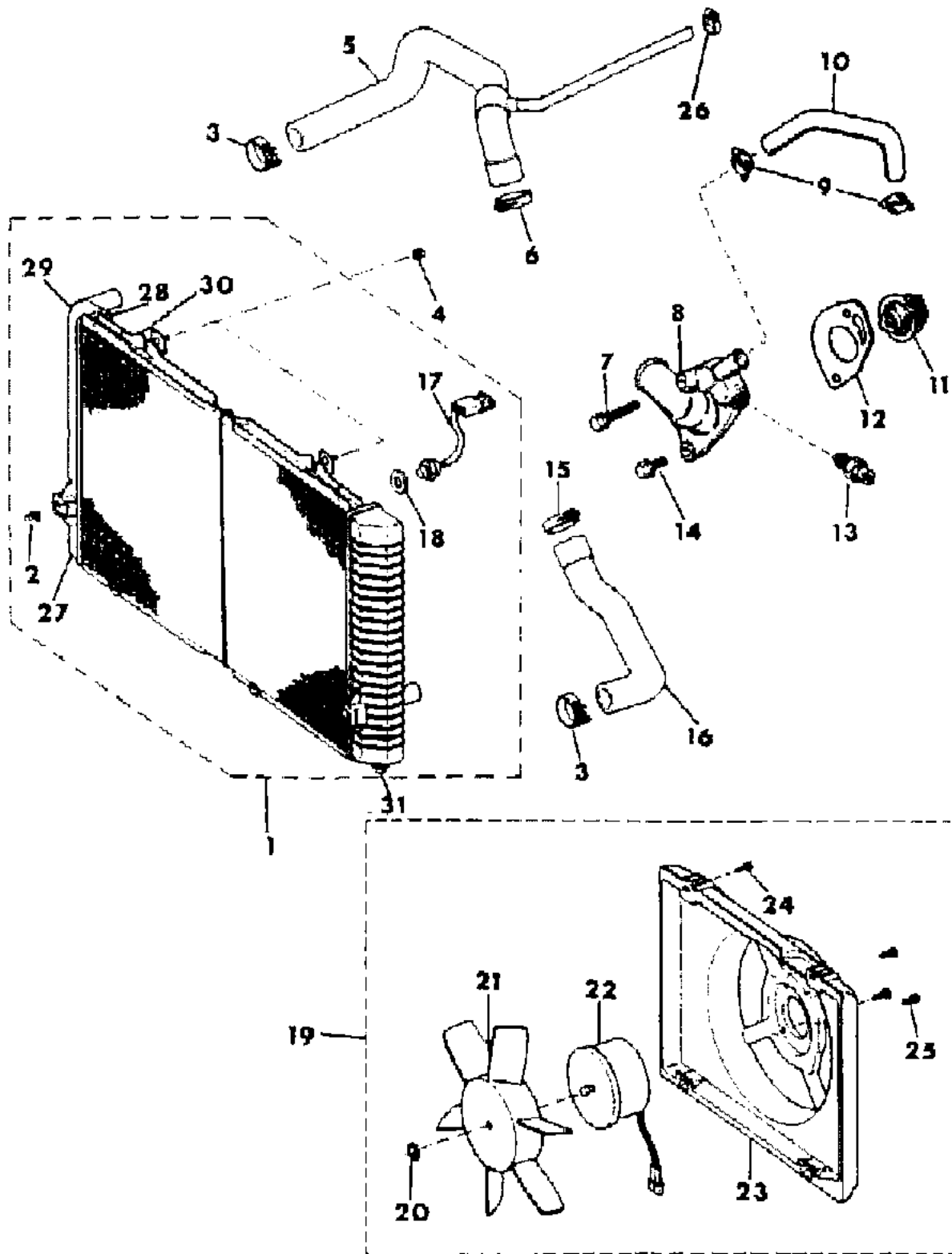
MODEL CODES:

1988:	1989:	1990-92:	1990-92:
559 - Premier LX	56 - Premier LX	DP-Monaco LE	XP-Premier LX
	557 - Premier ES		DS-Monaco ES
	66 - Premier ES		XS-Premier ES

BODY STYLES:

1988:
55 = 4 dr. Sedan
1989-92:
6 = 4 Dr. Sedan

AR = Use as Required - = Non Illustrated Part P.A.R. = Paint as Required



RADIATOR AND RELATED PARTS 6 CYLINDER Z7X-711 1988-91

Figure 7-300

8P07 300 B

ITEM	PART NUMBER	QTY	BODY	MODEL	DESCRIPTION
1					RADIATOR
	3200 3220	1			1988-90
	4546 189	1			1991
2					DRAINCOCK
	8350 5381	1			1988-90
	4546 100	1			1991
3	3200 2983	2			CLAMP
4					HOSE, Inlet
	3200 1772	1			1988-90
	4546 203	1			1991
5	3200 2370	1			CLAMP
6	1150 3745	2			NUT
7	3300 4660	1			DECAL
8	T300 1614	2			BOLT
9	T777 7652	4			WASHER
10	T026 7926	1			HOUSING, Thermostat
11	T070 3137	1			THERMOSTAT
12	J026 8262	1			FITTING
13	3200 2371	1			CLAMP
14					HOSE, Outlet
	3200 1773	1			1988-90
	4546 204	1			1991
15	3200 1846	1			SENSOR
16	3300 1029	1			GASKET
17	3200 1839	1			MODULE, Fan
18					RETAINER, Fan
	8350 4650	1			1988-90
	6500 377	2			1991
19					FAN, Cooling
	8350 4648	1			1988-90
	4546 091	1			1991
20					MOTOR, Fan
	8350 4649	1			1988-90 (Stamped P-20746 PM,EP 0801)
	4546 286	1			1991
21					SHROUD, Fan
	8350 5185	1			1988-90 Single Fan
	4636 442	1			1991 Double Fan
22	3420 1756	2			BOLT
23	8350 4651	3			SCREW
24	4546 093	2			CLIP, Shroud Mounting, Lower

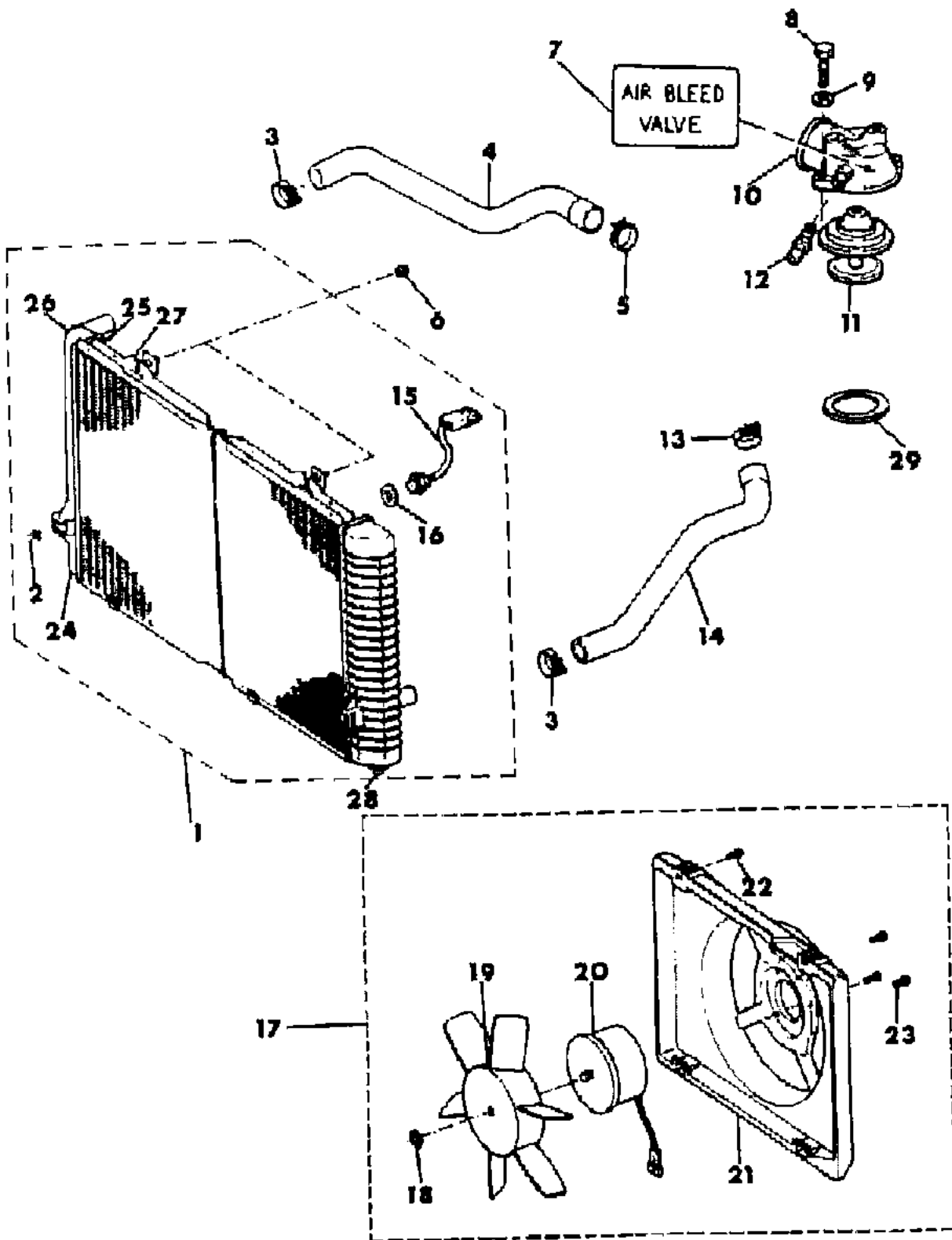
MODEL CODES:

1988:	1989:	1990-92:	1990-92:
559 - Premier LX	56 - Premier LX	DP-Monaco LE	XP-Premier LX
	557 - Premier ES		DS-Monaco ES
	66 - Premier ES		XS-Premier ES

BODY STYLES:

1988:
55 = 4 dr. Sedan
1989-92:
6 = 4 Dr. Sedan

AR = Use as Required - = Non Illustrated Part P.A.R. = Paint as Required

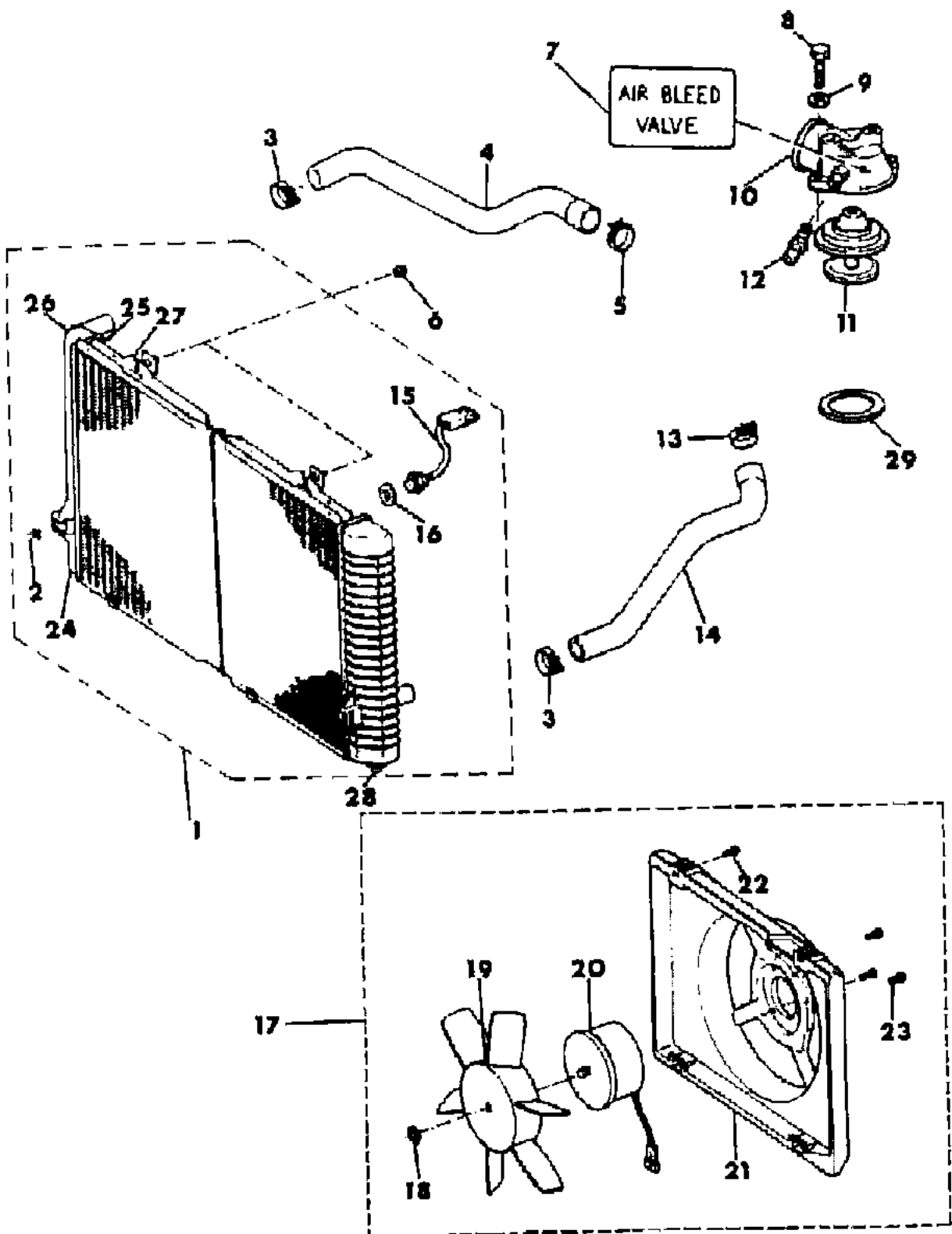


RADIATOR AND RELATED PARTS 6 CYLINDER Z7X-711 1988-91

Figure 7-300

8P07 300 B

ITEM	PART NUMBER	QTY	BODY	MODEL	DESCRIPTION
25	4546 097	2			GASKET, Radiator Tank to Header
26					TANK, Radiator (1991)
	4546 095	1			Inlet
	4546 217	1			Outlet
27	4546 099	2			ISOLATOR, Mounting, Upper
28	4266 396	2			ISOLATOR, Mounting, Lower
29	J550 5980	1			GASKET



MODEL CODES:

1988:	1989:	1990-92:	1990-92:
559 - Premier LX	56 - Premier LX	DP-Monaco LE	XP-Premier LX
	557 - Premier ES		DS-Monaco ES
	66 - Premier ES		XS-Premier ES

BODY STYLES:
 1988:
 55 = 4 dr. Sedan
 1989-92:
 6 = 4 Dr. Sedan

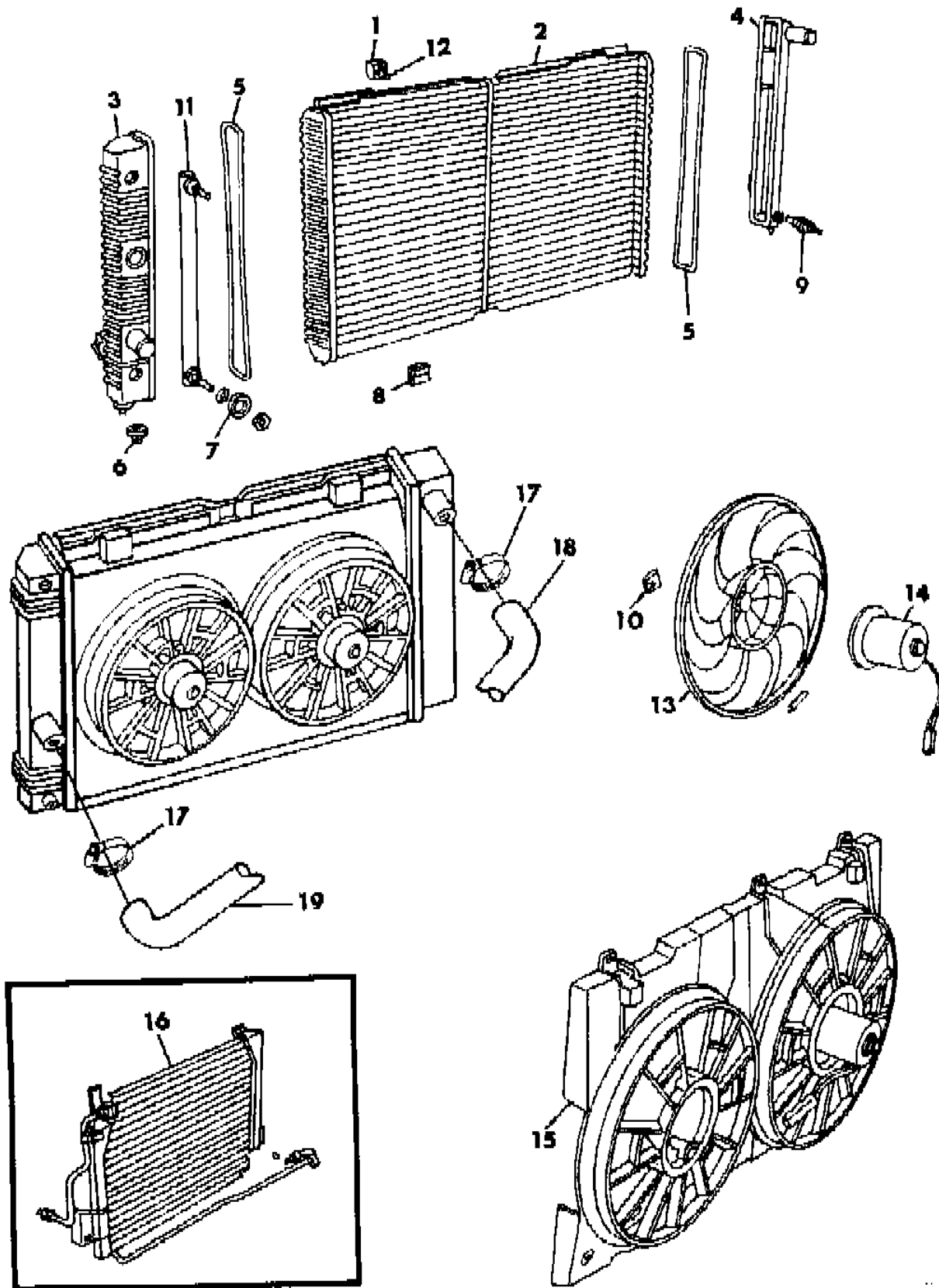
AR = Use as Required - = Non Illustrated Part P.A.R. = Paint as Required

RADIATOR AND RELATED PARTS 6 CYLINDER Z7X-715 1991-92

Figure 7-350

8P07 350A

ITEM	PART NUMBER	QTY	BODY	MODEL	DESCRIPTION
1	4546 099	2			ISOLATOR, Radiator Mounting, Upper
2	4592 138	1			RADIATOR ASSEMBLY, w/Oil Cooler (Stamped 4592140)
3	4546 217	1			TANK, Radiator, Outlet
4	4546 095	1			TANK, Radiator, Inlet
5	4546 097	2			GASKET, Tank to Header
6	4266 396	2			ISOLATOR, Lower
7	4546 328	2			O-RING, Trans. Oil Cooler, In-Tank
8	4546 093	3			CLIP, Shroud Mounting, Lower
9	4546 100	1			DRAINCOCK
10	6500 377	2			RETAINER, Radiator Fan
11	4592 137	1			COOLER ASSEMBLY, In-Tank ***
12	1150 3745	2			NUT, Radiator Mounting, Upper
13	4546 091	2			FAN, Cooling
	3420 1381	3			SCREW, Fan Assembly Mounting
14	4546 286	2			MOTOR, Fan
	4546 284	6			SCREW, Motor Attaching
15	4636 442	1			SHROUD
16	3600 2788	1			CONDENSER ASSEMBLY ***
17	4401 437	2			CLAMP
18	4546 203	1			HOSE, Inlet
19	4546 204	1			HOSE, Outlet



MODEL CODES:

1988:	1989:	1990-92:	1990-92:
559 - Premier LX	56 - Premier LX	DP-Monaco LE	XP-Premier LX
	557 - Premier ES		DS-Monaco ES
	66 - Premier ES		XS-Premier ES

BODY STYLES:

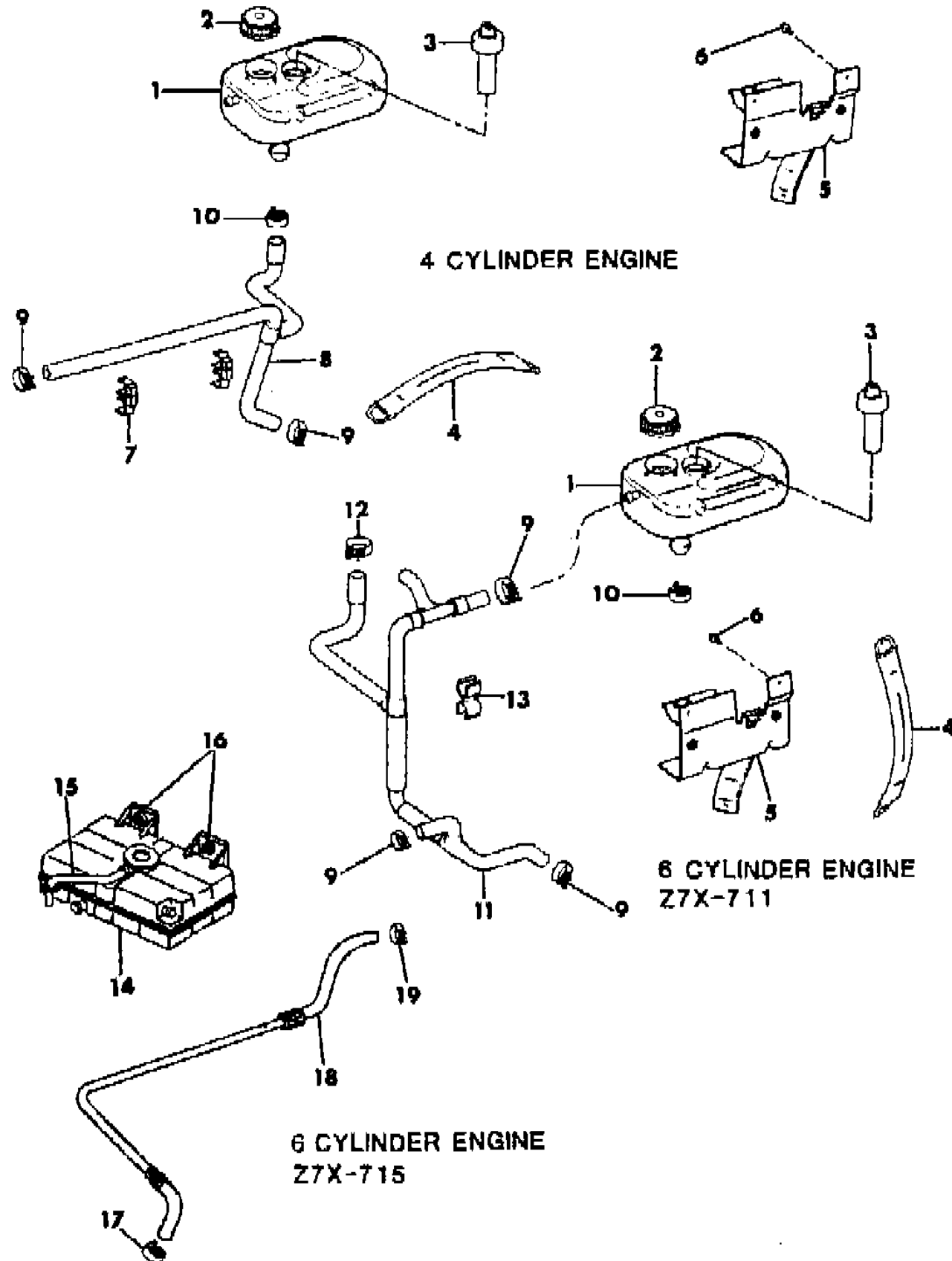
1988:
55 = 4 dr. Sedan
1989-92:
6 = 4 Dr. Sedan

AR = Use as Required - = Non Illustrated Part P.A.R. = Paint as Required

COOLANT RESERVE TANKS

Figure 7-400

8P07 400 B



ITEM	PART NUMBER	QTY	BODY	MODEL	DESCRIPTION
1	J075 8977	1			BOTTLE, Coolant w/o Vehicle Monitor System
	4546 146	1			1991-92
	J075 4183	1			w/Vehicle Monitor System
	4546 170	1			1991-92
2	4546 111	1			CAP, Coolant Bottle 1988-90
	4546 255	1			1991-92
3	3200 3028	1			SENSOR, Coolant Level - w/Vehicle Monitor System 1988-90
	4557 082	1			1991-92
4	J400 0715	1			STRAP
5					BRACKET, Coolant Bottle
	3200 3315	1			1988
	3200 1841	1			1989-90
	4546 205	1			1991-92
6	3420 1895	3			SCREW
7	3200 3152	2			BRACKET
8	3200 2248	1			HOSE
9	3200 2256	2			CLAMP
10	3200 2369	1			CLAMP
11	3200 3219	1			HOSE
12	3200 2369	1			CLAMP
13	3420 2685	1			CLIP
14					BOTTLE, Coolant ***
	4546 146	1			w/o Sensor
	4546 170	1			w/Sensor
	4557 082	1			SENSOR, Coolant Bottle
15	4546 148	1			HOSE, Overflow
16		2			SCREW, Bottle Mounting (Not Serviced)
17	J320 3077	1			CLAMP, Heater Return at Thermostat Housing
18	4546 200	1			HOSE, Heater Return at Thermostat Housing
19	6502 017	1			CLAMP, Heater Return at Bottle

MODEL CODES:

1988:	1989:	1990-92:	1990-92:
559 - Premier LX	56 - Premier LX 557 - Premier ES 66 - Premier ES	DP-Monaco LE	XP-Premier LX DS-Monaco ES XS-Premier ES

BODY STYLES:

1988:
55 = 4 dr. Sedan
1989-92:
6 = 4 Dr. Sedan

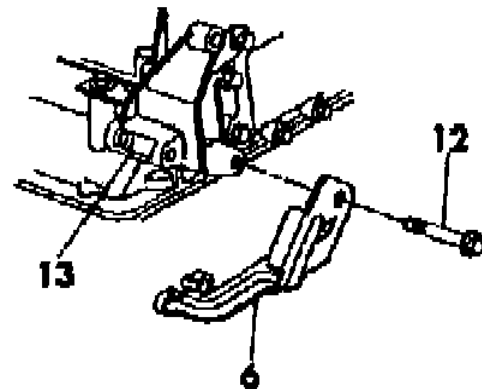
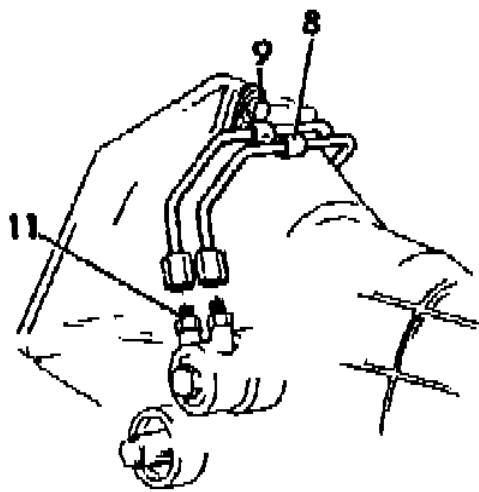
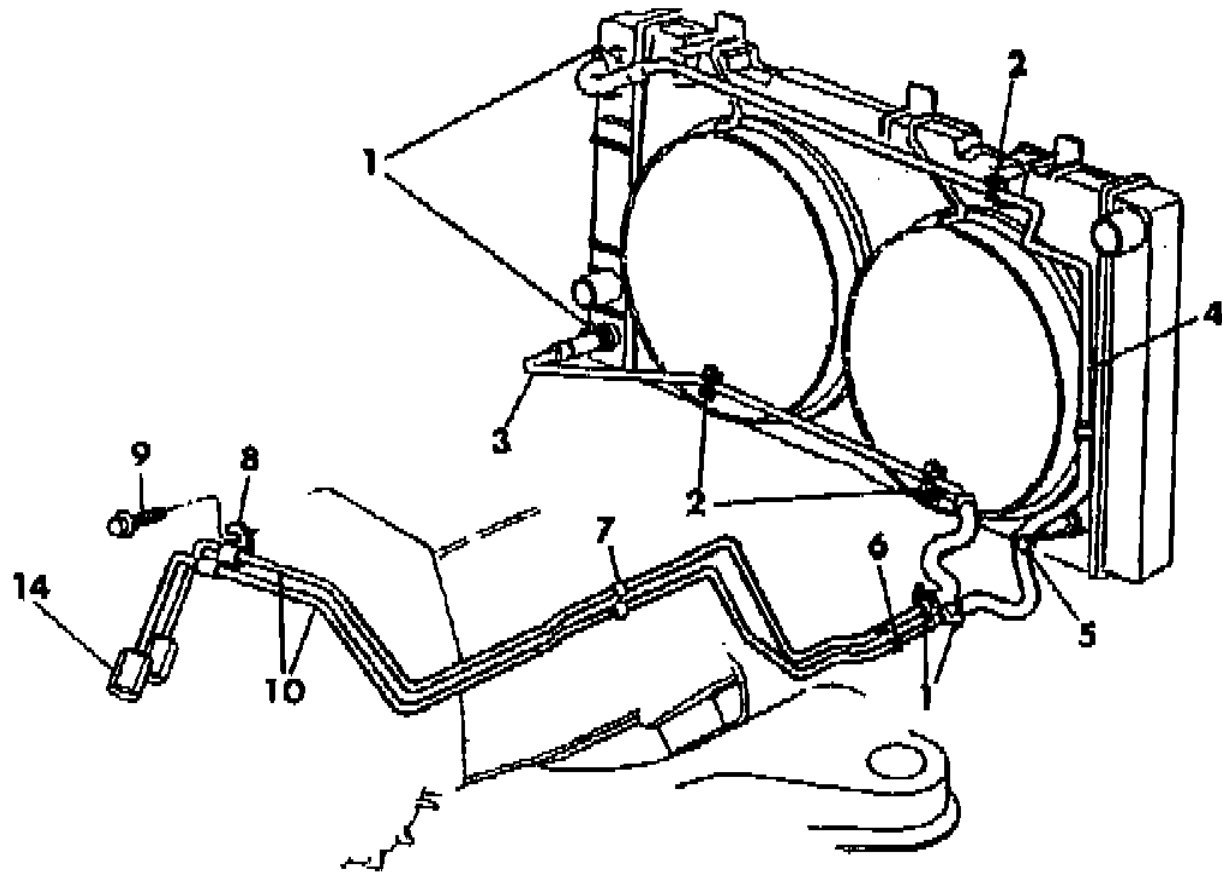
AR = Use as Required - = Non Illustrated Part P.A.R. = Paint as Required

OIL COOLER LINES 6 CYLINDER ENGINE, Z7X-715 1991-92

Figure 7-450

8P07 450A

ITEM	PART NUMBER	QTY	BODY	MODEL	DESCRIPTION
1		4			CLAMP, Cooler Hose (Not Serviced)
2	4546 102	4			CLIP, Cooler Lines
3	4592 133	1			HOSE, Cooler Return (Steel/Rubber)
	4592 179	1			Steel/Rubber 1992
	4592 178	1			Steel 1992
	4592 145	2			SLEEVE, Oil Cooler Hose
4	4592 134	1			LINE, Cooler, Pressure (Steel/Rubber) ***
	4592 180	1			Steel/Rubber 1992
	4592 177	1			Steel 1992
5	J400 0306	1			FASTENER, Cable
6	4546 105	1			BRACKET, Cooler Lines
7	4546 098	AR			CLIP, Cooler Lines
8	4546 212	1			CLIP, Cooler Lines
9	J400 7574	1			BOLT
10	4418 154	AR			LINE, Cooler (Roll Stock) ***
11	6033 879	2			FITTING
12					BOLT, Alternator & Idler Pulley (Reference)
13					BRACKET, Alternator & Idler Pulley (Reference)
14	6033 878	2			NUT, Fitting, Cooler Line



MODEL CODES:

1988:	1989:	1990-92:	1990-92:
559 - Premier LX	56 - Premier LX 557 - Premier ES 66 - Premier ES	DP-Monaco LE	XP-Premier LX DS-Monaco ES XS-Premier ES

BODY STYLES:

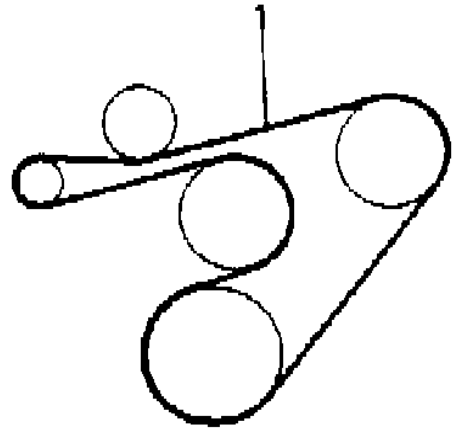
1988:
55 = 4 dr. Sedan
1989-92:
6 = 4 Dr. Sedan

AR = Use as Required - = Non Illustrated Part P.A.R. = Paint as Required

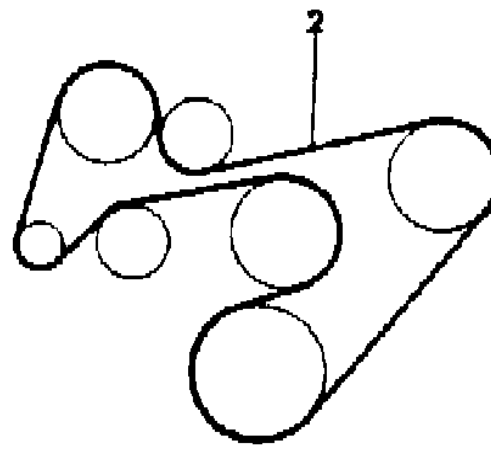
DRIVE BELTS
Figure 7-500

8P07 500 A

ITEM	PART NUMBER	QTY	BODY	MODEL	DESCRIPTION
1	B406 0735	1			BELT, Serpentine
2	JK06 0872	1			BELT, Serpentine
3	B406 0760	1			BELT, Serpentine 1988-90
	4573 333	1			1991-92
4	JK06 1040	1			BELT, Serpentine 1988-90
	4573 332	1			1991-92

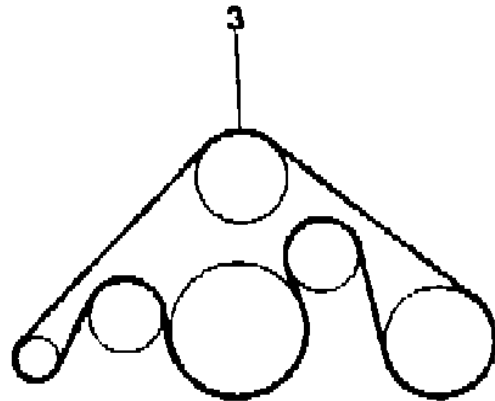


**W/O FACTORY INSTALLED
AIR CONDITIONING**

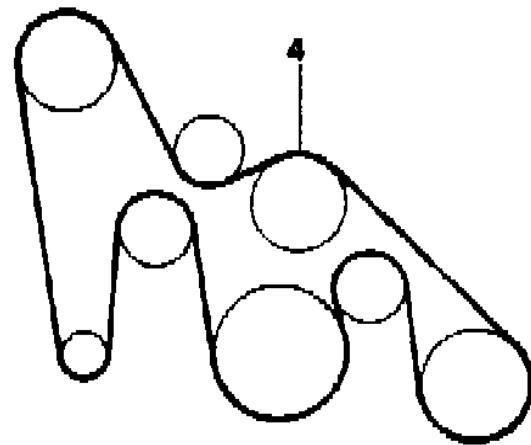


**W/FACTORY INSTALLED
AIR CONDITIONING**

4 CYLINDER ENGINE



**W/O FACTORY INSTALLED
AIR CONDITIONING**



**W/FACTORY INSTALLED
AIR CONDITIONING**

6 CYLINDER

MODEL CODES:

1988:	1989:	1990-92:	1990-92:
559 - Premier LX	56 - Premier LX 557 - Premier ES 66 - Premier ES	DP-Monaco LE	XP-Premier LX DS-Monaco ES XS-Premier ES

BODY STYLES:

1988:
55 = 4 dr. Sedan
1989-92:
6 = 4 Dr. Sedan

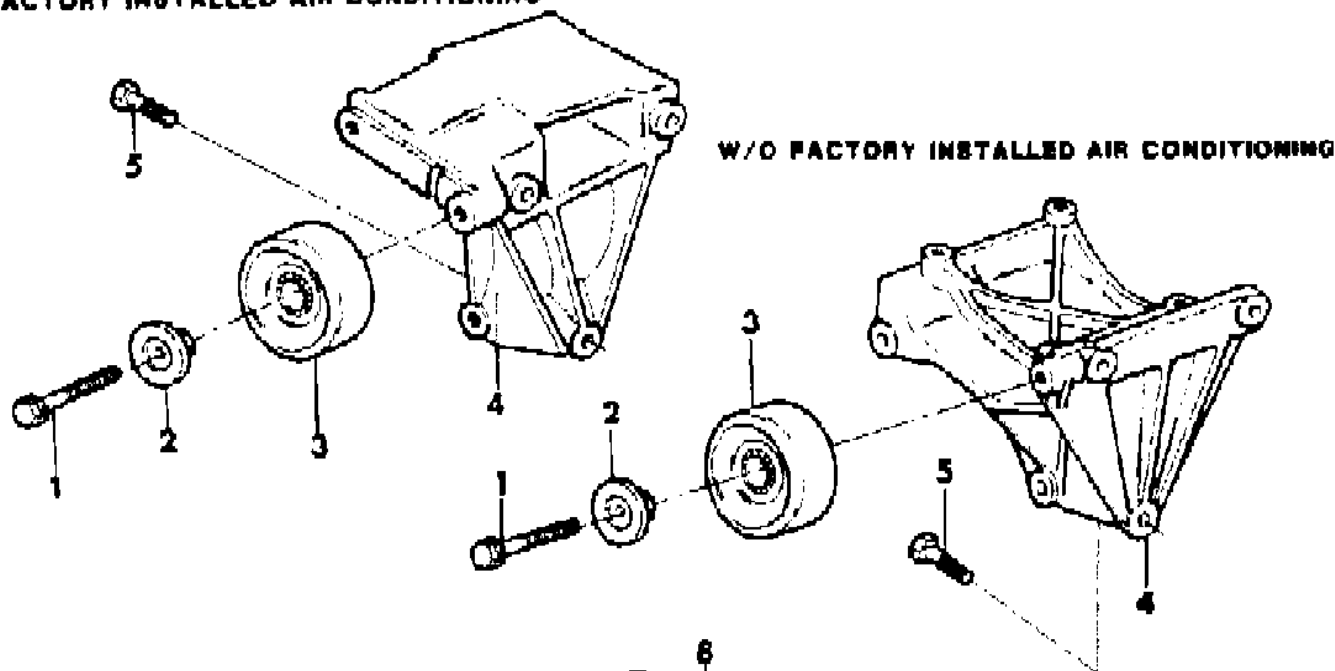
AR = Use as Required - = Non Illustrated Part P.A.R. = Paint as Required

DRIVE PULLEYS 4 CYLINDER ENGINE

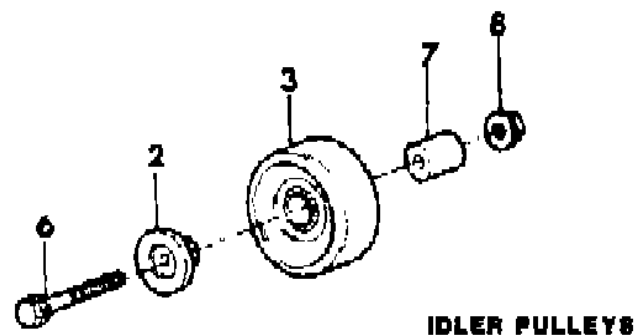
Figure 7-600

8P07 600 A

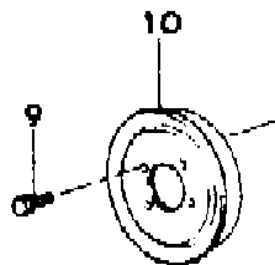
W/FACORY INSTALLED AIR CONDITIONING



W/O FACORY INSTALLED AIR CONDITIONING



IDLER PULLEYS



WATER PUMP PULLEY

ITEM	PART NUMBER	QTY	BODY	MODEL	DESCRIPTION
1	3420 1869	AR			BOLT
2	3300 2201	AR			BUSHING
3		AR			PULLEY
	5300 2905				For vehicles built up to 06-01-89
	4536 173				For vehicles built 06-01-89 and later
4					BRACKET
	3300 3510	1			w/o Factory Installed Air Conditioning
	3300 2966	1			w/Factory Installed Air Conditioning
5	J400 6995	3			BOLT
6	1150 4930	1			BOLT
7					SPACER w/Factory Installed Air Conditioning
	3420 2683	1			For vehicles built up to 01-31-89
	6502 122	1			For vehicles built 01-31-89 and later
8	1150 2812	1			NUT
9	1150 2764	4			BOLT
10	5300 2907	1			PULLEY, Water Pump

MODEL CODES:

1988:	1989:	1990-92:	1990-92:
559 - Premier LX	56 - Premier LX	DP-Monaco LE	XP-Premier LX
	557 - Premier ES		DS-Monaco ES
	66 - Premier ES		XS-Premier ES

BODY STYLES:

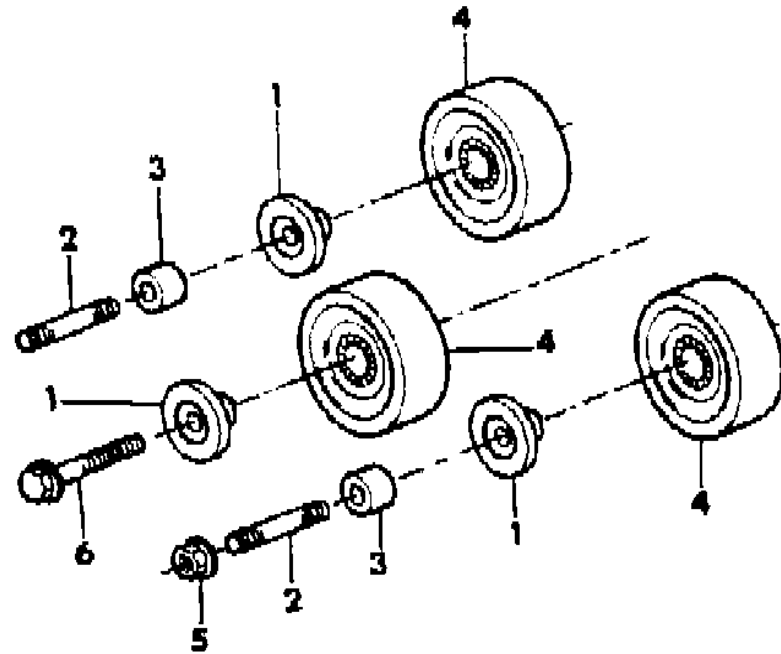
1988:
55 = 4 dr. Sedan
1989-92:
6 = 4 Dr. Sedan

AR = Use as Required - = Non Illustrated Part P.A.R. = Paint as Required

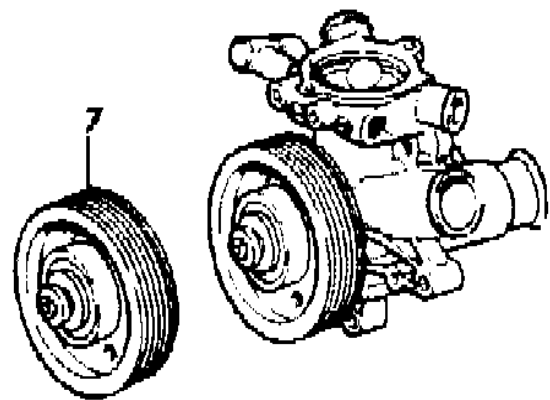
DRIVE PULLEYS 6 CYLINDER ENGINE

Figure 7-700

8P07 700



IDLER PULLEYS



WATER PUMP PULLEY

ITEM	PART NUMBER	QTY	BODY	MODEL	DESCRIPTION
1	3300 2201	3			BUSHING
2	3420 2766	2			STUD
3	3420 2745	2			SPACER
4		AR			PULLEY
	5300 2905				For vehicles built up to 06-01-89
	4536 173				For vehicles built 06-01-89 and later
5	1150 2812	1			NUT
6	3420 1869	1			BOLT
7	T026 6430	1			PULLEY, Water Pump

MODEL CODES:

1988:	1989:	1990-92:	1990-92:
559 - Premier LX	56 - Premier LX	DP-Monaco LE	XP-Premier LX
	557 - Premier ES		DS-Monaco ES
	66 - Premier ES		XS-Premier ES

BODY STYLES:

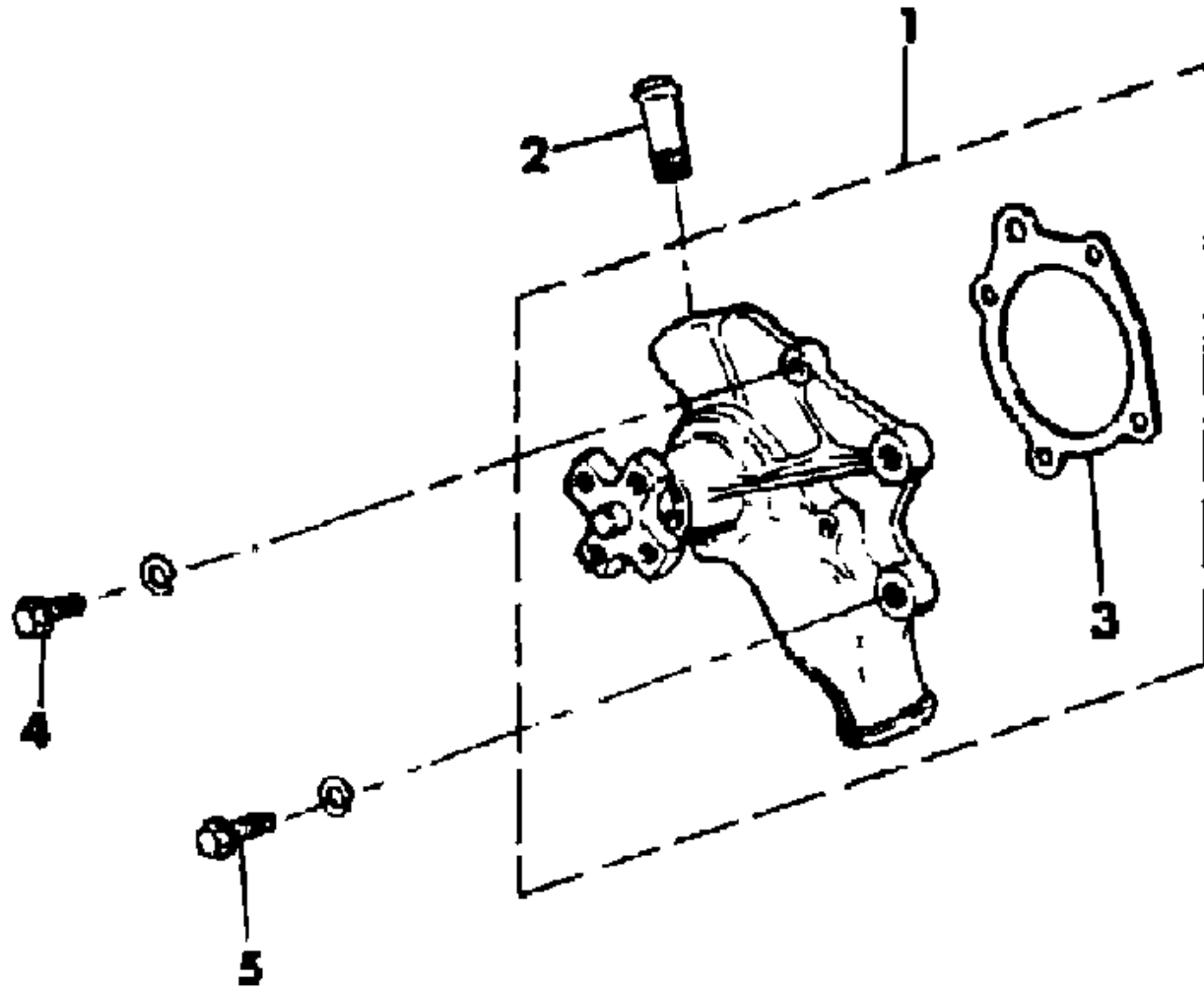
1988:
55 = 4 dr. Sedan
1989-92:
6 = 4 Dr. Sedan

AR = Use as Required - = Non Illustrated Part P.A.R. = Paint as Required

WATER PUMP 4 CYLINDER ENGINE
Figure 7-800

8P07 800

ITEM	PART NUMBER	QTY	BODY	MODEL	DESCRIPTION
1					PUMP PACKAGE, Water
	JR77 5122	1			Remanufactured
	8350 3407	1			Export
2	3200 2705	1			TUBE
3	J317 3204	1			GASKET
4	J400 3872	3			BOLT
5	J400 6908	1			BOLT



MODEL CODES:

1988:	1989:	1990-92:	1990-92:
559 - Premier LX	56 - Premier LX 557 - Premier ES 66 - Premier ES	DP-Monaco LE	XP-Premier LX DS-Monaco ES XS-Premier ES

BODY STYLES:

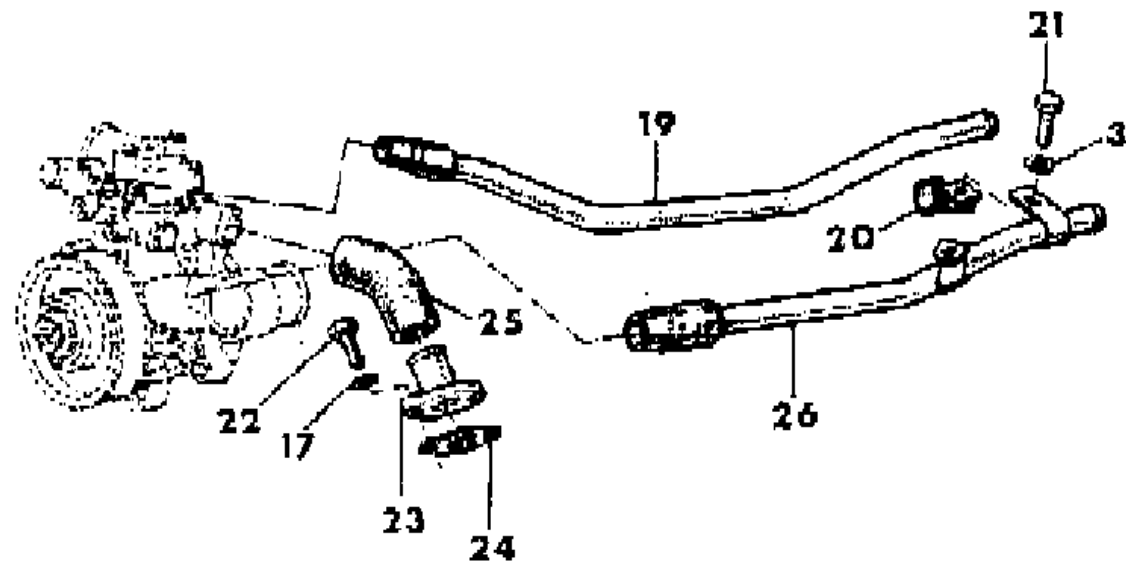
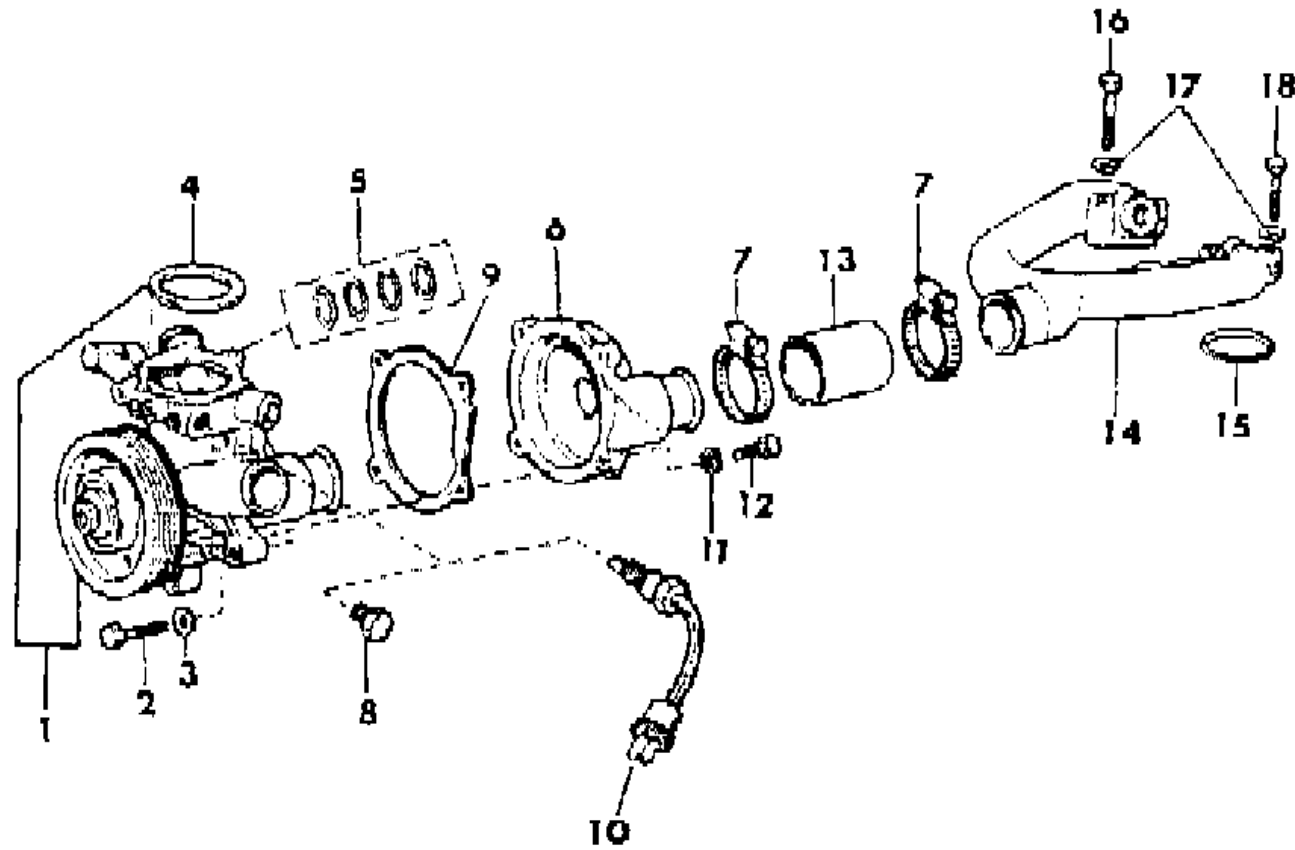
1988:
55 = 4 dr. Sedan
1989-92:
6 = 4 Dr. Sedan

AR = Use as Required - = Non Illustrated Part P.A.R. = Paint as Required

WATER PUMP 6 CYLINDER ENGINE, Z7X-711 1988-1991

Figure 7-900

8P07 900 A



ITEM	PART NUMBER	QTY	BODY	MODEL	DESCRIPTION
1	T146 4552	1			PUMP, Water (includes Items 6 & 9)
2	J064 5218	1			BOLT
3	J305 7005	6			WASHER
4	T024 5057	1			GASKET
5	T120 2924	1			O-RING
6	T126 9301	1			OUTLET, Water Pump
7	J320 3079	2			CLAMP
8	T307 5106	1			PLUG
9	T126 9302	1			GASKET
10	3300 3644	1			SENSOR, Coolant Temperature
11	T777 7652	4			WASHER
12	T300 9064	4			BOLT
13	T024 6590	1			HOSE
14	T146 4121	1			TUBE
15	T777 7647	2			O-RING
16	T300 1667	2			BOLT
17	T305 7002	2			WASHER
18	T300 1634	2			BOLT
19	T026 6915	1			TUBE
20	T026 6324	1			BRACKET
21	1150 4336	1			BOLT
22	T300 1142	4			BOLT
23	T024 5158	2			HOUSING
24	T024 5069	2			GASKET
25	T024 8159	2			HOSE
26	T026 6914	1			TUBE

MODEL CODES:

1988:	1989:	1990-92:	1990-92:
559 - Premier LX	56 - Premier LX	DP-Monaco LE	XP-Premier LX
	557 - Premier ES		DS-Monaco ES
	66 - Premier ES		XS-Premier ES

BODY STYLES:

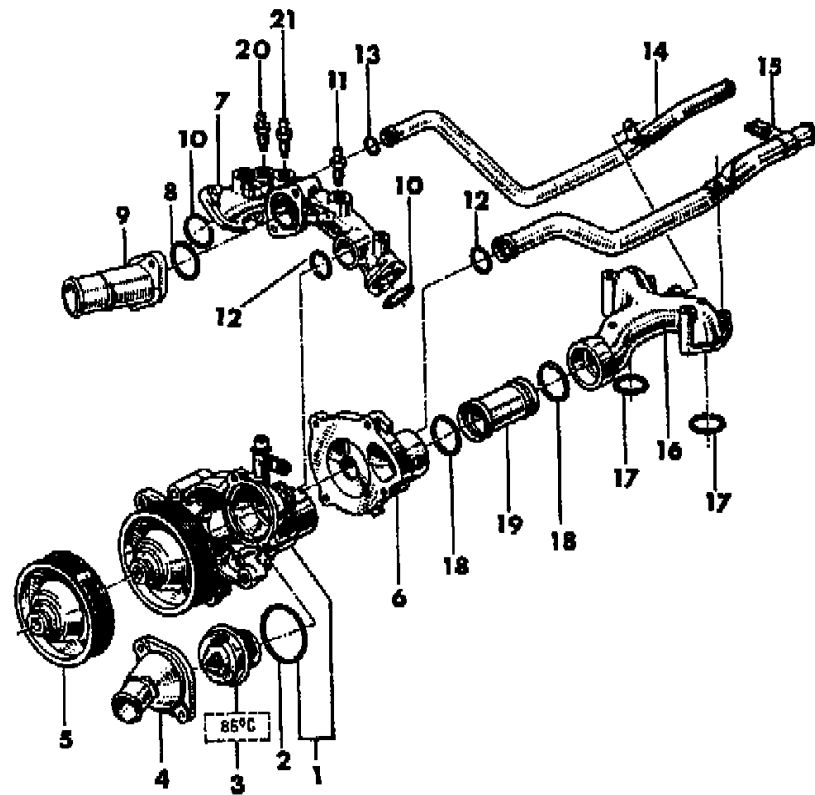
1988:
55 = 4 dr. Sedan
1989-92:
6 = 4 Dr. Sedan

AR = Use as Required - = Non Illustrated Part P.A.R. = Paint as Required

WATER PUMP 6 CYLINDER ENGINE, Z7X-715 1991-92

Figure 7-1000

8P07 1000



ITEM	PART NUMBER	QTY	BODY	MODEL	DESCRIPTION
1	J146 6241	1			PUMP, Water, w/Gasket
2	J550 5980	1			GASKET
3	J026 1073	1			THERMOSTAT
4	J026 0227	1			HOUSING
	4546 200	1			HOSE, Heater Return at Thermostat
5	J026 6997	1			PULLEY, Pump
6	J026 0772	1			OUTLET, Pump ***
7	J026 0420	1			TUBE
8	J026 0519	1			O-RING
9	J026 0547	1			INLET ***
10	J026 0024	2			O-RING
11	J026 8262	1			SCREW, Bleed
12	J026 0761	2			O-RING
13	J026 0762	1			O-RING
14	J026 0835	1			TUBE
15	J026 0834	1			TUBE
16	J026 0814	1			TUBE
	T300 1238	1			BOLT, Tube Attaching (Long)
	T300 1634	1			BOLT, Tube Attaching (Short)
17	J550 6080	2			O-RING
18	J026 0760	2			O-RING
19	J026 0763	1			TUBE
20	J099 9030	1			SENSOR
21	T099 9029	1			SENSOR

MODEL CODES:

1988:	1989:	1990-92:	1990-92:
559 - Premier LX	56 - Premier LX 557 - Premier ES 66 - Premier ES	DP-Monaco LE	XP-Premier LX DS-Monaco ES XS-Premier ES

BODY STYLES:

1988:
55 = 4 dr. Sedan
1989-92:
6 = 4 Dr. Sedan

AR = Use as Required - = Non Illustrated Part P.A.R. = Paint as Required

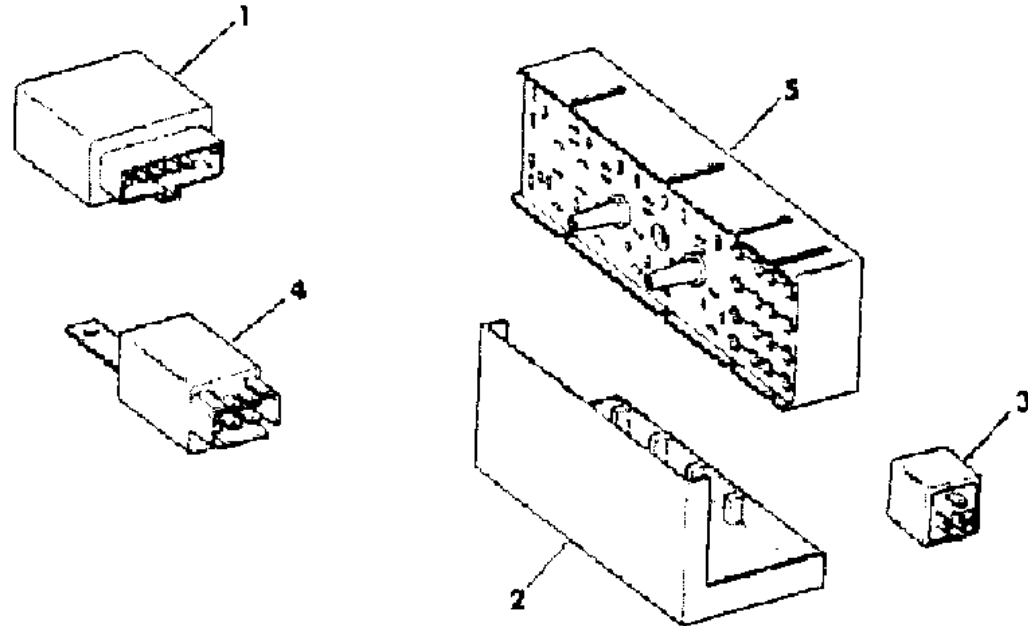
GROUP 8 - ELECTRICAL

ILLUSTRATION TITLE	GROUP-FIG. NO.
RELAYS	Fig. 8-100
SWITCHES AND SENDING UNITS	Fig. 8-150
SWITCHES AND SENDING UNITS	Fig. 8-200
CONTROL UNITS AND SENSORS	Fig. 8-300
MODULES	Fig. 8-350
BATTERY TRAYS & CABLES	Fig. 8-400
DISTRIBUTOR 4 CYLINDER ENGINE	Fig. 8-500
DISTRIBUTOR 6 CYLINDER ENGINE	Fig. 8-600
STARTER AND MOUNTING 4 CYLINDER ENGINE	Fig. 8-700
STARTER AND MOUNTING 6 CYLINDER ENGINE	Fig. 8-750
ALTERNATOR AND MOUNTING 4 AND 6 CYLINDER ENGINES	Fig. 8-800
LAMPS--FRONT	Fig. 8-900
LAMPS AND WIRING--REAR	Fig. 8-1000
LAMPS--CARGO--DOME--COURTESY--UNDERHOOD	Fig. 8-1100
WIRING--ENGINE FRONT END AND RELATED PARTS 1988-90	Fig. 8-1200
WIRING--ENGINE FRONT END AND RELATED PARTS 1991-92	Fig. 8-1250
SPARK PLUGS--COIL--CABLES 4 AND 6 CYLINDER ENGINES	Fig. 8-1300
HORNS	Fig. 8-1400
WIRING--BODY AND ACCESSORIES	Fig. 8-1500
WIRING REPAIR PACKAGES	Fig. 8-1550

ILLUSTRATION NOT AVAILABLE AT TIME OF PUBLICATION

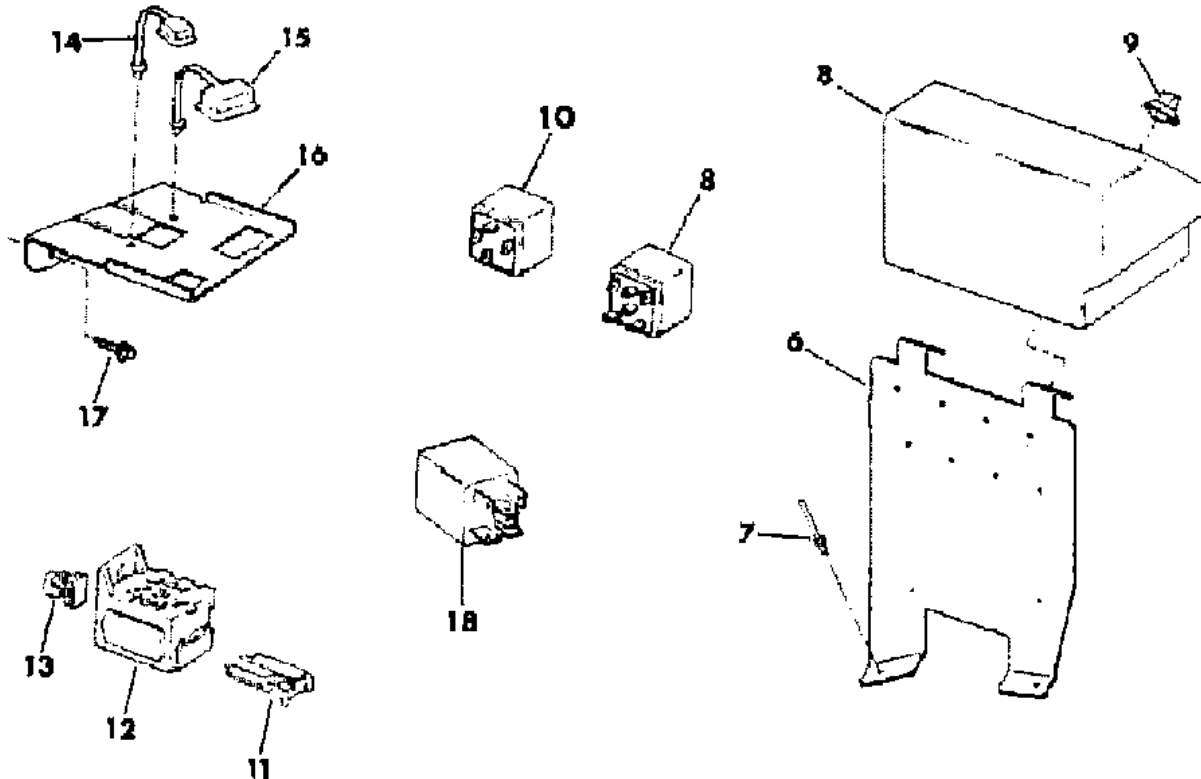
RELAYS
Figure 8-100

8P08 100 A



INSTRUMENT PNL. MOUNTED

ENGINE COMPARTMENT MOUNTED



ITEM	PART NUMBER	QTY	BODY	MODEL	DESCRIPTION
1	4606 008	1			MODULE, Intermittent Wiper
2	3600 3030	1			COVER, Relay
3					RELAY
	8350 7045	1			Heated Glass
	8350 7045	2			Headlamp, 1988
	8350 7045	1			Parking Lamp
	8350 7045	1			Horn
	8350 7045	1			Radio, 1988
	8350 7045	1			Starter, 1989
	8350 7045	1			Power Window
	8350 7045	2			Headlamp, 1989-90-91-92
	8350 7045	1			Radio, 1989-90-91-92
	8350 7045	1			Passive Restraint
	8350 7045	1			Fuel System Feed
	5600 4536	1			Illum. Entry
-	5252 672				RELAY, A.B.S.
4	3600 3052	1			RELAY, Power Lock
5	3417 9446	1			PANEL, Relay Block
6	4450 966	1			BRACKET, Relay
7	T307 2227	3			RIVET
8	3600 2440	1			COVER, Relay
9	3420 2329	2			NUT, Push
10					RELAY
	4504 215	2			Cooling Fan
	4504 215	1			Starter, 1988
	4504 215	1			Ignition
	4504 215	1			Fuel Pump
	4504 215	1			Air Conditioning
11	3417 5430	7			RETAINER
12	J417 9106	7			CONNECTOR
13	J417 9831	7			CLIP
14	4450 990	1			COVER, 6-Hole
15	4450 991	1			COVER, 15-Hole
16	3600 3163	1			BRACKET
17	3420 2358	2			SCREW
18	3600 3031	1			RELAY, Power Antenna

MODEL CODES:

1988:	1989:	1990-92:	1990-92:
559 - Premier LX	56 - Premier LX 557 - Premier ES 66 - Premier ES	DP-Monaco LE	XP-Premier LX DS-Monaco ES XS-Premier ES

BODY STYLES:

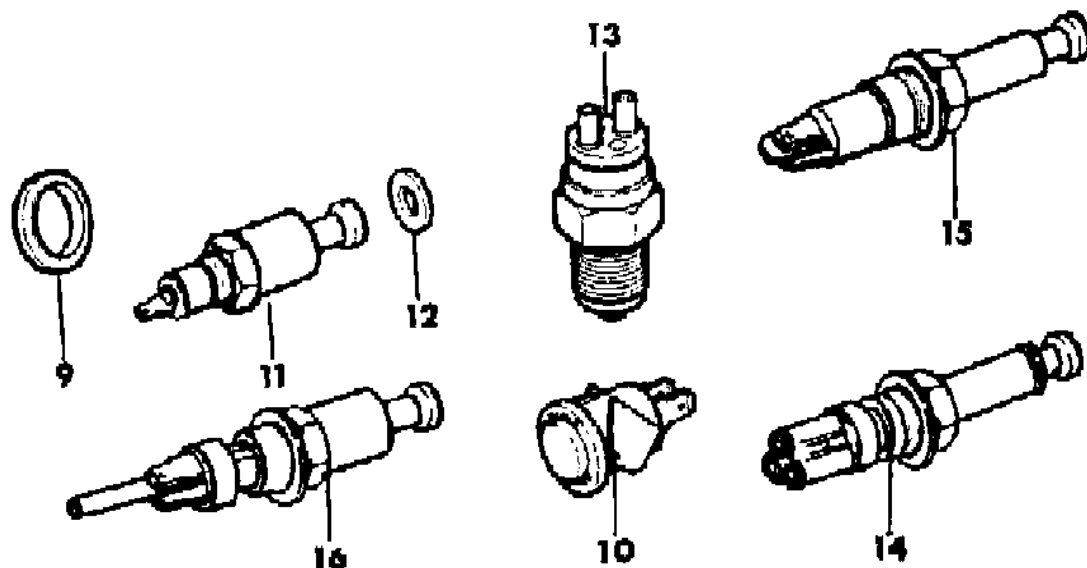
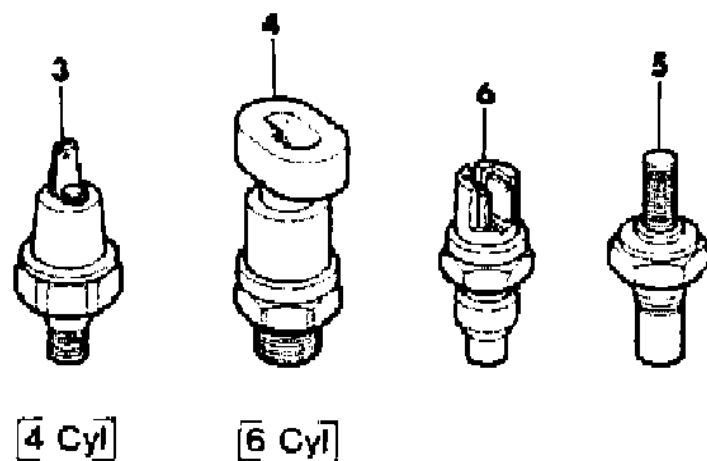
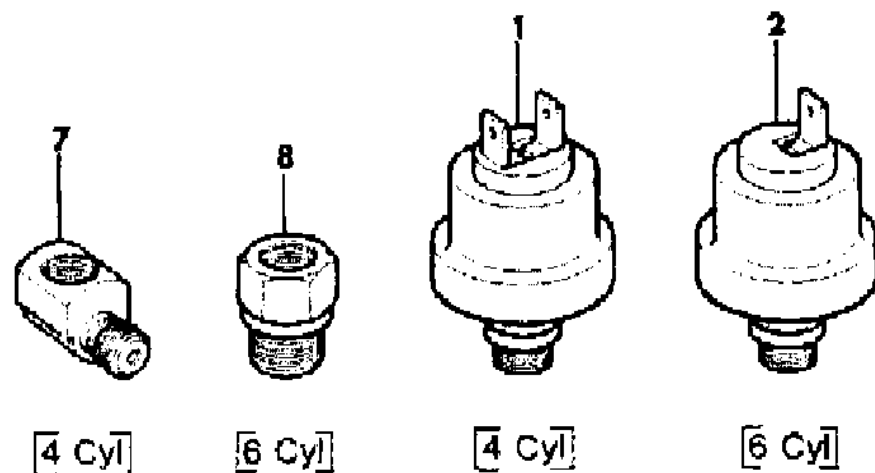
1988:
55 = 4 dr. Sedan
1989-92:
6 = 4 Dr. Sedan

AR = Use as Required - = Non Illustrated Part P.A.R. = Paint as Required

SWITCHES AND SENDING UNITS

Figure 8-150

8P08 150



ITEM	PART NUMBER	QTY	BODY	MODEL	DESCRIPTION
1	3300 4547	1			SENDING UNIT, w/Gauge, 4 Cyl. Eng.
2	3300 4291	1			SENDING UNIT, w/Gauge
	5235 006	1			6 Cyl. Eng. 1988-90
	J314 2826	1			1991-92 (SENDING UNIT & SWITCH) (Gasket J0266043)
3	J314 2826	1			SWITCH, w/Light, 4 Cyl. Eng.
4	3300 4791	1			SWITCH, w/Light, 6 Cyl. Eng.
5	J323 0408	1			SWITCH, Coolant Temp., 4 Cyl. Eng.
6	J078 6467	1			SWITCH, Coolant Temp., 6 Cyl. Eng.
	5234 908	1			1991-92
7	3300 4261	1			FITTING, 4 Cyl. Eng.
8	3300 3583	1			FITTING, 6 Cyl. Eng.
9	T306 1028	1			GASKET, w/Gauge
	T777 7650	1			w/Light
10	3600 3231	1			SWITCH, Deck Lid Release
11	5600 0136	2			SWITCH, Dome Lamp, Rear Door, (3/8-24)
12	3420 1846	4			WASHER
13	3300 4342	1			SWITCH, Back-Up Lamp, 4 Cyl. Eng. w/Man. Trans.
14	3600 3541	2			SWITCH, Dome Lamp, Front Door (1/2-20)
15	5600 0137	1			SWITCH, Dome Lamp, Left Front Door (3/8-24)
16	4373 185	1			SWITCH, Dome Lamp, Left Front Door (1/2-28)
-	4373 628				SWITCH, Door Pillar (Snap-In)

MODEL CODES:

1988:	1989:	1990-92:	1990-92:
559 - Premier LX	56 - Premier LX	DP-Monaco LE	XP-Premier LX
	557 - Premier ES		DS-Monaco ES
	66 - Premier ES		XS-Premier ES

BODY STYLES:

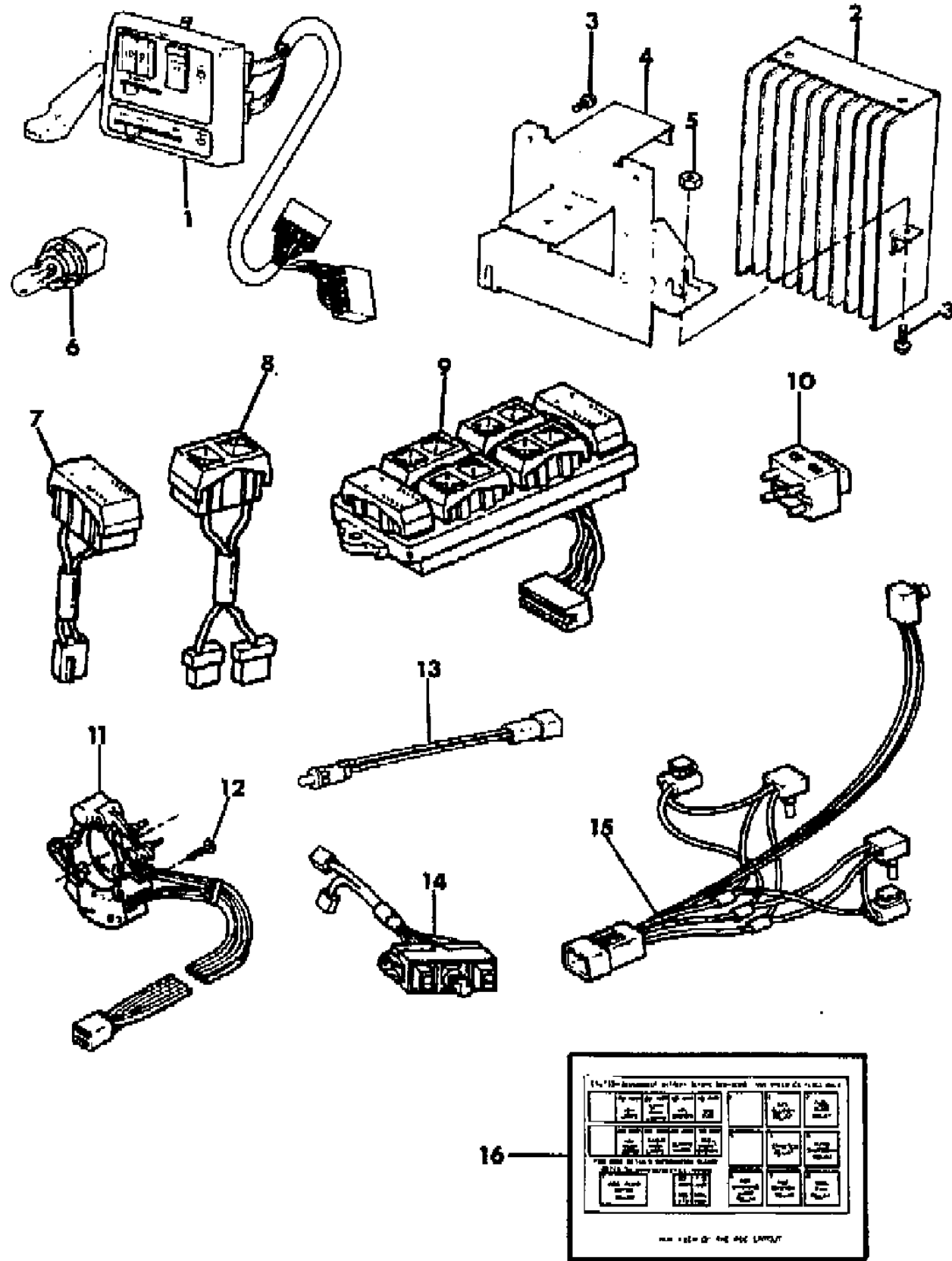
1988:
55 = 4 dr. Sedan
1989-92:
6 = 4 Dr. Sedan

AR = Use as Required - = Non Illustrated Part P.A.R. = Paint as Required

SWITCHES AND SENDING UNITS

Figure 8-150

8P08 200 c



ITEM	PART NUMBER	QTY	BODY	MODEL	DESCRIPTION
1	4565 014	1			SWITCH, Turn Signal, Wiper, Lights
2	5266 047	1			MODULE, Headlamp Controller
3	1150 2843	2			SCREW
4	3501 9784	1			BRACKET, Headlamp Module
5	1150 2702	2			NUT
6	8350 2277	2			BULB, Turn Signal/Wiper/Lights
7	3600 2132	1			SWITCH, Door Lock
8	3600 2478	1			SWITCH, Window
9	4373 861	1			SWITCH, Door Lock, Window Lift
10	3600 2609	1			SWITCH, Sunroof
11	8350 4593	1			SWITCH, Turn Sig., w/o Cruise Control
	8350 4594	1			w/Cruise Control
12	J448 8301	AR			SCREW
13	3600 3189	1			SWITCH, Trunk Lamp
14	3600 2536-7	1			SWITCH, Power Seat, 6-Way
15	3600 2765	1			SWITCH, Dome/Hazard Warning
	5268 165	1			w/Overhead Console
	3600 2744	1			Reading Lamp (Use Knob 36002617)
	3600 2745	1			Hazard & Fog Lamp
16					POWER DISTRIBUTION CENTER, (See Illus. 1250A) ***

MODEL CODES:

1988:	1989:	1990-92:	1990-92:
559 - Premier LX	56 - Premier LX 557 - Premier ES 66 - Premier ES	DP-Monaco LE	XP-Premier LX DS-Monaco ES XS-Premier ES

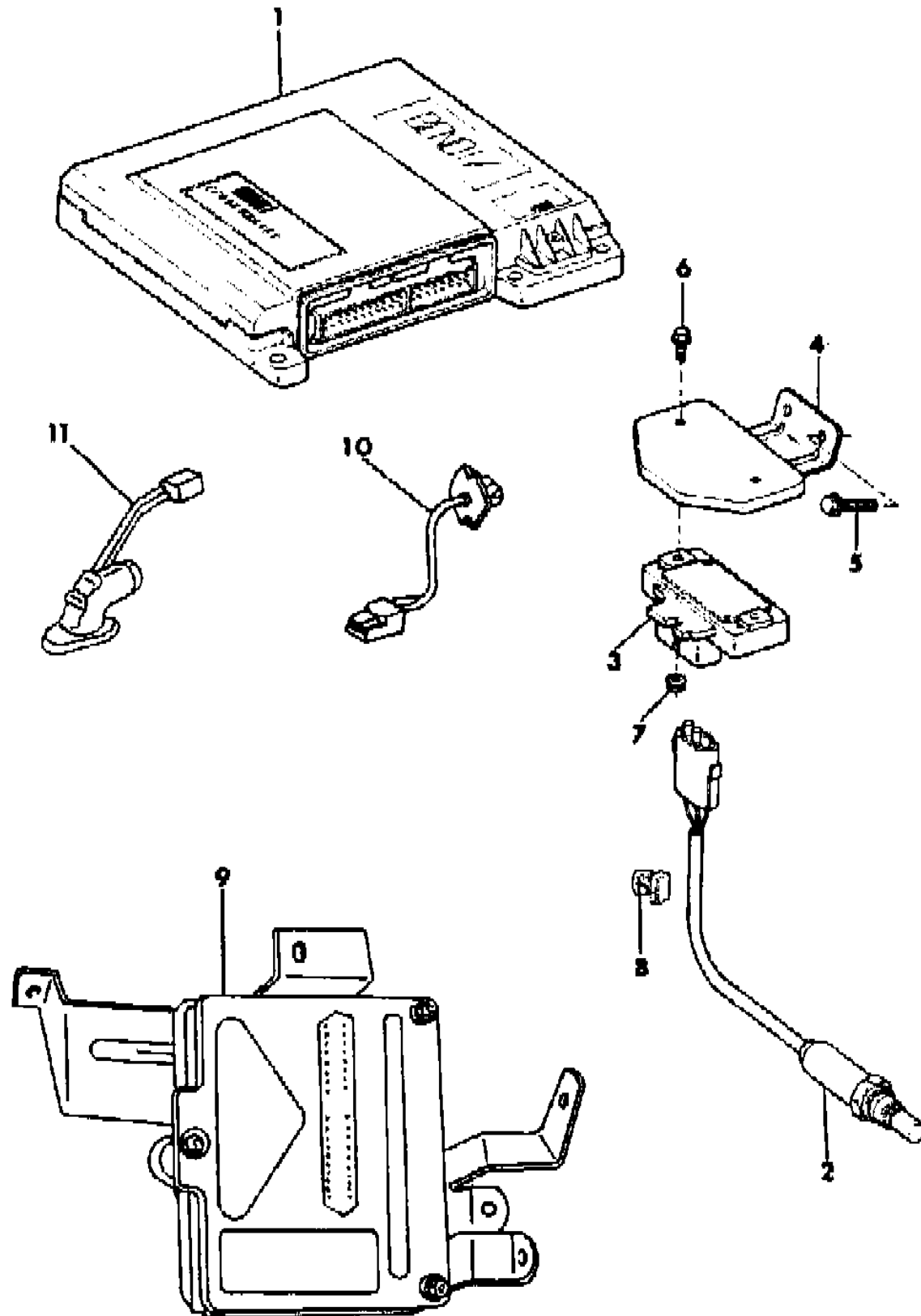
BODY STYLES:

1988:
55 = 4 dr. Sedan
1989-92:
6 = 4 Dr. Sedan

AR = Use as Required - = Non Illustrated Part P.A.R. = Paint as Required

CONTROL UNITS AND SENSORS
Figure 8-300

8P08 300 A



ITEM	PART NUMBER	QTY	BODY	MODEL	DESCRIPTION
1					CONTROL UNITS ***
	3300 4683	1			2.5 Eng. Auto. Trans., 1988
	4605 097	1			3.0 Eng. Auto. Trans., 1988-89
	5234 751	1			1990, S.M.E.C.
	4557 447	1			1991, S.B.E.C.
	4605 081				1992, S.B.E.C.
	3300 4784	1			2.5 Eng. Auto. Trans., 1989
	4605 001	1			1990
2	4713 769	1			SENSOR, Oxygen w/Connector, 1988-90
	4605 077	1			1991-92
	5227 805	1			SENSOR, Charge Temp.
3	3300 0153	1			SENSOR, M.A.P., 3.0 Eng. (Use Insul. 4638998)
	5234 919	1			1991
	4504 210	1			2.5 Eng.
4					BRACKET
	5300 2332	1			3.0 Eng.
	5234 314	1			2.5 Eng.
5	3420 1895	2			SCREW
6	S150 7041	2			SCREW
7	3420 1461	3			NUT
8	J417 9831	1			CLIP
9	5234 430	1			CONTROL UNIT, ABS
10	3600 1736	1			SENSOR, Ambient Temp. (Exterior) w/A.C.
	3600 3274	1			w/Trip Computer
11	3600 1735	1			SENSOR, Ambient Temp. (In-Car)
-	4636 494	1			SENSOR, D.I.S. (Crankshaft) w/Z7x-715 Eng.
	3300 4760				w/Z7x-711 Eng.
-	4636 496	1			SENSOR, D.I.S. (Camshaft) w/Z7x715 Eng.

MODEL CODES:

1988:	1989:	1990-92:	1990-92:
559 - Premier LX	56 - Premier LX	DP-Monaco LE	XP-Premier LX
	557 - Premier ES		DS-Monaco ES
	66 - Premier ES		XS-Premier ES

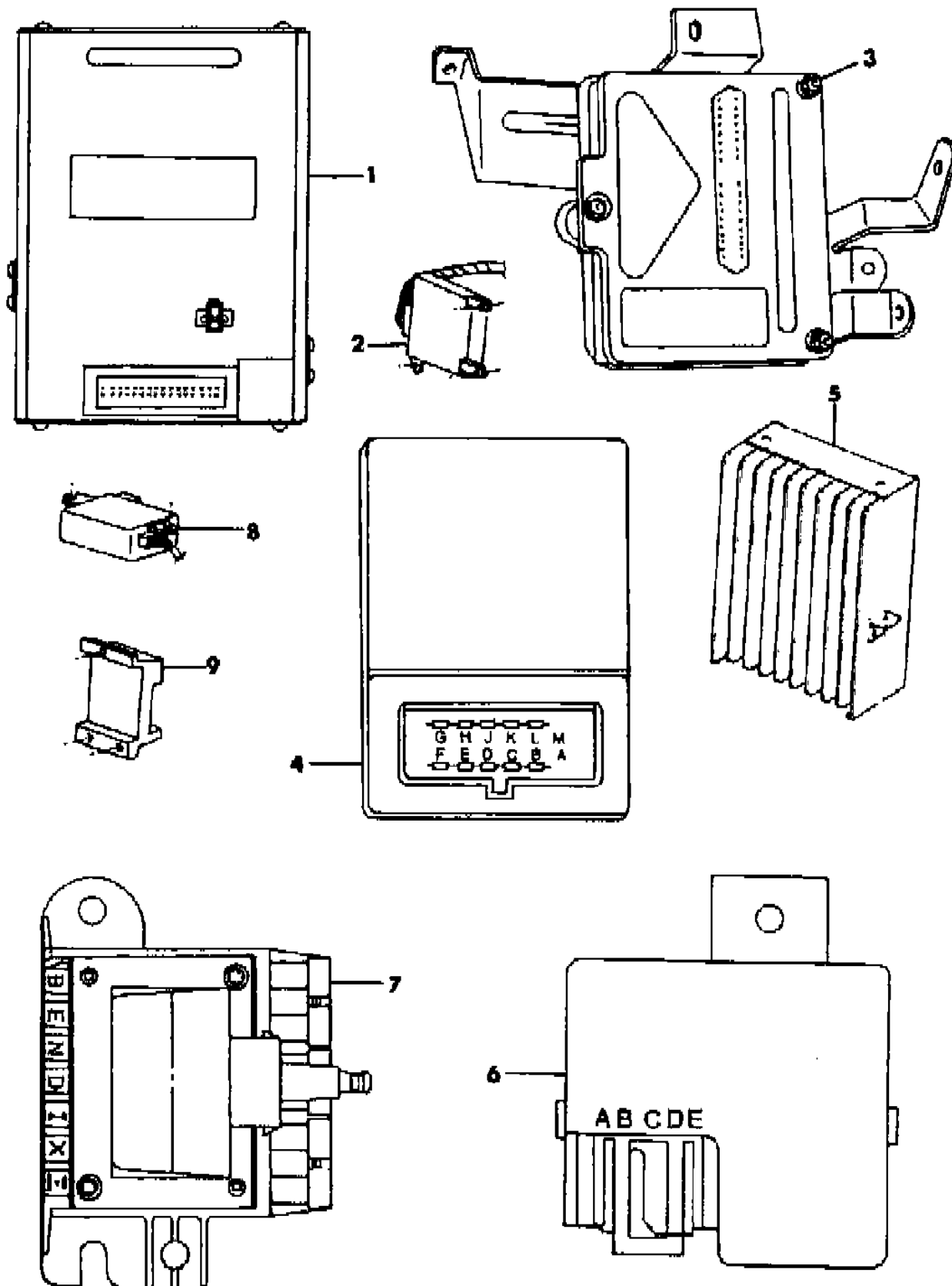
BODY STYLES:

1988:
55 = 4 dr. Sedan
1989-92:
6 = 4 Dr. Sedan

AR = Use as Required - = Non Illustrated Part P.A.R. = Paint as Required

MODULES
Figure 8-350

8P08 350 A



ITEM	PART NUMBER	QTY	BODY	MODEL	DESCRIPTION
1	5266 127	1			MODULE, Light Control
2	5234 750	1			MODULE, Variable Damping
3	5234 430	1			MODULE, ABS Control Hydraulic Sys.
4	3600 1560	1			MODULE, Intermittent Wiper (Use Brkt. 4606025 & Screw 34201707)
5	4606 008			1992, (Stamped 4606008)	
	5266 047	1			MODULE, Headlamp Controller, Brkt. 35019784 (Use Insul. 4419558)
6	3600 2520	1			MODULE, Dome Lamp Timer (Illum. Entry)
7	3300 4272	1			MODULE, Ignition Coil
8	3600 2352	1			MODULE, Lamp Outage (Stud & Clip 4606016)
9	3600 3466	1			MODULE, Passive Restraint (Use Insul. 4638993)
-	3600 3458	1			MODULE, Chime
-	3600 1715	1			MODULE, Air Control

MODEL CODES:

1988:	1989:	1990-92:	1990-92:
559 - Premier LX	56 - Premier LX 557 - Premier ES 66 - Premier ES	DP-Monaco LE	XP-Premier LX DS-Monaco ES XS-Premier ES

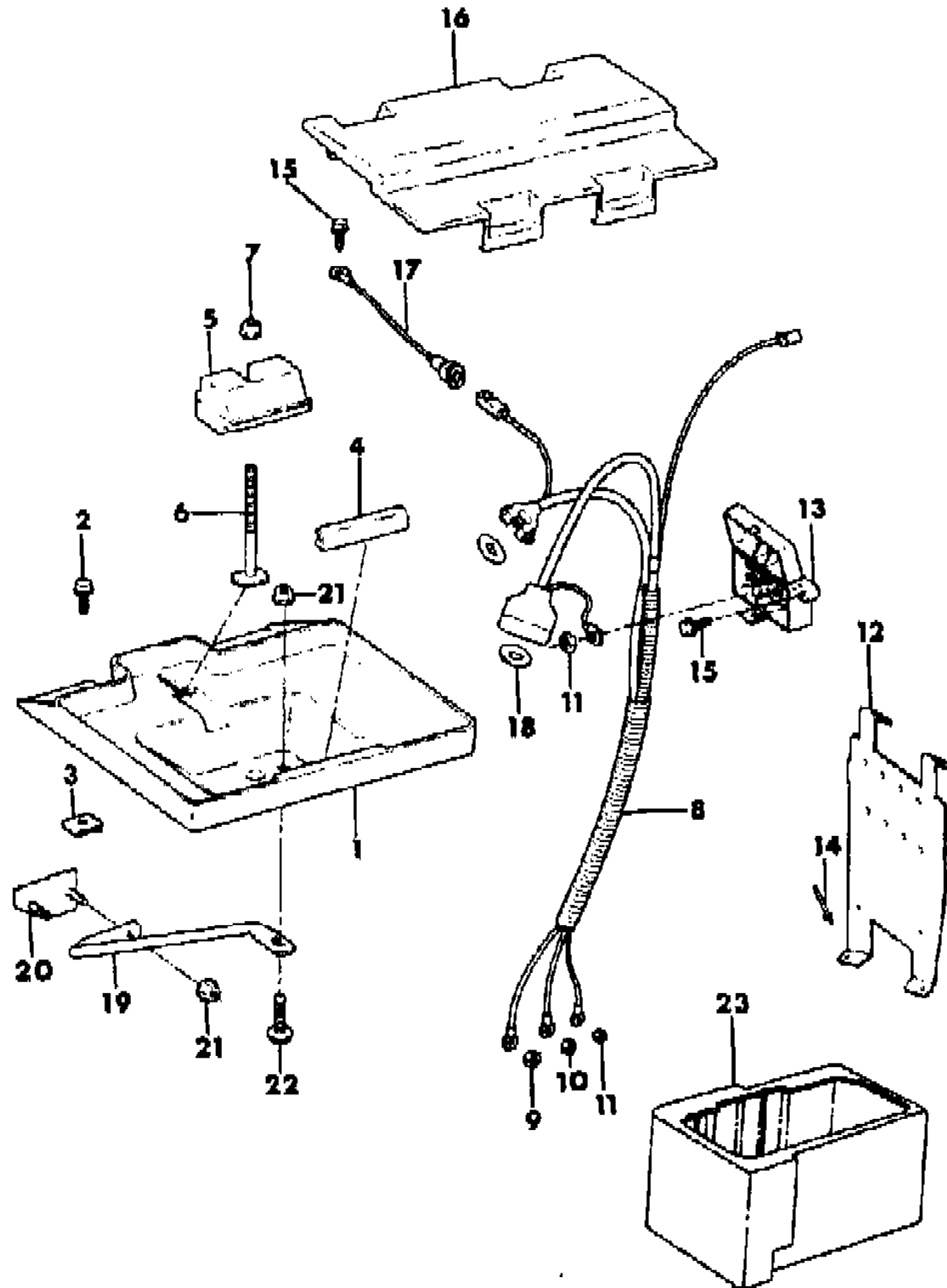
BODY STYLES:
1988:
55 = 4 dr. Sedan
1989-92:
6 = 4 Dr. Sedan

AR = Use as Required - = Non Illustrated Part P.A.R. = Paint as Required

BATTERY TRAYS & CABLES

Figure 8-400

8P08 400 A



ITEM	PART NUMBER	QTY	BODY	MODEL	DESCRIPTION
1	3501 6080	1			BOX, Battery 1988-90
	4534 429	1			1991-92
2	3420 1897	3			BOLT
3	1150 0660	2			NUT
	1150 3714				1992
4	3420 2745	1			SPACER
5	3502 3028	1			CLAMP, Battery Hold Down
6	3420 1894	1			BOLT
7	3420 1918	1			NUT
	6100 056				1992
8					WIRING, Battery
	4443 968	1			1988-89
	5267 501	1			1990
	4604 014	1			1991-92
9	1150 2702	1			NUT
10	1150 2729	1			NUT
11	1150 1033	2			NUT
12	4450 966	1			BRACKET
13	3600 2569	1			BLOCK, Terminal
14	T307 2227	3			RIVET
15	3420 1688	3			SCREW
16	3300 4517	1			COVER, Battery
17	3600 3380	1			CABLE, Battery Disconnect
18	J522 7487	1			WASHER, Battery
19	3502 6290	1			BRACE
20	3502 6291	1			PLATE
21	1150 1889	3			NUT
22	1150 2628	1			BOLT
23	5235 267	1			THERMOGUARD ***

MODEL CODES:

1988:	1989:	1990-92:	1990-92:
559 - Premier LX	56 - Premier LX	DP-Monaco LE	XP-Premier LX
	557 - Premier ES		DS-Monaco ES
	66 - Premier ES		XS-Premier ES

BODY STYLES:

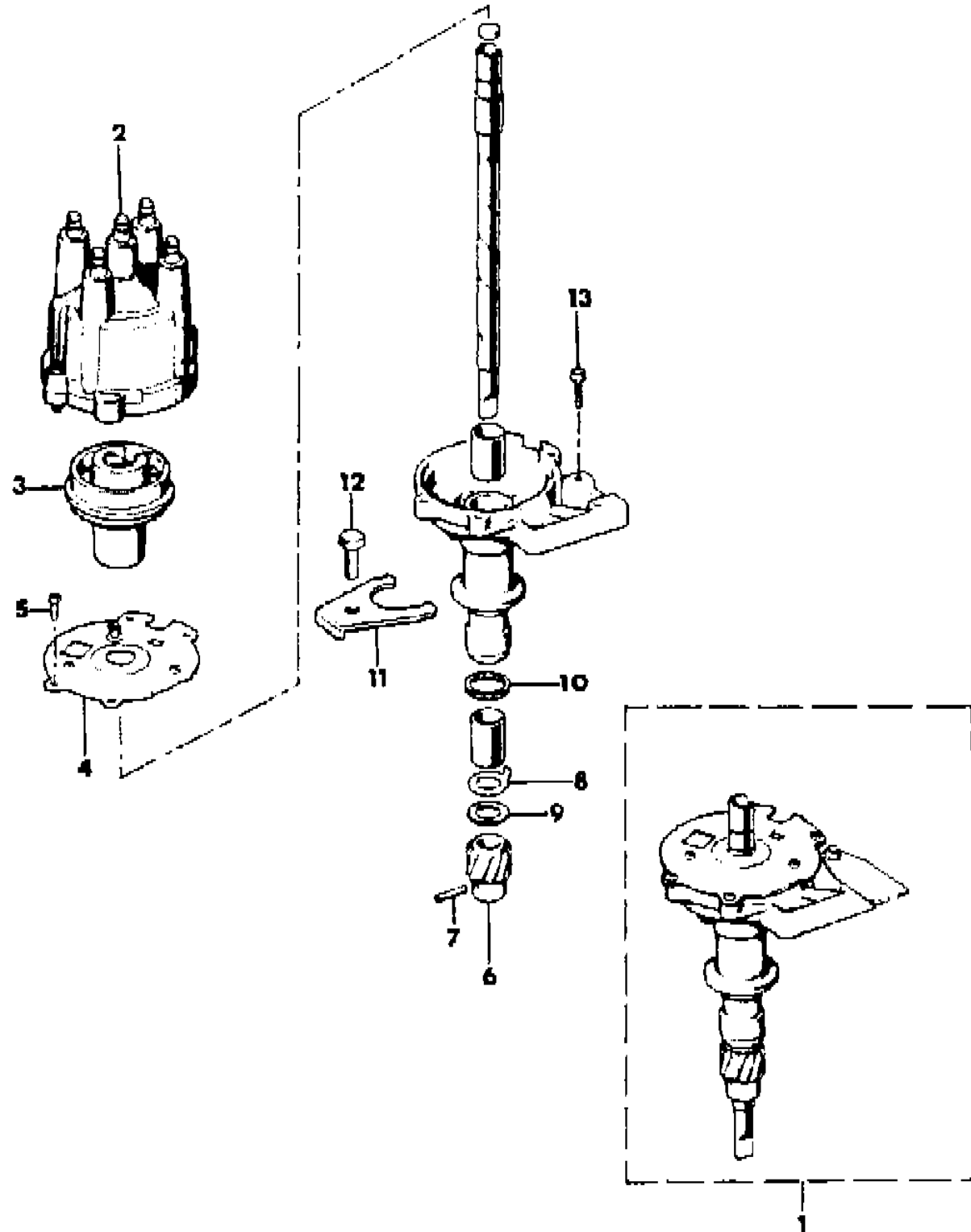
1988:
55 = 4 dr. Sedan
1989-92:
6 = 4 Dr. Sedan

AR = Use as Required - = Non Illustrated Part P.A.R. = Paint as Required

DISTRIBUTOR 4 CYLINDER ENGINE

Figure 8-500

8P08 500



ITEM	PART NUMBER	QTY	BODY	MODEL	DESCRIPTION
1					DISTRIBUTOR
	5300 2107	1			Tagged 89 53 002 107
	3300 4461	1			Tagged 89 33 004 461
2	J323 4451	1			CAP, Distributor
3					ROTOR, Distributor
	J323 4452	1			1988
	3300 4795	1			1989-90
4	8350 0410	1			PLATE, Distributor
5	J812 8470	2			SCREW
6	J813 3652	1			GEAR, Distributor
7	J812 8462	1			PIN
8	J812 8465	1			WASHER
9	J323 1413	AR			SHIM
10	J318 1288	1			GASKET
11	3300 4242	1			CLAMP, Distributor
12	J018 0079	1			BOLT
13	J812 8460	1			BOLT

MODEL CODES:

1988:	1989:	1990-92:	1990-92:
559 - Premier LX	56 - Premier LX 557 - Premier ES 66 - Premier ES	DP-Monaco LE	XP-Premier LX DS-Monaco ES XS-Premier ES

BODY STYLES:

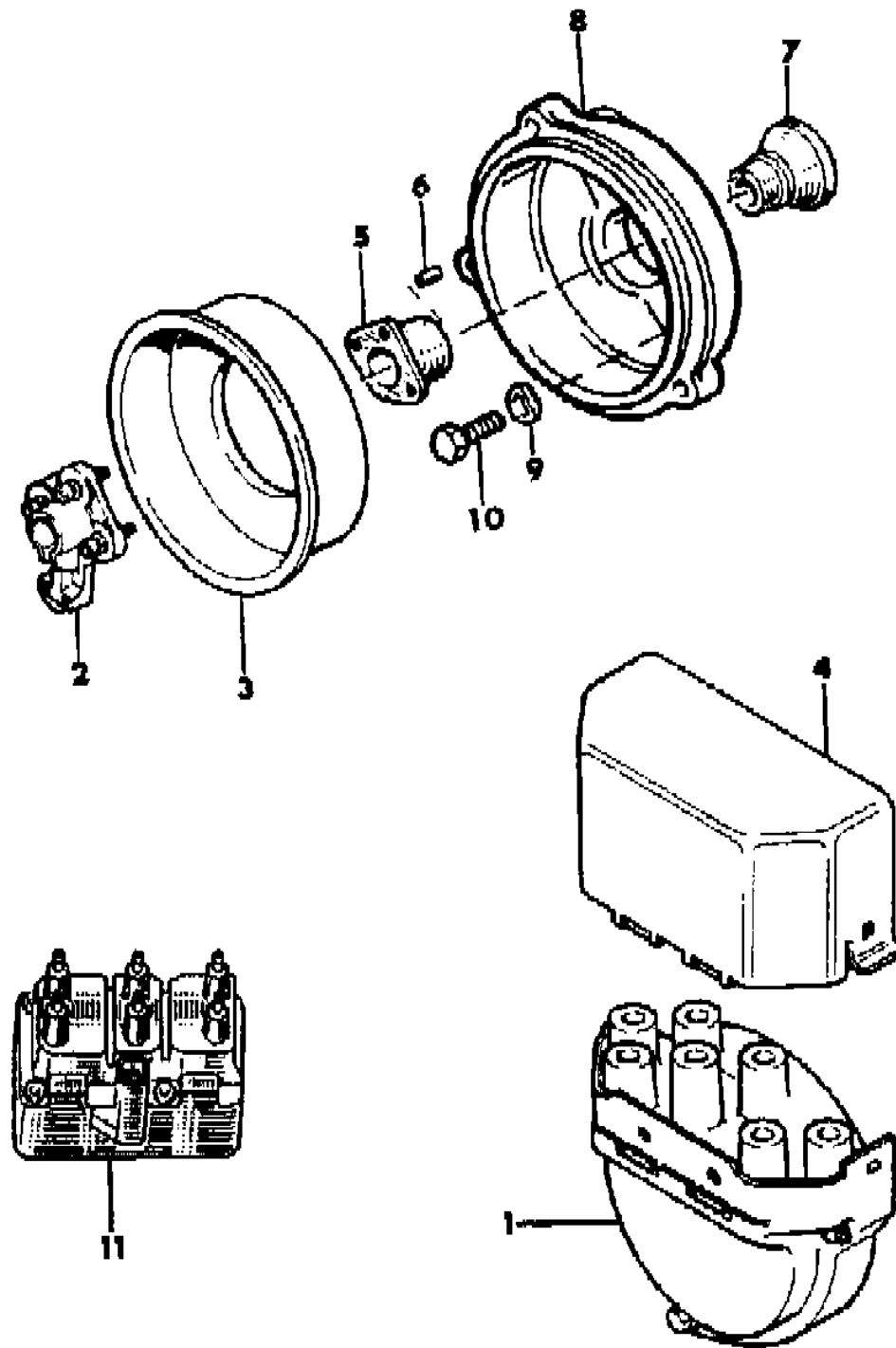
1988:
55 = 4 dr. Sedan
1989-92:
6 = 4 Dr. Sedan

AR = Use as Required - = Non Illustrated Part P.A.R. = Paint as Required

DISTRIBUTOR 6 CYLINDER ENGINE

Figure 8-600

8P08 600 B



ITEM	PART NUMBER	QTY	BODY	MODEL	DESCRIPTION
1	T026 7694	1			CAP, Distributor
2	T026 7693	1			ROTOR, Distributor
3	T026 7692	1			SHIELD
4	T026 7749	1			COVER
5	T026 7679	1			DRIVE, Distributor Front ***
-	J026 0074				SEAL, Oil (Also See Group 9)
6	T306 7065	1			PIN
7	J026 0388	1			DRIVE, Distributor Rear ***
8	T026 7298	1			HOUSING, Distributor (MTG. SEAL T0267475)
9	J305 7005	2			WASHER
10	T140 5666	2			BOLT
11	5252 673	1			MODULE, (D.I.S)
-	J026 0074				SEAL, Timing Cover Mtg. (Group #9)

MODEL CODES:

1988:	1989:	1990-92:	1990-92:
559 - Premier LX	56 - Premier LX 557 - Premier ES 66 - Premier ES	DP-Monaco LE	XP-Premier LX DS-Monaco ES XS-Premier ES

BODY STYLES:

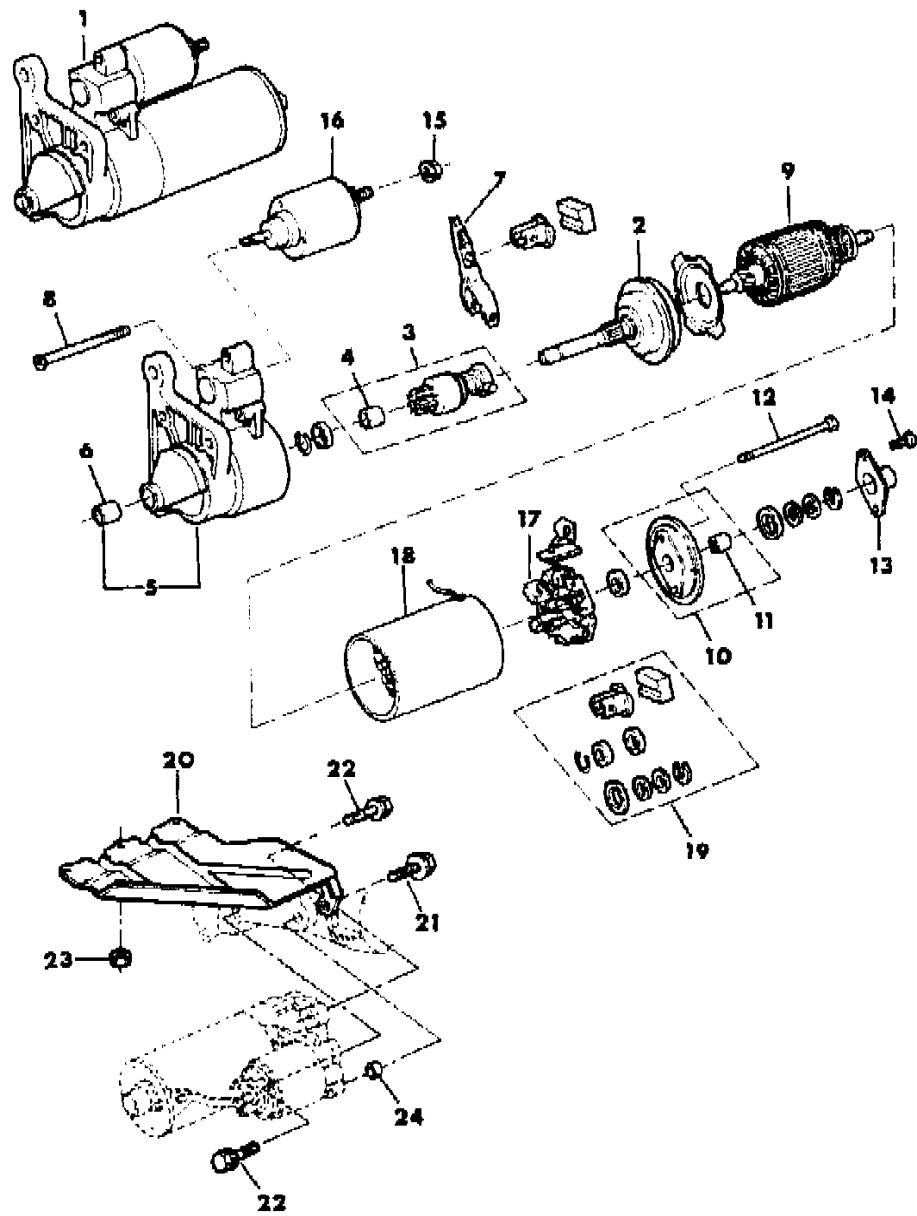
1988:
55 = 4 dr. Sedan
1989-92:
6 = 4 Dr. Sedan

AR = Use as Required - = Non Illustrated Part P.A.R. = Paint as Required

STARTER AND MOUNTING 4 CYLINDER ENGINE

Figure 8-700

8P08 700



ITEM	PART NUMBER	QTY	BODY	MODEL	DESCRIPTION
1	3300 4180	1			STARTER
2	8350 2493	1			GEAR ASSEMBLY, Reduction
3	8350 1498	1			DRIVE ASSEMBLY, Starter ***
4	8350 1499	2			BUSHING
5	8350 4912	1			HOUSING, Starter Drive
6	8350 1586	1			BUSHING
7	8350 1587	1			LEVER, Starter Drive
8	8350 2279	3			SCREW
9	8350 1588	1			ARMATURE, Starter
10	8350 2495	1			COVER, Starter
11	8350 1590	1			BUSHING
12	8350 2496	2			BOLT
13	8350 4106	1			CAP, End
14	T300 6115	2			BOLT
15	8350 2497	1			NUT
16	8350 4104	1			SOLENOID,
17	8350 4913	1			HOLDER ASSEMBLY, Brush
18	8350 2217	1			HOUSING, Starter Field
19	8350 2218	1			HARDWARE PACKAGE
20	3300 4402	1			SHIELD, Heat
21	3420 1457	1			BOLT
22	1150 4516	2			BOLT
23		3			NUT, (Not Serv.)
24	J501 0006	1			DOWEL

MODEL CODES:

1988:	1989:	1990-92:	1990-92:
559 - Premier LX	56 - Premier LX 557 - Premier ES 66 - Premier ES	DP-Monaco LE	XP-Premier LX DS-Monaco ES XS-Premier ES

BODY STYLES:

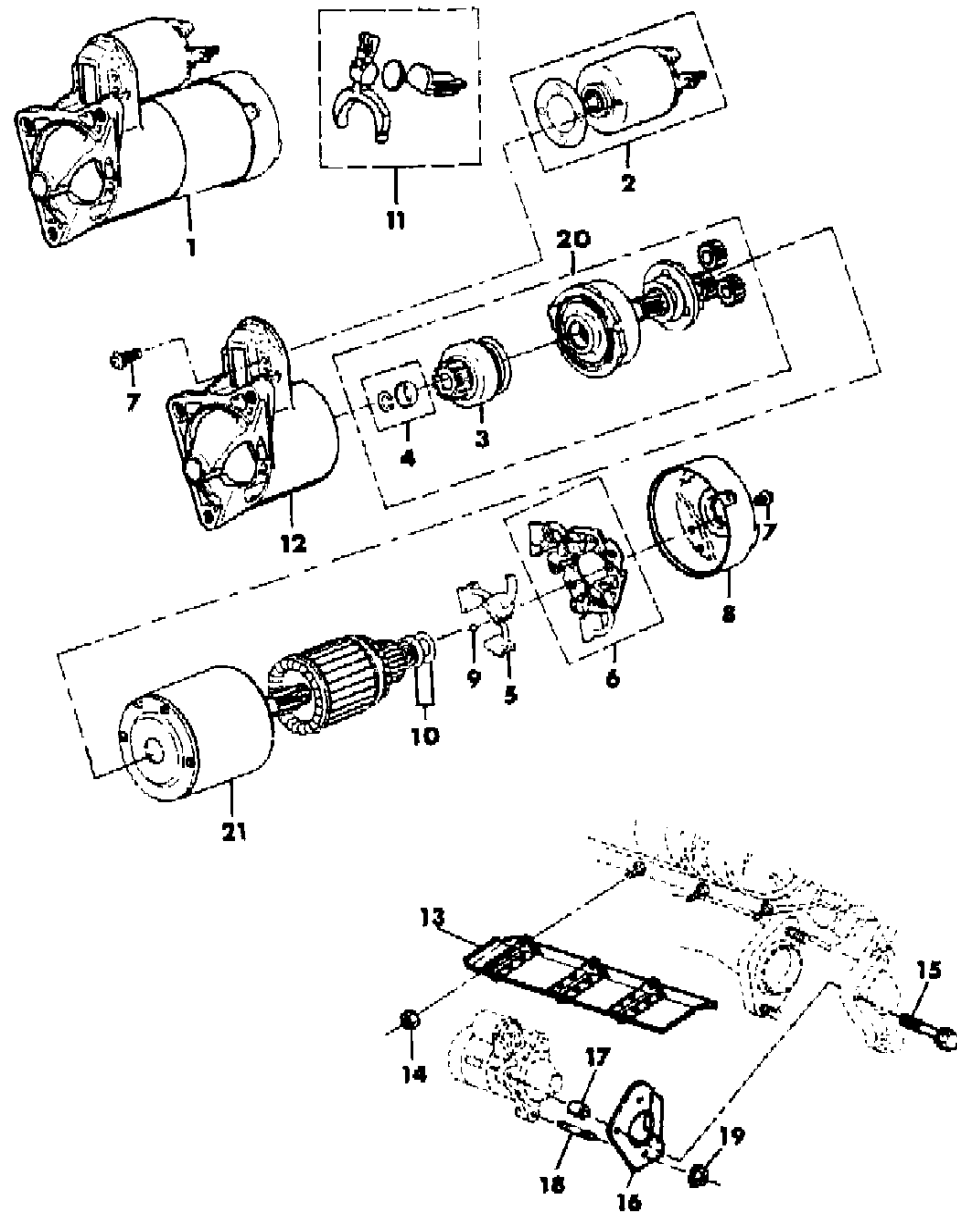
1988:
55 = 4 dr. Sedan
1989-92:
6 = 4 Dr. Sedan

AR = Use as Required - = Non Illustrated Part P.A.R. = Paint as Required

STARTER AND MOUNTING 6 CYLINDER ENGINE

Figure 8-750

BP08 750A



ITEM	PART NUMBER	QTY	BODY	MODEL	DESCRIPTION
1					STARTER
	3300 3210	1			Stamped 33003210
	5234 361	1			Stamped 5234361
	4609 001	1			1.4KW
2	8350 4674	1			SOLENOID
3	8350 3662	1			DRIVE ASSEMBLY, Starter ***
4	8350 3661	2			RETAINER
5	8350 3670	1			BRUSH
6	8350 3671	1			BRUSH HOLDER
7	8350 3674	1			SCREW SET
8	8350 3673	1			COVER
9	8350 3656	1			BALL
10	8350 3665	1			WASHER SET
11	8350 3654	1			LEVER SET
12	5234 496	1			HOUSING, Starter Drive
13	J026 7778	3			SHIELD, Heat
14	J303 2012	3			NUT
15					BOLT
	1150 5066	2			45mm
	3420 2062	2			50mm
	J650 0639	2			55mm
16	J055 7845	1			COVER, Dust
17	3300 4343	1			DOWEL
18	J650 2013	1			STUD
19					NUT
	1150 2811	1			1988
	6500 265	1			1989-90-91-92
20	5234 498	1			SHAFT ASSEMBLY
21	5234 499	1			YOKE ASSEMBLY

MODEL CODES:

1988:	1989:	1990-92:	1990-92:
559 - Premier LX	56 - Premier LX 557 - Premier ES 66 - Premier ES	DP-Monaco LE	XP-Premier LX DS-Monaco ES XS-Premier ES

BODY STYLES:

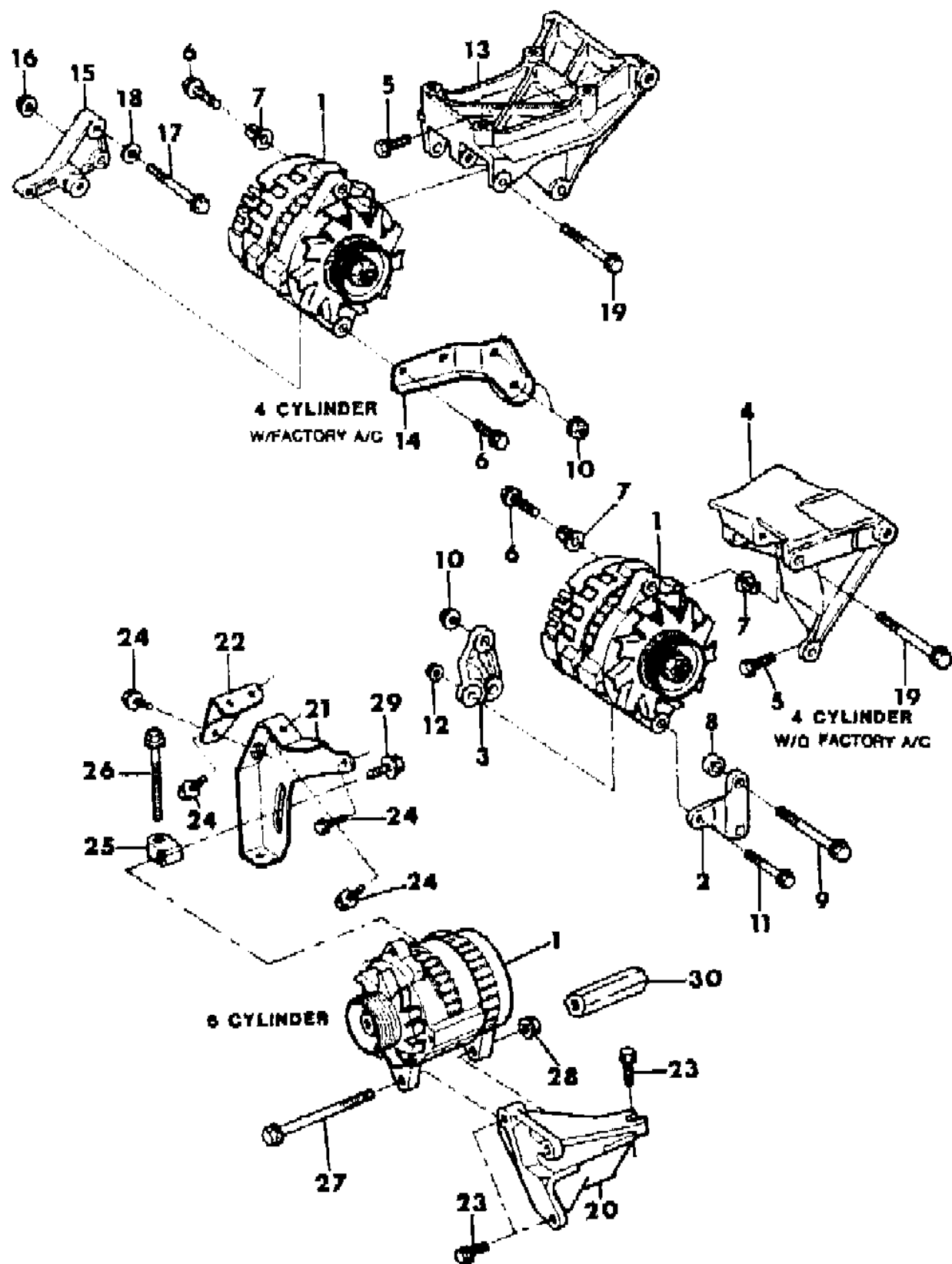
1988:
55 = 4 dr. Sedan
1989-92:
6 = 4 Dr. Sedan

AR = Use as Required - = Non Illustrated Part P.A.R. = Paint as Required

ALTERNATOR AND MOUNTING 4 AND 6 CYLINDER ENGINES

Figure 8-800

8P08 800 A



ITEM	PART NUMBER	QTY	BODY	MODEL	DESCRIPTION
1					ALTERNATOR
	3300 3511	1			4 Cyl., w or w/o A./C., 1988-90
	4609 003	1			6-Cyl., 1988-92 (Stamped 1102644)
2	3300 2962	1			BRACKET, w/o A.C.
3	3300 2963	1			BRACKET, w/o A.C.
4	3300 3510	1			BRACKET, w/o A.C.
5	J400 6995	3			BOLT
6	3420 1819	1			BOLT
7	5300 0548	2			SPACER
8	3420 2521	1			SPACER
9	J045 6958	2			BOLT, x=4.00"
10	J400 4008	2			NUT
11	3420 2062	1			BOLT, x=50.mm
12	1150 2811	1			NUT
13	3300 2966	1			BRACKET, w/A.C.
14	3300 2959	1			BRACKET, w/A.C.
15	3300 2960	1			BRACKET, w/A.C.
16	J400 6080	1			NUT
17	J018 0137	1			BOLT
18	J400 1102	1			WASHER
19	3420 2042	1			BOLT
20	3300 2936	1			BRACKET, Alternator 6 Cyl.
21	3300 4029	1			BRACKET, Adjusting 6 Cyl.
22	3300 4030	1			BRACKET, Support 6 Cyl.
23	6502 137	3			BOLT, 6 Cyl.
24	1150 2693	2			BOLT, 6 Cyl.
25	5300 2915	1			COLLAR, 6 Cyl.
26	3420 2480	1			BOLT, 6 Cyl.
27	3420 2168	1			BOLT, 6 Cyl.
28	1150 2812	1			NUT, 6 Cyl.
29	3420 1819	1			BOLT, 6 Cyl.
30	4536 098	1			WEIGHT

MODEL CODES:

1988:	1989:	1990-92:	1990-92:
559 - Premier LX	56 - Premier LX 557 - Premier ES 66 - Premier ES	DP-Monaco LE	XP-Premier LX DS-Monaco ES XS-Premier ES

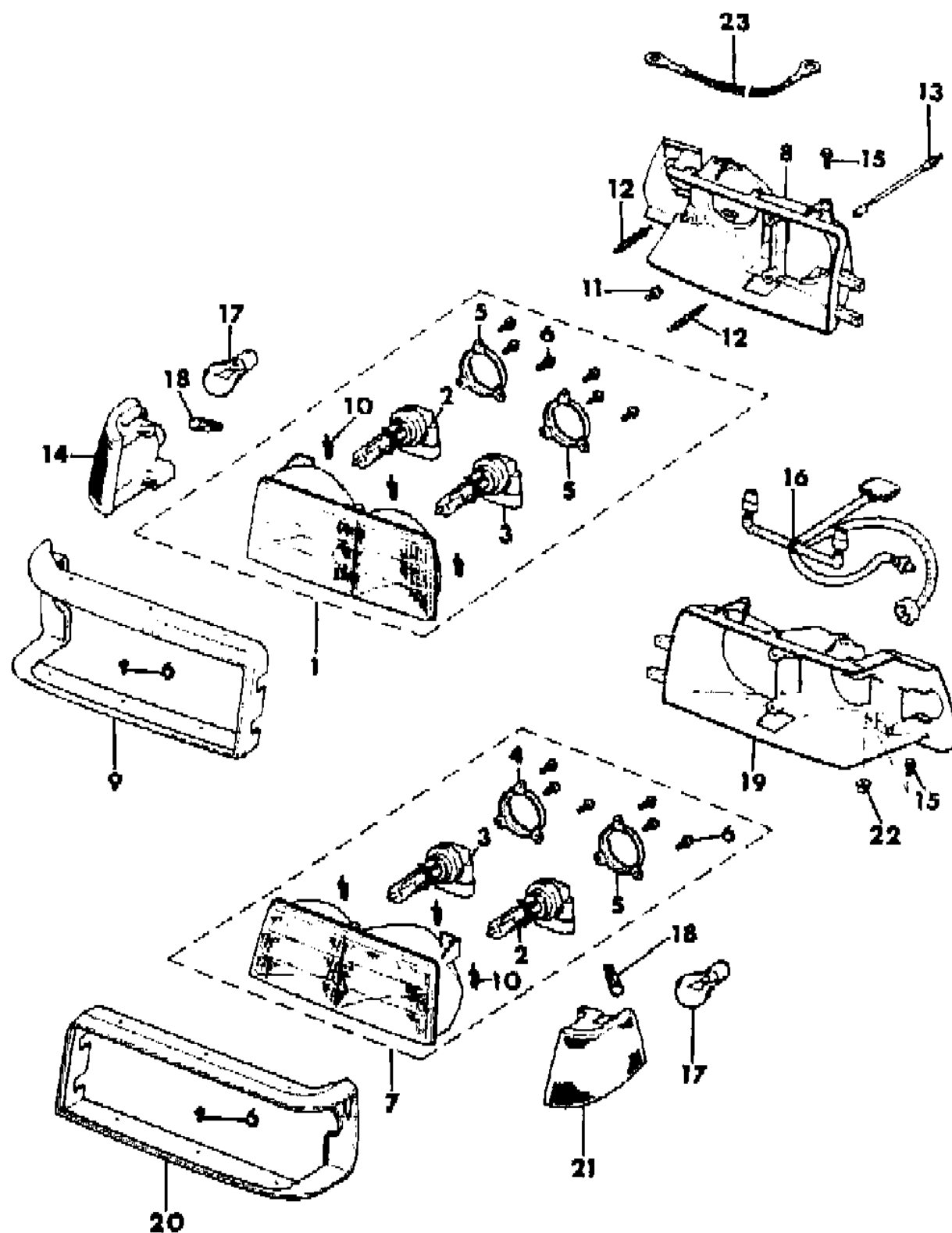
BODY STYLES:

1988:
55 = 4 dr. Sedan
1989-92:
6 = 4 Dr. Sedan

AR = Use as Required - = Non Illustrated Part P.A.R. = Paint as Required

LAMPS--FRONT
Figure 8-900

8P08 900A



ITEM	PART NUMBER	QTY	BODY	MODEL	DESCRIPTION
1	3600 1524	1			HEADLAMP, Right
2	3600 1807	2			BULB, Lo-Beam, (9006)
3	3600 1806	2			BULB, Hi-Beam, (9005)
4	3600 2572	2			RETAINER, High
5	3600 2574	2			RETAINER, Low
6	3420 1957	24			SCREW
7	3600 1525	1			HEADLAMP, Left
8	8350 5622	1			HOUSING, Headlamp, Right
-	5263 702-3	1			HOUSING, H/Lamp, Park & Turn Lamp Mounting, (Use 6 4584324, Heli-Coil Inserts) 1991-92
9					BEZEL, Headlamp, Right
	3501 4352	1			Chrome, 1988-89-90-91-92
	4533 370	1			White, 1988-89
	AJ88-9 HW7	1			White, 1990
	EU56-7 KW7	1			White, 1991-92
	AJ88-9 JE4	1			Cordovan, 1990
	EU56-7 KE4	1			Cordovan, 1991-92
	AJ88-9 JX9	1			Black, 1990
	EU56-7 KX9	1			Black, 1991-92
	AJ88-9 JA2	1			Silver, 1990
	EU56-7 KA2	1			Silver, 1991-92
	EU56-7 LRF	1			Radiant Red
10	3600 2486	6			RETAINER
11	3600 2110	2			SCREW, Adjusting (Pivot)
12	3600 2489	4			SCREW, Adjusting
13	3600 3009	2			CABLE, Adjuster
14	3600 3712-3	1			LAMP, Park/Turn, Right, (Clear & Amber)
	4523 120	1			(Amber)
15	3420 2774	10			SCREW
16	3600 3141	2			WIRING, (1988-90)
	4604 015	2			wiring, (1991-92) ***
17	3600 3101	2			BULB, (1295 NA)
18					BULB
	J448 8426	2			(168)
	J324 2785	2			(W10-5W)
19	8350 5623	1			HOUSING, Headlamp, Left (1988-90)
	5263 702-3				(1991-92) ***
20					BEZEL, Headlamp, Left
	3501 4353	1			Chrome, 1988-89-90-91-92
	4533 371	1			White, 1988-89

MODEL CODES:

1988:	1989:	1990-92:	1990-92:
559 - Premier LX	56 - Premier LX 557 - Premier ES 66 - Premier ES	DP-Monaco LE	XP-Premier LX DS-Monaco ES XS-Premier ES

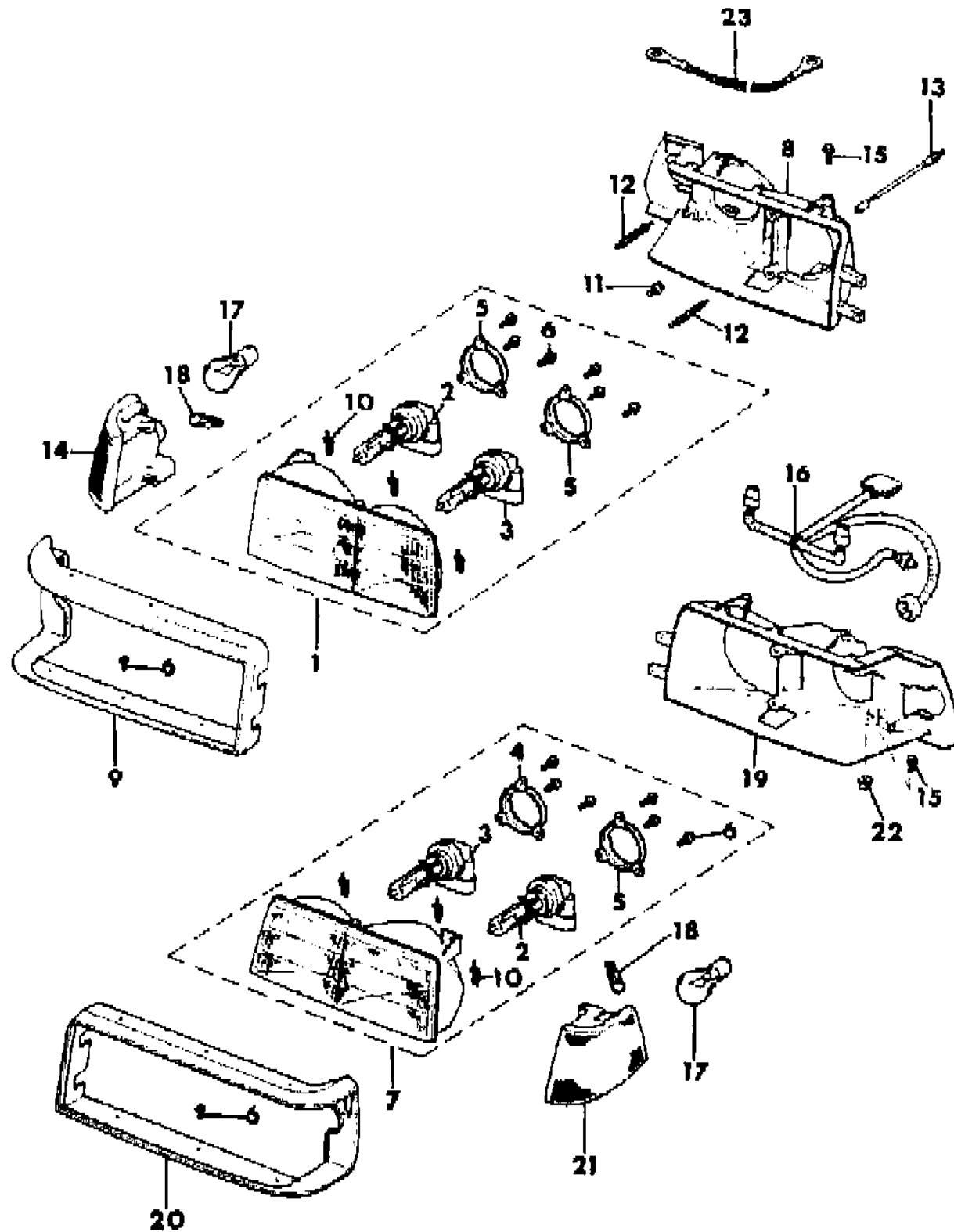
BODY STYLES:

1988:
55 = 4 dr. Sedan
1989-92:
6 = 4 Dr. Sedan

AR = Use as Required - = Non Illustrated Part P.A.R. = Paint as Required

LAMPS--FRONT
Figure 8-900

8P08 900A



ITEM	PART NUMBER	QTY	BODY	MODEL	DESCRIPTION
	AJ89 JA2	1			1990-91, Silver
	AJ89 HW7	1			1990-91, White
	AJ89 JE4	1			1990-91, Cordovan
	AJ89 JX9	1			1990-91, Black
21	3600 3713	1			LAMP, Park/Turn, (Clear & Amber)
	4523 121	1			(Amber)
22	J400 6367	4			NUT, Push
23	5600 0761	1			CABLE, Ground

MODEL CODES:
 1988: 559 - Premier LX
 1989: 56 - Premier LX
 557 - Premier ES
 66 - Premier ES
 1990-92: DP-Monaco LE
 1990-92: XP-Premier LX
 DS-Monaco ES
 XS-Premier ES

BODY STYLES:
 1988:
 55 = 4 dr. Sedan
 1989-92:
 6 = 4 Dr. Sedan

AR = Use as Required - = Non Illustrated Part P.A.R. = Paint as Required

LAMPS AND WIRING--REAR
Figure 8-1000

8P08 1000 C

ITEM	PART NUMBER	QTY	BODY	MODEL	DESCRIPTION
1	3600 1538	1			TAILLAMP, Right, Chrome w/Harness, (P.A.R.) ***
	5253 625	1			DECAL, Taillamp Lens "MONACO LE"
	5253 634	1			"MONACO LS"
	5262 049	1			"DODGE"
2	3600 2592	2			WIRING, Taillamp, 1988-90
	4604 047	1		MON	1991-92
	4604 233	1		PREM	1991-92 (Use Bulb #154509)
3	4399 996	1			TAILLAMP, Right, Black, w/o Harness, 1989-92 (RED) ***
4	4399 997	1			TAILLAMP, Left, Black, w/o Harness, 1990-92 (RED) ***
5	5262 042-3	AR			(RED & AMBER)
	3600 1539	1			TAILLAMP, Left, Chrome w/Harness (P.A.R.) ***
6	3420 2385	14			NUT, Wing
7	3600 1752	1			LAMP, Back-Up, Chrome (P.A.R.)
8	4399 998	1			Black, w/Harness, 1990-91
	5262 057	1		D (S)	Deck Lid Mtd. B/Up & License Lamp
	5262 060	1		D (P)	Deck Lid Mtd. B/Up & License Lamp
	5262 031	AR			(RED & AMBER) 1992
9	3600 2284	1			WIRING, Back-Up License Lamp
9	9417 866	3			BULB, (1156)
10	3420 1240	4			NUT, Push
11	3420 1474	4			SCREW
12					LAMP, Hi-Mtd. Stop, Shelf
	AR74 HA8	1			1988-89 P.A.R.
	AR74 HF7	1			Brownstone, 1990-91
	AR74 HA8	1			Charcoal, 1990-91
	AR74 HH9	1			Cordovan, 1990-91
	AR74 HQ8	1			Navy, 1990-91
	FP67 LF7	1			Brownstone, 1992
	FP67 LA8	1			Charcoal, 1992
	FP67 LH9	1			Cordovan, 1992
	FP67 LQ8	1			Navy, 1992
13	J400 5942	2			SCREW
14	3420 2707	2			STUD, Bolt
15	3600 2692	1			BRACKET, Hi-Mtd Stop Lp.
16	1150 3745	2			NUT
17	3600 2768	1			LAMP, Center Mtd. Stop
18	3600 2776	1			WIRING
19	9421 330	2			BULB, (194)
20	J942 1073	2			SCREW
21	J400 4689	2			NUT, Push

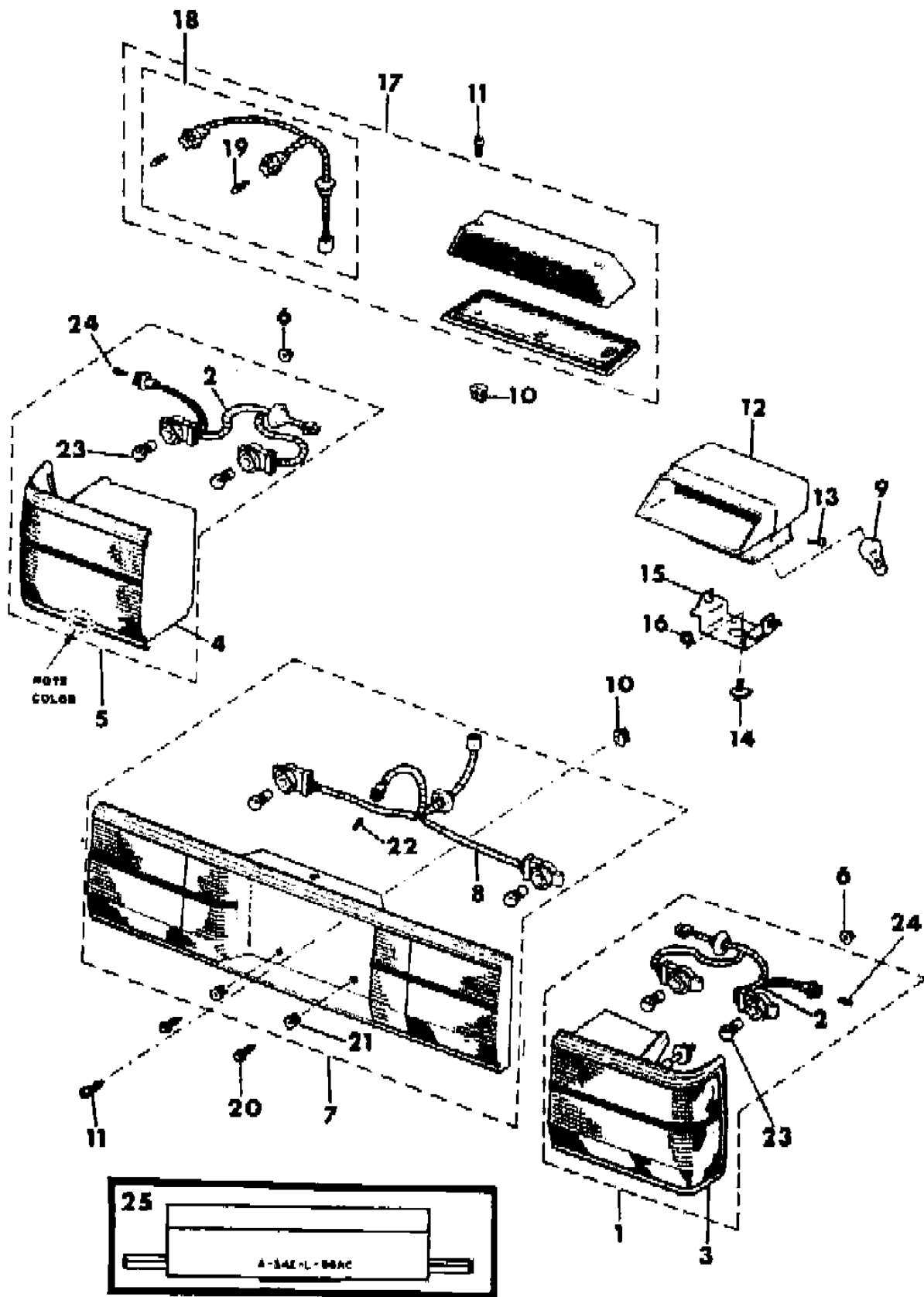
MODEL CODES:

1988:	1989:	1990-92:	1990-92:
559 - Premier LX	56 - Premier LX 557 - Premier ES 66 - Premier ES	DP-Monaco LE	XP-Premier LX DS-Monaco ES XS-Premier ES

BODY STYLES:

1988:
55 = 4 dr. Sedan
1989-92:
6 = 4 Dr. Sedan

AR = Use as Required - = Non Illustrated Part P.A.R. = Paint as Required

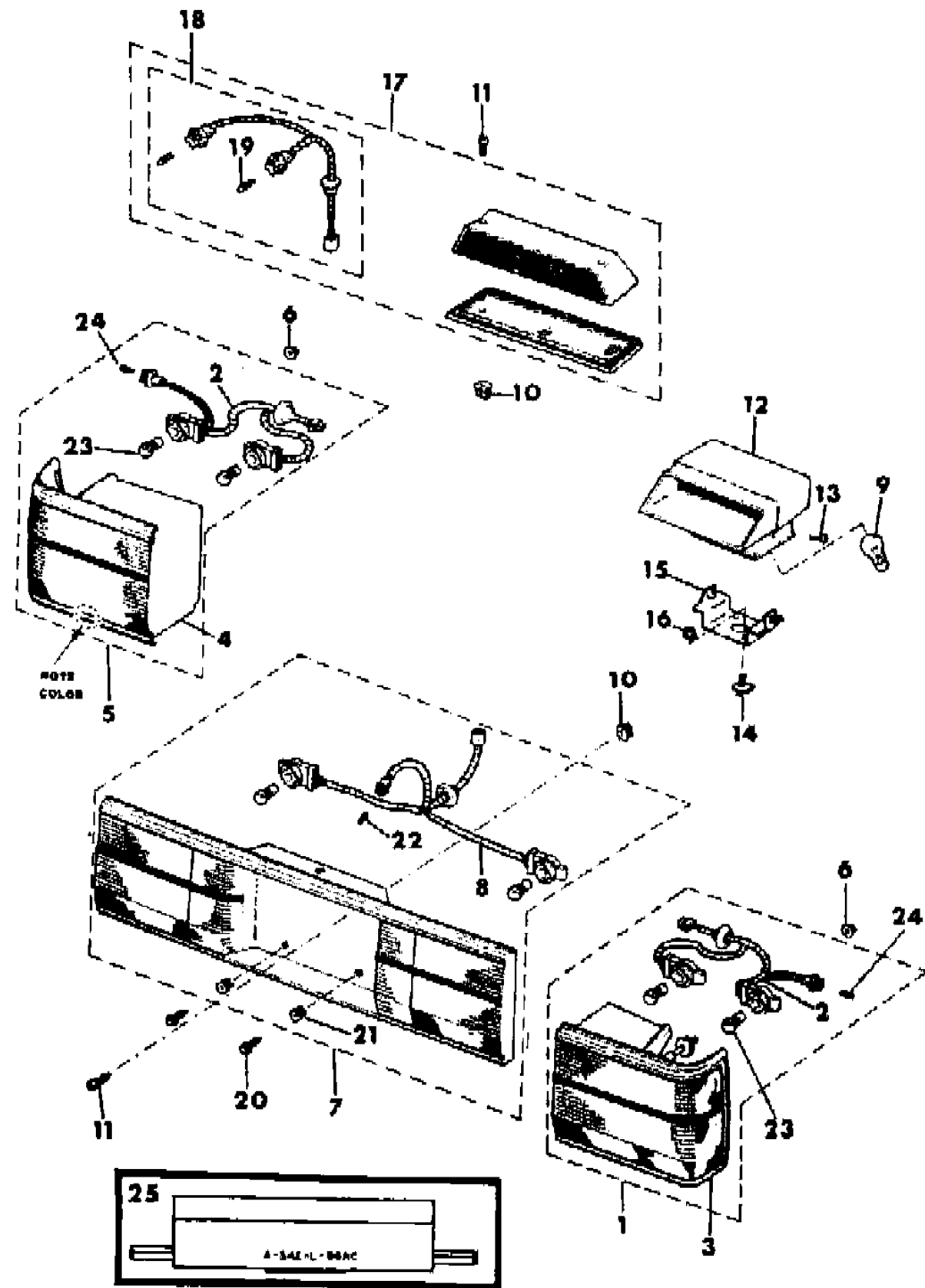


LAMPS AND WIRING--REAR

Figure 8-1000

8P08 1000 c

ITEM	PART NUMBER	QTY	BODY	MODEL	DESCRIPTION
22	J448 8426	1			BULB, (168)
23	9438 848	4			BULB, (2057)
24	9421 330	3			BULB, (198)
25	3600 1900	1			LAMP, License



MODEL CODES:

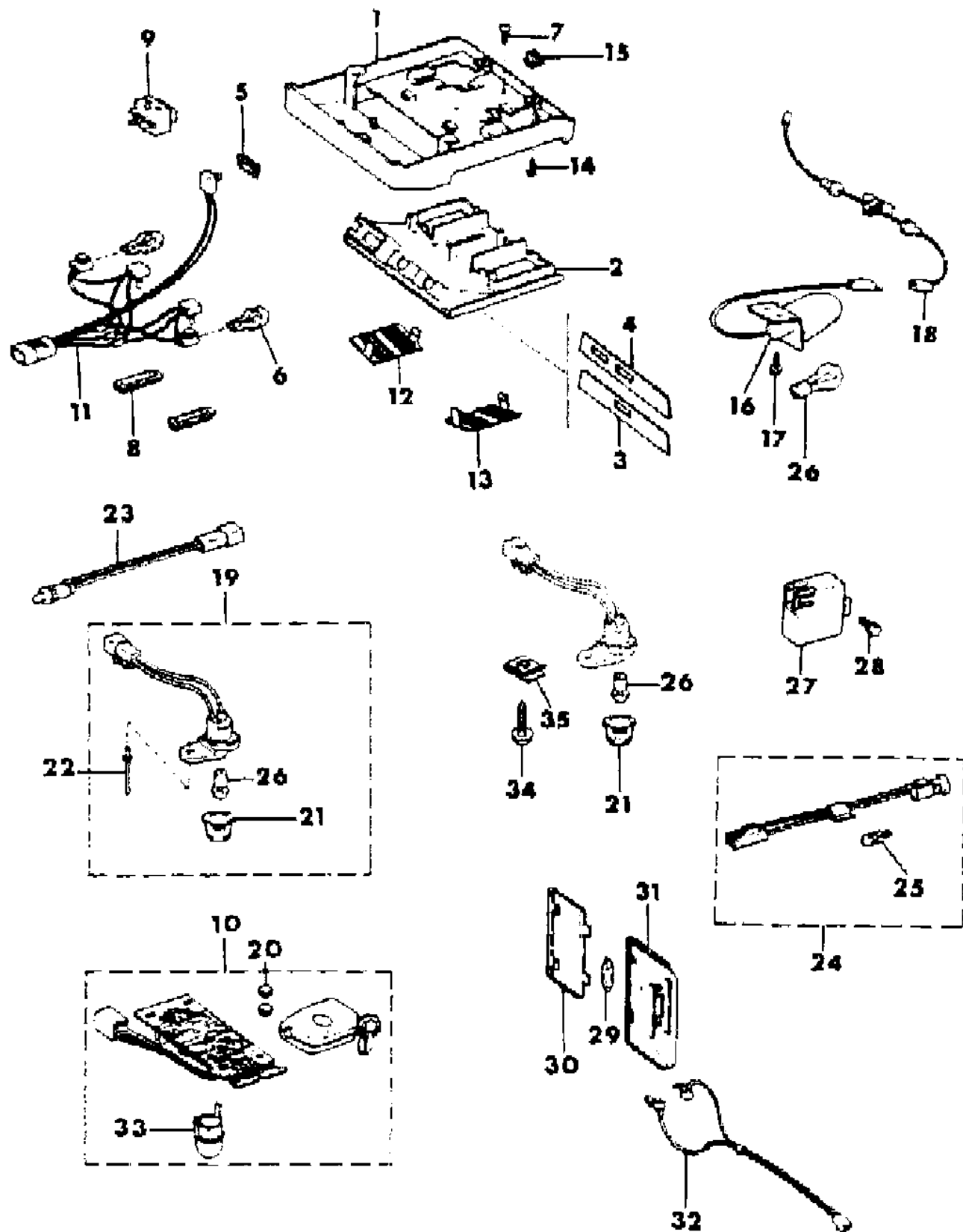
1988:	1989:	1990-92:	1990-92:
559 - Premier LX	56 - Premier LX 557 - Premier ES 66 - Premier ES	DP-Monaco LE	XP-Premier LX DS-Monaco ES XS-Premier ES

BODY STYLES:
1988:
55 = 4 dr. Sedan
1989-92:
6 = 4 Dr. Sedan

AR = Use as Required - = Non Illustrated Part P.A.R. = Paint as Required

LAMPS--CARGO--DOVE--COURTESY--UNDERHOOD
Figure 8-1100

8P08 1100



ITEM	PART NUMBER	QTY	BODY	MODEL	DESCRIPTION
1	3600 2512	1			HOUSING, Dome/Reading Lamp, (P.A.R.)
2	3600 3018	1			BEZEL, (P.A.R.)
-	3600 3271	AR			SOCKET & BULB ***
3	3600 2472	1			OVERLAY, Hazard Switch ***
4	3600 2473	1			OVERLAY, Hazard & Sunroof Switch ***
5	3600 2616	1			KNOB, Hazard Warning
6	J943 6750	2			BULB, (906), Dome & Reading
7	3420 1957	4			SCREW
8	3600 2617	2			KNOB, Reading Lamp Switch
9	3600 2609	1			SWITCH, Sunroof
10	3600 2480	1			RECIEVER KIT, Keyless Entry, w/Transmitter ***
11	3600 2765	1			SWITCH, Dome/Hazard Warning
	5268 165	1			WIRING, Dome, Reading, Overhead Console
12	3600 2454	1			LENS, Right
13	3600 2455	1			LENS, Left
14	1150 2843	4			SCREW
15	3420 1263	2			NUT, Push
16	3600 1618	1			LAMP, Underhood
17	J942 0151	2			SCREW
18	3600 3301	1			WIRING, Underhood Lamp 1988-89
	4481 850	1			1990-91-92
19	3600 1619	1			LAMP, Trunk
20	8350 4802	2			BATTERY
21	J545 0116	3			LENS, Light
22	3420 2203	1			RIVET
23	3600 3189	1			SWITCH, Trunk Lamp
24	3600 1627	1			LAMP, Glove Box
25	J345 1933	1			BULB, (1893)
26	J014 2454	3			BULB, (93)
27	3600 2520	1			MODULE, Domelamp Timer
28	1150 2843	1			SCREW, Dome & Reading Lamp
29	J448 8457	2			BULB, (562)
30	3600 1822-3	1			LENS, Light
31	3600 1824-5	1			HOUSING, Domelamp
32	3600 2766	2			WIRING, Domelamp, C-Pillar
33	8350 5263	1			LENS
34	3420 1895	2			SCREW
35	J943 1530	2			NUT

MODEL CODES:

1988:	1989:	1990-92:	1990-92:
559 - Premier LX	56 - Premier LX 557 - Premier ES 66 - Premier ES	DP-Monaco LE	XP-Premier LX DS-Monaco ES XS-Premier ES

BODY STYLES:

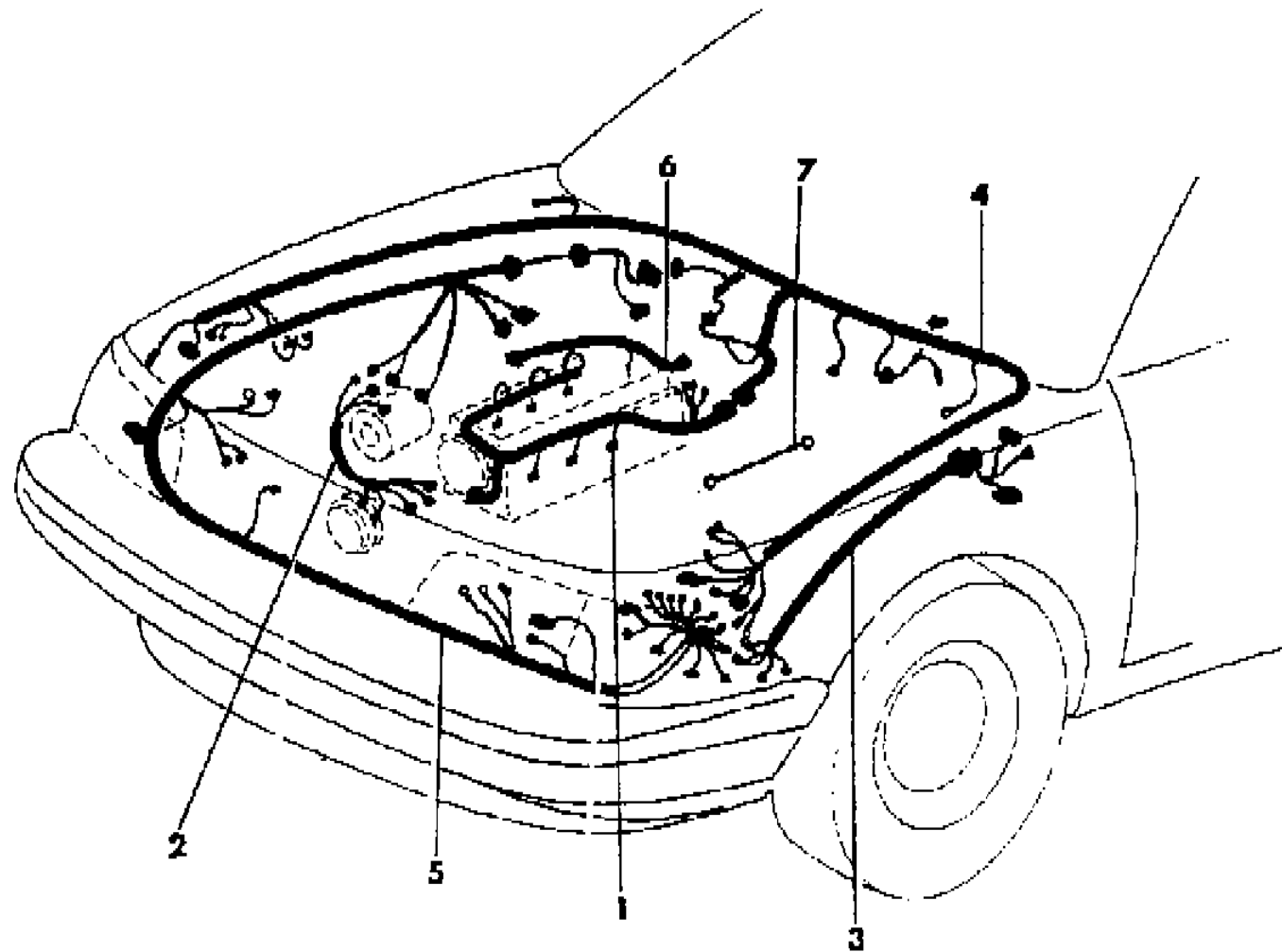
1988:
55 = 4 dr. Sedan
1989-92:
6 = 4 Dr. Sedan

AR = Use as Required - = Non Illustrated Part P.A.R. = Paint as Required

WIRING--ENGINE FRONT END AND RELATED PARTS 1988-90

Figure 8-1200

8P08 1200



ITEM	PART NUMBER	QTY	BODY	MODEL	DESCRIPTION
1					WIRING, Injector
	3600 3675	1			2.5 Eng. Auto. Trans.
	3600 3676	1			3.0 Eng. Auto Trans., w/ZF Trans. 1988-89
	5267 348	1			3.0 Eng. 1990
2					WIRING, Alternator
	3600 1809	1			2.5 Eng., w/Monitor System
	3600 2585	1			2.5 Eng., w/o Monitor System
	3600 2781	1			3.0 Eng., w/Monitor System
	4481 823				3.0 Eng., w/Monitor System, 1990
	3600 1810	1			3.0 Eng., w/o Monitor System
3					WIRING, Power Circuit Feed
	3600 3524	1			1988-89
	5267 702	1			1990
4					WIRING, Elec. Eng. Control
	3600 3674	1			2.5 Eng., 1988
	3600 3721	1			2.5 Eng., 1989
	3600 3672	1			3.0 Eng., 1988
	3600 3722	1			3.0 Eng., 1989
5					WIRING, Engine Compartment
	3600 3529	1			w/Monitor System, 1988, w/AR4 Trans.
	3600 3527	1			3.0 Eng., w/ or w/o Monitor System, w/o AR4 Trans.
	5267 306	1			1990
	4443 969	1			2.5 Eng., 1989
	4450 916	1			3.0 Eng., 1989
	5267 320				1990, H/Lamp & Dash
	4604 154				1990, w/Daytime Running Lamps
6					WIRING, Throttle Position Sensor
	3300 4417	1			2.5 Eng., Auto. Trans.
					3.0 Eng., (Serv. In Engine Wiring)
7	5600 0761	1			CABLE, Ground
-	3600 3216	1			WIRING, Low Pressure Switch (Jumper)

MODEL CODES:

1988:	1989:	1990-92:	1990-92:
559 - Premier LX	56 - Premier LX	DP-Monaco LE	XP-Premier LX
	557 - Premier ES		DS-Monaco ES
	66 - Premier ES		XS-Premier ES

BODY STYLES:

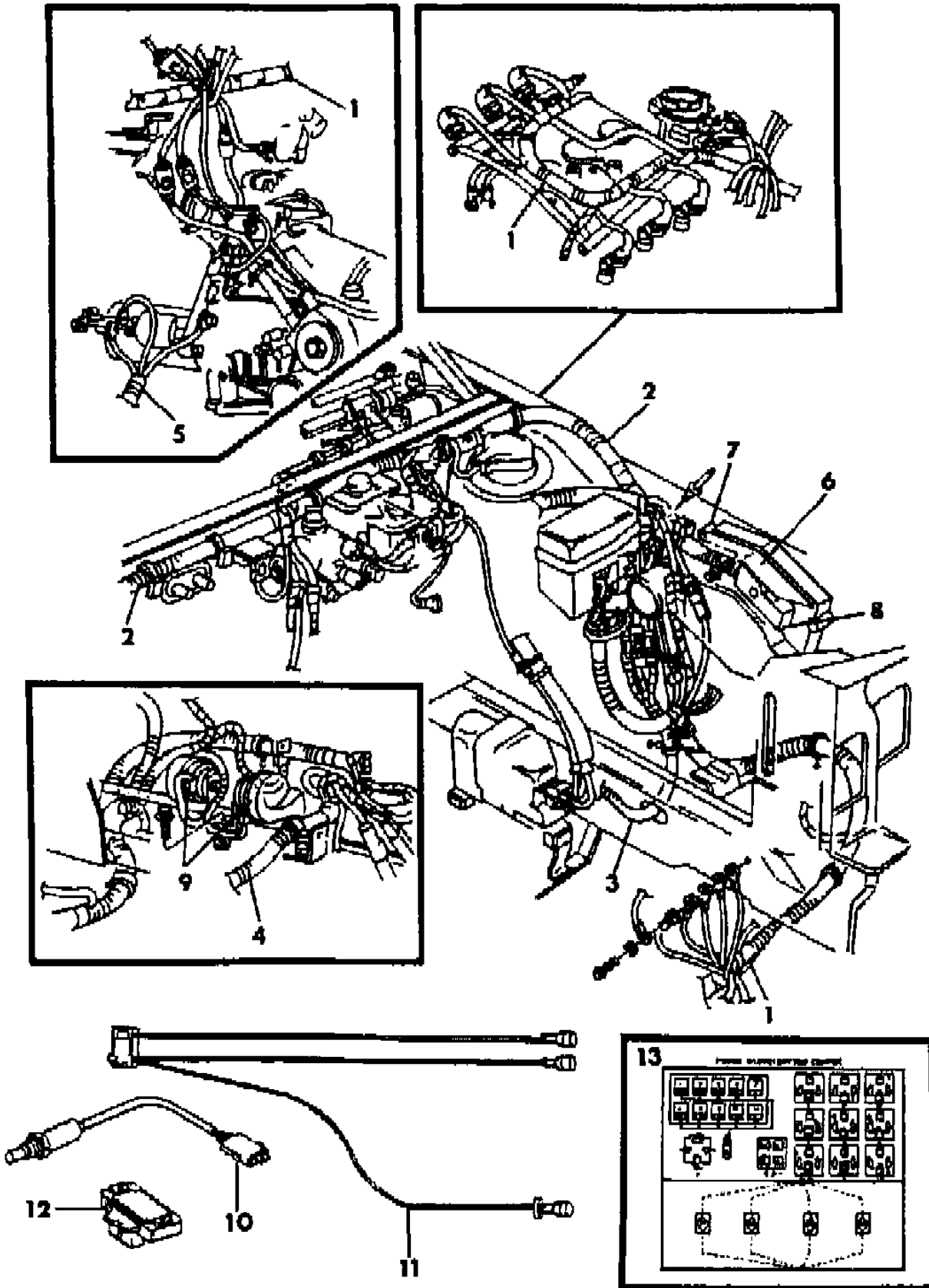
1988:
55 = 4 dr. Sedan
1989-92:
6 = 4 Dr. Sedan

AR = Use as Required - = Non Illustrated Part P.A.R. = Paint as Required

WIRING--ENGINE FRONT END AND RELATED PARTS 1991-92

Figure 8-1250

8PDB 1250 A



ITEM	PART NUMBER	QTY	BODY	MODEL	DESCRIPTION
1	4604 196	1			WIRING, Engine
2	4604 186	1			WIRING, Headlamp To Dash, w/Anti-Lock Brakes
	4692 395	1			1992
	4604 187	1			w/Daytime Running Lamps
	4692 393	1			1992
	4604 188	1			w/o Anti-Lock Brakes
	4692 391	1			1992
3	4604 189	1			WIRING, Engine Power
4	4604 013	1			WIRING, Alternator
5	4604 014	1			WIRING, Eng. Battery Cable
6	4605 445	1			SINGLE BOARD ENG. CONTROL, 3.0 Eng. ***
	4557 447	1			3.0, Auto. Trans., Calif.
	4605 081	1			1991-92
7	5234 956	1			BRACKET, S.B.E.C.
8		1			COVER, 60 Way Conn.
9		1			HORN, (See Illus. 1400)
10	4605 077	1			SENSOR, Oxygen, 1991-92
11	3600 3216	1			WIRING, Low Oil Pressure Switch (Jumper)
12	5234 919	1			SENSOR, M.A.P. (Use Mtg. Brkt. 53002332) (Insul. Repair 4638998)
-	4636 494	1			SENSOR, Crankshaft (Repair Connector 4639000)
-	4636 496	1			SENSOR, Camshaft
13		1			POWER DISTRIBUTION CENTER ***
					COVER, Bottom (Box) (Serv. In H/Lp. & Dash Wiring)
	5267 385	1			BASE ASSY.
	5267 670	1			COVER, Upper
	6101 137	AR			FUSE, 20 Amp. (Yellow)
	6101 618	AR			FUSE, 30 Amp. (Pink)
	6101 617	AR			FUSE, 20 Amp. (Blue)
	6101 619	AR			FUSE, 40 Amp. (Green)
	5252 601	AR			RELAY, A/C Clutch
	4443 941	AR			RELAY, Fuel Pump
	5252 601	AR			RELAY, Starter
	4443 941	AR			RELAY, Auto. Shutdown
	4565 007	AR			RELAY, ABS Pump Motor
	5252 672	AR			RELAY, ABS Warning Lamp
	5252 672	AR			RELAY, ABS System
	5252 601	AR			RELAY, Rad. Fan.

MODEL CODES:

1988:	1989:	1990-92:	1990-92:
559 - Premier LX	56 - Premier LX 557 - Premier ES 66 - Premier ES	DP-Monaco LE	XP-Premier LX DS-Monaco ES XS-Premier ES

BODY STYLES:

1988:
55 = 4 dr. Sedan
1989-92:
6 = 4 Dr. Sedan

AR = Use as Required - = Non Illustrated Part P.A.R. = Paint as Required

SPARK PLUGS--COIL--CABLES 4 AND 6 CYLINDER ENGINES
Figure 8-1300

8P08 1300

ITEM	PART NUMBER	QTY	BODY	MODEL	DESCRIPTION
1	3300 4272	1			MODULE, Ignition Coil
	J099 9027	1			MODULE, Ignition (D.I.S.) (Stamped 5235425)
2	T103 1135	1			COIL, Ignition
3	3300 4760	1			SENSOR, Engine Speed (w/Eng. 27x-711) (Crankshaft Position)
	5234 355	1			(w/Eng. 27x-715)
4					WIRE SET, Ignition ***
	8350 2400	1			4 Cyl.
	T026 6733	1			6 Cyl., 1988-90
	4627 507	1			6 Cyl., 1991-92
5	8330 0149	4			WIRE, Ignition 4 Cyl.
6					WIRE, Coil
	5300 2177	1			4 Cyl.
	J026 0022	1			6 Cyl.
7					SPARK PLUG
	3300 2750	4			4 Cyl. (RC12LYC)
	T071 4540	6			6 Cyl. (RS9YC)
	5234 975	6			6 Cyl. (RS9yCX)
8	3300 2902	1			BRACKET, Ignition Module, 4 Cyl.
9	1150 2811	2			NUT
10	1150 2453	3			BOLT
11	3300 1774	AR			SHIELD
12	J324 3095	1			SEPARATOR
13	3420 1686	AR			BOLT
14					WASHER
		2			1988-89, (Not Serv.)
	6100 141	2			1990
15	J324 1515	1			STRAP
16	3420 2771	1			CLIP, 4 Cyl.
17	T026 6688	1			GUIDE, 6 Cyl. Rt.
18	T026 6689	1			GUIDE, 6 Cyl. Ctr.
19	T026 6692	1			GUIDE, 6 Cyl. Lt., 1988-90
	J026 0504	1			1991-92
20	J012 6166	1			CLIP, 6 Cyl.
21	3502 3823	1			PLATE, Mounting

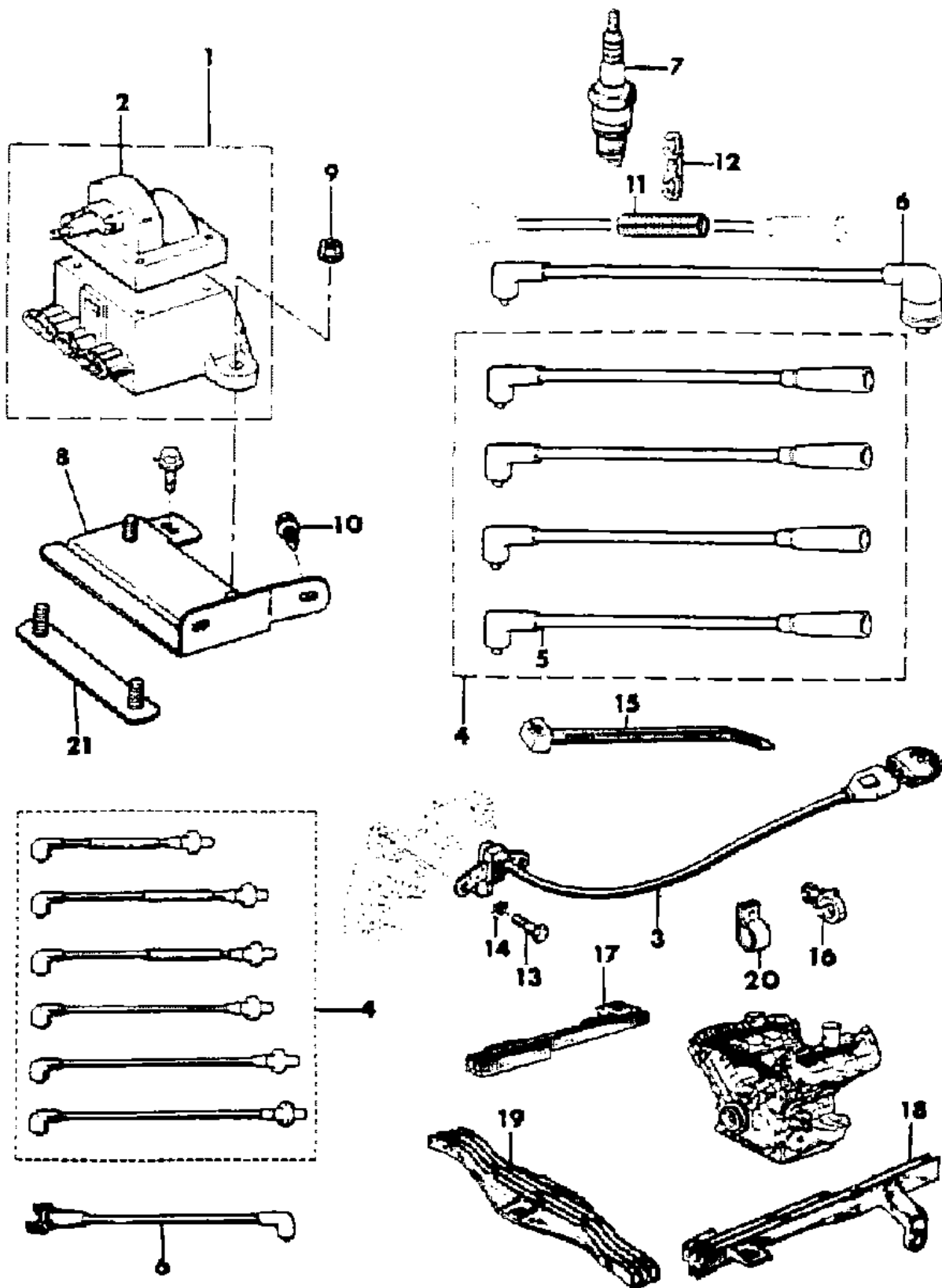
MODEL CODES:

1988:	1989:	1990-92:	1990-92:
559 - Premier LX	56 - Premier LX 557 - Premier ES 66 - Premier ES	DP-Monaco LE	XP-Premier LX DS-Monaco ES XS-Premier ES

BODY STYLES:

1988:
55 = 4 dr. Sedan
1989-92:
6 = 4 Dr. Sedan

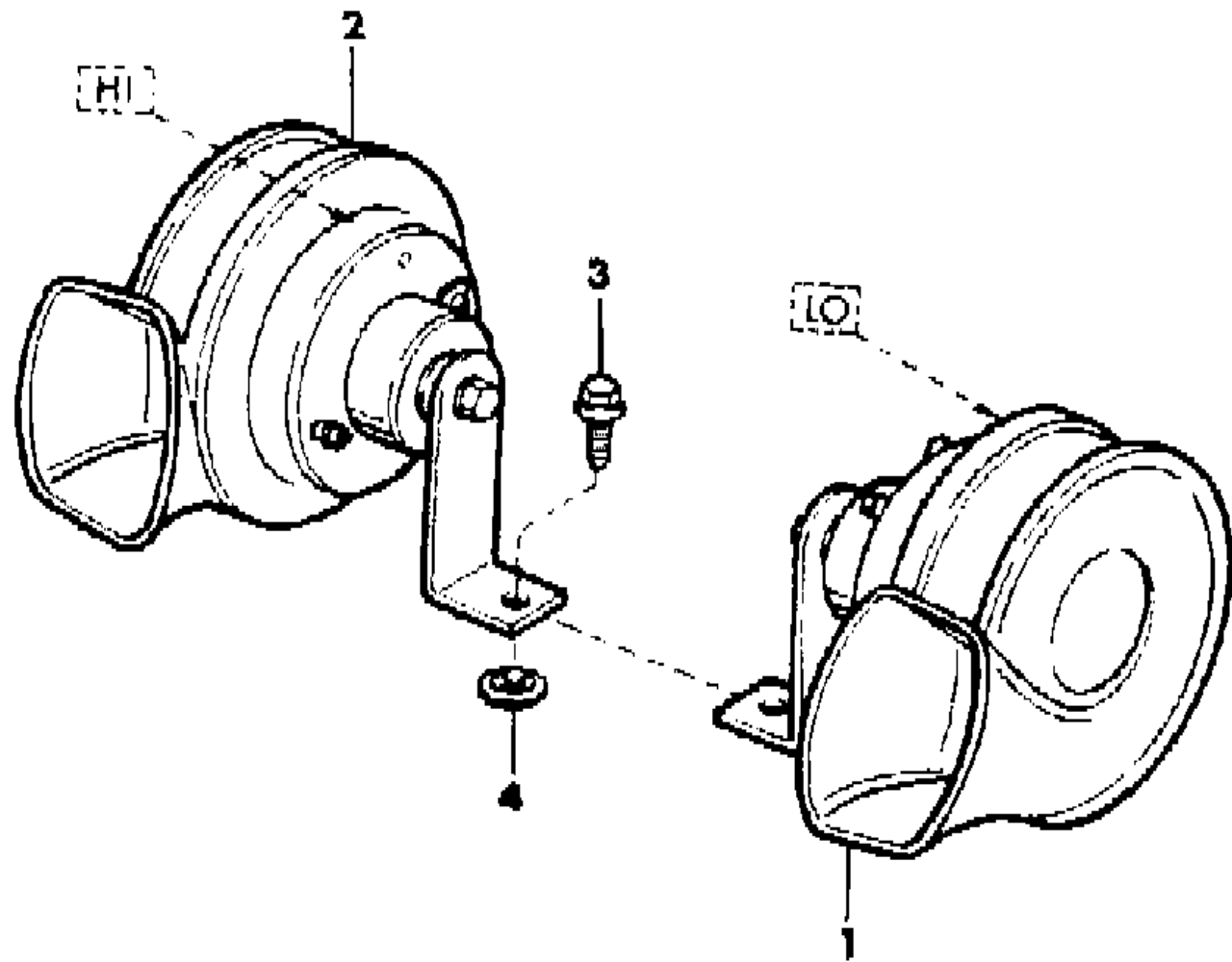
AR = Use as Required - = Non Illustrated Part P.A.R. = Paint as Required



HORNS
Figure 8-1400

8P08 1400

ITEM	PART NUMBER	QTY	BODY	MODEL	DESCRIPTION
1	3600 3214	1			HORN, Low Note
2	3600 3215	1			HORN, High Note
3	3420 1162	2			SCREW
4	3420 2014	2			NUT



MODEL CODES:

1988:	1989:	1990-92:	1990-92:
559 - Premier LX	56 - Premier LX 557 - Premier ES 66 - Premier ES	DP-Monaco LE	XP-Premier LX DS-Monaco ES XS-Premier ES

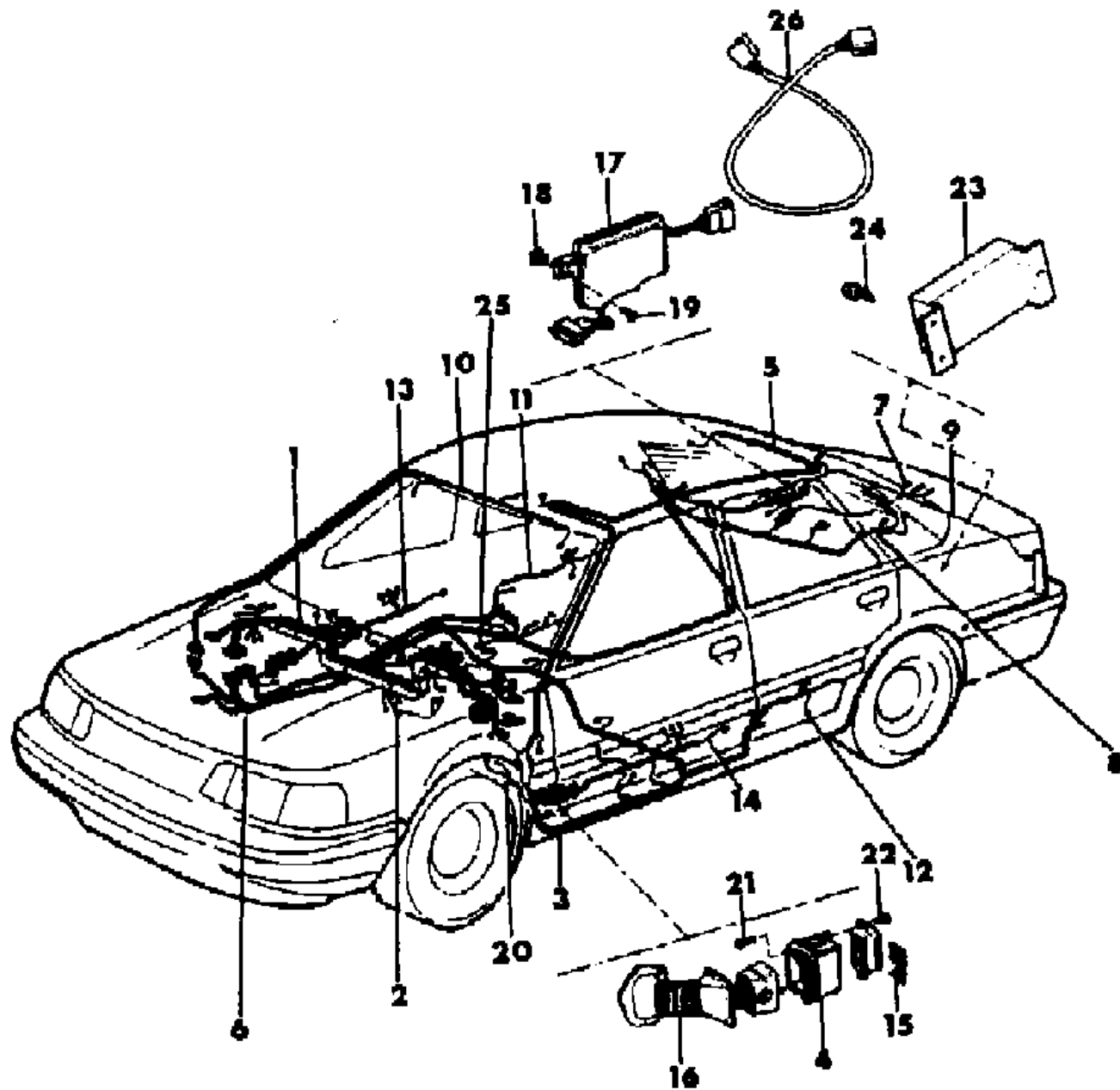
BODY STYLES:
1988:
55 = 4 dr. Sedan
1989-92:
6 = 4 Dr. Sedan

AR = Use as Required - = Non Illustrated Part P.A.R. = Paint as Required

WIRING--BODY AND ACCESSORIES

Figure 8-1500

8P08 15008



ITEM	PART NUMBER	QTY	BODY	MODEL	DESCRIPTION
1					WIRING, Instrument Panel, Includes Fuse Panel
	3600 3514	1			w/Passive Restraint, 1988
	3600 3677	1			w/o Elec. Cluster, w/o Monitor, w/o Passive Restraint, 1988
	3600 3678	1			w/o Elec. Cluster, w/Monitor System, w/o Passive Restraint, 1988
	4450 988	1			w/o Monitor System, 1989
	4450 874	1			w/Monitor System, 1989
	4604 048	1			w/Monitor, 1990
	4604 049	1			w/o Monitor, 1990
	4604 191	1			w/Monitor, 1991
	4692 369	1			1992
	4604 190	1			W/O MONITOR, 1991-92
	4604 192	1			W/ABS, VDS, VMM & TRIP, 1991-92
	4604 193	1			w/ABS & Compact Disc, 1991
	4692 369	1			1992
-	6101 137	AR			FUSE, 20 Amp.
	6101 139	AR			30 Amp.
	6101 135	AR			10 Amp.
-	3600 3088	AR			COVER, Fuse Box
-	3600 2126	AR			CIRCUIT BREAKER, Mini. ***
	3600 3537	AR			22 Amp.
2	3600 3453	1			WIRING, Shift Ind. Lamp
3					WIRING, BODY, Floor Pan
	3600 3375	1			w/Monitor System, w/o Passive Restraint, 1988
	3600 2802	1			w/o Monitor System, w/o Passive Restraint, 1988
	3600 3657	1			w/o Passive Restraint, 1989
	3600 3655	1			w/Passive Restraint, 1988-89
	5267 328	1			w/Passive Restraint, 1990
	4604 236	1			W/PASSIVE RESTRAINT RT., 1991
	4692 370	1			1992
	4604 238	1			w/o Passive Restraint Rt., 1991-92
4	3600 2528	2			TUBE, Protector
5	3600 1848	1			WIRING, Keyless Entry, 1988-89
	4481 853	1			w/Sunroof, 1990
6					WIRING, Body
	3600 3525	1			w/o Passive Restraint, 1988
	3600 3329	1			w/Passive Restraint, 1988
	3600 3659	1			1989
	5267 328	1			1990, Crossbody
	5267 240	1			1990, Body, Rt.

MODEL CODES:

1988:	1989:	1990-92:	1990-92:
559 - Premier LX	56 - Premier LX	DP-Monaco LE	XP-Premier LX
	557 - Premier ES		DS-Monaco ES
	66 - Premier ES		XS-Premier ES

BODY STYLES:

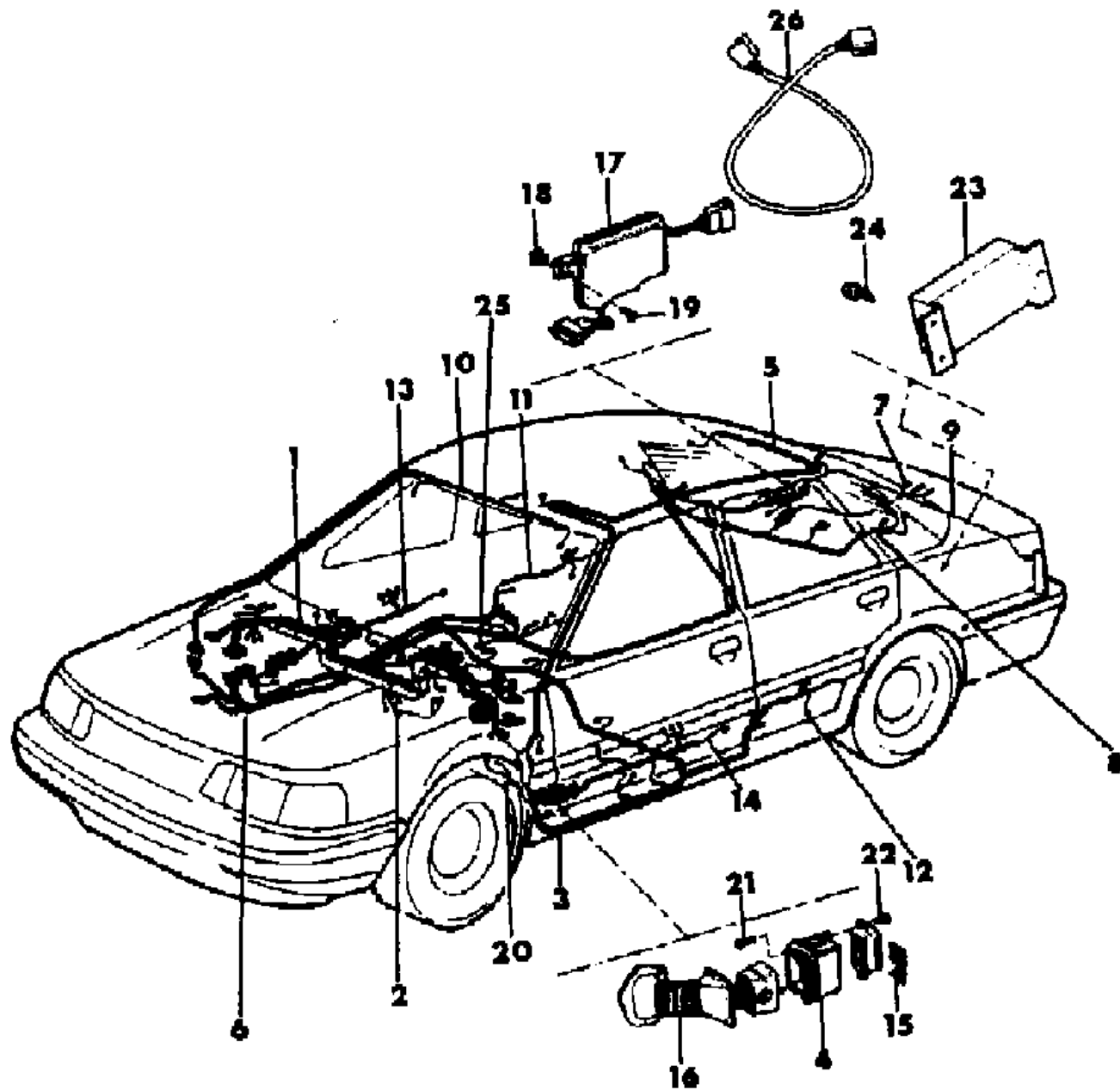
1988:
55 = 4 dr. Sedan
1989-92:
6 = 4 Dr. Sedan

AR = Use as Required - = Non Illustrated Part P.A.R. = Paint as Required

WIRING--BODY AND ACCESSORIES

Figure 8-1500

8P08 15008



ITEM	PART NUMBER	QTY	BODY	MODEL	DESCRIPTION
	4692 374				1992-92, Body Sill, Rt., Dash To Rear Lamps
7	3600 2590	1			WIRING, Deck Lid
	4481 836	1			1991-92
8	3600 2285	1			WIRING, Rear Cross
9	3600 3523	1			WIRING, Taillamp
10	3600 2672	1			WIRING, Dome Lamp
11					WIRING, Door, Rear Right
	3600 2272	1			w/Pwr. Windows
	4604 036	1			w/Pwr. Windows, 1991
	4692 380	1			1992
	3600 3302	1			w/o Pwr. Windows
12					WIRING, Door, Rear Left
	5267 255	1			w/Pwr. Windows
	4604 035	1			w/Pwr. Windows, 1991-92
	3600 3293	1			w/o Pwr. Windows
13					WIRING, Door, Front Right
	3600 3294	1			w/Pwr. Windows & Locks, 1988-89-90
	3600 3290	1			w/o Pwr. Windows, w/o Pwr. Locks
	3600 3289	1			w/o Pwr. Windows, w/o Pwr. Locks, w/Speaker
	4604 112	1			w/Pwr. Locks & Pwr. Mirror, 1991
	4692 382	1			1992
14					WIRING, Door, Front Left
	3600 3291	1			w/Pwr. Windows & Locks, 1988-89-90
	4604 039	1			1991
	4692 377	1			1992
	3600 3290	1			w/o Pwr. Windows, w/o Pwr. Locks
	3600 3289	1			w/o Pwr. Windows, w/o Pwr. Locks, w/Speaker
15	3417 5520	2			RETAINER
16	3600 3374	1			TUBE, Protector
17	3600 2352	1			MODULE, Lamp Outage
18	J400 4689	2			NUT, Push
19	1150 0055	2			SCREW
20	3600 3169	1			WIRING, Parking Brake
21	J016 3162	3			SCREW
22	3420 2737	2			SCREW
23	3600 3466	1			MODULE, Passive Restraint
24	J812 4662	3			SCREW
25					WIRING, Console
	3600 3716	1			w/Passive Restraint, 1988
	4450 984	1			1990-91-92

MODEL CODES:

1988:	1989:	1990-92:	1990-92:
559 - Premier LX	56 - Premier LX	DP-Monaco LE	XP-Premier LX
	557 - Premier ES		DS-Monaco ES
	66 - Premier ES		XS-Premier ES

BODY STYLES:

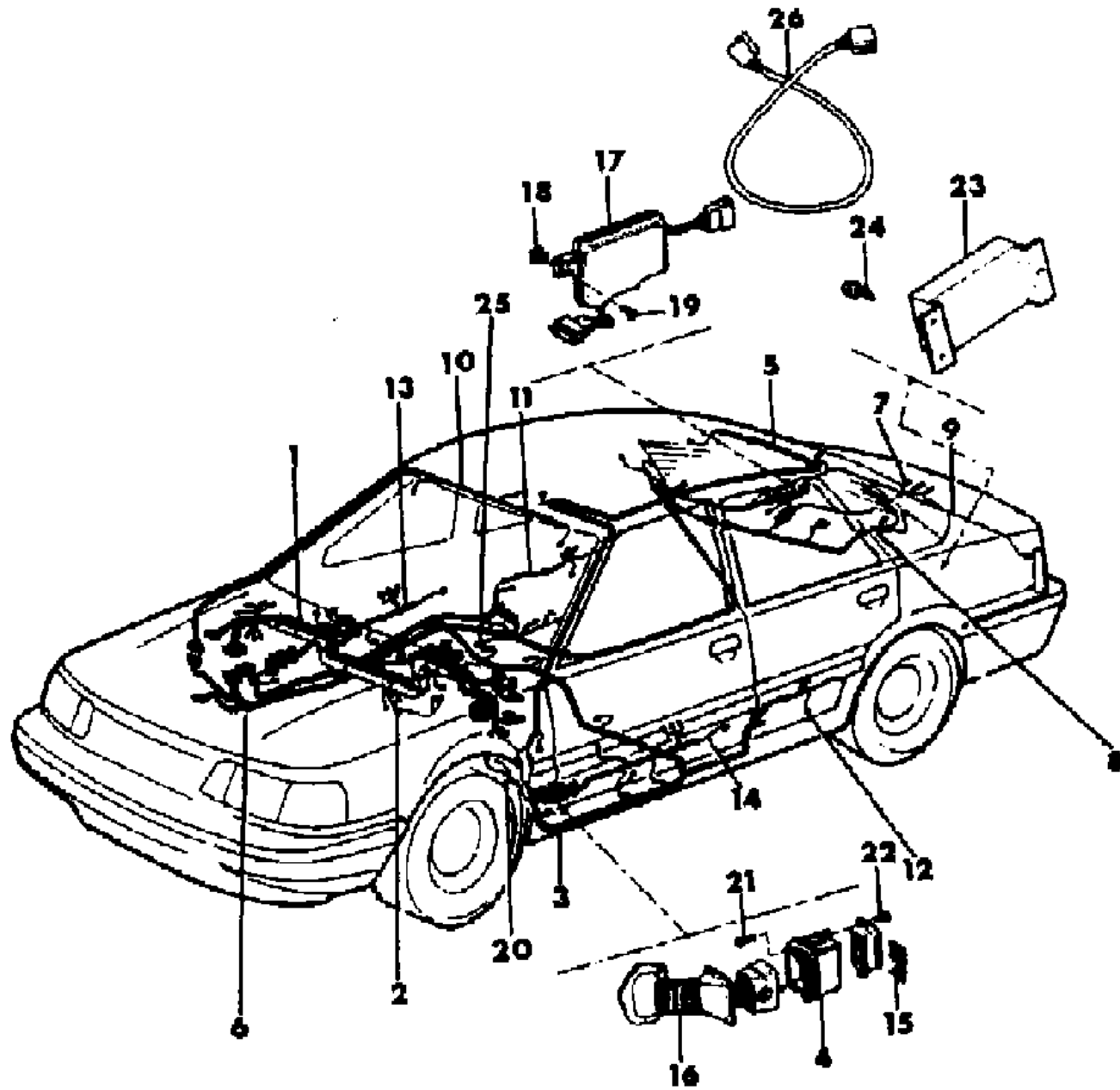
1988:
55 = 4 dr. Sedan
1989-92:
6 = 4 Dr. Sedan

AR = Use as Required - = Non Illustrated Part P.A.R. = Paint as Required

WIRING--BODY AND ACCESSORIES

Figure 8-1500

8P08 15008



ITEM	PART NUMBER	QTY	BODY	MODEL	DESCRIPTION
26	4450 946	1			WIRING, Taillamp Jumper, 1989
	4467 688				(Aft. 10-9-91) Prem. & Monaco WIRING-ACCESSORIES
	5252 656	1			Trailer Tow, 1988-91
	4481 850	1			Underhood Lamp
	4450 986	1			"PRNDL", 1990-91-92
	4481 810	1			COMPACT DISC, 1990-91-92
	3600 2766	1			"C" Pillar Lamp, 1991
	4604 047	1			Taillamp, 1991-92
	4481 836	1			Deck Lid Lt., 1991-92
	4604 042	1			Body, Illum. Visor Keyless Entry, 1991-92
	5267 473	1			Fuel Tank Jumper, 1991-92
	3600 2776	1			Hi-Mtd. Stop Lp. Jumper, 1988-92
	3600 3141	1			Headlamp Module, 1991-92
	3600 2284	1			Back-Up & License Lamp, 1991-92

MODEL CODES:

1988:	1989:	1990-92:	1990-92:
559 - Premier LX	56 - Premier LX 557 - Premier ES 66 - Premier ES	DP-Monaco LE	XP-Premier LX DS-Monaco ES XS-Premier ES

BODY STYLES:

1988:
55 = 4 dr. Sedan
1989-92:
6 = 4 Dr. Sedan

AR = Use as Required - = Non Illustrated Part P.A.R. = Paint as Required

WIRING REPAIR PACKAGES
Figure 8-1550

ITEM	PART NUMBER	QTY	BODY	MODEL	DESCRIPTION
	4639 000		BB		INSULATOR, Wire Repair, Speed Sensor, 3-Way, 1991-92
	4638 993		BB		INSULATOR, Wire Repair, Passive Restraint Relay
	4419 555		BB		INSULATOR, Wire Repair, VMM Trip Computer, 15-18 Way, 1988-92
	4419 558		BB		INSULATOR, Wire Repair, HVAC & Headlight Control, 32-Way
	4419 560		BB		INSULATOR, Wire Repair, Cluster, 12 & 18 Way
	4419 564		BB		INSULATOR, Wire Repair, Passive Restraint Module, 12 & 16 Way
	4638 992		BB		INSULATOR, Wire Repair, Low Pressure, 2-Way
	4638 995		BB		1990
	4638 999		BB		INSULATOR, Wire Repair, Speed Sensor Processing Module, 8-Way
	4638 994		BB		INSULATOR, Wire Repair, Throttle Position Sensor, 3-Way
	4723 178				INSULATOR, Wire Repair, Battery Main Disconnect Latch Broken
	4720 927		ALL		INSULATOR, Wire Repair, Radio

ILLUSTRATION NOT AVAILABLE AT TIME OF PUBLICATION

MODEL CODES:
1988: 559 - Premier LX
1989: 56 - Premier LX
557 - Premier ES
66 - Premier ES
1990-92: DP-Monaco LE
1990-92: XP-Premier LX
DS-Monaco ES
XS-Premier ES

BODY STYLES:
1988:
55 = 4 dr. Sedan
1989-92:
6 = 4 Dr. Sedan

AR = Use as Required - = Non Illustrated Part P.A.R. = Paint as Required

GROUP 8A - ELECTRICAL - INSTRUMENT PANEL AND CONSOLES

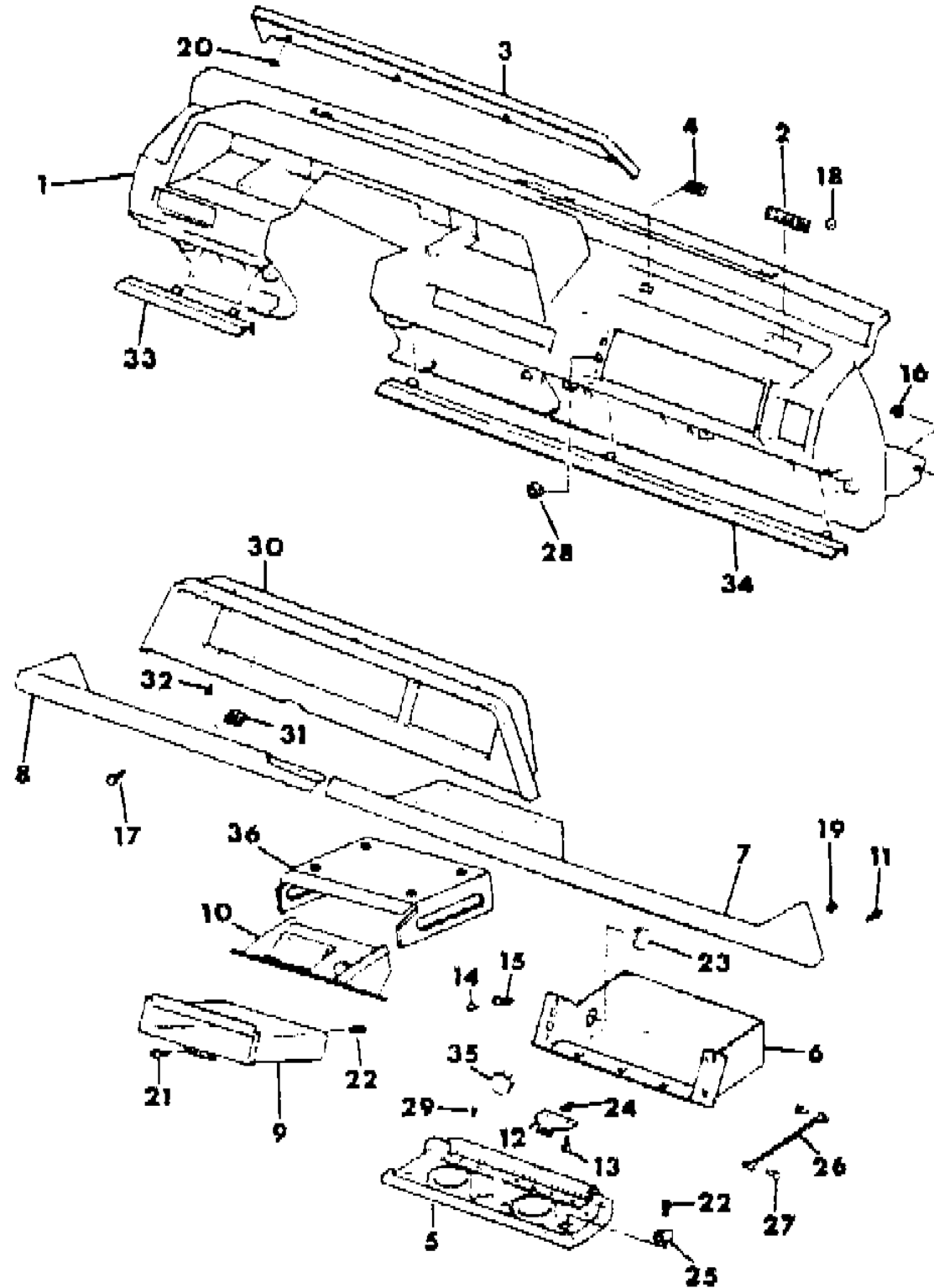
ILLUSTRATION TITLE	GROUP-FIG. NO.
INSTRUMENT PANEL WITHOUT PASSIVE RESTRAINTS	Fig. 8A-100
INSTRUMENT PANEL WITH PASSIVE RESTRAINTS	Fig. 8A-200
COVER, STEERING COLUMN	Fig. 8A-250
INSTRUMENT PANEL BRACES AND BRACKETS	Fig. 8A-300
INSTRUMENT PANEL CLUSTER--WITHOUT TACHOMETER, 1988	Fig. 8A-400
INSTRUMENT PANEL CLUSTER--WITH TACHOMETER	Fig. 8A-500
RADIO AND SPEAKERS STANDARD SOUND	Fig. 8A-600
RADIO AND SPEAKERS PREMIUM SOUND	Fig. 8A-700
ANTENNA	Fig. 8A-800
CONSOLE--TYPE 1	Fig. 8A-900
CONSOLE--TYPE 2	Fig. 8A-1000
PANEL--FUSE	Fig. 8A-1100

ILLUSTRATION NOT AVAILABLE AT TIME OF PUBLICATION

INSTRUMENT PANEL WITHOUT PASSIVE RESTRAINTS

Figure 8A-100

BP82 100



ITEM	PART NUMBER	QTY	BODY	MODEL	DESCRIPTION
1					PANEL, Instrument
					Brownstone
	5252 022	1			1988
	WG21 HF7	1			1989
					Charcoal
	5252 019	1			1988
	3502 6628	1			1989
					Cordovan
	5252 021	1			1988-89
					Navy
2	5252 020	1			1988-89
					NAMEPLATE, Instrument Panel
					Premier
					Brownstone
	3502 5346	1			1988-89
					Charcoal
	3502 5343	1			1988-89
					Cordovan
	3502 5345	1			1988-89
					Navy
	3502 5344	1			1988-89
3	3501 4692	1			COVER, Upper
4	3502 1981	1			GRILLE, Sensor P.A.R., 1988-89
5					DOOR, Glove Box
	WL43 HF7	1			Brownstone
					Charcoal
	4533 360	1			1988-89
					Cordovan
	WL43 HH9	1			1988-89
					Navy
	WL43 HQ8	1			1988-89
6					HOUSING, Glove Box
	3501 4208	1			1988
	3502 6143	1			1989-91
7					PANEL, Lower Right Side
					Brownstone
	5252 022	1			1988
	3502 6666	1			1989
					Charcoal

MODEL CODES:

1988:	1989:	1990-92:	1990-92:
559 - Premier LX	56 - Premier LX	DP-Monaco LE	XP-Premier LX
	557 - Premier ES		DS-Monaco ES
	66 - Premier ES		XS-Premier ES

BODY STYLES:

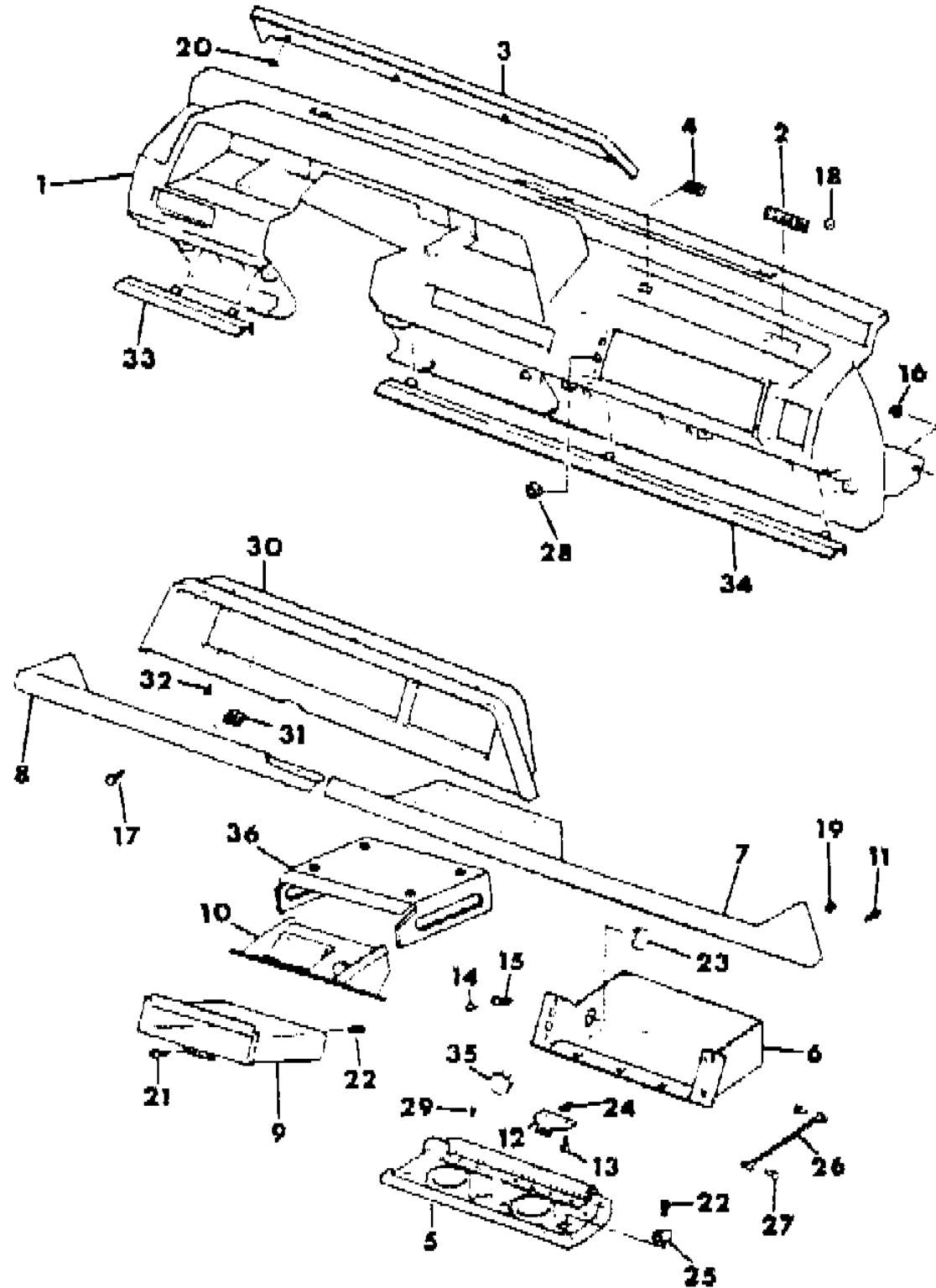
1988:
55 = 4 dr. Sedan
1989-92:
6 = 4 Dr. Sedan

AR = Use as Required - = Non Illustrated Part P.A.R. = Paint as Required

INSTRUMENT PANEL WITHOUT PASSIVE RESTRAINTS

Figure 8A-100

8P82 100



ITEM	PART NUMBER	QTY	BODY	MODEL	DESCRIPTION
	5252 019	1			1988
	3502 6660	1			1989
					Cordovan
	5252 021	1			1988
	3502 6664	1			1989
					Navy
	5252 020	1			1988
	3502 6662	1			1989
8					PANEL, Lower Left Side
					Brownstone
	3501 6151	1			1988
	3502 6667	1			1989
					Charcoal
	5252 019	1			1988
	3502 6661	1			1989
					Cordovan
	3501 6149	1			1988
	3502 6665	1			1989
					Navy
	3501 6147	1			1988
	3502 6663	1			1989
9	3502 4988	1			BIN, Storage Lower
10	3501 4196	1			ASHTRAY, Instrument Panel, P.A.R. ***
11	J400 2309	11			SCREW
12	4595 170	1			STRIKER, Glove Box Lock
13	J400 7487	2			SCREW
14	4359 182	2			BUMPER, Glove Box Door
15	3420 1510	7			SCREW
16	J650 1999	2			NUT
17	3420 1808	1			SCREW
18	J400 0369	2			NUT, Push ***
19	3420 2507	6			CLIP, Tubular
20	J400 0459	8			NUT, Speed
21	1150 2843	1			SCREW
22	3420 1298	4			SCREW
23	3600 3404	1			LENS, Glove Box Light
24	3420 1285	2			NUT, U-Type
25	3502 5238	1			BRACKET, Glove Box Door
26	3502 5282	1			STRAP, Glove Box Door
27	5502 0573	2			BUTTON

MODEL CODES:

1988:	1989:	1990-92:	1990-92:
559 - Premier LX	56 - Premier LX	DP-Monaco LE	XP-Premier LX
	557 - Premier ES		DS-Monaco ES
	66 - Premier ES		XS-Premier ES

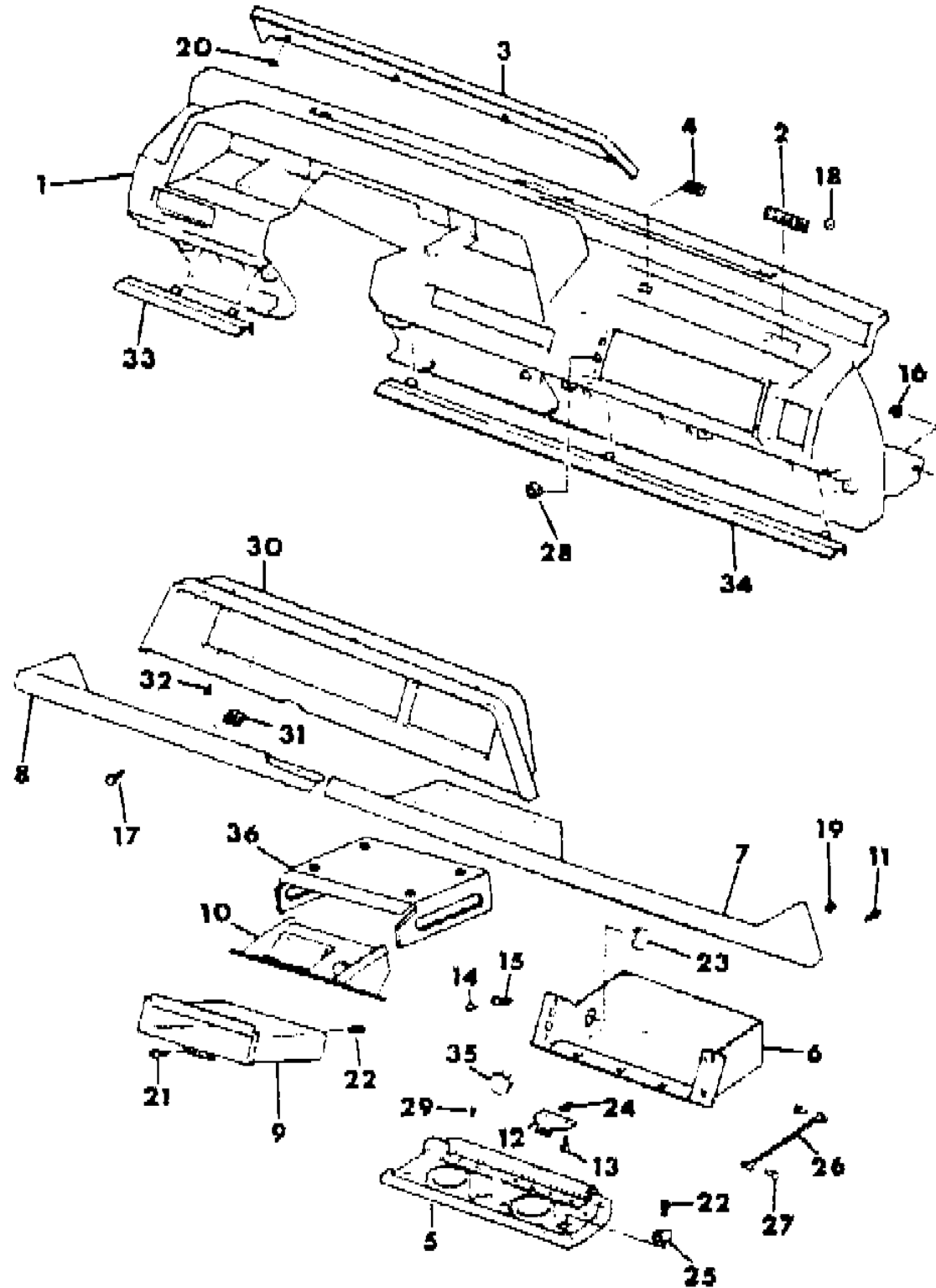
BODY STYLES:

1988:
55 = 4 dr. Sedan
1989-92:
6 = 4 Dr. Sedan

AR = Use as Required - = Non Illustrated Part P.A.R. = Paint as Required

INSTRUMENT PANEL WITHOUT PASSIVE RESTRAINTS
Figure 8A-100

8P82 100



ITEM	PART NUMBER	QTY	BODY	MODEL	DESCRIPTION
28	J315 7983	1			PLUG
29	J448 9487	2			SCREW
30					BEZEL, Cluster
	3502 4011	1			1988-89, P.A.R.
31	3420 2502	4			CLIP
32	1150 1150	3			SCREW
33	3502 6691	1			MOLDING, Left Lower ***
34	3501 4212	1			MOLDING, Right Lower ***
35	J400 4737	1			PLUG, Lens Hole
36	4524 379	1			BRACKET, Ash Receiver

MODEL CODES:
 1988: 559 - Premier LX
 1989: 56 - Premier LX
 1990-92: DP-Monaco LE
 1990-92: XP-Premier LX
 DS-Monaco ES
 XS-Premier ES

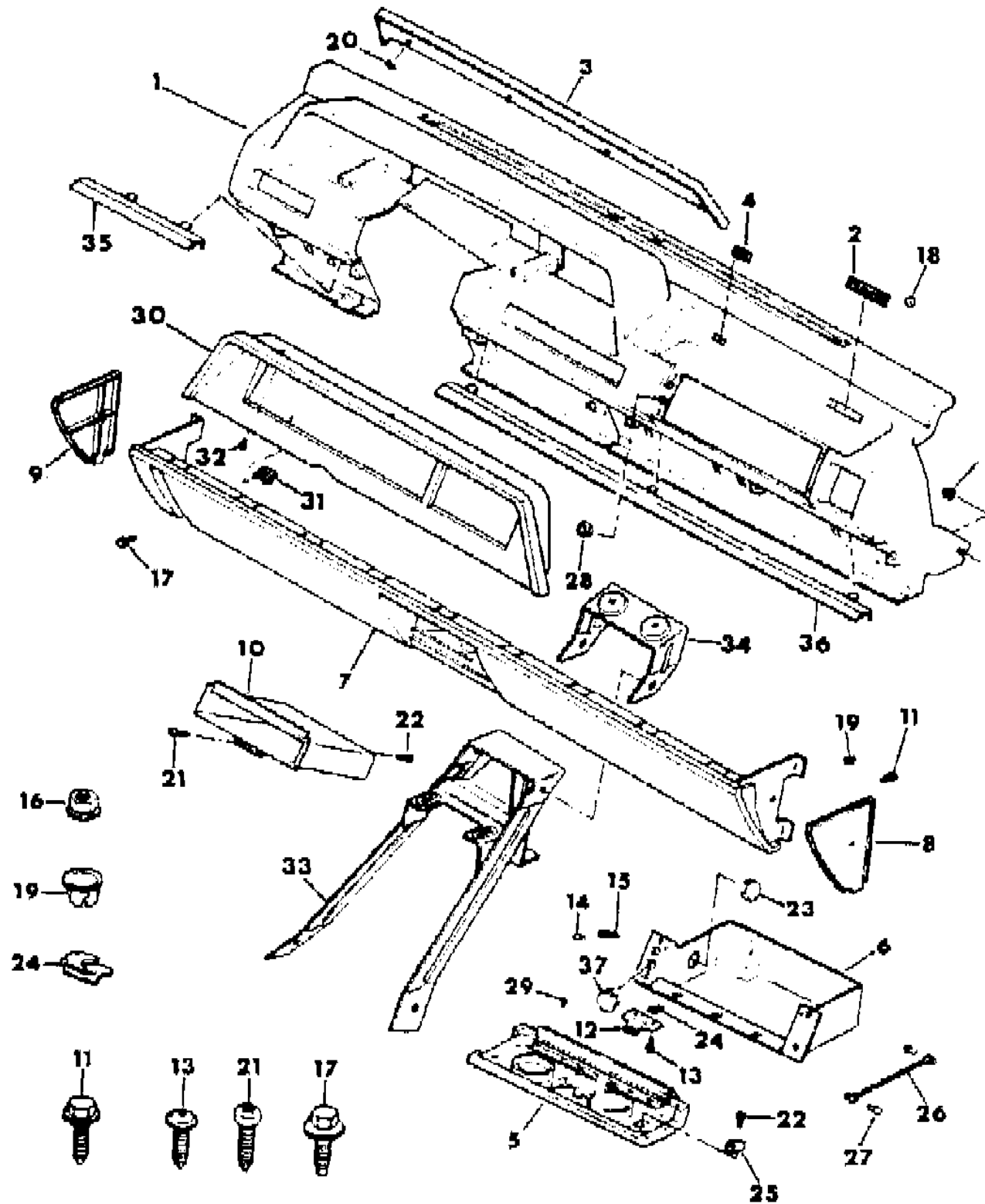
BODY STYLES:
 1988: 55 = 4 dr. Sedan
 1989-92: 6 = 4 Dr. Sedan

AR = Use as Required - = Non Illustrated Part P.A.R. = Paint as Required

INSTRUMENT PANEL WITH PASSIVE RESTRAINTS

Figure 8A-200

8P82 200



ITEM	PART NUMBER	QTY	BODY	MODEL	DESCRIPTION
1					PANEL, Instrument
					Brownstone
	WG21 HF7	1			1988-90
	EK91 KF7	1			1991-92
					Charcoal
	WG21 HA8	1			1988-89
	WG21 HA8	1			1990
	EK91 KA8	1			1991-92
					Cordovan
	WG21 HH9	1			1988-89
	WG21 HH9	1			1990
	EK91 KH9	1			1991-92
					Navy
	3502 4404	1			1988-89
	WG21 HQ8	1			1990
	EK91 KQ8	1			1991-92
2					NAMEPLATE, Instrument Panel
					Premier
					Brownstone
	3502 5346	1			1988-89
	AJ77 JF7	1			1990-92
					Charcoal
	3502 5343	1			1988-89
	AJ77 JA8	1			1990-92
					Cordovan
	3502 5345	1			1988-89
	AJ77 JH9	1			1990-92
					Navy
	3502 5344	1			1988-89
	AJ77 JQ8	1			1990-92
					MONACO
	DE65 JA8	1			Charcoal, 1990-92
	DE65 JF7	1			Brownstone, 1990-92
	DE65 JH9	1			Cordovan, 1990-92
	DE65 JQ8	1			Navy, 1990-92
3	3501 4692	1			COVER, Upper
4					GRILLE, Sensor
	3502 1981	1			P.A.R., 1988-89
	AL21 HF7	1			Brownstone, 1990-92
	AL21 HA8	1			Charcoal, 1990-92

MODEL CODES:
 1988: 559 - Premier LX
 1989: 56 - Premier LX
 557 - Premier ES
 66 - Premier ES
 1990-92: DP-Monaco LE
 1990-92: XP-Premier LX
 DS-Monaco ES
 XS-Premier ES

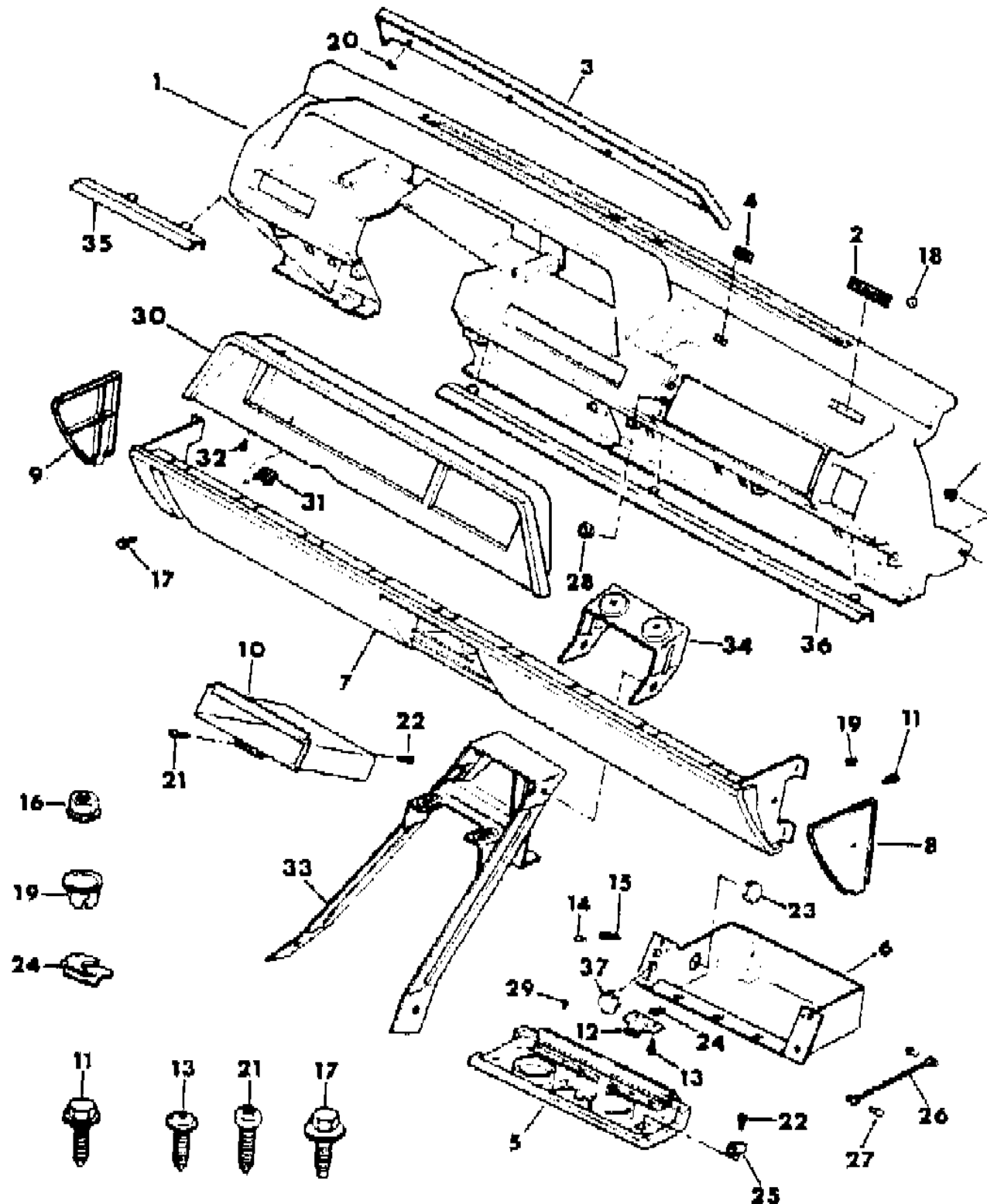
BODY STYLES:
 1988: 55 = 4 dr. Sedan
 1989-92: 6 = 4 Dr. Sedan

AR = Use as Required - = Non Illustrated Part P.A.R. = Paint as Required

INSTRUMENT PANEL WITH PASSIVE RESTRAINTS

Figure 8A-200

8P82 200



ITEM	PART NUMBER	QTY	BODY	MODEL	DESCRIPTION
5	AL21 HH9	1			Cordovan, 1990-92
	AL21 HQ8	1			Navy, 1990-92
	WL43 HF7	1			DOOR, Glove Box Brownstone Charcoal
6	4533 360	1			1988-89
	WL43 HA8	1			1990-92
	WL43 HH9	1			Cordovan Navy
	4533 637	1			1988
	WL43 HQ8	1			1989-92
	3502 6143				HOUSING, Glove Box PANEL, Lower
7	3502 4092	1			Brownstone, 1988-89
	WG56 JF7	1			1990-1992
	3502 4086	1			Charcoal, 1988-89
	WG56 JA8	1			1990-1992
	3502 4090	1			Cordovan, 1988-89
	WG56 JH9	1			1990-1992
	3502 4088	1			Navy, 1988-89
WG56 JQ8	1			1990-1992	
8					CAP, End Right Side
	AW84 HF7	1			Brownstone
	AW84 HA8	1			Charcoal
	3502 5424	1			Cordovan
9	AW84 HQ8	1			Navy
					CAP, End Left Side
	AW85 HF7	1			Brownstone
	3502 5421	1			Charcoal
	AW85 HH9	1			Cordovan
10	AW85 HQ8	1			Navy
	3502 4988	1			BIN, Storage
11	J400 2309	11			SCREW
12	4595 170	1			STRIKER, Glove Box Lock
13	J400 7487	2			SCREW
14	4359 182	2			BUMPER, Glove Box Door
15	3420 1510	7			SCREW
16	J650 1999	2			NUT
17	3420 1808	1			SCREW
18	J400 0369	2			NUT, Push

MODEL CODES:

1988:	1989:	1990-92:	1990-92:
559 - Premier LX	56 - Premier LX 557 - Premier ES 66 - Premier ES	DP-Monaco LE	XP-Premier LX DS-Monaco ES XS-Premier ES

BODY STYLES:

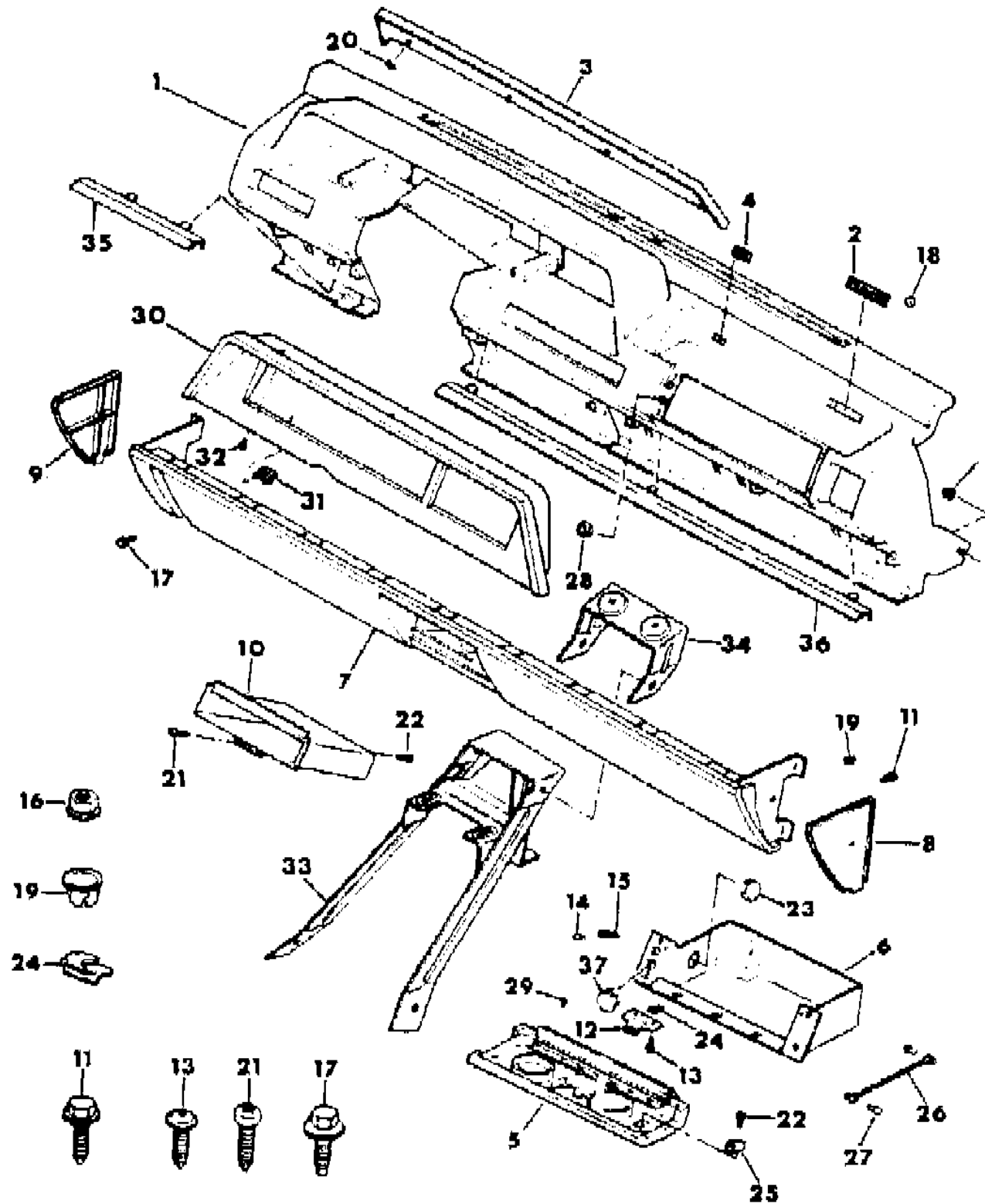
1988:
55 = 4 dr. Sedan
1989-92:
6 = 4 Dr. Sedan

AR = Use as Required - = Non Illustrated Part P.A.R. = Paint as Required

INSTRUMENT PANEL WITH PASSIVE RESTRAINTS

Figure 8A-200

8P82 200



ITEM	PART NUMBER	QTY	BODY	MODEL	DESCRIPTION
19	3420 2507	6			CLIP, Tubular
20	J400 0459	8			NUT, Speed
21	1150 2843	1			SCREW
22	3420 1298	4			SCREW
23	3600 3404	1			LENS, Glove Box Light
24	3420 1285	2			NUT, U-Type
25	3502 5238	1			BRACKET, Glove Box Door
26	3502 5282	1			STRAP, Glove Box Door
27	5502 0573	2			BUTTON
28	J315 7983	1			PLUG
29	J448 9487	2			SCREW
30	3502 4011	1			BEZEL, Cluster 1988-89, P.A.R.
	AZ14 H2X	1			1990-92
31	3420 2502	4			CLIP
32	1150 1150	3			SCREW
33	3502 6238	1			BRACKET
34	3502 6236	1			BRACKET, Ash Receiver
35	3502 6691	1			MOULDING, Lower Left 1989-90
	5265 085	1			1991-92
36	3501 4212	1			MOULDING, Lower Right 1989-90
	5265 084	1			1991-92
37	J400 4737	1			PLUG, Lens Hole

MODEL CODES:

1988:	1989:	1990-92:	1990-92:
559 - Premier LX	56 - Premier LX 557 - Premier ES 66 - Premier ES	DP-Monaco LE	XP-Premier LX DS-Monaco ES XS-Premier ES

BODY STYLES:

1988:
55 = 4 dr. Sedan
1989-92:
6 = 4 Dr. Sedan

AR = Use as Required - = Non Illustrated Part P.A.R. = Paint as Required

COVER, STEERING COLUMN
Figure 8A-250

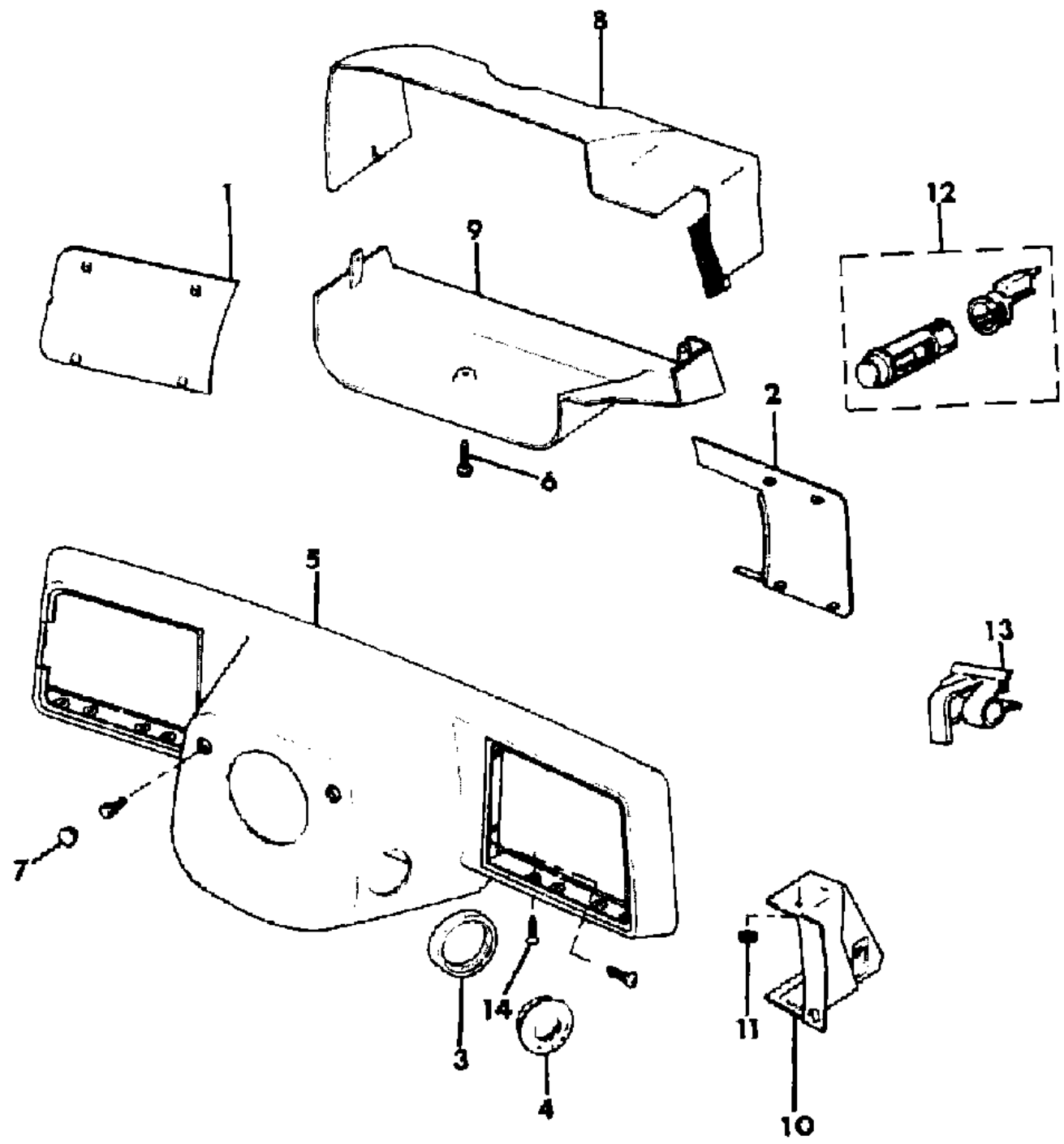
BP82 250

ITEM	PART NUMBER	QTY	BODY	MODEL	DESCRIPTION	
1					COVER, Left	
	AW79 HF7	1			1988-89	
	AW78 HF7	1			Brownstone, 1990-92	
	AW78 HA8	1			Charcoal, 1990-92	
	AW78 HH9	1			Cordovan, 1990-92	
2					COVER, Right	
	AW79 HF7	1			Brownstone	
	AW79 HA8	1			Charcoal, 1990-92	
	AW79 HH9	1			Cordovan, 1990-92	
	AW79 HQ8	1			Navy, 1990-92	
3					BEZEL, Ign. Switch	
	3501 6583	1			1988-89, (P.A.R.)	
	WM26 HF7	1			Brownstone, 1990-92	
	WM26 HA8	1			Charcoal, 1990-92	
	WM26 HH9	1			Cordovan, 1990-92	
4					BEZEL, Lock	
	3600 3048	1				
	5					COVER, Column
						w/o Tilt Wheel
		3502 5079	1			1988-89, (P.A.R.)
AW74 HF7		1			Brownstone, 1990-92	
AW74 HA8		1			Charcoal, 1990-92	
6					SCREW	
	AW74 HH9	1			Cordovan, 1990-92	
	AW74 HQ8	1			Navy, 1990-92	
	3502 5090	1			w/Tilt Wheel, 1988-89	
	AW75 HF7	1			Brownstone, 1990-92	
	AW75 HA8	1			Charcoal, 1990-92	
	AW75 HH9	1			Cordovan, 1990-92	
	AW75 HQ8	1			Navy, 1990-92	
	3420 1195	4				
	7					PLUG
3420 2833		2			1988-89, (P.A.R.)	
AW91 HF7		2			Brownstone, 1990-92	
AW91 HA8		2			Charcoal, 1990-92	
AW91 HH9		2			Cordovan, 1990-92	
8					HOUSING, Upper	
					w/Column Shift	
	AY72 HF7	1			Brownstone, 1990-92	

MODEL CODES:
 1988: 559 - Premier LX
 1989: 56 - Premier LX
 557 - Premier ES
 66 - Premier ES
 1990-92: DP-Monaco LE
 1990-92: XP-Premier LX
 DS-Monaco ES
 XS-Premier ES

BODY STYLES:
 1988:
 55 = 4 dr. Sedan
 1989-92:
 6 = 4 Dr. Sedan

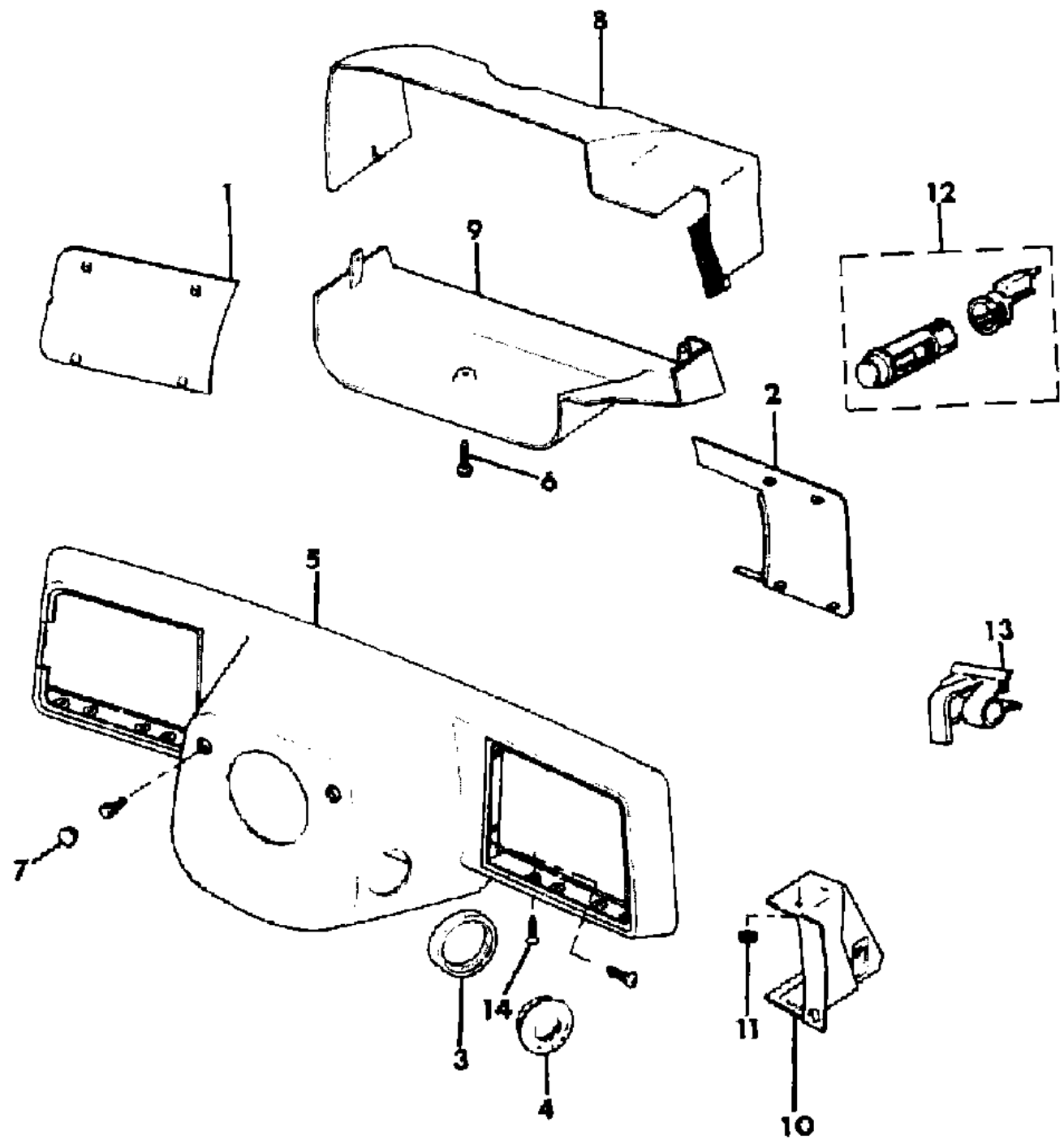
AR = Use as Required - = Non Illustrated Part P.A.R. = Paint as Required



COVER, STEERING COLUMN
Figure 8A-250

BP82 250

ITEM	PART NUMBER	QTY	BODY	MODEL	DESCRIPTION
	AY72 HA8	1			Charcoal, 1988-92
	AY72 HH9	1			Cordovan, 1990-92
	AY72 HQ8	1			Navy, 1990-92
	AW76 HF7	1			Brownstone, 1988-92
	AW76 HA8	1			Charcoal, 1990-92
	AW76 HH9	1			Cordovan, 1990-92
	AW76 HQ8	1			Navy, 1990-92
9					HOUSING, Lower
	3501 6579	1			1988-89, (P.A.R.)
	AW77 HF7	1			Brownstone, 1990-92
	AW77 HA8	1			Charcoal, 1990-92
	AW77 HH9	1			Cordovan, 1990-92
	AW77 HQ8	1			Navy, 1990-92
10					COVER, Shift Lever
	AY73 HF7	1			Brownstone, 1988-92
	AY73 HA8	1			Charcoal, 1990-92
	AY73 HH9	1			Cordovan, 1990-92
	AY73 HQ8	1			Navy, 1990-92
	3502 5306	1			w/Floor Shift, (P.A.R.)
11	J400 1714	2			NUT, Push
12	3502 5084	1			LIGHTER, Cigar, 1988-90 ***
13	3420 2591	2			CLIP
14	1150 1119	6			SCREW



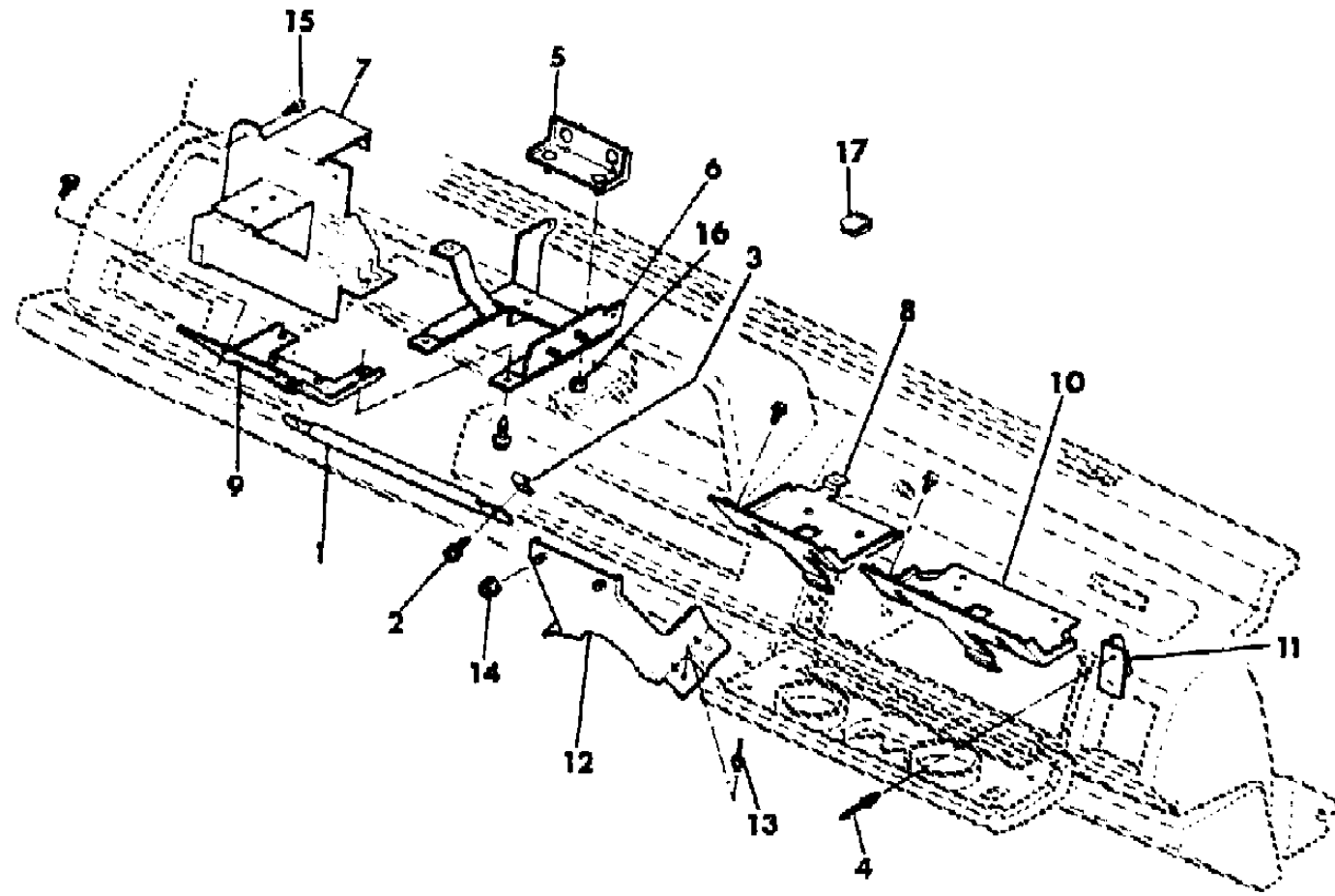
MODEL CODES:
 1988: 559 - Premier LX
 1989: 56 - Premier LX
 557 - Premier ES
 66 - Premier ES
 1990-92: DP-Monaco LE
 1990-92: XP-Premier LX
 DS-Monaco ES
 XS-Premier ES

BODY STYLES:
 1988:
 55 = 4 dr. Sedan
 1989-92:
 6 = 4 Dr. Sedan

AR = Use as Required - = Non Illustrated Part P.A.R. = Paint as Required

INSTRUMENT PANEL BRACES AND BRACKETS
Figure 8A-300

8P82 300 A



ITEM	PART NUMBER	QTY	BODY	MODEL	DESCRIPTION
1	3502 3084	1			ROD, Support
2	J400 2309	2			SCREW
3	J943 1530	2			NUT
4	3420 1975	2			RIVET
5	3502 3130	1			BRACKET, Chime
6	3502 0544	1			BRACKET, Cruise Regulator
7	3501 9784	1			BRACKET, Headlamp Module
8	3501 9785	1			BRACKET, Relay Panel
9	3501 9786	1			BRACKET, Fuse Panel
10	3501 9787	1			BRACKET, Harness Connectors
11	3502 3059	1			BRACKET, Domelamp Timer
12	3502 5178	1			REINFORCEMENT, Instrument Panel Lower Support
13	3420 1597	4			RIVET
14	J420 0408	2			NUT
15	1150 2843	9			SCREW
16	1150 2702	4			NUT
17	J400 5544	1			CLIP, S-Type, Radio Bracket Mounting

MODEL CODES:

1988:	1989:	1990-92:	1990-92:
559 - Premier LX	56 - Premier LX 557 - Premier ES 66 - Premier ES	DP-Monaco LE	XP-Premier LX DS-Monaco ES XS-Premier ES

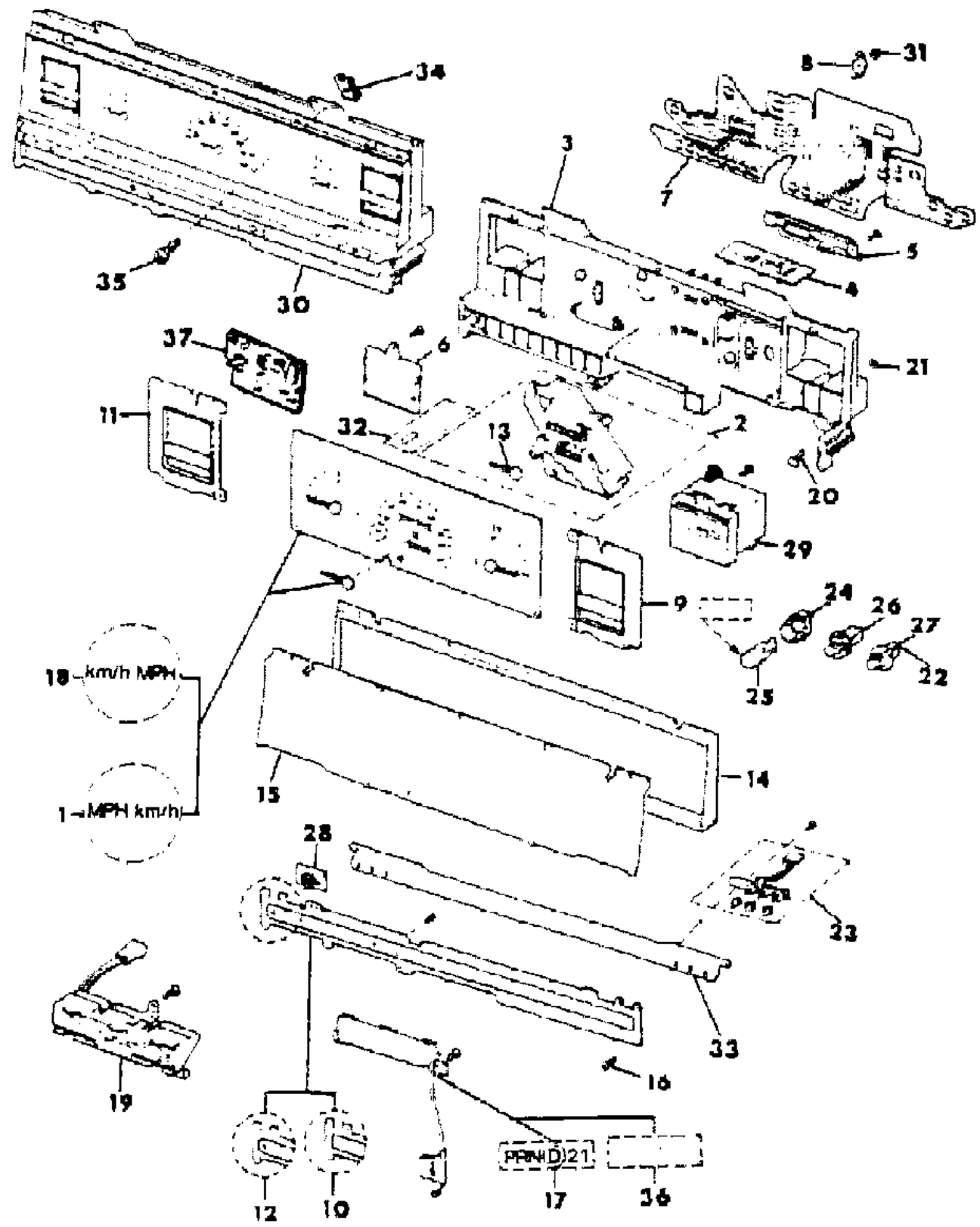
BODY STYLES:

1988:
55 = 4 dr. Sedan
1989-92:
6 = 4 Dr. Sedan

AR = Use as Required - = Non Illustrated Part P.A.R. = Paint as Required

INSTRUMENT PANEL CLUSTER--WITHOUT TACHOMETER, 1988
Figure 8A-400

8P82 400 A



ITEM	PART NUMBER	QTY	BODY	MODEL	DESCRIPTION
1	3600 2414	1			GAUGE, Fuel/Temp w/o Tachometer
2					SPEEDOMETER, w/o Tachometer
	4637 869	1			Miles
	3600 2732	1			Kilos
3	3600 2412	1			HOUSING, Instrument Cluster
4	4437 790	1			MODULE, Speed Sender, Cluster
5	3600 2667	1			COVER, Instrument Cluster
6	3600 2420	1			COVER, Instrument Cluster
7	3600 2408	1			CONDUCTOR, Printed Circuit, Cluster ***
8	8350 2951	2			CONNECTOR, Instrument Cluster
9	3600 2660	1			FILTER, Warning Lamps in Cluster
10	3600 3377	1			LENS, Signal/Emission, w/o Factory A.C.
11	3600 2661	1			FILTER, Warning Lamps Cluster
12	3600 3378	1			LENS, Signal/Emission, w/Factory A.C.
13	3600 2406	1			NEEDLE, Speedometer Cluster ***
14	3600 2068	1			BEZEL, Speedometer Cable Cluster
15	3600 2074	1			LENS, Cluster
16	S016 1860	17			SCREW
17	3600 2108	1			DIAL, Shift in Cluster ***
18	3600 2416	1			GAUGE, Fuel/Temperature Cluster
19					MODULE, Heater Display - Cluster
	3600 1733	1			w/o Factory A.C.
	4437 796	1			w/Factory A.C.
20	3420 2756	2			SCREW
21	3420 2757	2			WASHER
22	8350 5254	2			BULBS, (203) ***
23	3600 2349	1			SWITCH, Clock in Cluster
24	J369 7186	10			SOCKET, Cluster (194)
25					BULBS, Cluster ***
	9421 330	10			(194)
	S943 6970	AR			(73)
	J812 5723	AR			(74) ***
26	3600 3272	7			SOCKET, Blue, w/Bulb In Cluster (73)
27	3600 3271	2			SOCKET, Grey, w/Bulb (74)
28	3600 2411	1			SWITCH, E/M
29	3600 2241	1			CLOCK, Digital
30					CLUSTER, Instrument
	3600 2713	1			Kilos
	3600 2710	1			Miles
31	3420 1461	2			NUT

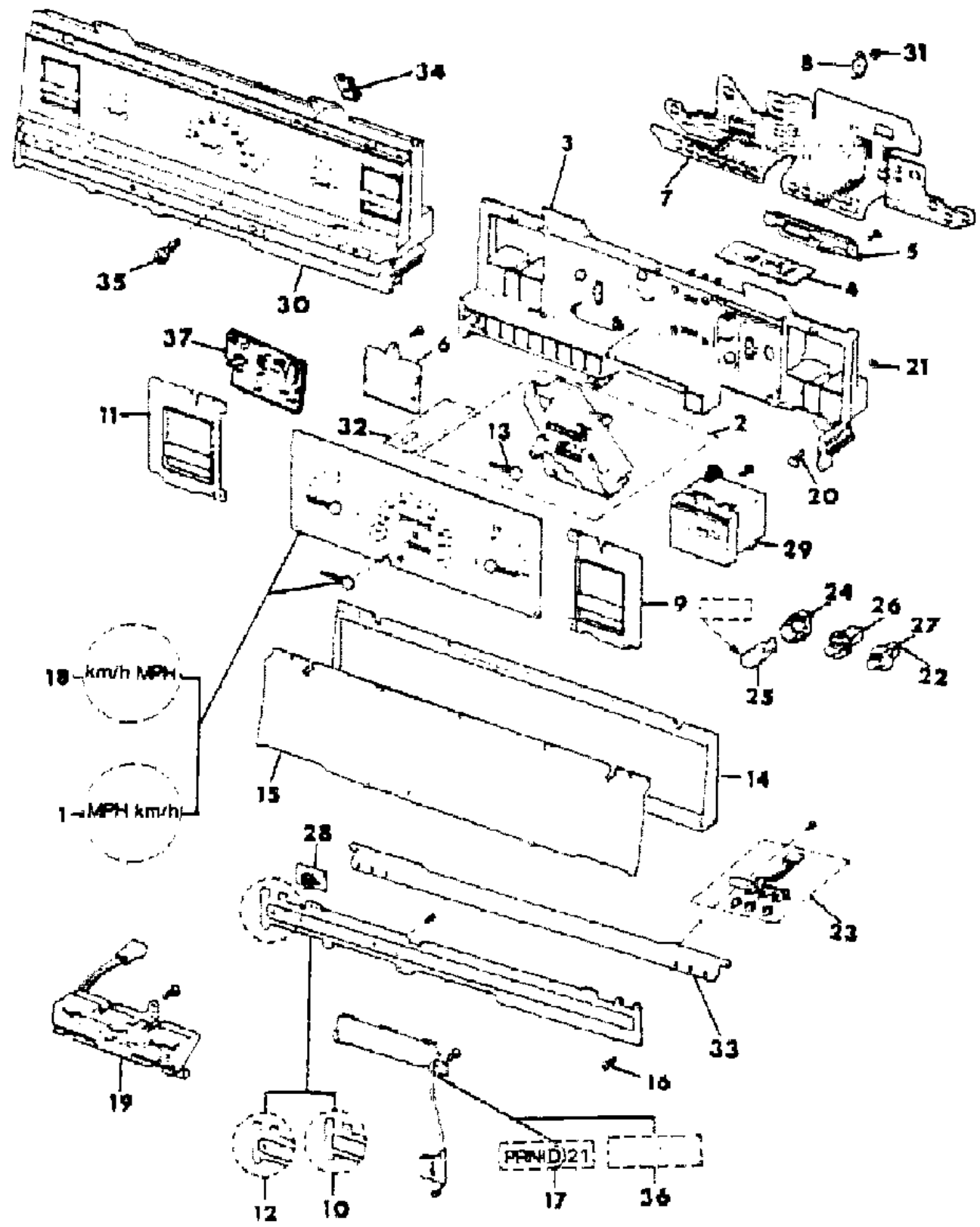
MODEL CODES:
 1988: 559 - Premier LX
 1989: 56 - Premier LX
 557 - Premier ES
 66 - Premier ES
 1990-92: DP-Monaco LE
 1990-92: XP-Premier LX
 DS-Monaco ES
 XS-Premier ES

BODY STYLES:
 1988: 55 = 4 dr. Sedan
 1989-92: 6 = 4 Dr. Sedan

AR = Use as Required - = Non Illustrated Part P.A.R. = Paint as Required

INSTRUMENT PANEL CLUSTER--WITHOUT TACHOMETER, 1988
Figure 8A-400

8P82 400 A



ITEM	PART NUMBER	QTY	BODY	MODEL	DESCRIPTION
32	8350 5443	1			KNOB, Trip Odometer
33	3600 2421	1			MASK, Lower, w/o Monitor System
34	3420 2447	3			NUT, U-Type
35	J400 2461	3			SCREW
36	3600 2109	1			LAMP, Up Shift w/Manual Transmission
37	5268 057	1			BOARD, Low Fuel Circuit

MODEL CODES:
 1988: 559 - Premier LX
 1989: 56 - Premier LX, 557 - Premier ES, 66 - Premier ES
 1990-92: DP-Monaco LE
 1990-92: XP-Premier LX, DS-Monaco ES, XS-Premier ES

BODY STYLES:
 1988: 55 = 4 dr. Sedan
 1989-92: 6 = 4 Dr. Sedan

AR = Use as Required - = Non Illustrated Part P.A.R. = Paint as Required

INSTRUMENT PANEL CLUSTER--WITH TACHOMETER

Figure 8A-500

8P82 500 E

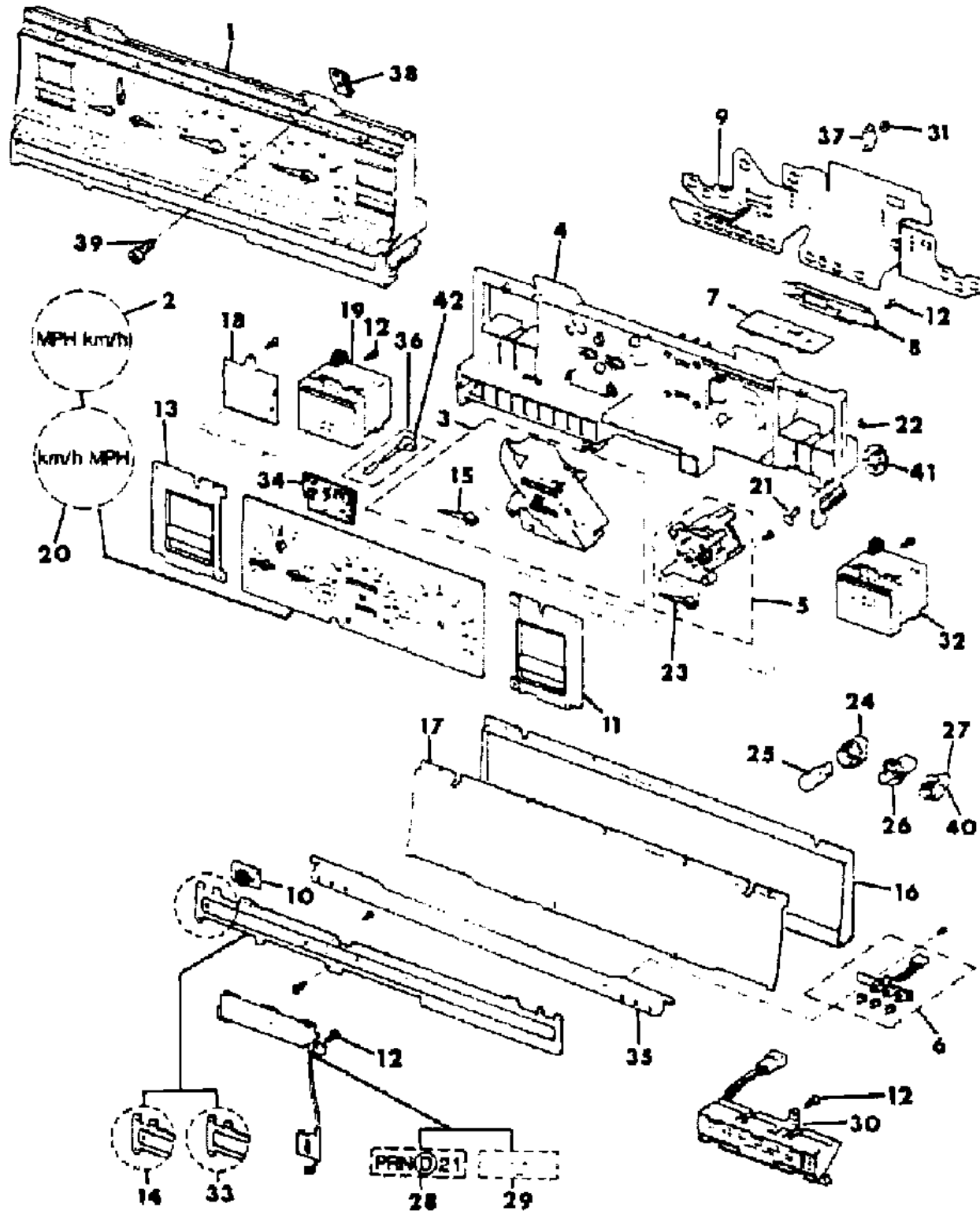
ITEM	PART NUMBER	QTY	BODY	MODEL	DESCRIPTION
1					CLUSTER, w/Tachometer
	4437 696	1			Miles 1988-89
	4437 702	1			Kilos
2					GAUGE, Miles, w/Tachometer Cluster
	3600 2415	1			1988-89
	4437 695	1			1990
	5268 231	1			1991-92
3					SPEEDOMETER, w/Tachometer
	4437 939	1			Miles
	4437 941	1			Kilos
4	3600 2413	1			HOUSING, Cluster, w/Tachometer
5	3600 2056	1			TACHOMETER
6	3600 2349	2			SWITCH
7	4437 790	1			MODULE, Speed Sender
8	3600 2667	1			COVER, Speed Sender
9	3600 2409	1			CONDUCTOR, Printed Circuit ***
10	3600 2411	1			SWITCH, E/M
11					FILTER, Warning Lens
	3600 2660	1			1988-89
	4437 704	1			1990-92
12	S016 1860	17			SCREW
13					FILTER, Warning Lens
	3600 2661	1			1988-89
	4437 705	1			1990-91
14					LENS, Signal/Emission, w/Factory A.C.
	3600 3378	1			1988-89
	5268 035	1			Miles, w/Mask, 1990-91
	5268 168	1			1992
	5268 038	1			Kilos, w/Mask, 1990-92
15					NEEDLE, Speedometer ***
	3600 2666	1			1988-89, Silver
16	3600 2068	1			BEZEL
17	3600 2074	1			LENS, Instrument Panel Cluster w/Tachometer
18	3600 2420	1			COVER, w/o Vehicle Monitor System
19					MODULE, w/Vehicle Maintenance Monitor System
	4437 719	1			1988
	4437 760	1			1989
	4437 929	1			1990
	4606 005	1			1991
20					GAUGE, Kilo w/Tachometer

MODEL CODES:

1988:	1989:	1990-92:	1990-92:
559 - Premier LX	56 - Premier LX	DP-Monaco LE	XP-Premier LX
	557 - Premier ES		DS-Monaco ES
	66 - Premier ES		XS-Premier ES

BODY STYLES:

1988:
55 = 4 dr. Sedan
1989-92:
6 = 4 Dr. Sedan



AR = Use as Required - = Non Illustrated Part P.A.R. = Paint as Required

INSTRUMENT PANEL CLUSTER--WITH TACHOMETER

Figure 8A-500

8P82 500 E

ITEM	PART NUMBER	QTY	BODY	MODEL	DESCRIPTION
	3600 2417	1			1988-89
	4437 701				1990
	5268 232				1991-92
21	3420 2756	2			SCREW
22	3420 2757	2			WASHER
23	3600 3220	1			NEEDLE, Tach. w/Black Shaft and Red Pointer, 1988-89 ***
	4437 708	1			1990-92
24	J369 7186	10			SOCKET
25					BULB, Instrument Panel w/Tachometer
	9421 330	10			#194
	S943 6970	AR			#73 ***
	J812 5723	AR			#74 ***
	8350 5254	AR			#203
26	3600 3272	AR			SOCKET, Blue Includes Bulb #73
27	3600 3271	AR			SOCKET, Grey Includes Bulb #74
28	3600 2108	1			DIAL, Shift ***
29	3600 2109	1			LAMP, Up Shift
30					MODULE, Heater Display
	4437 796	1			w/Factory A.C.
	3600 1733	1			w/o Factory A.C.
31	3420 1461	3			NUT
32		1			MODULE, Trip Computer
	3600 2237	1			1988-89
	4606 004	1			1990-92
	3600 2241	1			CLOCK, Instrument Panel w/Tachometer
	4606 006	1			1990-1992 (Use Item #27 for Bulb and Socket)
33					LENS, Emission Signal, w/o Factory A.C.
	3600 3377	1			1988-89
	5268 037	1			Kilos, w/Mask, 1990-91
	5268 169	1			1992
	5268 038	1			Miles, w/Mask, 1990-92
34	5268 057	1			BOARD, Low Fuel Circuit
35					MASK, Lower, w/o Vehicle Monitor System
	3600 2421	1			1988-89
	5268 036	1			1990-91
					MASK, Lower, w/Vehicle Monitor System
	3600 2664	1			1988-89
	5268 038	1			1990-91, w/Lens
36	8350 5443	1			KNOB, Trip Odometer
37	8350 2951	1			CONNECTOR, Two Pin

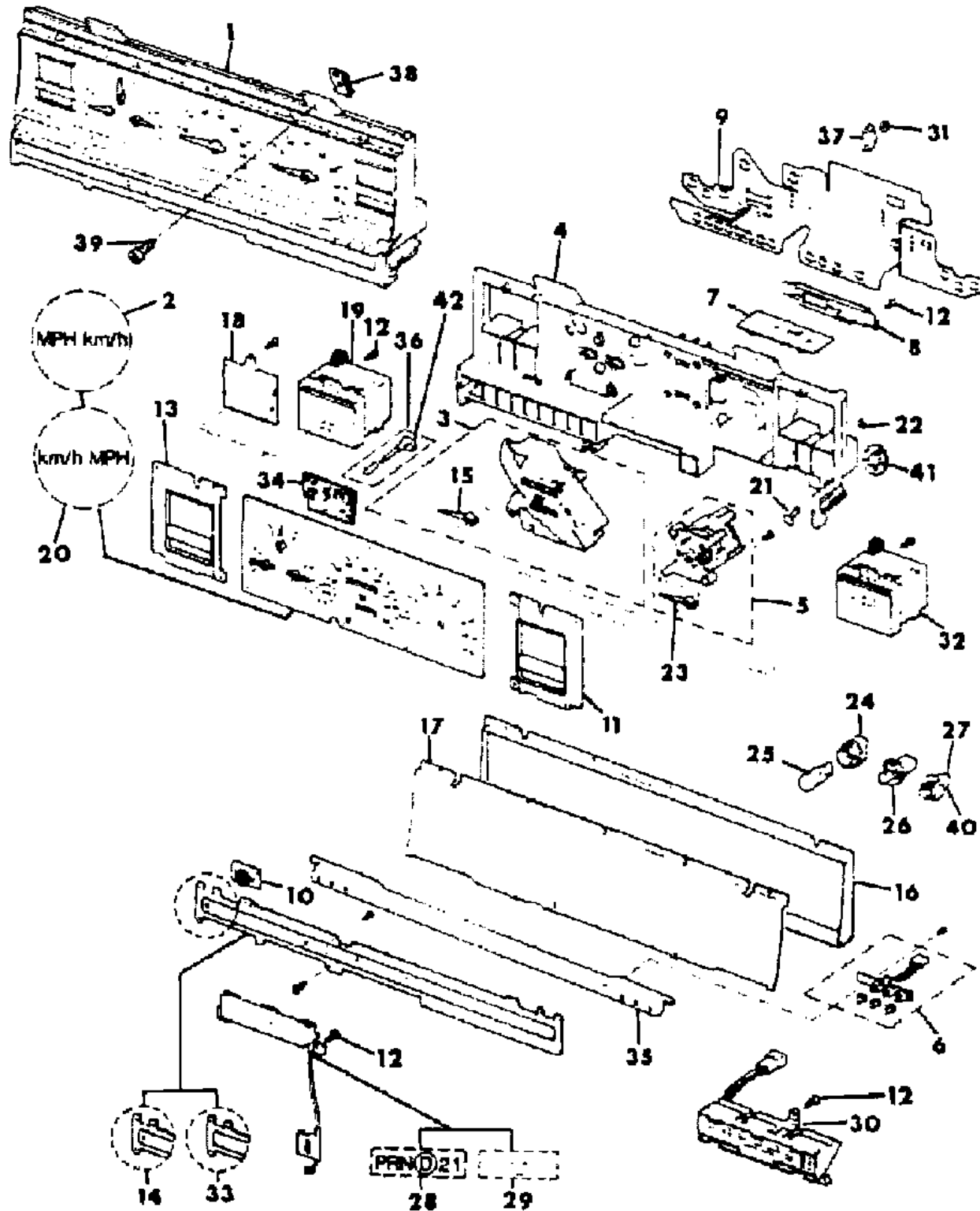
MODEL CODES:

1988:	1989:	1990-92:	1990-92:
559 - Premier LX	56 - Premier LX	DP-Monaco LE	XP-Premier LX
	557 - Premier ES		DS-Monaco ES
	66 - Premier ES		XS-Premier ES

BODY STYLES:

1988:
55 = 4 dr. Sedan
1989-92:
6 = 4 Dr. Sedan

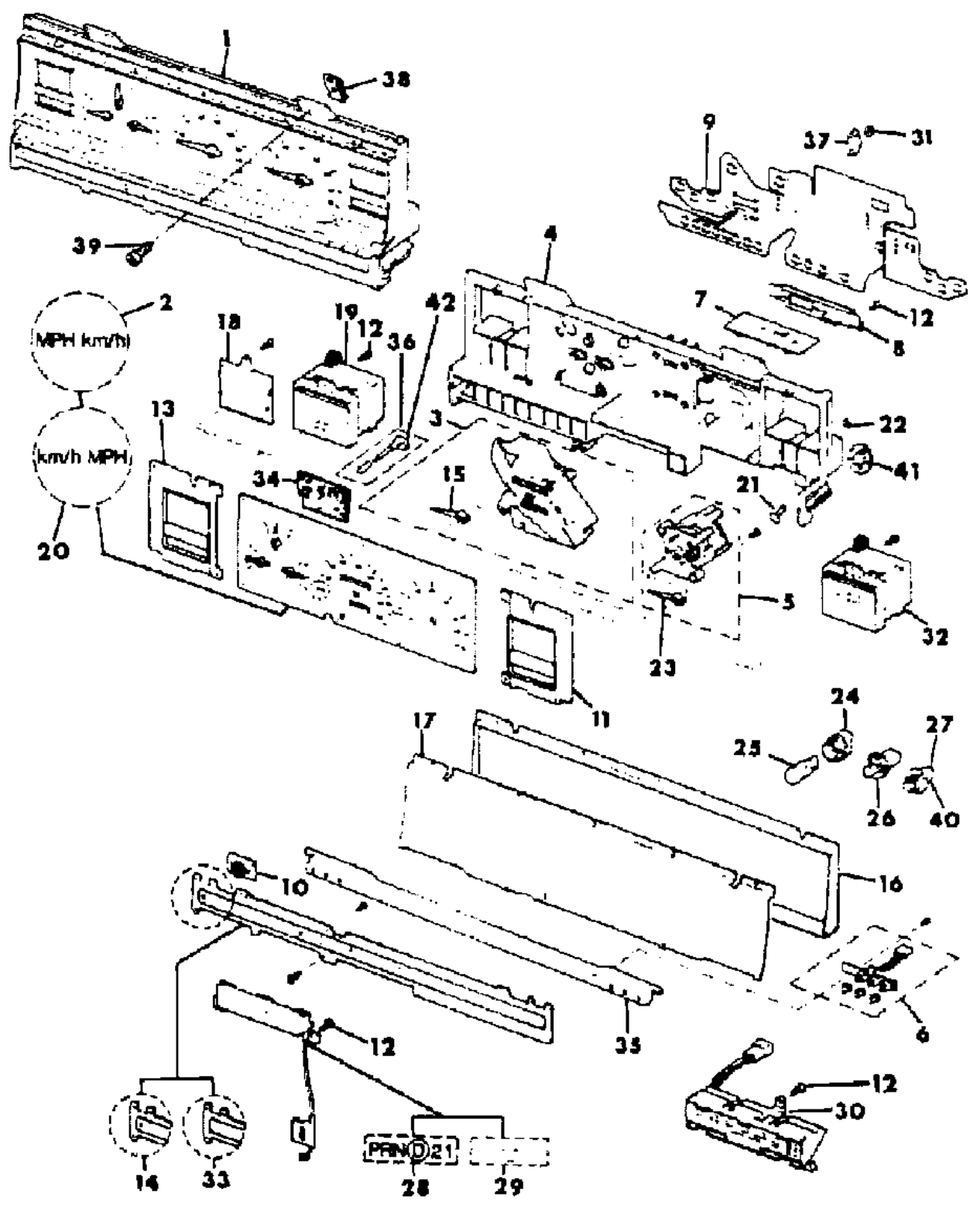
AR = Use as Required - = Non Illustrated Part P.A.R. = Paint as Required



INSTRUMENT PANEL CLUSTER--WITH TACHOMETER
Figure 8A-500

8P82 500 E

ITEM	PART NUMBER	QTY	BODY	MODEL	DESCRIPTION
38	3420 2447	4			NUT, U-TYPE
39	J400 2461	4			SCREW
40	5600 1787	AR			SOCKET, Includes Bulb #74, Vehicle Maintenance Module, Clock.
41	3600 3554	2			RETAINER, Push On
42	4723 043	1			SHAFT, Trip Odometer



MODEL CODES:
 1988: 559 - Premier LX
 1989: 56 - Premier LX
 1990-92: DP-Monaco LE
 1990-92: XP-Premier LX
 1990-92: DS-Monaco ES
 1990-92: XS-Premier ES

BODY STYLES:
 1988: 55 = 4 dr. Sedan
 1989-92: 6 = 4 Dr. Sedan

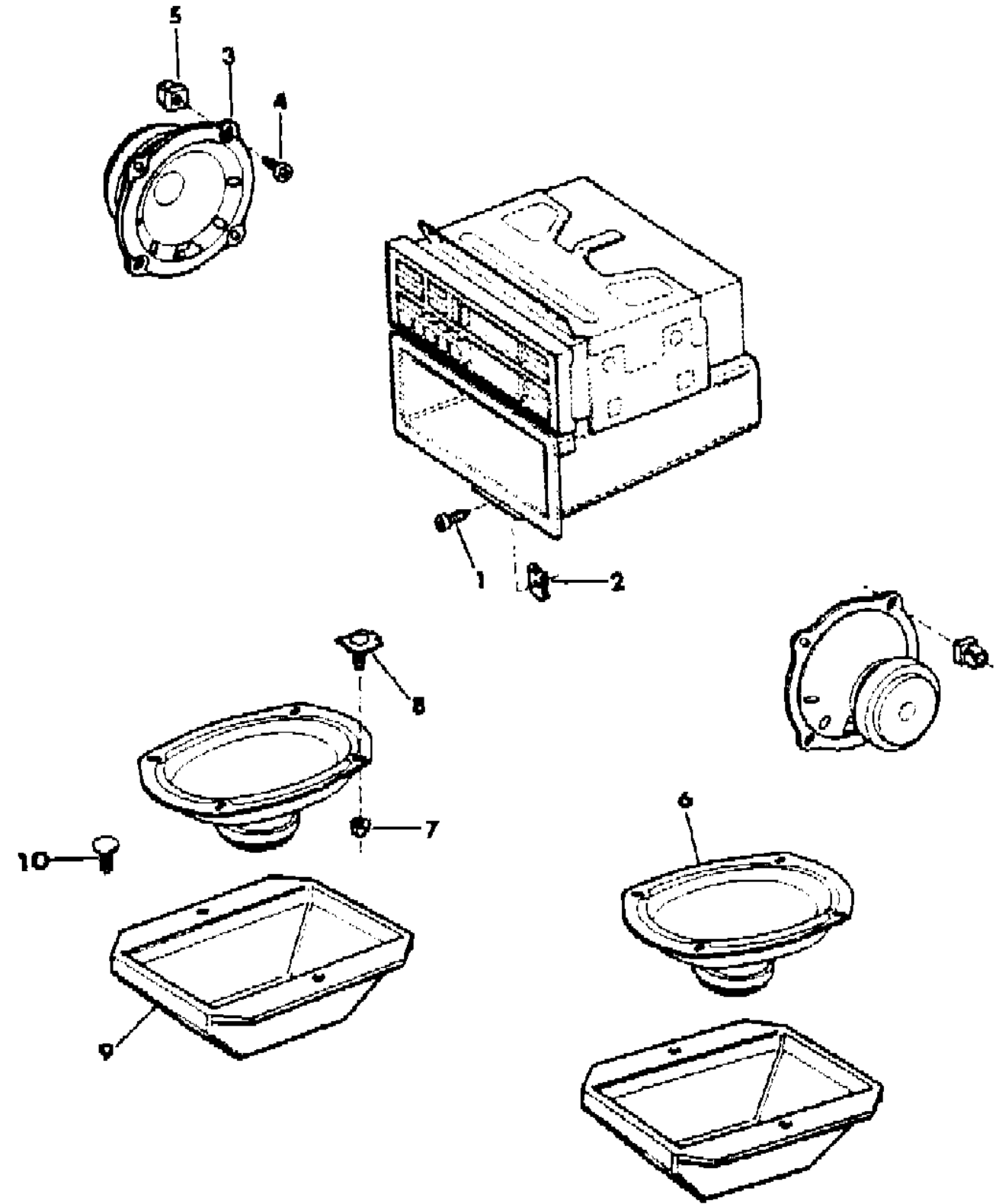
AR = Use as Required - = Non Illustrated Part P.A.R. = Paint as Required

RADIO AND SPEAKERS STANDARD SOUND

Figure 8A-600

8P82 600

ITEM	PART NUMBER	QTY	BODY	MODEL	DESCRIPTION
1	J400 2461	3			SCREW
2	3420 2447	3			NUT
3	3600 3461	2			SPEAKER, Door
4	J812 1733	8			SCREW
5	3420 1263	8			NUT
6	3600 1576	2			SPEAKER, Rear
7	3420 1001	8			NUT
8	3420 2744	8			BOLT
9	3600 3451	2			COVER, Speaker
10	3600 3452	4			FASTENER



MODEL CODES:
 1988: 559 - Premier LX
 1989: 56 - Premier LX, 557 - Premier ES, 66 - Premier ES
 1990-92: DP-Monaco LE
 1990-92: XP-Premier LX, DS-Monaco ES, XS-Premier ES

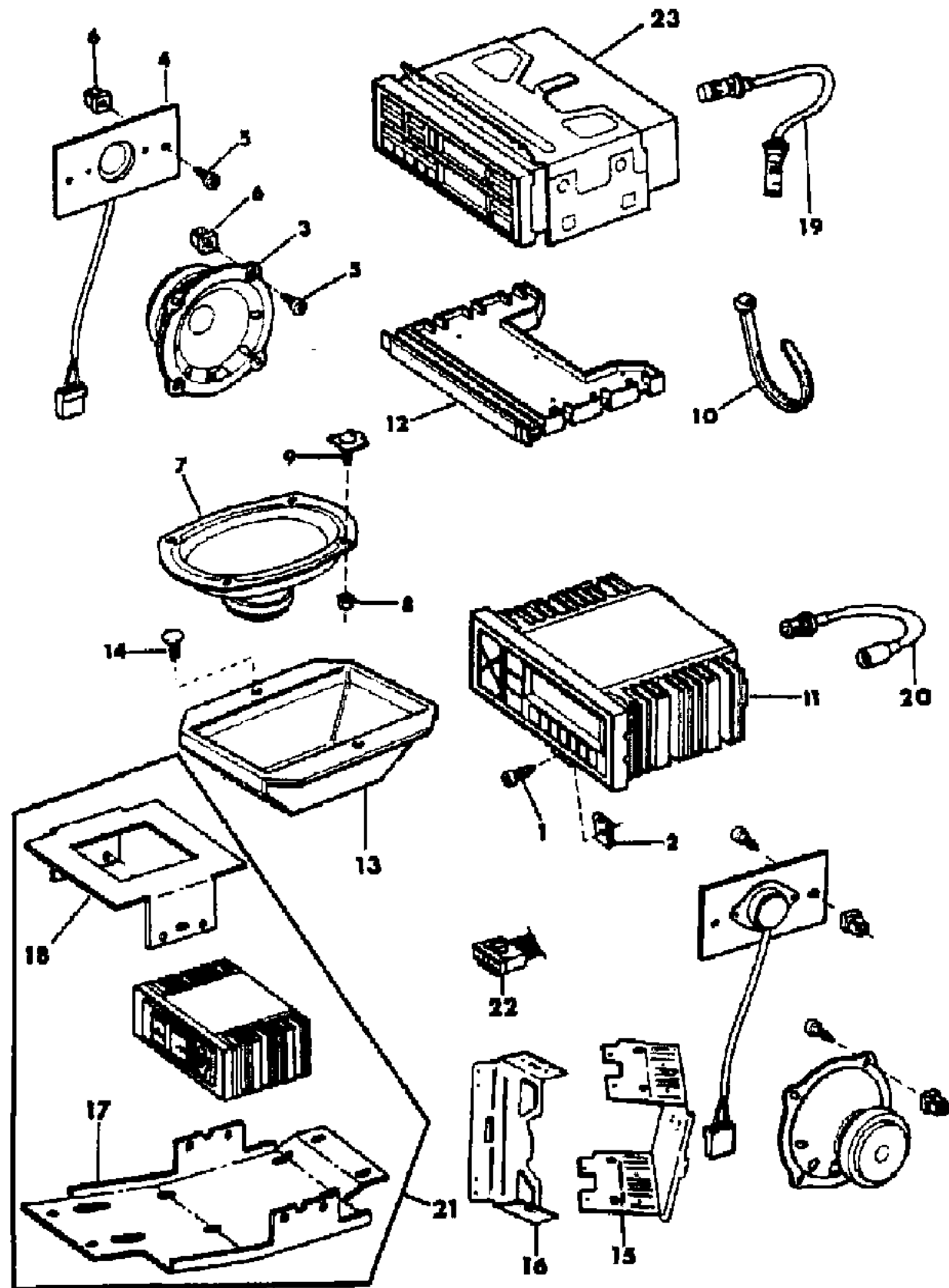
BODY STYLES:
 1988: 55 = 4 dr. Sedan
 1989-92: 6 = 4 Dr. Sedan

AR = Use as Required - = Non Illustrated Part P.A.R. = Paint as Required

RADIO AND SPEAKERS PREMIUM SOUND

Figure 8A-700

8P82 700 F



ITEM	PART NUMBER	QTY	BODY	MODEL	DESCRIPTION
1	J400 2461	3			SCREW
2	3420 2447	3			NUT
3	3600 1578	2			SPEAKER, Door
4	3600 1577	2			SPEAKER, Door Tweeter
5	J448 9487	12			SCREW
6	3420 1263	12			NUT
7	3600 1579	2			SPEAKER, Rear
8	3420 1001	8			NUT
9	3420 2744	8			BOLT
10	J322 3227	2			STRAP
11	5269 282	1			EQUALIZER, Graphic Premium Sound ***
12	3600 3105	1			SEPARATOR, Radio/Equalizer Premium Sound ***
13	3600 3451	2			COVER, Speaker
14	3600 3452	4			FASTENER
15	4430 325	1			BRACKET, Upper
16	4430 327	1			BRACKET, Lower
	4430 327	1			Radio and CD Player 1990-92
	5269 002	1			Radio and Equilizer 1988-92
17	4430 317	1			BRACKET, Power Amp., Upr.
18	4430 318	1			BRACKET, Power Amp., Lwr.
19	4481 810	1			WIRING, Compact Disk
20	5600 3568	1			CABLE, Radio/Power Amp.
21	4469 385	1			POWER Amp., 1990-92 ***
22	8350 6510	AR			HARNESS, Radio Repair
23	4430 326	1			RADIO, Used w/Disc Player
	4430 323	1			PLAYER, Disc ***

MODEL CODES:

1988:	1989:	1990-92:	1990-92:
559 - Premier LX	56 - Premier LX 557 - Premier ES 66 - Premier ES	DP-Monaco LE	XP-Premier LX DS-Monaco ES XS-Premier ES

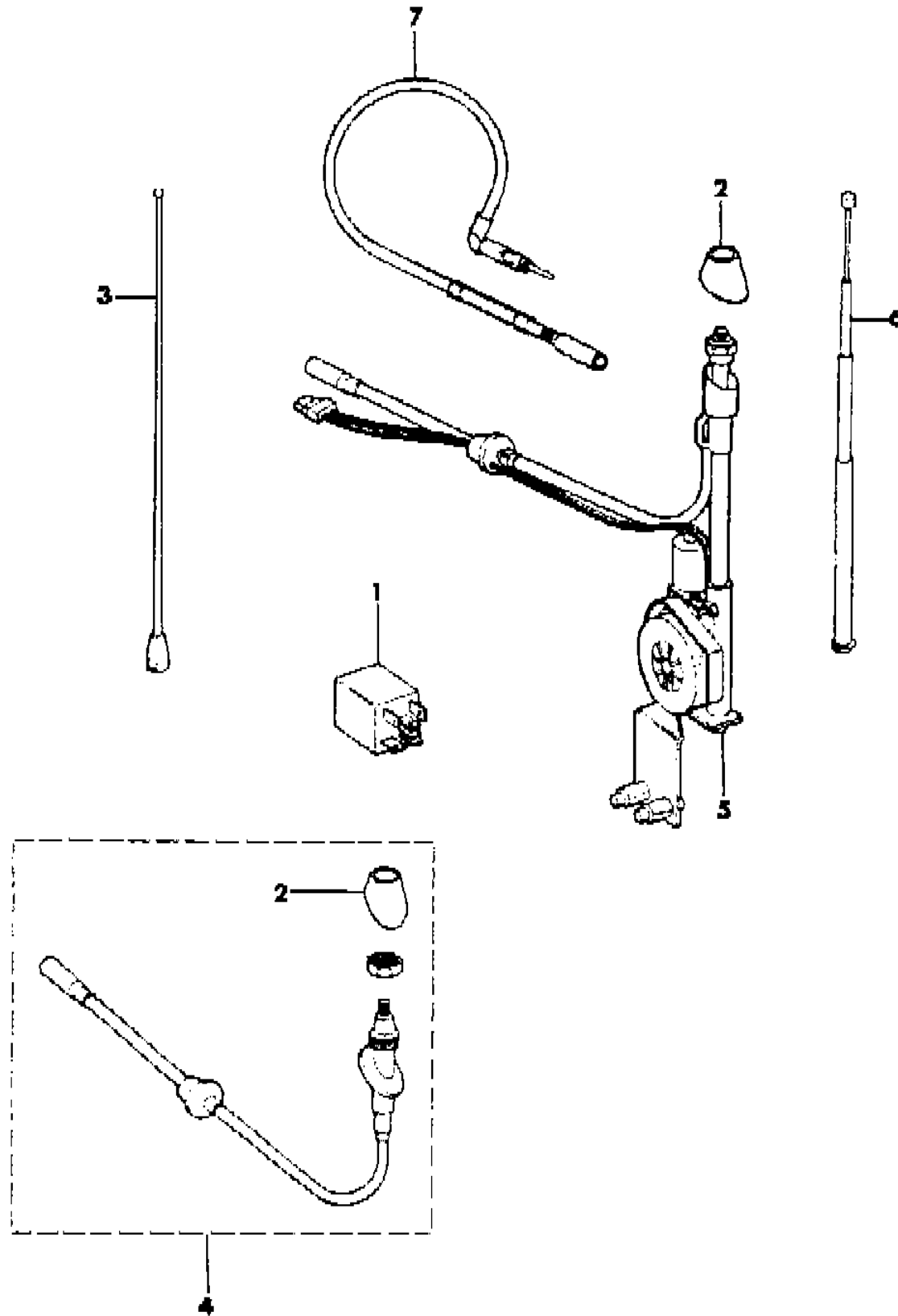
BODY STYLES:

1988:
55 = 4 dr. Sedan
1989-92:
6 = 4 Dr. Sedan

AR = Use as Required - = Non Illustrated Part P.A.R. = Paint as Required

ANTENNA
Figure 8A-800

8P82 800 A



ITEM	PART NUMBER	QTY	BODY	MODEL	DESCRIPTION
1	3600 3031	1			RELAY, Power Antenna
2	3600 2391	1			ESCUTCHEON, Antenna
3	8220 0031	1			MAST, Antenna w/o Power
4	3600 1913	1			BASE, w/Antenna Cable
5					ANTENNA, Power
	3600 1581	1		1988-90	
	5269 019	1		1991-92	
6					MAST, Power Antenna
	8350 5529	1		1988-89	
	4494 010	1		1990-92	
7	3600 3425	1			CABLE, Antenna I/P harness

MODEL CODES:

1988:	1989:	1990-92:	1990-92:
559 - Premier LX	56 - Premier LX 557 - Premier ES 66 - Premier ES	DP-Monaco LE	XP-Premier LX DS-Monaco ES XS-Premier ES

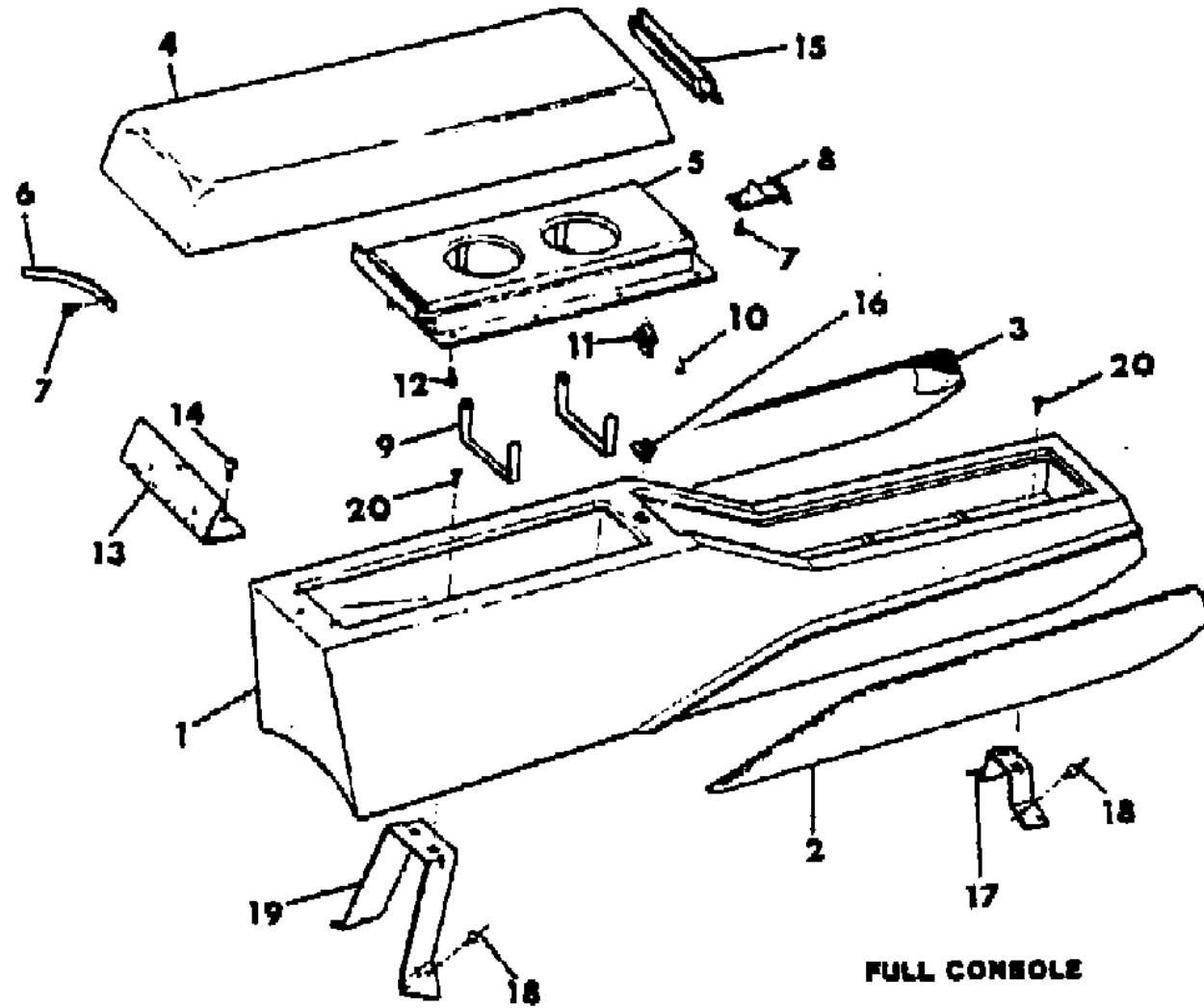
BODY STYLES:

1988:
55 = 4 dr. Sedan
1989-92:
6 = 4 Dr. Sedan

AR = Use as Required - = Non Illustrated Part P.A.R. = Paint as Required

CONSOLE--TYPE 1
Figure 8A-900

8P82 900 B



ITEM	PART NUMBER	QTY	BODY	MODEL	DESCRIPTION
1					BASE, Console Floor
	3501 7155	1			Brownstone
	3501 7152	1			Charcoal
	3501 7154	1			Cordovan
2					CARPET, Right Side w/Console
	3501 7178	1			Brownstone
	3501 7172	1			Charcoal
	3501 7176	1			Cordovan
3					CARPET, Left Side w/Console
	3501 7179	1			Brownstone
	3501 7173	1			Charcoal
	3501 7177	1			Cordovan
4					ARMREST, Console
	3502 2345	1			Brownstone
	3502 2342	1			Charcoal
	3502 2344	1			Cordovan
5					TRAY, Cup
	3501 8991	1			Navy
	3501 8999	1			SPRING
	S942 5893	3			SCREW
8	3501 8998	1			KNOB
9	3501 4229	2			SUPPORT, Console - Type 1
10	J400 0093	2			BUMPER, Center Armrest Console
11	3500 8710	1			STRIKER, Door Center Console
12	3420 2436	AR			SCREW
13	3501 7201	1			HINGE
14	3420 1510	6			SCREW
15	3501 4611	1			BEZEL, Armrest Console
16	3500 8709	1			CATCH
17	3501 9951	1			BRACKET, Front
18	3420 1597	8			RIVET
19	3502 5452	1			BRACKET, Rear
20	3420 1413	4			SCREW

MODEL CODES:

1988:	1989:	1990-92:	1990-92:
559 - Premier LX	56 - Premier LX	DP-Monaco LE	XP-Premier LX
	557 - Premier ES		DS-Monaco ES
	66 - Premier ES		XS-Premier ES

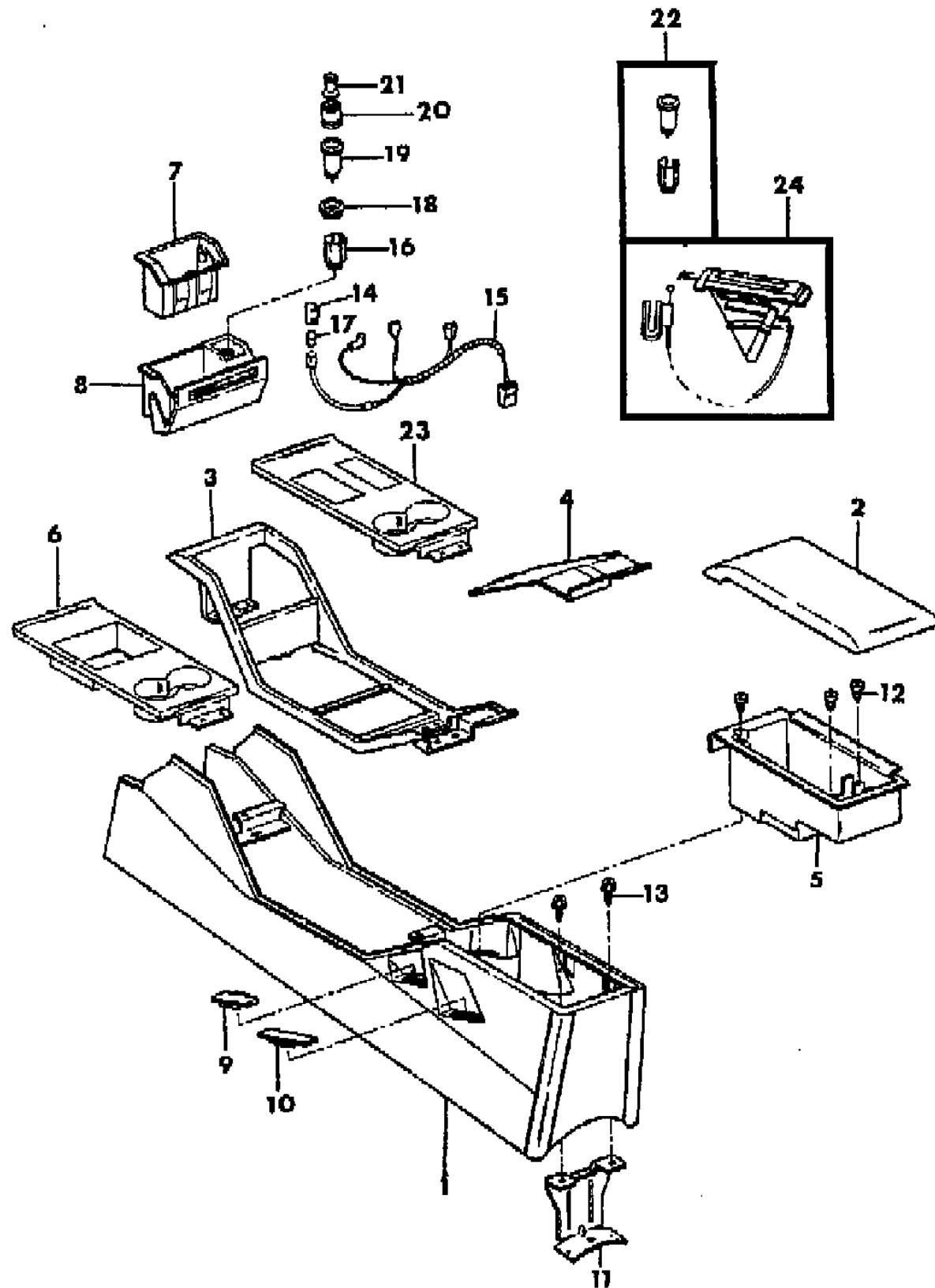
BODY STYLES:

1988:
55 = 4 dr. Sedan
1989-92:
6 = 4 Dr. Sedan

AR = Use as Required - = Non Illustrated Part P.A.R. = Paint as Required

CONSOLE--TYPE 2
Figure 8A-1000

8P82 1000C



ITEM	PART NUMBER	QTY	BODY	MODEL	DESCRIPTION
1	AN93 JF7	1			BASE, Console
	4533 432	1			Brownstone
	4533 434	1			Charcoal
	4533 433	1			Cordovan
2	AP76 HF7	1			ARMREST, Console
	AP76 HA8	1			Brownstone
	4533 054	1			Charcoal
	4533 053	1			Cordovan
3	AP75 HF7	1			COVER, P.A.R.
4	4533 039	1			PANEL, Trim
	AP77 HA8	1			Brownstone
	AP77 HH9	1			Charcoal
	4533 037	1			Cordovan
5	4521 474	1			NAVY
5					BIN, Storage
6					BEZEL, P.A.R.
	4533 694	1			Brownstone
7	4521 475	1			INSERT, Ash Tray
8					ASHTRAY, Console ***
	AP74 HF7	1			Brownstone
	AP74 HA8	1			Charcoal
	AP74 HH9	1			Cordovan
	AP74 HQ8	1			NAVY
9					PLUG, Console, w/o Passive Restraint System
	4533 015	2			Brownstone
	4533 012	2			Charcoal
	4533 014	2			Cordovan
	4533 013	2			NAVY
10					PLUG, w/o Passive Restraint System
	AP79 HF7	2			Brownstone
	4533 017	2			Charcoal
	AP79 HH9	2			Cordovan
	AP79 HQ8	2			NAVY
11	3502 6584	1			BRACKET, Rear
12	1150 0055	3			SCREW
13	3420 1691	4			SCREW
14	3600 0268	1			SHIELD, Bulb
15	3600 3719	1			SOCKET, Bulb

MODEL CODES:

1988:	1989:	1990-92:	1990-92:
559 - Premier LX	56 - Premier LX	DP-Monaco LE	XP-Premier LX
	557 - Premier ES		DS-Monaco ES
	66 - Premier ES		XS-Premier ES

BODY STYLES:

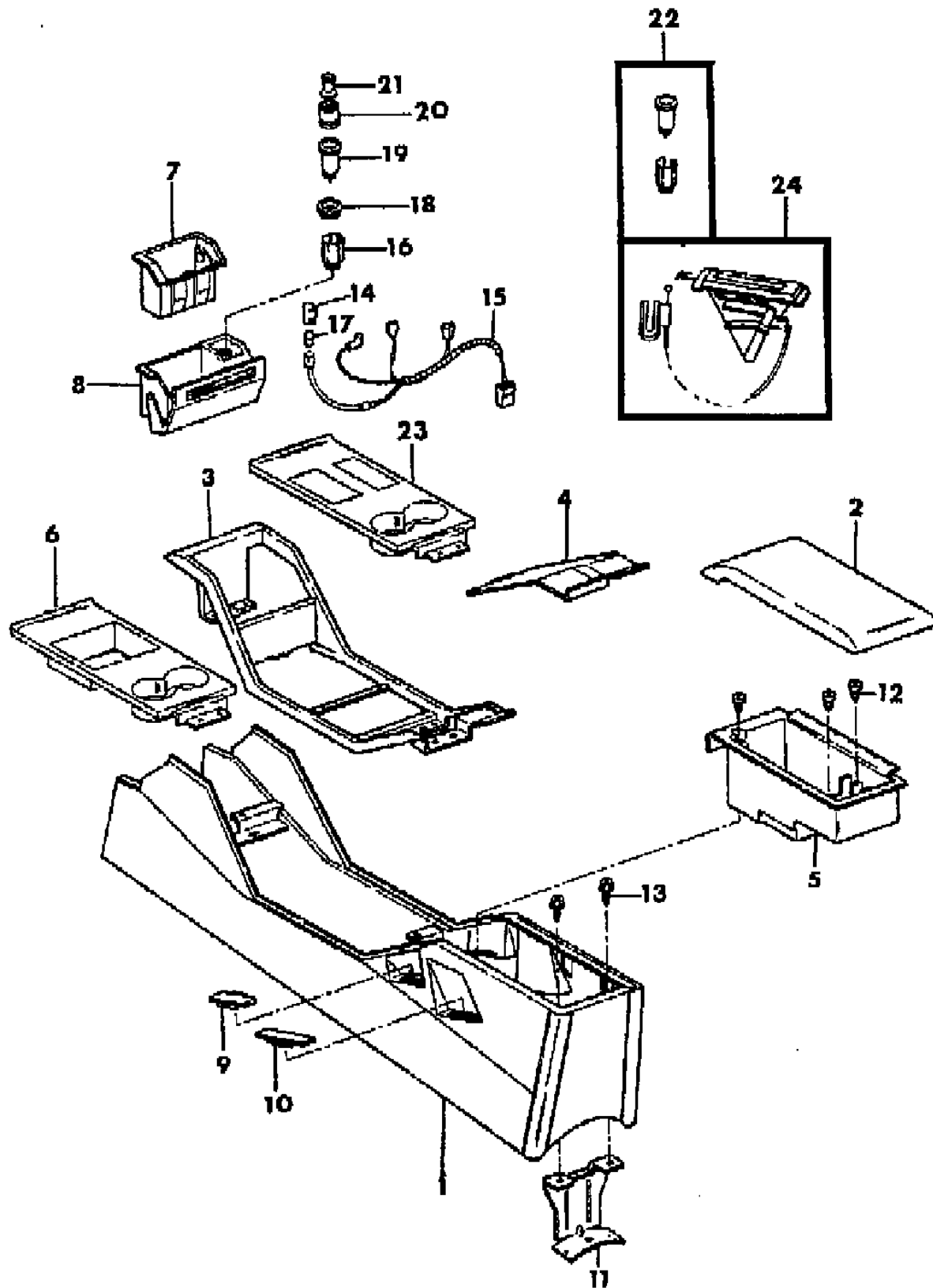
1988:
55 = 4 dr. Sedan
1989-92:
6 = 4 Dr. Sedan

AR = Use as Required - = Non Illustrated Part P.A.R. = Paint as Required

CONSOLE--TYPE 2
Figure 8A-1000

8P82 1000C

ITEM	PART NUMBER	QTY	BODY	MODEL	DESCRIPTION
16	3600 0242	1			CLAMP, Cigar Lighter
17	J019 3065	1			BULB, Coded #1815
18	3600 3720	1			RING, Illumination
19					HOUSING, (Serv. in Item #22)
20	4221 761	1			KNOB
21	3004 190	1			ELEMENT
22	3600 3718	1			SHELL AND CLAMP ASSEMBLY ***
23					BEZEL, P.A.R.
	AP73 HF7	1			w/Floor Shift, Auto Trans., 1990-92
24	3502 6746	1			PRNDL Assy. (w/cable) ***



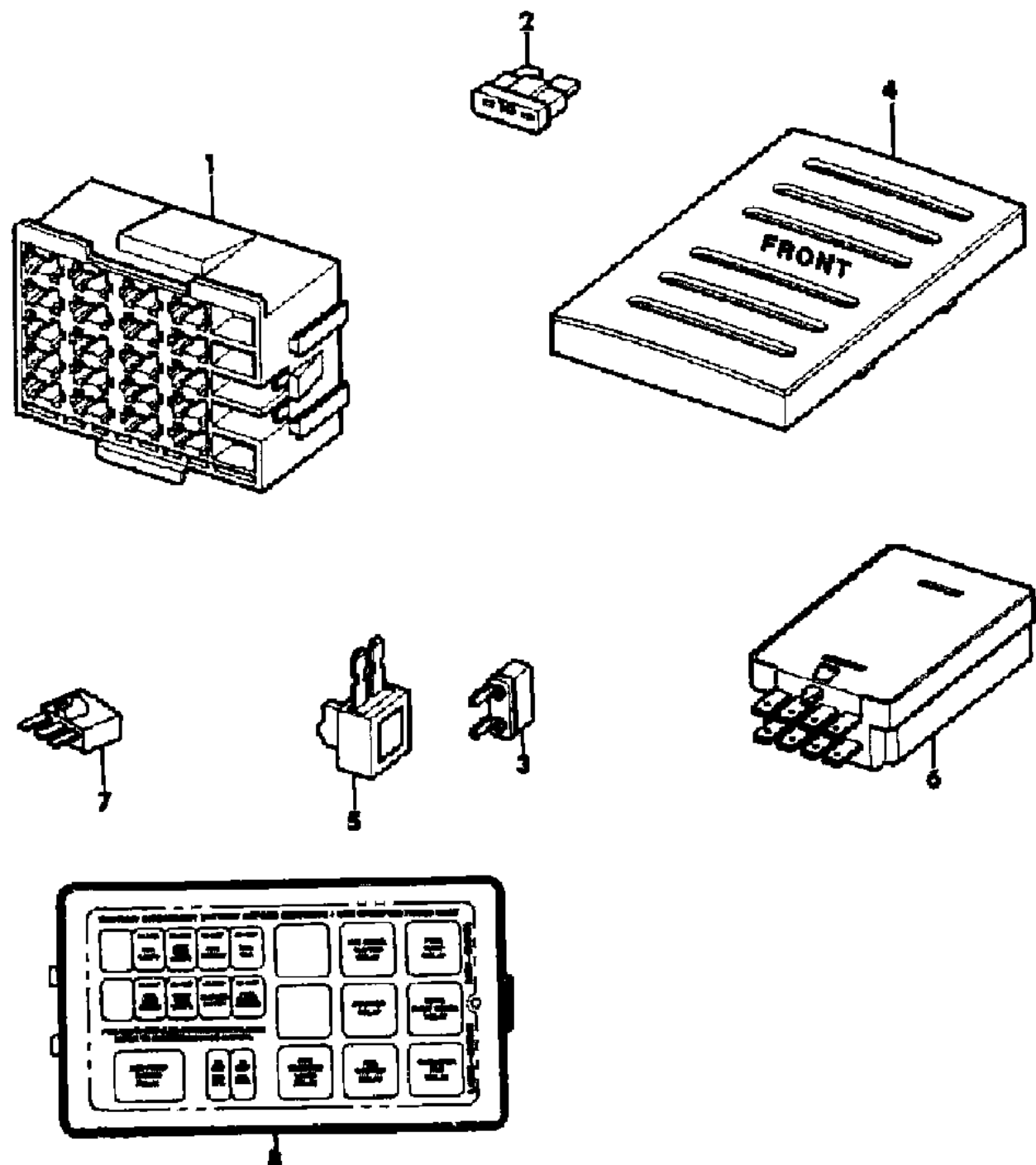
MODEL CODES:
 1988: 559 - Premier LX
 1989: 56 - Premier LX, 557 - Premier ES, 66 - Premier ES
 1990-92: DP-Monaco LE
 1990-92: XP-Premier LX, DS-Monaco ES, XS-Premier ES

BODY STYLES:
 1988: 55 = 4 dr. Sedan
 1989-92: 6 = 4 Dr. Sedan

AR = Use as Required - = Non Illustrated Part P.A.R. = Paint as Required

PANEL--FUSE
Figure 8A-1100

8P82 1100A



ITEM	PART NUMBER	QTY	BODY	MODEL	DESCRIPTION
1	3417 9445	1			PANEL, Fuse ***
2		1			FUSE ***
	J323 1213	1			5 Ampere 1988-89
	J323 1214	1			7.5 Ampere 1988-89
	J323 1215	1			10 Ampere 1988-89
	J323 1216	1			15 Ampere 1988-89
	J323 1217	1			20 Ampere 1988-89
	J323 1218	1			25 Ampere 1988-89
	J323 1219	1			30 Ampere 1988-89
	6101 131	1			3 Ampere 1990-92
	6101 133	1			5 Ampere 1990-92
	6101 135	1			10 Ampere 1990-92
	6101 136	1			15 Ampere 1990-92
	6101 137	1			20 Ampere 1990-92
	6101 139	1			30 Ampere 1990-92
3		1			CIRCUIT BREAKER ***
	3600 2126	1			10.5 Headlamp
	3600 3537	1			22 Headlamp
	3600 2126	1			30 Amp.
4	3600 3088	1			COVER, Fuse Panel Front
5	3600 1676	1			DIODE
6					CHIME ***
	3600 1766	1			Warning, w/o Passive Restraint
	3600 3458	1			Warning, w/Passive Restraint
7	5600 1965	1			DIODE
8	5267 670	1			COVER, Label Assy

MODEL CODES:

1988:	1989:	1990-92:	1990-92:
559 - Premier LX	56 - Premier LX	DP-Monaco LE	XP-Premier LX
	557 - Premier ES		DS-Monaco ES
	66 - Premier ES		XS-Premier ES

BODY STYLES:

1988:
55 = 4 dr. Sedan
1989-92:
6 = 4 Dr. Sedan

AR = Use as Required - = Non Illustrated Part P.A.R. = Paint as Required

GROUP 9A - ENGINE, 4 CYLINDER

ILLUSTRATION TITLE	GROUP-FIG. NO.
2.5L ENGINE	
I.D. LOCATION 2.5L ENGINE	Fig. 9A-100
CYLINDER BLOCK 2.5L ENGINE	Fig. 9A-200
GASKET SET 2.5L ENGINE	Fig. 9A-300
CYLINDER HEAD 2.5L ENGINE	Fig. 9A-400
CRANKSHAFT AND PISTON 2.5L ENGINE	Fig. 9A-500
CAMSHAFT AND VALVES 2.5L ENGINE	Fig. 9A-600
TIMING COVER 2.5L ENGINE	Fig. 9A-700
ENGINE OILING 2.5L ENGINE	Fig. 9A-800
INTAKE AND EXHAUST MANIFOLD 2.5L ENGINE	Fig. 9A-900
ENGINE MOUNTING 2.5L ENGINE	Fig. 9A-1000

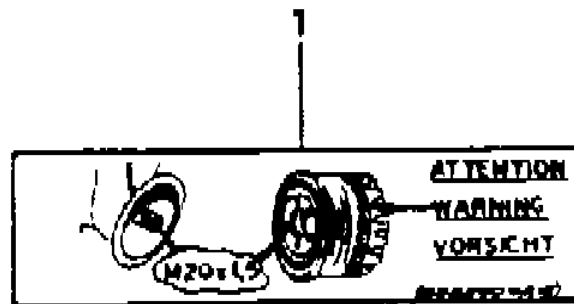
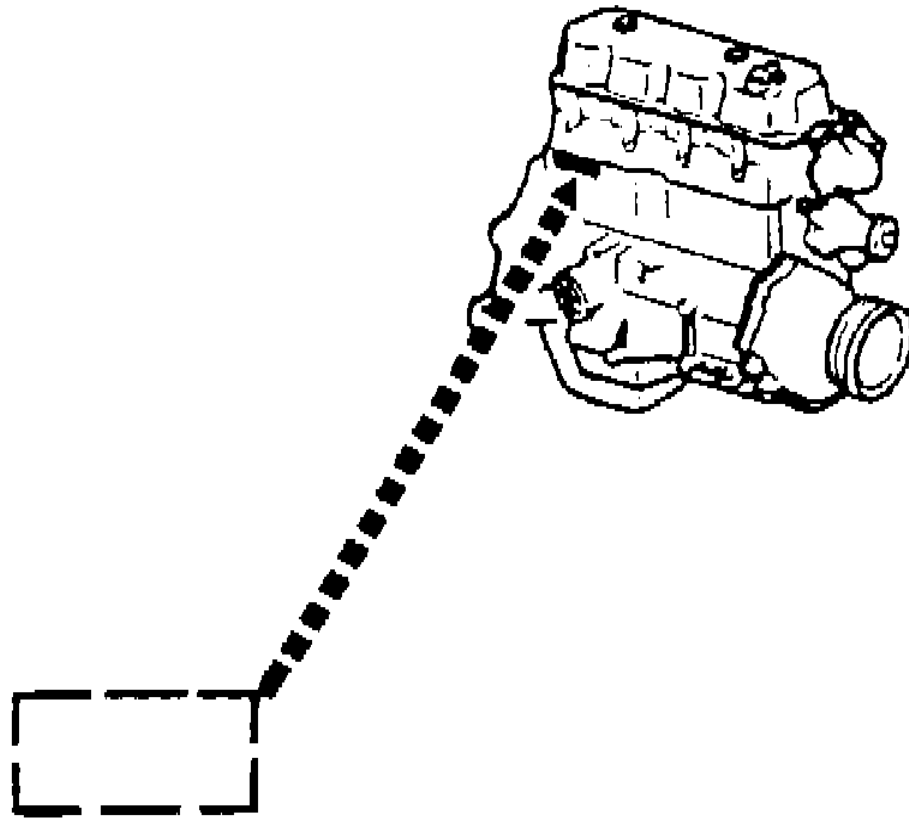
ILLUSTRATION NOT AVAILABLE AT TIME OF PUBLICATION

I.D. LOCATION 2.5L ENGINE
Figure 9A-100

8P58 100

ITEM	PART NUMBER	QTY	BODY	MODEL	DESCRIPTION
------	-------------	-----	------	-------	-------------

1	3300 4215	1			DECAL, Oil Filter Thread I.D.
---	-----------	---	--	--	-------------------------------



MODEL CODES:

1988:	1989:	1990-92:	1990-92:
559 - Premier LX	56 - Premier LX 557 - Premier ES 66 - Premier ES	DP-Monaco LE	XP-Premier LX DS-Monaco ES XS-Premier ES

BODY STYLES:

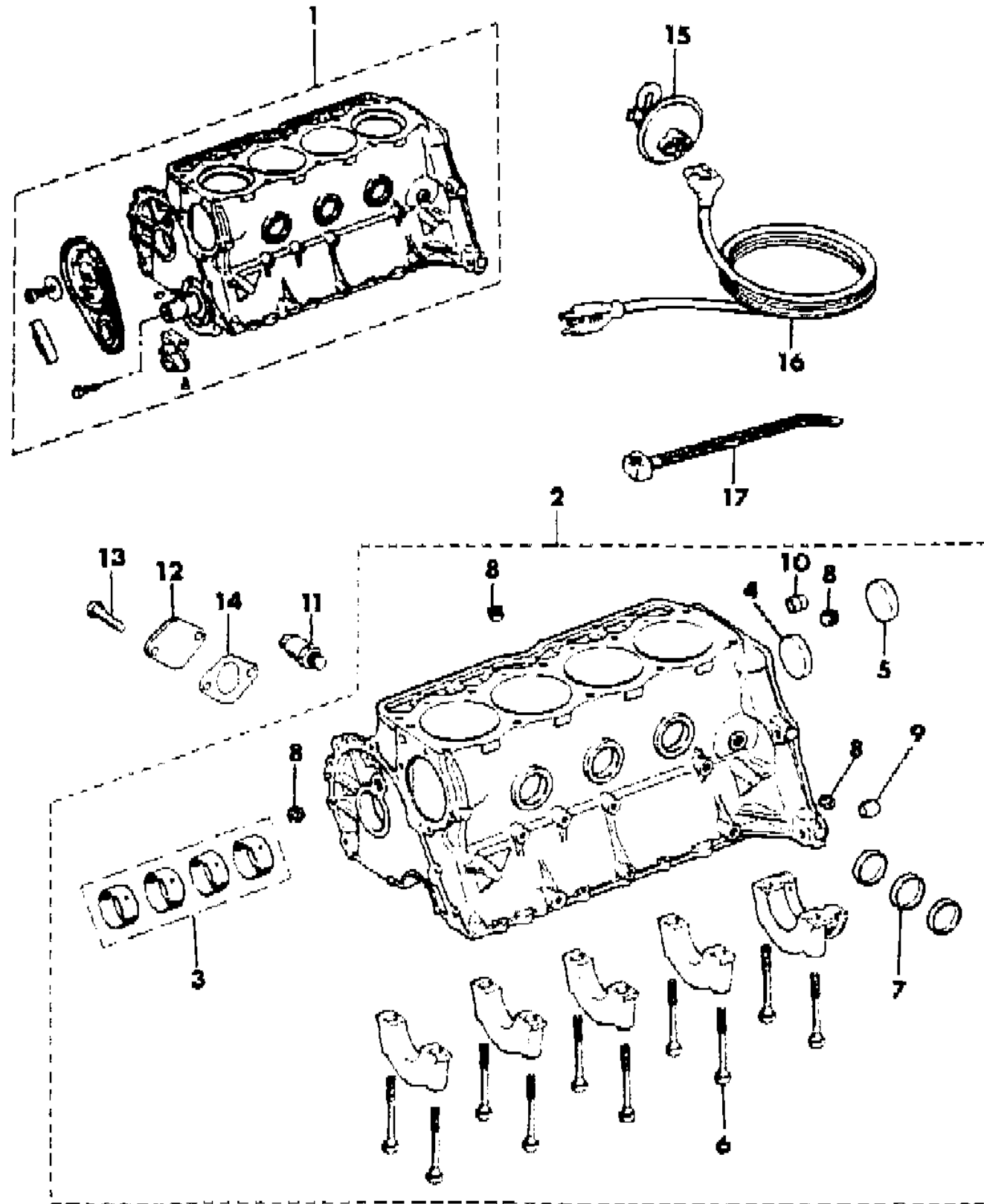
1988:
55 = 4 dr. Sedan
1989-92:
6 = 4 Dr. Sedan

AR = Use as Required - = Non Illustrated Part P.A.R. = Paint as Required

CYLINDER BLOCK 2.5L ENGINE

Figure 9A-200

8P58 200



ITEM	PART NUMBER	QTY	BODY	MODEL	DESCRIPTION
1	8350 4656	1			ENGINE, Short - Less Camshaft
2	8350 2958	1			BLOCK, Engine
3	J320 5711	1			BEARING PACKAGE Standard
	J320 8985	1			+ .010"
4	J317 2313	1			PLUG
5	J310 5394	1			PLUG
6	J400 6948	10			BOLT
7	J400 6580	3			PLUG
8	J044 4660	4			PLUG
9	J400 6953	1			PIN
10	J324 1332	1			PIN
11	3300 2933	1			SENSOR, Knock
12	3300 4223	1			PLATE, Cover Fuel Pump
13	J018 0077	2			BOLT
14	J317 4685	1			GASKET
15	J324 1657	1			HEATER, Engine Block
16	3600 1805	1			CORD, Power Supply
17	3420 2020	1			STRAP, 141mm

MODEL CODES:

1988:	1989:	1990-92:	1990-92:
559 - Premier LX	56 - Premier LX 557 - Premier ES 66 - Premier ES	DP-Monaco LE	XP-Premier LX DS-Monaco ES XS-Premier ES

BODY STYLES:

1988:
55 = 4 dr. Sedan
1989-92:
6 = 4 Dr. Sedan

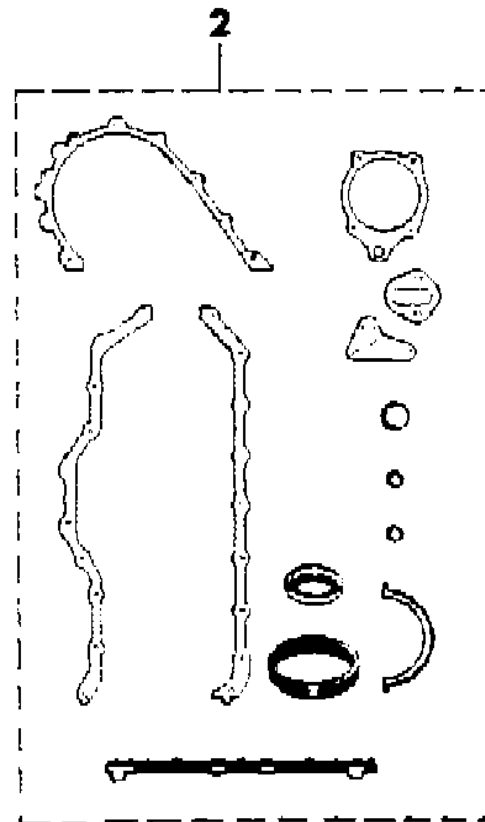
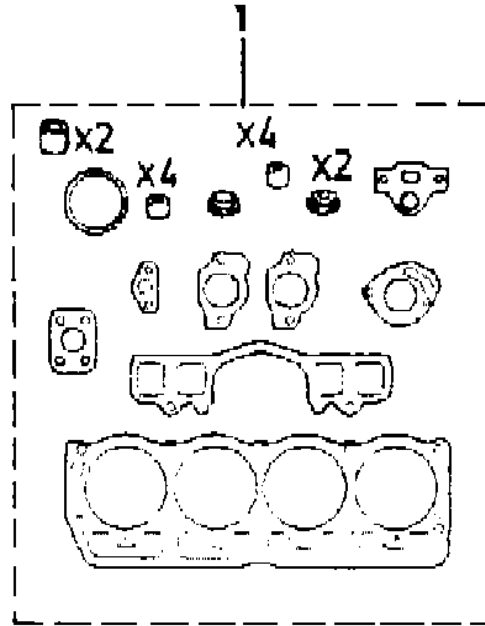
AR = Use as Required - = Non Illustrated Part P.A.R. = Paint as Required

GASKET SET 2.5L ENGINE

Figure 9A-300

8P58 300

ITEM	PART NUMBER	QTY	BODY	MODEL	DESCRIPTION
1	8350 2501	1			GASKET PACKAGE, Engine Upper
2	8350 5399	1			GASKET PACKAGE, Engine Lower



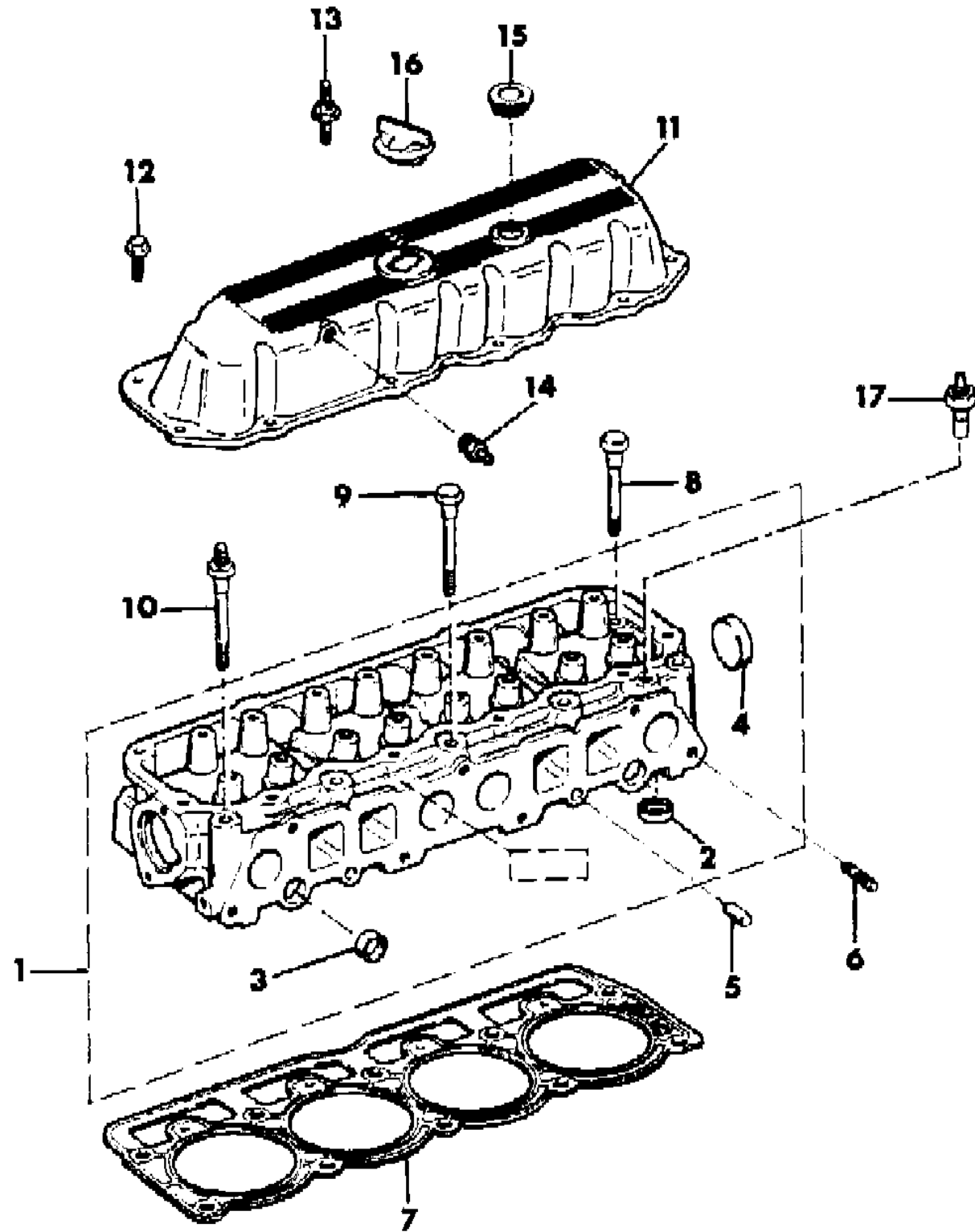
MODEL CODES:
 1988: 559 - Premier LX
 1989: 56 - Premier LX, 557 - Premier ES, 66 - Premier ES
 1990-92: DP-Monaco LE
 1990-92: XP-Premier LX, DS-Monaco ES, XS-Premier ES

BODY STYLES:
 1988: 55 = 4 dr. Sedan
 1989-92: 6 = 4 Dr. Sedan

AR = Use as Required - = Non Illustrated Part P.A.R. = Paint as Required

CYLINDER HEAD 2.5L ENGINE
Figure 9A-400

8P58 400



ITEM	PART NUMBER	QTY	BODY	MODEL	DESCRIPTION
1	3300 7115	1			HEAD, Engine Cylinder Tagged 2403
2	3300 2400	4			SEAT, Exhaust Valve
3	J317 2319	4			PLUG, .875"
4	J310 5394	1			PLUG, 2.0"
5	J317 2318	2			PIN
6	J400 7462	2			STUD
7	3300 3722	1			GASKET
8	J400 7308	5			BOLT, 3.75"
9	J400 7307	1			BOLT, 4.52"
10	J400 7310	4			BOLT, Stud
11	3300 3610	1			COVER, Cylinder Head
12	J400 7600	9			BOLT
13	J400 7495	2			STUD
14	3300 4175	1			CONNECTOR
15	3300 1237	1			GROMMET
16	3300 1016	1			CAP
17	J323 0408	1			SWITCH, Coolant Temperature

MODEL CODES:

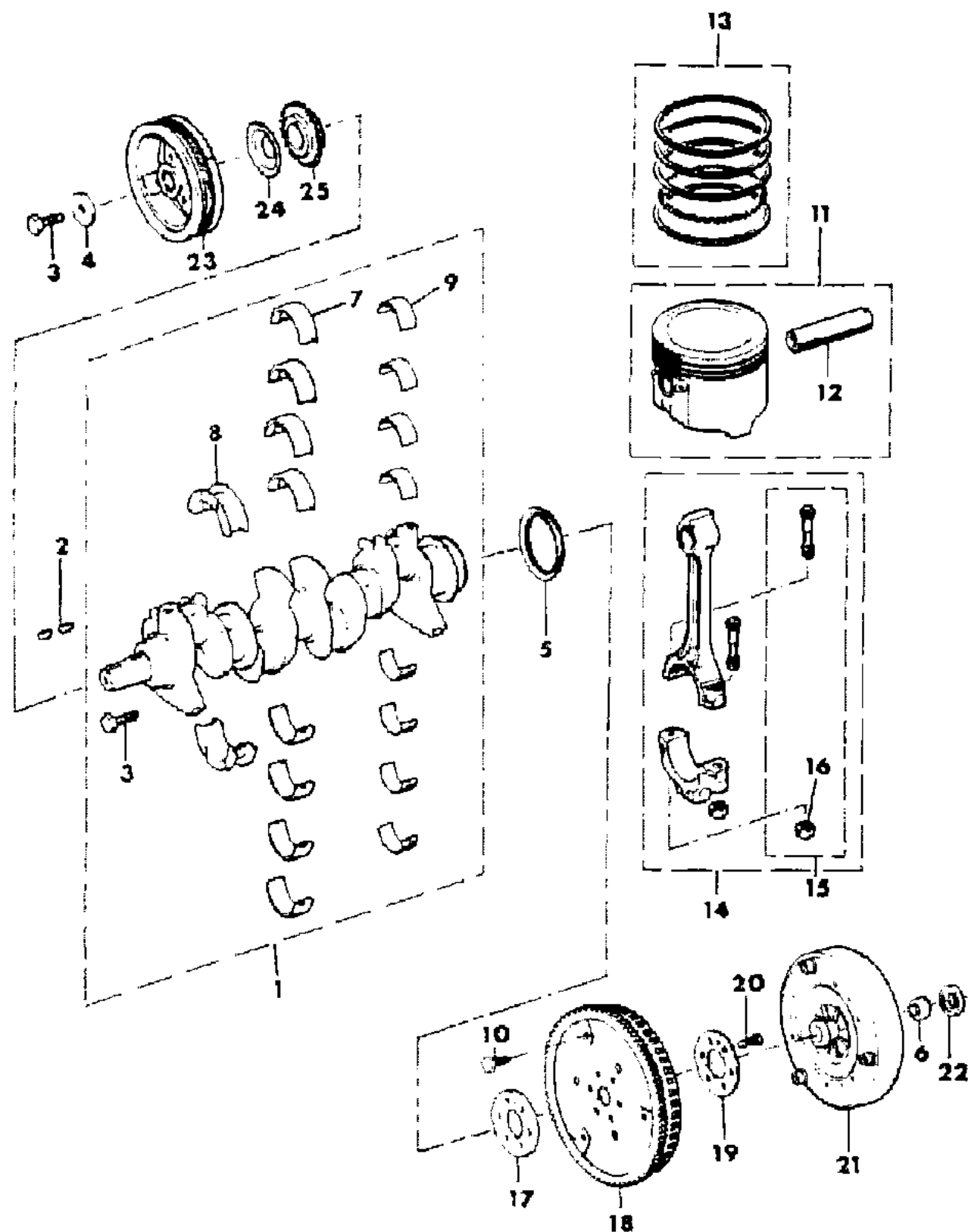
1988:	1989:	1990-92:	1990-92:
559 - Premier LX	56 - Premier LX	DP-Monaco LE	XP-Premier LX
	557 - Premier ES		DS-Monaco ES
	66 - Premier ES		XS-Premier ES

BODY STYLES:
 1988:
 55 = 4 dr. Sedan
 1989-92:
 6 = 4 Dr. Sedan

AR = Use as Required - = Non Illustrated Part P.A.R. = Paint as Required

CRANKSHAFT AND PISTON 2.5L ENGINE
Figure 9A-500

8P58 500B



ITEM	PART NUMBER	QTY	BODY	MODEL	DESCRIPTION
1	8350 4658	1			CRANKSHAFT PACKAGE
2	J310 7002	2			KEY, Shaft
3	S018 1698	1			BOLT
4	J323 0155	1			WASHER
5	3300 4143	1			SEAL
6	3300 2840	1			BUSHING, Transmission
7					BEARING PACKAGE
	J813 3252	4			Standard
	J813 3680	4			-.001"
	J813 3682	4			-.002"
	J813 3254	4			-.010"
	J813 3684	4			-.012"
8					BEARING PACKAGE
	J813 3253	1			Standard
	J813 3681	1			-.001"
	J813 3683	1			-.002"
	J813 3685	1			-.012"
9					BEARING PACKAGE
	8350 0300	4			Standard
	8350 1397	4			-.001"
	8350 0301	4			-.010"
10	J310 1259	3			BOLT
11					PISTON
	8350 0251	4			Standard
	8350 0252	4			.010"
12					PIN, Piston
	J318 0483	4			Standard
	8350 0303	4			.003"
	8350 0304	4			.005"
13					RING PACKAGE, Piston
	8350 1987	4			Standard
	8350 1988	4			.010"
14	3300 4545	4			ROD, Connecting
15	J813 3824	8			BOLT PACKAGE
16	J400 6385	8			NUT
17	3300 3665	1			SPACER
18	3300 2842	1			PLATE, Converter Drive
19	5300 2234	1			REINFORCEMENT
20	J400 7497	6			BOLT
21	J074 0438	1			CONVERTER, Torque

MODEL CODES:

1988:	1989:	1990-92:	1990-92:
559 - Premier LX	56 - Premier LX	DP-Monaco LE	XP-Premier LX
	557 - Premier ES		DS-Monaco ES
	66 - Premier ES		XS-Premier ES

BODY STYLES:

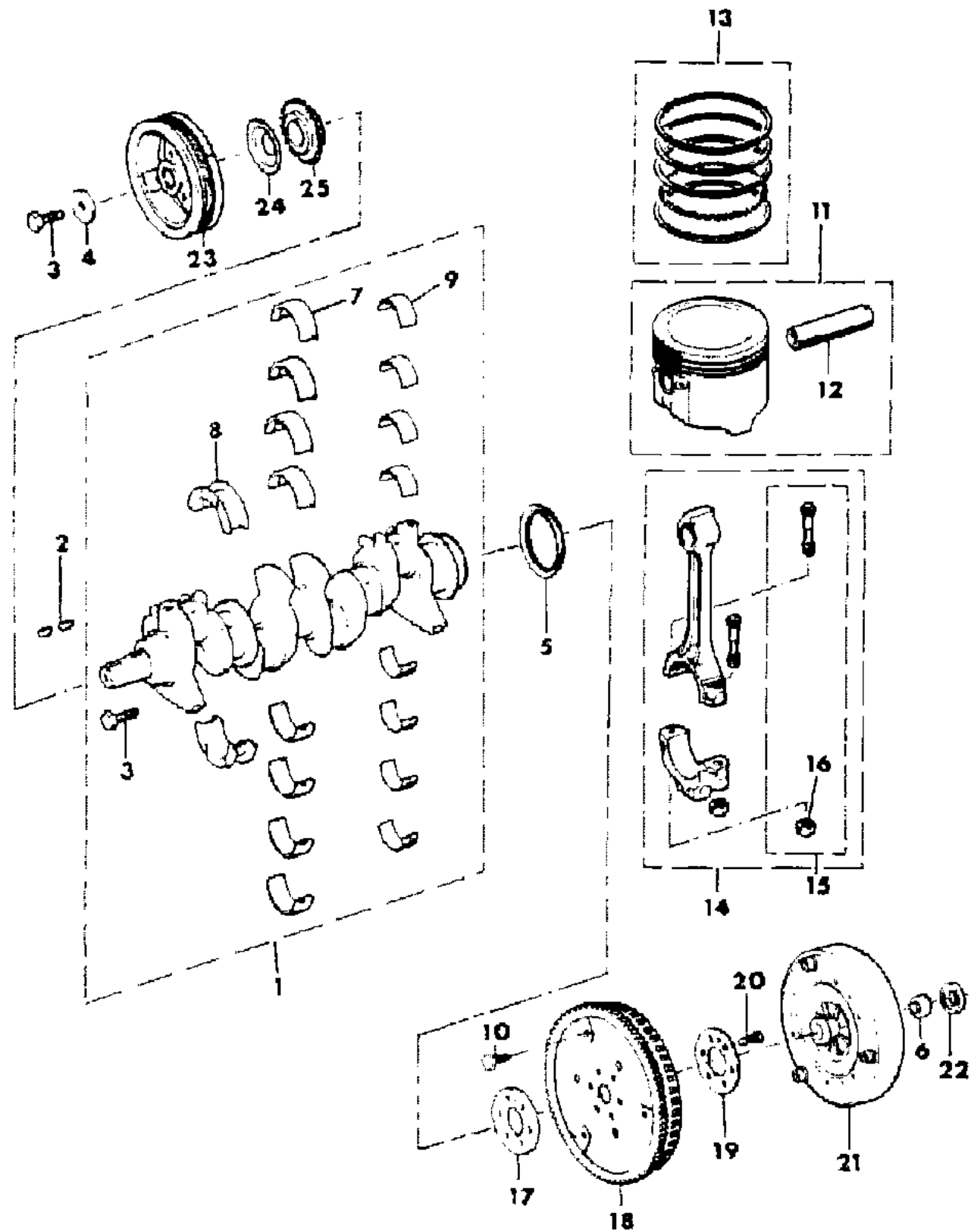
1988:
55 = 4 dr. Sedan
1989-92:
6 = 4 Dr. Sedan

AR = Use as Required - = Non Illustrated Part P.A.R. = Paint as Required

CRANKSHAFT AND PISTON 2.5L ENGINE

Figure 9A-500

8P58 500B



ITEM	PART NUMBER	QTY	BODY	MODEL	DESCRIPTION
22	T308 7157	1			SEAL
23	3300 2879	1			DAMPER
24	J317 3076	1			SLINGER, Oil ***
25	3300 4020	1			SPROCKET, Crankshaft

MODEL CODES:

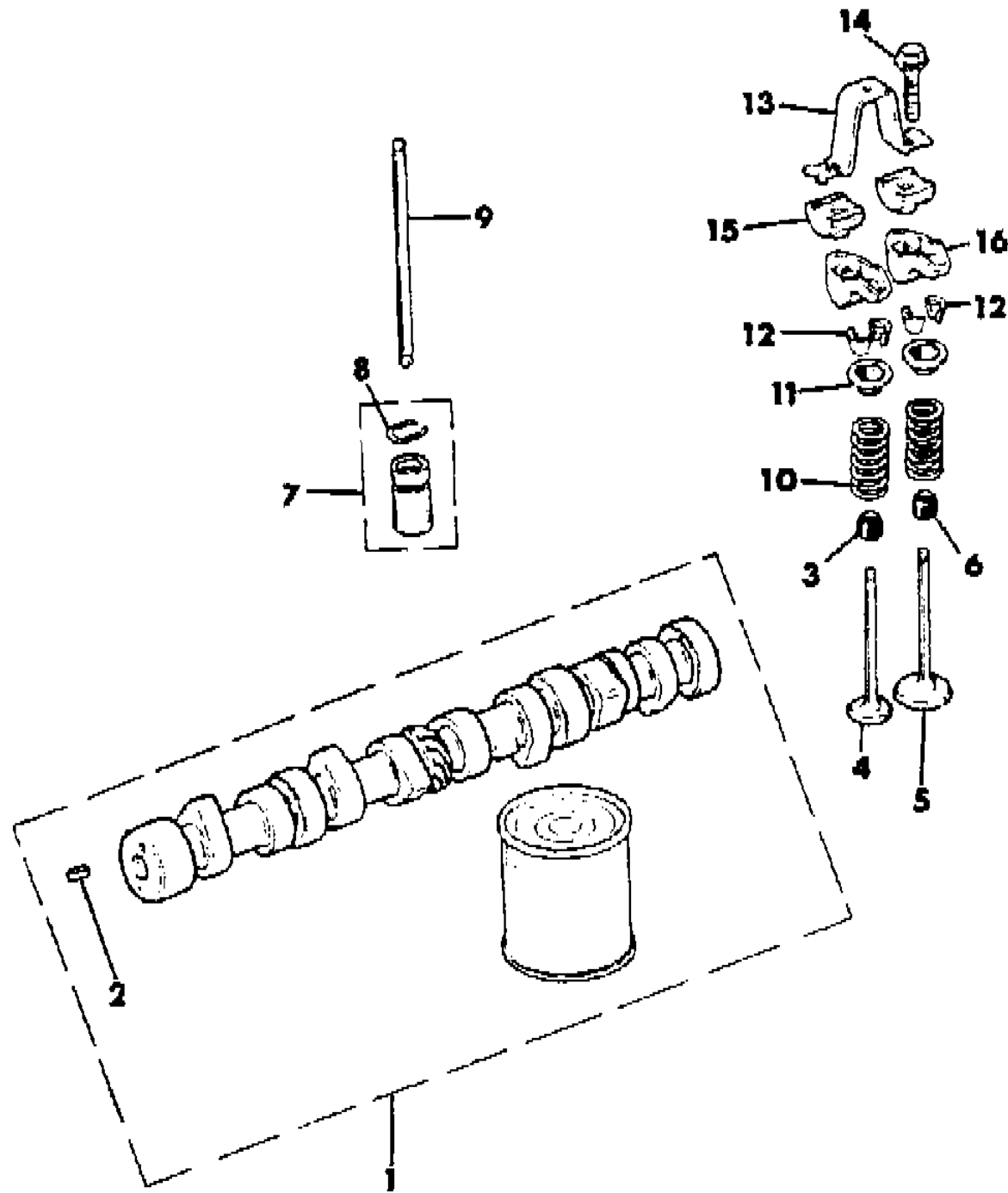
1988:	1989:	1990-92:	1990-92:
559 - Premier LX	56 - Premier LX 557 - Premier ES 66 - Premier ES	DP-Monaco LE	XP-Premier LX DS-Monaco ES XS-Premier ES

BODY STYLES:
 1988:
 55 = 4 dr. Sedan
 1989-92:
 6 = 4 Dr. Sedan

AR = Use as Required - = Non Illustrated Part P.A.R. = Paint as Required

CAMSHAFT AND VALVES 2.5L ENGINE
Figure 9A-600

8P58 600



ITEM	PART NUMBER	QTY	BODY	MODEL	DESCRIPTION
1	8350 4657	1			CAMSHAFT
2	J045 6384	1			PIN
3					SEAL, Exhaust Valve
	3300 2522	4			Standard
	3300 2522	4			+0.003"
	3300 2733	4			+0.015"
4					VALVE, Exhaust
	3300 3860	4			Standard
	3300 3520	4			+0.003"
	3300 3576	4			+0.015"
5					VALVE, Intake
	3300 3515	4			Standard
	3300 3519	4			+0.003"
	3300 3575	4			+0.015"
6					SEAL, Intake Valve
	3300 2729	4			Standard
	3300 2729	4			+0.003"
	3300 3016	4			+0.015"
7	J322 2276	8			TAPPET
8	J644 0614	8			RING
9	J324 1709	8			PUSHROD
10	3300 4296	8			SPRING
11	3300 4626	8			RETAINER
12	3300 3521	16			KEEPER
13	J323 6513	4			BRIDGE
14	J942 5708	8			BOLT
15	J323 5090	8			PIVOT
16	J324 2393	8			ARM, Valve Rocker

MODEL CODES:

1988:	1989:	1990-92:	1990-92:
559 - Premier LX	56 - Premier LX 557 - Premier ES 66 - Premier ES	DP-Monaco LE	XP-Premier LX DS-Monaco ES XS-Premier ES

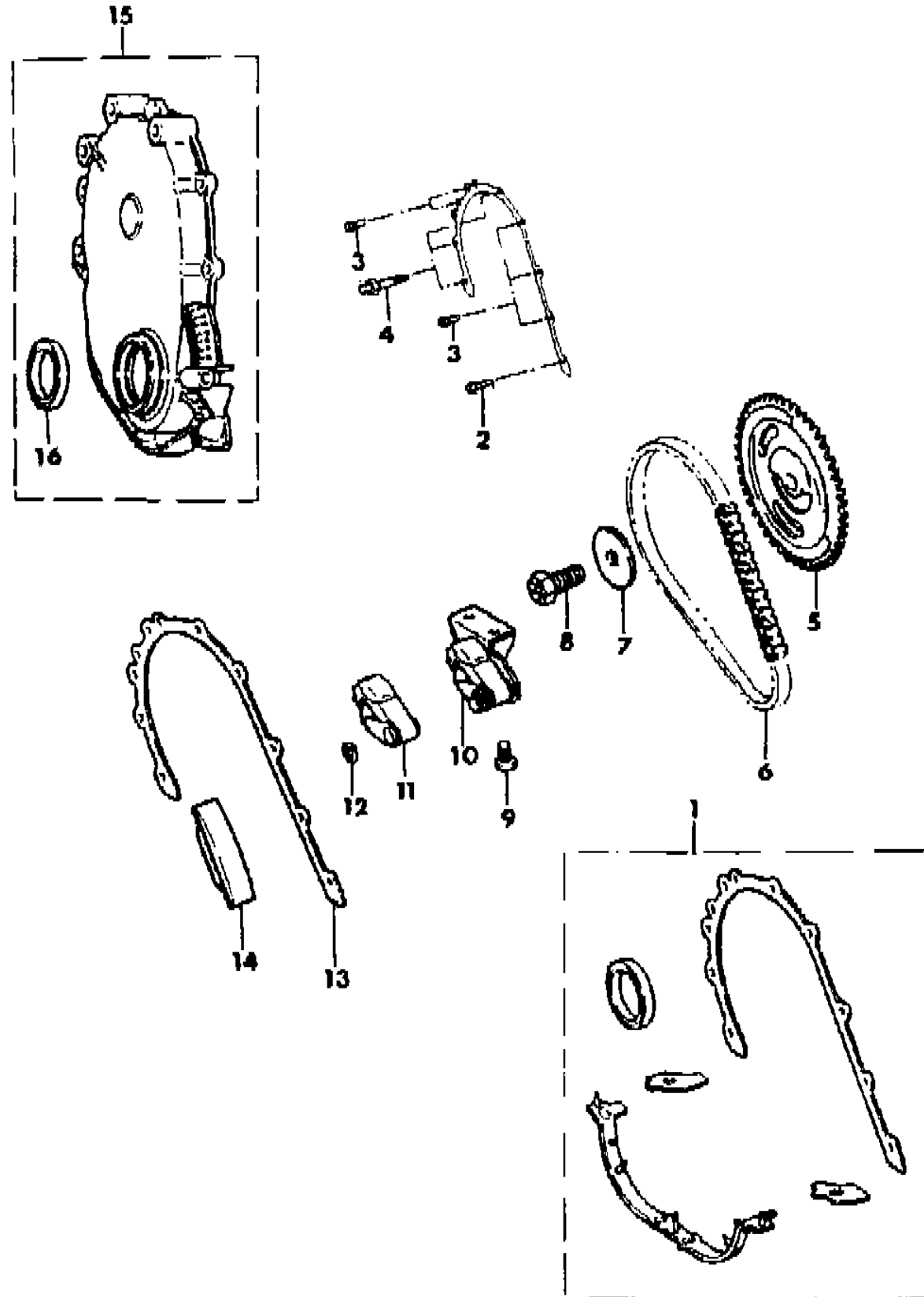
BODY STYLES:

1988:
55 = 4 dr. Sedan
1989-92:
6 = 4 Dr. Sedan

AR = Use as Required - = Non Illustrated Part P.A.R. = Paint as Required

TIMING COVER 2.5L ENGINE
Figure 9A-700

8P58 700



ITEM	PART NUMBER	QTY	BODY	MODEL	DESCRIPTION
1	J812 9097	1			GASKET PACKAGE
2	6034 914	1			BOLT 1.12"
	6033 912	1			1.875"
3	J400 6906	5			BOLT
4					BOLT
	J400 7154	1			2.875"
	J400 7455	1			4.12"
5	J324 2280	1			SPROCKET, Camshaft
6	J324 2300	1			CHAIN, Timing
7	J317 3284	1			WASHER
8	J317 2308	1			BOLT
9	J400 6708	2			SCREW
10	3300 3421	1			TENSIONER ASSEMBLY
11					TENSIONER, Serviced in Item #10
12					CLIP, Serviced in Item #10
13	J322 5187	1			GASKET
14	3300 3446	1			BUMPER
15	5300 5769	1			COVER, Timing Case
16	3300 4681	1			SEAL

MODEL CODES:

1988:	1989:	1990-92:	1990-92:
559 - Premier LX	56 - Premier LX 557 - Premier ES 66 - Premier ES	DP-Monaco LE	XP-Premier LX DS-Monaco ES XS-Premier ES

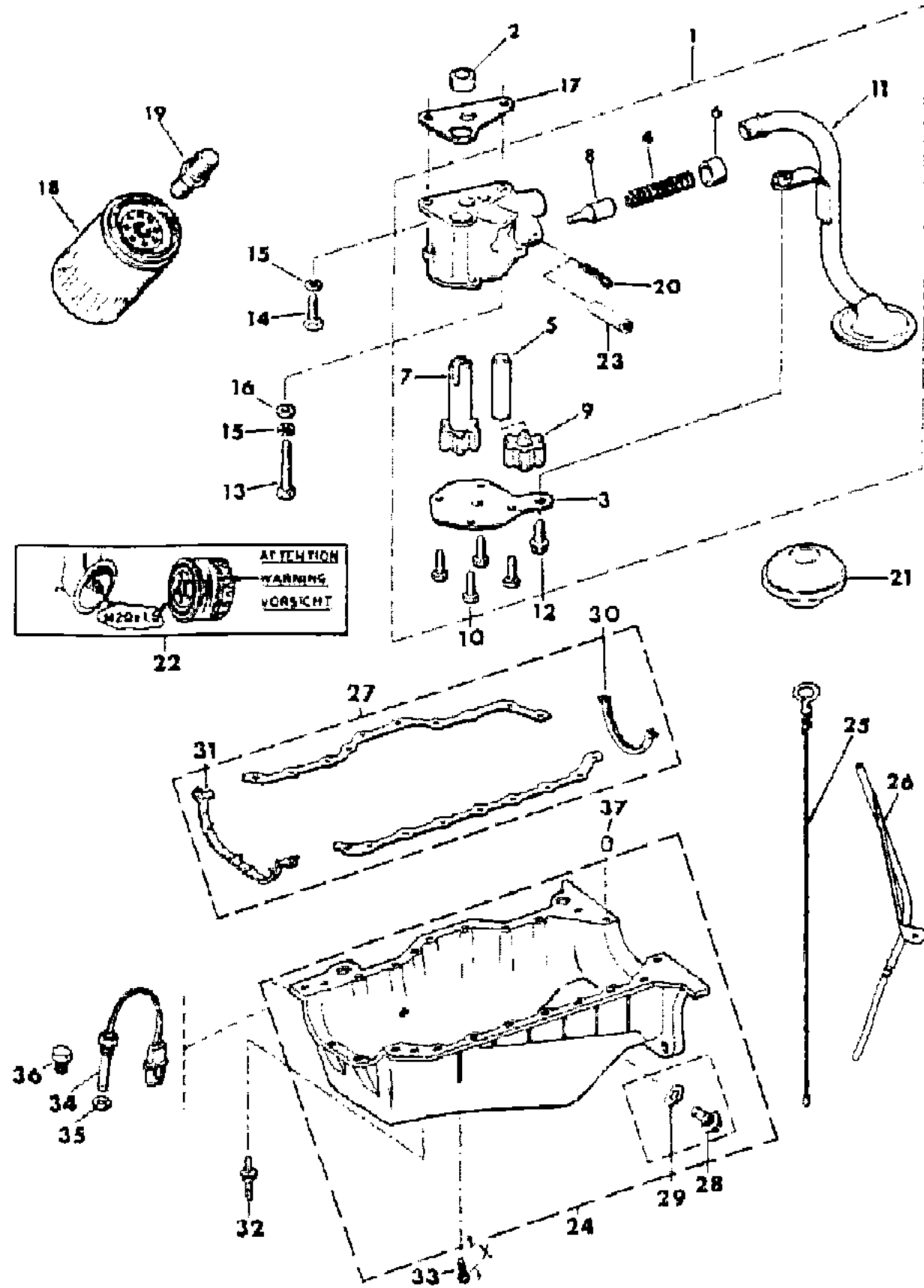
BODY STYLES:

1988:
55 = 4 dr. Sedan
1989-92:
6 = 4 Dr. Sedan

AR = Use as Required - = Non Illustrated Part P.A.R. = Paint as Required

ENGINE OILING 2.5L ENGINE
Figure 9A-800

8P58 800B



ITEM	PART NUMBER	QTY	BODY	MODEL	DESCRIPTION
1	3300 2888	1			PUMP, Engine Oil
2	J400 5149	1			PIN
3	J324 1733	1			COVER, Oil Pump
4	J323 9668	1			SPRING
5	J317 1956	1			SHAFT, Oil Pump Gear
6	J317 1958	1			RETAINER
7	J317 2334	1			GEAR, Oil Pump Drive
8					PLUNGER
	J318 8661	1			Standard
	J324 1676	1			+0.010"
9	J319 6843	1			GEAR, Oil Pump Driven
10					SCREW
	J812 2990	4			1988-89 ***
11	3300 2889	1			TUBE, Oil Pump Inlet
12	J400 6909	1			BOLT
13	J943 7670	1			BOLT 2.62"
14	S942 7934	1			BOLT .88"
15	J012 0214	2			WASHER, Lock
16	J012 0393	1			WASHER
17	J317 2332	1			GASKET
18	3300 4195	1			FILTER, Engine Oil
19	3300 3538	1			CONNECTOR
20	S010 8635	1			PIN, Cotter 1/8" X 1 1/4"
21	3300 2891	1			EXTENSION
22	3300 4215	1			DECAL, Oil Filter Thread I.D.
23	J027 1448	1			PIN, Roll 5/16" X 1"
24	3300 2880	1			PAN, Engine Oil
25	3300 2887	1			INDICATOR, Engine Oil Level
26	3300 3425	1			TUBE, Engine Oil Indicator
27	8350 4661	1			GASKET PACKAGE
28	8350 1425	1			PLUG PACKAGE
29	J324 3136	1			GASKET
30	3300 4732	1			SEAL
31	8350 4654	1			SEAL
32	J400 7613	3			BOLT, Stud
33					BOLT
	J400 7615	2			x=1.00"
	J400 7616	17			x=.88"
	J400 7611	2			x=6.38"
34	3300 3112	AR			SENSOR, Engine Oil Level w/vehicle monitor system

MODEL CODES:

1988:	1989:	1990-92:	1990-92:
559 - Premier LX	56 - Premier LX	DP-Monaco LE	XP-Premier LX
	557 - Premier ES		DS-Monaco ES
	66 - Premier ES		XS-Premier ES

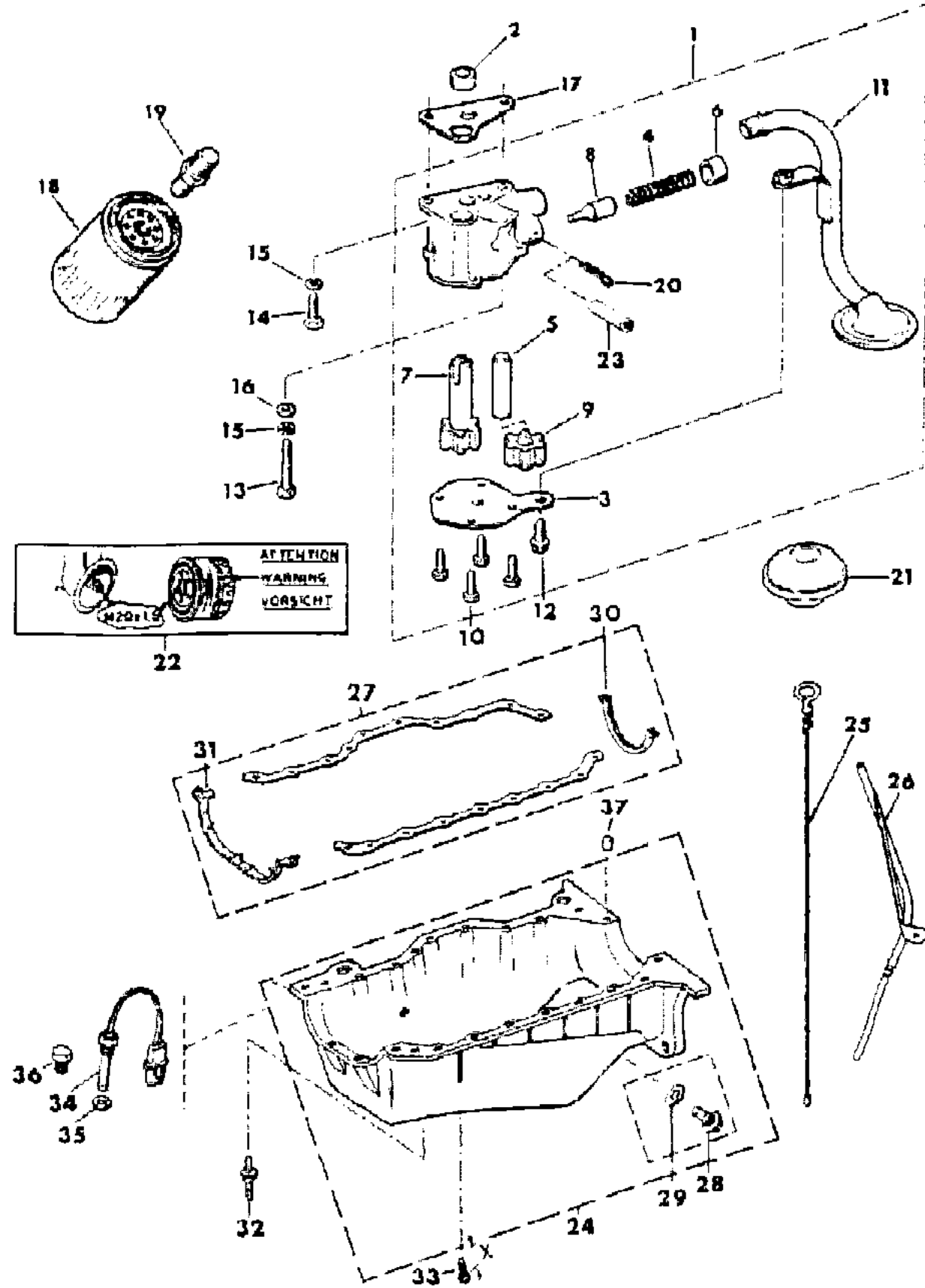
BODY STYLES:

1988:
55 = 4 dr. Sedan
1989-92:
6 = 4 Dr. Sedan

AR = Use as Required - = Non Illustrated Part P.A.R. = Paint as Required

ENGINE OILING 2.5L ENGINE
Figure 9A-800

8P58 800B



ITEM	PART NUMBER	QTY	BODY	MODEL	DESCRIPTION
------	-------------	-----	------	-------	-------------

35	T306 1028	AR			GASKET
36	T307 5106	AR			PLUG, w/o vehicle monitor system
37	3300 4519	2			DOWEL

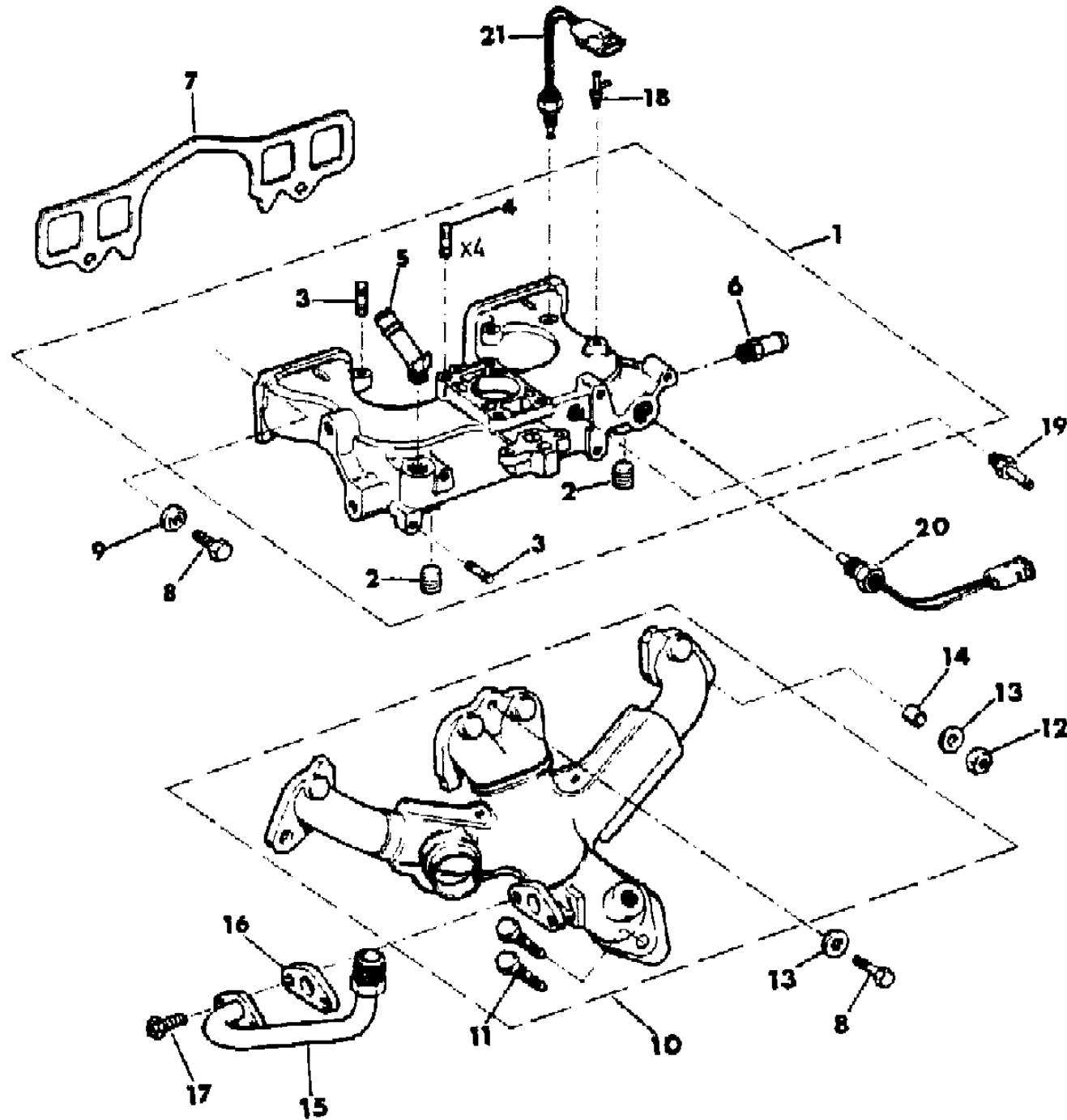
MODEL CODES:
1988: 559 - Premier LX
1989: 56 - Premier LX
1990-92: DP-Monaco LE
1990-92: XP-Premier LX
DS-Monaco ES
XS-Premier ES

BODY STYLES:
1988: 55 = 4 dr. Sedan
1989-92: 6 = 4 Dr. Sedan

AR = Use as Required - = Non Illustrated Part P.A.R. = Paint as Required

INTAKE AND EXHAUST MANIFOLD 2.5L ENGINE
Figure 9A-900

8P58 900



ITEM	PART NUMBER	QTY	BODY	MODEL	DESCRIPTION
1	8350 5528	1			MANIFOLD, Intake
2	J400 7434	2			PLUG
3	J400 1617	2			STUD
4	J400 7314	4			STUD
5	3200 2707	1			ELBOW
6	3200 2709	1			NIPPLE
7	J324 2854	1			GASKET
8	J018 6622	5			BOLT
9	3300 4255	4			CLAMP
10	3300 3659	1			MANIFOLD, Exhaust
11	J400 7109	2			STUD
12	J535 1688	2			NUT
13	J317 3077	3			WASHER
14	3300 3332	2			SPACER
15	3300 2516	1			TUBE, EGR
16					GASKET
	3300 4634	1			1988-89
17	J400 6985	2			BOLT
18	5300 4523	1			FITTING, Vacuum
19	3300 2327	1			FITTING, Vacuum
20	3300 2383	1			SENSOR, Coolant Temperature
21	3300 2382	1			SENSOR, Intake Air Temperature

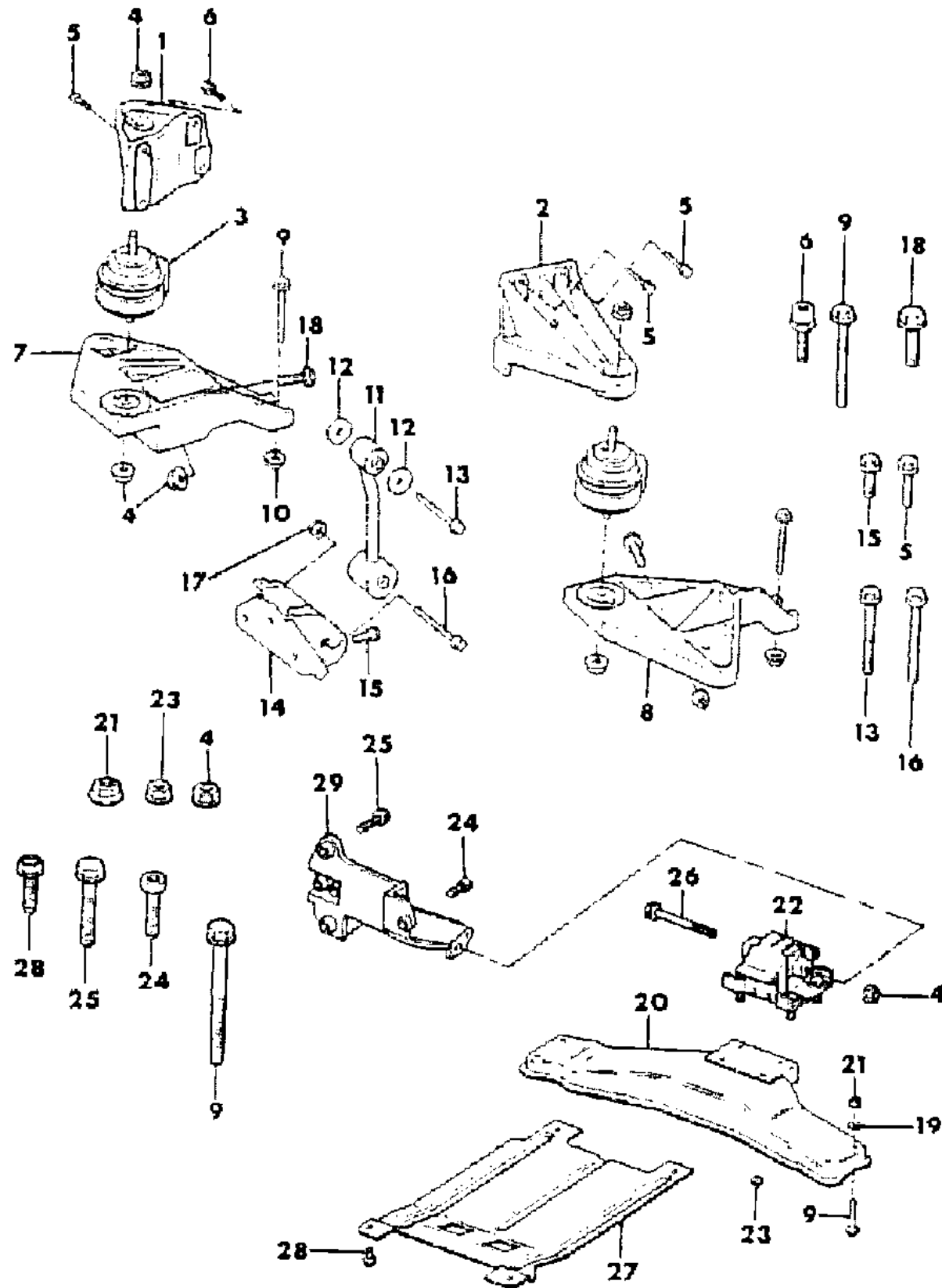
MODEL CODES:
 1988: 559 - Premier LX
 1989: 56 - Premier LX
 557 - Premier ES
 66 - Premier ES
 1990-92: DP-Monaco LE
 1990-92: XP-Premier LX
 DS-Monaco ES
 XS-Premier ES

BODY STYLES:
 1988:
 55 = 4 dr. Sedan
 1989-92:
 6 = 4 Dr. Sedan

AR = Use as Required - = Non Illustrated Part P.A.R. = Paint as Required

ENGINE MOUNTING 2.5L ENGINE
Figure 9A-1000

8P58 1000 A



ITEM	PART NUMBER	QTY	BODY	MODEL	DESCRIPTION
1	3200 1658	1			BRACKET, Engine, Right
2	3200 1659	1			BRACKET, Engine, Left
3	3200 3323	2			MOUNT, Engine
4	3420 2835	10			NUT, 12mm
5	J400 6995	7			BOLT, 1.12"
6	3420 2669	1			BOLT
7	3200 1762	1			BRACKET, Right
8	3200 1763	1			BRACKET, Left
9	1150 4745	6			BOLT, 80mm.
10	6502 135	4			NUT, 10mm
11	3200 2702	1			RESTRICTOR, Pitch
12	J400 7554	2			WASHER
13	J400 7553	1			BOLT
14	3200 2712	1			BRACKET
15	3420 1321	3			BOLT
16	3420 1465	1			BOLT
17	1150 2813	1			NUT
18	3420 1389	2			BOLT, 1.37"
19	J400 5397	4			WASHER, Flat
20	3200 1761	1			CROSSMEMBER
21	3420 1100	4			NUT
22	3200 2160	1			CUSHION
23	3420 1918	4			NUT
24	3420 2174	2			BOLT, 35mm.
25	J420 0450	2			BOLT, 45mm.
26	3420 2606	1			BOLT
27	3200 3083	1			SHIELD
28	J420 0089	4			BOLT, 25mm.
29	3200 2162	1			BRACKET, Mounting

MODEL CODES:

1988:	1989:	1990-92:	1990-92:
559 - Premier LX	56 - Premier LX 557 - Premier ES 66 - Premier ES	DP-Monaco LE	XP-Premier LX DS-Monaco ES XS-Premier ES

BODY STYLES:

1988:
55 = 4 dr. Sedan
1989-92:
6 = 4 Dr. Sedan

AR = Use as Required - = Non Illustrated Part P.A.R. = Paint as Required

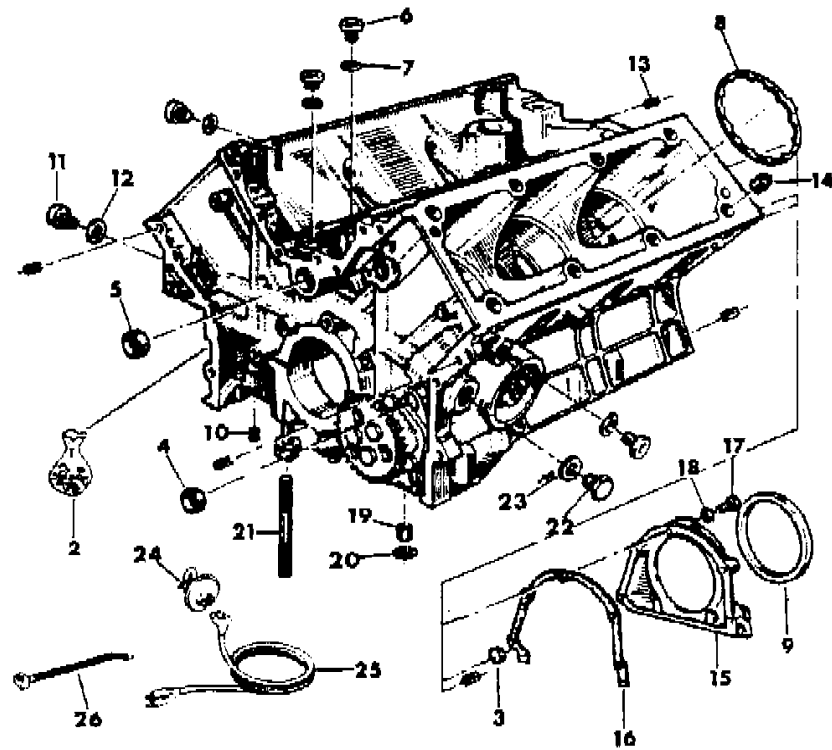
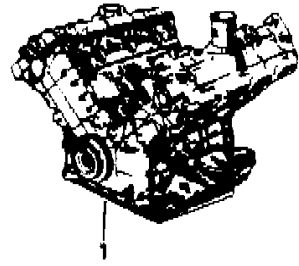
GROUP 9B - ENGINE, 6 CYLINDER

ILLUSTRATION TITLE	GROUP-FIG. NO.
3.0L ENGINE	
I.D. LOCATION 3.0L ENGINE	Fig. 9B-100
CYLINDER BLOCK 3.0L ENGINE	Fig. 9B-200
CYLINDER HEAD 3.0L ENGINE	Fig. 9B-300
CRANKSHAFT AND PISTON 3.0L ENGINE	Fig. 9B-400
CAMSHAFT AND VALVE 3.0L ENGINE	Fig. 9B-500
TIMING COVER 3.0L ENGINE	Fig. 9B-600
ENGINE OILING 3.0L ENGINE	Fig. 9B-700
INTAKE AND EXHAUST MANIFOLD 3.0L ENGINE	Fig. 9B-800
ENGINE MOUNTING 3.0L ENGINE	Fig. 9B-900

ILLUSTRATION NOT AVAILABLE AT TIME OF PUBLICATION

CYLINDER BLOCK 3.0L ENGINE
Figure 9B-200

8P56 200



ITEM	PART NUMBER	QTY	BODY	MODEL	DESCRIPTION
1					ENGINE, Complete Service
	T146 4687	1			Z7X-711, up to engine #89616
	J146 5755	1			Z7X-711, engine #89616 and later
	J146 6240	1			Z7X-715
	4573 491	1			ENGINE, Complete Production Z7X-715
2	T146 4695	1			BLOCK, Engine
3	T777 7641	2			PLUG
4	T307 5028	1			PLUG
5	T307 5015	2			PLUG
6	T307 5033	1			PLUG
7	T026 6044	3			GASKET
8					SHIM
	T024 8213	AR			0.116mm, Red
	T024 8212	AR			0.136mm, Silver
	T024 8211	AR			0.166mm, Blue
9	J074 3161	1			SEAL
10	T307 5035	1			PLUG
11	J307 5076	1			PLUG
12	T026 6043	2			GASKET
13	T777 7644	5			PIN
14	T306 7009	2			PIN, Dowel
15	J024 8334	1			COVER
16	T024 5368	1			GASKET, Cover
17	T300 9065	5			BOLT
18	T777 7652	5			WASHER
19	T024 5145	1			RING
20	J306 5032	1			SEAL
21	T302 7112	8			STUD
22	T307 5036	1			PLUG
23	T026 6046	1			GASKET
24	3300 3110	1			HEATER, Engine Block
25	3600 1805	1			CORD, Power Supply
26	3420 2020	1			STRAP, 141mm
	Not Shown on Illustration				
	T777 7647	2			O-RING, Water Pump Tube to Block

MODEL CODES:

1988:	1989:	1990-92:	1990-92:
559 - Premier LX	56 - Premier LX 557 - Premier ES 66 - Premier ES	DP-Monaco LE	XP-Premier LX DS-Monaco ES XS-Premier ES

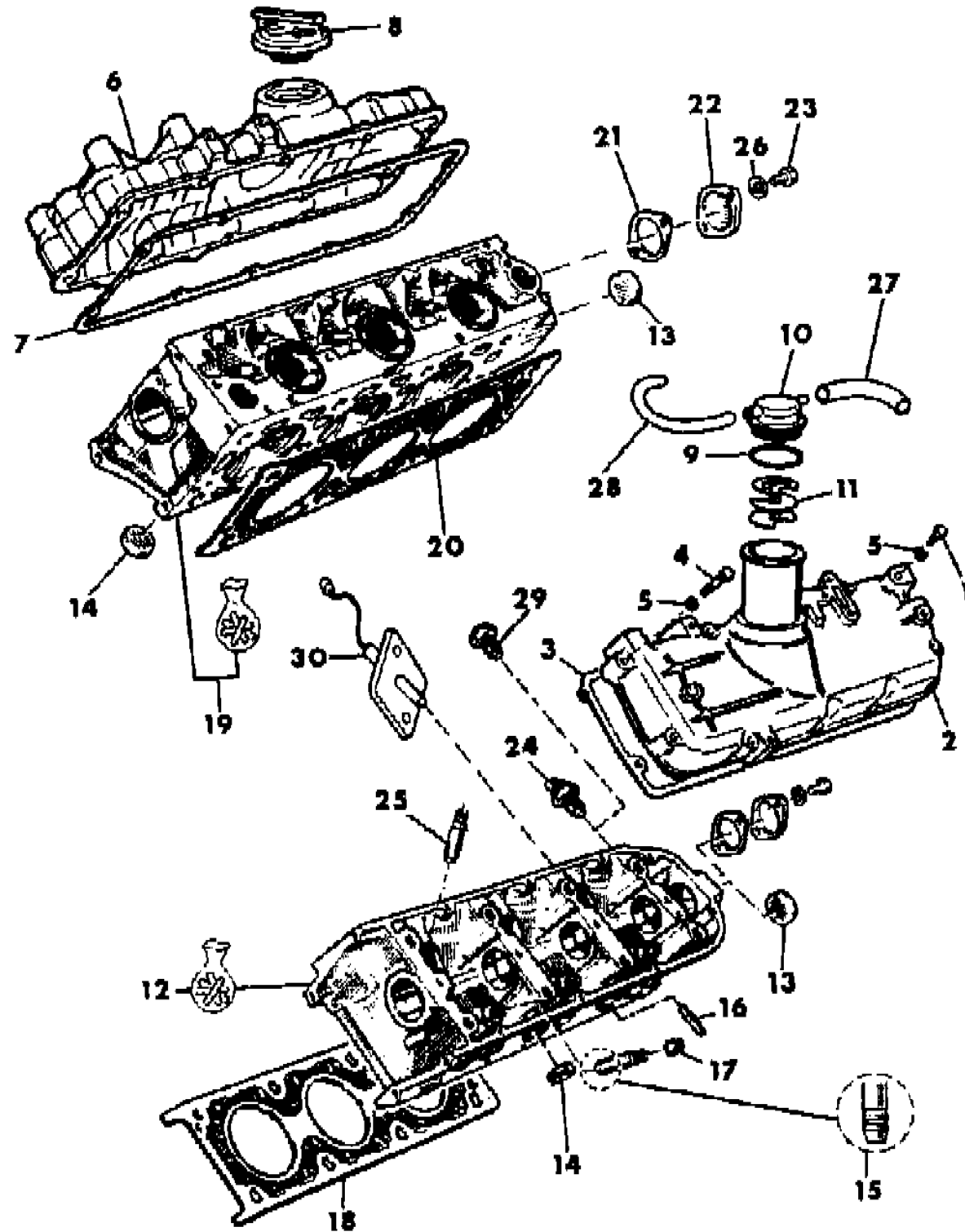
BODY STYLES:

1988:
55 = 4 dr. Sedan
1989-92:
6 = 4 Dr. Sedan

AR = Use as Required - = Non Illustrated Part P.A.R. = Paint as Required

CYLINDER HEAD 3.0L ENGINE
Figure 9B-300

8P56 300B



ITEM	PART NUMBER	QTY	BODY	MODEL	DESCRIPTION
1	T300 1142	AR			BOLT
2	T026 6759	1			COVER, Left
3	T026 9230	1			GASKET, Left
4	T300 1237	6			BOLT
5	T305 7049	AR			WASHER
6	T026 6580	1			COVER, Right
7	T026 6516	1			GASKET, Right
8	3300 1016	1			CAP
9	T306 5065	1			O-RING
10	T026 6714	1			CAP
11	3300 4633	1			SEPARATOR, Oil
12					HEAD, Engine Cylinder Left
	T146 4554	1			Z7X-711
	J146 6246	1			Z7X-715
13	T307 5003	2			PLUG
14	T307 5019	6			PLUG
15	T146 2486	6			GUIDE, Exhaust Valve 13.35mm O.D.
16	T302 7099	12			STUD
17	T073 7124	12			SEAL
18					GASKET, Left
	T026 7890	1			Up to engine #89616
	J568 1180	1			Engine #89616 and later ***
19	T146 4555	1			HEAD, Engine Cylinder Right
20					GASKET, Right
	T026 7891	1			Up to engine #89616
	J568 1380	1			Engine #89616 and later
21	T024 7138	2			GASKET
22	J024 8415	AR			PLATE
23	T149 3027	4			BOLT
24	J076 7751	1			SENSOR Z7X-711
25	T146 1009	6			GUIDE, Intake Valve 13.35mm O.D.
26	J305 7013	4			WASHER
27					HOSE, Head Cover to Vent Nipple
	3300 4132	1			1989-90
	4573 456	1			1991
	4573 945	1			1992
28					HOSE, Vacuum
	3300 4743	1			1989-90
	4573 198	1			1991-92
29	T307 5106	1			PLUG Z7X-715

MODEL CODES:
 1988: 559 - Premier LX
 1989: 56 - Premier LX
 1990-92: DP-Monaco LE
 1990-92: XP-Premier LX
 557 - Premier ES
 66 - Premier ES
 DS-Monaco ES
 XS-Premier ES

BODY STYLES:
 1988:
 55 = 4 dr. Sedan
 1989-92:
 6 = 4 Dr. Sedan

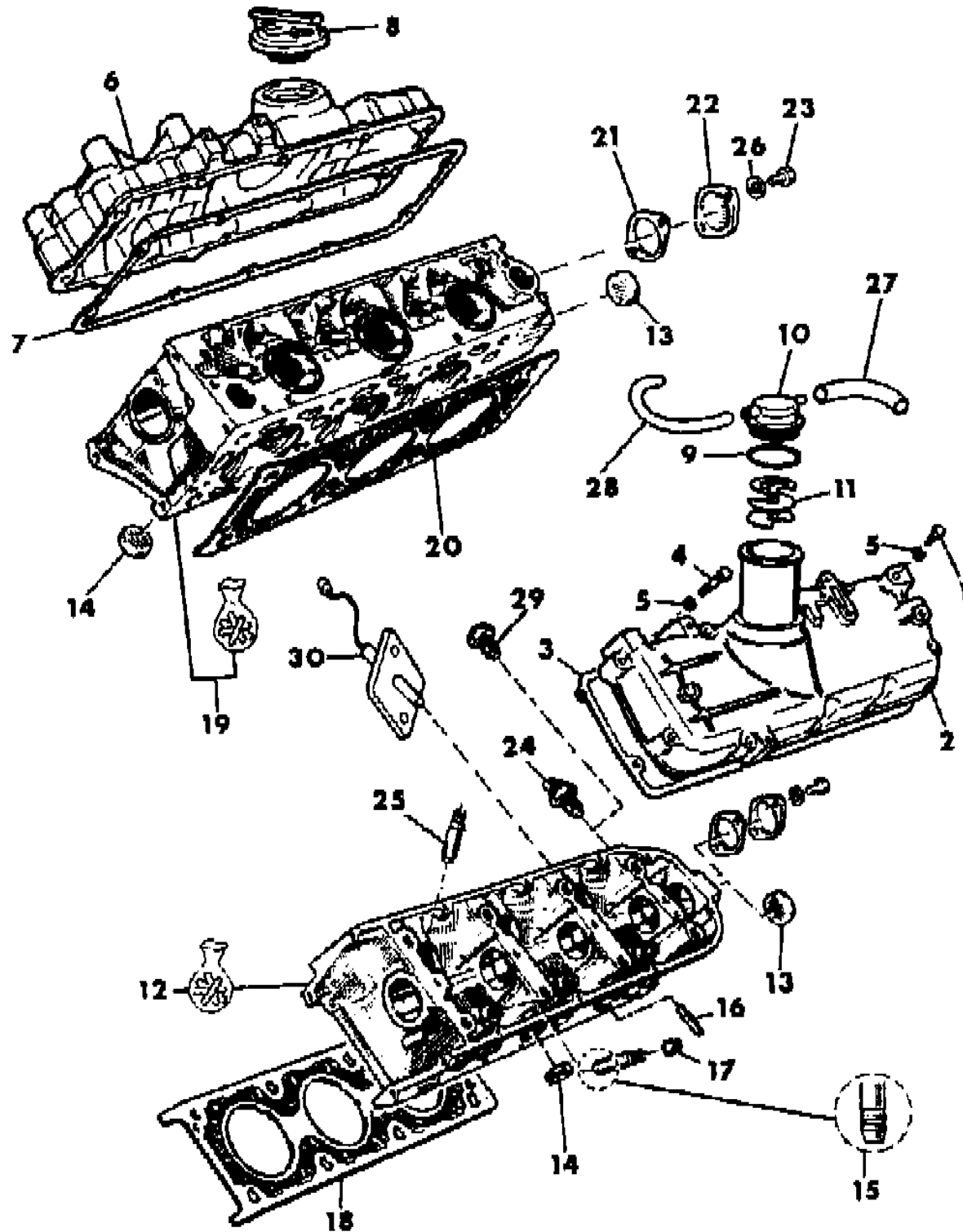
AR = Use as Required - = Non Illustrated Part P.A.R. = Paint as Required

CYLINDER HEAD 3.0L ENGINE

Figure 9B-300

8P56 300B

ITEM	PART NUMBER	QTY	BODY	MODEL	DESCRIPTION
30	4636 496	1			SENSOR, Camshaft Position Z7X-715
31	J841 4080	AR			PLUG, Camshaft End
32	J024 5241	1			PLATE
33	J085 3903	1			GASKET



MODEL CODES:

1988:	1989:	1990-92:	1990-92:
559 - Premier LX	56 - Premier LX 557 - Premier ES 66 - Premier ES	DP-Monaco LE	XP-Premier LX DS-Monaco ES XS-Premier ES

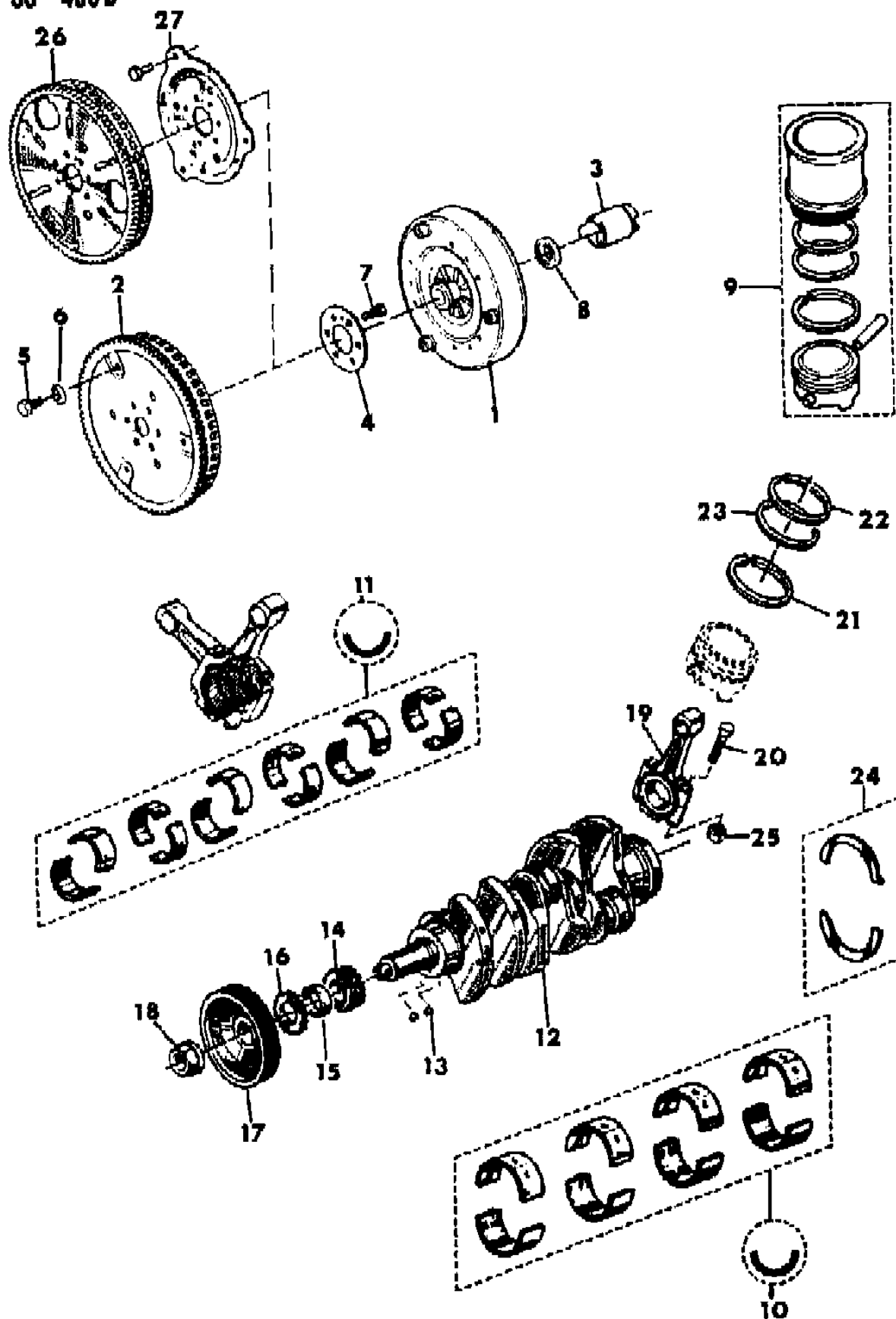
BODY STYLES:

1988:
55 = 4 dr. Sedan
1989-92:
6 = 4 Dr. Sedan

AR = Use as Required - = Non Illustrated Part P.A.R. = Paint as Required

CRANKSHAFT AND PISTON 3.0L ENGINE
Figure 9B-400

8P56 400B



ITEM	PART NUMBER	QTY	BODY	MODEL	DESCRIPTION
1	3300 3463	1			CONVERTER, Torque
2	8350 5743	1			PLATE, Converter Drive Z7X-711
3	8350 5228	1			SPACER, Transmission
4	J026 8735	1			REINFORCEMENT
5	J310 1259	3			BOLT
6	T305 8007	3			WASHER
7	J026 8734	7			BOLT
8	8350 5225	1			SEAL, Transmission
9		6			PISTON PACKAGE, w/Sleeve ***
10	T146 4553	1			Up to engine #89616
	J146 5756		Engine #89616 and later		
11	T146 4010	1			BEARING PACKAGE, Main 70.06mm I.D. ***
	J146 5815		Up to engine #89616 ***		
12	T146 4558	1			BEARING PACKAGE, Rod 59.97mm I.D. ***
	J146 5814		Up to engine #89616 ***		
13	T024 7910	1			CRANKSHAFT, w/o Bearing
14	T307 0005	2			KEY, Shaft
15	T024 5208	1			SPROCKET
16	T024 5110	1			SPACER
17	T024 5088	1			SPROCKET
18	T026 6429	1			PULLEY
	J026 6214		Z7X-711		
19	T024 6400	1			ROD, Connecting
20	T600 5643	6			Up to engine #89616
	J026 0304		Engine #89616 and later		
21	T024 5867	12			BOLT
	J580 9780		Z7X-711		
	T026 7765		Z7X-715		
22	T026 7764	6			RING, Oil Control
23	T026 7763	6			RING, Upper Compression
24	T101 1871	AR			RING, Lower Compression
	T210 1375		2.30 to 2.35mm		
	T210 1376		2.40 to 2.45mm		
	T210 1377		2.45 to 2.50mm		
25	T210 1377	AR			BEARING PACKAGE
	T210 1377		2.50 to 2.55mm		

MODEL CODES:
 1988: 559 - Premier LX
 1989: 56 - Premier LX
 1990-92: DP-Monaco LE
 1990-92: XP-Premier LX
 557 - Premier ES
 66 - Premier ES
 DS-Monaco ES
 XS-Premier ES

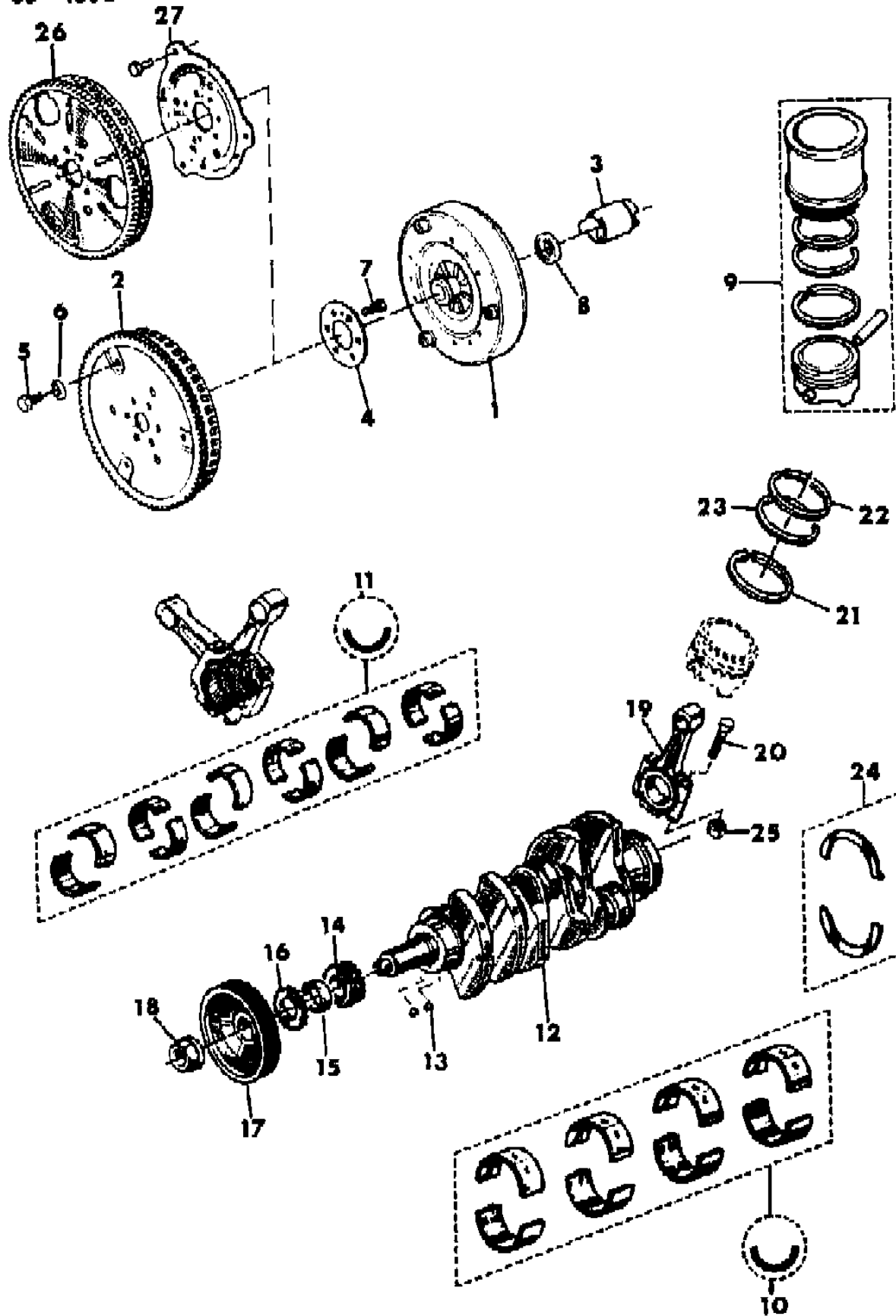
BODY STYLES:
 1988:
 55 = 4 dr. Sedan
 1989-92:
 6 = 4 Dr. Sedan

AR = Use as Required - = Non Illustrated Part P.A.R. = Paint as Required

CRANKSHAFT AND PISTON 3.0L ENGINE

Figure 9B-400

8P56 400B



ITEM	PART NUMBER	QTY	BODY	MODEL	DESCRIPTION
25					NUT
	J026 7791	12			Z7X-711
	J026 0649	12			Z7X-715
26	J026 0836	1			FLYWHEEL Z7X-715 ***
27	T026 6940	1			FLEXPLATE Z7X-715 ***

MODEL CODES:

1988:	1989:	1990-92:	1990-92:
559 - Premier LX	56 - Premier LX 557 - Premier ES 66 - Premier ES	DP-Monaco LE	XP-Premier LX DS-Monaco ES XS-Premier ES

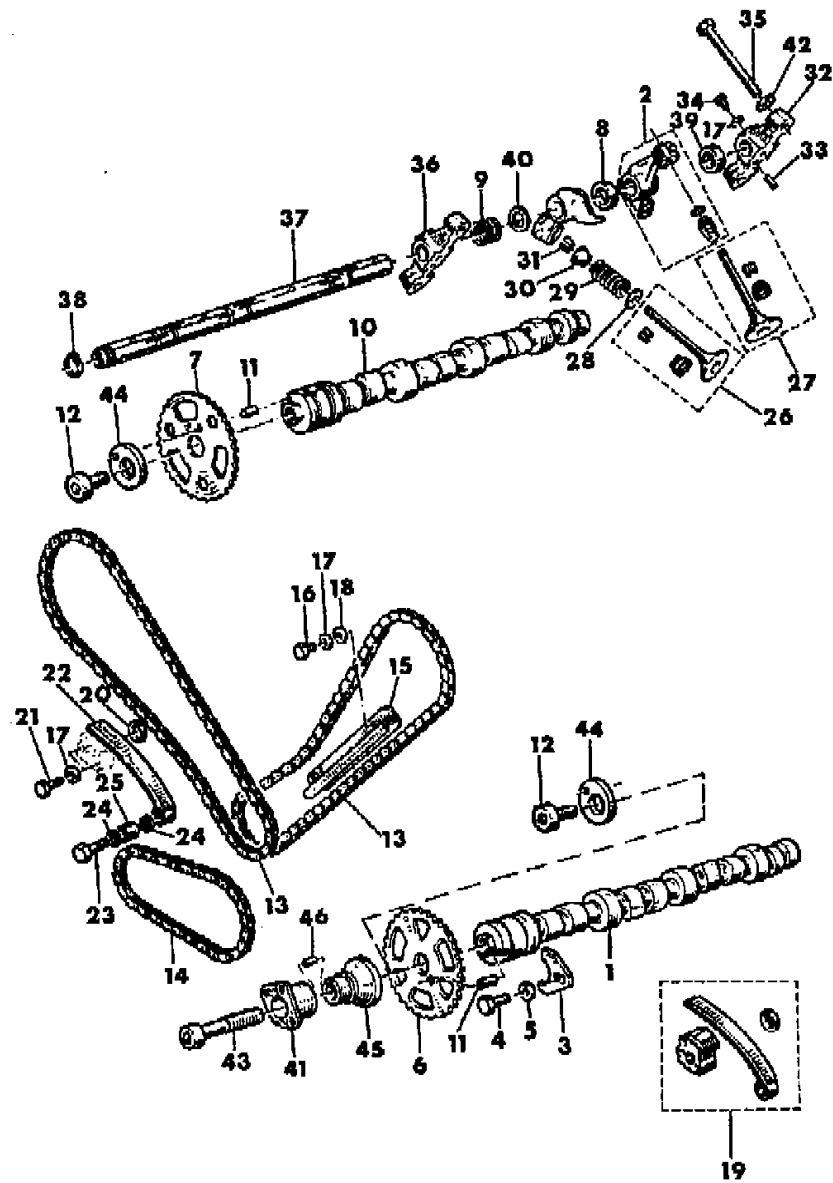
BODY STYLES:

1988:
55 = 4 dr. Sedan
1989-92:
6 = 4 Dr. Sedan

AR = Use as Required - = Non Illustrated Part P.A.R. = Paint as Required

CAMSHAFT AND VALVE 3.0L ENGINE
Figure 9B-500

BP56 500C



ITEM	PART NUMBER	QTY	BODY	MODEL	DESCRIPTION
1					CAMSHAFT Left
	T026 6781	1			Z7X-711
	J026 0565	1			Z7X-715
2	J600 7504	12			ARM ASSEMBLY, Rocker ***
3	T024 5370	2			RETAINER
4	T149 3034	2			BOLT
5	T305 3658	2			WASHER
6	T024 5116	1			GEAR, Left
7	T026 7467	1			GEAR, Right
8	T073 1871	12			SPACER 5.35mm
9	T024 5074	1			SPRING
10	T026 6782	1			CAMSHAFT, Right
11	T306 7051	2			PIN
12	T024 5056	AR			BOLT
13	T024 5301	2			CHAIN, Timing
14	T024 5548	1			CHAIN
15	T024 7528	2			GUIDE
16	T149 3027	4			BOLT
17	J305 7021	AR			WASHER
18	T140 2061	4			WASHER
19	T084 9130	AR			REPAIR PACKAGE ***
20	T024 7435	2			WASHER
21	T300 1127	4			BOLT
22	T024 6065	2			TENSIONER
23	T300 1413	2			BOLT
24	T305 3642	4			WASHER
25	T024 6064	2			SPACER
26	T146 4557	2			VALVE PACKAGE, Exhaust ***
27	T146 4556	2			VALVE PACKAGE, Intake ***
28	J305 3700	12			SEAT
29	T026 6874	12			SPRING
30	T026 8948	12			RETAINER
31	T134 9125	24			KEEPER
32	T024 5163	2			PEDESTAL
33	T306 7014	8			PIN
34	T024 5031	4			LOCK SCREW, Rocker Arm ***
35					BOLT
	T024 6949	8			Up to engine #89616
	J024 8324	8			Engine #89616 and later ***
36	T024 5162	2			PEDESTAL

MODEL CODES:

1988:	1989:	1990-92:	1990-92:
559 - Premier LX	56 - Premier LX 557 - Premier ES 66 - Premier ES	DP-Monaco LE	XP-Premier LX DS-Monaco ES XS-Premier ES

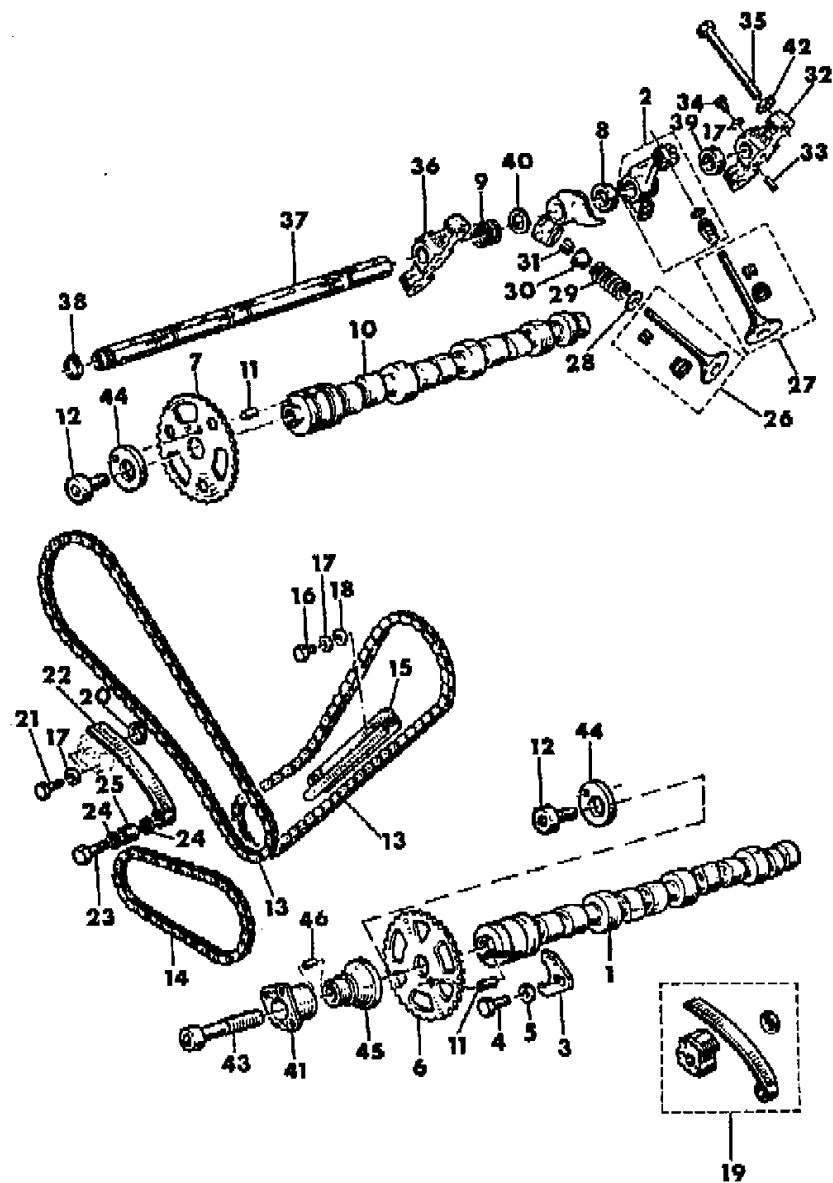
BODY STYLES:

1988:
55 = 4 dr. Sedan
1989-92:
6 = 4 Dr. Sedan

AR = Use as Required - = Non Illustrated Part P.A.R. = Paint as Required

CAMSHAFT AND VALVE 3.0L ENGINE
Figure 9B-500

BP 56 500C



ITEM	PART NUMBER	QTY	BODY	MODEL	DESCRIPTION
37	T026 6656	2			SHAFT
38	T306 6014	2			RING, Snap
39	T024 5106	2			SPACER 8.22mm
40	T073 3736	1			WASHER
41	T026 7679	1			DRIVE, Distributor Front Z7X-711 ***
42	T777 7658	8			WASHER
43	T026 7680	1			BOLT Z7X-711
44	T024 5054	AR			WASHER
45	J026 0388	1			DRIVE, Distributor Rear Z7X-711 ***
46	T306 7065	1			PIN Z7X-711

MODEL CODES:

1988:	1989:	1990-92:	1990-92:
559 - Premier LX	56 - Premier LX 557 - Premier ES 66 - Premier ES	DP-Monaco LE	XP-Premier LX DS-Monaco ES XS-Premier ES

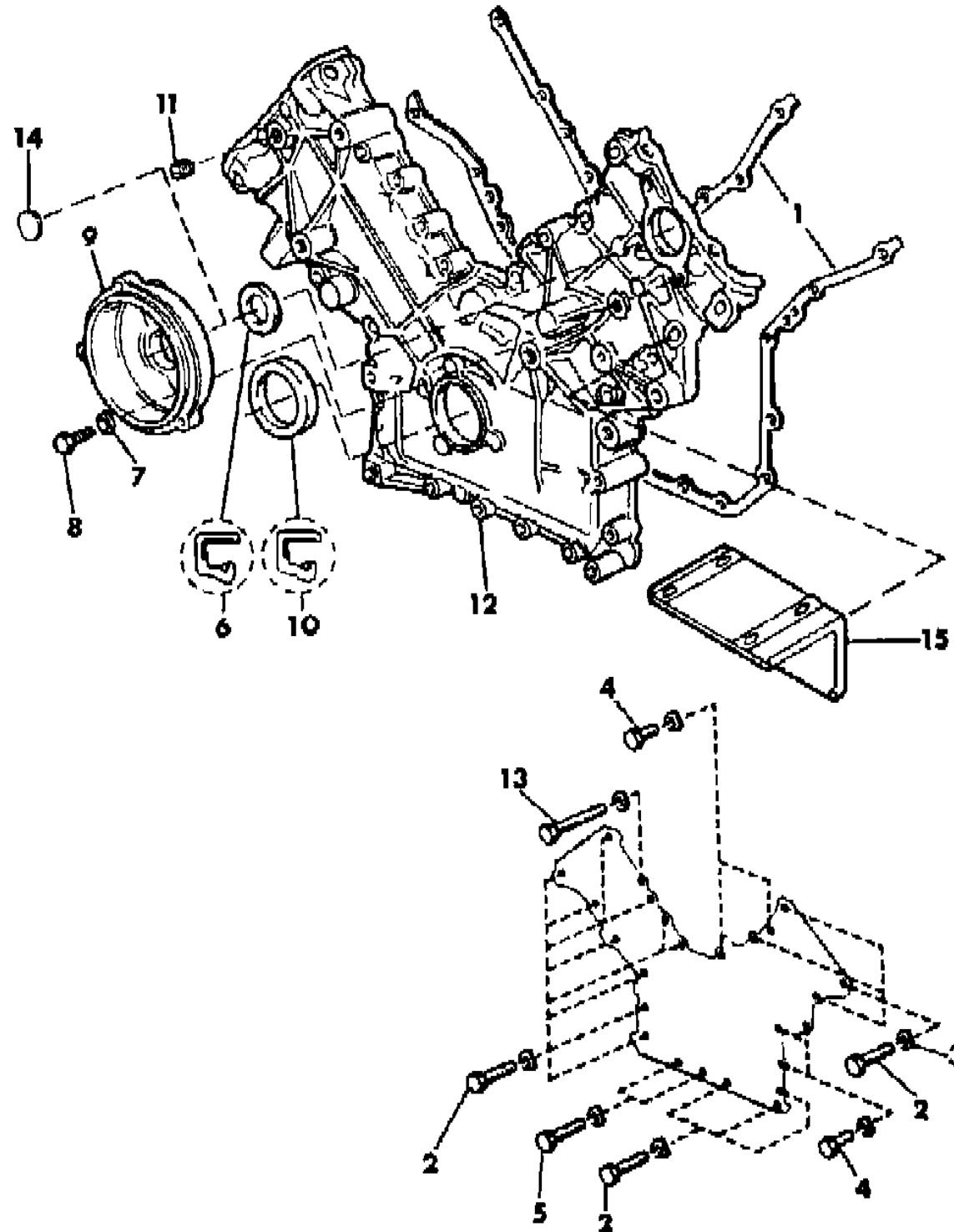
BODY STYLES:

1988:
55 = 4 dr. Sedan
1989-92:
6 = 4 Dr. Sedan

AR = Use as Required - = Non Illustrated Part P.A.R. = Paint as Required

TIMING COVER 3.0L ENGINE
Figure 9B-600

8P56 600A



ITEM	PART NUMBER	QTY	BODY	MODEL	DESCRIPTION
1	T024 5584	1			GASKET PACKAGE
2	T300 1123	14			BOLT
3	T305 7002	25			WASHER
4	T300 1142	AR			BOLT
5	T300 1237	2			BOLT
6	J026 0074	1			SEAL Z7X-711
7	J305 7005	2			WASHER Z7X-711
8	T149 3030	2			BOLT Z7X-711
9	T026 7298	1			HOUSING, Distributor Z7X-711
10	J681 6980	1			SEAL
11	T307 5016	1			PLUG
12	T026 6474	1			COVER, Timing
13	T300 1667	1			BOLT
14	J026 0666	1			PLUG Z7X-715
15	J026 0711	1			BRACKET Z7X-715

MODEL CODES:

1988:	1989:	1990-92:	1990-92:
559 - Premier LX	56 - Premier LX 557 - Premier ES 66 - Premier ES	DP-Monaco LE	XP-Premier LX DS-Monaco ES XS-Premier ES

BODY STYLES:

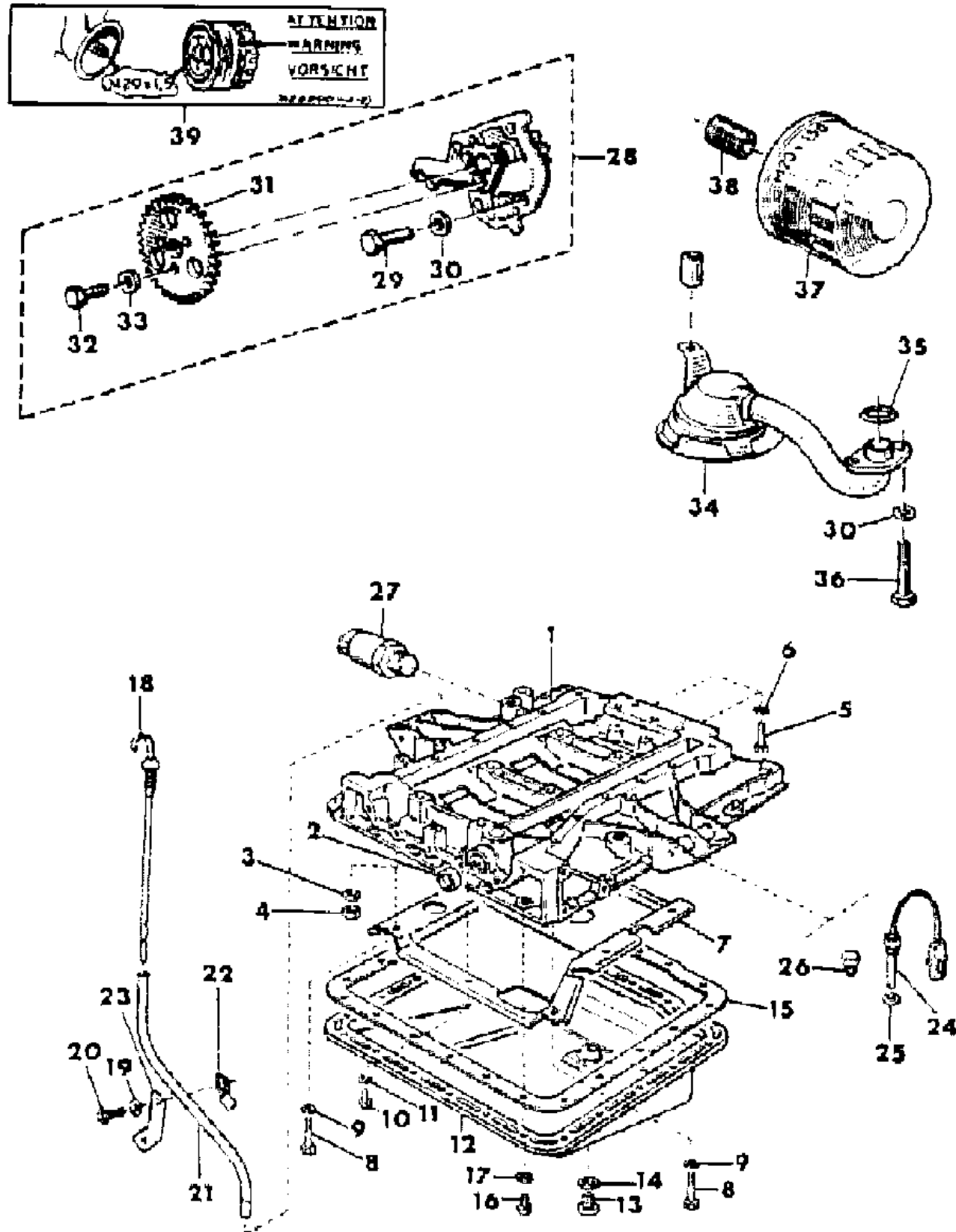
1988:
55 = 4 dr. Sedan
1989-92:
6 = 4 Dr. Sedan

AR = Use as Required - = Non Illustrated Part P.A.R. = Paint as Required

ENGINE OILING 3.0L ENGINE

Figure 9B-700

8P56 700 A



ITEM	PART NUMBER	QTY	BODY	MODEL	DESCRIPTION
1	T026 6420	1			BLOCK, Lower
2	T307 5015	1			PLUG
3	T777 7658	8			WASHER
4	T303 2197	8			NUT
5					BOLT
6	T300 1123	1			For Engine No. 1 Thru 26204
	T300 1129	1			For Engine No. 26205 Thru ...
	T305 7002	AR			WASHER
					For Engine No. 1 Thru 26204
	T305 3032	AR			For Engine No. 26205 Thru ...
7	T026 8143	1			SHIELD, Splash
8	T300 1729	7			BOLT
9	J305 7005	7			WASHER
10	J300 1138	1			BOLT
11	T305 7002	1			WASHER
12	J600 8027	1			PAN, Engine Oil
13	T307 5129	1			PLUG
14	T777 7649	1			GASKET
15	T026 8865	1			GASKET
16	T149 3034	1			BOLT
17	T306 9019	AR			WASHER
18	T026 6819	1			INDICATOR, Engine Oil Level
19	T305 6083	1			WASHER
20	T149 3025	1			BOLT
21	T026 6051	1			TUBE, Engine Oil Indicator
22	T026 7713	1			BRACKET
23	T026 6049	1			BRACKET
24	3300 3112	1			SENSOR, Engine Oil Level, w/Vehicle Monitor System
25	T306 1028	1			GASKET
26	T307 5106	1			PLUG, w/o Vehicle Monitor System
27	3300 2933	1			SENSOR, Knock
28	T027 0499	1			PUMP, Oil
29	T300 1142	5			BOLT
30	T305 7002	5			WASHER
31	T024 5154	1			SPROCKET
	T024 5110	1			SPACER, Drive Sprocket
32	T300 1118	3			BOLT
33	T140 2061	3			WASHER
34	T026 6901	1			TUBE, Oil Pump Inlet
35	J306 5032	1			GASKET

MODEL CODES:

1988:	1989:	1990-92:	1990-92:
559 - Premier LX	56 - Premier LX 557 - Premier ES 66 - Premier ES	DP-Monaco LE	XP-Premier LX DS-Monaco ES XS-Premier ES

BODY STYLES:

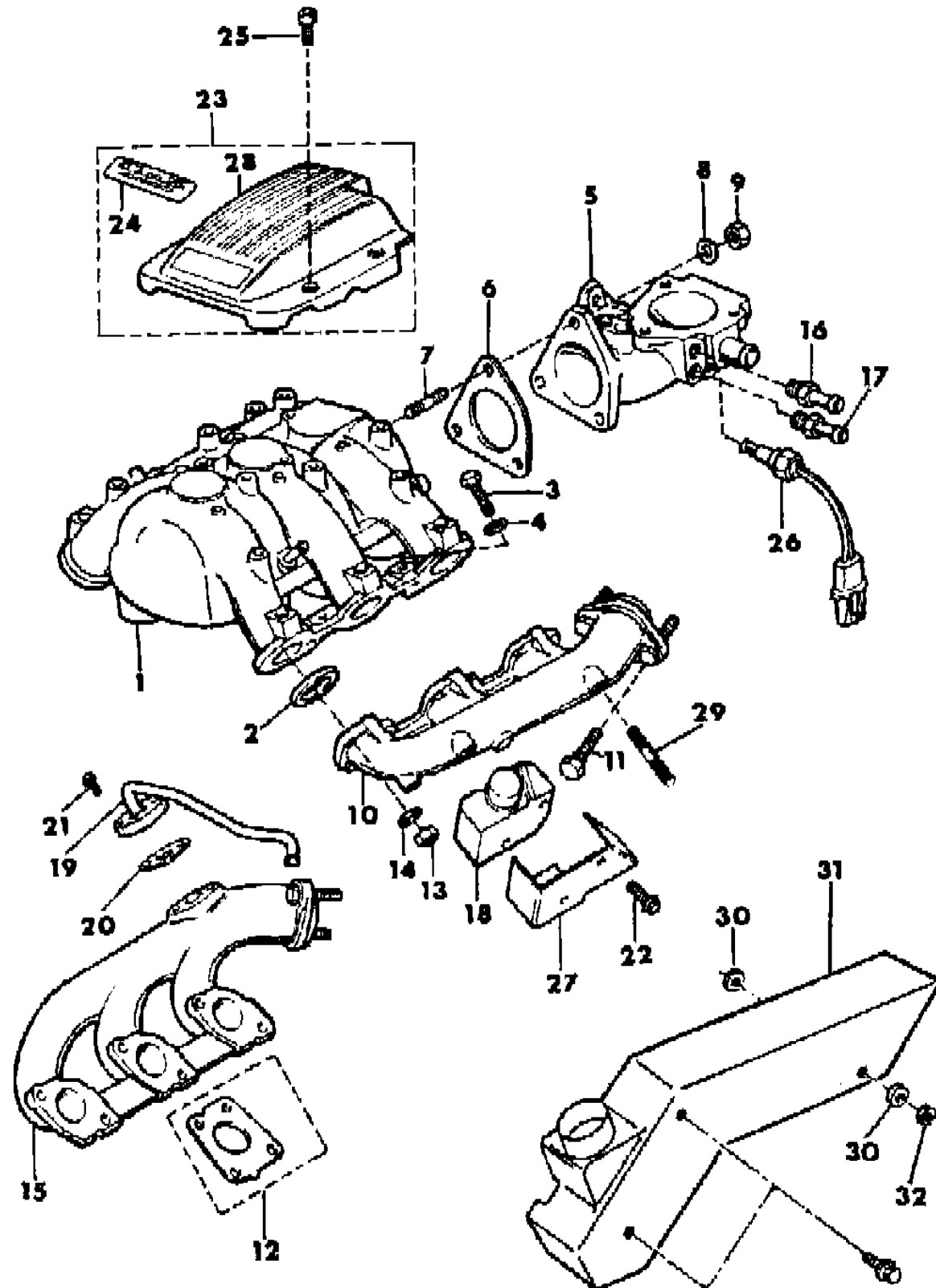
1988:
55 = 4 dr. Sedan
1989-92:
6 = 4 Dr. Sedan

AR = Use as Required - = Non Illustrated Part P.A.R. = Paint as Required

INTAKE AND EXHAUST MANIFOLD 3.0L ENGINE

Figure 9B-800

8P56 800 B



ITEM	PART NUMBER	QTY	BODY	MODEL	DESCRIPTION
1	T026 6538	1			MANIFOLD, Intake
2	T777 7646	6			GASKET
3	T300 1614	4			BOLT
4	T305 7002	4			WASHER
5					ADAPTER, Throttle
	T026 6578	1			Up to engine #89616 Z7X-711
	J026 0515	1			Engine #89616 and later Z7X-711
	J600 8256	1			Z7X-715
6	T127 1185	1			GASKET
7	T302 7082	3			STUD
8	1150 0255	3			WASHER
9	T149 3047	3			NUT
10					MANIFOLD, Exhaust, Left
	T026 6792	1			Z7X-711
	J146 6249	1			Z7X-715
11	J400 7109	4			BOLT
12	T134 8917	2			GASKET PACKAGE
13	J303 2012	12			NUT
14	T140 2065	12			WASHER
15	T026 6791	1			MANIFOLD, Exhaust, Right
16	3300 2327	1			FITTING, 1/4-18 Thread for .375" Hose ***
17	3300 2328	1			FITTING, 1/4-18 Thread for .25" Hose ***
18	3300 4074	1			SHROUD Z7X-711 ***
19	3300 3120	1			TUBE, EGR
20		1			GASKET
	3300 4634				1988-89
	3300 4841				1990-92
21	1150 2693	2			BOLT
22	1150 2764	2			BOLT
23					COVER ASSEMBLY
	3300 4530	1			w/o Cruise Control 1988
	3300 4773	1			w/Cruise Control 1988
	3300 4773	1			1989-92
24	3300 4529	1			DECAL
25					BOLT
	3420 1764	4			45mm
	3420 3017	4			55mm
26	3300 2382	1			SENSOR, Intake Air Temperature
27	3300 4745	1			SHROUD Z7X-711 ***
28	J440 5429	1			COVER, 1989-92

MODEL CODES:

1988:	1989:	1990-92:	1990-92:
559 - Premier LX	56 - Premier LX	DP-Monaco LE	XP-Premier LX
	557 - Premier ES		DS-Monaco ES
	66 - Premier ES		XS-Premier ES

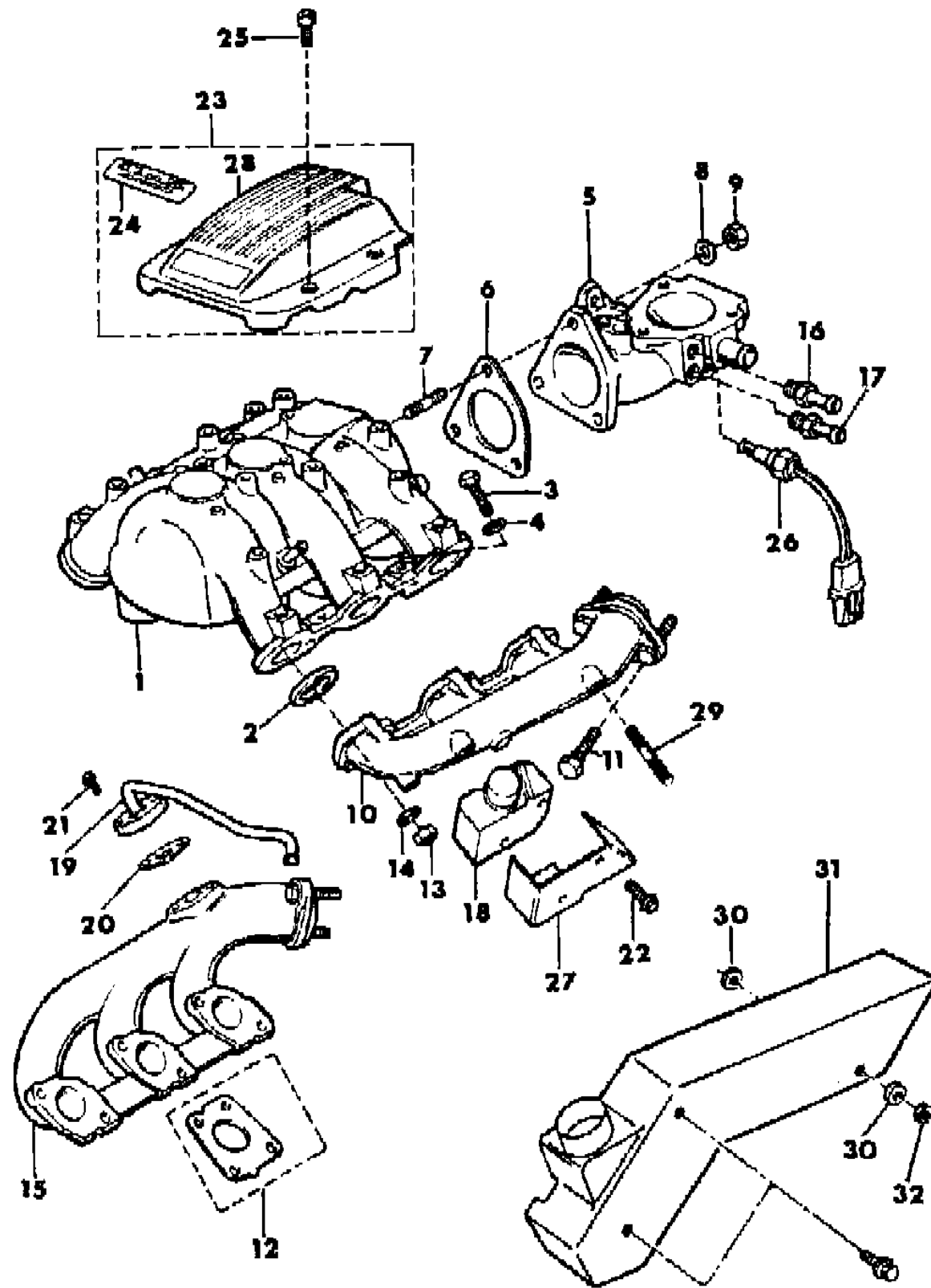
BODY STYLES:

1988:
55 = 4 dr. Sedan
1989-92:
6 = 4 Dr. Sedan

AR = Use as Required - = Non Illustrated Part P.A.R. = Paint as Required

INTAKE AND EXHAUST MANIFOLD 3.0L ENGINE
Figure 9B-800

8P56 800 B



ITEM	PART NUMBER	QTY	BODY	MODEL	DESCRIPTION
29	T302 7081	1			STUD Z7X-715
30	6101 461	2			WASHER, Flat Z7X-715
31	5281 020	1			HEATER, Air Intake Z7X-715
32	6101 467	1			NUT Z7X-715

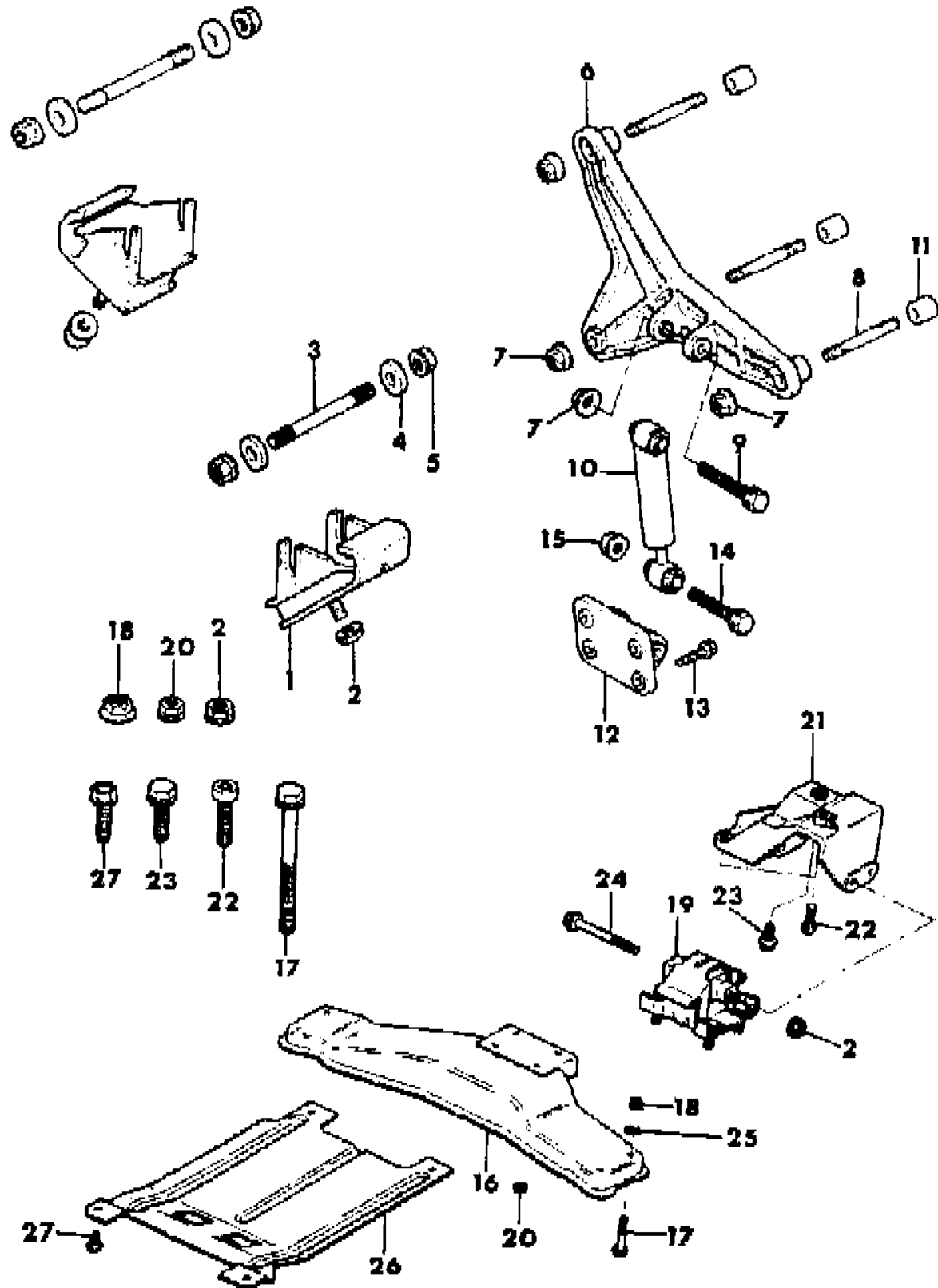
MODEL CODES:			
1988:	1989:	1990-92:	1990-92:
559 - Premier LX	56 - Premier LX 557 - Premier ES 66 - Premier ES	DP-Monaco LE	XP-Premier LX DS-Monaco ES XS-Premier ES

BODY STYLES:
1988:
55 = 4 dr. Sedan
1989-92:
6 = 4 Dr. Sedan

AR = Use as Required - = Non Illustrated Part P.A.R. = Paint as Required

ENGINE MOUNTING 3.0L ENGINE
Figure 9B-900

8P56 900



ITEM	PART NUMBER	QTY	BODY	MODEL	DESCRIPTION
1	3200 2948	2			MOUNT, Engine
2	3420 2835	3			NUT
3	3420 2796	2			STUD
4	3420 2690	4			WASHER
5	3420 2677	4			NUT, Lock
6					BRACKET
	3200 2833	1			1988-89
	5252 445	1			1990 w/Damper
	4612 002	1			1991-92
7					NUT, Damper to Upper Bracket
	6502 135	1			1988-89 m10x1.5
	1150 2811	1			1990 m8x1.25
	6101 467	1			1991-92 m8-1.25
8					NUT, Upper Bracket Attaching
	3420 2766	3			STUD
9					BOLT, Damper to Upper Bracket
	3420 2047	1			1988-89 m10-1.5x65
	3420 2764	1			1990 m8-1.25x60
	6101 633	1			1991-92 m8-1.25x85
10					DAMPER
	3200 2835	1			1988-89
	5252 445	1			1990 w/Bracket
	4537 069	1			1991-92
11	3420 2769	3			SPACER
12	3200 2834	1			BRACKET
13					BOLT
	3420 1860	4			1988
	3420 2467	4			1989-92
14	3420 2764	1			BOLT
15	3420 1918	1			NUT, Lock
16	3200 2784	1			CROSSMEMBER
17	1150 4745	4			BOLT, 80mm
18	3420 1100	4			NUT
19	3200 2412	1			CUSHION
20	1150 2811	4			NUT
21	3200 2411	1			BRACKET, Mounting
22	3420 2174	AR			BOLT, 35mm
23	3420 1991	1			BOLT, 30mm
24	3420 2606	1			BOLT
25	J400 5397	4			WASHER, Flat

MODEL CODES:

1988:	1989:	1990-92:	1990-92:
559 - Premier LX	56 - Premier LX 557 - Premier ES 66 - Premier ES	DP-Monaco LE	XP-Premier LX DS-Monaco ES XS-Premier ES

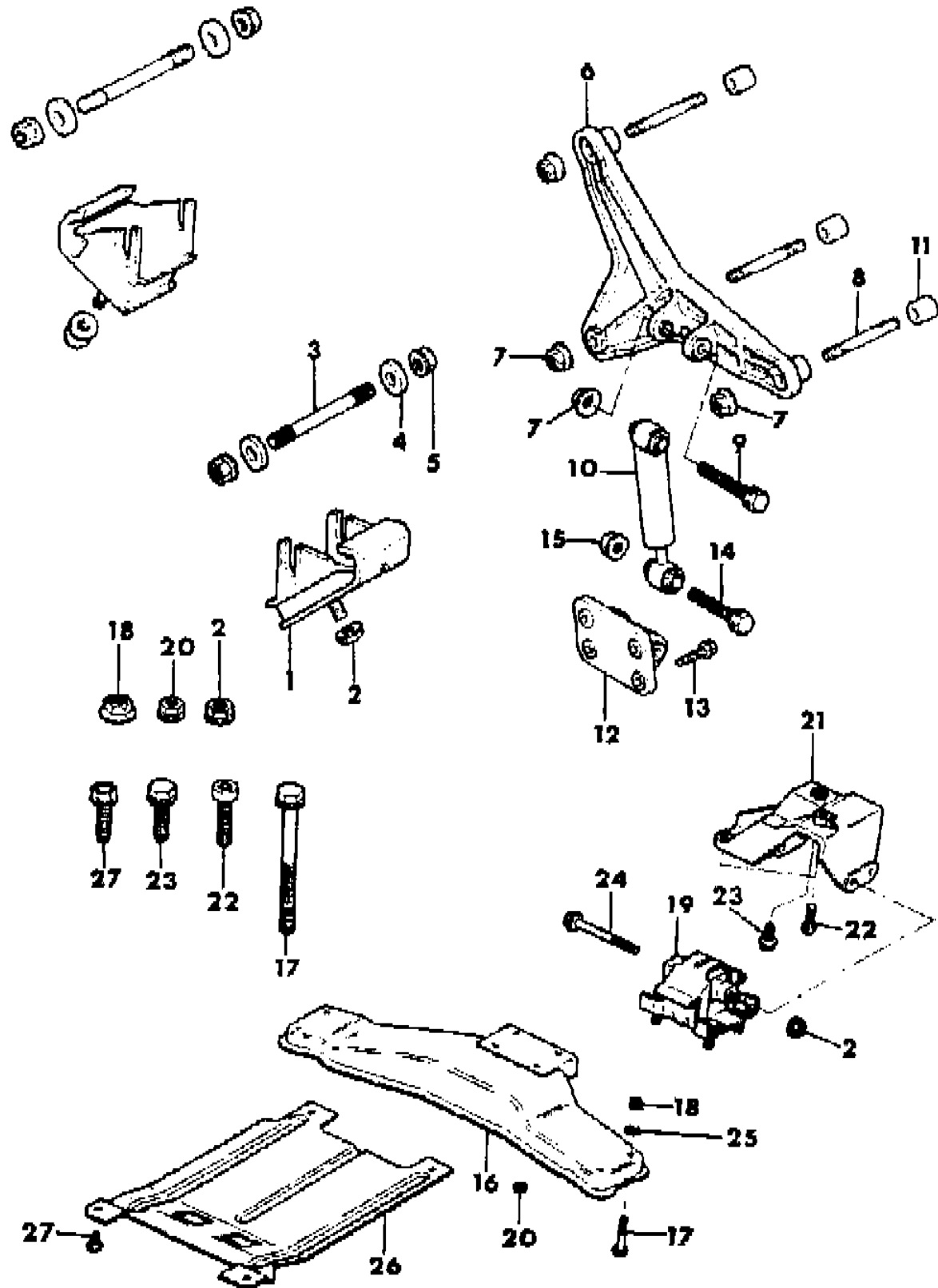
BODY STYLES:

1988:
55 = 4 dr. Sedan
1989-92:
6 = 4 Dr. Sedan

AR = Use as Required - = Non Illustrated Part P.A.R. = Paint as Required

ENGINE MOUNTING 3.0L ENGINE
Figure 9B-900

8P56 900



ITEM	PART NUMBER	QTY	BODY	MODEL	DESCRIPTION
26	3200 3143	1			SHIELD, Transmission 1988-90
27	J420 0089	4			BOLT 25mm

MODEL CODES:
 1988: 559 - Premier LX
 1989: 56 - Premier LX
 557 - Premier ES
 66 - Premier ES
 1990-92: DP-Monaco LE
 1990-92: XP-Premier LX
 DS-Monaco ES
 XS-Premier ES

BODY STYLES:
 1988: 55 = 4 dr. Sedan
 1989-92: 6 = 4 Dr. Sedan

AR = Use as Required - = Non Illustrated Part P.A.R. = Paint as Required

GROUP 11 - EXHAUST

ILLUSTRATION TITLE

GROUP-FIG. NO.

EXHAUST SYSTEMS

EXHAUST SYSTEM 4 CYLINDER ENGINE Fig. 11-100

EXHAUST SYSTEM 6 CYLINDER ENGINE Fig. 11-200

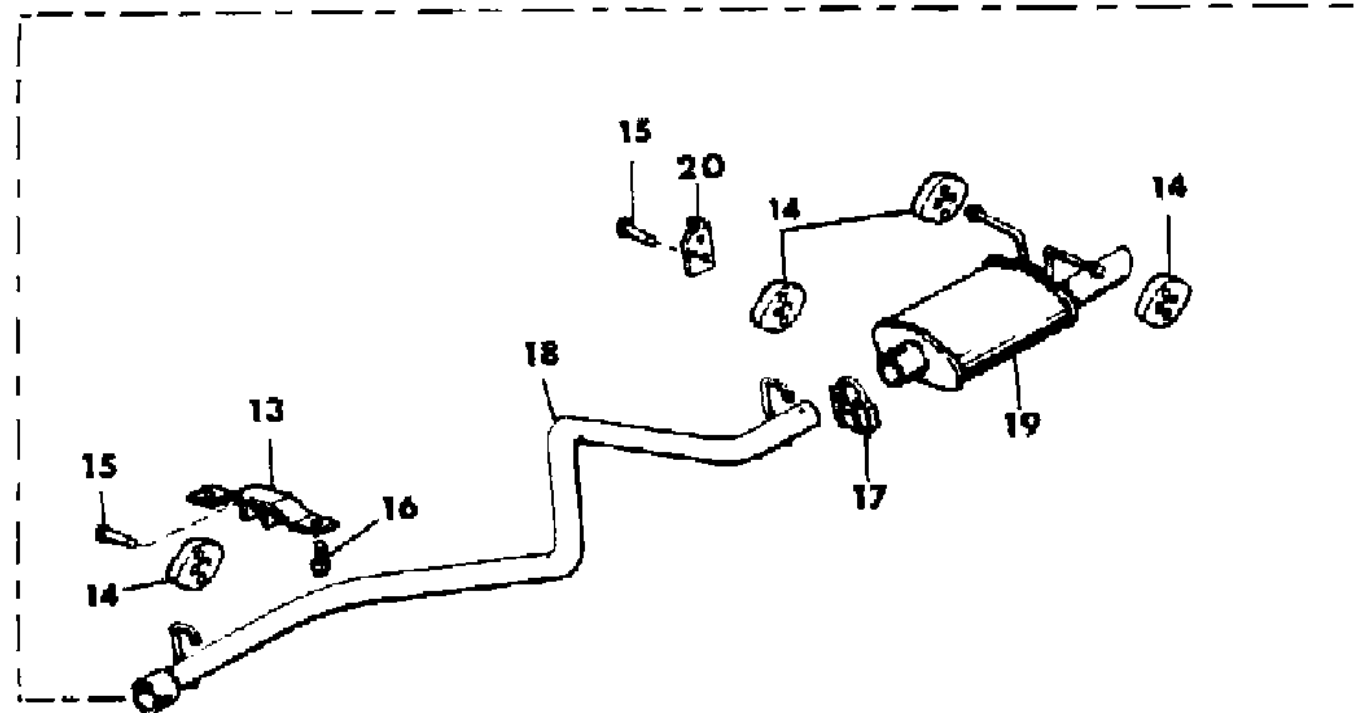
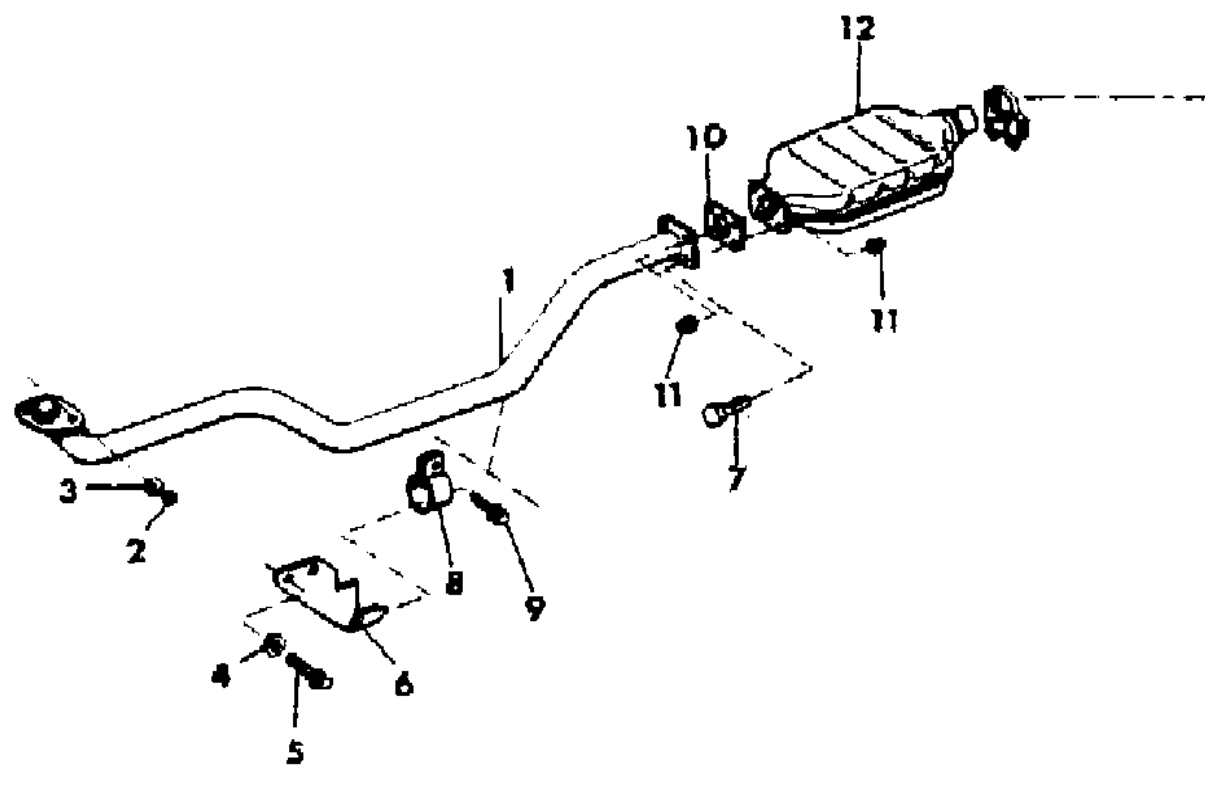
ILLUSTRATION NOT AVAILABLE AT TIME OF PUBLICATION

EXHAUST SYSTEM 4 CYLINDER ENGINE

Figure 11-100

8P11 100 B

ITEM	PART NUMBER	QTY	BODY	MODEL	DESCRIPTION
1	3200 3079	1			PIPE, Exhaust Front
2	S941 8738	2			NUT
3	J400 1104	2			WASHER
4	3420 2690	AR			WASHER
5	3420 1868	2			BOLT
6	3200 2831	1			SUPPORT
7	J812 5845	3			BOLT
8	5200 2949	1			CLAMP
9	J400 4692	1			SCREW
10	J322 6666	1			GASKET
11	J400 4008	4			NUT
12	3200 3080	1			CONVERTER, Catalytic
13	3200 2222	1			BRACKET, Support
14	3200 2319	AR			SUPPORT
15	3200 2223	1			PIN
16	3420 1193	AR			SCREW
17	5200 2144	2			CLAMP
18	3200 2218	1			PIPE, Intermediate
19	3200 1648	1			MUFFLER
20	3200 2225	1			BRACKET, Support



MODEL CODES:

1988:	1989:	1990-92:	1990-92:
559 - Premier LX	56 - Premier LX 557 - Premier ES 66 - Premier ES	DP-Monaco LE	XP-Premier LX DS-Monaco ES XS-Premier ES

BODY STYLES:

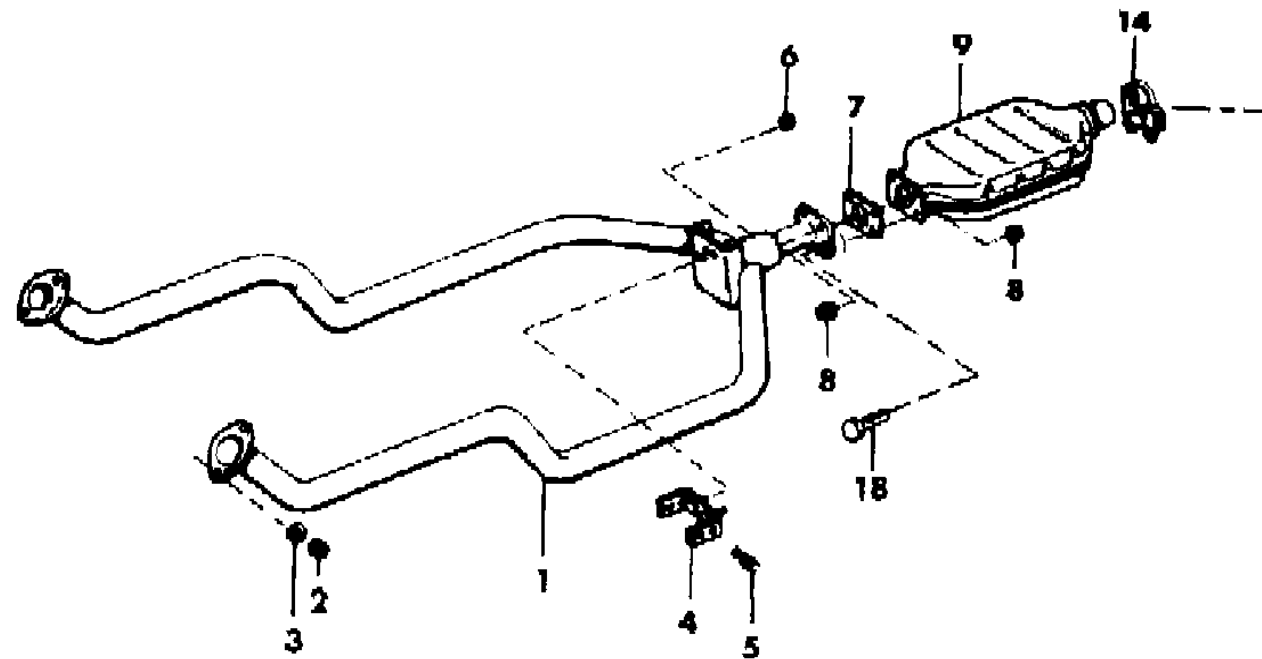
1988:
55 = 4 dr. Sedan
1989-92:
6 = 4 Dr. Sedan

AR = Use as Required - = Non Illustrated Part P.A.R. = Paint as Required

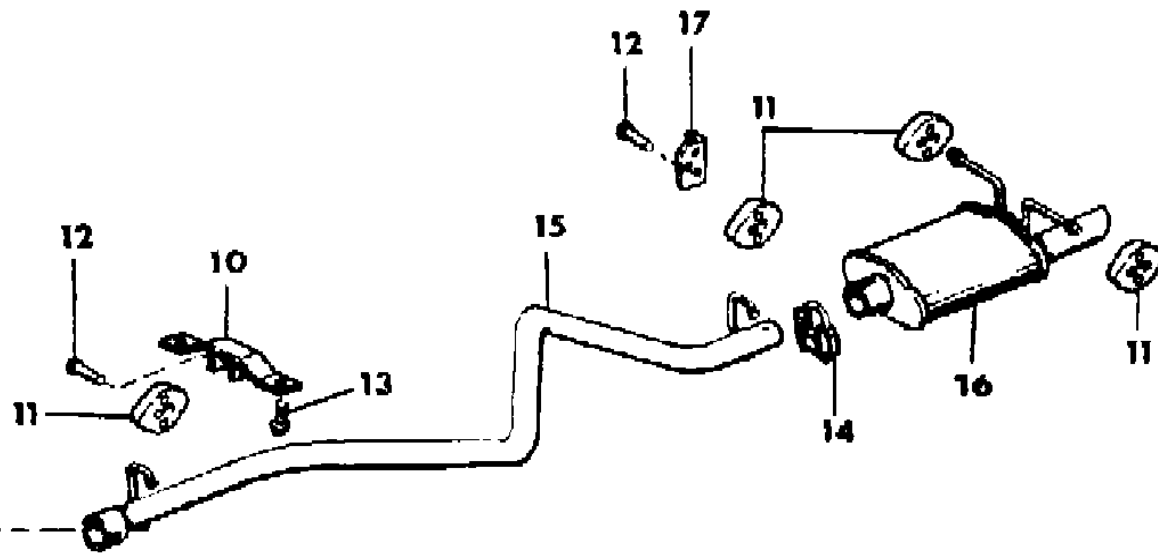
EXHAUST SYSTEM 6 CYLINDER ENGINE

Figure 11-200

8P11 200 A



ITEM	PART NUMBER	QTY	BODY	MODEL	DESCRIPTION
1					PIPE, Exhaust - Front
	3200 3078	1			1988-89
	4427 313	1			1990-92
2	S941 8738	4			NUT
3	J400 1104	4			WASHER
4	4427 331	1			SUPPORT 1988-90 (Staggered Studs)
	4427 316	1			BRACKET, Trans, Exhaust Pipe Support 1991-92 (Used with 4427243) (Parallel Studs)
	4427 243	1			PLATE, Weld Stud 1991-92 (Used with 4427316) (Parallel Studs)
5	J813 2265	2			BOLT
6	1150 1889	2			NUT
7	J322 6666	1			GASKET
8	J400 4008	4			NUT
9	3200 3081	1			CONVERTER, Catalytic
10	3200 2222	1			BRACKET, Support
11	3200 2319	AR			SUPPORT
12	3200 2223	1			PIN
13	3420 1193	AR			SCREW
14	5200 2144	2			CLAMP
15					PIPE, Intermediate
	3200 2218	1			1988-89
	4427 337	1			1990
	4584 145	1			1991-92
16					MUFFLER
	3200 1651	1			1988-89
	4427 333	1			1990
	4584 148	1			1991-92
17	3200 2225	1			BRACKET, Support
18	J812 5845	3			BOLT



MODEL CODES:

1988:	1989:	1990-92:	1990-92:
559 - Premier LX	56 - Premier LX 557 - Premier ES 66 - Premier ES	DP-Monaco LE	XP-Premier LX DS-Monaco ES XS-Premier ES

BODY STYLES:

1988:
55 = 4 dr. Sedan
1989-92:
6 = 4 Dr. Sedan

AR = Use as Required - = Non Illustrated Part P.A.R. = Paint as Required

GROUP 13 - FRAME & BUMPERS

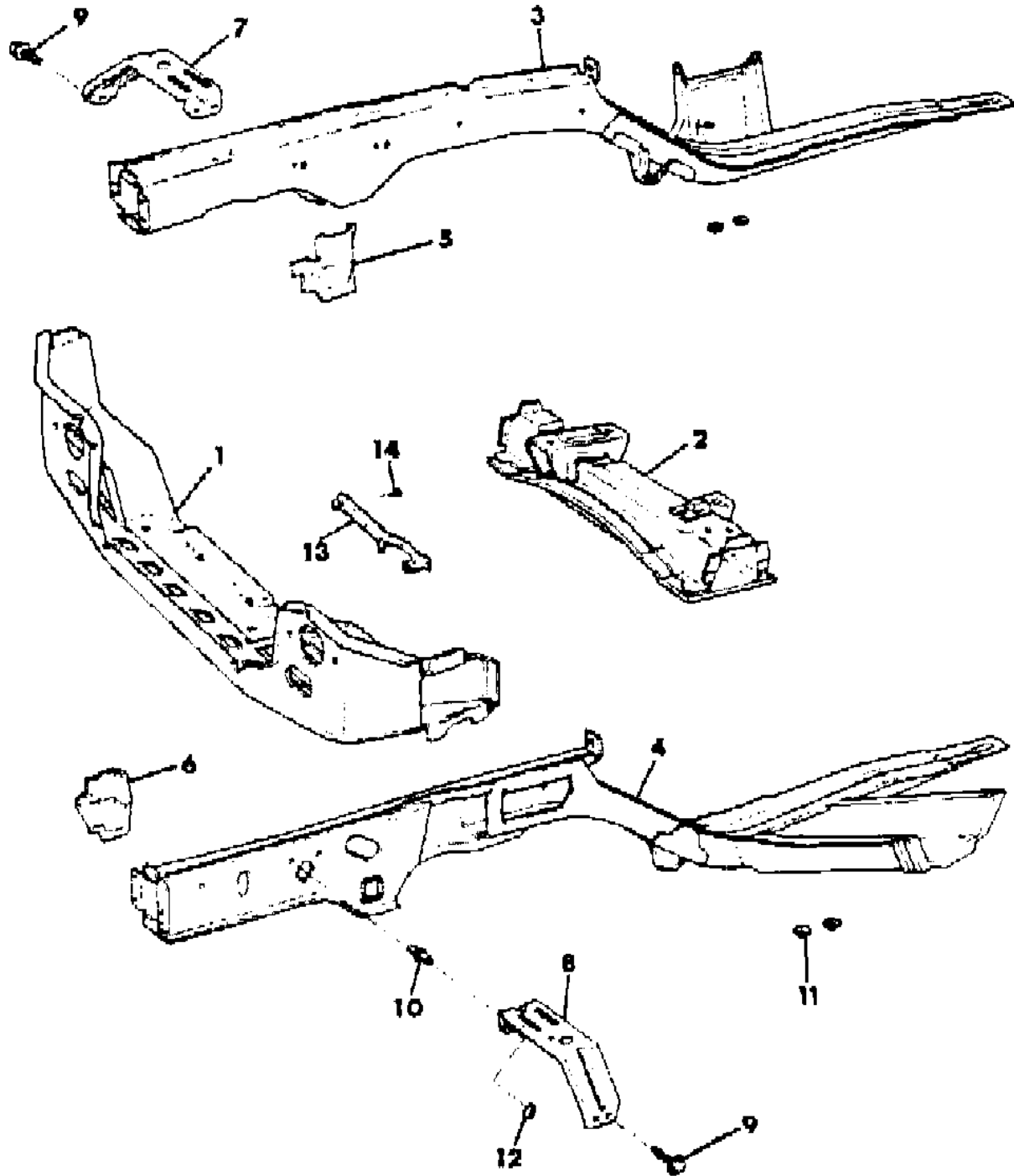
ILLUSTRATION TITLE	GROUP-FIG. NO.
SILLS AND CROSSMEMBERS--FRONT	Fig. 13-100
BUMPER--FRONT	Fig. 13-200
BUMPER--REAR	Fig. 13-300

ILLUSTRATION NOT AVAILABLE AT TIME OF PUBLICATION

SILLS AND CROSSMEMBERS--FRONT

Figure 13-100

8P13 100



ITEM	PART NUMBER	QTY	BODY	MODEL	DESCRIPTION
1					CROSSMEMBER, Front
	4512 886	1			1988-89
	4534 108	1			1990
	4534 482	1			1991-92
2	3502 4562	1			CROSSMEMBER, Steering Gear
3					SILL, Front Side
	3502 2972	1			1988-89
	5256 102	1			1990-92
4					SILL, Front Side
	3502 2973	1			1988-89
	5256 095	1			1990
	5256 103	1			1991-92
5-6	3501 5952-3	1			EXTENSION, Baffle
7					SUPPORT
	3501 8844	1			1988-90
	4584 152	1			1991-92
8					SUPPORT
	4534 621	1			1988-90
	4584 153	1			1991-92
9	3420 1752	2			BOLT
10	3420 2866	4			STUD, 1988-90
11	J400 7255	4			PLUG, 1988-89
12	3420 2014	4			NUT, Push, 1988-90
13	3502 3158	1			BRACKET, 1988-90
14	1150 2453	3			SCREW

MODEL CODES:

1988:	1989:	1990-92:	1990-92:
559 - Premier LX	56 - Premier LX	DP-Monaco LE	XP-Premier LX
	557 - Premier ES		DS-Monaco ES
	66 - Premier ES		XS-Premier ES

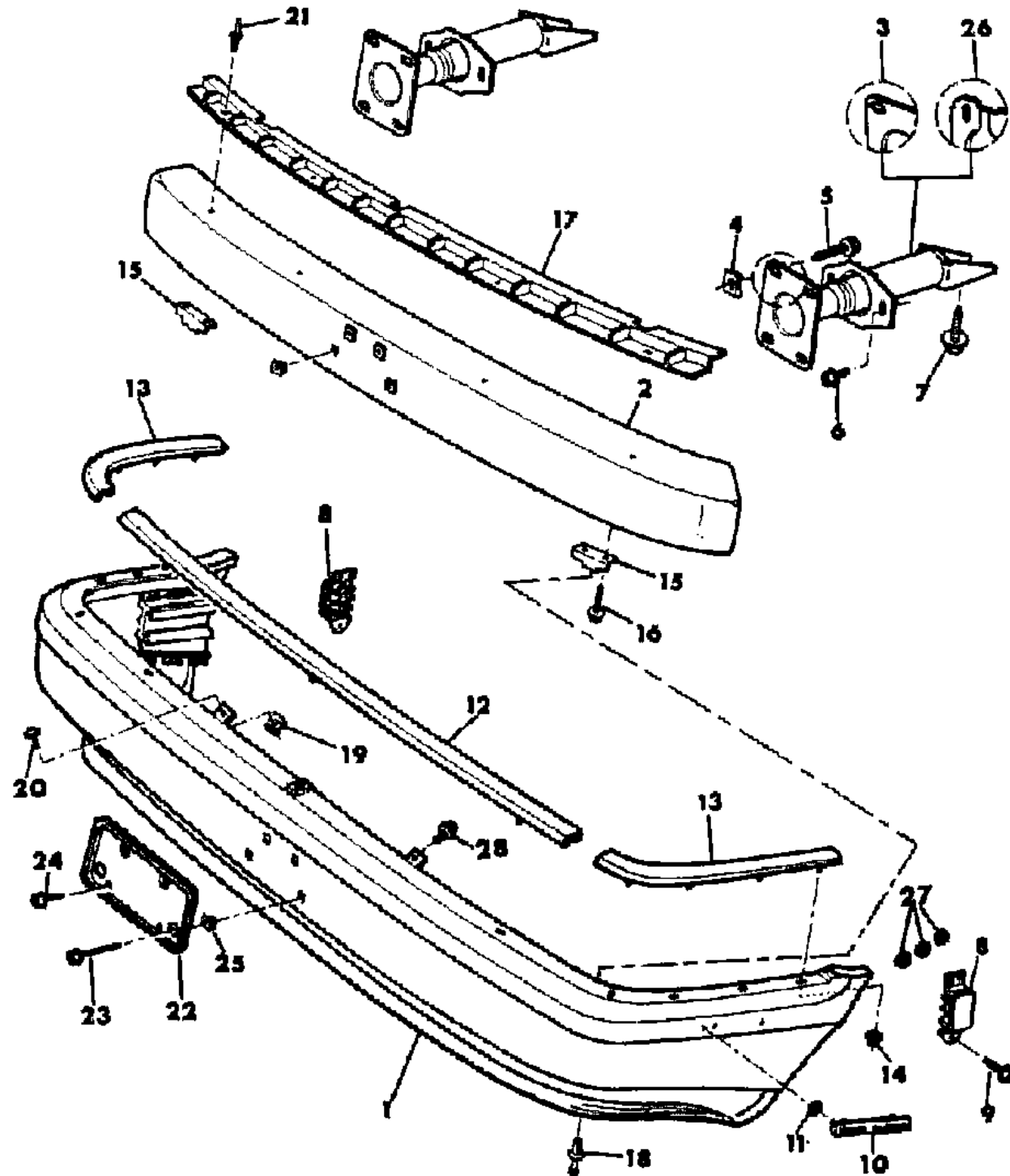
BODY STYLES:

1988:
55 = 4 dr. Sedan
1989-92:
6 = 4 Dr. Sedan

AR = Use as Required - = Non Illustrated Part P.A.R. = Paint as Required

BUMPER--FRONT
Figure 13-200

8P13 2008



ITEM	PART NUMBER	QTY	BODY	MODEL	DESCRIPTION
1	4515 315	1			FASCIA, Bumper (P.A.R.) 1988-90, (w/Chrome Top Moulding)
	4584 268	1			1991-92
2	3502 3092	1			REINFORCEMENT, Fascia w/Horizontal Slots on Face of Absorber, 1988
	3502 6200	1			w/Vertical Slots on Face of Absorber, 1989-92
3	3501 3691	2			ABSORBER, Bumper, w/Horizontal Slots on Face of Absorber, 1988
	1150 0660	4			NUT
5	3420 1855	4			BOLT
6	3420 1193	4			SCREW
7	3420 2525	2			SCREW
8	4584 310	2			SLIDER ***
9	3420 2399	6			SCREW and WASHER 16mm, w/o Spacers
	3420 2983	AR			27mm, w/ 2 Spacers
	3420 1726	AR			20mm, w/ 1 Spacer
10	3502 2838	2			NAMEPLATE, "Design Giugiaro", 1988-90 ***
11	3420 2726	6			NUT, 1988-90
12	3501 6086	1			MOULDING, 1988-90
13	3501 8926-7	1			MOULDING, 1988-90
14	6501 059	11			NUT, 1988-90
15	3502 0053	3			SUPPORT, Rail
16	3420 2358	6			SCREW
17	3501 7086	1			1988-90
	4584 311	1			1991-92
18	3420 1621	3			RIVET
	3420 2791	2			NUT, U-Type
20	3420 2792	2			SCREW 1988-90
	3420 1691	2			1991-92
	3420 1631	4			RIVET
22	3501 5229	1			BRACKET, License
23	J812 4425	4			SCREW
24	3420 2323	2			SCREW
25	3420 1263	4			NUT
26	3502 6203	2			ABSORBER, Bumper, w/Vertical Slots on Face of Absorber
27	3420 2745	AR			SPACER
28	3420 1895	2			SCREW

MODEL CODES:

1988:	1989:	1990-92:	1990-92:
559 - Premier LX	56 - Premier LX 557 - Premier ES 66 - Premier ES	DP-Monaco LE	XP-Premier LX DS-Monaco ES XS-Premier ES

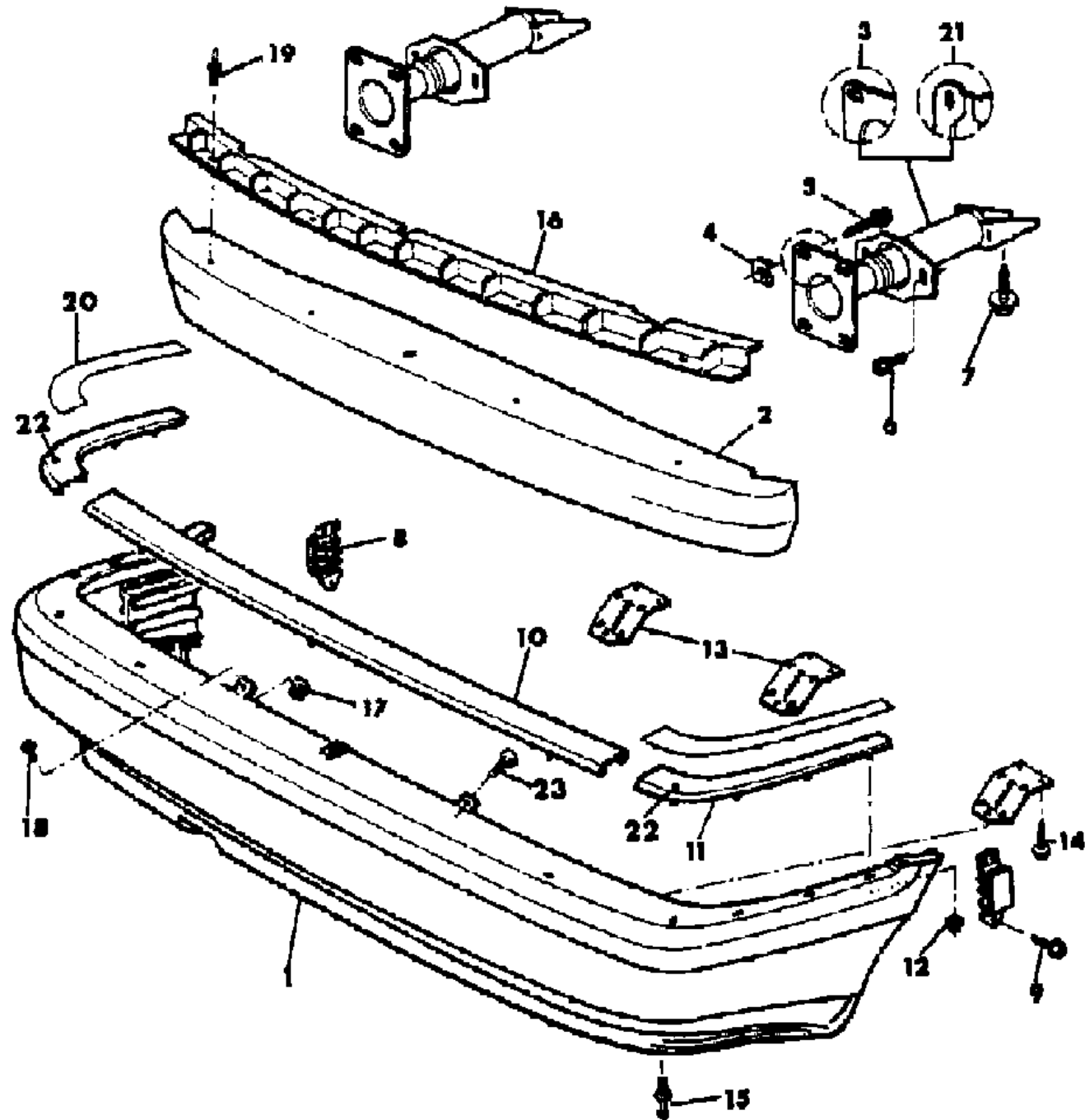
BODY STYLES:

1988:
55 = 4 dr. Sedan
1989-92:
6 = 4 Dr. Sedan

AR = Use as Required - = Non Illustrated Part P.A.R. = Paint as Required

BUMPER--REAR
Figure 13-300

8P13 3008



ITEM	PART NUMBER	QTY	BODY	MODEL	DESCRIPTION
1					FASCIA, Bumper, (P.A.R.)
	4515 316	1			1988-90, (w/Chrome Top Mouldings)
	4584 269	1			1991-92
2	3502 6199	1			REINFORCEMENT, FASCIA
3	3501 3691	2			ABSORBER, Bumper, w/Horizontal Slots on Face of Absorber, 1988
4	1150 0660	4			NUT
5	3420 1855	4			BOLT
6	3420 1193	4			SCREW
7	3420 2525	2			SCREW
8	4584 310	2			SLIDER ***
9	3420 2399	6			BOLT
10	3501 6087	1			MOULDING, 1988-90
11	3501 9110-1	1			MOULDING, 1988-90
12	6501 059	11			NUT, 1988-90
13	3501 7087	3			SUPPORT
14					SCREW
	J942 1073	6			1988-89
	J812 0054	6			1990
	3420 2358	6			1991-92
15	3420 1621	3			RIVET
16					SUPPORT
	3501 6466	1			1988-90
	4584 312	1			1991-92
17	3420 2791	2			NUT
18					SCREW
	3420 2792	2			1988-90
	3420 1691	2			1991-92
19					RIVET
	3420 1631	4			1988-90 ***
	6034 381	4			1991-92 ***
20	3502 5168-9	1			DECAL, Rear Fascia, 1988-90
21	3502 6203	2			ABSORBER, Bumper, w/Vertical Slots on Face of Absorber
22		2			STOP, Rubber (Not Serviced)
23	3420 1895	2			SCREW

MODEL CODES:

1988:	1989:	1990-92:	1990-92:
559 - Premier LX	56 - Premier LX 557 - Premier ES 66 - Premier ES	DP-Monaco LE	XP-Premier LX DS-Monaco ES XS-Premier ES

BODY STYLES:

1988:
55 = 4 dr. Sedan
1989-92:
6 = 4 Dr. Sedan

AR = Use as Required - = Non Illustrated Part P.A.R. = Paint as Required

GROUP 14 - FUEL

ILLUSTRATION TITLE **GROUP-FIG. NO.**

AIR CLEANERS
AIR CLEANER 2.5L ENGINE Fig. 14-100
AIR CLEANER 3.0L ENGINE - Z7X-711 ENGINE Fig. 14-200
AIR CLEANER 3.0L ENGINE - Z7X-715 ENGINE Fig. 14-225

THROTTLE BODY AND FUEL RAIL COMPONENTS
THROTTLE BODY 2.5L ENGINE Fig. 14-300
THROTTLE BODY 3.0L ENGINE Fig. 14-400
FUEL RAIL AND RELATED PARTS 3.0L ENGINE Fig. 14-500

SPEED CONTROL
SPEED CONTROL 2.5L ENGINE AND 3.0L ENGINE - Z7X-711 ENGINE Fig. 14-600
SPEED CONTROL 3.0L ENGINE - Z7X-715 ENGINE Fig. 14-625

ACCELERATOR PEDAL AND LINKAGE
ACCELERATOR PEDAL AND LINKAGE Fig. 14-700

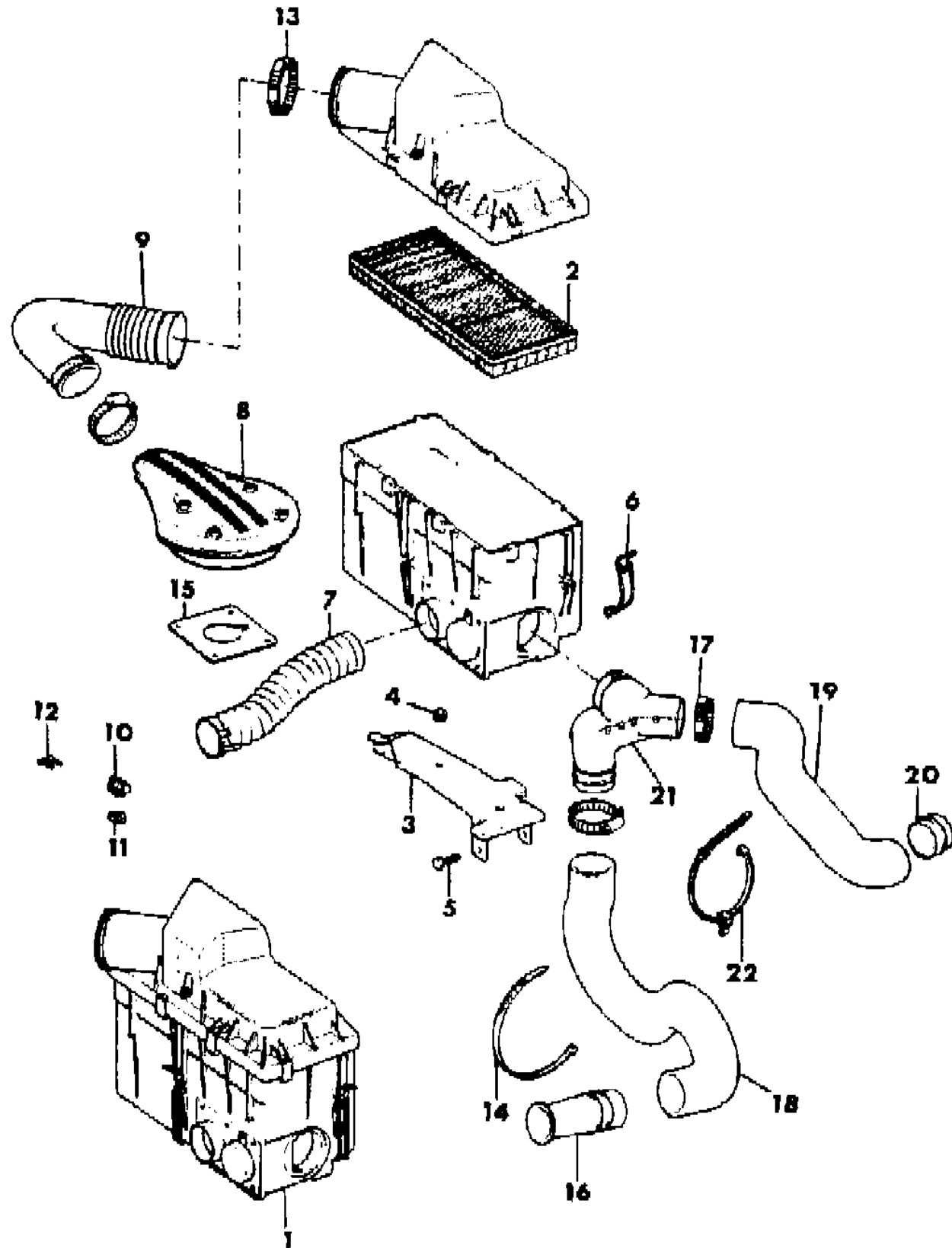
FUEL LINES
FUEL LINES 2.5L ENGINE AND 3.0L ENGINE - Z7X-711 ENGINE Fig. 14-800
FUEL LINES 3.0L ENGINE - Z7X-715 ENGINE Fig. 14-825

FUEL TANK
FUEL TANK Fig. 14-900

ILLUSTRATION NOT AVAILABLE AT TIME OF PUBLICATION

AIR CLEANER 2.5L ENGINE
Figure 14-100

8P14 100



ITEM	PART NUMBER	QTY	BODY	MODEL	DESCRIPTION
1	3300 2821	1			CLEANER, Air
2	5300 2184	1			FILTER, Air Cleaner
3	3300 2822	1			BRACKET, Mounting
4	3300 3025	2			GROMMET, Mounting Bracket
5	3420 1152	3			BOLT
6	3300 4596	3			CLAMP
7	3300 2823	1			TUBE, Hot Air
8	3300 3652	1			ADAPTER, Air Intake
9	3300 2824	1			TUBE, Air Intake
10	3300 3177	1			SENSOR, Intake Air Temperature
11	3300 3178	1			GASKET, Temp. Sensor
12	J400 6334	1			CLIP
13	J400 6643	2			CLAMP, Hose
14	J369 3058	1			STRAP, Tie
15	3300 2543	1			GASKET, Throttle Body to Bonnet
16	3300 4033	1			HORN, Air Inlet
17	J320 3079	AR			CLAMP, Hose
18	3300 4645	1			HOSE, Inlet
19	3300 4640	1			HOSE, Resonator
20	3300 4032	1			PLUG
21	3300 4031	1			ADAPTER, Air Intake
22	3420 2751	1			STRAP, Tie

MODEL CODES:

1988:	1989:	1990-92:	1990-92:
559 - Premier LX	56 - Premier LX 557 - Premier ES 66 - Premier ES	DP-Monaco LE	XP-Premier LX DS-Monaco ES XS-Premier ES

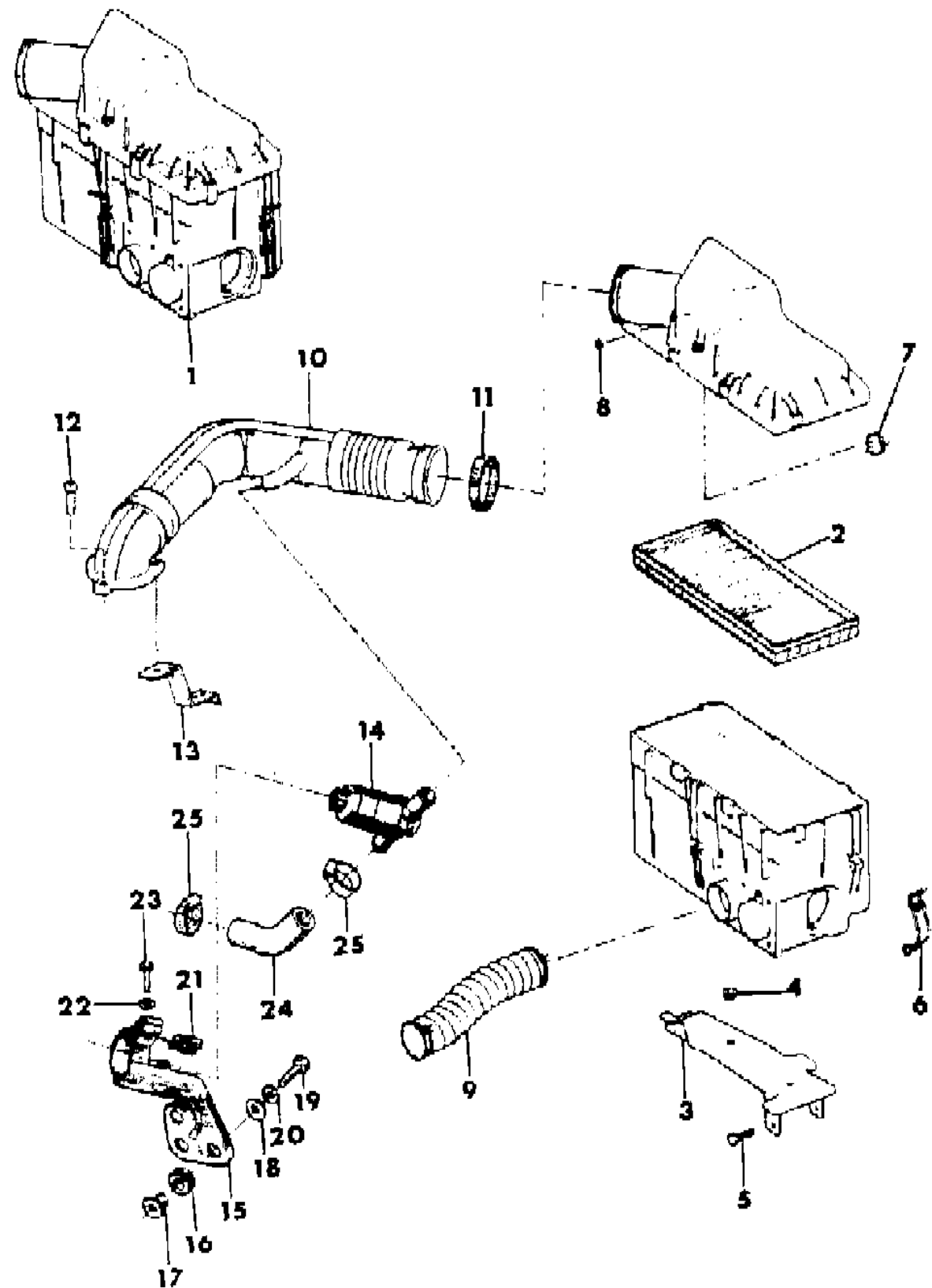
BODY STYLES:

1988:
55 = 4 dr. Sedan
1989-92:
6 = 4 Dr. Sedan

AR = Use as Required - = Non Illustrated Part P.A.R. = Paint as Required

AIR CLEANER 3.0L ENGINE - Z7X-711 ENGINE
Figure 14-200

8P14 200



ITEM	PART NUMBER	QTY	BODY	MODEL	DESCRIPTION
1	3300 2829	1			CLEANER, Air
2	5300 2184	1			FILTER, Air Cleaner
3	3300 2822	1			BRACKET, Mounting
4	3300 3025	2			GROMMET, Mounting Bracket
5	3420 1152	3			BOLT
6	3300 4596	3			CLAMP ASSEMBLY
7	5300 4971	1			SENSOR, Intake Air Temperature
8	J400 1714	2			NUT
9	3300 4357	1			TUBE, Hot Air
10	3300 2831	1			DUCT, Air
11	J400 6643	1			CLAMP, Hose
12	3420 2546	3			SCREW
13	3300 4794	1			BRACKET, Breather Tube Mounting Attach
14	T131 7957	1			VALVE, Idle Air By-Pass (BOSH # 028 014 0501)
15	T026 6677	1			BRACKET, Mounting
16	T063 4996	3			GROMMET, Mounting Bracket
17	T026 0081	3			SPACER, Mounting Bracket Grommet
18	T149 3054	3			WASHER
19	T140 5667	3			BOLT
20	J012 0214	3			WASHER, Lock
21	T304 6048	1			NUT
22	T305 3030	1			WASHER
23	3420 1686	1			BOLT
24	T026 6661	1			HOSE, Idle Air By-Pass to Manifold Air
25	J320 3077	2			CLAMP, Hose

MODEL CODES:

1988:	1989:	1990-92:	1990-92:
559 - Premier LX	56 - Premier LX 557 - Premier ES 66 - Premier ES	DP-Monaco LE	XP-Premier LX DS-Monaco ES XS-Premier ES

BODY STYLES:

1988:
55 = 4 dr. Sedan
1989-92:
6 = 4 Dr. Sedan

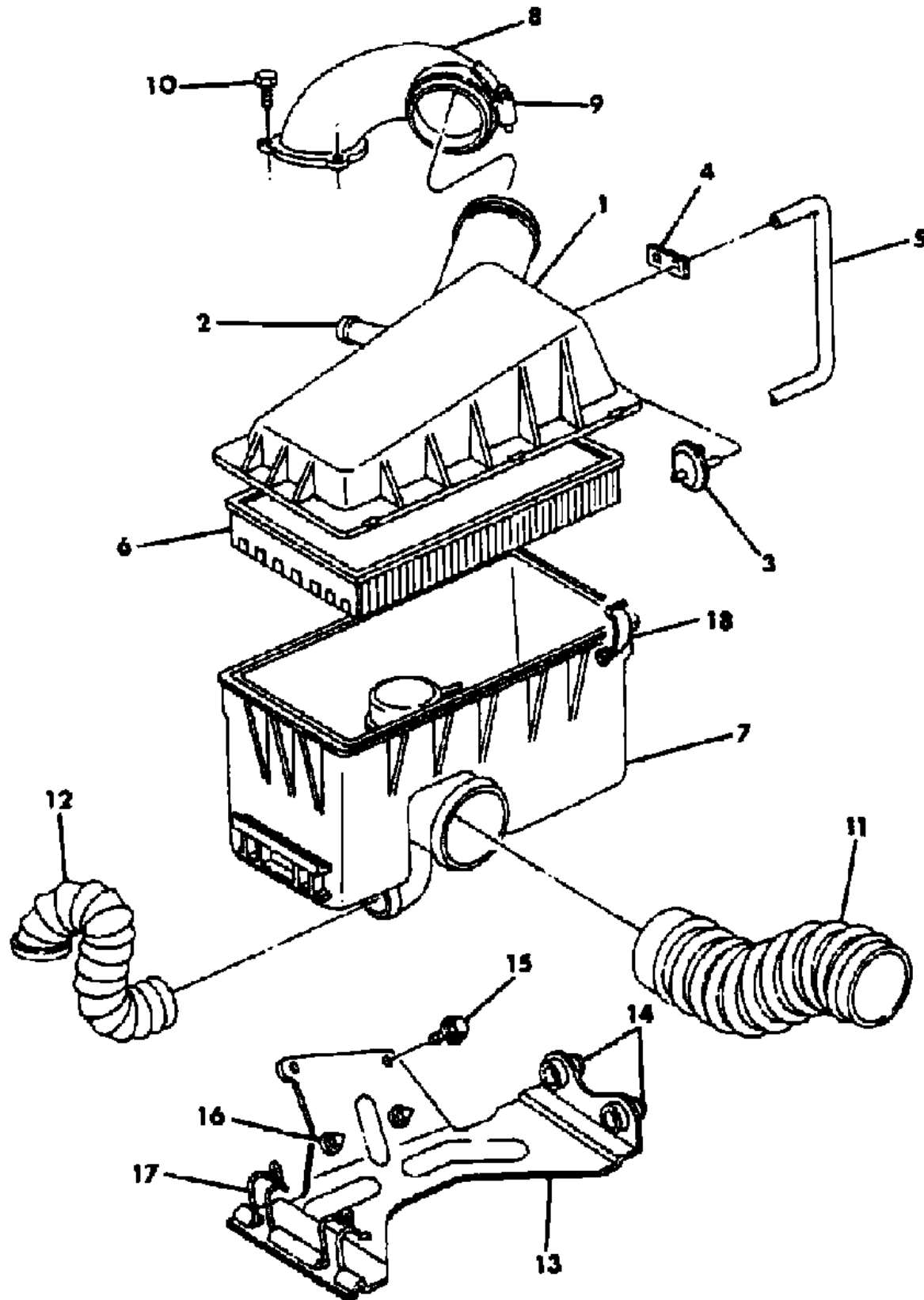
AR = Use as Required - = Non Illustrated Part P.A.R. = Paint as Required

AIR CLEANER 3.0L ENGINE - Z7X-715 ENGINE

Figure 14-225

8P14 225 B

ITEM	PART NUMBER	QTY	BODY	MODEL	DESCRIPTION
1					COVER, Air Cleaner
	4459 689	1			up to 3-12-91
	4573 597	1			after 3-12-91
2	5277 285	1			VENTURI, Air Cleaner ***
3	5300 4971	1			SENSOR, Air Cleaner Temp.
4	6501 214	1			NUT, Spring
5	4026 511	AR			HOSE, Temp. Sensor to Vacuum Motor 3/16" I.D. (serv. in 50 ft. roll)
6	4213 583	1			FILTER, Air Cleaner
7	4459 690	1			BODY, Air Cleaner
8					HOSE, Clean Air
	4458 518	1			up to 5-22-91
	4573 595	1			after 5-22-91
9	6502 362	1			CLAMP, Clean Air Hose
10	3420 2546	3			SCREW
11	4458 040	1			DUCT, Fresh Air
12	4459 758	1			DUCT, Heated Air
13	5277 301	1			BRACKET, Air Cleaner Mounting
14	4268 295	2			GROMMET, Air Cleaner
15	6100 274	2			SCREW
16	4573 067	2			BUMPER, Air Cleaner Bracket
17	4573 572	2			LATCH, Air Cleaner
18	5277 289	6			CLIP, Air Cleaner Attach



MODEL CODES:

1988:	1989:	1990-92:	1990-92:
559 - Premier LX	56 - Premier LX 557 - Premier ES 66 - Premier ES	DP-Monaco LE	XP-Premier LX DS-Monaco ES XS-Premier ES

BODY STYLES:

1988:
55 = 4 dr. Sedan
1989-92:
6 = 4 Dr. Sedan

AR = Use as Required - = Non Illustrated Part P.A.R. = Paint as Required

THROTTLE BODY 2.5L ENGINE

Figure 14-300

8P14 300 A

ITEM	PART NUMBER	QTY	BODY	MODEL	DESCRIPTION
1	3300 2849	1			BODY, Throttle Tagged 9004
2	8350 5208	1			BODY, Fuel
3	8350 4154	1			REGULATOR PACKAGE, Pressure
4	8350 5188	1			INJECTOR PACKAGE, Fuel
5	8350 4148	1			MOUNTING PACKAGE, Fuel Injector
6	8350 0067	1			O-RING PACKAGE
7	8350 4146	1			GASKET, Body
8	3300 4648	1			SENSOR PACKAGE, Throttle Position
9	8350 4861	1			ACTUATOR PACKAGE, Idle Speed
10	5300 2154	1			GASKET, Throttle Body to Intake Manifold
11	3420 2720	2			FITTING, Fuel Supply and Return Hose
12	3420 2572	4			STUD, Bonnet to Throttle Body
13	J400 7483	4			SCREW
14	8350 5169	1			BRACKET PACKAGE
15	8350 5186	1			SPRING, Lever
16	3300 3718	1			BRACKET, Support
17	1150 3780	1			BOLT
18	J400 6080	1			NUT
19	8350 1572	1			CONNECTOR, Diagnostic

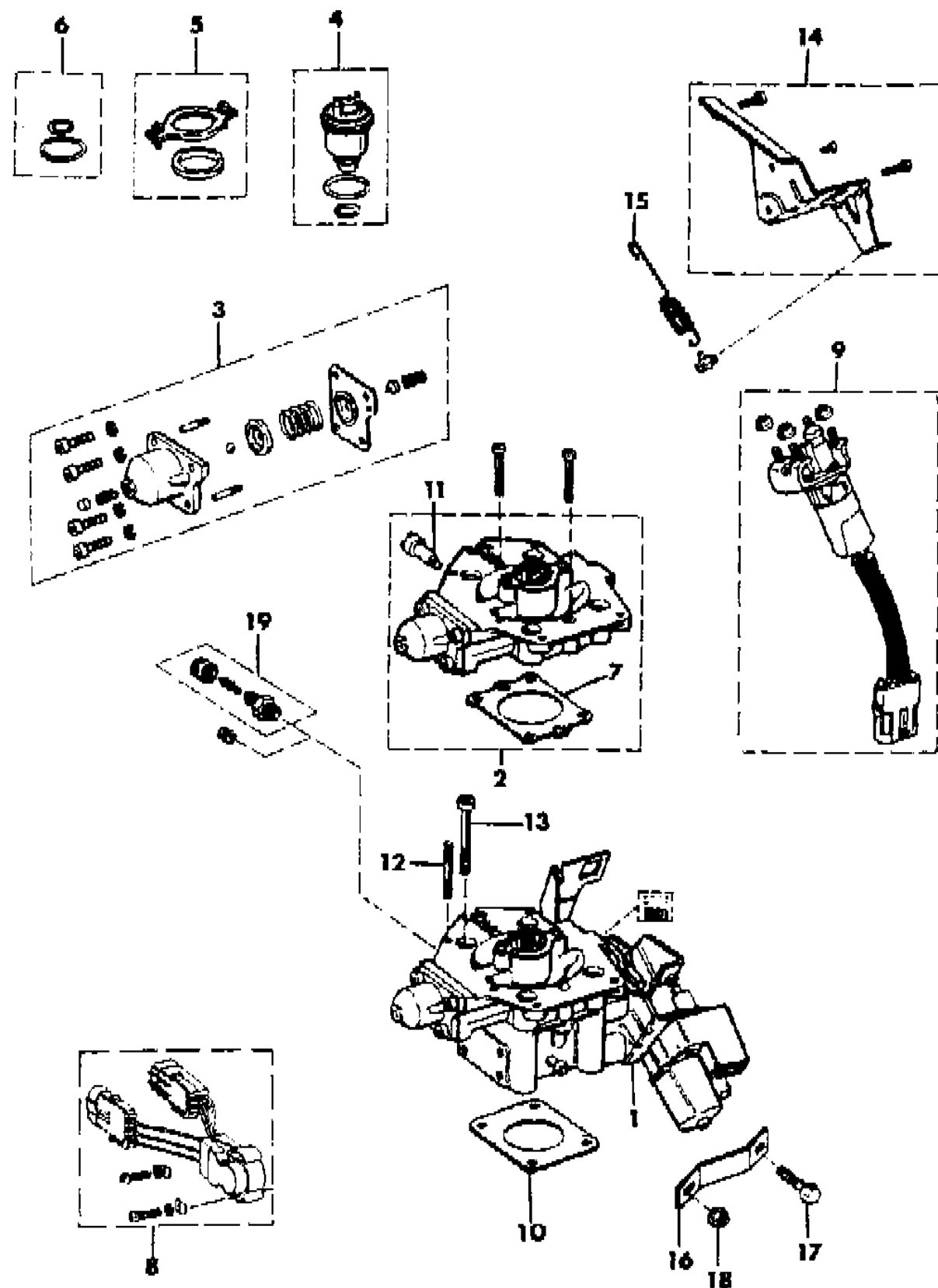
MODEL CODES:

1988:	1989:	1990-92:	1990-92:
559 - Premier LX	56 - Premier LX 557 - Premier ES 66 - Premier ES	DP-Monaco LE	XP-Premier LX DS-Monaco ES XS-Premier ES

BODY STYLES:

1988:
55 = 4 dr. Sedan
1989-92:
6 = 4 Dr. Sedan

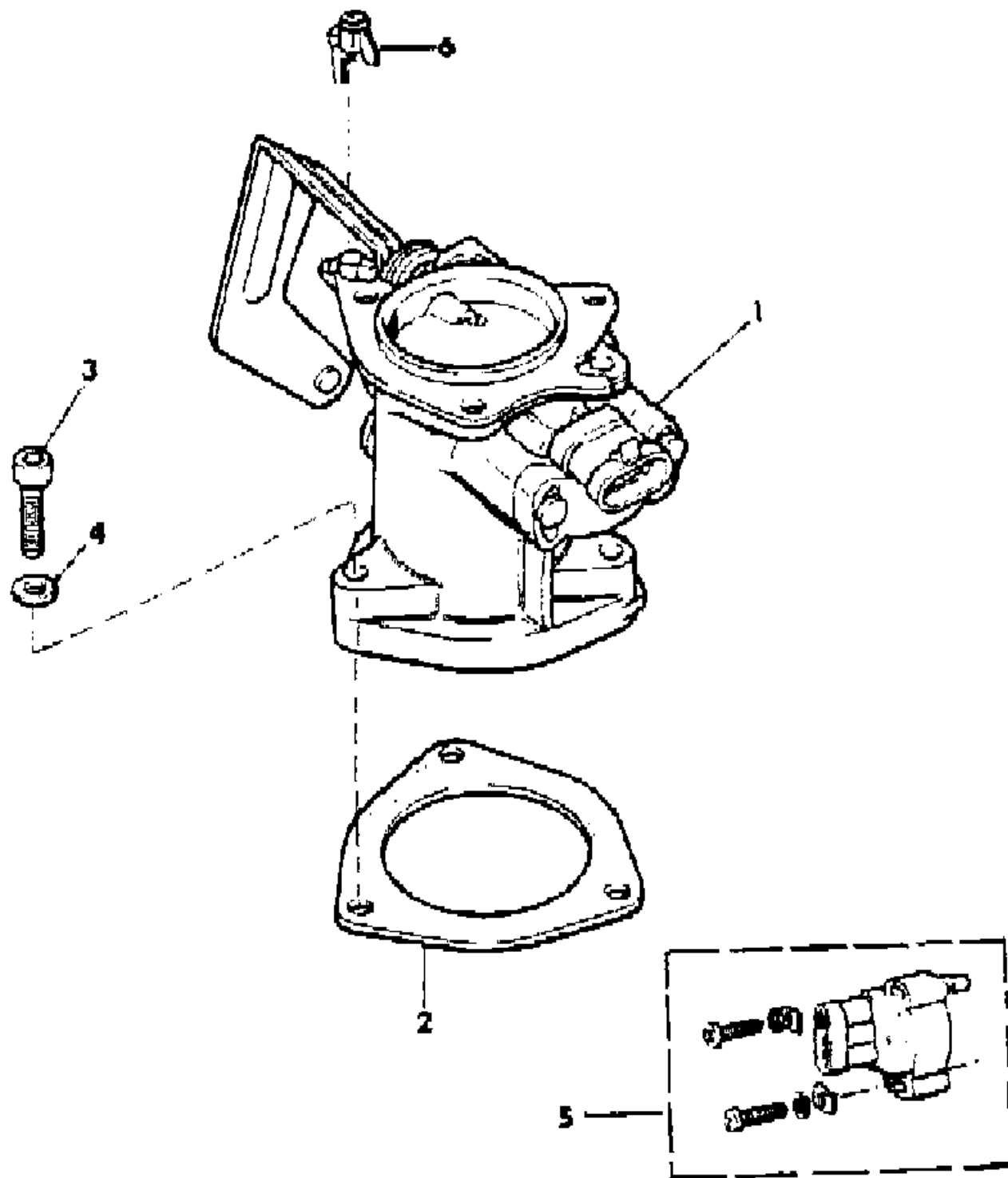
AR = Use as Required - = Non Illustrated Part P.A.R. = Paint as Required



THROTTLE BODY 3.0L ENGINE

Figure 14-400

8P14 400 B



ITEM	PART NUMBER	QTY	BODY	MODEL	DESCRIPTION
1					BODY, Throttle
	J026 6723	1			Z7X-711 Engine
	J026 0334	1			Z7X-715 Engine
	4713 876	1			MOTOR, A.I.S. (For 1988-89 Are Serv. w/Throttle Body Only)
					MOTOR, A.I.S. 1991 (Not Shown)
2					GASKET, Throttle Body Mounting
	T026 7481	1			Z7X-711 Engine
	J026 0620	1			Z7X-715 Engine
3	T300 9088	3			BOLT
4	J305 7005	3			WASHER
5					SENSOR PACKAGE, Throttle Position
	3300 0169	1			Z7X-711 Engine
	5234 902	1			Z7X-715 Engine (Wiring Pkg. 3-Way 4638997)
6	J102 9574	1			CLIP

MODEL CODES:

1988:	1989:	1990-92:	1990-92:
559 - Premier LX	56 - Premier LX	DP-Monaco LE	XP-Premier LX
	557 - Premier ES		DS-Monaco ES
	66 - Premier ES		XS-Premier ES

BODY STYLES:

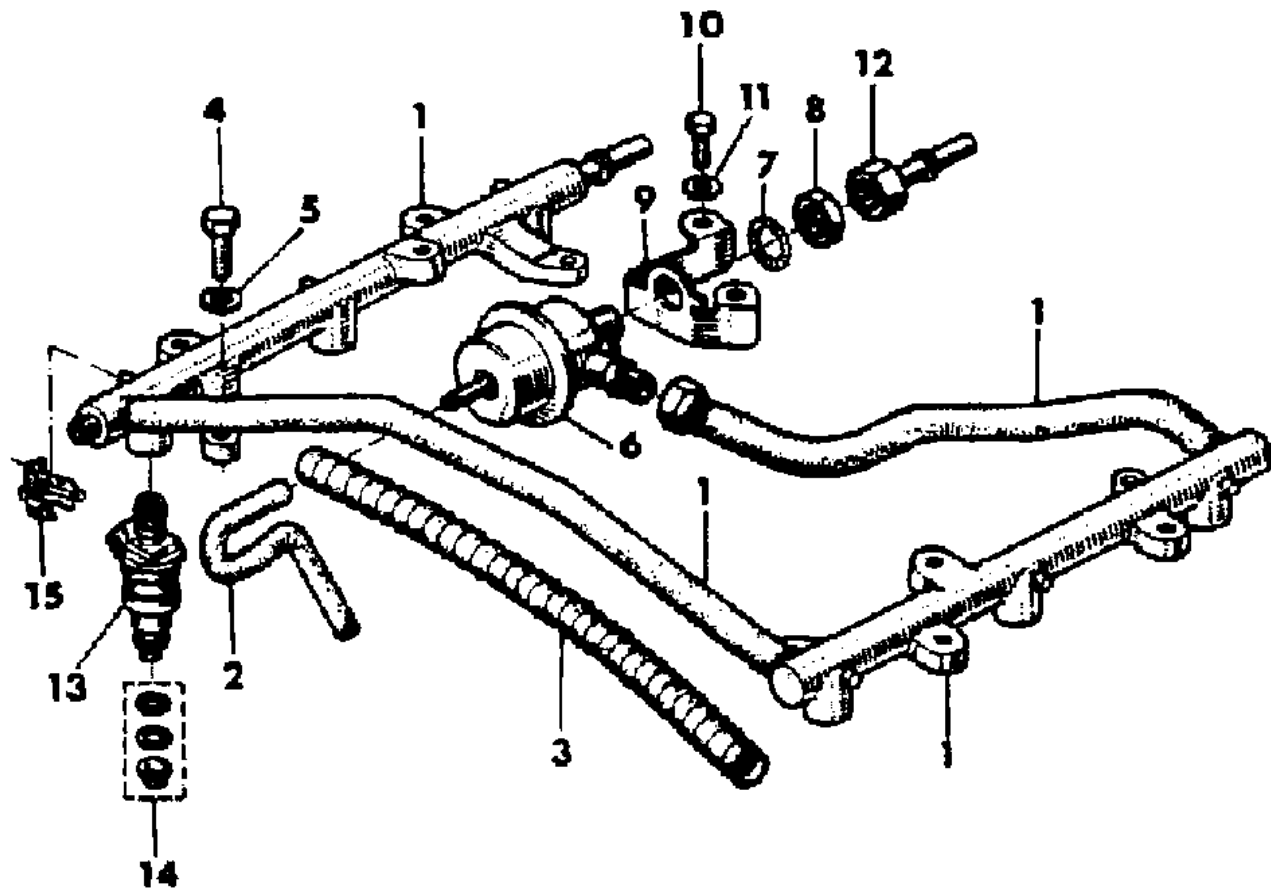
1988:
55 = 4 dr. Sedan
1989-92:
6 = 4 Dr. Sedan

AR = Use as Required - = Non Illustrated Part P.A.R. = Paint as Required

FUEL RAIL AND RELATED PARTS 3.0L ENGINE

Figure 14-500

8P14 500



ITEM	PART NUMBER	QTY	BODY	MODEL	DESCRIPTION
1	J146 5684	1			RAIL, Fuel Injection
2	T026 6285	1			HOSE, Vacuum
3	3300 4774	1			TUBE, Convoluted
4	T149 3025	AR			BOLT
5	J305 7013	AR			WASHER
6					REGULATOR, Pressure
	T026 6770	1			Z7X-711 Engine
	J026 6768	1			Z7X-715 Engine
7	T305 6081	1			WASHER
8	T303 2165	1			NUT
9	T026 6880	1			BRACKET, Regulator Mounting
10	3420 1152	2			BOLT
11	T305 3030	2			WASHER
12	T026 6304	1			CONNECTOR
13					INJECTOR, Fuel
	T072 4021	6			Z7X-711 Engine
	J026 0675	6			Z7X-715 Engine
14	T103 0449	AR			REPAIR PACKAGE
15	J026 0333	6			CLIP

MODEL CODES:

1988:	1989:	1990-92:	1990-92:
559 - Premier LX	56 - Premier LX 557 - Premier ES 66 - Premier ES	DP-Monaco LE	XP-Premier LX DS-Monaco ES XS-Premier ES

BODY STYLES:

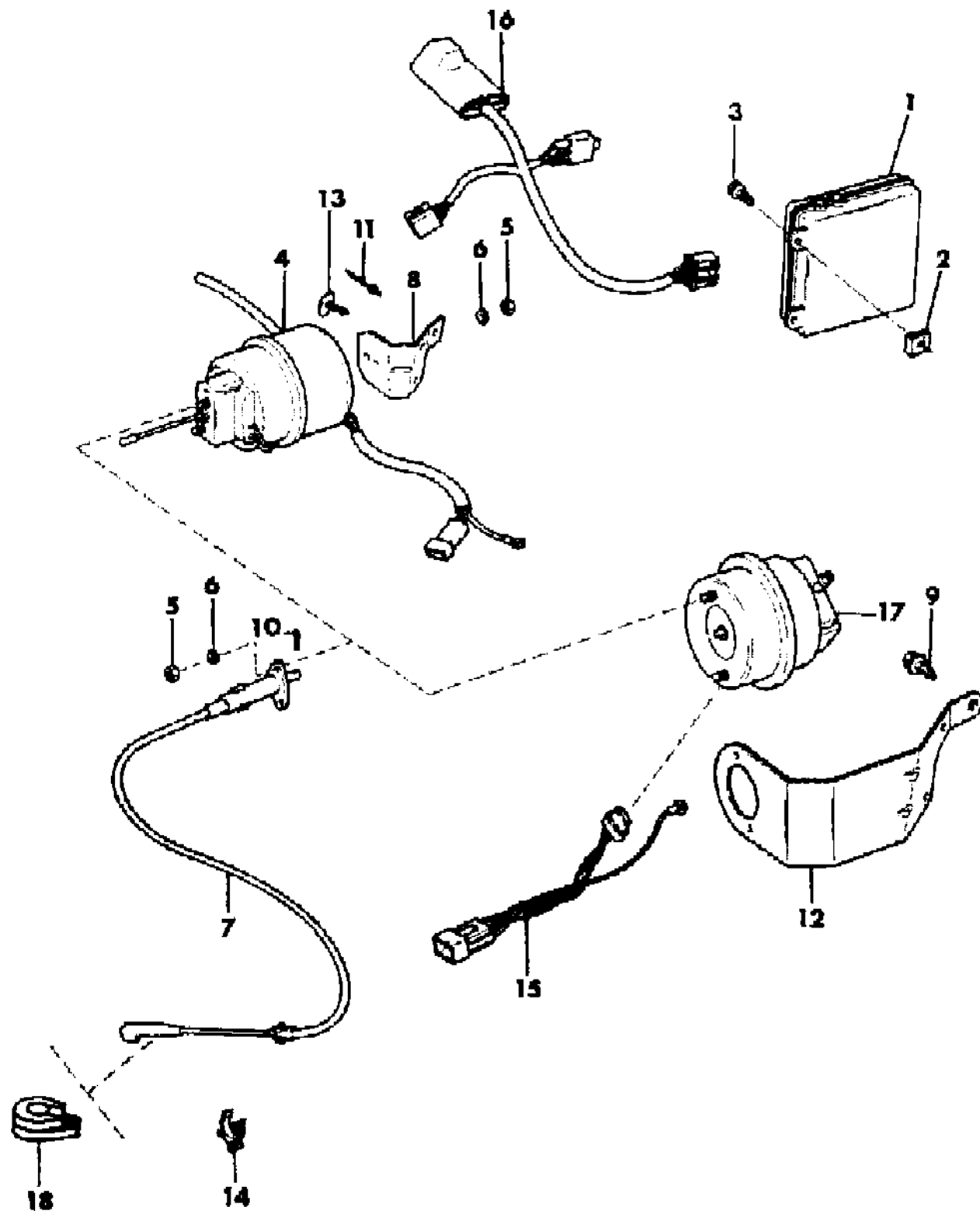
1988:
55 = 4 dr. Sedan
1989-92:
6 = 4 Dr. Sedan

AR = Use as Required - = Non Illustrated Part P.A.R. = Paint as Required

SPEED CONTROL 2.5L ENGINE AND 3.0L ENGINE - Z7X-711 ENGINE

Figure 14-600

8P14 600 B



ITEM	PART NUMBER	QTY	BODY	MODEL	DESCRIPTION
1	3300 4837	1			REGULATOR, Speed Control
2	3420 2447	2			NUT, U Type
3	1150 2843	2			SCREW
4	3300 3142	1			SERVO - 2.5L Eng.
5					NUT
	J012 0375	1			2.5L Eng.
	8350 2343	2			3.0L Eng.
6	J012 0380	3			WASHER, Lock
7	3300 4838	1			CABLE - 3.0L Eng.
8	3300 4602	1			BRACKET - 2.5L Eng.
9	1150 2453	3			SCREW - 3.0L Eng.
10	J400 4173	1			CLIP - 3.0L Eng.
11	3420 1208	3			RIVET - 2.5L Eng.
12	3300 4836	1			BRACKET - 3.0L Eng.
13	J400 6966	1			FASTENER - 2.5L Eng.
14	J400 6550	1			CLIP - 3.0L Eng.
15	3600 3686	1			HARNESS, Servo Jumper - 3.0L Eng.
16					HARNESS, Stop Lamp Switch Jumper
	3600 3684	1			9 Wire
	3200 3405	1			14 Wire
17	4324 052	1			SERVO - 3.0L Eng.
18	4531 082	1			CLIP, Throttle Cable

MODEL CODES:

1988:	1989:	1990-92:	1990-92:
559 - Premier LX	56 - Premier LX	DP-Monaco LE	XP-Premier LX
	557 - Premier ES		DS-Monaco ES
	66 - Premier ES		XS-Premier ES

BODY STYLES:

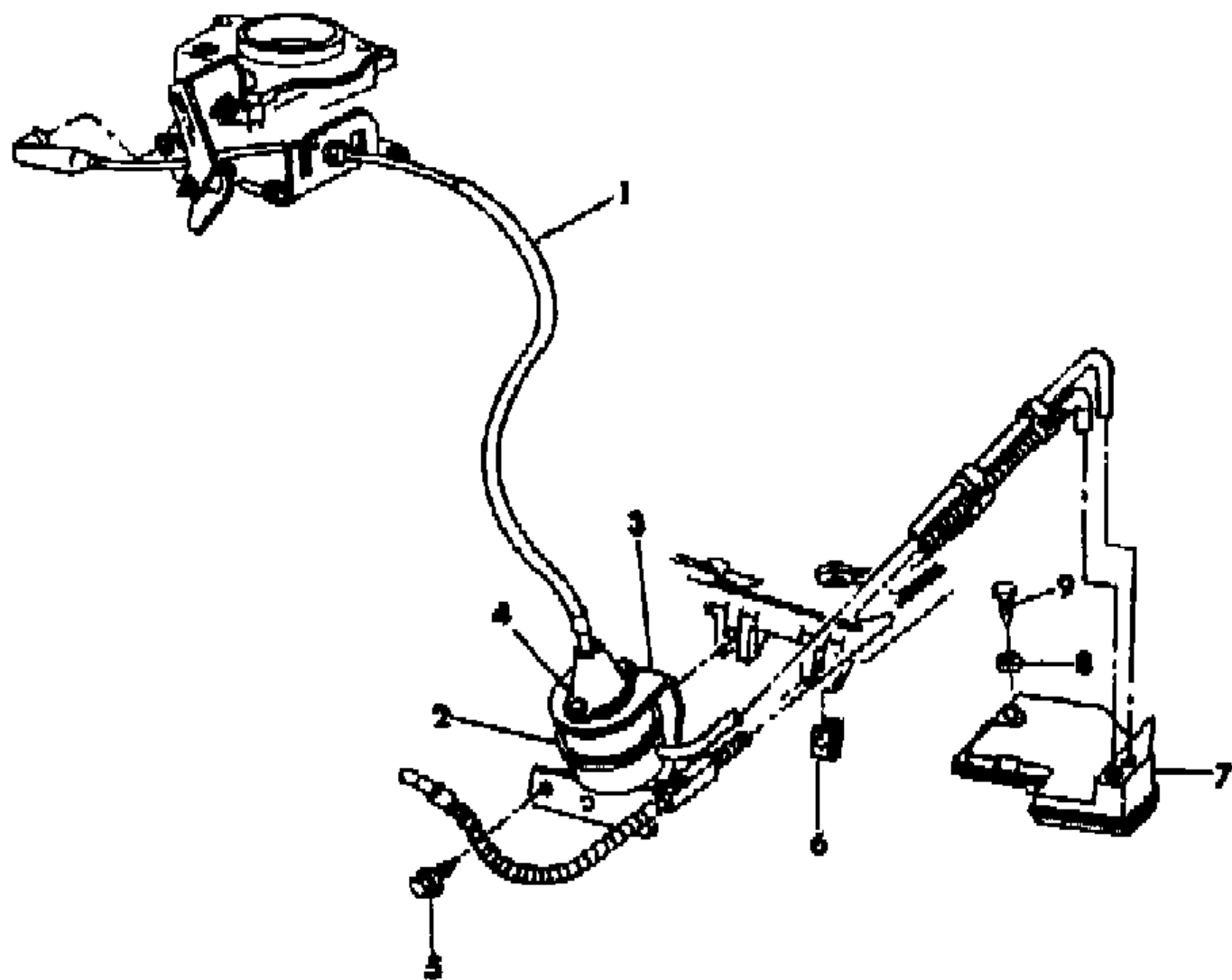
1988:
55 = 4 dr. Sedan
1989-92:
6 = 4 Dr. Sedan

AR = Use as Required - = Non Illustrated Part P.A.R. = Paint as Required

SPEED CONTROL 3.0L ENGINE - Z7X-715 ENGINE
Figure 14-625

8P14 625

ITEM	PART NUMBER	QTY	BODY	MODEL	DESCRIPTION
1	4458 786	1			CABLE, Speed Control
2	4324 052	1			SERVO, Speed Control
3	4458 788	1			BRACKET, Servo Mounting
4	6100 840	2			NUT, Push
5	6100 288	2			SCREW and WASHER
6	6501 750	2			U-NUT
7	4458 789	1			RESERVOIR, Speed Control
8	3420 2745	1			SPACER, Vacuum Reservoir
9		1			BOLT (not serviced)



MODEL CODES:

1988:	1989:	1990-92:	1990-92:
559 - Premier LX	56 - Premier LX	DP-Monaco LE	XP-Premier LX
	557 - Premier ES		DS-Monaco ES
	66 - Premier ES		XS-Premier ES

BODY STYLES:

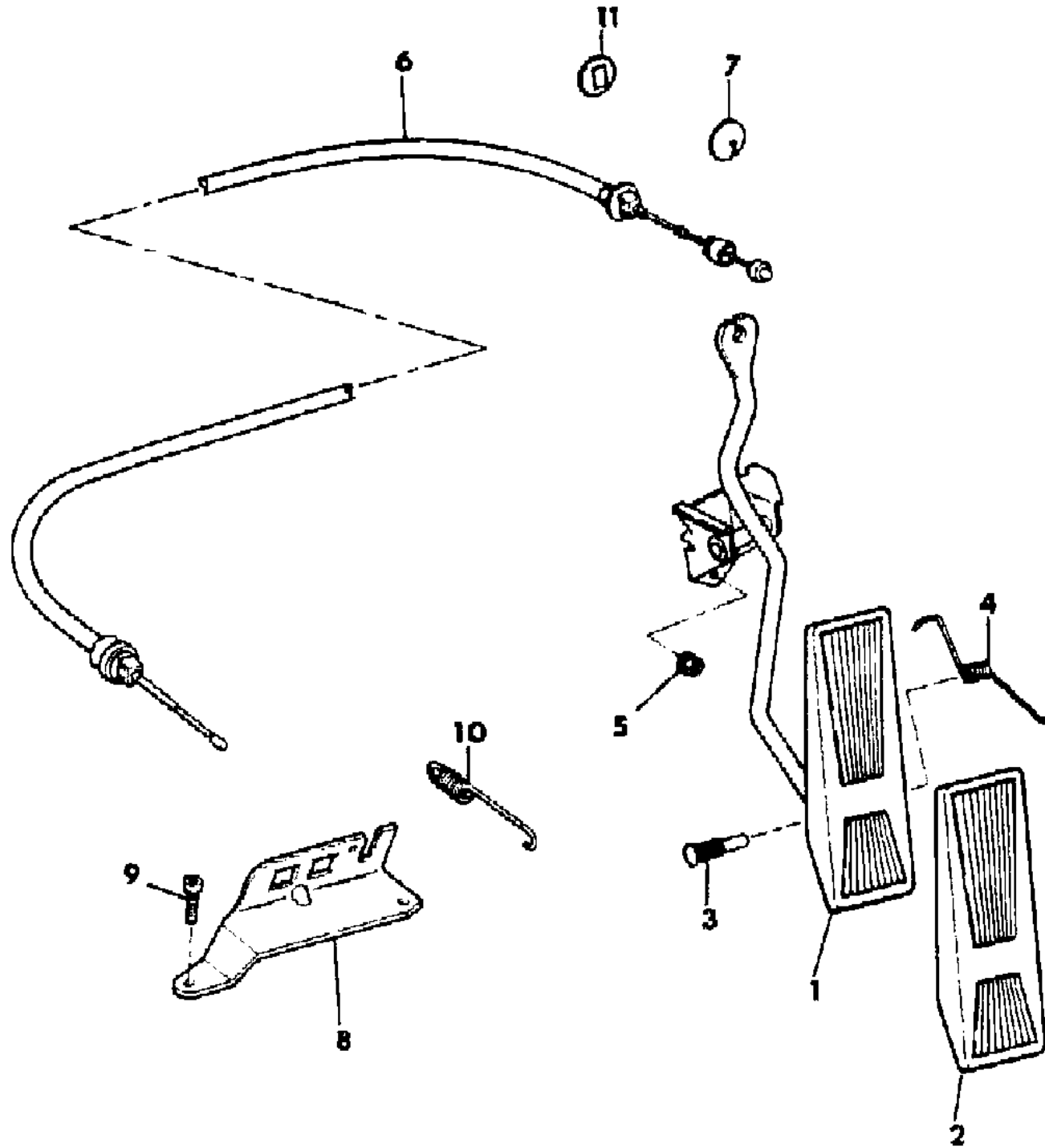
1988:
55 = 4 dr. Sedan
1989-92:
6 = 4 Dr. Sedan

AR = Use as Required - = Non Illustrated Part P.A.R. = Paint as Required

ACCELERATOR PEDAL AND LINKAGE

Figure 14-700

8P14 700



ITEM	PART NUMBER	QTY	BODY	MODEL	DESCRIPTION
1	3300 4421	1			PEDAL ASSEMBLY ***
2	5300 3932	1			PEDAL, Accelerator
3	J322 0231	1			PIN, Accelerator Pedal Pivot
4	J319 3369	1			SPRING, Accelerator Pedal Clevis
5	3420 1680	2			NUT
6					CABLE, Accelerator
	3300 4428	1			2.5L Eng.
	3300 4423	1			3.0L Eng. 1988-90
	5269 190	1			3.0L Eng. 1991-92
7	3300 4269	1			CAP
8	3300 4426	1			BRACKET, Cable - 3.0L Eng.
9	3420 2546	2			SCREW - 3.0L Eng.
10	3300 4427	1			SPRING, Return - 3.0L Eng.
11	J319 4154	1			SEAL, Accelerator Control Cable

MODEL CODES:

1988:	1989:	1990-92:	1990-92:
559 - Premier LX	56 - Premier LX 557 - Premier ES 66 - Premier ES	DP-Monaco LE	XP-Premier LX DS-Monaco ES XS-Premier ES

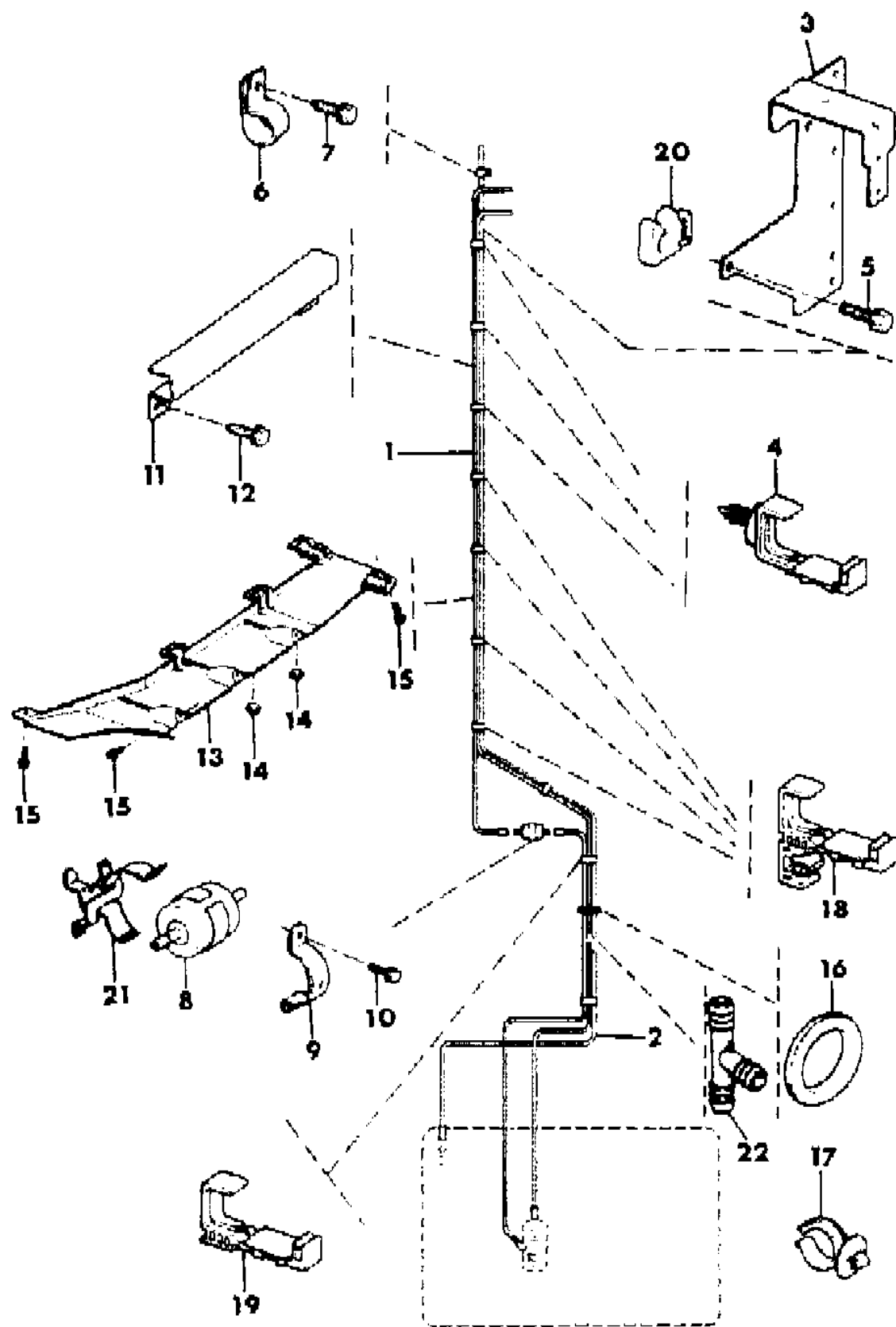
BODY STYLES:

1988:
55 = 4 dr. Sedan
1989-92:
6 = 4 Dr. Sedan

AR = Use as Required - = Non Illustrated Part P.A.R. = Paint as Required

FUEL LINES 2.5L ENGINE AND 3.0L ENGINE - Z7X-711 ENGINE
Figure 14-800

8P14 800 A



ITEM	PART NUMBER	QTY	BODY	MODEL	DESCRIPTION
1					TUBE ASSEMBLY, Fuel
	3300 3004	1			2.5L Eng. (Quick Disconnects Serviced w/Fuel Lines Only)
	3300 3003	1			3.0L Eng.
2	3300 3645	1			TUBE ASSEMBLY, Fuel
3	3300 3601	1			BRACKET - 2.5L Eng.
4	3300 4037	AR			CLIP
5	J400 6909	2			BOLT - 2.5L Eng.
6	J400 1718	1			CLIP
7	1150 2453	1			SCREW
8					FILTER, Fuel
	3300 3007	1			up to 1-7-90
	4554 038	1			after 1-7-90
9	3300 0203	1			CLAMP, Fuel Filter
10	3420 1691	1			SCREW
11	3300 4036	1			SHIELD, Fuel Tube Assembly
12	1150 0985	2			SCREW
13	3200 3215	1			SHIELD, Fuel Line
14	3420 2877	3			NUT, Lock
15	1150 1608	5			SCREW
16	3300 3913	1			GROMMET, Fuel Tube Rear
17	3420 2767	AR			CLIP
18	3300 3009	AR			CLIP
19	3300 3010	AR			CLIP
20	J307 9254	2			CLIP - 3.0L Eng.
21	3300 3603	1			BRACKET, Filter
22	J400 6848	1			CONNECTOR

MODEL CODES:

1988:	1989:	1990-92:	1990-92:
559 - Premier LX	56 - Premier LX	DP-Monaco LE	XP-Premier LX
	557 - Premier ES		DS-Monaco ES
	66 - Premier ES		XS-Premier ES

BODY STYLES:

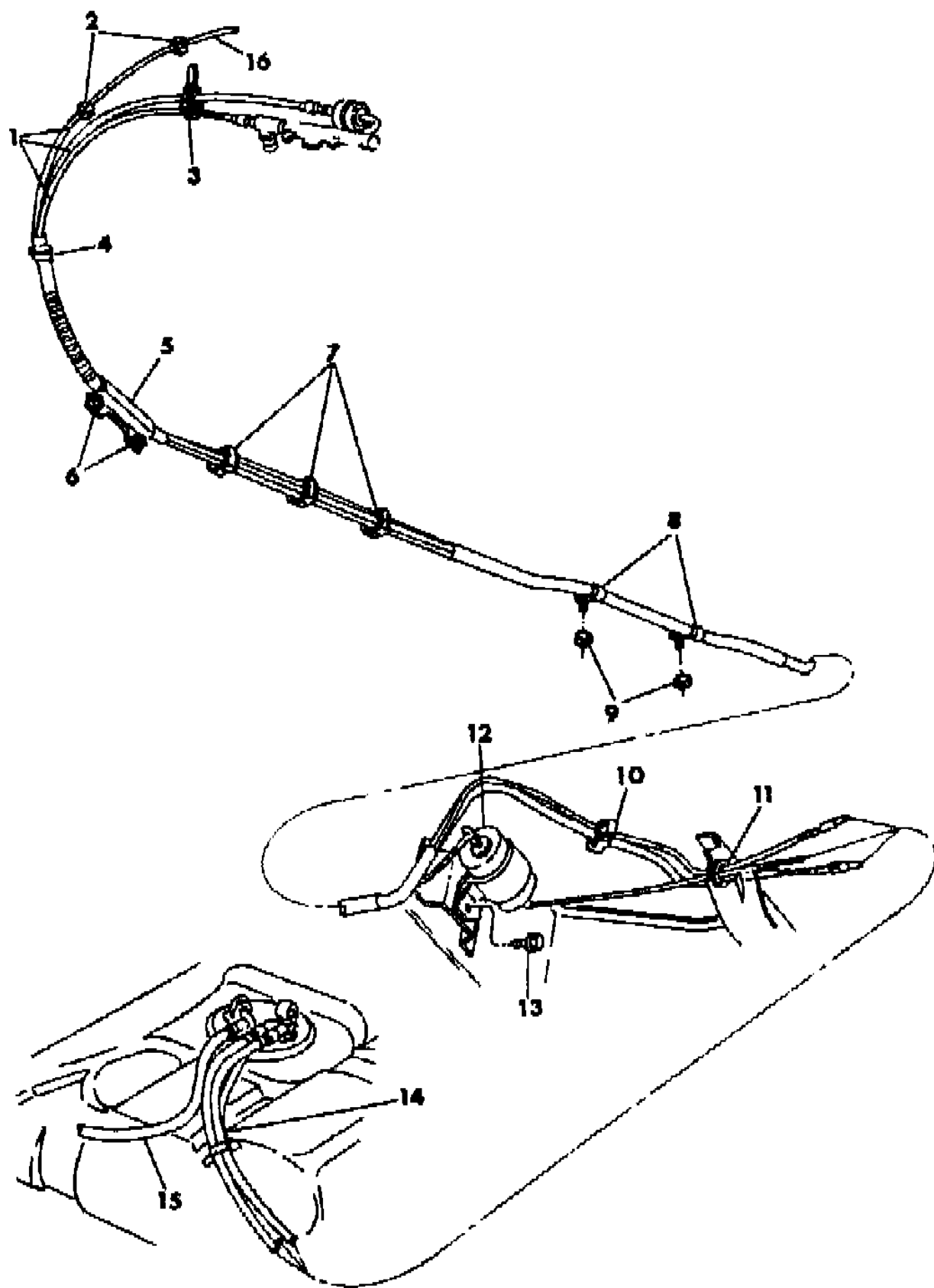
1988:
55 = 4 dr. Sedan
1989-92:
6 = 4 Dr. Sedan

AR = Use as Required - = Non Illustrated Part P.A.R. = Paint as Required

FUEL LINES 3.0L ENGINE - Z7X-715 ENGINE

Figure 14-825

8P14 825 A



ITEM	PART NUMBER	QTY	BODY	MODEL	DESCRIPTION
1	4586 068	1			TUBE ASSEMBLY, Fuel Supply, Return and Vent - Front ***
2	J307 9254	2			CLIP
3	J324 1515	1			STRAP
4	3420 2767	1			CLIP
5	3300 4036	1			SHIELD, Heat - Fuel Tubes
6	1150 0985	2			SCREW and WASHER
7	3300 4037	3			CLIP
8	J400 0443	2			CLIP
9	3420 2877	2			NUT
10	3300 3010	1			CLIP
11	3300 3913	1			GROMMET, Fuel Tube
12	4554 038	1			FILTER, Fuel
13		1			SCREW (not serviced)
14					TUBE ASSEMBLY, Fuel Supply, Return and Vent - Rear ***
	4554 079	1			up to 3-4-91
	4584 351	1			after 3-4-91
15	4495 074	1			HOSE, Fuel Tank Vent
16	4592 072	1			TUBE, Expanded End Purge

MODEL CODES:

1988:	1989:	1990-92:	1990-92:
559 - Premier LX	56 - Premier LX 557 - Premier ES 66 - Premier ES	DP-Monaco LE	XP-Premier LX DS-Monaco ES XS-Premier ES

BODY STYLES:

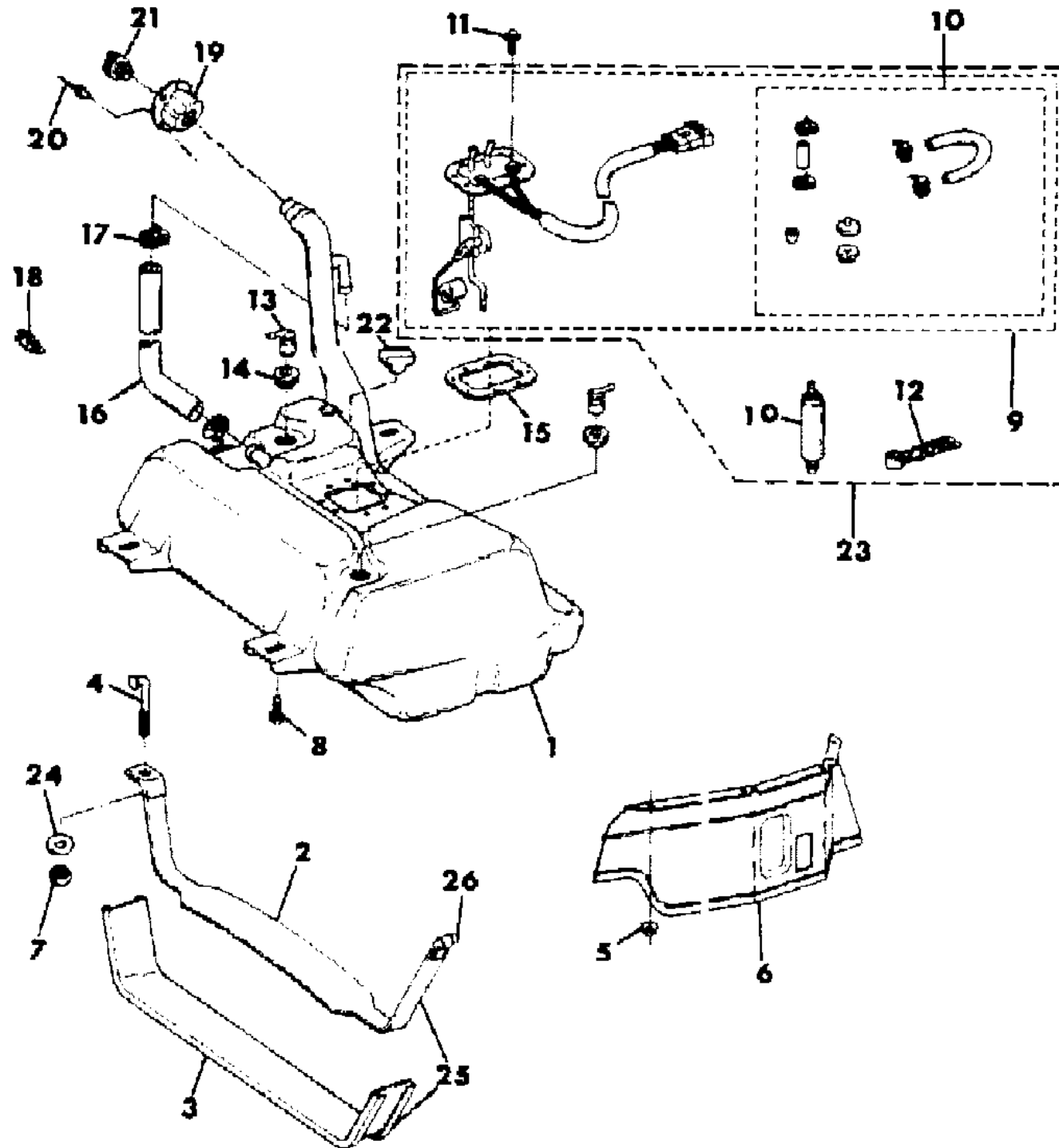
1988:
55 = 4 dr. Sedan
1989-92:
6 = 4 Dr. Sedan

AR = Use as Required - = Non Illustrated Part P.A.R. = Paint as Required

FUEL TANK

Figure 14-900

BP14 900 A



ITEM	PART NUMBER	QTY	BODY	MODEL	DESCRIPTION
1					TANK, Fuel
	8350 4659	1			Z7X-711 Eng., 1988-89 Up To 2-19-89
	4495 071	1			(w/Stamped # 8332002608), Z7X-711 Eng., 1989-90 After 2-19-89
	4495 138	1			Z7X-715 Eng., 1991-92
2	8350 4660	1			STRAP
3	3200 3082	1			COVER
4	5200 1590	1			BOLT
5	3420 1680	4			NUT
6					SHIELD, Fuel Tank
	3200 2610	1			1988-90
	4584 742	1			1991-92
7	1150 2812	1			NUT
8	3420 2816	3			BOLT and WASHER
9	8350 4620	1			UNIT, Fuel Tank
	5217 825	1			CLAMP, Unit to Tank
10	8350 4619	1			PUMP PACKAGE, Fuel
					Items 9 and 10 can be used through 10-31-90, after 11-1-90, see item 23
11	J400 4203	8			SCREW
12					FILTER, Fuel
	3300 3592	1			1988-90
	4495 135	1			1991-92
13					VALVE, Fuel Vapor
	J536 0058	2			1988-90
	4495 069	1			1991-92
14	J536 0059	2			SEAL
15					GASKET
	5300 4225	1			1988-90: (Square)
	5217 826	1			1991-92: (Round)
16					HOSE, Vent
	3200 2241	1			1988-90
	4586 006	1			1991-92
	5217 802	1			GROMMET, Fuel Vent Elbow 1991-92 (not shown)
	4495 141	1			NIPPLE, Fuel Pump Vent
	4495 078	1			NIPPLE, Fuel Filler Neck Vent
17					CLAMP, Hose
	J320 3077	2			up to 2-13-89
	6502 087	2			after 2-13-89
18	3420 2767	1			CLIP

MODEL CODES:

1988:	1989:	1990-92:	1990-92:
559 - Premier LX	56 - Premier LX	DP-Monaco LE	XP-Premier LX
	557 - Premier ES		DS-Monaco ES
	66 - Premier ES		XS-Premier ES

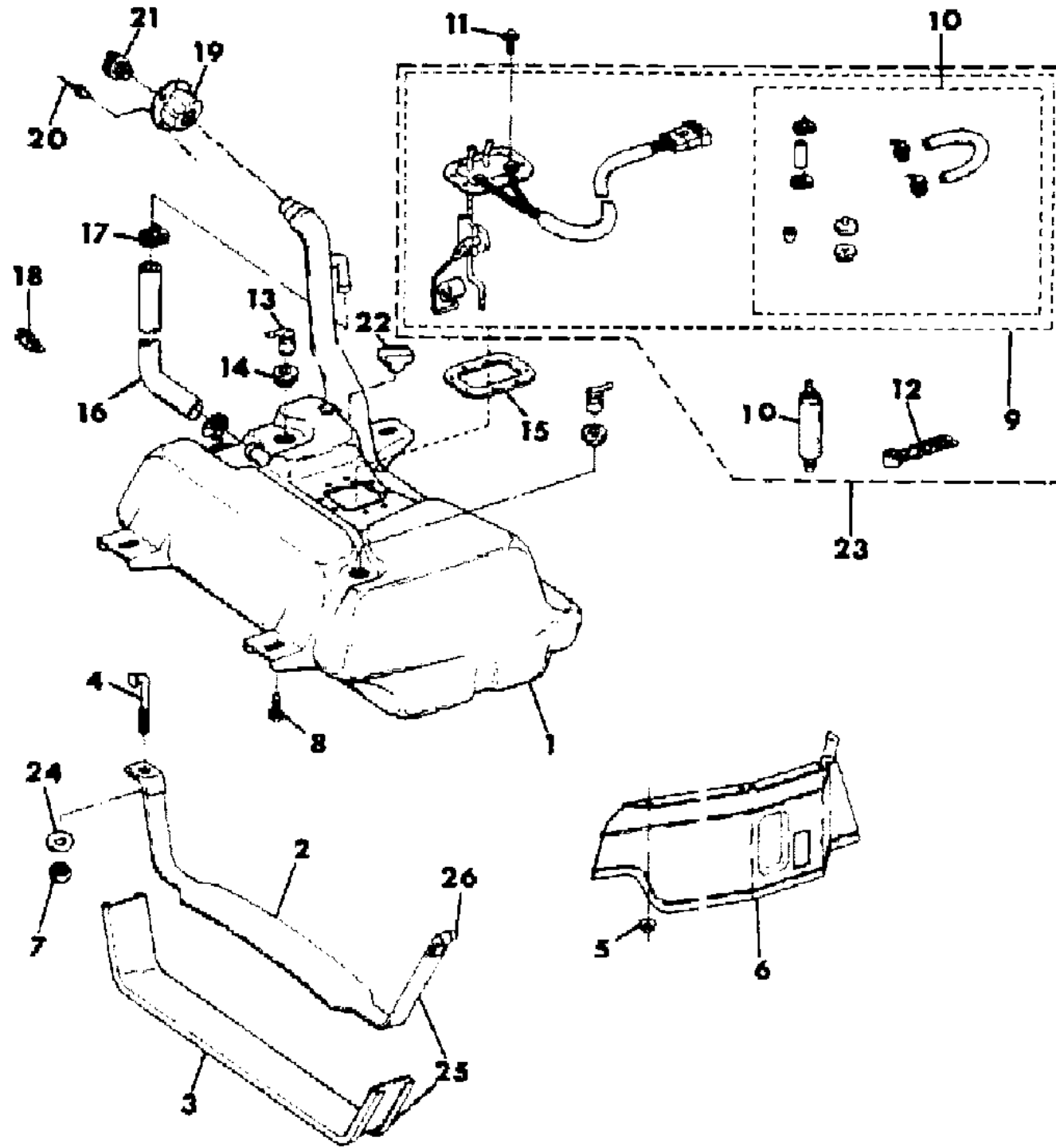
BODY STYLES:

1988:
55 = 4 dr. Sedan
1989-92:
6 = 4 Dr. Sedan

AR = Use as Required - = Non Illustrated Part P.A.R. = Paint as Required

FUEL TANK
Figure 14-900

8P14 900 A



ITEM	PART NUMBER	QTY	BODY	MODEL	DESCRIPTION
19	3501 3233	1			BOOT, Fuel Filler
20	J400 7599	3			RIVET
21					CAP, Fuel Filler, non-locking
	5200 3772	1			up to 2-13-89
	4504 379	1			after 2-13-89
22	3200 3337	1			SPACER
23					PUMP/KIT, Fuel ***
	8350 4619	1			1989-90
	8350 4620	1			UNIT, Sending 1989-90
	4584 338	1			PUMP MODULE and SEAL Package 1991-92 ***
	4584 337	1			LEVEL UNIT and SEAL Package 1991-92 ***
	4495 140	1			PUMP and LEVEL PACKAGE, Consists of 1 4584338 Pumpand 1 of 4584337 Level Unit, After 10-31-90 ***
	4495 136	1			PACKAGE, Strainer Fuel Pump
24	1150 0273	1			WASHER
25	4495 072	1			STRAP ASSEMBLY ***
26	4495 073	1			WASHER

MODEL CODES:
 1988: 559 - Premier LX
 1989: 56 - Premier LX
 557 - Premier ES
 66 - Premier ES
 1990-92: DP-Monaco LE
 1990-92: XP-Premier LX
 DS-Monaco ES
 XS-Premier ES

BODY STYLES:
 1988:
 55 = 4 dr. Sedan
 1989-92:
 6 = 4 Dr. Sedan

AR = Use as Required - = Non Illustrated Part P.A.R. = Paint as Required

GROUP 17 - REAR SUSPENSION

ILLUSTRATION TITLE

GROUP-FIG. NO.

REAR SUSPENSION

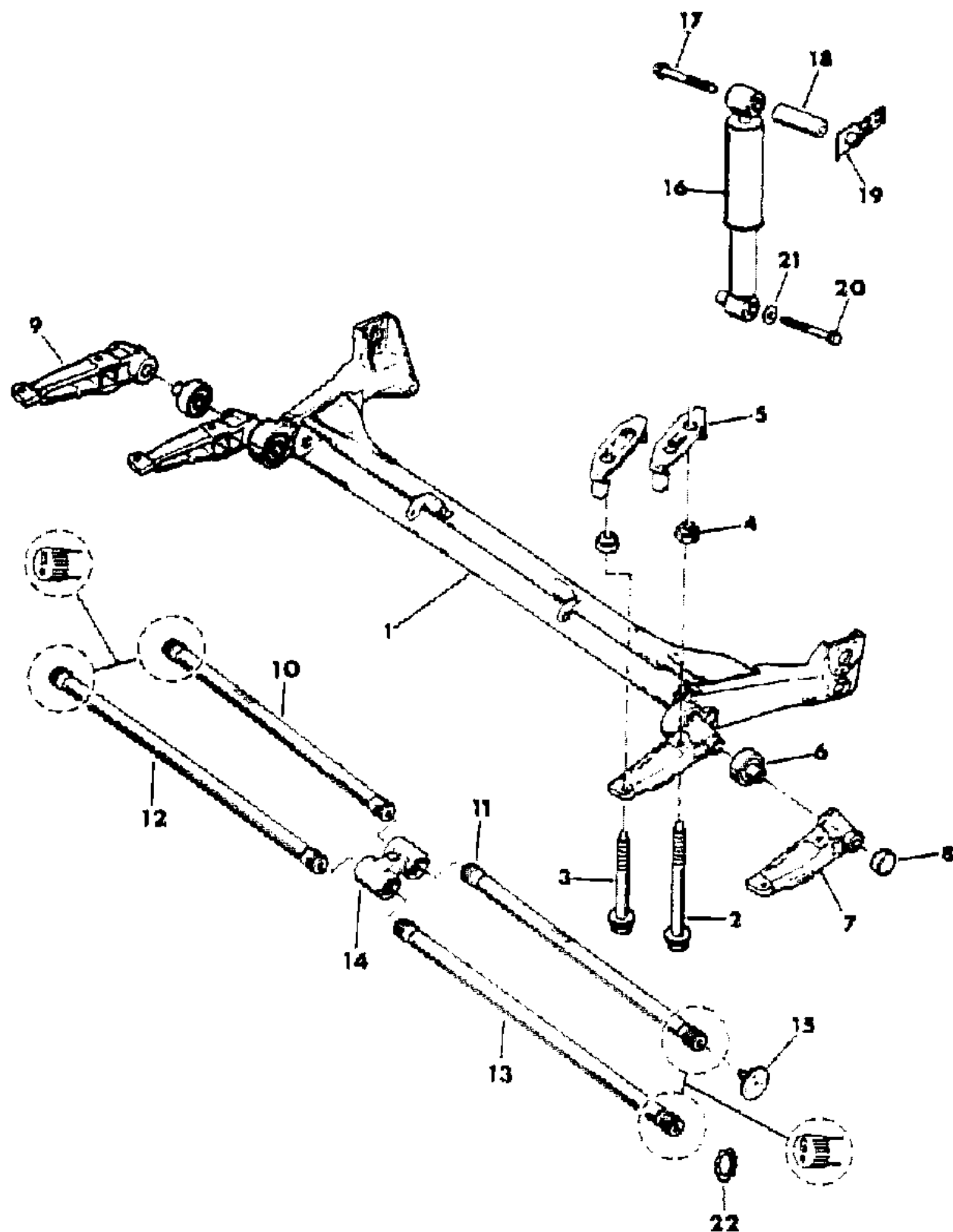
SUSPENSION, REAR Fig. 17-100

ILLUSTRATION NOT AVAILABLE AT TIME OF PUBLICATION



SUSPENSION, REAR
Figure 17-100

8P17 100B



ITEM	PART NUMBER	QTY	BODY	MODEL	DESCRIPTION
	3200 3327	1			AXLE ASSY., Rear Complete ***
1	3200 2920	1			ARM, Rear Suspension
2	J300 2035	2			BOLT
3	J300 2034	2			BOLT
4	J303 4083	4			NUT
5	J076 5886	4			CLIP
6	J076 2843	2			BUSHING
7	J076 1942	1			BRACKET, Rear Torsion Bar
8	J068 7383	2			CAP
9	J076 1943	1			BRACKET, Torsion
10	3200 3022	1			Bar, Torsion, Rt. Rear, Blue/White ***
11	3200 3023	1			BAR, Torsion, Lt. Rear, White/Blue
12	3200 3029	1			BAR, Torsion, Rt. Front, White/Brown
13	3200 3030	1			BAR, Torsion, Lt. Front, White/Brown
14	J078 7892	1			RETAINER
15	J307 4322	4			PLUG, Outer
	J307 5156	1			Center
16					SHOCK ABSORBER, Rear
	8350 4557	2			w/Std. Susp. (Stamp #32001780)
	5253 559	2			w/Firm Feel or H.D. Susp. 1988-90
	4585 109	2			w/Firm Feel Susp. 1991-92
17	3420 2605	2			BOLT, Hex Flange (M12x1.75x160.0)
18	3200 2675	2			SPACER
19	3420 2660	2			NUT
20	J076 3537	2			BOLT
21	J305 3445	2			WASHER
22	J308 0062	4			RING, Retaining ***

MODEL CODES:

1988:	1989:	1990-92:	1990-92:
559 - Premier LX	56 - Premier LX	DP-Monaco LE	XP-Premier LX
	557 - Premier ES		DS-Monaco ES
	66 - Premier ES		XS-Premier ES

BODY STYLES:

1988:
55 = 4 dr. Sedan
1989-92:
6 = 4 Dr. Sedan

AR = Use as Required - = Non Illustrated Part P.A.R. = Paint as Required

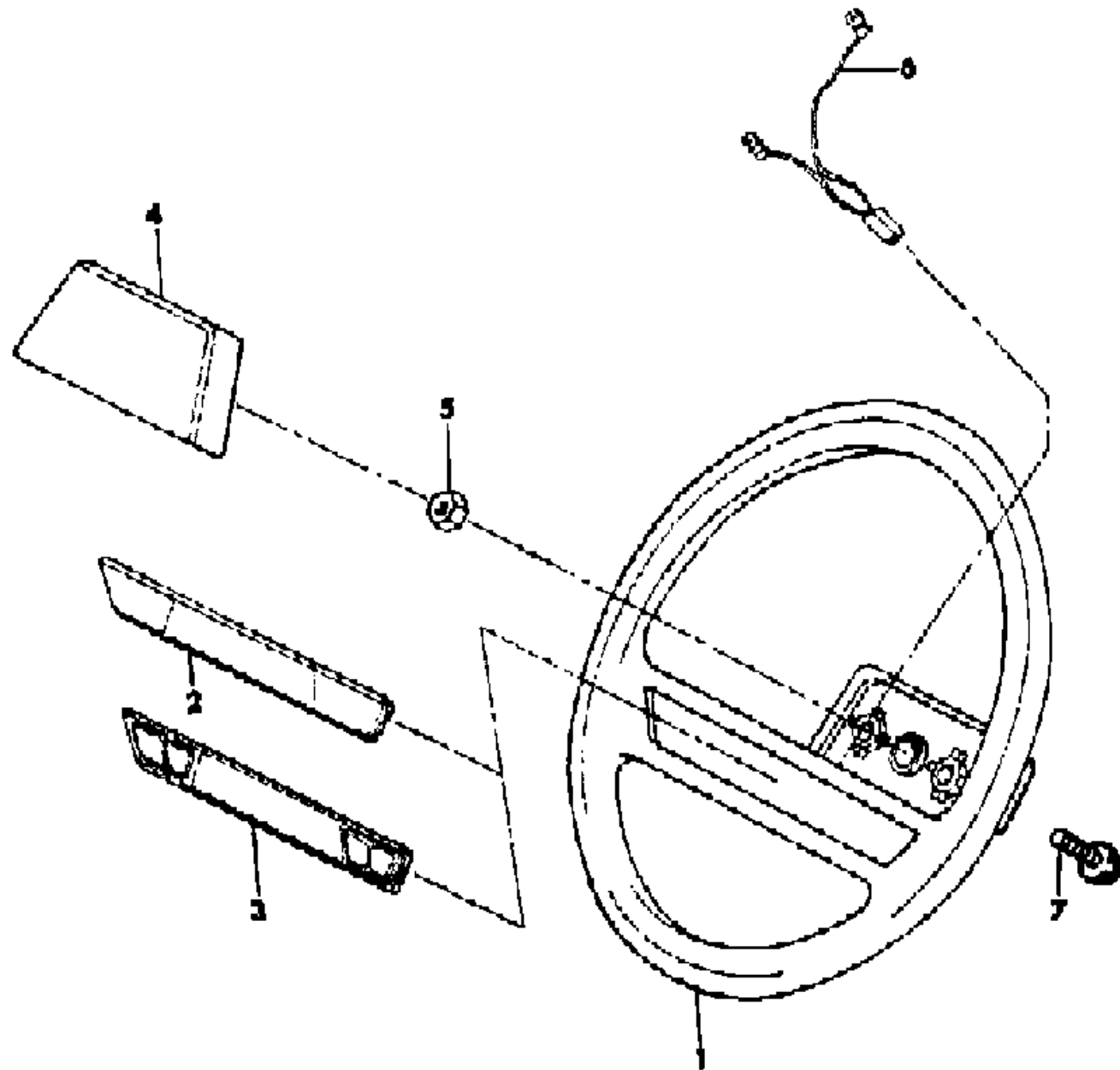
GROUP 19 - STEERING

ILLUSTRATION TITLE	GROUP-FIG. NO.
STEERING WHEELS	
WHEEL, STEERING	Fig. 19-100
STEERING COLUMNS	
COLUMN ASSEMBLY, STEERING	Fig. 19-200
HOUSING AND SHAFTS, STEERING COLUMN W/O TILT WHEEL	Fig. 19-300
HOUSING AND SHAFTS, STEERING COLUMN W/TILT WHEEL	Fig. 19-400
POWER STEERING PUMPS	
PUMP, POWER STEERING FOUR CYLINDER ENGINE	Fig. 19-500
PUMP MOUNTING, POWER STEERING FOUR CYLINDER ENGINE	Fig. 19-600
PUMP, POWER STEERING SIX CYLINDER ENGINE	Fig. 19-700
PUMP MOUNTING, POWER STEERING SIX CYLINDER ENGINE	Fig. 19-800
STEERING GEAR	
GEAR ASSEMBLY, STEERING	Fig. 19-900
GEAR MOUNTING, STEERING	Fig. 19-1000

ILLUSTRATION NOT AVAILABLE AT TIME OF PUBLICATION

WHEEL, STEERING
Figure 19-100

8P19 100B



ITEM	PART NUMBER	QTY	BODY	MODEL	DESCRIPTION
1					WHEEL, Steering
					w/Leather Perforated Wrap
	4533 205	1			Brownstone 1989
	4533 202	1			Charcoal 1989
	4533 204	1			Cordovan 1989
	4533 203	1			Navy 1989
					w/Leather Perforated Wrap w/o Speed Control w/o Adjustable Hub
	AW93 HF7	1			Brownstone 1990
	AW93 HA8	1			Charcoal 1990
	AW93 HH9	1			Cordovan 1990
	AW93 HQ8	1			Navy 1990
					w/Leather Perforated Wrap w/o Speed Control w/Adjustable Hub
	AW94 HF7	1			Brownstone 1990
	AW94 HA8	1			Charcoal 1990
	AW94 HH9	1			Cordovan 1990
	AW94 HQ8	1			Navy 1990
	EN87 JF7	1			Brownstone 1991-92
	EN87 JA8	1			Charcoal 1991-92
	EN87 JH9	1			Cordovan 1991-92
	EN87 JQ8	1			Navy 1991-92
					w/Leather Wrap w/Speed Control Perforated
	AW92 HF7	1			Brownstone 1990
	AW92 HA8	1			Charcoal 1990
	AW92 HH9	1			Cordovan 1990
	AW92 HQ8	1			Navy 1990
	AY47 HF7	1			Brownstone 1991
	AY47 HA8	1			Charcoal 1991-92
	AY47 HH9	1			Cordovan 1991-92
	AY47 HQ8	1			Navy 1991-92
					w/Leather Non-Perforated Wrap
	3200 2046	1			Brownstone 1988-89
	3200 2043	1			Charcoal 1988-89
	3200 2045	1			Cordovan 1988-89
	3200 2044	1			Navy 1988-89
					w/Vinyl Wheel
	3200 2026	1			Brownstone 1988
	3200 2023	1			Charcoal 1988
	3200 2024	1			Navy 1988

MODEL CODES:

1988:	1989:	1990-92:	1990-92:
559 - Premier LX	56 - Premier LX 557 - Premier ES 66 - Premier ES	DP-Monaco LE	XP-Premier LX DS-Monaco ES XS-Premier ES

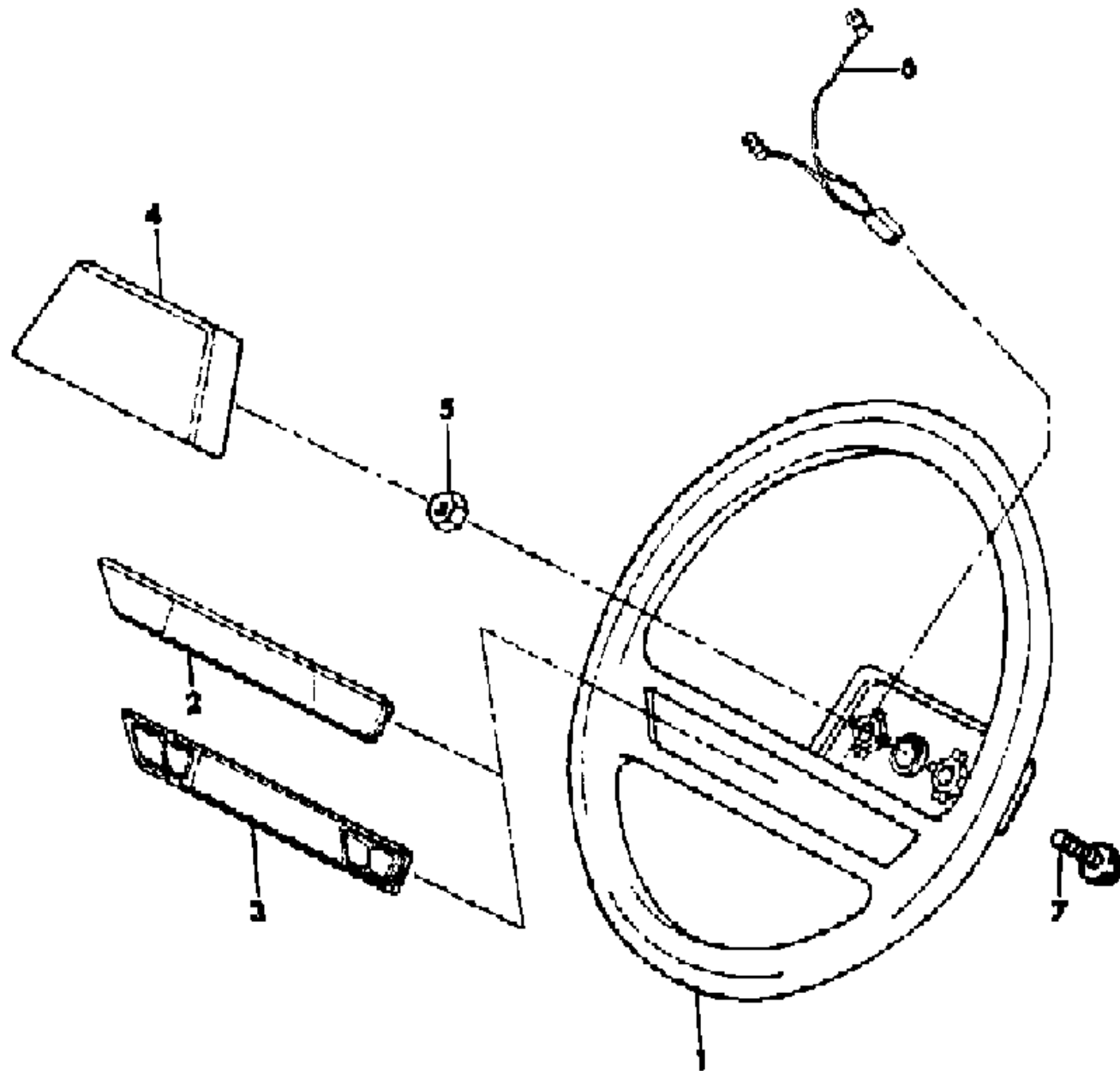
BODY STYLES:

1988:
55 = 4 dr. Sedan
1989-92:
6 = 4 Dr. Sedan

AR = Use as Required - = Non Illustrated Part P.A.R. = Paint as Required

WHEEL, STEERING
Figure 19-100

8P19 100B



ITEM	PART NUMBER	QTY	BODY	MODEL	DESCRIPTION
	WN02 JF7	1		DP,DS	Brownstone 1990-92
	WN02 JA8	1		DP,DS	Charcoal 1990-92
	WN02 JH9	1		DP,DS	Cordovan 1990-92
	WN02 JQ8	1		DP,DS	Navy 1990-92
2	3200 2432	1			COVER, Steering Wheel, w/o Cruise Control
3	3600 3685	1			SWITCH, Cruise Control, w/Cruise Control
4					PAD, Steering Wheel
					1988-89
	3200 3381	1			Brownstone
	3200 3378	1			Charcoal
	3200 3380	1			Cordovan
	3200 3379	1			Navy
					1990-92
				XP,XS	EAGLE EMBLEM
	AW95 HF7	1			Brownstone
	AW95 HA8	1			Charcoal
	AW95 HH9	1			Cordovan
	AW95 HQ8	1			Navy
				DP,DS	PENTASTAR EMBLEM
	AM93 JF7	1			Brownstone
	AM93 JA8	1			Charcoal
	AM93 JH9	1			Cordovan
	AM93 JQ8	1			Navy
5	3420 1104	1			NUT
6					WIRE, Horn
	4443 967	1			1988-89
	4470 803	1			1990
7	3420 2826	2			SCREW, Steering Wheel Adjusting

MODEL CODES:

1988:	1989:	1990-92:	1990-92:
559 - Premier LX	56 - Premier LX 557 - Premier ES 66 - Premier ES	DP-Monaco LE	XP-Premier LX DS-Monaco ES XS-Premier ES

BODY STYLES:

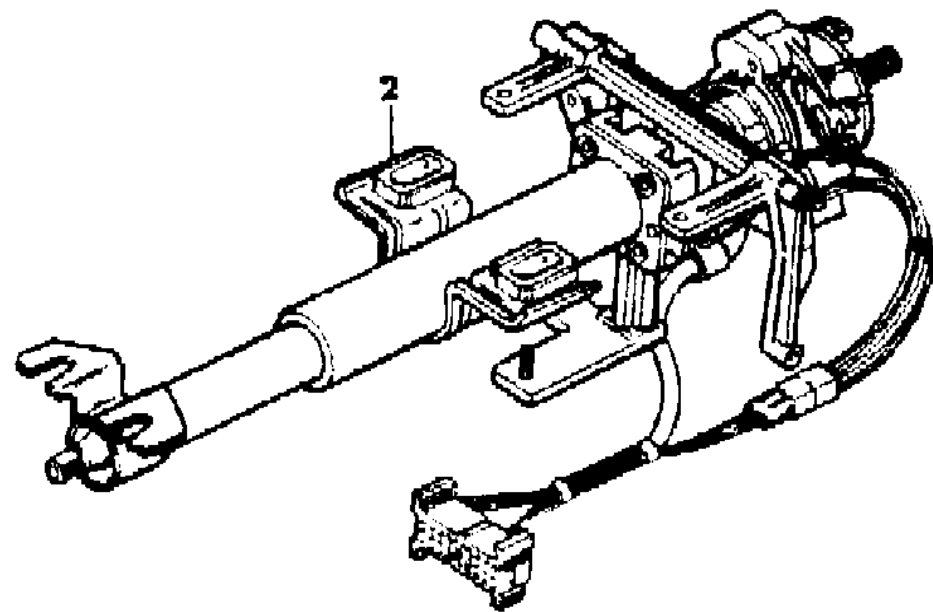
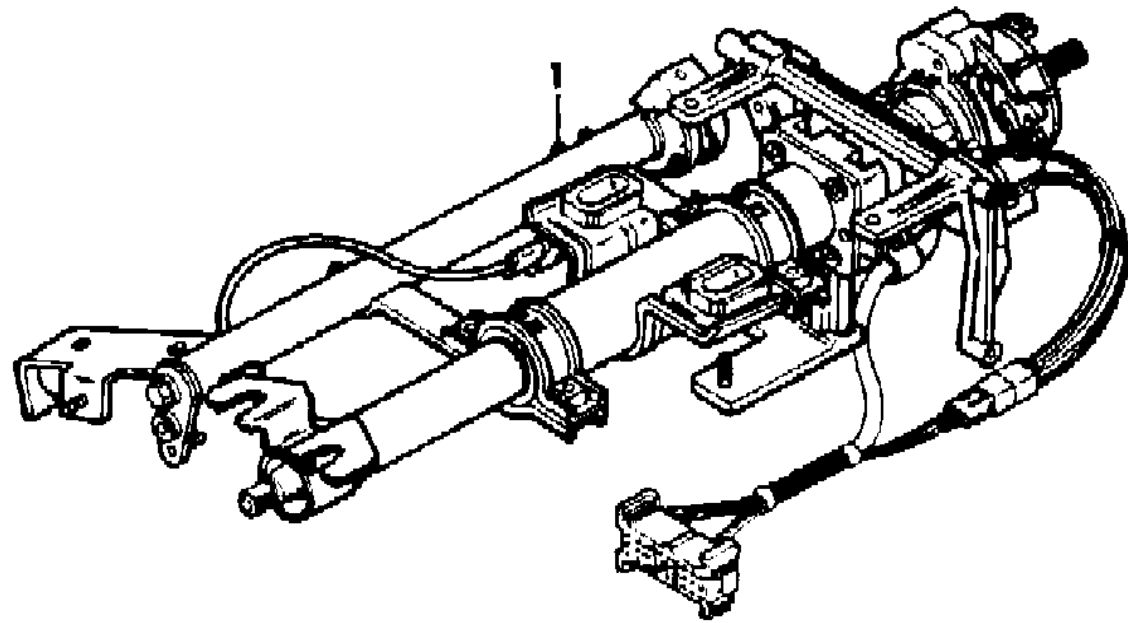
1988:
55 = 4 dr. Sedan
1989-92:
6 = 4 Dr. Sedan

AR = Use as Required - = Non Illustrated Part P.A.R. = Paint as Required

COLUMN ASSEMBLY, STEERING
Figure 19-200

8P19 200 A

ITEM	PART NUMBER	QTY	BODY	MODEL	DESCRIPTION
1					COLUMN ASSEMBLY, Steering w/Column Gear Shift
	3200 1501	1			w/o Tilt Wheel, w/o Cruise Control
	3200 2402	1			w/o Tilt Wheel, w/Cruise Control
	3200 1502	1			w/Tilt Wheel, w/o Cruise Control
	3200 2404	1			w/Tilt Wheel, w/Cruise Control
2					COLUMN ASSEMBLY, Steering w/Floor Gear Shift
	3200 1503	1			w/o Tilt Wheel 1988-89
	4600 148	1			w/o Tilt Wheel 1990
	5274 066	1			w/o Tilt Wheel 1991-92 (Up To 1-8-91)
	4600 147	1			w/o Tilt Wheel 1992 (After 1-8-91)
	3200 2408	1			w/Tilt Wheel 1988-89
	4600 149	1			w/Tilt Wheel 1990
	5274 063	1			w/Tilt Wheel 1991-92



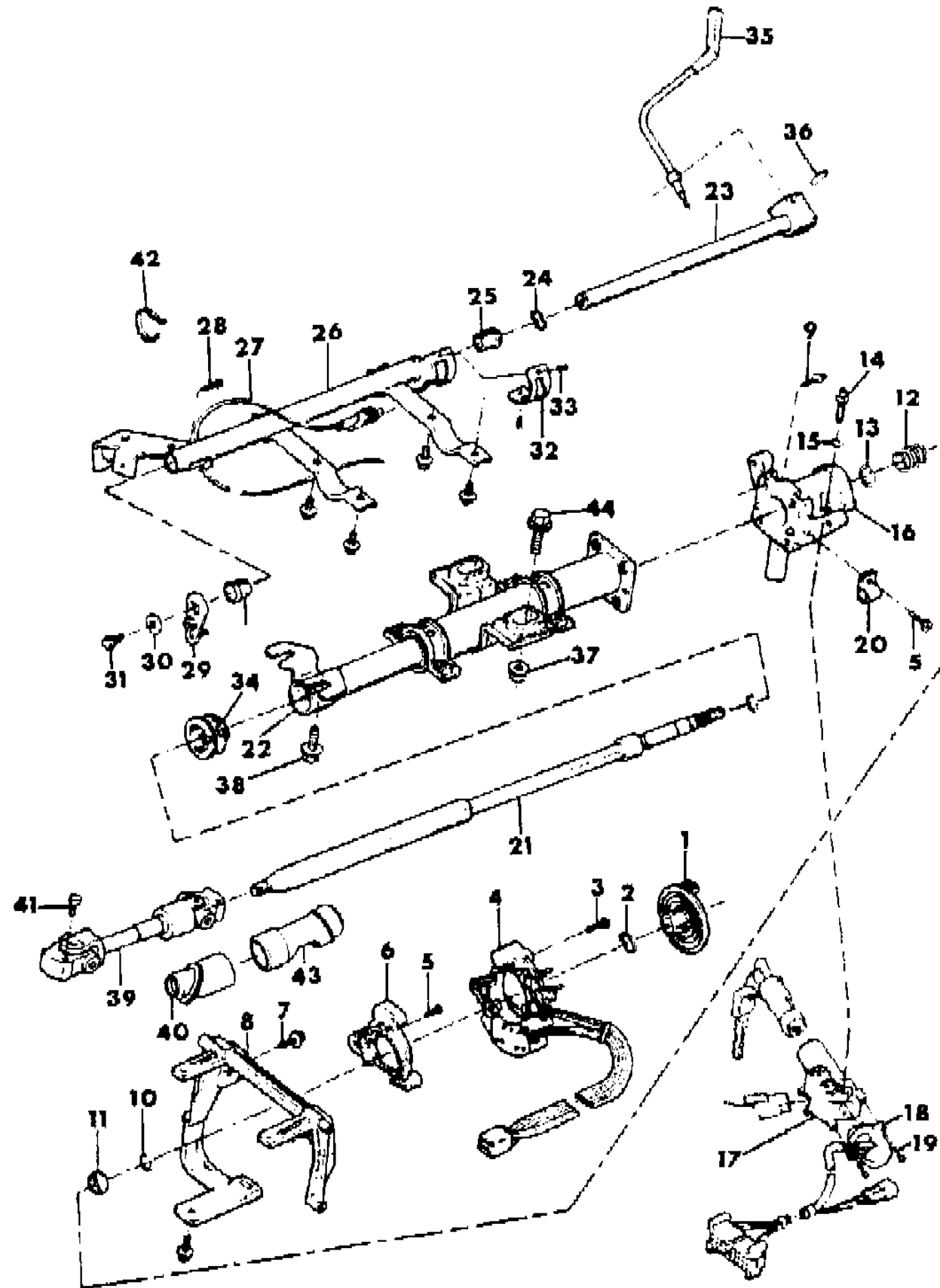
MODEL CODES:			
1988:	1989:	1990-92:	1990-92:
559 - Premier LX	56 - Premier LX 557 - Premier ES 66 - Premier ES	DP-Monaco LE	XP-Premier LX DS-Monaco ES XS-Premier ES

BODY STYLES:
1988:
55 = 4 dr. Sedan
1989-92:
6 = 4 Dr. Sedan

AR = Use as Required - = Non Illustrated Part P.A.R. = Paint as Required

HOUSING AND SHAFTS, STEERING COLUMN W/O TILT WHEEL
Figure 19-300

8P19 300



ITEM	PART NUMBER	QTY	BODY	MODEL	DESCRIPTION
1	3200 1823				CAM, Cancelling
2	8350 4605	1			WASHER
3	J448 8301	3			SCREW
4					SWITCH, Turn Signal
	8350 4593	1			w/o Cruise Control 1988-90
	4607 038	1			w/o Cruise Control 1991-92
	8350 4594	1			w/Cruise Control
5	8350 4603	3			SCREW
6	8350 4596	1			ADAPTER
7	8350 4595	3			SCREW
8	3501 6457				BRACKET
9	8350 4602	4			SCREW
10	2925 062	2			RING
11	8350 2625	1			RETAINER
12	8350 2626	1			SPRING
13	J320 8008	1			WASHER
14	8350 2623	2			BOLT
15	8350 4604	2			WASHER
16	8350 4584	1			HOUSING, Steering Column
17	8350 4582	1			HOUSING
	4600 124	1			BEZEL, 1990-92
18	8350 4583	1			SWITCH, Ignition 1988-90
	4607 032	1			1991-92
19	8350 5138	2			SCREW
20	8350 4601	1			CLIP
21	8350 4590	1			SHAFT, Steering
	5274 074	1			SEAL, 1991-92
22					JACKET ASSEMBLY
	8350 4588	1			w/Column Shift
	8350 4586	1			w/Floor Shift
23	5274 057	1			TUBE
24	8350 4615	1			WASHER
25	8350 4614	2			BEARING
26	8350 4610	1			BRACKET
27	8350 5419	1			CABLE
28	J813 4240	1			SCREW
29	8350 4613	1			LEVER
30	S150 0272	1			WASHER
31	1150 2764	5			BOLT
32	8350 5419	1			GATE, Shift Lever

MODEL CODES:

1988:	1989:	1990-92:	1990-92:
559 - Premier LX	56 - Premier LX 557 - Premier ES 66 - Premier ES	DP-Monaco LE	XP-Premier LX DS-Monaco ES XS-Premier ES

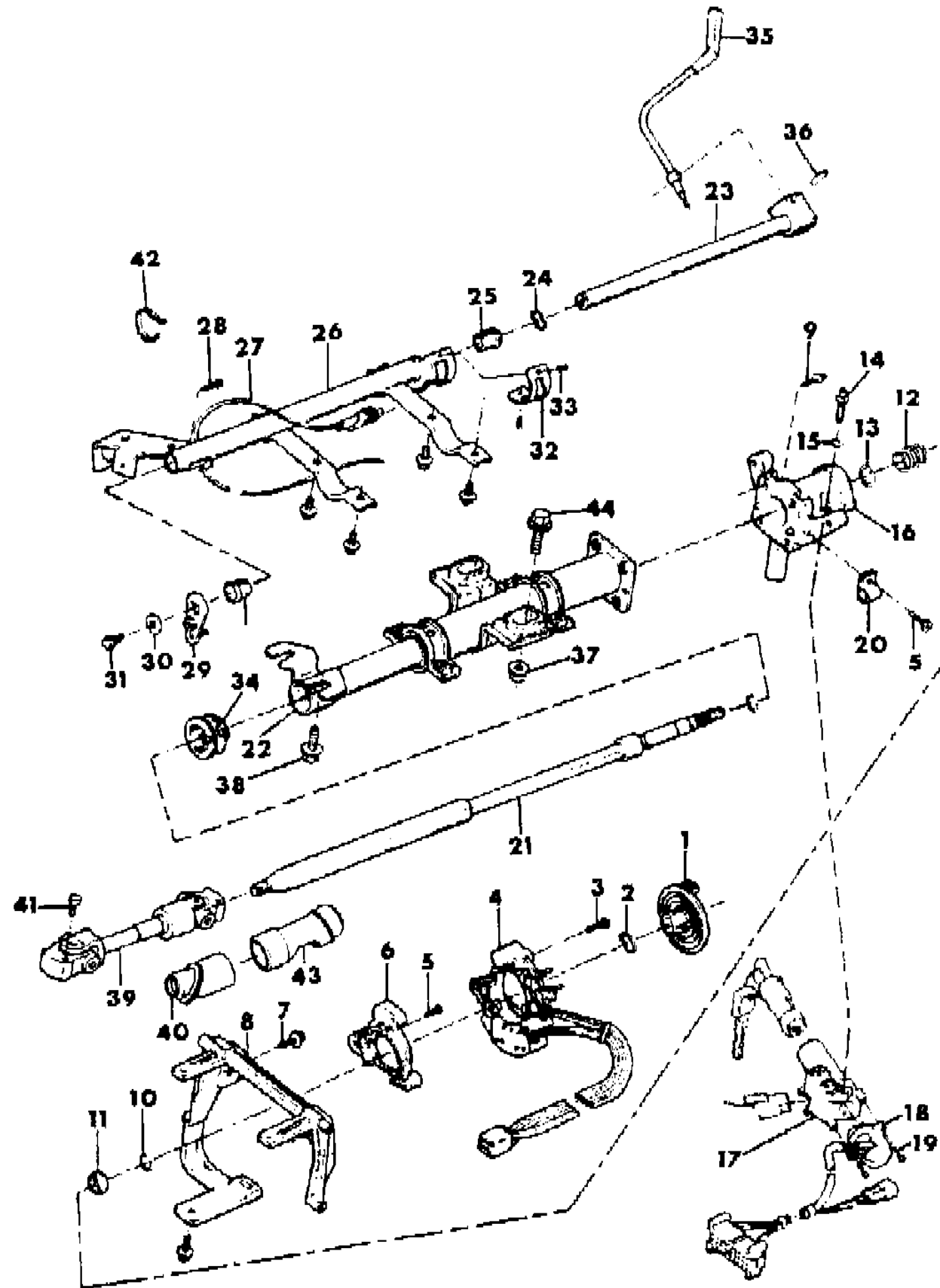
BODY STYLES:

1988:
55 = 4 dr. Sedan
1989-92:
6 = 4 Dr. Sedan

AR = Use as Required - = Non Illustrated Part P.A.R. = Paint as Required

HOUSING AND SHAFTS, STEERING COLUMN W/O TILT WHEEL
Figure 19-300

8P19 300



ITEM	PART NUMBER	QTY	BODY	MODEL	DESCRIPTION
33	J320 8210	2			SCREW
34	8350 4877	1			ADAPTER
35	4470 765	1			LEVER, Shift
36	1151 2417	1			PIN
37	1150 6007	2			NUT
38	3420 1869	2			BOLT
39	4600 140	1			SHAFT, Lower 1988-90
	4600 146	1			1991-92
40	3200 3316	1			BOOT
	5274 045	1			COVER, 1991-92
41	3420 2733	2			BOLT
42	J322 3227	2			STRAP
43	3200 3317	1			BOOT
44	3420 1869	2			BOLT

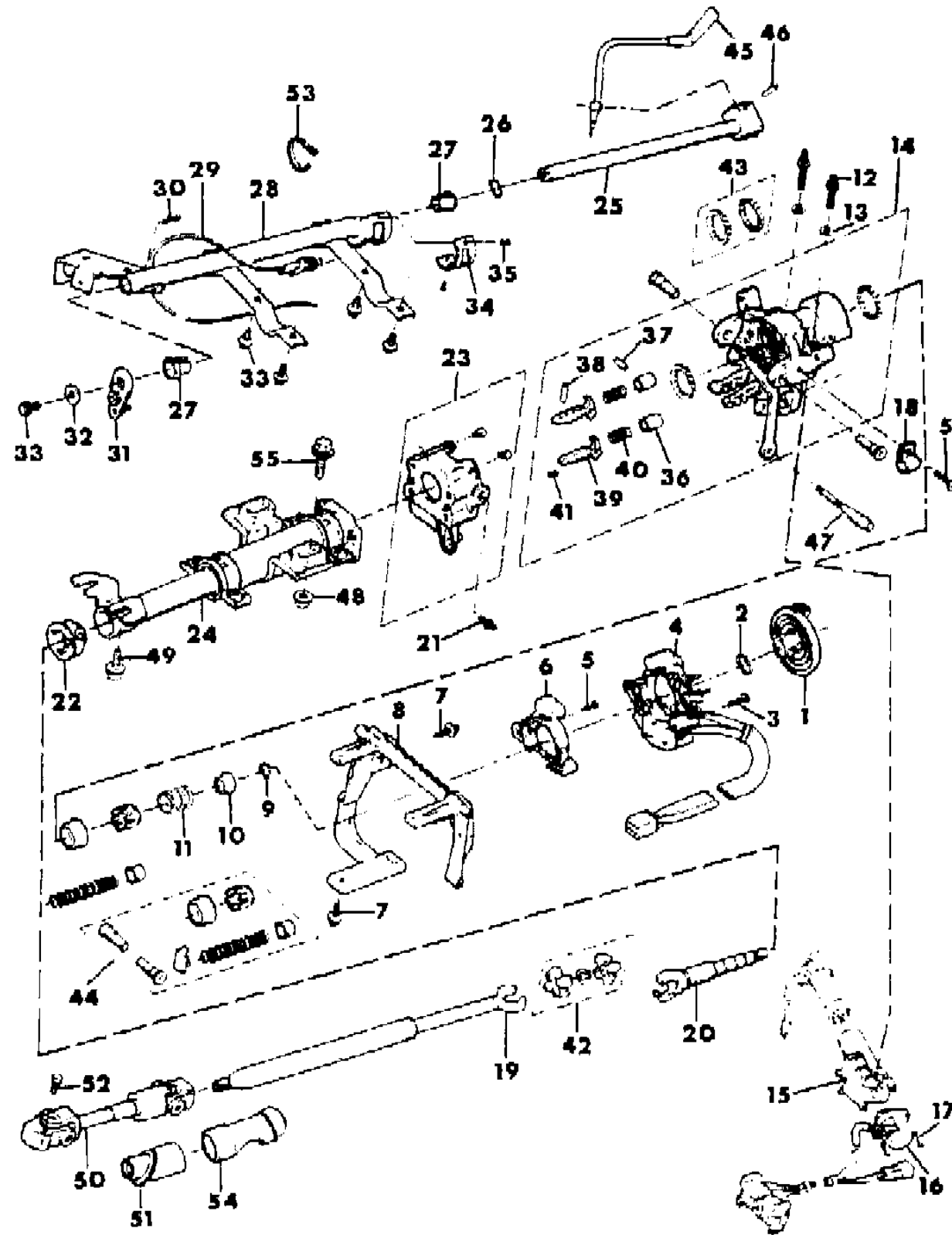
MODEL CODES:
 1988: 559 - Premier LX
 1989: 56 - Premier LX, 557 - Premier ES, 66 - Premier ES
 1990-92: DP-Monaco LE
 1990-92: XP-Premier LX, DS-Monaco ES, XS-Premier ES

BODY STYLES:
 1988: 55 = 4 dr. Sedan
 1989-92: 6 = 4 Dr. Sedan

AR = Use as Required - = Non Illustrated Part P.A.R. = Paint as Required

HOUSING AND SHAFTS, STEERING COLUMN W/TILT WHEEL
Figure 19-400

8P19 400



ITEM	PART NUMBER	QTY	BODY	MODEL	DESCRIPTION
1	3200 1823	1			CAM, Cancelling
2	8350 4605	1			WASHER
3	J448 8301	3			SCREW
4					SWITCH, Turn Signal
	8350 4593	1			w/o Cruise Control
	8350 4594	1			w/Cruise Control
5	8350 4603	3			SCREW
6	8350 4596	1			ADAPTER
7	8350 4595	3			SCREW
8					BRACKET
	8350 4597	1			1988
	3501 6457	1			1989-92
9	2925 062	2			RING
10	8350 2625	1			RETAINER
11	8350 2626	1			SPRING
12	8350 2623	2			BOLT
13	8350 4604	2			WASHER
14	8350 4585	1			HOUSING
15	8350 4582	1			HOUSING
16	8350 4583	1			SWITCH, Ignition
17	8350 5138	2			SCREW
18	8350 4601	1			CLIP
19	8350 4591	1			SHAFT, Lower
20	8350 4592	1			SHAFT, Upper
21	8350 4602	4			SCREW
22	8350 4877	1			ADAPTER
23	8350 4606	1			SUPPORT
24	8350 4589	1			JACKET ASSEMBLY
25	5274 057	1			TUBE
26	8350 4615	1			WASHER
27	8350 4614	2			BEARING
28	8350 4610	1			BRACKET
29	8350 5419	1			CABLE
30	J813 4240	1			SCREW
31	8350 4613	1			LEVER
32	S150 0272	1			WASHER
33	1150 2764	1			BOLT
34	8350 5419	1			GATE, Shift Lever
35	J320 8210	2			SCREW
36	8350 4607	2			BUSHING

MODEL CODES:

1988:	1989:	1990-92:	1990-92:
559 - Premier LX	56 - Premier LX 557 - Premier ES 66 - Premier ES	DP-Monaco LE	XP-Premier LX DS-Monaco ES XS-Premier ES

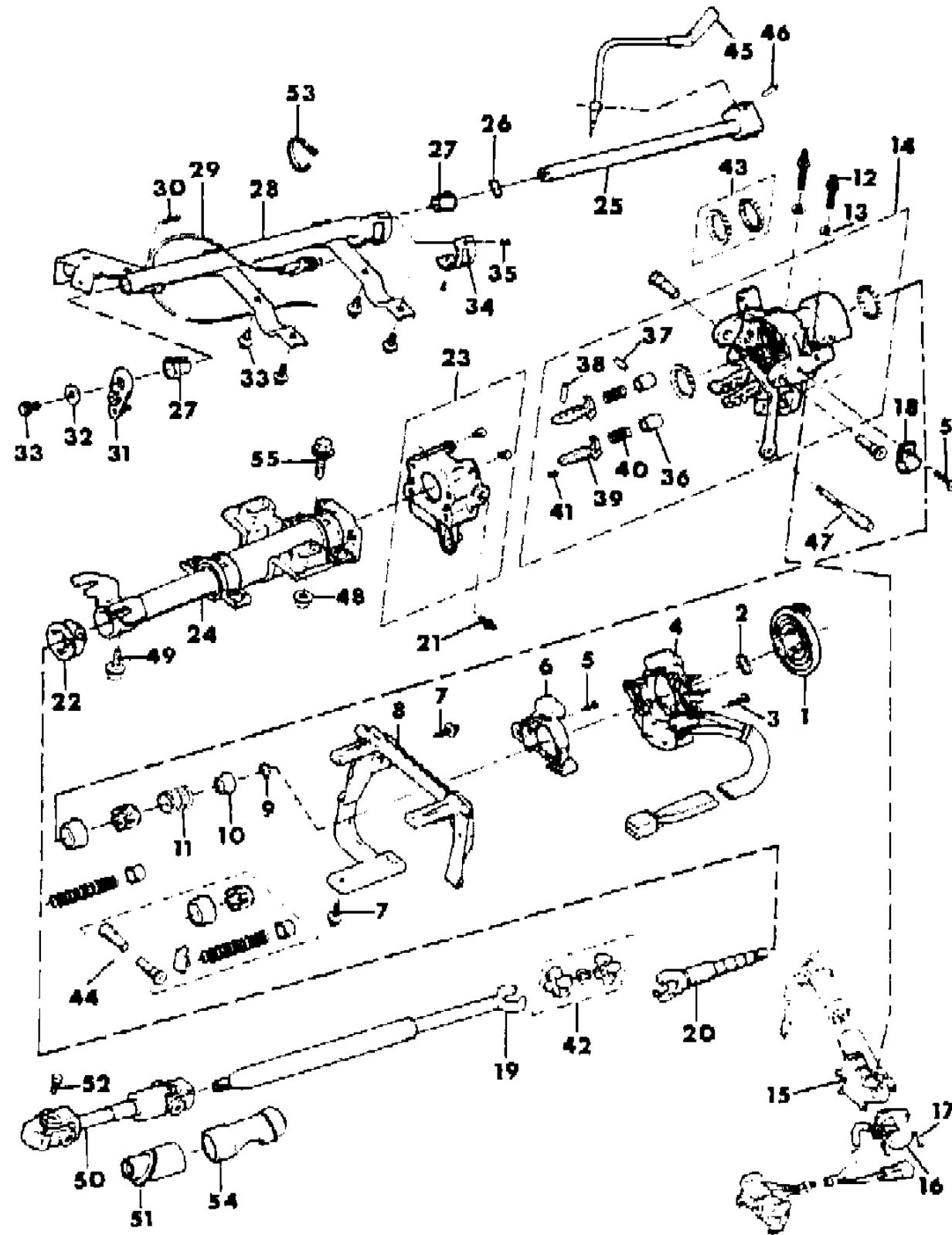
BODY STYLES:

1988:
55 = 4 dr. Sedan
1989-92:
6 = 4 Dr. Sedan

AR = Use as Required - = Non Illustrated Part P.A.R. = Paint as Required

HOUSING AND SHAFTS, STEERING COLUMN W/TILT WHEEL
Figure 19-400

8P19 400



ITEM	PART NUMBER	QTY	BODY	MODEL	DESCRIPTION
37	8350 4608	1			PIN
38	J320 8043	1			PIN
39					SHOE
	J448 7828	1			Rt.
	J812 2716	1			Lt.
40	J448 7832	2			SPRING
41	J320 8047	1			SPRING
42	4147 365	1			SPHERE
43	8350 2627	1			BEARING
44	8350 2629	1			PARTS PACKAGE
45	4470 765	1			LEVER, Shift
46	1151 2417	1			PIN
47	3200 1822	1			LEVER, Release
48	1150 6007	2			NUT
49	3420 1869	2			BOLT
50	4600 140	1			SHAFT, Lower 1988-90
	4600 146	1			1991-92
51	3200 3316	1			BOOT
	5274 045	1			COVER, 1991-92
52	3420 2733	2			BOLT
53	J322 3227	2			STRAP
54	3200 3317	1			BOOT
55	3420 1869	2			BOLT

MODEL CODES:

1988:	1989:	1990-92:	1990-92:
559 - Premier LX	56 - Premier LX	DP-Monaco LE	XP-Premier LX
	557 - Premier ES		DS-Monaco ES
	66 - Premier ES		XS-Premier ES

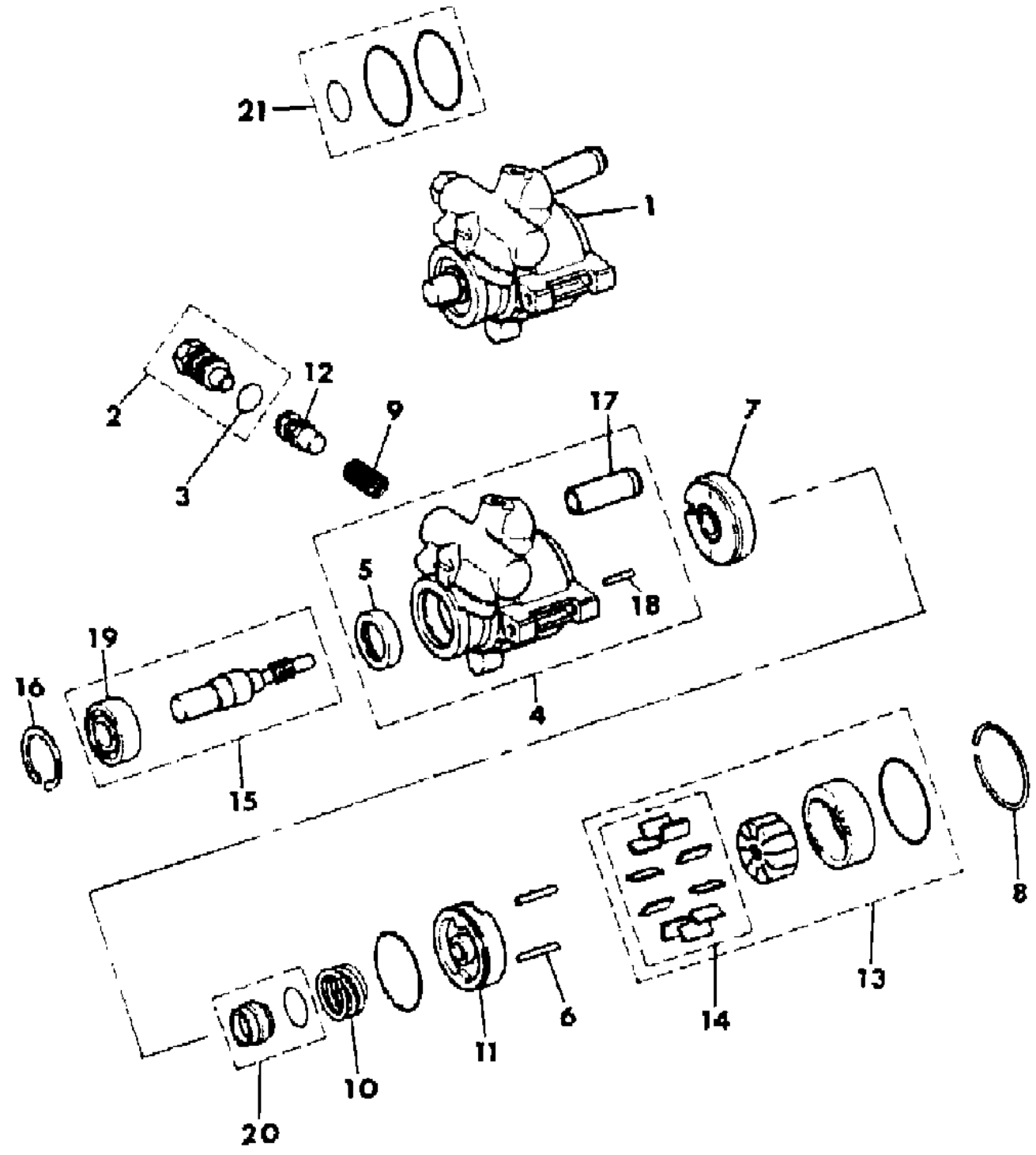
BODY STYLES:

1988:
55 = 4 dr. Sedan
1989-92:
6 = 4 Dr. Sedan

AR = Use as Required - = Non Illustrated Part P.A.R. = Paint as Required

PUMP, POWER STEERING FOUR CYLINDER ENGINE
Figure 19-500

8P19 500



ITEM	PART NUMBER	QTY	BODY	MODEL	DESCRIPTION
1	3300 4548	1			PUMP, Power Steering
2	8350 4874	1			FITTING
3	J320 9671	1			SEAL
4	8350 3485	1			BODY, Pump
5	8350 1814	1			SEAL
6	8350 1818	2			PIN
7	8350 1815	1			PLATE
8	8350 1821	1			RING
9	J320 9673	1			SPRING
10	8350 1822	1			SPRING
11	8350 4035	1			PLATE
12	8350 4874	1			VALVE
13	8350 2164	1			RING PACKAGE
14	8350 1827	1			VANE PACKAGE
15	8350 4033	1			SHAFT
16	8350 1820	1			RING
17	8350 0266	1			TUBE
18	8350 1828	1			PIN
19	8350 4034	1			BEARING
20	8350 1826	1			SLEEVE PACKAGE
21	8350 1825	1			SEAL PACKAGE

MODEL CODES:
 1988: 559 - Premier LX
 1989: 56 - Premier LX
 557 - Premier ES
 66 - Premier ES
 1990-92: DP-Monaco LE
 1990-92: XP-Premier LX
 DS-Monaco ES
 XS-Premier ES

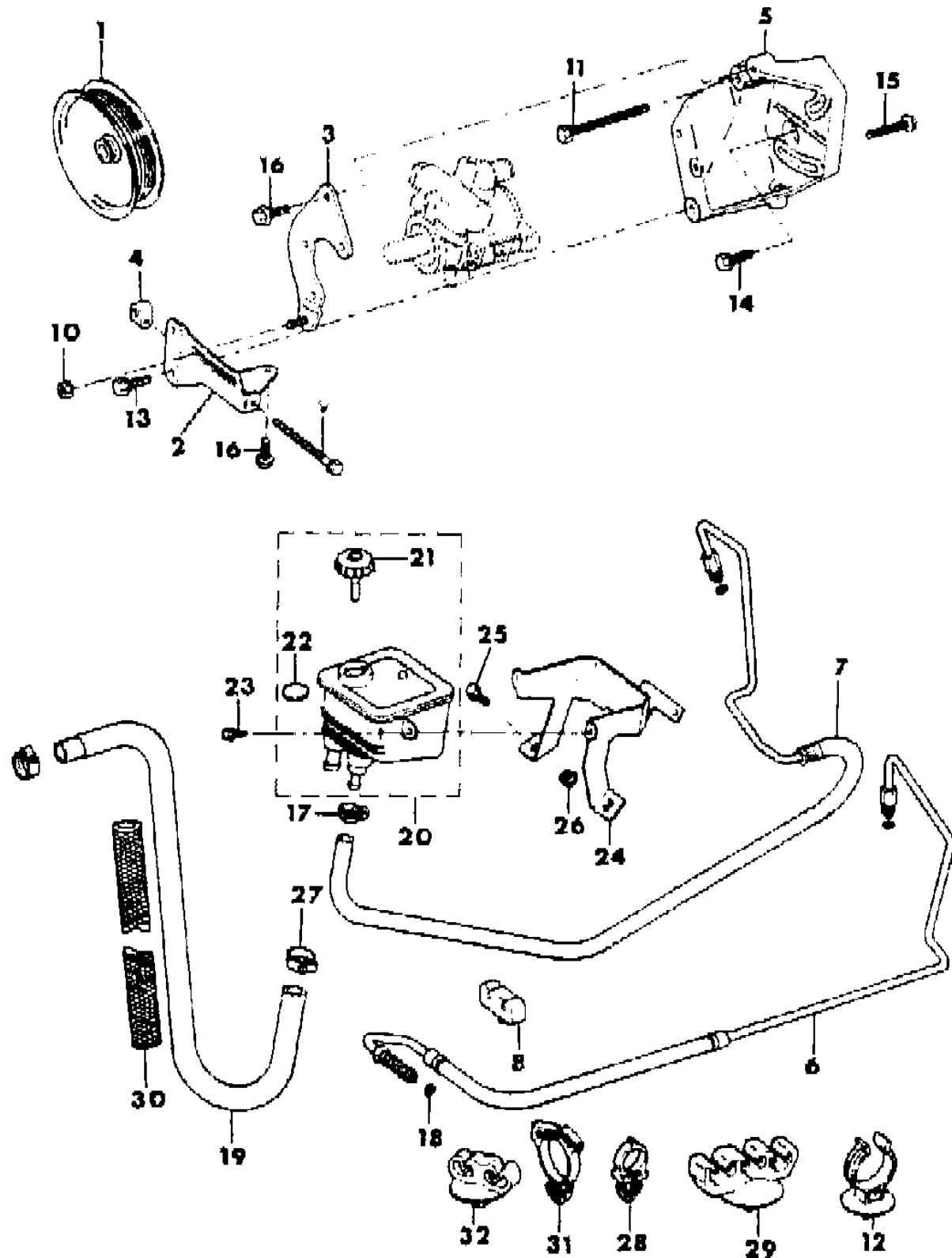
BODY STYLES:
 1988:
 55 = 4 dr. Sedan
 1989-92:
 6 = 4 Dr. Sedan

AR = Use as Required - = Non Illustrated Part P.A.R. = Paint as Required

PUMP MOUNTING, POWER STEERING FOUR CYLINDER ENGINE

Figure 19-600

8P19 600



ITEM	PART NUMBER	QTY	BODY	MODEL	DESCRIPTION
1	5300 2909	1			PULLEY
2	5300 2913	1			BRACKET
3	5300 2911	1			BRACKET
4	5300 2915	1			COLLAR
5	5300 2910	1			BRACKET
6	3200 3211	1			HOSE, Power Steering
7	3200 3208	1			HOSE, Power Steering
8	3200 2777	1			INSULATOR
9	3420 2480	1			BOLT
10	3420 1918	1			NUT
11	J400 7510	1			BOLT
12	3420 2767	1			CLIP
13	J400 6995	2			BOLT
14	J812 5845	1			BOLT
15	3420 1819	2			SCREW
16	3420 1818	1			SCREW Length = 25mm
	3420 1586	5			SCREW Length = 20mm
17	J317 4254	1			CLAMP
18	J325 1183	3			SEAL
19	3200 3209	1			HOSE, Low Pressure
20	3200 3290	1			RESERVOIR
21	8350 5253	1			CAP, Reservoir
22	8350 0243	1			MAGNET, Reservoir
23	J941 7855	2			SCREW
24	3200 3210	1			BRACKET, Reservoir
25	1150 0994	1			SCREW
26	1150 1889	2			NUT
27	J320 3076	2			CLAMP
28	3420 1633	1			CLIP
29	3300 0202	1			CLIP
30	4470 650	1			SLEEVE, Braided Expandable
31	3420 2940	1			CLIP
32	3420 2941	1			CLIP

MODEL CODES:

1988:	1989:	1990-92:	1990-92:
559 - Premier LX	56 - Premier LX 557 - Premier ES 66 - Premier ES	DP-Monaco LE	XP-Premier LX DS-Monaco ES XS-Premier ES

BODY STYLES:

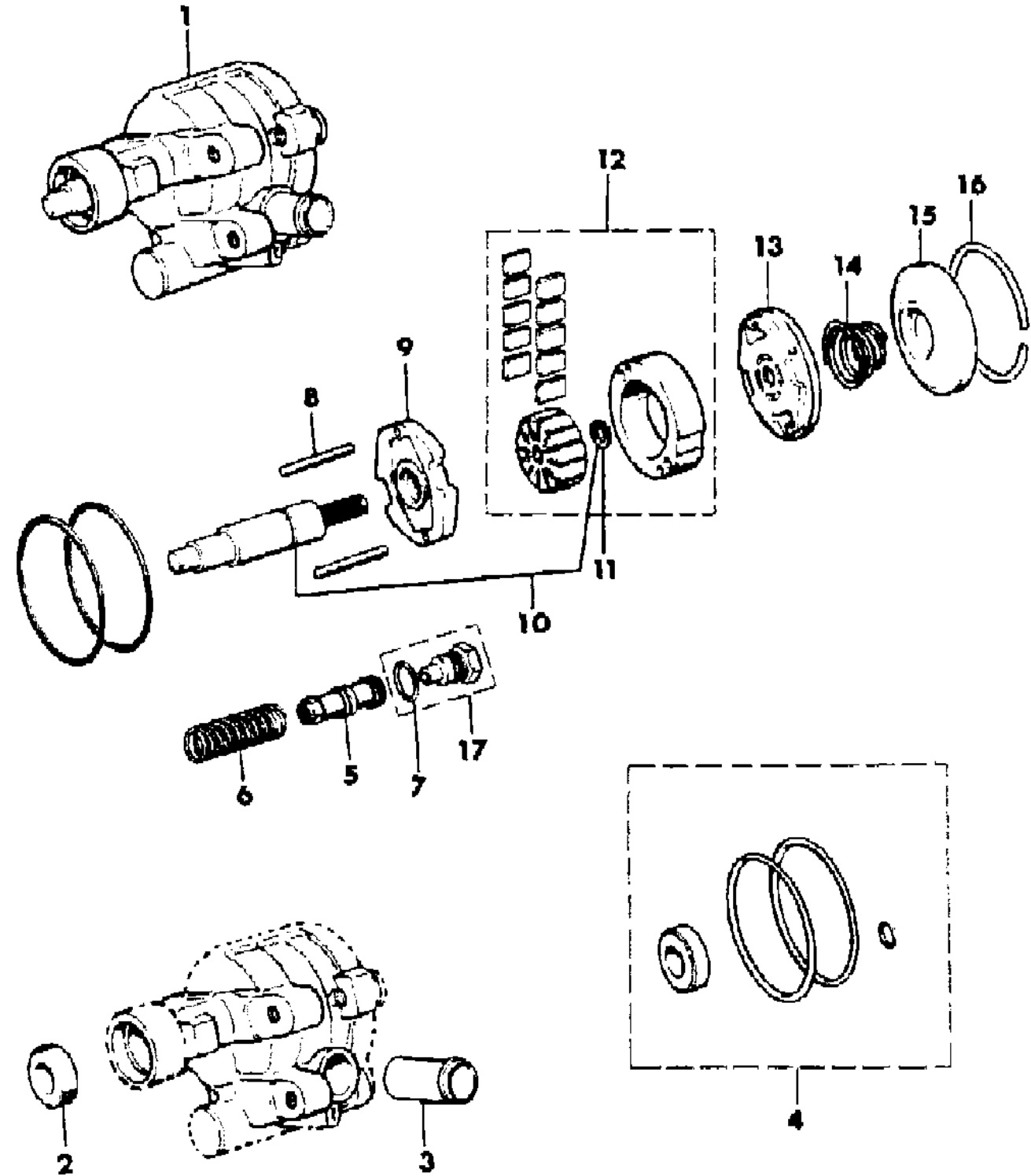
1988:
55 = 4 dr. Sedan
1989-92:
6 = 4 Dr. Sedan

AR = Use as Required - = Non Illustrated Part P.A.R. = Paint as Required

PUMP, POWER STEERING SIX CYLINDER ENGINE
Figure 19-700

8P19 700

ITEM	PART NUMBER	QTY	BODY	MODEL	DESCRIPTION
1	4470 723	1			PUMP, Power Steering
2	J448 8330	1			SEAL
3	8350 0266	1			TUBE
4	8350 0074	1			SEAL PACKAGE
5	J812 0531	1			VALVE
6	J320 9673	1			SPRING
7	J320 9671	1			SEAL
8	J320 9660	2			PIN
9	8350 0071	1			PLATE
10	J813 3828	1			SHAFT PACKAGE
11	8350 0075	1			RING, Retaining
12	8350 2167	1			RING PACKAGE
13	J813 3957	1			PLATE
14	J813 3958	1			SPRING
15	J320 9661	1			PLATE
16	J320 9664	1			RING
17	8350 4580	1			FITTING



MODEL CODES:
 1988: 559 - Premier LX
 1989: 56 - Premier LX
 557 - Premier ES
 66 - Premier ES
 1990-92: DP-Monaco LE
 1990-92: XP-Premier LX
 DS-Monaco ES
 XS-Premier ES

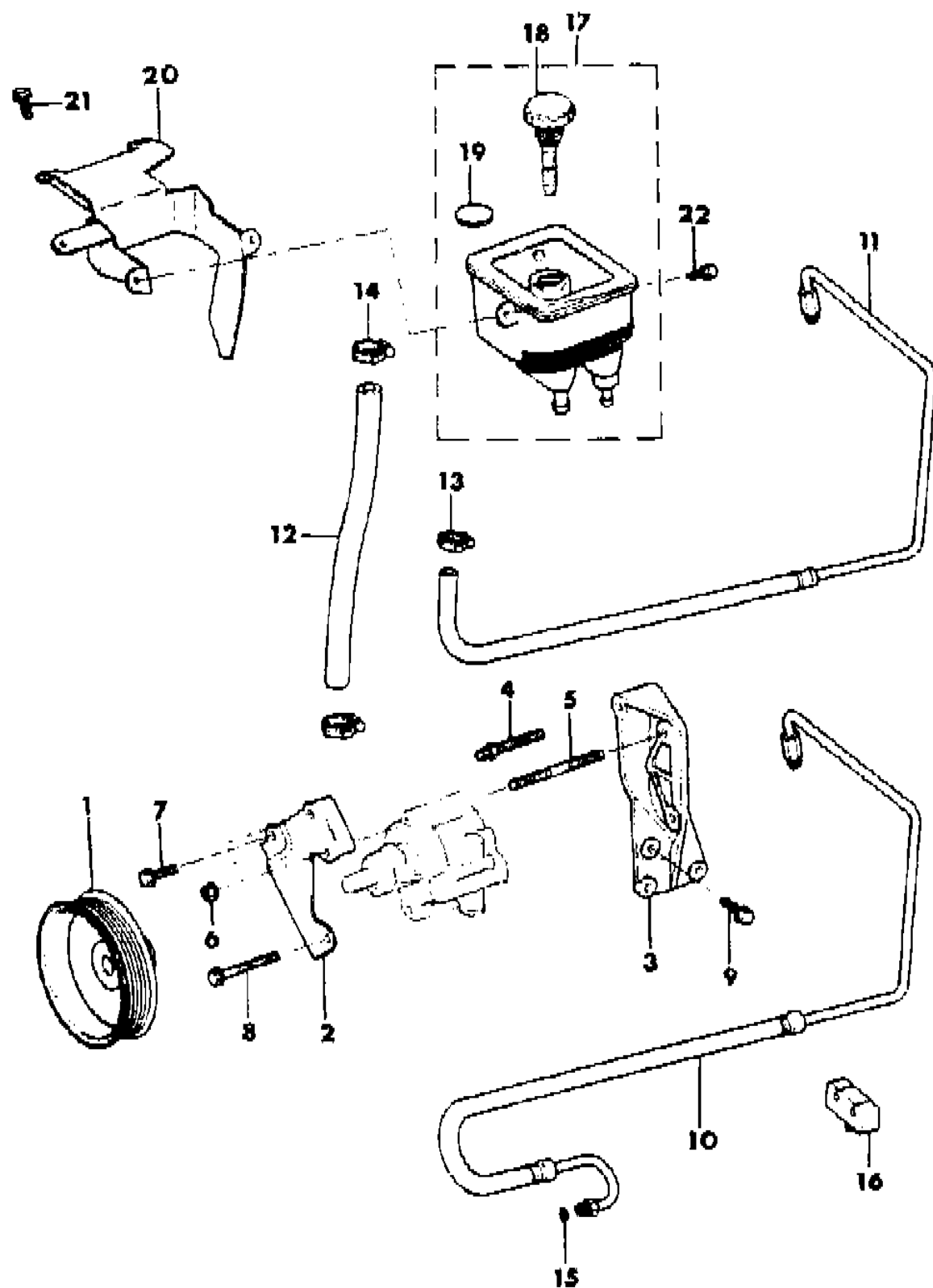
BODY STYLES:
 1988:
 55 = 4 dr. Sedan
 1989-92:
 6 = 4 Dr. Sedan

AR = Use as Required - = Non Illustrated Part P.A.R. = Paint as Required

PUMP MOUNTING, POWER STEERING SIX CYLINDER ENGINE

Figure 19-800

8P19 800



ITEM	PART NUMBER	QTY	BODY	MODEL	DESCRIPTION
1	3300 4257	1			PULLEY
2	3300 4258	1			BRACKET
3	3300 4259	1			BRACKET
4	3420 2783	1			STUD
5	3420 1569	1			STUD
6	1150 6007	2			NUT
7	3420 1586	1			BOLT
8	3420 2028	1			BOLT
9	1150 2628	3			BOLT
10	3200 1519	1			HOSE, 1988-90
	4584 197	1			Front 1991-92
	4584 196	1			Rear 1991-92
11	3200 1517	1			HOSE, 1988-90
	4584 199	1			Front 1991-92
	4584 198	1			Rear 1991-92
12	3200 2151	1			HOSE, Low Pressure
13	J317 4254	1			CLAMP
14	J320 3076	2			CLAMP
15	J325 1183	3			SEAL
16	3200 2777	1			INSULATOR, Hose
17	3200 3290	1			RESERVOIR, Power Steering
18	5200 1781	1			CAP, Reservoir
19	8350 0243	1			MAGNET, Reservoir
20	3200 2152	1			BRACKET, Reservoir
21	1150 4735	1			BOLT
22	J941 7855	2			SCREW

MODEL CODES:

1988:	1989:	1990-92:	1990-92:
559 - Premier LX	56 - Premier LX	DP-Monaco LE	XP-Premier LX
	557 - Premier ES		DS-Monaco ES
	66 - Premier ES		XS-Premier ES

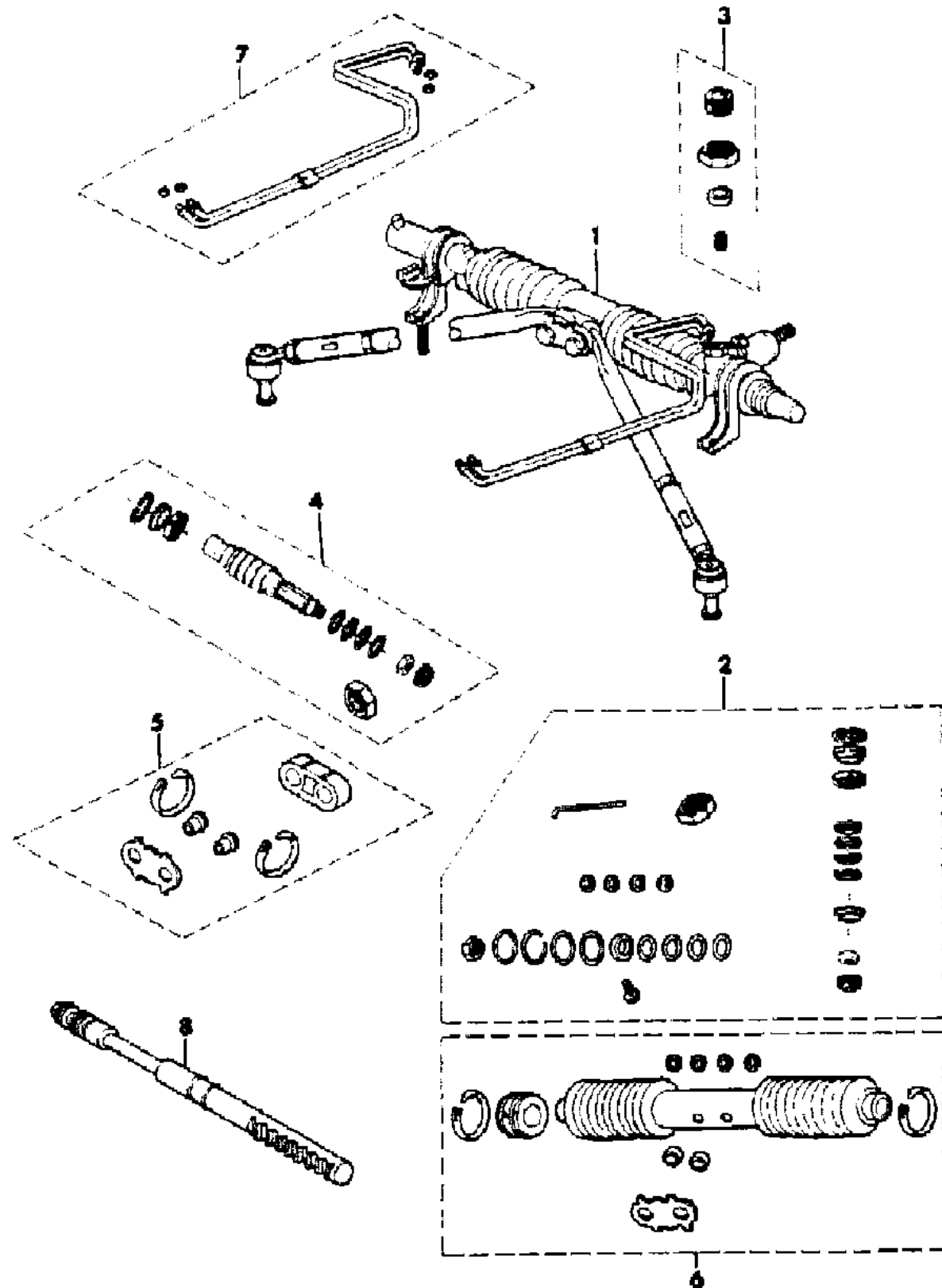
BODY STYLES:

1988:
55 = 4 dr. Sedan
1989-92:
6 = 4 Dr. Sedan

AR = Use as Required - = Non Illustrated Part P.A.R. = Paint as Required

GEAR ASSEMBLY, STEERING
Figure 19-900

8P19 900



ITEM	PART NUMBER	QTY	BODY	MODEL	DESCRIPTION
1	3200 1506	1			GEAR, Steering
2	8350 5175	1			REPAIR PACKAGE
3	8350 5176	1			YOKE PACKAGE
4	8350 5177	1			VALVE PACKAGE
5	8350 5178	1			GUIDE PACKAGE
6	8350 5179	1			BOOT PACKAGE
7	8350 5180	1			LINE PACKAGE
8	8350 5183	1			RACK PACKAGE

MODEL CODES:
 1988: 559 - Premier LX
 1989: 56 - Premier LX, 557 - Premier ES, 66 - Premier ES
 1990-92: DP-Monaco LE
 1990-92: XP-Premier LX, DS-Monaco ES, XS-Premier ES

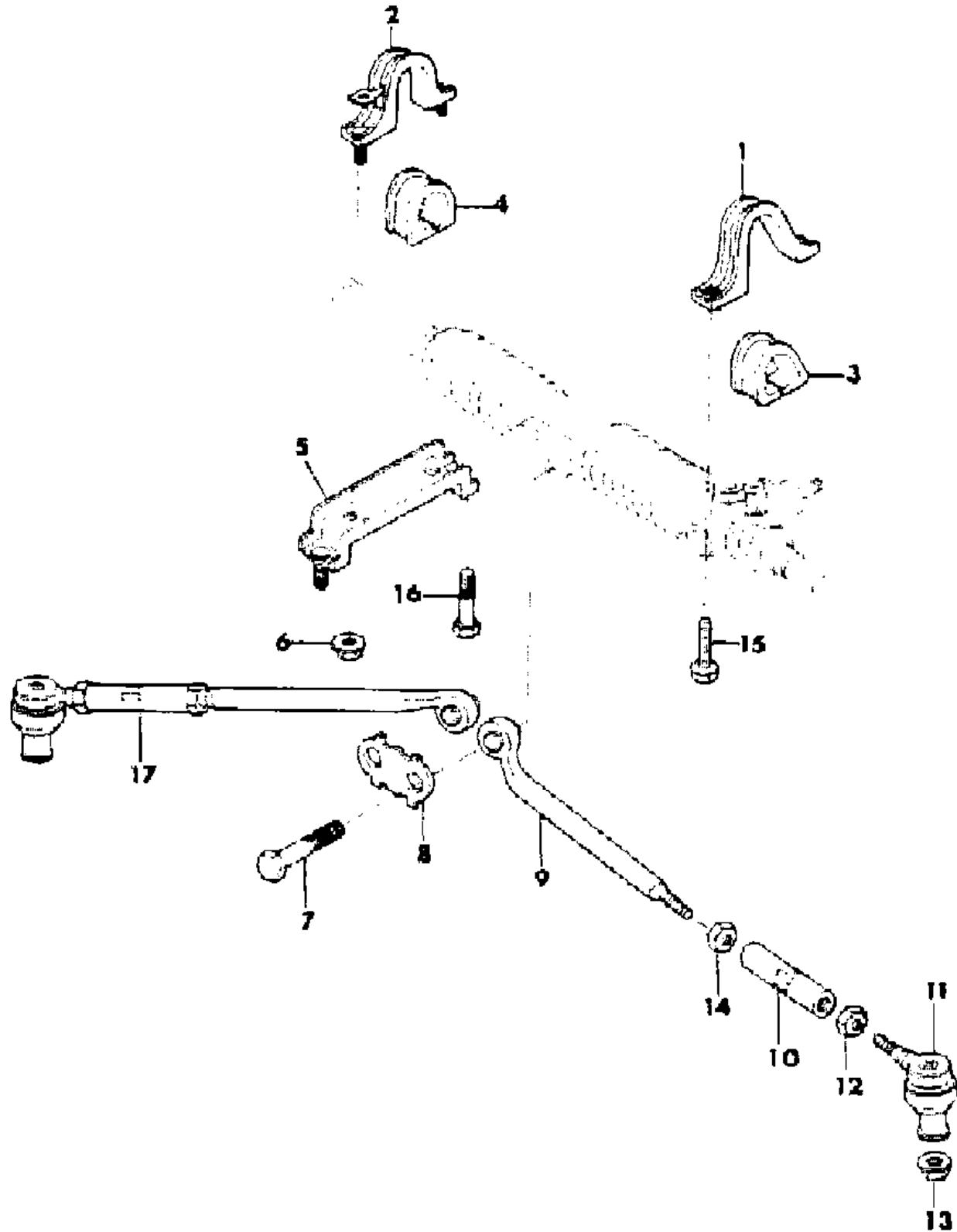
BODY STYLES:
 1988: 55 = 4 dr. Sedan
 1989-92: 6 = 4 Dr. Sedan

AR = Use as Required - = Non Illustrated Part P.A.R. = Paint as Required

GEAR MOUNTING, STEERING
Figure 19-1000

8P19 1000 A

ITEM	PART NUMBER	QTY	BODY	MODEL	DESCRIPTION
1	3200 2580	1			CLAMP
2	8350 5166	1			CLAMP
3	3200 1639	1			ISOLATOR
4	8350 5168	1			ISOLATOR
5	8350 5167	1			BRACKET
6					NUT
	1150 2812	3			(Up To 4-3-89)
	6502 113	3			(After 4-3-89)
7	8350 5170	2			BOLT
8	8350 5154	1			BRACKET
9	8350 5257	2			LINK ASSEMBLY, Incl. Bushing
10	8350 5258	2			TUBE
11	8350 5173	2			END, Tie Rod
12	8350 5174	2			NUT
13	J303 4098	2			NUT
14	8350 5259	2			NUT
15	3420 2781	2			BOLT
16	3420 2782	1			BOLT
17					ROD ASSEMBLY
	8350 5171	1			Rt.
	8350 5172	1			Lt.



MODEL CODES:

1988:	1989:	1990-92:	1990-92:
559 - Premier LX	56 - Premier LX	DP-Monaco LE	XP-Premier LX
	557 - Premier ES		DS-Monaco ES
	66 - Premier ES		XS-Premier ES

BODY STYLES:

1988:
55 = 4 dr. Sedan
1989-92:
6 = 4 Dr. Sedan

AR = Use as Required - = Non Illustrated Part P.A.R. = Paint as Required

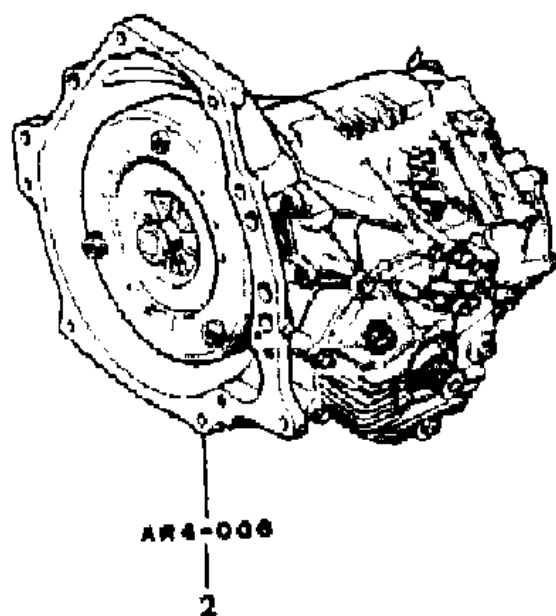
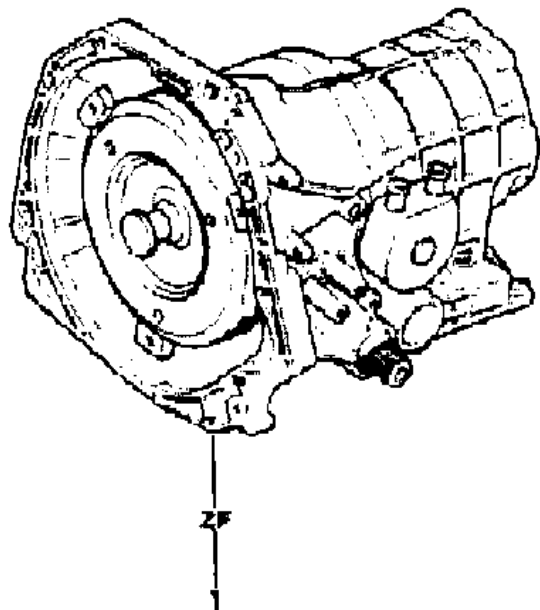
GROUP 21A - TRANSMISSION, AUTOMATIC

ILLUSTRATION TITLE	GROUP-FIG. NO.
TRANSAXLE ASSEMBLIES AUTOMATIC	Fig. 21A-100
CASE, ADAPTER AND MISC PARTS ZF AUTOMATIC TRANSAXLE	Fig. 21A-200
PUMP, OIL AND SEAL ZF AUTOMATIC TRANSAXLE	Fig. 21A-300
BAND, BRAKE ZF AUTOMATIC TRANSAXLE	Fig. 21A-400
SHIFTING AND PARK LOCK ZF AUTOMATIC TRANSAXLE	Fig. 21A-500
VALVE BODY ZF AUTOMATIC TRANSAXLE	Fig. 21A-600
GEAR TRAIN AND SHAFTS ZF AUTOMATIC TRANSAXLE	Fig. 21A-700
CASE AND MISC. PARTS AR-4 AUTOMATIC TRANSAXLE 1988-1989	Fig. 21A-800
VALVE BODY AR-4 AUTOMATIC TRANSAXLE 1988-1989	Fig. 21A-900
CONTROLS, ELECTRONIC AR-4 AUTOMATIC TRANSAXLE 1988-1989	Fig. 21A-1000
CONTROLS, GEARSHIFT - COLUMN SHIFT ZF AUTOMATIC TRANSAXLE 1988-1989	Fig. 21A-1100
CONTROLS, GEARSHIFT - COLUMN SHIFT AR-4 AUTOMATIC TRANSAXLE 1988-1989	Fig. 21A-1200
CONTROLS, GEARSHIFT - FLOOR SHIFT AR-4 AUTOMATIC TRANSAXLE 1988-1989	Fig. 21A-1300
CONTROLS, GEARSHIFT - FLOOR SHIFT ZF AUTOMATIC TRANSAXLE 1990-1991	Fig. 21A-1400

ILLUSTRATION NOT AVAILABLE AT TIME OF PUBLICATION

TRANSAXLE ASSEMBLIES AUTOMATIC
Figure 21A-100

8P51100 B



ITEM	PART NUMBER	QTY	BODY	MODEL	DESCRIPTION
1					TRANSAXLE ASSEMBLY, w/Torque Converter, ZF New, 6 Cyl. Eng.
	3300 3457	1			1988-89, Up To 10-10-88, w/Trans. No. 1-54276
	4531 134	1			1989, After 10-10-88, w/Trans. No. After 54276, Also order 4531135 Indicator And 4531136 Filler Tube(Has a Stamped Steel Oil Cooler)
	4531 134	1			1990
	4531 134	1			1991, Use Up To Build Date 10-9-90
	4567 002	1			1991-92, Use On or After 10-9-90 (Has a Cast Aluminum Oil Cooler), w/Z7X-715 Eng.
	JR77 5155	1			TRANSAXLE ASSEMBLY, ZF Remanufactured 1988-89, Up To 10-10-88, w/Trans. No. 1-54276
	R454 9230	1			1989, After 10-10-88, w/Trans. No. After 54276 Also Order 4531135 Indicator And 4531136 Filler Tube, w/Z7X-711 Eng.
2					TRANSAXLE ASSEMBLY, w/Torque Converter, AR4 New, 1988-89
	T146 4696	1			4 CYL. ENG.

MODEL CODES:

1988:	1989:	1990-92:	1990-92:
559 - Premier LX	56 - Premier LX 557 - Premier ES 66 - Premier ES	DP-Monaco LE	XP-Premier LX DS-Monaco ES XS-Premier ES

BODY STYLES:

1988:
55 = 4 dr. Sedan
1989-92:
6 = 4 Dr. Sedan

AR = Use as Required - = Non Illustrated Part P.A.R. = Paint as Required

CASE, ADAPTER AND MISC PARTS ZF AUTOMATIC TRANSAXLE
Figure 21A-200

BP51 200 A

ITEM	PART NUMBER	QTY	BODY	MODEL	DESCRIPTION
1					PAN, Oil Transaxle
	4549 203	1			1988-89, w/Tube And Indicator, Up To 10-10-88
	4531 186	1			1989-90-91, w/o Tube and Indicator, After 10-10-88
2	8350 4677	1			GASKET, Transaxle Oil Pan
3	8350 5048	4			BRACKET, Angle Oil Pan Retention
4	8350 5047	4			WASHER, Oil Pan
5	3420 1169	4			NUT, Hexagon
6	8350 5270	4			STUD, Oil Pan Retention
7	J055 7845	1			COVER, Starter Side
8	J056 5779	1			COVER, Dust Lower
9	8350 5271	1			TUBE, By-Pass
10	3300 4605	1			SWITCH, Neutral Safety
11	8350 5058	1			PLATE, Retaining Switch
12	8350 5057	1			WASHER
13	8350 5272	1			SCREW
14					COOLER, Transaxle Oil ***
	8350 5046	1			1988-91, w/Z7X-711 Eng.
	4567 003	1			1991-92, w/Z7X-715 Eng.
15	8350 5277	1			O-RING
16	8350 5276	1			SCREW
17					TUBE ASSEMBLY, Trans. Oil Filler
	3300 4005	1			1988-89, Up To 10-10-88
	4531 136	1			1989-90, After 10-10-88
	4531 206	1			1991
18					INDICATOR, Trans. Oil Level
	3300 4757	1			1988-89, Up To 10-10-88
	4531 207	1			1989, After 10-10-88
	4531 207	1			1990-91
19	3420 1918	1			NUT
20	8350 4841	2			GASKET, Housing Flange
21	8350 5059	1			BREATHER, Gear Unit ***
22	8350 5060	1			O-RING, Breather
23	8350 5061	1			WASHER
24	8350 5062	1			COVER
25	8350 5412	1			SEAL
26	8350 5411	1			SEAL
27	3420 2027	2			BOLT, M10x1.5x60
28	3420 2580	2			STUD, To Engine, M10x1.5x70
29	1150 6007	2			NUT
30	J073 8181	1			COVER, Right Side Dust

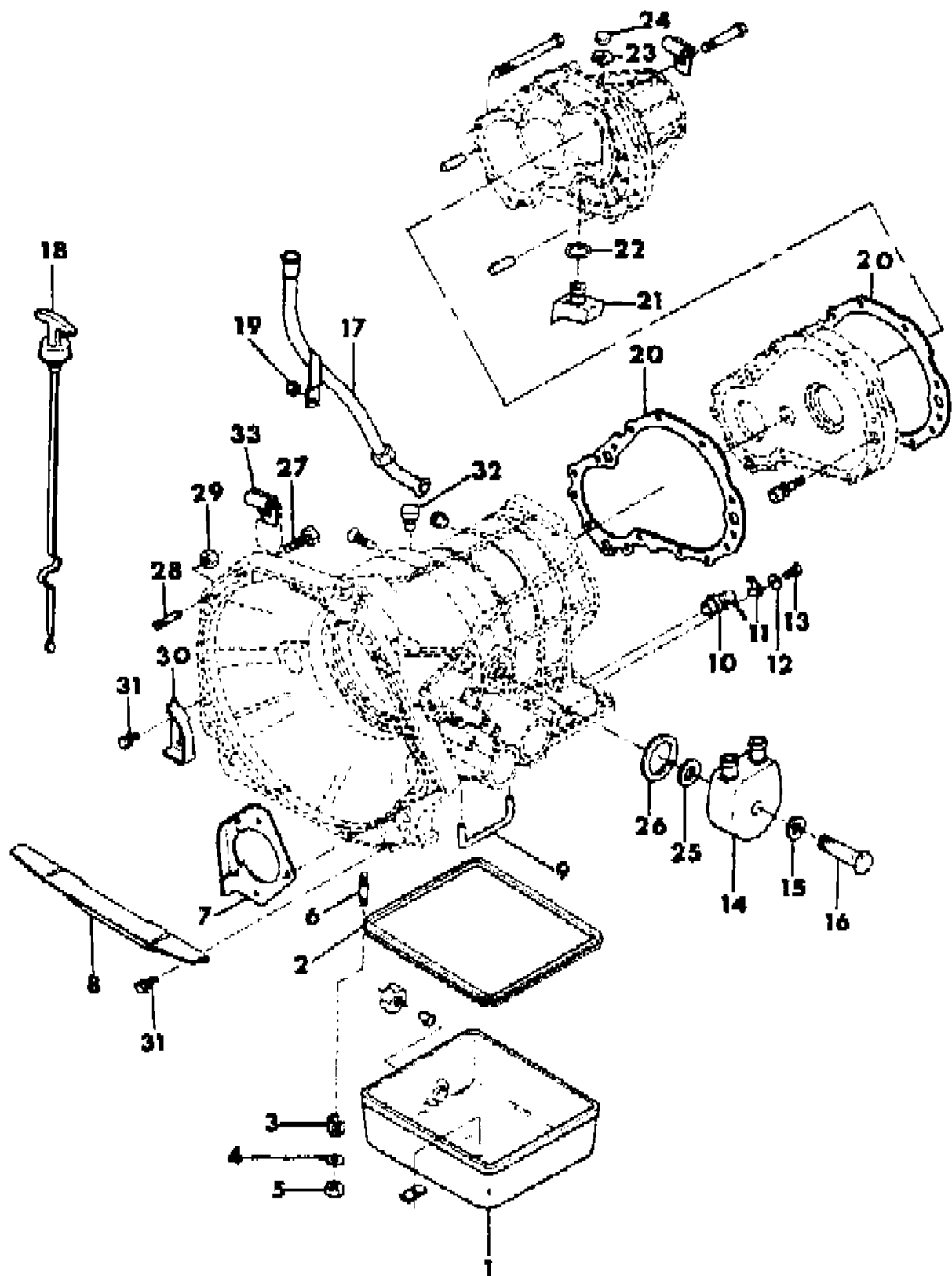
MODEL CODES:

1988:	1989:	1990-92:	1990-92:
559 - Premier LX	56 - Premier LX	DP-Monaco LE	XP-Premier LX
	557 - Premier ES		DS-Monaco ES
	66 - Premier ES		XS-Premier ES

BODY STYLES:

1988:
55 = 4 dr. Sedan
1989-92:
6 = 4 Dr. Sedan

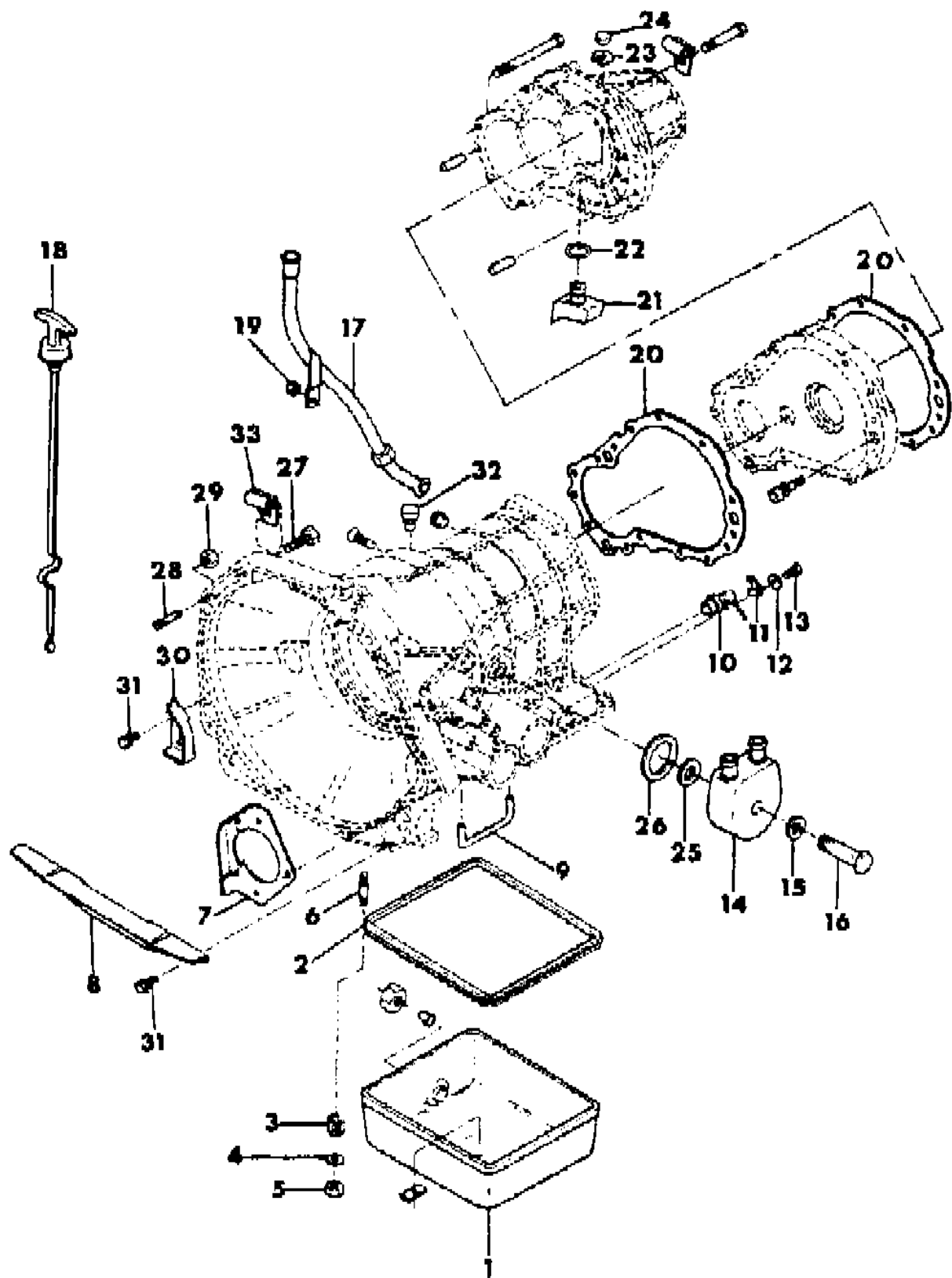
AR = Use as Required - = Non Illustrated Part P.A.R. = Paint as Required



CASE, ADAPTER AND MISC PARTS ZF AUTOMATIC TRANSAXLE
Figure 21A-200

BP51 200 A

ITEM	PART NUMBER	QTY	BODY	MODEL	DESCRIPTION
31	3420 1807	4			BOLT, Cover to Transaxle
32	8350 5063	1			BREATHER, Assembly ***
33	3300 4193	2			BRACKET, Breather
	6033 879	2			FITTING, Trans. Oil Cooler Lines



MODEL CODES:
 1988: 559 - Premier LX
 1989: 56 - Premier LX, 557 - Premier ES, 66 - Premier ES
 1990-92: DP-Monaco LE
 1990-92: XP-Premier LX, DS-Monaco ES, XS-Premier ES

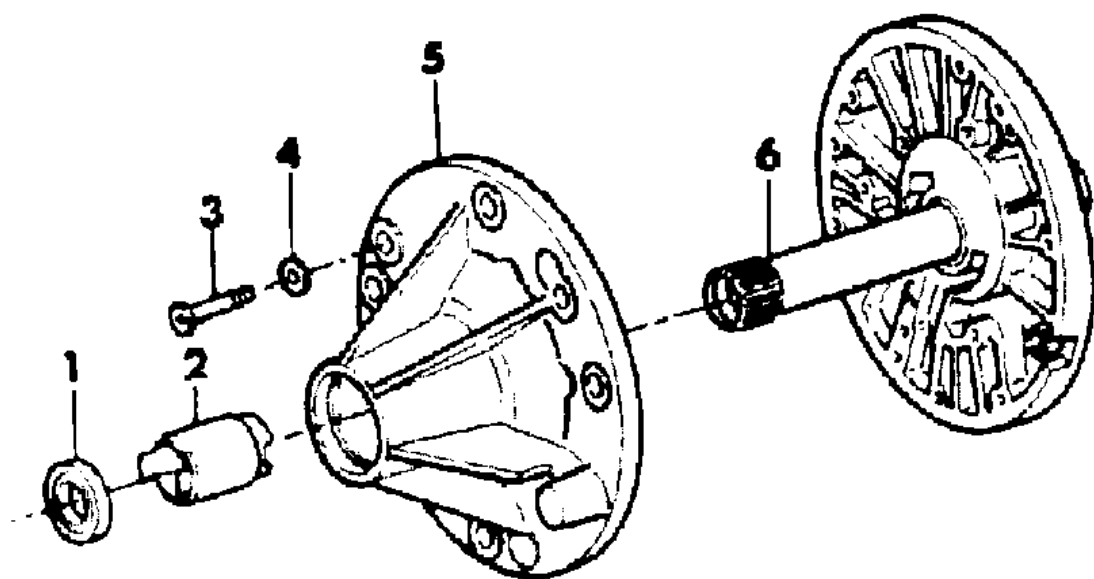
BODY STYLES:
 1988: 55 = 4 dr. Sedan
 1989-92: 6 = 4 Dr. Sedan

AR = Use as Required - = Non Illustrated Part P.A.R. = Paint as Required

PUMP, OIL AND SEAL ZF AUTOMATIC TRANSAXLE
Figure 21A-300

8P51 300

ITEM	PART NUMBER	QTY	BODY	MODEL	DESCRIPTION
1	8350 5225	1			SEAL, Oil Pump Front
2	8350 5228	1			SPACER, Front Pump
3	8350 5229	9			SCREW, Pump Mounting
4	8350 5230	9			WASHER
5	8350 5226	1			PUMP, Front Oil
6	8350 5279	1			PLATE, Reaction Support Shaft



MODEL CODES:

1988:	1989:	1990-92:	1990-92:
559 - Premier LX	56 - Premier LX 557 - Premier ES 66 - Premier ES	DP-Monaco LE	XP-Premier LX DS-Monaco ES XS-Premier ES

BODY STYLES:

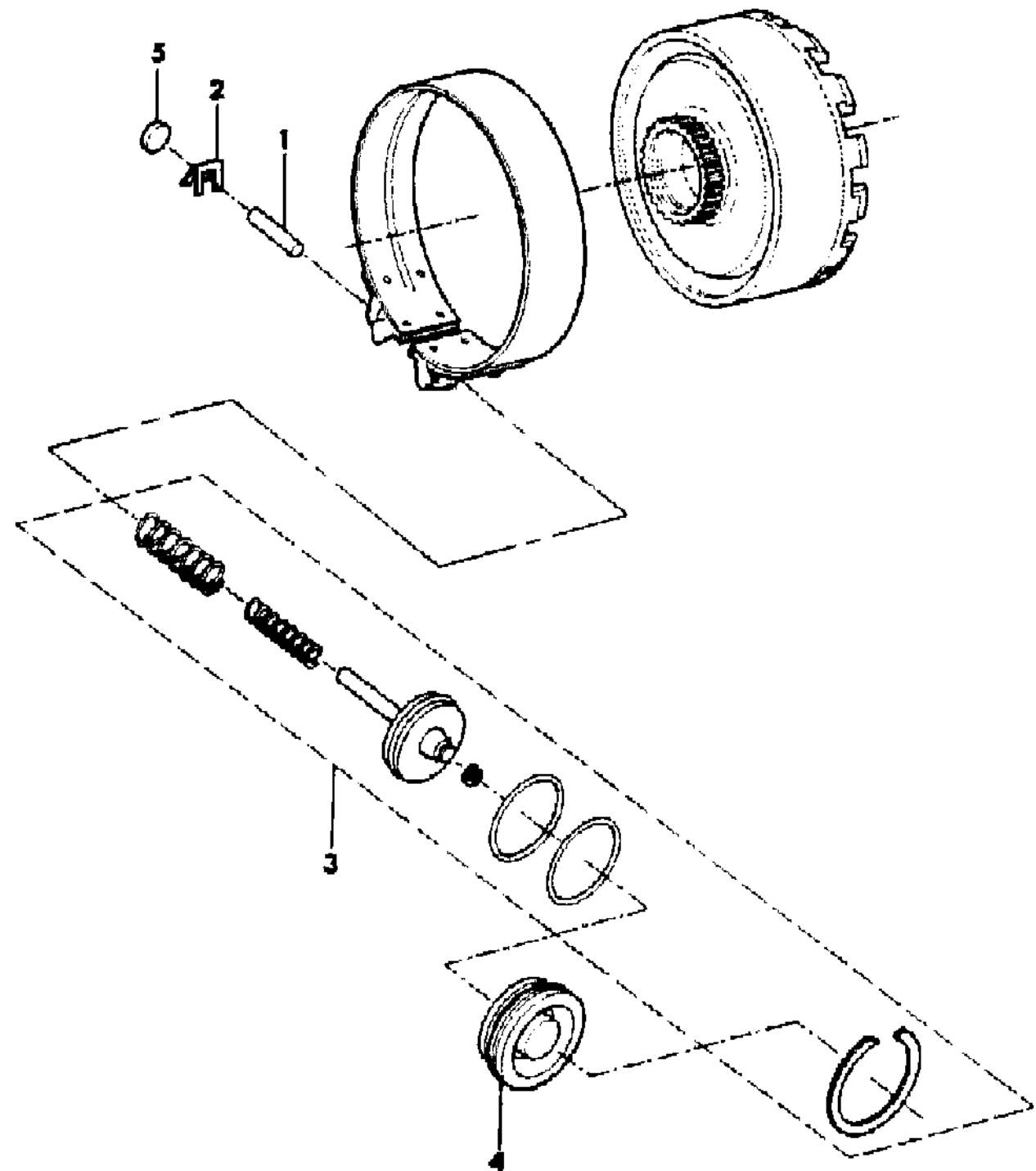
1988:
55 = 4 dr. Sedan
1989-92:
6 = 4 Dr. Sedan

AR = Use as Required - = Non Illustrated Part P.A.R. = Paint as Required

BAND, BRAKE ZF AUTOMATIC TRANSAXLE
Figure 21A-400

8P51 400

ITEM	PART NUMBER	QTY	BODY	MODEL	DESCRIPTION
1	8350 5242	1			PIN, Brake Band
2	8350 5243	1			CLAMP, Brake Band Shim
3	8350 5244	1			PISTON PACKAGE, Brake Band ***
4	8350 5248	1			COVER, Brake External
5					SHIM, Brake Band Pin ***
	4539 164	AR			3.00mm
	4539 163	AR			3.25mm
	4539 162	AR			3.50mm
	4539 161	AR			3.75mm
	4539 160	AR			4.00mm
	4539 159	AR			4.25mm
	4539 158	AR			4.50mm
	4539 157	AR			4.75mm
	4539 156	AR			5.00mm
	4539 155	AR			5.25mm
	4539 154	AR			5.50mm
	4539 153	AR			5.75mm
	4539 152	AR			6.00mm
	4539 151	AR			6.25mm
	4539 150	AR			6.50mm



MODEL CODES:

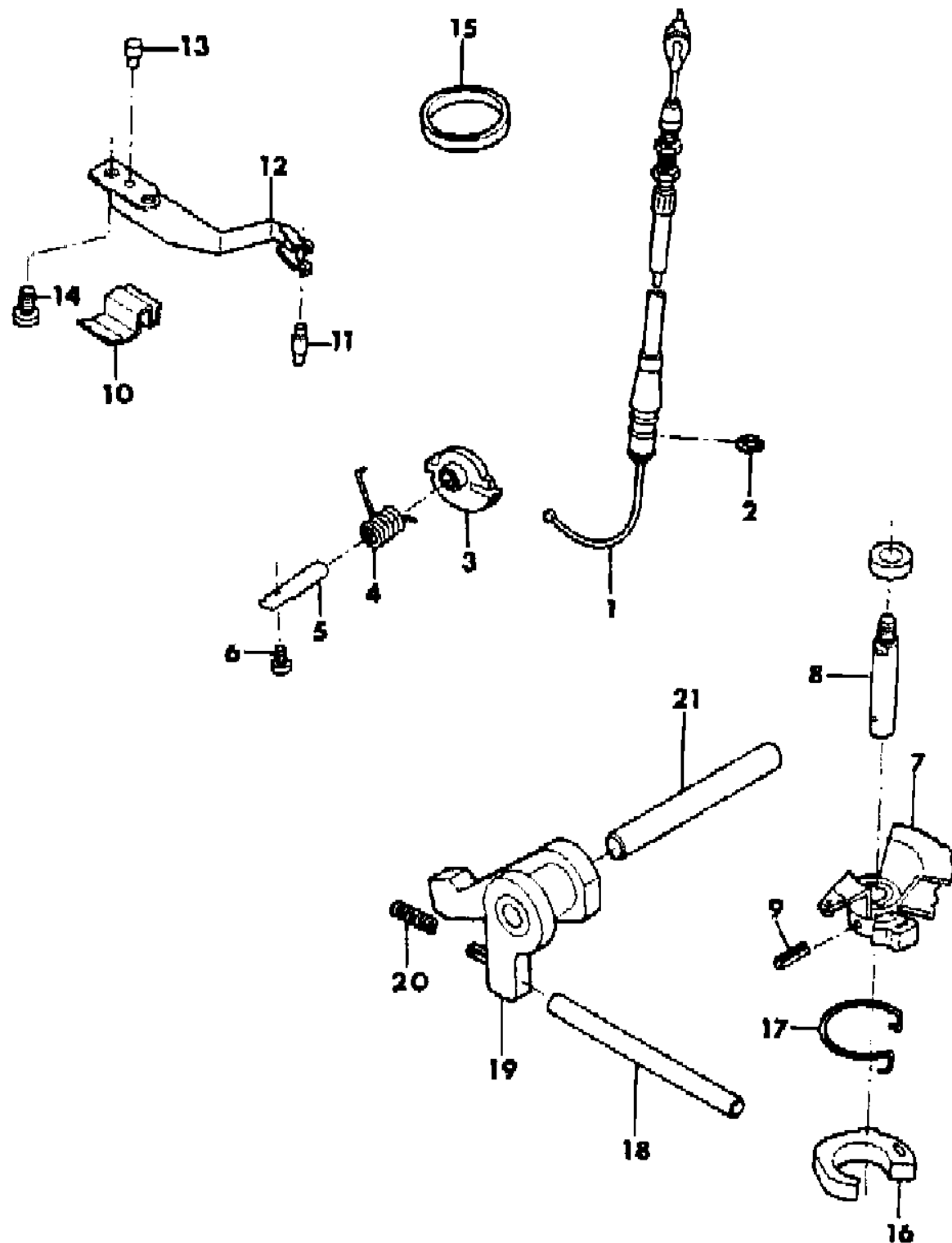
1988:	1989:	1990-92:	1990-92:
559 - Premier LX	56 - Premier LX 557 - Premier ES 66 - Premier ES	DP-Monaco LE	XP-Premier LX DS-Monaco ES XS-Premier ES

BODY STYLES:
 1988:
 55 = 4 dr. Sedan
 1989-92:
 6 = 4 Dr. Sedan

AR = Use as Required - = Non Illustrated Part P.A.R. = Paint as Required

SHIFTING AND PARK LOCK ZF AUTOMATIC TRANSAXLE
Figure 21A-500

8P51 500



ITEM	PART NUMBER	QTY	BODY	MODEL	DESCRIPTION
1	3300 4425	1			CABLE, Throttle Control
2	8350 5221	1			O-RING, Cable
3	8350 5051	1			CAM, Throttle Cable
4	8350 4690	1			SPRING, Cam Throttle Cable
5	8350 5219	1			SHAFT, Axle Cam Throttle CABLE
6	8350 5220	1			SCREW, Axle
7	8350 4692	1			DISC, Shifting Throttle Cable
8	8350 4688	1			SHAFT, Shifting Selector (Seal at Top of #8 Shaft Not Serviced)
	4773 544	1			SEAL, Shifting Selector Shaft (Shown on Top of #8 Shaft)
9	8350 4698	1			PIN, Shifting Selector
10	8350 5218	1			TERMINAL, Shifting Selector ***
11	8350 4694	1			ROLLER, Pin
12	8350 4693	1			SPRING
13	8350 4695	1			PIN, Detent Spring
14	8350 4696	1			SCREW
15	8350 5222	1			RING
16	8350 5236	1			CAM, Locking
17	8350 5238	1			CLAMP
18	8350 5237	1			LINK
19	8350 5239	1			PAWL, Shifting Selector
20	8350 5240	1			SPRING
21	8350 5241	1			PIN

MODEL CODES:

1988:	1989:	1990-92:	1990-92:
559 - Premier LX	56 - Premier LX	DP-Monaco LE	XP-Premier LX
	557 - Premier ES		DS-Monaco ES
	66 - Premier ES		XS-Premier ES

BODY STYLES:

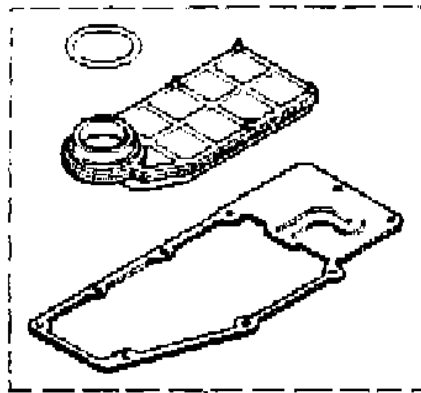
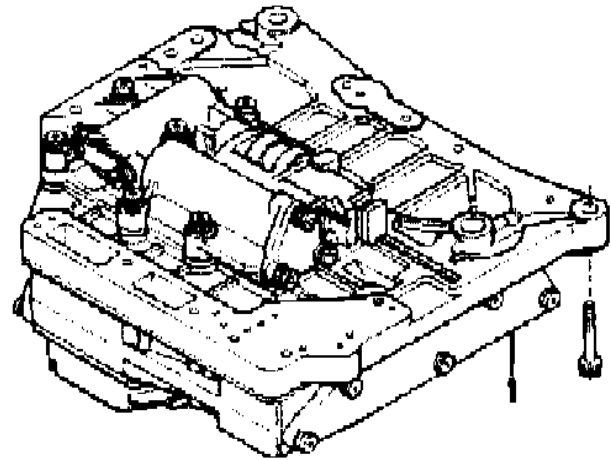
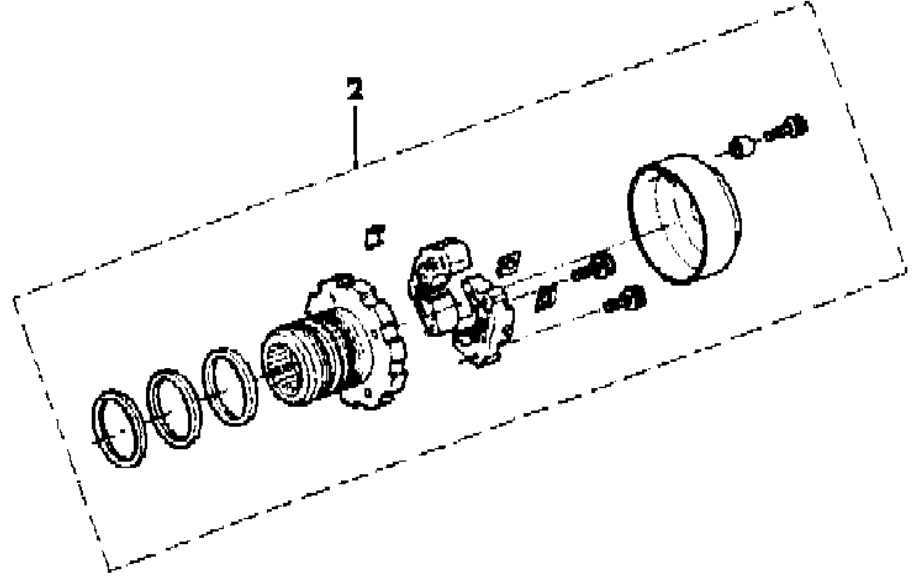
1988:
55 = 4 dr. Sedan
1989-92:
6 = 4 Dr. Sedan

AR = Use as Required - = Non Illustrated Part P.A.R. = Paint as Required

VALVE BODY ZF AUTOMATIC TRANSAXLE
Figure 21A-600

8P51 600

ITEM	PART NUMBER	QTY	BODY	MODEL	DESCRIPTION
1	4549 231	1			VALVE BODY ASSEMBLY, Transaxle
2	8350 5050	1			GOVERNOR, Valve Body ***
3	8350 4685	1			FILTER PACKAGE ***



MODEL CODES:

1988:	1989:	1990-92:	1990-92:
559 - Premier LX	56 - Premier LX 557 - Premier ES 66 - Premier ES	DP-Monaco LE	XP-Premier LX DS-Monaco ES XS-Premier ES

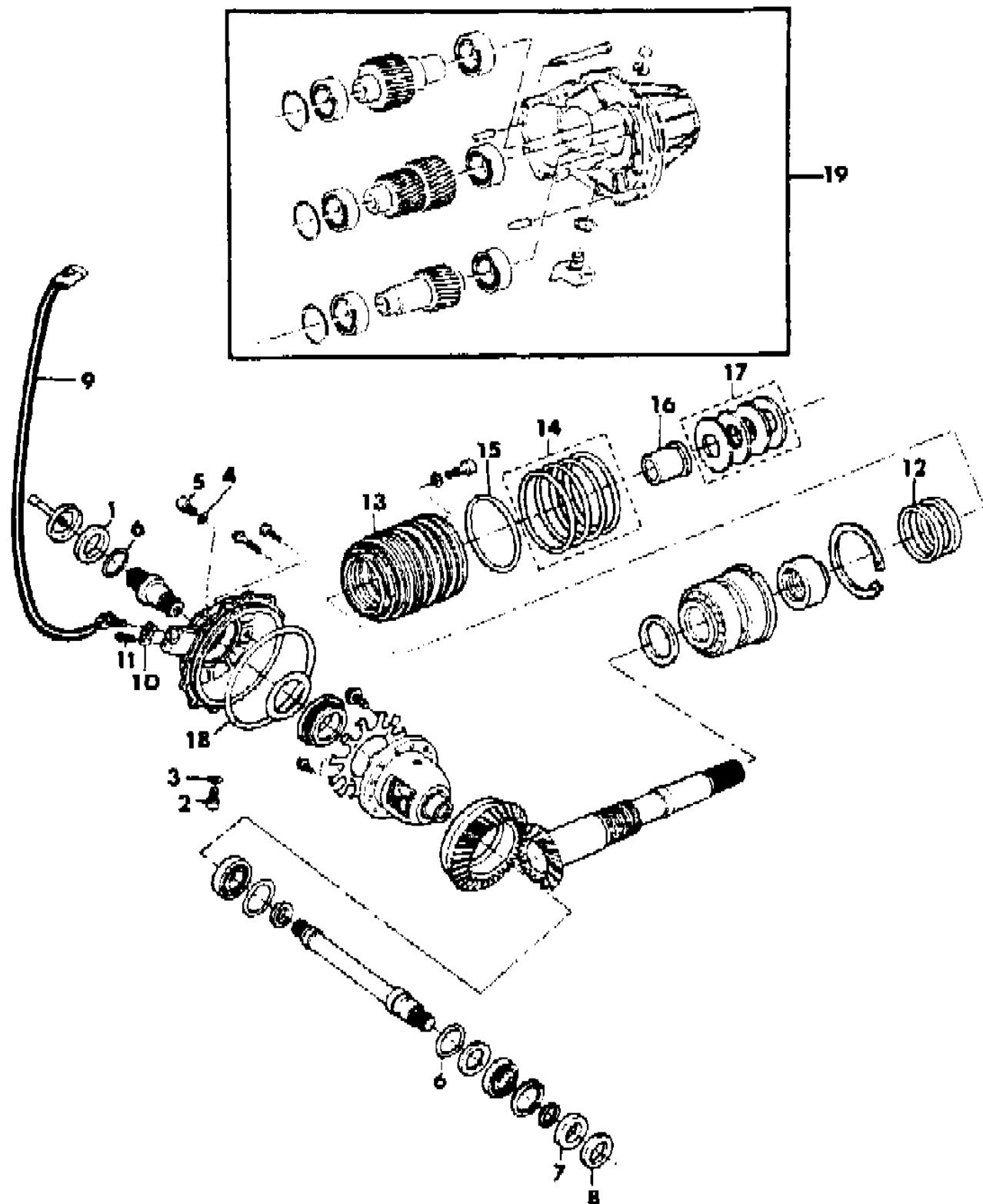
BODY STYLES:

1988:
55 = 4 dr. Sedan
1989-92:
6 = 4 Dr. Sedan

AR = Use as Required - = Non Illustrated Part P.A.R. = Paint as Required

GEAR TRAIN AND SHAFTS ZF AUTOMATIC TRANSAXLE
Figure 21A-700

8P51 700 B



ITEM	PART NUMBER	QTY	BODY	MODEL	DESCRIPTION
1	8350 5052	1			SEAL, Shaft
2	8350 4878	1			PLUG, Drain
3	8350 5064	1			SEAL
4	8350 5065	1			O-RING
5	8350 0512	1			PLUG, Filler
6	8350 4821	2			O-RING
7	8350 5053	1			SEAL, Shaft
8	8350 5054	2			BAFFLE
9	3300 4744	1			SENSOR, Speed, Wire 21-1/4" long
10	8350 5055	1			BRACKET
11	8350 4879	1			SCREW
12	8350 5264	2			SEAL, Shaft
13	8350 5266	1			PISTON
14	8350 5267	4			O-RING
15	8350 5265	2			O-RING
16	8350 5268	1			BUSHING
17	8350 5269	4			SPRING, Cup
18	4539 166	1			O-RING, Cover
19	4539 165	1			GEAR ASSEMBLY, w/Shafts, Bearing and Seals

MODEL CODES:
 1988: 559 - Premier LX
 1989: 56 - Premier LX
 557 - Premier ES
 66 - Premier ES
 1990-92: DP-Monaco LE
 1990-92: XP-Premier LX
 DS-Monaco ES
 XS-Premier ES

BODY STYLES:
 1988:
 55 = 4 dr. Sedan
 1989-92:
 6 = 4 Dr. Sedan

AR = Use as Required - = Non Illustrated Part P.A.R. = Paint as Required

CASE AND MISC. PARTS AR-4 AUTOMATIC TRANSAXLE 1988-1989
Figure 21A-800

8P51 800B

ITEM	PART NUMBER	QTY	BODY	MODEL	DESCRIPTION
1	J306 5160	2			O-RING, Shaft Seal
2	T308 7143	1			SEAL, Shaft
3	1150 4336	1			SCREW, Filler Tube, 4 Cyl. Eng.
4	1150 0255	1			WASHER
5	J074 0681	1			TUBE, Filler Trans. Oil
6	T103 3349	2			BOLT
7	T306 2005	2			GASKET, Oil Cooler
8	T103 3348	1			COOLER, Trans. Oil ***
9	T103 3067	2			GASKET, Cooler to Case
10	T073 6612	2			BUSHING
11	T306 5203	1			O-RING
12	T307 5155	1			SCREW
13	T306 2048	1			GASKET
14	T307 5159	1			PLUG
15	T777 7648	1			GASKET
16	T306 5202	2			O-RING, Outer to Case
17	T308 7144	1			SEAL, Outer Shaft
18	T068 8654	1			MAGNET, Trans. Oil Pan
19	3420 1686	5			SCREW, M6x1.0mm
20	T140 2082	5			WASHER
21	J146 5367	1			PAN
22	T777 7649	1			GASKET
23	T307 5033	1			PLUG, 16mm
24	T073 3198	1			GASKET
25	T308 7157	1			SEAL
26	J306 5032	1			O-RING, Oil Filler Tube
27	3300 2835	1			INDICATOR, Trans. Oil Level
28	3420 2895	1			BOLT, to Engine Block, M12x1.75x75mm
29	3420 2062	1			BOLT, to Oil Pan M8x50
30	T074 2120	1			BREATHER ***
31	1150 4922	4			BOLT, to Engine Block M12x50
32	3420 1836	2			BOLT, to Engine Block 75mm Lg.
33	3420 1949	1			BOLT, to Engine Block 70mm Lg.
34	1150 4356	2			BOLT, to Oil Pan 40mm Lg.
35	3420 1936	2			BOLT, to Oil Pan 35mm Lg.
36	3300 4627	1			BRACKET, Trans. Harness Mounting, 6 Cyl.
37	J073 8181	1			COVER, Dust, Right
38	J056 5779	1			COVER, Dust, Lower
39	J055 7845	1			COVER, Starter Side ***
40	3420 1807	4			BOLT, M6x16mm

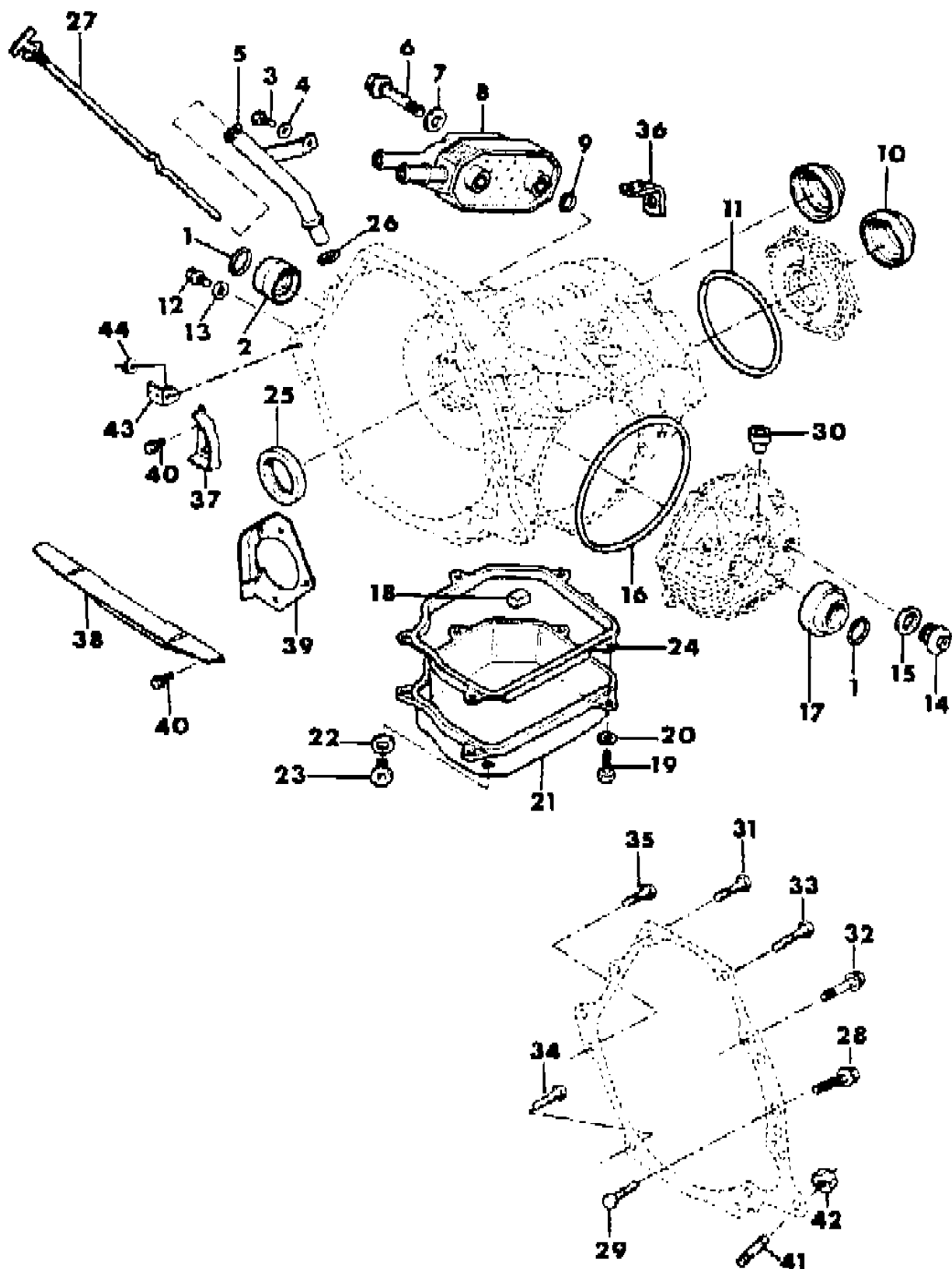
MODEL CODES:

1988:	1989:	1990-92:	1990-92:
559 - Premier LX	56 - Premier LX 557 - Premier ES 66 - Premier ES	DP-Monaco LE	XP-Premier LX DS-Monaco ES XS-Premier ES

BODY STYLES:

1988:
55 = 4 dr. Sedan
1989-92:
6 = 4 Dr. Sedan

AR = Use as Required - = Non Illustrated Part P.A.R. = Paint as Required

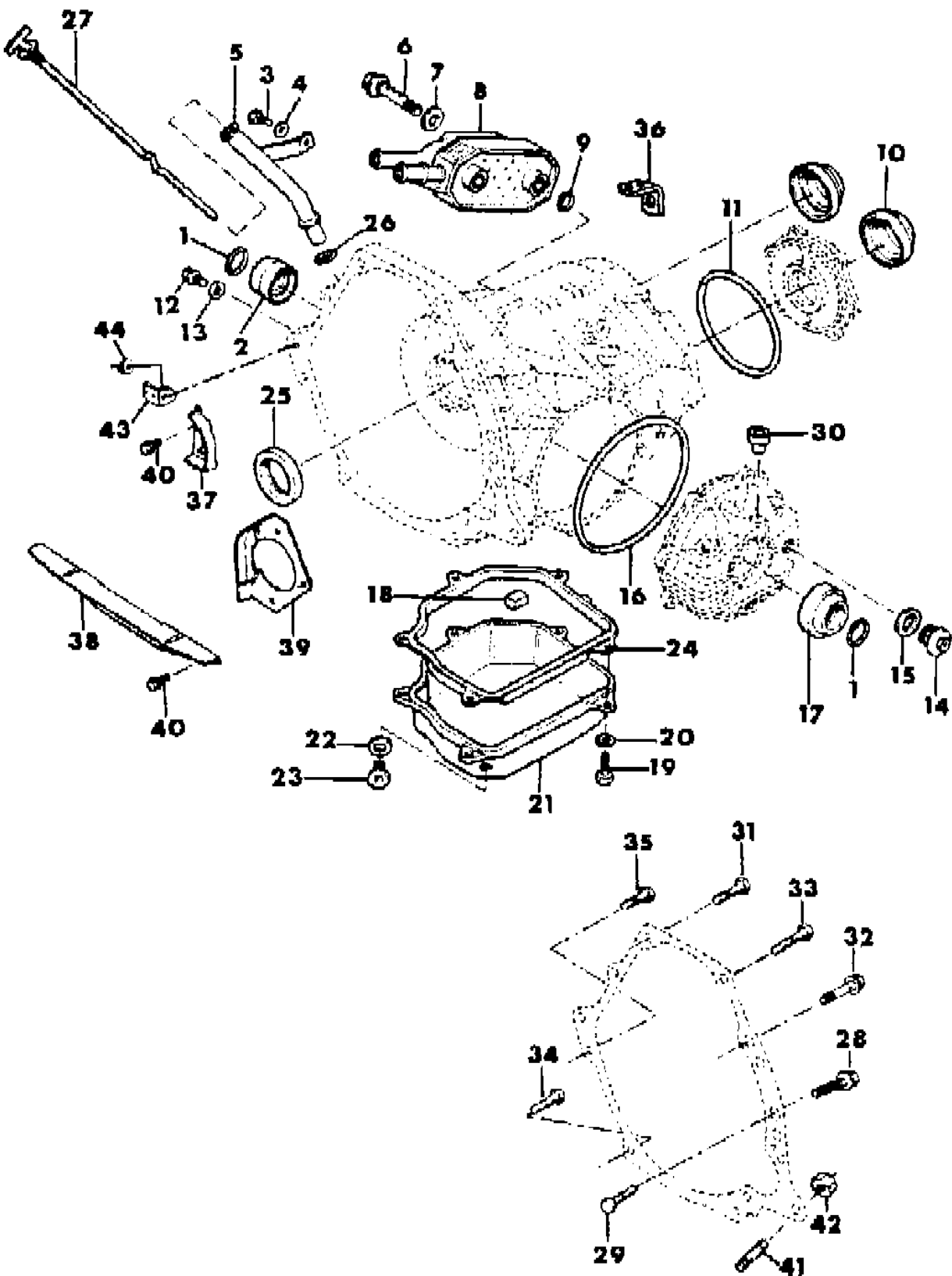


CASE AND MISC. PARTS AR-4 AUTOMATIC TRANSAXLE 1988-1989

Figure 21A-800

8P51 800B

ITEM	PART NUMBER	QTY	BODY	MODEL	DESCRIPTION
41	3420 2832	2			STUD, 6 Cyl. Eng.
42	1150 6007	2			NUT, Hex.
43	3300 4193	1			BRACKET, Housing
44	1150 2723	1			NUT, Hex



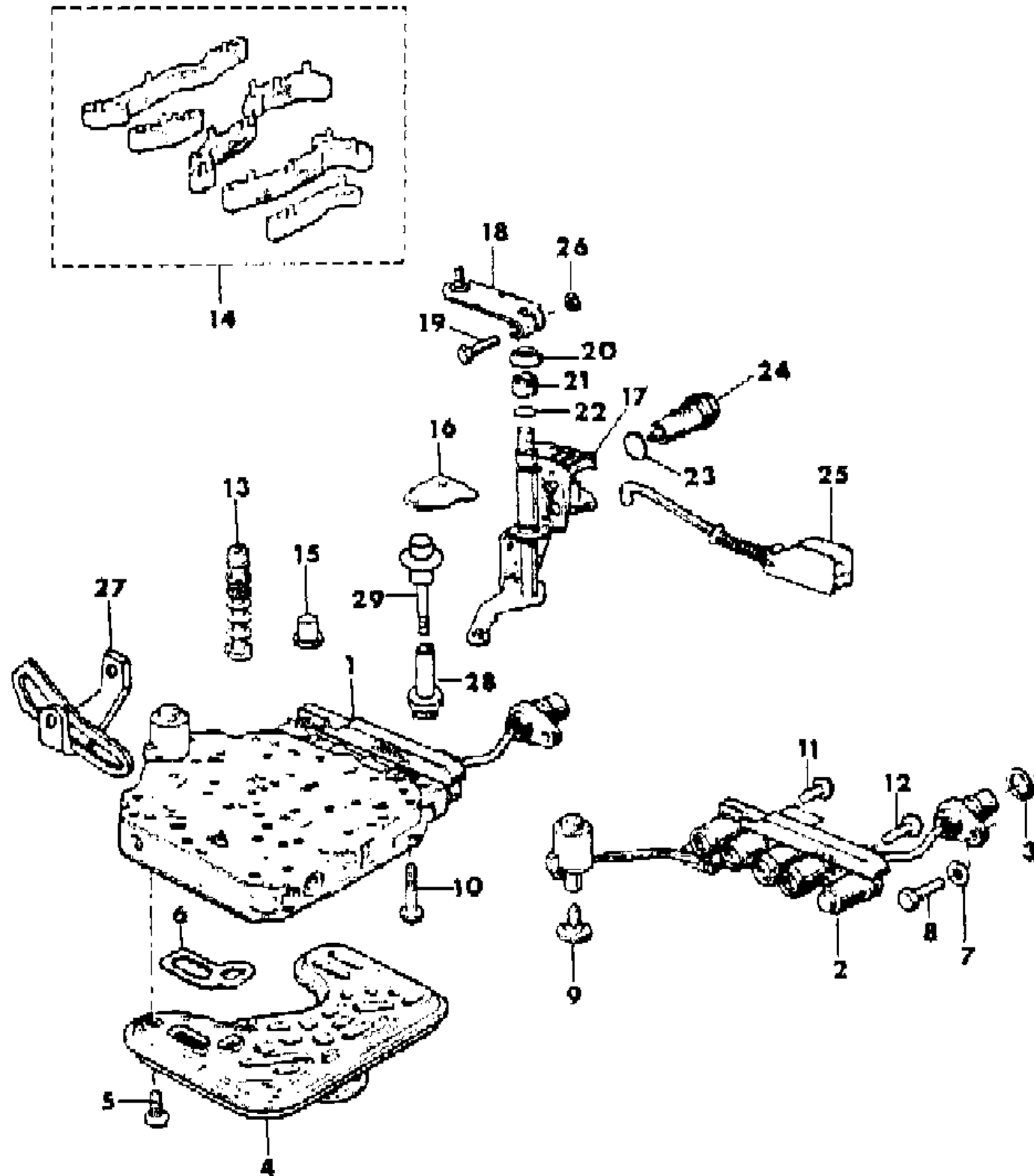
MODEL CODES:
 1988: 559 - Premier LX
 1989: 56 - Premier LX; 557 - Premier ES; 66 - Premier ES
 1990-92: DP-Monaco LE
 1990-92: XP-Premier LX; DS-Monaco ES; XS-Premier ES

BODY STYLES:
 1988: 55 = 4 dr. Sedan
 1989-92: 6 = 4 Dr. Sedan

AR = Use as Required - = Non Illustrated Part P.A.R. = Paint as Required

VALVE BODY AR-4 AUTOMATIC TRANSAXLE 1988-1989
Figure 21A-900

8P51 900 A



ITEM	PART NUMBER	QTY	BODY	MODEL	DESCRIPTION
1	T146 4707	1			VALVE ASSEMBLY, Tranaxle
2	T074 0775	1			SOLENOID, Valve Assy.
3	T306 5181	1			O-RING, Solenoid Connector
4	J074 6294	1			FILTER ASSEMBLY, Valve ***
5	T300 8076	AR			SCREW, Filter to Valve Assembly
6	J074 5510	1			GASKET, Filter To Valve
7	T305 3032	1			WASHER
8	T149 3025	1			SCREW
9	T074 0124	1			SCREW, Special
10	T300 8078	AR			SCREW, Valve Body
11	T300 8075	2			SCREW, Solenoids
12	T300 8059	1			SCREW
13	T073 8021	1			VALVE, Valve Body
14	T146 4897	1			FILTER, Valve Body
15	T073 7994	1			VALVE, Stop
16	T074 1220	1			GASKET, Valve
17	T074 0734	1			SHAFT ASSEMBLY, Shift Bracket
18	3300 3495	1			LEVER, Shift
19	T300 1127	1			BOLT, Shift Lever
20	T072 9206	1			SEAL, Shift Lever Shaft
21	T074 2582	1			BUSHING, Shift Shaft
22	T306 5161	1			O-RING, Shift Shaft Bushing
23	T073 4722	1			SEAL, Plunger
24	T074 0726	1			PLUNGER
25	J074 6114	1			ROD, Shift
26	3420 1680	1			NUT, Shift Lever Bolt
27	J073 3728	1			BRACKET, Valve Assy.
28	J300 8106	1			SLEEVE
29	J302 7254	1			BOLT

MODEL CODES:

1988:	1989:	1990-92:	1990-92:
559 - Premier LX	56 - Premier LX	DP-Monaco LE	XP-Premier LX
	557 - Premier ES		DS-Monaco ES
	66 - Premier ES		XS-Premier ES

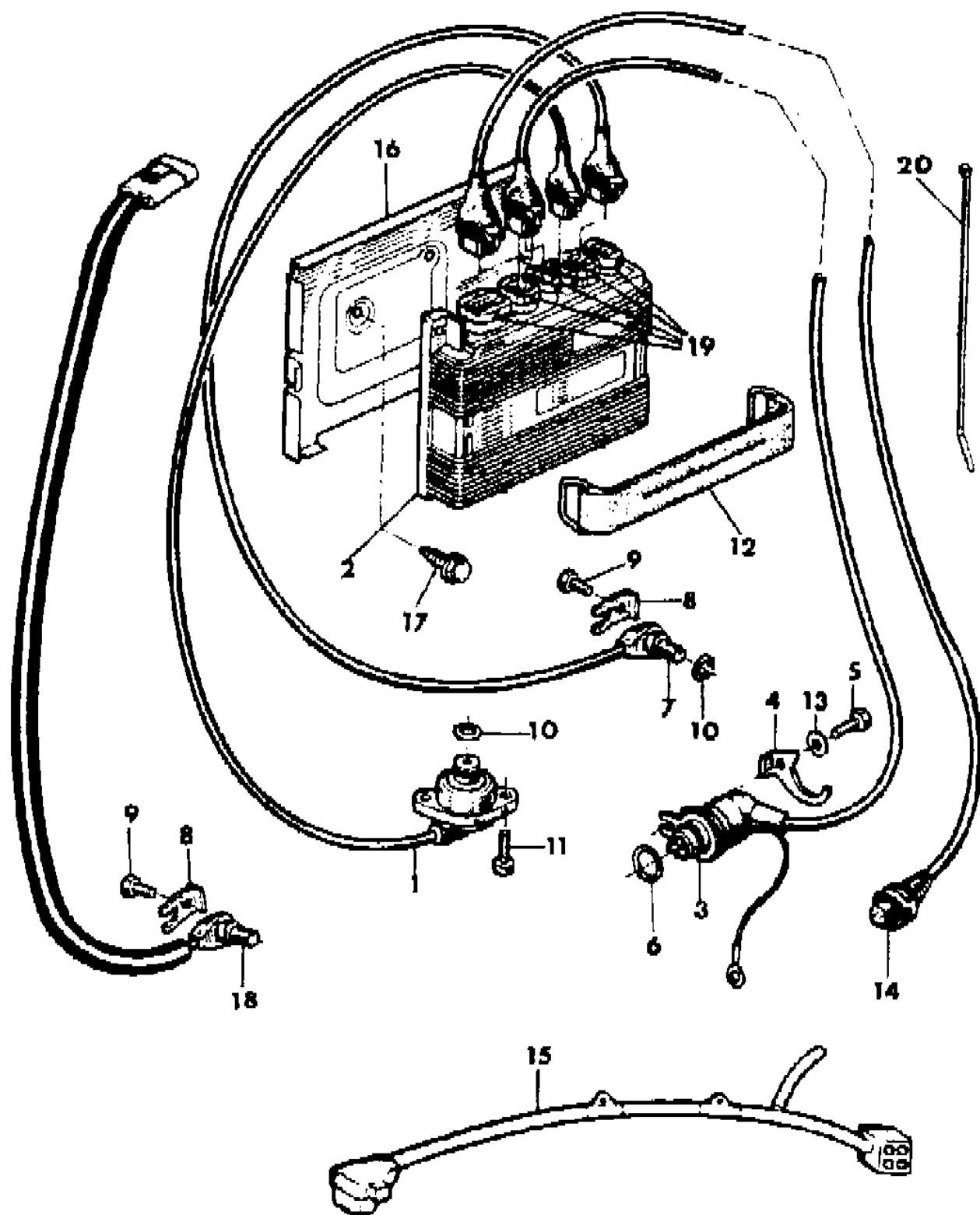
BODY STYLES:

1988:
55 = 4 dr. Sedan
1989-92:
6 = 4 Dr. Sedan

AR = Use as Required - = Non Illustrated Part P.A.R. = Paint as Required

CONTROLS, ELECTRONIC AR-4 AUTOMATIC TRANSAXLE 1988-1989
Figure 21A-1000

8P51 1000 A



ITEM	PART NUMBER	QTY	BODY	MODEL	DESCRIPTION
1	J146 5427	1			SENSOR, Pressure Switch
2	J074 2681	1			CONTROL UNIT
3	T146 4712	1			SWITCH, Neutral Safety
4	T072 6253	1			RETAINER, Neutral Safety
5	3420 1686	1			SCREW, M6x1.0mm
6	T306 5179	1			O-RING, Neutral Safety
7	T146 4713	1			SENSOR, Speed
8	T073 0615	1			RETAINER, Speed Sensor
9	T300 1742	1			SCREW
10	J306 5180	1			SEAL, Control Switch
11	T300 7109	2			SCREW
12	J400 0715	1			STRAP, Control Unit Bracket
13	T305 3032	1			WASHER
14	T199 0388	1			WIRE
15	3300 4417	1			HARNES, Extension Wire Throttle Position Sensor
16	3300 3069	1			BRACKET, Control Unit, Less Strap
	3300 4344	1			BRACKET, Control Unit, w/Strap
17	1150 1608	3			SCREW
18	3300 4744	1			SENSOR, Vehicle Speed
19					SEALS, Transaxle Control Unit Connectors (Serviced in Assy.) ***
20	J322 3227	AR			STRAP, Plastic Tie

MODEL CODES:

1988:	1989:	1990-92:	1990-92:
559 - Premier LX	56 - Premier LX 557 - Premier ES 66 - Premier ES	DP-Monaco LE	XP-Premier LX DS-Monaco ES XS-Premier ES

BODY STYLES:

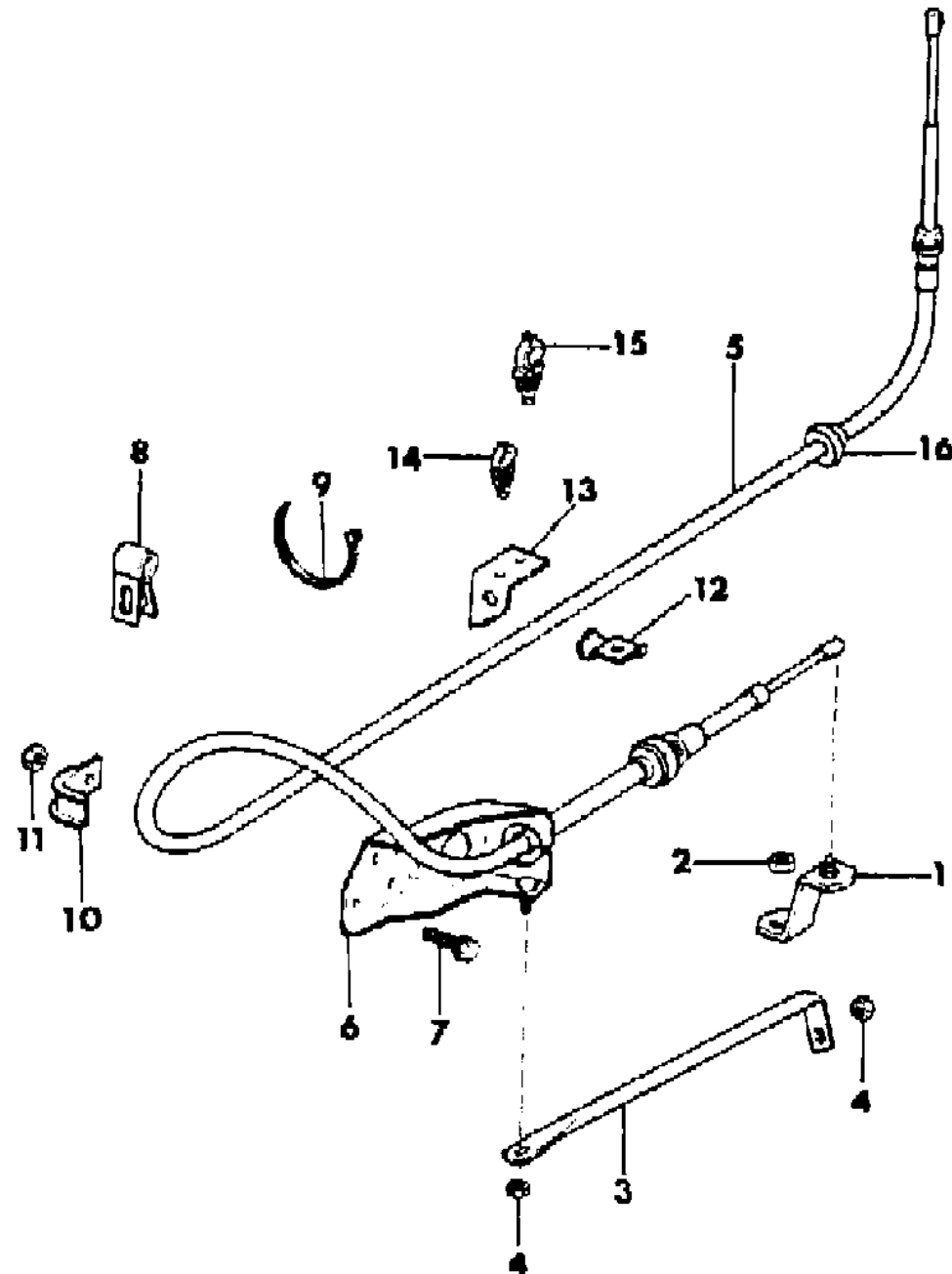
1988:
55 = 4 dr. Sedan
1989-92:
6 = 4 Dr. Sedan

AR = Use as Required - = Non Illustrated Part P.A.R. = Paint as Required

CONTROLS, GEARSHIFT - COLUMN SHIFT ZF AUTOMATIC TRANSAXLE 1988-1989
Figure 21A-1100

8P511100A

ITEM	PART NUMBER	QTY	BODY	MODEL	DESCRIPTION
1	3300 4013	1			LEVER, Trans. Shift
2	3420 2717	1			NUT
3	3300 4016	1			BRACE, Trans. Shift
4	1150 3745	2			NUT, Flanged M6x1.00
5	3300 4534	1			CABLE, Gearshift Lever
6	3300 4011	1			BRACKET, Gearshift Cable
7	1150 2693	3			BOLT, Hex Flanged Head
8	8350 1154	1			CLIP, (MR)
9	J322 3227	1			STRAP, Plastic Tie
10	3300 4192	1			CLIP
11	1150 2729	1			NUT
12	3300 4608	1			CLIP
13	3300 4193	3			BRACKET, Gearshift Control Cable
14	J400 6550	2			CLIP, Closed Tube
15	3420 1633	2			CLIP
16		1			GROMMET, Cable to Floor Pan (Serviced w/Cable)



MODEL CODES:

1988:	1989:	1990-92:	1990-92:
559 - Premier LX	56 - Premier LX 557 - Premier ES 66 - Premier ES	DP-Monaco LE	XP-Premier LX DS-Monaco ES XS-Premier ES

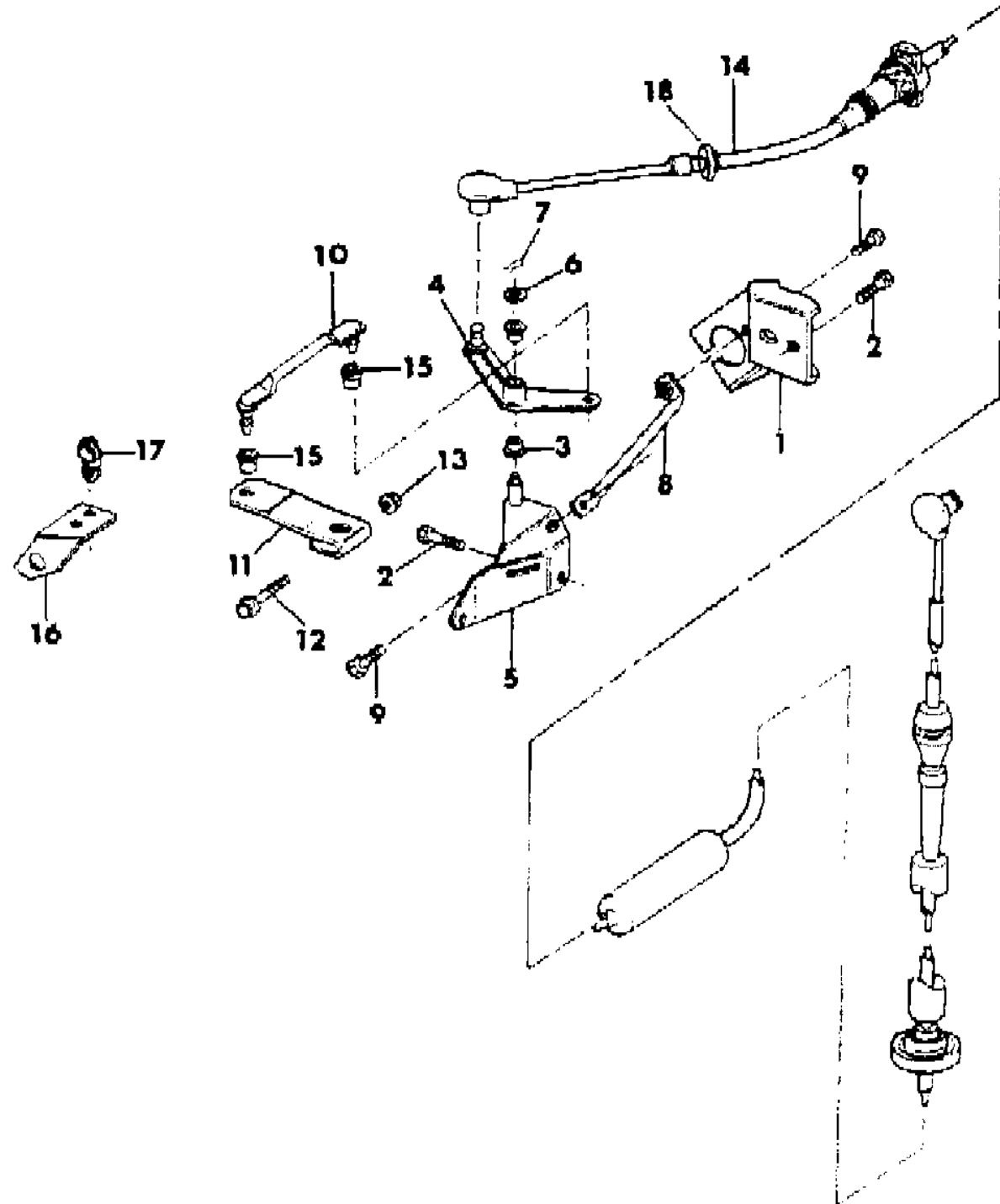
BODY STYLES:

1988:
55 = 4 dr. Sedan
1989-92:
6 = 4 Dr. Sedan

AR = Use as Required - = Non Illustrated Part P.A.R. = Paint as Required

CONTROLS, GEARSHIFT - COLUMN SHIFT AR-4 AUTOMATIC TRANSAXLE 1988-1989
Figure 21A-1200

BP51 1200 A



ITEM	PART NUMBER	QTY	BODY	MODEL	DESCRIPTION
1	3300 3881	1			BRACKET ASSEMBLY, Bellcrank Pivot Mounting
2	1150 2685	4			BOLT, Bellcrank Bracket Assembly
3	3300 3492	2			BEARING, Bracket
4	3300 3067	1			BELLCRANK, Transaxle Shifting Linkage
5					BRACKET, Transaxle Shifting Linkage
	3300 3066	1			Up To 3-15-89
	4471 128	1			After 3-15-89
6	J012 0393	1			WASHER
7	J400 4295	1			PIN, Locking
8	3300 4014	1			BRACE ASSEMBLY, Transaxle Cable Shift Lever ***
9	3420 1736	2			BOLT, Hexagon
10	3300 3068	1			ROD, Bellcrank to Transaxle Shift Control Lever
11	3300 3495	1			LEVER, Transaxle Shift Control
12	3420 2684	1			BOLT
13	1150 3750	1			NUT
14	3300 3065	1			CABLE, Gearshift Lever
15	3575 333	2			BUSHING
16	3300 4627	2			BRACKET, Transaxle Shift Linkage
17	3420 1633	1			CLIP
18		1			GROMMET, (Serviced w/Cable)

MODEL CODES:

1988:	1989:	1990-92:	1990-92:
559 - Premier LX	56 - Premier LX 557 - Premier ES 66 - Premier ES	DP-Monaco LE	XP-Premier LX DS-Monaco ES XS-Premier ES

BODY STYLES:

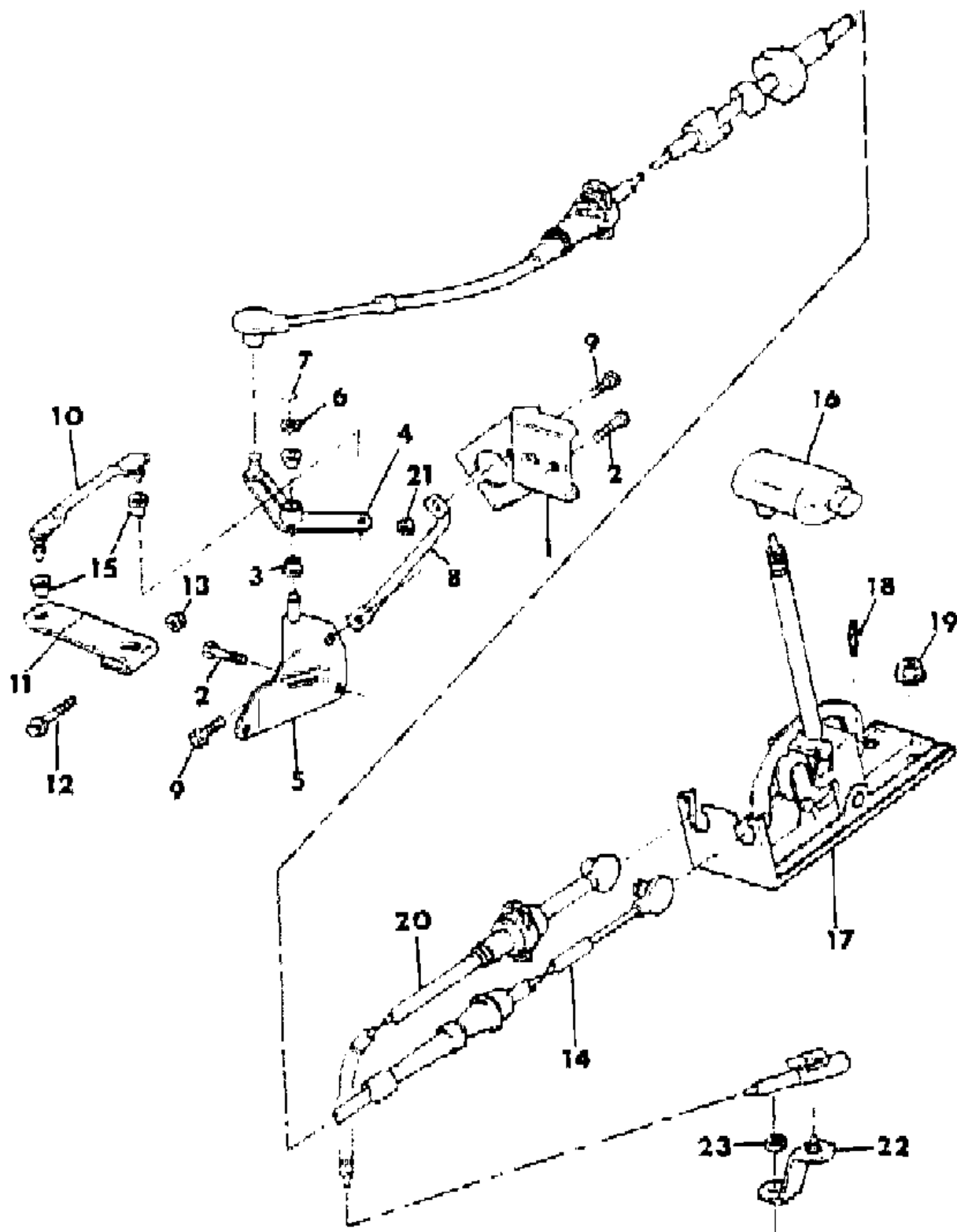
1988:
55 = 4 dr. Sedan
1989-92:
6 = 4 Dr. Sedan

AR = Use as Required - = Non Illustrated Part P.A.R. = Paint as Required

CONTROLS, GEARSHIFT - FLOOR SHIFT AR-4 AUTOMATIC TRANSAXLE 1988-1989
Figure 21A-1300

8P51 1300A

ITEM	PART NUMBER	QTY	BODY	MODEL	DESCRIPTION
1	3300 3881	1			BRACKET, Transaxle Shift Cable Mounting
2	1150 2685	4			BOLT, Bellcrank Pivot Mounting
3	3300 3492	2			BEARING, Bracket
4	3300 3067	1			BELLCRANK ASSEMBLY, Cable To Rod
5	3300 3066	1			BRACKET ASSEMBLY, Bellcrank Pivot Mounting
6	J012 0393	1			WASHER
7	J400 4295	1			PIN, Locking
8	3300 4014	1			BRACE ASSEMBLY, Transaxle Shift Lower ***
9	3420 1736	2			BOLT, Hexagon
10	3300 3068	1			ROD, Bellcrank to Transaxle Shift Control Lever
11	3300 3495	1			LEVER, Transaxle Shift Control
12	3420 2684	1			BOLT, M6x1.00x40
13	1150 3750	1			NUT
14	4471 166	1			CABLE, Gearshift Park Lock
15	3575 333	2			BUSHING, Shift Rod
16	3300 3803	1			HANDLE, Shift Lever
17	4471 274	1			MECHANISM ASSEMBLY, Floor Shift ***
18	5300 3350	1			SPRING, Shift Housing
19	1150 2729	4			NUT, Shift Housing
20					CABLE ASSEMBLY, Transmission Shift
	4471 163	1			w/Full Length Floor Console
	4471 270	1			w/o Full Length Floor Console
21	1150 3745	2			NUT
22	3300 4013	1			LEVER ASSEMBLY, Shift Control
23	3420 2717	1			NUT



MODEL CODES:

1988:	1989:	1990-92:	1990-92:
559 - Premier LX	56 - Premier LX 557 - Premier ES 66 - Premier ES	DP-Monaco LE	XP-Premier LX DS-Monaco ES XS-Premier ES

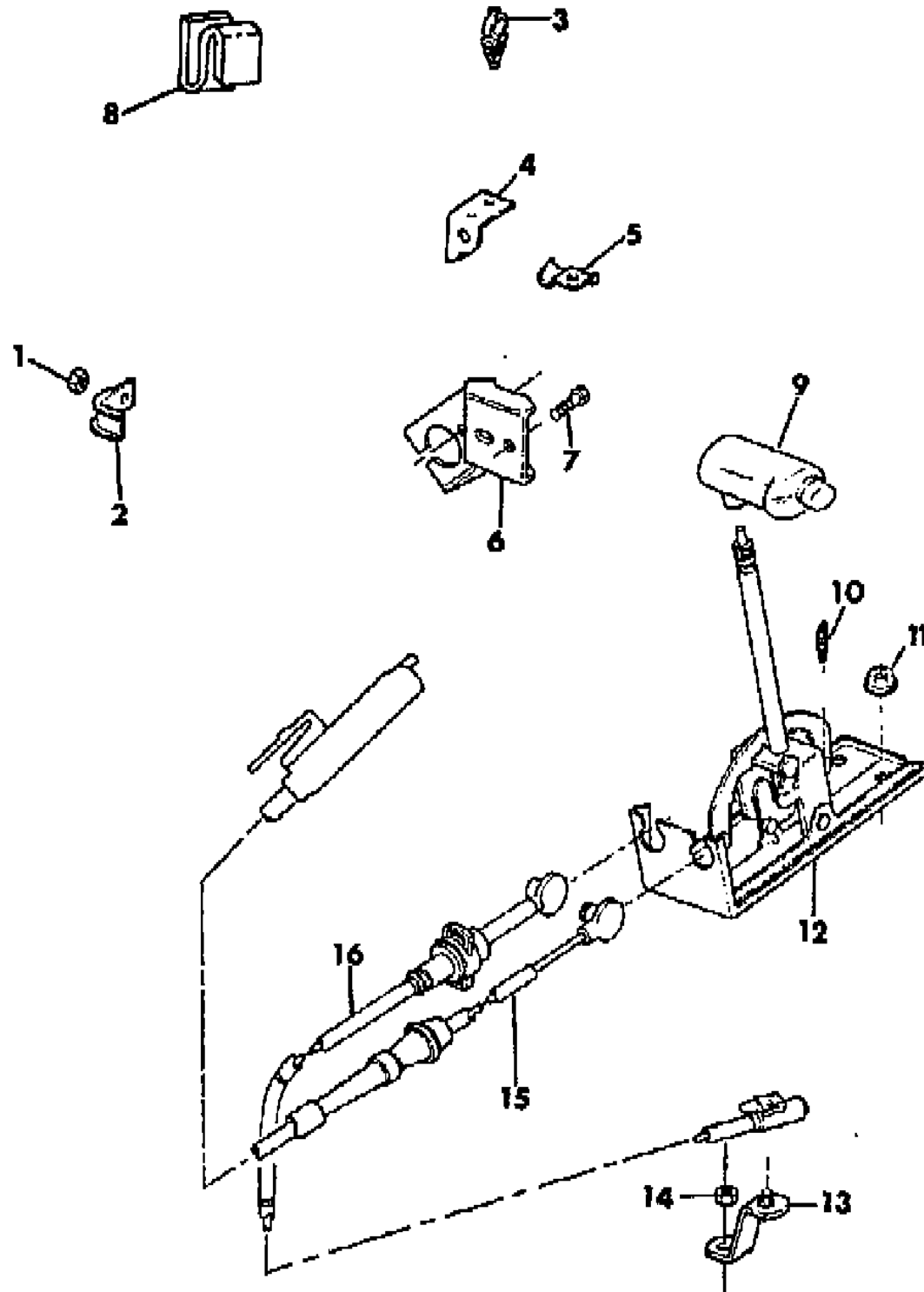
BODY STYLES:

1988:
55 = 4 dr. Sedan
1989-92:
6 = 4 Dr. Sedan

AR = Use as Required - = Non Illustrated Part P.A.R. = Paint as Required

CONTROLS, GEARSHIFT - FLOOR SHIFT ZF AUTOMATIC TRANSAXLE 1990-1991
Figure 21A-1400

8P51 1400



ITEM	PART NUMBER	QTY	BODY	MODEL	DESCRIPTION
1	6500 502	1			NUT
2	3300 4192	1			CLIP, Cable
3	J400 5701	2			CLIP, Cable
4	3300 4193	2			BRACKET, Cable Clip
5	3300 4608	1			CLIP, Cable Support
6	3300 4011	1			BRACKET, Shift Cable Mounting
7	6101 452	3			BOLT, M8x1.25x20
	6500 399	1			BOLT, M10x1.5x20
8	3420 2362	1			CLIP, I/Lock Cable Routing
9	3300 3803	1			HANDLE, shift Lever
10	5300 3350	1			SPRING, Shift
11	3420 1711	4			NUT, Mechanism Mounting
12	4593 017	1			MECHANISM ASSEMBLY, Floor Shift ***
13	3300 4013	1			LEVER ASSEMBLY, Shift Control
14	3420 2717	1			NUT, Lever Mounting
15	4471 166	1			CABLE, Gearshift Park Lock, Up to 7-13-90
	4471 194	1			After 7-13-90
16	4471 162	1			CABLE, Transmission Shift

MODEL CODES:

1988:	1989:	1990-92:	1990-92:
559 - Premier LX	56 - Premier LX	DP-Monaco LE	XP-Premier LX
	557 - Premier ES		DS-Monaco ES
	66 - Premier ES		XS-Premier ES

BODY STYLES:

1988:
55 = 4 dr. Sedan
1989-92:
6 = 4 Dr. Sedan

AR = Use as Required - = Non Illustrated Part P.A.R. = Paint as Required

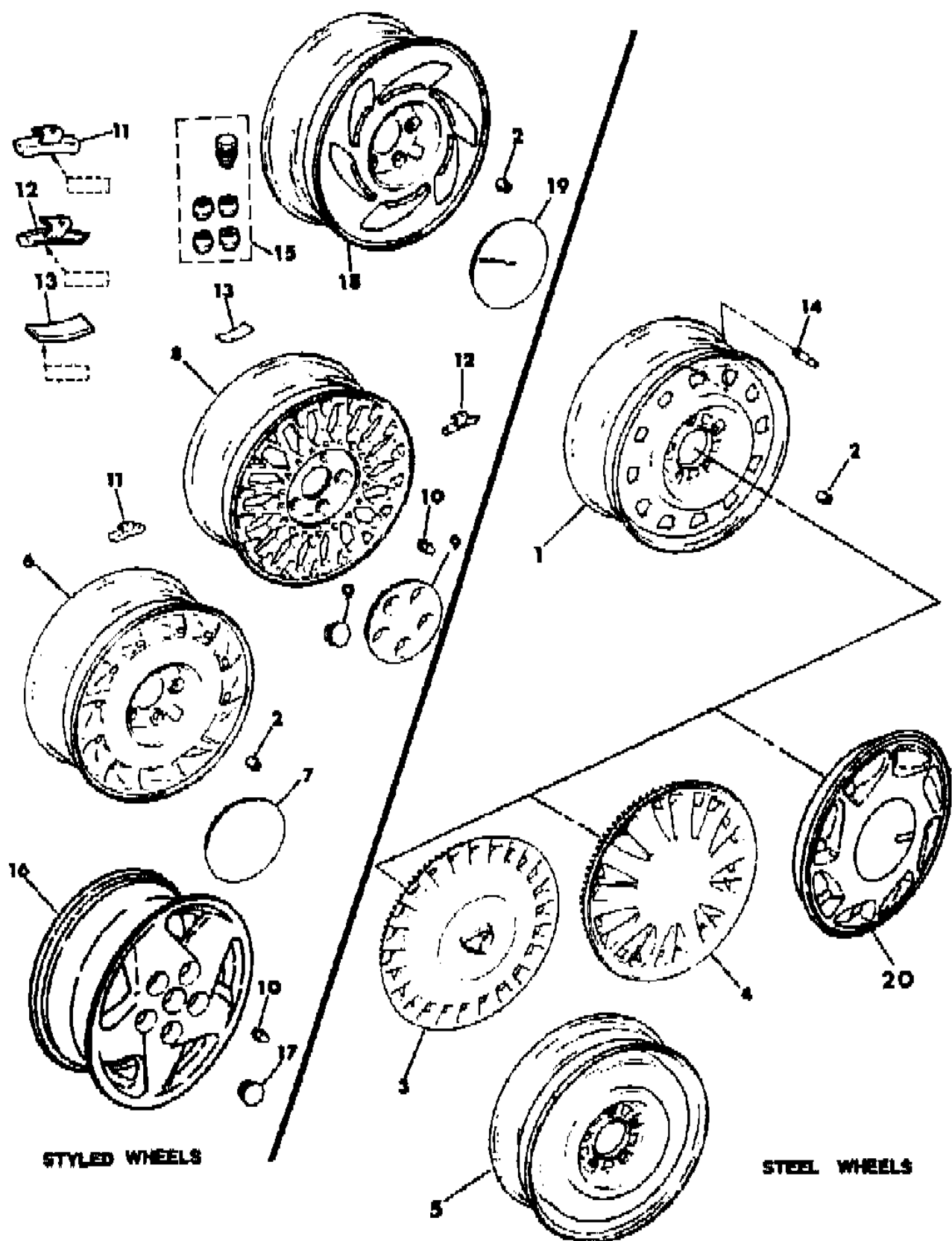
GROUP 22 - WHEELS

ILLUSTRATION TITLE	GROUP-FIG. NO.
WHEELS AND CAPS	
WHEELS, CAPS, COVERS, WEIGHTS	Fig. 22-100
JACK ASSEMBLY	
JACK ASSEMBLY AND MOUNTING	Fig. 22-200

ILLUSTRATION NOT AVAILABLE AT TIME OF PUBLICATION

WHEELS, CAPS, COVERS, WEIGHTS
Figure 22-100

8P22 100C



ITEM	PART NUMBER	QTY	BODY	MODEL	DESCRIPTION
1	3200 1579	AR			WHEEL, Steel 14x5.5
	3200 2757	AR			15x6.0
	3420 2662	20			NUT, Lug
2	6500 092	20			1990-92
	4472 249	4			COVER, Wheel, 14" (Eagle) (W4J)
4	3200 1593	4			COVER, Wheel, 14" (Stamping #32001594)
5	3200 1587	1			WHEEL, Spare 15x4.0
6					WHEEL, Polycast
	3200 1596	AR			14x5.5, 1988-89
	4472 278	AR			14x5.5 Euro Sport (WHG), 1990-92
7	3200 2140	AR			CAP, Center
8					WHEEL, Aluminum
	3200 1585	AR			14x6.0
	Y100 JA1	AR			15x6.0 Lace, Silver, w/Small Center (WJS)
	AL34 JA9	4		D	15x6.0 Charcoal, w/Small Center (WJS)
9	AL34 KS7	4			15x6.0 Dark Silver Metallic, w/Small Center (WJS), 1991-92
					CAP, Center
	3200 2662	AR			14x6.0 Wheel (Large Cap)
	4472 115	AR			15x6.0 Wheel, Chrome, Small Cap
	AL35 JA9	4		D	15x6.0 Wheel, Charcoal, Small Cap
10	AL35 KS7	4			15x6.0 Wheel, Dark Silver Metallic, Small Cap, 1990-92 (Color Could Be Mistaken For Black)
	3200 0020	20			NUT, Lug
	6500 294	20			1990-92
11					WEIGHT, Wheel
	J316 5949	AR			1/2 oz.
	J313 1615	AR			1 oz.
	J316 5783	AR			1-1/2 oz.
	J312 3943	AR			2 oz.
12	J316 5784	AR			2-1/2 oz.
					WEIGHT, Wheel
	3200 0610	AR			1/2 oz.
	3200 0611	AR			1 oz.
	3200 0612	AR			1-1/2 oz.
	3200 0613	AR			2 oz.
13	3200 0614	AR			2-1/2 oz.
	3200 0615	AR			3 oz.
					WEIGHT, Wheel
	J322 6926	AR			1/2 oz.

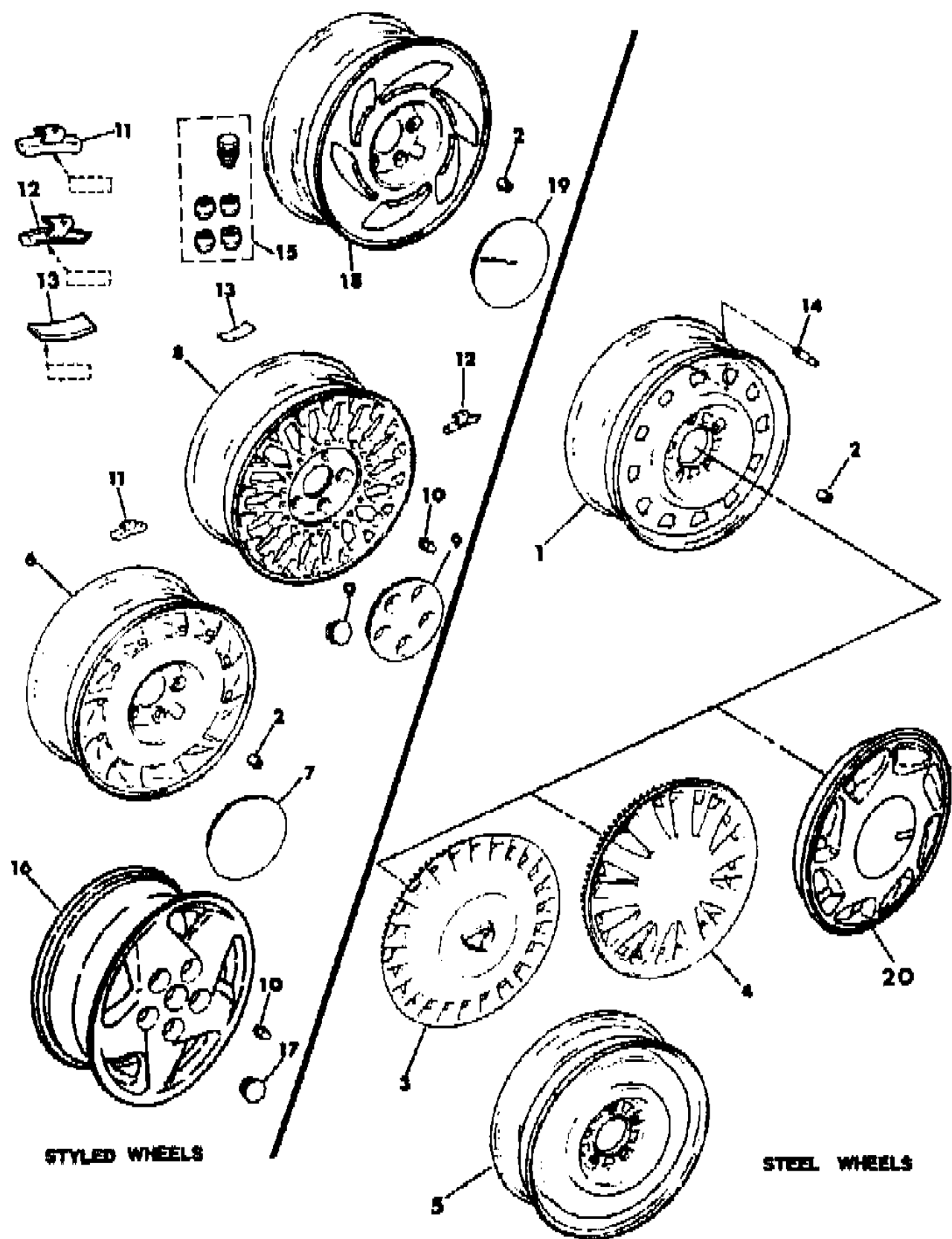
MODEL CODES:
 1988: 559 - Premier LX
 1989: 556 - Premier LX
 557 - Premier ES
 66 - Premier ES
 1990-92: DP-Monaco LE
 1990-92: XP-Premier LX
 DS-Monaco ES
 XS-Premier ES

BODY STYLES:
 1988:
 55 = 4 dr. Sedan
 1989-92:
 6 = 4 Dr. Sedan

AR = Use as Required - = Non Illustrated Part P.A.R. = Paint as Required

WHEELS, CAPS, COVERS, WEIGHTS
Figure 22-100

8P22 100C



ITEM	PART NUMBER	QTY	BODY	MODEL	DESCRIPTION
	J322 6925	AR			1 oz.
	J322 6924	AR			1-1/2 oz.
	J322 6923	AR			2 oz.
	J322 6922	AR			2-1/2 oz.
	J322 6921	AR			3 oz.
	J322 6920	AR			3-1/2 oz.
	J322 6919	AR			4 oz.
14	J323 6449	4			EXTENSION, Valve
15	3200 3134	1			LOCK KIT, Wheel
16				ES LIM1	WHEEL, Aluminum 15x6.0
	3200 2533	AR			White, 1989
	AD81 JW7	AR			White, (WJX), 1990-92
	AD81 JA1	AR			Radiant Silver Metallic, (WJX), 1990-92
17				ES LIM1	CAP, Center
	4284 869	AR			White, 1989
	X089 JW7	AR			White, 1990-92
	X089 EA1	AR			Radiant Silver Metallic, 1990-92
18	3200 3108	AR			WHEEL, Polycast 15x6.0 (WJT)
19	4472 227	AR			CAP, Center
20	4284 938	4			COVER, Wheel, 14" (Emblem Dodge) (W43), 1990-92

MODEL CODES:

1988:	1989:	1990-92:	1990-92:
559 - Premier LX	56 - Premier LX	DP-Monaco LE	XP-Premier LX
	557 - Premier ES		DS-Monaco ES
	66 - Premier ES		XS-Premier ES

BODY STYLES:

1988:
55 = 4 dr. Sedan
1989-92:
6 = 4 Dr. Sedan

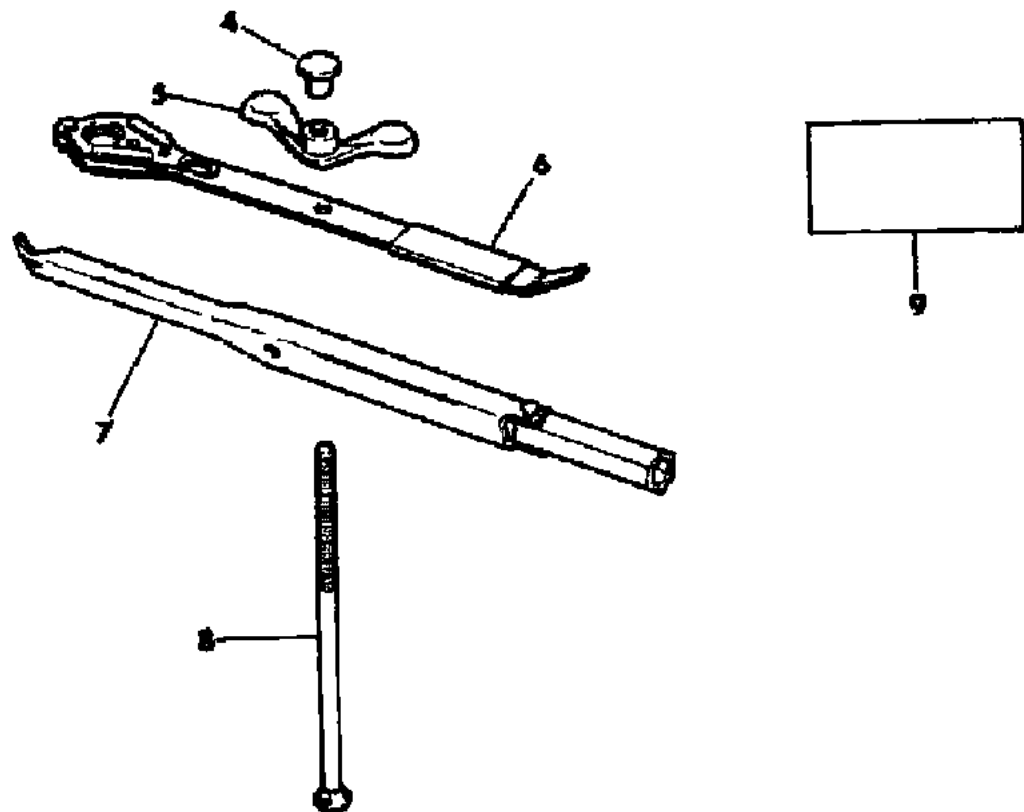
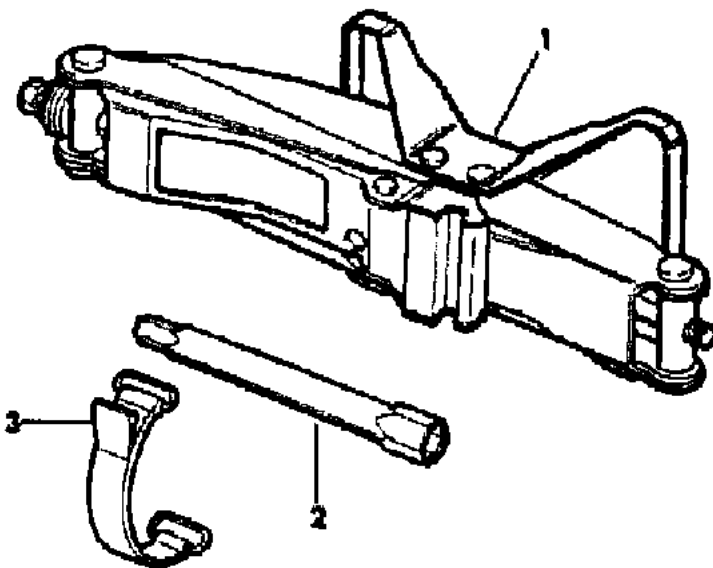
AR = Use as Required - = Non Illustrated Part P.A.R. = Paint as Required

JACK ASSEMBLY AND MOUNTING

Figure 22-200

8P22 2008

ITEM	PART NUMBER	QTY	BODY	MODEL	DESCRIPTION
1	3200 1808	1			JACK, Up To 2-4-91
	5256 113	1			After 2-4-91
2	3200 3092	1			SOCKET, 1989
3	3200 2951	1			STRAP, Hold Down, Up To 1-21-91
	5256 115	1			After 1-21-91
4	5200 0733	1			CAP
5	5200 1643	1			NUT, Up To 2-4-91
	6034 228	1			After 2-4-91
6					HANDLE, Jack
	3200 2287	1			1988-89
7	5200 3583	1			WRENCH, Wheel Lug Nut, 1990-92
8	3420 2795	1			ROD
9	5253 523	1			LABEL, Jack Spare Tire Instruction, Up To 1-21-91
	5256 119	1			After 1-21-91



MODEL CODES:

1988:	1989:	1990-92:	1990-92:
559 - Premier LX	56 - Premier LX	DP-Monaco LE	XP-Premier LX
	557 - Premier ES		DS-Monaco ES
	66 - Premier ES		XS-Premier ES

BODY STYLES:

1988:
55 = 4 dr. Sedan
1989-92:
6 = 4 Dr. Sedan

AR = Use as Required - = Non Illustrated Part P.A.R. = Paint as Required

GROUP 23 - BODY - EXTERIOR ORNAMENTATION

ILLUSTRATION TITLE **GROUP-FIG. NO.**

NAMEPLATES AND MOULDINGS

NAMEPLATES Fig. 23-100
MOULDINGS, UPPER EXTERIOR Fig. 23-200
MOULDINGS, LOWER EXTERIOR PREMIER, "LX" MODEL MONACO, "LE" AND "ES" MODEL Fig. 23-300
MOULDINGS, LOWER EXTERIOR CLADDING PREMIER "ES" MODEL 1988-1989 Fig. 23-400
MOULDINGS, LOWER EXTERIOR CLADDING PREMIER "ES" AND "ES LIMITED" MODEL 1990-92 Fig. 23-410

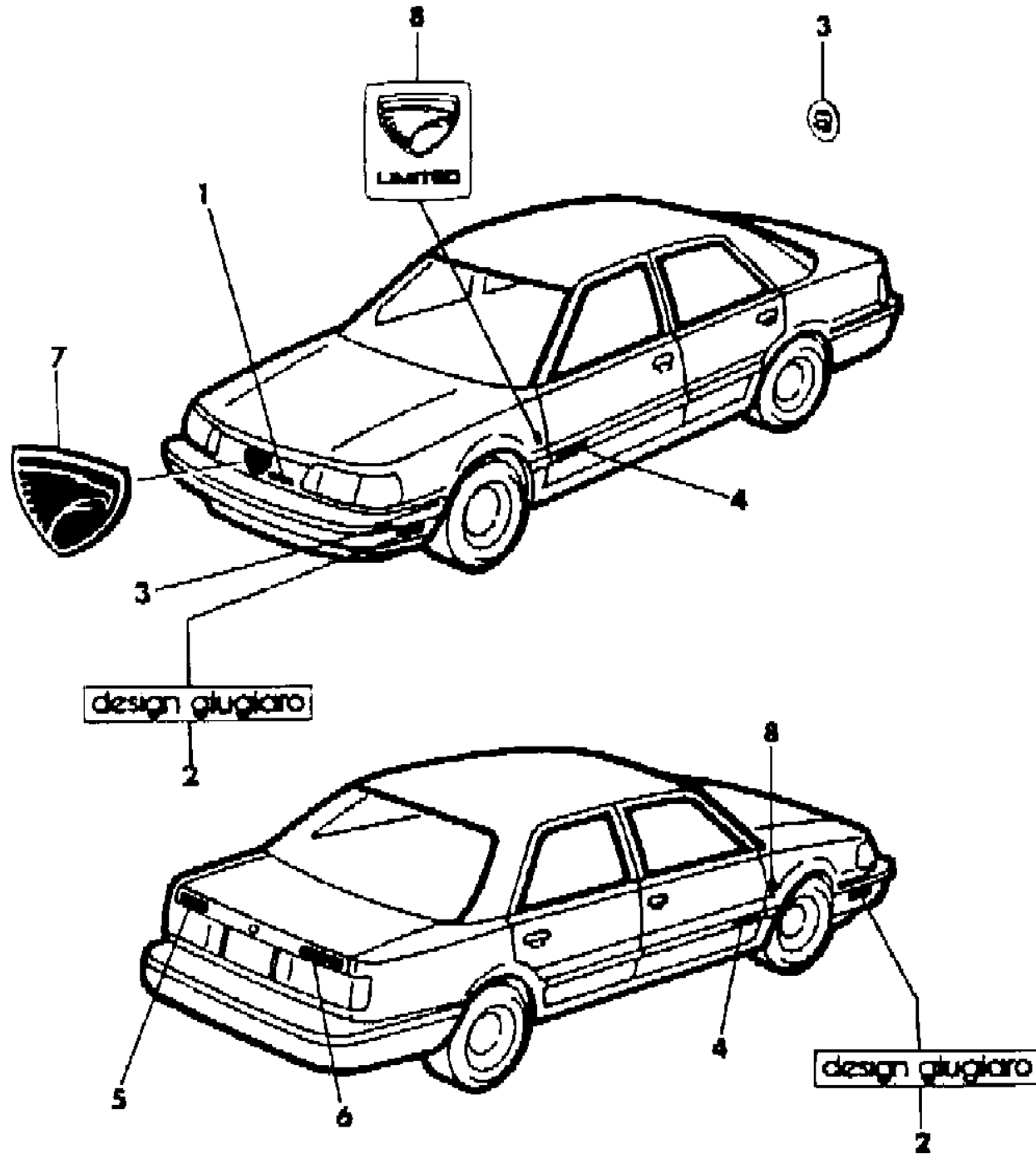
DECALS AND PINSTRIPES

DECALS, EXTERIOR, DUAL PINSTRIPE PREMIER, EXCEPT "ES LIMITED" MODEL, 1988-89 Fig. 23-500
DECALS, EXTERIOR, DUAL PINSTRIPE PREMIER "LX" AND "ES" MODEL, 1990-92 MONACO "LE" MODEL,
1990-92 Fig. 23-510
DECALS, EXTERIOR, DUAL PINSTRIPE PREMIER, "ES" LIMITED MODEL, 1989 Fig. 23-600
DECALS, EXTERIOR, DUAL PINSTRIPE PREMIER "ES LIMITED" MODEL, 1990-92 Fig. 23-610
DECALS, EXTERIOR, SINGLE PINSTRIPE PREMIER, 1988 Fig. 23-700
DECALS, EXTERIOR, TRIPLE PINSTRIPE MONACO, "ES" MODEL Fig. 23-800

ILLUSTRATION NOT AVAILABLE AT TIME OF PUBLICATION

NAMEPLATES
Figure 23-100

8P68 100 A



ITEM	PART NUMBER	QTY	BODY	MODEL	DESCRIPTION
1					NAMEPLATE
					"PREMIER"
	3502 5328	1			1988-89, Bright
	4515 313	1			1990, Bright
	4515 096	1			1989, White
	4388 555	1			"DODGE", Bright, 1990-91
-	9420 862	2			NUT, Nameplate Attaching
Other grille nameplates are available only in the grille assembly, see group 7					
2	3502 2838	2			NAMEPLATE, "Design Giugiaro"
3	3420 2726	6			NUT, For Attaching Nameplate to Facia
4					NAMEPLATE
	3502 2624	2			1988-89, "PREMIER LX"
	4538 230	2			1990-92, "PREMIER LX"
	5253 596	2			"MONACO LE"
	5253 597	2			"MONACO ES"
5					NAMEPLATE, "Eagle"
	3502 5329	1			1988-89
	4538 228	1			1990-92
6					NAMEPLATE, "Premier"
	3502 2622	1			1988-89
	4538 229	1			1990-92
7					MEDALLION, Grille "Eagle"
	3502 6050	1			Bright, 1988-91
	4515 097	1			White, 1989
Other grille medallions are available only in the grille assembly, see group 7					
8					EMBLEM, "Limited"
	DH47 JA1	2			Black w/Silver Logo
	DH47 JC3	2			Blue w/Silver Logo
	DH47 JY4	2			Black w/Gold Logo

MODEL CODES:

1988:	1989:	1990-92:	1990-92:
559 - Premier LX	56 - Premier LX	DP-Monaco LE	XP-Premier LX
	557 - Premier ES		DS-Monaco ES
	66 - Premier ES		XS-Premier ES

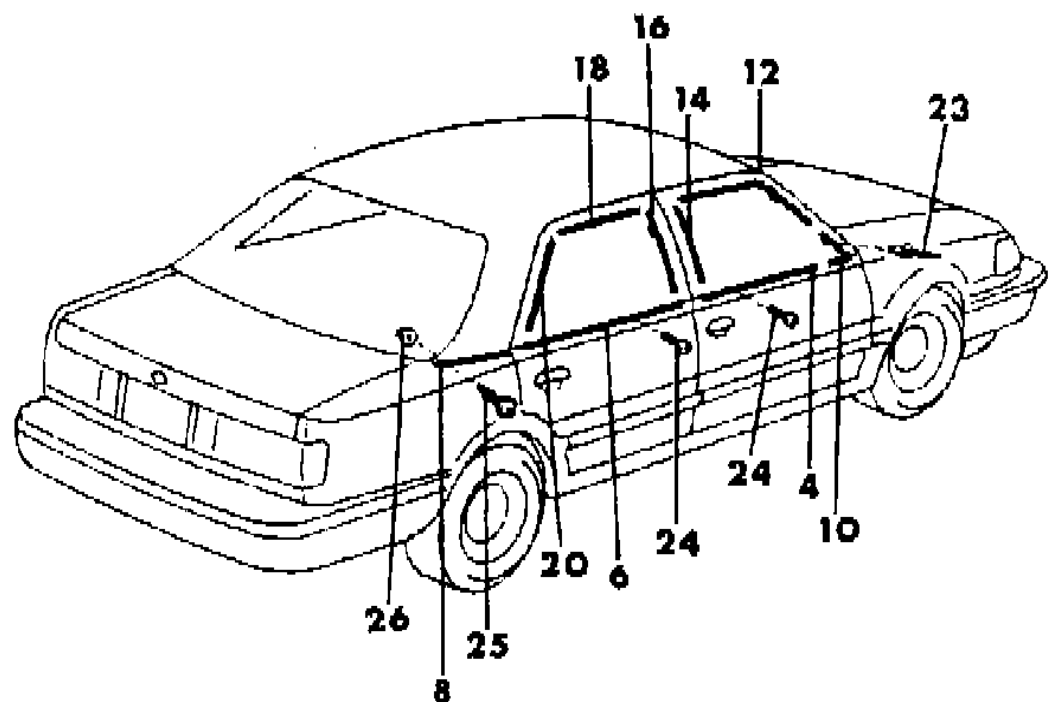
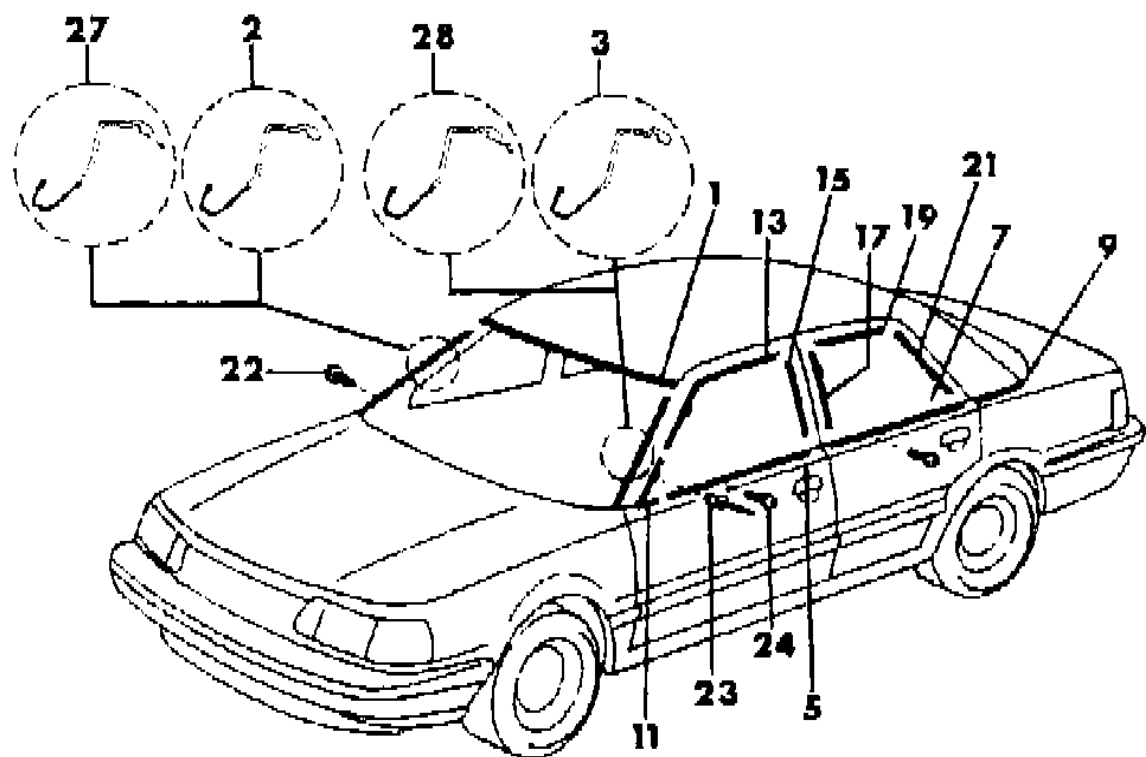
BODY STYLES:

1988:
55 = 4 dr. Sedan
1989-92:
6 = 4 Dr. Sedan

AR = Use as Required - = Non Illustrated Part P.A.R. = Paint as Required

MOULDINGS, UPPER EXTERIOR
Figure 23-200

8P68 200



ITEM	PART NUMBER	QTY	BODY	MODEL	DESCRIPTION
1					MOULDING, Windshield, Black
	3501 4668	1			1988-90
	4584 167	1			1991-92
2-3	3501 4666-7	1			MOULDING, Windshield, Black, 1988
4-5					MOULDING, Door Belt (includes weatherseal)
	3502 6710-1	1			Black
	3501 4550-1	1			Chrome
6-7					MOULDING, Door Belt (includes weatherseal)
	3502 6716-7	1			Black
	3501 4582-3	1			Chrome
8-9					MOULDING, Rear Quarter
	4538 172-3	1			Black
	4538 038-9	1			Black/Chrome, 1988-92
10-11					MOULDING, Door
	4538 424-5	1			Black
	3501 9056-7	1			Chrome, 1988-89
	4538 422-3	1			Chrome, 1990
	5261 168-9	1			1/2 Bright, 1/2 Black, 1990-92
12-13					MOULDING, Door Frame
	3502 6704-5	1			Black, w/o guide clip 1990-91
	4584 378-9	1			Black, w/guide clip, 1992
	3502 2136-7	1			Chrome, w/guide clip and notch in moulding, 1988
	3501 4504-5	1			Chrome, w/o guide clip and notch in moulding, 1988-91
	4584 380-1	1			Chrome, w/guide clip, 1992
14-15					MOULDING, Door Frame
	3502 6702-3	1			Black
	3501 4508-9	1			Chrome
16-17					MOULDING, Door Frame
	4538 088-9	1			Black
	3502 3096-7	1			Chrome, w/guide clip and notch in moulding, 1988
	3501 4512-3	1			Chrome, less guide clip and notch in moulding, 1988-92
18-19					MOULDING, Door Frame
	3502 6712-3	1			Black, up to 12/15/89
	5261 118-9	1			Black, after 12/15/89
	3501 4516-7	1			Chrome
20-21					MOULDING, Door Frame
	3502 6714-5	1			Black
	3501 4520-1	1			Chrome
22	J812 2837	8			SCREW, P.A.R.
23	3420 1032	4			RIVET

MODEL CODES:

1988:	1989:	1990-92:	1990-92:
559 - Premier LX	56 - Premier LX	DP-Monaco LE	XP-Premier LX
	557 - Premier ES		DS-Monaco ES
	66 - Premier ES		XS-Premier ES

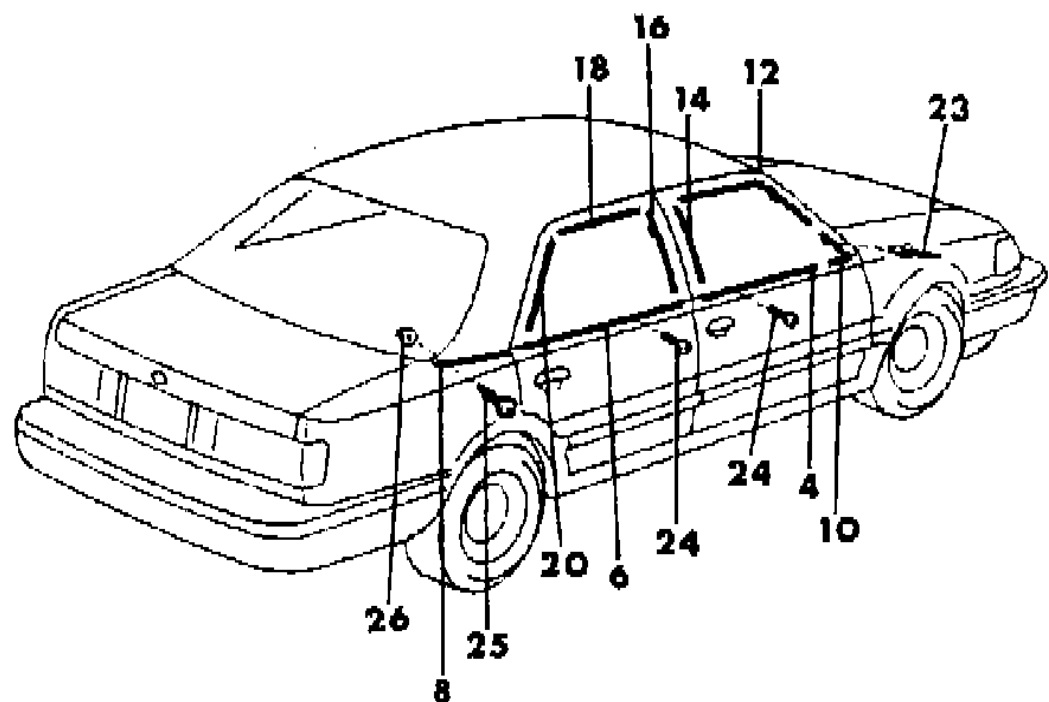
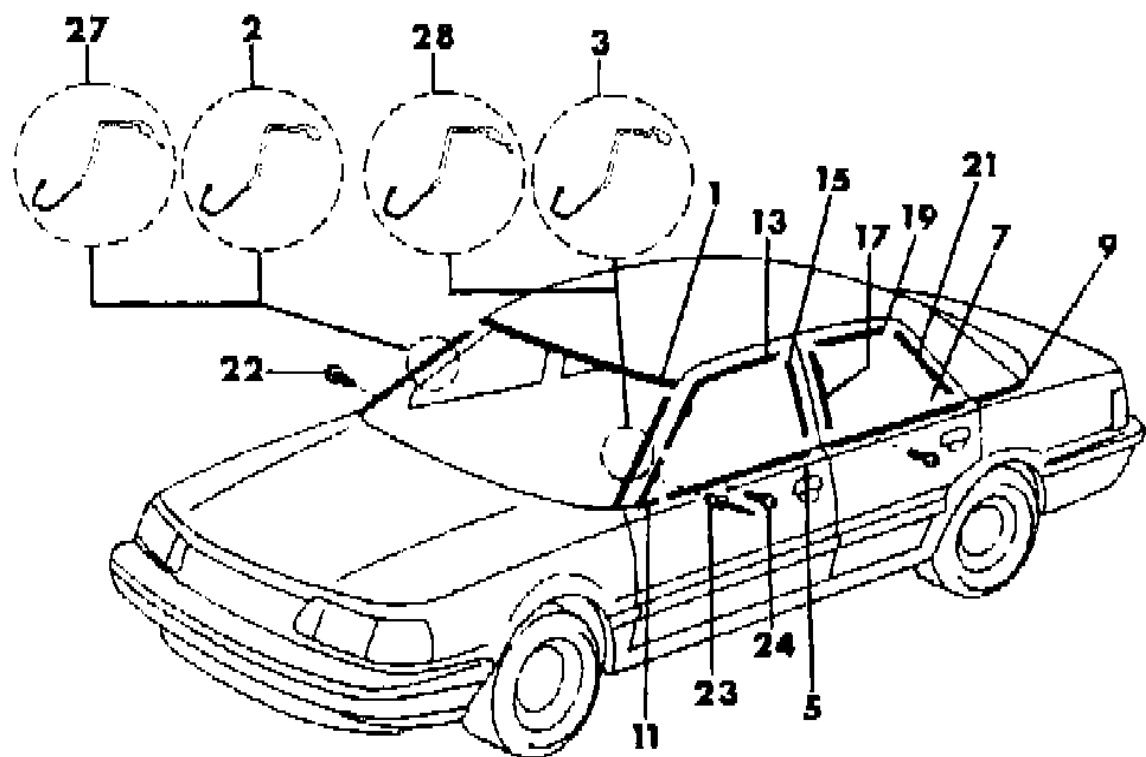
BODY STYLES:

1988:
55 = 4 dr. Sedan
1989-92:
6 = 4 Dr. Sedan

AR = Use as Required - = Non Illustrated Part P.A.R. = Paint as Required

MOULDINGS, UPPER EXTERIOR
Figure 23-200

8P68 200



ITEM	PART NUMBER	QTY	BODY	MODEL	DESCRIPTION
24	3420 2582	8			SCREW
25	3420 2035	4			SCREW
26					NUT
	1150 1854	4			1988
	3420 2159	4			1989-92
27-28	3502 6840-1	1			MOULDING, Windshield, 1988-92

MODEL CODES:

1988:	1989:	1990-92:	1990-92:
559 - Premier LX	56 - Premier LX	DP-Monaco LE	XP-Premier LX
	557 - Premier ES		DS-Monaco ES
	66 - Premier ES		XS-Premier ES

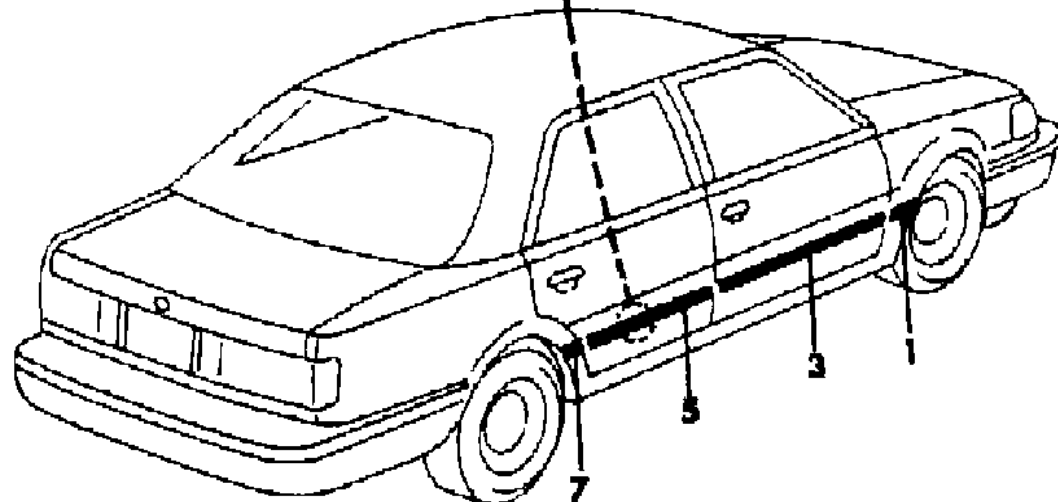
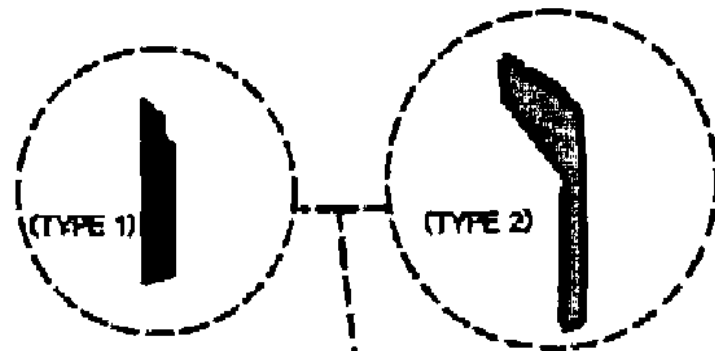
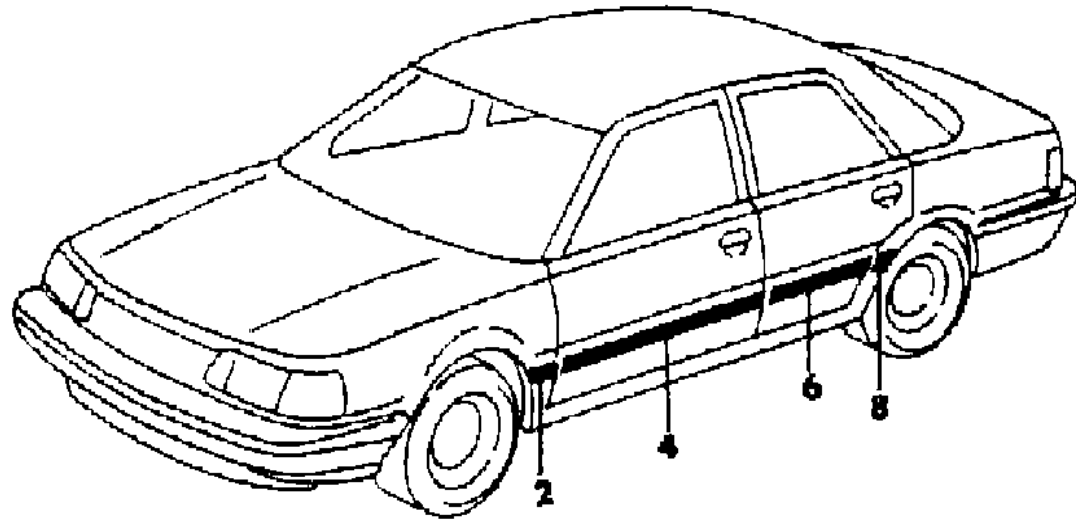
BODY STYLES:

1988:
55 = 4 dr. Sedan
1989-92:
6 = 4 Dr. Sedan

AR = Use as Required - = Non Illustrated Part P.A.R. = Paint as Required

MOULDINGS, LOWER EXTERIOR PREMIER, "LX" MODEL MONACO, "LE" AND "ES" MODEL
Figure 23-300

8P68 300A



ITEM	PART NUMBER	QTY	BODY	MODEL	DESCRIPTION
1-2					MOULDING, Fender
	3501 3358-9	1		X-P	Black, 1988
	3501 9696-7	1		X-P	Black w/Bright Insert, 1988-89
	5253 400-1	1		D-P, X-	Black w/Bright Insert, 1990-91, Built up to 2/28/91
	4586 026-7	1		D-P, X-	Black w/Bright Insert, 1991-92, Built 3/1/91 and Later
	5253 402-3	1		D-S	Black w/Black Insert, 1990-92
3-4					MOULDING, Door
	3501 3360-1	1			Black, 1988
	5261 104-5	1		X-P	Black w/Bright Insert, 1988-91, Built up to 2/28/91
	4586 022-3	1		X-P	Black w/Bright Insert, 1991-92, Built 3/1/91 and Later
	5261 104-5	1		D-P	Black w/Bright Insert, 1990-91, Built up to 2/28/91
	4586 022-3	1		D-P	Black w/Bright Insert, 1991-92, Built 3/1/91 and Later
	4538 252-3	1		D-S	Black w/Black Insert, 1990-91
5-6					MOULDING, Door
	3501 3362-3	1		X-P	Black, 1988
	5261 106-7	1		X-P	Black w/Bright Insert, 1988-91, Built up to 2/28/91
	4586 024-5	1		X-P	Black w/Bright Insert, 1991-92, Built 3/1/91 and Later
	5261 106-7	1		D-P	Black w/Bright Insert, 1990-91, Built up to 2/28/91
	4586 024-5	1		D-P	Black w/Bright Insert, 1991-92, Built 3/1/91 and Later
	4538 254-5	1		D-S	Black w/Black Insert, 1990-92
7-8					MOULDING, Rear Quarter
	3501 3364-5	1			Black, 1988, w/type 1 mouldings
	3501 9732-3	1			Black, 1989-92, w/type 2 mouldings

MODEL CODES:
 1988: 559 - Premier LX
 1989: 56 - Premier LX
 557 - Premier ES
 66 - Premier ES
 1990-92: DP-Monaco LE
 1990-92: XP-Premier LX
 DS-Monaco ES
 XS-Premier ES

BODY STYLES:
 1988:
 55 = 4 dr. Sedan
 1989-92:
 6 = 4 Dr. Sedan

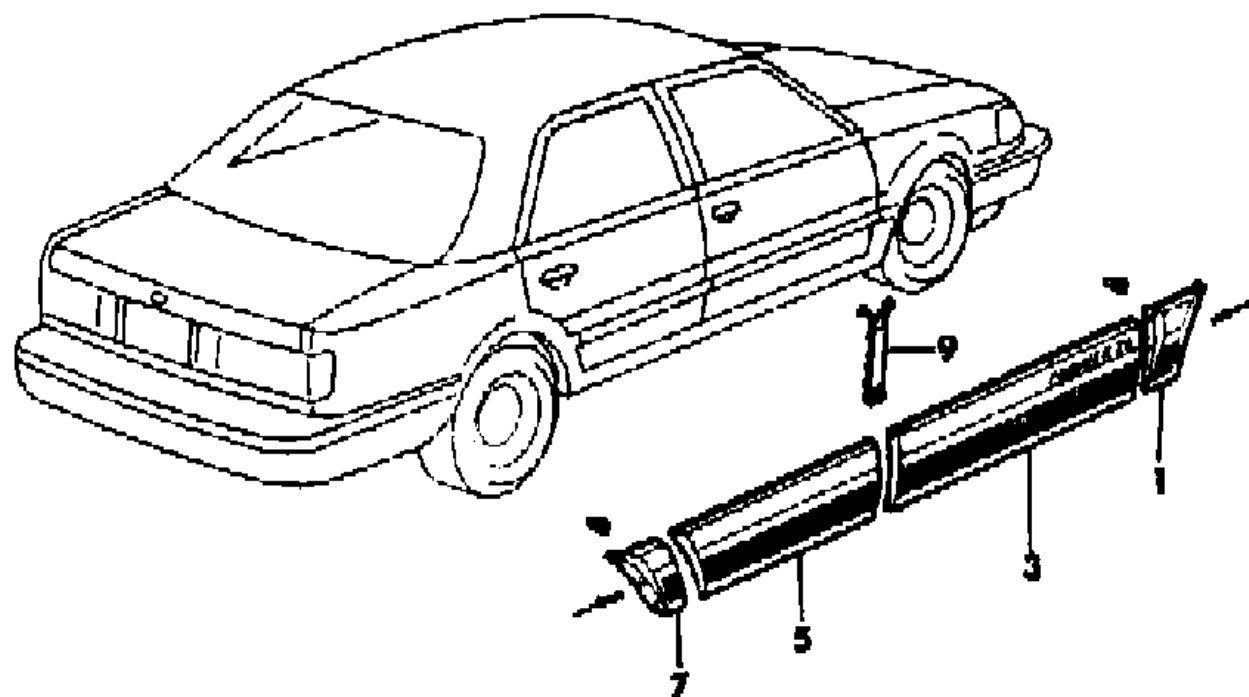
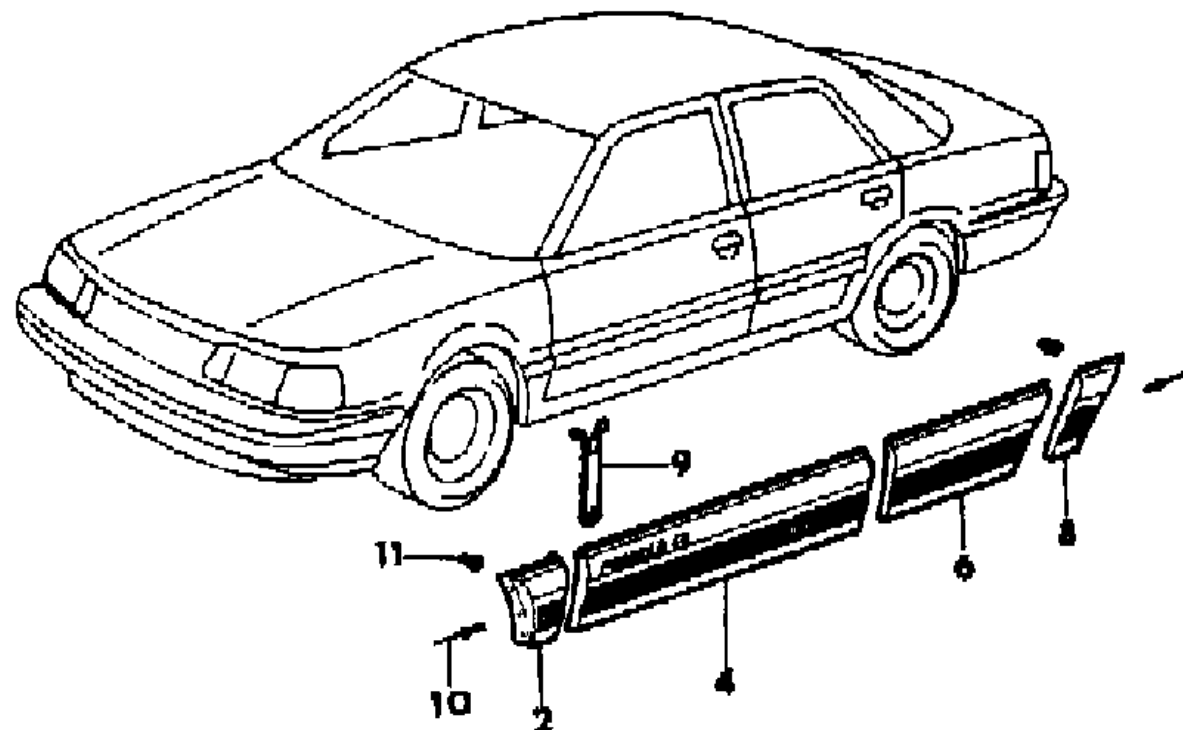
AR = Use as Required - = Non Illustrated Part P.A.R. = Paint as Required

MOULDINGS, LOWER EXTERIOR CLADDING PREMIER "ES" MODEL 1988-1989

Figure 23-400

8P68 400

ITEM	PART NUMBER	QTY	BODY	MODEL	DESCRIPTION
1-2					MOULDING, Fender Cladding
	3502 2080-1	1			Argent
	3502 6924-5	1			Grey
	3502 6718-9	1			White
3-4					MOULDING, Door Cladding
	3502 2084-5	1			Argent
	3502 6928-9	1			Grey
	3502 6720-1	1			White
5-6					MOULDING, Door Cladding
	3502 2088-9	1			Argent
	3502 6932-3	1			Grey
	3502 6722-3	1			White
7-8					MOULDING, Rear Quarter Cladding
	3502 2092-3	1			Argent
	3502 6936-7	1			Grey
	3502 6724-5	1			White
9	3501 4655	AR			RETAINER
10	3420 2635	AR			RIVET
11	3420 2869	AR			NUT



MODEL CODES:

1988:	1989:	1990-92:	1990-92:
559 - Premier LX	56 - Premier LX	DP-Monaco LE	XP-Premier LX
	557 - Premier ES		DS-Monaco ES
	66 - Premier ES		XS-Premier ES

BODY STYLES:

1988:
55 = 4 dr. Sedan
1989-92:
6 = 4 Dr. Sedan

AR = Use as Required - = Non Illustrated Part P.A.R. = Paint as Required

MOULDINGS, LOWER EXTERIOR CLADDING PREMIER "ES" AND "ES LIMITED" MODEL 1990-92

Figure 23-410

BP68 410

ITEM	PART NUMBER	QTY	BODY	MODEL	DESCRIPTION
					MOULDING, Fender Cladding
1-2	BC02-3 HAA	1		ES	Argent, w/Bright Insert, w/o Pentastar
	DH60-1 JAA	1		ES	Argent, w/Bright Insert, w/Pentastar
	FE34-5 KAA	1		ES	Argent, w/o insert, w/Pentastar
	BC02-3 HD7	1		ES	Medium Grey, w/Bright Insert, w/o Pentastar
	DH60-1 JD7	1		ES	Medium Grey, w/Bright Insert, w/Pentastar
	FE34-5 KD7	1		ES	Medium Grey, w/o Insert, w/Pentastar
	BC04-5 JX8	1		ES LIM1	Black, w/Black Insert, w/o Pentastar
	DH62-3 JX8	1		ES LIM1	Black, w/Black Insert, w/Pentastar
	BC04-5 JE4	1		ES LIM1	Red, w/Black Insert, w/o Pentastar, 1990
	DH62-3 JE4	1		ES LIM1	Red, w/Black Insert, w/Pentastar, 1990-91
	DH62-3 LRF	1		ES LIM1	Red, w/Black Insert, w/Pentastar, 1992
	BC04-5 JA2	1		ES LIM1	Sterling Silver, w/Black Insert, w/o Pentastar
	DH62-3 JA2	1		ES LIM1	Sterling Silver, w/Black Insert, w/Pentastar
	BC04-5 HW7	1		ES LIM1	White, w/Black Insert, w/o Pentastar
	DH62-3 JW7	1		ES LIM1	White, w/Black Insert, w/Pentastar
					MOULDING, Door Cladding, Front
3-4	BB04-5 HAA	1		ES	Argent, w/Bright Insert, 1990
	DH64-5 JAA	1		ES	Argent, w/Bright Insert, 1991
	FE36-7 KAA	1		ES	Argent, w/o Insert, 1991-92
	BB04-5 HD7	1		ES	Medium Grey, w/Bright Insert, 1990
	DH64-5 JD7	1		ES	Medium Grey, w/Bright Insert, 1991
	FE36-7 KD7	1		ES	Medium Grey, w/o Insert, 1991-92
	BB12-3 JX8	1		ES LIM1	Black, w/Black Insert, 1990
	DH76-7 JX8	1		ES LIM1	Black, w/Black Insert, 1991-92
	BB12-3 JE4	1		ES LIM1	Red, w/Black Insert, 1990
	DH76-7 JE4	1		ES LIM1	Red, w/Black Insert, 1991
	DH76-7 LRF	1		ES LIM1	Red, w/Black Insert, 1992
	BB12-3 JA2	1		ES LIM1	Sterling Silver, w/Black Insert, 1990
	DH76-7 JA2	1		ES LIM1	Sterling Silver, w/Black Insert, 1991-92
	BB12-3 HW7	1		ES LIM1	White, w/Black Insert, 1990
	DH76-7 JW7	1		ES LIM1	White, w/Black Insert, 1991-92
					MOULDING, Door Cladding, Rear
5-6	BB06-7 HAA	1		ES	Argent, w/Bright Insert, 1990
	DH78-9 JAA	1		ES	Argent, w/Bright Insert, 1991
	FE38-9 KAA	1		ES	Argent, w/o Insert, 1991-92
	BB06-7 HD7	1		ES	Medium Grey, w/Bright Insert, 1990
	DH78-9 JD7	1		ES	Medium Grey, w/Bright Insert, 1991
	FE38-9 KD7	1		ES	Medium Grey, w/o Insert, 1991-92
	BB14-5 JX8	1		ES LIM1	Black, w/Black Insert, 1990

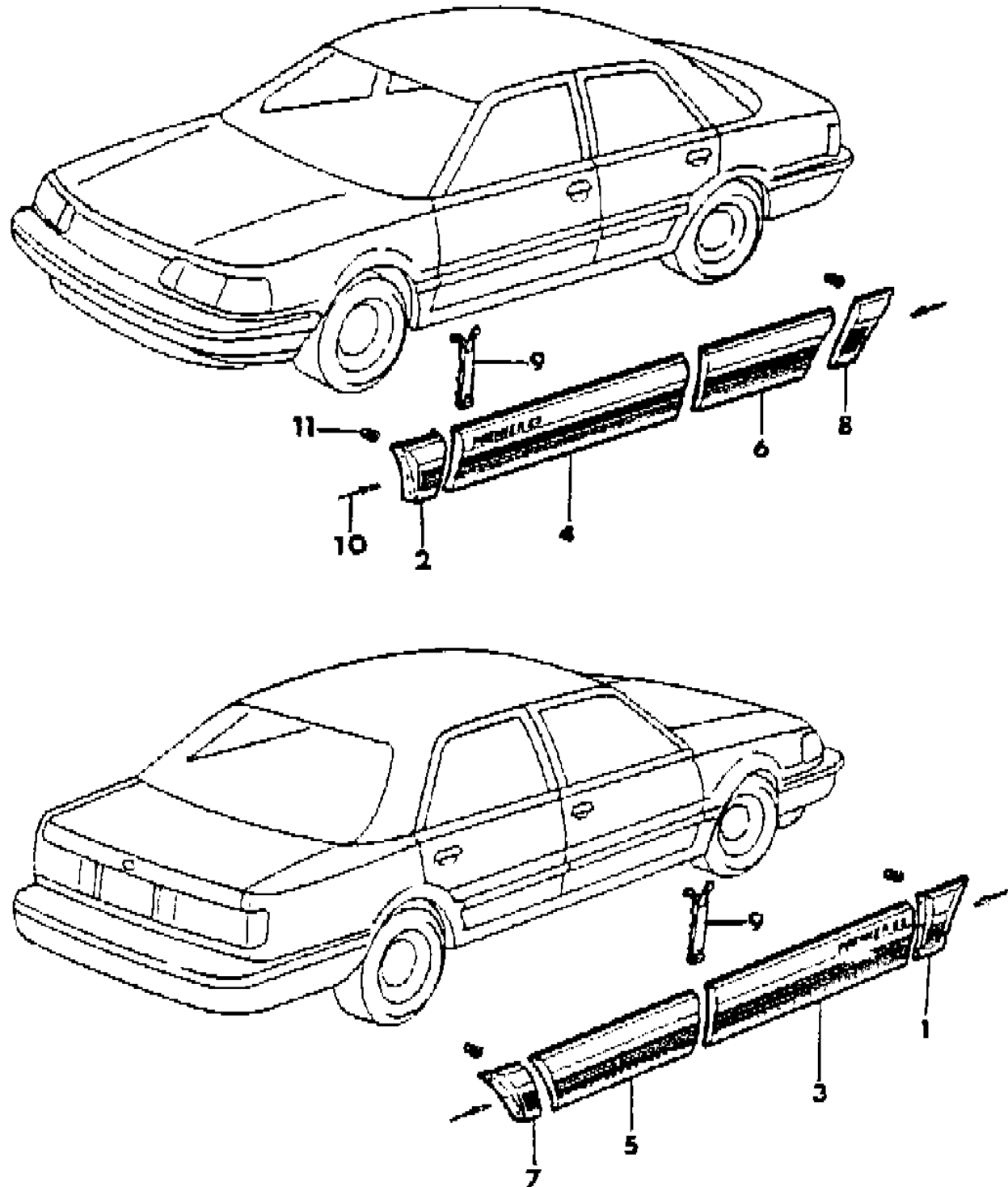
MODEL CODES:

1988:	1989:	1990-92:	1990-92:
559 - Premier LX	56 - Premier LX	DP-Monaco LE	XP-Premier LX
	557 - Premier ES		DS-Monaco ES
	66 - Premier ES		XS-Premier ES

BODY STYLES:

1988:
55 = 4 dr. Sedan
1989-92:
6 = 4 Dr. Sedan

AR = Use as Required - = Non Illustrated Part P.A.R. = Paint as Required

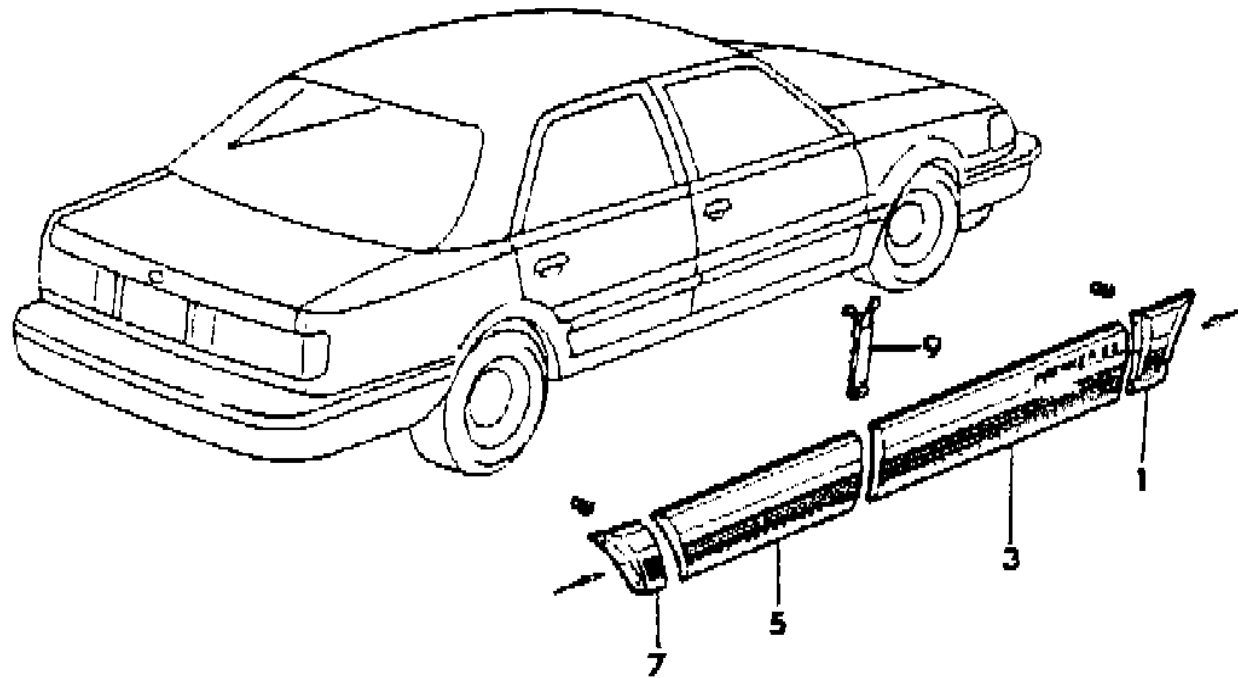
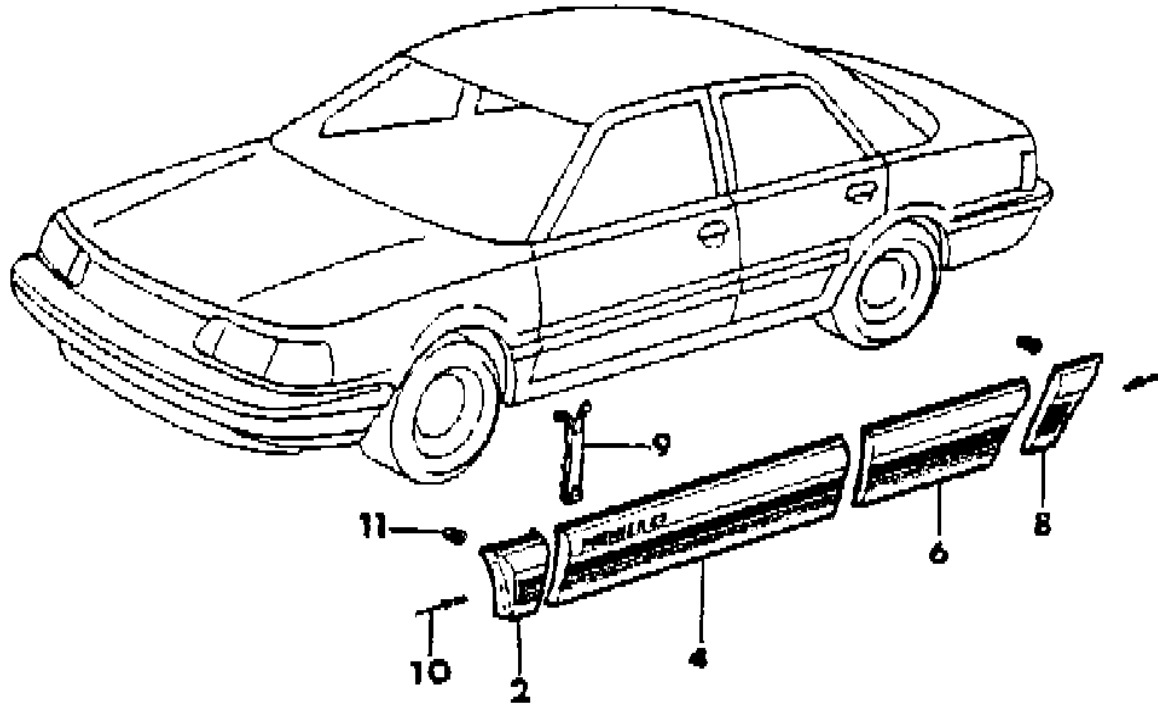


MOULDINGS, LOWER EXTERIOR CLADDING PREMIER "ES" AND "ES LIMITED" MODEL 1990-92

Figure 23-410

BP68 410

ITEM	PART NUMBER	QTY	BODY	MODEL	DESCRIPTION
	DH80-1 JX8	1		ES LIM	Black, w/Black Insert, 1991-92
	BB14-5 JE4	1		ES LIM	Red, w/Black Insert, 1990
	DH80-1 JE4	1		ES LIM	Red, w/Black Insert, 1991
	DH80-1 LRF	1		ES LIM	Red, w/Black Insert, 1992
	BB14-5 JA2	1		ES LIM	Sterling Silver, w/Black Insert, 1990
	DH80-1 JA2	1		ES LIM	Sterling Silver, w/Black Insert, 1991-92
	BB14-5 HW7	1		ES LIM	White, w/Black Insert, 1990
	DH80-1 JW7	1		ES LIM	White, w/Black Insert, 1991-92
7-8					MOULDING, Rear Quarter Cladding
	BC06-7 HAA	1		ES	Argent
	BC06-7 HD7	1		ES	Medium Grey
	BC06-7 JX8	1		ES LIM	Black
	BC06-7 JE4	1		ES LIM	Colorado Red, 1990-91
	BC06-7 LRF	1		ES LIM	Radiant Red, 1992
	BC06-7 JA2	1		ES LIM	Sterling Silver
	BC06-7 HW7	1		ES LIM	White
9	5261 041	AR			RETAINER
10	3420 2635	AR			RIVET
11	3420 2869	AR			NUT



MODEL CODES:

1988:	1989:	1990-92:	1990-92:
559 - Premier LX	56 - Premier LX	DP-Monaco LE	XP-Premier LX
	557 - Premier ES		DS-Monaco ES
	66 - Premier ES		XS-Premier ES

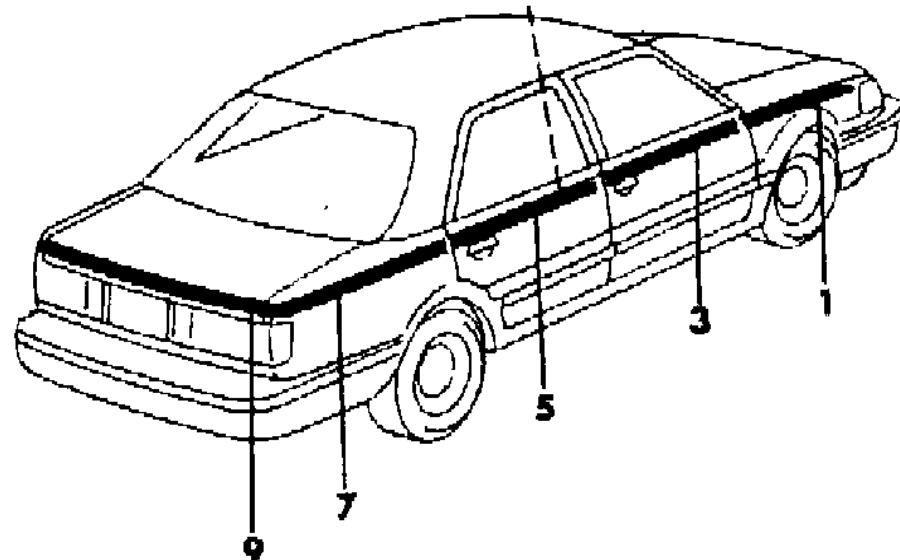
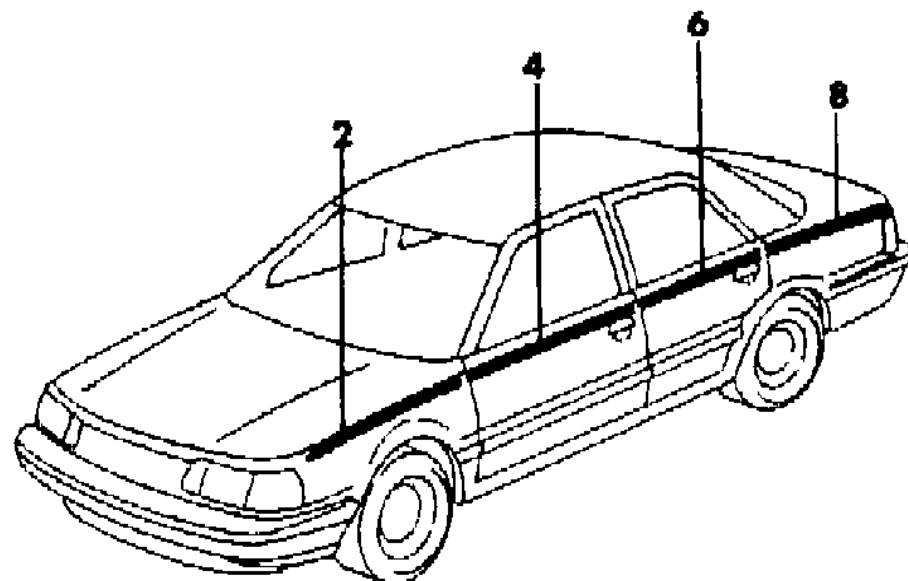
BODY STYLES:

1988:
55 = 4 dr. Sedan
1989-92:
6 = 4 Dr. Sedan

AR = Use as Required - = Non Illustrated Part P.A.R. = Paint as Required

DECALS, EXTERIOR, DUAL PINSTRIPE PREMIER, EXCEPT "ES LIMITED" MODEL, 1988-89
Figure 23-500

BP68 500



ITEM	PART NUMBER	QTY	BODY	MODEL	DESCRIPTION
1-2					DECAL, Fender
	3502 6916-7	1			Buckskin, 1989
	3502 3746-7	1			Dk. Baltic, 1988-89
	3502 6980-1	1			Dk. Red, 1989
	3502 3736-7	1			Driftwood, 1988-89
	3502 3726-7	1			Grenadine, 1988-89
	3502 4792-3	1			Lt. Med. Brown, 1988-89
	3502 6990-1	1			Lt. Sand, 1989
	3502 4734-5	1			Silver, 1988-89
3-4					DECAL, Door
	3502 6918-9	1			Buckskin, 1989
	3502 3748-9	1			Dk. Baltic, 1988-89
	3502 6982-3	1			Dk. Red, 1989
	3502 3738-9	1			Driftwood, 1988-89
	3502 3728-9	1			Grenadine, 1988-89
	3502 4794-5	1			Lt. Med. Brown, 1988-89
	3502 6992-3	1			Lt. Sand, 1989
	3502 4736-7	1			Silver, 1988-89
5-6					DECAL, Door
	3502 6920-1	1			Buckskin, 1989
	3502 3750-1	1			Dk. Baltic, 1988-89
	3502 6984-5	1			Dk. Red, 1989
	3502 3740-1	1			Driftwood, 1988-89
	3502 3730-1	1			Grenadine, 1988-89
	3502 4796-7	1			Lt. Med. Brown, 1988-89
	3502 6994-5	1			Lt. Sand, 1989
	3502 4738-9	1			Silver, 1988-89
7-8					DECAL, Rear Quarter
	3502 6922-3	1			Buckskin, 1989
	3502 3752-3	1			Dk. Baltic, 1988-89
	3502 6986-7	1			Dk. Red, 1989
	3502 3742-3	1			Driftwood, 1988-89
	3502 3732-3	1			Grenadine, 1988-89
	3502 4798-9	1			Lt. Med. Brown, 1988-89
	3502 6996-7	1			Lt. Sand, 1989
	3502 4740-1	1			Silver, 1988-89
ATTENTION] Items 1-8 in Colors Dark Baltic or Silver May Rule to Bodyside Packages.					
-	4549 864-5	1			TAPE PACKAGE, Bodyside, Dark Baltic
-	4549 866-7	1			TAPE PACKAGE, Bodyside, Silver
9					DECAL, Deck Lid

MODEL CODES:

1988:	1989:	1990-92:	1990-92:
559 - Premier LX	56 - Premier LX	DP-Monaco LE	XP-Premier LX
	557 - Premier ES		DS-Monaco ES
	66 - Premier ES		XS-Premier ES

BODY STYLES:

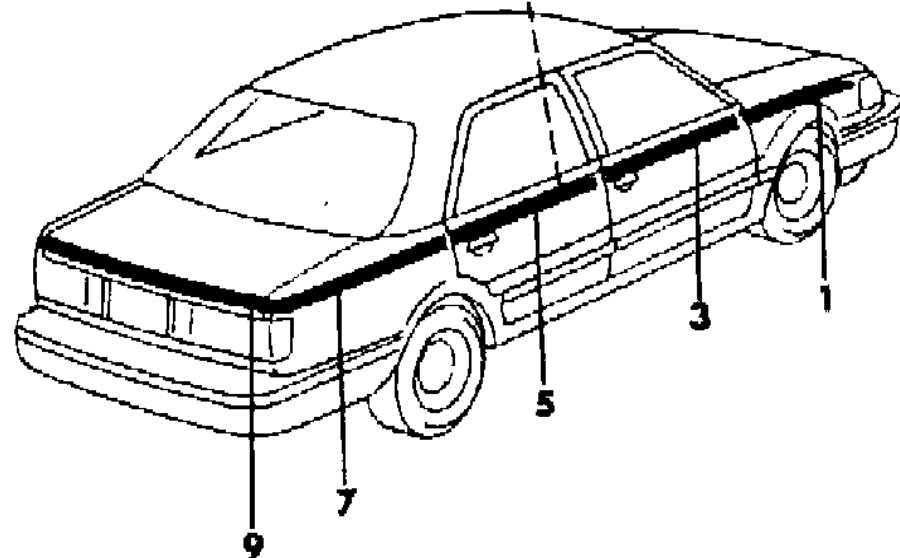
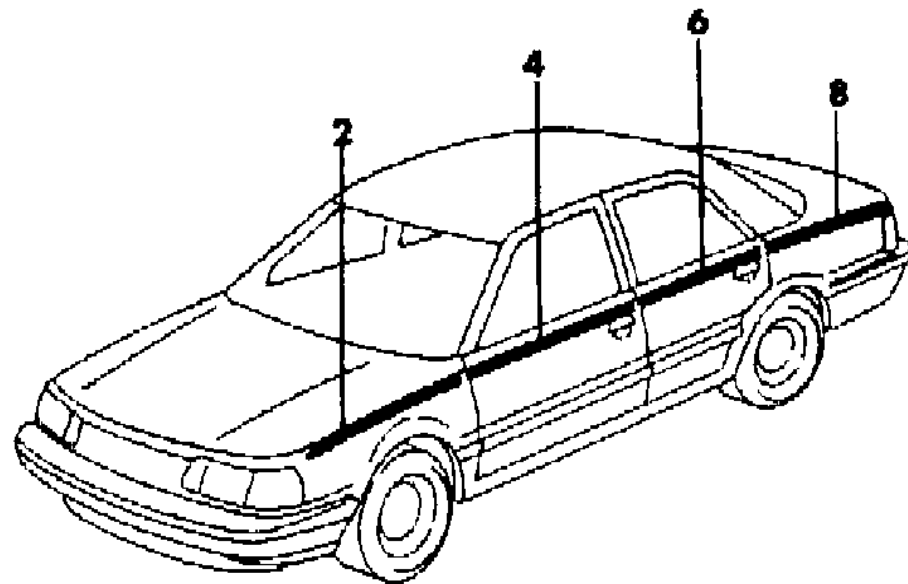
1988:
55 = 4 dr. Sedan
1989-92:
6 = 4 Dr. Sedan

AR = Use as Required - = Non Illustrated Part P.A.R. = Paint as Required

DECALS, EXTERIOR, DUAL PINSTRIPE PREMIER, EXCEPT "ES LIMITED" MODEL, 1988-89

Figure 23-500

BP68 500



ITEM	PART NUMBER	QTY	BODY	MODEL	DESCRIPTION
	3502 6915	1			Buckskin, 1989
	3502 6008	1			Dk. Baltic, 1988-89
	3502 6979	1			Dk. Red, 1989
	3502 6007	1			Driftwood, 1988-89
	3502 6006	1			Grenadine, 1988-89
	3502 6005	1			Lt. Med. Brown, 1988-89
	3502 6989	1			Lt. Sand, 1989
	3502 6009	1			Silver, 1988-89

MODEL CODES:

1988:	1989:	1990-92:	1990-92:
559 - Premier LX	56 - Premier LX	DP-Monaco LE	XP-Premier LX
	557 - Premier ES		DS-Monaco ES
	66 - Premier ES		XS-Premier ES

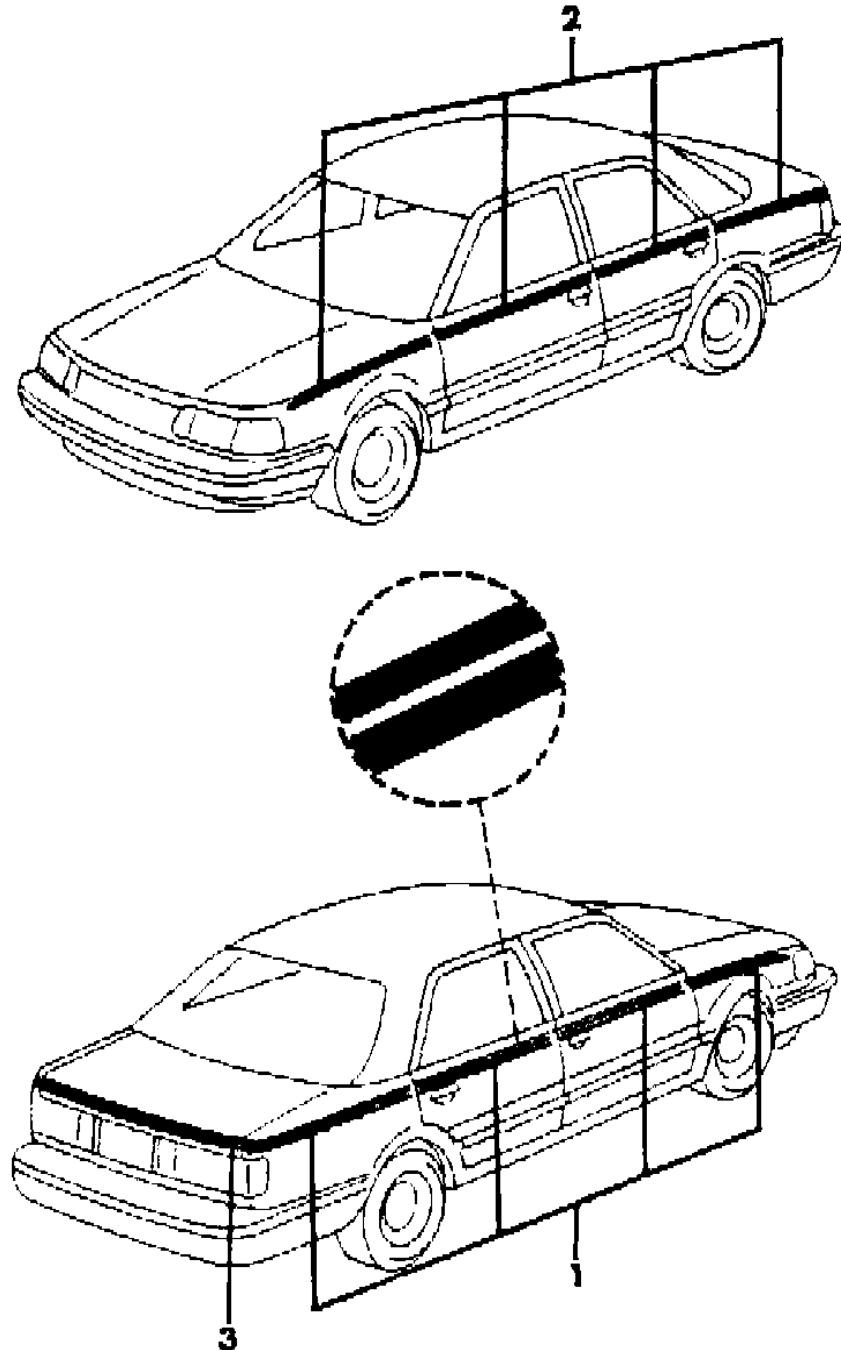
BODY STYLES:

1988:
55 = 4 dr. Sedan
1989-92:
6 = 4 Dr. Sedan

AR = Use as Required - = Non Illustrated Part P.A.R. = Paint as Required

DECALS, EXTERIOR, DUAL PINSTRIPE PREMIER "LX" AND "ES" MODEL, 1990-92 MONACO "LE" MODEL, 1990-92
Figure 23-510

8P68 510



ITEM	PART NUMBER	QTY	BODY	MODEL	DESCRIPTION
1-2					DECAL PACKAGE, Bodyside
	4549 864-5	1			Dark Baltic Blue
	4549 862-3	1			Medium Buckskin, or Champagne
	4549 858-9	1			Dark Red
	4549 870-1	1			Light Silver
	4549 866-7	1			Medium Silver
	4638 182-3	1			Light Champagne
3					DECAL, Deck Lid
	BB19 HQ9	1			Dark Baltic Blue
	BB19 HV7	1			Medium Buckskin, or Champagne
	BB19 HR7	1			Dark Red
	BB19 KA1	1			Light Silver
	BB19 HA5	1			Medium Silver
	BB19 LV3	1			Light Champagne

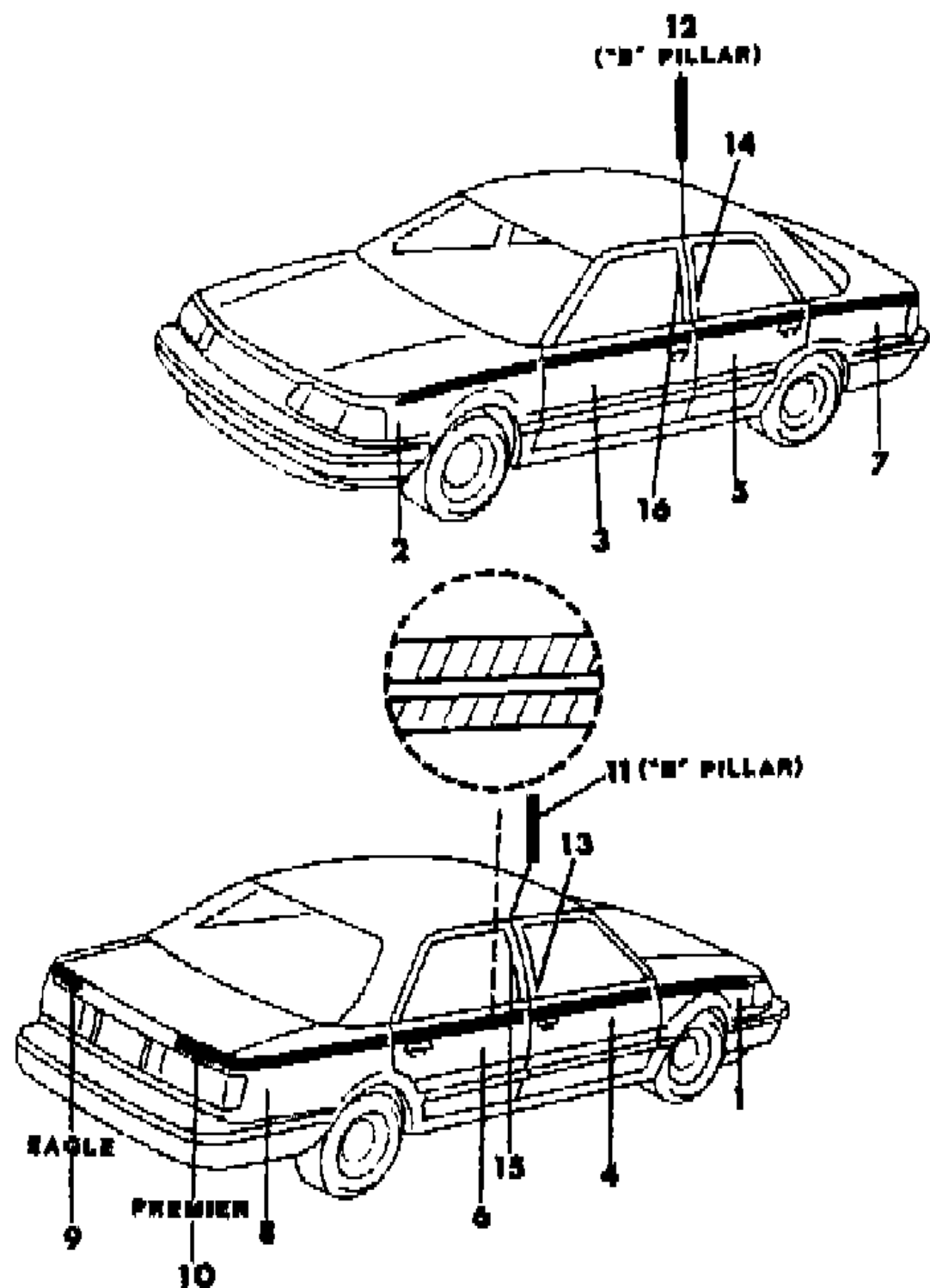
MODEL CODES:
 1988: 559 - Premier LX
 1989: 56 - Premier LX, 557 - Premier ES, 66 - Premier ES
 1990-92: DP-Monaco LE
 1990-92: XP-Premier LX, DS-Monaco ES, XS-Premier ES

BODY STYLES:
 1988: 55 = 4 dr. Sedan
 1989-92: 6 = 4 Dr. Sedan

AR = Use as Required - = Non Illustrated Part P.A.R. = Paint as Required

DECALS, EXTERIOR, DUAL PINSTRIPE PREMIER, "ES" LIMITED MODEL, 1989
Figure 23-600

8P68 600



ITEM	PART NUMBER	QTY	BODY	MODEL	DESCRIPTION
1					DECAL, Fender, Right
	3502 6734	1			Blue
2					DECAL, Fender, Left
	3502 6735	1			Blue
3					DECAL, Door, Right
	3502 6736	1			Blue
4					DECAL, Door, Left
	3502 6737	1			Blue
5					DECAL, Door, Right
	3502 6738	1			Blue
6					DECAL, Door, Left
	3502 6739	1			Blue
7					DECAL, Rear Quarter Right
	3502 6740	1			Blue
8					DECAL, Rear Quarter Left
	3502 6741	1			Blue
9					DECAL, Deck Lid "Eagle"
	3502 6728	1			Blue
10					DECAL, Deck Lid "Premier"
	3502 6726	1			Blue
11					DECAL, "B" Pillar Right
	4538 182	1			Black
12					DECAL, "B" Pillar Left
	4538 183	1			Black
13					DECAL, Door, Right
	5261 108	1			Black
14					DECAL, Door, Left
	5261 111	1			Black
15					DECAL, Door, Right
	5261 110	1			Black
16					DECAL, Door, Left
	5261 109	1			Black

MODEL CODES:

1988:	1989:	1990-92:	1990-92:
559 - Premier LX	56 - Premier LX	DP-Monaco LE	XP-Premier LX
	557 - Premier ES		DS-Monaco ES
	66 - Premier ES		XS-Premier ES

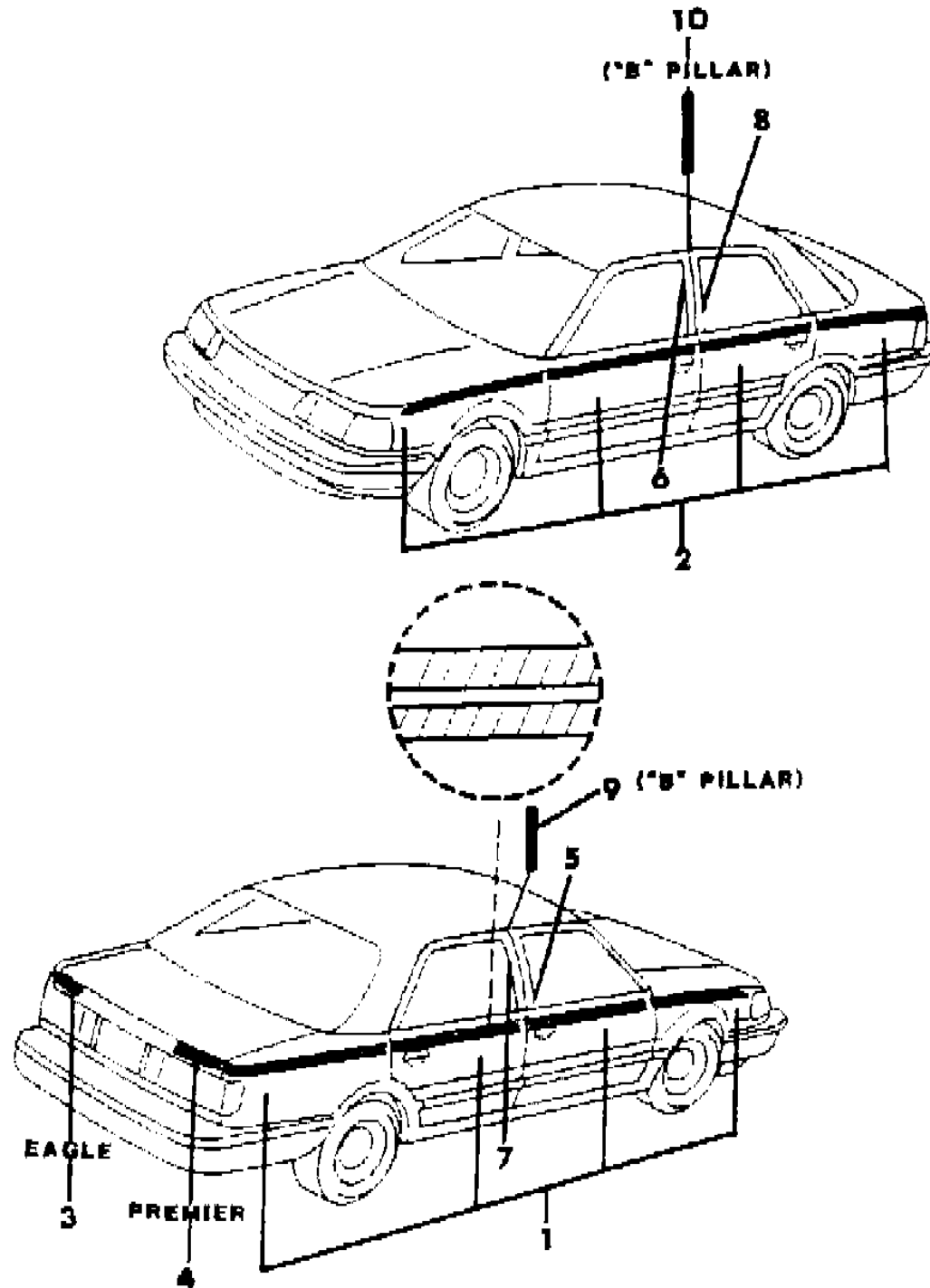
BODY STYLES:

1988:
55 = 4 dr. Sedan
1989-92:
6 = 4 Dr. Sedan

AR = Use as Required - = Non Illustrated Part P.A.R. = Paint as Required

DECALS, EXTERIOR, DUAL PINSTRIPE PREMIER "ES LIMITED" MODEL, 1990-92
Figure 23-610

8P68 610



ITEM	PART NUMBER	QTY	BODY	MODEL	DESCRIPTION
1					DECAL PACKAGE, Right
	4549 856	1			Blue
	4504 920	1			Gold
	4504 918	1			Silver
2					DECAL PACKAGE, Left
	4549 857	1			Blue
	4504 921	1			Gold
	4504 919	1			Silver
3					DECAL, Deck Lid, "EAGLE"
	AP38 JC3	1			Blue
	AP38 JY4	1			Gold
	AP38 JA1	1			Silver
4					DECAL, Deck Lid, "PREMIER"
	AP39 JC3	1			Blue
	AP39 JY4	1			Gold
	AP39 JA1	1			Silver
5					DECAL, Door, Right
	5261 108	1			Black
6					DECAL, Door, Left
	5261 109	1			Black
7					DECAL, Door Right
	5261 110	1			Black
8					DECAL, Door, Left
	5261 111	1			Black
9					DECAL, "B" Pillar, Right
	4538 182	1			Black
10					DECAL, "B" Pillar, Left
	4538 183	1			Black

MODEL CODES:

1988:	1989:	1990-92:	1990-92:
559 - Premier LX	56 - Premier LX	DP-Monaco LE	XP-Premier LX
	557 - Premier ES		DS-Monaco ES
	66 - Premier ES		XS-Premier ES

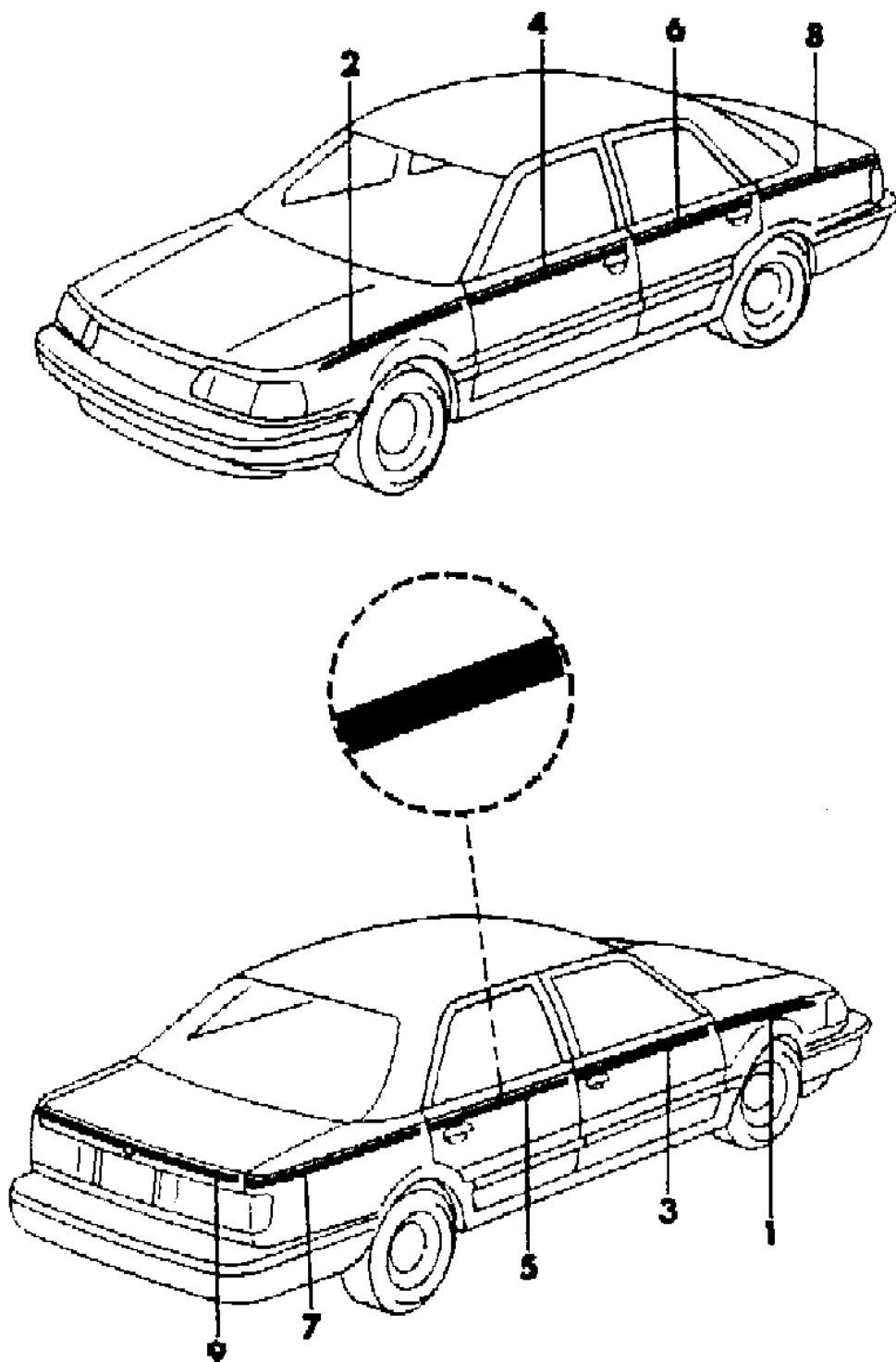
BODY STYLES:

1988:
55 = 4 dr. Sedan
1989-92:
6 = 4 Dr. Sedan

AR = Use as Required - = Non Illustrated Part P.A.R. = Paint as Required

DECALS, EXTERIOR, SINGLE PINSTRIPE PREMIER, 1988
Figure 23-700

8P68 700



ITEM	PART NUMBER	QTY	BODY	MODEL	DESCRIPTION
1					DECAL, Fender, Right
	3502 3686	1			Black
	3502 3696	1			Dk. Baltic
	3502 3706	1			Dk. Vivid Red
	3502 4954	1			Grenadine
2	3502 4966	1			Lt. Driftwood
					DECAL, Fender, Left
	3502 3687	1			Black
	3502 3697	1			Dk. Baltic
	3502 3707	1			Dk. Vivid Red
3	3502 4955	1			Grenadine
	3502 4967	1			Lt. Driftwood ***
					DECAL, Door, Right
	3502 3688	1			Black
	3502 3698	1			Dk. Baltic
4	3502 3708	1			Dk. Vivid Red
	3502 4956	1			Grenadine
	3502 4968	1			Lt. Driftwood
					DECAL, Door, Left
	3502 3689	1			Black
5	3502 3699	1			Dk. Baltic
	3502 3709	1			Dk. Vivid Red
	3502 4957	1			Grenadine
	3502 4969	1			Lt. Driftwood
					DECAL, Door, Right
6	3502 3690	1			Black
	3502 3700	1			Dk. Baltic
	3502 3710	1			Dk. Vivid Red
	3502 4958	1			Grenadine
	3502 4970	1			Lt. Driftwood
7					DECAL, Door, Left
	3502 3691	1			Black
	3502 3701	1			Dk. Baltic
	3502 3711	1			Dk. Vivid Red
	3502 4959	1			Grenadine
7	3502 4971	1			Lt. Driftwood
					DECAL, Rear Quarter, Right
	3502 3692	1			Black
	3502 3702	1			Dk. Baltic
	3502 3712	1			Dk. Vivid Red

MODEL CODES:

1988:	1989:	1990-92:	1990-92:
559 - Premier LX	56 - Premier LX 557 - Premier ES 66 - Premier ES	DP-Monaco LE	XP-Premier LX DS-Monaco ES XS-Premier ES

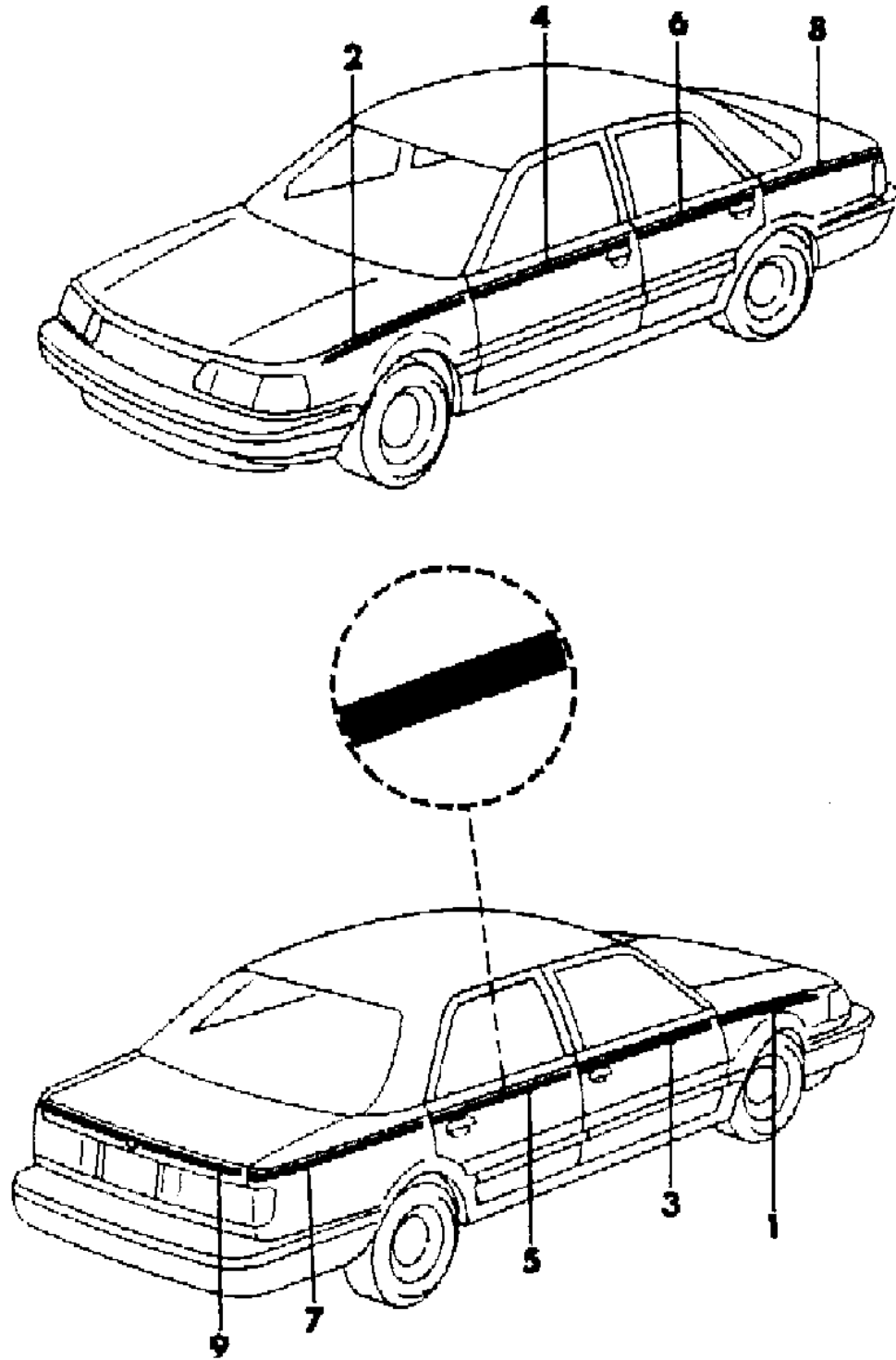
BODY STYLES:

1988:
55 = 4 dr. Sedan
1989-92:
6 = 4 Dr. Sedan

AR = Use as Required - = Non Illustrated Part P.A.R. = Paint as Required

DECALS, EXTERIOR, SINGLE PINSTRIPE PREMIER, 1988
Figure 23-700

8P68 700



ITEM	PART NUMBER	QTY	BODY	MODEL	DESCRIPTION
	3502 4960	1			Grenadine
	3502 4972	1			Lt. Driftwood
8					DECAL, Rear Quarter, Left
	3502 3693	1			Black
	3502 3703	1			Dk. Baltic
	3502 3713	1			Dk. Vivid Red
	3502 4961	1			Grenadine
	3502 4973	1			Lt. Driftwood
9					DECAL, Deck Lid, modification required
	3502 6000	1			Black
	3502 3700	1			Dk. Baltic
	3502 3710	1			Dk. Vivid Red
	3502 4958	1			Grenadine
	3502 4970	1			Lt. Driftwood

MODEL CODES:
 1988: 559 - Premier LX
 1989: 56 - Premier LX, 557 - Premier ES, 66 - Premier ES
 1990-92: DP-Monaco LE
 1990-92: XP-Premier LX, DS-Monaco ES, XS-Premier ES

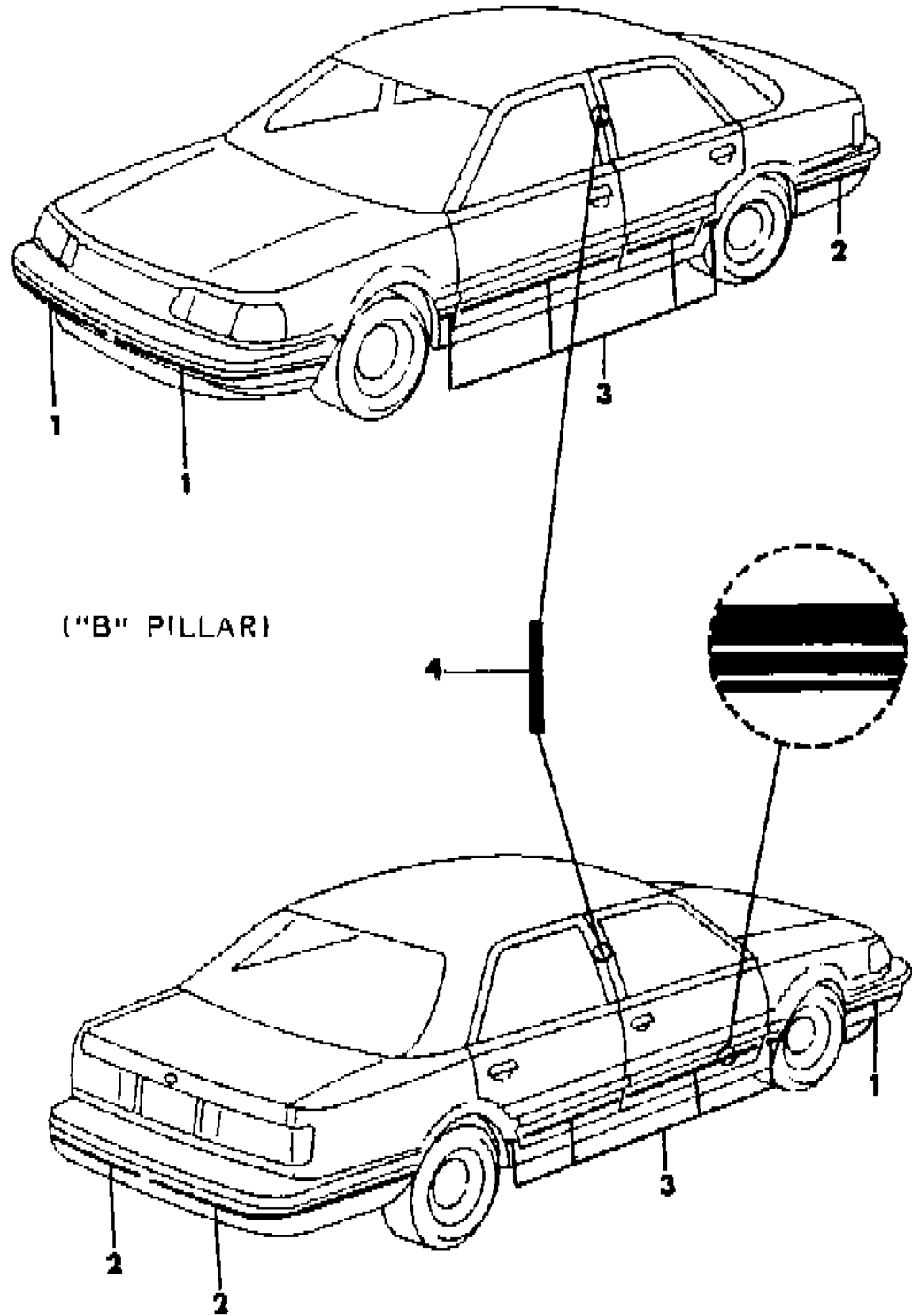
BODY STYLES:
 1988: 55 = 4 dr. Sedan
 1989-92: 6 = 4 Dr. Sedan

AR = Use as Required - = Non Illustrated Part P.A.R. = Paint as Required

DECALS, EXTERIOR, TRIPLE PINSTRIPE MONACO, "ES" MODEL
Figure 23-800

8P58 800

ITEM	PART NUMBER	QTY	BODY	MODEL	DESCRIPTION
1	DF14-5 JX9	1			TAPE, Front Facia
2	DF16-7 JX9	1			TAPE, Rear Facia
3	4636 444-5	1			TAPE PACKAGE, Bodyside
4	4538 182-3	1			DECAL, "B" Pillar Blackout



("B" PILLAR)

MODEL CODES:			
1988:	1989:	1990-92:	1990-92:
559 - Premier LX	56 - Premier LX	DP-Monaco LE	XP-Premier LX
	557 - Premier ES		DS-Monaco ES
	66 - Premier ES		XS-Premier ES

BODY STYLES:
1988:
55 = 4 dr. Sedan
1989-92:
6 = 4 Dr. Sedan

AR = Use as Required - = Non Illustrated Part P.A.R. = Paint as Required

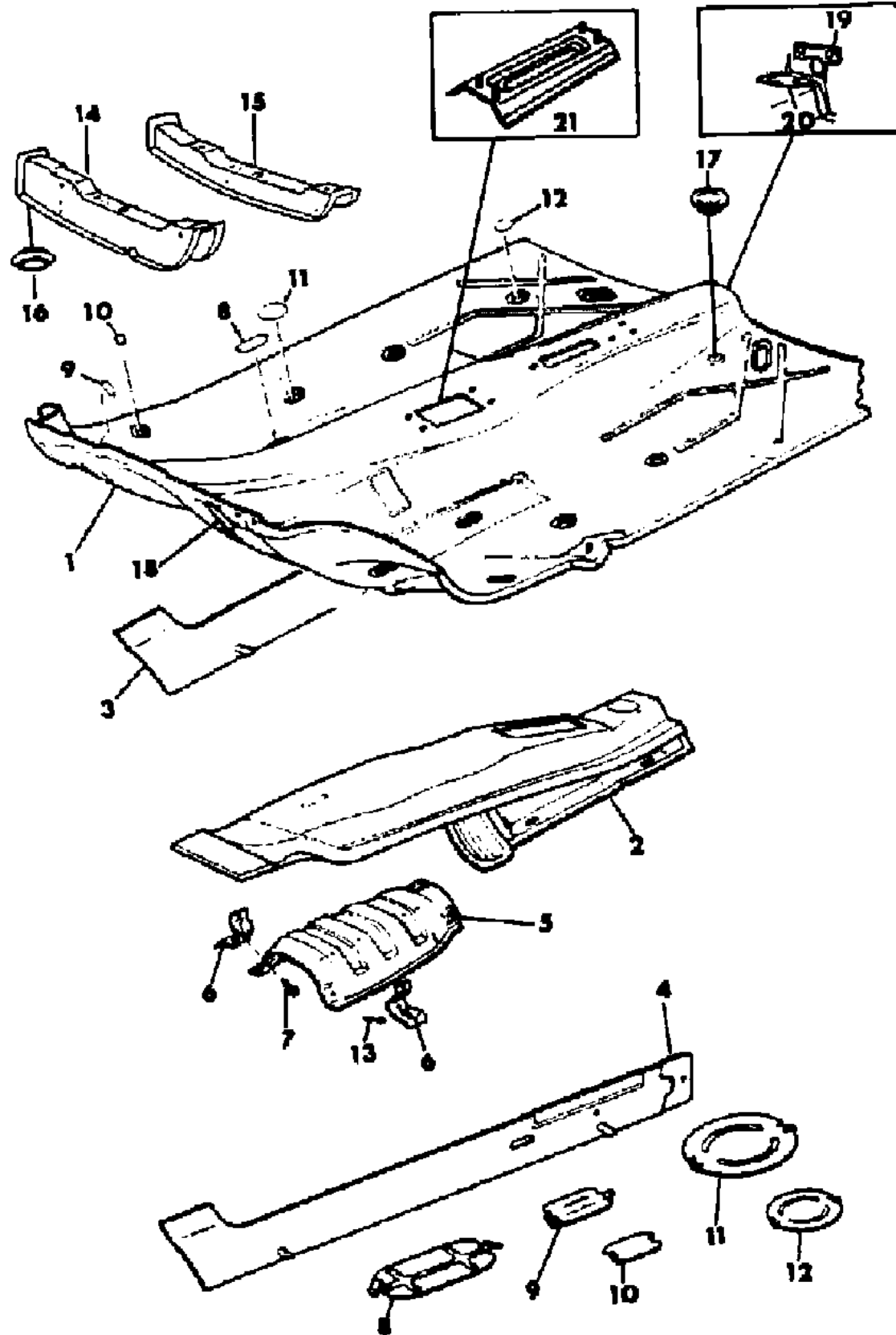
GROUP 23A - BODY - SHEET METAL EXCEPT DOORS

ILLUSTRATION TITLE	GROUP-FIG. NO.
PREMIER, MONACO	
PAN--FRONT FLOOR	Fig. 23A-100
PAN--REAR FLOOR	Fig. 23A-200
SEALS PLUGS--BODY	Fig. 23A-300
FENDERS--FRONT OUTER	Fig. 23A-400
SHIELDS--UNDERBODY	Fig. 23A-500
HOOD AND HINGES	Fig. 23A-600
LATCH--HOOD AND FUEL FILLER DOOR--REMOTE	Fig. 23A-700
PANELS--FRONT END INNER AND WHEELHOUSE	Fig. 23A-800
PANELS--COWL AND DASH	Fig. 23A-900
WINDSHIELD--MIRROR--AND REAR WINDOW	Fig. 23A-1000
PANELS--BODY SIDE OUTER	Fig. 23A-1100
PANELS--BODY SIDE INNER	Fig. 23A-1200
PANELS--ROOF	Fig. 23A-1300
PANEL--DECK LID	Fig. 23A-1400
LATCH AND STRIKER--DECK LID	Fig. 23A-1500
DECK LID LUGGAGE RACK	Fig. 23A-1600

ILLUSTRATION NOT AVAILABLE AT TIME OF PUBLICATION

PAN--FRONT FLOOR
Figure 23A-100

8P69 100B



ITEM	PART NUMBER	QTY	BODY	MODEL	DESCRIPTION
1	3502 5652	1			PAN, Front Floor
2	4512 887	1			REINFORCEMENT
3	5256 012	1			SILL, Body Side
4	5256 013	1			SILL, Body Side
5	3501 6082	1			SHIELD, Heat
6	3501 6083	2			BRACKET
7					SCREW
	1150 2453	5			1988-89
	3420 1895	5			1990-92
8					PLUG, Front Floor Pan
	3502 2050	2			1988-90
	4586 054	2			1991-92
9					PLUG, Front Floor Pan
	3502 2051	2			1988-90
	4586 055	2			1991-92
10					PLUG, Front Floor Pan
	3500 2953	7			1988-90
	4512 611	7			1991-92
11					PLUG
	3420 2136	4			1988-90
	4586 052	4			1991-92
12					PLUG
	3420 2146	4			1988-90
	4586 053	4			1991-92
13	3420 1597	4			RIVET
14					CROSSMEMBER, Front Seat
	3502 5986-7	1			1988-89
	4512 732-3	1			1990-92
15					CROSSMEMBER, Front Seat
	3502 5990-1	1			1988-89
	4512 738-9	1			1990-92
16	J307 4136	4			PLUG
17					PLUG, Front Floor Pan
	5500 6578	2			1988-90
	4586 072	2			1991-92
18	4548 446	1			REINFORCEMENT, Accel. Pedal
19	3502 5231	1			PLATE, Rear Floor Front Kick-up
20	3502 5233	1			PLATE, Front Floor Pan Tunnel Reinforcement
21	3503 2360	1			BRACKET, Auto Shift Mounting

MODEL CODES:

1988:	1989:	1990-92:	1990-92:
559 - Premier LX	56 - Premier LX	DP-Monaco LE	XP-Premier LX
	557 - Premier ES		DS-Monaco ES
	66 - Premier ES		XS-Premier ES

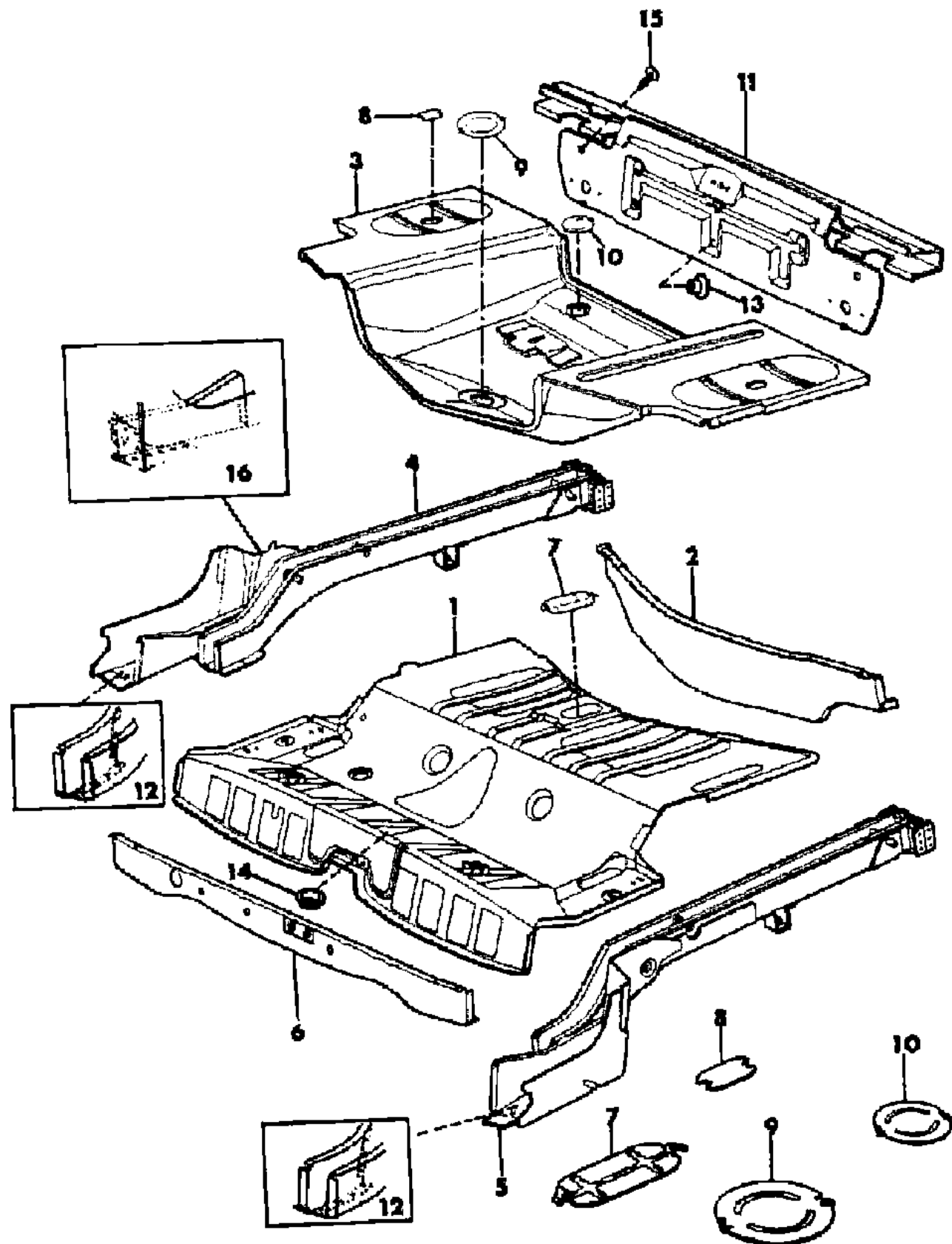
BODY STYLES:

1988:
55 = 4 dr. Sedan
1989-92:
6 = 4 Dr. Sedan

AR = Use as Required - = Non Illustrated Part P.A.R. = Paint as Required

PAN--REAR FLOOR
Figure 23A-200

8P69 200A



ITEM	PART NUMBER	QTY	BODY	MODEL	DESCRIPTION
1					PAN, Rear Floor
	3502 6100	1			1988-89
	5256 007	1			1990
	4548 091	1			1991-92
2	3501 3918	1			CROSSMEMBER, Fuel Tank
3	3502 2264	1			PAN, Trunk Floor
4	3502 2974	1			SILL, Rear Side, Right
	4584 180	1			BRACKET, Rear Shock Mounting, Right
5	3502 2975	1			SILL, Rear Side, Left
	4584 181	1			BRACKET, Rear Shock Mounting, Left
6					CROSSMEMBER, Seat
	3502 3846	1			1988
	4512 801	1			1989-92
7					PLUG
	3502 2050	3			1988-90
	4586 054	3			1991-92
8					PLUG
	3500 2953	2			1988-89
	4512 611	2			1990-92
9					PLUG
	3420 2136	2			1988-89
	4586 052	2			1990-92
10					PLUG
	3420 2146	2			1988-90
	4586 053	2			1991-92
11					PANEL, Lower Deck
	8350 5606	1			1988-89
	4534 291	1			1990-92
12	4548 094-5	1			REINFORCEMENT, Center Floor Pan, 1991-92
13	3420 2804	1			PLUG
14	4490 461	1			PLUG
15	J400 7117	2			PLUG
16	4548 276-7	1			BRACKET, Rear Floor Pan Susp. Mtg.

MODEL CODES:

1988:	1989:	1990-92:	1990-92:
559 - Premier LX	56 - Premier LX 557 - Premier ES 66 - Premier ES	DP-Monaco LE	XP-Premier LX DS-Monaco ES XS-Premier ES

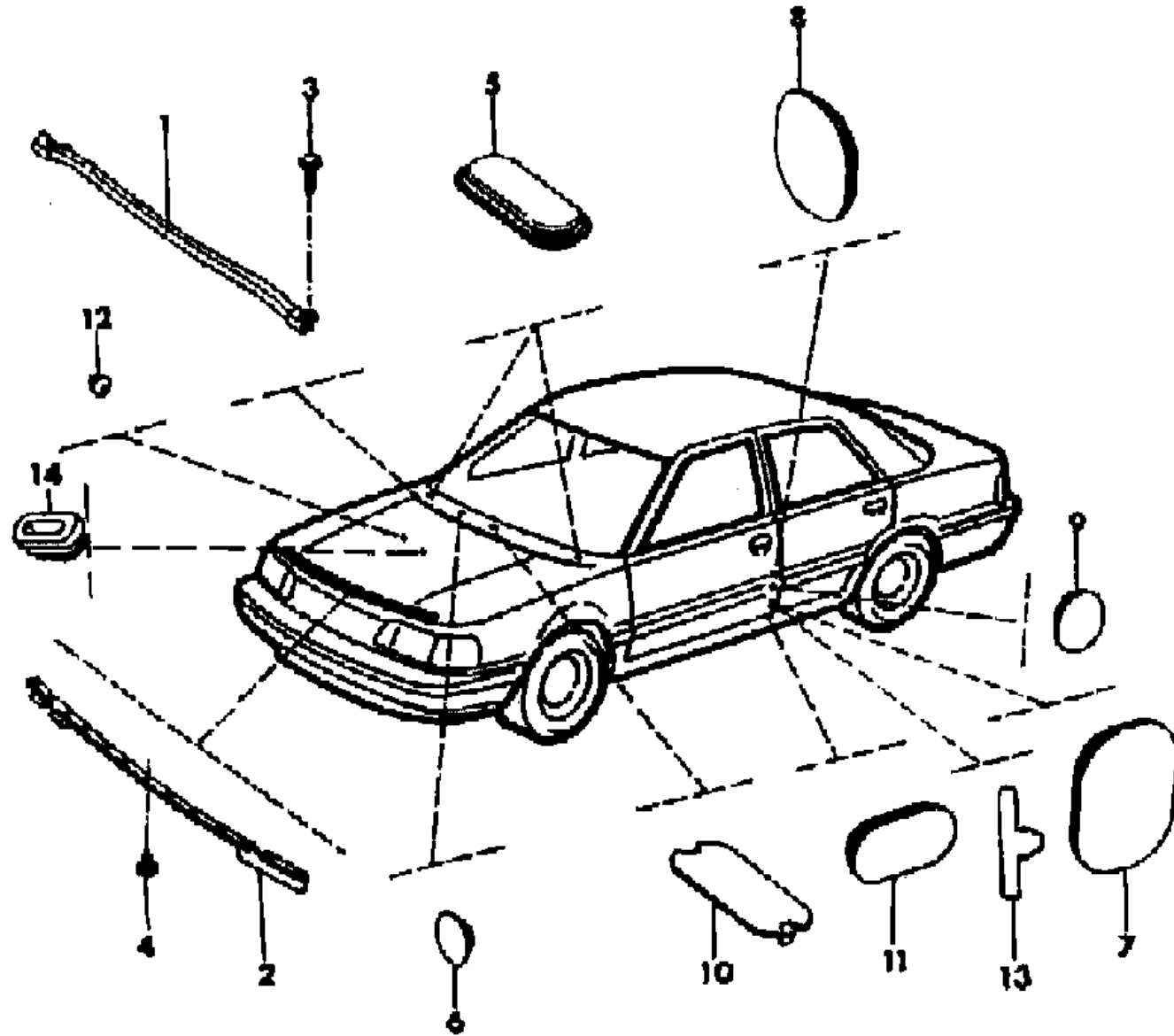
BODY STYLES:

1988:
55 = 4 dr. Sedan
1989-92:
6 = 4 Dr. Sedan

AR = Use as Required - = Non Illustrated Part P.A.R. = Paint as Required

SEALS PLUGS--BODY
Figure 23A-300

BP59 300 A



ITEM	PART NUMBER	QTY	BODY	MODEL	DESCRIPTION
1	4534 326	1			SEAL, Hood To Cowl
2	3501 4579	1			SEAL, Radiator
3	J400 4262	2			RIVET
4	3420 2839	13			FASTENER, Radiator Seal
5	3420 1409	2			PLUG, 1988
6	3420 2803	1			PLUG
7	3420 2735	2			PLUG, Pillar
8	3420 2736	2			PLUG, Door
9	3420 2804	2			PLUG, Body
10	3500 2953	2			PLUG, 1988-89
11	3502 5890	2			PLUG, 1988-90
12	3502 6594	1			PLUG Shaft Diameter = 6.4mm, 1988-90
	3502 6595	1			Shaft Diameter = 9.4mm
13	3502 4878	2			BUMPER, Door, 1988-90
14	4475 431	2			PLUG

MODEL CODES:
 1988: 559 - Premier LX
 1989: 56 - Premier LX
 557 - Premier ES
 66 - Premier ES
 1990-92: DP-Monaco LE
 1990-92: XP-Premier LX
 DS-Monaco ES
 XS-Premier ES

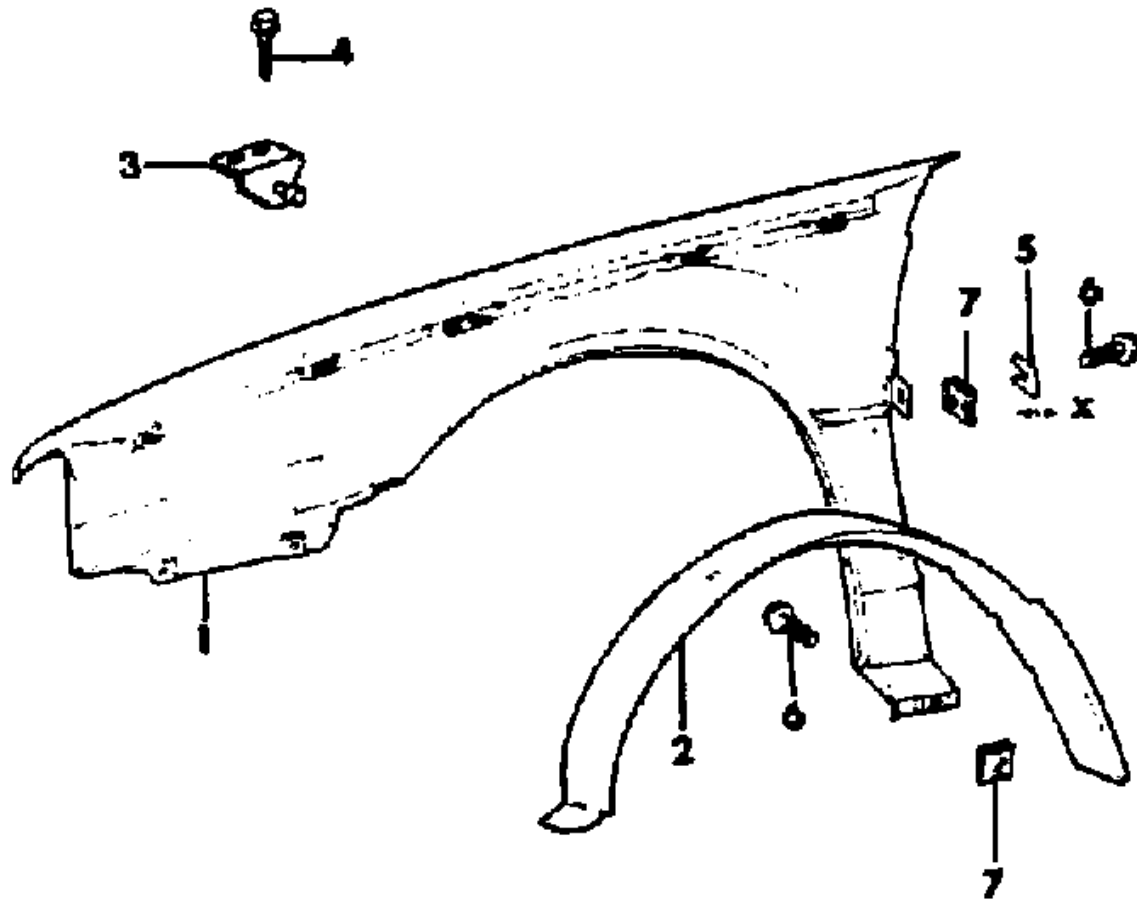
BODY STYLES:
 1988:
 55 = 4 dr. Sedan
 1989-92:
 6 = 4 Dr. Sedan

AR = Use as Required - = Non Illustrated Part P.A.R. = Paint as Required

FENDERS--FRONT OUTER
Figure 23A-400

8P69 400 A

ITEM	PART NUMBER	QTY	BODY	MODEL	DESCRIPTION
1	5253 228-9	1			FENDER
2	3501 3386-7	1			PANEL, Inner Protective
3	3502 2964	2			BRACKET, Hood Hold Down
4	3420 1807	4			BOLT, 20mm
5					SHIM
	3502 2111	AR			1.0mm Thick
	3502 2112	AR			1.5mm Thick
6	6502 052	AR			BOLT
7	1150 3714	AR			NUT



MODEL CODES:

1988:	1989:	1990-92:	1990-92:
559 - Premier LX	56 - Premier LX	DP-Monaco LE	XP-Premier LX
	557 - Premier ES		DS-Monaco ES
	66 - Premier ES		XS-Premier ES

BODY STYLES:

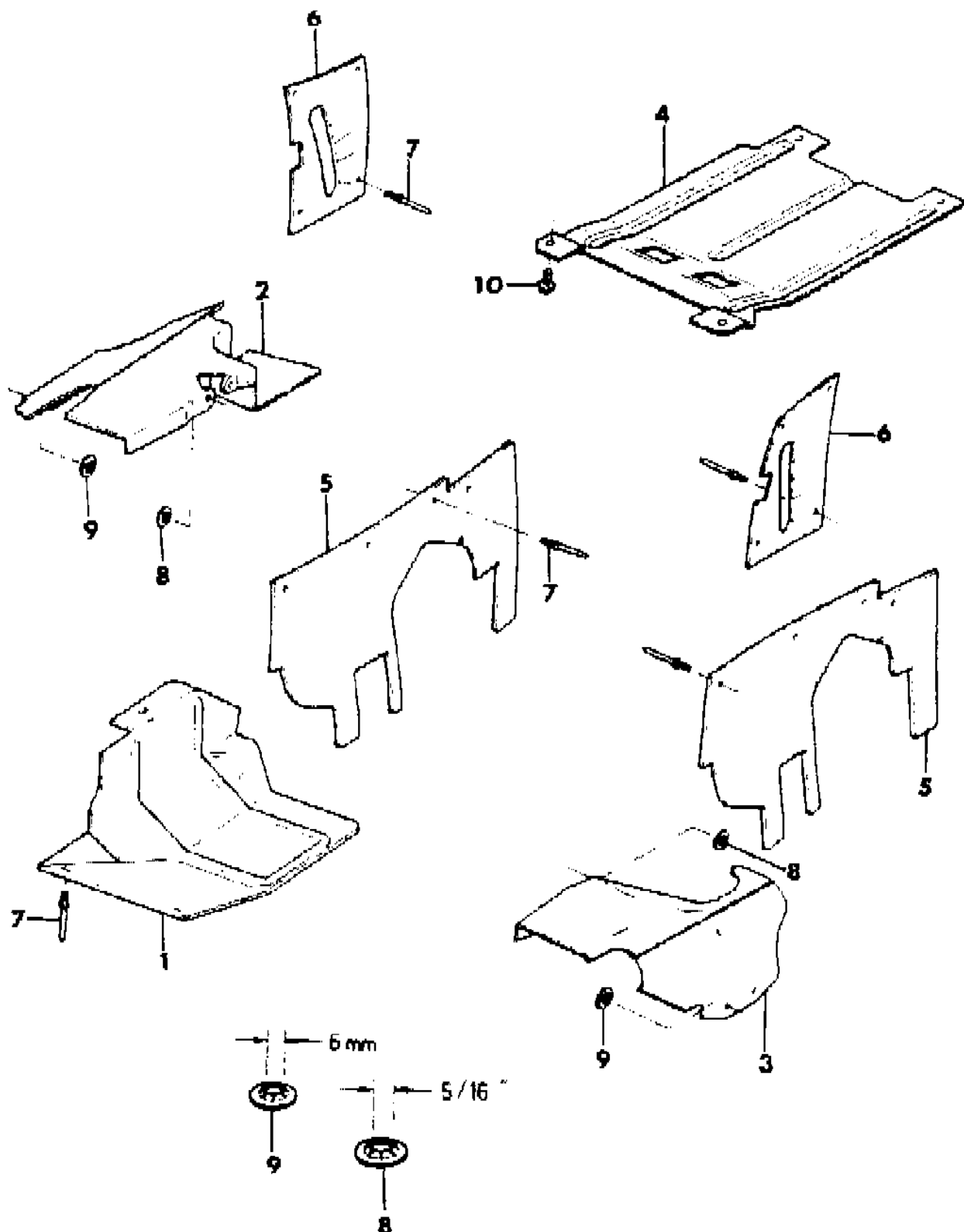
1988:
55 = 4 dr. Sedan
1989-92:
6 = 4 Dr. Sedan

AR = Use as Required - = Non Illustrated Part P.A.R. = Paint as Required

SHIELDS--UNDERBODY
Figure 23A-500

8P69 500

ITEM	PART NUMBER	QTY	BODY	MODEL	DESCRIPTION
1	3200 2944	1			SHIELD, Center
2	3200 2278	1			SHIELD, Bottom Front Right
3					SHIELD, Bottom Front Left
	3200 3059	1			4 Cyl. Engine
	3200 2279	1			6 Cyl. Engine
4					SHIELD, Front Susp. Trans to c/Mbr & Cradle, 1988-90
	3200 3083	1			4 Cyl. Engine
	3200 3143	1			6 Cyl. Engine
5	3200 2280	2			SHIELD, Sill to Cradle
6	3200 2854	2			SHIELD, Tie Rod
7	3420 1621	AR			RIVET
8	3420 2014	3			NUT
9	1150 3736	2			NUT
10	J420 0089	4			SCREW



MODEL CODES:

1988:	1989:	1990-92:	1990-92:
559 - Premier LX	56 - Premier LX	DP-Monaco LE	XP-Premier LX
	557 - Premier ES		DS-Monaco ES
	66 - Premier ES		XS-Premier ES

BODY STYLES:

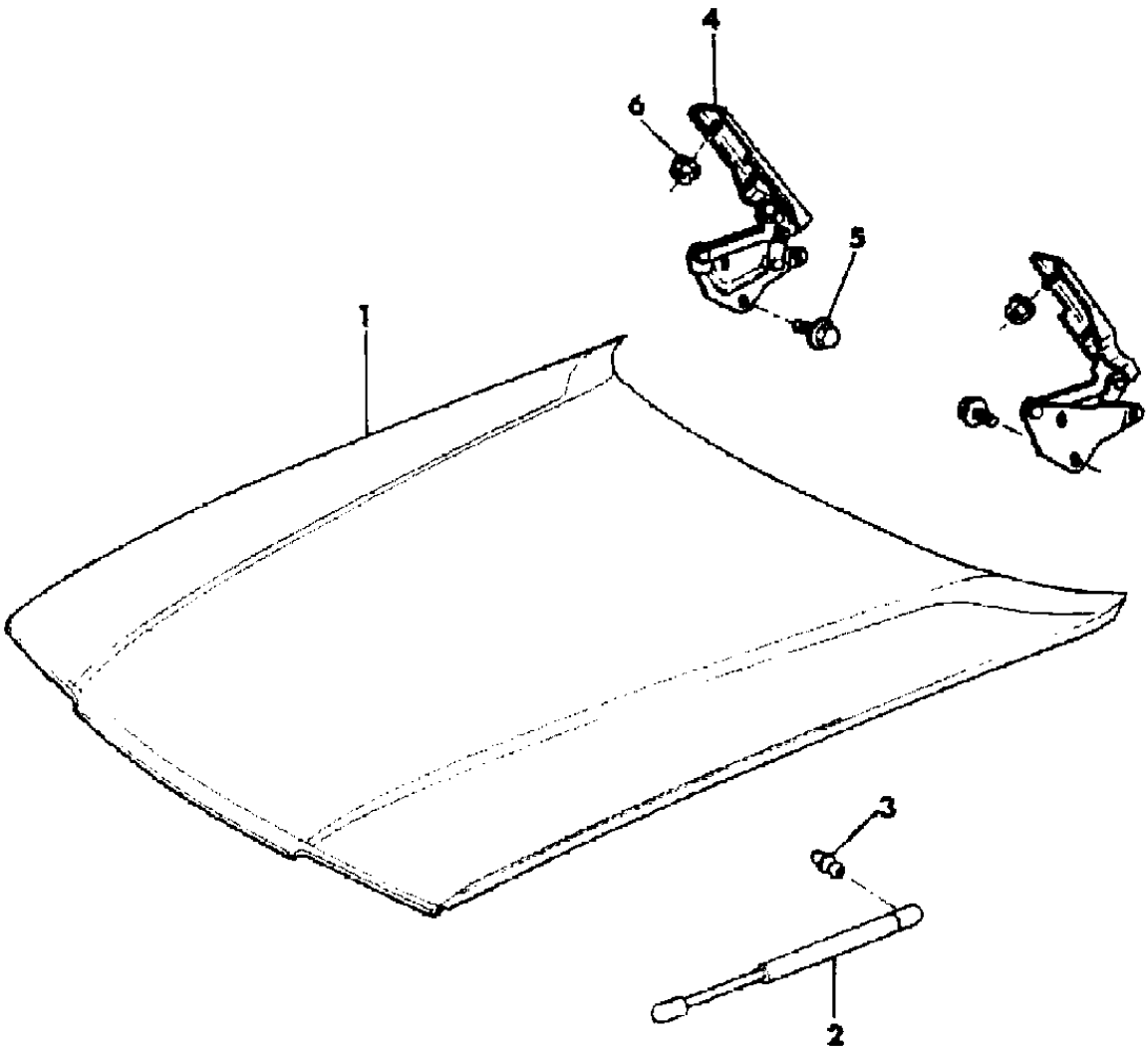
1988:
55 = 4 dr. Sedan
1989-92:
6 = 4 Dr. Sedan

AR = Use as Required - = Non Illustrated Part P.A.R. = Paint as Required

HOOD AND HINGES
Figure 23A-600

ITEM	PART NUMBER	QTY	BODY	MODEL	DESCRIPTION
1	4534 325	1			HOOD
2	3502 1582	2			CYLINDER
3	3502 3128	2			STUD, Ball
4	3501 4706-7	1			HINGE, Hood
5	3420 2799	6			BOLT
6	6500 182	4			NUT

8P69 600



MODEL CODES:			
1988:	1989:	1990-92:	1990-92:
559 - Premier LX	56 - Premier LX 557 - Premier ES 66 - Premier ES	DP-Monaco LE	XP-Premier LX DS-Monaco ES XS-Premier ES

BODY STYLES:
 1988:
 55 = 4 dr. Sedan
 1989-92:
 6 = 4 Dr. Sedan

AR = Use as Required - = Non Illustrated Part P.A.R. = Paint as Required

LATCH--HOOD AND FUEL FILLER DOOR---REMOTE
Figure 23A-700

8P69 700 A

ITEM	PART NUMBER	QTY	BODY	MODEL	DESCRIPTION
1	3502 5398	1			LOCK ASSEMBLY, Hood
2	3420 2561	AR			BOLT
3					SPRING
	J501 6028	1			1988-90
	5502 9718	1			1991-92
4	3502 4928	1			PLATE, Latch, Serviced in c/Mbr Assy.
5	3420 1208	1			RIVET
6	3502 3186	1			ROD
7	J307 9290	2			CLIP
8	3501 3317	1			CABLE, Hood Release, 1988
9	3420 2841	3			CLIP
10	3420 1208	3			RIVET
11	J075 0556	1			STOP, 1988
12	J076 6826	2			BUMPER, Hood
13					HANDLE ASSEMBLY ***
	3501 9888	1			w/o Remote Fuel Door
	3501 9184	1			w/Remote Fuel Door
14	3420 1726	2			BOLT
15					BEZEL, Handle
					Brownstone
	3502 2621	1			1988-89
	AR01 HF7	1			1990-92
					Charcoal
	3502 2618	1			1988-89
	AR01 HA8	1			1990-92
					Cordovan
	3502 2620	1			1988-89
	AR01 HH9	1			1990-92
	3502 2619	1			Navy, 1988-89
	AR01 HQ8	1			Blue, 1990-92
16					COVER, w/Remote Fuel Door
					Brownstone
	3502 2501	1			1988-89
	AR02 HF7	1			1990-92
					Charcoal
	3502 2498	1			1988-89
	AR02 HA8	1			1990-92
					Cordovan
	3502 2500	1			1988-89
	AR02 HH9	1			1990-92

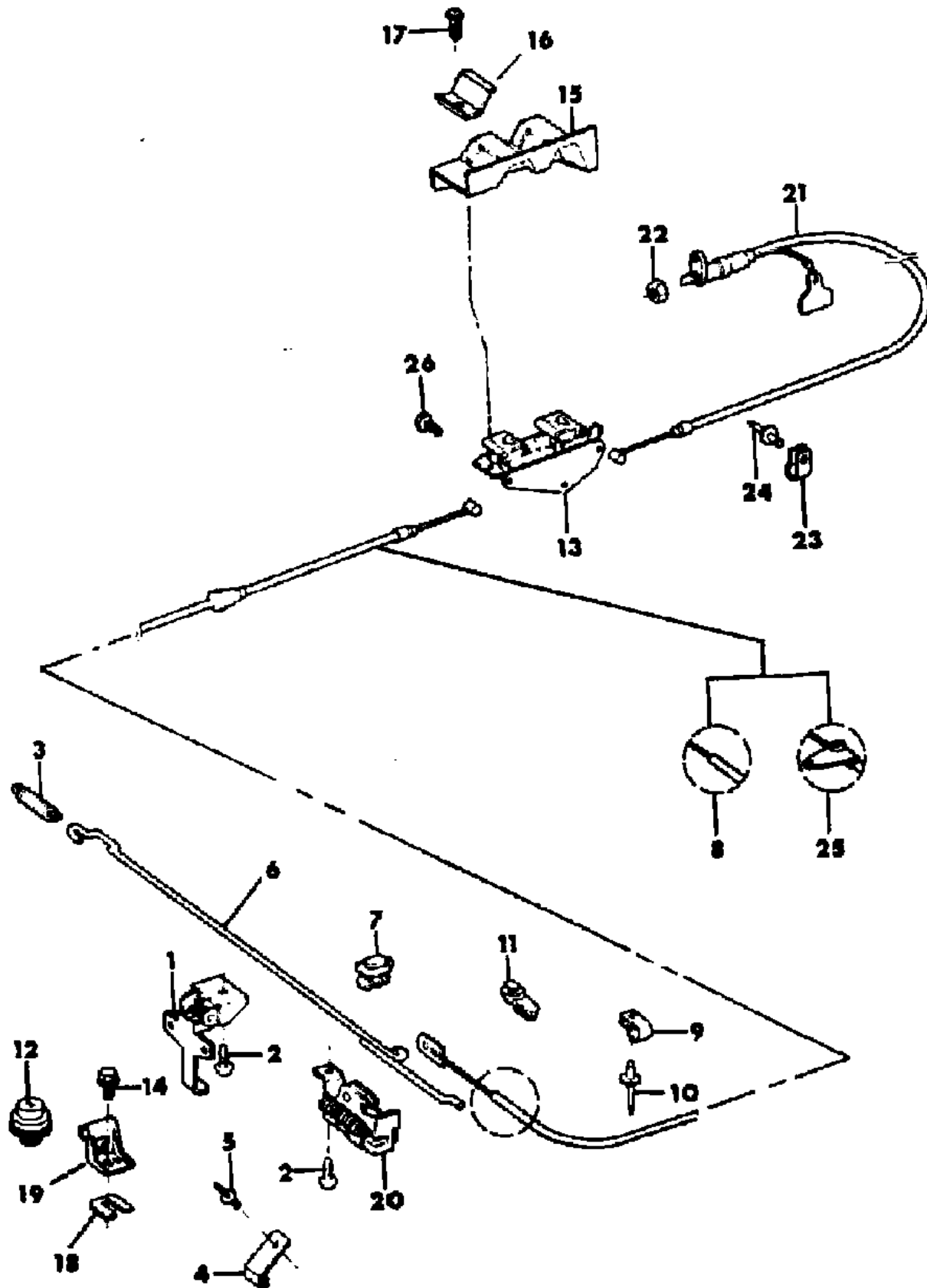
MODEL CODES:

1988:	1989:	1990-92:	1990-92:
559 - Premier LX	56 - Premier LX	DP-Monaco LE	XP-Premier LX
	557 - Premier ES		DS-Monaco ES
	66 - Premier ES		XS-Premier ES

BODY STYLES:

1988:
55 = 4 dr. Sedan
1989-92:
6 = 4 Dr. Sedan

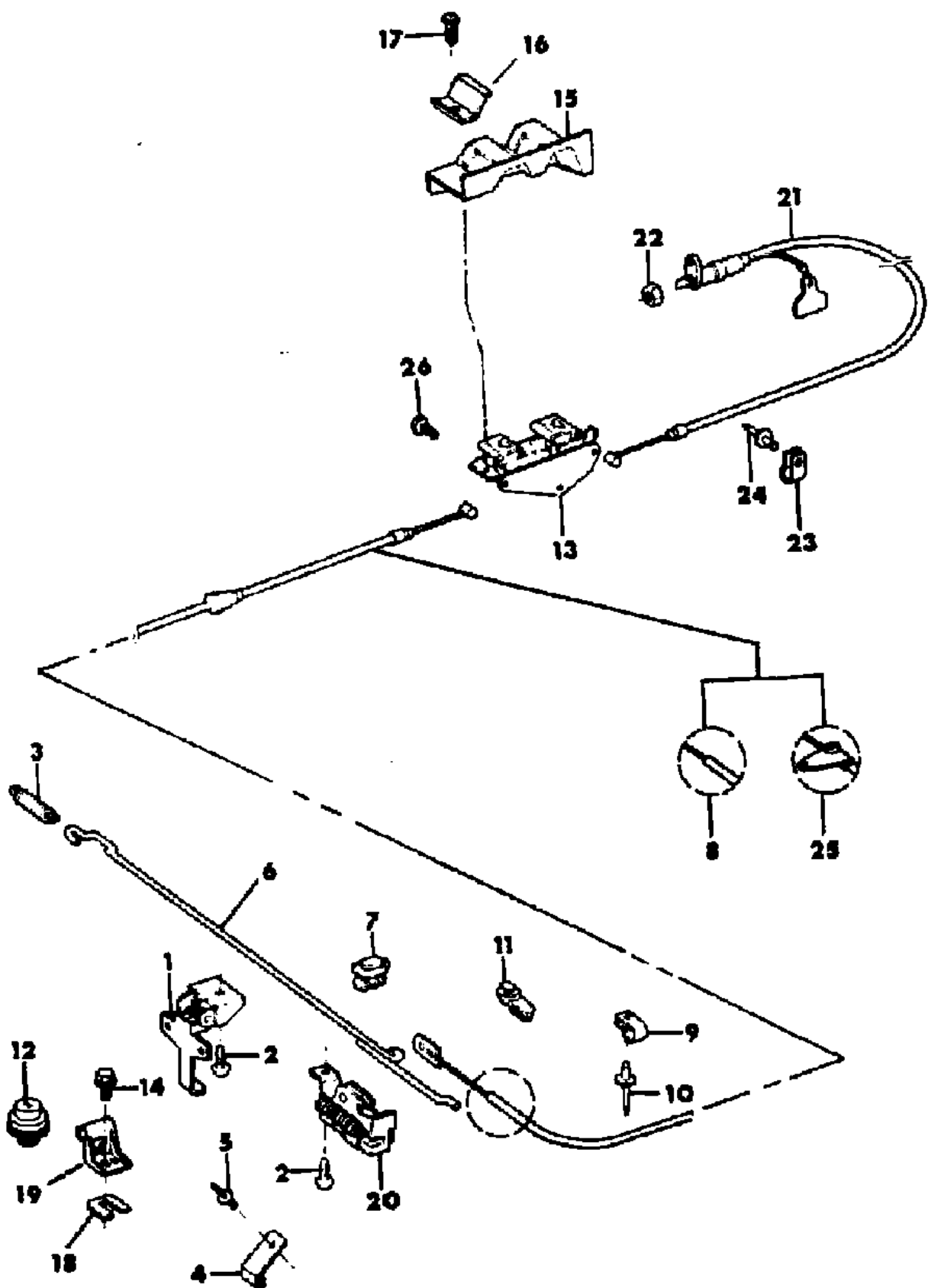
AR = Use as Required - = Non Illustrated Part P.A.R. = Paint as Required



LATCH--HOOD AND FUEL FILLER DOOR---REMOTE
Figure 23A-700

8P69 700 A

ITEM	PART NUMBER	QTY	BODY	MODEL	DESCRIPTION
	3502 2499	1			Navy, 1988-89
	AR02 HQ8	1			Blue, 1990-92
17		2			SCREW, (Not Serviced)
18					SHIM
	J075 0552	AR			1mm
	J075 0553	AR			2mm
19	3502 2880	2			STRIKER, Latch
20	3502 6047	2			LATCH, Hood
21					CABLE, Release, w/Remote Fuel Door
	3501 6497	1			1988-90
	4548 238	1			1991-92
22	3420 1580	1			NUT, w/Remote Fuel Door
23	J400 1802	3			CLIP, w/Remote Fuel Door
24	J400 2185	3			RIVET, w/Remote Fuel Door
25	3502 6046	1			CABLE, Hood Release
26	3420 1756	3			BOLT



MODEL CODES:

1988:	1989:	1990-92:	1990-92:
559 - Premier LX	56 - Premier LX 557 - Premier ES 66 - Premier ES	DP-Monaco LE	XP-Premier LX DS-Monaco ES XS-Premier ES

BODY STYLES:

1988:
55 = 4 dr. Sedan
1989-92:
6 = 4 Dr. Sedan

AR = Use as Required - = Non Illustrated Part P.A.R. = Paint as Required

PANELS--FRONT END INNER AND WHEELHOUSE
Figure 23A-800

8P69 8008

ITEM	PART NUMBER	QTY	BODY	MODEL	DESCRIPTION
1-2					PANEL
	3501 9146-7	1			1988-89
	4512 892-3	1			1990
	4584 284-5	1			1991
	4584 236-7	1			1992
3-4					PANEL, Wheelhouse Front
	4534 118-9	1			1988-90
	4584 240-1	1			1991-92
5	3600 3182	1			BRACKET, Reservoir
6					PANEL, Cowl Side Right
	4512 882	1			1988-90
	4584 244	1			1991-92
7					PANEL, Cowl Side Left
	3502 5963	1			w/o Passive Restraint, 1988-89 w/Passive Restraint
	4512 883	1			1988-90
	4584 245	1			1991-92
8-9					PANEL, Headlamp Mounting
	3502 2968-9	1			1988-90
	4534 770-1	1			1991-92
10	3502 4928	1			CROSSMEMBER, Radiator
11	3502 3268	1			SUPPORT, 1988-91, (Not Used For 92)
12-13	3501 3810-1	1			PANEL, Cowl Side
14-15	3501 9442-3	1			REINFORCEMENT
16					REINFORCEMENT
	3501 9152	1			w/o Passive Restraint, 1988
	3502 6698	1			w/Passive Restraint
17					REINFORCEMENT
	3501 9350	1			w/o Passive Restraint, 1988
	3502 6697	1			w/Passive Restraint
18	3420 1726	8			BOLT
19	J400 6367	4			NUT
20-21	4512 878-9	1			REINFORCEMENT, Cowl Side Rear
22	3420 1208	2			RIVET
23	5253 466-7	1			BRACKET

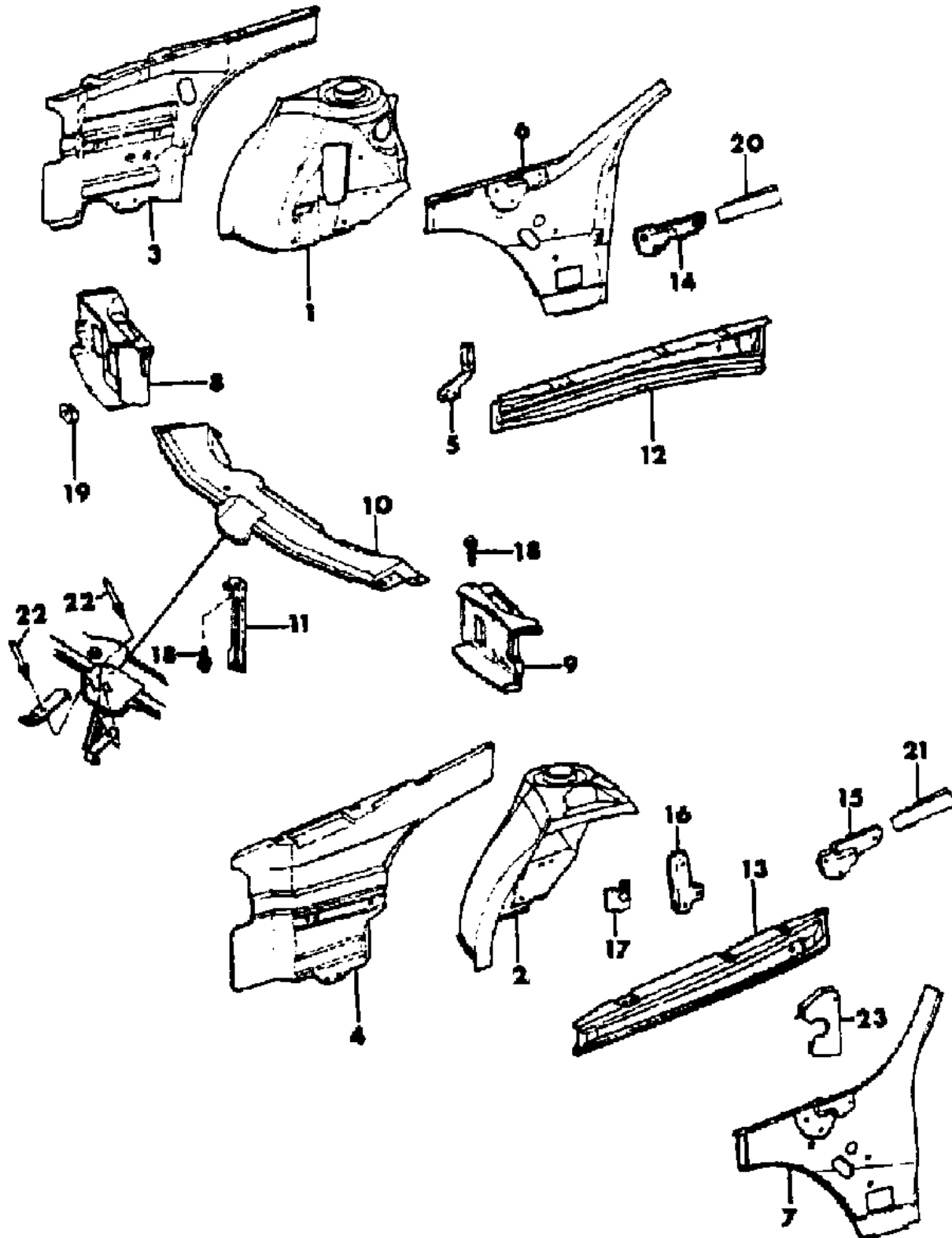
MODEL CODES:

1988:	1989:	1990-92:	1990-92:
559 - Premier LX	56 - Premier LX 557 - Premier ES 66 - Premier ES	DP-Monaco LE	XP-Premier LX DS-Monaco ES XS-Premier ES

BODY STYLES:

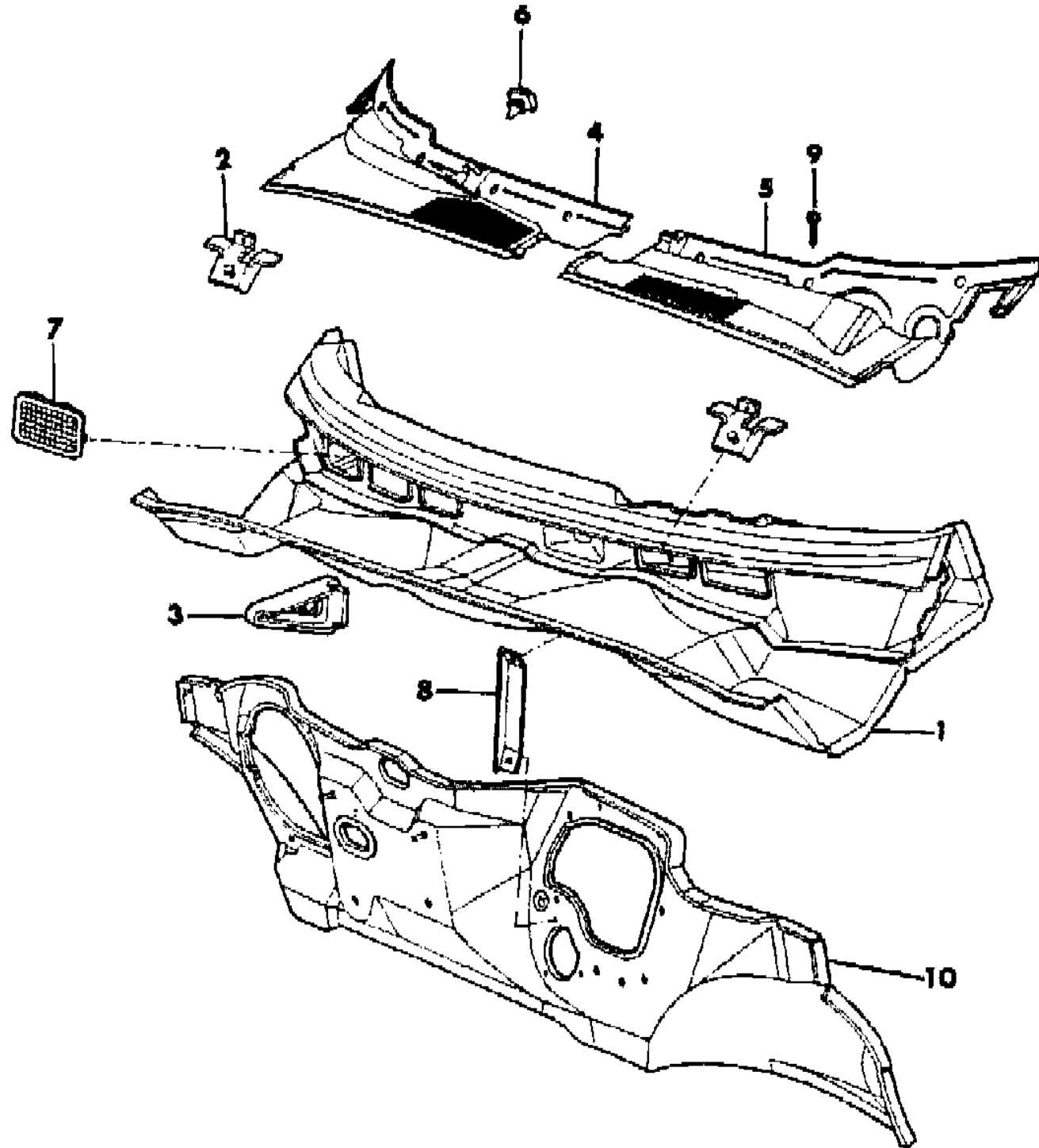
1988:
55 = 4 dr. Sedan
1989-92:
6 = 4 Dr. Sedan

AR = Use as Required - = Non Illustrated Part P.A.R. = Paint as Required



PANELS--COWL AND DASH
Figure 23A-900

8P69 900A



ITEM	PART NUMBER	QTY	BODY	MODEL	DESCRIPTION
1					PANEL, Plenum
	3502 2982	1			1988-89
	4512 891	1			1990
	4584 273	1			1991, (Up To 1-7-91)
	4584 350	1			1991, (After 1-7-91)
	4584 387	1			1992
2	3501 9145	2			BRACKET
3	3502 2630	1			GUSSET, Cowl Top Panel
4-5					GRILLE, Cowl Top, w/Seal
	3502 2690-1	1			1988-89
	4512 930-1	1			1990
	4584 156-7	1			1991-92
6	3502 4006	2			BUMPER, 1988-91
7	3502 3054	5			SCREEN
8	3502 5196	1			BRAKE
9	1150 2843	AR			SCREW
10	5253 602	1			PANEL, Dash, 1991-92

MODEL CODES:

1988:	1989:	1990-92:	1990-92:
559 - Premier LX	56 - Premier LX 557 - Premier ES 66 - Premier ES	DP-Monaco LE	XP-Premier LX DS-Monaco ES XS-Premier ES

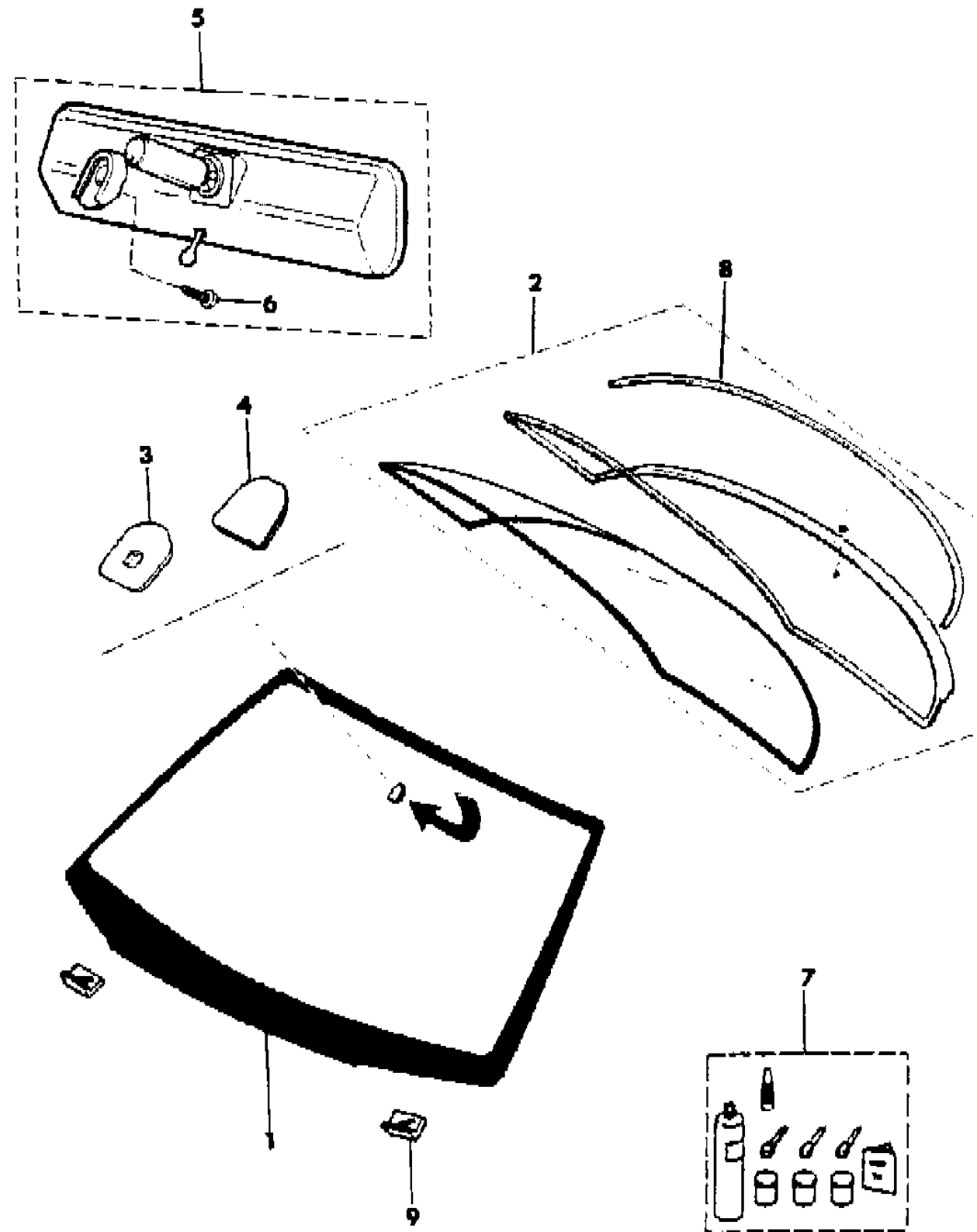
BODY STYLES:

1988:
55 = 4 dr. Sedan
1989-92:
6 = 4 Dr. Sedan

AR = Use as Required - = Non Illustrated Part P.A.R. = Paint as Required

WINDSHIELD--MIRROR--AND REAR WINDOW
Figure 23A-1000

8P69 1000



ITEM	PART NUMBER	QTY	BODY	MODEL	DESCRIPTION
1					GLASS, Windshield Tinted
	3501 3328	1			w/Support J3657374
	3502 6054	1			w/Support 35025534
2					GLASS ASSEMBLY, Tinted, Backlite
	3502 3675	1			w/o Rear Defogger, w/Bright Mldg.
	5252 543	1			w/Rear Defogger, w/Bright Mldg. (Up To 5-11-89)
	4512 552	1			After 5-11-89
	5252 542	1			w/Rear Defogger, w/Black Mldg. (Up To 5-30-89)
	4512 911	1			After 5-30-89
3	J365 7374	1			SUPPORT, Rear View Mirror (Use Locktite #312)
4	3502 5534	1			SUPPORT, Rear View Mirror (Use Locktite #312)
5					MIRROR, Inside Rear View
	3500 7638	1			Use Support J3657374
	5503 2181	1			Use Support 35025534,
	4299 325	1			Use Support 35025534, 1991-92
6					SCREW
	J400 5766	1			Use Support J3657374
	J400 7635	1			Use Support 35025534
7	8310 0051	AR			REPAIR KIT, Windshield and Rear Window
8					MOULDING, Rear Window
	3502 3678	1			Bright, (Up To 5-11-89)
	4512 901	1			Bright, (Aft. 5-11-89)
	4512 915	1			Black, (Up To 5-30-89)
	4512 909	1			Black, (Aft. 5-30-89)
9	J509 9009	2			SPACER, Adjustable

MODEL CODES:

1988:	1989:	1990-92:	1990-92:
559 - Premier LX	56 - Premier LX	DP-Monaco LE	XP-Premier LX
	557 - Premier ES		DS-Monaco ES
	66 - Premier ES		XS-Premier ES

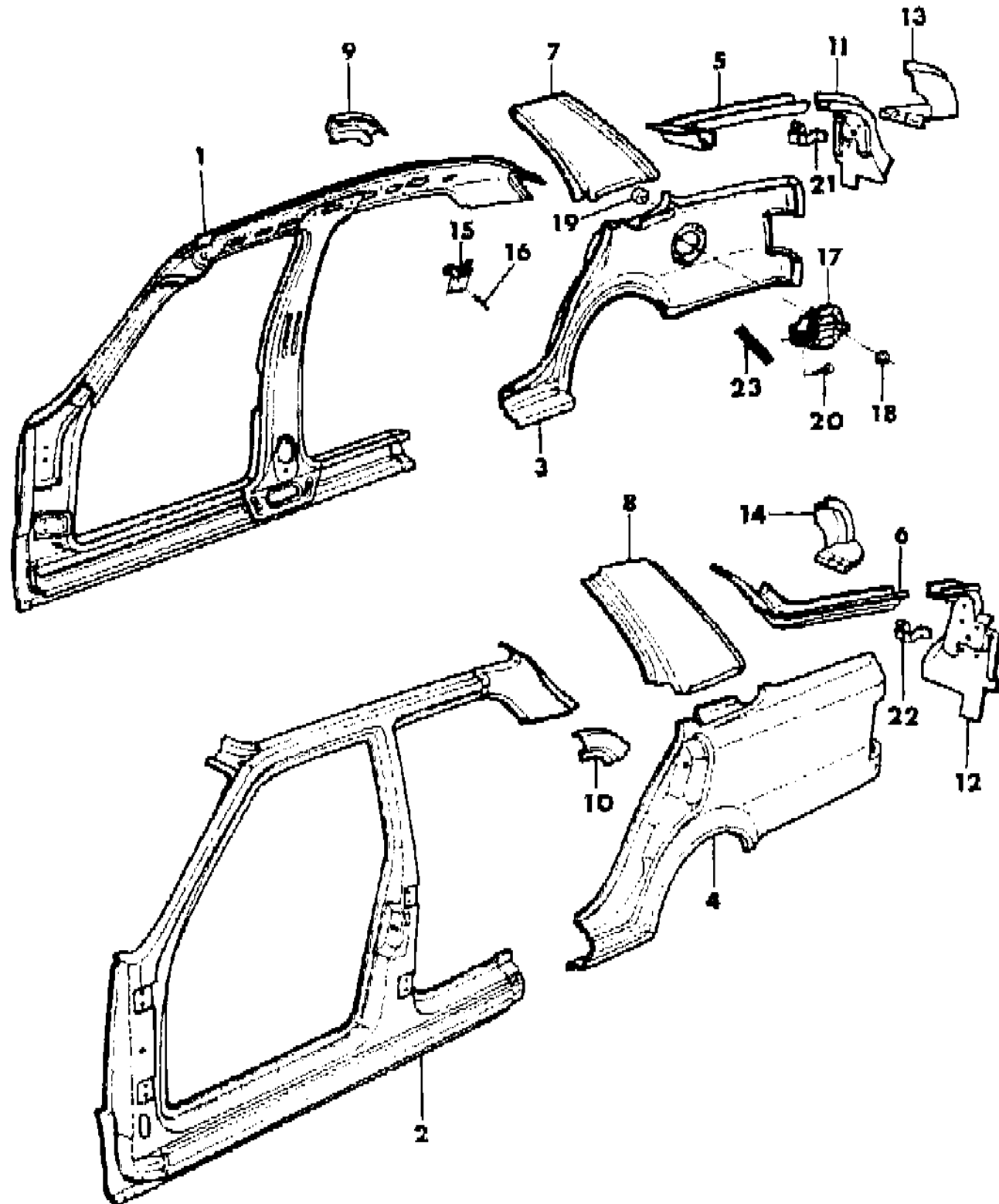
BODY STYLES:

1988:
55 = 4 dr. Sedan
1989-92:
6 = 4 Dr. Sedan

AR = Use as Required - = Non Illustrated Part P.A.R. = Paint as Required

PANELS--BODY SIDE OUTER
Figure 23A-1100

8P69 1100A



ITEM	PART NUMBER	QTY	BODY	MODEL	DESCRIPTION
1-2					PANEL, Side
	5253 126-7	1			1988-90
	5253 438-9	1			1991-92
3-4	4534 512-3	1			PANEL, Rear Quarter
5-6					TROUGH, Deck
	3502 2146-7	1			1988-89
	4534 716-7	1			1990-92
7-8	4534 144-5	1			PANEL, Quarter Upper
9-10	3501 8814-5	1			FILLER, Pillar
11-12	3501 3798-9	1			EXTENSION, Rear
13-14	3501 8812-3	1			FILLER, Panel
15	3502 3516	2			BRACKET, 1988-90
16	3420 1035	4			RIVET, 1988-90
17					DOOR, Fuel Filler
	4512 615	1			w/o Remote Release
	4512 614	1			w/Remote Release
18	3420 1246	2			NUT
19					BUMPER
	3501 9352	2			1988-89
	4512 605	2			1990-92
20					BUMPER, Stop
	3501 9353	2			1988-89
	3420 1812	2			1990-92
21-22	3502 4712-3	1			BRACKET
23	5500 4206	1			SPRING

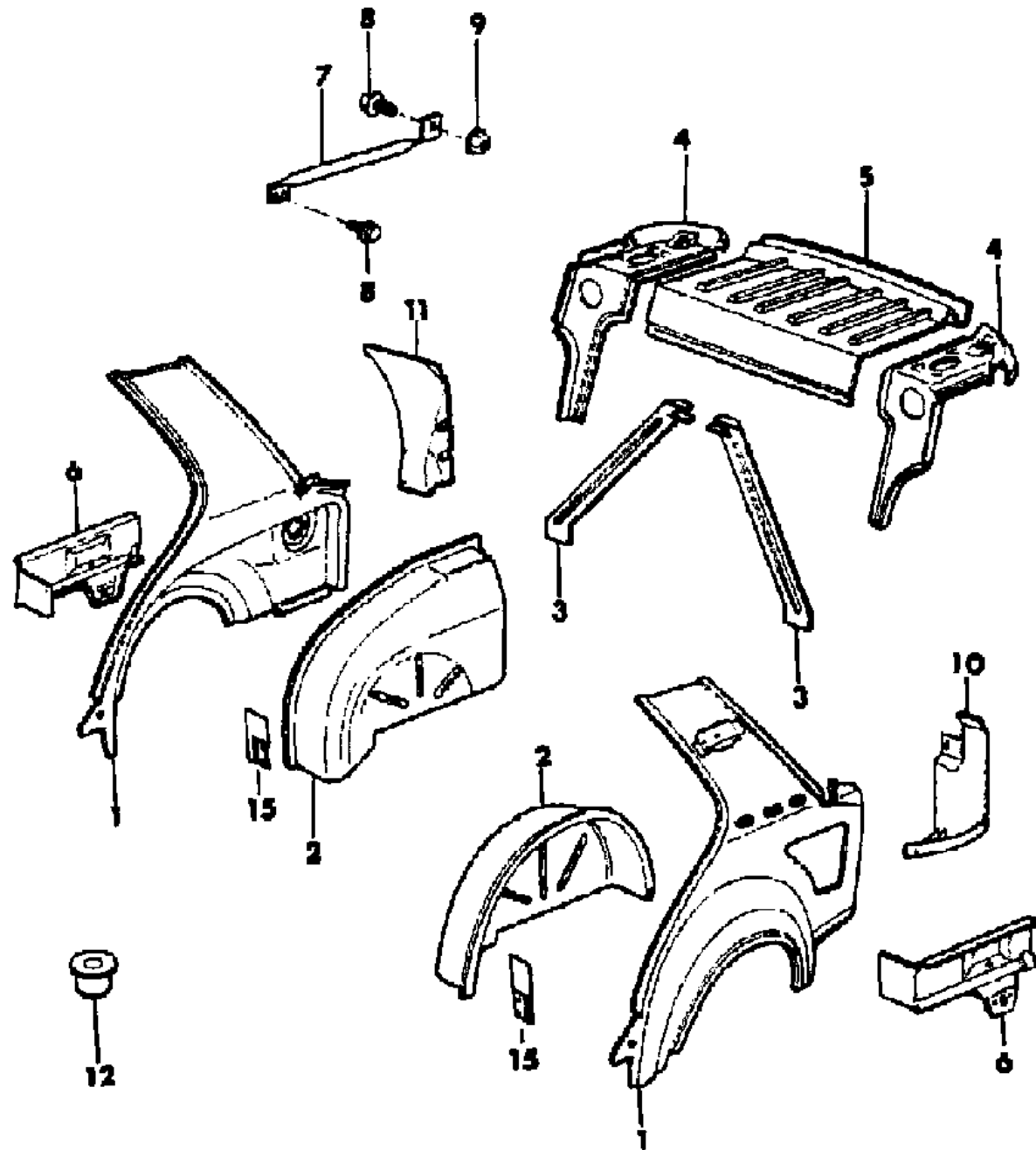
MODEL CODES:
 1988: 559 - Premier LX
 1989: 56 - Premier LX, 557 - Premier ES, 66 - Premier ES
 1990-92: DP-Monaco LE
 1990-92: XP-Premier LX, DS-Monaco ES, XS-Premier ES

BODY STYLES:
 1988: 55 = 4 dr. Sedan
 1989-92: 6 = 4 Dr. Sedan

AR = Use as Required - = Non Illustrated Part P.A.R. = Paint as Required

PANELS--BODY SIDE INNER
Figure 23A-1200

8P69 1200 B



13  U - NUT

14  NUT

ITEM	PART NUMBER	QTY	BODY	MODEL	DESCRIPTION
1					PANEL, Wheelhouse Outer
	4534 142-3	1			1988-89
	4534 282-3	1			1990
	5253 114-5	1			1991
	4584 376-7	1			1992
2	3501 6012-3	1			PANEL, Wheelhouse Inner
3	3502 3068-9	1			SUPPORT, Shelf Panel
4					EXTENSION, Shelf Panel
	4534 292-3	1			1988-90
	5253 122-3	1			1991-92
5	4586 038	1			PANEL, Shelf
6					EXTENSION, Rear Quarter
	3501 9926-7	1			1988-90
	5253 118-9	1			1991-92
7	3502 3274	1			BRACE, Side Sill
8	1150 2605	3			BOLT
9	6500 182	1			NUT
10	3502 3331	1			SHIELD, Splash
11	5253 174	1			SHIELD, Splash
12	3420 1235	4			NUT
13	0152 490	2			U-NUT, Slash Shield
14	3420 2304	4			NUT, Splash Shield
15	3502 2904-5	1			REINFORCEMENT, Wheelhouse

MODEL CODES:

1988:	1989:	1990-92:	1990-92:
559 - Premier LX	56 - Premier LX 557 - Premier ES 66 - Premier ES	DP-Monaco LE	XP-Premier LX DS-Monaco ES XS-Premier ES

BODY STYLES:

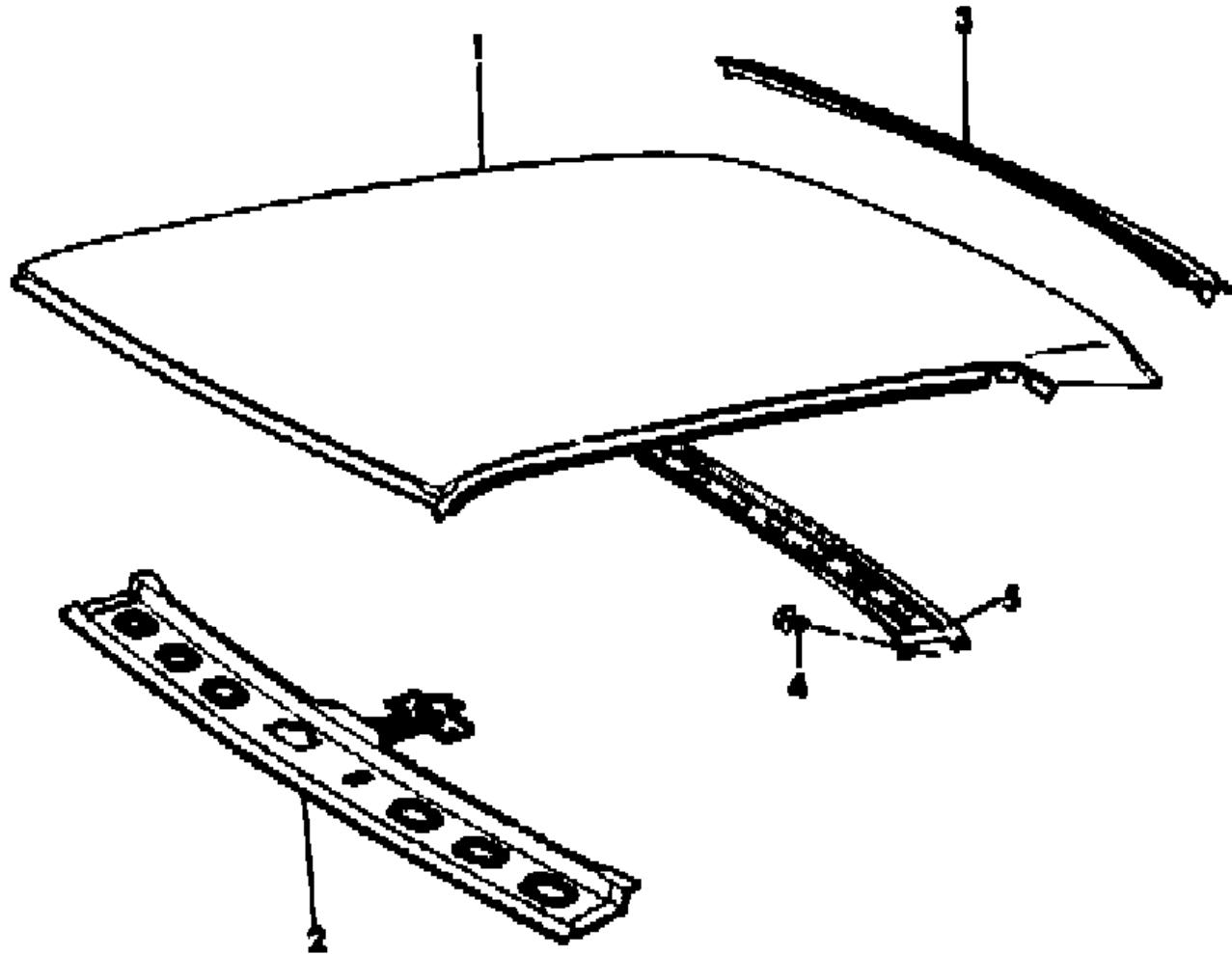
1988:
55 = 4 dr. Sedan
1989-92:
6 = 4 Dr. Sedan

AR = Use as Required - = Non Illustrated Part P.A.R. = Paint as Required

PANELS--ROOF
Figure 23A-1300

8P49 1300A

ITEM	PART NUMBER	QTY	BODY	MODEL	DESCRIPTION
1	4534 151	1			PANEL, Roof w/o Sunroof
2	3501 9341	1			HEADER, Front *** 1988-90
	4586 036	1			1991
3					HEADER, Rear ***
	3501 3271	1			1988-90
	5253 653	1			1991
4	1150 0985	4			SCREW
5	3501 3809	1			REINFORCEMENT



MODEL CODES:

1988:	1989:	1990-92:	1990-92:
559 - Premier LX	56 - Premier LX 557 - Premier ES 66 - Premier ES	DP-Monaco LE	XP-Premier LX DS-Monaco ES XS-Premier ES

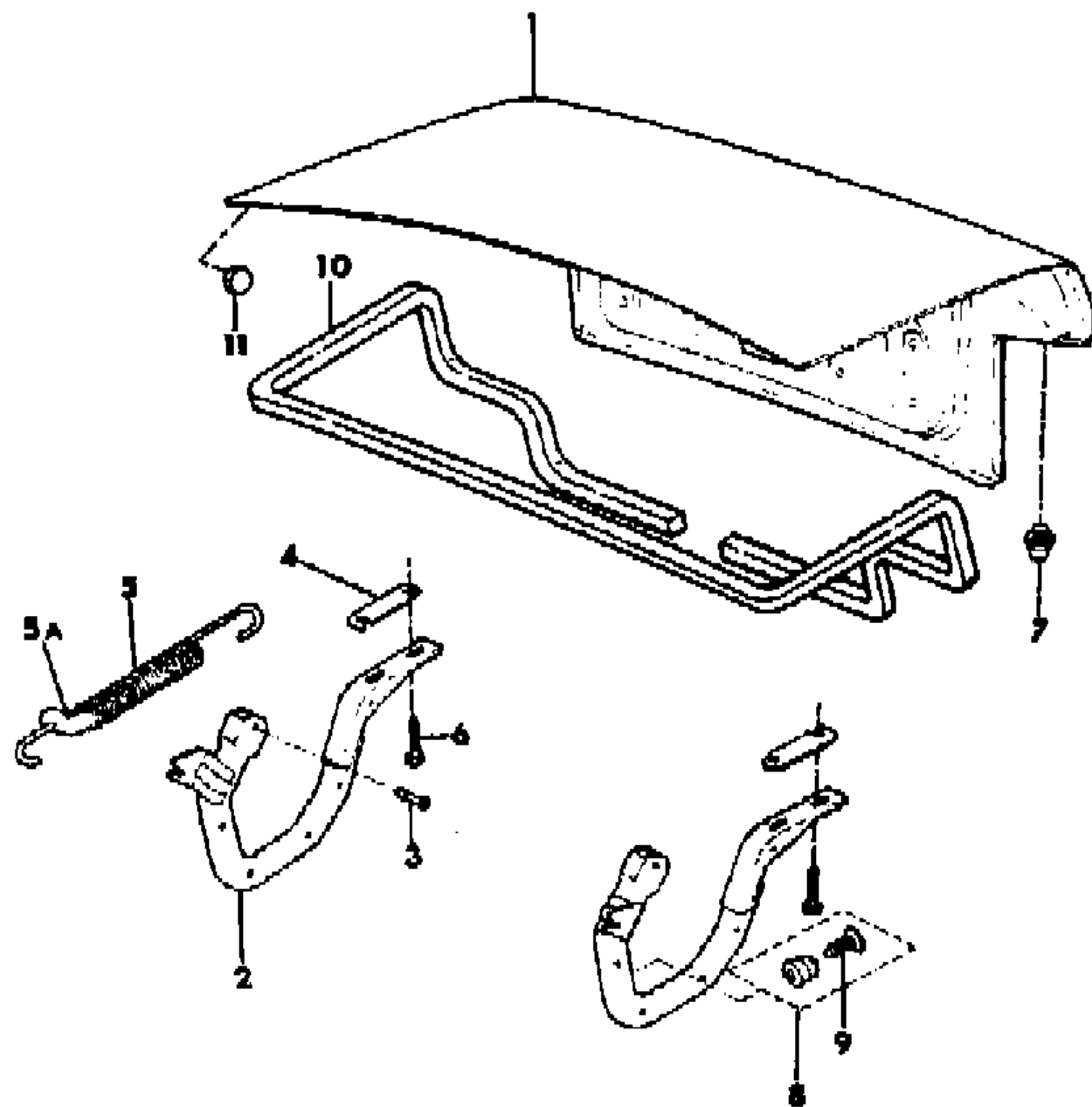
BODY STYLES:

1988:
55 = 4 dr. Sedan
1989-92:
6 = 4 Dr. Sedan

AR = Use as Required - = Non Illustrated Part P.A.R. = Paint as Required

PANEL--DECK LID
Figure 23A-1400

8P69 1400B



ITEM	PART NUMBER	QTY	BODY	MODEL	DESCRIPTION
1	4512 897	1			PANEL, Deck Lid
2					HINGE, Deck Lid
	3501 4708-9	1			1988-90
	5253 446-7	1			1991-92
3	3420 2634	2			PIN
4					SHIM, Hinge
	3502 1644	AR			1.0mm
	3502 1645	AR			1.5mm
5	3502 3836	2			SPRING, Damper
5A	J052 0905	2			DAMPER
6					BOLT
	1150 2605	4			1988-89
	3420 1871	4			1990-92
7					BUMPER
	3502 2246	2			1988-90
	4396 304	1			1991-92
8	3502 0222	2			BUMPER, Stop
9	J400 4919	2			FASTENER
10					SEAL, Deck Lid
	3502 4730	1			1988-90
	4586 069	1			1991-92
11	3420 1527	2			PLUG, Drain Hole

MODEL CODES:

1988:	1989:	1990-92:	1990-92:
559 - Premier LX	56 - Premier LX	DP-Monaco LE	XP-Premier LX
	557 - Premier ES		DS-Monaco ES
	66 - Premier ES		XS-Premier ES

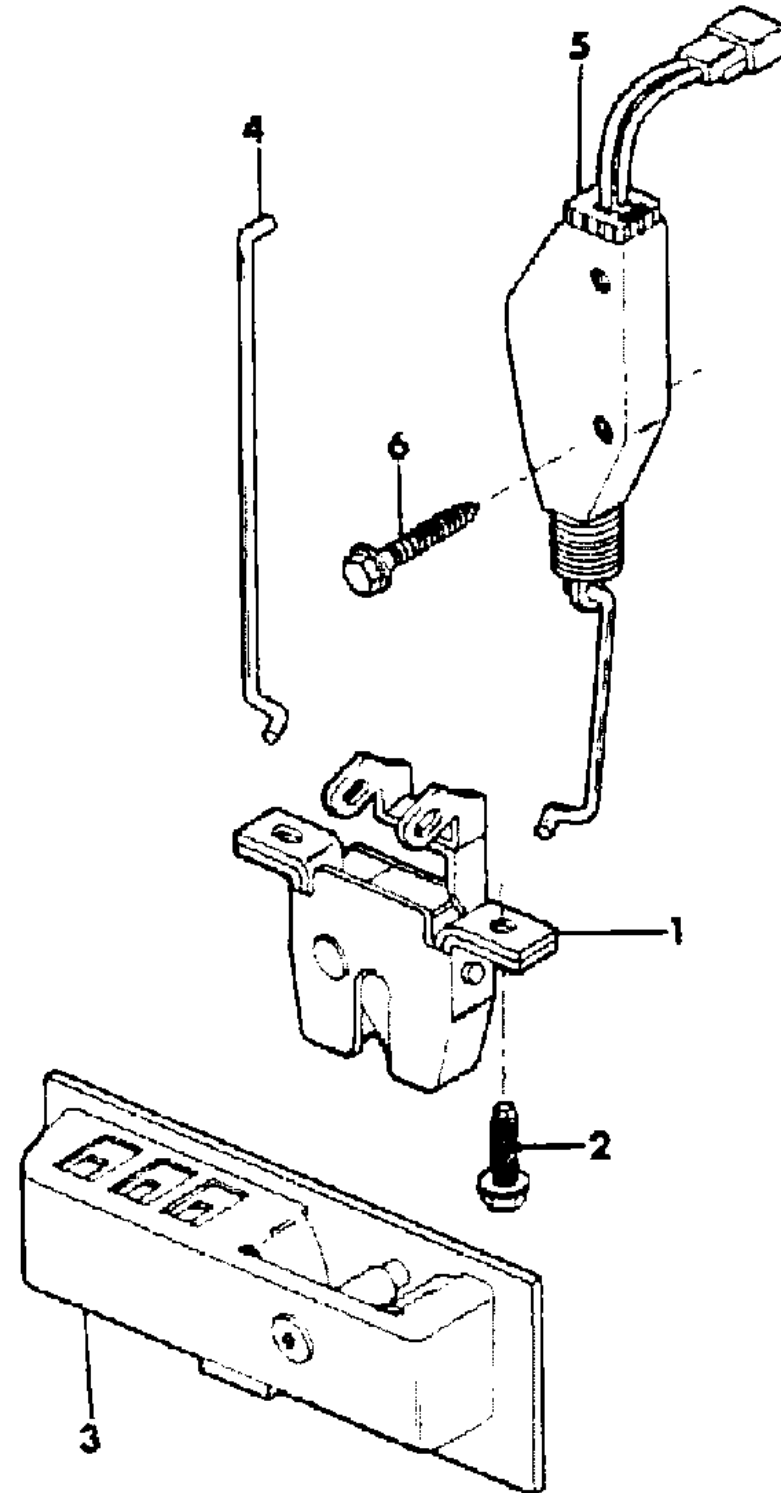
BODY STYLES:

1988:
55 = 4 dr. Sedan
1989-92:
6 = 4 Dr. Sedan

AR = Use as Required - = Non Illustrated Part P.A.R. = Paint as Required

LATCH AND STRIKER--DECK LID
Figure 23A-1500

8P69 1500



ITEM	PART NUMBER	QTY	BODY	MODEL	DESCRIPTION
1	3502 3324	1			LATCH, Deck Lid
2	3420 1726	2			SCREW
3	3502 3520	1			STRIKER and GUIDE, Deck Door
4	3502 3327	1			ROD, Latch Release
5	3502 3326	1			ACTUATOR, Power Lock
6	J942 1073	2			SCREW

MODEL CODES:

1988:	1989:	1990-92:	1990-92:
559 - Premier LX	56 - Premier LX 557 - Premier ES 66 - Premier ES	DP-Monaco LE	XP-Premier LX DS-Monaco ES XS-Premier ES

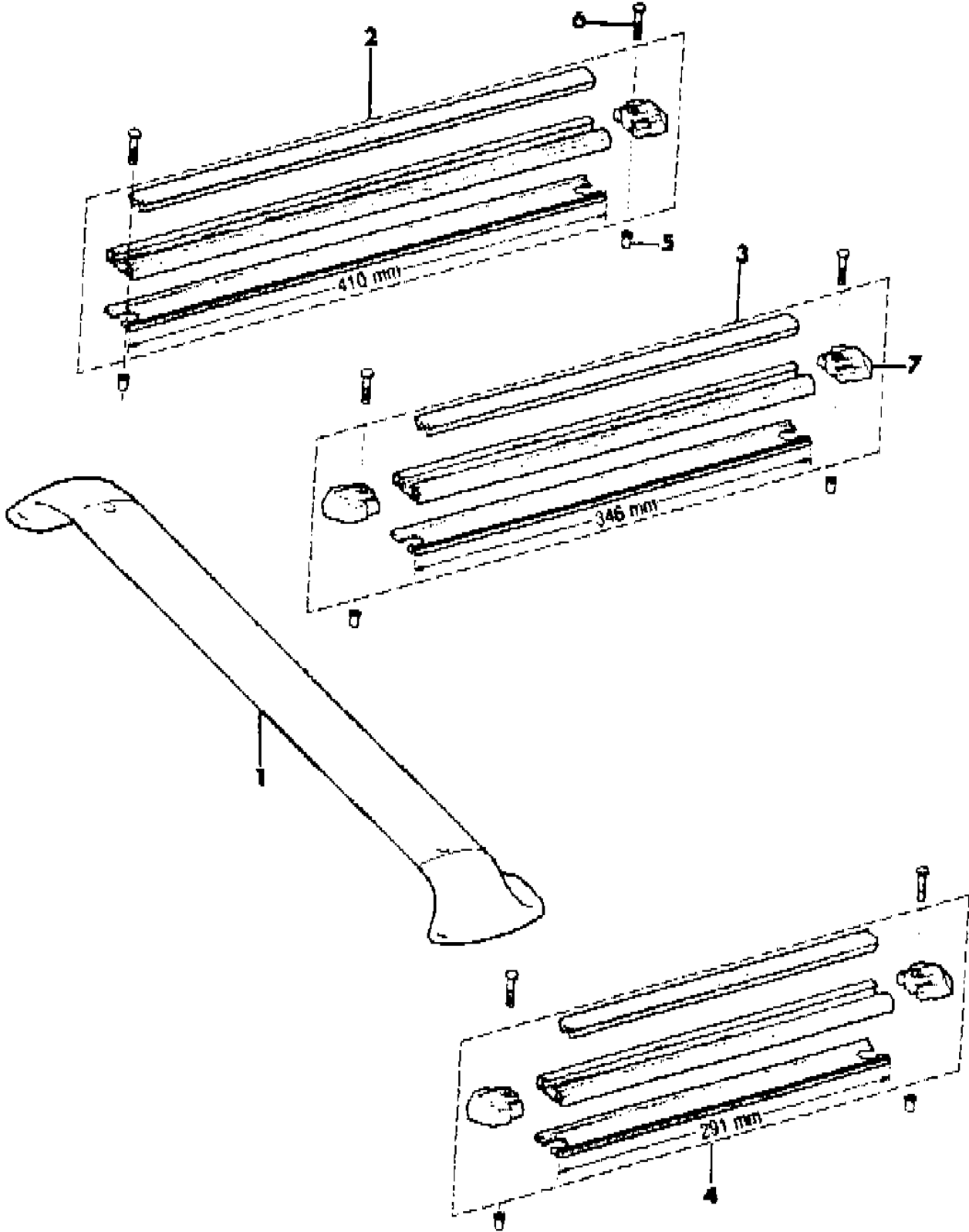
BODY STYLES:

1988:
55 = 4 dr. Sedan
1989-92:
6 = 4 Dr. Sedan

AR = Use as Required - = Non Illustrated Part P.A.R. = Paint as Required

DECK LID LUGGAGE RACK
Figure 23A-1600

8P69 1600 A



ITEM	PART NUMBER	QTY	BODY	MODEL	DESCRIPTION
1	3502 2320	1			BAR Bright
	5253 327	1			Black
2	3502 2314	2			STRIP, Outer Bright
	5253 326	2			Black
3	3502 2316	2			STRIP, Outer Bright
	5253 325	2			Black
4	3502 2318	1			STRIP, Center Bright
	5253 324	1			Black
5	6502 032	10			NUTSERT ***
6	3420 3001	10			SCREW
7	5253 322	8			CAP, Skid Strip End

MODEL CODES:
 1988: 559 - Premier LX
 1989: 56 - Premier LX
 557 - Premier ES
 66 - Premier ES
 1990-92: DP-Monaco LE
 1990-92: XP-Premier LX
 DS-Monaco ES
 XS-Premier ES

BODY STYLES:
 1988:
 55 = 4 dr. Sedan
 1989-92:
 6 = 4 Dr. Sedan

AR = Use as Required - = Non Illustrated Part P.A.R. = Paint as Required

GROUP 23C - BODY - DOORS AND RELATED PARTS

ILLUSTRATION TITLE	GROUP-FIG. NO.
PREMIER/MONACO	
DOORS FRONT AND REAR	Fig. 23C-100
HINGES, DOOR FRONT AND REAR	Fig. 23C-200
HANDLES, EXTERIOR FRONT AND REAR DOORS	Fig. 23C-300
HANDLES, DOOR INSIDE FRONT DOOR	Fig. 23C-400
LATCHES FRONT DOOR	Fig. 23C-500
HANDLES, DOOR INSIDE REAR DOOR	Fig. 23C-600
LATCH REAR DOOR	Fig. 23C-700
REGULATOR, GLASS MANUAL	Fig. 23C-800
REGULATOR, GLASS ELECTRIC	Fig. 23C-900
GLASS, DOOR FRONT AND REAR	Fig. 23C-1000
BEZELS, DOOR	Fig. 23C-1100
RUNS AND SEALS, DOOR FRONT AND REAR	Fig. 23C-1200
WEATHERSTRIPS, DOOR FRONT AND REAR	Fig. 23C-1300
MIRRORS, EXTERIOR	Fig. 23C-1400

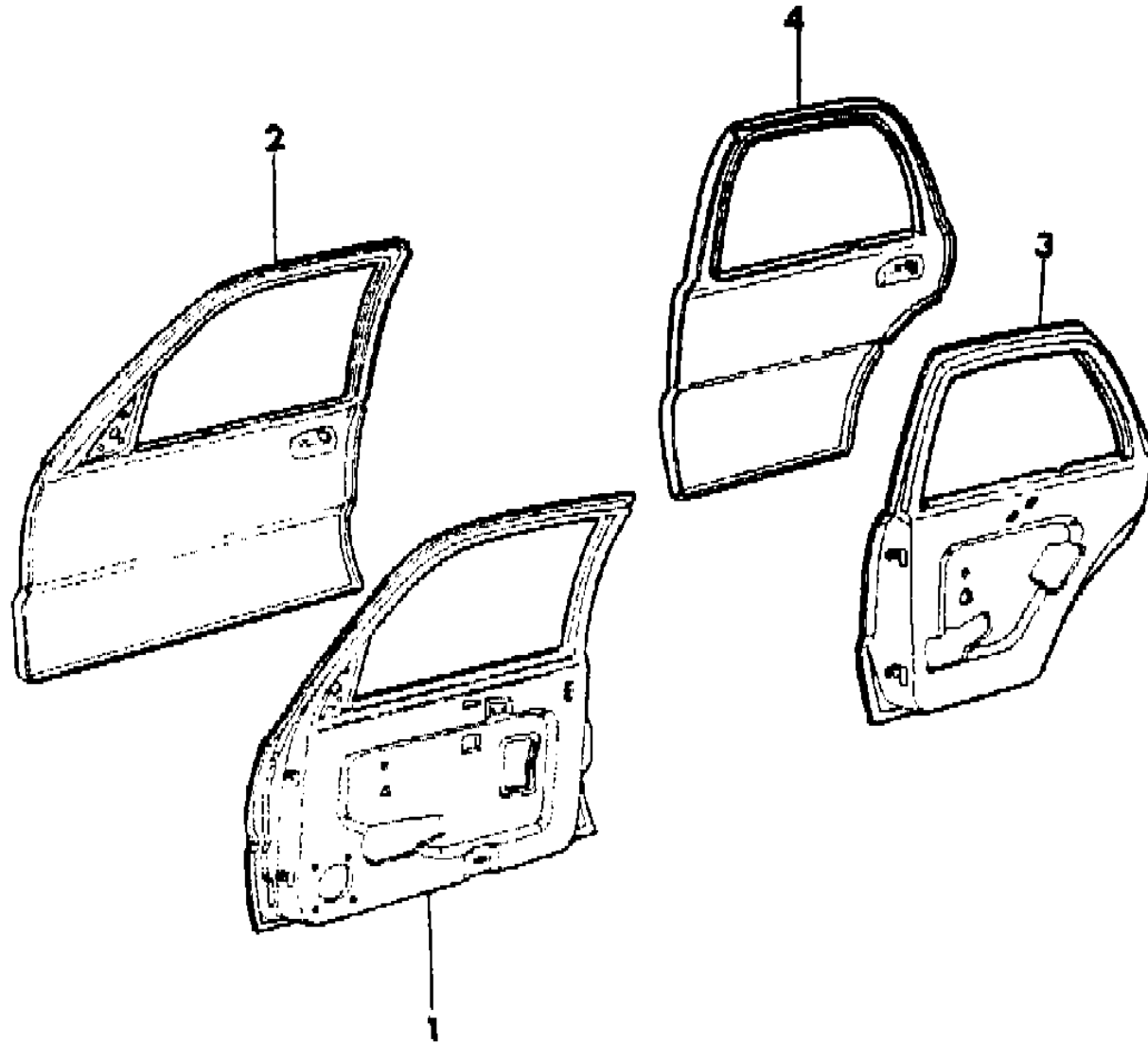
ILLUSTRATION NOT AVAILABLE AT TIME OF PUBLICATION



DOORS FRONT AND REAR
Figure 23C-100

8P71 100

ITEM	PART NUMBER	QTY	BODY	MODEL	DESCRIPTION
1					SHELL, Door
	8350 4560-1	1			1988-89
	5252 212-3	1			1990-92
2	8350 5190-1	1			PANEL, Door Front (Drill holes for Cladding on "ES" Model)
3	8350 4562-3	1			DOOR (Drill holes for Cladding on "ES" Model) ***
4	8350 5192-3	1			PANEL, Door Rear (Drill holes for Cladding on "ES" Model)



MODEL CODES:

1988:	1989:	1990-92:	1990-92:
559 - Premier LX	56 - Premier LX 557 - Premier ES 66 - Premier ES	DP-Monaco LE	XP-Premier LX DS-Monaco ES XS-Premier ES

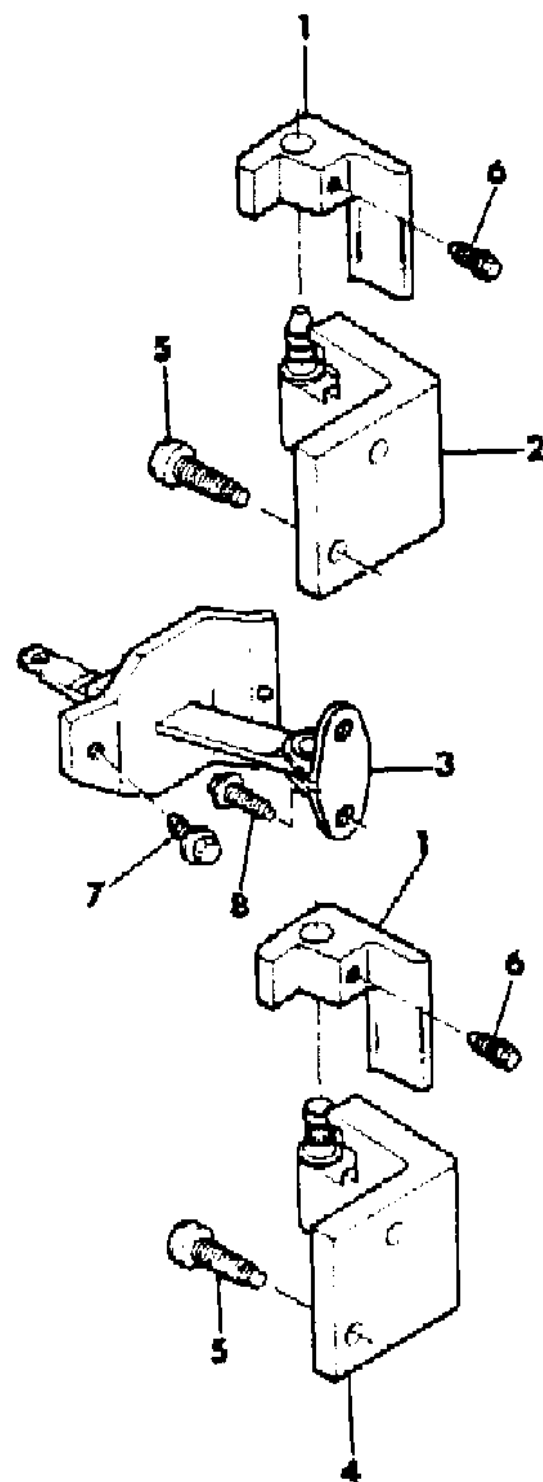
BODY STYLES:

1988:
55 = 4 dr. Sedan
1989-92:
6 = 4 Dr. Sedan

AR = Use as Required - = Non Illustrated Part P.A.R. = Paint as Required

HINGES, DOOR FRONT AND REAR
Figure 23C-200

8P71 200 A



ITEM	PART NUMBER	QTY	BODY	MODEL	DESCRIPTION
1					HINGE, Door Half, Upper and Lower
	3501 9338-9	8			1988-91
	4584 354-5	8			1992
2					HINGE, Upper Body Half
	3502 3034-5	1			Front, 1988-91
	4584 356-7	1			Front, 1992
	3502 3180-1	1			Rear, 1988-91
	4584 358-9	1			Rear, 1992
3					ARM, Door Check
	3501 4022	2			Front
	3501 4024	2			Rear
4					HINGE, Lower Body Half
	3501 9336-7	2			1988-91
	4584 352-3	2			1992
5	3420 1860	16			BOLT
6	3420 2777	8			SCREW, Set
7	3420 2561	4			BOLT
8	3420 1752	4			SCREW

MODEL CODES:
 1988: 559 - Premier LX
 1989: 56 - Premier LX
 557 - Premier ES
 66 - Premier ES
 1990-92: DP-Monaco LE
 1990-92: XP-Premier LX
 DS-Monaco ES
 XS-Premier ES

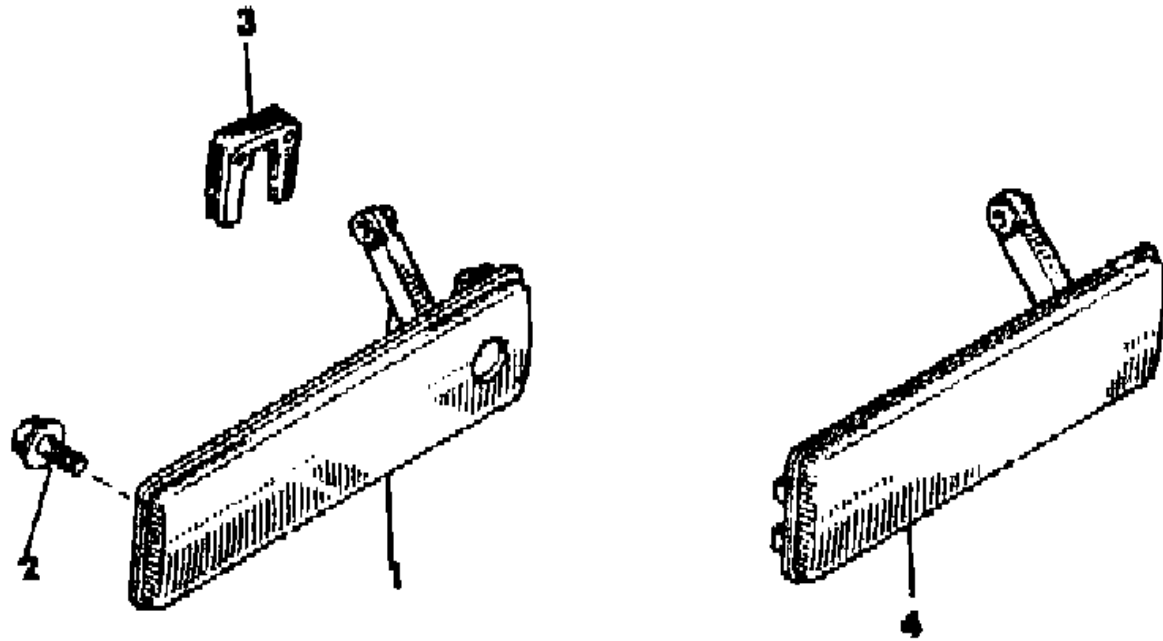
BODY STYLES:
 1988:
 55 = 4 dr. Sedan
 1989-92:
 6 = 4 Dr. Sedan

AR = Use as Required - = Non Illustrated Part P.A.R. = Paint as Required

HANDLES, EXTERIOR FRONT AND REAR DOORS
Figure 23C-300

8P71 300A

ITEM	PART NUMBER	QTY	BODY	MODEL	DESCRIPTION
1					HANDLE, Front
	4520 632-3	1			Black
	3502 5446-7	1			Bright
2	3420 2629	4			SCREW
3	J077 1309	2			RETAINER, Lock Cylinder
4					HANDLE, Rear
	4520 634-5	1			Black
	3502 3184-5	1			Bright



MODEL CODES:
 1988: 559 - Premier LX
 1989: 56 - Premier LX, 557 - Premier ES, 66 - Premier ES
 1990-92: DP-Monaco LE
 1990-92: XP-Premier LX, DS-Monaco ES, XS-Premier ES

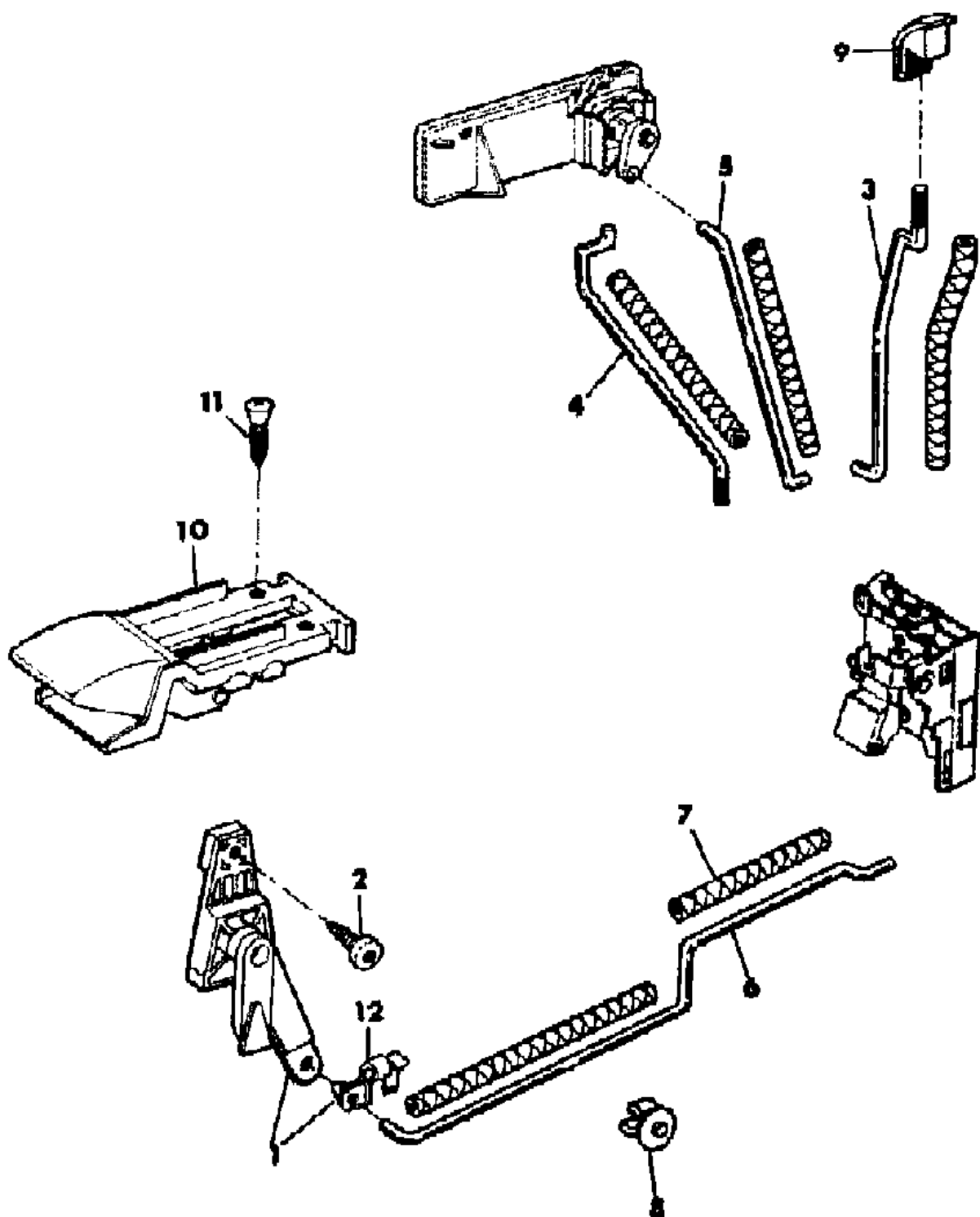
BODY STYLES:
 1988: 55 = 4 dr. Sedan
 1989-92: 6 = 4 Dr. Sedan

AR = Use as Required - = Non Illustrated Part P.A.R. = Paint as Required

HANDLES, DOOR INSIDE FRONT DOOR
Figure 23C-400

8P71 400A

ITEM	PART NUMBER	QTY	BODY	MODEL	DESCRIPTION
1					BELLCRANK
	4520 758-9	1			1988-90
	5253 584-5	1			1991-92
2	1150 0985	2			SCREW
3	3501 4492-3	1			ROD, Locking
4	3501 3874-5	1			ROD, Latch Release
5	3501 3882-3	1			ROD, Lock Cylinder
6					ROD, R/Control
	3501 3878	2			1988-89
	5252 209	2			1990-92
7					SLEEVE, Anti-Rattle
	3502 3980	AR			16" Long
	3502 3988	AR			27" Long
8	J307 9290	2			CLIP
9					KNOB, w/Retainer
	BD94 HF3	2			Brownstone
	BD94 HS1	2			Charcoal
	BD94 HH9	2			Cordovan
	BD94 HQ8	2			Navy
10	3501 3306-7	1			HANDLE, Inside
	3502 2010	2			BUMPER, Handle
11	J942 2008	6			SCREW
12					CLIP
	2945 109	2			Right
	2945 108	2			Left



MODEL CODES:

1988:	1989:	1990-92:	1990-92:
559 - Premier LX	56 - Premier LX 557 - Premier ES 66 - Premier ES	DP-Monaco LE	XP-Premier LX DS-Monaco ES XS-Premier ES

BODY STYLES:

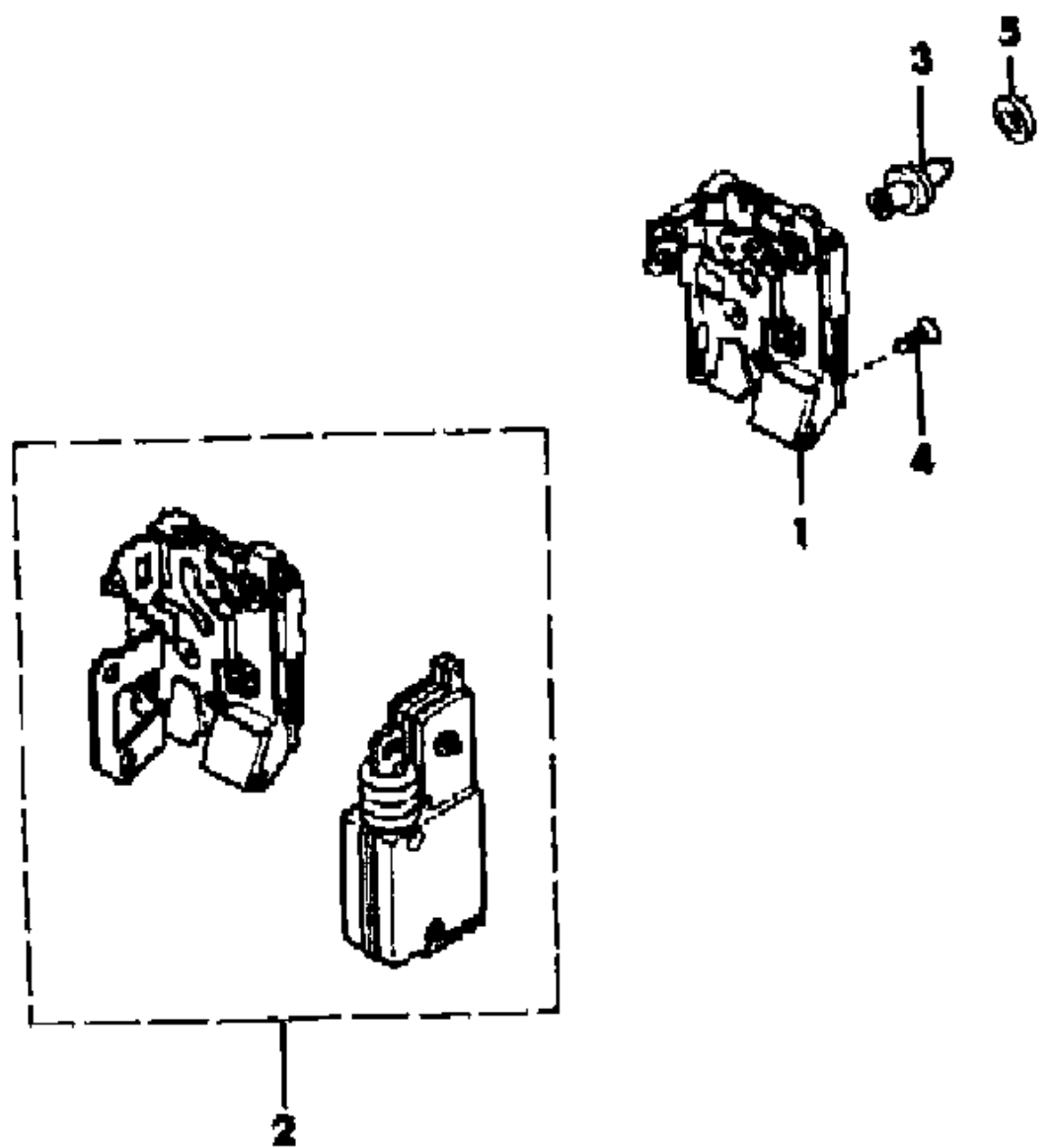
1988:
55 = 4 dr. Sedan
1989-92:
6 = 4 Dr. Sedan

AR = Use as Required - = Non Illustrated Part P.A.R. = Paint as Required

LATCHES FRONT DOOR
Figure 23C-500

8P71 500 8

ITEM	PART NUMBER	QTY	BODY	MODEL	DESCRIPTION
1	3501 3292-3	1			LATCH, w/o Power Locks
2					LATCH, w/Power Locks
	3501 3294-5	1			1988-89
	5253 352-3	1			1990-91
	4584 394-5	1			1992
3	3502 6590	2			STRIKER, Door
4	3420 2576	6			SCREW
5	3502 6592	AR			SPACER, Striker



MODEL CODES:
 1988: 559 - Premier LX
 1989: 56 - Premier LX
 557 - Premier ES
 66 - Premier ES
 1990-92: DP-Monaco LE
 1990-92: XP-Premier LX
 DS-Monaco ES
 XS-Premier ES

BODY STYLES:
 1988:
 55 = 4 dr. Sedan
 1989-92:
 6 = 4 Dr. Sedan

AR = Use as Required - = Non Illustrated Part P.A.R. = Paint as Required

HANDLES, DOOR INSIDE REAR DOOR
Figure 23C-600

8F71 600 A

ITEM	PART NUMBER	QTY	BODY	MODEL	DESCRIPTION
1					BELLCRANK ASSY
	4520 758-9	1			1988-90
	5253 584-5	1			1991-92
2	1150 0985	2			SCREW
3	3501 9186	2			ROD, Locking
4	3501 3876	2			ROD, Latch Release
5	J075 7267	2			CLIP
6					ROD, R/Control
	3501 3880	2			1988-89
	5252 210	2			1990-92
7					SLEEVE, Anti-Rattle
	3502 3980	AR			16" Long
	3502 3988	AR			27" Long
8	J307 9290	2			CLIP
9	J075 7804	2			BELLCRANK, Locking
10	3501 4494-5	1			ROD, Release
11					KNOB, w/Retainer
	BD94 HF3	2			Brownstone
	BD94 HS1	2			Charcoal
	BD94 HH9	2			Cordovan
	BD94 HQ8	2			Navy
12	3502 0426-7	1			HANDLE, Inside
13	J942 2008	6			SCREW
14					CLIP
	2945 109	2			Right
	2945 108	2			Left

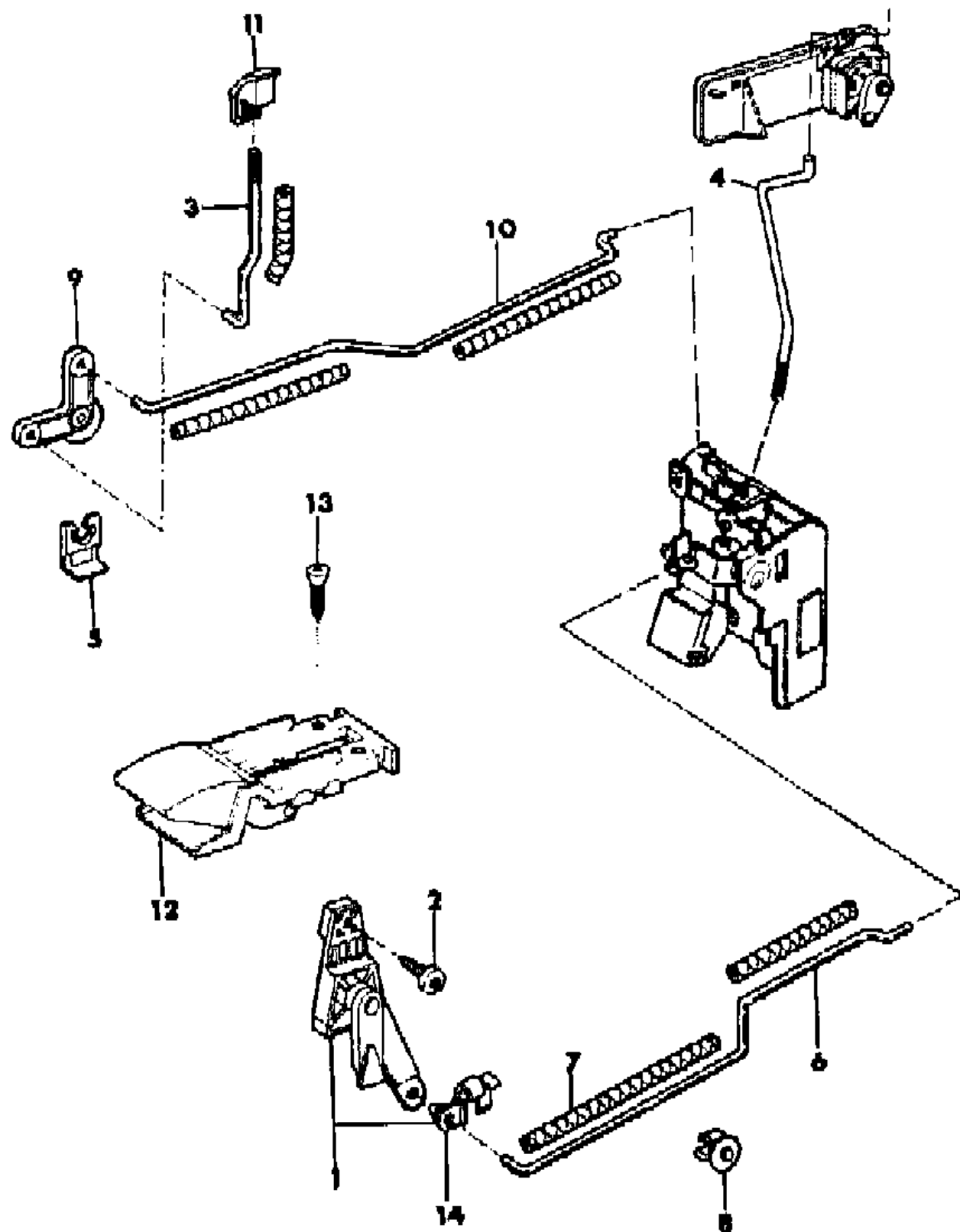
MODEL CODES:

1988:	1989:	1990-92:	1990-92:
559 - Premier LX	56 - Premier LX 557 - Premier ES 66 - Premier ES	DP-Monaco LE	XP-Premier LX DS-Monaco ES XS-Premier ES

BODY STYLES:

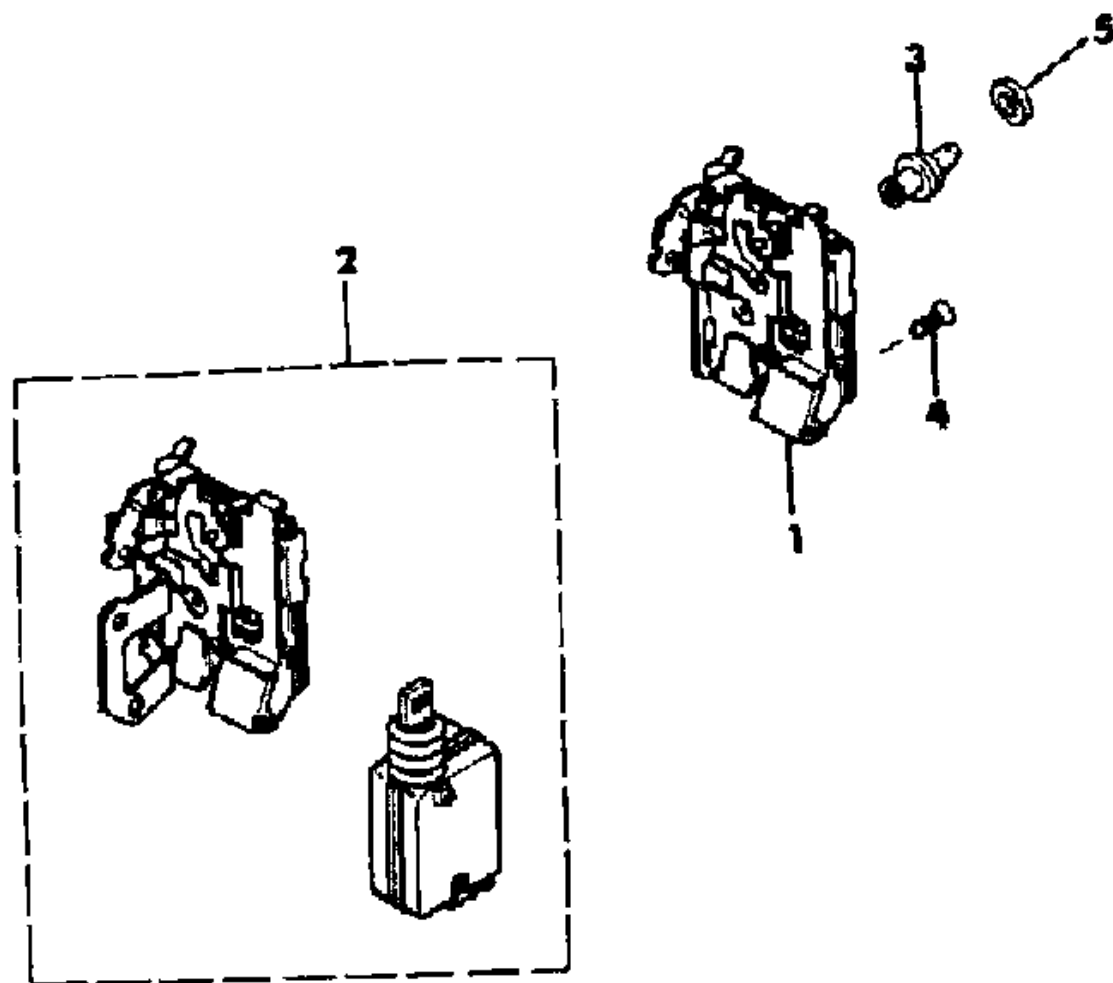
1988:
55 = 4 dr. Sedan
1989-92:
6 = 4 Dr. Sedan

AR = Use as Required - = Non Illustrated Part P.A.R. = Paint as Required



LATCH REAR DOOR
Figure 23C-700

8P71 700 B



ITEM	PART NUMBER	QTY	BODY	MODEL	DESCRIPTION
1	3501 3300-1	1			LATCH, w/o Power Locks
2					LATCH, w/Power Locks
	3501 3302-3	1			1988-89
	5253 354-5	1			1990-91
	4584 396-7	1			1992
3	3502 6590	2			STRIKER, Door
4	3420 2576	6			SCREW
5	3502 6592	AR			SPACER, Striker

MODEL CODES:
 1988: 559 - Premier LX
 1989: 56 - Premier LX, 557 - Premier ES, 66 - Premier ES
 1990-92: DP-Monaco LE
 1990-92: XP-Premier LX, DS-Monaco ES, XS-Premier ES

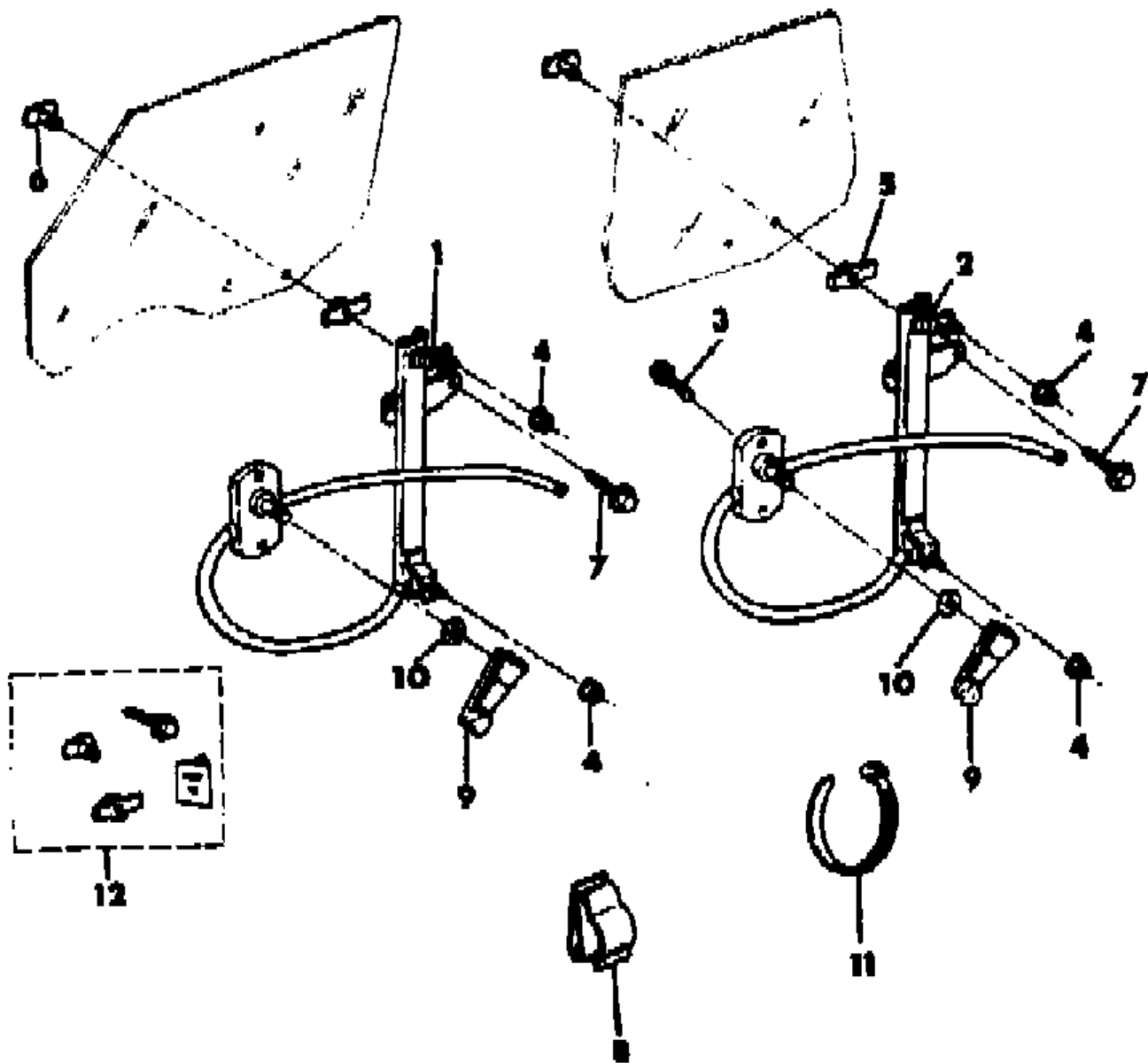
BODY STYLES:
 1988: 55 = 4 dr. Sedan
 1989-92: 6 = 4 Dr. Sedan

AR = Use as Required - = Non Illustrated Part P.A.R. = Paint as Required

REGULATOR, GLASS MANUAL
Figure 23C-800

6771 0008

ITEM	PART NUMBER	QTY	BODY	MODEL	DESCRIPTION
1					REGULATOR, Front
	4584 228-9	1			1988-91
	4520 682-3	1			1992
2					REGULATOR, Rear
	3502 6812-3	1			1988-91
	4520 686-7	1			1992
3	1150 5117	8			SCREW
4	1150 3745	12			NUT
5					RETAINER
	4549 102	8			1988-91
	4584 372	8			1992
6	4415 943	AR			NUT
7	6502 052	AR			SCREW
8	3420 2362	4			CLIP
9					HANDLE, Regulator
	AS24 HF3	4			Brownstone
	AS24 HS1	4			Charcoal
	AS24 HH9	4			Cordovan
	AS24 HQ8	4			Navy
10					SPACER
	AS25 HF3	4			Brownstone
	AS25 HS1	4			Charcoal
	AS25 HH9	4			Cordovan
	AS25 HQ8	4			Navy
11	6015 756	2			STRAP
12	4549 102	8			PACKAGE, Glass Mtg.



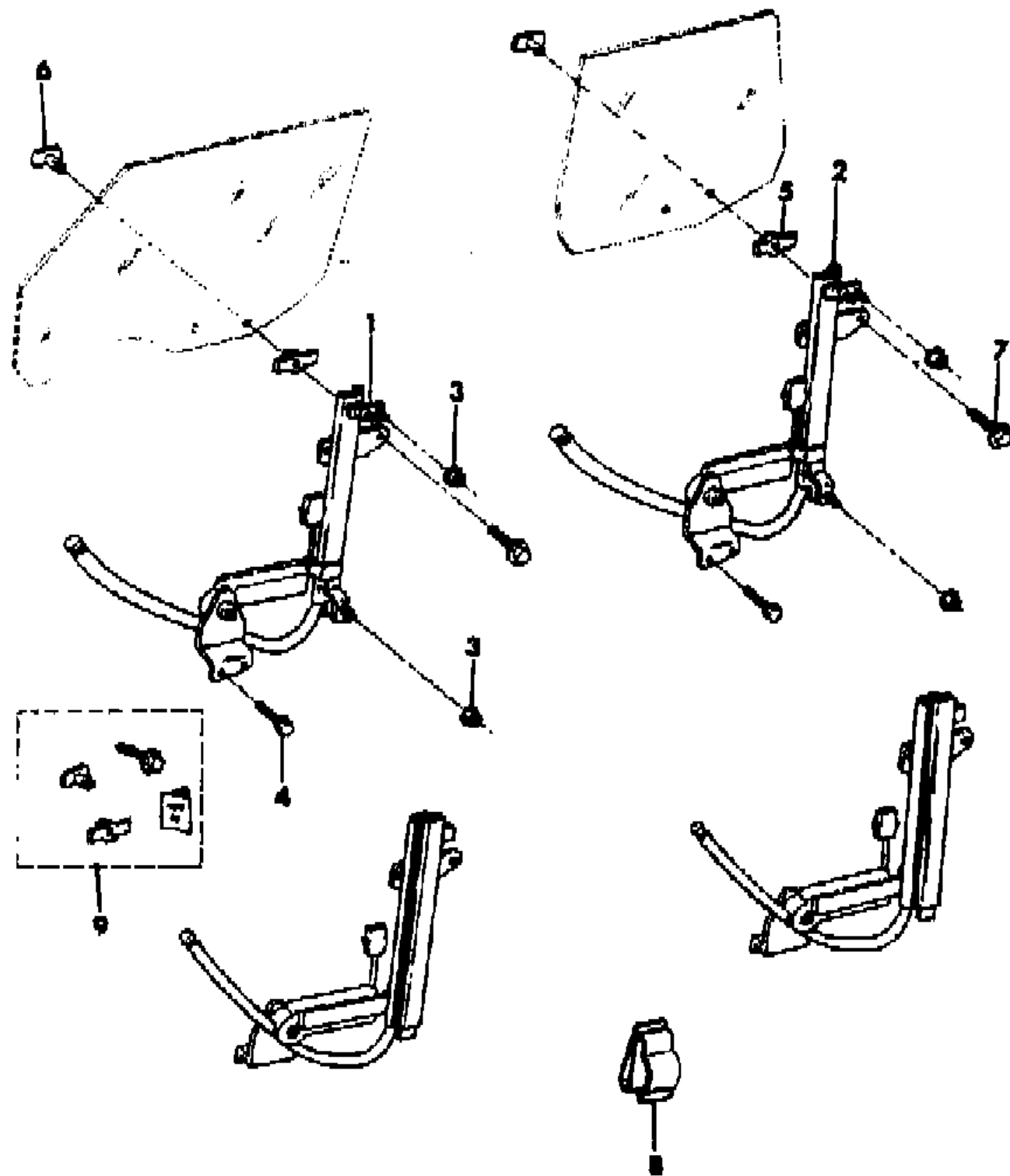
MODEL CODES:
 1988: 559 - Premier LX
 1989: 56 - Premier LX
 557 - Premier ES
 66 - Premier ES
 1990-92: DP-Monaco LE
 1990-92: XP-Premier LX
 DS-Monaco ES
 XS-Premier ES

BODY STYLES:
 1988:
 55 = 4 dr. Sedan
 1989-92:
 6 = 4 Dr. Sedan

AR = Use as Required - = Non Illustrated Part P.A.R. = Paint as Required

REGULATOR, GLASS ELECTRIC
Figure 23C-900

8P71 900 A



ITEM	PART NUMBER	QTY	BODY	MODEL	DESCRIPTION
1					REGULATOR, Glass
	3502 6814-5	1			1988-89
	5253 356-7	1			1990
	4584 194-5	1			1991-92
	4584 248-9	1			MOTOR, Regulator, 1991-92
2					REGULATOR, Glass
	3502 6816-7	1			1988-89
	5253 358-9	1			1990
	4584 192-3	1			1991-92
	4584 250-1	1			MOTOR, Regulator, 1991-92
3	1150 3745	12			NUT
4	1150 4988	8			SCREW
5	3502 6818	AR			RETAINER
6					NUT
	3420 2702	8			1988-90
	4415 943	8			1991-92
7					SCREW
	3420 2338	8			1988-90
	6502 052	8			1991-92
8	3420 2362	4			CLIP, Tube
9	4549 102	8			PACKAGE, Glass Mtg.

MODEL CODES:

1988:	1989:	1990-92:	1990-92:
559 - Premier LX	56 - Premier LX	DP-Monaco LE	XP-Premier LX
	557 - Premier ES		DS-Monaco ES
	66 - Premier ES		XS-Premier ES

BODY STYLES:

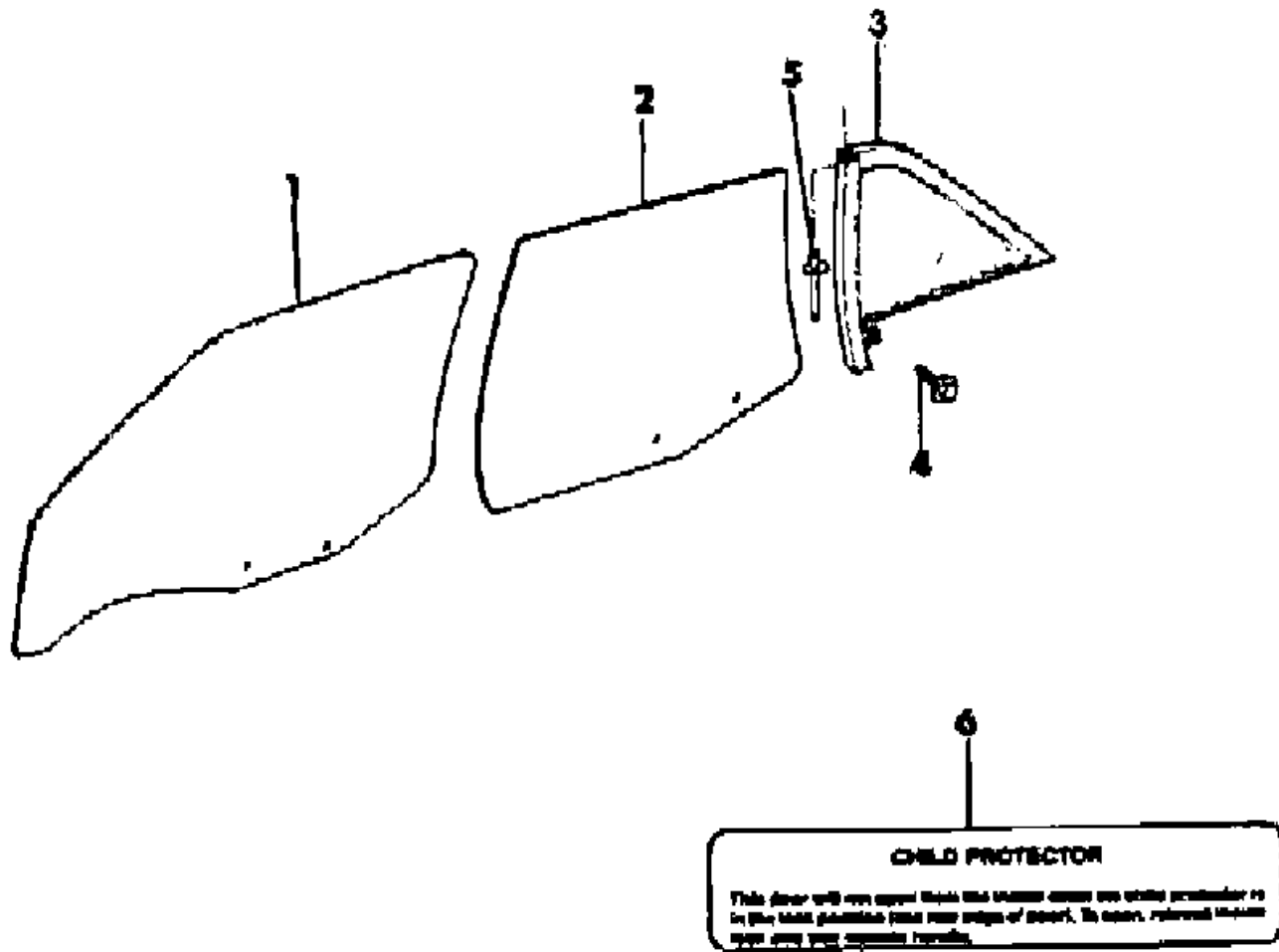
1988:
55 = 4 dr. Sedan
1989-92:
6 = 4 Dr. Sedan

AR = Use as Required - = Non Illustrated Part P.A.R. = Paint as Required

GLASS, DOOR FRONT AND REAR
Figure 23C-1000

8P71 1000A

ITEM	PART NUMBER	QTY	BODY	MODEL	DESCRIPTION
1	3501 3338-9	1			GLASS, Front Door
2	3501 3342-3	1			GLASS, Rear Door
3	3501 6626-7	1			GLASS, Rear Door, Fixed
4	3420 1808	2			SCREW
5	3420 1684	2			RIVET
6	3500 7624	1			LABEL, Child Protector



MODEL CODES:

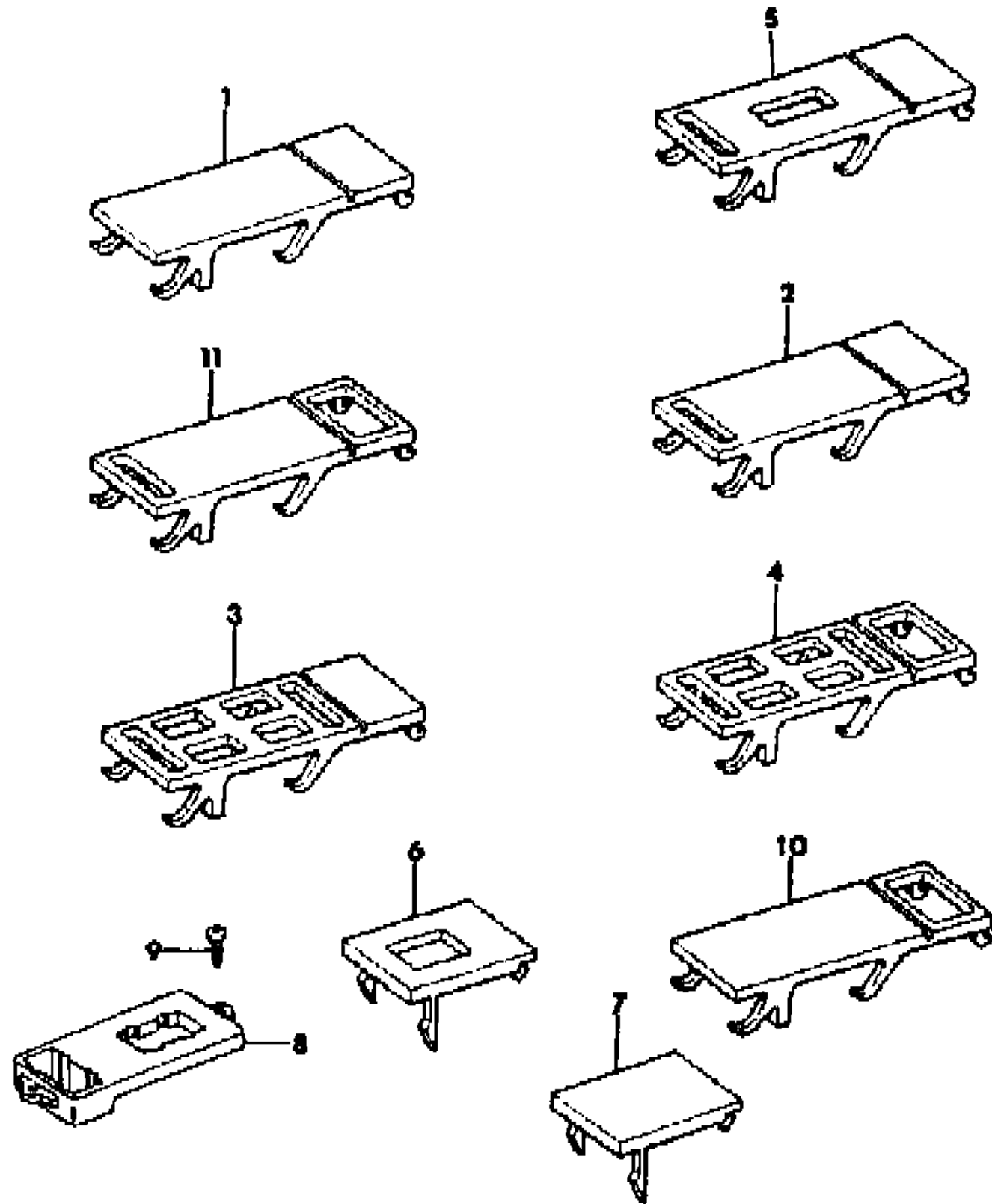
1988:	1989:	1990-92:	1990-92:
559 - Premier LX	56 - Premier LX	DP-Monaco LE	XP-Premier LX
	557 - Premier ES		DS-Monaco ES
	66 - Premier ES		XS-Premier ES

BODY STYLES:
 1988:
 55 = 4 dr. Sedan
 1989-92:
 6 = 4 Dr. Sedan

AR = Use as Required - = Non Illustrated Part P.A.R. = Paint as Required

BEZELS, DOOR
Figure 23C-1100

8P71 11000



ITEM	PART NUMBER	QTY	BODY	MODEL	DESCRIPTION
1	3501 9648	2			BEZEL, w/o Power Door Locks, w/o Electric Windows
2	3501 9649	2			BEZEL, w/Power Locks, w/o Electric Windows
3	3501 9651	1			BEZEL, w/Power Locks, w/Electric Windows, w/o Electric Mirrors
4	3501 9653	1			BEZEL, w/Power Locks,w/Electric Windows, w/ Electric Mirrors, Left
5	3501 9654	1			BEZEL, w/Power Locks,w/Electric Windows, Ri ght
6	3501 9657	2			BEZEL, w/Electric Windows
7	3501 9658	2			BEZEL, w/o Electric Windows
8	3502 1870	AR			BRACKET, Switch Mtg.
9	3420 2908	4			SCREW
10	4547 867	1			BEZEL, w/Electric Mirrors
11	4547 869	1			BEZEL, w/Electric Mirrors, w/Power Locks

MODEL CODES:
 1988: 559 - Premier LX
 1989: 56 - Premier LX, 557 - Premier ES, 66 - Premier ES
 1990-92: DP-Monaco LE
 1990-92: XP-Premier LX, DS-Monaco ES, XS-Premier ES

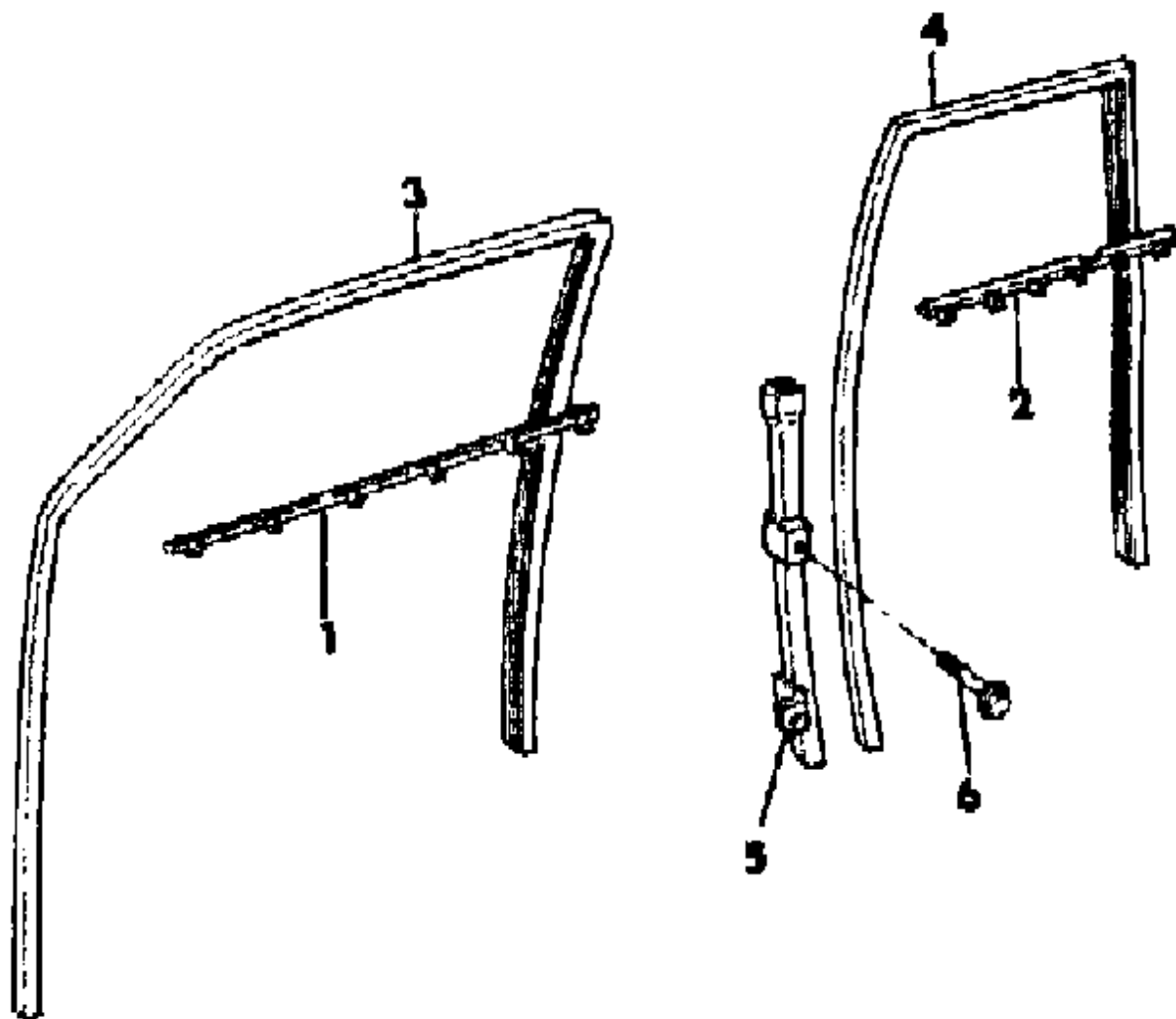
BODY STYLES:
 1988: 55 = 4 dr. Sedan
 1989-92: 6 = 4 Dr. Sedan

AR = Use as Required - = Non Illustrated Part P.A.R. = Paint as Required

RUNS AND SEALS, DOOR FRONT AND REAR
Figure 23C-1200

8P71 1200 A

ITEM	PART NUMBER	QTY	BODY	MODEL	DESCRIPTION
1	4520 364-5	1			SEAL, Inner
2	4520 366-7	1			SEAL, Inner
3	4520 368-9	1			CHANNEL, Glass Run, Front Door
4	4520 370-1	1			CHANNEL, Glass Run, Rear Door
5	3502 0522-3	1			CHANNEL, Glass Guide
6	3420 1808	4			SCREW



MODEL CODES:

1988:	1989:	1990-92:	1990-92:
559 - Premier LX	56 - Premier LX 557 - Premier ES 66 - Premier ES	DP-Monaco LE	XP-Premier LX DS-Monaco ES XS-Premier ES

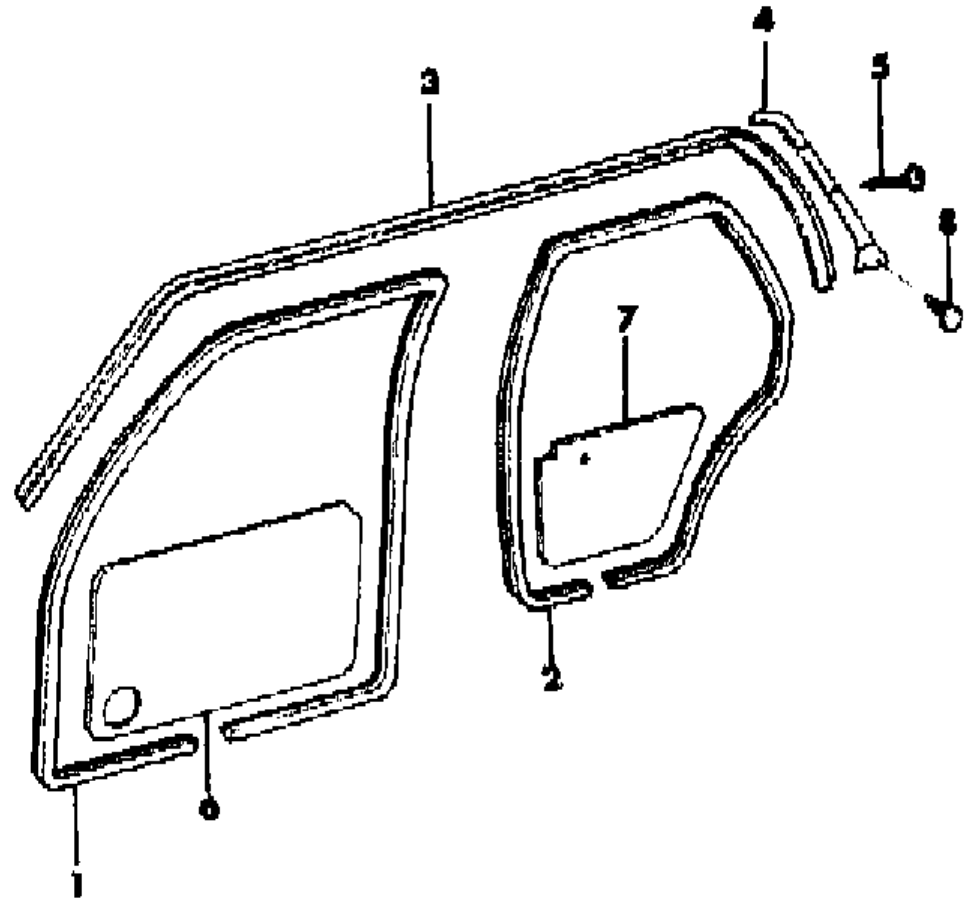
BODY STYLES:

1988:
55 = 4 dr. Sedan
1989-92:
6 = 4 Dr. Sedan

AR = Use as Required - = Non Illustrated Part P.A.R. = Paint as Required

WEATHERSTRIPS, DOOR FRONT AND REAR
Figure 23C-1300

8P71 1300 B



ITEM	PART NUMBER	QTY	BODY	MODEL	DESCRIPTION
1	3502 5462-3	1			WEATHERSTRIP, Front Door Type 1
	4520 386-7	1			Type 2
2	3502 5464-5	1			WEATHERSTRIP, Rear Door Type 1
	4520 388-9	1			Type 2
3	3502 5458	2			WEATHERSTRIP, Secondary 1988-90
	4586 030-1	1			1991-92
4	3502 4568-9	1			RETAINER
5	3420 1487	6			SCREW
6	3501 4564-5	1			WATERDAM, Door ***
7	3501 4592-3	1			WATERDAM, Door ***
8	J400 4262	4			RIVET



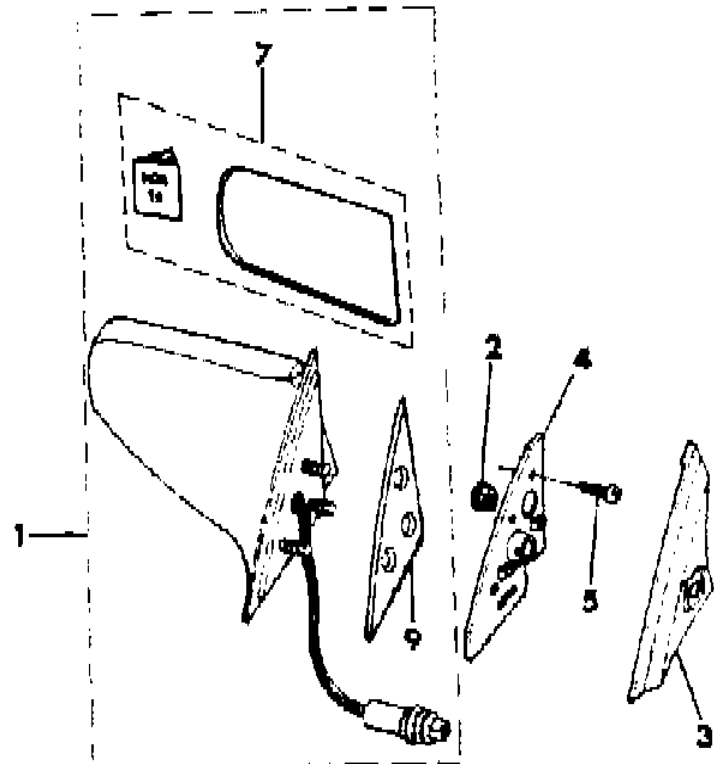
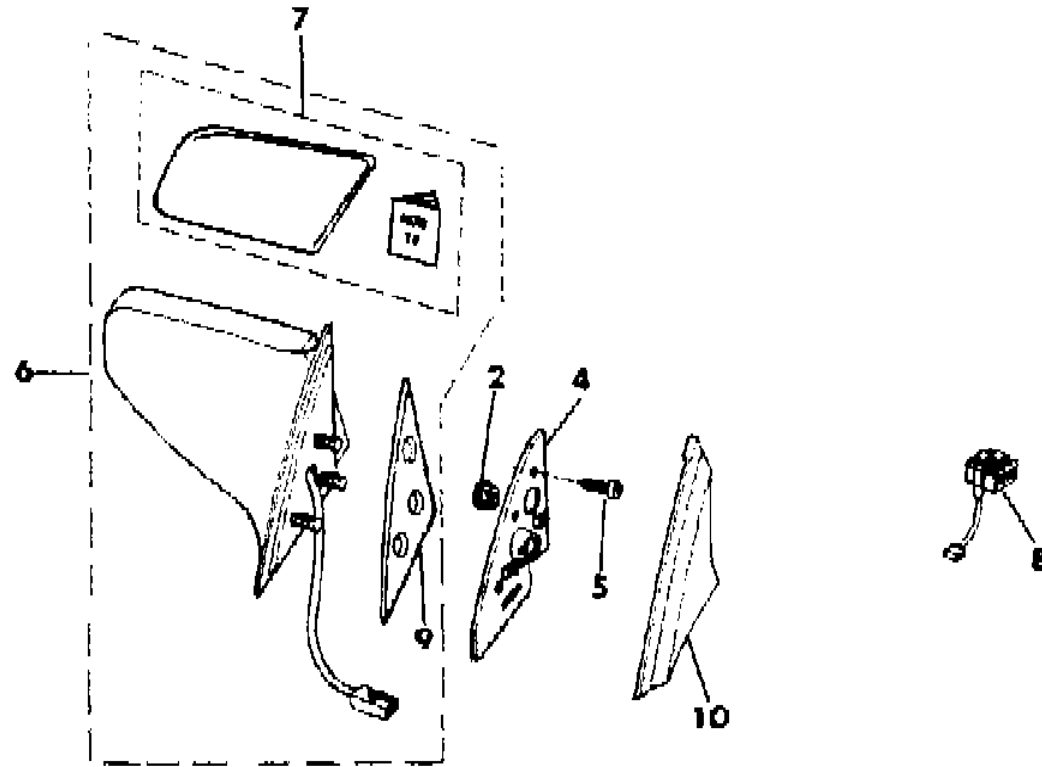
MODEL CODES:
 1988: 559 - Premier LX
 1989: 56 - Premier LX, 557 - Premier ES, 66 - Premier ES
 1990-92: DP-Monaco LE
 1990-92: XP-Premier LX, DS-Monaco ES, XS-Premier ES

BODY STYLES:
 1988: 55 = 4 dr. Sedan
 1989-92: 6 = 4 Dr. Sedan

AR = Use as Required - = Non Illustrated Part P.A.R. = Paint as Required

MIRRORS, EXTERIOR
Figure 23C-1400

8P71 1400A



ITEM	PART NUMBER	QTY	BODY	MODEL	DESCRIPTION
1	3501 9342-3	1			MIRROR, Remote, Black
2	3420 1246	AR			NUT
3	BD98-9 HA8	1			BEZEL, Mirror
4	3502 3088-9	1			RETAINER, Bezel
5	J448 9487	AR			SCREW
6					MIRROR, Electric
	3501 9660-1	1			1988-89, White
	3502 6352-3	1			1988-91, Black
	4584 202-3	1			1991-92, Heated
7					GLASS, Mirror
	4467 352-3	1			1988-90
	4584 262-3	1			1991-92
8	4373 863	1			SWITCH
9	3501 4704-5	1			GASKET
10					BEZEL, Mirror
	3502 0388-9	1			1988-89
	BD96-7 HF7	1			Brownstone, 1990-92
	BD96-7 HA8	1			Charcoal, 1990-92
	BD96-7 HH9	1			Cordovan, 1990-92
	BD96-7 HQ8	1			Navy, 1990-92

MODEL CODES:

1988:	1989:	1990-92:	1990-92:
559 - Premier LX	56 - Premier LX	DP-Monaco LE	XP-Premier LX
	557 - Premier ES		DS-Monaco ES
	66 - Premier ES		XS-Premier ES

BODY STYLES:

1988:
55 = 4 dr. Sedan
1989-92:
6 = 4 Dr. Sedan

AR = Use as Required - = Non Illustrated Part P.A.R. = Paint as Required

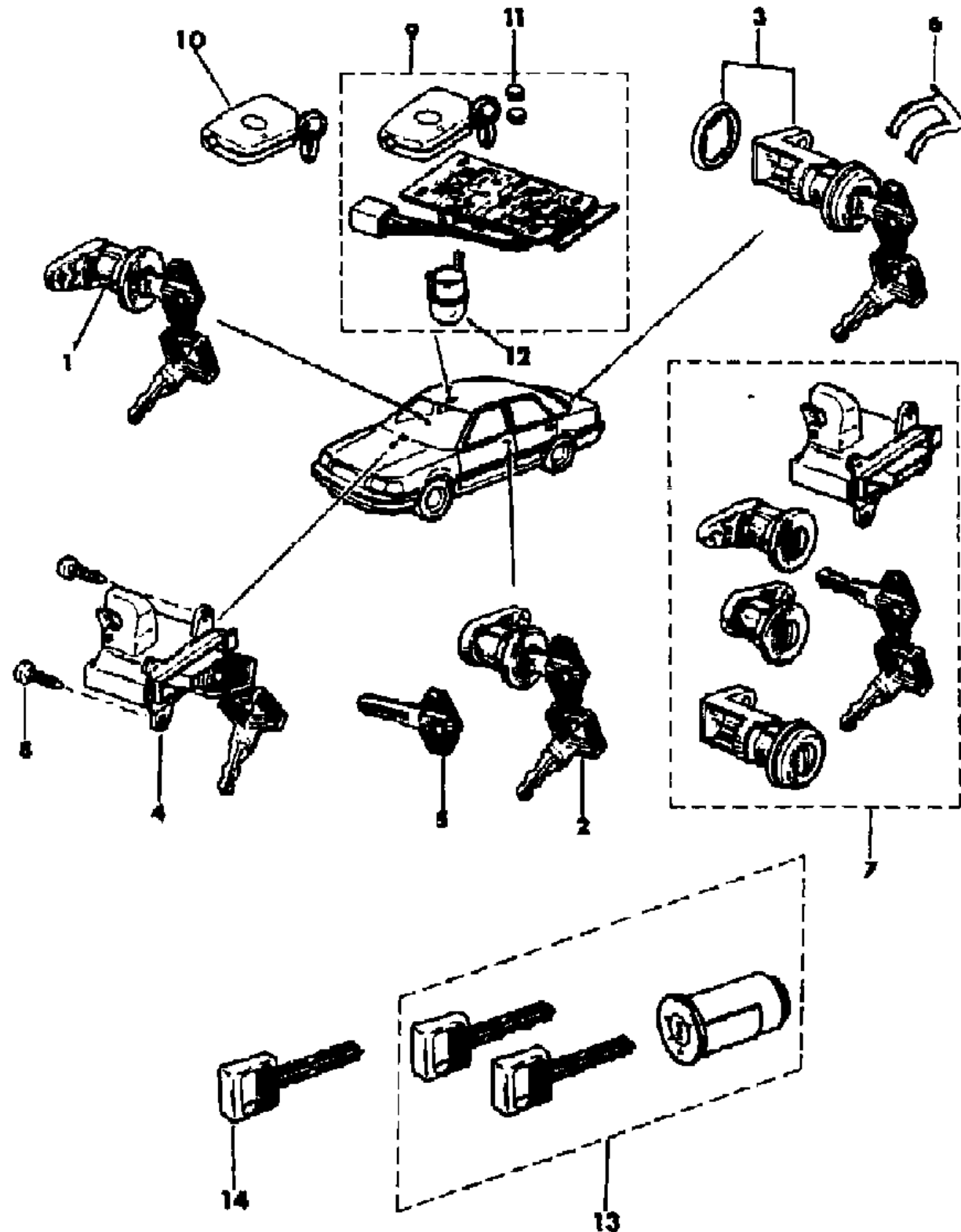
GROUP 23D - WIPER & WASHER AND CYLINDER & KEYS

ILLUSTRATION TITLE	GROUP-FIG. NO.
LOCK CYLINDERS AND KEYS	Fig. 23D-100
WINDSHIELD WIPER AND WASHER SYSTEM	Fig. 23D-200

ILLUSTRATION NOT AVAILABLE AT TIME OF PUBLICATION

LOCK CYLINDERS AND KEYS
Figure 23D-100

8P72 100A



ITEM	PART NUMBER	QTY	BODY	MODEL	DESCRIPTION
1	T134 9791	1			CYLINDER, Door Lock, Right
2	T134 9790	1			CYLINDER, Door Lock, Left
3	8350 5135	1			CYLINDER, Deck Lock
4	8350 5439	1			CYLINDER, Glove Box Lock
5	4378 783	1			1988
					1989-92
	8350 5476	AR			KEY, Uncut w/o Penastar
6	5253 410	AR			w/Penastar
	3502 4352	1			RETAINER, Lock
7					SET, Lock Cylinder ***
	3502 6480	1			1988
	4378 782	1			1989-92
8	3420 1298	2			SCREW
9	3600 2480	1			RECEIVER, w/Transmitter Keyless Entry
10	8350 4801	1			TRANSMITTER ***
11	8350 4802	2			BATTERY
12	8350 5263	1			LENS
13	8350 4634	1			CYLINDER, Ignition Switch Lock
14					KEY, Uncut
	8350 4633	AR			w/o Penastar
	5253 412	AR			w/Penastar

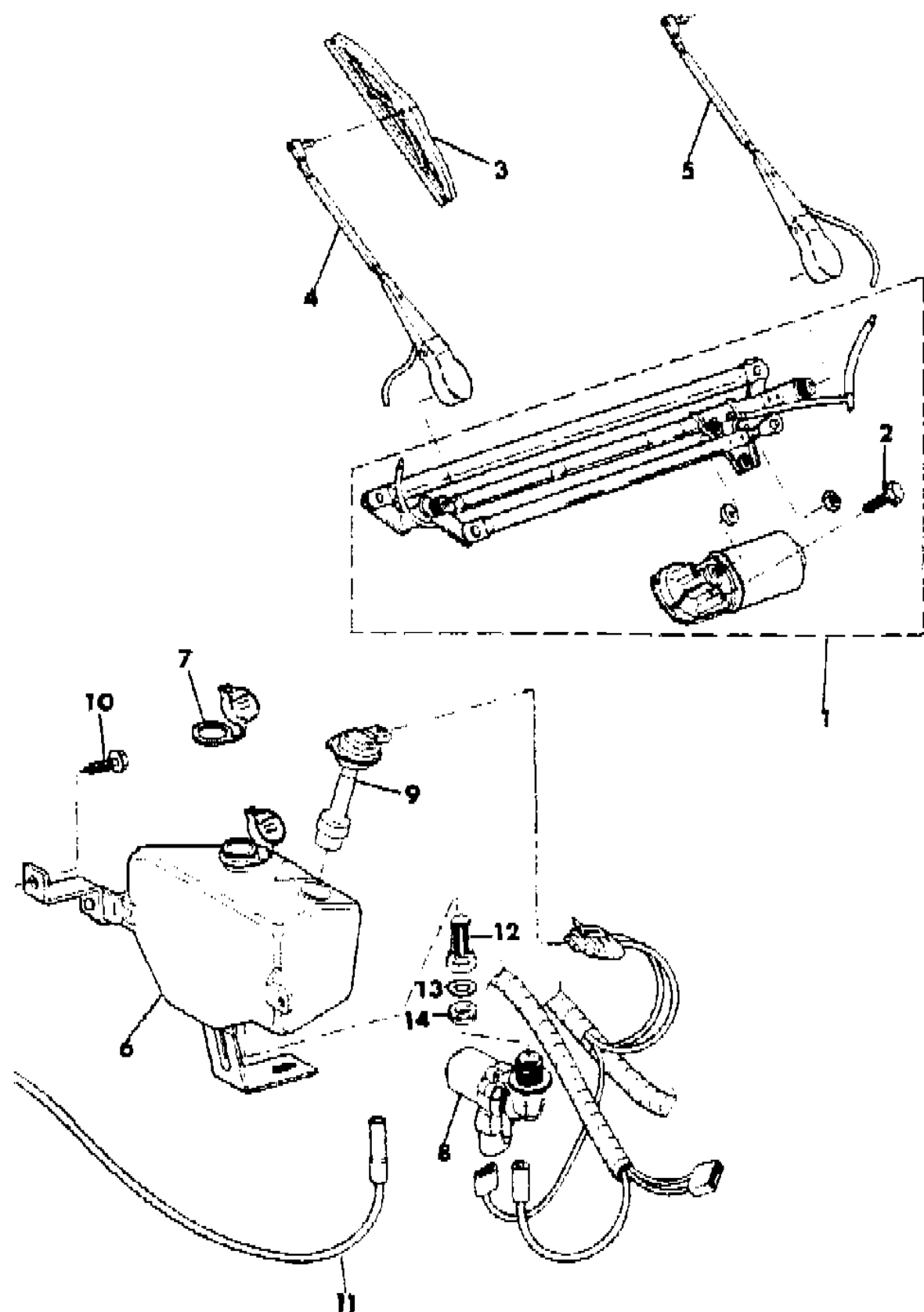
MODEL CODES:
 1988: 559 - Premier LX
 1989: 56 - Premier LX
 557 - Premier ES
 66 - Premier ES
 1990-92: DP-Monaco LE
 1990-92: XP-Premier LX
 DS-Monaco ES
 XS-Premier ES

BODY STYLES:
 1988: 55 = 4 dr. Sedan
 1989-92: 6 = 4 Dr. Sedan

AR = Use as Required - = Non Illustrated Part P.A.R. = Paint as Required

WINDSHIELD WIPER AND WASHER SYSTEM
Figure 23D-200

8P72 200 A



ITEM	PART NUMBER	QTY	BODY	MODEL	DESCRIPTION
1	3600 1562	1			MOTOR, w/Linkage 1988-89
	4584 348	1			1990-92
	4584 260	1			MOTOR, w/o Linkage, 1991-92
	4584 258	1			PIVOT, w/Frame, 1991-92
2	4389 402	1			LINK, Drive, w/Crank 1988-90
	4584 129	1			1991-92
	3420 2983	3			SCREW
3	3600 3140	2			BLADE, Wiper
	4389 407	2			REFILL, Blade
4					ARM, Wiper
	3600 2144	1			1988-90
	4584 162	1			1991
5	4584 346	1			1992
					ARM, Wiper
	3600 2145	1			1988-90
	4584 163	1			1991
6	4584 347	1			1992
	8350 4803	1			RESERVOIR, Washer
7	5600 2054	1			CAP, Reservoir
8	3600 2582	1			PUMP, Washer
9	3600 2212	1			SENSOR, Fluid
10	3420 1895	3			SCREW
11	3600 3412	1			TUBE, Washer
12	5600 0593	1			NUT, Filter
13	5600 0594	1			WASHER
13	5600 0594	1			WASHER
14	5600 0592	1			SEAL

MODEL CODES:

1988:	1989:	1990-92:	1990-92:
559 - Premier LX	56 - Premier LX 557 - Premier ES 66 - Premier ES	DP-Monaco LE	XP-Premier LX DS-Monaco ES XS-Premier ES

BODY STYLES:

1988:
55 = 4 dr. Sedan
1989-92:
6 = 4 Dr. Sedan

AR = Use as Required - = Non Illustrated Part P.A.R. = Paint as Required

GROUP 24 - HEATER AND AIR CONDITIONING

ILLUSTRATION TITLE	GROUP-FIG. NO.
HEATER AND AIR CONDITION CONTROLS	
HEATER AND AIR CONDITIONING CONTROLS	Fig. 24-100
HEATER UNIT	
AIR DUCTS, HEATING AND COOLING	Fig. 24-200
HEATER PLUMBING	
PLUMBING, HEATER	Fig. 24-300
BLOWER MOTOR	
BLOWER MOTOR AND VACUUM TANKS AIR CONDITIONING AND HEATER	Fig. 24-400
AIR CONDITION AND HEATER UNIT	
AIR CONDITIONING UNIT FACTORY INSTALLED	Fig. 24-500
AIR CONDITION PLUMBING	
PLUMBING, AIR CONDITIONING FACTORY INSTALLED	Fig. 24-600
COMPRESSOR AND MOUNTING	
COMPRESSOR AND MOUNTING AIR CONDITIONING	Fig. 24-700
AIR DUCTS, OUTLET AND LOUVER	
AIR OUTLETS, HEATING AND COOLING	Fig. 24-800
AIR DUCTS, HEATING AND COOLING	Fig. 24-900

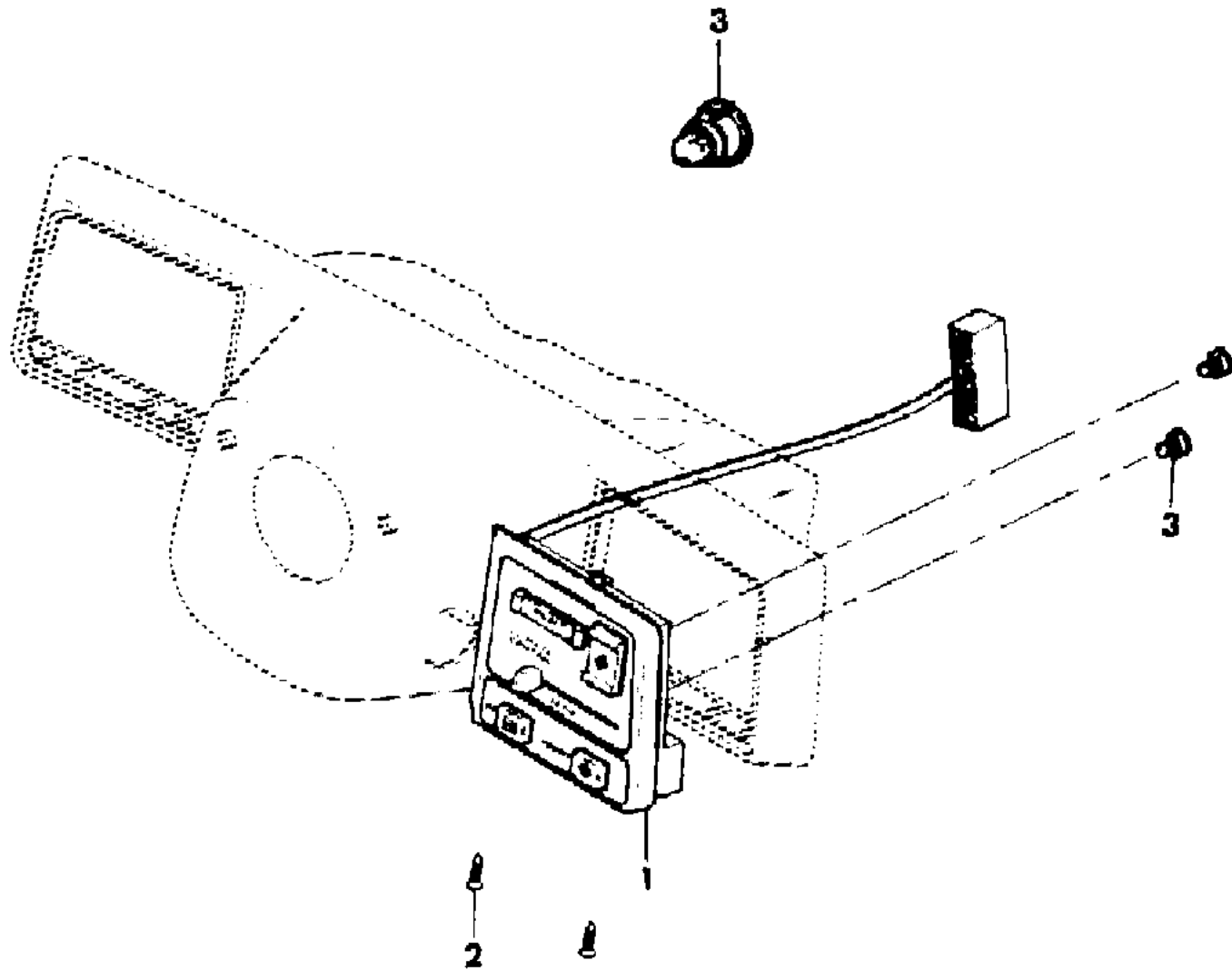
ILLUSTRATION NOT AVAILABLE AT TIME OF PUBLICATION

HEATER AND AIR CONDITIONING CONTROLS

Figure 24-100

8P24 100

ITEM	PART NUMBER	QTY	BODY	MODEL	DESCRIPTION
1					CONTROL
	3600 2153	1			Heater, w/o Factory A/C, w/o Rear Window Defogger
	3600 1644	1			Heater, w/o Factory A/C, w/ Rear Window Defogger
	4596 086	1			1991-92
	3600 2154	1			Heater and A/C, w/ Factory A/C, w/o Rear Window Defogger
	3600 1648	1			Heater and A/C, w/ Factory A/C, w/ Rear Window Defogger (Stamped 5264063)
	4596 087	1			1991-92
2	1150 1119	2			SCREW
3	8350 5292	2			BULB, Heater Control



MODEL CODES:

1988:	1989:	1990-92:	1990-92:
559 - Premier LX	56 - Premier LX	DP-Monaco LE	XP-Premier LX
	557 - Premier ES		DS-Monaco ES
	66 - Premier ES		XS-Premier ES

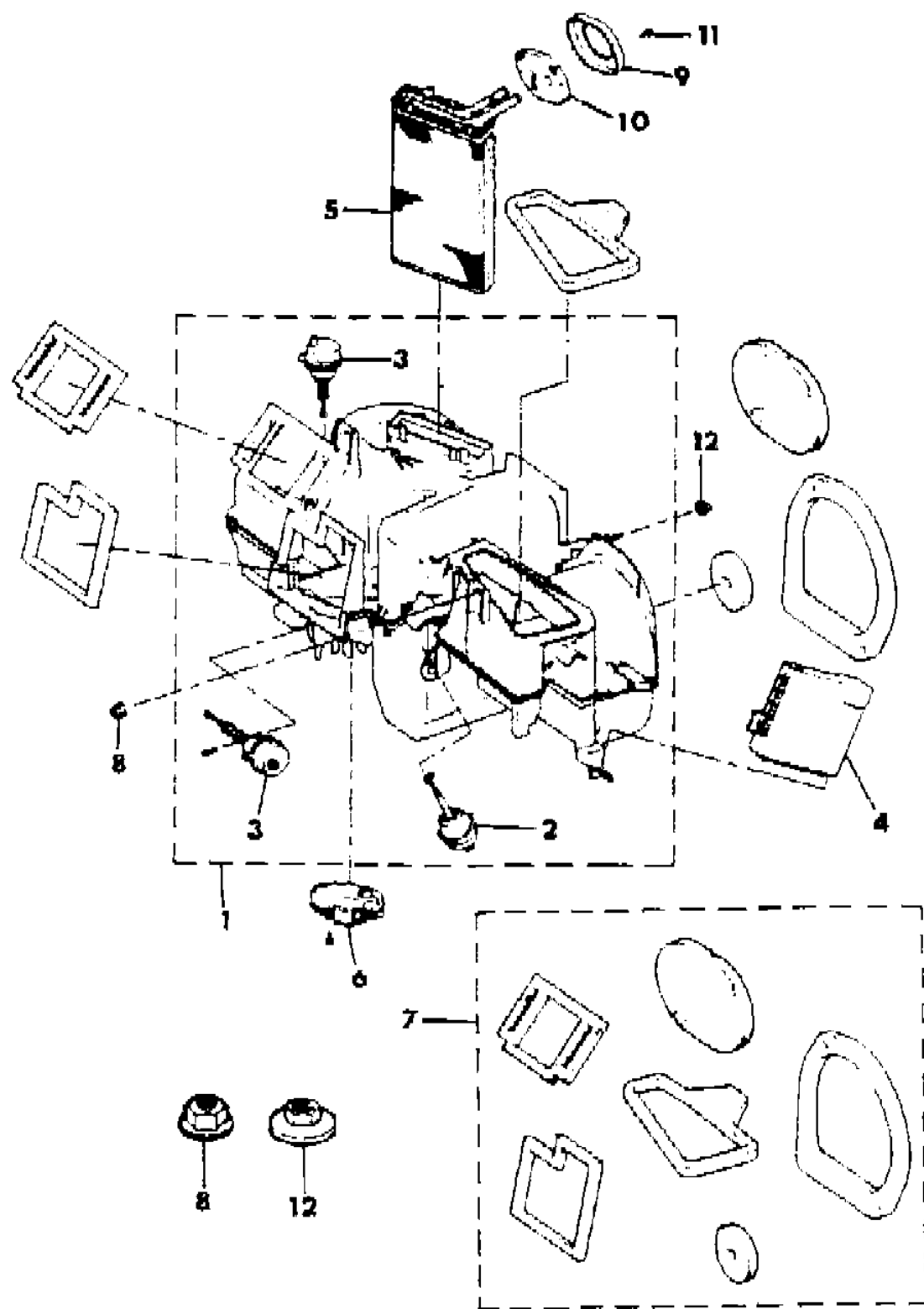
BODY STYLES:

1988:
55 = 4 dr. Sedan
1989-92:
6 = 4 Dr. Sedan

AR = Use as Required - = Non Illustrated Part P.A.R. = Paint as Required

AIR DUCTS, HEATING AND COOLING
Figure 24-200

8P24 200



ITEM	PART NUMBER	QTY	BODY	MODEL	DESCRIPTION
1	8350 4900	1			HOUSING, Heater
2	8350 4903	1			MOTOR, Vacuum
3	8350 4904	2			MOTOR, Vacuum
4	3600 1715	1			MODULE, Air Control
5	3600 2426	1			CORE, Heater
6	3600 1716	1			ACTUATOR, Electric
7	8350 4996	1			SEAL KIT
8	3420 1668	2			NUT
9	3501 3133	1			PLATE, Backing
10	3600 0804	1			SEAL
11	3420 2718	2			SCREW
12	3420 2144	2			NUT

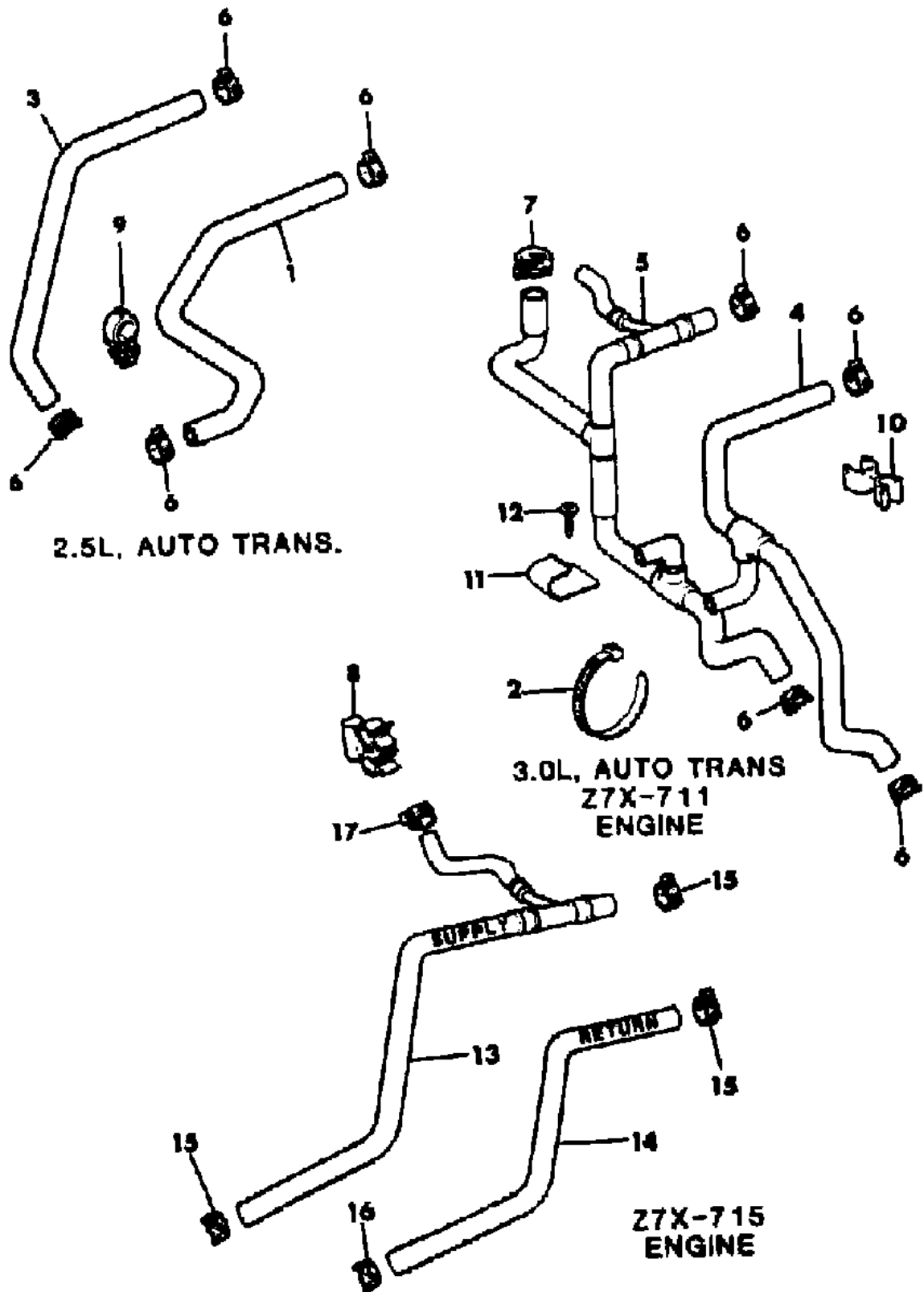
MODEL CODES:
 1988: 559 - Premier LX
 1989: 56 - Premier LX
 557 - Premier ES
 66 - Premier ES
 1990-92: DP-Monaco LE
 1990-92: XP-Premier LX
 DS-Monaco ES
 XS-Premier ES

BODY STYLES:
 1988:
 55 = 4 dr. Sedan
 1989-92:
 6 = 4 Dr. Sedan

AR = Use as Required - = Non Illustrated Part P.A.R. = Paint as Required

PLUMBING, HEATER
Figure 24-300

8P24 300B



ITEM	PART NUMBER	QTY	BODY	MODEL	DESCRIPTION
1	3200 2245	1			HOSE, Manifold to Heater Core, w/ 2.5L Engine
2					STRAP
	3200 2246	1			1988-89
	J322 3227	1			1990-92
3	3200 2247	1			HOSE, w/ 2.5L Engine, w/ Auto. Trans.
4	3200 3218	1			HOSE, Supply, w/ 3.0L Engine, w/ Auto. Trans.
5	3200 3219	1			HOSE, Return, w/ 3.0L Engine, w/ Auto. Trans.
6	3200 2256	AR			CLAMP, diameter = 25mm
7	3200 2369	1			CLAMP, diameter = 29mm
8	3200 3152	2			BRACKET, Hose Mounting
9					CLIP
	3420 2511	1			1988-89
	3420 2751	1			1990-92
10	3420 2685	1			CLIP
11	3200 3319	1			BRACKET
12	J400 7574	1			BOLT
13	4592 365	1			HOSE, Heater Supply
14	4546 199	1			HOSE, Heater Return
15	2448 762	AR			CLAMP
16	4546 257	1			CLAMP
17		1			CLAMP (Not Serviced)

MODEL CODES:

1988:	1989:	1990-92:	1990-92:
559 - Premier LX	56 - Premier LX	DP-Monaco LE	XP-Premier LX
	557 - Premier ES		DS-Monaco ES
	66 - Premier ES		XS-Premier ES

BODY STYLES:

1988:
55 = 4 dr. Sedan
1989-92:
6 = 4 Dr. Sedan

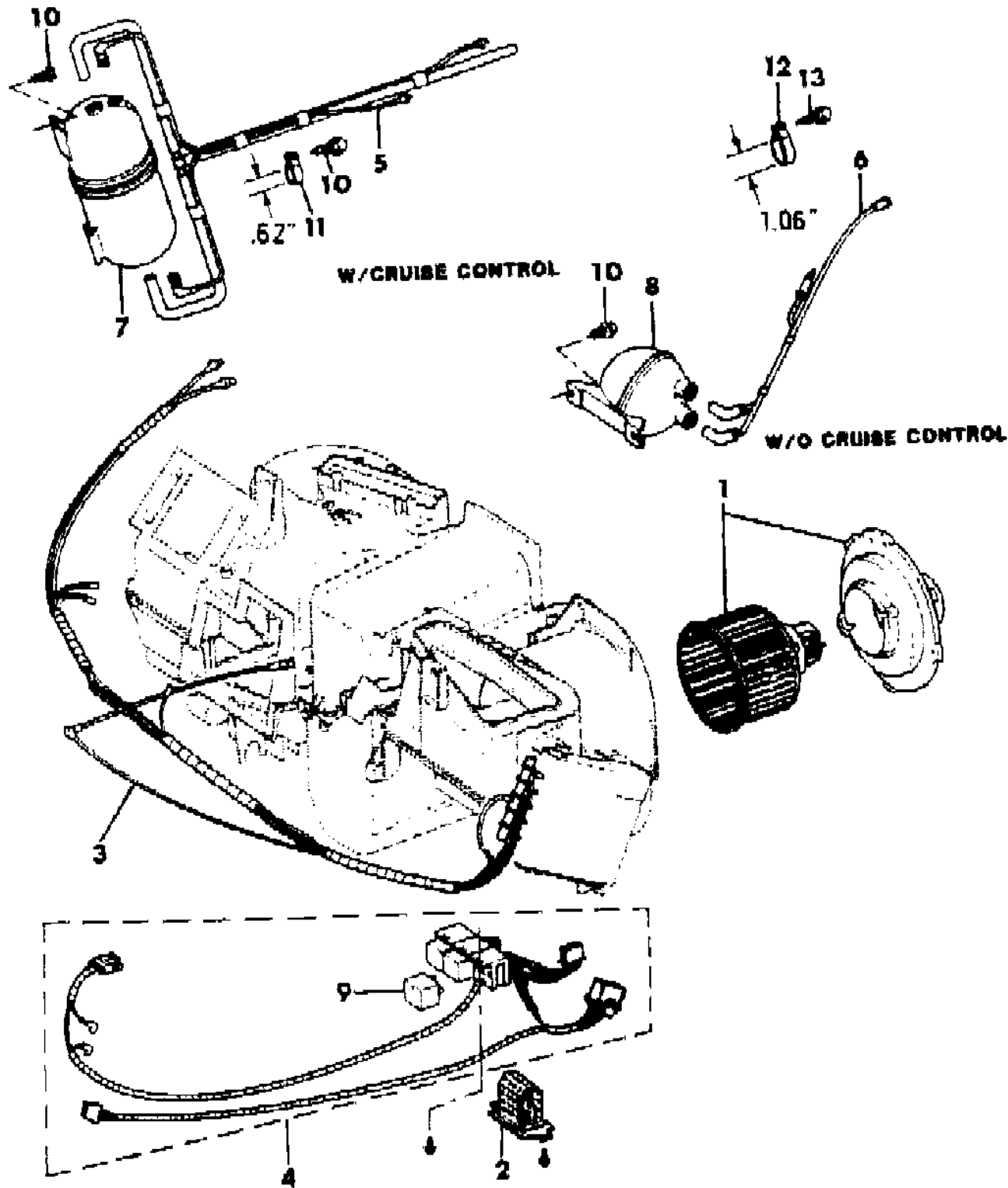
AR = Use as Required - = Non Illustrated Part P.A.R. = Paint as Required

BLOWER MOTOR AND VACUUM TANKS AIR CONDITIONING AND HEATER

Figure 24-400

8P24 400

ITEM	PART NUMBER	QTY	BODY	MODEL	DESCRIPTION
1	8350 4902	1			MOTOR, Blower
2	8350 4905	1			RESISTOR
3	3600 1646	1			HOSE, w/Conn Assy, Vacuum
4	4610 024	1			HOSE ASSEMBLY, Vacuum ***
4	3600 1645	1			HARNESSES, Heater and A/C
5					HOSE, Vacuum, w/ Cruise Control
	3300 4840	1			1988-90
	4540 326	1			1991
	4596 149	1			1992
6					HOSE, Vacuum, w/o Cruise Control
	3600 2152	1			1988-90
	4540 326	1			1991
	4596 149	1			1992
7					TANK, Vacuum, w/ Cruise Control
	5300 3052	1			1988-90
	5264 198	1			1991-92
8					TANK, Vacuum, w/o Cruise Control
	3600 1728	1			1988-90
	5264 198	1			1991-92
	4540 325	1			BRACKET, Vacuum Reservoir 1991-92
9	3300 1778	3			RELAY
10	J400 2359	2			SCREW
11	J400 5341	1			CLIP
12	J400 3838	1			CLIP
13	1150 2453	1			SCREW



MODEL CODES:

1988:	1989:	1990-92:	1990-92:
559 - Premier LX	56 - Premier LX	DP-Monaco LE	XP-Premier LX
	557 - Premier ES		DS-Monaco ES
	66 - Premier ES		XS-Premier ES

BODY STYLES:

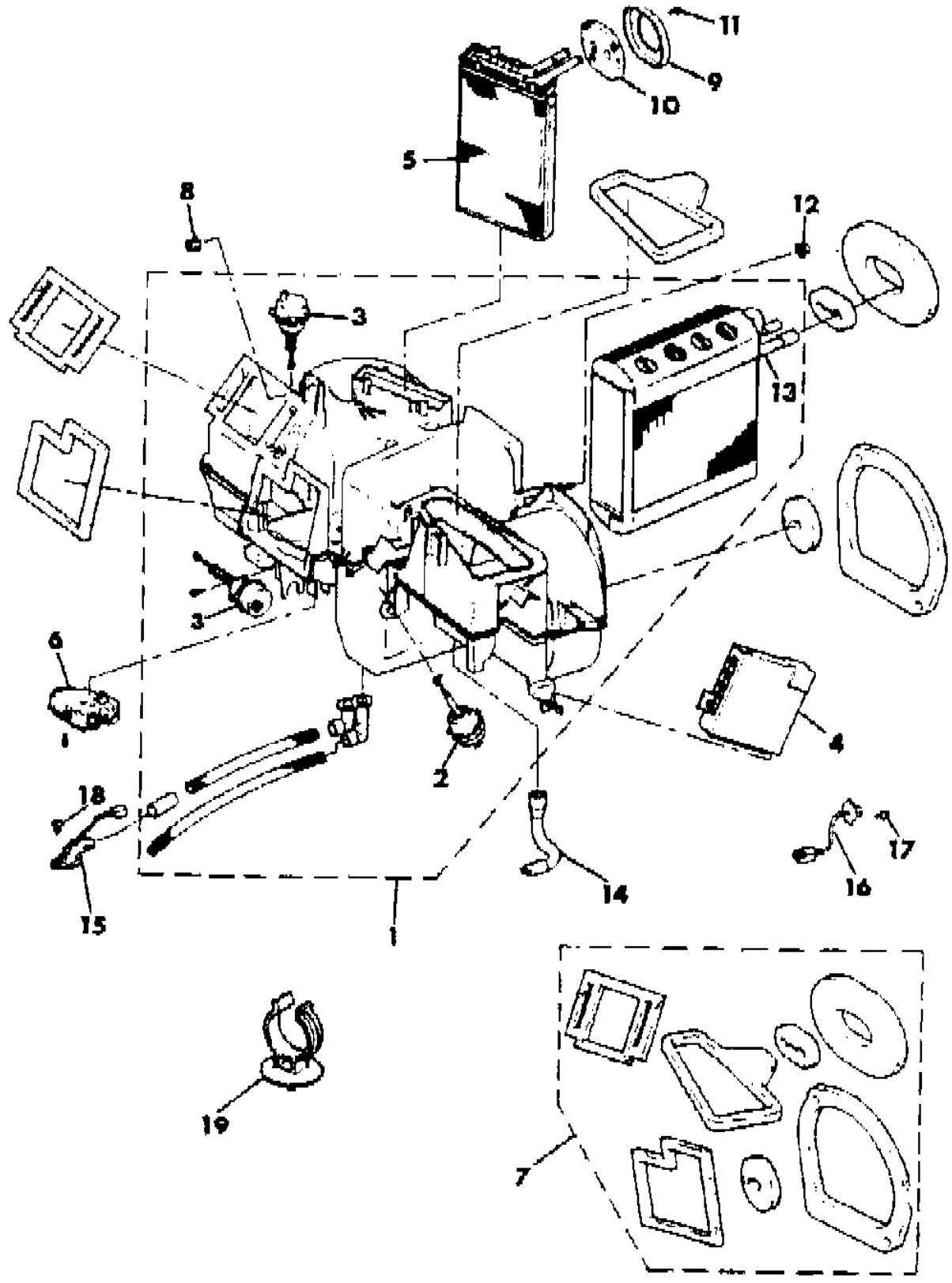
1988:
55 = 4 dr. Sedan
1989-92:
6 = 4 Dr. Sedan

AR = Use as Required - = Non Illustrated Part P.A.R. = Paint as Required

AIR CONDITIONING UNIT FACTORY INSTALLED
Figure 24-500

8P24 500

ITEM	PART NUMBER	QTY	BODY	MODEL	DESCRIPTION
1	8350 4901	1			HOUSING, Heater and Evaporator
2	8350 4903	1			MOTOR, Vacuum
3	8350 4904	2			MOTOR, Vacuum
4	4596 154	1			MODULE, Air Control
5	3600 2426	1			CORE, Heater
6	3600 1716	1			ACTUATOR, Electric
7	8350 5251	1			SEAL KIT
8	3420 1668	2			NUT
9	3501 3133	1			PLATE, Backing
10	3600 0804	1			SEAL
11	3420 2718	2			SCREW
12	3420 2144	2			NUT
13	3600 1723	1			CORE, Evaporator
14					TUBE, Drain
	3600 3049	1			1988-89
	3600 3627	1			1990-92
15	3600 1735	1			SENSOR, Inside Air Temp
16	3600 1736	1			SENSOR, Outside Air Temp
17	J942 1073	2			SCREW
18	3420 2943	1			FASTENER
19	3420 2767	1			CLIP



MODEL CODES:
 1988: 559 - Premier LX
 1989: 56 - Premier LX
 557 - Premier ES
 66 - Premier ES
 1990-92: DP-Monaco LE
 1990-92: XP-Premier LX
 DS-Monaco ES
 XS-Premier ES

BODY STYLES:
 1988:
 55 = 4 dr. Sedan
 1989-92:
 6 = 4 Dr. Sedan

AR = Use as Required - = Non Illustrated Part P.A.R. = Paint as Required

PLUMBING, AIR CONDITIONING FACTORY INSTALLED

Figure 24-600

8P24 600

ITEM	PART NUMBER	QTY	BODY	MODEL	DESCRIPTION
1	3200 2250	2			BAFFLE, Condenser ***
2	J400 4919	5			FASTENER
3	3600 2788	1			CORE, Condenser
4	1150 5117	2			SCREW
5	3420 1756	2			SCREW
6	3600 2432	1			ORIFICE
7	5264 377	1			FILTER PACKAGE, Orifice ***
8	3600 2148	1			HOSE, Condenser to Evaporator
9	3600 2162	1			ACCUMULATOR ***
	3600 3706	1			1988-89
	3600 3705	1			1990-92
10	3600 2164	1			BRACKET, Mounting
11	3600 2163	1			SWITCH
12	3600 2160	1			HOSE, Accumulator
	3600 3705	1			3.0L Engine (1988-89)
	3600 2157	1			3.0L Engine (1990-92)
	3600 2157	1			2.5L Engine
13	3420 1818	2			SCREW
14	3300 4037	2			CLIP
15	3600 2800	2			CLIP
16	3420 2790	1			SCREW
17	1150 3714	1			NUT
18	J322 2353	1			O-RING
19	3600 3279	2			O-RING 3/8" O.D. (see note)
20	3600 3280	4			O-RING 1/2" O.D. (see note)
21	3600 3281	2			O-RING 3/4" O.D. (see note)
22	J321 2113	1			O-RING
23	8350 4810	2			O-RING
24	8350 5260	1			SPRING, Garter
25	8350 5261	2			SPRING, Garter
26	8350 5262	1			SPRING, Garter
	3420 1790	1			SCREW

NOTE: Items 18,19,20 are not interchangeable with other O-RINGS.

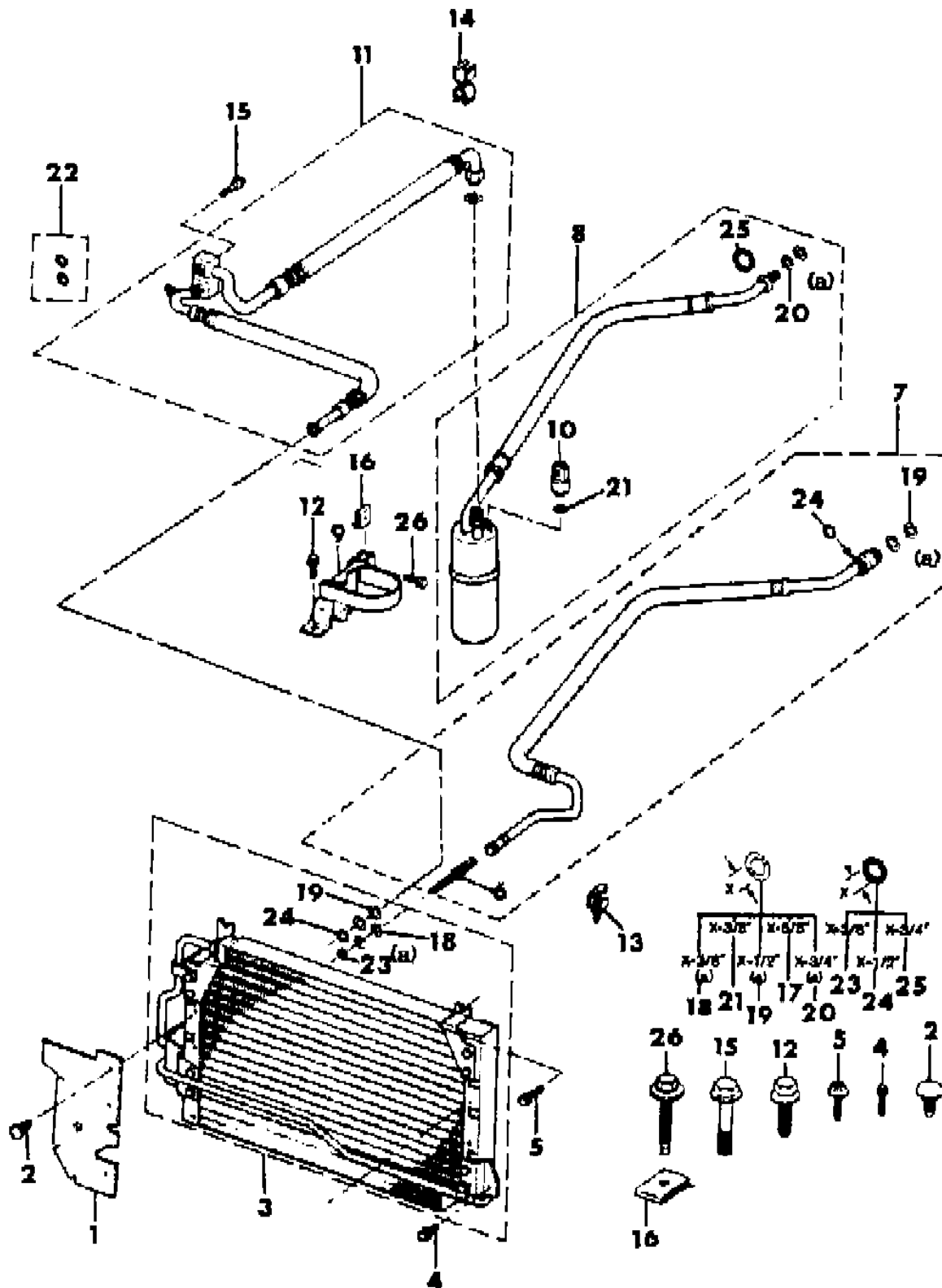
MODEL CODES:

1988:	1989:	1990-92:	1990-92:
559 - Premier LX	56 - Premier LX	DP-Monaco LE	XP-Premier LX
	557 - Premier ES		DS-Monaco ES
	66 - Premier ES		XS-Premier ES

BODY STYLES:

1988:
55 = 4 dr. Sedan
1989-92:
6 = 4 Dr. Sedan

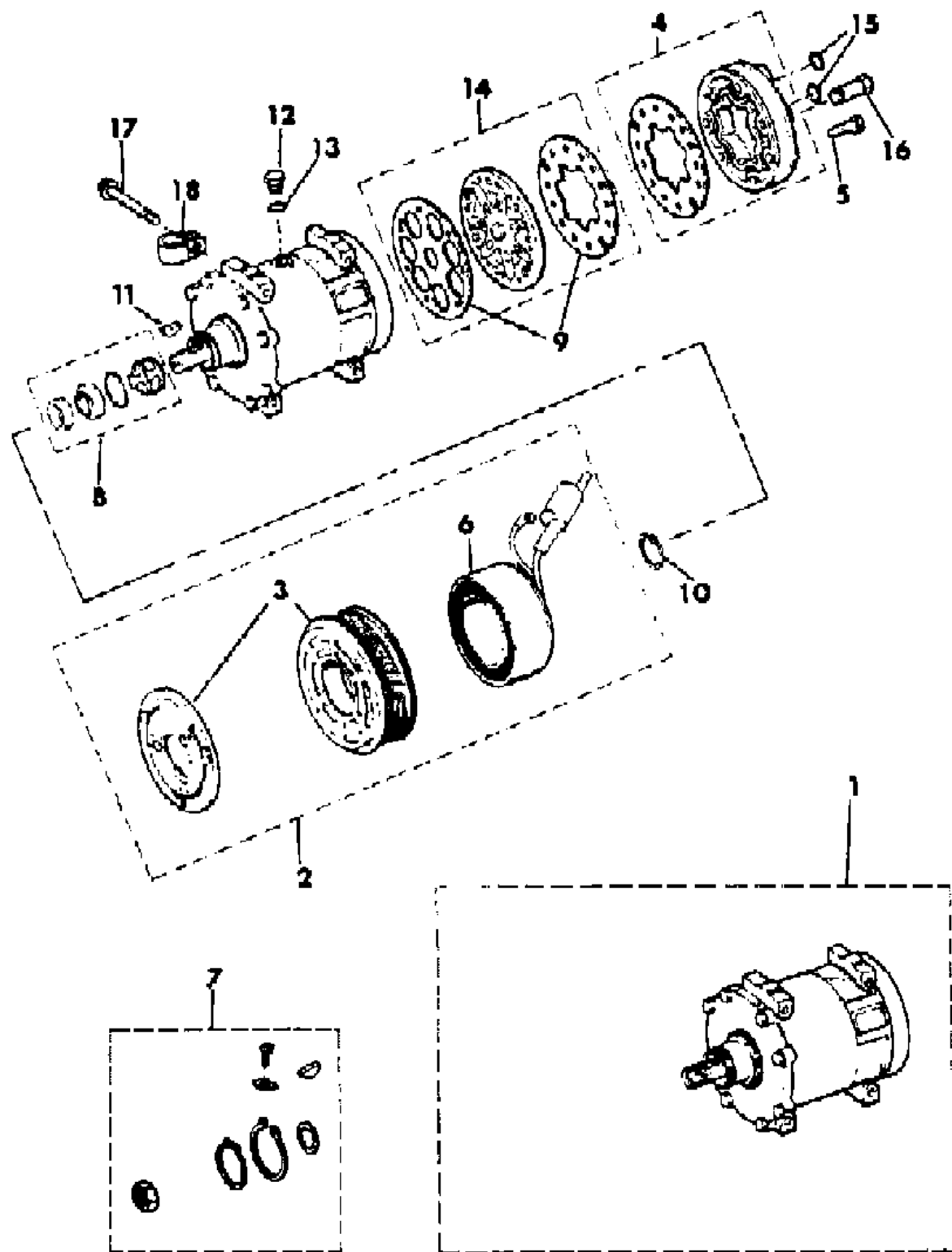
AR = Use as Required - = Non Illustrated Part P.A.R. = Paint as Required



COMPRESSOR AND MOUNTING AIR CONDITIONING

Figure 24-700

8P24 700A



ITEM	PART NUMBER	QTY	BODY	MODEL	DESCRIPTION
1	8350 4804	1			COMPRESSOR, Air Conditioning
2	8350 4882	1			CLUTCH, Compressor
	5264 388	1			ACCESSORY KIT (Shims) ***
3	8350 4883	1			PULLEY, Clutch Drive
4	8350 4805	1			CYLINDER HEAD KIT
5	J813 3189	6			SCREW
6	8350 4884	1			COIL, Compressor Clutch
7	8350 4885	1			SERVICE KIT, Clutch
8	8350 4807	1			SEAL KIT, Shaft
9	8350 4809	1			GASKET KIT, Compressor
10	8350 4808	1			RING, Snap
11	J813 3191	1			KEY, Shaft
12	J813 3185	1			PLUG, Filler
13	J813 3184	1			O-RING
14	8350 4806	1			PLATE KIT, Compressor
15	8350 4810	2			O-RING
16	8350 4886	1			VALVE, Pressure Relief
17	3420 2598	4			BOLT
18	J400 1714	1			CLIP

MODEL CODES:

1988:	1989:	1990-92:	1990-92:
559 - Premier LX	56 - Premier LX	DP-Monaco LE	XP-Premier LX
	557 - Premier ES		DS-Monaco ES
	66 - Premier ES		XS-Premier ES

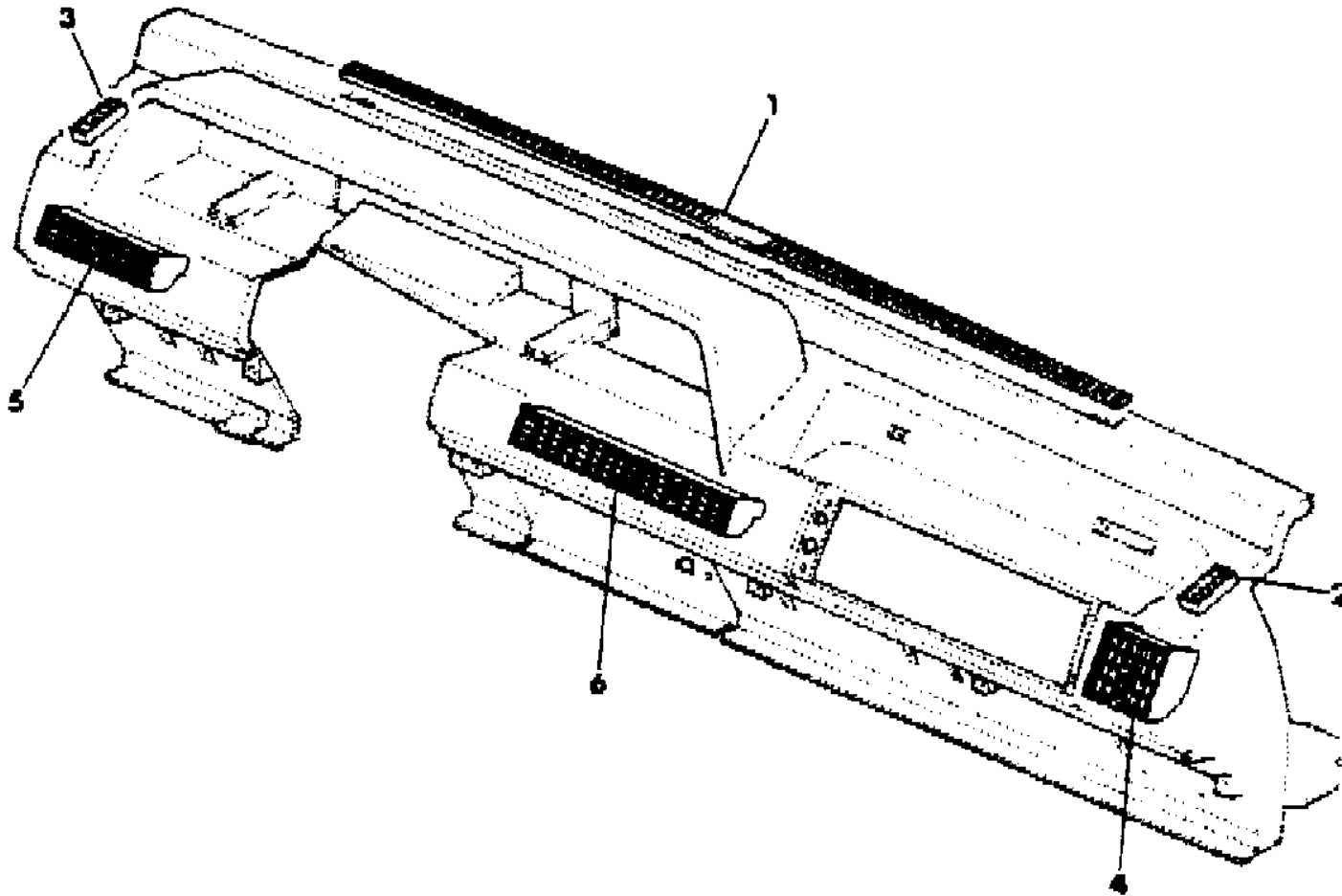
BODY STYLES:

1988:
55 = 4 dr. Sedan
1989-92:
6 = 4 Dr. Sedan

AR = Use as Required - = Non Illustrated Part P.A.R. = Paint as Required

AIR OUTLETS, HEATING AND COOLING
Figure 24-800

8P24 800



ITEM	PART NUMBER	QTY	BODY	MODEL	DESCRIPTION
1					OUTLET, Defroster
	3501 4145	1			1988-89 P.A.R.
	AL12 HF7	1			Brownstone, 1990-92
	AL12 HA8	1			Dk. Charcoal, 1990-92
	AL12 HH9	1			Cordovan, 1990-92
2	AL12 HQ8	1			Navy, 1990-92
					OUTLET, Demistor, Right
	3502 1858	1			1988-89 P.A.R.
	AL18 HF7	1			Brownstone, 1990-92
	AL18 HA8	1			Dk.Charcoal, 1990-92
3	AL18 HH9	1			Cordovan, 1990-92
	AL18 HQ8	1			Navy, 1990-92
					OUTLET, Demistor, Left
	3502 1859	1			1988-89 P.A.R.
	AL19 HF7	1			Brownstone, 1990-92
4	AL19 HA8	1			Dk.Charcoal, 1990-92
	AL19 HH9	1			Cordovan, 1990-92
	AL19 HQ8	1			Navy, 1990-92
					OUTLET, Right
	3501 5272	1			Brownstone, 1988-89
5	AJ94 HF7	1			Brownstone, 1990-92
	3501 5324	1			Charcoal, 1988-89
	AJ94 HA8	1			Dk.Charcoal, 1990-92
	3501 5270	1			Cordovan, 1988-89
	AJ94 HH9	1			Cordovan, 1990-92
6	3501 5326	1			Navy, 1988-89
	AJ94 HQ8	1			Navy, 1990-92
					OUTLET, Left
	3501 5273	1			Brownstone, 1988-89
	AJ95 HF7	1			Brownstone, 1990-92
7	3501 5325	1			Charcoal, 1988-89
	AJ95 HA8	1			Dk.Charcoal, 1990-92
	3501 5271	1			Cordovan, 1988-89
	AJ95 HH9	1			Cordovan, 1990-92
	3501 5327	1			Navy, 1988-89
8	AJ95 HQ8	1			Navy, 1990-91
					OUTLET, Center
	3501 5334	1			Brownstone, 1988-89
9	AJ96 HF7	1			Brownstone, 1990-92
	3501 5331	1			Charcoal, 1988-89

MODEL CODES:
1988: 559 - Premier LX
1989: 56 - Premier LX
557 - Premier ES
66 - Premier ES
1990-92: DP-Monaco LE
1990-92: XP-Premier LX
DS-Monaco ES
XS-Premier ES

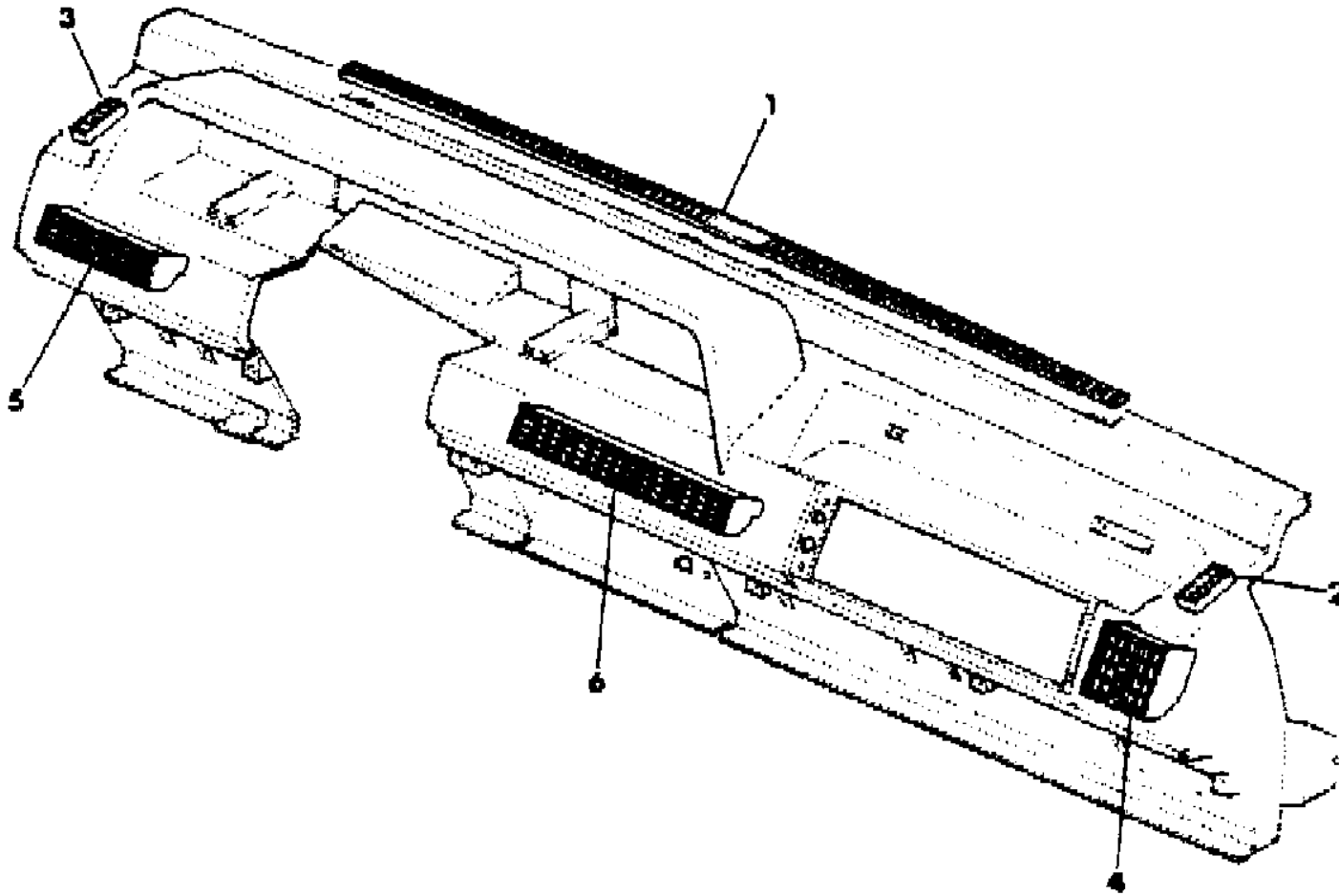
BODY STYLES:
1988:
55 = 4 dr. Sedan
1989-92:
6 = 4 Dr. Sedan

AR = Use as Required - = Non Illustrated Part P.A.R. = Paint as Required

AIR OUTLETS, HEATING AND COOLING
Figure 24-800

8P24 800

ITEM	PART NUMBER	QTY	BODY	MODEL	DESCRIPTION
	AJ96 HA8	1			Dk.Charcoal, 1990-92
	3501 5333	1			Cordovan, 1988-89
	AJ96 HH9	1			Cordovan, 1990-92
	3501 5332	1			Navy, 1988-89
	AJ96 HQ8	1			Navy, 1990-92



MODEL CODES:

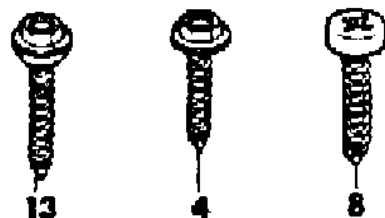
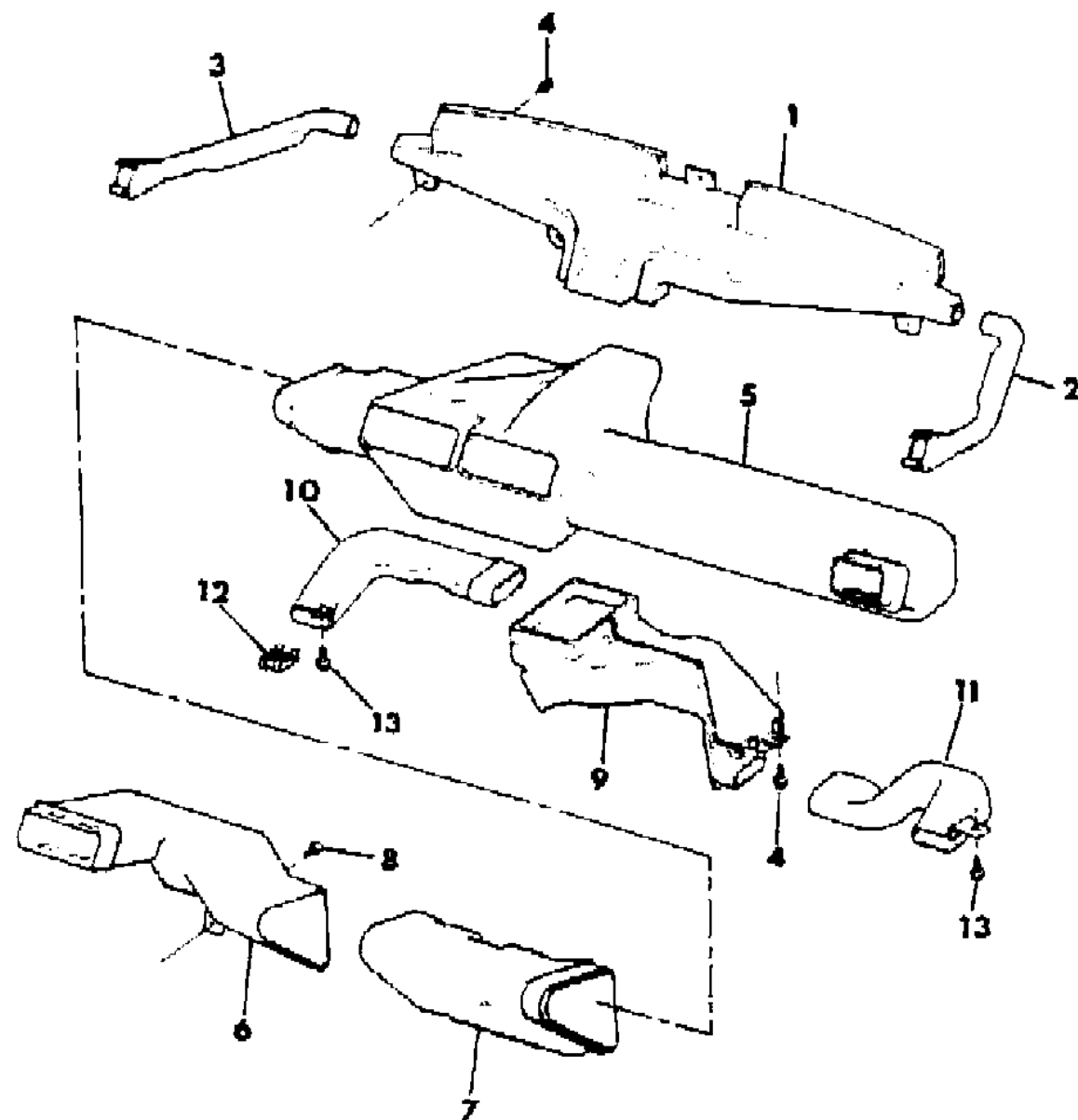
1988:	1989:	1990-92:	1990-92:
559 - Premier LX	56 - Premier LX	DP-Monaco LE	XP-Premier LX
	557 - Premier ES		DS-Monaco ES
	66 - Premier ES		XS-Premier ES

BODY STYLES:
 1988:
 55 = 4 dr. Sedan
 1989-92:
 6 = 4 Dr. Sedan

AR = Use as Required - = Non Illustrated Part P.A.R. = Paint as Required

AIR DUCTS, HEATING AND COOLING
Figure 24-200

8P24 900



ITEM	PART NUMBER	QTY	BODY	MODEL	DESCRIPTION
1	3502 4870	1			DUCT, Windshield Defroster
2	3501 8170	1			DUCT, Right Side Window Demister
3	3501 8171	1			DUCT, Left Side Window Demister
4	3420 1366	8			SCREW
5	3502 6246	1			DUCT ASSEMBLY, A/C Center ***
6	3501 4533	1			DUCT, Air
7					DUCT, Air
	3502 4871	1			w/o Passive Restraint System (1988-89)
	3502 6901	1			w/ Passive Restraint System (1989-92)
8	1150 2843	2			SCREW
9	3600 1729	1			DUCT, Center Floor
10	3600 3316	1			DUCT, Floor, Left
11					DUCT, Floor, Right
	3600 3317	1			w/o Passive Restraint System (1988-89)
	3502 6902	1			w/ Passive Restraint System (1989-92)
12	3420 2447	1			NUT
13	3420 1688	2			SCREW

MODEL CODES:

1988:	1989:	1990-92:	1990-92:
559 - Premier LX	56 - Premier LX	DP-Monaco LE	XP-Premier LX
	557 - Premier ES		DS-Monaco ES
	66 - Premier ES		XS-Premier ES

BODY STYLES:

1988:
55 = 4 dr. Sedan
1989-92:
6 = 4 Dr. Sedan

AR = Use as Required - = Non Illustrated Part P.A.R. = Paint as Required

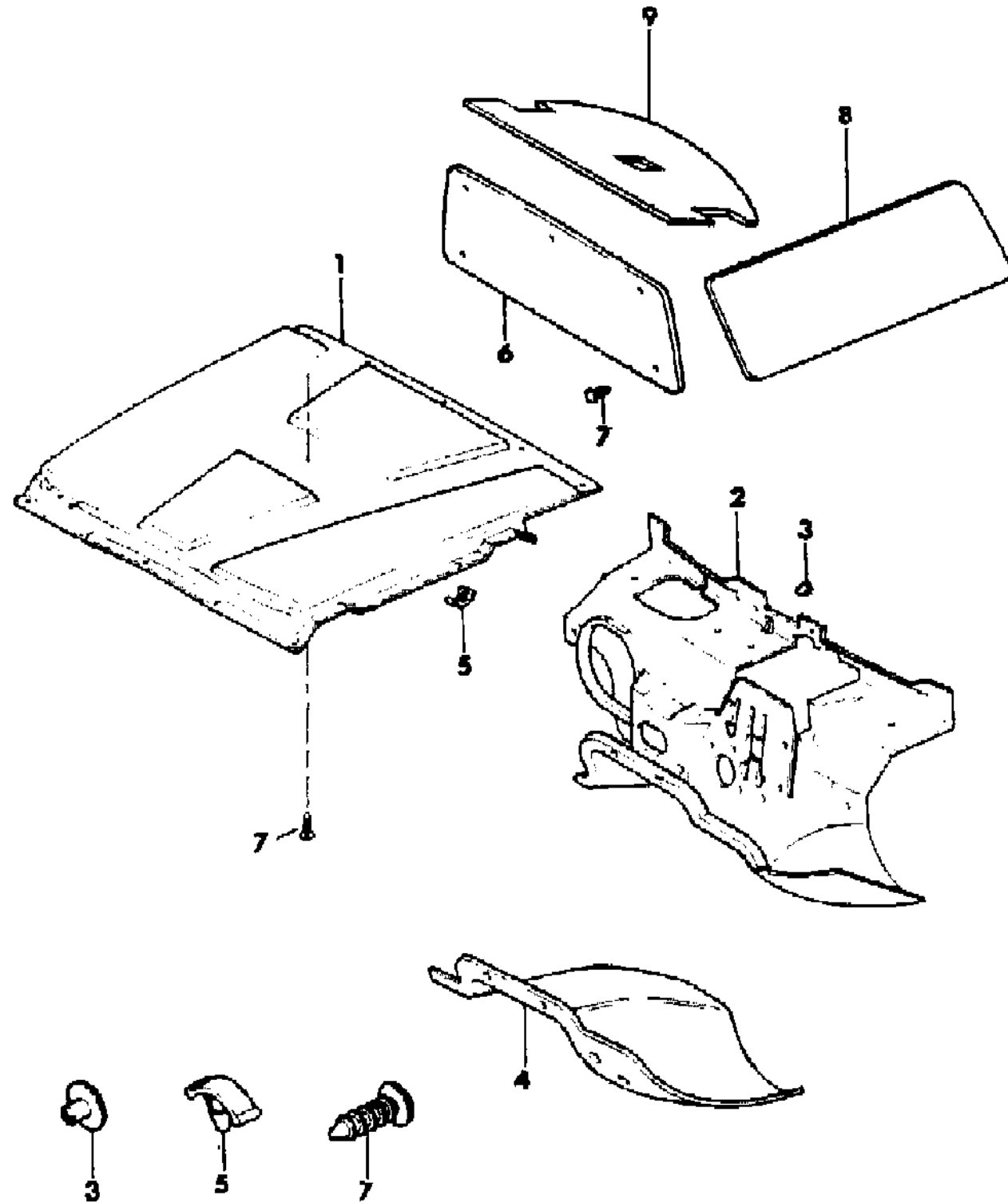
GROUP 45 - PREMIER/MONACO INTERIOR TRIM

ILLUSTRATION TITLE	GROUP-FIG. NO.
INSULATION	Fig. 45-100
HEADLINER AND SUNVISOR	Fig. 45-200
PANELS--INTERIOR TRIM - FRONT WITHOUT PASSIVE RESTRAINTS	Fig. 45-300
PANELS--INTERIOR TRIM - FRONT WITH PASSIVE RESTRAINTS	Fig. 45-400
PANELS--INTERIOR TRIM - REAR	Fig. 45-500
CARPETS AND MATS	Fig. 45-600
PANELS--DOOR TRIM WITHOUT PREMIUM SOUND	Fig. 45-700
PANELS--DOOR TRIM WITH PREMIUM SOUND	Fig. 45-800
FRAME AND PAD FRONT SEAT--45/45	Fig. 45-900
FRAME AND PAD FRONT SEAT--45/55	Fig. 45-1000
FRAME AND PAD REAR SEAT	Fig. 45-1100
FRAME--PAD--COVER REAR SEAT 1988-89	Fig. 45-1200
COVERS--SEAT UPHOLSTERY PREMIER - ES MODEL 1988-89	Fig. 45-1300
COVERS--SEAT UPHOLSTERY PREMIER--LX MODEL--55/45 SEAT--PINSTRIPE CLOTH 1988-89	Fig. 45-1400
COVERS--SEAT UPHOLSTERY PREMIER--LX MODEL--45/45 SEAT--PINSTRIPE CLOTH 1988-89	Fig. 45-1450
CUSHION--BACK--HEADREST ASSEMBLIES AND COVERS--1990-1992 FRONT SEAT	Fig. 45-1460
CUSHION--BACK--HEADREST ASSEMBLIES AND COVERS--1990-1992 REAR SEAT	Fig. 45-1470
MATERIAL--INTERIOR TRIM 1990 - 1992	Fig. 45-1480
SEAT TRACK	Fig. 45-1500
BELTS - FRONT SEAT WITHOUT PASSIVE RESTRAINTS	Fig. 45-1600
BELTS - FRONT SEAT WITH PASSIVE RESTRAINTS	Fig. 45-1700
BELTS - REAR SEAT	Fig. 45-1800

ILLUSTRATION NOT AVAILABLE AT TIME OF PUBLICATION

INSULATION
Figure 45-100

BP45 100 A



ITEM	PART NUMBER	QTY	BODY	MODEL	DESCRIPTION
1	3501 3402	1			INSULATION, Hood
2	3502 3094	1			INSULATION, Dash 1988-1990
	5256 142	1			1991-92
3	J308 1054	AR			FASTENER
4	3501 3404	1			INSULATION, Floor
5	J400 5513	12			FASTENER 1988-1990
	6003 351	12			1991-92
6	5259 472	1			INSULATION, Seat 1988-1990
	5259 472	1			1991
	4599 860	1			1992
7	J400 6088	6			FASTENER
8	4186 901	1			INSULATION, Wheelhouse, 36"x 72" (Cut To Fit)
9	4521 661	1			INSULATION, Rear Shelf Panel

MODEL CODES:

1988: 559 - Premier LX	1989: 56 - Premier LX 557 - Premier ES 66 - Premier ES	1990-92: DP-Monaco LE	1990-92: XP-Premier LX DS-Monaco ES XS-Premier ES
---------------------------	---	--------------------------	--

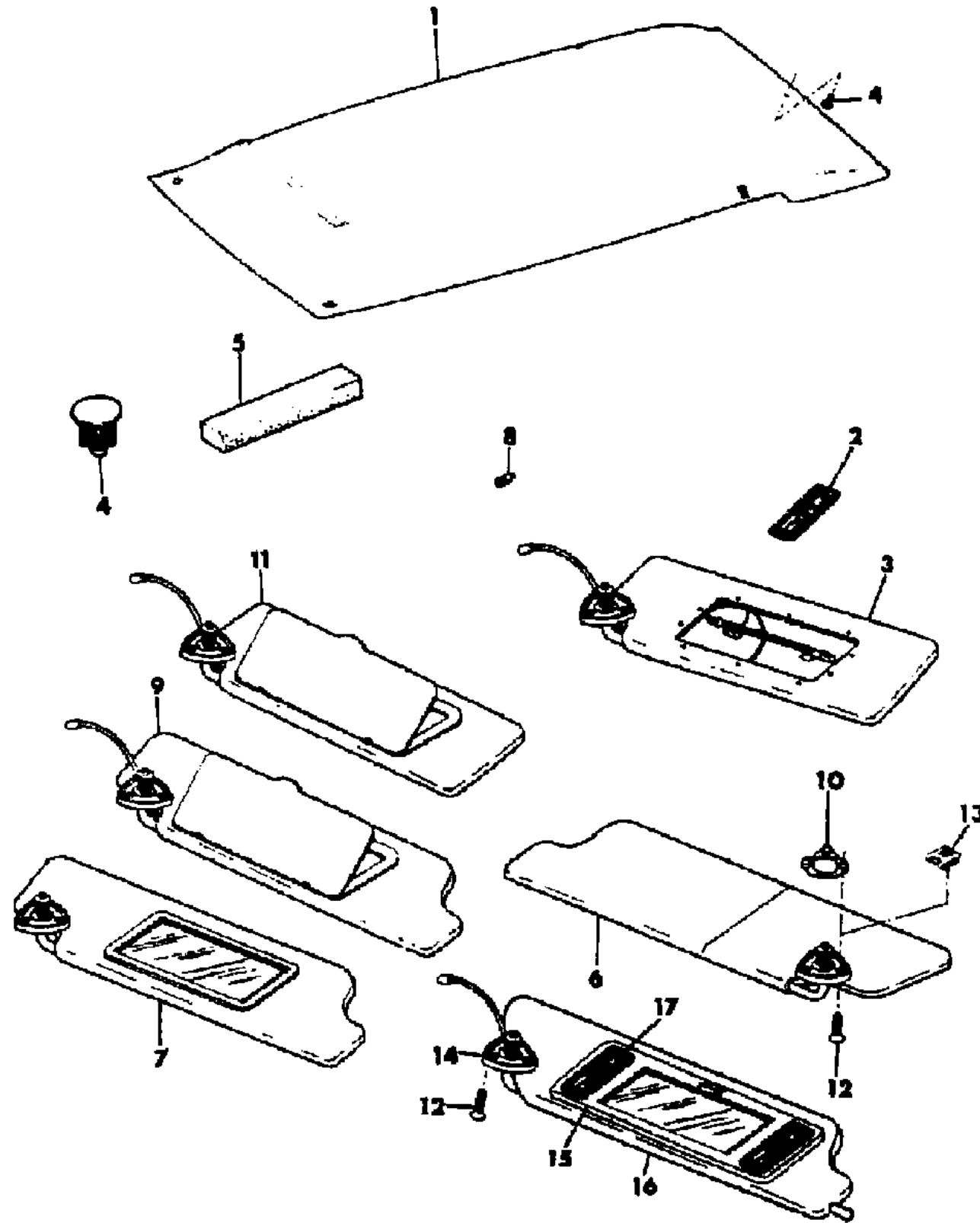
BODY STYLES:

1988:
55 = 4 dr. Sedan
1989-92:
6 = 4 Dr. Sedan

AR = Use as Required - = Non Illustrated Part P.A.R. = Paint as Required

HEADLINER AND SUNVISOR
Figure 45-200

8P45 200C



ITEM	PART NUMBER	QTY	BODY	MODEL	DESCRIPTION
1					HEADLINING ***
					w/o Sun Roof
					1988-1990
	BC96 HF3	1			Brownstone
	BC96 HS1	1			Charcoal
	BC96 HH9	1			Cordovan
	BC96 HQ8	1			Blue
	WS10 KQC	1			Navy
					1991-92
	WS10 JS1	1			Charcoal
	WS10 KQC	1			Navy
	WS10 JH9	1			Cordovan
	WS10 JF3	1			Brownstone
					w/Sun Roof
	DF32 JF3	1			Brownstone
	DF32 JS1	1			Charcoal
	DF32 JH9	1			Cordovan
	DF32 JQ8	1			Navy
2	4410 693	2			LENS
3					SUNVISOR SUB-ASSEMBLY, w/o Vanity Assembly ***
					1988-1990
	4533 634-5	1			Brownstone
	4533 628-9	1			Charcoal
	4533 632-3	1			Cordovan
	4533 630-1	1			Navy
					1991-92
	WR88-9 JS1	1			Charcoal
	WR88-9 KQC	1			Navy
	WR88-9 JH9	1			Cordovan
	WR88-9 JF3	1			Brownstone
4	3420 1879	1			PLUG, (P.A.R)
5	3502 5248	1			PAD
6-7					SUNVISOR ***
					1988-1990
	3501 7286-7	1			Brownstone
	3501 7280-1	1			Charcoal
	3501 7284-5	1			Cordovan
	3501 7282-3	1			Navy
	AQ18 HS1	1			Visor, w/Mirror, w/o Cover (Right)
					Charcoal

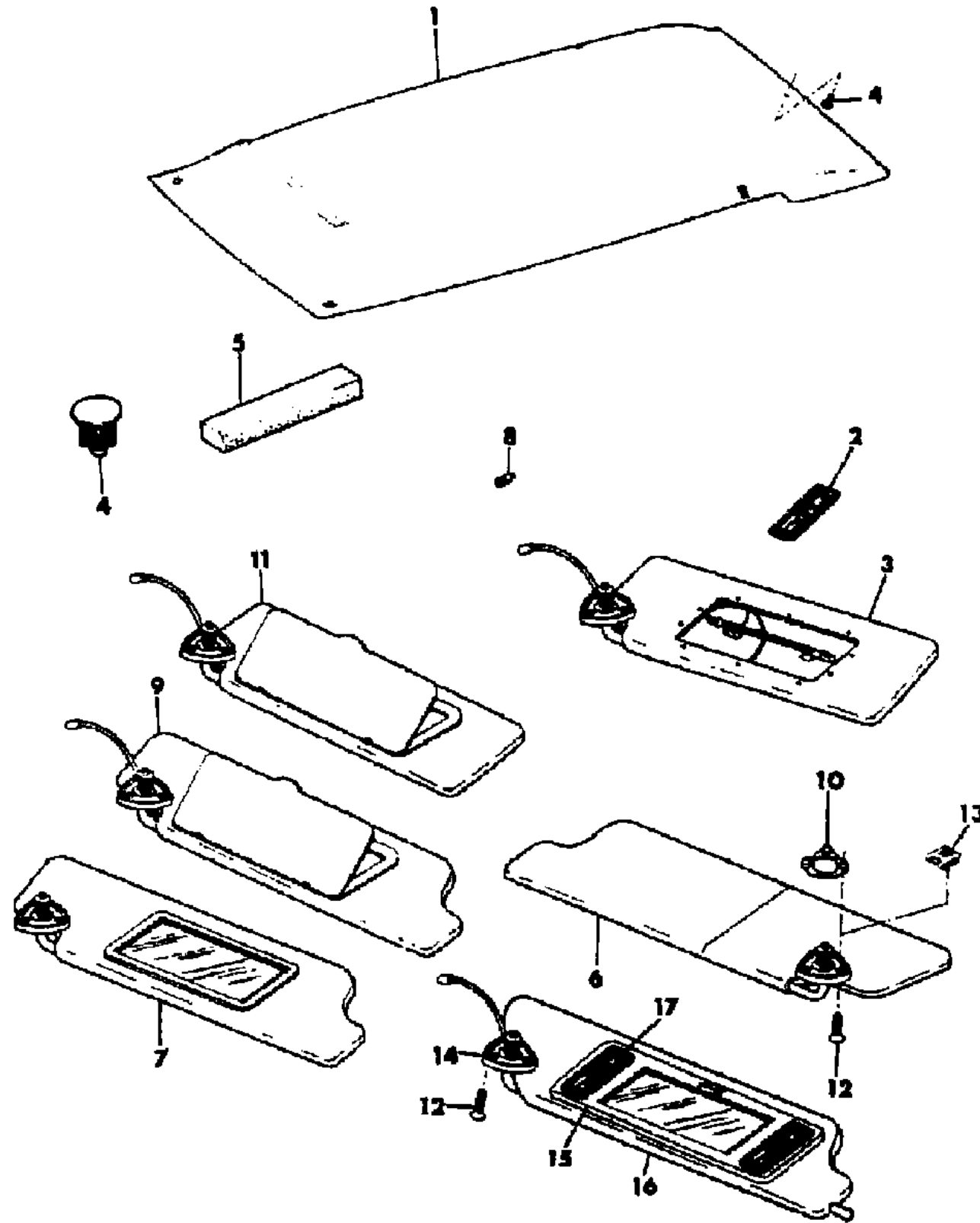
MODEL CODES:
 1988: 559 - Premier LX
 1989: 56 - Premier LX
 557 - Premier ES
 66 - Premier ES
 1990-92: DP-Monaco LE
 1990-92: XP-Premier LX
 DS-Monaco ES
 XS-Premier ES

BODY STYLES:
 1988:
 55 = 4 dr. Sedan
 1989-92:
 6 = 4 Dr. Sedan

AR = Use as Required - = Non Illustrated Part P.A.R. = Paint as Required

HEADLINER AND SUNVISOR
Figure 45-200

8P45 200C



ITEM	PART NUMBER	QTY	BODY	MODEL	DESCRIPTION
	AQ18 HQ8	1			Navy
	AQ18 HH9	1			Cordovan
	AQ18 HF3	1			Brownstone
	EM48-9 KS1	1			1991-92, w/Arm and Bracket and Covered Mirror
	EM48-9 KH9	1			Charcoal
	EM48-9 KF3	1			Cordovan
	EM48-9 KF3	1			Brownstone
	EM48-9 KQC	1			Navy
	EM48-9 KQC	1			1991-92, w/o Arm and Bracket w/Covered Mirror
	EM50-1 KS1	1			Charcoal
	EM50-1 KQC	1			Navy
	EM50-1 KF3	1			Brownstone
	EM50-1 KH9	1			Cordovan
8	6501 966	4			BULB, (74) (Per Dallas 9433184 Wrong)
9					SUNVISOR, Illuminated Vanity (Right or Left (There Are Two Visors In This Package) ***
	5252 360	1			Brownstone
	4549 740	1			Charcoal
	5252 359	1			Cordovan
	4549 750	1			Navy
10	3502 1666	2			RETAINER
11					SUNVISOR
	4533 626-7	1			Brownstone
	4533 620-1	1			Charcoal
	4533 624-5	1			Cordovan
	4533 622-3	1			Navy
12	6032 584	6			SCREW
13	J943 1530	6			NUT, U-TYPE
14	4496 282-3	1			ARM and BRACKET, Visor
					1992
	EH54-5 KF3	1			Brownstone
	EH54-5 KH9	1			Cordovan
	EH54-5 KQ8	1			Navy
	EH54-5 KS1	1			Charcoal
-	4547 614	1			PUSH-NUT, Visor Arm and Bracket ***
15					VANITY ASSEMBLY, For Illuminated Vanity Mirror ***
					1990-1991
	H640 JS1	2			Charcoal
	H640 JQ8	2			Navy
	H640 JH9	2			Cordovan

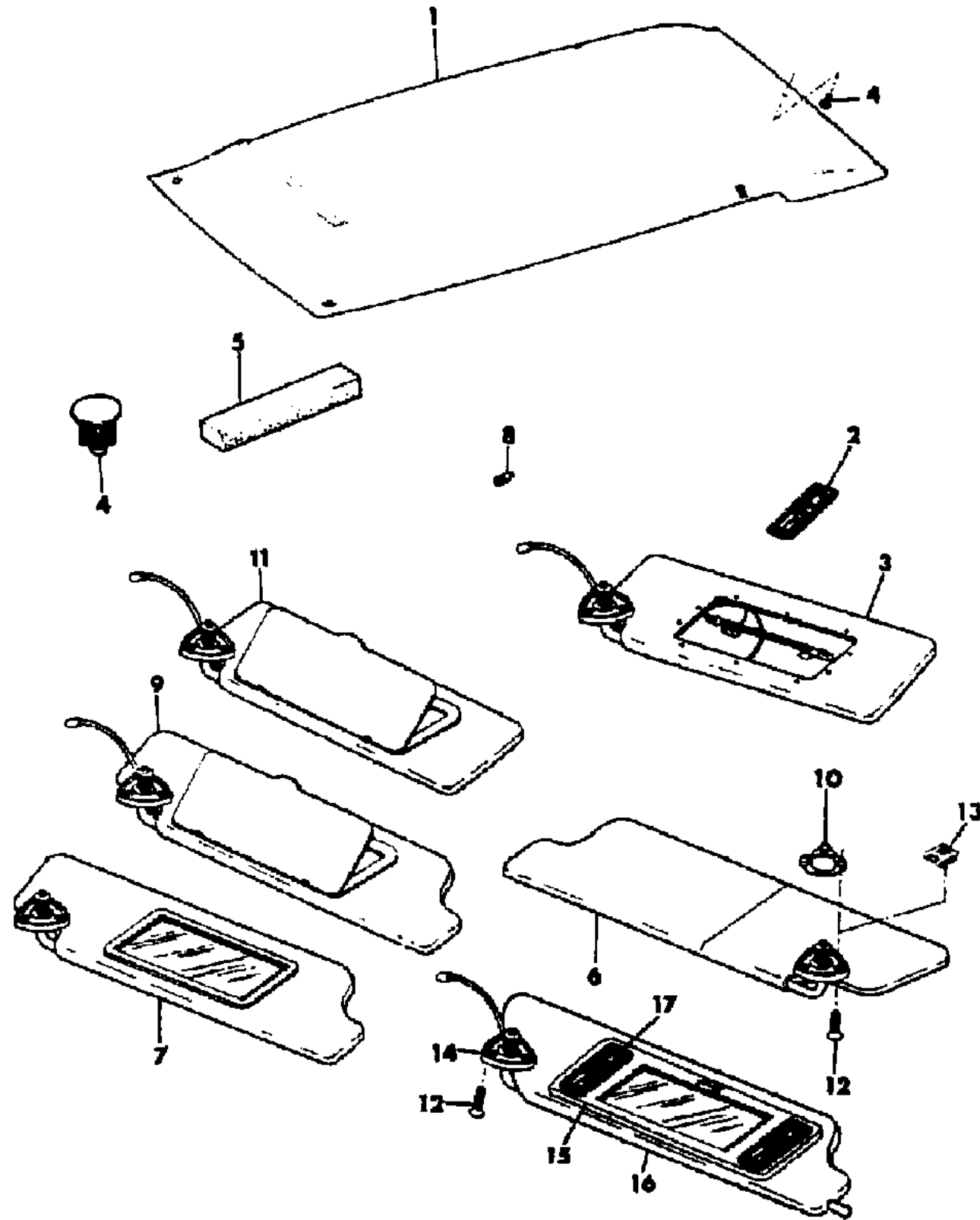
MODEL CODES:
 1988: 559 - Premier LX
 1989: 56 - Premier LX
 557 - Premier ES
 66 - Premier ES
 1990-92: DP-Monaco LE
 1990-92: XP-Premier LX
 DS-Monaco ES
 XS-Premier ES

BODY STYLES:
 1988:
 55 = 4 dr. Sedan
 1989-92:
 6 = 4 Dr. Sedan

AR = Use as Required - = Non Illustrated Part P.A.R. = Paint as Required

HEADLINER AND SUNVISOR
Figure 45-200

8P45 200C



ITEM	PART NUMBER	QTY	BODY	MODEL	DESCRIPTION
	H640 JF3	2			Brownstone
16					VISOR, w/Illuminated Vanity Mirror (w/One Wire) 1991-92
	WR90-1 JS1	1			Charcoal
	WR90-1 KQC	1			Navy
	WR90-1 JH9	1			Cordovan
	WR90-1 JF3	1			Brownstone
17	4410 693	2			LENS, Vanity Mirror

MODEL CODES:

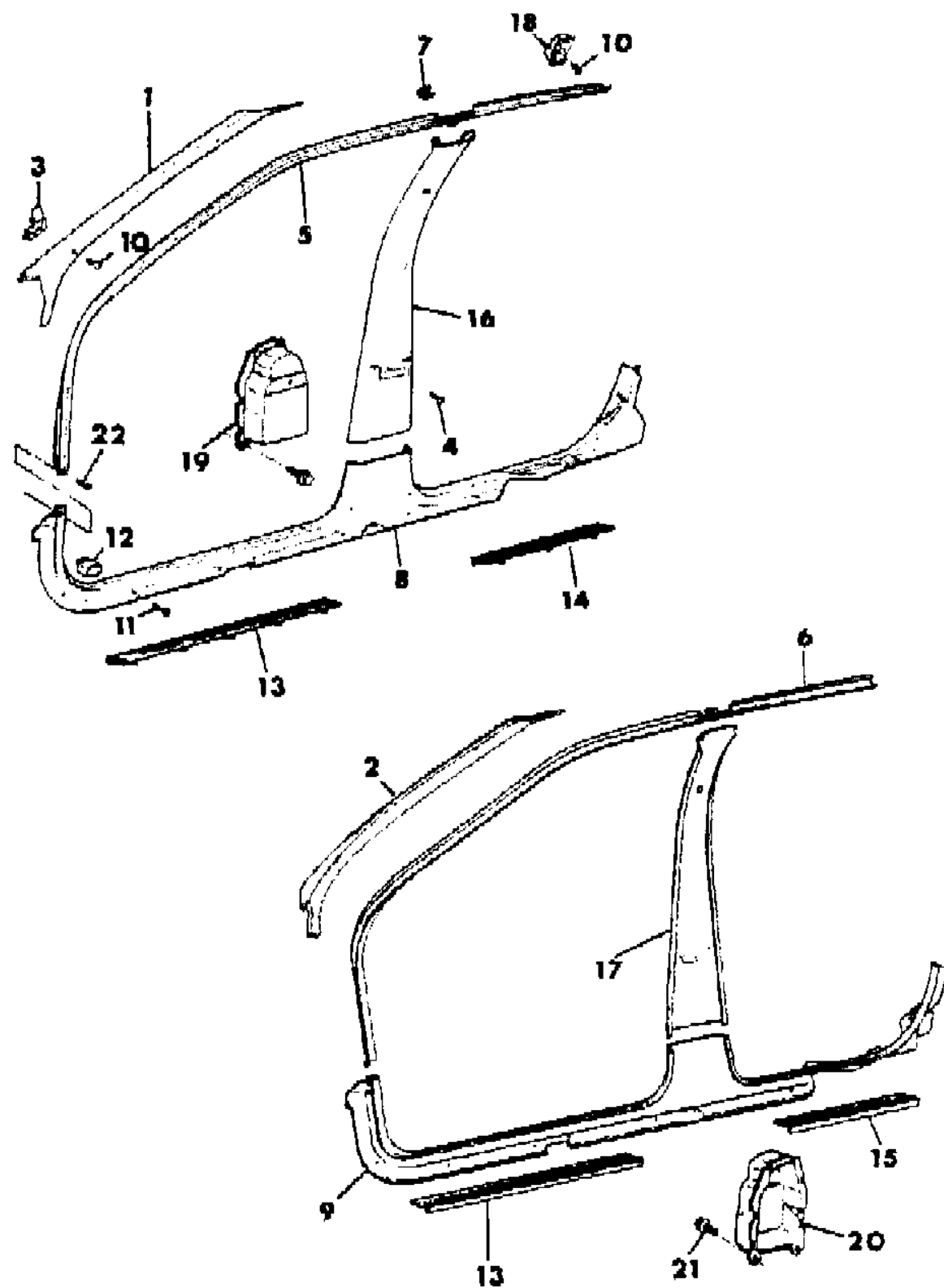
1988:	1989:	1990-92:	1990-92:
559 - Premier LX	56 - Premier LX	DP-Monaco LE	XP-Premier LX
	557 - Premier ES		DS-Monaco ES
	66 - Premier ES		XS-Premier ES

BODY STYLES:
1988:
55 = 4 dr. Sedan
1989-92:
6 = 4 Dr. Sedan

AR = Use as Required - = Non Illustrated Part P.A.R. = Paint as Required

PANELS--INTERIOR TRIM - FRONT WITHOUT PASSIVE RESTRAINTS
Figure 45-300

8P45 300 A



ITEM	PART NUMBER	QTY	BODY	MODEL	DESCRIPTION
1-2					MOULDING, Garnish
					1988-1990
	3501 7218-9	1			Brownstone
	3501 7212-3	1			Charcoal
	3501 7216-7	1			Cordovan
	3501 7214-5	1			Navy
	ES92-3 JF7	1			1991-92, (P.A.R.)
3	3420 2543	6			CLIP, Trim Panel
4	1150 0109	12			SCREW
5-6					MOULDING, Headlining, (P.A.R.)
	3502 3282-3	1			1988
	3502 6120-1	1			1989-90
	EK28-9 JF7	1			1991-92
7	3420 2545	12			CLIP, Trim panel
8-9					PANEL, Side Trim
	3501 7244-5	1			Brownstone, 1988
	3502 6132-3	1			Brownstone, 1989-90
	3501 7238-9	1			Charcoal, 1988
	3502 6126-7	1			Charcoal, 1989-90
	3501 7242-3	1			Cordovan, 1988
	3502 6130-1	1			Cordovan, 1989-90
	3501 7240-1	1			Navy, 1988
	3502 6128-9	1			Navy, 1989-90
					1991-92
	AS62-3 HA8	1			Charcoal
	AS62-3 HQ8	1			Navy
	AS62-3 HH9	1			Cordovan
	AS62-3 HF7	1			Brownstone
10					SCREW
	1150 1610	2			1988
	3420 2035	2			1989-90
11	J400 6552	10			SCREW
12	3420 2544	10			NUT
13					PLATE, Outer Scuff
	3502 5363	2			1988-89
	4547 475	2			1990-1992
14-15	3501 3574-5	1			PLATE, Outer Scuff
16-17	3501 7226-7	1			PANEL, Center Trim Upper, (P.A.R.) 1988-89
	WS16-7 JF7	1			1990
					1991-92

MODEL CODES:

1988:	1989:	1990-92:	1990-92:
559 - Premier LX	56 - Premier LX	DP-Monaco LE	XP-Premier LX
	557 - Premier ES		DS-Monaco ES
	66 - Premier ES		XS-Premier ES

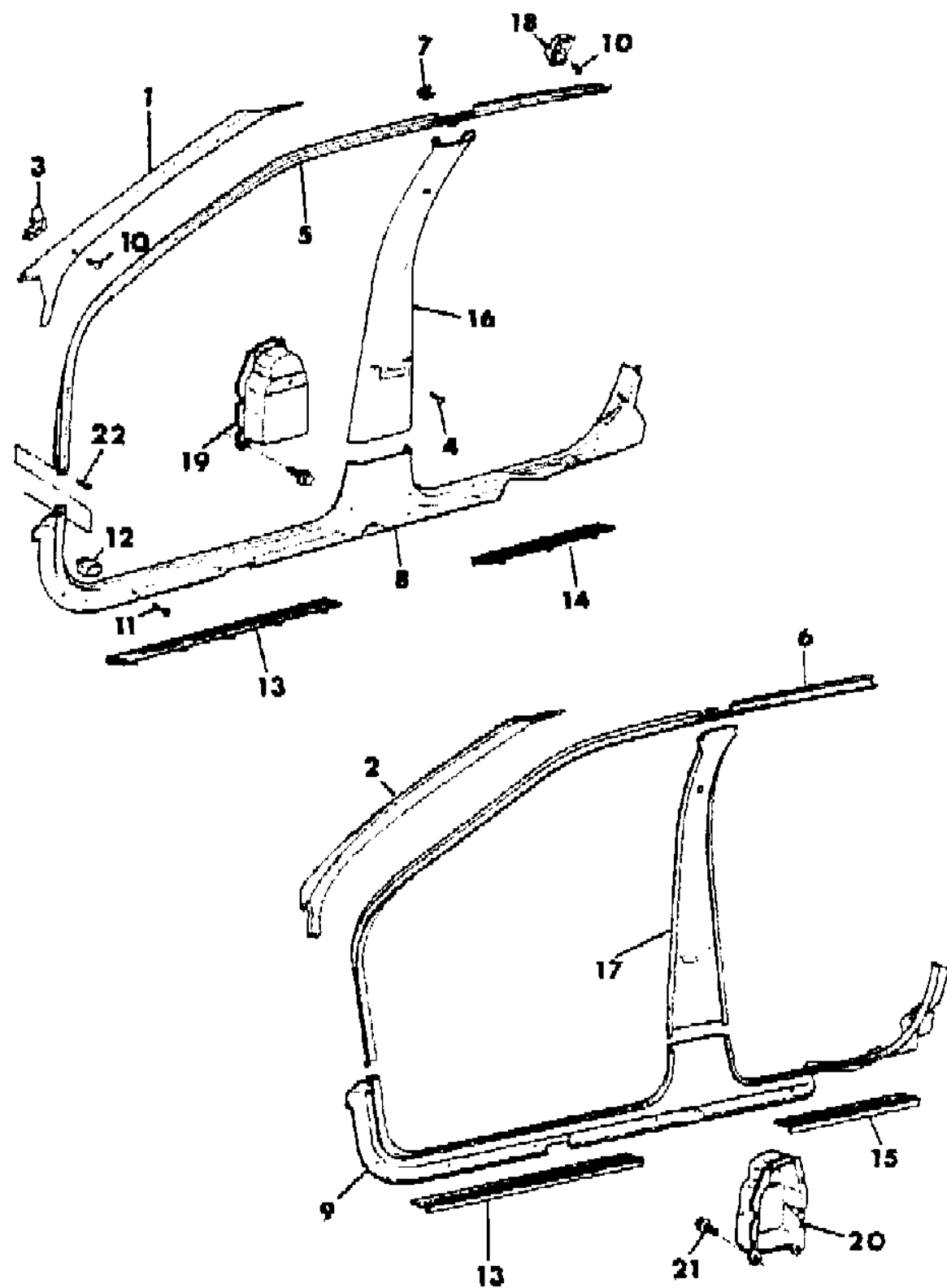
BODY STYLES:

1988:
55 = 4 dr. Sedan
1989-92:
6 = 4 Dr. Sedan

AR = Use as Required - = Non Illustrated Part P.A.R. = Paint as Required

PANELS--INTERIOR TRIM - FRONT WITHOUT PASSIVE RESTRAINTS
Figure 45-300

8P45 300 A



ITEM	PART NUMBER	QTY	BODY	MODEL	DESCRIPTION
	AR16-7 HA8	1			Charcoal
	AR16-7 HQ8	1			Navy
	AR16-7 HH9	1			Cordovan
	AR16-7 HF7	1			Brownstone
18	3501 7314	2			HOOK, Coat, (P.A.R.)
	WS89 JF3	2			1991-92
19-20	3502 5894-5	1			SHIELD
21	3420 1673	4			SCREW
22					SCREW, (Not Serv.)

MODEL CODES:

1988:	1989:	1990-92:	1990-92:
559 - Premier LX	56 - Premier LX	DP-Monaco LE	XP-Premier LX
	557 - Premier ES		DS-Monaco ES
	66 - Premier ES		XS-Premier ES

BODY STYLES:

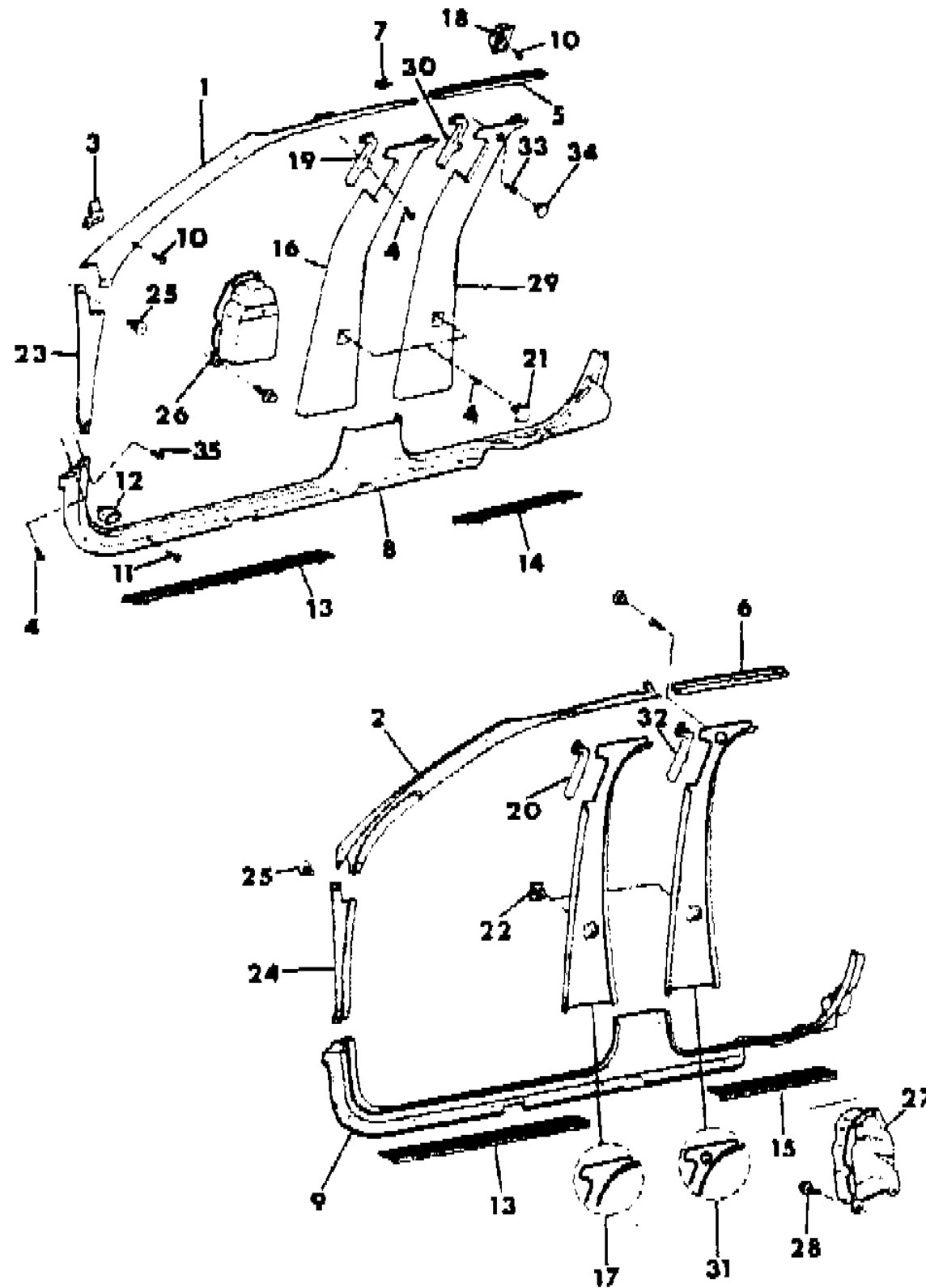
1988:
55 = 4 dr. Sedan
1989-92:
6 = 4 Dr. Sedan

AR = Use as Required - = Non Illustrated Part P.A.R. = Paint as Required

PANELS--INTERIOR TRIM - FRONT WITH PASSIVE RESTRAINTS

Figure 45-400

8P45 400 A



ITEM	PART NUMBER	QTY	BODY	MODEL	DESCRIPTION
1-2					MOULDING, Garnish
					1988-1990
	3502 6090-1	1			Brownstone
	3502 6084-5	1			Charcoal
	3502 6088-9	1			Cordovan
	3502 6086-7	1			Navy
	AR06-7 HF7	1			1991-92
3	3420 2543	6			CLIP, Trim Panel
4					SCREW
	1150 0109	6			1988
	1150 2843	6			1989-1992
5-6					MOULDING, Headlining, (P.A.R.)
	3502 4490-1	1			1988-1990
	AQ22-3 HF7	1			1991-92
7	3420 2545	12			CLIP, Trim Panel
8-9					PANEL, Side Trim
					1988-1990
	3502 6132-3	1			Brownstone
	3502 6126-7	1			Charcoal
	3502 6130-1	1			Cordovan
	3502 6128-9	1			Navy
					1991-92
	AS62-3 HA8	1			Charcoal
	AS62-3 HQ8	1			Navy
	AS62-3 HH9	1			Cordovan
	AS62-3 HF7	1			Brownstone
10					SCREW
	1150 1610	2			1988
	3420 2035	2			1989-1992
11	J400 6552	10			SCREW
12	3420 2544	10			NUT
13					PLATE, Outer Scuff
	3502 5363	2			1988-1989
	4547 475	2			1990-1992
14-15	3501 3574-5	1			PLATE, Outer Scuff
16-17					PANEL, Center Trim Lower
					1988-1990
	3502 4518-9	1			Brownstone
	3502 4512-3	1			Charcoal
	3502 4516-7	1			Cordovan

MODEL CODES:
 1988: 559 - Premier LX
 1989: 56 - Premier LX, 557 - Premier ES, 66 - Premier ES
 1990-92: DP-Monaco LE
 1990-92: XP-Premier LX, DS-Monaco ES, XS-Premier ES

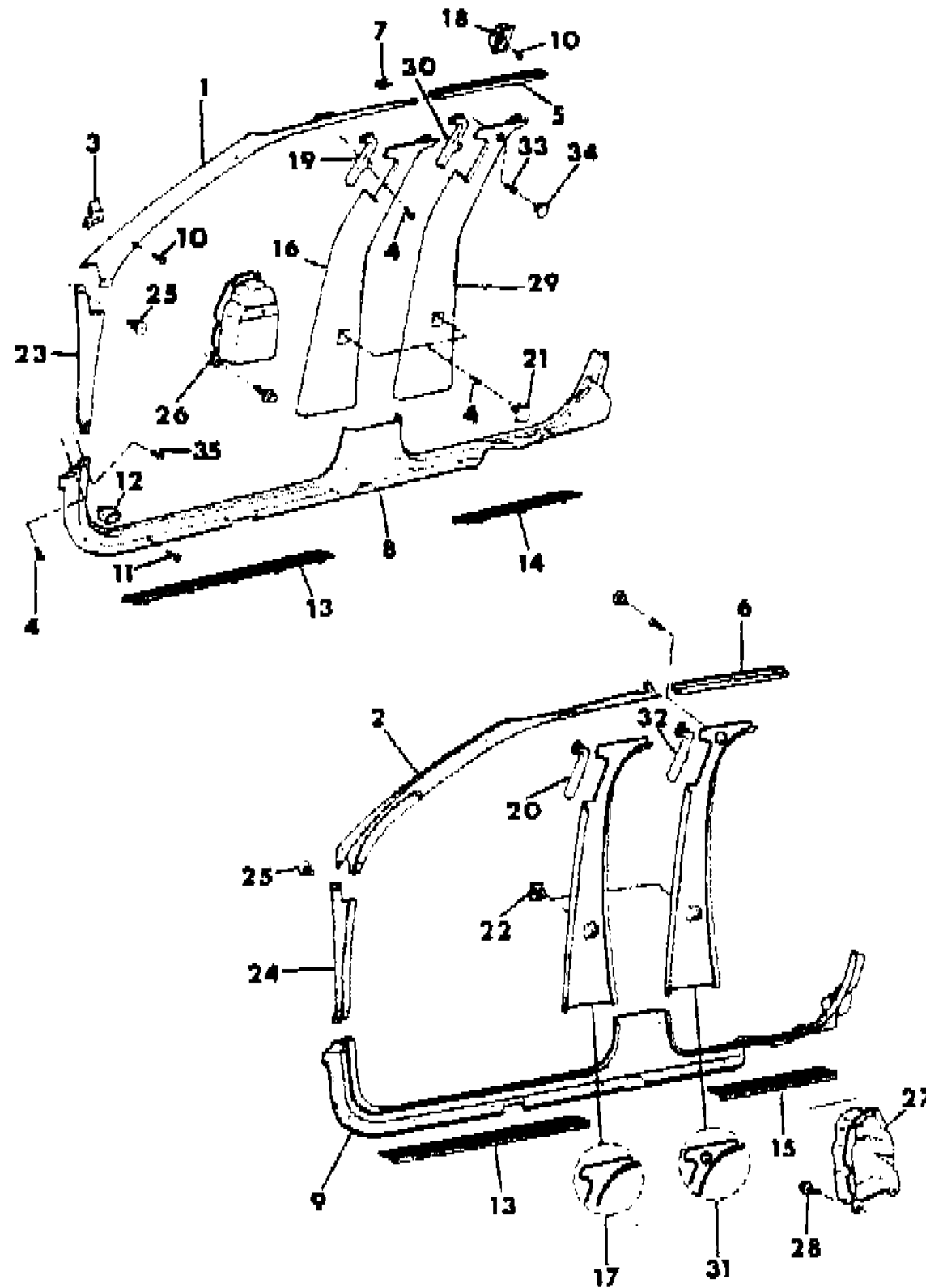
BODY STYLES:
 1988: 55 = 4 dr. Sedan
 1989-92: 6 = 4 Dr. Sedan

AR = Use as Required - = Non Illustrated Part P.A.R. = Paint as Required

PANELS--INTERIOR TRIM - FRONT WITH PASSIVE RESTRAINTS

Figure 45-400

8P45 400 A



ITEM	PART NUMBER	QTY	BODY	MODEL	DESCRIPTION
	3502 4514-5	1			Navy
	BE32-3 JF7	1			1991-92, (P.A.R.)
-	4713 458-9	1			PANEL PACKAGE, Center Pillar Lower Trim (Consist of BE 32-3JF7 and BE34-5JF7) ***
18	3501 7314	2			HOOK, Coat (P.A.R.)
	WS89 JF3	2			1991-92 Brownstone
	WS89 JH9	2			Cordovan
	WS89 JQ8	2			Navy
19-20	WS89 JS1	2			Charcoal PANEL, Center Trim Upper
	3502 4646-7	1			1988-1990 Brownstone
	3502 4640-1	1			Charcoal
	3502 4644-5	1			Cordovan
	3502 4642-3	1			Navy
21	5252 006-7	1			1991 (P.A.R.) COVER, Lower Trim, Right
	3502 5972	1			1989 (P.A.R.)
	AR17 HF7	1			1990-1992 Brownstone
	AR17 HA8	1			Charcoal
	AR17 HH9	1			Cordovan
	AR17 HQ8	1			Navy
22		1			COVER, Center Trim Lower, Lt. 1989 (P.A.R.)
	3502 5973	1			1990-1992 (P.A.R.)
	AR17 HF7	1			1990-1992 Brownstone
	AR17 HA8	1			Charcoal
	AR17 HH9	1			Cordovan
	AR17 HQ8	1			Navy
23-24					MOULDING, Garnish 1988-1990
	3502 6076-7	1			Brownstone
	3502 6070-1	1			Charcoal
	3502 6074-5	1			Cordovan
	3502 6072-3	1			Navy

MODEL CODES:
 1988: 559 - Premier LX
 1989: 56 - Premier LX
 557 - Premier ES
 66 - Premier ES
 1990-92: DP-Monaco LE
 1990-92: XP-Premier LX
 DS-Monaco ES
 XS-Premier ES

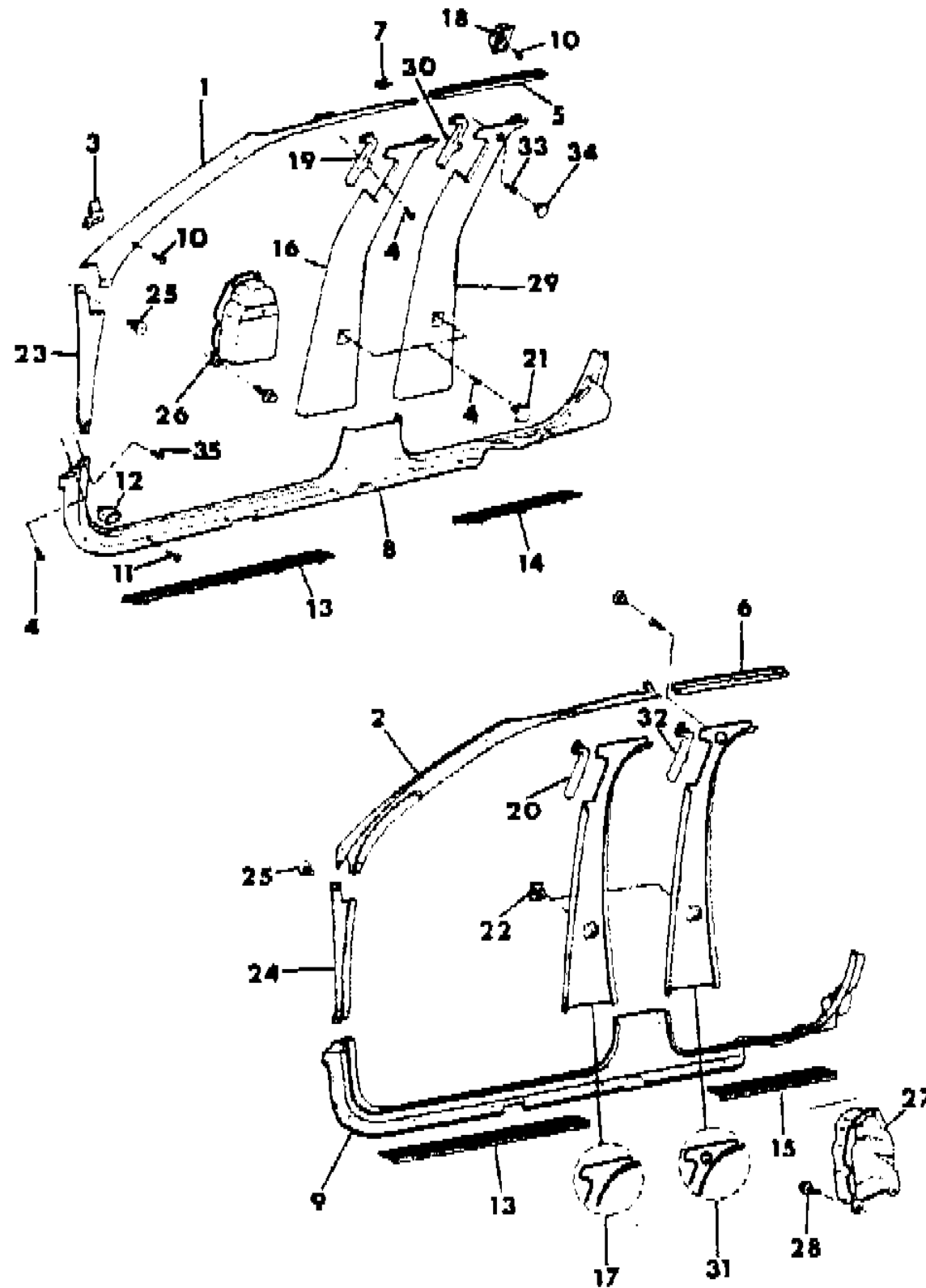
BODY STYLES:
 1988: 55 = 4 dr. Sedan
 1989-92: 6 = 4 Dr. Sedan

AR = Use as Required - = Non Illustrated Part P.A.R. = Paint as Required

PANELS--INTERIOR TRIM - FRONT WITH PASSIVE RESTRAINTS

Figure 45-400

8P45 400 A



ITEM	PART NUMBER	QTY	BODY	MODEL	DESCRIPTION
	AR08-9 HF7	1			1991-92, (P.A.R.)
25					CLIP, Push
	3420 2994	2			1988-1990
	1150 2843	2			1991-92
26-27	3502 5894-5	1			SHIELD
28	3420 1673	4			SCREW
29					PANEL, Center Trim Lower, (P.A.R.)
	4533 422	1			1988-1990
	BE32-3 JF7	1			1991-92, (P.A.R.)
30					PANEL, Center Trim Upper, Rt. (P.A.R.)
	4533 414	1			1989
	AR14 HF7	1			1990
	BE34 JF7	1			1991-92
31	4713 459	1			PANEL, Center Trim Lower, Lt. (P.A.R.)
32					PANEL, Center Trim Upper, Lt. (P.A.R.)
	4533 415	1			1989
	AR15 HF7	1			1990
	BE35 JF7	1			1991-92
	33	1150 1610	2		
34					PLUG
					1988-1990
	4533 071	2			Brownstone
	4533 068	2			Charcoal
	4533 070	2			Cordovan
	4533 069	2			Navy
					1991-92
	AR03 HA8	2			Charcoal
	AR03 HF7	2			Brownstone
	AR03 HH9	2			Cordovan
	AR03 HQ8	2			Navy
35	3420 2323	2			SCREW

MODEL CODES:

1988:	1989:	1990-92:	1990-92:
559 - Premier LX	56 - Premier LX	DP-Monaco LE	XP-Premier LX
	557 - Premier ES		DS-Monaco ES
	66 - Premier ES		XS-Premier ES

BODY STYLES:

1988:
55 = 4 dr. Sedan
1989-92:
6 = 4 Dr. Sedan

AR = Use as Required - = Non Illustrated Part P.A.R. = Paint as Required

PANELS--INTERIOR TRIM - REAR
Figure 45-500

8P45 500 A

ITEM	PART NUMBER	QTY	BODY	MODEL	DESCRIPTION
1-2					MOULDING, Rear Quarter
	3502 3298-9	1			Brownstone, 1988-89
	AP70-1 HF7	1			Brownstone, 1990-1992
	3502 3296-7	1			Cordovan, 1988-89
	AP70-1 HH9	1			Cordovan, 1990-1992
	3502 3294-5	1			Navy, 1988-89
	AP70-1 HQ8	1			Navy, 1990-1992
	3502 3292-3	1			Charcoal, 1988-89
	AP70-1 HA8	1			Charcoal, 1990-1992
3-4					PANEL, Quarter Trim, (P.A.R.)
	3501 7234-5	1			1988-89
	AJ56-7 JF7	1			1990-1992
5	3501 8852	2			EXHAUSTER, Air ***
6					GRILLE, Rear Speaker
					1988-1989
	3501 8356	2			Brownstone
	3501 8350	2			Charcoal
	3501 8354	2			Cordovan
	3501 8352	2			Navy
					1990-1992
	BD92 HA8	2			Charcoal
	BD92 HQ8	2			Navy
	BD92 HH9	2			Cordovan
	BD92 HF7	2			Brownstone
7					PANEL, Shelf Trim
					Brownstone
	3501 8340	1			1988
	J453 3075	1			1989
	AV35 HF7	1			1990-1992, w/o Premium Sound
	BE36 HF7	1			1990, w/Premium Sound
	DJ33 JF7	1			1991-92, w/Premium Sound
					Charcoal
	3501 8334	1			1988
	J453 3072	1			1989
	AV35 HA8	1			1990-1992, w/o Premium Sound
	BE36 HA8	1			1990, w/Premium Sound
	DJ33 JA8	1			1991-92, w/Premium Sound
					Cordovan
	3501 8338	1			1988
	J453 3074	1			1989

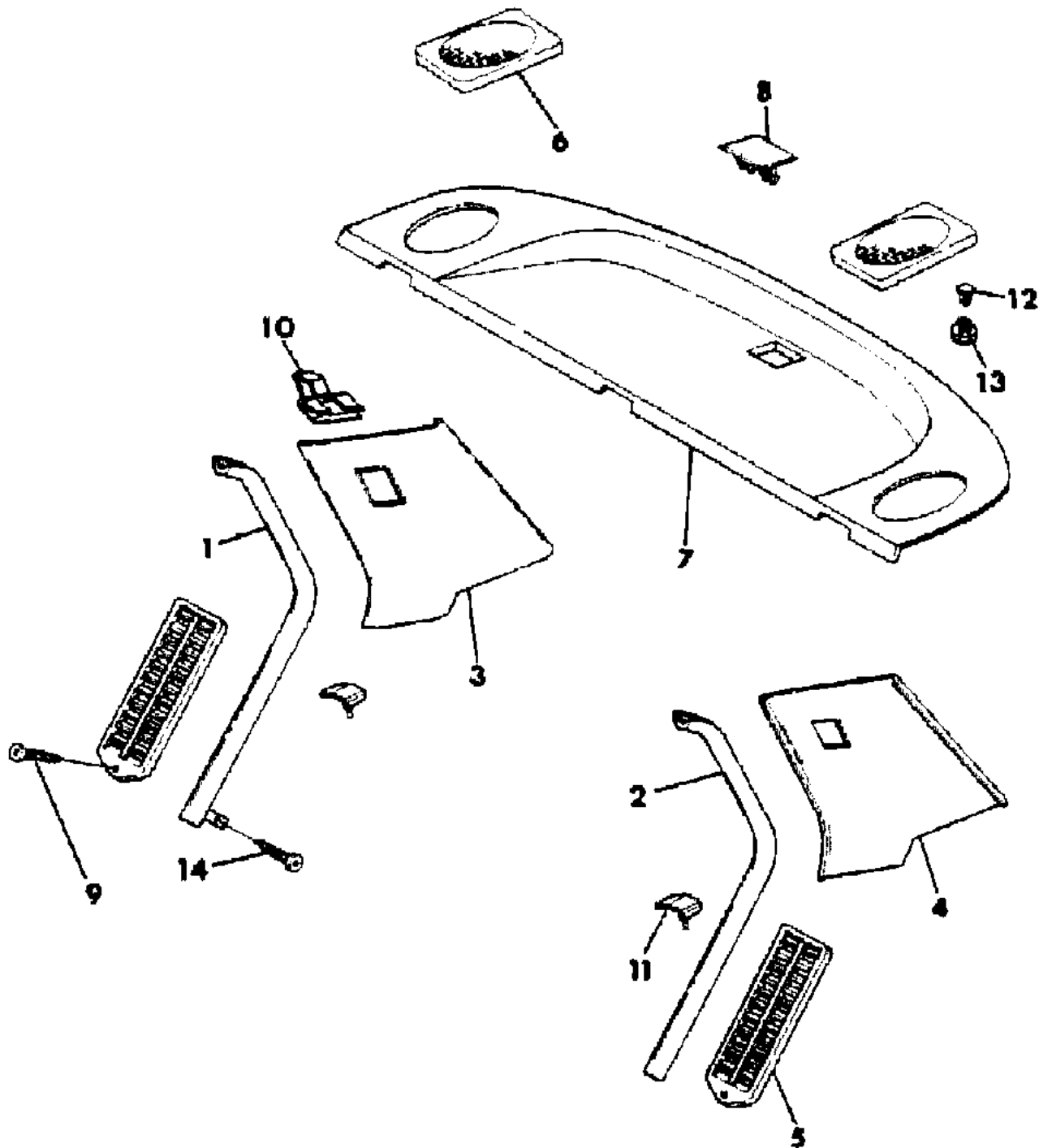
MODEL CODES:

1988:	1989:	1990-92:	1990-92:
559 - Premier LX	56 - Premier LX	DP-Monaco LE	XP-Premier LX
	557 - Premier ES		DS-Monaco ES
	66 - Premier ES		XS-Premier ES

BODY STYLES:

1988:
55 = 4 dr. Sedan
1989-92:
6 = 4 Dr. Sedan

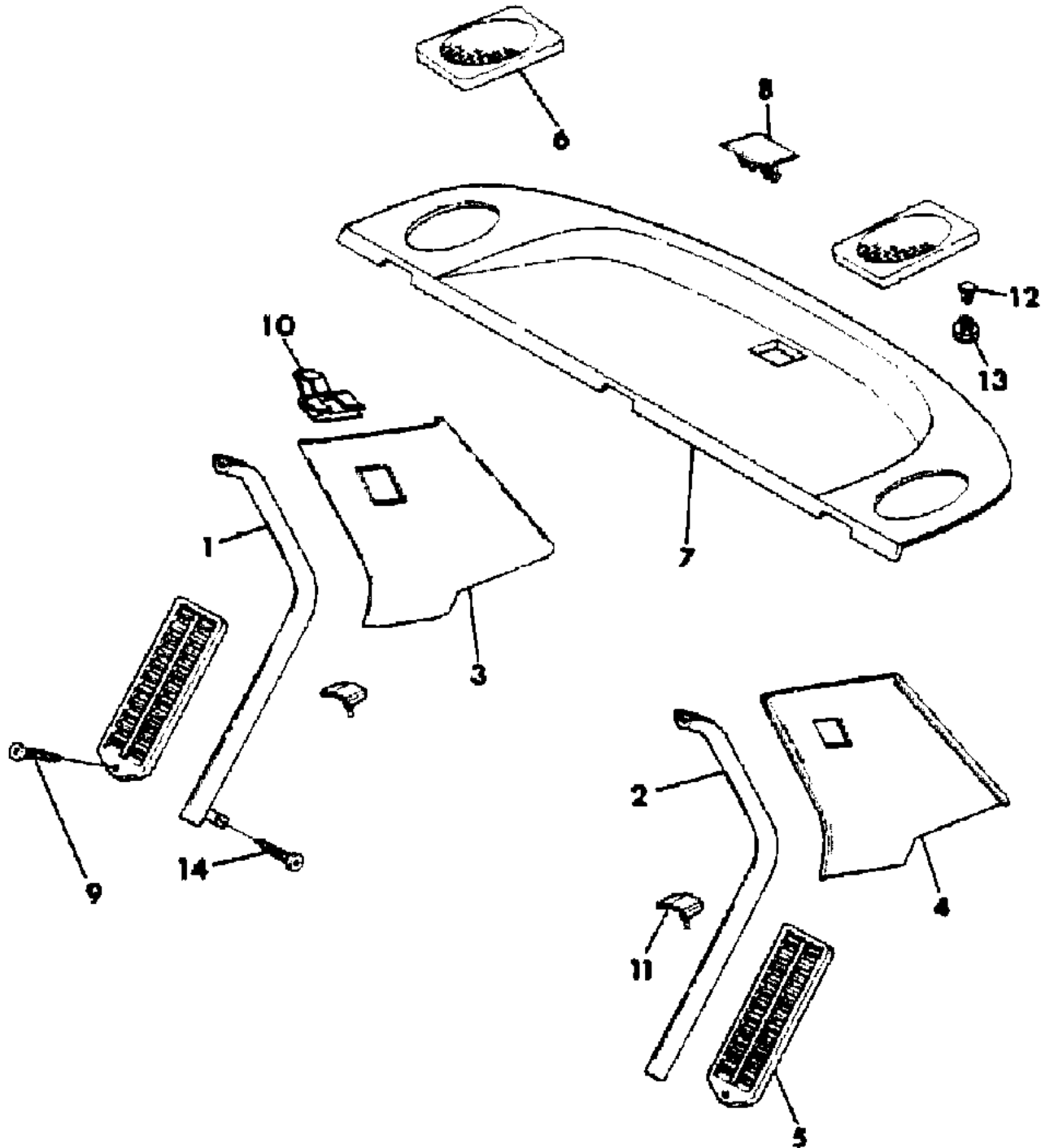
AR = Use as Required - = Non Illustrated Part P.A.R. = Paint as Required



PANELS--INTERIOR TRIM - REAR
Figure 45-500

8P45 500 A

ITEM	PART NUMBER	QTY	BODY	MODEL	DESCRIPTION
	AV35 HH9	1			1990-1992, w/o Premium Sound
	BE36 HH9	1			1990, w/Premium Sound
	DJ33 JH9	1			1991-92, w/Premium Sound
	3501 8336	1			Navy 1988
	J453 3073	1			1989
	AV35 HQ8	1			1990-1992, w/o Premium Sound
	BE36 HQ8	1			1990, w/Premium Sound
	DJ33 JQ8	1			1991-92, w/Premium Sound
8					PLUG 1988-1989
	3502 2845	1			Brownstone
	3502 2842	1			Charcoal
	3502 2844	1			Cordovan
	3502 2843	1			Navy 1990-1992
	BD93 HA8	1			Charcoal
	BD93 HQ8	1			Navy
	BD93 HH9	1			Cordovan
	BD93 HF7	1			Brownstone
9	1150 1609	2			SCREW
10	3420 2543	8			CLIP, Trim Panel
11	3420 2545	8			CLIP, Trim Panel
12	3420 2633	8			RIVET, Speaker Grill Attaching
13	4547 787	8			PIN, Speaker Grille Attaching
14	1150 2843	2			SCREW



MODEL CODES:

1988:	1989:	1990-92:	1990-92:
559 - Premier LX	56 - Premier LX 557 - Premier ES 66 - Premier ES	DP-Monaco LE	XP-Premier LX DS-Monaco ES XS-Premier ES

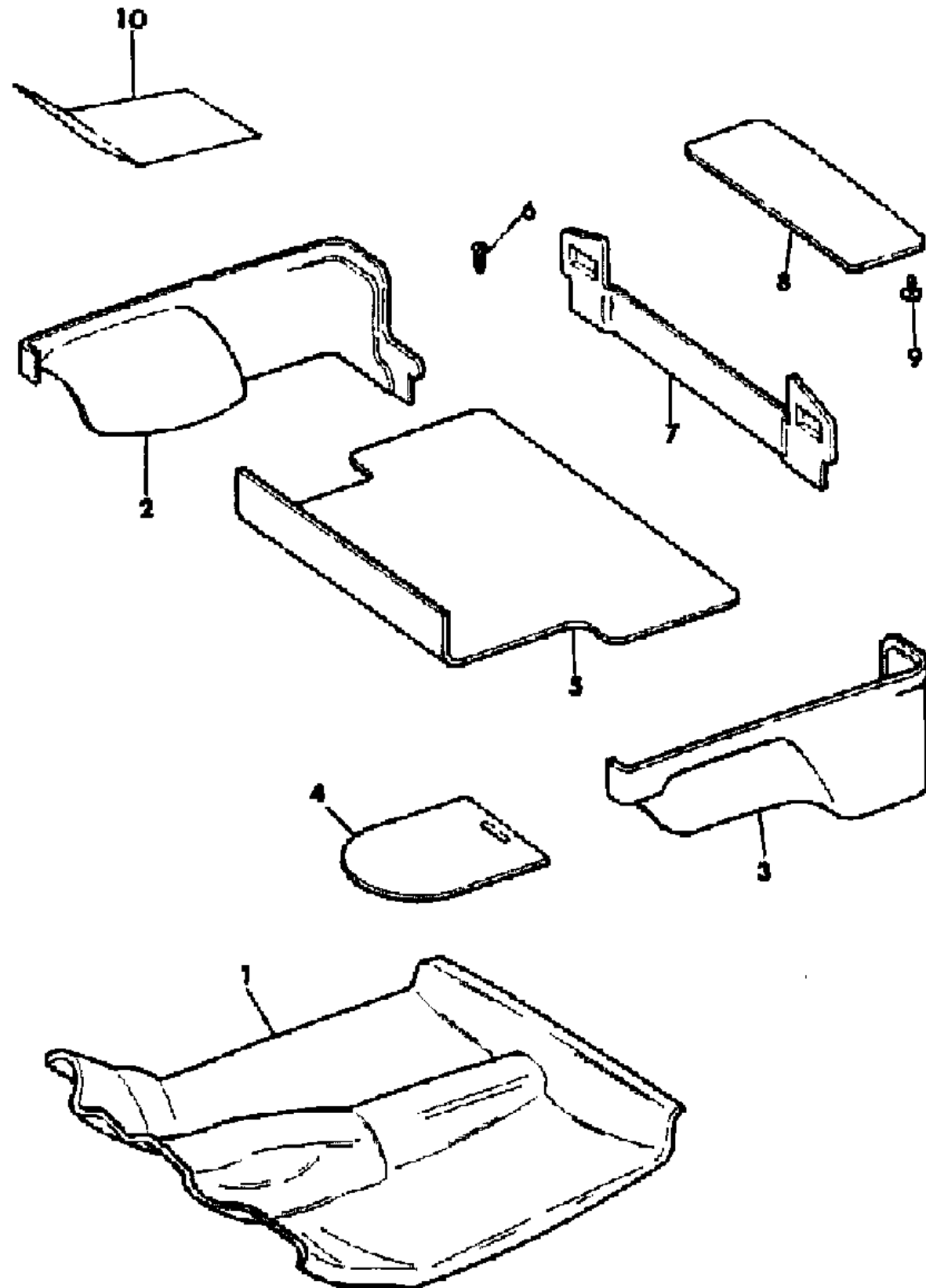
BODY STYLES:

1988:
55 = 4 dr. Sedan
1989-92:
6 = 4 Dr. Sedan

AR = Use as Required - = Non Illustrated Part P.A.R. = Paint as Required

CARPETS AND MATS
Figure 45-600

8P45 600 A



ITEM	PART NUMBER	QTY	BODY	MODEL	DESCRIPTION
1					CARPET, Floor
					Brownstone
	3501 8989	1			1988-89, w/o Passive Restraint
	4533 447	1			1988-89, w/o Passive Restraint, w/Floor Console
	WL47 JH9	1			1990, Man. Trans., w/o Passive Restraint
	DE09 KH9	1			1991, Man. Trans., w/o Passive Restraint
	AY77 JF7	1			1990, Auto. Trans., w/o Passive Restraint
	DE07 KH9	1			1991-92, , Auto. Trans., w/o Passive Restraint
	3502 6040	1			1988-89, w/Passive Restraint
	AY76 JF7	1			1990, Auto. Trans., w/Passive Restraint
	DE06 KF7	1			1991-92, Auto. Trans., w/Passive Restraint
	WL50 JF7	1			1990, Man. Trans., w/Passive Restraint
	DE10 KF7	1			1991, Man. Trans., w/Passive Restraint
					Charcoal
	3501 8986	1			1988-89, w/o Passive Restraint
	4533 444	1			1988-89, w/o Passive Restraint, w/Floor Console
	WL47 JA8	1			1990, Man. Trans., w/o Passive Restraint
	DE09 KA8	1			1991, Man. Trans., w/o Passive Restraint
	AY77 JA8	1			1990, Auto. Trans. w/o Passive Restraint
	DE07 KA8	1			1991-92, Auto. Trans., w/o Passive Restraint
	3502 6034	1			1988-89, w/Passive Restraint
	AY76 JA8	1			1990, Auto. Trans., w/Passive Restraint
	DE06 KA8	1			1991-92, Auto. Trans., w/Passive Restraint
	WL50 JA8	1			1990, Man. Trans., w/Passive Restraint
	DE10 KA8	1			1991, Man. Trans., w/Passive Restraint
					Cordovan
	3501 8988	1			1988-89, w/o Passive Restraint
	4533 446	1			1988-89, w/o Passive Restraint, w/Floor Console
	WL47 JH9	1			1990, Man. Trans., w/o Passive Restraint
	DE09 KH9	1			1991, Man. Trans., w/o Passive Restraint
	AY77 JH9	1			1990, Auto. Trans., w/o Passive Restraint
	DE07 KH9	1			1991-92, Auto. Trans., w/o Passive Restraint
	3502 6038	1			1988-89, w/Passive Restraint
	AY76 JH9	1			1990, Auto. Trans., w/Passive Restraint
	DE06 KH9	1			1991-92, Auto. Trans., w/Passive Restraint
	WL50 JH9	1			1990, Man. Trans., w/Passive Restraint
	DE10 KH9	1			1991, Man. Trans., w/Passive Restraint
					Navy
	3501 8987	1			1988-89, w/o Passive Restraint
	4533 445	1			1988-89, w/o Passive Restraint, w/Floor Console

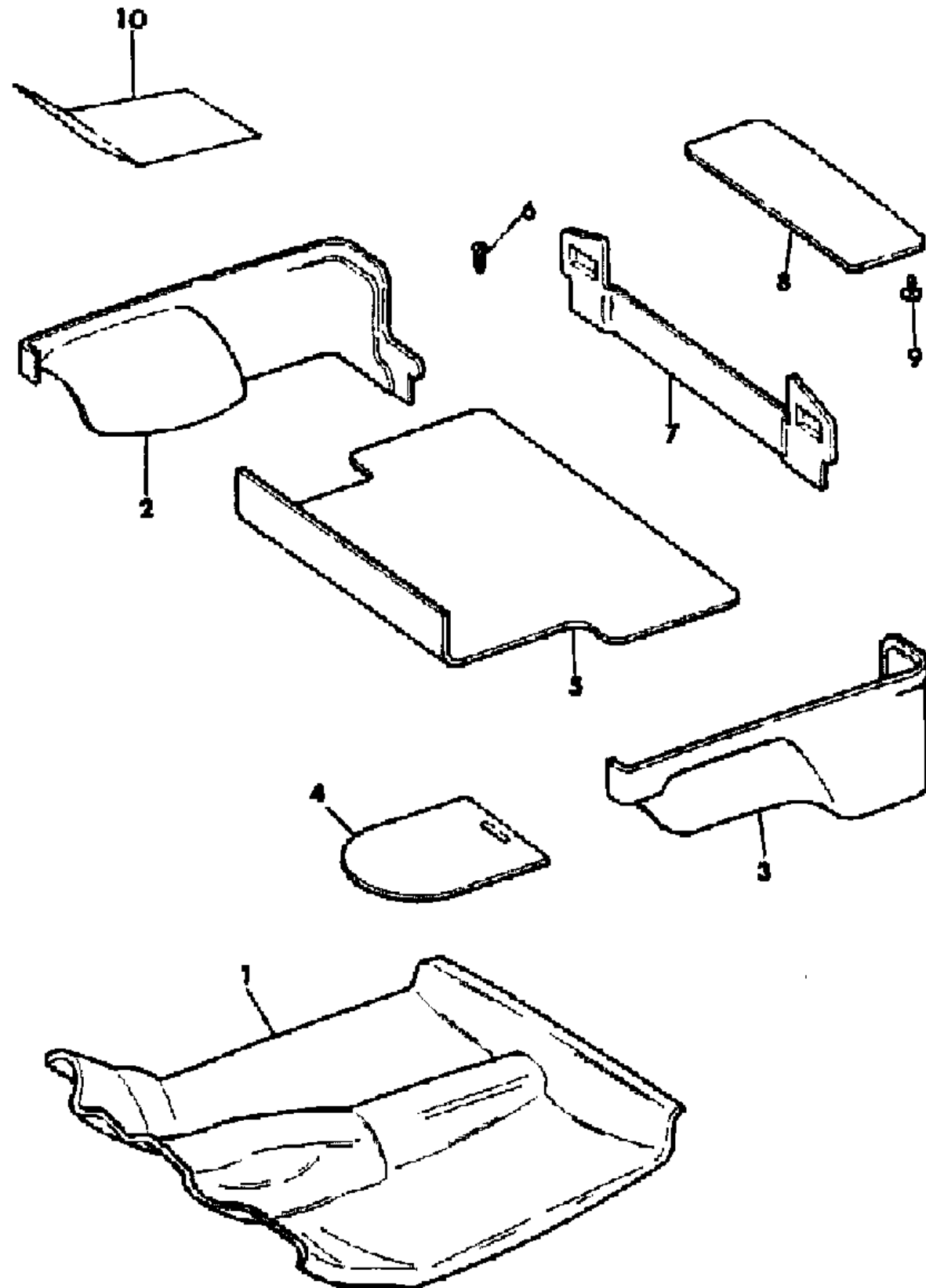
MODEL CODES:
 1988: 559 - Premier LX
 1989: 56 - Premier LX
 557 - Premier ES
 66 - Premier ES
 1990-92: DP-Monaco LE
 1990-92: XP-Premier LX
 DS-Monaco ES
 XS-Premier ES

BODY STYLES:
 1988:
 55 = 4 dr. Sedan
 1989-92:
 6 = 4 Dr. Sedan

AR = Use as Required - = Non Illustrated Part P.A.R. = Paint as Required

CARPETS AND MATS
Figure 45-600

8P45 600 A



ITEM	PART NUMBER	QTY	BODY	MODEL	DESCRIPTION
	WL47 JQ8	1			1990, Man. Trans., w/o Passive Restraint
	DE09 KQ8	1			1991, Man. Trans., w/o Passive Restraint
	AY77 JQ8	1			1990, Auto. Trans., w/o Passive Restraint
	DE07 KQ8	1			1991-92, Auto. Trans., w/o Passive Restraint
	3502 6036	1			1988-89, w/Passive Restraint
	AY76 JQ8	1			1990, Auto. Trans., w/Passive Restraint
	DE06 KQ8	1			1991-92, Auto. Trans., w/Passive Restraint
	WL50 JQ8	1			1990, Man. Trans., w/Passive Restraint
	DE10 KH9	1			1991, Man. Trans., w/Passive Restraint
2-3	3501 3614-5	1			PANEL, Trunk Side Trim
-	J400 7322	6			FASTENER, Side Panels
4	3502 0573	1			COVER, Spare Tire
5					CARPET, Trunk
	3501 3616	1			(Up To 9-13-88)
	4521 660	1			(Aft. 9-13-88)
6	3420 1361	6			SCREW
7	3502 2712	1			PANEL, Back
8	3502 4682	1			COVER
9	J400 4919	16			FASTENER
10					FLOOR MAT, Front Set ***
	4504 860	1			Charcoal
	4504 862	1			Navy
	4504 864	1			Cordovan
	4504 866	1			Brownstone

MODEL CODES:

1988:	1989:	1990-92:	1990-92:
559 - Premier LX	56 - Premier LX	DP-Monaco LE	XP-Premier LX
	557 - Premier ES		DS-Monaco ES
	66 - Premier ES		XS-Premier ES

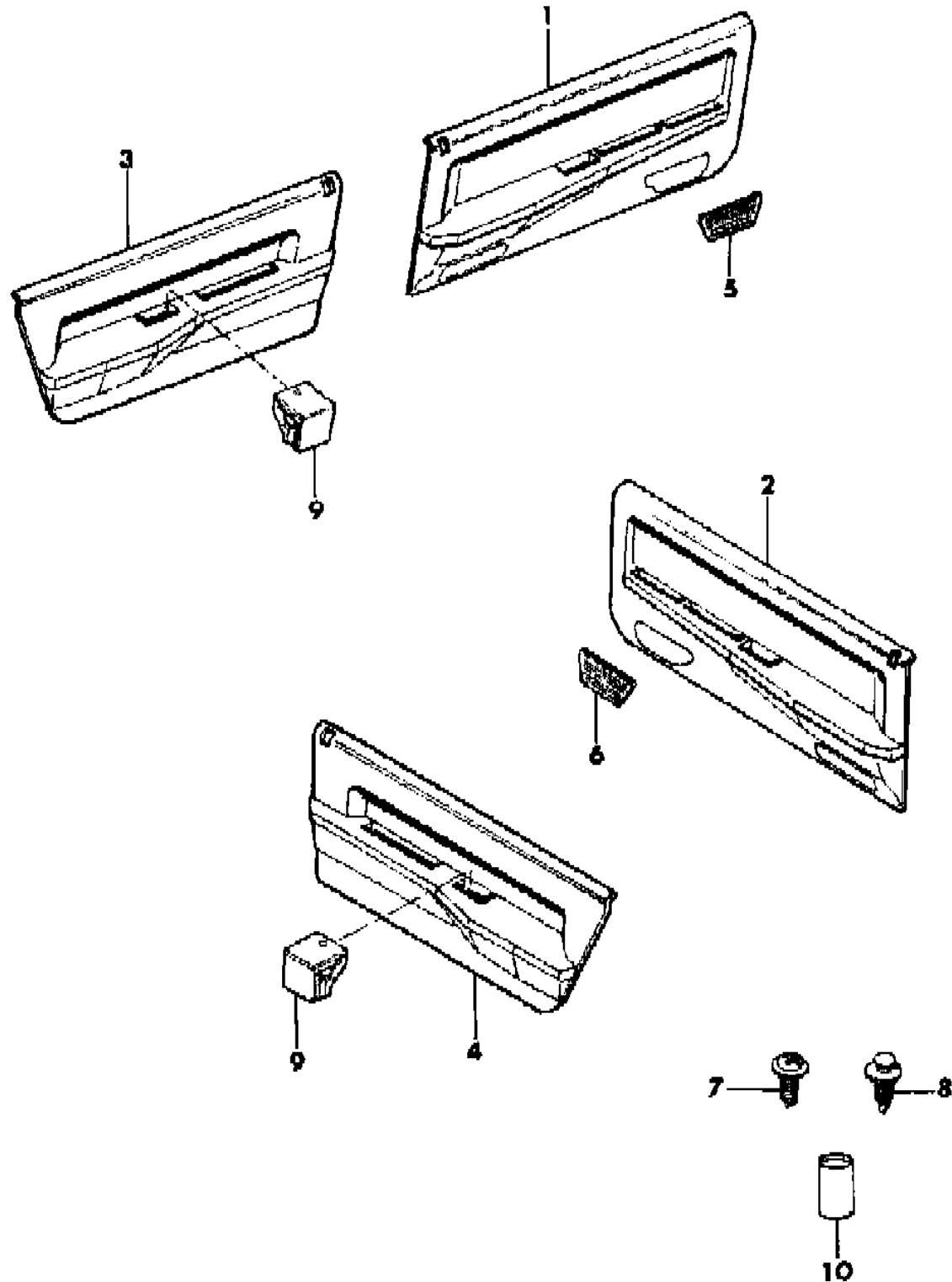
BODY STYLES:

1988:
55 = 4 dr. Sedan
1989-92:
6 = 4 Dr. Sedan

AR = Use as Required - = Non Illustrated Part P.A.R. = Paint as Required

PANELS--DOOR TRIM WITHOUT PREMIUM SOUND
Figure 45-700

8P45 700A



ITEM	PART NUMBER	QTY	BODY	MODEL	DESCRIPTION
1-2					PANEL, Door Trim, Front
	3502 1950-1	1			Brownstone, 1988-89
	AQ42-3 JFF	1			Brownstone, 1990
	3502 1938-9	1			Charcoal, 1988-89
	AQ42-3 JSA	1			Charcoal, 1990
	3502 1946-7	1			Cordovan, 1988-89
	AQ42-3 JH9	1			Cordovan, 1990
	3502 1942-3	1			Navy, 1988-89
	AQ42-3 JQ8	1			Navy, 1990
					1991-92
					w/Power Windows
	WJ10-1 KSA	1			Charcoal, (P7S,B7S,E7S,S7S)
	WJ10-1 KQ8	1			Navy, (P7Q,B7Q,E7Q,S7Q)
	WJ10-1 KH9	1			Cordovan, (P7H,B7H,E7H,S7H)
	WJ10-1 KFF	1			Brownstone, (P7F,B7F,S7F)
					w/o Power Windows
	WJ08-9 KSA	1			Charcoal, (P7S,B7S,E7S,S7S)
	WJ08-9 KQ8	1			Navy, (S7Q,B7Q,E7Q,S7Q)
	WJ08-9 KH9	1			Cordovan, (P7H,B7H,E7H,S7H)
	WJ08-9 KFF	1			Brownstone, (P7F,B7F,S7F)
3-4					PANEL, Door Trim, Rear
	3502 1914-5	1			Brownstone, 1988-89
	4549 748-9	1			Brownstone, 1990
	3501 8196-7	1			Charcoal, 1988-89
	4549 742-3	1			Charcoal, 1990
	3501 8200-1	1			Cordovan, 1988-89
	4549 746-7	1			Cordovan, 1990
	3501 8198-9	1			Navy, 1988-89
	4549 744-5	1			Navy, 1990
					1991
					w/o Power Windows
	WV48-9 KA8	1			Charcoal, (JAS)
	WV48-9 KQ8	1			Navy, (JAQ)
	WV48-9 KH9	1			Cordovan, (JAH)
	WV48-9 KFF	1			Brownstone, (JAF)
					1991-92
	WJ22-3 KSA	1			Charcoal, (P7S,S7S,B7S,E7S)
	WJ22-3 KQ8	1			Navy, (P7Q,S7Q,B7Q,E7Q)
	WJ22-3 KH9	1			Cordovan, (P7H,S7H,B7H,E7H)
	WJ22-3 KFF	1			Brownstone, (P7F,S7F,B7F)

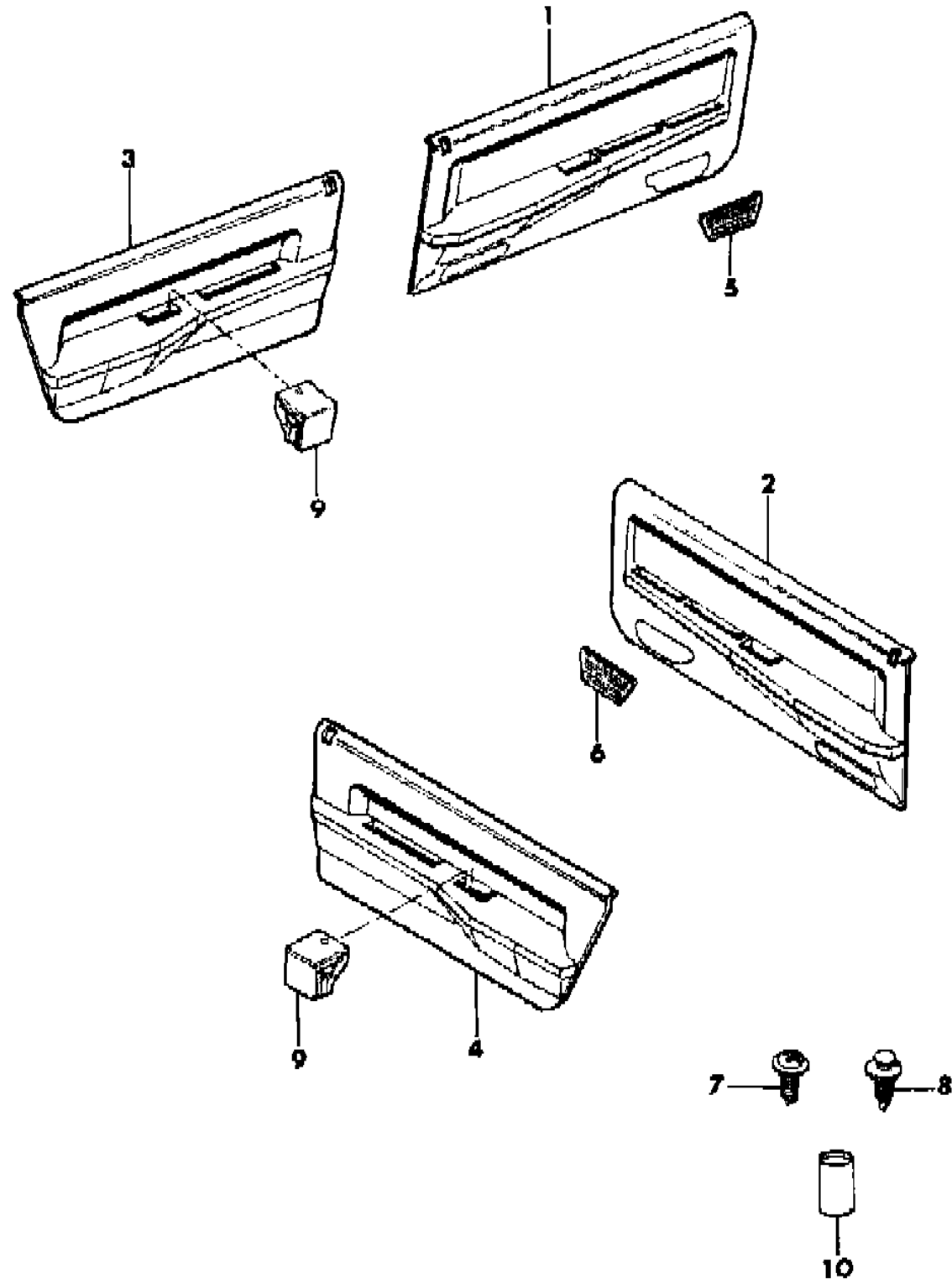
MODEL CODES:
 1988: 559 - Premier LX
 1989: 56 - Premier LX
 557 - Premier ES
 66 - Premier ES
 1990-92: DP-Monaco LE
 1990-92: XP-Premier LX
 DS-Monaco ES
 XS-Premier ES

BODY STYLES:
 1988:
 55 = 4 dr. Sedan
 1989-92:
 6 = 4 Dr. Sedan

AR = Use as Required - = Non Illustrated Part P.A.R. = Paint as Required

PANELS--DOOR TRIM WITHOUT PREMIUM SOUND
Figure 45-700

8P45 700A



ITEM	PART NUMBER	QTY	BODY	MODEL	DESCRIPTION
					w/Power Windows
					1991-92
	WV50-1 KA8	1			Charcoal, (JAS,JLS)
	WV50-1 KQ8	1			Navy, (JAQ,JLQ)
	WV50-1 KH9	1			Cordovan, (JAH,JLH)
	WV50-1 KFF	1			Brownstone, (JAF,JLF)
	WJ24-5 KSA	1			Charcoal, (P7S,S7S,B7S,E7S)
	WJ24-5 KQ8	1			Navy, (P7Q,S7Q,B7Q,E7Q)
	WJ24-5 KH9	1			Cordovan, (P7H,S7H,B7H,E7H)
	WJ24-5 KFF	1			Brownstone, (P7F,S7F,B7F)
5-6	3501 8160-1	1			GRILLE, Speaker, (P.A.R.)
7	3420 1413	4			SCREW
8	3420 2599	38			CLIP, Panel Attaching
9	3501 3619	2			ASHTRAY ***
10	3420 1575	AR			NUTSERT, Panel Attaching ***

MODEL CODES:

1988:	1989:	1990-92:	1990-92:
559 - Premier LX	56 - Premier LX	DP-Monaco LE	XP-Premier LX
	557 - Premier ES		DS-Monaco ES
	66 - Premier ES		XS-Premier ES

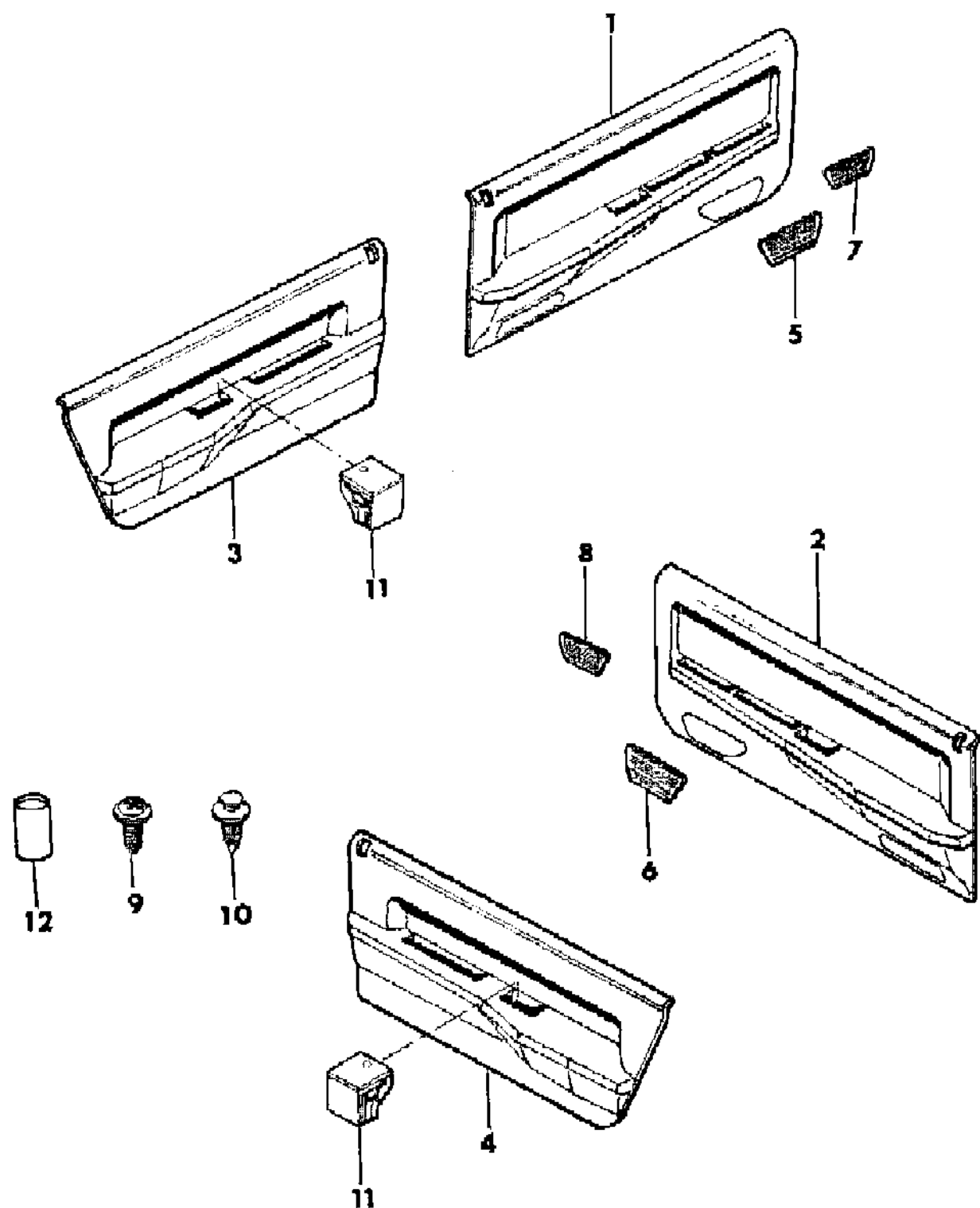
BODY STYLES:

1988:
55 = 4 dr. Sedan
1989-92:
6 = 4 Dr. Sedan

AR = Use as Required - = Non Illustrated Part P.A.R. = Paint as Required

PANELS--DOOR TRIM WITH PREMIUM SOUND
Figure 45-800

8P45 800 A



ITEM	PART NUMBER	QTY	BODY	MODEL	DESCRIPTION
1-2					PANEL, Door Trim, Front
					Brownstone
	3502 1928-9	1			1988-89, w/Cloth
	AQ44-5 JFF	1			1990, w/Cloth
	4533 244-5	1			1988-89, w/Leather, w/Power Windows
	4533 240-1	1			1988-89, w/Leather, w/o Power Windows
	AQ32-3 HFF	1			1990, w/Leather
					Charcoal
	3502 1916-7	1			1988-89, w/Cloth
	AQ44-5 JSA	1			1990, w/Cloth
					Cordovan
	3502 1924-5	1			1988-89, w/Cloth
	AQ44-5 JH9	1			1990, w/Cloth
	AQ32-3 JH9	1			1990, w/Leather
					Dark Charcoal
	4533 242-3	1			1988-89, w/Leather, w/Power Windows
	4533 238-9	1			1988-89, w/Leather, w/o Power Windows
	AQ32-3 HSA	1			1990, w/Leather (Light Gray)
					Navy
	3502 1920-1	1			1988-89, w/Cloth
	AQ44-5 JQ8	1			1990, w/Cloth
	AQ32-3 JQ8	1			1990, w/Leather
					1991-92
					w/Power Windows and Door Speakers
	WJ14-5 KSA	1			Charcoal, (P7S,S7S,B7S,E7S)
	WJ14-5 KQ8	1			Navy, (B7Q,S7Q,B7Q,E7Q)
	WJ14-5 KH9	1			Cordovan, (P7H,S7H,B7H,E7H)
	WJ14-5 KFF	1			Brownstone, (P7F,S7F,B7F)
	WJ18-9 KA8	1		X	Charcoal, (JLS)
	WJ18-9 KFF	1		X	Brownstone, (JLF)
	WJ18-9 KQ8	1		X	Navy, (JLQ)
	WJ18-9 KH9	1		X	Cordovan, (JLH)
	WU66-7 KA8	1		D	Charcoal, (JAA)
	WU66-7 KQ8	1		D	Navy, (JAQ)
	WU66-7 KH9	1		D	Cordovan, (JAH)
	WU66-7 KFF	1		D	Brownstone, (JAF)
					1991-92
					w/Door Speakers w/o Power Windows
	WJ12-3 KSA	1			Charcoal, (P7S,S7S,B7S,E7S)
	WJ12-3 KQ8	1			Navy, (P7Q,S7Q,B7Q,E7Q)

MODEL CODES:

1988:	1989:	1990-92:	1990-92:
559 - Premier LX	56 - Premier LX	DP-Monaco LE	XP-Premier LX
	557 - Premier ES		DS-Monaco ES
	66 - Premier ES		XS-Premier ES

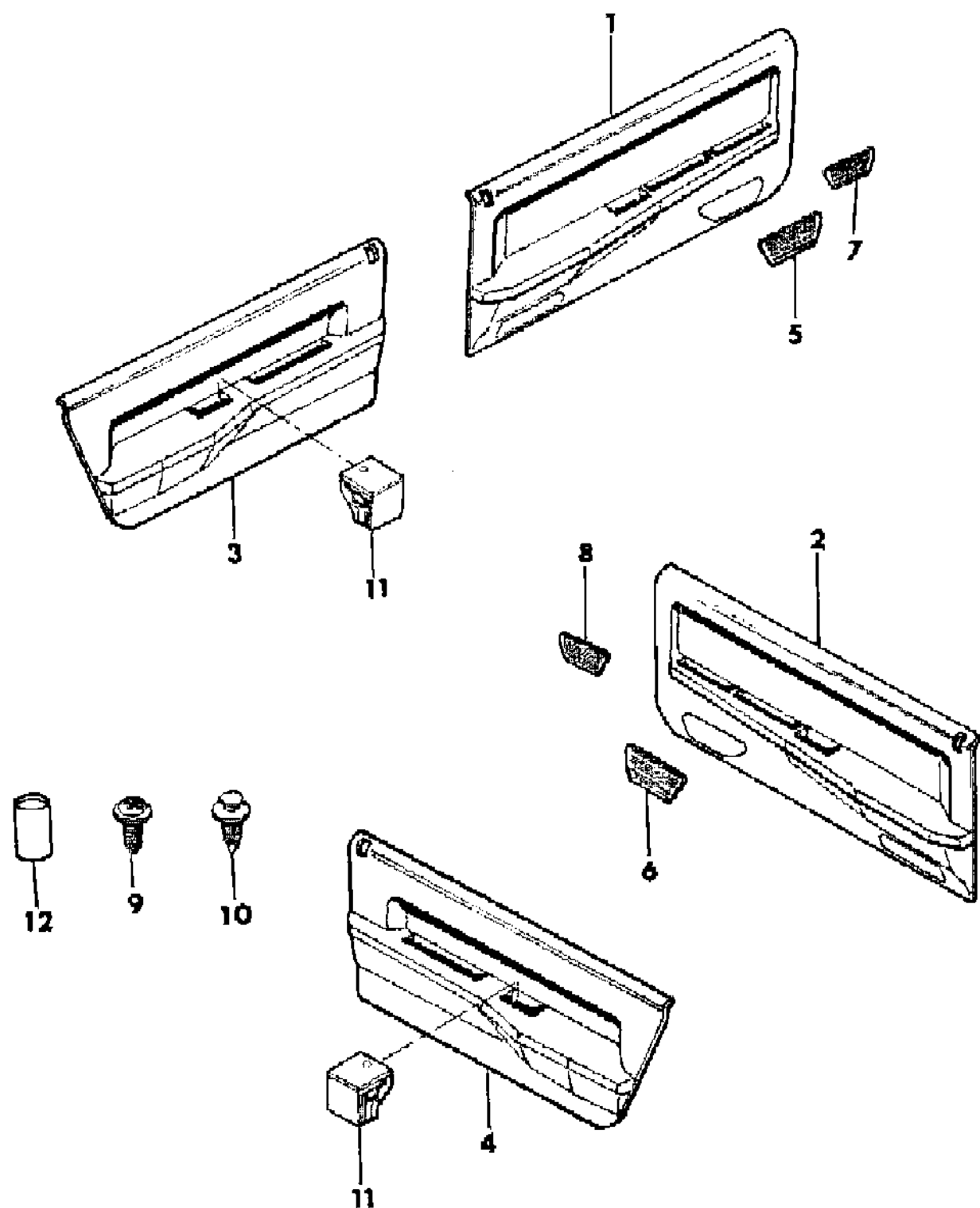
BODY STYLES:

1988:
55 = 4 dr. Sedan
1989-92:
6 = 4 Dr. Sedan

AR = Use as Required - = Non Illustrated Part P.A.R. = Paint as Required

PANELS--DOOR TRIM WITH PREMIUM SOUND
Figure 45-800

8P45 800 A



ITEM	PART NUMBER	QTY	BODY	MODEL	DESCRIPTION
	WJ12-3 KH9	1			Cordovan, (P7H,S7H,B7H,E7H)
	WJ12-3 KFF	1			Brownstone, (P7F,S7F,B7F)
	WU64-5 KA8	1	D		Charcoal, (JAS)
	WU64-5 KQ8	1	D		Navy, (JAQ)
	WU64-5 KH9	1	D		Cordovan, (JAH)
3-4	WU64-5 KFF	1	D		Brownstone, (JAF)
					PANEL, Door Trim, Rear
					Brownstone
	3502 1914-5	1			1988-89, w/Cloth
	4549 748-9	1			1990, w/Cloth
	4533 260-1	1			1988-89, w/Leather, w/Power Windows
	4533 256-7	1			1988-89, w/Leather, w/o Power Windows
	AQ36-7 HFF	1			1990, w/Leather
					Charcoal
	3501 8196-7	1			1988-89, w/Cloth
	4549 742-3	1			1990, w/Cloth
					Cordovan ***
	3501 8200-1	1			1988-89, w/Cloth
	4549 746-7	1			1990, w/Cloth
	AQ36-7 JH9	1			1990, w/Leather
					Dark Charcoal
	4533 258-9	1			1988-89, w/Leather, w/Power Windows
	4533 254-5	1			1988-89, w/Leather, w/o Power Windows
	AQ36-7 HSA	1			1990, w/Leather
					Navy
	3501 8198-9	1			1988-89, w/Cloth
	4549 744-5	1			1990, w/Cloth
	AQ36-7 JQ8	1			1990, w/Leather
					1991-92
					w/Power
	WV50-1 KA8	1			Charcoal, (JAS,JLS)
	WV50-1 KQ8	1			Navy, (JAQ,JLQ)
	WV50-1 KH9	1			Cordovan, (JAH,JLH)
	WV50-1 KFF	1			Brownstone, (JAF,JLF)
	WJ24-5 KSA	1			Charcoal, (P7SA,S7SA,B7SA,E7SA)
	WJ24-5 KQ8	1			Navy, (P7Q8,S7Q8,B7Q8,E7Q8)
	WJ24-5 KH9	1			Cordovan, (P7H9,S7H9,B7H9,E7H9)
	WJ24-5 KFF	1			Brownstone, (P7FF,S7FF,B7FF)
					1991-92
					w/o Power

MODEL CODES:

1988:	1989:	1990-92:	1990-92:
559 - Premier LX	56 - Premier LX	DP-Monaco LE	XP-Premier LX
	557 - Premier ES		DS-Monaco ES
	66 - Premier ES		XS-Premier ES

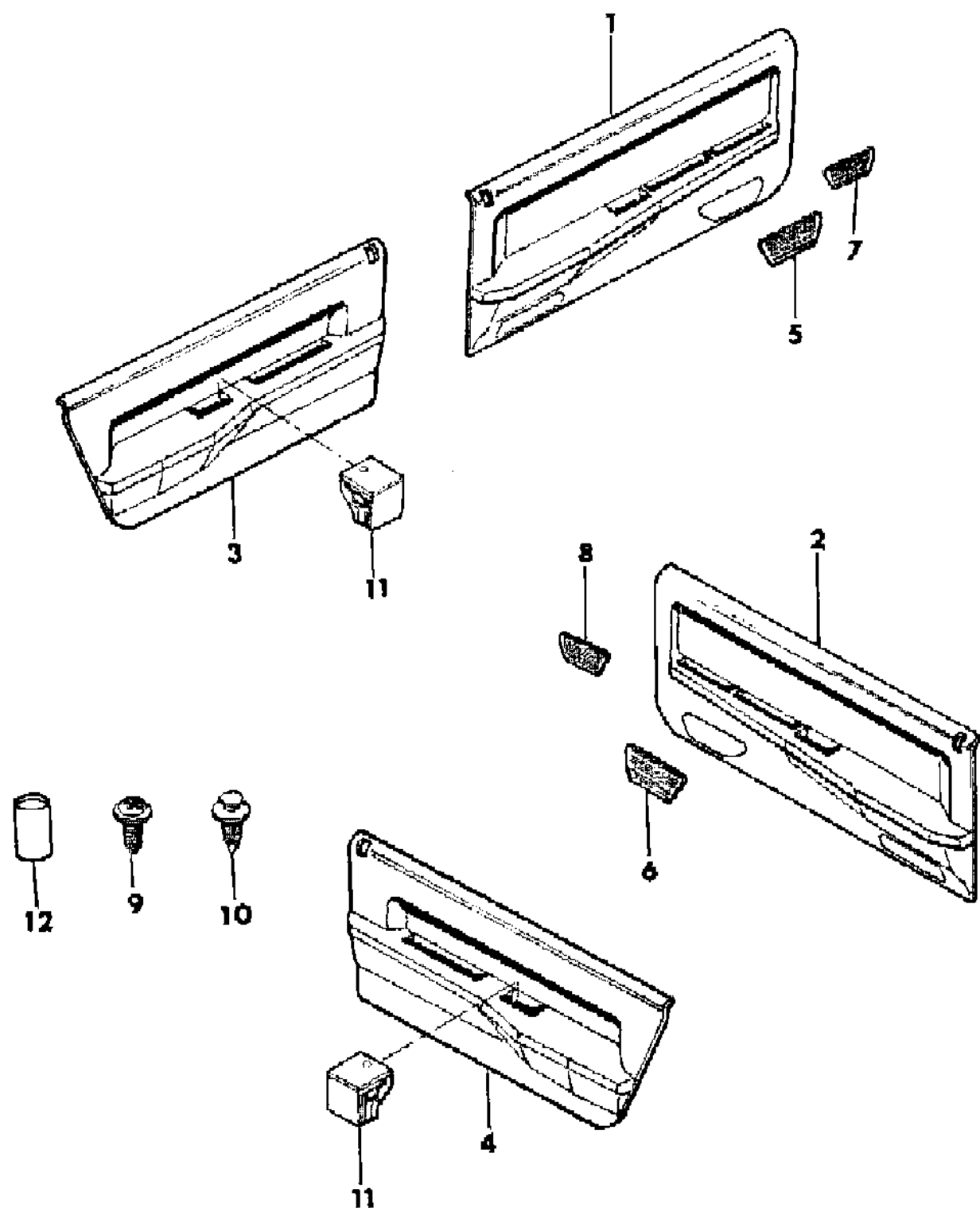
BODY STYLES:

1988:
55 = 4 dr. Sedan
1989-92:
6 = 4 Dr. Sedan

AR = Use as Required - = Non Illustrated Part P.A.R. = Paint as Required

PANELS--DOOR TRIM WITH PREMIUM SOUND
Figure 45-800

8P45 800 A



ITEM	PART NUMBER	QTY	BODY	MODEL	DESCRIPTION
	WJ22-3 KSA	1			Charcoal, (P7S,S7S,B7S,E7S)
	WJ22-3 KQ8	1			Navy, (P7Q,S7Q,B7Q,E7Q)
	WJ22-3 KH9	1			Cordovan, (P7H,S7H,B7H,E7H)
	WJ22-3 KFF	1			Brownstone, (P7F,S7F,B7F)
5-6					GRILLE, Speaker
	3501 8168-9	1			Brownstone, (Are Main Speakers)
	3501 8162-3	1			Charcoal
	3501 8166-7	1			Cordovan
	3501 8164-5	1			Navy
7-8					GRILLE, Speaker
	3502 2862-3	1			Brownstone, (Tweeters)
	3502 2856-7	1			Charcoal
	3502 2860-1	1			Cordovan
	3502 2858-9	1			Navy
					1991-92
	AQ08 KA8	1			Charcoal, (Trim Codes JAS,JLS Only)
	AQ08 HQ8	1			Navy
	AQ08 HH9	1			Cordovan
	AQ08 HF3	1			Brownstone
	AQ08 HS1	1			Charcoal
9	3420 1413	38			SCREW
10	3420 2599	4			RETAINER, Panel Attaching
11	3501 3619	2			ASHTRAY
12	3420 1575	AR			NUTSERT, Panel Attaching ***

MODEL CODES:

1988:	1989:	1990-92:	1990-92:
559 - Premier LX	56 - Premier LX	DP-Monaco LE	XP-Premier LX
	557 - Premier ES		DS-Monaco ES
	66 - Premier ES		XS-Premier ES

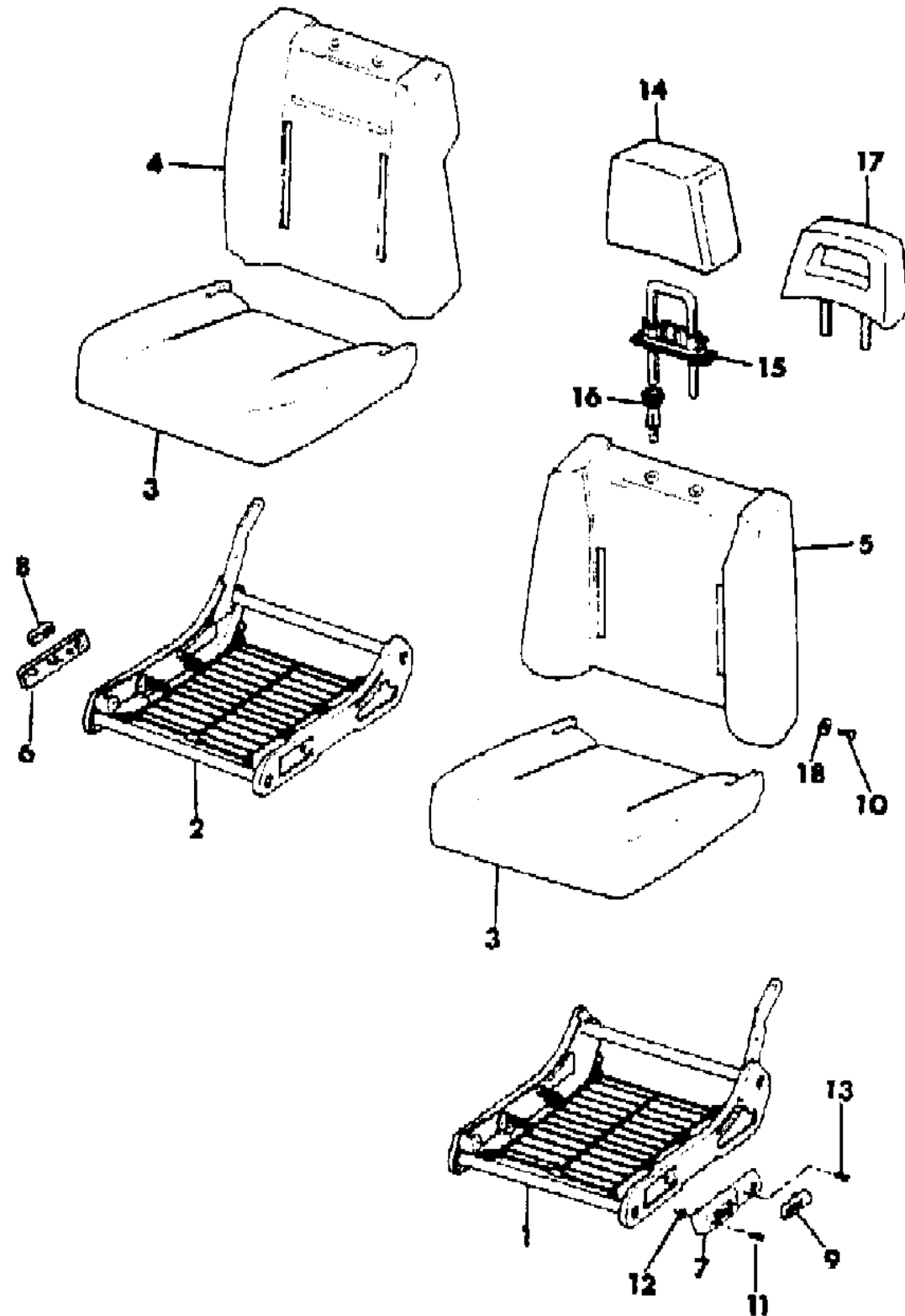
BODY STYLES:

1988:
55 = 4 dr. Sedan
1989-92:
6 = 4 Dr. Sedan

AR = Use as Required - = Non Illustrated Part P.A.R. = Paint as Required

FRAME AND PAD FRONT SEAT--45/45
Figure 45-900

8P45 900



ITEM	PART NUMBER	QTY	BODY	MODEL	DESCRIPTION
1	3501 3925	1			FRAME, Cushion, Lt.
2	3501 9528	1			FRAME, Cushion, Rt.
	3501 3924	1			w/Fixed Seat Back
					w/Reclining Seat Back
3					PAD, Cushion
	3501 3932	2			w/Trim Code (MK__, PK__)
	3501 9782	2			w/Trim Code (CM__, CK__, JA__, SK__)
4-5					FRAME, Seat Back, w/Pad
	3501 4612-3	1	LX		1988, w/o Passive Restraint
	3502 5742-3	1	(LX)		w/Trim Codes (CM__, MK__, PK__)
	3501 9524-5	1	ES		1988, w/o Passive Restraint
	3502 5744-5	1	(ES)		w/Trim Codes (CK__, JA__)
6-7					BEZEL, Handle
	3502 5022-3	1			Brownstone, 1988-89, w/o Power Seat
	AS36-7 HF7	1			Brownstone, 1990-1992, w/o Power Seat
	3502 5026-7	1			Brownstone, w/Power Seat
	3501 9598-9	1			Charcoal, 1988-89, w/o Power Seat
	AS36-7 HA8	1			Charcoal, 1990-1992, w/o Power Seat
	3501 8948-9	1			Charcoal, w/Power Seat
	3502 7022-3	1			Dk. Charcoal, 1988-89, w/o Power Seat, w/Trim Code "JA"
					Leather
	3501 9602-3	1			Cordovan, 1988-89, w/o Power Seats
	AS36-7 HH9	1			Cordovan, 1990-1992, w/o Power Seats
	3501 8952-3	1			Cordovan, w/Pwr. Seats
	3501 9600-1	1			Navy, 1988-89, w/o Power Seats
	AS36-7 HQ8	1			Navy, 1990-1992, w/o Power Seats
	3501 8950-1	1			Navy, w/Power Seats
8-9					HANDLE, Recliner
	3502 5020-1	1			Brownstone
	3501 8938-9	1			Charcoal
	3502 7018-9	1			Dk. Charcoal
	3501 8942-3	1			Cordovan
	3501 8940-1	1			Navy
					1990-1992, With or Without Power Seats
	BE90-1 HA8	1			Charcoal
	BE90-1 HQ8	1			Navy
	BE90-1 HF7	1			Brownstone
	BE90-1 HH9	1			Cordovan
10	3420 2830	2			BOLT
11	3420 1264	4			SCREW

MODEL CODES:

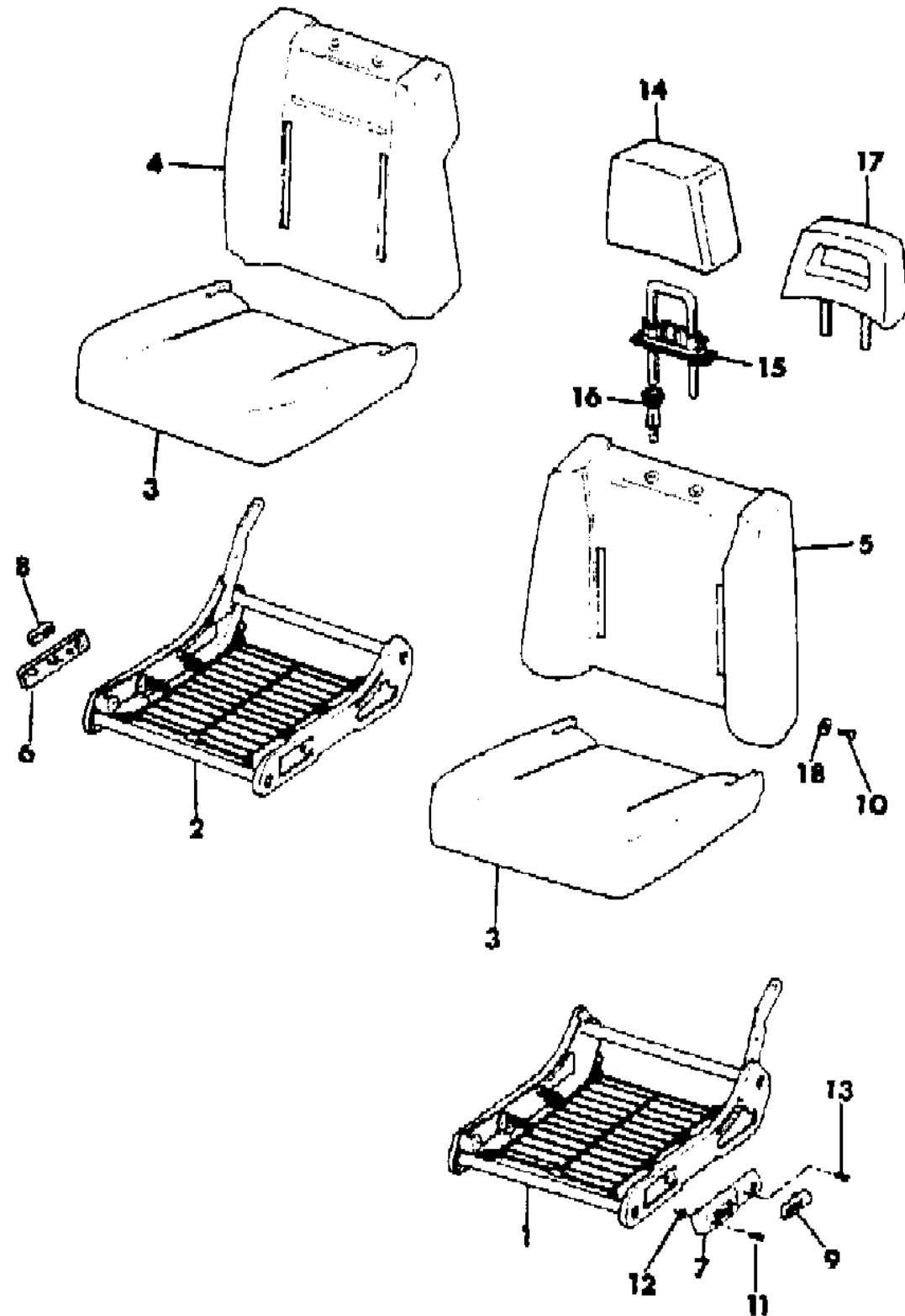
1988:	1989:	1990-92:	1990-92:
559 - Premier LX	56 - Premier LX	DP-Monaco LE	XP-Premier LX
	557 - Premier ES		DS-Monaco ES
	66 - Premier ES		XS-Premier ES

BODY STYLES:
 1988:
 55 = 4 dr. Sedan
 1989-92:
 6 = 4 Dr. Sedan

AR = Use as Required - = Non Illustrated Part P.A.R. = Paint as Required

FRAME AND PAD FRONT SEAT--45/45
Figure 45-900

8P45 900



ITEM	PART NUMBER	QTY	BODY	MODEL	DESCRIPTION
12	J400 6685	4			NUT
13	J400 2461	2			SCREW
14	3501 3969	2			PAD, Headrest
15	3500 3669	2			POST, Headrest
16	3500 9926	4			CYLINDER, Headrest
17					HEADREST ASSEMBLY, (See Thru) ***
					w/Cloth Upholstery
	3502 6972	2			Brownstone, 1989
	AE53 JFF	2			Brownstone, 1990
	3502 0337	2			Charcoal, 1988-89
	AE53 JSA	2			Charcoal, 1990
	3502 0339	2			Cordovan, 1988-89
	AE53 JH9	2			Cordovan, 1990
	3502 0338	2			Navy, 1988-89
	AE53 JQ8	2			Navy, 1990
					1991-92
	BA28 KA8	2			Charcoal, (E7S)
	BA28 KQ8	2			Navy, (E7Q,B7Q,P7Q)
	BA28 KH9	2			Cordovan, (E7H,B7H,P7H)
	BA28 KS1	2			Charcoal, (B7S,P7S)
	BA28 KF3	2			Brownstone, (B7F,P7F)
	BA30 KA8	2			Charcoal, (S7A)
	BA30 KQ8	2			Navy, (S7Q)
	BA30 KH9	2			Cordovan, (S7H)
	BA30 KF7	2			Brownstone, (S7F)
					COVER, Headrest 1991-92
	AF06 JH9	2			Cordovan, (E7H,B7H,P7H)
	AF06 JQ8	2			Navy, (E7Q,B7Q,P7Q)
	AF06 JA8	2			Charcoal, (E7S)
	AF06 JF3	2			Brownstone, (B7F,P7F)
	AF06 JS1	2			Charcoal, (B7S,P7S)
					w/Leather Upholstery
	J453 3084	2			Brownstone, 1988-89
	AM32 HFF	2			Brownstone, 1990
	J453 3094	2			Charcoal, 1988-89
	AM32 HSA	2			Charcoal, 1990
	AM32 JH9	2			Cordovan, 1990
	AM32 JQ8	2			Navy, 1990
					1991-92
	AM32 HSA	2			Charcoal, (JAS,JLS)

MODEL CODES:

1988:	1989:	1990-92:	1990-92:
559 - Premier LX	56 - Premier LX	DP-Monaco LE	XP-Premier LX
	557 - Premier ES		DS-Monaco ES
	66 - Premier ES		XS-Premier ES

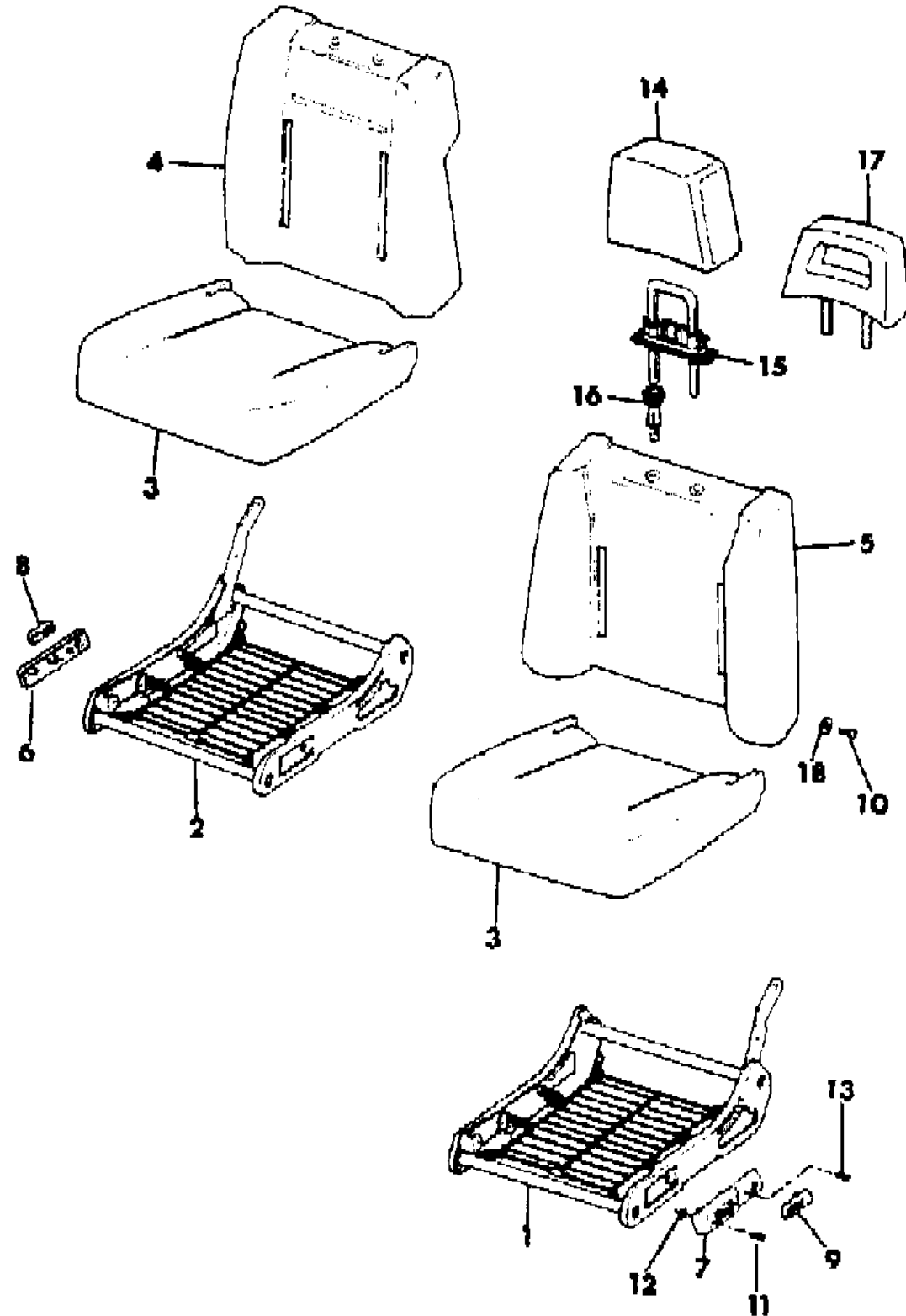
BODY STYLES:

1988:
55 = 4 dr. Sedan
1989-92:
6 = 4 Dr. Sedan

AR = Use as Required - = Non Illustrated Part P.A.R. = Paint as Required

FRAME AND PAD FRONT SEAT--45/45
Figure 45-900

8P45 900



ITEM	PART NUMBER	QTY	BODY	MODEL	DESCRIPTION
	AM32 HFF	2			Brownstone, (JAF,JLF)
	AM32 JQ8	2			Navy, (JAQ,JLQ)
	AM32 JH9	2			Cordovan, (JAH,JLH)
18	J400 7317	2			WASHER

MODEL CODES:
 1988: 559 - Premier LX
 1989: 56 - Premier LX
 557 - Premier ES
 66 - Premier ES
 1990-92: DP-Monaco LE
 1990-92: XP-Premier LX
 DS-Monaco ES
 XS-Premier ES

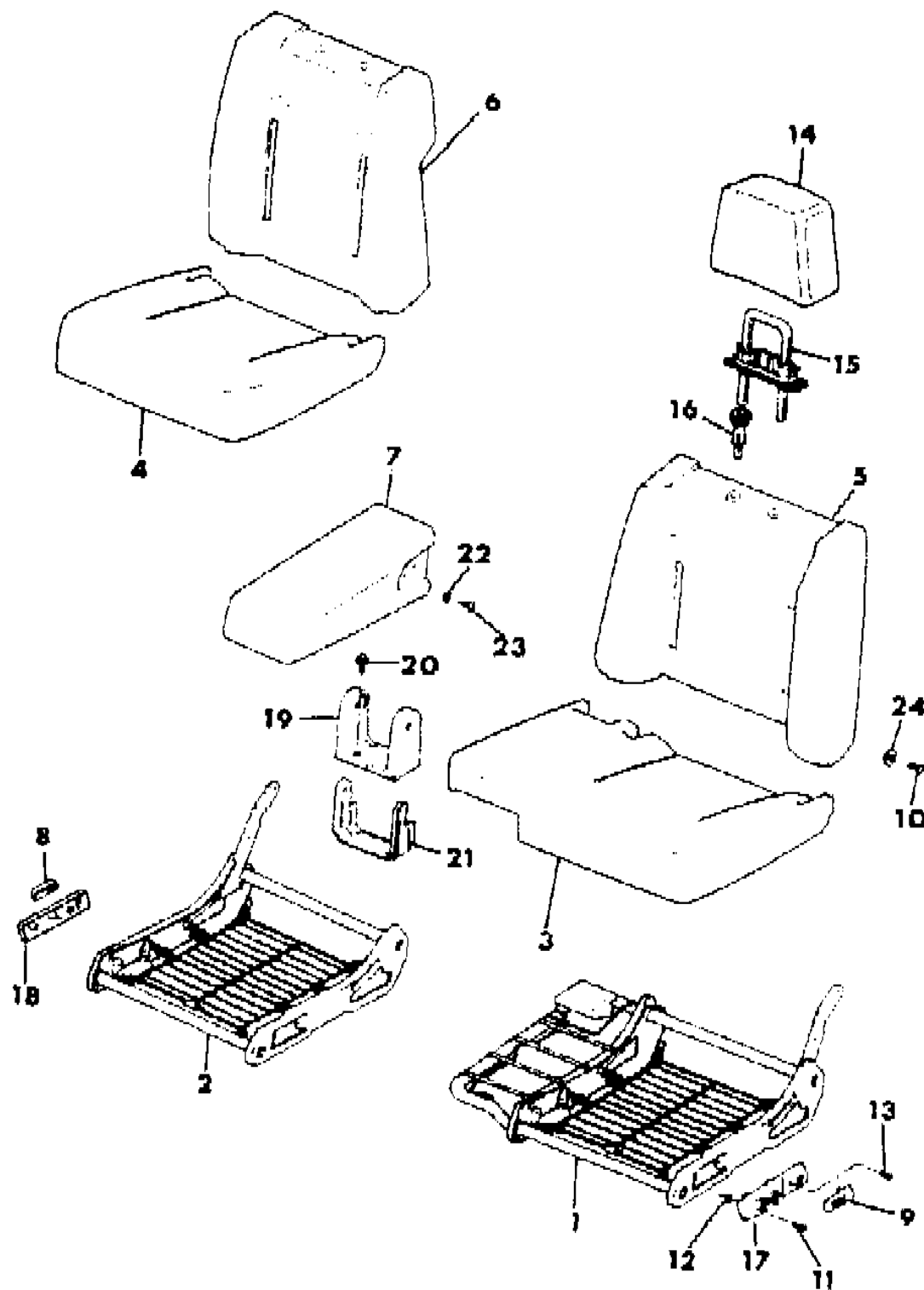
BODY STYLES:
 1988:
 55 = 4 dr. Sedan
 1989-92:
 6 = 4 Dr. Sedan

AR = Use as Required - = Non Illustrated Part P.A.R. = Paint as Required

FRAME AND PAD FRONT SEAT--45/55

Figure 45-1000

8P45 1000



ITEM	PART NUMBER	QTY	BODY	MODEL	DESCRIPTION
1	3501 6518	1			FRAME, Cushion, Lt.
2					FRAME, Cushion, Rt.
	3501 9528	1			w/Fixed Seat Back
	3501 3924	1			w/Reclining Seat Back
3-4	3501 3932-3	1			PAD, Cushion
5-6	3501 4612-3	1			FRAME, Seat Back w/Pad
7	3501 3936	1			FRAME, Armrest
8-9					HANDLE, Recliner
	3502 5020-1	1			Brownstone
	3501 8938-9	1			Charcoal
	3501 8942-3	1			Cordovan
	3501 8940-1	1			Navy
					1990-1992
	BE90-1 HA8	1			Charcoal
	BE90-1 HQ8	1			Navy
	BE90-1 HF7	1			Brownstone
	BE90-1 HH9	1			Cordovan
10	3420 2830	2			BOLT
11	3420 1264	4			SCREW
12	J400 6685	4			NUT
13	1150 1011	2			SCREW
14	3501 3969	2			PAD, Headrest
15	3500 3669	2			POST, Headrest
16	3500 9926	4			CYLINDER, Headrest
17-18					BEZEL, Handle
	3502 5022-3	1			Brownstone, w/o Power Seats
	AS36-7 HF7	1			1990-1992
	3502 5026-7	1			Brownstone, w/Power Seats
	3501 9598-9	1			Charcoal, w/o Power Seats
	AS36-7 HA8	1			1990-1992
	3501 8948-9	1			Charcoal, w/Power Seats
	3501 9602-3	1			Cordovan, w/o Power Seats
	AS36-7 HH9	1			1990-1992
	3501 8952-3	1			Cordovan, w/Power Seats
	3501 9600-1	1			Navy, w/o Power Seats
	AS36-7 HQ8	1			1990-1992
	3501 8950-1	1			Navy, w/Power Seats
19	3501 9529	1			BRACKET, Armrest
20	3420 1257	4			SCREW
21					COVER, Bracket

MODEL CODES:

1988:	1989:	1990-92:	1990-92:
559 - Premier LX	56 - Premier LX	DP-Monaco LE	XP-Premier LX
	557 - Premier ES		DS-Monaco ES
	66 - Premier ES		XS-Premier ES

BODY STYLES:

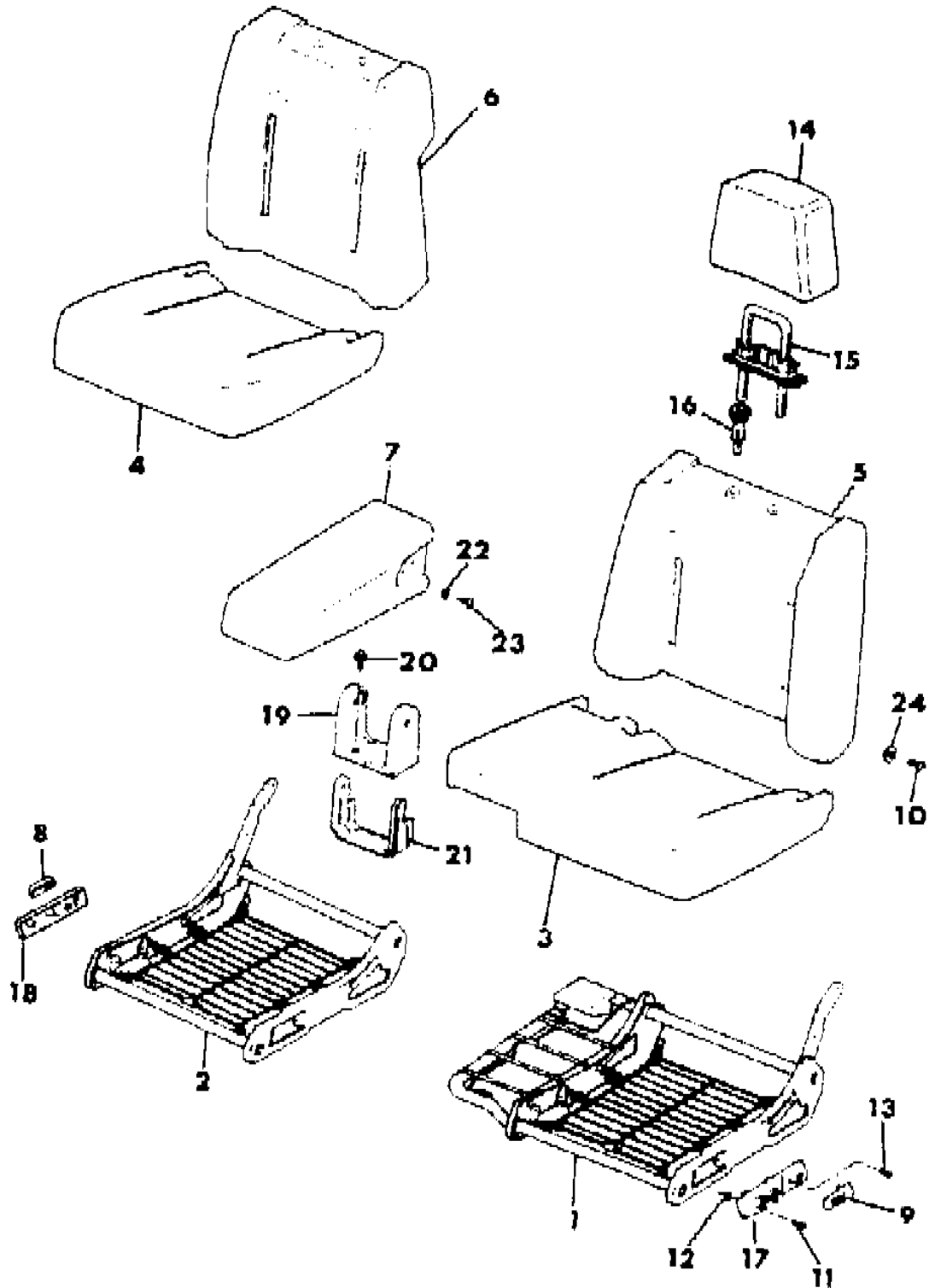
1988:
55 = 4 dr. Sedan
1989-92:
6 = 4 Dr. Sedan

AR = Use as Required - = Non Illustrated Part P.A.R. = Paint as Required

FRAME AND PAD FRONT SEAT--45/55
Figure 45-1000

8P45 1000

ITEM	PART NUMBER	QTY	BODY	MODEL	DESCRIPTION
	3501 8936	1			Brownstone
	3501 8930	1			Charcoal
	3501 8934	1			Cordovan
	3501 8932	1			Navy
22	J095 8629	2			WASHER
23	3420 2496	2			BOLT
24	J400 7317	2			WASHER



MODEL CODES:

1988:	1989:	1990-92:	1990-92:
559 - Premier LX	56 - Premier LX	DP-Monaco LE	XP-Premier LX
	557 - Premier ES		DS-Monaco ES
	66 - Premier ES		XS-Premier ES

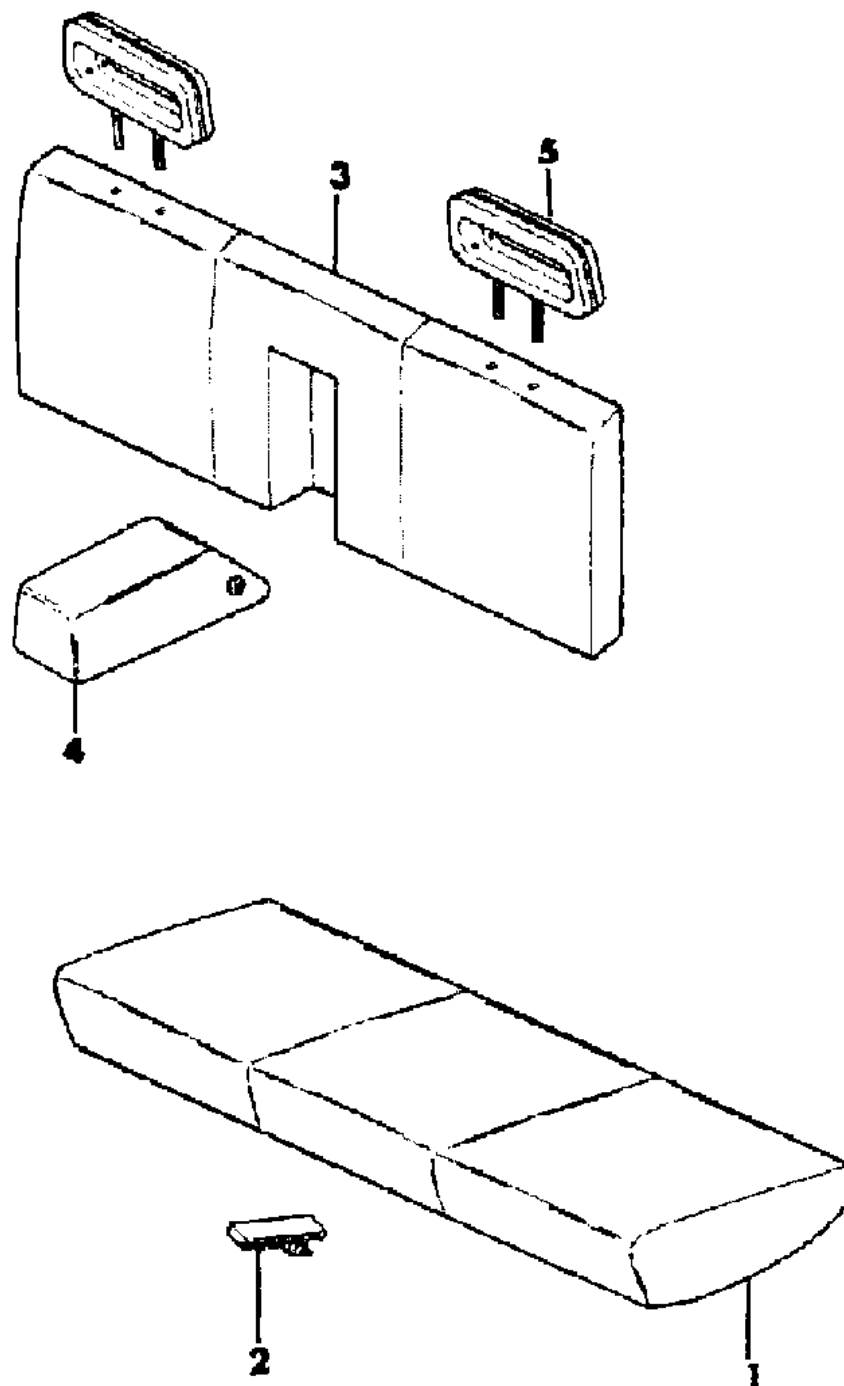
BODY STYLES:

1988:
55 = 4 dr. Sedan
1989-92:
6 = 4 Dr. Sedan

AR = Use as Required - = Non Illustrated Part P.A.R. = Paint as Required

FRAME AND PAD REAR SEAT
Figure 45-1100

8P45 1100



ITEM	PART NUMBER	QTY	BODY	MODEL	DESCRIPTION
1	3501 4034	1			FRAME, Cushion w/Pad
2	J064 9940	2			CLIP
3	3501 9935	1			FRAME, Seat Back, w/Pad w/Trim Codes (MK__, CM__)
	3501 4033	1			w/Trim Codes (JA__, CK__, SK__)
4	3501 3944	1			FRAME, Armrest
5					HEADREST ASSEMBLY *** Cloth
	3502 6972	2			Brownstone
	3502 0337	2			Charcoal
	3502 0339	2			Cordovan
	3502 0338	2			Navy 1991-92
	BA30 KA8	2			Charcoal, (S7S)
	BA30 KQ8	2			Navy, (S7Q)
	BA30 KH9	2			Cordovan, (S7H)
	BA30 KF7	2			Brownstone, (S7F)
					Leather
	J453 3084	2			Brownstone
	J453 3094	2			Dk. Charcoal 1990-1992
	AM32 HSA	2			Charcoal, (JAS,JLS)
	AM32 HFF	2			Brownstone, (JAF,JLF)
	AM32 JQ8	2			Navy, (JAQ,JLQ)
	AM32 JH9	2			Cordovan, (JAH,JHH)

MODEL CODES:

1988:	1989:	1990-92:	1990-92:
559 - Premier LX	56 - Premier LX 557 - Premier ES 66 - Premier ES	DP-Monaco LE	XP-Premier LX DS-Monaco ES XS-Premier ES

BODY STYLES:

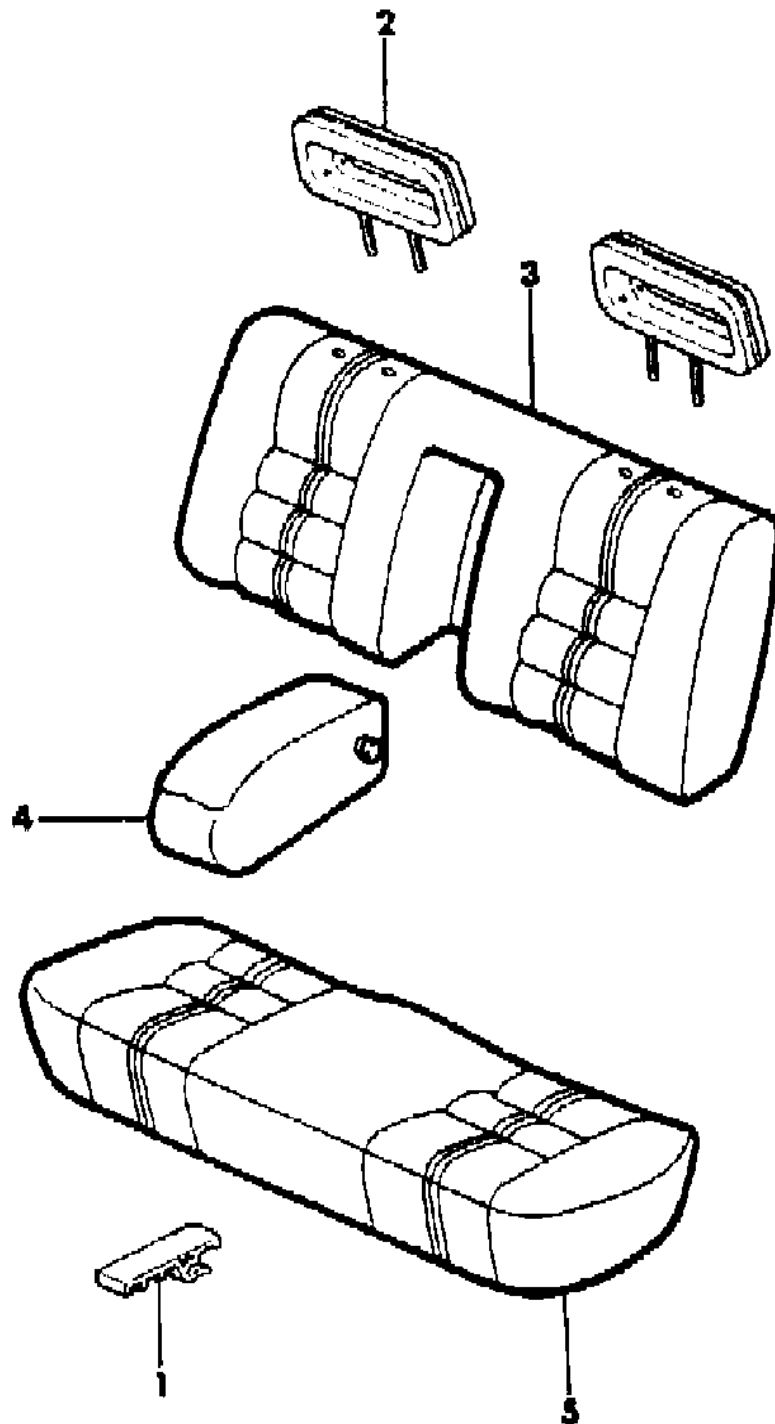
1988:
55 = 4 dr. Sedan
1989-92:
6 = 4 Dr. Sedan

AR = Use as Required - = Non Illustrated Part P.A.R. = Paint as Required

FRAME--PAD--COVER REAR SEAT 1988-89

Figure 45-1200

8P45 1200 A



ITEM	PART NUMBER	QTY	BODY	MODEL	DESCRIPTION
1	J064 9940	2			CLIP
2					HEADREST ASSEMBLY ***
	3502 0337	2			Charcoal, Cloth
	3502 0339	2			Cordovan, Cloth
	3502 6972	2			Dk. Brownstone Cloth
	3502 0338	2			Navy, Cloth
	J453 3084	2			Brownstone, Leather
	J453 3094	2			Dk. Charcoal
3					BACK ASSEMBLY
	4533 135	1		LX	Charcoal, Cloth
	4533 139	1		LX	Cordovan, Cloth
	4533 141	1		LX	Dk. Brownstone, Cloth
	4533 137	1		LX	Navy, Cloth
	4533 155	1		ES	Charcoal, Cloth
	4533 159	1		ES	Cordovan, Cloth
	4533 578	1		ES	Dk. Brownstone, Cloth
	4533 157	1		ES	Navy, Cloth
	4533 095	1		ES	Brownstone, Leather
	4533 099	1		ES	Dk. Charcoal, Leather
4					ARMREST ASSEMBLY ***
	4533 163	1			Charcoal, Cloth
	4533 165	1			Cordovan, Cloth
	4533 166	1			Dk. Brownstone, Cloth
	4533 164	1			Navy, Cloth
	4533 098	1			Brownstone, Leather
	4533 102	1			Dk. Charcoal, Leather
5					CUSHION ASSEMBLY ***
	3502 0300	1		LX	Charcoal, Cloth
	3502 0302	1		LX	Cordovan, Cloth
	3502 5048	1		LX	Dk. Brownstone Cloth
	3502 0301	1		LX	Navy, Cloth
	3502 0320	1		ES	Charcoal, Cloth
	3502 0322	1		ES	Cordovan, Cloth
	3502 6966	1		ES	Dk. Brownstone, Cloth
	3502 0321	1		ES	Navy, Cloth
	4533 097	1		ES	Brownstone, Leather
	4533 101	1		ES	Dk. Charcoal, Leather

MODEL CODES:

1988:	1989:	1990-92:	1990-92:
559 - Premier LX	56 - Premier LX	DP-Monaco LE	XP-Premier LX
	557 - Premier ES		DS-Monaco ES
	66 - Premier ES		XS-Premier ES

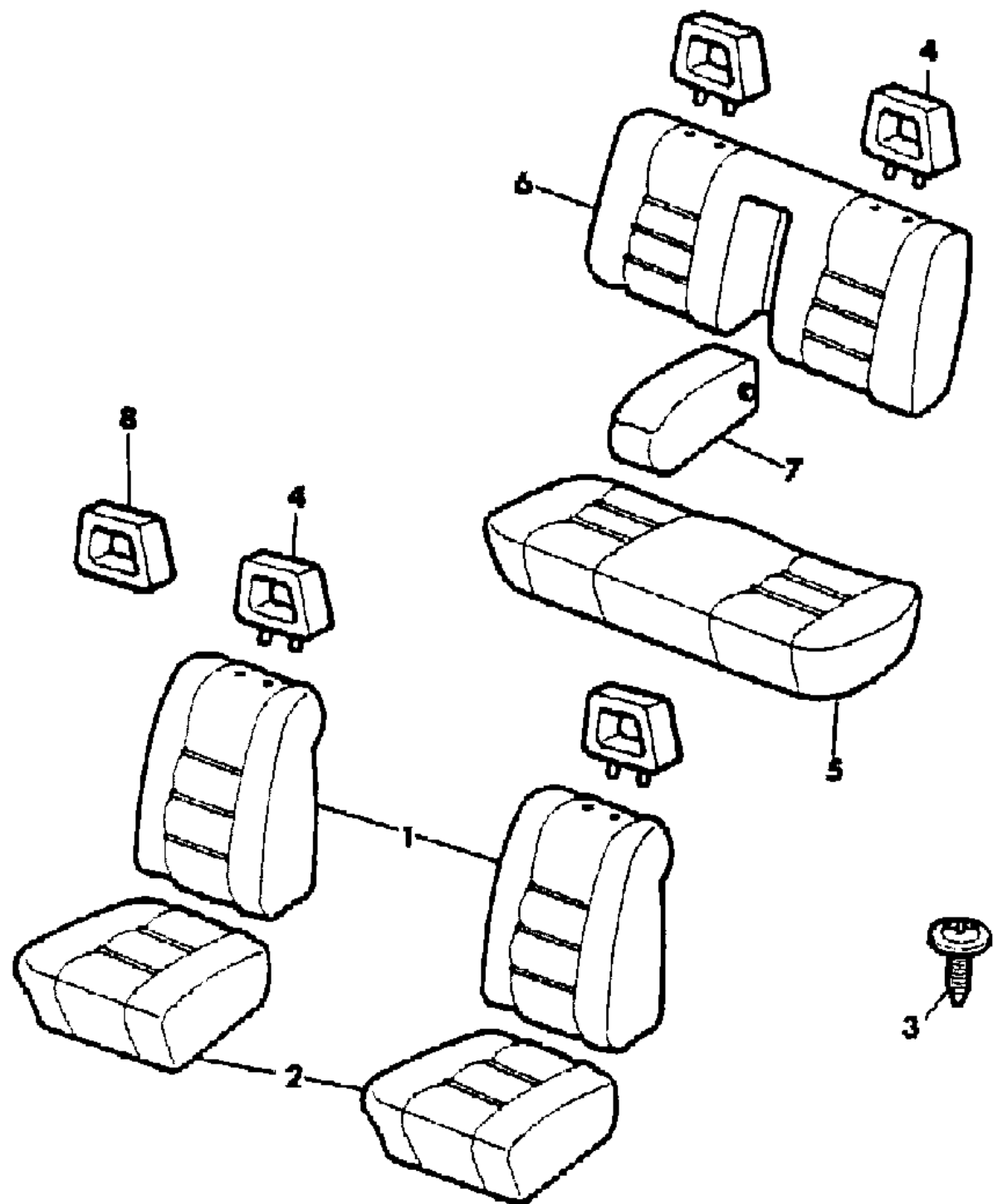
BODY STYLES:

1988:
55 = 4 dr. Sedan
1989-92:
6 = 4 Dr. Sedan

AR = Use as Required - = Non Illustrated Part P.A.R. = Paint as Required

COVERS--SEAT UPHOLSTERY PREMIER - ES MODEL 1988-89
Figure 45-1300

BP45 1300



ITEM	PART NUMBER	QTY	BODY	MODEL	DESCRIPTION
1					COVER, Back
					w/o Passive Restraint
					w/Diag. Striped Cloth
	3502 5546	2			Charcoal, (CK SA, JSA, KSA)
	3502 5548	2			Navy, (CK Q8, JSB, KSB)
					w/Passive Restraint
	3502 5796	2			Charcoal, (CK SA, JSA, KSA)
	3502 5798	2			Navy, (CK QK, JSB, KSB)
	3502 5800	2			Cordovan, (CK H9, JSC, KSC)
	3502 6965	2			Brownstone, (CK FF, JSD, KSD)
					w/Leather
	J453 3124	2			Brownstone, (JA FF)
	J453 3125	2			Dark Charcoal, (JA SA)
2					COVER, Cushion
	3501 7644	2			Charcoal, (CK SA, JSA, KSA) (Up To 3-1-89)
	4533 218	2			Charcoal, (CK SA, JSA, KSA) (Aft. 3-1-89)
	3501 7646	2			Navy, (CK Q8, JSB, KSB) (Up To 3-1-89)
	4533 219	2			Navy, (CK Q8, JSB, KSB) (Aft. 3-1-89)
	3501 7648	2			Cordovan, (CK H9, JSC, KSC) (Up To 3-1-89)
	4533 220	2			Cordovan, (CK H9, JSC, KSC) (Aft. 3-1-89)
	3502 6964	2			Brownstone, (CK FF, JSD, KSD) (Up To 3-1-89)
	4533 609	2			Brownstone, (CK FF, JSD, KSD) (Aft 3-1-89)
					w/Leather
	J453 3122	2			Brownstone, (JA FF)
	J453 3123	2			Dark Charcoal, (JA SA)
3	3420 1314	AR			SCREW
4					HEADREST ASSEMBLY
					w/Diag. Striped Cloth
	3502 0337	4			Charcoal (CK SA, JSA, KSA)
	3502 0338	4			Navy, (CK Q8, JSB, KSB)
	3502 0339	4			Cordovan, (CK H9, JSC, KSC)
	3502 6972	4			Brownstone, (CK FF, JSD, KSD)
					w/Leather (45/45 Seat)
	J453 3084	4			Brownstone, (JA FF)
	J453 3094	4			Dark Charcoal, (JA SA)
5					COVER, Cushion
					w/Diag. Striped Cloth
	3501 7696	1			Charcoal, (CK SA, JSA, KSA)
	3501 7698	1			Navy, (CK Q8, JSB, KSB)
	3501 7700	1			Cordovan, (CK H9, JSC, KSC)

MODEL CODES:

1988:	1989:	1990-92:	1990-92:
559 - Premier LX	56 - Premier LX	DP-Monaco LE	XP-Premier LX
	557 - Premier ES		DS-Monaco ES
	66 - Premier ES		XS-Premier ES

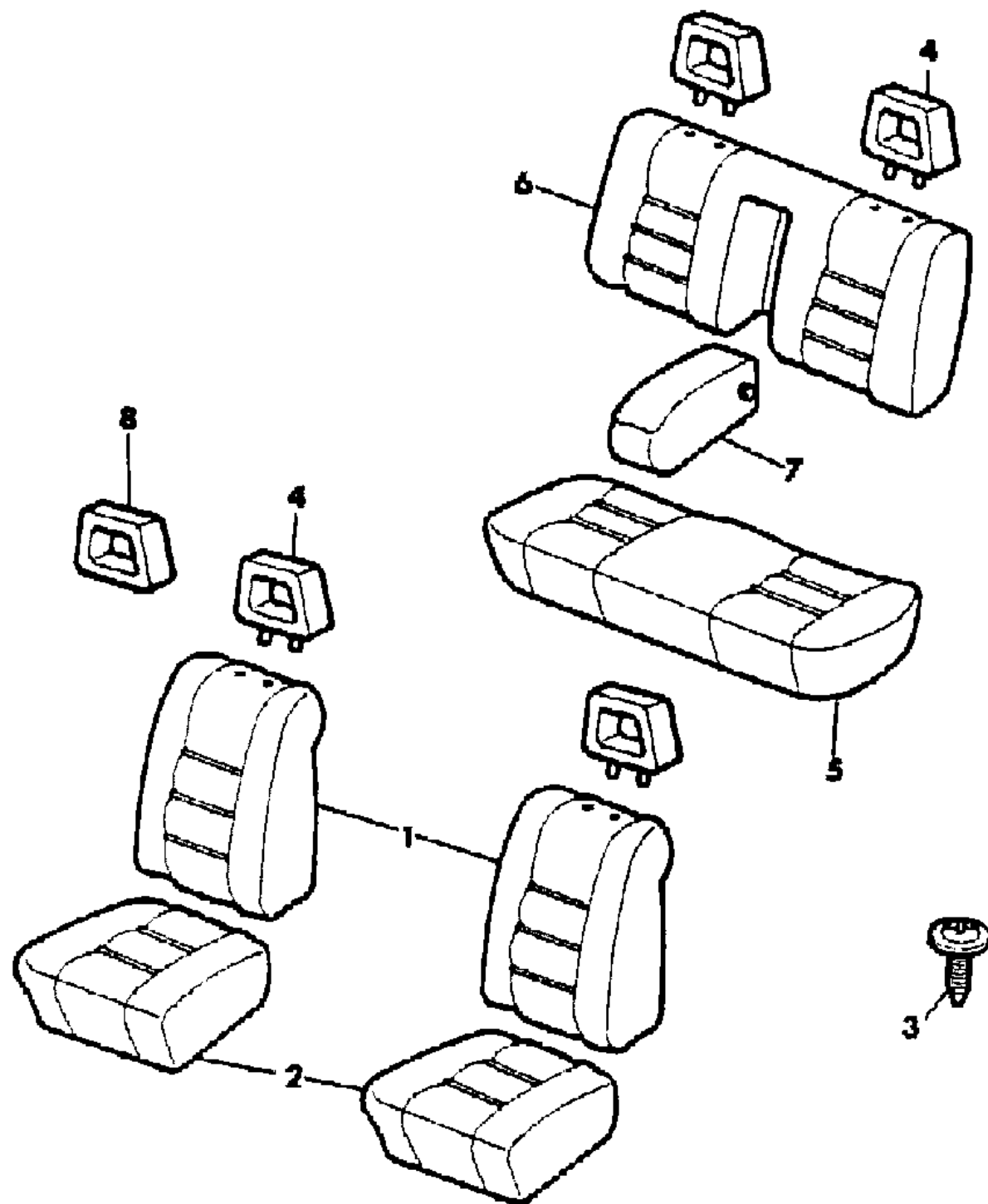
BODY STYLES:

1988:
55 = 4 dr. Sedan
1989-92:
6 = 4 Dr. Sedan

AR = Use as Required - = Non Illustrated Part P.A.R. = Paint as Required

COVERS--SEAT UPHOLSTERY PREMIER - ES MODEL 1988-89
Figure 45-1300

BP45 1300



ITEM	PART NUMBER	QTY	BODY	MODEL	DESCRIPTION
	3502 6967	1			Brownstone, (CK FF, JSD, KSD) w/Leather Upholstery
	J453 3132	1			Brownstone, (JA FF)
	J453 3133	1			Dark Charcoal, (JA SA)
6					COVER, Back
	3502 5552	1			w/Diag. Striped Cloth Charcoal, (CK SA, JSA, KSA) w/o Passive Restraint, (Up To 3-1-89)
	3502 6524	1			Brownstone, (CK SA, JSA, KSA), w/Passive Restraint (Up To 3-1-89)
	4533 184	1			Charcoal, (CK SA, JSA, KSA) (Aft. 3-1-89)
	3502 5554	1			Navy, (CK Q8, JSB, KSB), w/o Passive Restraint, (Up To 3-1-89)
	3502 6526	1			Navy, (CK Q8, JSB, KSB), w/o Passive Restraint (Up to 3-1-89)
	4533 185	1			Navy, (CK Q8, JSB, KSB) (Aft. 3-1-89)
	3502 5556	1			Cordovan, (CK H9, JSC, KSC), w/o Passive Restraint (Up To 3-1-89)
	3502 6528	1			Cordovan, (CK H9, JSC, KSC), w/Passive Restraint, (Up To 3-1-89)
	4533 186	1			Cordovan, (CK H9, JSC, KSC) (Aft. 3-1-89)
	3502 6969	1			Brownstone, (CK FF, JSD, KSD) w/Passive Restraint, (Up To 3-1-89)
	4533 608	1			Brownstone, (CK FF, JSA, KSD) (Aft. 3-1-89) w/Leather Upholstery
	J453 3128	1			Brownstone, (JA FF)
	J453 3129	1			Dark Charcoal, (JA SA)
7					COVER, Armrest
	3501 7786	1			w/Diag. Striped Cloth (45/45 Seat) Charcoal, (CK SA, JSA, KSA) (Up To 3-1-89)
	4533 610	1			Charcoal, (CK SA, JSA, KSA) (Aft. 3-1-89)
	3501 7780	1			Navy, (CK Q8, JSB, KSB) (Up To 3-1-89)
	4533 188	1			Navy, (CK Q8, JSB, KSB) (Aft. 3-1-89)
	3501 7782	1			Cordovan, (CK H9, JSC, KSC) (Up To 3-1-89)
	4533 189	1			Cordovan, (CK H9, JSC, KSC) (Aft. 3-1-89)
	3502 5057	1			Brownstone, (CK FF, JSD, KSD) (Up To 3-1-89)
	4533 190	1			Brownstone, (CK FF, JSD, KSD) (Aft. 3-1-89) w/Leather Upholstery
	J453 3130	1			Brownstone, (JA FF)
	J453 3131	1			Dark Charcoal, (JA SA)
8					COVER, Headrest, Leather

MODEL CODES:			
1988:	1989:	1990-92:	1990-92:
559 - Premier LX	56 - Premier LX	DP-Monaco LE	XP-Premier LX
	557 - Premier ES		DS-Monaco ES
	66 - Premier ES		XS-Premier ES

BODY STYLES:
 1988:
 55 = 4 dr. Sedan
 1989-92:
 6 = 4 Dr. Sedan

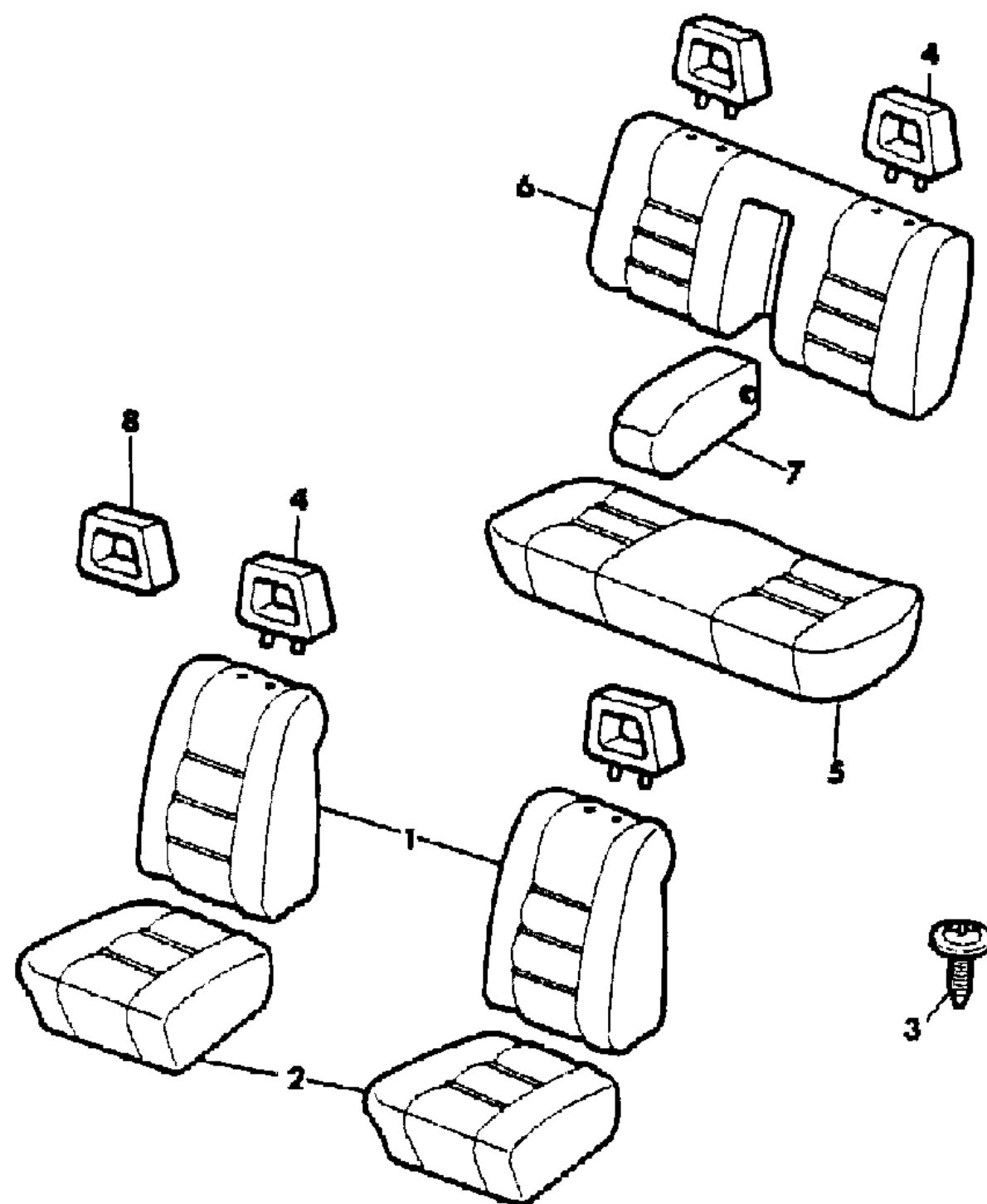
AR = Use as Required - = Non Illustrated Part P.A.R. = Paint as Required

COVERS--SEAT UPHOLSTERY PREMIER - ES MODEL 1988-89

Figure 45-1300

BP45 1300

ITEM	PART NUMBER	QTY	BODY	MODEL	DESCRIPTION
	4533 126	4			Brownstone, (JA FF)
	4533 127	4			Dk. Charcoal, (JA SA)



MODEL CODES:
 1988: 559 - Premier LX
 1989: 56 - Premier LX, 557 - Premier ES, 66 - Premier ES
 1990-92: DP-Monaco LE
 1990-92: XP-Premier LX, DS-Monaco ES, XS-Premier ES

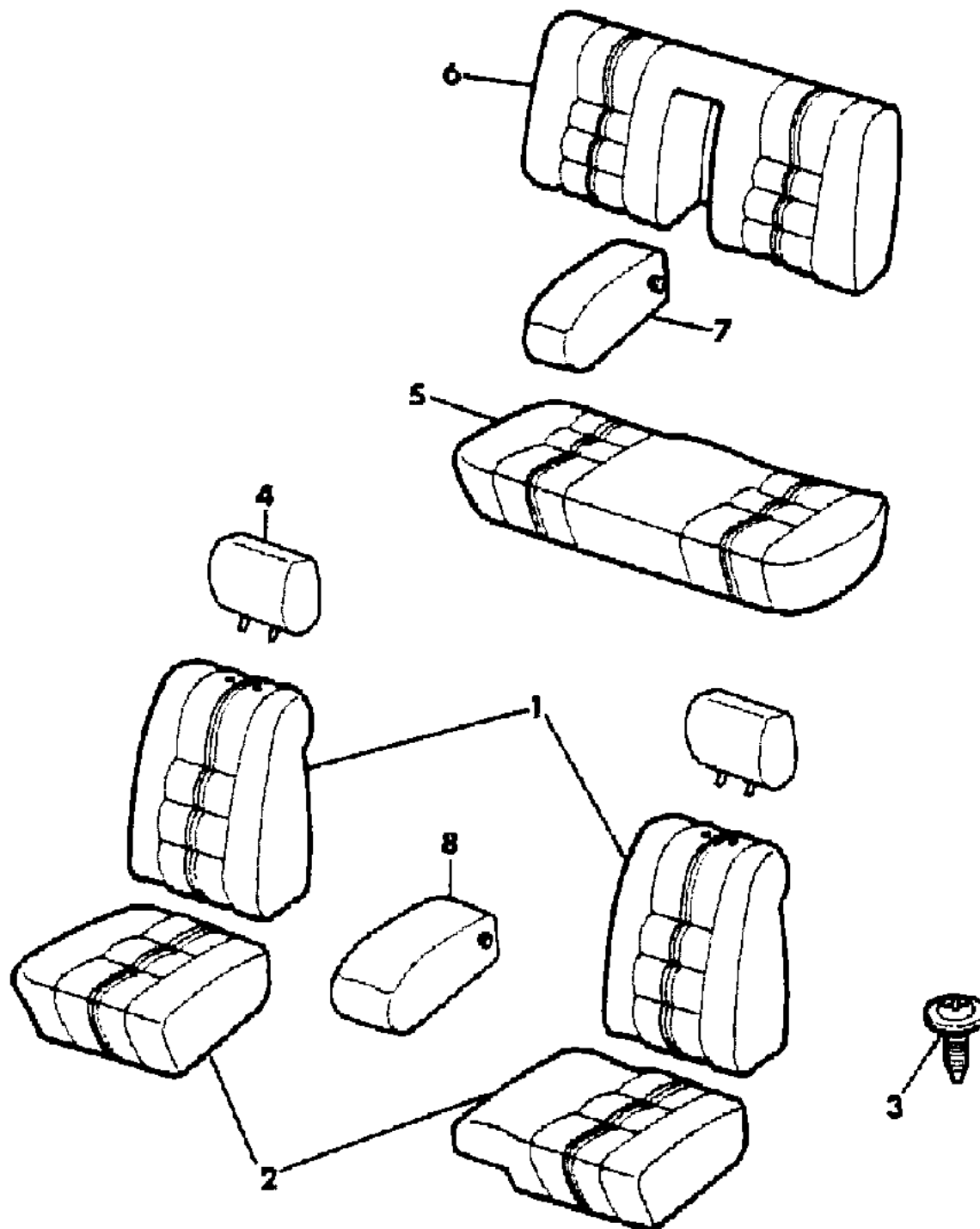
BODY STYLES:
 1988: 55 = 4 dr. Sedan
 1989-92: 6 = 4 Dr. Sedan

AR = Use as Required - = Non Illustrated Part P.A.R. = Paint as Required

COVERS--SEAT UPHOLSTERY PREMIER--LX MODEL--55/45 SEAT--PINSTRIPE CLOTH 1988-89

Figure 45-1400

8P45 1400



ITEM	PART NUMBER	QTY	BODY	MODEL	DESCRIPTION
1					COVER, Back
	3502 5538	2			Charcoal, (CM SA, LRA, MRA)
	3502 5540	2			Navy, (CM Q8, LRB, MRB)
	3502 5542	2			Cordovan, (CM H9, LRC, MRC)
	3502 5544	2			Dk. Brownstone, (CM FF, LRD, MRD)
2					COVER, Cushion
					LEFT
	3501 7607	1			Charcoal, (CM SA, LRA, MRA)
	3501 7609	1			Navy, (CM Q8, LRB, MRB)
	3501 7611	1			Cordovan, (CM H9, LRC, MRC)
	3502 5047	1			Dk. Brownstone, (CM FF, LRD, MRD)
					RIGHT
	3501 7590	1			Charcoal, (CM SA, LRA, MRA)
	3501 7592	1			Navy, (CM Q8, LRB, MRB)
	3501 7594	1			Cordovan, (CM H9, LRC, MRC)
	3502 5042	1			Dk. Brownstone, (CM FF, LRD, MRD)
3	3420 1314	AR			SCREW
4					COVER, Headrest
	3501 7768	2			Charcoal, (CM SA, LRA, MRA) (Up To 3-1-89)
	4533 229	2			Charcoal (CM SA, LRA, MRA) (Aft. 3-1-89)
	3501 7770	2			Navy, (CM Q8, LRB, MRB) (Up To 3-1-89)
	4533 230	2			Navy (CM Q8, LRB, MRB) (Aft. 3-1-89)
	3501 7772	2			Cordovan, (CM H9, LRC, MRC) (Up To 3-1-89)
	4533 231	2			Cordovan, (CM H9, LRC, MRC) (Aft. 3-1-89)
	3502 5053	2			Dk. Brownstone, (CM FF, LRD, MRD) (Up To 3-1-89)
	4533 232	2			Dk. Brownstone (CM FF, LRD, MRD) (Aft. 3-1-89)
5					COVER, Cushion
	3501 7712	1			Charcoal, (CM SA, LRA, MRA)
	3501 7714	1			Navy, (CM Q8, LRB, MRB)
	3501 7716	1			Cordovan, (CM H9, LRC, MRC)
	3502 5050	1			Dk. Brownstone, (CM FF, LRD, MRD)
6					COVER, Back
	3502 5852	1			Charcoal, (CM SA, LRA, MRA) w/o Passive Restraint, (Up to 3-1-89)
	3502 6500	1			Charcoal, (CM SA, LRA, MRA) (w/Passive Restraint), (Up To 3-1-89)
	4533 180	1			Charcoal, (CM SA, LRA, MRA) (Aft. 3-1-89)
	3502 5854	1			Navy, (CM Q8, LRB, MRB) (w/o Passive Restraint) (Up To 3-1-89)

MODEL CODES:

1988:	1989:	1990-92:	1990-92:
559 - Premier LX	56 - Premier LX	DP-Monaco LE	XP-Premier LX
	557 - Premier ES		DS-Monaco ES
	66 - Premier ES		XS-Premier ES

BODY STYLES:

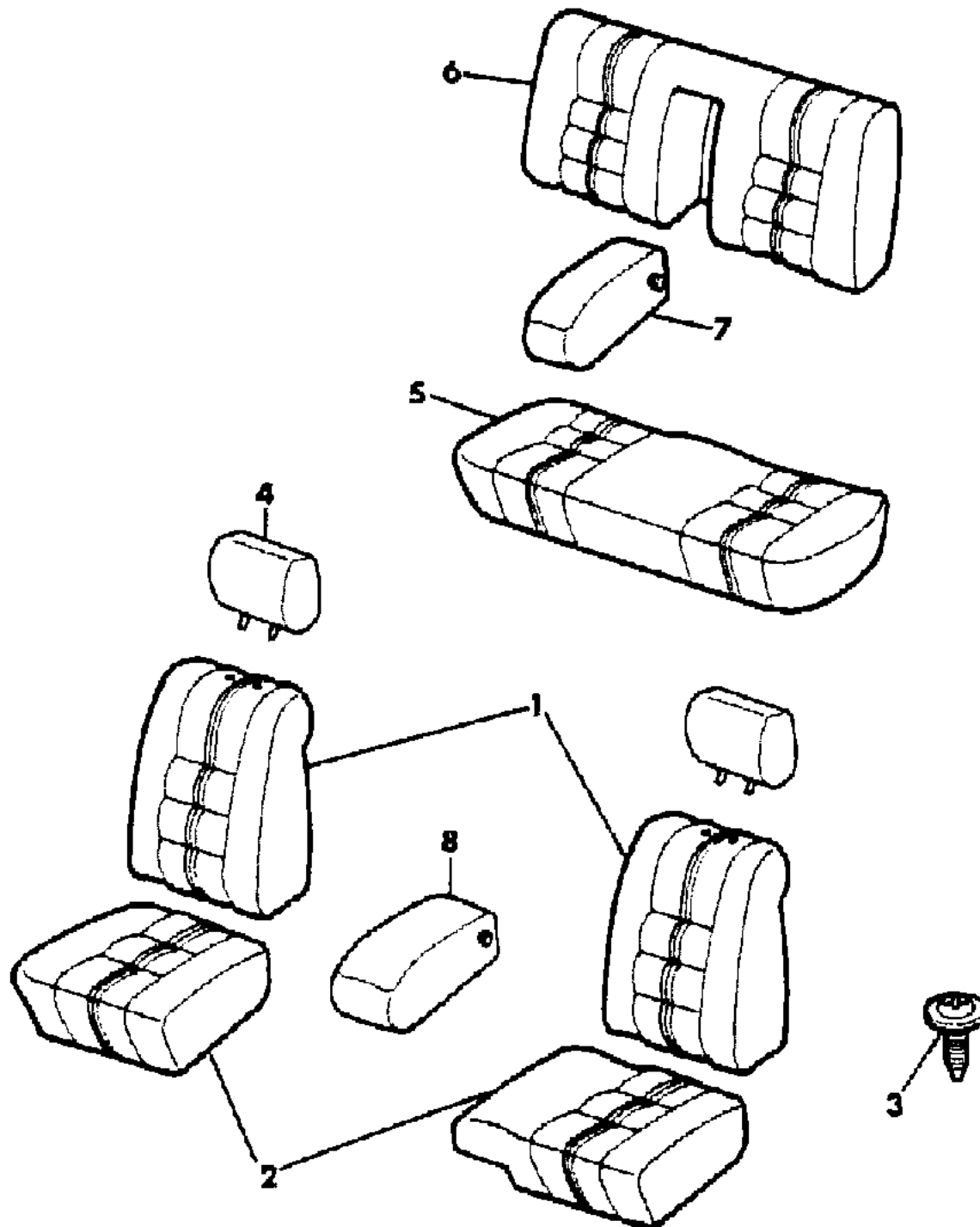
1988:
55 = 4 dr. Sedan
1989-92:
6 = 4 Dr. Sedan

AR = Use as Required - = Non Illustrated Part P.A.R. = Paint as Required

COVERS--SEAT UPHOLSTERY PREMIER--LX MODEL--55/45 SEAT--PINSTRIPE CLOTH 1988-89

Figure 45-1400

8P45 1400



ITEM	PART NUMBER	QTY	BODY	MODEL	DESCRIPTION
	3502 6502	1			Navy, (CM Q8, LRB, MRB) (w/Passive Restraint) (Up To 3-1-89)
	4533 181	1			Navy, (CM Q8, LRB, MRB) (Aft. 3-1-89)
	3502 5856	1			Cordovan, (CM H9, LRC, MRC) (w/o Passive Restraint) (Up To 3-1-89)
	3502 6504	1			Cordovan, (CM H9, LRC, MRC) (w/Passive Restraint) (Up To 3-1-89)
	4533 182	1			Cordovan, (CM H9, LRC, MRC) (Aft. 3-1-89)
	3502 5858	1			Dk. Brownstone, (CM FF, LRD, MRD) (w/o Passive Restraint) (Up To 3-1-89)
	3502 6506	1			Dk. Brownstone (CM FF, LRD, MRD) (w/Passive Restraint) (Up To 3-1-89)
	4533 183	1			Dk. Brownstone (CM FF, LRD, MRD) (Aft. 3-1-89)
7					COVER, Armrest
	3501 7778	1			Charcoal, (CM SA, LRA, MRA) (Up To 3-1-89)
	4533 187	1			Charcoal, (CM SA, LRA, MRA) (Aft. 3-1-89)
	3501 7780	1			Navy, (CM Q8, LRB, MRB) (Up To 3-1-89)
	4533 188	1			Navy, (CM Q8, LRB, MRB) (Aft. 3-1-89)
	3501 7782	1			Cordovan, (CM H9, LRC, MRC) (Up To 3-1-89)
	4533 189	1			Cordovan, (CM H9, LRC, MRC) (Aft. 3-1-89)
	3502 5057	1			Dk. Brownstone, (CM FF, LRD, MRD) (Up To 3-1-89)
	4533 190	1			Dk. Brownstone, (CM FF, LRD, MRD) (Aft. 3-1-89)
8					COVER, Armrest
	3501 7746	1			Charcoal, (CM SA, LRA, MRA)
	3501 7748	1			Navy, (CM Q8, LRB, MRB)
	3501 7750	1			Cordovan, (CM H9, LRC, MRC)
	3502 5055	1			Dk. Brownstone, (CM FF, LRD, MRD)

MODEL CODES:

1988:	1989:	1990-92:	1990-92:
559 - Premier LX	56 - Premier LX	DP-Monaco LE	XP-Premier LX
	557 - Premier ES		DS-Monaco ES
	66 - Premier ES		XS-Premier ES

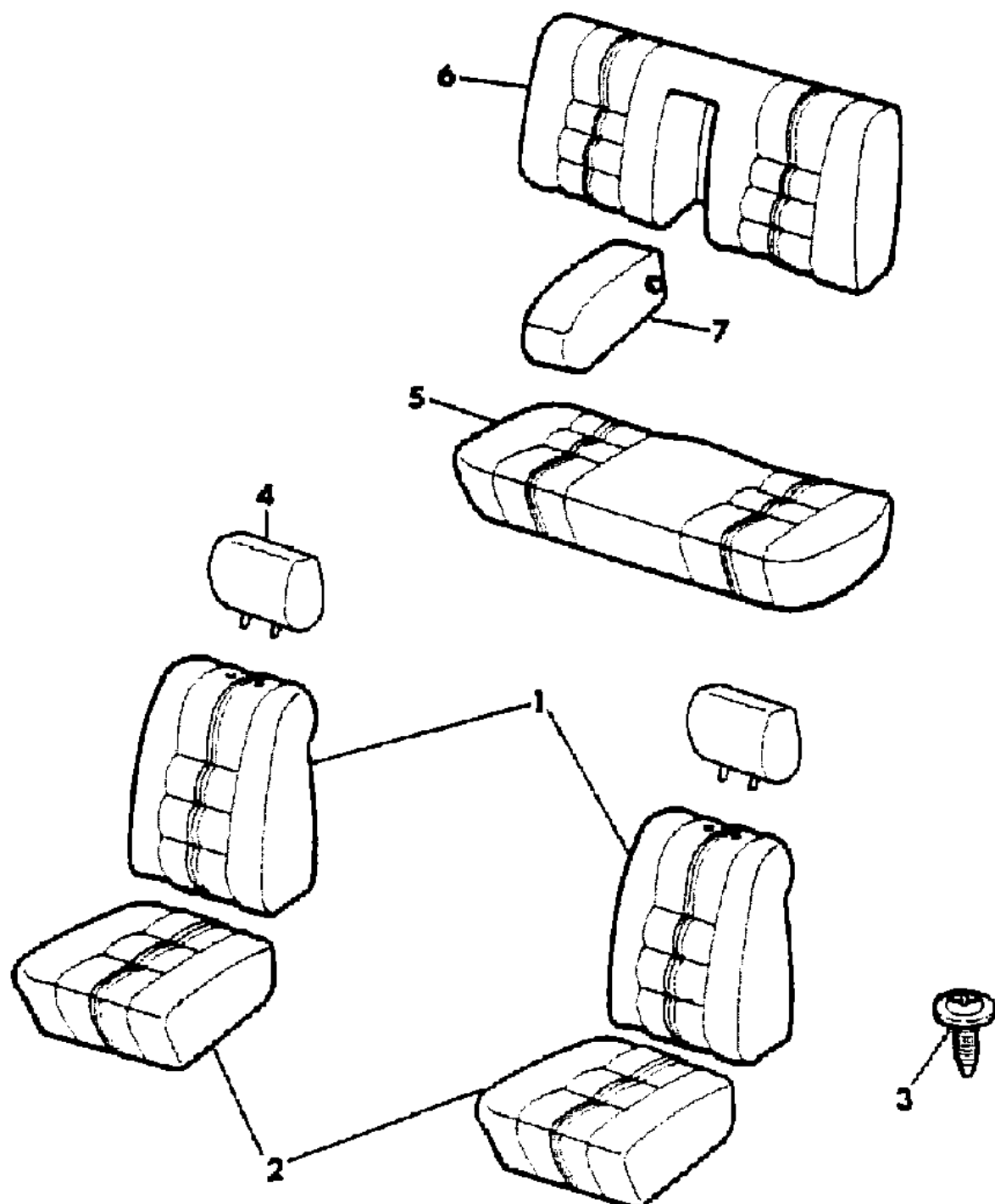
BODY STYLES:

1988:
55 = 4 dr. Sedan
1989-92:
6 = 4 Dr. Sedan

AR = Use as Required - = Non Illustrated Part P.A.R. = Paint as Required

COVERS--SEAT UPHOLSTERY PREMIER--LX MODEL--45/45 SEAT--PINSTRIPE CLOTH 1988-89
Figure 45-1450

8P45 1450



ITEM	PART NUMBER	QTY	BODY	MODEL	DESCRIPTION
1					COVER, Back
					w/o Passive Restraint
	3502 5538	2			Charcoal, (MK SA, JRA, KRA) (Up To 3-1-89)
	3502 5540	2			Navy, (MK QB, JRB, KRB) (Up To 3-1-89)
	3502 5542	2			Cordovan, (MK H9, JRC, KRC) (Up To 3-1-89)
	3502 5544	2			Dk. Brownstone, (MK FF, JRD, KRD) (Up To 3-1-89)
					w/Passive Restraint
	3502 5788	2			Charcoal, (MK SA, JRA, KRA)
	3502 5790	2			Navy, (MK QB, JRB, KRB)
	3502 5792	2			Cordovan, (MK H9, JRC, KRC)
	3502 5794	2			Dk. Brownstone, (MK FF, JRD, KRD)
2					COVER, Cushion
	3501 7590	2			Charcoal, (MK SA, JRA, KRA)
	3501 7592	2			Navy, (MK Q8, JRB, KRB)
	3501 7594	2			Cordovan, (MK H9, JRC, KRC)
	3502 5042	2			Dk. Brownstone, (MK FF, JRD, KRD)
3	3420 1314	AR			SCREW
4					COVER, Headrest
	3501 7768	2			Charcoal, (MK SA, JRA, KRA) (Up To 3-1-89)
	4533 229	2			Charcoal (MK SA, JRA, KRA) (Aft 3-1-89)
	3501 7770	2			Navy, (MK Q8, JRB, KRB) (Up To 3-1-89)
	4533 230	2			Navy (MK Q8, JRB, KRB) (Aft. 3-1-89)
	3501 7772	2			Cordovan, (MK H9, JRC, KRC) (Up To 3-1-89)
	4533 231	2			Cordovan (MK H9, JRC, KRC) (Aft. 3-1-89)
	3502 5053	2			Dk. Brownstone, (MK FF, JRD, KRD) (Up To 3-1-89)
	4533 232	2			Dk. Brownstone, (MK FF, JRD, KRD) (Up To 3-1-89)
5					COVER, Cushion
	3501 7712	1			Charcoal, (MK SA, JRA, KRA)
	3501 7714	1			Navy, (MK Q8, JRB, KRB)
	3501 7716	1			Cordovan, (MK H9, JRC, KRC)
	3502 5050	1			Dk. Brownstone, (MK FF, JRD, KRD)
6					COVER, Back
	3502 5852	1			Charcoal, (ML SA, JRA, KRA) (w/o Passive Restraint) (Up To 3-1-89)
	3502 6500	1			Charcoal, (MK SA, JRA, KRA) (w/Passive Restraint) (Up To 3-1-89)
	4533 180	1			Charcoal, (MK SA, JRA, KRA) (Aft. 3-1-89)
	3502 5854	1			Navy, (MK Q8, JRB, KRB) (w/o Passive Restraint) (Up To 3-1-89)
	3502 6502	1			Navy, (MK Q8, JRB, KRB) (w/Passive Restraint) (Aft. 3-1-89)

MODEL CODES:			
1988:	1989:	1990-92:	1990-92:
559 - Premier LX	56 - Premier LX	DP-Monaco LE	XP-Premier LX
	557 - Premier ES		DS-Monaco ES
	66 - Premier ES		XS-Premier ES

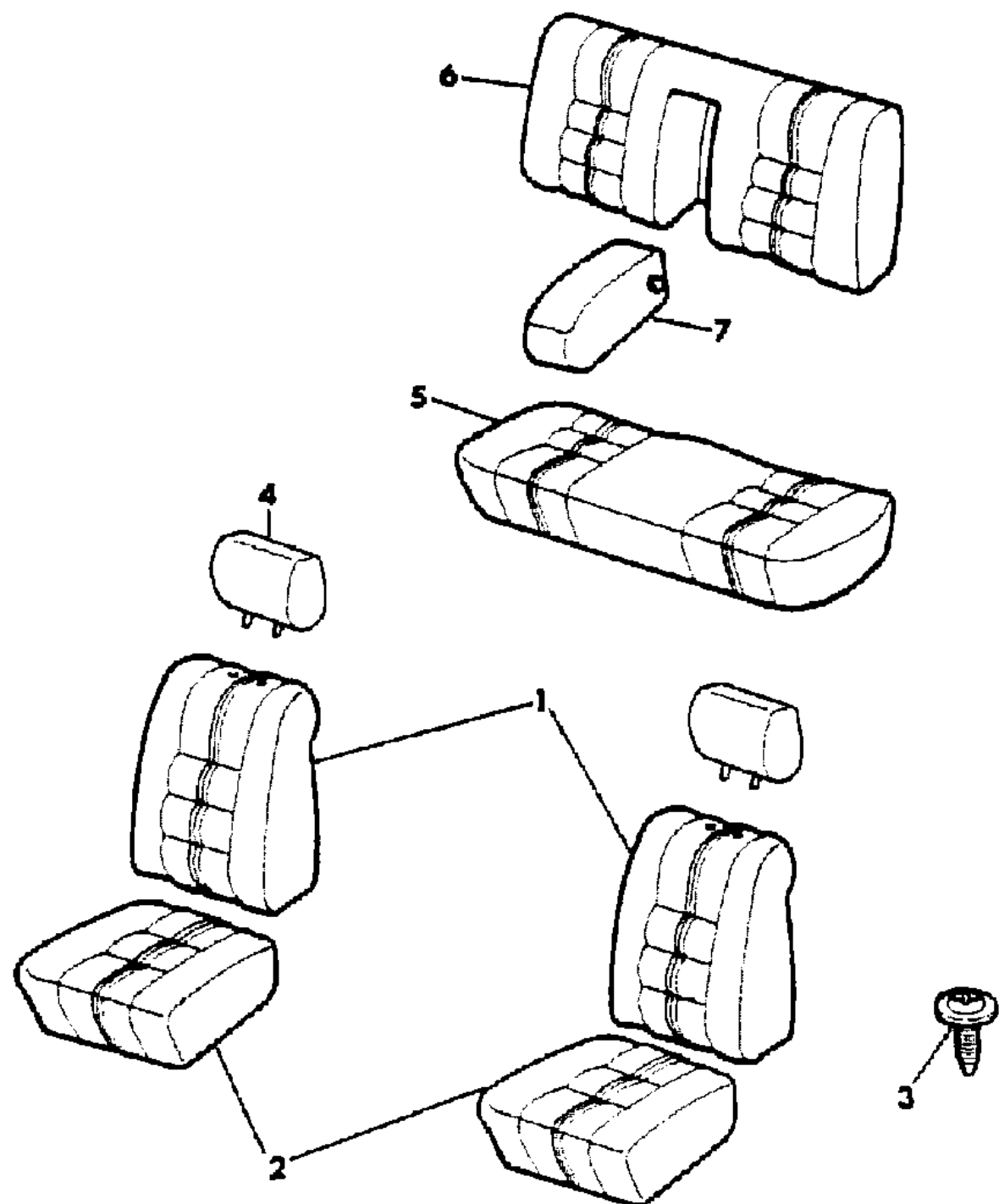
BODY STYLES:
 1988:
 55 = 4 dr. Sedan
 1989-92:
 6 = 4 Dr. Sedan

AR = Use as Required - = Non Illustrated Part P.A.R. = Paint as Required

COVERS--SEAT UPHOLSTERY PREMIER--LX MODEL--45/45 SEAT--PINSTRIPE CLOTH 1988-89
Figure 45-1450

8P45 1450

ITEM	PART NUMBER	QTY	BODY	MODEL	DESCRIPTION
	4533 181	1			Navy, (MK Q8, JRB, KRB) (Aft. 3-1-89)
	3502 5856	1			Cordovan, (MK H9, JRC, KRC) (w/o Passive Restraint) (Up To 3-1-89)
	3502 6504	1			Cordovan, (MK H9, JRC, KRC) (w/Passive Restraint) (Up To 3-1-89)
	4533 182	1			Cordovan, (MK H9, JRC, KRC) (Aft. 3-1-89)
	3502 5858	1			Dk. Brownstone, (MK FF, JRD, KRD) (w/o Passive Restraint) (Up To 3-1-89)
	3502 6506	1			Dk. Brownstone (MK FF, JRD, KRD) (w/Passive Restraint) (Up To 3-1-89)
7	4533 183	1			Dk. Brownstone (MK FF, JRD, KRD) (Aft. 3-1-89) COVER, Armrest
	3501 7778	1			Charcoal, (MK SA, JRA, KRA) (Up To 3-1-89)
	4533 187	1			Charcoal, (MK SA, JRA, KRA) (Aft. 3-1-89)
	3501 7780	1			Navy, (MK Q8, JRB, KRB) (Up To 3-1-89)
	4533 188	1			Navy, (MK Q8, JRB, KRB) (Aft. 3-1-89)
	3501 7782	1			Cordovan, (MK H9, JRC, KRC) (Up To 3-1-89)
	4533 189	1			Cordovan (MK H9, JRC, KRC) (Aft. 3-1-89)
	3502 5057	1			Dk. Brownstone, (MK FF, JRD, KRD) (Up To 3-1-89)
	4533 190	1			Dk. Brownstone, (MK FF, JRD, KRD) (Aft. 3-1-89)



MODEL CODES:

1988:	1989:	1990-92:	1990-92:
559 - Premier LX	56 - Premier LX	DP-Monaco LE	XP-Premier LX
	557 - Premier ES		DS-Monaco ES
	66 - Premier ES		XS-Premier ES

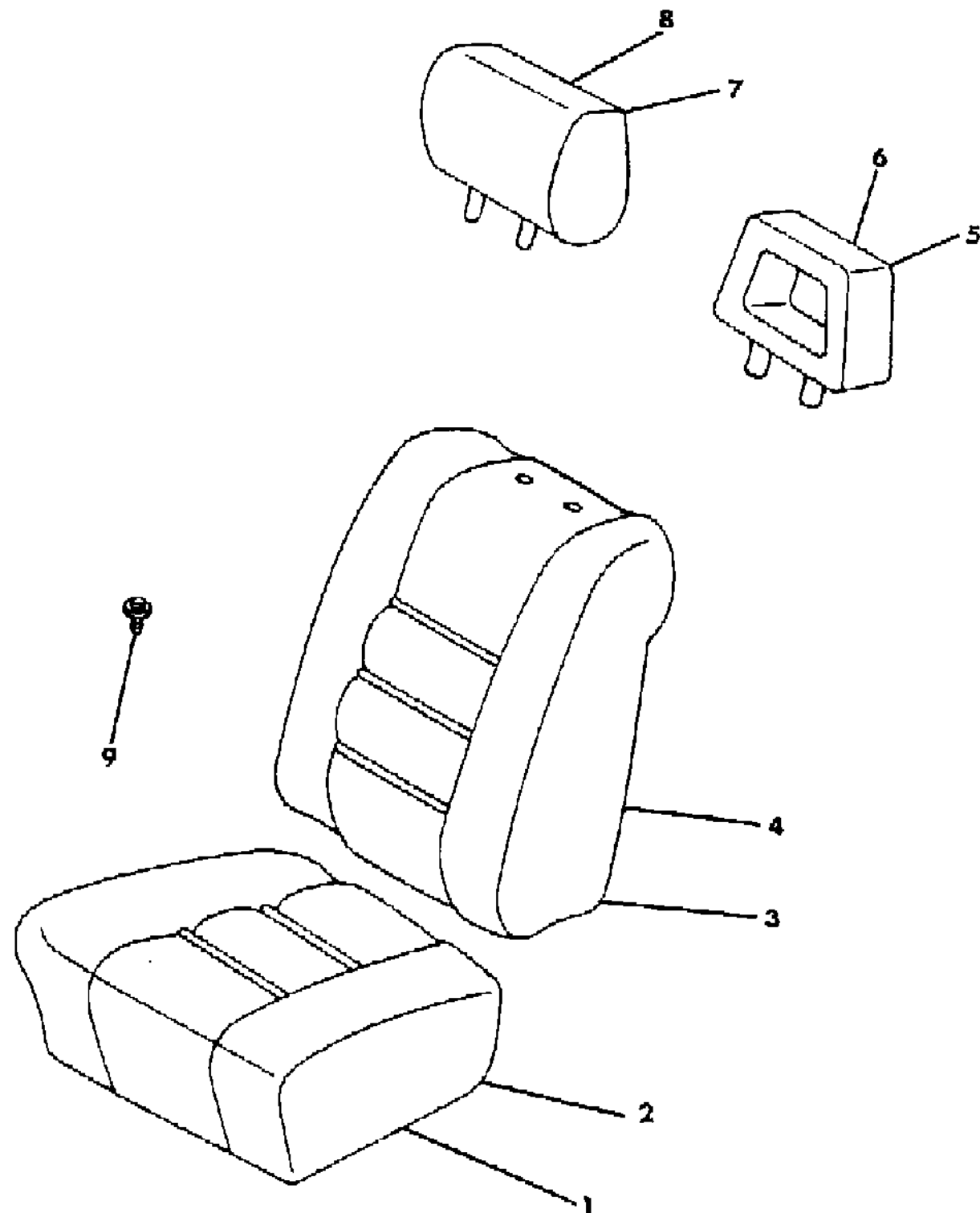
BODY STYLES:

1988:
55 = 4 dr. Sedan
1989-92:
6 = 4 Dr. Sedan

AR = Use as Required - = Non Illustrated Part P.A.R. = Paint as Required

CUSHION--BACK--HEADREST ASSEMBLIES AND COVERS--1990-1992 FRONT SEAT
Figure 45-1460

8P45 1460



ITEM	PART NUMBER	QTY	BODY	MODEL	DESCRIPTION
1					CUSHION ASSEMBLY, w/Frame, Spring, Pad, and Cover *** (Recliners Come With The Cushion Assy.)
	AE46-7 JKF	1			Brownstone (MKFF, PKFF)
	AE50-1 JKF	1			(CKFF)
	WM06-7 JAF	1			(JAFF, JLFF)
	AV56-7 KF3	1			(P7FF)
	AV72-3 KF7	1			(S7FF)
	DN72-3 KF3	1			(B7FF)
	AE46-7 JKS	1			Charcoal (MKSA, PKSA)
	AE50-1 JKS	1			(CKSA, SKSA)
	WM06-7 JAS	1			(JASA, JLSA)
	DN84-5 KS1	1			(E7SA)
	AV56-7 KS1	1			(P7SA)
	AV72-3 KA8	1			(S7SA)
	DN72-3 KS1	1			(B7SA)
	AE46-7 JKH	1			Cordovan (MKH9, PKH9)
	AE50-1 JKH	1			(CKH9, SKH9)
	WM06-7 JAH	1			(JAH9, JLH9)
	DN84-5 KH9	1			(E7H9)
	AV56-7 KH9	1			(P7H9)
	AV72-3 KH9	1			(S7H9)
	DN72-3 KH9	1			(B7H9)
	AE46-7 JKQ	1			Navy (MKQ8, PKQ8)
	AE50-1 JKQ	1			(CKQ8, SKQ8)
	WM06-7 JAQ	1			(JAQ8, JLQ8)
	DN84-5 KQ8	1			(E7Q8)
	AV56-7 KQ8	1			(P7Q8)
	AV72-3 KQ8	1			(S7Q8)
	DN72-3 KQ8	1			(B7Q8)
2					COVER, Cushion
	AF02 JKF	2			Brownstone (MKFF, PKFF)
	AF10 JKF	2			(CKFF)
	WD38 JAF	2			(JAFF, JLFF)
	BA71 KF3	2			(P7FF)
	BA69 KF7	2			(S7FF)

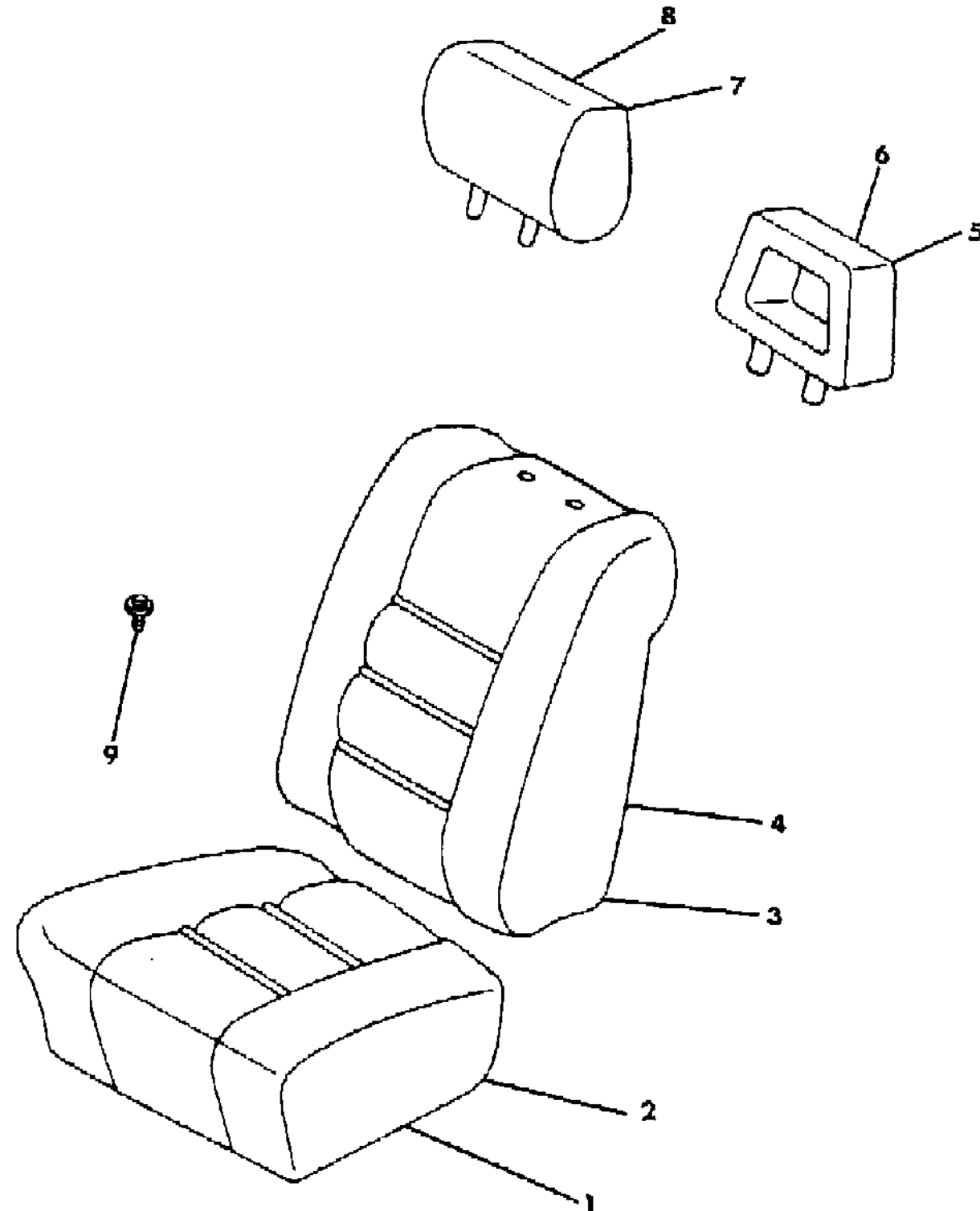
MODEL CODES:
 1988: 559 - Premier LX
 1989: 56 - Premier LX
 557 - Premier ES
 66 - Premier ES
 1990-92: DP-Monaco LE
 1990-92: XP-Premier LX
 DS-Monaco ES
 XS-Premier ES

BODY STYLES:
 1988:
 55 = 4 dr. Sedan
 1989-92:
 6 = 4 Dr. Sedan

AR = Use as Required - = Non Illustrated Part P.A.R. = Paint as Required

CUSHION--BACK--HEADREST ASSEMBLIES AND COVERS--1990-1992 FRONT SEAT
Figure 45-1460

8P45 1460



ITEM	PART NUMBER	QTY	BODY	MODEL	DESCRIPTION
	DN76 KF3	2			(B7FF) Charcoal
	AF02 JKS	2			(MKSA, PKSA)
	AF10 JKS	2			(CKSA, SKSA)
	WD38 JAS	2			(JASA, JLSA)
	DN88 KS1	2			(E7SA)
	BA71 KS1	2			(P7SA)
	BA69 KA8	2			(S7SA)
	DN76 KS1	2			(B7SA)
	AF02 JKH	2			Cordovan (MKH9, PKH9)
	AF10 JKH	2			(CKH9, SKH9)
	WD38 JAH	2			(JAH9, JLH9)
	DN88 KH9	2			(E7H9)
	BA71 KH9	2			(P7H9)
	BA69 KH9	2			(S7H9)
	DN76 KH9	2			(B7H9)
	AF02 JKQ	2			Navy (MKQ8, PKQ8)
	AF10 JKQ	2			(CKQ8, SKQ8)
	WD38 JAQ	2			(JAQ8, JLQ8)
	DN88 KQ8	2			(E7Q8)
	BA71 KQ8	2			(P7Q8)
	BA69 KQ8	2			(S7Q8)
	DN76 KQ8	2			(B7Q8)
3					BACK ASSEMBLY, w/Frame, Spring, Pad and Cover
	AE44-5 JKF	1			Brownstone (MKFF)
	AE48-9 JKF	1			(CKFF)
	WM04-5 JAF	1			(JAFF, JLFF)
	WL32-3 JKF	1			(PKFF)
	AV54-5 KF3	1			(P7FF)
	AV70-1 KF7	1			(S7FF)
	DN70-1 KF3	1			(B7FF)
	AE44-5 JKS	1			Charcoal (MKSA)
	AE48-9 JKS	1			(CKSA, SKSA)
	WM04-5 JAS	1			(JASA, JLSA)
	WL32-3 JKS	1			(PKSA)
	DN82-3 KS1	1			(E7SA)

MODEL CODES:

1988:	1989:	1990-92:	1990-92:
559 - Premier LX	56 - Premier LX 557 - Premier ES 66 - Premier ES	DP-Monaco LE	XP-Premier LX DS-Monaco ES XS-Premier ES

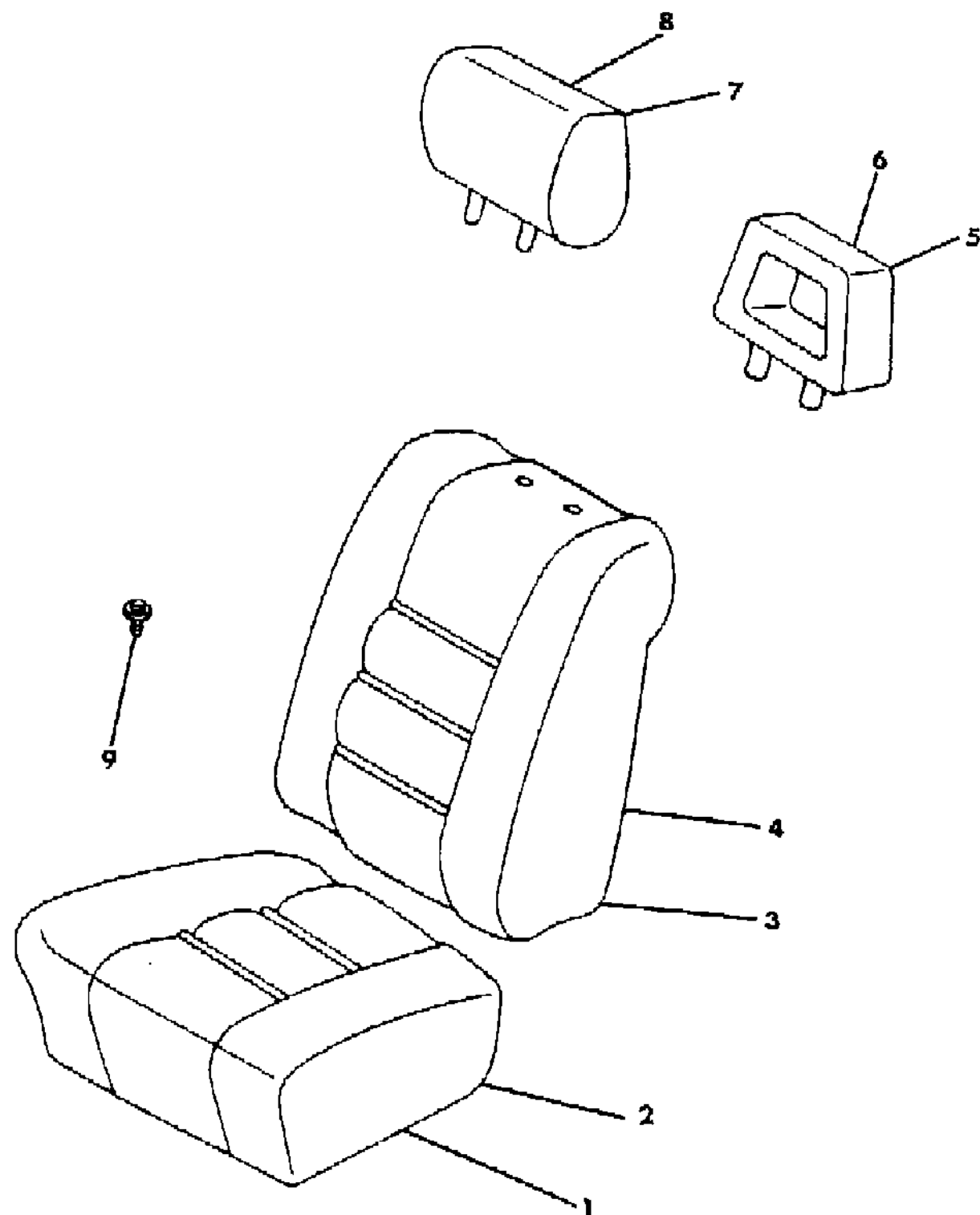
BODY STYLES:

1988:
55 = 4 dr. Sedan
1989-92:
6 = 4 Dr. Sedan

AR = Use as Required - = Non Illustrated Part P.A.R. = Paint as Required

CUSHION--BACK--HEADREST ASSEMBLIES AND COVERS--1990-1992 FRONT SEAT
Figure 45-1460

8P45 1460



ITEM	PART NUMBER	QTY	BODY	MODEL	DESCRIPTION
	AV54-5 KS1	1			(P7SA)
	AV70-1 KA8	1			(S7SA)
	DN70-1 KS1	1			(B7SA)
					Cordovan
	AE44-5 JKH	1			(MKH9)
	AE48-9 JKH	1			(CKH9, SKH9)
	WM04-5 JAH	1			(JAH9, JLH9)
	WL32-3 JKH	1			(PKH9)
	DN82-3 KH9	1			(E7H9)
	AV54-5 KH9	1			(P7H9)
	AV70-1 KH9	1			(S7H9)
	DN70-1 KH9	1			(B7H9)
					Navy
	AE44-5 JKQ	1			(MKQ8)
	AE48-9 JKQ	1			(CKQ8, SKQ8)
	WM04-5 JAQ	1			(JAQ8, JLQ8)
	WL32-3 JKQ	1			(PKQ8)
	DN82-3 KQ8	1			(E7Q8)
	AV54-5 KQ8	1			(P7Q8)
	AV70-1 KQ8	1			(S7Q8)
	DN70-1 KQ8	1			(B7Q8)
4					COVER, Back
					Brownstone
	AF04 JKF	2			(MKFF)
	AF12 JKF	2			(CKFF)
	AL52 HAF	2			(JAFF)
	WL22 JKF	2			(PKFF)
	BA70 KF3	2			(P7FF)
	BA68 KF7	2			(S7FF)
	DN74 KF3	2			(B7FF)
					Charcoal
	AF04 JKS	2			(MKSA)
	AF12 JKS	2			(CKSA, SKSA)
	AL52 HAS	2			(JASA)
	WL22 JKS	2			(PKSA)
	DN86 KS1	2			(E7SA)
	BA70 KS1	2			(P7SA)
	BA68 KA8	2			(S7SA)
	DN74 KS1	2			(B7SA)
					Cordovan

MODEL CODES:

1988:	1989:	1990-92:	1990-92:
559 - Premier LX	56 - Premier LX 557 - Premier ES 66 - Premier ES	DP-Monaco LE	XP-Premier LX DS-Monaco ES XS-Premier ES

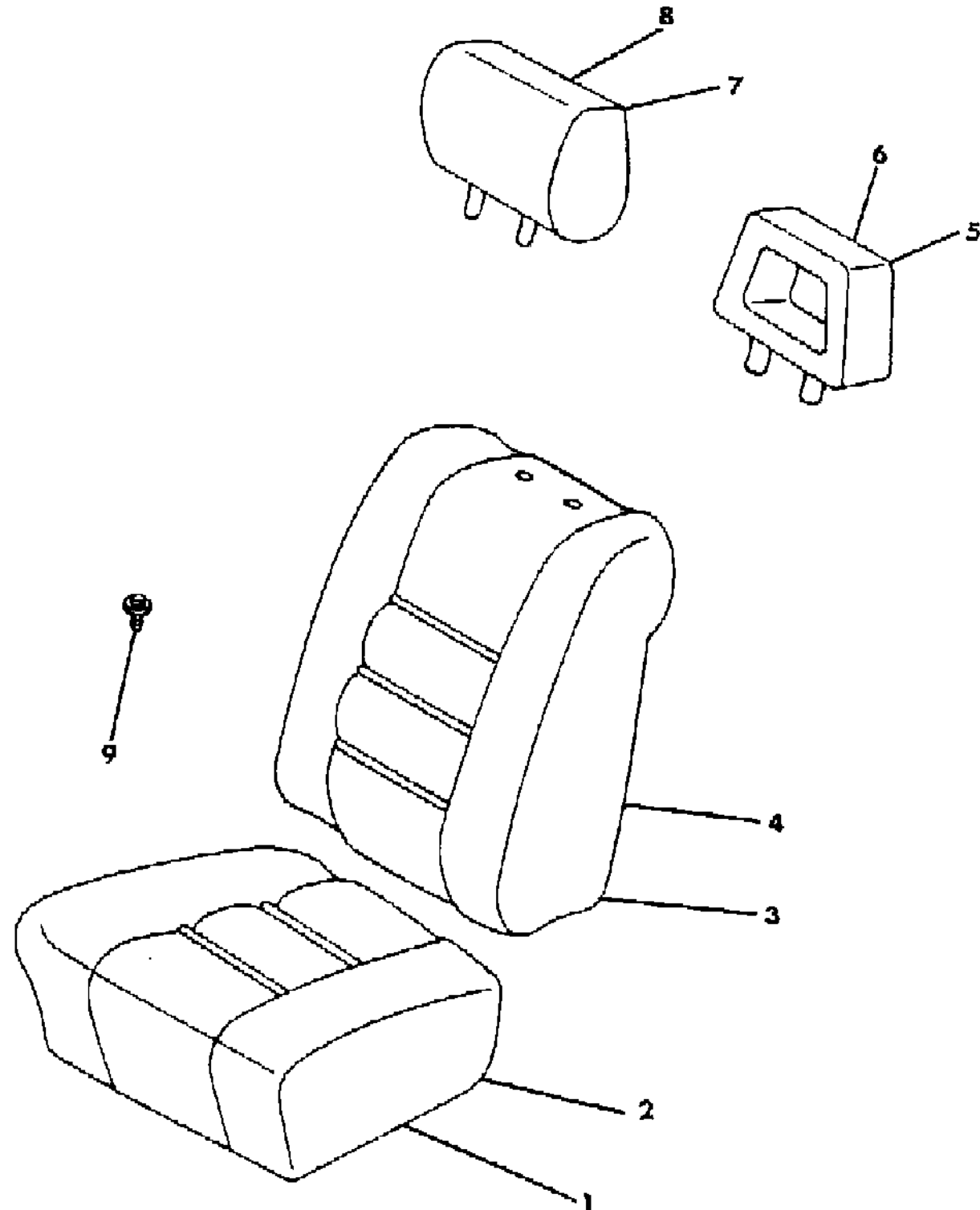
BODY STYLES:

1988:
55 = 4 dr. Sedan
1989-92:
6 = 4 Dr. Sedan

AR = Use as Required - = Non Illustrated Part P.A.R. = Paint as Required

CUSHION--BACK--HEADREST ASSEMBLIES AND COVERS--1990-1992 FRONT SEAT
Figure 45-1460

8P45 1460



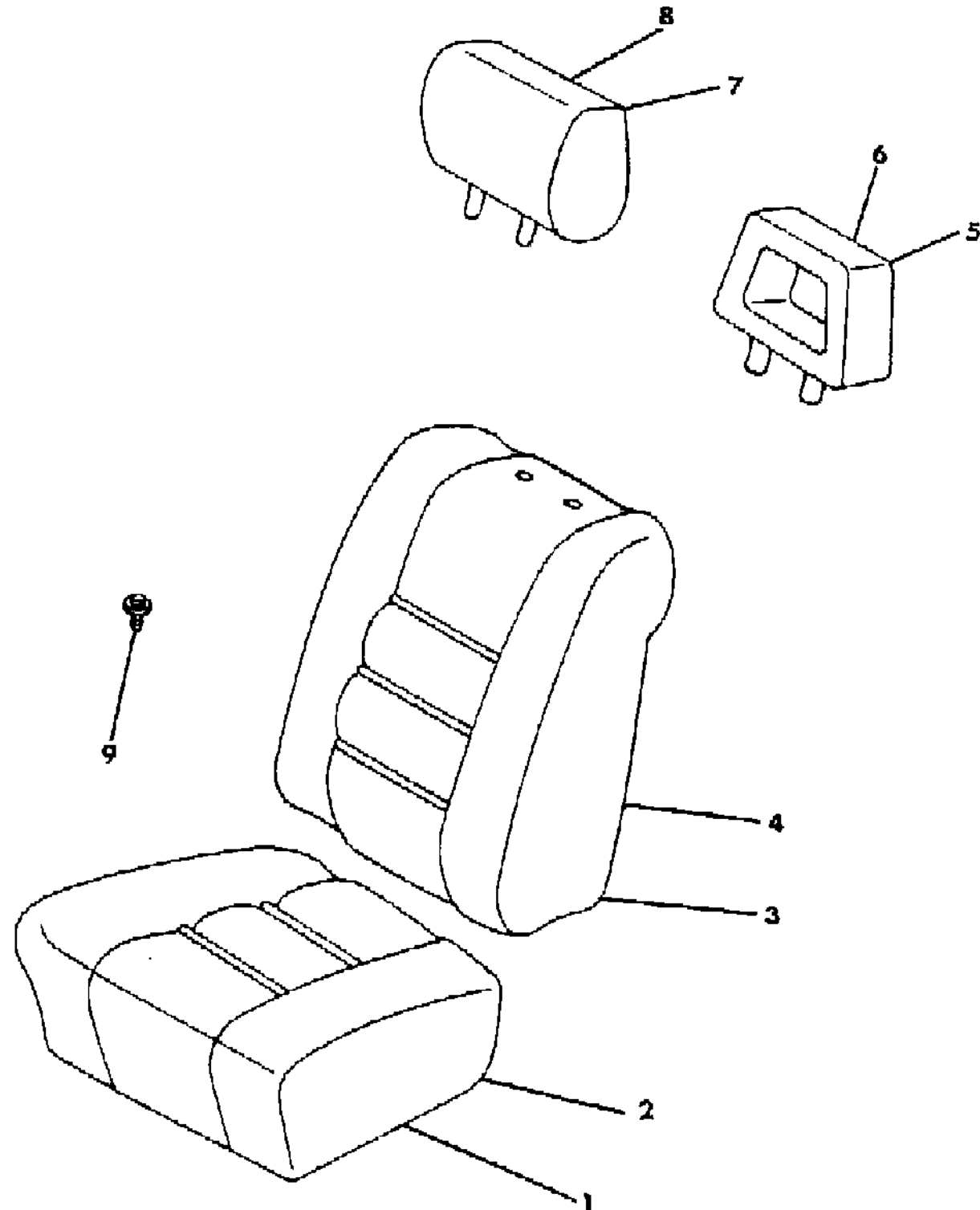
ITEM	PART NUMBER	QTY	BODY	MODEL	DESCRIPTION
	AF04 JKH	2			(MKH9)
	AF12 JKH	2			(CKH9, SKH9)
	AL52 JAH	2			(JAH9)
	WL22 JKH	2			(PKH9)
	DN86 KH9	2			(E7H9)
	BA70 KH9	2			(P7H9)
	BA68 KH9	2			(S7H9)
	DN74 KH9	2			(B7H9)
					Navy
	AF04 JKQ	2			(MKQ8)
	AF12 JKQ	2			(CKQ8, SKQ8)
	AL52 JAQ	2			(JAQ8)
	WL22 JKQ	2			(PKQ8)
	DN86 KQ8	2			(E7Q8)
	BA70 KQ8	2			(P7Q8)
	BA68 KQ8	2			(S7Q8)
	DN74 KQ8	2			(B7Q8)
5					HEADREST ASSEMBLY ***
					Brownstone
	AE53 JFF	2			(CKFF)
	AM32 HFF	2			(JAFF, JLFF)
	BA28 KF3	2			(B7FF, P7FF)
	BA30 KF7	2			(S7FF)
					Charcoal
	AE53 JSA	2			(CKSA)
	AM32 HSA	2			(JASA, JLSA)
	BA28 KA8	2			(E7SA)
	BA28 KS1	2			(B7SA, P7SA)
	BA30 KA8	2			(S7SA)
					Cordovan
	AE53 JH9	2			(CKH9)
	AM32 JH9	2			(JAH9, JLH9)
	BA28 KH9	2			(E7H9, B7H9, P7H9)
	BA30 KH9	2			(S7H9)
					Navy
	AE53 JQ8	2			(CKQ8)
	AM32 JQ8	2			(JAQ8, JLQ8)
	BA28 KQ8	2			(E7Q8, B7Q8, P7Q8)
	BA30 KQ8	2			(S7Q8)
6					COVER, Headrest
MODEL CODES:					
1988:		1989:		1990-92:	
559 - Premier LX	56 - Premier LX	557 - Premier ES	66 - Premier ES	DP-Monaco LE	1990-92: XP-Premier LX
					DS-Monaco ES
					XS-Premier ES

BODY STYLES:
 1988:
 55 = 4 dr. Sedan
 1989-92:
 6 = 4 Dr. Sedan

AR = Use as Required - = Non Illustrated Part P.A.R. = Paint as Required

CUSHION--BACK--HEADREST ASSEMBLIES AND COVERS--1990-1992 FRONT SEAT
Figure 45-1460

8P45 1460



ITEM	PART NUMBER	QTY	BODY	MODEL	DESCRIPTION
					Brownstone
	AF14 JFF	2			(CKFF)
	AP81 HFF	2			(JAFF, JLFF)
	AF06 JF3	2			(B7FF, P7FF)
					Charcoal
	AF14 JSA	2			(CKSA)
	AP81 HSA	2			(JASA, JLSA)
	AF06 JA8	2			(E7SA)
	AF06 JS1	2			(B7SA, P7SA)
					Cordovan
	AF14 JH9	2			(CKH9)
	AP81 JH9	2			(JAH9, JLH9)
	AF06 JH9	2			(E7H9, B7H9, P7H9)
					Navy
	AF14 JQ8	2			(CKQ8)
	AP81 JQ8	2			(JAQ8, JLQ8)
	AF06 JQ8	2			(E7Q8, B7Q8, P7Q8)
7					HEADREST ASSEMBLY ***
	AE52 JFF	2			Brownstone, (MKFF, PKFF)
					Charcoal
	AE52 JS1	2			(MKSA, PKSA)
	AE52 JA8	2			(SKSA)
	AE52 JH9	2			Cordovan, (MKH9, SKH9, PKH9)
	AE52 JQ8	2			Navy, (MKQ8, SKQ8, PKQ8)
8					COVER, Headrest
	AF06 JFF	2			Brownstone, (MKFF, PKFF)
					Charcoal
	AF06 JS1	2			(MKSA, PKSA)
	AF06 JA8	2			(SKSA)
	AF06 JH9	2			Cordovan, (MKH9, SKH9, PKH9)
	AF06 JQ8	2			Navy, (MKQ8, SKQ8, PKQ8)
9	3420 1314	1			SCREW, Cushion Wire Mounting

MODEL CODES:

1988:	1989:	1990-92:	1990-92:
559 - Premier LX	56 - Premier LX	DP-Monaco LE	XP-Premier LX
	557 - Premier ES		DS-Monaco ES
	66 - Premier ES		XS-Premier ES

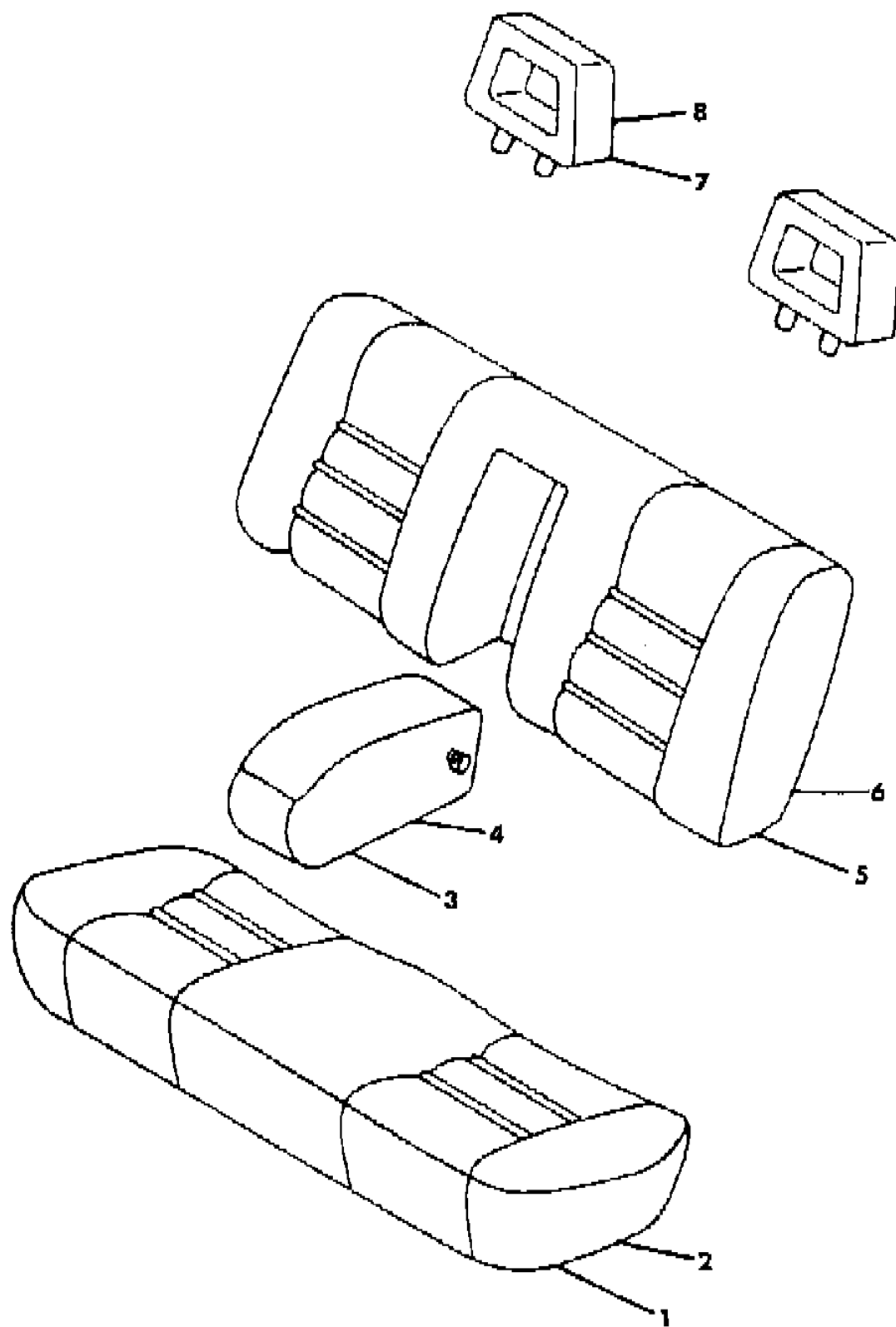
BODY STYLES:

1988:
55 = 4 dr. Sedan
1989-92:
6 = 4 Dr. Sedan

AR = Use as Required - = Non Illustrated Part P.A.R. = Paint as Required

CUSHION--BACK--HEADREST ASSEMBLIES AND COVERS--1990-1992 REAR SEAT
Figure 45-1470

8P45 1470



ITEM	PART NUMBER	QTY	BODY	MODEL	DESCRIPTION
1					CUSHION ASSEMBLY, w/Frame, Spring, Pad and Cover ***
					Brownstone
	WU97 JKF	1			(MKFF, PKFF)
	WU96 JKF	1			(CKFF)
	AL78 HAF	1			(JAFF, JLFF)
	AV78 KF3	1			(P7FF)
	AV84 KF7	1			(S7FF)
	DN62 KF3	1			(B7FF)
					Charcoal
	WU97 JKS	1			(MKSA, PKSA)
	WU96 JKS	1			(CKSA, SKSA)
	AL78 HAS	1			(JASA, JLSA)
	AV78 KS1	1			(P7SA)
	AV84 KA8	1			(S7SA)
	DN52 KS1	1			(E7SA)
	DN62 KS1	1			(B7SA)
					Cordovan
	WU97 JKH	1			(MKH9, PKH9)
	WU96 JKH	1			(CKH9, SKH9)
	AL78 JAH	1			(JAH9, JLH9)
	AV78 KH9	1			(P7H9)
	AV84 KH9	1			(S7H9)
	DN52 KH9	1			(E7H9)
	DN62 KH9	1			(B7H9)
					Navy
	WU97 JKQ	1			(MKQ8, PKQ8)
	WU96 JKQ	1			(CKQ8, SKQ8)
	AL78 JAQ	1			(JAQ8, JLQ8)
	AV78 QQ8	1			(P7Q8)
	AV84 QQ8	1			(S7Q8)
	DN52 QQ8	1			(E7Q8)
	DN62 QQ8	1			(B7Q8)
2					COVER, Cushion
					Brownstone
	WU94 JKF	1			(MKFF, PKFF)
	WU95 JKF	1			(CKFF)
	AP87 HAF	1			(JAFF, JLFF)
	BA77 KF3	1			(P7FF)
	BA75 KF7	1			(S7FF)
	DN66 KF3	1			(B7FF)

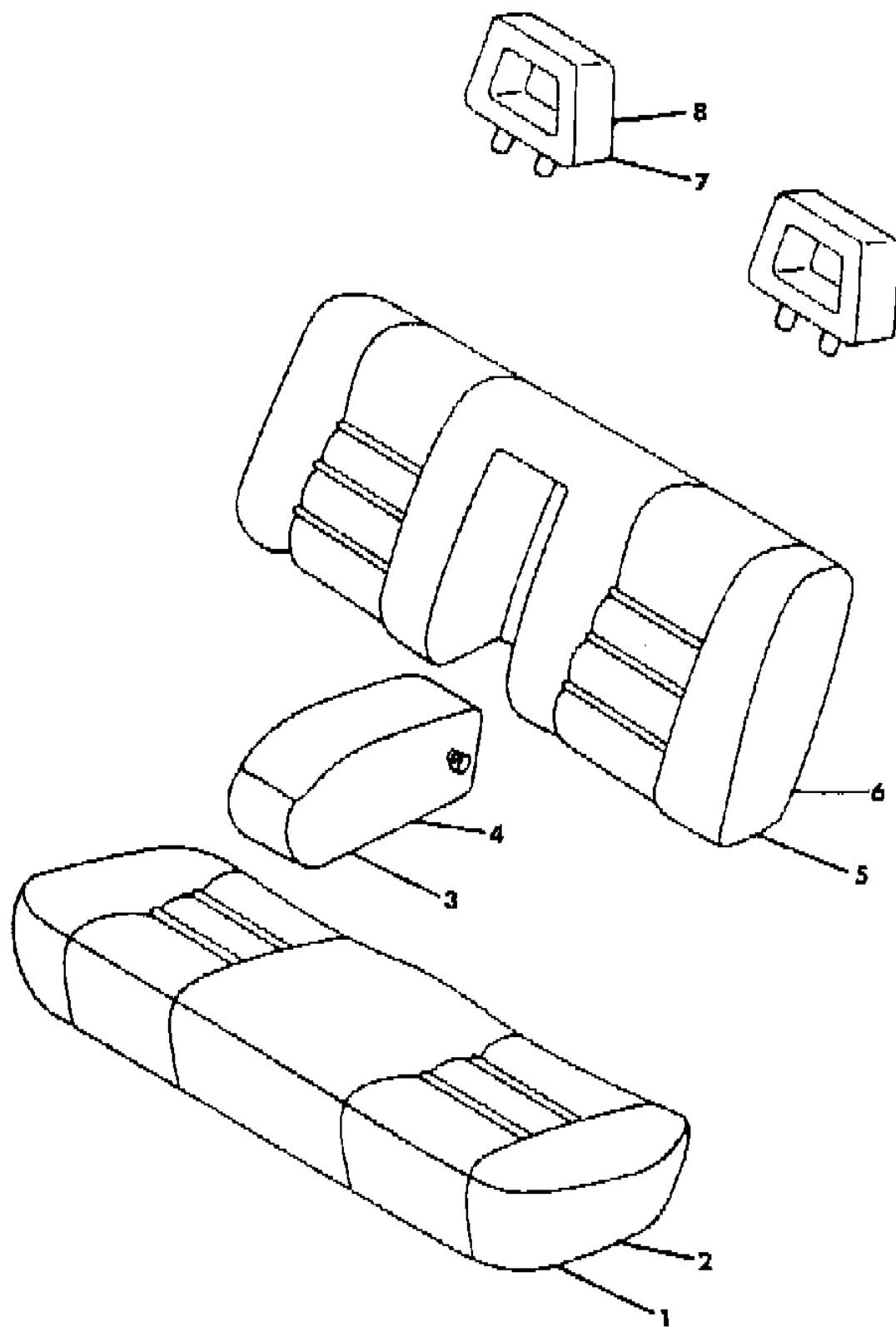
MODEL CODES:
 1988: 559 - Premier LX
 1989: 56 - Premier LX, 557 - Premier ES, 66 - Premier ES
 1990-92: DP-Monaco LE
 1990-92: XP-Premier LX, DS-Monaco ES, XS-Premier ES

BODY STYLES:
 1988: 55 = 4 dr. Sedan
 1989-92: 6 = 4 Dr. Sedan

AR = Use as Required - = Non Illustrated Part P.A.R. = Paint as Required

CUSHION--BACK--HEADREST ASSEMBLIES AND COVERS--1990-1992 REAR SEAT
Figure 45-1470

8P45 1470



ITEM	PART NUMBER	QTY	BODY	MODEL	DESCRIPTION
					Charcoal
	WU94 JKS	1			(MKSA, PKSA)
	WU95 JKS	1			(CKSA, SKSA)
	AP87 HAS	1			(JASA, JLSA)
	BA77 KS1	1			(P7SA)
	BA75 KA8	1			(S7SA)
	DN56 KS1	1			(E7SA)
	DN66 KS1	1			(B7SA)
					Cordovan
	WU94 JKH	1			(MKH9, PKH9)
	WU95 JKH	1			(CKH9, SKH9)
	AL78 JAH	1			(JAH9, JLH9)
	BA77 KH9	1			(P7H9)
	BA75 KH9	1			(S7H9)
	DN56 KH9	1			(E7H9)
	DN66 KH9	1			(B7H9)
					Navy
	WU94 JKQ	1			(MKQ8, PKQ8)
	WU95 JKQ	1			(CKQ8, SKQ8)
	AP87 JAQ	1			(JAQ8, JLQ8)
	BA77 KQ8	1			(P7Q8)
	BA75 KQ8	1			(S7Q8)
	DN56 KQ8	1			(E7Q8)
	DN66 KQ8	1			(B7Q8)
3					ARMREST ASSEMBLY, w/Frame, Spring, Pad and Cover ***
					Brownstone
	AE60 JFF	1			(MKFF, PKFF)
	AE61 JFF	1			(CKFF)
	AM33 HFF	1			(JAFF)
	BA33 KF7	1			(S7FF)
	BA33 KF3	1			(B7FF)
	BA31 KF3	1			(P7FF)
					Charcoal
	AE60 JS1	1			(MKSA, PKSA)
	AE61 JA8	1			(CKSA, SKSA)
	AM33 HSA	1			(JASA)
	BA33 KA8	1			(E7SA, S7SA)
	BA33 KS1	1			(B7SA)
	BA31 KS1	1			(P7SA)
					Cordovan

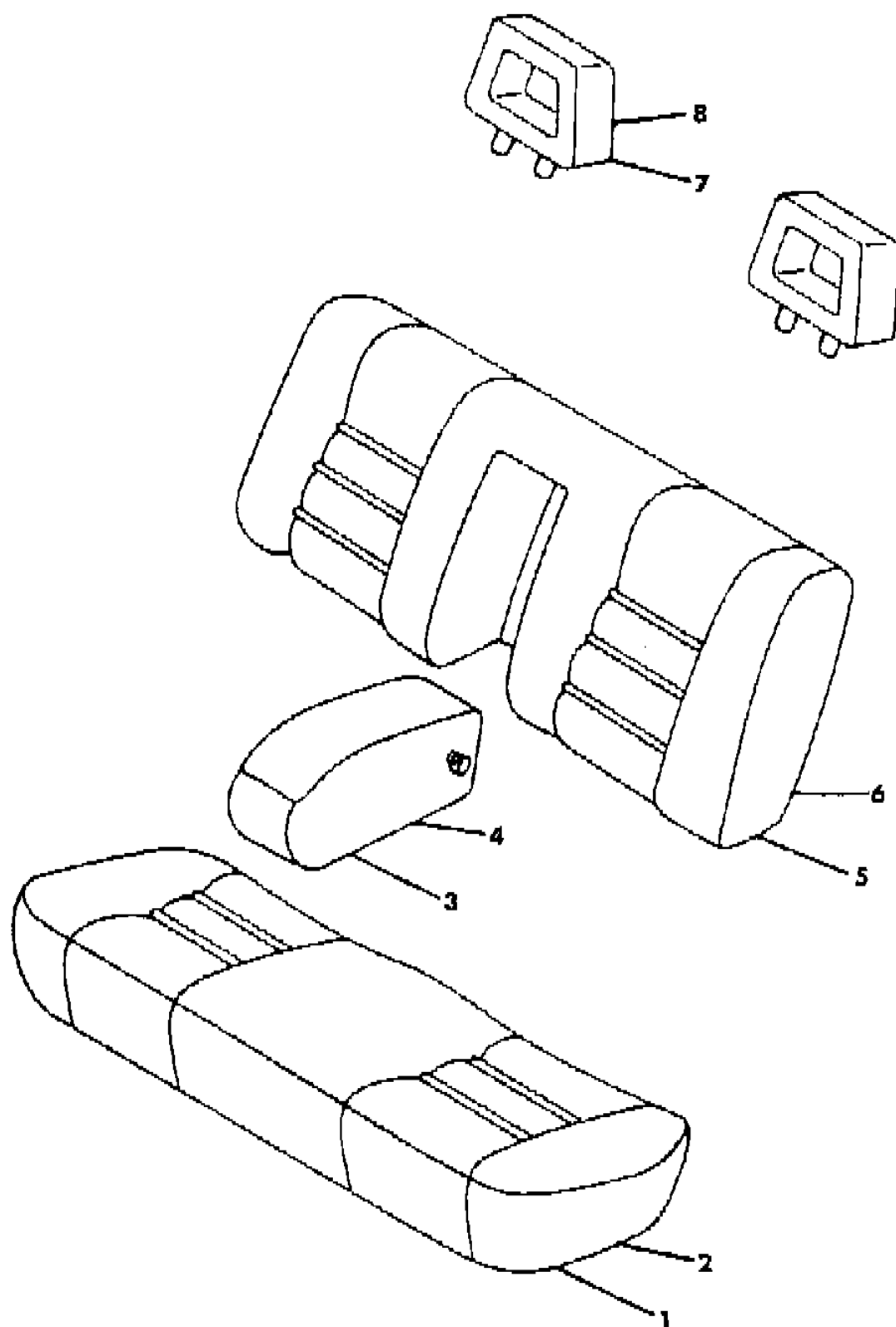
MODEL CODES:
 1988: 559 - Premier LX
 1989: 56 - Premier LX
 557 - Premier ES
 66 - Premier ES
 1990-92: DP-Monaco LE
 1990-92: XP-Premier LX
 DS-Monaco ES
 XS-Premier ES

BODY STYLES:
 1988:
 55 = 4 dr. Sedan
 1989-92:
 6 = 4 Dr. Sedan

AR = Use as Required - = Non Illustrated Part P.A.R. = Paint as Required

CUSHION--BACK--HEADREST ASSEMBLIES AND COVERS--1990-1992 REAR SEAT
Figure 45-1470

8P45 1470



ITEM	PART NUMBER	QTY	BODY	MODEL	DESCRIPTION
	AE60 JH9	1			(MKH9, PKH9)
	AE61 JH9	1			(CKH9, SKH9)
	AM33 JH9	1			(JAH9)
	BA33 KH9	1			(E7H9, S7H9, B7H9)
	BA31 KH9	1			(P7H9)
	AE60 JQ8	1			Navy (MKQ8, PKQ8)
	AE61 JQ8	1			(CKQ8, SKQ8)
	AM33 JQ8	1			(JAQ8)
	BA33 KQ8	1			(E7Q8, S7Q8, B7Q8)
4	BA31 KQ8	1			(P7Q8) COVER, Armrest Brownstone
	AF17 JF7	1			(MKFF, CKFF, PKFF, S7FF)
	AP89 HFF	1			(JAFF)
	AF17 JF3	1			(B7FF)
	BA78 KF3	1			(P7FF)
	AF17 JA8	1			Charcoal (CKSA, SKSA, S7SA, E7SA)
	AF17 JS1	1			(MKSA, PKSA, B7SA)
	AP89 HSA	1			(JASA)
	BA78 KS1	1			(P7SA)
	AF17 JH9	1			Cordovan (MKH9, CKH9, SKH9, PKH9, S7H9, E7H9, B7H9)
	AP89 JH9	1			(JAH9)
	BA78 KH9	1			(P7H9)
	AF17 JQ8	1			Navy (MKQ8, CKQ8, SKQ8, PKQ8, S7Q8, E7Q8, B7Q8)
	AP89 JQ8	1			(JAQ8)
	BA78 KQ8	1			(P7Q8)
5					BACK ASSEMBLY, w/Frame, Spring, Pad and Cover Brownstone
	AE55 JKF	1			(MKFF, PKFF)
	AE58 JKF	1			(CKFF)
	AL76 HAF	1			(JAFF, JLFF)
	AV77 KF3	1			(P7FF)
	AV83 KF7	1			(S7FF)
	DN60 KF3	1			(B7FF)
	AE55 JKS	1			Charcoal (MKSA, PKSA)

MODEL CODES:

1988:	1989:	1990-92:	1990-92:
559 - Premier LX	56 - Premier LX 557 - Premier ES 66 - Premier ES	DP-Monaco LE	XP-Premier LX DS-Monaco ES XS-Premier ES

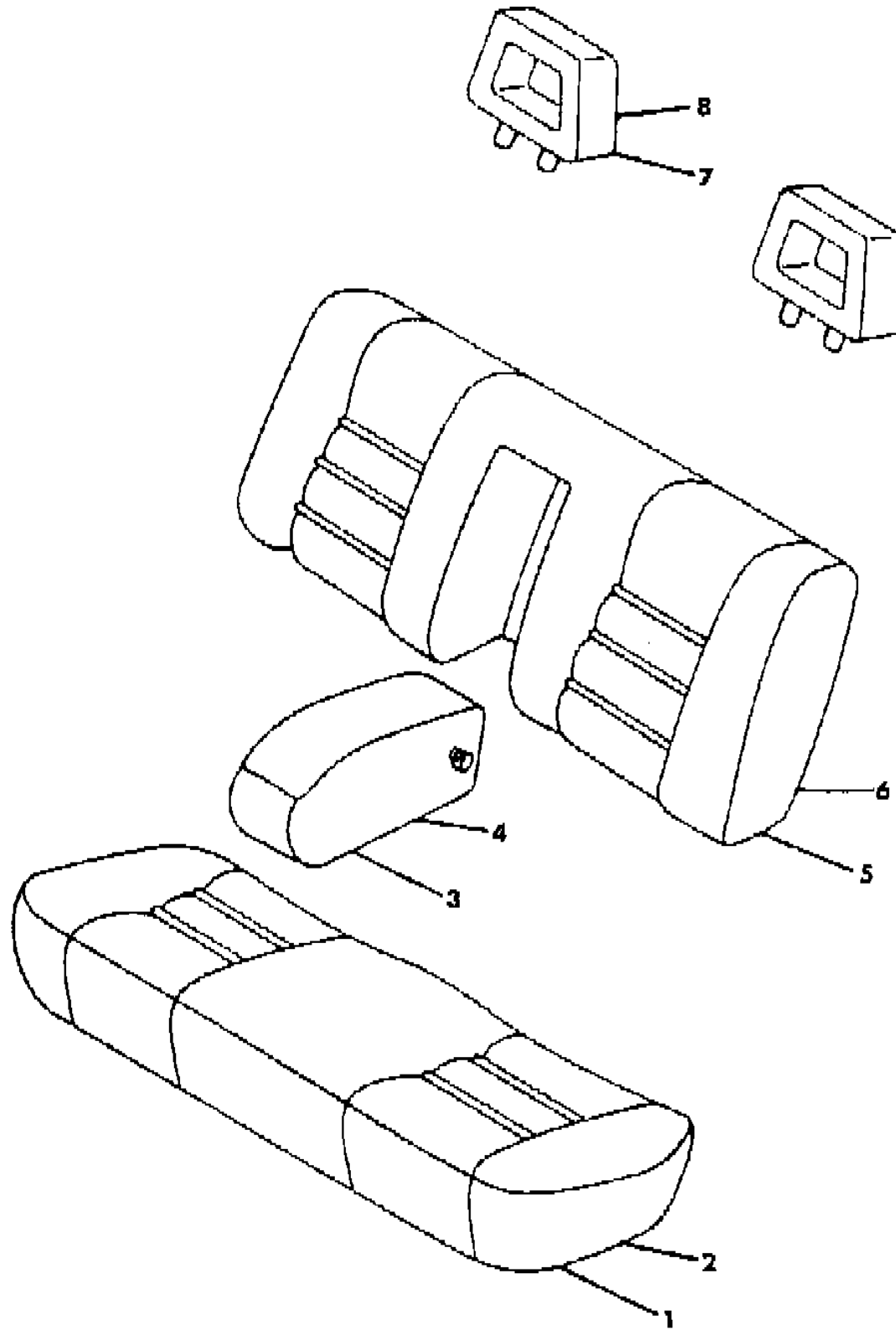
BODY STYLES:

1988:
55 = 4 dr. Sedan
1989-92:
6 = 4 Dr. Sedan

AR = Use as Required - = Non Illustrated Part P.A.R. = Paint as Required

CUSHION--BACK--HEADREST ASSEMBLIES AND COVERS--1990-1992 REAR SEAT
Figure 45-1470

8P45 1470



ITEM	PART NUMBER	QTY	BODY	MODEL	DESCRIPTION
	AE58 JKS	1			(CKSA)
	AL76 HAS	1			(JASA, JLSA)
	WL26 JKS	1			(SKSA)
	AV77 KS1	1			(P7SA)
	AV83 KA8	1			(S7SA)
	DN50 KS1	1			(E7SA)
	DN60 KS1	1			(B7SA)
	AE55 JKH	1			Cordovan (MKH9, PKH9)
	AE58 JKH	1			(CKH9)
	AL76 JAH	1			(JAH9, JLH9)
	WL26 JKH	1			(SKH9)
	AV77 KH9	1			(P7H9)
	AV83 KH9	1			(S7H9)
	DN50 KH9	1			(E7H9)
	DN60 KH9	1			(B7H9)
	AE55 JKQ	1			Navy (MKQ8, PKQ8)
	AE58 JKQ	1			(CKQ8)
	AL76 JAQ	1			(JAQ8, JLQ8)
	WL26 JKQ	1			(SKQ8)
	AV77 KQ8	1			(P7Q8)
	AV83 KQ8	1			(S7Q8)
	DN50 KQ8	1			(E7Q8)
	DN60 KQ8	1			(B7Q8)
6					COVER, Back Brownstone
	AF08 JKF	1			(MKFF, PKFF)
	AF16 JKF	1			(CKFF)
	AP88 HAF	1			(JAFF, JLFF)
	BA76 KF3	1			(P7FF)
	BA74 KF7	1			(S7FF)
	DN64 KF3	1			(B7FF)
	AF08 JKS	1			Charcoal (MKSA, PKSA)
	AF16 JKS	1			(CKSA)
	AP88 HAS	1			(JASA, JLSA)
	WL24 JKS	1			(SKSA)
	BA76 KS1	1			(P7SA)
	BA74 KA8	1			(S7SA)

MODEL CODES:

1988:	1989:	1990-92:	1990-92:
559 - Premier LX	56 - Premier LX 557 - Premier ES 66 - Premier ES	DP-Monaco LE	XP-Premier LX DS-Monaco ES XS-Premier ES

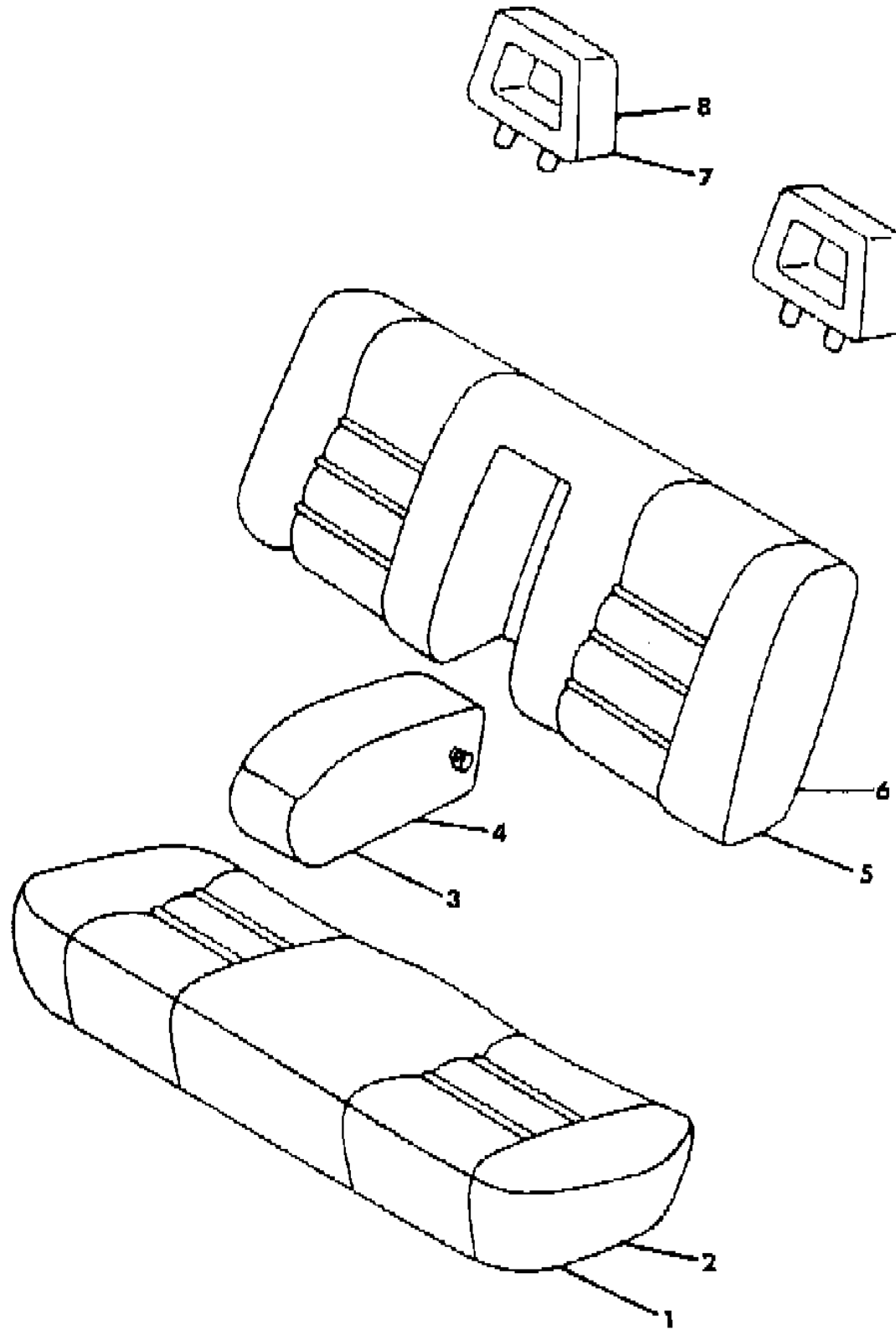
BODY STYLES:

1988:
55 = 4 dr. Sedan
1989-92:
6 = 4 Dr. Sedan

AR = Use as Required - = Non Illustrated Part P.A.R. = Paint as Required

CUSHION--BACK--HEADREST ASSEMBLIES AND COVERS--1990-1992 REAR SEAT
Figure 45-1470

8P45 1470



ITEM	PART NUMBER	QTY	BODY	MODEL	DESCRIPTION
	DN54 KS1	1			(E7SA)
	DN64 KS1	1			(B7SA)
	AF08 JKH	1			Cordovan (MKH9, PKH9)
	AF16 JKH	1			(CKH9)
	AP88 JAH	1			(JAH9, JLH9)
	WL24 JKH	1			(SKH9)
	BA76 KH9	1			(P7H9)
	BA74 KH9	1			(S7H9)
	DN54 KH9	1			(E7H9)
	DN64 KH9	1			(B7H9)
	AF08 JKQ	1			Navy (MKQ8, PKQ8)
	AF16 JKQ	1			(CKQ8)
	AP88 JAQ	1			(JAQ8, JLQ8)
	WL24 JKQ	1			(SKQ8)
	BA76 KQ8	1			(P7Q8)
	BA74 KQ8	1			(S7Q8)
	DN54 KQ8	1			(E7Q8)
	DN64 KQ8	1			(B7Q8)
7					HEADREST ASSEMBLY ***
	AE53 JFF	2			Brownstone (CKFF)
	AM32 HFF	2			(JAFF, JLFF)
	BA30 KF7	2			(S7FF)
	AE53 JSA	2			Charcoal (CKSA)
	AM32 HSA	2			(JASA, JLSA)
	BA30 KA8	2			(S7SA)
	AE53 JH9	2			Cordovan (CKH9)
	AM32 JH9	2			(JAH9, JLH9)
	BA30 KH9	2			(S7H9)
	AE53 JQ8	2			Navy (CKQ8)
	AM32 JQ8	2			(JAQ8, JLQ8)
	BA30 KQ8	2			(S7Q8)
8					COVER, Headrest Brownstone
	AF14 JFF	2			(CKFF, S7FF)

MODEL CODES:

1988:	1989:	1990-92:	1990-92:
559 - Premier LX	56 - Premier LX 557 - Premier ES 66 - Premier ES	DP-Monaco LE	XP-Premier LX DS-Monaco ES XS-Premier ES

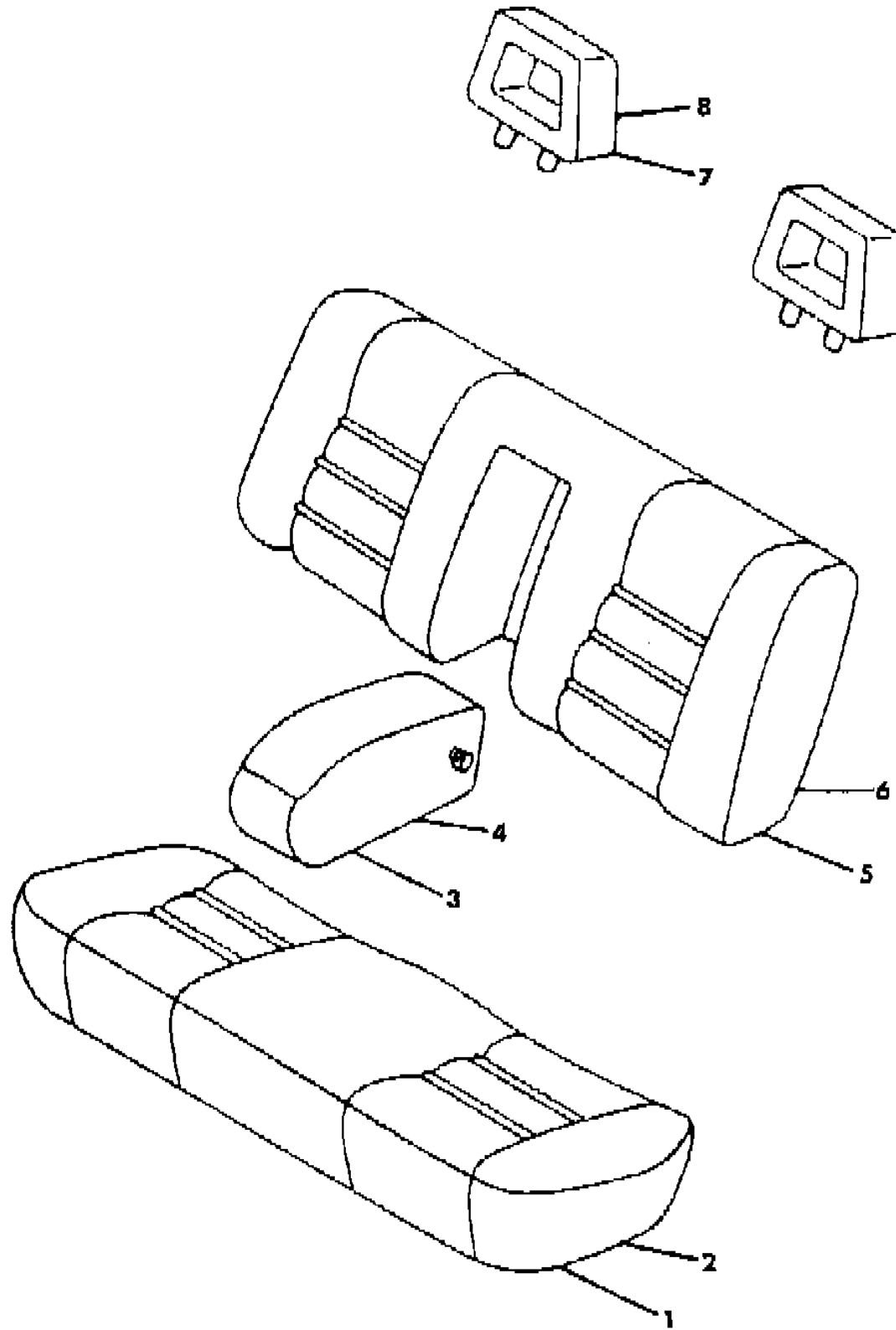
BODY STYLES:

1988:
55 = 4 dr. Sedan
1989-92:
6 = 4 Dr. Sedan

AR = Use as Required - = Non Illustrated Part P.A.R. = Paint as Required

CUSHION--BACK--HEADREST ASSEMBLIES AND COVERS--1990-1992 REAR SEAT
Figure 45-1470

8P45 1470



ITEM	PART NUMBER	QTY	BODY	MODEL	DESCRIPTION
	AP81 HFF	2			(JAFF, JLFF) Charcoal
	AF14 JSA	2			(CKSA, S7SA)
	AP81 HSA	2			(JASA, JLSA) Cordovan
	AF14 JH9	2			(CKH9, S7H9)
	AP81 JH9	2			(JAH9, JLH9) Navy
	AF14 JQ8	2			(CKQ8, S7Q8)
	AP81 JQ8	2			(JAQ8, JLQ8)

MODEL CODES:
 1988: 559 - Premier LX
 1989: 56 - Premier LX
 557 - Premier ES
 66 - Premier ES
 1990-92: DP-Monaco LE
 1990-92: XP-Premier LX
 DS-Monaco ES
 XS-Premier ES

BODY STYLES:
 1988: 55 = 4 dr. Sedan
 1989-92: 6 = 4 Dr. Sedan

AR = Use as Required - = Non Illustrated Part P.A.R. = Paint as Required

MATERIAL--INTERIOR TRIM 1990 - 1992
Figure 45-1480

8P45 1480

ITEM	PART NUMBER	QTY	BODY	MODEL	DESCRIPTION
1					BODYCLOTH, Gibson, 54" Wide, (By The Inch) ***
	R021 JF7	AR			Brownstone, (PKFF, MKFF, CKFF)
	R021 KF3	AR			Brownstone, (B7FF, P7FF, S7FF)
	R021 JS1	AR			Charcoal, (PKSA, MKSA, B7SA, P7SA, E7SA)
	R021 JA8	AR			Charcoal, (SKSA, CKSA, S7SA)
	R021 JH9	AR			Cordovan, (SKH9, PKH9, MKH9, CKH9, P7H9, S7H9, E7H9, B7H9)
	R021 JQ8	AR			Navy, (PKQ8, MKQ8, SKQ8, CKQ8, P7Q8, S7Q8, E7Q8, B7Q8)
2					BODYCLOTH, Diagonal, 54" Wide, (By The Inch) ***
	R071 HF7	AR			Brownstone, (CKFF)
	R071 HS1	AR			Charcoal, (SKSA, CKSA)
	R071 HH9	AR			Cordovan, (SKH9, CKH9)
	R071 HQ8	AR			Navy, (SKQ8, CKQ8)
	R094 KA8	AR			Charcoal, (S7SA)
	R094 KF7	AR			Brownstone, (S7FF)
	R094 KH9	AR			Cordovan, (S7H9)
	R094 KQ8	AR			Navy, (S7Q8)
3					BODYCLOTH, Pinstripe, 54" Wide, (By The Inch) ***
	R070 HF7	AR			Brownstone, (PKFF, MKFF)
	R070 HS1	AR			Charcoal, (PKSA, MKSA, E7SA)
	R070 HH9	AR			Cordovan, (PKH9, MKH9, E7H9)
4					LEATHER HIDE, Celtic, (By The Square Foot) ***
	R186 HF3	AR			Brownstone, (JAFF)
	R186 HA8	AR			Charcoal, (JASA)
	R186 JH9	AR			Cordovan, (JAH9)
5					BODYCLOTH, Frontier, 52" Wide, (By The Inch) ***
	R078 JF3	AR			Brownstone, (PKFF, MKFF, CKFF)
	R078 JS1	AR			Charcoal, (SKSA, PKSA, MKSA, CKSA)
	R078 JH9	AR			Cordovan, (PKH9, MKH9, SKH9, CKH9)
6					VINYL, Saddle Grain, 54" Wide, (By The Inch) ***
	R607 HF3	AR			Brownstone, (JAFF)
	R607 HA8	AR			Charcoal, (JASA)
	R607 JH9	AR			Cordovan, (JAH9)
	R607 JQ8	AR			Navy, (JQ8)
	R608 HS1	AR			VINYL, Saddle Grain 48" Wide, (Order By The Inch) *** Charcoal, (B7SA, E7SA, P7SA, S7SA)

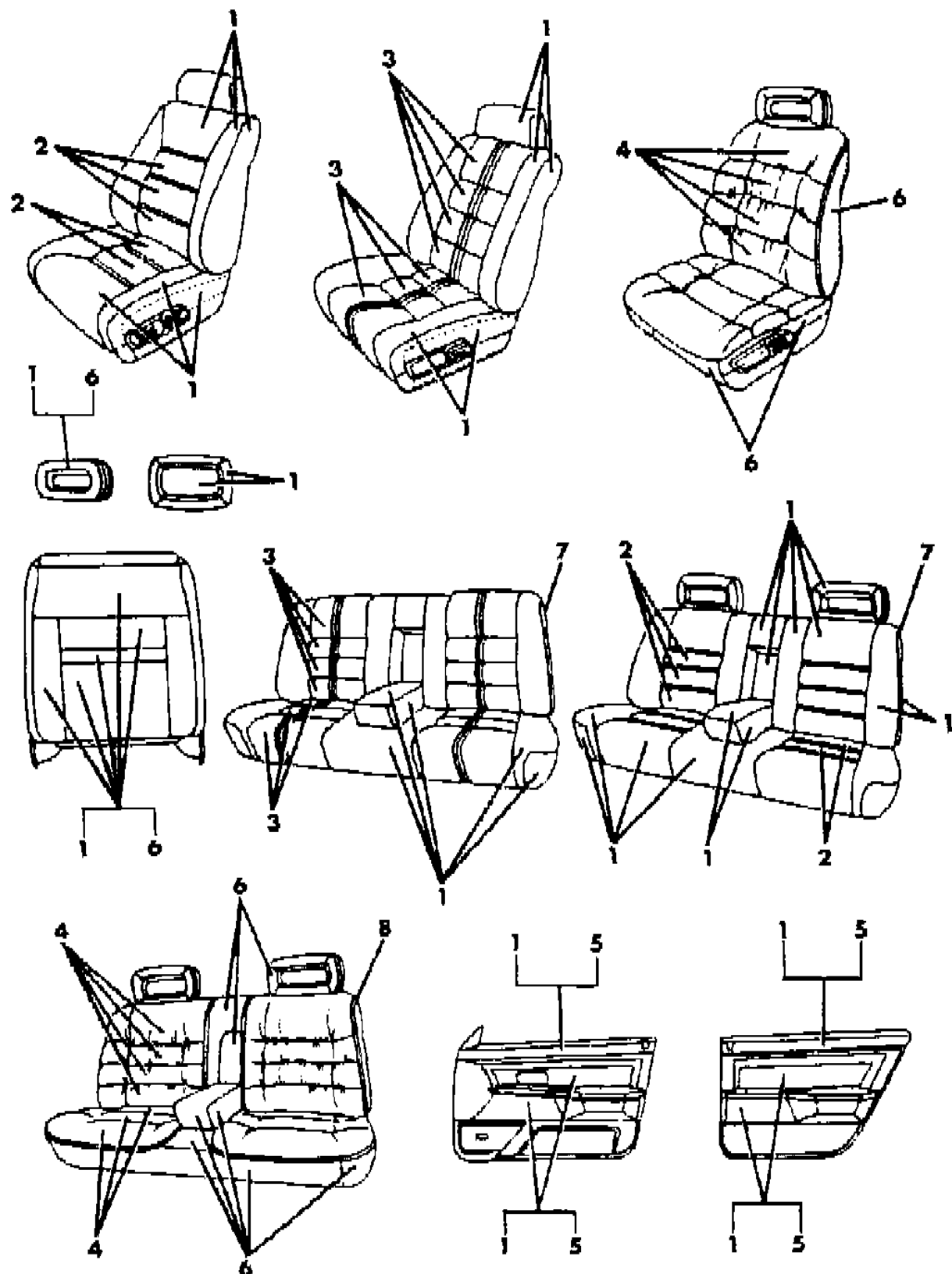
MODEL CODES:

1988:	1989:	1990-92:	1990-92:
559 - Premier LX	56 - Premier LX 557 - Premier ES 66 - Premier ES	DP-Monaco LE	XP-Premier LX DS-Monaco ES XS-Premier ES

BODY STYLES:

1988:
55 = 4 dr. Sedan
1989-92:
6 = 4 Dr. Sedan

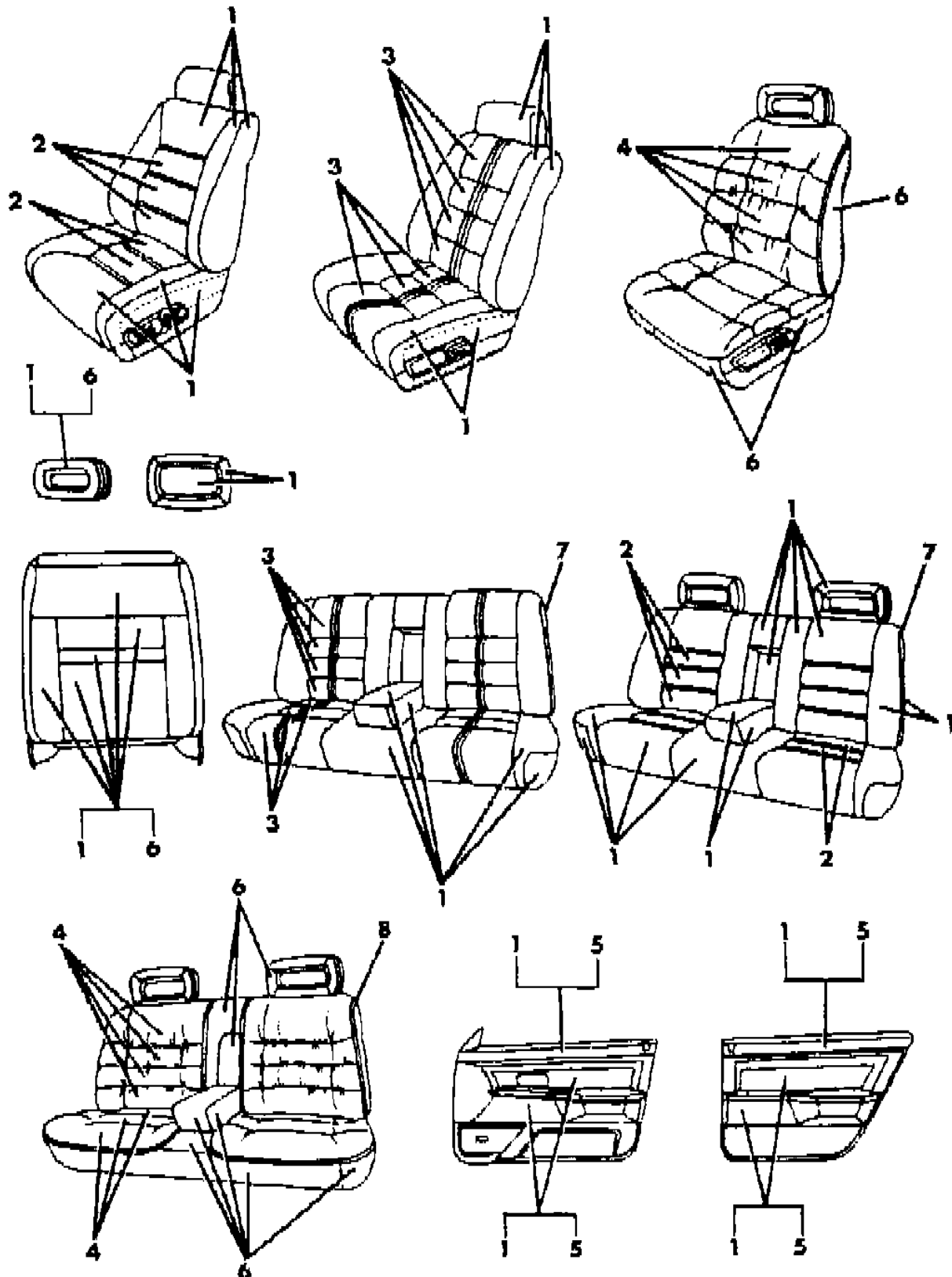
AR = Use as Required - = Non Illustrated Part P.A.R. = Paint as Required



MATERIAL--INTERIOR TRIM 1990 - 1992
Figure 45-1480

8P45 1480

ITEM	PART NUMBER	QTY	BODY	MODEL	DESCRIPTION
	R608 KA8	AR			Charcoal, (JASA)
	R608 HF3	AR			Brownstone, (B7FF, JAFF, P7FF, S7FF)
	R608 JQ8	AR			Navy, (B7Q8, E7Q8, JAQ8, P7Q8, S7Q8)
	R608 JH9	AR			Cordovan, (B7H9, E7H9, JAH9, P7H9, S7H9)
7					VINYL, Celtic Grain, 54" Wide, (By The Inch) ***
	R601 HF7	AR			Brownstone, (PKFF, CKFF, MKFF)
	R601 KF3	AR			Brownstone, (B7FF, P7FF)
	R601 HS1	AR			Charcoal, (PKSA, MKSA, B7SA, P7SA)
	R601 HA8	AR			Charcoal, (SKSA, CKSA)
	R601 HH9	AR			Cordovan, (SKH9, PKH9, CKH9, MKH9, B7H9, P7H9)
	R601 HQ8	AR			Navy, (PKQ8, CKQ8, SKQ8, MKQ8, B7Q8, P7Q8)
8					BODYCLOTH, Classic Chianti, 59" Wide, (By The Inch) ***
	R027 HF3	AR			Brownstone, (JAFF)
	R027 HA8	AR			Charcoal, (JASA)
	R027 JH9	AR			Cordovan, (JAH9)
	R027 JQ8	AR			Navy, (JAQ8)



MODEL CODES:

1988:	1989:	1990-92:	1990-92:
559 - Premier LX	56 - Premier LX	DP-Monaco LE	XP-Premier LX
	557 - Premier ES		DS-Monaco ES
	66 - Premier ES		XS-Premier ES

BODY STYLES:

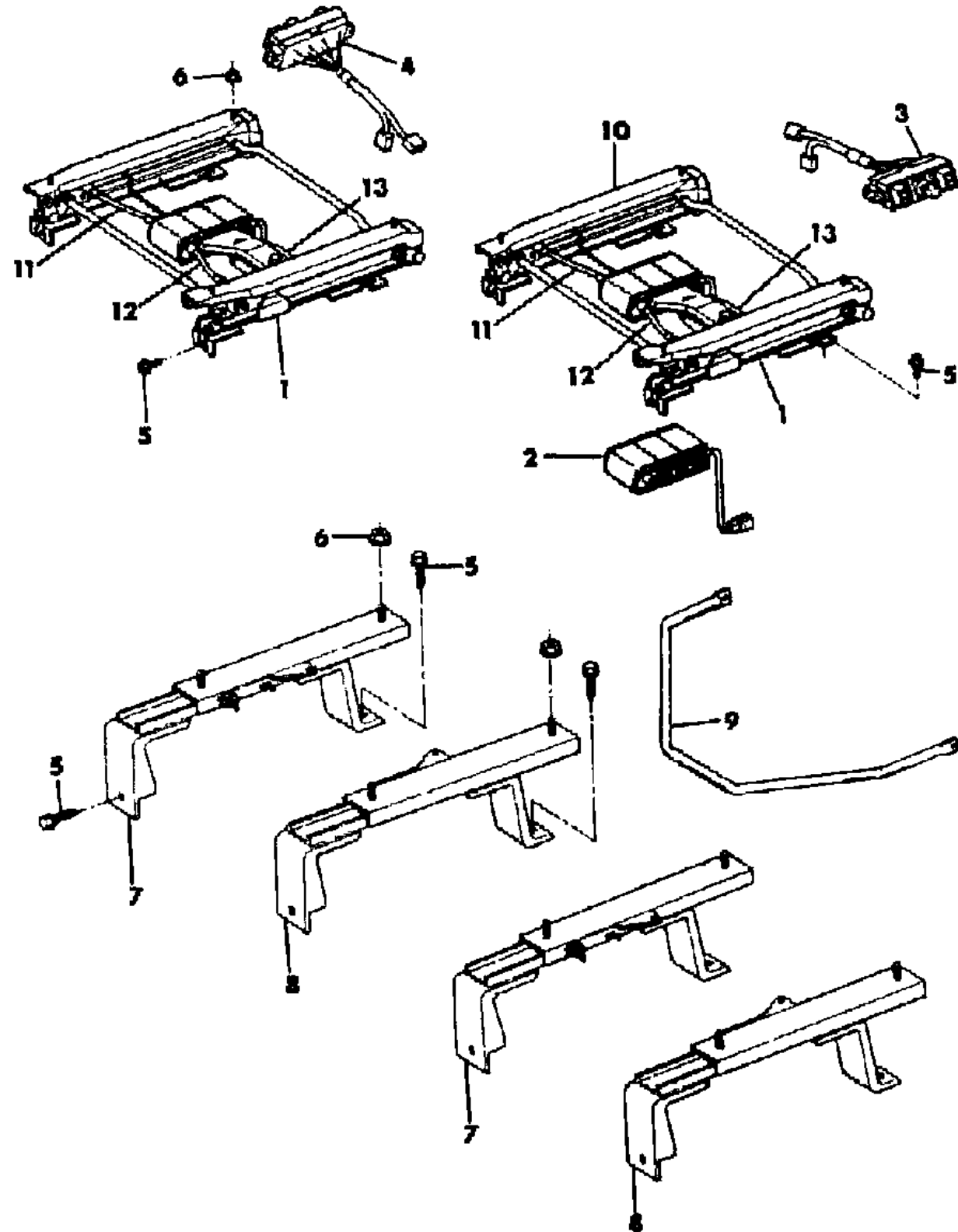
1988:
55 = 4 dr. Sedan
1989-92:
6 = 4 Dr. Sedan

AR = Use as Required - = Non Illustrated Part P.A.R. = Paint as Required

SEAT TRACK
Figure 45-1500

8P45 1500 A

ITEM	PART NUMBER	QTY	BODY	MODEL	DESCRIPTION
W/POWER SEAT					
1	5260 536	2			TRACK, Power Seat
2	3501 4610	2			MOTOR
3-4	3600 2536-7	1			SWITCH ASSEMBLY, Power Seat ***
5	3420 1771	8			BOLT
6	3420 1918	8			NUT
W/O POWER SEAT					
7	3501 3946	1			TRACK, Seat, Rt. Outer and Lt. Inner 1988-1990
8	5260 546	1			1991-92
	3501 3947	1			TRACK, Seat, Rt. Inner and Lt. Outer 1988-1990
8	5260 547	1			1991-92
	3501 4608	2			HANDLE
10	5260 538	1			ADJUSTER, Less Motor
-	5260 536	1			ADJUSTER, w/Motor
11	5260 544	1			CABLE, Inner
12	5260 542	1			CABLE, Outer
13	5260 540	1			SHAFT, Flexible



MODEL CODES:			
1988:	1989:	1990-92:	1990-92:
559 - Premier LX	56 - Premier LX 557 - Premier ES 66 - Premier ES	DP-Monaco LE	XP-Premier LX DS-Monaco ES XS-Premier ES

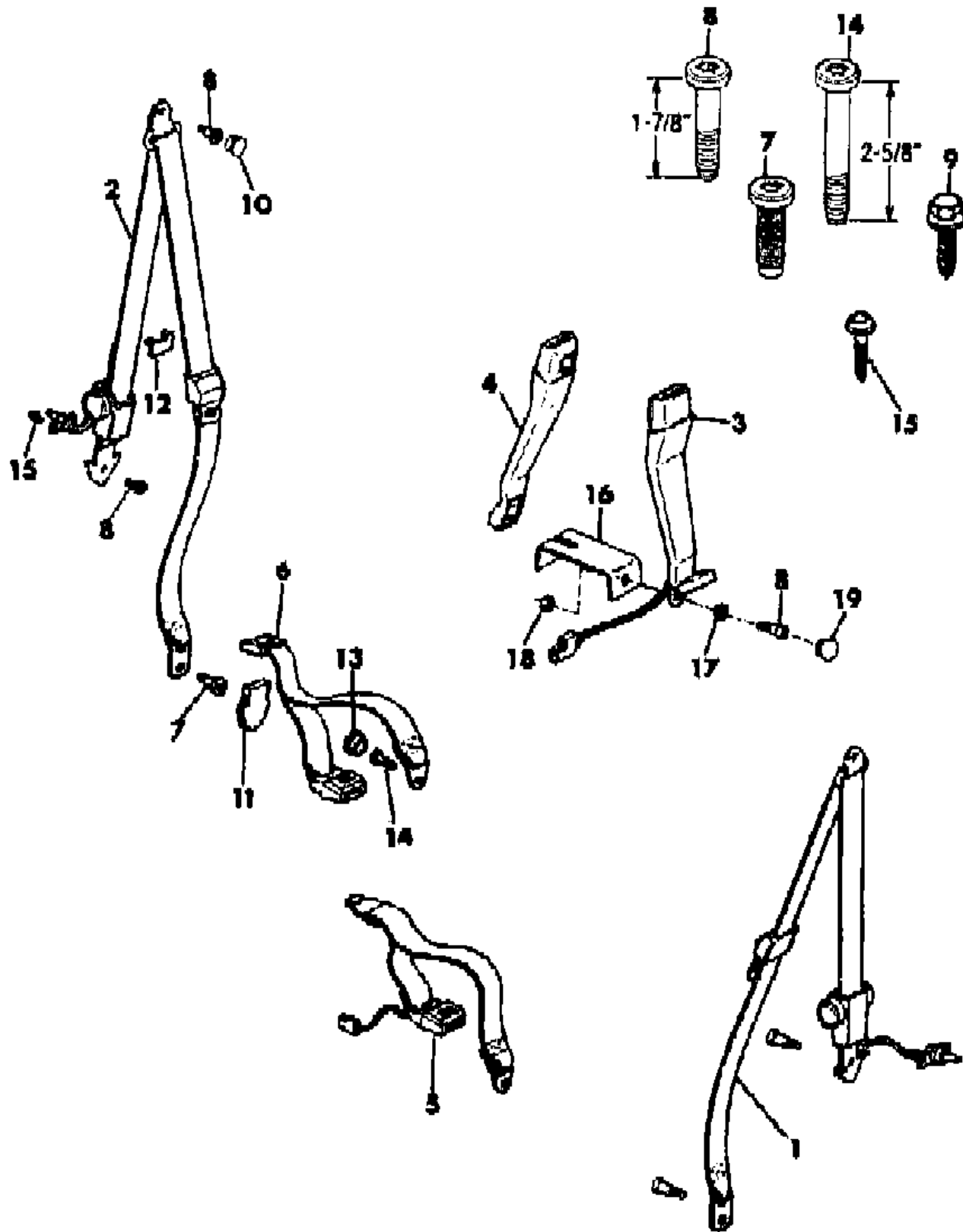
BODY STYLES:
1988:
55 = 4 dr. Sedan
1989-92:
6 = 4 Dr. Sedan

AR = Use as Required - = Non Illustrated Part P.A.R. = Paint as Required

BELTS - FRONT SEAT WITHOUT PASSIVE RESTRAINTS

Figure 45-1600

8P45 1600 A



ITEM	PART NUMBER	QTY	BODY	MODEL	DESCRIPTION
1-2					SEATBELT ***
	3502 6260-1	1			Brownstone, 1988-89
	AT50-1 HF7	1			Brownstone, 1990-92
	3502 6254-5	1			Charcoal, 1988-89
	AT50-1 HA8	1			Charcoal, 1990-92
	3502 6258-9	1			Cordovan, 1988-89
	AT50-1 HH9	1			Cordovan, 1990-92
	3502 6256-7	1			Navy, 1988-89
	AT50-1 HQ8	1			Navy, 1990-92
3-4					SEATBELT ***
	3502 4996-7	1			Brownstone
	3502 4990-1	1			Charcoal
	3502 4994-5	1			Cordovan
	3502 4992-3	1			Navy
					1990-91-92
	AT06-7 HA8	1			Charcoal
	AT06-7 HQ8	1			Navy
	AT06-7 HF7	1			Brownstone
	AT06-7 HH9	1			Cordovan
5					SEATBELT ***
					Left
	3501 8413	1			Brownstone
	3501 8407	1			Charcoal
	3501 8411	1			Cordovan
	3501 8409	1			Navy
6					SEATBELT ***
					Right ***
	3502 5258	1			Brownstone
	3502 5252	1			Charcoal
	3502 5256	1			Cordovan
	3502 5254	1			Navy
7	J400 6832	2			BOLT
8	J400 5507	6			BOLT
9	3420 1203	4			SCREW
10					CAP
	3502 3040	2			Brownstone, 1988-1989
	5AB9 6HA8	2			Charcoal
	5AB9 6JH9	2			Cordovan
	5AB9 6HQ8	2			Navy
	5AB9 6HF7	2			Brownstone, 1990-1991

MODEL CODES:

1988:	1989:	1990-92:	1990-92:
559 - Premier LX	56 - Premier LX	DP-Monaco LE	XP-Premier LX
	557 - Premier ES		DS-Monaco ES
	66 - Premier ES		XS-Premier ES

BODY STYLES:

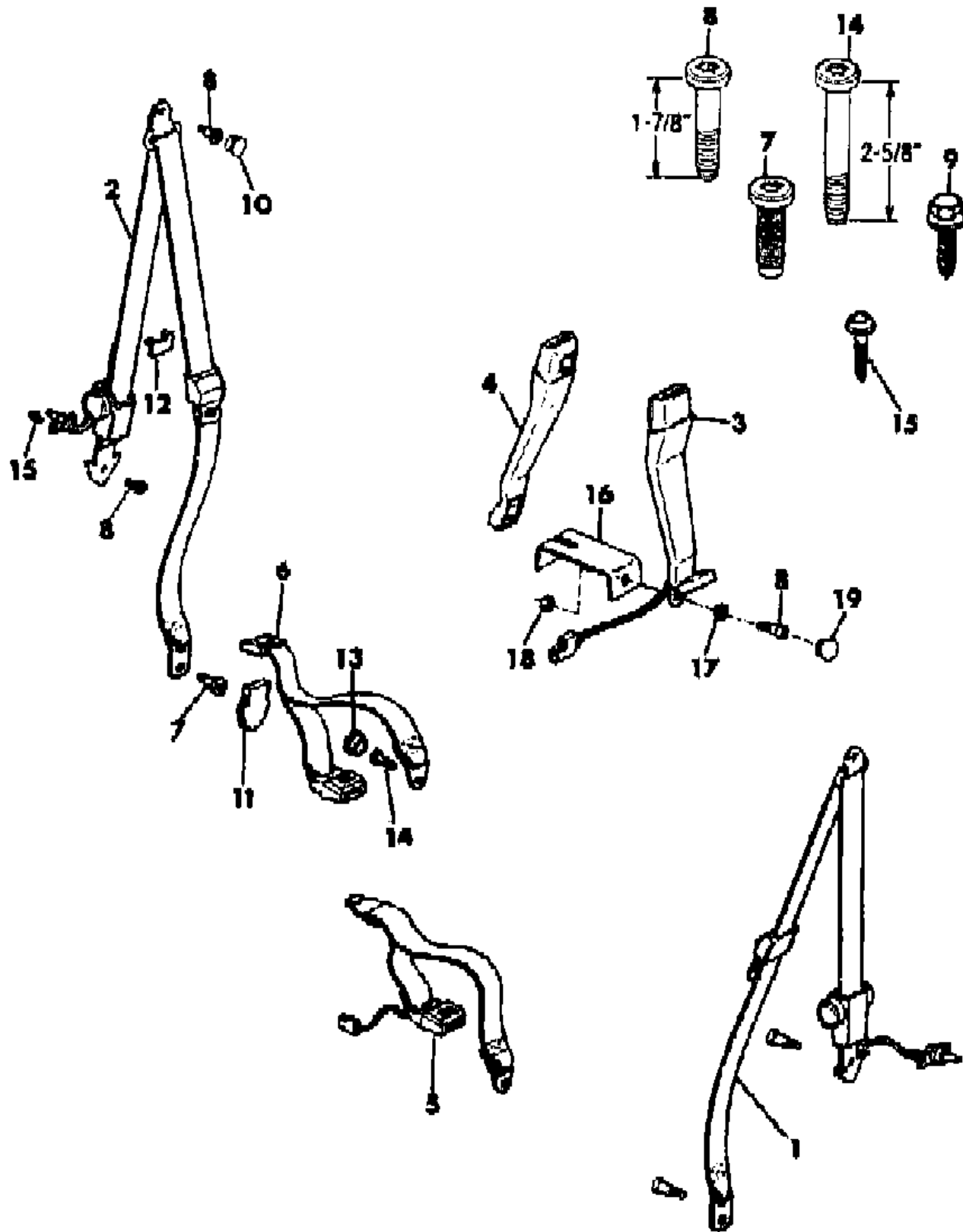
1988:
55 = 4 dr. Sedan
1989-92:
6 = 4 Dr. Sedan

AR = Use as Required - = Non Illustrated Part P.A.R. = Paint as Required

BELTS - FRONT SEAT WITHOUT PASSIVE RESTRAINTS

Figure 45-1600

8P45 1600 A



ITEM	PART NUMBER	QTY	BODY	MODEL	DESCRIPTION
11					COVER, Bolt
	5AA2 2HF7	2			Brownstone
	5AA2 2HA8	2			Charcoal ***
	5AA2 2HH9	2			Cordovan
	5AA2 2HQ8	2			Navy
12					BEZEL, Seat Belt
	AR16 HF7	2			Brownstone
	AR16 HA8	2			Charcoal
	AR16 HH9	2			Cordovan
	AR16 HQ8	2			Navy
13	3420 2551	2			COVER, Bolt, (P.A.R.)
14	J400 5607	AR			BOLT
15	3420 1673	4			SCREW
16	3502 5284	1			BRACE
17	J400 3926	2			WASHER
18	J941 7028	2			NUT
19					PLUG, Button
	5AB2 2HA8	2			Charcoal
	5AB2 2HQ8	2			Navy
	5AB2 2HF7	2			Brownstone
	5AB2 2HH9	2			Cordovan

MODEL CODES:

1988:	1989:	1990-92:	1990-92:
559 - Premier LX	56 - Premier LX	DP-Monaco LE	XP-Premier LX
	557 - Premier ES		DS-Monaco ES
	66 - Premier ES		XS-Premier ES

BODY STYLES:

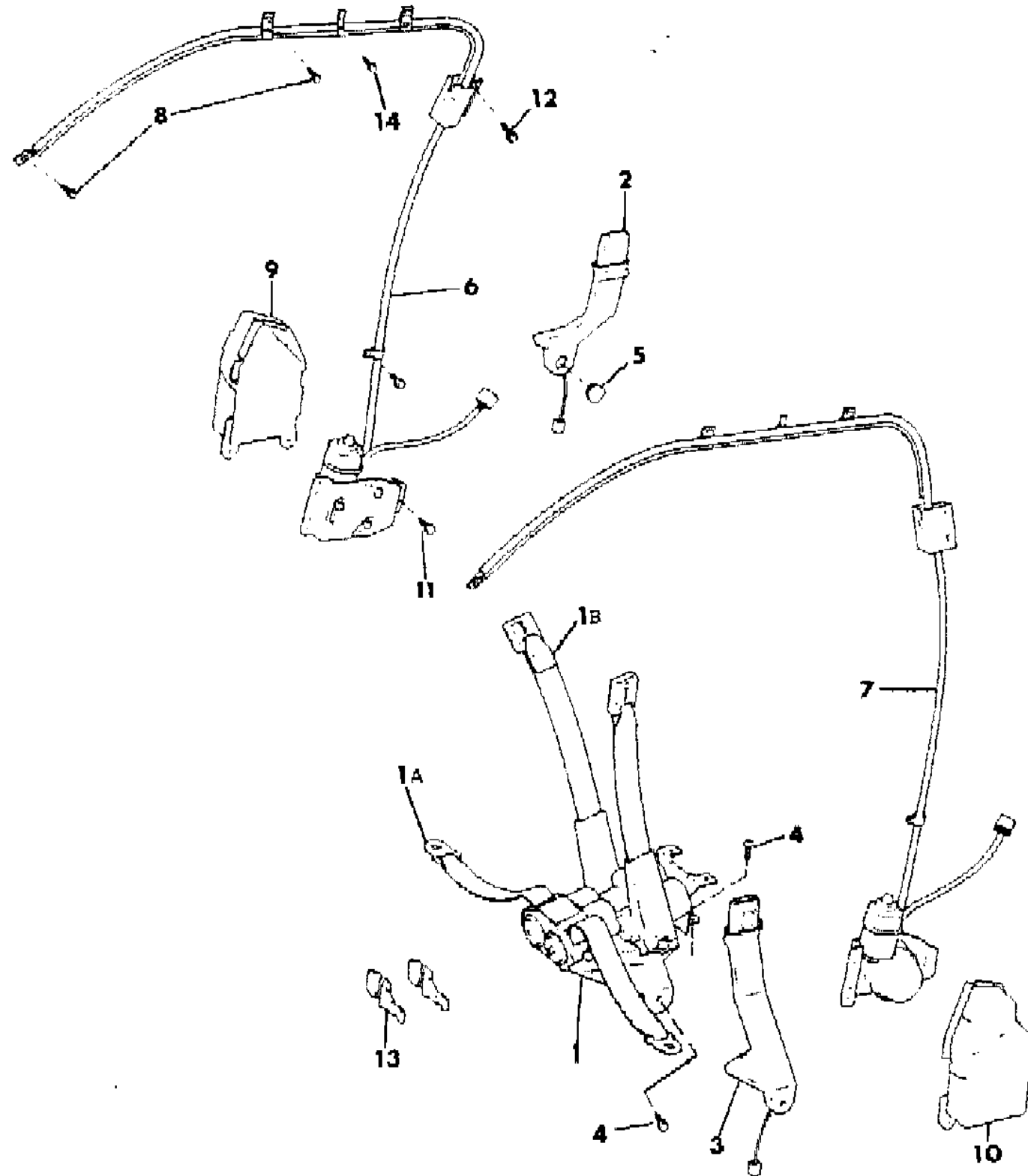
1988:
55 = 4 dr. Sedan
1989-92:
6 = 4 Dr. Sedan

AR = Use as Required - = Non Illustrated Part P.A.R. = Paint as Required

BELTS - FRONT SEAT WITH PASSIVE RESTRAINTS

Figure 45-1700

8P45 1700C



ITEM	PART NUMBER	QTY	BODY	MODEL	DESCRIPTION
1					SEATBELT
					1988-1989
	3502 4108	1			Brownstone
	3502 4102	1			Charcoal
	3502 4106	1			Cordovan
	3502 4104	1			Navy
					1990-1991
					LABEL NUMBER 35023534-5
	AT12 HA8	1			Charcoal
	AT12 HQ8	1			Navy
	AT12 HF7	1			Brownstone
	AT12 HH9	1			Cordovan
					1992
					LABEL NUMBER 4649001
	FA69 LF7	1			Brownstone
	FA69 LH9	1			Cordovan
	FA69 LQ8	1			Navy
	FA69 LA8	1			Charcoal
1A					SEAT BELT, Front Lap ***
					LABEL NUMBER 4519938
	DS22-3 HA8	1			Charcoal
	DS22-3 HQ8	1			Navy
	DS22-3 HF7	1			Brownstone
	DS22-3 HH9	1			Cordovan
					1992
					LABEL NUMBER 4649002
					Right
	EH96 KF7	1			Brownstone
	EH96 KH9	1			Cordovan
	EH96 KQ8	1			Navy
	EH96 KA8	1			Charcoal
					1992
					LABEL NUMBER 4610047
					Left
	EF29 KF7	1			Brownstone
	EF29 KH9	1			Cordovan
	EF29 KQ8	1			Navy
	EF29 KA8	1			Charcoal
1B					SEAT BELT, Front Shoulder ***
					LABEL NUMBER 4519940-1

MODEL CODES:

1988:	1989:	1990-92:	1990-92:
559 - Premier LX	56 - Premier LX	DP-Monaco LE	XP-Premier LX
	557 - Premier ES		DS-Monaco ES
	66 - Premier ES		XS-Premier ES

BODY STYLES:

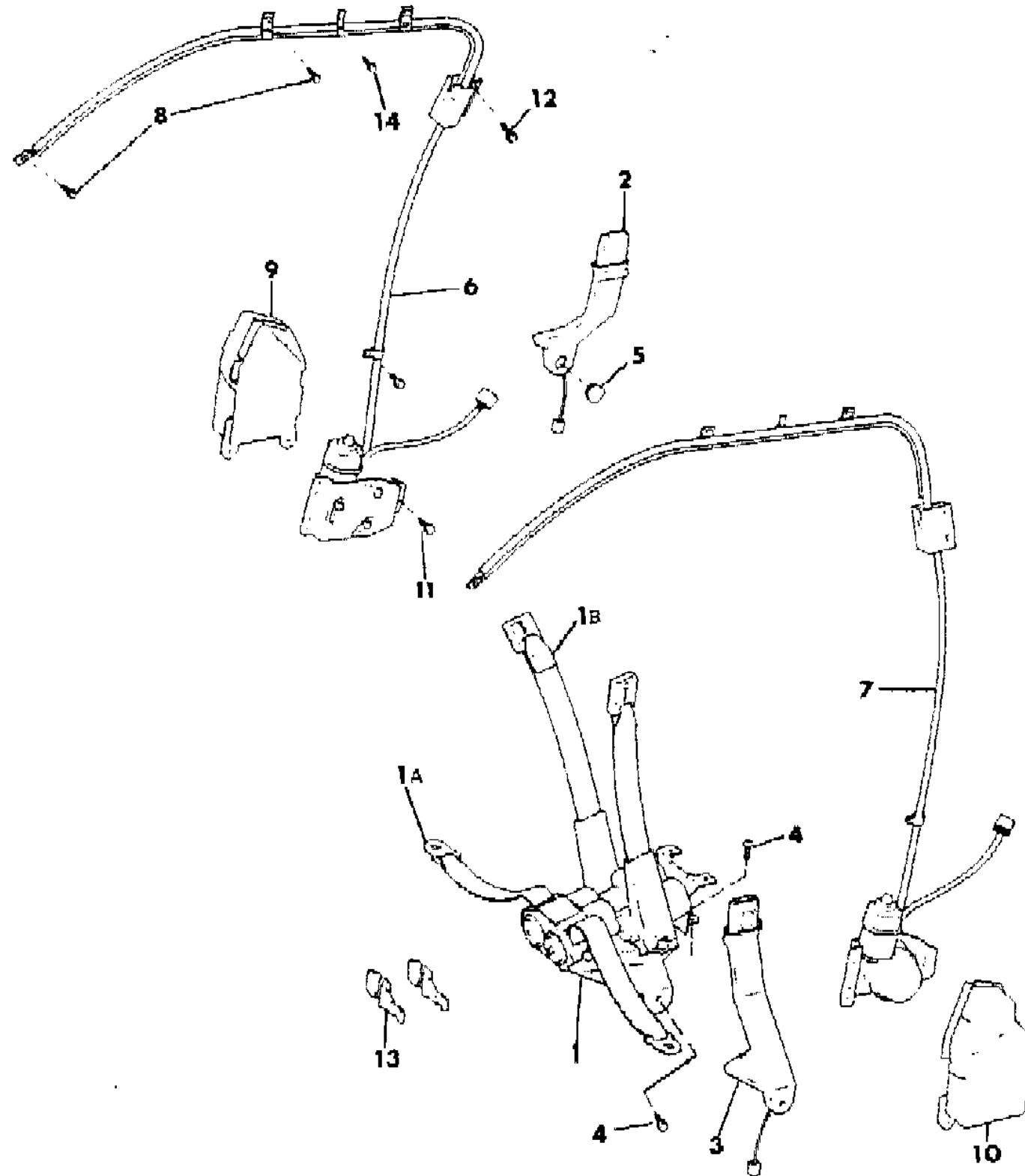
1988:
55 = 4 dr. Sedan
1989-92:
6 = 4 Dr. Sedan

AR = Use as Required - = Non Illustrated Part P.A.R. = Paint as Required

BELTS - FRONT SEAT WITH PASSIVE RESTRAINTS

Figure 45-1700

8P45 1700C



ITEM	PART NUMBER	QTY	BODY	MODEL	DESCRIPTION
	DS24-5 HA8	1			Charcoal
	DS24-5 HQ8	1			Navy
	DS24-5 HF7	1			Brownstone
	DS24-5 HH9	1			Cordovan 1992
					LABEL NUMBER 4610048-9
	EF30-1 KF7	1			Brownstone
	EF30-1 KH9	1			Cordovan
	EF30-1 KQ8	1			Navy
	EF30-1 KA8	1			Charcoal
2-3					SEATBELT *** 1988-1989
	3502 4116-7	1			Brownstone
	3502 4110-1	1			Charcoal
	3502 4114-5	1			Cordovan
	3502 4112-3	1			Navy 1990-1991
					LABEL NUMBER 35023536-7
	AT10-1 HA8	1			Charcoal
	AT10-1 HQ8	1			Navy
	AT10-1 HF7	1			Brownstone
	AT10-1 HH9	1			Cordovan 1992
					LABEL NUMBER 4610052-3
	EG58-9 KF7	1			Brownstone
	EG58-9 KH9	1			Cordovan
	EG58-9 KQ8	1			Navy
	EG58-9 KA8	1			Charcoal
4	J400 6832	3			BOLT
5	3420 2551	1			COVER, Bolt, 1988-89, (P.A.R.) 1990-1992
	5AB2 2HF7	2			Brownstone
	5AB2 2HA8	2			Charcoal
	5AB2 2HH9	2			Cordovan
	5AB2 2HQ8	2			Navy
6-7					RAIL AND DRIVE ASSEMBLY *** 1988-89-90
	3502 6588-9	1			1991-92
	5260 370-1	1			1991-92
8	1150 2835	8			SCREW
9-10	3502 5894-5	1			SHIELD

MODEL CODES:

1988:	1989:	1990-92:	1990-92:
559 - Premier LX	56 - Premier LX 557 - Premier ES 66 - Premier ES	DP-Monaco LE	XP-Premier LX DS-Monaco ES XS-Premier ES

BODY STYLES:

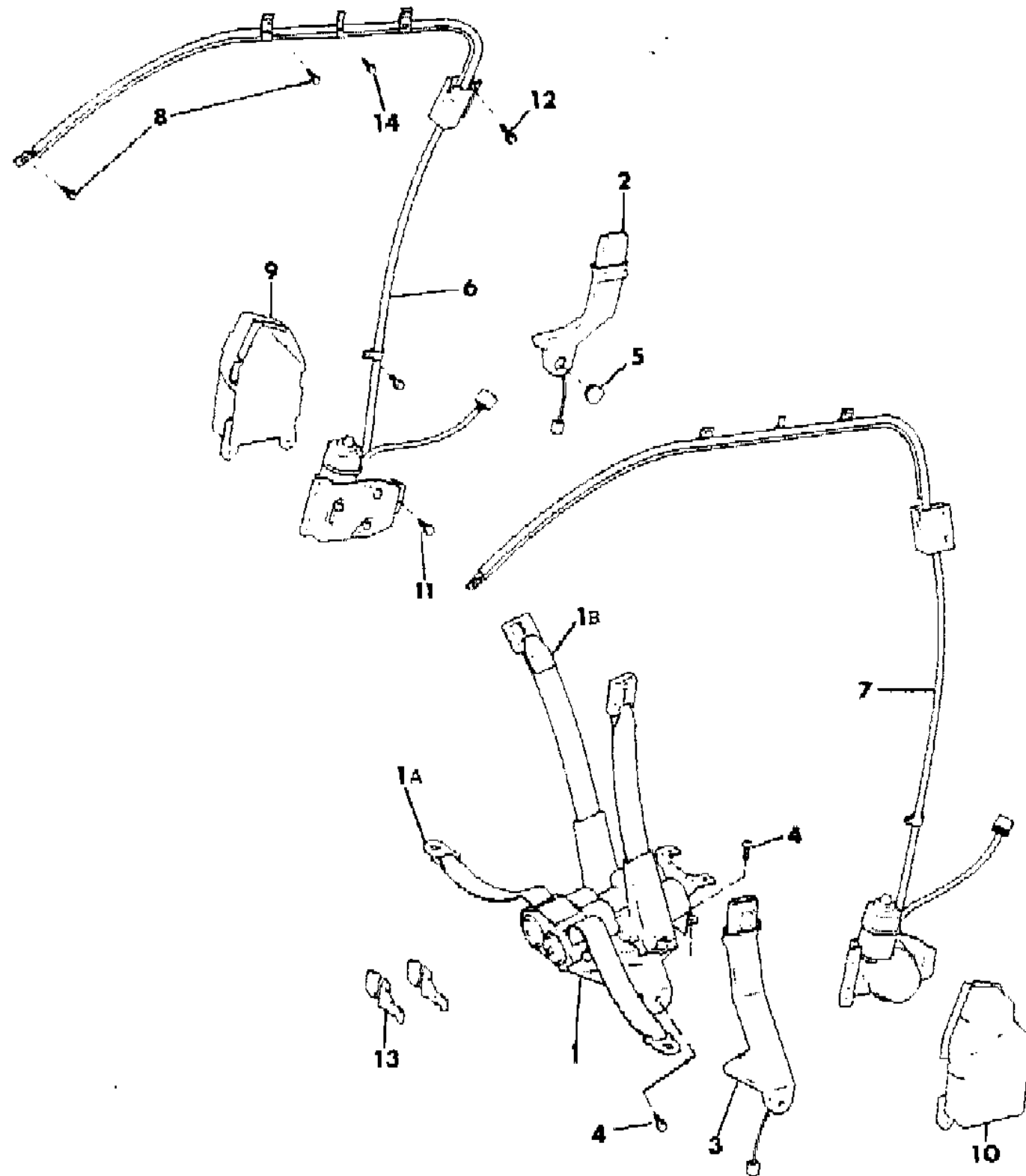
1988:
55 = 4 dr. Sedan
1989-92:
6 = 4 Dr. Sedan

AR = Use as Required - = Non Illustrated Part P.A.R. = Paint as Required

BELTS - FRONT SEAT WITH PASSIVE RESTRAINTS

Figure 45-1700

8P45 1700C



ITEM	PART NUMBER	QTY	BODY	MODEL	DESCRIPTION
11	6501 105	6			SCREW
12	3420 2381	4			SCREW
13					CONNECTOR, Emergency Spare
	4476 569	2			Single Tip
	4519 664	1			Tip Package
14	3420 2358	4			SCREW

MODEL CODES:

1988:	1989:	1990-92:	1990-92:
559 - Premier LX	56 - Premier LX	DP-Monaco LE	XP-Premier LX
	557 - Premier ES		DS-Monaco ES
	66 - Premier ES		XS-Premier ES

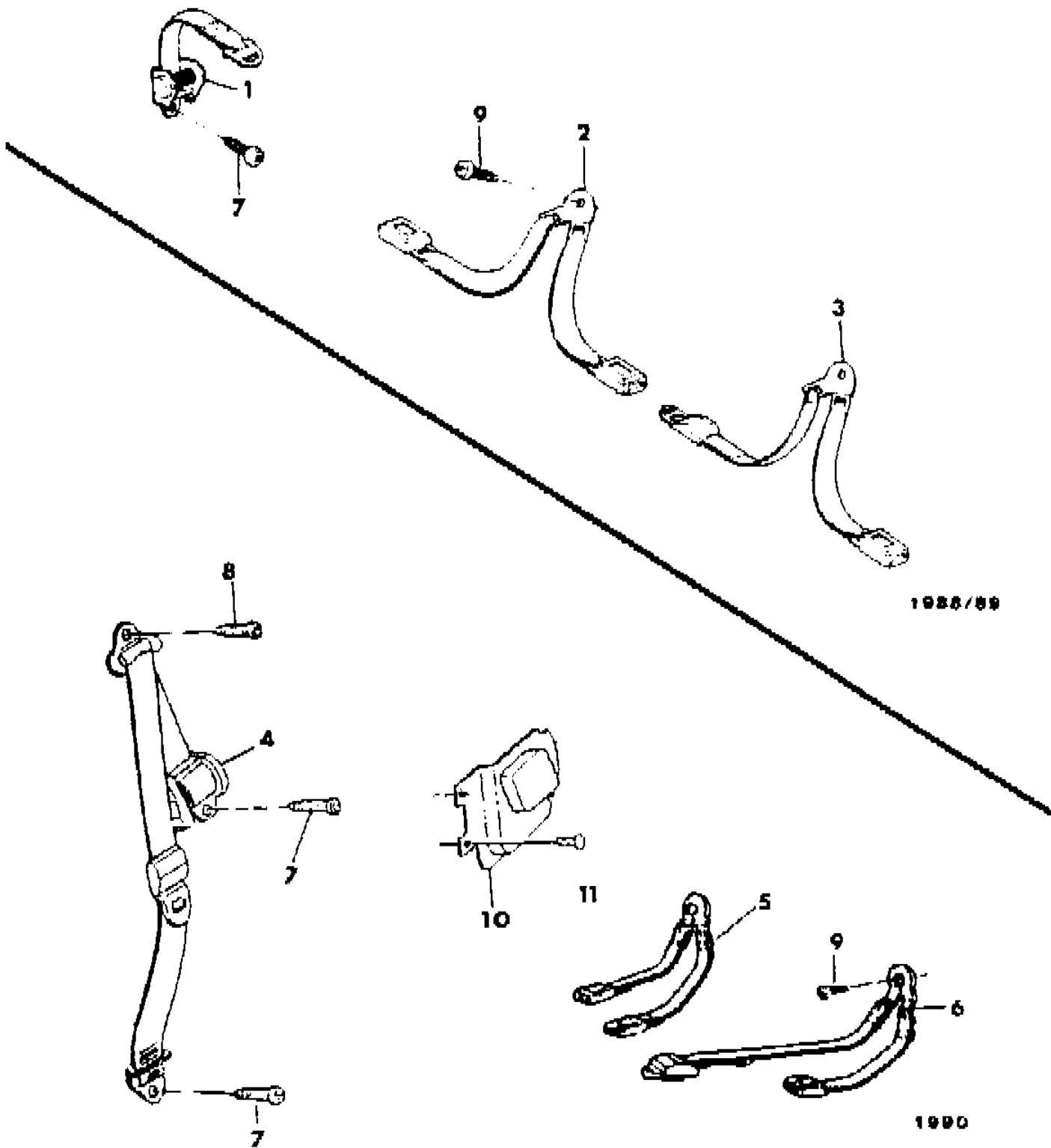
BODY STYLES:

1988:
55 = 4 dr. Sedan
1989-92:
6 = 4 Dr. Sedan

AR = Use as Required - = Non Illustrated Part P.A.R. = Paint as Required

BELTS - REAR SEAT
Figure 45-1800

8P45 1800 A



ITEM	PART NUMBER	QTY	BODY	MODEL	DESCRIPTION
1					SEATBELT, Rt. or Lt. ***
	3502 5263	2			Brownstone
	3502 5260	2			Charcoal
	3502 5262	2			Cordovan
	3502 5261	2			Navy
2-3					SEATBELT ***
	3501 8438-9	1			Brownstone
	3501 8432-3	1			Charcoal
	3501 8436-7	1			Cordovan
	3501 8434-5	1			Navy
4					SEATBELT, Outer ***
					LABEL NUMBER 4550666-7
	BA62-3 JF7	1			Brownstone
	BA62-3 JA8	1			Charcoal
	BA62-3 JH9	1			Cordovan
	BA62-3 JQ8	1			Navy
					1992
					LABEL NUMBER 4610054-5
	EM64-5 LF7	1			Brownstone
	EM64-5 LH9	1			Cordovan
	EM64-5 LQ8	1			Navy
	EM64-5 LA8	1			Charcoal
5-6					SEATBELT, Inner ***
					LABEL NUMBER 4610002-3
	WV72-3 JF7	1			Brownstone
	WV72-3 JA8	1			Charcoal
	WV72-3 JH9	1			Cordovan
	WV72-3 JQ8	1			Navy
7	J400 6832	AR			BOLT ***
8					BOLT
	J400 5506	2			(Use Up To 12-3-90)
	6034 268	2			(Use After 12-3-90)
9	J400 7574	2			BOLT
10	4534 442-3	1			COVER, Retractor
11	3759 944	1			RETAINER

MODEL CODES:

1988:	1989:	1990-92:	1990-92:
559 - Premier LX	56 - Premier LX	DP-Monaco LE	XP-Premier LX
	557 - Premier ES		DS-Monaco ES
	66 - Premier ES		XS-Premier ES

BODY STYLES:

1988:
55 = 4 dr. Sedan
1989-92:
6 = 4 Dr. Sedan

AR = Use as Required - = Non Illustrated Part P.A.R. = Paint as Required

GROUP 25 - EMISSION SYSTEMS

ILLUSTRATION TITLE	GROUP-FIG. NO.
EMISSION CONTROLS	
EMISSION CONTROLS 4 CYLINDER ENGINE	Fig. 25-100
EMISSION CONTROLS 6 CYLINDER ENGINE	Fig. 25-200
VAPOR CANISTER	
VAPOR CANISTER	Fig. 25-300
EMISSION LABELS	Fig. 25-400

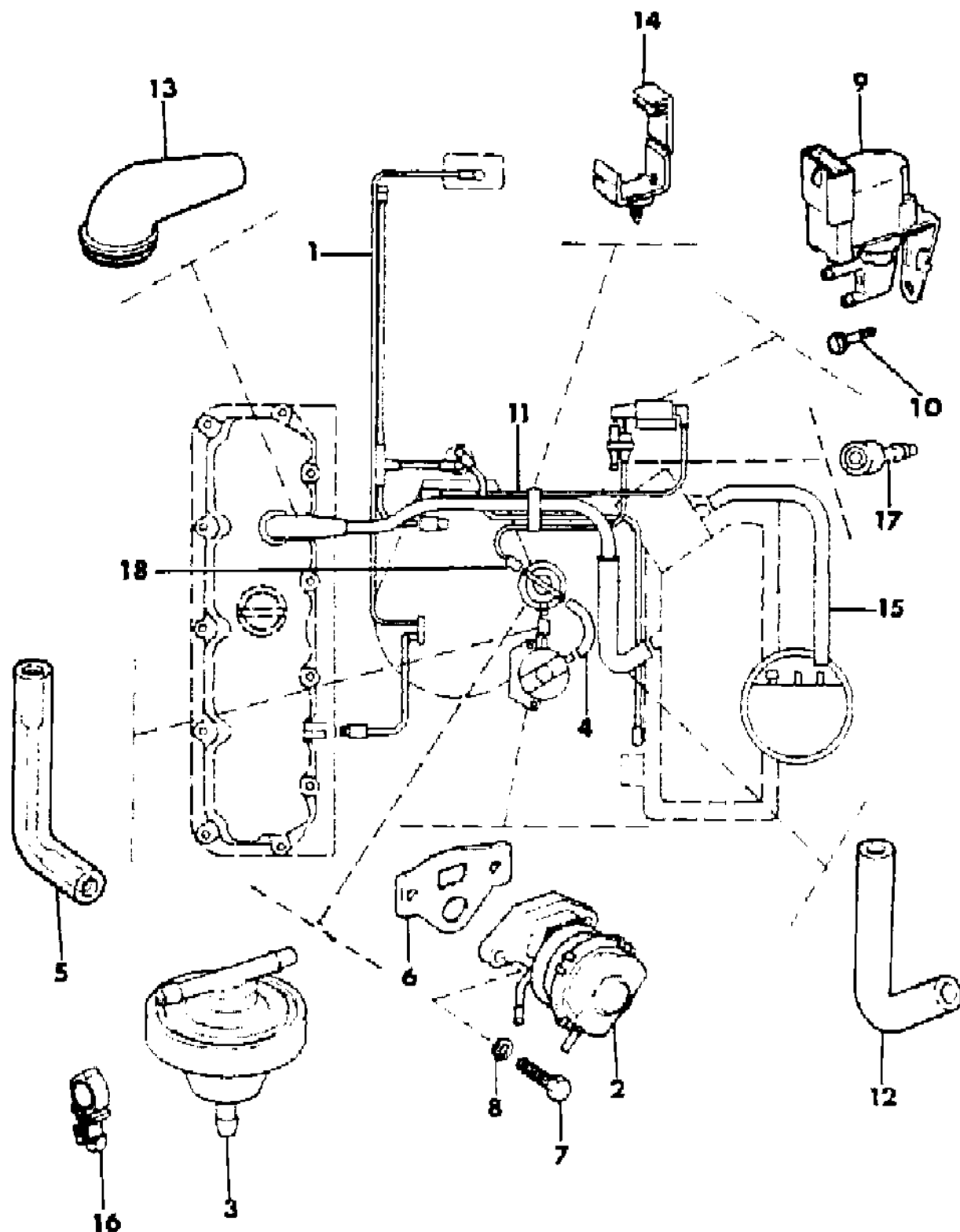
ILLUSTRATION NOT AVAILABLE AT TIME OF PUBLICATION

EMISSION CONTROLS 4 CYLINDER ENGINE

Figure 25-100

BP25 100B

ITEM	PART NUMBER	QTY	BODY	MODEL	DESCRIPTION
1	3300 2862	1			HARNESS ASSEMBLY, Vacuum
2	3300 2867	1			VALVE, EGR
3	3300 4077	1			TRANSDUCER, EGR Valve
4	J812 5995	1			HOSE 3/16" I.D. - Bulk
5	3300 4186	1			CONNECTOR
6	3300 4185	1			GASKET, EGR Valve
7	J943 1975	2			BOLT
8	J012 0214	2			WASHER, Lock
9	3300 2298	1			SOLENOID, Vacuum Switch
10	J812 0054	1			SCREW
11	3300 2863	1			HARNESS ASSEMBLY, Vacuum
12	3300 4151	1			HOSE, Crankcase Vent
13	5300 4604	1			HOSE, Crankcase Vent
14	3300 4087	1			CLIP
15	3300 3732	1			HOSE, Purge
16	J400 5701	1			CLIP
17	3300 2358	1			FILTER, Vacuum Vent
18	4026 511	AR			HOSE 3/16" I.D. - Bulk



MODEL CODES:

1988:	1989:	1990-92:	1990-92:
559 - Premier LX	56 - Premier LX 557 - Premier ES 66 - Premier ES	DP-Monaco LE	XP-Premier LX DS-Monaco ES XS-Premier ES

BODY STYLES:

1988:
55 = 4 dr. Sedan
1989-92:
6 = 4 Dr. Sedan

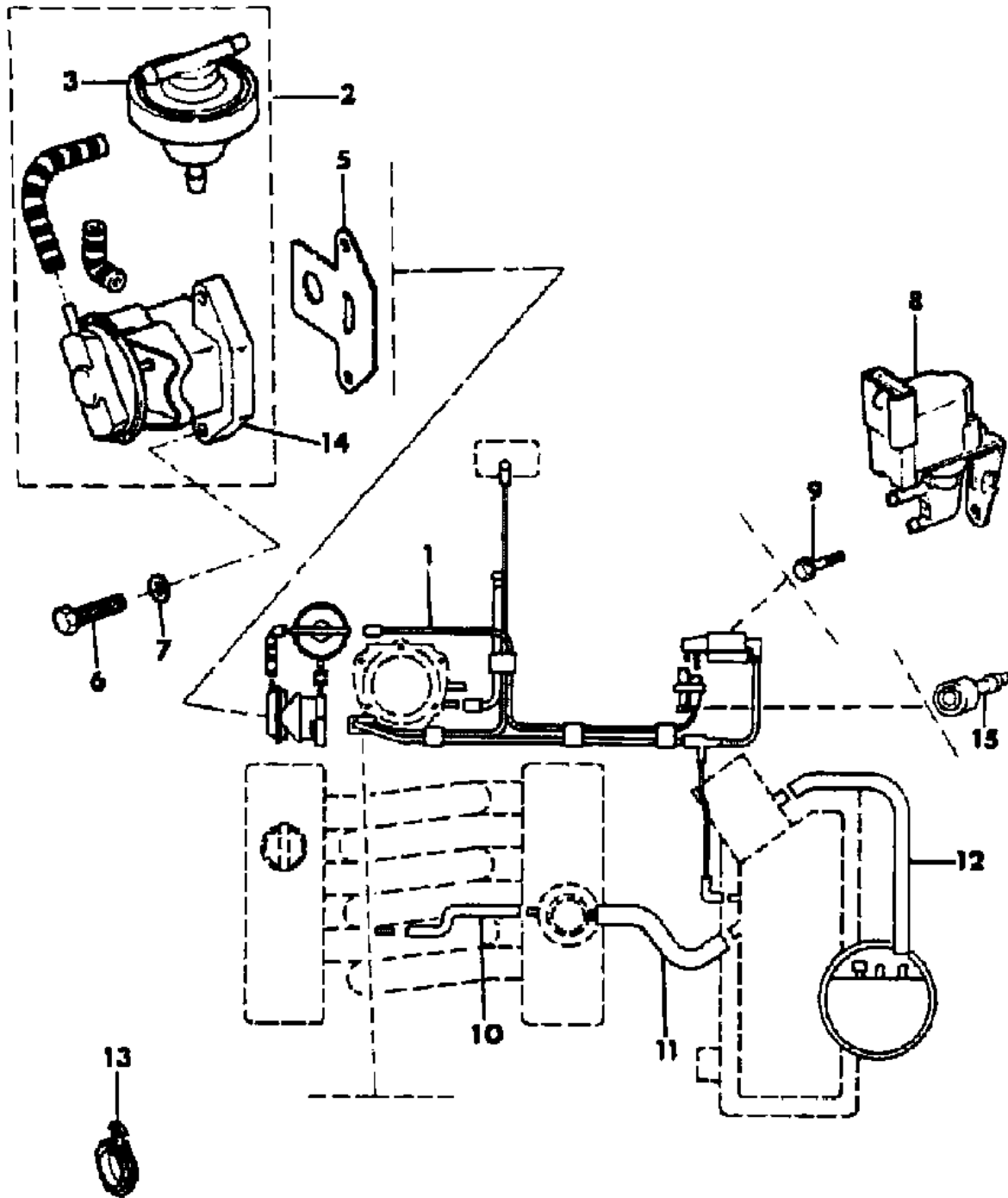
AR = Use as Required - = Non Illustrated Part P.A.R. = Paint as Required

EMISSION CONTROLS 6 CYLINDER ENGINE

Figure 25-200

8P25 200C

ITEM	PART NUMBER	QTY	BODY	MODEL	DESCRIPTION
1					HARNESS ASSEMBLY, Vacuum ***
	3300 2998	1			up to Engine Serial #1 thru 89615
	4459 029	1			after Engine Serial #89616
2					VALVE ASSEMBLY, EGR
	3300 4082	1			Z7X-711 Engine
	4287 768	1			Z7X-715 Engine
3					TRANSDUCER, EGR Valve
	3300 4076	1			Z7X-711 Engine
	4287 769	1			Z7X-715 Engine
4	J812 5995	1			HOSE Bulk
5	3300 4185	1			GASKET, EGR Valve
6	3420 1050	2			BOLT
7	1150 0221	2			WASHER, Lock
8	3300 2298	1			SOLENOID, Vacuum Switch
9	J812 0054	1			SCREW
10	3300 4743	1			HOSE, Vacuum
11					HOSE, Crankcase Vent
	3300 4132	1			Z7X-711 Engine
	4573 456	1			Z7X-715 Engine
12	3300 3732	1			HOSE, Purge
13	J400 6550	1			CLIP
14	3300 2868	1			VALVE, EGR - Z7X-711 Engine
15	3300 2358	1			FILTER, Vacuum Vent



MODEL CODES:

1988:	1989:	1990-92:	1990-92:
559 - Premier LX	56 - Premier LX 557 - Premier ES 66 - Premier ES	DP-Monaco LE	XP-Premier LX DS-Monaco ES XS-Premier ES

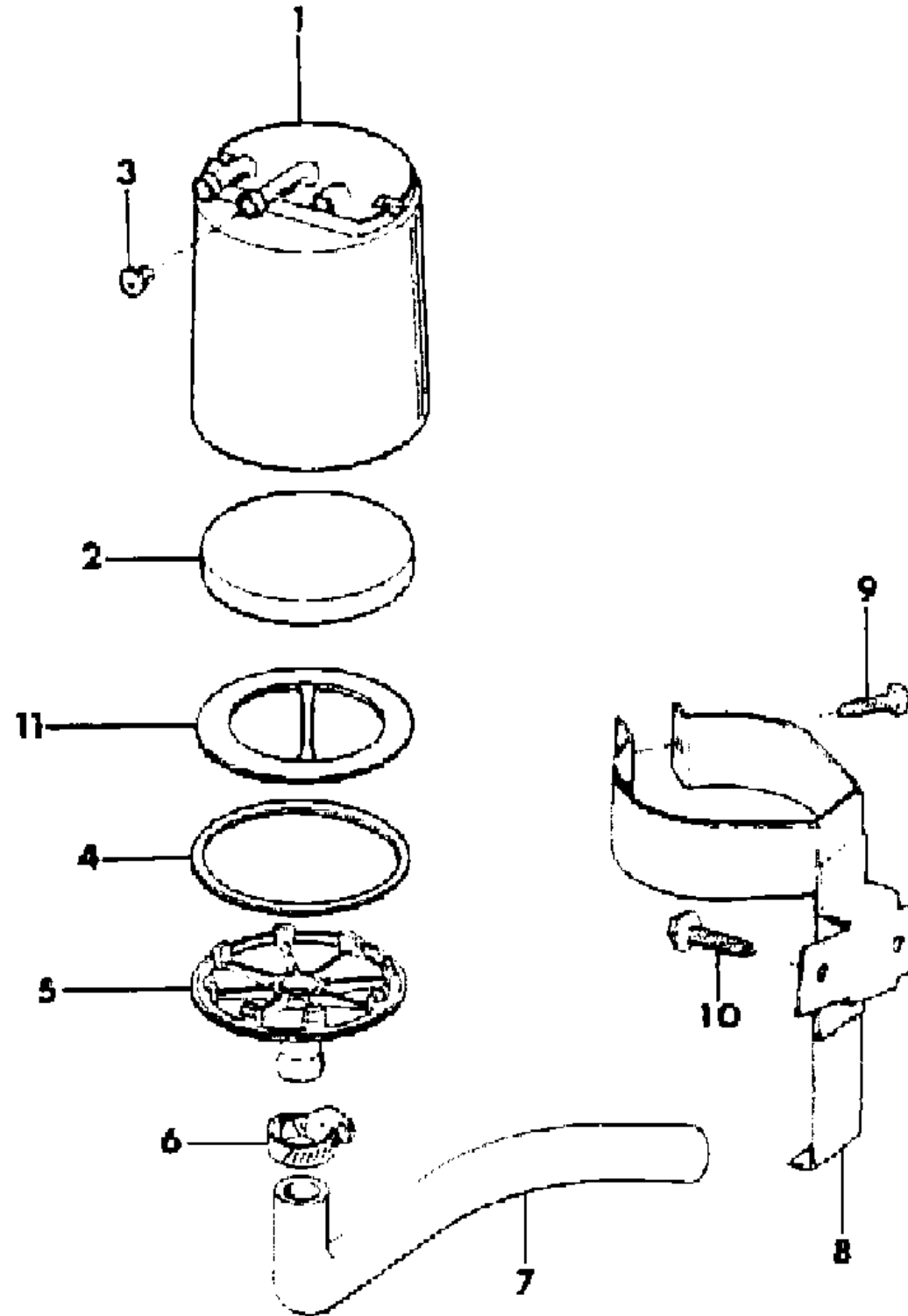
BODY STYLES:

1988:
55 = 4 dr. Sedan
1989-92:
6 = 4 Dr. Sedan

AR = Use as Required - = Non Illustrated Part P.A.R. = Paint as Required

VAPOR CANISTER
Figure 25-300

8P25 300 A



ITEM	PART NUMBER	QTY	BODY	MODEL	DESCRIPTION
1					CANISTER, Vapor
	3300 2870	1			1988-90
	4592 121	1			1991-92
	3820 667	1			CAP, Purge Nipple 1991-92 (not shown)
	5277 699	1			CAP, Dust 1991-92 (not shown)
2	J322 7279	1			FILTER 1988-90
3	J321 3949	1			PLUG, Metering 1988-90
4	3300 2496	1			GASKET 1988-90
5	J323 3599	1			CAP, Drain 1988-90
6	2448 770	1			CLAMP, Hose 1988-90
7	3300 0876	1			HOSE 1988-90
8	3300 3245	1			BRACKET, Mounting
9	1150 0082	1			SCREW
10	S150 0086	2			SCREW 1988-90
	3420 1874	2			NUT and WASHER 1991-92
11	J322 7280	1			RING 1988-90

MODEL CODES:

1988:	1989:	1990-92:	1990-92:
559 - Premier LX	56 - Premier LX	DP-Monaco LE	XP-Premier LX
	557 - Premier ES		DS-Monaco ES
	66 - Premier ES		XS-Premier ES

BODY STYLES:

1988:
55 = 4 dr. Sedan
1989-92:
6 = 4 Dr. Sedan

AR = Use as Required - = Non Illustrated Part P.A.R. = Paint as Required

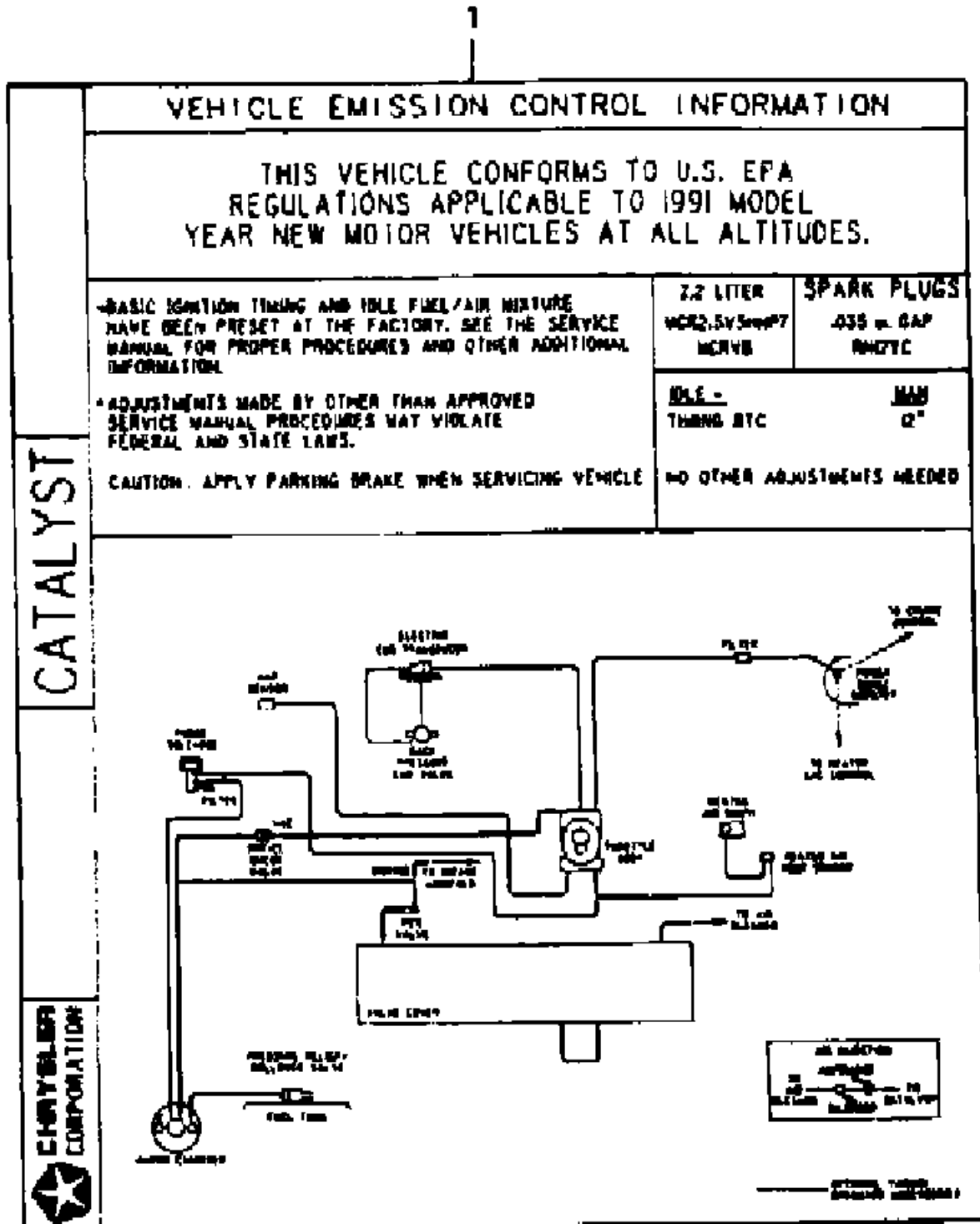
EMISSION LABELS

Figure 25-400

8P25 400A

ITEM	PART NUMBER	QTY	BODY	MODEL	DESCRIPTION
1	LABEL, Emission Adjustment and Routing				
	3300 3157	1			2.5L Eng. - Federal and High Altitude - Auto. Trans. 1988
	3300 3159	1			2.5L Eng. - Calif. - Auto. Trans. 1988
	3300 4609	1			2.5L Eng. - Federal and High Altitude - Auto. Trans. 1989
	3300 4610	1			2.5L Eng. - Calif. - Auto. Trans. 1989
	3300 3164	1			3.0L Eng. - Federal and High Altitude - Auto. Trans. 1988
	3300 3165	1			3.0L Eng. - Calif. - Auto. Trans. 1988
	3300 4620	1			3.0L Eng. - Federal and High Altitude - Auto. Trans. 1989
	3300 4621	1			3.0L Eng. - Calif. - Auto. Trans. 1989
	5277 692	1			3.0L Eng. - Federal w/o Federal Emission Vehicle for Calif. or w/High Altitude - Man. Trans. 1990
	4573 471	1			3.0L Eng. - Federal w/o Federal Emission Vehicle for Calif. or w/High Altitude - Auto. Trans. 1990
	4573 472	1			3.0L Eng. - w/Federal Emission Vehicle for Calif or w/Calif. - Auto. Trans. 1990
	5283 684	1	X		3.0L Eng. - Calif. 1990
	5283 138				3.0L Eng. - Federal w/o Federal Emission Vehicle for Calif. or w/High Altitude 1991
	5283 461	1			1992
	5277 106				3.0L Eng. - Federal w/Federal Emission Vehicle for Calif. 1991
	5283 463	1			1992

NOTE 1: Also order Label #33003167.



MODEL CODES:
 1988: 559 - Premier LX
 1989: 56 - Premier LX
 557 - Premier ES
 66 - Premier ES
 1990-92: DP-Monaco LE
 1990-92: XP-Premier LX
 DS-Monaco ES
 XS-Premier ES

BODY STYLES:
 1988:
 55 = 4 dr. Sedan
 1989-92:
 6 = 4 Dr. Sedan

AR = Use as Required - = Non Illustrated Part P.A.R. = Paint as Required