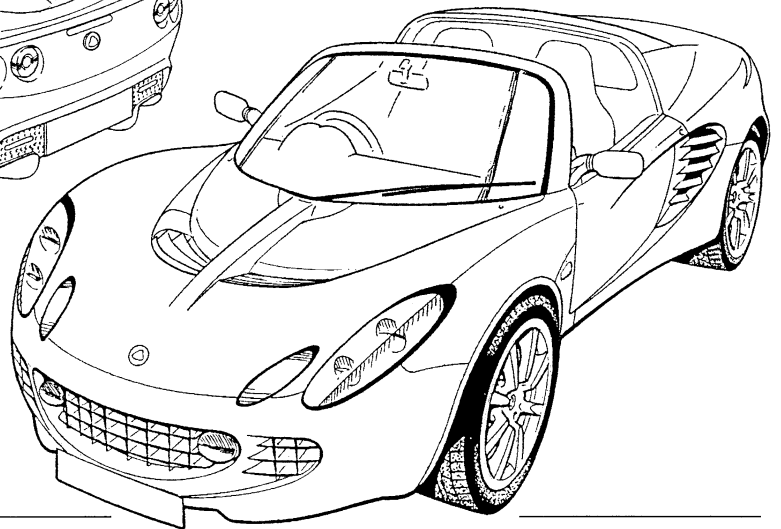
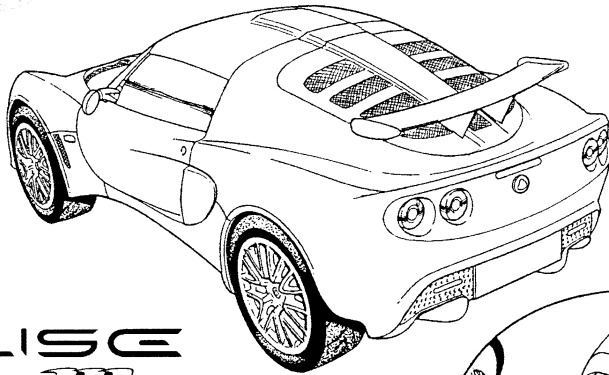




## ELISE & EXIGE SERVICE PARTS LIST



**ELISE**  
*MR*

**ELISE**  
*North America*

**EXIGE**  
*2004 Model Year  
Onwards*

Technical Service Dept., Lotus Cars Ltd, Hethel, Norwich, Norfolk, NR14 8EZ. England.

Tel: +44 (0)1953 608000 Fax: +44(0)1953 608300 [www.lotuscars.co.uk](http://www.lotuscars.co.uk)

© Lotus Cars Ltd. 2004

Part Number A120T0325J

## FORWARD

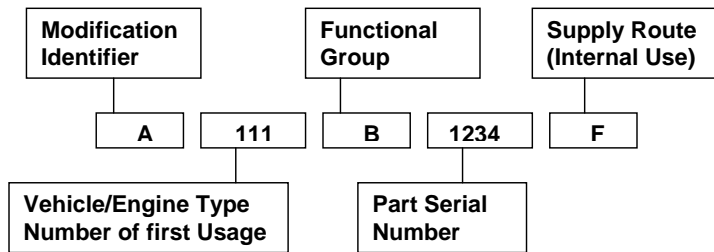
This publication has been designed for use by Lotus Dealers, and may be updated periodically by the issuing of update packages to the dealer network. Lotus policy is one of continuous product improvement and the right is reserved to alter specifications at any time without prior notice. Whilst every care has been taken to ensure correctness of information, it is impossible to guarantee complete freedom from omissions and errors, or to accept liability arising from such errors or omissions, but nothing herein contained shall affect your statutory rights.

## USE OF THE PARTS LIST

This parts list covers the Elise range, 2001 model year onwards. The manual is arranged in function groups, as defined by the Contents page, and may sometimes use several versions of the same function group to accommodate model variations – take care to establish the full vehicle specification in order to properly identify the applicable parts list section.

## PART NUMBERS

Part numbers used in this publication are in the format as follows:



**Modification Identifier:** This letter identifies a version or modification of the part. Part numbers with different prefix letters may or may not be interchangeable – refer to the remarks column.

**Vehicle/Engine Type Number:** The type number indicates either the model or engine type on which the part was first used.

026, 036, 045, 500...Elan	076...Eclat S1	084...Eclat S2	111...Elise
050...Elan+2	079...Esprit S1/S2/S2.2	085...Esprit S3	340...340R
046, 054, 065, 074...Europa	082...Esprit Turbo	089...Excel	117...Elise 2001 MY
075...Elite S1	083...Elite S2	100...Elan 1990	120...Elise European with Toyota Power-Train
121...Elise USA '05 MY	122...European Exige '04 MY	123...USA Exige '06 MY	

**Functional Group:** A single letter indicating the functional area of the parts first use

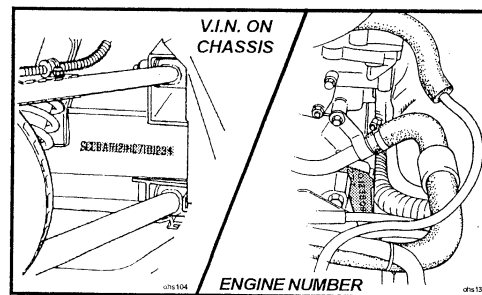
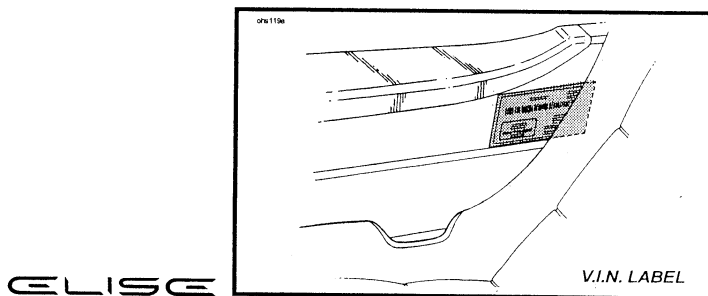
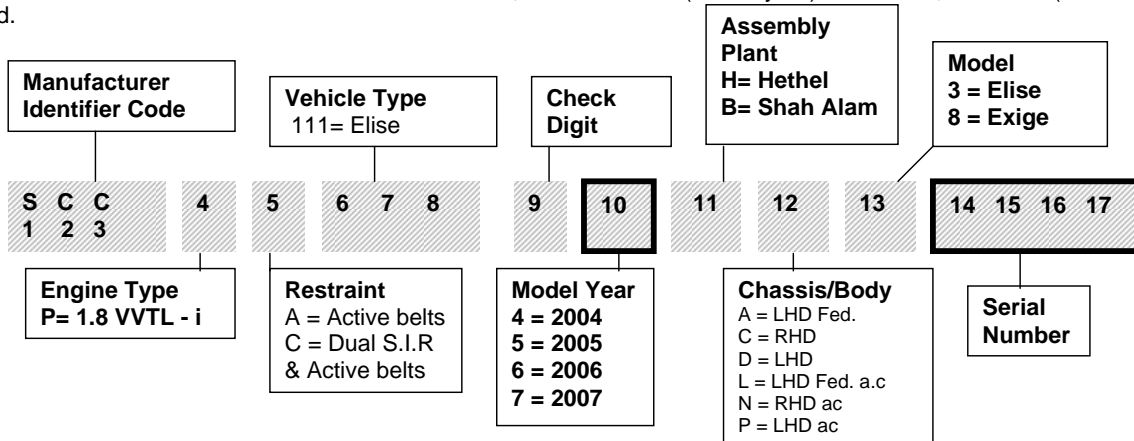
A = Chassis	E = Engine	J = Brakes	P = Heater & AC	U = Hard Trim
B = Body	F = Transmission	K = Cooling	Q = Clutch	V = Soft Trim
C = Front Suspension	G = Wheels & Tires	L = Fuel System	R = Final Drive	W = Standard Fixings
D = Rear Suspension	H = Steering	M = Electrics	S = Exhaust	

## VEHICLE IDENTIFICATION NUMBER & ENGINE NUMBER

The vehicle identification number (VIN) is stamped on the chassis in the right hand front wheelarch area, viewable with the front wheels turned to full right lock, and is also printed on a label stuck to the chassis sideframe alongside the driver's seat. The engine number is marked on a vertical patch at the right hand side of the rear face of the cylinder block, adjacent to the clutch housing.

Both numbers should always be quoted with any vehicle enquires, as Factory records are filed against VIN, and specification change points are identified by VIN or engine number. The vehicle license number should be considered irrelevant, since it may not accurately reflect the vehicle age, and may also be changed during the cars life.

The VIN comprises 17 characters, coded in accordance with European Economic Community (EEC) directives. For change point identification in Service Notes and Service Parts Lists, characters 10 (model year) and 15-17, or 14-17 (serial number) will be quoted.



## **MODEL HISTORY**

### **Elise 111R Introduction: January 2004**

VIN character 4 = P; Character 13 = 3; Serial number from 0970

Note that the serial number sequence is shared with other Elise variants.

Changes from previous model include: Toyota powertrain with 1.8 litre VVTL-i engine and 6-speed transmission. Twin exhaust tailpipes exiting through centre of diffuser. Larger fuel tank with new pump. Revised chassis rail rear ends, new rear subframe, revised seat belt mounting frame backstays. Revised rear suspension wishbones, springs and dampers. ABS brake control with vacuum servo. Revised front bonnet grilles and access covers.

### **2004 Exige Introduction: March 2004**

VIN character 4 = P; Character 13 = 8; Serial number from 1092

Note that the serial number sequence is shared with other Elise variants.

Differences compared with Elise 111R include: Restyled front and rear clamshells with fixed roof and strut mounted rear aerofoil. Front body splitter panel. Re-styled road wheels, wider on the front, and Yokohama A048 tyres.

### **2005 M.Y. Elise for North America: May 2004**

VIN character 10 = 5; Character 12 = L; Serial number from 0001

Note that the serial number sequence is shared with other Elise variants when '05 M.Y. is adopted for those models later in the year.

Differences compared with Elise 111R include: Driver and passenger airbags, pyrotechnic seat belt pre-tensioners; Re-styled fascia and dashboard structure; Front speakers moved onto top surface of fascia, stowage pockets incorporated into dashboard end panels, fixed windscreen demist vents.

Engine start button in driver's side switch panel. Revised springs and dampers, Yokohama AD07 tyres. Side marker lamps on front and rear wheelarch lips. Revised fuel system with fuel filler flap.

# ELISE

## 10.00 Body

---

10.01	Body: Front & Rear Clamshells & Fixings
10.01x	Body: Front & Rear Clamshells & Fixings, Exige
10.02a	Body: Sill Panels, Windscreen Frame & Rear Bulkhead
10.04	Crash Structures
10.09a	Front Services Access Panels
10.11	Engine Cover Lid & Latch Mechanism
10.11x	Tailgate & Release Mechanism, Exige
10.13a	Engine Compartment Finisher Panels
10.15	Door Shells, Beams, Hinges
10.17	Door Latch Mechanism
10.20	Rear Window Shroud & Fixings
10.23x	Spoilers & Aerofoils, Exige
10.25	Undertray & Diffuser
10.31	Towing Strut/ Hook

---

## 11.00 Glazing and Seals

---

11.01	Windscreen, Door Glass, Seals & Weather Strips
11.02	Door Window Lift Mechanism

---

## 12.00 Exterior Fittings

---

12.01	Wheelarch Liners
12.02	Soft Top Roof, Cant Rails, Roof Bows
12.03	Grilles and Louvres
12.04	Hard Top Roof, Seals and Fittings
12.04x	Roof Panel, Seals & Fixings, Exige
12.05	Decals, Badges & Protective Film
12.05x	Decals, Badges & Protective Film, Exige
12.07	Licence Plate Mountings
12.09	Exterior Driving Mirrors

---

## 13.00 Seats & Seat Belts

---

13.01	Seat Runners
13.02	Seat Assemblies
13.27	Seat Belts

---

## 14.00 Pedal Box & Fascia

---

14.01	Pedal Box, Pedals, Throttle Cable
14.01a	Pedal Box, Pedals, Electronic Throttle Control
14.05	Fascia Structure & Supporting Hardware
14.05b	Fascia Structure & Supporting Hardware, USA/Canada
14.10	Instrument Cowling

---

## 15.00 Interior Trim

---

15.05	Interior Driving Mirror & Sunvisors
15.11	Interior Trim & Stowage Provision
15.13	Front Door Trims
15.18	Interior Trim, Chassis Trim Panels
15.19	Centre Tunnel Trim, Gear Lever Gaiters/Shrouds
15.24	Luggage Compartment Carpet
15.30	Carpeting & Mats

---

## 16.00 Sound Insulation

---

16.01	Passenger Compartment Sound Insulation
-------	--

---

## 17.00 Electrical

---

17.01	Harnesses, Leads
17.03	Horn, Inertia Switch, Fuses & Relays
17.05	Interior Switches, Auxiliary Power Socket
17.06	Engine Management & Sensors
17.06b	SIR: Inflator Modules, DERM & Sensors
17.07	Instruments, Tell Tales, & Displays

# ELISE

- 17.11 Exterior Lamps, Except Headlamps
- 17.13 Headlamps
- 17.17 Interior Lamps
- 17.21 Windscreen Wiper Motor, Wipers & Washers
- 17.27 In Car Entertainment
- 17.31 Battery, Clamps, & Cables
- 17.33 Security Alarm System

---

## 18.00 Heating, Ventilation, Air Conditioning

---

- 18.01 Heater/ Air Conditioning Assemblies, Housings
- 18.03 AC Components, Pipes, Hoses
- 18.05 Heater, Pipes, Hoses
- 18.07a AC/Heater Interior Blower Motor
- 18.09a AC/Heater Driver Operated Controls
- 18.12 AC/Heater Air Distribution Plenum
- 18.13 Air Trunking, Ducts & Ventilators
- 18.14 AC Air Recirculation System

---

## 19.00 Labels

---

- 19.01 Labels, Certificates, Literature etc.
- 19.03 Owner's Handbooks & Service Notes Manuals

---

## 30.00 Chassis

---

- 30.01 Chassis, Subframe
- 30.02 Seat Belt Mounting Frame, Stays

---

## 31.00 Suspension

---

- 31.01 Front Suspension, Incl. Hubs
- 31.03 Rear Suspension, Incl. Hubs

---

## 32.00 Steering

---

- 32.01 Rack & Pinion, & Lower Column

- 32.05 Upper Column, Wheel, Steering Lock

---

## 33.00 Brakes

---

- 33.01 Brake Discs & Calipers
- 33.03 Master Cylinder, Servo, ABS Controller, Pipes & Hoses
- 33.05 Parking Brake Mechanism

---

## 34.00 Wheels & Tyres

---

- 34.01 Wheels, Tyres & Valves

---

## 40.00 Engine

---

- 40.00 Engine Assemblies
- 40.01 Engine Block, Oil Pick-up
- 40.01a Engine Mounts
- 40.02 Gaskets & Sealants, Top Overhaul Set
- 40.02a Gaskets & Sealants, Bottom Overhaul Set
- 40.03 Sump Assembly
- 40.05 Cylinder Head, Valves, Springs
- 40.07 Camshafts, Tappets, Cam Cover
- 40.08 Camshaft Drive Chain & Sprockets
- 40.09 Pistons, Con-rods, Liners
- 40.11 Crankshaft, Bearings, Flywheel
- 40.13 Water Pump Assembly, Thermostat
- 40.15 Lubrication System
- 40.17 Ignition System, Spark plugs & Plug Top Coils
- 40.19 Alternator and Starter Motor
- 40.21 Exhaust Manifold
- 40.23 AC Compressor

---

## 41.00 Belts and Pulleys

---

- 41.03 Auxiliary Drive Belts & Pulleys

# ELISE

---

## 42.00 Induction Systems

---

- 42.01 Airboxes, Trunking & Air Filters
  - 42.04 Throttle Body, Mechanism & IAC Valve
  - 42.05 Fuel Injection System
  - 42.07 Inlet Manifolds, Plenum & Gaskets
- 

## 44.00 Fuel System

---

- 44.01 Fuel Tanks, Filler
  - 44.01d Fuel Tanks, Filler, USA/Canada
  - 44.03 Fuel Pump; Filter, Pipes
  - 44.05 Charcoal Canister & Evaporative Loss System.
  - 44.05c Charcoal Canister & Evap. Loss System, USA/Canada
- 

## 45.00 Exhaust

---

- 45.01 Exhaust System
  - 45.05 Heatshields
- 

## 46.00 Cooling

---

- 46.01 Engine Cooling System & Fan
  - 46.03 Oil Cooler & Pipes
- 

## 47.00 Transmission

---

- 47.01 Clutch & Release Mechanism
  - 47.03 Transmission Assembly
  - 47.05 Gearchange Mechanism, External
  - 47.06 Gear Selector Mechanism, Internal
  - 47.07 Gears, Shafts & Bearings
  - 47.11 Final Drive & Bearings
  - 47.15 Driveshafts & Seals
- 

## 60.00 Special tools

---

- 60.01 Tool Kit

- 60.01a Diagnostic Equipment
  - 60.02 Special Tools
- 

## 80.00 Bulk Items

---

- 80.20a Touch-in Paint Pencil Range
-

August 2005

**Attention Parts Manager**

**Elise 111R/Elise North America/Exige Service Parts List A120T0325J - Update package 2005/02**

Dear Sir/Madam,

Please find the enclosed update package 2005/02 for the Elise111R/Elise North America/Exige Service Parts List A120T0325J. This covers mainly '06 Model Year changes, the introduction of Exige for the USA, plus Elise/Exige for Canada. This should be collated into your copy as follows:

**Discard (text and illus.)**

**Insert**

Introduction & Function Code List, A3 page.	Introduction & Function Code List, A3 page, (stamped '2005/02').
10.01x, 10.04, 10.09a, 10.11x, 10.25, all pages.	10.01x, 10.04, 10.09a, 10.11x, 10.25, all pages, (stamped '2005/02').
11.02, pages 2 & 3.	11.02, pages 2 & 3, (stamped '2005/02').
12.01, pages 1 & 2, 12.03, page 2, 12.04, page 2. 12.05, 12.05x, all pages.	12.01, pages 1 & 2, 12.03, page 2, 12.04, page 2. 12.05, 12.05x, all pages, (stamped '2005/02').
13.01, 13.02, all pages.	13.01, 13.02, all pages, (stamped '2005/02').
14.01, page 3.	14.01a, all pages, (stamped '2005/02').
15.05, all pages.	15.05, all pages, (stamped '2005/02').
17.01, page 1, 17.03, pages 1 & 2, 17.05, all pages, 17.06, page1, 17.07, page 1, 17.11, all pages.	17.01, page 1, 17.03, pages 1 & 2, 17.05, all pages, 17.06, pages 1 & 2, 17.07, page 1, 17.11, all pages, (stamped '2005/02').
18.03, pages 1 to 3.	18.03, pages 1 & 2, (stamped '2005/02').
30.02, page 1	30.02, page 1, (stamped '2005/02')
31.01, pages 1 to 4, 31.03, all pages.	31.01, pages 1 to 4, 31.03, all pages, (stamped '2005/02').
32.01, page 1.	32.01, page 1, (stamped '2005/02').
40.01, page 1, 40.01a, pages 1 & 2, 40.03, page 1 40.05, page 1, 40.11, page 1.	40.01, page 1, 40.01a, pages 1 & 2, 40.03, page 1, 40.05, page1, 40.11, page 1, (stamped '2005/02').
44.01d, 44.03, pages 1 & 2, 44.05, 44.05c, all pages.	44.01d, 44.03, pages 1 & 2, 44.05, 44.05c, all pages, (stamped '2005/02').
45.05, all pages.	45.05, all pages, (stamped '2005/02').
46.03, pages 1 & 2.	46.03, pages 1 & 2, (stamped '2005/02').
47.05, all pages, 47.06, page 2, 47.11, pages 1 to 3.	47.05, all pages, 47.06, page 2, 47.11, pages 1 to 3, (stamped '2005/02').

Please take time to correctly update this parts list, and ensure that all parts dept. personnel are made aware of the new content. Any copies of the parts list held in dealer stock should be updated by ordering under Part No. A120T0325/05/02. In the interests of both Lotus Cars and the dealer network, please take all reasonable precautions to protect Lotus copyright and discourage illegal copying and electronic conversion.

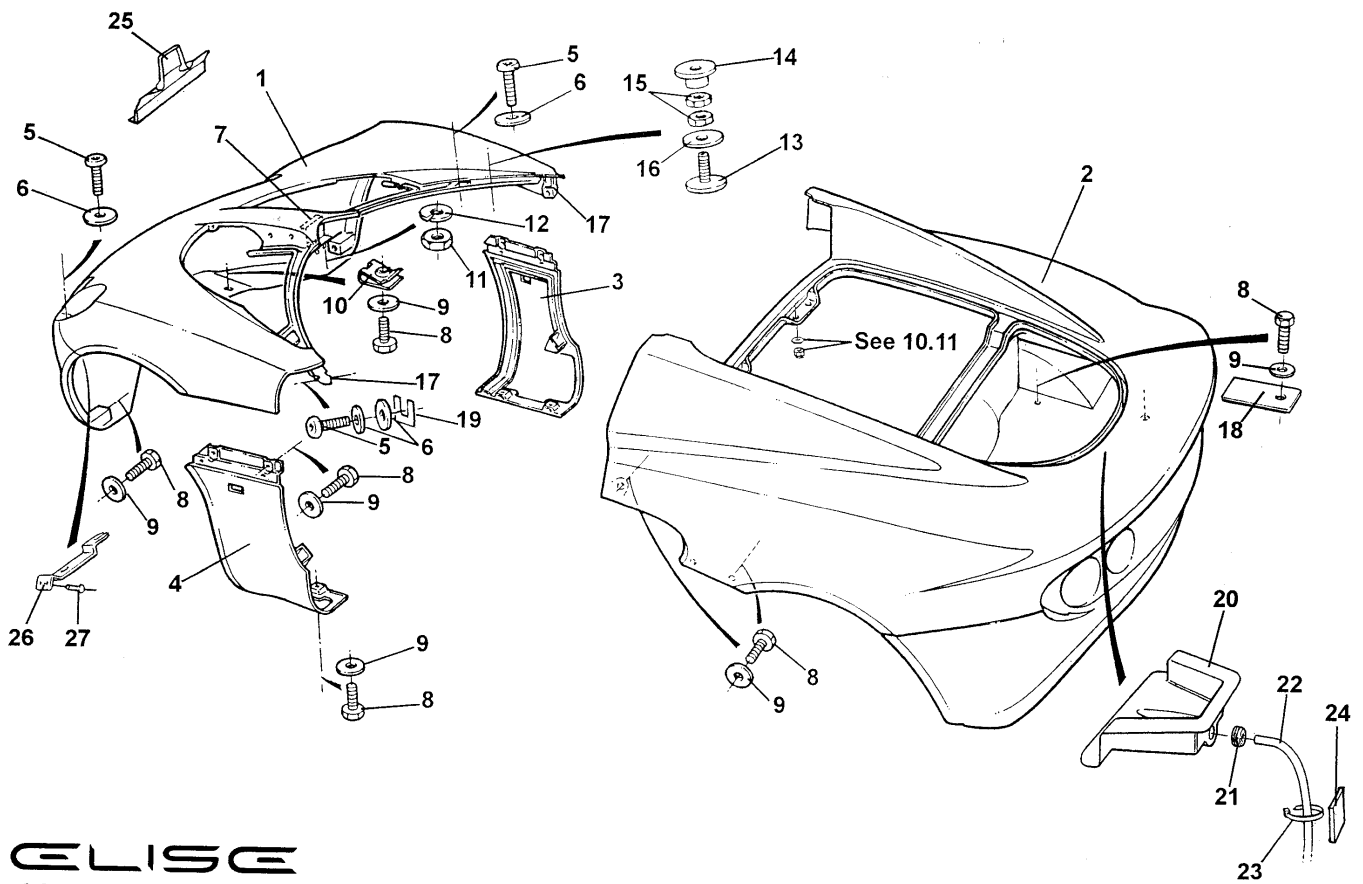
Yours faithfully



**John Hostler** - Illustrator/Parts List Controller

A120uppl0502





**ELISE**  
10.01

# Service Parts List **ELISE**



## Function Code 10.01 Body: Front & Rear Clamshells & Fixings

<u>Dep</u>	<u>Part Description</u>	<u>Remarks</u>	<u>Option</u>	<u>Part Number</u>	<u>Qty</u>
01	Front Clamshell		A120B0010J R/B	C120B0010J	1
01a	Front Clamshell, federal	Apertures for side marker lamps	USA/Canada	A121B0002K	1
02	Rear Clamshell		D120B0016J R/B	F120B0016J	1
02a	Rear Clamshell, federal	Apertures for side marker lamps	USA/Can. C121B0008K R/B	E121B0008K	1
03	Door Hinge Cover Panel, RH			A117B0220K	1
04	Door Hinge Cover Panel, LH			A117B0219K	1
05	Screw, M8 x 25, S/S, button hd.			A111W7175F	6
06	Washer, flat, S/S, M8 x 21 x 1.6			A111W4176F	8
07	Bracket, centre front clamshell	Part of clamshell assy.		C117B0193F	1
08	Screw, M6 x 16, hex. hd.			A075W1028Z	19
08a	Screw, M6 x 12, hex. hd.	Rear clam. to sill panel	2 RH, 1 LH	A075W1027Z	3
09	Washer, flat, M6 x 18 x 1			B082W4018F	22
10	Spirenut, M6			B100W6372F	3
11	Nut, M6			A075W3020Z	2
12	Washer, spring, M6			A075W4035F	2
13	Spigot, outer fixing, front access panels			A117B0334F	2
14	Shouldered Nut, outer fixing, front access panels			A117B0335F	2
15	Locknut, M10, height adjuster fix.			A075W3024Z	4

**ELISE**

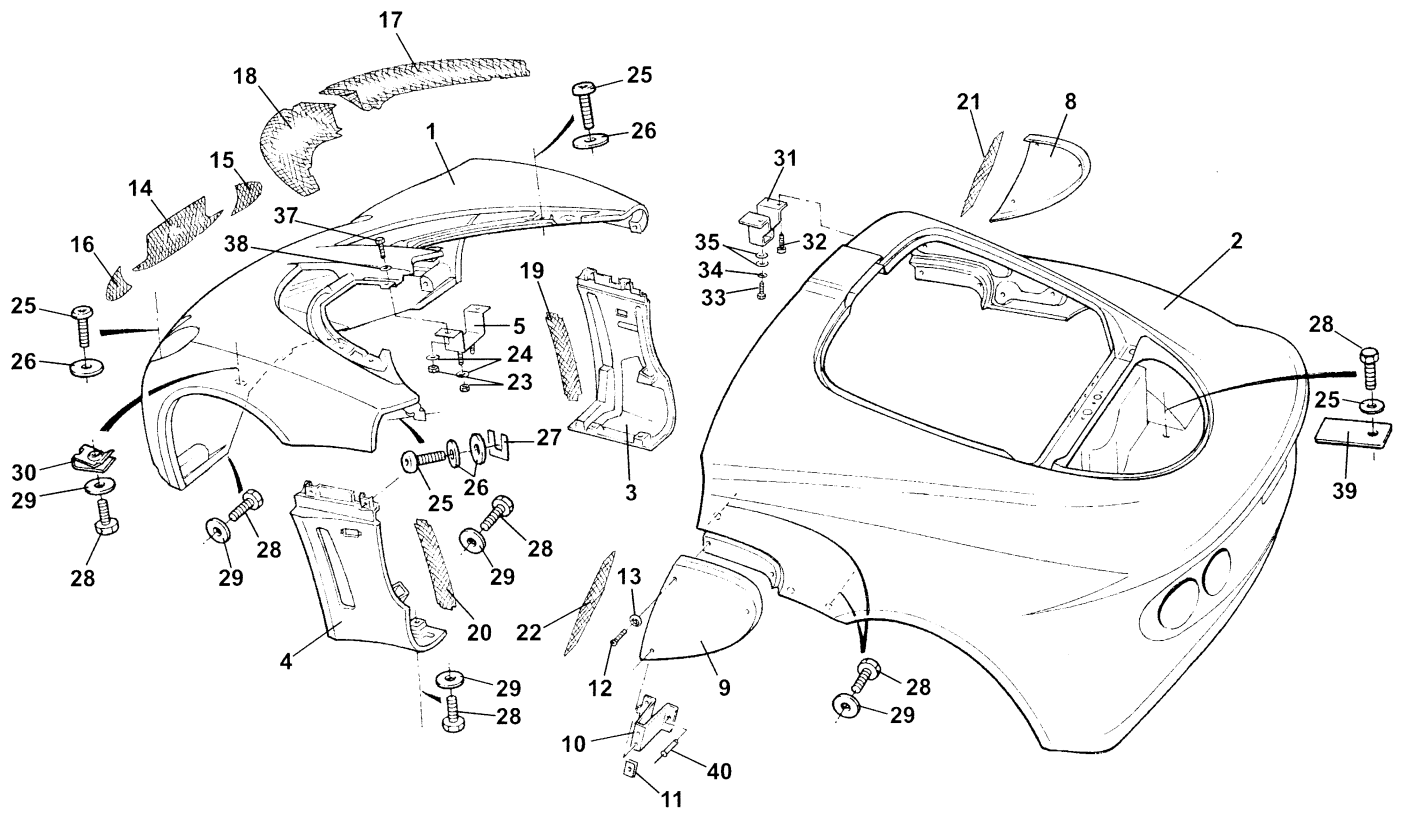
Function Code: 10.01, Page: 1

**Function Code 10.01 Body: Front & Rear Clamshells & Fixings**

<u>Dep</u>	<u>Part Description</u>	<u>Remarks</u>	<u>Option</u>	<u>Part Number</u>	<u>Qty</u>
16	Washer, flat, M10 x 24 x 1.5, spigot to clam.			A075W4023F	2
17	Bracket, front clamshell	Part of clamshell assy.		C117B0163F	2
18	Shim, boot floor to subframe, 1mm			A116B0423K	As req.
18a	Shim, boot floor to subframe, 2mm			A116B0424K	As req.
19	Shim, front clamshell alignment, 0.5mm			A116B0460K	As req.
19a	Shim, front clamshell alignment, 1.0mm			A116B0461K	As req.
20	Drain Cover, rear			A117B0660K	1
21	Grommet, drain tube			A036B6150Z	1
22	Drain Tube, 4mm			A116M0040V	0.5M
23	Cable tie, tube retention			A075W6038Z	1
24	Base, cable tie			A117W6729F	1
25	Gutter Extension Panel, RHD			A117B0703K	1
25a	Gutter Extension Panel, LHD			A117B0704K	1
26	Foam Strip, self adhesive			A036B6221V	0.28M
27	Clip, extension panel to radiator			A117B6003F	2
28	Bracket, front liner/access panel mounting			B120B0088F	2
29	Pop Rivet, domed, black, bracket to clamshell			A082W6512F	4
30	Buffer, self adhesive, clamshell to shroud	Not illustrated		A111J6027F	2
31	Pad, front clamshell mounting to rad. housing	Not illustrated		A117U0163F	2
32	Foam Infill, clamshell spine front	Not illustrated, bonded to clam.		A117B0502F	1

**ELISE**

Function Code: 10.01, Page: 2



**EXIGE**

10.01x

# Service Parts List **EXIGE**



## Function Code 10.01x Body: Front & Rear Clamshells & Fixings, Exige

<u>Dep</u>	<u>Part Description</u>	<u>Remarks</u>	<u>Option</u>	<u>Part Number</u>	<u>Qty</u>
01	Front Clamshell		Primed, C122B0007K R/B	<b>D122B0007K</b>	1
01a	Front Clamshell, federal		Primed, USA/Canada	<b>A123B0014J</b>	1
02	Rear Clamshell		Primed, A122B0032K R/B	<b>C122B0032K</b>	1
02a	Rear Clamshell, federal		Primed, USA/Canada	<b>A123B0018J</b>	1
03	Door Hinge Cover Panel, RH		Primed, A122B0018K R/B	<b>C122B0018K</b>	1
04	Door Hinge Cover Panel, LH		Primed, A122B0017K R/B	<b>C122B0017K</b>	1
05	Bracket, front clamshell supporting			<b>A122B0012F</b>	1
06	Bracket, rear clamshell to diffuser, RH			<b>A122B0132F</b>	1
07	Bracket, rear clamshell to diffuser, LH			<b>A122B0133F</b>	1
08	Duct Panel, side intake, RH		Primed	<b>A122B0062K</b>	1
09	Duct Panel, side intake, LH		Primed	<b>A122B0061K</b>	1
10	Bracket, side duct to sill			<b>A122B0202F</b>	2
11	Spirenut, M5, side duct fixing to bracket & clamshell			<b>A117W6697F</b>	6
12	Screw, M5 x 20, skt. button hd., side duct panel fix.			<b>A082W7173F</b>	6
13	Escutcheon, screw to panel			<b>A340B0123F</b>	6
14	Grille, front intake, centre, driving lamps	Bonded inside clamshell, with finisher	Euro, B122B0003F R/B	<b>D122B0003F</b>	1
14a	Grille, front intake, centre, without driving lamps	Bonded inside clamshell, with finisher	USA/Canada	<b>A122B0258F</b>	1

**EXIGE**

Function Code: 10.01x, Page: 1

2005/02 UPDATE ISSUED SEPTEMBER 2005

**Function Code 10.01x Body: Front & Rear Clamshells & Fixings, Exige**

<u>Dep</u>	<u>Part Description</u>	<u>Remarks</u>	<u>Option</u>	<u>Part Number</u>	<u>Qty</u>
15	Grille, front intake, RH	Bonded inside clamshell		A122B0004F	1
16	Grille, front intake, LH	Bonded inside clamshell		A122B0005F	1
17	Grille, front exit, RH	Bonded inside clamshell		A122B0002F	1
18	Grille, front exit, LH	Bonded inside clamshell		A122B0129F	1
19	Grille, exit, hinge cover panel, RH	Bonded inside panel		A122B0134F	1
20	Grille, exit, hinge cover panel, LH	Bonded inside panel		A122B0135F	1
21	Grille, side intake, RH	Bonded to duct panel		A122B0058F	1
22	Grille, side intake, LH	Bonded to duct panel		A122B0057F	1
23	Nut, M6, bracket to wiper bracket			A075W3020Z	2
24	Washer, spring, M6, bracket to wiper bracket			A075W4035Z	2
25	Screw, M8 x 25, S/S, button hd. clam fix.			A111W7175F	6
26	Washer, flat, S/S, M8 x 21 x 1.6, clam fix.			A111W4176F	6
27	Shim, clamshell alignment, 0.5mm			A116B0460K	As req.
27a	Shim, clamshell alignment, 1.0mm			A116B0461K	As req.
28	Screw, M6 x 16, hex. hd., clamshell fix.			A075W1028Z	19
28a	Screw, M6 x 12, hex. hd., clamshell to sill		2 RH, 1 LH	A075W1027Z	3
29	Washer, flat, M6 x 18 x 1, clamshell fix.			B082W4018F	22
30	Spirenut, M6, clamshell to front undertray			B100W6372F	3
31	Bracket, rear clamshell to bulkhead			B117B0091F	2
32	Screw, M5 x 10, flg. button hd.,, bracket to clamshell			A117B0310H	4
33	Screw, M6 x 25, cap hd., bracket to bulkhead			A111W7170F	2

**EXIGE**

Function Code: 10.01x, Page: 2

2005/02 UPDATE ISSUED SEPTEMBER 2005

---

**Function Code 10.01x Body: Front & Rear Clamshells & Fixings, Exige**

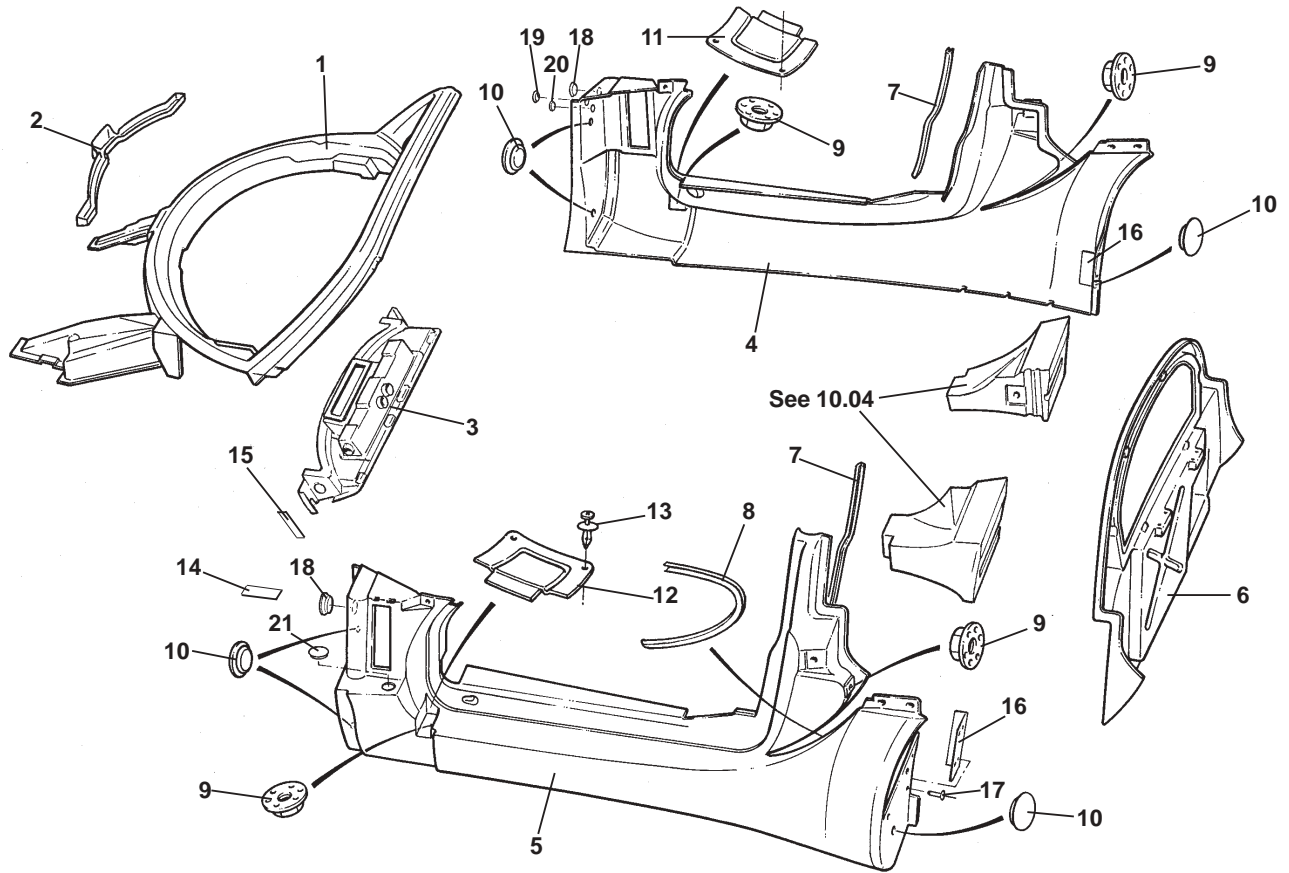
<u>Dep</u>	<u>Part Description</u>	<u>Remarks</u>	<u>Option</u>	<u>Part Number</u>	<u>Qty</u>
34	Washer, flat, M6 x 18 x 1, bracket to bulkhead			<b>B082W4018F</b>	2
35	Spacer Washer, neoprene, bracket to bulkhead			<b>A111U6055F</b>	4
36	Pop Rivet, bracket to sill panel			<b>A075W6087Z</b>	6
37	Screw, M6, bracket to clamshell			<b>A100W5137F</b>	4
38	Washer, flat, M6 x 18 x 1, bracket to clamshell			<b>B082W4018F</b>	4
39	Shim, boot floor to subframe, 1mm			<b>A116B0423K</b>	As req.
39a	Shim, boot floor to subframe, 2mm			<b>A116B0424K</b>	As req.
40	Cover, side grille pocket, LH	Not illustrated, fixed to sill	A122B0145K R/B	<b>C122B0145K</b>	1
40a	Cover, side grille pocket, RH	Not illustrated, fixed to sill	A122B0144K R/B	<b>C122B0144K</b>	1
40b	Screw, No.6 x 0.5", fig. hd. S/S black, cover to sill	Not illustrated		<b>A089W5138F</b>	4
40c	Spirenut, No.8, cover to sill	Not illustrated		<b>A075W6016Z</b>	4
41	Edge Finisher, engine bay gutter	Not illustrated		<b>A117B6010V</b>	2.45M

---

**EXIGE**

Function Code: 10.01x, Page: 3

*2005/02 UPDATE ISSUED SEPTEMBER 2005*



**ELISE**  
10.02a



**Function Code 10.02a Body: Sill Panels, Windscreen Frame & Rear Bulkhead**

<u>Dep</u>	<u>Part Description</u>	<u>Remarks</u>	<u>Option</u>	<u>Part Number</u>	<u>Qty</u>
01	Windscreen Frame Assembly		Painted	A116B0148K	1
02	Gutter, windscreen frame		Elise	B117B0153F	1
02a	Gutter, windscreen frame		Exige	A122B0014F	1
03	Baffle Panel/FLV Plenum Assembly			A120B0117F	1
04	Sill Panel, RH		Elise	A120B0050K	1
04a	Sill Panel, RH		Exige	A122B0210K	1
05	Sill Panel, LH		Elise	A120B0051K	1
05a	Sill Panel, LH		Exige	A122B0211K	1
06	Rear Bulkhead		B120B0052F R/B	C120B0052F	1
07	Edge Finisher, 'B' post, smooth			A117U0462F	2
08	Edge Finisher, side intake, smooth			A117U0463F	2
09	Captive Nut, M8, big hd.			A111W6592F	18
10	Blanking Grommet, 12.5mm			A100B6163F	1
11	Finisher Panel, front sill recess, RH			B117U0168F	1
12	Finisher Panel, front sill recess, LH			B117U0169F	1
13	Plastic Fastener, panel fix.			A100W6479F	4
14	Pad, hole blanking, upper hinge fixings			A117U0258F	2
15	Foam Strip, 300mm, baffle panel to screen frame	Cut to fit, see Service Notes, section BO		A082U6065V	2
16	Bracket, sill rear to chassis	Bonded to chassis		A120B0053F	2
17	Pop Rivet, bracket to sill			A111W6613F	4

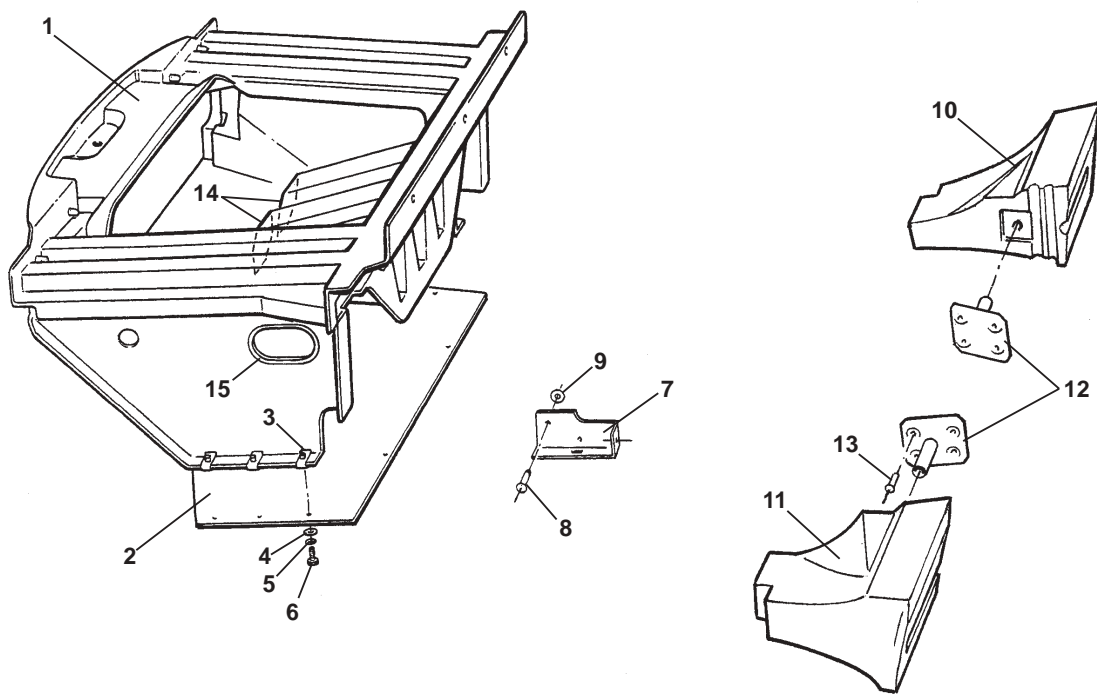
**ELISE**

Function Code: 10.02a, Page: 1

---

**Function Code 10.02a Body: Sill Panels, Windscreen Frame & Rear Bulkhead**

<u>Dep</u>	<u>Part Description</u>	<u>Remarks</u>	<u>Option</u>	<u>Part Number</u>	<u>Qty</u>
18	Blanking Grommet, 38mm, sills front	Unused oil hose holes	Non oil cooler cars	<b>A116W6730F</b>	2
19	Blanking Grommet, 30mm, RH sill front	Unused AC pipe hole	Heater cars	<b>A079U6033F</b>	1
20	Blanking Grommet, 19mm, RH sill front	Unused AC pipe hole	Heater cars	<b>A116W6714F</b>	1
21	Blanking Grommet, 40mm, door aperture front	Unused door harness hole	Non CDL cars	<b>A116W6730F</b>	2
22	NVH Foam, sill front	Not illustrated	Heater cars	<b>C120B0074F</b>	2



**ELISE**  
10.04

# Service Parts List **ELISE**



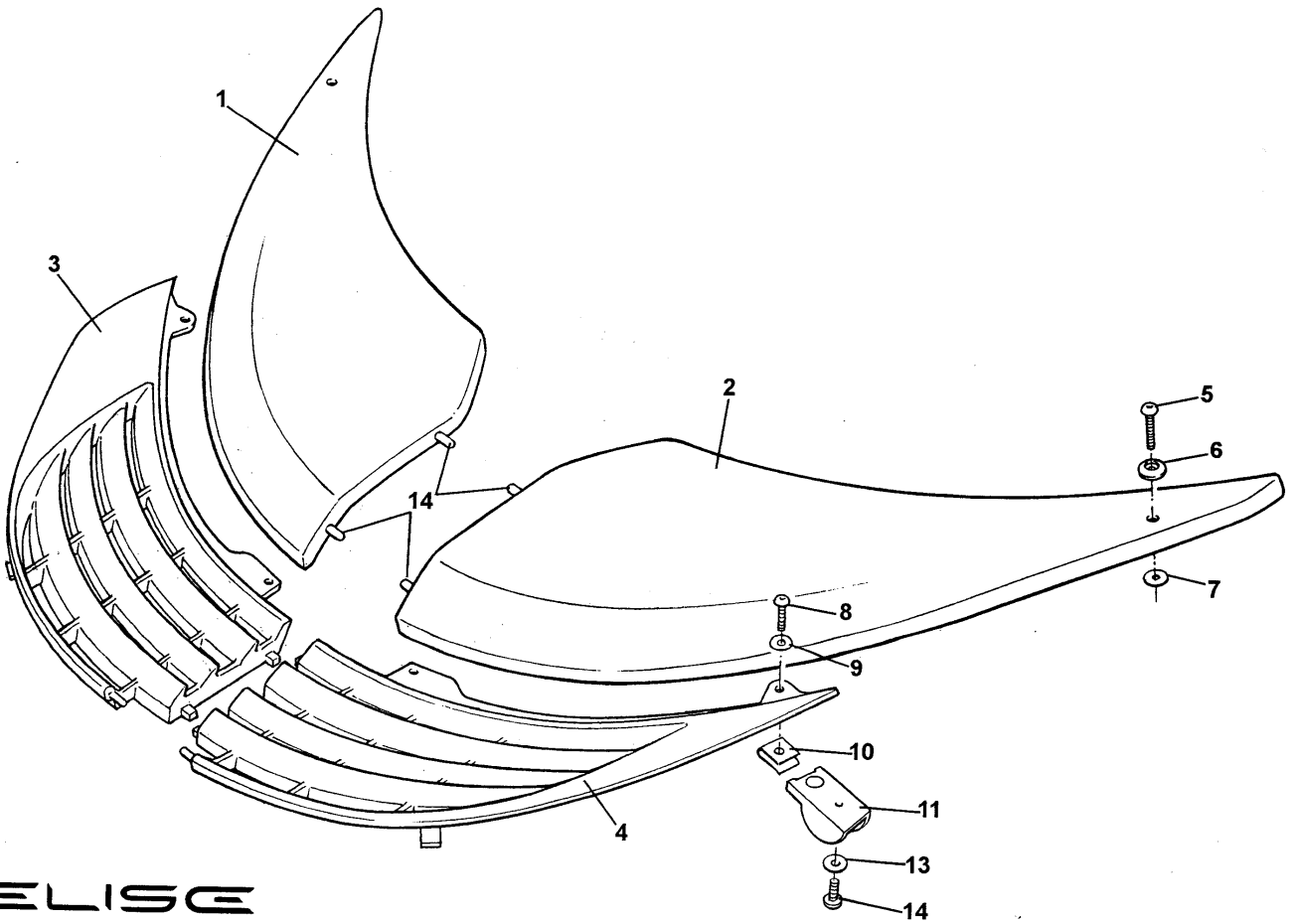
## Function Code 10.04 Crash Structures

<u>Dep</u>	<u>Part Description</u>	<u>Remarks</u>	<u>Option</u>	<u>Part Number</u>	<u>Qty</u>
01	Front Crash Structure Assembly			A120B0094J	1
02	Panel, front undershield			B117B0237F	1
02a	Panel, front undershield, adjustable A/R bar		Supersport option	A120B0152F	1
03	Spirenut, M6, undershield fix			B100W6372F	6
04	Screw, M6 x 25, pozi., undershield fix			A075W5089Z	9
05	Washer, spring, M6, undershield fix			A075W4035Z	9
07	Alloy Plate, LH			A111B0531F	1
07a	Alloy Plate, RH			A111B0530F	1
08	Pop Rivet, plate fix.			A085W6259F	6
09	Washer, flat, 3/16" x 1/2", plate to crash structure			A075W4000Z	4
10	Side Impact Foam, LH			A120B0063F	1
11	Side Impact Foam, RH			A120B0062F	1
12	Bracket, foams to chassis			A117B0556F	2
13	Pop Rivet, brackets to chassis			A117W6734F	8
14	Grille, leaf screen	Bonded to crash structure		A117B0466F	2
15	Edging Strip, hose protection			A111U6034F	0.3m
16	Betaseal 1701, crash structure to chassis	Not illustrated		A082B6281F	300mm

**ELISE**

Function Code: 10.04, Page: 1

2005/02 UPDATE ISSUED SEPTEMBER 2005



**ELISE**  
10.09a

# Service Parts List **ELISE**



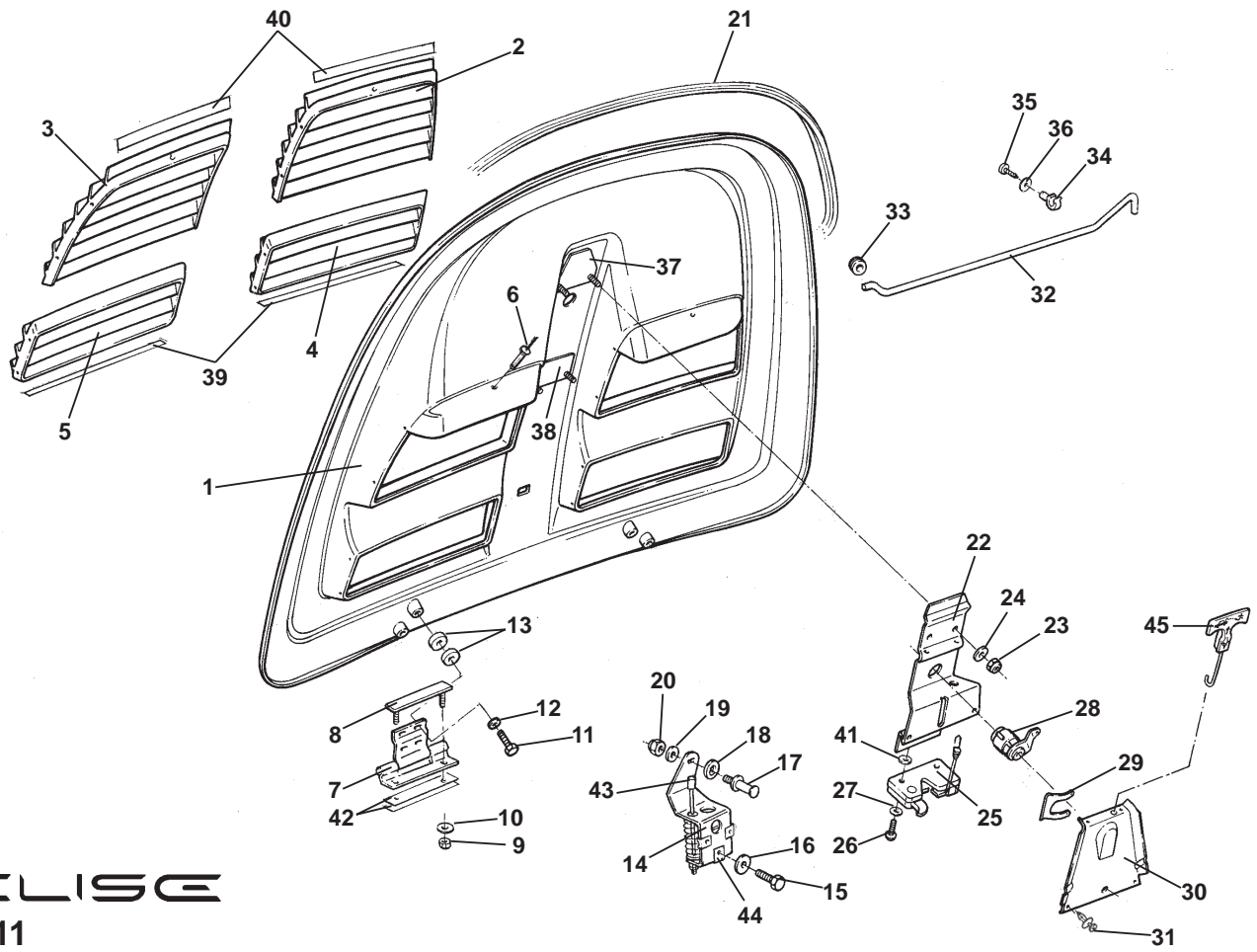
## Function Code 10.09a Front Services Access Panels

<u>Dep</u>	<u>Part Description</u>	<u>Remarks</u>	<u>Option</u>	<u>Part Number</u>	<u>Qty</u>
01	Front Access Panel, RH		Elise	<b>B120B0042J</b>	1
01a	Front Access Panel, RH, primed	Not illustrated	Exige A122B0028K R/B	<b>B122B0028K</b>	1
02	Front Access Panel, LH		Elise	<b>B120B0043J</b>	1
02a	Front Access Panel, LH, primed	Not illustrated	Exige A122B0027K R/B	<b>B122B0027K</b>	1
03	Grille, front access panel, RH			<b>A120B0036F</b>	1
04	Grille, front access panel, LH			<b>A120B0037F</b>	1
05	Screw, M5 x 20, button. skt. hd., panel fix.		6 off for Exige	<b>A082W7173F</b>	2
06	Escutcheon, screw to panel		6 off for Exige	<b>B340B0123F</b>	2
07	Washer, retaining, screw to panel		6 for off Exige	<b>A340W4183F</b>	2
08	Screw, M5 x 16, button hd., S/S, grille to shroud/support			<b>A116W5281F</b>	4
09	Washer, flat, M5 x 19 x 1.4 S/S, grille to shroud/support			<b>B075W4009Z</b>	4
10	Spirenut, M5, grille to shroud/support	Also Exige access panels	6 off for Exige	<b>A117W6697F</b>	4
11	Support, grille outer, LH			<b>A120B0107F</b>	1
11a	Support, grille outer, RH			<b>A120B0106F</b>	1
12	Screw, ejot, support to clamshell			<b>A117F6001F</b>	2
13	Washer, flat, M5 x 19 x 1.4, support to clamshell			<b>B075W4009Z</b>	2
14	Locator Pin, access panel to clamshell spine	Bonded to panel		<b>B120B0108F</b>	4

**ELISE**

Function Code: 10.09a, Page: 1

*2005/02 UPDATE ISSUED SEPTEMBER 2005*



**ELISE**  
10.11

**Function Code 10.11 Engine Cover Lid & Latch Mechanism**

<u>Dep</u>	<u>Part Description</u>	<u>Remarks</u>	<u>Option</u>	<u>Part Number</u>	<u>Qty</u>
01	Engine Cover Lid			A120B0061K	1
02	Grille, outlet, RH rear			C117B0218F	1
03	Grille, outlet, LH rear			C117B0217F	1
04	Grille, outlet, RH front			D117B0130F	1
05	Grille, outlet, LH front			E117B0129F	1
06	Pop Rivet, plastic, rear grilles to lid			A082W6528F	6
07	Hinge assembly			C117B6002F	2
08	Stud Plate, hinge retention			A117B0236F	2
09	Nyloc Nut, M6, hinge to stud plate			A907E6285F	4
10	Washer, flat, M6 x 25			B075W4017Z	4
11	Screw, M6 x 16, hex. hd., hinge to lid			A075W1028F	4
12	Washer, flat, M6 x 15 x 3			A075W4014Z	4
13	Washer, spacer, M8 x 20 x 2.5			A079W4019F	8
14	Striker Pin/Lift Assembly, engine cover lid	Incl. heatshield, see 45.05		C120B0007F	1
15	Screw, M6 x 16, hex.hd., bracket to bulkhead			A075W1028Z	3
16	Washer, flat, M6 x 20 x 2.5, bracket to bulkhead			B082W4016F	3
17	Striker Pin			A117B0223F	1
18	Washer, flat, M10 x 20.5 x 1.8			A075W4024Z	1
19	Washer, flat, M6 x 12.1 x 1.4			A075W4013Z	1
20	Nyloc Nut, M6, pin to bracket			A907E6285F	1
21	Weatherseal, luggage compartment gutter			A117U6001V	1.92M

**ELISE**

Function Code: 10.11, Page: 1



**Function Code 10.11 Engine Cover Lid & Latch Mechanism**

<u>Dep</u>	<u>Part Description</u>	<u>Remarks</u>	<u>Option</u>	<u>Part Number</u>	<u>Qty</u>
22	Bracket, latch retention			C120B0020F	1
23	Nyloc Nut, M6, bracket to lid			A907E6285F	4
24	Washer, flat, M6 x 12.1 x 1.4, bracket to lid			A075W4013Z	4
25	Latch Assembly			A120B6002F	1
26	Screw, M6 x 35, csk. skt. hd., latch to bracket	Black finish		A079W7004F	2
27	Washer, flat, M6 x 25 x 1.4, S/S	Black finish		A082W4131F	2
28	Lock Barrel	P/O vehicle lock set, see 10.17		B117H0001F	1
29	Clip, barrel retention			A117B6009F	1
30	Cover, latch assembly			A120U0003F	1
31	Plastic Fastener, cover fixing			A111W6534F	4
32	Stay, lid supporting			A117B0244F	1
33	Grommet, stay to bulkhead			X036B6150Z	1
34	Retaining Clip, stay			A082W6325F	1
35	Screw, No. 8 x 0.5", pan hd. Pozi., clip fixing			A075W5034Z	1
36	Washer, flat, 3/16" x 0.5", black			A075W4063Z	1
37	Stud Plate, bracket fixing, rear			A117B0243F	1
38	Stud Plate, bracket fixing, front			A117B0242F	1
39	Double Sided Tape, 5mm			A117B0362V	As req.
40	Double Sided Tape, 19mm			A117B0361V	As req.
41	Spacer Washer, M6 x 12.1 x 1.4, latch to bracket			A075W4013Z	2
42	Shim, ABS, 1.6mm, hinge to clamshell/bulkhead			A117B0386K	4

**ELISE**

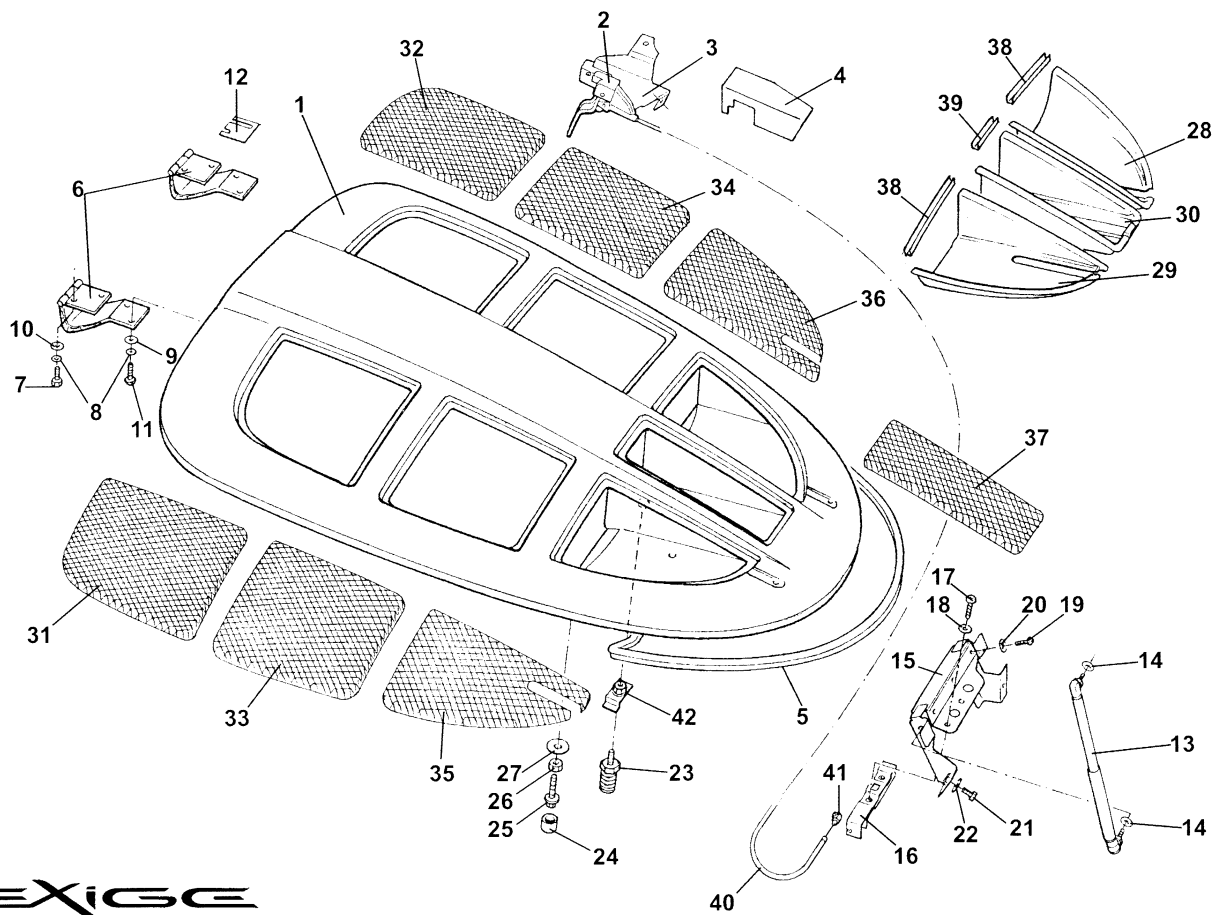
Function Code: 10.11, Page: 2

---

**Function Code 10.11 Engine Cover Lid & Latch Mechanism**

<u>Dep</u>	<u>Part Description</u>	<u>Remarks</u>	<u>Option</u>	<u>Part Number</u>	<u>Qty</u>
43	End Cap, PTFE, plunger, engine cover lift			<b>A117B6028H</b>	1
44	Captive Nut, M6, bracket to bulkhead			<b>A117W3181F</b>	3
45	'T' Handle Assembly, engine cover interior emergency release	Includes wire & barrel	USA/Canada, A121B0029F R/B	<b>B121B0029F</b>	1

---



**EXIGE**

1011x

# Service Parts List **EXIGE**



## Function Code 10.11x Tailgate & Release Mechanism, Exige

<u>Dep</u>	<u>Part Description</u>	<u>Remarks</u>	<u>Option</u>	<u>Part Number</u>	<u>Qty</u>
01	Tailgate Assembly			A122B0075K	1
02	Handle Assembly, tailgate release, RHD			A122B0252S	1
02a	Handle Assembly, tailgate release, LHD			A122B0251S	1
03	Bracket, release handle to chassis, RH		A122B0152F R/B	B122B0152F	1
03a	Bracket, release handle to chassis, LH		A122B0151F R/B	B122B0151F	1
04	Cover, release handle bracket, RHD		A122U0016K R/B	B122U0016K	1
04a	Cover, release handle bracket, LHD		A122U0015K R/B	B122U0015K	1
05	Seal Assembly, luggage compartment		A122B0083F R/B	B122B0083F	1
06	Hinge Assembly, tailgate			A122B0084F	2
07	Screw, M6 x 18, hex. hd., hinge to clamshell			A075W1029Z	4
08	Washer, spring, M6, hinge to clamshell/tailgate			A075W4035Z	8
09	Washer, flat, M6 x 20, hinge to tailgate			A075W4016Z	4
10	Washer, flat, M6 x 12, hinge to clamshell			A100W4127F	4
11	Screw, M6 x 25, skt. button. hd., hinge to tailgate			A075W7016F	4
12	Shim, hinge rotor to tailgate			A122B0199F	As req.
13	Strut, tailgate supporting		A122B0086F R/B	B122B0086F	1
14	Washer, shakeproof, M8, strut to bracket/tailgate			A075W4048Z	2
15	Bracket, latch/strut to clamshell			B122B0038F	1

**EXIGE**

Function Code: 10.11x, Page: 1

2005/02 UPDATE ISSUED SEPTEMBER 2005

**Function Code 10.11x Tailgate & Release Mechanism, Exige**

<u>Dep</u>	<u>Part Description</u>	<u>Remarks</u>	<u>Option</u>	<u>Part Number</u>	<u>Qty</u>
16	Latch Assembly, tailgate			A082U6087F	1
17	Screw, M8 x 25, skt. button hd. S/S, latch to clamshell			A111W7175F	2
18	Washer, flat, M8 x 20.5 x 1.5 S/S, latch to clamshell			A111W4176F	2
19	Screw, M6 x 16, skt. button hd., bracket to clamshell			A082W7105F	3
20	Washer, flat, M6 x 15, bracket to clamshell			A075W4015Z	3
21	Screw, M6 x 16, button skt. hd. S/S, bracket to clamshell		A075W1028Z R/B	A122W5282Z	2
22	Washer, flat, M6 x 18 x 1, bracket to clamshell			B082W4018F	2
23	Striker Pin		A082U6091F R/B	A116B0468F	1
24	Rubber Buffer, tailgate stop			X046B6113Z	2
25	Bolt, M6 x 35, fig. hd., tailgate stop			A116W2191F	2
26	Locknut, M6, tailgate stop			A082W3085F	2
27	Washer, flat, M6 x 18 x 1, tailgate stop			B082W4018F	1
28	Trim Panel, tailgate shelf, RH			A122B0196K	1
29	Trim Panel, tailgate shelf, LH			A122B0197K	1
30	Trim Panel, tailgate shelf, centre			A122B0198J	1
31	Grille, tailgate front, LH	Bonded to tailgate		A122B0079F	1
32	Grille, tailgate front, RH	Bonded to tailgate		A122B0080F	1
33	Grille, tailgate centre, LH	Bonded to tailgate		A122B0143F	1
34	Grille, tailgate centre, RH	Bonded to tailgate		A122B0142F	1
35	Grille, tailgate rear, LH	Bonded to tailgate		A122B0113F	1
36	Grille, tailgate rear, RH	Bonded to tailgate		A122B0114F	1

**EXIGE**

Function Code: 10.11x, Page: 2

*2005/02 UPDATE ISSUED SEPTEMBER 2005*

---

**Function Code 10.11x Tailgate & Release Mechanism, Exige**

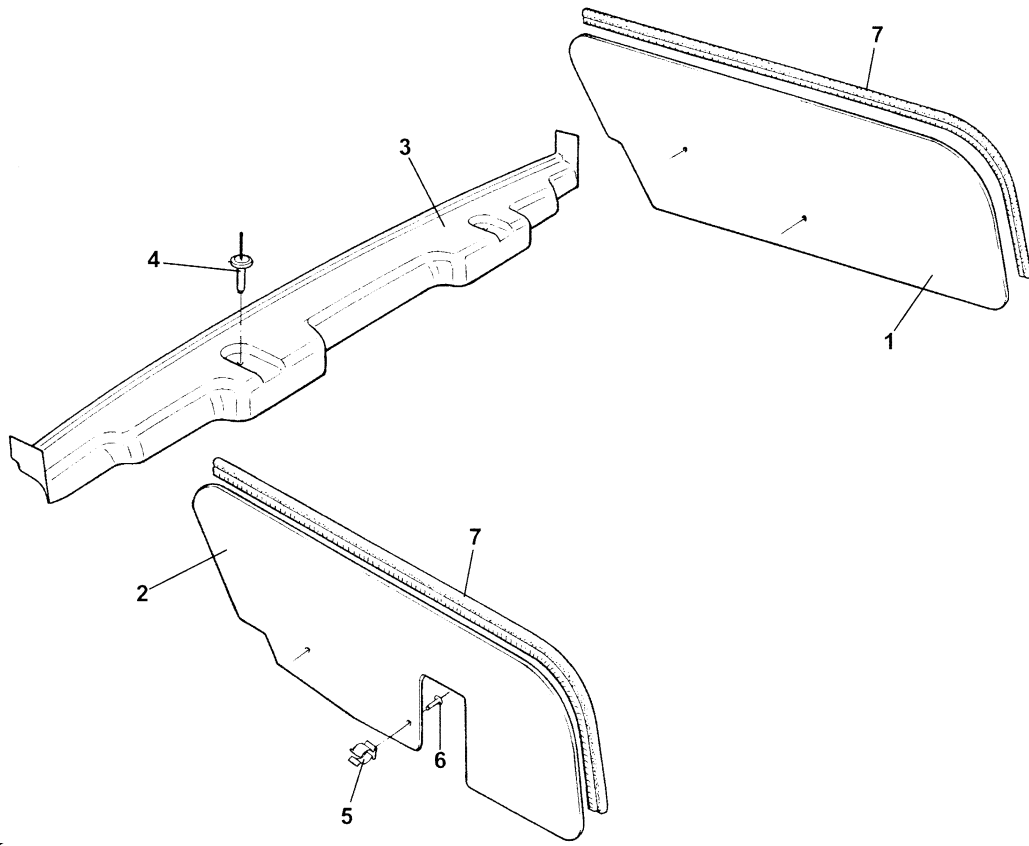
<u>Dep</u>	<u>Part Description</u>	<u>Remarks</u>	<u>Option</u>	<u>Part Number</u>	<u>Qty</u>
37	Grille, tailgate spine centre rear	Bonded to tailgate		A122B0115F	1
38	Finisher, tailgate side	Bonded to tailgate		A122U0043K	2
39	Finisher, tailgate centre	Bonded to tailgate		A122U0044K	2
40	Cable, tailgate release, RHD/LHD	Cut to fit		A122B0253S	1
41	Solderless Nipple, release cable			A116W6762F	1
42	Nutplate, M10, floating, striker pin fixing			B111U0032F	1

---

**EXIGE**

Function Code: 10.11x, Page: 3

*2005/02 UPDATE ISSUED SEPTEMBER 2005*



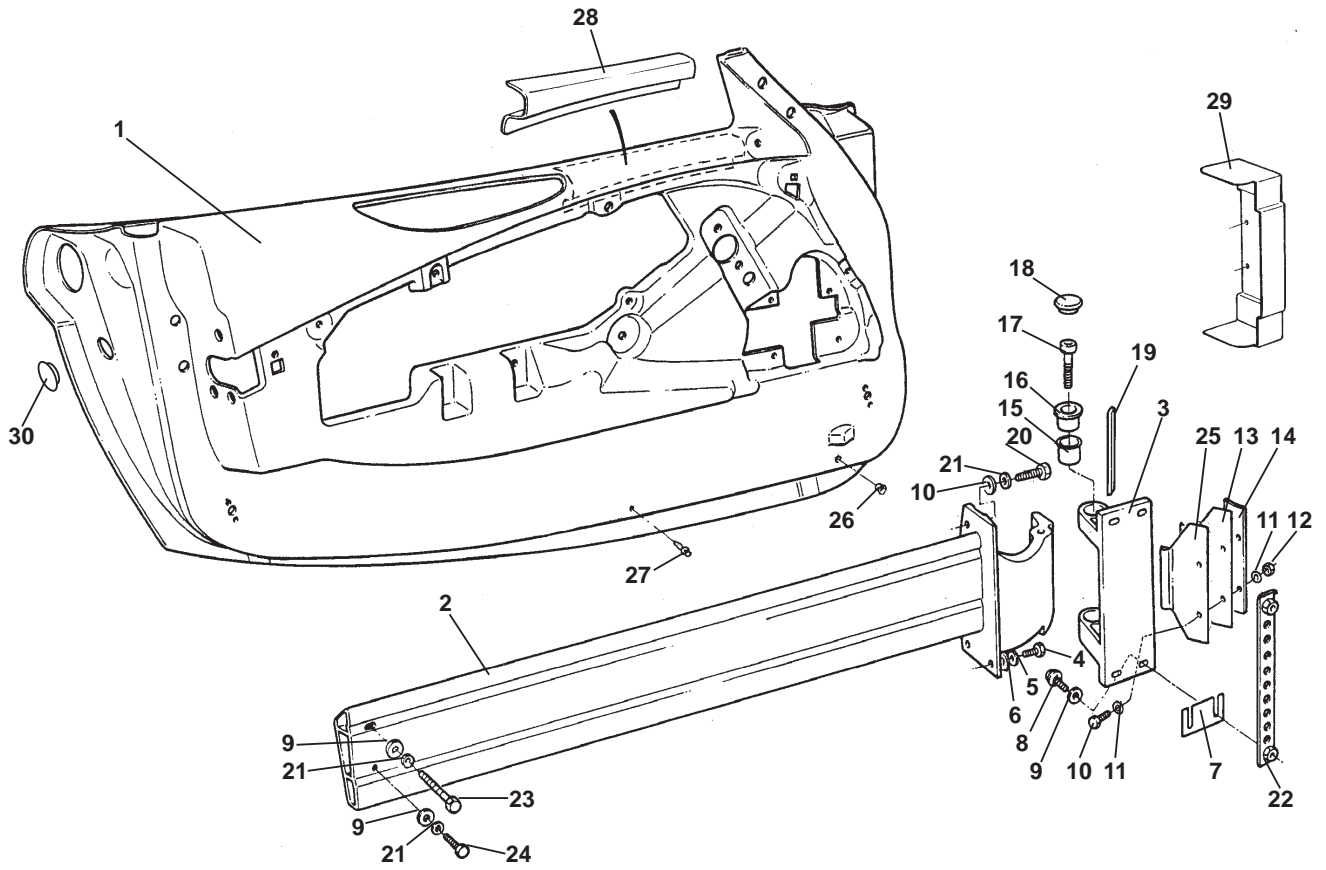
**EXIGE**  
10.13a

---

**Function Code 10.13a Engine Compartment Finisher Panels**

<u>Dep</u>	<u>Part Description</u>	<u>Remarks</u>	<u>Option</u>	<u>Part Number</u>	<u>Qty</u>
01	Finisher Panel, engine bay, RH	Includes edge finisher, item 7		A122U0024K	1
02	Finisher Panel, engine bay, LH	Includes edge finisher, item 7		A122U0025K	1
03	Finisher Panel, engine bay bulkhead, front			A122U0026K	1
04	Plastic Fastener, bulkhead panel fixing			A111W6534F	2
05	Terry Clip, side panels to stays			A122W6777F	4
06	Pop Rivet, black, clip to panel			A082W6512F	4
07	Edge Finisher/Seal, side panels			A117U6001V	725mm





**ELISE**  
10.15

**Function Code 10.15 Door Shells, Beams, Hinges**

<u>Dep</u>	<u>Part Description</u>	<u>Remarks</u>	<u>Option</u>	<u>Part Number</u>	<u>Qty</u>
01	Door Shell, LH		D117B0061K R/B	E117B0061K	1
01a	Door Shell, RH		D117B0060K R/B	E117B0060K	1
02	Door Beam, LH			A116U0029F	1
02a	Door Beam, RH			A116U0030F	1
03	Hinge, chassis to door beam			A111U0055F	2
04	Setscrew, M6 x 20, hex. hd., beam to door fix.			A075W1030Z	4
05	Washer, shakeproof, M6			A075W4046Z	4
06	Washer, flat, M6 x 1.5			A075W4015Z	4
07	Shim, door hinge, 1.0mm			A111B0316F	As req.
07a	Shim, door hinge, 1.25mm			A116B0388F	As req.
07b	Shim, door hinge, 1.5mm			A111B0317F	As req.
07c	Shim, door hinge, 2.0mm			B111B0314F	As req.
08	Screw, M8 x 30, cap hd.			A089W7052F	8
09	Washer, flat, M8 x 16.6 x 1.4			A075W4020Z	18
10	Screw, M6 x M20, hex. hd.			A075W1030Z	4
11	Washer, flat, M6			A075W4013Z	8
12	Nut, M6, Nyloc			A075W3009Z	4
13	Spring Plate, door check	Fit follower, item 25 to plate		C111B0174F	2
14	Support Plate, door check spring			C111B0175F	2
15	Bearing, door hinge			A111U6025F	4
16	Bush, door hinge			A111U0057F	4

**ELISE**

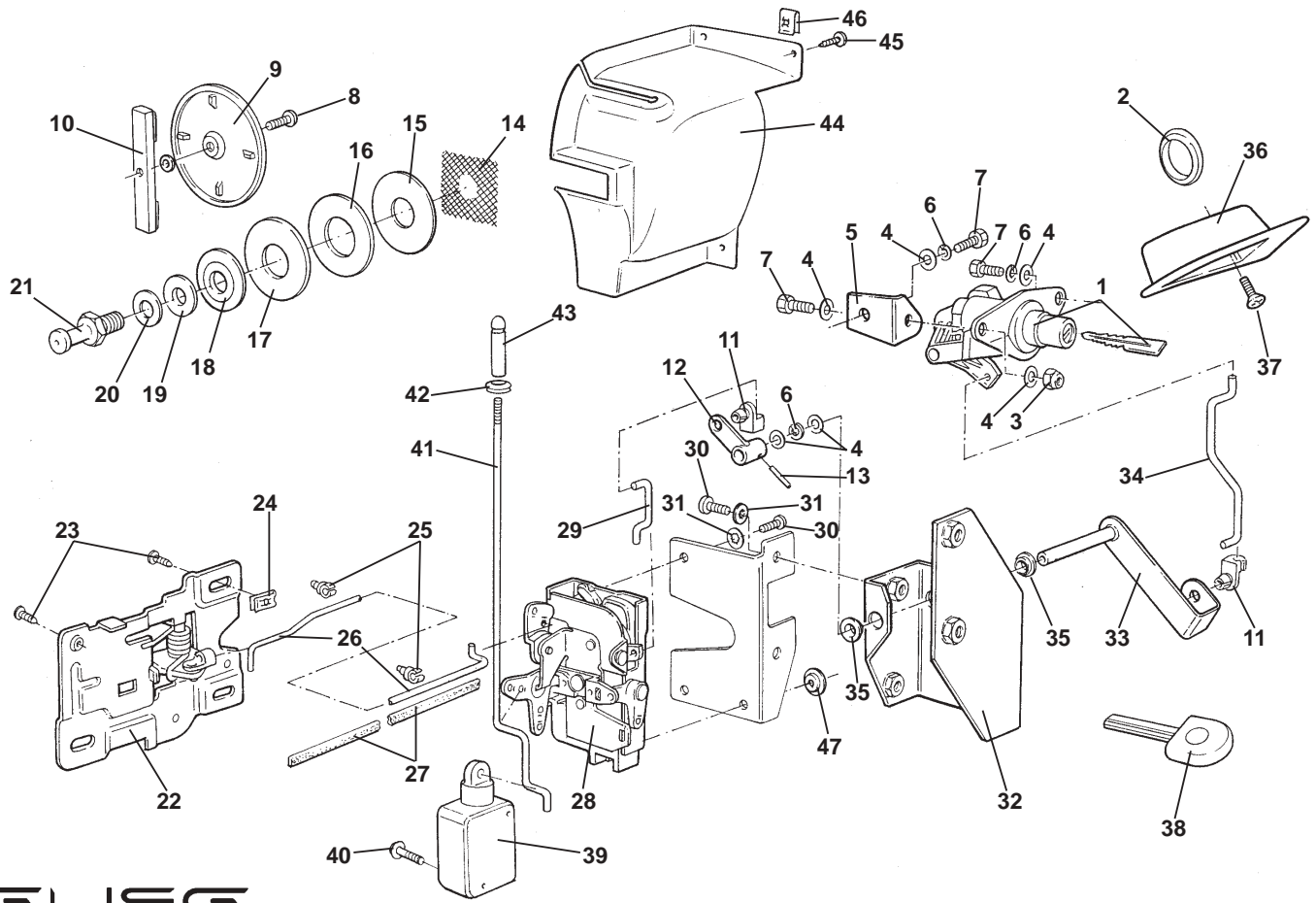
Function Code: 10.15, Page: 1

---

**Function Code 10.15 Door Shells, Beams, Hinges**

<u>Dep</u>	<u>Part Description</u>	<u>Remarks</u>	<u>Option</u>	<u>Part Number</u>	<u>Qty</u>
17	Screw, M10 x 30, cap hd.			A075W7030F	4
18	Dust Cap, door hinge			A111U6024F	2
19	Door Stop Buffer Strip			B111B0178K	2
20	Setscrew, M8 x 20, hex. hd., beam to door fix.			A075W1038Z	4
21	Washer, shakeproof, M8			A075W4048Z	10
22	Nutplate, door hinges	Fitted in chassis		A111U0056F	4
23	Bolt, M8 x 45, hex,hd.,beam to rear bracket, upper			A075W2040Z	2
24	Setscrew, M8 x 25, hex. hd., beam to rear bracket, lower			A075W1039Z	2
25	Follower, door check spring	Fit to item 13		A116B0418F	2
26	Finisher Ring, door drainholes			A075P6064F	2
27	Bump Stop Scrivet			A116U0137F	2
28	Door Reinforcement, inner, LH	Bonded inside doorshell		A117B0663F	1
28a	Door Reinforcement, inner, RH	Bonded inside doorshell		A117B0664F	1
29	Cover, door hinge			A116B6006F	2
30	Blanking Grommet, door rear			A082B6057F	2
31	Blanking Grommet, 40mm, door front	Not illus. unused door harness hole	Non CDL cars	A116W6730F	2

---



**ELISE**  
10.17

**Function Code 10.17 Door Latch Mechanism**

<u>Dep</u>	<u>Part Description</u>	<u>Remarks</u>	<u>Option</u>	<u>Part Number</u>	<u>Qty</u>
01	Vehicle Lock Set, door, boot, steering, fuel & 2 key blades	Order fuel cap & blank keys		B117H0001F	1
02	Blanking Grommet, linkage access hole			A082B6057F	2
03	Nyloc Nut, M6, support bracket fix.			A075W3009Z	2
04	Washer, flat, M6 x 12.1 x 1.4, support brkt fix			A075W4013Z	12
05	Support Bracket, release button, LH			A117U0001F	1
05a	Support Bracket, release button, RH			A117U0002F	1
06	Washer, wavy, 0.25", support brkt. fix.			A075W4087F	6
07	Setscrew, M6 x 16, support brkt. fix.			A075W1028Z	6
08	Screw, M5 x 10, pozi, cover plate fix			A111W5223F	2
09	Reflector/Cover			A117M6026F	2
09b	Washer, ABS, reflector to door	Not illustrated		A116B0978K	2
10	Fixing Strap, cover plate			A111U0095K	2
11	Nylon Clip, linkage retention			A082U6267F	4
12	Lever, door latch release			A111U0122F	2
13	Roll Pin, door latch lever to spindle retention			A111U6560F	2
14	Shim, expanded stainless, door striker attachment			A111U0215F	2
15	Shim, 2mm, door striker pin			A111U0220F	2
16	Shim, 4mm, door striker pin			A111U0219F	2
17	Front Collar, door striker pin			A111U0138F	2
18	Finisher, door striker pin			A111U0137K	2
19	Washer, striker			A111U0136F	2

**ELISE**

Function Code: 10.17, Page: 1

**Function Code 10.17 Door Latch Mechanism**

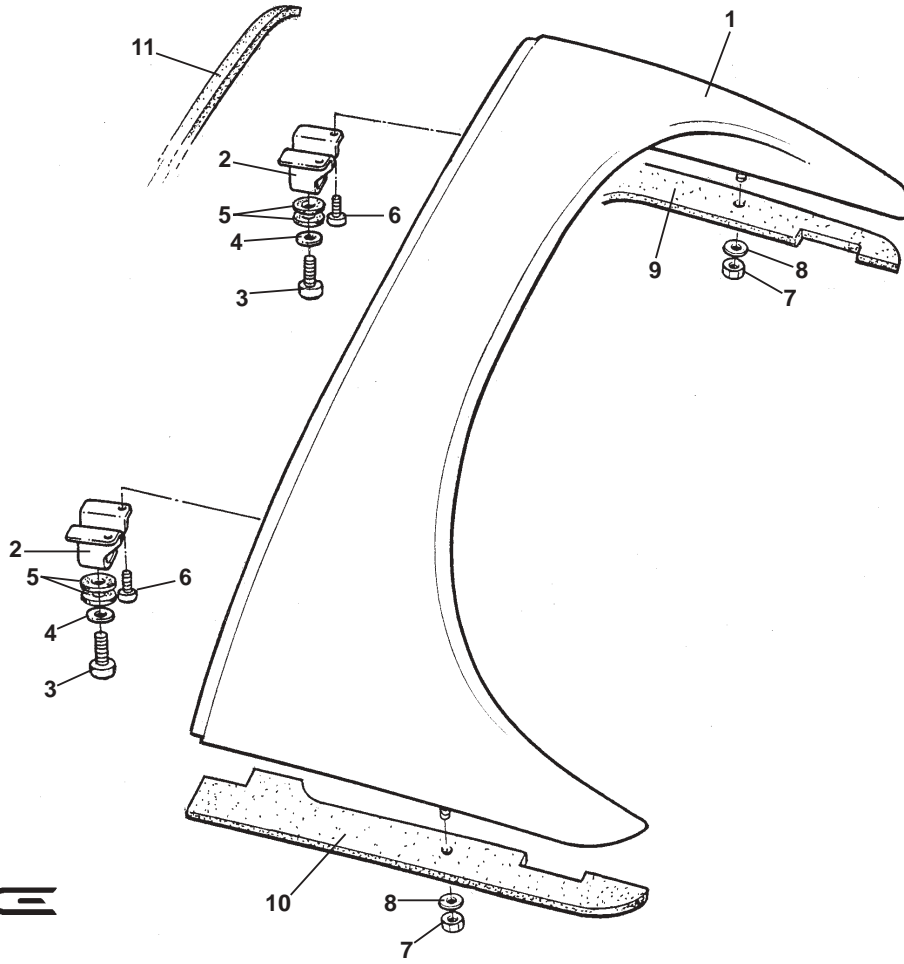
<u>Dep</u>	<u>Part Description</u>	<u>Remarks</u>	<u>Option</u>	<u>Part Number</u>	<u>Qty</u>
20	Washer, flat, M12 x 24 x 1.6, door striker pin			A075W4071F	2
21	Striker Pin, door latch			A111U6003F	2
22	Release, door latch, interior, LH			A111U6005F	1
22a	Release, door latch, interior, RH			A111U6004F	1
23	Screw, No. 8 x 0.5", pozi., door release fix.			A117W5250F	8
24	Spire Nut, No.8, captive, door release fix.			A075W6016Z	6
25	Plastic Clip, interior release rod guide			A075J6027Z	4
26	Rod, interior release to latch, LH			B117U0137F	1
26a	Rod, interior release to latch, RH			B117U0138F	1
27	Foam Strip, 19 x 3mm			A082U6067F	As req.
28	Latch mechanism, LH			A111U0389S	1
28a	Latch mechanism, RH			A111U0388S	1
29	Rod, latch to lever assy.			A111U0134F	2
30	Screw, M6 x 12, pozi., door latch/ bracket fix.			A111W5214F	10
31	Washer, shakeproof, M6, door latch fix.			A075W4046Z	6
32	Bracket, door beam attachment, LH			B116B0179F	1
32a	Bracket, door beam attachment, RH			B116B0180F	1
33	Spindle/Lever, door latch release, LH			A116U0035F	1
33a	Spindle/Lever, door latch release, RH			A116U0036F	1
34	Rod, latch to release button			A117U0003F	2
35	Bush, lever/spindle assy.			A111U6018F	4

**ELISE**

Function Code: 10.17, Page: 2

**Function Code 10.17 Door Latch Mechanism**

<u>Dep</u>	<u>Part Description</u>	<u>Remarks</u>	<u>Option</u>	<u>Part Number</u>	<u>Qty</u>
36	Door Pull, exterior, LH			C117B0135F	1
36a	Door Pull, exterior, RH			C117B0136F	1
37	Screw, M4 x 16, csk, cap hd., exterior door pull fix.	Black dacromet finish		A117W7208F	4
38	Blank Key/Keyhole Light			A117H0022F	2
39	Actuator, central door locking			B116M6039F	2
40	Screw, No.8 x 3/4" flg. hd. pozi. CDL Actuator to door	Black finish		A075W5074Z	4
41	Rod, CDL to sill button			A117U0329F	2
42	Grommet, button through sill			X036L6004Z	2
43	Button, door locking			A117U0330F	2
44	Cover, door latch, LH	Latch security		A117U0425F	1
44a	Cover, door latch, RH	Latch security		A117U0426F	1
45	Screw, No. 8 x 0.75", flg. hd. pozi., cover to door			A075W5074Z	6
46	Spirenut, No. 8, cover to door			A075W6016Z	6
47	Washer, top hat, latch to door	Bonded to door, outer fixings only		A117W4192K	2
48	Cover, door release rod, LH	Not illustrated		A117U0321F	1
48a	Cover, door release rod, RH	Not illustrated		A117U0320F	1
49	Clip, release rod to cover	Not illustrated		A082W6457F	4
50	Bracket, door pull cover	Not illustrated		B117U0324F	2
51	Lock Lubricant	Not illustrated		A117U6019S	25ml



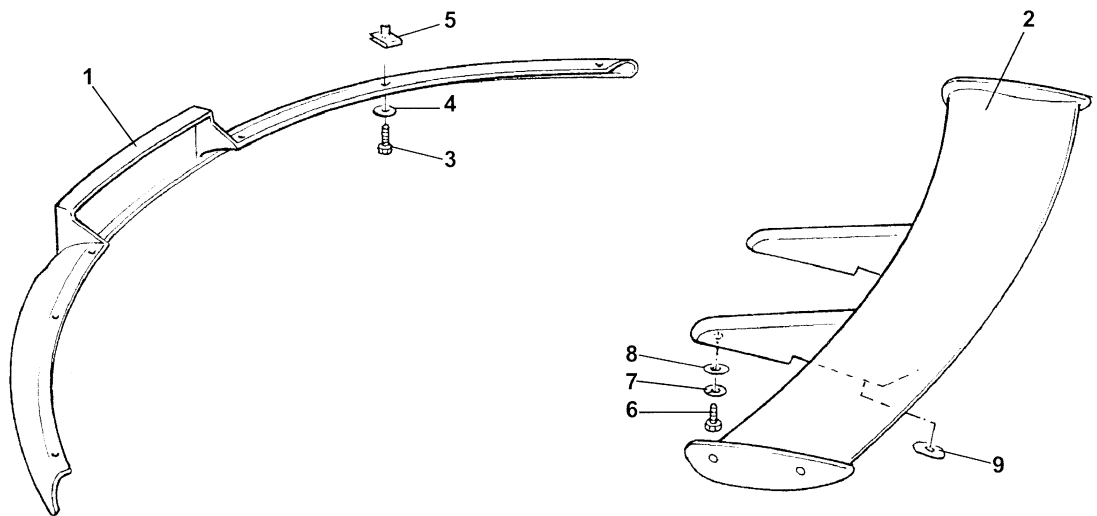
**ELISE**  
10.20



---

**Function Code 10.20 Rear Window Shroud & Fixings**

<u>Dep</u>	<u>Part Description</u>	<u>Remarks</u>	<u>Option</u>	<u>Part Number</u>	<u>Qty</u>
01	Rear Window Shroud Assembly		Primed	B117B0445K	1
02	Bracket, shroud to bulkhead			B117B0091F	2
03	Screw, M6 x 25, cap hd., bracket to bulkhead			A111W7170F	2
04	Washer, flat, M6 x 18 x 1, bracket to bulkhead			B082W4018F	2
05	Spacer Washer, neoprene, shroud to bulkhead			A111U6055F	4
06	Screw, M5 x 10, flg., button hd., bracket to shroud			A117B0310H	4
07	Nut, M6, rear shroud to clamshell			A075W3020Z	2
08	Washer, flat, M6 x 18 x 1, rear shroud to clamshell			B082W4018F	2
09	Foam Gasket, RH, shroud to clamshell			A117B0484F	1
10	Foam Gasket, LH, shroud to clamshell			A117B0485F	1
11	Foam Strip, self adhesive, shroud to bulkhead			A082U6065F	1.2M



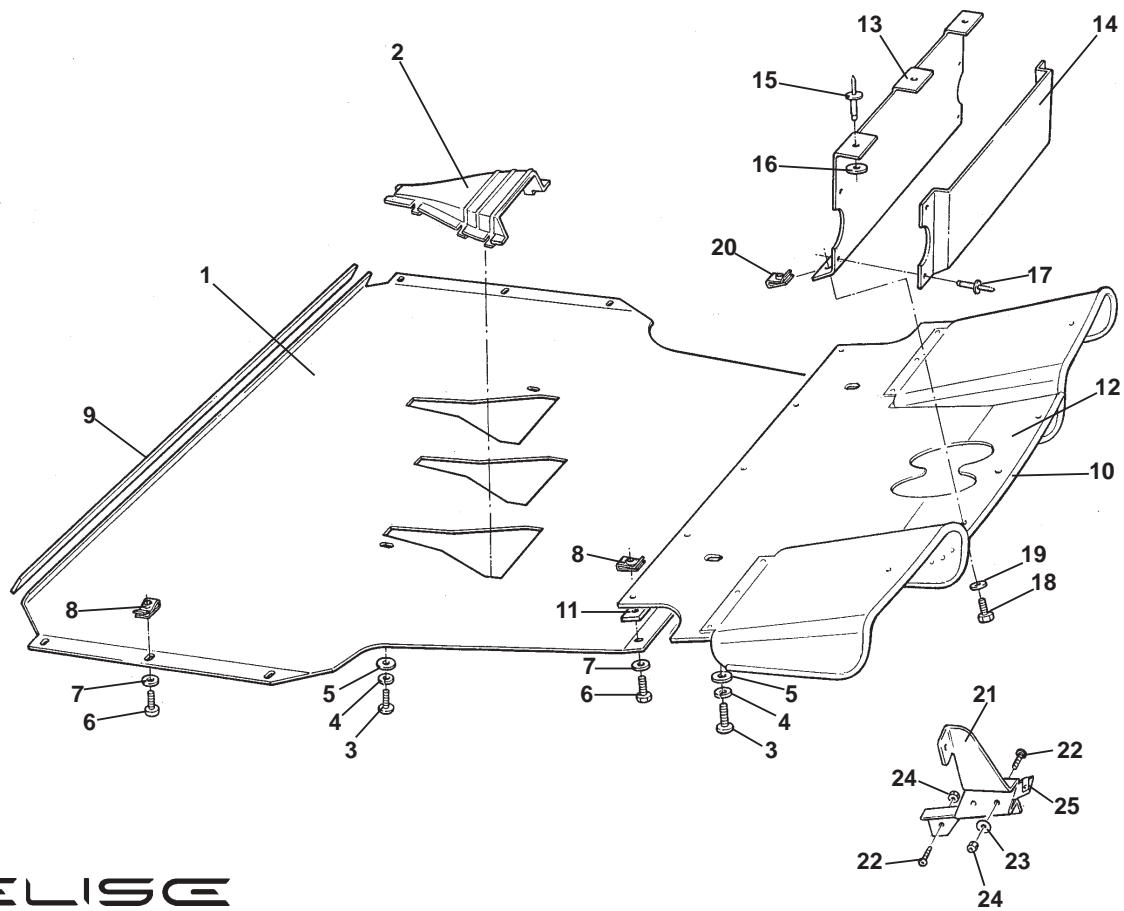
**EXIGE**

10.23x

---

**Function Code 10.23x Spoilers & Aerofoils, Exige**

<u>Dep</u>	<u>Part Description</u>	<u>Remarks</u>	<u>Option</u>	<u>Part Number</u>	<u>Qty</u>
01	Front Splitter Panel		Painted black	A122B0096F	1
02	Aerofoil & Strut Assembly			A122B0089F	1
03	Screw, M5 x 10, hex. hd., spoiler to clamshell			A100W1105F	6
04	Washer, flat, M5, spoiler to clamshell			A075W4009Z	6
05	Spirenut, M5, spoiler to clamshell			A117W6697F	6
06	Screw, M6 x 35, fig. button. hd., aerofoil to tailgate		A075W2029Z R/B	A120W2208F	4
07	Washer.spring, M6, aerofoil to tailgate			A075W4035Z	4
08	Washer, flat, M6, aerofoil to tailgate			A075W4013Z	4
09	Gasket, aerofoil to tailgate			A122B0092F	2



**ELISE**  
10.25

# Service Parts List **ELISE**



## Function Code 10.25 Undertray & Diffuser

<u>Dep</u>	<u>Part Description</u>	<u>Remarks</u>	<u>Option</u>	<u>Part Number</u>	<u>Qty</u>
01	Undertray Assembly			A120A0077J	1
02	NACA Duct, clip in type	Part of item 1		A116A0143F	3
03	Screw, M8 x 25, button hd.			A111W7175F	4
04	Washer, spring, M8			A075W4036Z	4
05	Washer, flat, M8 x 25 x 1.4			A075W4021Z	4
06	Screw, M5 x 16, hex. hd.			A111W1163F	11
07	Washer, flat, M5 x 25 x 1.4			A082W4098F	11
08	Spire Nut, M5			B100W6372F	11
09	Foam Strip, self adhesive, 10mm x 6mm			A100B0431V	As req.
10	Edging Strip, Diffuser, silver		Elise	A117A0050V	As req.
10a	Edging Strip, Diffuser, black		Exige	A122A0029V	As req.
11	Foam Strip, self adhesive, 19mm x 3mm			A082U6067F	3
12	Diffuser Assembly, silver	For 'B' level grilles	Elise	B120A0074J	1
12a	Diffuser Assembly, silver	4 additional fixings, 'C' level grilles	Elise	C120A0074J	1
12b	Diffuser Assembly, black		Exige	A122A0015J	1
13	Support plate, diffuser, black	5 lower fixings	D120A0082F R/B	F120A0082F	1
14	Panel, licence plate mounting, rectangular plate			B117A0143F	1
14a	Panel, licence plate mounting, square plate	Includes item 14b	USA/Canada/Japan	A121B0036F	1

**ELISE**

Function Code: 10.25, Page: 1

2005/02 UPDATE ISSUED SEPTEMBER 2005

---

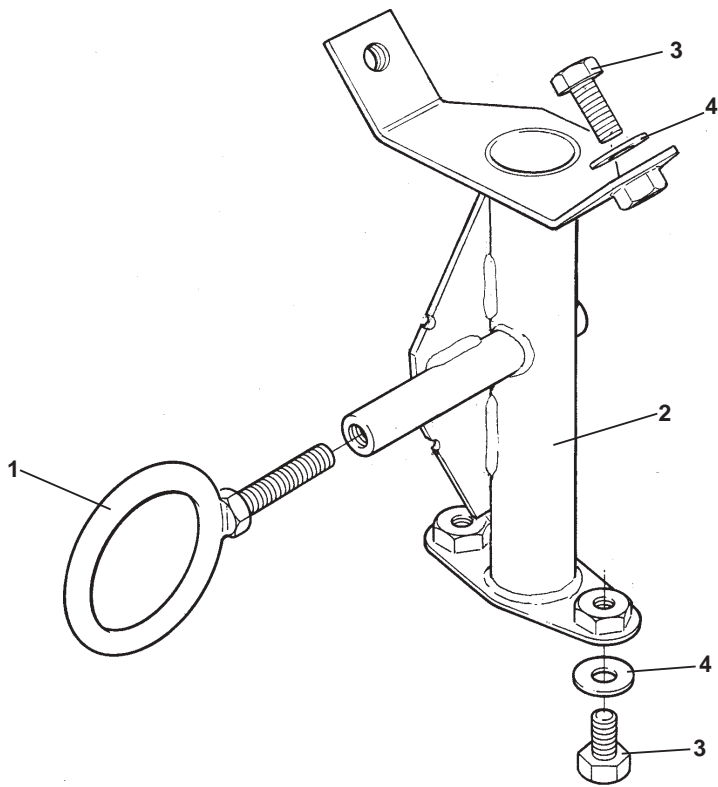
**Function Code 10.25 Undertray & Diffuser**

<u>Dep</u>	<u>Part Description</u>	<u>Remarks</u>	<u>Option</u>	<u>Part Number</u>	<u>Qty</u>
14b	Pulsert, M6 x 30, license plate to panel	Not illustrated	USA/Canada/Japan	A079W6156F	4
14c	Screw, M6 x 16, pan, torx hd. S/S, license plate fixing	Not illustrated	USA/Canada/Japan	A117W2213F	4
15	Pop Rivet, plate to clamshell			A089W6297F	3
16	Washer, flat, 3/16" x 0.75"			B075W4009Z	3
17	Pop Rivet, domed. black, licence plate panel to plate			A082W6512F	3
18	Screw, M5 x 16, hex. hd. SS, diffuser to plate			A111W1163F	7
19	Washer, flat, 3/16 x 0.75, SS			B075W4009Z	7
20	Spirenut, M5			B100W6372F	3
21	Bracket, clamshell to diffuser, LH		Exige	B122B0133F	1
21a	Bracket, clamshell to diffuser, RH		Exige	B122B0132F	1
22	Screw, M6 x 16, button skt. hd., bracket to clam. & diffuser		Exige	A082W7105F	6
23	Washer, flat, M6 x 25, bracket to clam.		Exige	A082W4131F	4
24	Nyloc Nut, M6, bracket to clam. & diffuser		Exige	A100W3108F	6
25	Spirenut, M6, bracket to grille		Exige	A117W6715F	2

\*For Japan front license plate mounting, see section 12.07

---

**ELISE****Function Code: 10.25, Page: 2***2005/02 UPDATE ISSUED SEPTEMBER 2005*



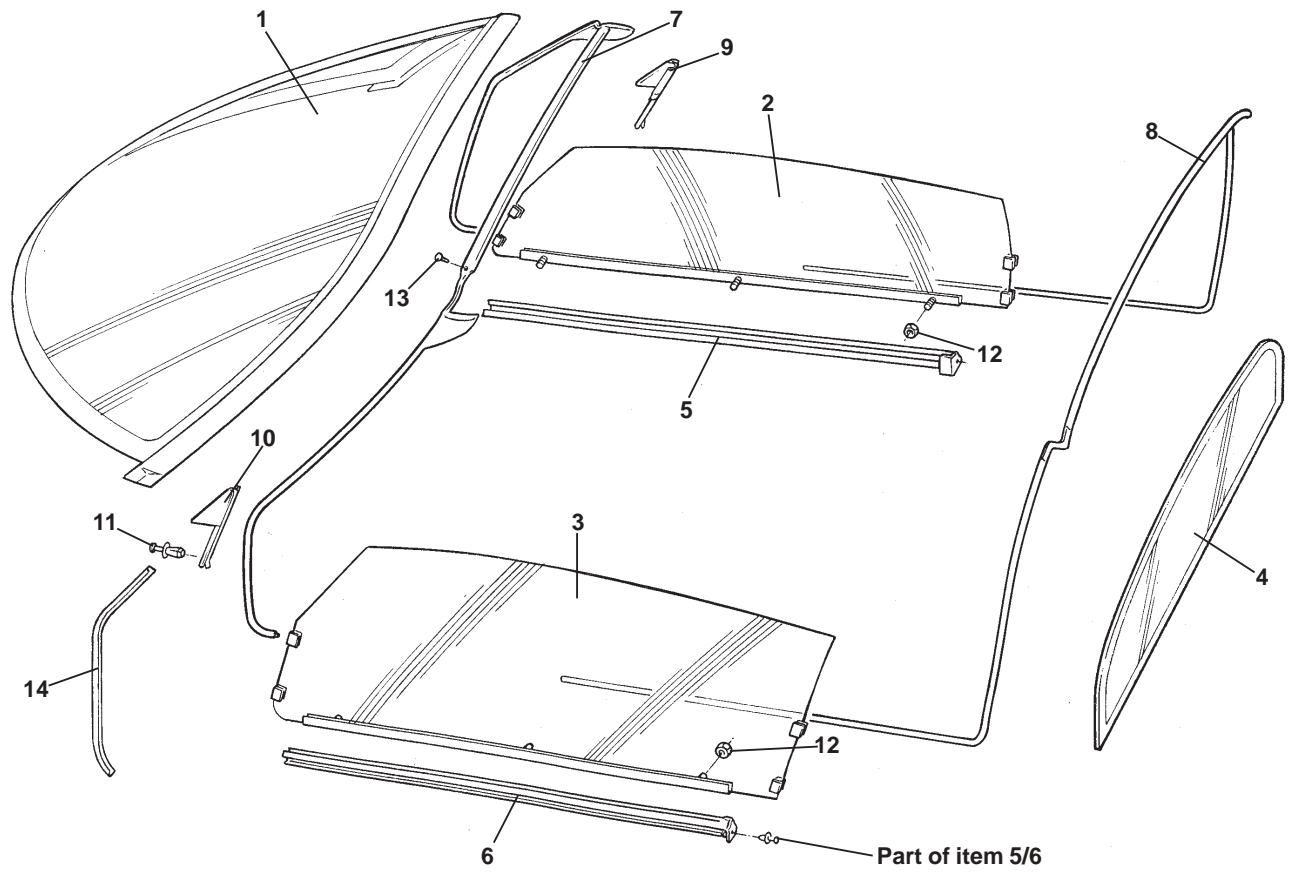
**ELISE**  
10.31

---

**Function Code 10.31 Towing Strut/ Hook**

<u>Dep</u>	<u>Part Description</u>	<u>Remarks</u>	<u>Option</u>	<u>Part Number</u>	<u>Qty</u>
01	Towing Eye	Stowed in tool kit		B111B0399F	1
02	Mounting Strut, towing eye		Elise all	B117B0160F	1
02a	Mounting Strut, towing eye		Exige	A122B0126F	1
03	Setscrew, M8 x 16, hex. hd., grade 8.8 Zn			A075W1036Z	4
04	Washer, flat, M8 x 1.4 Zn			A075W4021Z	4
05	Screw, M8 x 20, black plastic, strut blanking	Not illustrated	Exige	A121W5280F	1



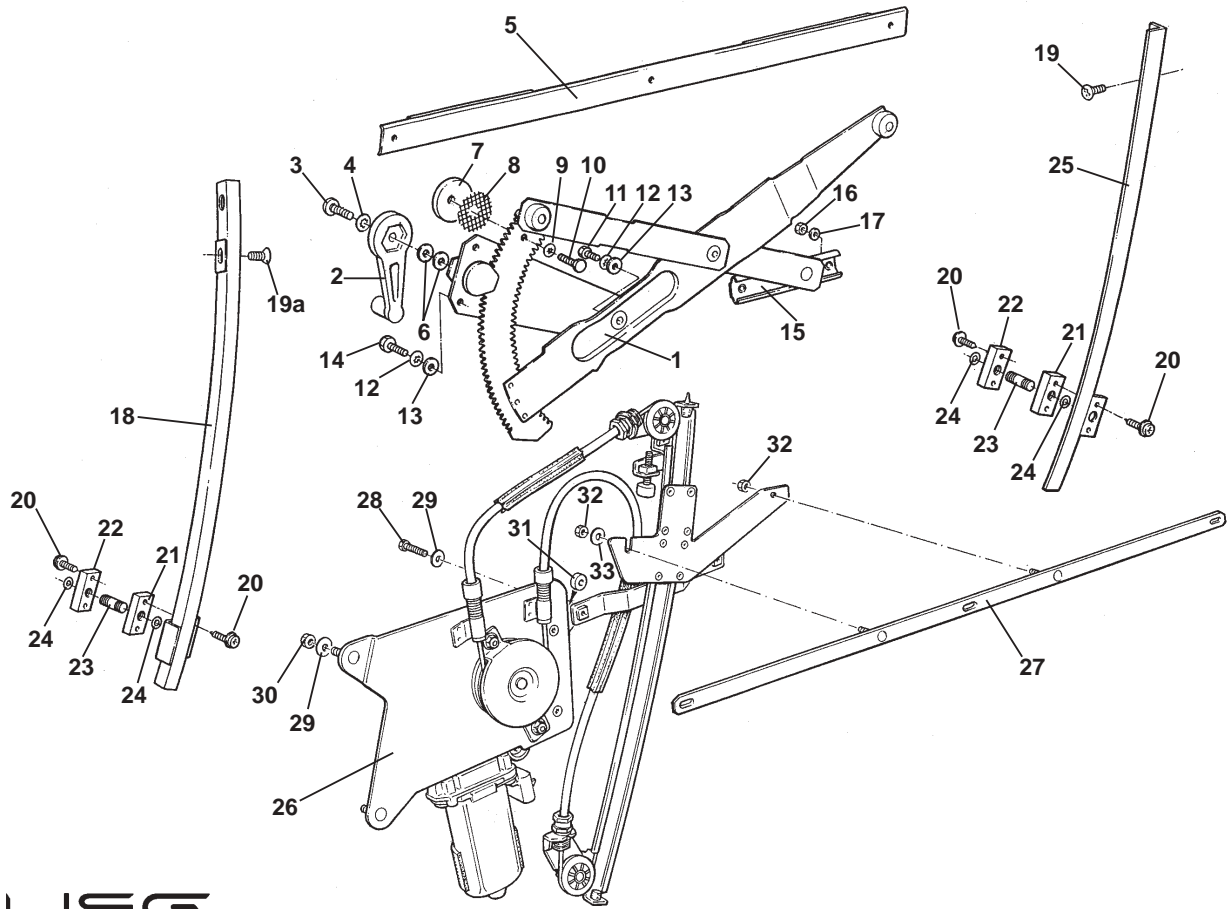


**ELISE**  
11.01

---

**Function Code 11.01 Windscreen, Door Glass, Seals & Weather Strips**

<u>Dep</u>	<u>Part Description</u>	<u>Remarks</u>	<u>Option</u>	<u>Part Number</u>	<u>Qty</u>
01	Windscreen & Finisher Assembly			A117B0094F	1
02	Door Glass Assembly, RH			F116B0186F	1
03	Door Glass Assembly, LH			F116B0185F	1
04	Rear Window, glass	Bonded to bulkhead		A117B0138F	1
05	Seal Assembly, door waist, RH	Includes plastic fastener		B117U0010F	1
06	Seal Assembly, door waist, LH	Includes plastic fastener		B117U0009F	1
07	Door Front/Roof Seal Assembly			A116V0273F	1
08	Door Rear/Roof Seal Assembly			A116V0098F	1
09	Door Cheater Seal, RH			B117U0134F	1
10	Door Cheater Seal, LH			B117U0133F	1
11	Plastic Fastener, cheater seal fix.			A079W6195F	2
12	Nyloc Nut, M6, glass to lift channel			A907E6285F	6
13	Plastic Fastener, header seal fix.			A116W6722F	2
14	Secondary Door Seal, front	Front inside face of door		A117U0429V	1.2M



**ELISE**  
11.02

**Function Code 11.02 Door Window Lift Mechanism**

<u>Dep</u>	<u>Part Description</u>	<u>Remarks</u>	<u>Option</u>	<u>Part Number</u>	<u>Qty</u>
01	Window Regulator, RH			C111U0082K	1
01a	Window Regulator, LH			C111U0083K	1
02b	Window Winder Handle, alloy polished	Includes fixings		A117U0442F	2
03	Screw, M5 x 12, button. skt. hd., regulator handle fix,	Supplied with handle		A111W7138F	2
04	Washer, shakeproof, M5, regulator handle fix,	Supplied with handle		A075W4045Z	2
05	Glass Carrier Channel			B116U0130F	2
06	Spacer, window regulator handle			A082W4109F	4
07	Eccentric Stop			A116U0166F	2
08	Mesh Washer, eccentric stop			A116U0167K	1
09	Washer, shakeproof			A075W4046Z	2
10	Setscrew, eccentric stop fix.			A100W1055F	2
11	Setscrew, regulator fix			A075W1028Z	2
12	Washer, flat, M6 x 20 x 2.5			A075W4016F	6
13	Washer, flat, M6 x 25 x 1.4			A075W4017Z	6
14	Setscrew M6, regulator fix			A075W1027Z	4
15	Guide Channel, window regulator			A117U0285F	2
16	Nyloc Nut, M5, channel fix.			A100W3113F	4
17	Washer, flat, 3/16 x 0.5", channel rear fix.			A075W4000Z	2
17a	Washer, flat, 3/16 x 0.75", channel front fix.			A075W4009Z	2
18	Guide Rail, door glass, front, LH			C116U0007F	1
18a	Guide Rail, door glass, front, RH			C116U0006F	1

**ELISE**

Function Code: 11.02, Page: 1

**Function Code 11.02 Door Window Lift Mechanism**

<u>Dep</u>	<u>Part Description</u>	<u>Remarks</u>	<u>Option</u>	<u>Part Number</u>	<u>Qty</u>
17a	Washer, flat, 3/16 x 0.75", channel front fix.			A075W4009Z	2
18	Guide Rail, door glass, front, LH			C116U0007F	1
18a	Guide Rail, door glass, front, RH			C116U0006F	1
19	Screw, M5 x 12, csk. pozi., rail to door rear			A100W5196F	2
19a	Screw, M5 x 12, csk. cap hd., rail to door front	Black dacromet finish		A117W7207F	2
20	Screw, No,8 x 0.75", flg. pozi, hd., block fixing			A075W5074Z	16
21	Adjuster Block, guide rail LH thread			A116U0020F	4
22	Adjuster Block, guide rail RH thread			A116U0021F	4
23	Stud, rail adjusting			A116U0022F	4
23	Stud, rail adjusting			A116U0022F	4
24	'O' Ring			A116U0023F	8
25	Guide Rail, door glass, rear, LH		C116U0005F R/B	D116U0005F	1
25a	Guide Rail, door glass, rear, RH		C116U0004F R/B	D116U0004F	1
26	Window Lift Mechanism, electric, LH		Optional	B117U0389F	1
26a	Window Lift Mechanism, electric, RH		Optional	B117U0390F	1
27	Studplate Adaptor, mechanism to glass		Optional	B117U0391H	2
28	Screw, M6 x 20, hex. hd., mechanism to door		Optional	A075W1030Z	6
29	Washer, flat, M6 x 15 x 1.5, mechanism to door		Optional	A075W4015Z	10
30	Nyloc Nut, M6, thin, motor to door		Optional	A907E6285F	4
31	Spacer, 4mm, lift channel to door		Optional	A117W4194F	6
32	Nyloc Nut, M6, thin, studplate to mechanism		Optional	A907E6285F	4

**ELISE**

Function Code: 11.02, Page: 2

*2005/02 UPDATE ISSUED SEPTEMBER 2005*

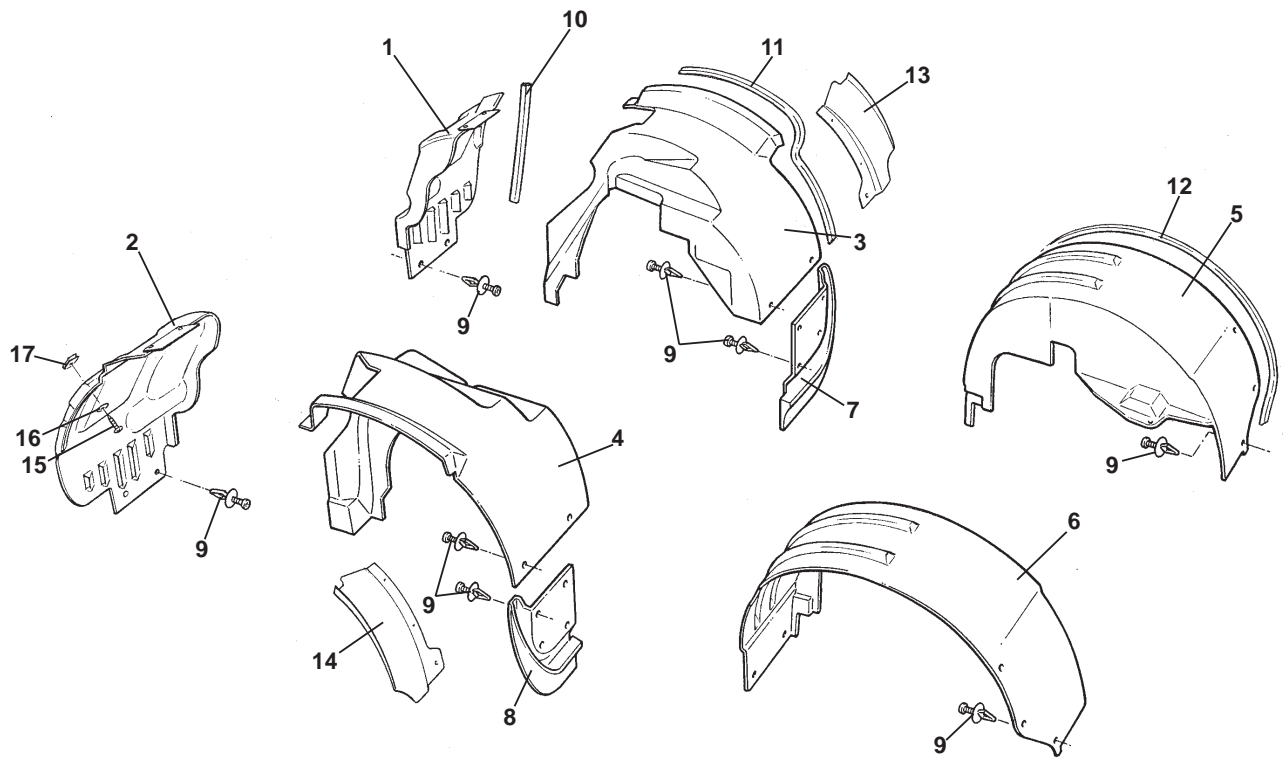
---

**Function Code 11.02 Door Window Lift Mechanism**

<u>Dep</u>	<u>Part Description</u>	<u>Remarks</u>	<u>Option</u>	<u>Part Number</u>	<u>Qty</u>
33	Washer, flat, M6 x 15 x 1.5, studplate to mechanism		Optional	<b>A075W4015Z</b>	2
34	Plate, adjuster block to door rear	Not illustrated		<b>A116B0437F</b>	2
35	Downstop, door glass	Not illustrated, bonded to door		<b>A116B0314F</b>	2
36	Tape, self adhesive, downstop to door	Not illustrated		<b>A100B6142V</b>	0.25M

---

**ELISE****Function Code: 11.02, Page: 3***2005/02 UPDATE ISSUED SEPTEMBER 2005*



# ELISE

12.01

# Service Parts List **ELISE**



## Function Code 12.01 Wheelarch Liners

<u>Dep</u>	<u>Part Description</u>	<u>Remarks</u>	<u>Option</u>	<u>Part Number</u>	<u>Qty</u>
01	Panel, headlamp access, front wheelarch, RH		Elise	<b>A120B0076F</b>	1
01a	Panel, headlamp access, front wheelarch, RH		Exige, A122B0191F R/B	<b>B122B0192F</b>	1
02	Panel, headlamp access, front wheelarch, LH		Elise	<b>A120B0075F</b>	1
02a	Panel, headlamp access, front wheelarch, LH		Exige, A122B0191F R/B	<b>B122B0191F</b>	1
03	Wheelarch Liner, front, RH, LHD		Elise	<b>C120B0112F</b>	1
03a	Wheelarch Liner, front, RH, LHD		Exige	<b>A122B0120F</b>	1
03b	Wheelarch Liner, front, RH, RHD		Elise	<b>B120B0004F</b>	1
03c	Wheelarch Liner, front, RH, RHD		Exige	<b>A122B0172F</b>	1
04	Wheelarch Liner, front, LH, LHD		Elise	<b>B120B0113F</b>	1
04a	Wheelarch Liner, front, LH, LHD		Exige	<b>A122B0121F</b>	1
04b	Wheelarch Liner, front, LH, RHD		Elise	<b>C120B0003F</b>	1
04c	Wheelarch Liner, front, LH, RHD		Exige	<b>A122B0171F</b>	1
05	Wheelarch Liner, rear, RH		Elise	<b>B120B0030F</b>	1
05a	Wheelarch Liner, rear, RH		Exige	<b>B122B0124F</b>	1
06	Wheelarch Liner, rear, LH		Elise	<b>B120B0031F</b>	1
06a	Wheelarch Liner, rear, LH		Exige	<b>B122B0125F</b>	1
07	Mudflap, front, RH		Elise	<b>D117B0172F</b>	1
07a	Mudflap, front, RH		Exige	<b>A122B0160F</b>	1

**ELISE**

Function Code: 12.01, Page: 1

*2005/02 UPDATE ISSUED SEPTEMBER 2005*



---

**Function Code 12.01 Wheelarch Liners**

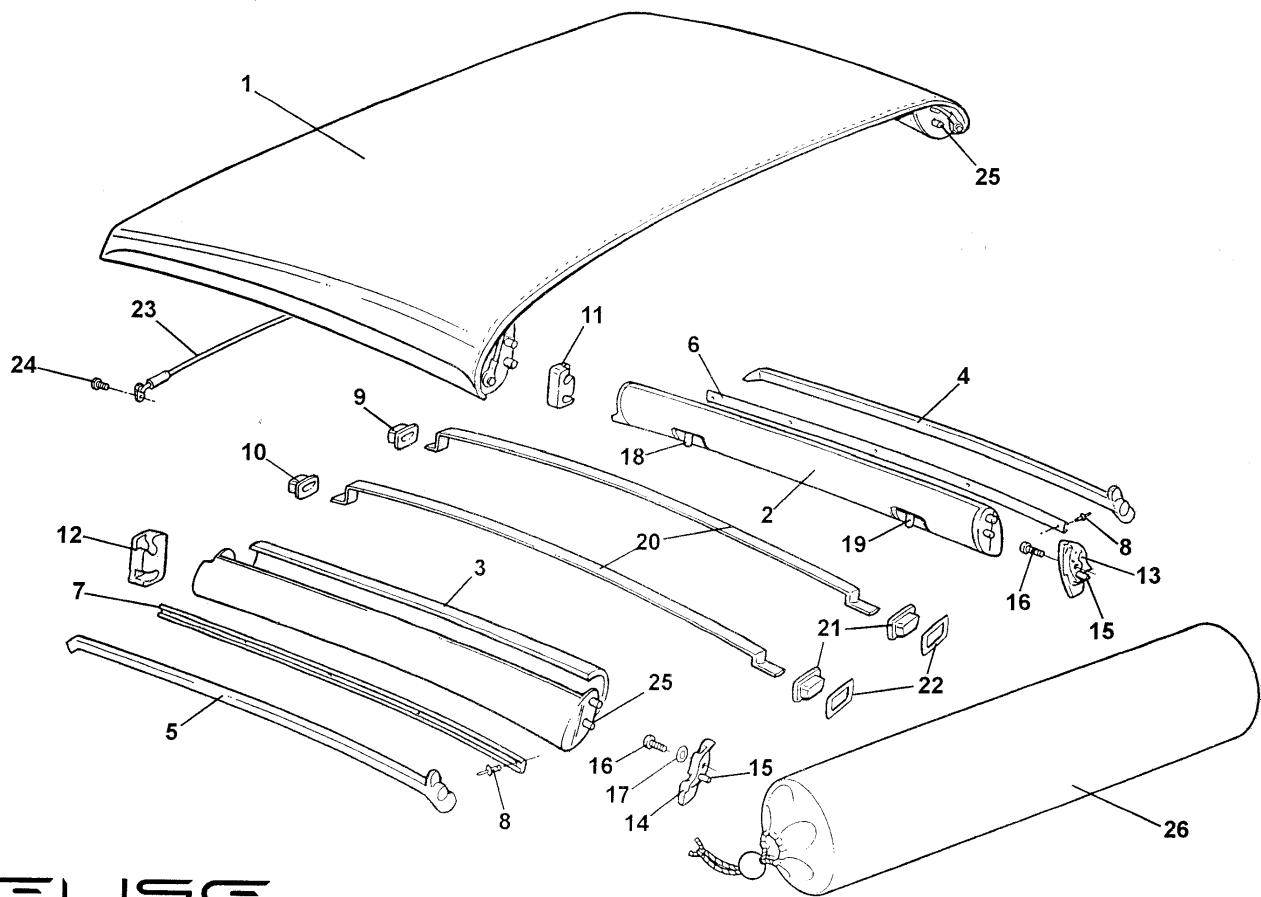
<u>Dep</u>	<u>Part Description</u>	<u>Remarks</u>	<u>Option</u>	<u>Part Number</u>	<u>Qty</u>
08	Mudflap, front, LH		Elise	D117B0171F	1
08a	Mudflap, front, LH		Exige	A122B0161F	1
09	Plastic Fastener, liners/mudflaps retention			A100W6391F	26
10	Weatherseal, front access panel	Cut to fit, also Exige lower rear liner	Exige	A122V0036V	As req.
11	Weatherseal, front liner	Cut to fit		A089U6055F	As req.
12	Weatherseal, rear liner	Cut to fit		A089U6055F	As req.
13	Infill Panel, wheelarch liner, front, RH		Exige	A122B0168K	1
14	Infill Panel, wheelarch liner, front, LH		Exige	A122B0167K	1
15	Screw, No. 8 x 3/4", pan pozi., black, panel fixing			A075W5074Z	2
16	Washer, flat, M5 x 25 x 1.4, black, panel fixing			A082W4098F	2
17	Spirenut, No.8, panel fixing	On clamshell bracket		A075W6172F	2
18	Screw, M6 x 12, pan hd., pozi., black, rear liner fix.	Not illustrated	Exige	A111W5214F	4
19	Washer, flat, M6 x 25, black, rear liner fix.	Not illustrated	Exige	A082W4131F	4

---

**ELISE**

Function Code: 12.01, Page: 2

*2005/02 UPDATE ISSUED SEPTEMBER 2005*



**ELISE**  
12.02

**Function Code 12.02 Soft Top Roof, Cant Rails, Roof Bows**

<u>Dep</u>	<u>Part Description</u>	<u>Remarks</u>	<u>Option</u>	<u>Part Number</u>	<u>Qty</u>
01	Soft Top Roof Assembly, short		Black	B117B0473F	1
01a	Soft Top Roof Assembly, short		Blue	B117B0474F	1
01b	Soft Top Roof Assembly, short		Red	B117B0475F	1
01c	Soft Top Roof Assembly, short		Green	B117B0476F	1
01d	Soft Top Roof Assembly, NVH, short		Black	A117B0532F	1
01e	Soft Top Roof Assembly, NVH, short		Blue	A120B0131F	1
01f	Soft Top Roof Assembly, NVH, short		Red	A120B0129F	1
01g	Soft Top Roof Assembly, NVH, short		Green	A120B0130F	1
02	Trim Panel, cant rail, RH	5 'fir tree' fixings on panel		C116V0004H	1
03	Trim Panel, cant rail, LH	5 'fir tree' fixings on panel		C116V0003H	1
04	Weatherseal, RH			A116V0092H	1
05	Weatherseal, LH			A116V0091H	1
06	Seal Carrier, RH			B116V0088F	1
07	Seal Carrier, LH			B116V0089F	1
08	Pop Rivet, seal carrier to cant rail			A116V0090H	12
09	Pocket, stay to header rail, RH	Bonded to windscreen frame		A116B0184F	1
10	Pocket, stay to header rail, LH	Bonded to windscreen frame		A116B0183F	1
11	Latch Plate, front, RH	Bonded to windscreen frame		A116B0002F	1
12	Latch Plate, front, LH	Bonded to windscreen frame		A116B0001F	1
13	Latch Plate, with tongue, rear, RH	Also fixing for hard top		C116B0466F	1
14	Latch Plate, with tongue, rear, LH	Also fixing for hard top		C116B0467F	1

**ELISE**

Function Code: 12.02, Page: 1

PLEASE NOTE:

THE WATER INGRESS LABEL IS NOT SUPPLIED WITH CANT RAIL TRIM AND MUST BE ORDERED SEPERATELY; THE INDIVIDUAL LABEL PART NUMBER FOR THE SPECIFIC MARKET IS LISTED IN SECTION 19.01.

---

**Function Code 12.02 Soft Top Roof, Cant Rails, Roof Bows**

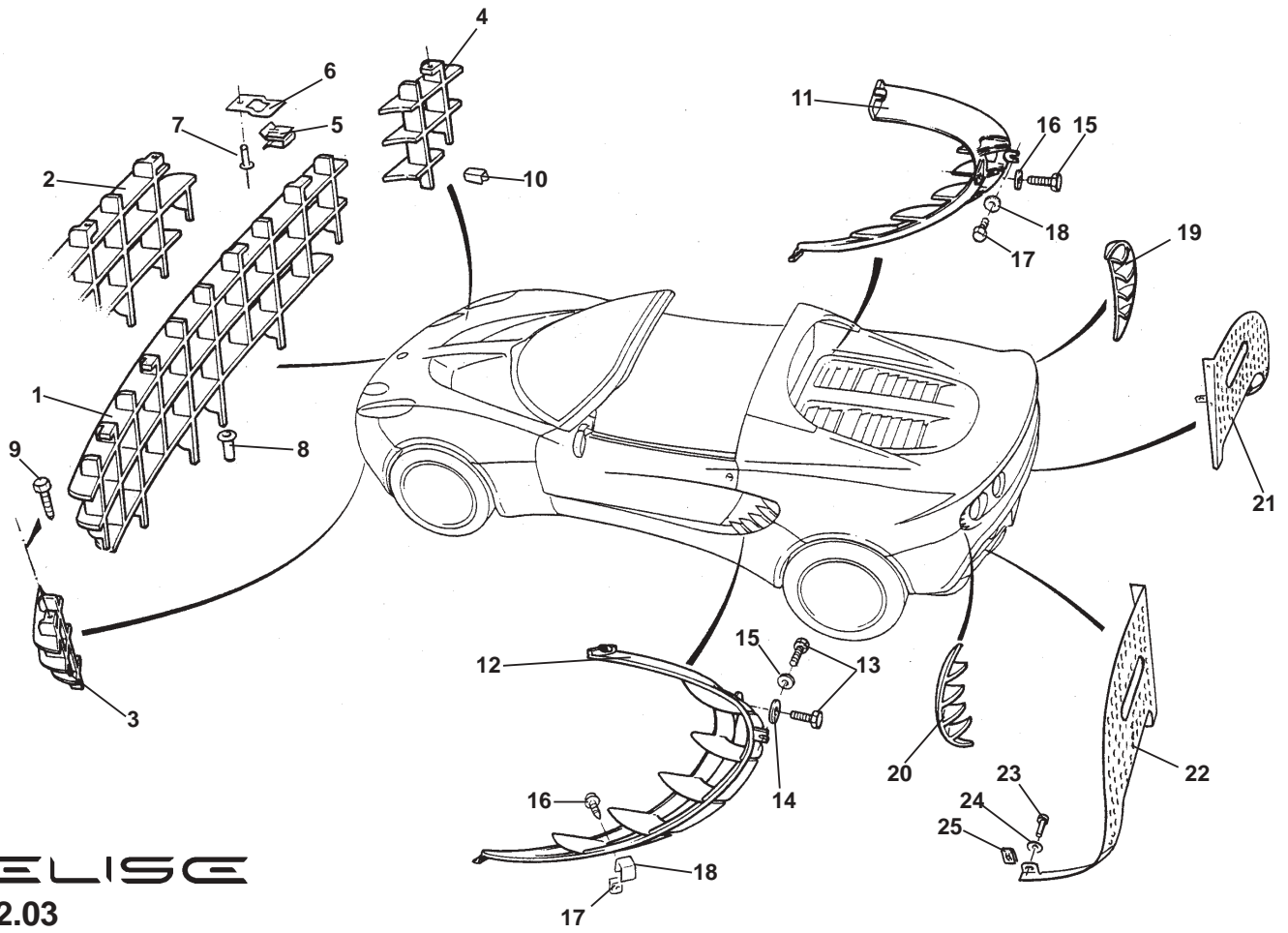
<u>Dep</u>	<u>Part Description</u>	<u>Remarks</u>	<u>Option</u>	<u>Part Number</u>	<u>Qty</u>
15	Dowel Pin, plate to roll-over bar			A116W6659F	2
16	Screw, M6 x 20, cap hd., black, latch plate to roll-over bar			A082W7041F	2
17	Washer, wavy, 1/4", latch plate to roll-over bar			A075W4087F	2
18	Latch Assembly, front, RH			B117B0154H	1
18a	Latch Assembly, front, LH			B117B0155H	1
19	Latch Assembly, rear, RH			B117B0156H	1
19a	Latch Assembly, rear, LH			B117B0157H	1
20	Stay, soft top supporting			B116V0095H	2
21	Pocket, stay to rear window shroud			A116B0182F	2
22	Spacer, pocket to shroud			B117B0480K	2
23	Cable, soft top tensioning		End adjusting	B116V0064H	2
23a	Cable, soft top tensioning, rear	Soft tops with centre access flap	Centre adjusting	C116V0064H	1
24	Screw, cables to soft to assy.			A116V0065H	4
25	End Cap, latching pin			A116V0150H	4
26	Soft Top Stowage Bag			A117B0086F	1
27	Soft Top Care Kit, hood cleaner & hood protector	Not illustrated		A117U6021S	2 x 500ml

**PLEASE NOTE:**

*THE WATER INGRESS LABEL IS NOT SUPPLIED WITH CANT RAIL TRIM AND MUST BE ORDERED SEPERATELY; THE INDIVIDUAL LABEL PART NUMBER FOR THE SPECIFIC MARKET IS LISTED IN SECTION 19.01.*

---

**ELISE****Function Code: 12.02, Page: 2**



**ELISE**  
12.03

# Service Parts List **ELISE**



## Function Code 12.03 Grilles and Louvres

<u>Dep</u>	<u>Part Description</u>	<u>Remarks</u>	<u>Option</u>	<u>Part Number</u>	<u>Qty</u>
01	Grille, front intake, central, without driving lamps			F117B0114F	1
02	Grille, front intake, central, with driving lamps			B117B0317F	1
03	Grille, front intake, LH			G117B0117F	1
03a	Seal, neoprene, grille to clamshell	Not illus., on front of lower spigot		B075U6054V	20mm
04	Grille, front intake, RH			G117B0118F	1
04a	Seal, neoprene, grille to clamshell	Not illus., on front of lower spigot		B075U6054V	20mm
05	Clip, central grille retention		-	A117B6003F	4
06	Bracket, clip to clamshell			A117B0328F	4
07	Pop Rivet, 3.2mm x 11mm, black, bracket to clamshell			A082W6512F	4
08	Receptacle, grille spigots to clamshell			A117B6004F	4
09	Screw, ejot, M5 x 8, torx hd., outer grilles to clamshell			A117W5268F	2
10	Spirenut, M6			B100W6372F	3
10	Clip, outer grilles retention			C117B0235F	2
11	Grille, side intake, RH			E117B0126F	1
12	Grille, side intake, LH			E117B0125F	1
13	Screw, M6 x 16, hex. hd., side grille to clamshell			A075W1028Z	3
14	Washer, flat, M6 x 25, side grille to clamshell			B075W4017Z	2
15	Washer, flat, M6 x 18, side grille to clamshell			B082W4018F	2

**ELISE**

Function Code: 12.03, Page: 1

2005/02 UPDATE ISSUED SEPTEMBER 2005

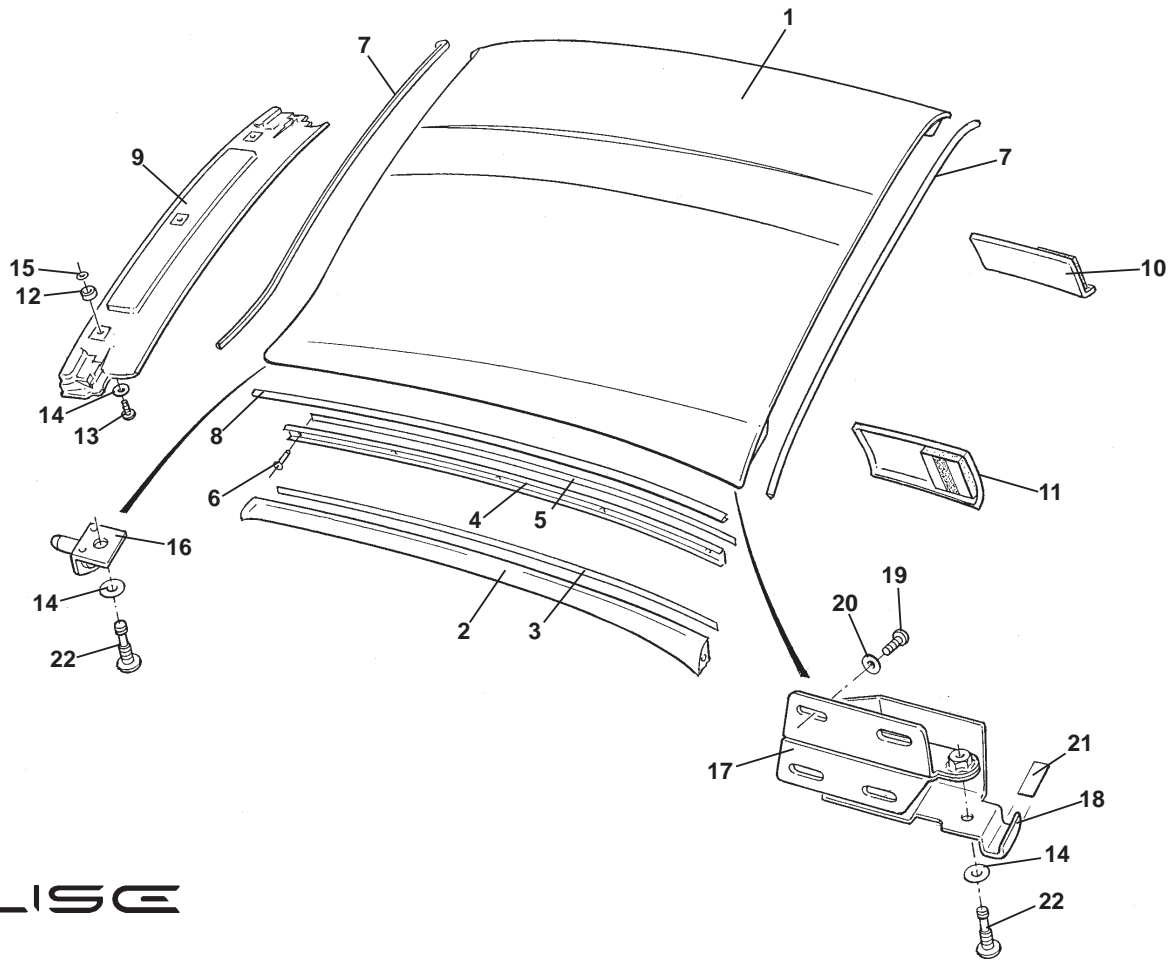
**Function Code 12.03 Grilles and Louvres**

<u>Dep</u>	<u>Part Description</u>	<u>Remarks</u>	<u>Option</u>	<u>Part Number</u>	<u>Qty</u>
16	Screw, No.8 x 0.7, self tap., flg. hd., pozi., grille fix.			A075W5074Z	6
17	Spire Nut, No.8			A075W6016Z	6
18	Bracket, side grille mounting,	Bonded to sill panel		A117B0329F	2
19	Grille, rear transom, RH			C117B0134F	1
20	Grille, rear transom, LH			C117B0133F	1
21	Grille, perforated, rear body to diffuser, RH	Anodised black, for B level diffuser	Elise, 2 fixings	B120B0058F	1
21a	Grille, perforated, rear body to diffuser, RH	Anodised black, for C level diffuser	Elise, 4 fixings	C120B0058F	
21b	Grille, perforated, rear body to diffuser, RH	Anodised black	Exige	A122A0012F	1
21c	Grille, perforated, rear body to diffuser, RH	Anodised black, no reflector	Common, '06 MY	A120B0148F	1
22	Grille, perforated, rear body to diffuser, LH	Anodised black, for B level diffuser	Elise, 2 fixings	B120B0057F	1
22a	Grille, perforated, rear body to diffuser, LH	Anodised black, for C level diffuser	Elise, 4 fixings	C120B0057F	1
22b	Grille, perforated, rear body to diffuser, LH	Anodised black	Exige	A122A0011F	1
22c	Grille, perforated, rear body to diffuser, LH	Anodised black, no reflector	Common, '06 MY	A120B0149F	1
23	Screw, M5 x 16, hex. hd. SS, Grille fixing			A111W1163F	6
24	Washer, flat, 3/16" x 0.75", grille fixing			B075W4009Z	6
25	Spirenut, M5, grille fixing			B100W6372F	6

**ELISE**

Function Code: 12.03, Page: 2

*2005/02 UPDATE ISSUED SEPTEMBER 2005*



**ELISE**  
12.04



# Service Parts List **ELISE**



## Function Code 12.04 Hard Top Roof, Seals and Fittings

<u>Dep</u>	<u>Part Description</u>	<u>Remarks</u>	<u>Option</u>	<u>Part Number</u>	<u>Qty</u>
01	Hard Top Roof Assembly	Quote Lotus Paint Code with order	Painted, trimmed	A117B0665J	1
02	Seal, hard top to side glass, LH			A116V0249F	1
02a	Seal, hard top to side glass, RH			A116V0248F	1
03	Double Sided Tape, 5mm, seal to carrier	Cut to fit		A117B0362V	As req.
04	Seal Carrier, LH			A116V0241F	1
04a	Seal Carrier, RH			A116V0240F	1
05	Double Sided Tape, 12mm, carrier to hard top	Cut to fit, 2 strips per side		C075U6071V	As req.
06	Pop Rivet, seal carrier to hard top			A116V6707F	12
07	Seal, 'D' section, self adhesive, hard top front & rear			A117U6007F	2
08	Edging Strip, hard top sides			A111U6034V	2
09	Trim/Clamp Panel, front, hard top to screen header		C116V0233F R/B	A116B1078J	1
10	Trim Panel, bracket rear RH covering			A116B1076J	1
11	Trim Panel, bracket rear LH covering			A116B1077J	1
12	Spacer, plastic, panel to header			B116V0221F	3
13	Screw, M8 x 20, button hd. torx, clamps & frontcover fixing	Black finish		A116W5258F	5
14	Washer, flat, M8 x 21 x 1.6, clamps & front cover fixing	Black finish		A111W4159F	5
15	Retainer, nylon, screws to clamps & front cover			A116W4189F	5

**ELISE**

Function Code: 12.04, Page: 1

---

**Function Code 12.04 Hard Top Roof, Seals and Fittings**

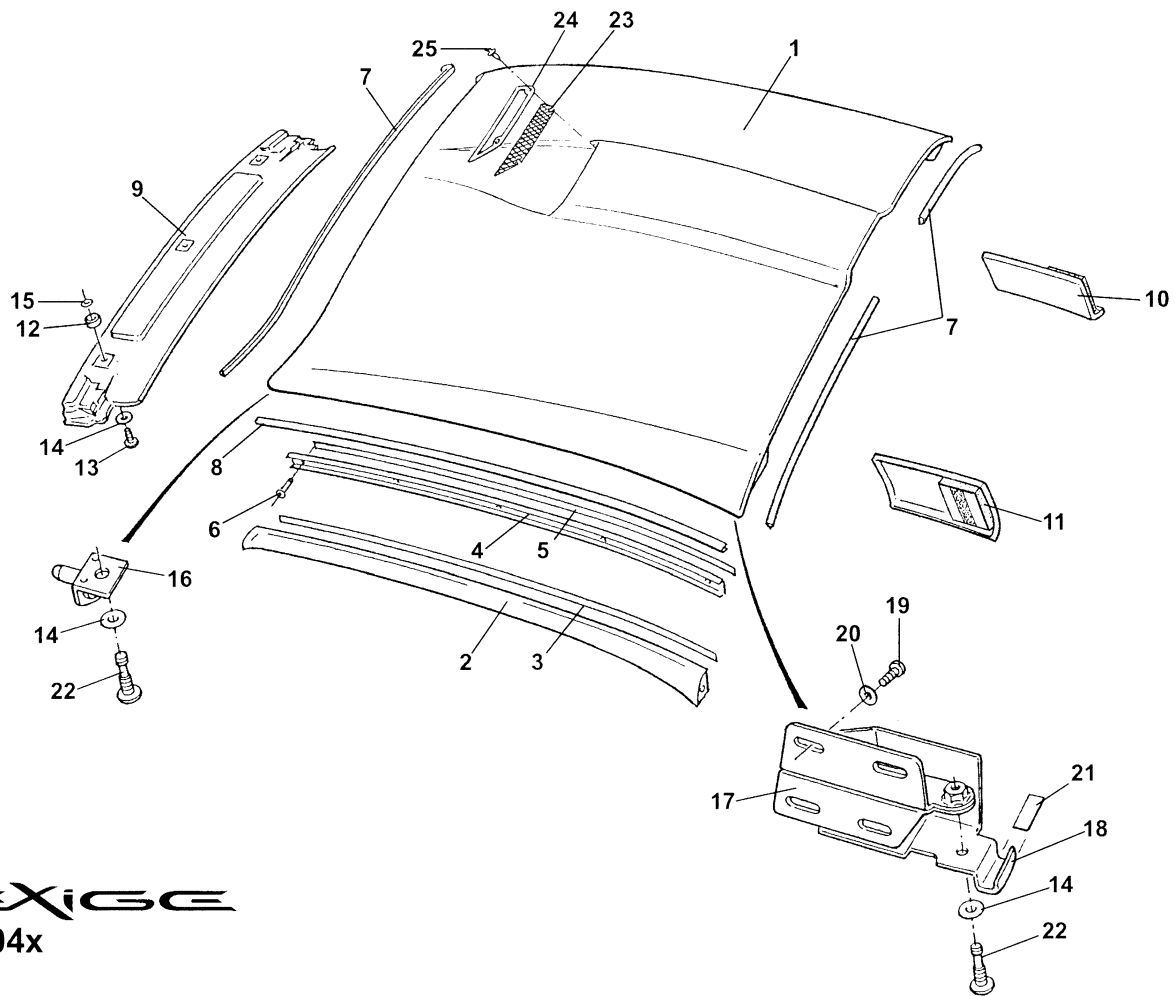
<u>Dep</u>	<u>Part Description</u>	<u>Remarks</u>	<u>Option</u>	<u>Part Number</u>	<u>Qty</u>
16	Pin Clamp, hard top front			B116V0173J	2
16a	Sleeve, pin clamp to latch plate	See Service Bulletin 2005/07	Also Exige roof	A117U0507F	2
17	Bracket Assembly, clamp to hard top rear LH			B116V0177F	1
17a	Bracket Assembly, clamp to hard top rear RH			B116V0178F	1
18	Hook Clamp, hard top rear, LH			D116V0179J	1
18a	Hook Clamp, hard top rear, RH			D116V0180J	1
19	Screw, M6 x 16, pan hd. torx, rear brackets to hard top	Black finish		A116W5260F	8
20	Washer, flat, M6 x 12 x 1.5, rear brackets to hard top	Black finish		B100W4127F	8
21	Foam Tape, self adhesive, anti-rattle	Cut to fit		A036B6221V	0.12M
22	Clunk Bolt, M8, torx, hardtop fixing	Black finish		A116B1075F	4
23	Tool, torx screws fixing (M6 & M8)	Not illus.part of hard top kit		B116V6001F	1
24	Tool Bag, tool retaining	Not illustrated		B116V0028F	1
25	Hard Top Stowage Bag	Not illustrated		A116V0228F	1
26	Rubber Buffer, hard top to rear latch plates	Not illus., see Service Bulletin 2005/07	Also Exige roof	A117B0719F	2
27	Carbaflo XTR5 precision oiler	Not illustrated, squeak prevention	Also Exige roof	A117B6103S	1

---

**ELISE**

Function Code: 12.04, Page: 2

*2005/02 UPDATE ISSUE SEPTEMBER 2005*



**EXIGE**  
 12.04x

**Function Code 12.04x Roof Panel, Seals & Fixings, Exige**

<u>Dep</u>	<u>Part Description</u>	<u>Remarks</u>	<u>Option</u>	<u>Part Number</u>	<u>Qty</u>
01	Roof Panel Assembly	Supply Lotus Paint Code	Painted, A122B0188K R/B	D122B0188K	1
02	Seal, roof to side glass, LH			A116V0249F	1
02a	Seal, roof to side glass, RH			A116V0248F	1
03	Double Sided Tape, 5mm, seal to carrier	Cut to fit		A117B0362V	As req.
04	Seal Carrier, LH			A116V0241F	1
04a	Seal Carrier, RH			A116V0240F	1
05	Double Sided Tape, 12mm, carrier to roof			C075U6071V	As req.
06	Pop Rivet, seal carrier to roof			A116V6707F	12
07	Seal, 'D' section, self adhesive, roof front rear	Rear, cut to fit		A117U6007F	2
08	Edging Strip, roof sides			A111U6034V	2
09	Trim/Clamp Panel, roof to screen header			C116V0233F	1
10	Trim Panel, bracket rear RH covering			A116B1076J	1
11	Trim Panel, bracket rear LH covering			A116B1077J	1
12	Spacer, plastic, panel to header			B116V0221F	3
13	Screw, M8 x 20, button hd. torx, clamps/front cover fixing			A116W5258F	5
14	Washer, flat, M8 x 21 x 1.6, clamps & front covers fixing			A111W4159F	5
15	Retainer, nylon, screws to front clamp & front cover			A116W4189F	5
16	Pin Clamp, roof front			B116V0173J	2
17	Bracket Assembly, clamp to roof rear, LH			B116V0177F	1
17a	Bracket Assembly, clamp to roof rear, RH			B116V0178F	1
18	Hook Clamp, roof rear, LH			D116V0179J	1

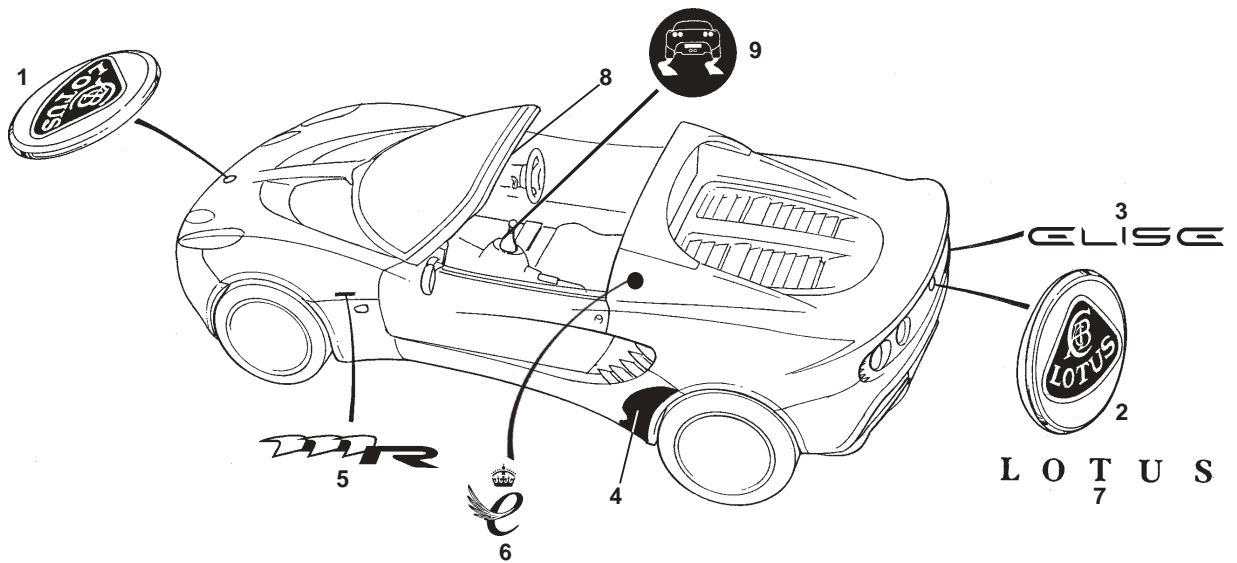
**EXIGE**

Function Code: 12.04x, Page: 1

---

**Function Code 12.04x Roof Panel, Seals & Fixings, Exige**

<u>Dep</u>	<u>Part Description</u>	<u>Remarks</u>	<u>Option</u>	<u>Part Number</u>	<u>Qty</u>
18a	Hook Clamp, roof rear, RH			D116V0180J	1
19	Screw, M6 x 16, pan hd. Torx, rear brackets to roof			A116W5260F	8
20	Washer, flat, M6 x 12 x 1.5, rear brackets to roof			B2100W4127F	8
21	Foam Tape, self adhesive, anti-rattle			A036B6221V	0.12M
22	Clunk Bolt, M8, torx, roof fixing			A116B1075F	4
23	Grille, roof intake			A122B0141F	1
24	Finisher, roof intake grille			B122U0014F	1
25	Plastic Fastener, grille to roof			A100W6479F	2



# ELISE

12.05

# Service Parts List **ELISE**



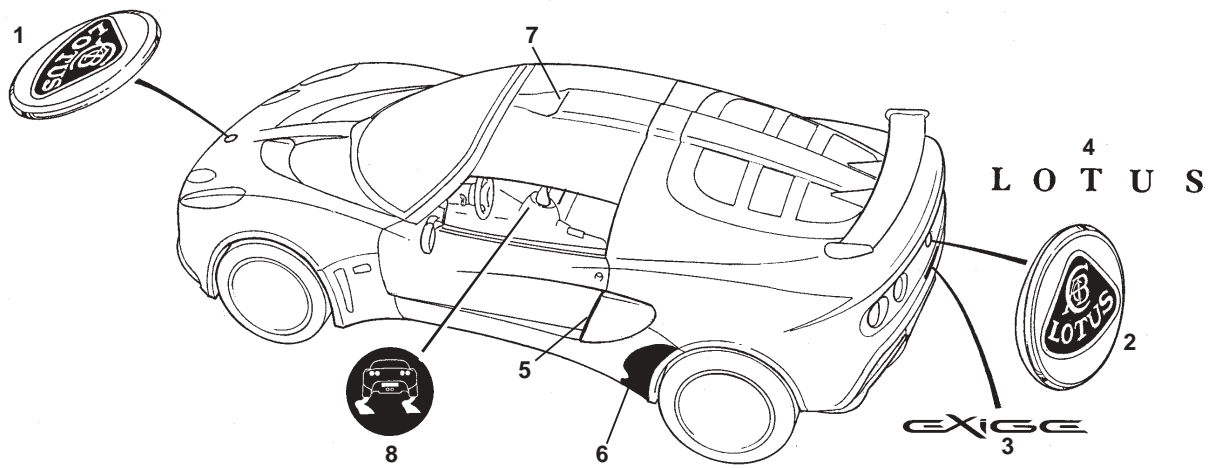
## Function Code 12.05 Decals, Badges & Protective Film

<u>Dep</u>	<u>Part Description</u>	<u>Remarks</u>	<u>Option</u>	<u>Part Number</u>	<u>Qty</u>
01	Nose Badge, Lotus logo			A117U0170F	1
02	Transom Badge, Lotus logo, self adhesive		ROW prior to 2005	B117U0346F	1
03	Decal, Elise, silver	On rear clamshell		A117B0512F	1
03a	Decal, Elise, graphite	On rear camshell		A117B0518F	1
04	Film, sill protection, LH		B117B0301F R/B	A117B0707F	1
04a	Film, sill protection, RH		B117B0302F R/B	A117B0706F	1
04b	Film, sill protection, black, LH			A117B0509F	1
04c	Film, sill protection, black, RH			A117B0508F	1
05	Decal, 111R, graphite, sides	Above side repeater lamp		A120B0035F	2
05a	Decal, 111R, silver, sides	Above side repeater lamp		A120B0034F	2
06	Decal, Queens Award, gold	On LH buttress		A117B0501F	1
07	Decal, L O T U S, 'chrome'	On rear transom	USA/Canada, ROW 2005	A117U0193F	1
08	Film, blackout, header rail protection.			A116B0319F	1
09	Decal, traction control	On gearlever cover	Common '06 MY	A120M0032F	1
10	Decal, Elise	Not illus. on rear glass	USA/Canada	A117U0192F	1
11	Film Kit, additional protection	Contents: see A117T0325J Parts List	Accessory	LOTAC05147	1

**ELISE**

Function Code: 12.05, Page: 1

2005/02 UPDATE ISSUED SEPTEMBER 2005



**ELISE**  
12.05x



# Service Parts List **EXIGE**



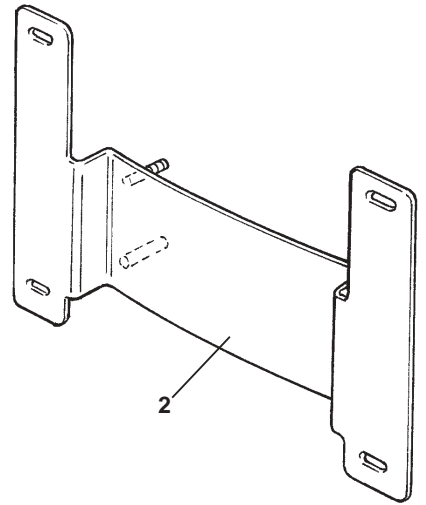
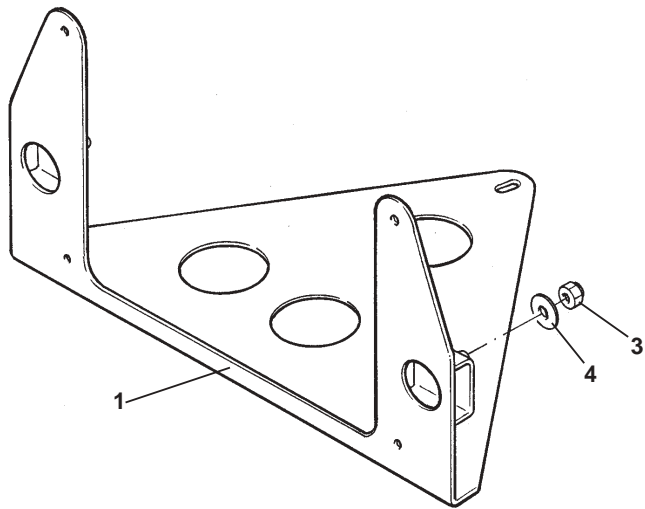
## Function Code 12.05x Decals, Badges & Protective Film, Exige

<u>Dep</u>	<u>Part Description</u>	<u>Remarks</u>	<u>Option</u>	<u>Part Number</u>	<u>Qty</u>
01	Nose Badge			A117U0170F	1
02	Transom Badge		Prior to 2005	B117U0346F	1
03	Decal, exige, charcoal, rear clamshell			A122B0159F	1
03a	Decal, exige, silver, rear clamshell			A122B0158F	1
04	Decal, L O T U S, 'chrome'		USA/Canada, ROW 2005	A117U0193F	1
05	Film, side intake protection, LH		A122B0103F R/B	A122B0235F	1
05a	Film, side intake protection, RH		A122B0104F R/B	A122B0234F	1
06	Film, sill protection, LH			B117B0301F	1
06a	Film, sill protection, RH			B117B0302F	1
06b	Film, sill protection, black, LH			A117B0509F	1
06c	Film, sill protection, black, RH			A117B0508F	1
07	Blackout Film, roof grille			A122B0257F	1
08	Decal, traction control	On gearlever cover	Common '06 MY	A120M0032F	1

**EXIGE**

Function Code: 12.05x, Page: 1

2005/02 UPDATE ISSUED SEPTEMBER 2005

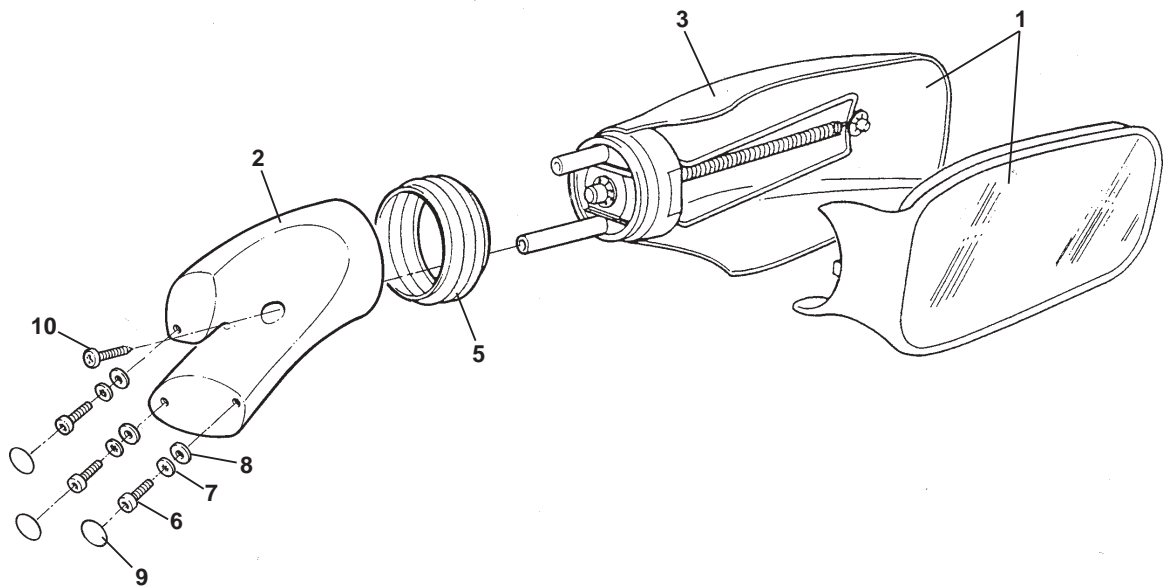


**ELISE**  
12.07

---

**Function Code 12.07 Licence Plate Mountings**

<u>Dep</u>	<u>Part Description</u>	<u>Remarks</u>	<u>Option</u>	<u>Part Number</u>	<u>Qty</u>
01	Licence Plate Plinth, front		Japan only	<b>A117B0410F</b>	1
02	License Plate Plinth, front, federal		USA/Canada	<b>B121U0001F</b>	1
03	Nyloc Nut, M6, thin, plinth to clamshell	2 off, Japan	Common	<b>A907E6285F</b>	4
04	Washer, flat, M6 x 25 x 1.4, plinth to clamshell	2 off, Japan	Common	<b>B075W4017Z</b>	4
05	Screw, M6 x 16, pan, torx hd. S/S, license plate fixing	4 off for rear also	USA/Canada	<b>A117W2213F</b>	4

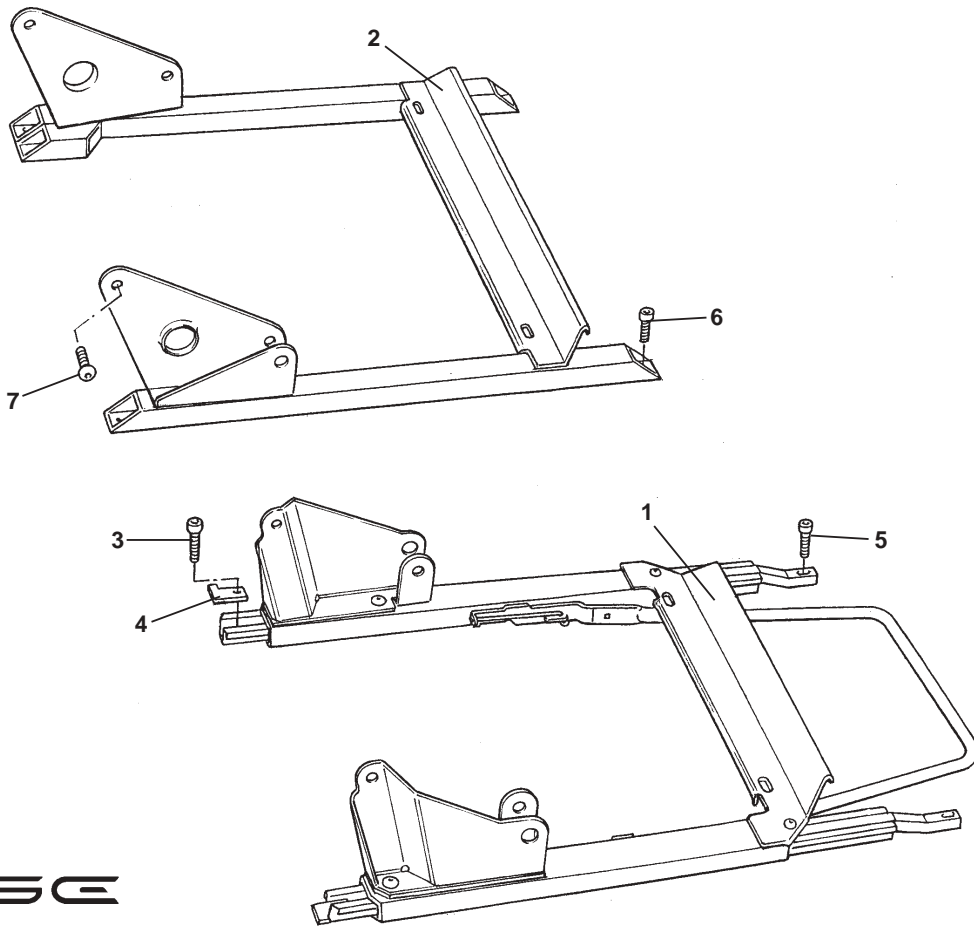


**ELISE**  
12.09

---

**Function Code 12.09 Exterior Driving Mirrors**

<u>Dep</u>	<u>Part Description</u>	<u>Remarks</u>	<u>Option</u>	<u>Part Number</u>	<u>Qty</u>
01	Mirror Assembly, convex glass	Not painted	Common RH & LH	A111U0335J	1
02	Plinth, mirror mounting, RH	Not painted		A117U0124F	1
02a	Plinth, mirror mounting, LH	Not painted		A117U0123F	1
03	Mirror Housing	Not painted	Common RH & LH	B111U0117K	2
04	Glass, convex	Except USA/Canada, RH	Common RH & LH	A111U6046F	2
04a	Glass, convex, script, federal, LHD, RH		USA/Canada RH	A121B0017F	1
04b	Glass, flat	Also Australia RH	USA/Canada LH	A111U6039F	1
05	Bellows, mirror to plinth			A111U6032F	2
06	Screw, M5 x 20, cap hd., plinth to door		Rearward fixings	A111W7126F	2
06a	Screw, M5 x 16, cap hd.		Forward fixings	A117W7216F	4
07	Washer, internal shakeproof, M5, plinth to door			A075W4045Z	6
08	Washer, flat, M5, plinth to door			A075W4011Z	6
09	Blanking Tape, hole covering			A111V0206K	6
10	Screw, Ejoyt, torx hd., plinth to mirror			A117F6001F	2



**ELISE**  
13.01

# Service Parts List **ELISE**



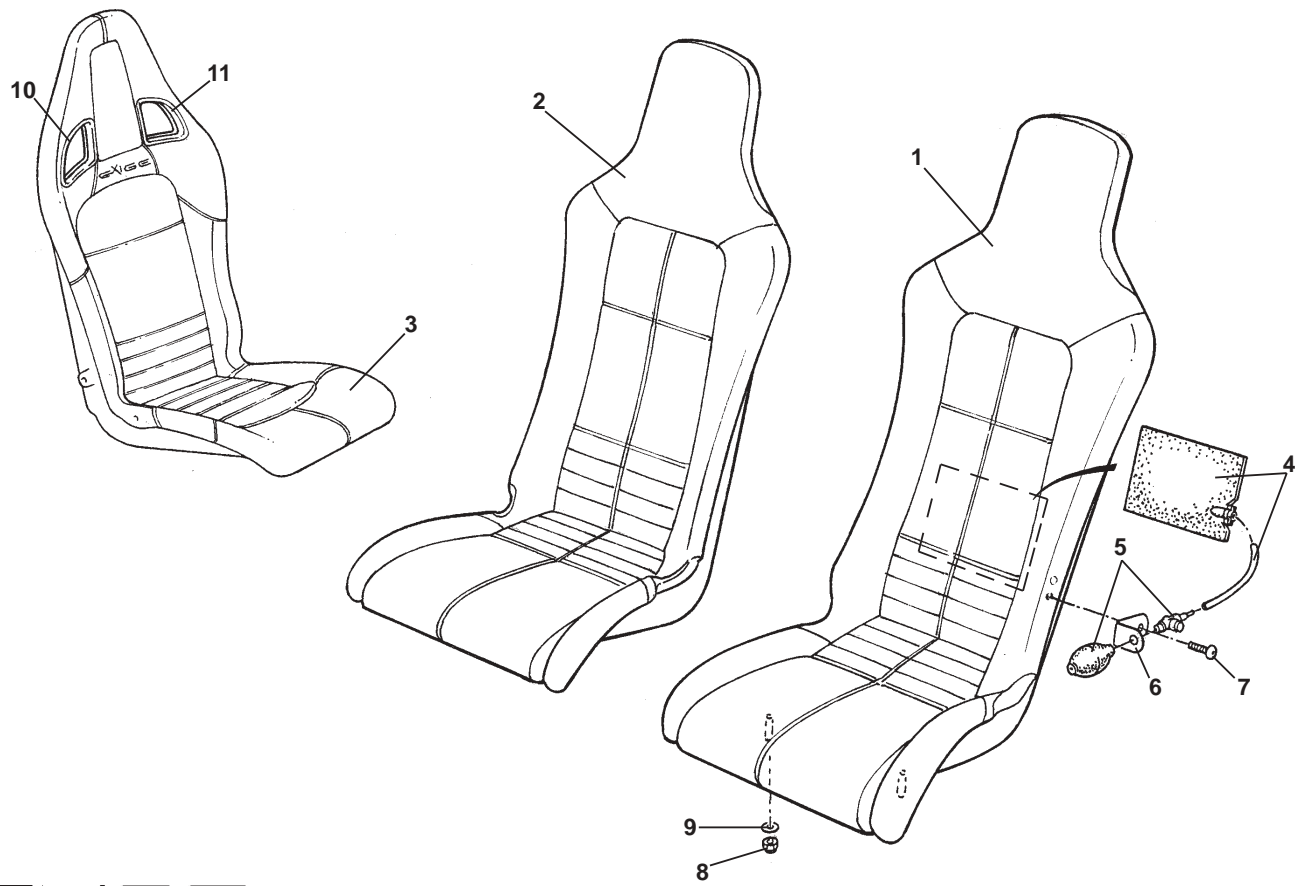
## Function Code 13.01 Seat Runners

<u>Dep</u>	<u>Part Description</u>	<u>Remarks</u>	<u>Option</u>	<u>Part Number</u>	<u>Qty</u>
01	Seat Runners, driver, RHD	Also federal Exige sports seat	B120B0135F R/B	<b>C120B0135F</b>	1
01a	Seat Runners, driver, LHD	Also federal Exige sports seat	B120B0136F R/B	<b>C120B0136F</b>	1
01b	Seat Runners, driver, RHD	Also 111R prior to VIN: 32403	Exige, sports seat	<b>C116U0068F</b>	1
01c	Seat Runners, driver, LHD	Also 111R prior to VIN: 32403	Exige, sports seat	<b>C116U0067F</b>	1
02	Seat Mounting Frame, passenger, RHD		B120U0006F R/B	<b>C120U0006F</b>	1
02a	Seat Mounting Frame, passenger, LHD		B120U0005F R/B	<b>C120U0005F</b>	1
02b	Seat Mounting Frame, passenger, RHD	A120U0006F R/B, also 111R prior to VIN: 32403	Exige, sports seat	<b>A122U0068F</b>	1
02c	Seat Mounting Frame, passenger, LHD	A120U0005F R/B, also 111R prior to VIN: 32403	Exige, sports seat	<b>A122U0067F</b>	1
03	Screw, M8 x 20, cap hd., runner rear fix.			<b>A111W7130F</b>	2
04	Stop, seat runner			<b>A116U0146L</b>	2
05	Screw, M8 x 25, cap hd., runner front fix.			<b>A111W7115F</b>	2
06	Screw, M8 x 16, cap hd., mounting frame fix.			<b>A111W7125F</b>	4
07	Screw, M8 x 12, button hd., side brackets to seat			<b>A111W7131F</b>	4

**ELISE**

Function Code: 13.01, Page: 1

2005/02 UPDATE ISSUED SEPTEMBER 2005



**ELISE**  
13.02



# Service Parts List **ELISE**



## Function Code 13.02 Seat Assemblies

<u>Dep</u>	<u>Part Description</u>	<u>Remarks</u>	<u>Option</u>	<u>Part Number</u>	<u>Qty</u>
01	Seat Assembly, with lumbar support, LH pump/valve		Cloth	<b>A120V0115S</b>	1
01a	Seat Assembly, with lumbar support, LH pump/valve		Black half leather	<b>A120V0117S</b>	1
01b	Seat Assembly, with lumbar support, LH pump/valve		Black leather	<b>A120V0119S</b>	1
01c	Seat Assembly, with lumbar support, LH pump/valve		Ruby leather	<b>A120V0121S</b>	1
01d	Seat Assembly, with lumbar support, LH pump/valve		Ink blue leather	<b>A120V0121S</b>	1
01e	Seat Assembly, with lumbar support, LH pump/valve		Biscuit leather	<b>A120V0127S</b>	1
01f	Seat Assembly, with lumbar support, LH pump/valve	USA only	Black half leather	<b>A121V0011S</b>	1
01g	Seat Assembly, with lumbar support, LH pump/valve		Black alcantara	<b>A120V0129S</b>	1
01h	Seat Assembly, with lumbar support, LH pump/valve		Blue alcantara	<b>A120V0131S</b>	1
01i	Seat Assembly, with lumbar support, LH pump/valve		Red alcantara	<b>A120V0133S</b>	1
01j	Seat Assembly, with lumbar support, LH pump/valve	Exige, standard	Cloth	<b>A122V0041S</b>	1
01k	Seat Assembly, with lumbar support, LH pump/valve	Exige option	Black alcantara	<b>A122V0043S</b>	
02	Seat Assembly, with lumbar support, RH pump/valve		Cloth	<b>A120V0116S</b>	1
02a	Seat Assembly, with lumbar support, RH pump/valve		Black half leather	<b>A120V0118S</b>	1
02b	Seat Assembly, with lumbar support, RH pump/valve		Black leather	<b>A120V0120S</b>	1
02c	Seat Assembly, with lumbar support, RH pump/valve		Ruby leather	<b>A120V0122S</b>	1
02d	Seat Assembly, with lumbar support, RH pump/valve		Ink blue leather	<b>A120V0124S</b>	1
02e	Seat Assembly, with lumbar support, RH pump/valve		Biscuit leather	<b>A120V0128S</b>	1

**ELISE**

Function Code: 13.02, Page: 1

*2005/02 UPDATE ISSUED SEPTEMBER 2005*

**Function Code 13.02 Seat Assemblies**

<u>Dep</u>	<u>Part Description</u>	<u>Remarks</u>	<u>Option</u>	<u>Part Number</u>	<u>Qty</u>
02f	Seat Assembly, with lumbar support, RH pump/valve	USA only	Black half leather	A121V0012S	1
02g	Seat Assembly, with lumbar support, RH pump/valve		Black alcantara	A120V0130S	1
02h	Seat Assembly, with lumbar support, RH pump/valve		Blue alcantara	A120V0132S	1
02i	Seat Assembly, with lumbar support, RH pump/valve		Red alcantara	A120V0134S	1
02j	Seat Assembly, with lumbar support, RH pump/valve	Exige, standard	Cloth	A122V0040S	1
02k	Seat Assembly, with lumbar support, RH pump/valve	Exige, option	Black alcantara	A122V0042S	1
03	Sports Seat, Exige, no lumbar support	Black carbon effect/leather sides	Black alcantara	A122V0044S	2
03a	Sports Seat, Exige, with lumbar support, LH pump/valve	Black carbon effect/leather sides	Black alcantara	A122V0061S	1
03b	Sports Seat, Exige, with lumbar support, RH pump/valve	Black carbon effect/leather sides	Black alcantara	A122V0060S	1
03c	Sports Seat, Exige, no lumbar support, federal	Black carbon effect/leather sides	Black alcantara, USA	A123V0011S	2
03d	Sports Seat, Exige, with lumbar support, LH pump/valve, fed.	Black carbon effect/leather sides	Black alcantara, USA	A123V0013S	1
03e	Sports Seat, Exige, with lumbar support, RH pump/valve, fed.	Black carbon effect/leather sides	Black alcantara, USA	A123V0012S	1
04	Inflatable Lumbar Support/Tube			A111V0117F	1
05	Pump & Valve, lumbar support			A089V6142F	1
06	Bracket, pump & valve assy. mounting			A116U0190F	1
07	Screw, M8 x 12, button hd., bracket to seat			A111W7131F	1
08	Nyloc Nut, M8, seat to runner/frame			A075W3010Z	4
09	Washer flat, M8 x 17 x 1.6, seat to runner/frame			A075W4020Z	4
10	Bezel, seat belt aperture, front, RH		Exige sports seat	A122U0046K	2

**ELISE**

Function Code: 13.02, Page: 2

*2005/02 UPDATE ISSUED SEPTEMBER 2005*

---

**Function Code 13.02 Seat Assemblies**

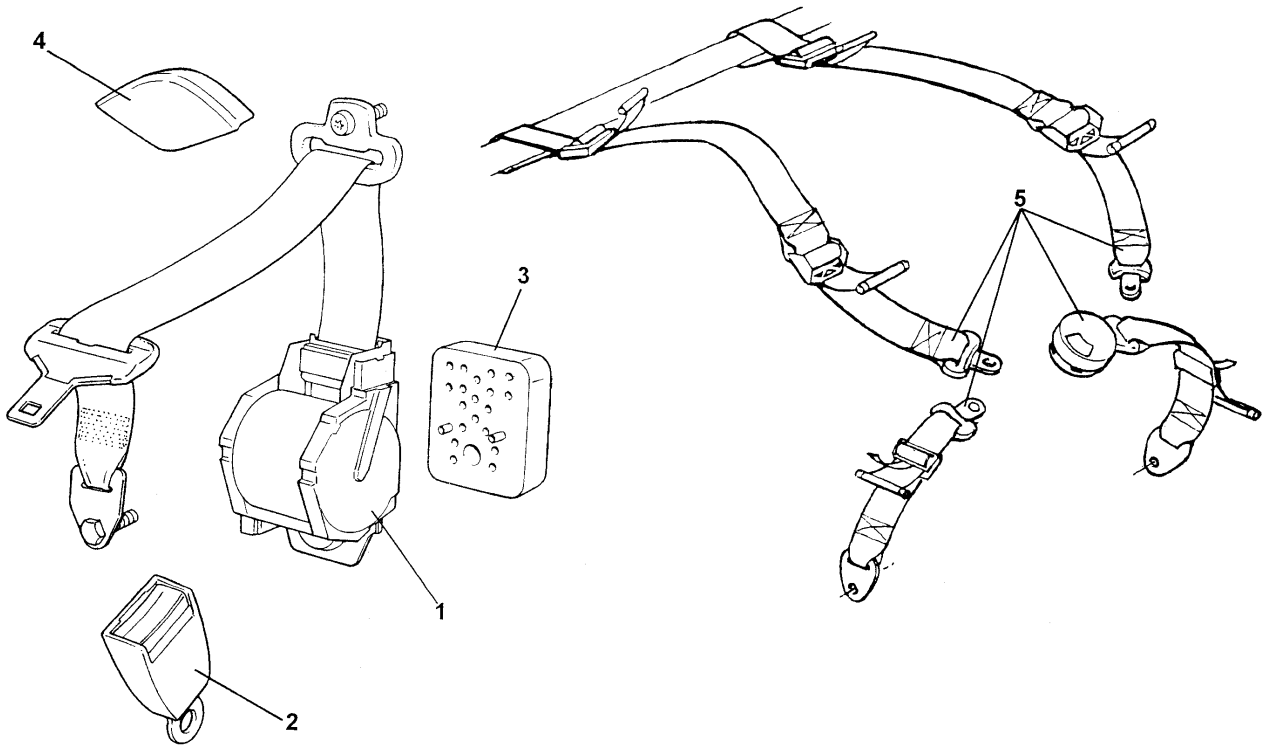
<u>Dep</u>	<u>Part Description</u>	<u>Remarks</u>	<u>Option</u>	<u>Part Number</u>	<u>Qty</u>
10a	Bezel, seat belt aperture, rear, RH		Exige sports seat	A122U0050K	2
11	Bezel, seat belt aperture, front, LH		Exige sports seat	A122U0049K	2
11a	Bezel, seat belt aperture, rear, LH		Exige sports seat	A122U0045K	2

Note: 111R prior to VIN: 32403  
uses '04 MY seats, see Elise  
2001 Parts List A117T0325J

---

---

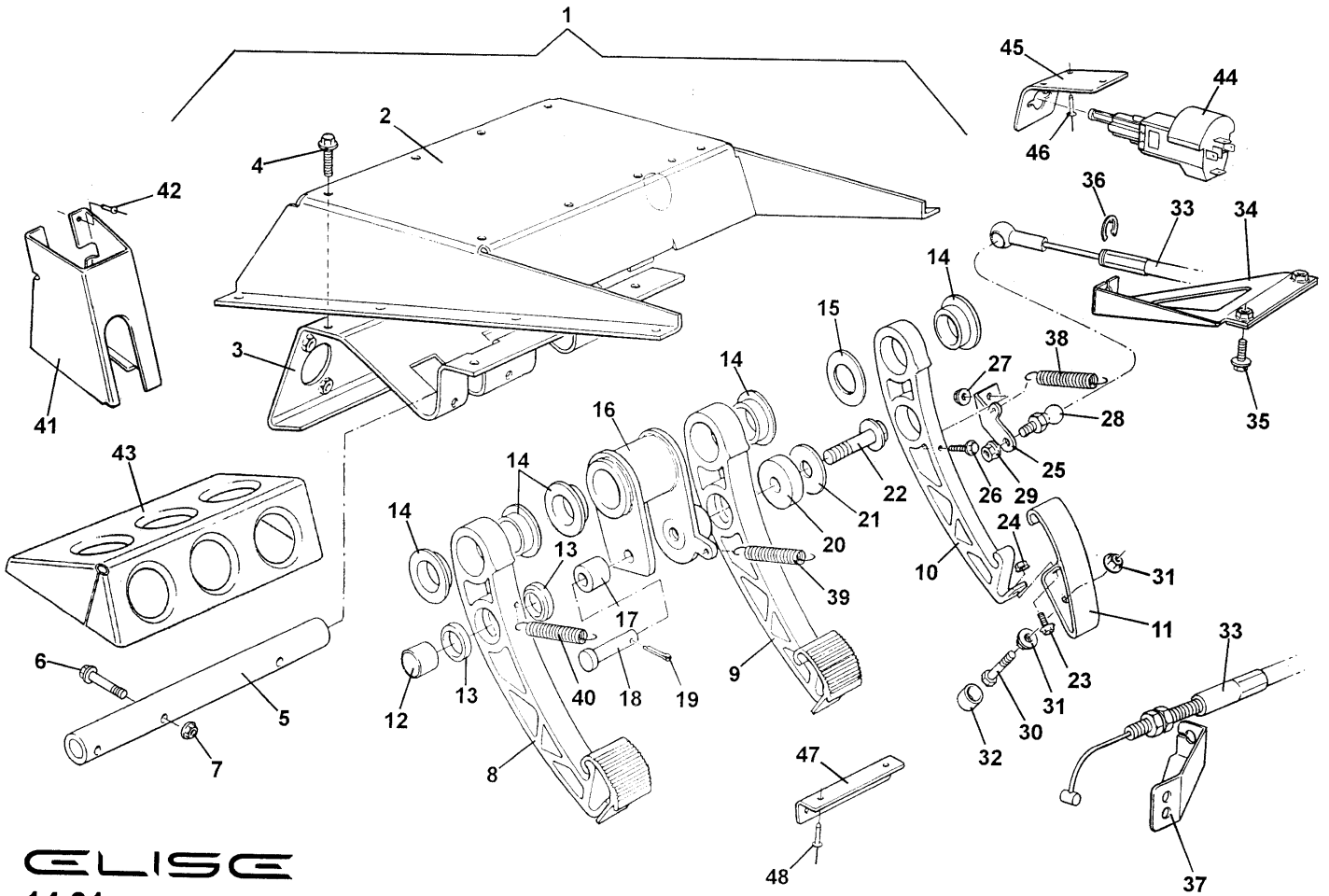
**ELISE****Function Code: 13.02, Page: 3***2005/02 UPDATE ISSUED SEPTEMBER 2005*



**ELISE**  
13.27

**Function Code 13.27 Seat Belts**

<u>Dep</u>	<u>Part Description</u>	<u>Remarks</u>	<u>Option</u>	<u>Part Number</u>	<u>Qty</u>
01	Seat Belt Assembly, retractor			A120B0024F	2
01a	Seat Belt Assembly, retractor, federal, driver		USA/Canada	B121B0013F	1
01b	Seat Belt Assembly, retractor, federal, passenger		USA/Canada	B121B0014F	1
02	Buckle, seat belt			A120B0026F	2
02a	Buckle, seat belt, switched	With lead and connector	Japan + USA driver	A120B0025F	2
03	Spacer Block, belt to bracket			A117U0422F	2
03a	Spacer Block, belt to bracket		USA/Canada	A121U0008F	2
04	Cover, upper anchorage			A117U6014F	2
05	Cover Assembly, upper anchorage	With foam insert	USA/Canada	A121U0110K	2
06	Backplate Assembly, cover retaining	Includes fir tree fixing	USA/Canada	A121U0148K	2
07	Bolt, 7/16" UNF, csk., skt., hd., seat belt buckle			B121W2209F	2
08	Spacer, stepped, seat belt buckle			A121B0045F	2
09	Spring, seat belt buckle			A111U6016F	2
10	Bolt, shoulder, 7/16", seat belt fixing			B121W2210F	2
11	Spacer, 19.0 dia. x 12.5mm, seat belt fixing			A121W6782F	2
12	Harness, 4 point seat belt, RH	See Service Bulletin 2004/24	Exige option	A122V0050F	1
12a	Harness, 4 point seat belt, LH	See Service Bulletin 2004/24	Exige option	A122V0049F	1



**ELISE**  
14.01

**Function Code 14.01 Pedal Box, Pedals, Throttle Cable**

<u>Dep</u>	<u>Part Description</u>	<u>Remarks</u>	<u>Option</u>	<u>Part Number</u>	<u>Qty</u>
01	Pedal Box Assembly, RHD	Incl. pedals, servo/master cyl.		D120J0002F	1
01a	Pedal Box Assembly, LHD	Incl. pedals, servo/master cyl.		D120J0001F	1
02	Pedal Box			A116J0066H	1
03	Pedal Shaft Support		????	A116J0042H	1
04	Screw, M?, fig. hd., shaft support to pedal box				6
05	Pedal Shaft		????	A116J0043H	1
06	Bolt, fig. hd.				3
07	Nut, fig. hd.				3
08	Clutch Pedal Assembly			C111J0015J	1
09	Brake Pedal Assembly			B111J0070J	1
10	Throttle Pedal Arm			A117J0103F	1
10a	Throttle Pedal Assembly			A117J0102J	1
11	Pad, throttle pedal			A111J0081F	1
12	Trunnion, clutch pedal				1
13	Bush, synthetic, pedal trunnion			A111J6036F	2
14	Bearing, pedal pivots			A116J6021H	5
15	Thrust Washer, throttle pedal pivot			A111J6019F	1
16	Relay Lever, brake pedal				1
17	Spacer, pin to pushrod clevis			A116J6022H	1
18	Clevis Pin, brake cyl. pushrod to lever			A116J6023H	1
19	Split Pin, clevis pin retaining			A116J6024H	1

**ELISE**

Function Code: 14.01, Page: 1

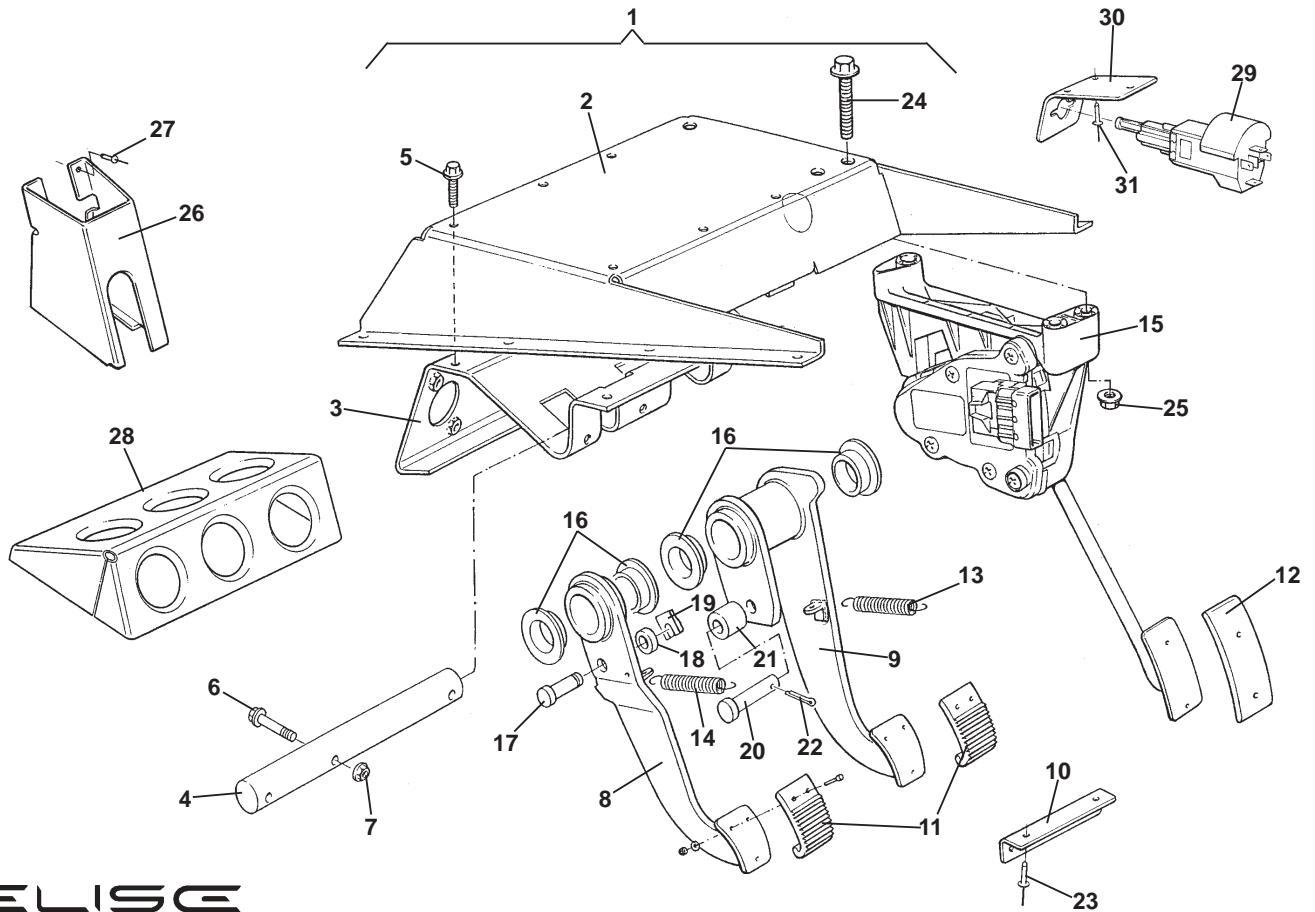
**Function Code 14.01 Pedal Box, Pedals, Throttle Cable**

<u>Dep</u>	<u>Part Description</u>	<u>Remarks</u>	<u>Option</u>	<u>Part Number</u>	<u>Qty</u>
20	Rubber Washer				1
21	Washer, flat				1
22	Bolt, fig. hd., relay lever to pedal				1
23	Screw, M5 x 16, fig. hd., throttle pad to arm				1
24	Nut, M5, fig. hd., throttle pad to arm				1
25	Bracket, cable to pedal			A117J0089F	1
26	Screw, fig. hd., bracket to arm				1
27	Nut, fig. hd., bracket to arm				1
28	Ball Stud, throttle cable to pedal			A117W6745F	1
29	Nut, ball to bracket				1
30	Bolt, throttle pedal downstop				1
31	Nut, throttle pedal downstop				2
32	Buffer, throttle pedal downstop			X046B6113Z	1
33	Throttle Cable			A120J0007F	1
34	Abutment, cable front			A117J0087F	1
35	Bolt, M5 x 10, fig. hd., abutment to chassis			A117W5261F	2
36	'C' Clip, cable to abutment				1
37	Abutment, cable to engine			B120J0010F	1
38	Spring, throttle pedal return			A117J6010F	1
39	Spring, brake pedal return			A120J6006F	1
40	Spring, clutch pedal return			A120J6006F	1

**ELISE**

Function Code: 14.01, Page: 2





**ELISE**  
14.01a

# Service Parts List **ELISE**



## Function Code 14.01a Pedal Box, Pedals, Electronic Throttle Control

<u>Dep</u>	<u>Part Description</u>	<u>Remarks</u>	<u>Option</u>	<u>Part Number</u>	<u>Qty</u>
01	Pedal Box Assembly, RHD	No clutch interlock	Except Canada	A012J0012F	1
01a	Pedal Box Assembly, LHD	No clutch interlock	Except Canada	A120J0011F	1
01b	Pedal Box Assembly, modified, LHD	Clutch pedal interlock	Canada only	A120J0018K	1
02	Pedal Box			A116J0066H	1
03	Pedal shaft Support			A116J0042H	1
04	Shaft, pedal pivot			A116J0043H	1
05	Screw				5
06	Bolt				3
07	Nut				3
08	Clutch Pedal			A120Q0006H	1
09	Brake Pedal			A120J0015H	1
10	Bracket, return springs to chassis			A116J0071H	1
11	Pedal Pad, alloy, brake & clutch			A120J0014H	2
12	Pedal Pad, alloy, throttle			A120J0013H	1
13	Spring, brake pedal return			A120J6006H	1
14	Spring, clutch pedal return			A116Q6003H	1
15	Electronic Throttle Assembly			A116L0003L	1
16	Bearing, pedal pivots			A116J6036F	5

**ELISE**

Function Code: 14.01a, Page: 1

2005/02 UPDATE ISSUED SEPTEMBER 2005

---

**Function Code 14.01a Pedal Box, Pedals, Electronic Throttle Control**

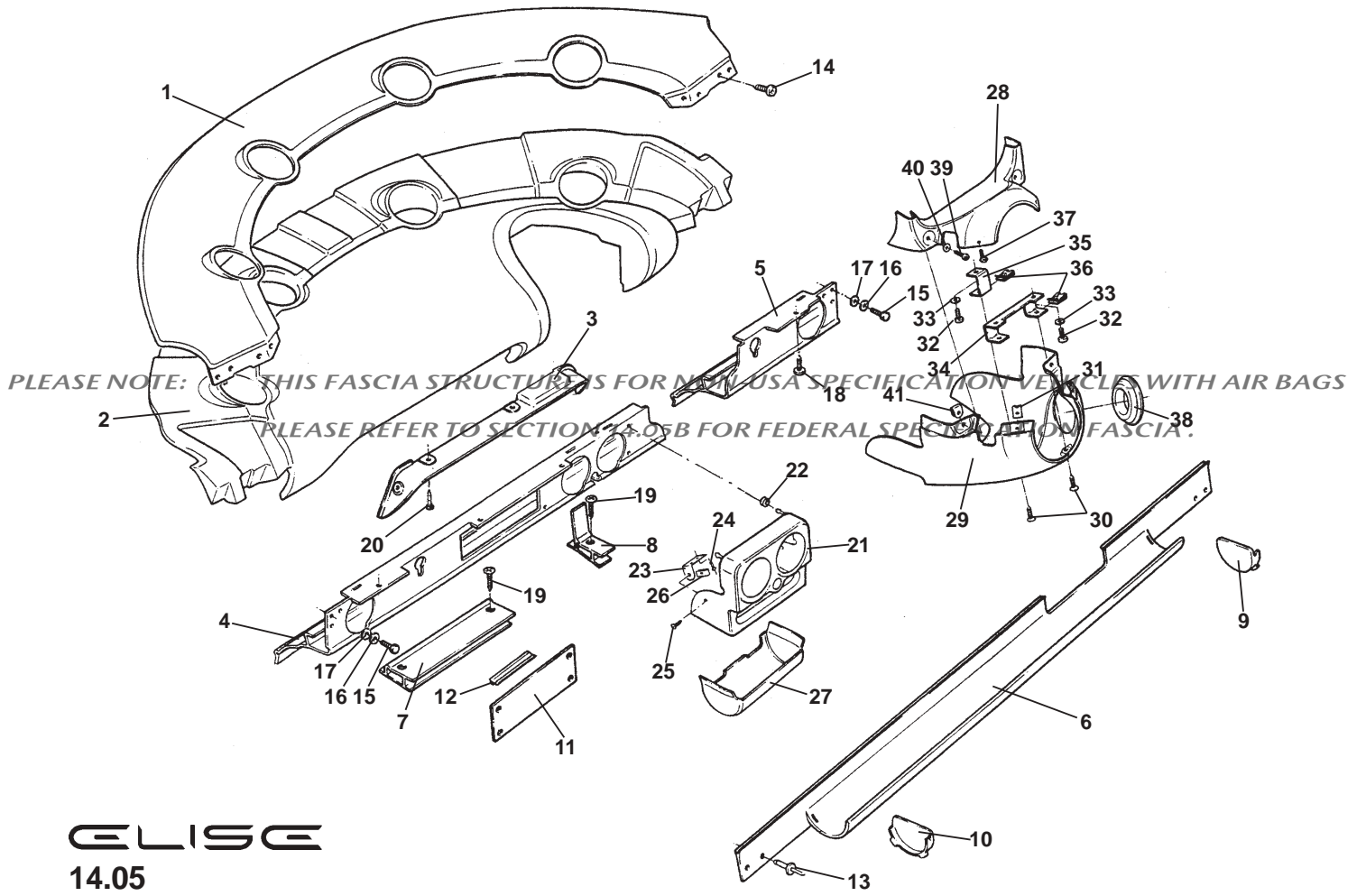
<u>Dep</u>	<u>Part Description</u>	<u>Remarks</u>	<u>Option</u>	<u>Part Number</u>	<u>Qty</u>
17	Clevis Pin, clutch pedal to pushrod			A116Q6005H	1
18	Spacer, pin to clutch pedal			A116Q6004H	1
19	Clip, clevis pin retention			A116Q6006H	1
20	Clevis Pin, brake pedal to pushrod			A116J6023H	1
21	Spacer, pin to brake pedal			A116J6022H	1
22	Split Pin, clevis pin retention			A116J6024H	1
23	Pop Rivet, return spring bracket to chassis			A075W6068Z	2
24	Screw				3
25	Nut				3
26	Driver Footrest, RHD			C120U0007F	1
26a	Driver Footrest, LHD	Not illustrated, bonded to chassis		A111A0104F	1
27	Pop Rivet, footrest RHD to chassis			A111W6613F	4
28	Passenger Footrest Assembly, RHD			A120U0008F	1
28a	Passenger Footrest Assembly, LHD			A111A0109F	1
29	Brake Light Switch			A116J6034F	1
30	Bracket, switch to chassis			A116J0072K	1
31	Pop Rivet, return spring bracket to chassis			A075W6068Z	2
32	Switch, clutch pedal down	Not illus., clutch pedal interlock	Canada only	A121M0030F	1
33	Bracket, switch to pedal box	Not illus., clutch pedal interlock	Canada only	A120J0019F	1

---

**ELISE**

Function Code: 14.01a, Page: 2

*2005/02 UPDATE ISSUED SEPTEMBER 2005*



**ELISE**  
**14.05**

**Function Code 14.05 Fascia Structure & Supporting Hardware**

<u>Dep</u>	<u>Part Description</u>	<u>Remarks</u>	<u>Option</u>	<u>Part Number</u>	<u>Qty</u>
01	Capping Panel, fascia top			A117U0014F	1
02	Fascia Top Panel, grey synthetic leather, RHD			A117U0303J	1
02b	Fascia Top Panel, grey synthetic leather, LHD			A117U0306J	1
03	Trim Panel, FLV recess, RHD			A117U0300F	1
03a	Trim Panel, FLV recess, LHD			A117U0299F	1
04	Dash Panel Upper, passenger, RHD	With aperures for FLV adaptors		A117U0294F	1
04a	Dash Panel Upper, passenger, LHD	With aperures for FLV adaptors		A117U0293F	1
05	Dash Panel Upper, driver, RHD	With aperure for FLV adaptor		A117U0291F	1
05a	Dash Panel Upper, driver, LHD	With aperure for FLV adaptor		A117U0291F	1
06	Dash Panel Lower/Stowage Shelf, RHD			D117U0032F	1
06a	Dash Panel Lower/Stowage Shelf, LHD			D117U0031F	1
06b	Foam Seal, self adhesive, radio supporting	Cut to fit		A082U6067F	2.1M
07	Bracket, dash support, passenger's side			B117U0022F	1
08	Bracket, dash suport, driver's side			A116U0096F	1
09	Closing Panel, stowage shelf, RH			B117U0028F	1
10	Closing Panel, stowage shelf, LH			B117U0027F	1
11	Blanking Panel, radio aperture			A100V6070F	1
12	Edging Strip, radio protection	Fitted to item 7, cut to fit		B075U6054V	As req.
13	Pop Rivet, dash panel lower to chassis			A085W6259F	4
14	Screw, No.6 x 3/4", flg hd., pozi. black, capping panel fix.			A075W5028Z	4
15	Screw, M6 x 16, hex. hd., panel to chassis			A075W1028Z	4

**ELISE**

Function Code: 14.05, Page: 1

**Function Code 14.05 Fascia Structure & Supporting Hardware**

<u>Dep</u>	<u>Part Description</u>	<u>Remarks</u>	<u>Option</u>	<u>Part Number</u>	<u>Qty</u>
16	Washer, spring, M6, panel to chassis			A075W4035Z	4
17	Washer, flat, M6 x 12.1 x 1.4, panel to chassis			A075W4013F	4
18	Screw, self tap., No.8 x 3/4", panel fix.			A075W5074Z	4
19	Screw, self tap., No. 10 x 1/2", extrusion to chassis			A075W5040Z	4
20	Screw, No.6 x 3/4", fig hd., pozi. black, trim panel fix.			A075W5028Z	2
21	Mounting Panel, FLV & AC switches			A117P0062F	1
22	Grommet, mounting panel spigots to dash panel			A117W6713F	2
23	Bracket, mounting panel to dash			B117P0081F	2
24	Pop Rivet, bracket to dash panel			A111W6613F	4
25	Screw, No.8 x 3/4", fig. hd. pozi., panel to bracket			A075W5074Z	2
26	Spirenut, mounting panel to bracket			A075W6172F	2
27	Closing Panel, mounting panel to shelf			A117P0061F	1
28	Column Shroud, upper			C117U0024F	1
29	Column Shroud, lower			C117U0025F	1
30	Screw, No. 10 x 1/2", pan pozi. hd., shroud to brackets			A075W5040Z	3
31	Spire Nut			A075W5014Z	2
32	Screw, M5 x 30, pan hd. pozi., brackets to column			A082W5142F	3
33	Washer, flat, M5 x 10			A075W4011Z	3
34	Bracket. shroud to column front			A111U0127F	1
35	Bracket, shroud to column rear			A111U0128F	1
36	Spirenut, No.6			A079W6024F	3

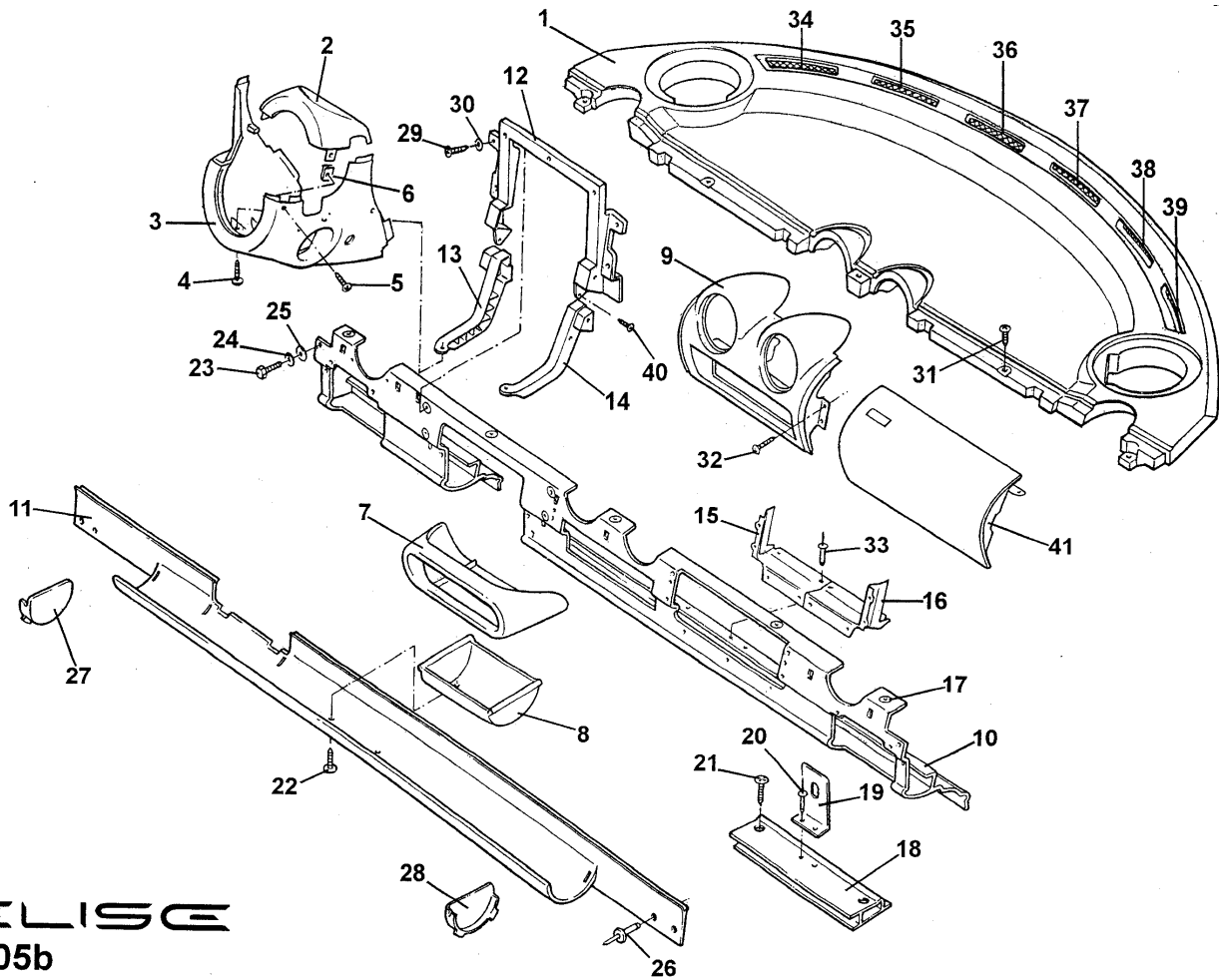
**ELISE**

Function Code: 14.05, Page: 2

---

**Function Code 14.05 Fascia Structure & Supporting Hardware**

<u>Dep</u>	<u>Part Description</u>	<u>Remarks</u>	<u>Option</u>	<u>Part Number</u>	<u>Qty</u>
37	Screw, No.6 x 0.5", button hd., lower to upper shroud			A075W5012F	2
38	Finisher Ring, steering lock to shroud			A100V6061F	2
39	Screw, Ejot 1452K 50 x 18, black, shroud lower to upper		A117W6001F R/B	A117W5277F	2
40	Washer, flat, M4 x 9 x 0.8			A082W4136F	2
41	Easy Fastener, ejot			A117F6000F	2



**ELISE**  
14.05b

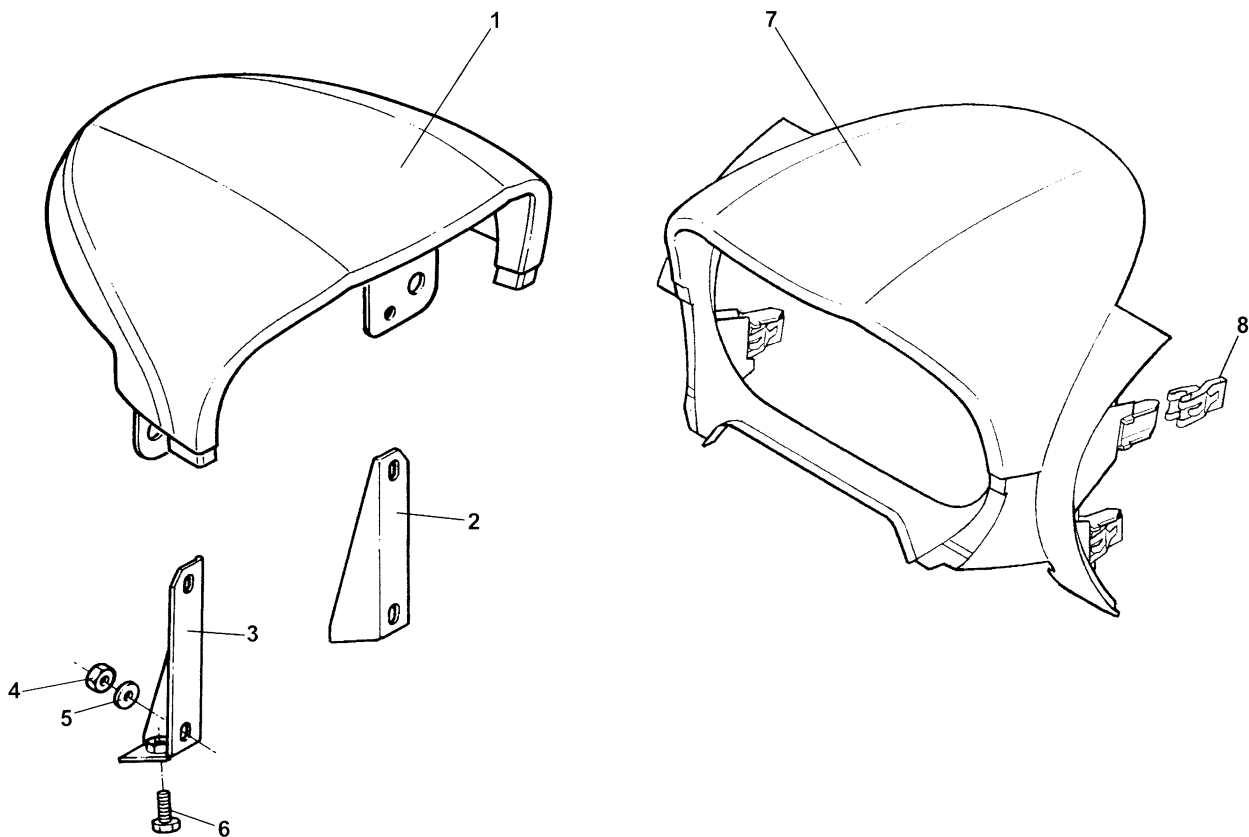


**Function Code 14.05b Fascia Structure & Supporting Hardware, USA/Canada**

<u>Dep</u>	<u>Part Description</u>	<u>Remarks</u>	<u>Option</u>	<u>Part Number</u>	<u>Qty</u>
01	Fascia Top Panel			B121U0017F	1
02	Column Cowl, upper			A121U0038F	1
03	Column Cowl, lower			B121U0074F	1
04	Screw, self tap., No. 8 x 3/4", lower cowl to bracket			A075W5074Z	2
05	Screw, self tap., No. 8 x 3/4", lower to upper cowl			A075W5074Z	2
06	Spirenut, No. 8, lower to upper cowl			A075W6016Z	2
07	Panel, heater control mounting			A121U0032F	1
08	Support, heater control panel mounting			A121U0071F	1
09	Mounting Assembly, centre FLV			C121U0062F	1
10	Dash Panel Upper, LHD			E121U0041F	1
11	Dash Panel Lower/Stowage Shelf, LHD			A121U0115F	1
12	Bracket, instrument pack mounting			A121U0101F	1
13	Mounting Bracket, column shroud, LH			B121U0087F	1
14	Mounting Bracket, column shroud, RH			B121U0088F	1
15	Chute, PAB aperture, LH			A121U0141K	1
16	Chute, PAB aperture, RH			A121U0142K	1
17	Captive Plastic Nut			A120W3186F	16
18	Radio Support Extrusion			A121U0081F	1
19	Bracket, radio support, rear			B121U00100F	1
20	Pop Rivet, bracket to extrusion			A100W6397F	2
21	Screw, No. 10 x 1/2", extrusion to chassis			A075W5040Z	2

**ELISE**

Function Code: 14.05b, Page: 1



**ELISE**  
14.10

**Function Code 14.05b Fascia Structure & Supporting Hardware, USA/Canada**

<u>Dep</u>	<u>Part Description</u>	<u>Remarks</u>	<u>Option</u>	<u>Part Number</u>	<u>Qty</u>
22	Screw, No. 10 x 1/2", support to panel			A075W5040Z	2
23	Screw, M6 x 16, hex. hd., dash panel upper to chassis			A075W1028Z	4
24	Washer, spring, M6, dash panel upper to chassis			A075W4035Z	4
25	Washer, flat, M6 x 12.1 x 1.4, dash panel upper to chassis			A075W4013F	4
26	Pop Rivet, dash panel lower to chassis			A085W6259F	4
27	Closing Panel, stowage shelf, LH			B117U0027F	1
28	Closing Panel, stowage shelf, RH			B117U0028F	1
29	Screw, self tap., No. 8 x 3/4", bracket fixing			A075W5074Z	4
30	Washer, M6 x 12.1 x 1.4, bracket fixing			A075W4013F	4
31	Screw, self tap., No. 8 x 3/4", top panel fixing			A075W5074Z	5
32	Screw, self tap., No. 8 x 3/4", mount FLV fixing			A075W5074Z	4
33	Pop Rivet, domed, black, chute to panel			A082W6512F	12
34	Grille, demist, LH outer			A121U0125H	1
35	Grille, demist, LH inner			A121U0127H	1
36	Grille, demist, LH centre			A121U0129H	1
37	Grille, demist, RH centre			A121U0126H	1
38	Grille, demist, RH inner			A121U0128H	1
39	Grille, demist, RH outer			A121U0130H	1
40	Screw, self tap., No. 8 x 3/4", shroud brackets fixing			A075W5074Z	2
41	Cover Assembly, passenger airbag	Also see 17.06b		C121U0019F	1
42	Clip, FLV centre panel retention	Not illus. See section 14.10		A121U0156S	1

**ELISE**

Function Code: 14.05b, Page: 2

---

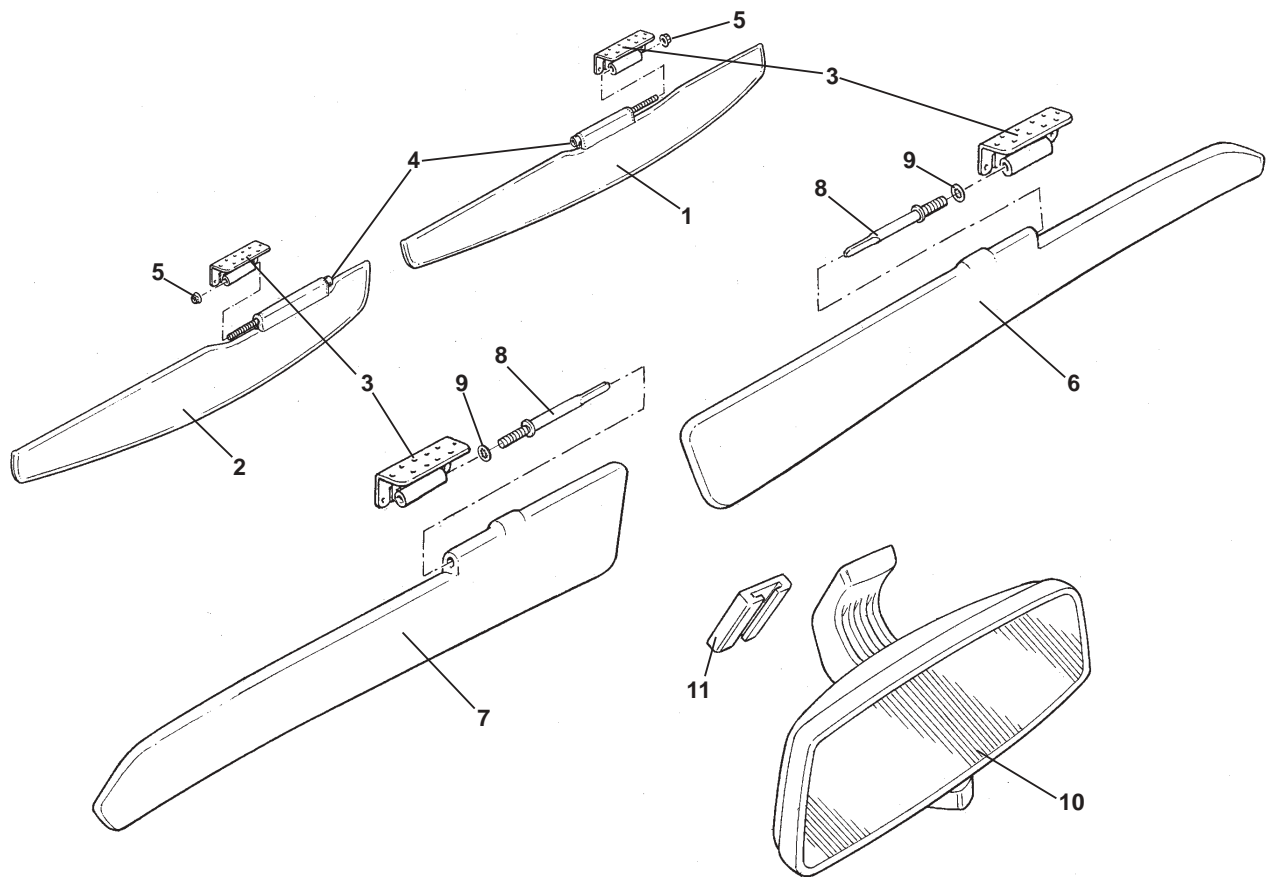
**Function Code 14.10 Instrument Cowling**

<u>Dep</u>	<u>Part Description</u>	<u>Remarks</u>	<u>Option</u>	<u>Part Number</u>	<u>Qty</u>
01	Instrument Cowling		Elise	C117U0040F	1
01a	Instrument Cowling, black synthetic leather		Exige option	A122U0032K	1
02	Bracket, instrument mounting, RH			C111U0156F	1
03	Bracket, instrument mounting, LH			C111U0155F	1
04	Nut, M4	Instrument pack to brackets		A075W3019F	4
05	Washer, flat, M4 x 9 x 0.8	Instrument pack to brackets		A082W4099F	4
06	Screw, M6 x 15, hex. hd.	Brackets to dash		A100A6024F	2
07	Instrument Cowling, federal	B121U0030F R/B	USA/Canada	C121U0030F	1
08	Clip, cowling retention	Also for FLV panels (five clips total)	USA/Canada	A121U0156S	4

---

---

**ELISE****Function Code: 14.10, Page: 1**



**ELISE**  
15.05

# Service Parts List **ELISE**



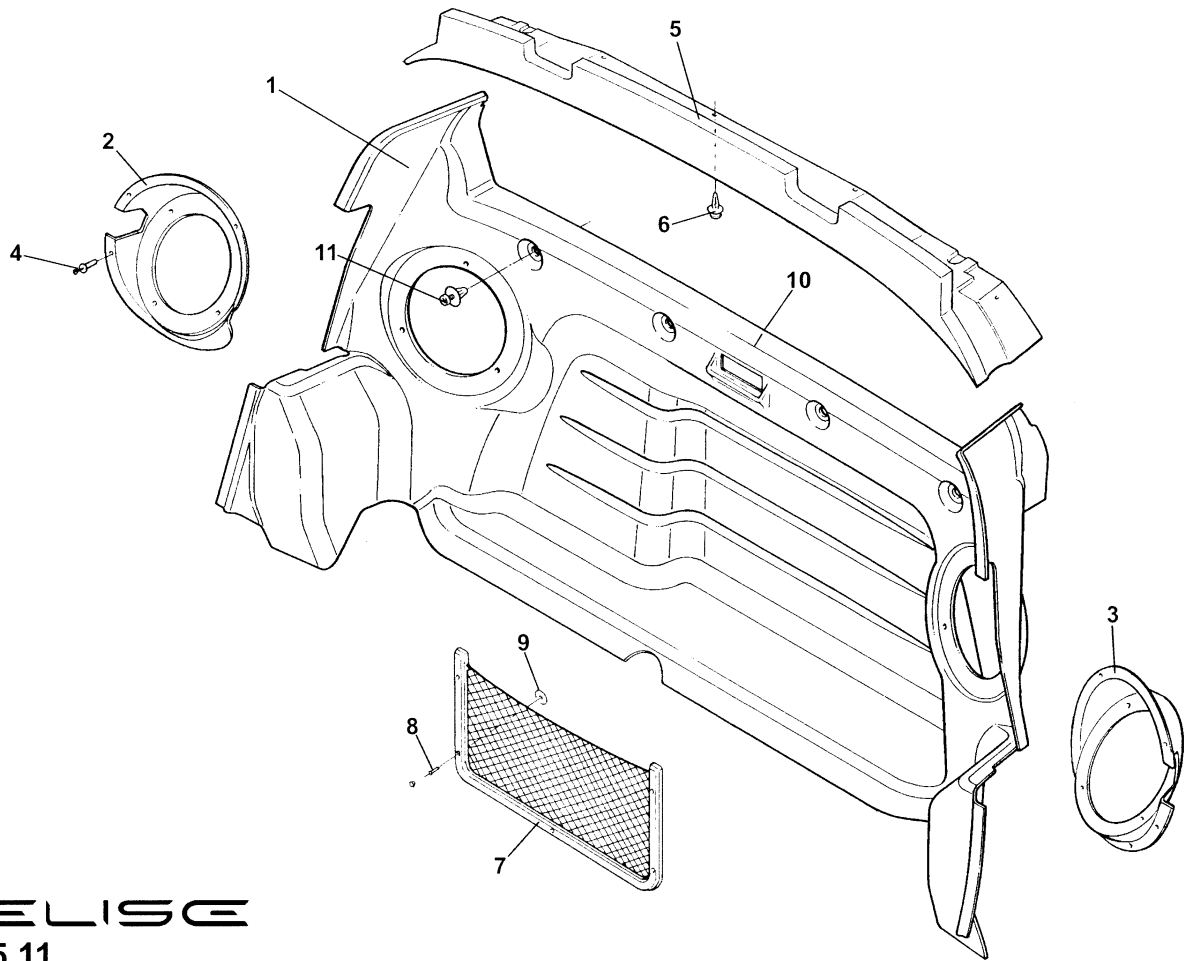
## Function Code 15.05 Interior Driving Mirror & Sunvisors

<u>Dep</u>	<u>Part Description</u>	<u>Remarks</u>	<u>Option</u>	<u>Part Number</u>	<u>Qty</u>
01	Sun Visor, driver, RHD	Includes screw, item 4		A117V0516J	1
01a	Sun Visor, driver, LHD	Includes screw, item 4		A117V0518J	1
02	Sun Visor, passenger, RHD	Includes screw, item 4		A117V0517J	1
02a	Sun Visor, passenger, LHD	Includes screw, item 4		A117V0519J	1
03	Bracket, visor to header rail			B117U0419F	2
04	Screw, M8 x 100, cap hd., visor to bracket			A117W7210F	2
05	Nut, M8, Kaylock, visor to bracket			A100C6022F	2
06	Sun Visor, driver, RHD			A117V0710J	1
06a	Sun Visor, driver, LHD			A117V0711J	1
07	Sun Visor, passenger, RHD			A117V0712J	1
07a	Sun Visor, passenger, LHD			A117V0713J	1
08	Pivot Pin, M8, sun visor			A117U0468F	2
09	Washer, M8, shakeproof, pin to bracket			A075W4048Z	2
10	Mirror, interior rear view			A117U6016F	1
11	Mounting Plinth, interior mirror			A116U0204F	1
12	Adhesive Kit, mirror mounting plinth	Not illustrated		A116U0194F	1
13	Betaclean 3900, glass preparation	Not illustrated		A100B6008V	1

**ELISE**

Function Code: 15.05, Page: 1

*2005/02 UPDATE ISSUED SEPTEMBER 2005*



**ELISE**  
15.11

---

**Function Code 15.11 Interior Trim & Stowage Provision**

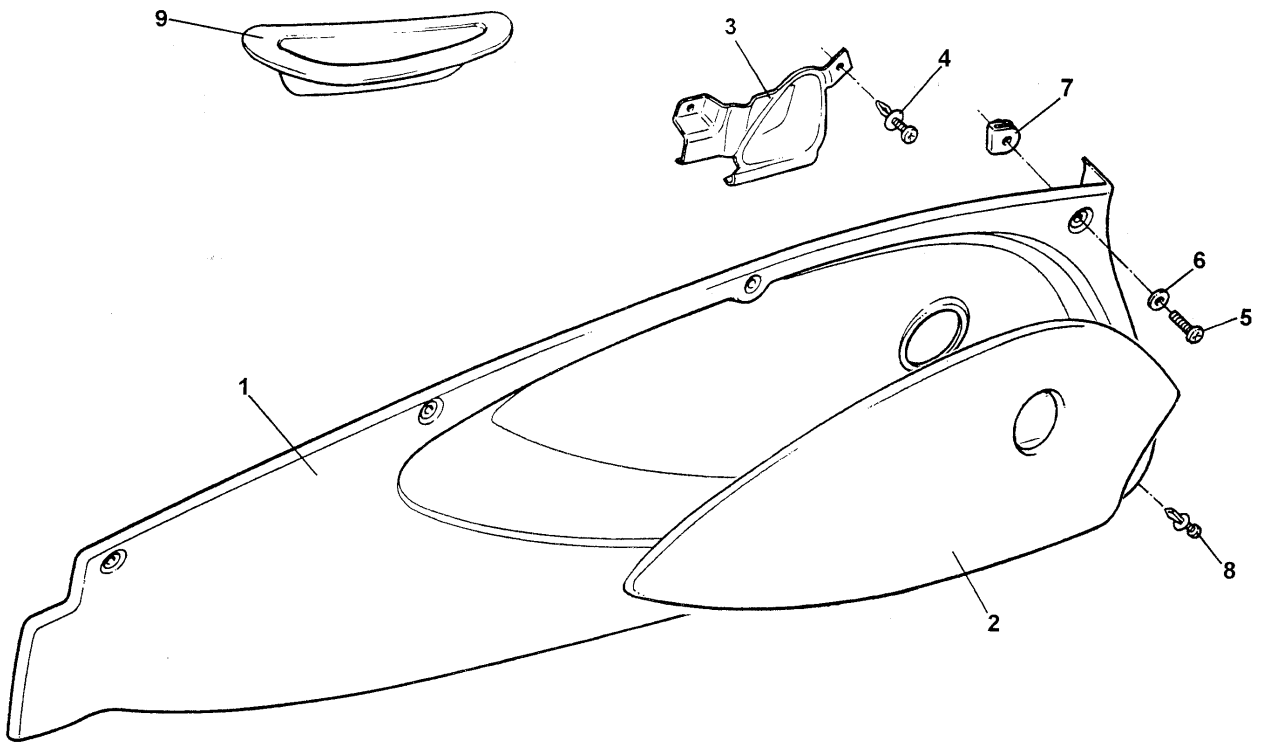
<u>Dep</u>	<u>Part Description</u>	<u>Remarks</u>	<u>Option</u>	<u>Part Number</u>	<u>Qty</u>
01	Rear Bulkhead Trim Panel, speakers	Blanking panel for non speaker	Elise, B120U0011K R/B	D120U0011K	1
01a	Rear Bulkhead Trim Panel, speakers, RHD		Exige	C122V0024K	1
01b	Rear Bulkhead Trim Panel, speakers, LHD		Exige	C122V0025K	1
01c	Rear Bulkhead Trim Panel, speakers, RHD	For harness bar	Exige Motorsport	A122U0066K	1
01d	Rear Bulkhead Trim Panel, speakers, LHD	For harness bar	Exige Motorsport	A122U0065K	1
02	Panel, speaker mounting, RH		Exige Motorsport	B122U0020K	1
03	Panel, speaker mounting, LH		Exige Motorsport	B122U0021K	1
04	Pop Rivet, black plastic, speaker panel fixing		Exige Motorsport	A082W6528F	10
05	Trim Panel, rear header rail		A121U0111F R/B	B121U0111F	1
06	Plastic Fastener, trim panel fixing			A100W6481F	5
07	Stowage Net Assembly	Includes finisher plugs		A117U6011F	1
08	Pop Rivet, net to panel			A082W6512F	5
09	Washer, flat, 1/8" x 0.75", net to panel			A075W4001Z	5
10	Reinforcing Panel, panel rear			A117U0164F	1
11	Plastic Fastener, trim panel fixing			A100W6391F	6
12	Blanking Panel, speaker aperture	Not illustrated	Common, non speaker	A122U0041K	2
13	Screw, No.6 x 0.75", blanking panel fix.	Not illustrated	Common, non speaker	A075W5028Z	8
14	Spire Nut, No.8, blanking panel fix.	Not illustrated	Common, non speaker	A075W6016Z	8

---

**ELISE**

Function Code: 15.11, Page: 1





**ELISE**  
15.13

**Function Code 15.13 Front Door Trims**

<u>Dep</u>	<u>Part Description</u>	<u>Remarks</u>	<u>Option</u>	<u>Part Number</u>	<u>Qty</u>
01	Door Trim, silver, LH		Standard	A117U0327F	1
01a	Door Trim, silver, RH		Standard	A117U0328F	1
01b	Door Trim, black alcantara, LH			A117U0363J	1
01c	Door Trim, black alcantara, RH			A117U0362J	1
01d	Door Trim, red alcantara, LH			A117U0365J	1
01e	Door Trim, red alcantara, RH			A117U0364J	1
01f	Door Trim, blue alcantara, LH			A117U0393J	1
01g	Door Trim, blue alcantara, RH			A117U0392J	1
01h	Door Trim, silver alcantara, LH			A117U0395J	1
01i	Door Trim, silver alcantara, RH			A117U0394J	1
01j	Door Trim, black leather, LH			B117U0651J	1
01k	Door Trim, black leather, RH			B117U0650J	1
01l	Door Trim, ruby leather, LH			A117U0357J	1
01m	Door Trim, ruby leather, RH			A117U0356J	1
01n	Door Trim, ink blue leather, LH			A117U0355J	1
01o	Door Trim, ink blue leather, RH			A117U0354J	1
01q	Door Trim, tan leather, RH			A117U0360J	1
01r	Door Trim, biscuit leather, LH			A117U0359J	1
01s	Door Trim, biscuit leather, RH			A117U0358J	1
01t	Door Trim, black cloth, LH		Exige standard	B117U0451J	1
01u	Door Trim, black cloth, RH		Exige standard	B117U0450J	1

**ELISE**

Function Code: 15.13, Page: 1

**Function Code 15.13 Front Door Trims**

<u>Dep</u>	<u>Part Description</u>	<u>Remarks</u>	<u>Option</u>	<u>Part Number</u>	<u>Qty</u>
02	Insert, door trim, black alcantara, LH			A117U0377J	1
02a	Insert, door trim, black alcantara, RH			A117U0376J	1
02b	Insert, door trim, red alcantara, LH			A117U0379J	1
02c	Insert, door trim, red alcantara, RH			A117U0378J	1
02d	Insert, door trim, blue alcantara, LH			A117U0397J	1
02e	Insert, door trim, blue alcantara, RH			A117U0396J	1
02f	Insert, door trim, silver alcantara, LH			A117U0399J	1
02g	Insert, door trim, silver alcantara, RH			A117U0398J	1
02h	Insert, door trim, black tooled leather, LH			A117U0367J	1
02i	Insert, door trim, black tooled leather, RH			A117U0366J	1
02j	Insert, door trim, ruby tooled leather, LH			A117U0371J	1
02k	Insert, door trim, ruby tooled leather, RH			A117U0370J	1
02l	Insert, door trim, ink blue tooled leather, LH			A117U0369J	1
02m	Insert, door trim, ink blue tooled leather, RH			A117U0368J	1
02n	Insert, door trim, tan tooled leather, LH			A117U0375J	1
02o	Insert, door trim, tan tooled leather, RH			A117U0374J	1
02p	Insert, door trim, biscuit tooled leather, LH			A117U0373J	1
02q	Insert, door trim, biscuit tooled leather, RH			A117U0372J	1
02r	Insert, door trim, black cloth, LH		Exige standard	B117U0453J	1
02s	Insert, door trim, black cloth, RH		Exige standard	B117U0452J	1
02t	Insert, door trim, black carbon leather, LH		Exige option	A122V0035J	1

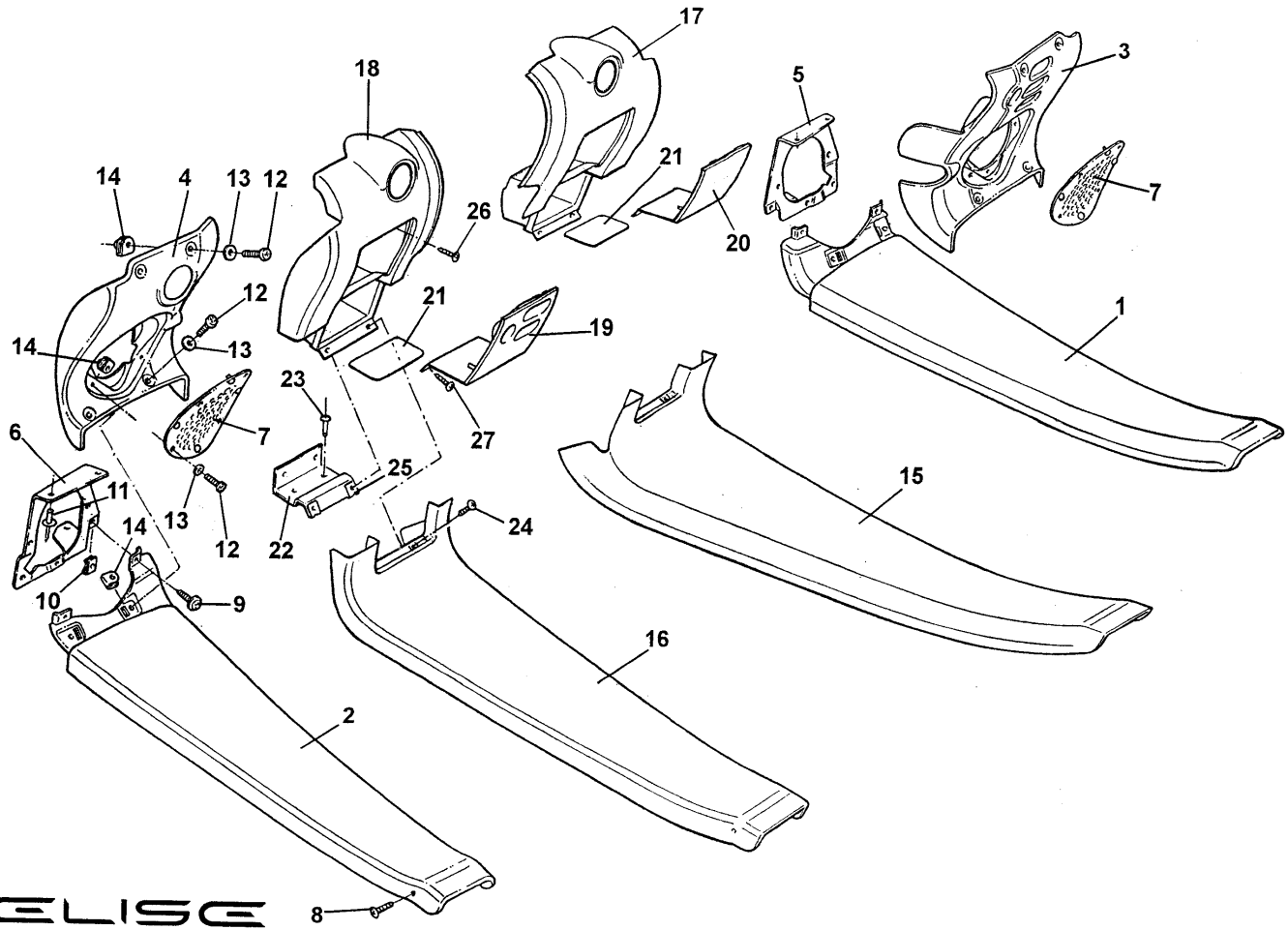
**ELISE**

Function Code: 15.13, Page: 2

---

**Function Code 15.13 Front Door Trims**

<u>Dep</u>	<u>Part Description</u>	<u>Remarks</u>	<u>Option</u>	<u>Part Number</u>	<u>Qty</u>
02u	Insert, door trim, black carbon leather, RH		Exige option	A122V0034J	1
03	Trim Panel, interior release handle, LH			A117U0331F	1
03a	Trim Panel, interior release handle, RH			A117U0332F	1
04	Plastic Fastener, handle trim panel to door			A100W6479F	4
05	Screw, Ejot 1452K 50 x 18, black, trim fix.		A082W7179F R/B	A117W5277F	8
06	Washer, flat, M4 x 9 x 0.3, S/S, trim to door			A082W4136F	8
07	Spirenut, M5, trim to door			B100W6342F	8
08	Plastic Fastener, trim to door lower front			A100W6479F	2
09	Trim Panel, interior door pull recess, LH	Bonded to inner door		A117B0371F	1
09a	Trim Panel, interior door pull recess, RH	Bonded to inner door		A117B0372F	1



**ELISE**  
15.18

**Function Code 15.18 Interior Trim, Chassis Trim Panels**

<u>Dep</u>	<u>Part Description</u>	<u>Remarks</u>	<u>Option</u>	<u>Part Number</u>	<u>Qty</u>
01	Sill Trim Panel, RH			C117U0112F	1
02	Sill Trim Panel, LH			C117U0117F	1
03	'A' Post Trim Panel/Speaker Housing, RH, RHD	With switch/FLV apertures		A117U0296F	1
03a	'A' Post Trim Panel/Speaker Housing, RH, LHD	With FLV aperture		A117U0297F	1
04	'A' Post Trim Panel/Speaker Housing, LH, RHD	With FLV aperture		A117U0298F	1
04a	'A' Post Trim Panel/Speaker Housing, LH, LHD	With switch/FLV apertures		A117U0295F	1
05	Bracket, speaker retention, RH			B117U0074F	1
06	Bracket, speaker retention, LH			A117U0073F	1
07a	Speaker Grille			A117U0347F	2
07b	Foam, speaker grille	Not illustrated		A117V0530F	2
08	Screw, self tap. No. 6 x 1/2", flg. hd, pozi., trim fix.			A079W5138F	2
09	Screw, self tap. No.8 x 3/4", flg, hd., pozi. trim fix.			A075W5074Z	4
10	Spirenut, No.8, trim fix			A075W6016Z	4
11	Pop Rivet, bracket fix.			A075W6069Z	6
12	Screw, Ejot 1452K 50 x 18, black, trim/grille fix.		A117F6001F	A117W5277F	16
13	Washer, flat, M4 x 9 x 0.8, trim/grille fix.			A082W4136F	16
14	Spirenut, plastic, trim/grille fix.			A117F6000F	16
15	Sill Trim Panel, RH, federal	A121U0026F R/B	USA/Canada	A121U0120F	1
16	Sill Trim Panel, LH, federal	A121U0025F R/B	USA/Canada	A121U0119F	1
17	'A' Post Trim Panel, RH	With FLV aperture	USA/Canada	A121U0016F	1
18	'A' Post Trim Panel/Switch Housing, LH	With FLV aperture	USA/Canada	A121U0015F	1

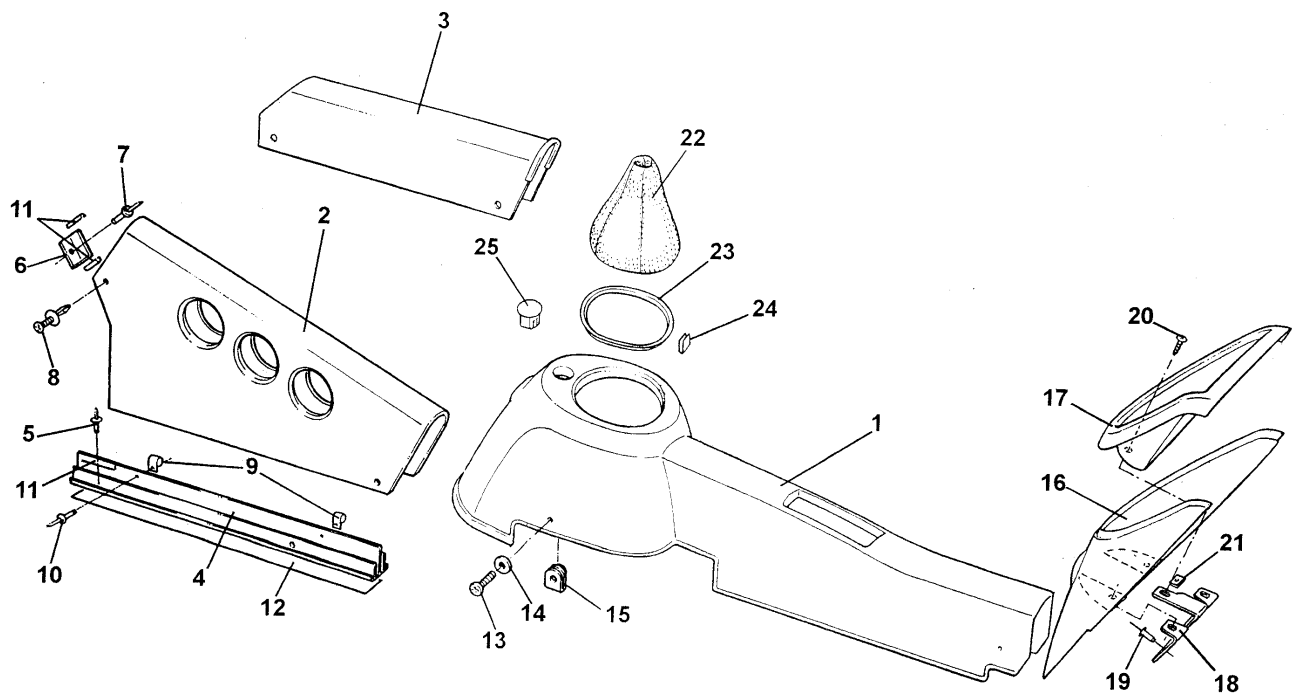
**ELISE**

Function Code: 15.18, Page: 1

---

**Function Code 15.18 Interior Trim, Chassis Trim Panels**

<u>Dep</u>	<u>Part Description</u>	<u>Remarks</u>	<u>Option</u>	<u>Part Number</u>	<u>Qty</u>
19	Switch Panel, federal, LH		USA/Canada	C121U0037F	1
20	Cover, 'A' post trim panel aperture		USA/Canada	B121U0035F	1
21	Mat, 'A' post pocket		USA/Canada	A121V0005K	2
22	Bracket, trim to chassis		USA/Canada	A121U0033F	2
23	Pop Rivet, bracket to chassis		USA/Canada	A075W6071Z	2
24	Screw, self tap. No. 8 x 3/4", panels to bracket		USA/Canada	A075W5074Z	4
25	Spirenut, No. 8, panels to bracket	Also in pocket	USA/Canada	A075W6016Z	8
26	Screw, self tap. No. 8 x 3/4", panel to dash upper		USA/Canada	A075W5074Z	4
27	Screw, self tap. No. 8 x 3/4", switch panel & cover fixing		USA/Canada	A075W5074Z	4
28	Clip, 'A' post trim panel retention	Not illus. See section 14.10	USA/Canada	A121U0156S	4



# ELISE

15.19



**Function Code 15.19 Centre Tunnel Trim, Gear Lever Gaiters/Shrouds**

<u>Dep</u>	<u>Part Description</u>	<u>Remarks</u>	<u>Option</u>	<u>Part Number</u>	<u>Qty</u>
01	Cover, gear lever/parking brake, RHD			B120U0020F	1
01a	Cover, gear lever/parking brake, LHD			B120U0021F	1
01b	Cover, gear lever/parking brake, trimmed, RHD			B120U0002K	1
01c	Cover, gear lever/parking brake, trimmed, LHD			B120U0001K	1
02	Cover, tunnel front, LHD	Alloy, perforated	LHD	A117U0165F	1
03	Cover, tunnel front, parallel, RHD	Alloy	RHD	A116A0147F	1
04	Mounting Bracket, front tunnel to floor			C111A0067F	1
05	Blind Rivet, tunnel mount fix.			A111W6613F	4
06	Mounting Bracket, front tunnel to toeboard			B111A0069F	1
07	Pop Rivet, 3/16" x 9/16", bracket fix.			A082W6243F	1
08	Plastic Fastener, tunnel fix.			A082W6505F	5
09	'P' Clip, harness retention			A082W5457F	2
10	Pop Rivet, 'P' clip fix.			A075W6087Z	2
11	Edging Strip, harness protection			B075U6054V	0.16M
12	Tape, double sided, tunnel mount to floor			B075U6070V	0.55M
13	Screw, pan hd., torx, cover fix.			A117F6001F	2
14	Washer, flat, M4 x 9, cover fix.			A082W4099F	2
15	Spire Nut, plastic, cover fix.			A117F6000F	2
16	Console, rear lower, silver			B120U0013F	1
17	Console/Stowage Pocket, black, rear upper			A120U0014F	1
18	Bracket, console rear to chassis			B120U0028F	3

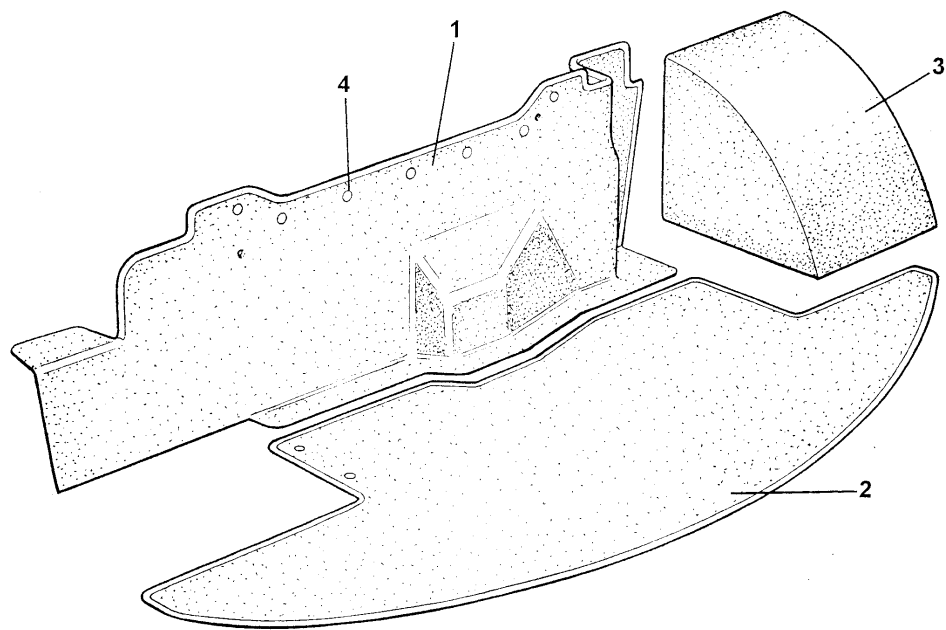
**ELISE**

Function Code: 15.19, Page: 1

---

**Function Code 15.19 Centre Tunnel Trim, Gear Lever Gaiters/Shrouds**

<u>Dep</u>	<u>Part Description</u>	<u>Remarks</u>	<u>Option</u>	<u>Part Number</u>	<u>Qty</u>
19	Pop Rivet, bracket to chassis			A111W6613F	3
20	Screw, No. 6 x 3/8", fig. pozi., console to bracket			A075W5019Z	3
21	Spirenut, No. 6, console to bracket			A075W6014Z	3
22	Gaiter, gearlever			A120V0001K	1
23	Retainer, gearlever gaiter			A120V0002F	1
24	Clip, gaiter to cover			A120W6767F	6
25	Insert, hazard switch blanking		Non USA cars	A120U0025F	1



**ELISE**  
**15.24**

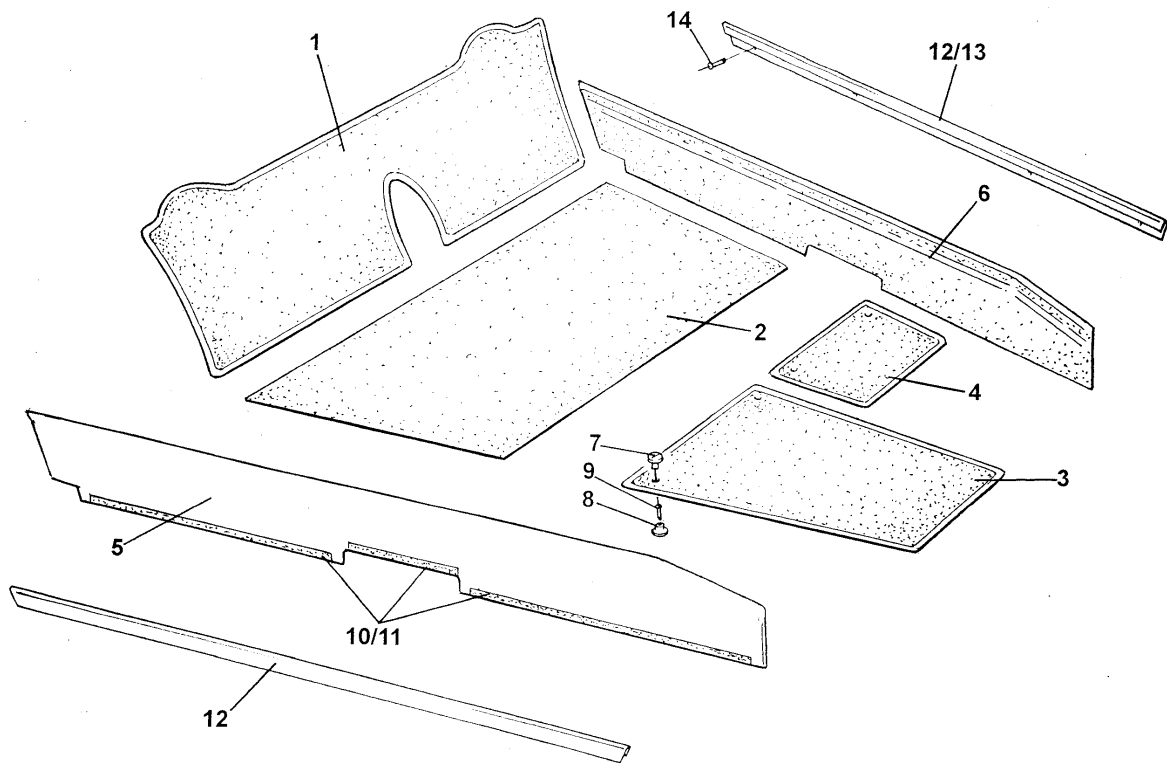
---

**Function Code 15.24 Luggage Compartment Carpet**

<u>Dep</u>	<u>Part Description</u>	<u>Remarks</u>	<u>Option</u>	<u>Part Number</u>	<u>Qty</u>
01	Carpet, boot bulkhead		Elise	B120V0007K	1
01a	Carpet, boot bulkhead		Exige	A122V0002J	1
02	Carpet, boot floor			B120V0006K	1
03	Carpet, wheelarch RH			A120V0005K	1
04	Press Fastener Button, bulkhead/floor carpet fix.	Part of item 1		A111B6074F	9
04a	Press Fastener Socket, bulkhead carpet fix.	Part of item 1		A111B6075F	9
05	Press Fastener Stud, carpet to bulkhead/floor			A111B6076F	9
06	Pop Rivet, fastener fix.			A075W6070Z	9
07	Washer, flat, 1/8 x 3/8"			A075W4001Z	9

---

**ELISE****Function Code: 15.24, Page: 1**



**ELISE**  
15.30

**Function Code 15.30 Carpeting & Mats**

<u>Dep</u>	<u>Part Description</u>	<u>Remarks</u>	<u>Option</u>	<u>Part Number</u>	<u>Qty</u>
01	Carpet, rear bulkhead, black			A120V0042K	1
01a	Carpet, rear bulkhead, red			A120V0086K	1
01b	Carpet, rear bulkhead, blue			A120V0087K	1
01c	Carpet, rear bulkhead, stone			A120V0089K	1
02	Carpet, floor underseat, black			A117V0095K	1
02a	Carpet, floor underseat, red			A117V0099K	1
02b	Carpet, floor underseat, blue			A117V0097K	1
02c	Carpet, floor underseat, stone			A117V0103K	1
03	Carpet, footwell, driver, black, RHD			A120V0058K	1
03a	Carpet, footwell, driver, black, LHD			A120V0060K	1
03b	Carpet, footwell, driver, red, RHD			A120V0067K	1
03c	Carpet, footwell, driver, red, LHD			A120V0062K	1
03d	Carpet, footwell, driver, blue, RHD			A120V0070K	1
03e	Carpet, footwell, driver, blue, LHD			A120V0064K	1
03f	Carpet, footwell, driver, stone, RHD			A120V0072K	1
03g	Carpet, footwell, driver, stone, LHD			A120V0066K	1
04	Carpet, footwell, passenger, black, three quarter, RHD			A120V0059K	1
04a	Carpet, footwell, passenger, black, three quarter, LHD			A120V0061K	1
04b	Carpet, footwell, passenger, red, three quarter, RHD			A120V0069K	1
04c	Carpet, footwell, passenger, red, three quarter, LHD			A120V0063K	1
04c	Carpet, footwell, passenger, blue, three quarter, RHD			A120V0071K	1

**ELISE**

Function Code: 15.30, Page: 1

**Function Code 15.30 Carpeting & Mats**

<u>Dep</u>	<u>Part Description</u>	<u>Remarks</u>	<u>Option</u>	<u>Part Number</u>	<u>Qty</u>
04d	Carpet, footwell, passenger, blue, three quarter, RHD			A120V0065K	1
04e	Carpet, footwell, passenger, stone, three quarter, RHD			A120V0073K	1
04f	Carpet, footwell, passenger, stone, three quarter, LHD			A120V0068K	1
05	Carpet, sill, black, RH			A117V0602K	1
05a	Carpet, sill, red, RH			A117V0606K	1
05b	Carpet, sill, blue, RH			A117V0604K	1
05c	Carpet, sill, stone, RH			A117V0612K	1
06	Carpet, sill, black, LH, RHD			A117V0603K	1
06a	Carpet, sill, black, LH, LHD			A117V0604K	1
06b	Carpet, sill, red, LH, RHD			A117V0605K	1
06c	Carpet, sill, red, LH, LHD			A117V0607K	1
06d	Carpet, sill, blue, LH, RHD			A117V0609K	1
06e	Carpet, sill, blue, LH, LHD			A117V0610K	1
06f	Carpet, sill, stone, LH, RHD			A117V0611K	1
06g	Carpet, sill, stone, LH, LHD			A117V0613K	1
07	Carpet Fixing, male, footwell carpet			A120V0075F	4
08	Carpet Fixing, female, footwell carpet			A120V0076F	4
09	Pop Rivet, fixing to floor			A111W6574F	4
10	Velcro Loop, carpet to chassis	Items: 1, 5 & 6 only		A082V6088V	5.5M
11	Velcro Hook, chassis to carpet	As above, plus footwells only		A082V6058V	8M
12	Finisher, sill carpet, RHD, RH & LH; LHD, RH	Long, 1 off, LHD		B117U0430F	2

**ELISE**

Function Code: 15.30, Page: 2

---

**Function Code 15.30 Carpeting & Mats**

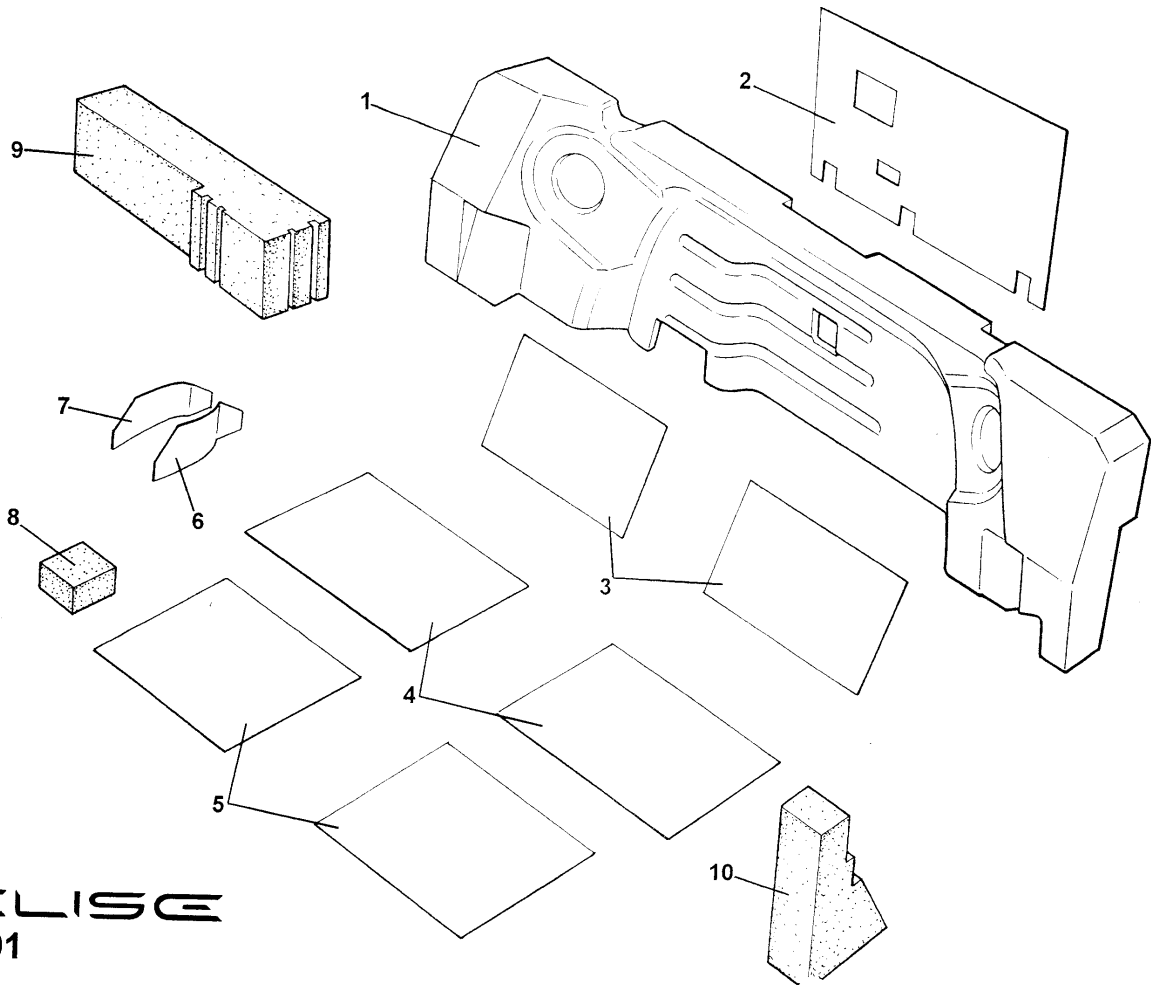
<u>Dep</u>	<u>Part Description</u>	<u>Remarks</u>	<u>Option</u>	<u>Part Number</u>	<u>Qty</u>
13	Finisher, sill carpet, LHD, LH	Short	B117U0431F R/B	C117U0431F	1
14	Pop Rivet, finisher to chassis			A075W6094Z	8

---

---

**ELISE****Function Code: 15.30, Page: 3**



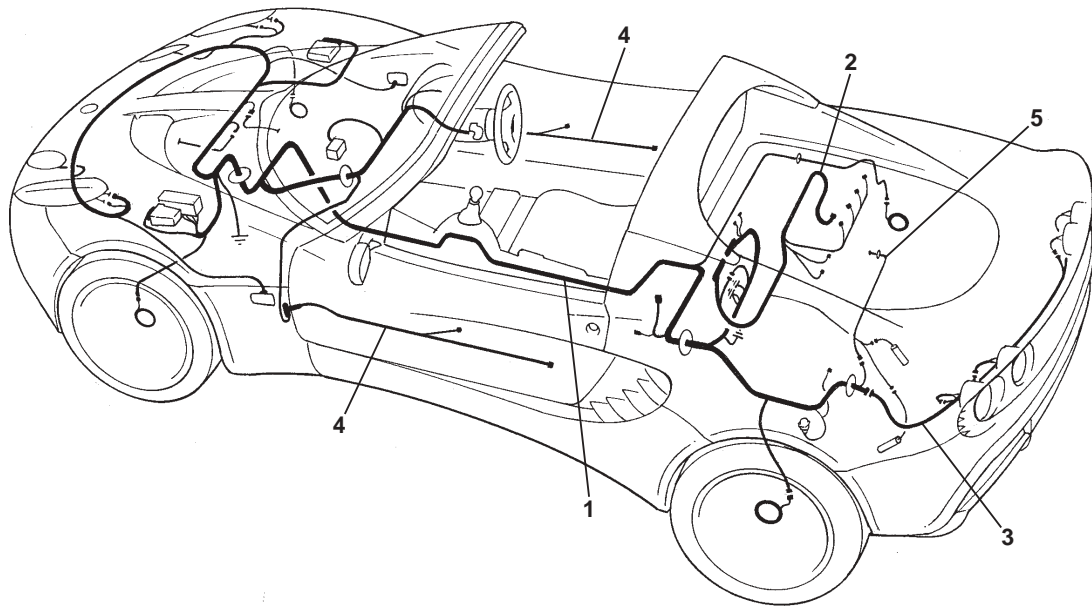


**ELISE**  
16.01

---

**Function Code 16.01 Passenger Compartment Sound Insulation**

<u>Dep</u>	<u>Part Description</u>	<u>Remarks</u>	<u>Option</u>	<u>Part Number</u>	<u>Qty</u>
01	NVH Foam Panel, bulkhead		NVH pack	A120V0003K	1
02	Sheet Damping, bulkhead		NVH pack	A117V0511F	1
03	NVH Mat, tank bay front		NVH pack	A116V0120F	2
04	Sheet Damping, seats		NVH pack	A116V0309F	2
05	Sheet Damping, footwell		NVH pack	A117B0558F	2
06	Sheet Damping, gearchange, LH		NVH pack	B117V0513F	1
07	Sheet Damping, gearchange, RH		NVH pack	B117V0514F	1
08	NVH Foam, steering column		NVH pack	A117V0532Z	1
09	NVH Foam, fascia panel		NVH pack	A116V0351F	2
10	NVH Foam 'A' pillar lower		NVH pack	A117V0531F	2
11	NVH Mat, rear bulkhead, purge valve	Not illustrated	111R only	A120V0136F	1
12	Tape, Tessaband 4661, sill holes covering	Not illustrated	NVH pack	A116V6008F	1.2M
13	Blanking Patch, scuttle beam holes, 38mm dia,	Not illustrated		A116A0184F	8
14	Blanking Patch, scuttle beam holes, 20mm dia.	Not illustrated		A111V0206F	9



**ELISE**  
17.01

# Service Parts List **ELISE**



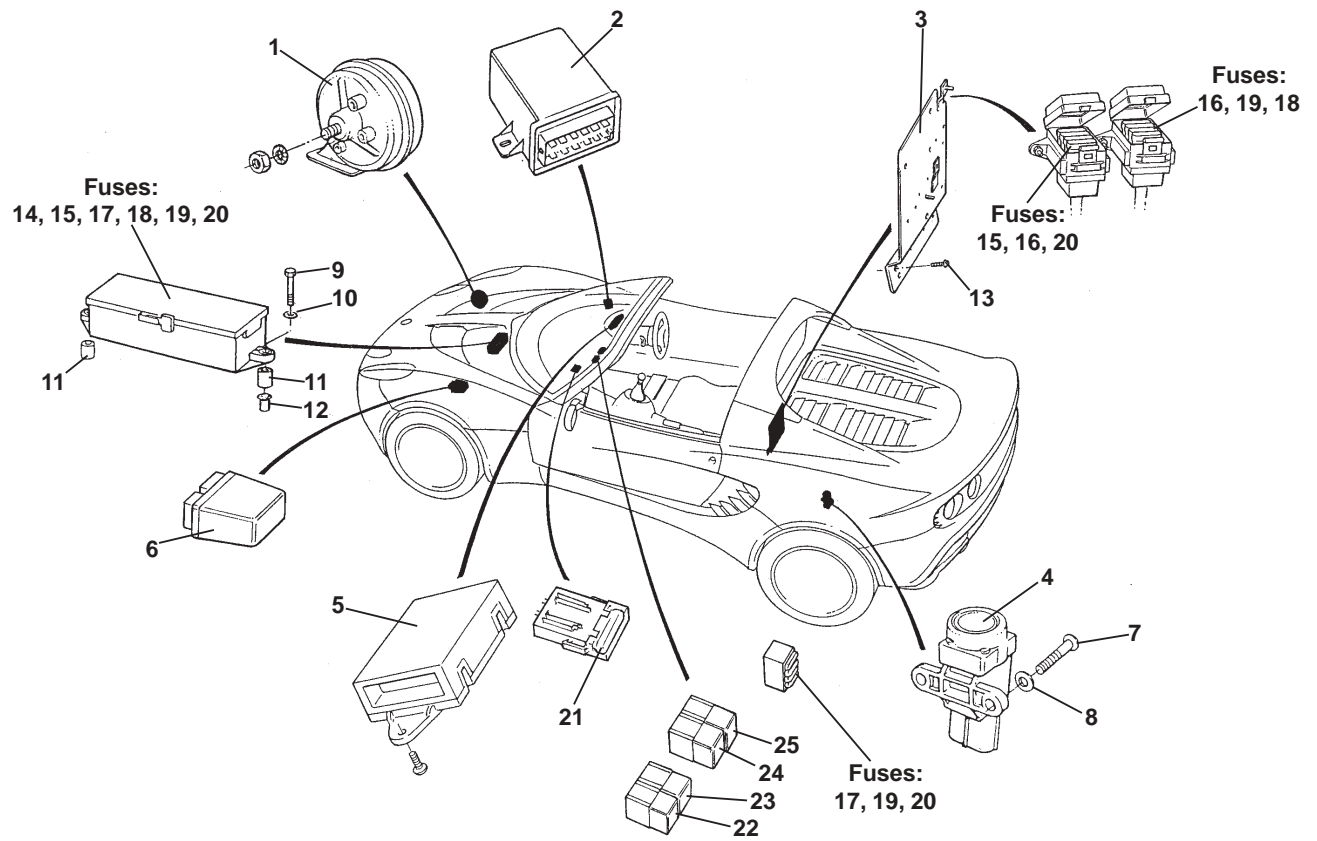
## Function Code 17.01 Harnesses, Leads

<u>Dep</u>	<u>Part Description</u>	<u>Remarks</u>	<u>Option</u>	<u>Part Number</u>	<u>Qty</u>
01	Harness, main		Euro	<b>B120M0003F</b>	1
01a	Harness, main, electronic throttle		Euro, '06 MY	<b>B120M0025F</b>	
01b	Harness, main, federal		USA/Canada	<b>A121M0001F</b>	1
01c	Harness, main, with driving lamps, federal		USA/Canada	<b>C121M0001F</b>	1
01d	Harness, main, federal, electronic throttle		USA/Canada, '06 MY	<b>B121M0024F</b>	1
02	Harness, engine			<b>B120M0004F</b>	1
02a	Harness, engine, electronic throttle		'06 MY	<b>B120M0026F</b>	1
03	Harness, rear			<b>A120M0020F</b>	1
03a	Harness, rear, federal		USA/Canada	<b>A121M0012F</b>	1
04	Harness, door		CDL/electric windows	<b>B117M0118F</b>	1
05	Harness, boot switch		Elise	<b>A120M0023F</b>	1
05a	Harness, boot switch		Exige	<b>A122M0008F</b>	1
06	Harness, headlamp link	Not illustrated	Common	<b>B121M0022F</b>	2
08	Cable, CDL power up (negative)	Not illustrated	Exige	<b>B122M0012F</b>	1
09	Cable, CDL power up (positive)	Not illustrated	Exige	<b>B122M0011F</b>	1

**ELISE**

Function Code: 17.01, Page: 1

*2005/02 UPDATE ISSUED SEPTEMBER 2005*



**ELISE**  
17.03

# Service Parts List **ELISE**



## Function Code 17.03 Horn, Inertia Switch, Fuses & Relays

<u>Dep</u>	<u>Part Description</u>	<u>Remarks</u>	<u>Option</u>	<u>Part Number</u>	<u>Qty</u>
01	Horn 'Low ' Note			A100M6031F	1
02	Module, central door locking			A116M6048F	1
03	Mounting Plate, ECM/electrical components		Prior to '06 MY	B120E0010F	1
03a	Mounting Plate, ECM/electrical components		'06 MY	A120M0027F	1
04	Inertia switch			A082M6598F	1
05	Switch Controller		B117M0008F R/B	C117M0008F	1
06	Fan Control Module			A117M0038F	1
07	Screw, M5 x 16, pan hd. pozi.			A082W5107F	2
08	Washer, flat, M5 x 10 x 1.0			A075W4011Z	7
09	Screw, M5 x 16, button hd. fuse box fixing			A116W5281F	2
10	Washer flat, 3/16", S/S, fuse box fixing			A075W4009Z	2
11	Spacer, fuse box to wheelarch			A111U0368F	2
12	Rawlnut, M5, fuse box to wheelarch			A075W6074F	2
13	Screw, plate to bulkhead				2
14	Fuse, 2A, black	See Service Notes, section MP		A082M6316F	1
15	Fuse, 3A, violet	See Service Notes, section MP		A082M6243F	2
16	Fuse, 5A, orange	See Service Notes, section MP		A082M6245F	4
17	Fuse, 7.5A, brown	See Service Notes, section MP		A082M6246F	9

**ELISE**

Function Code: 17.03, Page: 1

2005/02 UPDATE ISSUED SEPTEMBER 2005

---

**Function Code 17.03 Horn, Inertia Switch, Fuses & Relays**

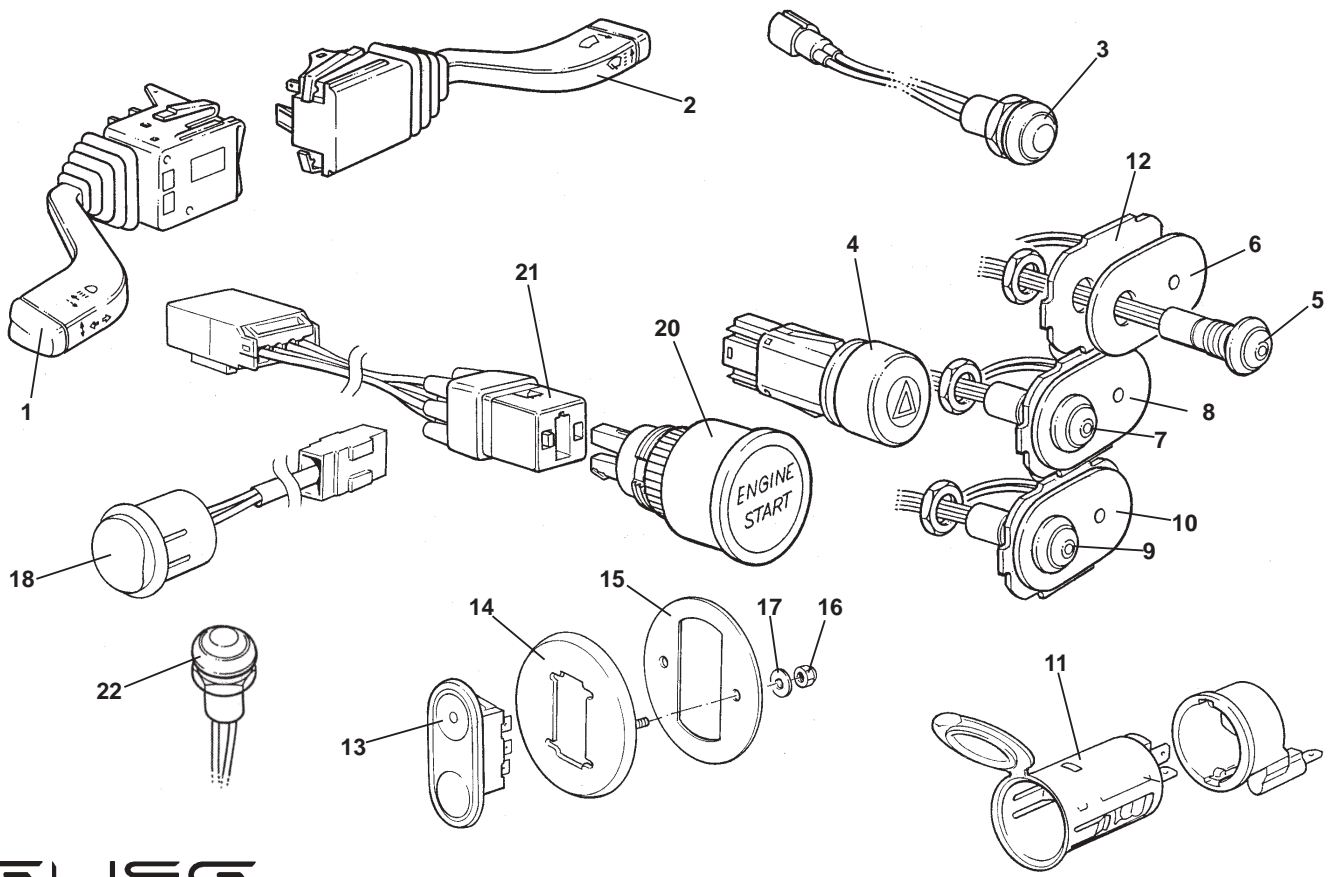
<u>Dep</u>	<u>Part Description</u>	<u>Remarks</u>	<u>Option</u>	<u>Part Number</u>	<u>Qty</u>
18	Fuse, 10A, red	See Service Notes, section MP		A082M6247F	7
19	Fuse, 15A, light blue	See Service Notes, section MP		A082M6248F	3
20	Fuse, 20A, yellow	See Service Notes, section MP		A082M6249F	7
21	Maxi Fuse, 60A, dark blue	See Service Notes, section MP			1
22	Module, wiper delay			A082M6457F	1
23	Module, flasher unit			A083M6303F	1
24	Relay Single Contact Changeover 30A	Inertia switch	CDL	C079M6141F	1
25	Module, rear fog lamp			B111M0067F	1

---

**ELISE**

Function Code: 17.03, Page: 2

*2005/02 UPDATE ISSUED SEPTEMBER 2005*



**ELISE**  
17.05



# Service Parts List **ELISE**



## Function Code 17.05 Interior Switches, Auxiliary Power Socket

<u>Dep</u>	<u>Part Description</u>	<u>Remarks</u>	<u>Option</u>	<u>Part Number</u>	<u>Qty</u>
01	Column Switch, LH, indicators/dip/flash			A100M6048F	1
02	Column Switch, RH, windscreen wipe/wash			A100M6049F	1
03	Switch, panel light dimmer/trip reset			B117M0048F	1
04	Switch, hazard			A340M6016F	1
05	Switch, sidelamps, green tell tale			A117M0055F	1
06	Decal, sidelamps graphic, RHD/LHD			A117M0005F	1
06a	Decal, master lighting		USA/Canada	B121M0015F	1
07	Switch, headlamps, green tell-tale			A117M0055F	1
08	Decal, headlamps graphic, RHD			A117M0006F	1
08a	Decal, headlamps graphic, LHD			A117M0045F	1
09	Switch, rear fog lamp, yellow tell-tale			A117M0056F	1
10	Decal, rear fog lamp graphic, RHD			A117M0007F	1
10a	Decal, rear fog lamp graphic, LHD			A117M0046F	1
11	Auxiliary Power Socket	Not illuminated		A117M6024F	1
12	Switch Panel Backlight Assembly, orange	Three linked illumination panels		A117M0125F	1
13	Switch, window lift			A117M6064F	2
14	Bezel, switch to door trim	Includes studs		A117U0344J	2
15	Backplate, switch bezel			A117U0345K	2

**ELISE**

Function Code: 17.05, Page: 1

2005/02 UPDATE ISSUED SEPTEMBER 2005

---

**Function Code 17.05 Interior Switches, Auxiliary Power Socket**

<u>Dep</u>	<u>Part Description</u>	<u>Remarks</u>	<u>Option</u>	<u>Part Number</u>	<u>Qty</u>
16	Nyloc Nut, M4, backplate to trim panel			<b>A075W3049F</b>	4
17	Washer, flat, M4 x 9, backplate to trim panel			<b>A082W4099F</b>	4
18	Switch, central door locking			<b>A117M0124F</b>	1
18a	Blanking Grommet, CDL switch aperture	Not illustrated	Non CDL	<b>A116W6714F</b>	1
19	Switch Panel, federal	Not illus. see 15.18	USA/Canada	<b>C121U0037F</b>	1
20	Starter Button, federal	Replaces B121M0018F	USA/Canada	<b>A121M0026S</b>	1
21	Micoswitch/Harness Assy., engine start, federal	Replaces B121M0018F	USA/Canada	<b>A121M0027S</b>	1
22	Ignition Switch	Not illustrated, part of upper steering column		<b>A111M6108S</b>	1

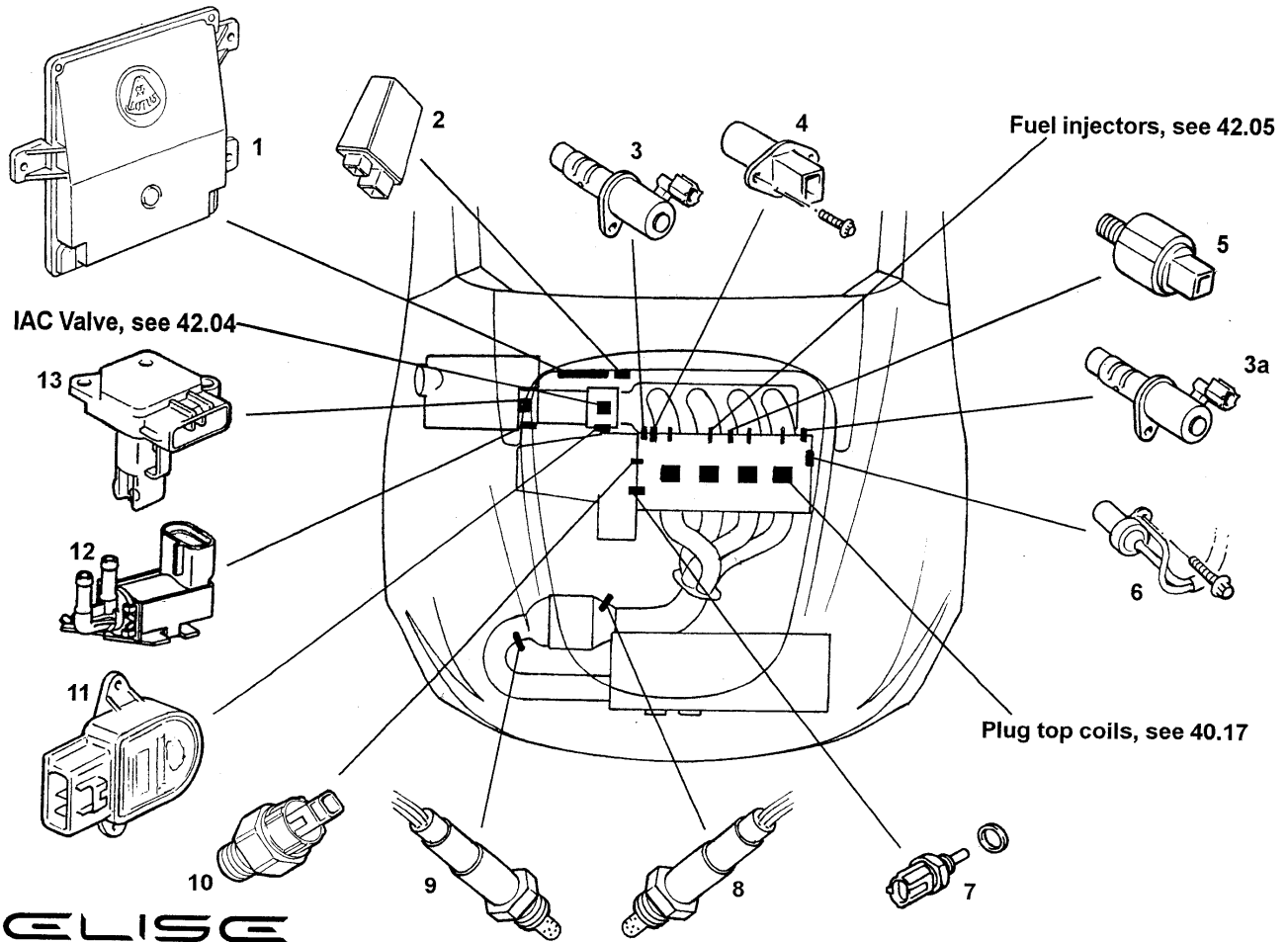
---

---

**ELISE**

Function Code: 17.05, Page: 2

*2005/02 UPDATE ISSUED SEPTEMBER 2005*



**ELISE**  
17.06

# Service Parts List **ELISE**



## Function Code 17.06 Engine Management & Sensors

<u>Dep</u>	<u>Part Description</u>	<u>Remarks</u>	<u>Option</u>	<u>Part Number</u>	<u>Qty</u>
01	Electronic Control Module (ECM) T4		Euro, A120E0005F R/B	<b>B120E0005F</b>	1
01b	Electronic Control Module (ECM) T4, federal		USA, A121E0001F R/B	<b>B121E0001F</b>	1
01c	Electronic Control Module (ECM) T4E	Traction control single switching	Euro, '06 MY	<b>A120E0029F</b>	1
01d	Electronic Control Module (ECM) T4E, federal	Traction control single switching	USA/Canada, '06MY	<b>A121E0009F</b>	1
02	Multi Function Relay Unit			<b>A111M6024F</b>	1
03	Oil Control Valve, variable valve lift	Also see 40.05		<b>A120E6282S</b>	1
03a	Oil Control Valve, variable valve timing	Also see 40.05		<b>A120E6282S</b>	1
04	Sensor, camshaft position			<b>A120E6347S</b>	1
05	Sensor, knock control			<b>A120E6376S</b>	1
06	Sensor, crankshaft position			<b>A120E6348S</b>	1
06a	Plate, sensor mounting	Not illustrated		<b>A120E6204S</b>	1
07	Sensor, engine coolant temperature			<b>A120E6375S</b>	1
08	Sensor, oxygen, 1, pre-catalyst			<b>A117E6007F</b>	1
09	Sensor, oxygen, 2, post-catalyst			<b>A117E6007F</b>	1
10	Sensor, oil pressure, VVTL			<b>A120E6373S</b>	1
11	Sensor, throttle position			<b>A120E6440S</b>	1
12	Valve, vacuum switching, airbox flap valve	On airbox		<b>A120E6443S</b>	1
13	Sensor, mass air flow	On airbox		<b>A120E6299S</b>	1

**ELISE**

Function Code: 17.06, Page: 1

*2005/02 UPDATE ISSUED SEPTEMBER 2005*

---

**Function Code 17.06 Engine Management & Sensors**

<u>Dep</u>	<u>Part Description</u>	<u>Remarks</u>	<u>Option</u>	<u>Part Number</u>	<u>Qty</u>
14	Nut, flg., sensor retaining			A120E6355S	1
15	Stud, sensor retaining			A120E6478S	1

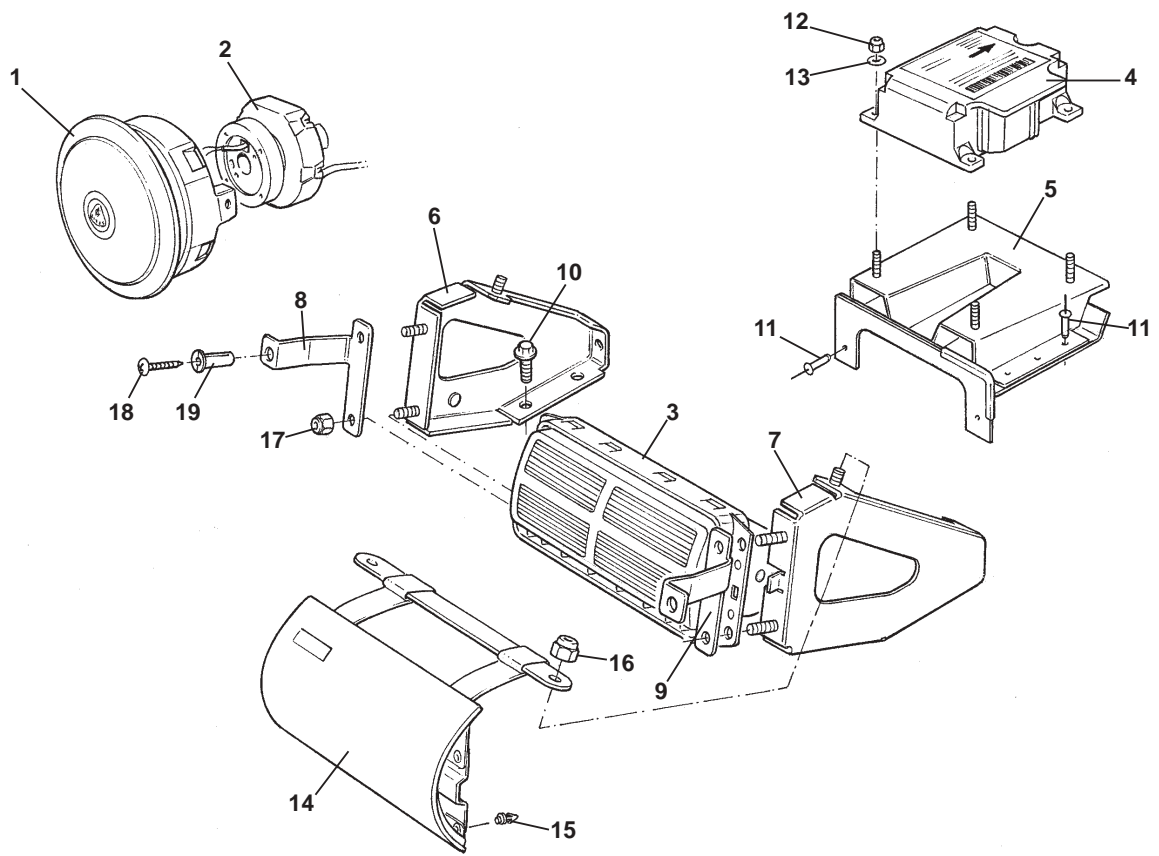
---

---

**ELISE**

Function Code: 17.06, Page: 2

*2005/02 UPDATE ISSUED SEPTEMBER 2005*



**ELISE**  
17.06b

---

**Function Code 17.06b SIR: Inflator Modules, DERM & Sensors**

<u>Dep</u>	<u>Part Description</u>	<u>Remarks</u>	<u>Option</u>	<u>Part Number</u>	<u>Qty</u>
01	Airbag Assembly, driver	Includes Lotus badge		A121U0047F	1
02	Rotary Contact Unit, SIR wheel	P/O wheel assy., see 32.05		A120M6010S	1
03	Airbag Unit, passenger			A121U6066F	1
04	SRS Unit			A121B0060F	1
05	Mounting Bracket, SRS unit			B121U0095F	1
06	Mounting Bracket, passenger airbag, LH			A121U0065F	1
07	Mounting Bracket, passenger airbag, RH			A121U0066F	1
08	Mounting Bracket, passenger airbag/rail, LH		A121U0069F R/B	B121U0069F	1
09	Mounting Bracket, passenger airbag/rail, RH		A121U0070F R/B	B121U0070F	1
10	Bolt, M8 x 20, fig. hex. hd., bracket to chassis			A120W5278F	4
11	Pop Rivet, bracket to chassis			A100W6037F	8
12	Nyloc Nut, M6, SRS unit to bracket			A075W3009Z	4
13	Washer, flat, M6 x 12.5 x 1.6, SRS unit to bracket			A100W6307F	4
14	Cover Assembly, passenger airbag		C121U0019F R/B	D121U0019F	1
15	Clip, cover to dash panel		A121U0117F R/B	B121U0117F	4
16	Nyloc Nut, M8, cover strap bar to bracket			A075W3010Z	2
17	Nyloc Nut, M6, PAB to mounting brackets			A075W3009Z	4
18	Screw, self tap., No. 8 x 3/4" bracket to dash panel			A075W5074Z	2
19	Captive Nut, bracket to dash panel			A120W3186F	2

---

**ELISE**

Function Code: 17.06b, Page: 1

*2005/02 UPDATE ISSUED SEPTEMBER 2005*

---

**Function Code 17.06b SIR: Inflator Modules, DERM & Sensors**

<u>Dep</u>	<u>Part Description</u>	<u>Remarks</u>	<u>Option</u>	<u>Part Number</u>	<u>Qty</u>
		*These parts can only be fitted by Lotus Dealers, who must complete and return the SIR registration card supplied with the part.			

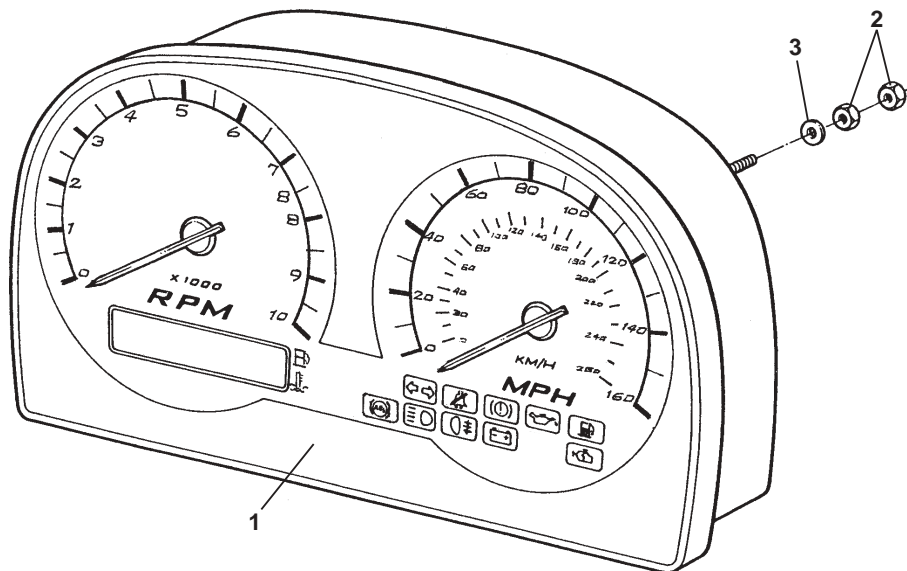
---

---

---

**ELISE****Function Code: 17.06b, Page: 2***2005/02 UPDATE ISSUED SEPTEMBER 2005*





**ELISE**  
17.07

# Service Parts List **ELISE**



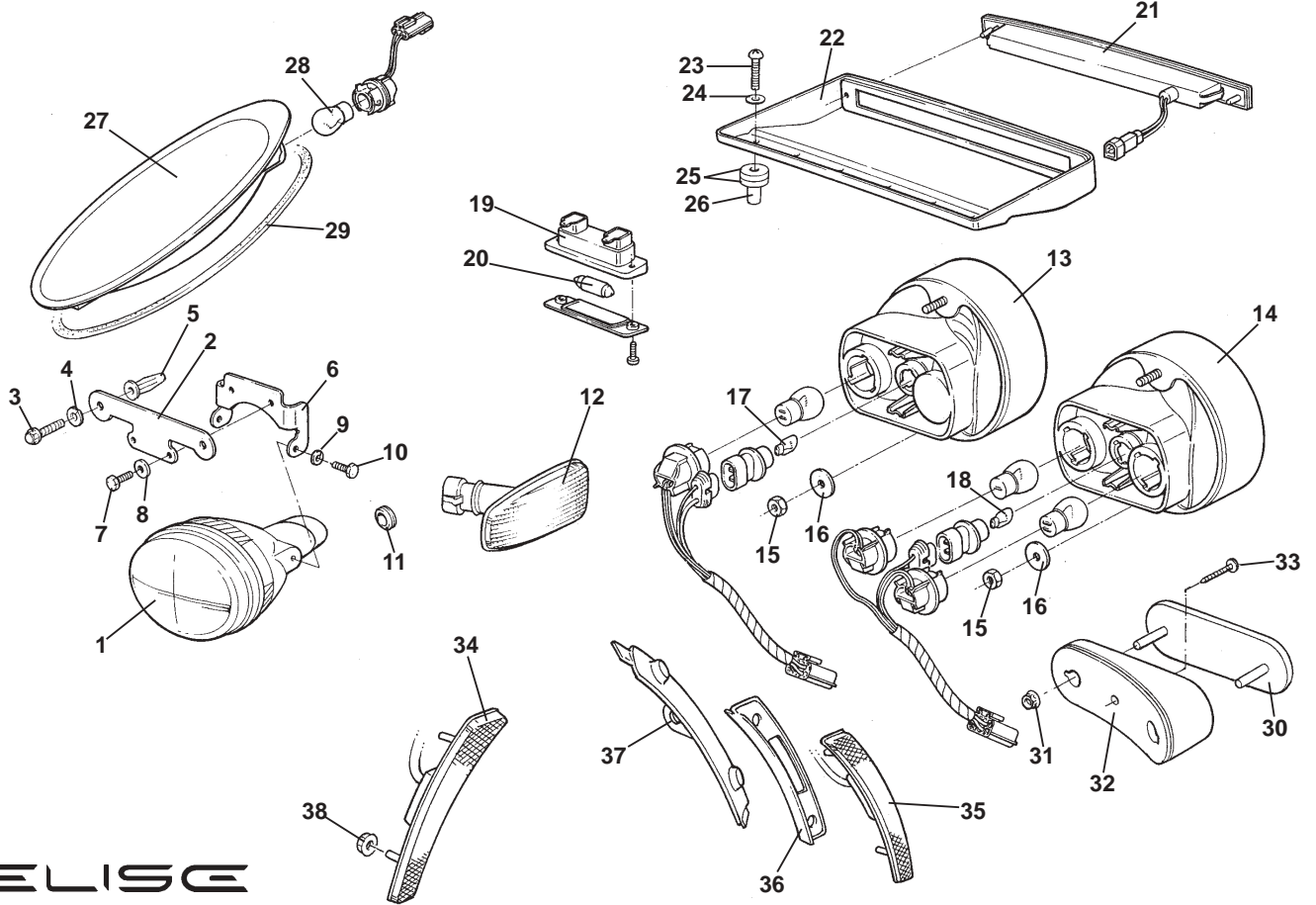
## Function Code 17.07 Instruments, Tell Tales, & Displays

<u>Dep</u>	<u>Part Description</u>	<u>Remarks</u>	<u>Option</u>	<u>Part Number</u>	<u>Qty</u>
01	Instrument Pack, MPH		A120N0001F R/B	<b>B120N0001F</b>	1
01a	Instrument Pack, Km/h		A120N0002F R/B	<b>B120N0002F</b>	1
01b	Instrument Pack, MPH, federal		USA	<b>B121N0001F</b>	1
01c	Instrument Pack, MPH	Traction control tell-tale	111R/Exige, '06 MY	<b>C120N0001F</b>	1
01d	Instrument Pack, Km/h	Traction control tell-tale	111R/Exige, '06 MY	<b>C120N0002F</b>	1
01e	Instrument Pack, MPH, federal	Traction control tell-tale	USA, '06 MY	<b>C121N0001F</b>	1
01f	Instrument Pack, Km/h, Canada	Traction control tell-tale	Canada, '06 MY	<b>A121N000F</b>	1
01f	Instrument Pack, MPH, SIR	Traction control tell-tale	111R/Exige, airbag, '06 MY	<b>A120N0003F</b>	1
01g	Instrument Pack, Km/h, SIR	Traction control tell-tale	111R/Exige, airbag, '06 MY	<b>A120N0004F</b>	1
02	Nut, M4, pack to brackets	Also see 14.10		<b>A075W3019F</b>	8
03	Washer, flat, M4	Also see 14.10		<b>A082W4099F</b>	4

**ELISE**

Function Code: 17.07, Page: 1

*2005/02 UPDATE ISSUED SEPTEMBER 2005*



**ELISE**  
17.11

# Service Parts List **ELISE**



## Function Code 17.11 Exterior Lamps, Except Headlamps

<u>Dep</u>	<u>Part Description</u>	<u>Remarks</u>	<u>Option</u>	<u>Part Number</u>	<u>Qty</u>
01	Driving Lamp, eleptical lens, 80mm wide	Crash structure mounted		A340M6005F	2
02	Bracket, driving lamp mounting to crash structure			A117M0074F	2
03	Screw, M6 x 20, hex. fig. hd., bracket to crash structure	Black finish		A082W5206Z	4
04	Washer, spring, M6, bracket to crash structure			A075W4035Z	4
05	Jacknut, M6, bracket to crash structure			A075W3031Z	4
06	Bracket, driving lamp to crash structure bracket			A117M0075F	2
07	Screw, M4 x 10, hex. hd., brkt. to crash structure brkt.			A100W1100F	4
08	Washer, shakeproof, M5, brkt. to crash structure brkt.			A075W4086F	4
09	Screw, M5 x 8, hex. hd., bracket to lamp			A117W1173F	4
10	Washer, spring, M5, bracket to lamp			A082W4097F	4
11	Grommet, driving lamp leads thro' body			A075U6043Z	2
12	Lamp, side repeater			A116M6002F	2
13	Lamp, inner, rear fog, reverse		Euro	A117M0012F	2
13a	Lamp, inner, stop/tail, reverse, stop,		USA/Canada	A082M6690F	2
13b	Lamp, inner, rear fog, reverse, LED		Euro, '06 MY	A120M0035F	2
13c	Lamp, inner, stop/tail, reverse, stop, LED		USA/Canada, '06 MY	A121M0029F	2
14	Lamp, outer, tail. turn, stop/tail		Euro	A117M0011F	2
14a	Lamp, outer, turn, turn/tail		USA/Canada	A082M6689F	2

**ELISE**

Function Code: 17.11, Page: 1

2005/02 UPDATE ISSUED SEPTEMBER 2005

**Function Code 17.11 Exterior Lamps, Except Headlamps**

<u>Dep</u>	<u>Part Description</u>	<u>Remarks</u>	<u>Option</u>	<u>Part Number</u>	<u>Qty</u>
14b	Lamp, outer, tail. turn, stop/tail, LED		Euro, '06 MY	A120M0034F	2
14c	Lamp, outer, turn, turn/tail, LED		USA/Canada, '06 MY	A121M0028F	2
15	Nyloc Nut, thin, lamp to body			A100W3113F	8
16	Washer, flat, M5 x 18 x 1.5 S/S, lamp to body			B075W4009Z	8
17	Bulb, 12v 21w, reverse			A340M6042S	1
18	Bulb, 12v 21w, direction indicator			A340M6042S	1
19	Lamp, license plate			A117M6028F	2
19a	Plinth, license plate lamp	Not illustrated	A117V0622F R/B	B117V0622F	2
20	Bulb, 12v 5w, license plate			A083M6292F	2
21	Lamp, CHMSL	Mounted above rear window		A116M0016F	1
21a	Lamp, CHMSL	Mounted on rear transom	Exige	A111M6006F	1
21b	Lamp, CHMSL/housing assembly, federal	Mounted above rear window	USA/Canada	B121M0013F	1
22	Housing, CHMSL			A117M0076F	1
23	Screw, M5 x 25, button hd.,black, housing to bulkhead			A082W5185F	2
24	Washer, flat, M6 x 18 x 1, housing to bulkhead			B082W4018F	2
25	Spacer Washer, neoprene, housing to bulkhead	Bonded pairs, + rawlnut item 26		A111U6055F	4
26	Rawlnut, M5, housing to bulkhead	Bonded to washers item 25		A075W6074F	2
27	Lamp, front direction indicator, LH			B117M0018F	1
27a	Lamp, front direction indicator, RH			B117M0017F	1
27b	'O' Ring, indicator lamp retention	Not illustrated	'06 MY	A121B6005F	2
28	Bulb, 12v 21w, amber, front dirction indicator			A111M6091S	2

**ELISE**

Function Code: 17.11, Page: 2

*2005/02 UPDATE ISSUED SEPTEMBER 2005*

---

**Function Code 17.11 Exterior Lamps, Except Headlamps**

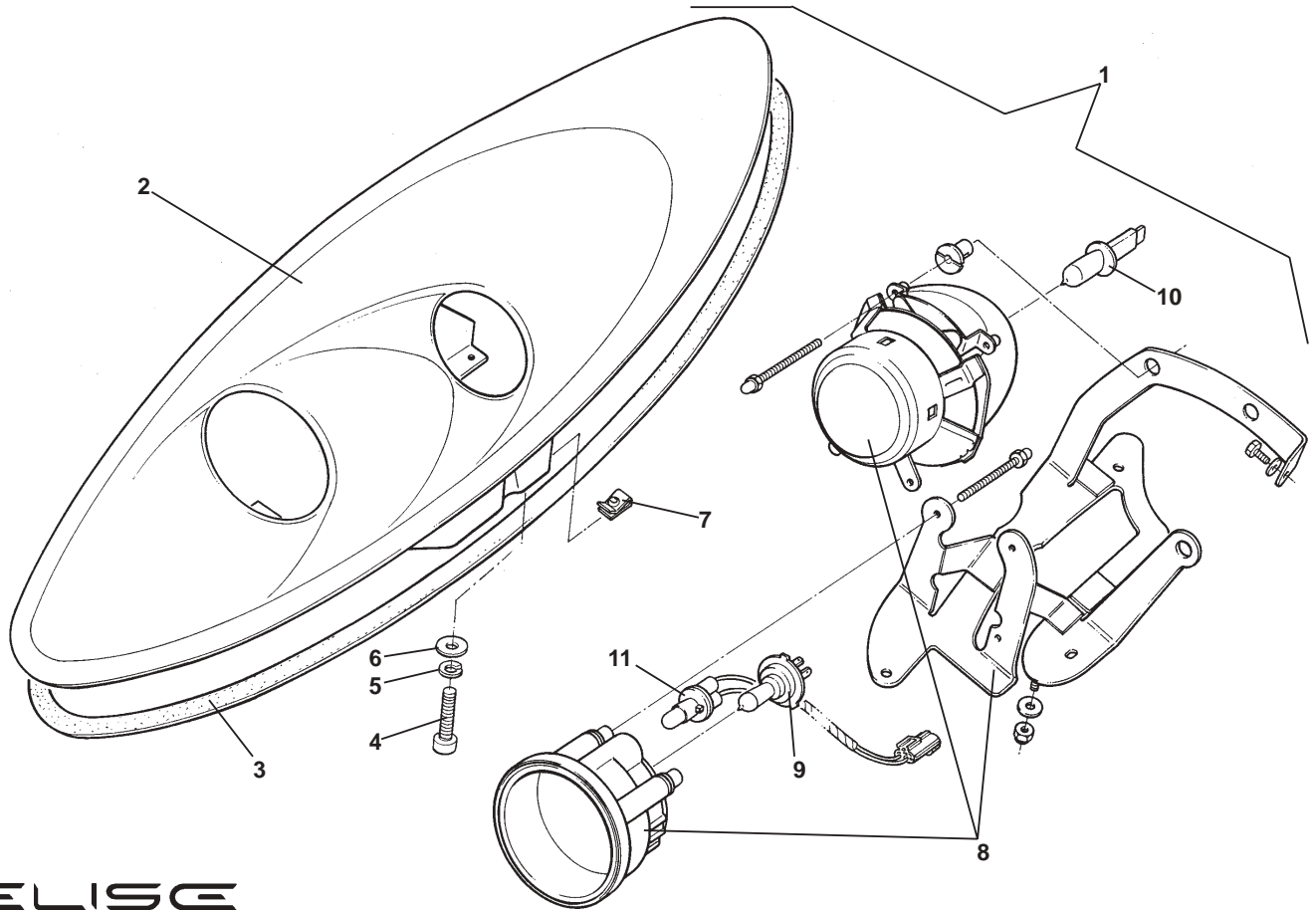
<u>Dep</u>	<u>Part Description</u>	<u>Remarks</u>	<u>Option</u>	<u>Part Number</u>	<u>Qty</u>
29	Seal, lamp to clamshell, LH			A117M0087F	1
29a	Seal, lamp to clamshell, RH			A117M0086F	1
30	Reflector			A120M6001F	2
31	Nut, self threading, reflector to plinth			A121W3185F	4
32	Plinth, reflector to grille, LH			B120B0097F	1
32a	Plinth, reflector to grille, RH			B120B0096F	1
33	Screw, self tap., No.6, flg. pozi, plinth to grille			A082W5022F	2
34	Lamp, side marker, front, LH		USA/Canada	A121M0009F	1
34a	Lamp, side marker, front, RH		USA/Canada	A121M0008F	1
35	Lamp, side marker, rear, LH		USA/Canada	A121M0011F	1
35a	Lamp, side marker, rear, RH		USA/Canada	A121M0010F	1
36	Plinth, side marker lamp, rear, LH		USA/Canada	A121B0043F	1
36a	Plinth, side marker lamp, rear, RH		USA/Canada	A121B0042F	1
37	Cover, sidemarker harness, rear, LH		USA/Canada	B121B0027F	1
37a	Cover, sidemarker harness, rear, RH		USA/Canada	B121B0028F	1
38	Nut, self threading, lamp to body		USA/Canada	A121W3185F	8

---

**ELISE**

Function Code: 17.11, Page: 3

*2005/02 UPDATE ISSUED SEPTEMBER 2005*



**ELISE**  
17.13

---

**Function Code 17.13 Headlamps**

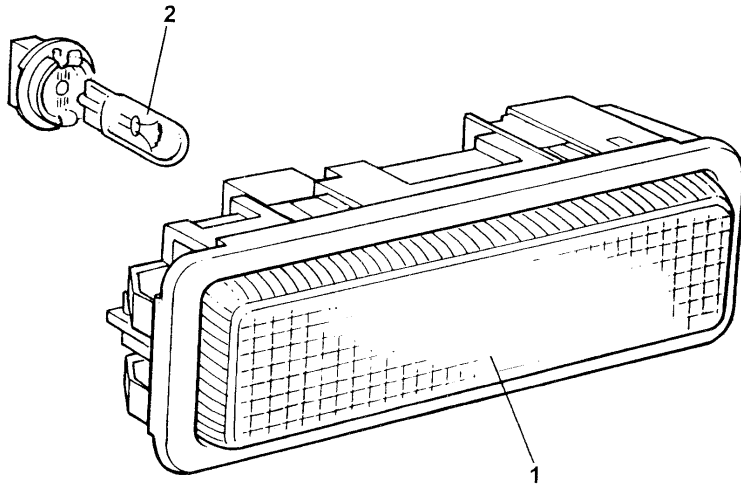
<u>Dep</u>	<u>Part Description</u>	<u>Remarks</u>	<u>Option</u>	<u>Part Number</u>	<u>Qty</u>
01	Headlamp Assembly, LH, RHD	Includes cover, lamps & bracket		A117M0014F	1
01a	Headlamp Assembly, RH, RHD	Includes cover, lamps & bracket		A117M0013F	1
01b	Headlamp Assembly, LH, LHD	Includes cover, lamps & bracket		A117M0016F	1
01c	Headlamp Assembly, RH, LHD	Includes cover, lamps & bracket		A117M0015F	1
02	Headlamp Cover, LH, RHD			A117M0097S	1
02a	Headlamp Cover, RH, RHD			A117M0096S	1
02b	Headlamp Cover, LH, LHD			A117M0099S	1
02c	Headlamp Cover, RH, LHD			A117M0098S	1
03	Seal, cover to clamshell			A117M0088F	2
04	Screw, M6 x 25, cap hd., cover to body			A111W7170F	6
05	Washer, spring, M6, cover to body			A075W4035Z	6
06	Washer, flat, M6 x 15, S/S, black, cover to body			A082W4133F	6
07	Spirenut, M6, cover to body			A117W3181F	6
08	Lamps & Bracket Assembly, LH, RHD			A117M0089S	1
08a	Lamps & Bracket Assembly, RH, RHD			A117M0090S	1
08b	Lamps & Bracket Assembly, LH, LHD			A117M0091S	1
08c	Lamps & Bracket Assembly, RH, LHD			A117M0092S	1
09	Bulb, main beam, 55w, H7				2
10	Bulb, dip beam, 55w, H1				2
11	Bulb, side/park, 5w, W5W				2

---

**ELISE**

Function Code: 17.13, Page: 1





**ELISE**  
17.17

---

# Service Parts List **ELISE**



---

## Function Code 17.17 Interior Lamps

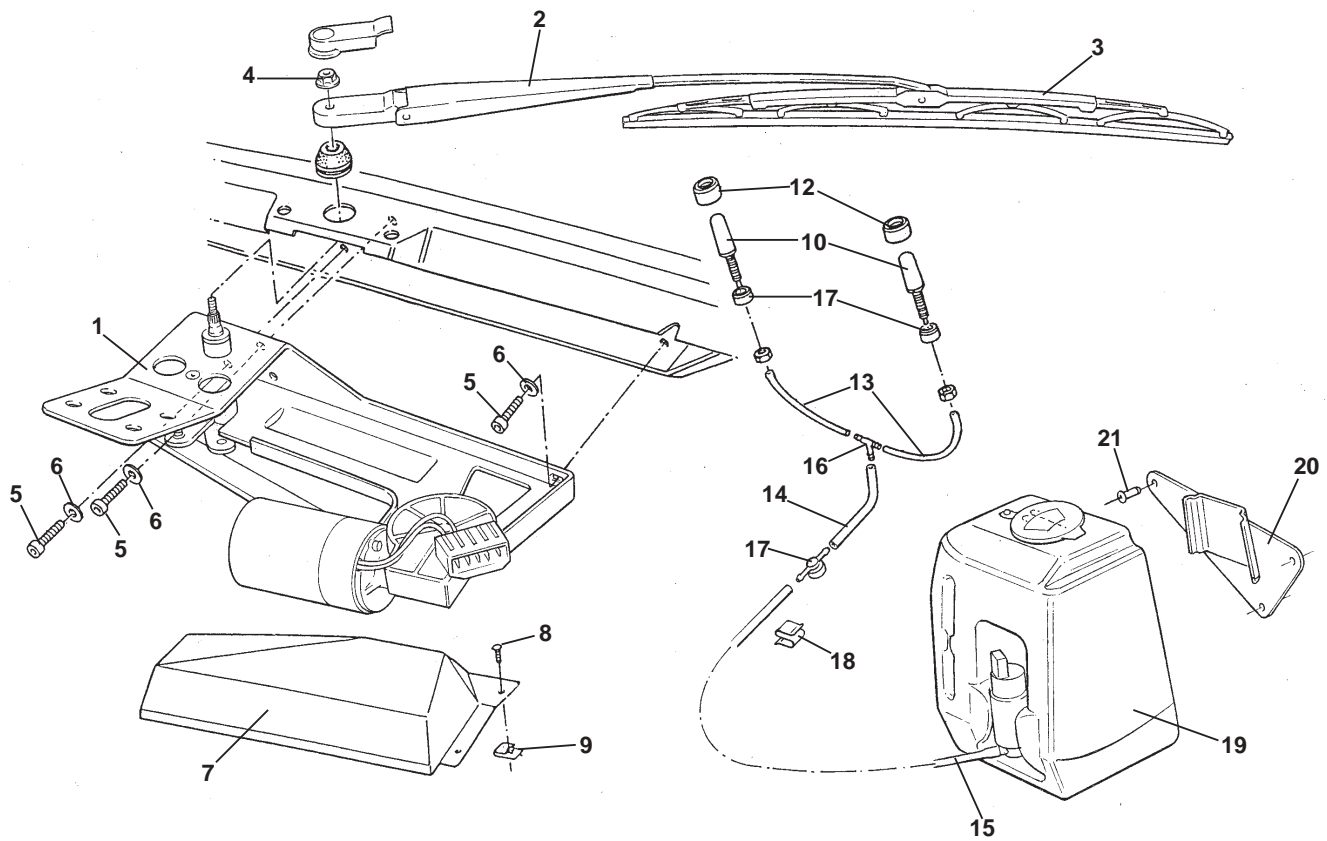
<u>Dep</u>	<u>Part Description</u>	<u>Remarks</u>	<u>Option</u>	<u>Part Number</u>	<u>Qty</u>
01	Interior Lamp			A082M6644F	1
02	Bulb, interior lamp, 5W				1

---

---

**ELISE**

Function Code: 17.17, Page: 1



# ELISE

17.21

**Function Code 17.21 Windscreen Wiper Motor, Wipers & Washers**

<u>Dep</u>	<u>Part Description</u>	<u>Remarks</u>	<u>Option</u>	<u>Part Number</u>	<u>Qty</u>
01	Wiper Drive Assembly, RHD			A117M0104F	1
01a	Wiper Drive Assembly, LHD			A117M0143F	1
02	Wiper Arm			A120M0005H	1
03	Wiper Blade			B120M0006H	1
03a	Wiper Arm/Blade Assembly	Use until blade available		B121B0057F	1
04	Flange Nut, M8 x 1.25, arm to spindle			A111W3154F	1
05	Screw, M8 x 20, cap hd., motor bracket to body			A111W7141F	3
06	Washer, M8, spring, motor bracket to body			A075W4036Z	3
07	Cover, wiper motor, RHD	Also fusebox mounting	Elise	B120B0134F	1
07a	Cover, wiper motor, LHD	Also fusebox mounting	Elise	B120B0133F	1
07b	Cover, wiper motor, RHD	Also fusebox mounting	Exige	B122U0010K	1
07c	Cover, wiper motor, LHD	Also fusebox mounting	Exige	B122U0011K	1
08	Screw, No.10 x ½", pozi., cover fix.			A075W5040Z	2
09	Spire Nut No. 8, cover, wiper motor fix.			A075W6016Z	2
10	Windscreen Washer Jet			A082M6369F	2
11	Spacer, washer jet			A111M6046K	2
12	Sleeve, washer jet	Bonded over jet & spacer		A111M0065F	1
13	Tube, 'T' piece to jet	Cut to fit		A116M0040V	As req.
14	Tube, non return vave to 'T' piece	Cut to fit		A116M0040V	As req.
15	Tube, bottle to non return valve	Cut to fit		A116M0040V	As req.
16	'T' piece, washer tubing			A111M6045K	1

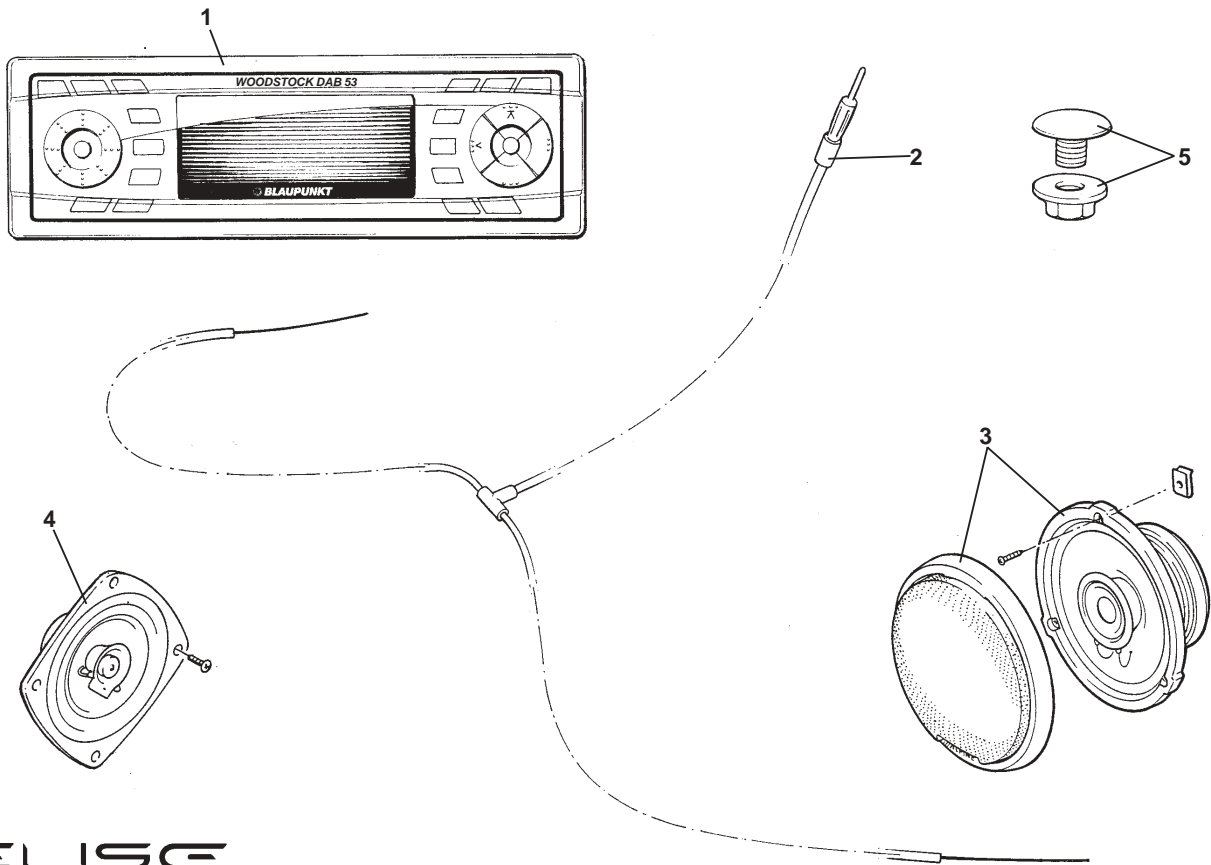
**ELISE**

Function Code: 17.21, Page: 1

---

**Function Code 17.21 Windscreen Wiper Motor, Wipers & Washers**

<u>Dep</u>	<u>Part Description</u>	<u>Remarks</u>	<u>Option</u>	<u>Part Number</u>	<u>Qty</u>
17	Valve, non return			A100M6062H	1
18	Clip, hose to wiper motor bracket			A079W6185F	1
19	Washer Bottle and Pump Assembly			A116M0039F	1
20	Bracket, washer bottle mounting			A117P0140F	1
21	Pop Rivet, bracket to boot bulkhead			A089W6297F	3

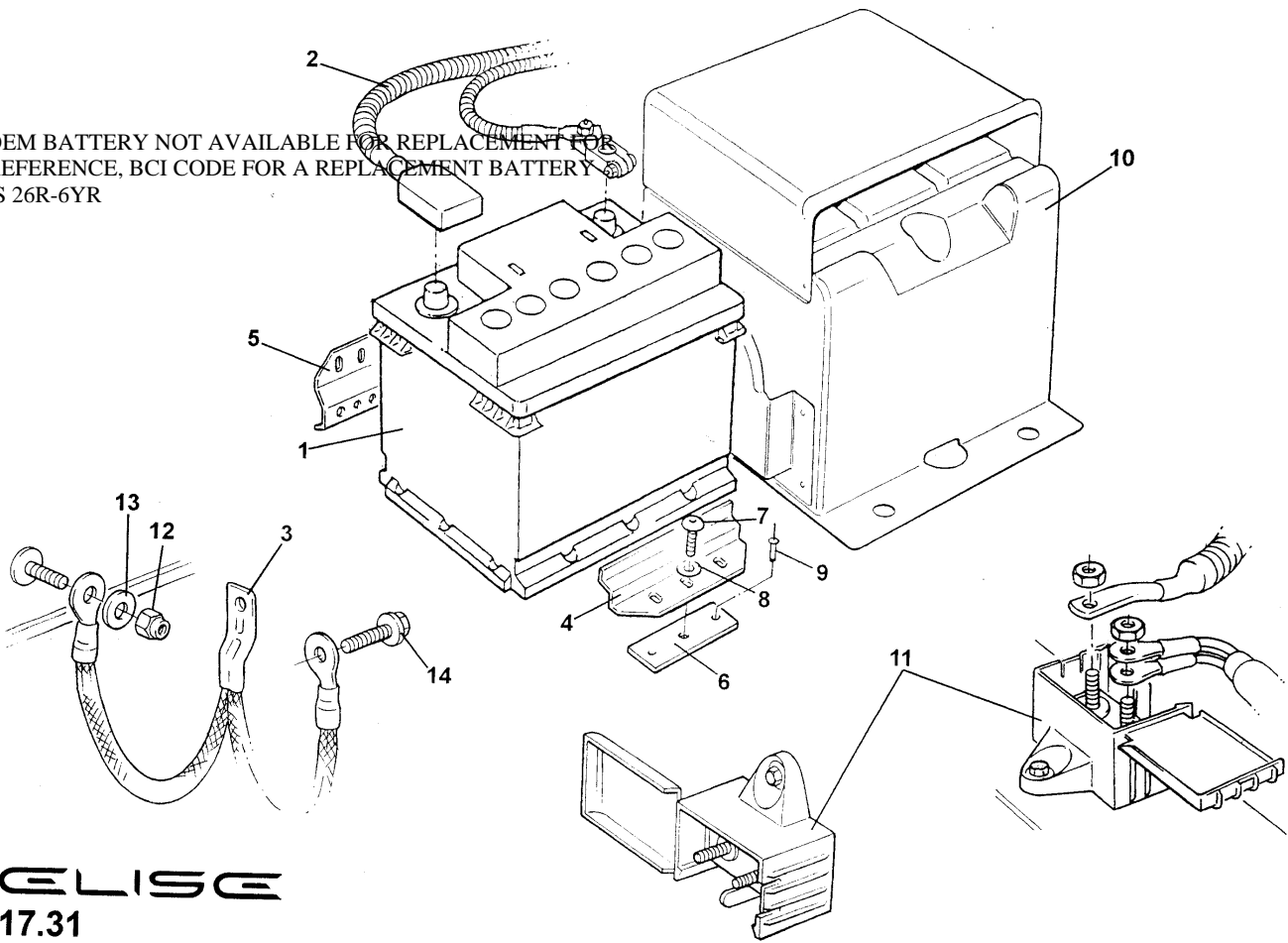


**ELISE**  
17.27

**Function Code 17.27 In Car Entertainment**

<u>Dep</u>	<u>Part Description</u>	<u>Remarks</u>	<u>Option</u>	<u>Part Number</u>	<u>Qty</u>
01	Radio/CD Player, Blaupunkt, DAB 54 Woodstock		A120M6004F R/B	A120M6014F	1
01a	Radio/CD Player, Blaupunkt, CD33 Lausanne			A120M6003F	1
01b	Radio/CD Player, Blaupunkt, BPV755			A120M6008F	1
01c	Radio/CD Player, Blaupunkt, CD34 Freiburg			A120M6011F	1
01d	Radio/CD Player, Blaupunkt, MP72 Los Angeles		USA/Canada	A121M6001F	1
01e	Radio/CD Player, Blaupunkt, CD34 Venice Beach		USA/Can. A121M6002F R/B	A121M6010F	1
01f	Radio/CD Player, Bosch Apacpulco MP54 US		USA/Canada	A120M6013F	1
02	Antenna, di pole, analogue			A120M0018F	1
02a	Antenna, di pole, DAB			A120M0021F	1
03	Speaker Kit, rear, Blaupunkt GTX542			A120M6006F	1
03a	Speaker Kit, rear, Bosch Bgx 542			A120M6015F	1
04	Speaker Kit, front, Bosch Odx 102		A120M6012F R/B	A120M6016F	1
04a	Grilles, front speakers	Not illustrated	USA/Canada	A121M6008F	1
05	Blanking Plug, engine cover unused aerial hole			A117U6010F	1
06	Co-axial Cable, antenna, analogue	Not illustrated		A120M0019F	1
06a	Co-axial Cable, antenna, DAB	Not illustrated		A120M0022F	1
07	Tape, 3M Superbound 396, antenna to clamshell	Not illus. sold per roll (32M)		A120M6007F	As req.

OEM BATTERY NOT AVAILABLE FOR REPLACEMENT FOR  
REFERENCE, BCI CODE FOR A REPLACEMENT BATTERY  
IS 26R-6YR



**ELISE**  
17.31



---

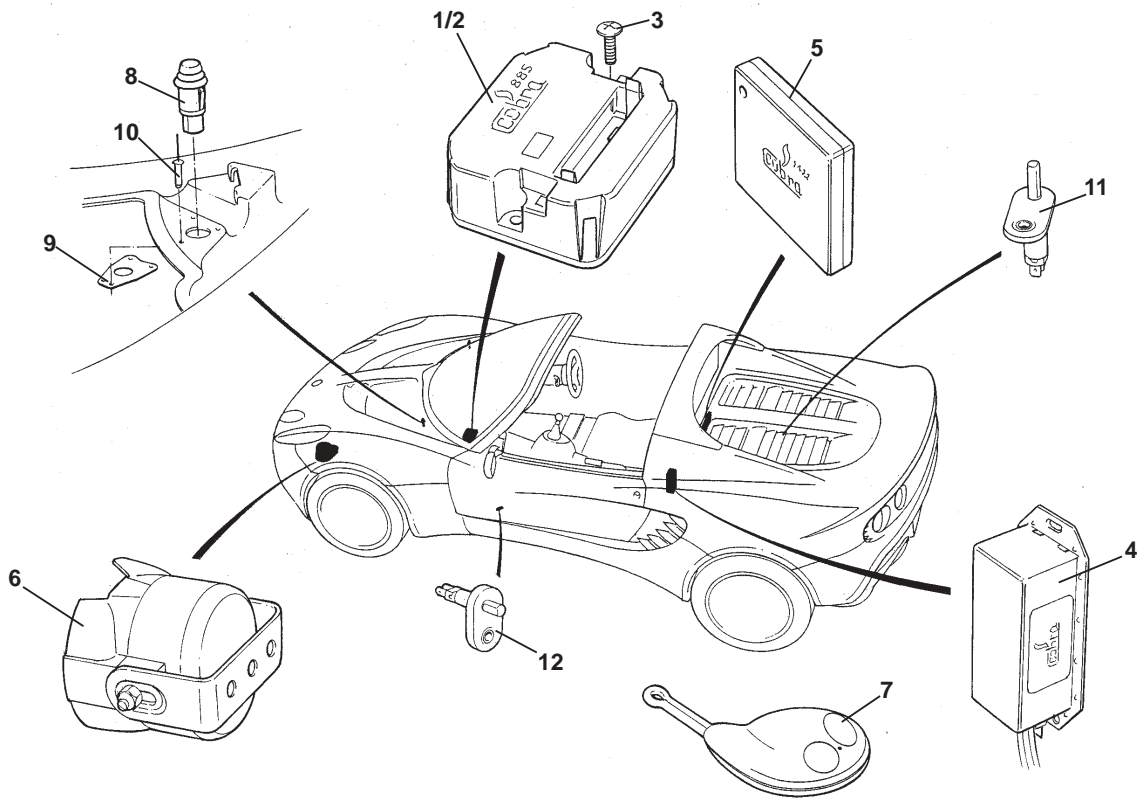
**Function Code 17.31 Battery, Clamps, & Cables**

<u>Dep</u>	<u>Part Description</u>	<u>Remarks</u>	<u>Option</u>	<u>Part Number</u>	<u>Qty</u>
01	Battery			A116M6014F	1
02	Harness, battery, +VE & -VE			B120M0007F	1
03	Earth Braid, chassis to engine/tranmission assy.			A120M0008F	1
04	Retaining Clamp, inboard			A120M0014F	1
05	Retaining Clamp, outboard			A120M0015F	1
06	Nutplate, retaining clamps			A120M0016F	2
07	Screw, M8, skt. button hd., clamp fix.			A075W7022F	1
08	Washer, flat, M8 x 16.6 x 1.4, clamp fix.			A075W4020Z	1
09	Pop Rivet, nutplate to boot floor			A111W6614F	4
10	Battery Cover/Handbook Holder			A120U0033J	1
11	Binding Post Assembly	Skuttle & electrics mounting plate		A340M6007F	2
12	Nyloc Nut, M8	Front & rear earth points		A075W3010Z	2
13	Washer, flat, M8 x 16.6 x 1.4			A075W4020Z	2
14	Screw, M8, flg. hd., braid to transmission casing				1
15	Cable, starter and alternator	Not illustrated		B120M0009F	1
16	Battery Lead, -VE	Not illustrated	Exige	A122M0007F	1
17	Battery Lead, +VE	Not illustrated	Exige	A122M0006F	1
18	Bracket, battery post	Not illustrated	Exige	A122B0147F	1
19	Shim, battery post bracket	Not illustrated	Exige	A122B0148F	1
20	Rubber Mat, battery	Not illustrated		A120M0024F	1

---

**ELISE**

Function Code: 17.31, Page: 1



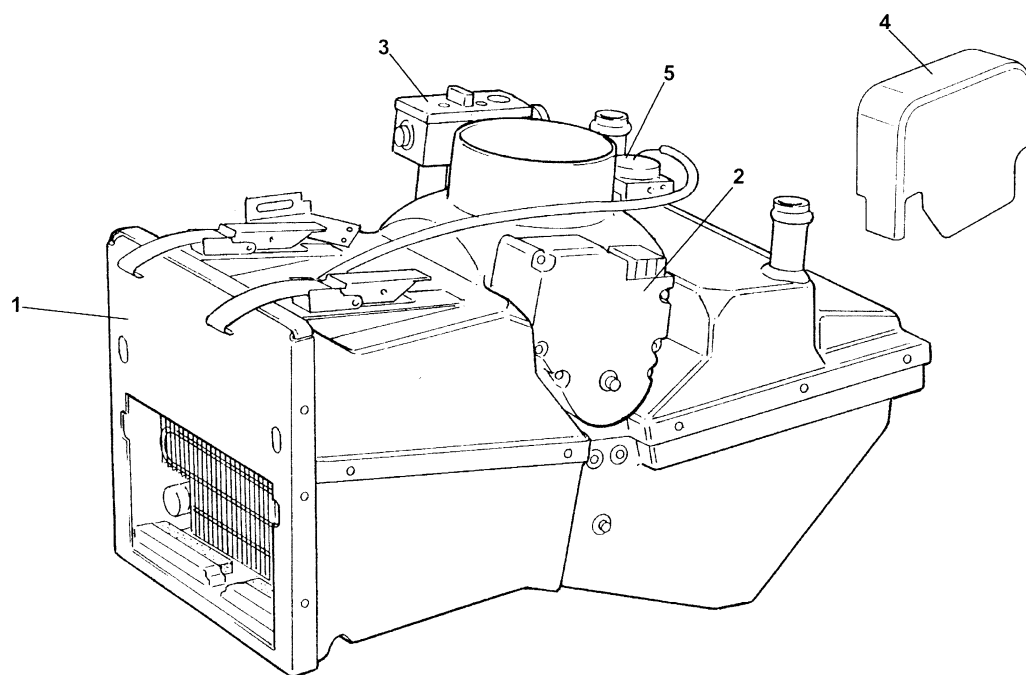
# ELISE

17.33

---

**Function Code 17.33 Security Alarm System**

<u>Dep</u>	<u>Part Description</u>	<u>Remarks</u>	<u>Option</u>	<u>Part Number</u>	<u>Qty</u>
01	Cobra Alarm Kit, 8186	Comprises: controller, immobiliser, keys, plus items 5/ 6	A117M6063F R/B	<b>B117M6063F</b>	1
02	Controller, 8186 system	Programmed for siren & microwave sensor		<b>A117M6049S</b>	1
03	Screw, No.8 x 3/8", pan hd. pozi. controller to chassis			<b>A075W5031F</b>	2
04	Immobiliser			<b>A117M6050S</b>	1
05	Microwave Sensor			<b>A117M6048S</b>	1
06	Siren Assembly	Incl. bracket, fixings & item 6a		<b>A117M6047S</b>	1
06a	Bracket/Shield, siren	Not illustrated, incl. in item 6		<b>A117M6091S</b>	1
06b	Bracket, siren mounting	Not illus., also see 46.03		<b>A120K0018F</b>	1
07	Transmitter Key			<b>A111M6100S</b>	2
08	Microswitch, alarm activation, front access covers			<b>A111M6037F</b>	3
09	Bracket, front microswitch mounting			<b>A120B0127F</b>	2
10	Pop rivet, domed, black, brackets to clamshell			<b>A082W6512F</b>	6
11	Microswitch, alarm activation, engine cover	Located in striker/lift assembly		<b>A111B6035F</b>	1
12	Microswitch, alarm activation, doors	Also for courtesy lamp		<b>A111M6035F</b>	2
13	Cover Assembly, alarm module	Not illustrated		<b>A117M0148J</b>	1

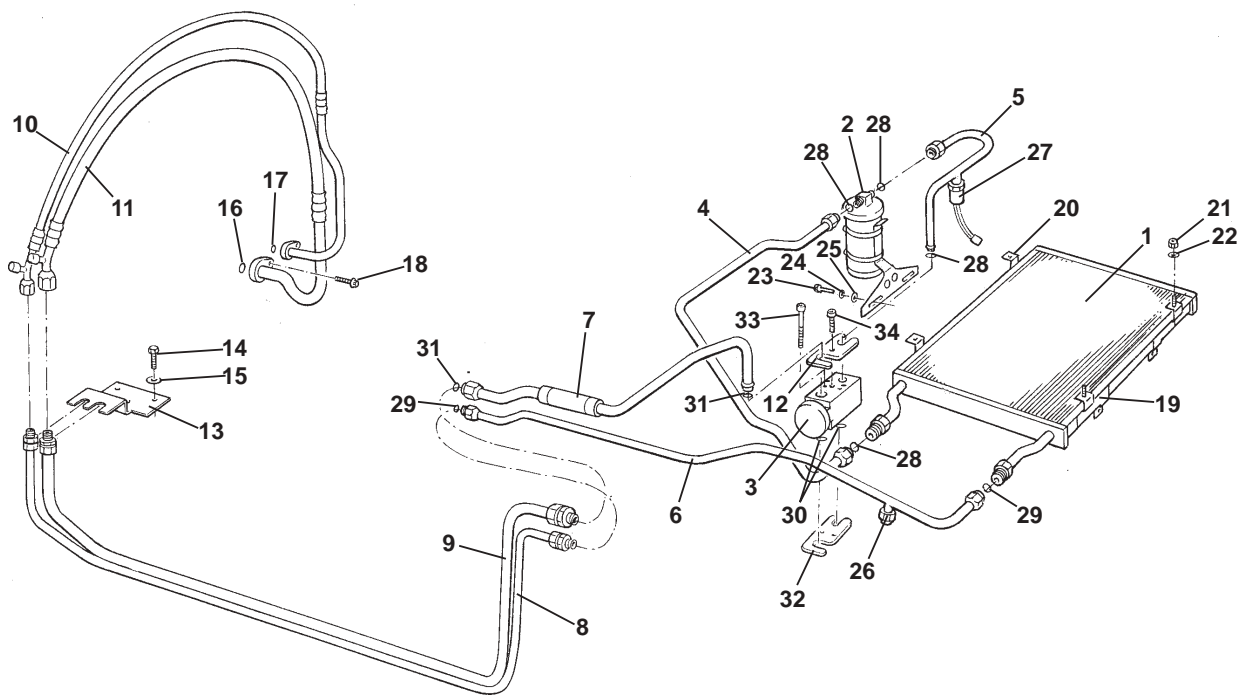


**ELISE**  
18.01

---

**Function Code 18.01 Heater/ Air Conditioning Assemblies, Housings**

<u>Dep</u>	<u>Part Description</u>	<u>Remarks</u>	<u>Option</u>	<u>Part Number</u>	<u>Qty</u>
01	Heater/AC Housing Assembly		AC cars	A117P0029F	1
01a	Heater Housing Assembly		heater cars	A117P0124F	1
02	Actuator, heater/AC flaps			A117M6052S	1
03	Expansion Valve	Also see 18.03		A117P0122S	1
04	Cover, actuator			A117P0158K	1
05	Thermostat Unit	Includes thermistor		A120P6004S	1
06	Drive Belt, heater flap	Not illustrated		A117P6001S	1
07	Screw, M6 x 20, hex. flg. hd., AC/htr. assy. to chassis	Not illustrated		A117W2203F	2



**ELISE**  
18.03

# Service Parts List **ELISE**



## Function Code 18.03 AC Components, Pipes, Hoses

<u>Dep</u>	<u>Part Description</u>	<u>Remarks</u>	<u>Option</u>	<u>Part Number</u>	<u>Qty</u>
01	Condenser			A117P0042H	1
02	Reciever Drier/Bracket Assembly, LHD			A117P0060F	1
02a	Reciever Drier/Bracket Assembly, RHD			A117P0058F	1
03	Expansion Valve			A117P0122S	1
04	Refrigerant Pipe, reciever drier to condenser, LHD			A120P0007F	1
04a	Refrigerant Pipe, reciever drier to condenser, RHD			A120P0006F	1
05	Refrigerant Pipe, reciever drier to expansion valve, LHD			A120P0005F	1
05a	Refrigerant Pipe, reciever drier to expansion valve, RHD			A117P0049F	1
06	Refrigerant Pipe, condenser to sill connection			A117P0051F	1
07	Refrigerant Pipe, expansion valve to sill connection, LHD			A120P0009F	1
07a	Refrigerant Pipe, expansion valve to sill connection, RHD			A120P0008F	1
08	Refrigerant Pipe, high pressure, rear to front connections			A117P0138F	1
09	Refrigerant Pipe, suction line, rear to front connections			A117P0139F	1
10	Pipe/Hose Assembly, compressor discharge			B120P0003F	1
11	Pipe/Hose Assembly, compressor suction			B120P0001F	1
12	Clamp Plate, pipes to expansion valve			A082P4402F	1
13	Bracket, pipes to chassis RH rear			A120P0010F	1
14	Screw, hex. hd., plate to chassis				3

**ELISE**

Function Code: 18.03, Page: 1

2005/02 UPDATE ISSUED SEPTEMBER 2005

---

**Function Code 18.03 AC Components, Pipes, Hoses**

<u>Dep</u>	<u>Part Description</u>	<u>Remarks</u>	<u>Option</u>	<u>Part Number</u>	<u>Qty</u>
15	Washer, flat, plate to chassis				3
16	'O' Ring, compressor to suction line			A120P6002H	1
17	'O' Ring, compressor to discharge line			A120P6001H	1
18	Screw, flg. hd., pipes to compressor				2
19	Bracket, condenser to radiator, front			A117P0098H	1
20	Bracket, condenser to radiator, rear			A117P0099H	1
21	Nyloc Nut, M6, condenser to radiator front			A075W3009F	2
22	Washer, flat, M6, condenser to radiator front			A075W4013Z	2
23	Screw, M6 x 16, hex. hd., bracket to chassis			A075W1028Z	2
24	Washer, spring, M6, bracket to chassis			A075W4035Z	2
25	Washer, flat, M6 x 12.1 x 1.4, bracket to chassis			A075W4013Z	2
26	Pressure Relief Valve			A111P6030H	1
27	Trianary Switch			A117P0059F	1
28	'O; Ring, No. 6, pipe joints			A082P6078F	4
29	'O; Ring, No, 8, pipe joints			A082P6079F	2
30	'O' Ring, No 10, expansion valve to evaporator			A082P6080F	2
31	'O; Ring, No.12, pipe joints			A082P6081F	2
32	Clamp Plate, valve to evaporator			A082P4401F	1
33	Screw, M5 x 40, cap hd. skt., valve to clamp			A100W7081F	2
34	Screw, M6 x 16, cap hd. skt., clamp to valve			A075W7017F	1

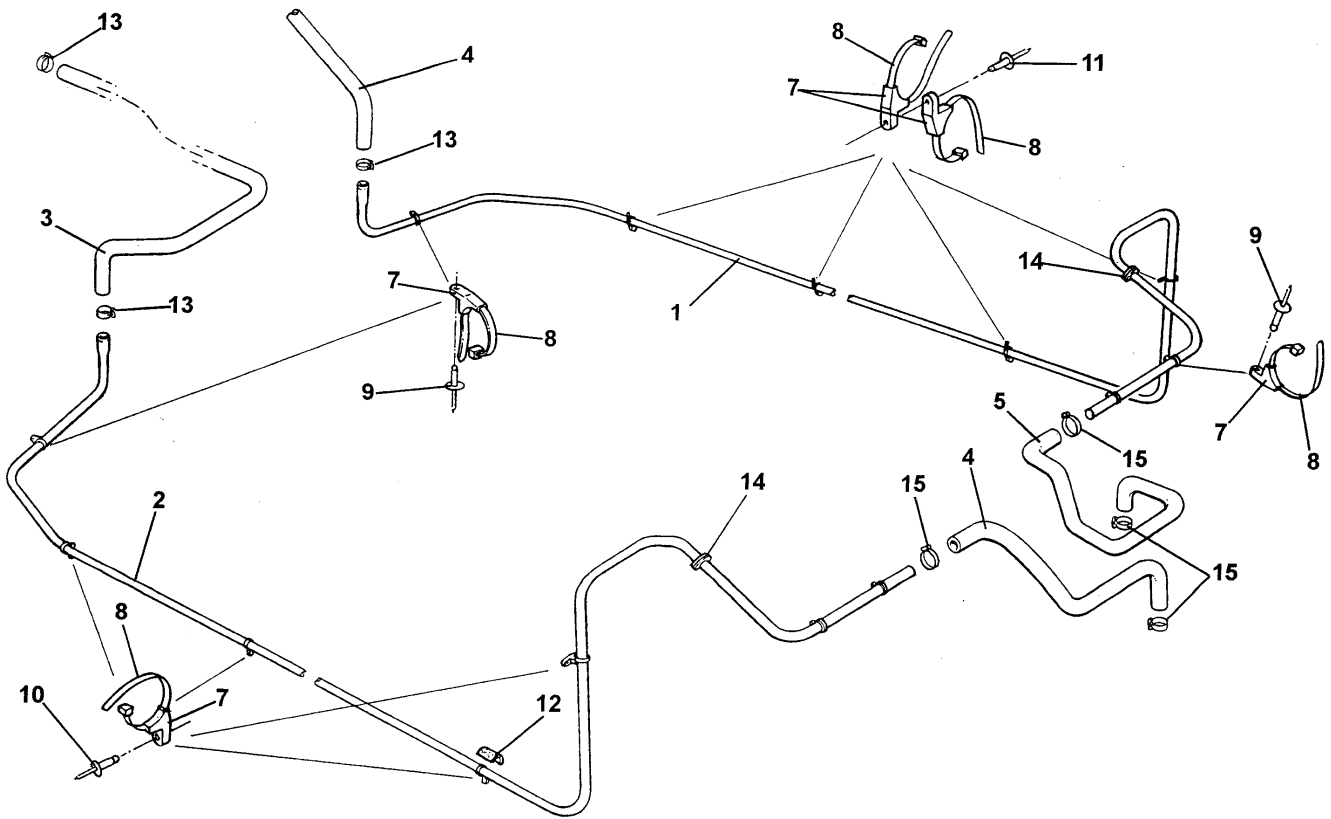
---

**ELISE**

Function Code: 18.03, Page: 2

*2005/02 UPDATE ISSUED SEPTEMBER 2005*



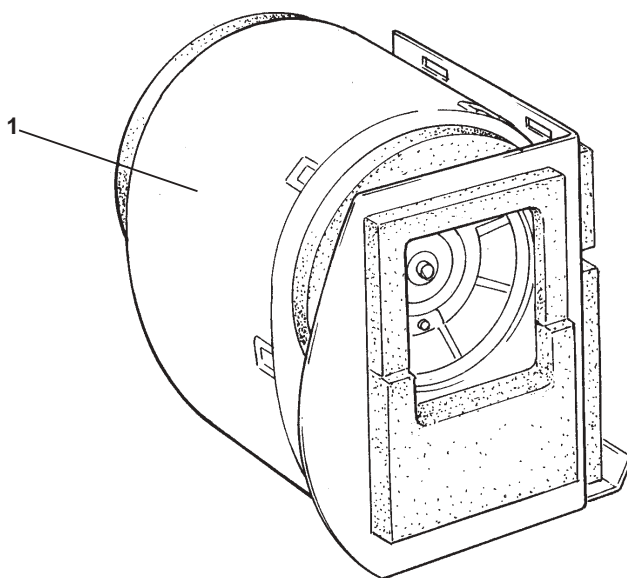


**ELISE**  
**18.05**

---

**Function Code 18.05 Heater, Pipes, Hoses**

<u>Dep</u>	<u>Part Description</u>	<u>Remarks</u>	<u>Option</u>	<u>Part Number</u>	<u>Qty</u>
01	Pipe, heater feed			B116K0022F	1
02	Pipe, heater return			B116K0020F	1
03	Hose, re-circ pump to feed pipe			B120K0003F	1
04	Hose Assembly, return pipe to engine	Also see 46.01, includes bleed		D120K0004F	1
05	Hose, heater inlet, RHD			A117P0024F	1
05a	Hose, heater inlet, LHD			A117P0123F	1
06	Hose, heater outlet, RHD			A117P0022F	1
06a	Hose, heater outlet, LHD			A117P0021F	1
07	Saddle Clip, cable tie, pipes to chassis			A082W6324F	14
08	Cable Tie, pipes retention			A075W6038F	14
09	Blind Rivet, saddle clamp to chassis			A085W6259F	6
10	Blind Rivet, saddle clamp to chassis			A111W6613F	6
11	Blind Rivet, saddle clamps to chassis			A111W6614F	4
12	Foam Strip, self adhesive, pipe protection			A082U6067F	As req.
13	Hose Clamp, 41mm, hoses to pipes/spigots			A116K6016F	4
14	Grommet, pipes through baffle			A111P0003K	2
15	Hose Clip, hoses to pipes/heater spigots			A079K6019Z	4
16	Clip, cable tie, front pipes securing			A120W6779F	2

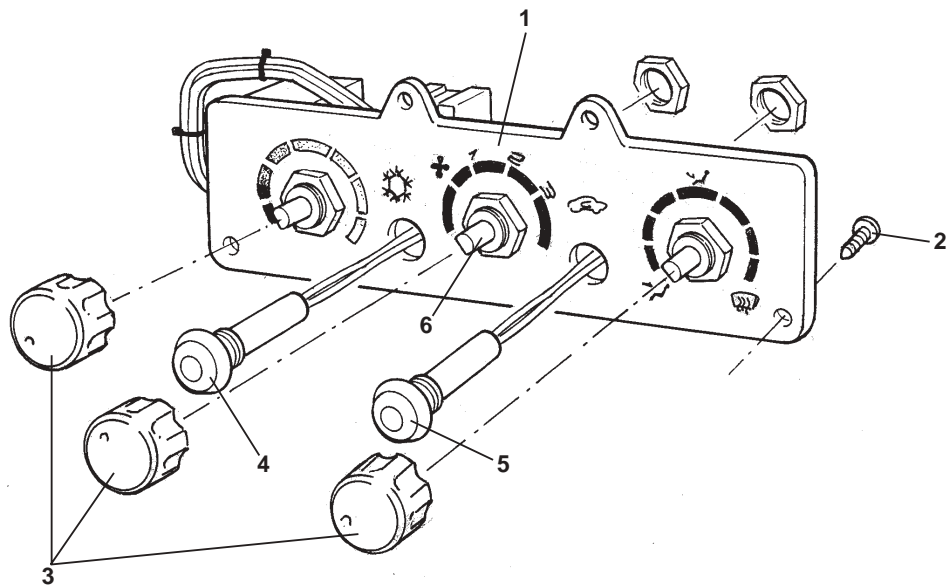


**ELISE**  
18.07a

---

**Function Code 18.07a AC/Heater Interior Blower Motor**

<u>Dep</u>	<u>Part Description</u>	<u>Remarks</u>	<u>Option</u>	<u>Part Number</u>	<u>Qty</u>
01	Blower & Motor Assembly, RHD			A117P0025F	1
01a	Blower & Motor Assembly, LHD			A117P0026F	1
02	Resistor, blower motor	Not illustrated		A117P6000S	1

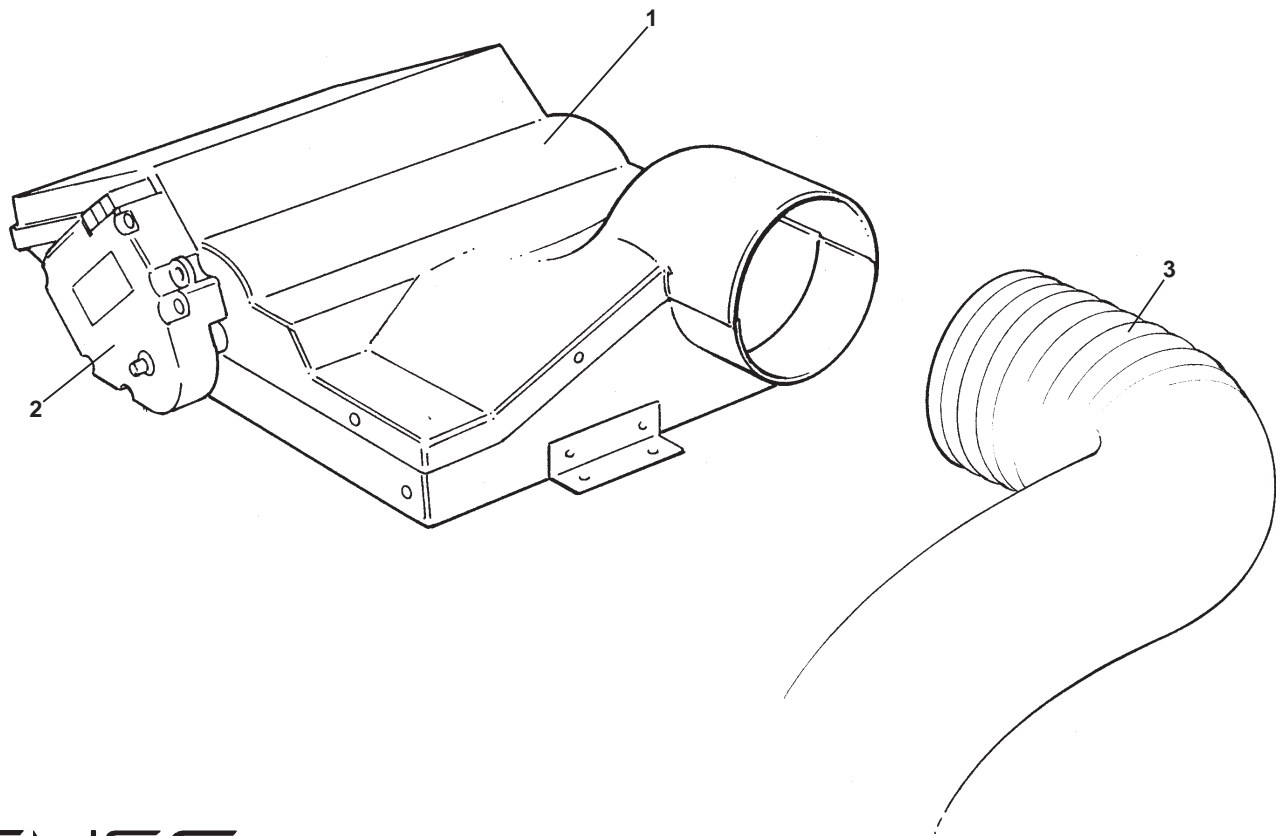


**ELISE**  
18.09a

---

**Function Code 18.09a AC/Heater Driver Operated Controls**

<u>Dep</u>	<u>Part Description</u>	<u>Remarks</u>	<u>Option</u>	<u>Part Number</u>	<u>Qty</u>
01	Switch Panel Assembly, AC, RHD	Incl. temp, fan & dist. Switches	AC cars	<b>A117P0147F</b>	1
01a	Switch Panel Assembly, AC, LHD	Incl. temp, fan & dist. Switches	AC cars	<b>A117P0146F</b>	1
01b	Switch Panel Assembly, heater, RHD	Incl. temp, fan & dist. Switches	Heater cars	<b>A117P0149F</b>	1
01c	Switch Panel Assembly, heater, LHD	Incl. temp, fan & dist. Switches	Heater cars	<b>A117P0148F</b>	1
02	Screw, Ejoyt 1452K 50 x 18, black, panel fix.		A082W5187F R/B	<b>A117W5277F</b>	4
03	Knob, brushed/polished, climate controls			<b>B117U0036F</b>	3
03a	Knob, polished, climate controls			<b>A117U0201F</b>	3
04	Switch, AC, blue tell-tale			<b>A117M0026F</b>	1
05	Switch, Recirculation, blue tell-tale			<b>A117M0026F</b>	1
06	Switch, 3 speed fan			<b>A117M6053S</b>	1



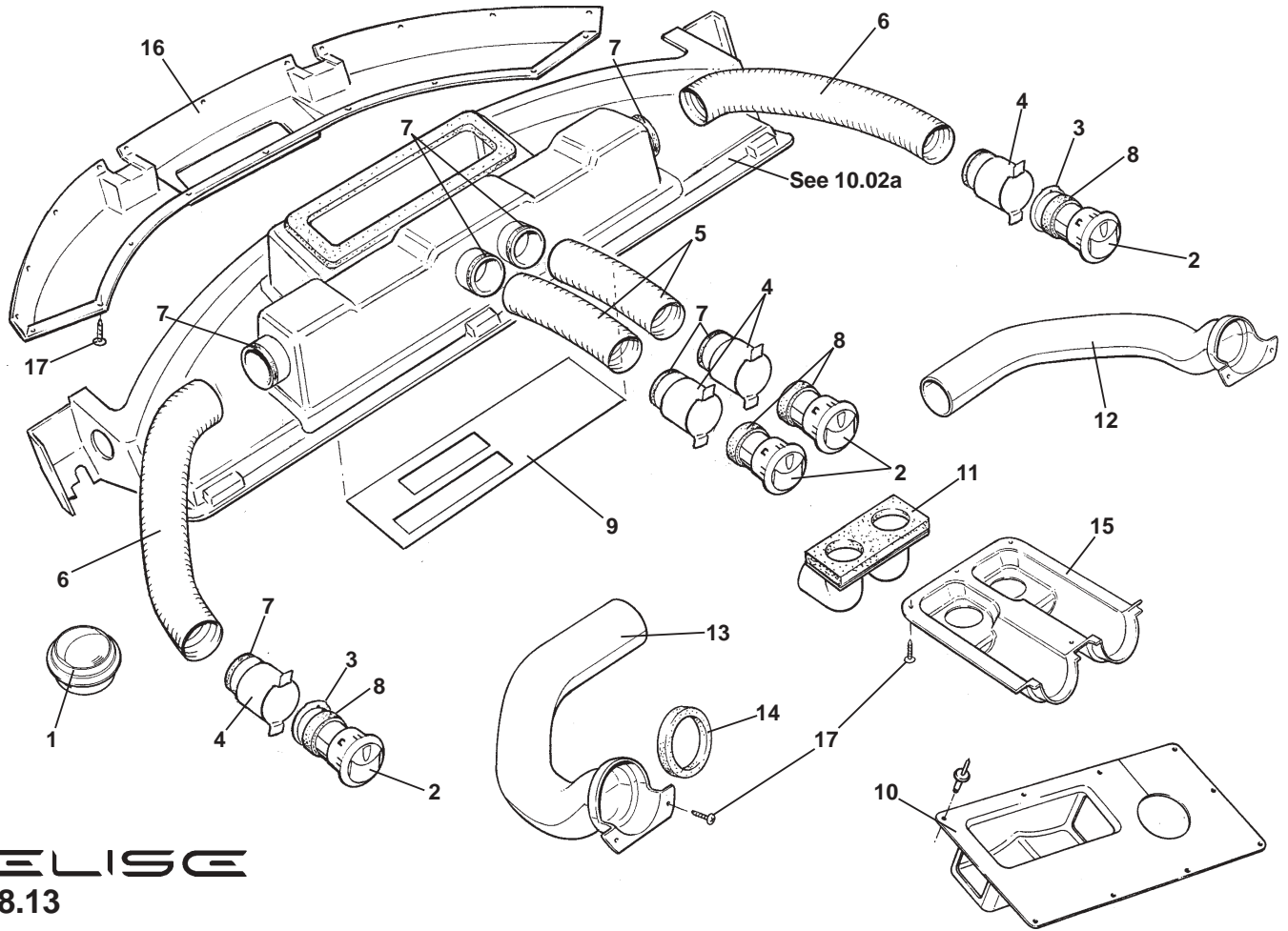
**ELISE**  
18.12

---

**Function Code 18.12 AC/Heater Air Distribution Plenum**

<u>Dep</u>	<u>Part Description</u>	<u>Remarks</u>	<u>Option</u>	<u>Part Number</u>	<u>Qty</u>
01	Air Distribution Plenum, LHD			A117P0041F	1
01a	Air Distribution Plenum, RHD			A117P0042F	1
02	Actuator, distribution flaps			A117M6052S	1
03	Hose, heater to plenum			A117P0156F	1

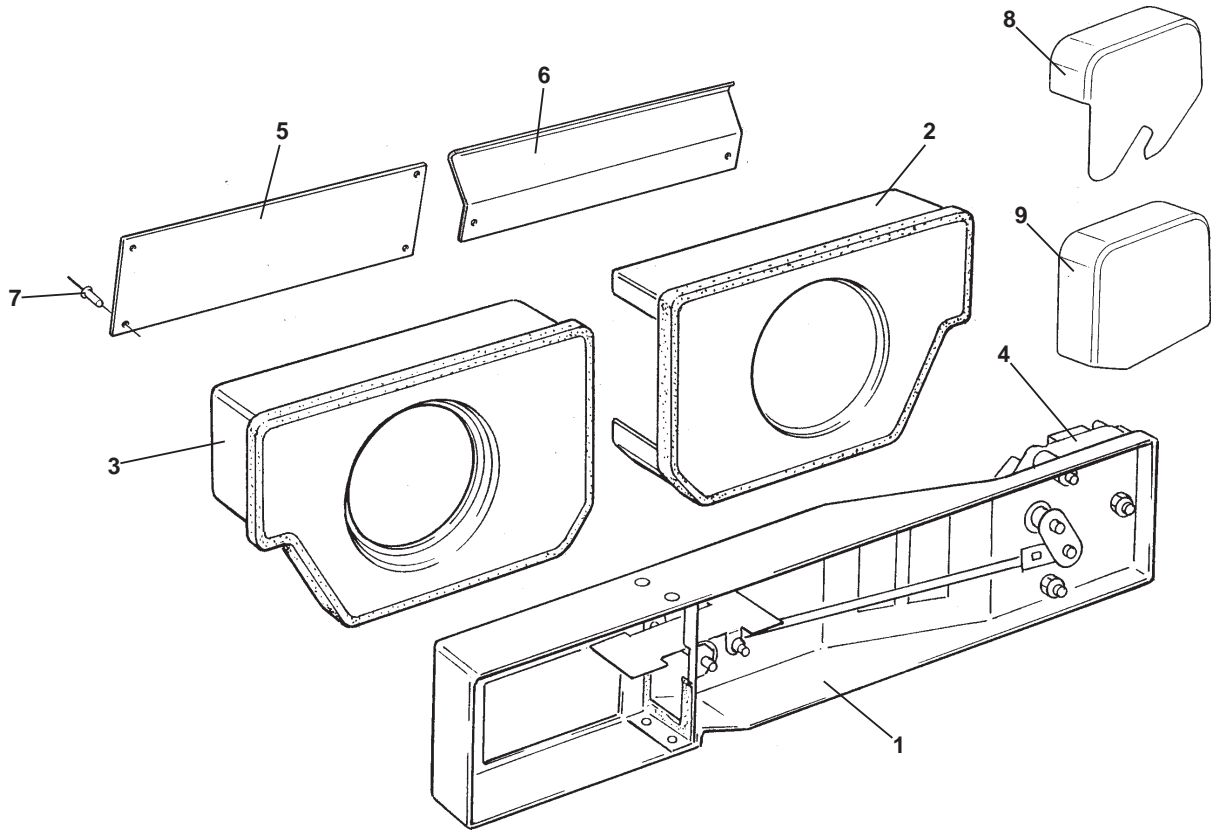




---

**Function Code 18.13 Air Trunking, Ducts & Ventilators**

<u>Dep</u>	<u>Part Description</u>	<u>Remarks</u>	<u>Option</u>	<u>Part Number</u>	<u>Qty</u>
01	Fascia Top Ventilator/Demister			A117U0035F	4
02	Face Level Vent			A117U6003F	4
03	Retaining Ring, FLV			A117P0086F	2
04	Adaptor, vent to trunking			A117P0063F	4
05	Trunking, centre face level vents			A117P0068F	2
06	Trunking, outer face level vents			A117P0069F	2
07	Foam Seal, self adhesive, 19 x 3mm, adaptors to trunking			A082U6067F	1.28m
08	Foam Seal, self adhesive, 10 x 6mm, FLV to adaptor			A100B0431V	0.8m
09	Blanking Panel, FVL plenum, LHD/RHD	Bond to plenum to make LHD or RHD assembly		A117P0084K	1
10	Deflector, footwell, RHD			A120U0026F	1
10a	Deflector, footwell, LHD			A120U0027F	1
11	Duct, intermediate, FLV centre	Includes foam gaskets	USA/Canada	A121U0029F	1
12	Duct, side FLV, RH		USA/Canada	A121U0028F	1
13	Duct, side FLV, LH		USA/Canada	A121U0027F	1
14	Gasket, FLV		USA/Canada	A121V0006H	4
15	Duct, FLV centre		USA/Canada	B121P0002H	1
16	Duct, air distribution, demist	P/O fascia top panel assy.	USA/Canada	A121P0001H	1
17	Screw, self tap., No.10 x 3/4", ducts to panels		USA/Canada	A075W5040Z	28

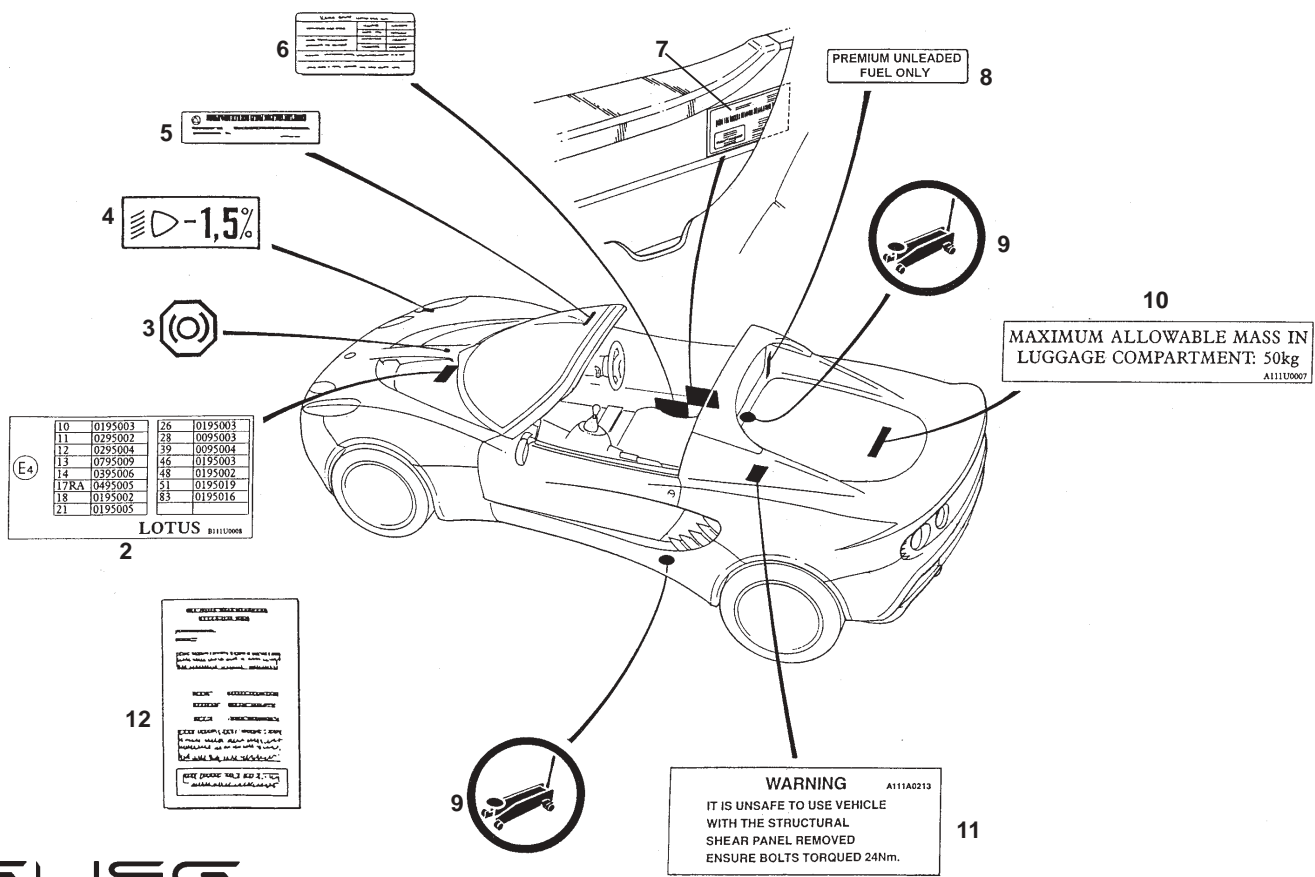


**ELISE**  
18.14

---

**Function Code 18.14 AC Air Recirculation System**

<u>Dep</u>	<u>Part Description</u>	<u>Remarks</u>	<u>Option</u>	<u>Part Number</u>	<u>Qty</u>
01	Intake Duct/Fresh Air Flap Assembly, LHD		AC cars	A117P0089F	1
01a	Intake Duct/Fresh Air Flap Assembly, RHD		AC cars	A117P0088F	1
01b	Intake Duct, heater, LHD		Heater cars	A117P0134F	1
01c	Intake Duct, heater, RHD		Heater cars	A117P0135F	1
02	Recirc. Air Plenum, LH, RHD	Without aperture	AC cars	A120P0011F	1
02a	Recirc. Air Plenum, LH, LHD	With aperture	AC cars	B117P0037F	1
03	Recirc. Air Plenum, RH, RHD	With aperture	AC cars	B117P0036F	1
03a	Recirc. Air Plenum, RH, LHD	Without aperture	AC cars	A120P0012F	1
04	Actuator, fresh air flap		AC cars	A117M6052S	1
05	Blanking Panel, alloy	Driver footwell	AC cars	A117P0123F	1
06	Deflector Panel, alloy	Passenger footwell	AC cars	A117P0126F	1
07	Pop Rivet, panels to chassis		AC cars	A111W6603F	6
08	Cover, actuator, RHD		AC cars	A117P0159K	1
09	Cover, actuator, LHD		AC cars	A117P0160K	1



# ELISE

## 19.01

**Function Code 19.01 Labels,Certificates, Literature etc.**

<u>Dep</u>	<u>Part Description</u>	<u>Remarks</u>	<u>Option</u>	<u>Part Number</u>	<u>Qty</u>
01	Certificate of Conformity	Contact Lotus Type Approval	All models/markets	Not listed	1
02	Label, 'E' mark		Europe	A120U0018F	1
03	Label, brake fluid warning			A082U7623F	1
04	Label, headlamp levelling, 1.5%	Beneath headlamp covers	Europe	B082U7039F	2
05	Label, VIN number, windscreen		USA/Canada	A121U0121F	1
06	Label, tyre loading		Elise, Australia	D117U0273F	1
06a	Label, tyre loading		Exige, Australia	B120B0117F	1
07	Label, VIN	Special order only		C111U0005K	1
08	Label, premium unleaded fuel			A082U7800F	1
09	Label, jacking point			A111U0239F	2
10	Label, luggage loading		A111U0007F R/B	B111U0007F	1
11	Label, shear panel warning			A111A0213F	2
12	Label, fuel consumption		Australia	A120U0042F	1
13	Label, hard top instruction directive	Not illus. on hard top inner		A116V0185F	1
14	Label, tyre placard	Not illustrated	USA/Canada	A121U0008F	1
15	Label, engine data	Not illustrated	Australia	A120U0038F	1
16	Label, tyre and loading information	Not illus., on LH 'B' post	USA/Canada	B121U0007F	1
16a	Label, tyre and loading information, Yokohama A048	Not illustrated	USA/Canada	A121U0136F	1
17	Label, certification	Not illus., on RH 'B' post	USA/Canada	A121U0006F	1
18	Label, water ingress	Not illus., on RH cantrail	UK version	B120U0032F	1
18a	Label, water ingress	Not illus., on LH cantrail	USA version	A121U0054F	1

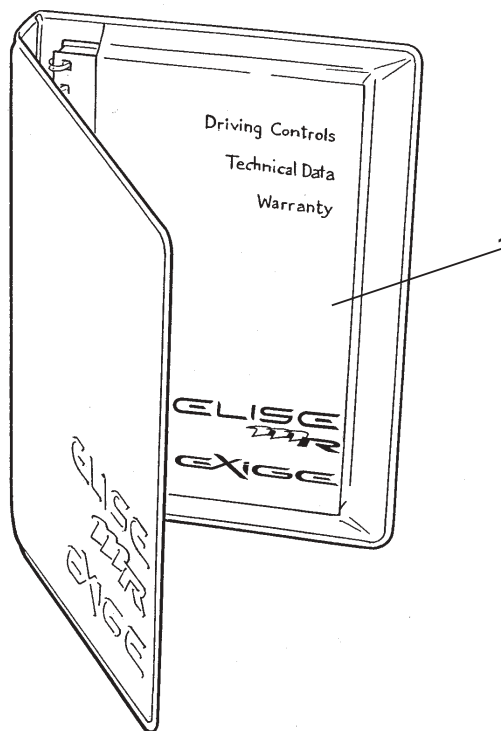
**ELISE**

Function Code: 19.01, Page: 1

---

**Function Code 19.01 Labels,Certificates, Literature etc.**

<u>Dep</u>	<u>Part Description</u>	<u>Remarks</u>	<u>Option</u>	<u>Part Number</u>	<u>Qty</u>
19	Label, emmission control	Not illus., on LH engine cover	USA/Canada	<b>B121U0009F</b>	1
20	Label, vacuum routing	Not illus., on RH engine cover	USA/Canada	<b>A121U0010F</b>	1
21	Label, smog index	Not illustrated	USA/Canada	<b>A121U0011F</b>	1
22	Label, emmission control info.	Not illustrated	USA/Canada	<b>A121U0012F</b>	1
23	Label, federal exemption (headlamps)	Not illustrated	USA/Canada	<b>A121U0143F</b>	1
24	Label, federal exemption (bumpers)	Not illustrated	USA/Canada	<b>A121U0152F</b>	1
25	Label, fuel filler cap	Not illustrated	USA/Canada	<b>A121U0013F</b>	1
26	Label, airbag warning visible	Not illus., on sunvisor	USA/Canada	<b>A082U6305F</b>	2
27	Label, child seat inner	Not illus., on sunvisor	USA/Canada	<b>B082U6306F</b>	2
28	Label, removable child seat	Not illus., on gearlever	USA/Canada	<b>A082U6317F</b>	1
29	Label, SIR warning	Not illus., on battery cover	USA/Canada	<b>A082U7350F</b>	1
30	Label, ECM, non AC	Not illustrated	Exige	<b>A122E0005F</b>	1
30a	Label, ECM, AC	Not illustrated	Exige	<b>A122E0006F</b>	1
31	Label, fuel consumption	Not illustrated	Australia	<b>A122B0116F</b>	1



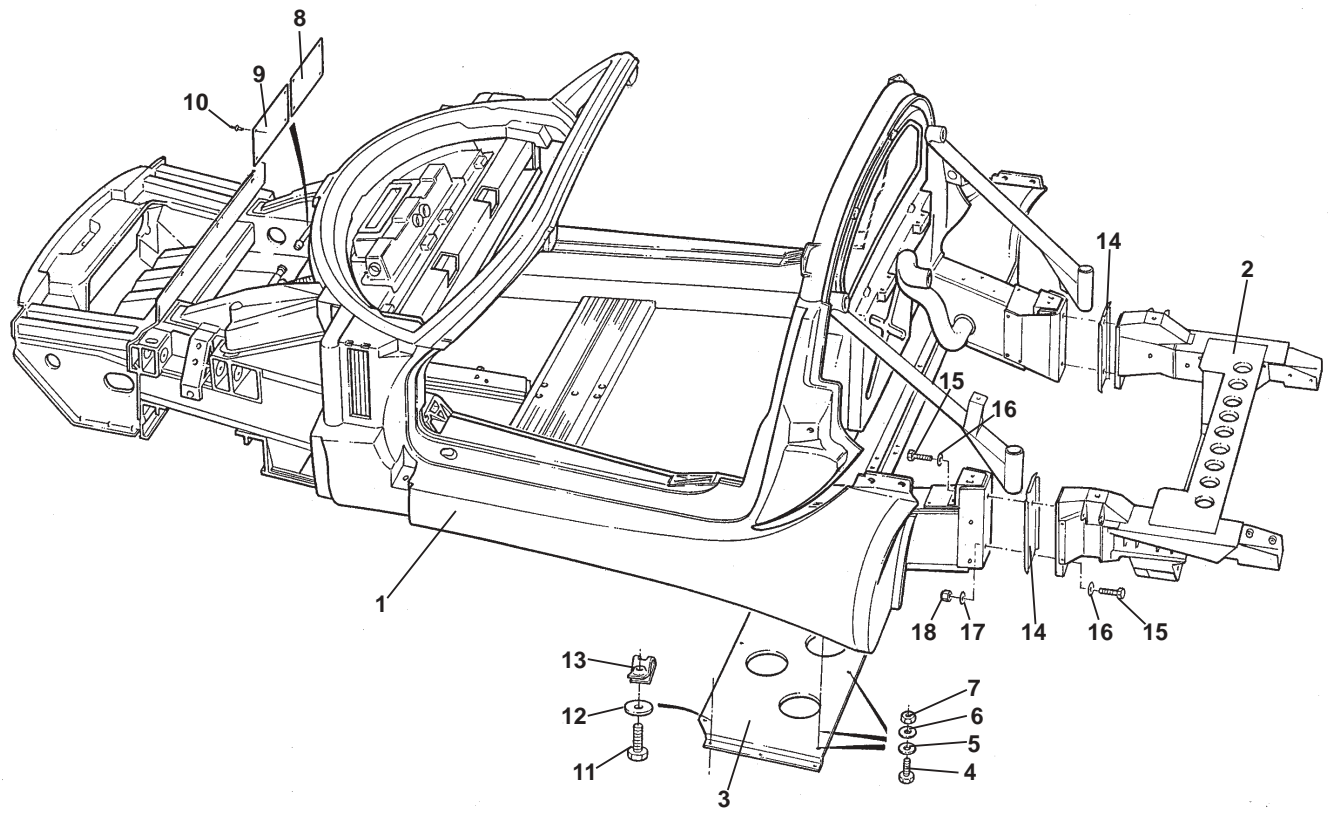
**ELISE**  
**19.03**



---

**Function Code 19.03 Owner's Handbooks & Service Notes Manuals**

<u>Dep</u>	<u>Part Description</u>	<u>Remarks</u>	<u>Option</u>	<u>Part Number</u>	<u>Qty</u>
01	Owners Handbook	Includes maintenance record	111R/Exige	A120T0324J	1
01a	Owners Handbook	Includes maintenance record	Elise, USA/Canada	A121T0324J	1
02	Service Notes			A120T0327J	1
03	Service Parts List			A120T0325J	1
04	Workshop Manual, engine 1			B120T0327J	1
05	Workshop Manual, engine 2			C120T0327J	1
06	Workshop Manual, transmission			D120T0327J	1
07	Labour Times Schedule			A120T0328J	1
08	Maintenance Schedule Pack (25)			LSL 462	1
09	PDI Form Pack (25)	PLEASE REFER TO LOTUS NOTES KNOWLEDGE BASE			1



**ELISE**  
**30.01**

**Function Code 30.01 Chassis, Subframe**

<u>Dep</u>	<u>Part Description</u>	<u>Remarks</u>	<u>Option</u>	<u>Part Number</u>	<u>Qty</u>
01	Partial Body Assembly, heater, RHD	Includes subframe	Elise heater	<b>A120A0112S</b>	1
01a	Partial Body Assembly, heater, LHD	Includes subframe	Elise heater	<b>A120A0113S</b>	1
01b	Partial Body Assembly, AC, RHD	Includes subframe/AC pipes	Elise AC	<b>A120A0114S</b>	1
01c	Partial Body Assembly, AC, LHD	Includes subframe/AC pipes	Elise AC	<b>A120A0115S</b>	1
01e	Partial Body Assembly, heater, oil coolers, RHD	Includes subframe, oil pipes	Elise heater/oil cooler	<b>A120A0116S</b>	1
01f	Partial Body Assembly, heater, oil coolers, LHD	Includes subframe, oil pipes	Elise heater/oil cooler	<b>A120A0117S</b>	1
01g	Partial Body Assembly, AC, oil coolers, RHD	Includes subframe/AC/oil pipes	Elise AC/oil cooler	<b>A120A0118S</b>	1
01h	Partial Body Assembly, AC, oil coolers, LHD	Includes subframe/AC/oil pipes	Elise AC/oil cooler	<b>A120A0119S</b>	1
01i	Partial Body Assembly, Exige heater, RHD	Includes subframe, oil pipes	Exige heater	<b>A122A0036S</b>	1
01j	Partial Body Assembly, Exige heater, LHD	Includes subframe, oil pipes	Exige heater	<b>A122A0037S</b>	1
01k	Partial Body Assembly, Exige AC, RHD	Includes subframe/AC/oil pipes	Exige AC	<b>A122A0038S</b>	1
01l	Partial Body Assembly, Exige AC, LHD	Includes subframe/AC/oil pipes	Exige AC	<b>A122A0039S</b>	1
01m	Partial Body Assembly, AC, dual airbag, LHD, federal	Includes subframe/AC/oil pipes	Elise, USA/Canada	<b>A121A0017S</b>	1
02	Rear Sub Frame, galvanised		B120A0001F R/B	<b>C120A0001F</b>	1
03	Shear Panel, fuel tank bay closing panel			<b>B120A0065F</b>	1
04	Screw, M8 x 25, hex. hd., shear panel fix			<b>A111W1156F</b>	10
05	Washer, flat, M8 x 21 x 1.6			<b>A111W4159F</b>	10
06	Washer, flat, M8 x 16.6 x 1.4			<b>A111W4164F</b>	5
07	Nyloc Nut, M8			<b>A907E6284F</b>	5
08	Blanking Panel, RH, toe board air vents		Heater cars	<b>A111P0490K</b>	1
09	Blanking Panel, LH, toe board air vents		Heater cars	<b>A111P0489K</b>	1

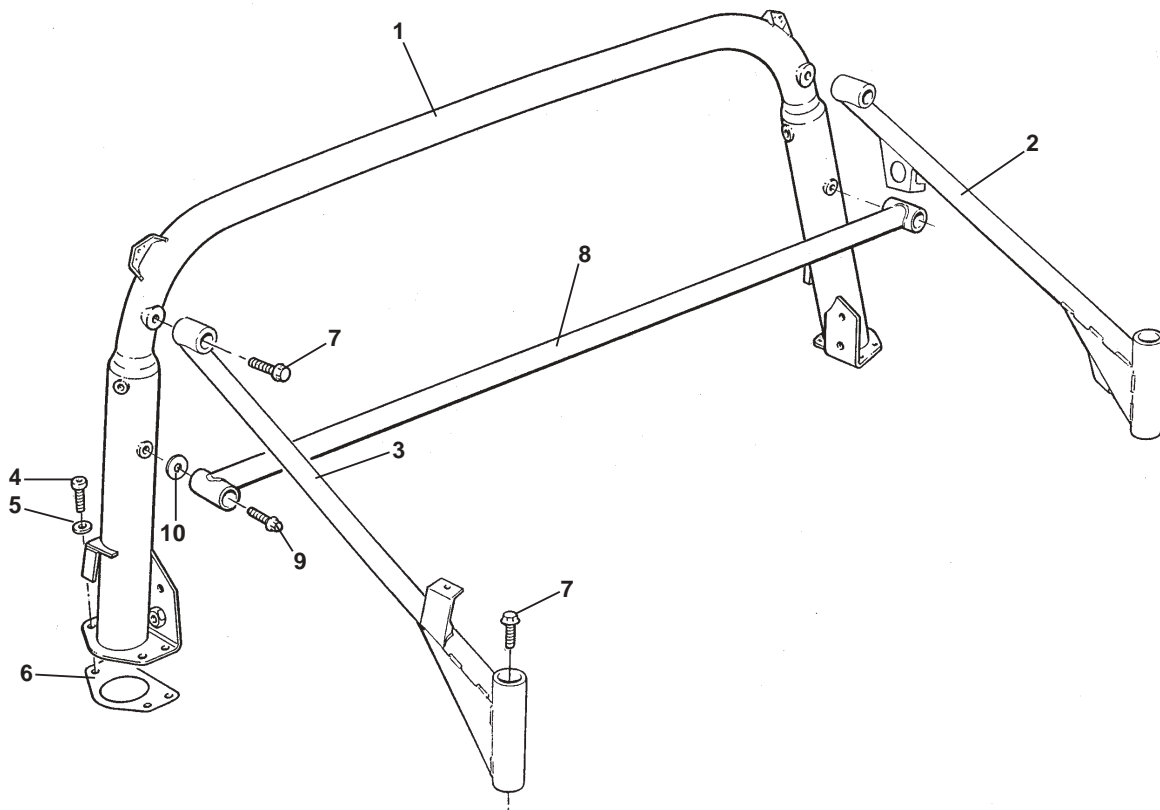
**ELISE**

Function Code: 30.01, Page: 1

---

**Function Code 30.01 Chassis, Subframe**

<u>Dep</u>	<u>Part Description</u>	<u>Remarks</u>	<u>Option</u>	<u>Part Number</u>	<u>Qty</u>
10	Pop Rivet, blanking panel fix			A085W6259F	8
11	Setscrew, M5 x 16, hex. hd., shear panel to chassis/sill	Also see 10.25		A111W1163F	6
12	Washer, flat, M5 x 25 x 1.4, shear panel to chassis/sill	Also see 10.25		A082W4098F	6
13	Spirenut, M5, shear panel to chassis/sill	Also see 10.25		B100W6372F	6
14	Shim, subframe to chassis			A116A0076F	2
15	Bolt, M12 x 60, hex. hd., subframe to chassis			A075W2070Z	4
16	Washer, flat, M12 x 23.5 x 2.3, subframe to chassis			A075W4028Z	4
17	Washer, flat, M12 x 24 x 1.6, subframe to chassis lower			A075W4071F	2
18	Nyloc Nut, M12, subframe to chassis lower			A075W3012Z	2
19	Grommet, blanking, unused steering column hole	Not illustrated	A111A6003F R/B	A117W6783F	1
20	Grommet, blanking, tank bar rear	Not illustrated		A121W6755F	1



**ELISE**  
30.02

# Service Parts List **ELISE**



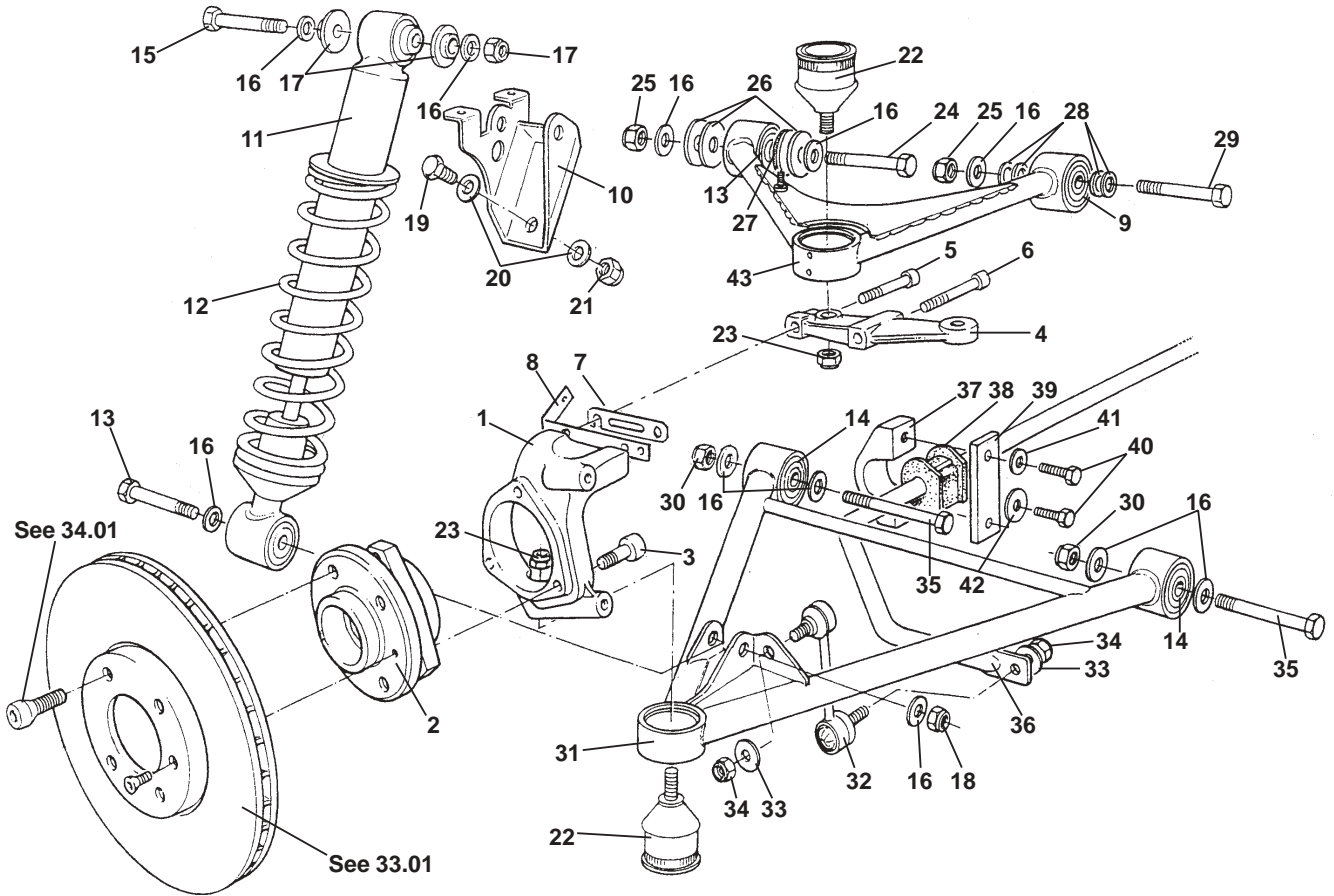
## Function Code 30.02 Seat Belt Mounting Frame, Stays

<u>Dep</u>	<u>Part Description</u>	<u>Remarks</u>	<u>Option</u>	<u>Part Number</u>	<u>Qty</u>
01	Seat Belt Mounting Frame		111R/Exige	<b>B117A0145F</b>	1
01a	Seat Belt Mounting Frame		USA/Canada A121A0015F R/B	<b>B117A0145F</b>	1
01b	Seat Belt Mounting Frame, T45	Centre boss for towing eye	Optional + 240R	<b>A122A0046F</b>	1
02	Backstay, frame, LH			<b>B120A0069F</b>	1
02a	Backstay, frame, LH, T45	Silver finish	Optional + 240R	<b>A122A0049F</b>	1
03	Backstay, frame, RH			<b>B120A0070F</b>	1
03a	Backstay, frame, RH	For federal fuel filler support, see 44.01d		<b>C120A0070F</b>	1
03b	Backstay, frame, RH, T45	Silver finish	Optional + 240R	<b>A122A0050F</b>	1
04	Screw, M8 x 25, cap hd., frame to chassis			<b>A111W7132F</b>	8
05	Washer, flat, M8 x 16.6 x 1.4, frame to chassis			<b>A075W4020Z</b>	8
06	Shim, base plate			<b>B111A0071F</b>	2
07	Screw, M10 x 35, flg. hd., stay fixing			<b>A116W5247F</b>	4
08	Mounting Bar, 4 point harness		Exige option	<b>A122A0032F</b>	1
09	Screw, M10 x 30, hex. flg. hd., bar to frame		Exige option	<b>A116W5272F</b>	2
10	Washer, flat, M10 x 38, bar to frame		Exige option	<b>A122A0033F</b>	2
11	Permabond A130	Not illustrated, for use with screws, item: 4		<b>A912E7034F</b>	As req.

**ELISE**

Function Code: 30.02, Page: 1

2005/02 UPDATE ISSUED SEPTEMBER 2005



**ELISE**  
31.01

# Service Parts List **ELISE**



## Function Code 31.01 Front Suspension, Incl. Hubs

<u>Dep</u>	<u>Part Description</u>	<u>Remarks</u>	<u>Option</u>	<u>Part Number</u>	<u>Qty</u>
01	Hub Carrier, LH			A116C0001F	1
01a	Hub Carrier, RH			A116C0002F	1
02	Hub/Bearing Assembly, with wheel speed sensor			A117D6005F	2
03	Screw, M12 x 40, cap hd., hub assy. to hub carrier			A116W1170F	6
04	Steering Arm, LH			A116C0003F	1
04a	Steering Arm, RH			A116C0004F	1
05	Bolt, M10 x 40, 10.9G, cap hd., steering arm to hub carrier			A117W7211F	2
06	Bolt, M10 x 60, 10.9G, cap hd., steering arm to hub carrier			A117W7213F	2
07	Shim, 1mm, camber adjustment			A111C0062F	As req.
07a	Shim, 3mm, camber adjustment			A111C0064F	AS req.
08	Shim/Bracket, connector retaining, LH			B116C0013F	1
08a	Shim/Bracket, connector retaining, RH			B116C0012F	1
09	Bush, upper wishbone rear pivot			A116C0035F	2
10	Damper/ABS Unit Mounting Bracket, LH, LHD		A116C0011F R/B	B116C0011F	1
10a	Damper/ABS Unit Mounting Bracket, RH,			B116C0010F	1
11	Damper		Elise	A120C0007H	2
11a	Damper		Exige	A122C0007H	2

**ELISE**

Function Code: 31.01, Page: 1

2005/02 UPDATE ISSUED SEPTEMBER 2005



**Function Code 31.01 Front Suspension, Incl. Hubs**

<u>Dep</u>	<u>Part Description</u>	<u>Remarks</u>	<u>Option</u>	<u>Part Number</u>	<u>Qty</u>
11b	Damper, federal		USA/Canada	A121C0003H	2
11c	Damper, one way adjustable		Optional	A120C0018H	2
12	Road Spring		Elise	A116C0015H	2
12a	Road Spring		Exige, Elise option	A122C0008H	2
13	Bolt, M10 x 55, hex. hd., damper bottom fix.			A079W2057F	2
14	Bush, lower wishbone/upper wishbone front pivots	Replace in car sets		A116C0068F	6
15	Bolt, M10 x 70, hex. hd., damper top fix.			A075W2058Z	2
16	Washer, flat, M10 x 21 x 2	Black finish		B111W4163F	22
17	Spacer, damper to top mounting bracket			A111C0061F	4
18	Nyloc Nut, M10, damper fixings			A100W3112F	4
19	Bolt, M8 x 25, hex. hd., bracket to chassis			A111W1156F	4
20	Washer, flat, M8 x 16.6, bracket to chassis			A111W4164F	4
21	Nyloc Nut, M8, bracket to chassis			A075W3010Z	4
22	Ball Joint			C111C6012F	4
23	Nyloc Nut, M12 x 1.5, ball joint			A100C6019F	2
24	Pivot Bolt, M10 x 80, hex. hd., wishbone upper front			A075W2061Z	2
25	Nyloc Nut, M10, wishbone upper to chassis			A100W3112F	4
26	Shim, castor adjustment			A111C0077F	6
27	Snubber Washer, rubber coated, upper wishbone			A111C0081F	2
28	Shim, castor adjustment, small			A111C0080F	8
29	Pivot Bolt, M10 x 75mm, hex. hd., wishbone upper rear			A075W2059Z	2

**ELISE**

Function Code: 31.01, Page: 2

*2005/02 UPDATE ISSUED SEPTEMBER 2005*

**Function Code 31.01 Front Suspension, Incl. Hubs**

<u>Dep</u>	<u>Part Description</u>	<u>Remarks</u>	<u>Option</u>	<u>Part Number</u>	<u>Qty</u>
30	Nyloc Nut, M10, wishbone lower to chassis fix			A100W3112F	4
31	Wishbone Assembly, lower, LH	Includes balljoint & bushes		A117C0035J	1
31a	Wishbone Assembly, lower, RH	Includes balljoint & bushes		A117C0034J	1
32	Anti-Roll Bar Drop Link			A111C0063F	2
33	Washer, flat, M10 x 24 x 1.5, drop link fix			A075W4023F	4
34	Nyloc Nut, M10 x 1.25, drop link fix			A111W3152F	4
35	Toe Link Rod			B116D0053S	2
36	Anti-Roll Bar			A111C0111F	1
37	Clamp Bracket, A/R bar			A111C0107F	2
38	Pivot Bush, rubber, A/R bar.			A111C0094F	2
39	Spacer Plate, A/R bar fixing			A111C0109F	2
40	Screw, M8 x 30, skt. cap hd., A/R bar clamp bracket fixing		A111W1161F R/B	A117W7215F	4
41	Washer, flat, M8 x 16.5 x 1.6, bracket to chassis upper			A111W4175F	2
42	Washer, flat, M8 x 25 x 1.4, bracket to chassis lower			A111W4156F	2
43	Wishbone Assembly, upper, LH			A117C0029J	1
43a	Wishbone Assembly, upper, RH			A117C0030J	1
44	Anti-Roll Bar, sport, adjustable	Not illustrated	Optional	A111C0134S	1
45	Mounting Clamp, nylon, A/R bar	Not illustrated	Optional	B111C0052F	2
46	Bush, A/R bar mount to chassis	Not illustrated	Optional	A111C0060F	2
47	Bolt, M5 x 45, cap hd., clamp fixing	Not illustrated	Optional	A082W2106F	2

**ELISE**

Function Code: 31.01, Page: 3

*2005/02 UPDATE ISSUED SEPTEMBER 2005*

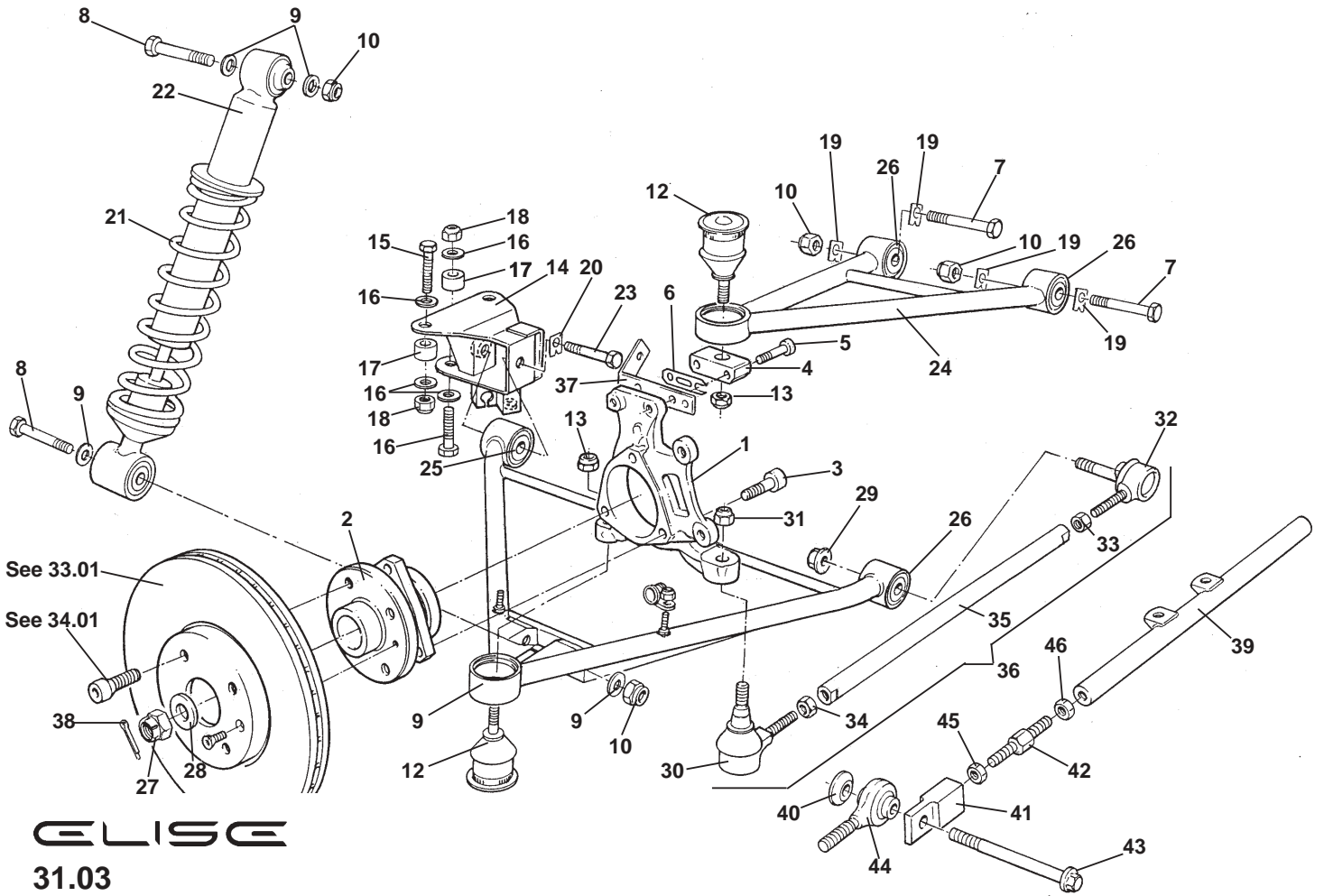
---

**Function Code 31.01 Front Suspension, Incl. Hubs**

<u>Dep</u>	<u>Part Description</u>	<u>Remarks</u>	<u>Option</u>	<u>Part Number</u>	<u>Qty</u>
48	Washer, flat, M5 x 10 x 1.0, clamp fixing	Not illustrated	Optional	<b>A075W4011Z</b>	2
49	Nyloc Nut, M5, clamp fixing	Not illustrated	Optional	<b>A100W3113F</b>	2
50	Pivot Bolt, M10 x 45, hex. hd., front lower wishbone	Not illus, also A/R bar clamp	Optional	<b>A075W2065F</b>	2

---

**ELISE****Function Code: 31.01, Page: 4***2005/02 UPDATE ISSUED SEPTEMBER 2005*



**ELISE**  
31.03

# Service Parts List **ELISE**



## Function Code 31.03 Rear Suspension, Incl. Hubs

<u>Dep</u>	<u>Part Description</u>	<u>Remarks</u>	<u>Option</u>	<u>Part Number</u>	<u>Qty</u>
01	Hub Carrier, LH			A116D0097F	1
01a	Hub Carrier, RH			A116D0096F	1
02	Hub/Bearing Assembly, with wheel speed sensor			A117D6005F	2
03	Screw, M12 x 40, cap hd., hub assy. to hub carrier			A116W1170F	6
04	Ball Joint Carrier			B111D0055F	2
05	Bolt, M10 x 50, 10.9G, cap hd., carrier to hub carrier			A117W7212F	4
06	Shim, camber adjustment			D111D0052F	As req.
07	Pivot Bolt, M10 x 60, hex. hd., upper wishbone F & R			A079W2055F	4
08	Bolt, M10 x 55, hex. hd., damper fixing			A079W2057F	4
09	Washer, flat, M10 x 21 x 2, damper fixing	Black finish		B111W4163F	8
10	Nyloc Nut, M10, 8.8 grade, damper/upper wishbone fixing			A100W3112F	8
11	Wishbone Assembly, lower, LH	Includes balljoint & bushes		C116D0081J	1
11a	Wishbone Assembly, lower, RH	Includes balljoint & bushes		C116D0080J	1
12	Ball Joint			C111C6012F	4
13	Nyloc Nut, M12 x 1.5, balljoint			A100C6019F	4
14	Bracket, lower wishbone to chassis, LH		B120D0023F R/B	C120D0023F	1
14a	Bracket, lower wishbone to chassis, RH		C120D0024F R/B	D120D0024F	1
15	Bolt, M10 x 40, bracket to chassis			A116W2206F	8

**ELISE**

Function Code: 31.03, Page: 1

2005/02 UPDATE ISSUE SEPTEMBER 2005

**Function Code 31.03 Rear Suspension, Incl. Hubs**

<u>Dep</u>	<u>Part Description</u>	<u>Remarks</u>	<u>Option</u>	<u>Part Number</u>	<u>Qty</u>
16	Washer, flat, M10 x 21 x 2, bracket to chassis	Black finish		B111W4163F	8
17	Spacer, M10, bracket to chassis			A111D0147F	8
18	Nyloc Nut, M10, bracket to chassis			A100W3112F	8
19	Tab Washer, upper pivot bolts			A116D0031F	8
20	Tab Washer, lower front pivot bolt			A116D0032F	2
21	Road Spring		Elise	A120D0012H	2
21a	Road Spring		Exige	A122D0006H	2
22	Damper		Elise	A120D0011H	2
22a	Damper		Exige, Elise option	A122D0008H	2
22b	Damper, federal		USA/Canada	B121D0003H	2
22c	Damper, one way adjustable		Optional	A120D0046H	2
23	Pivot Bolt, M10 x 65, hex. hd., lower wishbone front			A075W2056F	2
24	Wishbone Assembly, upper, LH	Includes balljoint & bushes		B116D0085J	1
24a	Wishbone Assembly, upper, RH	Includes balljoint & bushes		B116D0084J	1
25	Bush, lower wishbone front pivot (short)			A116C0067F	4
26	Bush, lower wishbone rear/upper wishbones			A116C0068F	6
27	Nut, castellated, shaft to hub			A116D6001F	2
28	Washer, flat, nut to shaft			A082D6025F	2
29	Locknut, flange, cleave, M10 x 1.25, inner toe link fixing		A116W3183F R/B	A117W3189F	2
30	Ball Joint, tapered, outer, RH thread, M10 x 1.25 x 45 stud			A117D0089S	2
31	Nyloc Nut, M12, balljoint to hub carrier			A100C6019F	2

**ELISE**

Function Code: 31.03, Page: 2

*2005/02 UPDATE ISSUE SEPTEMBER 2005*

---

**Function Code 31.03 Rear Suspension, Incl. Hubs**

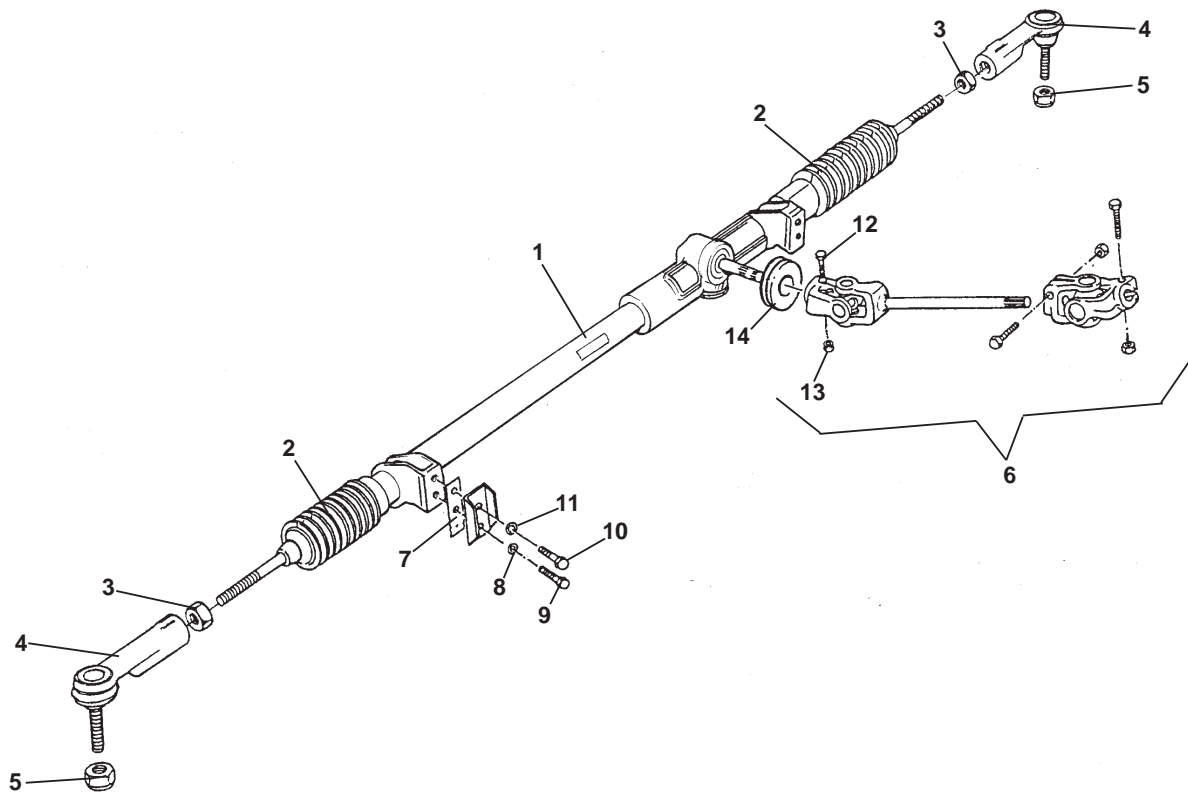
<u>Dep</u>	<u>Part Description</u>	<u>Remarks</u>	<u>Option</u>	<u>Part Number</u>	<u>Qty</u>
32	Ball Joint, inner, LH thread, M10 x 1.25 x 60 stud			A117D0090S	2
33	Locknut, M12, RH thread, ball joint to rod			A111W3150F	2
34	Locknut, M12, LH thread, ball joint to rod			A111W3149F	2
35	Toe Link Rod			B116D0053S	2
36	Toe Link Assembly		A116D0090F R/B	A117D0088F	2
37	Shim/Bracket, connector retaining, LH			B116C0013F	1
37a	Shim/Bracket, connector retaining, RH			B116C0012F	1
38	Split Pin, nut to shaft			A116D6003F	2
39	Crossbrace, track control arms	See Service Bulletin 2005/04	Optional + 240R	A120D0040F	1
40	Spacer, joint to subframe	See Service Bulletin 2005/04	Optional + 240R	A120D0035F	2
41	Adaptor Lug	See Service Bulletin 2005/04	Optional + 240R	A120D0037F	2
42	Turnbuckle Adjuster Screw	See Service Bulletin 2005/04	Optional + 240R	A120D0039F	2
43	Pivot Bolt, M10 x 120 x 1.25, hex. hd., lower pivot/TCA	See Service Bulletin 2005/04	Optional + 240R	A120W2212F	2
44	Spherical Balljoint, inner	See Service Bulletin 2005/04	Optional + 240R	A120D0036F	2
45	Locknut, M12, LH thread, adjuster screw	See Service Bulletin 2005/04	Optional + 240R	A111W3149F	2
46	Locknut, M12, RH thread, adjuster screw	See Service Bulletin 2005/04	Optional + 240R	A111W3150F	2

---

**ELISE**

Function Code: 31.03, Page: 3

*2005/02 UPDATE ISSUE SEPTEMBER 2005*



**ELISE**  
32.01



# Service Parts List **ELISE**



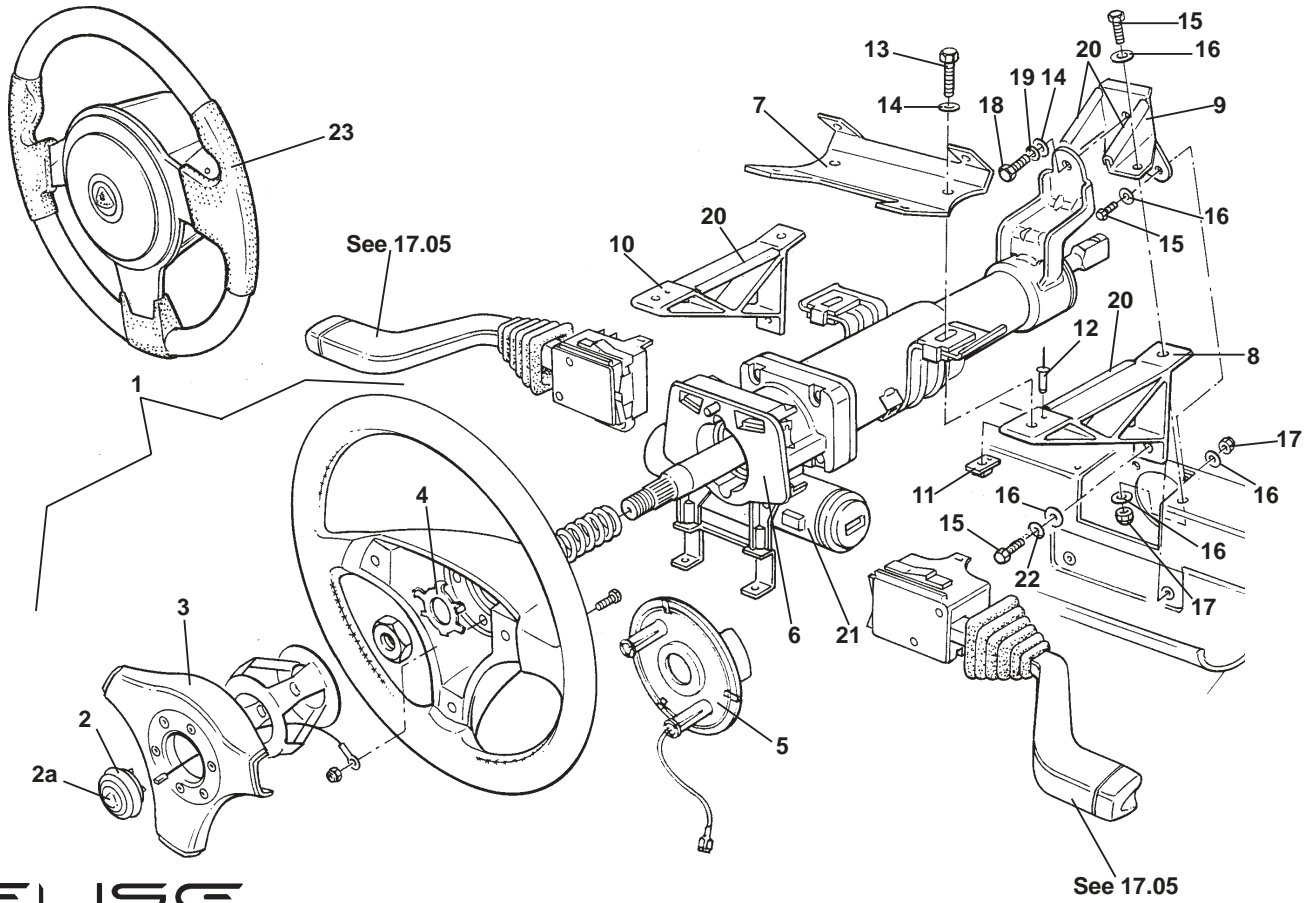
## Function Code 32.01 Rack & Pinion, & Lower Column

<u>Dep</u>	<u>Part Description</u>	<u>Remarks</u>	<u>Option</u>	<u>Part Number</u>	<u>Qty</u>
01	Steering Rack Assembly, RHD	Use seal A120H0002F	A117H0020F R/B	<b>A117H0052F</b>	1
01a	Steering Rack Assembly, LHD	Use seal A120H0002F	A117H0021F R/B	<b>A117H0053F</b>	1
02	Gaiter, steering rack			<b>B111H6016F</b>	2
03	Lock Nut, M12 , track rod end to track rod			<b>A111W3124F</b>	2
04	Track Rod End/Ball Joint	Includes nut, item: 5		<b>A117H0009F</b>	2
05	Nyloc Nut, M10, track rod end to steering arm			<b>A111W3157F</b>	2
06	Intermediate Steering Shaft Assembly	Includes both universal joints	C111H0003F R/B	<b>D111H0003F</b>	1
07	Adjuster Plate, rack height setting (6 notch)			<b>A111H0017F</b>	2
08	Washer, flat, M8, rack mounting			<b>A075W4020Z</b>	2
09	Setscrew, M8 x 25, hex. hd., rack mounting			<b>A082W1110F</b>	2
10	Setscrew, M10 x 30, hex. hd., rack mounting			<b>A100A6028F</b>	2
11	Washer, flat, M10, rack mounting			<b>A075W4024Z</b>	2
12	Bolt, M8 x 40, hex. hd., 10.9 grade, steering shaft to U/J			<b>A918W2171F</b>	4
13	Nyloc Nut, M8, steering shaft to U/J			<b>A075W3010Z</b>	4
14	Grommet, steering shaft thro' bulkhead		Racks prior to A117H0052/53	<b>A082H6046F</b>	1
14a	Seal, steering shaft thro' bulkhead		Racks A117H0052/53	<b>A120H0002F</b>	1

**ELISE**

Function Code: 32.01, Page: 1

*2005/02 UPDATE ISSUED SEPTEMBER 2005*



**ELISE**  
**32.05**

See 17.05

**Function Code 32.05 Upper Column, Wheel, Steering Lock**

<u>Dep</u>	<u>Part Description</u>	<u>Remarks</u>	<u>Option</u>	<u>Part Number</u>	<u>Qty</u>
01	Steering Wheel Assembly	Silver crash pad	Standard	A117H0030J	1
01a	Steering Wheel Assembly	Red alcantara crash pad		A117H0031J	1
01b	Steering Wheel Assembly	Black tooled leather crash pad		A117H0047J	1
01c	Steering Wheel Assembly	Cranberry red tooled leather c/p		A117H0049J	1
01d	Steering Wheel Assembly	Harvest brown tooled leather c/p		A117H0050J	1
01e	Steering Wheel Assembly	Ingleton biscuit tooled leather c/p		A117H0051J	1
01f	Steering Wheel Assembly	Grey synthetic leather crash pad		A120H0001J	1
02	Horn Push, (less badge)			A111H6021H	1
02a	Horn Badge			A111H6023H	1
03	Crash Pad, silver		Standard	A117H0016S	1
03e	Crash Pad, black tooled leather			A117H0042S	1
03f	Crash Pad, melrose blue tooled leather			A117H0043S	1
03g	Crash Pad, cranberry red tooled leather			A117H0044S	1
03h	Crash Pad, harvest brown tooled leather			A117H0045S	1
03i	Crash Pad, ingleton biscuit tooled leather			A117H0046S	1
04	Lock Plate, steering wheel			A111H6009F	1
05	Horn Contact Plate			A111H6008F	1
06	Upper Steering Column	Includes ign. switch/steering lock		A117H6001F	1
07	Bracket, switch module mounting			B111H0006F	1
07a	Bracket, switch module mounting, federal	Dual SIR cars	USA/Canada	A121H0001F	1
08	Column Mounting Bracket, RH			E117U0016F	1

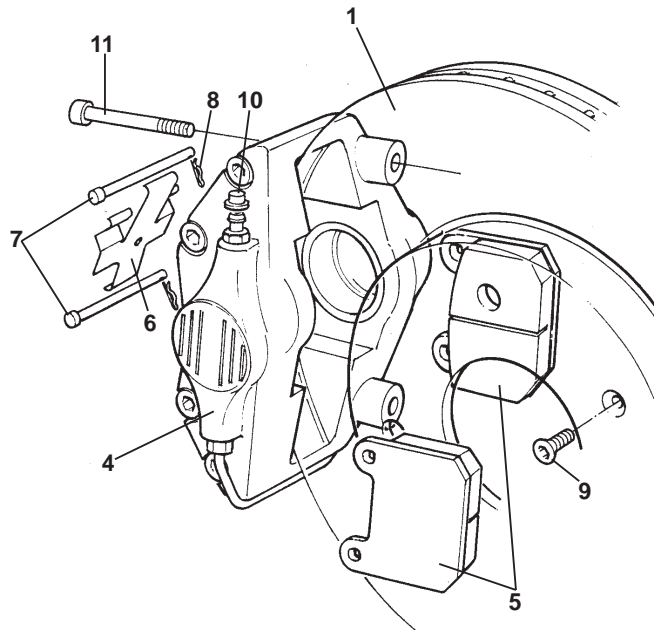
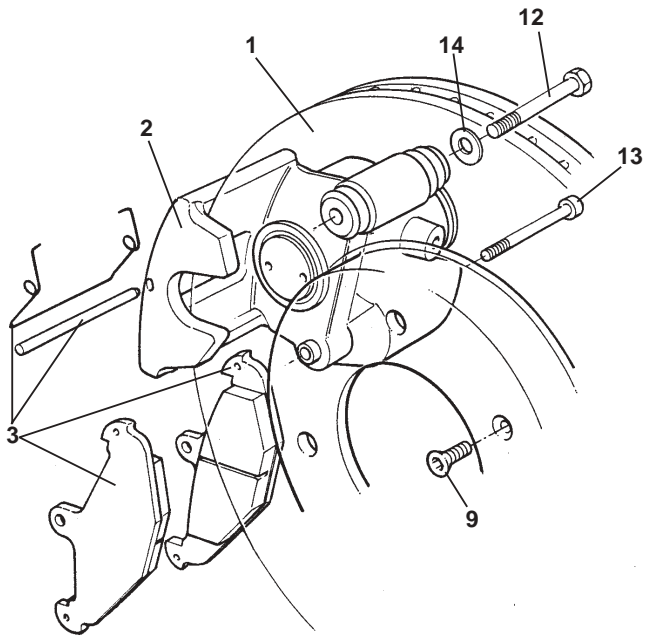
**ELISE**

Function Code: 32.05, Page: 1

---

**Function Code 32.05 Upper Column, Wheel, Steering Lock**

<u>Dep</u>	<u>Part Description</u>	<u>Remarks</u>	<u>Option</u>	<u>Part Number</u>	<u>Qty</u>
09	Bracket, forward column mounting			B111H0004F	1
10	Column Mounting Bracket, LH			E117U0135F	1
11	Nutplate, upper column support			B111H0007F	2
12	Pop Rivet, nutplate to bracket			A111W6586F	2
13	Bolt, M8 x 35, hex. hd., column to bracket			A075W2038D	2
14	Washer, flat, M8 x 20 x 2.5			A079W4019F	3
15	Setscrew, M6 x 16, side to forward brk/chassis			A075W1028Z	4
16	Washer, flat, M6 x 12.1 x 1.4			A075W4013Z	8
17	Nyloc Nut, M6			A907E6258F	4
18	Setscrew, M8 x 16 hex. hd., front mounting			A075W1036Z	1
19	Washer, spring, M8			A075W4036Z	1
20	Rubber Beading, bracket edge protection			B075U6054V	0.3M
21	Steering Lock Housing	Excluding lock barrel, see 10.17, item 1		A111H6003S	1
22	Washer, spring, M6			A075W4035F	2
23	Steering Wheel Assembly, SIR	Includes rotary connector	USA/Canada	A116U0085F	1
24	Shear Bolt, steering lock	Not illustrated		A111H6026S	2



**ELISE**  
**33.01**

**Function Code 33.01 Brake Discs & Calipers**

<u>Dep</u>	<u>Part Description</u>	<u>Remarks</u>	<u>Option</u>	<u>Part Number</u>	<u>Qty</u>
01	Brake Disc, cross drilled			C117J0031F	4
02	Brake Caliper, rear, RH	Includes brake pads, T4139		A116J0080F	1
02a	Brake Caliper, rear, LH	Includes brake pads, T4139		A116J0079F	1
03	Brake Pad Set, rear			B117J0085S	1
04	Brake Caliper, front RH	Includes brake pads, T4139		A117J0132F	1
04a	Brake Caliper, front LH	Includes brake pads, T4139		A117J0131F	1
04b	Brake Caliper, front, black, RH	Includes brake pads, T4139		B117J0134F	1
04c	Brake Caliper, front, black, LH	Includes brake pads, T4139		B117J0133F	1
05	Brake Pad Set, front			B117J0084S	1
05a	Shims, self adhesive, pad front, RH	Not illustrated		A117J0014H	1
05b	Shims, self adhesive, pad front, LH	Not illustrated		A117J0015H	1
06	Anti-Rattle Spring, front brake pads			B111J0098H	2
07	Pin, front pad retaining			B111J0123H	4
08	' R' clip, pin retention			A075W6175F	4
09	Screw, M6 x 16, csk., skt., hd., disc to hub			A918W7120F	4
10	Nipple Cover, front brake bleed			A111J6029F	2
11	Bolt, M10 x 65, cap hd., front caliper fixing			A111W7144F	4
12	Bolt, M10 x 80, hex. hd., rear caliper fixing			B082W1113F	2
13	Bolt, M8 x 60, cap hd., rear caliper fixing	Black finish		A111W1166F	2
14	Washer, flat, M10 x 20.5, rear caliper upper fixing bolt			A075W4024Z	2
15	Sliding Pin Bush Kit, rear calipers	Includes sleeves, boots & seals		A082J6162S	2

**ELISE**

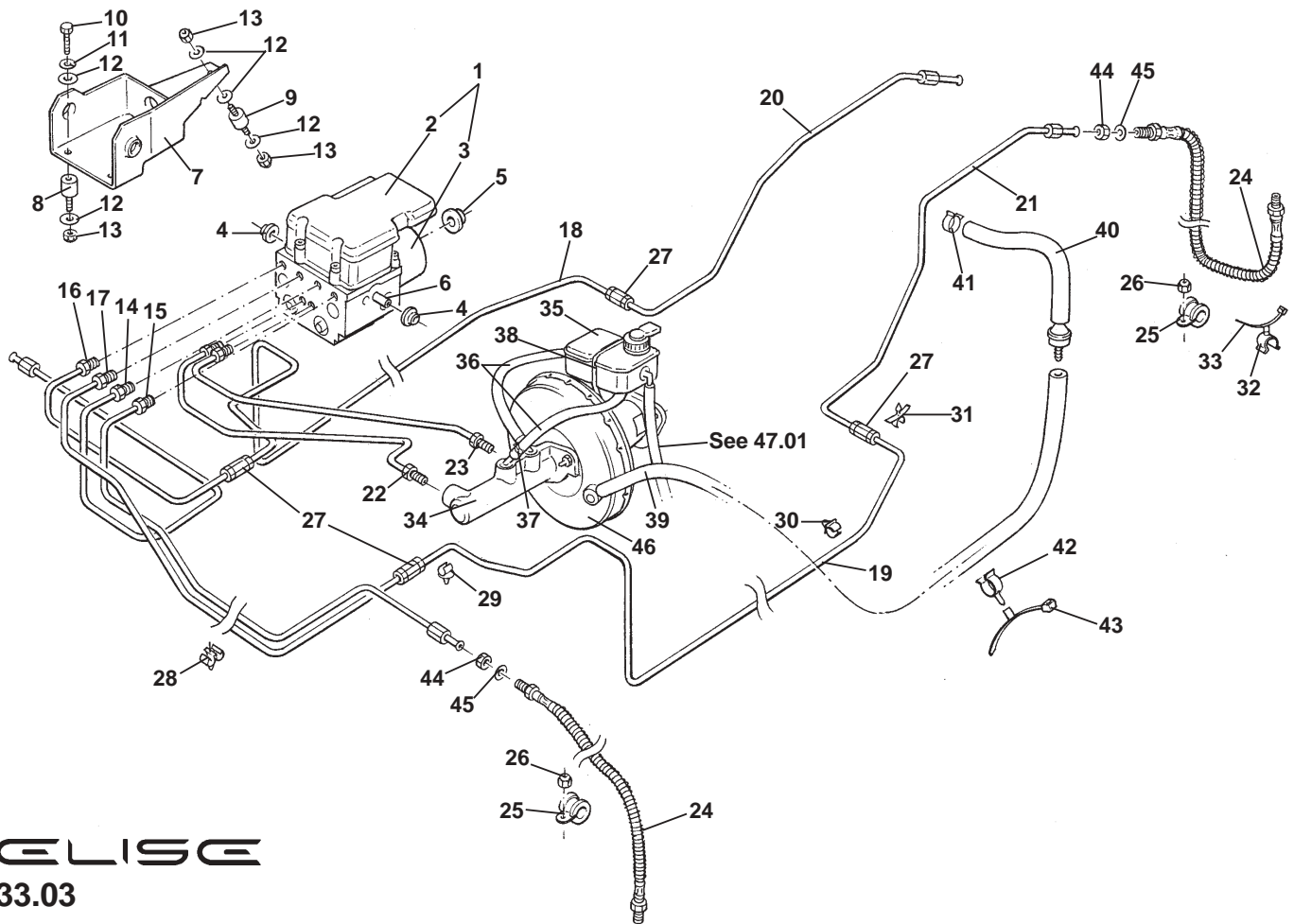
Function Code: 33.01, Page: 1

---

**Function Code 33.01 Brake Discs & Calipers**

<u>Dep</u>	<u>Part Description</u>	<u>Remarks</u>	<u>Option</u>	<u>Part Number</u>	<u>Qty</u>
16	Piston Retraction Tool, rear calipers	Not illustrated		T000T1242F	1

---



**ELISE**  
**33.03**



**Function Code 33.03 Master Cylinder, Servo, ABS Controller, Pipes & Hoses**

<u>Dep</u>	<u>Part Description</u>	<u>Remarks</u>	<u>Option</u>	<u>Part Number</u>	<u>Qty</u>
01	ABS Control Module			A120J6000F	1
02	ECU Kit, ABS actuator			A120M6004S	1
03	HCU Kit, ABS actuator			A116M0091S	1
04	Grommet, small, module to bracket sides			A116J6001F	2
05	Grommet, large, module to bracket rear			A116J6002F	1
06	Bolts, ABS kit			A116J6003F	1
07	Bracket, ABS module mounting, RHD			A116J0002F	1
07a	Bracket, ABS module mounting, LHD			A116J0001F	1
08	Rubber Bobbin, bracket to mount	One stud, one tapped insert		A082J6177F	2
09	Rubber Isolator Bush, bracket to body	Two studs		A082J6170F	1
10	Screw, M6 x 10, hex. hd., bobbin to bracket			A075W1026Z	2
11	Washer, spring, M6, bobbin to bracket			A075W4035Z	2
12	Washer, flat, M6 x 15, bobbin to bracket			A075W1029Z	6
13	Nyloc Nut, M6, bobbin fix.			A075W3009Z	4
14	Pipe, ABS to front RH, RHD			B116J0017F	1
14a	Pipe, ABS to front RH, LHD			B116J0018F	1
15	Pipe, ABS to front LH, RHD			B116J0016F	1
15a	Pipe, ABS to front LH, LHD			B116J0019F	1
16	Pipe, ABS to sill RH, RHD			B116J0020F	1
16a	Pipe, ABS to sill RH, LHD			B116J0022F	1
17	Pipe, ABS to sill LH, RHD			B116J0021F	1

**ELISE**

Function Code: 33.03, Page: 1

**Function Code 33.03 Master Cylinder, Servo, ABS Controller, Pipes & Hoses**

<u>Dep</u>	<u>Part Description</u>	<u>Remarks</u>	<u>Option</u>	<u>Part Number</u>	<u>Qty</u>
17a	Pipe, ABS to sill LH, LHD			B116J0023F	1
18	Pipe, front to rear sill RH			B116J0028F	1
19	Pipe, front to rear sill LH			B116J0027F	1
20	Pipe, sill to flexi rear RH			B120J0004F	1
21	Pipe, sill to flexi rear LH			B120J0003F	1
22	Pipe, ABS to master cylinder front port, RHD			B116J0030F	1
22a	Pipe, ABS to master cylinder front port, LHD			B116J0029F	1
23	Pipe, ABS to master cylinder rear port, RHD			B116J0032F	1
23a	Pipe, ABS to master cylinder rear port, LHD			B116J0031F	1
24	Hose, pipe to caliper, front & rear	USA Certification	A082J4390F R/B	B082J4390F	4
25	Clip, 10mm dia. x 15 wide, hose retention	Upper front, lower rear wishbones		A111W6595F	4
26	Nyloc Nut, M6, thin Zn, clip to wishbone			A907E6285F	4
27	Connector, brake pipes			A116J6032F	4
28	Clip, double, pipes to scuttle		LHD	A116W6668F	2
29	Clip, button, single, pipe to scuttle	Cut to clear extrusion		A116W6661F	2
30	Clip, single, pipe to chassis siderail			A082W6457F	8
31	Clip, single, pipe to chassis rear			A116W6700F	2
32	Swivel Clip, rear hoses to toe links			A089W6287F	2
33	Cable Tie, rear hoses to toe links			A082W6324F	2
34	Master Cylinder			A116J0047H	1
35	Brake Fluid Reservoir			A116J0048H	1

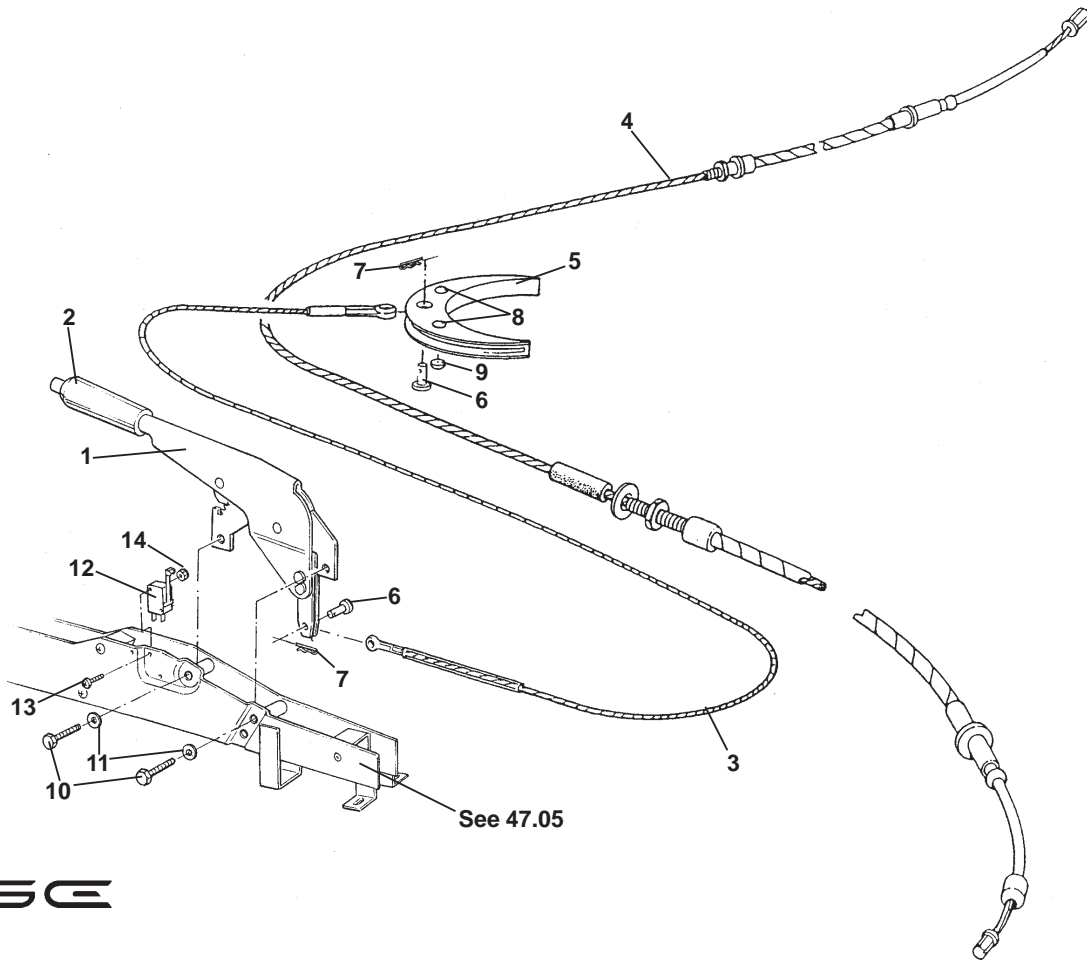
**ELISE**

Function Code: 33.03, Page: 2

---

**Function Code 33.03 Master Cylinder, Servo, ABS Controller, Pipes & Hoses**

<u>Dep</u>	<u>Part Description</u>	<u>Remarks</u>	<u>Option</u>	<u>Part Number</u>	<u>Qty</u>
36	Hose, reservoir to master cylinder			A116J0074H	2
37	Hose Clip, hose to spigots			A116J0073H	4
38	Cable Tie, reservoir to bracket			B075W6045Z	1
39	Hose, vacuum, servo to check valve			A116J6038F	1
40	Hose, throttle body to check valve			A120J0008K	1
41	Hose Clamp, 14mm, hose to throttle body			A116K6017F	1
42	Swivel Clip, hose to heater pipe			A082W6587F	6
43	Cable Tie, heater pipe to hose			A082W6324F	6
44	Nut, M10 x 1.0, thin Zn, pipe to hose			A075J6017Z	4
45	Washer, M10, internal shakeproof, pipe to hose			A075W4049Z	4
46	Brake Servo			A116J0051H	1



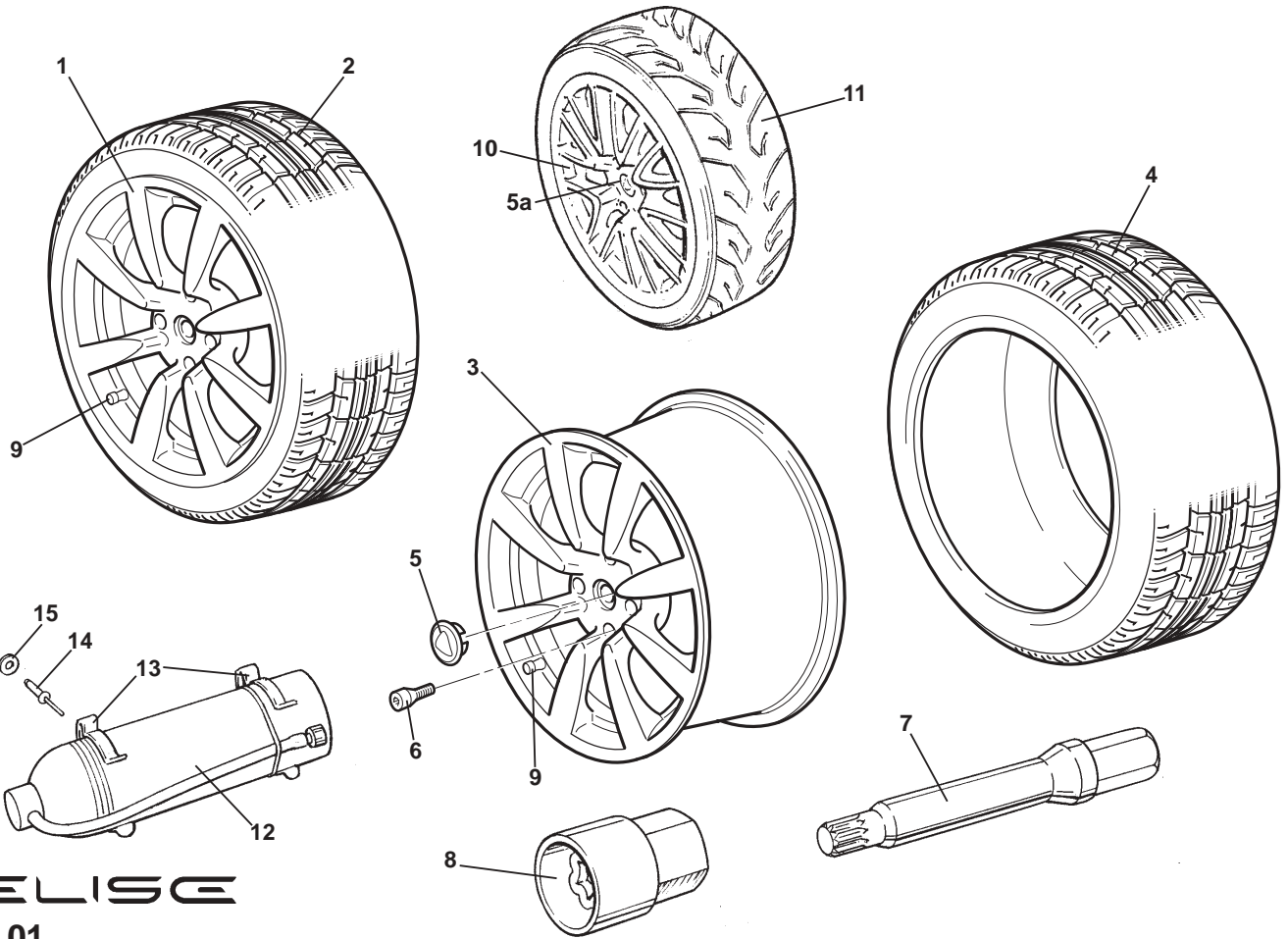
**ELISE**  
**33.05**

---

**Function Code 33.05 Parking Brake Mechanism**

<u>Dep</u>	<u>Part Description</u>	<u>Remarks</u>	<u>Option</u>	<u>Part Number</u>	<u>Qty</u>
01	Parking Brake Assembly, without hand grip			A116J0015H	1
02	Hand-Grip, alloy, satin finish, parking brake lever			A117U0147F	1
03	Cable, parking brake primary			A120J0005H	1
04	Cable, parking brake secondary		A116J0062F R/B	D116J0062F	1
05	Equaliser, parking brake			A117J0120F	1
06	Clevis Pin, M8 x 10.5, cable fixing			A111W6674F	2
07	'R' Clip, pin fixing			A075W6175F	2
08	Bumper, self adhesive			A111J6025F	2
09	Bumper, self adhesive			A111J6027F	2
10	Screw, M8 x 25, hex. hd., lever to bracket			A075W1039Z	2
11	Washer, flat, M8 x 16 x1.4, lever to bracket			A075W4020Z	2
12	Switch, parking brake tell tale			A116J6009H	1
13	Screw, M3 x 16, pan hd. pozi., switch to bracket			A082W5110F	2
14	Nyloc Nut, M3, switch to bracket			A079W3060F	2

---



**ELISE**  
34.01

# Service Parts List **ELISE**



## Function Code 34.01 Wheels, Tyres & Valves

<u>Dep</u>	<u>Part Description</u>	<u>Remarks</u>	<u>Option</u>	<u>Part Number</u>	<u>Qty</u>
01	Road Wheel, front, eight spoke, HP silver, 5.5J x 16			<b>B117G0087H</b>	2
01a	Road Wheel, front, eight spoke, black 5.5J x 16		Optional	<b>C117G0028H</b>	2
01b	Road Wheel, front, seven, split spoke, forged/anodised	Not illus., 6.5 x 16, use cover, item 5	Optional	<b>A121G0013H</b>	2
01c	Road Wheel, front, seven, split spoke, forged/painted	Not illus., 6.5 x 16, use cover, item 5	Optional	<b>A117G0124H</b>	2
02	Tyre, front, 175/55 R16, Bridgestone Potenza		111R	<b>B117G0005L</b>	2
02a	Tyre, front, 175/55 R16, Yokohama Advan Neova AD07		USA/Canada	<b>A121G0007L</b>	2
02b	Winter Tyre, front, 195/50 R16, Pirelli W210 Snowsport	Use OE type wheels	Dealer fit	<b>A117G0119S</b>	2
03	Road Wheel, rear, eight spoke, HP silver, 7.5J x 17	Use centre cover, item 5	Prior to VIN: 33180	<b>A121G0005H</b>	2
03a	Road Wheel, rear, eight spoke, HP silver, 7.5J x 17	Use centre cover, item 5a	From VIN: 33180	<b>B121G0005H</b>	2
03b	Road Wheel, rear, eight spoke, black, 7.5J x 17		Optional	<b>A120G0023H</b>	2
03c	Road Wheel, rear, seven, split spoke, forged/anodised	Not illus., 7.5 x 17, use cover, item 5	Optional	<b>A121G0015H</b>	2
03d	Road Wheel, rear, seven, split spoke, forged/painted	Not illus., 7.5 x 17, use cover, item 5	Optional	<b>A120G0019H</b>	2
04	Tyre, rear, 225/45 R17, Bridgestone Potenza		111R	<b>B117G0018L</b>	2
04a	Tyre, rear, 225/45 R17, Yokohama Advan Neova AD07		USA/Canada	<b>A121G0006L</b>	2
04b	Winter Tyre, rear, 215/45 R17, Pirelli W240 Snowsport	Use OE type wheels	Dealer fit	<b>A120G6001S</b>	2
05	Wheel Centre Cover, Lotus logo	Extended insert	Elise, prior to VIN: 33180	<b>A120G0021F</b>	4

**ELISE**

Function Code: 34.01, Page: 1

JUNE '05 UPDATE SHOWING VIN CHANGE POINT FOR REVISED REAR WHEEL

---

**Function Code 34.01 Wheels, Tyres & Valves**

<u>Dep</u>	<u>Part Description</u>	<u>Remarks</u>	<u>Option</u>	<u>Part Number</u>	<u>Qty</u>
05a	Wheel Centre Cover, Lotus logo	Flush insert	Exige, + Elise from VIN: 33180	<b>A082G4112F</b>	4
06	Wheel Bolt, socket hd. 25mm thread			<b>B117G6000F</b>	12
07	Wheel Bolt Adaptor, standard bolt			<b>A117G0036F</b>	1
08	Security Wheelbolt Kit, short key	Incl. ID strip & instruction card*		<b>B117G0043F</b>	1
09	Tyre Valve		Common	<b>A117G6007H</b>	4
10	Road Wheel, front, eight split spoke, black 6.5 x 16		Exige	<b>A122G0007H</b>	2
10a	Road Wheel, rear, eight split spoke, black 7.5 x 17		Exige	<b>A122G0008H</b>	2
10b	Road Wheel, front, eight split spoke, silver 6.5 x 16		Exige Cup cars	<b>LOTAC05382</b>	2
10c	Road Wheel, rear, eight split spoke, silver 7.5 x 17		Exige Cup cars	<b>LOTAC05383</b>	2
11	Tyre, front, 195/50 R16, Yokohama A048		Exige	<b>A122G0013L</b>	2
11a	Tyre, rear, 225/45 R17, Yokohama A048		Exige	<b>A117G0131L</b>	2
12	Tyre Weld, repair canister			<b>A116G6009F</b>	1
13	Terry Clip, cannister retaining			<b>A111W6590F</b>	2
14	Pop Rivet, clip to bulkhead			<b>A075W6090Z</b>	4
15	Washer, flat, clip to bulkhead			<b>A075W4084F</b>	4

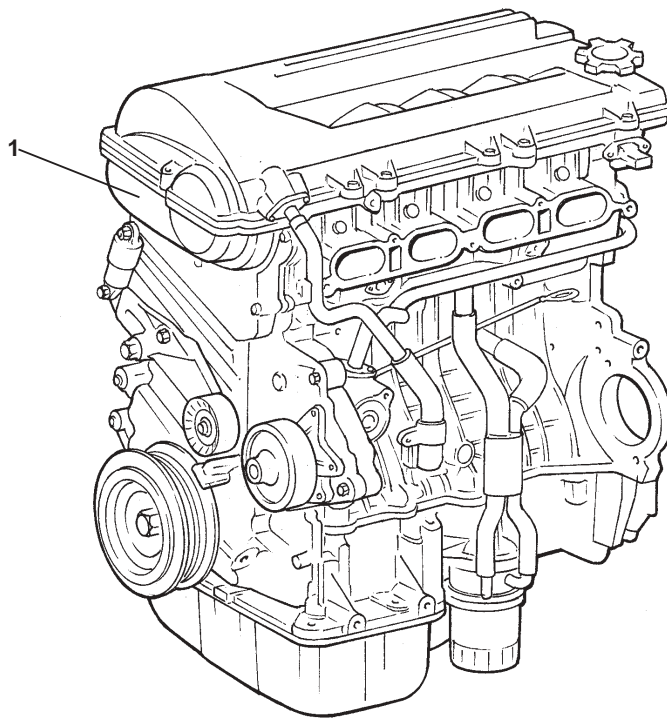
---

**ELISE**

Function Code: 34.01, Page: 2

JUNE '05 UPDATE SHOWING VIN CHANGE POINT FOR REVISED REAR WHEEL





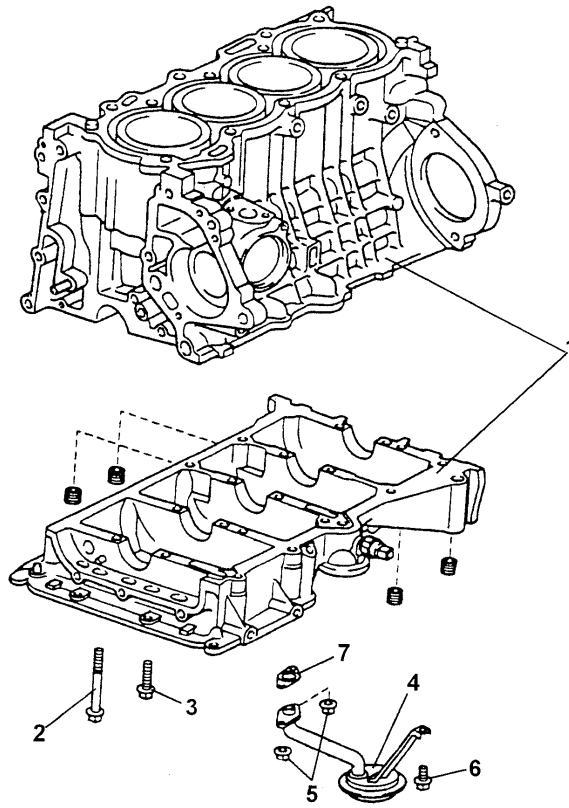
**ELISE**  
**40.00**

---

**Function Code 40.00 Engine Assemblies**

<u>Dep</u>	<u>Part Description</u>	<u>Remarks</u>	<u>Option</u>	<u>Part Number</u>	<u>Qty</u>
01	Engine assembly, undressed			A120E6104S	1
01a	Engine Assembly, 'short'	Incl. Block, bearing panel, & moving parts		A120E6106S	1

---



**ELISE**  
40.01

# Service Parts List **ELISE**



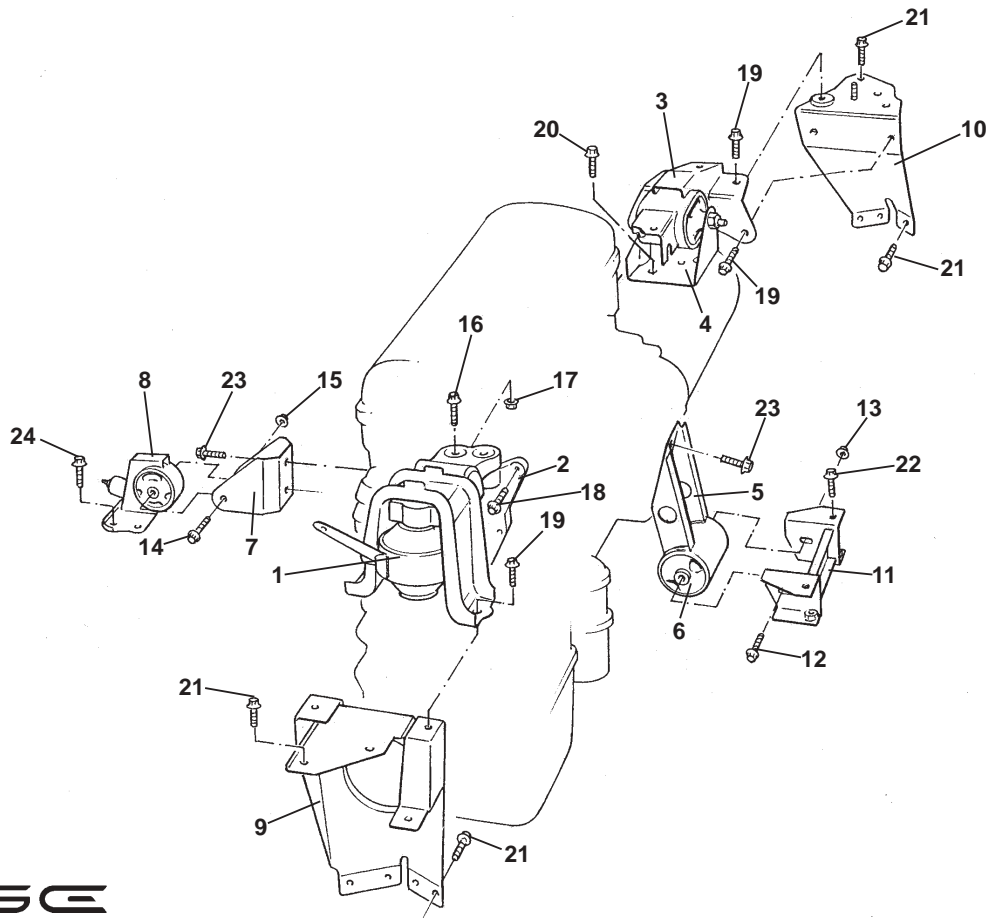
## Function Code 40.01 Engine Block, Oil Pick-up

<u>Dep</u>	<u>Part Description</u>	<u>Remarks</u>	<u>Option</u>	<u>Part Number</u>	<u>Qty</u>
01	Cylinder Block Assembly	Includes integral liners, bearing panel		A120E6139S	1
02	Bolt, panel to block			A120E	10
03	Bolt, panel to block			A120E6449S	1
04	Oil Strainer/Pick-up Pipe			A120E6274S	1
05	Nut, flange, pick-up to panel			A120E6161S	2
06	Bolt, flg, hd., pick-up to panel			A120E6466S	1
07	Gasket, strainer to panel			A120E6275S	1
08	Jointing Compound, panel to block	Not illustrated		A120E6474S	1

**ELISE**

Function Code: 40.01, Page: 1

2005/02 UPDATE ISSUED SEPTEMBER 2005



**ELISE**  
40.01a

# Service Parts List **ELISE**



## Function Code 40.01a Engine Mounts

<u>Dep</u>	<u>Part Description</u>	<u>Remarks</u>	<u>Option</u>	<u>Part Number</u>	<u>Qty</u>
01	Insulator, engine mounting, RH			A120E6393S	1
02	Bracket, alloy, insulator to engine			A120E6180S	1
03	Insulator, engine mounting, LH			A120E6397S	1
04	Bracket, insulator to transmission			A120E6396S	1
05	Bracket, engine mounting, front		A120A0071F R/B	A120A0099J	1
06	Bush, engine mounting, front		A120A0098K R/B	A120A0099J	1
07	Bracket, engine insulator rear			B120A0085F	1
08	Insulator, engine mounting, rear			A120A0035K	1
09	Bracket, engine to chassis, RH		A120A0055F R/B	B120A0055F	1
10	Bracket, engine to chassis, LH			A120A0059F	1
11	Bracket, engine to chassis, front			A120A0045F	1
13	Nut, fig., bush to bracket, front			A120E0102H	1
14	Bolt, fig. hd., bush to bracket, rear			A120E6099H	1
14a	Bolt, fig. hd., bush to bracket, front	Not illustrated		A120E0101H	1
15	Nut, fig., bush to bracket, rear			A120E6100H	1
16	Bolt, fig. hd., insulator to bracket			A120E6394S	2
17	Nut, fig., insulator to bracket			A120E6395S	2
18	Bolt, fig. hd., bracket to engine			A120E6481S	1

**ELISE**

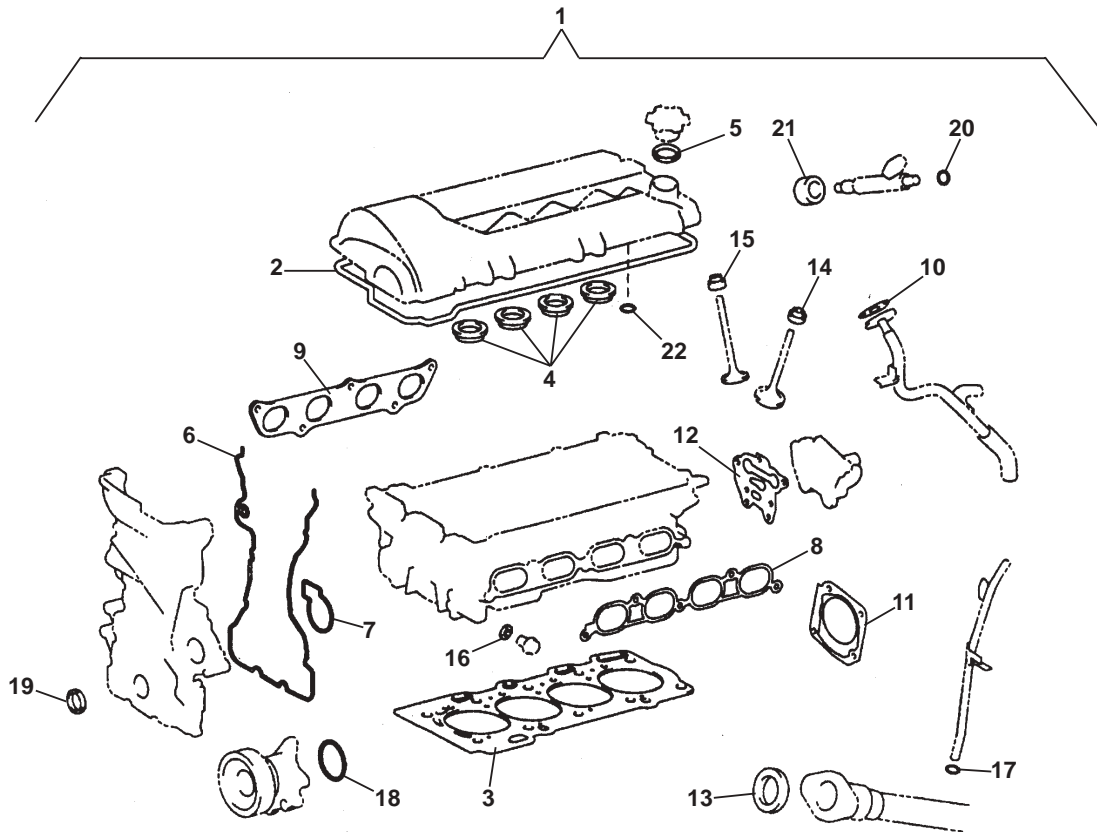
Function Code: 40.01a, Page: 1

2005/02 UPDATE ISSUED SEPTEMBER 2005

---

**Function Code 40.01a Engine Mounts**

<u>Dep</u>	<u>Part Description</u>	<u>Remarks</u>	<u>Option</u>	<u>Part Number</u>	<u>Qty</u>
18a	Bolt, fig. hd., bracket to engine, upper centre	Not illustrated		A120E6185S	1
18b	Bolt, fig. hd., bracket to engine, lower	Not illustrated		A120E6181S	3
19	Bolt, fig. hd., insulator to chassis bracket			A120E6390S	4
20	Bolt, fig. hd., bracket to transmission				3
21	Bolt, fig. hd., brackets to chassis			A116W5238F	4
22	Bolt, fig. hd., bracket to chassis				2
23	Bolt, fig. hd., bracket to engine				4
24	Bolt, fig. hd., insulator to subframe				4



**ELISE**  
40.02



**Function Code 40.02 Gaskets & Sealants, Top Overhaul Set**

<u>Dep</u>	<u>Part Description</u>	<u>Remarks</u>	<u>Option</u>	<u>Part Number</u>	<u>Qty</u>
01	Gasket Kit, cylinder head	Included in item 1, 40.02a		A120E6108S	1
02	Gasket, cam cover	Also see 40.07		A120E6119S	1
03	Gasket, cylinder head			A120E6123S	1
04	Gasket, spark plug tube			A120E6125S	4
05	Gasket, oil filler cap	Also see 40.07		A120E6130S	1
06	Gasket, timing chain cover, large	Also see 40.08a		A120E6133S	1
07	Gasket, timing chain cover, small	Also see 40.08a		A120E6134S	1
08	Gasket, inlet manifold	Also see 42.07		A120E6342S	1
09	Gasket, exhaust manifold	Also see 40.21		A120E6343S	1
10	Gasket, vent tube to cam cover	Also see 40.07		A120E6167S	1
11	Gasket, throttle body	Also see 42.04		A120E6354S	1
12	Gasket, oil control valve housing	Also see 40.05		A120E6284S	1
13	Gasket, downpipe to manifold	Also see 45.01		A120E6407S	1
14	Valve Stem Oil Seal, inlet, black	Also see 40.07		A120E6219S	8
15	Valve Stem Oil Seal, exhaust, green	Also see 40.07		A120E6220S	8
16	Gasket, oil filter plug to head	Also see 40.05		A120E6289S	1
17	'O' ring, tube to block	Also see 40.15		A120E6281S	1
18	Seal, 'O' ring, pump to block	Also see 40.13		A120E6300S	1
19	Oil Seal, timing cover to crankshaft			A120E6459S	1
20	'O' Ring, injector	Also see 42.05		A120E6357S	4
21	Insulator, injector	Also see 42.05		A120E6361S	4

**ELISE**

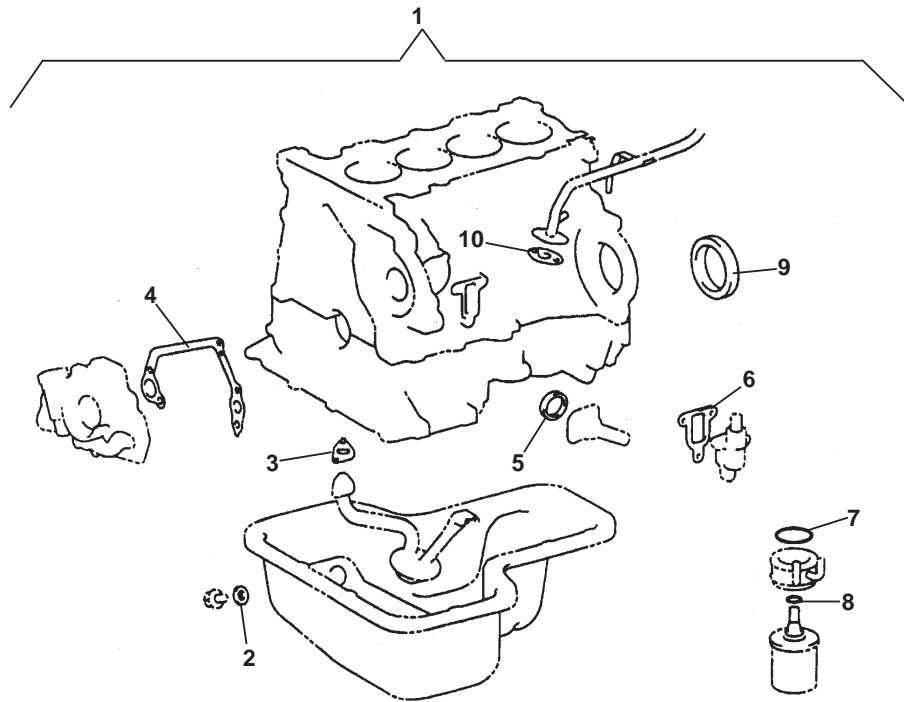
Function Code: 40.02, Page: 1

---

**Function Code 40.02 Gaskets & Sealants, Top Overhaul Set**

<u>Dep</u>	<u>Part Description</u>	<u>Remarks</u>	<u>Option</u>	<u>Part Number</u>	<u>Qty</u>
22	'O' Ring, cam cover to head			A120E6127S	1

---

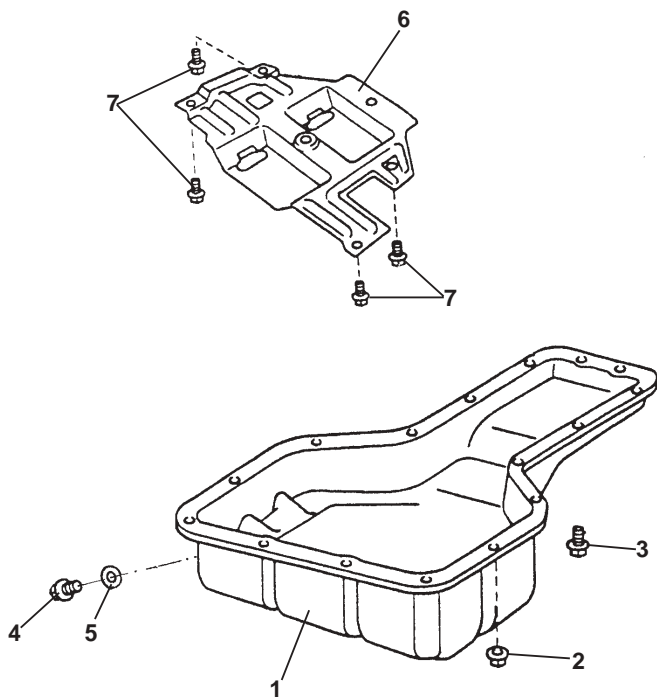


**ELISE**  
40.02a

---

**Function Code 40.02a Gaskets & Sealants, Bottom Overhaul Set**

<u>Dep</u>	<u>Part Description</u>	<u>Remarks</u>	<u>Option</u>	<u>Part Number</u>	<u>Qty</u>
01	Gasket Kit, engine overhaul	Includes item 1, 40.02		<b>A120E6107S</b>	1
02	Gasket, sump plug sealing	Also see 40.15		<b>A120E6461S</b>	1
03	Gasket, oil strainer to panel	Also see 40.15		<b>A120E6275S</b>	1
04	Gasket, oil pump	Also see 40.15		<b>A120E6271S</b>	1
05	Gasket, inlet housing	Also see 40.13		<b>A120E6314S</b>	1
06	Gasket, oil separator	Also see 40.07		<b>A120E6171S</b>	1
07	'O' Ring, exchanger to block	Also see 46.03		<b>A120E6458S</b>	1
08	'O' Ring, filter to block	Includes union, see 46.03		<b>A120E6292S</b>	1
09	Oil Seal, crankshaft rear			<b>A120E6138S</b>	1
10	Gasket, coolant bypass pipe to block			<b>A120E6304S</b>	1



**ELISE**  
**40.03**

# Service Parts List **ELISE**



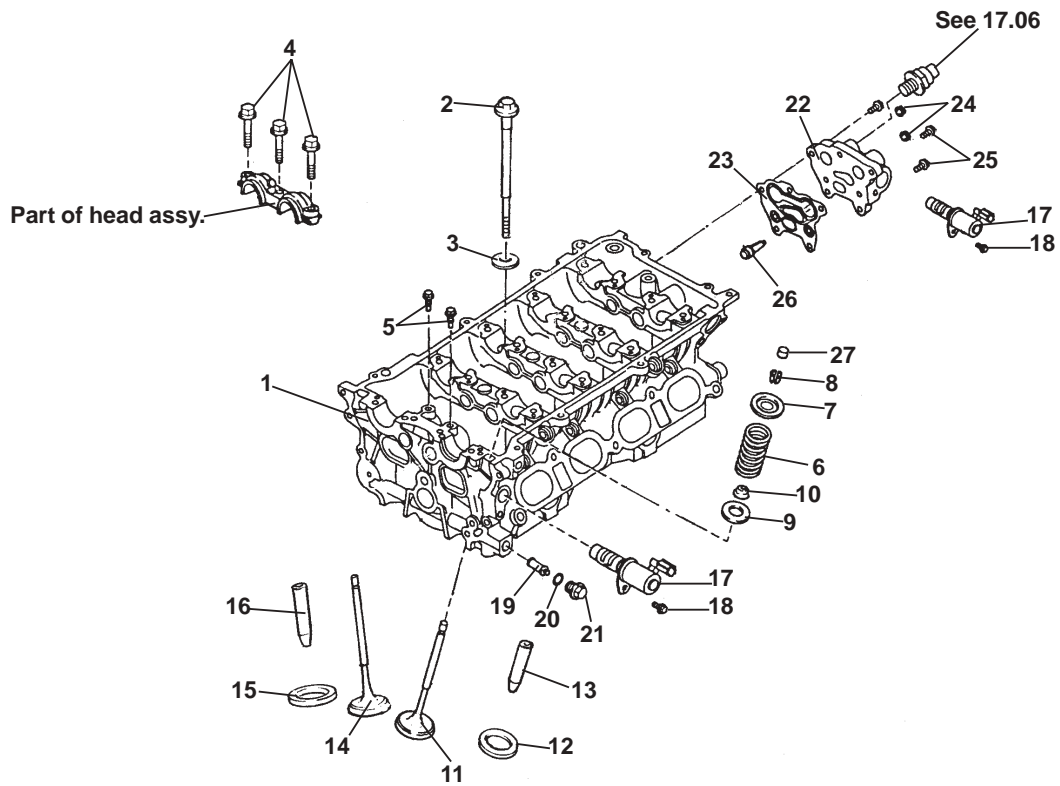
## Function Code 40.03 Sump Assembly

<u>Dep</u>	<u>Part Description</u>	<u>Remarks</u>	<u>Option</u>	<u>Part Number</u>	<u>Qty</u>
01	Sump Assembly			A120E6157S	1
02	Nut, fig., sump to engine			A120E6161S	4
03	Bolt, hex. fig. hd., sump to engine			A120E6160S	12
04	Drain Plug, sump			A120E6162S	1
05	Washer, plug sealing			A120E6461S	1
06	Baffle Panel, sump			A120E6158S	1
07	Screw, hex. fig. hd., panel to engine			A120E6164S	4
07	Jointing Compound, sump to engine	Not illustrated		A120E6474S	1

**ELISE**

Function Code: 40.03, Page: 1

*2005/02 UPDATE ISSUED SEPTEMBER 2005*



**ELISE**  
40.05

# Service Parts List **ELISE**



## Function Code 40.05 Cylinder Head , Valves, Springs

<u>Dep</u>	<u>Part Description</u>	<u>Remarks</u>	<u>Option</u>	<u>Part Number</u>	<u>Qty</u>
01	Cylinder Head Assembly	Includes cam retaining caps		A120E6109S	1
02	Bolt, head to block			A120E6122S	10
03	Washer, flat,			A120E6121S	10
04	Bolt, cam caps to head			A120E6453S	20
05	Bolt, rocker shaft retention			A120E6267S	10
06	Valve Spring, inlet			A120E6269S	8
06a	Valve Spring, exhaust			A120E6268S	8
07	Valve Retainer			A120E6218S	16
08	Valve Collet			A120E6221S	32
09	Valve Spring seat			A120E6217S	16
10	Valve Stem Oil Seal, inlet, black			A120E6219S	16
10a	Valve Stem Oil Seal, exhaust, green			A120E6220S	16
11	Inlet Valve			A120E6215S	8
12	Valve Seat Insert, inlet, standard			A120E6117S	8
12a	Valve Seat Insert, inlet, +0.03			A120E6112S	8
13	Valve Guide, inlet, standard			A120E6110S	8
13a	Valve Guide, inlet, +0.05			A120E6111S	8
14	Exhaust Valve			A120E6216S	8

**ELISE**

Function Code: 40.05, Page: 1

2005/02 UPDATE ISSUED SEPTEMBER 2005



---

**Function Code 40.05 Cylinder Head , Valves, Springs**

<u>Dep</u>	<u>Part Description</u>	<u>Remarks</u>	<u>Option</u>	<u>Part Number</u>	<u>Qty</u>
15	Valve Seat Insert, exhaust, standard			A120E6118S	8
15a	Valve Seat Insert, exhaust, +0.03			A120E6113S	8
16	Valve Guide, exhaust, standard			A120E6110S	8
16a	Valve Guide, exhaust, +0.05			A120E6111S	8
17	Oil Control Valve	Also see 17.06		A120E6282S	2
18	Bolt, fig. hd., , valve retaining			A120E6129S	2
19	Oil Filter			A120E6286S	1
20	Gasket, oil filter plug to head			A120E6289S	1
21	Plug, oil filter retaining			A120E6288S	1
22	Oil Control Valve Housing			A120E6283S	1
23	Gasket, housing to head			A120E6284S	1
24	Flange Nut, housing to head			A120E6287S	2
25	Screw, housing to head				3
26	Oil Filter			A120E6285S	1
27a	Shim, valve clearance, 2.000			A120E6222S	As req.
27aa	Shim, valve clearance, 2.020			A120E6223S	As req.
27b	Shim, valve clearance, 2.040			A120E6224S	As req.
27bb	Shim, valve clearance, 2.060			A120E6225S	As req.
27c	Shim, valve clearance, 2.080			A120E6226S	As req.
27cc	Shim, valve clearance, 2.100			A120E6227S	As req.
27d	Shim, valve clearance, 2.120			A120E6228S	As req.

---

**ELISE**

Function Code: 40.05, Page: 2

*2005/02 UPDATE ISSUED SEPTEMBER 2005*

---

**Function Code 40.05 Cylinder Head , Valves, Springs**

<u>Dep</u>	<u>Part Description</u>	<u>Remarks</u>	<u>Option</u>	<u>Part Number</u>	<u>Qty</u>
27dd	Shim, valve clearance, 2.140			A120E6229S	As req.
27e	Shim, valve clearance, 2.160			A120E6230S	As req.
27ee	Shim, valve clearance, 2.180			A120E6231S	As req.
27f	Shim, valve clearance, 2.200			A120E6232S	As req.
27ff	Shim, valve clearance, 2.220			A120E6233S	As req.
27g	Shim, valve clearance, 2.240			A120E6234S	As req.
27gg	Shim, valve clearance, 2.260			A120E6235S	As req.
27h	Shim, valve clearance, 2.280			A120E6236S	As req.
27hh	Shim, valve clearance, 2.300			A120E6237S	As req.
27i	Shim, valve clearance, 2.320			A120E6238S	As req.
27ii	Shim, valve clearance, 2.340			A120E6239S	As req.
27jj	Shim, valve clearance, 2.360			A120E6241S	As req.
27j	Shim, valve clearance, 2.380			A120E6240S	As req.
27k	Shim, valve clearance, 2.400			A120E6242S	As req.
27kk	Shim, valve clearance, 2.420			A120E6243S	As req.
27l	Shim, valve clearance, 2.440			A120E6244S	As req.
27ll	Shim, valve clearance, 2.460			A120E6245S	As req.
27m	Shim, valve clearance, 2.480			A120E6246S	As req.
27m m	Shim, valve clearance, 2.500			A120E6247S	As req.
27n	Shim, valve clearance, 2.520			A120E6248S	As req.

---

**ELISE**

Function Code: 40.05, Page: 3

*2005/02 UPDATE ISSUED SEPTEMBER 2005*

---

**Function Code 40.05 Cylinder Head , Valves, Springs**

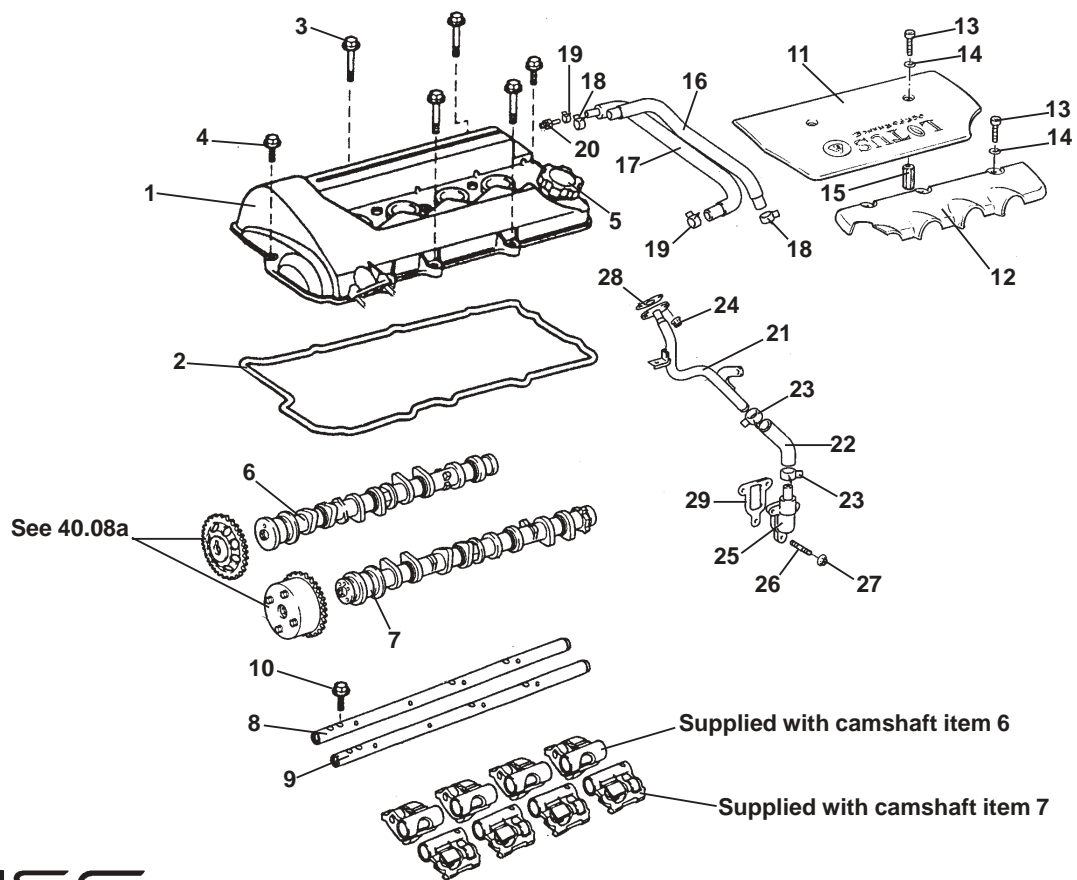
<u>Dep</u>	<u>Part Description</u>	<u>Remarks</u>	<u>Option</u>	<u>Part Number</u>	<u>Qty</u>
27nn	Shim, valve clearance, 2.540			A120E6249S	As req.
27p	Shim, valve clearance, 2.560			A120E6252S	As req.
27pp	Shim, valve clearance, 2.580			A120E6253S	As req.
27q	Shim, valve clearance, 2.600			A120E6254S	As req.
27qq	Shim, valve clearance, 2.620			A120E6255S	As req.
27r	Shim, valve clearance, 2.640			A120E6256S	As req.
27rr	Shim, valve clearance, 2.660			A120E6257S	As req.
27s	Shim, valve clearance, 2.680			A120E6258S	As req.
27ss	Shim, valve clearance, 2.700			A120E6259S	As req.
27t	Shim, valve clearance, 2.720			A120E6260S	As req.
27tt	Shim, valve clearance, 2.740			A120E6261S	As req.
27u	Shim, valve clearance, 2.760			A120E6262S	As req.
28o	Shim, valve clearance, 2.780			A120E6250S	As req.
28oo	Shim, valve clearance, 2.800			A120E6251S	As req.
29	Blanking Plug, unused air injection rail	Not illustrated		A120E0015K	1

---

**ELISE**

Function Code: 40.05, Page: 4

*2005/02 UPDATE ISSUED SEPTEMBER 2005*



**ELISE**  
40.07

**Function Code 40.07 Camshafts, Tappets, Cam Cover**

<u>Dep</u>	<u>Part Description</u>	<u>Remarks</u>	<u>Option</u>	<u>Part Number</u>	<u>Qty</u>
01	Camshaft Cover			A120E6012S	1
02	Gasket, cam cover			A120E6119S	1
03	Bolt, cover to head			A120E6131S	6
04	Screw, cover to head				2
05	Oil Filler Cap			A120E6105S	1
06	Camshaft/Rockers, exhaust			A120E6200S	1
07	Camshaft/Rockers, inlet			A120E6199S	1
08	Shaft, exhaust rockers			A120E6266S	1
09	Shaft, inlet rockers			A120E6265S	1
10	Bolt, fig. hd., rocker shaft retention			A120E6267S	10
11	Cover, spark plugs			B120E0022F	1
12	Cover, fuel injection			A120E0011F	1
13	Screw, M6 x 16, pan, torx hd. S/S, covers to head		A111W7170F R/B	A117W2213F	5
14	Washer, flat, M6 x 12, covers to head			A100W4127F	5
15	Hexagonal Bar, M6 x 25, plug cover to head			A120W6743F	2
16	Hose, No. 2, cylinder head ventilation			A120E6169S	1
17	Hose, No. 1, cylinder head ventilation			A120E6168S	1
18	Hose Clip, hose No. 2			A120E6175S	2
19	Hose Clip, hose No. 1			A120E6295S	2
20	Valve Assembly, cylinder head ventilation			A120E6126S	1
21	Tube Assembly, crankcase ventilation			A120E6166S	1

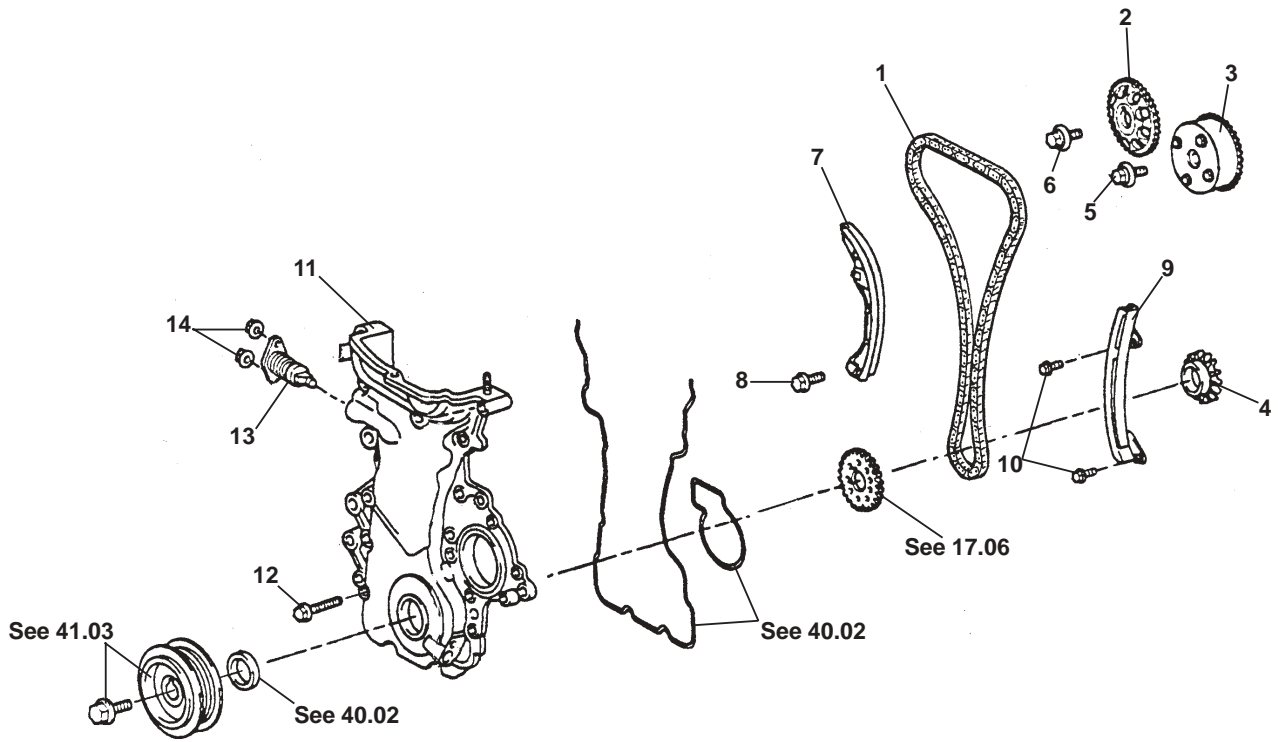
**ELISE**

Function Code: 40.07, Page: 1

---

**Function Code 40.07 Camshafts, Tappets, Cam Cover**

<u>Dep</u>	<u>Part Description</u>	<u>Remarks</u>	<u>Option</u>	<u>Part Number</u>	<u>Qty</u>
22	Hose, No. 3, crankcase ventilation			A120E6170S	1
23	Hose Clip, hose No. 3			A120E6177S	2
24	Flange Nut, tube assy. to cam cover			A120E6179S	2
25	Casing, oil separator, crankcase ventilation			A120E6165S	1
26	Stud, casing to block			A120E6172S	3
27	Flange Nut, casing to block			A120E6468S	3
28	Gasket, vent tube to cam cover			A120E6167S	1
29	Gasket, oil separator to block			A120E6171S	1



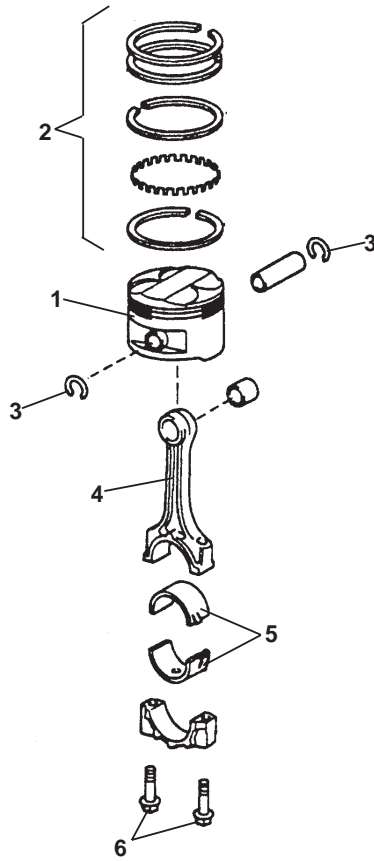
**ELISE**  
40.08a

---

**Function Code 40.08 Camshaft Drive Chain & Sprockets**

<u>Dep</u>	<u>Part Description</u>	<u>Remarks</u>	<u>Option</u>	<u>Part Number</u>	<u>Qty</u>
01	Camshaft Drive Chain			A120E6207S	1
02	Sprocket, exhaust camshaft			A120E6203S	1
03	Sprocket/Valve Timing Controller Assy., inlet camshaft			A120E6201S	1
04	Sprocket, drive chain, crankshaft			A120E6202S	1
05	Bolt, hex. fig. hd., sprocket to inlet cam			A120E6205S	1
06	Bolt, hex. fig. hd., sprocket to exhaust cam			A120E6206S	1
07	Chain Tensioner Slipper			A120E6209S	1
08	Bolt, hex. fig. hd., slipper to block			A120E6211S	1
09	Chain Vibration Damper			A120E6210S	1
10	Bolt, hex. fig. hd., damper to block				2
11	Drive Chain Cover			A120E6132S	2
12	Bolt, hex. fig. hd., cover to engine			A120E6135S	8
13	Drive Chain Tensioner	Includes seal		A120E6208S	1
14	Flange Nut, tensioner to cover			A120E6212S	2



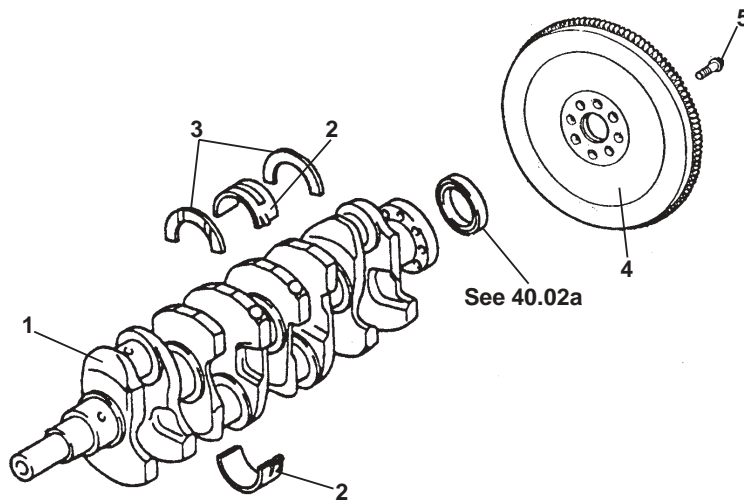


**ELISE**  
40.09

---

**Function Code 40.09 Pistons, Con-rods, Liners**

<u>Dep</u>	<u>Part Description</u>	<u>Remarks</u>	<u>Option</u>	<u>Part Number</u>	<u>Qty</u>
01	Piston Assembly	Incl. rings, gudgeon pin, circlips		A120E6188S	4
02	Piston Ring Set			A120E6178S	4
03	Circlip, gudgeon pin retaining			A120E6189S	4
04	Con-rod			A120E6190S	4
05	Con-rod Bearing Set, size 1			A120E6192S	1
05a	Con-rod Bearing Set, size 2			A120E6193S	1
05b	Con-rod Bearing Set, size -0.25			A120E6194S	1
06	Bolt, hex. flg. hd., cap to rod			A120E6182S	8



**ELISE**  
40.11

# Service Parts List **ELISE**



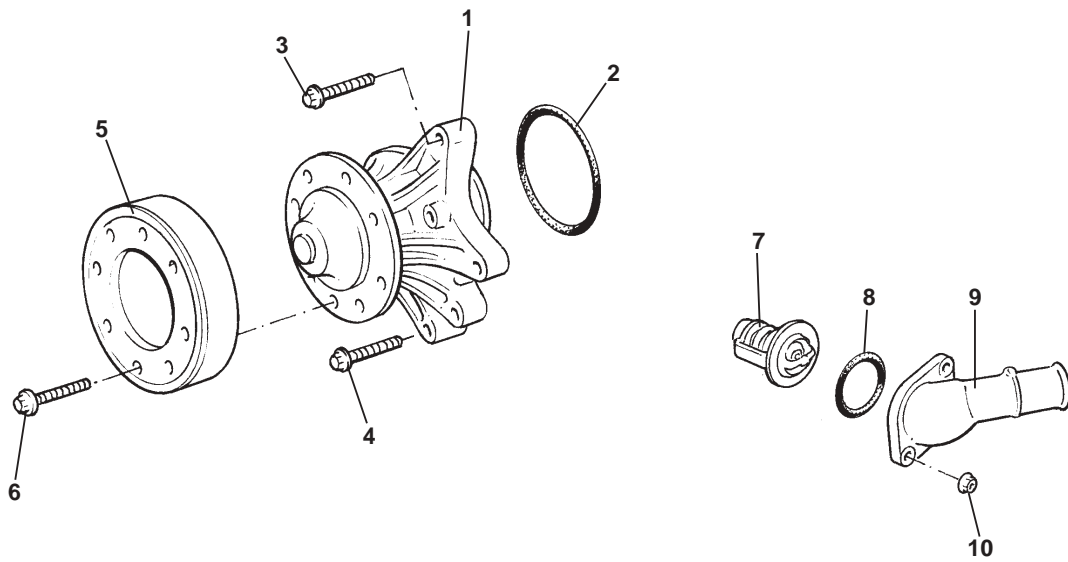
## Function Code 40.11 Crankshaft, Bearings, Flywheel

<u>Dep</u>	<u>Part Description</u>	<u>Remarks</u>	<u>Option</u>	<u>Part Number</u>	<u>Qty</u>
01	Crankshaft			A120E6263S	1
02	Main Bearing Set, size 1			A120E6150S	1
02a	Main Bearing Set, size 2			A120E6151S	As req.
02b	Main Bearing Set, size 3			A120E6152S	As req.
02c	Main Bearing Set, size 4			A120E6153S	As req.
02d	Main Bearing Set, size 5			A120E6154S	As req.
02e	Main Bearing Set, size +0.25			A120E6155S	As req.
03	Thrust Washer			A120E6156S	2
04	Flywheel			A120E6195S	2
05	Bolt, flywheel to crankshaft			A120E6197S	8
06	Starter Gear Ring			A120E6273S	1
07	Key, crankshaft			A120E6192S	1
08	Pin, flywheel			A120E6196S	1

**ELISE**

Function Code: 40.11, Page: 1

2005/02 UPDATE ISSUED SEPTEMBER 2005

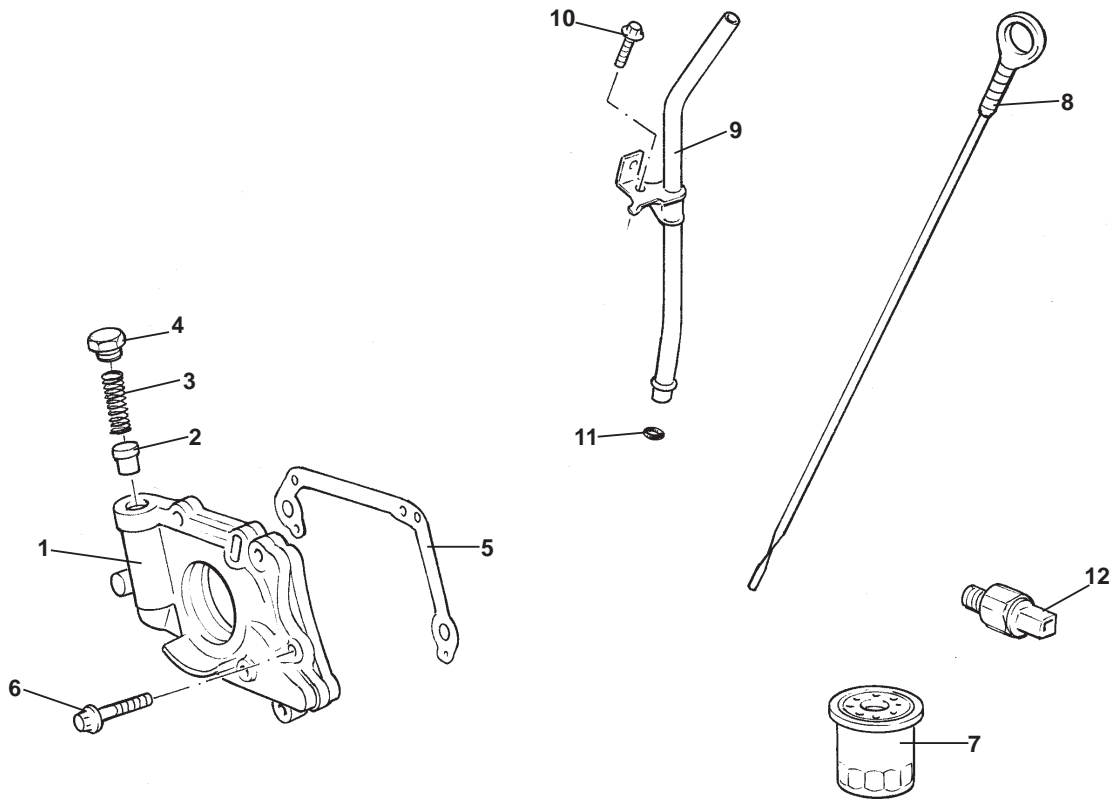


**ELISE**  
40.13

---

**Function Code 40.13 Water Pump Assembly, Thermostat**

<u>Dep</u>	<u>Part Description</u>	<u>Remarks</u>	<u>Option</u>	<u>Part Number</u>	<u>Qty</u>
01	Water Pump Assembly			A120E6298S	1
02	Seal, 'O' ring, pump to block			A120E6300S	1
03	Bolt, pump to block			A120E6136S	4
04	Bolt, pump to block			A120E6272S	2
05	Pulley, water pump			A120E6301S	1
06	Bolt, pulley to pump			A120E6302S	4
07	Thermostat			A120E6315S	1
08	Gasket, thermostat to cover			A120E6314S	1
09	Inlet Housing, coolant to thermostat			A120E6313S	1
10	Nut, cover to block			A120E6468S	2



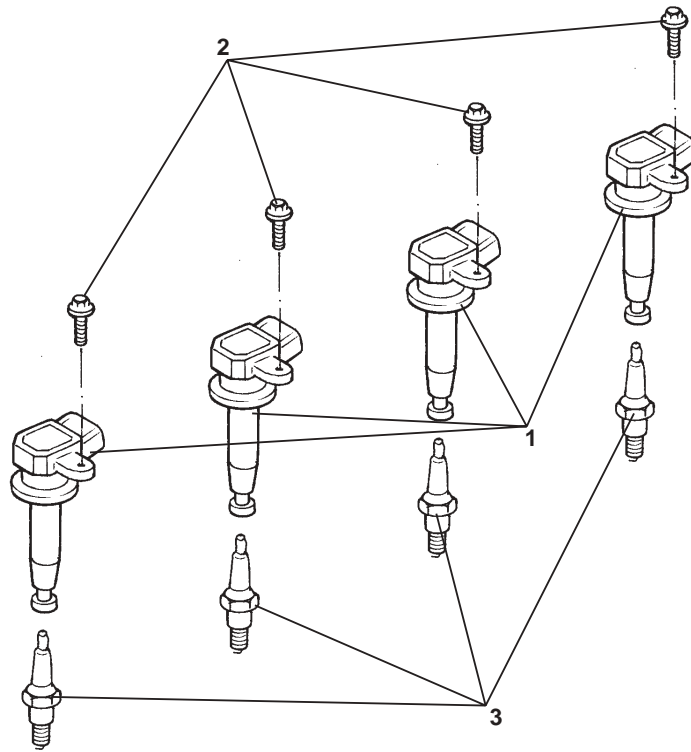
**ELISE**  
40.15

---

**Function Code 40.15 Lubrication System**

<u>Dep</u>	<u>Part Description</u>	<u>Remarks</u>	<u>Option</u>	<u>Part Number</u>	<u>Qty</u>
01	Oil Pump Assembly			A120E6270S	1
02	Relief Valve, oil pump			A120E6432S	1
03	Spring, oil pump relief valve			A120E6433S	1
04	Plug, oil pump relief valve			A120E6434S	1
05	Gasket, oil pump			A120E6271S	1
06	Bolt, flange, oil pump to block			A120E6466S	6
07	Oil Filter			A120E6277S	1
08	Dipstick			A120E6279S	1
09	Guide Tube, dipstick			A120E6278S	1
10	Bolt, figt. hd., guide tube fixing			A120E6280S	1
11	'O' Ring, tube to block			A120E6281S	1
12	Sensor, oil pressure			A120E6374S	1



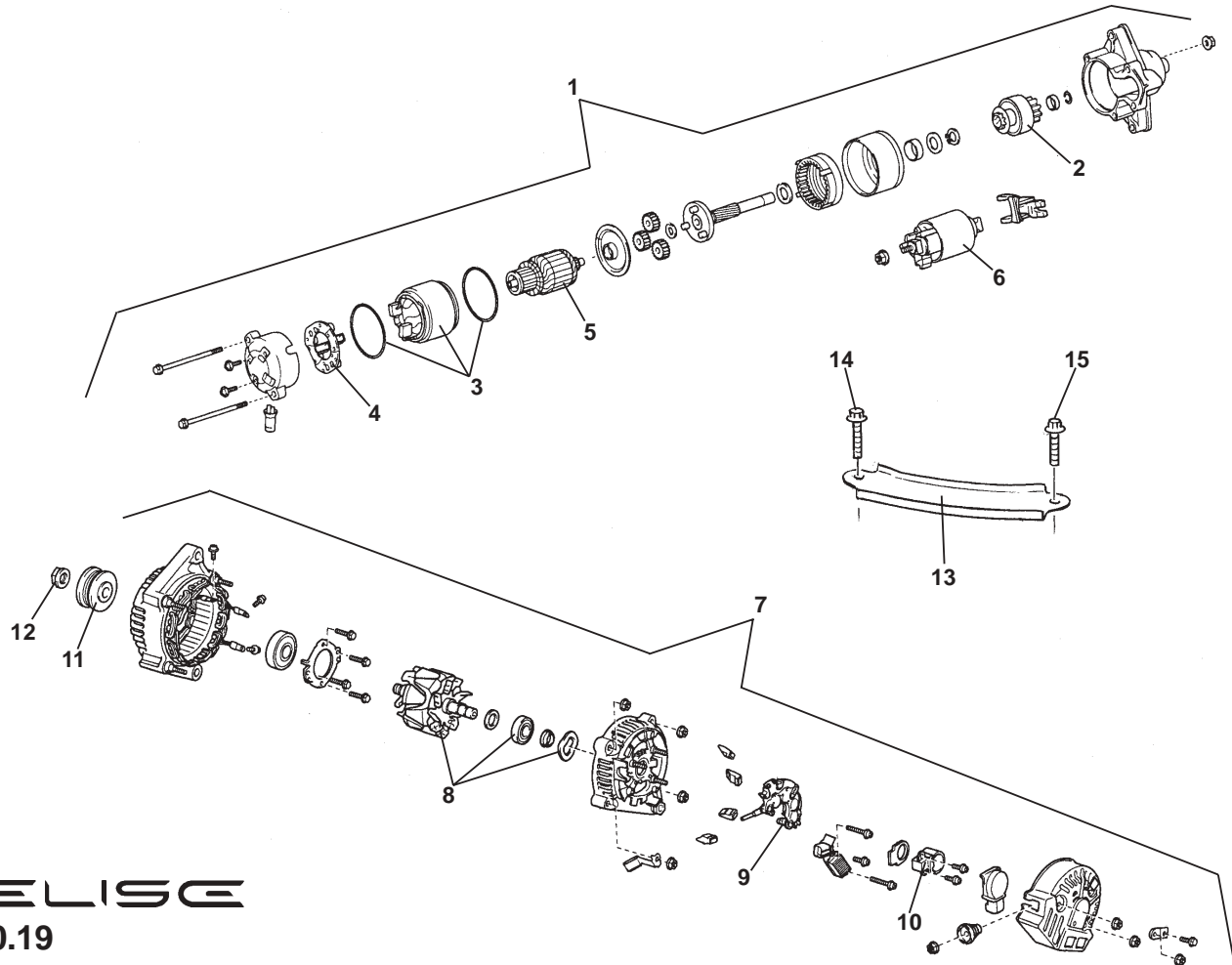


**ELISE**  
40.17

---

**Function Code 40.17 Ignition System, Spark plugs & Plug Top Coils**

<u>Dep</u>	<u>Part Description</u>	<u>Remarks</u>	<u>Option</u>	<u>Part Number</u>	<u>Qty</u>
01	Plug Top Coil			A120E6346S	4
02	Screw, flg hd., coil to head			A120E6350S	4
03	Spark Plug			A120E6352S	4

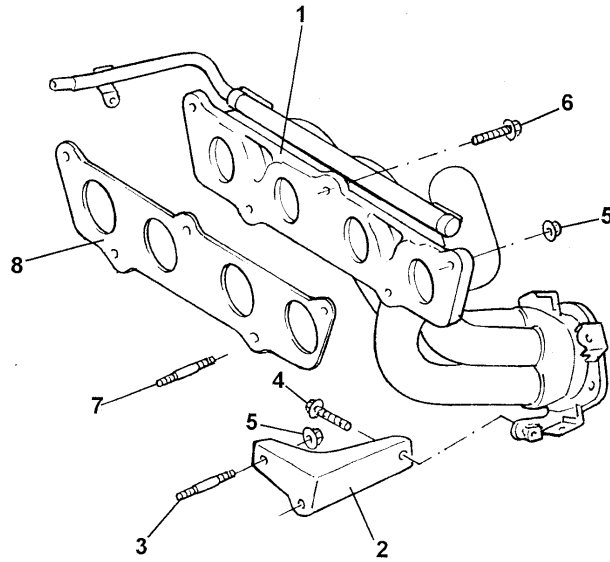


**ELISE**  
40.19

---

**Function Code 40.19 Alternator and Starter Motor**

<u>Dep</u>	<u>Part Description</u>	<u>Remarks</u>	<u>Option</u>	<u>Part Number</u>	<u>Qty</u>
01	Starter Motor			A120E6400S	1
02	Clutch, starter motor			A120E6435S	1
03	Yoke Assembly, starter motor			A120E6436S	1
04	Holder Assembly, starter motor			A120E6437S	1
05	Armature Assembly, starter motor			A120E6439S	1
06	Switch Assembly			A120E6438S	1
07	Alternator			A120E6369S	1
08	Rotor Assembly, alternator			A120E6381S	1
09	Holder, rectifier, alternator			A120E6392S	1
10	Holder, brush, alternator			A120E6405S	1
11	Pulley, alternator			A120E6417S	1
12	Nut, pulley to alternator				1
13	Bracket, alternator to block			A120E6183S	1
14	Screw, bracket to alternator				1
15	Screw, bracket to inlet manifold				1

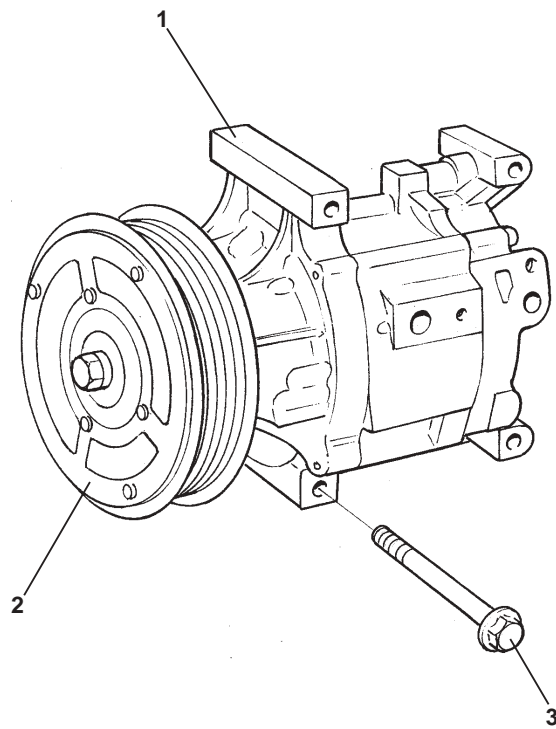


ELISE

---

**Function Code 40.21 Exhaust Manifold**

<u>Dep</u>	<u>Part Description</u>	<u>Remarks</u>	<u>Option</u>	<u>Part Number</u>	<u>Qty</u>
01	Exhaust Manifold			A120E6331S	1
02	Stay, exhaust manifold			A120E6429S	1
03	Stud, stay to engine			A120E6140S	2
04	Bolt, fig. hd., stay to manifold			A120E6431S	2
05	Nut, fig., stay/manifold to engine			A120E6336S	4
06	Bolt, fig. hd., manifold to head			A120E6335S	3
07	Stud, manifold to head			A120E6120S	2
08	Gasket, exhaust manifold	Also see 40.02		A120E6343S	1



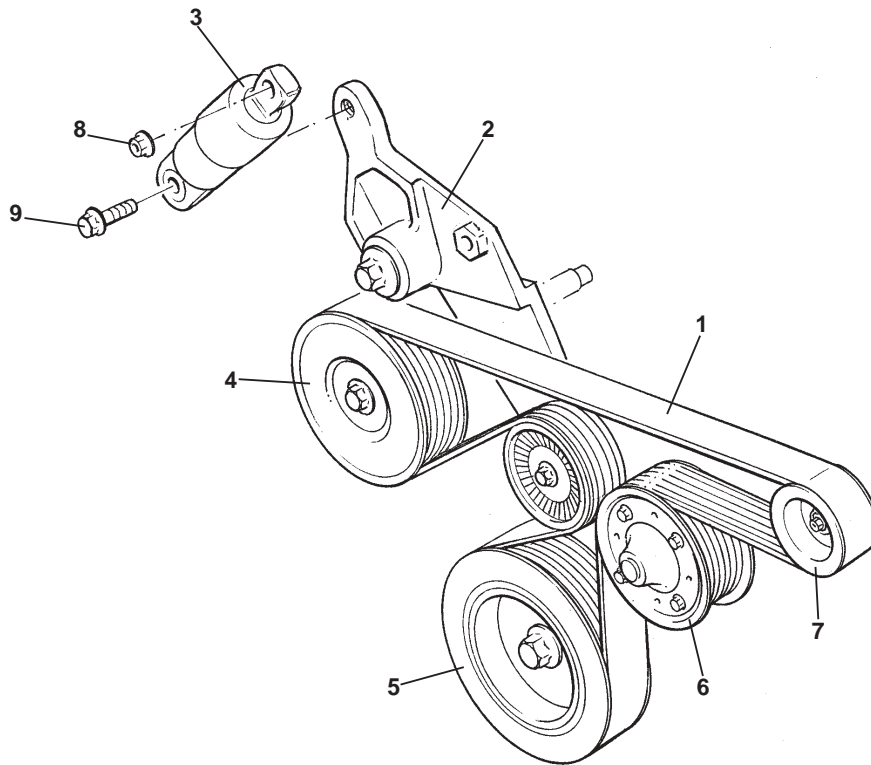
**ELISE**  
**40.23**

---

**Function Code 40.23 AC Compressor**

<u>Dep</u>	<u>Part Description</u>	<u>Remarks</u>	<u>Option</u>	<u>Part Number</u>	<u>Qty</u>
01	AC Compressor		AC cars	A120E6414S	1
02	Clutch/Pulley Assembly, compressor		AC cars	A120E6415S	1
03	Bolt, fig. hd., compressor to block		AC cars	A120E6477S	3



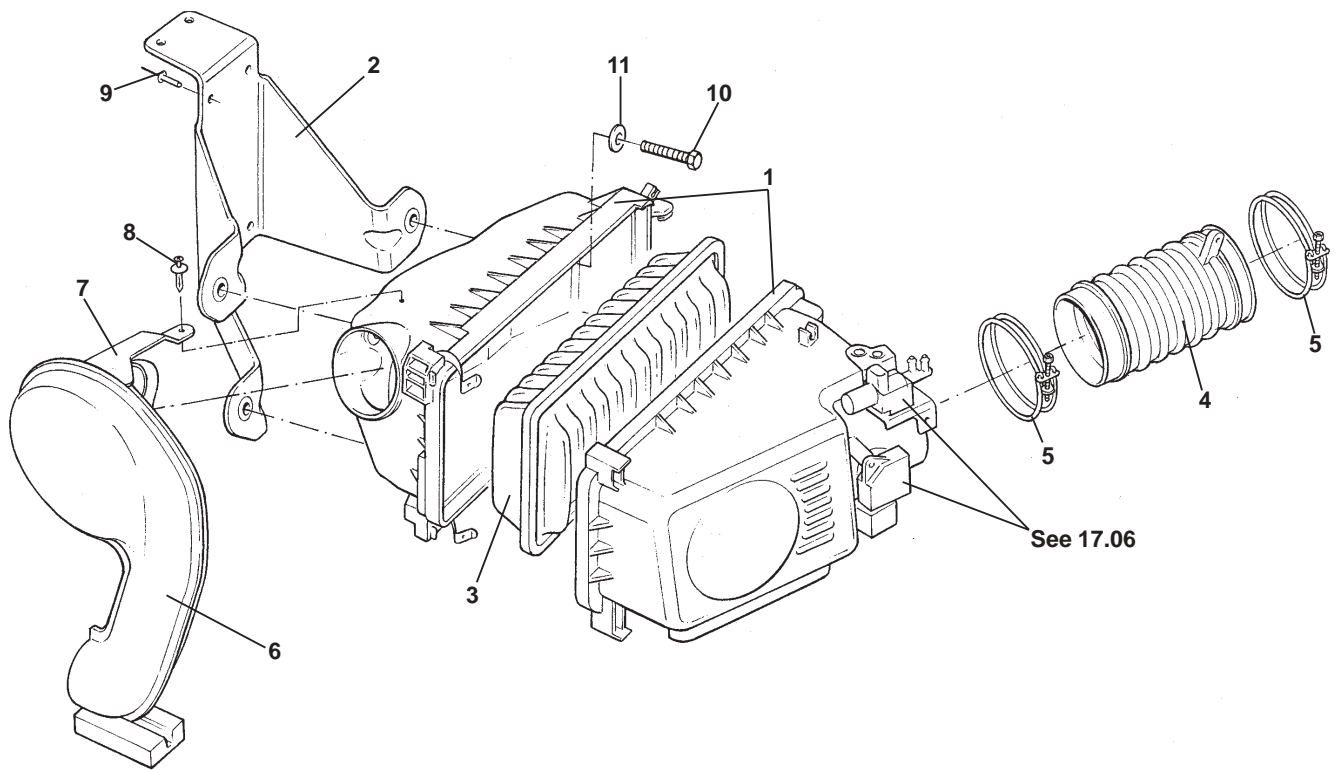


**ELISE**  
41.03

---

**Function Code 41.03 Auxiliary Drive Belts & Pulleys**

<u>Dep</u>	<u>Part Description</u>	<u>Remarks</u>	<u>Option</u>	<u>Part Number</u>	<u>Qty</u>
01	Drive Belt, alternator, water pump		Non AC cars	<b>A120E6418S</b>	1
01a	Drive Belt, AC compressor, alternator, water pump		AC cars	<b>A120E6416S</b>	1
02	Tensioner, drive belt			<b>A120E6316S</b>	1
03	Spring, belt tensioner			<b>A120E6367S</b>	1
04	Idler Assembly, drive belt			<b>A120E6403S</b>	1
05	Pulley, crankshaft to drive belt			<b>A120E6198S</b>	1
06	Pulley, water pump	Also see 40.13		<b>A120E6301S</b>	1
07	Pulley, alternator	Also see 40.19		<b>A120E6417S</b>	1
08	Flange Nut, spring to head			<b>A120E6319S</b>	1
09	Bolt, fig. hd., spring to tensioner arm				1



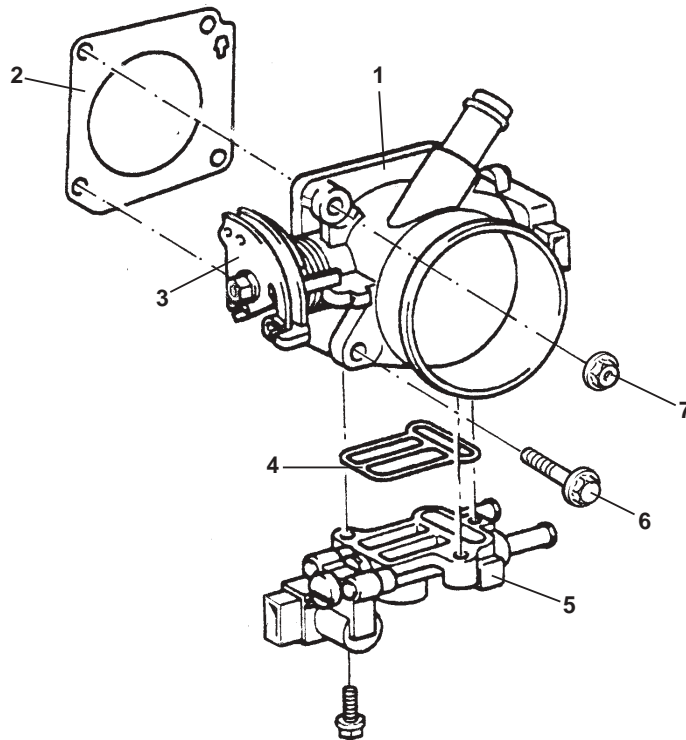
# ELISE

42.01

---

**Function Code 42.01 Airboxes, Trunking & Air Filters**

<u>Dep</u>	<u>Part Description</u>	<u>Remarks</u>	<u>Option</u>	<u>Part Number</u>	<u>Qty</u>
01	Airbox Assembly	Includes element		A120E6383S	1
01a	Airbox Sub-assembly	Case only		A120E6476S	1
02	Bracket, air cleaner mounting			A120E0004F	1
03	Element, air cleaner			A120E6385S	1
04	Hose, airbox to throttle body			A120E6386S	1
05	Hose Clip, hose fixing			A120E6055H	2
06	Air Intake Snorkel Assembly			A120E0003F	1
07	Bracket, air intake snorkel mounting	Bonded to snorkel		A120E0028H	1
08	Plastic Fastener, bracket to airbox			A082W6528F	1
09	Pop Rivet, bracket to bulkhead			A111W6614F	6
10	Screw, M8 x 35, hex. hd., airbox to bracket			A075W1041Z	3
11	Washer, flat, M8 x 20 x 1.4, airbox to bracket			A082W4165F	3
12	Hose, vacuum, 245mm, valve, vacuum switching to manifold	Not illustrated		A121E0008F	1
13	Blanking Plug, vacuum hose 'T' piece	Not illustrated		A120W6758F	1

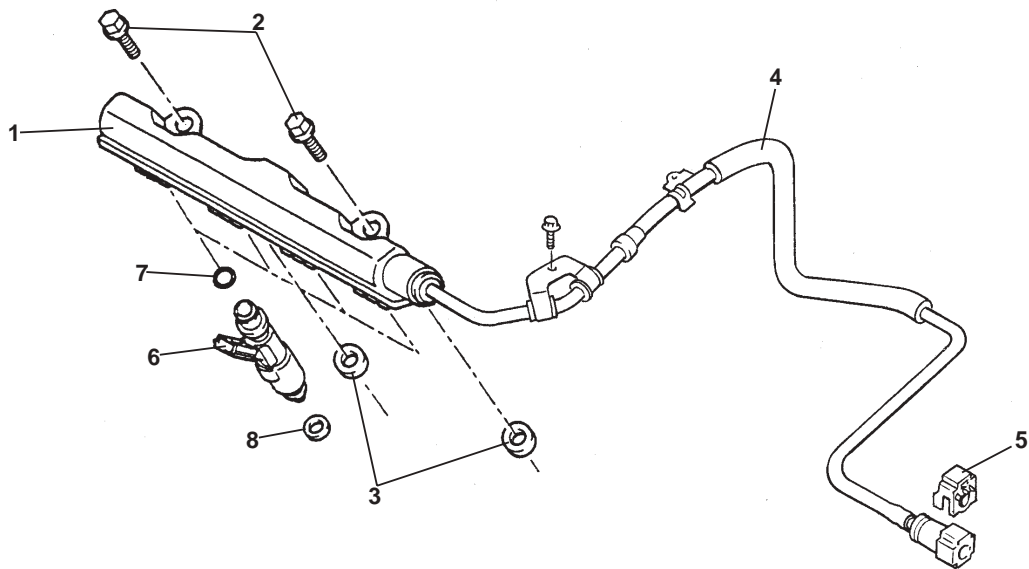


**ELISE**  
**42.04**

---

**Function Code 42.04 Throttle Body, Mechanism & IAC Valve**

<u>Dep</u>	<u>Part Description</u>	<u>Remarks</u>	<u>Option</u>	<u>Part Number</u>	<u>Qty</u>
01	Throttle Body	Includes IAC & TPS		A120E6353S	1
02	Gasket, throttle body			A120E6354S	1
03	Quadrant, throttle body			A120E0019F	1
04	Gasket, IAC			A120E6372S	1
05	Idle Air Control Valve (IAC)			A120E6377S	1
06	Screw, fig. hd, throttle body to manifold			A120E6357S	2
07	Nut, fig. hd., throttle body to manifold			A120E6355S	2



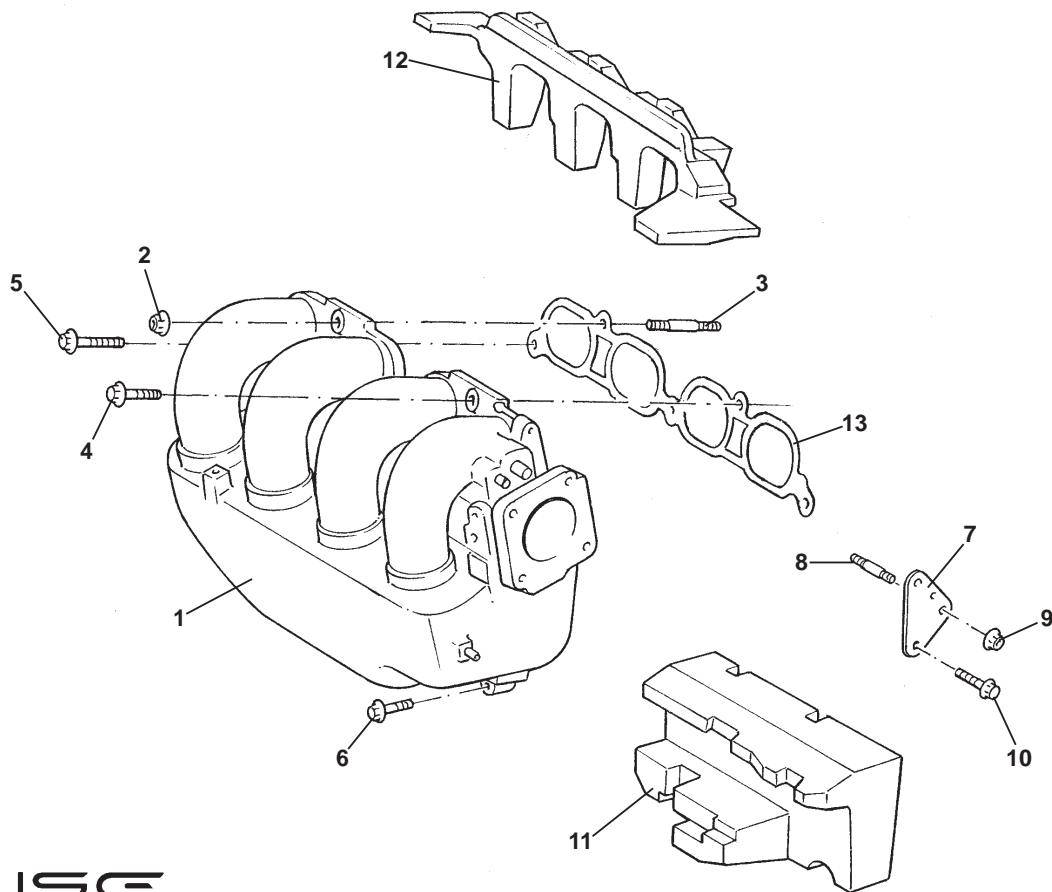
**ELISE**  
42.05

---

**Function Code 42.05 Fuel Injection System**

<u>Dep</u>	<u>Part Description</u>	<u>Remarks</u>	<u>Option</u>	<u>Part Number</u>	<u>Qty</u>
01	Fuel Rail			A120E6362S	1
02	Bolt, fig. hd., fuel rail fixing			A120E6364S	2
03	Spacer, fuel rail to manifold			A120E6363S	2
04	Hose Assembly, fuel rail	Includes item 5		A120E6365S	1
05	Double Lock Connect, fuel feed	See Service Notes: section LJ		A120W6757F	1
06	Fuel Injector	Includes 'O' rings	A120E6360S R/B	A120E6479S	4
07	'O' Ring, injector			A120E6357S	4
08	Insulator, injector			A120E6361S	4





**ELISE**  
42.07

---

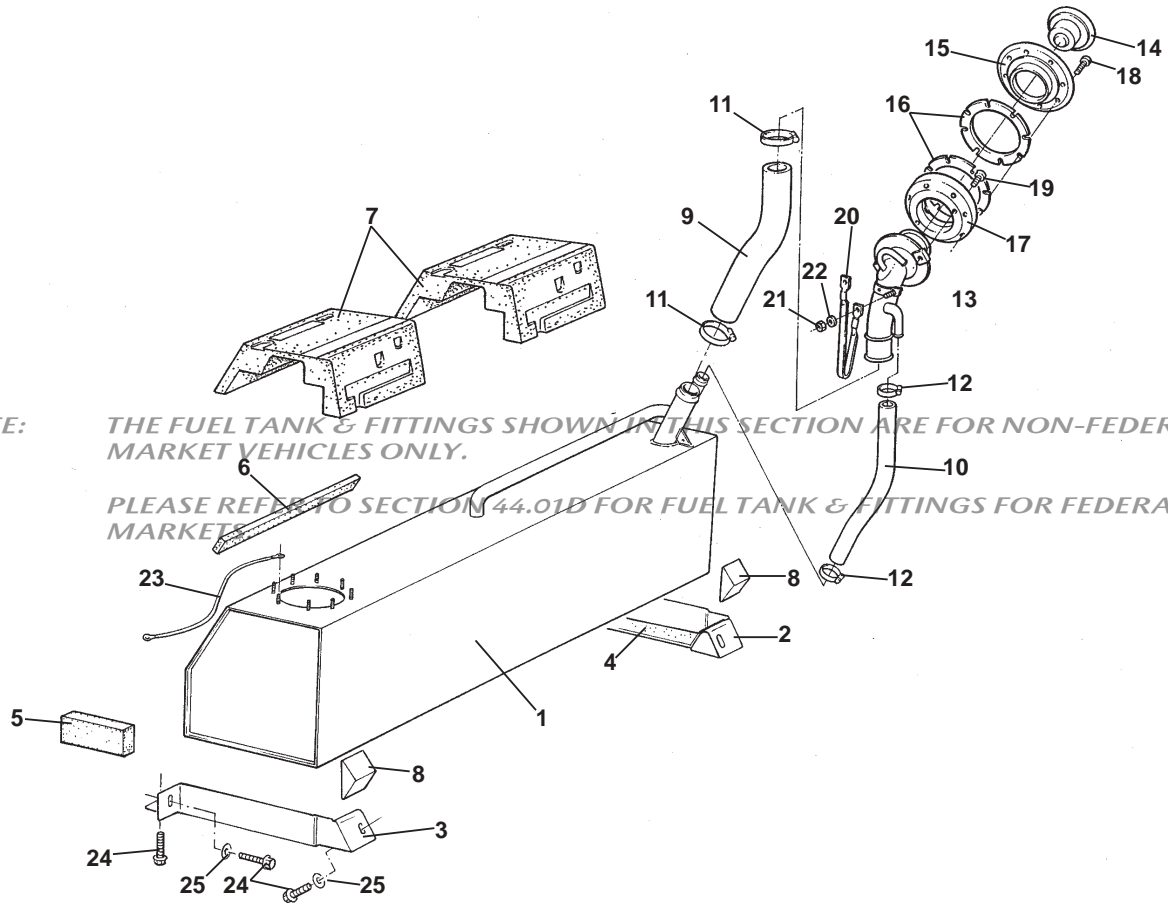
**Function Code 42.07 Inlet Manifolds, Plenum & Gaskets**

<u>Dep</u>	<u>Part Description</u>	<u>Remarks</u>	<u>Option</u>	<u>Part Number</u>	<u>Qty</u>
01	Inlet Manifold/Plenum			A120E6321S	1
02	Nut, manifold to head			A120E6327S	2
03	Stud, manifold to head, upper			A120E6115S	1
04	Bolt, manifold to head, short			A120E6324S	2
05	Bolt, manifold to head, long			A120E6325S	1
06	Bolt, manifold to head, lower			A120E6326S	1
07	Stay, inlet manifold			A120E6339S	1
08	Stud, stay to head			A120E6329S	1
09	Nut, fig., stay to head			A120E6340S	1
10	Bolt, fig. hd., stay to manifold			A120E6040S	2
11	Insulator, manifold lower			A120E6322S	1
12	Insulator, manifold upper			A120E6323S	1
13	Gasket, inlet manifold			A120E6342S	1

PLEASE NOTE:

THE FUEL TANK & FITTINGS SHOWN IN THIS SECTION ARE FOR NON-FEDERAL MARKET VEHICLES ONLY.

PLEASE REFER TO SECTION 44.01D FOR FUEL TANK & FITTINGS FOR FEDERAL MARKETS



**ELISE**  
44.01

**Function Code 44.01 Fuel Tanks, Filler**

<u>Dep</u>	<u>Part Description</u>	<u>Remarks</u>	<u>Option</u>	<u>Part Number</u>	<u>Qty</u>
01	Fuel Tank			A120L0004H	1
02	Bracket, fuel tank support, RH			B120L0040F	1
03	Bracket, fuel tank support, LH			B120L0041F	1
04	Isolating Strip, tank brackets			A120L0047F	2
05	Foam Support, tank sides			A120L0028F	4
06	Restraint Foam, tank angled face			A120L0029F	2
07	Foam Block, fuel tank retention, upper			B120L0044F	2
08	Rear Restraint, tank mounting			A120L0045F	2
09	Hose, fuel filler			A120L0022H	1
10	Hose, fuel breather			A120L0023H	1
11	Hose Clip, filler hose			A117W6684F	4
12	Hose Clip, breather hose			A117W6706F	4
13	Fuel Filler Neck			C117L0002F	1
14	Fuel Filler Cap, less lock barrel	Order vehicle lock set, or 14a		A117L0058F	1
14a	Lock Barrel & Keys, fuel cap			A117L6050S	1
15	Finisher Ring, cap to clamshell			B117L0024F	1
16	Gasket, rings to clamshell			A117L0027F	2
17	Spacer Ring, filler to clamshell			A117L0021F	1
18	Screw, M5 x 15, skt, cap hd., filler neck to clamshell			A117L6033F	8
19	Screw, M5 x 10, skt. cap hd., S/S, ring to filler neck			A117L3032F	2
20	Earth Braid, filler neck			A079M4094F	1

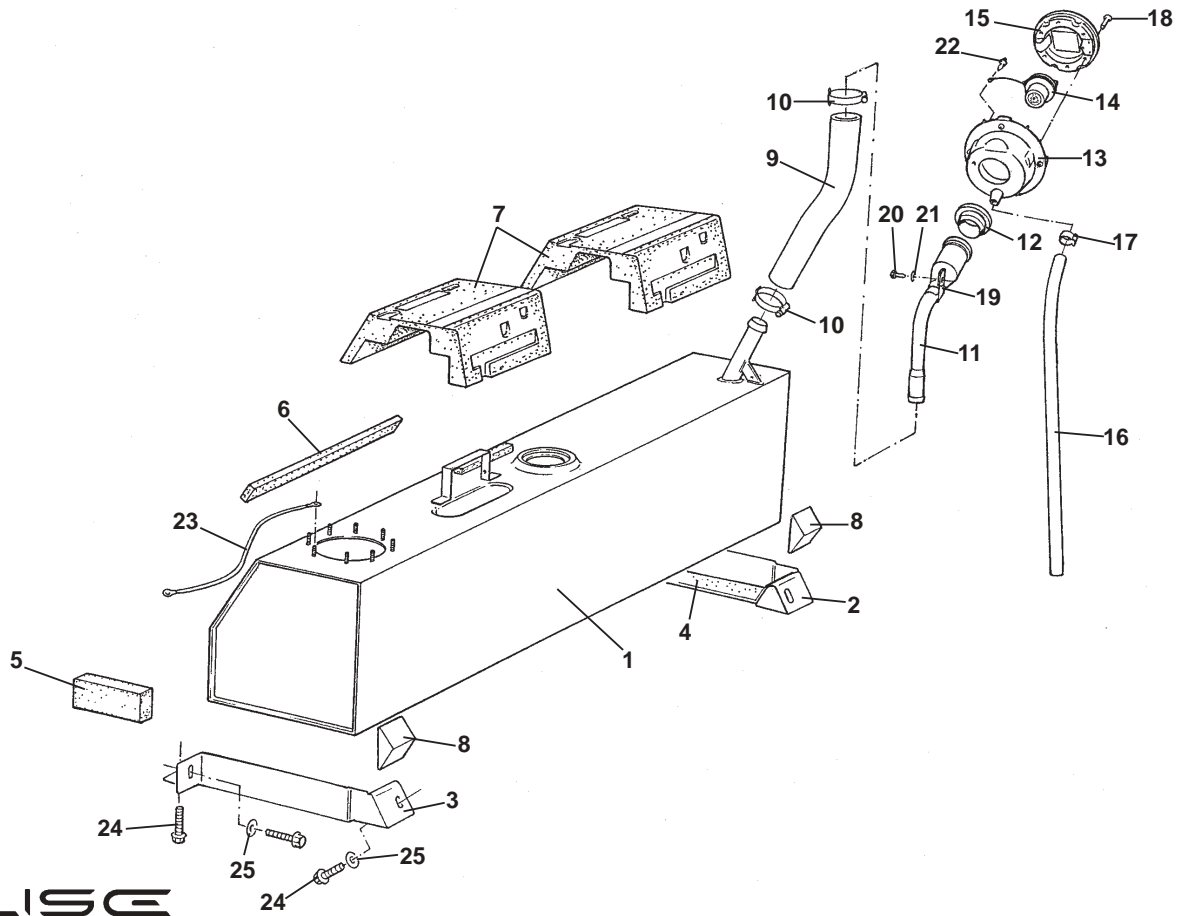
**ELISE**

Function Code: 44.01, Page: 1

---

**Function Code 44.01 Fuel Tanks, Filler**

<u>Dep</u>	<u>Part Description</u>	<u>Remarks</u>	<u>Option</u>	<u>Part Number</u>	<u>Qty</u>
21	Nyloc Nut, M5, braid to filler neck			A075W3008F	2
22	Washer, flat, M5 x 10 x 0.8, S/S, braid to filler neck			A075W1039Z	2
23	Earth Braid, fuel tank			A120M0017H	1
24	Screw, M8 x 20, hex. fig. hd., brackets to chassis			A120W5278F	6
25	Washer, flat, M8 x 20 x 2.5, brackets to chassis			A079W4019F	4
26	Foam Pad, tank bay aperture	Bonded to access panel		A120L0056F	1
27	Support Pad, fuel tank front	Not illustrated	A120L0058F R/B	B120L0058F	1



**ELISE**  
44.01d

# Service Parts List **ELISE**



## Function Code 44.01d Fuel Tanks, Filler, USA/Canada

<u>Dep</u>	<u>Part Description</u>	<u>Remarks</u>	<u>Option</u>	<u>Part Number</u>	<u>Qty</u>
01	Fuel Tank, federal			A121L0020H	1
01a	Fuel Tank, federal, LEV 2	Integral FLVV valve/roll-over valve	'06 MY	C121L0054H	1
02	Bracket, fuel tank support, RH			A120L0040F	1
03	Bracket, fuel tank support, LH			A120L0041F	1
04	Isolating strip, tank brackets			A120L0047F	1
05	Foam Support, tank sides			A120L0028F	4
06	Restraint Foam, tank angled face			A120L0029F	2
07	Foam Block, fuel tank retention, upper			A120L0044F	2
08	Rear Restraint, tank mounting			A120L0045F	2
09	Hose, fuel filler	Includes 1 hose clip		A121L0009H	1
10	Hose Clip, fuel filler hose	1 off with item 9, 2 off hose to tank	A121L0010H R/B	A120W6784F	3
11	Fuel Filler Neck, federal	Includes grommet, item 12		C121L0007F	1
12	Grommet, filler neck to clamshell			A121L0012H	1
13	Bowl Assembly, fuel filler			A121B0048F	1
14	Cap, fuel filler	Includes retaining strap	A121L0035F R/B	A121L6004F	1
15	Flap Assembly, fuel filler		C121B0047F R/B	A121B0087F	1
16	Drain Tube, fuel filler			A121B0020F	1

**ELISE**

Function Code: 44.01d, Page: 1

2005/02 UPDATE ISSUED SEPTEMBER 2005

---

**Function Code 44.01d Fuel Tanks, Filler, USA/Canada**

<u>Dep</u>	<u>Part Description</u>	<u>Remarks</u>	<u>Option</u>	<u>Part Number</u>	<u>Qty</u>
17	Hose Clamp, drain tube to bowl			A082L6223F	1
18	Screw, M5 x 25, csk. skt. hd. S/S, flap to bowl			A121W7214F	6
19	'P' Clamp, neck to backstay	'B' level backstay		A121L0011H	1
19a	Clip, Normaflex, neck to backstay	'C' level backstay		A121W6785F	1
20	Screw, M8 x 25, hex. hd., clamp to backstay	For clamp item 19		A111W1156F	1
20a	Bolt, M6 x 20, fig hd., clip to backstay	For clip item 19a		A117W2203F	1
21	Washer, shakeproof, M8, clamp to backstay	For clamp item 19		A075W4048Z	1
21a	Washer, flat, M6 x 25 x 1.4, S/S, clip to backstay	For clip item 19a		B075W4017Z	1
22	Plastic Fastener, cap retaining strap to bowl			A100W6479F	1
23	Earth Lead, fuel tank		A120M0017F R/B	A120M0030H	1
24	Screw, M8 x 20, hex. fig. hd., brackets to chassis			A120W5278F	6
25	Washer, flat, M8 x 20 x 2.5, brackets to chassis			A079W4019F	4

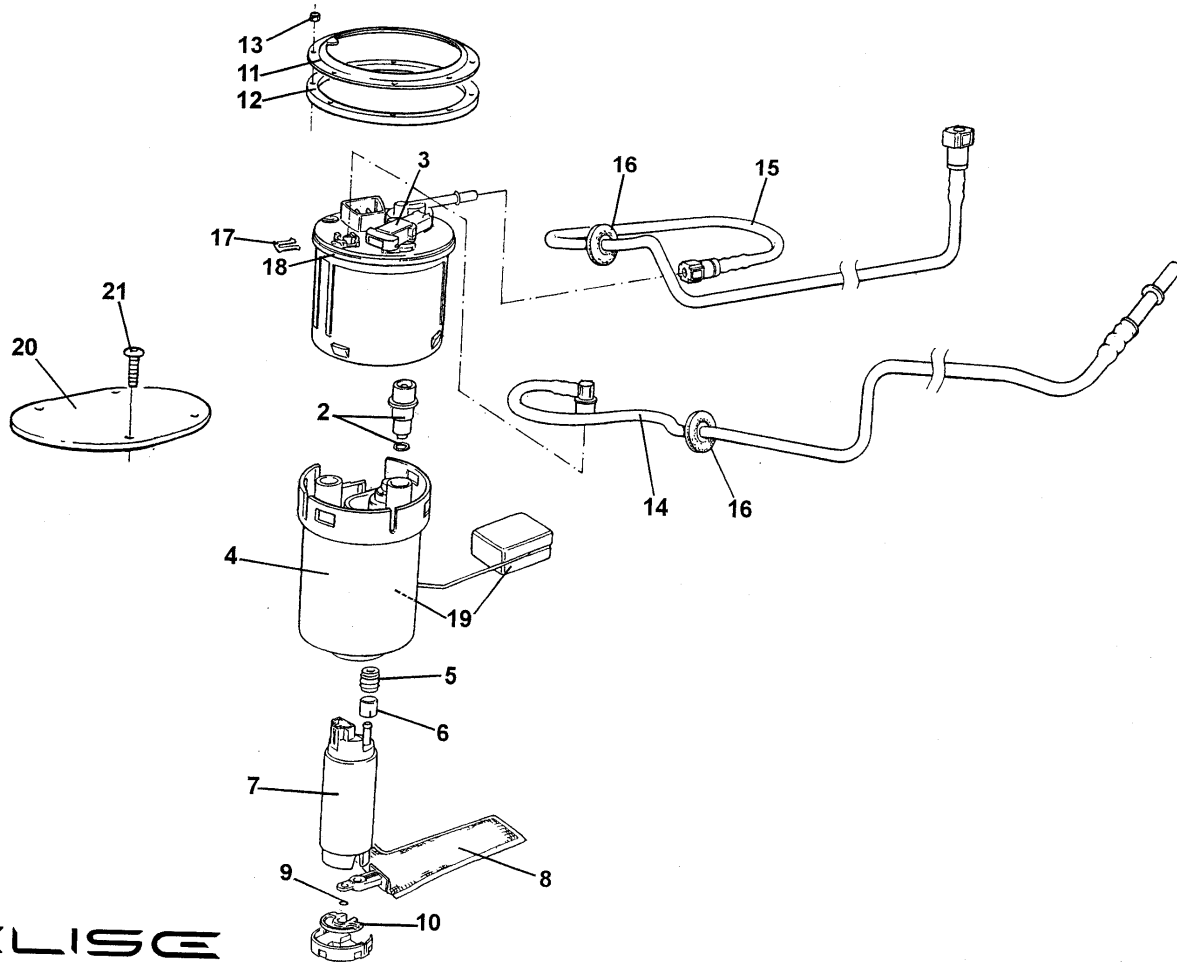
---

**ELISE**

Function Code: 44.01d, Page: 2

*2005/02 UPDATE ISSUED SEPTEMBER 2005*





**ELISE**  
44.03

# Service Parts List **ELISE**



## Function Code 44.03 Fuel Pump; Filter, Pipes

<u>Dep</u>	<u>Part Description</u>	<u>Remarks</u>	<u>Option</u>	<u>Part Number</u>	<u>Qty</u>
01	Pipe Plate Assembly			A120L6008S	1
02	Fuel Pressure Regulator	Includes 'O' ring		A120E6413S	1
03	Sensor, vapour pressure			A120L6014S	1
04	Filter, tank			A120L6007S	1
05	Seal, pump to filter			A120L6005S	1
06	Spacer, seal to filter			A120L6004S	1
07	Fuel Pump			A120L6002S	1
08	Filter, suction, pump			A120L6001S	1
09	Clip, filter to pump			A120L6003S	1
10	Rubber Cushion, pump assy. Supporting			A120L6006S	1
11	Clamp Ring, fuel pump			A120L0013H	1
12	Spacer Ring, fuel pump			A121L0031H	1
13	Nyloc Nut, M6, pump to tank			A120L0014H	8
14	Pipe, fuel feed			A120L0001F	1
15	Pipe, R/O valve quick-connect to tank		Euro cars	A120L0043F	1
16	Grommet, pipes through tank bay			A121W6755F	2
17	Clip, pipe retaining	Also sensor retaining		A120L6012S	2
18	Gasket, pump to tank			A120L6009S	1

**ELISE**

Function Code: 44.03, Page: 1

2005/02 UPDATE ISSUED SEPTEMBER 2005

---

**Function Code 44.03 Fuel Pump; Filter, Pipes**

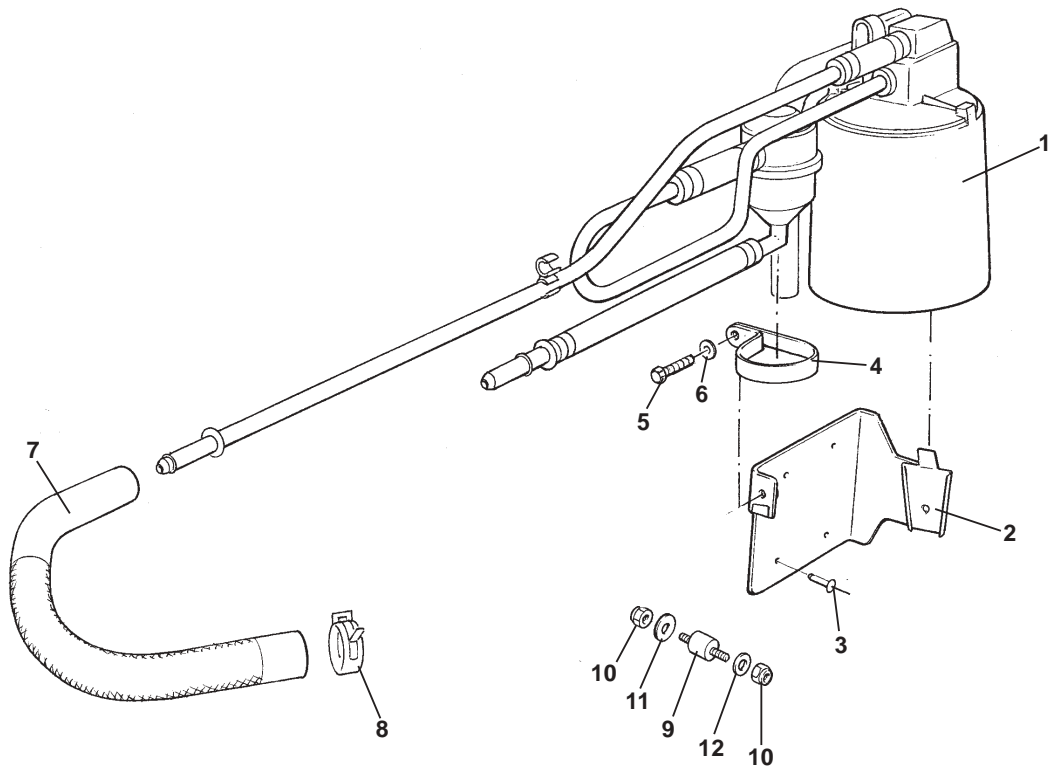
<u>Dep</u>	<u>Part Description</u>	<u>Remarks</u>	<u>Option</u>	<u>Part Number</u>	<u>Qty</u>
18a	Gasket, pump to tank, LEV 2		'06 MY	A121L0076F	1
19	Sender Unit, fuel level		A120L6013S R/B	A120L0020S	1
20	Access Panel, fuel pump connections			A120L0046F	1
21	Screw, panel to chassis			A111W7117F	4

---

**ELISE**

Function Code: 44.03, Page: 2

*2005/02 UPDATE ISSUED SEPTEMBER 2005*



**ELISE**  
44.05

# Service Parts List **ELISE**



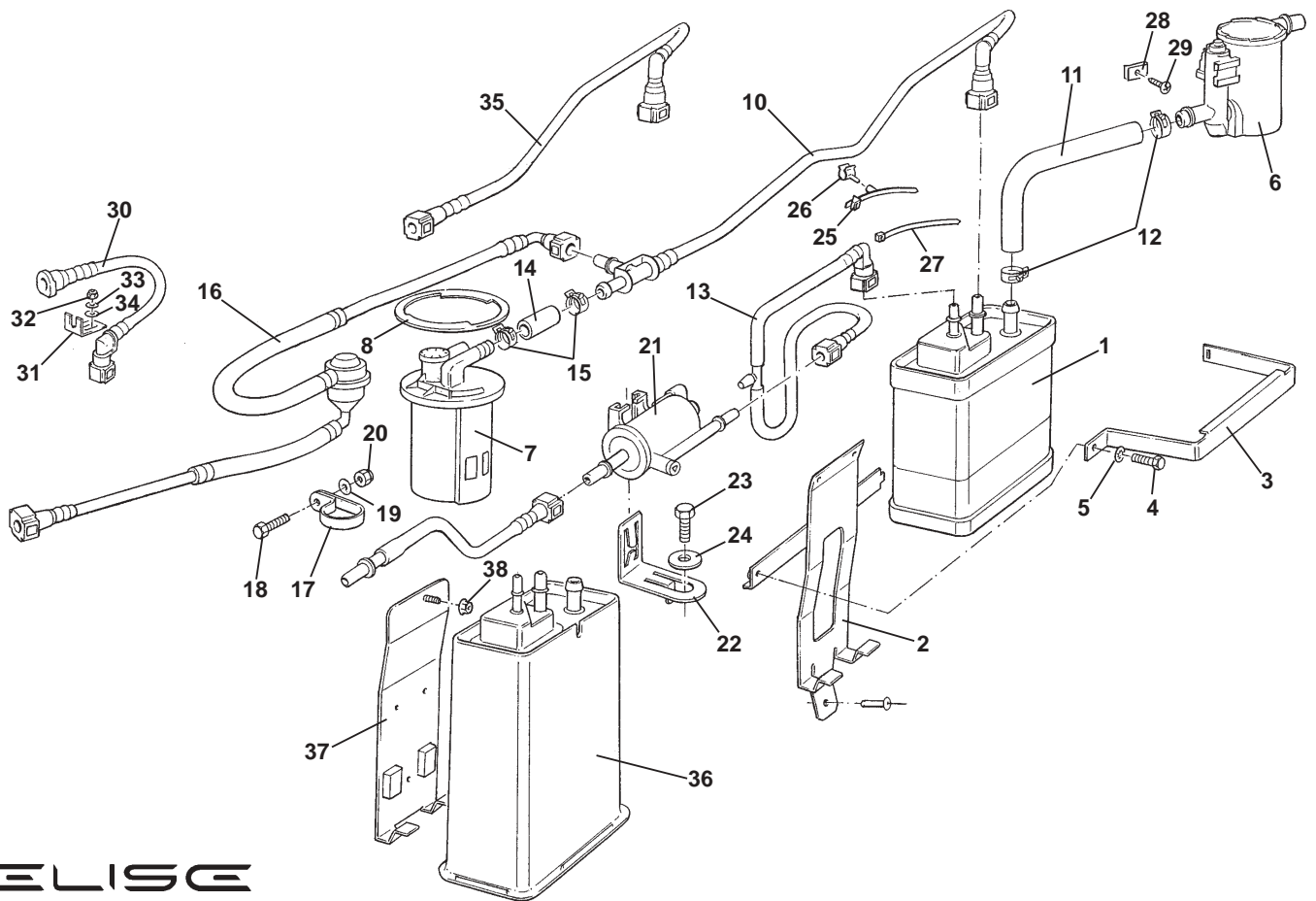
## Function Code 44.05 Charcoal Canister & Evaporative Loss System.

<u>Dep</u>	<u>Part Description</u>	<u>Remarks</u>	<u>Option</u>	<u>Part Number</u>	<u>Qty</u>
01	Charcoal Canister Assembly	Includes pipes, roll-over valve		<b>A120L0032F</b>	1
02	Bracket, canister mounting		A120L0050F R/B	<b>B120L0050F</b>	1
03	Pop Rivet, bracket to bulkhead		'A' level bracket	<b>A089W6297F</b>	4
04	Clamp, roll-over valve			<b>A120L0052F</b>	1
05	Screw, M5 x 16, hex. hd., clamp to bracket			<b>A075W1085F</b>	1
06	Washer, M5, shakeproof			<b>A075W4045Z</b>	1
07	Hose, fuel vapour feed	Also on federal system	Common	<b>A120E6366S</b>	1
08	Hose Clip, fuel vapour hose to manifold	Also on federal system	Common	<b>A120E6462S</b>	1
09	Bumper, bracket to bulkhead	Noise insulation	'B' level bracket	<b>A116L6015F</b>	3
10	Nyloc Nut, M6 thin, bracket fixing		'B' level bracket	<b>A907E6285F</b>	6
11	Washer, flat, M6 x 18 x 1.0, bumper to bulkhead		'B' level bracket	<b>B082W4018F</b>	3
12	Washer, flat, M6 x 12 x 1.6, bumper to bracket		'B' level bracket	<b>A100W4127F</b>	3

**ELISE**

Function Code: 44.05, Page: 1

*2005/02 UPDATE ISSUED SEPTEMBER 2005*



**ELISE**  
44.05c

# Service Parts List **ELISE**



## Function Code 44.05c Charcoal Canister & Evap. Loss System, USA/Canada

<u>Dep</u>	<u>Part Description</u>	<u>Remarks</u>	<u>Option</u>	<u>Part Number</u>	<u>Qty</u>
01	Evaporative Canister, charcoal			A121L0002F	1
02	Bracket, canister mounting			A121L0003F	1
03	Bracket Clamping, canister			B121L0038F	1
04	Screw, M6 x 16, hex. hd., clamp to bracket			A075W1036Z	1
05	Washer, M6, shakeproof, clamp to bracket			A075W4046Z	1
06	Canister Close Valve			A121L0004F	1
07	Fill Level Vent Valve			A082L6229F	1
08	Plate, FLVV valve			A121L0024H	1
09	Pipe, purge valve to inlet manifold	For hose to manifold see 44.05		B121L0013F	1
10	Pipe Assembly, FLVV valve to canister			A121L0015F	1
11	Hose, close valve to canister			B121L0006F	1
11a	Hose, close valve to canister, LEV 2		'06 MY	A121L0051F	1
12	Hose Clamp, stepless, hose, close valve to canister			A121W6774F	2
13	Pipe Assembly, canister to purge solenoid valve			A121L0036F	1
14	Hose, FLVV to 'T' piece			B121L0021F	1
15	Hose Clamp, stepless, hose, FLVV to 'T' piece			A121W6773F	2
16	Roll-over Valve Pipes & Hoses Assembly	Includes clamp, item 17		B121L0040F	1
17	Clamp, roll-over valve to fuel tank			A120L0052F	1

**ELISE**

Function Code: 44.05c, Page: 1

2005/02 UPDATE ISSUED SEPTEMBER 2005

**Function Code 44.05c Charcoal Canister & Evap. Loss System, USA/Canada**

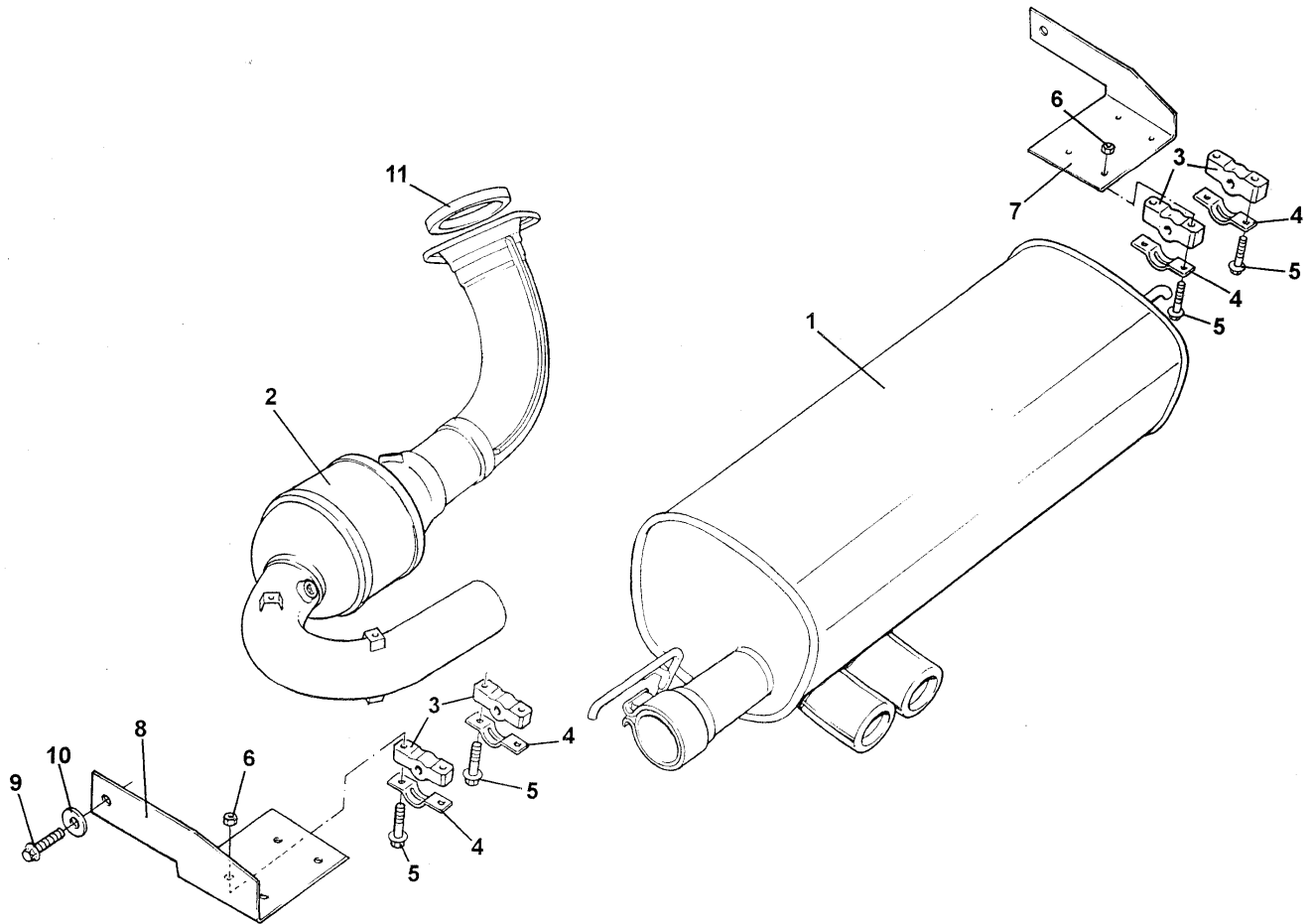
<u>Dep</u>	<u>Part Description</u>	<u>Remarks</u>	<u>Option</u>	<u>Part Number</u>	<u>Qty</u>
18	Screw, M5 x 16, hex. hd., clamp to tank			A075W1085Z	1
19	Washer, M5, shakeproof, clamp to tank			A075W4045Z	1
20	Nyloc Nut, M5, clamp to tank			A075W3008Z	1
21	Purge Solenoid Valve			A082L6225F	1
22	Bracket, purge valve mounting			C121L0023F	1
23	Screw, M6 x 16, hex. hd., bracket to manifold boss			A075W1028Z	1
24	Washer, flat, M6 x 20 x 2.5, bracket to manifold boss			A075W4016Z	1
25	Cable Tie, FLVV pipe to filler hose			A116W6691F	1
26	Swivel Clip, FLVV pipe to filler hose			A082W6587F	1
27	Cable Tie, FLVV pipe to filler hose	Replaces items 25 & 26		A075W6038Z	1
28	Spirenut, No. 6, close valve to bracket			A075W6014Z	1
29	Screw, No. 6 x 0.25", pan hd. pozi., close valve to bracket			A121W5283F	1
30	Pipe Assembly, pump to tank, LEV 2		'06 MY	A121L0060F	1
31	Bracket, connector retaining		'06 MY	A121L0074F	1
32	Nyloc Nut, M6, bracket to tank		'06 MY	A075W3009Z	2
33	Washer, flat, M6, S/S, bracket to tank		'06 MY	A082W4133F	2
34	Washer, flat, M8, S/S, bracket to tank		'06 MY	A111W4176F	2
35	Pipe Assembly, FLVV valve to canister, LEV 2		'06 MY	A121L0058F	1
36	Evaporative Canister, charcoal, LEV 2, 1.85L		'06 MY	A121L6005F	1
37	Bracket, canister mounting, LEV 2		'06 MY	A121L0050F	1
38	Nut, M6, flg., canister mounting, LEV 2		'06 MY	A117W3180F	1

**ELISE**

Function Code: 44.05c, Page: 2

*2005/02 UPDATE ISSUED SEPTEMBER 2005*



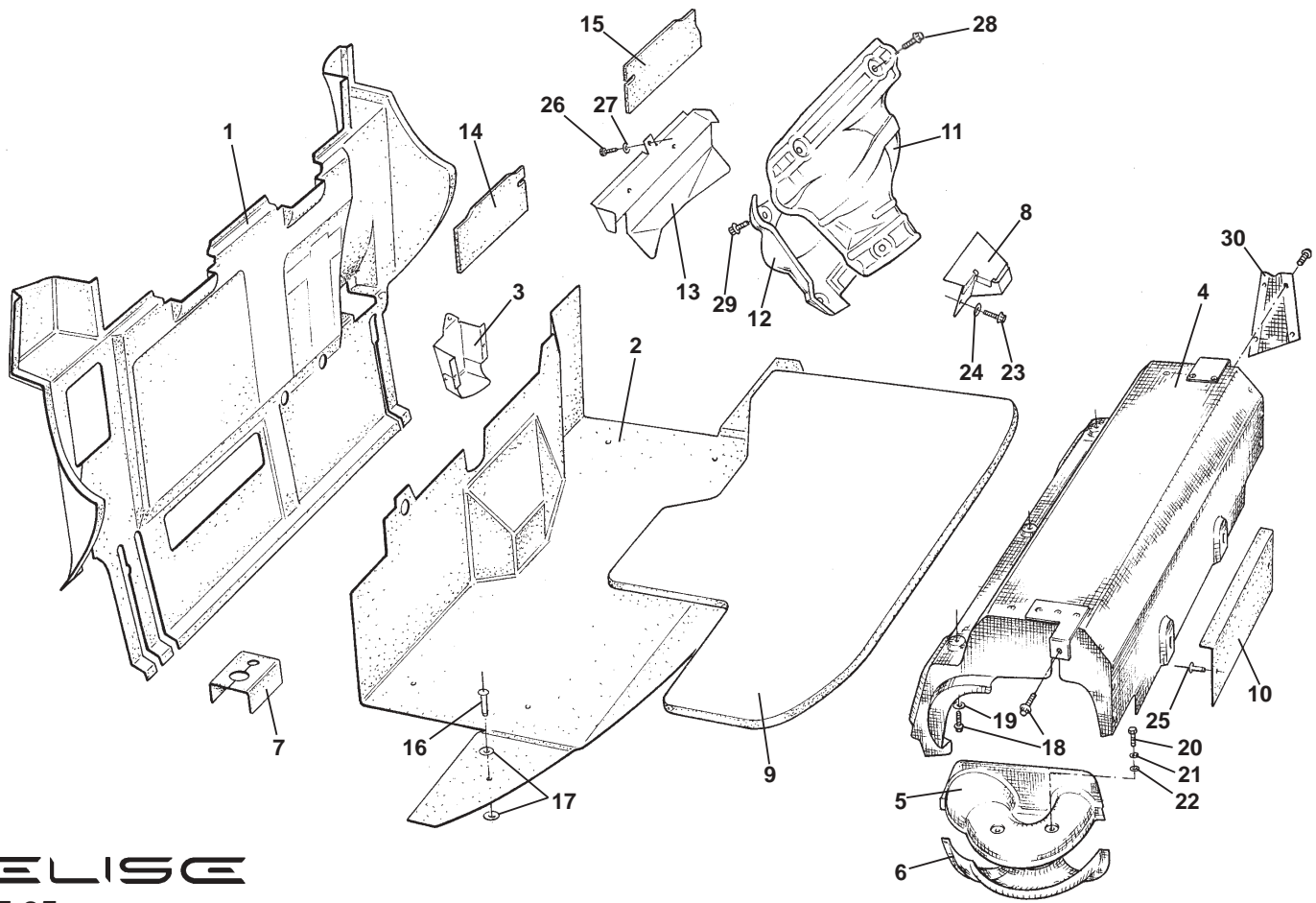


**ELISE**  
45.01

---

**Function Code 45.01 Exhaust System**

<u>Dep</u>	<u>Part Description</u>	<u>Remarks</u>	<u>Option</u>	<u>Part Number</u>	<u>Qty</u>
01	Silencer Assembly, Euro	Includes clamp	Europe/ROW	C120S0003F	1
01a	Silencer Assembly, Federal	Includes clamp	USA/canada	B121S0002F	1
02	Catalyst/Downpipe Assembly		Common	B120S0002F	1
03	Exhaust Mounting, silicon, exhaust to subframe			A111S0071F	4
04	Clip, exhaust hanger			A117S0049F	4
05	Bolt, M8 x 35, fig. hex hd.			A117W5249F	8
06	Nut, M8, mount to bracket			A075W3021Z	4
07	Bracket, silencer to subframe, RH			A120A0110F	1
08	Bracket, silencer to subframe, LH			A120A0111F	1
09	Screw, M6 x 10, hex. hd., bracket to subframe			A111E6007F	2
10	Washer, flat, M6 x 25, bracket to subframe			B075W4017Z	2
11	Gasket, downpipe to manifold			A120E6407S	1
12	Bolt, fig. hex. hd., downpipe to manifold			A120E6409S	2
13	Spring, downpipe to manifold			A120E6408S	2
14	Edge Finisher, bracket/subframe			A075V6020V	300mm



**ELISE**  
45.05

# Service Parts List **ELISE**



## Function Code 45.05 Heatshields

<u>Dep</u>	<u>Part Description</u>	<u>Remarks</u>	<u>Option</u>	<u>Part Number</u>	<u>Qty</u>
01	Heatshield, bulkhead			<b>B120B0065F</b>	1
01a	Heatshield, bulkhead, LEV 2		'06 MY	<b>A120B0138F</b>	1
02	Heatshield, bootbox		Elise	<b>B120S0005F</b>	1
02a	Heatshield, bootbox		Exige	<b>A122S0004F</b>	1
03	Heatshield, striker assembly	Part of striker/lift assembly	Elise, A120B0012F R/B	<b>B120B0012F</b>	1
04	Heatshield Assembly, muffler		E120S0024F R/B	<b>F120S0024F</b>	1
05	Heatshield, muffler 'U' bend upper			<b>D120S0029F</b>	1
06	Heatshield, muffler 'U' bend lower			<b>D120S0030F</b>	1
07	Heatshield/NVH Pad, tank bay closure			<b>A121L0046F</b>	1
08	Heatshield, rear engine mount			<b>A120S0010F</b>	1
09	Heatshield, boot floor insulation			<b>B120V0009F</b>	1
10	Heatshield, rear license plate			<b>A117S0041F</b>	1
11	Heatshield, exhaust manifold, upper			<b>A120E6332S</b>	1
12	Heatshield, exhaust manifold, lower			<b>A120E6333S</b>	1
13	Heatshield, tailgate latch assembly		Exige	<b>C122S0001F</b>	1
14	Heatshield, latchrail/bulkhead, LH	Foiled foam mat, self adhesive	Exige	<b>A122S0005F</b>	1
15	Heatshield, latchrail/bulkhead, RH	Foiled foam mat, self adhesive	Exige	<b>A122S0006F</b>	1
16	Pop Rivet, blind, bootbox heatshield fixing			<b>A111W6614F</b>	5

**ELISE**

Function Code: 45.05, Page: 1

*2005/02 UPDATE ISSUED SEPTEMBER 2005*

---

**Function Code 45.05 Heatshields**

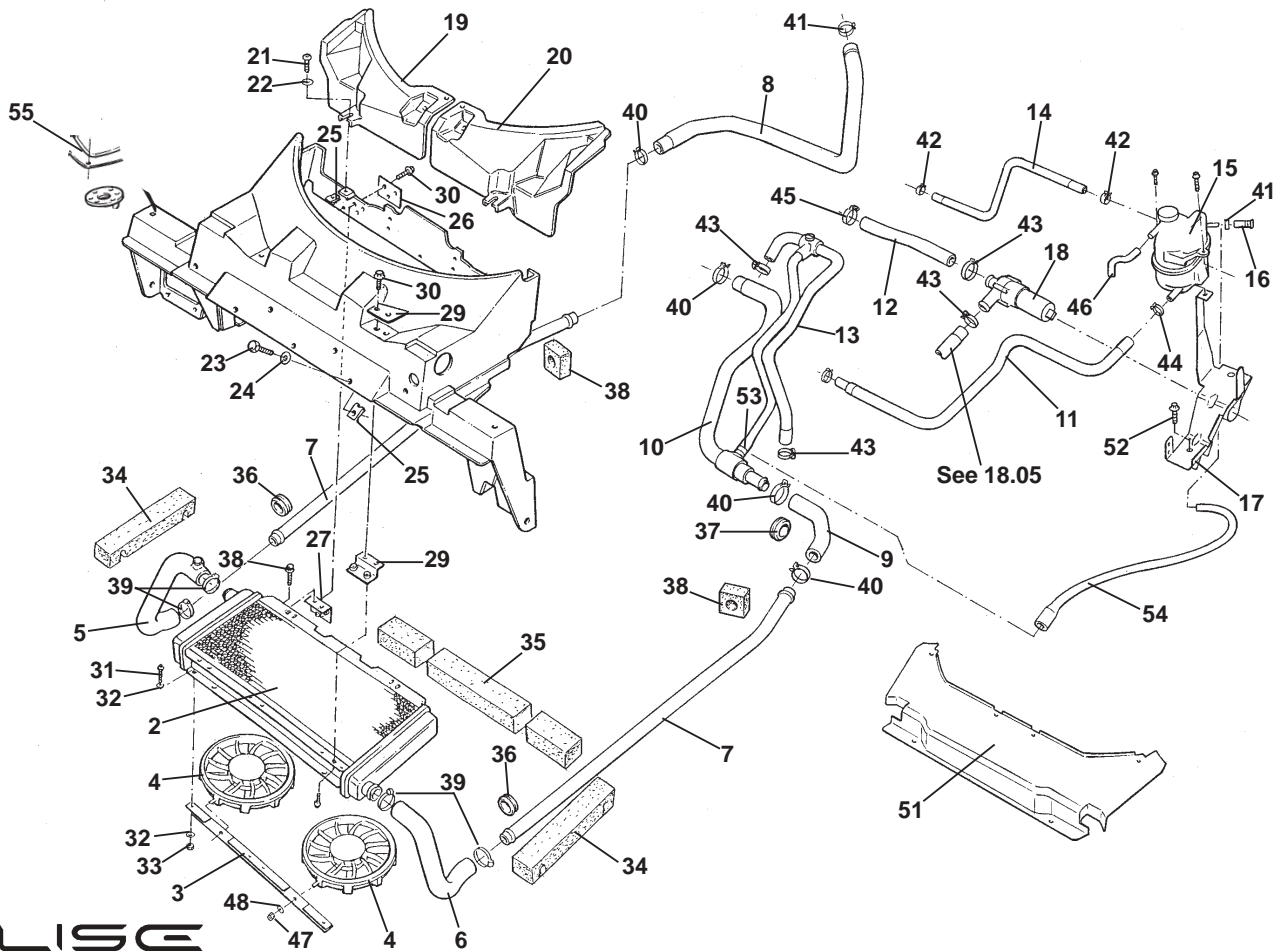
<u>Dep</u>	<u>Part Description</u>	<u>Remarks</u>	<u>Option</u>	<u>Part Number</u>	<u>Qty</u>
17	Washer, flat, M5 x 25, black, bootbox heatshield fixng			A082W4098F	10
18	Screw, M6, hex. fig. hd., muffler heatshield fixing			A111E6007F	6
19	Washer, flat, M6 x 25, muffler heatshield fixing			B075W4017Z	3
20	Screw, M6 x 10, hex. hd., heatshield to 'U' bend			A075W1026Z	4
21	Washer, spring, M6, heatshield to 'U' bend			A075W4035Z	4
22	Washer, flat, M6 x 25, heatshield to 'U' bend			B075W4017Z	4
23	Screw, M6 x 12, hex. fig. hd., eng. mount heatshield fixing			A111E6007F	2
24	Washer, flat, M6 x 25, engine mount heatshield fixing			A075W4017Z	2
25	Pop Rivet, license plate heatshield fixing			A089W6297F	2
26	Screw, M6 x 16, hex. hd., heatshield to latch		Exige	A075W1028Z	3
27	Washer, flat M6 x 18 x 1, heatshield to latch		Exige	B082W4018F	3
28	Bolt, manifold heatshield upper fixing			A120E6482S	4
29	Bolt, manifold heatshield lower fixing			A120E6483S	4
30	Heatshield Closure Plate, RH	Part of item 4		B120S0028H	1

---

**ELISE**

Function Code: 45.05, Page: 2

*2005/02 UPDATE ISSUED SEPTEMBER 2005*



**ELISE**  
46.01

**Function Code 46.01 Engine Cooling System & Fan**

<u>Dep</u>	<u>Part Description</u>	<u>Remarks</u>	<u>Option</u>	<u>Part Number</u>	<u>Qty</u>
01	Radiator Housing		Elise	B120B0093F	1
01a	Radiator Housing		Exige	A122B0111F	1
02	Radiator			A117K0021F	1
03	Bracket, fans to radiator			A117K0025F	2
04	Radiator Cooling Fan			A111M6070F	2
05	Hose, pipe to radiator, RH	Includes bleed valve		A117K0008F	1
06	Hose, pipe to radiator, LH			A117K0015F	1
07	Pipe, chassis water rail			A116K0018F	2
08	Hose, engine inlet			B120K0001F	1
09	Hose, outlet to chassis pipe			B116K0016F	1
10	Hose, engine outlet			B120K0005F	1
11	Hose, header tank to water pump			A120K0007F	1
12	Hose, engine to re-circ pump			B120K0002F	1
13	Hose Assembly, return pipe to engine	Also see 18.05, includes bleed		D120K0004F	1
13a	Hose, return pipe to engine	Use with item 54		E120K0004F	1
14	Hose header tank to engine			B120K0006F	1
15	Header Tank Assembly			A120K6005S	1
16	Blanking Hose, header tank de-gas vent			A120K0008F	1
17	Bracket, header tank mounting			D120K0009F	1
18	Recirculation Pump			A117K0013F	1
19	Shroud, radiator, RH		Elise	A120B0046F	1

**ELISE**

Function Code: 46.01, Page: 1

**Function Code 46.01 Engine Cooling System & Fan**

<u>Dep</u>	<u>Part Description</u>	<u>Remarks</u>	<u>Option</u>	<u>Part Number</u>	<u>Qty</u>
20	Shroud, radiator, LH		Elise	A120B0047F	1
21	Screw, M5 x 16, skt. button hd., shroud to housing			A111W7156F	2
22	Washer, flat, M5 x 19 x 1.4, s/s, black, shroud to housing			A082W4107F	2
23	Screw, M5 x 20, skt. button hd., hsg. to crash structure			A082W7173F	6
24	Washer, flat, M5, housing to crash structure			A340W4183F	6
25	Spirenut, M5, shroud to housing/housing to crash structure			A117W6697F	8
26	Spreader Plate, rear bracket to housing			A117P0117F	2
27	Bracket, radiator to housing rear			A117K0006F	2
28	Spreader Plate, front bracket to housing			A117P0102F	2
29	Bracket, radiator to housing front			A117K0005F	2
30	Bolt, M8 x 16, fig. hd.,brackets to radiator/housing			A117W2202F	18
31	Screw, M6 x 16, hex. hd., bracket to radiator			A075W1028Z	8
32	Washer, flat, M6 x 12, bracket to radiator			A075W4013Z	16
33	Nyloc Nut, M6			A075W3009Z	8
34	Foam, condenser to housing sides	RH remove pre-cut slots	AC cars	C117B0282F	2
35	Foam, condenser to housing rear edge	Three sections		A117B0446F	1
36	Grommet, pipe through chassis front			A111K6006F	2
37	Grommet, hose through chassis rear			A082K6022F	2
38	Seal, pipe to chassis			A111A0033F	4
39	Hose Clip, hose to rad. spigots/chassis pipes			A075M6145F	4
40	Hose Clamp, 40mm, hose to pipe rear			A116K6015F	4

**ELISE**

Function Code: 46.01, Page: 2



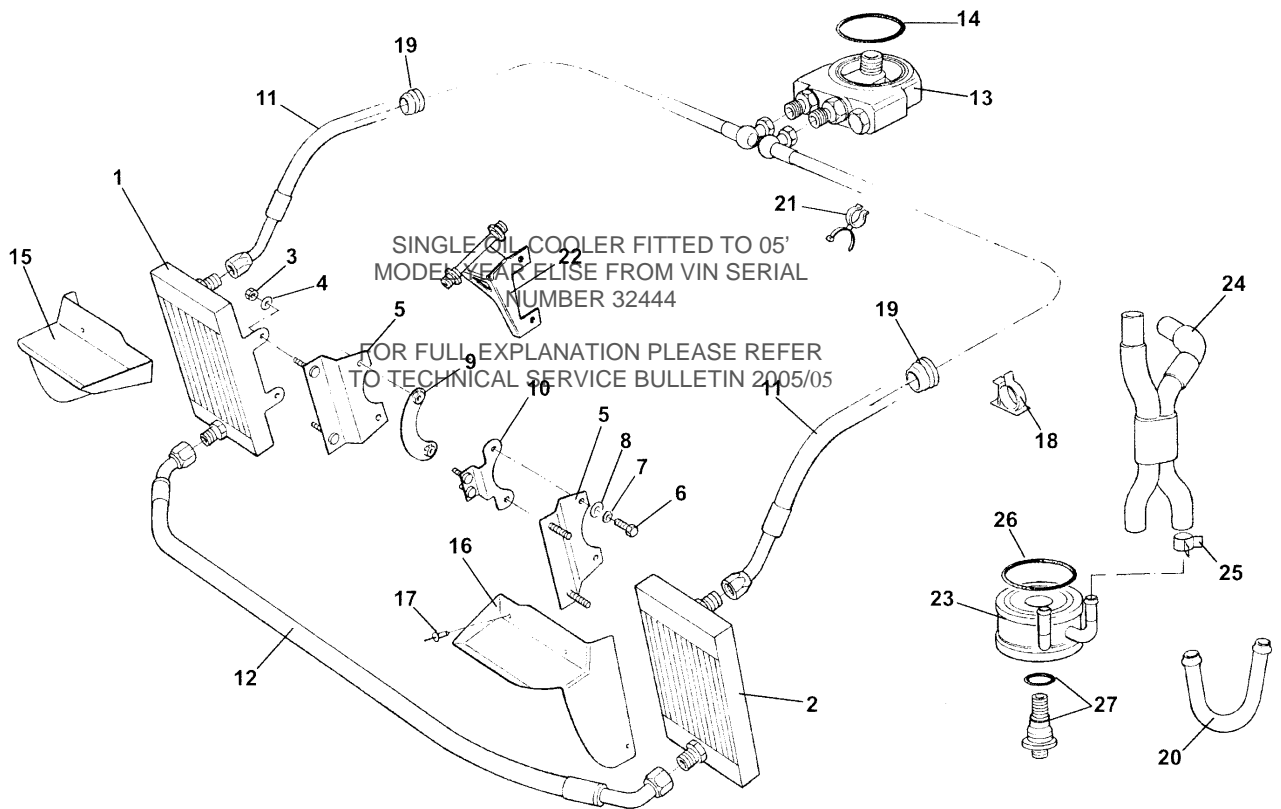
---

**Function Code 46.01 Engine Cooling System & Fan**

<u>Dep</u>	<u>Part Description</u>	<u>Remarks</u>	<u>Option</u>	<u>Part Number</u>	<u>Qty</u>
41	Hose Clamp, 44mm, hose to engine			A116K6014F	1
42	Hose Clamp, 15.7mm, hose to engine/header tank			A120W6738F	2
43	Hose Clamp, 27mm, heater feed/return hoses			A116K6016F	3
44	Hose Clamp, 17.7mm, hose to header tank			A120W6739F	2
45	Hose Clamp, 26mm, hose to engine			A120W6776F	1
46	Hose, header tank overflow				1
47	Nyloc Nut, M5, fan to bracket			A075W3008Z	4
48	Washer, flat, M5 x 18 x 1.4, fan to bracket			B075W4009Z	4
49	Screw, M8 x 20, fig. hd., bracket to engine mount			A116W5246F	1
50	Cap, header tank			A120E6341S	1
51	Shroud, radiator, one piece		Exige	B122K0001K	1
52	Screw, M8 x 20, hex. fig. hd., bracket to engine mount			A116W5246F	1
53	Hose Clip, 19mm, bleed hose to 'T' piece			A116E6034F	1
54	Hose, header tank bleeding	Use with item 13a		A120K0022F	1
55	Captive Nut, M8, big hd., housing to clamshell	Bonded to housing		A111W6592F	2
56	Pipe, coolant bypass	Not illustrated		A120E6306S	1
57	Hose, coolant bypass	Not illustrated		A120E6309S	1
58	Hose, coolant bypass to NRV	Not illustrated		A120E6307S	1
59	Hose, NRV to throttle body	Not illustrated		A120E6308S	1

---

**ELISE****Function Code: 46.01, Page: 3**



**ELISE**  
46.03

# Service Parts List **ELISE**



## Function Code 46.03 Oil Cooler & Pipes

<u>Dep</u>	<u>Part Description</u>	<u>Remarks</u>	<u>Option</u>	<u>Part Number</u>	<u>Qty</u>
01	Oil Cooler, RH			A120K0020F	1
02	Oil Cooler, LH			A120K0021F	1
03	Nyloc Nut, M8, cooler to bracket			A907E6284F	4
04	Washer, flat, M8 x 20.5 x 1.4, cooler to bracket			A082W4165F	4
05	Bracket, oil cooler mounting			A120A0079F	2
06	Screw, M8 x 20, hex hd., bracket to nutplate			A075W1038Z	4
07	Washer, spring, M8, bracket to nutplate			A075W4036Z	4
08	Washer, flat, M8 x 16.6 x 1.4, bracket to nutplate			A075W4020Z	4
09	Nutplate, bracket to crash structure, RH			A120K0017F	1
10	Bracket, siren mounting	Also nutplate for LH bracket		A120K0018F	1
11	Hose, oil cooler to sandwich plate, LH	Replaces common hose	C120K0011F R/B	A120K0027F	1
11a	Hose, oil cooler to sandwich plate, RH	Replaces common hose	C120K0011F R/B	A120K0028F	1
12	Hose oil cooler RH to oil cooler LH			A120K0012F	1
13	Sandwich Plate & Thermostat Assy.			A120K6001F	1
14	Seal, adaptor to oil filter housing			A120K6002H	1
15	Duct, oil cooler, RH		Elise	A120B0090F	1
15a	Duct, oil cooler, RH		Exige	A122B0194F	1
16	Duct, oil cooler, LH		Elise	A120B0091F	1

**ELISE**

Function Code: 46.03, Page: 1

2005/02 UPDATE ISSUED SEPTEMBER 2005

---

**Function Code 46.03 Oil Cooler & Pipes**

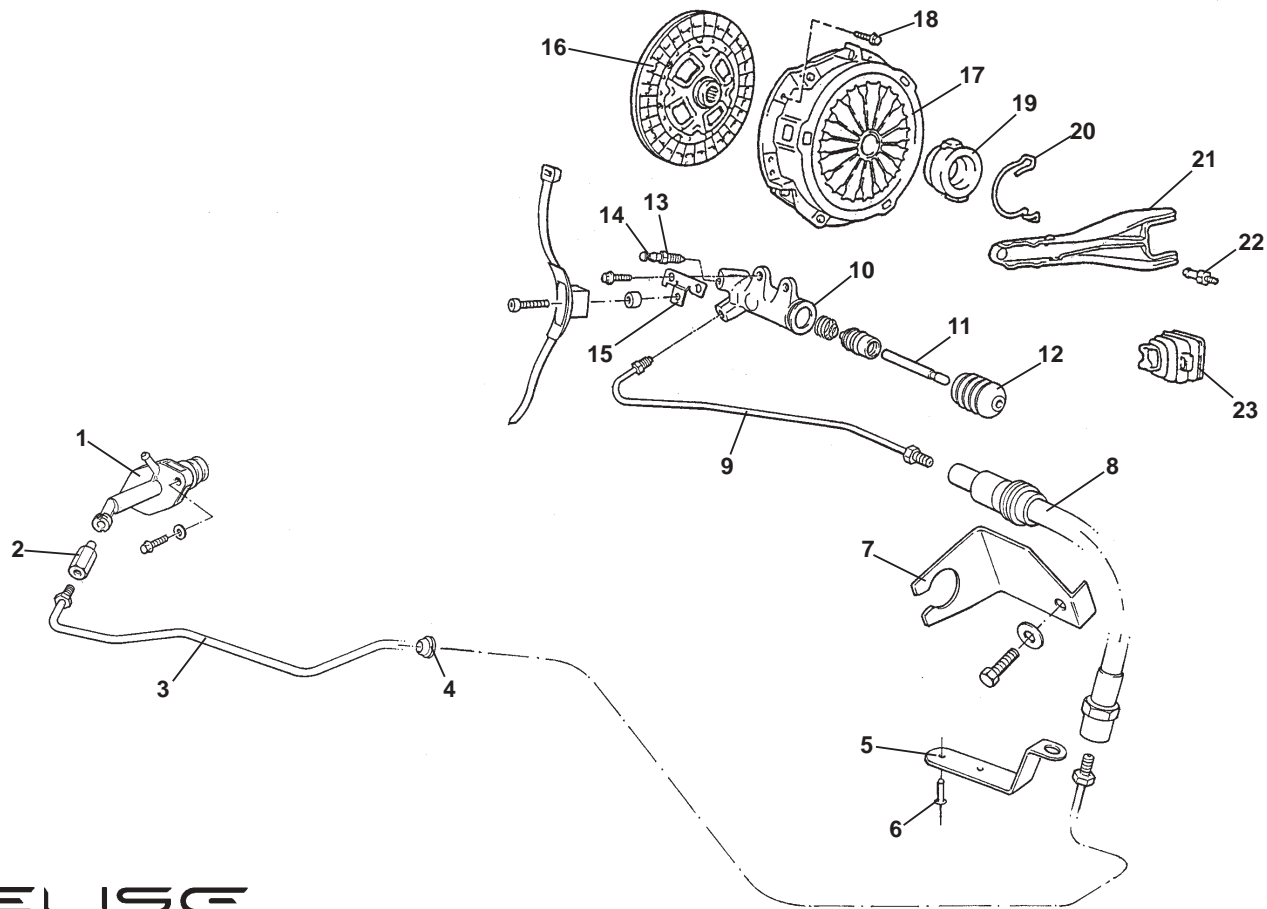
<u>Dep</u>	<u>Part Description</u>	<u>Remarks</u>	<u>Option</u>	<u>Part Number</u>	<u>Qty</u>
16b	Duct, oil cooler, LH		Exige	A122B0195F	1
17	Pop Rivet, duct to radiator housing			A089W6297F	6
18	Clip, oil cooler hose	Bonded inside sills		A120W6760F	9
19	Grommet, hose through sill front			A082H6046F	2
20	Connector, feed & return hoses		Oil cooler cars	A120E0017F	1
21	Clip, oil cooler hose to heater hose			A116W6692F	2
22	Bracket, oil cooler replacement, RH		Single oil cooler cars	A120K0024F	1
23	Heat Exchanger, oil/water, engine mounted	Includes 'O' ring, item 25	Non oil cooler cars	A120E6293S	1
24	Hose Assembly, coolant feed/return		Non oil cooler cars	A120E6294S	1
25	Hose Clip, hose to spigots		Non oil cooler cars	A120E6295S	4
26	'O' Ring, exchanger to block		Non oil cooler cars	A120E6458S	1
27	Union, filter to exchanger	Includes 'O' ring	Non oil cooler cars	A120E6292S	1

---

**ELISE**

Function Code: 46.03, Page: 2

*2005/02 UPDATE ISSUED SEPTEMBER 2005*



**ELISE**  
47.01

**Function Code 47.01 Clutch & Release Mechanism**

<u>Dep</u>	<u>Part Description</u>	<u>Remarks</u>	<u>Option</u>	<u>Part Number</u>	<u>Qty</u>
01	Clutch Release Master Cylinder			A116Q0001H	1
02	Quick Connector, pipe to master cylinder			A116Q6001F	1
03	Pipe, clutch, front, RHD			B120Q0002F	1
03a	Pipe, clutch, front, LHD			B120Q0001F	1
04	Grommet, front pipe			A075U6043Z	1
05	Bracket, clutch hose to chassis			A120Q0005F	1
06	Pop Rivet, bracket to chassis			A111W6613F	2
07	Bracket, clutch hose to transmission			A120Q0004F	1
08	Hose, pipe front to pipe rear			A116Q0016F	1
09	Pipe, clutch, rear			A120Q0003F	1
10	Clutch Release Slave Cylinder			A120Q6011S	1
10a	Cylinder Repair Kit, clutch release			A120Q6009S	1
11	Push Rod, release slave cylinder			A120Q6012S	1
12	Boot, release slave cylinder			A120Q6013S	1
13	Bleed Plug, release slave cylinder			A120Q6015S	1
14	Cap, bleed plug			A120Q6014S	1
15	Bracket, release slave cylinder			A120Q6016S	1
16	Clutch Driven Plate			A120Q6003S	1
17	Clutch Cover Assembly			A120Q6001S	1
18	Bolt, hex. fig. hd., cover to flywheel			A120Q6002S	6
19	Clutch Release Bearing			A120Q6007S	1

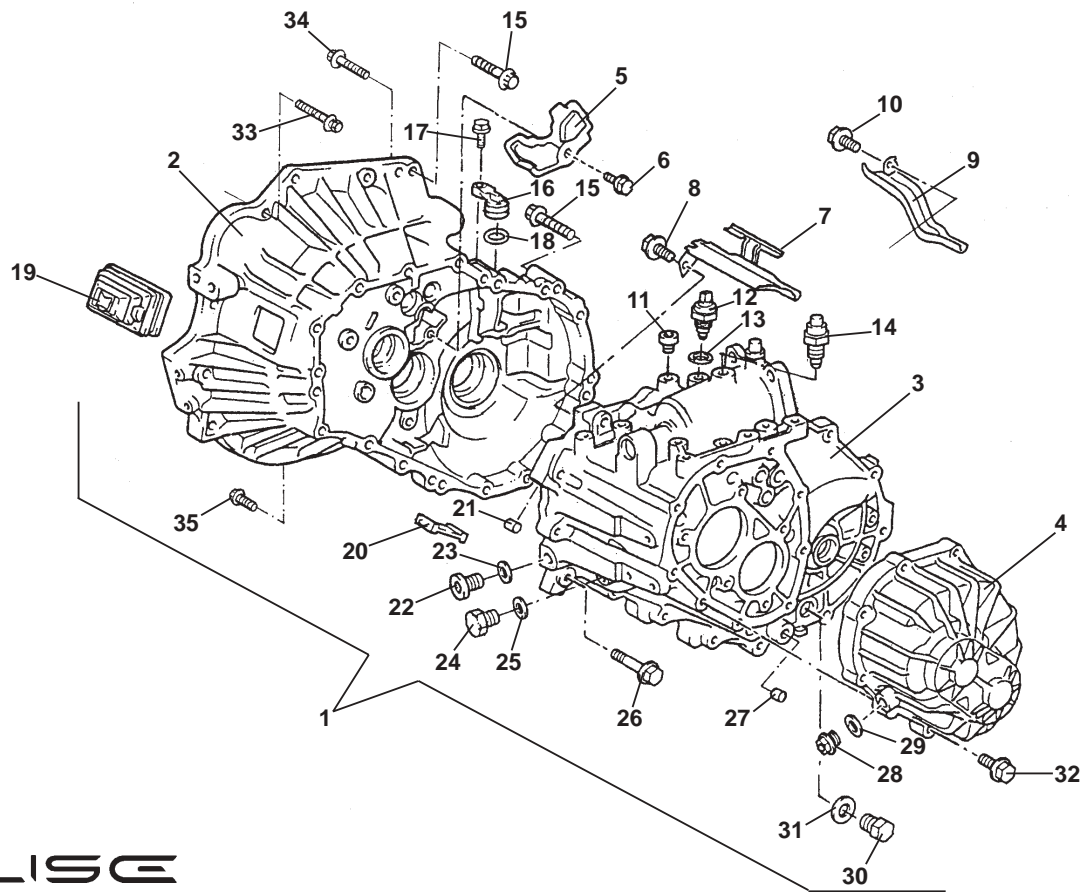
**ELISE**

Function Code: 47.01, Page: 1

---

**Function Code 47.01 Clutch & Release Mechanism**

<u>Dep</u>	<u>Part Description</u>	<u>Remarks</u>	<u>Option</u>	<u>Part Number</u>	<u>Qty</u>
20	Clip, clutch release bearing hub			A120Q6008S	1
21	Clutch Release Fork			A120Q6006S	1
22	Support, release fork			A120Q6010S	1
23	Boot, clutch release fork			A120Q6005S	1



**ELISE**  
47.03



**Function Code 47.03 Transmission Assembly**

<u>Dep</u>	<u>Part Description</u>	<u>Remarks</u>	<u>Option</u>	<u>Part Number</u>	<u>Qty</u>
01	Transmission Assembly			A120F6001SF	1
02	Clutch Housing			A120F6022S	1
03	Transmission Casing			A120F6034S	1
04	Transmission End Cover			A120F6048S	1
05	Reciever, transmission case			A120F6028S	1
06	Bolt, receiver to casing			A120F6027S	1
07	Pipe, oil receiver 1			A120F6039S	1
08	Bolt, pipe to casing			A120F6040S	1
09	Pipe, oil receiver 2			A120F6050S	1
10	Bolt, pipe to casing			A120F6040S	1
11	Plug, casing upper			A120F6166S	1
12	Switch, reverse lamp			A120F6239S	1
13	Sealing Washer, switch				1
14	Ball Assembly, locking			A120F6161S	1
15	Bolt, M12 x 55, flg. hd., clutch housing to engine			A120F6246S	2
16	Cover, speedo drive			A120F6244S	1
17	Bolt, cover to casing			A120F6245S	1
18	'O' Ring, cover to casing			A120F6254S	1
19	Gaiter, clutch release arm			A120Q6005S	1
20	Magnet, swarf attraction			A120F6030S	1
21	Dowel, clutch housing to casing			A120E6196S	1

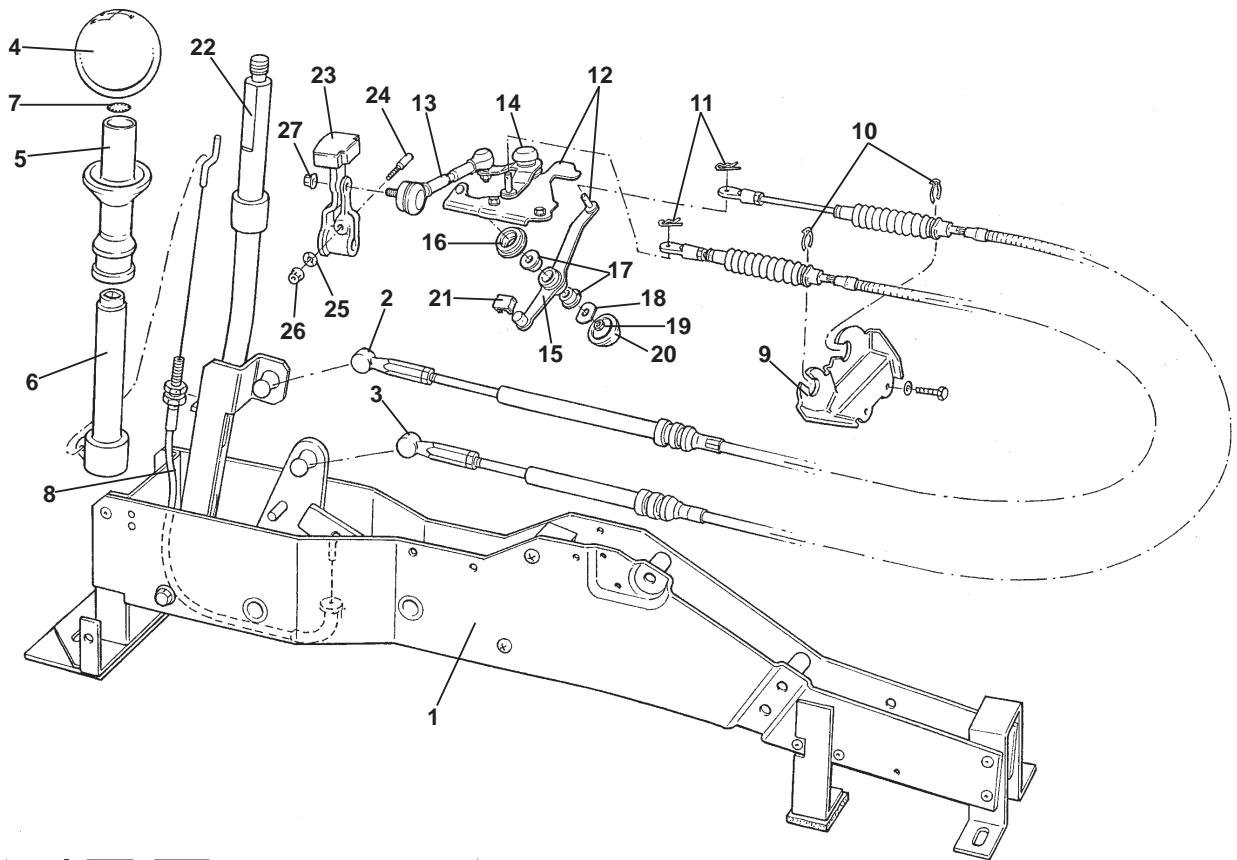
**ELISE**

Function Code: 47.03, Page: 1

---

**Function Code 47.03 Transmission Assembly**

<u>Dep</u>	<u>Part Description</u>	<u>Remarks</u>	<u>Option</u>	<u>Part Number</u>	<u>Qty</u>
22	Plug, casing lower			A120F6166S	1
23	Sealing Washer			A120F6043S	1
24	Plug			A120F6049S	1
25	Sealing Washer			A120F6043S	1
26	Bolt, casing to clutch housing			A120F6031S	13
27	Dowel, casing to rear cover			A120F6046S	1
28	Plug, gearbox oil filler			A120F6049S	1
29	Sealing Washer			A120F6043S	1
30	Plug, gearbox oil drain			A120F6041S	1
31	Sealing Washer, drain plug			A120F6043S	1
32	Bolt, end cover to casing			A120F6047F	9
33	Bolt, M10 x 65, hex. hd., clutch housing to engine/starter	With wavy washer		A120E6402S	2
34	Bolt, M10 x 55, hex. hd., engine to clutch housing	With flat washer		A120E6247S	2
35	Bolt, M10 x 30, flg. hd., sump to clutch housing			A120E6380S	2
36	Gasket Set, transmission overhaul	Not illustrated		A120F6002S	1
37	Jointing Compound, transmission end cover	Not illustrated		A120F6260S	1



**ELISE**  
47.05

# Service Parts List **ELISE**



## Function Code 47.05 Gearchange Mechanism, External

<u>Dep</u>	<u>Part Description</u>	<u>Remarks</u>	<u>Option</u>	<u>Part Number</u>	<u>Qty</u>
01	Gearshift/Parking Brake Assembly, RHD	For parking brake see 33.05	D120F0004F R/B	<b>E120F0004F</b>	1
01a	Gearshift/Parking Brake Assembly, LHD	For parking brake see 33.05	D120F0001F R/B	<b>E120F0001F</b>	1
02	Cable, gearshift			<b>A120F0003H</b>	1
03	Cable, crossgate			<b>A120F0002H</b>	1
04	Gearknob, six speed, round lever	With grub screw		<b>C120U0012F</b>	1
04a	Gearknob, six speed, hexagonal lever	With grub screw	A120U0012F R/B	<b>B120U0012F</b>	1
04b	Knurl Point Grub Screw, M5 x 16, knob to lever			<b>A120W5292F</b>	1
05	Lift Tube, reverse select, round lever			<b>B120U0017F</b>	1
05a	Lift Tube, reverse select, hexagonal lever			<b>A120U0017F</b>	1
06	Lift Tube Adaptor, lift tube to cable, round lever			<b>A120F6259S</b>	1
06a	Lift Tube Adaptor, lift tube to cable, hexagonal lever			<b>A120F6257S</b>	1
07	Retaining Washer, lift tube to adaptor, round lever			<b>B120W6770F</b>	1
07a	Retaining Washer, lift tube to adaptor, hexagonal lever			<b>A120W6770F</b>	1
08	Cable, reverse select			<b>A120F6258S</b>	1
09	Abutment, transmission casing			<b>A120F6241S</b>	1
10	'C' Clip, cables to abutment			<b>A116F0013F</b>	2
11	'R' Clip, cables to levers			<b>A075W6175F</b>	2
12	Crank Assembly, shift & select			<b>A120F6167S</b>	1

**ELISE**

Function Code: 47.05, Page: 1

2005/02 UPDATE ISSUED SEPTEMBER 2005

---

**Function Code 47.05 Gearchange Mechanism, External**

<u>Dep</u>	<u>Part Description</u>	<u>Remarks</u>	<u>Option</u>	<u>Part Number</u>	<u>Qty</u>
13	Control Shaft, select			A120F6168S	1
14	Dust Cover, crank pivot			A120F6170S	1
15	Crank Assembly, shift			A120F6169S	1
16	Dust Cover, crank to bracket			A120F6172S	2
17	Bush, crank pivot			A120F6174S	2
18	Washer Plate, crank pivot			A120F6173S	1
19	Nut, crank to shaft			A120F6175S	1
19a	Washer, spring, crank to shaft			A120F6176S	1
20	Dust Cover, crank pivot			A120F6171S	1
21	Dust Cover, crank to selector			A120F6177S	1
22	Gear Lever, round section, RHD	Service replacement, use tool item 29		A120F0008S	1
22a	Gear Lever, round section, LHD	Service replacement, use tool item 29		A120F0009S	1
23	Lever, control shift			A120F6196S	1
24	Pin, lever clamping			A120F6195S	1
25	Washer, wavy, lever to nut			A120F6176S	1
26	Nut, flange, lever clamping			A120F6175S	1
27	Nut, flange, lever to control shaft balljoint			A120F6194S	1
28	Screw, M8 x 20, skt. button hd., assembly rear to chassis	Not illustrated		A075W7022F	2

---

**ELISE**

Function Code: 47.05, Page: 2

*2005/02 UPDATE ISSUED SEPTEMBER 2005*

---

**Function Code 47.05 Gearchange Mechanism, External**

<u>Dep</u>	<u>Part Description</u>	<u>Remarks</u>	<u>Option</u>	<u>Part Number</u>	<u>Qty</u>
29	Tool, gear lever bush guide	Not illus. For gear lever replacement: See Service Notes section FJ		A120U0054S	1

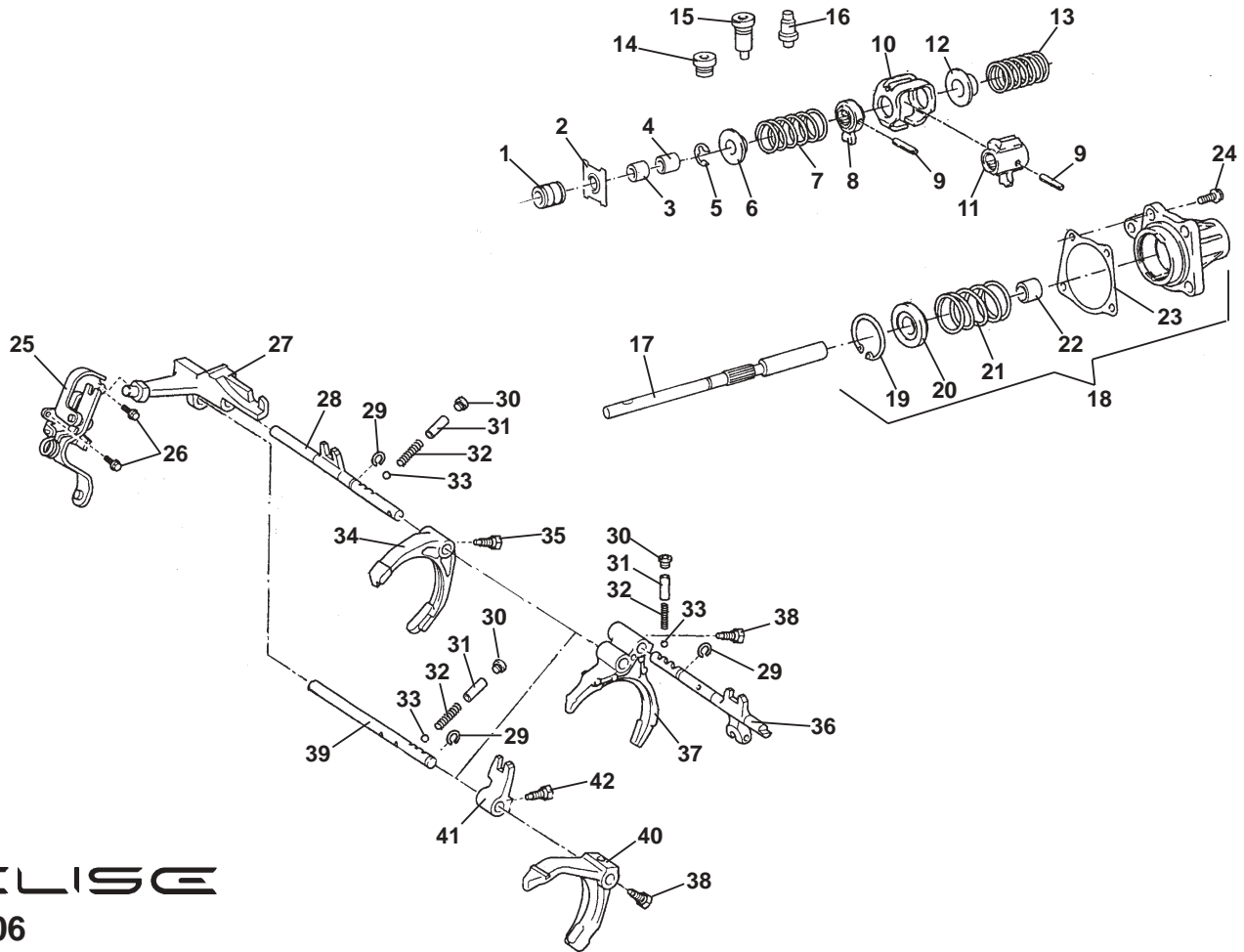
---

---

**ELISE**

Function Code: 47.05, Page: 3

*2005/02 UPDATE ISSUED SEPTEMBER 2005*



**ELISE**

47.06

# Service Parts List **ELISE**



## Function Code 47.06 Gear Selector Mechanism, Internal

<u>Dep</u>	<u>Part Description</u>	<u>Remarks</u>	<u>Option</u>	<u>Part Number</u>	<u>Qty</u>
01	Seal, outer, shaft to casing			A120F6036S	1
02	Dust Boot, inner, shaft to casing			A120F6197S	1
03	Bush, select/shift shaft			A120F6256S	1
04	Bearing, needle roller			A120F6037S	1
05	Retainer, 'E' ring, spring seat			A120F6186S	1
06	Seat, select spring no.2			A120F6183S	1
07	Spring, select return, no. 2			A120F6185S	1
08	Lever, shift inner no.2			A120F6180S	1
09	Pin, slotted spring			A120F6183S	2
10	Plate, shift interlock			A120F6182S	1
11	Lever, shift inner no.1			A120F6179S	1
12	Seat, select spring no.1			A120F6187S	1
13	Spring, selec return no.1			A120F6185S	1
14	Plug, reverse restrict pin			A120F6201S	1
15	Ball Assembly, lock no.1			A120F6161S	1
16	Plug, transmission breather			A120F6038S	1
17	Shaft, shift & select			A120F6181S	1
18	Cover Assembly, control shaft			A120F6188S	1

**ELISE**

Function Code: 47.06, Page: 1

2005/02 UPDATE ISSUED SEPTEMBER 2005



---

**Function Code 47.06 Gear Selector Mechanism, Internal**

<u>Dep</u>	<u>Part Description</u>	<u>Remarks</u>	<u>Option</u>	<u>Part Number</u>	<u>Qty</u>
19	Snap Ring, support to case	Not used on Lotus		A120F6192S	1
20	Seat, select spring no.3	Not used on Lotus		A120F9189S	1
21	Spring, shift/select shaft	Not used on Lotus		A120F6193S	1
22	Bush, select/shift shaft			A120F6255S	1
23	Gasket, cover to case			A120F6190S	1
24	Bolt, hex. fig. hd., cover to case			A120F6159S	4
25	Reverse Shift Arm/Bracket Assembly			A120F6152S	1
26	Screw, bracket to casing			A120F6153S	2
27	Reverse Shift Fork			A120F6200S	1
28	Shaft, gear shift fork, No. 3			A120F6199S	1
29	Snap ring, external, shift shafts			A120F6158S	3
30	Plug, shift dent assy.			A120F6163S	3
31	Spring Seat, shift detent			A120F6162S	3
32	Spring, shift detent			A120F6165S	3
33	Detent Ball			A120F6164S	3
34	Gear Shift Fork, No. 3			A120F6202S	1
35	Screw, fork to shaft			A120F6157S	1
36	Shaft, gear shift fork, No. 1			A120F6151S	1
37	Gear Shift Fork, No. 1			A120F6154S	1
38	Bolt, hex, hd., forks to shaft			A120F6157S	2
39	Shaft, gear shift fork, No. 2			A120F6198S	1

---

**ELISE**

Function Code: 47.06, Page: 2

*2005/02 UPDATE ISSUED SEPTEMBER 2005*

---

**Function Code 47.06 Gear Selector Mechanism, Internal**

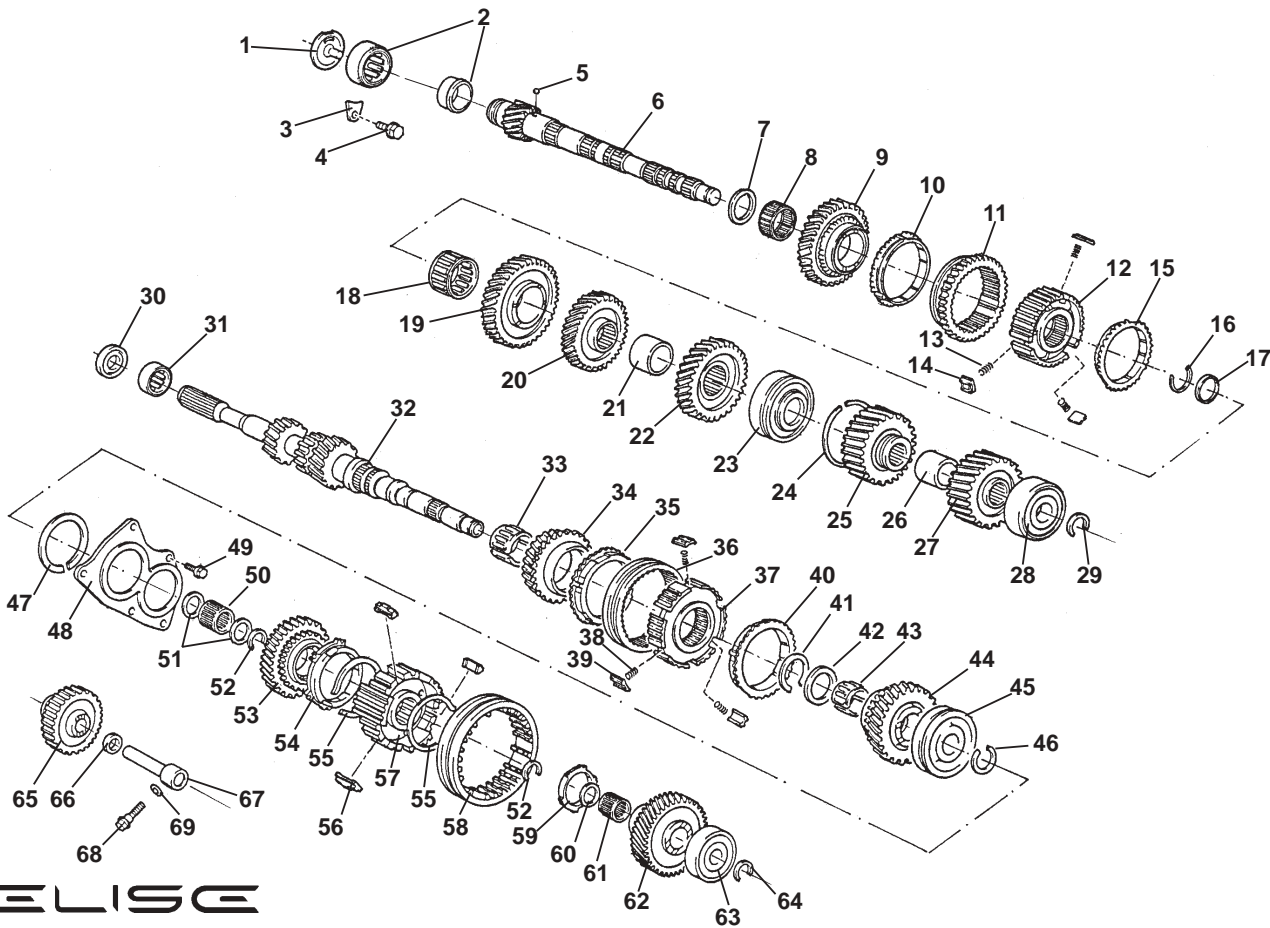
<u>Dep</u>	<u>Part Description</u>	<u>Remarks</u>	<u>Option</u>	<u>Part Number</u>	<u>Qty</u>
40	Gear Shift Fork, No. 2			A120F6155S	1
41	Gear Shift Head, No. 1			A120F6156S	1
42	Bolt, hex, hd., head to shaft			A120F6157S	1

---

**ELISE**

Function Code: 47.06, Page: 3

*2005/02 UPDATE ISSUED SEPTEMBER 2005*



**ELISE**  
47.07

**Function Code 47.07 Gears, Shafts & Bearings**

<u>Dep</u>	<u>Part Description</u>	<u>Remarks</u>	<u>Option</u>	<u>Part Number</u>	<u>Qty</u>
01	Cover, output shaft			A120F6029S	1
02	Bearing, roller, output shaft, front			A120F6007S	1
03	Plate, bearing retention			A120F6026S	1
04	Bolt, plate to casing			A120F6027S	1
05	Ball, output shaft			A120F6078S	1
06	Output Shaft			A120F6203S	1
07	Thrust Washer, 1st gear			A120F6077S	1
08	Bearing, needle roller, 1st gear			A120F6016S	1
09	1st Gear, driven			A120F6141S	1
10	Synchro Ring, 1st gear			A120F6075S	1
11	Reverse Gear, driven			A120F6071S	1
12	Synchro Hub, no 1			A120F6072S	1
13	Spring, synchro key			A120F6075S	3
14	Synchro Key			A120F6073S	3
15	Synchro Ring, 2nd gear			A120F6075S	1
16	Snap Ring, hub to shaft, A, 2.50mm			A120F6082S	1
16a	Snap Ring, hub to shaft, B, 2.56mm			A120F6083S	1
16b	Snap Ring, hub to shaft, C, 2.62mm			A120F6084S	1
16c	Snap Ring, hub to shaft, D, 2.68mm			A120F6085S	1
16d	Snap Ring, hub to shaft, E, 2.74mm			A120F6086S	1
16e	Snap Ring, hub to shaft, F, 2.80mm			A120F6087S	1

**ELISE**

Function Code: 47.07, Page: 1

**Function Code 47.07 Gears, Shafts & Bearings**

<u>Dep</u>	<u>Part Description</u>	<u>Remarks</u>	<u>Option</u>	<u>Part Number</u>	<u>Qty</u>
17	Spacer, 2nd gear bearing			A120F6014S	1
18	Bearing, needle roller, 2nd gear			A120F6013S	1
19	2nd Gear, driven			A120F6142S	1
20	3rd Gear, driven			A120F6144S	1
21	Spacer, output shaft			A120F6079S	1
22	4th Gear, driven			A120F6146S	1
23	Bearing, ball, output shaft centre			A120F6008s	1
24	Snap Ring, bearing retention			A120F6081S	1
25	5th Gear, driven			A120f6148S	1
26	Spacer, output gear			A120F6080S	1
27	6th Gear, driven			A120F6150S	1
28	Bearing, ball, output shaft rear			A120F6009S	1
29	Snap Ring, bearing to shaft, rear, B, 2.31mm			A120F6121S	1
29a	Snap Ring, bearing to shaft, rear, C, 2.37mm			A120F6122S	1
29b	Snap Ring, bearing to shaft, rear, D, 2.43mm			A120F6123S	1
29c	Snap Ring, bearing to shaft, rear, E, 2.49mm			A120F6124S	1
29d	Snap Ring, bearing to shaft, rear, F, 2.55mm			A120F6125S	1
29e	Snap Ring, bearing to shaft, rear, G, 2.61mm			A120F6126S	1
29f	Snap Ring, bearing to shaft, rear, H, 2.67mm			A120F6127S	1
29g	Snap Ring, bearing to shaft, rear, J, 2.73mm			A120F6128S	1
29h	Snap Ring, bearing to shaft, rear, K, 2.79mm			A120F6129S	1

**ELISE**

Function Code: 47.07, Page: 2

**Function Code 47.07 Gears, Shafts & Bearings**

<u>Dep</u>	<u>Part Description</u>	<u>Remarks</u>	<u>Option</u>	<u>Part Number</u>	<u>Qty</u>
29i	Snap Ring, bearing to shaft, rear, L, 2.85mm			A120F6130S	1
29j	Snap Ring, bearing to shaft, rear, M, 2.91mm			A120F6131S	1
30	Oil Seal, input shaft, front			A120F6023S	1
31	Bearing, roller, input shaft, front			A120F6004S	1
32	Input Shaft			A120F6140S	1
33	Bearing, needle roller, 3rd gear			A120F6015S	1
34	Reverse Gear			A120F6071S	1
35	Synchro Ring, 3rd gear			A120F6056S	1
36	Synchro Sleeve, no. 2			A120F6053S	1
37	Synchro Hub, no. 2			A120F6052S	1
38	Spring, synchro key			A120F6076S	3
39	Synchro Key			A120F6054S	3
40	Synchro Ring, 4th gear			A120F6074S	1
41	Snap Ring, hub to shaft, 0, 2.30mm			A120F6058S	1
41a	Snap Ring, hub to shaft, 1, 2.36mm			A120F6059S	1
41b	Snap Ring, hub to shaft, 2, 2.42mm			A120F6060S	1
41c	Snap Ring, hub to shaft, 3, 2.48mm			A120F6061S	1
41d	Snap Ring, hub to shaft, 4, 2.54mm			A120F6062S	1
41e	Snap Ring, hub to shaft, 5, 2.60mm			A120F6063S	1
42	Spacer			A120F6017S	1
43	Bearing, needle roller, 4th gear			A120F6012S	1

**ELISE**

Function Code: 47.07, Page: 3

**Function Code 47.07 Gears, Shafts & Bearings**

<u>Dep</u>	<u>Part Description</u>	<u>Remarks</u>	<u>Option</u>	<u>Part Number</u>	<u>Qty</u>
44	4th Gear			A120F6145S	1
45	Bearing, ball, input shaft, centre			A120F6009S	1
46	Snap Ring, bearing to shaft, A, 2.29mm			A120F6064S	1
46	Snap Ring, bearing to shaft, B, 2.35mm			A120F6065S	1
46a	Snap Ring, bearing to shaft, C, 2.41mm			A120F6066S	1
46b	Snap Ring, bearing to shaft, D, 2.47mm			A120F6067S	1
46c	Snap Ring, bearing to shaft, E, 2.53mm			A120F6068S	1
46d	Snap Ring, bearing to shaft, F, 2.59mm			A120F6069S	1
47	Snap Ring, bearing to casing			A120F6070S	1
48	Retainer, input shaft rear bearing			A120F6044S	1
49	Bolt, retainer to casing			A120F6045S	5
50	Bearing, needle roller, 5th gear			A120F6018S	1
51	Spacer, 5th gear bearing			A120F6147S	1
52	Snap Ring, hub to shaft, A, 1.75mm			A120F6100S	1
52a	Snap Ring, hub to shaft, B, 1.80mm			A120F6101S	1
52b	Snap Ring, hub to shaft, C, 1.85mm			A120F6102S	1
52c	Snap Ring, hub to shaft, D, 1.90mm			A120F6103S	1
52d	Snap Ring, hub to shaft, E, 1.95mm			A120F6104S	1
52f	Snap Ring, hub to shaft, F, 2.00mm			A120F6105S	1
52g	Snap Ring, hub to shaft, G, 2.05mm			A120F6106S	1
52h	Snap Ring, hub to shaft, H, 2.10mm			A120F6107S	1

**ELISE**

Function Code: 47.07, Page: 4

**Function Code 47.07 Gears, Shafts & Bearings**

<u>Dep</u>	<u>Part Description</u>	<u>Remarks</u>	<u>Option</u>	<u>Part Number</u>	<u>Qty</u>
52i	Snap Ring, hub to shaft, J, 2.15mm			A120F6108S	1
53	5th Gear			A120F6147S	1
54	Synchro Ring, 5th gear			A120F6093S	1
55	Spring, synchro key			A120F6095S	3
56	Synchro Key			A120F6097S	3
57	Synchro Hub, no. 3			A120F6096S	1
58	Synchro Sleeve			A120F6098S	1
59	Synchro Ring, 6th gear			A120F6093S	1
60	Spacer, bearing, 6th gear			A120F6021S	1
61	Bearing, needle roller, 6th gear			A120F6020S	1
62	6th gear			A120F6149S	1
63	Bearing, ball, input shaft, rear			A120F6006S	1
64	Snap Ring, bearing to shaft rear, A, 1.70mm			A120F6109S	1
64a	Snap Ring, bearing to shaft rear, B, 1.75mm			A120F6110S	1
64b	Snap Ring, bearing to shaft rear, C, 1.80mm			A120F6111S	1
64c	Snap Ring, bearing to shaft rear, D, 1.85mm			A120F6112S	1
64d	Snap Ring, bearing to shaft rear, E, 1.90mm			A120F6113S	1
64e	Snap Ring, bearing to shaft rear, F, 1.95mm			A120F6114S	1
64f	Snap Ring, bearing to shaft rear, G, 2.00mm			A120F6115S	1
64g	Snap Ring, bearing to shaft rear, H, 2.05mm			A120F6116S	1
64h	Snap Ring, bearing to shaft rear, J, 2.10mm			A120F6117S	1

**ELISE**

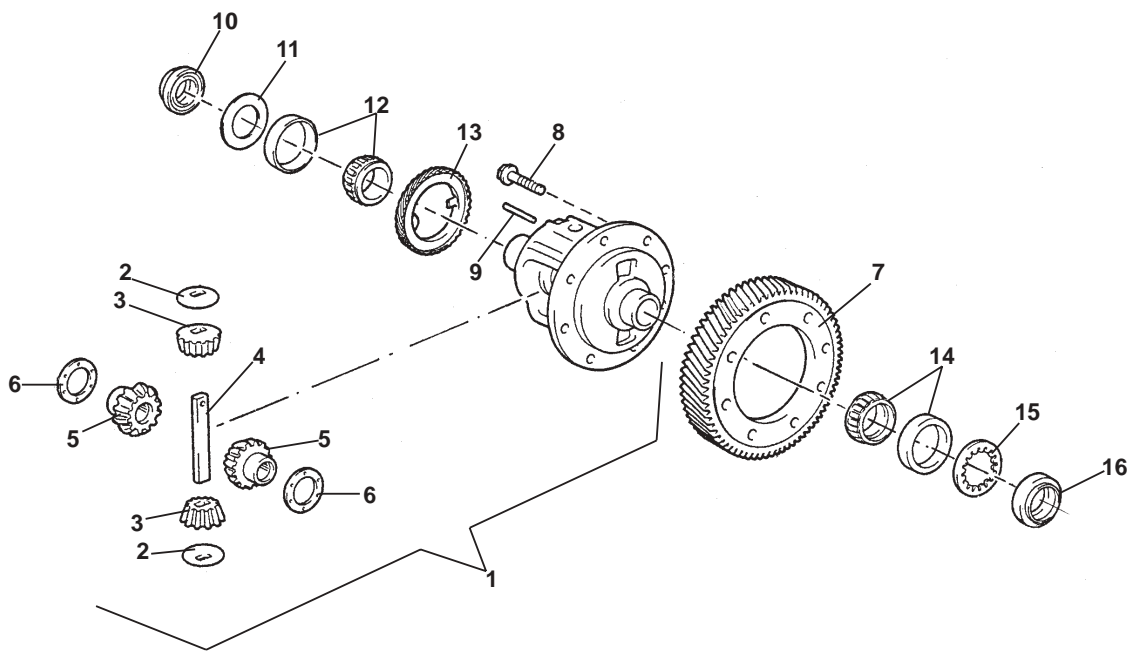
Function Code: 47.07, Page: 5



---

**Function Code 47.07 Gears, Shafts & Bearings**

<u>Dep</u>	<u>Part Description</u>	<u>Remarks</u>	<u>Option</u>	<u>Part Number</u>	<u>Qty</u>
64i	Snap Ring, bearing to shaft rear, K, 2.15mm			A120F6118S	1
64j	Snap Ring, bearing to shaft rear, L, 2.20mm			A120F6119S	1
64k	Snap Ring, bearing to shaft rear, M, 2.25mm			A120F6120S	1
65	Reverse Idler Gear			A120F6088S	1
66	Thrust Washer, reverse idler			A120F6090S	1
67	Shaft, reverse idler			A120F6089S	1
68	Bolt, reverse idler retention			A120F6091S	1
69	Gasket, bolt to casing			A120F6092S	1



**ELISE**  
47.11

# Service Parts List **ELISE**



## Function Code 47.11 Final Drive & Bearings

<u>Dep</u>	<u>Part Description</u>	<u>Remarks</u>	<u>Option</u>	<u>Part Number</u>	<u>Qty</u>
01	Differential Assembly	Includes items 2 to 6 + casing		A120F6205S	1
01a	Differential Assembly, limited slip		Optional	A120F6262S	1
02	Thrust Washer, planet gear			A120F6209S	2
03	Pinion Gear, planet			A120F6206S	2
04	Pinion Shaft			A120F6208S	1
05	Pinion Gear, sun			A120F6207S	2
06	Thrust Washer, sun gear, 0.95mm			A120F6213S	1
06a	Thrust Washer, sun gear, 1.00mm			A120F6210S	2
06b	Thrust Washer, sun gear, 1.05mm			A120F6214S	1
06c	Thrust Washer, sun gear, 1.10mm			A120F6211S	1
06d	Thrust Washer, sun gear, 1.15mm			A120F6215S	1
06e	Thrust Washer, sun gear, 1.20mm			A120F6212S	1
07	Final Drive Gear			A120F6204S	1
08	Bolt, gear to casing			A120F6217S	8
09	Pin, gear to casing			A120F6216S	1
10	Oil Seal, output, RH			A120F6024S	1
11	Spacer, bearing to housing			A120F6218	1
12	Bearing, taper roller, RH			A120F6011S	1

**ELISE**

Function Code: 47.11, Page: 1

2005/02 UPDATE ISSUED SEPTEMBER 2005

**Function Code 47.11 Final Drive & Bearings**

<u>Dep</u>	<u>Part Description</u>	<u>Remarks</u>	<u>Option</u>	<u>Part Number</u>	<u>Qty</u>
13	Speedometer Drive Gear			A120F6240S	1
14	Bearing, taper roller, LH			A120F6010S	1
15	Shim, bearing to housing, AA, 2.10mm			A120F6219S	1
15a	Shim, bearing to housing, BB, 2.15mm			A120F6220S	1
15b	Shim, bearing to housing, CC, 2.20mm			A120F6221S	1
15c	Shim, bearing to housing, DD, 2.25mm			A120F6222S	1
15d	Shim, bearing to housing, EE, 2.30mm			A120F6223S	1
15e	Shim, bearing to housing, FF, 2.35mm			A120F6224S	1
15f	Shim, bearing to housing, GG, 2.40mm			A120F6225S	1
15g	Shim, bearing to housing, HH, 2.45mm			A120F6226S	1
15jh	Shim, bearing to housing, JJ, 2.50mm			A120F6227S	1
15i	Shim, bearing to housing, KK, 2.55mm			A120F6228S	1
15j	Shim, bearing to housing, LL, 2.60mm			A120F6229S	1
15k	Shim, bearing to housing, MM, 2.65mm			A120F6230S	1
15l	Shim, bearing to housing, NN, 2.70mm			A120F6231S	1
15m	Shim, bearing to housing, PP, 2.75mm			A120F6232S	1
15n	Shim, bearing to housing, QQ, 2.80mm			A120F6233S	1
15o	Shim, bearing to housing, RR, 2.85mm			A120F6234S	1
15p	Shim, bearing to housing, SS, 2.90mm			A120F6235S	1
15q	Shim, bearing to housing, TT, 2.95mm			A120F6236S	1
15r	Shim, bearing to housing, UU, 3.00mm			A120F6237S	1

**ELISE**

Function Code: 47.11, Page: 2

*2005/02 UPDATE ISSUED SEPTEMBER 2005*

---

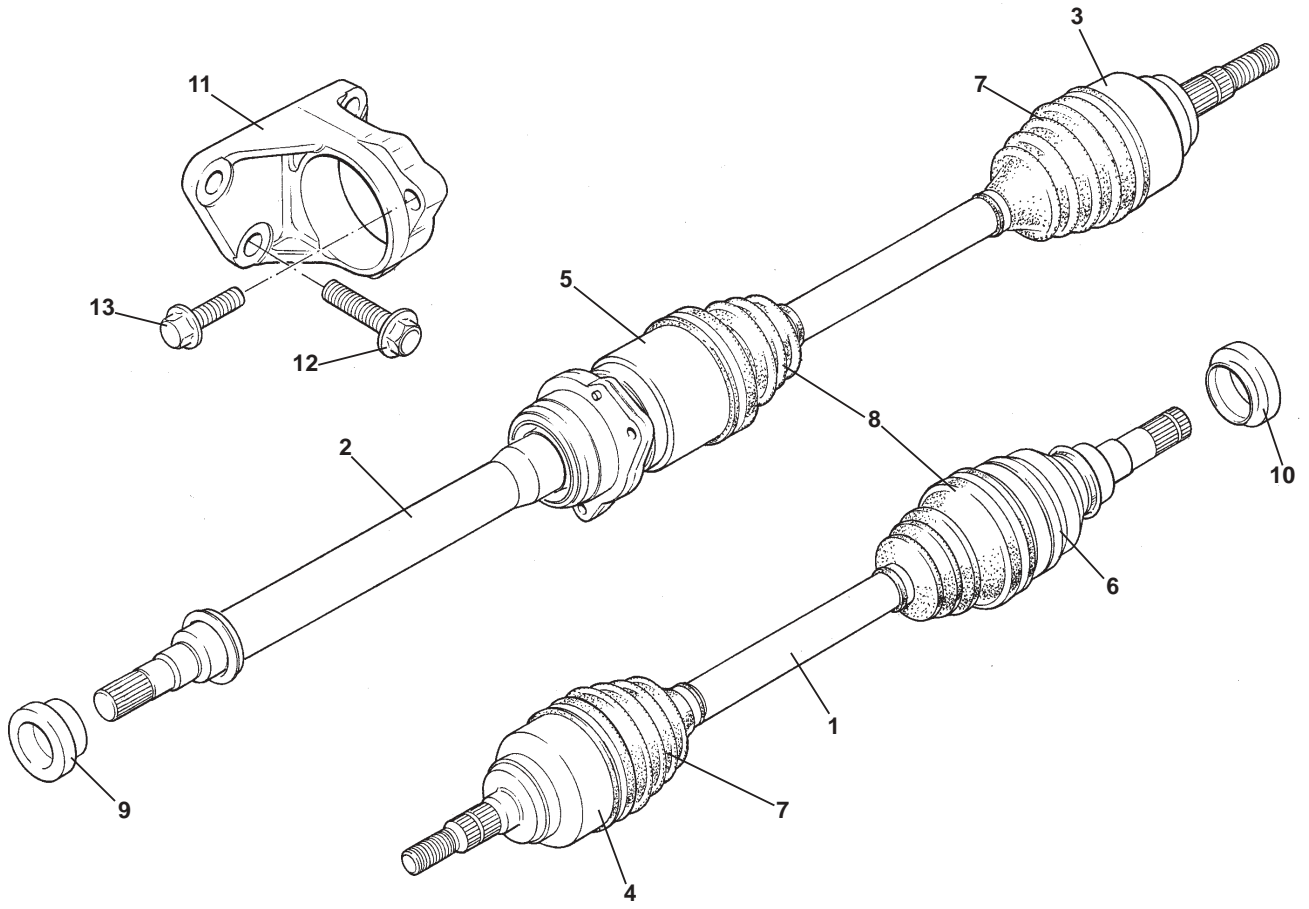
**Function Code 47.11 Final Drive & Bearings**

<u>Dep</u>	<u>Part Description</u>	<u>Remarks</u>	<u>Option</u>	<u>Part Number</u>	<u>Qty</u>
16	Oil Seal, ouput, LH			A120F6035S	1

---

---

**ELISE****Function Code: 47.11, Page: 3***2005/02 UPDATE ISSUED SEPTEMBER 2005*

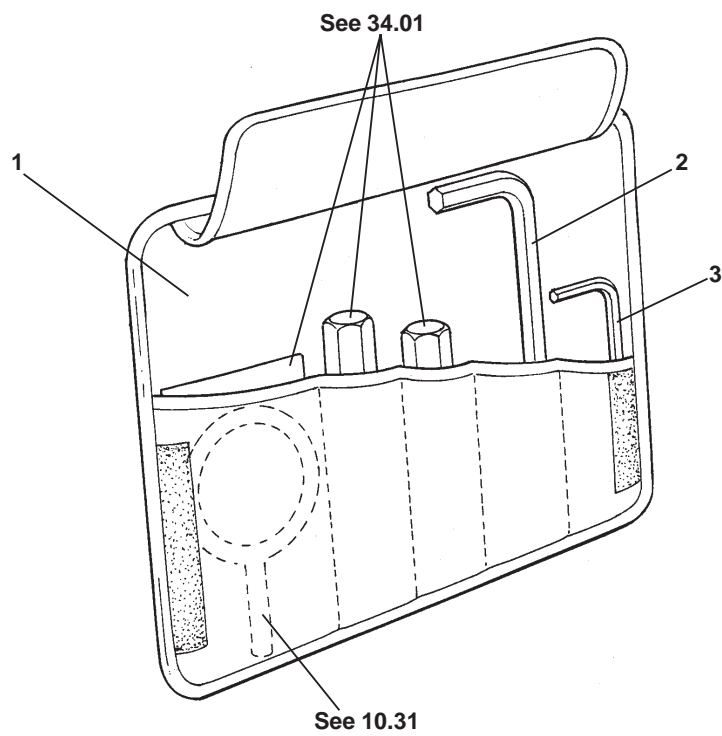


**ELISE**  
47.15

---

**Function Code 47.15 Driveshafts & Seals**

<u>Dep</u>	<u>Part Description</u>	<u>Remarks</u>	<u>Option</u>	<u>Part Number</u>	<u>Qty</u>
01	Drive Shaft Assembly, LH			A120D0019F	1
02	Drive Shaft Assembly, RH			A120D0018F	1
03	CV Joint & Shaft Assy., outboard, RH			A120D0017S	1
04	CV Joint & Shaft Assy., outboard, LH			A120D0020S	1
05	CV Joint Assy., inboard, RH			A120D0021S	1
06	CV Joint Assy., inboard, LH			A120D0022S	1
07	Gaiter Kit, outboard CV joint			A120D6002S	2
08	Gaiter Kit, inboard CV joint			A120D6003S	2
09	Oil Seal, output, RH			A120F6024S	1
10	Oil Seal, output, LH			A120F6035S	1
11	Bracket, driveshaft bearing			A120E6410S	1
12	Bolt, M10 x 32, flg. hd., bracket to engine			A120E6412S	3
13	Bolt, flg. hd., shaft assy. to bracket			A120E6411S	2



**ELISE**  
**60.01**



# Service Parts List **ELISE**

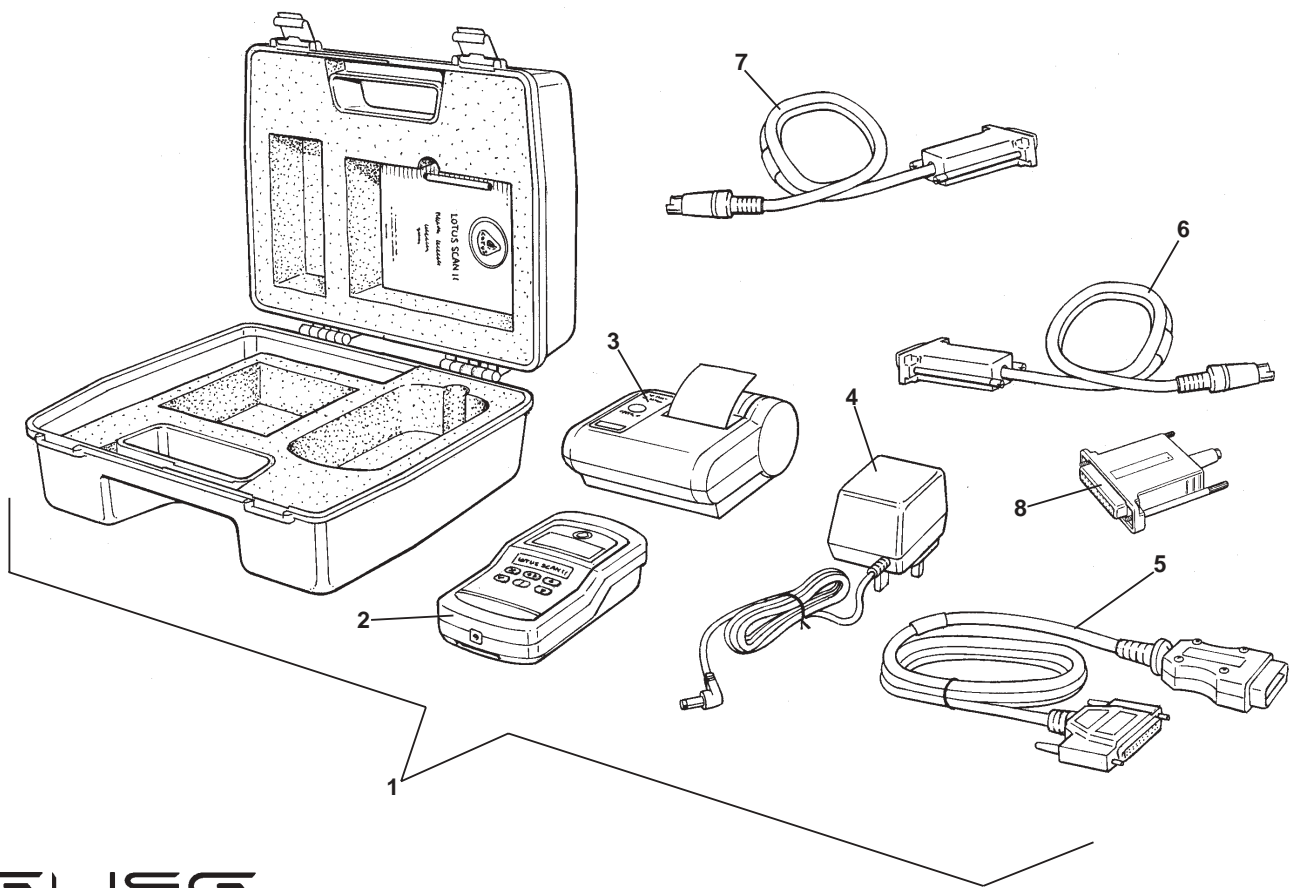


## Function Code 60.01 Tool Kit

<u>Dep</u>	<u>Part Description</u>	<u>Remarks</u>	<u>Option</u>	<u>Part Number</u>	<u>Qty</u>
01	Tool Kit	Includes items: 2,3, towing eye & wheel bolt adaptor		A117T0009S	1
02	Allen Key, M5 x 160			A117T6001H	1
03	Allen Key, M3 x 63			A117T6002H	1

**ELISE**

Function Code: 60.01, Page: 1



**ELISE**  
60.01a

---

**Function Code 60.01a Diagnostic Equipment**

<u>Dep</u>	<u>Part Description</u>	<u>Remarks</u>	<u>Option</u>	<u>Part Number</u>	<u>Qty</u>
01	Lotus Scan III Kit			T000T1467F	1
02	Lotus Scan III, scanner tool			T000T1426F	1
03	Printer			T000T1419F	1
05	Lead, scanner to ALDL connector, blue			T000T1457F	1
06	Lead, scanner to printer			T000T1429F	1
07	Lead, scanner to PC			T000T1430F	1
08	Adaptor, transformer to scanner			T000T1436F	1
09	Plug Adaptor, Euro, transformer	Not illustrated, UK to European plug		T000T1421F	1

---

**Not Illustrated**

**Function Code 60.02 Special Tools**

<u>Dep</u>	<u>Part Description</u>	<u>Remarks</u>	<u>Option</u>	<u>Part Number</u>	<u>Qty</u>
01	Hanger, engine			T000T1437S	2
02	Press Tool, driveshaft			T000T1438S	1
03	Press Tool, driveshaft bearing			T000T1439S	1
04	Bolt, engine hanger			T000T1440S	2
05	Oil Filter Wrench			T000T1441S	1
06	Valve Clearance Adjuster Set			T000T1442S	1
07	Crank Pulley Holding Tool			T000T1443S	1
08	Companion Flange Holding Tool			T000T1444S	1
09	Oil Seal Puller, transmission			T000T1445S	1
10	Differential Pre-load Adaptor			T000T1446S	1
11	Upper Plate, 5th/6th gear			T000T1447/1	1
12	Bolt, 5th/6th gear puller			T000T1447/2	1
13	Arm, 5th/6th gear puller			T000T1447/3	3
14	Adaptor, 5th/6th gear puller			T000T1447/4	1
15	5th/6th Synchro Puller Hanger			T000T1448/1	1
16	5th/6th Synchro Puller Side Arm			T000T1448/2	2
17	5th/6th Synchro Puller Bolt			T000T1446/3	1
18	5th/6th Synchro Puller Claw			T000T1446/4	2
19	5th/6th Synchro Puller Holder			T000T1448/5	1
20	Fuel Pipe Release Tool			T000T1450F	1
21	Fuel Gauge Kit			T000T1451F	1

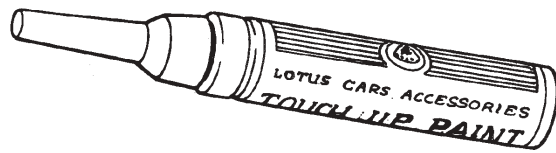
**ELISE**

Function Code: 60.02, Page: 1

---

**Function Code 60.02 Special Tools**

<u>Dep</u>	<u>Part Description</u>	<u>Remarks</u>	<u>Option</u>	<u>Part Number</u>	<u>Qty</u>
22	Fuel Measure Set			T000T1452F	1
23	Fuel Tube Connector			T000T1453F	1
24	Fuel Tank Connector			T000T1454F	1
25	Driveshaft Seal Tool, LH			T000T1459F	1
26	Handle, driveshaft seal tool			T000T1460F	1
27	Arm, transmission puller kit			T000T1462F	1
28	Attachment, transmission puller kit			T000T1463F	1
29	Claw, transmission puller kit			T000T1464F	1
30	Adaptor, transmission puller kit			T000T1465F	1
31	Tool Board			T000T1455F	1



**ELISE**

**80.20a**

---

**Function Code 80.20a Touch-in Paint Pencil Range**

<u>Dep</u>	<u>Part Description</u>	<u>Remarks</u>	<u>Option</u>	<u>Part Number</u>	<u>Qty</u>
71	B71, Old English White			A082B6404F	1
84	B84, Lava Orange Pearlescent			A082B6385F	1
86	B86, Racing Green Metallic			A082B6388F	1
93	B93, Starlight Black Metallic			A082B6402F	1
94	B94, Ardent Red			A082B6400F	1
97	B97, Atlantic Blue Metallic			A082B6407F	1
98	B98, Storm Titanium			A082B6408F	1
100	B100, Magnetic Blue			A082B6410F	1
101	B101, Electric Green Metallic			A082B6411F	1
102	B102, Aubergine Metallic			A082B6412F	1
104	B104, Blue Mica			A082B6414F	1
105	B105, Nightfall Blue			A082B6415F	1
106	B106, Saffron Yellow			A082B6416F	1
107	B107, Glacier Blue			A082B6417F	1
108	B108, Graphite Grey			A082B6418F	1
109	B109, Krypton Green			A082B6419F	1

---

**ELISE**

Function Code: 80.20a, Page: 1