



Spare Parts Book

ATV-150U(215A)

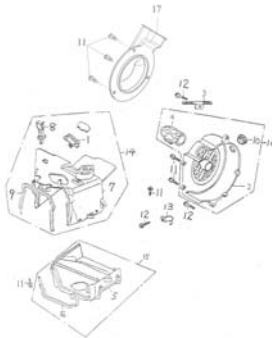
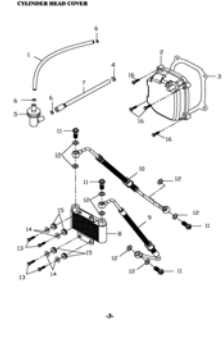
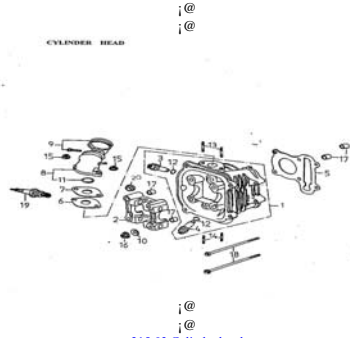
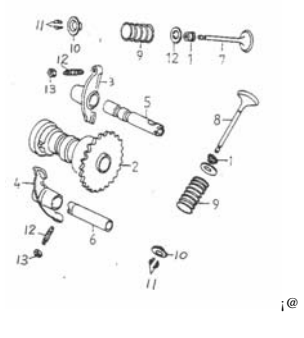
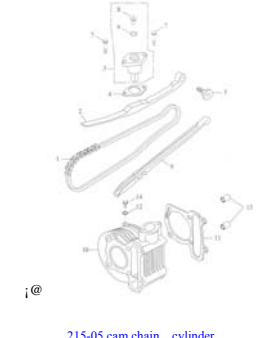
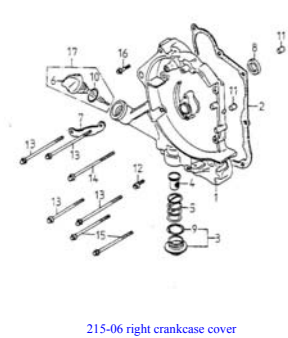
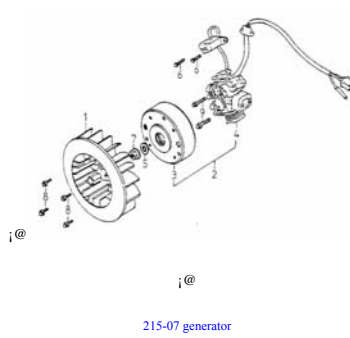
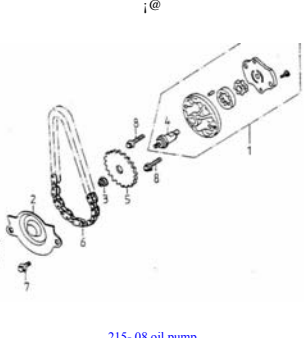
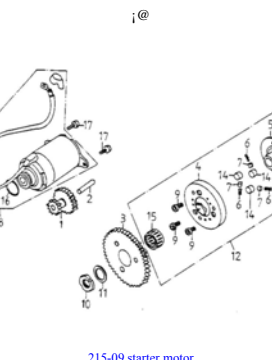

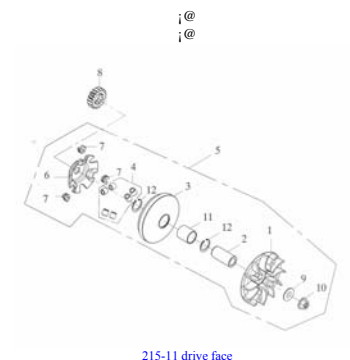
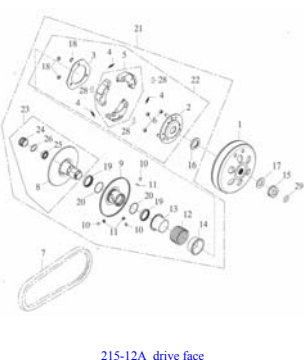
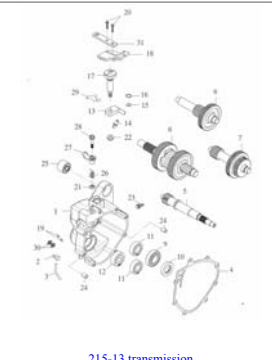
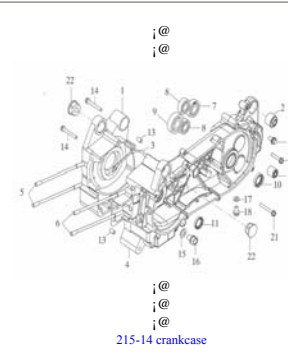
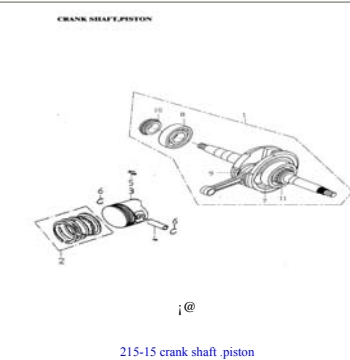
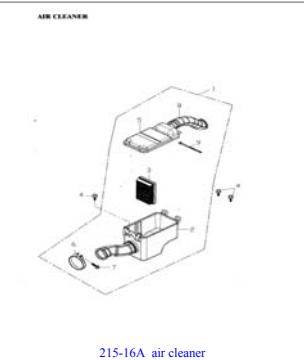
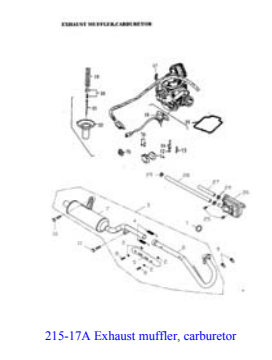
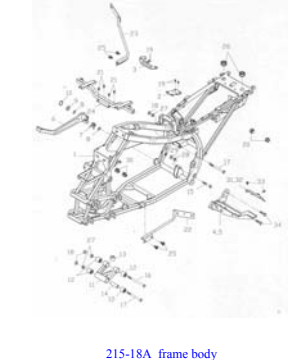
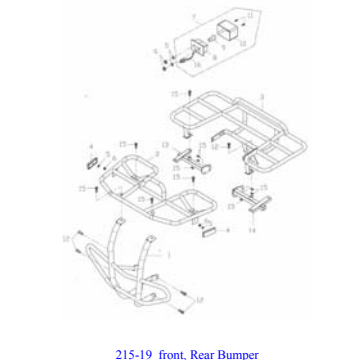
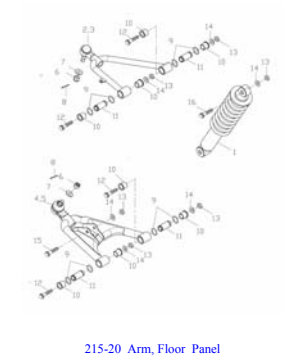
Detailed Section (General View)

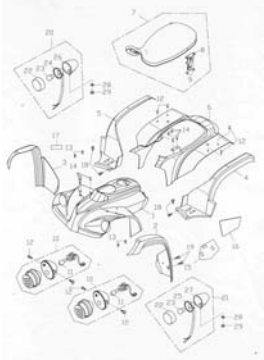
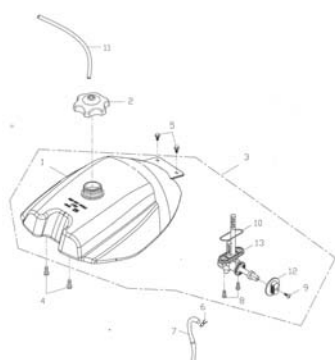
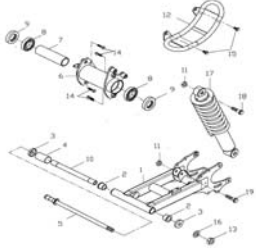
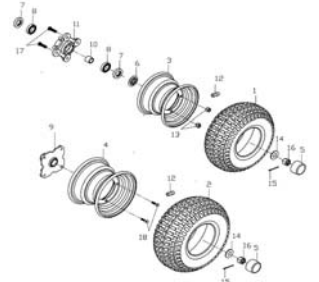
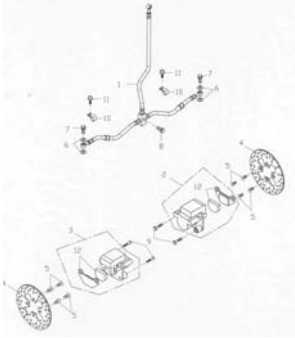
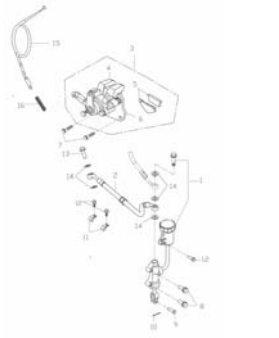
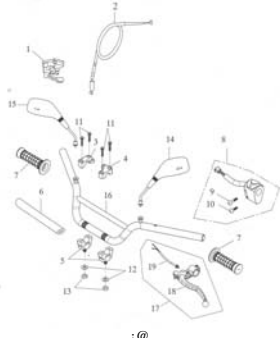
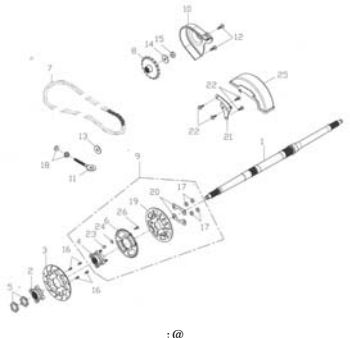
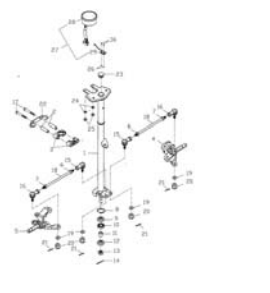

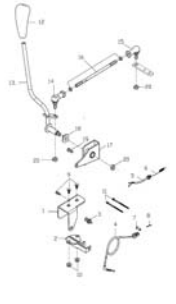
- 215-01 Fan cover , Shroud
- 215-02 Cylinder head cover
- 215-03 Cylinder head
- 215-04 Camshaft .valve
- 215-05 cam chain . cylinder
- 215-06 right crankcase cover
- 215-07 generator
- 215- 08 oil pump
- 215-09 starter motor
- 215-10 left crankcase cover
- 215-11 drive face
- 215-12A drive face
- 215-13 transmission
- 215-14 crankcase
- 215-15 crank shaft .piston
- 215-16A air cleaner
- 215-17A Exhaust muffler, carburetor
- 215-18A frame body
- 215-19A front, Rear Bumper
- 215-20 Arm, Floor Panel
- 215-21A body cover, seat
- 215-22A fuel tank
- 215-23A front wheel, suspension
- 215-24A wheel front & rear
- 215-25A front brake
- 215-26A rear brake
- 215-27A Handle Bar
- 215-28A Rear wheel axle, chain
- 215-29A steering
- 215-30A electrical equipment
- 215-31 Gear Shift System

If you have any question or suggestion, please tell us by e-mail to hercheel@ms9.hinet.net

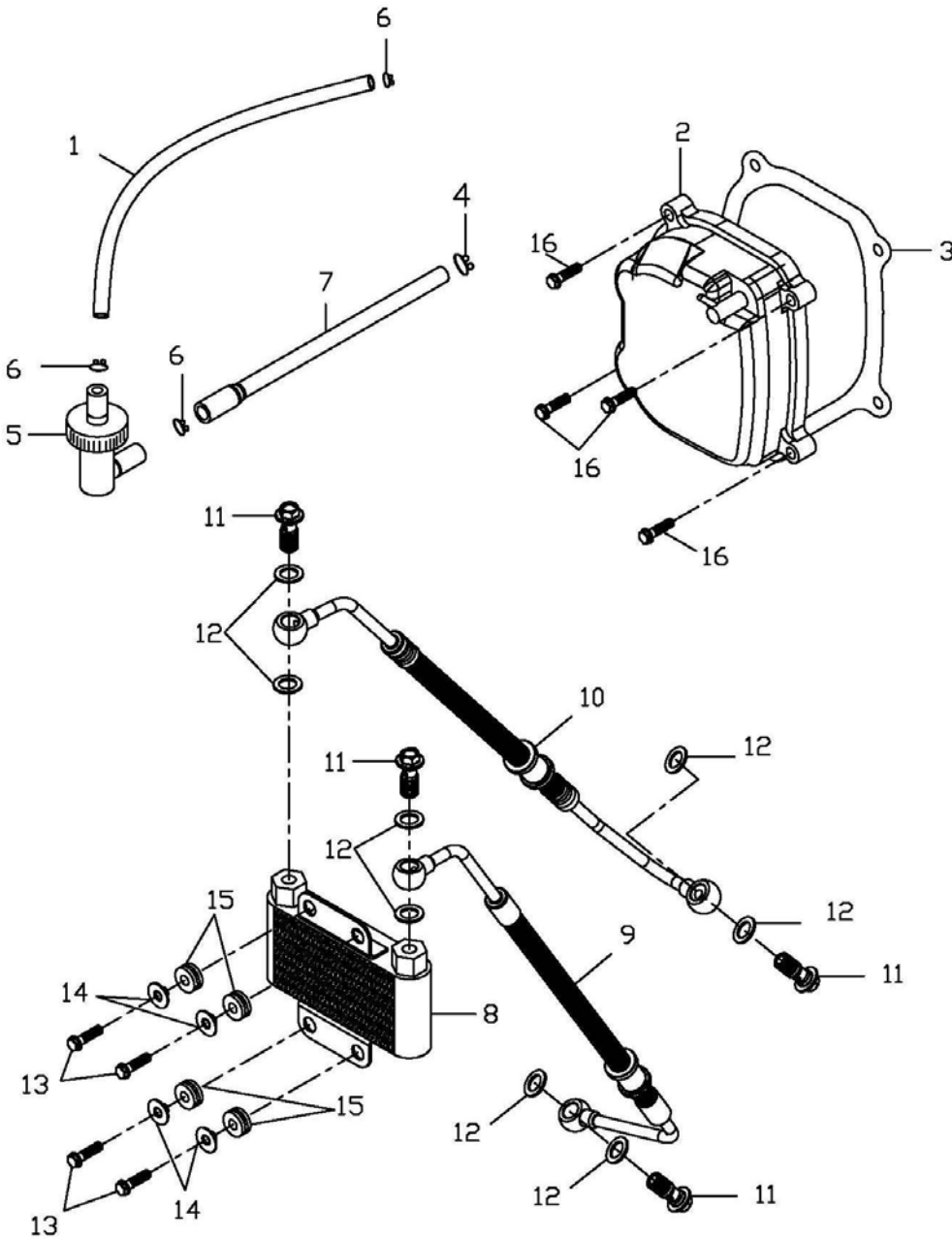
Thank You !

GENERAL VIEW

 <p>215-01 Fan cover , Shroud</p>	<p>CYLINDER HEAD COVER</p>  <p>215-02A Cylinder head cover</p>	<p>CYLINDER HEAD</p>  <p>215-03 Cylinder head</p>	 <p>215-04 Camshaft .valve</p>
 <p>215-05 cam chain . cylinder</p>	 <p>215-06 right crankcase cover</p>	 <p>215-07 generator</p>	 <p>215-08 oil pump</p>
 <p>215-09 starter motor</p>	 <p>215-10 left crankcase cover</p>	 <p>215-11 drive face</p>	 <p>215-12A drive face</p>
 <p>215-13 transmission</p>	 <p>215-14 crankcase</p>	<p>CRANK SHAFT-PISTON</p>  <p>215-15 crank shaft .piston</p>	<p>AIR CLEANER</p>  <p>215-16A air cleaner</p>
<p>EXHAUST MUFFLER-CARBURETOR</p>  <p>215-17A Exhaust muffler, carburetor</p>	 <p>215-18A frame body</p>	 <p>215-19 front, Rear Bumper</p>	 <p>215-20 Arm, Floor Panel</p>

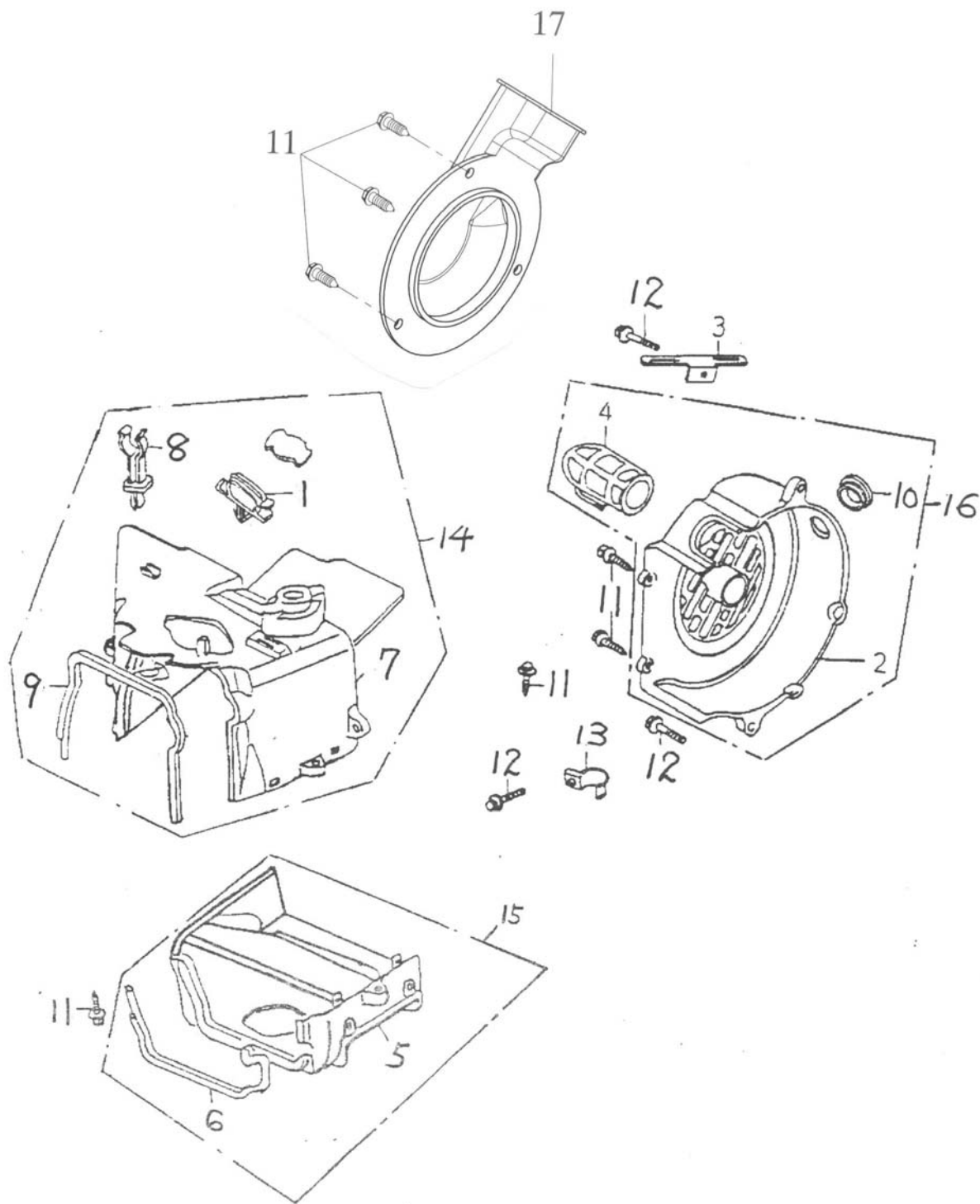
 <p>215-21A body cover, seat</p>	 <p>215-22A fuel tank</p>	<p>SWING ARM SUB ASSY</p>  <p>i@ 215-23A front wheel, suspension</p>	<p>WHEEL-FRONT&REAR</p>  <p>215-24A wheel front & rear</p>
 <p>215-25A front brake</p>	 <p>i@ 215-26A rear brake</p>	 <p>i@ 215-27A Handle Bar</p>	<p>i@</p>  <p>i@ 215-28A Rear wheel axle, chain</p>
<p>STEERING</p>  <p>215-29A steering</p>	<p>ELECTRICAL EQUIPMENT</p>  <p>215-30A electrical equipment</p>	<p>GEAR BODY SYSTEM</p>  <p>215-31 Gear Shift System</p>	<p>i@ i@</p>

CYLINDER HEAD COVER



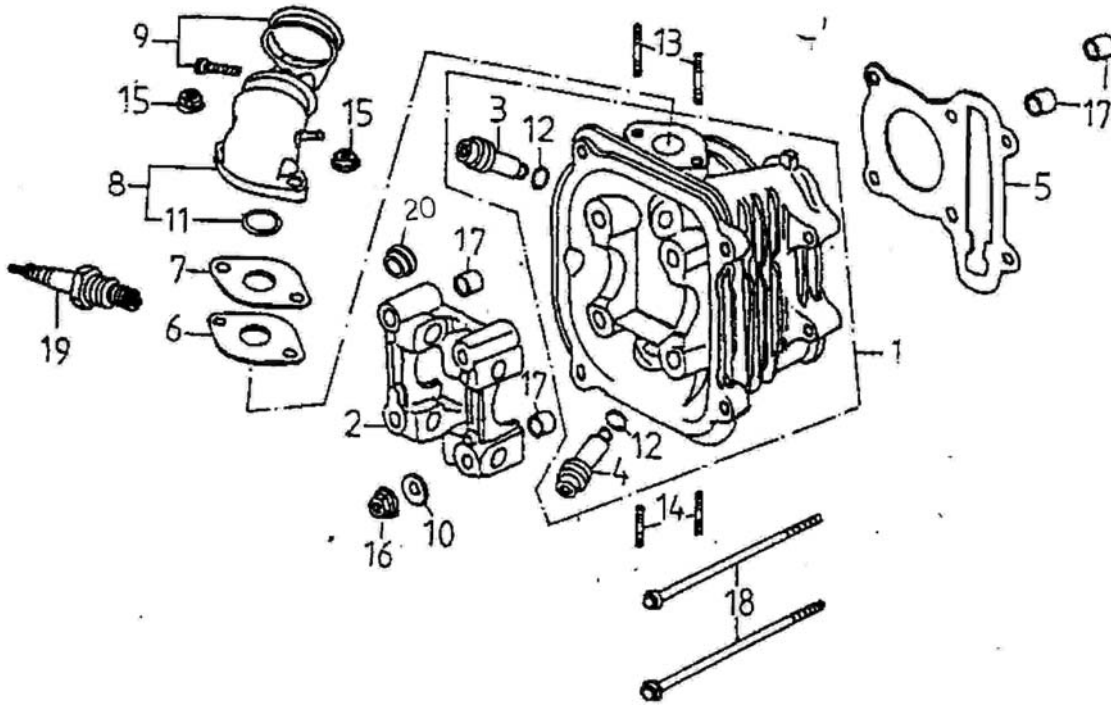
No.	Parts No.	Q'ty	Parts Name	Specification
1	1211-197-000	1	BREATHER TUBE	1~560mm
2	12310-197-000	1	CYLINDER HEAD COVER ASSY	
3	12391-120-000	1	HEAD COVER GASKET	
4	94510-09000	1	CLIP	9*1
5	17196-128-000	1	EXHAUST RETURN	∅2
6	94510-12000	3	CLIP	12mm
7	19197-128-000	1	BREATHER TUBE A	
8	17600-197-000	1	OIL COOLER	
9	17602-197-000	1	OIL PIPE L	
10	17603-197-000	1	OIL PIPE R	
11	45456-197-000	4	HEX BOLT	12*28
12	94104-2012010	8	AL PLAIN WASHER	20*12.5*1
13	96000-06016-08	4	HEX WASHER FACE BOLT	6*16
14	17601-197-000	4	OIL COOLER COLLAR	
15	17604-197-000	4	RUBBER	
16	96000-06025-08	1	HEX WASHER FACE BOLT	6*25

No.	Parts No.	Qty	Parts Name	Specification
1	11384-120-000	1	BREATHER TUBE CLAMPER	
2	19810-120-000	1	GENERATOR COVER	
3	19813-120-000	1	STARTER CABLE CLAMP	
4	19815-120-000	1	CARBURETOR COOLING DUCT	
5	19821-120-000	1	SHROUD A	
6	19825-120-000	1	SHROUD A SEAL	
7	19823-120-000	1	SHROUD B	
8	19832-120-000	1	HIGH TENSION COIL CLIP	
9	19835-120-000	1	SHROUD B SEAL	
10	17229-220-000	1	RUBBER RING	
11	93904-65016	7	HEX TRUSS HEAD TAPPING SCREW	5*16
12	90000-06022-08	3	HEX WASHER FACE BOLT	6*25
13	11351-120-000	1	CLAMPER CARBORAN TUBE	
14	19824-120-000	1	SHROUD B ASSY	
15	19826-120-000	1	SHROUD A ASSY	
16	19811-120-000	1	GENERATOR COVER ASSY	
17	19812-197-000	1	GENERATOR OUTER COVER	

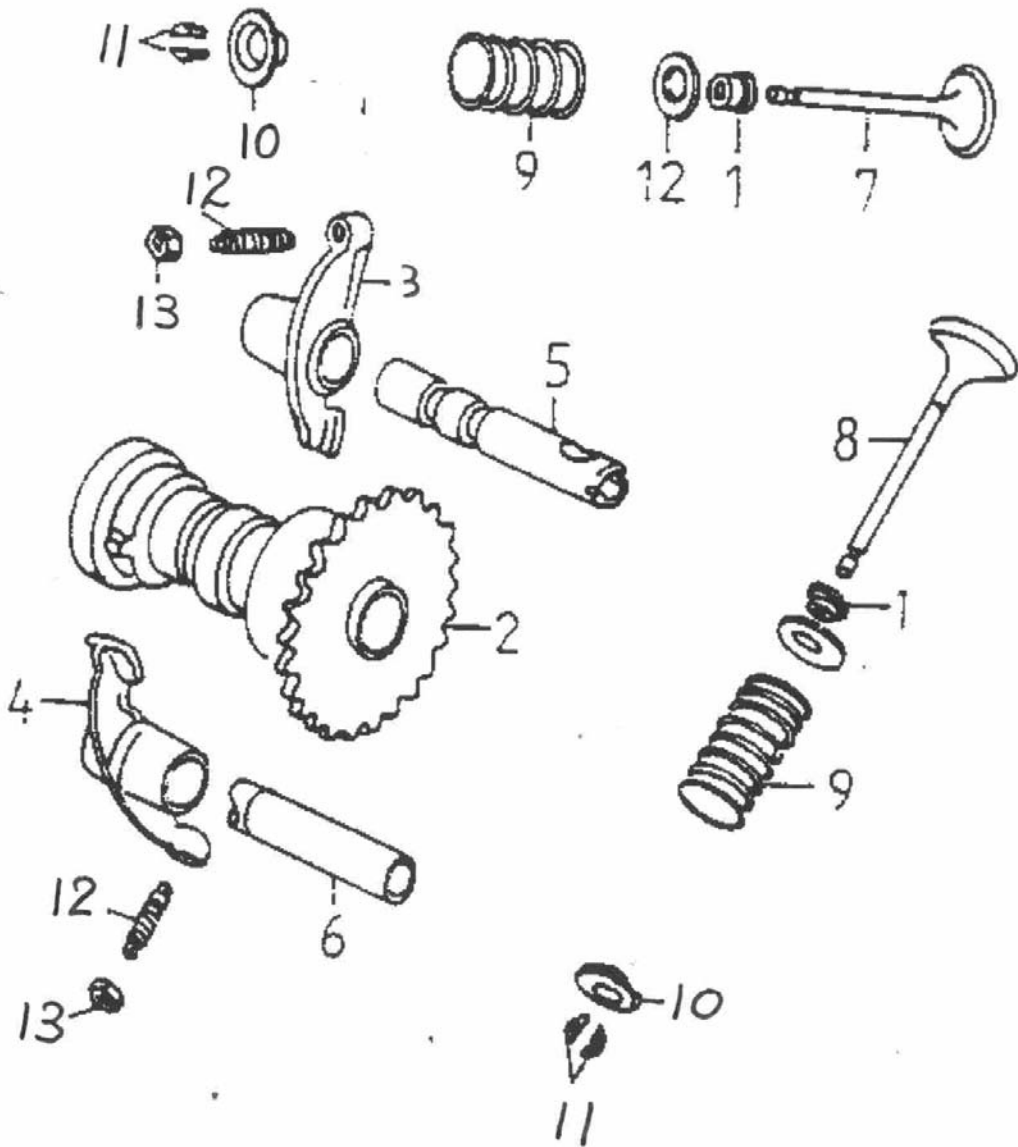


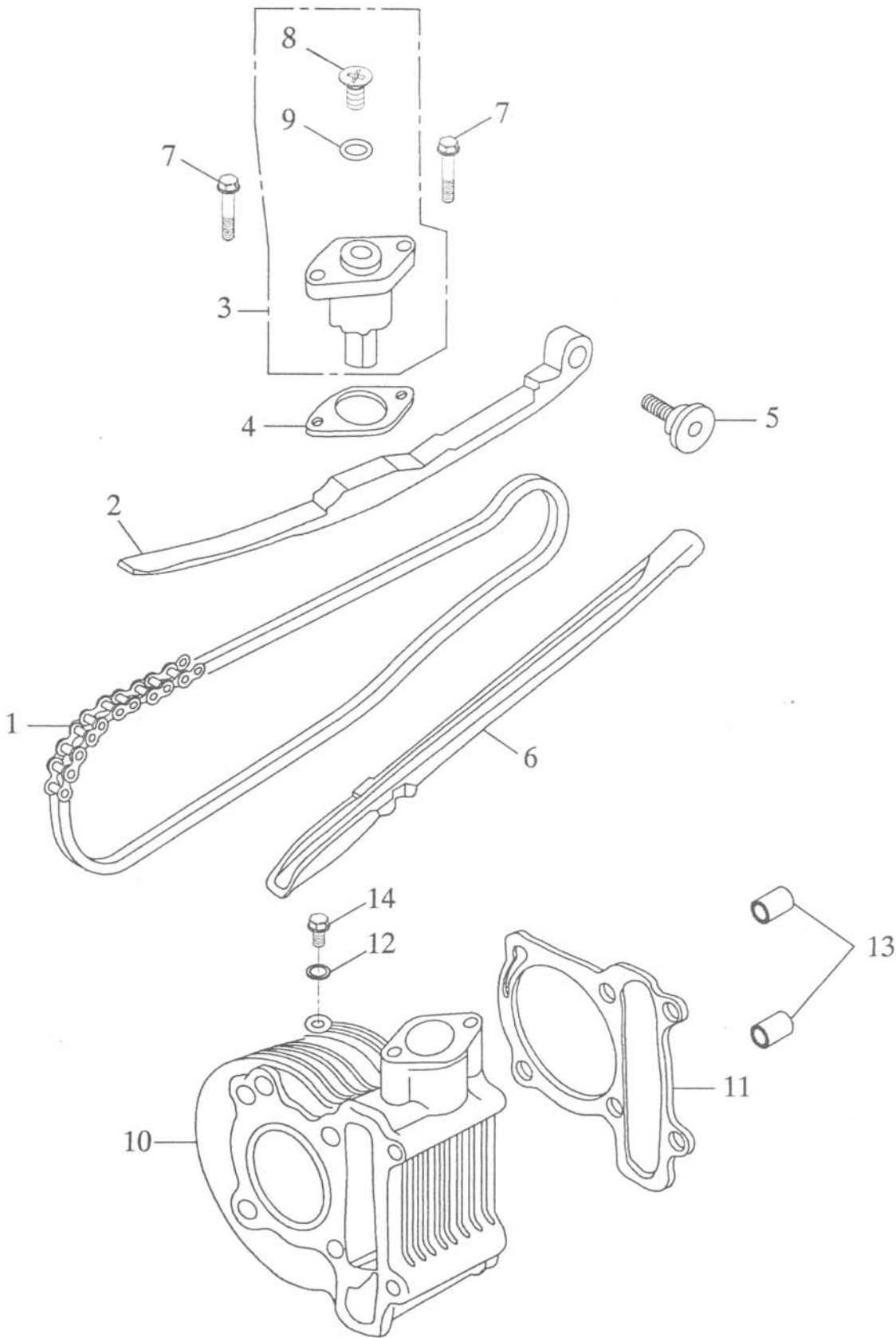
CYLINDER HEAD

Assembly No. 215-03		CYLINDER HEAD		
No.	Parts No.	Qty	Parts Name	Specification
1	12201-197-000	1	CYLINDER HEAD	
2	12211-197-000	1	CAMSHAFT HOLDER	
3	12204-197-000	2	IN. VALVE GUIDE FOR 08484	
4	12206-197-000	2	EX. VALVE GUIDE FOR 08484	
5	12251-197-000	1	CYLINDER HEAD GASKET	
6	16229-120-000	1	CARBURETOR INSULATOR GASKET	
7	16231-120-000	1	CARBURETOR INSULATOR	
8	17100-120-000	1	INAKE MANIFOLD	
9	14111-120-000	1	INTAKE CLAMP	
10	94101-0818023	4	COPPER PLAIN WASHER	8*18*2.3
11	91321-120-000	1	OIL BUNG	27*2
12	91301-197-000A	4	OIL BUNG	
13	91001-06025	2	STUD BOLT	4*28
14	91001-06025	2	STUD BOLT	4*25
15	94050-06000	2	HEX FLANGE NUT WITH SERRATION	6mm
16	94050-06000	2	HEX FLANGE NUT WITH SERRATION	8mm
17	94201-10140	4	DOWEL PIN	8*10*14
18	96000-06100-08	2	HEX WASHER FACE BOLT	4*100
19	96076-179-000	1	SPARK PLUG	CRSE
20	96003-197-001	2	RUBBER SEAL	Ø6

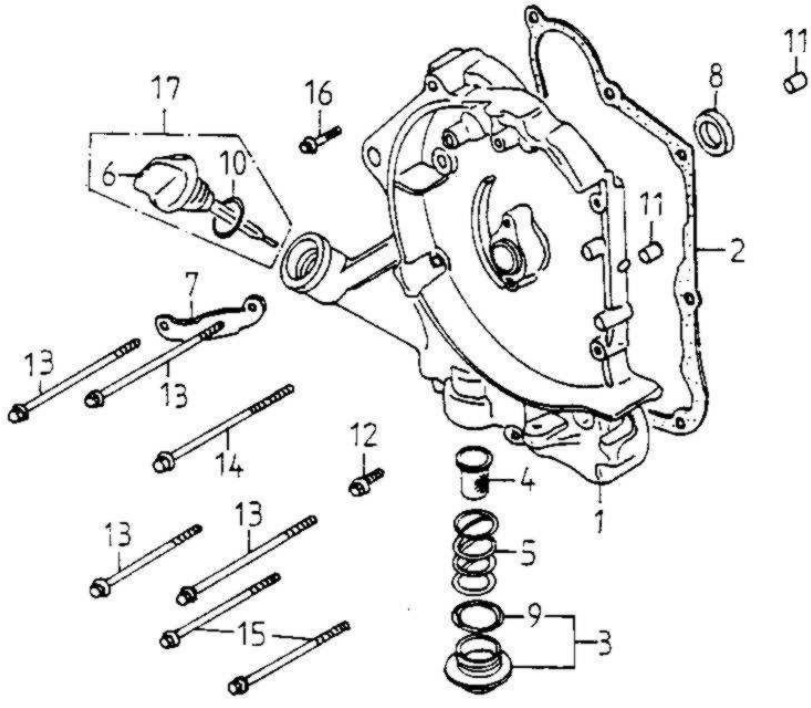


Assembly No.: 215-04		CAMSHAFT, VALVE		
No.	Parts No.	Qty	Parts Name	Specification
1	12209-120-000	4	VALVE STEM SEAL	
2	14400-197-000	1	CAMSHAFT COMP	
3	14431-197-000	1	ARM VALVE ROCKER.IN	
4	14432-197-000	1	ARM VALVE ROCKER.EX	
5	14452-197-000	1	SHAFT.IN. ROCKER ARM	
6	14453-197-000	1	SHAFT.EX. ROCKER ARM	
7	14711-197-000	2	IN. VALVE	
8	14721-197-000	2	EX. VALVE	
9	14751-197-000	4	VALVE OUTER SPRING	
10	14771-197-000	4	VALVE SPRING RETAINER	
11	14781-120-000	8	COTTER	
12	90012-120-000	4	VALVE GAP ADJUSTING SCREW	
13	90206-120-000	4	VALVE GAP ADJUSTING NUT	





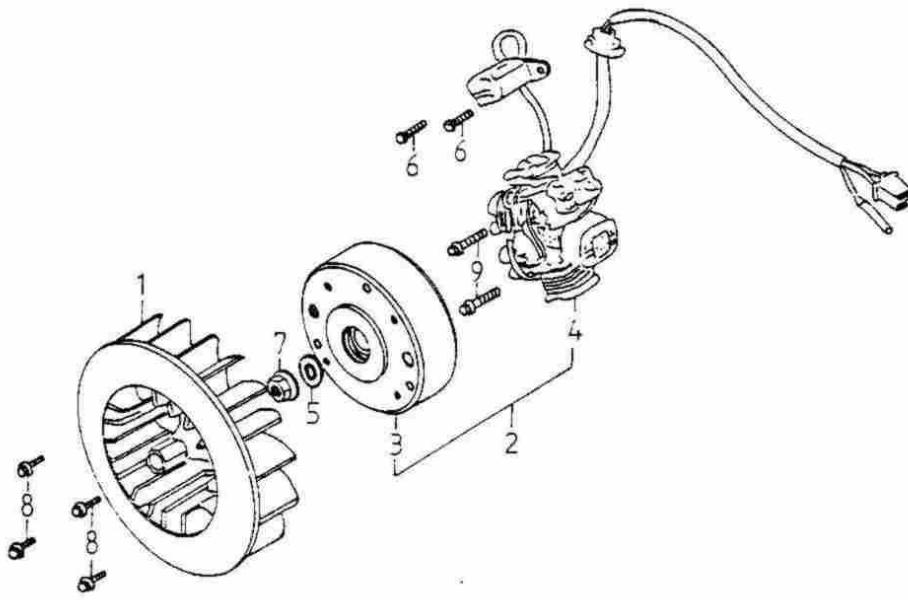
Assembly No: 215-05		CAM CHAIN CLYIDER		
No.	Parts No.	Qty	Parts Name	Specification
1	14401-197-000	1	CHAIN CAM	9403
2	14508-120-000	1	CAM CHAIN TENSIONER	
3	14521-120-000	1	TENSIONER LIFTER ASSY	
4	14521-120-000	1	GASKET TENSIONER LIFTER	
5	14535-120-000	1	PIVOT CAM CHAIN TENSIONER	
6	14508-120-000	1	CAM CHAIN GUIDE	
7	90000-06022-08	2	HEX WASHER FACE BOLT	6*22
8	91000-06006	1	ROUND PHILLIPS BOLT	6*6
9	91109-120-000	1	WASHER	9.5*1.5
10	12101-197-000	1	CYLINDER	
11	12191-197-000	1	CYLINDER GASKET	
12	94101-0912010	1	COPPER PLAIN WASHER	6.5*12*1
13	94301-10160	2	DOWEL PIN	10*16
14	90000-06012-10	1	HEX WASHER FACE BOLT	6*12



Assembly No.:197-06

FAN COVER,SHROUD

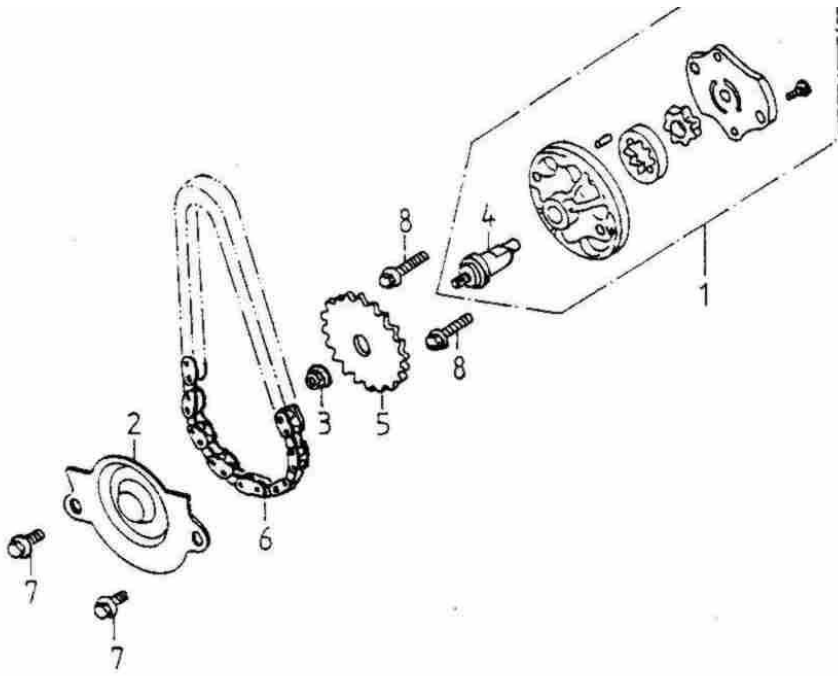
No.	Parts No.	Q'ty	Parts Name	Specification
1	11330-121-000	1	RIGHT CRANKCASE COVER	
2	11393-120-000	1	GASKET,R. CRANKCASE COVER	
3	12361-120-000	1	CAP ASS'Y	
4	15421-120-000	1	OIL FILTER SCREEN	
5	15426-120-000	1	OIL FILTER SPRING	
6	15650-120-000	1	OIL LEVEL GAUGE	
7	32961-120-000	1	CLAMP,A.C.GENERATOR CORD	
8	96500-19305	1	OIL SEAL	19.8*30*5
9	91330-120-000	1	OIL RING	30.8mm
10	91318-108-000	1	OIL RING	18*3
11	94301-08140	2	DOWEL PIN	6.3*8*14
12	96000-06032-08	1	HEX WASHER FACE BOLT	6*32
13	96000-06095-08	4	HEX WASHER FACE BOLT	6*95
14	96000-06100-08	1	HEX WASHER FACE BOLT	6*100
15	96000-06110-08	2	HEX WASHER FACE BOLT	6*110
16	96000-06040-08	1	HEX WASHER FACE BOLT	6*40
17	1565A-120-000	1	OIL GAUGE ASS'Y	



Assembly No.:215-07

GENERATOR

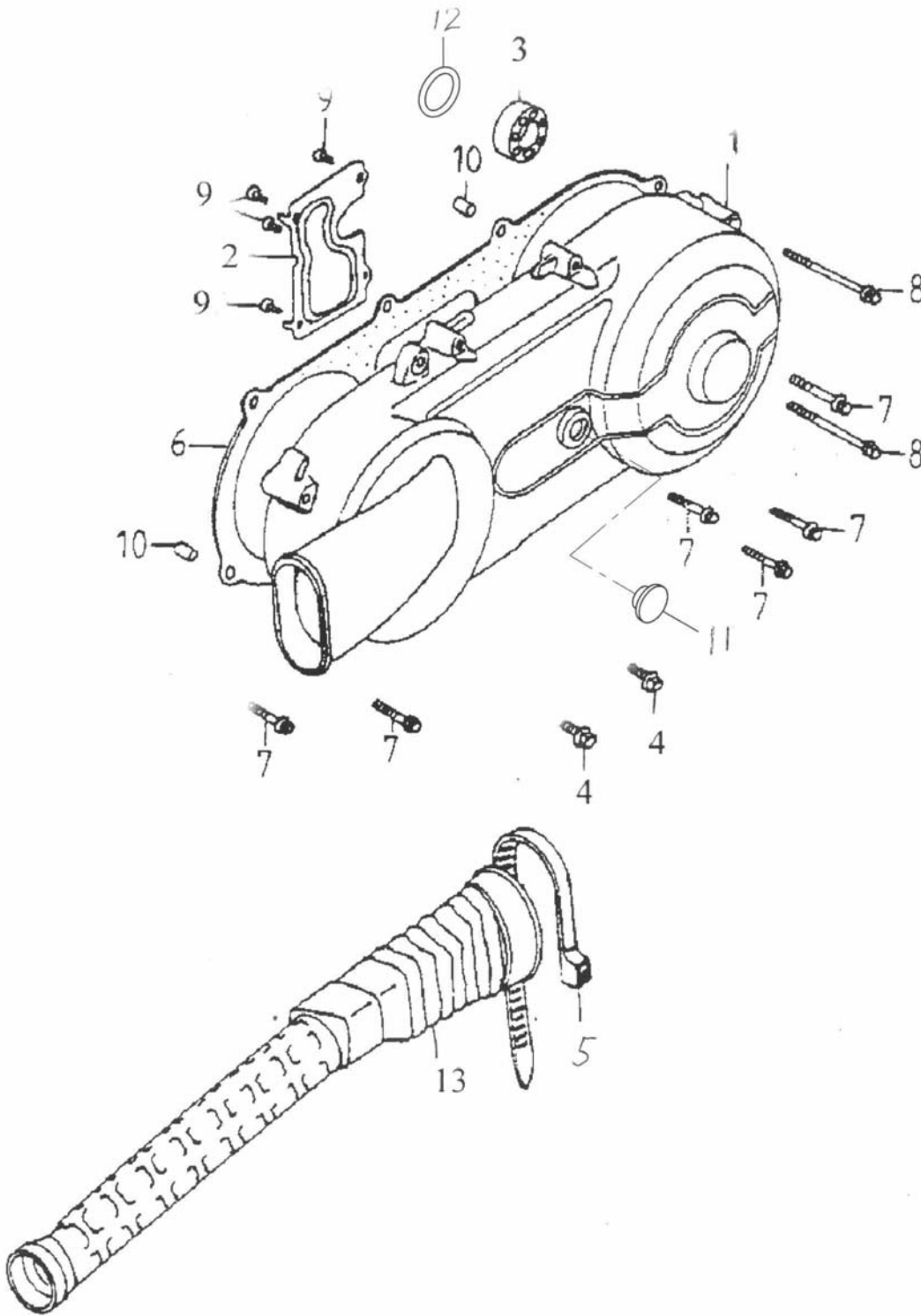
No.	Parts No.	Qty	Parts Name	Specification
1	19510-120-000	1	FAN	
2	31100-120-000	1	GENERATOR ASS'Y(AT-125G)	
3	31110-120-000	1	GENERATOR FLYWHEEL	
4	31120-120-000	1	STATOR COMP	
5	94101-1225023	1	PLAIN WASHER	12*25*2.3
6	92000-05012	2	HEX BOLT	5*12
7	94050-12000	1	HEX FLANGE NUT WITH SERRATION	12mm
8	96000-06018-08	4	HEX WASHER FACE BOLT	6*18
9	96000-06020-08	2	HEX WASHER FACE BOLT	6*20



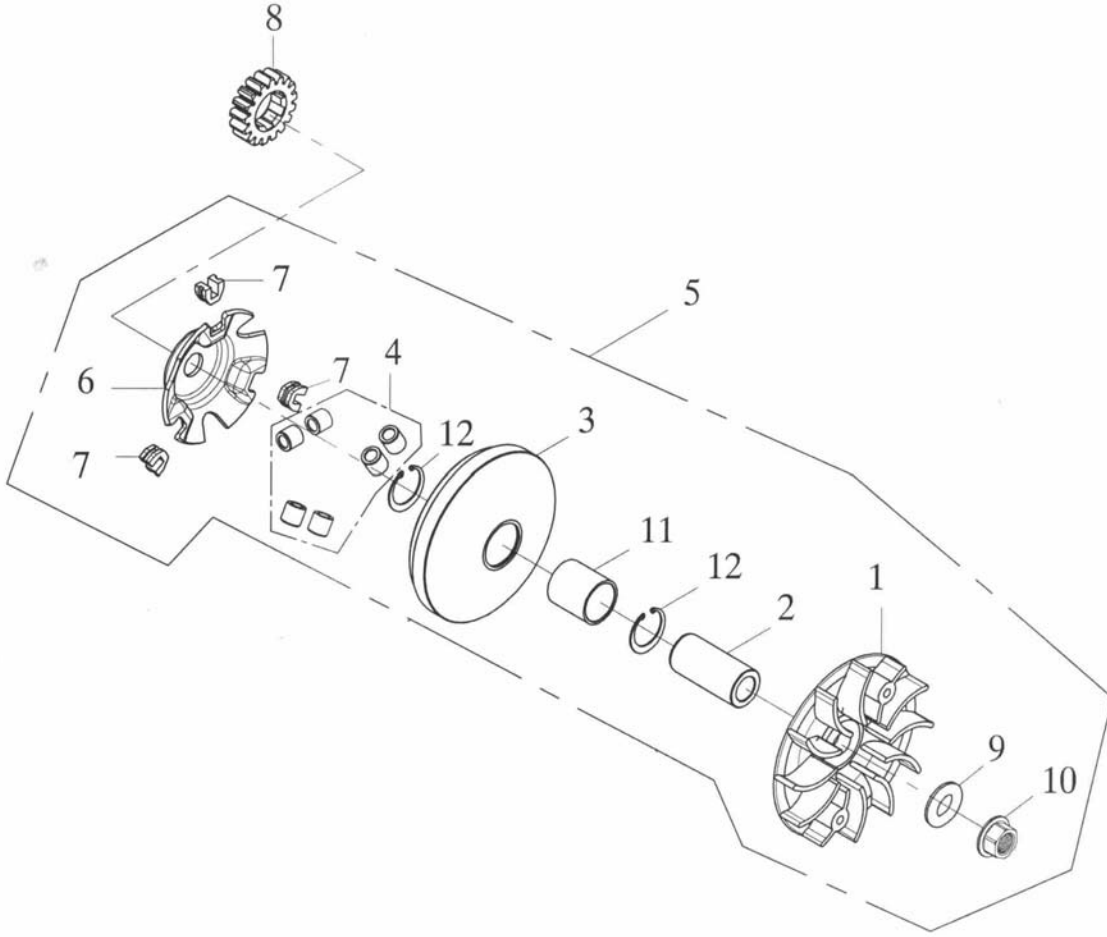
Assembly No.:197-08

OIL PUMP

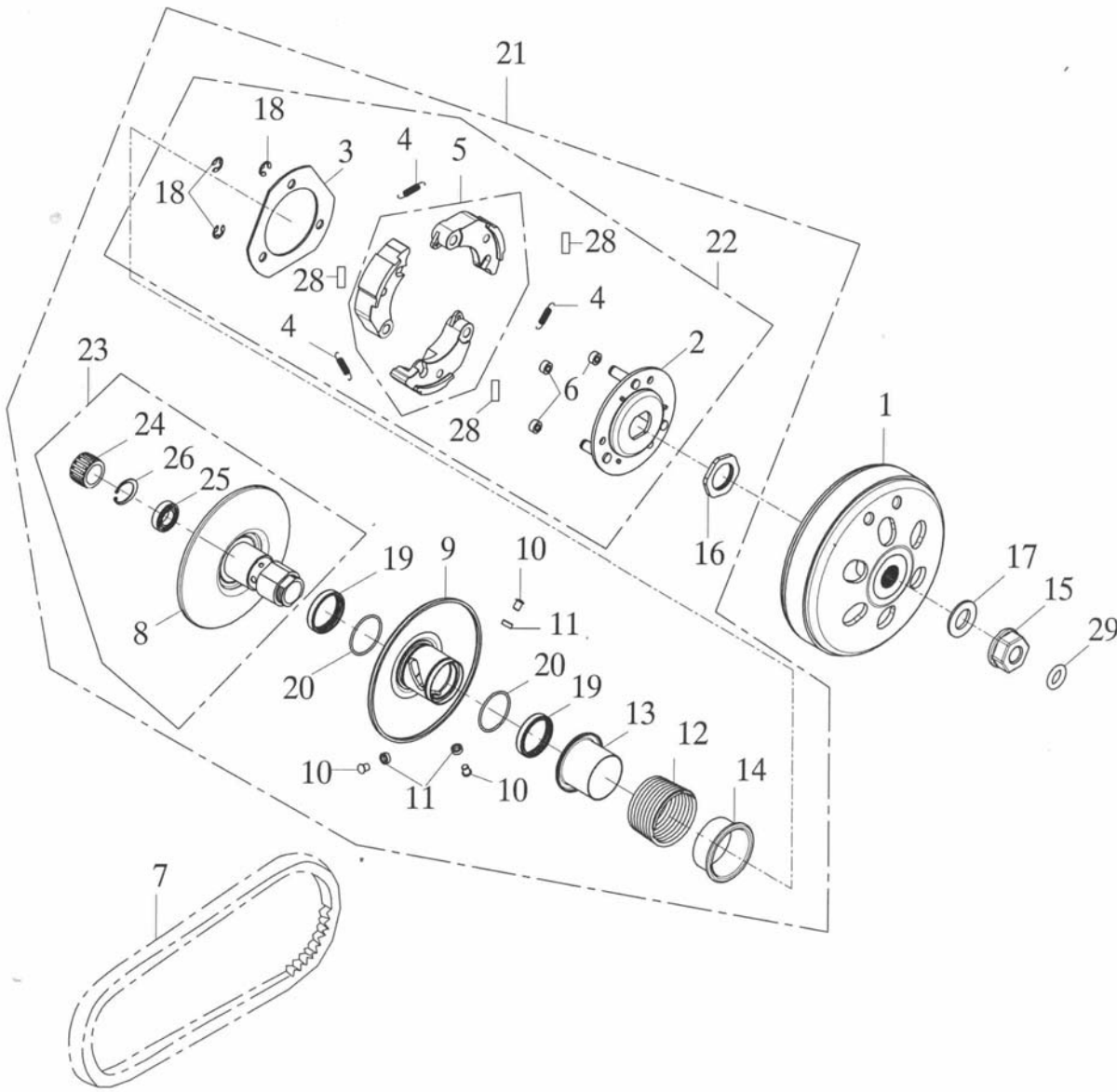
No.	Parts No.	Q'ty	Parts Name	Specification
1	15100-197-000	1	OIL PUMP	
2	15711-120-000	1	OIL SEPARATOR	
3	94050-06000	1	HEX FLANGE NUT WITH SERRATION	6mm
4	15131-120-000	1	OIL PUMP PROIMARY AXLE	
5	15150-120-000	1	OIL PUMP DRIVE GEAR	
6	15141-120-000	1	OIL PUMP CHAIN	
7	96000-06012-08	2	HEX WASHER FACE BOLT	6*12
8	93902-06030	2	FLAT HEAD PHILLIPS BOLT	6*30



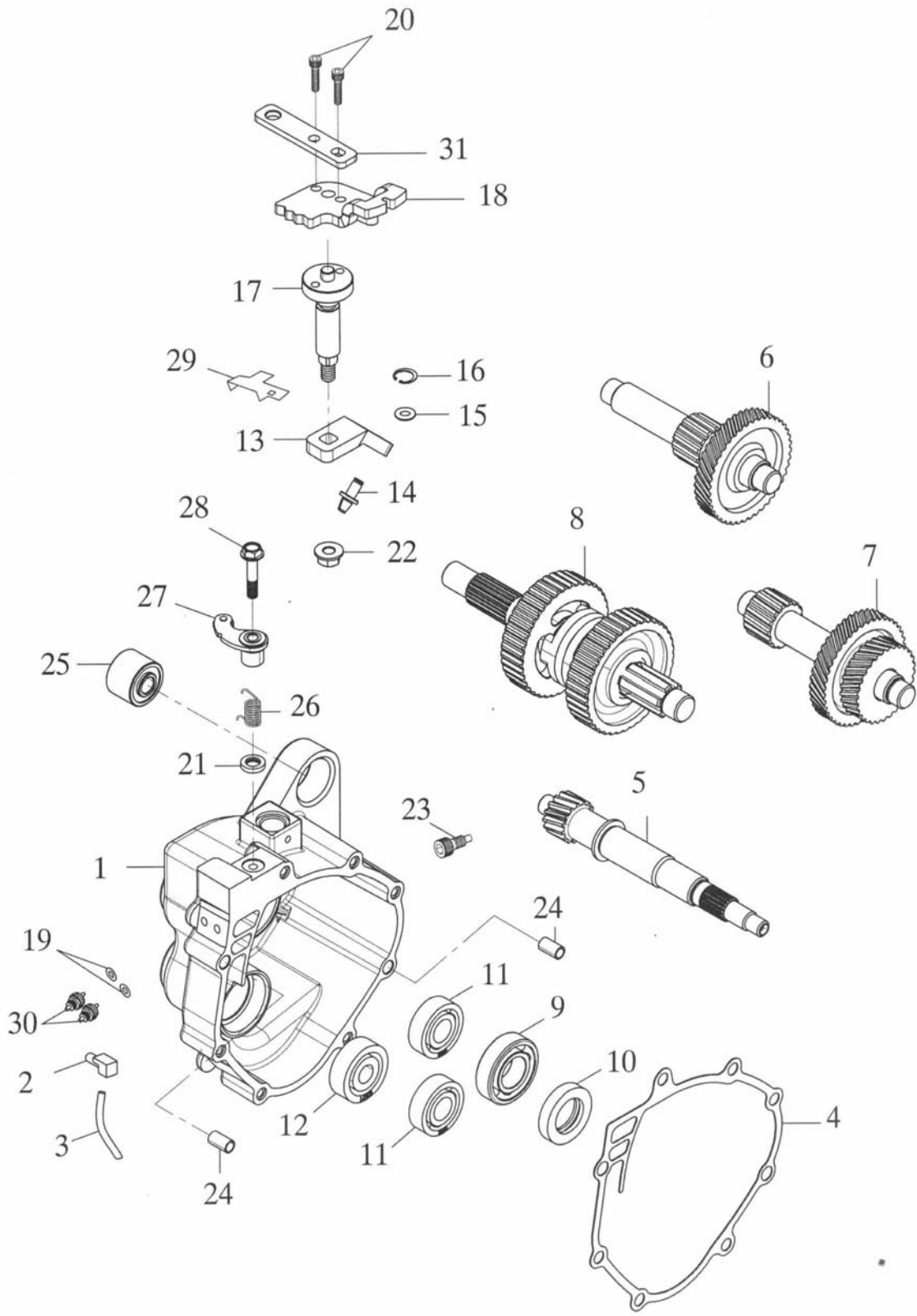
No.	Parts No.	Qty	Parts Name	Specification
1	11341-121-000	1	COVER L	
2	11342-120-000	1	L COVER PLATE	
3	90100-6200Z	1	RADIAL BALL BEARING	6200Z
4	90800-06012	2	HEX WASHER FACE BOLT	6*12
5	90669-101-000	1	RUBBER STRAP	7.5*2500mm
6	11359-121-000	1	L COVER GASKET	
7	90600-06000-08	6	HEX WASHER FACE BOLT	6*40
8	90600-06005-08	2	HEX WASHER FACE BOLT	6*65
9	03905-04000	4	PAN PHILLIPS SCREW	4*8
10	94501-08140	2	DOWEL PIN	6.3*8*14
11	11340-197-000	1	RUBBER CAP	
12	91110-107-000	1	OIL RING	10*5.25
13	11345-120-000	1	DUCT L CRANKCASE COVER	



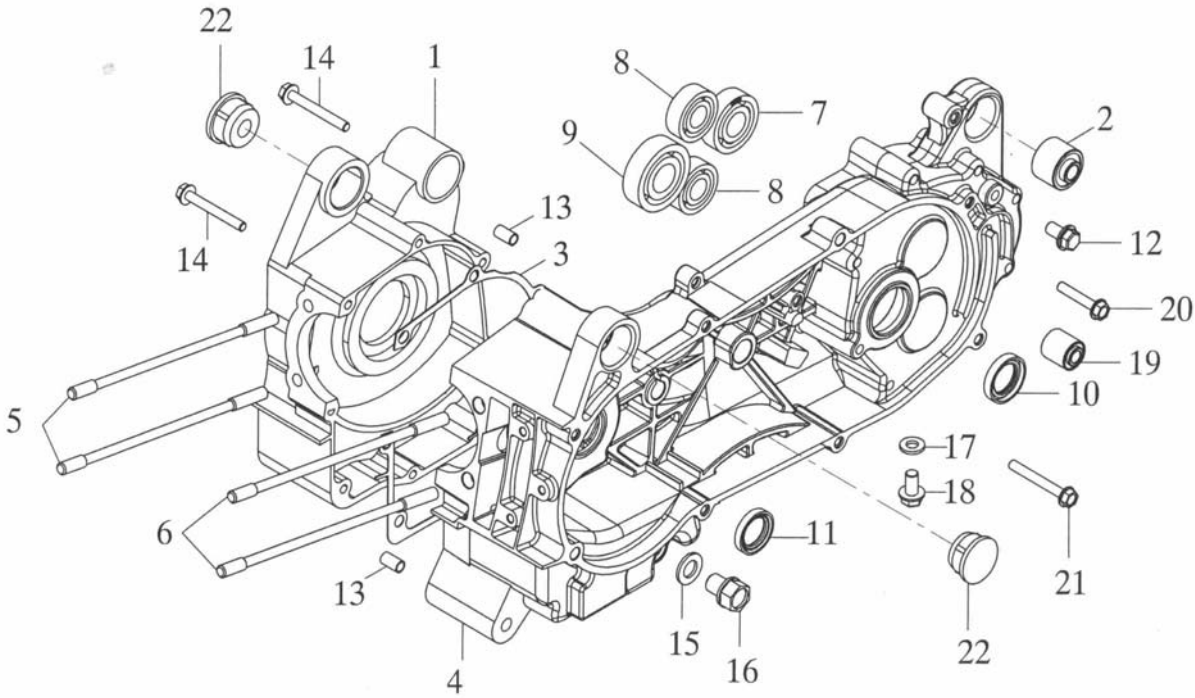
Assembly No. 215-11		DRIVE FACE		
No.	Parts No.	Qty	Parts Name	Specification
1	2210-120-000	1	DRIVE FACE	
2	9480-172451	1	DRIVE FACE BOSS	17*24*51.8
3	2210-120-000	1	PRIMARY DRIVE FACE	
4	2212-197-000	6	ROLLER COMP WEIGHT	18G
5	2210-197-000	1	FACE ASSY MOVABLE DRIVE	
6	2212-197-000	1	PLATE RAMP	
7	2212-120-000	3	SIDE	
8	2212-120-000	1	KICK DRIVE GEAR	20T
9	9480-1222015	1	PLAIN WASHER	12*22*1.5
10	9480-12000	1	HEX FLANGE NUT WITH SERRATION	12mm
11	9480-24230	1	BUSH	24*23*30
12	9452-2300R	2	INTERNAL CIR CLIP	R1W-28



Assembly No: 215-12A		DRIVEN FACE		
No.	Parts No.	Qty	Parts Name	Specification
1	2208-120-000	1	CLUTCH COVER COMP	
2	2238-120-000	1	DRIVE PLATE COMP	
3	2250-120-000	1	PLATE CLUTCH SIDE	
4	2240-197-000	3	SPRING CLUTCH	
5	2255-197-00A	3	CLUTCH WEIGHT SET	
6	2204-120-000	3	CLUTCH DAMPER RUBBER	
7	2108-120-000	1	DRIVE BELT	743*20*50
8	2238-120-000	1	FACE ASSY DRIVEN	
9	2128-120-000	1	SECONDARY SLIDING SLOT WHEEL	
10	2232-120-000	3	GUIDE PIN	
11	2128-120-000	3	GUIDE PIN	
12	2232-197-00A	1	COMPRESSION SPRING	
13	2237-120-000	1	SECONDARY SPRING SEAT	
14	2232-120-000	1	SPRING COLLAR	
15	9020-120-000	3	GUIDE PIN	
16	9020-120-000	1	COMPRESSION SPRING	
17	9020-120-000	1	SECONDARY SPRING SEAT	
18	9020-120-000	1	SPRING COLLAR	
19	9020-120-000	1	FLANGE NUT	12mm
20	9020-120-000	1	HEX NUT	28mm
21	9020-120-000	1	FLANGE WASHER	12*20*1.5
22	9020-120-000	1	EXTERNAL CIR CLIP	ETW-7
23	9020-120-000	2	OIL SEAL	34*14
24	9020-120-000	2	OIL SEAL	34*2
25	9020-120-000	1	DRIVE FACE ASSY (D)	66mm
26	9020-120-000	1	DRIVE PLATE ASSY	
27	9020-120-000	1	SECONDARY FFS SLEW WHEEL	20*2*18
28	9020-120-000	1	NEEDLE BEARING	66*21
29	9020-120-000	1	INTERNAL CIR CLIP	8ETW-28
30	9020-120-000	1	SPRING	
31	9020-120-000	3	SPRING PLATE	
32	9020-120-000	1	OIL-RING	9*4



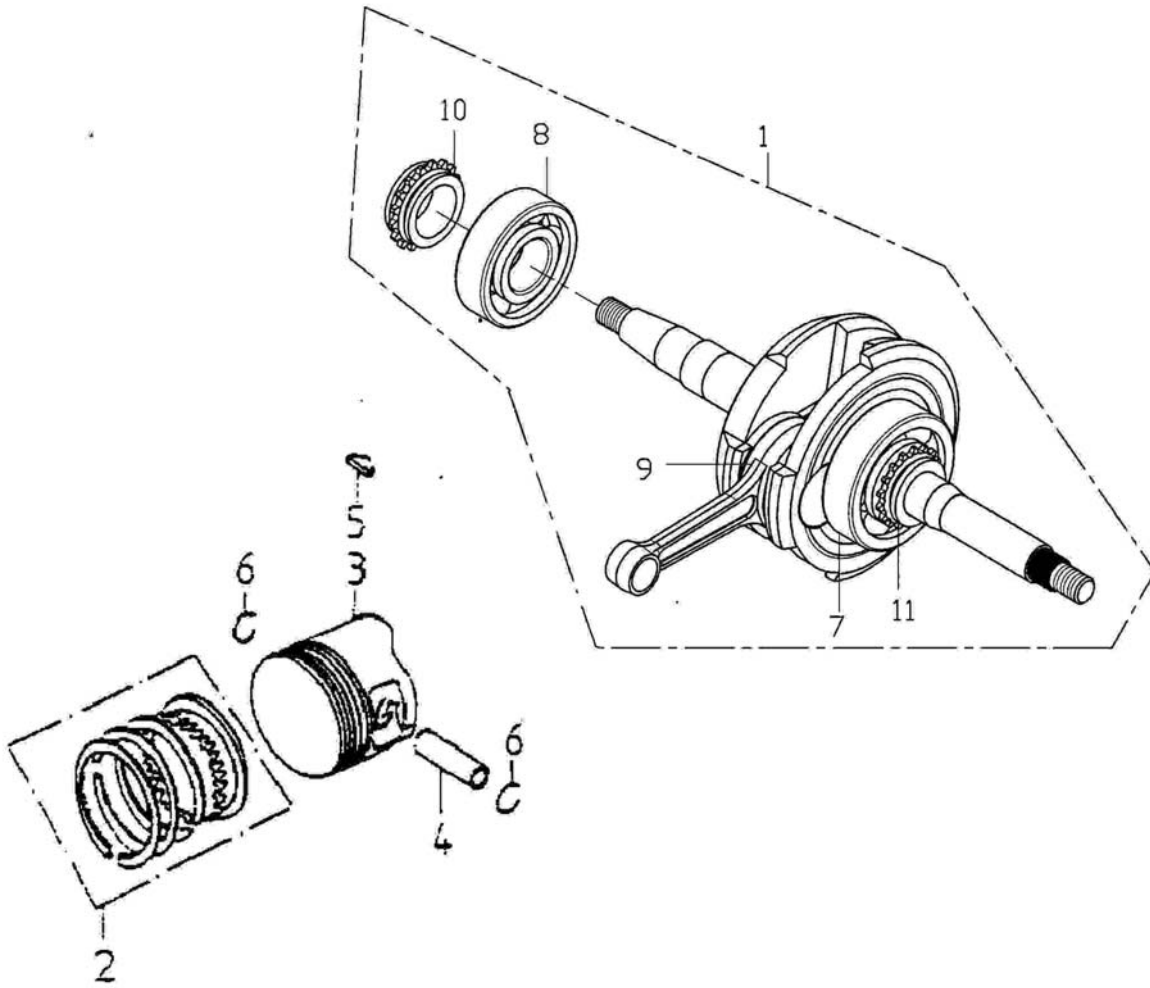
Assembly No. 215-13		TRANSMISSION		
No.	Parts No.	Qty	Part Name	Specification
1	2150-197-000	1	MISSION COVER	
2	16610-104-000	1	BREATHER HOSE HEAD	
3	16615-104-000	1	BREATHER HOSE	
4	2150-183-000	1	MISSION COVER GASKET	
5	23411-197-000	1	DRIVE SHAFT	
6	23403-183-000	1	REVERSE GEAR ASSY	
7	23420-197-000	1	GEAR GEAR ASSY	
8	23420-197-000	1	FINAL GEAR COMP	
9	96100-6002Z	1	RADIAL BALL BEARING	6005 ZZ
10	96300-3067T	1	GEL SEAL	30P4797
11	96100-62020	2	RADIAL BALL BEARING	6202
12	96100-TMB301	1	RADIAL BALL BEARING	TMB301
13	24211-183-000	1	GEAR SHIFT FORK	
14	24212-183-000	1	GEAR SHIFT FORK GUIDE SHAFT	
15	94101-060210	1	COPPER PLAIN WASHER	6.5*12*1
16	94511-6500E	1	EXTERNAL CIR. CLIP	ETW-5
17	24610-183-000	1	GEAR SHIFT FORK SHAFT	
18	24610-197-000	1	GEAR SHIFT ARM	
19	94102-211013	1	COPPER PLAIN WASHER	10.5*15*1.3
20	91000-06020	2	HEX SOCKET BOLT	6*20
21	96300-14201	1	GEL SEAL	
22	90350-08000	0	NYLON INSERT LOCK NUT	8mm
23	24612-183-000	1	DOWNEL BOLT	
24	94201-08140	2	DOWNEL PIN	6.3*8*14
25	96400-10230	1	BUSH ENGINE HANGER RUBBER	10*20*22
26	24423-193-000	1	REVERSE SHIFT FIRM STOPPER SPRING	
27	24411-193-000	1	REVERSE SHIFT STOPPER COMP	
28	90900-06010-00B	1	HEX ANGLE BOLT	6*65
29	33703-183-000	1	SHIFT SWITCH PLATE	
30	33703-180-000	2	NEUTRAL SWITCH CONTACT ASSY	
31	24702-197-000	1	SHIFT BRACKET	



Assembly No.215-14		CRANKCASE		
No.	Parts No.	Qty	Parts Name	Specification
1	11191-197-000	1	RIGHT CRANKCASE	
2	90400-082820	1	BUSH ENGINE HANGER RUBBER	10*28*22
3	11191-120-000	1	CRANKCASE GASKET	
4	11201-197-000	1	LEFT CRANKCASE	
5	91001-082824	2	STEEL BOLT	Ø7.934
6	91001-082113	2	STEEL BOLT	Ø7.913
7	90100-02010	1	RADIAL BALL BEARING	Ø201
8	90100-02020	2	RADIAL BALL BEARING	Ø213
9	90100-02040	1	RADIAL BALL BEARING	Ø202
10	90400-20126	1	OIL SEAL	20*27*6
11	90400-19100	1	OIL SEAL	19*30*5
12	90400-08012-128	1	HEX WASHER FACE BOLT	Ø12
13	90401-08140	2	DOWEL PIN	6.3*14
14	90400-06010-08	2	HEX WASHER FACE BOLT	Ø8
15	90401-121120	1	PLAIN WASHER	12*12.1*2
16	90400-12015-14	1	HEX WASHER FACE BOLT	12*15
17	90401-081620	1	PLAIN WASHER	Ø8*16.5
18	90400-08012-10	1	HEX WASHER FACE BOLT	Ø8*12
19	90400-08254	1	ROBBER	Ø7.9*24
20	90400-06065-108	4	HEX FLANGE BOLT	Ø6.5
21	90400-06070-108	3	HEX WASHER FACE BOLT	Ø7.0
22	96421-197-000	2	RUBBER CAP	

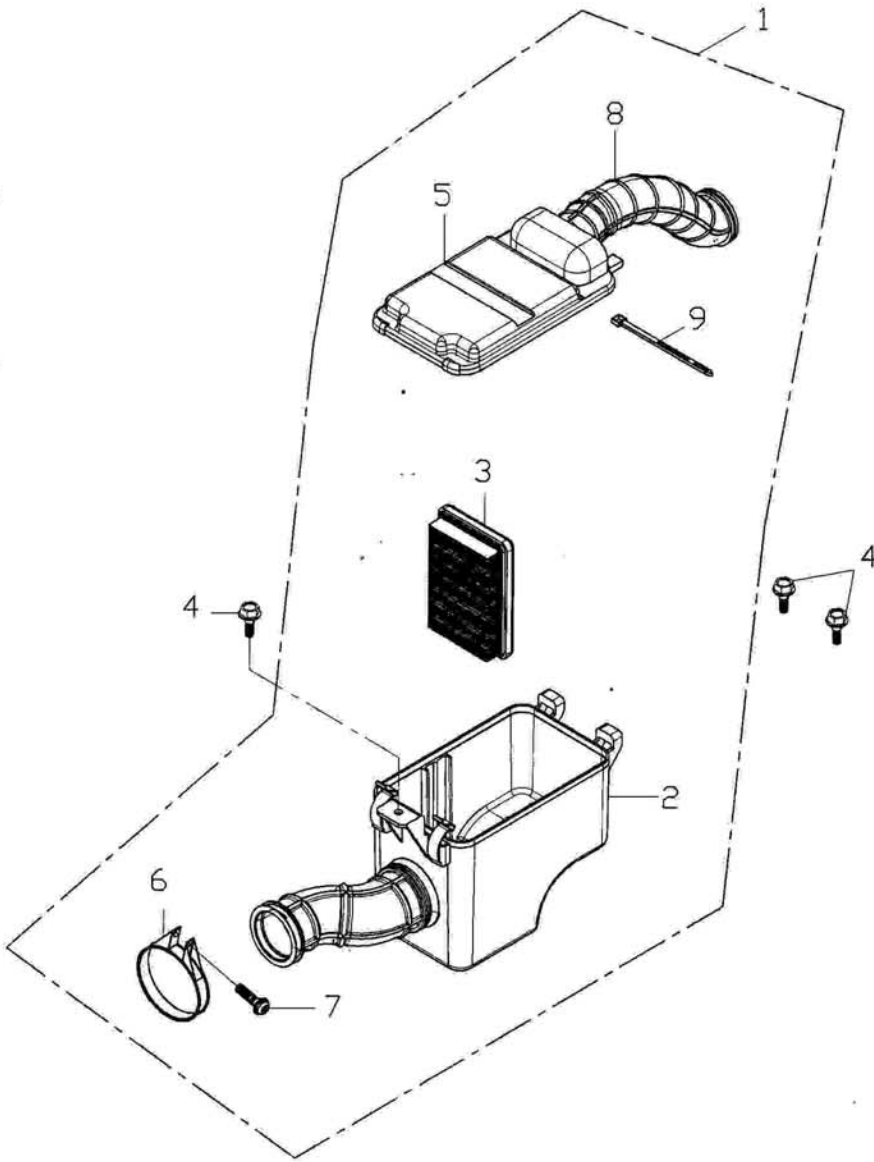
CRANK SHAFT,PISTON

Assembly No. 215-15		CRANK SHAFT,PISTON		
No.	Parts No.	Qty	Parts Name	Specification
1	13060-197-000	1	CRANKSHAFT ASSY	
2	13011-197-000	1	PISTON RING SET	57.41.0P2.3
3	13100-197-000	1	PISTON	
4	13111-197-000	1	PISTON PIN	11.51.1543
5	90511-101-000	1	SEMICIRCLE KEY	254*14
6	13115-120-000	2	PISTON PIN CLIP	15127*1.0
7	1M5C34406C-512	1	BEARING	
8	90100-100B303	1	RADIAL BALL BEARING	
9	90200-303713	1	NEEDLE BEARING	30P37*13.8
10	14111-197-000	1	TIMING GEAR	
11	14322-120-000	1	OIL PUMP DRIVE GEAR	
12	13361-197-000	1	CRANK PIN	177



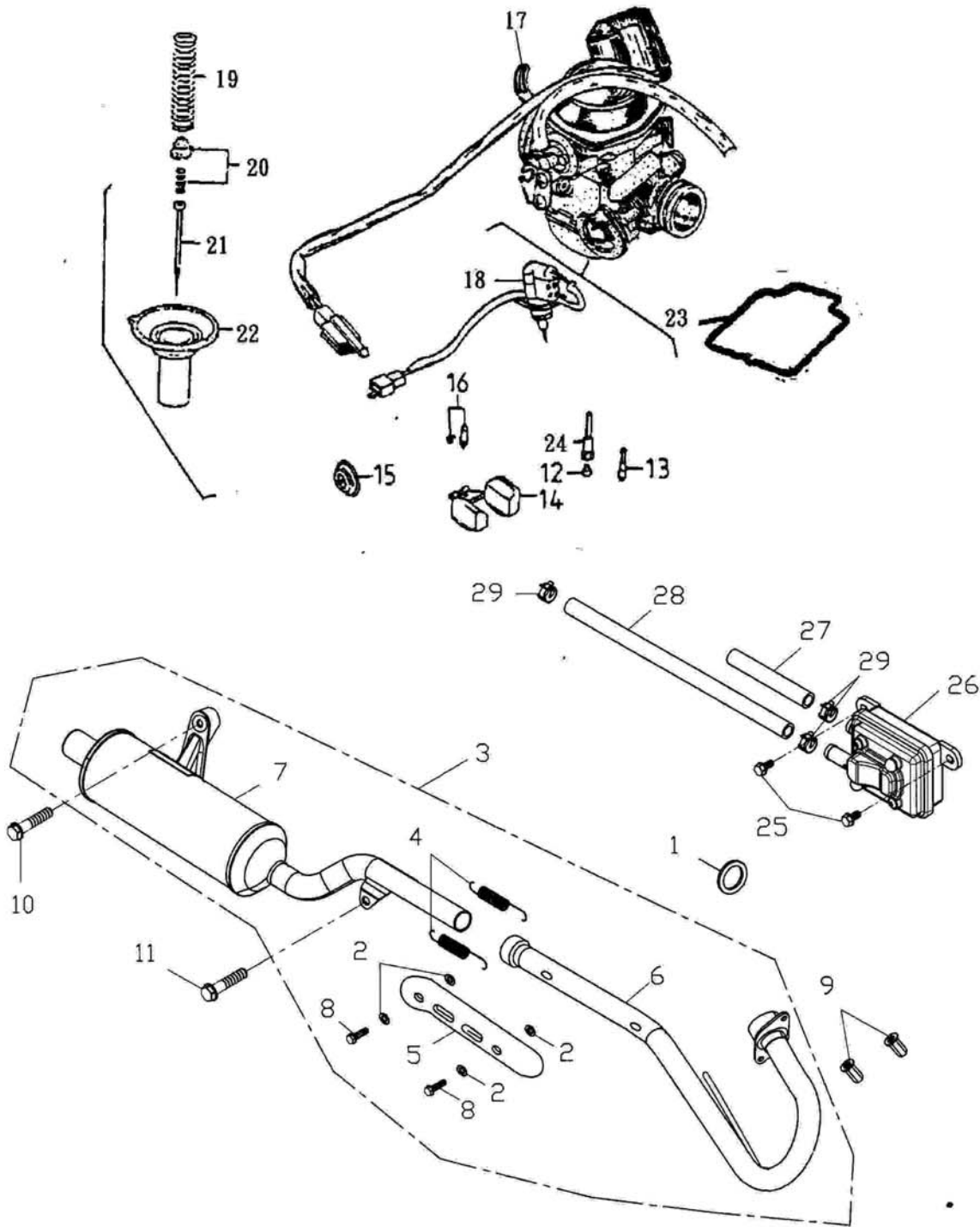
AIR CLEANER

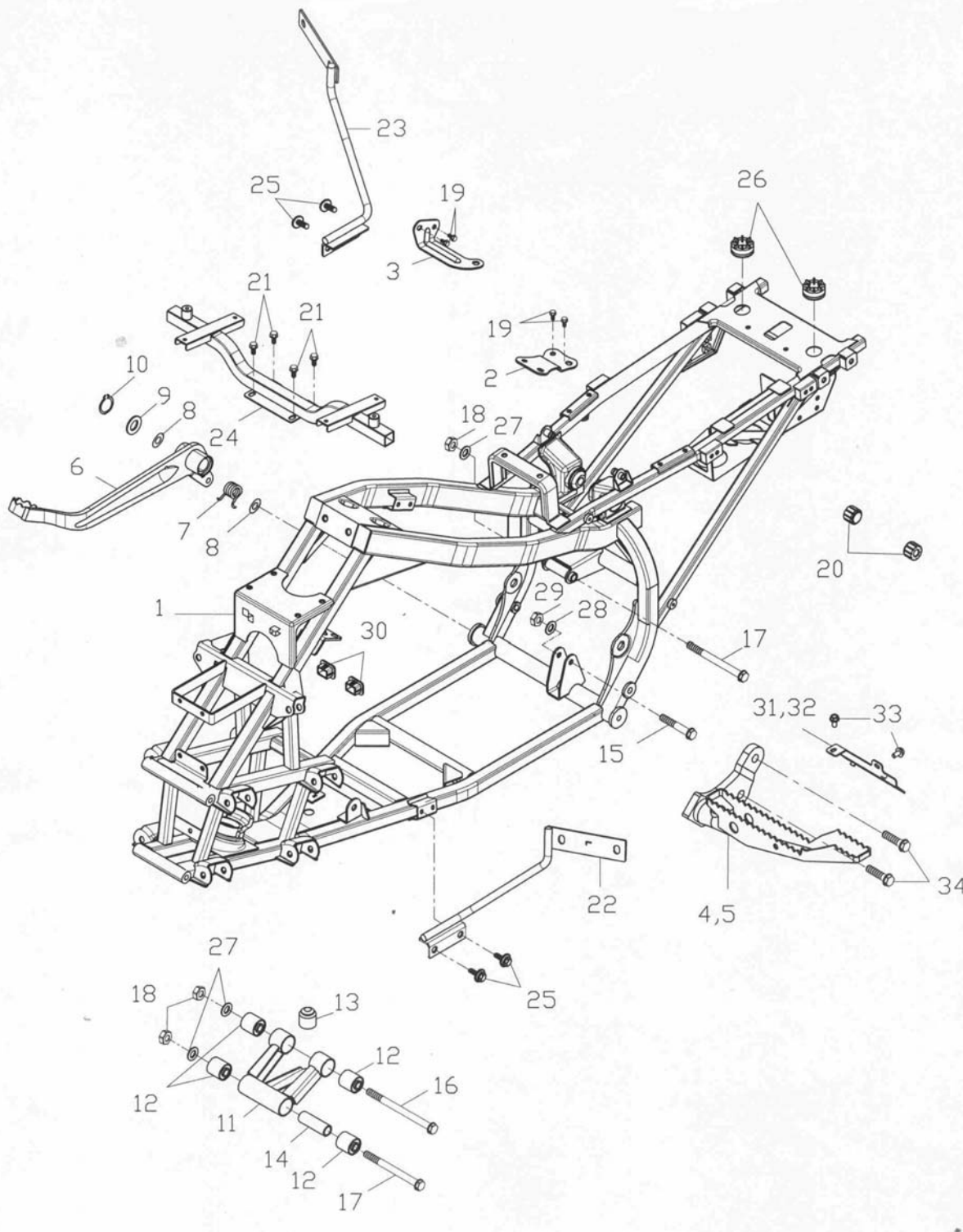
Assembly No. 215-16A		AIR CLEANER		
No.	Parts No.	Qty	Parts Name	Specification
1	17205-197-00A	1	AIR CLEANER ASSY	
2	17205-197-00A	1	AIR CLEANER CASE	
3	17205-197-000	1	AIR CLEANER ELEMENT SET	ø14
4	90000-06614-10	3	HEX BOLT	
5	17207-197-000	1	AIR CLEANER COVER	
6	14110-197-000	1	INTAKE MANIFOLD HOSE CLAMP	ø28
7	93300-04028	1	PAN PHILLIPS BOLT	PVC-NBR
8	17218-197-000	1	GEIDE PIPE	4.925mm
9	1	ZIP TIE		



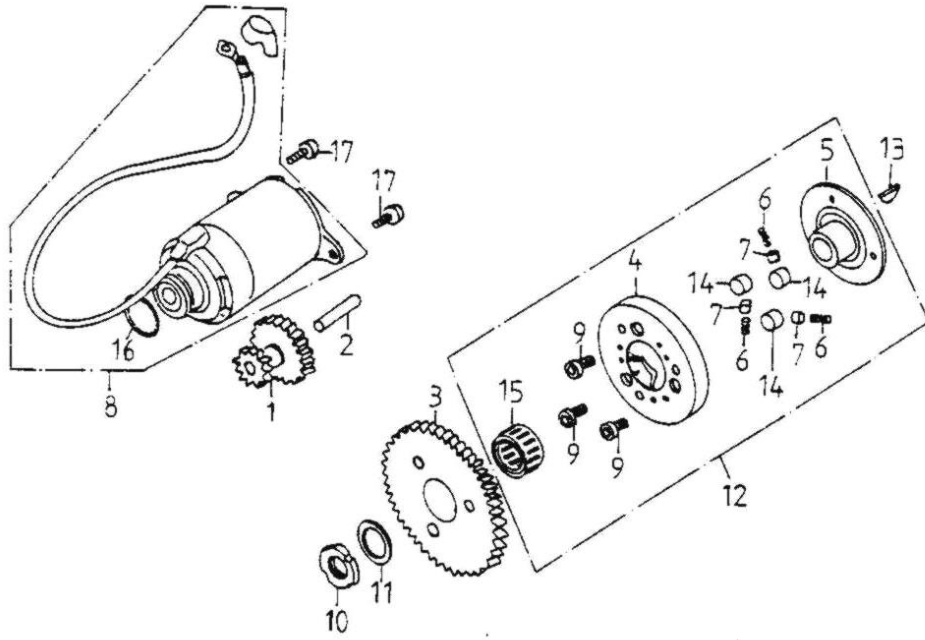
EXHAUST MUFFLER,CARBURETOR

Assembly No.-215-17A		EXHAUST MUFFLER,CARBURETOR		
No.	Parts No.	Qty	Parts Name	Specification
1	18291-101-000	1	EXHAUST PIPE GASKET	
2	9401-0612015	4	PAPER PLAIN WASHER	6*12*1.5
3	18308-215-00A	1	EXHAUST PIPE ASSY	
4	18307-197-000	2	EX PIPE SPRING	
5	18318-215-000	1	EX PIPE PROTECTOR 1	
6	18311-197-00A	1	EXHAUST PIPE FRONT	
7	18321-215-000	1	SILENCER MUFFLER	
8	90000-06016-018	4	HEX FLANGE BOLT	6*10
9	90361-06000	2	NUT CAP	6mm
10	90008-10040	1	HEX WASHER FACE BOLT	10*40
11	90008-08028	1	HEX WASHER FACE BOLT	8*28
12	18108-197-00B	1	MANIFOLD NOZZLE	
13	18110-120-000	1	PISTON JET	435
14	18118-120-000	1	FLOAT	
15	18086-120-000	1	PLUNGER FILM	
16	18117-197-000	1	NEEDLE VALVE SET	
17	18106-197-000	1	CARBURETOR ASSY(KENSHIN CVK)	NOZZLE110H
18	17215-197-000	1	PLUNGER STARTER	
19	18102-197-000	1	THROTTLE VALVE SPRING	
20	18037-120-000	1	VALVE PLATE SET	
21	18104-197-000	1	NEEDLE SET	
22	18103-197-000	1	VACUUM PISTON	480CG
23	18106-120-000	1	FLOAT CHAMBER SEAL	
24	18085-120-000	1	NEEDLE NOZZLE	
25	90008-06016-062	2	HEX WASHER FACE BOLT	6*16
26	17101-116-000	1	NEEDLE VALVE COMP	
27	17411-197-000	1	NEED VALVE COMP IN PIPE	150mm
28	17412-197-000	1	NEED VALVE COMP IN PIPE	150mm+10mm
29	94513-18000	3	SPRING CLAMP	418





Assembly No. 215-18A		FRAME BODY		
No.	Parts No.	Qty	Parts Name	Specification
1	50100-215-000	1	FRAMES COMP	
2	17221-197-000	1	FRONT BRACKET	
3	17226-197-000	1	REAR BRACKET	
4	50712-215-00A	1	R STEP BAR COMP	
5	50718-169-00A	1	LEFT STEP BAR	
6	40500-197-000	1	BRAKE PEARL COMP	
7	46101-169-000	1	RETURN SPRING	
8	91116-169-000	2	CR. RING	16.7*12
9	94101-171023	1	PLAIN WASHER	17.8*12*2.3
10	94101-169000	1	EXTERNAL CR CLIP	57*6*16
11	50160-197-000	1	ENGINE BRACKET ASSY	
12	96400-00252	4	RUBER	10*24*32
13	95811-169-000	1	RUBBER DAMPER	
14	50136-197-000	1	ENGINE COLLAR	
15	96000-00015-12	1	HEX WASHER FACE BOLT	8*45
16	96000-00115-14G	1	HEX WASHER FACE BOLT	10*115
17	96000-00126-14G	2	HEX WASHER FACE BOLT	10*125
18	90136-10000G	3	NYLON NUT	M10*P1.25
19	96000-00010-10	7	HEX WASHER FACE BOLT	6*10
20	77112-169-000	2	RUBBER	M8*15
21	96000-00015-12G	1	HEX FLANGE BOLT	
22	64107-215-000	1	FRONT COVER LEFT FIXED POLE	
23	64106-215-000	1	FRONT COVER RIGHT FIXED POLE	
24	64109-169-000	1	FRONT COVER FIXED POLE	
25	92000-00116-10K	4	HEX BOLT	6*14
26	77211-169-000	2	RUBBER	
27	94105-022025G	3	PLAIN WASHER	10*22*2.5
28	94101-022015	1	PLAIN WASHER	8*22*1.5
29	90136-00000	1	NYLON INSERT LOCK NUT	
30	96422-197-000	2	TIRE CAP	
31	64114-169-000	1	R. FIXED POLE	
32	64115-169-000	1	L. FIXED POLE	
33	96000-00015-10G	4	HEX WASHER FACE BOLT	6*15

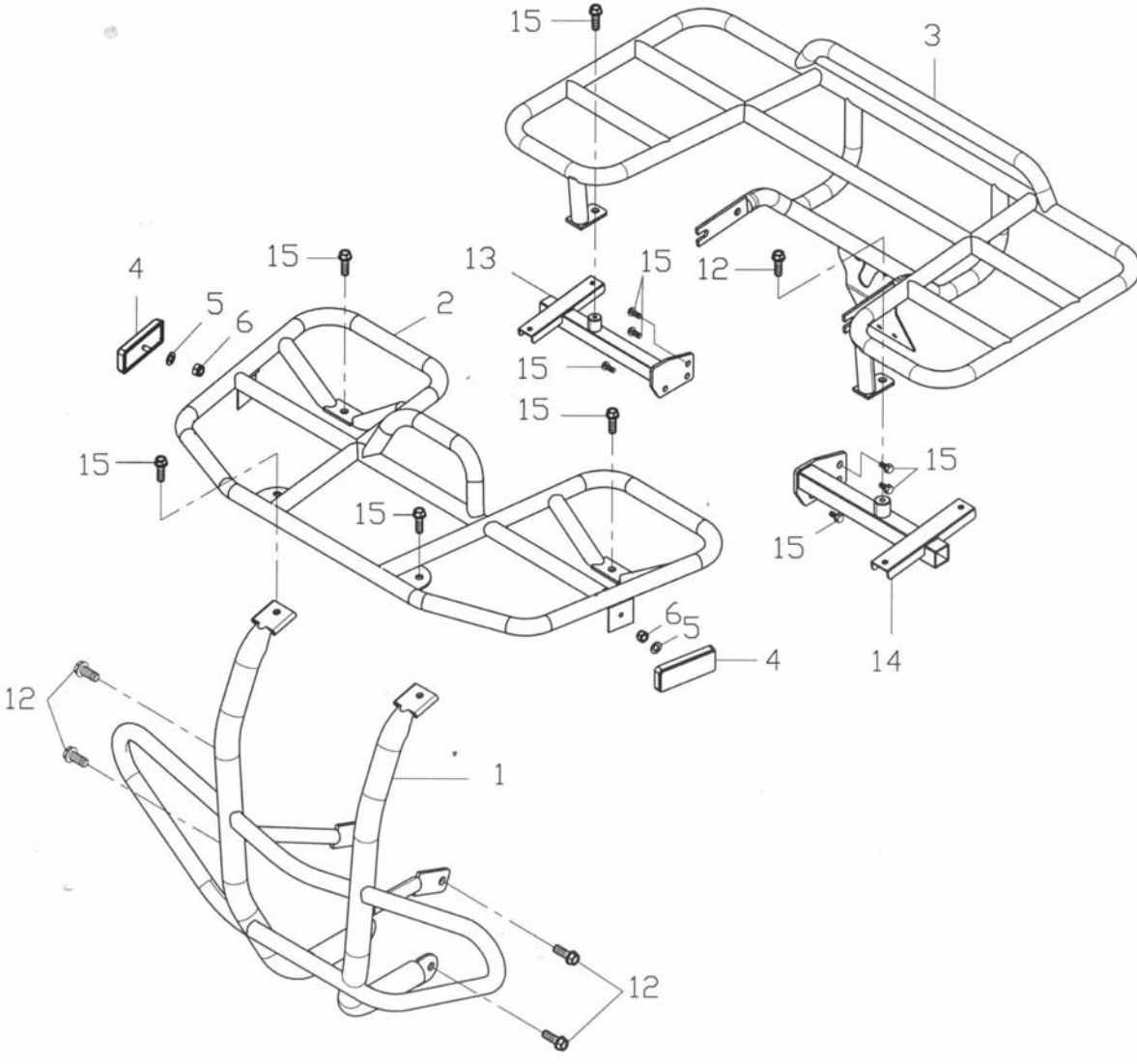
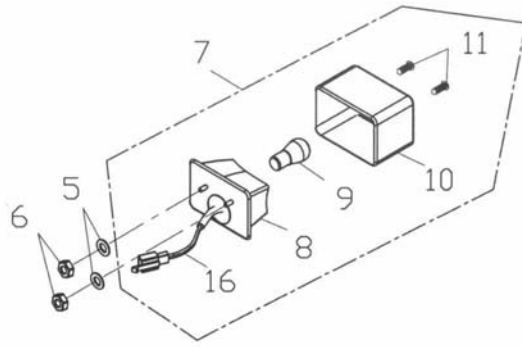


Assembly No.:215-09

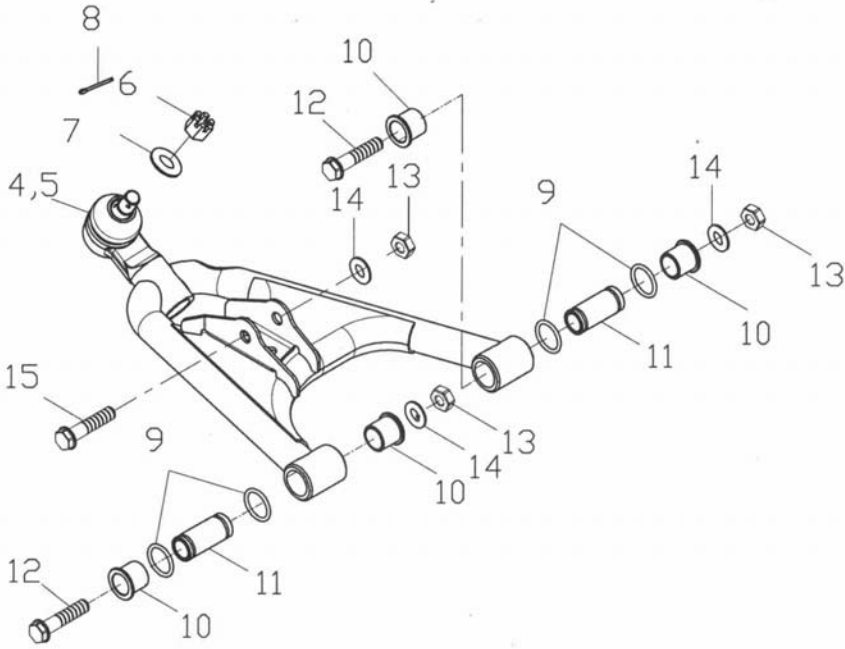
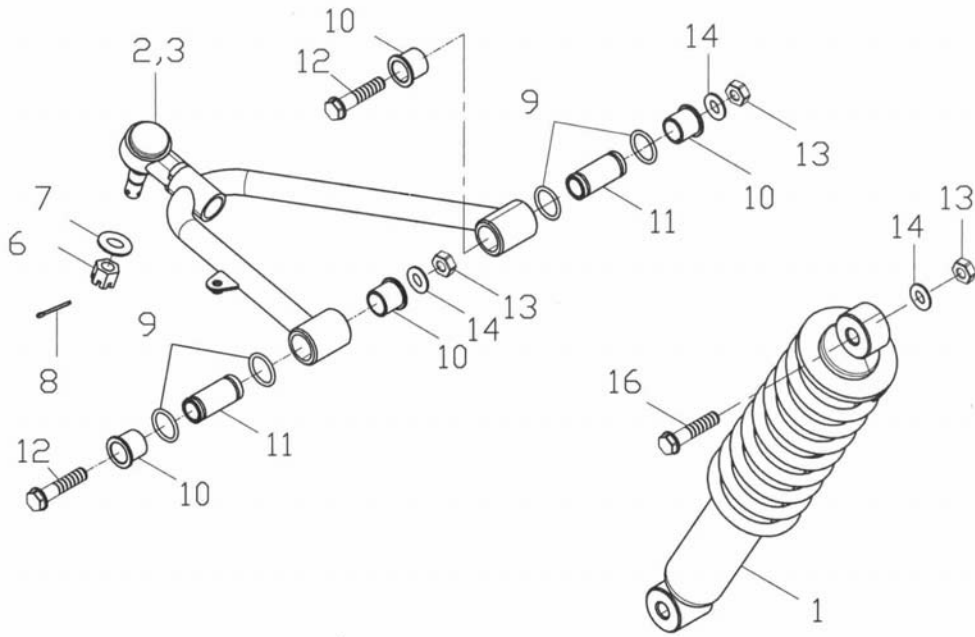
STARTING MOTOR

No.	Parts No.	Qty	Parts Name	Specification
1	28422-120-000	1	STARTER REDUCTION GEAR	
2	96300-100460	1	SHAFT,STARTER REDUCTION GEAR	
3	28220-120-000	1	STARTING CLUTCH GEAR	
4	28120-120-000	1	CLUTCH COVER COMP	
5	28125-120-000	1	STARTING CLUTCH FLANGE	
6	28413-120-000	3	CLUTCH SPRING	
7	28412-120-000	3	CLUTCH GUIDER	
8	31200-197-000	1	STARTING MOTOR ASS'Y	
9	91000-06012	3	HEX SOCKET BOLT	6*12
10	94071-22000	1	NUT LOCK	22mm
11	94101-2231025	1	PLAIN WASHER	22*31*2.5
12	28410-120-000	1	STARTER CLUTCH ASS'Y	
13	90471-101-000	1	SEMICYCLE KEY	25*4*14
14	28411-120-000	3	STARTER CLUTCH ROLLER	10*10
15	96200-283217	1	NEEDLE BEARING	28*32*17
16	91324-120-000	1	OIL RING	24.4*3.1
17	96000-06016-08	2	HEX WASHER FACE BOLT	6*16

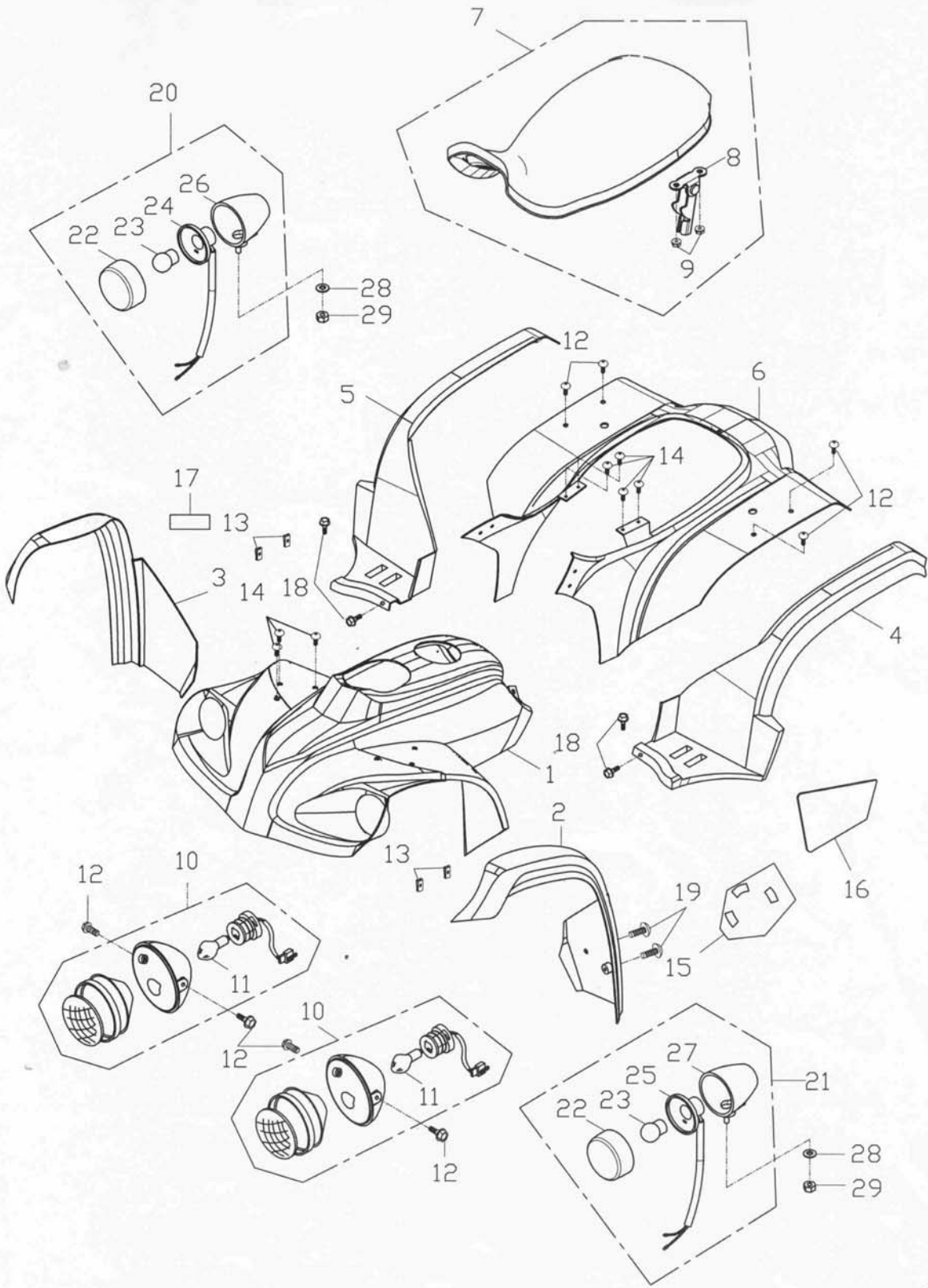
Assembly No.:215-19		FRONT,REAR BUMPER		
No.	Parts No.	Qty	Parts Name	Specification
1	50104-169-000	1	FRONT BUMPER	
2	01200-169-000	1	TOP BUMPER	
3	01200-169-000	1	REAR BUMPER	
4	33741-133-000VYL	2	REFLECTOR (E-MARK,SAE)	JUTE9605A3
5	94101-0615010	4	PLAIN WASHER	6.5*15*1
6	90350-06000G	4	NYLON NUT	M6
7	33760-169-000	1	TAIL LIGHT ASSY	
8	33716-128-001	1	REAR LIGHT SOCKET	
9	34906-128-000	1	TAIL LIGHT BULB	
10	33702-128-000	1	TAIL LIGHT LENS	
11	93500-04055	2	PAN PHILLIPS BOLT	4*55
12	96000-10015-14G	4	HEX FLANGE BOLT	M10*15
13	83403-169-000	1	REAR COVER UP RIGHT FIXED PLATE	
14	83402-169-000	1	REAR COVER UP LEFT FIXED PLATE	
15	96000-08015-12G	10	HEX FLANGE BOLT	M8*15
16	33712-169-000	1	TAIL LIGHT WIRE	



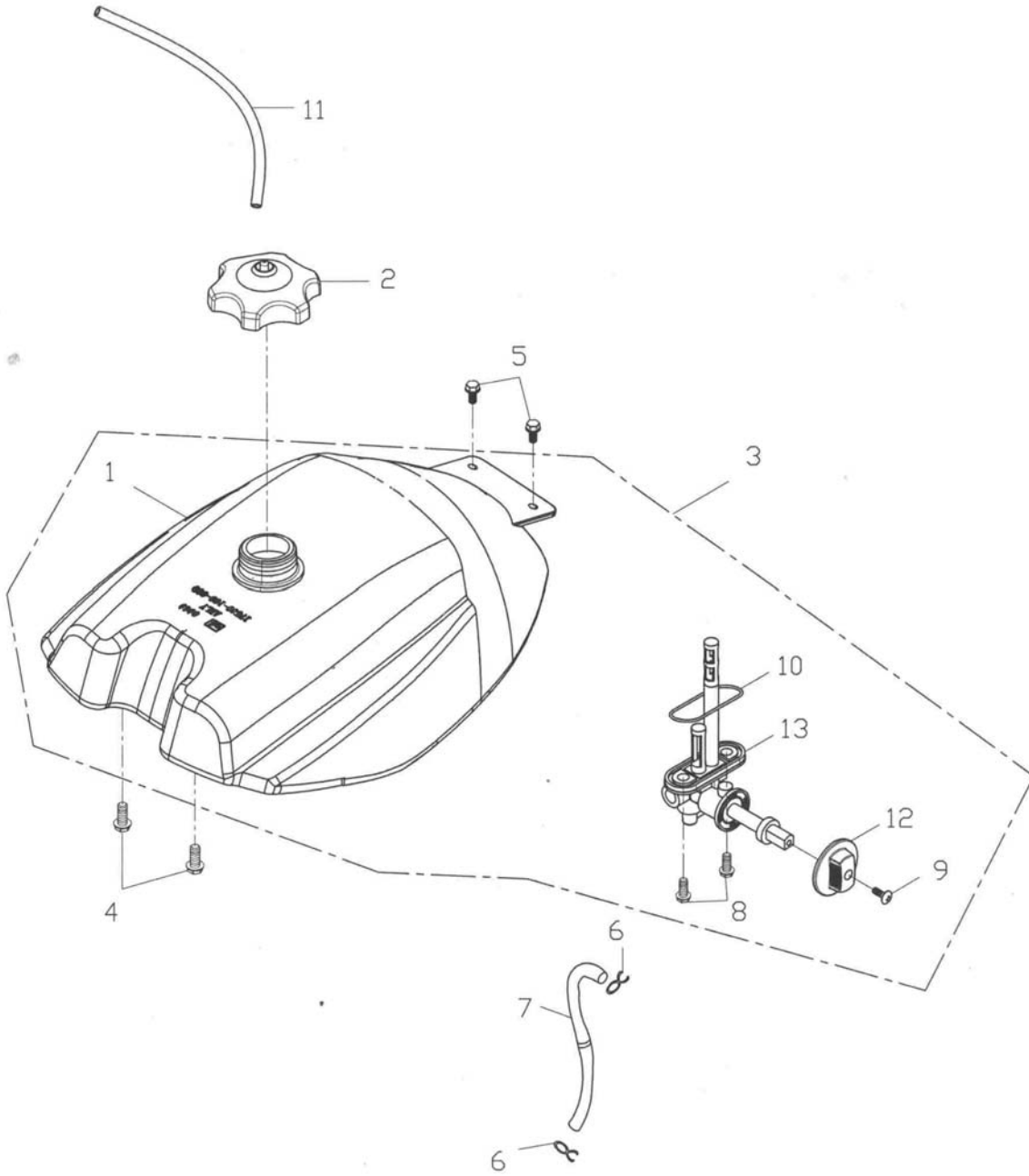
Assembly No. 215-20		ARM/FLOOR PANEL		
No.	Parts No.	Qty	Parts Name	Specification
1	51400-169-000	1	FRONT CUSHION ASSY	
2	51210-197-000	1	RIGHT UP SUSPENSION ARM	
3	51310-197-000	1	LEFT UP SUSPENSION ARM	
4	51410-169-000	1	RIGHT DOWN SUSPENSION ARM	
5	51510-169-000	1	LEFT DOWN SUSPENSION ARM	
6	94051-12000C	4	SCOTCH NUT	M12
7	94101-122020	4	PLAIN WASHER	12*22*2
8	94201-03320	4	COTTER PIN	3*32
9	91312-169-00A	16	O-RING	12.5*2.4
10	51202-169-000	8	BUSH	Ø17
11	51350-169-000	8	BUSHING	
12	96000-10505-14G	8	HEX FLANGE BOLT	M10*65
13	90350-10000G	12	HEX FLANGE LOCK NUT	M10
14	94101-102020	12	PLAIN WASHER	10*20*2
15	96000-10550-14G	2	HEX FLANGE BOLT	M10*50
16	96000-10440-14G	2	HEX FLANGE BOLT	M10*40



Assembly No. 215-21A		BODY COVER,SEAT		
No.	Parts No.	Qty	Parts Name	Specification
1	6430-169-000	1	FRONT COVER ROOPE	
2	6430-169-00A	1	LEFT FRONT COVER	
3	6430-169-00A	1	RIGHT FRONT COVER	
4	8360-169-00A	1	LEFT REAR COVER	
5	8360-169-00A	1	RIGHT REAR COVER	
6	8360-169-000	1	REAR COVER ROOPE	
7	7720-169-000	1	SEAT ASSY	
8	7720-169-000	1	SEAT BRACKET	
9	9400-06000	2	HEX FLANGE NUT WITH SERRATION	6mm
10	3310-169-000	2	HEAD LAMP	
11	3490-110-00A	2	HEAD LIGHT BULB (E-MARK)	12V/35W
12	9380-06015S	4	PAN PHILPS BOLT	Ø15
13	9034-0600A	28	FRATE SET	6mm
14	9380-06015S	40	PAN PHILPS BOLT	Ø15
15	8728-197-000	1	INDICATOR STICKER	
16	1721-169-000	1	REAR COVER ISOLATION GASKET	0.035-2MMØ1J
17	8728-197-000	1	INDICATOR STICKER	
18	9011-06016-19G	6	LADDER BOLT	Ø16
19	9380-06030S	4	PAN PHILPS BOLT	Ø20
20	3340-145-000	2	R SIGNAL ASSY (E-MARK)	
21	3340-145-000	2	L SIGNAL ASSY (E-MARK)	
22	3340-145-000	4	SIGNAL COVER	
23	3490-110-000	4	BULB (E-MARK)	
24	3342-145-000	2	SIGNAL BULB SOCKET	
25	3343-145-000	2	L SIGNAL BULB SOCKET	
26	3341-145-000	2	R SIGNAL SOCKET	
27	3341-145-000	2	L SIGNAL SOCKET	
28	9410-060020	4	FLAT WASHER	Ø14*2
29	9400-05000	4	HEX FLANGE NUT WITH SERRATION	5mm



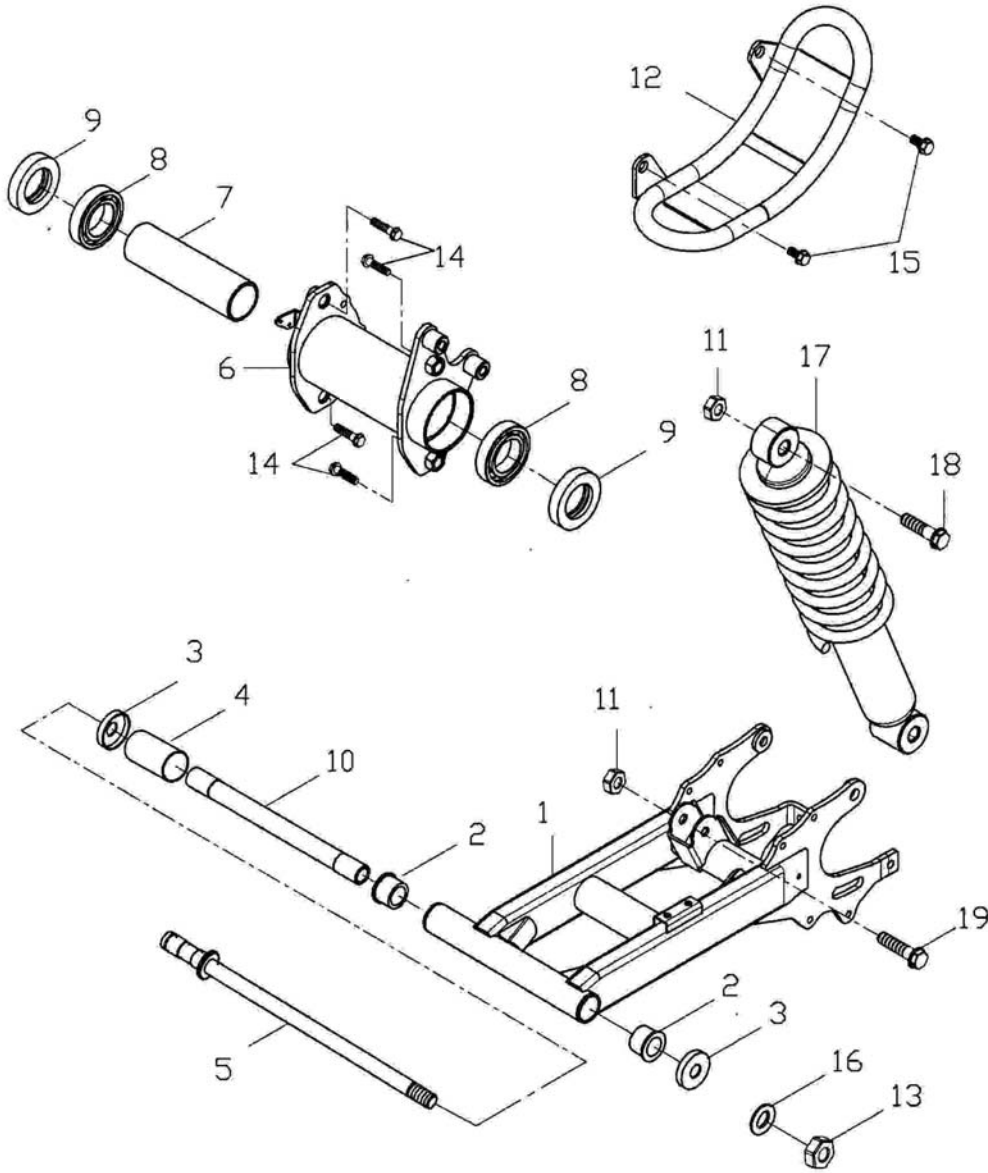
1	64301-169-000K	1	FRONT COVER GREEN	vert kaki
6	83400-169-000K	1	REAR COVER GREEN	vert kaki
	87728-197-000	1	AUTO."ON-OFF-RES"	
	87729-197-000	1	AUTO."R-N-D"	
	87734-197-000	2	AUTO.150cc	
	87700-888-0CA	2	AUTO."ADLY MOTO"	petit
ou	87700-888-0BA	2	AUTO."ADLY MOTO"	grand
	87700-888-00Z	1	AUTO.FRONTAL "ADLY"	



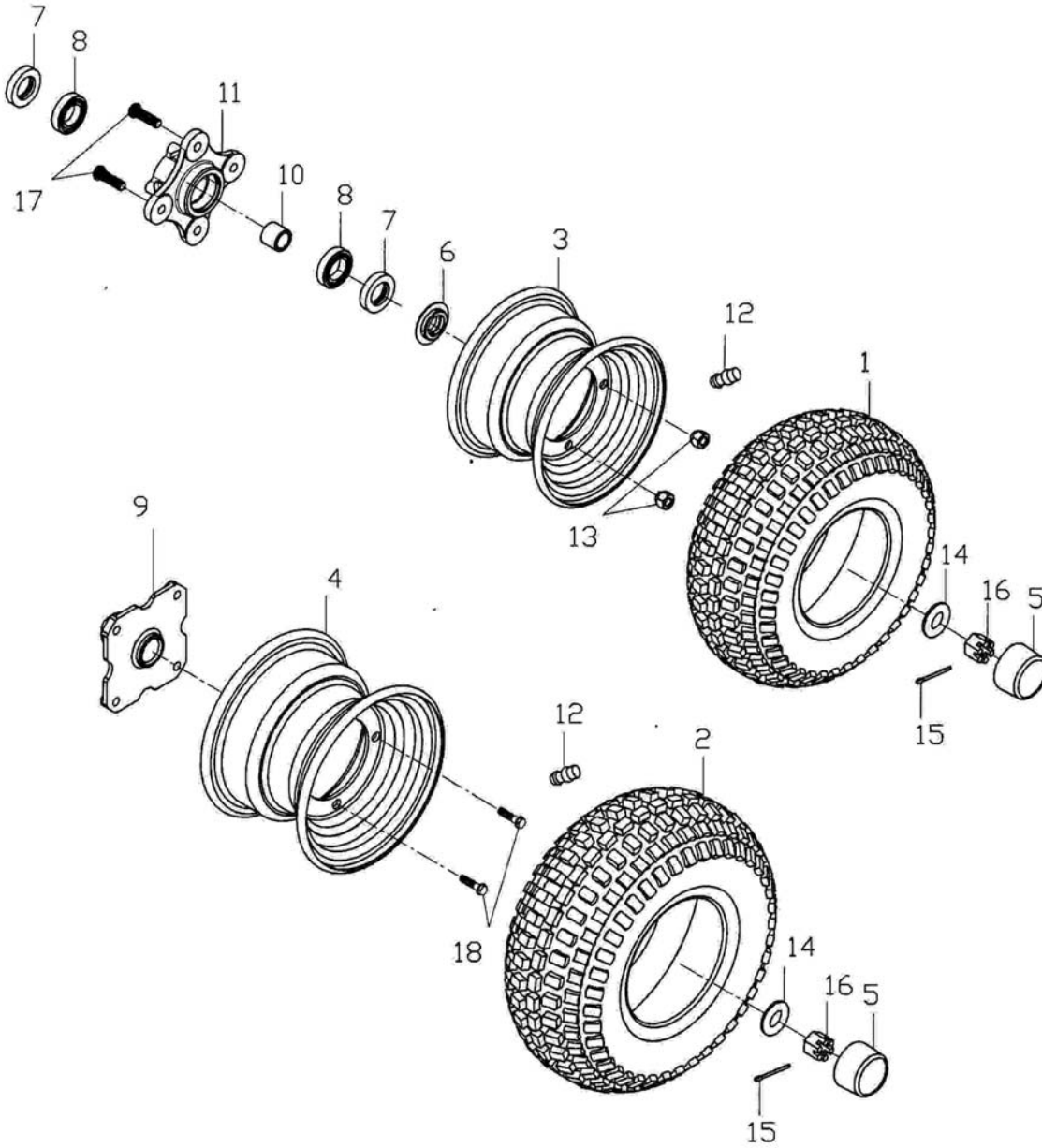
Assembly No: 215-22A		FUEL TANK		
No	Parts No	Qty	Parts Name	Specification
1	17500-169-000	1	FUEL TANK COMP	#NAME?
2	17620-169-00A	1	FUEL CAP ASSY	
3	17511-197-000	1	FUEL TANK ASSY	
4	90000-08012-12G	2	HEX WASHER FACE BOLT	8*12
5	90000-08015-10G	2	HEX WASHER FACE BOLT	6*15
6	94210-00000	2	CLIP	Ø6.8
7	94400-00011-50	1	FUEL TUBE	4.5*8
8	90000-08014-08	2	HEX WASHER FACE BOLT	6*14
9	93500-08012	1	PAN PHILLIPS BOLT	4*12
10	10951-100-000	1	FUEL CAP RING	
11	94400-00035	1	BREATHER HOSE	4.5*8*355
12	17620-145-000	1	FUEL VALVE KNOB	
13	16953-197-000	1	FUEL CAP BODY	

SWING ARM SUB ASSY

Assembly No. 215-23A		SWING ARM SUB ASSY		
No.	Parts No.	Qty	Parts Name	Specification
1	52100-197-001	1	SWING ARM SUB ASSY	
2	52105-145-000	2	BUSH	
3	52144-145-000	2	SWING ARM SEAL COVER	
4	52101-197-000	1	RUBBER SLEEVE	
5	52116-169-000	1	SWING ARM BOLT	
6	52200-197-000	1	REAR AXLE HOLDER	
7	42113-197-000	1	REAR BRAKE PANEL SPACER	
8	96100-6007ZZ	2	RADIAL BALL BEARING	
9	96100-42628	2	O-SEAL	42*62*8
10	52115-169-000	1	COLLAR	
11	90356-12000G	2	NYLON INSERT LOCK NUT	M12
12	40520-197-000	1	DRIVE CHAIN UNDER HALF CASE	
13	90356-14000G	1	NYLON NUT	M14
14	96000-12022-17	4	HEX WASHER FACE BOLT	12*22
15	96000-06015-10C	2	HEX WASHER FACE BOLT	6*15
16	96101-1426030	1	FLAT WASHER	14*26*3
17	52400-169-000	1	REAR CUSHION ASSY	
18	96000-12065-17G	1	HEX FLANGE BOLT	M12*65
19	96000-12050-17G	1	HEX FLANGE BOLT	12*50

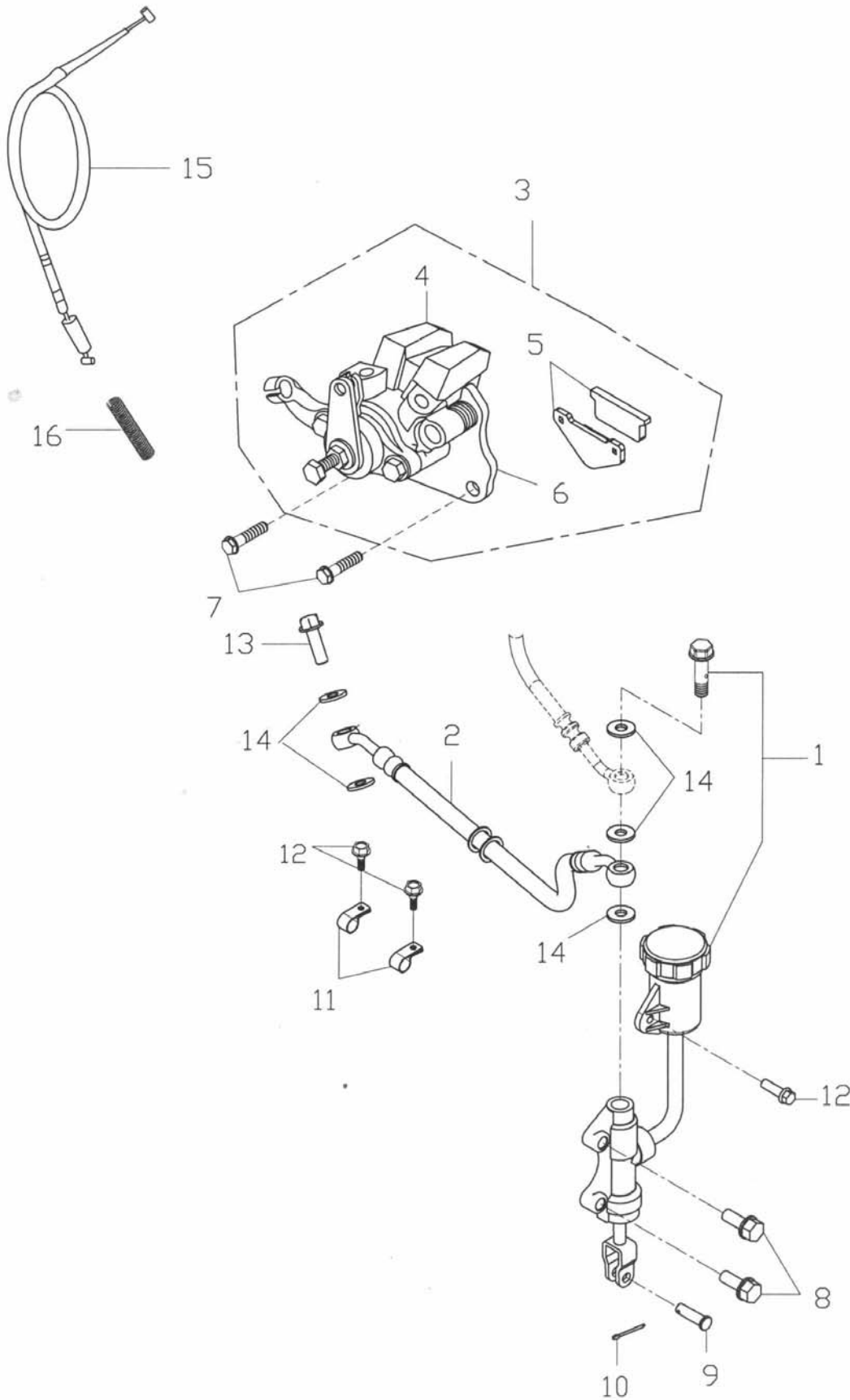


WHEEL-FRONT&REAR



Assembly No. 215-24A		WHEEL FRONT&REAR		
No	Parts No	Qty	Parts Name	Specification
1	4271-169-00B	2	FRONT TIRE	A121*10-58F
2	4281-169-00B	2	REAR TIRE	A121*10-4 8547
3	4291-169-000	2	FRONT RIM	10*5.5
4	4281-169-00A	2	REAR RIM	8*8
5	4281-145-000	4	RUBBER COVER	
6	4270-169-000	2	COLLAR	
7	9650-29435	4	OIL SEAL	28.3*43.6*4.5
8	96100-0004ZZ	4	RADIAL BALL BEARING	6004ZCM2A-T0
9	42016-145-001	2	SHAFT CONNECTOR (REV.3)	
10	42705-169-000	2	COUPLER	
11	42106-169-000	2	FRONT SHAFT HUB	
12	42616-145-000	4	AIR NOZZLE	
13	94001-10015B	8	WHEEL NUT	M10*15
14	94101-18004S	4	PLATE WASHER	18*40*4.5
15	94201-01029	4	COTTER PIN	3*12
16	94051-18000B	4	SCOTCH NUT	M18
17	94005-10035C	8	HUB STUD BOLT	10*15
18	96000-10020-14	8	HEX WASHER FACE BOLT	10*20

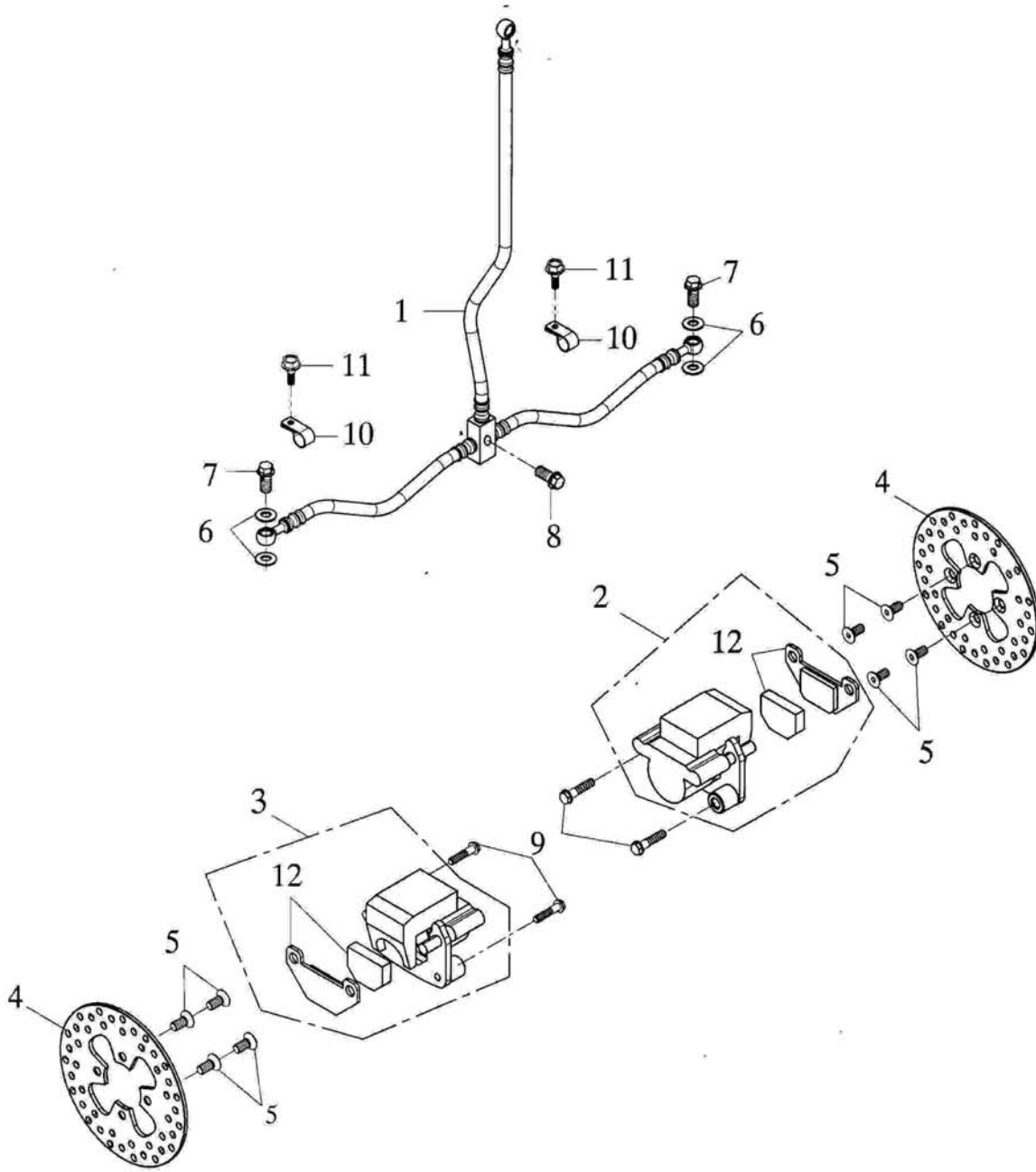
1 42711-182-00B	2	PNEU AV TT
2 42811-182-00B	2	PNEU AR TT

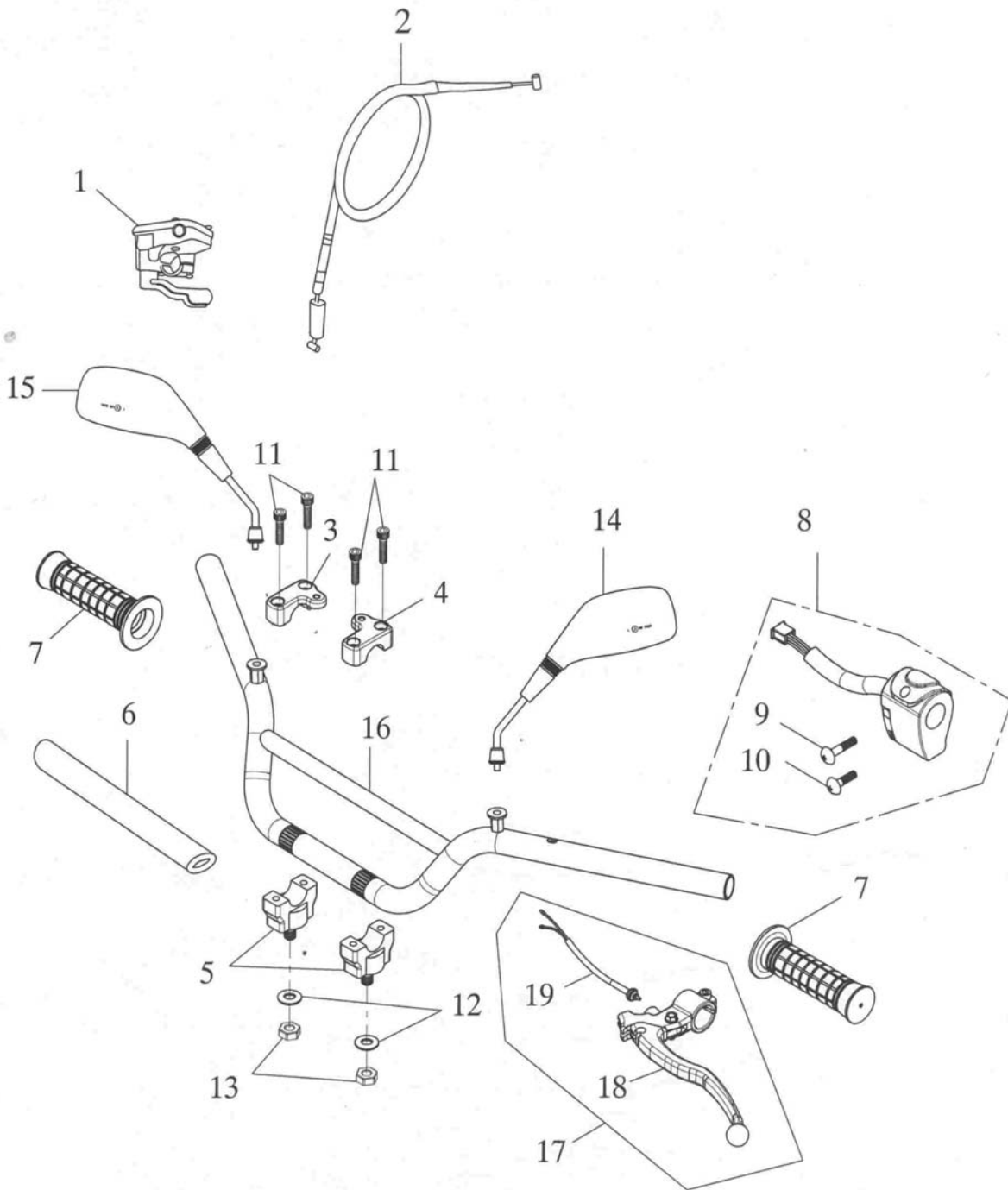


Assembly No.: 215-26A		REAR BRAKE		
No.	Parts No.	Q'ty	Parts Name	Specification
1	43500-197-00A	1	REAR MASTER CYLINDER SUB ASSY	
2	43460-197-000	1	REAR BRAKE HOSE	
3	43000-197-00B	1	REAR BRAKE CALIPER ASSY	
4	45010-197-00A	1	CALIPER BODY	
5	43120-169-00B	1	BRAKE PAD KIT	
6	43001-197-000	1	SUPPORT BRACKET	
7	96000-10032-14G	2	HEX WASHER FACE BOLT	10*32
8	96000-08012-10	2	HEX WASHER FACE BOLT	8*12
9	45605-169-000	1	FIX PIN	
10	94201-02200	1	COTTER PIN	2*20
11	45452-197-000	2	BRAKE HOSE CLAMP	
12	96000-08012-10G	3	HEX WASHER FACE BOLT	6*12
13	45456-107-000	1	BRAKE HOSE HEX BOLT	10*22
14	94103-1015010	5	COPPER PLAIN WASHER	10.2*15*1
15	43470-197-000	1	FOOT BRAKE CABLE	
16	43472-120-000	1	RESET SPRING	50MM

FRONT BRAKE

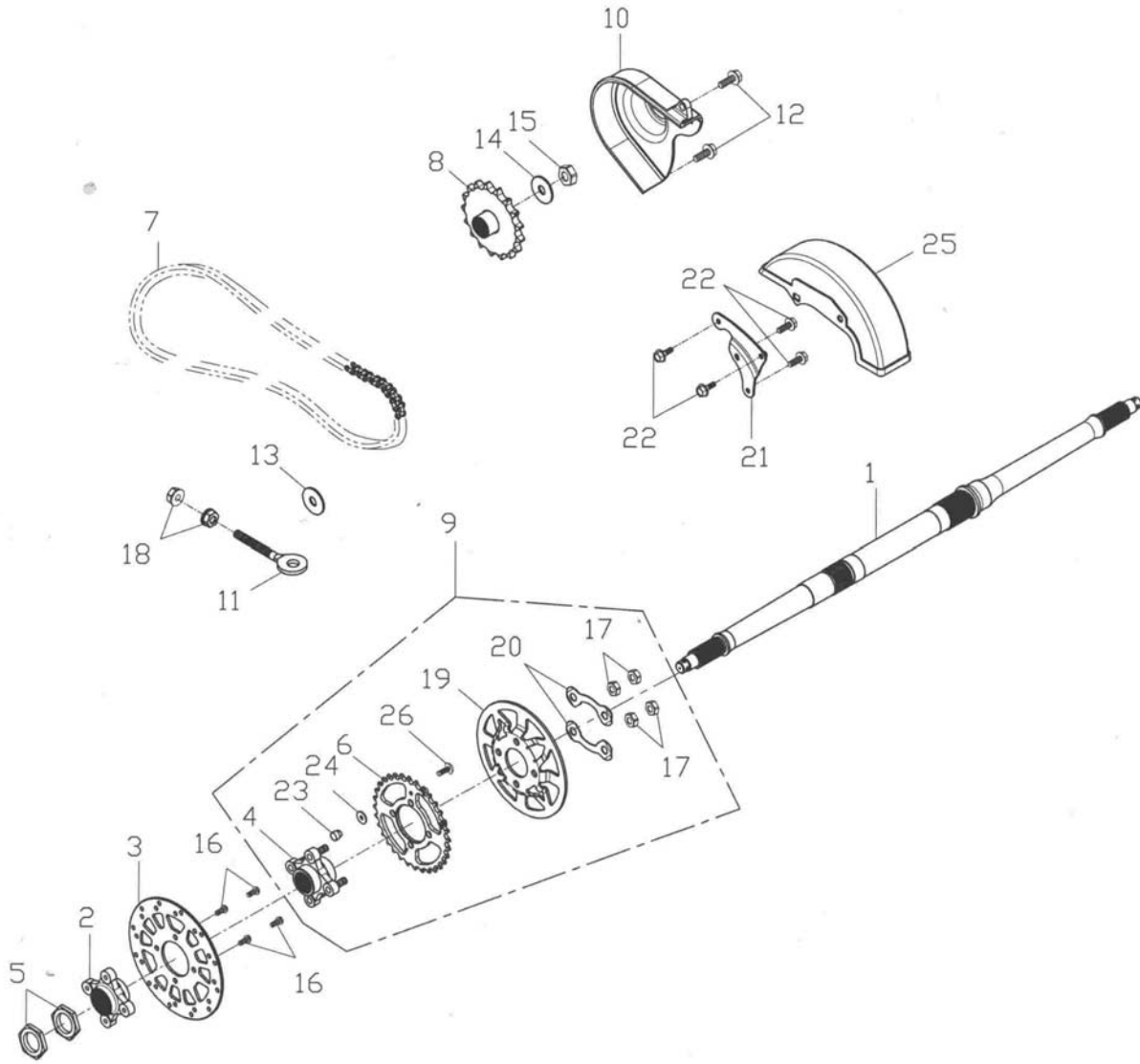
Assembly No. 197-24A		FRONT BRAKE		
No.	Parts No.	Qty	Parts Name	Specification
1	4550-197-00A	1	BACK HOSE	
2	45000-169-000	1	R. FRONT BRAKE CALIPER ASSY	
3	45200-169-000	1	L. FRONT BRAKE CALIPER ASSY	
4	45015-169-000	2	BRAKE DISC	7/8x164
5	97001-08010K	8	HAZ SOCKET BOLT	M8x16
6	94101-181300	6	COPPER PLAIN WASHER	10.2x15.1
7	45450-197-000	3	BRAKE HOSE HEX BOLT	1PZ22
8	96000-96020-10G	1	HEX FLANGE BOLT	M8x20
9	96000-08012-20L	4	HEX FLANGE BOLT	M8x20
10	45451-197-000	2	BRAKE HOSE CLAMP	
11	96000-08012-20G	2	HEX WASHER FACE BOLT	
12	45200-169-000	2	FRONT BRAKE PAD KIT	Ø12





Assembly No. 215-27A		HANDLE BAR		
No	Parts No	Qty	Parts Name	Specification
1	53176-154-0000	1	THROTTLE LEVER ASSY	
2	17906-197-0000	1	THROTTLE CABLE	
3	53103-145-0000	1	RIGHT HANDLE BAR CLAMP	
4	53102-145-0000	1	LEFT HANDLE BAR CLAMP	
5	53101-154-0000	2	HANDLE BAR BOTTOM CLAMP	
6	53121-145-0000	1	SPONGE ASSY(ADLY MOTO)	VL4P-
7	53166-169-0000	2	HANDLE GRIP	
8	35200-197-000A	1	L HANDLE SWITCH ASSY	
9	93506-65035	1	PAN PHILLIPS BOLT	5*35
10	93506-65025	1	PAN PHILLIPS BOLT	5*25
11	93506-66251	4	HEX SOCKET BOLT	4*25
12	94105-1022025G	2	PLAIN WASHER	10*22*2.5
13	90356-10000G	2	NYLON NUT	M10*P1.25
14	88126-145-0000	1	L REAR VIEW MIRROR	
15	88116-145-0000	1	R REAR VIEW MIRROR	
16	53106-197-0000	1	HANDLE BAR	
17	53176-155-0000	1	LEFT LEVER ASSY(REV.1)	
18	53176-145-0000	1	LEFT LEVER	
19	35342-145-0000	1	L BRAKE SWITCH WIRE	

6	53132-145-000	1	PROTECTION MOUSSE ROUGE
	53132-145-00003	1	PROTECTION MOUSSE JAUNE
	53132-145-00004	1	PROTECTION MOUSSE BLEUE
	53132-145-00007	1	PROTECTION MOUSSE NOIRE

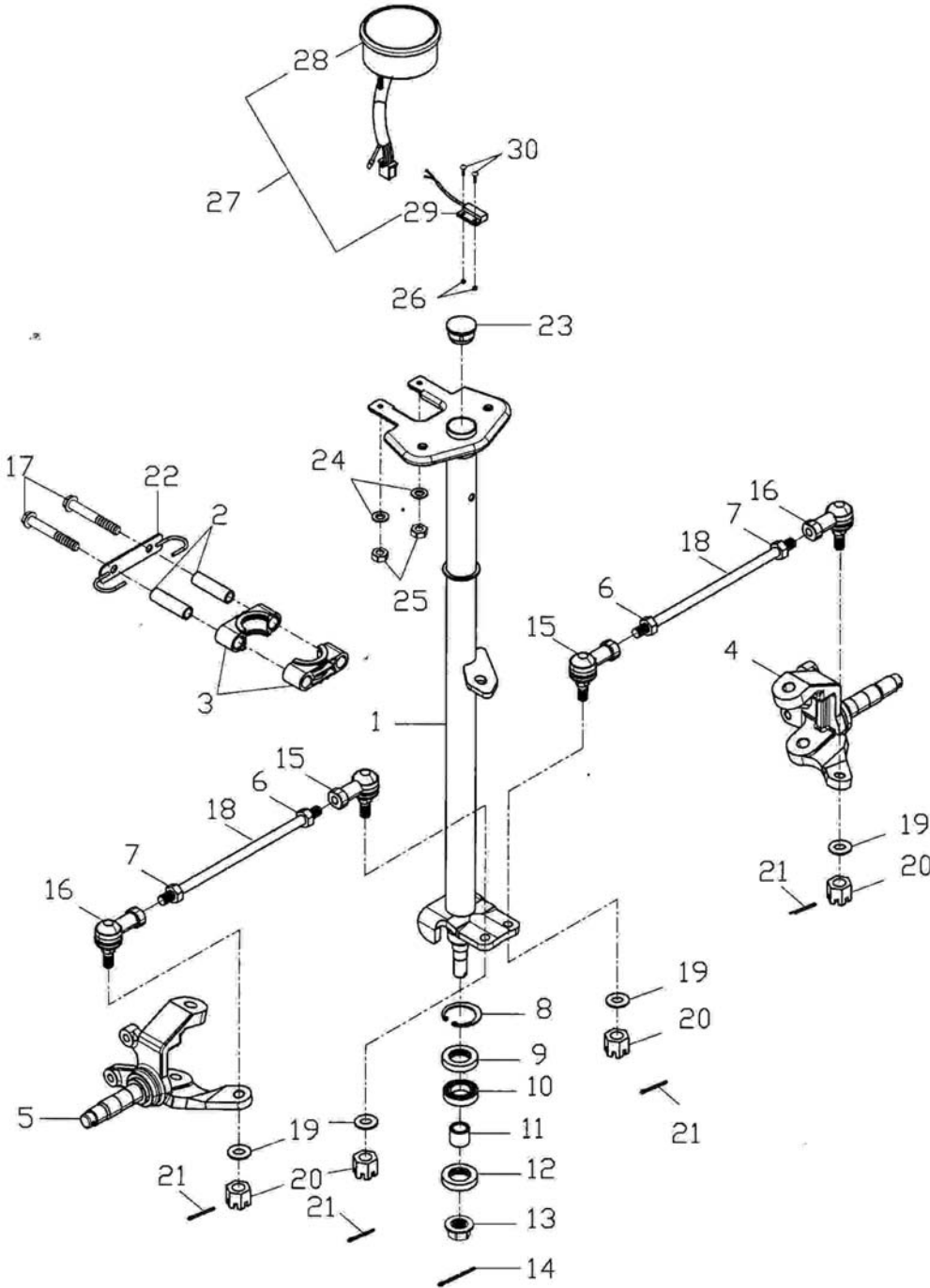


Assembly No. 215-28A		REAR WHEEL AXLE CHAIN		
No.	Parts No.	Qty	Parts Name	Specification
1	42101-197-001	1	REAR AXLE	
2	42106-197-001	1	REAR BRAKE PANEL CONNECTOR	38mm
3	45015-197-000	1	BRAKE DISC	
4	42610-197-001	1	REAR SPROCKET FLANGE	
5	96801-31146G	2	HEX NUT	M13*14*P1.5
6	41201-197-00A	1	REAR SPROCKET	
7	40330-197-000	1	DRIVE CHAIN	52P*2L
8	23801-197-00A	1	DRIVE SPROCKET ASSY 17 teeth	17T
9	42603-197-00A	1	REAR SPROCKET ASSY	
10	40511-197-000	1	REAR CHAIN COVER	
11	40543-145-001	1	DRIVE CHAIN ADJUSTER	8MM
12	96000-66015-10G	2	HEX WASHER FACE BOLT	6*15
13	96101-22260	1	PLAIN WASHER	12*25*5
14	96101-12260	1	PLAIN WASHER	15*25*3
15	90358-14000	1	NYLON NUT	14mm
16	45016-146-000	4	REAR BRAKE NUT	
17	96050-10000	4	HEX FLANGE NUT WITH SERRATION	10mm
18	96050-08000	2	HEX FLANGE NUT WITH SERRATION	8mm
19	40516-197-000	1	CHAIN GUIDE	
20	41206-197-000	2	FIXED WASHER	
21	40518-197-000	1	CHAIN COVER BRACKET	
22	96000-66015-10G	4	HEX WASHER FACE BOLT	6*12
23	37217-145-000	1	MAGNET	56--
24	94101-0412015	1	PLAIN WASHER	5*12*1.5
25	40511-152-000	1	REAR CHAIN COVER	
26	90704-60012	1	FLAT HEAD PHILLIPS BOLT	4*12mm

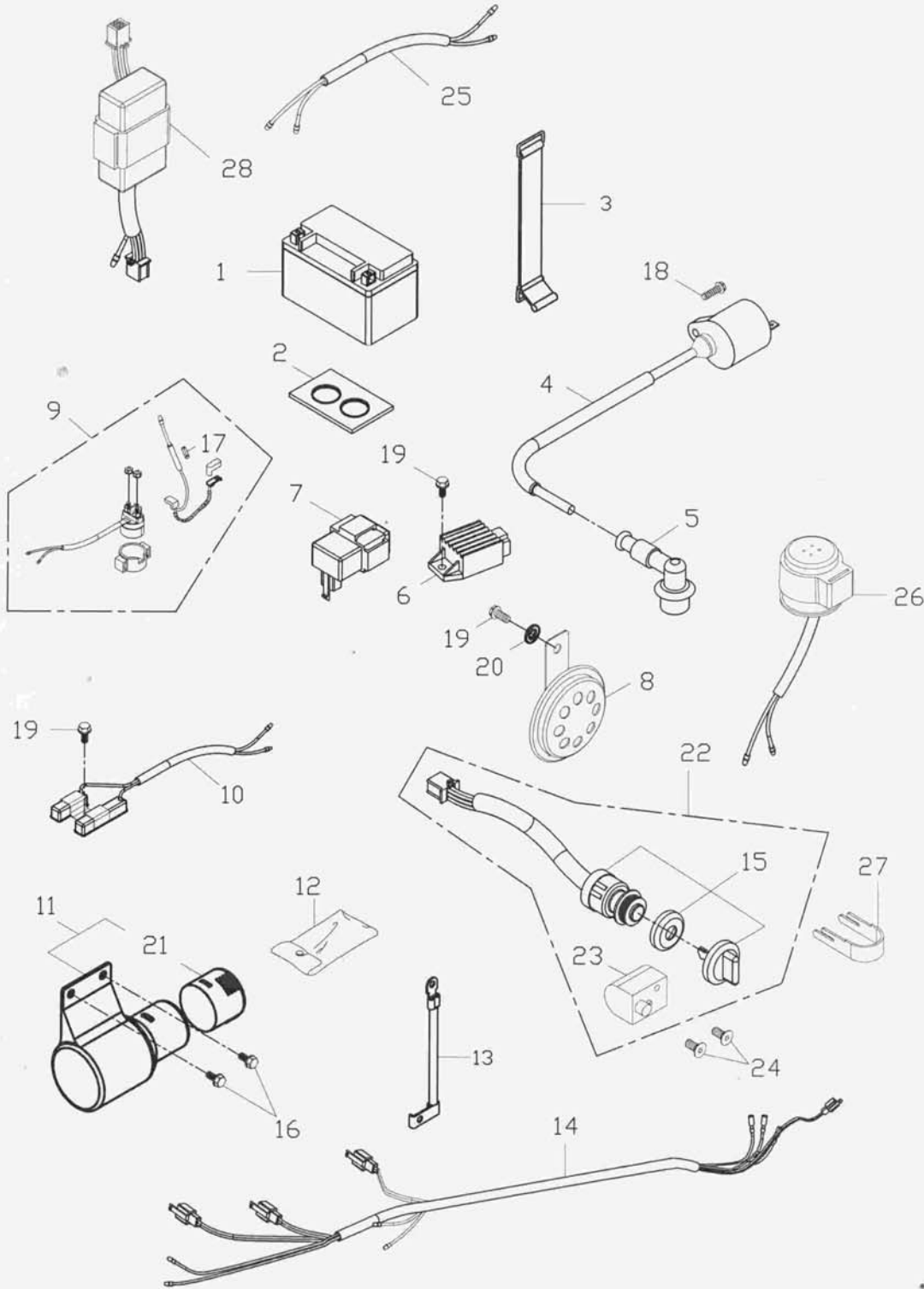
8	23801-197-001	1	PIGNON SORTIE BOITE	17 dents
27	40531-197-000	1	ATTACHE RAPIDE CHAINE	

STEERING

Assembly No. 215-29A		STEERING		
No	Parts No	Qty	Parts Name	Specification
1	51100-197-000	1	STEERING SHAFT ASSY	
2	51110-169-000	2	WELDER SPACER COLLER	
3	51113-169-000	2	STEERING SHAFT HOLDER	
4	44520-169-000	1	RIGHT KNUCKLE ASSY	
5	44510-169-000	1	LEFT KNUCKLE ASSY	
6	94001-2008LC	2	HEX NUT	M12
7	94001-2008B	2	HEX NUT	M12
8	94512-4000R	1	INTERNAL CIR CLIP	RTW-40
9	96500-27400R	1	OIL SEAL	27*40*9
10	90100-2030ZZ	1	RADIAL BALL BEARING	6203ZZC36032A
11	51120-169-000	1	STEERING SHAFT BUSHING	
12	96500-2317	1	OIL SEAL	22*18*7
13	90350-14000G	1	NYLON NUT	M14
14	94201-04510	1	CUTTER PIN	3*45
15	44511-169-000	2	BALL JOINT LEFT THREAD	
16	44521-169-000	2	BALL JOINT RIGHT THREAD	
17	90000-10665-14G	2	HEX FLANGE BOLT	M10*65
18	91001-12215B	1	ROD	M12*235
19	94101-020020	4	PLAIN WASHER	18*24*2
20	94051-10000G	4	SCOTCH NUT	M10
21	94201-03120	4	CUTTER PIN	3*32
22	45451-197-000	1	BRACKET	
23	94451-169-000	1	REINFORCING CAP	
24	94101-04510	2	PLAIN WASHER	6.5*15*1
25	90350-06000	2	NYLON NUT	6mm
26	94001-43000	2	HEX NUT	3mm
27	37200-197-000	1	SPEEDOMETER ASSY	
28	37200-197-000	1	SPEEDOMETER BODY	
29	37210-197-000	1	SENSOR	
30	93500-03008	2	PAN PHILLIPS BOLT	3*8

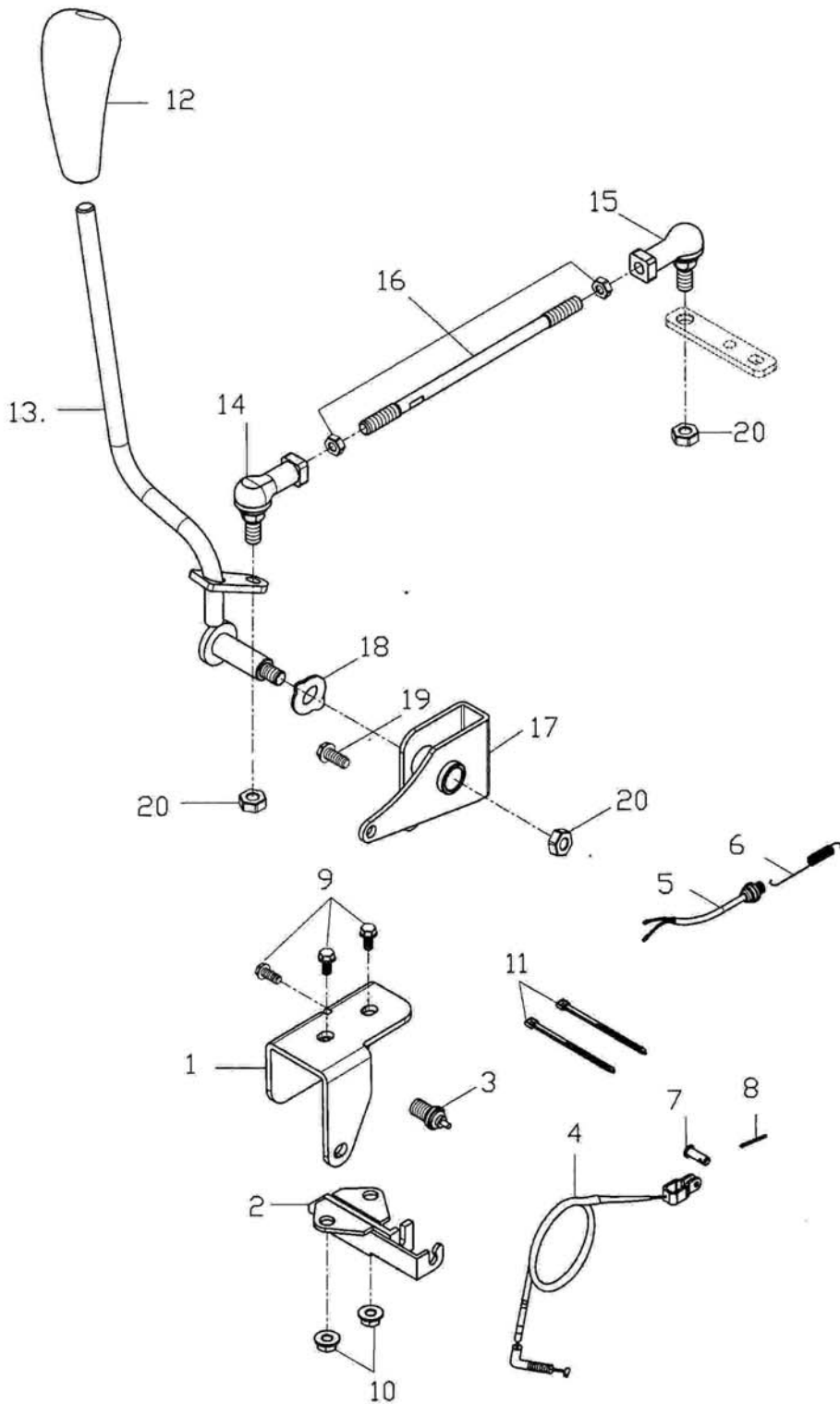


ELECTRICAL EQUIPMENT



Assembly No. 215-30A		ELECTRICAL PARTS		Specification
No.	Parts No.	Qty	Parts Name	
1	31028-169-000	1	BATTERY	
2	30003-169-000	1	RUBBER PAD	VTX-BS
3	31528-169-000	1	BATTERY STRIP	
4	30518-168-000	1	HIGH TENSION COIL	
5	30700-168-000	1	SPARK PLUG CAP	
6	31000-120-000	1	REGULATOR RECTIFIER	HKC
7	30408-120-000	1	C.D.I. UNIT(0400)	
8	30110-197-000	1	LEFT HORN	
9	30501-197-000	1	STARTING RELAY	
10	30500-120-000	1	RESISTOR COMP	
11	50121-169-000	1	TOOL CASE	
12	50120-169-000	1	TOOL BAG	
13	31210-197-000	1	GROUND WIRE	
14	32100-215-00A	1	MAIN WIRE HARNESS	
15	31500-197-000	1	IGNITION SWITCH ASSY	
16	90111-0015-14G	2	LADDER BOLT	Ø15
17	90200-169-000	1	FUSE	20A
18	90000-0502-08	1	HEX WASHER FACE BOLT	Ø24
19	90000-0010-10	3	HEX WASHER FACE BOLT	Ø10
20	90111-0012-015	1	SPRING WASHER	Ø12x1.5
21	50122-169-000	1	TOOL CASE CAP	
22	31010-197-000	1	KEY SET	
23	51000-197-000	1	STEERING HANDLE LOCK	
24	91002-0015	2	FLAT HEAD PHILLIPS BOLT	Ø12
25	32200-197-000	1	SIGNAL LINE	
26	30301-107-000	1	FLASHER RELAY	MB-C12V
27	31012-145-000	1	MAIN SWITCH BRACKET	
28	32201-197-000	1	GEAR CHANGE CONTROL UNIT	Ø6

GEAR SHIFT SYSTEM



Assembly No.:215-31		GEAR SHIFT SYSTEM		
No	Parts No	Qty	Parts Name	Specification
1	2480-197-000	1	SHIFT BRACKET	
2	7278-165-000	1	SEAT LOCK ASSY	
3	35750-169-000	1	NEUTRAL SWITCH CONTACT ASSY	
4	43480-197-000	1	GEAR SHAFT CABLE	
5	35350-108-000	1	STOP SWITCH ASSY	
6	35355-197-000	1	STOP SWITCH SPRING	
7	43451-156-000	1	BRAKE CABLE BOLT	
8	94201-16150	1	COTTER PIN	1.6*15
9	96000-06025-08	3	HEX WASHER FACE BOLT	6*25
10	90350-06000G	2	NYLON NUT	886
11	90600-168-000	2	STRAP	3*150 mm
12	24807-197-000	1	KNOB	
13	24707-215-000	1	SHIFT ROD	
14	44521-197-000	1	BALL JOINT RIGHT THREAD	
15	44511-197-000	1	BALL JOINT LEFT THREAD	
16	91060-081-608	1	STEEL BOLT	8*146
17	24800-197-000	1	SHIFT BRACKET	
18	94113-1324012	1	DISC SPRING WASHER	13.2*24*1.2
19	96000-08012-10	1	HEX WASHER FACE BOLT	8*12
20	90350-06000 G	3	NET NYLON	8mm*1.25