



PIAGGIO & C.s.p.a.

aprilia

SPARE PARTS CATALOGUE



RS4 125 4T 2011-2013

Chassis prefix: ZD4TW000

Engine prefix:

Index

| | |
|------------------------------------------------------|----|
| Finished products..... | 4 |
| Alphanumeric index..... | 6 |
| Frame..... | 11 |
| Table 01.010 - Frame..... | 11 |
| Table 01.020 - Foot rests..... | 12 |
| Table 01.030 - Central stand..... | 13 |
| Table 01.050 - Swing arm..... | 14 |
| Body..... | 15 |
| Table 02.030 - Front mudguard-Pillar..... | 15 |
| Table 02.040 - Front fairing..... | 17 |
| Table 02.070 - Duct..... | 19 |
| Table 02.080 - Side fairing..... | 20 |
| Table 02.090 - Tank cover..... | 22 |
| Table 02.100 - Central body..... | 24 |
| Table 02.120 - Saddle..... | 25 |
| Table 02.140 - Rear body..... | 27 |
| Table 02.150 - Rear mudguard..... | 29 |
| Table 02.170 - Locks..... | 30 |
| Table 02.180 - Plate set / Various..... | 31 |
| Table 02.190 - Decal..... | 32 |
| Engine..... | 37 |
| Table 03.010 - Engine-Completing part-Lever..... | 37 |
| Table 03.030 - Crankcases I..... | 39 |
| Table 03.050 - Air box..... | 40 |
| Table 03.060 - Throttle body..... | 41 |
| Table 03.090 - Head cover..... | 42 |
| Table 03.100 - Cylinder head - valves..... | 43 |
| Table 03.130 - Front cylinder timing system..... | 45 |
| Table 03.150 - Cylinder - Piston..... | 46 |
| Table 03.160 - Drive shaft..... | 47 |
| Table 03.170 - Gear box / Selector / Shift cam..... | 48 |
| Table 03.180 - Gear box - Gear assembly..... | 49 |
| Table 03.200 - Oil pump..... | 51 |
| Table 03.210 - Water pump..... | 52 |
| Table 03.220 - Clutch cover..... | 53 |
| Table 03.230 - Clutch..... | 54 |
| Table 03.270 - Flywheel cover..... | 55 |
| Table 03.290 - Starter / Electric starter..... | 56 |
| Table 03.300 - Cdi magneto assy / Ignition unit..... | 57 |
| Table 03.330 - Exhaust pipe..... | 58 |
| Suspensions..... | 59 |
| Table 04.015 - Front fork Paioli..... | 59 |
| Table 04.070 - Front fork Ming Xing..... | 60 |

| | |
|---------------------------------------------|----|
| Table 04.080 - Shock absorber..... | 61 |
| Wheels..... | 62 |
| Table 05.010 - Front wheel..... | 62 |
| Table 05.020 - Rear wheel..... | 63 |
| Brake system..... | 64 |
| Table 06.010 - Front master cilinder..... | 64 |
| Table 06.020 - Front brake caliper..... | 65 |
| Table 06.030 - Rear master cylinder..... | 66 |
| Table 06.040 - Rear brake caliper..... | 67 |
| Handlebar - Controls..... | 68 |
| Table 07.010 - Steering..... | 68 |
| Table 07.020 - Handlebar - Controls..... | 69 |
| Table 07.030 - Clutch control..... | 70 |
| Lights - Instruments..... | 71 |
| Table 08.010 - Front lights..... | 71 |
| Table 08.020 - Instruments..... | 72 |
| Table 08.030 - Rear lights..... | 73 |
| Tank..... | 74 |
| Table 09.010 - Fuel tank..... | 74 |
| Cooling system..... | 75 |
| Table 10.020 - Cooling system..... | 75 |
| Electrical systems..... | 76 |
| Table 11.010 - Front electrical system..... | 76 |
| Table 11.030 - Rear electrical system..... | 77 |

Finished products

| Code | Validity |
|----------------|----------|
| AP6112500ACB00 | |
| AP6112500ACB01 | |
| AP6112500ACB02 | |
| AP6112500ACD00 | |
| AP6112500ACD05 | |
| AP6112500ACD06 | |
| AP6112500EAB00 | |
| AP6112500EAB01 | |
| AP6112500EAB02 | |
| AP6112500EAB03 | |
| AP6112500EABXX | |
| AP6112500EAD00 | |
| AP6112500EAD05 | |
| AP6112500EAD06 | |
| AP6112500EAD07 | |
| AP6112500EADXX | |
| AP6112500EBB00 | |
| AP6112500EBB01 | |
| AP6112500EBB02 | |
| AP6112500EBB03 | |
| AP6112500EBBXX | |
| AP6112500EBD00 | |
| AP6112500EBD05 | |
| AP6112500ECB00 | |
| AP6112500ECB01 | |
| AP6112500ECB02 | |
| AP6112500ECB03 | |
| AP6112500ECBXX | |
| AP6112500ECD07 | |
| AP6112500ECDXX | |
| AP6112500JCB00 | |
| AP6112500JCB01 | |
| AP6112500JCB02 | |
| AP6112500JCB03 | |
| AP6112500JCBXX | |
| AP6112500JCD00 | |
| AP6112500JCD05 | |
| AP6112500JCD06 | |
| AP6112500JCD07 | |
| AP6112500JCDXX | |
| AP6112500RBB00 | |
| AP6112500RBB01 | |

| Code | Validity |
|----------------|----------|
| AP6112500RBB02 | |
| AP6112500RBD00 | |
| AP6112500RBD06 | |
| AP6112700ACC04 | |
| AP6112700ACCXX | |
| AP6112700EAC01 | |
| AP6112700EAC04 | |
| AP6112700EACXX | |
| AP6112700EBC04 | |
| AP6112700EBCXX | |
| AP6112700JCC01 | |
| AP6112700JCC04 | |
| AP6112700JCCXX | |

| Code | No. table | Pos. | Code | No. table | Pos. | Code | No. table | Pos. |
|-------------|-----------|------|----------|-----------|------|-------------|-----------|------|
| 00000004510 | 03.010 | 22 | 178790 | 03.160 | 7 | 709674 | 03.100 | 19 |
| 00000004512 | 06.010 | 5 | 182015 | 03.030 | 6 | 82573R | 03.090 | 5 |
| 00001213190 | 04.080 | 3 | 218812 | 11.030 | 12 | 826165 | 03.200 | 14 |
| 00002011600 | 01.010 | 26 | 224664 | 03.030 | 13 | 82650R | 03.150 | 10 |
| 00003515370 | 01.020 | 23 | 224664 | 03.030 | 20 | 82668R | 03.030 | 5 |
| 00003515370 | 10.020 | 22 | 239388 | 03.030 | 11 | 828922 | 03.030 | 12 |
| 00006309260 | 06.010 | 8 | 254485 | 02.040 | 21 | 82893R | 03.150 | 3 |
| 00006321040 | 06.010 | 9 | 254485 | 02.090 | 15 | 82897R | 03.210 | 10 |
| 00006321040 | 06.030 | 15 | 254485 | 06.010 | 12 | 8290405 | 03.270 | 4 |
| 00008915020 | 10.020 | 16 | 254485 | 10.020 | 12 | 829593 | 03.200 | 4 |
| 000097 | 03.230 | 15 | 254485 | 10.020 | 15 | 829661 | 03.200 | 10 |
| 000097 | 03.290 | 5 | 254485 | 11.010 | 22 | 82991R | 03.210 | 4 |
| 00011141300 | 01.050 | 10 | 254485 | 11.030 | 17 | 840320 | 03.300 | 4 |
| 00011141300 | 02.150 | 2 | 274369 | 03.170 | 8 | 841613 | 03.300 | 9 |
| 00011142500 | 10.020 | 24 | 285536 | 03.200 | 13 | 845753 | 03.210 | 5 |
| 00016041301 | 01.050 | 9 | 287959 | 03.160 | 3 | 847019 | 03.030 | 4 |
| 00032015000 | 01.050 | 7 | 288474 | 03.200 | 12 | 847031 | 03.180 | 2 |
| 00032015000 | 05.010 | 10 | 292022 | 08.010 | 22 | 847032 | 03.180 | 4 |
| 00058020200 | 05.010 | 3 | 28000051 | 02.190 | 2 | 847042 | 03.230 | 19 |
| 00058020200 | 05.020 | 3 | 2H000138 | 02.190 | 15 | 847043 | 03.230 | 21 |
| 003056 | 03.060 | 8 | 2H000139 | 02.190 | 16 | 847045 | 03.230 | 2 |
| 00402100001 | 01.010 | 25 | 2H000140 | 02.190 | 24 | 847046 | 03.230 | 5 |
| 005970 | 03.170 | 9 | 2H000141 | 02.190 | 7 | 847048 | 03.230 | 7 |
| 006125 | 03.170 | 18 | 2H000142 | 02.190 | 8 | 847069 | 03.170 | 13 |
| 006408 | 03.200 | 1 | 2H000143 | 02.190 | 21 | 847073 | 03.170 | 17 |
| 006409 | 03.200 | 5 | 2H000144 | 02.190 | 22 | 847075 | 03.030 | 16 |
| 006410 | 03.230 | 16 | 2H000145 | 02.190 | 9 | 847075 | 03.220 | 8 |
| 008375 | 03.290 | 7 | 2H000146 | 02.190 | 10 | 847076 | 03.030 | 10 |
| 00A00410501 | 10.020 | 5 | 2H000147 | 02.190 | 44 | 847083 | 03.170 | 4 |
| 00F04201361 | 03.330 | 13 | 2H000148 | 02.190 | 29 | 847183 | 03.200 | 2 |
| 00G00909071 | 07.020 | 1 | 2H000149 | 02.190 | 30 | 847210 | 03.170 | 14 |
| 00H00300672 | 01.050 | 6 | 2H000150 | 02.190 | 35 | 847214 | 03.170 | 15 |
| 00H00300672 | 05.010 | 11 | 2H000151 | 02.190 | 36 | 847218 | 03.230 | 12 |
| 00H00300672 | 05.020 | 9 | 414838 | 03.220 | 7 | 847222 | 03.230 | 18 |
| 00H00301811 | 01.050 | 2 | 414838 | 03.270 | 5 | 847223 | 03.230 | 10 |
| 00H00302892 | 04.080 | 5 | 431242 | 03.200 | 11 | 847224 | 03.230 | 17 |
| 00H00303892 | 04.080 | 2 | 432142 | 03.030 | 14 | 847228 | 03.170 | 10 |
| 00H00305411 | 01.050 | 3 | 434541 | 03.130 | 3 | 847275 | 03.160 | 6 |
| 00H00601931 | 02.170 | 23 | 434541 | 03.150 | 12 | 847541 | 03.180 | 19 |
| 00H00900351 | 07.030 | 3 | 436783 | 03.230 | 13 | 847545 | 03.180 | 20 |
| 00H00904291 | 07.030 | 2 | 478761 | 01.010 | 20 | 847546 | 03.180 | 17 |
| 00H01201331 | 05.010 | 12 | 479515 | 03.300 | 10 | 847547 | 03.180 | 18 |
| 00H01203291 | 05.010 | 9 | 479986 | 03.270 | 3 | 847928 | 03.150 | 11 |
| 00H01205031 | 05.010 | 2 | 484993 | 03.030 | 8 | 849898 | 03.060 | 6 |
| 00H01205271 | 05.010 | 8 | 485655 | 03.200 | 9 | 851295 | 03.220 | 3 |
| 00H01212841 | 05.010 | 1 | 485912 | 03.030 | 2 | 85129R | 02.170 | 1 |
| 00H01301471 | 05.020 | 15 | 486972 | 03.300 | 5 | 852151 | 02.040 | 1 |
| 00H01301491 | 05.020 | 16 | 575268 | 11.010 | 19 | 852152 | 02.040 | 2 |
| 00H01303171 | 05.020 | 14 | 576542 | 09.010 | 4 | 854909 | 03.010 | 3 |
| 00H01308091 | 05.020 | 2 | 576546 | 09.010 | 3 | 8580170001 | 03.030 | 17 |
| 00H01503701 | 02.030 | 10 | 58090R | 11.010 | 5 | 8580170002 | 03.030 | 17 |
| 00H01600911 | 03.010 | 17 | 58115R | 11.030 | 3 | 8580180001 | 03.030 | 18 |
| 00H02100901 | 06.010 | 4 | 58120R | 11.010 | 23 | 8580180002 | 03.030 | 18 |
| 00H02201731 | 03.330 | 2 | 58143R | 03.290 | 3 | 858725 | 08.030 | 1 |
| 00H02402282 | 05.010 | 6 | 581957 | 02.040 | 27 | 858812 | 02.040 | 5 |
| 00H02402282 | 05.020 | 6 | 583236 | 11.010 | 21 | 858827 | 02.030 | 1 |
| 00H02810421 | 03.010 | 20 | 584662 | 11.030 | 2 | 858828 | 02.080 | 3 |
| 00H03405061 | 03.330 | 6 | 623920 | 03.170 | 6 | 858829 | 02.080 | 4 |
| 00H03406321 | 03.330 | 15 | 640043 | 03.300 | 1 | 858830 | 02.040 | 14 |
| 00H03800722 | 10.020 | 20 | 640485 | 03.100 | 15 | 85883700XN6 | 02.120 | 8 |
| 00H04705121 | 06.020 | 3 | 640517 | 09.010 | 2 | 858838 | 02.120 | 9 |
| 012554 | 11.010 | 20 | 640754 | 08.010 | 3 | 858839 | 08.030 | 6 |
| 015715 | 03.300 | 2 | 641009 | 03.300 | 6 | 858840 | 02.140 | 15 |
| 018639 | 03.290 | 4 | 641541 | 03.220 | 10 | 858842 | 02.140 | 16 |
| 020003 | 11.010 | 17 | 642032 | 06.010 | 6 | 85884400A1 | 02.120 | 2 |
| 031057 | 03.030 | 19 | 642032 | 07.030 | 4 | 858903 | 01.010 | 10 |
| 177442 | 03.030 | 9 | 658830 | 06.030 | 11 | 861130 | 03.050 | 2 |

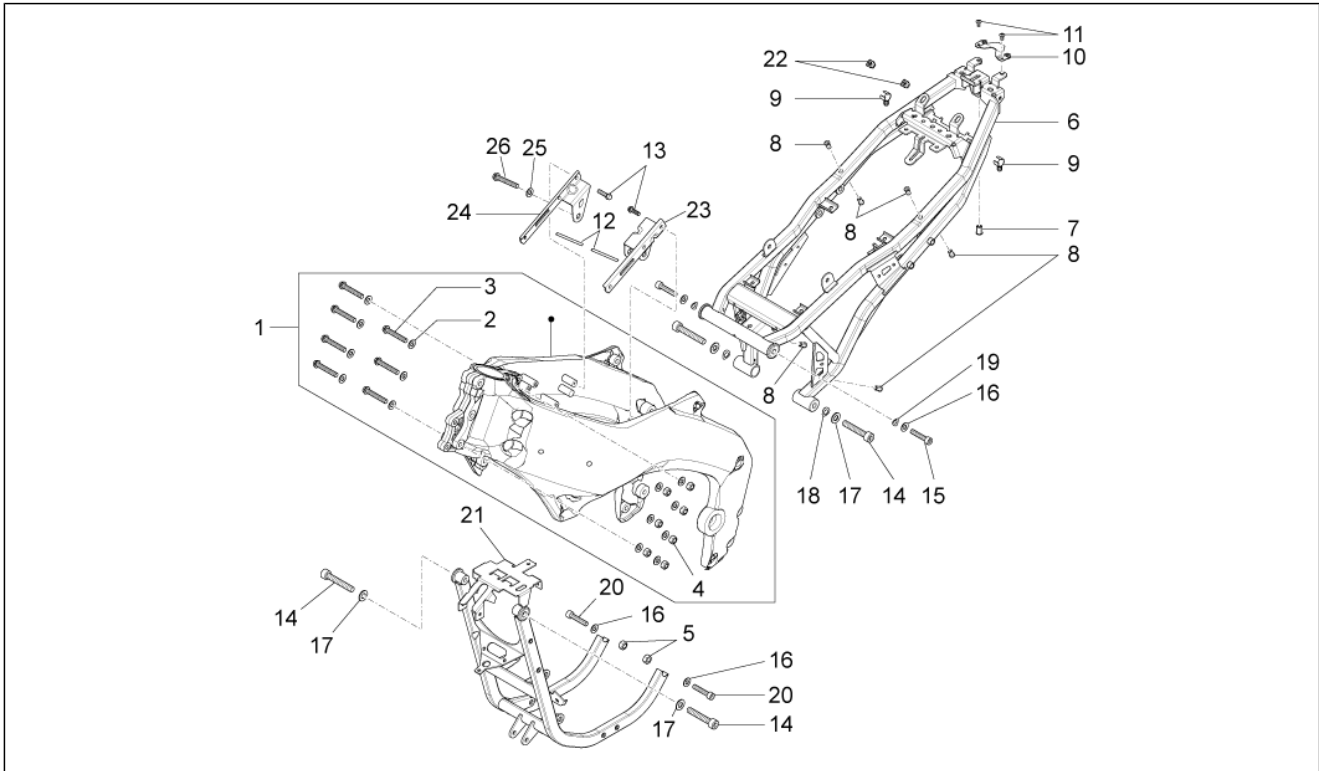
| Code | No. table | Pos. | Code | No. table | Pos. | Code | No. table | Pos. |
|-------------|-----------|------|------------|-----------|------|-------------|-----------|------|
| 861299 | 10.020 | 9 | 866692 | 06.040 | 2 | 874676 | 03.270 | 7 |
| 86135R | 11.010 | 7 | 8667100002 | 04.070 | 1 | 874678 | 03.270 | 6 |
| 86203R | 07.020 | 2 | 866753 | 01.050 | 5 | 874760 | 03.230 | 9 |
| 862403 | 03.050 | 3 | 866754 | 01.050 | 13 | 874776 | 03.270 | 1 |
| 862404 | 03.050 | 4 | 866766 | 04.015 | 2 | 876418 | 03.230 | 8 |
| 862534 | 06.010 | 2 | 866767 | 04.015 | 13 | 878241 | 03.220 | 2 |
| 862560 | 03.330 | 8 | 866768 | 04.015 | 11 | 879285 | 03.230 | 6 |
| 863149 | 04.015 | 3 | 866769 | 04.015 | 12 | 879942 | 03.170 | 11 |
| 863159 | 04.015 | 14 | 866770 | 04.015 | 5 | 880095 | 03.180 | 25 |
| 863320 | 03.050 | 10 | 866779 | 04.015 | 17 | 890208 | 01.020 | 6 |
| 863506 | 03.330 | 9 | 867237 | 06.010 | 8 | 890225 | 03.060 | 5 |
| 863540 | 02.180 | 2 | 867237 | 06.030 | 18 | 890638 | 01.010 | 15 |
| 863764 | 03.330 | 3 | 867238 | 06.010 | 9 | 890964 | 02.030 | 14 |
| 863943 | 10.020 | 4 | 867238 | 06.030 | 15 | 893108 | 02.140 | 25 |
| 864049 | 10.020 | 19 | 867240 | 06.020 | 3 | 893109 | 02.140 | 26 |
| 864123 | 06.040 | 3 | 867240 | 06.040 | 3 | 893259 | 02.120 | 16 |
| 864164 | 10.020 | 23 | 867258 | 02.030 | 17 | 893763 | 02.190 | 5 |
| 864339 | 06.010 | 3 | 867334 | 10.020 | 8 | 893764 | 02.190 | 6 |
| 864510 | 10.020 | 1 | 867339 | 05.020 | 1 | 893798 | 02.190 | 39 |
| 864572 | 10.020 | 2 | 867396 | 06.030 | 18 | 89382400A1 | 02.120 | 1 |
| 864848 | 05.010 | 5 | 8711565001 | 03.160 | 5 | 893929 | 08.010 | 2 |
| 865067 | 05.020 | 5 | 8711565002 | 03.160 | 5 | 893930 | 08.010 | 4 |
| 865463 | 04.015 | 10 | 871341 | 03.230 | 3 | 893979 | 02.080 | 7 |
| 865465 | 04.015 | 16 | 871342 | 03.160 | 2 | 893980 | 02.080 | 8 |
| 865466 | 04.015 | 7 | 871354 | 03.210 | 1 | 894566 | 08.030 | 18 |
| 865467 | 04.015 | 8 | 871358 | 03.210 | 3 | 894657 | 02.140 | 17 |
| 865468 | 04.015 | 9 | 871369 | 03.300 | 7 | 894796 | 08.010 | 21 |
| 865471 | 04.015 | 4 | 8713724 | 03.210 | 9 | 895335 | 02.190 | 1 |
| 865475 | 04.015 | 6 | 871418 | 03.210 | 2 | 895487 | 02.140 | 29 |
| 865476 | 04.015 | 15 | 871427 | 03.180 | 16 | 895488 | 02.140 | 31 |
| 865482 | 07.010 | 3 | 871428 | 03.180 | 15 | 895869 | 02.040 | 5 |
| 865493 | 06.030 | 17 | 871442 | 03.180 | 1 | 895870 | 02.040 | 5 |
| 865507 | 06.010 | 1 | 871443 | 03.180 | 3 | 895914 | 02.140 | 34 |
| 865511 | 06.030 | 19 | 871445 | 03.130 | 4 | 895915 | 02.070 | 12 |
| 865615 | 01.050 | 4 | 8714465001 | 03.160 | 4 | 895916 | 02.040 | 6 |
| 865646 | 07.030 | 5 | 8714465002 | 03.160 | 4 | 896174 | 02.070 | 5 |
| 865650 | 03.010 | 9 | 871450 | 03.210 | 6 | 896174 | 03.050 | 5 |
| 865654 | 10.020 | 18 | 871451 | 03.200 | 7 | 896487 | 02.170 | 10 |
| 865655 | 03.210 | 12 | 871454 | 03.200 | 6 | 897279 | 01.010 | 6 |
| 865655 | 10.020 | 17 | 871486 | 03.290 | 1 | 897575 | 08.010 | 1 |
| 8656650001 | 04.015 | 1 | 8714915 | 03.290 | 2 | 897578 | 01.020 | 2 |
| 865666 | 07.010 | 7 | 871500 | 03.200 | 8 | 897579 | 01.020 | 1 |
| 8656670001 | 04.080 | 1 | 871501 | 03.200 | 3 | 897614 | 02.140 | 1 |
| 865681 | 05.020 | 8 | 871515 | 03.290 | 6 | 89768800XN3 | 02.030 | 12 |
| 86594400W5G | 03.330 | 11 | 871521 | 03.300 | 8 | 89768800XR3 | 02.030 | 12 |
| 865951 | 07.030 | 1 | 871554 | 03.170 | 12 | 89768900XN3 | 02.030 | 11 |
| 866012 | 02.030 | 13 | 871558 | 03.270 | 2 | 89768900XR3 | 02.030 | 11 |
| 866090 | 05.010 | 5 | 871598 | 03.150 | 1 | 897690 | 02.040 | 7 |
| 866115 | 05.020 | 5 | 871705 | 03.090 | 1 | 897691 | 02.100 | 1 |
| 866136 | 10.020 | 3 | 8721654 | 03.170 | 7 | 897692 | 02.100 | 2 |
| 866138 | 01.020 | 18 | 872692 | 03.150 | 5 | 897693 | 02.070 | 4 |
| 866139 | 01.020 | 19 | 872693 | 03.150 | 6 | 897694 | 02.070 | 3 |
| 866141 | 01.020 | 17 | 872694 | 03.150 | 7 | 89769600XG7 | 02.090 | 8 |
| 866142 | 01.020 | 16 | 872954 | 03.180 | 13 | 89769600XN1 | 02.090 | 8 |
| 866215 | 01.020 | 24 | 872958 | 03.180 | 6 | 89769600XN6 | 02.090 | 8 |
| 866233 | 07.020 | 3 | 872959 | 03.180 | 11 | 897700 | 02.030 | 2 |
| 866266 | 07.020 | 4 | 872962 | 03.180 | 14 | 897759 | 09.010 | 1 |
| 866514 | 03.010 | 10 | 873086 | 03.030 | 3 | 897761 | 09.010 | 5 |
| 866514 | 06.030 | 4 | 873095 | 03.180 | 23 | 897800 | 03.060 | 2 |
| 866536 | 05.020 | 10 | 873097 | 03.180 | 24 | 897801 | 03.060 | 7 |
| 866540 | 05.020 | 13 | 873173 | 03.150 | 8 | 898054 | 03.050 | 1 |
| 866674 | 06.010 | 7 | 873498 | 03.300 | 3 | 89805500XH4 | 01.010 | 1 |
| 866686 | 06.020 | 1 | 873627 | 03.230 | 4 | 898056 | 03.050 | 6 |
| 866687 | 06.020 | 2 | 873651 | 03.090 | 2 | 898059 | 03.010 | 7 |
| 866688 | 06.030 | 9 | 873735 | 03.030 | 15 | 898065 | 08.020 | 10 |
| 866689 | 06.030 | 10 | 874081 | 03.220 | 6 | 898067 | 11.010 | 26 |
| 866690 | 06.030 | 16 | 874617 | 03.090 | 6 | 898074 | 02.070 | 10 |

| Code | No. table | Pos. | Code | No. table | Pos. | Code | No. table | Pos. |
|-------------|-----------|------|--------------|-----------|------|-----------|-----------|------|
| 898133 | 03.010 | 24 | 899870 | 02.190 | 8 | AP8110093 | 07.010 | 6 |
| 898134 | 03.010 | 25 | 899871 | 02.190 | 9 | AP8112458 | 11.030 | 5 |
| 898363 | 11.030 | 16 | 899872 | 02.190 | 10 | AP8112600 | 02.140 | 22 |
| 898365 | 01.010 | 21 | 899873 | 02.190 | 11 | AP8112600 | 08.030 | 17 |
| 898431 | 03.100 | 17 | 899874 | 02.190 | 12 | AP8112916 | 02.140 | 20 |
| 898460 | 11.010 | 1 | 899875 | 02.190 | 13 | AP8117033 | 02.040 | 26 |
| 898460 | 11.030 | 1 | 899876 | 02.190 | 14 | AP8117033 | 11.030 | 13 |
| 898463 | 03.010 | 26 | 899877 | 02.190 | 9 | AP8117258 | 08.030 | 14 |
| 898491 | 03.100 | 1 | 899878 | 02.190 | 10 | AP8120030 | 02.100 | 6 |
| 898626 | 11.030 | 10 | 899879 | 02.190 | 13 | AP8120030 | 08.010 | 11 |
| 898627 | 03.170 | 2 | 899880 | 02.190 | 14 | AP8120405 | 08.010 | 12 |
| 898628 | 03.170 | 3 | 8999175001 | 03.160 | 1 | AP8120416 | 08.010 | 13 |
| 898687 | 08.020 | 2 | 8999175002 | 03.160 | 1 | AP8120531 | 02.030 | 9 |
| 898688 | 08.020 | 3 | 932108 | 03.060 | 9 | AP8120581 | 11.030 | 4 |
| 898696 | 08.010 | 5 | AP2BAA000206 | 03.100 | 16 | AP8120582 | 11.030 | 6 |
| 898698 | 08.030 | 2 | AP2CAA000521 | 03.100 | 4 | AP8120592 | 01.020 | 27 |
| 898715 | 02.090 | 5 | AP2DBN000133 | 03.150 | 9 | AP8120622 | 02.080 | 9 |
| 898764 | 03.330 | 7 | AP2DCA000254 | 03.130 | 5 | AP8120657 | 07.020 | 7 |
| 898814 | 02.190 | 16 | AP3ADN000115 | 03.100 | 12 | AP8120657 | 08.030 | 20 |
| 898900 | 02.170 | 6 | AP3ATN000118 | 03.090 | 3 | AP8120947 | 02.090 | 11 |
| 898907 | 01.010 | 23 | AP3CAA000399 | 03.090 | 4 | AP8121032 | 02.030 | 7 |
| 898908 | 01.010 | 24 | AP3CAA000412 | 03.100 | 11 | AP8121032 | 02.040 | 17 |
| 898909 | 07.010 | 1 | AP3CBA000675 | 03.100 | 20 | AP8121032 | 02.090 | 4 |
| 899071 | 02.030 | 21 | AP3CBA000677 | 03.100 | 21 | AP8121032 | 08.010 | 14 |
| 899104 | 02.170 | 5 | AP3CGA000244 | 03.100 | 22 | AP8121075 | 11.010 | 4 |
| 899105 | 02.170 | 11 | AP3CGA000635 | 03.100 | 7 | AP8121080 | 01.030 | 8 |
| 899106 | 02.170 | 12 | AP3CHA000237 | 03.100 | 5 | AP8121133 | 01.020 | 8 |
| 899107 | 02.170 | 9 | AP3CIA000238 | 03.100 | 6 | AP8121134 | 01.020 | 12 |
| 899108 | 02.140 | 2 | AP3CLA000636 | 03.100 | 2 | AP8121184 | 02.100 | 7 |
| 89912000C1 | 02.120 | 3 | AP3CLA000637 | 03.100 | 3 | AP8121184 | 02.140 | 3 |
| 89912000C2 | 02.120 | 3 | AP3DBA000640 | 03.130 | 6 | AP8121324 | 09.010 | 7 |
| 899123 | 03.180 | 5 | AP3DDA000379 | 03.130 | 1 | AP8121679 | 10.020 | 13 |
| 899151 | 03.170 | 1 | AP3DDA000380 | 03.130 | 2 | AP8121697 | 06.030 | 6 |
| 899154 | 03.170 | 16 | AP3DVN000235 | 03.130 | 8 | AP8121716 | 02.090 | 10 |
| 899166 | 01.030 | 1 | AP3EEN000234 | 03.100 | 13 | AP8121728 | 08.020 | 8 |
| 899214 | 02.080 | 5 | AP3FCN000127 | 03.100 | 10 | AP8121728 | 11.030 | 15 |
| 899215 | 02.080 | 6 | AP3FCN000247 | 03.030 | 7 | AP8121804 | 02.090 | 12 |
| 8993115001 | 03.030 | 1 | AP3FCN000250 | 03.100 | 18 | AP8121882 | 01.010 | 9 |
| 8993115002 | 03.030 | 1 | AP4ABN000117 | 03.100 | 14 | AP8121889 | 01.030 | 17 |
| 8993135001 | 03.150 | 2 | AP4ABN000132 | 03.130 | 7 | AP8121939 | 01.020 | 15 |
| 8993135002 | 03.150 | 2 | AP4ADN000248 | 03.100 | 9 | AP8121939 | 01.030 | 26 |
| 8993135003 | 03.150 | 2 | AP8101573 | 10.020 | 6 | AP8121940 | 01.020 | 22 |
| 8993135004 | 03.150 | 2 | AP8101595 | 10.020 | 7 | AP8121999 | 01.030 | 2 |
| 899321 | 03.180 | 22 | AP8101861 | 01.020 | 7 | AP8124235 | 11.030 | 11 |
| 899428 | 03.180 | 21 | AP8102341 | 02.040 | 15 | AP8124914 | 07.020 | 11 |
| 899432 | 03.180 | 8 | AP8102375 | 02.030 | 3 | AP8124918 | 07.020 | 6 |
| 899433 | 03.180 | 9 | AP8102375 | 02.070 | 6 | AP8127098 | 08.030 | 13 |
| 899434 | 03.180 | 7 | AP8102375 | 02.080 | 12 | AP8127489 | 08.010 | 8 |
| 899435 | 03.180 | 10 | AP8102375 | 02.090 | 7 | AP8127489 | 08.030 | 12 |
| 89947400XH4 | 01.050 | 1 | AP8102375 | 02.100 | 4 | AP8127803 | 08.010 | 6 |
| 899475 | 03.330 | 1 | AP8102375 | 02.140 | 6 | AP8127803 | 08.030 | 8 |
| 899485 | 05.020 | 11 | AP8102375 | 03.050 | 7 | AP8127804 | 08.010 | 7 |
| 899542 | 02.170 | 4 | AP8102375 | 08.010 | 10 | AP8127804 | 08.030 | 9 |
| 899543 | 02.170 | 8 | AP8102381 | 02.100 | 5 | AP8127856 | 01.030 | 11 |
| 899549 | 02.190 | 2 | AP8102381 | 02.140 | 7 | AP8132957 | 01.020 | 14 |
| 899550 | 02.190 | 2 | AP8102386 | 11.030 | 9 | AP8132958 | 01.020 | 21 |
| 899613 | 05.020 | 12 | AP8102401 | 03.050 | 8 | AP8134167 | 02.040 | 22 |
| 899637 | 07.020 | 5 | AP8102504 | 02.080 | 13 | AP8134167 | 06.010 | 10 |
| 899798 | 03.230 | 14 | AP8102504 | 02.120 | 10 | AP8134186 | 11.030 | 7 |
| 899801 | 03.230 | 1 | AP8102524 | 01.030 | 9 | AP8134829 | 01.020 | 5 |
| 899802 | 03.230 | 20 | AP8102786 | 03.050 | 11 | AP8140710 | 02.170 | 2 |
| 899803 | 03.210 | 11 | AP8102902 | 01.010 | 7 | AP8144563 | 02.080 | 10 |
| 899858 | 05.010 | 7 | AP8102909 | 02.040 | 25 | AP8144563 | 02.140 | 30 |
| 899860 | 05.020 | 7 | AP8104597 | 07.010 | 4 | AP8144565 | 02.120 | 13 |
| 899867 | 02.190 | 3 | AP8109170 | 05.010 | 7 | AP8144606 | 01.010 | 12 |
| 899868 | 02.190 | 4 | AP8109171 | 05.020 | 7 | AP8144616 | 02.080 | 15 |
| 899869 | 02.190 | 7 | AP8110053 | 03.010 | 13 | AP8144616 | 02.140 | 28 |

| Code | No. table | Pos. | Code | No. table | Pos. | Code | No. table | Pos. |
|-----------|-----------|------|-----------|-----------|------|-----------|-----------|------|
| AP8144713 | 02.090 | 6 | AP8150453 | 02.170 | 21 | AP8152300 | 01.010 | 5 |
| AP8145056 | 01.030 | 7 | AP8150454 | 02.170 | 22 | AP8152300 | 01.020 | 26 |
| AP8146864 | 01.020 | 11 | AP8150468 | 03.010 | 11 | AP8152300 | 01.030 | 19 |
| AP8146865 | 01.020 | 9 | AP8150468 | 06.030 | 5 | AP8152300 | 02.090 | 9 |
| AP8150013 | 03.330 | 14 | AP8150500 | 02.030 | 4 | AP8152300 | 03.330 | 5 |
| AP8150015 | 10.020 | 11 | AP8150500 | 02.140 | 9 | AP8152300 | 11.010 | 9 |
| AP8150017 | 01.010 | 16 | AP8150506 | 02.040 | 28 | AP8152302 | 02.140 | 4 |
| AP8150017 | 01.010 | 2 | AP8150508 | 08.020 | 9 | AP8152306 | 01.030 | 13 |
| AP8150017 | 01.030 | 18 | AP8150509 | 02.040 | 19 | AP8152306 | 02.140 | 27 |
| AP8150018 | 06.030 | 7 | AP8150509 | 02.140 | 18 | AP8152329 | 02.140 | 12 |
| AP8150020 | 01.010 | 17 | AP8150509 | 08.010 | 15 | AP8152329 | 08.020 | 1 |
| AP8150026 | 03.010 | 16 | AP8150509 | 08.020 | 6 | AP8152339 | 02.030 | 15 |
| AP8150038 | 01.010 | 14 | AP8150515 | 02.040 | 16 | AP8152339 | 02.080 | 11 |
| AP8150044 | 10.020 | 10 | AP8150515 | 08.010 | 17 | AP8152339 | 02.090 | 14 |
| AP8150049 | 06.020 | 4 | AP8150521 | 03.060 | 3 | AP8152339 | 02.100 | 3 |
| AP8150050 | 02.070 | 1 | AP8150522 | 08.030 | 15 | AP8152339 | 02.140 | 5 |
| AP8150073 | 02.040 | 29 | AP8150536 | 02.090 | 3 | AP8152342 | 02.040 | 23 |
| AP8150107 | 01.030 | 10 | AP8150538 | 01.010 | 11 | AP8152350 | 01.010 | 4 |
| AP8150107 | 04.070 | 18 | AP8152001 | 01.030 | 3 | AP8152409 | 01.020 | 10 |
| AP8150107 | 07.020 | 8 | AP8152043 | 02.120 | 17 | AP8161074 | 01.030 | 20 |
| AP8150115 | 02.030 | 5 | AP8152128 | 11.010 | 2 | AP8161076 | 01.030 | 21 |
| AP8150137 | 03.010 | 5 | AP8152137 | 02.030 | 6 | AP8161118 | 10.020 | 21 |
| AP8150148 | 02.040 | 30 | AP8152137 | 08.010 | 18 | AP8161175 | 02.170 | 18 |
| AP8150158 | 02.100 | 8 | AP8152137 | 08.030 | 10 | AP8161203 | 02.030 | 22 |
| AP8150158 | 02.120 | 18 | AP8152138 | 03.010 | 14 | AP8161203 | 06.030 | 20 |
| AP8150158 | 02.140 | 23 | AP8152181 | 01.030 | 23 | AP8161203 | 11.010 | 25 |
| AP8150158 | 02.140 | 8 | AP8152194 | 02.170 | 14 | AP8161204 | 02.170 | 19 |
| AP8150158 | 08.030 | 16 | AP8152196 | 01.020 | 25 | AP8201305 | 02.170 | 3 |
| AP8150164 | 01.030 | 15 | AP8152229 | 02.170 | 16 | AP8201546 | 05.010 | 4 |
| AP8150170 | 01.020 | 28 | AP8152246 | 02.030 | 8 | AP8201546 | 05.020 | 4 |
| AP8150170 | 07.010 | 2 | AP8152246 | 02.140 | 19 | AP8201620 | 02.170 | 7 |
| AP8150177 | 01.050 | 11 | AP8152267 | 02.140 | 21 | AP8201727 | 07.020 | 10 |
| AP8150179 | 08.020 | 11 | AP8152272 | 01.020 | 20 | AP8201727 | 08.010 | 20 |
| AP8150179 | 11.010 | 3 | AP8152272 | 02.030 | 20 | AP8201727 | 11.030 | 8 |
| AP8150196 | 04.070 | 17 | AP8152272 | 03.050 | 9 | AP8201748 | 02.170 | 15 |
| AP8150204 | 02.140 | 24 | AP8152273 | 03.010 | 18 | AP8201749 | 02.170 | 13 |
| AP8150204 | 08.030 | 19 | AP8152273 | 03.330 | 12 | AP8201755 | 01.010 | 8 |
| AP8150211 | 11.010 | 15 | AP8152275 | 01.030 | 12 | AP8203550 | 07.010 | 5 |
| AP8150220 | 02.170 | 20 | AP8152277 | 02.030 | 18 | AP8210007 | 03.010 | 15 |
| AP8150220 | 06.030 | 13 | AP8152277 | 02.040 | 24 | AP8220135 | 06.010 | 13 |
| AP8150236 | 04.070 | 4 | AP8152277 | 11.010 | 16 | AP8220135 | 07.030 | 6 |
| AP8150248 | 02.070 | 11 | AP8152278 | 01.010 | 13 | AP8220150 | 08.020 | 4 |
| AP8150248 | 02.150 | 3 | AP8152278 | 06.010 | 11 | AP8220177 | 03.010 | 27 |
| AP8150252 | 02.070 | 2 | AP8152279 | 02.070 | 7 | AP8220186 | 02.040 | 9 |
| AP8150272 | 01.030 | 16 | AP8152279 | 02.120 | 6 | AP8220186 | 08.030 | 3 |
| AP8150284 | 03.010 | 21 | AP8152279 | 11.030 | 14 | AP8220189 | 03.010 | 12 |
| AP8150285 | 02.090 | 2 | AP8152280 | 10.020 | 14 | AP8220189 | 06.030 | 2 |
| AP8150292 | 01.010 | 18 | AP8152281 | 01.030 | 27 | AP8220238 | 02.120 | 15 |
| AP8150376 | 01.010 | 19 | AP8152281 | 02.090 | 17 | AP8220349 | 02.120 | 4 |
| AP8150378 | 02.120 | 5 | AP8152286 | 11.010 | 8 | AP8221036 | 08.030 | 4 |
| AP8150382 | 02.040 | 18 | AP8152287 | 05.020 | 17 | AP8221129 | 02.170 | 17 |
| AP8150382 | 02.140 | 32 | AP8152290 | 01.020 | 4 | AP8221204 | 01.030 | 5 |
| AP8150382 | 08.010 | 16 | AP8152290 | 02.090 | 13 | AP8221211 | 01.030 | 6 |
| AP8150382 | 08.020 | 5 | AP8152292 | 01.010 | 3 | AP8221213 | 01.010 | 22 |
| AP8150413 | 02.120 | 14 | AP8152292 | 03.330 | 4 | AP8221213 | 02.140 | 13 |
| AP8150420 | 08.030 | 7 | AP8152298 | 02.140 | 33 | AP8221286 | 01.020 | 13 |
| AP8150421 | 02.120 | 12 | AP8152298 | 08.030 | 5 | AP8221349 | 02.070 | 8 |
| AP8150429 | 06.030 | 11 | AP8152299 | 01.030 | 22 | AP8224462 | 11.010 | 10 |
| AP8150430 | 06.030 | 12 | AP8152299 | 02.030 | 16 | AP8224623 | 02.030 | 23 |
| AP8150431 | 01.020 | 3 | AP8152299 | 02.030 | 19 | AP8234153 | 02.090 | 16 |
| AP8150432 | 04.080 | 4 | AP8152299 | 02.090 | 18 | AP8235011 | 03.010 | 8 |
| AP8150435 | 07.020 | 9 | AP8152299 | 06.030 | 14 | AP8235012 | 06.030 | 1 |
| AP8150444 | 02.040 | 8 | AP8152299 | 06.030 | 8 | AP8277381 | 02.190 | 40 |
| AP8150444 | 02.070 | 9 | AP8152299 | 08.010 | 19 | AP9100175 | 01.030 | 14 |
| AP8150444 | 02.140 | 14 | AP8152299 | 08.020 | 7 | AP9150167 | 03.220 | 5 |
| AP8150450 | 02.080 | 14 | AP8152299 | 08.030 | 11 | AP9150355 | 03.220 | 4 |
| AP8150450 | 02.120 | 11 | AP8152299 | 11.010 | 6 | AP9150472 | 03.220 | 9 |

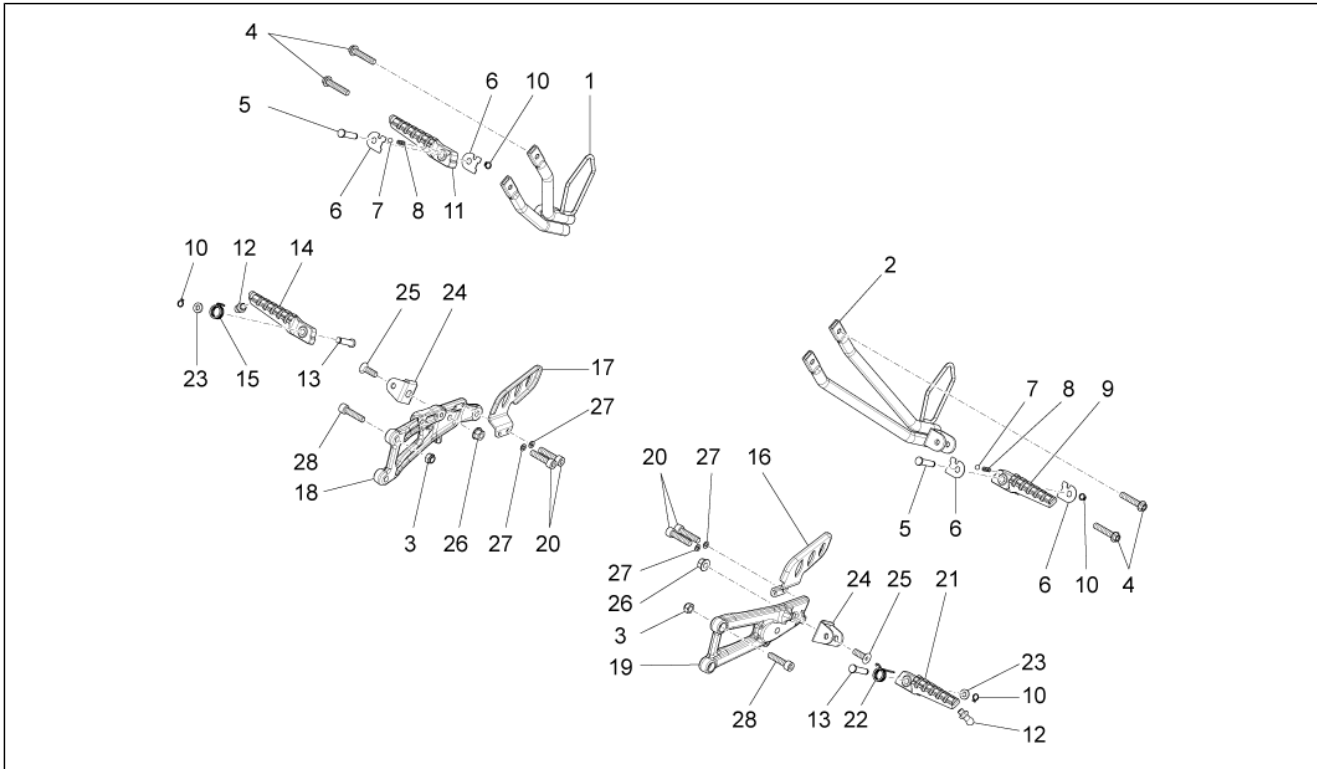
| Code | No. table | Pos. | Code | No. table | Pos. | Code | No. table | Pos. |
|--------------|-----------|------|---------|-----------|------|---------------|-----------|------|
| B043163 | 02.180 | 1 | B043850 | 11.010 | 27 | B045281 | 02.190 | 32 |
| B043164 | 02.180 | 1 | B043887 | 02.190 | 42 | B045282 | 02.190 | 35 |
| B043167 | 02.180 | 1 | B043888 | 02.190 | 43 | B045283 | 02.190 | 36 |
| B043207 | 01.050 | 8 | B043934 | 02.120 | 7 | B045284 | 02.190 | 39 |
| B043208 | 02.040 | 13 | B044008 | 03.010 | 28 | B045500 | 02.180 | 1 |
| B043209 | 02.150 | 1 | B044047 | 04.070 | 2 | B045501 | 02.180 | 1 |
| B043223 | 08.010 | 9 | B044048 | 04.070 | 3 | B045505 | 02.180 | 1 |
| B043224 | 03.170 | 5 | B044049 | 04.070 | 5 | B045793 | 02.190 | 3 |
| B043230 | 11.010 | 18 | B044050 | 04.070 | 6 | B045794 | 02.190 | 4 |
| B043242 | 02.040 | 11 | B044051 | 04.070 | 7 | B045795 | 02.190 | 7 |
| B043243 | 02.040 | 12 | B044052 | 04.070 | 8 | B045796 | 02.190 | 8 |
| B043244 | 02.040 | 3 | B044053 | 04.070 | 9 | B045797 | 02.190 | 9 |
| B043245 | 02.040 | 4 | B044054 | 04.070 | 10 | B045798 | 02.190 | 10 |
| B043285 | 02.040 | 20 | B044055 | 04.070 | 11 | B045799 | 02.190 | 11 |
| B04346600XB7 | 02.040 | 10 | B044056 | 04.070 | 12 | B045800 | 02.190 | 12 |
| B04346600XG7 | 02.040 | 10 | B044057 | 04.070 | 13 | CM001905 | 03.050 | 12 |
| B04346600XN6 | 02.040 | 10 | B044058 | 04.070 | 14 | CM001906 | 03.210 | 8 |
| B04346600XRA | 02.040 | 10 | B044059 | 04.070 | 15 | CM001907 | 03.210 | 7 |
| B04346700XB7 | 02.080 | 2 | B044060 | 04.070 | 16 | CM157101 | 03.180 | 12 |
| B04346700XG7 | 02.080 | 2 | B044061 | 04.070 | 19 | CM157102 | 03.180 | 12 |
| B04346700XN6 | 02.080 | 2 | B044062 | 04.070 | 20 | CM157103 | 03.180 | 12 |
| B04346700XNG | 02.080 | 2 | B044138 | 05.020 | 18 | CM157104 | 03.180 | 12 |
| B04346800XB7 | 02.080 | 1 | B044194 | 06.010 | 1 | CM157105 | 03.180 | 12 |
| B04346800XG7 | 02.080 | 1 | B044195 | 06.010 | 7 | CM157106 | 03.180 | 12 |
| B04346800XN6 | 02.080 | 1 | B044196 | 06.020 | 1 | CM157501 | 03.150 | 4 |
| B04346800XNG | 02.080 | 1 | B044197 | 06.010 | 2 | CM157502 | 03.150 | 4 |
| B04347500XB7 | 02.090 | 8 | B044198 | 06.010 | 3 | CM157503 | 03.150 | 4 |
| B04347500XNG | 02.090 | 8 | B044199 | 02.190 | 23 | CM158201 | 03.100 | 8 |
| B04347600XN6 | 02.090 | 1 | B044201 | 06.020 | 2 | CM158202 | 03.100 | 8 |
| B04347600XNG | 02.090 | 1 | B044202 | 06.020 | 2 | CM158203 | 03.100 | 8 |
| B04347600XRA | 02.090 | 1 | B044203 | 06.030 | 9 | CM158204 | 03.100 | 8 |
| B04347700XN6 | 02.140 | 11 | B044204 | 06.030 | 16 | CM158205 | 03.100 | 8 |
| B04347700XNG | 02.140 | 11 | B044205 | 06.040 | 1 | CM158206 | 03.100 | 8 |
| B04347700XRA | 02.140 | 11 | B044208 | 03.010 | 4 | CM158207 | 03.100 | 8 |
| B04347800XN6 | 02.140 | 10 | B044212 | 03.010 | 19 | CM158208 | 03.100 | 8 |
| B04347800XNG | 02.140 | 10 | B044213 | 03.010 | 2 | CM158209 | 03.100 | 8 |
| B04347800XRA | 02.140 | 10 | B044220 | 06.020 | 2 | CM158210 | 03.100 | 8 |
| B043541 | 01.050 | 12 | B044221 | 06.040 | 2 | CM158211 | 03.100 | 8 |
| B043681 | 02.190 | 45 | B044222 | 03.180 | 5 | CM158212 | 03.100 | 8 |
| B043688 | 02.190 | 15 | B044223 | 06.040 | 2 | CM222701 | 03.100 | 8 |
| B043689 | 02.190 | 24 | B044224 | 06.040 | 2 | CM222702 | 03.100 | 8 |
| B043690 | 02.190 | 37 | B044240 | 03.180 | 22 | CM222703 | 03.100 | 8 |
| B043691 | 02.190 | 38 | B044255 | 06.030 | 3 | CM222703 | 03.100 | 8 |
| B043692 | 02.190 | 21 | B044264 | 03.010 | 2 | CM222704 | 03.100 | 8 |
| B043693 | 02.190 | 22 | B044392 | 01.030 | 24 | CM222705 | 03.100 | 8 |
| B043694 | 02.190 | 17 | B044395 | 01.030 | 25 | CM222706 | 03.100 | 8 |
| B043695 | 02.190 | 18 | B044408 | 06.010 | 14 | CM222707 | 03.100 | 8 |
| B043696 | 02.190 | 19 | B044409 | 06.010 | 15 | CM222708 | 03.100 | 8 |
| B043697 | 02.190 | 20 | B044410 | 06.020 | 5 | CM222709 | 03.100 | 8 |
| B043698 | 02.190 | 25 | B044411 | 03.230 | 11 | CM222710 | 03.100 | 8 |
| B043699 | 02.190 | 26 | B044412 | 06.040 | 4 | CM222711 | 03.100 | 8 |
| B043700 | 02.190 | 27 | B044488 | 06.030 | 10 | CM222712 | 03.100 | 8 |
| B043701 | 02.190 | 28 | B044699 | 03.330 | 10 | CM225707 | 11.010 | 11 |
| B043702 | 02.190 | 11 | B044710 | 02.190 | 41 | CM225715 | 11.010 | 12 |
| B043703 | 02.190 | 12 | B045268 | 02.190 | 23 | CM225720 | 11.010 | 13 |
| B043704 | 02.190 | 31 | B045269 | 02.190 | 24 | CM225730 | 11.010 | 14 |
| B043705 | 02.190 | 32 | B045270 | 02.190 | 21 | CM227201 | 03.060 | 1 |
| B043706 | 02.190 | 33 | B045271 | 02.190 | 22 | CM2273015 | 03.010 | 1 |
| B043707 | 02.190 | 34 | B045272 | 02.190 | 9 | JC13102X05300 | 03.060 | 4 |
| B043708 | 02.190 | 35 | B045273 | 02.190 | 10 | JC33510X94000 | 11.010 | 24 |
| B043709 | 02.190 | 36 | B045274 | 02.190 | 17 | | | |
| B043768 | 01.030 | 4 | B045275 | 02.190 | 18 | | | |
| B043773 | 09.010 | 6 | B045276 | 02.190 | 11 | | | |
| B043788 | 03.220 | 1 | B045277 | 02.190 | 12 | | | |
| B043812 | 06.040 | 1 | B045278 | 02.190 | 33 | | | |
| B043826 | 03.010 | 6 | B045279 | 02.190 | 34 | | | |
| B043834 | 03.010 | 23 | B045280 | 02.190 | 31 | | | |

| | |
|--------------------|--------|
| Group | Frame |
| Code | 01.010 |
| Description | Frame |
| Service | 1 |



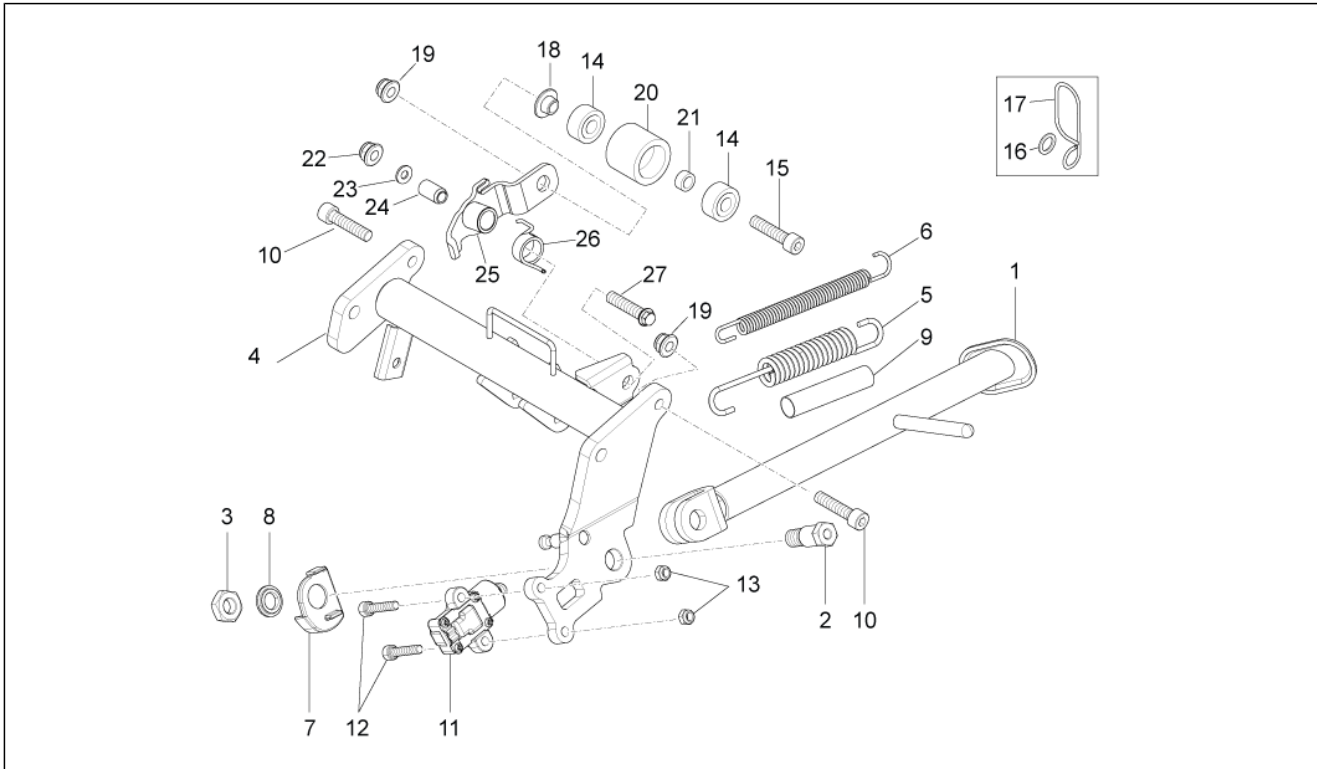
| Pos. | Code | Description | Qty | Variants |
|------|-------------|-------------------------|-----|----------|
| 1 | 89805500XH4 | Frame, grey | 1 | |
| 2 | AP8150017 | Washer 8,4x16x1,6 | 14 | |
| 3 | AP8152292 | Screw w/ flange | 7 | |
| 4 | AP8152350 | Nut | 7 | |
| 5 | AP8152300 | Self-locking nut M8 | 2 | |
| 6 | 897279 | Saddle support | 1 | |
| 7 | AP8102902 | Hex threaded insert | 1 | |
| 8 | AP8201755 | Threaded rivet | 6 | |
| 9 | AP8121882 | Cable-guide | 2 | |
| 10 | 858903 | Headlight support clamp | 1 | |
| 11 | AP8150538 | Hex socket screw M5x10 | 2 | |
| 12 | AP8144606 | Gasket 10X5 | 1 | |
| 13 | AP8152278 | Screw w/ flange M6x16 | 4 | |
| 14 | AP8150038 | Hex socket screw M10x45 | 4 | |
| 15 | 890638 | Hex socket screw | 2 | |
| 16 | AP8150017 | Washer 8,4x16x1,6 | 4 | |
| 17 | AP8150020 | Washer 10,5x21x2* | 4 | |
| 18 | AP8150292 | Curved spring washer * | 2 | |
| 19 | AP8150376 | Washer 8,5x15x0,8 | 2 | |
| 20 | 478761 | Hex socket screw | 2 | |
| 21 | 898365 | Front frame | 1 | |
| 22 | AP8221213 | Captive nut M6 | 2 | |
| 23 | 898907 | LH engine support | 1 | |
| 24 | 898908 | RH engine support | 1 | |
| 25 | 00402100001 | Washer | 2 | |
| 26 | 00002011600 | screw M10 | 2 | |

| | |
|--------------------|------------|
| Group | Frame |
| Code | 01.020 |
| Description | Foot rests |
| Service | 1 |



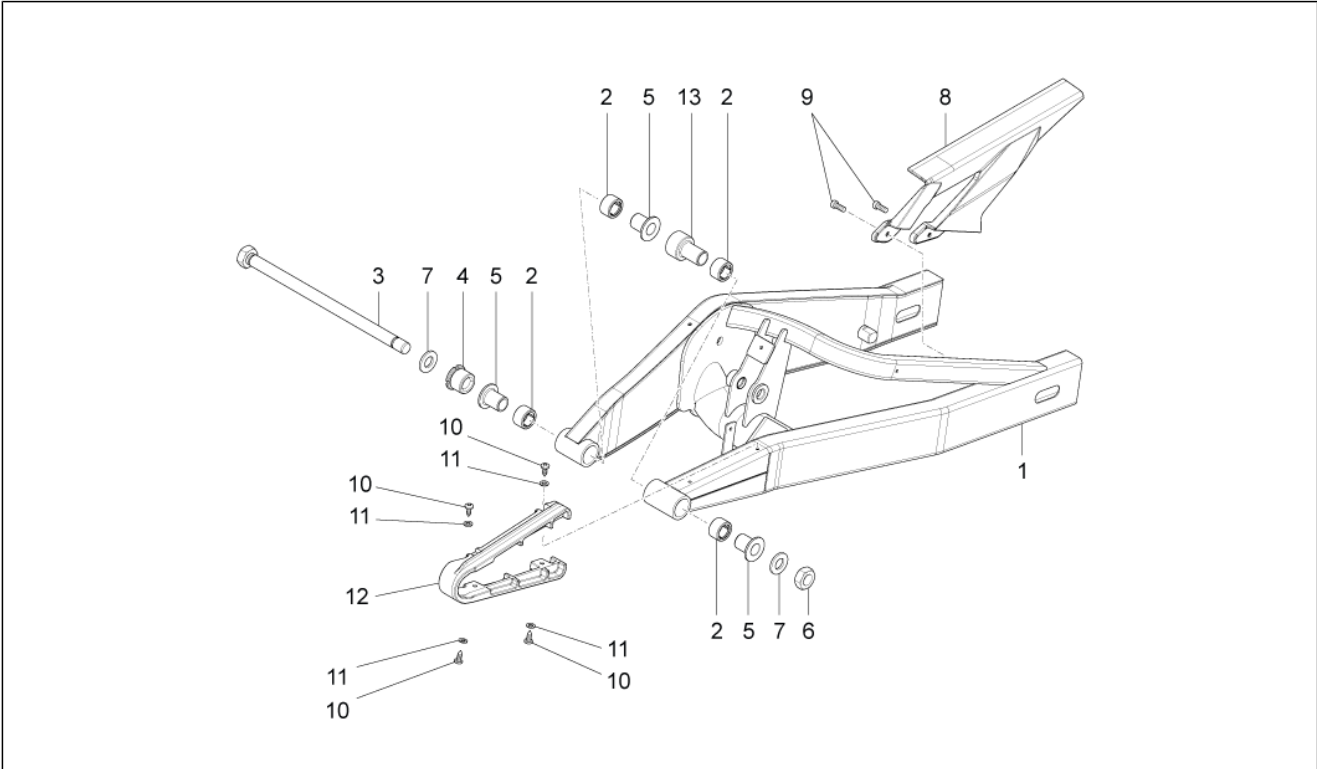
| Pos. | Code | Description | Qty | Variants |
|------|-------------|---------------------------|-----|----------|
| 1 | 897579 | RH footrest support | 1 | |
| 2 | 897578 | LH footrest support | 1 | |
| 3 | AP8150431 | Low nut M8 | 2 | |
| 4 | AP8152290 | Screw w/ flange M8x40 | 4 | |
| 5 | AP8134829 | Footrest pin | 2 | |
| 6 | 890208 | Footrest plate | 4 | |
| 7 | AP8101861 | Ball D6,35 | 2 | |
| 8 | AP8121133 | Coil compress. spring | 2 | |
| 9 | AP8146865 | Rear footrest, LH | 1 | |
| 10 | AP8152409 | Stop ring | 2 | |
| 11 | AP8146864 | Rear footrest, RH | 1 | |
| 12 | AP8121134 | Footrest pin | 2 | |
| 13 | AP8221286 | Footrest pin | 2 | |
| 14 | AP8132957 | RH Foot rests | 1 | |
| 15 | AP8121939 | RH front footrest spring | 1 | |
| 16 | 866142 | LH front footrest guard | 1 | |
| 17 | 866141 | RH front footrest guard | 1 | |
| 18 | 866138 | RH front footrest bracket | 1 | |
| 19 | 866139 | LH front footrest bracket | 1 | |
| 20 | AP8152272 | Screw w/ flange M5x12 | 4 | |
| 21 | AP8132958 | LH Foot rests | 1 | |
| 22 | AP8121940 | LH front footrest spring | 1 | |
| 23 | 00003515370 | Washer | 2 | |
| 24 | 866215 | Fork | 2 | |
| 25 | AP8152196 | Screw M8x26 | 2 | |
| 26 | AP8152300 | Self-locking nut M8 | 2 | |
| 27 | AP8120592 | Washer | 2 | |
| 28 | AP8150170 | Hex socket screw M8x25 | 2 | |

| | |
|--------------------|---------------|
| Group | Frame |
| Code | 01.030 |
| Description | Central stand |
| Service | 1 |



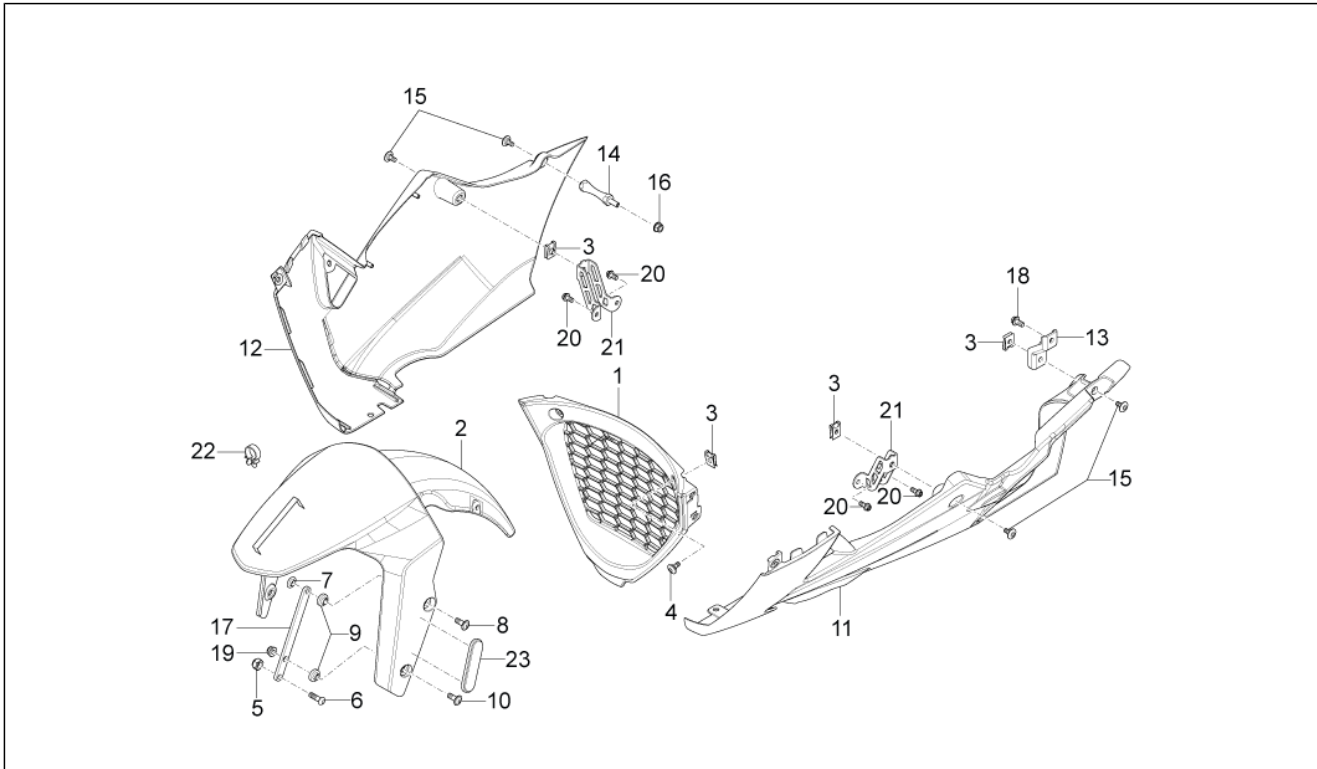
| Pos. | Code | Description | Qty | Variants |
|------|-----------|---------------------------------|-----|----------|
| 1 | 899166 | Lateral stand | 1 | |
| 2 | AP8121999 | Stand pin | 1 | |
| 3 | AP8152001 | Low nut M10x1,25 | 1 | |
| 4 | B043768 | Stand support | 1 | |
| 5 | AP8221204 | Lateral stand spring | 1 | |
| 6 | AP8221211 | Internal lateral stand spring | 1 | |
| 7 | AP8145056 | Central stand Cam | 1 | |
| 8 | AP8121080 | Spacer | 1 | |
| 9 | AP8102524 | Stand spring protection | 1 | |
| 10 | AP8150107 | Hex socket screw M8x30 | 2 | |
| 11 | AP8127856 | Lateral stand switch | 1 | |
| 12 | AP8152275 | Screw w/ flange M5x25 | 2 | |
| 13 | AP8152306 | Self-locking nut m5 | 2 | |
| 14 | AP9100175 | Ball bearing 8x22x7 | 2 | |
| 15 | AP8150164 | Hex socket screw M8x45 | 1 | |
| 16 | AP8150272 | Curved spring washer 5,3x10x0,5 | 1 | |
| 17 | AP8121889 | Cable-guide | 1 | |
| 18 | AP8150017 | Washer 8,4x16x1,6 | 1 | |
| 19 | AP8152300 | Self-locking nut M8 | 1 | |
| 20 | AP8161074 | Black chain guide roller | 1 | |
| 21 | AP8161076 | Spacer | 1 | |
| 22 | AP8152299 | Self-locking nut M6 | 1 | |
| 23 | AP8152181 | Washer 6,4x15x1 | 1 | |
| 24 | B044392 | Bush | 1 | |
| 25 | B044395 | Chain tens. plate | 1 | |
| 26 | AP8121939 | RH front footrest spring | 1 | |
| 27 | AP8152281 | Screw w/ flange M6x30 | 1 | |

| | |
|--------------------|-----------|
| Group | Frame |
| Code | 01.050 |
| Description | Swing arm |
| Service | 1 |



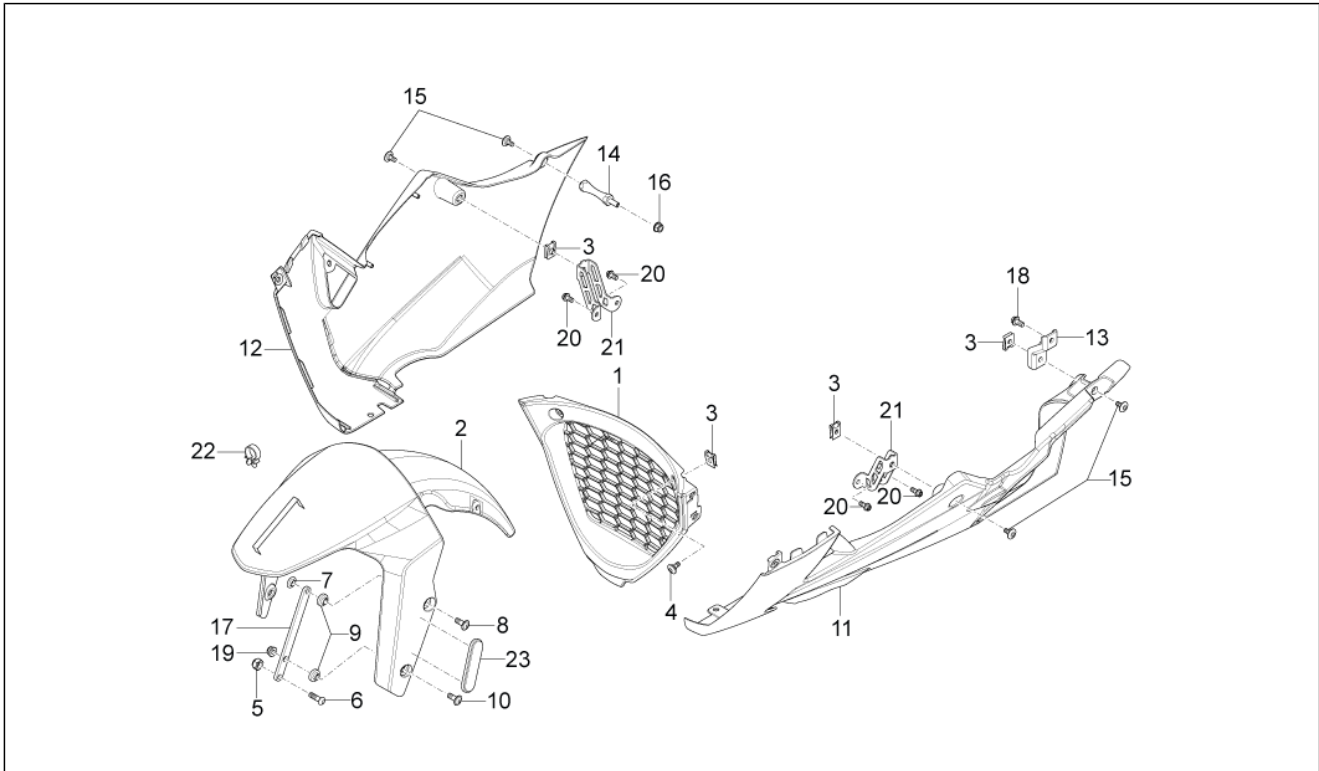
| Pos. | Code | Description | Qty | Variants |
|------|-------------|-------------------|-----|----------|
| 1 | 89947400XH4 | Swing arm, grey | 1 | |
| 2 | 00H00301811 | Ring nut | 4 | |
| 3 | 00H00305411 | Pin | 1 | |
| 4 | 865615 | Nut | 1 | |
| 5 | 866753 | Spacer | 3 | |
| 6 | 00H00300672 | Nut | 1 | |
| 7 | 00032015000 | Washer | 2 | |
| 8 | B043207 | Chain guard | 1 | |
| 9 | 00016041301 | screw | 2 | |
| 10 | 00011141300 | screw 4,8X13 | 4 | |
| 11 | AP8150177 | Washer 5,3X10X1 | 4 | |
| 12 | B043541 | Chain guide plate | 1 | |
| 13 | 866754 | LH spacer | 1 | |

| | |
|--------------------|-----------------------|
| Group | Body |
| Code | 02.030 |
| Description | Front mudguard-Pillar |
| Service | 1 |



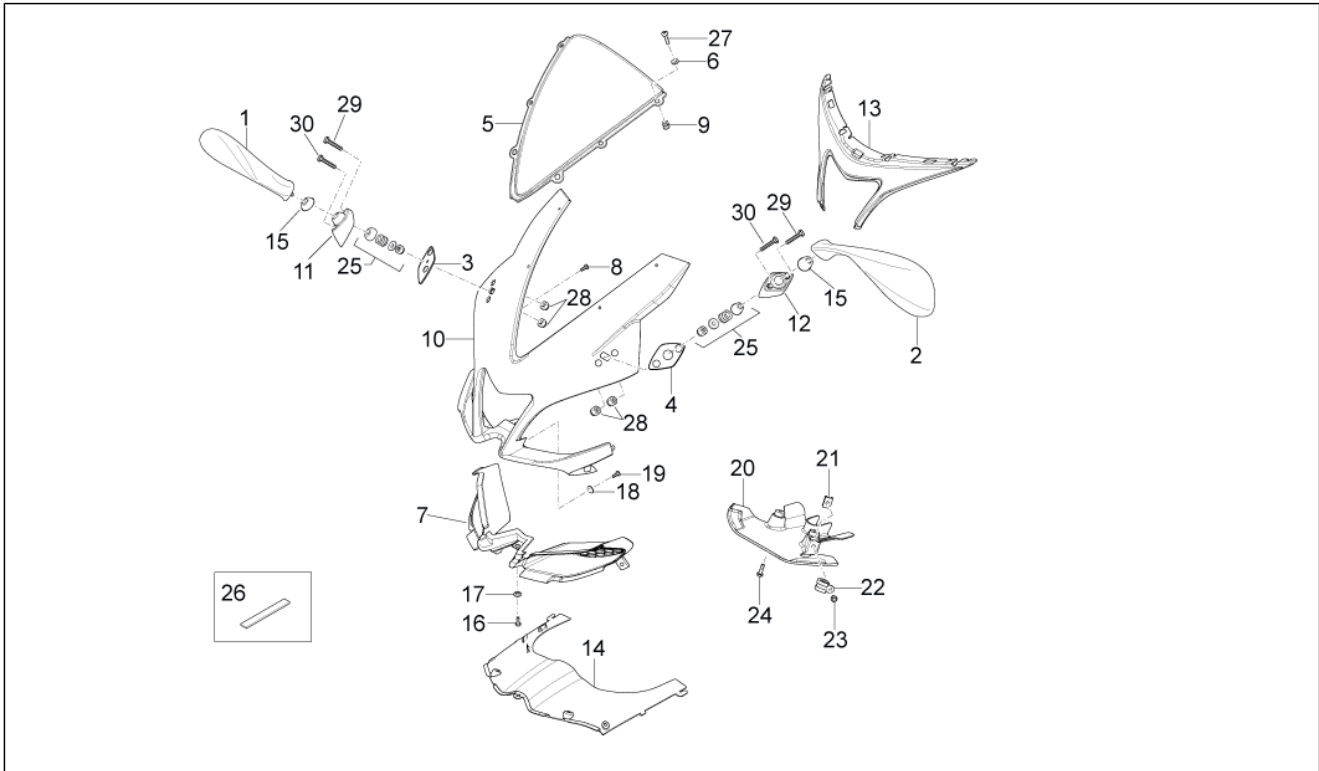
| Pos. | Code | Description | Qty | Variants |
|------|-------------|------------------------------|-----|--------------------------------------------------------------------------------------------------------------------------------------------|
| 1 | 858827 | Pillar | 1 | |
| 2 | 897700 | Parafango anteriore nero | 1 | |
| 3 | AP8102375 | Clip m5 | 5 | |
| 4 | AP8150500 | Hex socket screw M5x9 | 2 | |
| 5 | AP8150115 | Low self-locking nut M6 | 2 | |
| 6 | AP8152137 | Hex socket screw M6x20 | 2 | |
| 7 | AP8121032 | Bush | 2 | |
| 8 | AP8152246 | Screw w/ flange M6x16 | 2 | |
| 9 | AP8120531 | Rubber w/ insert * | 2 | |
| 10 | 00H01503701 | screw | 2 | |
| 11 | 89768900XN3 | Carena inferiore SX nero | 1 | Vehicle colour: Nero Diablo 2013[bd], Replica MY13[RP], Replica SBK MY12[sbk], Racing White (s.t.899864)[wh], Giallo Sunny 2013[yl] |
| 11 | 89768900XR3 | Carena inferiore SX rosso | 1 | Vehicle colour: Alitalia (s.t.899864)[ai], Black racing (s.t.899864)[blk] |
| 12 | 89768800XN3 | Carena inferiore DX nero | 1 | Vehicle colour: Nero Diablo 2013[bd], Replica MY13[RP], Replica SBK MY12[sbk], Racing White (s.t.899864)[wh], Giallo Sunny 2013[yl] |
| 12 | 89768800XR3 | Carena inferiore DX rosso | 1 | Vehicle colour: Alitalia (s.t.899864)[ai], Black racing (s.t.899864)[blk] |
| 13 | 866012 | Fairing fixing plate | 1 | |
| 14 | 890964 | Spacer | 1 | |
| 15 | AP8152339 | Screw w/ flange M5x9 | 4 | |
| 16 | AP8152299 | Self-locking nut M6 | 1 | |
| 17 | 867258 | Supporto parafango anteriore | 2 | |
| 18 | AP8152277 | Screw w/ flange M6x12 | 2 | |
| 19 | AP8152299 | Self-locking nut M6 | 1 | |
| 20 | AP8152272 | Screw w/ flange M5x12 | 4 | |
| 21 | 899071 | Fairing support | 2 | |

| | |
|--------------------|-----------------------|
| Group | Body |
| Code | 02.030 |
| Description | Front mudguard-Pillar |
| Service | 1 |



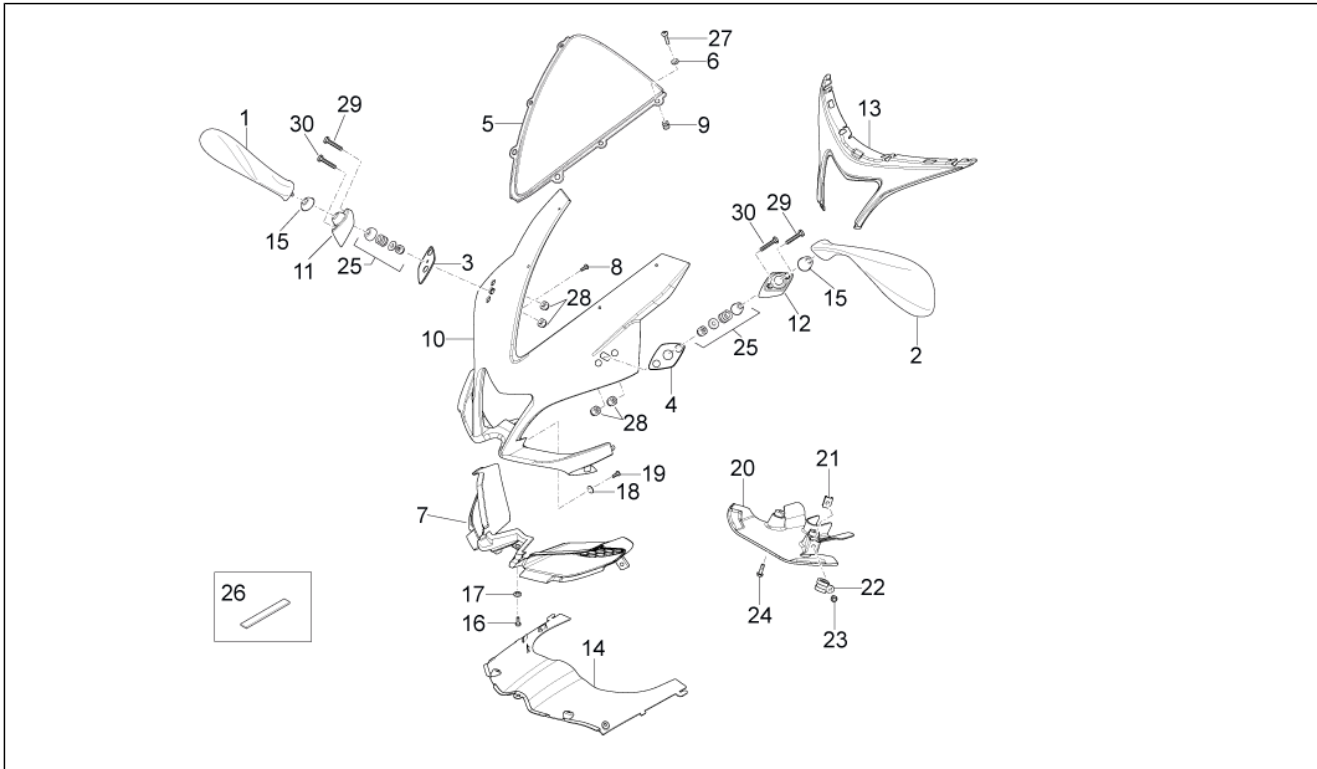
| Pos. | Code | Description | Qty | Variants |
|------|-----------|------------------|-----|--------------------|
| 22 | AP8161203 | Fairlead | 1 | |
| 23 | AP8224623 | Reflector, amber | 2 | Country:Russia[RU] |

| | |
|--------------------|---------------|
| Group | Body |
| Code | 02.040 |
| Description | Front fairing |
| Service | 1 |



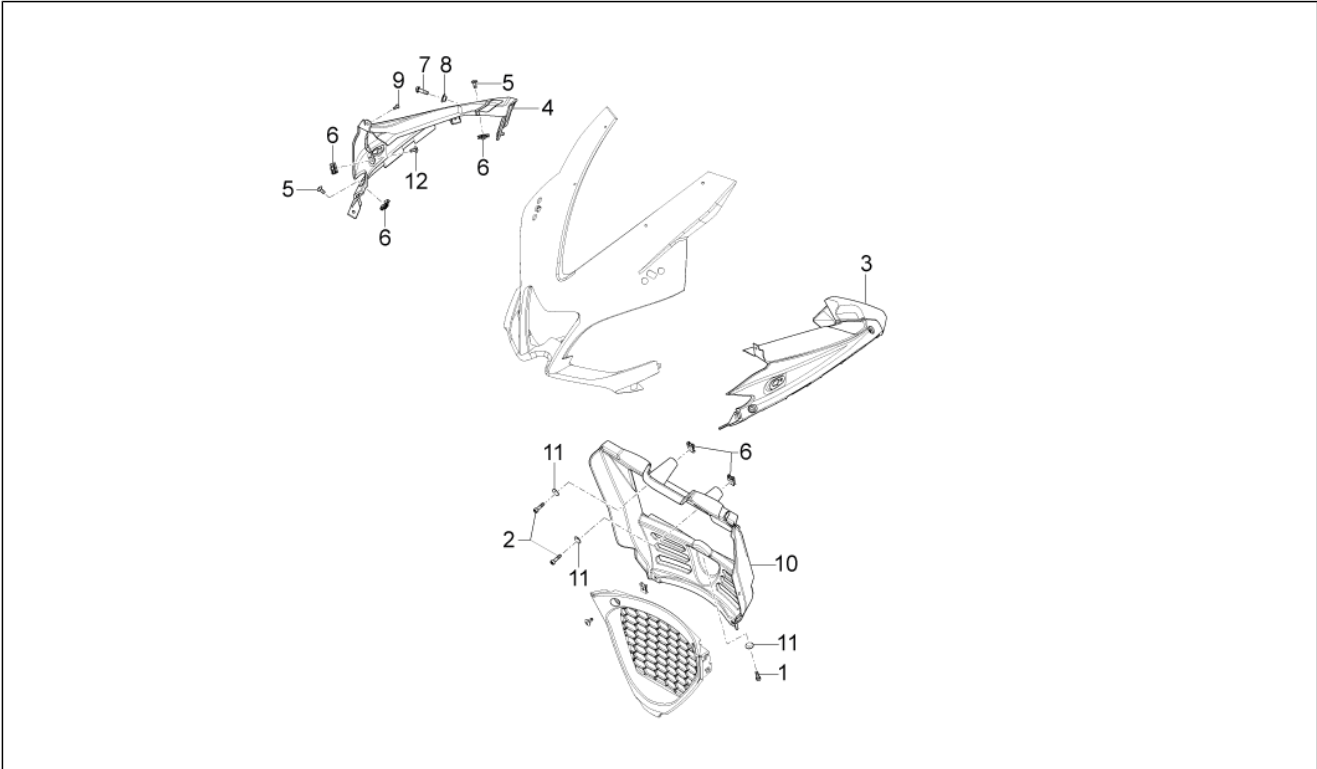
| Pos. | Code | Description | Qty | Variants |
|------|--------------|------------------------------|-----|--------------------------------------------------------------------------------------------------------------------------------------------------------------------------------|
| 1 | 852151 | RH rearview mirror | 1 | |
| 2 | 852152 | LH rearview mirror | 1 | |
| 3 | B043244 | RH gasket | 1 | |
| 4 | B043245 | LH gasket | 1 | |
| 5 | 858812 | Windshield | 1 | Vehicle colour: Black racing (s.t.899864)[blk], Racing White (s.t.899864)[wh] Technical specification: |
| 5 | 895869 | Windshield | 1 | Vehicle colour: Alitalia (s.t.899864)[ai], Nero Diablo 2013[bd], Replica MY13[RP], Replica SBK MY12[sbk] Technical specification: Without Decal[ND] |
| 5 | 895870 | Windshield | 1 | Country: Australia[AU] |
| 6 | 895916 | Plastic washer | 4 | |
| 7 | 897690 | Chiusura faro anteriore | 1 | |
| 8 | AP8150444 | Self-tapping screw | 2 | |
| 9 | AP8220186 | Rubber spacer | 2 | |
| 10 | B04346600XB7 | Front fairing, white | 1 | Vehicle colour: Racing White (s.t.899864)[wh] Technical specification: Without Decal[ND] |
| 10 | B04346600XG7 | Frontale carena v.giallo | 1 | Vehicle colour: Giallo Sunny 2013[y] Technical specification: Without Decal[ND] |
| 10 | B04346600XN6 | Front fairing, black | 1 | Vehicle colour: Nero Diablo 2013[bd] Technical specification: Without Decal[ND] |
| 10 | B04346600XRA | Front fairing, red | 1 | Vehicle colour: Alitalia (s.t.899864)[ai], Black racing (s.t.899864)[blk], Replica MY13[RP], Replica SBK MY12[sbk] Technical specification: Without Decal[ND] |
| 11 | B043242 | RH rearview mirror base | 1 | |
| 12 | B043243 | LH rearview mirror base | 1 | |
| 13 | B043208 | Mascherina coprifanale | 1 | |
| 14 | 858830 | Front fairing lower lockup | 1 | |
| 15 | AP8102341 | Mirror joint cup | 2 | |
| 16 | AP8150515 | Vite automaschiante reg.faro | 1 | |

| | |
|--------------------|---------------|
| Group | Body |
| Code | 02.040 |
| Description | Front fairing |
| Service | 1 |



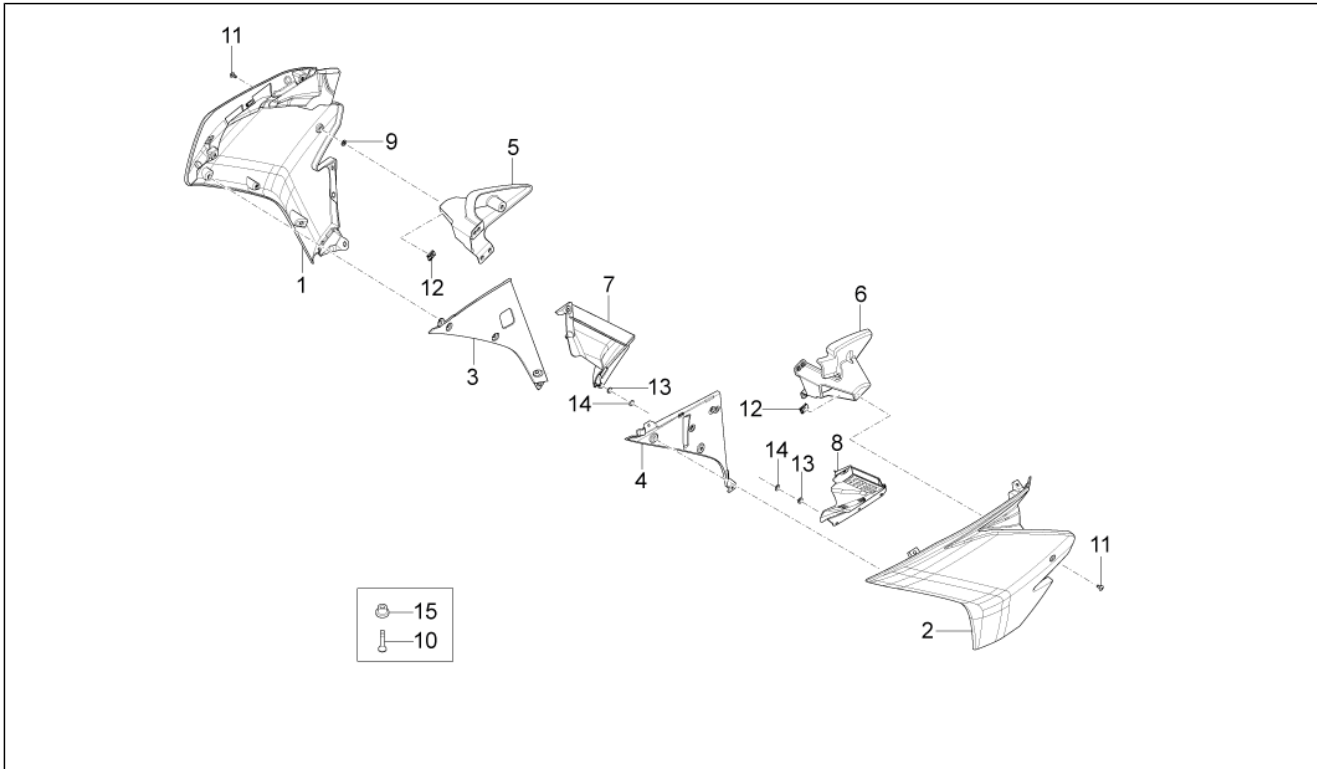
| Pos. | Code | Description | Qty | Variants |
|------|-----------|-----------------------------------|-----|----------|
| 17 | AP8121032 | Bush | 1 | |
| 18 | AP8150382 | Washer 15x5,5X1,2 | 4 | |
| 19 | AP8150509 | Self-tap screw 5x14 | 4 | |
| 20 | B043285 | Chiusura inferiore piastra sterzo | 1 | |
| 21 | 254485 | Spring plate M6 | 1 | |
| 22 | AP8134167 | Brake hose hanger | 1 | |
| 23 | AP8152342 | Screw w/ flange M6x12 | 1 | |
| 24 | AP8152277 | Screw w/ flange M6x12 | 2 | |
| 25 | AP8102909 | Mirror insertion kit | 2 | |
| 26 | AP8117033 | Adhesive sponge | 1 | |
| 27 | 581957 | Hex socket screw | 4 | |
| 28 | AP8150506 | Flanged nut | 4 | |
| 29 | AP8150073 | Hex screw M 6 x 30 | 2 | |
| 30 | AP8150148 | Hex screw M6x35 | 2 | |

| | |
|--------------------|--------|
| Group | Body |
| Code | 02.070 |
| Description | Duct |
| Service | 1 |



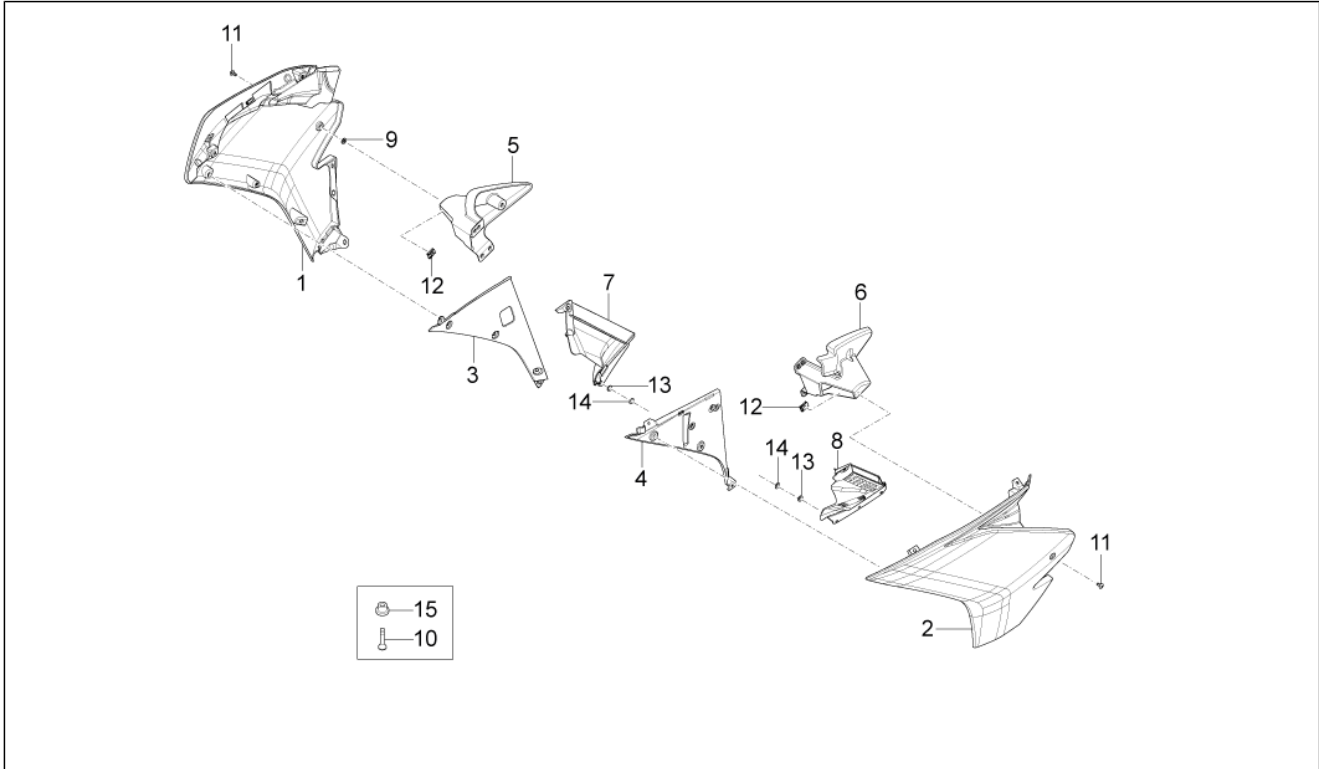
| Pos. | Code | Description | Qty | Variants |
|------|-----------|------------------------|-----|----------|
| 1 | AP8150050 | Hex socket screw M5x16 | 1 | |
| 2 | AP8150252 | Hex socket screw M5x20 | 2 | |
| 3 | 897694 | Chiusura sup.carena sx | 1 | |
| 4 | 897693 | Chiusura sup.carena dx | 1 | |
| 5 | 896174 | Hex socket screw M5x12 | 6 | |
| 6 | AP8102375 | Clip m5 | 8 | |
| 7 | AP8152279 | Screw w/ flange M6x20 | 2 | |
| 8 | AP8221349 | T bush | 2 | |
| 9 | AP8150444 | Self-tapping screw | 2 | |
| 10 | 898074 | Cornice radiatore | 1 | |
| 11 | AP8150248 | Washer 5,5x15x1,6 | 3 | |
| 12 | 895915 | Hex socket screw | 4 | |

| | |
|--------------------|--------------|
| Group | Body |
| Code | 02.080 |
| Description | Side fairing |
| Service | 1 |



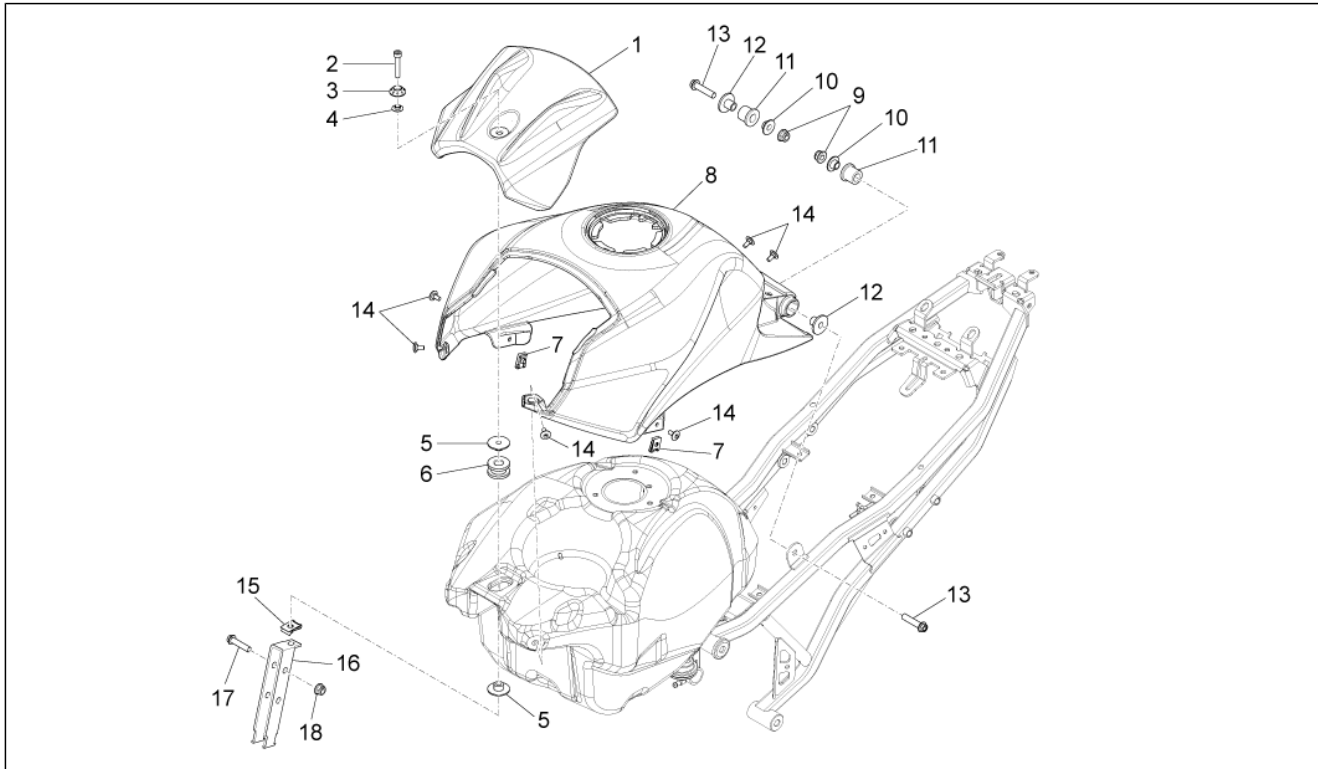
| Pos. | Code | Description | Qty | Variants |
|------|--------------|-----------------------------|-----|-----------------------------------------------------------------------------------------------------------------------------------------------------|
| 1 | B04346800XB7 | RH side fairing, white | 1 | Vehicle colour: Alitalia (s.t.899864)[ai], Racing White (s.t.899864)[wh] Technical specification: Without Decal[ND] |
| 1 | B04346800XG7 | RH lat.fairing, brio yellow | 1 | Vehicle colour: Giallo Sunny 2013[yj] Technical specification: Without Decal[ND] |
| 1 | B04346800XN6 | RH lat.fairing, black | 1 | Vehicle colour: Nero Diablo 2013[bd] Technical specification: Without Decal[ND] |
| 1 | B04346800XNG | RH lat.fairing, black | 1 | Vehicle colour: Black racing (s.t.899864)[blk], Replica MY13[RP], Replica SBK MY12[sbk] Technical specification: Without Decal[ND] |
| 2 | B04346700XB7 | LH side fairing, white | 1 | Vehicle colour: Alitalia (s.t.899864)[ai], Racing White (s.t.899864)[wh] Technical specification: Without Decal[ND] |
| 2 | B04346700XG7 | Carena lat.sx v.giallo | 1 | Vehicle colour: Giallo Sunny 2013[yj] Technical specification: Without Decal[ND] |
| 2 | B04346700XN6 | LH lat.fairing, black | 1 | Vehicle colour: Nero Diablo 2013[bd] Technical specification: Without Decal[ND] |
| 2 | B04346700XNG | LH lat.fairing, black | 1 | Vehicle colour: Black racing (s.t.899864)[blk], Replica MY13[RP], Replica SBK MY12[sbk] Technical specification: Without Decal[ND] |
| 3 | 858828 | RH internal fairing | 1 | |
| 4 | 858829 | LH internal fairing | 1 | |
| 5 | 899214 | Chiusura motore dx | 1 | |
| 6 | 899215 | Chiusura motore sx | 1 | |
| 7 | 893979 | RH puller | 1 | |
| 8 | 893980 | LH puller | 1 | |
| 9 | AP8120622 | Front dust cover ring | 4 | |
| 10 | AP8144563 | Rivet, male | 6 | |
| 11 | AP8152339 | Screw w/ flange M5x9 | 6 | |
| 12 | AP8102375 | Clip m5 | 4 | |
| 13 | AP8102504 | Rubber spacer | 5 | |

| | |
|--------------------|--------------|
| Group | Body |
| Code | 02.080 |
| Description | Side fairing |
| Service | 1 |



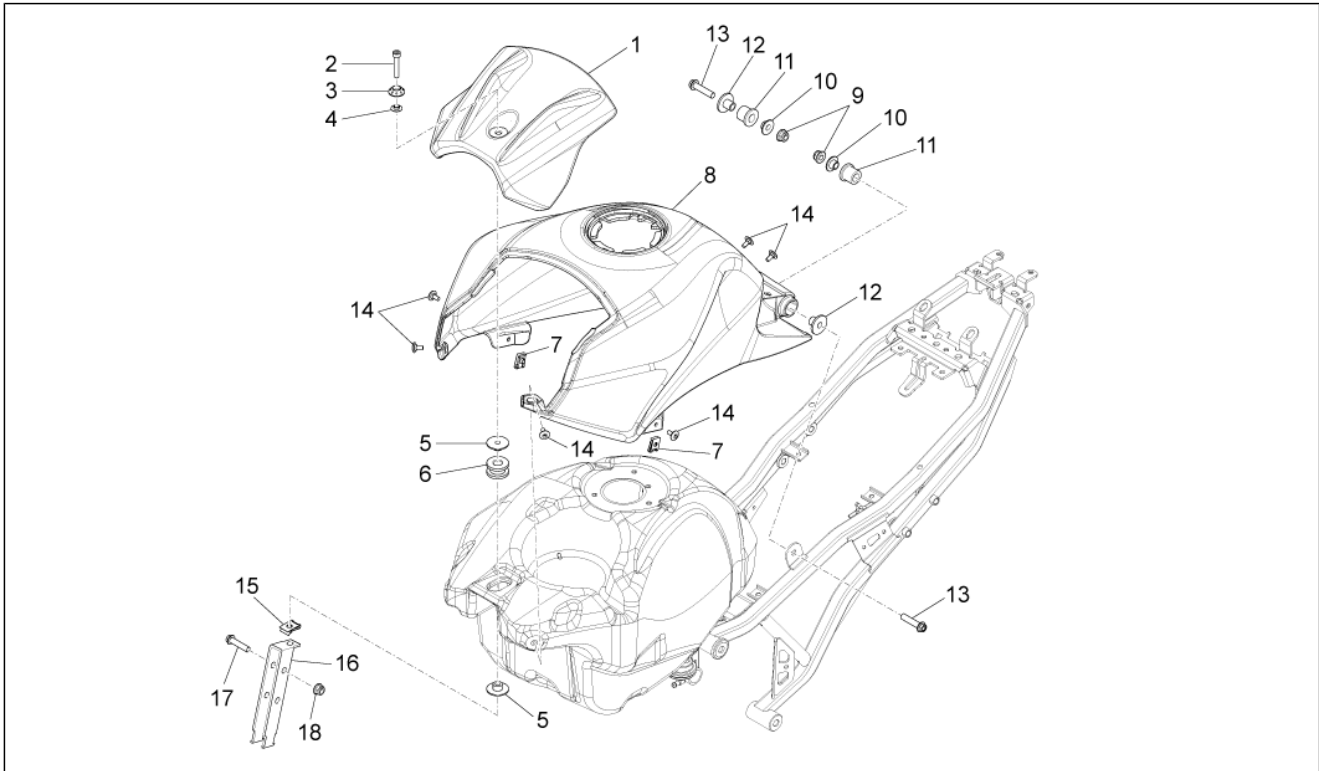
| Pos. | Code | Description | Qty | Variants |
|------|-----------|----------------------|-----|----------|
| 14 | AP8150450 | Washer for shafts D5 | 5 | |
| 15 | AP8144616 | Rivet, female | 6 | |

| | |
|--------------------|------------|
| Group | Body |
| Code | 02.090 |
| Description | Tank cover |
| Service | 1 |



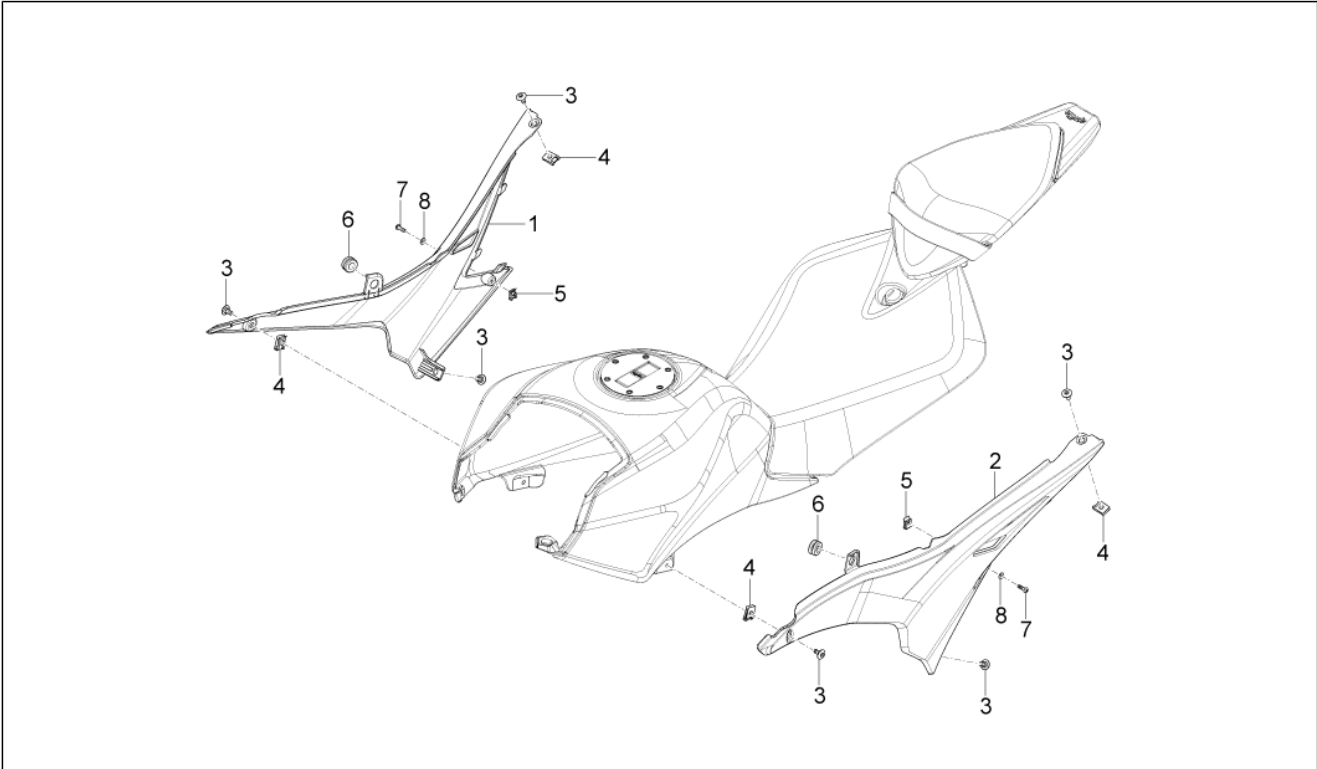
| Pos. | Code | Description | Qty | Variants |
|------|--------------|-------------------------------|-----|-----------------------------------------------------------------------------------------------|
| 1 | B04347600XN6 | Fuel tank cover, black | 1 | Vehicle colour:Nero Diablo 2013[bd], Replica MY13[RP] |
| 1 | B04347600XNG | Fuel tank cover, black | 1 | Vehicle colour:Alitalia (s.t.899864)[ai], Racing White (s.t.899864)[wh], Giallo Sunny 2013[y] |
| 1 | B04347600XRA | Fuel tank cover, red | 1 | Vehicle colour:Black racing (s.t.899864)[blk], Replica SBK MY12[sbk] |
| 2 | AP8150285 | Hex socket screw M6x35 | 1 | |
| 3 | AP8150536 | Special washer | 1 | |
| 4 | AP8121032 | Bush | 1 | |
| 5 | 898715 | T bush | 2 | |
| 6 | AP8144713 | Rubber spacer | 1 | |
| 7 | AP8102375 | Clip m5 | 2 | |
| 8 | 89769600XG7 | Cover serbatoio benz.v.giallo | 1 | Vehicle colour:Giallo Sunny 2013[y] Technical specification:Without Decal[ND] |
| 8 | 89769600XN1 | Fuel tank cover, black | 1 | Vehicle colour:Replica MY13[RP] |
| 8 | 89769600XN6 | Fuel tank cover, black | 1 | Vehicle colour:Nero Diablo 2013[bd] Technical specification:Without Decal[ND] |
| 8 | B04347500XB7 | Fuel tank cover, white | 1 | Vehicle colour:Alitalia (s.t.899864)[ai], Racing White (s.t.899864)[wh] |
| 8 | B04347500XNG | Fuel tank cover, black | 1 | Vehicle colour:Black racing (s.t.899864)[blk], Replica SBK MY12[sbk] |
| 9 | AP8152300 | Self-locking nut M8 | 2 | |
| 10 | AP8121716 | T bush | 2 | |
| 11 | AP8120947 | Rubber exhaust | 2 | |
| 12 | AP8121804 | Spacer * | 2 | |
| 13 | AP8152290 | Screw w/ flange M8x40 | 2 | |
| 14 | AP8152339 | Screw w/ flange M5x9 | 4 | |
| 15 | 254485 | Spring plate M6 | 1 | |
| 16 | AP8234153 | U-bolt | 1 | |
| 17 | AP8152281 | Screw w/ flange M6x30 | 2 | |

| | |
|--------------------|------------|
| Group | Body |
| Code | 02.090 |
| Description | Tank cover |
| Service | 1 |



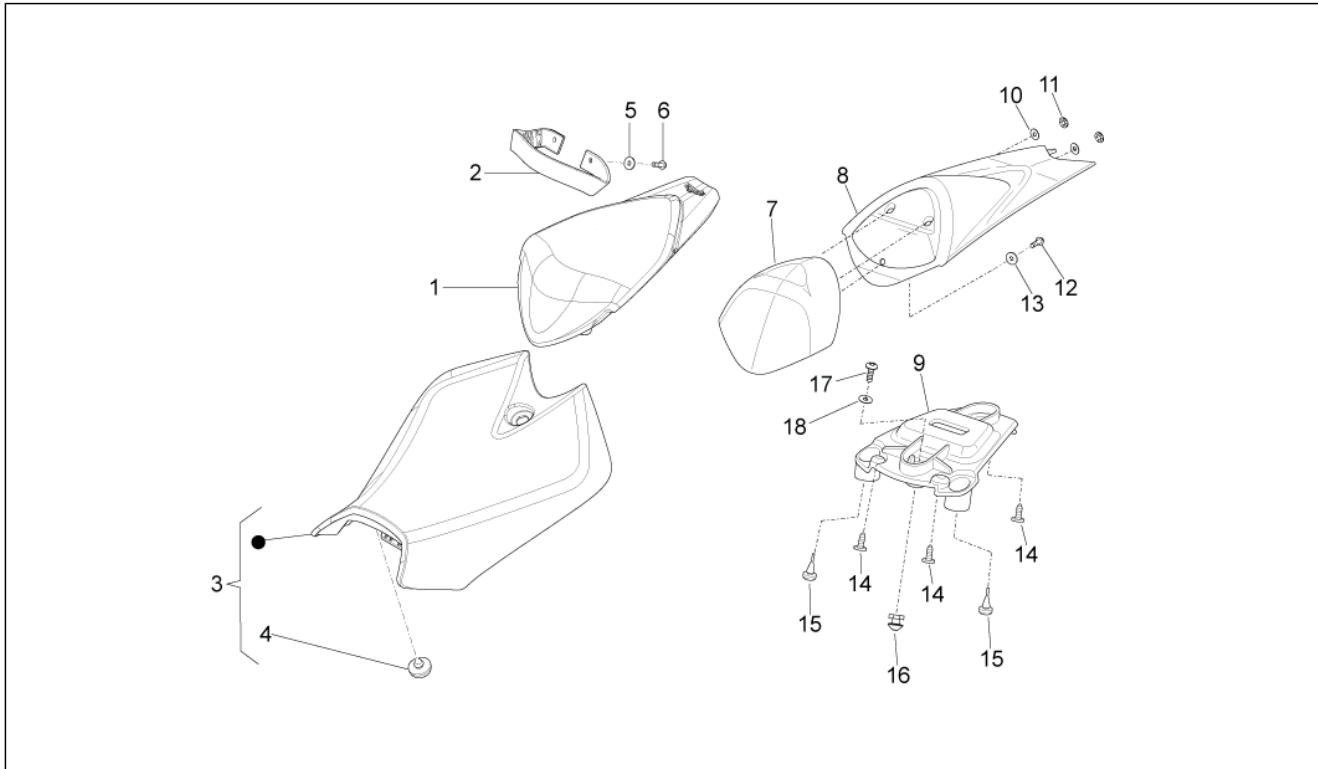
| Pos. | Code | Description | Qty | Variants |
|------|-----------|---------------------|-----|----------|
| 18 | AP8152299 | Self-locking nut M6 | 2 | |

| | |
|--------------------|--------------|
| Group | Body |
| Code | 02.100 |
| Description | Central body |
| Service | 1 |



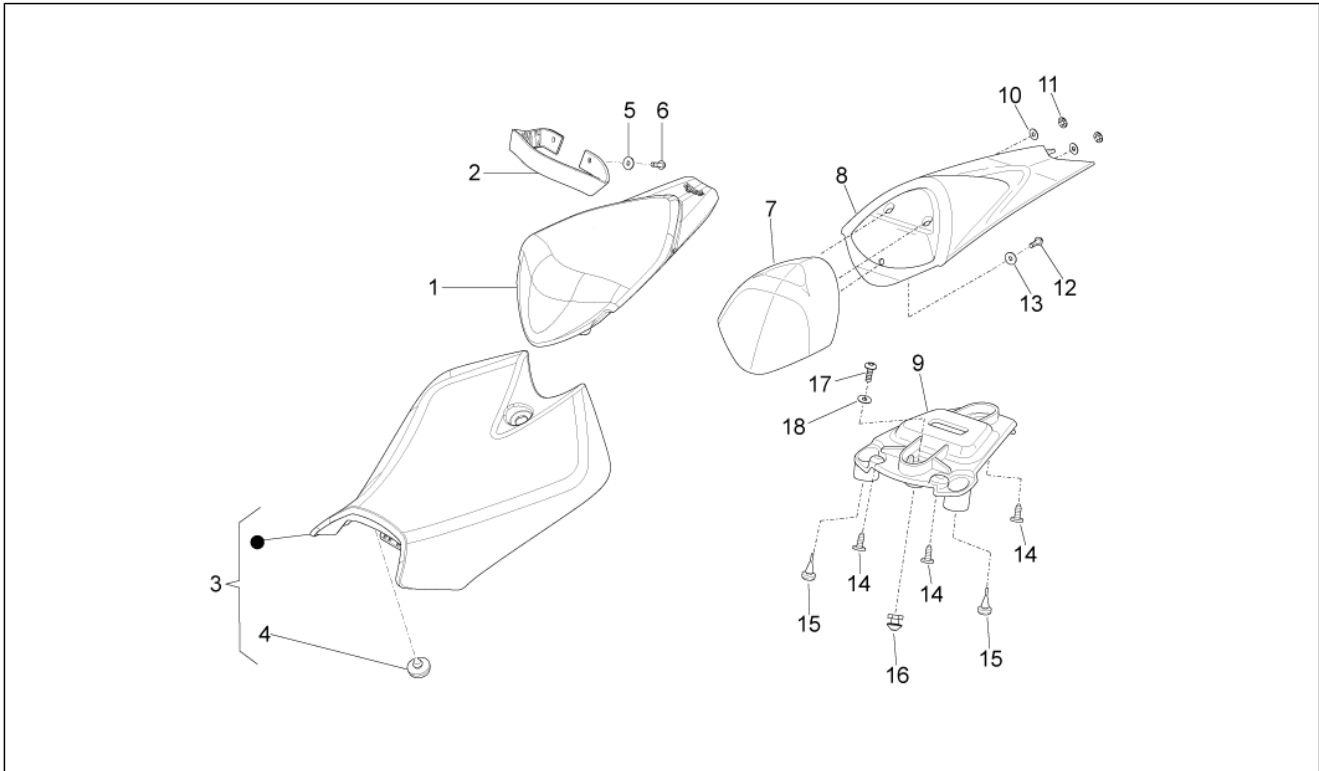
| Pos. | Code | Description | Qty | Variants |
|------|-----------|----------------------|-----|----------|
| 1 | 897691 | RH side panel | 1 | |
| 2 | 897692 | LH side panel | 1 | |
| 3 | AP8152339 | Screw w/ flange M5x9 | 6 | |
| 4 | AP8102375 | Clip m5 | 4 | |
| 5 | AP8102381 | Clip M4 | 2 | |
| 6 | AP8120030 | Rubber spacer | 2 | |
| 7 | AP8121184 | Screw M4x14 | 2 | |
| 8 | AP8150158 | Washer 4,3X9X0,8 | 2 | |

| | |
|--------------------|--------|
| Group | Body |
| Code | 02.120 |
| Description | Saddle |
| Service | 1 |



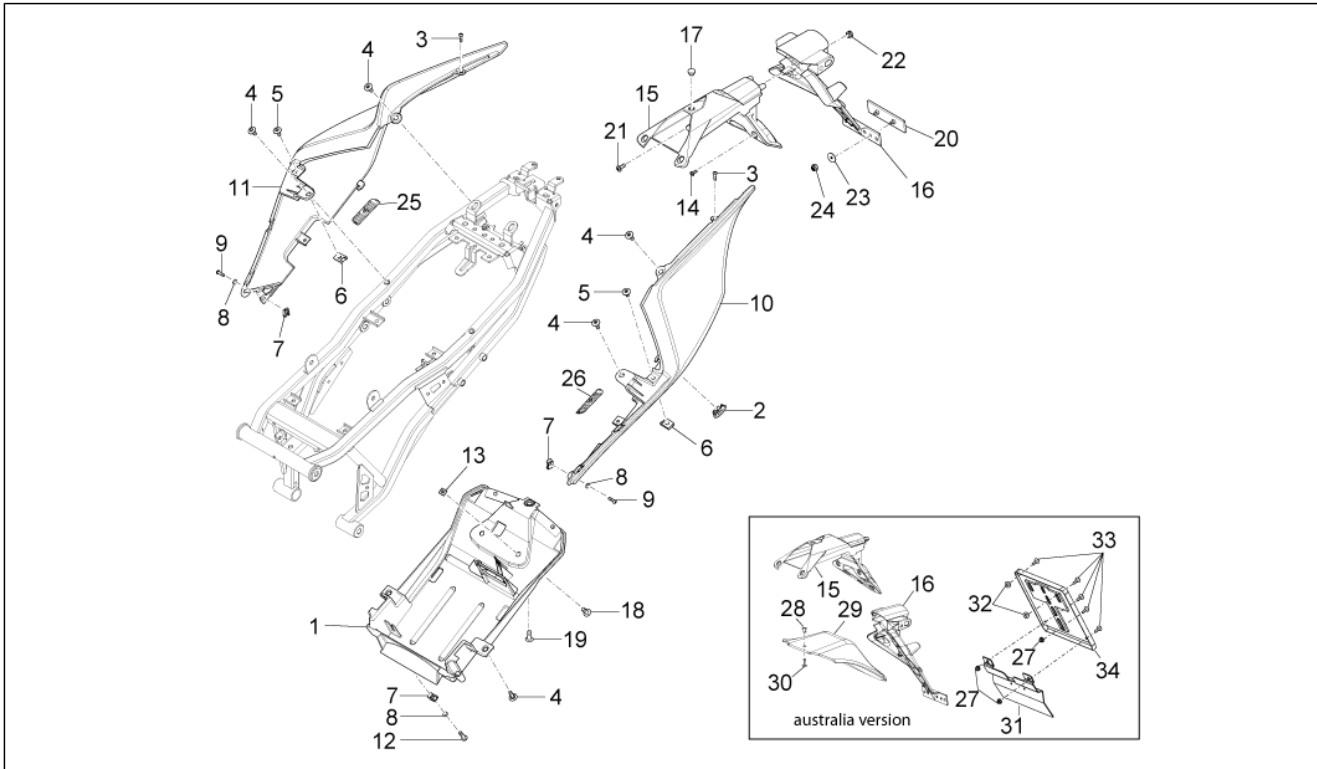
| Pos. | Code | Description | Qty | Variants |
|------|-------------|------------------------|-----|--------------------------------------------------------------------------------------------------------------------------------------------------------------|
| 1 | 89382400A1 | Rear saddle | 1 | |
| 2 | 85884400A1 | Belt | 1 | |
| 3 | 89912000C1 | Driver saddle | 1 | Vehicle colour: Alitalia (s.t.899864)[ai], Nero Diablo 2013[bd], Black racing (s.t.899864)[blk], Racing White (s.t.899864)[wh], Giallo Sunny 2013[yl] |
| 3 | 89912000C2 | Driver saddle, black | 1 | Year: 2012[C] Vehicle colour: Replica SBK MY12[sbk] |
| 4 | AP8220349 | Rubber spacer | 6 | |
| 5 | AP8150378 | Washer 6,4x18x2 | 2 | |
| 6 | AP8152279 | Screw w/ flange M6x20 | 2 | |
| 7 | B043934 | Cushion | 1 | Vehicle colour: Alitalia (s.t.899864)[ai], Replica MY13[RP], Replica SBK MY12[sbk] |
| 8 | 85883700XN6 | Saddle cover, black | 1 | Vehicle colour: Alitalia (s.t.899864)[ai], Replica MY13[RP], Replica SBK MY12[sbk] |
| 9 | 858838 | Saddle cover base | 1 | Vehicle colour: Alitalia (s.t.899864)[ai], Replica MY13[RP], Replica SBK MY12[sbk] |
| 10 | AP8102504 | Rubber spacer | 2 | Vehicle colour: Alitalia (s.t.899864)[ai], Replica MY13[RP], Replica SBK MY12[sbk] |
| 11 | AP8150450 | Washer for shafts D5 | 2 | Vehicle colour: Alitalia (s.t.899864)[ai], Replica MY13[RP], Replica SBK MY12[sbk] |
| 12 | AP8150421 | Self-tap screw 2,9x12 | 1 | Vehicle colour: Alitalia (s.t.899864)[ai], Replica MY13[RP], Replica SBK MY12[sbk] |
| 13 | AP8144565 | Nylon washer | 1 | Vehicle colour: Alitalia (s.t.899864)[ai], Replica MY13[RP], Replica SBK MY12[sbk] |
| 14 | AP8150413 | Self-tap screw 3,9x14 | 3 | Vehicle colour: Alitalia (s.t.899864)[ai], Replica MY13[RP], Replica SBK MY12[sbk] |
| 15 | AP8220238 | Rubber spacer | 2 | Vehicle colour: Alitalia (s.t.899864)[ai], Replica MY13[RP], Replica SBK MY12[sbk] |
| 16 | 893259 | Pin | 1 | Vehicle colour: Alitalia (s.t.899864)[ai], Replica MY13[RP], Replica SBK MY12[sbk] |
| 17 | AP8152043 | Hex socket screw M4x10 | 1 | Vehicle colour: Alitalia (s.t.899864)[ai], Replica MY13[RP], Replica SBK MY12[sbk] |

| | |
|--------------------|--------|
| Group | Body |
| Code | 02.120 |
| Description | Saddle |
| Service | 1 |



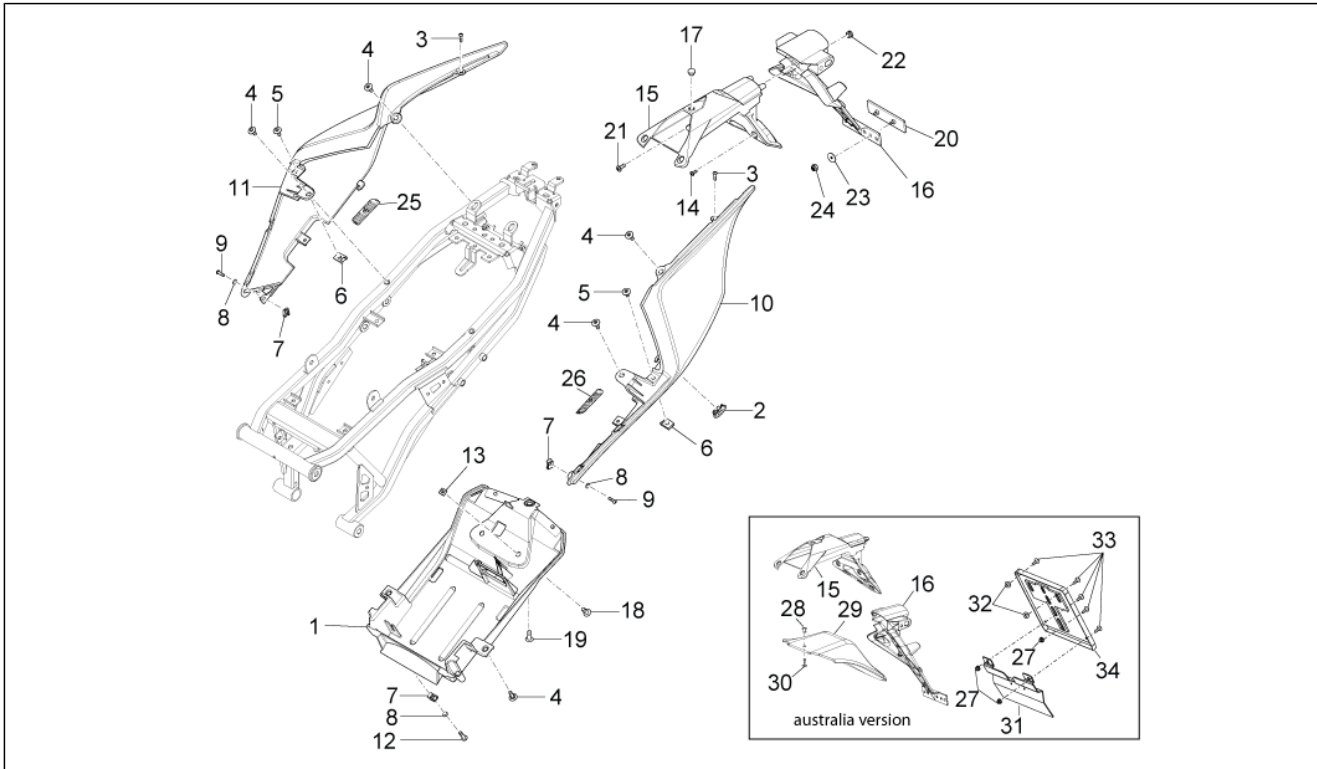
| Pos. | Code | Description | Qty | Variants |
|------|-----------|------------------|-----|--------------------------------------------------------------------------------------|
| 18 | AP8150158 | Washer 4,3X9X0,8 | 1 | Vehicle colour:Alitalia (s.t.899864)[ai], Replica MY13[RP], Replica SBK MY12[sbk] |

| | |
|--------------------|-----------|
| Group | Body |
| Code | 02.140 |
| Description | Rear body |
| Service | 1 |



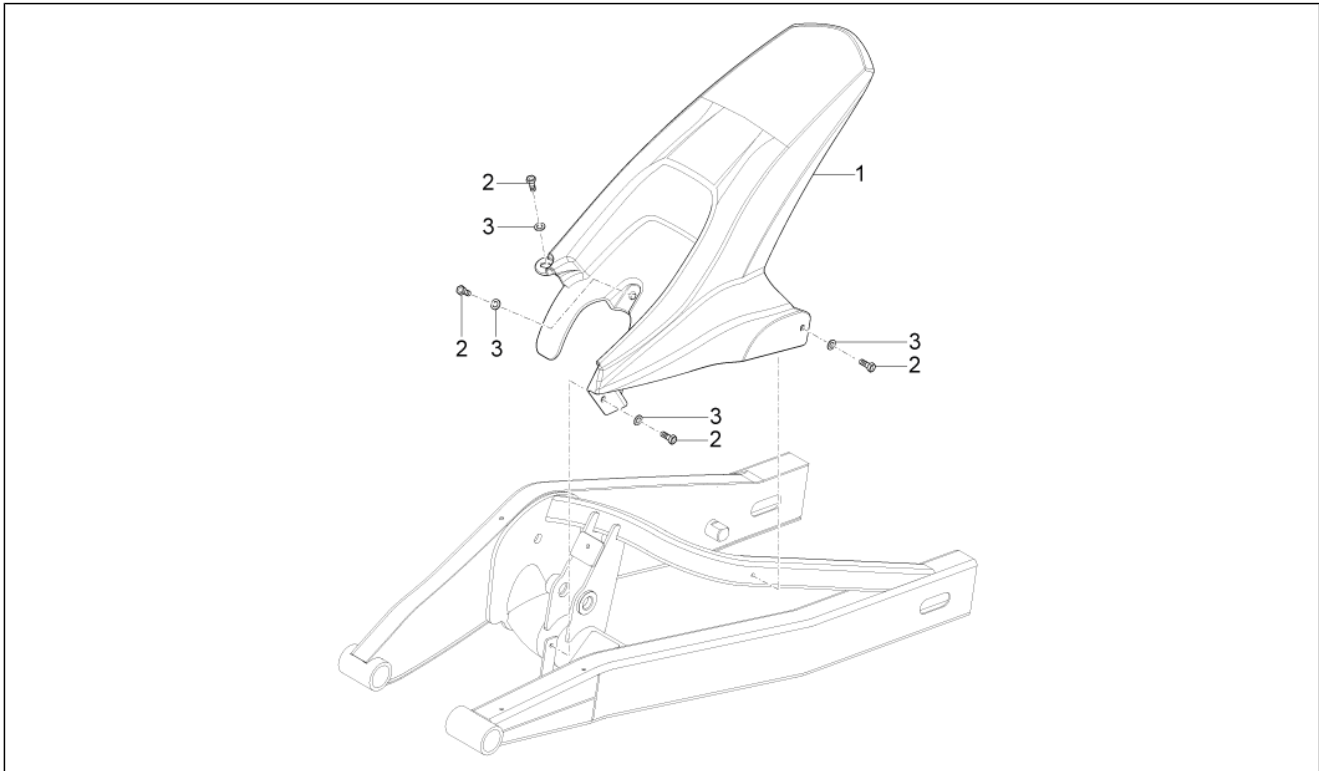
| Pos. | Code | Description | Qty | Variants |
|------|--------------|---------------------------|-----|---------------------------------------------------------------------------------------------------------------------------------------------------------------------------|
| 1 | 897614 | Undersaddle | 1 | |
| 2 | 899108 | Plug | 1 | |
| 3 | AP8121184 | Screw M4x14 | 2 | |
| 4 | AP8152302 | Screw w/ flange M5x12 | 6 | |
| 5 | AP8152339 | Screw w/ flange M5x9 | 2 | |
| 6 | AP8102375 | Clip m5 | 2 | |
| 7 | AP8102381 | Clip M4 | 2 | |
| 8 | AP8150158 | Washer 4,3X9X0,8 | 4 | |
| 9 | AP8150500 | Hex socket screw M5x9 | 2 | |
| 10 | B04347800XN6 | LH rear fairing, black | 0 | Vehicle colour: Nero Diablo 2013[bd] Technical specification: Without Decal[ND] |
| 10 | B04347800XNG | LH rear fairing, black | 1 | Vehicle colour: Replica MY13[RP], Replica SBK MY12[sbk], Racing White (s.t.899864)[wh], Giallo Sunny 2013[yi] Technical specification: Without Decal[ND] |
| 10 | B04347800XRA | LH rear fairing, red | 1 | Vehicle colour: Alitalia (s.t.899864)[ai], Black racing (s.t.899864)[blk] |
| 11 | B04347700XN6 | RH rear fairing, black | 1 | Vehicle colour: Nero Diablo 2013[bd] Technical specification: Without Decal[ND] |
| 11 | B04347700XNG | RH rear fairing, black | 1 | Vehicle colour: Replica MY13[RP], Replica SBK MY12[sbk], Racing White (s.t.899864)[wh], Giallo Sunny 2013[yi] Technical specification: Without Decal[ND] |
| 11 | B04347700XRA | RH rear fairing, red | 1 | Vehicle colour: Alitalia (s.t.899864)[ai], Black racing (s.t.899864)[blk] |
| 12 | AP8152329 | Phillips screw, SWP M5x20 | 2 | |
| 13 | AP8221213 | Captive nut M6 | 2 | |
| 14 | AP8150444 | Self-tapping screw | 4 | |
| 15 | 858840 | Upper Number plate holder | 1 | |
| 16 | 858842 | Lower Number plate holder | 1 | |
| 17 | 894657 | Cover | 1 | |
| 18 | AP8150509 | Self-tap screw 5x14 | 2 | |

| | |
|--------------------|-----------|
| Group | Body |
| Code | 02.140 |
| Description | Rear body |
| Service | 1 |



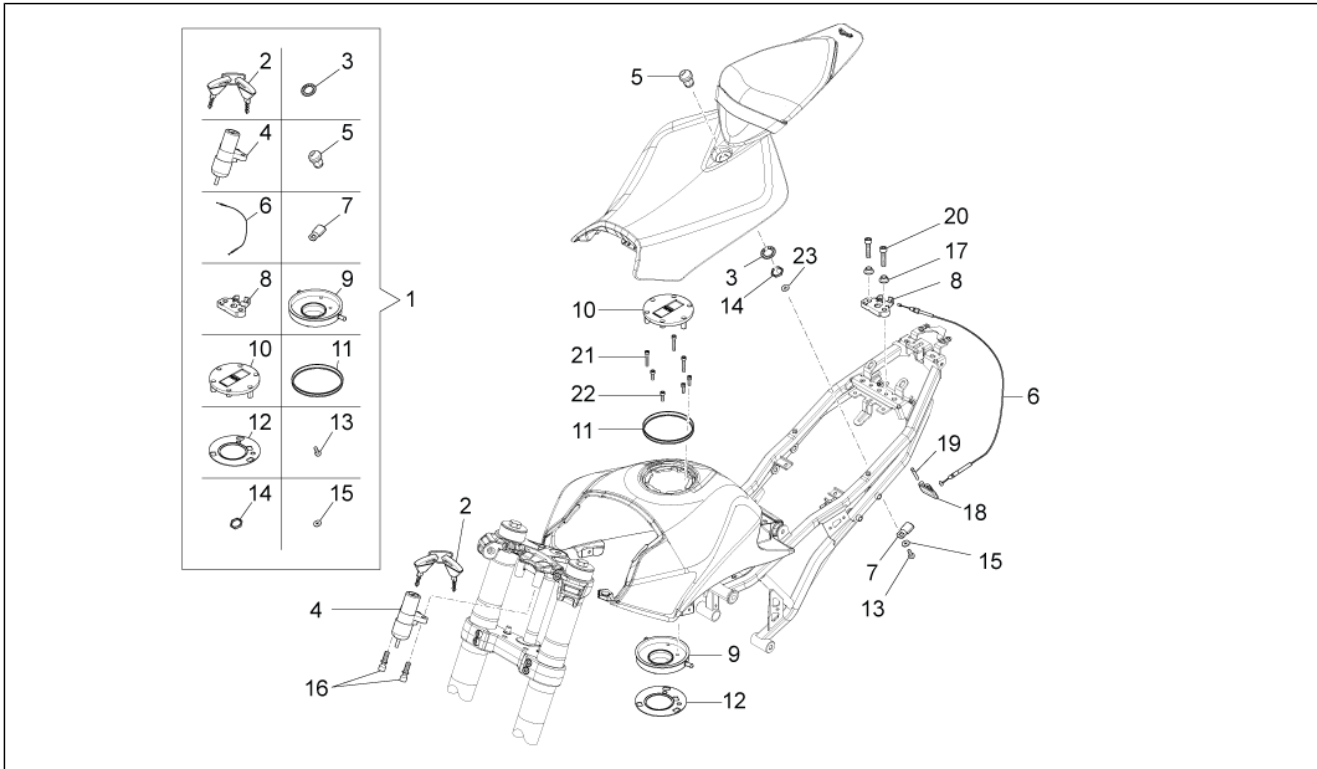
| Pos. | Code | Description | Qty | Variants |
|------|-----------|------------------------|-----|-----------------------------------------------------------------|
| 19 | AP8152246 | Screw w/ flange M6x16 | 1 | |
| 20 | AP8112916 | Rear reflector | 1 | |
| 21 | AP8152267 | Hex socket screw M5x12 | 1 | |
| 22 | AP8112600 | Rubber spacer | 1 | |
| 23 | AP8150158 | Washer 4,3X9X0,8 | 2 | |
| 24 | AP8150204 | Nut M4 | 2 | |
| 25 | 893108 | Net panel (r) | 1 | Vehicle colour:Alitalia (s.t.899864)[ai], Replica SBK MY12[sbk] |
| 26 | 893109 | Net panel (l) | 1 | Vehicle colour:Alitalia (s.t.899864)[ai], Replica SBK MY12[sbk] |
| 27 | AP8152306 | Self-locking nut m5 | 5 | |
| 28 | AP8144616 | Rivet, female | 1 | |
| 29 | 895487 | Upper Rear mudguard | 1 | |
| 30 | AP8144563 | Rivet, male | 1 | |
| 31 | 895488 | Lower Rear mudguard | 1 | |
| 32 | AP8150382 | Washer 15x5,5X1,2 | 2 | |
| 33 | AP8152298 | Screw w/ flange M5x16 | 5 | |
| 34 | 895914 | Number plate holder | 1 | |

| | |
|--------------------|---------------|
| Group | Body |
| Code | 02.150 |
| Description | Rear mudguard |
| Service | 1 |



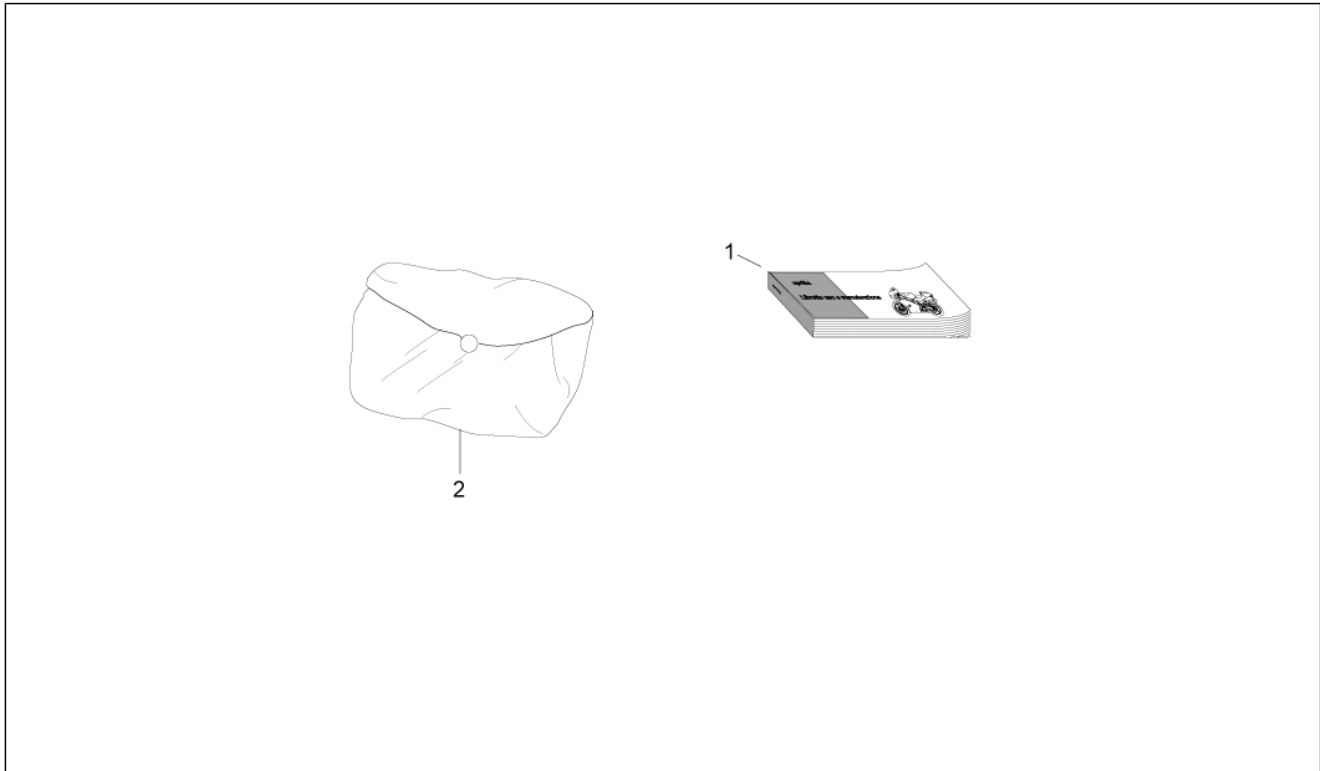
| Pos. | Code | Description | Qty | Variants |
|------|-------------|-------------------|-----|----------|
| 1 | B043209 | Rear mudguard | 1 | |
| 2 | 00011141300 | screw 4,8X13 | 4 | |
| 3 | AP8150248 | Washer 5,5x15x1,6 | 4 | |

| | |
|--------------------|--------|
| Group | Body |
| Code | 02.170 |
| Description | Locks |
| Service | 1 |



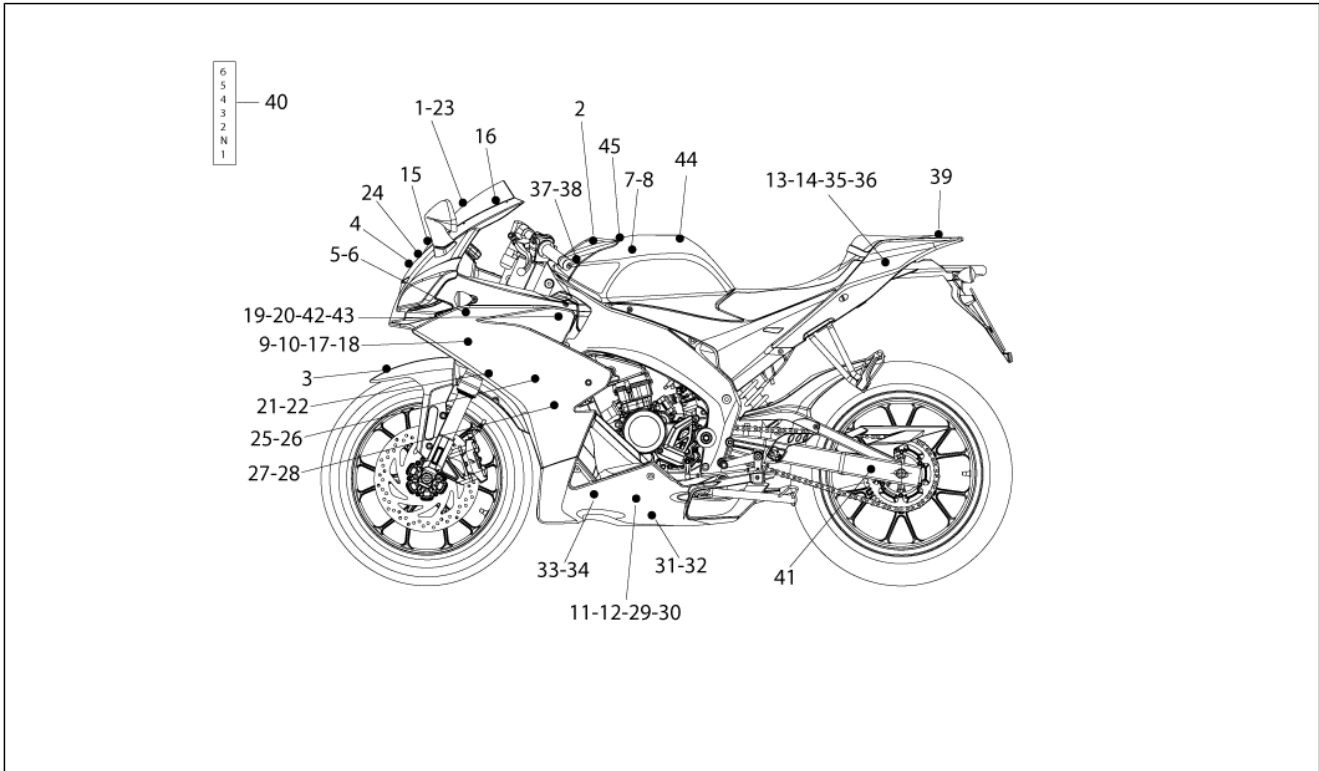
| Pos. | Code | Description | Qty | Variants |
|------|-------------|------------------------------|-----|----------|
| 1 | 85129R | Lock kit | 1 | |
| 2 | AP8140710 | "Aprilia" key w/out transpo. | 1 | |
| 3 | AP8201305 | Nickel plated lock washer * | 1 | |
| 4 | 899542 | Main switch | 1 | |
| 5 | 899104 | Block | 1 | |
| 6 | 898900 | Saddle release cable | 1 | |
| 7 | AP8201620 | Lever | 1 | |
| 8 | 899543 | Lock attachment plate | 1 | |
| 9 | 899107 | Fuel chamber | 1 | |
| 10 | 896487 | Fuel filler cap | 1 | |
| 11 | 899105 | Fuel filler cap gasket | 1 | |
| 12 | 899106 | Gasket | 1 | |
| 13 | AP8201749 | Screw M4x6 | 1 | |
| 14 | AP8152194 | Low nut M19x1* | 1 | |
| 15 | AP8201748 | Washer | 1 | |
| 16 | AP8152229 | Shear rivet M8x20 | 2 | |
| 17 | AP8221129 | Bush | 2 | |
| 18 | AP8161175 | Lever | 1 | |
| 19 | AP8161204 | Pin | 1 | |
| 20 | AP8150220 | Hex socket screw M6x30 | 2 | |
| 21 | AP8150453 | Hex socket screw M5x30 | 3 | |
| 22 | AP8150454 | Hex socket screw M5x16 | 4 | |
| 23 | 00H00601931 | Washer | 1 | |

| | |
|--------------------|---------------------|
| Group | Body |
| Code | 02.180 |
| Description | Plate set / Various |
| Service | 1 |



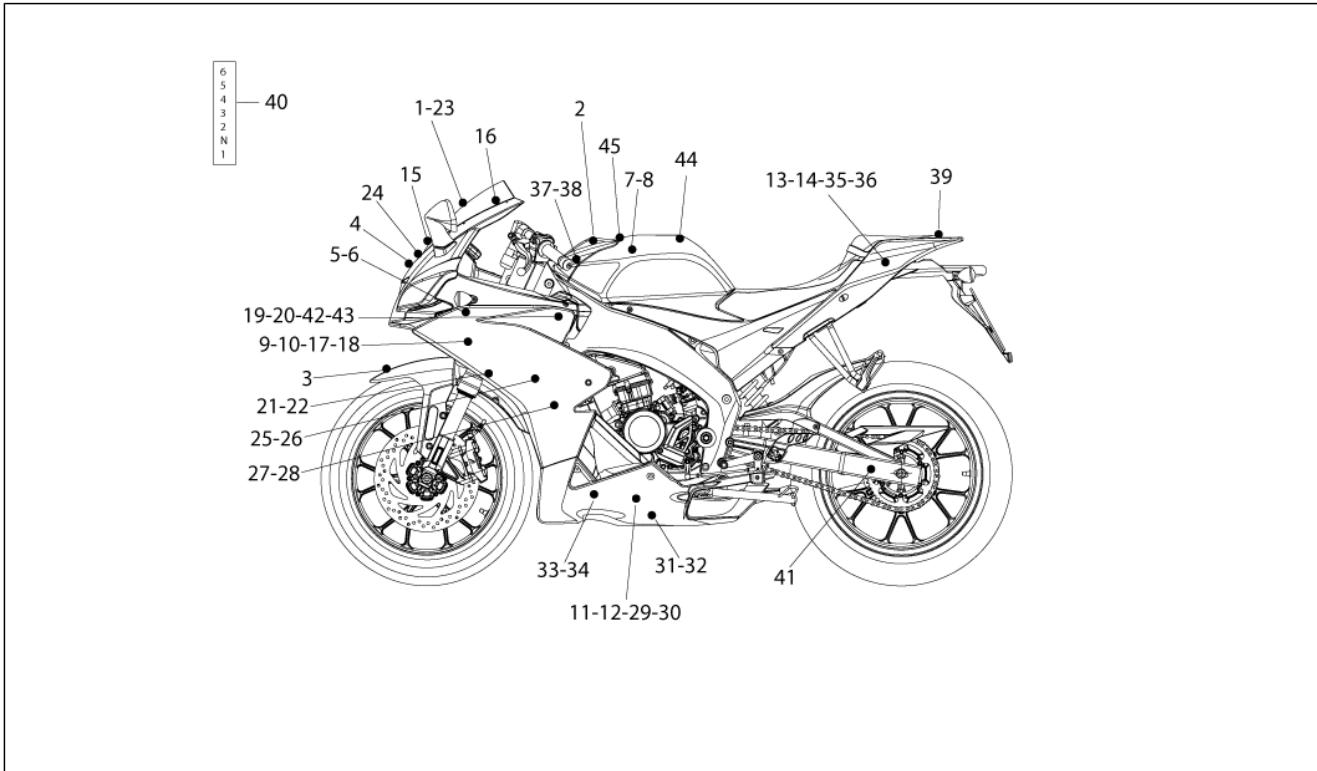
| Pos. | Code | Description | Qty | Variants |
|------|---------|--------------------------------------|-----|------------------------------------------------------------|
| 1 | B043163 | Libretto uso/manut. UK-NL-GR-DK-SF-F | 1 | Country:europa[EU] |
| 1 | B043164 | Libretto uso/manut.-I-E-F-D- | 1 | Year:2011[B], 2012[C] Country:Australia[AU], Russia[RU] |
| 1 | B043167 | Operator's handbook "J" | 1 | Year:2011[B], 2012[C] Country:Japan[J] |
| 1 | B045500 | [...] | 1 | Year:2012[C] Vehicle colour:Replica SBK MY12[skb] |
| 1 | B045501 | [...] | 1 | Year:2013[D] Country:Australia[AU] |
| 1 | B045505 | [...] | 1 | Year:2013[D] Country:Japan[J] |
| 2 | 863540 | Toolkit | 1 | |

| | |
|--------------------|--------|
| Group | Body |
| Code | 02.190 |
| Description | Decal |
| Service | 1 |



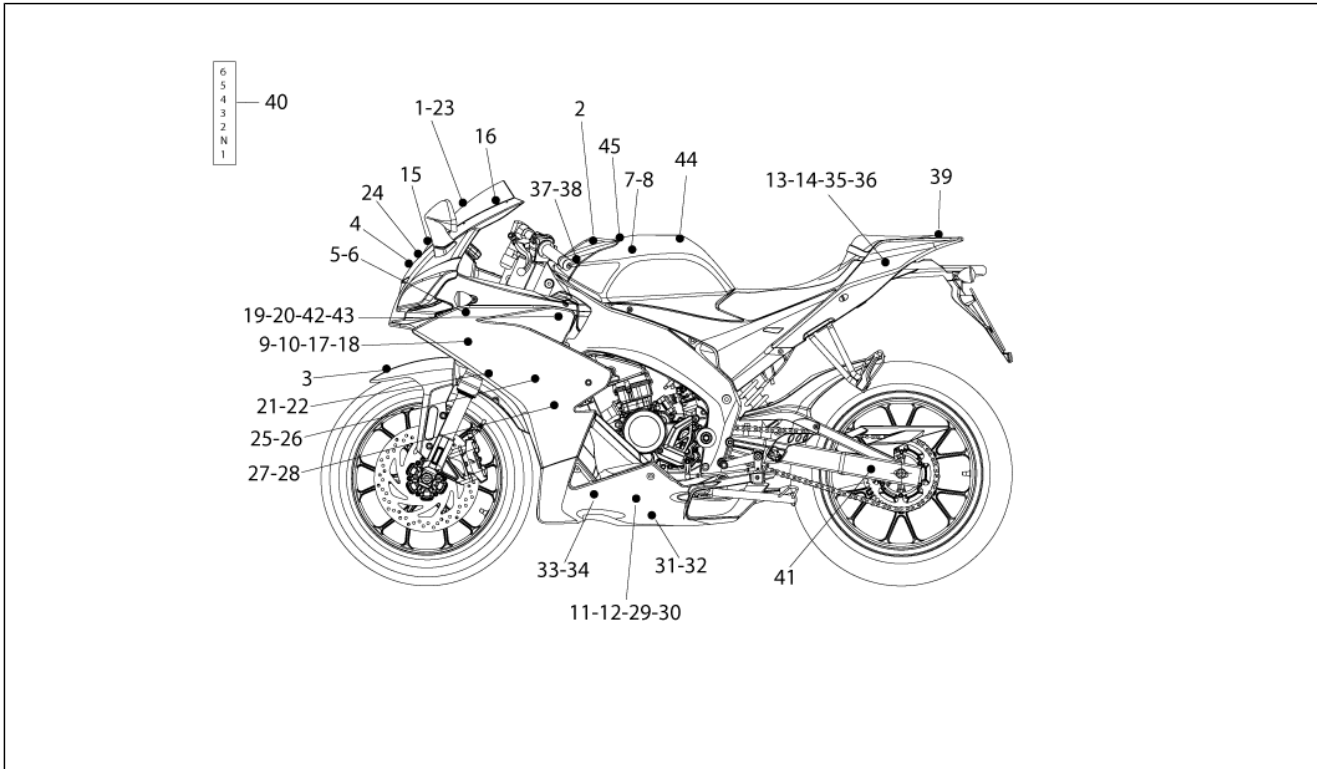
| Pos. | Code | Description | Qty | Variants |
|------|----------|---------------------------------------|-----|-------------------------------------------------------------------------------------------------------------------------------------------------------|
| 1 | 895335 | Windshield decal | 1 | Vehicle colour:Nero Diablo 2013[bd], Black racing (s.t.899864)[blk], Racing White (s.t.899864)[wh], Giallo Sunny 2013[yl] |
| 2 | 2B000051 | Decal 51 world championships | 1 | Vehicle colour:Nero Diablo 2013[bd], Replica MY13[RP], Giallo Sunny 2013[yl] |
| 2 | 899549 | Fuel tank decal "1 RSV4" | 1 | Vehicle colour:Racing White (s.t.899864)[wh] |
| 2 | 899550 | Fuel tank decal "1 RSV4" | 1 | Vehicle colour:Alitalia (s.t.899864)[ai], Black racing (s.t.899864)[blk] |
| 3 | 899867 | Front mudguard decal "aprilia racing" | 1 | Vehicle colour:Alitalia (s.t.899864)[ai], Black racing (s.t.899864)[blk], Replica SBK MY12[sbk], Racing White (s.t.899864)[wh], Giallo Sunny 2013[yl] |
| 3 | B045793 | Front mudguard decal "aprilia racing" | 1 | Vehicle colour:Nero Diablo 2013[bd] |
| 4 | 899868 | Front fairing decal | 1 | Vehicle colour:Black racing (s.t.899864)[blk], Racing White (s.t.899864)[wh], Giallo Sunny 2013[yl] |
| 4 | B045794 | Front fairing decal "italia" | 1 | Vehicle colour:Nero Diablo 2013[bd] |
| 5 | 893763 | RH Front fairing decal | 1 | Vehicle colour:Alitalia (s.t.899864)[ai], Replica SBK MY12[sbk], Giallo Sunny 2013[yl] |
| 6 | 893764 | LH Front fairing decal | 1 | Vehicle colour:Alitalia (s.t.899864)[ai], Replica SBK MY12[sbk], Giallo Sunny 2013[yl] |
| 7 | 2H000141 | RH Fuel tank decal "Aprilia" | 1 | Vehicle colour:Replica MY13[RP] |
| 7 | 899869 | RH Fuel tank decal "aprilia" | 1 | Vehicle colour:Alitalia (s.t.899864)[ai], Replica SBK MY12[sbk], Giallo Sunny 2013[yl] |
| 7 | B045795 | Dec.serbatoio dx "aprilia" | 1 | Vehicle colour:Nero Diablo 2013[bd] |
| 8 | 2H000142 | LH Fuel tank decal "aprilia" | 1 | Vehicle colour:Replica MY13[RP] |
| 8 | 899870 | LH Fuel tank decal "aprilia" | 1 | Vehicle colour:Alitalia (s.t.899864)[ai], Replica SBK MY12[sbk], Giallo Sunny 2013[yl] |
| 8 | B045796 | Dec.serbatoio dx "aprilia" | 1 | Vehicle colour:Nero Diablo 2013[bd] |
| 9 | 2H000145 | RH fairing decal "RS4" | 1 | Vehicle colour:Replica MY13[RP] |
| 9 | 899871 | RH fairing decal "RS4" | 1 | Vehicle colour:Black racing (s.t.899864)[blk] |
| 9 | 899877 | RH fairing decal "RS4" | 1 | Vehicle colour:Racing White (s.t.899864)[wh] |
| 9 | B045272 | RH fairing decal "RS4" | 1 | Year:2012[C] |

| | |
|--------------------|--------|
| Group | Body |
| Code | 02.190 |
| Description | Decal |
| Service | 1 |



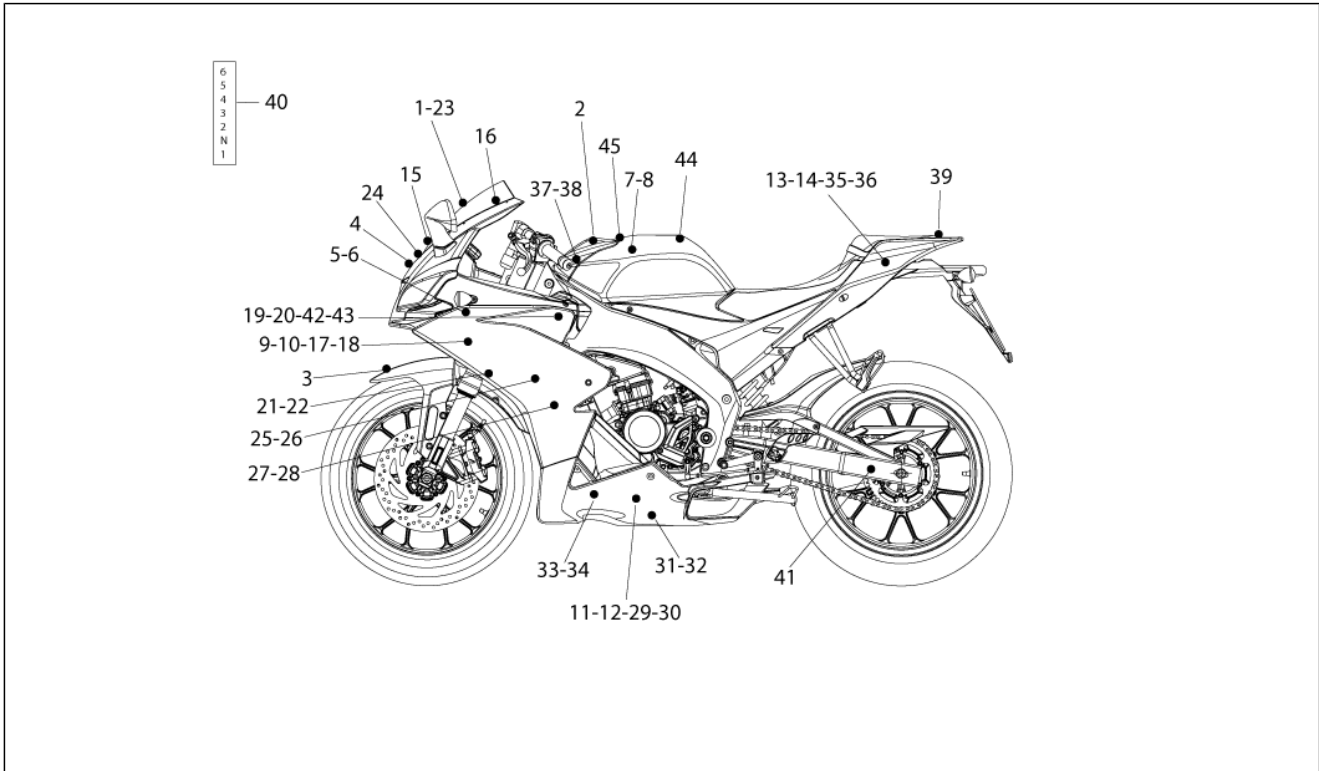
| Pos. | Code | Description | Qty | Variants |
|------|----------|----------------------------------|-----|------------------------------------------------------------------------------|
| | | | | Vehicle colour:Replica SBK MY12[sbk] |
| 9 | B045797 | RH fairing decal "RS4" | 1 | Vehicle colour:Nero Diablo 2013[bd] |
| 10 | 2H000146 | LH fairing decal "RS4" | 1 | Vehicle colour:Replica MY13[RP] |
| 10 | 899872 | LH fairing decal "RS4" | 1 | Vehicle colour:Black racing (s.t.899864)[blk] |
| 10 | 899878 | LH fairing decal "RS4" | 1 | Vehicle colour:Racing White (s.t.899864)[wh] |
| 10 | B045273 | LH fairing decal "RS4" | 1 | Year:2012[C] Vehicle colour:Replica SBK MY12[sbk] |
| 10 | B045798 | LH fairing decal "RS4" | 1 | Vehicle colour:Nero Diablo 2013[bd] |
| 11 | 899873 | RH lower fairing decal "aprilia" | 1 | Vehicle colour:Black racing (s.t.899864)[blk], Racing White (s.t.899864)[wh] |
| 11 | B043702 | RH decal "aprilia racing" | 1 | Vehicle colour:Alitalia (s.t.899864)[ai] |
| 11 | B045276 | RH decal "aprilia racing" | 1 | Year:2012[C] Vehicle colour:Replica SBK MY12[sbk] |
| 11 | B045799 | RH lower fairing decal "aprilia" | 1 | Vehicle colour:Nero Diablo 2013[bd] |
| 12 | 899874 | LH Lower fairing decal "aprilia" | 1 | Vehicle colour:Black racing (s.t.899864)[blk], Racing White (s.t.899864)[wh] |
| 12 | B043703 | Sticker LH "aprilia racing" | 1 | Vehicle colour:Alitalia (s.t.899864)[ai] |
| 12 | B045277 | Sticker LH "aprilia racing" | 1 | Year:2012[C] Vehicle colour:Replica SBK MY12[sbk] |
| 12 | B045800 | LH Lower fairing decal "aprilia" | 1 | Vehicle colour:Nero Diablo 2013[bd] |
| 13 | 899875 | RH rear fairing dec. "RS4" | 1 | Vehicle colour:Black racing (s.t.899864)[blk] |
| 13 | 899879 | RH rear fairing dec. "RS4" | 1 | Vehicle colour:Racing White (s.t.899864)[wh] |
| 14 | 899876 | LH rear fairing dec. "RS4" | 1 | Vehicle colour:Black racing (s.t.899864)[blk] |
| 14 | 899880 | LH rear fairing dec. "RS4" | 1 | Vehicle colour:Racing White (s.t.899864)[wh] |
| 15 | 2H000138 | Numberplate | 1 | |
| 15 | B043688 | Numberplate | 1 | Vehicle colour:Alitalia (s.t.899864)[ai] |
| 16 | 2H000139 | Decal SBK | 1 | |
| 16 | 898814 | Decal Max DX SX | 2 | Vehicle colour:Alitalia (s.t.899864)[ai], Replica SBK MY12[sbk] |
| 17 | B043694 | RH decal RS4 Biaggi | 1 | Vehicle colour:Alitalia (s.t.899864)[ai] |

| | |
|--------------------|--------|
| Group | Body |
| Code | 02.190 |
| Description | Decal |
| Service | 1 |



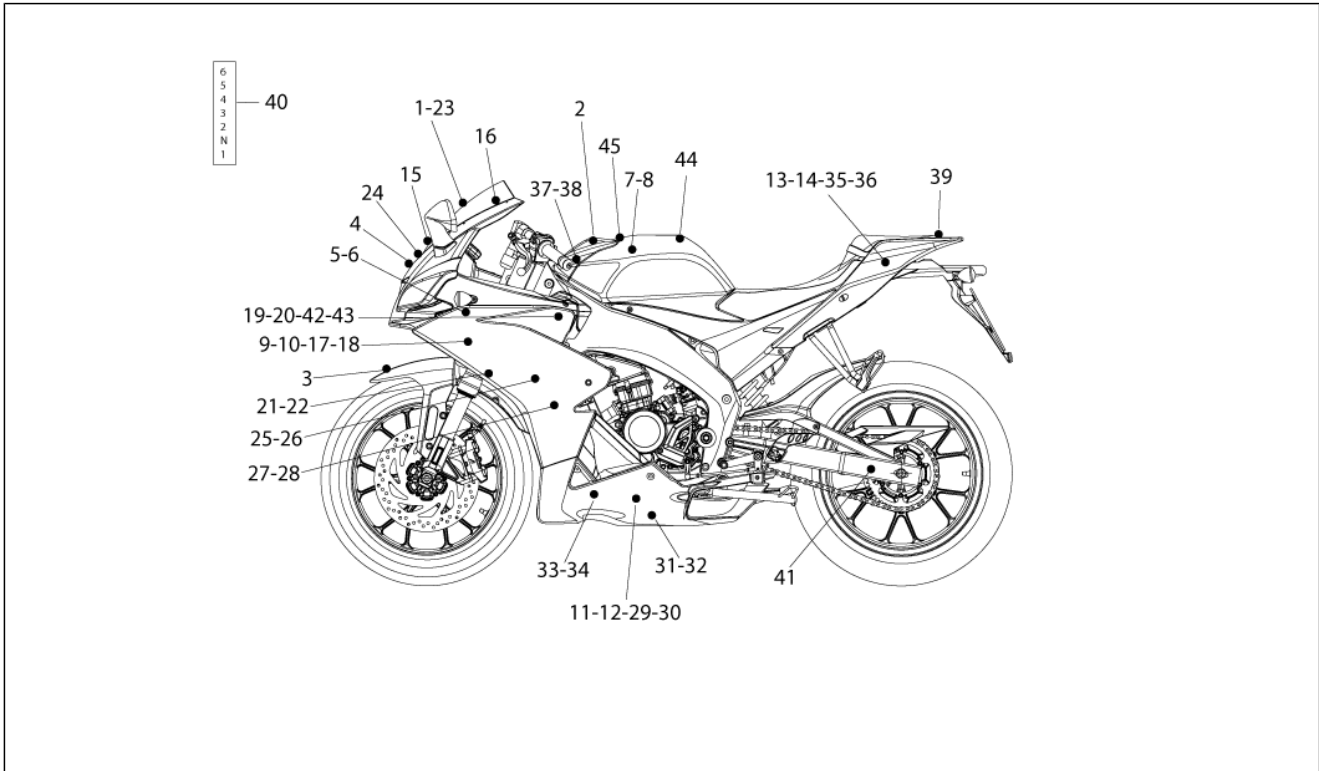
| Pos. | Code | Description | Qty | Variants |
|------|----------|----------------------------------------|-----|-----------------------------------------------------------------|
| 17 | B045274 | RH Top fairing decal "BIAGGI" | 1 | Year:2012[C] Vehicle colour:Replica SBK MY12[sbk] |
| 18 | B043695 | Sticker LH RS4 Biaggi | 1 | Vehicle colour:Alitalia (s.t.899864)[ai] |
| 18 | B045275 | LH Top fairing decal "BIAGGI" | 1 | Year:2012[C] Vehicle colour:Replica SBK MY12[sbk] |
| 19 | B043696 | RH decal | 1 | Vehicle colour:Alitalia (s.t.899864)[ai] |
| 20 | B043697 | Sticker LH | 1 | Vehicle colour:Alitalia (s.t.899864)[ai] |
| 21 | 2H000143 | Decalco fascia DX | 1 | |
| 21 | B043692 | RH decal | 1 | Vehicle colour:Alitalia (s.t.899864)[ai] |
| 21 | B045270 | Decalco fascia DX | 1 | Year:2012[C] Vehicle colour:Replica SBK MY12[sbk] |
| 22 | 2H000144 | Decalco fascia SX | 1 | |
| 22 | B043693 | Sticker LH | 1 | Vehicle colour:Alitalia (s.t.899864)[ai] |
| 22 | B045271 | Decalco fascia SX | 1 | Year:2012[C] Vehicle colour:Replica SBK MY12[sbk] |
| 23 | B044199 | Front fairing glass decal | 1 | Vehicle colour:Alitalia (s.t.899864)[ai], Replica SBK MY12[sbk] |
| 23 | B045268 | Front fairing glass decal | 1 | Year:2012[C] Vehicle colour:Replica SBK MY12[sbk] |
| 24 | 2H000140 | Numberplate | 1 | |
| 24 | B043689 | Numberplate | 1 | Vehicle colour:Alitalia (s.t.899864)[ai] |
| 24 | B045269 | Numberplate | 1 | Year:2012[C] Vehicle colour:Replica SBK MY12[sbk] |
| 25 | B043698 | RH decal | 1 | Vehicle colour:Alitalia (s.t.899864)[ai] |
| 26 | B043699 | Sticker LH | 1 | Vehicle colour:Alitalia (s.t.899864)[ai] |
| 27 | B043700 | RH decal "Alitalia" | 1 | Vehicle colour:Alitalia (s.t.899864)[ai] |
| 28 | B043701 | Sticker LH "Alitalia" | 1 | Vehicle colour:Alitalia (s.t.899864)[ai] |
| 29 | 2H000148 | Decalco fascia dx fiancata laterale dx | 1 | Vehicle colour:Replica MY13[RP] |
| 30 | 2H000149 | Decalco fascia sx fiancata laterale sx | 1 | Vehicle colour:Replica MY13[RP] |
| 31 | B043704 | RH decal "eni" | 1 | Vehicle colour:Alitalia (s.t.899864)[ai] |

| | |
|--------------------|--------|
| Group | Body |
| Code | 02.190 |
| Description | Decal |
| Service | 1 |



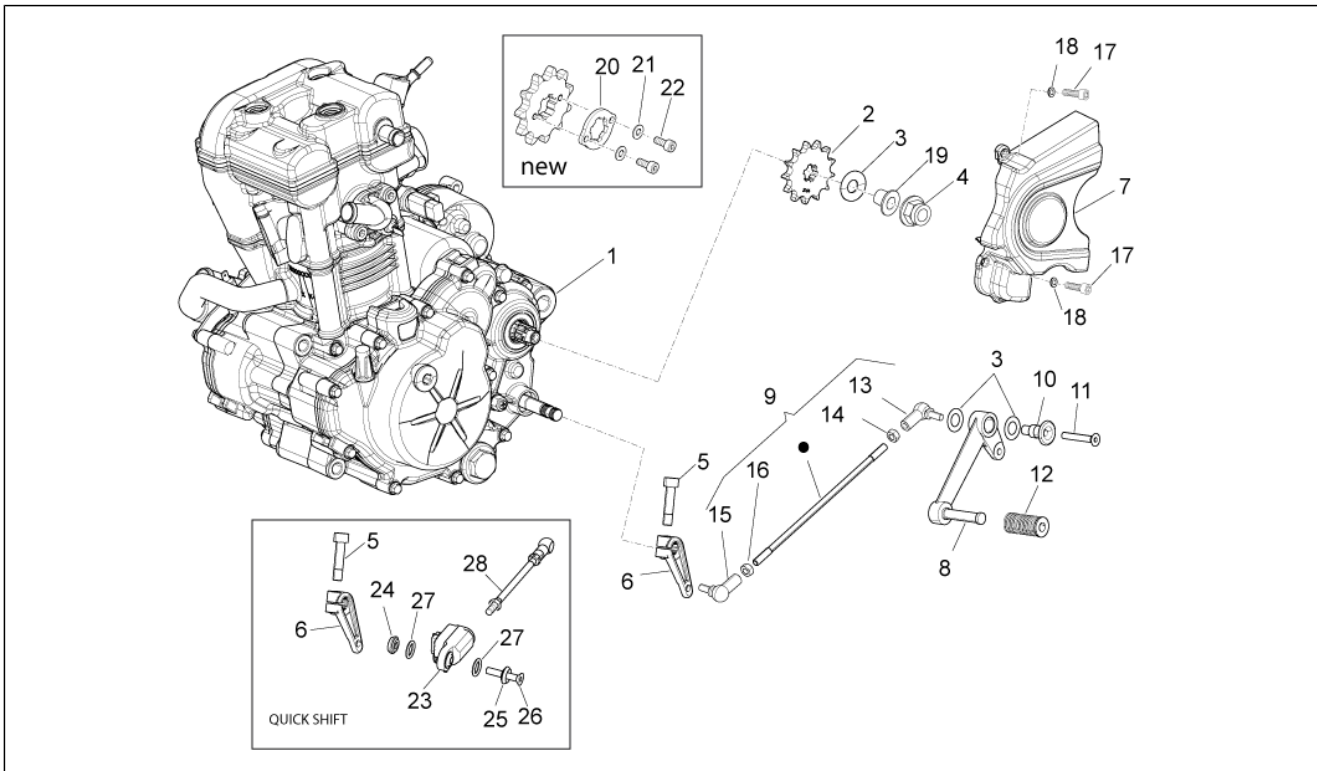
| Pos. | Code | Description | Qty | Variants |
|------|-----------|-----------------------------|-----|---------------------------------------------------------------------------------------------------------|
| 31 | B045280 | RH decal "eni" | 1 | Year:2012[C] Vehicle colour:Replica SBK MY12[sbk] |
| 32 | B043705 | Sticker LH "eni" | 1 | Vehicle colour:Alitalia (s.t.899864)[ai] |
| 32 | B045281 | Sticker LH "eni" | 1 | Year:2012[C] Vehicle colour:Replica SBK MY12[sbk] |
| 33 | B043706 | RH decal "dell'orto" | 1 | Vehicle colour:Alitalia (s.t.899864)[ai] |
| 33 | B045278 | RH decal "dell'orto" | 1 | Year:2012[C] Vehicle colour:Replica SBK MY12[sbk] |
| 34 | B043707 | Sticker LH "dell'orto" | 1 | Vehicle colour:Alitalia (s.t.899864)[ai] |
| 34 | B045279 | Sticker LH "dell'orto" | 1 | Year:2012[C] Vehicle colour:Replica SBK MY12[sbk] |
| 35 | 2H000150 | RH rear fairing decal | 1 | Vehicle colour:Replica MY13[RP] |
| 35 | B043708 | RH rear fairing decal | 1 | Vehicle colour:Alitalia (s.t.899864)[ai] |
| 35 | B045282 | RH rear fairing decal | 1 | Year:2012[C] Vehicle colour:Replica SBK MY12[sbk] |
| 36 | 2H000151 | LH rear fairing decal | 1 | Vehicle colour:Replica MY13[RP] |
| 36 | B043709 | LH rear fairing decal | 1 | Vehicle colour:Alitalia (s.t.899864)[ai] |
| 36 | B045283 | LH rear fairing decal | 1 | Year:2012[C] Vehicle colour:Replica SBK MY12[sbk] |
| 37 | B043690 | RH Cover decal | 1 | Vehicle colour:Alitalia (s.t.899864)[ai] |
| 38 | B043691 | LH Cover decal | 1 | Vehicle colour:Alitalia (s.t.899864)[ai] |
| 39 | 893798 | Saddle cover decal ITALIA | 1 | Vehicle colour:Alitalia (s.t.899864)[ai], Black racing (s.t.899864)[blk], Racing White (s.t.899864)[wh] |
| 39 | B045284 | Saddle cover decal "italia" | 1 | Year:2012[C] Vehicle colour:Replica SBK MY12[sbk] |
| 40 | AP8277381 | Gear Decal | 1 | Country:Japan[J] |
| 41 | B044710 | Chain decal | 1 | |
| 42 | B043887 | RH decal "A" | 1 | Vehicle colour:Alitalia (s.t.899864)[ai] |
| 43 | B043888 | Sticker LH "A" | 1 | Vehicle colour:Alitalia (s.t.899864)[ai] |
| 44 | 2H000147 | Fuel tank decal | 1 | Vehicle colour:Replica MY13[RP] |

| | |
|--------------------|--------|
| Group | Body |
| Code | 02.190 |
| Description | Decal |
| Service | 1 |



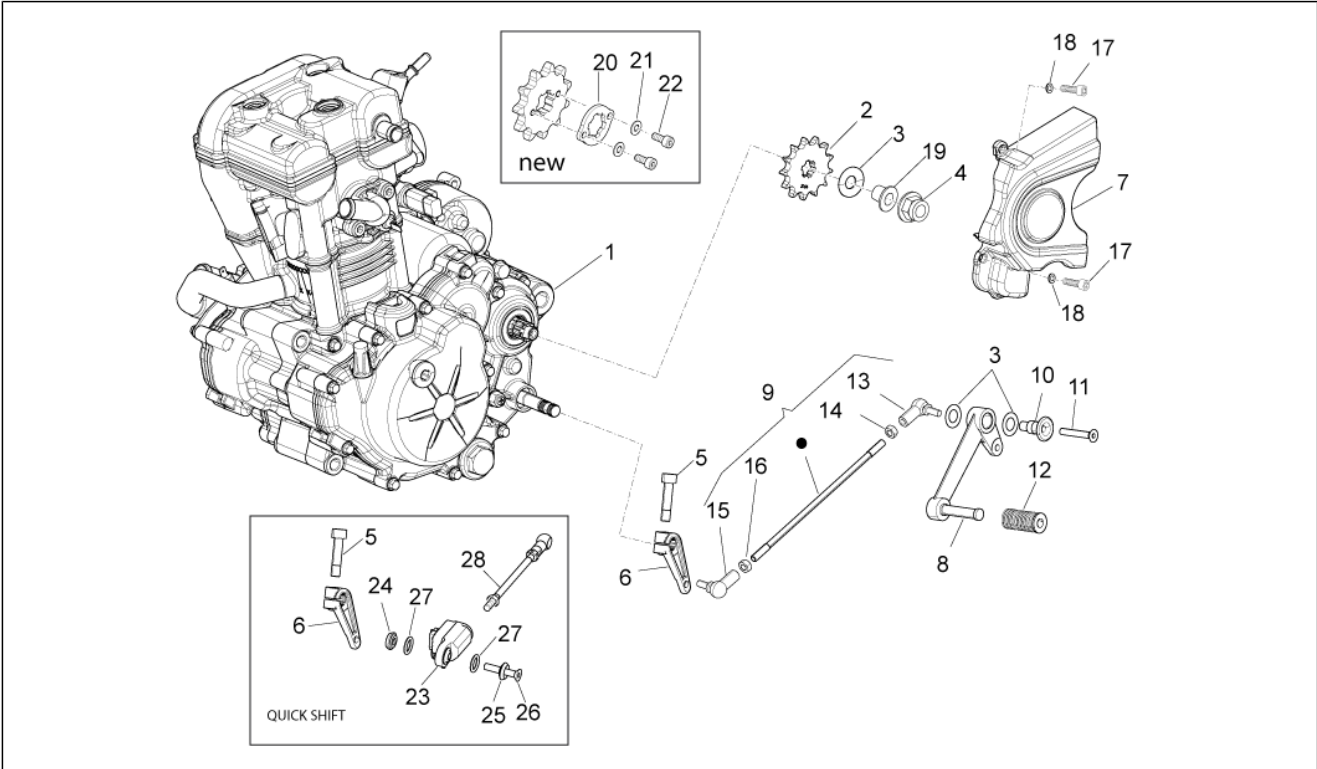
| Pos. | Code | Description | Qty | Variants |
|------|---------|---------------|-----|----------|
| 45 | B043681 | Decal Warning | 1 | |

| | |
|--------------------|------------------------------|
| Group | Engine |
| Code | 03.010 |
| Description | Engine-Completing part-Lever |
| Service | 1 |



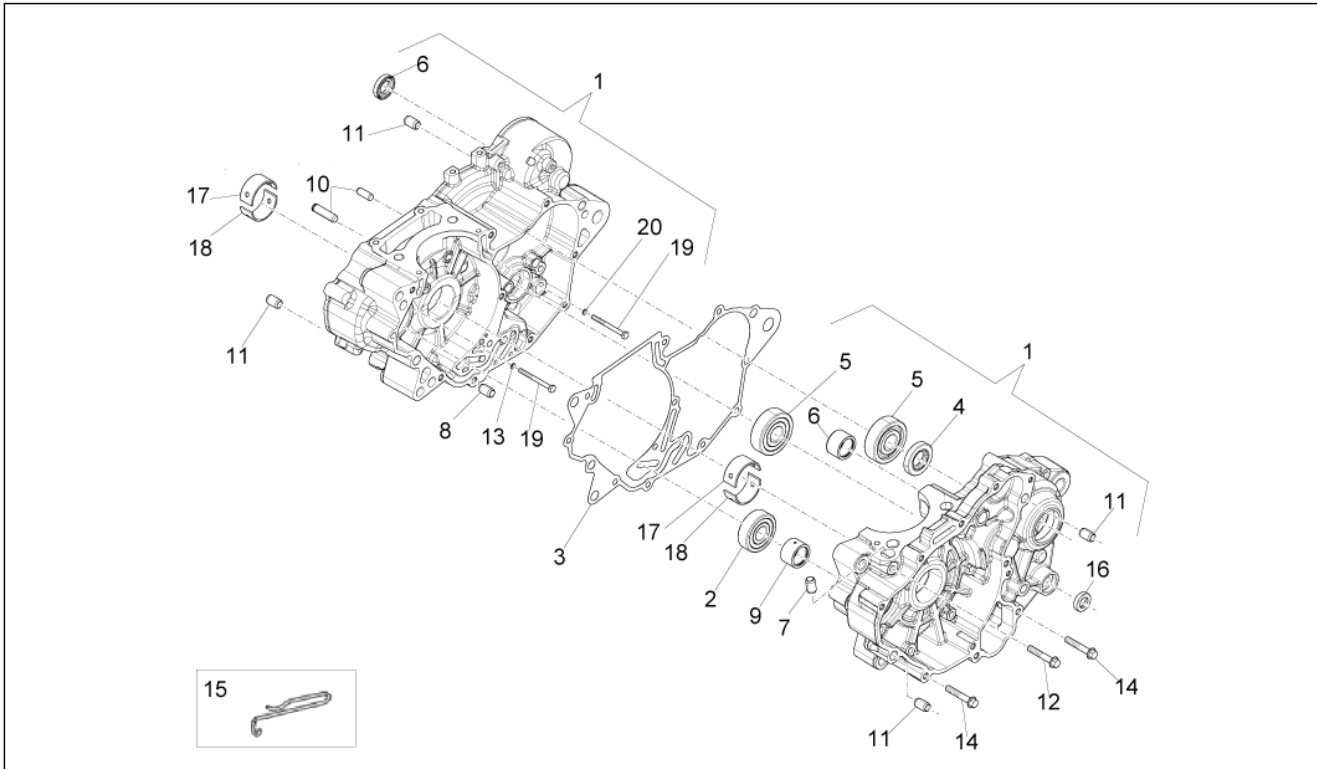
| Pos. | Code | Description | Qty | Variants |
|------|-------------|--------------------------|-----|----------------------------------------------------------------------|
| 1 | CM2273015 | Engine e.i. | 1 | |
| 2 | B044213 | Pinion Z=13 | 1 | Technical specification: Old Version[old] |
| 2 | B044264 | Pinion Z=13 | 1 | Technical specification: New Version[new] |
| 3 | 854909 | Belleville spring | 1 | Technical specification: Old Version[old] |
| 4 | B044208 | Nut M12x1,25 | 1 | Technical specification: Old Version[old] |
| 5 | AP8150137 | Hex socket screw | 1 | |
| 6 | B043826 | Gearshift lever | 1 | |
| 7 | 898059 | Sprocket cover | 1 | |
| 8 | AP8235011 | Gear lever | 1 | |
| 9 | 865650 | Gearbox linkage rod assy | 1 | |
| 10 | 866514 | Bush | 1 | |
| 11 | AP8150468 | Screw M6x40 | 1 | |
| 12 | AP8220189 | Rubber spacer | 1 | |
| 13 | AP8110053 | Left ball joint M6 | 1 | |
| 14 | AP8152138 | Nut | 1 | |
| 15 | AP8210007 | RH ball joint M6 | 1 | |
| 16 | AP8150026 | Nut M6 | 1 | |
| 17 | 00H01600911 | Pin | 2 | |
| 18 | AP8152273 | Screw w/ flange M5x16 | 2 | |
| 19 | B044212 | Bush | 1 | |
| 20 | 00H02810421 | Plate | 1 | Technical specification: New Version[new] |
| 21 | AP8150284 | Ext. notched washer | 2 | Technical specification: New Version[new] |
| 22 | 00000004510 | screw | 2 | Technical specification: New Version[new] |
| 23 | B043834 | Quick shift device | 1 | Year: 2012[C] Vehicle colour: Replica SBK MY12[sbk] |
| 24 | 898133 | Bush | 1 | Year: 2012[C] Vehicle colour: Replica SBK MY12[sbk] |
| 25 | 898134 | Bush | 1 | Year: 2012[C] Vehicle colour: Replica SBK MY12[sbk] |

| | |
|--------------------|------------------------------|
| Group | Engine |
| Code | 03.010 |
| Description | Engine-Completing part-Lever |
| Service | 1 |



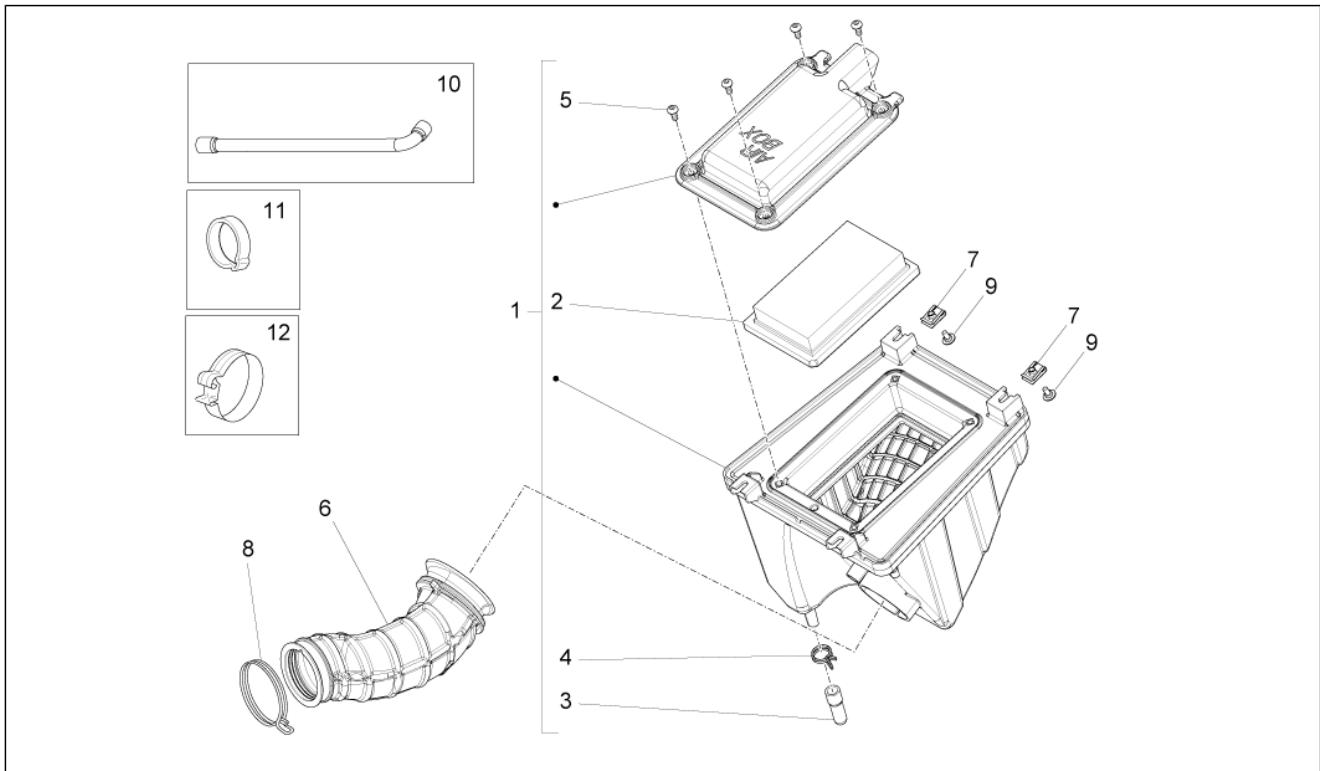
| Pos. | Code | Description | Qty | Variants |
|------|-----------|---------------------|-----|------------------------------------------------------|
| 26 | 898463 | Screw M6x35 | 1 | Year:2012[C] Vehicle colour:Replica SBK MY12[sbk] |
| 27 | AP8220177 | O-ring 115 | 3 | Year:2012[C] Vehicle colour:Replica SBK MY12[sbk] |
| 28 | B044008 | Gearbox linkage rod | 1 | Year:2012[C] Vehicle colour:Replica SBK MY12[sbk] |

| | |
|--------------------|--------------|
| Group | Engine |
| Code | 03.030 |
| Description | Crankcases I |
| Service | 1 |



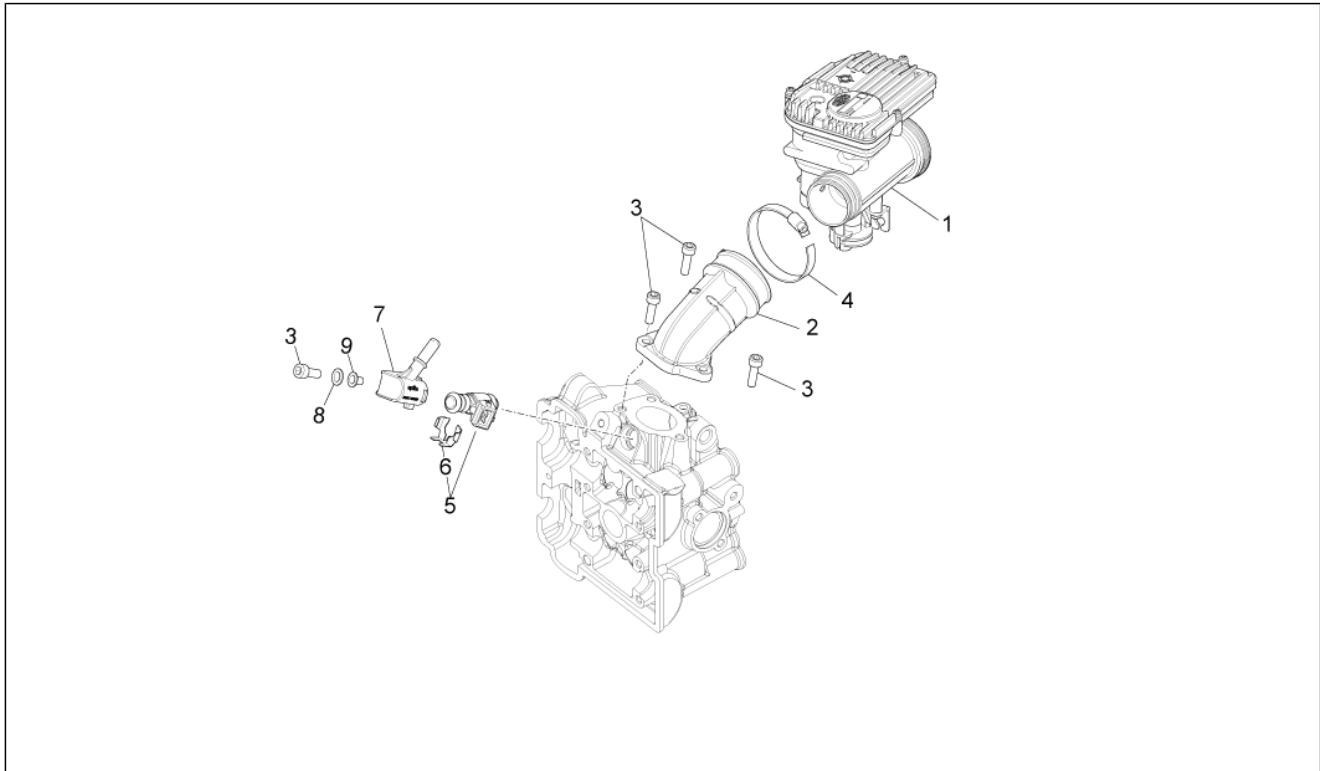
| Pos. | Code | Description | Qty | Variants |
|------|--------------|--------------------------------|-----|----------|
| 1 | 8993115001 | Complete crankcase 1st cat. | 1 | |
| 1 | 8993115002 | 2nd cat. complete crankcase | 1 | |
| 2 | 485912 | Radial ball bearing 15x42x13 | 4 | |
| 3 | 873086 | Gasket | 1 | |
| 4 | 847019 | Oil seal | 4 | |
| 5 | 82668R | Bearing | 4 | |
| 6 | 182015 | Cage à rouleaux | 4 | |
| 7 | AP3FCN000247 | Bush | 1 | |
| 8 | 484993 | Locating dowel | 1 | |
| 9 | 177442 | Cage à rouleaux | 4 | |
| 10 | 847076 | Shaft pin | 4 | |
| 11 | 239388 | Pin 6,5x9,5x15 | 4 | |
| 12 | 828922 | Screw w/ flange M6x75 | 4 | |
| 13 | 224664 | Washer 5,2X15X1,5 | 4 | |
| 14 | 432142 | screw M6x60 | 4 | |
| 15 | 873735 | Hose clamp | 4 | |
| 16 | 847075 | Oil seal 12x20 | 4 | |
| 17 | 8580170001 | Cat.a blue bushing half-shells | 4 | |
| 17 | 8580170002 | Cat.b red bushing half-shells | 4 | |
| 18 | 8580180001 | Cat.a red bushing half-shells | 4 | |
| 18 | 8580180002 | Cat.b blue bushing half-shells | 4 | |
| 19 | 031057 | screw | 4 | |
| 20 | 224664 | Washer 5,2X15X1,5 | 5 | |

| | |
|--------------------|---------|
| Group | Engine |
| Code | 03.050 |
| Description | Air box |
| Service | 1 |



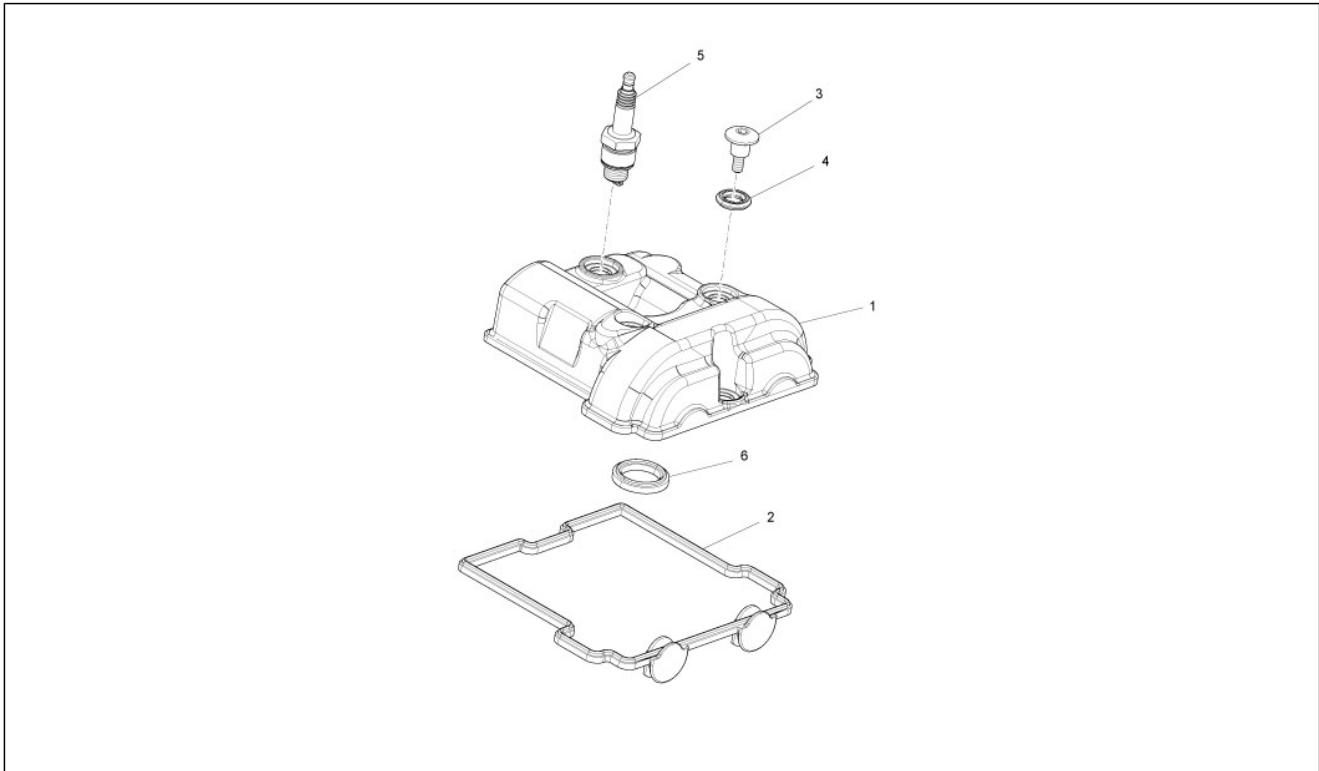
| Pos. | Code | Description | Qty | Variants |
|------|-----------|------------------------|-----|----------|
| 1 | 898054 | Air box cpl. | 1 | |
| 2 | 861130 | Air filter | 1 | |
| 3 | 862403 | pipe | 1 | |
| 4 | 862404 | Hose clamp | 1 | |
| 5 | 896174 | Hex socket screw M5x12 | 4 | |
| 6 | 898056 | Intake manifold | 1 | |
| 7 | AP8102375 | Clip m5 | 4 | |
| 8 | AP8102401 | Hose clamp D50-70x8* | 1 | |
| 9 | AP8152272 | Screw w/ flange M5x12 | 4 | |
| 10 | 863320 | pipe | 1 | |
| 11 | AP8102786 | Hose clip 20x8 | 1 | |
| 12 | CM001905 | Hose clamp | 2 | |

| | |
|--------------------|---------------|
| Group | Engine |
| Code | 03.060 |
| Description | Throttle body |
| Service | 1 |



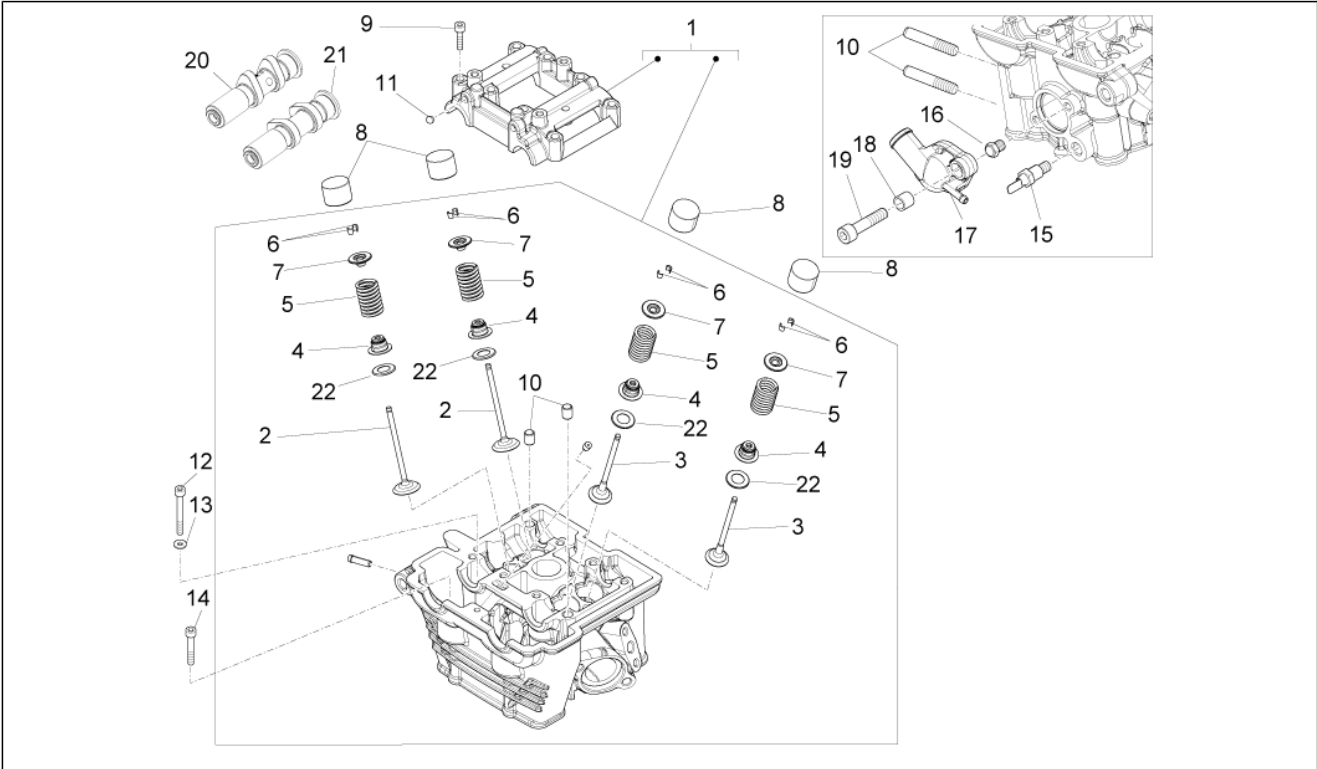
| Pos. | Code | Description | Qty | Variants |
|------|---------------|------------------------------|-----|----------|
| 1 | CM227201 | Throttle body | 1 | |
| 2 | 897800 | Throttle body hose | 1 | |
| 3 | AP8150521 | Hex socket screw | 4 | |
| 4 | JC13102X05300 | Hose clamp | 2 | |
| 5 | 890225 | Injector kit complete IWP198 | 1 | |
| 6 | 849898 | Spring | 1 | |
| 7 | 897801 | fuel rail assembly | 1 | |
| 8 | 003056 | Flat washer 6,4x12x1 | 1 | |
| 9 | 932108 | Cap | 1 | |

| | |
|--------------------|------------|
| Group | Engine |
| Code | 03.090 |
| Description | Head cover |
| Service | 1 |



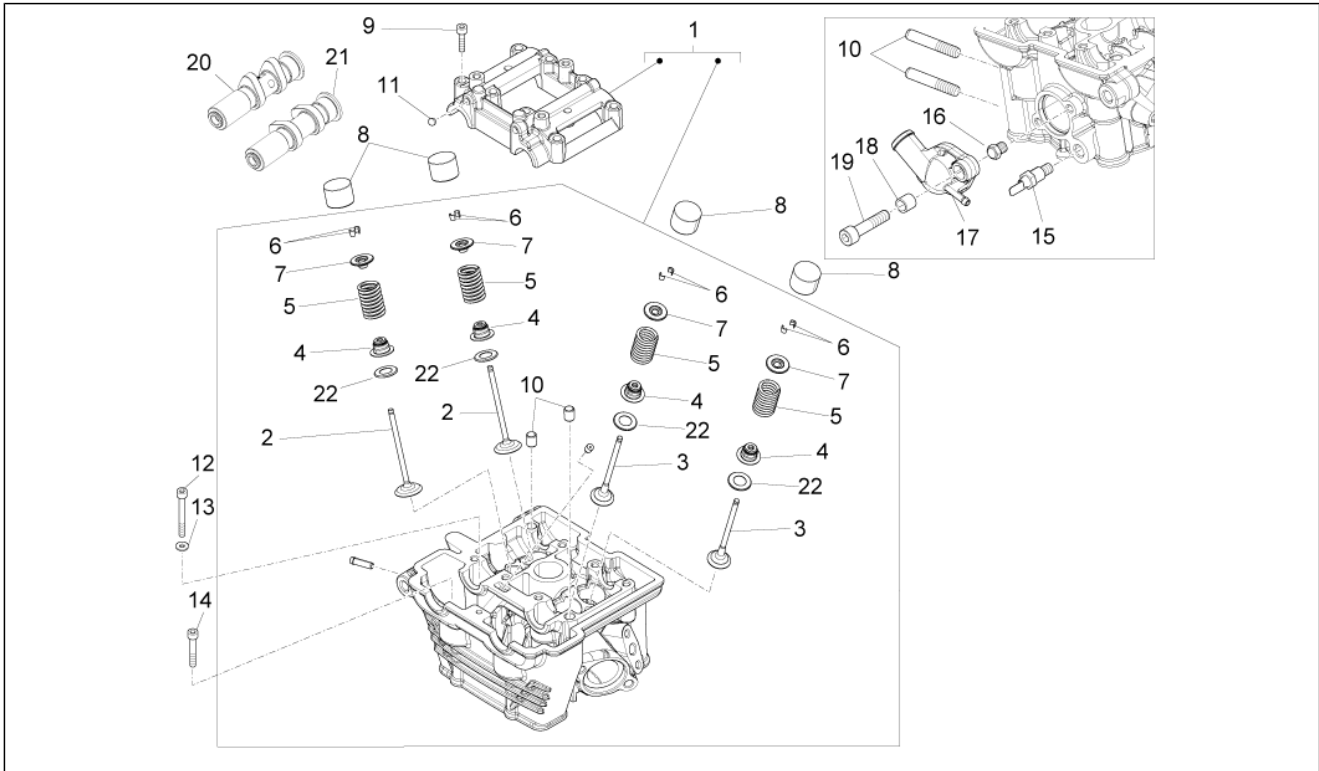
| Pos. | Code | Description | Qty | Variants |
|------|--------------|---------------|-----|----------|
| 1 | 871705 | Head cover | 1 | |
| 2 | 873651 | Gasket | 1 | |
| 3 | AP3ATN000118 | Special screw | 4 | |
| 4 | AP3CAA000399 | Elastic drift | 4 | |
| 5 | 82573R | Spark plug | 1 | |
| 6 | 874617 | Gasket | 1 | |

| | |
|--------------------|------------------------|
| Group | Engine |
| Code | 03.100 |
| Description | Cylinder head - valves |
| Service | 1 |



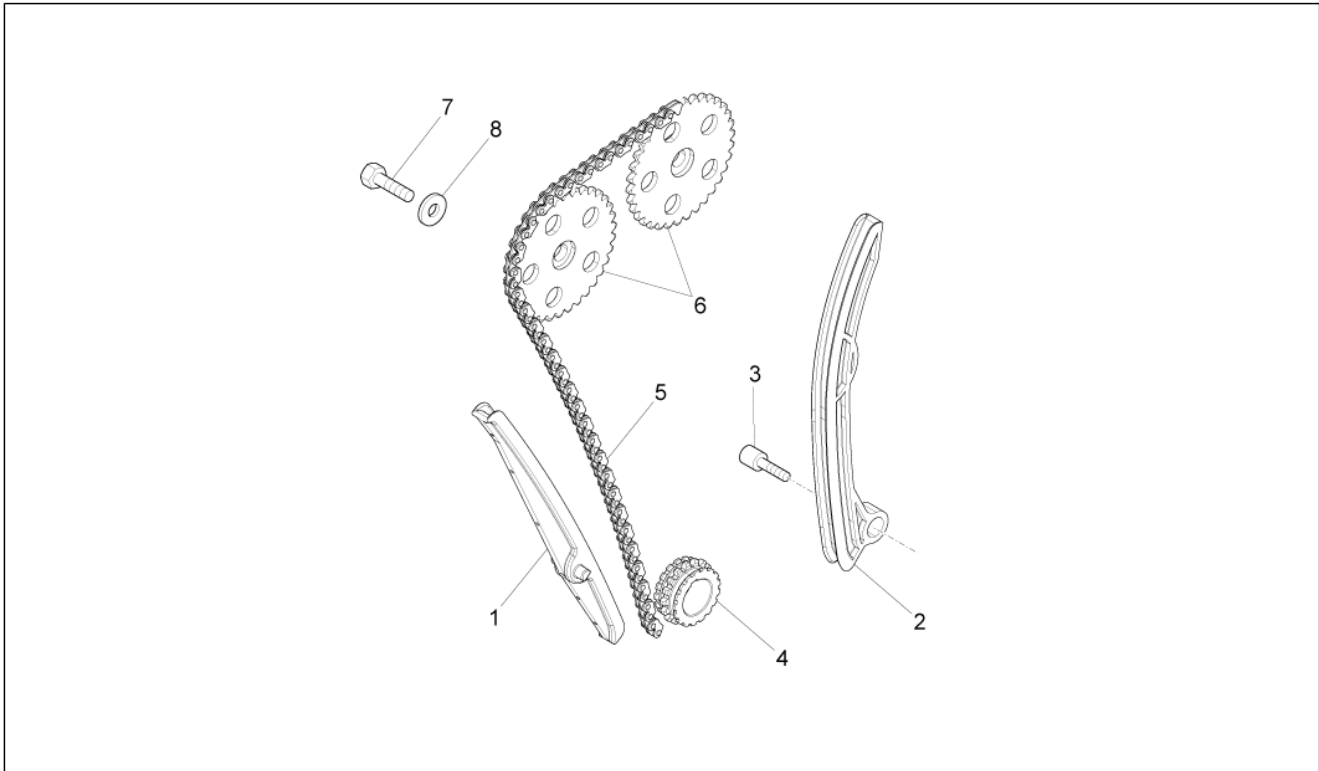
| Pos. | Code | Description | Qty | Variants |
|------|--------------|------------------------------|-----|----------|
| 1 | 898491 | Cylinder head assy. | 1 | |
| 2 | AP3CLA000636 | Intake valve | 2 | |
| 3 | AP3CLA000637 | Exhaust valve | 2 | |
| 4 | AP2CAA000521 | Valve guide seal fitting jig | 4 | |
| 5 | AP3CHA000237 | Spring | 4 | |
| 6 | AP3CIA000238 | Half-cone | 8 | |
| 7 | AP3CGA000635 | Upper cup | 4 | |
| 8 | CM158201 | Valve lifter bucket 2,2 | 4 | |
| 8 | CM158202 | Valve lifter bucket 2,25 | 4 | |
| 8 | CM158203 | Valve lifter bucket 2,3 | 4 | |
| 8 | CM158204 | Valve lifter bucket 2,35 | 4 | |
| 8 | CM158205 | Valve lifter bucket 2,4 | 4 | |
| 8 | CM158206 | Valve lifter bucket 2,45 | 4 | |
| 8 | CM158207 | Valve lifter bucket 2,5 | 4 | |
| 8 | CM158208 | Valve lifter bucket 2,55 | 4 | |
| 8 | CM158209 | Valve lifter bucket 2,6 | 4 | |
| 8 | CM158210 | Valve lifter bucket 2,65 | 4 | |
| 8 | CM158211 | Valve lifter bucket 2,7 | 4 | |
| 8 | CM158212 | Valve lifter bucket 2,75 | 4 | |
| 8 | CM222701 | Valve lifter bucket 2,2 | 4 | |
| 8 | CM222702 | Valve lifter bucket 2,25 | 4 | |
| 8 | CM222703 | Valve lifter bucket 2,3 | 4 | |
| 8 | CM222703 | Valve lifter bucket 2,3 | 4 | |
| 8 | CM222704 | Valve lifter bucket 2,35 | 4 | |
| 8 | CM222705 | Valve lifter bucket 2,4 | 4 | |
| 8 | CM222706 | Valve lifter bucket 2,45 | 4 | |
| 8 | CM222707 | Valve lifter bucket 2,5 | 4 | |
| 8 | CM222708 | Valve lifter bucket 2,55 | 4 | |

| | |
|--------------------|------------------------|
| Group | Engine |
| Code | 03.100 |
| Description | Cylinder head - valves |
| Service | 1 |



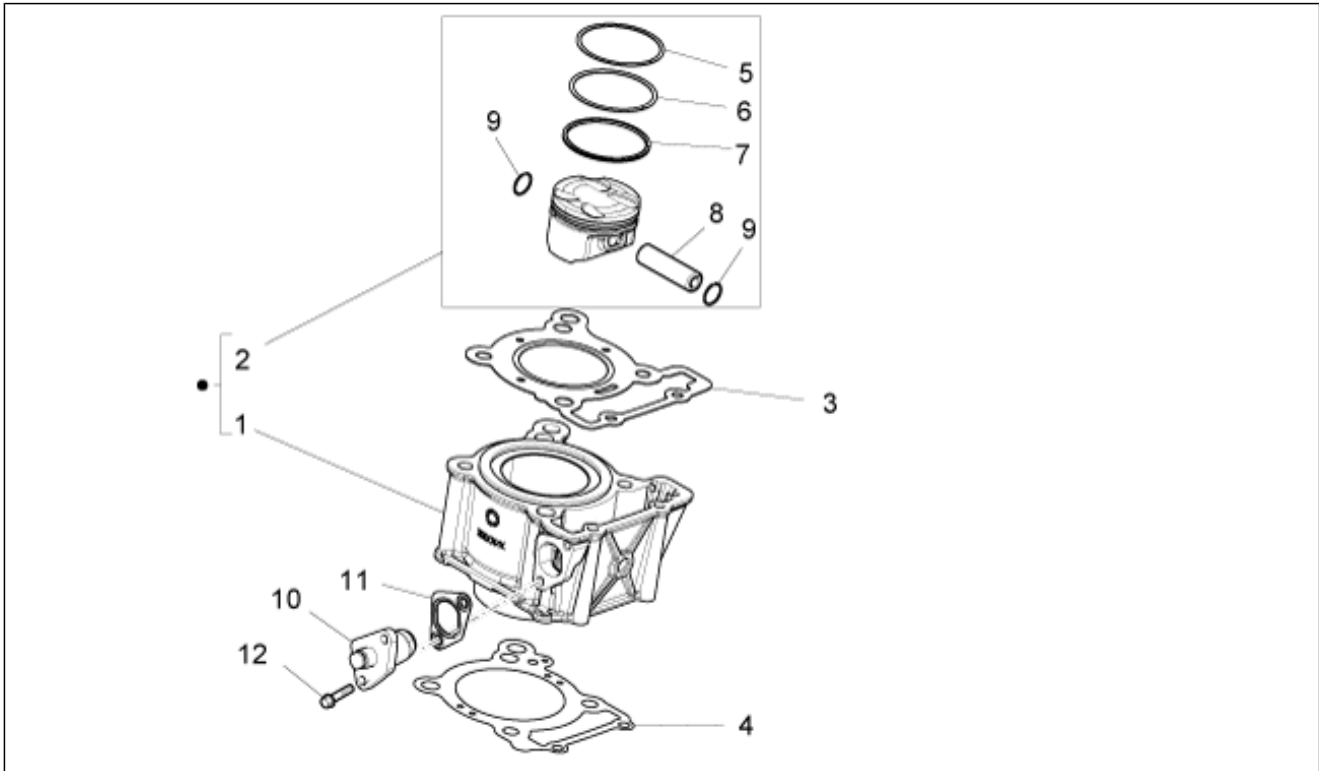
| Pos. | Code | Description | Qty | Variants |
|------|--------------|--------------------------|-----|----------|
| 8 | CM222709 | Valve lifter bucket 2,6 | 4 | |
| 8 | CM222710 | Valve lifter bucket 2,65 | 4 | |
| 8 | CM222711 | Valve lifter bucket 2,7 | 4 | |
| 8 | CM222712 | Valve lifter bucket 2,75 | 4 | |
| 9 | AP4ADN000248 | screw M6x40 | 4 | |
| 10 | AP3FCN000127 | Locating dowel 8X10 | 2 | |
| 11 | AP3CAA000412 | Ball | 5 | |
| 12 | AP3ADN000115 | screw M8x166 | 4 | |
| 13 | AP3EEN000234 | Washer | 4 | |
| 14 | AP4ABN000117 | screw M6x130 | 2 | |
| 15 | 640485 | Temperature gauge | 1 | |
| 16 | AP2BAA000206 | Thermostat | 1 | |
| 17 | 898431 | Thermostat cover | 1 | |
| 18 | AP3FCN000250 | Spacer 6x8x6,8 | 2 | |
| 19 | 709674 | Hex socket screw M6x20 | 2 | |
| 20 | AP3CBA000675 | Intake camshaft | 1 | |
| 21 | AP3CBA000677 | Exhaust camshaft | 1 | |
| 22 | AP3CGA000244 | Spacer washer | 4 | |

| | |
|--------------------|------------------------------|
| Group | Engine |
| Code | 03.130 |
| Description | Front cylinder timing system |
| Service | 1 |



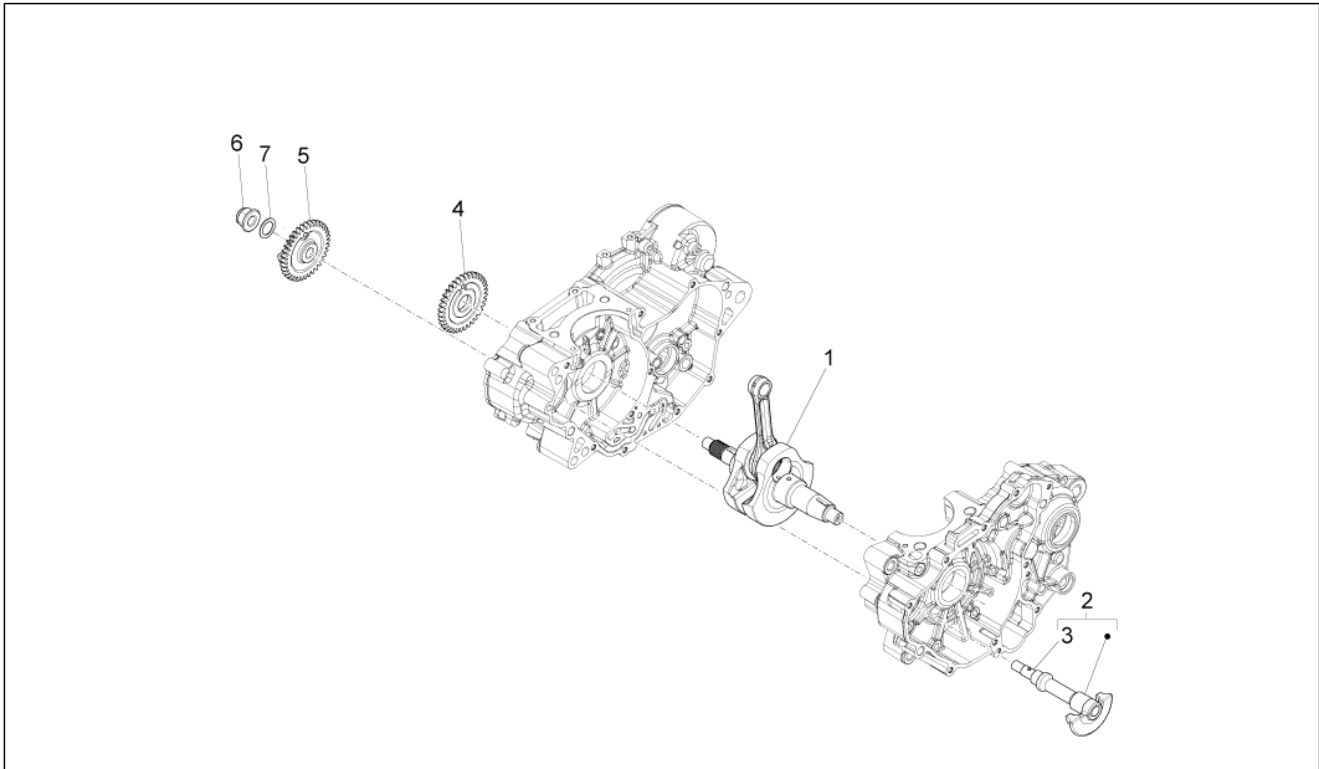
| Pos. | Code | Description | Qty | Variants |
|------|--------------|-------------------------------|-----|----------|
| 1 | AP3DDA000379 | Chain guide plate | 1 | |
| 2 | AP3DDA000380 | Chain tensioner sliding block | 1 | |
| 3 | 434541 | Screw w/ flange M6x16 | 2 | |
| 4 | 871445 | Pinion | 1 | |
| 5 | AP2DCA000254 | Camshaft chain | 1 | |
| 6 | AP3DBA000640 | Timing gear | 2 | |
| 7 | AP4ABN000132 | screw M8x40 | 2 | |
| 8 | AP3DVN000235 | Washer | 2 | |

| | |
|--------------------|-------------------|
| Group | Engine |
| Code | 03.150 |
| Description | Cylinder - Piston |
| Service | 1 |



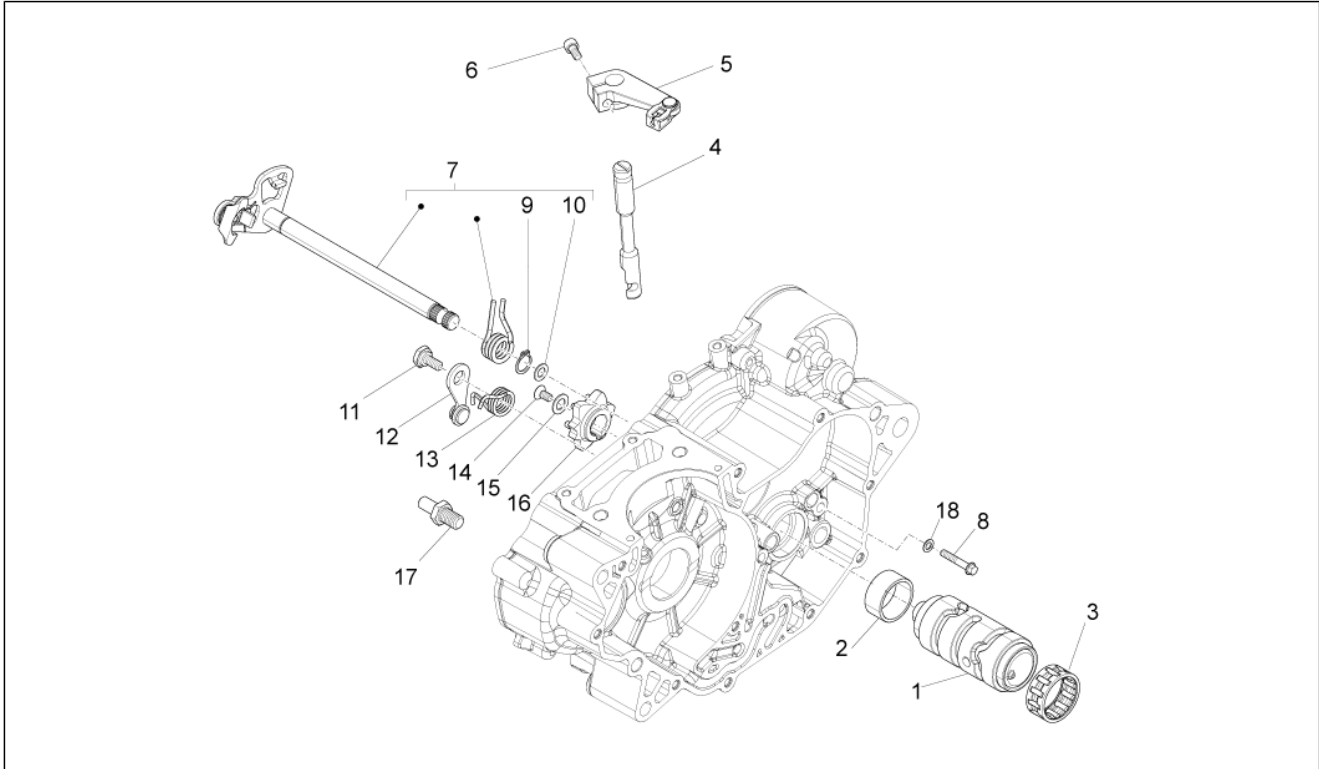
| Pos. | Code | Description | Qty | Variants |
|------|--------------|--------------------------|-----|----------|
| 1 | 871598 | Cylinder, complete | 1 | |
| 2 | 8993135001 | Piston assy 1°select.M | 1 | |
| 2 | 8993135002 | Piston assy 2°select.N | 1 | |
| 2 | 8993135003 | Piston assy 3°select.O | 1 | |
| 2 | 8993135004 | Piston assy 4°select.P | 1 | |
| 3 | 82893R | Cylinder head gasket | 1 | |
| 4 | CM157501 | Gasket sp. 0,3 | 1 | |
| 4 | CM157502 | Gasket sp. 0,4 | 1 | |
| 4 | CM157503 | Gasket sp. 0,5 | 1 | |
| 5 | 872692 | Ring | 1 | |
| 6 | 872693 | Ring | 1 | |
| 7 | 872694 | Oil scraper ring | 1 | |
| 8 | 873173 | Piston pin | 1 | |
| 9 | AP2DBN000133 | Snap ring | 2 | |
| 10 | 82650R | Complete chain tensioner | 1 | |
| 11 | 847928 | Gasket | 1 | |
| 12 | 434541 | Screw w/ flange M6x16 | 1 | |

| | |
|--------------------|-------------|
| Group | Engine |
| Code | 03.160 |
| Description | Drive shaft |
| Service | 1 |



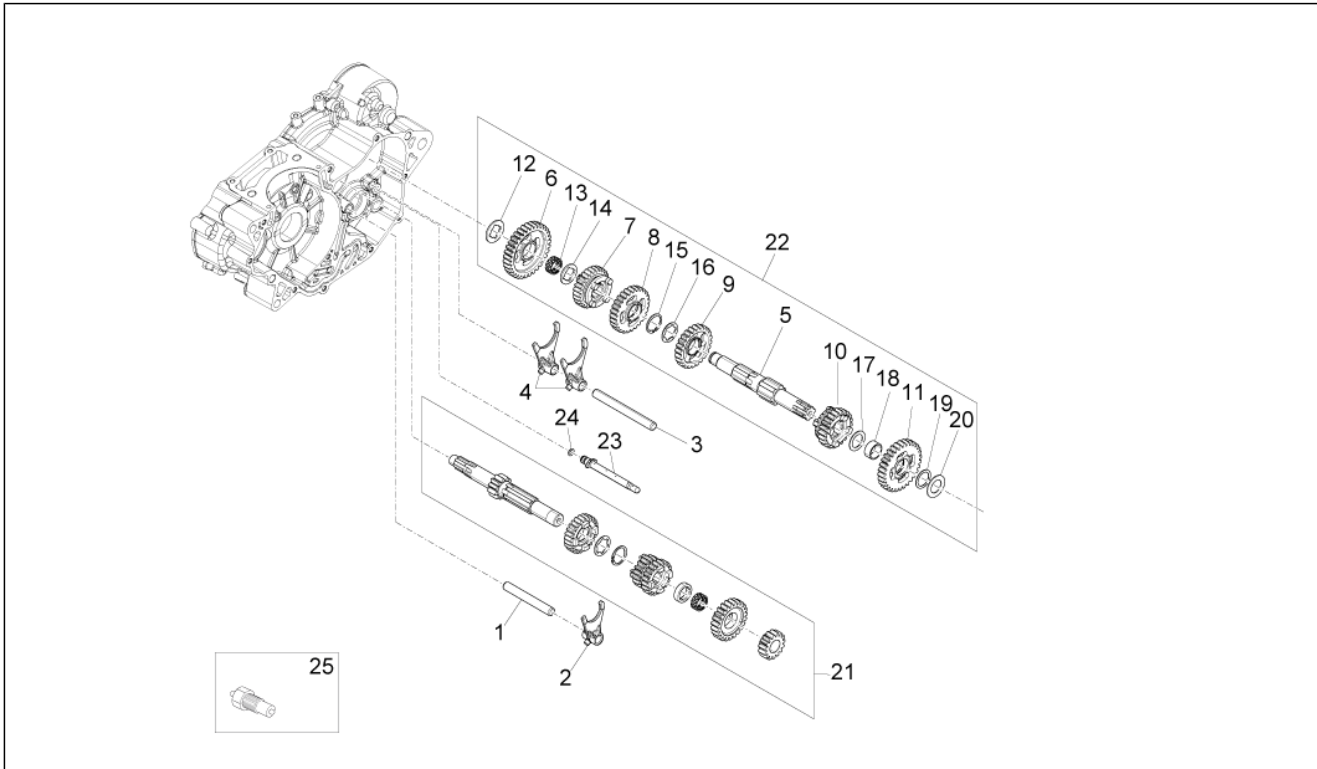
| Pos. | Code | Description | Qty | Variants |
|------|------------|-------------------------|-----|----------|
| 1 | 8999175001 | Crankshaft cpl.,cat.1 | 1 | |
| 1 | 8999175002 | Crankshaft cpl.,cat.2 | 1 | |
| 2 | 871342 | Balance shaft | 1 | |
| 3 | 287959 | Roller | 1 | |
| 4 | 8714465001 | Gear "S" | 1 | |
| 4 | 8714465002 | Gear "T" | 1 | |
| 5 | 8711565001 | Gear "S" | 1 | |
| 5 | 8711565002 | Gear "T" | 1 | |
| 6 | 847275 | Nut | 1 | |
| 7 | 178790 | Flat washer 22x10,3x2,5 | 1 | |

| | |
|--------------------|---------------------------------|
| Group | Engine |
| Code | 03.170 |
| Description | Gear box / Selector / Shift cam |
| Service | 1 |



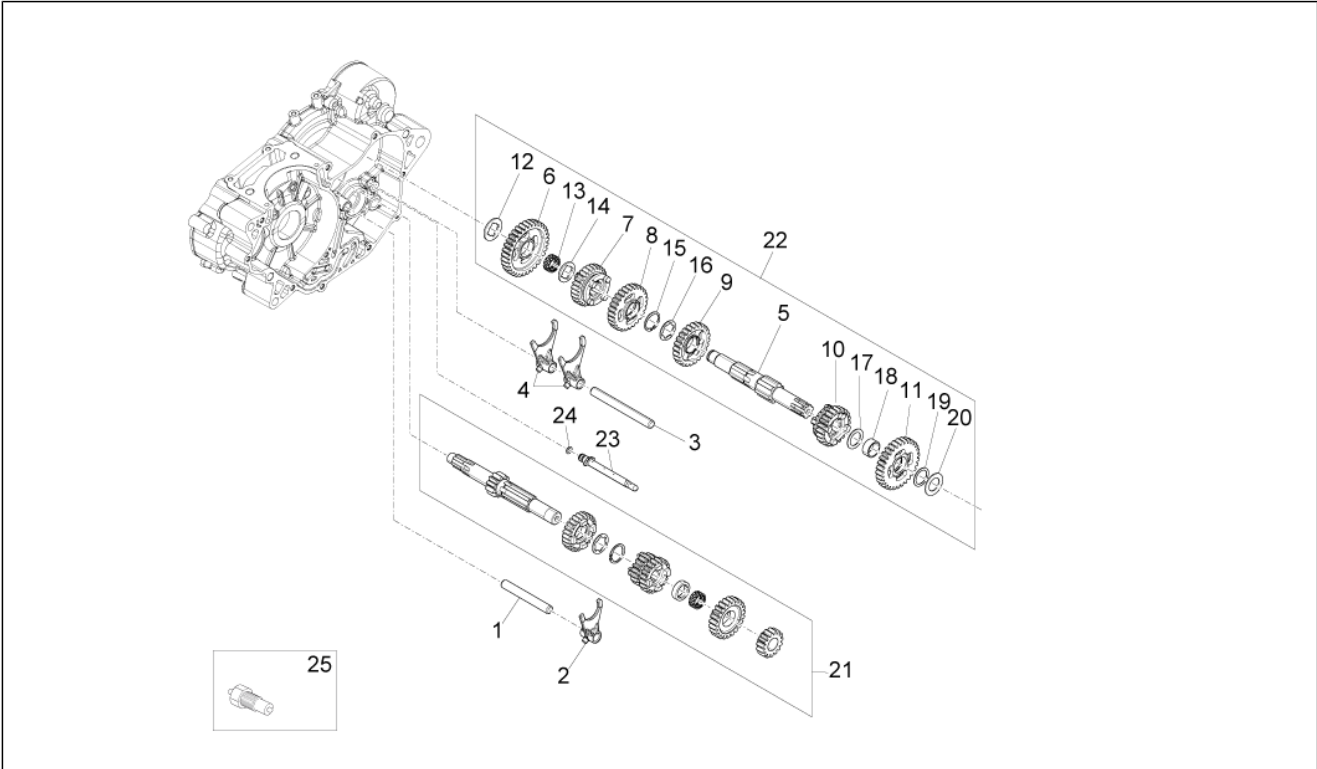
| Pos. | Code | Description | Qty | Variants |
|------|---------|------------------------|-----|----------|
| 1 | 899151 | Selector drum | 1 | |
| 2 | 898627 | Bearing | 1 | |
| 3 | 898628 | Cage à rouleaux | 1 | |
| 4 | 847083 | Clutch lever | 1 | |
| 5 | 8043224 | Clutch release shaft | 1 | |
| 6 | 623920 | screw torx | 1 | |
| 7 | 8721654 | Grip shift | 1 | |
| 8 | 274369 | Hex socket screw M6x12 | 1 | |
| 9 | 005970 | Ring | 1 | |
| 10 | 847228 | Washer | 1 | |
| 11 | 879942 | Special screw | 1 | |
| 12 | 871554 | Lever | 1 | |
| 13 | 847069 | Spring | 1 | |
| 14 | 847210 | screw | 1 | |
| 15 | 847214 | Washer | 1 | |
| 16 | 899154 | Shift cam plate | 1 | |
| 17 | 847073 | Bolt | 1 | |
| 18 | 006125 | Flat washer | 1 | |

| | |
|--------------------|--------------------------|
| Group | Engine |
| Code | 03.180 |
| Description | Gear box - Gear assembly |
| Service | 1 |



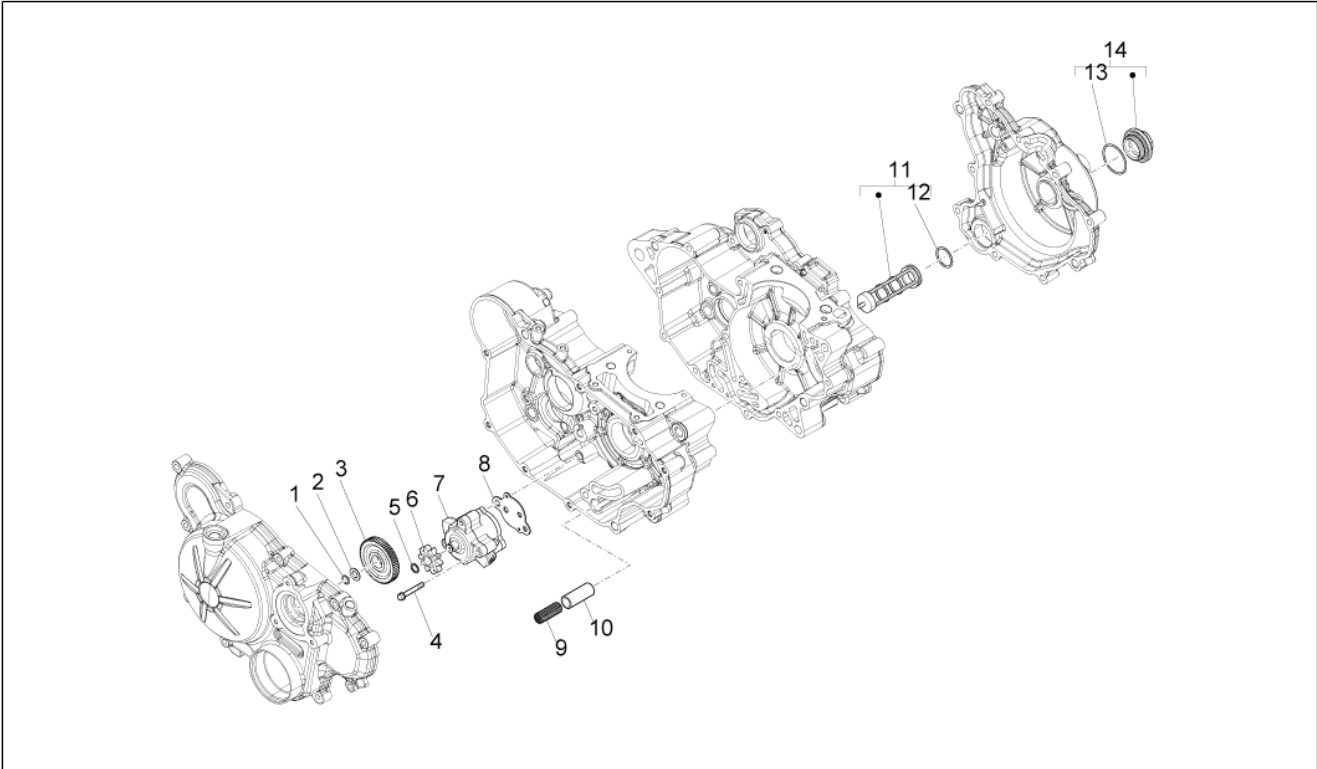
| Pos. | Code | Description | Qty | Variants |
|------|----------|----------------------|-----|--------------------------------------------------|
| 1 | 871442 | Pin | 1 | |
| 2 | 847031 | Fork | 1 | |
| 3 | 871443 | Pin | 1 | |
| 4 | 847032 | Fork | 2 | |
| 5 | 899123 | Gearbox driven shaft | 1 | Technical specification: Old Version[old] |
| 5 | B044222 | Driven shaft | 1 | Technical specification: New Version[new] |
| 6 | 872958 | Gear 2a | 1 | |
| 7 | 899434 | Fifth speed gear | 1 | |
| 8 | 899432 | 3rd-4th gear | 1 | |
| 9 | 899433 | 4th gear | 1 | |
| 10 | 899435 | Gear 6a | 1 | |
| 11 | 872959 | Gear 2a | 1 | |
| 12 | CM157101 | Thrust washer 2.2 | 1 | |
| 12 | CM157102 | Thrust washer 2 | 1 | |
| 12 | CM157103 | Thrust washer 1.9 | 1 | |
| 12 | CM157104 | Thrust washer 1.8 | 1 | |
| 12 | CM157105 | Thrust washer 1.7 | 1 | |
| 12 | CM157106 | Thrust washer 1.6 | 1 | |
| 13 | 872954 | Roller cage | 1 | |
| 14 | 872962 | Washer | 1 | |
| 15 | 871428 | Circlip | 1 | |
| 16 | 871427 | Washer | 1 | |
| 17 | 847546 | Washer | 1 | |
| 18 | 847547 | Bush | 1 | |
| 19 | 847541 | Rosetta 1x18x23 | 1 | |
| 20 | 847545 | Rosetta 1,2x17x28 | 1 | |
| 21 | 899428 | Primary shaft assy | 1 | |
| 22 | 899321 | Secondary shaft cpl. | 1 | Technical specification: Old Version[old] |

| | |
|--------------------|--------------------------|
| Group | Engine |
| Code | 03.180 |
| Description | Gear box - Gear assembly |
| Service | 1 |



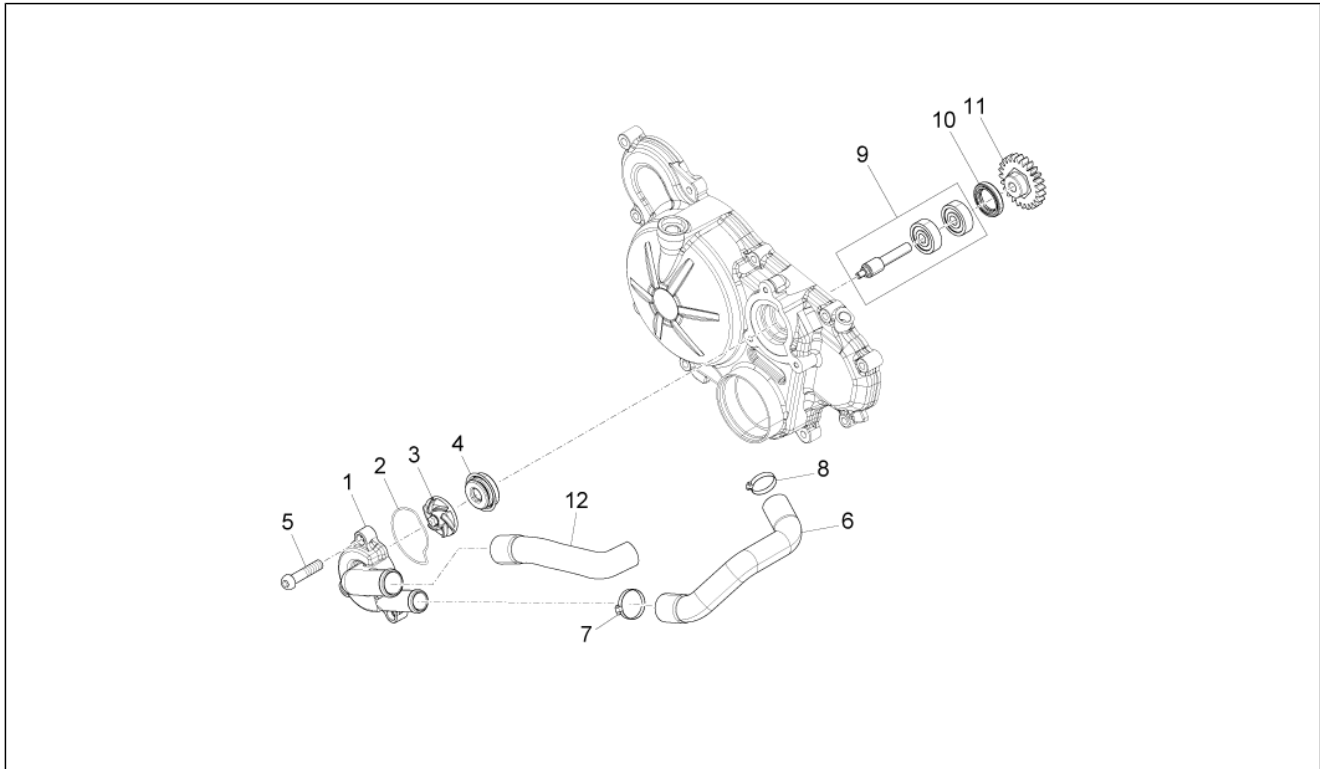
| Pos. | Code | Description | Qty | Variants |
|------|---------|----------------------|-----|------------------------------------------|
| 22 | B044240 | Secondary shaft cpl. | 1 | Technical specification:New Version[new] |
| 23 | 873095 | pipe | 1 | |
| 24 | 873097 | O-ring | 1 | |
| 25 | 880095 | Gear position sensor | 1 | |

| | |
|--------------------|----------|
| Group | Engine |
| Code | 03.200 |
| Description | Oil pump |
| Service | 1 |



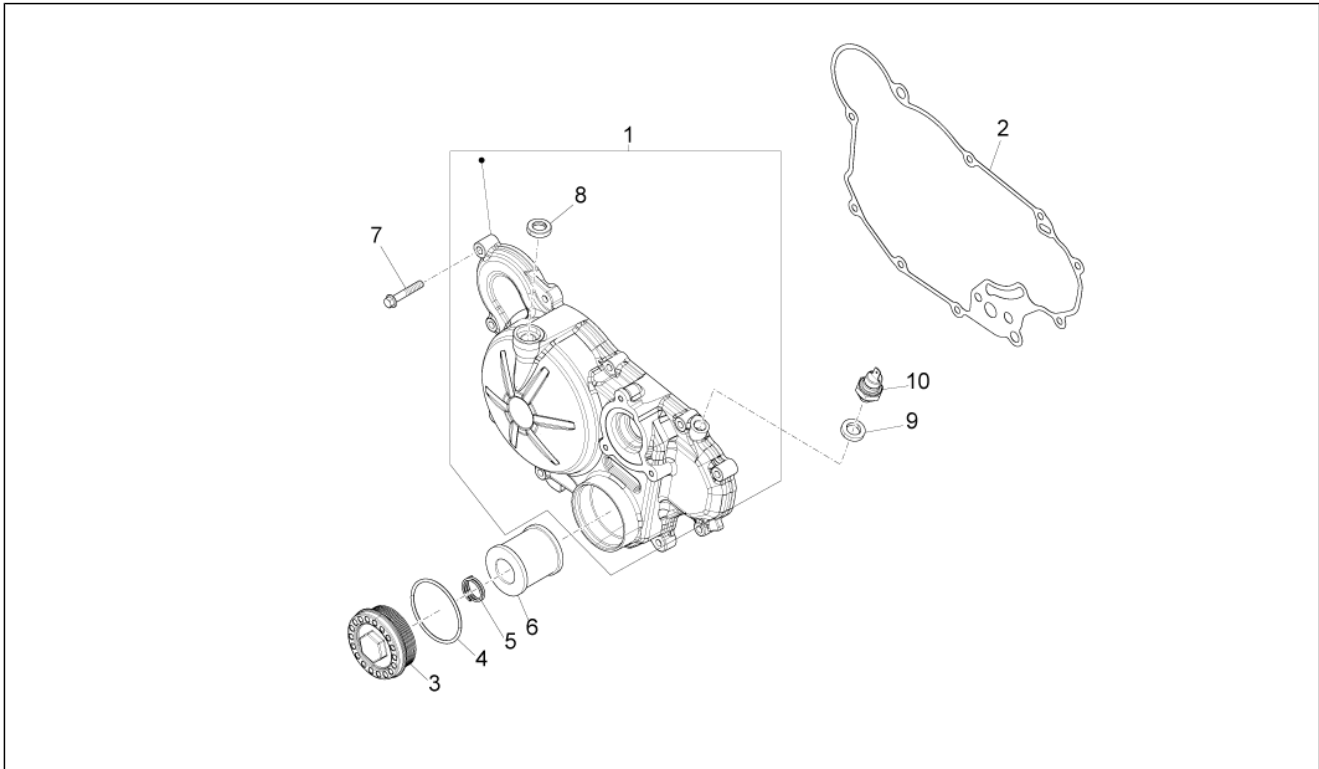
| Pos. | Code | Description | Qty | Variants |
|------|--------|-----------------------|-----|----------|
| 1 | 006408 | Safety washer | 1 | |
| 2 | 847183 | Washer | 1 | |
| 3 | 871501 | Idle gear | 1 | |
| 4 | 829593 | Screw w/ flange M5x35 | 3 | |
| 5 | 006409 | Ring | 1 | |
| 6 | 871454 | Oil pump gear | 1 | |
| 7 | 871451 | Oil pump assy. | 1 | |
| 8 | 871500 | Gasket | 1 | |
| 9 | 485655 | Spring | 1 | |
| 10 | 829661 | Oil pressure valve | 1 | |
| 11 | 431242 | Oil filter | 1 | |
| 12 | 288474 | O-ring 20,35x1,78 | 1 | |
| 13 | 285536 | O-ring 31,47x1,78 | 1 | |
| 14 | 826165 | Oil filter plug | 1 | |

| | |
|--------------------|------------|
| Group | Engine |
| Code | 03.210 |
| Description | Water pump |
| Service | 1 |



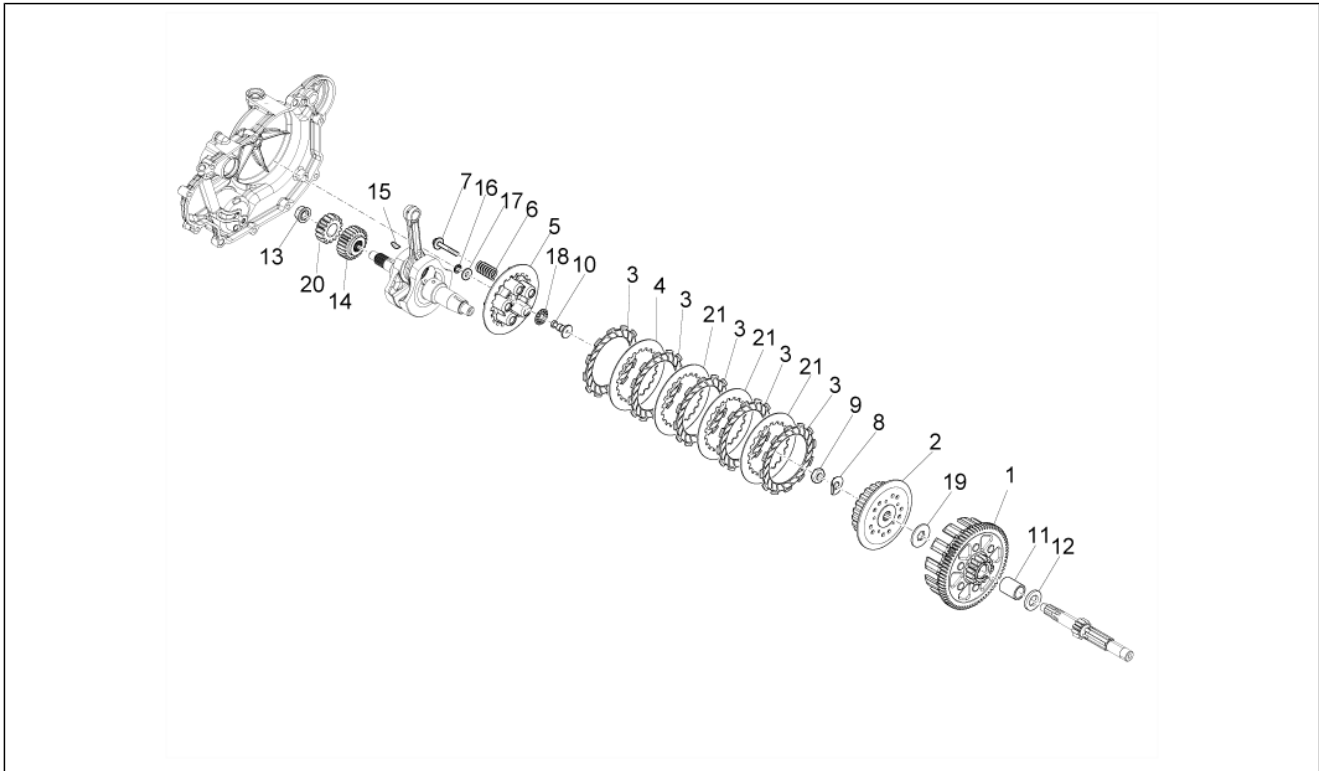
| Pos. | Code | Description | Qty | Variants |
|------|----------|--------------------------|-----|----------|
| 1 | 871354 | Water pump cover | 1 | |
| 2 | 871418 | O-ring | 1 | |
| 3 | 871358 | Impeller | 1 | |
| 4 | 82991R | Gasket ring | 1 | |
| 5 | 845753 | Hex socket screw M5x20 | 3 | |
| 6 | 871450 | Pump-cylinder hose | 1 | |
| 7 | CM001907 | Hose clamp | 1 | |
| 8 | CM001906 | Hose clamp | 1 | |
| 9 | 8713724 | Water pump rod with U.P. | 1 | |
| 10 | 82897R | Gasket ring 20x30x5 | 1 | |
| 11 | 899803 | Water pump gear | 1 | |
| 12 | 865655 | Water cooler-pump tube | 1 | |

| | |
|--------------------|--------------|
| Group | Engine |
| Code | 03.220 |
| Description | Clutch cover |
| Service | 1 |



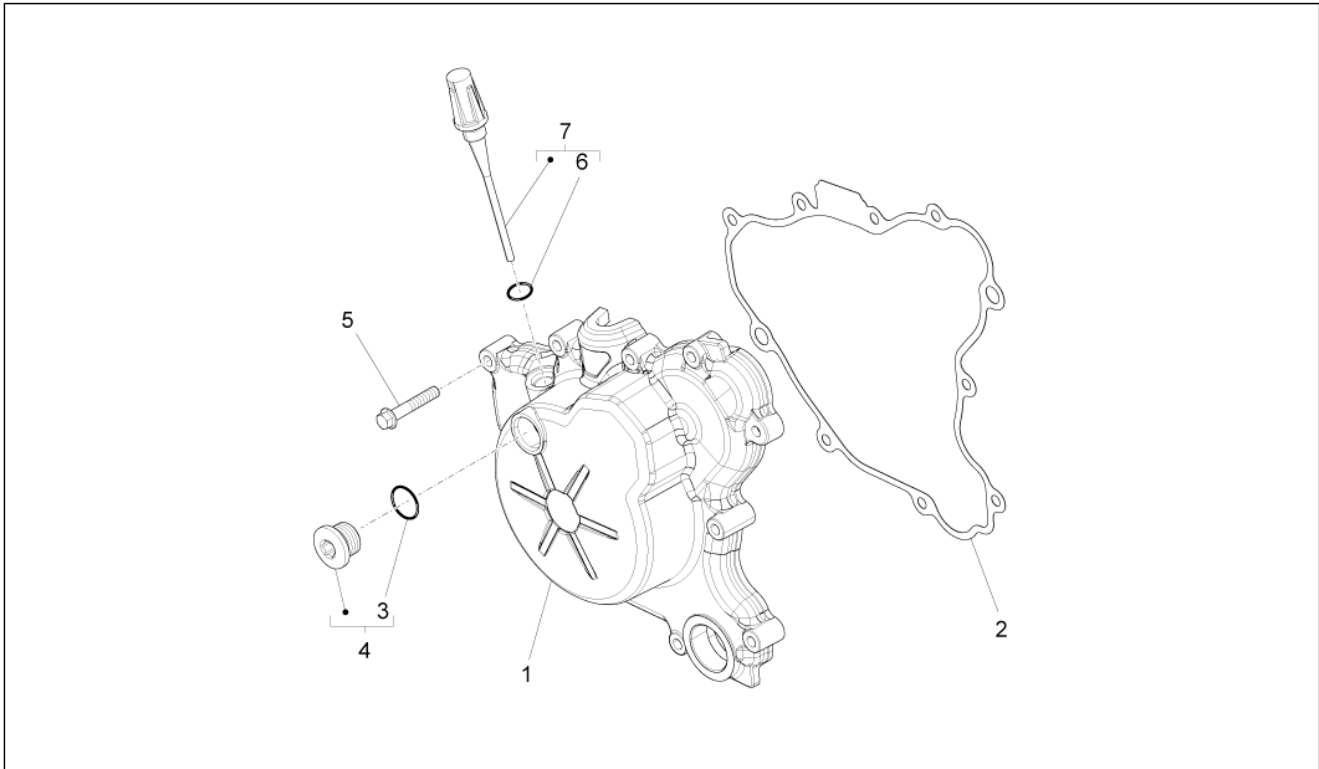
| Pos. | Code | Description | Qty | Variants |
|------|-----------|---------------------|-----|----------|
| 1 | B043788 | Clutch cover | 1 | |
| 2 | 878241 | Cover gasket | 1 | |
| 3 | 851295 | Oil filter cover | 1 | |
| 4 | AP9150355 | O-ring D53,65x2,68 | 1 | |
| 5 | AP9150167 | Spring | 1 | |
| 6 | 874081 | Oil filter | 1 | |
| 7 | 414838 | screw M6x35 | 10 | |
| 8 | 847075 | Oil seal 12x20 | 1 | |
| 9 | AP9150472 | Washer 10,5x17x1,5 | 1 | |
| 10 | 641541 | Oil pressure sensor | 1 | |

| | |
|--------------------|--------|
| Group | Engine |
| Code | 03.230 |
| Description | Clutch |
| Service | 1 |



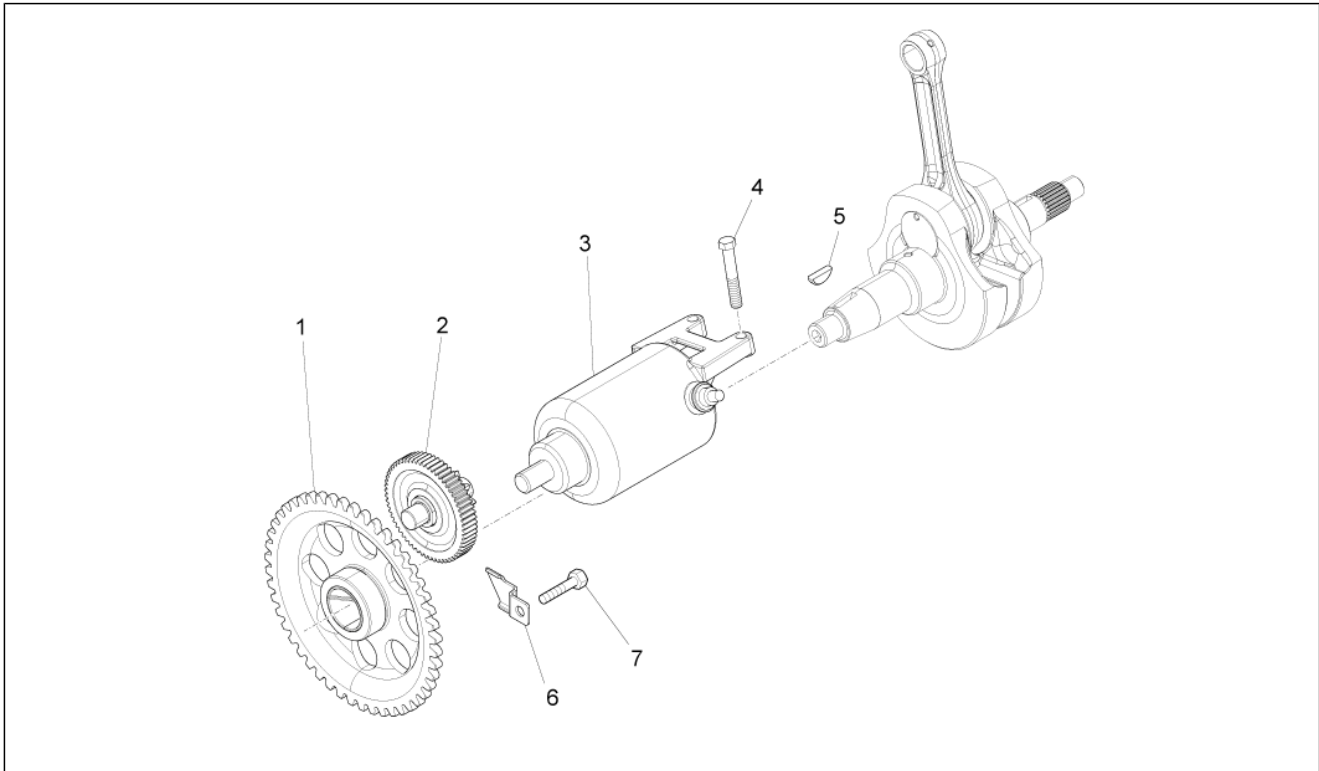
| Pos. | Code | Description | Qty | Variants |
|------|---------|-----------------------|-----|----------|
| 1 | 899801 | Clutch gearing | 1 | |
| 2 | 847045 | Clutch pressure plate | 1 | |
| 3 | 871341 | Driving clutch disc | 5 | |
| 4 | 873627 | Driven clutch disc | 1 | |
| 5 | 847046 | Clutch cover | 1 | |
| 6 | 879285 | Clutch spring | 5 | |
| 7 | 847048 | screw 5M80X35 | 5 | |
| 8 | 876418 | Washer | 1 | |
| 9 | 874760 | Special nut | 1 | |
| 10 | 847223 | Pin | 1 | |
| 11 | B044411 | Spacer | 1 | |
| 12 | 847218 | Washer | 1 | |
| 13 | 436783 | Nut M12 | 1 | |
| 14 | 899798 | Pinion Z=29 | 1 | |
| 15 | 000097 | Transmission key | 1 | |
| 16 | 006410 | Gasket ring | 1 | |
| 17 | 847224 | Washer | 1 | |
| 18 | 847222 | Bearing | 1 | |
| 19 | 847042 | Washer | 1 | |
| 20 | 899802 | Water pump pinion | 1 | |
| 21 | 847043 | Driven clutch disc | 3 | |

| | |
|--------------------|----------------|
| Group | Engine |
| Code | 03.270 |
| Description | Flywheel cover |
| Service | 1 |



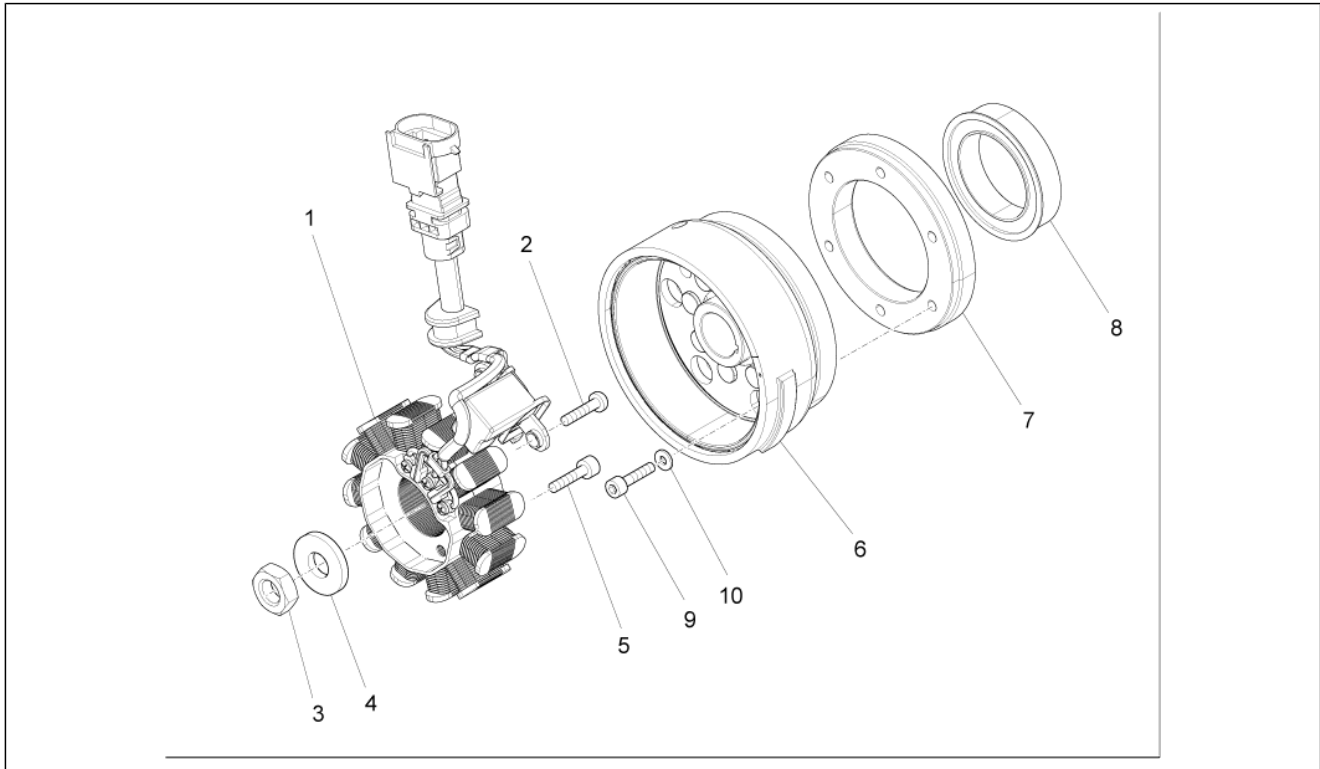
| Pos. | Code | Description | Qty | Variants |
|------|---------|-----------------------------|-----|----------|
| 1 | 874776 | Flywheel side cover | 1 | |
| 2 | 871558 | Gasket | 1 | |
| 3 | 479986 | O-ring | 2 | |
| 4 | 8290405 | Timing plug assembly | 2 | |
| 5 | 414838 | screw M6x35 | 10 | |
| 6 | 874678 | O-ring | 1 | |
| 7 | 874676 | Complete oil level dipstick | 1 | |

| | |
|--------------------|----------------------------|
| Group | Engine |
| Code | 03.290 |
| Description | Starter / Electric starter |
| Service | 1 |



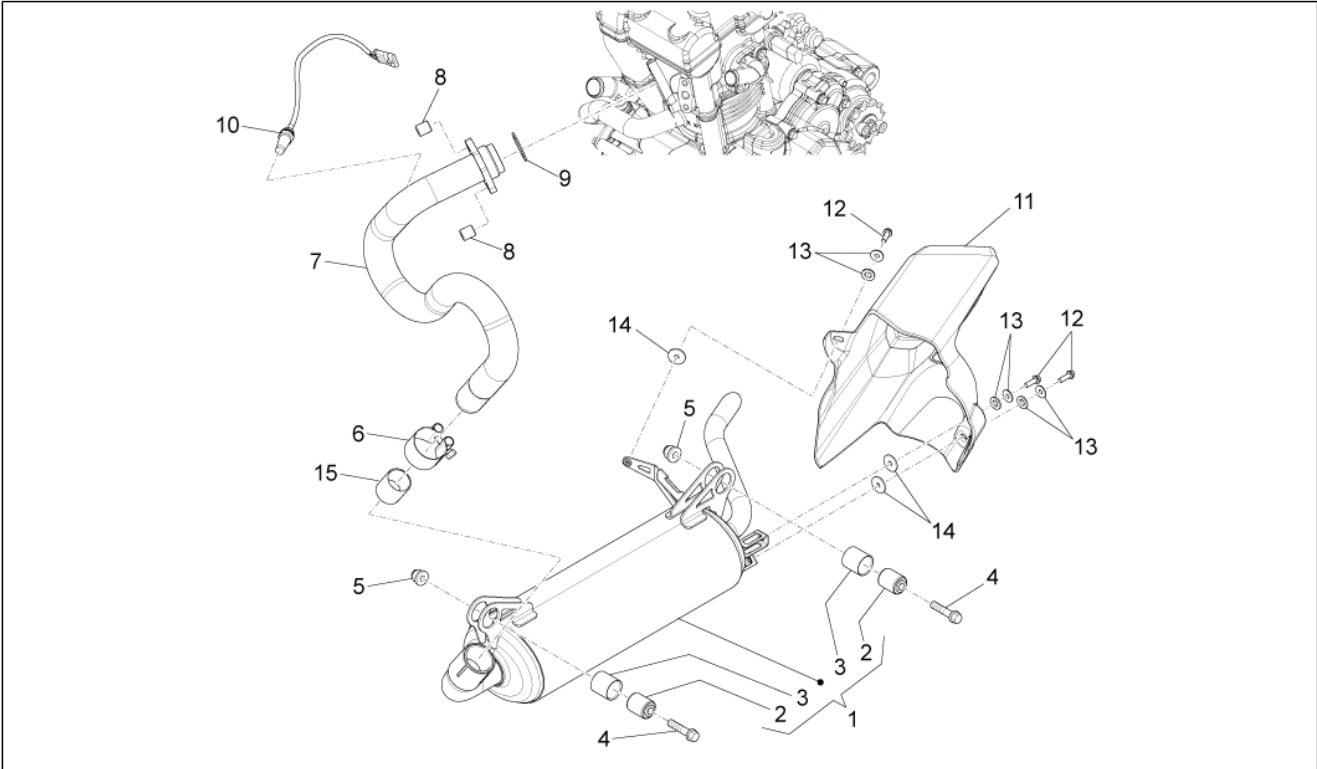
| Pos. | Code | Description | Qty | Variants |
|------|---------|-------------------|-----|----------|
| 1 | 871486 | Chain ring | 1 | |
| 2 | 8714915 | Intermediate gear | 1 | |
| 3 | 58143R | Starter motor | 1 | |
| 4 | 018639 | Hex screw M6x20 | 2 | |
| 5 | 000097 | Transmission key | 1 | |
| 6 | 871515 | Plate | 1 | |
| 7 | 008375 | screw M6x14 | 1 | |

| | |
|--------------------|----------------------------------|
| Group | Engine |
| Code | 03.300 |
| Description | Cdi magneto assy / Ignition unit |
| Service | 1 |



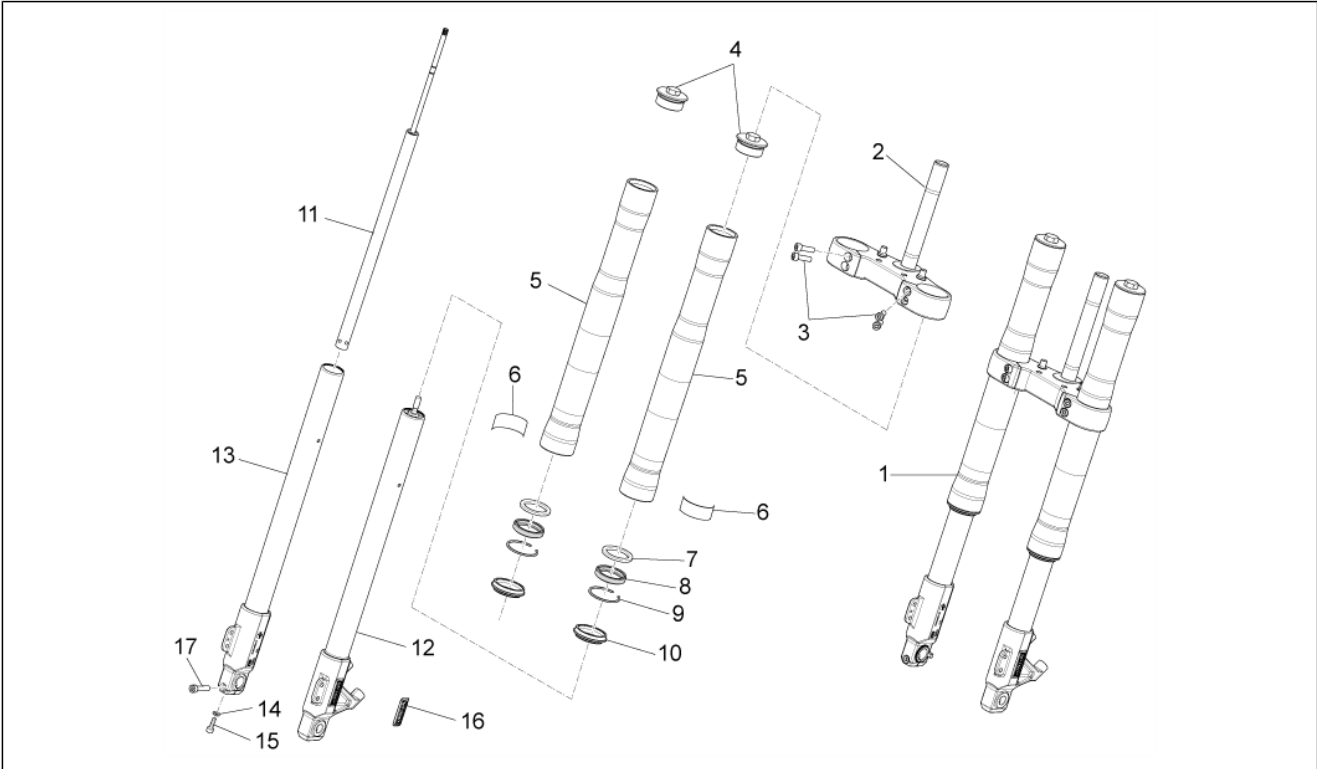
| Pos. | Code | Description | Qty | Variants |
|------|--------|------------------------|-----|----------|
| 1 | 640043 | Stator cpl. | 1 | |
| 2 | 015715 | Screw M5x16 | 2 | |
| 3 | 873498 | Nut | 1 | |
| 4 | 840320 | Washer | 1 | |
| 5 | 486972 | Hex socket screw M5x25 | 2 | |
| 6 | 641009 | Rotor cpl. | 1 | |
| 7 | 871369 | Ring | 1 | |
| 8 | 871521 | Sprag clutch | 1 | |
| 9 | 841613 | screw | 6 | |
| 10 | 479515 | Break washer | 6 | |

| | |
|--------------------|--------------|
| Group | Engine |
| Code | 03.330 |
| Description | Exhaust pipe |
| Service | 1 |



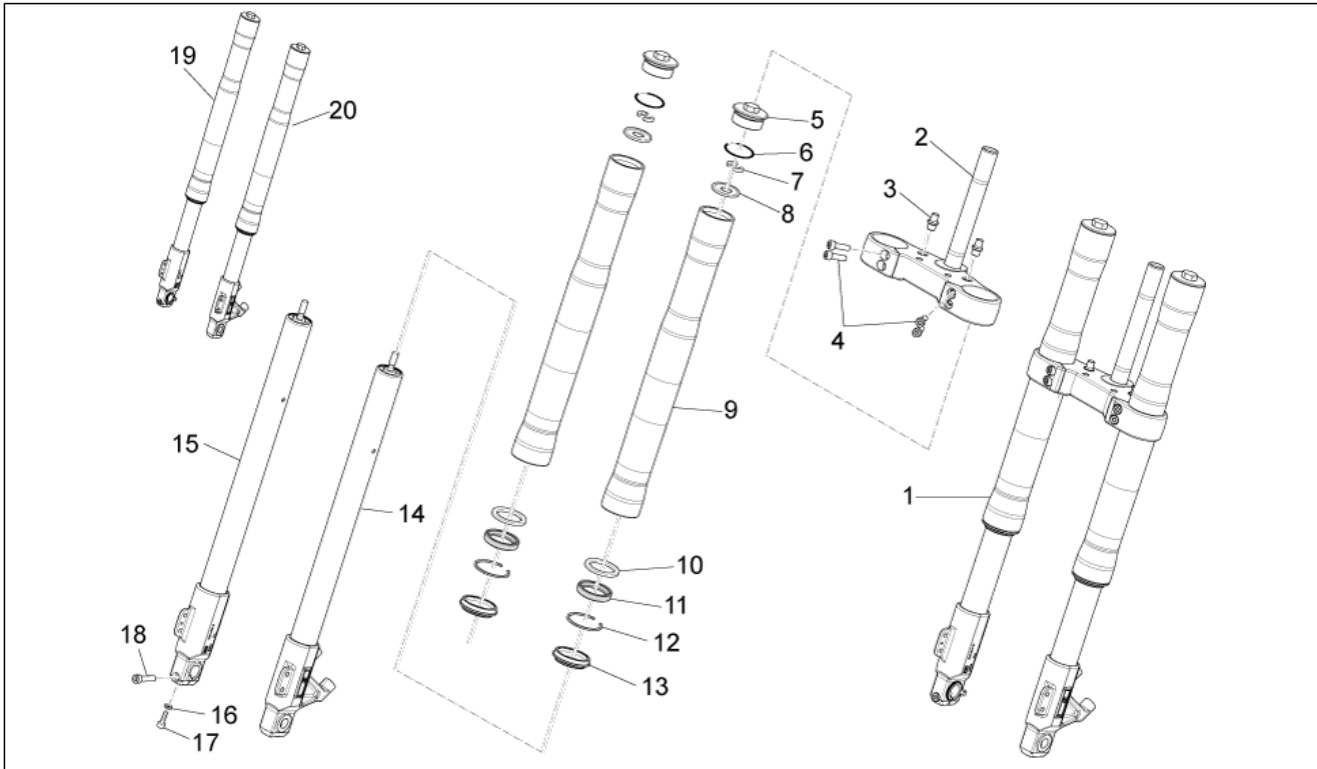
| Pos. | Code | Description | Qty | Variants |
|------|-------------|-----------------------|-----|----------|
| 1 | 899475 | Silencer | 1 | |
| 2 | 00H02201731 | Silent-block | 2 | |
| 3 | 863764 | Bush silent block | 2 | |
| 4 | AP8152292 | Screw w/ flange | 2 | |
| 5 | AP8152300 | Self-locking nut M8 | 2 | |
| 6 | 00H03405061 | Silencer clip | 1 | |
| 7 | 898764 | Exhaust pipe | 1 | |
| 8 | 862560 | Special nut | 2 | |
| 9 | 863506 | Gasket | 1 | |
| 10 | B044699 | Lamda sensor | 1 | |
| 11 | 86594400W5G | External cover | 1 | |
| 12 | AP8152273 | Screw w/ flange M5x16 | 3 | |
| 13 | 00F04201361 | Washer | 6 | |
| 14 | AP8150013 | Washer 5,5x15x1,6* | 3 | |
| 15 | 00H03406321 | Gasket | 1 | |

| | |
|--------------------|-------------------|
| Group | Suspensions |
| Code | 04.015 |
| Description | Front fork Paioli |
| Service | 1 |



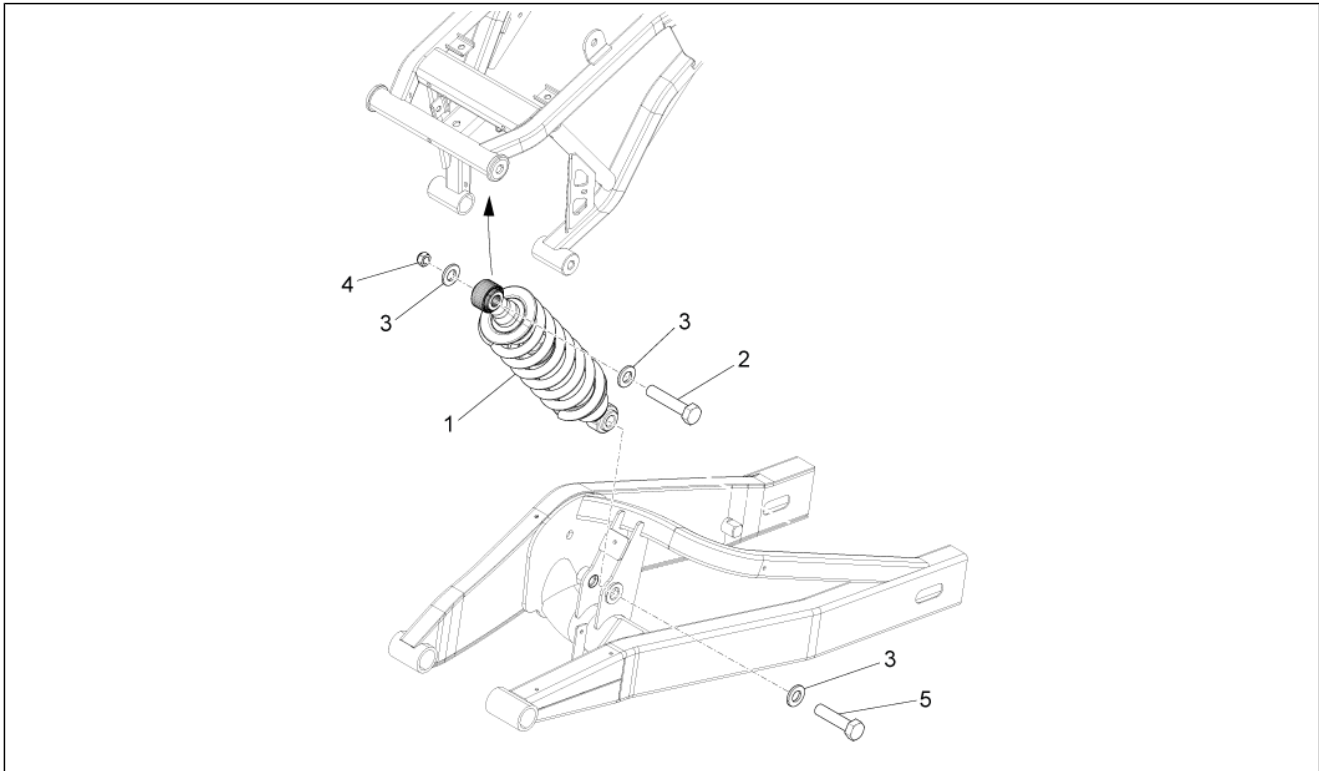
| Pos. | Code | Description | Qty | Variants |
|------|------------|----------------------------|-----|----------|
| 1 | 8656650001 | Front fork | 1 | |
| 2 | 866766 | Stem base | 1 | |
| 3 | 863149 | screw | 4 | |
| 4 | 865471 | Fork tube cap | 2 | |
| 5 | 866770 | Sleeve | 2 | |
| 6 | 865475 | Sleeve decal | 2 | |
| 7 | 865466 | Washer | 2 | |
| 8 | 865467 | Gasket ring | 2 | |
| 9 | 865468 | Snap ring | 2 | |
| 10 | 865463 | Dust cover | 2 | |
| 11 | 866768 | Plunger, complete | 1 | |
| 12 | 866769 | Hub+LH fork leg | 1 | |
| 13 | 866767 | Hub+RH fork leg | 1 | |
| 14 | 863159 | Washer | 2 | |
| 15 | 865476 | Special cap screw M10x40 | 2 | |
| 16 | 865465 | Decal and plate set Paioli | 2 | |
| 17 | 866779 | Screw m6x20 | 2 | |

| | |
|--------------------|----------------------|
| Group | Suspensions |
| Code | 04.070 |
| Description | Front fork Ming Xing |
| Service | 1 |



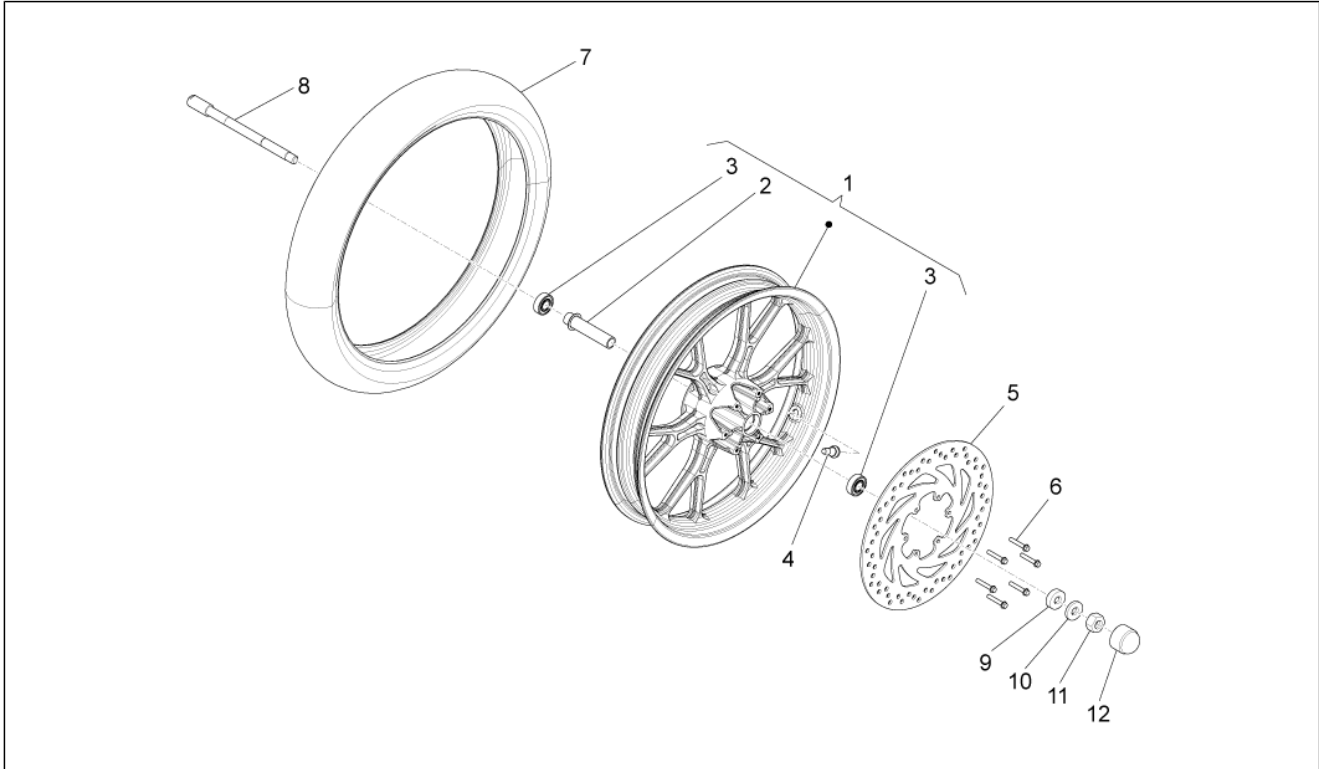
| Pos. | Code | Description | Qty | Variants |
|------|------------|-----------------------------|-----|----------|
| 1 | 8667100002 | Front fork assembly MINXING | 1 | |
| 2 | B044047 | Lower fork plate | 1 | |
| 3 | B044048 | Limit stop | 2 | |
| 4 | AP8150236 | Hex socket screw M8x35 | 4 | |
| 5 | B044049 | Fork tube cap | 5 | |
| 6 | B044050 | O-ring | 2 | |
| 7 | B044051 | Half ring | 4 | |
| 8 | B044052 | Ring spring | 2 | |
| 9 | B044053 | Sleeve | 2 | |
| 10 | B044054 | Washer | 2 | |
| 11 | B044055 | Oil seal | 2 | |
| 12 | B044056 | Snap ring | 2 | |
| 13 | B044057 | Dust cover | 2 | |
| 14 | B044058 | LH hub | 1 | |
| 15 | B044059 | RH hub | 1 | |
| 16 | B044060 | Washer | 1 | |
| 17 | AP8150196 | Hex socket screw | 1 | |
| 18 | AP8150107 | Hex socket screw M8x30 | 1 | |
| 19 | B044061 | Sleeve cpl. SX | 1 | |
| 20 | B044062 | Sleeve cpl. DX | 1 | |

| | |
|--------------------|----------------|
| Group | Suspensions |
| Code | 04.080 |
| Description | Shock absorber |
| Service | 1 |



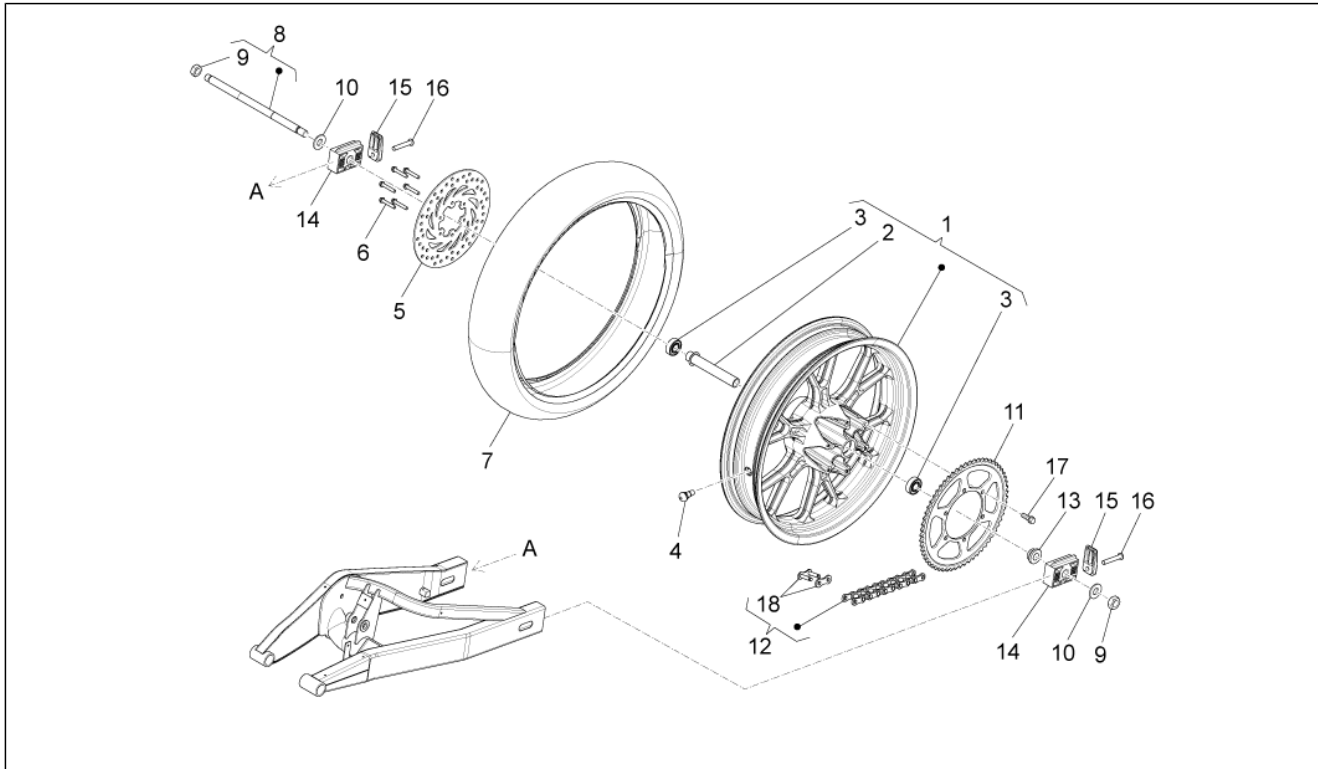
| Pos. | Code | Description | Qty | Variants |
|------|-------------|---------------------------|-----|----------|
| 1 | 8656670001 | Rear shock absorber | 1 | |
| 2 | 00H00303892 | screw | 1 | |
| 3 | 00001213190 | Clearance bush | 2 | |
| 4 | AP8150432 | Low self-locking nut M12* | 2 | |
| 5 | 00H00302892 | screw 12M175X50 | 1 | |

| | |
|--------------------|-------------|
| Group | Wheels |
| Code | 05.010 |
| Description | Front wheel |
| Service | 1 |



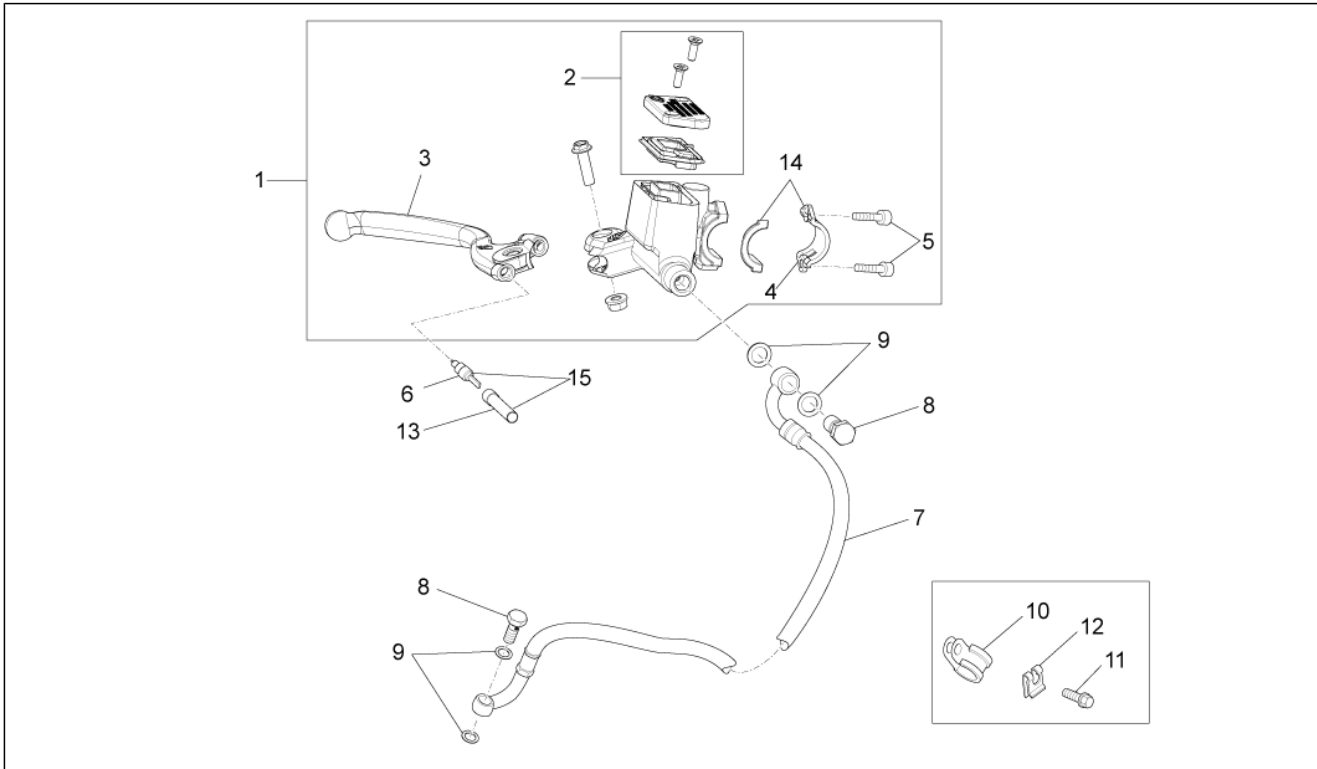
| Pos. | Code | Description | Qty | Variants |
|------|-------------|------------------------------------|-----|------------------------------------------------------------------------------|
| 1 | 00H01212841 | Front wheel, black | 1 | |
| 2 | 00H01205031 | Internal spacer | 1 | |
| 3 | 00058020200 | Bearing | 2 | |
| 4 | AP8201546 | Tubeless tyre valve | 1 | |
| 5 | 864848 | disco freno ant. Wave | 1 | |
| 5 | 866090 | Front brake disc | 1 | |
| 6 | 00H02402282 | screw 6X20 | 6 | |
| 7 | 899858 | Front tyre 100/80-17" SAVATECH | 1 | Vehicle colour:Black racing (s.t.899864)[blk], Racing White (s.t.899864)[wh] |
| 7 | AP8109170 | Front/rear tyre 110/70X17" Pirelli | 1 | Vehicle colour:Alitalia (s.t.899864)[ai] |
| 8 | 00H01205271 | Front wheel spindle | 1 | |
| 9 | 00H01203291 | Spacer | 1 | |
| 10 | 00032015000 | Washer | 1 | |
| 11 | 00H00300672 | Nut | 1 | |
| 12 | 00H01201331 | Guard | 1 | |

| | |
|--------------------|------------|
| Group | Wheels |
| Code | 05.020 |
| Description | Rear wheel |
| Service | 1 |



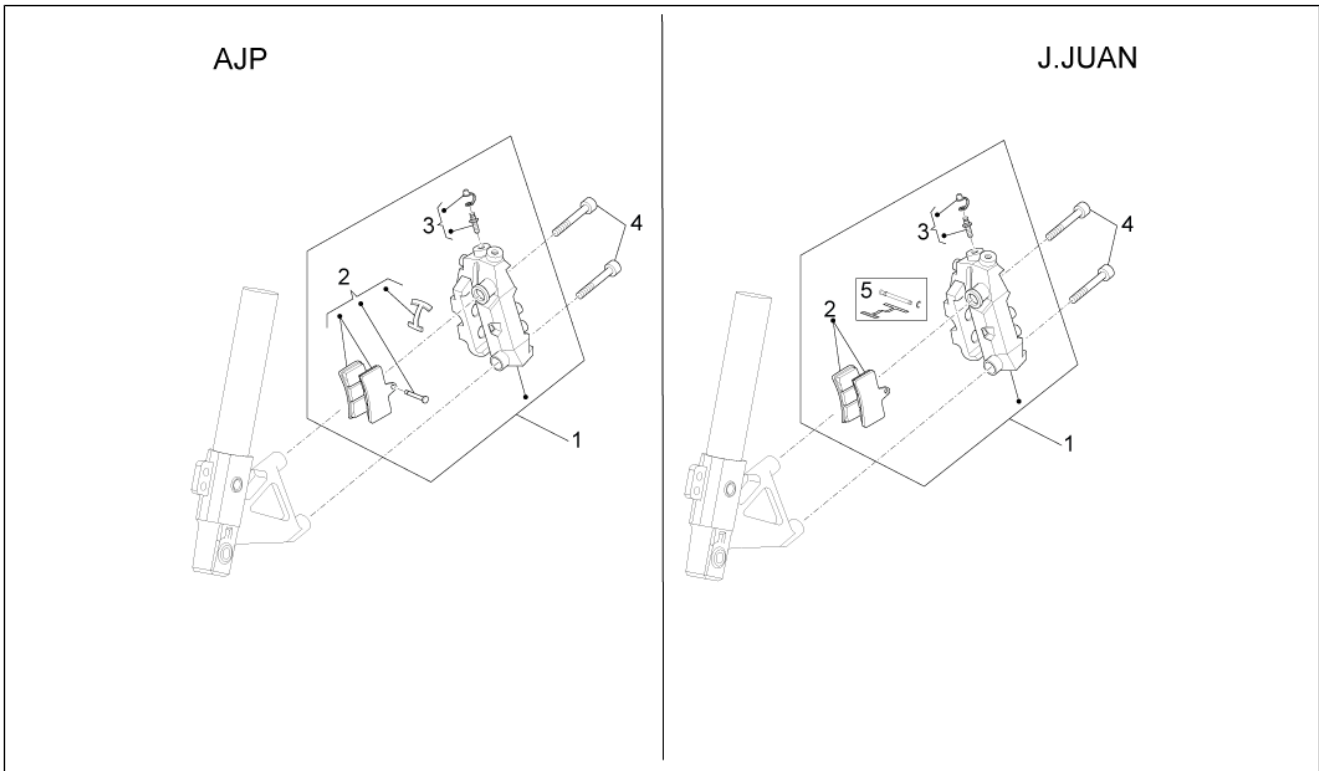
| Pos. | Code | Description | Qty | Variants |
|------|-------------|-------------------------------|-----|------------------------------------------------------------------------------|
| 1 | 867339 | Rear wheel(complete) | 1 | |
| 2 | 00H01308091 | Internal spacer | 1 | |
| 3 | 00058020200 | Bearing | 2 | |
| 4 | AP8201546 | Tubeless tyre valve | 1 | |
| 5 | 865067 | disco freno post.Wave | 1 | |
| 5 | 866115 | Rear brake disc | 1 | |
| 6 | 00H02402282 | screw 6X20 | 6 | |
| 7 | 899860 | Rear tyre 130/70-17" SAVATECH | 1 | Vehicle colour:Black racing (s.t.899864)[blk], Racing White (s.t.899864)[wh] |
| 7 | AP8109171 | Rear tyre 150/60-17" | 1 | Vehicle colour:Alitalia (s.t.899864)[ai] |
| 8 | 865681 | Wheel pin | 1 | |
| 9 | 00H00300672 | Nut | 1 | |
| 10 | 866536 | Spacer | 1 | |
| 11 | 899485 | Chain ring Z=60 | 1 | |
| 12 | 899613 | Chain 136P | 1 | |
| 13 | 866540 | Spacer | 1 | |
| 14 | 00H01303171 | Chain tensioner | 2 | |
| 15 | 00H01301471 | Plate | 2 | |
| 16 | 00H01301491 | Hex socket screw M8x50 | 2 | |
| 17 | AP8152287 | Screw w/ flange M8x25 | 6 | |
| 18 | B044138 | Connecting link | 1 | |

| | |
|--------------------|-----------------------|
| Group | Brake system |
| Code | 06.010 |
| Description | Front master cilinder |
| Service | 1 |



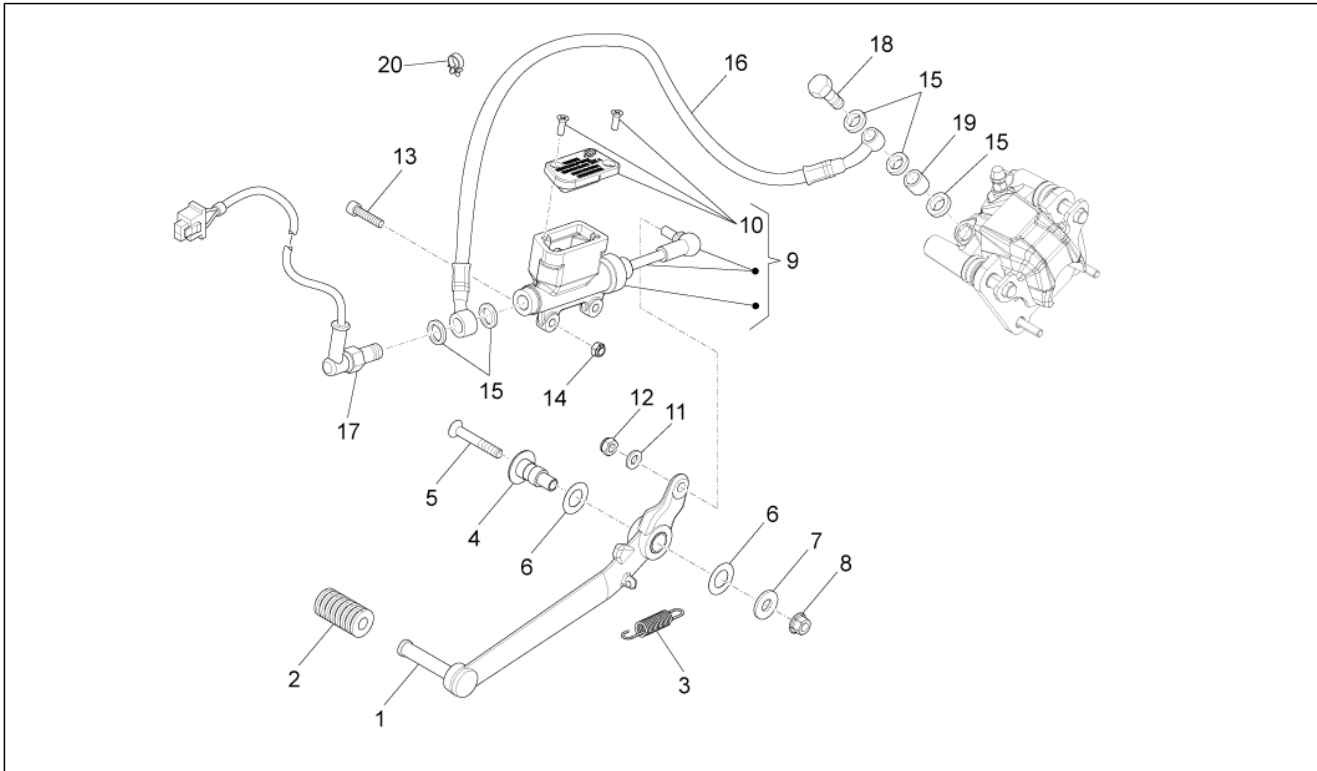
| Pos. | Code | Description | Qty | Variants |
|------|-------------|-----------------------|-----|---------------------------------------------------------------|
| 1 | 865507 | Front master cilinder | 1 | Technical specification: Impianto freno AJP[AJP] |
| 1 | B044194 | Front master cilinder | 1 | Technical specification: Impianto freno J.Juan[J.Juan] |
| 2 | 862534 | Cover | 1 | Technical specification: Impianto freno AJP[AJP] |
| 2 | B044197 | Cover | 1 | Technical specification: Impianto freno J.Juan[J.Juan] |
| 3 | 864339 | Brake lever | 1 | Technical specification: Impianto freno AJP[AJP] |
| 3 | B044198 | Front brake lever | 1 | Technical specification: Impianto freno J.Juan[J.Juan] |
| 4 | 00H02100901 | Pump support U-bolt | 1 | Technical specification: Impianto freno AJP[AJP] |
| 5 | 00000004512 | screw | 2 | |
| 6 | 642032 | stop Button | 1 | Technical specification: Impianto freno AJP[AJP] |
| 7 | 866674 | Front brake hose | 1 | Technical specification: Impianto freno AJP[AJP] |
| 7 | B044195 | Front brake hose | 1 | Technical specification: Impianto freno J.Juan[J.Juan] |
| 8 | 00006309260 | Oil pipe screw | 2 | Technical specification: Impianto freno AJP[AJP] |
| 8 | 867237 | Oil hose union | 1 | Technical specification: Impianto freno J.Juan[J.Juan] |
| 9 | 00006321040 | Washer | 4 | Technical specification: Impianto freno AJP[AJP] |
| 9 | 867238 | Washer | 4 | Technical specification: Impianto freno J.Juan[J.Juan] |
| 10 | AP8134167 | Brake hose hanger | 1 | |
| 11 | AP8152278 | Screw w/ flange M6x16 | 1 | |
| 12 | 254485 | Spring plate M6 | 1 | |
| 13 | AP8220135 | Rubber spacer * | 1 | Technical specification: Impianto freno AJP[AJP] |
| 14 | B044408 | U-bolt | 1 | Technical specification: Impianto freno J.Juan[J.Juan] |
| 15 | B044409 | Stop switch | 1 | Technical specification: Impianto freno J.Juan[J.Juan] |

| | |
|--------------------|---------------------|
| Group | Brake system |
| Code | 06.020 |
| Description | Front brake caliper |
| Service | 1 |



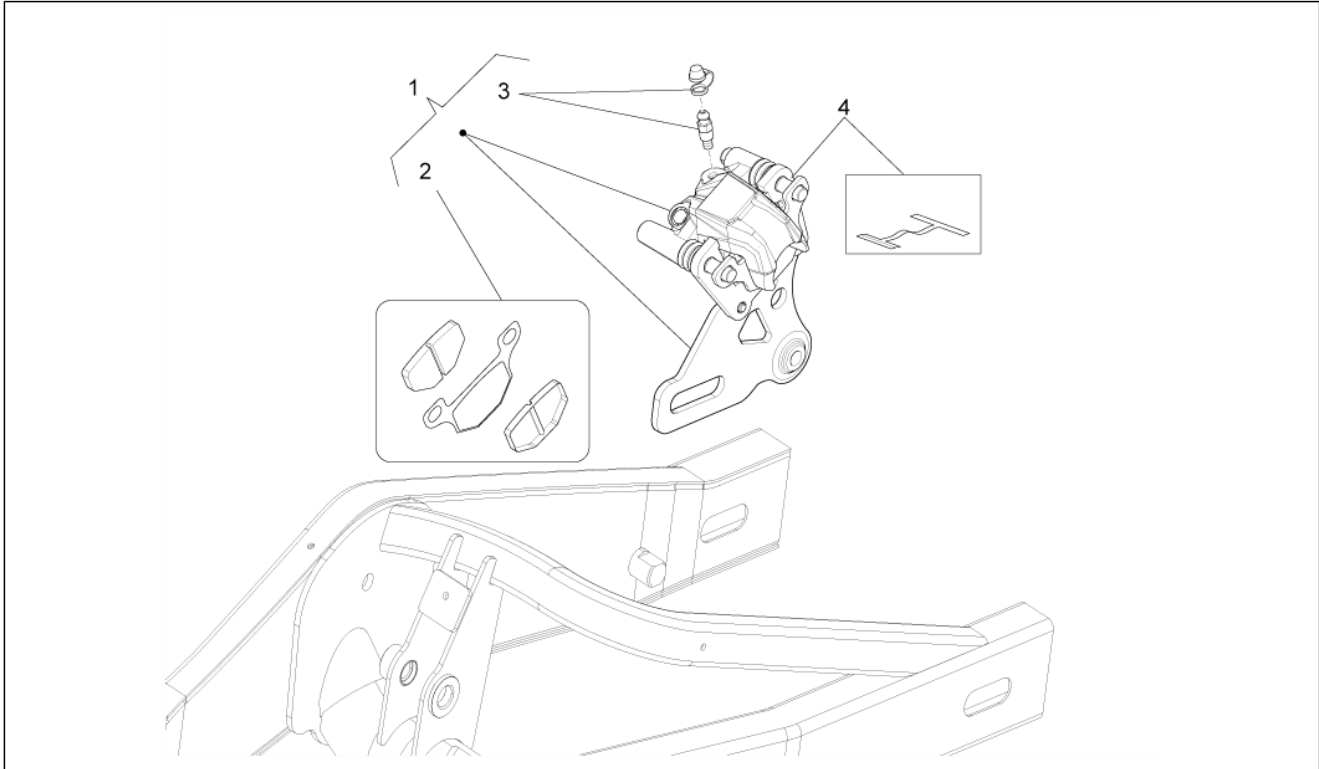
| Pos. | Code | Description | Qty | Variants |
|------|-------------|---------------------------------|-----|--------------------------------------------------------------------------|
| 1 | 866686 | Front brake caliper | 1 | Technical specification: Impianto freno AJP[AJP] |
| 1 | B044196 | Front brake caliper | 1 | Technical specification: Impianto freno J.Juan[J.Juan] |
| 2 | 866687 | Kit pastiglie pinza anteriore | 1 | Technical specification: Impianto freno AJP[AJP], Standard[STD] |
| 2 | B044201 | Brake pads kit SBS SI 90 HH | 1 | Technical specification: Impianto freno J.Juan[J.Juan] |
| 2 | B044202 | Brake pads kit SBS S 60 HH | 1 | Technical specification: Impianto freno J.Juan[J.Juan] |
| 2 | B044220 | Brake pads torque ferodo sint J | 1 | Technical specification: Impianto freno AJP[AJP], ferodo Sint[FR] |
| 3 | 00H04705121 | Bleeder kit | 1 | Technical specification: Impianto freno AJP[AJP] |
| 3 | 867240 | Air bleed valve | 1 | Technical specification: Impianto freno J.Juan[J.Juan] |
| 4 | AP8150049 | screw M10x60 | 2 | Technical specification: Impianto freno AJP[AJP] |
| 5 | B044410 | Kit spinotto e molla | 1 | |

| | |
|--------------------|----------------------|
| Group | Brake system |
| Code | 06.030 |
| Description | Rear master cylinder |
| Service | 1 |



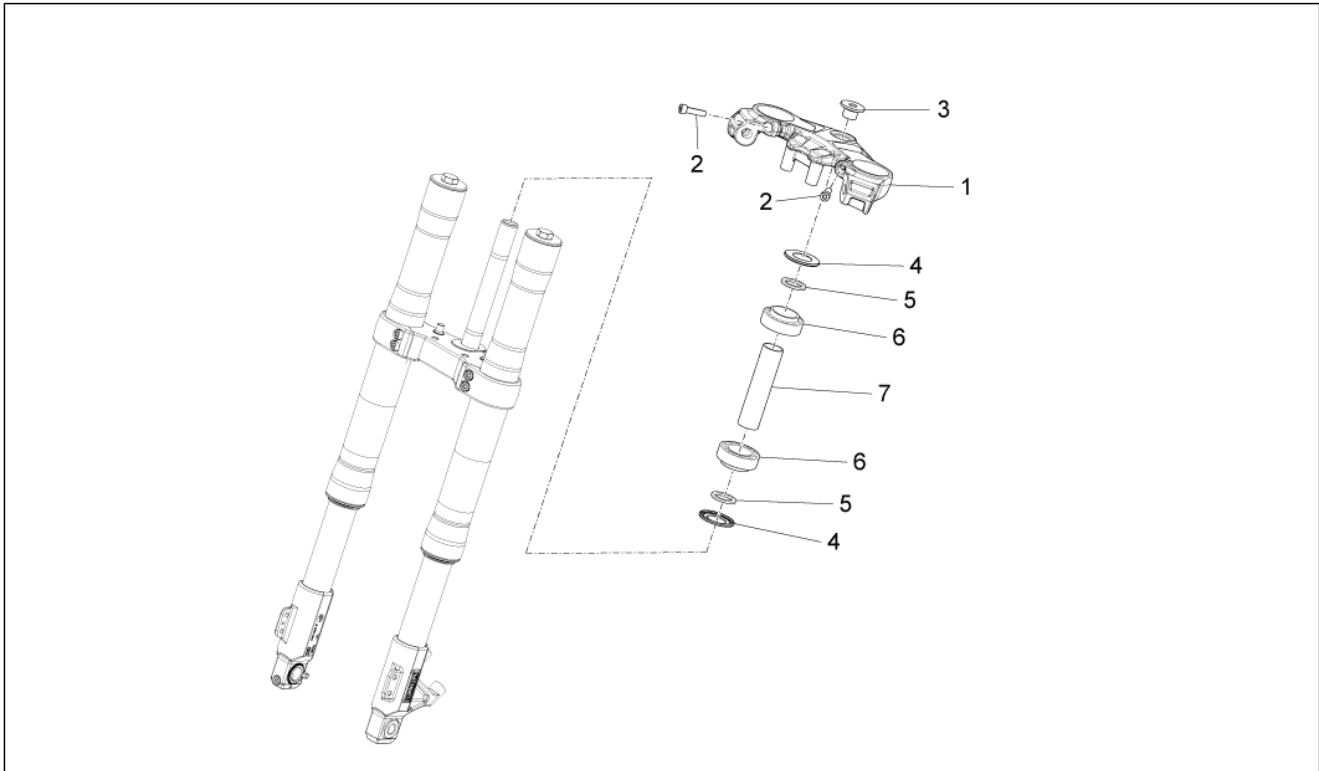
| Pos. | Code | Description | Qty | Variants |
|------|-------------|---------------------------|-----|---------------------------------------------------------------|
| 1 | AP8235012 | Rear brake lever | 1 | |
| 2 | AP8220189 | Rubber spacer | 1 | |
| 3 | B044255 | Rear brake lever spring | 1 | |
| 4 | 866514 | Bush | 1 | |
| 5 | AP8150468 | Screw M6x40 | 1 | |
| 6 | AP8121697 | Belleville spring | 2 | |
| 7 | AP8150018 | Washer | 1 | |
| 8 | AP8152299 | Self-locking nut M6 | 1 | |
| 9 | 866688 | Rear master cylinder | 1 | Technical specification: Impianto freno AJP[AJP] |
| 9 | B044203 | Rear master cylinder | 1 | Technical specification: Impianto freno J.Juan[J.Juan] |
| 10 | 866689 | Pump cover | 1 | Technical specification: Impianto freno AJP[AJP] |
| 10 | B044488 | Pump cover | 1 | |
| 11 | 658830 | Curved spring washer 6x12 | 1 | |
| 11 | AP8150429 | Spring washer 6,4x11x0,5* | 1 | |
| 12 | AP8150430 | Low self-locking nut | 1 | |
| 13 | AP8150220 | Hex socket screw M6x30 | 2 | |
| 14 | AP8152299 | Self-locking nut M6 | 2 | |
| 15 | 00006321040 | Washer | 5 | Technical specification: Impianto freno AJP[AJP] |
| 15 | 867238 | Washer | 4 | Technical specification: Impianto freno J.Juan[J.Juan] |
| 16 | 866690 | Rear brake hose | 1 | Technical specification: Impianto freno AJP[AJP] |
| 16 | B044204 | Rear brake hose | 1 | Technical specification: Impianto freno J.Juan[J.Juan] |
| 17 | 865493 | Stop switch | 1 | |
| 18 | 867237 | Oil hose union | 1 | Technical specification: Impianto freno J.Juan[J.Juan] |
| 18 | 867396 | Oil pipe screw | 1 | Technical specification: Impianto freno AJP[AJP] |
| 19 | 865511 | Bush | 1 | |
| 20 | AP8161203 | Fairlead | 1 | |

| | |
|--------------------|--------------------|
| Group | Brake system |
| Code | 06.040 |
| Description | Rear brake caliper |
| Service | 1 |



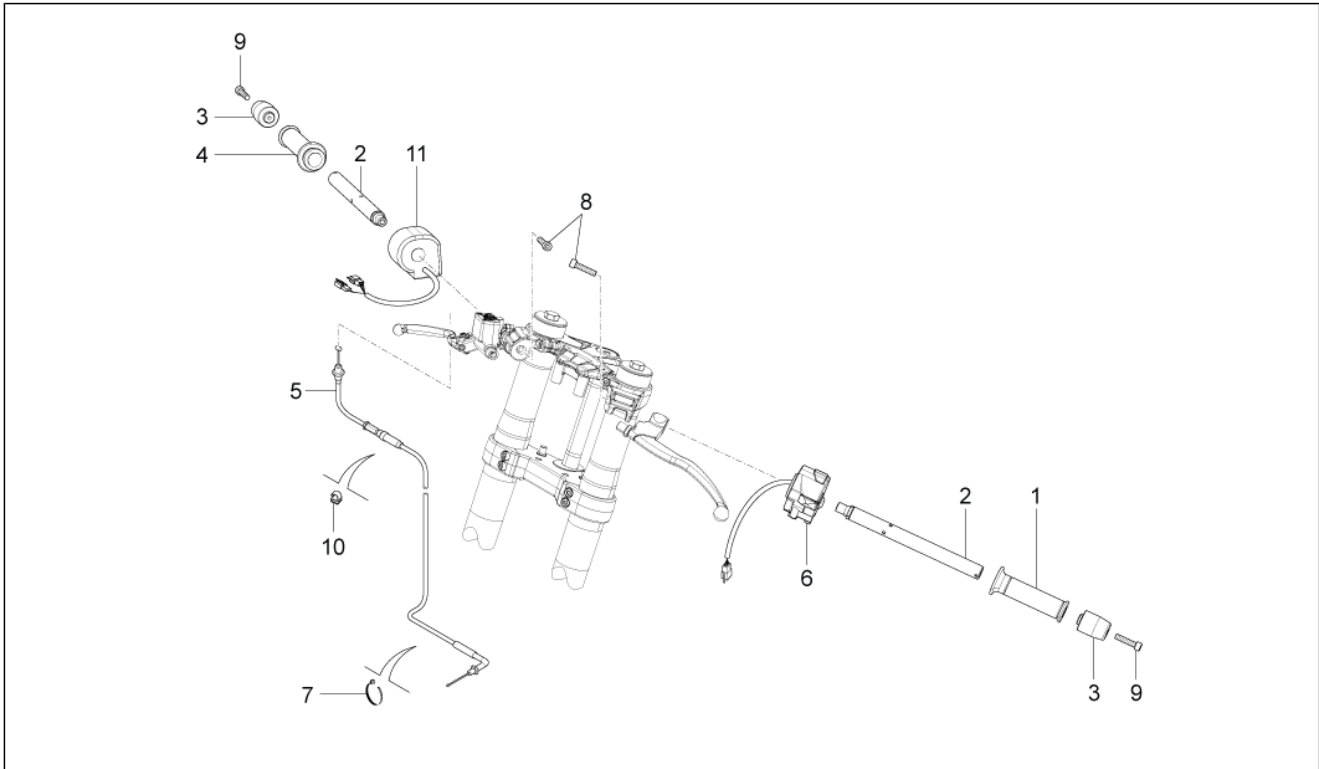
| Pos. | Code | Description | Qty | Variants |
|------|---------|-----------------------------|-----|--------------------------------------------------------------------------|
| 1 | B043812 | Rear brake caliper | 1 | Technical specification: Impianto freno AJP[AJP] |
| 1 | B044205 | Rear brake caliper | 1 | Technical specification: Impianto freno J.Juan[J.Juan] |
| 2 | 866692 | Rear pads pair | 1 | Technical specification: Impianto freno AJP[AJP], Standard[STD] |
| 2 | B044221 | Ferodo brake pads | 1 | Technical specification: Impianto freno AJP[AJP], ferodo Sint[FR] |
| 2 | B044223 | Brake pads kit SBS S 60 HH | 1 | Technical specification: Impianto freno J.Juan[J.Juan] |
| 2 | B044224 | Brake pads kit SBS SI 80 GG | 1 | Technical specification: Impianto freno J.Juan[J.Juan] |
| 3 | 864123 | Bleed valve | 1 | Technical specification: Impianto freno AJP[AJP] |
| 3 | 867240 | Air bleed valve | 1 | Technical specification: Impianto freno J.Juan[J.Juan] |
| 4 | B044412 | Spring kit | 1 | |

| | |
|--------------------|----------------------|
| Group | Handlebar - Controls |
| Code | 07.010 |
| Description | Steering |
| Service | 1 |



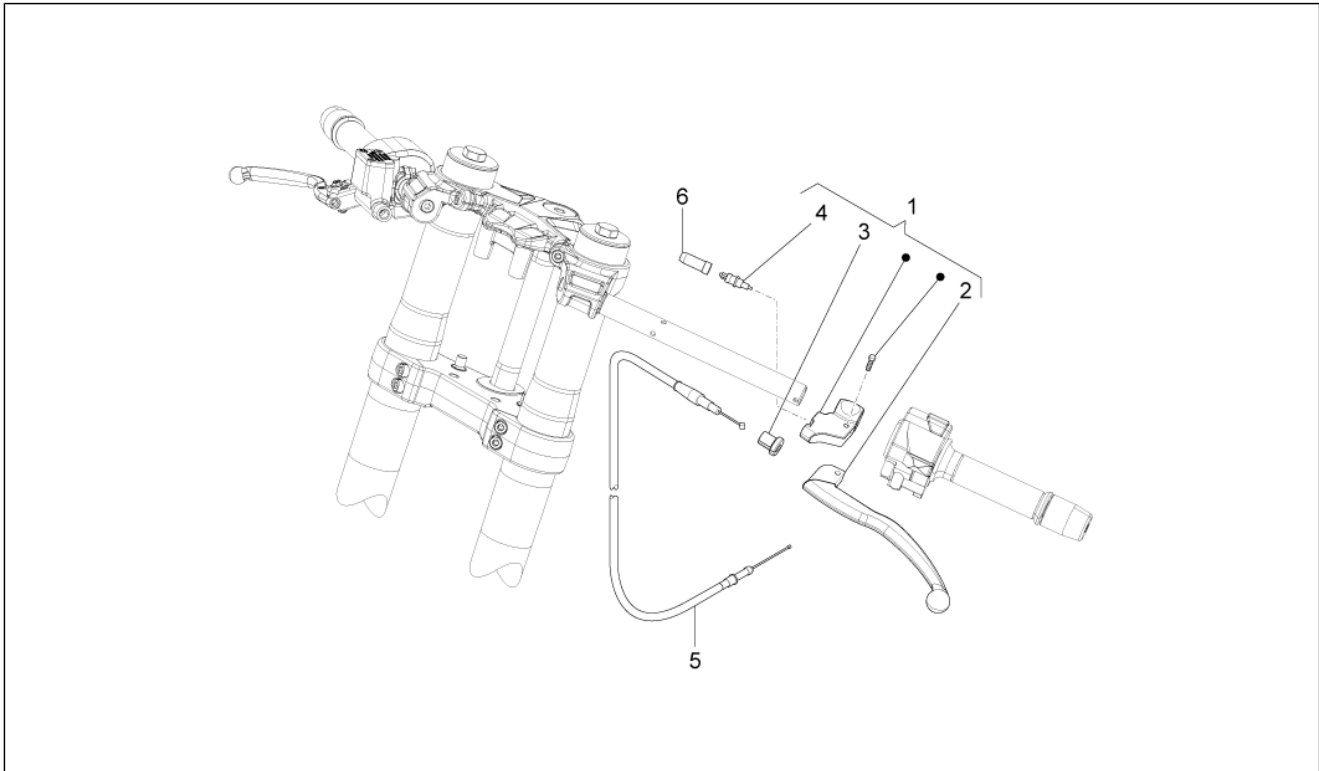
| Pos. | Code | Description | Qty | Variants |
|------|-----------|----------------------------|-----|----------|
| 1 | 898909 | Fork upper plate | 1 | |
| 2 | AP8150170 | Hex socket screw M8x25 | 2 | |
| 3 | 865482 | Nut | 1 | |
| 4 | AP8104597 | Gasket ring | 2 | |
| 5 | AP8203550 | Steering washer | 2 | |
| 6 | AP8110093 | Bearing 6205-2rs1 25x52x15 | 2 | |
| 7 | 865666 | Tube | 1 | |

| | |
|--------------------|----------------------|
| Group | Handlebar - Controls |
| Code | 07.020 |
| Description | Handlebar - Controls |
| Service | 1 |



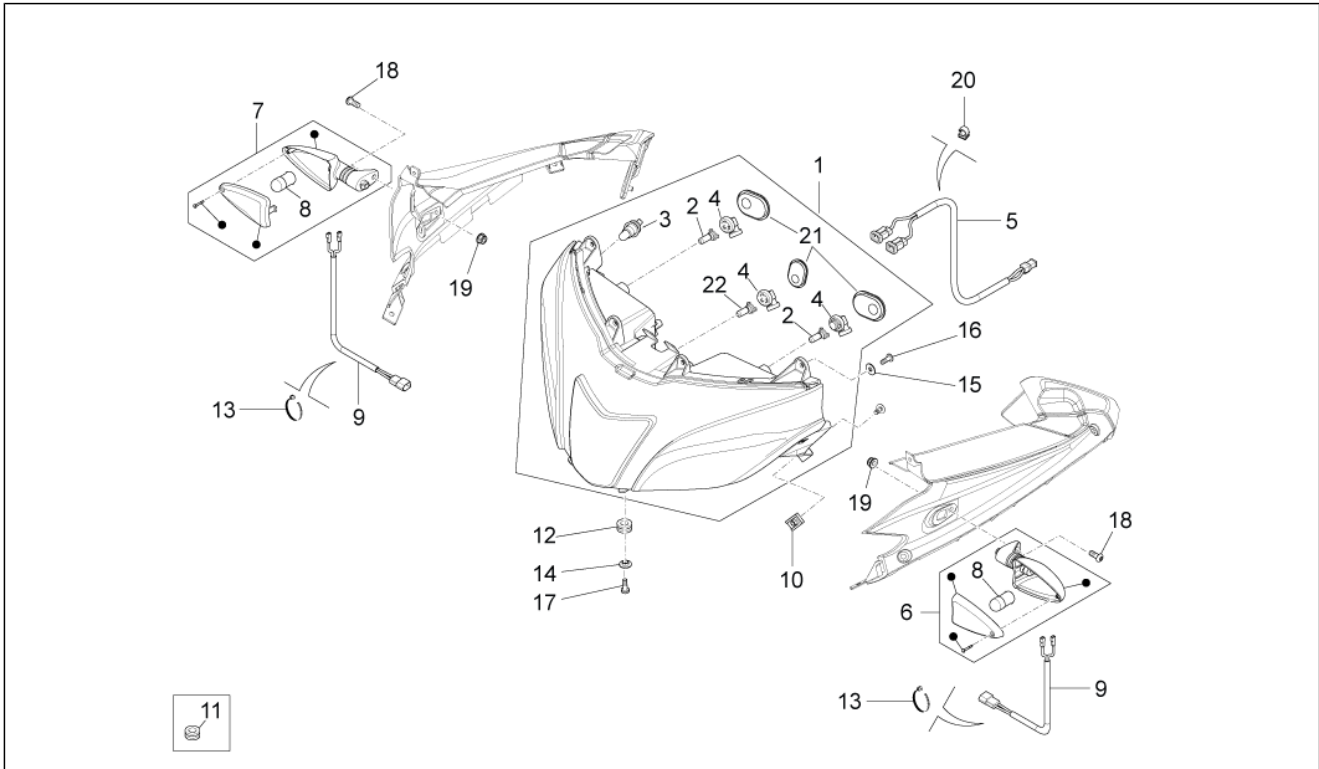
| Pos. | Code | Description | Qty | Variants |
|------|-------------|-------------------------|-----|----------|
| 1 | 00G00909071 | LH hand grip | 1 | |
| 2 | 86203R | Handlebars, half | 2 | |
| 3 | 866233 | Anti.v weight, black | 2 | |
| 4 | 866266 | Throttle grip | 1 | |
| 5 | 899637 | Throttle cable | 1 | |
| 6 | AP8124918 | LH lights selector | 1 | |
| 7 | AP8120657 | Hose clamp | 2 | |
| 8 | AP8150107 | Hex socket screw M8x30 | 2 | |
| 9 | AP8150435 | Hex socket screw M5x50 | 2 | |
| 10 | AP8201727 | Black cable guide | 2 | |
| 11 | AP8124914 | RH lights sel. w/wiring | 1 | |

| | |
|--------------------|----------------------|
| Group | Handlebar - Controls |
| Code | 07.030 |
| Description | Clutch control |
| Service | 1 |



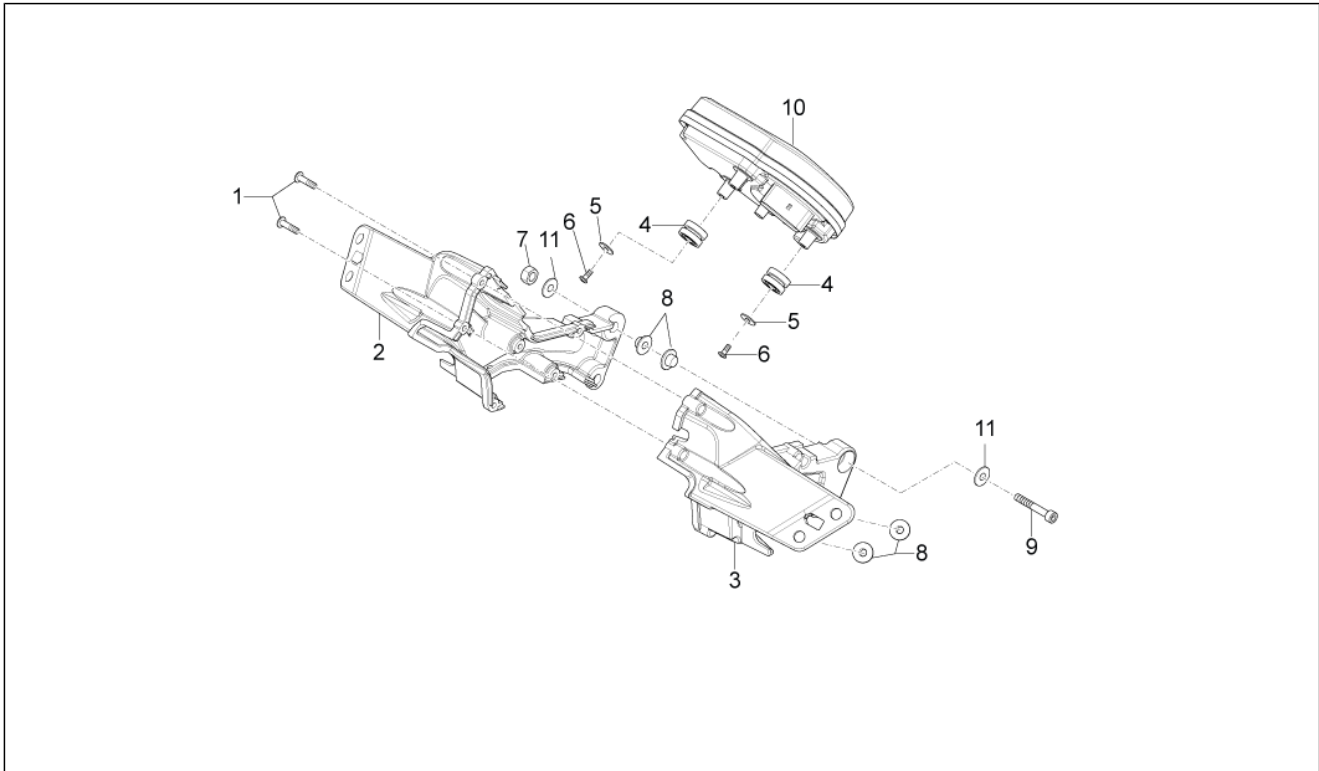
| Pos. | Code | Description | Qty | Variants |
|------|-------------|-----------------------|-----|----------|
| 1 | 865951 | Clutch lever cpl. | 1 | |
| 2 | 00H00904291 | Clutch lever | 1 | |
| 3 | 00H00900351 | Clutch cable register | 1 | |
| 4 | 642032 | stop Button | 1 | |
| 5 | 865646 | Clutch cable | 1 | |
| 6 | AP8220135 | Rubber spacer * | 1 | |

| | |
|--------------------|----------------------|
| Group | Lights - Instruments |
| Code | 08.010 |
| Description | Front lights |
| Service | 1 |



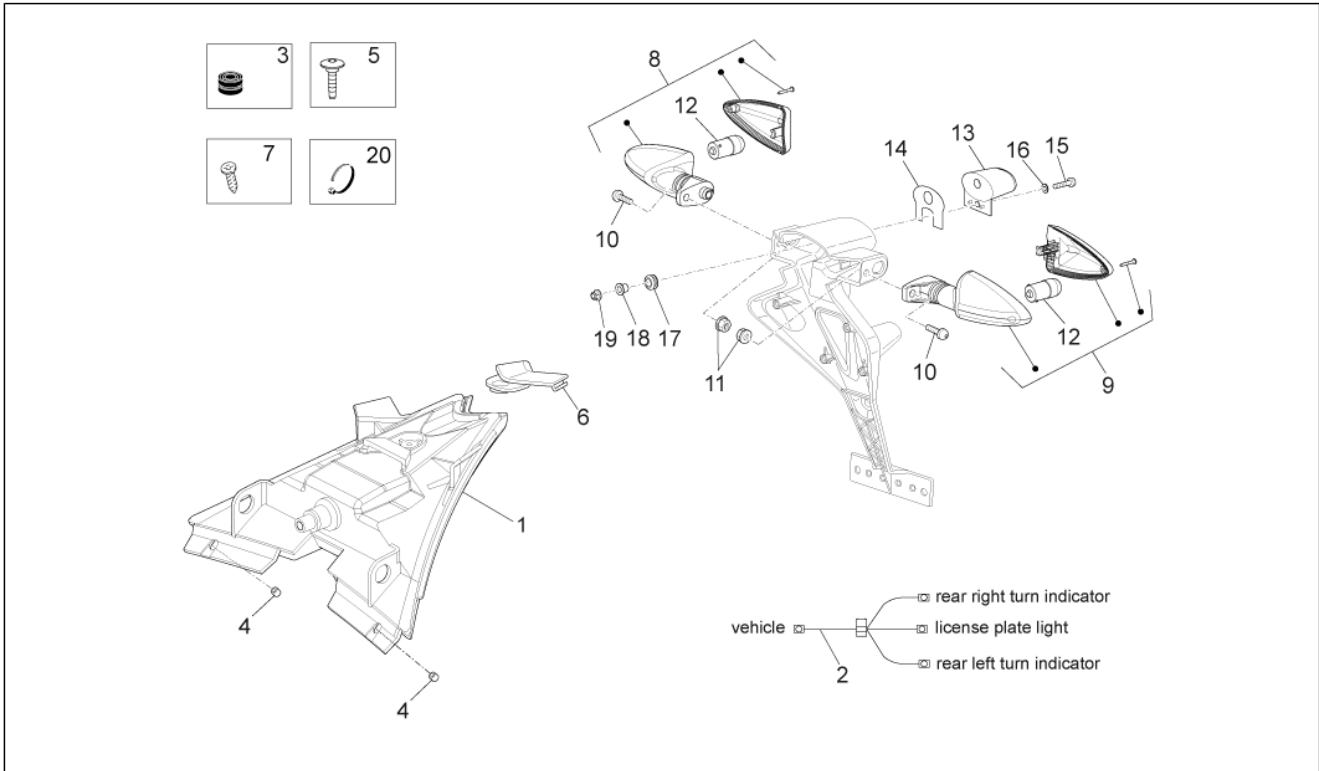
| Pos. | Code | Description | Qty | Variants |
|------|-----------|------------------------------|-----|----------|
| 1 | 897575 | Headlight | 1 | |
| 2 | 893929 | Lamp W5WB 2V 5W | 2 | |
| 3 | 640754 | Lamp H11 12V 55W | 3 | |
| 4 | 893930 | Lampholder | 2 | |
| 5 | 898696 | Cablaggio fanale anteriore | 1 | |
| 6 | AP8127803 | Turn signal lamp DX | 1 | |
| 7 | AP8127804 | Turn signal lamp SX | 1 | |
| 8 | AP8127489 | Lamp RY10W 12V | 2 | |
| 9 | B043223 | Front turn indicator harness | 2 | |
| 10 | AP8102375 | Clip m5 | 1 | |
| 11 | AP8120030 | Rubber spacer | 2 | |
| 12 | AP8120405 | Rubber spacer | 3 | |
| 13 | AP8120416 | Black hose 178x4 | 2 | |
| 14 | AP8121032 | Bush | 3 | |
| 15 | AP8150509 | Self-tap screw 5x14 | 6 | |
| 16 | AP8150382 | Washer 15x5,5X1,2 | 6 | |
| 17 | AP8150515 | Vite automaschiante reg.faro | 1 | |
| 18 | AP8152137 | Hex socket screw M6x20 | 2 | |
| 19 | AP8152299 | Self-locking nut M6 | 2 | |
| 20 | AP8201727 | Black cable guide | 1 | |
| 21 | 894796 | Front headlight guard | 3 | |
| 22 | 292022 | Lamp 12V-5W | 1 | |

| | |
|--------------------|----------------------|
| Group | Lights - Instruments |
| Code | 08.020 |
| Description | Instruments |
| Service | 1 |



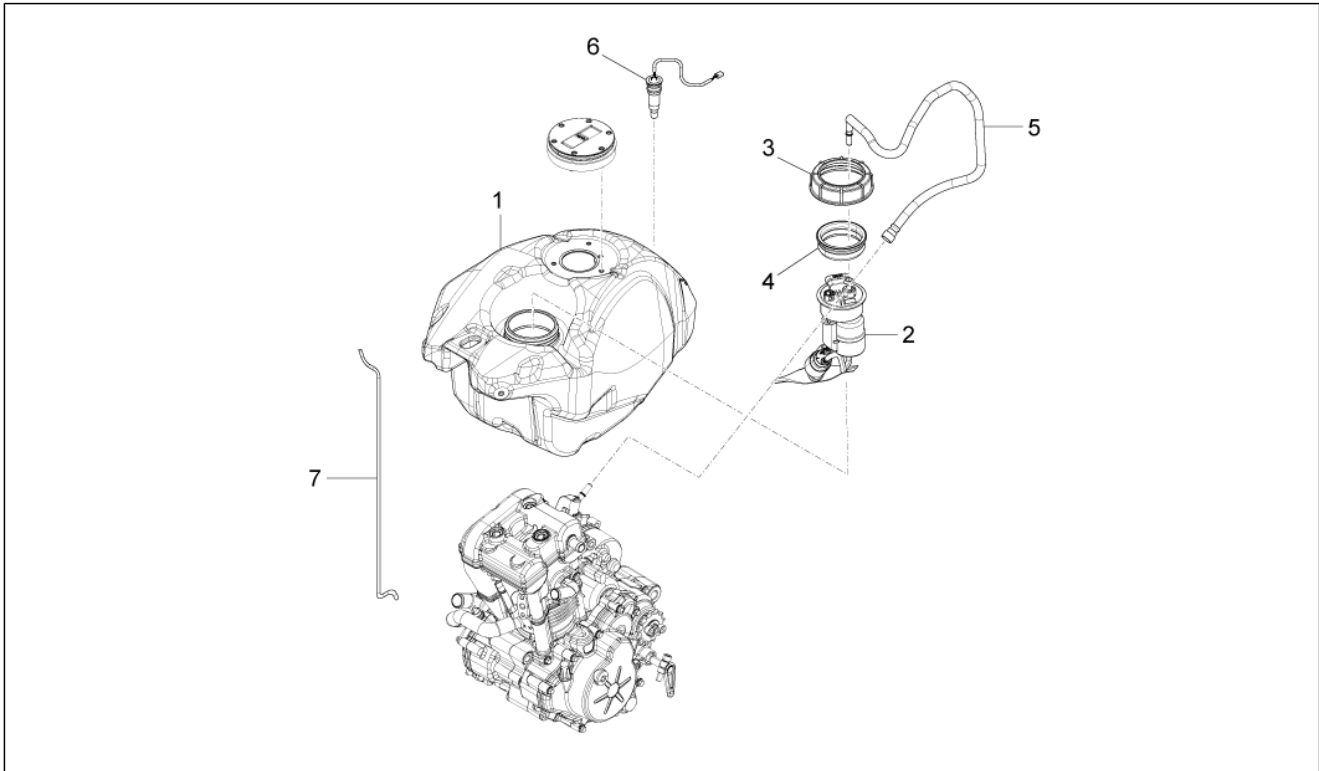
| Pos. | Code | Description | Qty | Variants |
|------|-----------|---------------------------|-----|----------|
| 1 | AP8152329 | Phillips screw, SWP M5x20 | 6 | |
| 2 | 898687 | Supporto cruscotto dx | 1 | |
| 3 | 898688 | Supporto cruscotto sx | 1 | |
| 4 | AP8220150 | Rubber spacer | 3 | |
| 5 | AP8150382 | Washer 15x5,5X1,2 | 3 | |
| 6 | AP8150509 | Self-tap screw 5x14 | 3 | |
| 7 | AP8152299 | Self-locking nut M6 | 2 | |
| 8 | AP8121728 | T bush * | 4 | |
| 9 | AP8150508 | Hex socket screw M6x45 | 2 | |
| 10 | 898065 | Cruscotto pico | 1 | |
| 11 | AP8150179 | Washer 6,6x18* | 4 | |

| | |
|--------------------|----------------------|
| Group | Lights - Instruments |
| Code | 08.030 |
| Description | Rear lights |
| Service | 1 |



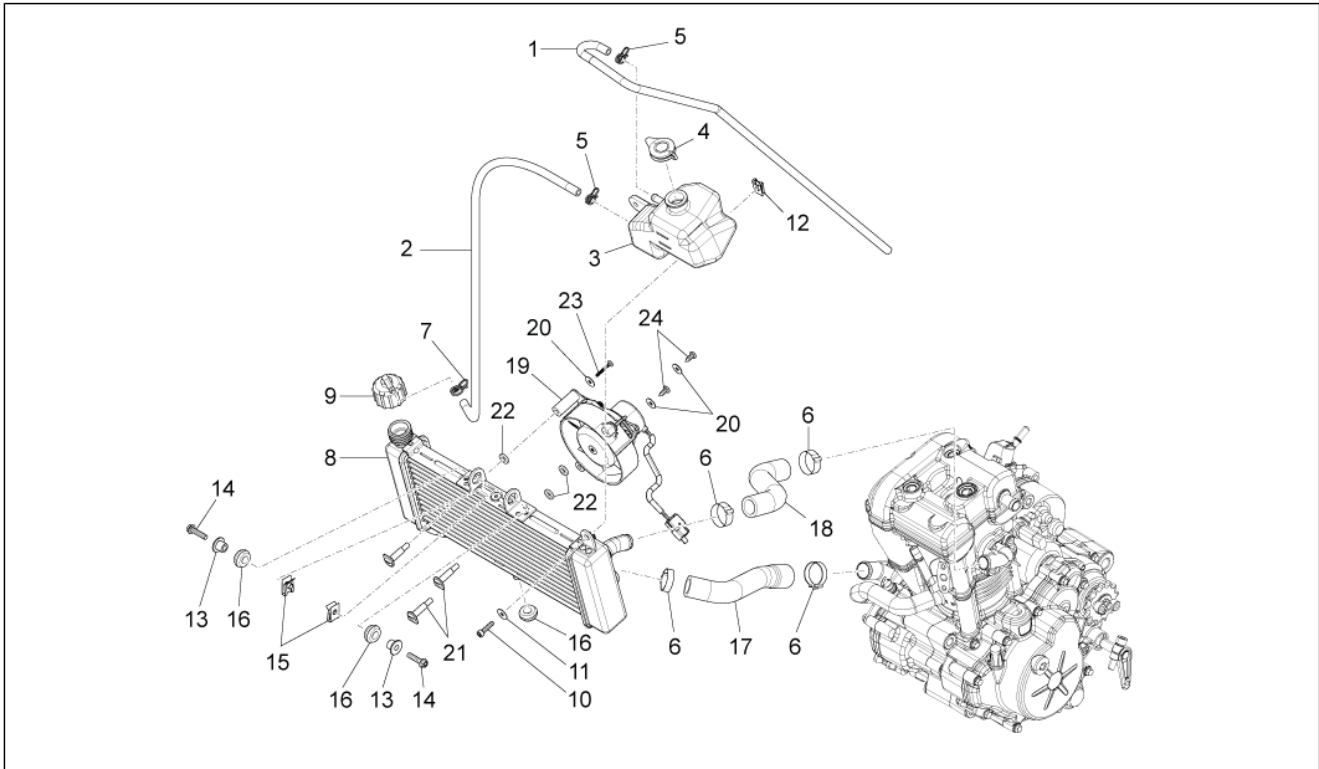
| Pos. | Code | Description | Qty | Variants |
|------|-----------|--------------------------|-----|----------|
| 1 | 858725 | Taillight | 1 | |
| 2 | 898698 | Taillight wiring harn. | 1 | |
| 3 | AP8220186 | Rubber spacer | 2 | |
| 4 | AP8221036 | Bushing 5,3x8x7,1 | 2 | |
| 5 | AP8152298 | Screw w/ flange M5x16 | 2 | |
| 6 | 858839 | Taillight Cover | 1 | |
| 7 | AP8150420 | Self-tapping screw * | 1 | |
| 8 | AP8127803 | Turn signal lamp DX | 1 | |
| 9 | AP8127804 | Turn signal lamp SX | 1 | |
| 10 | AP8152137 | Hex socket screw M6x20 | 2 | |
| 11 | AP8152299 | Self-locking nut M6 | 2 | |
| 12 | AP8127489 | Lamp RY10W 12V | 2 | |
| 13 | AP8127098 | Number-plate light | 1 | |
| 14 | AP8117258 | Vibration-damping rubber | 1 | |
| 15 | AP8150522 | Screw 4,2x16 | 1 | |
| 16 | AP8150158 | Washer 4,3X9X0,8 | 1 | |
| 17 | AP8112600 | Rubber spacer | 1 | |
| 18 | 894566 | T bush | 1 | |
| 19 | AP8150204 | Nut M4 | 1 | |
| 20 | AP8120657 | Hose clamp | 1 | |

| | |
|--------------------|-----------|
| Group | Tank |
| Code | 09.010 |
| Description | Fuel tank |
| Service | 1 |



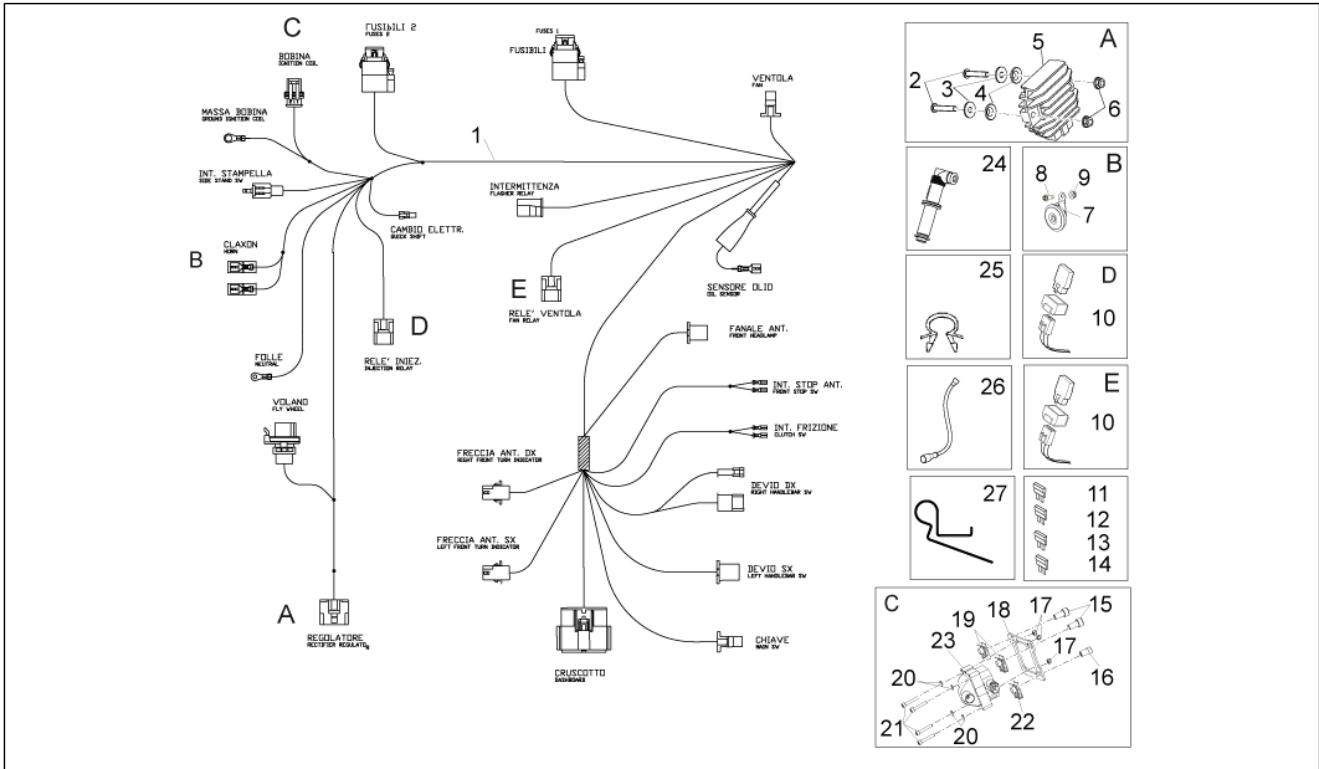
| Pos. | Code | Description | Qty | Variants |
|------|-----------|------------------------|-----|----------|
| 1 | 897759 | Fuel tank | 1 | |
| 2 | 640517 | Fuel pump cpl. | 1 | |
| 3 | 576546 | Ring nut | 1 | |
| 4 | 576542 | Gasket | 1 | |
| 5 | 897761 | Fuel pipe | 1 | |
| 6 | B043773 | Fuel level sensor | 1 | |
| 7 | AP8121324 | Fuel tank fastener rod | 1 | |

| | |
|--------------------|----------------|
| Group | Cooling system |
| Code | 10.020 |
| Description | Cooling system |
| Service | 1 |



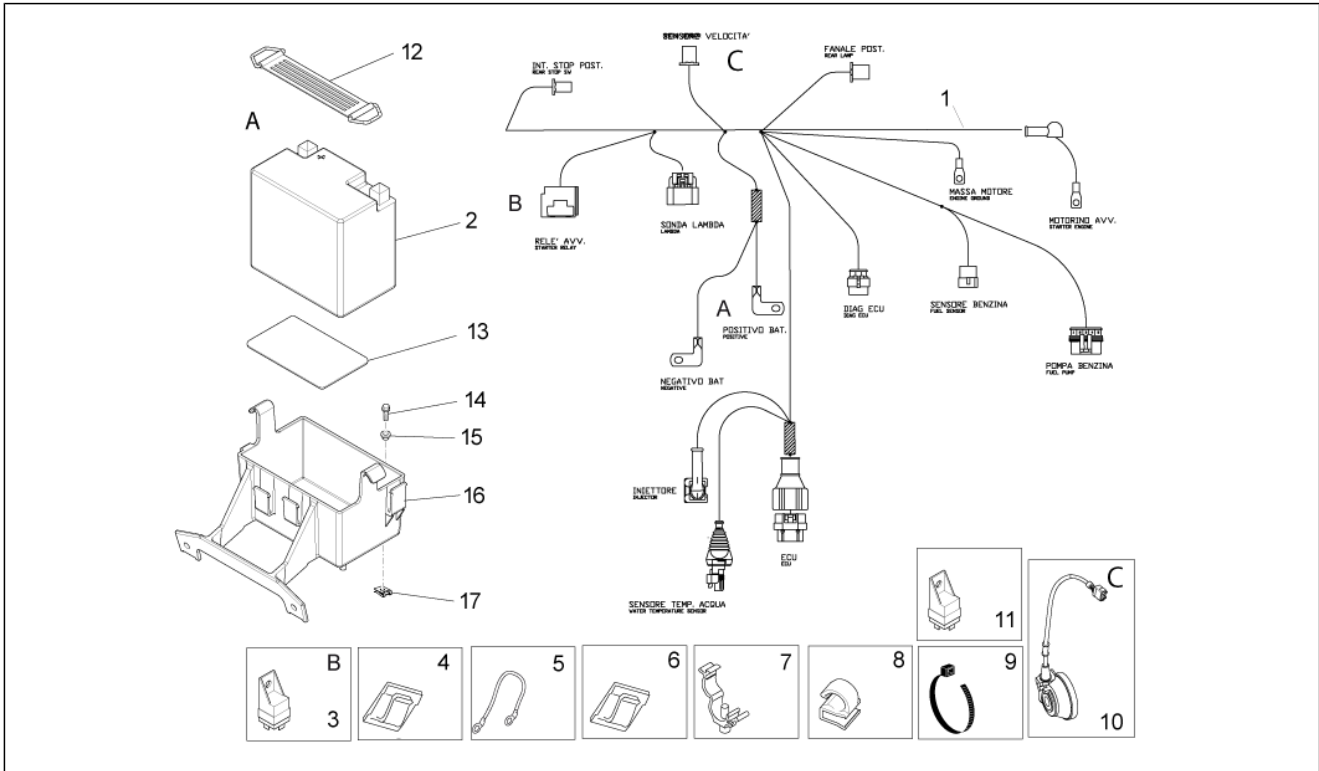
| Pos. | Code | Description | Qty | Variants |
|------|-------------|------------------------|-----|----------|
| 1 | 864510 | Breather pipe | 1 | |
| 2 | 864572 | Exp.tnk-rad. Hose | 1 | |
| 3 | 866136 | Coolant tank | 1 | |
| 4 | 863943 | Cover | 1 | |
| 5 | 00A00410501 | Hose clamp | 2 | |
| 6 | AP8101573 | Hose clamp D16-24x8* | 4 | |
| 7 | AP8101595 | Hose clamp D10,1 | 1 | |
| 8 | 867334 | Water cooler | 1 | |
| 9 | 861299 | Cover | 1 | |
| 10 | AP8150044 | Hex socket screw M6x20 | 1 | |
| 11 | AP8150015 | Washer 6,6x18x1,6* | 1 | |
| 12 | 254485 | Spring plate M6 | 1 | |
| 13 | AP8121679 | T bush * | 2 | |
| 14 | AP8152280 | Screw w/ flange M6x25 | 2 | |
| 15 | 254485 | Spring plate M6 | 2 | |
| 16 | 00008915020 | Grommet | 3 | |
| 17 | 865655 | Water cooler-pump tube | 1 | |
| 18 | 865654 | Water cooler-head tube | 1 | |
| 19 | 864049 | Electric fan | 1 | |
| 20 | 00H03800722 | Washer | 3 | |
| 21 | AP8161118 | Pin | 3 | |
| 22 | 00003515370 | Washer | 3 | |
| 23 | 864164 | screw | 1 | |
| 24 | 00011142500 | screw | 2 | |

| | |
|--------------------|-------------------------|
| Group | Electrical systems |
| Code | 11.010 |
| Description | Front electrical system |
| Service | 1 |



| Pos. | Code | Description | Qty | Variants |
|------|---------------|------------------------|-----|----------|
| 1 | 898460 | Main wiring harness | 1 | |
| 2 | AP8152128 | Hex socket screw M6x30 | 2 | |
| 3 | AP8150179 | Washer 6,6x18* | 2 | |
| 4 | AP8121075 | T bush * | 2 | |
| 5 | 58090R | Voltage regulator | 1 | |
| 6 | AP8152299 | Self-locking nut M6 | 2 | |
| 7 | 86135R | Horn | 1 | |
| 8 | AP8152286 | Screw w/ flange M8x20 | 1 | |
| 9 | AP8152300 | Self-locking nut M8 | 1 | |
| 10 | AP8224462 | Relay 12V/30A | 2 | |
| 11 | CM225707 | Fuse 7,5A | 1 | |
| 12 | CM225715 | Fuse 15A | 1 | |
| 13 | CM225720 | Fuse 20A | 1 | |
| 14 | CM225730 | Fuse 30A | 1 | |
| 15 | AP8150211 | Hex socket screw M8x16 | 2 | |
| 16 | AP8152277 | Screw w/ flange M6x12 | 1 | |
| 17 | 020003 | Nut m3 | 4 | |
| 18 | B043230 | Coil holder | 1 | |
| 19 | 575268 | Spring plate M8 | 2 | |
| 20 | 012554 | Washer 3.2x5.7x0.9 | 4 | |
| 21 | 583236 | screw M3x20 | 4 | |
| 22 | 254485 | Spring plate M6 | 1 | |
| 23 | 58120R | HT coil | 1 | |
| 24 | JC33510X94000 | Scr. sparkplug cap | 1 | |
| 25 | AP8161203 | Fairlead | 1 | |
| 26 | 898067 | HT wire | 1 | |
| 27 | B043850 | Hose clamp | 1 | |

| | |
|--------------------|------------------------|
| Group | Electrical systems |
| Code | 11.030 |
| Description | Rear electrical system |
| Service | 1 |



| Pos. | Code | Description | Qty | Variants |
|------|-----------|-------------------------|------|----------|
| 1 | 898460 | Main wiring harness | 1 | |
| 2 | 584662 | Battery (Yuasa) 12V-6Ah | 1 | |
| 3 | 58115R | Starter relay 12V-80A | 1 | |
| 4 | AP8120581 | Wiring clip | 2 | |
| 5 | AP8112458 | Battery negative leads | 1 | |
| 6 | AP8120582 | Cable-guide | 2 | |
| 7 | AP8134186 | Cable-guide | 1 | |
| 8 | AP8201727 | Black cable guide | 2 | |
| 9 | AP8102386 | Hose clamp 155x2 | 2 | |
| 10 | 898626 | Wheel speed sensor | 1 | |
| 11 | AP8124235 | Flasher unit | 1 | |
| 12 | 218812 | Belt | 1 | |
| 13 | AP8117033 | Adhesive sponge | 0.24 | |
| 14 | AP8152279 | Screw w/ flange M6x20 | 1 | |
| 15 | AP8121728 | T bush * | 1 | |
| 16 | 898363 | Battery holder | 1 | |
| 17 | 254485 | Spring plate M6 | 1 | |