

Fig. No.	Part No.	Description	180	150 ES	150 KS	Remark
1	DH 1015 29	Head Cylinder with Cover	--	1	1	
	DJ 1011 57	Head Cylinder with Cover	1	--	--	
2	DS 1010 26	Cover Tappet	2	2	2	
3	39 2391 21	'O' Ring (Cover Tappet)	2	2	2	
4	DS 1011 66	Silent Bush (V)	1	1	1	
5	DS 1010 96	Camshaft Cap	1	1	1	
6	39 2647 15	Dommed Cap Nut	4	4	4	
7	DS 1010 84	Copper Washer	4	4	4	
8	39 2532 04	Hex. Bolt with Flange	2	2	2	
9	39 1075 04	Hex. Bolt / Flange	4	4	4	
10	DH 1012 72	Plug	2	2	2	
11	DG 1014 98	Gasket	2	2	2	

180 = 180 cc with Electric Start  
 150 ES = 150 cc with Electric Start  
 150 KS = 150 cc Kick Start



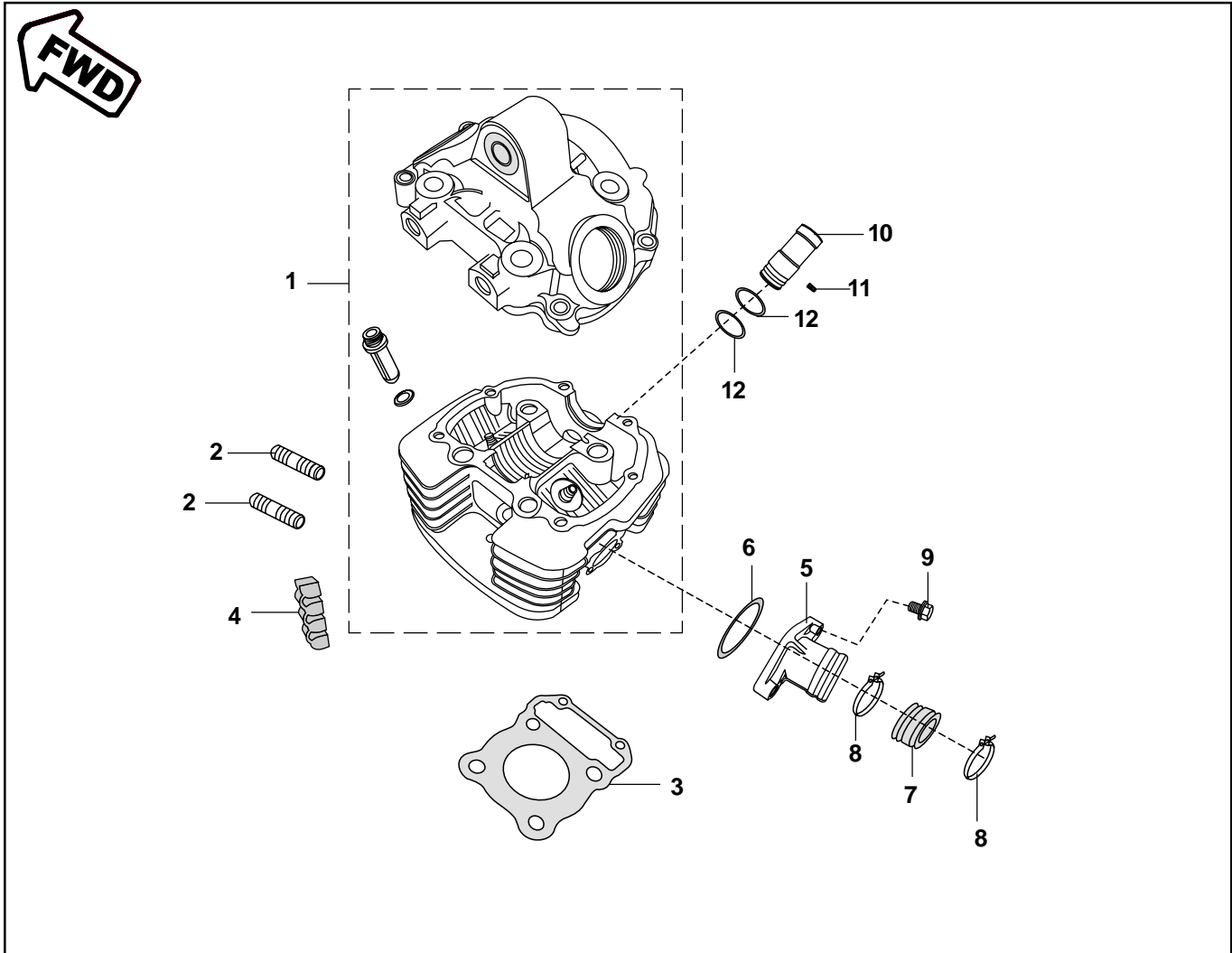


Fig. No.	Part No.	Description	180	150 ES	150 KS	Remark
1	DH 1015 29	Head Cylinder with Cover	--	1	1	
	DJ 1011 57	Head Cylinder with Cover	1	--	--	
2	39 1660 05	Stud (Exhaust)	2	2	2	
3	DJ 1010 12	Gasket Cylinder Head	1	--	--	
	DH 1010 33	Gasket Cylinder Head	--	1	1	
4	DH 1015 08	Damper Cylinder Head	5	5	5	
	DJ 1011 36	Intake Pipe	1	--	--	
	DH 1014 07	Intake Pipe	--	1	1	
6	39 2539 21	'O' Ring (Intake Pipe)	1	--	--	
	39 1283 21	'O' Ring (Intake Pipe)	--	1	1	
7	DJ 1210 22	Carburettor Insulator	1	--	--	
	DH 1211 06	Carburettor Insulator	--	1	1	
8	DH 1210 38	Clamp for Insulator	2	2	2	
9	39 1674 04	Hex. Bolt / Flange	2	2	2	
10	DH 1110 12	Sleeve - Spark Plug	1	1	1	
11	39 2608 01	Grub Screw	1	1	1	For Sleeve Spark Plug
12	39 1283 21	'O' Ring	2	2	2	

180 = 180 cc with Electric Start

150 ES = 150 cc with Electric Start

150 KS = 150 cc Kick Start



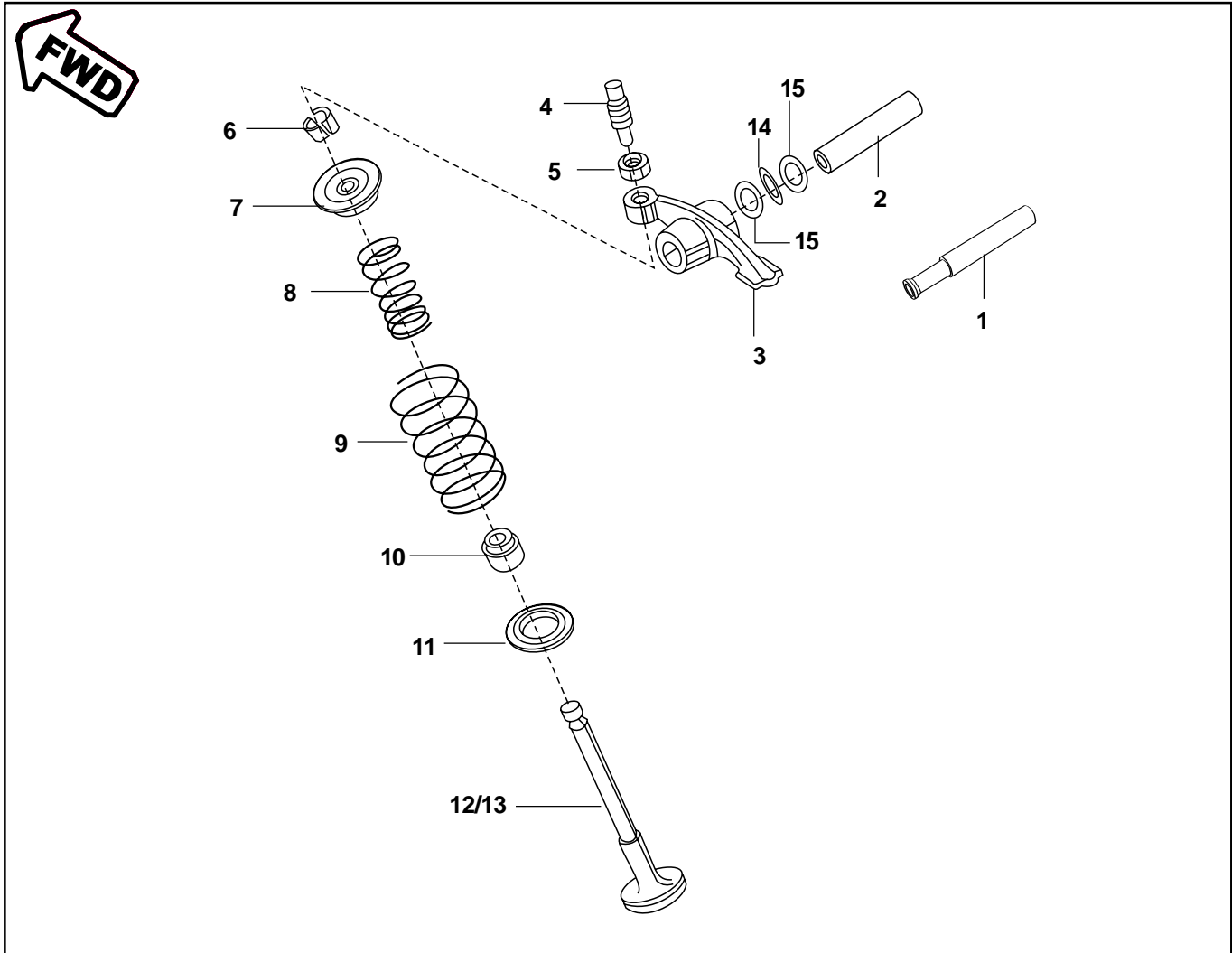


Fig. No.	Part No.	Description	180	150 ES	150 KS	Remark
1	DH 1014 69	Rocker Arm Shaft - Intake	1	1	1	
2	DS 1010 32	Rocker Arm Shaft - Exhaust	1	1	1	
3	DS 1010 30	Rocker Arm	2	2	2	
4	39 1024 01	Screw	2	2	2	
5	39 0973 15	Nut	2	2	2	
6	DG 1010 29	Cotter valve	4	4	4	
7	DS 1010 83	Retainer valve spring	2	2	2	
8	DH 1010 27	Spring valve inner	2	2	2	
9	DH 1010 28	Spring valve outer	2	2	2	
10	39 2017 19	Seal valve stem	2	2	2	
11	DH 1010 26	Seat valve spring	2	2	2	
12	DJ 1011 24	Valve Intake	1	--	--	
	DS 1010 23	Valve Intake	--	1	1	
13	DJ 1011 25	Valve Exhaust	1	--	--	
	DS 1010 24	Valve Exhaust	--	1	1	
14	DH 1012 95	Wave washer	2	2	2	
15	39 2440 11	Plain washer	4	4	4	

180 = 180 cc with Electric Start

150 ES = 150 cc with Electric Start

150 KS = 150 cc Kick Start



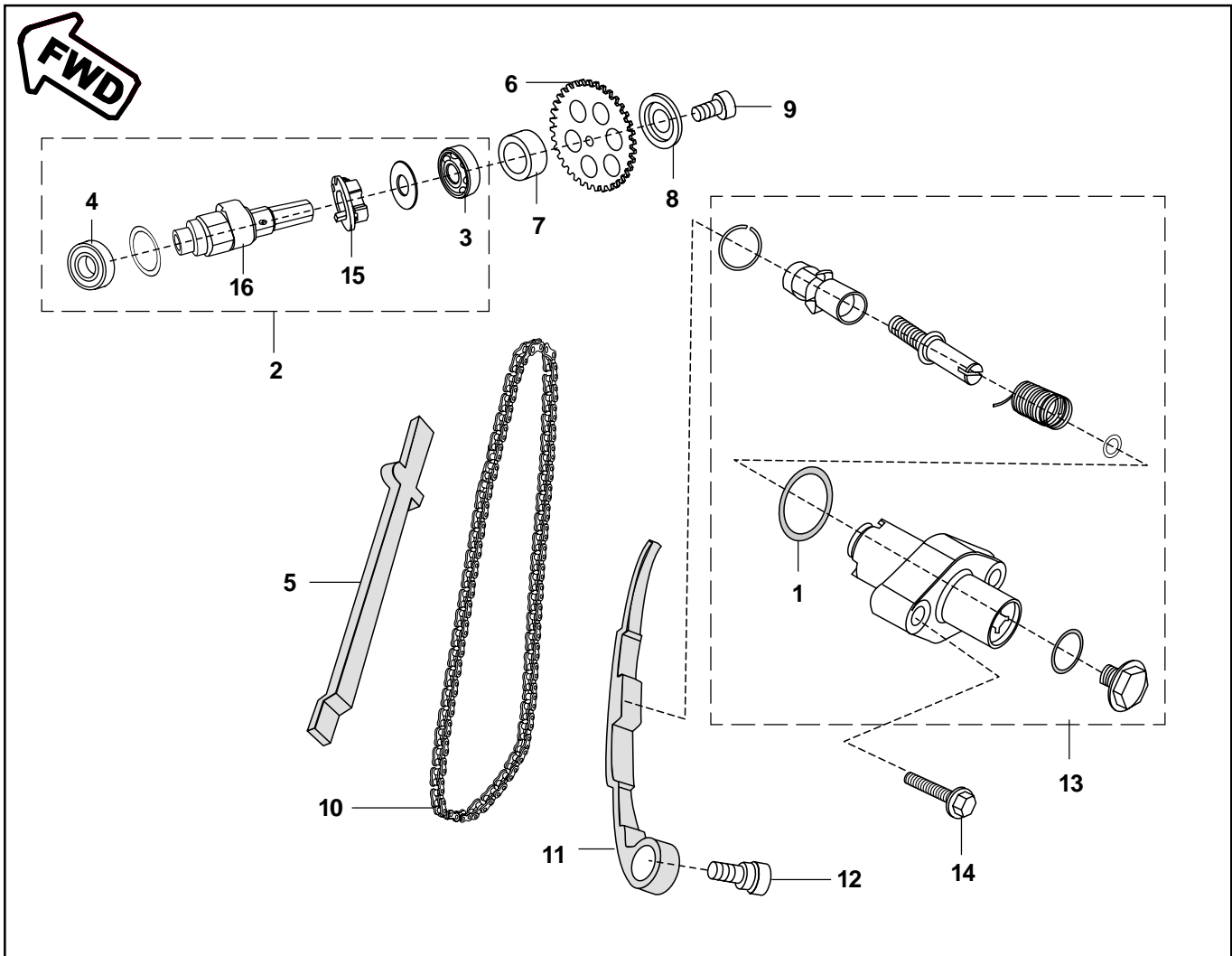


Fig. No.	Part No.	Description	180	150 ES	150 KS	Remark
1	39 2040 21	Ring'O'	1	1	1	
2	DH 1014 10	Camshaft assly.	1	1	1	
3	39 2542 20	Bearing cam RH side	1	1	1	6302 - RS1/C3
4	39 2617 20	Bearing cam LH side	1	1	1	6002 - C3
5	DH 1010 17	Guide chain (Tight)	1	1	1	
6	DJ 1010 77	Sprocket cam Driver	1	1	1	
7	DH 1014 12	Collar cam Sprocket	1	1	1	
8	DH 1010 48	Special camshaft washer	1	1	1	
9	39 2198 04	Hex. Soc. Head cap Bolt	1	1	1	
10	DH 1010 50	Cam Chain	1	1	1	
11	DH 1010 10	Guide Chain (slack)	1	1	1	
12	DH 1010 11	Cam chain Tensioner pivot Bolt	1	1	1	
13	52 DH01 78	Tensioner Assly	1	1	1	
14	39 1674 04	Hex Bolt / Flange	2	2	2	
15	DJ 1011 37	Decomp Assly.	1	1	1	
16	DH 1014 11	Camshaft	1	1	1	

180 = 180 cc with Electric Start

150 ES = 150 cc with Electric Start

150 KS = 150 cc Kick Start



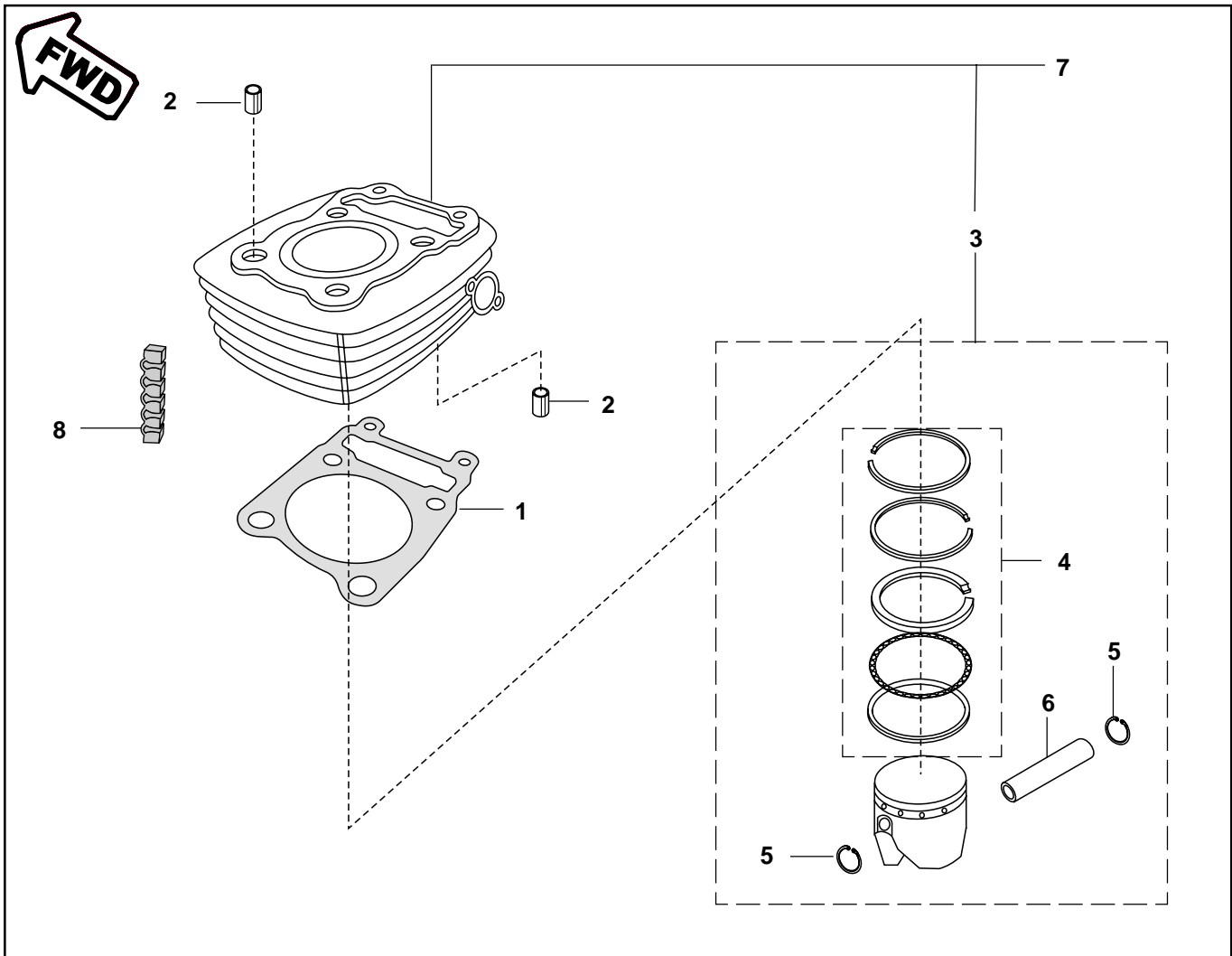


Fig. No.	Part No.	Description	180	150 ES	150 KS	Remark
1	DJ 1010 04	Gasket Cylinder	1	--	--	
	DH 1010 16	Gasket Cylinder	--	1	1	
2	39 2181 06	Pin dowel	4	4	4	
3	DJ 1011 58	Piston Assly. Std.	1	--	--	
	DH 1015 30	Piston Assly. Std.	--	1	1	
4	DJ 1011 06	Ring Set Piston	1	--	--	
	AA 1012 17	Ring Set Piston	--	1	1	
5	39 2132 17	Ring Snap	2	2	2	
6	DJ 1010 17	Pin Piston	1	--	--	
	DH 1012 70	Pin Piston	--	1	1	
7	DJ 1011 55	Cylinder Block / Piston Assly	1	--	--	
	DH 1015 27	Cylinder Block / Piston Assly	--	1	1	
8	DH 1014 14	Damper - Cylinder Block	6	6	6	

180 = 180 cc with Electric Start

150 ES = 150 cc with Electric Start

150 KS = 150 cc Kick Start



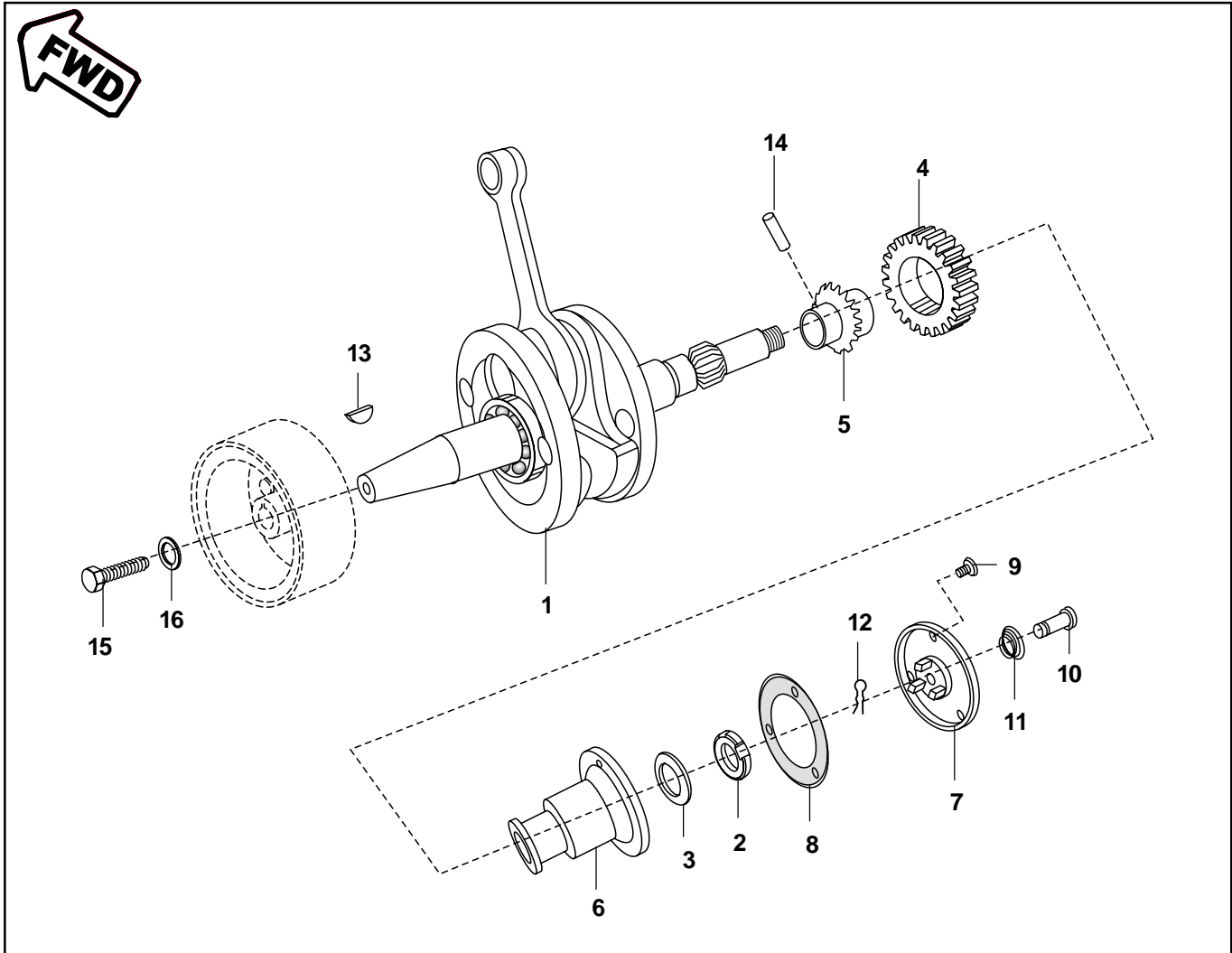


Fig. No.	Part No.	Description	180	150 ES	150 KS	Remark
1	DJ 1010 18	Crankshaft assly. comp.	1	--	--	
	DH 1010 57	Crankshaft assly. comp.	--	1	1	
2	DH 1011 95	Nut	1	1	1	7mm. (Height)
3	39 2200 11	Washer	1	1	1	
4	DJ 1011 12	Set primary driver & driven	1	1	1	
5	DH 1010 62	Sprocket cam drive	1	1	1	
6	DH 1010 64	Body centrifugal oil filter	1	1	1	
7	DH 1010 65	Cover centrifugal oil filter	1	1	1	
8	DH 1012 34	Gasket centrifugal oil filter	1	1	1	
9	39 2267 01	Oval Screw	3	3	3	
10	DH 1010 66	Joint Oil Delivery - B	1	1	1	
11	DH 1010 67	Spring Oil Delivery- B	1	1	1	
12	39 2199 08	Pin Oil delivery joint - B	1	1	1	
13	31 1011 73	Key woodruff	1	1	1	
14	39 2203 07	Parallel pin	1	1	1	
15	39 2183 04	Bolt	1	1	1	
16	39 2165 11	Plain washer	1	1	1	

180 = 180 cc with Electric Start

150 ES = 150 cc with Electric Start

150 KS = 150 cc Kick Start



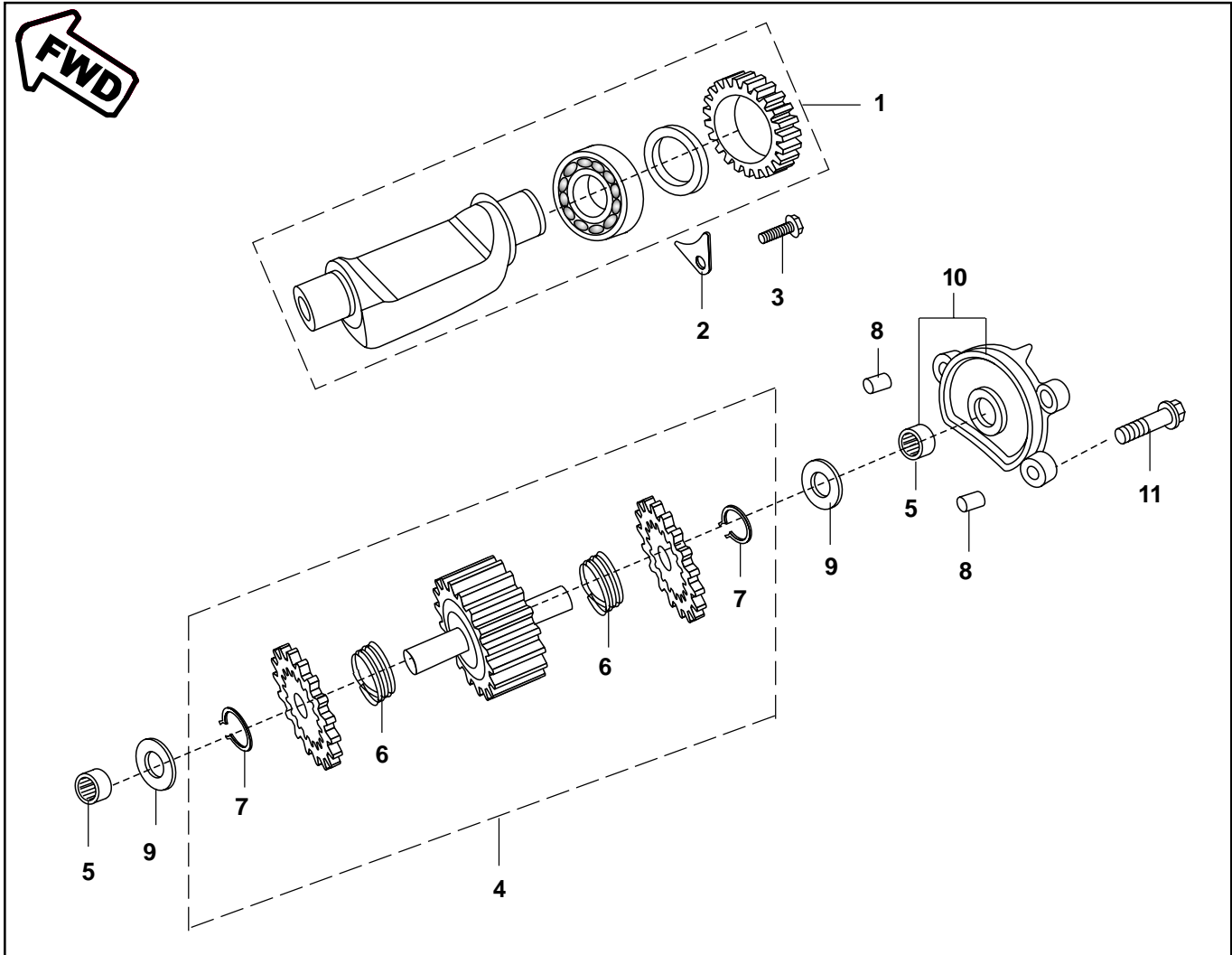


Fig. No.	Part No.	Description	180	150 ES	150 KS	Remark
1	DJ 1010 22	Body Balancer Assly.	1	--	--	
	DH 1010 69	Body Balancer Assly.	--	1	1	
2	DH 1010 72	Bearing stopper	1	1	1	
3	39 1672 04	Bolt	1	1	1	
4	DJ 1011 34	Assly. Balancer Idler Gear comp.	1	--	--	
	DH 1014 32	Assly. Balancer Idler Gear comp.	--	1	1	
5	39 2152 20	Needle roller bearing	2	2	2	
6	DJ 1011 33	Spring torsion Balancer Idler	2	--	--	
	DH 1014 24	Spring torsion Balancer Idler	--	2	2	
7	39 2557 17	Circlip ext.	2	2	2	
8	39 1686 06	Dowel Pin	2	2	2	
9	39 1620 11	Thrust washer	2	2	2	
10	52 DH01 77	Balancer Idler Holder	1	1	1	Alt. DH 1013 59
11	39 1674 04	Bolt	3	3	3	

180 = 180 cc with Electric Start

150 ES = 150 cc with Electric Start

150 KS = 150 cc Kick Start



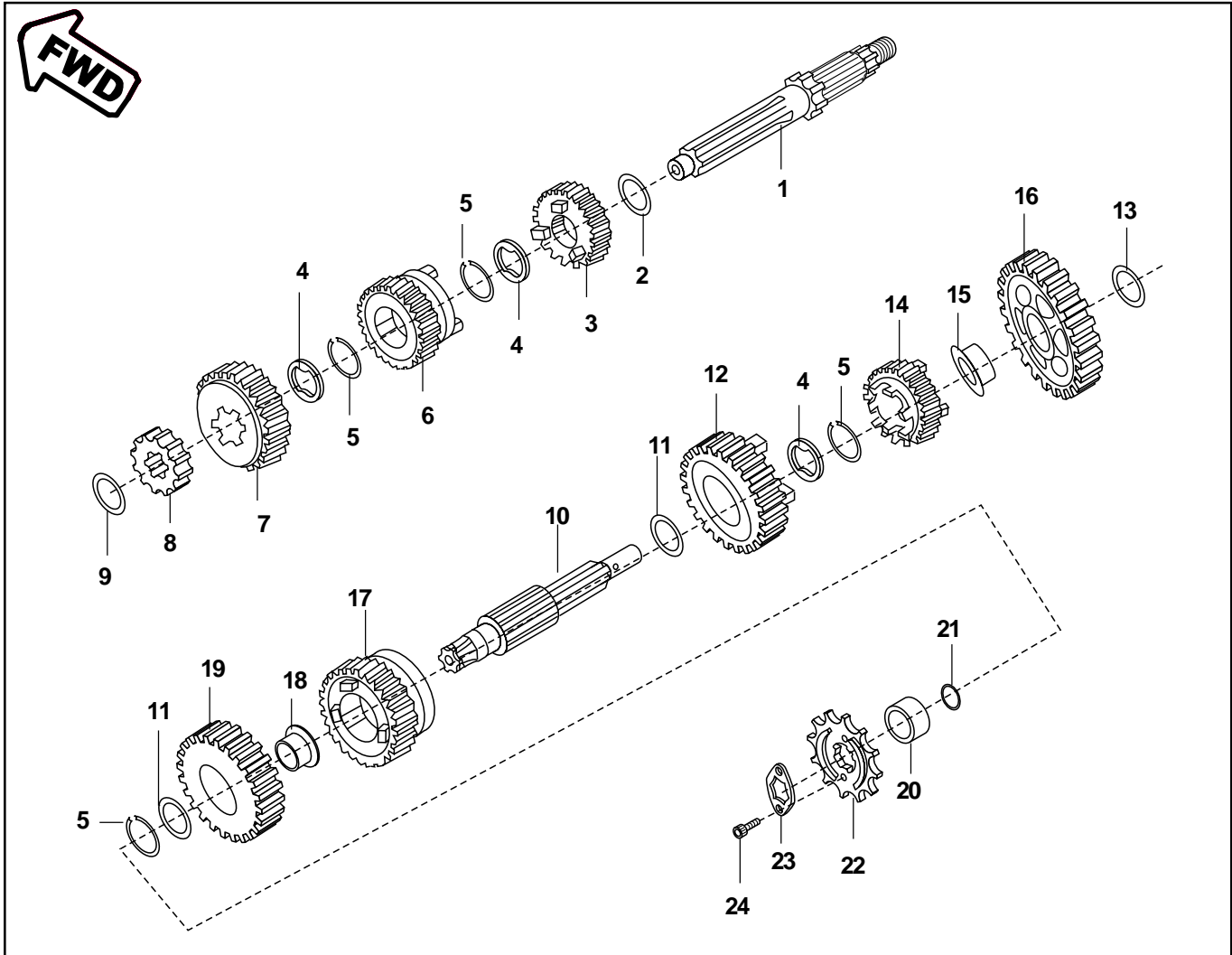


Fig. No.	Part No.	Description	180	150 ES	150 KS	Remark
1	DH 1015 19	Shaft Input Transmission	1	1	1	
2	39 2158 11	Washer thrust	1	1	1	
3	DH 1010 78	Gear 4th Drive	1	1	1	
4	DH 1010 79	Washer Spline	3	3	3	
5	DH 1012 35	External Circlip	4	4	4	
6	DH 1010 80	Gear 3rd Drive	1	1	1	
7	DH 1010 82	Gear 5th drive	1	1	1	
8	DH 1010 84	Gear 2nd drive	1	1	1	
9	39 2160 11	Thrust washer	1	1	1	
10	DH 1013 31	Shaft output Transmission	1	1	1	
11	DH 1013 36	Washer Thrust	2	2	2	
12	DH 1011 08	Gear 3rd Driven	1	1	1	
13	39 2159 11	Thrust Washer	1	1	1	
14	DH 1011 10	Gear 4th Driven	1	1	1	
15	DH 1011 11	Bush 1st driven	1	1	1	

180 = 180 cc with Electric Start

150 ES = 150 cc with Electric Start

150 KS = 150 cc Kick Start





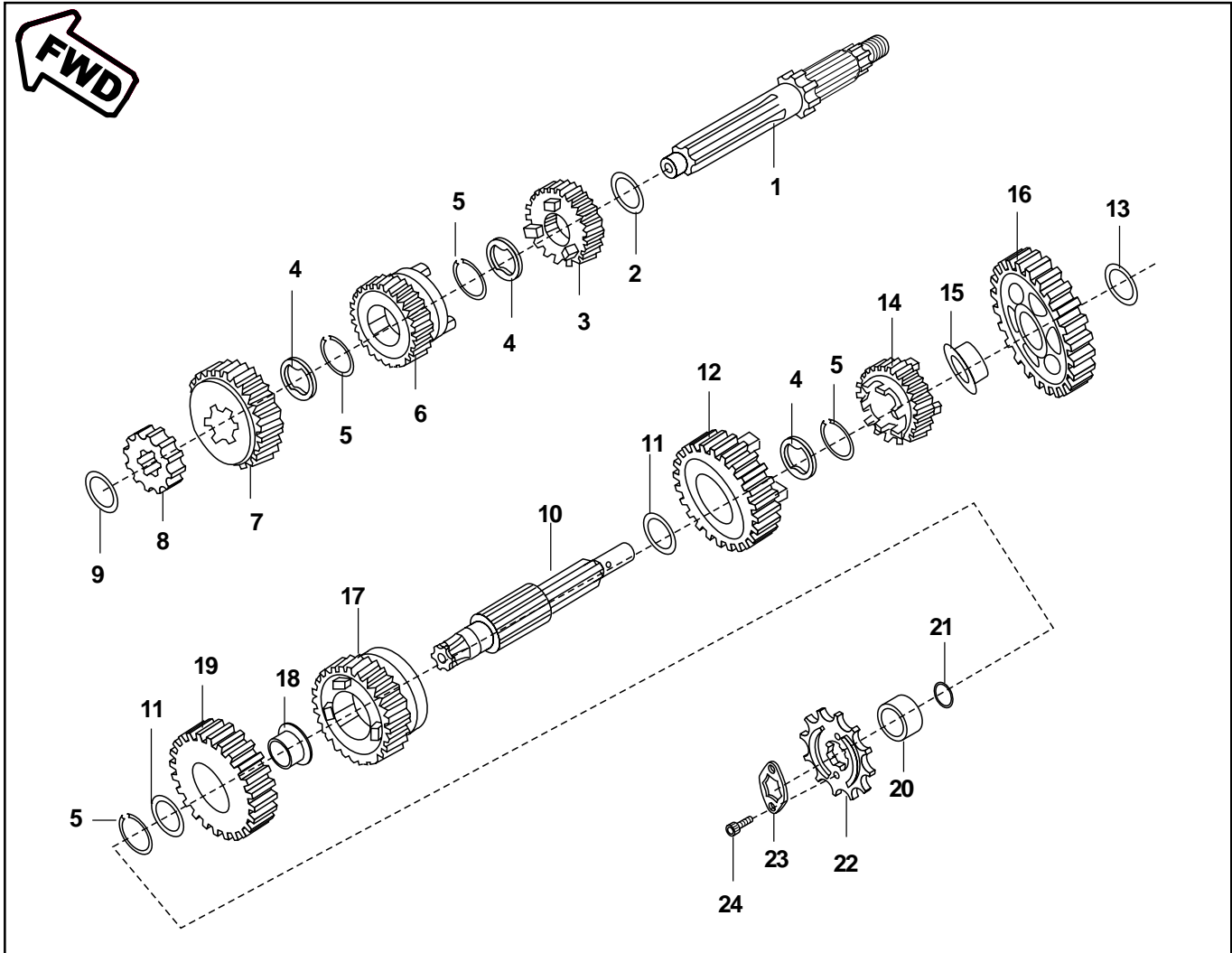


Fig. No.	Part No.	Description	180	150 ES	150 KS	Remark
16	DJ 1011 10	Gear 1st driven	1	1	1	
17	DH 1011 13	Gear 5th Driven	1	1	1	
18	DH 1013 19	Bush 2nd driven	1	1	1	
19	DH 1013 33	Gear 2nd Driven	1	1	1	
20	DH 1013 34	Collar Sprocket	1	1	1	
21	30 1010 61	'O' Ring Sprocket Coller	1	1	1	
22	DH 1011 17	Sprocket Drive	1	1	1	
23	DJ 1010 63	Plate Drive Sprocket	1	1	1	
24	39 1062 04	Bolt Drive Sprocket	2	2	2	

180 = 180 cc with Electric Start

150 ES = 150 cc with Electric Start

150 KS = 150 cc Kick Start



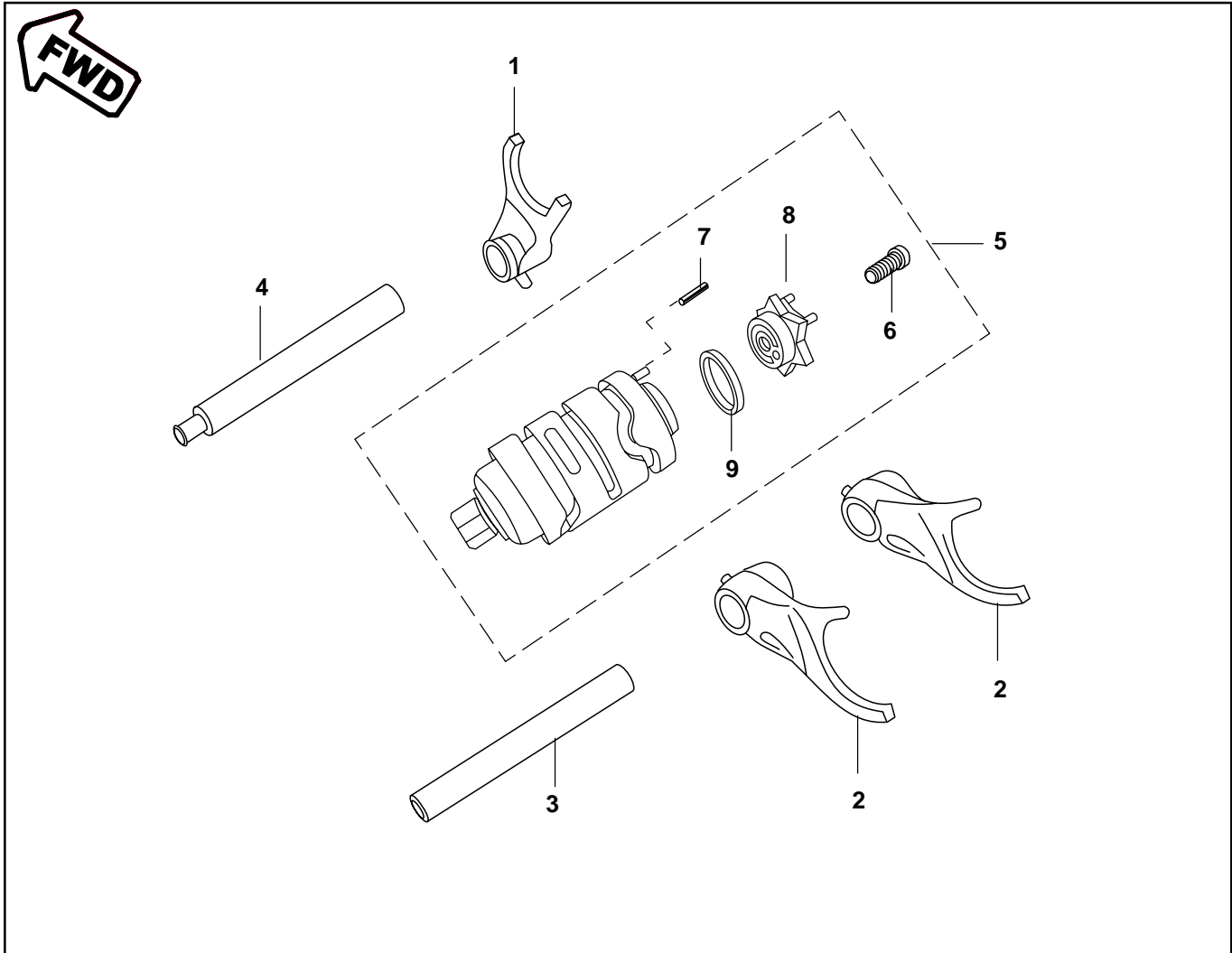


Fig. No.	Part No.	Description	180	150 ES	150 KS	Remark
1	DH 1011 30	Fork Gear Shift Input	1	1	1	
2	DH 1011 32	Fork Gear Shift output	2	2	2	
3	DH 1011 46	Shaft Gear Shift Fork	1	1	1	
4	DH 1014 93	Shaft Gear Shift Fork	1	1	1	
5	DJ 1011 47	Drum comp. Gear Shift	1	--	--	
	DH 1014 91	Drum comp. Gear Shift	--	1	1	
6	39 2437 04	Bolt Socket	1	1	1	
7	39 2606 07	Parellel pin	1	1	1	
8	DJ 1011 48	Guide Gear Shifter	1	--	--	
	DH 1014 95	Guide Gear Shifter	--	1	1	
9	DH 1014 96	Spacer	1	1	1	

180 = 180 cc with Electric Start

150 ES = 150 cc with Electric Start

150 KS = 150 cc Kick Start



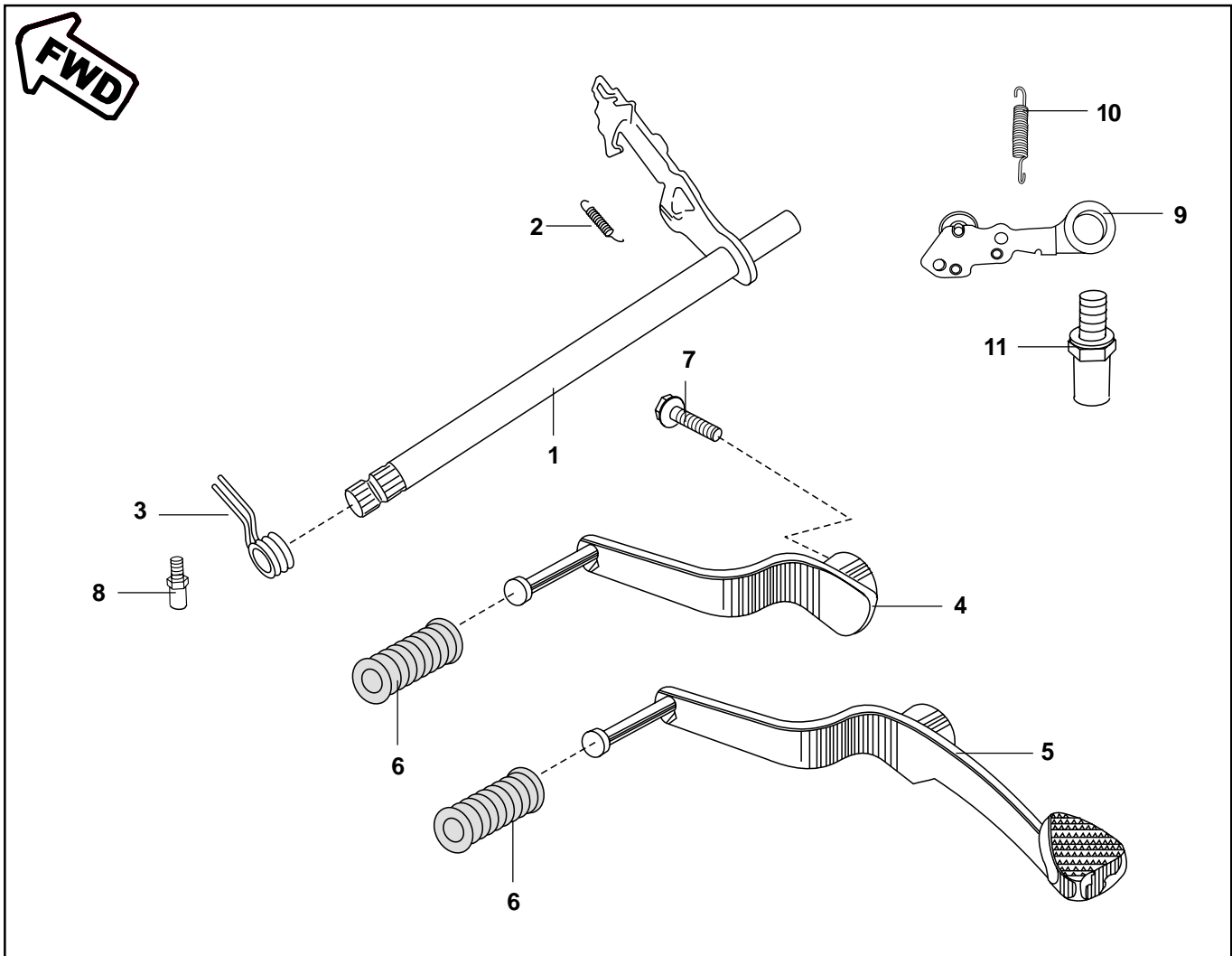


Fig. No.	Part No.	Description	180	150 ES	150 KS	Remark
1	DH 1011 34	Lever comp. Gear Shifter	1	1	1	
2	DH 1011 43	Spring Slider arm reset	1	1	1	
3	DH 1011 44	Spring Gear Shifter return	1	1	1	
4	DJ 1011 49	Lever comp. change	1	--	--	Alt. to DJ 1011 56
5	DH 1011 65	Lever comp. change	--	1	1	
6	31 1011 08	Damper	1	1	1	
7	39 2453 04	Flanged Bolt	1	1	1	
8	DH 1010 13	Bolt Gear Shift drum Stopper	1	1	1	
9	DH 1015 03	Stopper gear shifter drum	1	1	1	
10	DH 1015 02	Spring gear shifter drum stopper	1	1	1	
11	DH 1012 25	Bolt shift change	1	1	1	

180 = 180 cc with Electric Start  
 150 ES = 150 cc with Electric Start  
 150 KS = 150 cc Kick Start



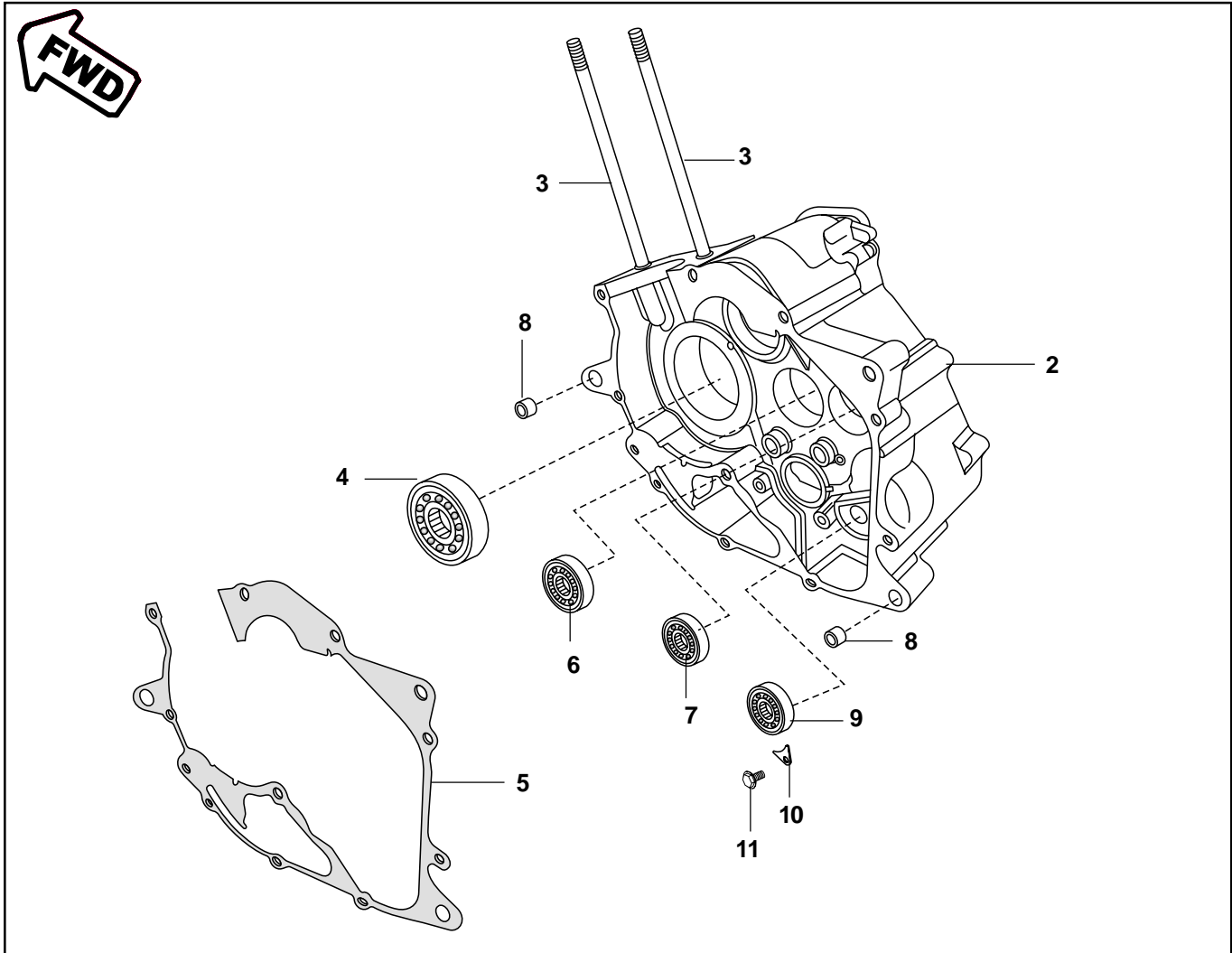


Fig. No.	Part No.	Description	180	150 ES	150 KS	Remark
1	DJ 1011 39	Engine Assly.(180cc)	1	--	--	N.I.
	DH 1014 74	Engine Assly.(150cc, ES)	--	1	--	N.I.
	DH 1014 73	Engine Assly.(150cc, KS)	--	--	1	N.I.
2	DH 1014 86	Crankcase RH	1	1	1	
3	39 2531 05	Stud	2	2	2	
4	39 2561 20	Bearing Ball (For Crankshaft)	1	1	1	
5	DH 1010 06	Gasket Crankcase	1	1	1	
6	39 2583 20	Bearing Ball (For Input shaft)	1	1	1	
7	39 2602 20	Bearing Ball (For Output shaft)	1	1	1	
8	39 2180 06	Dowel Pin	2	2	2	
9	39 2601 20	Ball Bearing(For Drum Comp.Gear Shift)	1	1	1	
10	DH 1014 87	Plate Stopper	1	1	1	
11	39 1062 04	Bolt Flanged	1	1	1	

180 = 180 cc with Electric Start

150 ES = 150 cc with Electric Start

150 KS = 150 cc Kick Start



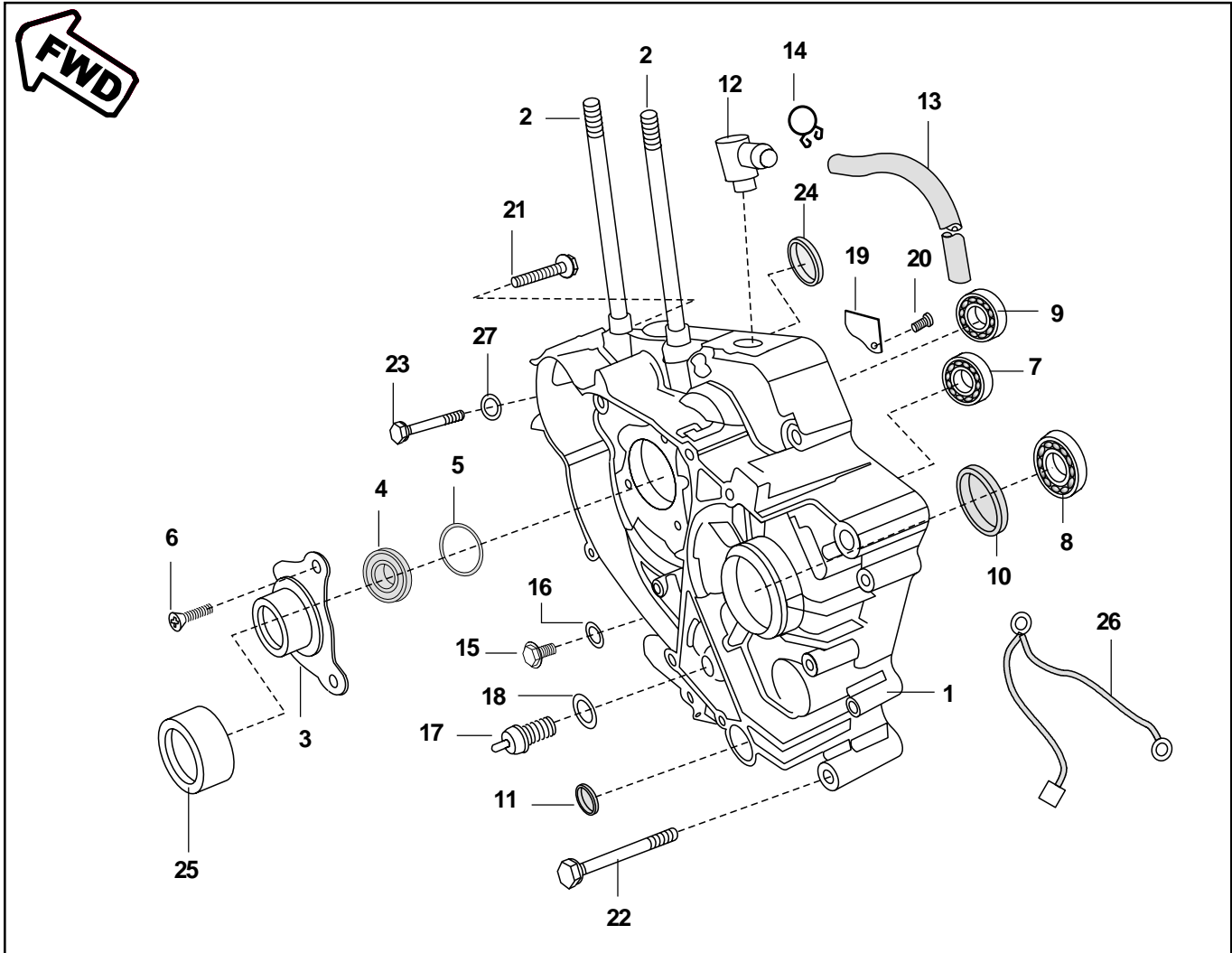


Fig. No.	Part No.	Description	180	150 ES	150 KS	Remark
1	DH 1013 35	Crankcase LH	1	1	1	
2	39 2531 05	Stud	2	2	2	
3	DH 1012 26	Guide starter Assly	1	1	--	
	DH 1012 99	Guide starter Assly	--	--	1	
4	39 2188 19	Oil Seal	1	1	1	
5	39 2462 21	O' Ring	1	1	1	
6	39 0752 01	'C' Sunk Head Screw	3	3	3	
7	39 2603 20	Bearing Ball (For Input shaft)	1	1	1	
8	39 2583 20	Bearing Ball (For Output shaft)	1	1	1	
9	39 2185 20	Balancer LH Bearing	1	1	1	
10	39 2189 19	Oil Seal (For Output shaft)	1	1	1	
11	39 2190 19	Oil Seal (For Shift lever)	1	1	1	
12	DH 1012 03	Breather pipe	1	1	1	
13	DH 1012 46	Rubber tube	1	1	1	
14	28 1011 74	Spring Clip	1	1	1	
15	DH 1012 72	Plug (Drain Bolt)	1	1	1	

180 = 180 cc with Electric Start

150 ES = 150 cc with Electric Start

150 KS = 150 cc Kick Start



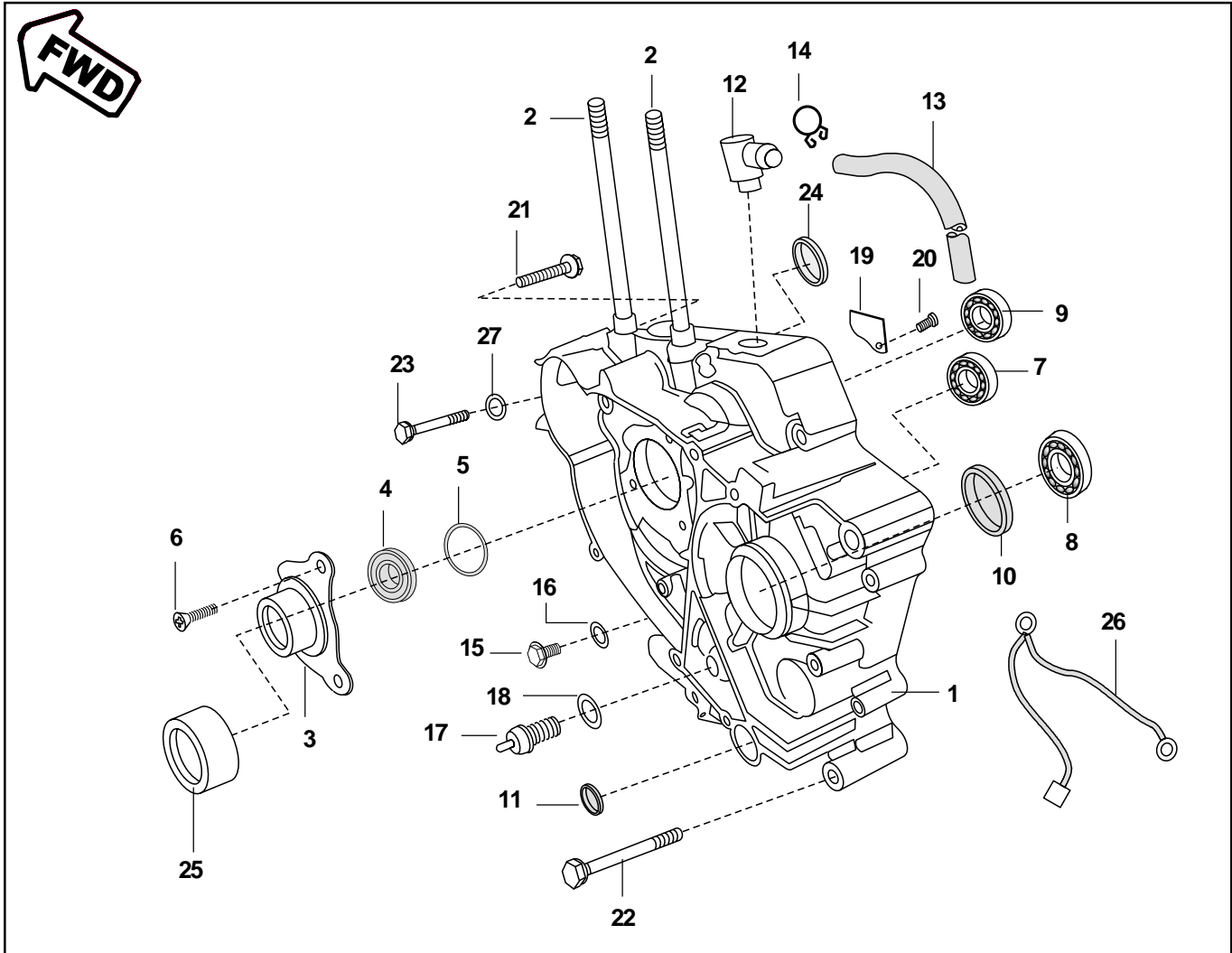


Fig. No.	Part No.	Description	180	150 ES	150 KS	Remark
16	DG 1014 98	Gasket (For Drain Bolt)	1	1	1	
17	31 2010 81	Switch comp.(Neutral)	1	1	1	
18	DH 1012 64	Gasket Neutral Switch	1	1	1	
19	DH 1012 69	Baffle	1	1	1	
20	39 1414 02	Self tapping Screw	1	1	1	
21	39 1845 04	Flanged Bolt	1	1	1	
22	39 1677 04	Bolt	8	8	8	
23	39 2305 04	Bolt	1	1	1	
24	DH 1012 78	Plug Starter Motor	--	--	1	For W/O self start only
25	DH 1011 69	Bush starter gear inner	1	1	--	
26	DJ 2010 21	Cable assly. (Battery to Earth)	1	1	--	
27	39 2448 11	Plain Washer	1	1	1	

180 = 180 cc with Electric Start  
 150 ES = 150 cc with Electric Start  
 150 KS = 150 cc Kick Start



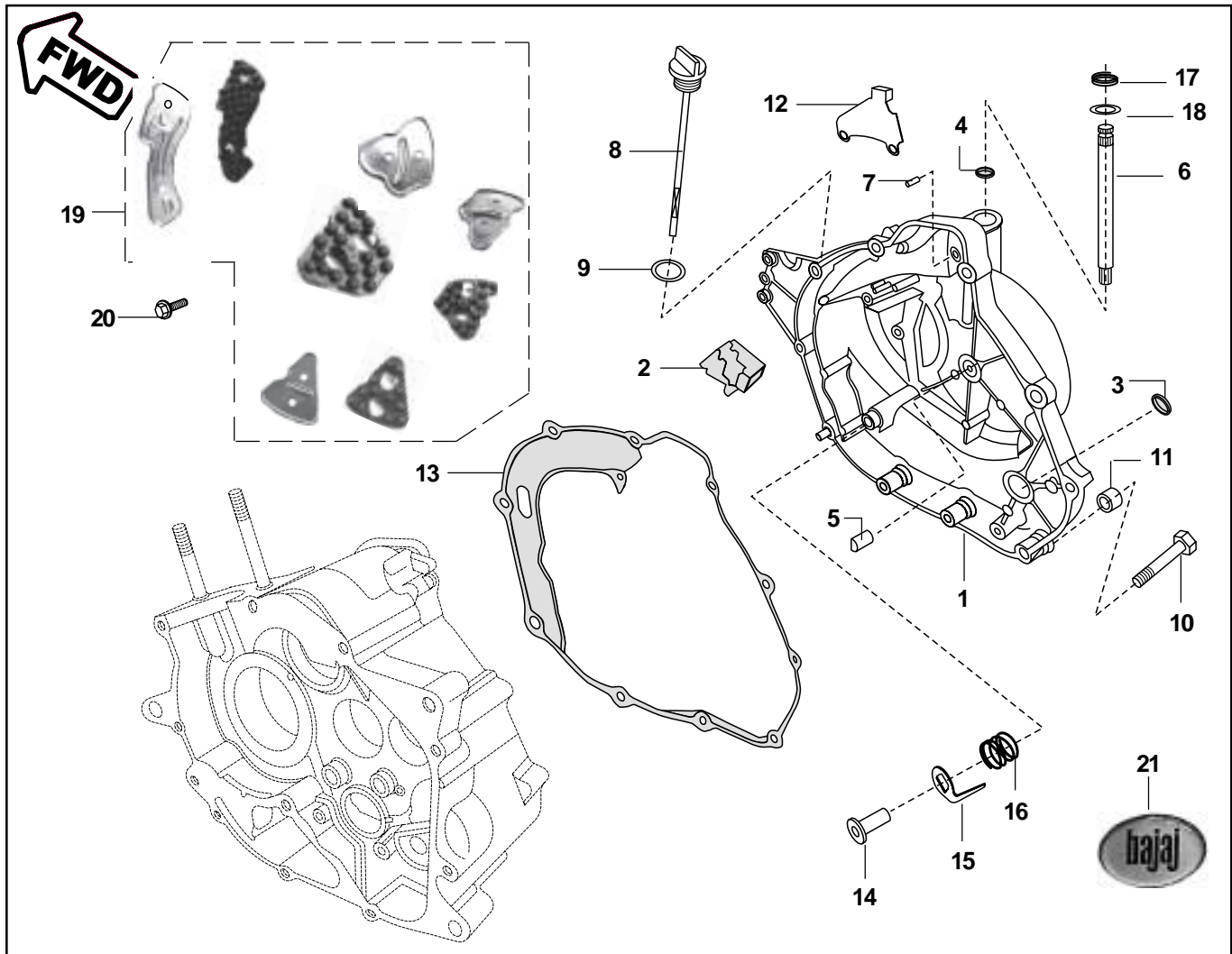


Fig. No.	Part No.	Description	180	150 ES	150 KS	Remark
1	DH 1011 49	Cover comp RH	1	1	1	
2	DH 1011 97	Grommet Breather	1	1	1	
3	30 1011 42	Seal kick Shaft	1	1	1	
4	39 1041 19	Seal clutch lever	1	1	1	
5	DH 1011 41	Rack	1	1	1	
6	DH 1011 42	Shaft clutch release	1	1	1	
7	39 2202 07	Parallel pin	1	1	1	
8	DH 1011 51	Gauge Oil level	1	1	1	
9	DH 1011 52	'O' ring Oil level Gauge	1	1	1	
10	39 1074 04	Bolt	10	10	10	
11	39 0999 06	Pin Dowel	2	2	2	
12	DH 1010 18	Bracket Clutch Cable	1	1	1	
13	DH 1011 54	Gasket cover RH	1	1	1	
14	DH 1210 15	Plunger Oil	1	1	1	
15	DH 1210 11	Plate Plunger Oil	1	1	1	
16	DH 1210 12	Spring Joint 'A'	1	1	1	
17	DH 1012 81	Spring torsion clutch lever	1	1	1	
18	39 2443 11	Washer	1	1	1	
19	DH 1013 65	Set damper A to D & Plate A to D	1	1	1	
20	39 2208 04	Flanged Bolt	8	8	8	
21	DH 1013 22	'bajaj' Decal	1	1	1	Fitted on Cover comp.RH

180 = 180 cc with Electric Start  
 150 ES = 150 cc with Electric Start  
 150 KS = 150 cc Kick Start



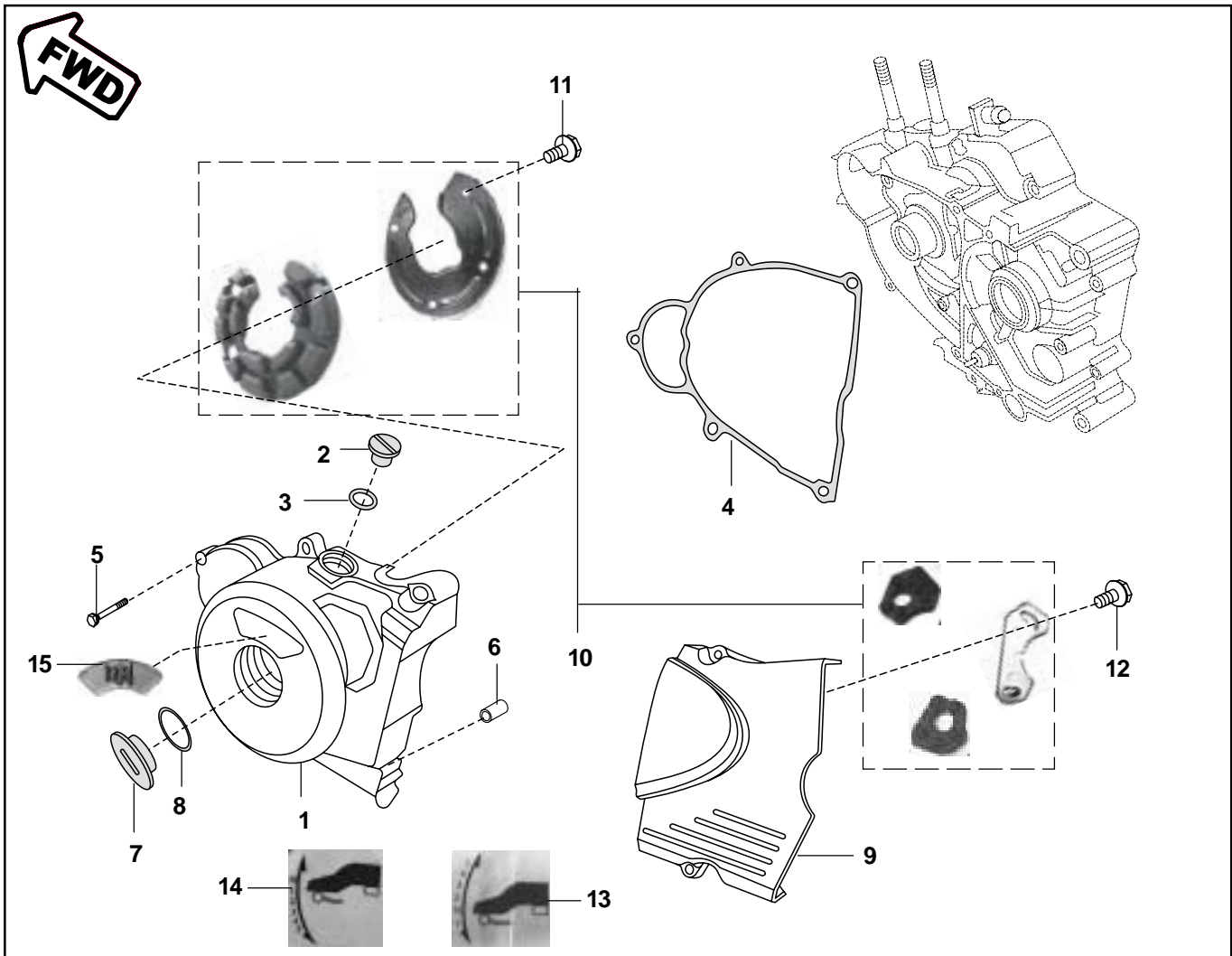


Fig. No.	Part No.	Description	180	150 ES	150 KS	Remark
1	DH 1011 55	Cover Magneto	1	1	1	
2	DH 1011 58	Cap Timing Hole	1	1	1	
3	39 2197 21	'O' Ring	1	1	1	
4	DH 1011 59	Gasket Magneto cover	1	1	1	
5	39 1074 04	Bolt	7	7	7	
6	39 0999 06	Pin Dowel	2	2	2	
7	DH 1011 57	Cap Crank Center	1	1	1	
8	39 1283 21	'O' Ring	1	1	1	Alt to 39 2452 21
9	DH 1011 56	Cover LH RR	1	1	1	
10	DH 1013 66	Set Damper /plate for Cover LH & Cover LH RR	1	1	1	
11	39 2208 04	Flanged Bolt	4	4	4	
12	39 2208 04	Flanged Bolt	2	2	2	
13	DJ 1610 12	Gear shift label	1	--	--	
14	DH 1612 09	Gear shift label	--	1	1	
15	DH 1013 23	'bajaj' Decal	1	1	1	Fitted on Cover magneto

180 = 180 cc with Electric Start

150 ES = 150 cc with Electric Start

150 KS = 150 cc Kick Start





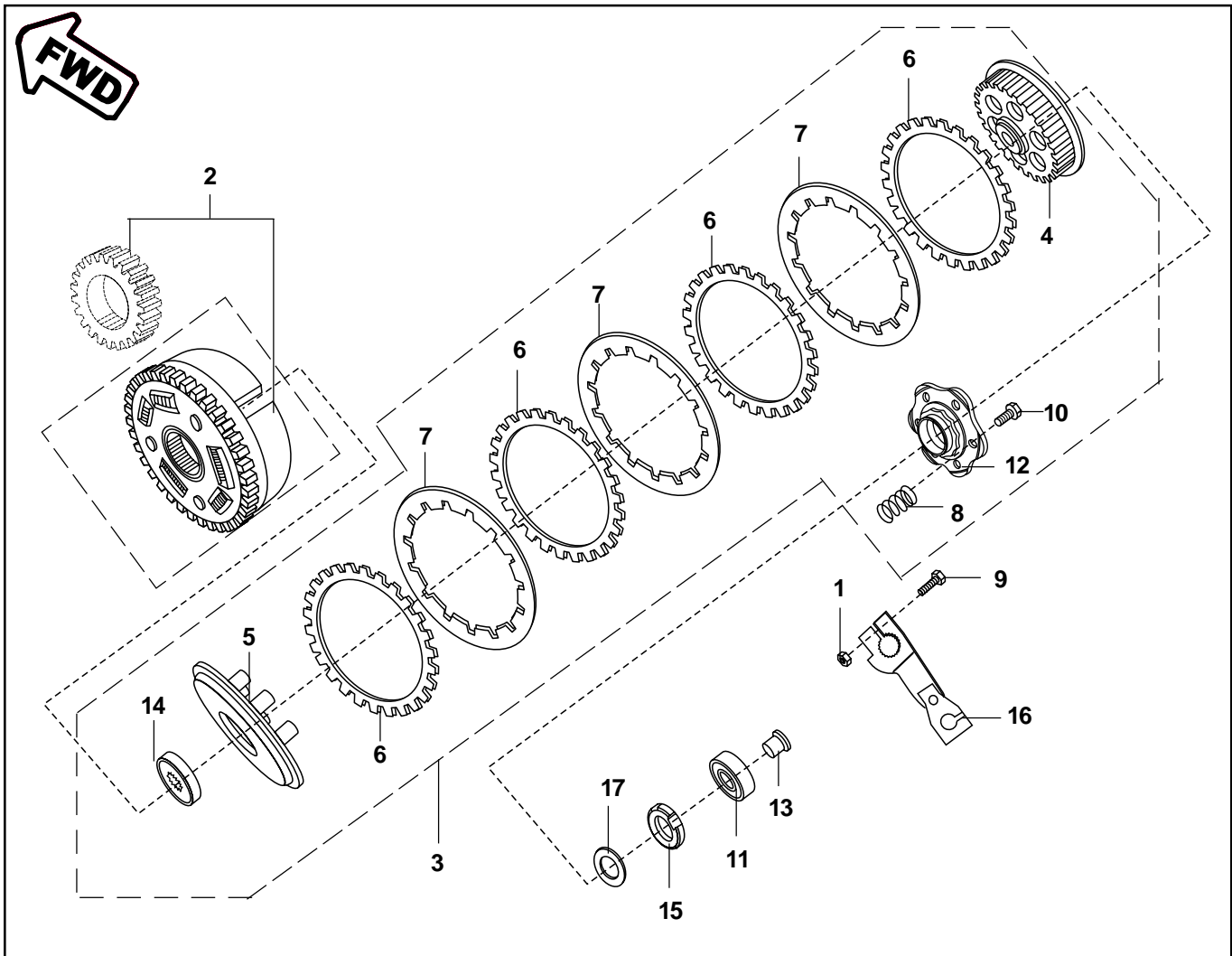


Fig. No.	Part No.	Description	180	150 ES	150 KS	Remark
1	DH 1012 75	Special Nut	1	1	1	
2	DJ 1011 12	Set primary driver & driven	1	1	1	
3	DJ 1011 50	Clutch Plate Assly	1	--	--	
	DH 1015 01	Clutch Plate Assly	--	1	1	
4	DJ 1011 22	Clutch Center	1	--	--	
	DH 1014 34	Clutch Center	--	1	1	
5	DH 1013 44	Plate Clutch pressure	1	1	1	
6	DH 1014 99	Disc Clutch friction Adler (B type)	6	5	5	
7	DH 1010 98	Plate Clutch	5	4	4	
8	DH 1014 83	Spring Clutch Capacity	6	6	6	
9	39 1674 04	Bolt	1	1	1	
10	39 1553 04	Bolt	6	6	6	
11	39 2617 20	Bearing Clutch lifter thrust	1	1	1	
12	DH 1014 84	Holder Clutch	1	1	1	

180 = 180 cc with Electric Start

150 ES = 150 cc with Electric Start

150 KS = 150 cc Kick Start



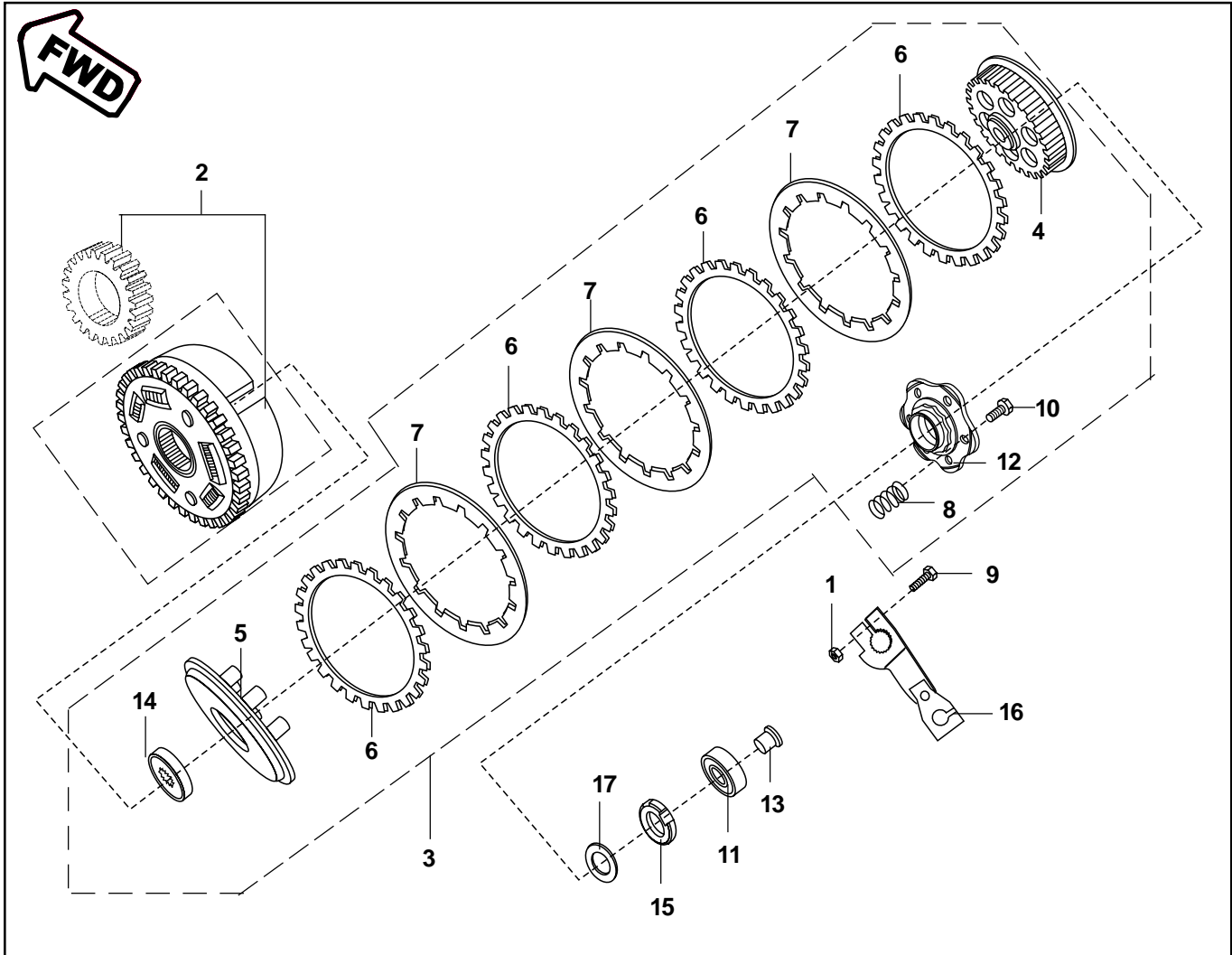


Fig. No.	Part No.	Description	180	150 ES	150 KS	Remark
13	DH 1014 85	Rod Clutch lifter	1	1	1	
14	DH 1013 74	Guide Plate Clutch Pressure	1	1	1	
15	DH 1015 20	Nut Primary drive lock	1	1	1	LH Thread
16	DH 1011 80	Lever Assly. Clutch	1	1	1	
17	39 2200 11	Washer Primary Drive Gear	1	1	1	

180 = 180 cc with Electric Start  
 150 ES = 150 cc with Electric Start  
 150 KS = 150 cc Kick Start



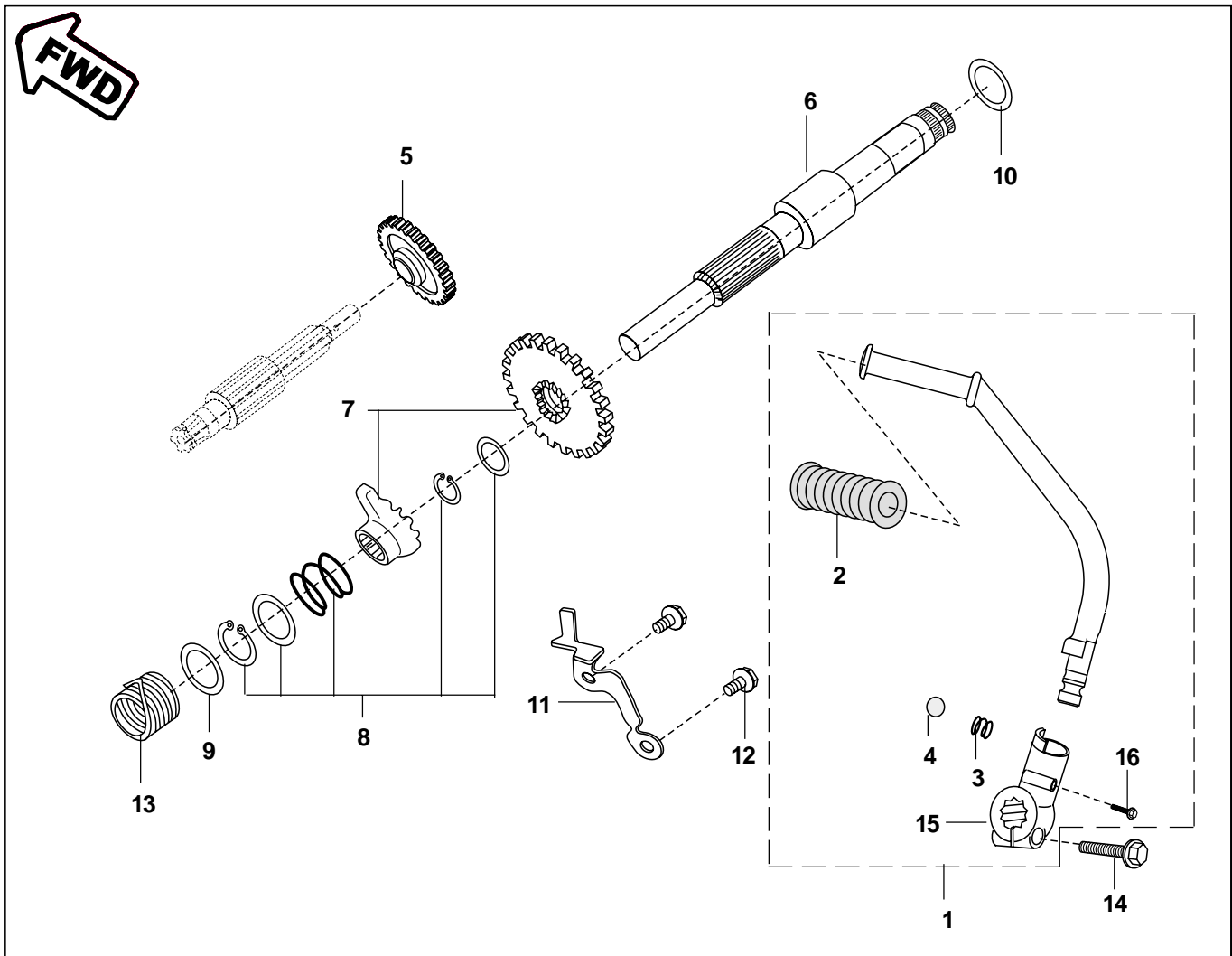


Fig. No.	Part No.	Description	180	150 ES	150 KS	Remark
1	DH 1011 28	Lever Kick Starter complete	1	1	1	
2	DD 1010 97	Damper	1	1	1	
3	DH 1011 85	Spring Kick Starter Arm joint	1	1	1	
4	DH 1010 68	Ball steel	1	1	1	
5	DH 1011 15	Gear Kick Idler	1	1	1	
6	DH 1011 19	Spindle Kick Starter Assly	1	1	1	
7	DH 1013 67	Set Pinion & Ratchet Kick Starter	1	1	1	
8	DH 1013 68	Set Washer,Circlip & Spring	1	1	1	For Kick Starter Ratchet
9	39 0993 11	Washer Thrust	1	1	1	
10	39 2344 11	Plain Washer	1	1	1	
11	DH 1011 27	Guide Kick	1	1	1	
12	39 1672 04	Bolt Flanged	2	2	2	
13	DH 1011 25	Spring Kick Starter Return	1	1	1	
14	DH 1013 21	Bolt flange	1	1	1	
15	DH 1011 31	Base kick lever	1	1	1	
16	DH 1013 20	Hex. bolt with flange	1	1	1	

180 = 180 cc with Electric Start

150 ES = 150 cc with Electric Start

150 KS = 150 cc Kick Start



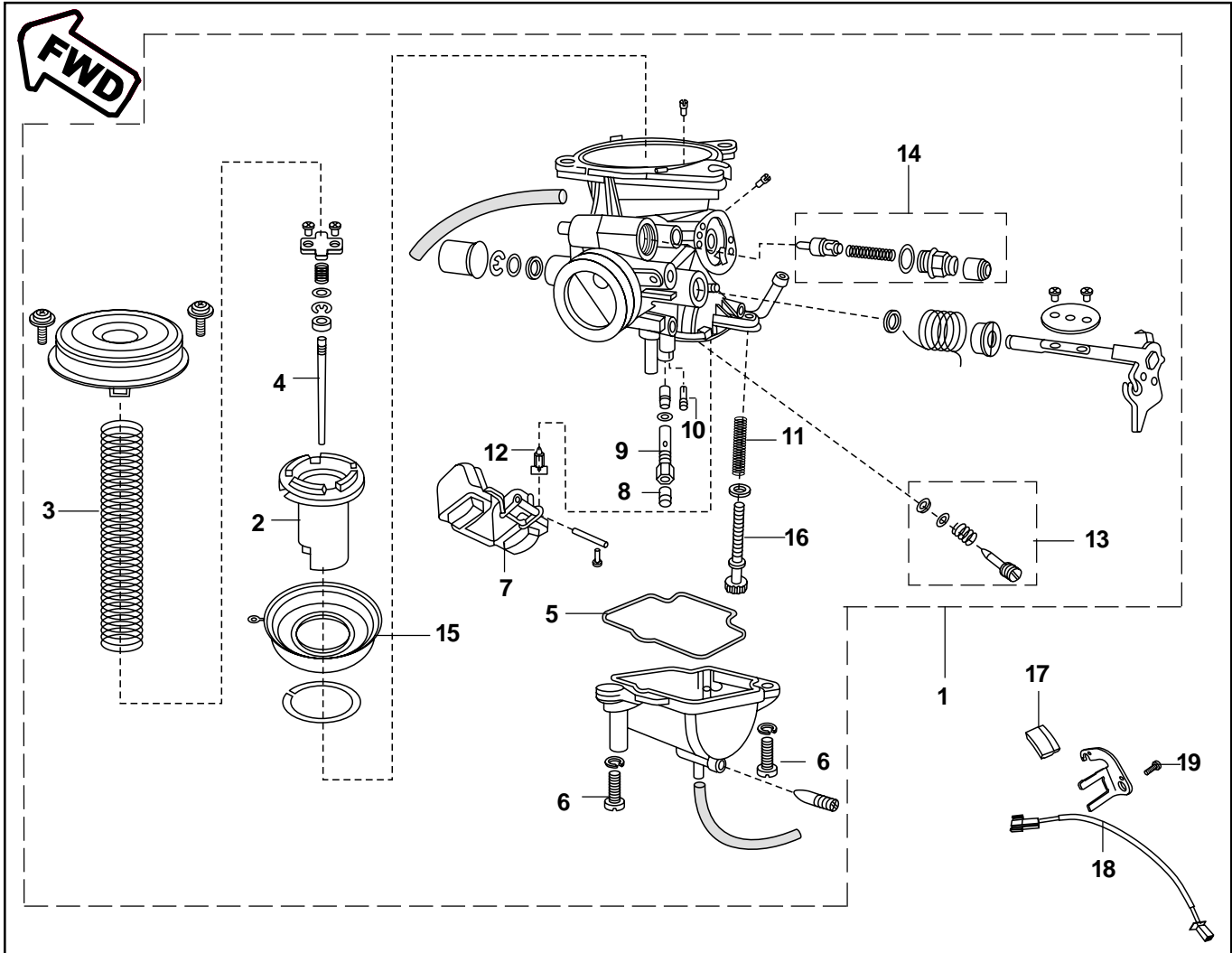


Fig. No.	Part No.	Description	180	150 ES	150 KS	Remark
1	DJ 1210 20	Carburettor Assly. BS 29 with TPS	1	--	--	} Make : Ucal Mikuni
	DH 1210 97	Carburettor Assly. BS 26 with TPS	--	1	1	
2	DJ 1210 12	Piston valve assly.	1	--	--	
	DH 1210 45	Piston valve assly.	--	1	1	
3	DJ 1210 13	Spring (CO)	1	--	--	
	DH 1210 46	Spring (CO)	--	1	1	
4	DJ 1210 25	Jet needle(JN)	1	--	--	
	DH 1211 12	Jet needle(JN)	--	1	1	
5	DH 1210 57	"O" ring	1	1	1	
6	DH 1210 58	Screw	2	2	2	
7	DH 1210 59	Float assly.	1	1	1	
8	DJ 1210 23	Main jet	1	--	--	
	DH 1211 10	Main jet	--	1	1	
9	DJ 1210 18	Jet holder	1	--	--	
	DH 1210 61	Jet holder	--	1	1	
10	DH 1211 11	Pilot Jet (PJ)	--	1	1	
	DJ 1210 24	Pilot Jet (PJ)	1	--	--	

180 = 180 cc with Electric Start  
 150 ES = 150 cc with Electric Start  
 150 KS = 150 cc Kick Start



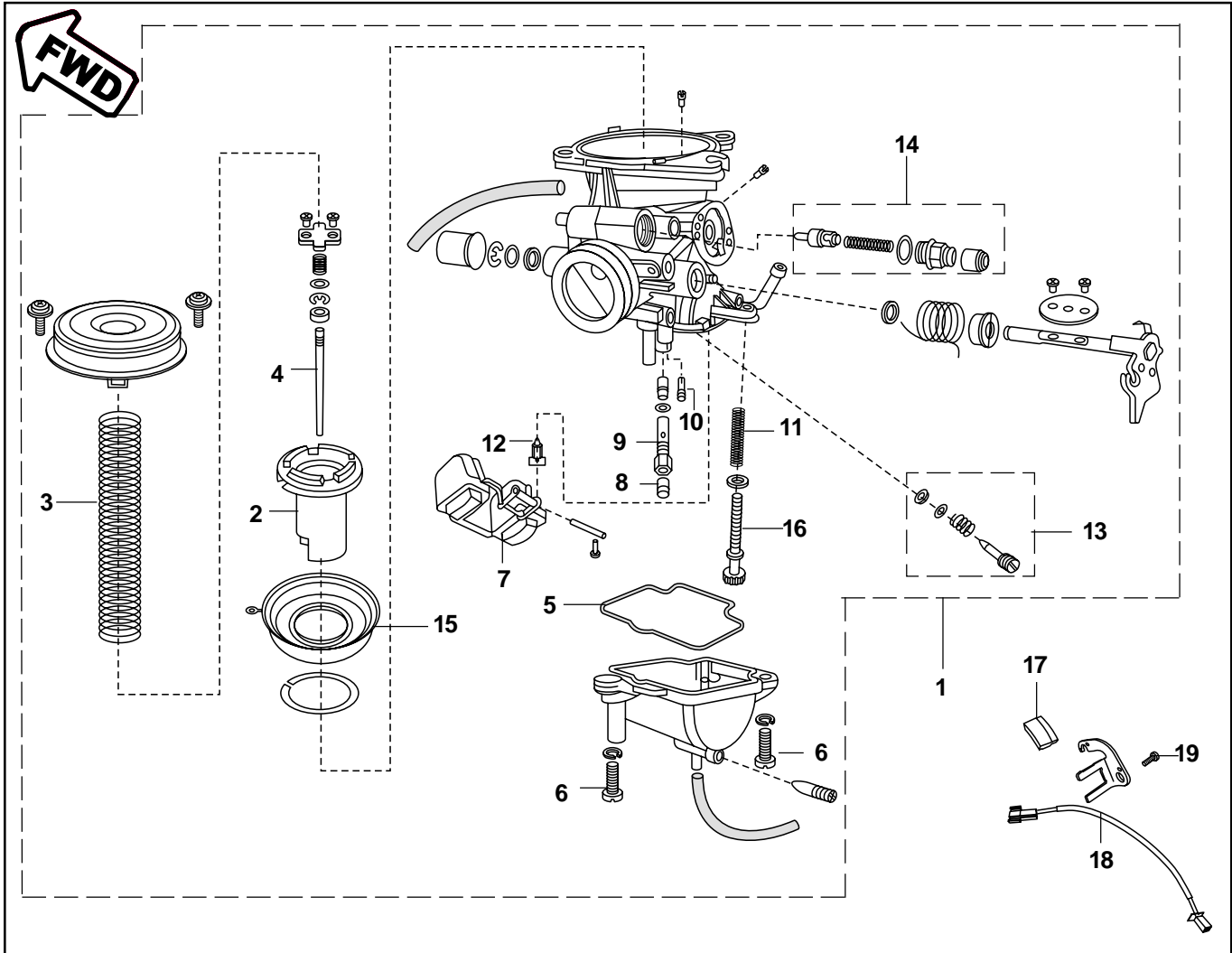


Fig. No.	Part No.	Description	180	150 ES	150 KS	Remark
11	DH 1211 04	Spring (CO)	1	1	1	
12	DH 1210 93	Needle Assly.	1	1	1	
13	DH 1210 96	Set Adjuster(PS)	1	1	1	
14	DH 1210 95	Set Plunger assly.	1	1	1	
15	DH 1210 48	Diaphragm	1	1	1	
16	DH 1210 78	Adjust Screw	1	1	1	
17	DH 1211 01	Magnet Assly.	1	1	1	} TPS Assly. Parts
18	DH 1211 02	Reed Switch Assly.	1	1	1	
19	39 1780 01	Pan Head Screw	2	2	2	

180 = 180 cc with Electric Start

150 ES = 150 cc with Electric Start

150 KS = 150 cc Kick Start



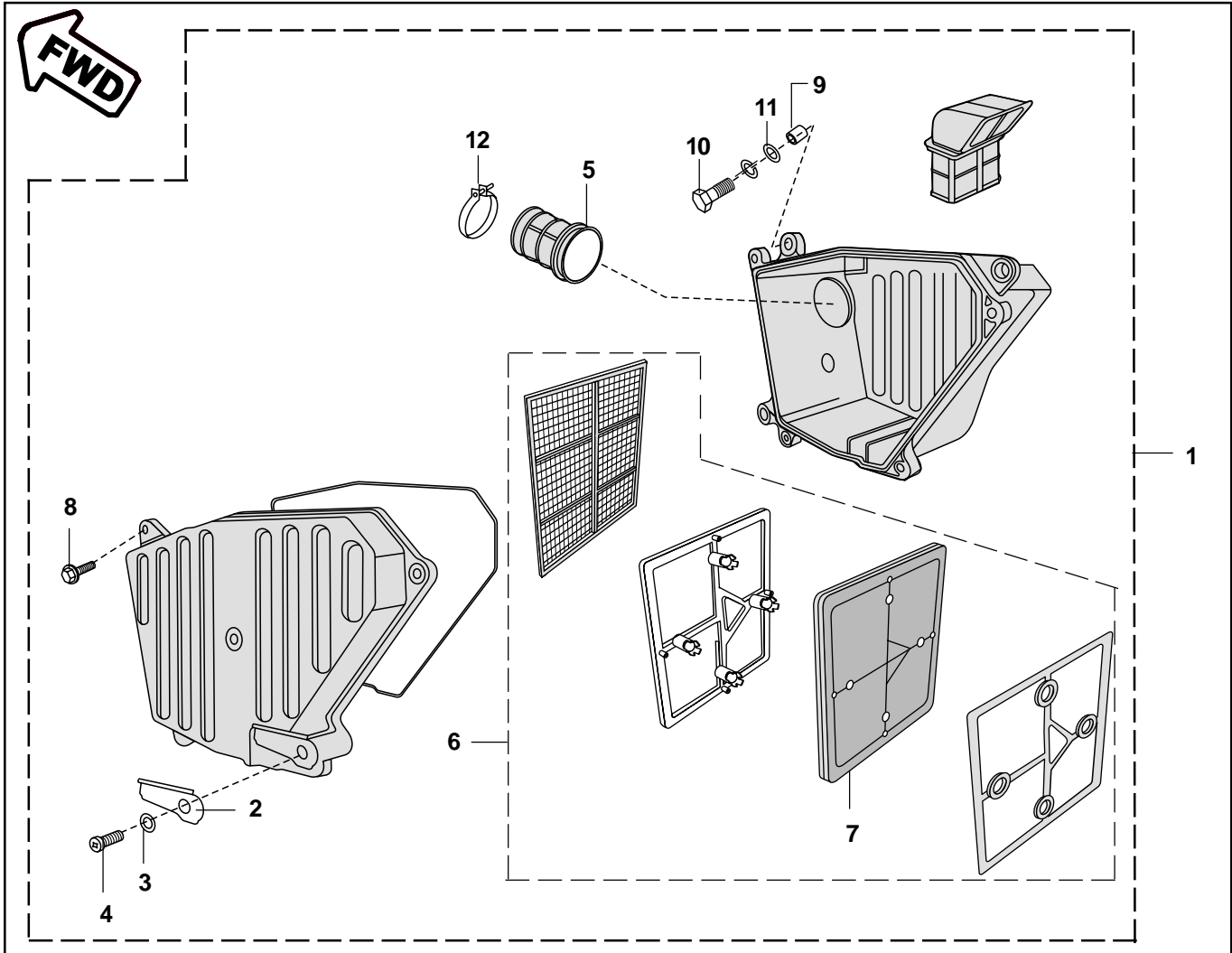


Fig. No.	Part No.	Description	180	150 ES	150 KS	Remark
1	DH 1211 05	Air Cleaner comp	1	1	1	
2	DH 1210 20	Bracket Lock	1	1	1	
3	01 1106 09	Plain Washer	1	1	1	
4	39 1698 01	Screw Pan cross	1	1	1	
5	DJ 1210 21	Connecting Tube	1	--	--	
	DH 1210 98	Connecting Tube	--	1	1	
6	DH 1210 37	Cartridge Assly	1	1	1	
7	DH 1210 22	Element Air Filter	1	1	1	
8	39 1773 04	Bolt Flanged	4	4	4	
9	31 1210 43	Collar	3	3	3	
10	39 1902 04	Flanged Bolt	3	3	3	
11	39 0711 11	Plain Washer	3	3	3	
12	AA 1210 45	Clamp	1	1	1	

180 = 180 cc with Electric Start

150 ES = 150 cc with Electric Start

150 KS = 150 cc Kick Start



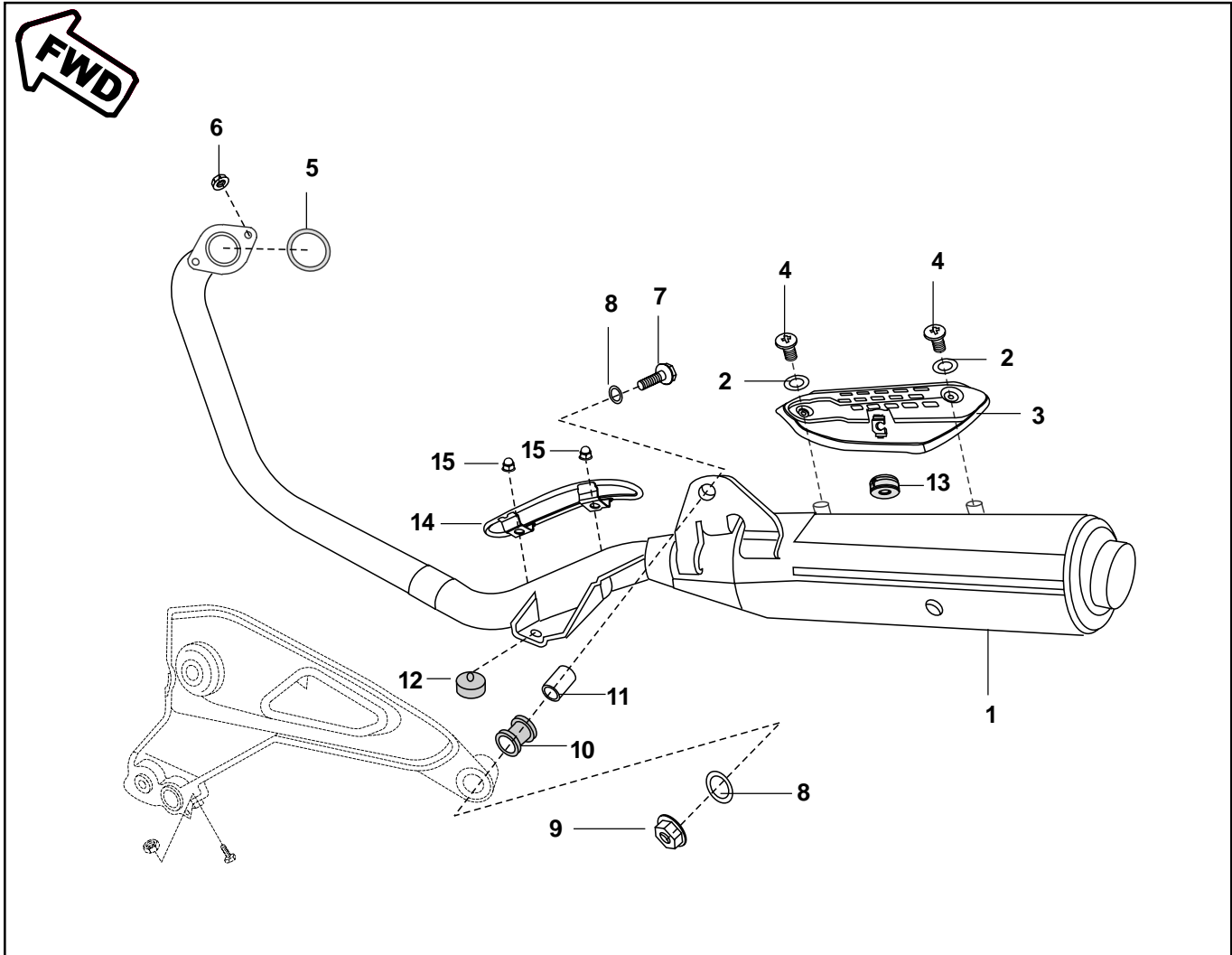


Fig. No.	Part No.	Description	180	150 ES	150 KS	Remark
1	DH 1014 36	Silencer Assly	1	1	1	
2	DH 1013 01	Seal Shield Muffler	2	2	2	
3	DH 1014 68	Shield Muffler	1	1	1	
4	DH 1013 02	Truss Screw	2	2	2	
5	DJ 1010 64	Gasket Exhaust	1	1	1	
6	39 1970 15	Flanged Nut	2	2	2	
7	39 1850 04	Flanged Bolt	1	1	1	
8	39 2425 11	Washer	2	2	2	
9	DD 1610 71	U Nut	1	1	1	
10	DH 1611 55	Damper silencer	1	1	1	
11	DH 1611 57	Tube silencer mounting	1	1	1	
12	DG 1611 24	Damper (Main Stand)	1	1	1	
13	DH 1014 81	Grommet shield	1	1	1	
14	DH 1015 21	Wire Shield Assly.	1	1	1	
15	DH 1015 25	Dommed Cap Nut	2	2	2	

180 = 180 cc with Electric Start

150 ES = 150 cc with Electric Start

150 KS = 150 cc Kick Start



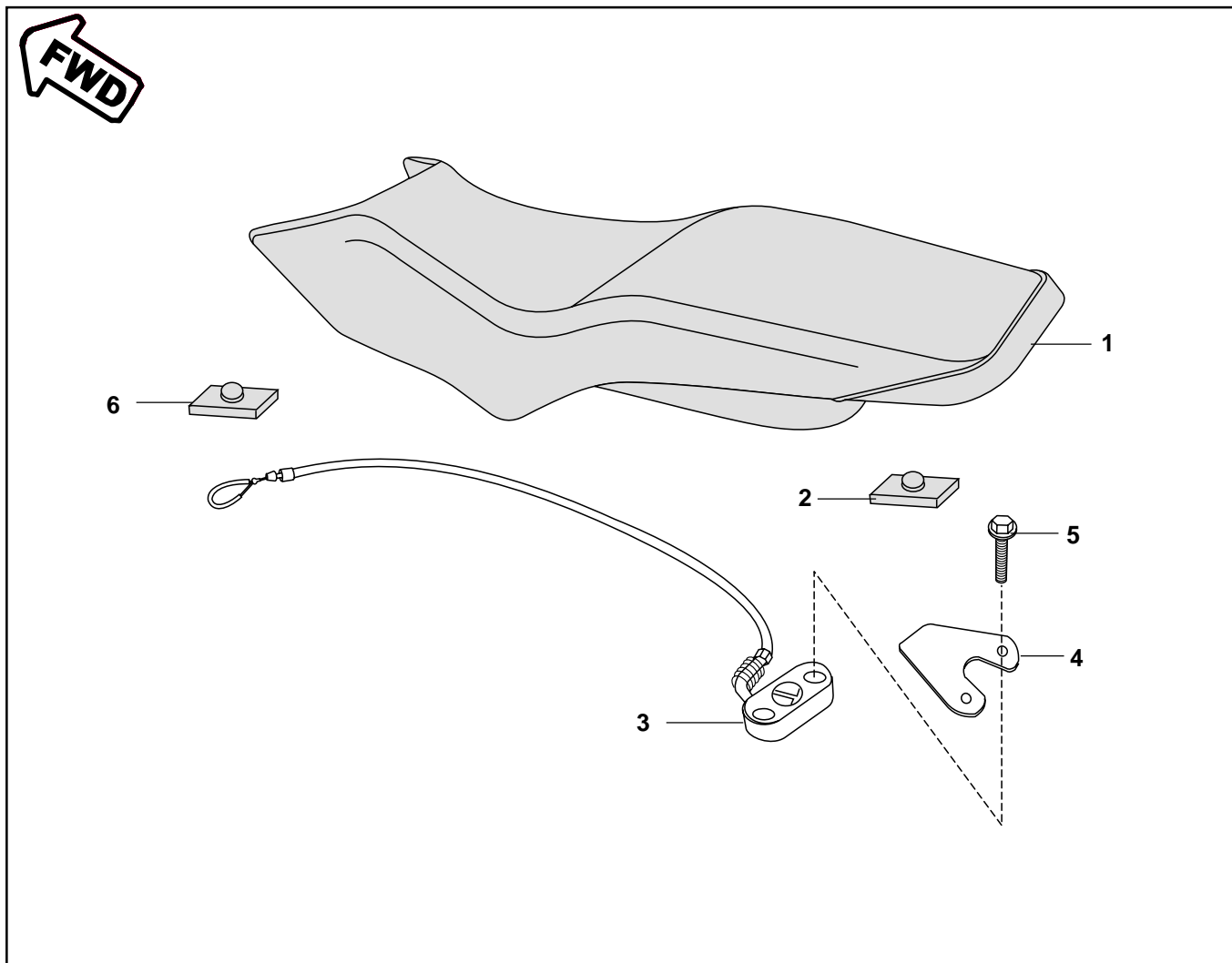


Fig. No.	Part No.	Description	180	150 ES	150 KS	Remark
1	DJ 2110 01	Seat Assly comp	1	1	1	
2	31 2110 04	Damper	6	6	6	
3	DH 1610 46	Lock Assly seat	1	1	1	
4	DH 1612 33	Reinforcement seat lock	1	1	1	
5	39 1902 04	Flanged bolt	2	2	2	
6	DH 2110 07	Damper	3	3	3	

180 = 180 cc with Electric Start  
 150 ES = 150 cc with Electric Start  
 150 KS = 150 cc Kick Start



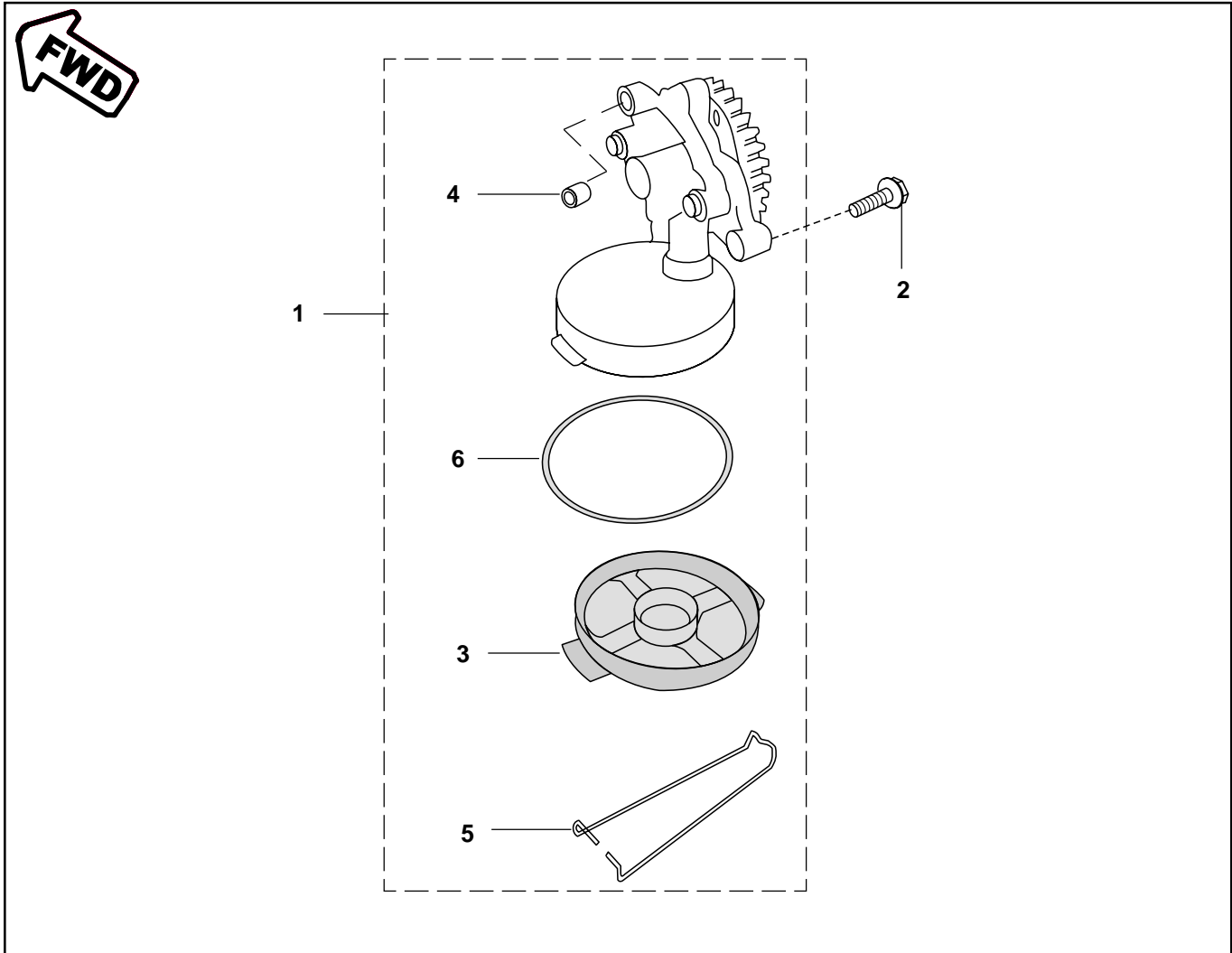


Fig. No.	Part No.	Description	180	150 ES	150 KS	Remark
1	DH 1210 01	Oil Pump Assly	1	1	1	
2	39 1674 04	Hex. Bolt with flange	3	3	3	
3	DH 1210 10	Mesh filter Oil pump	1	1	1	
4	39 1686 06	Hollow dowel pin	1	1	1	
5	DH 1210 35	Clip Mesh Oil filter	1	1	1	
6	39 2194 21	'O' Ring	1	1	1	

180 = 180 cc with Electric Start  
 150 ES = 150 cc with Electric Start  
 150 KS = 150 cc Kick Start



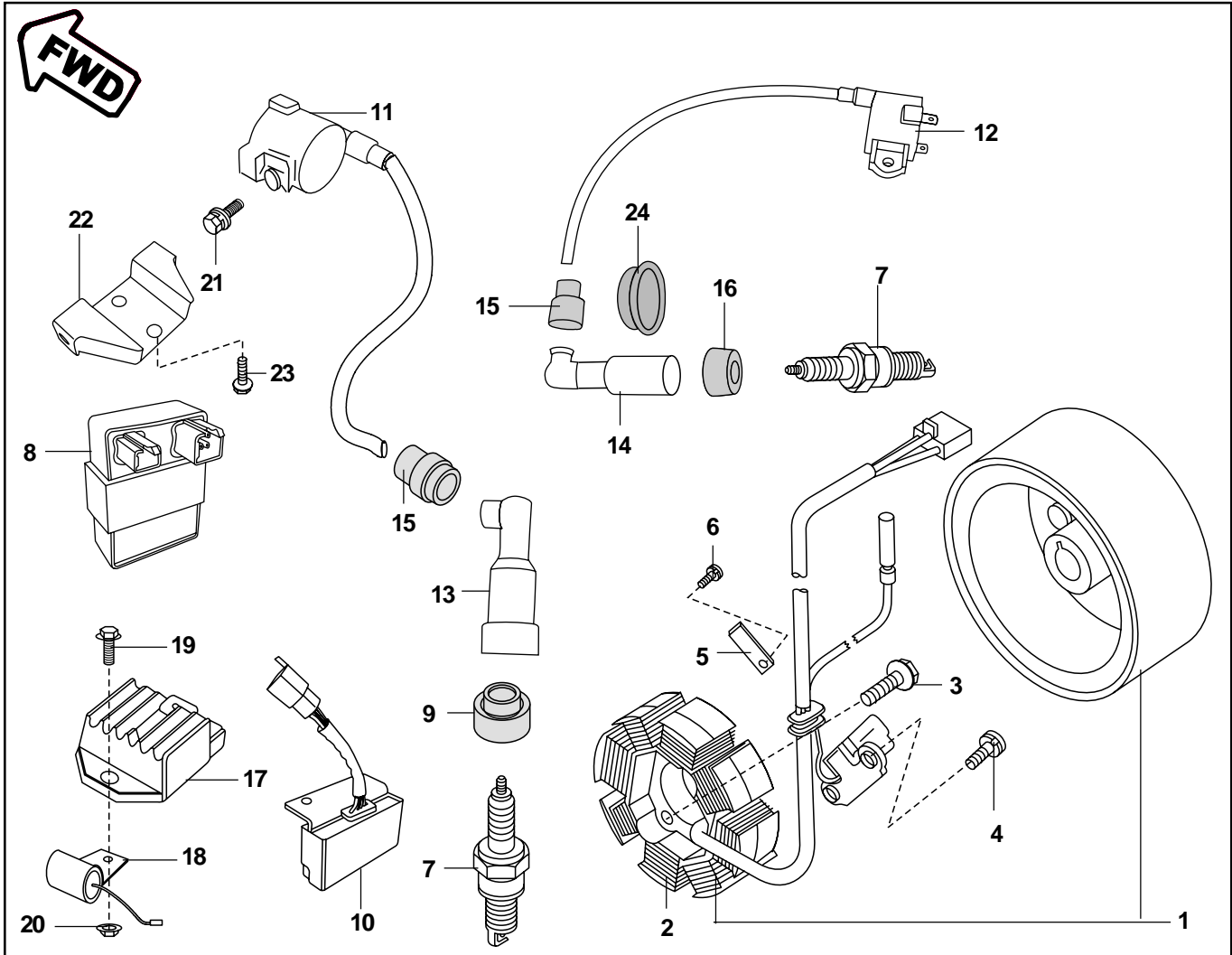


Fig. No.	Part No.	Description	180	150 ES	150 KS	Remark
1	DJ 1110 07	Magneto Assly.	1	1	--	
	DH 1110 24	Magneto Assly.	--	--	1	
2	DJ 1110 04	Stator Assly. comp	1	1	--	
	DH 1110 05	Stator Assly. comp	--	--	1	
3	39 1674 04	Hex. Bolt with Flange	2	2	2	
4	39 0761 01	Pan Head Screw	2	2	2	
5	DH 1011 99	Stopper plate (wiring harness)	1	1	1	
6	39 0746 01	Screw Pan head	1	1	1	
7	DG 1110 08	Spark plug	2	2	2	
8	DJ 1110 08	C.D.I Assly	1	--	--	
	DH 1110 19	C.D.I. Assly.	--	1	1	
9	DD 1110 11	Grommet Spark Plug	1	1	1	
10	DJ 2010 16	AC/DC Regulator	1	1	--	With Aluminium bracket
11	DH 1110 26	H.T. Coil LH	1	1	1	
12	DH 1110 27	H.T. Coil RH	1	1	1	
13	DD 1110 48	Cap Spark Plug	1	1	1	
14	DH 1110 15	Cap Spark Plug	1	1	1	
15	DD 1110 12	Grommet H.T. Cable	2	2	2	

180 = 180 cc with Electric Start

150 ES = 150 cc with Electric Start

150 KS = 150 cc Kick Start



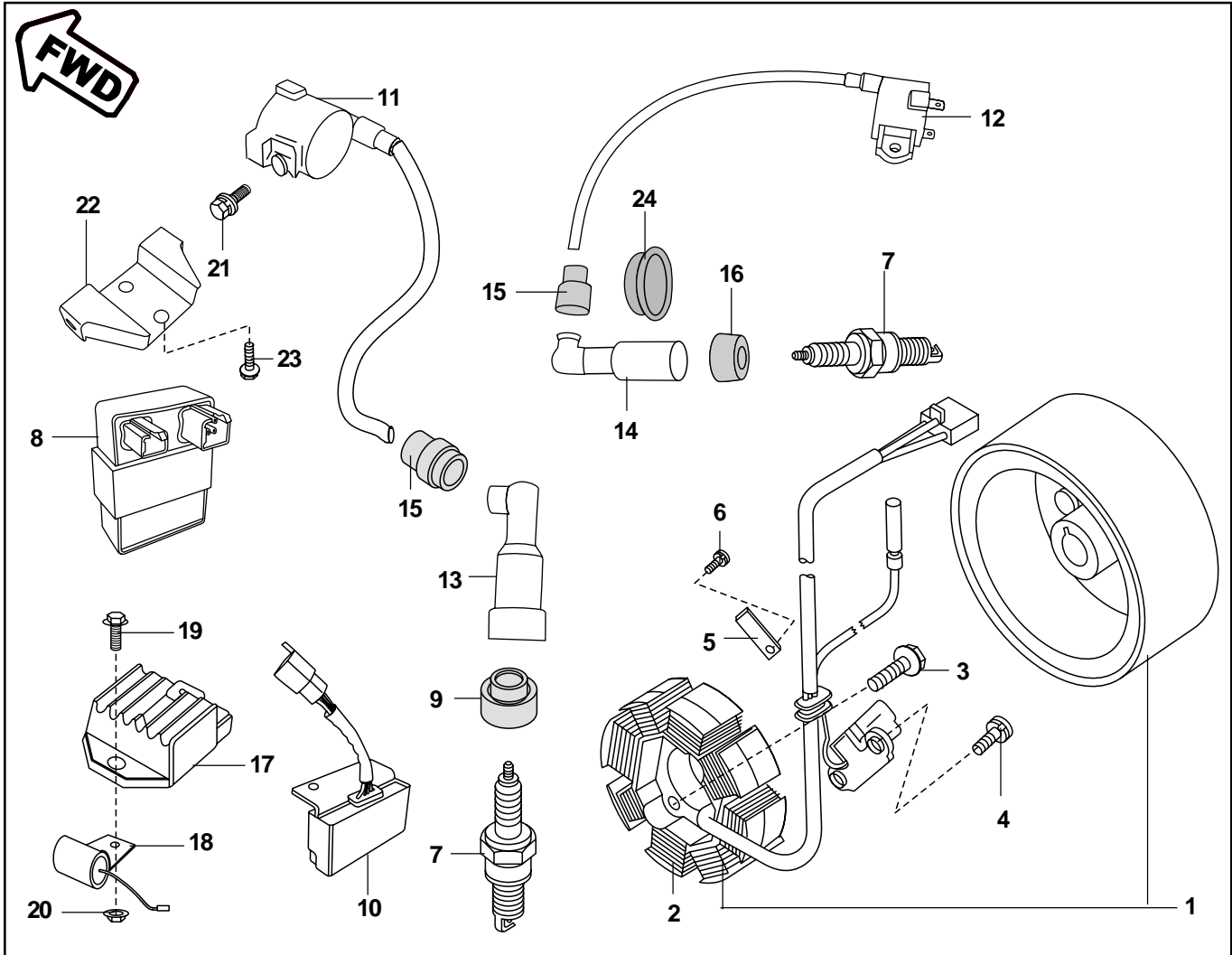


Fig. No.	Part No.	Description	180	150 ES	150 KS	Remark
16	DH 1110 13	Grommet Spark Plug	1	1	1	
17	DH 2010 18	Regulator Voltage	--	--	1	
18	DD 2010 24	Capacitor	--	--	1	Alt. to 31 2010 82
19	39 1913 04	Flange Bolt	1	1	1	
20	39 0897 15	Flange Nut	1	1	1	
21	39 1902 04	Flange Bolt	2	2	2	
22	DJ 1610 67	Bracket H.T.Coil	1	1	1	
23	39 1680 04	Flange Bolt	2	2	2	
24	DH 1110 16	Grommet Sleeve Spark Plug	1	1	1	

180 = 180 cc with Electric Start  
 150 ES = 150 cc with Electric Start  
 150 KS = 150 cc Kick Start



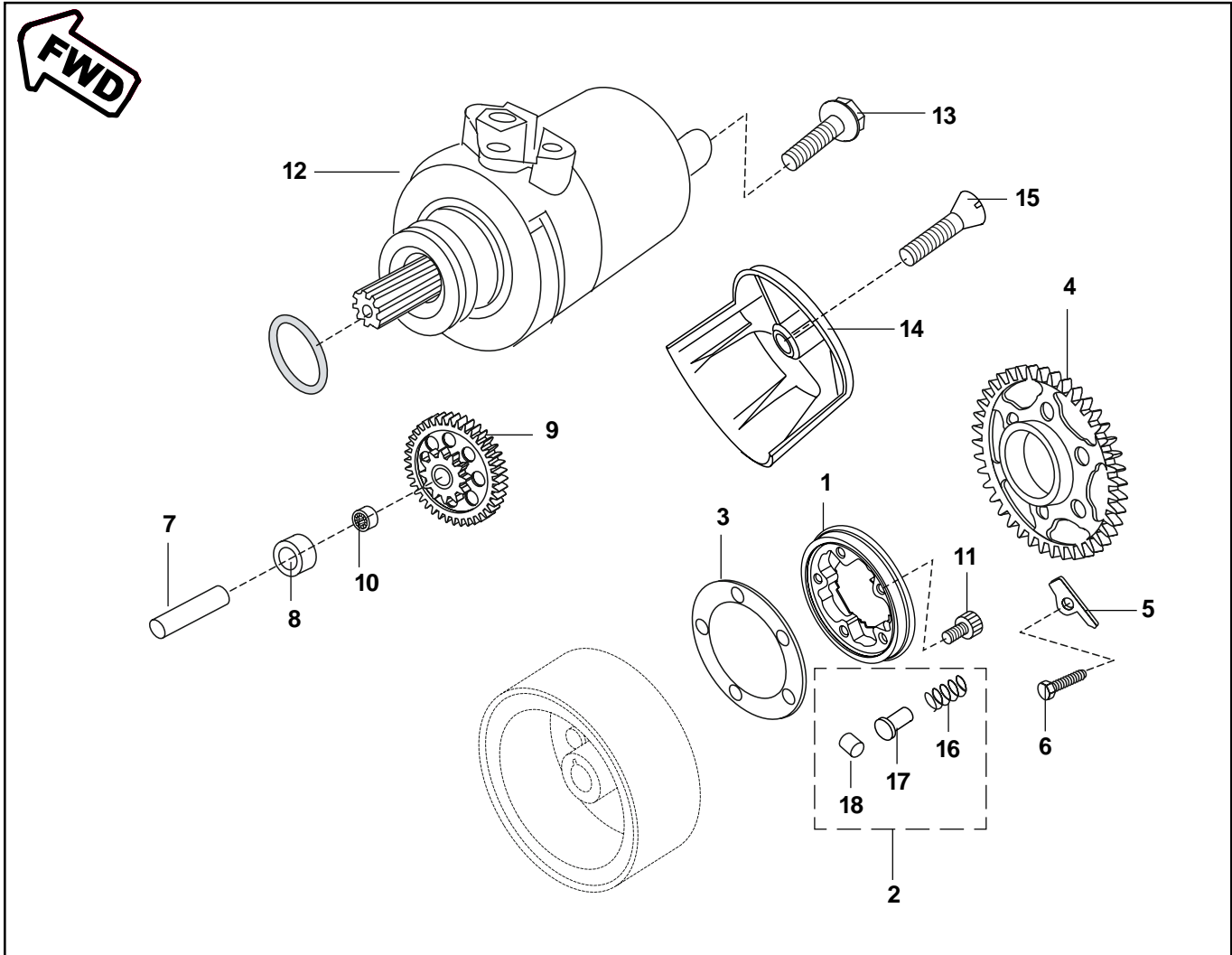


Fig. No.	Part No.	Description	180	150 ES	150 KS	Remark
1	DH 1011 60	Body comp.starter clutch	1	1	--	
2	DH 1013 70	Set roller, bush & spring	5	5	--	For starter clutch
3	DH 1011 86	Plate roller clutch	1	1	--	
4	DH 1014 01	Gear starter clutch	1	1	--	
5	DH 1011 70	Plate starter clutch gear return	1	1	--	Stopper plate
6	39 1672 04	Bolt	1	1	--	For stopper plate
7	DH 1011 71	Shaft starter counter	1	1	--	
8	DH 1011 72	Collar starter counter	1	1	--	
9	DH 1011 88	Gear comp.starter counter assly.	1	1	--	
10	39 2152 20	Needle roller bearing	1	1	--	
11	39 2437 04	Bolt socket	3	3	--	
12	DH 1110 02	Motor assly. starter	1	1	--	
13	39 1074 04	Bolt	2	2	--	
14	DH 1013 72	Cover starter motor	1	1	--	
15	39 2285 01	Slotted c'sunk screw	1	1	--	
16	DH 1011 64	Spring	5	5	--	
17	DJ 1011 09	Bush For Spring Starter	5	5	--	
18	DH 1011 63	Roller	5	5	--	

180 = 180 cc with Electric Start

150 ES = 150 cc with Electric Start

150 KS = 150 cc Kick Start



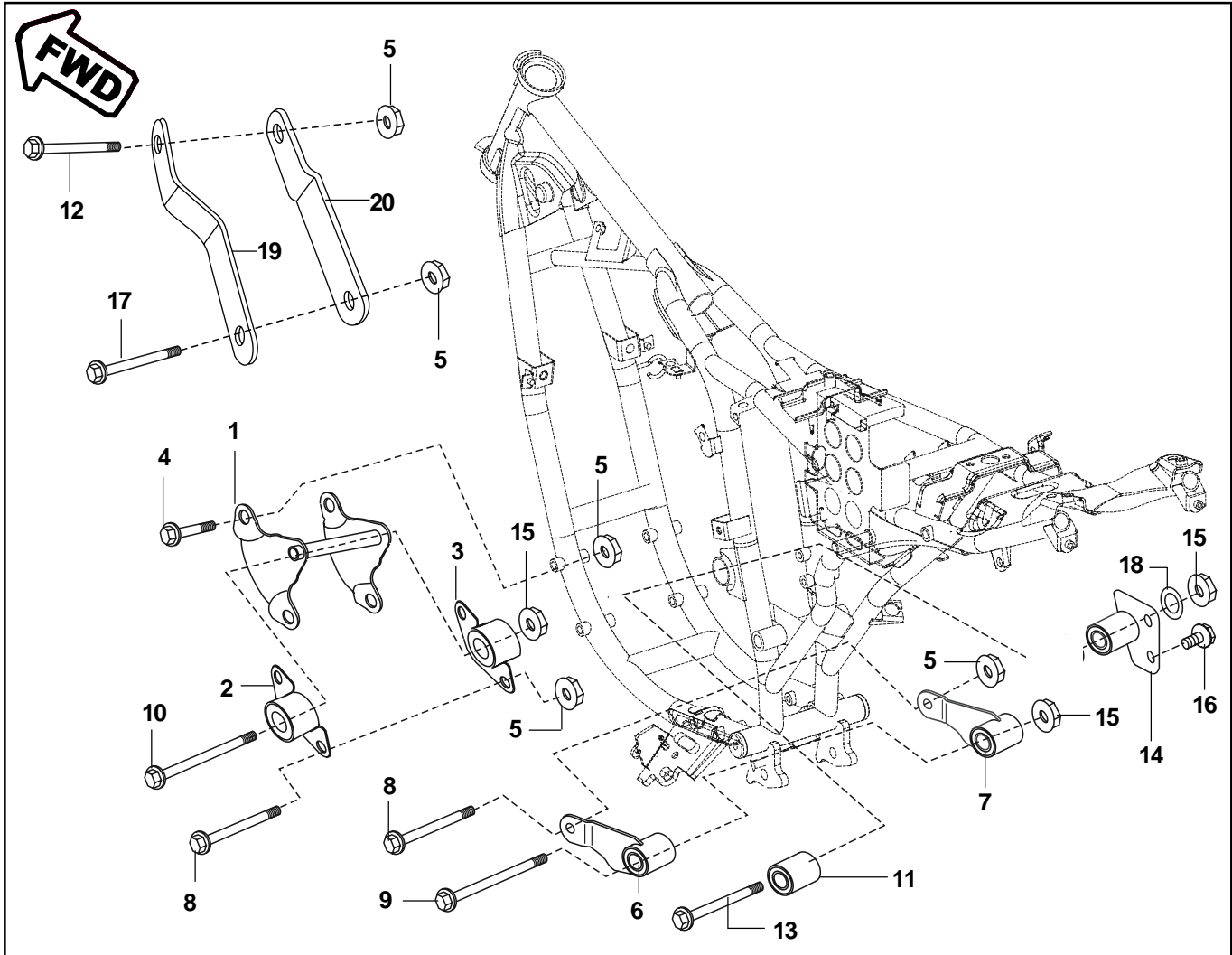


Fig. No.	Part No.	Description	180	150 ES	150 KS	Remark
1	DH 1611 70	Bkt. Assly.eng.mtg.front	1	1	1	
2	DH 1611 89	Bkt. comp.LH eng.mtg.front	1	1	1	
3	DH 1611 90	Bkt. comp.RH eng.mtg.front	1	1	1	
4	39 2312 04	Bolt Flanged	4	4	4	
5	39 1970 15	Nut Flanged	8	8	8	
6	DJ 1611 14	Bkt. comp. LH eng.mtg. lower	1	1	1	
7	DJ 1611 15	Bkt. comp. RH eng.mtg. lower	1	1	1	
8	39 2157 04	Bolt Flanged	3	3	3	
9	39 2412 04	Bolt Flanged	1	1	1	Alt. 39 2311 04
10	39 2413 04	Bolt Flanged	1	1	1	
11	DJ 1611 20	Silent Bush LH	1	1	1	
12	39 1967 04	Bolt	1	1	1	
13	39 2414 04	Hex.soc.hd.cap bolt	1	1	1	
14	DJ 1611 13	Bkt.comp.RH eng.rear	1	1	1	
15	DH 1612 45	'U' Nut	3	3	3	

180 = 180 cc with Electric Start  
 150 ES = 150 cc with Electric Start  
 150 KS = 150 cc Kick Start



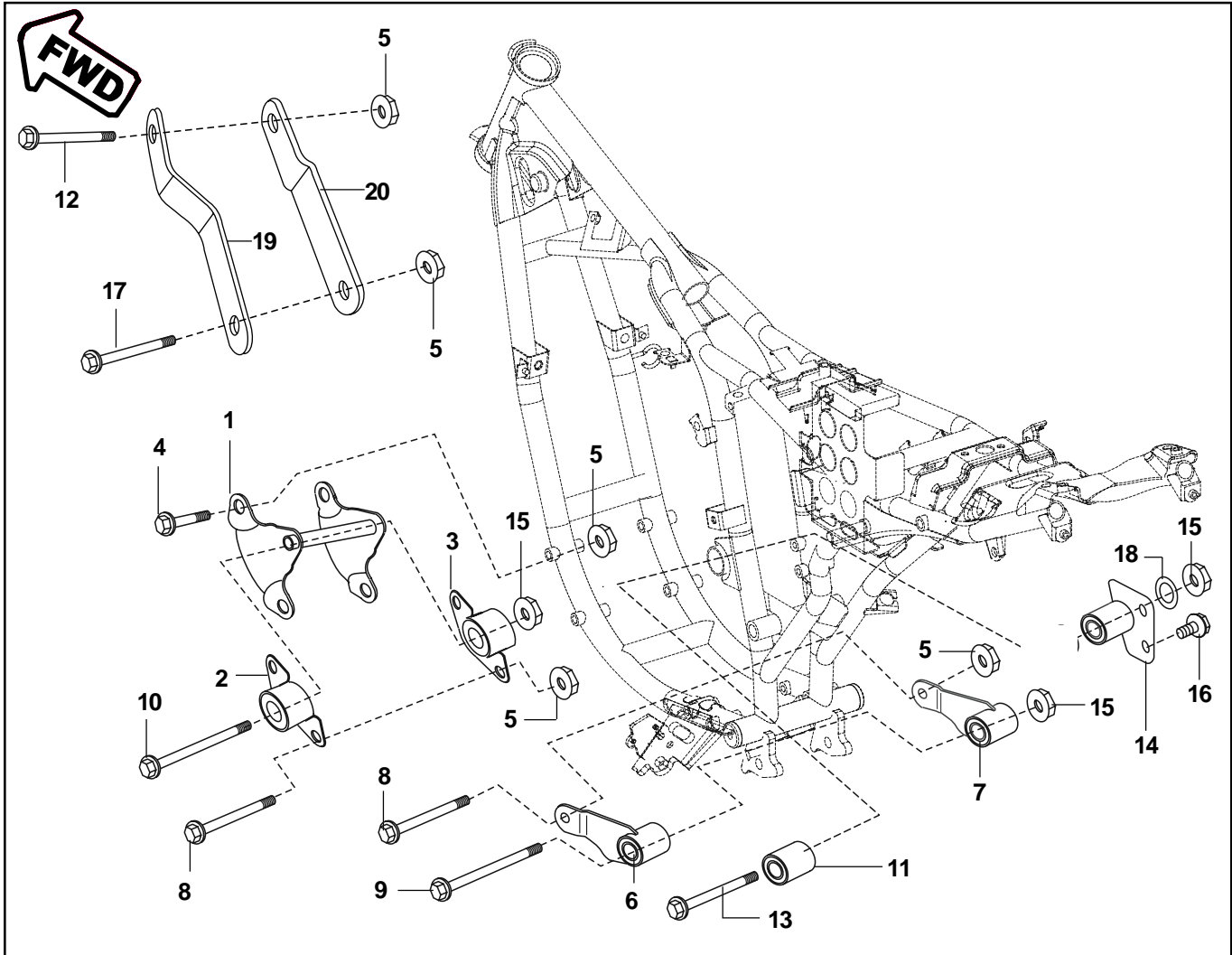


Fig. No.	Part No.	Description	180	150 ES	150 KS	Remark
16	39 2310 04	Flanged bolt	2	2	2	
17	39 2311 04	Bolt	1	1	1	
18	39 2457 11	Washer	1	1	1	
19	DJ 1610 88	Bracket LH Engine Hanger	1	1	1	
20	DJ 1610 89	Bracket RH Engine Hanger	1	1	1	

180 = 180 cc with Electric Start  
 150 ES = 150 cc with Electric Start  
 150 KS = 150 cc Kick Start



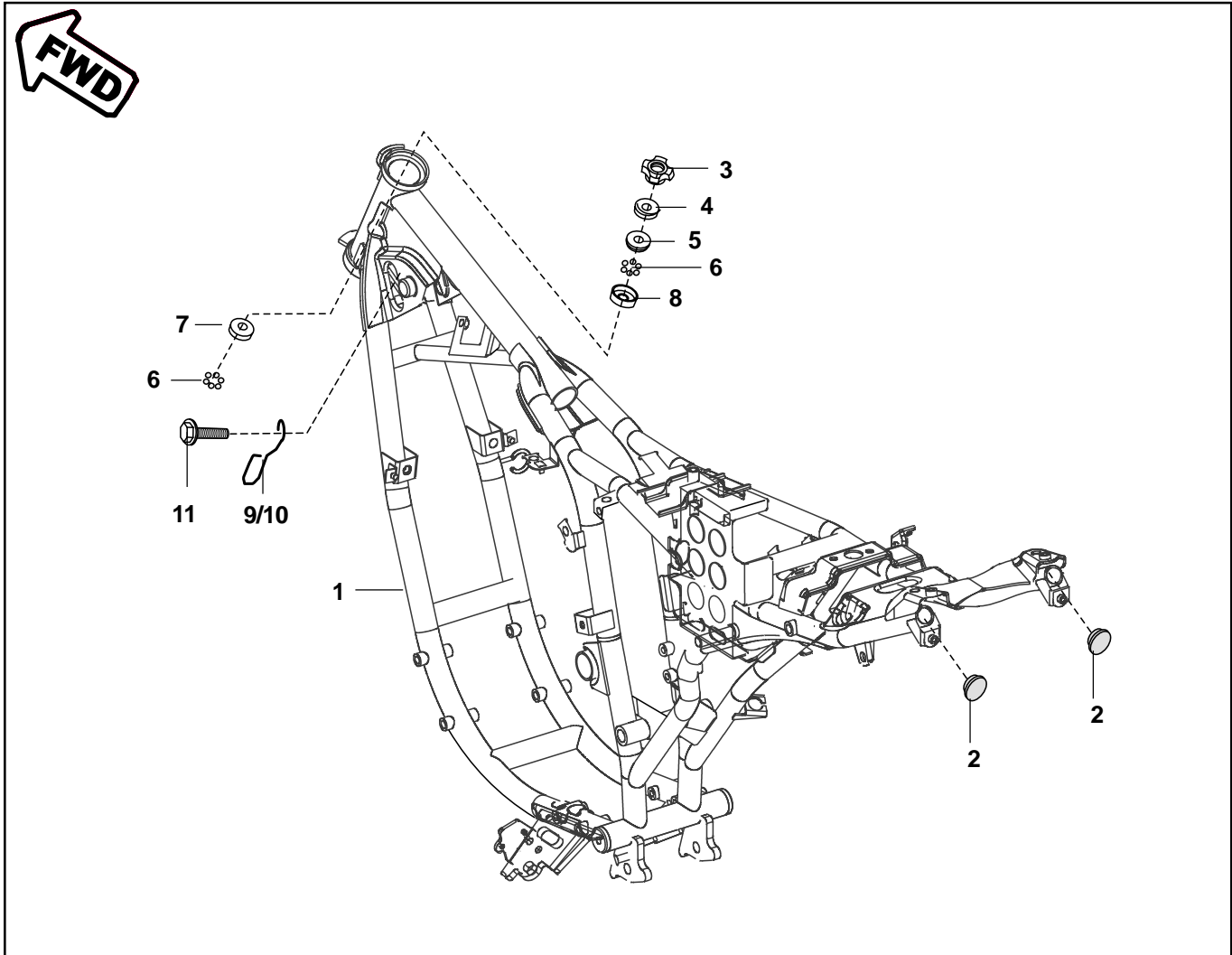


Fig. No.	Part No.	Description	180	150 ES	150 KS	Remark
1	DJ 1610 47	Frame Assly. comp.	1	1	1	Incl. Bush, Races & Cup rear
2	DH 1611 12	Cup rear	2	2	2	
3	30 1810 11	Nut	1	1	1	
4	DH 1810 14	Cup - Steering	1	1	1	
5	DH 1810 25	Bearing cone	1	1	1	
6	30 1810 06	Ball steel	46	46	46	
7	DH 1810 26	Bearing race	1	1	1	
8	DH 1810 24	Upper bearing race	1	1	1	
9	DJ 1611 32	Cable hook LH	1	1	1	
10	DJ 1611 33	Cable hook RH	1	1	1	
11	39 1680 04	Flanged bolt	2	2	2	

180 = 180 cc with Electric Start

150 ES = 150 cc with Electric Start

150 KS = 150 cc Kick Start



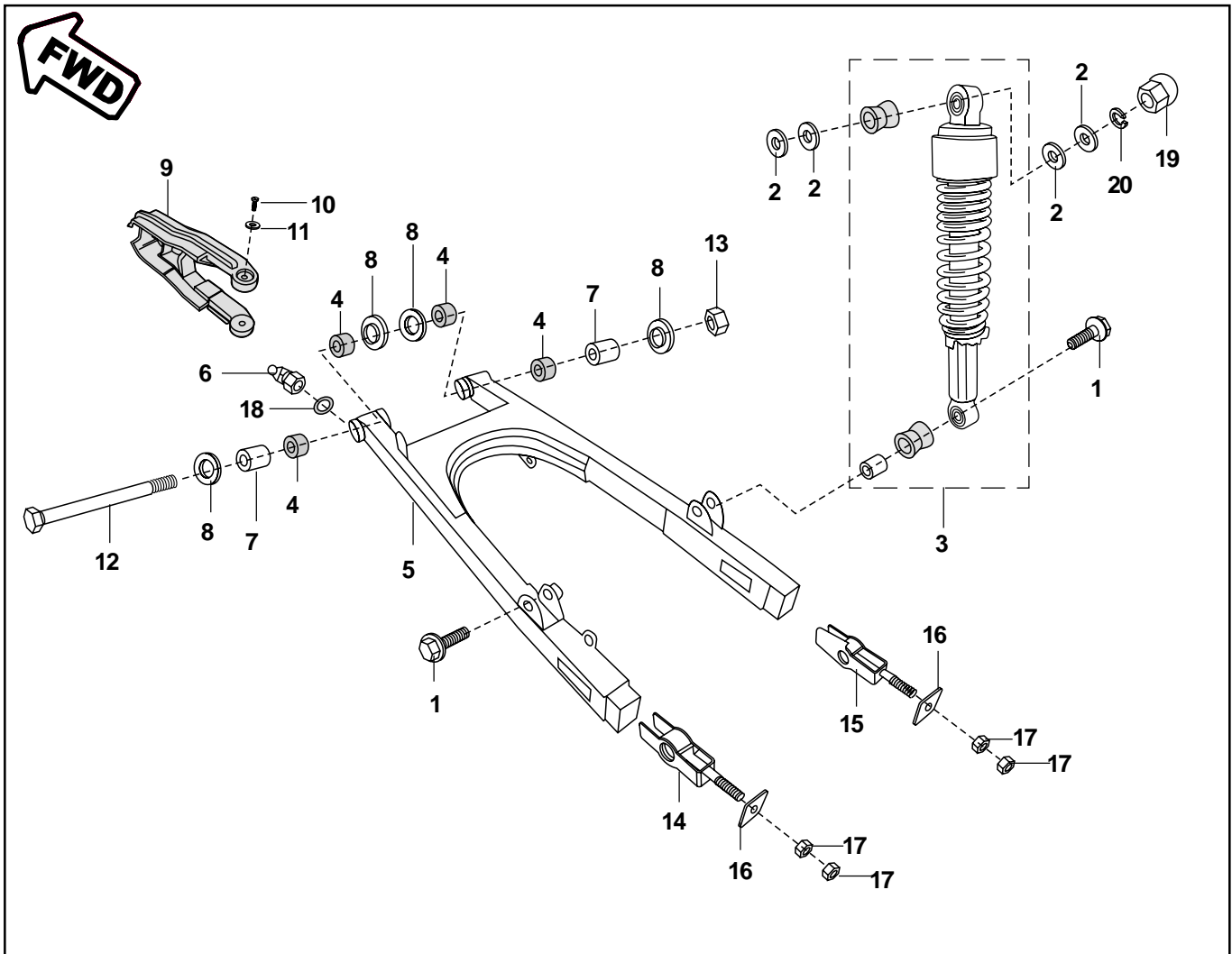


Fig. No.	Part No.	Description	180	150 ES	150 KS	Remark
1	DG 1710 38	Bolt Precoated	2	2	2	
2	39 0714 11	Plain washer	8	8	8	
3	DJ 1710 17	Rear Shock Absorber	2	2	2	
4	DH 1710 14	Bush swing arm	4	4	4	
5	DJ 1710 07	Swing arm assly.	1	1	1	
6	35 1710 33	Grease nipple	2	2	2	
7	DH 1710 13	Collar swing arm	2	2	2	
8	DH 1710 15	Dust seal swing arm	4	4	4	
9	DJ 1710 08	Chain slider	1	1	1	
10	39 0553 02	Screw	2	2	2	
11	39 0454 11	Plain washer	2	2	2	
12	DH 1710 12	Shaft swing arm	1	1	1	
13	DH 1710 19	'U' nut swing arm	1	1	1	
14	DJ 1510 36	Adjuster chain LH	1	1	1	
15	DJ 1510 37	Adjuster chain RH	1	1	1	
16	DJ 1510 47	Plate Chain Adjuster	2	2	2	
17	39 0292 15	Hexagon nut	4	4	4	
18	39 0740 11	Plain washer(Nylon)	2	2	2	
19	39 0712 15	Domed Cap Nut	2	2	2	
20	39 0737 12	Spring Washer	2	2	2	

180 = 180 cc with Electric Start

150 ES = 150 cc with Electric Start

150 KS = 150 cc Kick Start





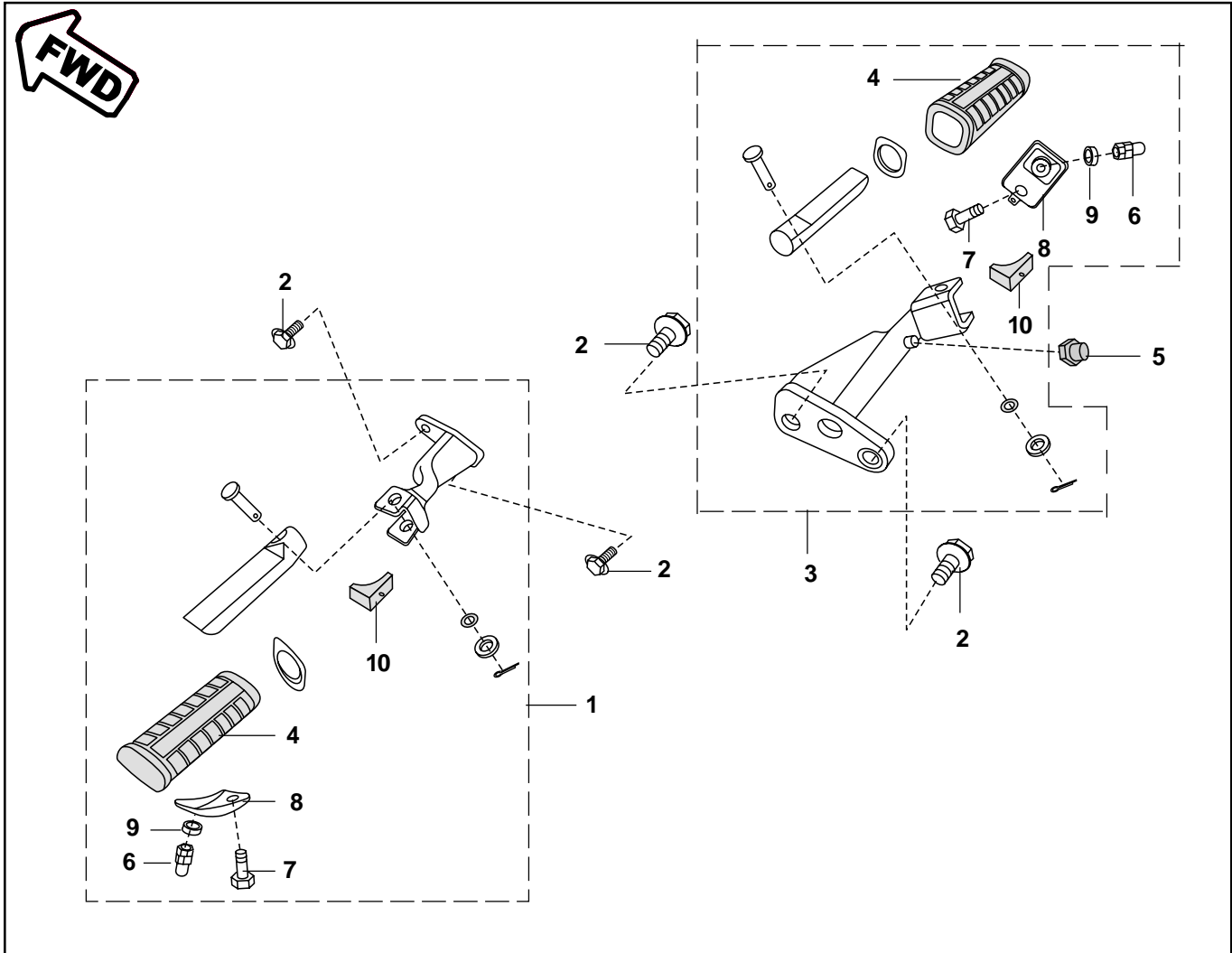


Fig. No.	Part No.	Description	180	150 ES	150 KS	Remark
1	DJ 1611 30	Main step LH assly. comp.	1	1	1	
2	39 2310 04	Flange bolt	4	4	4	
3	DJ 1611 31	Main step RH assly. comp.	1	1	1	
4	DH 1610 53	Rubber main step	2	2	2	
5	DH 1611 94	Kick stopper	1	1	1	
6	39 0963 15	Domed Cap nut	2	2	2	
7	39 0897 04	Bolt	2	2	2	
8	DH 1610 56	Plate Comp. Lower Mounting	2	2	2	
9	DH 1611 00	Spacer Main Step	2	2	2	
10	DJ 1610 90	Damper Footrest	2	2	2	

180 = 180 cc with Electric Start  
 150 ES = 150 cc with Electric Start  
 150 KS = 150 cc Kick Start



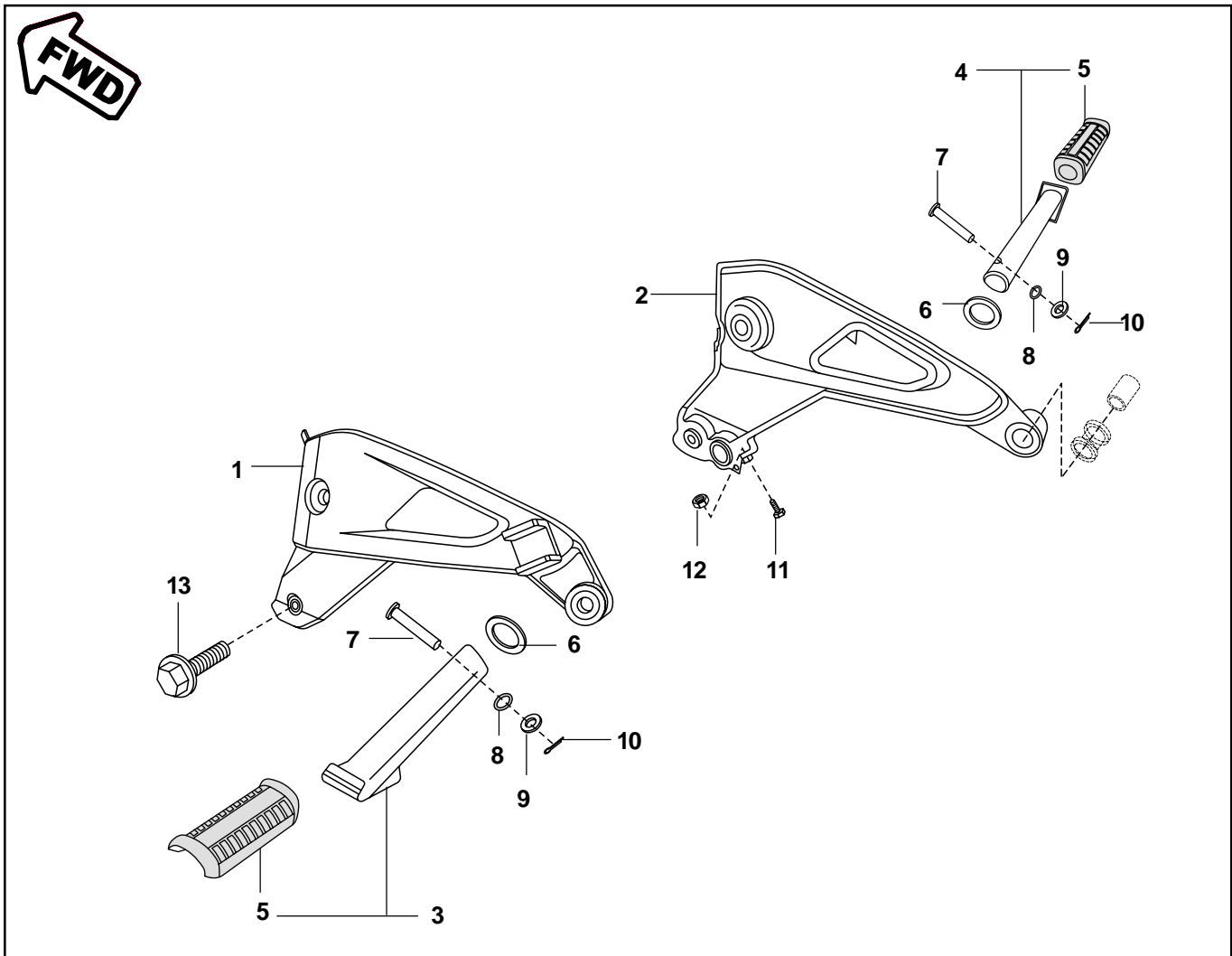


Fig. No.	Part No.	Description	180	150 ES	150 KS	Remark
1	DJ 1610 02	Holder LH step	1	1	1	
	DJ 1611 11	Holder LH step	1	1	1	From Dec.2003
2	DJ 1610 03	Holder RH step	1	1	1	
	DJ 1611 12	Holder RH step	1	1	1	From Dec.2003
3	DH 1612 27	Pillion step assly. comp. LH	1	1	1	
	DJ 1611 28	Pillion step assly. comp. LH	1	1	1	From Dec.2003
4	DH 1612 28	Pillion step assly. comp. RH	1	1	1	
	DJ 1611 29	Pillion step assly. comp. RH	1	1	1	From Dec.2003
5	DH 1610 59	Rubber pillion step	2	2	2	
	DJ 1611 22	Rubber pillion step	2	2	2	From Dec.2003
6	DH 1610 60	Plate side pillion step	2	2	2	
	DJ 1611 86	Plate side pillion step	2	2	2	From Dec.2003
7	DH 1610 61	Pin pillion step	2	2	2	
8	30 1410 31	'O' ring	2	2	2	
9	39 1040 11	Plain washer	2	2	2	
10	39 0784 08	Split pin	2	2	2	
11	39 1069 01	Bolt	1	1	1	Stopper bolt
12	39 0292 15	Nut	1	1	1	
13	39 1741 04	Flanged Bolt	2	2	2	Bottom Mtg. LH & RH Holder Step

180 = 180 cc with Electric Start

150 ES = 150 cc with Electric Start

150 KS = 150 cc Kick Start



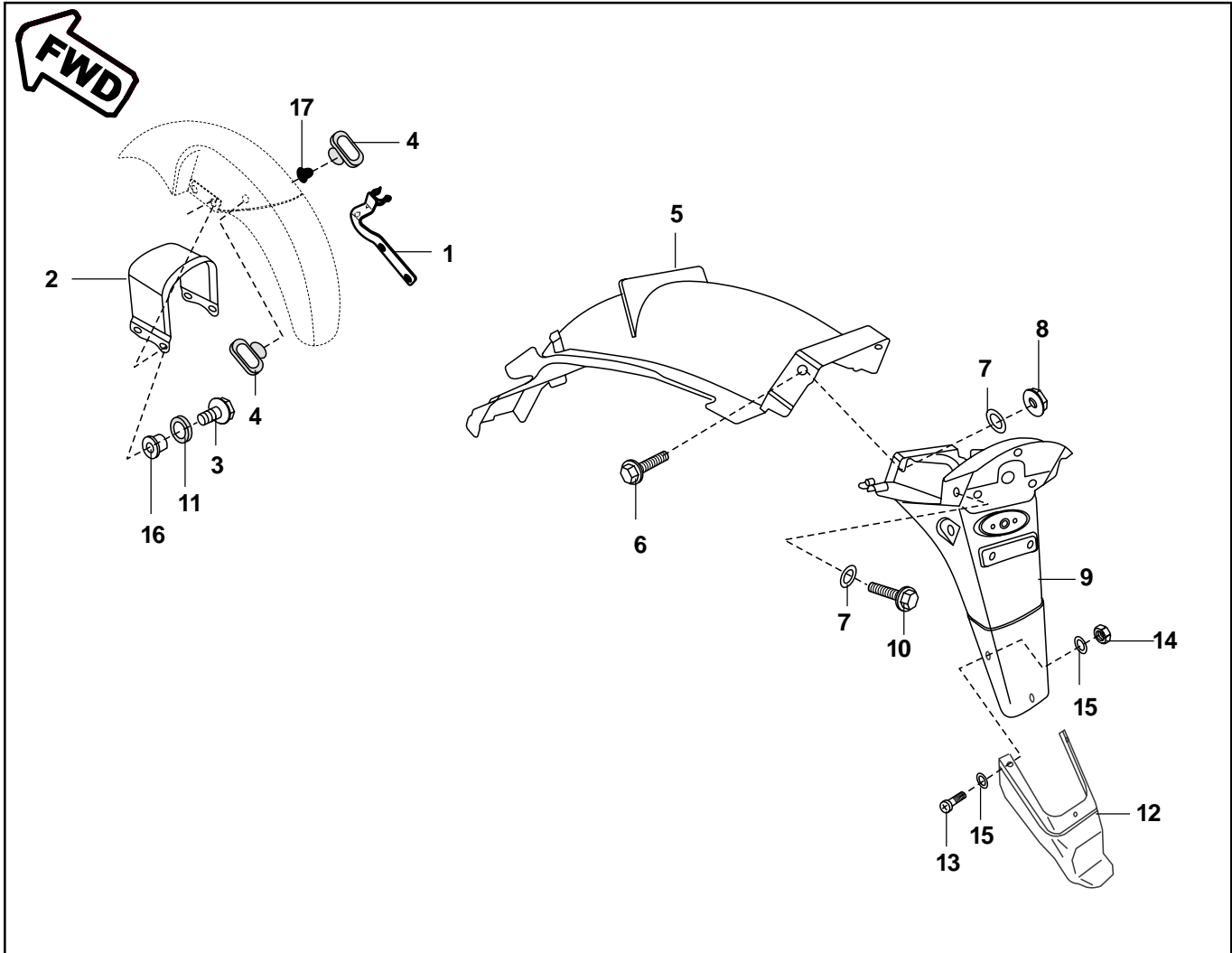


Fig. No.	Part No.	Description	180	150 ES	150 KS	Remark
1	DJ 1610 19	Clamp brake hose	1	1	1	For disc brake hose
2	DJ 1611 06	Brace fender	1	1	1	
3	39 1557 04	Flange bolt	4	4	4	Fender front mtg.
4	DJ 1610 68	Clamp	2	2	2	For cables
5	DH 1610 69	Fender rear front	1	1	1	
6	39 1672 04	Flange bolt	2	2	2	
7	39 0711 11	Plain washer	4	4	4	
8	39 0798 15	Flange nut	2	2	2	
9	DJ 1610 51	Fender rear	1	1	1	
10	39 1680 04	Flange bolt	2	2	2	
11	DJ 1610 91	Grommet Front Fender	4	4	4	
12	DH 1611 83	Mud flap rear	1	1	1	
13	39 2420 01	Screw	3	3	3	
14	39 0326 15	Nylock nut	3	3	3	
15	39 0242 11	Plain washer	6	6	6	
16	DJ 1610 92	Sleeve Front Fender	4	4	4	
17	DJ 1610 69	Nail for Cable Guide	2	2	2	

180 = 180 cc with Electric Start

150 ES = 150 cc with Electric Start

150 KS = 150 cc Kick Start



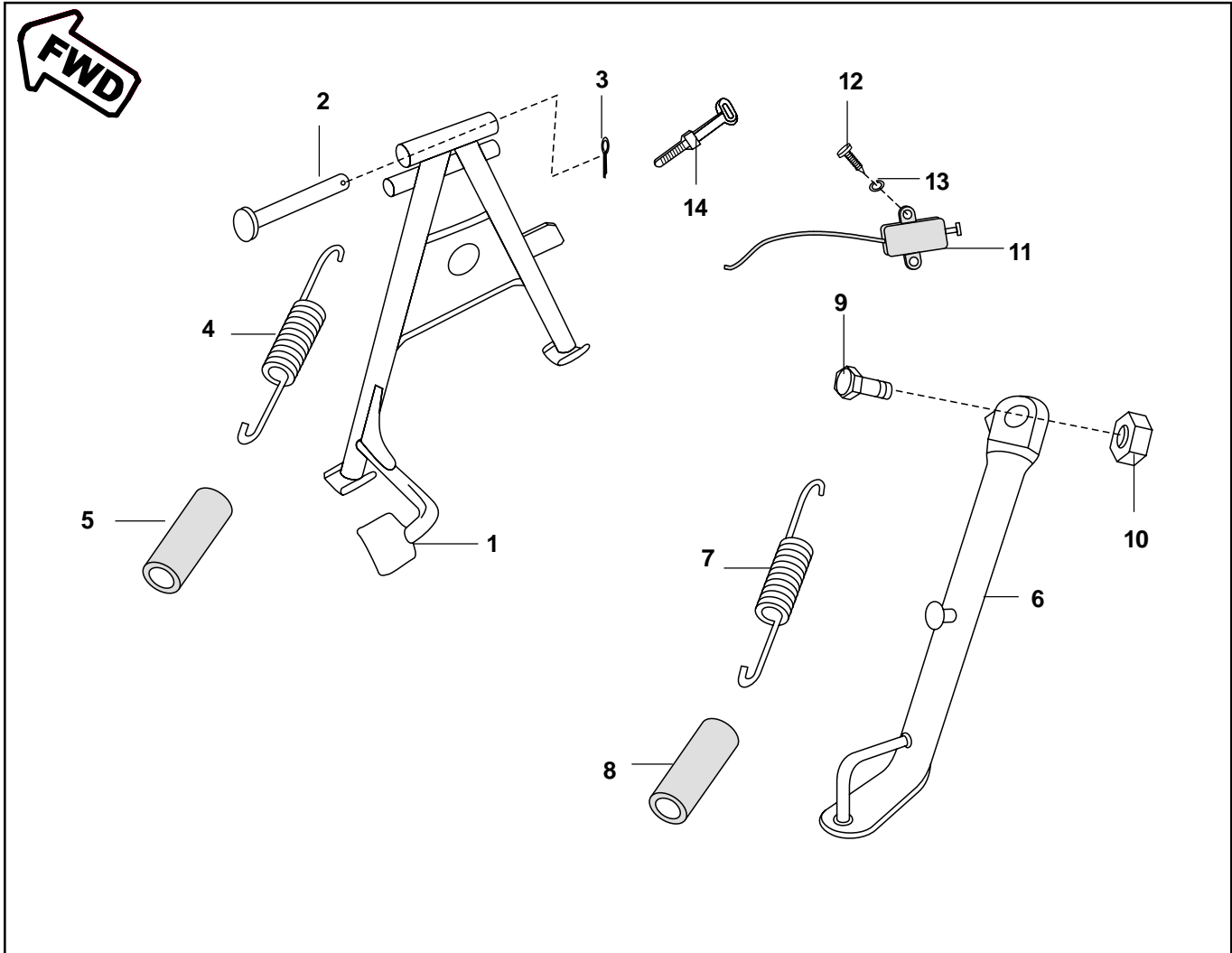


Fig. No.	Part No.	Description	180	150 ES	150 KS	Remark
1	DJ 1610 53	Stand comp. main	1	1	1	
2	30 1611 57	Shaft stand	1	1	1	
3	39 0787 08	Pin cotter	1	1	1	
4	DH 1611 21	Spring main stand	1	1	1	
5	DH 1611 45	Cover spring main stand	1	1	1	
6	DH 1610 65	Stand side	1	1	1	
7	DH 1610 66	Spring side stand	1	1	1	
8	DH 1611 46	Cover spring side stand	1	1	1	
9	DF 1611 02	Bolt	1	1	1	
10	39 0422 15	Nut	1	1	1	
11	DH 2010 15	Side stand switch	1	1	1	
12	DH 2010 26	Screw pan cross	2	2	2	Alt. 39 1523 01
13	39 0790 12	Spring washer	2	2	2	
14	30 2010 64	Band	1	1	1	N.I.

180 = 180 cc with Electric Start

150 ES = 150 cc with Electric Start

150 KS = 150 cc Kick Start



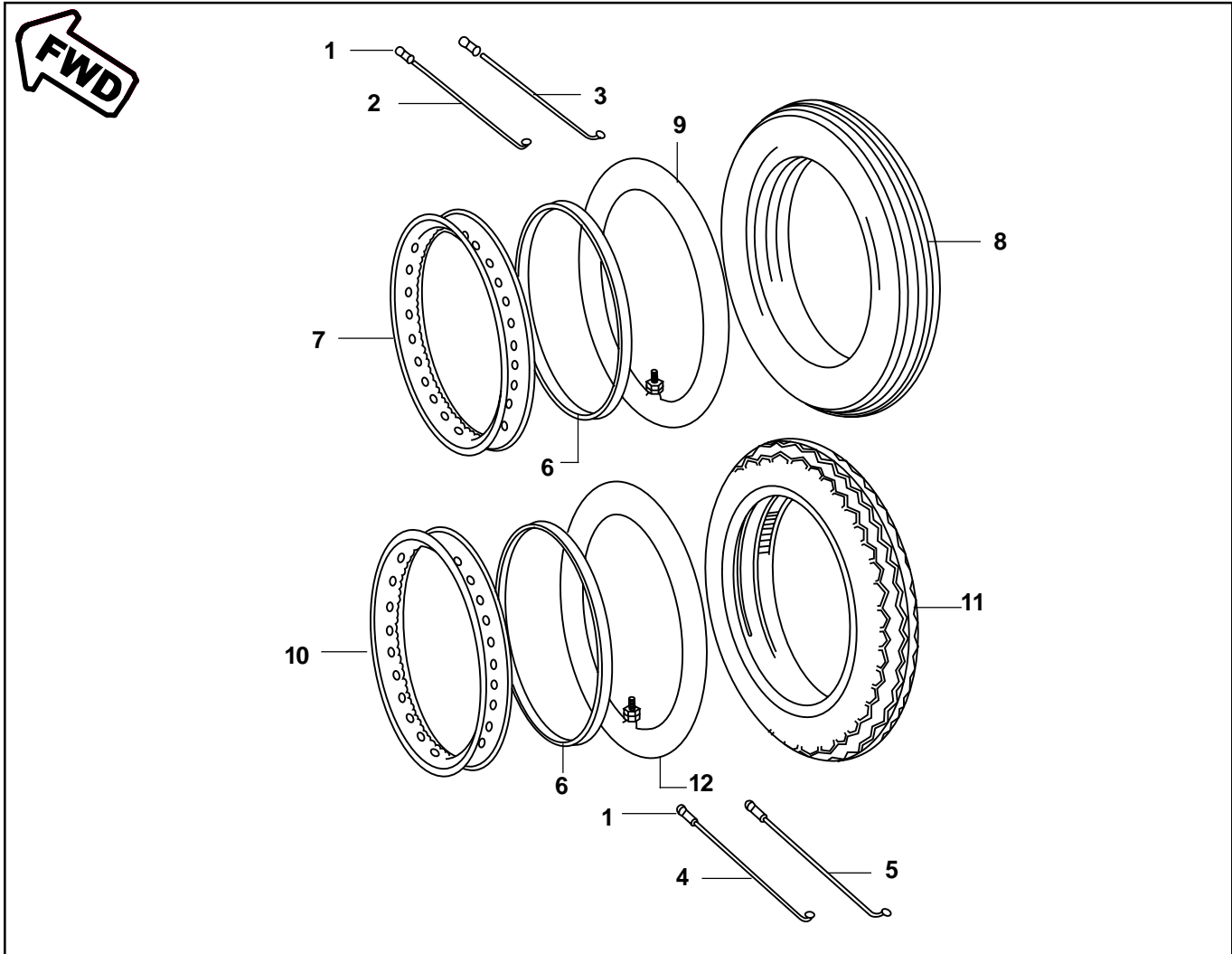


Fig. No.	Part No.	Description	180	150 ES	150 KS	Remark
1	16 1510 66	Nipple spoke	72	72	72	
2	DJ 1510 04	Spoke inner front	18	18	18	
3	DJ 1510 05	Spoke outer front	18	18	18	
4	DH 1510 24	Spoke inner rear	18	18	18	
5	DH 1510 25	Spoke outer rear	18	18	18	
6	30 1510 29	Band rim	2	2	2	
7	DJ 1510 21	Wheel rim front	1	1	1	} Proprietary items not to service
8	DJ 1510 20	Tyre front	1	1	1	
9	30 1510 19	Tube front	1	1	1	
10	DJ 1510 03	Wheel rim rear	1	--	--	} Proprietary items Not to service
	DH 1510 21	Wheel rim rear	--	1	1	
11	DJ 1510 08	Tyre rear	1	--	--	} Proprietary items Not to service
	DH 1510 08	Tyre rear	--	1	1	
12	DJ 1510 09	Tube rear	1	--	--	
	30 1511 08	Tube rear	--	1	1	

180 = 180 cc with Electric Start  
 150 ES = 150 cc with Electric Start  
 150 KS = 150 cc Kick Start



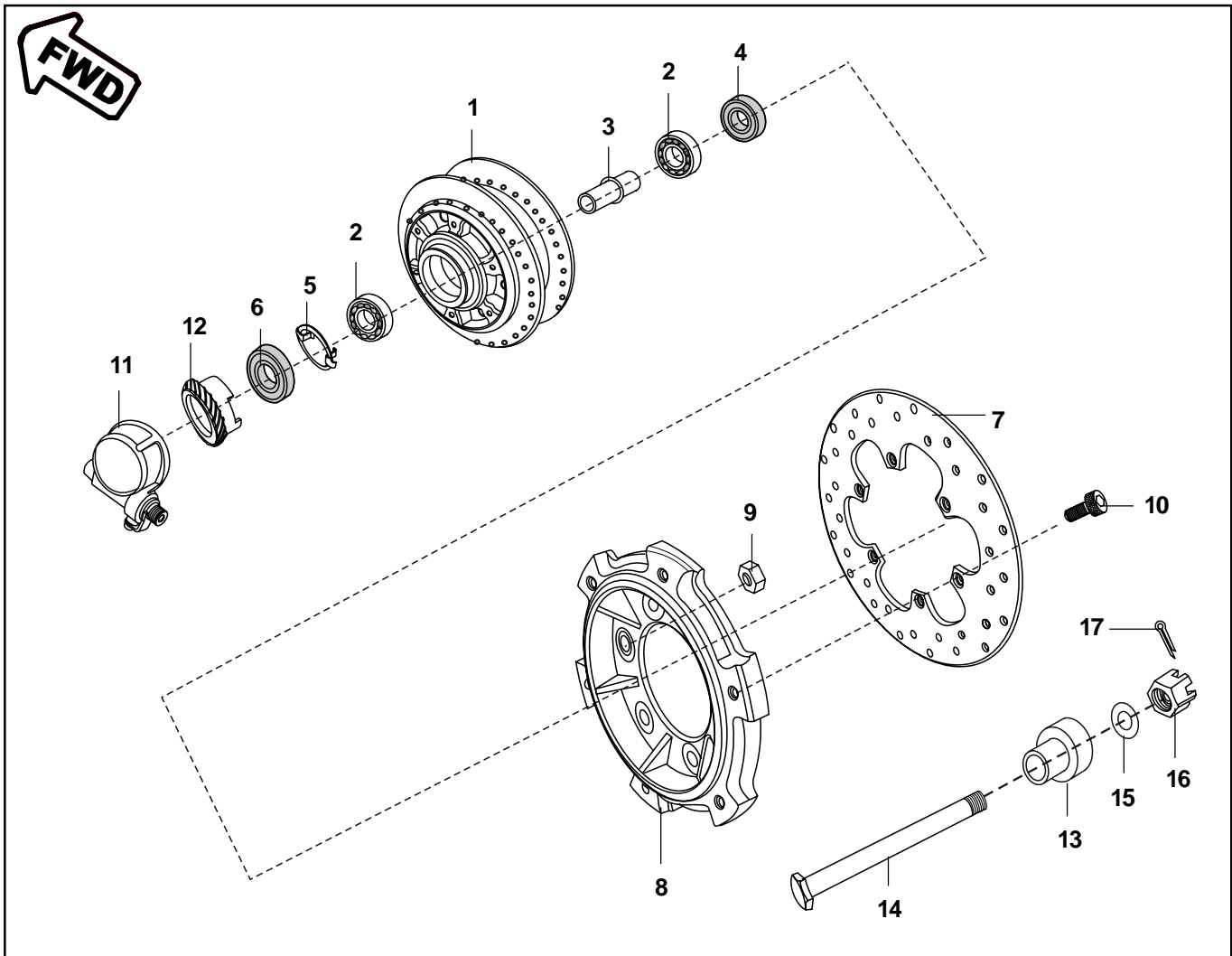


Fig. No.	Part No.	Description	180	150 ES	150 KS	Remark
1	DJ 1510 30	Drum front assly.	1	1	1	
2	39 2362 20	Bearing ball	2	2	2	
3	DE 1510 06	Spacer assly.	1	1	1	
4	30 1510 33	Seal oil	1	1	1	
5	DE 1510 12	Plate drive	1	1	1	
6	DE 1510 08	Seal oil	1	1	1	
7	DJ 1510 14	Disc	1	1	1	
8	DJ 1510 39	Adaptor	1	1	1	
9	39 2124 15	Hex. nut / flange	6	6	6	
10	DH 1510 40	Hex. soc.hd. bolt	6	6	6	Alt. 39 2038 04
11	DJ 1510 43	Case meter gear	1	1	1	
12	DE 1510 11	Speedometer gear	1	1	1	
13	DJ 1510 40	Spacer	1	1	1	
14	DJ 1510 41	Axle	1	1	1	
15	39 0781 11	Plain washer	1	1	1	
16	39 0786 15	Hex.slotted nut	1	1	1	
17	39 0787 08	Pin cotter	1	1	1	

180 = 180 cc with Electric Start

150 ES = 150 cc with Electric Start

150 KS = 150 cc Kick Start



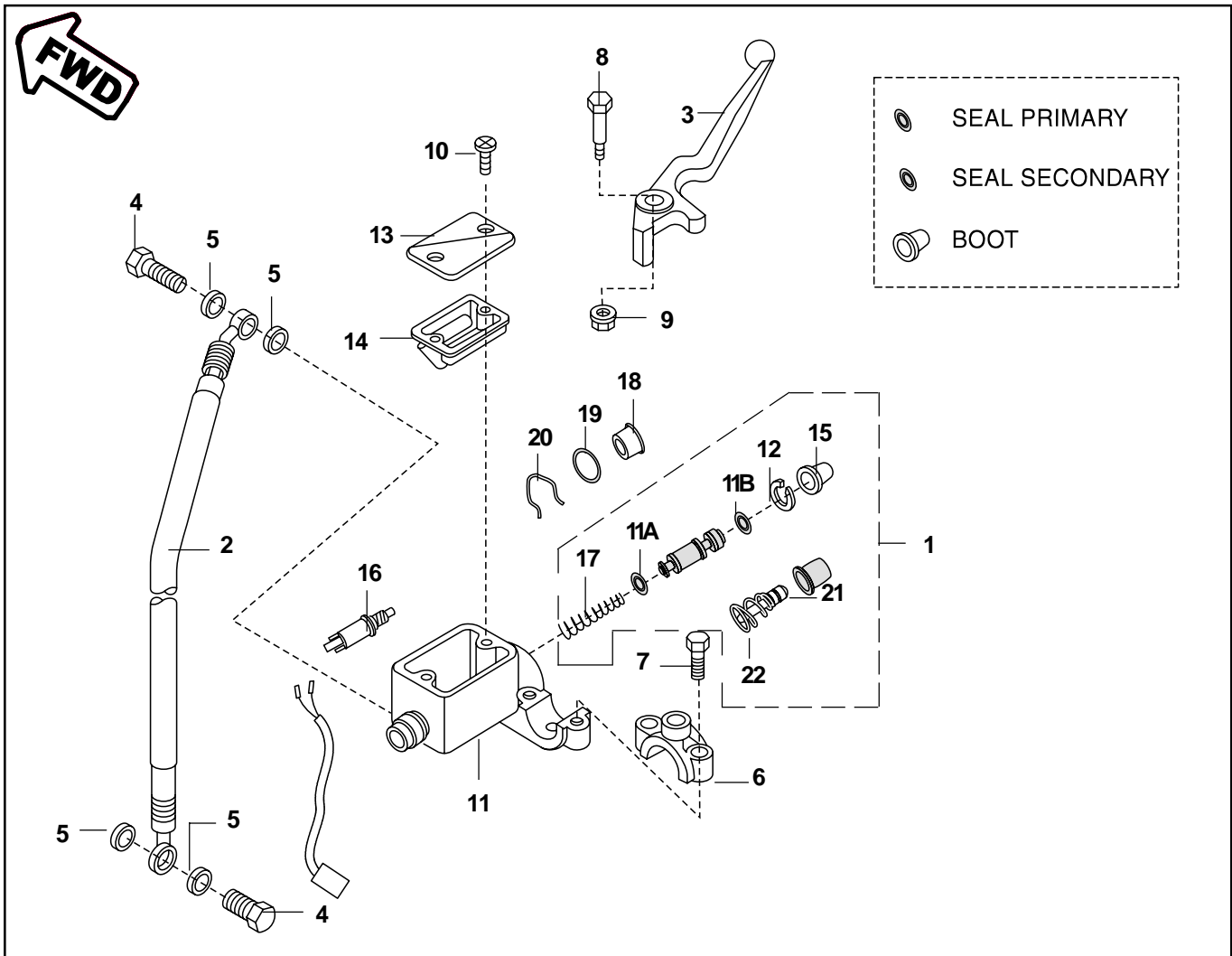


Fig. No.	Part No.	Description	180	150 ES	150 KS	Remark
1	DE 1910 43	Major Kit - Master Cylinder	1	1	1	
2	DH 1510 36	Hose Brake Front	1	1	1	
3	DJ 1910 06	Lever Grip RH	1	1	1	
4	DE 1910 11	Banjo Bolt	2	2	2	
5	DE 1910 10	Washer Copper	4	4	4	
6	DE 1910 33	Clamp Holder RH	1	1	1	
7	DE 1910 34	Bolt	1	1	1	
8	DE 1910 31	Bolt Front Brake Lever	1	1	1	
9	DE 1910 32	Nut Flanged	1	1	1	
10	DE 1910 30	Screw	2	2	2	
11	DE 1910 12	Cylinder Master	1	1	1	
12	DE 1910 24	Circlip	1	1	1	
13	DE 1910 29	Reservoir Cover	1	1	1	
14	DE 1910 28	Diaphragm	1	1	1	
15	DE 1910 27	Cover seal Master cylinder (Boot)	1	1	1	

180 = 180 cc with Electric Start

150 ES = 150 cc with Electric Start

150 KS = 150 cc Kick Start



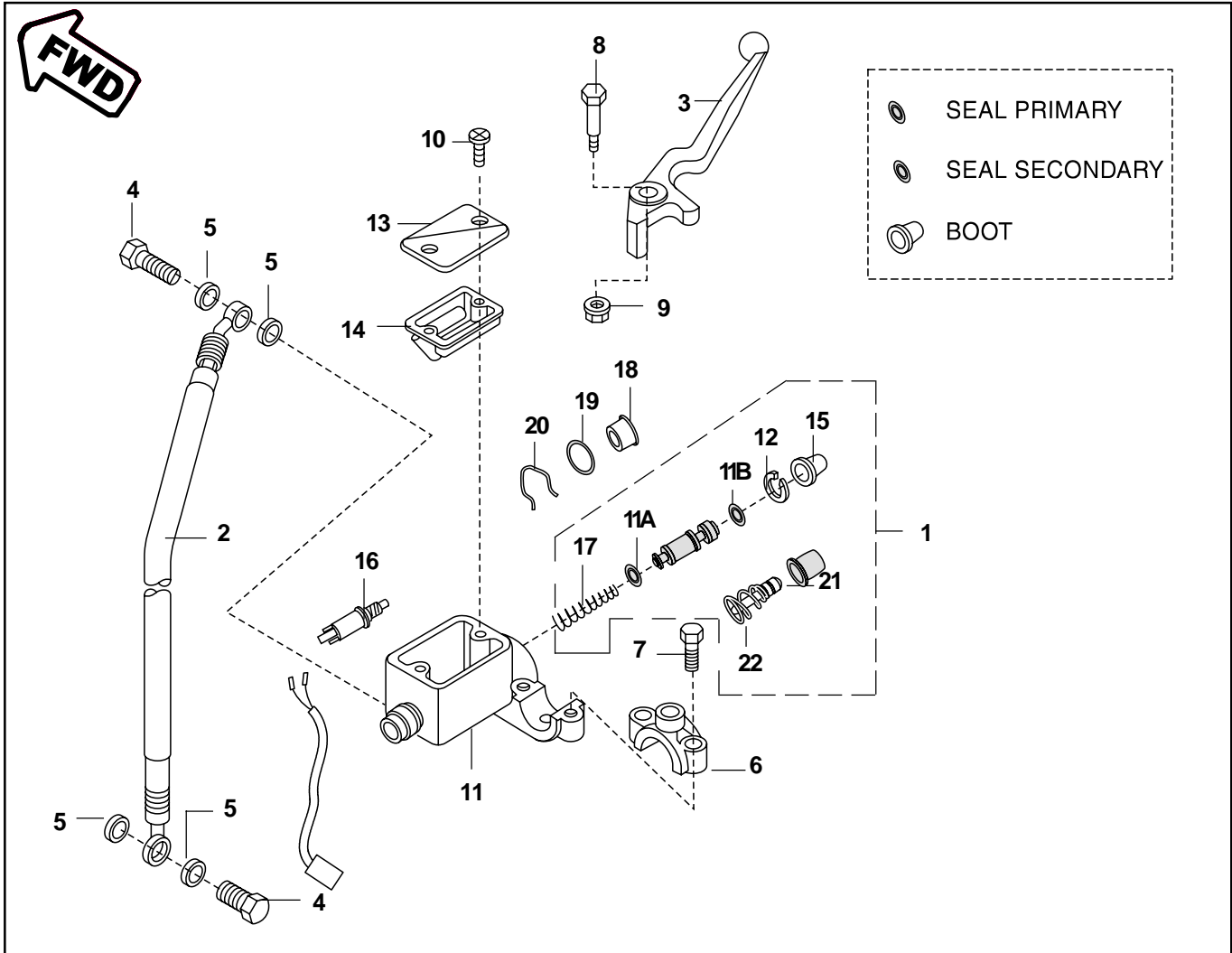


Fig. No.	Part No.	Description	180	150 ES	150 KS	Remark
16	DE 2010 16	Front brake switch	1	1	1	
17	DE 1910 23	Return spring	1	1	1	
18	DE 1910 36	Window	1	1	1	
19	DE 1910 37	'O' ring	1	1	1	
20	DE 1910 38	Clip	1	1	1	
21	DE 1910 25	Push rod	1	1	1	
22	DE 1910 26	Conical spring	1	1	1	
23	DH 0100 06	Disc brake kit - KBX	1	1	1	N.I.





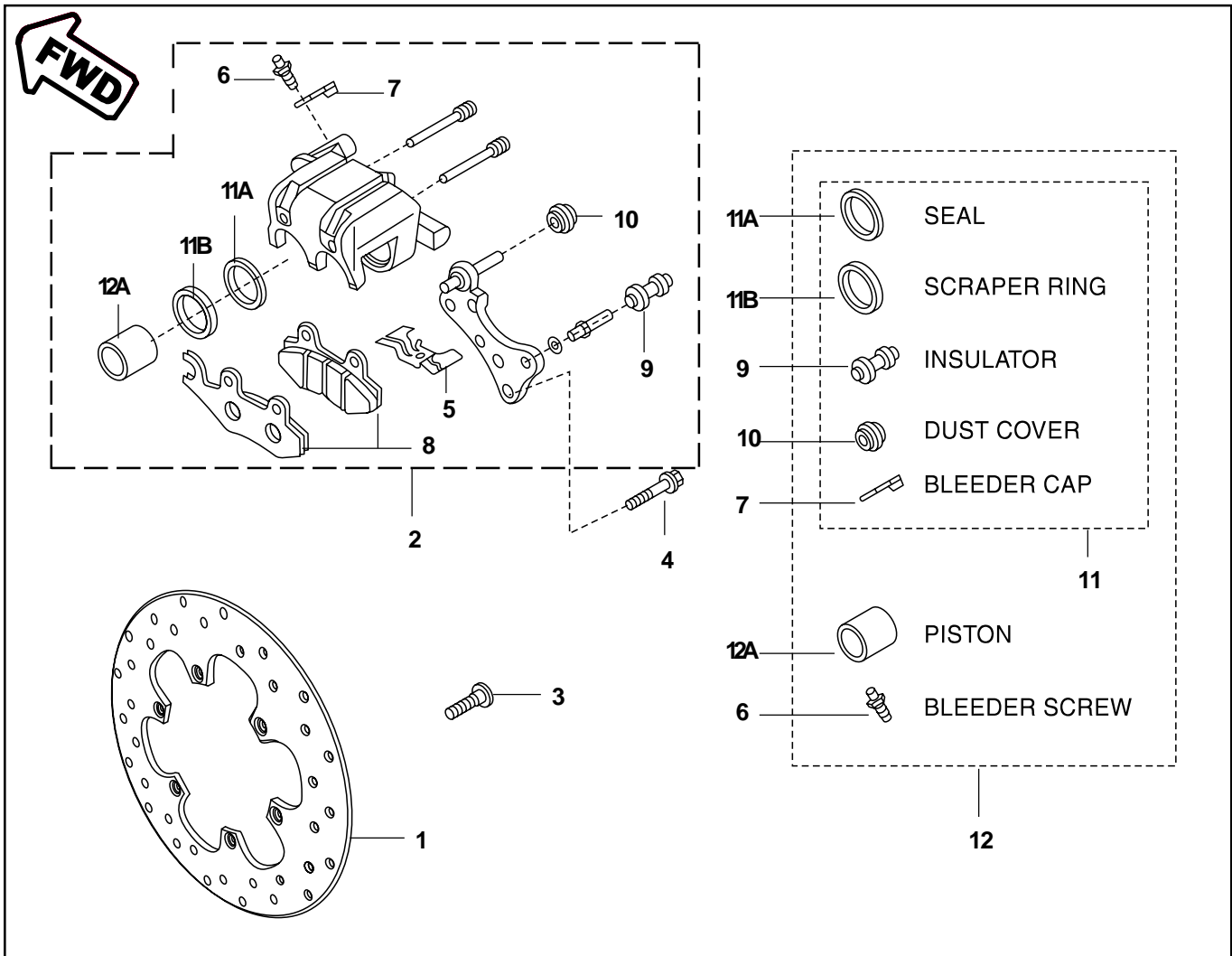


Fig. No.	Part No.	Description	180	150 ES	150 KS	Remark
1	DJ 1510 14	Disc, Front	1	1	1	
2	DG 1510 89	Caliper Assly. Front	1	1	1	
3	DH 1510 40	Bolt, Disc Plate	6	6	6	Alt. 39 2038 04
4	39 1769 04	Bolt Flanged	2	2	2	
5	DE 1510 48	Spring Pad	1	1	1	
6	DE 1510 46	Bleeder Screw	1	1	1	
7	DE 1510 47	Bleeder Cap	1	1	1	
8	DE 1510 37	Disc Pad Set	1	1	1	
9	DE 1510 43	Insulator	1	1	1	
10	DE 1510 45	Dust cover	1	1	1	
11	DE 1510 51	Minor Kit - Caliper	1	1	1	
12	DE 1510 52	Major Kit - Caliper	1	1	1	

180 = 180 cc with Electric Start  
 150 ES = 150 cc with Electric Start  
 150 KS = 150 cc Kick Start



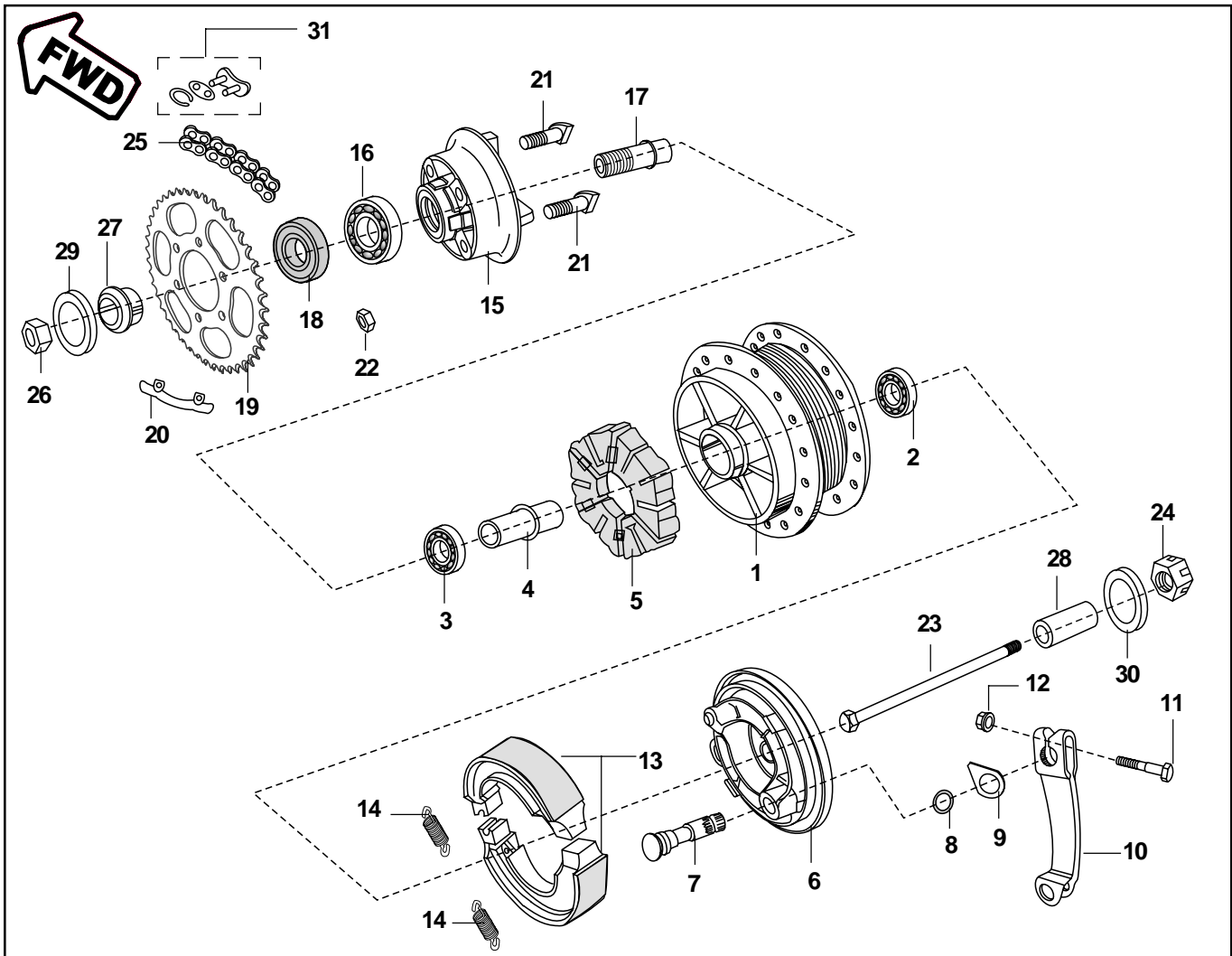


Fig. No.	Part No.	Description	180	150 ES	150 KS	Remark
1	30 1510 63	Drum rear	1	1	1	
2	39 2241 20	Bearing ball	1	1	1	
3	39 2242 20	Bearing ball	1	1	1	
4	30 1510 75	Collar bearing	1	1	1	
5	30 1510 76	Damper	1	1	1	
6	30 1510 08	Panel rear brake	1	1	1	
7	30 1510 12	Cam brake	1	1	1	
8	30 1510 38	Ring 'O'	1	1	1	
9	30 1510 05	Indiator	1	1	1	
10	DH 1510 15	Lever brake	1	1	1	
11	39 2447 04	Bolt	1	1	1	
12	39 0798 15	Nut	1	1	1	
13	30 1511 05	Shoe brake assly.	1	1	1	
14	30 1510 69	Spring	2	2	2	
15	DH 1510 10	Coupling	1	1	1	

180 = 180 cc with Electric Start  
 150 ES = 150 cc with Electric Start  
 150 KS = 150 cc Kick Start



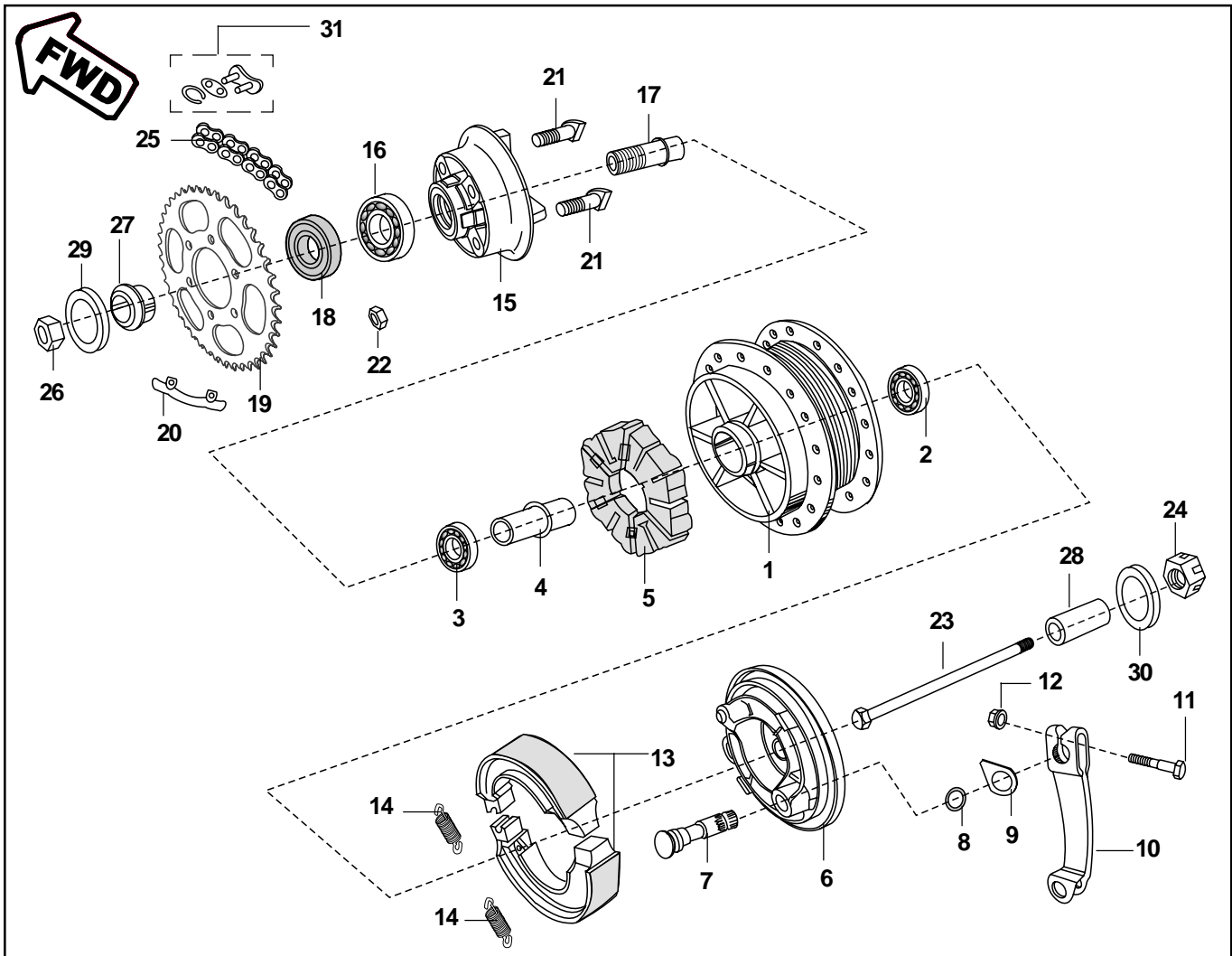


Fig. No.	Part No.	Description	180	150 ES	150 KS	Remark
16	30 1011 92	Bearing ball	1	1	1	
	39 2240 20	Bearing ball	1	1	1	
17	DJ 1510 33	Sleeve	1	1	1	
18	30 1510 82	Seal oil	1	1	1	
19	DJ 1510 18	Sprocket Hub	1	1	1	'IH' mark
20	30 1510 81	Lock washer	3	3	3	
21	DJ 1510 48	'D' Bolt	6	6	6	
22	39 0694 15	Hex. lock nut	6	6	6	
23	DJ 1510 32	Axle	1	1	1	
24	DH 1710 19	'U' nut	1	1	1	
25	DJ 1510 38	Chain	1	1	1	
26	39 0801 15	Nut	1	1	1	
27	DJ 1510 35	Collar	1	1	1	
28	DJ 1510 34	Collar	1	1	1	
29	39 2566 11	Plain washer	1	1	1	
30	39 2567 11	Plain washer	1	1	1	
31	DJ 1510 53	Drive Chain Lock	1	1	1	

180 = 180 cc with Electric Start

150 ES = 150 cc with Electric Start

150 KS = 150 cc Kick Start



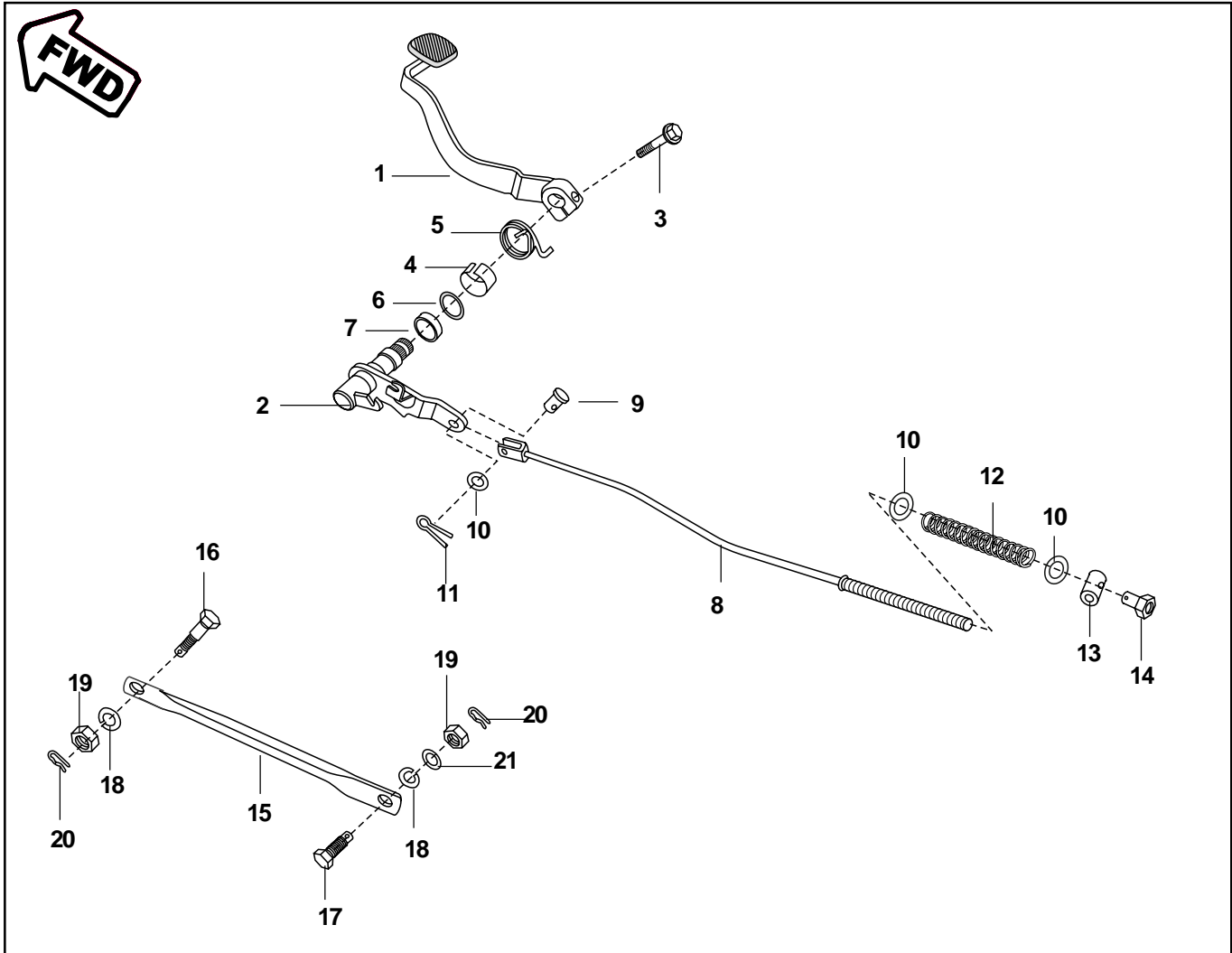


Fig. No.	Part No.	Description	180	150 ES	150 KS	Remark
1	DH 1910 01	Lever brake	1	1	1	
2	DH 1910 04	Shaft assly.brake lever	1	1	1	
3	39 2121 04	Flange bolt	1	1	1	
4	DH 1910 13	Spacer brake shaft assly.	1	1	1	
5	DH 1910 06	Spring	1	1	1	
6	39 1537 21	'O' Ring	1	1	1	
7	DH 1910 23	Dust Cap	1	1	1	
8	DJ 1910 10	Rod assly. brake	1	1	1	
9	30 1910 38	Pin	1	1	1	
10	39 0198 11	Plain washer	3	3	3	
11	39 0808 08	Split pin	1	1	1	
12	30 1910 35	Spring	1	1	1	
13	15 1910 26	Pin	1	1	1	
14	30 1910 36	Brake adjuster nut	1	1	1	
15	DJ 1510 42	Rod torque	1	1	1	
16	DH 1510 29	Hex. bolt	1	1	1	
17	30 1510 95	Hex. bolt	1	1	1	
18	39 0789 12	Spring washer	2	2	2	
19	39 0794 15	Nut hex.	2	2	2	
20	39 0807 08	Pin snap	2	2	2	
21	39 0201 11	Plain Washer	1	1	1	

180 = 180 cc with Electric Start

150 ES = 150 cc with Electric Start

150 KS = 150 cc Kick Start



: FRONT WHEEL DIRECTION

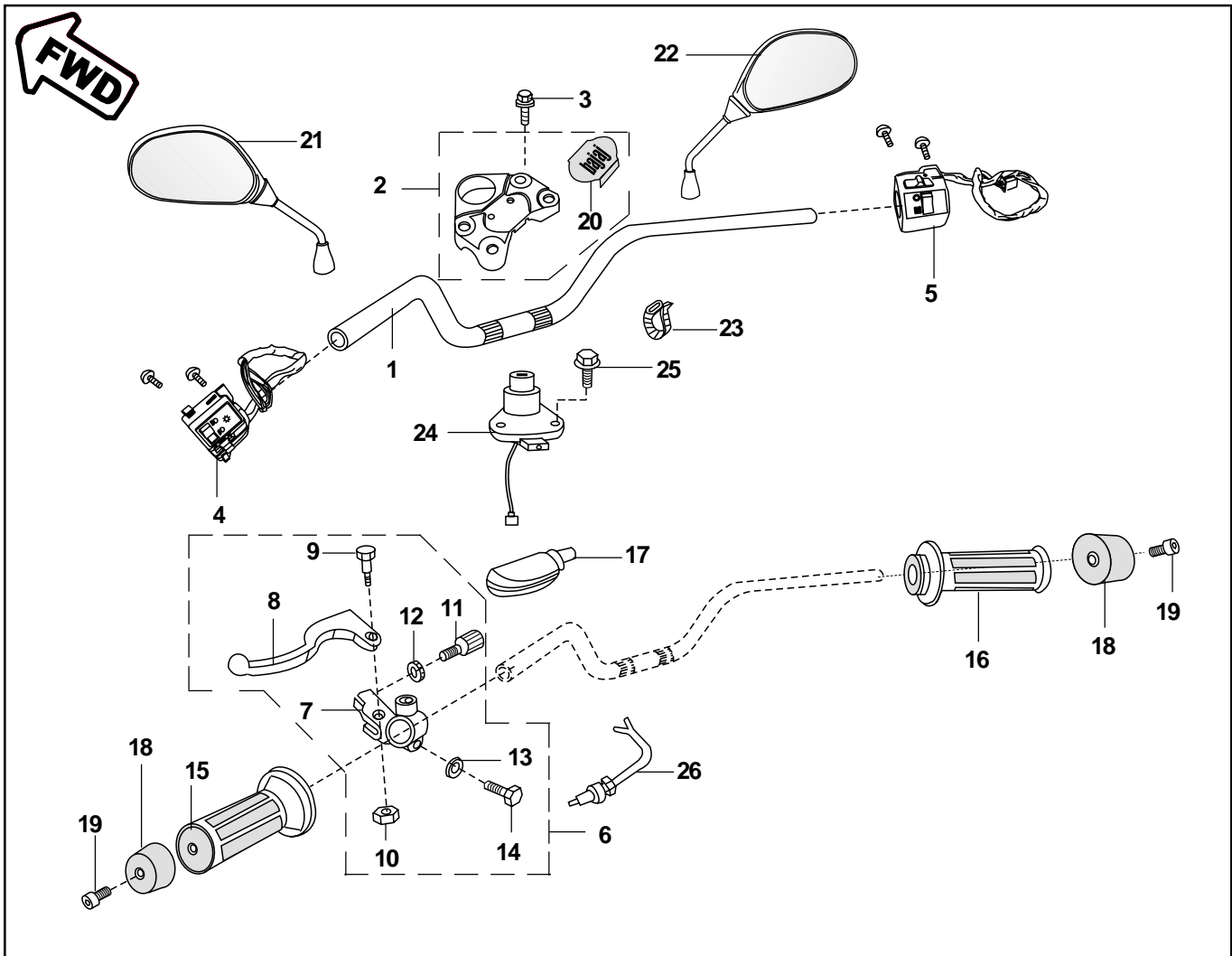


Fig. No.	Part No.	Description	180	150 ES	150 KS	Remark
1	DJ 1810 67	Handle	1	--	--	
	DJ 1810 68	Handle	--	1	1	
2	DJ 1810 84	Holder handle Assly.	1	1	1	
3	39 1714 04	Flanged bolt	4	4	4	
4	DJ 2010 24	Control switch LH	1	1	1	
5	DJ 2010 12	Control switch RH	1	1	--	
	DH 2010 16	Control switch RH	--	--	1	
6	DJ 1910 09	Lever assly.grip LH	1	1	--	
	DH 1910 15	Lever assly.grip LH	--	--	1	
7	DJ 1910 04	Holder left hand	1	1	--	
	DH 1910 34	Holder left hand	--	--	1	
8	DH 1910 02	Lever grip left	1	1	1	
9	DD 1910 85	Bolt	1	1	1	
10	39 1184 15	Self locking nut	1	1	1	
11	30 1910 24	Screw	1	1	1	
12	30 1910 17	Nut	1	1	1	
13	39 0198 11	Plain washer	1	1	1	
14	39 0725 04	Hex. bolt	1	1	1	
15	DH 1910 07	Grip LH	1	1	1	

180 = 180 cc with Electric Start

150 ES = 150 cc with Electric Start

150 KS = 150 cc Kick Start



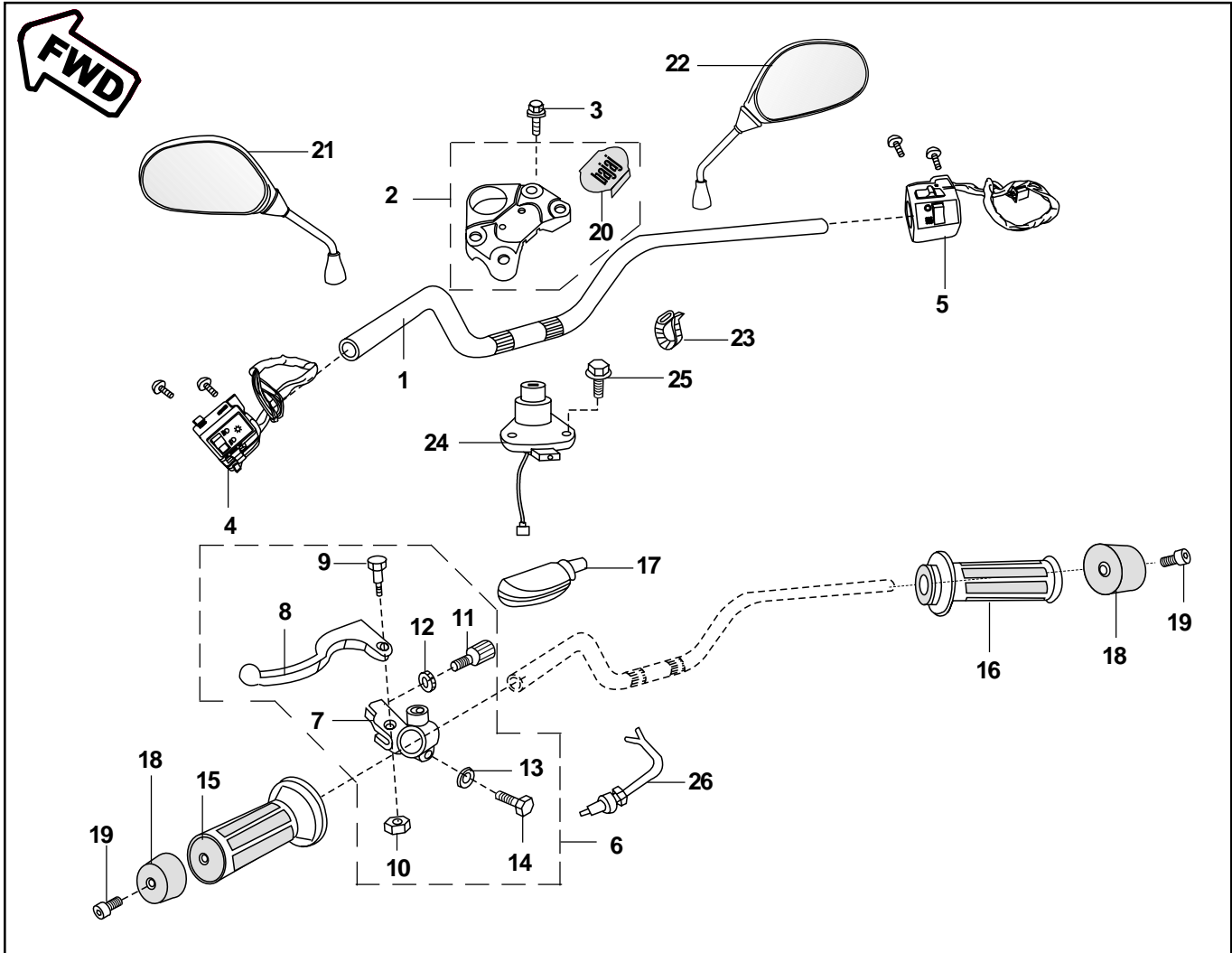


Fig. No.	Part No.	Description	180	150 ES	150 KS	Remark
16	DH 1910 14	Grip Assly. RH	1	1	1	
17	DH 1910 19	Boot for lever	1	1	1	
18	DJ 1810 11	Handle bar weight	2	--	--	
	DH 1810 22	Handle bar weight	--	2	2	
19	DH 1810 40	Hex. soc.hd. cap screw	2	2	2	Alt. 39 2427 04
20	DJ 1810 39	Pad Holder Handle	1	1	1	
21	DJ 2210 03	Mirror assly. LH	1	1	1	
22	DJ 2210 04	Mirror assly. RH	1	1	1	
23	30 1910 48	Band	4	4	4	
24	DJ 2010 23	Switch assly.ignition	1	1	1	
25	39 1943 04	Flange bolt	2	2	2	
26	DJ 2010 34	Clutch Switch	1	1	--	For Self Start only

180 = 180 cc with Electric Start

150 ES = 150 cc with Electric Start

150 KS = 150 cc Kick Start



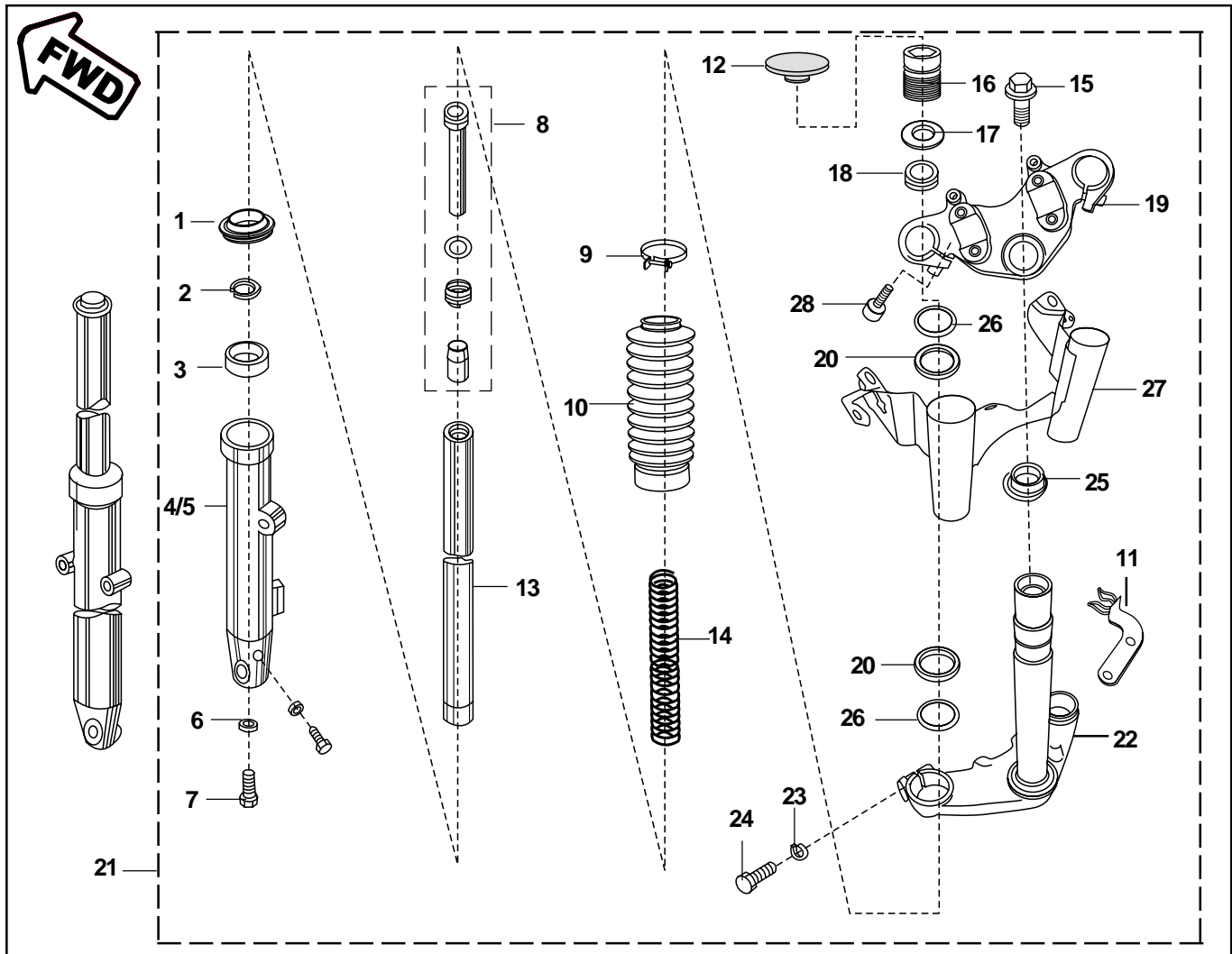


Fig. No.	Part No.	Description	180	150 ES	150 KS	Remark
1	DJ 1810 89	Seal dust	2	2	--	
2	DJ 1810 88	Ring snap	2	2	--	
3	DJ 1810 87	Oil seal	2	2	--	
4	DJ 1810 61	Outer Tube LH	1	1	--	
5	DJ1810 62	Outer Tube RH	1	1	--	
6	30 1810 26	Gasket	2	2	--	
7	30 1810 25	Bolt	2	2	--	
8	30 1810 53	Cylinder comp.fork	2	2	--	
9	DJ 1810 45	Clamp for Bellow	2	2	--	
10	DJ 1810 44	Bellow	2	2	--	
11	DJ 1810 70	Clamp Hose Pipe	1	1	--	
12	DH 1810 09	Grommet Top	2	2	--	
13	DJ 1810 86	Pipe comp.suspension inner	2	2	--	
14	DE 1810 07	Spring front fork	2	2	--	
15	30 1810 44	Bolt	1	1	--	

180 = 180 cc with Electric Start  
 150 ES = 150 cc with Electric Start  
 150 KS = 150 cc Kick Start



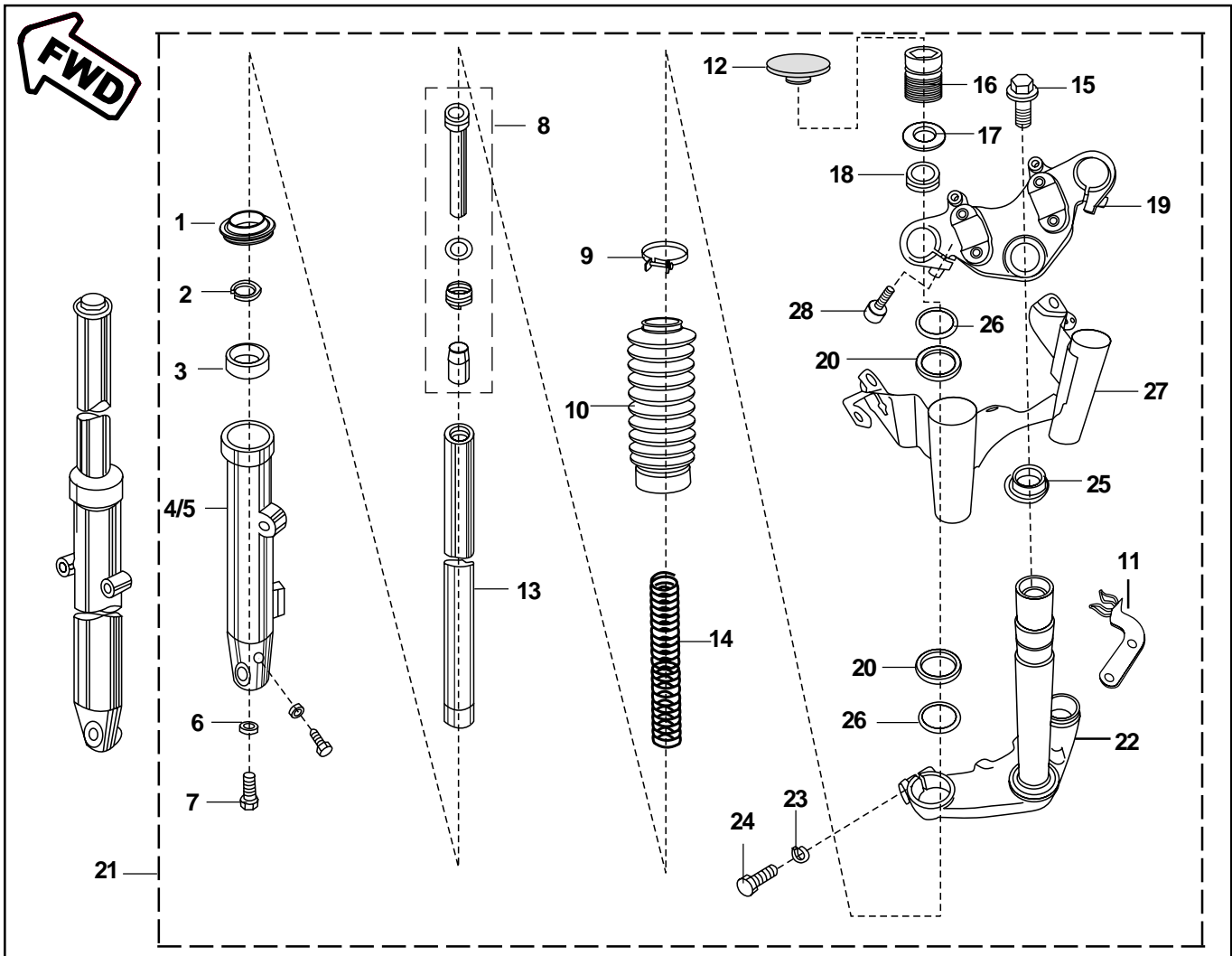


Fig. No.	Part No.	Description	180	150 ES	150 KS	Remark
16	DH 1810 15	Bolt fork	2	2	--	
17	30 1810 29	'O' ring	2	2	--	
18	30 1810 28	Seat fork spring	2	2	--	
19	DJ 1810 17	Holder fork upper	1	1	--	
20	DJ 1810 52	Cover Trail B	4	4	--	
21	DJ 1810 48	Fork front	1	1	--	
22	DJ 1810 41	Holder fork under	1	1	--	
23	39 0789 12	Spring washer	2	2	--	
24	39 1813 04	Bolt	2	2	--	
25	DH 1810 23	Bearing cone	1	1	--	
26	DJ 1810 85	Cushion Rubber	2	2	--	
27	DJ 1810 66	Lamp Shade asly.	1	1	--	
28	DG 1810 08	Socket Bolt	2	2	2	

180 = 180 cc with Electric Start  
 150 ES = 150 cc with Electric Start  
 150 KS = 150 cc Kick Start



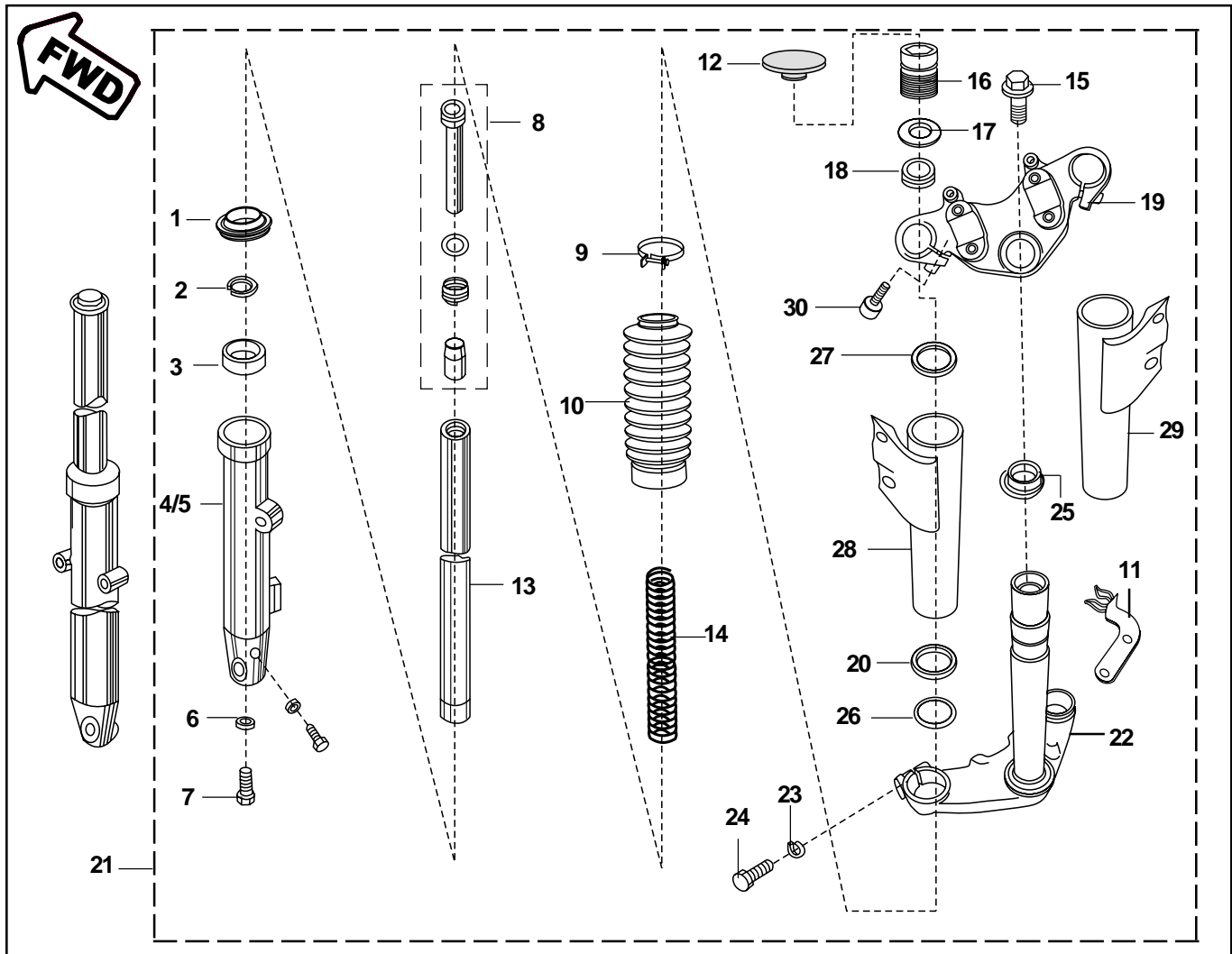


Fig. No.	Part No.	Description	180	150 ES	150 KS	Remark
1	DJ 1810 89	Seal dust	--	--	2	
2	DJ 1810 88	Ring snap	--	--	2	
3	DJ 1810 87	Oil seal	--	--	2	
4	DJ 1810 61	Outer Tube LH	--	--	1	
5	DJ1810 62	Outer Tube RH	--	--	1	
6	30 1810 26	Gasket	--	--	2	
7	30 1810 25	Bolt	--	--	2	
8	30 1810 53	Cylinder comp.fork	--	--	2	
9	DJ 1810 45	Clamp for Bellow	--	--	2	
10	DJ 1810 44	Bellow	--	--	2	
11	DJ 1810 70	Clamp Hose Pipe	--	--	1	
12	DH 1810 09	Grommet Top	--	--	2	
13	DJ 1810 86	Pipe comp.suspension inner	--	--	2	
14	DE 1810 07	Spring front fork	--	--	2	
15	30 1810 44	Bolt	--	--	1	

180 = 180 cc with Electric Start

150 ES = 150 cc with Electric Start

150 KS = 150 cc Kick Start



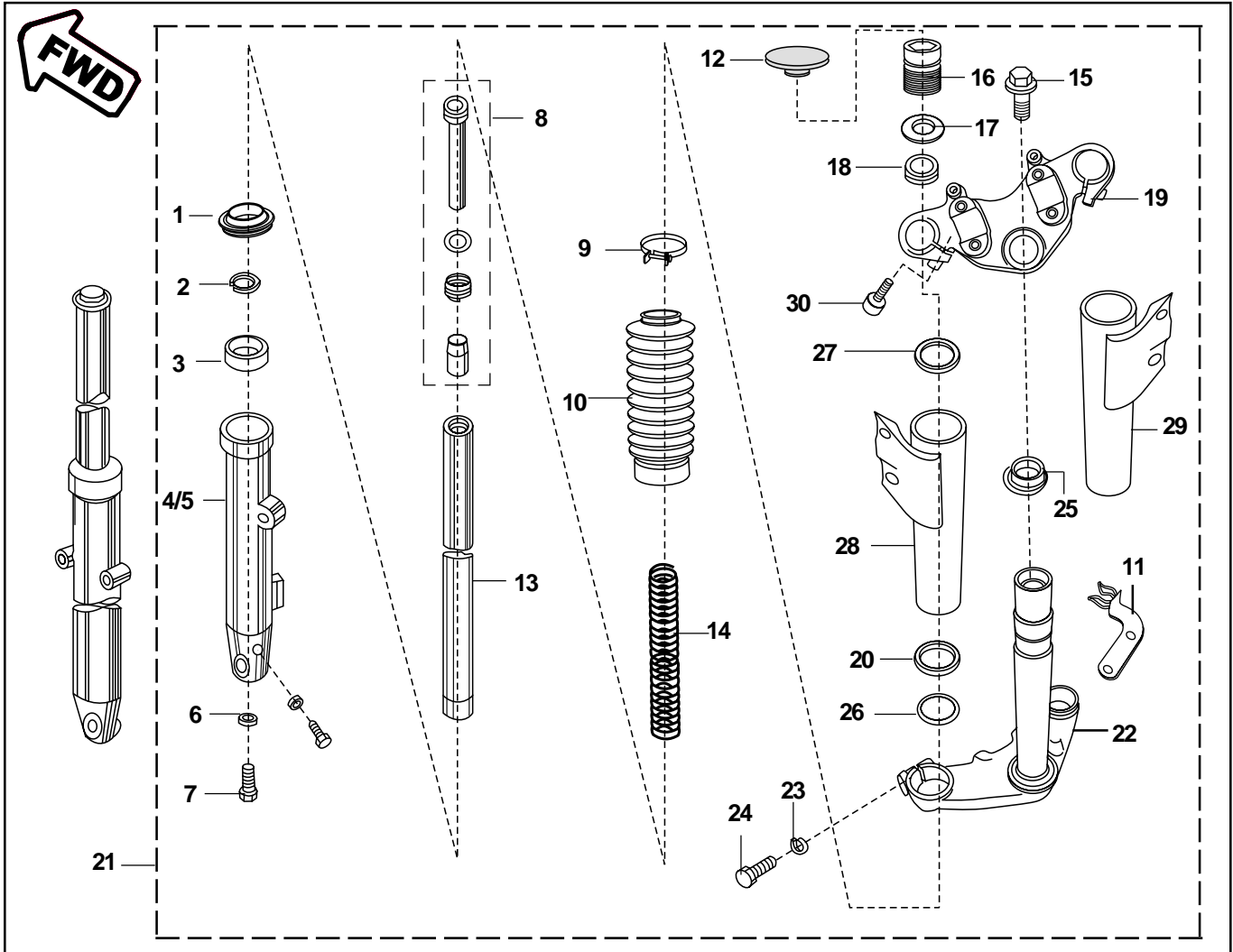


Fig. No.	Part No.	Description	180	150 ES	150 KS	Remark
16	DH 1810 15	Bolt fork	--	--	2	
17	30 1810 29	'O' ring	--	--	2	
18	30 1810 28	Seat fork spring	--	--	2	
19	DJ 1810 17	Holder fork upper	--	--	1	
20	DJ 1810 43	Cover Trail B	--	--	2	
21	DJ 1810 47	Front Fork	--	--	1	
22	DJ 1810 41	Holder fork under	--	--	1	
23	39 0789 12	Spring washer	--	--	2	
24	39 1813 04	Bolt	--	--	2	
25	DH 1810 23	Bearing cone	--	--	1	
26	DJ 1810 85	Cushion Rubber	--	--	2	
27	DJ 1810 42	Cover Trail A	--	--	2	
28	DJ 1810 74	Cover Fork LH	--	--	1	
29	DJ 1810 75	Cover Fork RH	--	--	1	
30	DG 1810 08	Socket Bolt	--	--	2	

180 = 180 cc with Electric Start

150 ES = 150 cc with Electric Start

150 KS = 150 cc Kick Start



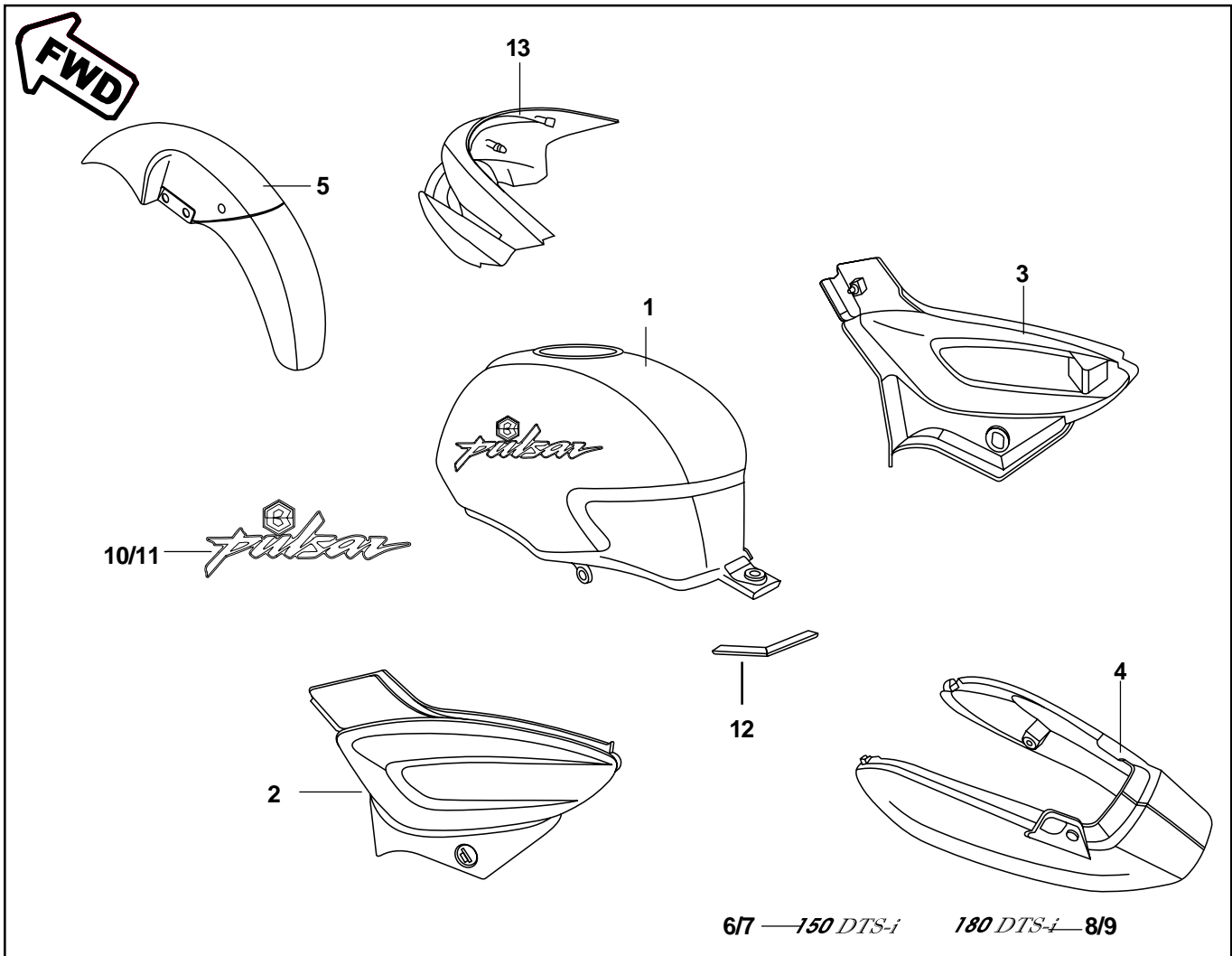
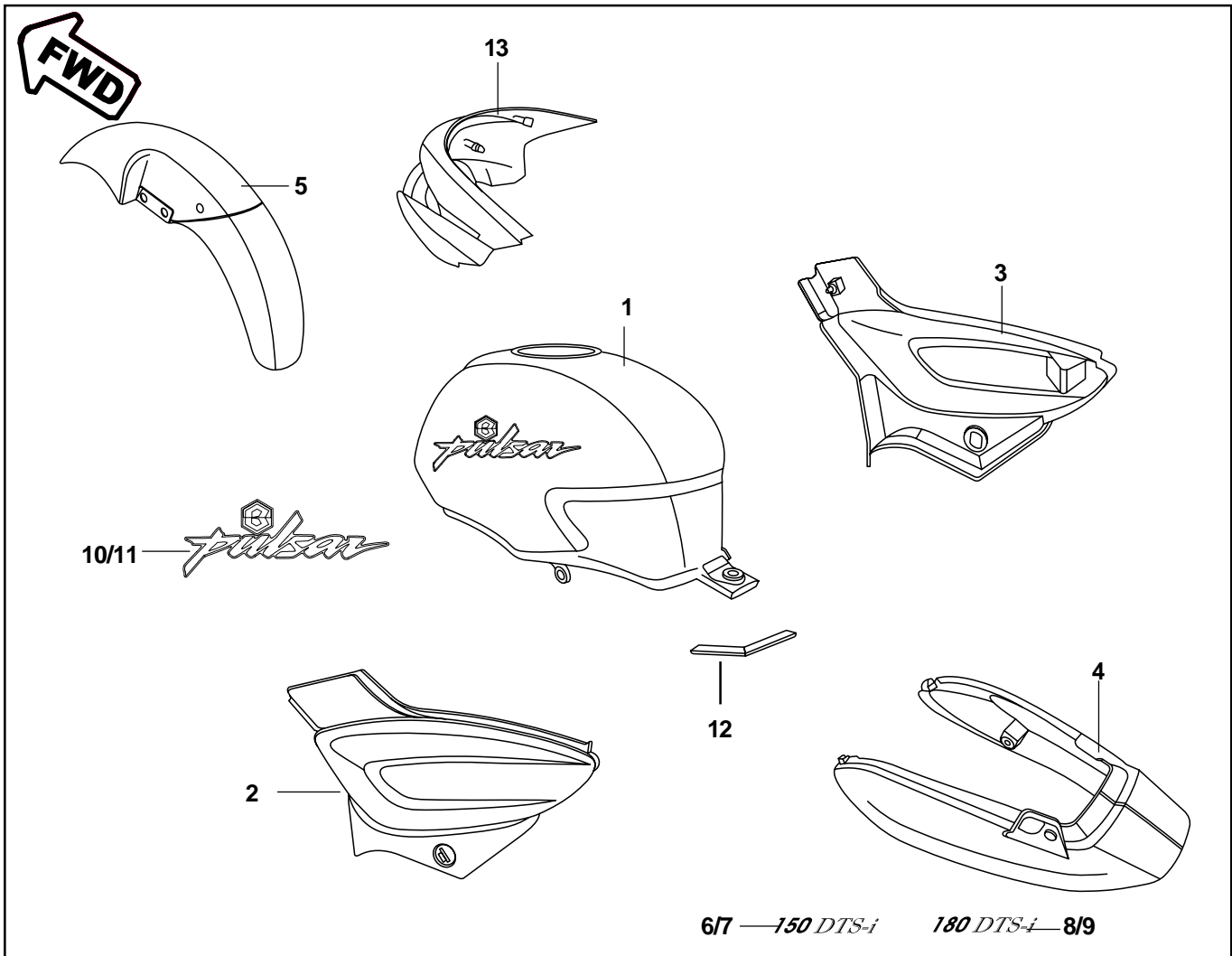


Fig. No.	Part No.	Description	180	150 ES	150 KS	Remark
1	DH 7101 X4	Fuel Tank with Decal	1	1	1	FOR RED COLOUR
	DH 7101 X6	Fuel Tank with Decal	1	1	1	FOR BLUE COLOUR
	DH 7101 T8	Fuel Tank with Decal	1	1	1	FOR SILVER COLOUR
	DH 7101 X3	Fuel Tank with Decal	1	1	1	FOR BLACK COLOUR
	DH 7101 W1	Fuel Tank with Decal	1	1	1	FOR PURPLE COLOUR
	DH 7101 1C	Fuel Tank with Decal	1	1	1	FOR MAGIC SILVER COLOUR
2	DH 7301 X4	Side cover LH	1	1	1	FOR RED COLOUR
	DH 7301 X6	Side cover LH	1	1	1	FOR BLUE COLOUR
	DH 7301 T8	Side cover LH	1	1	1	FOR SILVER COLOUR
	DH 7301 X3	Side cover LH	1	1	1	FOR BLACK COLOUR
	DH 7301 W1	Side cover LH	1	1	1	FOR PURPLE COLOUR
	DH 7301 1C	Side cover LH	1	1	1	FOR MAGIC SILVER COLOUR
3	DH 7302 X4	Side cover RH	1	1	1	FOR RED COLOUR
	DH 7302 X6	Side cover RH	1	1	1	FOR BLUE COLOUR
	DH 7302 T8	Side cover RH	1	1	1	FOR SILVER COLOUR
	DH 7302 X3	Side cover RH	1	1	1	FOR BLACK COLOUR
	DH 7302 W1	Side cover RH	1	1	1	FOR PURPLE COLOUR
	DH 7302 1C	Side cover RH	1	1	1	FOR MAGIC SILVER COLOUR

180 = 180 cc with Electric Start  
 150 ES = 150 cc with Electric Start  
 150 KS = 150 cc Kick Start





6/7 — 150 DTS-i    180 DTS-i — 8/9

Fig. No.	Part No.	Description	180	150 ES	150 KS	Remark
4	DH 7303 X4	Seat Cowl W/o Decal	1	1	1	FOR RED COLOUR
	DH 7303 X6	Seat Cowl W/o Decal	1	1	1	FOR BLUE COLOUR
	DH 7303 T8	Seat Cowl W/o Decal	1	1	1	FOR SILVER COLOUR
	DH 7303 X3	Seat Cowl W/o Decal	1	1	1	FOR BLACK COLOUR
	DH 7303 W1	Seat Cowl W/o Decal	1	1	1	FOR PURPLE COLOUR
	DH 7303 1C	Seat Cowl W/o Decal	1	1	1	FOR MAGIC SILVER COLOUR
5	DH 7304 X4	Front Fender	1	1	1	FOR RED COLOUR
	DH 7304 X6	Front Fender	1	1	1	FOR BLUE COLOUR
	DH 7304 T8	Front Fender	1	1	1	FOR SILVER COLOUR
	DH 7304 X3	Front Fender	1	1	1	FOR BLACK COLOUR
	DH 7304 W1	Front Fender	1	1	1	FOR PURPLE COLOUR
	DH 7304 1C	Front Fender	1	1	1	FOR MAGIC SILVER COLOUR
6	DJ 1611 80	Decal 150 LH (For Seat Cowl)	1	1	1	FOR RED & SILVER
	DJ 1611 78	Decal 150 LH (For Seat Cowl)	1	1	1	FOR BLUE, BLACK, PURPLE
7	DJ 1611 81	Decal 150 RH (For Seat Cowl)	1	1	1	FOR RED & SILVER
	DJ 1611 79	Decal 150 RH (For Seat Cowl)	1	1	1	FOR BLUE, BLACK, PURPLE
8	DJ 1611 84	Decal 180 LH (For Seat Cowl)	1	1	1	FOR RED & SILVER
	DJ 1611 82	Decal 180 LH (For Seat Cowl)	1	1	1	FOR BLUE, BLACK, PURPLE

180 = 180 cc with Electric Start

150 ES = 150 cc with Electric Start

150 KS = 150 cc Kick Start



: FRONT WHEEL DIRECTION

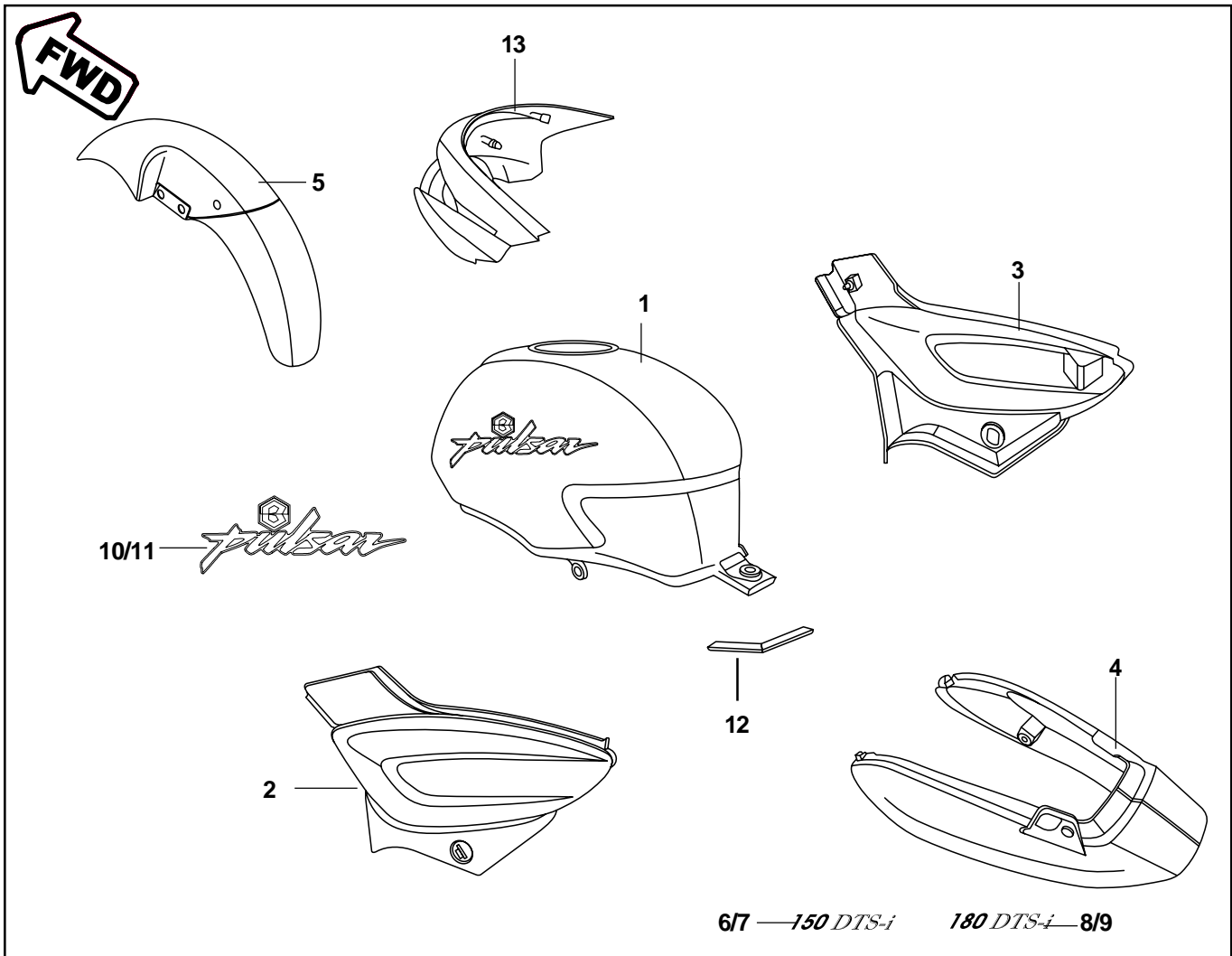


Fig. No.	Part No.	Description	180	150 ES	150 KS	Remark
9	DJ 1611 85	Decal 180 RH (For Seat Cowl)	1	1	1	FOR RED , SILVER
	DJ 1611 83	Decal 180 RH (For Seat Cowl)	1	1	1	FOR BLUE,BLACK,PURPLE
10	DJ 1410 28	Pulsar decal / 'B' monogram LH	1	1	1	FOR RED , SILVER
	DJ 1410 26	Pulsar decal / 'B' monogram LH	1	1	1	FOR BLUE,BLACK,PURPLE
11	DJ 1410 29	Pulsar decal / 'B' monogram RH	1	1	1	FOR RED , SILVER
	DJ 1410 27	Pulsar decal / 'B' monogram RH	1	1	1	FOR BLUE,BLACK,PURPLE
12	DH 1410 20	Seat tape	1	1	1	
13	DJ 7401 X4	Fairing	1	1	1	FOR RED COLOUR
	DJ 7401 X6	Fairing	1	1	1	FOR BLUE COLOUR
	DJ 7401 T8	Fairing	1	1	1	FOR SILVER COLOUR
	DJ 7401 X3	Fairing	1	1	1	FOR BLACK COLOUR
	DJ 7401 W1	Fairing	1	1	1	FOR PURPLE COLOUR
	DJ 7401 1C	Fairing	1	1	1	FOR MAGIC SILVER COLOUR

180 = 180 cc with Electric Start  
 150 ES = 150 cc with Electric Start  
 150 KS = 150 cc Kick Start



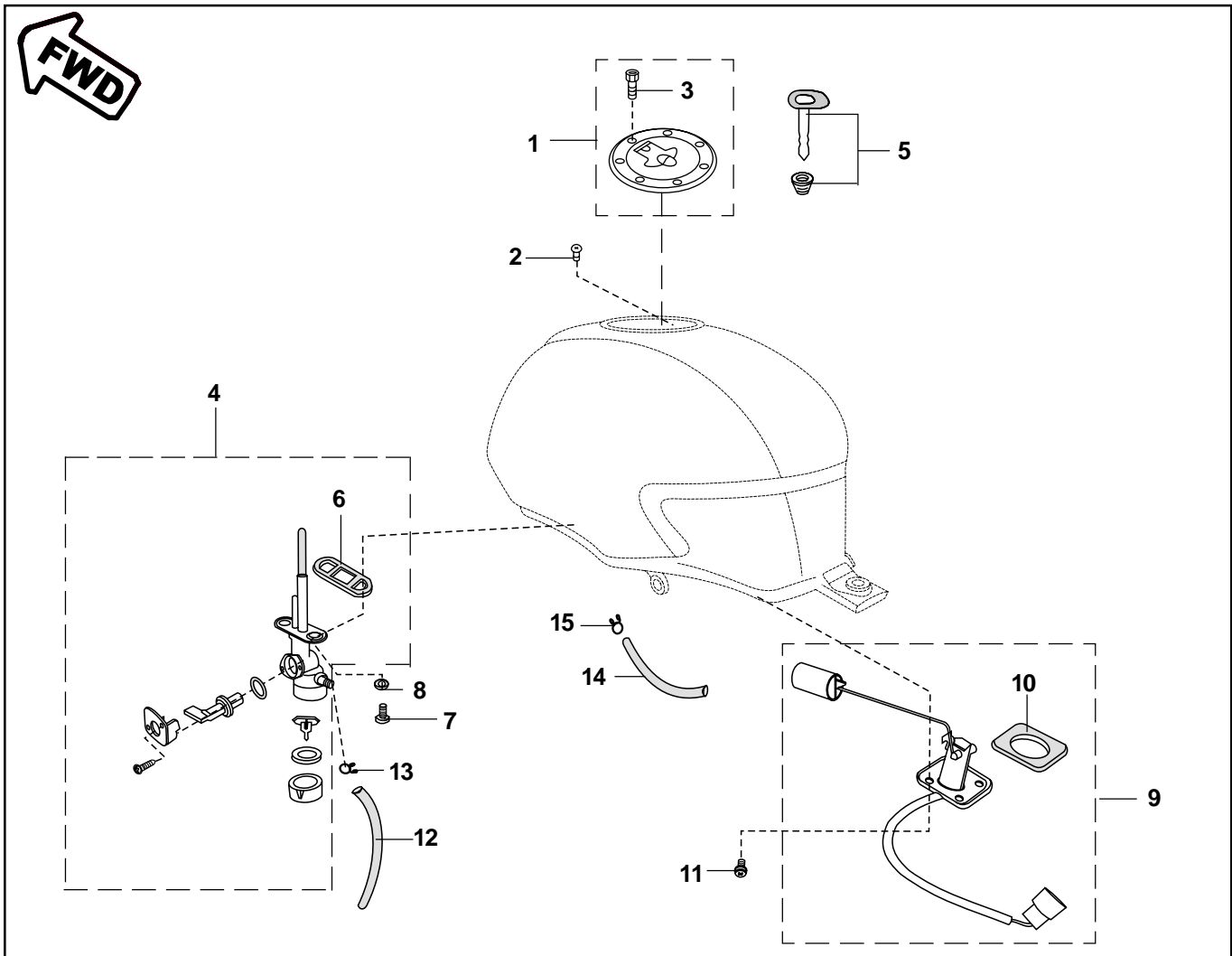


Fig. No.	Part No.	Description	180	150 ES	150 KS	Remark
1	DH 1410 50	Cap Assly. Tank	1	1	1	Alt. 39 1780 01
2	39 0840 01	Pan head screw	1	1	1	
3	39 2381 04	Hex. Soc Hd. cap screw	7	7	7	
4	DK 1410 01	Tap Assly	1	1	1	
5	DH 1410 48 DH 1810 44	Rotor with key 4 In 1 Lock set With Key	1 1	1 1	1 1	
6	30 1410 39	Packing	1	1	1	
7	DD 1410 22	Bolt flanged	2	2	2	
8	39 0740 11	Plain Washer	2	2	2	
9	DH 201013	Gauge Fuel	1	1	1	
10	30 1410 28	Gasket fuel Gauge	1	1	1	
11	30 1410 32	Bolt	4	4	4	
12	DJ 1410 06	Tube fuel	1	1	1	
13	30 1410 15	Pipe clip	1	1	1	
14	DH 1410 24	Drain tube	1	1	1	
15	DJ 1410 02	Clamp	1	1	1	

180 = 180 cc with Electric Start

150 ES = 150 cc with Electric Start

150 KS = 150 cc Kick Start



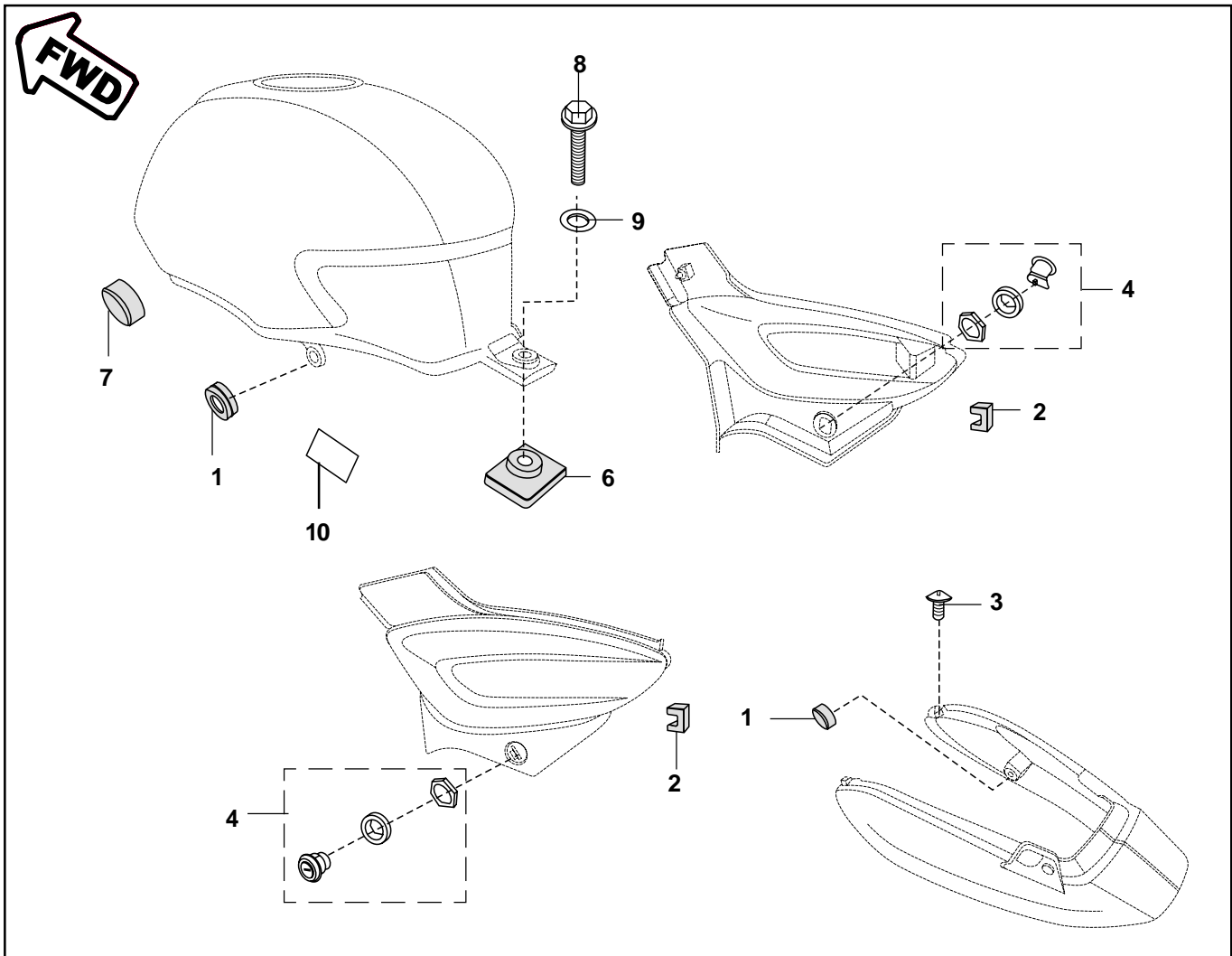


Fig. No.	Part No.	Description	180	150 ES	150 KS	Remark
1	DH 1611 58	Grommet side cover	4	4	4	
2	DH 1611 33	Grommet side cover Rear	2	2	2	
3	39 1607 01	Screw	2	2	2	Alt. DG 1611 21
4	DH 1612 31	Lock for side cover with key	2	2	2	
5	DH 1810 44	Lock Set (4 in 1) with Key	1	1	1	N.I.
6	DH 1410 23	Damper	1	1	1	
7	DJ 1410 08	Damper front	2	2	2	
8	39 1556 04	Flanged Bolt	1	1	1	
9	39 2424 11	Plain Washer	1	1	1	
10	DH 1410 31	Tape tank inner	2	2	2	

180 = 180 cc with Electric Start  
 150 ES = 150 cc with Electric Start  
 150 KS = 150 cc Kick Start



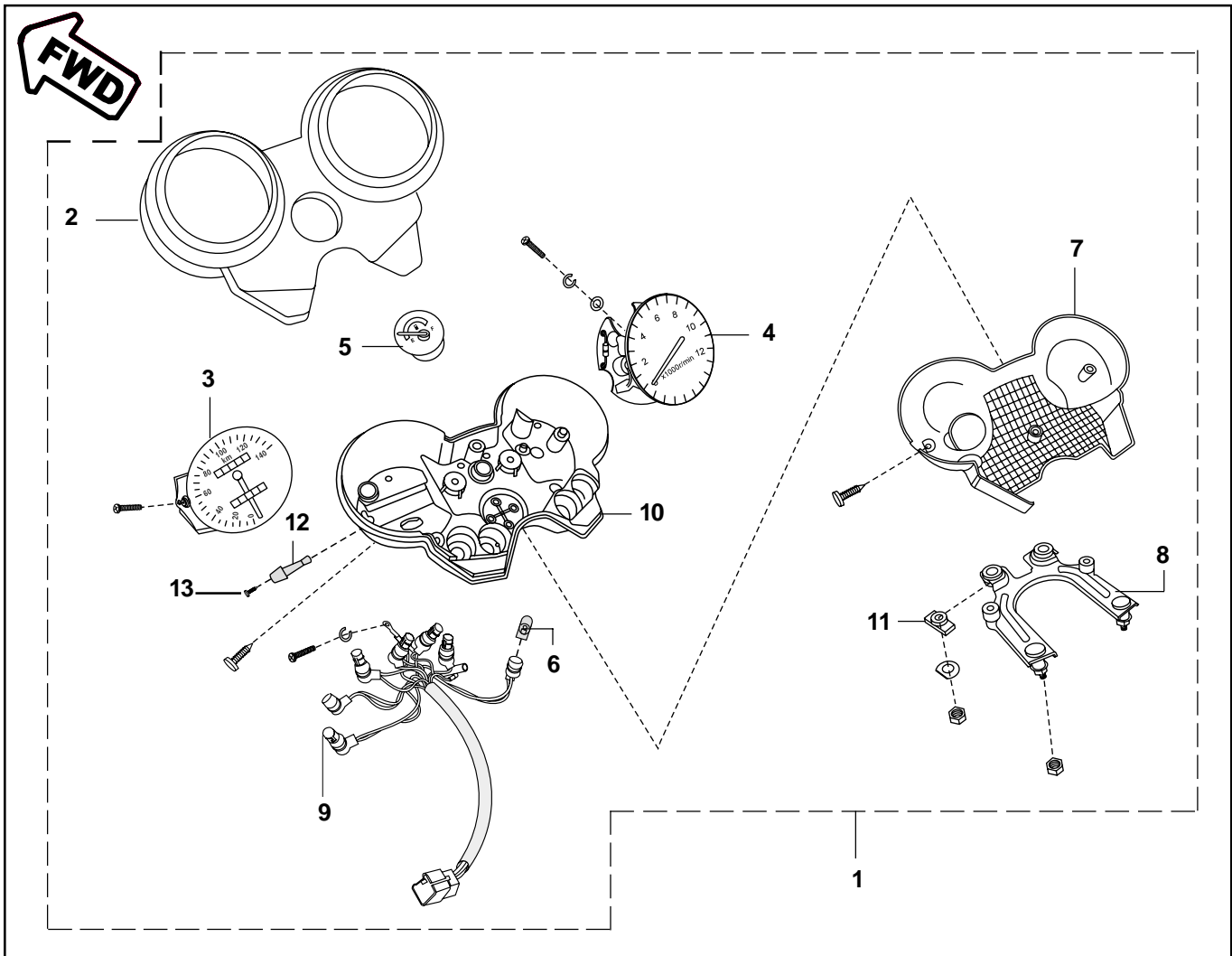


Fig. No.	Part No.	Description	180	150 ES	150 KS	Remark
1	DJ 1910 16	Meter Assly	1	1	1	
2	DH 1910 25	Cover Meter case Upper (Black)	1	1	1	
3	DJ 1910 18	Speedometer	1	1	1	
4	DJ 1910 17	Techo meter	1	1	1	
5	DH 1910 28	Meter fuel	1	1	1	
6	DH 1910 29	Lamp 12 V-1.4W	4	4	4	
7	DH 1910 30	Cover meter lower (Black)	1	1	1	
8	DH 1910 31	Bracket meter	1	1	1	
9	DH 1910 37	Lamp 12V - 3W	3	3	3	
10	DH 1910 33	Cover (White)	1	1	1	
11	DD 1910 31	Grommet special	2	2	2	
12	DD 1911 33	Knob for tripmeter	1	1	1	
13	DG 1910 98	Screw for 'Tripmeter Knob'	1	1	1	
14	39 0798 15	Nut	2	2	2	

180 = 180 cc with Electric Start

150 ES = 150 cc with Electric Start

150 KS = 150 cc Kick Start





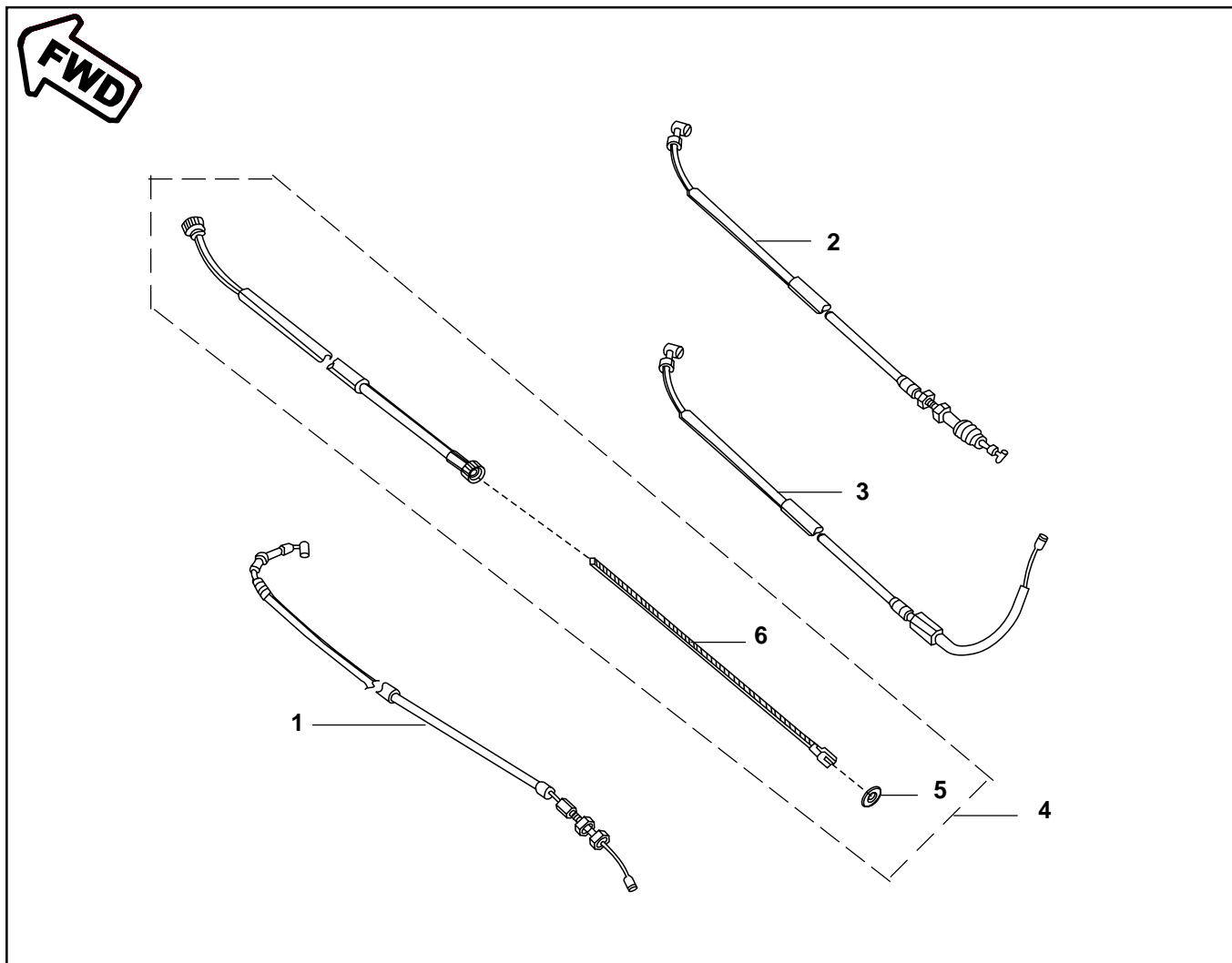


Fig. No.	Part No.	Description	180	150 ES	150 KS	Remark
1	DJ 1910 14	Cable Throttle	1	--	--	
	DJ 1910 13	Cable Throttle	--	1	1	
2	DJ 1910 15	Cable Clutch	1	--	--	
	DH 1910 41	Cable Clutch	--	1	1	
3	DJ 1910 12	Cable Starter (Choke)	1	--	--	
	DJ 1910 11	Cable Starter (Choke)	--	1	1	
4	DJ 1910 05	Cable Speedometer	1	1	1	
5	30 1910 67	Oil Seal	1	1	1	
6	DD 1910 10	Inner cable Speedometer	1	1	1	

180 = 180 cc with Electric Start  
 150 ES = 150 cc with Electric Start  
 150 KS = 150 cc Kick Start

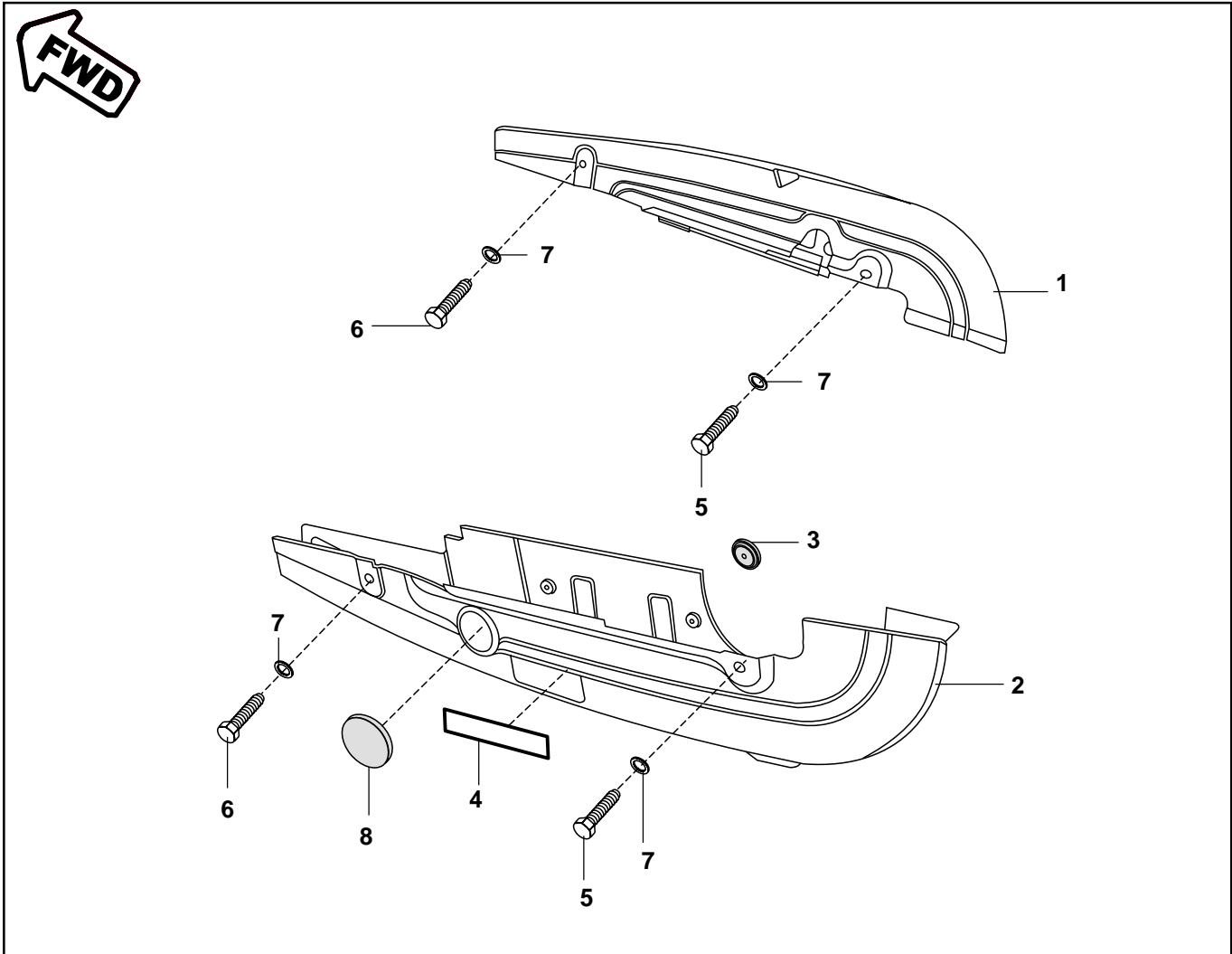


Fig. No.	Part No.	Description	180	150 ES	150 KS	Remark
1	DJ 1610 56	Case Chain Upper Assly	1	1	1	
2	DJ 1610 59	Case Chain Lower Assly	1	1	1	
3	28 1611 47	Rubber Plug A	4	4	4	
4	DH 1610 73	Instruction Label	1	1	1	
5	39 0897 04	Bolt	2	2	2	Rear side Mtg.
6	39 2475 04	Bolt	2	2	2	Front side Mtg.
7	39 0711 11	Plain Washer	4	4	4	
8	15 1610 69	Rubber Cap	1	1	1	



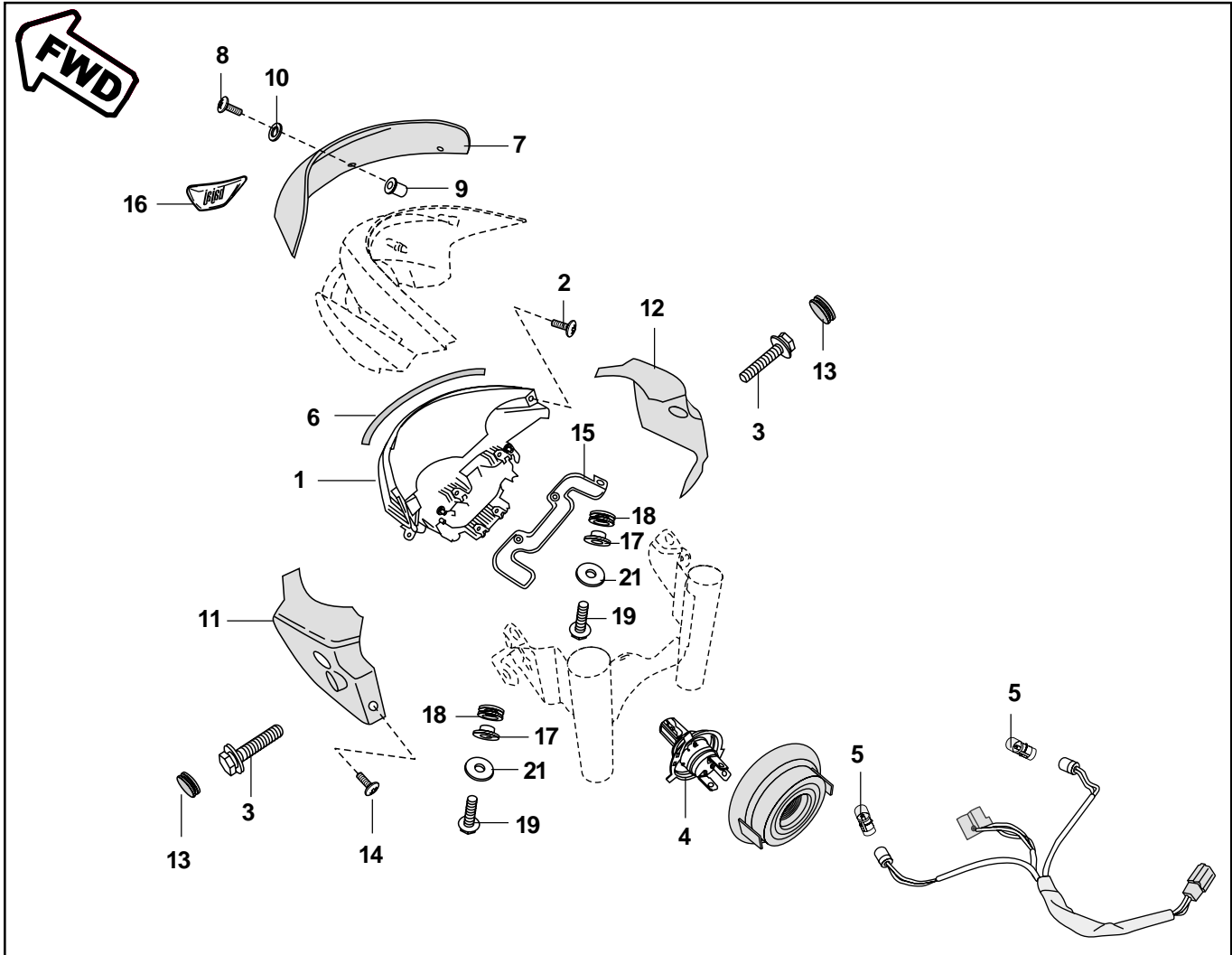


Fig. No.	Part No.	Description	180	150 ES	150 KS	Remark
1	DJ 2010 54	Head Lamp	1	1	--	
2	39 1778 02	Self Tapping Screw	4	4	--	
3	DJ 1810 77	Special Bolt Fairing Mounting	2	2	--	
4	DD 2011 60	Lamp 12V 35/35W-HS1	1	1	--	
5	DJ 2010 72	Lamp 12V 5W	2	2	--	
6	DJ 1810 69	Packing Fairing	1	1	--	
7	DJ 1810 33	Wind Shield	1	1	--	
8	DF 1810 98	Bolt	4	4	--	
9	DL 1810 10	Well Nut	4	4	--	
10	39 2141 24	Non Metallic Washer	4	4	--	
11	DJ 1810 34	Side Flap LH	1	1	--	
12	DJ 1810 35	Side Flap RH	1	1	--	
13	DJ 1810 36	Plug Side Flap	2	2	--	
14	39 0705 01	Mashroom Head Bolt	2	2	--	
15	DJ 1810 26	Fairing mounting upper bracket	1	1	--	

180 = 180 cc with Electric Start

150 ES = 150 cc with Electric Start

150 KS = 150 cc Kick Start



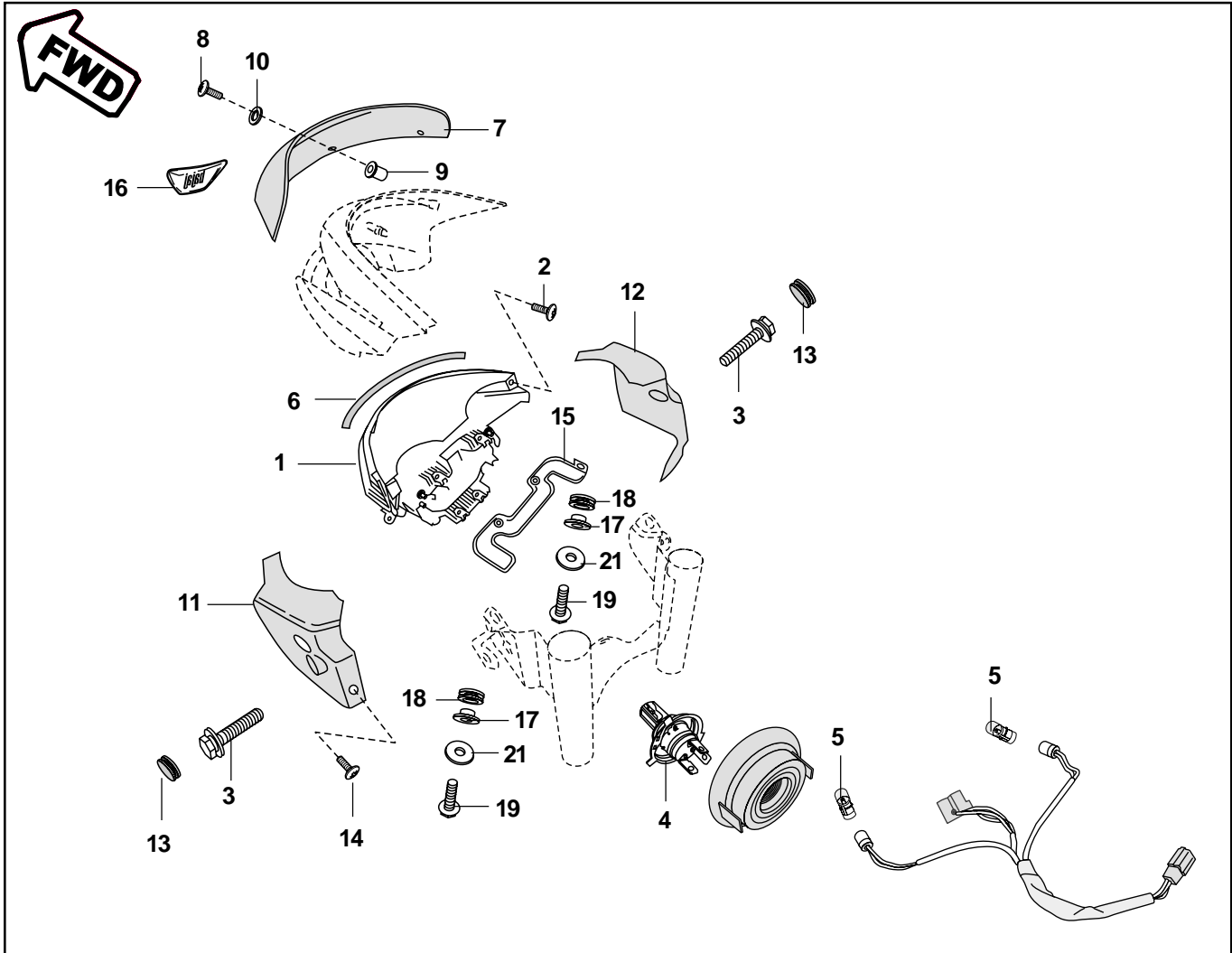


Fig. No.	Part No.	Description	180	150 ES	150 KS	Remark
16	DJ 1810 37	Decal Wind Shield	1	1	--	
17	DJ 1810 64	Grommet Fairing Mounting	6	6	--	
18	DJ 1810 29	Collar Fairing Mounting	6	6	--	
19	39 1553 04	Hex.Flanged Bolt	4	4	--	
20	DJ 1810 65	Clip Nut	4	4	--	N.I.
21	39 0211 11	Plain Washer	4	4	--	

180 = 180 cc with Electric Start  
 150 ES = 150 cc with Electric Start  
 150 KS = 150 cc Kick Start

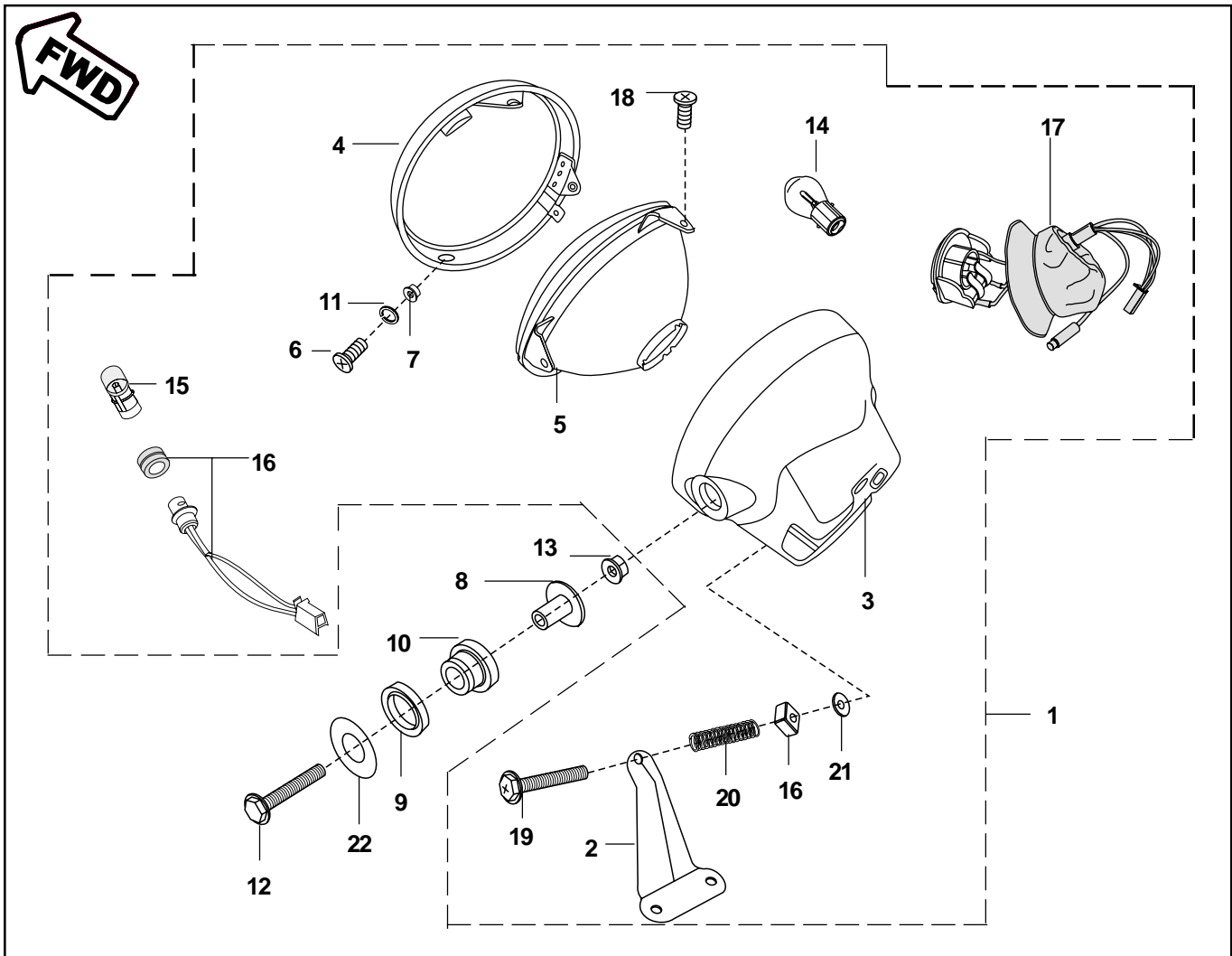


Fig. No.	Part No.	Description	180	150 ES	150 KS	Remark
1	DJ 2010 37	Head light assly complete	--	--	1	
2	DH 2010 02	Bracket Head light	--	--	1	
3	DH 2010 03	Head light housing	--	--	1	
4	DJ 2010 46	Rim head light	--	--	1	
5	DJ 2010 51	Reflector with lens	--	--	1	
6	DD 2010 06	Screw	--	--	2	
7	DD 2010 07	Collar	--	--	2	
8	DD 2010 08	Collar	--	--	2	
9	DJ 2010 71	Damper Head Lamp	--	--	2	
10	DD 2010 09	Damper	--	--	2	
11	39 1684 12	Spring Washer	--	--	2	
12	39 1682 04	Flange Bolt	--	--	2	
13	39 0694 15	Nut	--	--	2	
14	20 2010 24	Lamp 12 V 35/35 W	--	--	1	
15	DH 1910 37	Lamp 12 V 3W	--	--	1	

180 = 180 cc with Electric Start

150 ES = 150 cc with Electric Start

150 KS = 150 cc Kick Start



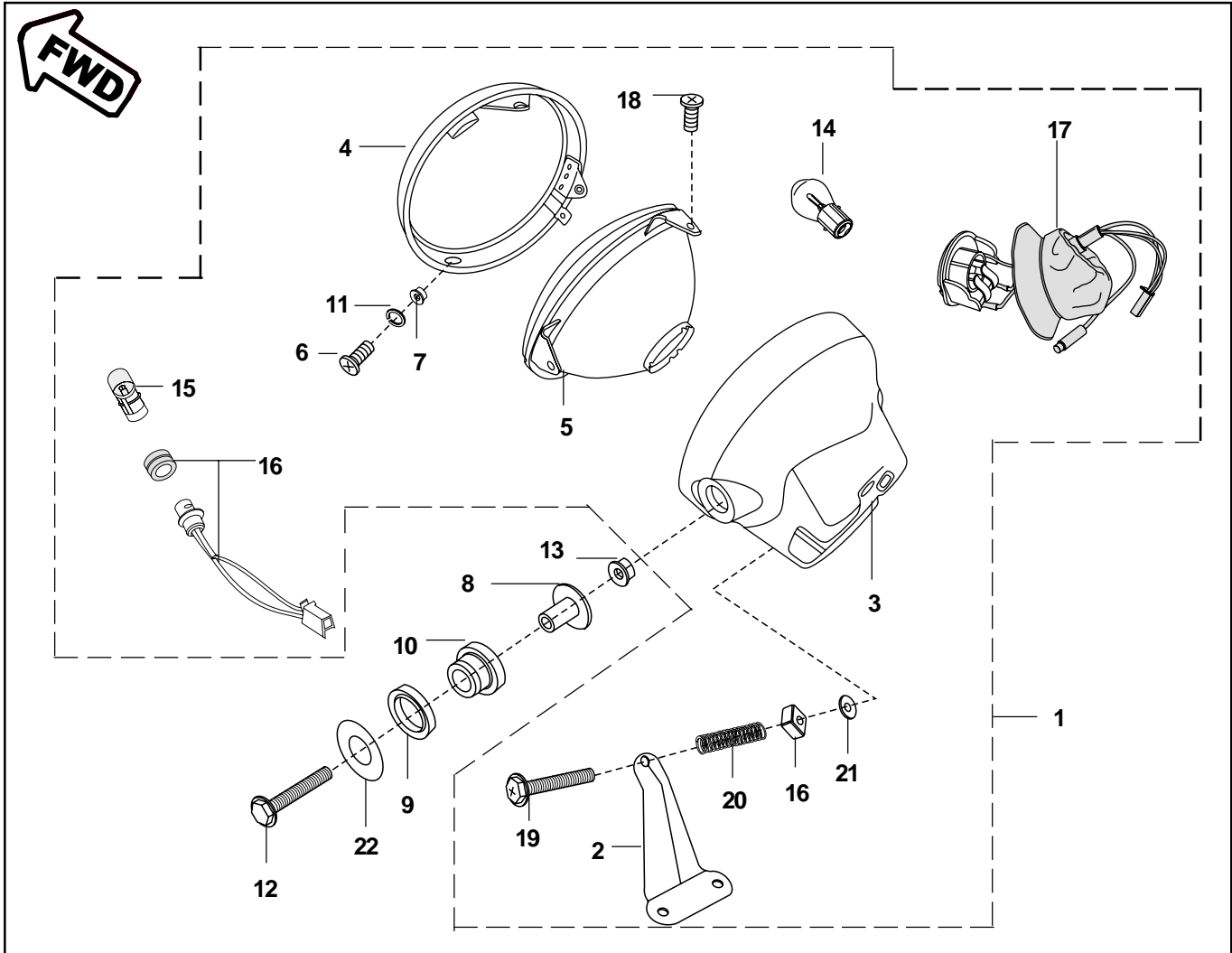


Fig. No.	Part No.	Description	180	150 ES	150 KS	Remark
16	DD 2010 48	Nut (Nylon)	--	--	1	
17	DF 2010 58	Lamp Holder Assly.	--	--	1	
18	DD 2010 40	Screw	--	--	3	
19	DD 2010 45	Screw	--	--	1	
20	DD 2010 46	Spring for Adjustment	--	--	1	
21	DD 2010 47	Washer	--	--	1	
22	DJ 2010 69	Collar Head Lamp	--	--	2	

180 = 180 cc with Electric Start  
 150 ES = 150 cc with Electric Start  
 150 KS = 150 cc Kick Start

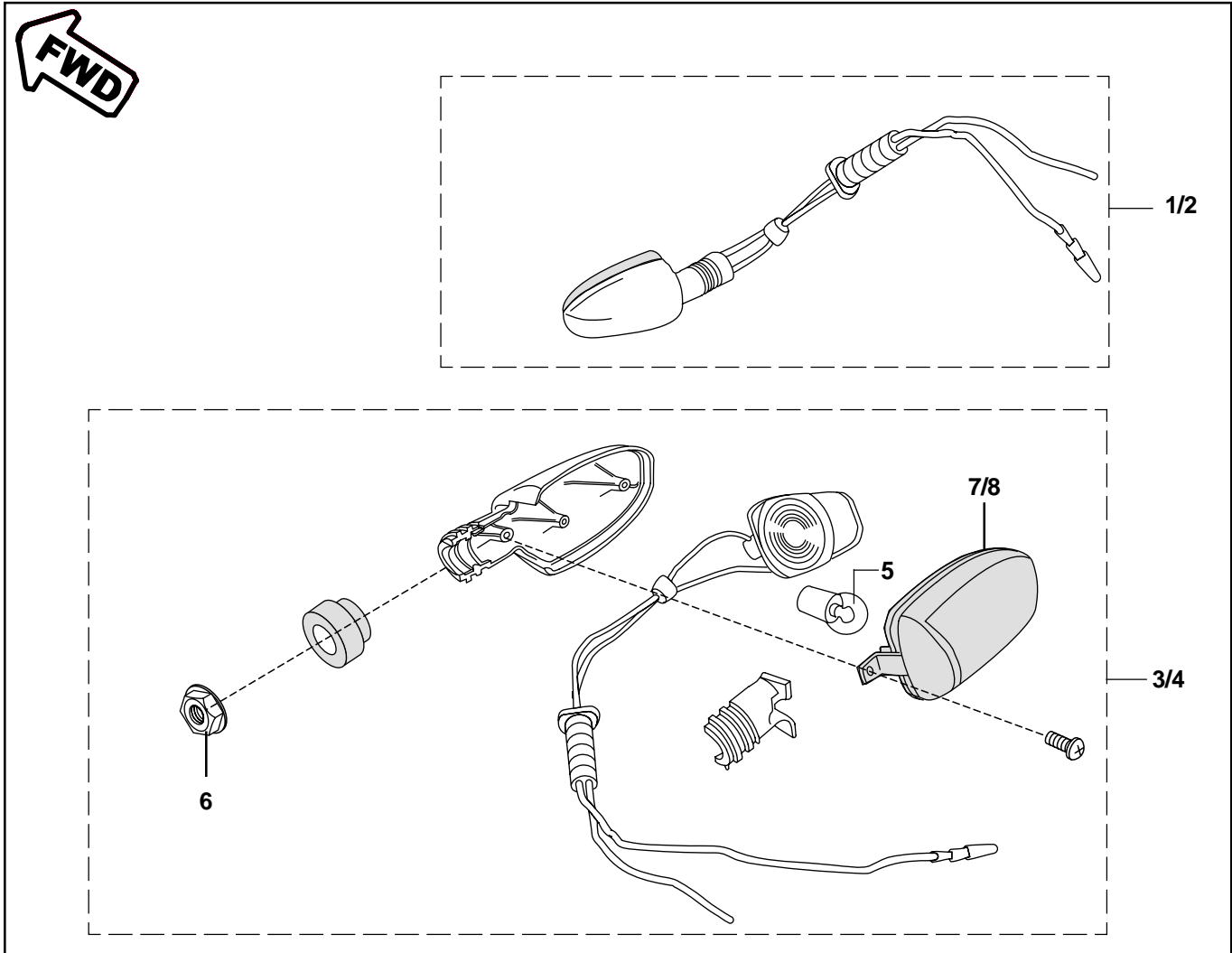


Fig. No.	Part No.	Description	180	150 ES	150 KS	Remark
1	DJ 2010 38	Light Assly. Signal Fr. LH/Lamp	1	1	--	
	DJ 2010 58	Light Assly. Signal Fr. LH/Lamp	--	--	1	
2	DJ 2010 39	Light Assly. Signal Fr. RH/Lamp	1	1	--	
	DJ 2010 59	Light Assly. Signal Fr. RH/Lamp	--	--	1	
3	DJ 2010 40	Light Assly. Signal Rr. LH/Lamp	1	1	1	
4	DJ 2010 41	Light Assly. Signal Rr. RH/Lamp	1	1	1	
5	06 2010 83	Lamp 12 V - 10W	4	4	4	
6	39 1970 15	Hex. nut with flange	4	4	4	
7	DJ 2010 49	Blinker Lens (LH)	2	2	2	
8	DJ 2010 50	Blinker Lens (RH)	2	2	2	

180 = 180 cc with Electric Start  
 150 ES = 150 cc with Electric Start  
 150 KS = 150 cc Kick Start



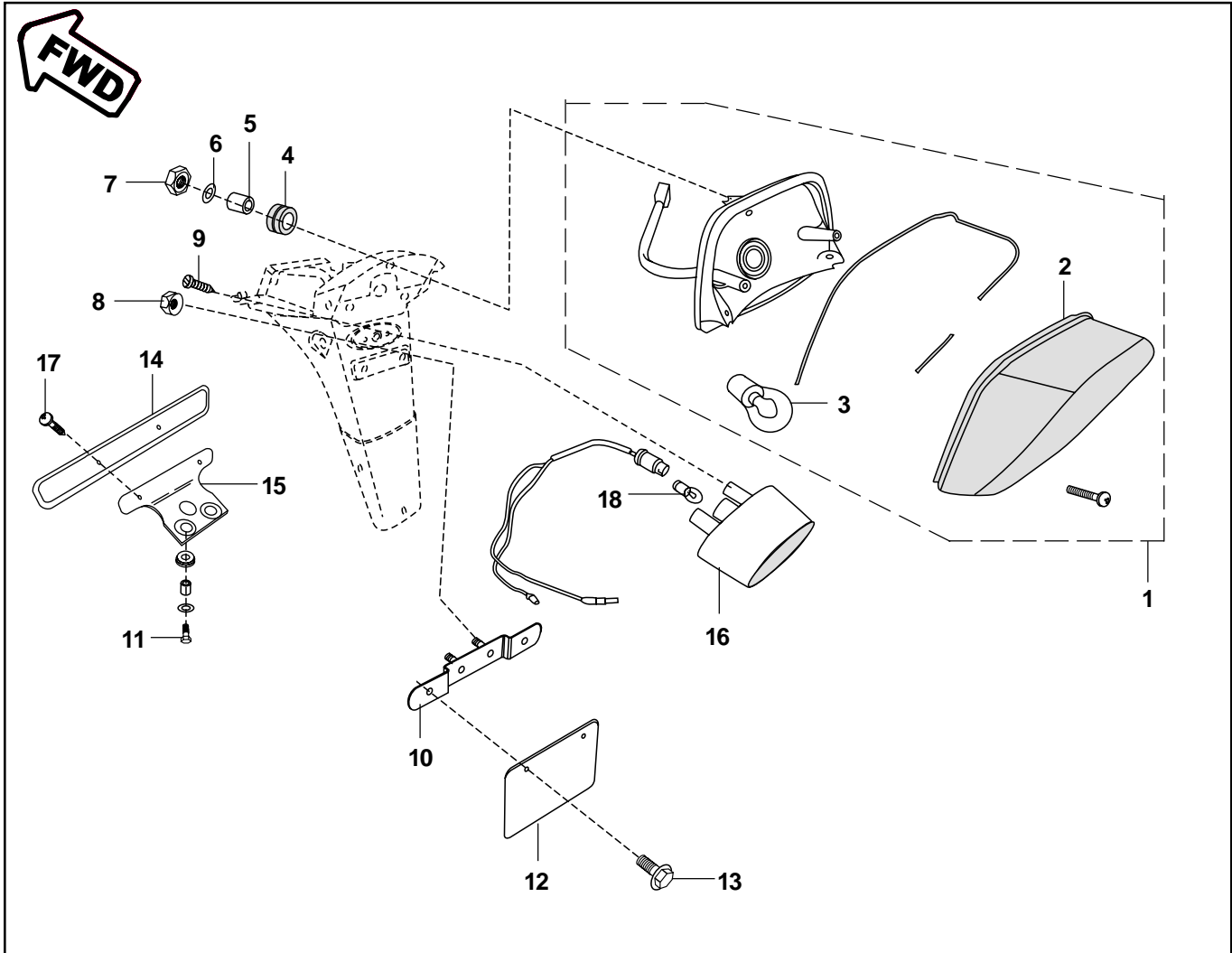


Fig. No.	Part No.	Description	180	150 ES	150 KS	Remark
1	DJ 2010 61	Tail light with Lamp	1	1	1	Assly. Light No. Plate Mtg.
2	DJ 2010 74	Lens tail light	1	1	1	
3	20 2010 29	Lamp 12 V 21/5 W	1	1	1	
4	DD 2010 11	Damper	3	3	3	
5	31 2010 01	Collar	3	3	3	
6	39 0211 11	Plain Washer	3	3	3	
7	39 2124 15	Nut	3	3	3	
8	39 1972 15	Flange Nut	2	2	2	
9	39 0705 01	Screw	2	2	2	
10	DJ 1610 72	Bracket Rear No. Plate	1	1	1	
11	39 1773 04	Bolt flange	2	2	2	
12	DP 1611 45	Number plate Rear	1	1	1	
13	39 1680 04	Hex Flanged Bolt	2	2	2	
14	DP 1611 44	Number plate front	1	1	1	
15	DJ 1810 24	Front No. Plate Mounting Bracket	1	1	1	
16	DJ 2010 56	Assly. Light No. Plate	1	1	1	
17	39 1783 01	Truss Screw (For Front No. Plate)	2	2	2	
18	30 2010 29	Lamp 12V-4W	1	1	1	

180 = 180 cc with Electric Start

150 ES = 150 cc with Electric Start

150 KS = 150 cc Kick Start





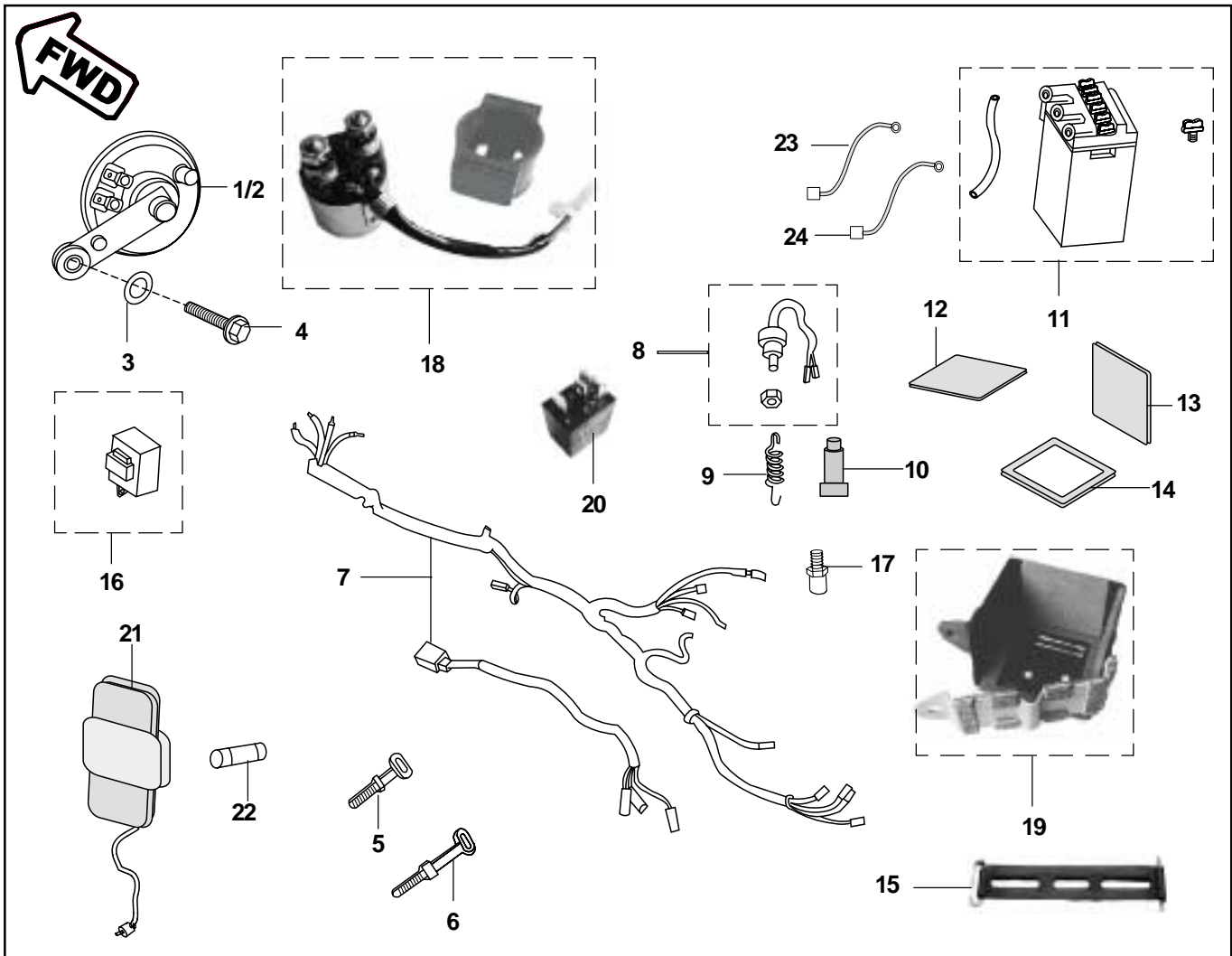


Fig. No.	Part No.	Description	180	150 ES	150 KS	Remark
1	DH 2010 11	Horn with LH stay	1	--	--	
	DH 2010 14	Horn with RH stay	1	--	--	
2	DH 2010 20	Horn	--	1	1	
3	39 1507 11	Plain Washer	1	1	2	
4	39 1956 04	Flange Bolt	1	1	2	
5	30 1910 48	Band	5	5	5	
6	30 2010 64	Band	3	3	3	
7	DH 2010 29	Wiring Harness	--	--	1	
	DJ 2010 60	Wiring Harness	1	--	--	
	DH 2010 31	Wiring Harness	--	1	--	
8	31 2010 79	Rear Brake Switch	1	1	1	
9	DH 1910 12	Spring Brake Switch	1	1	1	
10	DH 2010 19	Grommet Rear Brake Switch	1	1	1	
11	DJ 2010 33	Battery (12V-9A)	1	1	--	
	DH 2010 17	Battery (12V-2.5A)	--	--	1	
12	DJ 1610 06	Rubber pad I Battery Bkt.	1	1	--	
	DH 1611 35	Rubber pad I Battery Bkt.	--	--	2	
13	DJ 1610 07	Rubber pad II Battery Bkt.	2	2	--	
	DH 1611 36	Rubber pad II Battery Bkt.	--	--	1	

180 = 180 cc with Electric Start

150 ES = 150 cc with Electric Start

150 KS = 150 cc Kick Start



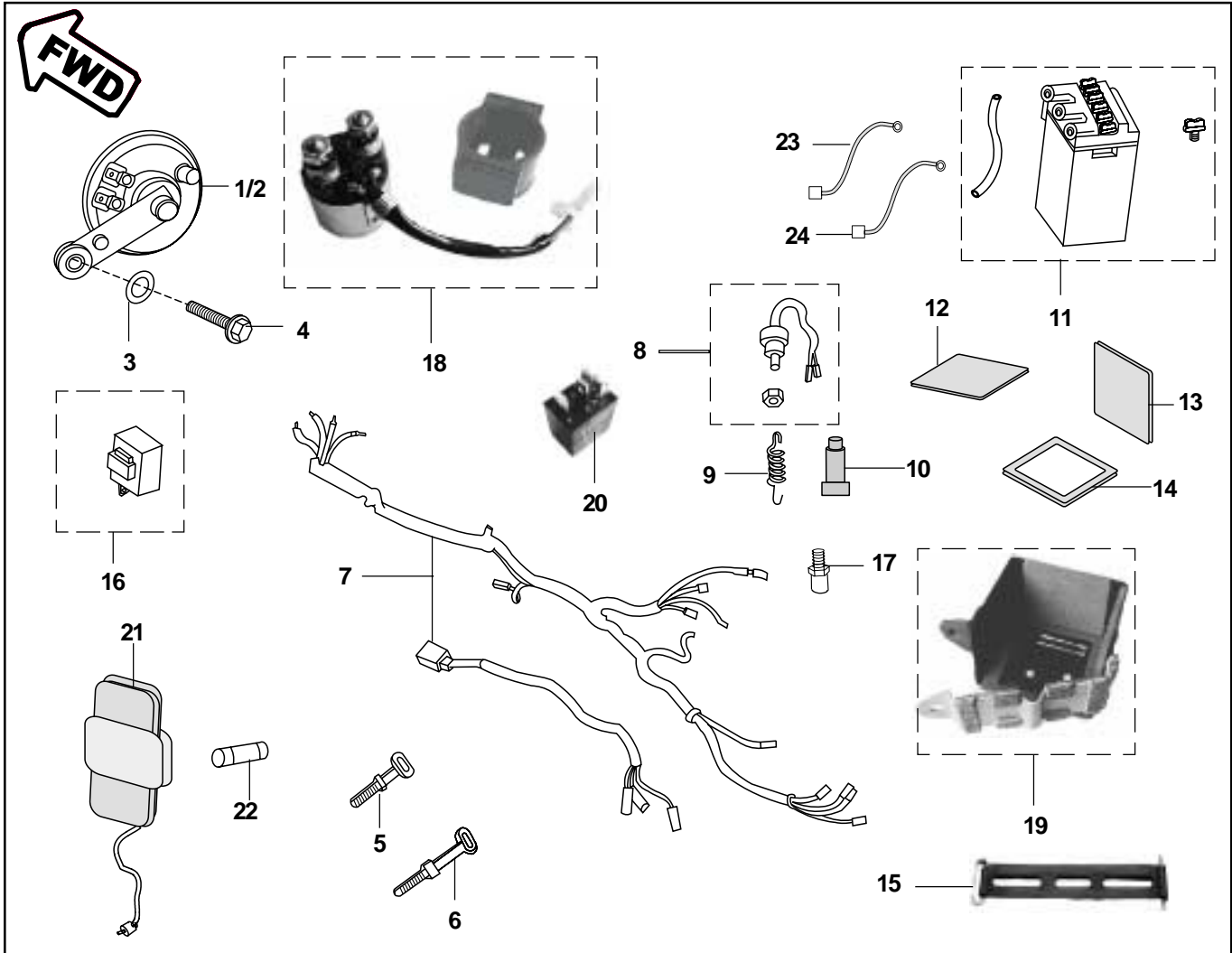


Fig. No.	Part No.	Description	180	150 ES	150 KS	Remark
14	DJ 1610 08	Rubber pad III Battery Bkt.	1	1	--	
15	DH 1611 19	Band Battery Bkt.	1	1	--	
16	29 2010 66	Assly DC flasher / damper	1	1	1	
17	39 1680 04	Flange Bolt	--	--	3	
18	DJ 2010 19	Starter Relay / Damper	1	1	--	
19	DH 1611 26	Bracket battery	--	--	1	
20	DJ 2010 28	Relay for Interlock	1	1	--	
21	30 2011 04	Fuse box Assly.	1	1	1	
22	30 2010 85	Fuse	1	1	1	
23	DJ 2010 20	Cable assly. (Battery to St.Relay)	1	1	--	
24	DJ 2010 21	Cable assly. (Battery to Earth)	1	1	--	

180 = 180 cc with Electric Start

150 ES = 150 cc with Electric Start

150 KS = 150 cc Kick Start



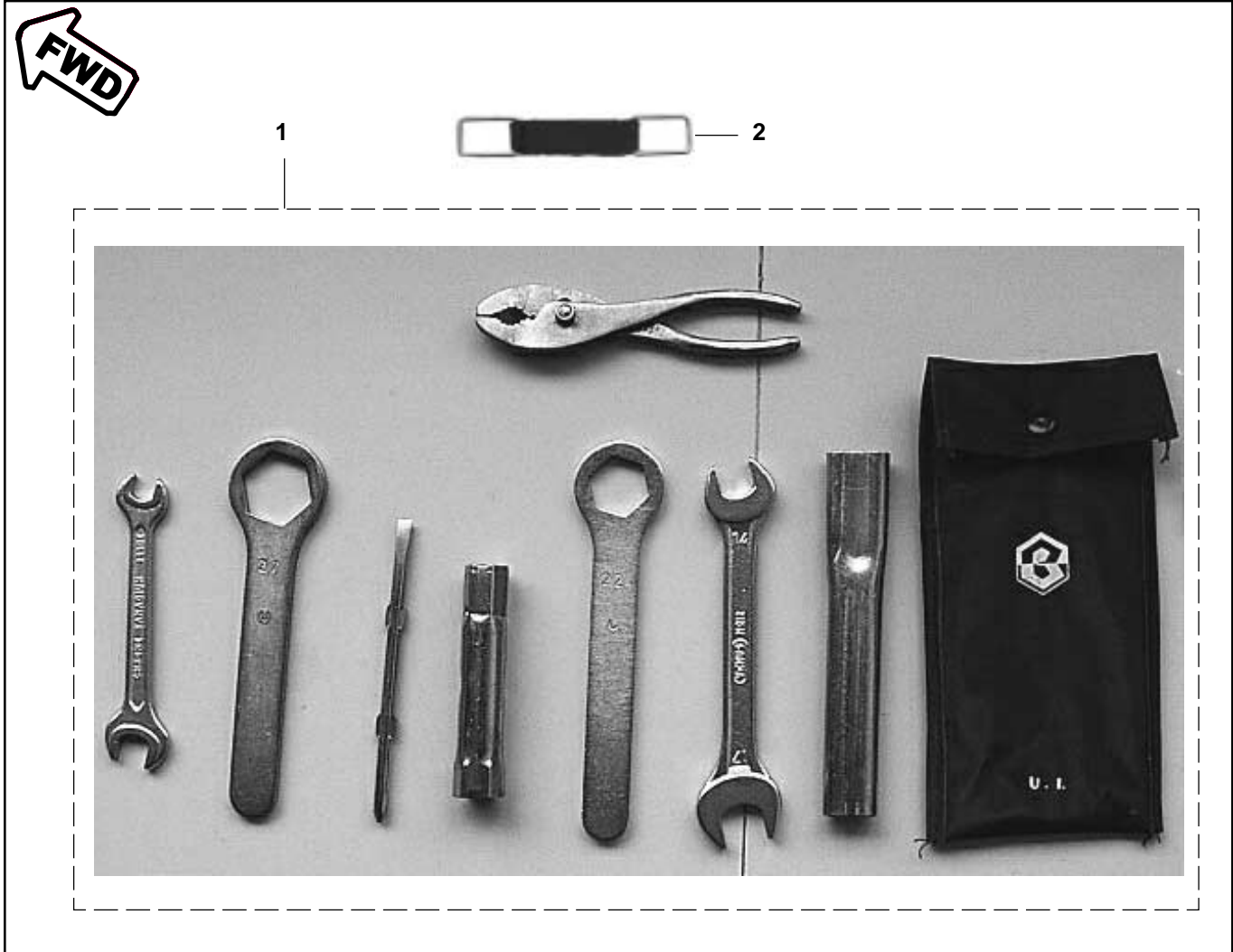


Fig. No.	Part No.	Description	180	150 ES	150 KS	Remark
1	DH 2210 04	Tool Kit	1	1	1	} For reference only not to service separately
*	30 2210 04	Tool Driver	1	1	1	
*	CB 2210 03	Tool Wrench (Box 16 mm)	1	1	1	
*	30 2210 33	Tool Wrench (10 X 13)	1	1	1	
*	30 2210 11	Tool Wrench (14 X 17)	1	1	1	
*	30 2210 10	Plier	1	1	1	
*	DH 2210 03	Tool Bag	1	1	1	
*	30 2210 05	Tool wrench (27 A/F)	1	1	1	
*	30 2210 06	Tool wrench (22 A/F)	1	1	1	
*	30 2210 09	Tool bar	1	1	1	
2	DH 2110 05	Band Tool Kit	2	2	2	

180 = 180 cc with Electric Start  
 150 ES = 150 cc with Electric Start  
 150 KS = 150 cc Kick Start



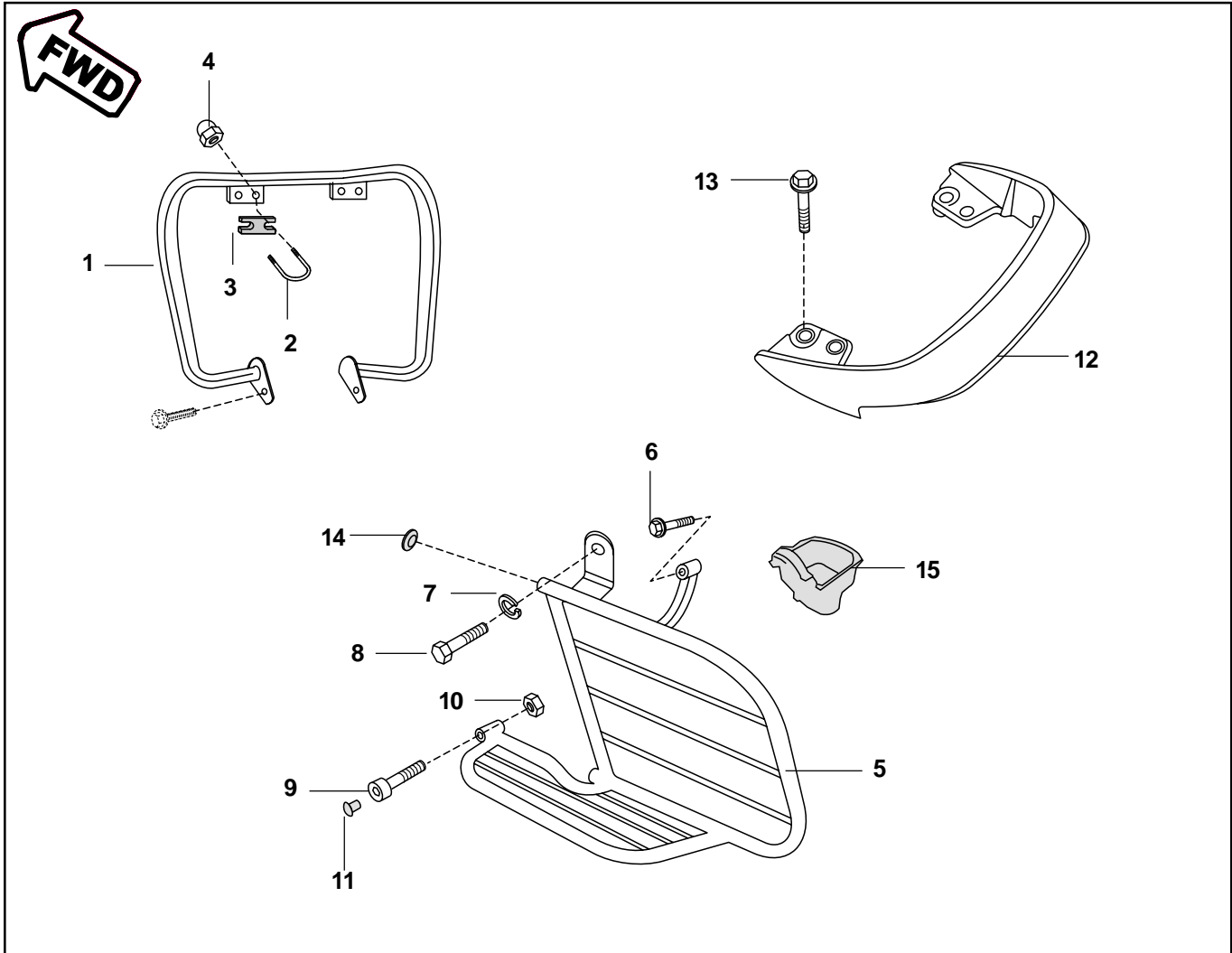


Fig. No.	Part No.	Description	180	150 ES	150 KS	Remark
1	DH 1610 75	Leg Guard	1	1	1	
2	DH 1611 37	Hook leg guard	2	2	2	
3	DH 1611 39	Spacer leg guard	2	2	2	
4	39 2275 15	Domed cap nut	4	4	4	
5	DH 1610 74	Sari Guard Assly	1	1	1	
6	DH 1612 55	Flange Bolt	1	1	1	
7	39 0789 12	Spring Washer	1	1	1	
8	39 0080 04	Bolt	1	1	1	
9	39 1608 04	Cap Bolt	1	1	1	
10	39 0296 15	Hex Nut	1	1	1	
11	DH 1611 44	Cap Sari Guard	1	1	1	
12	DH 1610 47	Grab Rail	1	1	1	
13	39 2310 04	Bolt Flange	4	4	4	
14	DD 2210 03	Plug	2	2	2	
15	DH 1611 99	Boot Sari Guard	1	1	1	

180 = 180 cc with Electric Start

150 ES = 150 cc with Electric Start

150 KS = 150 cc Kick Start

