

# BAROSSA MOTOR INDUSTRY CO., LTD.

## CONTENTS

SPARE PARTS LIST FOR ALOE

<a href="#">FIG 01</a>	<a href="#">CYLINDER</a>	<a href="#">FIG 19</a>	<a href="#">FUEL TANK</a>
<a href="#">FIG 02</a>	<a href="#">CRANKSHAFT PISTON</a>	<a href="#">FIG 20</a>	<a href="#">FRONT FENDER</a>
<a href="#">FIG 03</a>	<a href="#">AIR SHROUD, FAN</a>	<a href="#">FIG 21</a>	<a href="#">SEAT</a>
<a href="#">FIG 04</a>	<a href="#">OIL PUMP</a>	<a href="#">FIG 22</a>	<a href="#">FRONT WHEEL</a>
<a href="#">FIG 05</a>	<a href="#">CARBURETOR</a>	<a href="#">FIG 23</a>	<a href="#">REAR WHEEL</a>
<a href="#">FIG 06</a>	<a href="#">INTAKE</a>	<a href="#">FIG 24</a>	<a href="#">REAR BRAKE</a>
<a href="#">FIG 07</a>	<a href="#">CRANKCASE</a>	<a href="#">FIG 25</a>	<a href="#">STEERING HANDLE CABLE</a>
<a href="#">FIG 08</a>	<a href="#">STARTER</a>	<a href="#">FIG 26</a>	<a href="#">HANDLE SWITCH</a>
<a href="#">FIG 09</a>	<a href="#">CLUTCH</a>	<a href="#">FIG 27</a>	<a href="#">STAND FOOTREST</a>
<a href="#">FIG 10</a>	<a href="#">TRANSMISSION</a>	<a href="#">FIG 28</a>	<a href="#">GUARD</a>
<a href="#">FIG 11</a>	<a href="#">GENERATOR</a>	<a href="#">FIG 29</a>	<a href="#">WIRE HARNESS</a>
<a href="#">FIG 12</a>	<a href="#">STARTING MOTOR</a>	<a href="#">FIG 30</a>	<a href="#">WARNING</a>
<a href="#">FIG 13</a>	<a href="#">EXHAUST MUFFLER</a>	<a href="#">FIG 31</a>	<a href="#">HEAD LIGHT</a>
<a href="#">FIG 14</a>	<a href="#">REAR ARM</a>	<a href="#">FIG 32</a>	<a href="#">TAIL LIGHT</a>
<a href="#">FIG 15</a>	<a href="#">REAR SUSPENSION</a>	<a href="#">FIG 33</a>	<a href="#">SPEEDOMETER</a>
<a href="#">FIG 16</a>	<a href="#">FRAME</a>	<a href="#">FIG 34</a>	<a href="#">CARRIER REAR</a>
<a href="#">FIG 17</a>	<a href="#">FRONT SUSPENSION</a>	<a href="#">FIG 35</a>	<a href="#">SPARE PARTS LIST</a>
<a href="#">FIG 18</a>	<a href="#">STEERING</a>		

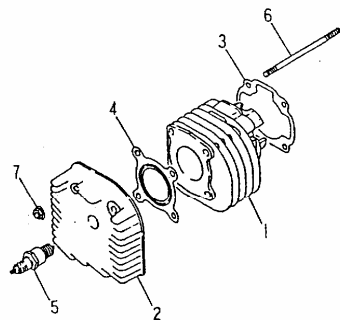
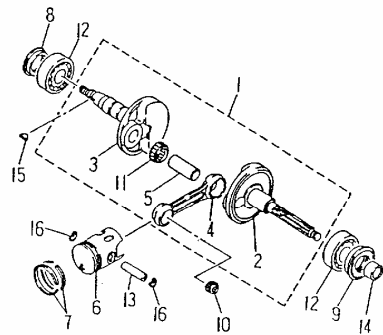


FIG.01 CYLINDER 汽缸

BMI  
MODEL : ALO

NO	PARTS NO.	PARTS NAME	QTY
1	11111-NAO-01C	CYLINDER	1
2	11121-NAO-00	HEAD,CYLINDER	1
3	11151-NAN-00	GASKET,CYLINDER	1
4	11181-NAN-00	GASKET,CYLINDER HEAD	1
5	62210-NAF-01	PLUG,SPARK (NGK BPR7HS)	1
6	94717-07124-C	BOLT,STUD	4
7	95401-071007-C	NUT,FLANGE	4



BMI  
MODEL : ALO

FIG.02 CRANKSHAFT.PISTON 曲軸.活塞

NO	PARTS NO.	PARTS NAME	QTY
1	11400-SKO-00	CRANKSHAFT ASSEMBLY	1
2	11412-SKO-00	.CRANK L	1
3	11422-SKO-00	.CRANK R	1
4	11451-NAN-00	.ROD,CONNECTING	1
5	11481-NAN-00	.PIN,CRANK	1
6	11631-NAO-00B	PISTON (STD)	1
7	11636-NAO-00	PISTON RING SET (STD)	1
8	93110-20306	OIL SEAL	1
9	93110-20428	OIL SEAL	1
10	93310-1215164	BEARING,NEEDLE ROLLER	1
11	93310-1824118	.BEARING,NEEDLE ROLLER	1
12	93320-204714J	BEARING,RADIAL BALL	2
13	93510-081240	PIN,PISTON	1
14	93510-162115	COLLAR	1
15	94420-03013	KEY,SEMICIRCLE	1
16	97050-10014	CIRCLIP	2

[MENU PAGE](#)

[PAGE UP ▲](#)

[PAGE DOWN ▼](#)

[ALL PARTS LIST](#)

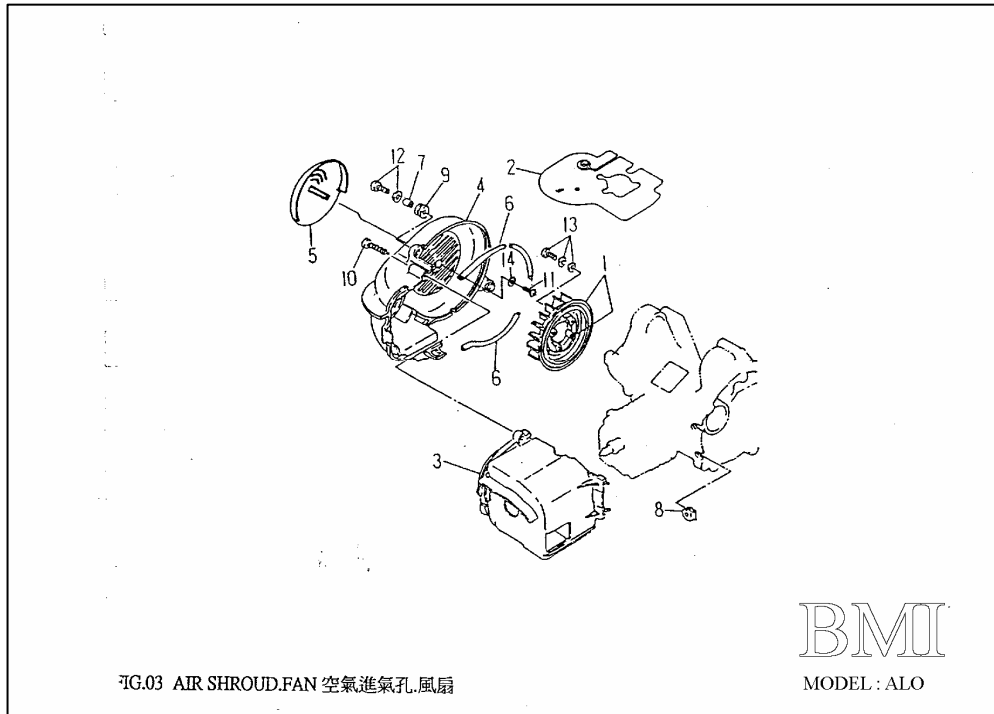
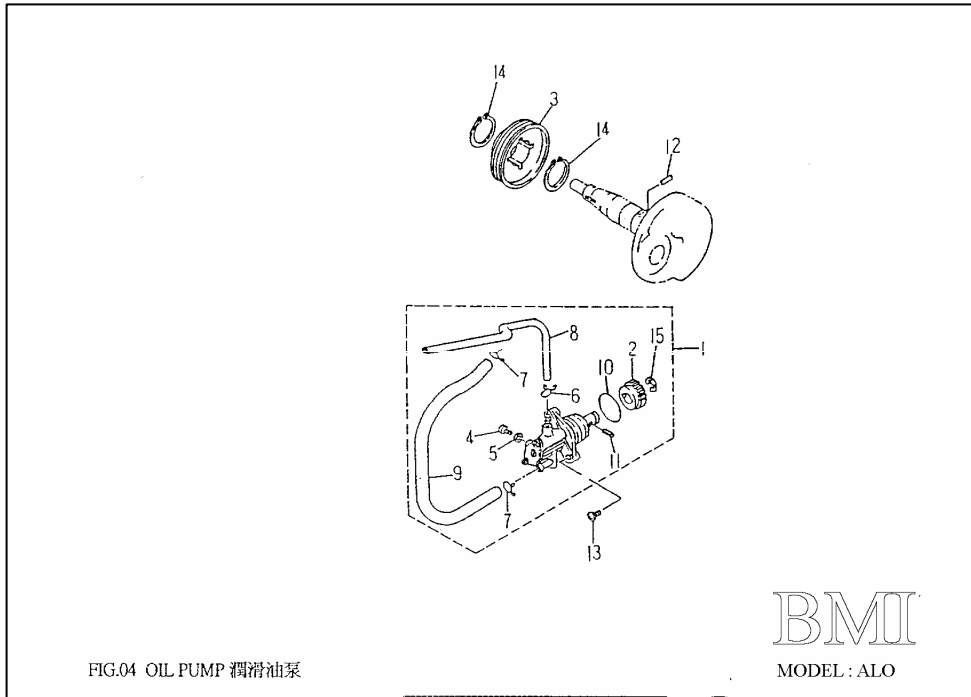
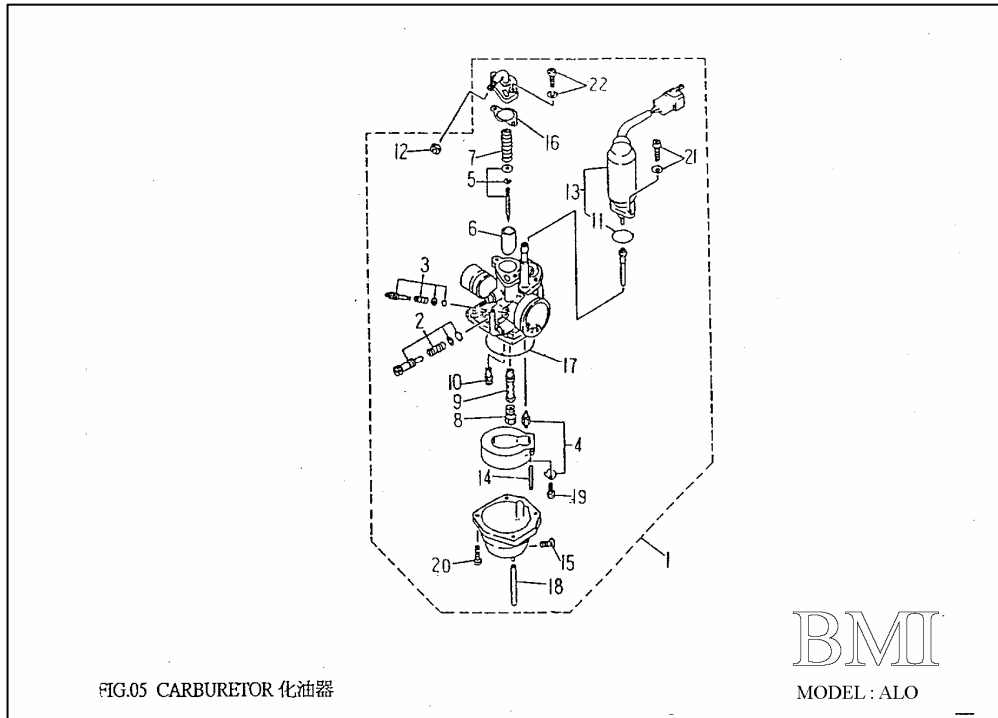


FIG.03 AIR SHROUD.FAN 空氣進氣孔.風扇

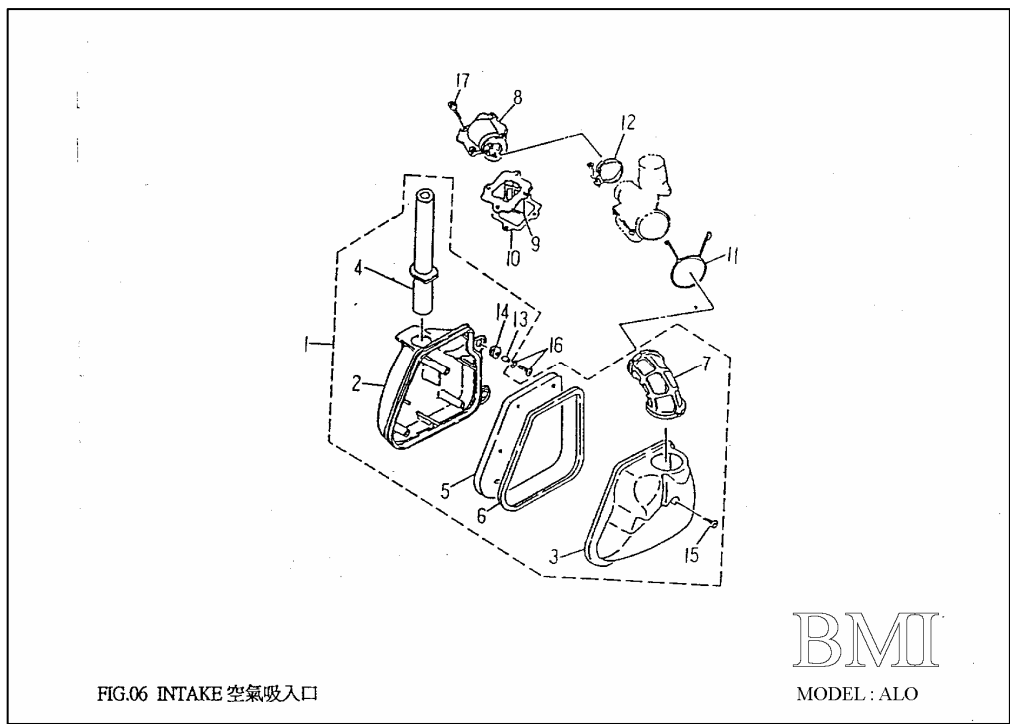
NO	PARTS NO.	PARTS NAME	QTY
1	12611-NAN-00	FAN	1
2	12631-NAF-00	DEFLECTOR	1
3	12651-NAN-00	AIR SHROUD,CYLINDER	1
4	12653-NAF-00	AIR SHROUD,FAN	1
5	12657-SK9-00	CAP,AIR SHROUD	1
6	12658-NAF-00	DAMPER,AIR SHROUD	3
7	93560-68510	COLLAR	2
8	93580-41610	GROMMET	2
9	93580-81610	GROMMET	2
10	96110-64016-C	SCREW,TAPPING	1
11	96112-51216-K	SCREW,TAPPING	1
12	96312-06020-K	SCREW,PAN HEAD WITH WASHER	2
13	96314-06016-C	SCREW,PAN HEAD WITH WASHER	4
14	97201-051410-B	WASHER,PLATE	1



NO	PARTS NO.	PARTS NAME	QTY
1	13100-SKO-00	OIL PUMP ASSEMBLY	1
2	13124-NAF-00	GEAR WORM WHEEL (40T)	1
3	13178-NAF-00	GEAR,PUMP DRIVE	1
4	13185-NAF-00	.BOLT,BREATHER	1
5	13187-NAF-00	.GASKET,BREATHER BOLT	1
6	90210-06005-C	.CLIP	1
7	90210-08009-C	.CLIP	2
8	90310-20050	.HOSE	1
9	90310-50570	.HOSE	1
10	93210-16195	.O-RING	1
11	94430-30012	.PIN,DOWEL	1
12	94510-30012	PIN,DOWEL	1
13	96310-05014-C	SCREW,PAN HEAD	2
14	97010-19012	CIRCLIP	2
15	97011-07008-K	.CIRCLIP	1



NO	PARTS NO.	PARTS NAME	QTY
1	13201-NAN-02	CARBURETOR ASSEMBLY	1
2	13203-NAF-00	.THROTTLE SCREW SET	1
3	13204-NAF-00	.AIR SCREW SET	1
4	13207-NAF-00	.NEEDLE VALVE SET	1
5	13211-NAF-00	.NEEDLE SET	1
6	13212-NAF-00	.VALVE,THROTTLE	1
7	13233-NAF-00	.SPRING,THROTTLE STOP	1
8	13240-NAN-01	.JET,MAIN (#77.5)	1
9	13241-NAF-00	.NOZZLE,MAIN	1
10	13242-NAF-00	.JET,PILOT (#17.5)	1
11	13247-NAF-00	.O-RING	1
12	13261-NAF-00	.NUT,CABLE ADJUSTING	1
13	13271-NAF-00	.PLUNGER,STARTER	1
14	13286-NAF-00	.PIN,FLOAT	1
15	13291-NAF-00	.PLUG,DRAIN	1
16	13296-NAF-00	.GASKET	1
17	13297-NAF-00	.SEAL	1
18	13298-NAF-00	.PIPE	1
19	96310-03006-C	.SCREW,PAN HEAD	1
20	96310-04012-C	.SCREW,PAN HEAD	4
21	96312-04008-C	.SCREW,PAN HEAD WITH WASHER	2
22	96312-04012-C	.SCREW,PAN HEAD WITH WASHER	2



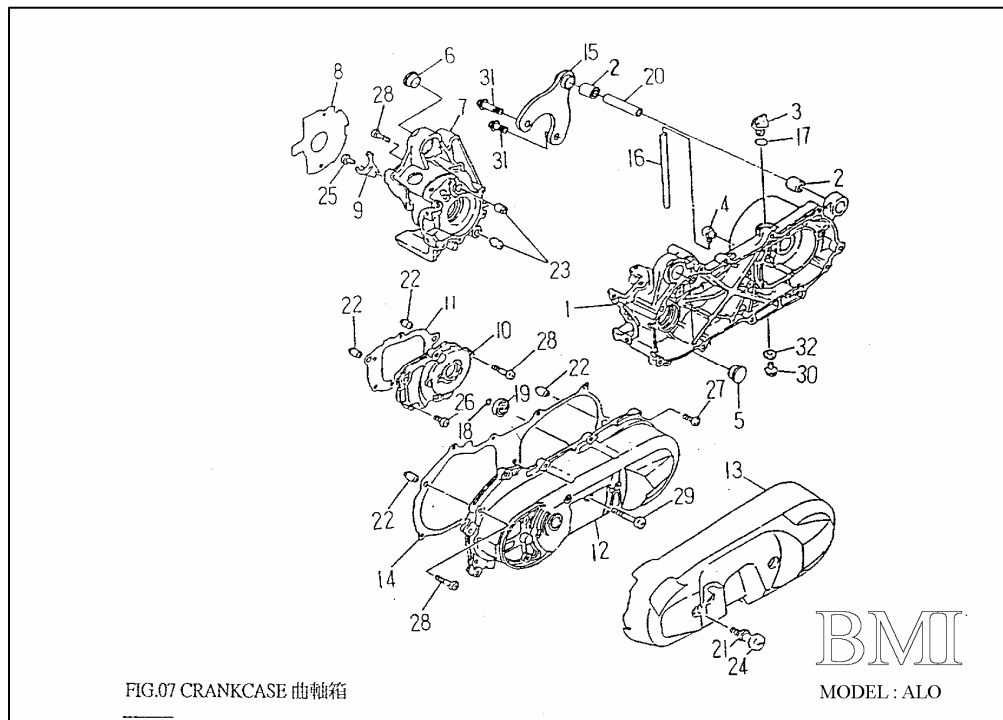
NO	PARTS NO.	PARTS NAME	QTY
1	13410-SK9-00	AIR CLEANER ASSEMBLY	1
2	13411-NAF-01	CASE,AIR CLEANER	1
3	13412-NAF-00	CAP,CLEANER CASE	1
4	13437-SK9-00	DUCT	1
5	13451-NAF-00	ELEMENT,AIR CLEANER	1
6	13452-NAF-00	SEAL	1
7	13453-NAF-00	JOINT,AIR CLEANER	1
8	13555-NAF-00	MANIFOLD,INTAKE	1
9	13610-NAF-00	REED VALVE ASSEMBLY	1
10	13621-NAF-00	GASKET,VALVE SEAT	1
11	90210-23043-B	CLIP	1
12	90260-13325-C	CLAMP,HOSE	1
13	93560-68510	COLLAR	2
14	93580-81610	GROMMET	2
15	96110-52512-K	SCREW,TAPPING	3
16	96312-06020-K	SCREW,PAN HEAD WITH WASHER	2
17	96510-06020-K	BOLT,SOCKET	4

[MENU PAGE](#)

[PAGE UP ▲](#)

[PAGE DOWN ▼](#)

[ALL PARTS LIST](#)



NO	PARTS NO.	PARTS NAME	Q'TY
1	15111-SK9-00	CRANKCASE,LEFT	1
2	15116-NAF-00	NUT,FLANGE	2
3	15163-NAF-00	PLUG,OIL	1
4	15171-NAF-00	BREATHER	1
5	15178-SK9-00	PLUG,TAPER L	1
6	15278-SK9-00	PLUG,TAPER R	1
7	15211-SK9-00	CRANKCASE,RIGHT	1
8	15221-NAF-01	GASKET,STATOR	1
9	15228-NAF-00	HOLDER	1
10	15311-YAN-00	COVER,GEARBOX	1
11	15351-NAF-01	GASKET,GEARBOX COVER	1
12	15411-SK9-00	COVER,CRANKCASE	1
13	15421-YAN-00	COVER CRANKCASE	1
14	15481-YAN-01	GASKET,CRANKCASE COVER	1
15	41183-SK9-00	ENGING HANGER B	1
16	90311-50070	HOSE,BREATHER	1
17	93210-24140	O-RING	1
18	93210-31080	O-RING	1
19	93320-082809Z	BEARING,RADIAL BALL 638ZZ	1
20	93510-081471-K	COLLAR	1
21	93580-61509	GROMMET	2
22	94410-10014	PIN,DOWEL	4
23	94410-12016	PIN,DOWEL	2
24	94706-06023-K	BOLT	2
25	96310-06012-C	SCREW,PAN HEAD	1
26	96310-06020-B	SCREW,PAN HEAD	3
27	96310-06025-B	SCREW,PAN HEAD	8
28	96310-06035-B	SCREW,PAN HEAD	10
29	96310-06065-B	SCREW,PAN HEAD	1
30	96414-08016-C	BOLT,FLANGE	1
31	96414-10020-B	BOLT,FLANGE	2
32	97230-081512	WASHER,COPPER	1

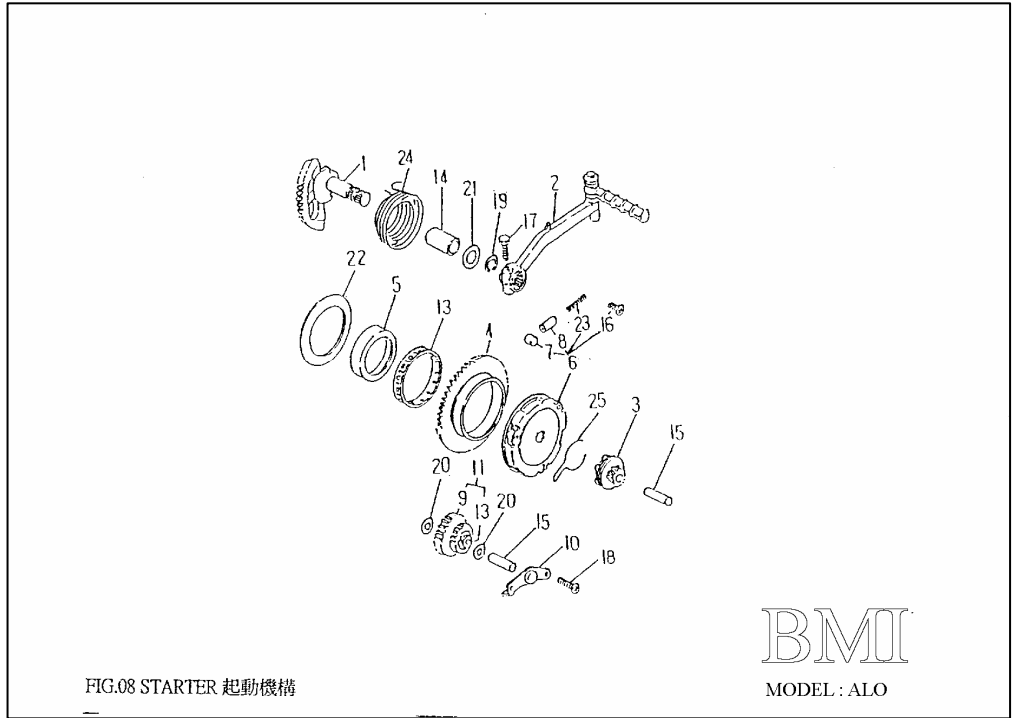
[MENU PAGE](#)

[PAGE UP ▲](#)

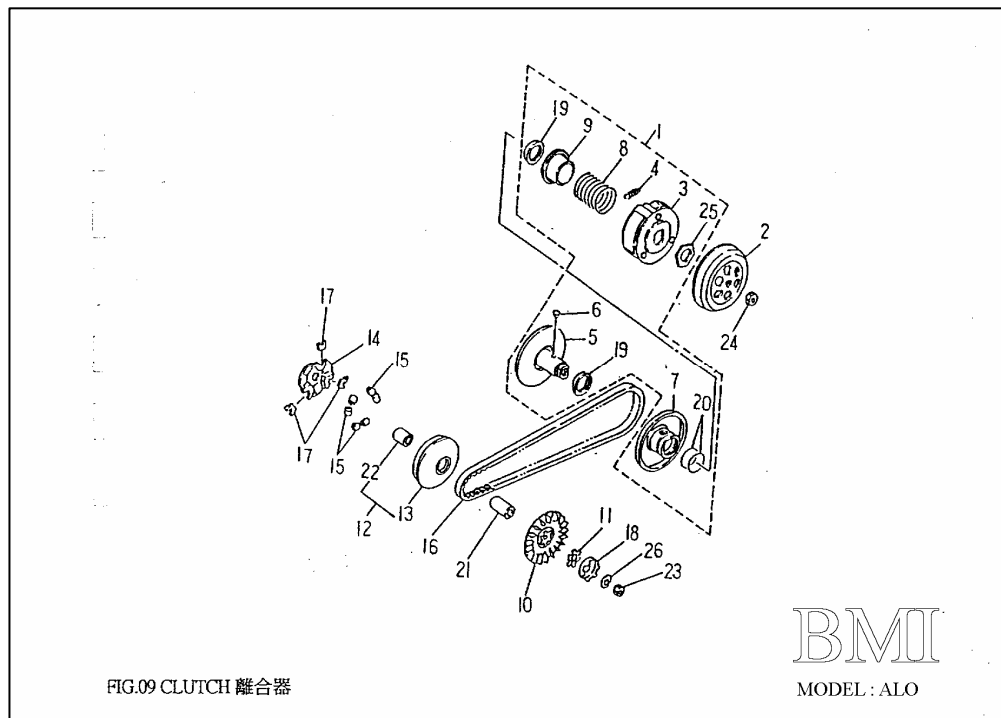
[PAGE DOWN ▼](#)

[ALL PARTS LIST](#)

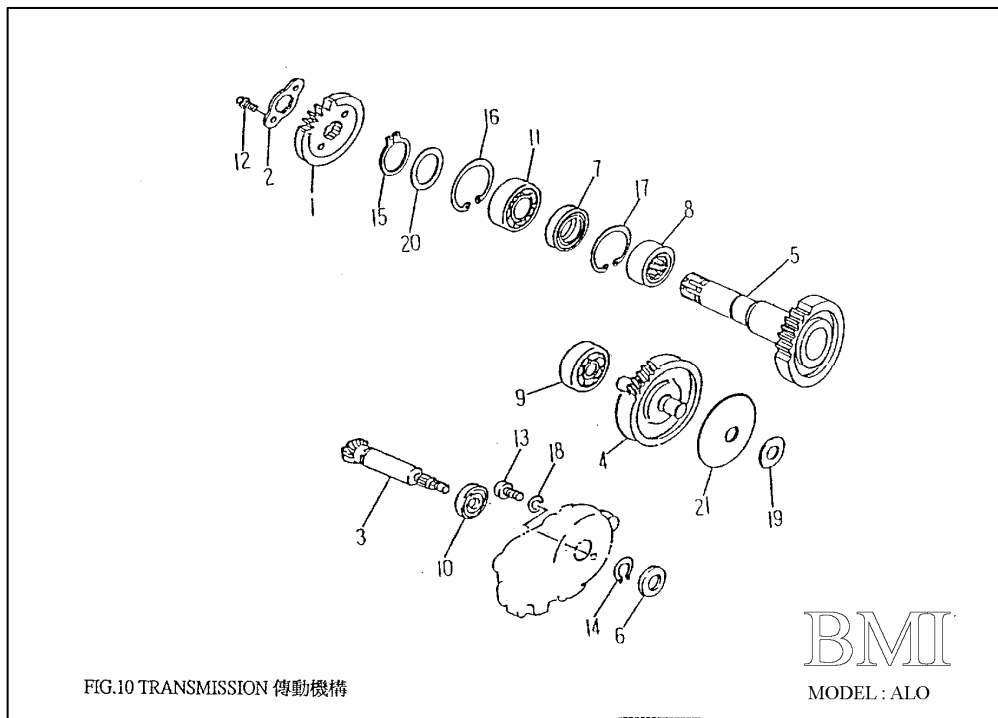




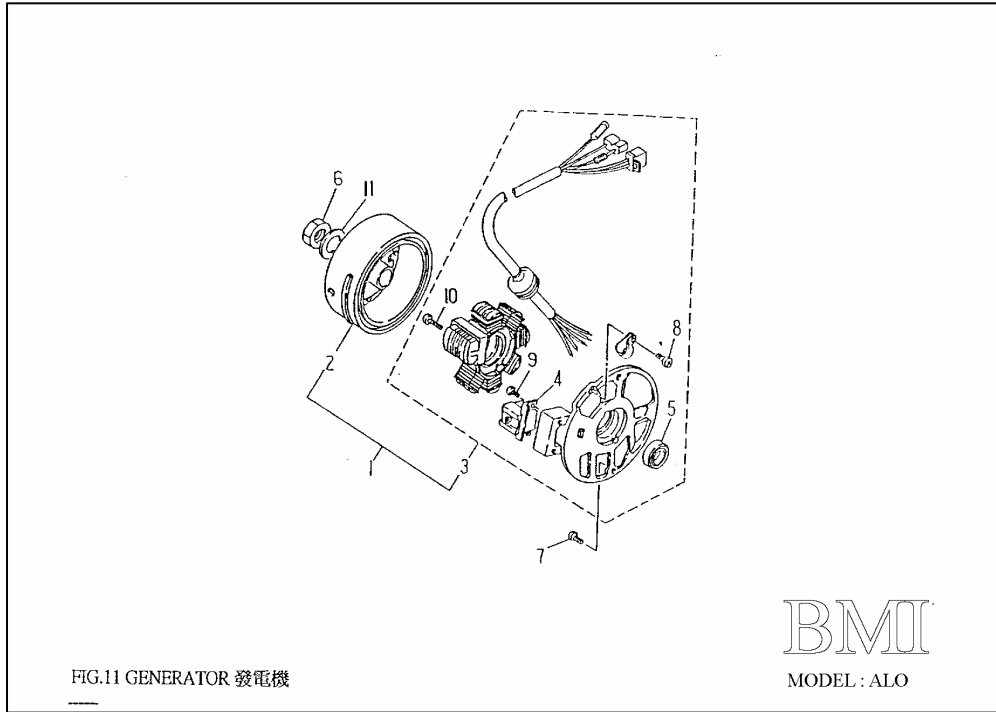
NO	PARTS NO.	PARTS NAME	QTY
1	22601-YAN-00	KICK SHAFT ASSEMBLY	1
2	22620-NAF-00	KICK CRANK ASSEMBLY	1
3	22630-NAF-00	KICK PINION ASSEMBLY	1
4	23524-NAN-00	WHEEL,STARTER	1
5	23538-NAF-00	BOSS,GEAR	1
6	23570-NAN-01	STARTER CLUTCH ASSEMBLY	1
7	23576-NAN-00	STARTER CLUTCH,ROLLER 6*8	3
8	23578-NAF-00	STARTER CLUTCH,SCOVER	3
9	23612-NAN-00	IDLE GEAR	1
10	23632-NAF-00	PLATE,IDLE GEAR	1
11	23650-NAN-00	IDLE GEAR ASSEMBLY	1
12	93310-0812100	BEARING,NEEDLE ROLLER	1
13	93310-5559127	BEARING,NEEDLE ROLLER	1
14	93510-152030	BUSHING,KICK SHAFT	1
15	94510-80032	SHAFT,GEAR	2
16	94712-05010-B	SCREW,TAPPING	3
17	96210-06025-K	BOLT,HEXAGON	1
18	96310-06012-C	SCREW,PAN HEAD	2
19	97010-15010	CIRCLIP	1
20	97201-081620-C	WASHER,PLATE	2
21	97201-152810-K	WASHER,PLATE	1
22	97201-557606	WASHER,PLATE	1
23	97501-02021	STARTER CLUTCH,SPRING	3
24	97508-32535	STARTER,TORSION	1
25	97510-26300	CLIP,SPRING	1



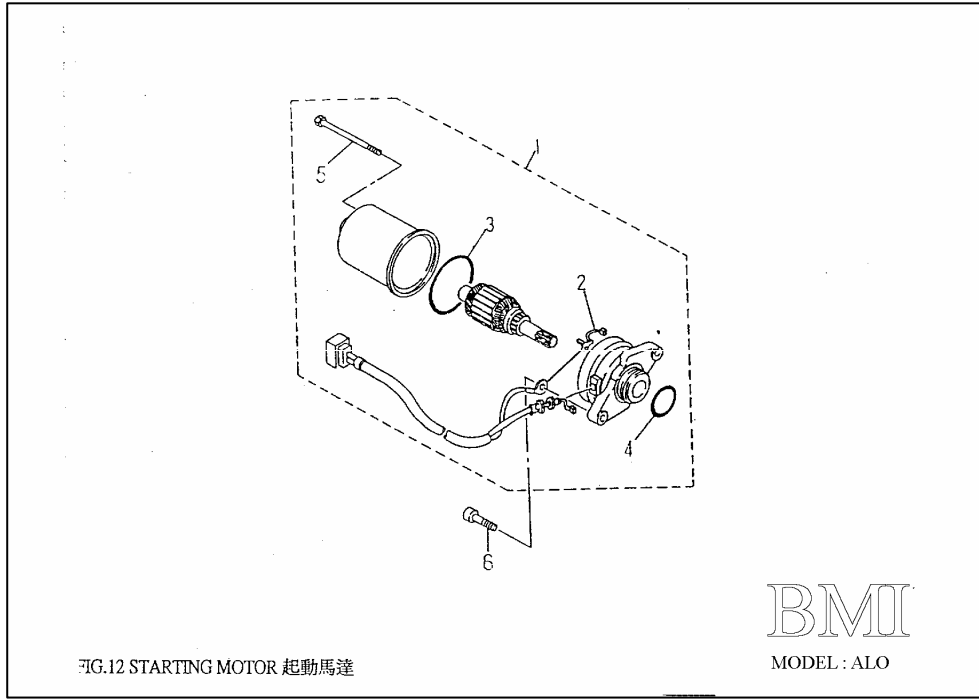
NO	PARTS NO.	PARTS NAME	QTY
1	25602-NAN-00	SECONDARY SHEAVE ASSEMBLY	1
2	25611-NAF-00	CLUTCH HOUSING COMP	1
3	25620-NAF-00	.CLUTCH CARRIER ASSEMBLY	1
4	25626-NAN-01	.SPRING,CLUTCH WEIGHT	3
5	25660-NAF-00	.SECONDARY FIXED SHEAVE COMP	1
6	25664-NAF-00	.PIN,GUIDE	2
7	25670-NAF-00	.SECONDARY SLIDING SHEAVE	1
8	25680-NAN-01	COMPRESSION	1
9	25684-NAF-00	.SEAT,SECONDARY SPRING	1
10	25711-NAN-00	SHEAVE,PRIMARY FIXED	1
11	25716-NAN-00	WASHER,CLAW	1
12	25720-NAN-00	PRIMARY SLIDING SHEAVE COMP	1
13	25721-NAN-00	PRIMARY SLIDING SHEAVE	1
14	25723-NAN-00	CAM,PLATE	1
15	25732-NAN-01	WEIGHT ROLLER	6
16	25741-YAF-03	V-BELT	1
17	25753-NAF-00	SLIDER	3
18	25757-NAN-00	CLUTCH,ONEWAY	1
19	93110-33394	.OIL SEAL	2
20	93210-20360	.O-RING	2
21	93510-162137	BUSHING,SLIDING CLUTCH	1
22	93510-212622	BUSHING,SLIDING SHEAVE	1
23	95201-101708-C	NUT,HEXAGON	1
24	95201-102406-C	NUT,HEXAGON	1
25	95201-284104-C	.NUT,HEXAGON	1
26	97310-102425	WASHER,CONICAL SPRING	1



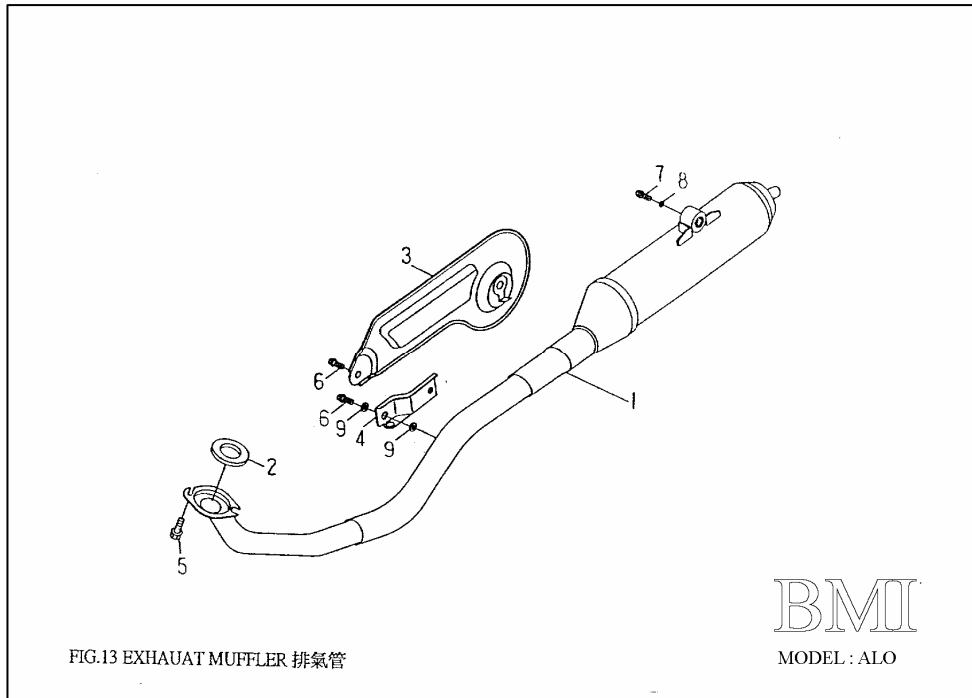
NO	PARTS NO.	PARTS NAME	Q'TY
1	25711-SK9-01	SPROCKET DRIVE 428-18T	1
2	25716-CHP-00	PLATE, FIXING	1
3	26111-YAN-00	GEAR, PRIMARY DRIVE 15T	1
4	26410-YAN-00	MAIN AXLE COMP 47/11T	1
5	26420-SK9-03	DRIVE AXLE ASSEMBLY 31T	1
6	93110-17285	OIL SEAL 17*28*5.5	1
7	93110-25356	OIL SEAL 25*35*6	1
8	93310-2533160	BEARING, NEEDLE ROLLER HMK-2516	1
9	93320-123210	BEARING, RADIAL BALL 6201CM/2A	1
10	93320-173510	BEARING, RADIAL BALL 6003CM/2A	1
11	93320-204212U	BEARING, RADIAL BALL 6004LLUCM/5K	1
12	96210-06010-B	BOLT, HEXAGON	2
13	96310-06010-B	SCREW, PAN HEAD	1
14	97010-17010-K	CIRCLIP STW-17	1
15	97010-20012-K	CIRCLIP 20MM	1
16	97012-42018-K	CIRCLIP RTW-42	1
17	97013-33012-K	CIRCLIP IR-33	1
18	97201-061910-B	WASHER, PLATE	1
19	97201-122210	WASHER, PLATE	1
20	97201-202810-K	WASHER, PLATE	1
21	97310-126005	WASHER, CONICAL SPRING	1



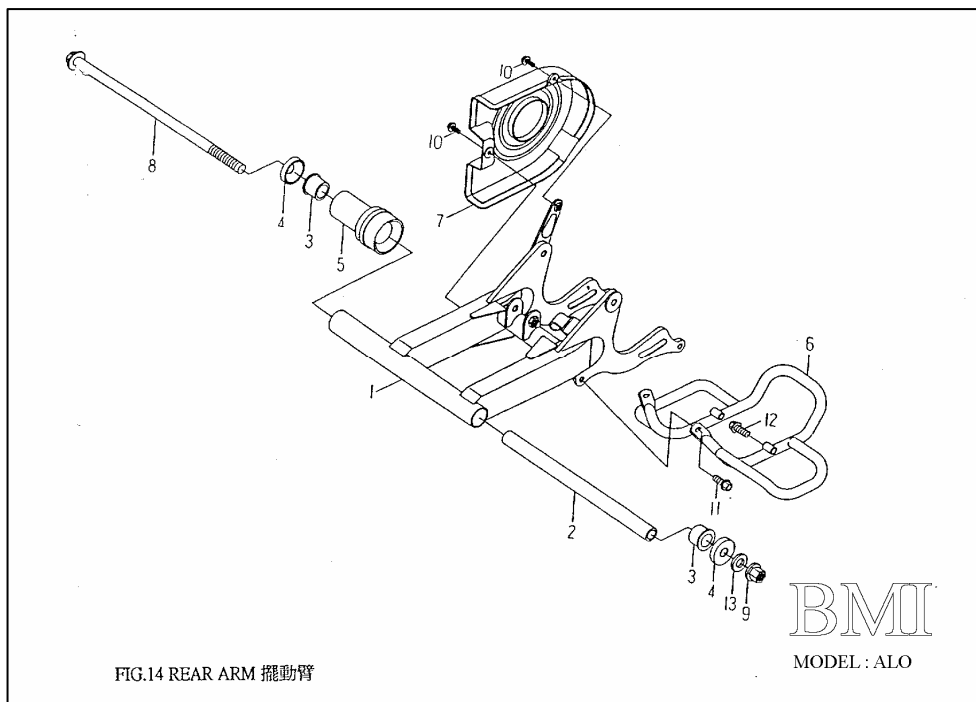
NO	PARTS NO.	PARTS NAME	QTY
1	35500-NAF-00	GENERATOR ASSEMBLY	1
2	35550-NAF-00	.ROTOR ASSEMBLY	1
3	35560-NAF-00	.BASE ASSEMBLY	1
4	35580-NAF-00	.COIL,PULSER	1
5	93110-19265	.OIL SEAL	1
6	95201-101408-C	NUT,HEXAGON	1
7	96310-06016-C	.SCREW,PAN HEAD	2
8	96312-04006-C	.SCREW,PAN HEAD WITH WASHER	1
9	96312-06010-C	.SCREW,PAN HEAD WITH WASHER	2
10	96312-06025-C	.SCREW,PAN HEAD WITH WASHER	2
11	97201-101726-C	WASHER,PLATE	1



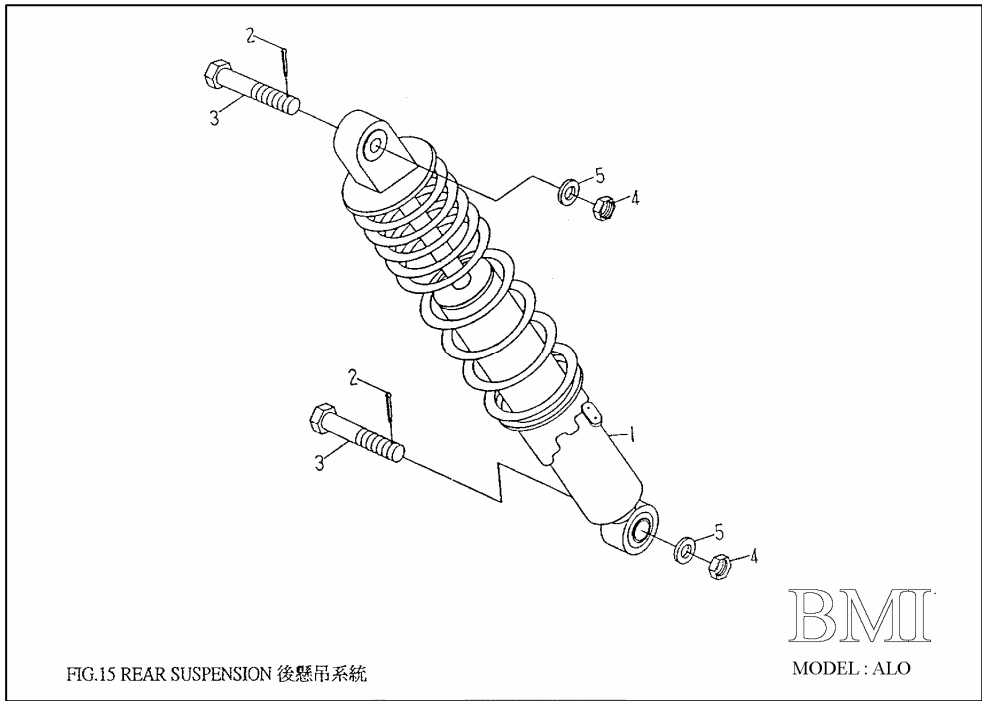
NO	PARTS NO.	PARTS NAME	QTY
1	35800-NAN-00	STARTING MOTOR ASSEMBLY	1
2	35801-NAN-00	.BRUSH SET	1
3	35811-NAN-00	.GASKET, YOKE	1
4	93210-19230	.O-RING	1
5	96414-04068-C	.BOLT, FLANGE	2
6	96510-06020-K	BOLT, SOCKET	2



NO	PARTS NO.	PARTS NAME	QTY
1	31610-SK9-01C	EXHAUST MUFFLER ASS'Y	1
2	31613-NAF-00	GASKET,EXHAUST PIPE (25.4*34*4)	1
3	31618-SK9-03	PROTECTOR,EXHAUST	1
4	31661-SK9-01	BRAKET,EXHAUST	1
5	94714-06018-C	SCREW,FLANGE	2
6	96414-08012-B	BOLT,FLANGE	3
7	96414-08030-K	BOLT,FLANGE	1
8	97201-081620-C	WASHER,PLATE	1
9	97210-081515	WASHER,PLATE	4

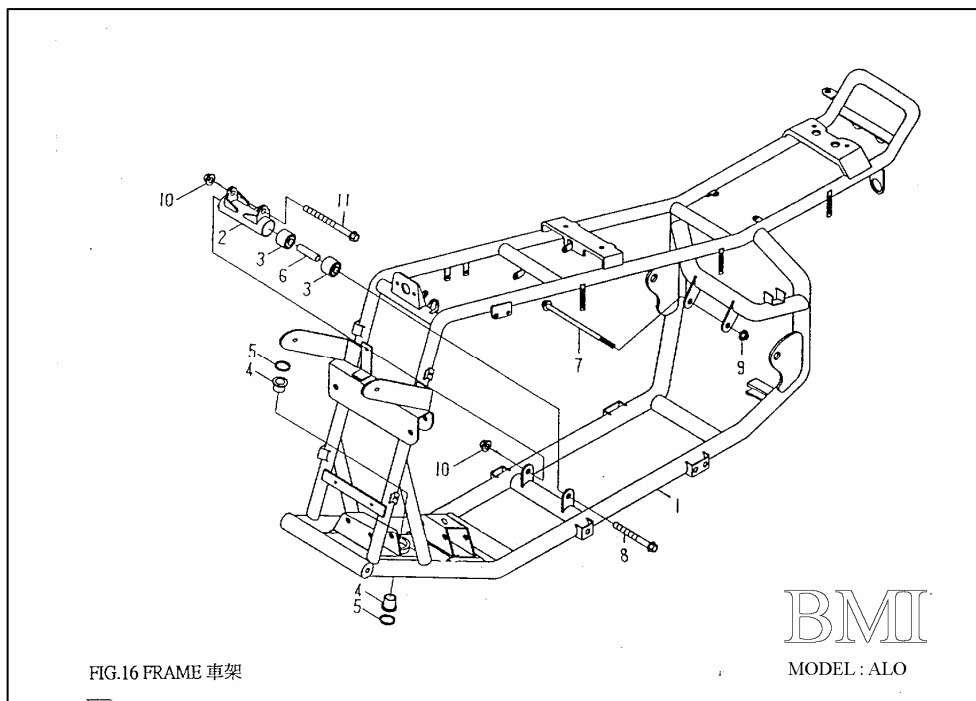


NO	PARTS NO.	PARTS NAME	QTY
1	32100-BL9-00	REAR ARM	1
2	32115-SK9-00	BUSH	1
3	32116-SK9-00	BUSH,SOLID	2
4	32118-SK9-00	COVER,THRUST	2
5	32160-SK9-00	SEAL,GUARD	1
6	32190-BL9-00	COVER	1
7	32191-SK9-00	DRIVE CHAIN CASE	1
8	94610-14290-B	SHAFT,PIVOT	1
9	95301-142212-B	NUT,LOCK 14MM	1
10	96318-06012-B	SCREW,PAN HEAD	2
11	96414-08012-B	BOLT,FLANGE	2
12	96414-08025-B	BOLT,FLANGE	2
13	97201-142820-B	WASHER,PLATE	1

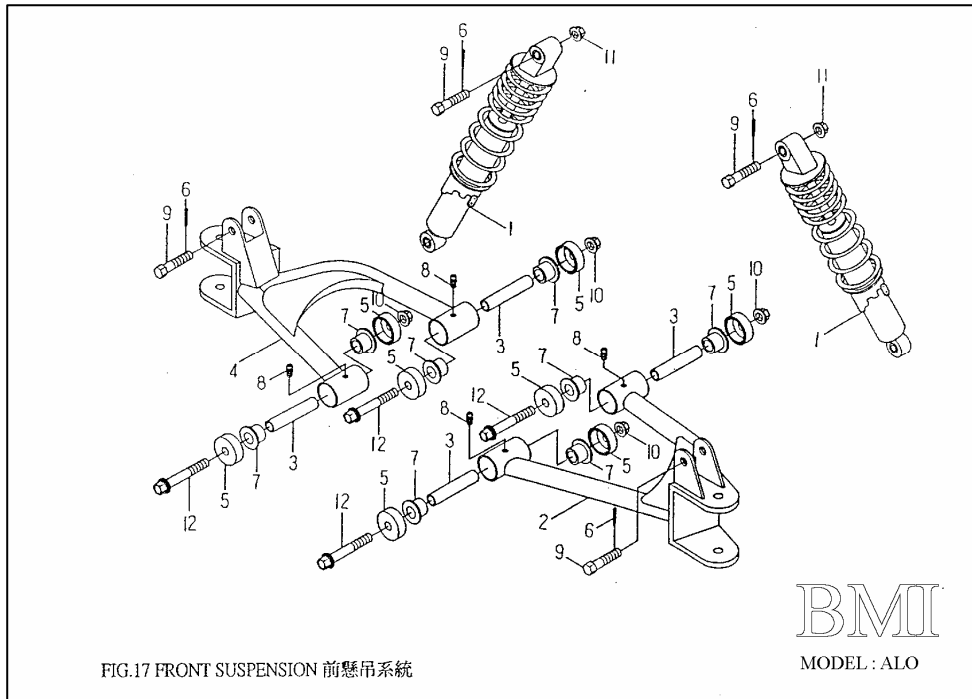


NO	PARTS NO.	PARTS NAME	Q'TY
1	32210-SK9-00	SHOCK ABSORBER ASS'Y,REAR	1
2	90240-18016-B	PIN.COTTER 1.8*16	2
3	94716-08039-B	BOLT	2
4	95201-081207-B	NUT,HEXAGON	2
5	97201-081823-B	WASHER,PLATE	2

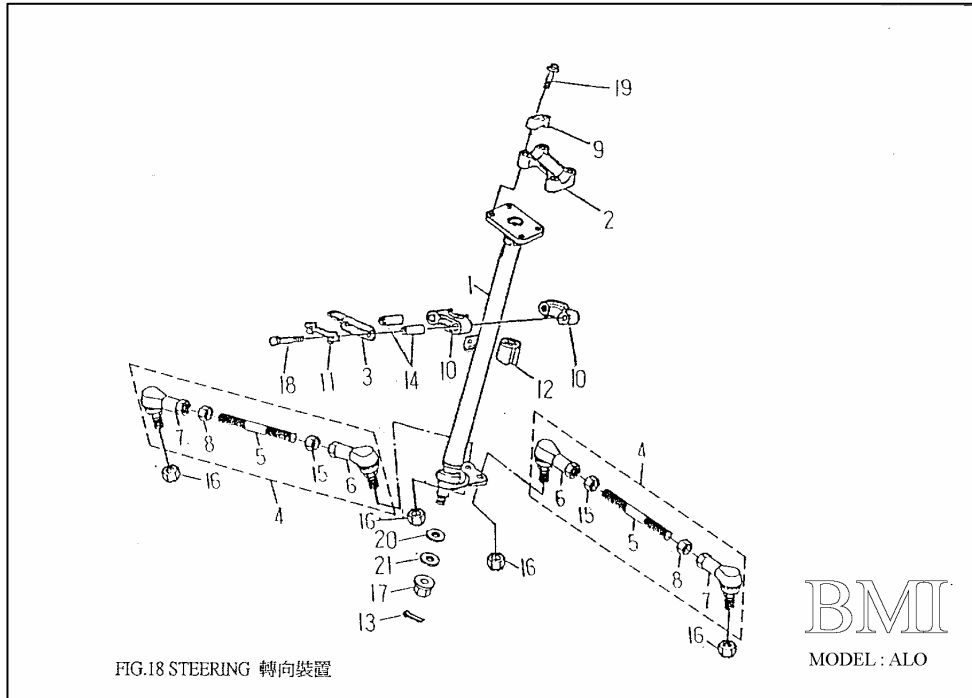




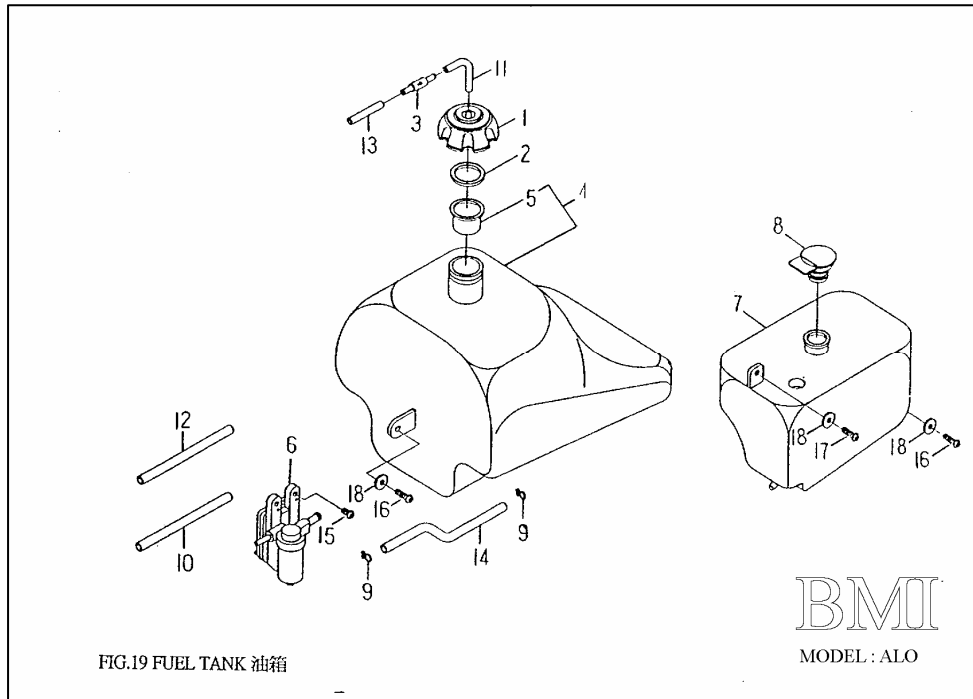
NO	PARTS NO.	PARTS NAME	Q'TY
1	41110-BL9-02	FRAME COMP	1
2	41181-SK9-00	ENGINE HANGER F	1
3	41416-SK9-00	BUSH	2
4	46412-RAM-00	BUSH,SOLID	2
5	96210-24148	O-RING,2.4*14.8	2
6	93510-101535-K	COLLAR	1
7	94610-08130-B	BOLT,FLANGE	1
8	94610-10120-B	BOLT,FLANGE	1
9	95401-081208-B	NUT,FLANGE	1
10	95401-101409-B	NUT,FLANGE	2
11	96414-10085-B	BOLT,FLANGE	1



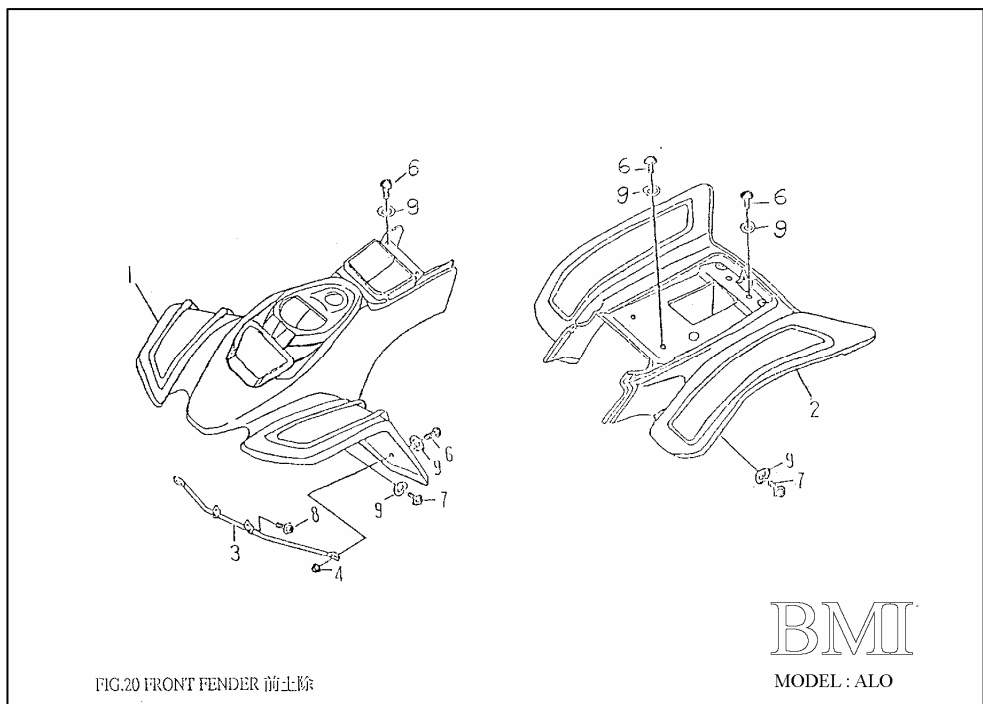
NO	PARTS NO.	PARTS NAME	QTY
1	42126-SK9-00	SHOCK ABSORBER ASS'Y	2
2	42161-BL9-00	FRT,ARM LEFT	1
3	42163-RAM-00	COLLAR	4
4	42171-BL9-00	FRT,ARM RIGHT	1
5	42183-RAM-00	COVER,THRUST	8
6	90240-23020-B	PIN,COTTER	4
7	93330-152118	BUSH,SOLID	8
8	94340-06010-B	NIPPLE,GREASE M6*P1.0	4
9	94716-10041-B	BLOT,KEYHOLE	4
10	95311-101710-B	NUT,NYLON	4
11	95401-101409-B	NUT,FLANGE	2
12	96414-10080-B	BOLT,FLANGE	4



NO	PARTS NO.	PARTS NAME	QTY
1	42101-SK9-02	COLUMN,STEERING	1
2	42106-SK9-00	BRIDGE, TOP	1
3	42118-RAM-00	BRACKET, STRG LOWER	1
4	42140-SK9-01	ROD, TIE ASS'Y	2
5	42141-SK9-01	ROD, TIE	2
6	42142-SK2-00	JOINT, UNIVERSAL 1	2
7	42143-SK2-00	JOINT, UNIVERSAL 2	2
8	42146-SK2-00	NUT	2
9	46125-RAM-00	HOLDER, HANDLE UPR	2
10	46411-RAM-00	BEARING, STEERING	2
11	46416-RAM-00	WASHER, LOCK	1
12	46417-SK9-00	PU, BUSH	1
13	90240-23020-B	PIN, COTTER 2.3*20	1
14	93510-081442-C	COLLAR	2
15	95201-101408-B	NUT, HEXAGON	2
16	95311-101710-B	NUT, NYLON	4
17	95401-101409-B	NUT, FLANGE	1
18	96210-08055-B	BOLT, HEXAGON	2
19	96414-08050-B	BOLT, FLANGE	4
20	97201-102620-B	WASHER, PLATE	1
21	97301-101720-B	WASHER, SPRING	1



NO	PARTS NO.	PARTS NAME	QTY
1	43102-SK9-00	CAP ASS'Y	1
2	43103-SK9-00	CAP WASHER	1
3	43108-SK5-00	CHECK, VALVE	1
4	43110-SK9-01	PETROL TANK	1
5	43114-SK9-00	INTAKE PIPE	1
6	43500-SK9-00	FUEL COCK ASS'Y	1
7	43751-SK9-00	OIL TANK	1
8	43771-NAF-01	BODY,CAP	1
9	90210-12010-C	CLIP 1.2*9.6	2
10	90310-42100	HOSE,VALUUM	1
11	90310-50060	HOSE5*8*60	1
12	90310-50070	HOSE,FUEL5*10*70	1
13	90310-50380	HOSE5*8*380	1
14	90310-60150	HOSE,FUEL6*10.5*150	1
15	90310-06012-B	SCREW,PAN HEAD	2
16	90310-06016-C	SCREW,PAN HEAD	2
17	90310-06025-C	SCREW,PAN HEAD	1
18	97201-061820-B	WASHER PLATE	3



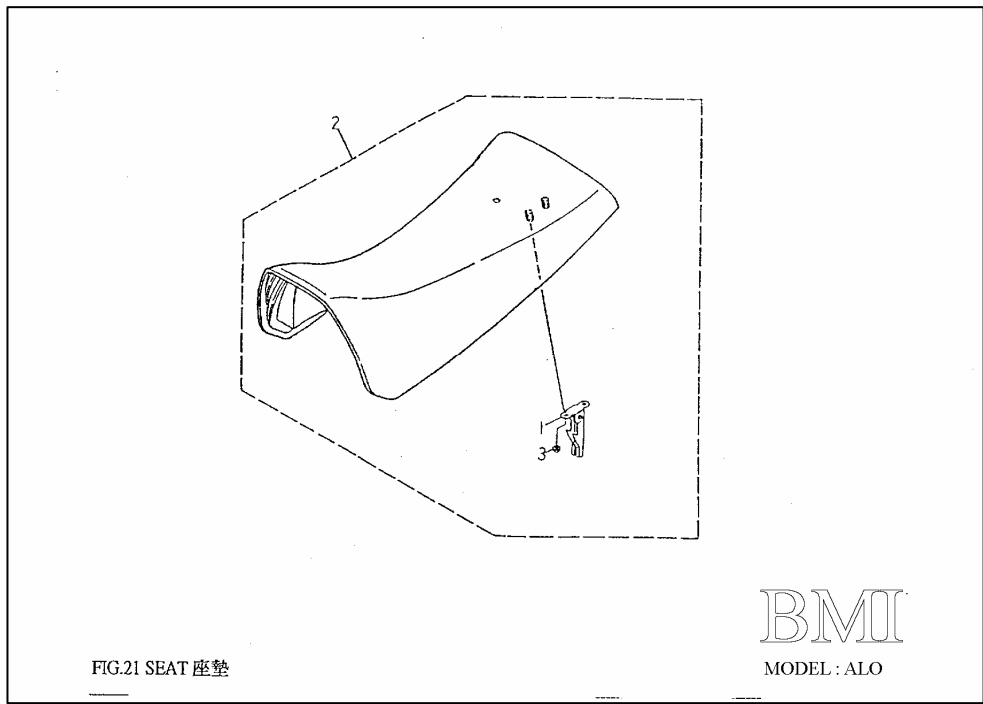
NO	PARTS NO.	PARTS NAME	QTY
1	51161-ALO-00	COVER,FRONT ROUGE	1
	51161-ALO-0004	COQUE AV BLEUE	1
2	51171-BL9-00	COVER,REAR ROUGE	1
	51171-BL9-0004	COQUE AR BLEUE	1
3	51556-BL9-00	STAY,FRONT COVER	1
4	95401-061006-B	NUT,FLANGE	2
5	96318-06015-B	SCREW PAN HEAD	10
6	96318-06020-B	SCREW PAN HEAD	2
7	96414-06012-B	BOLT,FLANGE	2
8	97321-061825-B	WASHER,FLANG	12
9	56811-ALO-00	KIT DECO PYTHON	1

[MENU PAGE](#)

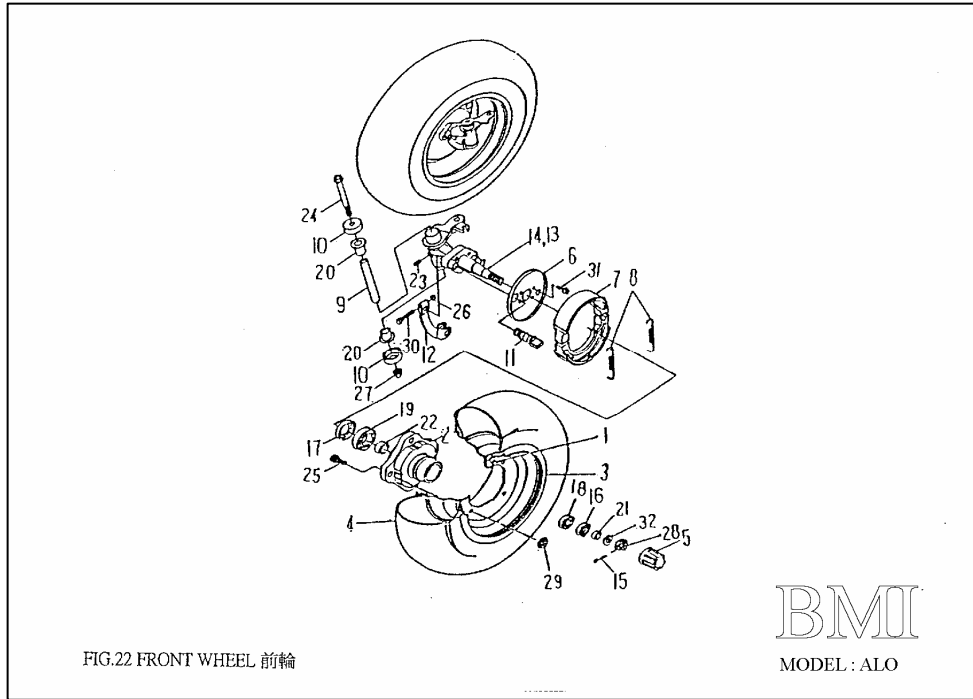
[PAGE UP ▲](#)

[PAGE DOWN ▼](#)

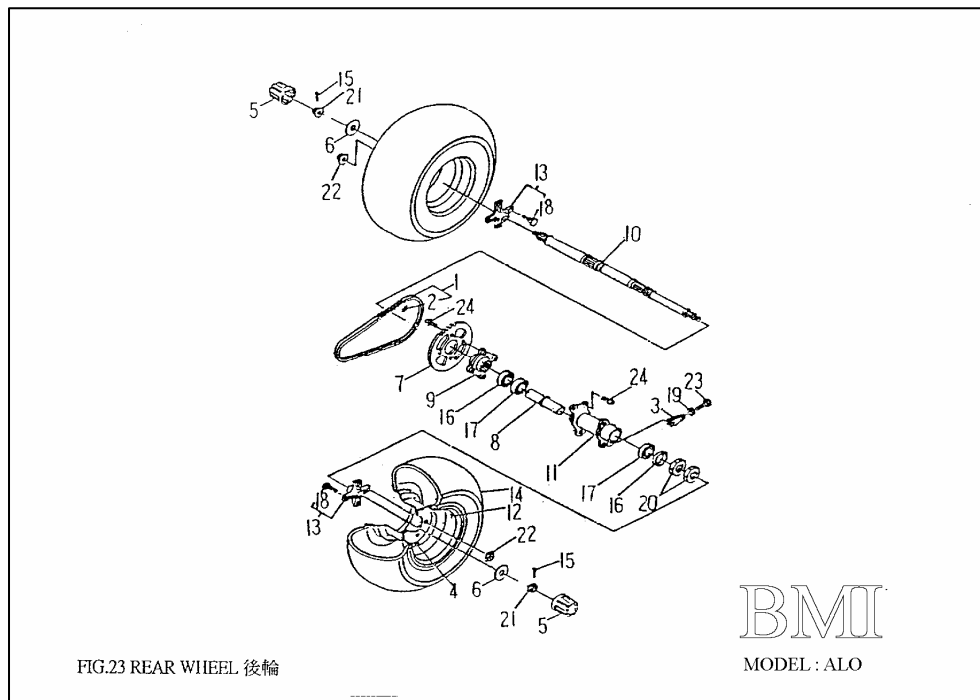
[ALL PARTS LIST](#)



NO	PARTS NO.	PARTS NAME	QTY
1	52710-RAM-00	CATCH COM,SEAT	1
2	52730-SK9-001	SINGLE SEAT ASS'Y	1
3	95401-061006-C	NUT,FLANGE	2



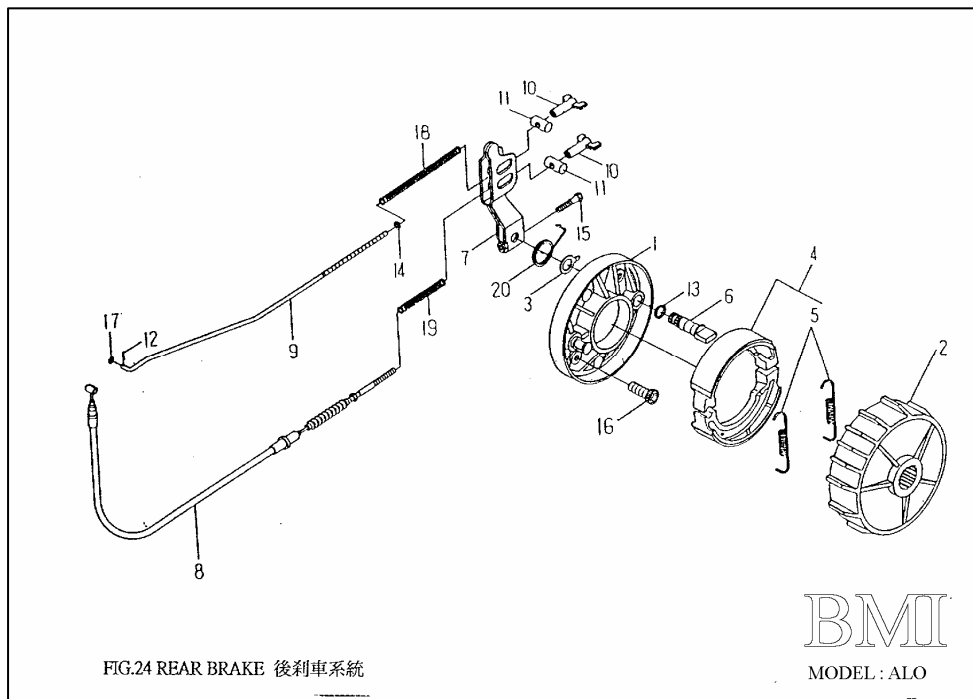
NO	PARTS NO.	PARTS NAME	QTY
1	42570-RAM-00	VALVE,RIM	2
2	42581-SK9-00	HUB,FRONT	2
3	42582-SK9-00	WHEEL,FRONT8.0*5.5AT	2
4	42590-SK9-00	TIRE,FRONT AT19*7-8(HF-247)13F	2
5	42595-SK9-00	CAP,WHEEL	2
6	45811-SK9-00	PLATE,BRAKE SHOE	2
7	45815-SK9-00	BRAKE SHOE SET	2
8	45816-SK9-00	SPRING TENSION	4
9	45825-SK9-00	COLLAR	2
10	45827-SK9-00	COVER,THRUST	4
11	45851-SK9-00	CAMSHAFT	2
12	45855-SK9-00	LEVER,CAMSHAFT	2
13	45860-SK9-00	KNUCKLE COMP,STEERING L	1
14	45865-SK9-00	KNUCKLE COMP,STEERING R	1
15	90240-29025-B	PIN,COTTER2.9*25	2
16	93110-20335	OIL SEAL20*35*5	2
17	93110-22406	OIL SEAL22*40*6	2
18	93320-153511S	BEARING,RADIAL BALL 6202CS05/2A	2
19	93220-174012S	BEARING,RADIAL BALL 6203CS05/2A	2
20	93330-172330	BUSH,SOLID	4
21	93510-152008-B	COLLAR	2
22	93510-172209-B	SPACER,BEARING	2
23	94340-06010-B	NIPPLE,GREASE	2
24	94610-10100-B	BOLT,FLANGE	2
25	94710-10025-C	BOLT,STUD	8
26	95201-050804-B	NUT,HEXAGON	2
27	95311-101710-B	NUT,NYLON	2
28	95321-142215-C	NUT,CASTLE	2
29	95401-101409-C	NUT,FLANGE	8
30	96210-05025-B	BOLT,HEXAGON	2
31	96510-06012-K	BOLT,SOCKET	6
32	97201-142820-C	WASHER,PLATE14.2*28.4*2	2



NO	PARTS NO.	PARTS NAME	QTY
1	25741-SK9-00	CHAIN 428HG*88L	1
2	25742-SK9-00	JOINT,CHAIN	1
3	32120-RAM-00	ADJUSTER,CHAIN	2
4	42570-RAM-00	VALVE,RIM	2
5	42595-SK9-00	CAP,WHEEL	2
6	42596-SK9-00	WHEEL,CAP	2
7	42812-SK9-00	SPROCKET,DRIVEN 428-35T	1
8	42815-SK9-00	SPACER,BEARING	1
9	42821-SK9-00	COLLAR,SPROCKET AXLE	1
10	42835-SK9-00	AXLE,WHEEL	1
11	42881-SK9-00	HUB,REAR	1
12	42882-SK9-00	WHEEL,REAR8.0*5.5AT	2
13	42885-SK9-00	COLLAR,WHEEL	2
14	42890-SK9-00	TIRE,REAR AT19*7-8(HF-247)13F	2
15	90240-29025-B	PIN,COTTER2.9*25	2
16	93110-42558	OIL SEAL 42*55*8	2
17	93320-305513Z	BEARING,RSDIAL BALL 6006Z	2
18	94710-10032-C	BOLT,STUD	8
19	95201-081207-B	NUT,HEXAGON	2
20	95201-284114-C	NUT,HEXAGON	2
21	95321-142215-C	NUT,CASTLE	2
22	95401-101409-C	NUT,FLANGE	8
23	96210-08055-B	BOLT,HEXAGON	2
24	96414-10020-B	BOLT,FLANGE	8

[MENU PAGE](#)
[PAGE UP ▲](#)
[PAGE DOWN ▼](#)
[ALL PARTS LIST](#)





NO	PARTS NO.	PARTS NAME	QTY
1	32310-BL9-00	PANEL,REAR BRAKE	1
2	32320-BL9-00	HUB,REAR BRAKE	1
3	32331-NAF-00	INDICATOT	1
4	32345-SK9-00	BRAKE SHOE KIT	1
5	32346-SK9-00	SPRING,TENSION	2
6	32351-SK9-00	CAMSHAFT	1
7	32355-SK9-00	LEVER,CAMSHAFT	1
8	61320-SK9-01	CABLE,BRAKE	1
9	61330-SK9-00	CABLE,BRAKE	1
10	61379-SK9-00	NUT,ADJUST	2
11	61389-NAF-00	PIN,FIXTURE	2
12	90230-12008	COTTER PIN	1
13	93210-13113	O-RING	1
14	95201-061005-B	NUT,HEXAGON	1
15	96210-06030-B	BOLT,HEXAGON	1
16	96510-06012-K	BOLT,SOCKET	2
17	97201-051410-B	WASHER,PLATE5.5*14*1	1
18	97501-10093-B	SPRING COMPRESSION	1
19	97501-12115-B	SPRING COMPRESSION	1
20	97508-26286-B	SPRING TORSION	1

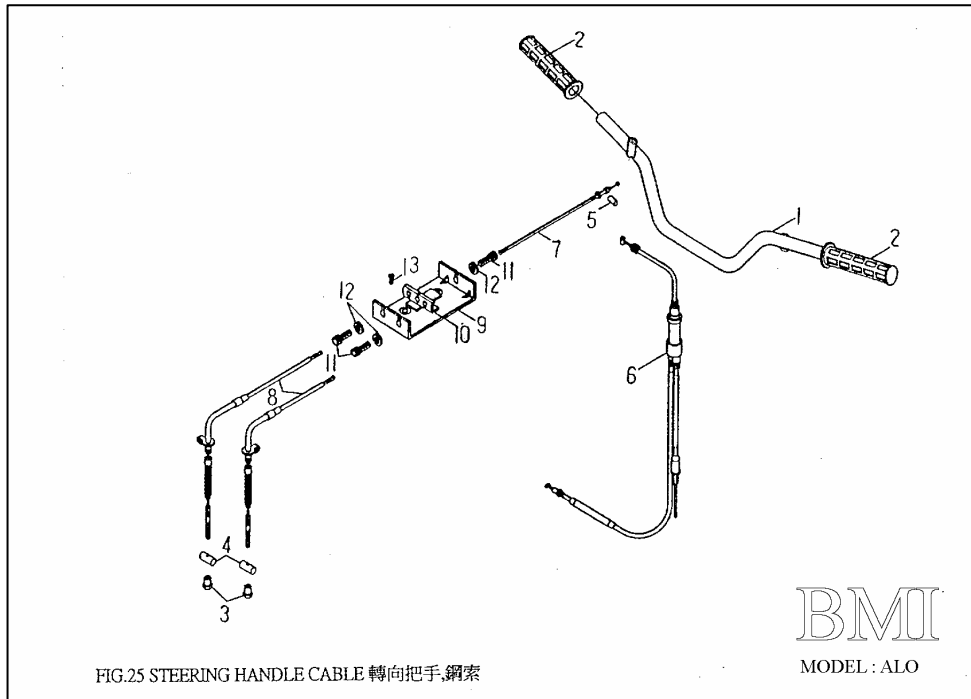
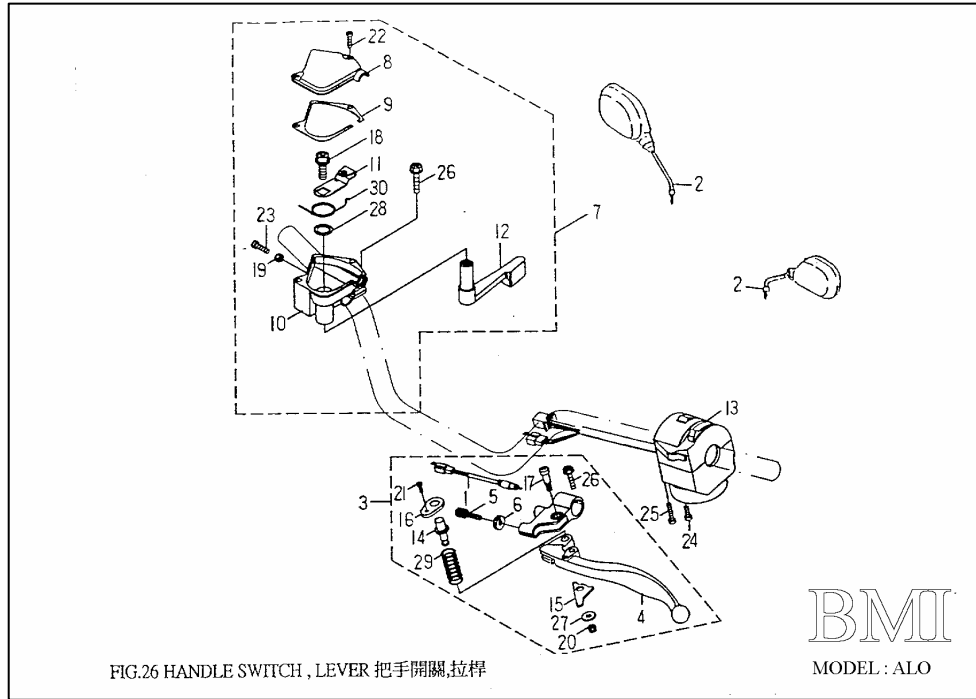
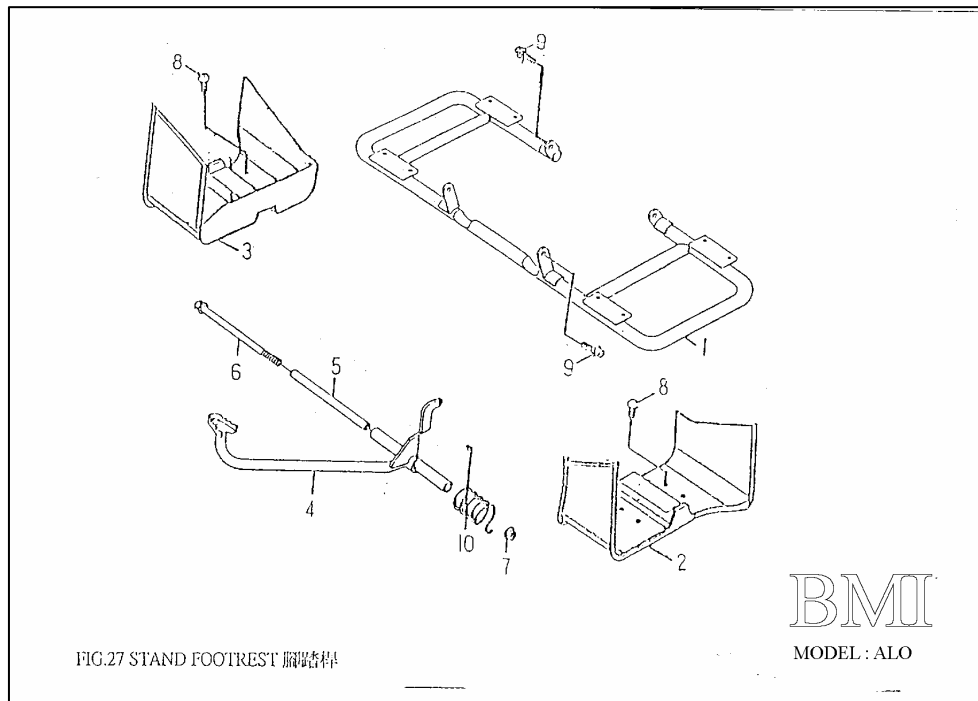


FIG.25 STEERING HANDLE CABLE 轉向把手,鋼索

NO	PARTS NO.	PARTS NAME	QTY
1	46110-SK9-01	HANDLEBAR	1
2	46240-RAM-00	GRIP	2
3	61379-NAF-01	NUT, ADJUST	2
4	61389-NAF-00	PIN, FIXTURE	2
5	61389-RAM-00	PIN, FIXTURE	1
6	61620-SK9-00	CABLE, THROTTLE	1
7	61811-SK9-00	CABLE, BRAKE UPPER	1
8	61812-SK9-00	CABLE, BRAKE LWR	2
9	61861-RAM-00	CABLE, PAN CONNECTOR	1
10	61863-RAM-00	SLIDER, CONNECTOR	1
11	62916-RAM-00	BOLT, WIRE ADJUSTING	3
12	62917-RAM-00	NUT, WIRE ADJUSTING	3
13	94712-06012-B	SCREW, FLAT HEAD	1



NO	PARTS NO.	PARTS NAME	QTY
1	45890-SK9-00	FRONT STOP SWITCH	1
2	56270-ROA-00	MIRROW ASS'Y, HANDLEL	1
3	62910-SK9-02	LEVER ASS'Y, HANDLEL	1
4	62912-SK9-02	LEVER, L	1
5	62916-RAM-00	BOLT, WIRE ADJUSTING	1
6	62917-RAM-00	NUT, WIRE ADJUSTING	1
7	62920-SK9-01	THROTTLE LEVER ASS'Y	1
8	62923-RAM-00	CAP, THROTTLE	1
9	62924-RAM-00	GASKET, THROTTLE	1
10	62925-RAM-00	THROTTLE LEVER	1
11	62927-RAM-00	ARM, THROTTLE	1
12	62928-RAM-00	LEVER, THROTTLE	1
13	62930-SK9-03	HANDLE SWITCH ASS'Y L	1
14	62971-RAM-00	PIN, LOCK	1
15	62973-RAM-00	LOCK, LEVER	1
16	62976-RAM-00	COVER	1
17	94710-06031-G	BOLT, LEVER	1
18	94714-08012-G	BOLT	1
19	95201-050804-G	NUT, HEXAGON	1
20	95311-061006-K	NUT, NYLON	1
21	96310-03008-B	SCREW, PAN HEAD	1
22	96310-04015-G	SCREW, PAN HEAD	2
23	96310-05025-G	SCREW, PAN HEAD	2
24	96310-05030-G	SCREW, PAN HEAD	1
25	96310-05040-G	SCREW, PAN HEAD	1
26	96510-06020-G	BOLT, SOCKER	1
27	97201-061210-C	WASHER, PLATE 6.2*11.5*1.0	1
28	97201-142016-C	WASHER, PLATE 14.2*19.7*1.6	1
29	97501-08025-B	SPRING	1
30	97508-10240-B	SPRING	1



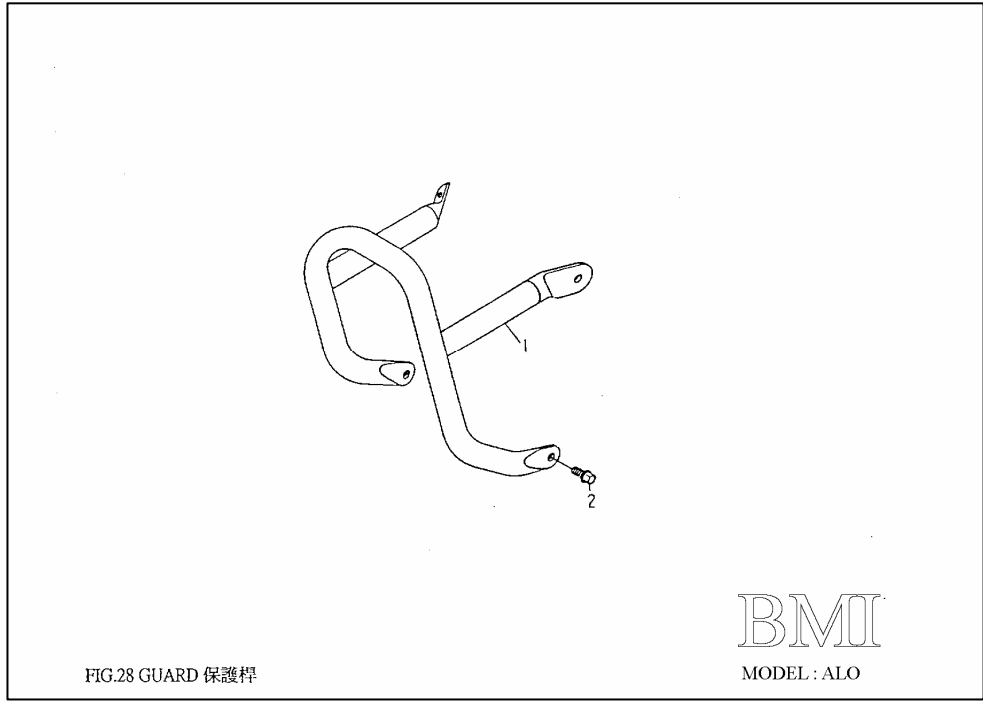
NO	PARTS NO.	PARTS NAME	QTY
1	53231-BLU-00	FOOTREST	1
2	53235-SK9-01	MUDGUARD L	1
3	53245-SK9-01	MUDGUARD R	1
4	53261-SK9-01	PEDAL, BRAKE	1
5	53263-SK9-00	COLLAR	1
6	94610-10208-B	SHAFT, PIVOT	1
7	95401-101409-B	NUT, FLANGE	1
8	96318-06015-K	SCREW, PAN HEAD	8
9	96414-08016-B	BOLT, FLANGE	4
10	97508-32292	SPRING, TORSION	1
11	97506-12140-B	SPRING, TENSION	1
12	62980-CHP-00	SWITCH ASS'Y, REAR STOP	1

[MENU PAGE](#)

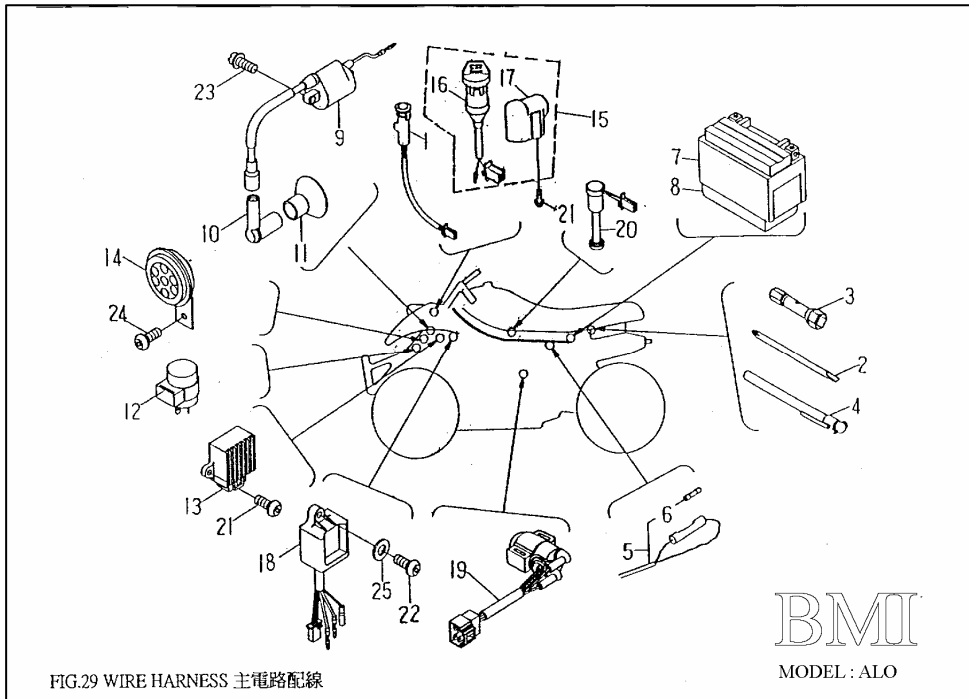
[PAGE UP ▲](#)

[PAGE DOWN ▼](#)

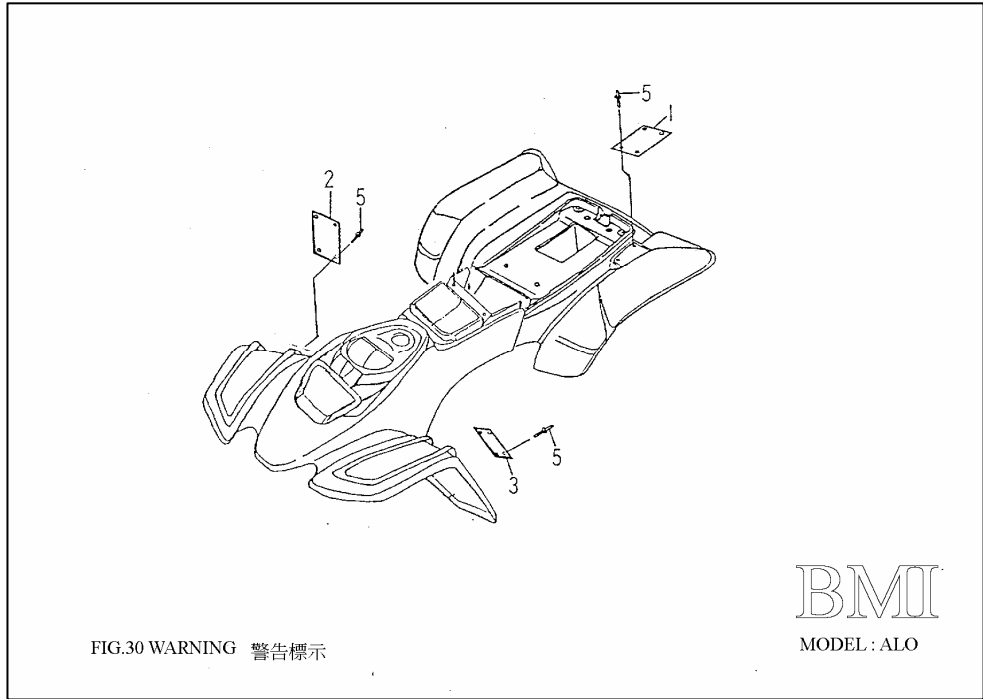
[ALL PARTS LIST](#)



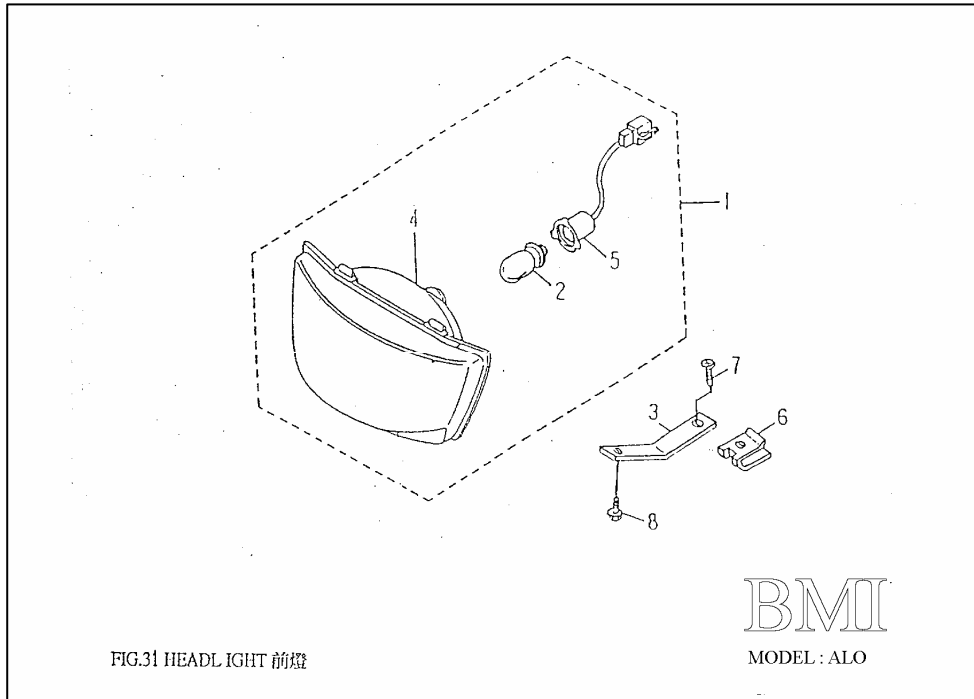
NO	PARTS NO.	PARTS NAME	QTY
1	41601-SK9-01	SHIELD, FRONT	1
2	96414-08012-B	BOLT, FLANGE	4



NO	PARTS NO.	PARTS NAME	QTY
1	5555-SK9-00	OIL LIGHT ASS'Y	1
2	56120-NAF-00	SCREW DRIVER	1
3	56140-SK9-00	TOOL PLUG	1
4	56190-RAM-00	GAUGE, AIR	1
5	61120-SK9-02	WIRE, HEADNESS	1
6	61151-NAF-00	FUSE	1
7	62100-NAN-00	BATTERY ASS'Y (YTX5L-BS)	1
8	62111-SK9-00	BATTERY PACKING	1
9	62310-NAF-00	IGNITIN COIL ASS'Y	1
10	62320-NAF-00	PLUG CAP ASS'Y	1
11	62322-NAF-00	SEAL, PLUG CAP	1
12	62350-NAF-01	FLASHER RELAY ASS'Y	1
13	62360-NAF-00	RECTIFIER & REGULATOR COMP	1
14	62370-NAF-00	HORN	1
15	62500-SK9-00	KEY SET	1
16	62501-SK9-00		1
17	62503-RAM-00		1
18	62540-NAF-00	C.D.I UNIT ASS'Y	1
19	62550-SK9-00	STARTER RELAY SWITCH COMP	1
20	62720-NAF-00	OIL LEVER GAUGE ASS'Y	1
21	96310-05012-B	SCREW, PAN HEAD 5*12	4
22	96310-05016-B	SCREW, PAN HEAD 5*16	1
23	96312-06020-C	SCREW, PAN HEAD WITH WASHER	2
24	96414-06010-C	BOLT, FLANGE	1
25	97201-051410-B	WASHER, PLATE	1

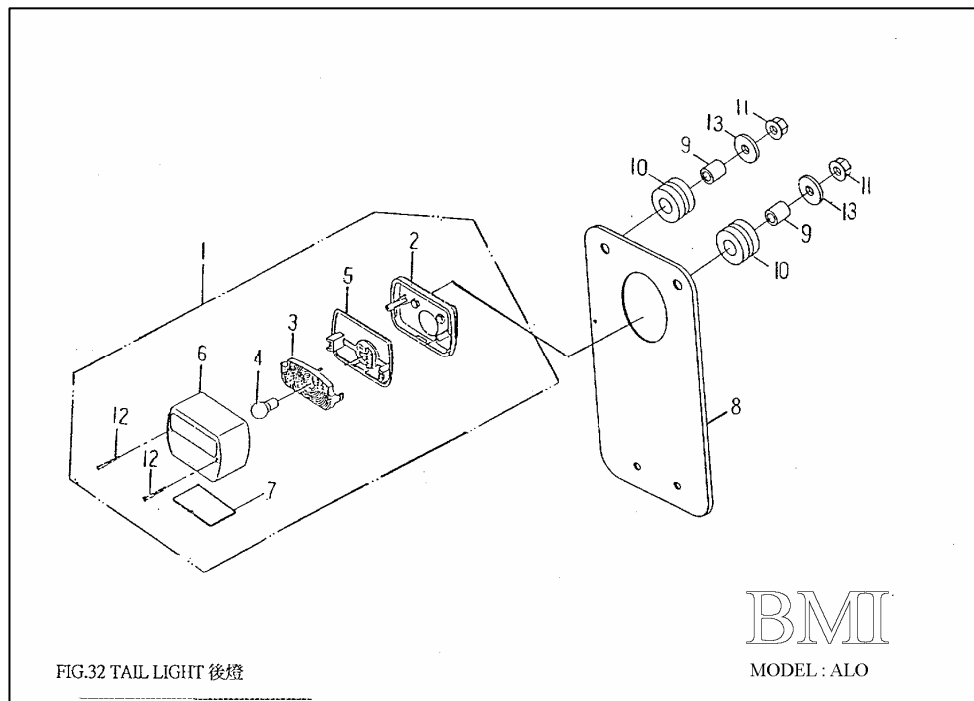


NO	PARTS NO.	PARTS NAME	QTY
1	56576-AK9-00	LABEL WARNING 3 (TIRE)	1
2	56578-AKO-00	LABEL WARNING 2 (AGE)	1
3	56781-AK9-00	LABEL WARNING 1 (OPERATION)	1
4	94230-32096	RIVET 3.2*9.6	12



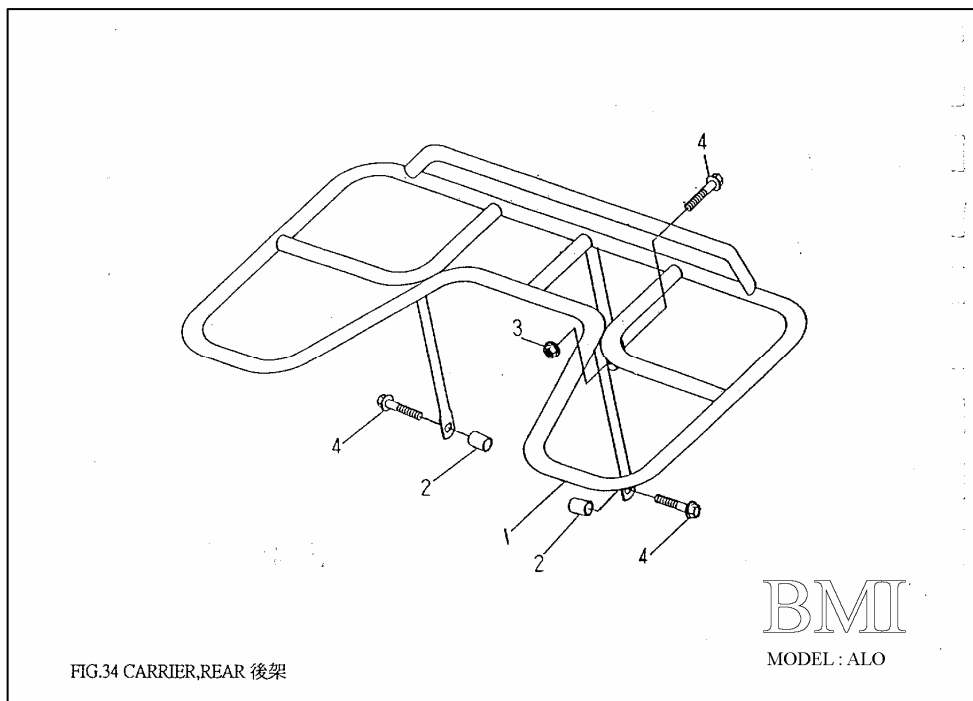
NO	PARTS NO.	PARTS NAME	QTY
1	55300-STG-00	HEAD LIGTH ASS'Y	1
2	55314-STG-00	BULB, HEAD LIGHT 12V30/30W	1
3	55315-AL9-00	STAY, HEAD LIGHT	1
4	55320-STG-00	LENS ASS'Y	1
5	55340-STG-00	SOCKET CORD ASS'Y	1
6	95101-05012	NUT, SPRING	1
7	96112-51616-K	SCREW, TAPPING	1
8	96310-04010-B	SCREW, PAN HEAD	1
9	97201-051410-B	WASHER,PLATE 5*14*1.0	1





NO	PARTS NO.	PARTS NAME	QTY
1	55700-CHP-00	TAIL LIGHT ASS'Y	1
2	55701-CHP-00	STAND, TAIL LIGHT	1
3	55 713-PAF-00	BULB STAND, TAIL LIGHT	1
4	55714-PAF-00	BULB, TAIL LIGHT (12V21/5W)	1
5	55715-PAF-00	FIXING WASHER	1
6	55721-PAF-00	LENS, TAIL LIGHT	1
7	55743-PAF-00	LENS, LICENCE LIGHT	1
8	55751-SK9-00	BRACKET, LICENCE	1
9	93510-061010	COLLAR	2
10	93580-102212	GROMMET	2
11	95401-061006-B	NUT, FLANGE	2
12	96112-43818-B	SCREW, TAPPING	2
13	97201-061820-B	WASHER, PLATE	2





NO	PARTS NO.	PARTS NAME	Q'TY
1	52820-BL9-00	CARRIER, REAR	1
2	93510-081425-K	COLLAR	2
3	95401-081208-B	NUT, FLANGE	1
4	96414-08040-B	BOLT, FLANGE	3