

BAROSSA MOTOR INDUSTRY CO., LTD.

CONTENTS

SPARE PARTS LIST FOR ALOE

FIG 01	CYLINDER	FIG 19	FUEL TANK
FIG 02	CRANKSHAFT PISTON	FIG 20	FRONT FENDER
FIG 03	AIR SHROUD, FAN	FIG 21	SEAT
FIG 04	OIL PUMP	FIG 22	FRONT WHEEL
FIG 05	CARBURETOR	FIG 23	REAR WHEEL
FIG 06	INTAKE	FIG 24	REAR BRAKE
FIG 07	CRANKCASE	FIG 25	STEERING HANDLE CABLE
FIG 08	STARTER	FIG 26	HANDLE SWITCH
FIG 09	CLUTCH	FIG 27	STAND FOOTREST
FIG 10	TRANSMISSION	FIG 28	GUARD
FIG 11	GENERATOR	FIG 29	WIRE HARNESS
FIG 12	STARTING MOTOR	FIG 30	WARNING
FIG 13	EXHAUST MUFFLER	FIG 31	HEAD LIGHT
FIG 14	REAR ARM	FIG 32	TAIL LIGHT
FIG 15	REAR SUSPENSION	FIG 33	SPEEDOMETER
FIG 16	FRAME	FIG 34	CARRIER REAR
FIG 17	FRONT SUSPENSION	FIG 35	SPARE PARTS LIST
FIG 18	STEERING		

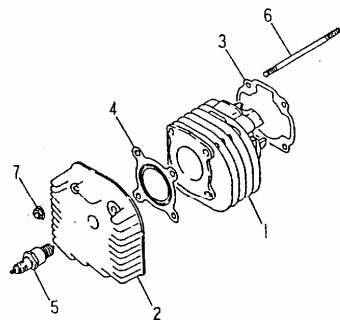
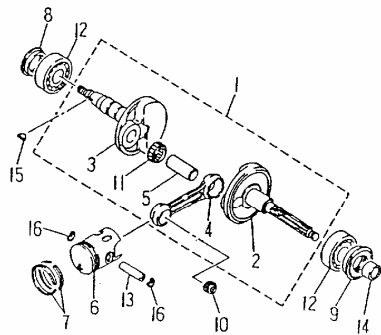


FIG.01 CYLINDER 汽缸

BMI
MODEL : ALO

NO	PARTS NO.	PARTS NAME	QTY
1	11111-NAF-00	CYLINDER	1
2	11121-NAF-00	HEAD,CYLINDER	1
3	11151-NAF-00	GASKET,CYLINDER	1
4	11181-NAF-00	GASKET,CYLINDER HEAD	1
5	62210-NAF-01	PLUG,SPARK (NGK BPR7HS)	1
6	9471707109-C	BOLT,STU	4
7	95401-071007-C	NUT,FLANGE	4



BMI
MODEL : ALO

FIG.02 CRANKSHAFT.PISTON 曲軸.活塞

NO	PARTS NO.	PARTS NAME	QTY
1	11400-SK5-00	CRANKSHAFT ASSEMBLY	1
2	11412-SK5-00	.CRANK L	1
3	11422-SK5-00	.CRANK R	1
4	11451-NAF-00	.ROD,CONNECTING	1
5	11481-NAF-00	.PIN,CRANK	1
6	11631-NAF-00B	PISTON (STD)	1
7	11636-NAF-00	PISTON RING SET (STD)	1
8	93110-20306	OIL SEAL	1
9	93110-20428	OIL SEAL	1
10	93310-1014125	BEARING,NEEDLE ROLLER	1
11	93310-1622118	.BEARING,NEEDLE ROLLER	1
12	93320-204714J	BEARING,RADIAL BALL	2
13	93510-051033	PIN,PISTON	1
14	93510-152012	COLLAR	1
15	94420-03013	KEY,SEMICIRCLE	1
16	97050-10012	CIRCLIP	2

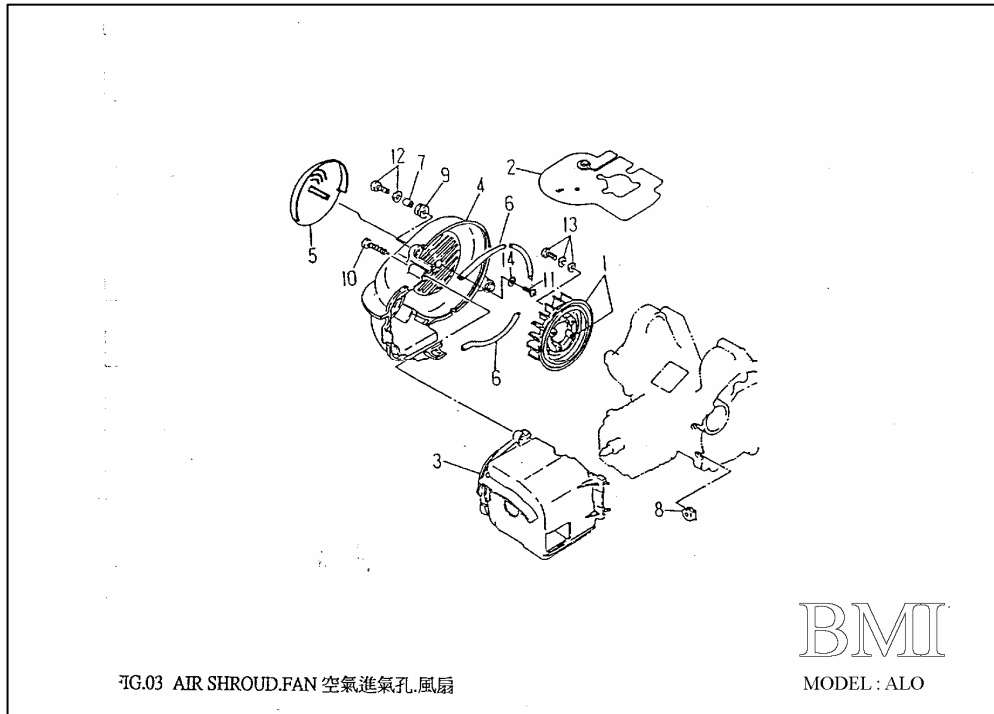
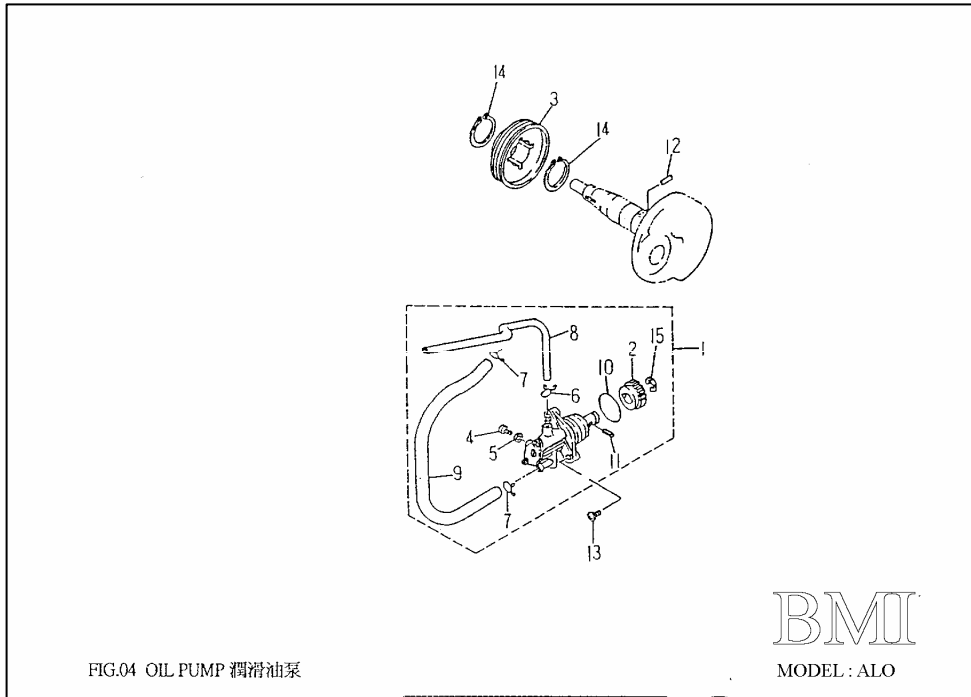
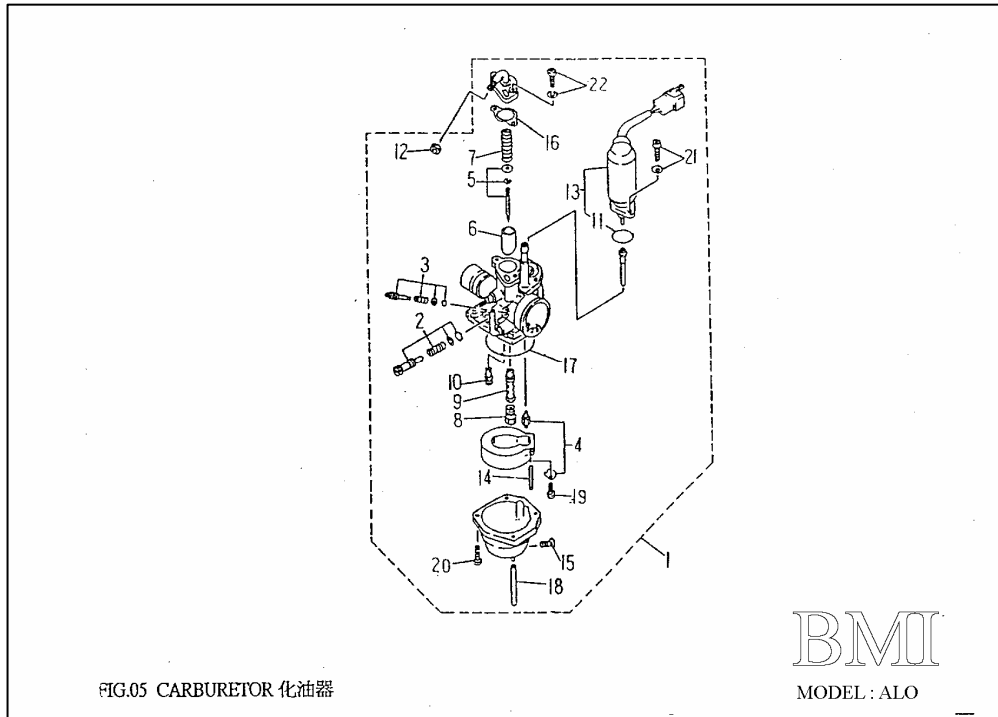


FIG.03 AIR SHROUD.FAN 空氣進氣孔.風扇

NO	PARTS NO.	PARTS NAME	QTY
1	12611-NAF-00	FAN	1
2	12631-NAF-00	DEFLECTOR	1
3	12651-NAF-00	AIR SHROUD,CYLINDER	1
4	12653-NAF-00	AIR SHROUD,FAN	1
5	12657-SK9-00	CAP,AIR SHROUD	1
6	12658-NAF-00	DAMPER,AIR SHROUD	3
7	93560-68510	COLLAR	2
8	93580-41610	GROMMET	2
9	93580-81610	GROMMET	2
10	96110-64016-C	SCREW,TAPPING	1
11	96112-51216-K	SCREW,TAPPING	1
12	96312-06020-K	SCREW,PAN HEAD WITH WASHER	2
13	96314-06016-C	SCREW,PAN HEAD WITH WASHER	4
14	97201-051410-B	WASHER,PLATE	1



NO	PARTS NO.	PARTS NAME	QTY
1	13100-SKO-00	OIL PUMP ASSEMBLY	1
2	13124-NAF-00	GEAR WORM WHEEL (40T)	1
3	13178-NAF-00	GEAR,PUMP DRIVE	1
4	13185-NAF-00	.BOLT,BREATHER	1
5	13187-NAF-00	.GASKET,BREATHER BOLT	1
6	90210-06005-C	.CLIP	1
7	90210-08009-C	.CLIP	2
8	90310-20050	.HOSE	1
9	90310-50570	.HOSE	1
10	93210-16195	.O-RING	1
11	94430-30012	.PIN,DOWEL	1
12	94510-30012	PIN,DOWEL	1
13	96310-05014-C	SCREW,PAN HEAD	2
14	97010-19012	CIRCLIP	2
15	97011-07008-K	.CIRCLIP	1



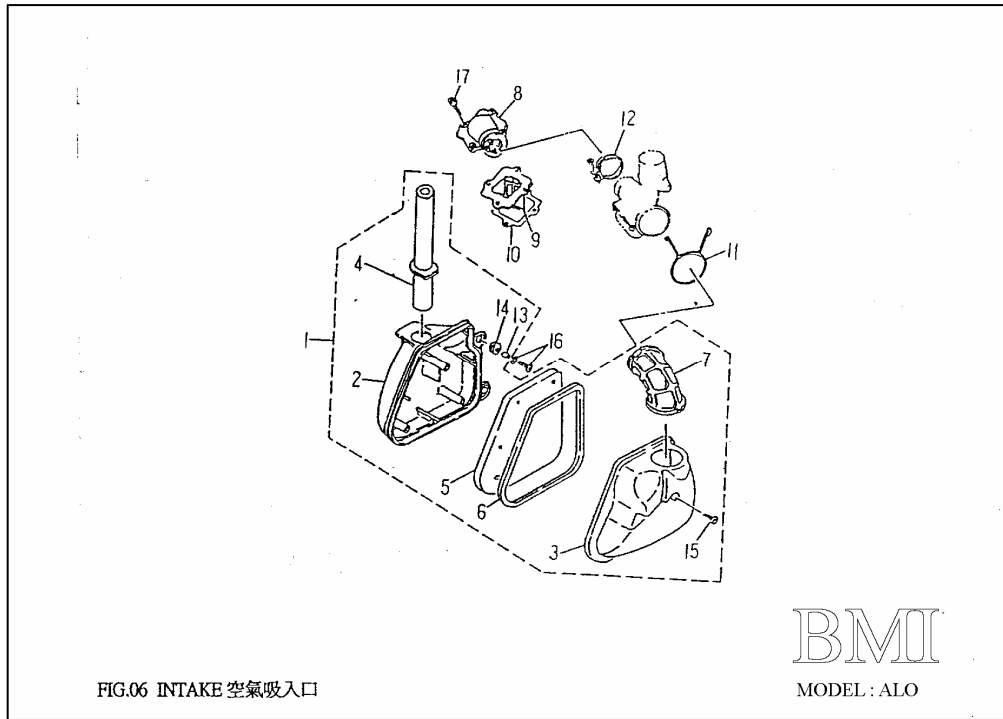
NO	PARTS NO.	PARTS NAME	QTY
1	13201-NAF-00	CARBURETOR ASSEMBLY	1
2	13203-NAF-00	.THROTTLE SCREW SET	1
3	13204-NAF-00	.AIR SCREW SET	1
4	13207-NAF-00	.NEEDLE VALVE SET	1
5	13211-NAF-00	.NEEDLE SET	1
6	13212-NAF-00	.VALVE,THROTTLE	1
7	13233-NAF-00	.SPRING,THROTTLE STOP	1
8	13240-NAF-00	.JET,MAIN (#75)	1
	13240NAN00	JET,MAIN (#82,5)	1
9	13241-NAF-00	.NOZZLE,MAIN	1
10	13242-NAF-00	.JET,PILOT (#17.5)	1
11	13247-NAF-00	.O-RING	1
12	13261-NAF-00	.NUT,CABLE ADJUSTING	1
13	13271-NAF-00	.PLUNGER,STARTER	1
14	13286-NAF-00	.PIN,FLOAT	1
15	13291-NAF-00	.PLUG,DRAIN	1
16	13296-NAF-00	.GASKET	1
17	13297-NAF-00	.SEAL	1
18	13298-NAF-00	.PIPE	1
19	96310-03006-C	.SCREW,PAN HEAD	1
20	96310-04012-C	.SCREW,PAN HEAD	4
21	96312-04008-C	.SCREW,PAN HEAD WITH WASHER	2
22	96312-04012-C	.SCREW,PAN HEAD WITH WASHER	2

[MENU PAGE](#)

[PAGE UP](#)

[*-0.](#)

[ALL PARTS LIST](#)



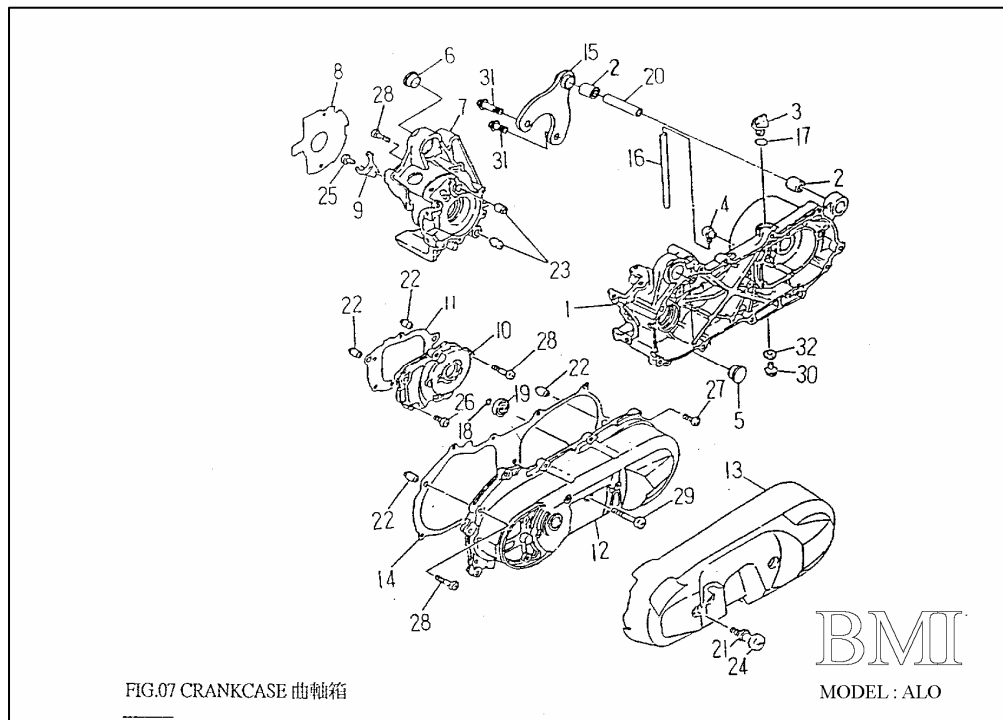
NO	PARTS NO.	PARTS NAME	QTY
1	13410-SK9-00	AIR CLEANER ASSEMBLY	1
2	13411-NAF-01	CASE,AIR CLEANER	1
3	13412-NAF-00	CAP,CLEANER CASE	1
4	13437-SK9-00	DUCT	1
5	13451-NAF-00	ELEMENT,AIR CLEANER	1
6	13452-NAF-00	SEAL	1
7	13453-NAF-00	JOINT,AIR CLEANER	1
8	13555-NAF-00	MANIFOLD,INTAKE	1
9	13610-NAF-00	REED VALVE ASSEMBLY	1
10	13621-NAF-00	GASKET,VALVE SEAT	1
11	90210-23043-B	CLIP	1
12	90260-13325-C	CLAMP,HOSE	1
13	93560-68510	COLLAR	2
14	93580-81610	GROMMET	2
15	96110-52512-K	SCREW,TAPPING	3
16	96312-06020-K	SCREW,PAN HEAD WITH WASHER	2
17	96510-06020-K	BOLT,SOCKET	4

[MENU PAGE](#)

[PAGE UP ▲](#)

[PAGE DOWN ▼](#)

[ALL PARTS LIST](#)



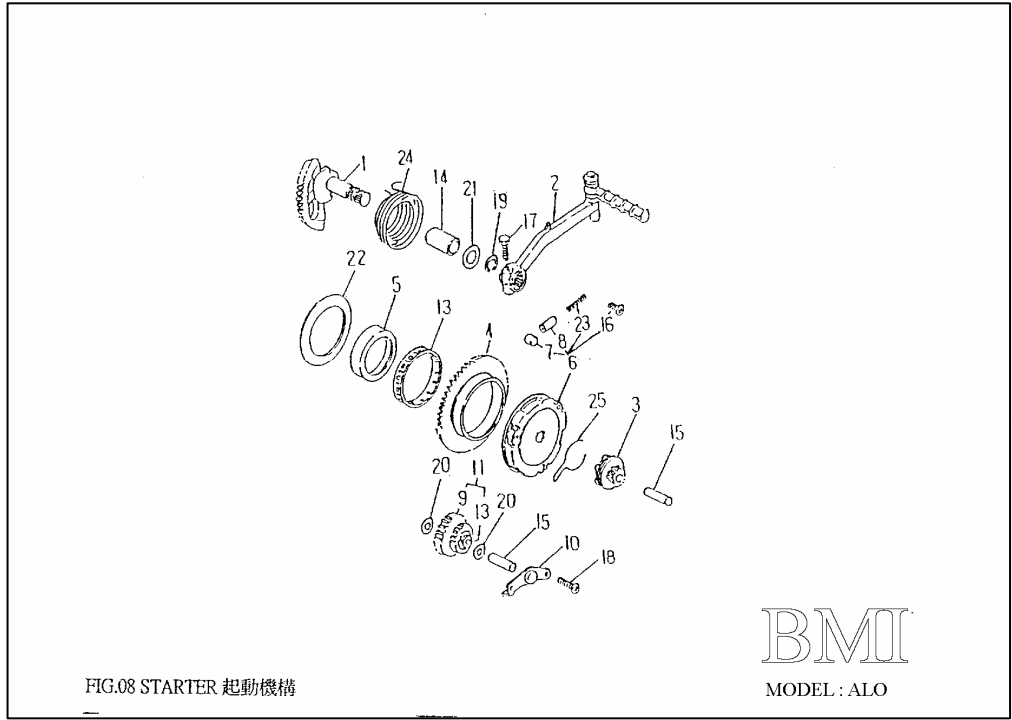
NO	PARTS NO.	PARTS NAME	Q'TY
1	15111-SK5-00	CRANKCASE,LEFT	1
2	15116-NAF-00	NUT,FLANGE	2
3	15163-NAF-00	PLUG,OIL	1
4	15171-NAF-00	BREATHER	1
5	15178-SK9-00	PLUG,TAPER L	1
6	15278-SK9-00	PLUG,TAPER R	1
7	15211-SK5-00	CRANKCASE,RIGHT	1
8	15221-NAF-01	GASKET,STATOR	1
9	15228-NAF-00	HOLDER	1
10	15311-YAN-00	COVER,GEARBOX	1
11	15351-NAF-01	GASKET,GEARBOX COVER	1
12	15411-SK9-00	COVER,CRANKCASE	1
13	15421-YAN-00	COVER CRANKCASE	1
14	15481-YAN-01	GASKET,CRANKCASE COVER	1
15	41183-SK9-00	ENGING HANGER B	1
16	90311-50070	HOSE,BREATHER	1
17	93210-24140	O-RING	1
18	93210-31080	O-RING	1
19	93320-082809Z	BEARING,RADIAL BALL 638ZZ	1
20	93510-081471-K	COLLAR	1
21	93580-61509	GROMMET	2
22	94410-10014	PIN,DOWEL	4
23	94410-12016	PIN,DOWEL	2
24	94706-06023-K	BOLT	2
25	96310-06012-C	SCREW,PAN HEAD	1
26	96310-06020-B	SCREW,PAN HEAD	3
27	96310-06025-B	SCREW,PAN HEAD	8
28	96310-06035-B	SCREW,PAN HEAD	10
29	96310-06065-B	SCREW,PAN HEAD	1
30	96414-08016-C	BOLT,FLANGE	1
31	96414-10020-B	BOLT,FLANGE	2
32	97230-081512	WASHER,COPPER	1

[MENU PAGE](#)

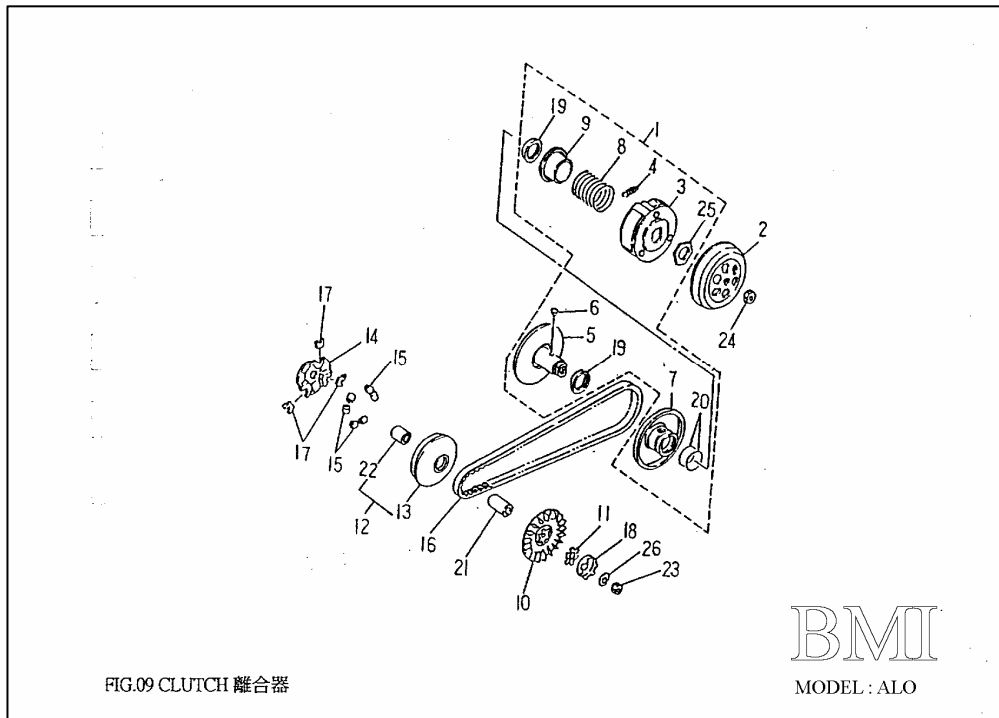
[PAGE UP ▲](#)

[PAGE DOWN ▼](#)

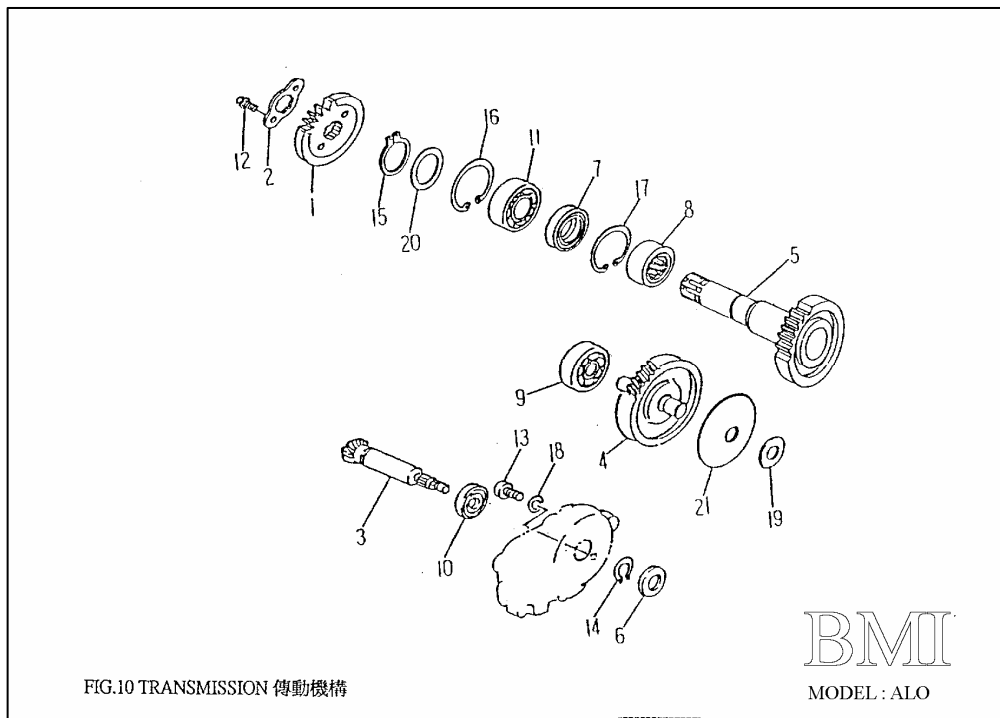
[ALL PARTS LIST](#)



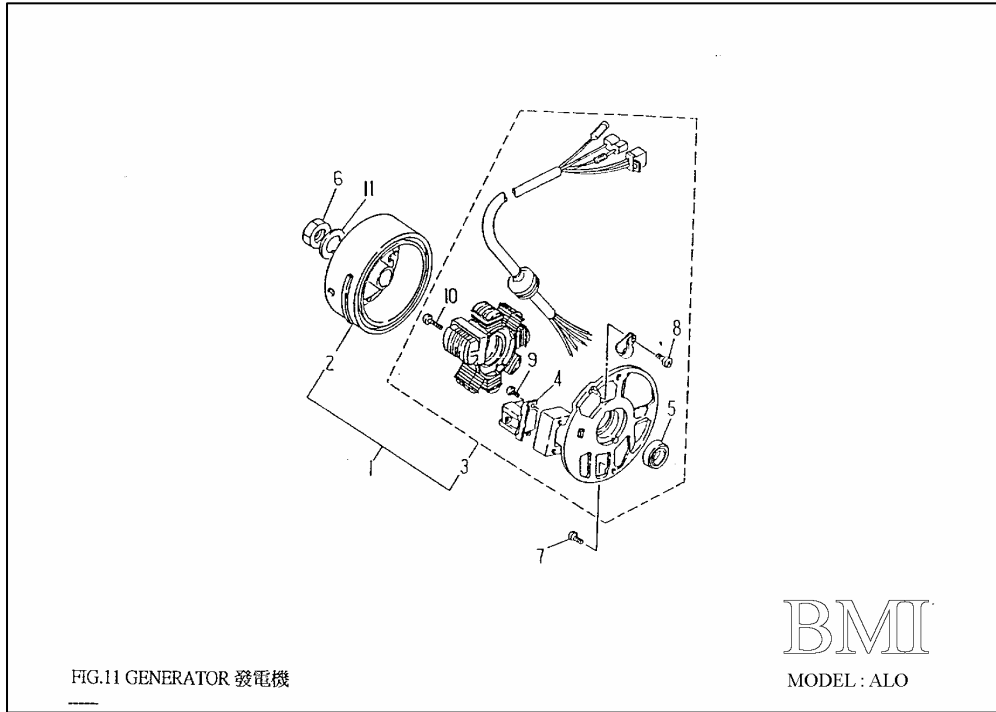
NO	PARTS NO.	PARTS NAME	QTY
1	22601-YAN-00	KICK SHAFT ASSEMBLY	1
2	22620-NAF-00	KICK CRANK ASSEMBLY	1
3	22630-NAF-00	KICK PINION ASSEMBLY	1
4	23524-NAF-00	WHEEL,STARTER	1
5	23538-NAF-00	BOSS,GEAR	1
6	23570-NAF-00	STARTER CLUTCH ASSEMBLY	1
7	23576-NAF-01	STARTER CLUTCH,ROLLER 6*8	3
8	23578-NAF-00	STARTER CLUTCH,SCOVER	3
9	23612-NAF-00	IDLE GEAR	1
10	23632-NAF-00	PLATE,IDLE GEAR	1
11	23650-NAF-00	IDLE GEAR ASSEMBLY	1
12	93310-0812100	BEARING,NEEDLE ROLLER	1
13	93310-5559127	BEARING,NEEDLE ROLLER	1
14	93510-152030	BUSHING,KICK SHAFT	1
15	94510-80032	SHAFT,GEAR	2
16	94712-05010-B	SCREW,TAPPING	3
17	96210-06025-K	BOLT,HEXAGON	1
18	96310-06012-C	SCREW,PAN HEAD	2
19	97010-15010	CIRCLIP	1
20	97201-081620-C	WASHER,PLATE	2
21	97201-152810-K	WASHER,PLATE	1
22	97201-557606	WASHER,PLATE	1
23	97501-02021	STARTER CLUTCH,SPRING	3
24	97508-32535	STARTER,TORSION	1
25	97510-26300	CLIP,SPRING	1



NO	PARTS NO.	PARTS NAME	QTY
1	25602-NAF-00	SECONDARY SHEAVE ASSEMBLY	1
2	25611-NAF-00	CLUTCH HOUSING COMP	1
3	25620-NAF-00	.CLUTCH CARRIER ASSEMBLY	1
4	25626-NAF-00	.SPRING,CLUTCH WEIGHT	3
5	25660-NAF-00	.SECONDARY FIXED SHEAVE COMP	1
6	25664-NAF-00	.PIN,GUIDE	2
7	25670-NAF-00	.SECONDARY SLIDING SHEAVE	1
8	25680-NAN-01	COMPRESSION	1
9	25684-NAF-00	.SEAT,SECONDARY SPRING	1
10	25711-NAF-00	SHEAVE,PRIMARY FIXED	1
11	25716-NAF-00	WASHER,CLAW	1
12	25720-NAF-00	PRIMARY SLIDING SHEAVE COMP	1
13	25721-NAF-00	PRIMARY SLIDING SHEAVE	1
14	25723-NAF-00	CAM,PLATE	1
15	25732-NAF-00	WEIGHT ROLLER	6
16	25741-YAF-03	V-BELT	1
17	25753-NAF-00	SLIDER	3
18	25757-NAN-00	CLUTCH,ONEWAY	1
19	93110-33394	.OIL SEAL	2
20	93210-20360	.O-RING	2
21	93510-162137	BUSHING,SLIDING CLUTCH	1
22	93510-212622	BUSHING,SLIDING SHEAVE	1
23	95201-101708-C	NUT,HEXAGON	1
24	95201-102406-C	NUT,HEXAGON	1
25	95201-284104-C	.NUT,HEXAGON	1
26	97310-102425	WASHER,CONICAL SPRING	1



NO	PARTS NO.	PARTS NAME	Q'TY
1	25711-SK9-01	SPROCKET DRIVE 428-18T	1
	25711-SK9-02		1 20T
2	25716-CHP-00	PLATE, FIXING	1
3	26111-YAF-00	GEAR, PRIMARY DRIVE 15T	1 13T
4	26410-YAF-00	MAIN AXLE COMP 47/11T	1 48/12T
5	26420-SK5-00	DRIVE AXLE ASSEMBLY 31T	1 36T
6	93110-17285	OIL SEAL 17*28*5.5	1
7	93110-25356	OIL SEAL 25*35*6	1
8	93310-2533160	BEARING, NEEDLE ROLLER HMK-2516	1
9	93320-123210	BEARING, RADIAL BALL 6201CM/2A	1
10	93320-173510	BEARING, RADIAL BALL 6003CM/2A	1
11	93320-204212U	BEARING, RADIAL BALL 6004LLUCM/5K	1
12	96210-06010-B	BOLT, HEXAGON	2
13	96310-06010-B	SCREW, PAN HEAD	1
14	97010-17010-K	CIRCLIP STW-17	1
15	97010-20012-K	CIRCLIP 20MM	1
16	97012-42018-K	CIRCLIP RTW-42	1
17	97013-33012-K	CIRCLIP IR-33	1
18	97201-061910-B	WASHER, PLATE	1
19	97201-122210	WASHER, PLATE	1
20	97201-202810-K	WASHER, PLATE	1
21	97310-126005	WASHER, CONICAL SPRING	1



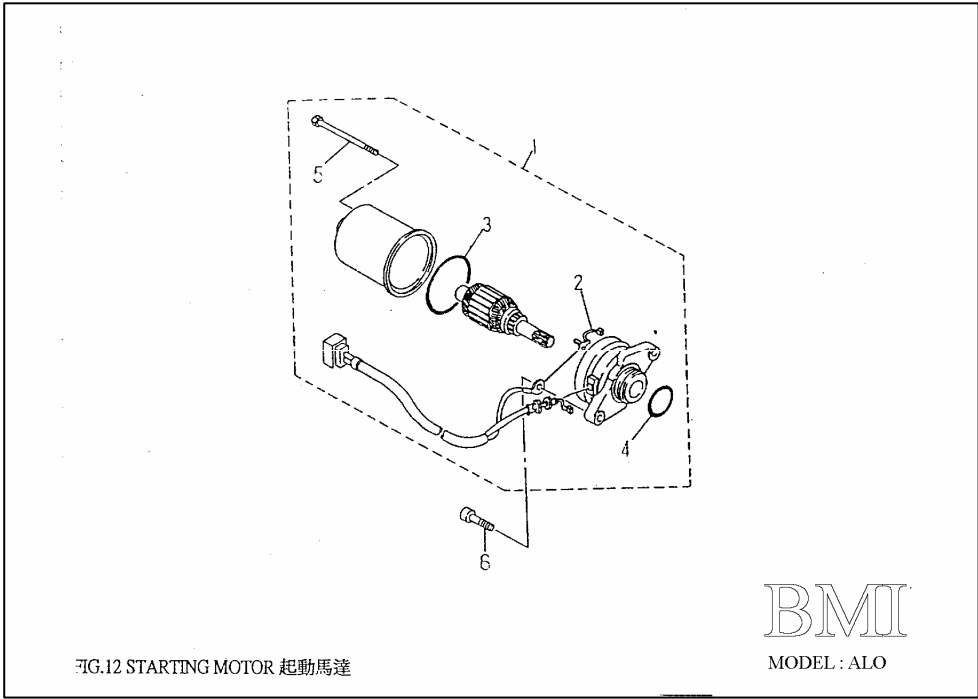
NO	PARTS NO.	PARTS NAME	QTY
1	35500-NAF-00	GENERATOR ASSEMBLY	1
2	35550-NAF-00	.ROTOR ASSEMBLY	1
3	35560-NAF-00	.BASE ASSEMBLY	1
4	35580-NAF-00	.COIL,PULSER	1
5	93110-19265	.OIL SEAL	1
6	95201-101408-C	NUT,HEXAGON	1
7	96310-06016-C	.SCREW,PAN HEAD	2
8	96312-04006-C	.SCREW,PAN HEAD WITH WASHER	1
9	96312-06010-C	.SCREW,PAN HEAD WITH WASHER	2
10	96312-06025-C	.SCREW,PAN HEAD WITH WASHER	2
11	97201-101726-C	WASHER,PLATE	1

[MENU PAGE](#)

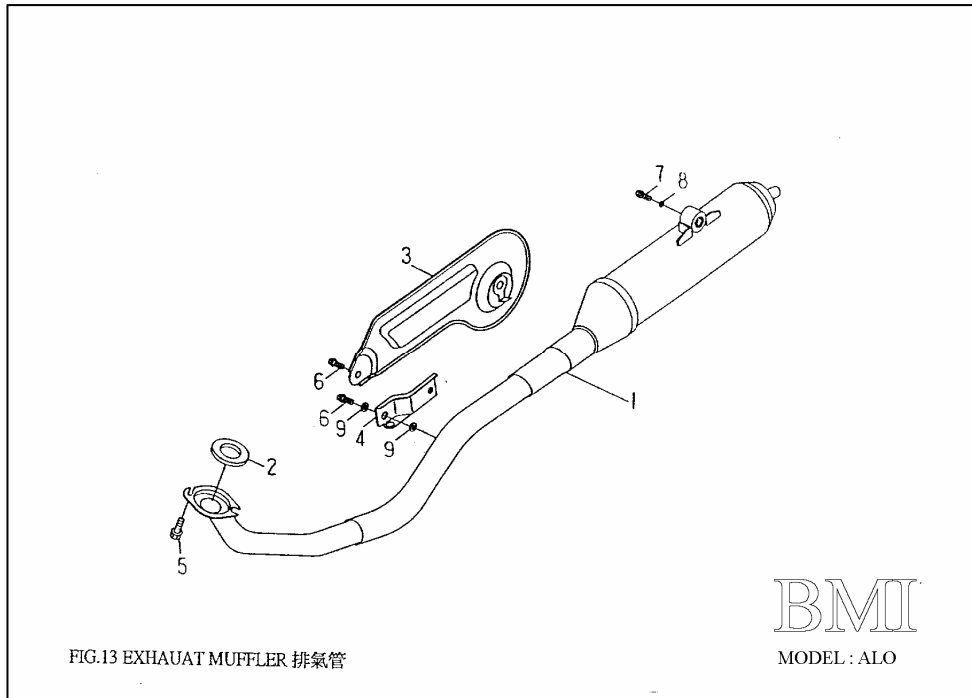
[PAGE UP ▲](#)

[PAGE DOWN ▼](#)

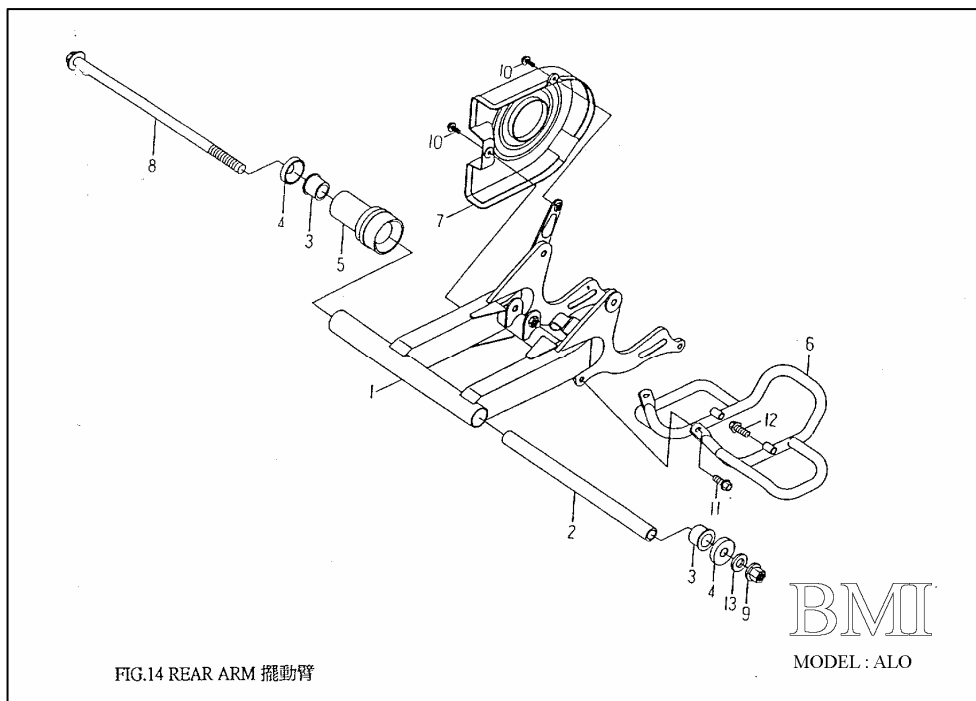
[ALL PARTS LIST](#)



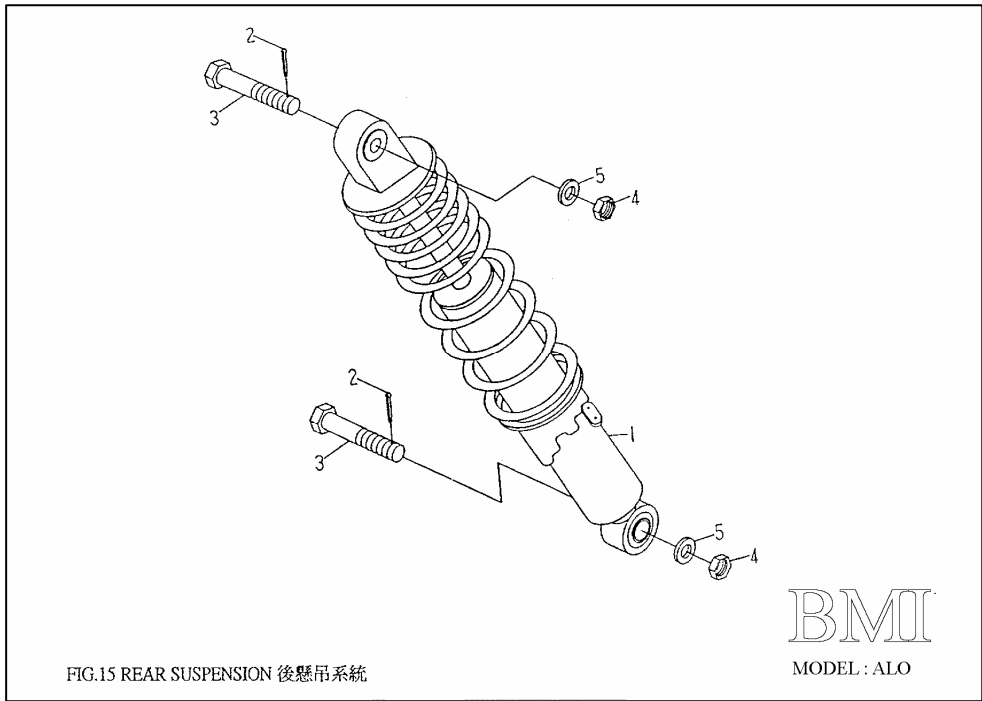
NO	PARTS NO.	PARTS NAME	QTY
1	35800-NAF-00	STARTING MOTOR ASSEMBLY	1
2	35801-NAF-00	.BRUSH SET	1
3	35811-NAF-00	.GASKET,YOKE	1
4	93210-19230	.O-RING	1
5	96414-04068-C	.BOLT,FLANGE	2
6	96510-06020-K	BOLT,SOCKET	2



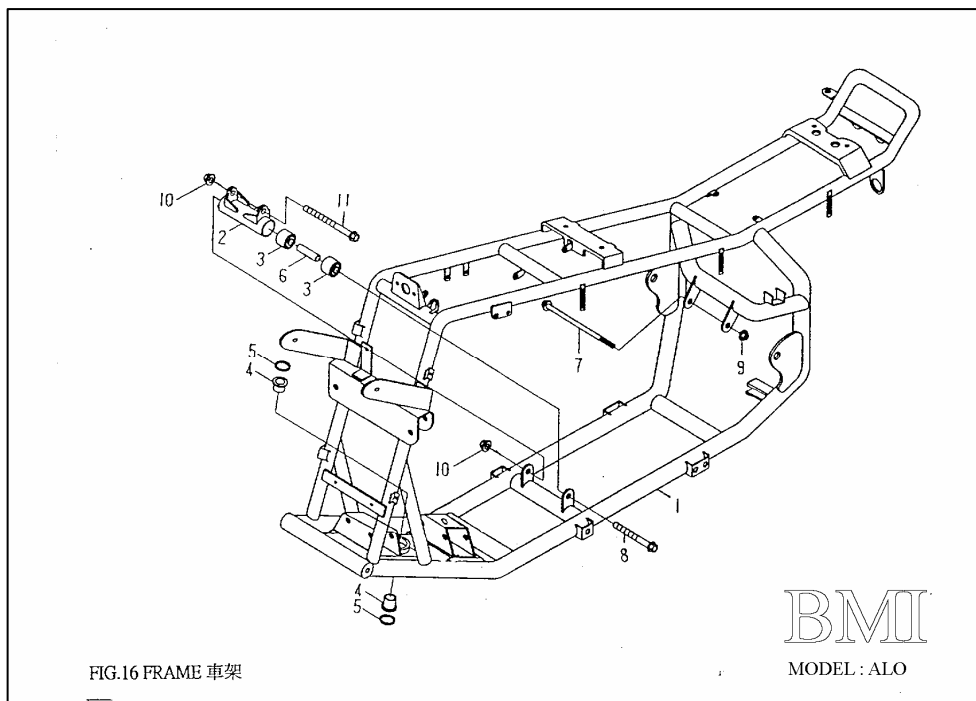
NO	PARTS NO.	PARTS NAME	QTY
1	31610-SK9-01C	EXHAUST MUFFLER ASS'Y	1
2	31613-NAF-00	GASKET,EXHAUST PIPE (25.4*34*4)	1
3	31618-SK9-03	PROTECTOR,EXHAUST	1
4	31661-SK9-01	BRAKET,EXHAUST	1
5	94714-06018-C	SCREW,FLANGE	2
6	96414-08012-B	BOLT,FLANGE	3
7	96414-08030-K	BOLT,FLANGE	1
8	97201-081620-C	WASHER,PLATE	1
9	97210-081515	WASHER,PLATE	4



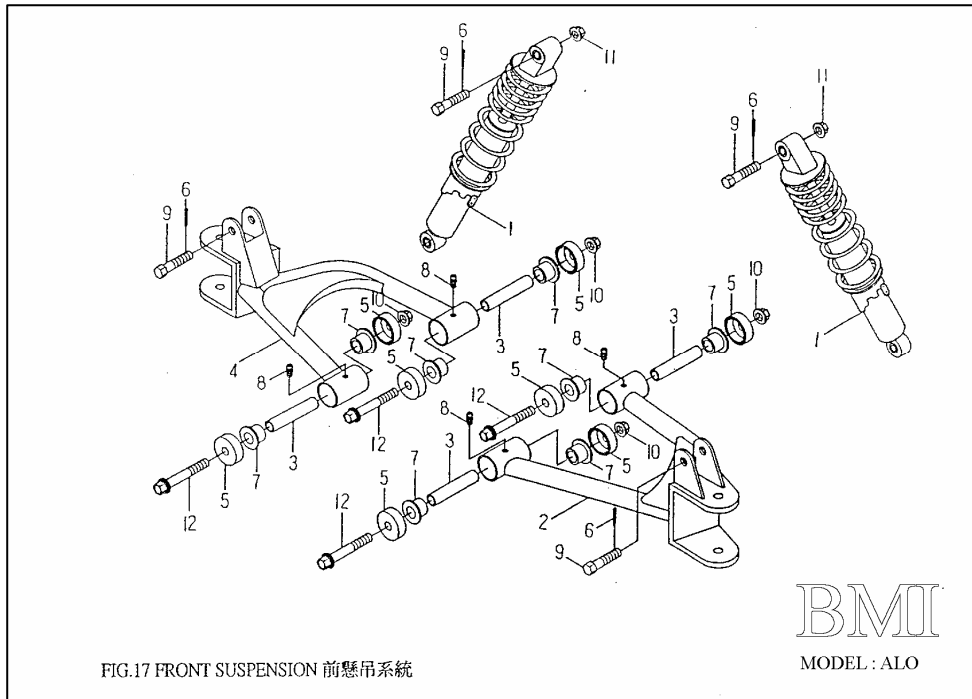
NO	PARTS NO.	PARTS NAME	QTY
1	32100-BL9-00	REAR ARM	1
2	32115-SK9-00	BUSH	1
3	32116-SK9-00	BUSH,SOLID	2
4	32118-SK9-00	COVER,THRUST	2
5	32160-SK9-00	SEAL,GUARD	1
6	32190-BL9-00	COVER	1
7	32191-SK9-00	DRIVE CHAIN CASE	1
8	94610-14290-B	SHAFT,PIVOT	1
9	95301-142212-B	NUT,LOCK 14MM	1
10	96318-06012-B	SCREW,PAN HEAD	2
11	96414-08012-B	BOLT,FLANGE	2
12	96414-08025-B	BOLT,FLANGE	2
13	97201-142820-B	WASHER,PLATE	1



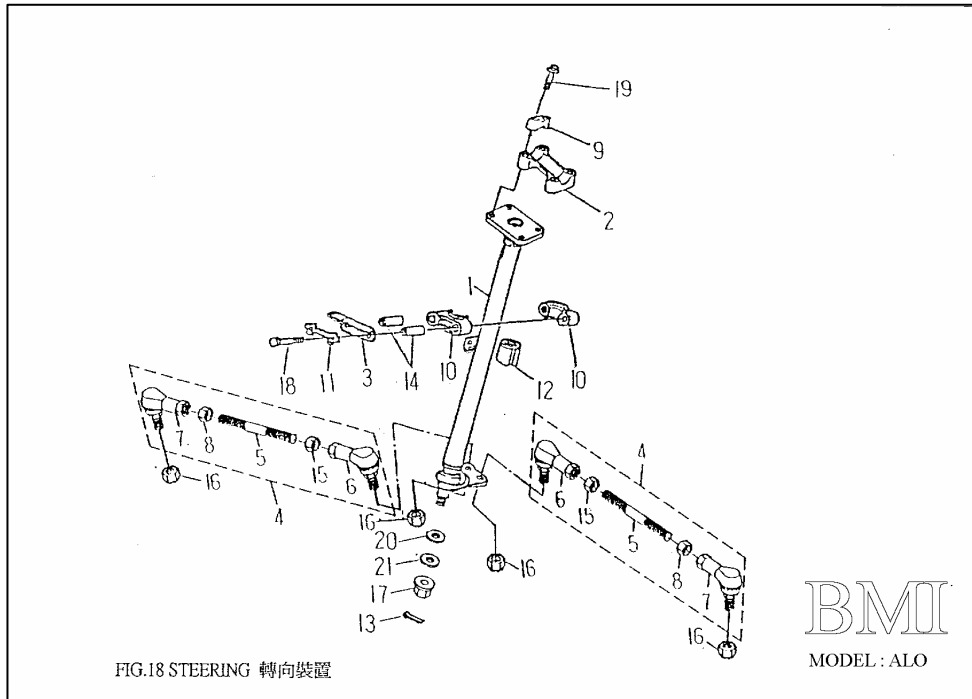
NO	PARTS NO.	PARTS NAME	Q'TY
1	32210-SK9-00	SHOCK ABSORBER ASS'Y,REAR	1
2	90240-18016-B	PIN.COTTER 1.8*16	2
3	94716-08039-B	BOLT	2
4	95201-081207-B	NUT,HEXAGON	2
5	97201-081823-B	WASHER,PLATE	2



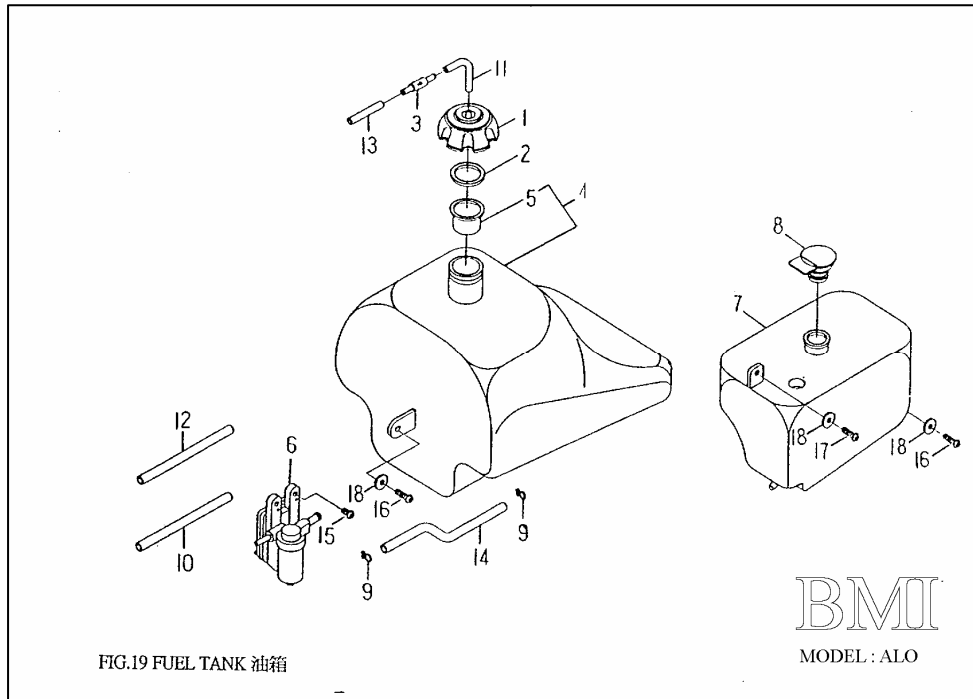
NO	PARTS NO.	PARTS NAME	Q'TY
1	41110-BL9-02	FRAME COMP	1
2	41181-SK9-00	ENGINE HANGER F	1
3	41416-SK9-00	BUSH	2
4	46412-RAM-00	BUSH,SOLID	2
5	96210-24148	O-RING,2.4*14.8	2
6	93510-101535-K	COLLAR	1
7	94610-08130-B	BOLT,FLANGE	1
8	94610-10120-B	BOLT,FLANGE	1
9	95401-081208-B	NUT,FLANGE	1
10	95401-101409-B	NUT,FLANGE	2
11	96414-10085-B	BOLT,FLANGE	1



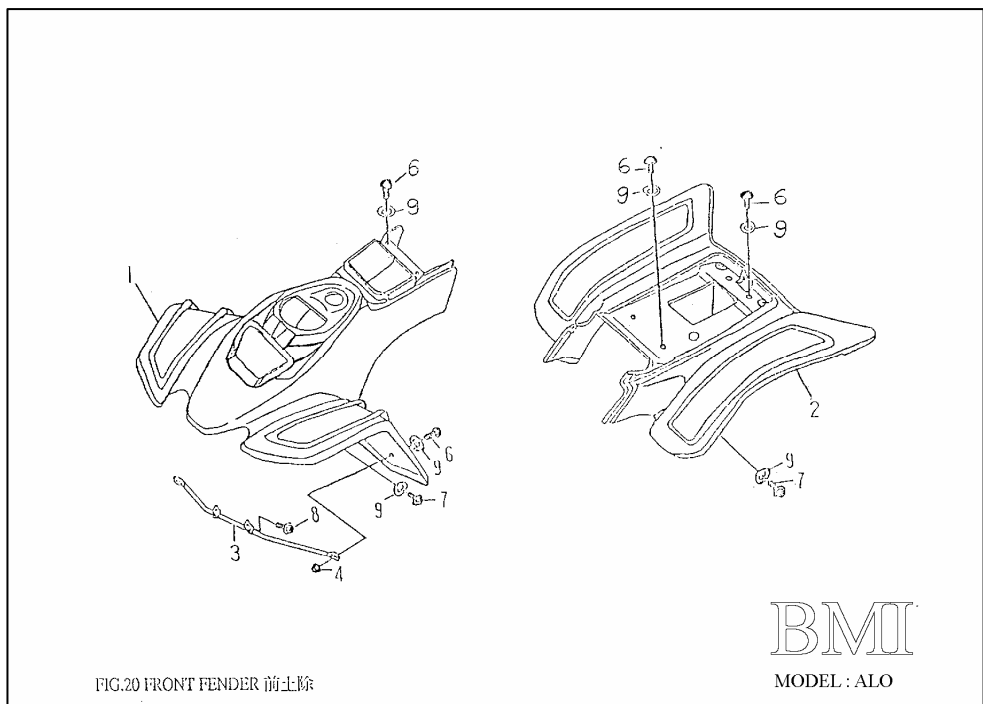
NO	PARTS NO.	PARTS NAME	QTY
1	42126-SK9-00	SHOCK ABSORBER ASS'Y	2
2	42161-BL9-00	FRT,ARM LEFT	1
3	42163-RAM-00	COLLAR	4
4	42171-BL9-00	FRT,ARM RIGHT	1
5	42183-RAM-00	COVER,THRUST	8
6	90240-23020-B	PIN,COTTER	4
7	93330-152118	BUSH,SOLID	8
8	94340-06010-B	NIPPLE,GREASE M6*P1.0	4
9	94716-10041-B	BLOT,KEYHOLE	4
10	95311-101710-B	NUT,NYLON	4
11	95401-101409-B	NUT,FLANGE	2
12	96414-10080-B	BOLT,FLANGE	4



NO	PARTS NO.	PARTS NAME	QTY
1	42101-SK9-02	COLUMN,STEERING	1
2	42106-SK9-00	BRIDGE, TOP	1
3	42118-RAM-00	BRACKET, STRG LOWER	1
4	42140-SK9-01	ROD, TIE ASS'Y	2
5	42141-SK9-01	ROD, TIE	2
6	42142-SK2-00	JOINT, UNIVERSAL 1	2
7	42143-SK2-00	JOINT, UNIVERSAL 2	2
8	42146-SK2-00	NUT	2
9	46125-RAM-00	HOLDER, HANDLE UPR	2
10	46411-RAM-00	BEARING, STEERING	2
11	46416-RAM-00	WASHER, LOCK	1
12	46417-SK9-00	PU, BUSH	1
13	90240-23020-B	PIN, COTTER 2.3*20	1
14	93510-081442-C	COLLAR	2
15	95201-101408-B	NUT, HEXAGON	2
16	95311-101710-B	NUT, NYLON	4
17	95401-101409-B	NUT, FLANGE	1
18	96210-08055-B	BOLT, HEXAGON	2
19	96414-08050-B	BOLT, FLANGE	4
20	97201-102620-B	WASHER, PLATE	1
21	97301-101720-B	WASHER, SPRING	1



NO	PARTS NO.	PARTS NAME	QTY
1	43102-SK9-00	CAP ASS'Y	1
2	43103-SK9-00	CAP WASHER	1
3	43108-SK5-00	CHECK, VALVE	1
4	43110-SK9-01	PETROL TANK	1
5	43114-SK9-00	INTAKE PIPE	1
6	43500-SK9-00	FUEL COCK ASS'Y	1
7	43751-SK9-00	OIL TANK	1
8	43771-NAF-01	BODY,CAP	1
9	90210-12010-C	CLIP 1.2*9.6	2
10	90310-42100	HOSE,VALUUM	1
11	90310-50060	HOSE5*8*60	1
12	90310-50070	HOSE,FUEL5*10*70	1
13	90310-50380	HOSE5*8*380	1
14	90310-60150	HOSE,FUEL6*10.5*150	1
15	90310-06012-B	SCREW,PAN HEAD	2
16	90310-06016-C	SCREW,PAN HEAD	2
17	90310-06025-C	SCREW,PAN HEAD	1
18	97201-061820-B	WASHER PLATE	3



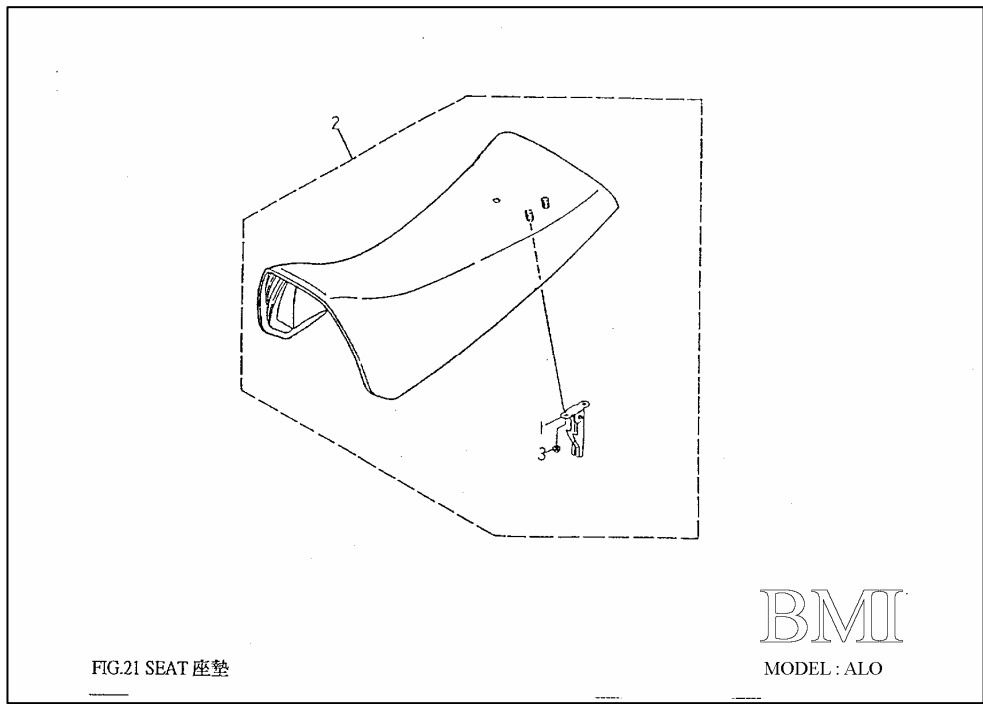
NO	PARTS NO.	PARTS NAME	QTY
1	51161-ALO-00	COVER,FRONT ROUGE	1
	51161-ALO-0004	COQUE AV BLEUE	1
2	51171-BL9-00	COVER,REAR ROUGE	1
	51171-BL9-0004	COQUE AR BLEUE	1
3	51556-BL9-00	STAY,FRONT COVER	1
4	95401-061006-B	NUT,FLANGE	2
5	96318-06015-B	SCREW PAN HEAD	10
6	96318-06020-B	SCREW PAN HEAD	2
7	96414-06012-B	BOLT,FLANGE	2
8	97321-061825-B	WASHER,FLANG	12
9	56811-ALO-00	KIT DECO PYTHON	1

[MENU PAGE](#)

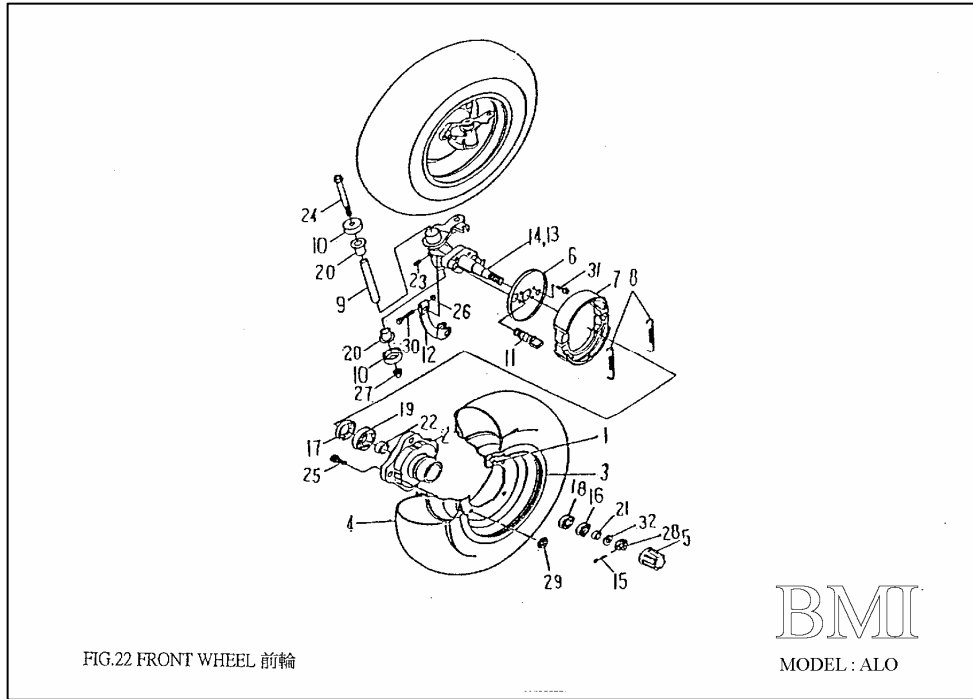
[PAGE UP ▲](#)

[PAGE DOWN ▼](#)

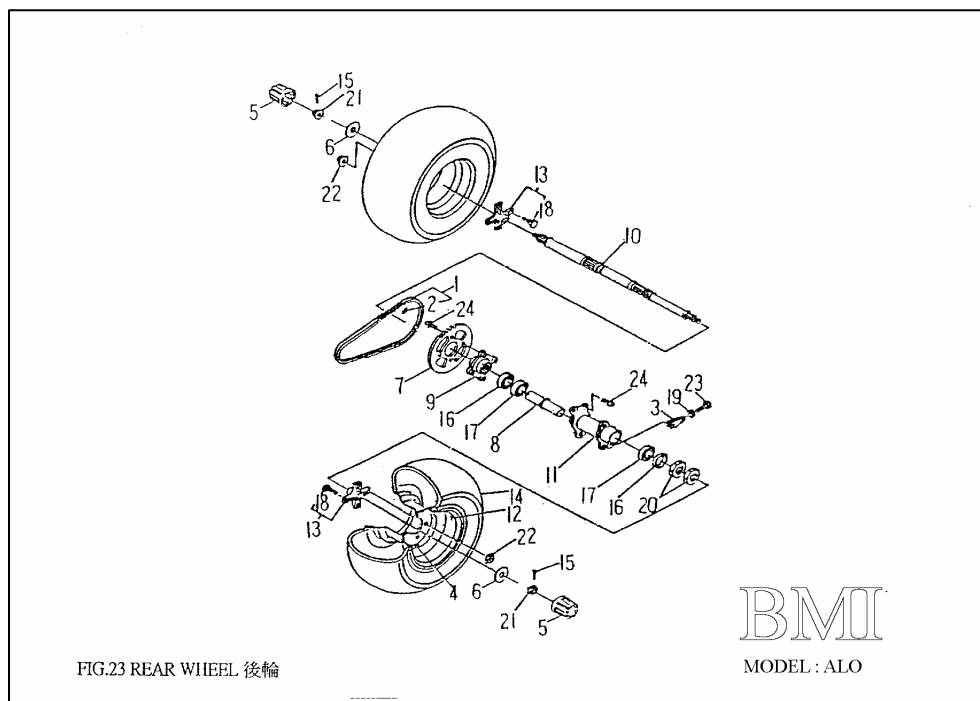
[ALL PARTS LIST](#)



NO	PARTS NO.	PARTS NAME	QTY
1	52710-RAM-00	CATCH COM,SEAT	1
2	52730-SK9-001	SINGLE SEAT ASS'Y	1
3	95401-061006-C	NUT,FLANGE	2

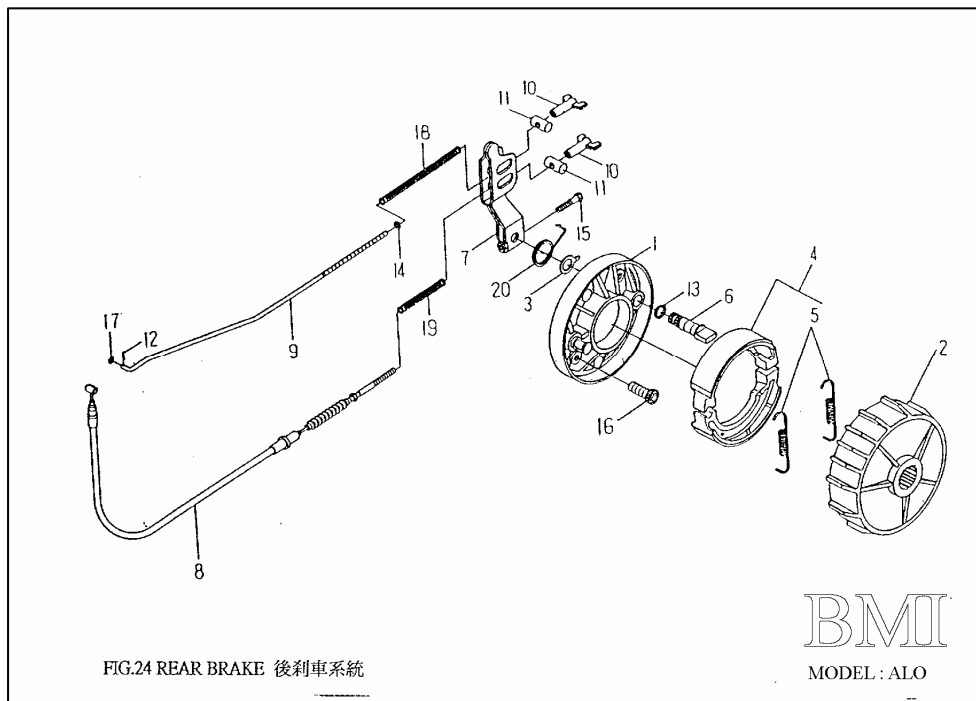


NO	PARTS NO.	PARTS NAME	QTY
1	42570-RAM-00	VALVE,RIM	2
2	42581-SK9-00	HUB,FRONT	2
3	42582-SK5-00	WHEEL,FRONT8.0*5.5AT	2
4	42590-SK5-00	TIRE,FRONT AT19*7-8(HF-247)13F	2
5	42595-SK9-00	CAP,WHEEL	2
6	45811-SK9-00	PLATE,BRAKE SHOE	2
7	45815-SK9-00	BRAKE SHOE SET	2
8	45816-SK9-00	SPRING TENSION	4
9	45825-SK9-00	COLLAR	2
10	45827-SK9-00	COVER,THRUST	4
11	45851-SK9-00	CAMSHAFT	2
12	45855-SK9-00	LEVER,CAMSHAFT	2
13	45860-SK9-00	KNUCKLE COMP,STEERING L	1
14	45865-SK9-00	KNUCKLE COMP,STEERING R	1
15	90240-29025-B	PIN,COTTER2.9*25	2
16	93110-20335	OIL SEAL20*35*5	2
17	93110-22406	OIL SEAL22*40*6	2
18	93320-153511S	BEARING,RADIAL BALL 6202CS05/2A	2
19	93220-174012S	BEARING,RADIAL BALL 6203CS05/2A	2
20	93330-172330	BUSH,SOLID	4
21	93510-152008-B	COLLAR	2
22	93510-172209-B	SPACER,BEARING	2
23	94340-06010-B	NIPPLE,GREASE	2
24	94610-10100-B	BOLT,FLANGE	2
25	94710-10025-C	BOLT,STUD	8
26	95201-050804-B	NUT,HEXAGON	2
27	95311-101710-B	NUT,NYLON	2
28	95321-142215-C	NUT,CASTLE	2
29	95401-101409-C	NUT,FLANGE	8
30	96210-05025-B	BOLT,HEXAGON	2
31	96510-06012-K	BOLT,SOCKET	6
32	97201-142820-C	WASHER,PLATE14.2*28.4*2	2

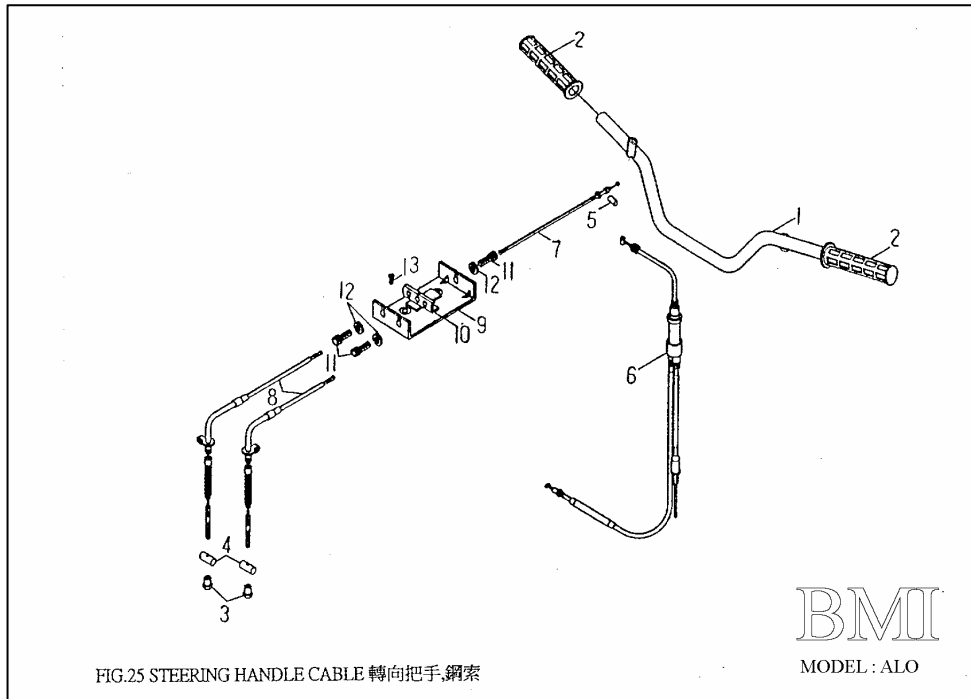


NO	PARTS NO.	PARTS NAME	QTY
1	25741-SK9-00	CHAIN 428HG*88L	1
2	25742-SK9-00	JOINT,CHAIN	1
3	32120-RAM-00	ADJUSTER,CHAIN	2
4	42570-RAM-00	VALVE,RIM	2
5	42595-SK9-00	CAP,WHEEL	2
6	42596-SK9-00	WHEEL,CAP	2
7	42812-SK9-00	SPROCKET,DRIVEN 428-35T	1
8	42815-SK9-00	SPACER,BEARING	1
9	42821-SK9-00	COLLAR,SPROCKET AXLE	1
10	42835-SK9-00	AXLE,WHEEL	1
11	42881-SK9-00	HUB,REAR	1
12	42882-SK5-00	WHEEL,REAR8.0*5.5AT	2
13	42885-SK9-00	COLLAR,WHEEL	2
14	42590-SK5-00	TIRE,REAR AT19*7-8(HF-247)13F	2
15	90240-29025-B	PIN,COTTER2.9*25	2
16	93110-42558	OIL SEAL 42*55*8	2
17	93320-305513Z	BEARING,RSDIAL BALL 6006Z	2
18	94710-10032-C	BOLT,STUD	8
19	95201-081207-B	NUT,HEXAGON	2
20	95201-284114-C	NUT,HEXAGON	2
21	95321-142215-C	NUT,CASTLE	2
22	95401-101409-C	NUT,FLANGE	8
23	96210-08055-B	BOLT,HEXAGON	2
24	96414-10020-B	BOLT,FLANGE	8

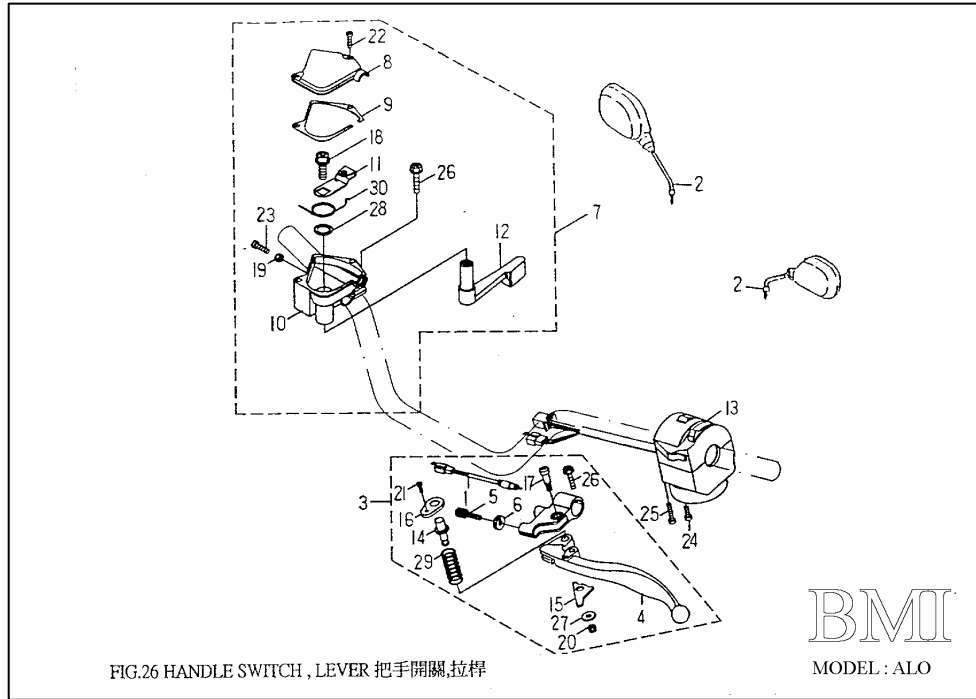
[MENU PAGE](#)
[PAGE UP ▲](#)
[PAGE DOWN ▼](#)
[ALL PARTS LIST](#)



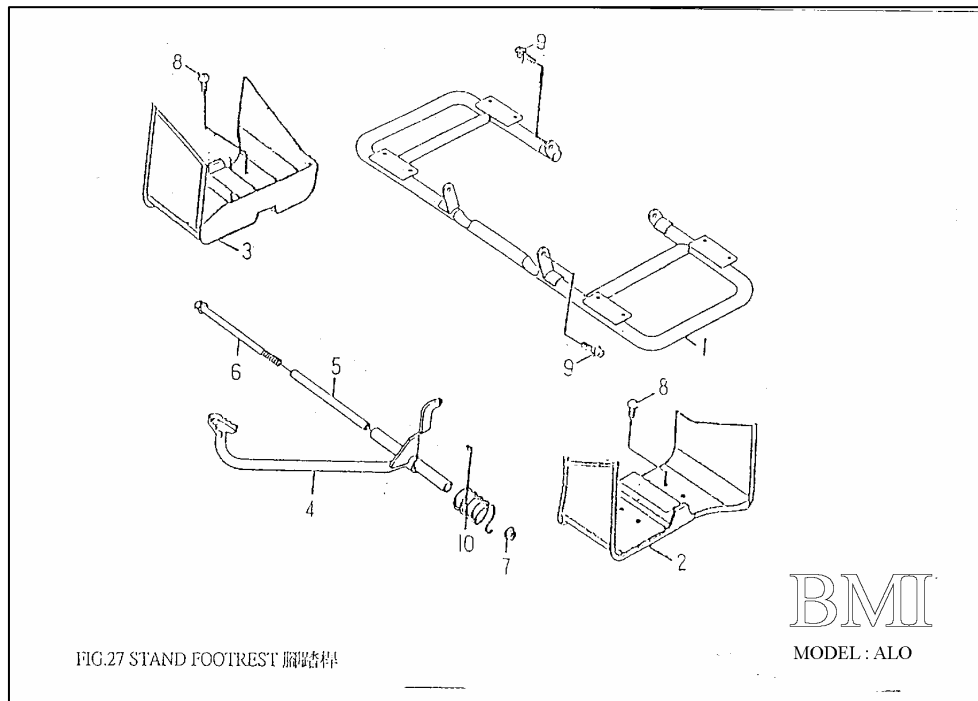
NO	PARTS NO.	PARTS NAME	QTY
1	32310-BL9-00	PANEL,REAR BRAKE	1
2	32320-BL9-00	HUB,REAR BRAKE	1
3	32331-NAF-00	INDICATOT	1
4	32345-SK9-00	BRAKE SHOE KIT	1
5	32346-SK9-00	SPRING,TENSION	2
6	32351-SK9-00	CAMSHAFT	1
7	32355-SK9-00	LEVER,CAMSHAFT	1
8	61320-SK9-01	CABLE,BRAKE	1
9	61330-SK9-00	CABLE,BRAKE	1
10	61379-SK9-00	NUT,ADJUST	2
11	61389-NAF-00	PIN,FIXTURE	2
12	90230-12008	COTTER PIN	1
13	93210-13113	O-RING	1
14	95201-061005-B	NUT,HEXAGON	1
15	96210-06030-B	BOLT,HEXAGON	1
16	96510-06012-K	BOLT,SOCKET	2
17	97201-051410-B	WASHER,PLATE5.5*14*1	1
18	97501-10093-B	SPRING COMPRESSION	1
19	97501-12115-B	SPRING COMPRESSION	1
20	97508-26286-B	SPRING TORSION	1



NO	PARTS NO.	PARTS NAME	QTY
1	46110-SK9-01	HANDLEBAR	1
2	46240-RAM-00	GRIP	2
3	61379-NAF-01	NUT, ADJUST	2
4	61389-NAF-00	PIN, FIXTURE	2
5	61389-RAM-00	PIN, FIXTURE	1
6	61620-SK9-00	CABLE, THROTTLE	1
7	61811-SK9-00	CABLE, BRAKE UPPER	1
8	61812-SK9-00	CABLE, BRAKE LWR	2
9	61861-RAM-00	CABLE, PAN CONNECTOR	1
10	61863-RAM-00	SLIDER, CONNECTOR	1
11	62916-RAM-00	BOLT, WIRE ADJUSTING	3
12	62917-RAM-00	NUT, WIRE ADJUSTING	3
13	94712-06012-B	SCREW, FLAT HEAD	1



NO	PARTS NO.	PARTS NAME	QTY
1	45890-SK9-00	FRONT STOP SWITCH	1
2	56270-ROA-00	MIRROW ASS'Y, HANDLEL	1
3	62910-SK9-02	LEVER ASS'Y, HANDLEL	1
4	62912-SK9-02	LEVER, L	1
5	62916-RAM-00	BOLT, WIRE ADJUSTING	1
6	62917-RAM-00	NUT, WIRE ADJUSTING	1
7	62920-SK9-01	THROTTLE LEVER ASS'Y	1
8	62923-RAM-00	CAP, THROTTLE	1
9	62924-RAM-00	GASKET, THROTTLE	1
10	62925-RAM-00	THROTTLE LEVER	1
11	62927-RAM-00	ARM, THROTTLE	1
12	62928-RAM-00	LEVER, THROTTLE	1
13	62930-SK9-03	HANDLE SWITCH ASS'Y L	1
14	62971-RAM-00	PIN, LOCK	1
15	62973-RAM-00	LOCK, LEVER	1
16	62976-RAM-00	COVER	1
17	94710-06031-G	BOLT, LEVER	1
18	94714-08012-G	BOLT	1
19	95201-050804-G	NUT, HEXAGON	1
20	95311-061006-K	NUT, NYLON	1
21	96310-03008-B	SCREW, PAN HEAD	1
22	96310-04015-G	SCREW, PAN HEAD	2
23	96310-05025-G	SCREW, PAN HEAD	2
24	96310-05030-G	SCREW, PAN HEAD	1
25	96310-05040-G	SCREW, PAN HEAD	1
26	96510-06020-G	BOLT, SOCKER	1
27	97201-061210-C	WASHER, PLATE 6.2*11.5*1.0	1
28	97201-142016-C	WASHER, PLATE 14.2*19.7*1.6	1
29	97501-08025-B	SPRING	1
30	97508-10240-B	SPRING	1



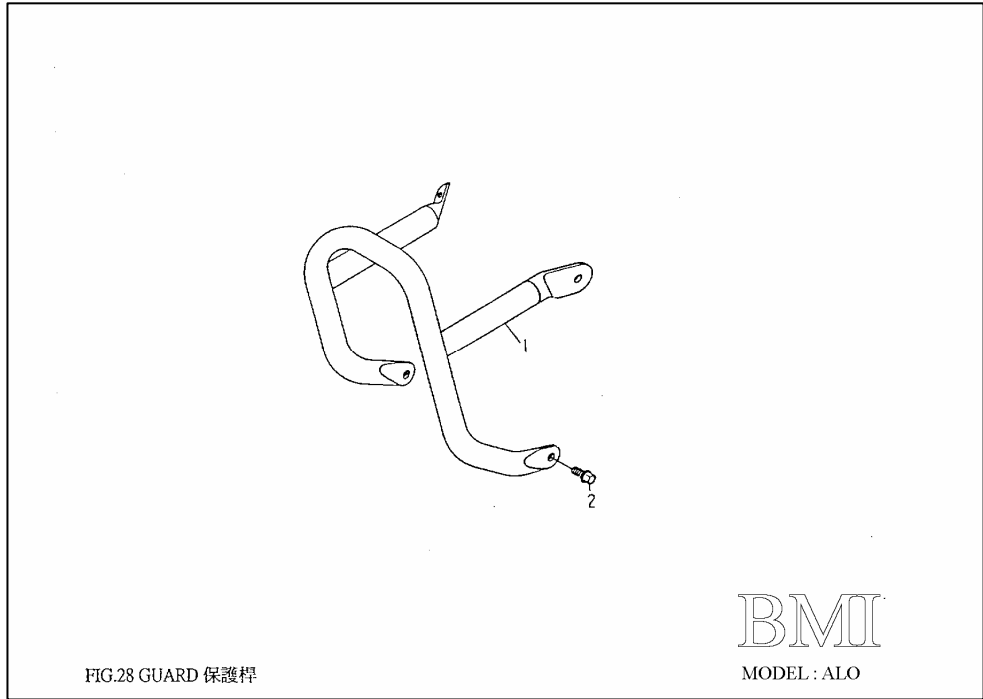
NO	PARTS NO.	PARTS NAME	QTY
1	53231-BLU-00	FOOTREST	1
2	53235-SK9-01	MUDGUARD L	1
3	53245-SK9-01	MUDGUARD R	1
4	53261-SK9-01	PEDAL, BRAKE	1
5	53263-SK9-00	COLLAR	1
6	94610-10208-B	SHAFT, PIVOT	1
7	95401-101409-B	NUT, FLANGE	1
8	96318-06015-K	SCREW, PAN HEAD	8
9	96414-08016-B	BOLT, FLANGE	4
10	97508-32292	SPRING, TORSION	1
11	97506-12140-B	SPRING, TENSION	1
12	62980-CHP-00	SWITCH ASS'Y, REAR STOP	1

[MENU PAGE](#)

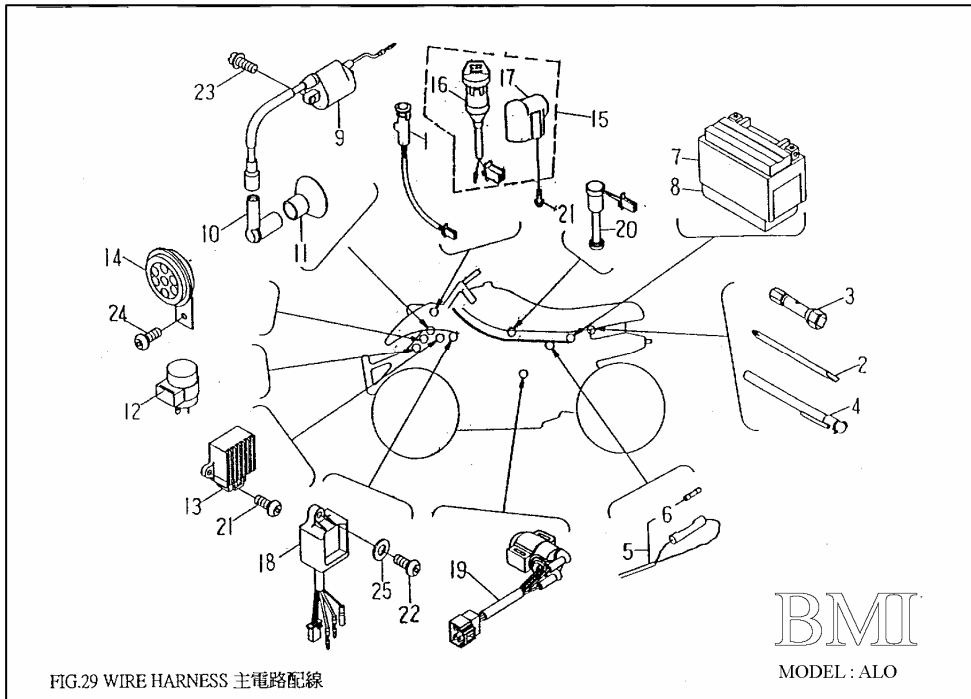
[PAGE UP ▲](#)

[PAGE DOWN ▼](#)

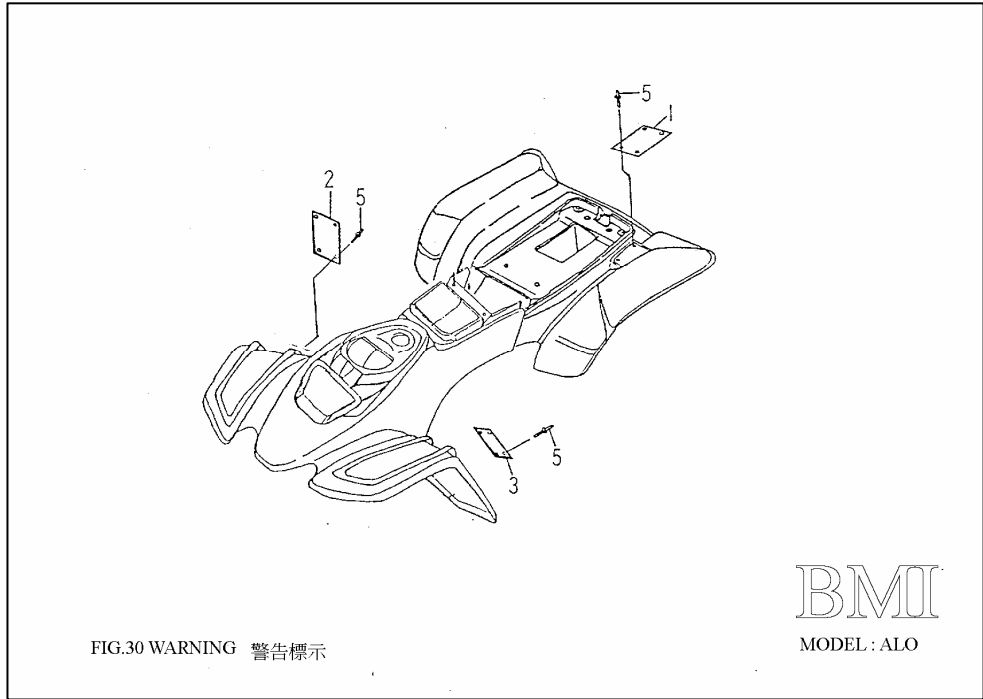
[ALL PARTS LIST](#)



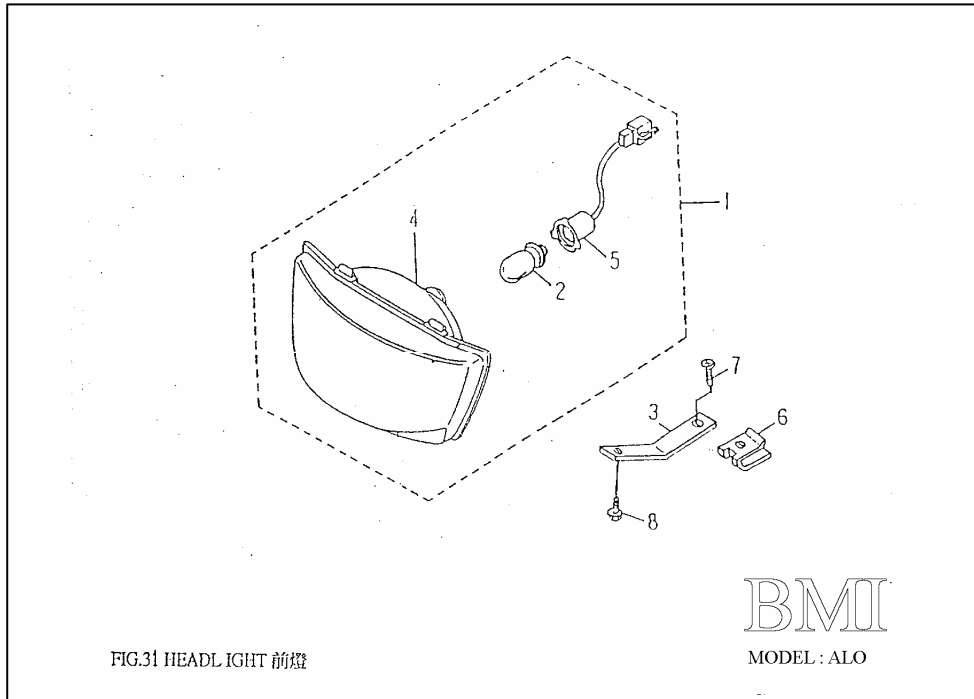
NO	PARTS NO.	PARTS NAME	QTY
1	41601-SK9-01	SHIELD, FRONT	1
2	96414-08012-B	BOLT, FLANGE	4



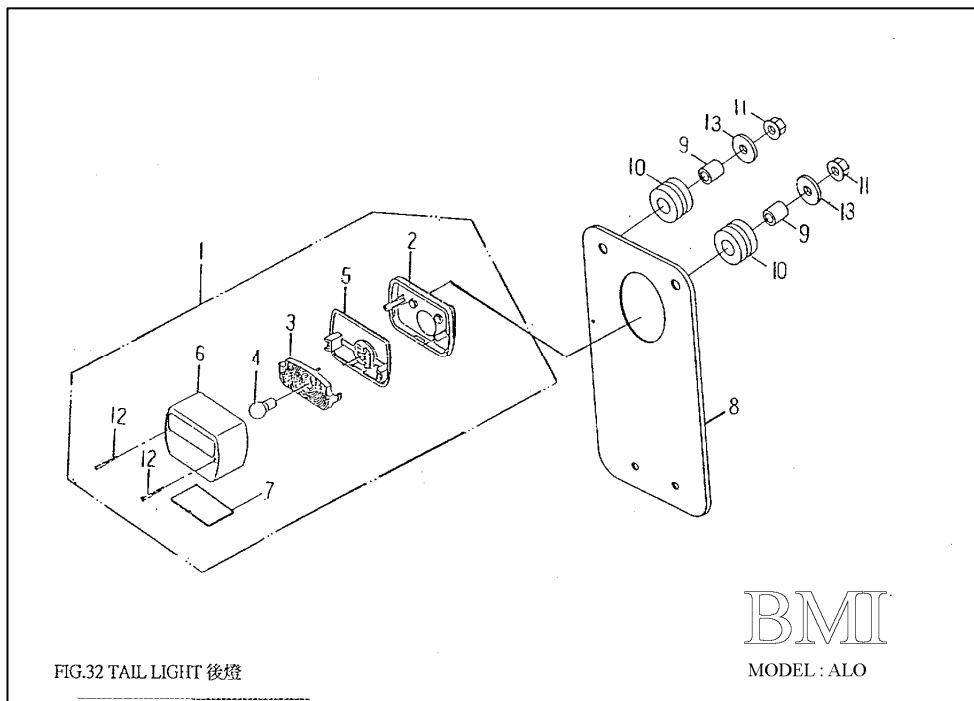
NO	PARTS NO.	PARTS NAME	QTY
1	55555-SK9-00	OIL LIGHT ASS'Y	1
2	56120-NAF-00	SCREW DRIVER	1
3	56140-SK9-00	TOOL PLUG	1
4	56190-RAM-00	GAUGE, AIR	1
5	61120-SK9-02	WIRE, HEADNESS	1
6	61151-NAF-00	FUSE	1
7	62100-NAF-00	BATTERY ASS'Y (YTX5L-BS)	1
8	62111-SK9-00	BATTERY PACKING	1
9	62310-NAF-00	IGNITIN COIL ASS'Y	1
10	62320-NAF-00	PLUG CAP ASS'Y	1
11	62322-NAF-00	SEAL, PLUG CAP	1
12	62350-NAF-01	FLASHER RELAY ASS'Y	1
13	62360-NAF-00	RECTIFIER & REGULATOR COMP	1
14	62370-NAF-00	HORN	1
15	62500-SK9-00	KEY SET	1
16	62501-SK9-00		1
17	62503-RAM-00		1
18	62540-NAF-00	C.D.I UNIT ASS'Y	1
19	62550-SK9-00	STARTER RELAY SWITCH COMP	1
20	62720-NAF-00	OIL LEVER GAUGE ASS'Y	1
21	96310-05012-B	SCREW, PAN HEAD 5*12	4
22	96310-05016-B	SCREW, PAN HEAD 5*16	1
23	96312-06020-C	SCREW, PAN HEAD WITH WASHER	2
24	96414-06010-C	BOLT, FLANGE	1
25	97201-051410-B	WASHER, PLATE	1



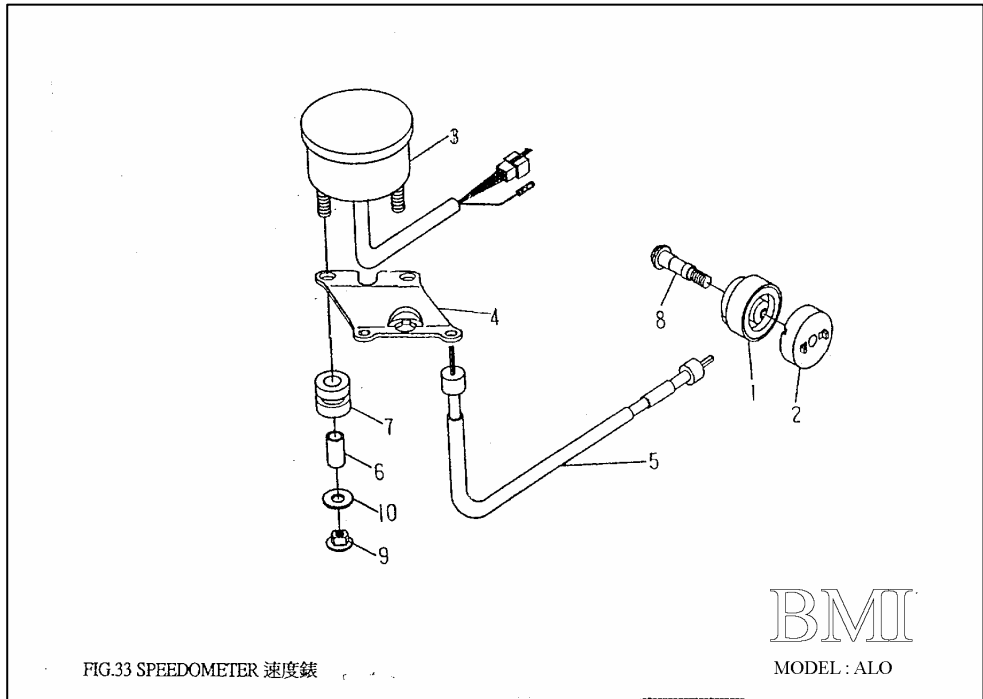
NO	PARTS NO.	PARTS NAME	QTY
1	56576-AK9-00	LABEL WARNING 3 (TIRE)	1
2	56578-AKO-00	LABEL WARNING 2 (AGE)	1
3	56781-AK9-00	LABEL WARNING 1 (OPERATION)	1
4	94230-32096	RIVET 3.2*9.6	12



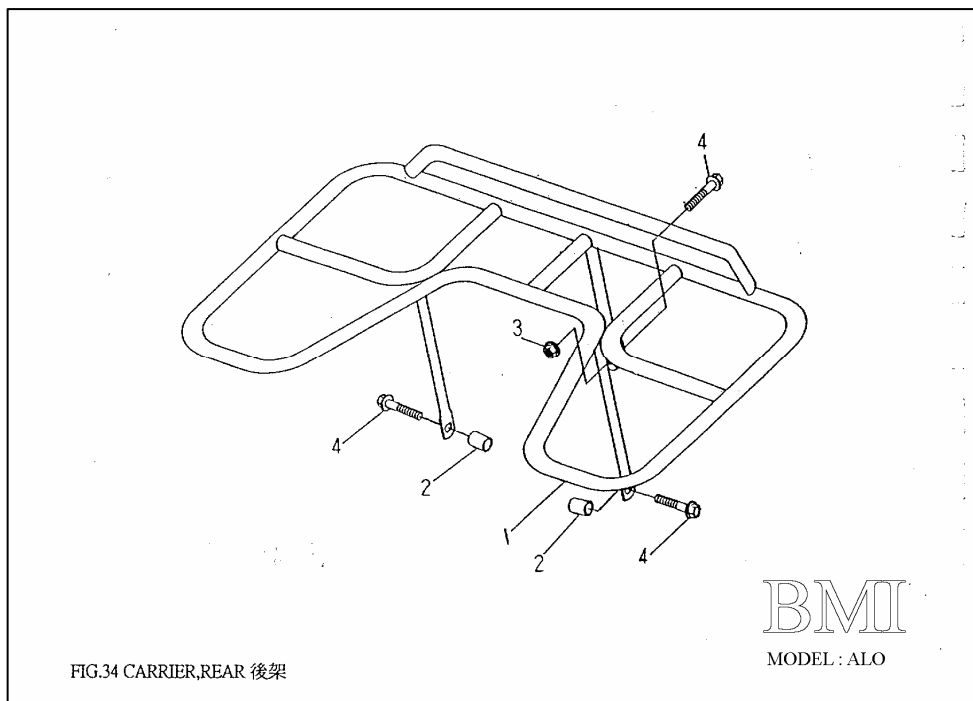
NO	PARTS NO.	PARTS NAME	QTY
1	55300-STG-00	HEAD LIGTH ASS'Y	1
2	55314-STG-00	BULB, HEAD LIGHT 12V30/30W	1
3	55315-AL9-00	STAY, HEAD LIGHT	1
4	55320-STG-00	LENS ASS'Y	1
5	55340-STG-00	SOCKET CORD ASS'Y	1
6	95101-05012	NUT, SPRING	1
7	96112-51616-K	SCREW, TAPPING	1
8	96310-04010-B	SCREW, PAN HEAD	1
9	97201-051410-B	WASHER,PLATE 5*14*1.0	1



NO	PARTS NO.	PARTS NAME	QTY
1	55700-CHP-00	TAIL LIGHT ASS'Y	1
2	55701-CHP-00	STAND, TAIL LIGHT	1
3	55 713-PAF-00	BULB STAND, TAIL LIGHT	1
4	55714-PAF-00	BULB, TAIL LIGHT (12V21/5W)	1
5	55715-PAF-00	FIXING WASHER	1
6	55721-PAF-00	LENS, TAIL LIGHT	1
7	55743-PAF-00	LENS, LICENCE LIGHT	1
8	55751-SK9-00	BRACKET, LICENCE	1
9	93510-061010	COLLAR	2
10	93580-102212	GROMMET	2
11	95401-061006-B	NUT, FLANGE	2
12	96112-43818-B	SCREW, TAPPING	2
13	97201-061820-B	WASHER, PLATE	2



NO	PARTS NO.	PARTS NAME	QTY
1	42560-SK9-00	GEAR UNIT ASS'Y (17/10T)	1
2	42566-SK9-00	GEAR PLATE	1
3	55510-SK9-00	SPEEDOMETER ASS'Y	1
4	55516-SK9-00	HOLDER, SPEEDOMETER	1
5	61520-NDF-00	SPEEDOMETER CABLE ASS'Y	1
6	93510-050814-B	COLLAR, SPEEDOMETER	2
7	93580-81615	GROMMET, SPEEDOMETER	2
8	94706-08045-B	PIN, GEAR UNIT	1
9	95401-050805-B	NUT, FLANGE	2
10	97201-051610	WASHER, PLATE 5.5*16*1	2



NO	PARTS NO.	PARTS NAME	QTY
1	52820-BL9-00	CARRIER, REAR	1
2	93510-081425-K	COLLAR	2
3	95401-081208-B	NUT, FLANGE	1
4	96414-08040-B	BOLT, FLANGE	3