

# DAELIM

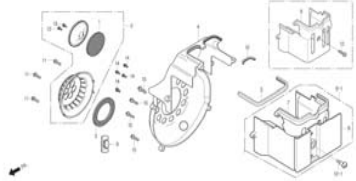
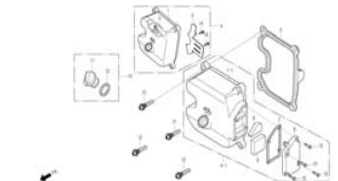
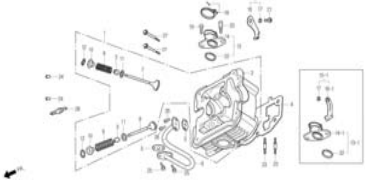
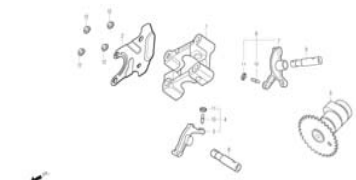

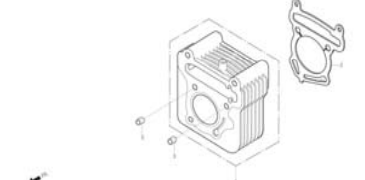

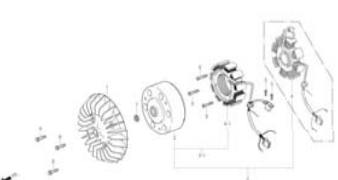
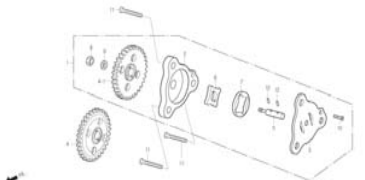
## NS-125

### SG-125

파트리스트  
PARTS LIST

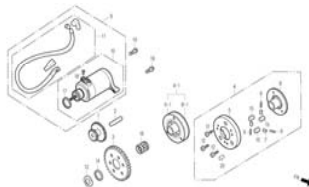


**ENGINE GROUP**

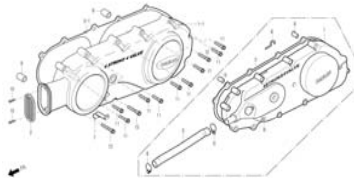
<b>E-01</b> FAN COVER / SHROUD	<b>E-02</b> CYLINDER HEAD COVER	<b>E-03</b> CYLINDER HEAD / VALVE
		
<b>E-04</b> CAM SHAFT	<b>E-05</b> CAM CHAIN / TENSIONER	<b>E-06</b> CYLINDER
		
<b>E-07</b> RIGHT CRANK CASE COVER	<b>E-08</b> GENERATOR	<b>E-09</b> OIL PUMP
		

**ENGINE GROUP**

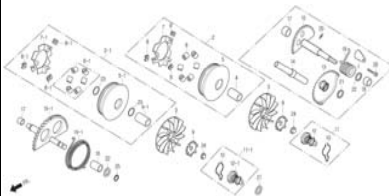
**E-10** STARTER MOTOR



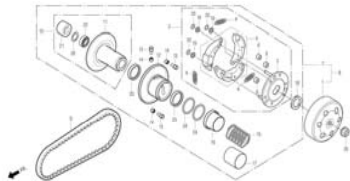
**E-11** LEFT CRANK CASE COVER



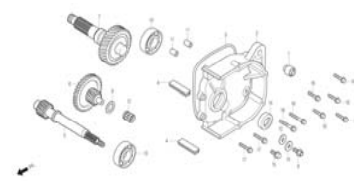
**E-12** DRIVE FACE



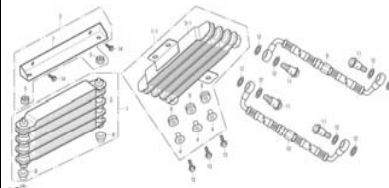
**E-13** DRIVEN FACE



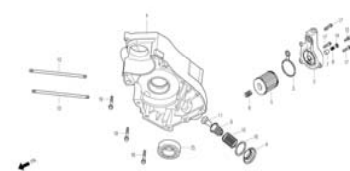
**E-14** TRANSMISSION



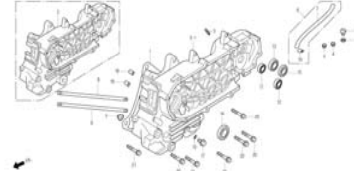
**E-15** RADIATOR / RADIATOR HOSE



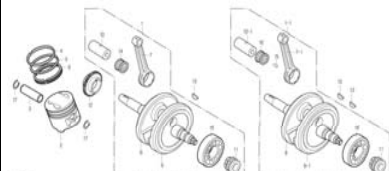
**E-16** RIGHT CRANK CASE



**E-17** LEFT CRANK CASE



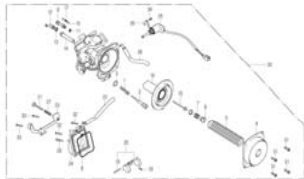
**E-18** CRANK SHAFT / PISTON



**ENGINE GROUP**

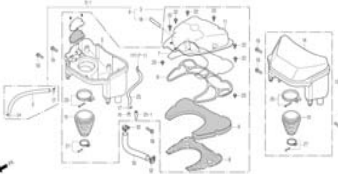
**E-19**

**CARBURETOR**



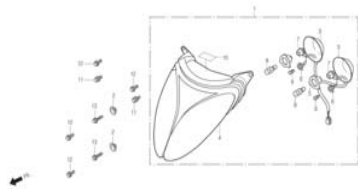
**E-20**

**AIR CLEANER**

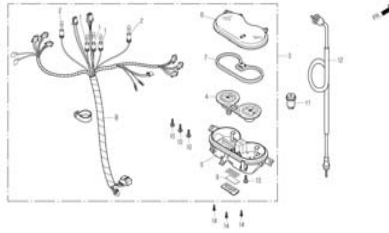


## FRAME GROUP

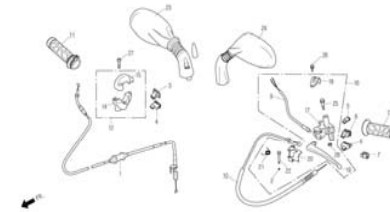
**F-01** HEAD LIGHT



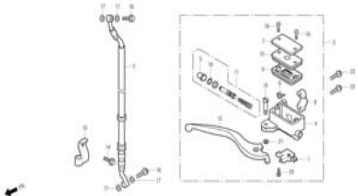
**F-02** SPEEDOMETER



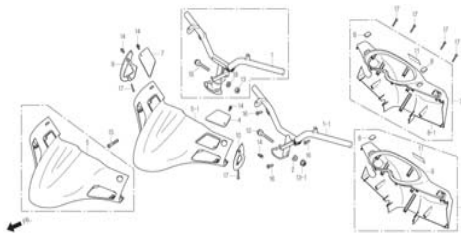
**F-03** HANDLE LEVER / SWITCH / CABLE



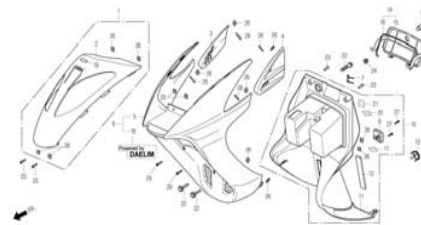
**F-04** FRONT MASTER CYLINDER



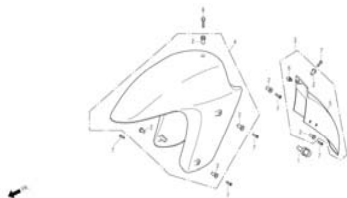
**F-05** STEERING HANDLE / HANDLE COVER



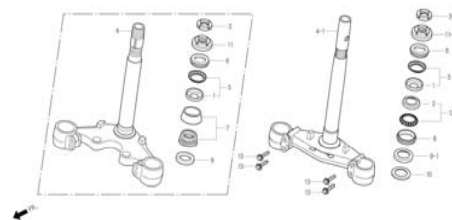
**F-06** FRONT COVER / INNER BOX



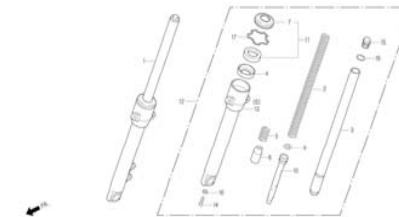
**F-07** FRONT FENDER



**F-08** STEERING STEM

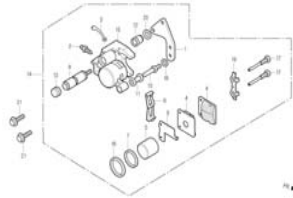


**F-09** FRONT FORK

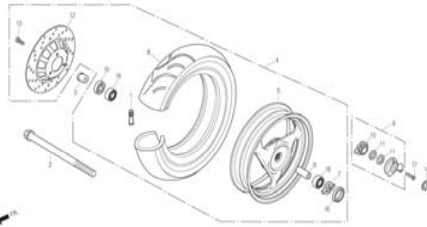


# FRAME GROUP

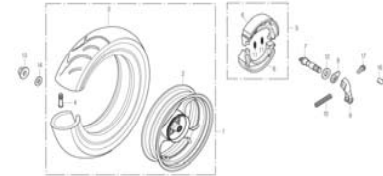
**F-10** FRONT BRAKE CALIPER



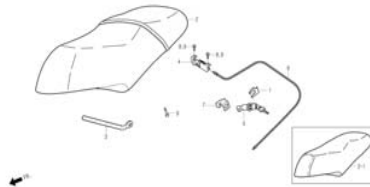
**F-11** FRONT WHEEL



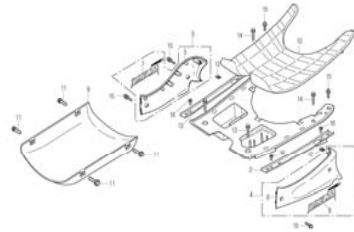
**F-12** REAR WHEEL



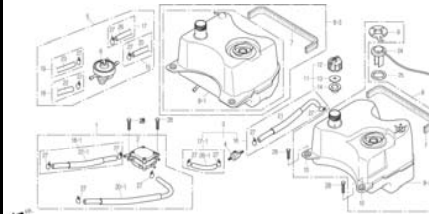
**F-13** SEAT



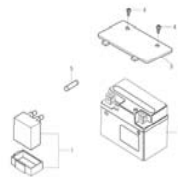
**F-14** FLOOR SIDE COVER / UNDER COVER



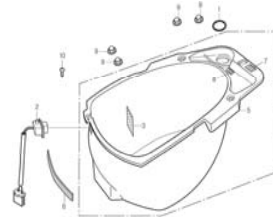
**F-15** FUEL TANK



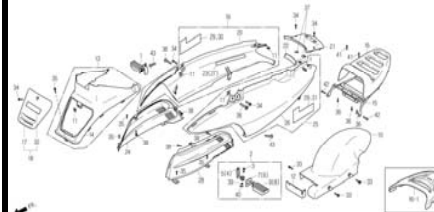
**F-16** BATTERY



**F-17** LUGGAGE BOX



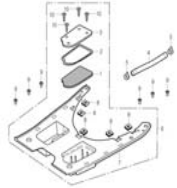
**F-18** CENTER COVER / BODY COVER



# FRAME GROUP

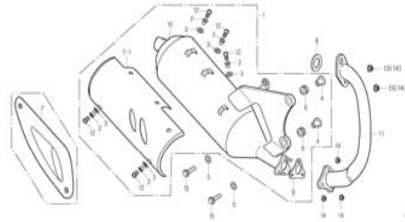
**F-19**

FLOOR PANEL



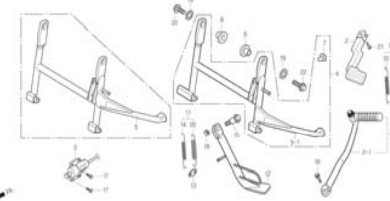
**F-20**

EXHAUST MUFFLER



**F-21**

MAIN STAND / KICK STARTER ARM



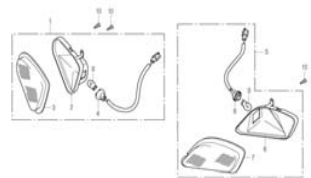
**F-22**

REAR CUSHION



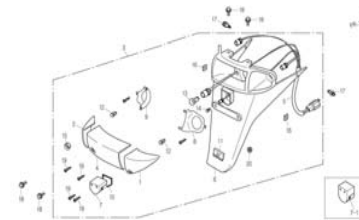
**F-23**

FRONT WINKER

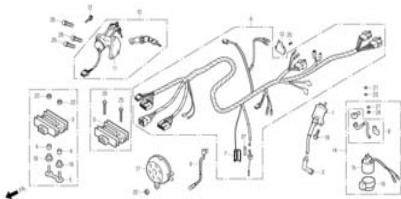


**F-24**

REAR COMBINATION LIGHT

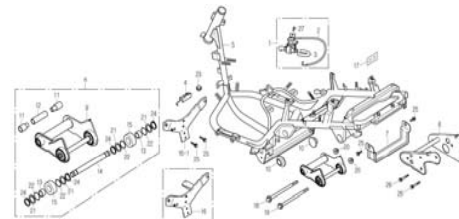


**F-25** WIRE HARNESS / IGNITION COIL



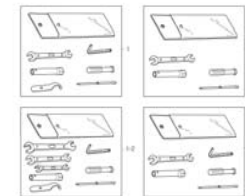
**F-26**

FRAME BODY

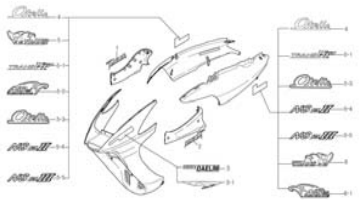


**F-27**

TOOLS

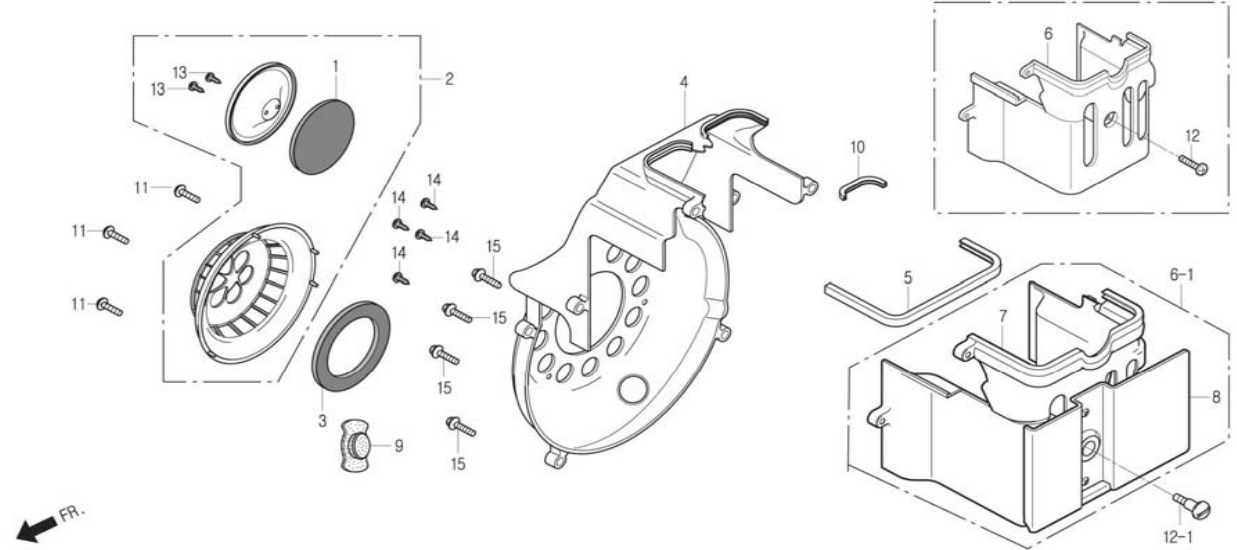


FRAME GROUP

F-28	MARK	
		



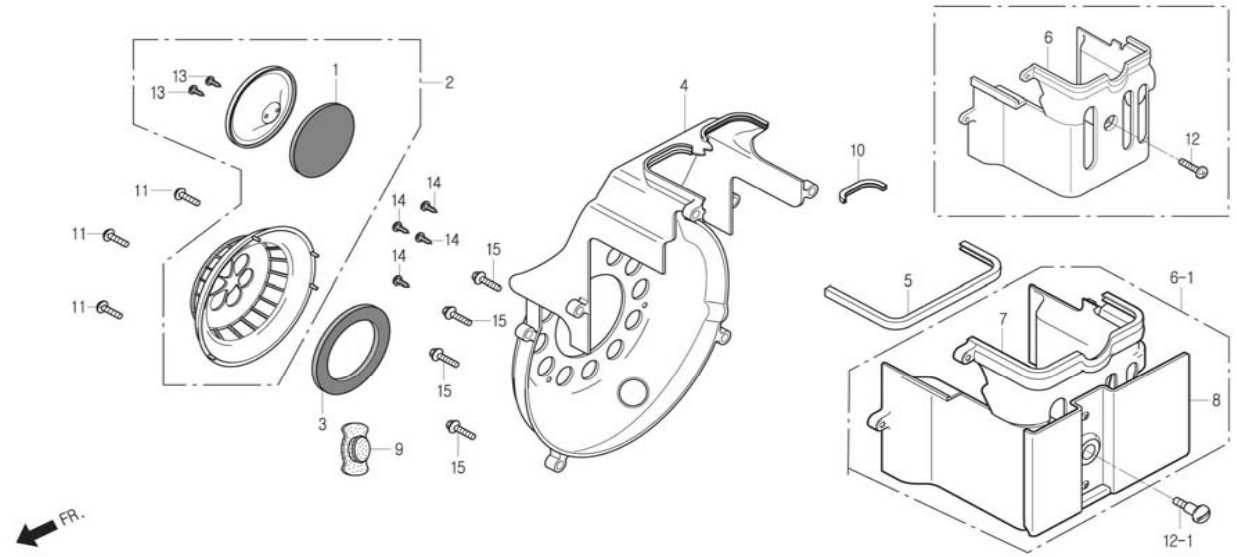
# E-01



## FAN COVER / SHROUD

Service item	FRT	Ref.		Description	QTY	A/S	Exch	Start Date	End Date	Start FRM.No	End FRM.No
		No.	Part No.								
SHROUD COMP., RH. (ADD 0.2 FOR EACH)	0.5	1	19613-SA1-0000	ELEMENT A, FAN COVER	1	Y		19980408		KMYSG125FKW000001	
COVER ASSY, FAN	0.2	2	19615-SA1-0000	COVER ASS'Y, FAN	1	Y		20000320		KMYSG125JYC009479	
		3	19616-SA1-0000	ELEMENT B, FAN COVER	1	Y		20000320	20020612	KMYSG125JYC009479	KMYSG125J2C020066
		4	19620-SA1-0000	SHROUD COMP., RH.	1	Y	N	20000320	20030611	KMYSG125JYC009479	KMYSG125J3C020691
			19620-SA2-RZ00	SHROUD COMP., RH.	1	Y		20030612		KMYSG125J3C020692	
		5	19625-SA1-0000	SEAL, SHROUD A	1	Y		20000320		KMYSG125JYC009479	
								19980408		KMYSG125FKW000001	
		6	19630-SA1-0000	SHROUD COMP., LH.	1	N	N	19980408	19980618	KMYSG125FKW000001	KMYSG125FKW004328
		6-1	19630-SA1-0001	SHROUD COMP., LH.	1	N	N	19980619	19990430	KMYSG125FKW004329	KMYSG125FKX314260
			19630-SA1-0100	SHROUD COMP., LH.	1	Y		20000320		KMYSG125JYC009479	
								19990501		KMYSG125FKX314261	
		7	19631-SA1-0000	SHROUD, LH.	1	N	N	19980619	19990430	KMYSG125FKW004329	KMYSG125FKX314260
			H1	SHROUD, LH.	1	Y		20000320		KMYSG125JYC009479	
								19990501		KMYSG125FKX314261	
		8	19632-SA1-0000	SEPARATER, LH.SHROUD	1	Y		20000320		KMYSG125JYC009479	
								19980619		KMYSG125FKW004329	

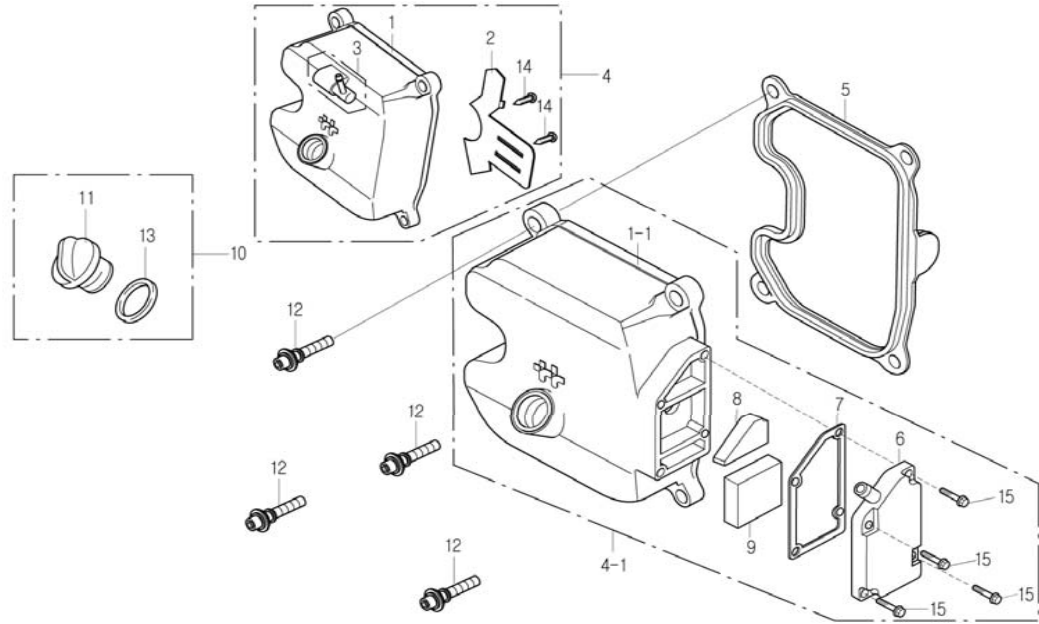
E-01



FAN COVER / SHROUD

Service item	FRT	Ref. No.	Part No.	Description	QTY	A/S	Exch	Start Date	End Date	Start FRM.No	End FRM.No
		9	19633-SA0-0000	GROMMET, SHROUD B	1	Y		20000320		KMYSG125JYC009479	
								19980408		KMYSG125FKW000001	
		10	19635-SA1-0000	SEAL, SHROUD B	1	Y		20000320		KMYSG125JYC009479	
								19980408		KMYSG125FKW000001	
		11	90001-SA1-0000	SCREW, WWSHER 5x12	3	Y		20000320		KMYSG125JYC009479	
								19980408		KMYSG125FKW000001	
		12	90380-CB3-1000	SCREW, SPECIAL 6x12.5	1	Y	N	19980408	19980618	KMYSG125FKW000001	KMYSG125FKW004328
		12-1	90108-BA5-9001	SCREW 6x18	1	Y		20000320		KMYSG125JYC009479	
								19980619		KMYSG125FKW004329	
		13	S3903-34380	SCREW, TAPPING 4x12	2	Y		20000320		KMYSG125JYC009479	
								19980408		KMYSG125FKW000001	
		14	S3904-35380	SCREW, TAPPING 5x16	4	Y		20000320		KMYSG125JYC009479	
								19980408		KMYSG125FKW000001	
		15	S6001-06020-07	BOLT, FLANGE SH.6x20	4	Y		20000320		KMYSG125JYC009479	
								19980408		KMYSG125FKW000001	

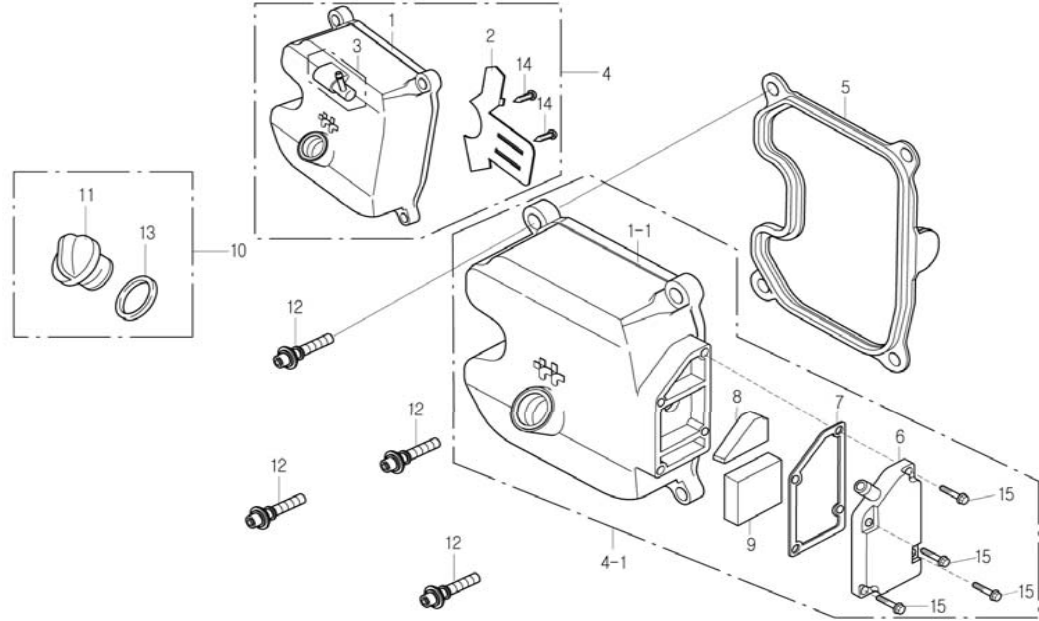
# E-02



## CYLINDER HEAD COVER

Service item	FRT	Ref. No.	Part No.	Description	QTY	A/S	Exch	Start Date	End Date	Start FRM.No	End FRM.No
COVER COMP., CYLINDER HEAD	0.4	1	12301-SA1-0000-H1	COVER, CYLINDER HEAD	1	N	N	19980408	19990225	KMYSG125FKW000001	KMYSG125FKX310373
			12301-SA1-0100-H1	COVER, CYLINDER HEAD	1	N	N	20000320	20010724	KMYSG125JYC009479	KMYSG125J1C019487
GASKET, CYLINDER HEAD COVER	0.4							19990226	20010724	KMYSG125FKX310374	KMYSG125FK1410315
		1-1	12301-SA2-RB02	COVER, CYLINDER HEAD	1	Y		20010725		KMYSG125J1C019488	
								20010725		KMYSG125FK1410316	
		2	12302-SA1-0000-H1	PLATE, OIL SEPARATOR	1	N		20000320	20010724	KMYSG125JYC009479	KMYSG125J1C019487
								19980408	20010724	KMYSG125FKW000001	KMYSG125FK1410315
		3	12305-SA0-0000-H1	JOINT COMP., BREATHER	1	N	N	19980408	19990225	KMYSG125FKW000001	KMYSG125FKX310373
			12305-SA1-0000-H1	JOINT COMP., BREATHER	1	N		20000320	20010724	KMYSG125JYC009479	KMYSG125J1C019487
								19990226	20010724	KMYSG125FKX310374	KMYSG125FK1410315
		4	12310-SA1-0000	COVER COMP., CYLINDER HEAD	1	N	N	19980408	19990225	KMYSG125FKW000001	KMYSG125FKX310373
			12310-SA1-0100	COVER COMP., CYLINDER HEAD	1	Y	N	20000320	20010724	KMYSG125JYC009479	KMYSG125J1C019487
								19990226	20010724	KMYSG125FKX310374	KMYSG125FK1410315
		4-1	12300-SA2-RB00	COVER ASS'Y, CYLINDER HEAD	1	Y		20010725		KMYSG125J1C019488	
								20010725		KMYSG125FK1410316	
		5	12313-SA1-0000	GASKET, CYLINDER HEAD COVER	1	Y		20000320		KMYSG125JYC009479	
								19980408		KMYSG125FKW000001	
		6	12330-SA2-RB02	COVER COMP., CYLINDER HEAD SIDE	1	Y		20010725		KMYSG125J1C019488	
								20010725		KMYSG125FK1410316	
		7	12391-SA2-RB01	GASKET, CYLINDER HEAD SIDE COVER	1	Y		20010725		KMYSG125J1C019488	
								20010725		KMYSG125FK1410316	

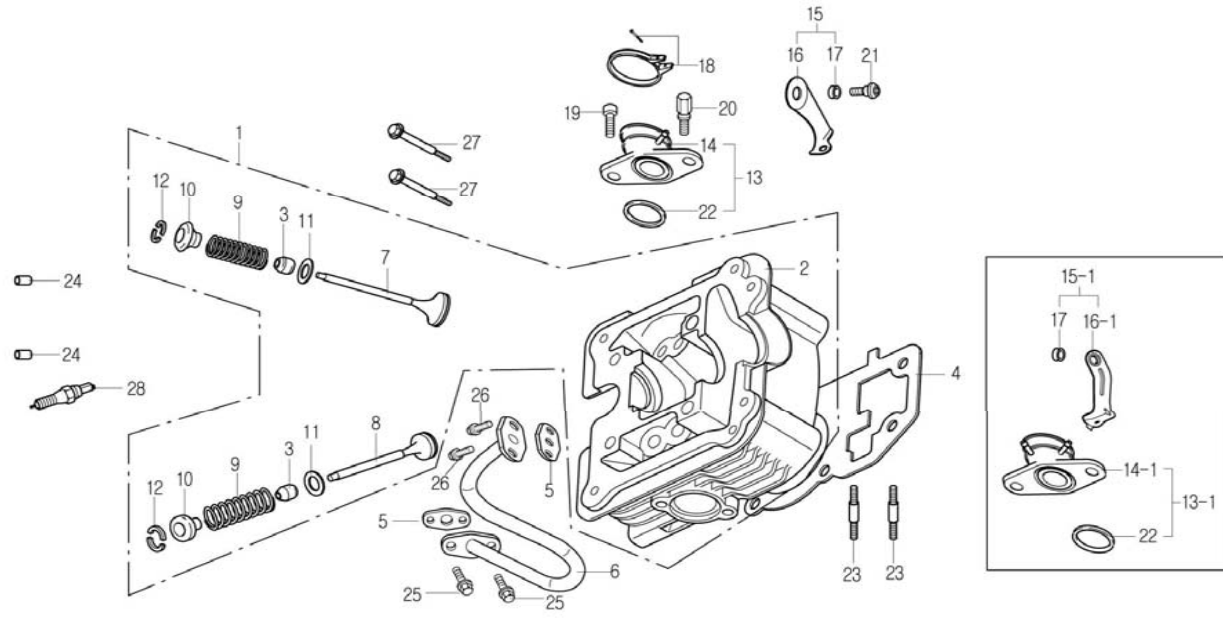
# E-02



## CYLINDER HEAD COVER

Service item	FRT	Ref. No.	Part No.	Description	QTY	A/S	Exch	Start Date	End Date	Start FRM.No	End FRM.No
		8	12392-SA2-RB01	ELEMENT A, SIDE COVER	1	Y		20010725		KMYSG125J1C019488	
		9	12393-SA2-RB01	ELEMENT B, SIDE COVER	1	Y		20010725		KMYSG125FK1410316	
		10	15650-SA1-0000	CAP ASS'Y, OIL FILLER	1	Y		20000320		KMYSG125JYC009479	
								19980408		KMYSG125FKW000001	
		11	15651-SA1-0000	CAP, OIL FILLER	1	Y		20000320		KMYSG125JYC009479	
								19980408		KMYSG125FKW000001	
		12	9000A-SE5-7501	BOLT ASS'Y, SPECIAL 6x28	4	Y		20000320		KMYSG125JYC009479	
								19980408		KMYSG125FKW000001	
		13	91307-CB2-0000	O-RING 18x3	1	Y		20000320		KMYSG125JYC009479	
								19980408		KMYSG125FKW000001	
		14	S3903-34120	SCREW, TAPPING 4x8	2	Y		20000320	20010724	KMYSG125JYC009479	KMYSG125J1C019487
								19980408	20010724	KMYSG125FKW000001	KMYSG125FK1410315
		15	S6001-06020-00	BOLT, FLANGE SH.6x20	4	Y		20010725		KMYSG125J1C019488	
								20010725		KMYSG125FK1410316	

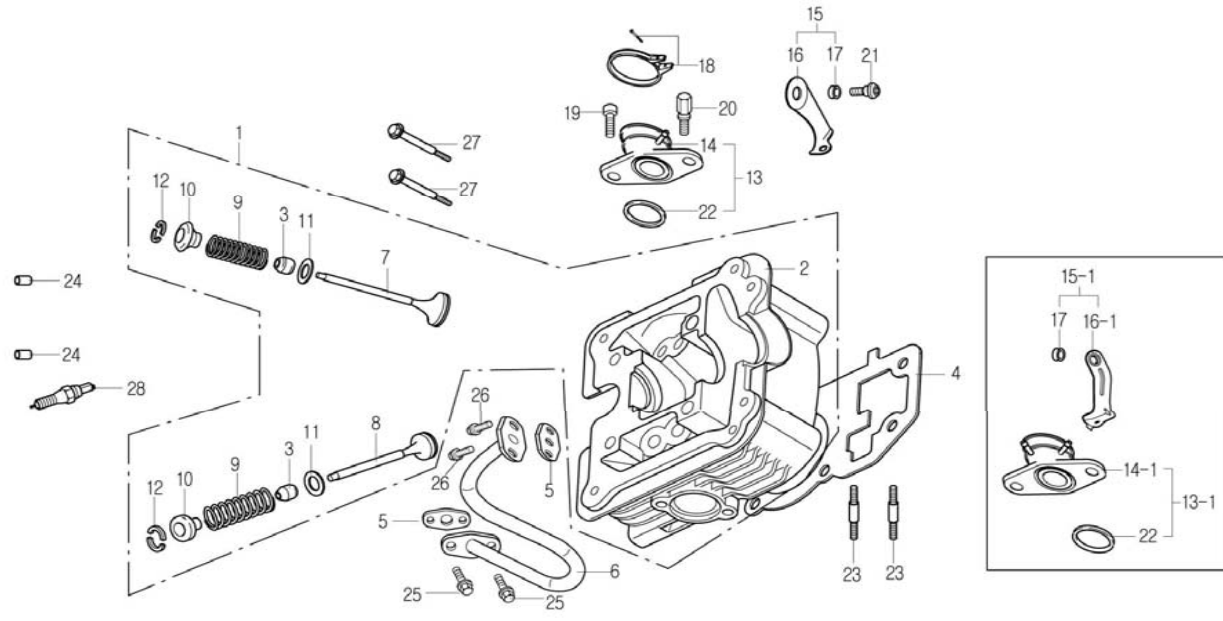
# E-03



## CYLINDER HEAD / VALVE

Service item	FRT	Ref.		Description	QTY	A/S	Exch	Start Date	End Date	Start FRM.No	End FRM.No
		No.	Part No.								
HEAD COMP., CYLINDER	*3.5	1	1220A-SA1-0001	HEAD SET, CYLINDER	1	N	N	19980408	19990225	KMYSG125FKW000001	KMYSG125FKX310373
			1220A-SA1-0101	HEAD SET, CYLINDER	1	Y	N	20000320	20020510	KMYSG125JYC009479	KMYSG125J2C019984
GASKET, CYLINDER HEAD	*3.0		1220A-SA2-0001	HEAD SET, CYLINDER	1	Y		20020511		KMYSG125J2C019985	
				1220A-SA2-RZ00	HEAD ASS'Y, CYLINDER(Euro2)	1	Y		20030612		KMYSG125FK3413034
BOLT, STUD 6x20 (ADD 0.1 FOR EACH)		2	12200-SA1-0001	HEAD COMP., CYLINDER	1	N	N	19980408	19990225	KMYSG125FKW000001	KMYSG125FKX310373
			12200-SA1-0102	HEAD COMP., CYLINDER	1	Y	N	20000320	20020510	KMYSG125JYC009479	KMYSG125J2C019984
INSULATOR ASS'Y, CARBURETOR	0.5		12200-SA2-0001	HEAD COMP., CYLINDER	1	Y		20020511		KMYSG125J2C019985	
				12200-SA2-RZ00	HEAD COMP., CYLINDER(Euro2)	1	Y		20030612		KMYSG125FK3413034
PLUG, SPARK C8EH-9	0.1	3	12209-BA6-0050	SEAL, VALVE STEM	4	Y		20000320		KMYSG125JYC009479	
								19980408		KMYSG125FKW000001	
VALVE (ADD 0.2 FOR EACH)	*3.2	4	12251-SA1-0000	GASKET, CYLINDER HEAD	1	Y		20000320		KMYSG125JYC009479	
								19980408		KMYSG125FKW000001	
SPRING, VALVE (ADD 0.1 FOR EACH)	*3.0	5	14291-SA2-RZ00	GASKET, SAI PIPE(Euro2)	2	Y		20030612		KMYSG125FK3413034	
			6	14320-SA2-RZ00	PIPE COMP., SAI(Euro2)	1	Y		20030612		KMYSG125FK3413034
		7	14711-SA1-0000	VALVE, INLET	2	Y		20000320		KMYSG125JYC009479	
								19980408		KMYSG125FKW000001	
		8	14721-SA1-0000	VALVE, EXHAUST	2	Y		20000320		KMYSG125JYC009479	
								19980408		KMYSG125FKW000001	
		9	14751-SA1-0000	SPRING, VALVE	4	N	N	19980408	19990225	KMYSG125FKW000001	KMYSG125FKX310373
			14751-SA1-0100	SPRING, VALVE	4	Y		20000320		KMYSG125JYC009479	

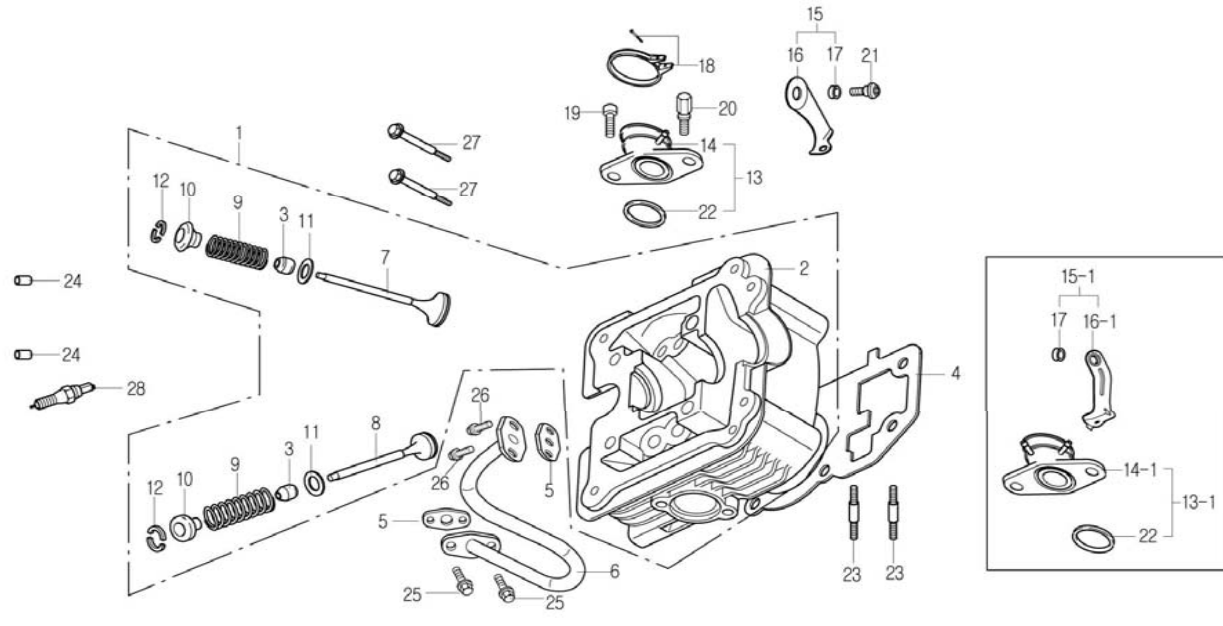
# E-03



## CYLINDER HEAD / VALVE

Service item	FRT	Ref. No.	Part No.	Description	QTY	A/S	Exch	Start Date	End Date	Start FRM.No	End FRM.No
		10	14771-SA1-0000	RETAINER, VALVE SPRING	4	N	N	19990226		KMYSG125FKX310374	
			14771-BA6-9601	RETAINER, VALVE SPRING	4	Y		19980408	19990225	KMYSG125FKW000001	KMYSG125FKX310373
								20000320		KMYSG125JYC009479	
								19990226		KMYSG125FKX310374	
		11	14775-SA1-0000	SEAT, VALVE SPRING	4	N	N	19980408	19990225	KMYSG125FKW000001	KMYSG125FKX310373
			14775-SA1-0100	SEAT, VALVE SPRING	4	Y		20000320		KMYSG125JYC009479	
								19990226		KMYSG125FKX310374	
		12	14781-BA6-0000	COTTER, VALVE	8	Y		20000320		KMYSG125JYC009479	
								19980408		KMYSG125FKW000001	
		13	1621A-SA1-0000-EU	INSULATOR ASS'Y, CARBURETOR	1	Y	N	20000320	20000515	KMYSG125JYC009479	KMYSG125JYC012424
			1621A-SA1-0001	INSULATOR ASS'Y, CARBURETOR	1	Y	N	19980408	19990225	KMYSG125FKW000001	KMYSG125FKX310373
								20000512		KMYSG125JYC012107	
			1621A-SA1-0100	INSULATOR ASS'Y, CARBURETOR	1	Y	N	19980526	19990225	KMYSG125FKW003915	KMYSG125FKX310373
			1621A-SA1-0000-EU	INSULATOR ASS'Y, CARBURETOR	1	Y		19990226	20000116	KMYSG125FKX310374	KMYSG125FKY401000
		13-1	1621A-SA2-RZ00	INSULATOR ASS'Y, CARBURETOR(Euro2)	1	Y		20000117		KMYSG125FKY401001	
		14	16210-SA1-0000-EU	INSULATOR COMP., CARBURETOR	1	Y	N	20030612		KMYSG125FK3413034	
			16210-SA1-0001	INSULATOR COMP., CARBURETOR	1	Y	N	20000320	20000515	KMYSG125JYC009479	KMYSG125JYC012424
								19980408	19990225	KMYSG125FKW000001	KMYSG125FKX310373
			16210-SA1-0001	INSULATOR COMP., CARBURETOR	1	Y	N	20000512		KMYSG125JYC012107	
								19980526	19990225	KMYSG125FKW003915	KMYSG125FKX310373
			16210-SA1-0100	INSULATOR COMP., CARBURETOR	1	Y	N	19990226	20000116	KMYSG125FKX310374	KMYSG125FKY401000
			16210-SA1-0000-EU	INSULATOR COMP., CARBURETOR	1	Y		20000117		KMYSG125FKY401001	

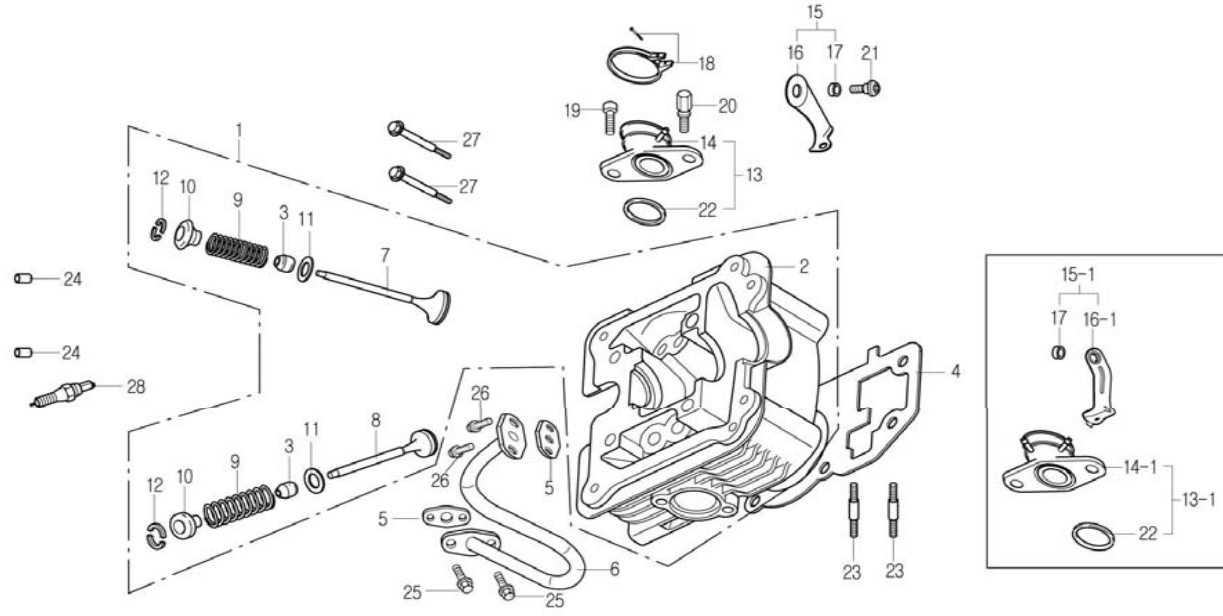
# E-03



## CYLINDER HEAD / VALVE

Service item	FRT	Ref. No.	Part No.	Description	QTY	A/S	Exch	Start Date	End Date	Start FRM.No	End FRM.No
		14-1	16210-SA2-RZ00	INSULATOR COMP., CARBURETOR(Euro2)	1	Y		20030612		KMYSG125FK3413034	
		15	1631A-SA1-0000	PLATE ASS'Y, CARBURETOR SETTING	1	Y		20000320		KMYSG125JYC009479	
								19980408		KMYSG125FKW000001	
		15-1	1631A-SA2-RZ00	PLATE ASS'Y, CARBURETOR SETTING(Euro2)	1	Y		20030612		KMYSG125FK3413034	
		16	16311-SA1-0001	PLATE, CARBURETOR SETTING	1	Y		20000320		KMYSG125JYC009479	
								19980408		KMYSG125FKW000001	
		16-1	16311-SA2-RZ00	PLATE, CARBURETOR SETTING(Euro2)	1	Y		20030612		KMYSG125FK3413034	
		17	16312-SA1-0000	RUBBER, CARBURETOR SETTING	1	Y		20000320		KMYSG125JYC009479	
								19980408		KMYSG125FKW000001	
			16312-SA2-RZ00	RUBBER, CARBURETOR SETTING(Euro2)	1	Y		20030612		KMYSG125FK3413034	
		18	17256-SA1-0001	BAND 46, CARBURETOR INSULATOR	1	Y		20000320		KMYSG125JYC009479	
								19980408		KMYSG125FKW000001	
		19	90001-BA6-9300	BOLT, SOCKET 6x16	1	Y		19980408		KMYSG125FKW000001	
			90001-BA6-9300	BOLT, SOCKET 6x16	2	Y		20000320		KMYSG125JYC009479	
								20030612		KMYSG125FK3413034	
		20	90107-BA5-RB03	SPECIAL BOLT, COMBI KEY	1	Y		19980408		KMYSG125FKW000001	
		21	90124-SA1-0000	SCREW, CARBURETOR SETTING	1	Y		20000320		KMYSG125JYC009479	
								19980408		KMYSG125FKW000001	
			90124-SA2-RZ00	SCREW, CARBURETOR SETTING(Euro2)	1	Y		20030612		KMYSG125FK3413034	
		22	91303-SA1-0000	O-RING 29.5x3.0	1	Y	N	19980408	19990322	KMYSG125FKW000001	KMYSG125FKY400008
			91303-SA1-0001	O-RING 29.5x3.0	1	Y		20000320		KMYSG125JYC009479	

# E-03

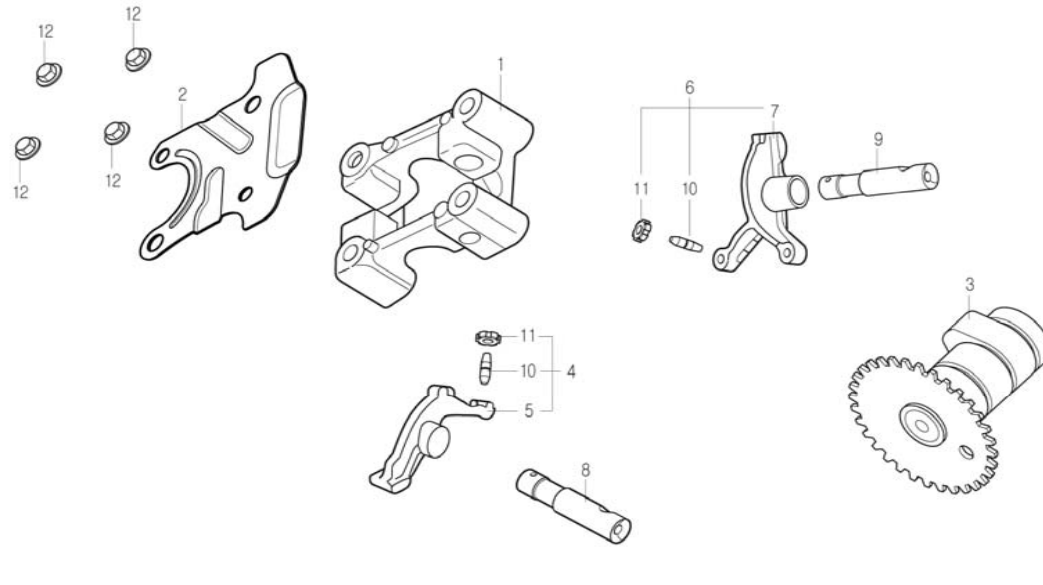


## CYLINDER HEAD / VALVE

Service item	FRT	Ref. No.	Part No.	Description	QTY	A/S	Exch	Start Date	End Date	Start FRM.No	End FRM.No
		23	S2900-06020-0B	BOLT, STUD 6x20	2	Y		19990323		KMYSG125FKY400009	
		24	S4301-10160	PIN, DOWEL 10x16	2	Y		20000320		KMYSG125JYC009479	
		25	S6001-06014-00	BOLT, FLANGE SH.6x14	2	Y		19980408		KMYSG125FKW000001	
		26	S6001-06018-00	BOLT, FLANGE SH.6x18	2	Y		20000320		KMYSG125JYC009479	
		27	S6001-06145-00	BOLT, FLANGE SH.6x145	2	Y		19980408		KMYSG125FKW000001	
		28	S8059-58910-00	PLUG, SPARK C8EH-9	1	Y	N	20030612		KMYSG125FK3413034	
			S8059-58916-00	PLUG, SPARK CR8EH-9	1	Y		19980526	19991231	KMYSG125FKW003915	KMYSG125FKY401000
								19980408		KMYSG125FKW000001	



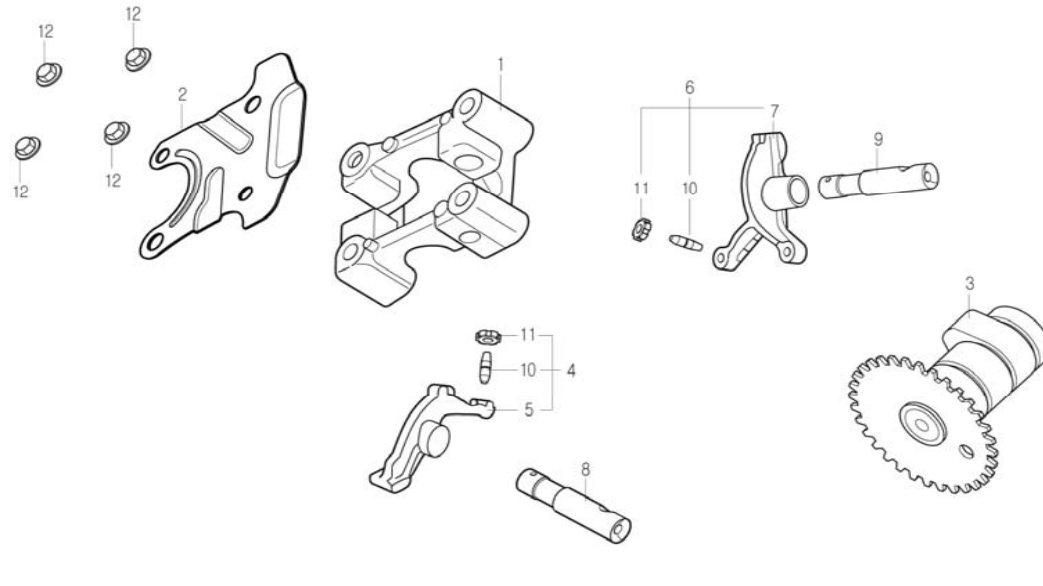
# E-04



## CAM SHAFT

Service item	FRT	Ref. No.	Part No.	Description	QTY	A/S	Exch	Start Date	End Date	Start FRM.No	End FRM.No
SHAFT COMP., CAM	01.feb	1	12211-SA1-0000	HOLDER, CAM SHAFT	1	Y	N	19980408	19990225	KMYSG125FKW000001	KMYSG125FKX310373
			12211-SA1-0100	HOLDER, CAM SHAFT	1	Y		20000320		KMYSG125JYC009479	
ARM, VALVE ROCKER (ADD 0.3 FOR EACH)		2	12303-SA1-0100	PLATE, CAM COVER	1	Y		20000320	20020531	KMYSG125JYC009479	KMYSG125J2C020066
								19990226	20010725	KMYSG125FKX310374	KMYSG125FK1410320
HOLDER, CAM SHAFT	01.apr	3	14100-SA1-0000	SHAFT COMP., CAM	1	Y	N	19980408	19990225	KMYSG125FKW000001	KMYSG125FKX310373
			14100-SA1-0100	SHAFT COMP., CAM	1	Y		20000320		KMYSG125JYC009479	
		4	1443A-SA1-0000	ARM ASS'Y, INLET VALVE ROCKER	1	N	N	19980408	19990225	KMYSG125FKW000001	KMYSG125FKX310373
			1443A-SA1-0101	ARM ASS'Y, INLET VALVE ROCKER	1	Y		20000320		KMYSG125JYC009479	
		5	14431-SA1-0000	ARM, INLET VALVE ROCKER	1	N	N	19980408	19990225	KMYSG125FKW000001	KMYSG125FKX310373
			14431-SA1-0100	ARM, INLET VALVE ROCKER	1	Y		20000320		KMYSG125JYC009479	
		6	1444A-SA1-0000	ARM ASS'Y, EXHAUST VALVE ROCKER	1	Y	N	19980408	19990225	KMYSG125FKW000001	KMYSG125FKX310373
			1444A-SA1-0101	ARM ASS'Y, EXHAUST VALVE ROCKER	1	Y		20000320		KMYSG125JYC009479	
		7	14441-SA1-0000	ARM, EXHAUST VALVE ROCKER	1	Y	N	19980408	19990225	KMYSG125FKW000001	KMYSG125FKX310373
			14441-SA1-0100	ARM, EXHAUST VALVE ROCKER	1	Y		20000320		KMYSG125JYC009479	
		8	14451-SA1-0000	SHAFT, INLET ROCKER ARM	1	Y		20000320		KMYSG125JYC009479	
								19980408		KMYSG125FKW000001	

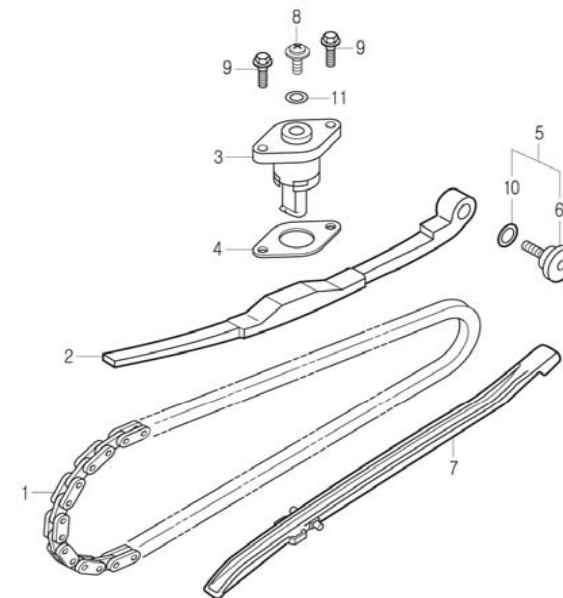
# E-04



## CAM SHAFT

Service item	FRT	Ref. No.	Part No.	Description	QTY	A/S	Exch	Start Date	End Date	Start FRM.No	End FRM.No
		9	14452-SA1-0000	SHAFT, EXHAUST ROCKER ARM	1	Y		20000320		KMYSG125JYC009479	
								19980408		KMYSG125FKW000001	
		10	90012-CB2-0004	SCREW, TAPPET ADJUSTING	4	Y		20000320		KMYSG125JYC009479	
								19980408		KMYSG125FKW000001	
		11	90206-BA6-0000	NUT, TAPPET ADJUSTING	4	Y	Y	20000320	20010314	KMYSG125JYC009479	KMYSG125J1C019094
								19980408	20010314	KMYSG125FKW000001	KMYSG125FK1409056
			90206-CB2-0007	NUT, TAPPET ADJUSTING	4	Y		20010315		KMYSG125FK1409057	
								20010315		KMYSG125J1C019095	
		12	S4050-08080	NUT, FLANGE 8mm	4	Y		20000320		KMYSG125JYC009479	
								19980408		KMYSG125FKW000001	

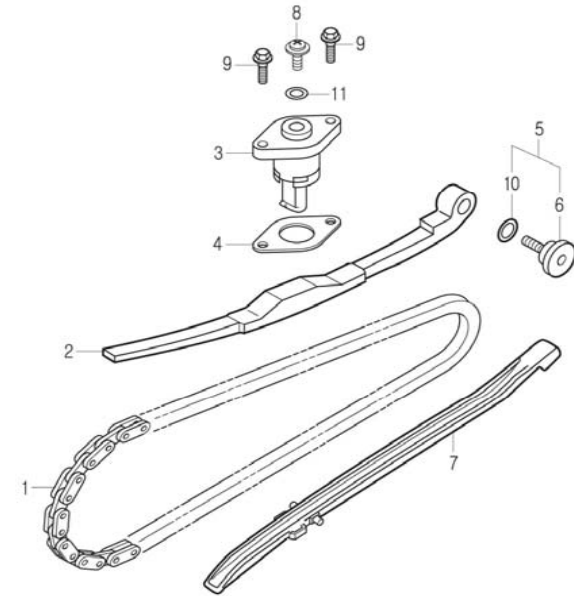
# E-05



## CAM CHAIN / TENSIONER

Service item	FRT	Ref. No.	Part No.	Description	QTY	A/S	Exch	Start Date	End Date	Start FRM.No	End FRM.No
CHAIN, CAM	03.mar	1	14401-SA0-0000	CHAIN, CAM	1	N	Y	20000320	20010914	KMYSG125JYC009479	KMYSG125J1C019527
TENSIONER, CAM CHAIN	0.9		14401-SA0-0010-M1	CHAIN, CAM	1	Y		20010915		KMYSG125J1C019528	KMYSG125FK1410420
LIFTER ASS'Y, TENSIONER	0.4	2	14500-SA1-0001	TENSIONER, CAM CHAIN	1	Y		20000320		KMYSG125FK1410421	
GUIDE, CAM CHAIN	*2.8	3	14520-X10-0000-M1	LIFTER ASS'Y, TENSIONER	1	N	Y	19980408	19990714	KMYSG125JYC009479	KMYSG125FKW000001
			14520-BA1-0000	LIFTER ASS'Y, TENSIONER	1	Y		20000320		KMYSG125FKW000001	KMYSG125FKX316882
		4	14523-BA7-0000-EU	GASKET, TENSIONER LIFTER	1	Y		19990715		KMYSG125FKX316883	
		5	1453A-SA1-0000	PIVOT ASS'Y, CAM CHAIN TENSIONER	1	Y		20000320		KMYSG125JYC009479	
								19980408		KMYSG125FKW000001	
		6	14531-SA1-0001	PIVOT, CAM CHAIN TENSIONER	1	Y		20000320		KMYSG125JYC009479	
								19980408		KMYSG125FKW000001	
		7	14550-SA1-0000	GUIDE, CAM CHAIN	1	Y		20000320		KMYSG125JYC009479	
								19980408		KMYSG125FKW000001	
		8	90005-BA7-9000	SCREW, PAN 6x6	1	Y		20000320		KMYSG125JYC009479	
								19980408		KMYSG125FKW000001	
		9	90091-BA7-9000	BOLT, FLANGE 6x16	2	Y	N	19980408	19990531	KMYSG125FKW000001	KMYSG125FKX315335
			90091-BA7-0000	BOLT, FLANGE 6x16	2	Y		20000320		KMYSG125JYC009479	
								19990601		KMYSG125FKX315336	

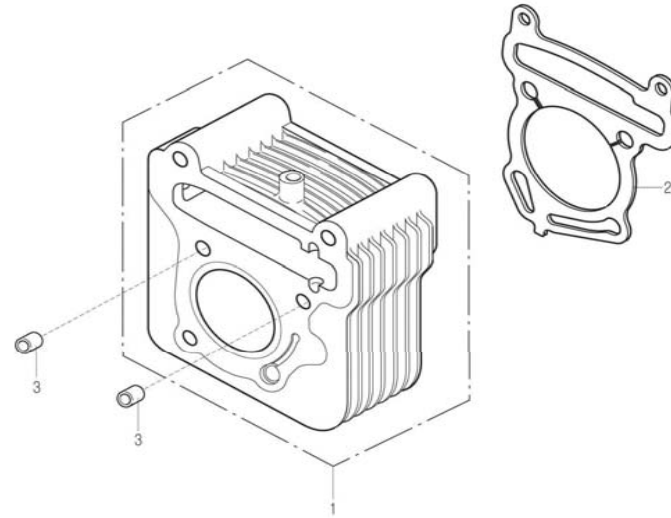
# E-05



## CAM CHAIN / TENSIONER

Service item	FRT	Ref. No.	Part No.	Description	QTY	A/S	Exch	Start Date	End Date	Start FRM.No	End FRM.No
		10	91302-SA0-0000	O-RING 15.2x1.5	1	Y		20000320		KMYSG125JYC009479	
								19980408		KMYSG125FKW000001	
		11	91306-BA6-6900	O-RING 1.5x9.5	1	Y		20000320		KMYSG125JYC009479	
								19980408		KMYSG125FKW000001	

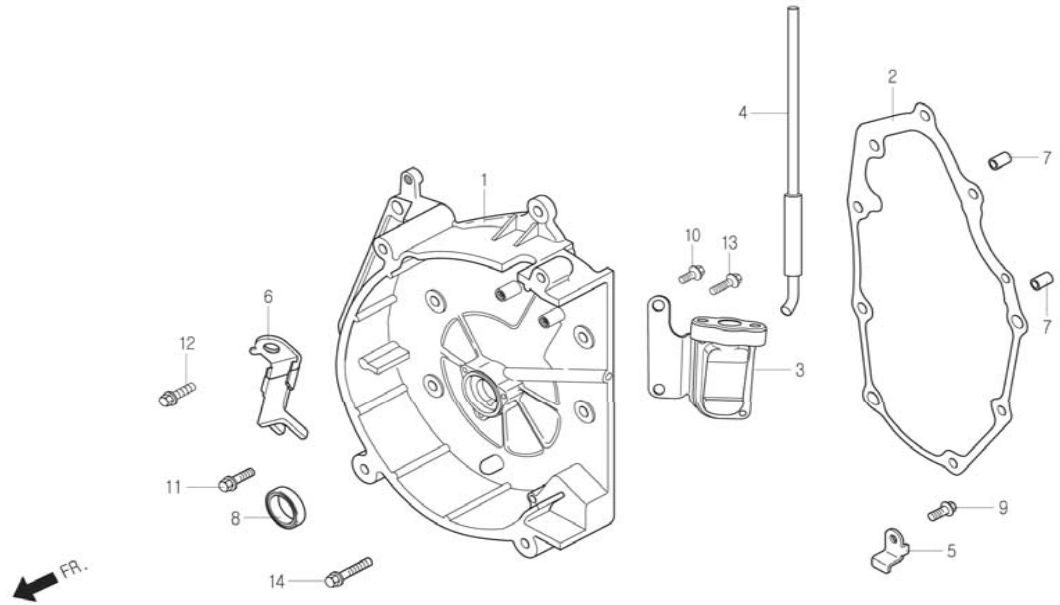
# E-06



## CYLINDER

Service item	FRT	Ref. No.	Part No.	Description	QTY	A/S	Exch	Start Date	End Date	Start FRM.No	End FRM.No
CYLINDER COMP.	*3.0	1	12100-SA1-0000	CYLINDER COMP.	1	Y		20000320		KMYSG125JYC009479	
								19980408		KMYSG125FKW000001	
GASKET, CYLINDER	*3.0	2	12191-SA1-0000	GASKET, CYLINDER	1	Y	N	20000320		KMYSG125JYC009479	
								19980526	19991231	KMYSG125FKW003915	KMYSG125FKY401000
			12191-SA1-0000-EU	GASKET, CYLINDER	1	Y		19980408		KMYSG125FKW000001	
		3	S4301-10160	PIN, DOWEL 10x16	2	Y		20000320		KMYSG125JYC009479	
								19980408		KMYSG125FKW000001	

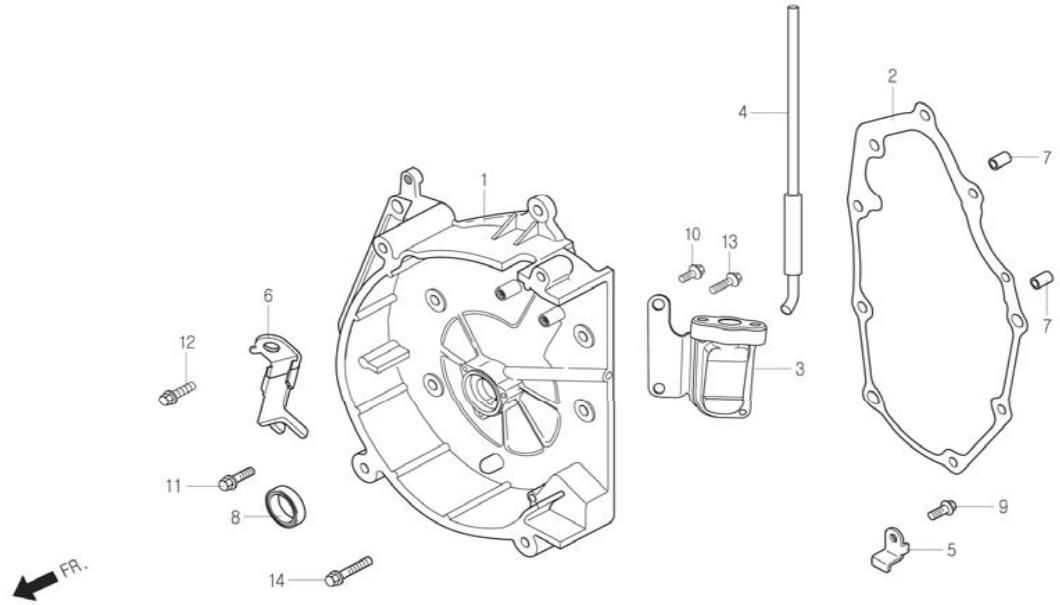
# E-07



## RIGHT CRANK CASE COVER

Service item	FRT	Ref. No.	Part No.	Description	QTY	A/S	Exch	Start Date	End Date	Start FRM.No	End FRM.No
COVER COMP., RH.CRANK CASE  GASKET, RH.COVER	0.9	1	11330-SA1-0005	COVER COMP., RH.CRANK CASE	1	Y		20000320		KMYSG125JYC009479	
			11330-SA1-RZ00	COVER COMP., RH.CRANK CASE	1	Y		19980408		KMYSG125FKW000001	
		2	11394-SA1-0001	GASKET, RH.COVER	1	Y	N	20000320		KMYSG125FK3413034	
								19980526	19991231	KMYSG125JYC009479	
			11394-SA1-0000-EU	GASKET, RH.COVER	1	Y		19980408		KMYSG125FKW003915	KMYSG125FKY401000
		3	14200-SA1-RZ00	VALVE ASS'Y, SAI REED	1	Y		20030612	20030602	KMYSG125FK3413034	KMYSG125FK3413033
		4	17331-SA1-RZ00	TUBE A, A.I.C.V	1	Y		20030612		KMYSG125FK3413034	
		5	28117-SA1-0000	PLATE, START DRIVEN GEAR SETTING	1	Y		20000320		KMYSG125JYC009479	
								19980408		KMYSG125FKW000001	
		6	31103-SA1-0001	CLAMP, A.C.GENERATOR CORD	1	Y		20000320		KMYSG125JYC009479	
								19980408		KMYSG125FKW000001	
		7	90701-CB2-0002	PIN, DOWEL SPECIAL 8x14	2	Y		20000320		KMYSG125JYC009479	
								19980408		KMYSG125FKW000001	
		8	91201-SA1-0000	SEAL, OIL 20x30x6	1	Y		20000320		KMYSG125JYC009479	
						19980408		KMYSG125FKW000001			
9	S6001-06012-00	BOLT, FLANGE SH.6x12	1	Y		20000320		KMYSG125JYC009479			
						19980408		KMYSG125FKW000001			
10	S6001-06018-00	BOLT, FLANGE SH.6x18	1	Y		20030612		KMYSG125FK3413034			
11	S6001-06022-00	BOLT, FLANGE SH.6x22	6	Y		20000320		KMYSG125JYC009479			
						19980408		KMYSG125FKW000001			

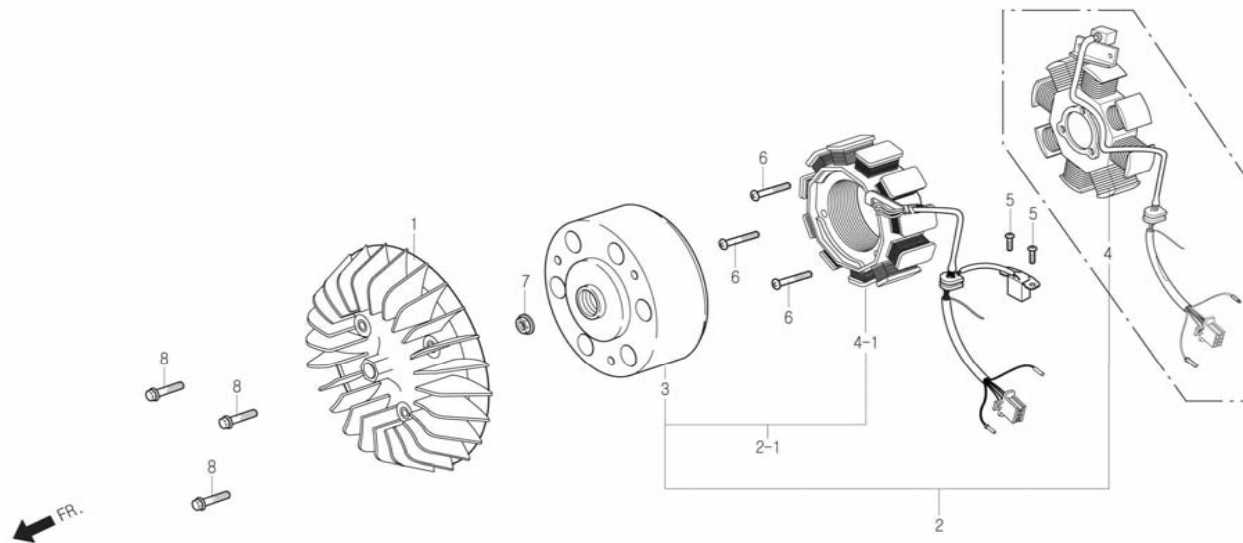
# E-07



## RIGHT CRANK CASE COVER

Service item	FRT	Ref. No.	Part No.	Description	QTY	A/S	Exch	Start Date	End Date	Start FRM.No	End FRM.No
		12	S6001-06032-00	BOLT, FLANGE SH.6x32	2	Y		20000320		KMYSG125JYC009479	
								19980408		KMYSG125FKW000001	
		13	S6001-06035-00	BOLT, FLANGE SH.6x35	1	Y		20030612		KMYSG125FK3413034	
		14	S6001-06045-00	BOLT, FLANGE SH.6x45	1	Y		19980408		KMYSG125FKW000001	
								20000320		KMYSG125JYC009479	

# E-08

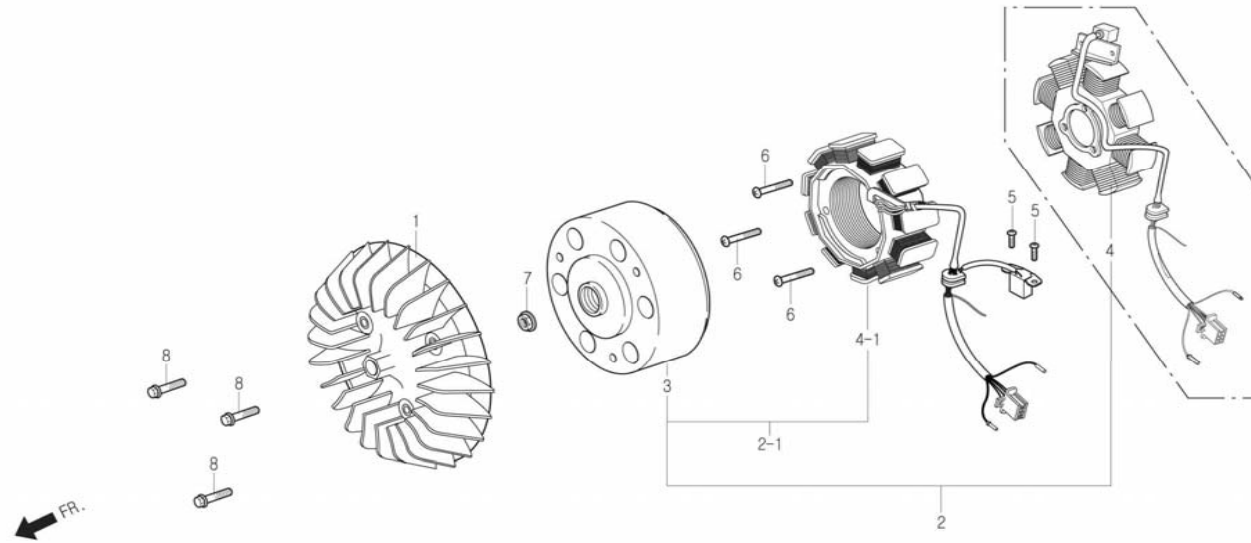


## GENERATOR

Service item	FRT	Ref. No.	Part No.	Description	QTY	A/S	Exch	Start Date	End Date	Start FRM.No	End FRM.No
FAN COMP., COOLING	0.5	1	19510-SA1-0000	FAN COMP., COOLING	1	Y		20000320		KMYSG125JYC009479	
A.C.GENERATOR ASS'Y	0.7	2	31100-SA1-0000	AC.GENERATOR ASS'Y	1	Y	N	19980408	19990805	KMYSG125FKW000001	KMYSG125FKX316900
STATOR COMP.			31100-SA1-0002	AC.GENERATOR ASS'Y	1	Y	N	20000320	20010701	KMYSG125JYC009479	KMYSG125J1C019387
FLYWHEEL COMP.	0.5	2-1	31100-SA3-RB00	AC.GENERATOR ASS'Y	1	Y	N	19990806	20010701	KMYSG125FKX316901	KMYSG125FK1410315
								20010702	20020510	KMYSG125J1C019388	KMYSG125J2C019984
			31100-SA2-0000-M1	AC.GENERATOR ASS'Y(YS)	1	Y		20010702	20020510	KMYSG125FK1410316	KMYSG125FK2411711
								20020511		KMYSG125J2C019985	
			31110-SA2-RZ00	FLYWHEEL COMP.	1	Y		20020511		KMYSG125FK2411712	
		3	31110-SA1-0000	FLYWHEEL COMP.	1	Y	N	20030612		KMYSG125FK3413034	
								20000320	20020510	KMYSG125JYC009479	KMYSG125J2C019984
			31110-SA2-0000	FLYWHEEL COMP.	1	Y		19980408	20020510	KMYSG125FKW000001	KMYSG125FK2411711
								20020511		KMYSG125J2C019985	
			31100-SA2-RZ00	AC.GENERATOR ASS'Y	1	Y		20020511		KMYSG125FK2411712	
		4	31120-SA1-0000	STATOR COMP.	1	Y	N	20030612		KMYSG125FK3413034	
								20000320	20010701	KMYSG125JYC009479	KMYSG125J1C019387
			31120-SA2-0000	STATOR COMP.	1	Y		19980408	20010701	KMYSG125FKW000001	KMYSG125FK1410315
		4-1						20010702		KMYSG125J1C019388	
								20010702		KMYSG125FK1410316	
		5	S3500-05012-0A	SCREW, PAN 5x12	2	Y		20000320		KMYSG125JYC009479	
								19980408		KMYSG125FKW000001	
		6	S3500-05032-0A	SCREW, PAN 5x32	3	Y	N	19980408	19990531	KMYSG125FKW000001	KMYSG125FKX315335



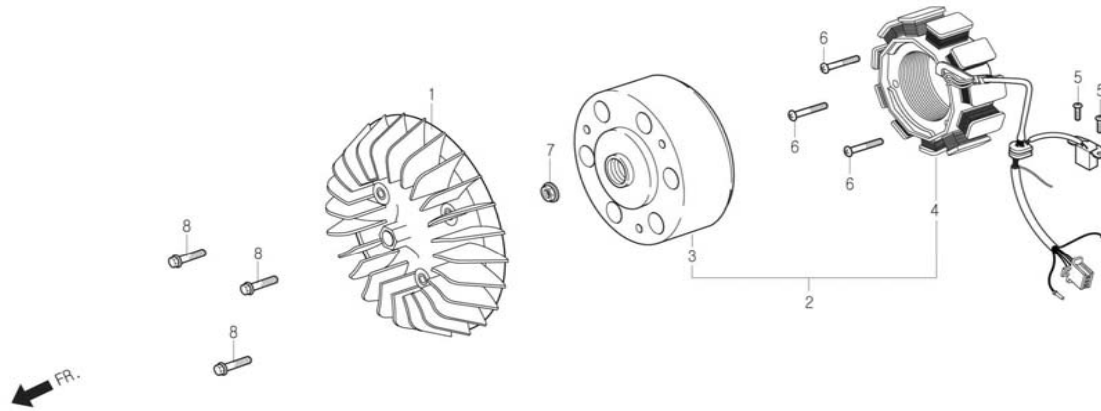
# E-08



## GENERATOR

Service item	FRT	Ref. No.	Part No.	Description	QTY	A/S	Exch	Start Date	End Date	Start FRM.No	End FRM.No
			S3500-SA1-0000-W1	SCREW, PAN SPECIAL 5x32	3	Y		20000320		KMYSG125JYC009479	
								19990601		KMYSG125FKX315336	
		7	S4050-12000	NUT, FLANGE 12mm	1	Y	Y	19980408	19980728	KMYSG125FKW000001	KMYSG125FKW004887
			S4050-12080	NUT, FLANGE 12mm	1	Y		20000320		KMYSG125JYC009479	
								19980729		KMYSG125FKW004888	
		8	S6001-06012-00	BOLT, FLANGE SH.6x12	3	Y		20000320		KMYSG125JYC009479	
								19980408		KMYSG125FKW000001	

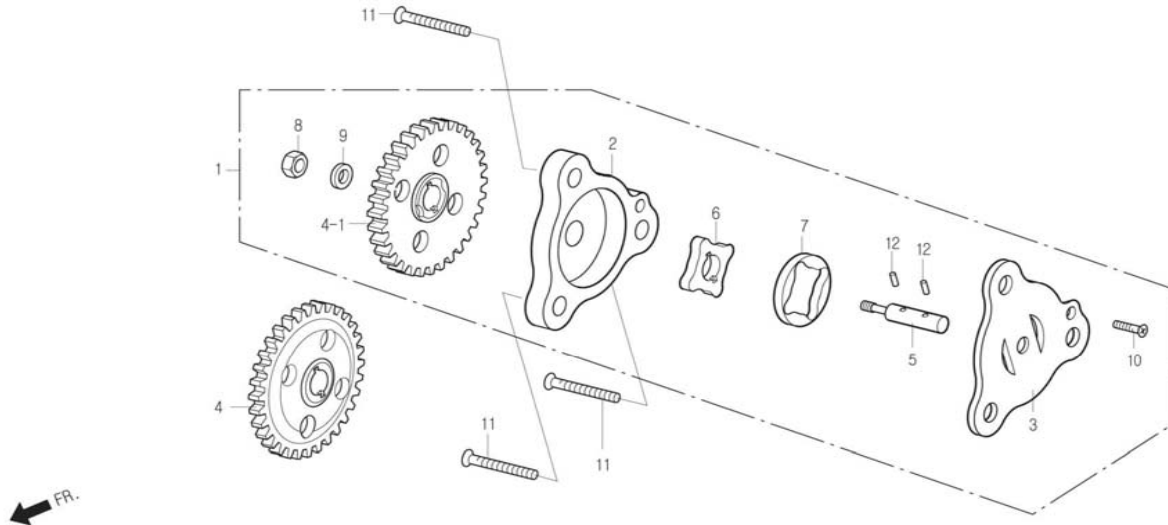
# E-08-L



## GENERATOR

Service item	FRT	Ref. No.	Part No.	Description	QTY	A/S	Exch	Start Date	End Date	Start FRM.No	End FRM.No
FAN COMP., COOLING	0.5	1	19510-SA1-0000	FAN COMP., COOLING	1	Y		20001221		KMYSG125FK1500013	
		2	31100-SA2-RB00	AC.GENERATOR ASS'Y	1	Y	N	20001221	20010131	KMYSG125FK1500013	KMYSG125FK1408699
A.C.GENERATOR ASS'Y	0.7		31100-SA3-RB00	AC.GENERATOR ASS'Y	1	Y	N	20010201	20020510	KMYSG125FK1408700	KMYSG125FK2411711
			31100-SA2-0000-M1	AC.GENERATOR ASS'Y(YS)	1	Y		20020511		KMYSG125FK2411712	
STATOR COMP.			31100-SA2-RZ00	AC.GENERATOR ASS'Y	1	Y		20030612		KMYSG125FK3412914	
		3	31110-SA1-0000	FLYWHEEL COMP.	1	Y	N	20001221	20020510	KMYSG125FK1500013	KMYSG125FK2411711
FLYWHEEL COMP.	0.5		31110-SA2-0000	FLYWHEEL COMP.	1	Y		20020511		KMYSG125FK2411712	
			31110-SA2-RZ00	FLYWHEEL COMP.	1	Y		20030612		KMYSG125FK3412914	
		4	31120-SA2-0000	STATOR COMP.	1	Y		20001221		KMYSG125FK1500013	
		7	S4050-12080	NUT, FLANGE 12mm	1	Y		20001221		KMYSG125FK1500013	
		8	S6001-06012-00	BOLT, FLANGE SH.6x12	3	Y		20001221		KMYSG125FK1500013	

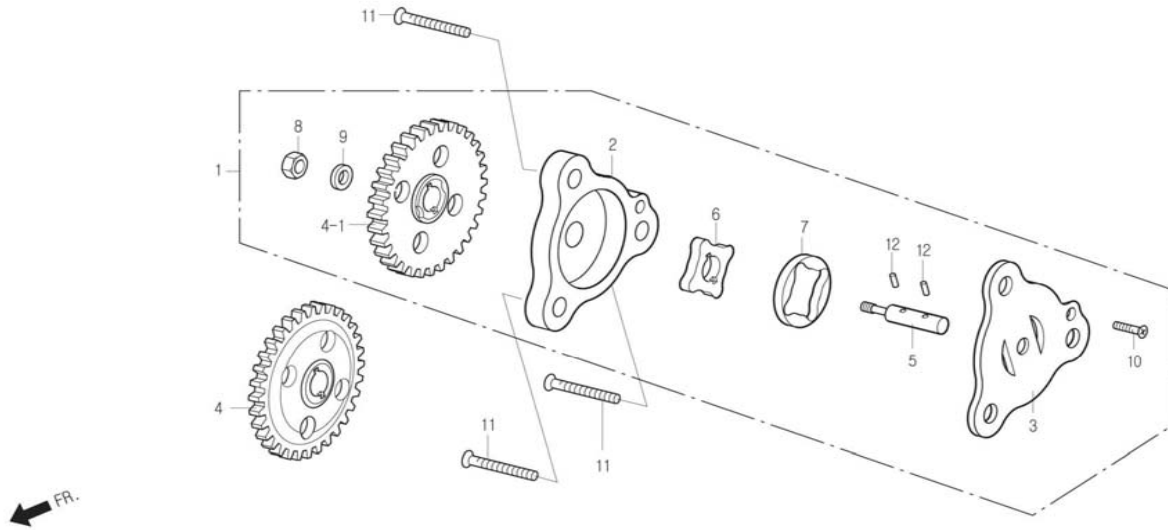
# E-09



## OIL PUMP

Service item	FRT	Ref. No.	Part No.	Description	QTY	A/S	Exch	Start	End	Start	End
								Date	Date	FRM.No	FRM.No
BODY, OIL PUMP (INCLUDE RELATIVE PARTS)	0.9	1	15100-SA1-0001	PUMP ASS'Y, OIL	1	Y	N	20000320	20000614	KMYSG125JYC009479	KMYSG125JYC013102
			15100-SA1-0100	PUMP ASS'Y, OIL	1	Y		19980408	20000614	KMYSG125FKW000001	KMYSG125FKY405956
			15100-SA1-0100	PUMP ASS'Y, OIL	1	Y		20000615		KMYSG125JYC013103	
			15100-SA1-0100	PUMP ASS'Y, OIL	1	Y		20000615		KMYSG125FKY405957	
		2	15111-SA1-0000	BODY, OIL PUMP	1	Y		20000320		KMYSG125JYC009479	
			15111-SA1-0000	BODY, OIL PUMP	1	Y		19980408		KMYSG125FKW000001	
		3	15113-SA1-0000	PLATE, OIL PUMP	1	Y		20000320		KMYSG125JYC009479	
			15113-SA1-0000	PLATE, OIL PUMP	1	Y		19980408		KMYSG125FKW000001	
		4	15131-SA1-0000	GEAR, OIL PUMP DRIVEN	1	N	N	19980408	20000208	KMYSG125FKW000001	KMYSG125FKY401267
		4-1	15131-SA1-0100	GEAR, OIL PUMP DRIVEN	1	N	N	20000320	20000614	KMYSG125JYC009479	KMYSG125JYC013102
			15131-SA1-0100	GEAR, OIL PUMP DRIVEN	1	N	N	20000209	20000614	KMYSG125FKY401268	KMYSG125FKY405956
			15131-SA1-0200	GEAR, OIL PUMP DRIVEN	1	Y		20000615		KMYSG125JYC013103	
			15131-SA1-0200	GEAR, OIL PUMP DRIVEN	1	Y		20000615		KMYSG125FKY405957	
		5	15136-SA1-0000	SHAFT, OIL PUMP	1	Y		20000320		KMYSG125JYC009479	
			15136-SA1-0000	SHAFT, OIL PUMP	1	Y		19980408		KMYSG125FKW000001	
6	15331-SA1-0000	INNER ROTOR, OIL PUMP	1	Y		20000320		KMYSG125JYC009479			
	15331-SA1-0000	INNER ROTOR, OIL PUMP	1	Y		19980408		KMYSG125FKW000001			
7	15332-SA1-0000	OUTER ROTOR, OIL PUMP	1	Y		20000320		KMYSG125JYC009479			
	15332-SA1-0000	OUTER ROTOR, OIL PUMP	1	Y		19980408		KMYSG125FKW000001			
8	90301-BA6-0032	NUT, U 6mm	1	Y		20000320		KMYSG125JYC009479			
	90301-BA6-0032	NUT, U 6mm	1	Y		19980408		KMYSG125FKW000001			
9	90417-CB2-0002	WASHER, SHIFT DRUM SIDE	1	Y		19980408		KMYSG125FKW000001			

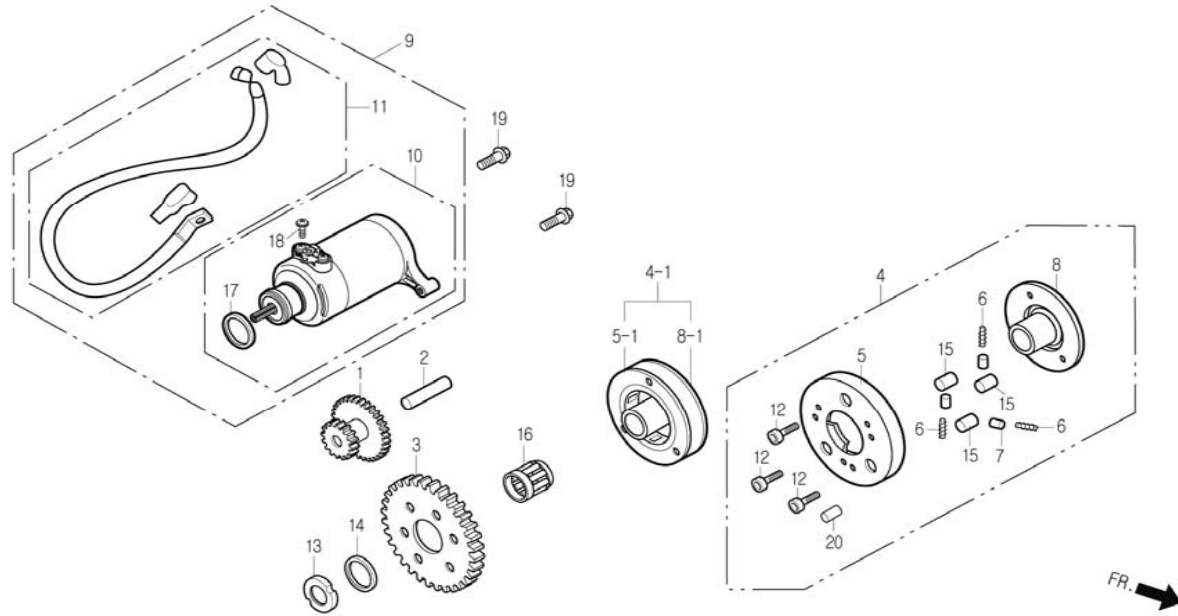
# E-09



## OIL PUMP

Service item	FRT	Ref. No.	Part No.	Description	QTY	A/S	Exch	Start Date	End Date	Start FRM.No	End FRM.No
								20000320		KMYSG125JYC009479	
		10	S3500-04010-0A	SCREW, PAN 4x10	1	Y		20000320		KMYSG125JYC009479	
								19980408		KMYSG125FKW000001	
		11	S3600-06032-1A	SCREW, FLAT 6x32	3	Y		19980408		KMYSG125FKW000001	
								20000320		KMYSG125JYC009479	
		12	S6220-25118	ROLLER 2.5x11.8	2	Y		19980408		KMYSG125FKW000001	
								20000320		KMYSG125JYC009479	

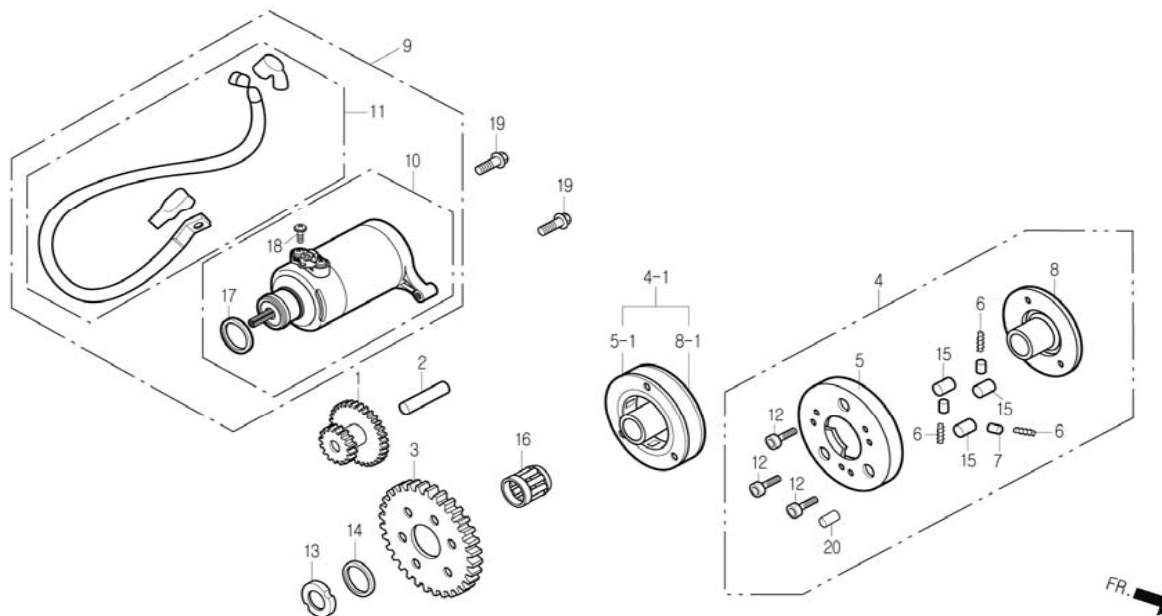
# E-10



## STARTER MOTOR

Service item	FRT	Ref. No.	Part No.	Description	QTY	A/S	Exch	Start Date	End Date	Start FRM.No	End FRM.No
GEAR COMP., STARTER DRIVEN	0.9	1	28101-SA1-0000	GEAR, STARTER REDUCTION	1	Y	N	20000320		KMYSG125JYC009479	
GEAR, STARTER REDUCTION			28101-SA2-0001	GEAR, STARTER REDUCTION	1	Y		19980408	20020510	KMYSG125FKW000001	KMYSG125FK2411711
MOTOR UNIT, STARTER	0.4	2	28102-SA1-0000	SHAFT, REDUCTION GEAR	1	Y		20000320		KMYSG125JYC009479	
CABLE, STARTER MOTOR	0.5	3	28110-SA1-0101	GEAR COMP., STARTER DRIVEN	1	N	N	19980408	19991012	KMYSG125FKW000001	KMYSG125FKY318004
OUTER COMP., START CLUTCH (INCLUDE RELATIVE PARTS)	01.jan	4	2812A-SA1-0000	CLUTCH ASS'Y, STARTING	1	N	N	19980408	19991012	KMYSG125FKW000001	KMYSG125FKY318004
		4-1	2812A-SA1-0031	ONEWAY CLUTCH SET, STARTER(I.S)	1	Y		20000320		KMYSG125JYC009479	
		5	28120-SA0-0000	OUTER COMP., STRTING CLUTCH	1	N	N	19980408	19991012	KMYSG125FKW000001	KMYSG125FKY318004
		5-1	28120-SA1-0131	ONEWAY CLUTCH ASS'Y, START(I.S)	1	N		20000320		KMYSG125JYC009479	
								19991013		KMYSG125FKY318005	
		6	28125-SA0-0000	SPRING, STARTING CLUTCH ROLLER	3	Y		19980408	19991012	KMYSG125FKW000001	KMYSG125FKY318004
		7	28126-SA0-0000	CAP, START CLUTCH ROLLER SPRING	3	N	N	19980408	19991012	KMYSG125FKW000001	KMYSG125FKY318004
			28126-SA1-0030	CLUTCH, ONEWAY(I.S)	1	N		20000320		KMYSG125JYC009479	
								19991013		KMYSG125FKY318005	
		8	28128-SA1-0000	FLANGE, STARTING CLUTCH	1	N	N	19980408	19991012	KMYSG125FKW000001	KMYSG125FKY318004
		8-1	28128-SA1-0130	FLANGE, STARTING CLUTCH(I.S)	1	N		20000320		KMYSG125JYC009479	
								19991013		KMYSG125FKY318005	

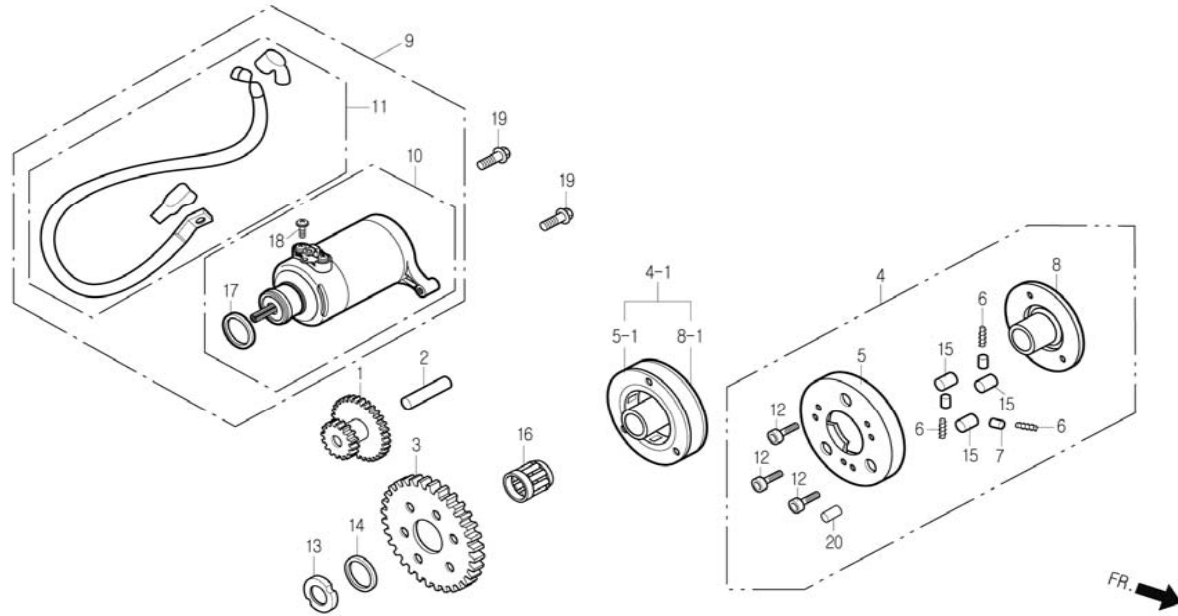
# E-10



## STARTER MOTOR

Service item	FRT	Ref. No.	Part No.	Description	QTY	A/S	Exch	Start Date	End Date	Start FRM.No	End FRM.No
		9	31200-SA1-0002	MOTOR ASS'Y, STARTER	1	Y	N	20000320		KMYSG125JYC009479	
			31200-SA2-0000	MOTOR ASS'Y, STARTER	1	Y	N	19980408	20020510	KMYSG125FKW000001	KMYSG125FK2411711
			31200-SA2-0010	MOTOR ASS'Y, STARTER	1	Y		20020511	20030527	KMYSG125FK2411712	KMYSG125FK3413033
			31200-SA2-0010	MOTOR ASS'Y, STARTER	1	Y		20030528		KMYSG125FK3413034	
		10	31210-SA1-0000	MOTOR UNIT, STARTER	1	Y	N	20000320		KMYSG125JYC009479	
			31210-SA2-0000	MOTOR UNIT, STARTER	1	Y		19980408	20020510	KMYSG125FKW000001	KMYSG125FK2411711
			31210-SA2-0000	MOTOR UNIT, STARTER	1	Y		20000320		KMYSG125JYC009479	
			31210-SA2-0000	MOTOR UNIT, STARTER	1	Y		20020511		KMYSG125FK2411712	
		11	32410-SA1-0003	CABLE, STARTER MOTOR	1	Y	N	20000320		KMYSG125JYC009479	
			32410-SA2-0000	CABLE, STARTER MOTOR	1	Y	N	19980408	20020510	KMYSG125FKW000001	KMYSG125FK2411711
			32410-SA2-0000	CABLE, STARTER MOTOR	1	Y	N	20020511	20030527	KMYSG125FK2411712	KMYSG125FK3413033
			32410-SA2-0010	CABLE, STARTER MOTOR	1	Y		20030528		KMYSG125FK3413034	
		12	90001-SA0-0000	BOLT, SOCKET 6x12	3	Y		19980408	19991012	KMYSG125FKW000001	KMYSG125FKY318004
		13	90201-SA0-0002	NUT, LOCK 22mm	1	Y		20000320		KMYSG125JYC009479	
			90201-SA0-0002	NUT, LOCK 22mm	1	Y		19980408		KMYSG125FKW000001	
		14	90403-SA0-0100	WASHER, THRUST 22.0x31x2	1	Y		20000320		KMYSG125JYC009479	
			90403-SA0-0100	WASHER, THRUST 22.0x31x2	1	Y		19980408		KMYSG125FKW000001	
		15	91101-CB2-7100	ROLLER 10x10	3	N		19980408	19991012	KMYSG125FKW000001	KMYSG125FKY318004
		16	91104-SA0-0001-M1	BEARING, NEEDLE K28x32x17SV1	1	Y		20000320		KMYSG125JYC009479	
			91104-SA0-0001-M1	BEARING, NEEDLE K28x32x17SV1	1	Y		19980408		KMYSG125FKW000001	
		17	91309-BA6-0030	O-RING 24.4x3.1	1	Y		20000320		KMYSG125JYC009479	
			91309-BA6-0030	O-RING 24.4x3.1	1	Y		19980408		KMYSG125FKW000001	

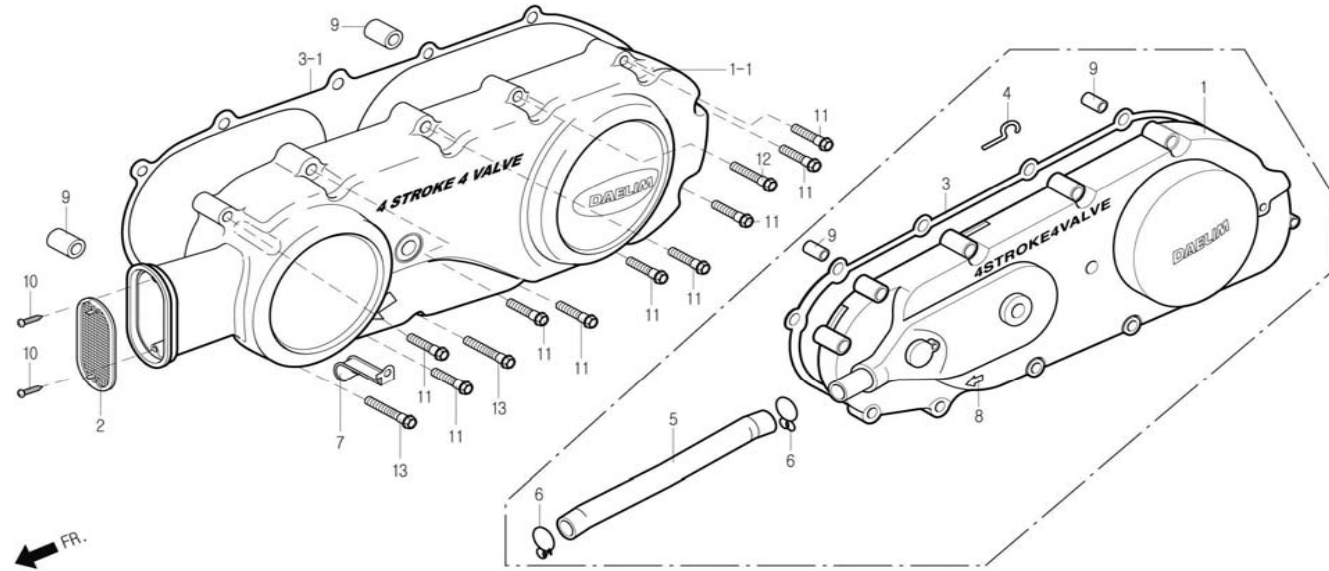
# E-10



## STARTER MOTOR

Service item	FRT	Ref. No.	Part No.	Description	QTY	A/S	Exch	Start Date	End Date	Start FRM.No	End FRM.No
		18	S3892-05008-08	SCREW, WASHER 5x8	1	N		20000320		KMYSG125JYC009479	
								19980408	20020510	KMYSG125FKW000001	KMYSG125FK2411711
		19	S6001-06055-00	BOLT, FLANGE SH.6x55	2	Y		20000320		KMYSG125JYC009479	
								19980408		KMYSG125FKW000001	
		20	S6220-50060	ROLLER 5x6	1	N		19980408	19991012	KMYSG125FKW000001	KMYSG125FKY318004

# E-11

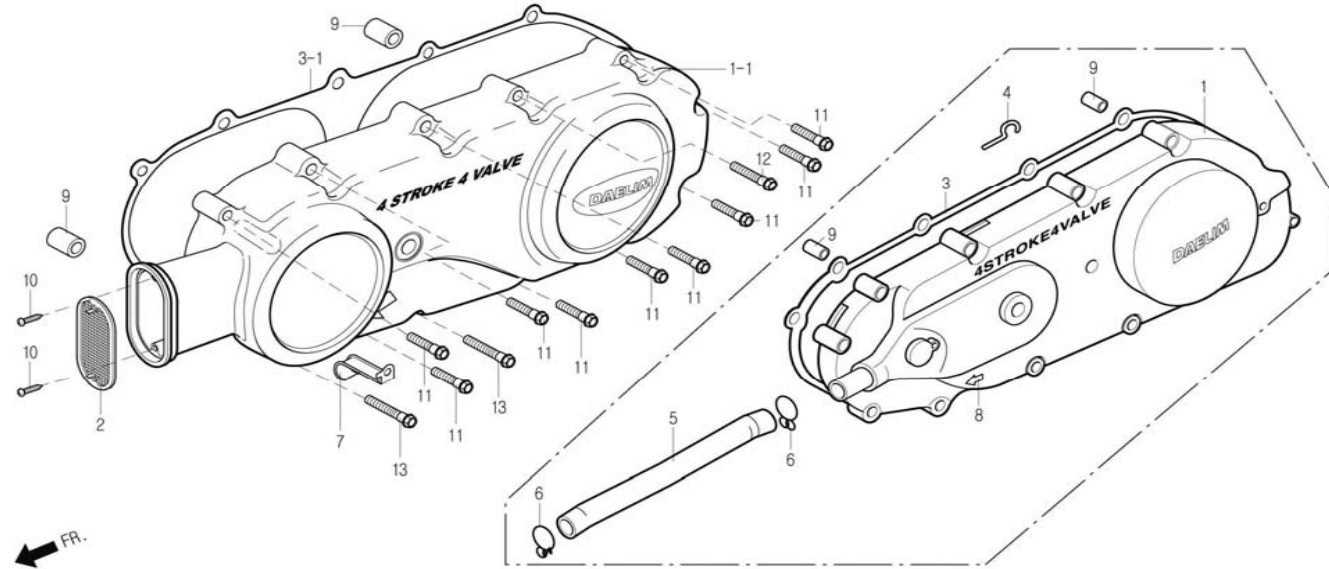


## LEFT CRANK CASE COVER

Service item	FRT	Ref. No.	Part No.	Description	QTY	A/S	Exch	Start Date	End Date	Start FRM.No	End FRM.No	
COVER ASS'Y LH.CRANK CASE	0.5	1	11340-SA1-0000	COVER, LH.CRANK CASE	1	N	N	19980408	19981108	KMYSG125FKW000001	KMYSG125FKX006555	
GASKET, LH.COVER	0.6	1-1	11340-SA1-0100	COVER, LH.CRANK CASE	1	N	Y	19981109	19990322	KMYSG125FKX006556	KMYSG125FKY400008	
			11340-SA1-0201	COVER ASS'Y, LH.CRANK CASE	1	Y		20000320		KMYSG125JYC009479		
									19990323		KMYSG125FKY400009	
		2	11342-SA1-0000	SCREEN, AIR FILTER	1	Y		20000320		KMYSG125JYC009479		
									19981109		KMYSG125FKX006556	
		3	11396-SA1-0000	GASKET, LH.COVER	1	Y	N	19980526	19991012	KMYSG125FKW003915	KMYSG125FKY318004	
			11396-SA1-0000-EU	GASKET, LH.COVER	1	Y	N	19980408	19991012	KMYSG125FKW000001	KMYSG125FKY318004	
		3-1	11396-SA1-0100-EU	GASKET, LH.COVER	1	Y		19991013		KMYSG125FKY318005		
			11396-SA1-0100	GASKET, LH.COVER	1	Y		20000320		KMYSG125JYC009479		
		4	16313-SA1-0000	CLIP, DRAIN TUBE	1	Y		19980408	19981108	KMYSG125FKW000001	KMYSG125FKX006555	
		5	19410-SA1-0000	HOSE, COOLING	1	Y		19980408	19981108	KMYSG125FKW000001	KMYSG125FKX006555	
6	19411-SC1-9500	CLIP, HOSE	2	Y		19980408	19981108	KMYSG125FKW000001	KMYSG125FKX006555			
7	43452-SA1-0000	CLAMP, RR.BRAKE CABLE	1	Y		20000320		KMYSG125JYC009479				
							19980408		KMYSG125FKW000001			
8	87541-SA1-0000	LABEL, OIL INDICTOR	1	Y		19980408	19981108	KMYSG125FKW000001	KMYSG125FKX006555			
9	90701-CB2-0002	PIN, DOWEL SPECIAL 8x14	2	Y		20000320		KMYSG125JYC009479				
							19980408		KMYSG125FKW000001			
10	S3903-34120	SCREW, TAPPING 4x8	2	Y		20000320		KMYSG125JYC009479				
							19981109		KMYSG125FKX006556			
11	S6001-06032-00	BOLT, FLANGE SH.6x32	9	Y	N	19980408	19981108	KMYSG125FKW000001	KMYSG125FKX006555			



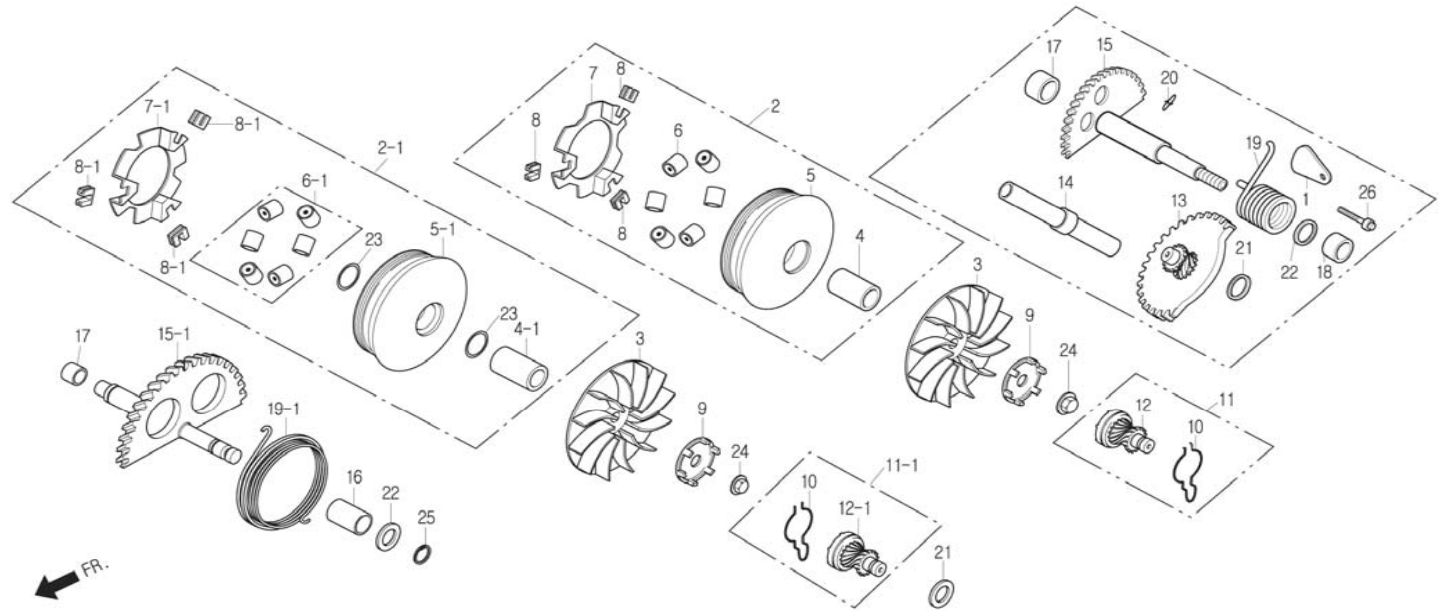
# E-11



## LEFT CRANK CASE COVER

Service item	FRT	Ref. No.	Part No.	Description	QTY	A/S	Exch	Start Date	End Date	Start FRM.No	End FRM.No
			S6001-06040-00	BOLT, FLANGE SH.6x40	9	Y		20000320		KMYSG125JYC009479	
								19981109		KMYSG125FKX006556	
		12	S6001-06045-00	BOLT, FLANGE SH.6x45	1	Y		19980408		KMYSG125FKW000001	
								20000320		KMYSG125JYC009479	
								20000320		KMYSG125JYC009479	
								19980408		KMYSG125FKW000001	
		13	S6001-06050-00	BOLT, FLANGE SH.6x50	2	Y		20000320		KMYSG125JYC009479	
								19980408		KMYSG125FKW000001	

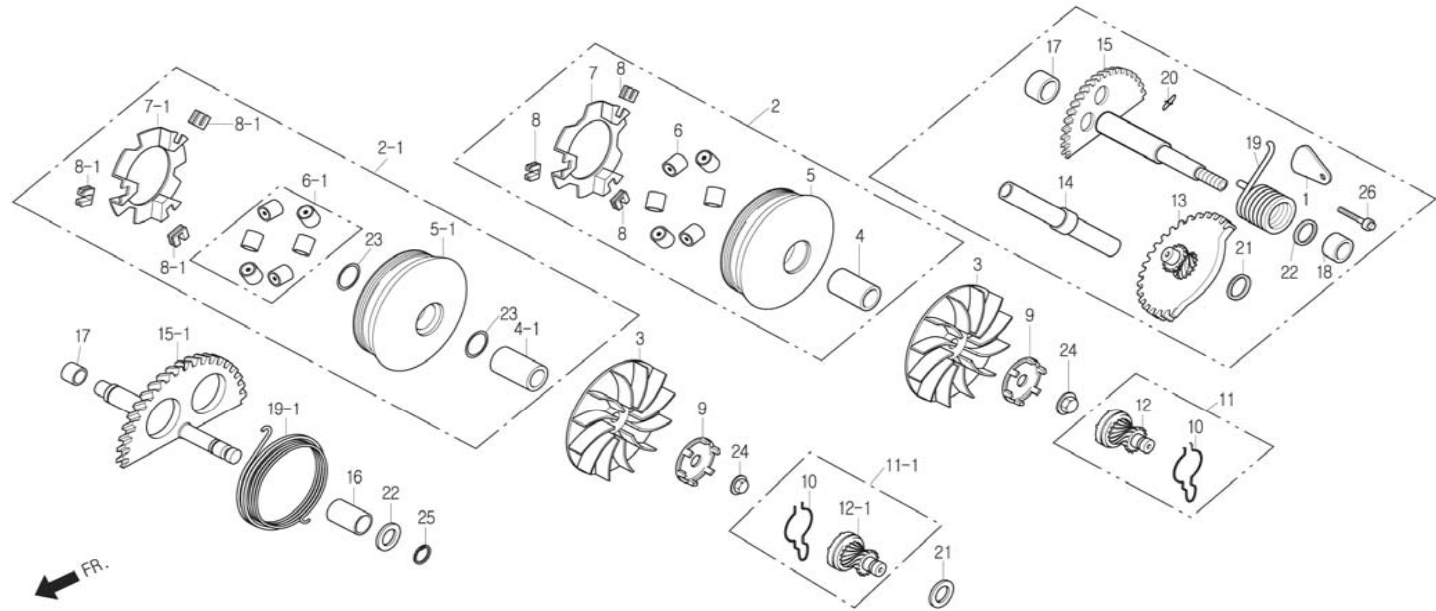
# E-12



## DRIVE FACE

Service item	FRT	Ref. No.	Part No.	Description	QTY	A/S	Exch	Start Date	End Date	Start FRM.No	End FRM.No	
FACE, DRIVE	0.5	1	11207-SA1-0000	PLATE, KICK STOPPER	1	N		19980408	19981107	KMYSG125FKW000001	KMYSG125FKX007122	
FACE COMP., MOVABLE DRIVE	0.9	2	2210A-SA1-0000	FACE ASS'Y, MOVABLE DRIVE	1	Y	N	19980408	19980610	KMYSG125FKW000001	KMYSG125FKW004328	
			2210A-SA1-0000-EU	FACE ASS'Y, MOVABLE DRIVE	1	Y	N	19980611	19991021	KMYSG125FKW004329	KMYSG125FKY400012	
		2-1	2210A-SA1-0102-EU	FACE ASS'Y, MOVABLE DRIVE	1	Y		19991022		KMYSG125FKY400013		
ROLLER COMP., WEIGHT (ONE OR ALL) (INCLUDE RELATIVE PARTS)	0.8		2210A-SA1-0200	FACE ASS'Y, MOVABLE DRIVE	1	Y		20000320		KMYSG125JYC009479		
		3	22102-SA1-0000	FACE, DRIVE	1	Y		20000320		KMYSG125JYC009479		
GEAR COMP., KICK DRIVEN	0.4		4	22105-SA1-0000	BOSS, DRIVE FACE	1	Y	N	19980408	19991021	KMYSG125FKW000001	KMYSG125FKY400012
			4-1	22105-SA1-0100	BOSS, DRIVE FACE	1	Y		20000320		KMYSG125JYC009479	
									19991022		KMYSG125FKY400013	
SPINDER COMP., KICK STARTER	0.5	5	22110-SA1-0001	FACE COMP., MOVABLE DRIVE	1	Y	N	19980408	19991021	KMYSG125FKW000001	KMYSG125FKY400012	
			5-1	22110-SA1-0200	FACE COMP., MOVABLE DRIVE	1	Y		20000320		KMYSG125JYC009479	
-SPRING, KICK STARTER RETURN			6	22121-SA1-0000	ROLLER COMP., WEIGHT 14g	6	Y	N	19980408	19980610	KMYSG125FKW000001	KMYSG125FKW004328
				22121-SA1-0000-EU	ROLLER COMP., WEIGHT 10.5g	6	Y	N	19980611	19991021	KMYSG125FKW004329	KMYSG125FKY400012
		6-1	22121-SA1-0102-EU	ROLLER COMP., WEIGHT 12g	6	Y		19991022		KMYSG125FKY400013		
				22121-SA1-0100	ROLLER COMP., WEIGHT 13g	6	Y		20000320	KMYSG125JYC009479		
		7	22131-SA1-0001	PLATE, RAMP	1	Y	N	19980408	19991021	KMYSG125FKW000001	KMYSG125FKY400012	
		7-1	22131-SA1-0200	PLATE, RAMP	1	Y		20000320		KMYSG125JYC009479		
								19991022		KMYSG125FKY400013		
		8	22132-SA1-0000	PIECE, SLIDE	3	N	N	19980408	19991021	KMYSG125FKW000001	KMYSG125FKY400012	

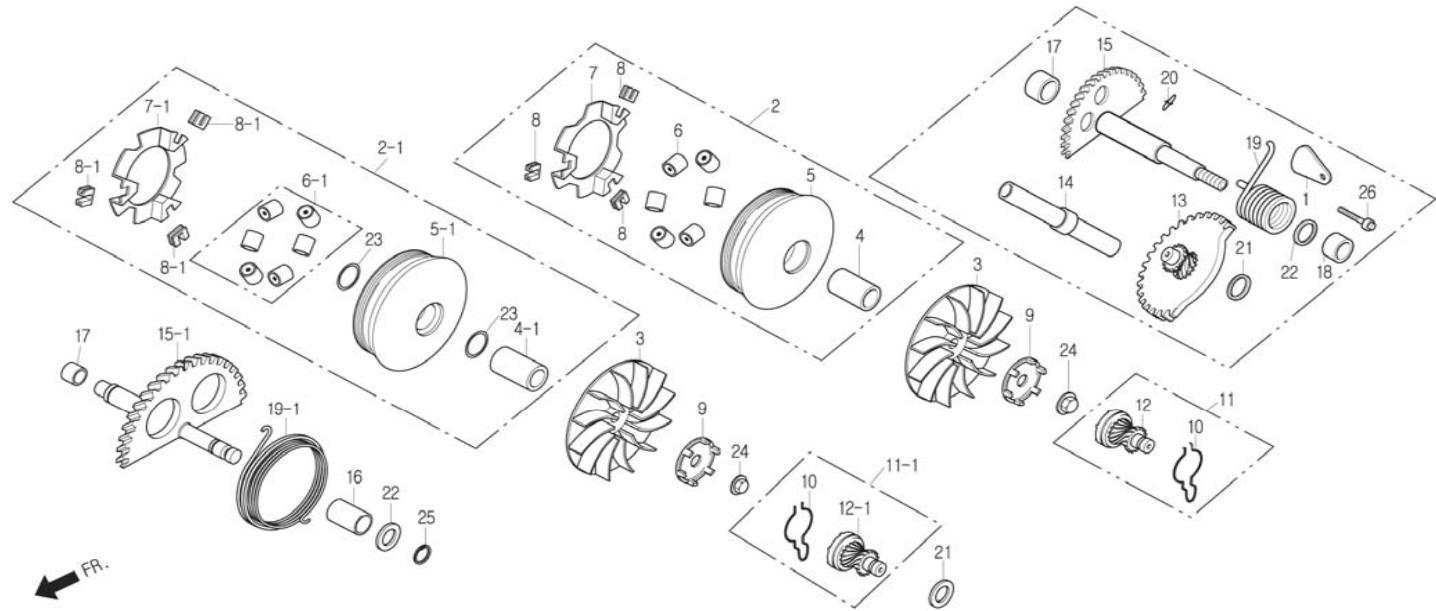
# E-12



## DRIVE FACE

Service item	FRT	Ref. No.	Part No.	Description	QTY	A/S	Exch	Start Date	End Date	Start FRM.No	End FRM.No
		8-1	22132-SA1-0200	PIECE, SLIDE	3	Y		20000320		KMYSG125JYC009479	
		9	28211-SA1-0001	RATCHET, KICK STARTER	1	Y		20000320		KMYSG125JYC009479	
		10	28223-SA1-0000	SPRING, FRICTION STARTER GEAR	1	Y		20000320		KMYSG125JYC009479	
								19980408		KMYSG125FKW000001	
		11	2823A-SA1-0000	GEAR SET, KICK DRIVEN	1	N	N	19980408	19981107	KMYSG125FKW000001	KMYSG125FKX007122
		11-1	2823A-SA1-0100	GEAR SET, KICK DRIVEN	1	Y		20000320		KMYSG125JYC009479	
								19981108		KMYSG125FKX007123	
		12	28230-SA1-0000	GEAR COMP., KICK DRIVEN	1	Y	N	19980408	19981107	KMYSG125FKW000001	KMYSG125FKX007122
		12-1	28230-SA1-0100	GEAR COMP., KICK DRIVEN	1	Y		20000320		KMYSG125JYC009479	
								19981108		KMYSG125FKX007123	
		13	28240-SA1-0000	GEAR COMP., STARTER IDLE	1	N		19980408	19981107	KMYSG125FKW000001	KMYSG125FKX007122
		14	28243-SA1-0000	SHAFT, STARTER IDLE	1	N		19980408	19981107	KMYSG125FKW000001	KMYSG125FKX007122
		15	28250-SA1-0000	SPINDLE COMP., KICK STARTER	1	N	N	19980408	19981107	KMYSG125FKW000001	KMYSG125FKX007122
		15-1	28250-SA1-0100	SPINDLE COMP., KICK STARTER	1	N	N	19981108	19991021	KMYSG125FKX007123	KMYSG125FKY400012
			28250-SA1-0201	SPINDLE COMP., KICK STARTER	1	Y		20000320		KMYSG125JYC009479	
								19991022		KMYSG125FKY400013	
		16	28253-SE5-6010-M1	BUSH, KICK SPINDLE	1	Y		20000320		KMYSG125JYC009479	
								19981108		KMYSG125FKX007123	

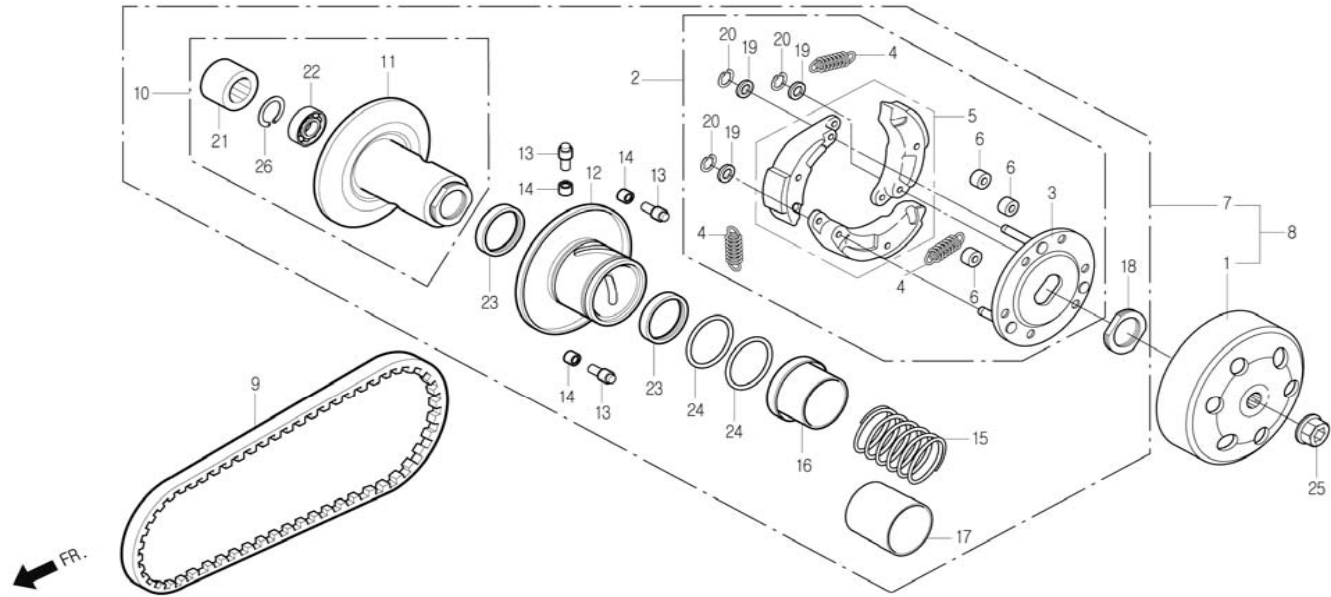
# E-12



## DRIVE FACE

Service item	FRT	Ref. No.	Part No.	Description	QTY	A/S	Exch	Start Date	End Date	Start FRM.No	End FRM.No
		17	28253-SA0-0000	BUSH 12x16x12	1	Y		20000320		KMYSG125JYC009479	
		18	28254-SA0-0000	BUSH B, KICK SPINDLE	1	N		19980408		KMYSG125FKW000001	
		19	28281-SA1-0000	SPRING, KICK STARTER RETURN	1	N	N	19980408	19981107	KMYSG125FKW000001	KMYSG125FKX007122
		19-1	28281-SA1-0100	SPRING, KICK STARTER RETURN	1	Y	N	19981108	19991021	KMYSG125FKX007123	KMYSG125FKY400012
			28281-SA1-0200	SPRING, KICK STARTER RETURN	1	Y		19991022		KMYSG125FKY400013	
								20000320		KMYSG125JYC009479	
		20	28282-SA0-0000	PIN, SPECIAL 4.5mm	1	N		19980408	19981107	KMYSG125FKW000001	KMYSG125FKX007122
		21	90412-SA1-0000	WASHER, THRUST 13mm	1	Y		20000320		KMYSG125JYC009479	
								19980408		KMYSG125FKW000001	
		22	90451-SA0-0000	WASHER 14mm	1	N	N	19980408	19990728	KMYSG125FKW000001	KMYSG125FKX316882
			90451-SA1-0000	WASHER 14mm	1	Y	N	20000320	20011231	KMYSG125JYC009479	KMYSG125J2C019800
								19970729	20011231	KMYSG125FKW000001	KMYSG125FK2411346
			90451-SE5-6001	WASHER, KICK SPINDLE	1	Y		20020101		KMYSG125J2C019801	
								20020101		KMYSG125FK2411347	
		23	91212-SA1-0000	SEAL, OIL 24x31x3	2	Y		20000320		KMYSG125JYC009479	
								19991022		KMYSG125FKY400013	
		24	S4050-12000	NUT, FLANGE 12mm	1	Y	Y	19980408	19980728	KMYSG125FKW000001	KMYSG125FKW004887
			S4050-12080	NUT, FLANGE 12mm	1	Y		20000320		KMYSG125JYC009479	
								19980729		KMYSG125FKW004888	
		25	S4511-14000	CIR CLIP, EXTERNAL 14mm	1	Y		20000320		KMYSG125JYC009479	
								19991022		KMYSG125FKY400013	

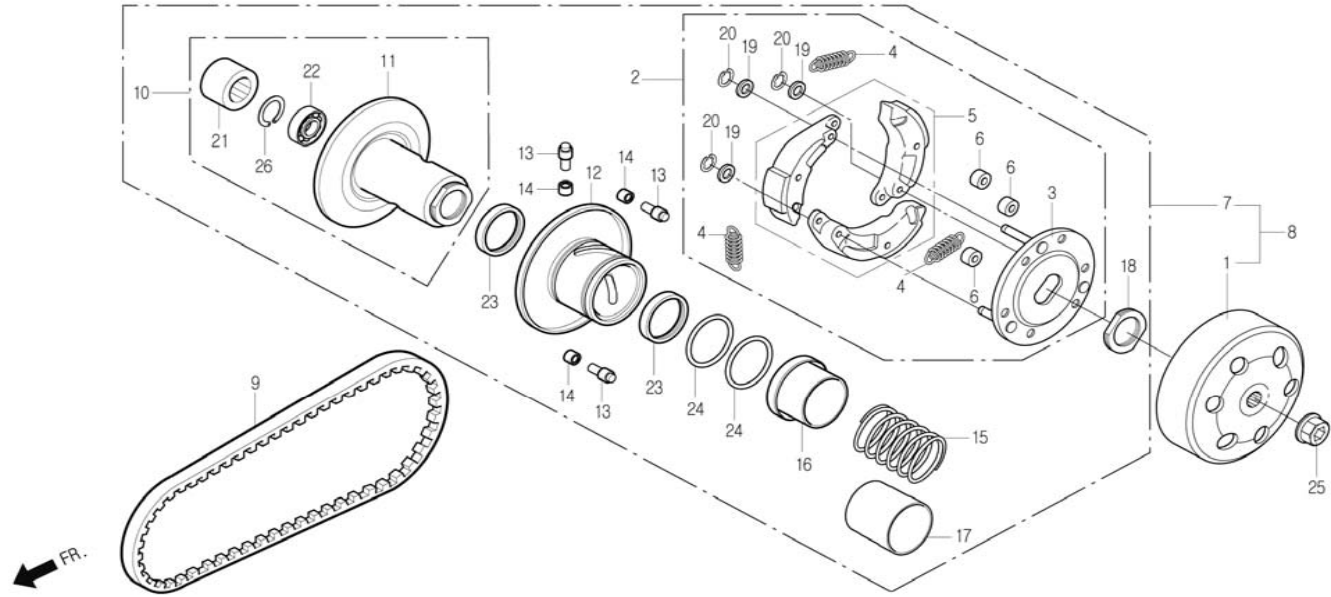
# E-13



## DRIVEN FACE

Service item	FRT	Ref. No.	Part No.	Description	QTY	A/S	Exch	Start Date	End Date	Start FRM.No	End FRM.No
OUTER, CLUTCH	0.5	1	22100-SA1-0002	OUTER, CLUTCH	1	Y		20000320		KMYSG125JYC009479	
WEIGHT, CLUTCH	0.9	2	22300-SA1-0000-EU	PLATE ASS'Y, DRIVE	1	Y	N	19980408	19990907	KMYSG125FKW000001	KMYSG125FKX317908
(INCLUDE RELATIVE PARTS)			22300-SA1-0000	PLATE ASS'Y, DRIVE	1	N	N	19980526	19980624	KMYSG125FKW003915	KMYSG125FKW004328
			22300-SA1-0003	PLATE ASS'Y, DRIVE	1	N	N	19990625	19990907	KMYSG125FKX316450	KMYSG125FKX317908
FACE COMP., MOVABLE DRIVEN			22300-SA1-0001-EU	PLATE ASS'Y, DRIVE	1	Y		20000320		KMYSG125JYC009479	
(INCLUDE RELATIVE PARTS)								19990908		KMYSG125FKX317909	
BELT, DRIVE	0.6	3	22350-SA1-0001	PLATE COMP., DRIVE	1	Y		20000320		KMYSG125JYC009479	
FACE ASS'Y, DRIVEN	0.8							19980408		KMYSG125FKW000001	
		5	22530-SA1-0000-EU	WEIGHT, CLUTCH	3	N	N	19980408	19990907	KMYSG125FKW000001	KMYSG125FKX317908
BEARING, RADIAL BALL			22530-SA1-0000	WEIGHT, CLUTCH	3	N	N	19980526	19990624	KMYSG125FKW003915	KMYSG125FKX316449
6902LUC3/4E			22530-SA1-0003	WEIGHT, CLUTCH	3	Y	N	19990625	19990907	KMYSG125FKX316450	KMYSG125FKX317908
BEARING, NEEDLE			22530-SA1-0001-EU	WEIGHT, CLUTCH	3	Y		20000320		KMYSG125JYC009479	
SUB ASS'Y, DRIVEN PULLEY	0.5							19990908		KMYSG125FKX317909	
		6	22804-SC1-0000	RUBBER, CLUTCH DAMPER	3	Y		20000320		KMYSG125JYC009479	
								19980408		KMYSG125FKW000001	
		7	2301B-SA1-0000-EU	PULLEY SUB ASS'Y, DRIVEN	1	N	N	19980408	19990907	KMYSG125FKW000001	KMYSG125FKX317908
			2301B-SA1-0001	PULLEY SUB ASS'Y, DRIVEN	1	N	N	19980526	19990714	KMYSG125FKW003915	KMYSG125FKX316882
			2301B-SA1-0003	PULLEY SUB ASS'Y, DRIVEN	1	N	N	19990715	19990907	KMYSG125FKX316883	KMYSG125FKX317908
			2301B-SA1-0001-EU	PULLEY SUB ASS'Y, DRIVEN	1	Y		20000320		KMYSG125JYC009479	

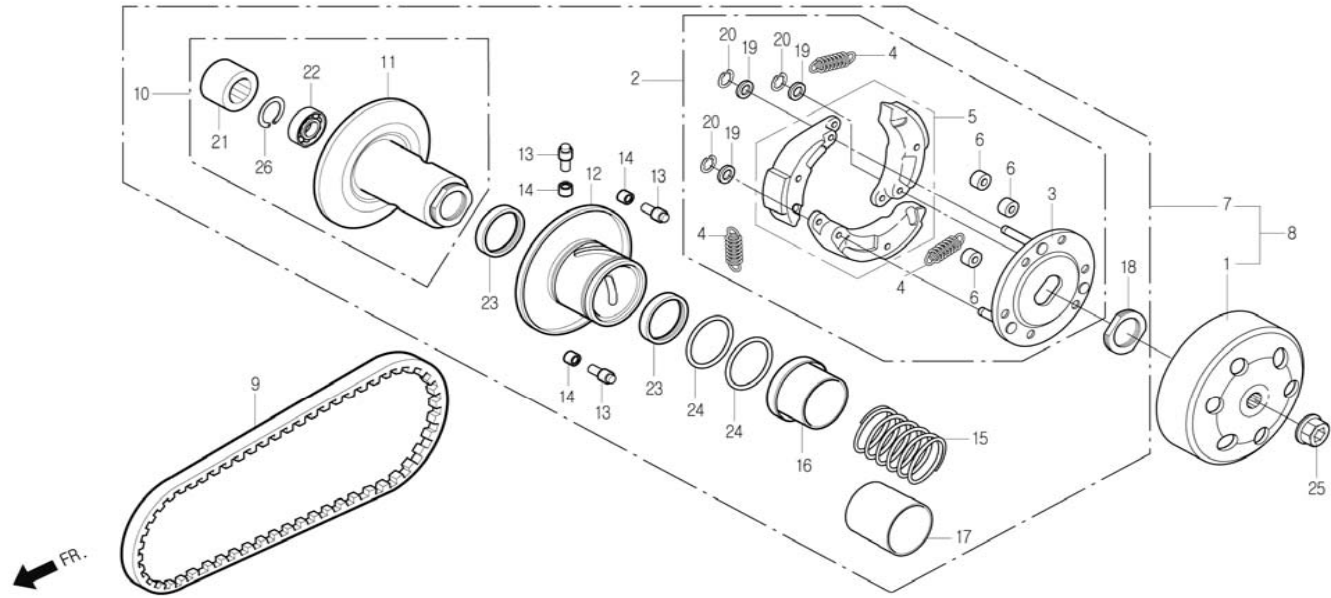
# E-13



## DRIVEN FACE

Service item	FRT	Ref. No.	Part No.	Description	QTY	A/S	Exch	Start Date	End Date	Start FRM.No	End FRM.No
								19990908		KMYSG125FKX317909	
		8	23010-SA1-0000-EU	PULLEY ASS'Y, DRIVEN	1	N	N	19980408	19990907	KMYSG125FKW000001	KMYSG125FKX317908
			23010-SA1-0000	PULLEY ASS'Y, DRIVEN	1	N	N	19980526	19980625	KMYSG125FKW003915	KMYSG125FKW004328
			23010-SA1-0002	PULLEY ASS'Y, DRIVEN	1	N	N	19980626	19990714	KMYSG125FKW004329	KMYSG125FKX316882
			23010-SA1-0004	PULLEY ASS'Y, DRIVEN	1	N	N	19990715	19990907	KMYSG125FKX316883	KMYSG125FKX317908
			23010-SA1-0001-EU	PULLEY ASS'Y, DRIVEN	1	Y		20000320		KMYSG125JYC009479	
								19990908		KMYSG125FKX317909	
		9	23100-SA1-0000	BELT, DRIVE	1	Y		20000320		KMYSG125JYC009479	
								19980408		KMYSG125FKW000001	
		10	23200-SA1-0001	FACE ASS'Y, DRIVEN	1	Y		20000320		KMYSG125JYC009479	
								19980408		KMYSG125FKW000001	
		11	23210-SA1-0001	FACE COMP., DRIVEN	1	Y		20000320		KMYSG125JYC009479	
								19980408		KMYSG125FKW000001	
		12	23220-SA1-0001	FACE COMP., MOVABLE DRIVEN	1	Y		20000320		KMYSG125JYC009479	
								19980408		KMYSG125FKW000001	
		13	23225-SC1-0000	PIN, ROLLER GUIDE	3	Y		20000320		KMYSG125JYC009479	
								19980408		KMYSG125FKW000001	
		14	23226-SC1-0000	ROLLER, GUIDE	3	Y		20000320		KMYSG125JYC009479	
								19980408		KMYSG125FKW000001	
		15	23233-SA1-0000	SPRING, DRIVEN FACE	1	Y		20000320		KMYSG125JYC009479	
								19980408		KMYSG125FKW000001	
		16	23237-SA1-0000	COLLAR, SEAL	1	Y		20000320		KMYSG125JYC009479	

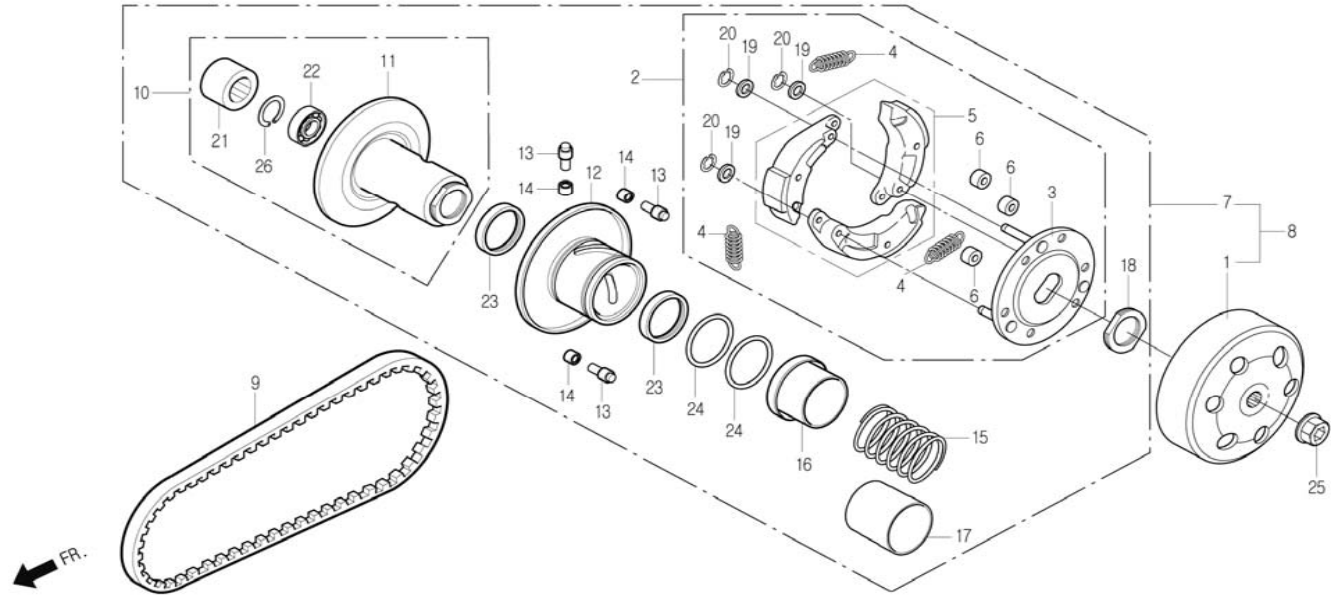
# E-13



## DRIVEN FACE

Service item	FRT	Ref. No.	Part No.	Description	QTY	A/S	Exch	Start Date	End Date	Start FRM.No	End FRM.No
		17	23239-SA1-0000	GUIDE, SPRING	1	Y		19980408		KMYSG125FKW000001	
		18	90202-SA1-0000	NUT, SPECIAL 30mm	1	Y		20000320		KMYSG125JYC009479	
		19	90442-CB2-9100	WASHER, THRUST 8mm	3	Y		19980408		KMYSG125FKW000001	
		20	90605-SA0-0001	CIR CLIP 9mm	3	Y		20000320		KMYSG125JYC009479	
		21	91001-SA1-0000	BEARING, NEEDLE	1	Y		19980408		KMYSG125FKW000001	
		22	91004-SA0-0000	BEARING, RADIAL BALL 6902LUC3/4E	1	N	N	20000512	20021125	KMYSG125JYC012107	KMYSG125J3C020484
			91004-SA0-0020-M1	BEARING, RADIAL BALL 6902U	1	Y		19980408	20021125	KMYSG125FKW000001	KMYSG125FK3412288
								20021126		KMYSG125J3C020485	
		23	91211-SA1-0000	SEAL, OIL 38x44x4	2	Y		20000320		KMYSG125JYC009479	
		24	91351-SA1-0000	O-RING 42.6x2.4	2	Y		19980408		KMYSG125FKW000001	
								20000320		KMYSG125JYC009479	
		25	S4050-12000	NUT, FLANGE 12mm	1	Y	Y	19980408	19980728	KMYSG125FKW000001	KMYSG125FKW004887
			S4050-12080	NUT, FLANGE 12mm	1	Y		20000320		KMYSG125JYC009479	
								19980729		KMYSG125FKW004888	
		26	S4520-28000	CIR CLIP, INTERNAL 28mm	1	Y		20000320		KMYSG125JYC009479	

# E-13

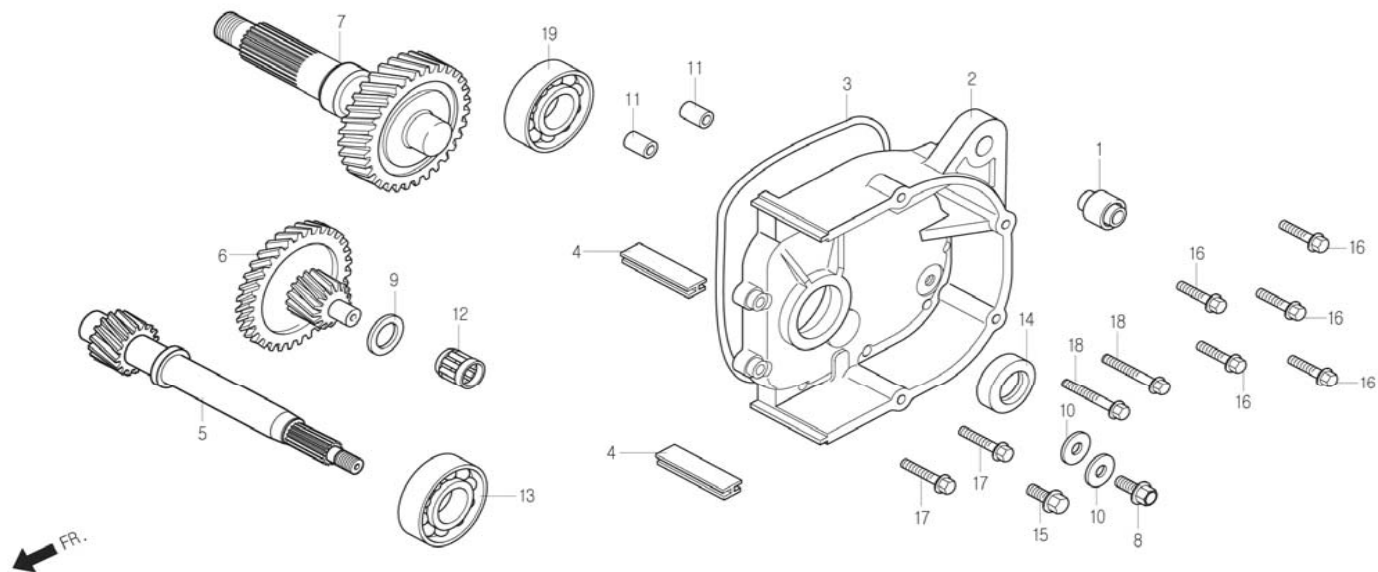


**DRIVEN FACE**

Service item	FRT	Ref. No.	Part No.	Description	QTY	A/S	Exch	Start Date	End Date	Start FRM.No	End FRM.No



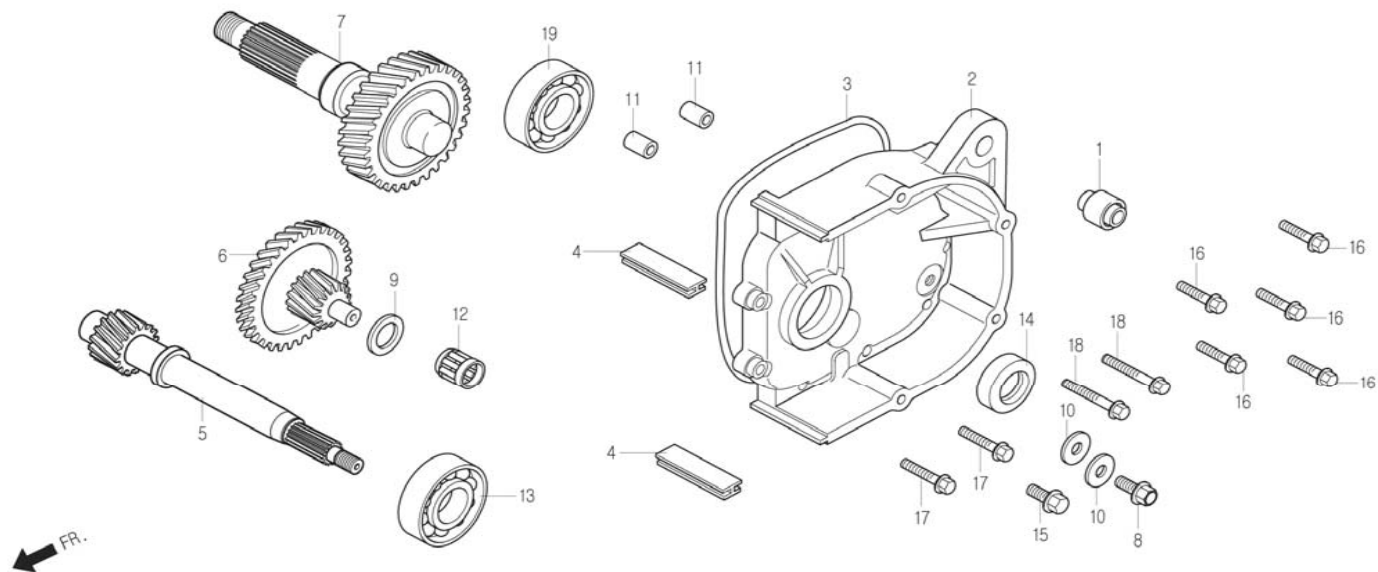
# E-14



## TRANSMISSION

Service item	FRT	Ref. No.	Part No.	Description	QTY	A/S	Exch	Start Date	End Date	Start FRM.No	End FRM.No
COVER, TRANSMISSION	0.8	1	11204-SA1-0000	BUSH, RR.CUSHION UNDER RUBBER	1	Y		20000320		KMYSG125JYC009479	
SEAL, MISSION COVER	0.8	2	21301-SA1-0000	COVER, TRANSMISSION	1	N	N	19980408		KMYSG125FKW000001	
			21301-SA1-0001	COVER, TRANSMISSION	1	N	N	19990125	19990322	KMYSG125FKX308518	KMYSG125FKX308517
SEAL, OIL 22x39x7			21301-SA1-0100	COVER, TRANSMISSION	1	Y		20000320		KMYSG125JYC009479	
								19990323		KMYSG125FKY400009	
SHAFT, DRIVE	0.9	3	21395-SA1-0000	SEAL, MISSION COVER	1	Y		20000320		KMYSG125JYC009479	
								19980408		KMYSG125FKW000001	
SHAFT COMP., COUNTER		4	21396-SA1-0000	GUIDE RUBBER, MISSION COVER	2	Y		20000320		KMYSG125JYC009479	
BEARING, BALL 6302								19980408		KMYSG125FKW000001	
BEARING, RADIAL BALL 62/22		5	23411-SA1-0000	SHAFT, DRIVE	1	N	N	19980408	19990124	KMYSG125FKW000001	KMYSG125FKX308517
			23411-SA1-0001	SHAFT, DRIVE	1	N	N	19990125	20000116	KMYSG125FKX308518	KMYSG125FKY401000
SHAFT COMP., FINAL	0.9		23411-SA1-0001-EU	SHAFT, DRIVE(14T)	1	Y		20000117		KMYSG125FKY401001	
			23411-SA1-0101	SHAFT, DRIVE(13T)	1	Y		20000320		KMYSG125JYC009479	
		6	23420-SA1-0000	SHAFT COMP., COUNTER	1	N	N	19980408	19990303	KMYSG125FKW000001	KMYSG125FKX307275
			23420-SA1-0000-EU	SHAFT COMP., COUNTER(14T)	1	Y	N	20000320		KMYSG125JYC009479	
								19980611	20000116	KMYSG125FKW004329	KMYSG125FKY401000
			23420-SA1-0100-EU	SHAFT COMP., COUNTER(14T)	1	Y		20000117		KMYSG125FKY401001	
		7	23430-SA1-0000	SHAFT COMP., FINAL	1	N	N	19980408	19990322	KMYSG125FKW000001	KMYSG125FKY400008
			23430-SA1-0000-EU	SHAFT COMP., FINAL(39)	1	Y		20000320		KMYSG125JYC009479	
								19980611		KMYSG125FKW004329	
		8	90103-SA0-0000	BOLT, SPECIAL 8mm	1	Y		20000320		KMYSG125JYC009479	

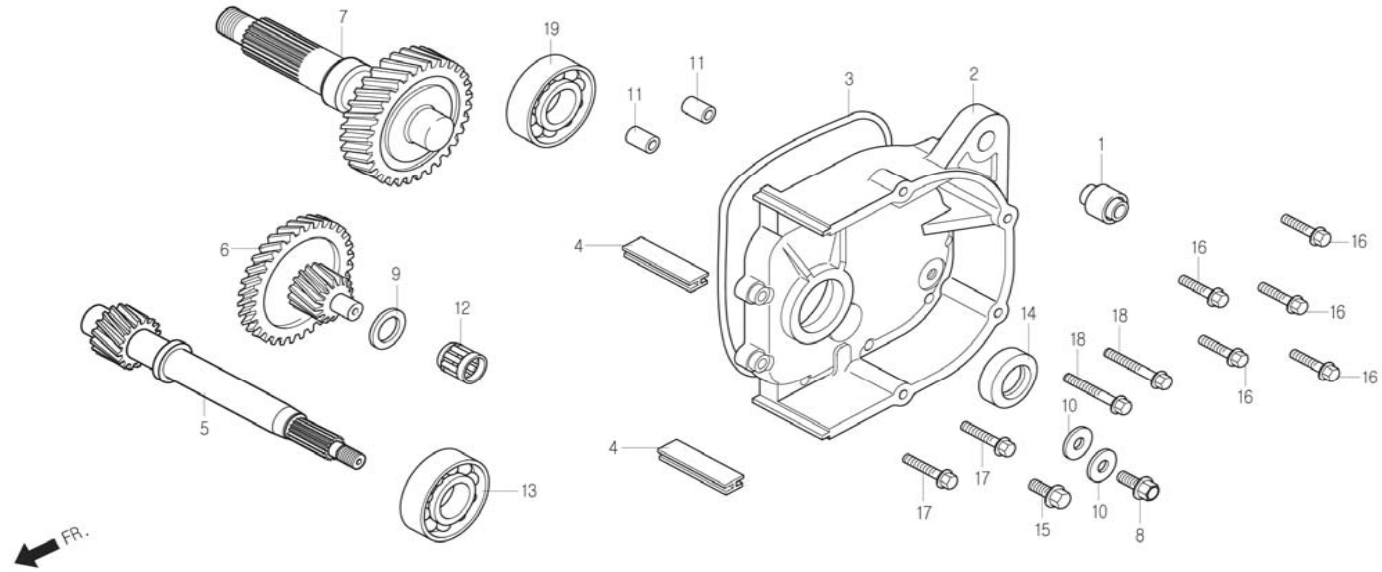
# E-14



## TRANSMISSION

Service item	FRT	Ref. No.	Part No.	Description	QTY	A/S	Exch	Start Date	End Date	Start FRM.No	End FRM.No
		9	90451-BA6-0002	WASHER, THRUST 15mm	1	Y		19980408		KMYSG125FKW000001	
		10	90474-SA0-0000	WASHER, DRAIN PLUG 8.2x16.2	2	Y		20000320		KMYSG125JYC009479	
								19980408		KMYSG125FKW000001	
		11	90701-CB2-0002	PIN, DOWEL SPECIAL 8x14	2	Y		20000320		KMYSG125JYC009479	
								19980408		KMYSG125FKW000001	
		12	91002-SA1-0000	BEARING, NEEDLE 15x25x12	1	Y		20000320		KMYSG125JYC009479	
								19980408		KMYSG125FKW000001	
		13	91003-SA1-0000	BEARING, RADIAL BALL 62/22	1	N	N	19980408	19990124	KMYSG125FKW000001	KMYSG125FKX308517
			91003-SA1-0100	BEARING, RADIAL BALL 63/22 TMB	1	Y		20000320		KMYSG125JYC009479	
								19990125		KMYSG125FKX308518	
		14	91203-SA1-0000	SEAL, OIL 22x39x7	1	Y		20000320		KMYSG125JYC009479	
								19980408		KMYSG125FKW000001	
		15	S5701-08016-08	BOLT, FLANGE 8x16	1	Y		20000320		KMYSG125JYC009479	
								19980408		KMYSG125FKW000001	
		16	S6001-06028-00	BOLT, FLANGE SH.6x28	5	Y		20000320		KMYSG125JYC009479	
								19980408		KMYSG125FKW000001	
		17	S6001-06035-00	BOLT, FLANGE SH.6x35	2	Y		19980408		KMYSG125FKW000001	
								20000320		KMYSG125JYC009479	
		18	S6001-06045-00	BOLT, FLANGE SH.6x45	2	Y		20000320		KMYSG125JYC009479	

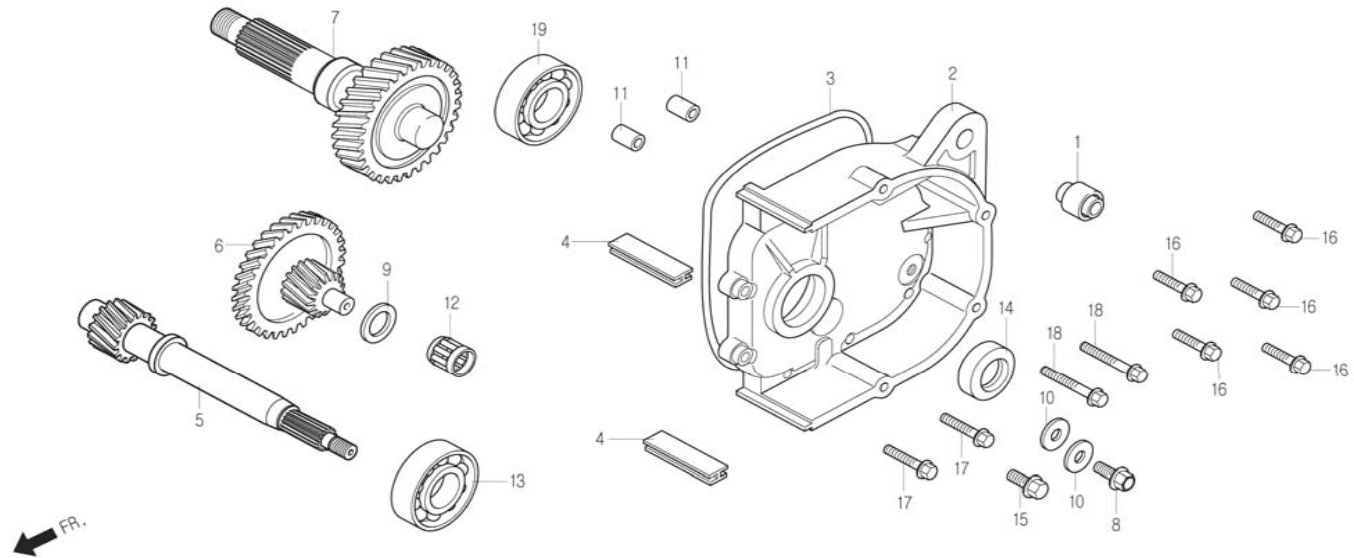
# E-14



## TRANSMISSION

Service item	FRT	Ref. No.	Part No.	Description	QTY	A/S	Exch	Start Date	End Date	Start FRM.No	End FRM.No
								19980408		KMYSG125FKW000001	
		19	S6100-63020-00	BEARING, BALL 6302	1	Y		20000320		KMYSG125JYC009479	
								19980408		KMYSG125FKW000001	

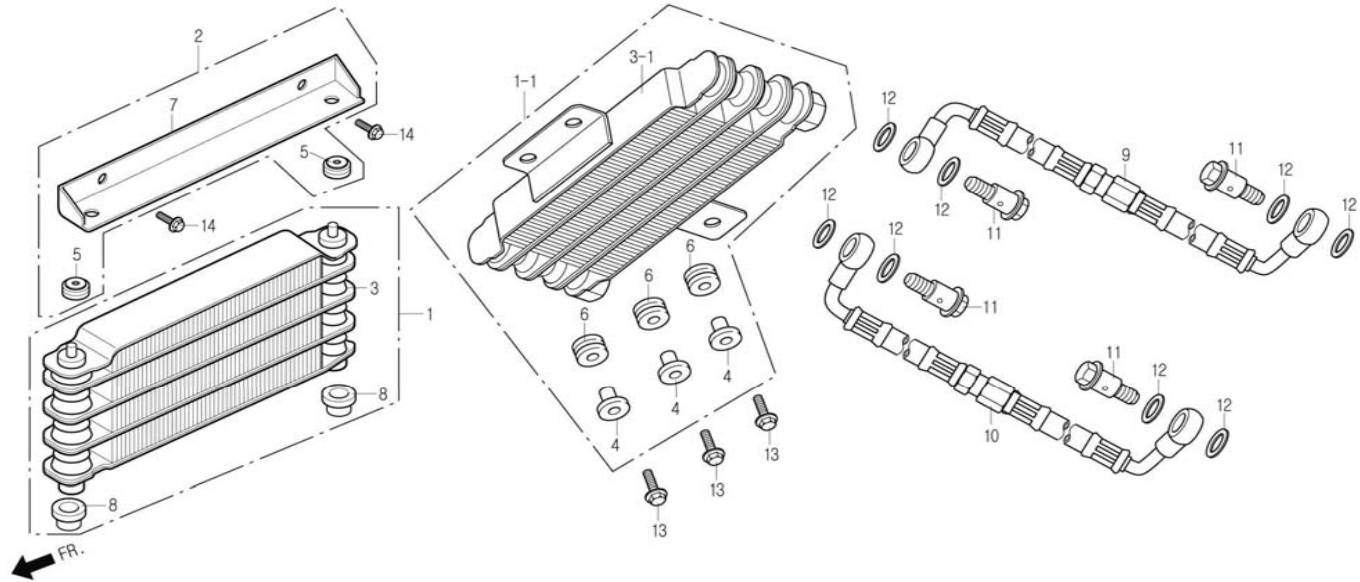
# E-14-L



## TRANSMISSION

Service item	FRT	Ref.		Description	QTY	A/S	Exch	Start Date	End Date	Start FRM.No	End FRM.No
		No.	Part No.								
COVER, TRANSMISSION	0.8	1	11204-SA1-0000	BUSH, RR.CUSHION UNDER RUBBER	1	Y		20001221		KMYSG125FK1500013	
SEAL, MISSION COVER	0.8	2	21301-SA1-0100	COVER, TRANSMISSION	1	Y		20001221		KMYSG125FK1500013	
		3	21395-SA1-0000	SEAL, MISSION COVER	1	Y		20001221		KMYSG125FK1500013	
		4	21396-SA1-0000	GUIDE RUBBER, MISSION COVER	2	Y		20001221		KMYSG125FK1500013	
SEAL, OIL 22x39x7		5	23411-SA1-0001-EU	SHAFT, DRIVE(14T)	1	Y		20001221		KMYSG125FK1500013	
SHAFT, DRIVE	0.9	6	23420-SA1-0100-EU	SHAFT COMP., COUNTER(14T)	1	Y		20001221		KMYSG125FK1500013	
		7	23430-SA2-0000	SHAFT COMP., FINAL	1	N	N	20001221	20020530	KMYSG125FK1500013	KMYSG125FK2411801
SHAFT COMP., COUNTER			23430-SA2-0010	SHAFT COMP., FINAL	1	Y		20020531		KMYSG125FK2411802	
BEARING, RADIAL BALL 6302		8	90103-SA0-0000	BOLT, SPECIAL 8mm	1	Y		20001221		KMYSG125FK1500013	
BEARING, RADIAL BALL 62/22		9	90451-BA6-0002	WASHER, THRUST 15mm	1	Y		20001221		KMYSG125FK1500013	
		10	90474-SA0-0000	WASHER, DRAIN PLUG 8.2x16.2	2	Y		20001221		KMYSG125FK1500013	
SHAFT COMP., FINAL	0.9	11	90701-CB2-0002	PIN, DOWEL SPECIAL 8x14	2	Y		20001221		KMYSG125FK1500013	
		12	91002-SA1-0000	BEARING, NEEDLE 15x25x12	1	Y		20001221		KMYSG125FK1500013	
		13	91003-SA1-0100	BEARING, RADIAL BALL 63/22 TMB	1	Y		20001221		KMYSG125FK1500013	
		14	91203-SA1-0000	SEAL, OIL 22x39x7	1	Y		20001221		KMYSG125FK1500013	
		15	S5701-08016-08	BOLT, FLANGE 8x16	1	Y		20001221		KMYSG125FK1500013	
		16	S6001-06028-00	BOLT, FLANGE SH.6x28	5	Y		20001221		KMYSG125FK1500013	
		17	S6001-06035-00	BOLT, FLANGE SH.6x35	2	Y		20001221		KMYSG125FK1500013	
		18	S6001-06045-00	BOLT, FLANGE SH.6x45	2	Y		20001221		KMYSG125FK1500013	
		19	S6100-63020-00	BEARING, BALL 6302	1	Y		20001221		KMYSG125FK1500013	

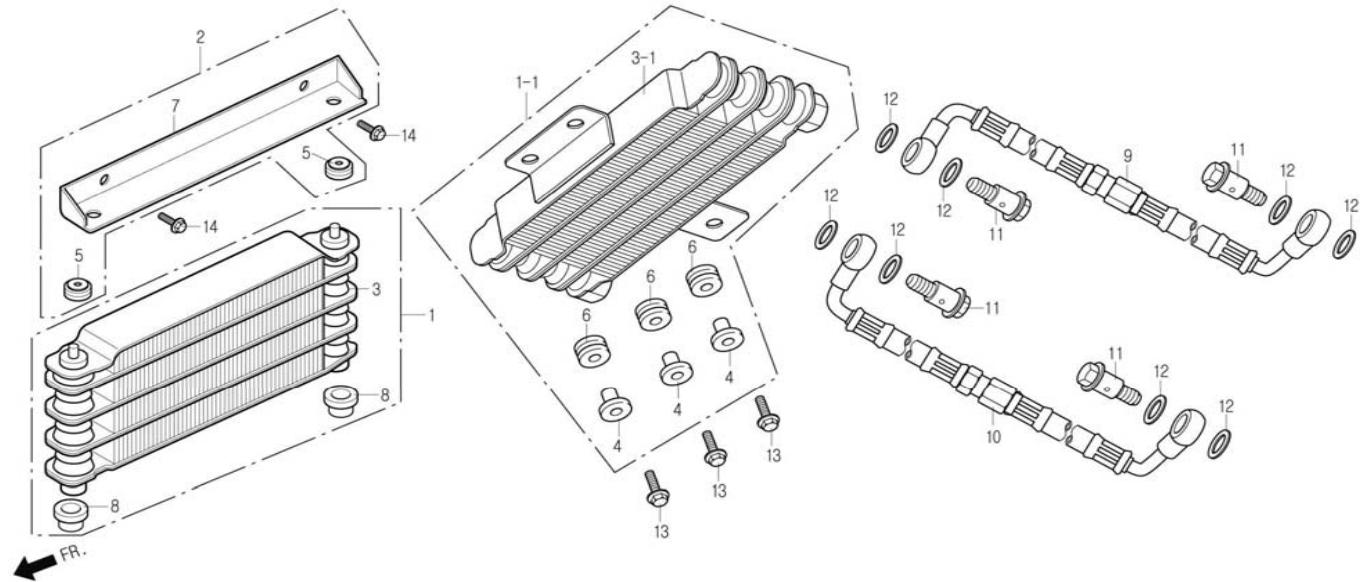
# E-15



## RADIATOR / RADIATOR HOSE

Service item	FRT	Ref. No.	Part No.	Description	QTY	A/S	Exch	Start Date	End Date	Start FRM.No	End FRM.No
RADIATOR ASS'Y, OIL	0.6	1	1901A-SA1-0000	RADIATOR ASS'Y, OIL	1	N	N	19980408	19990225	KMYSG125FKW000001	KMYSG125FKX310373
		1-1	1901A-SA1-0101	RADIATOR ASS'Y, OIL	1	Y		20000320		KMYSG125JYC009479	
								19990226		KMYSG125FKX310374	
		2	1901B-SA1-0000	BRACKET ASS'Y, RADIATOR	1	Y		19980408	19990225	KMYSG125FKW000001	KMYSG125FKX310373
		3	19010-SA1-0000	RADIATOR COMP.	1	Y	N	19980408	19990225	KMYSG125FKW000001	KMYSG125FKX310373
		3-1	19010-SA1-0101	RADIATOR COMP., OIL	1	Y		20000320		KMYSG125JYC009479	
								19990226		KMYSG125FKX310374	
		4	19011-SA1-0000	COLLAR, RADIATOR	3	Y		20000320		KMYSG125JYC009479	
								19990226		KMYSG125FKX310374	
		5	19012-SA1-0000	GROMMET, ISOLATING	2	Y		19980408	19990225	KMYSG125FKW000001	KMYSG125FKX310373
		6	19012-SA1-0100	RUBBER, RADIATOR	3	Y		20000320		KMYSG125JYC009479	
								19990226		KMYSG125FKX310374	
		7	19013-SA1-0000	BRACKET, RADIATOR	1	Y		19980408	19990225	KMYSG125FKW000001	KMYSG125FKX310373
		8	19014-SA1-0000	GROMMET, SEALING	2	Y		19980408	19990225	KMYSG125FKW000001	KMYSG125FKX310373
		9	19100-SA1-0000	RADIATOR HOSE ASS'Y, RH.	1	Y	Y	20000320	20010711	KMYSG125JYC009479	KMYSG125J1C019487
								19990226	20010711	KMYSG125FKX310374	KMYSG125FK1410315
			19100-SA1-0001-M1	RADIATOR HOSE ASS'Y, RH.	1	Y		20010712		KMYSG125J1C019488	
								20010712		KMYSG125FK1410316	
		10	19200-SA1-0000	RADIATOR HOSE ASS'Y, LH.	1	Y	Y	20000320	20010711	KMYSG125JYC009479	KMYSG125J1C019487
								19990226	20010711	KMYSG125FKX310374	KMYSG125FK1410315
			19200-SA1-0001-M1	RADIATOR HOSE ASS'Y, LH.	1	Y		20010712		KMYSG125J1C019488	

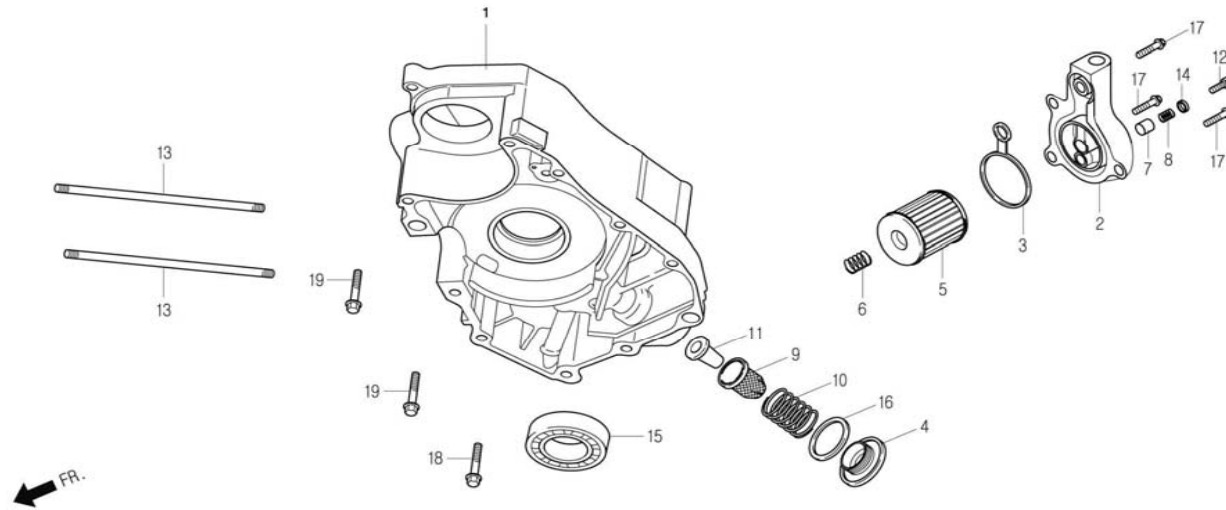
# E-15



## RADIATOR / RADIATOR HOSE

Service item	FRT	Ref. No.	Part No.	Description	QTY	A/S	Exch	Start Date	End Date	Start FRM.No	End FRM.No
								20010712		KMYSG125FK1410316	
		11	90145-SA1-0002	BOLT, OIL THROUGH 12mm	4	Y		20000320		KMYSG125JYC009479	
								19990226		KMYSG125FKX310374	
		12	90407-BA6-0002	PACKING, DRAIN COCK 12.5x20	8	Y		20000320		KMYSG125JYC009479	
								19990226		KMYSG125FKX310374	
		13	S5701-06018-08	BOLT, FLANGE 6x18	3	Y		20000320		KMYSG125JYC009479	
								19990226		KMYSG125FKX310374	
		14	S6001-06012-00	BOLT, FLANGE SH.6x12	2	Y		19980408	19990225	KMYSG125FKW000001	KMYSG125FKX310373

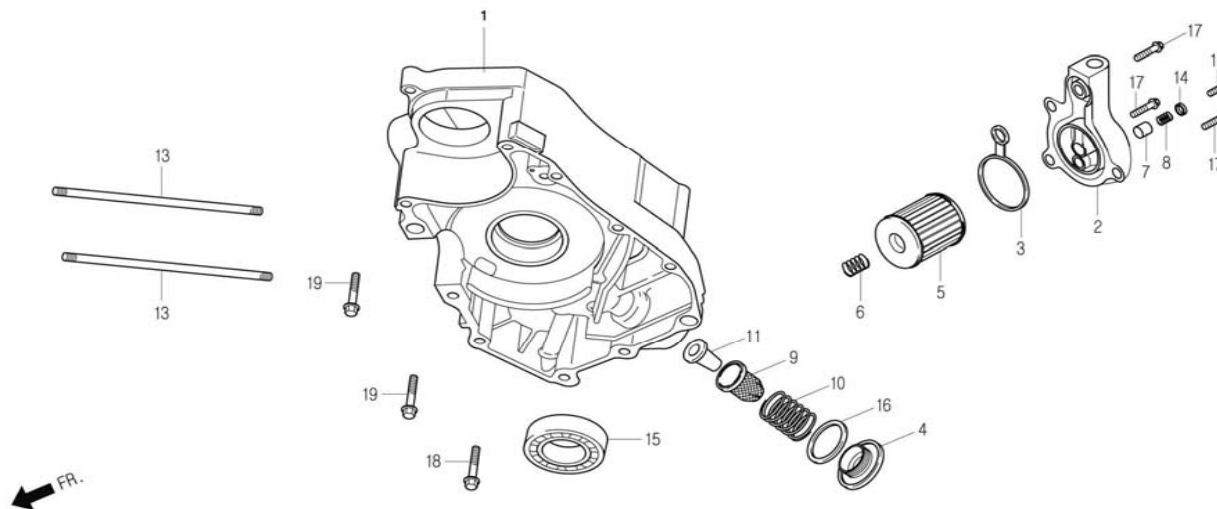
# E-16



## RIGHT CRANK CASE

Service item	FRT	Ref. No.	Part No.	Description	QTY	A/S	Exch	Start Date	End Date	Start FRM.No	End FRM.No
CASE COMP., RH.CRANK	*4.0	1	11100-SA1-0001	CRANK CASE COMP., RH.	1	N	N	19980408	19980708	KMYSG125FKW000001	KMYSG125FKW004362
			11100-SA1-0004	CRANK CASE COMP., RH.	1	N	N	19980709	19990225	KMYSG125FKW004363	KMYSG125FKX310373
COVER COMP., OIL FILTER	0.5		11100-SA1-0102	CRANK CASE COMP., RH.	1	N	N	20000320		KMYSG125JYC009479	
								19990226	20020510	KMYSG125FKX310374	KMYSG125FK2411711
ELEMENT, OIL FILTER			11100-SA2-0000	CRANK CASE COMP., RH.	1	Y		20020511		KMYSG125FK2411712	
SEAL, OIL FILTER		2	11333-SA1-0000	COVER COMP., OIL FILTER	1	N	N	19980408	19990530	KMYSG125FKW000001	KMYSG125FKX315335
			11333-SA1-0001	COVER COMP., OIL FILTER	1	N	N	19990531	19991021	KMYSG125FKX315336	KMYSG125FKY400012
SCREEN, OIL FILTER	0.2		11333-SA1-0101	COVER COMP., OIL FILTER	1	Y		20000320		KMYSG125JYC009479	
(INCLUDE RELATIVE PARTS)								19991022		KMYSG125FKY400013	
		3	11335-SA1-0000	SEAL, OIL FILTER	1	Y		20000320		KMYSG125JYC009479	
								19980408		KMYSG125FKW000001	
		4	12361-CB2-0001	CAP, TAPPET ADJUSTING HOLE	1	N	N	19980408	19990531	KMYSG125FKW000001	KMYSG125FKX315335
			12361-CB2-0006	CAP, TAPPET ADJUSTING HOLE	1	N	N	20000320	20000630	KMYSG125JYC009479	KMYSG125JYC013933
								19990601	20000630	KMYSG125FKX315336	KMYSG125FKY406088
			12361-SA0-0000	CAP, TAPPET ADJUSTING HOLE	1	Y		20000701		KMYSG125JYC013934	
								20000701		KMYSG125FKY406089	
		5	15412-SA1-0001	ELEMENT, OIL FILTER	1	Y		20000320		KMYSG125JYC009479	
								19980408		KMYSG125FKW000001	
		6	15414-BA6-9600	SPRING, OIL FILTER	1	Y		20000320		KMYSG125JYC009479	
								19980408		KMYSG125FKW000001	
		7	15415-SA1-0001	VALVE, RELIEF	1	N		20000320		KMYSG125JYC009479	
								19991022		KMYSG125FKY400013	

# E-16

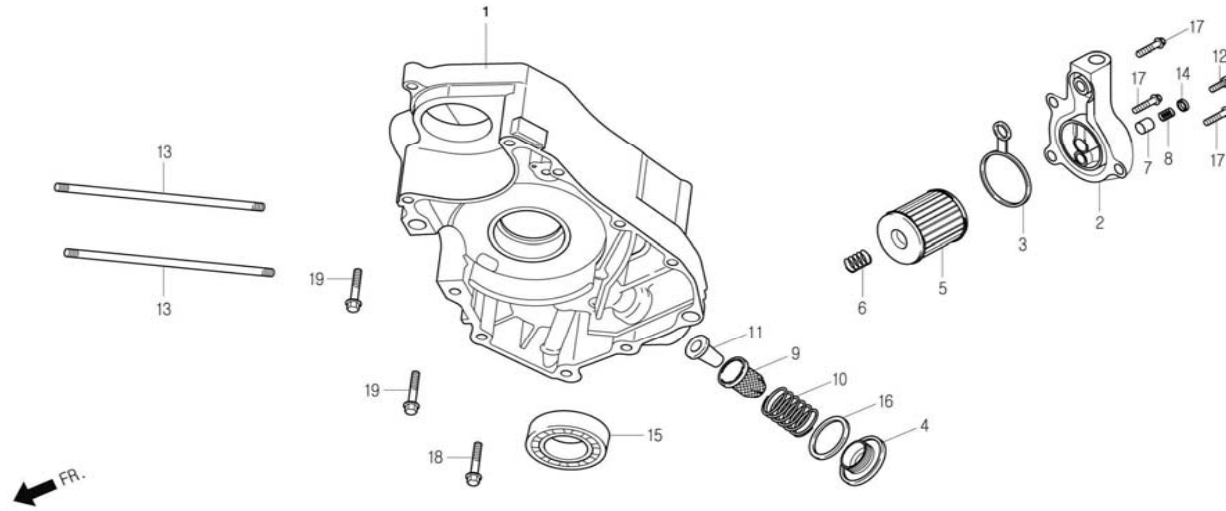


## RIGHT CRANK CASE

Service item	FRT	Ref. No.	Part No.	Description	QTY	A/S	Exch	Start Date	End Date	Start FRM.No	End FRM.No
		8	15416-SA1-0000	SPRING, RELIEF VALVE	1	Y		20000320		KMYSG125JYC009479	
		9	15421-BA6-0001	SCREEN, OIL FILTER	1	Y		20000320		KMYSG125FKY400013	
		10	15426-X10-0000	SPRING, OIL FILTER SCREEN	1	Y	N	19980408	19981108	KMYSG125FKW000001	KMYSG125FKX006555
			15426-SA1-0000	SPRING, OIL FILTER SCREEN	1	Y		19981109		KMYSG125FKX006556	
								20000320		KMYSG125JYC009479	
		11	15652-SA1-0001	COLLAR, OIL PICK UP	1	Y		20000320		KMYSG125JYC009479	
								19981109		KMYSG125FKX006556	
		12	90009-SA1-0001	BOLT, SOCKET 12mm	1	Y		20000320		KMYSG125JYC009479	
								19991022		KMYSG125FKY400013	
		13	90031-SA1-0000	BOLT, CYLINDER STUD	2	N	N	19980408	19990225	KMYSG125FKW000001	KMYSG125FKX310373
			90031-SA1-0101	BOLT, CYLINDER STUD	2	Y		20000320		KMYSG125JYC009479	
								19990226		KMYSG125FKX310374	
		14	90443-SA1-0001	WASHER, SELING 12mm	1	Y		20000320		KMYSG125JYC009479	
								19991022		KMYSG125FKY400013	
		15	91004-X10-0000	BEARING, RADIAL BALL 6305	1	Y		20000320		KMYSG125JYC009479	
								19980408		KMYSG125FKW000001	
		16	91302-CB2-0205	O-RING 30.8mm	1	Y		20000320		KMYSG125JYC009479	
								19980408		KMYSG125FKW000001	
		17	S6001-06022-00	BOLT, FLANGE SH.6x22	3	Y		20000320		KMYSG125JYC009479	



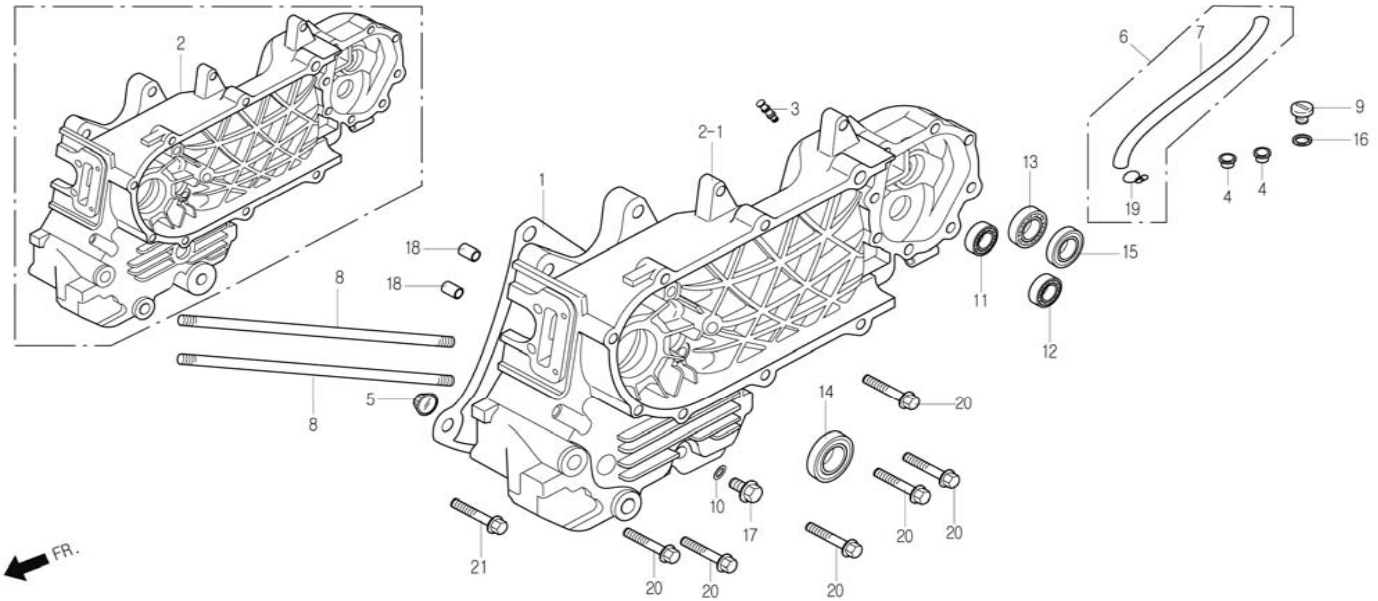
# E-16



## RIGHT CRANK CASE

Service item	FRT	Ref. No.	Part No.	Description	QTY	A/S	Exch	Start Date	End Date	Start FRM.No	End FRM.No
								19980408		KMYSG125FKW000001	
		18	S6001-06040-00	BOLT, FLANGE SH.6x40	1	Y		20000320		KMYSG125JYC009479	
								19980709		KMYSG125FKW004363	
		19	S6001-06065-00	BOLT, FLANGE SH.6x65	2	Y		20000320		KMYSG125JYC009479	
								19980408		KMYSG125FKW000001	

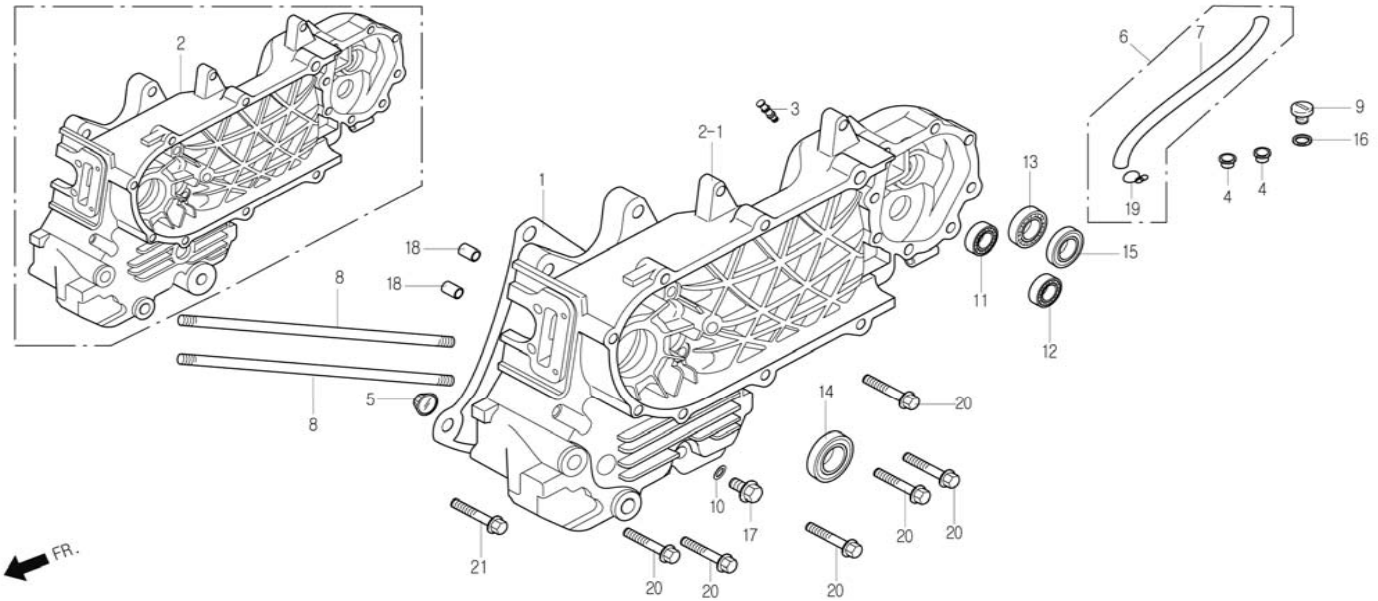
# E-17



## LEFT CRANK CASE

Service item	FRT	Ref. No.	Part No.	Description	QTY	A/S	Exch	Start Date	End Date	Start FRM.No	End FRM.No
CASE COMP., LH.CRANK	*4.5	1	11191-SA1-0000	GASKET, CRANK CASE	1	N	N	19980526	19980708	KMYSG125FKW003915	KMYSG125FKW004362
			11191-SA1-0001	GASKET, CRANK CASE	1	Y	N	20000320		KMYSG125JYC009479	
BEARING, RADIAL BALL 6004UU	*4.5		11191-SA1-0000-EU	GASKET, CRANK CASE	1	Y		19980408	19991231	KMYSG125FKW004363	KMYSG125FKY401000
SEAL, OIL 25x42x7		2	11200-SA1-0000	CASE COMP., LH.CRANK	1	N	N	19980408	19980708	KMYSG125FKW000001	KMYSG125FKW004362
SEAL, OIL 30x42x7			11200-SA1-0002	CASE COMP., LH.CRANK	1	N	N	19980709	19981108	KMYSG125FKW004363	KMYSG125FKX006555
			11200-SA1-0101	CASE COMP., LH.CRANK	1	N	N	20000320	20010102	KMYSG125JYC009479	KMYSG125J1C018112
BEARING, RADIAL BALL 6203 TMB	*4.5	2-1	11200-SA1-0201	CASE COMP., LH.CRANK	1	Y		19981109	20010102	KMYSG125FKX006556	KMYSG125FK1408106
BEARING, RADIAL BALL 6301 TMB	*4.5							20010103		KMYSG125J1C018113	
		3	1120B-SA0-0000	PIN ASS'Y, BRAKE SHOE ANCHOR	1	Y		19980408		KMYSG125FKW000001	
								20000320		KMYSG125JYC009479	
		4	11202-SE5-3002	RUBBER, SPRING GUIDE	2	Y		20000320		KMYSG125JYC009479	
								19980408		KMYSG125FKW000001	
		5	11210-SA1-0000	GLASS COMP., OIL SIGHT	1	Y		20000320		KMYSG125JYC009479	
								19980408		KMYSG125FKW000001	
		6	1122A-SA1-0000	TUBE ASS'Y, BREATHER	1	Y		20000320		KMYSG125JYC009479	
								19980408		KMYSG125FKW000001	
		7	11221-SA1-0000	TUBE, BREATHER	1	Y	N	19980408	19990225	KMYSG125FKW000001	KMYSG125FKX310373
			11221-SA1-0001	TUBE, BREATHER	1	Y		20000320		KMYSG125JYC009479	
								19990226		KMYSG125FKX310374	
		8	90031-SA1-0000	BOLT, CYLINDER STUD	2	N	N	19980408	19990225	KMYSG125FKW000001	KMYSG125FKX310373

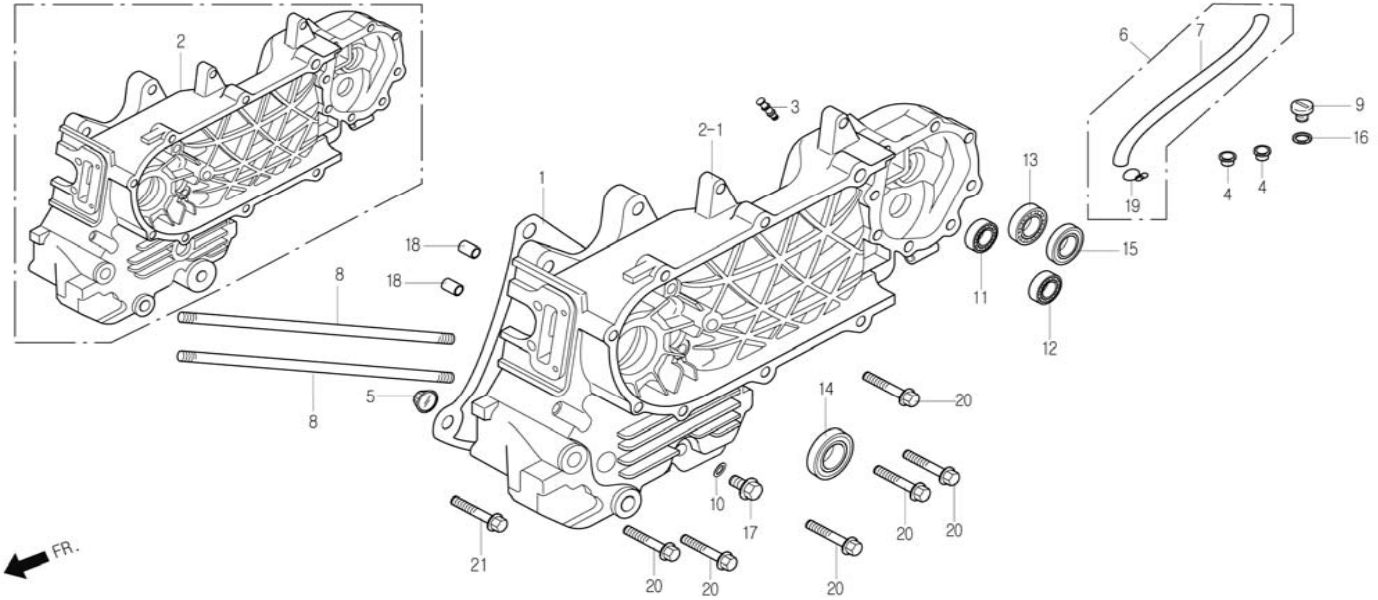
# E-17



## LEFT CRANK CASE

Service item	FRT	Ref. No.	Part No.	Description	QTY	A/S	Exch	Start Date	End Date	Start FRM.No	End FRM.No
			90031-SA1-0101	BOLT, CYLINDER STUD	2	Y		20000320		KMYSG125JYC009479	
		9	90084-CB2-8300	CAP, A.C.GENERATOR	1	Y		19990226		KMYSG125FKX310374	
		10	90407-BA6-0002	PACKING, DRAIN COCK 12.5x20	1	Y		19980408		KMYSG125FKW000001	
								20000320		KMYSG125JYC009479	
								20010103		KMYSG125J1C018113	
								20010103		KMYSG125FK1408107	
		11	91003-SA0-0001	BEARING, RADIAL BALL 6301 TMB	1	Y		20000320		KMYSG125JYC009479	
								19980408		KMYSG125FKW000001	
		12	91004-SC1-7010-M1	BEARING, RADIAL BALL 6203 TMB	1	Y		20000320		KMYSG125JYC009479	
								19980408		KMYSG125FKW000001	
		13	91009-SC1-0030	BEARING, RADIAL BALL 6004UU	1	Y		20000320		KMYSG125JYC009479	
								19980408		KMYSG125FKW000001	
		14	91202-SA1-0000	SEAL, OIL 25x42x7	1	N	N	19980408	19990712	KMYSG125FKW000001	KMYSG125FKX316743
			91202-SA1-0100	SEAL, OIL 25x42x7	1	Y		20000320		KMYSG125JYC009479	
								19990713		KMYSG125FKX316744	
		15	91204-SA1-0000	SEAL, OIL 30x42x7	1	Y		20000320		KMYSG125JYC009479	
								19980408		KMYSG125FKW000001	
		16	91303-CB2-1000	O-RING 13.8x2.5	1	Y		20000320		KMYSG125JYC009479	
								19980408		KMYSG125FKW000001	
		17	S2800-12000	BOLT, DRAIN PLUG 12mm	1	Y		20010103		KMYSG125J1C018113	
								20010103		KMYSG125FK1408107	

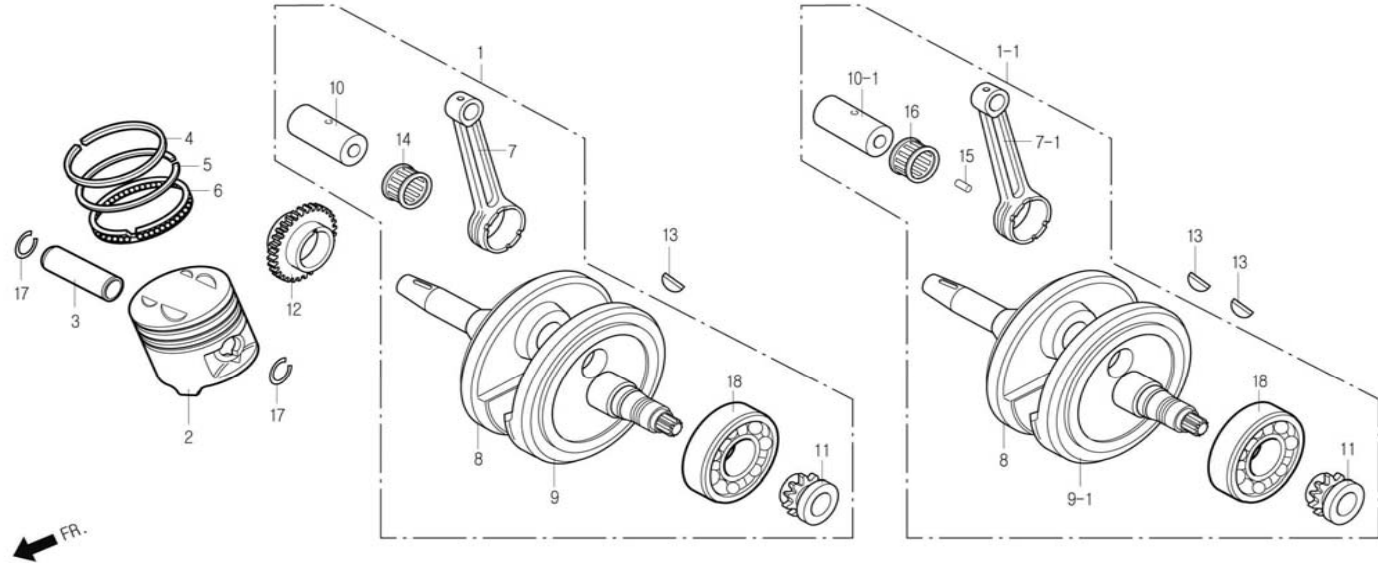
# E-17



## LEFT CRANK CASE

Service item	FRT	Ref. No.	Part No.	Description	QTY	A/S	Exch	Start Date	End Date	Start FRM.No	End FRM.No
		18	S4301-10160	PIN, DOWEL 10x16	2	N	N	19980408	19990225	KMYSG125FKW000001	KMYSG125FKX310373
			90704-SC1-9500	PIN, KNOCK 10x19	2	Y		20000320		KMYSG125JYC009479	
								19990226		KMYSG125FKX310374	
		19	S5002-02100	CLIP, B10 TUBE	1	Y		20000320		KMYSG125JYC009479	
								19980408		KMYSG125FKW000001	
		20	S6001-06065-00	BOLT, FLANGE SH.6x65	6	Y		20000320		KMYSG125JYC009479	
								19980408		KMYSG125FKW000001	
		21	S6001-06070-00	BOLT, FLANGE SH.6x70	1	Y		20000320		KMYSG125JYC009479	
								19980408		KMYSG125FKW000001	

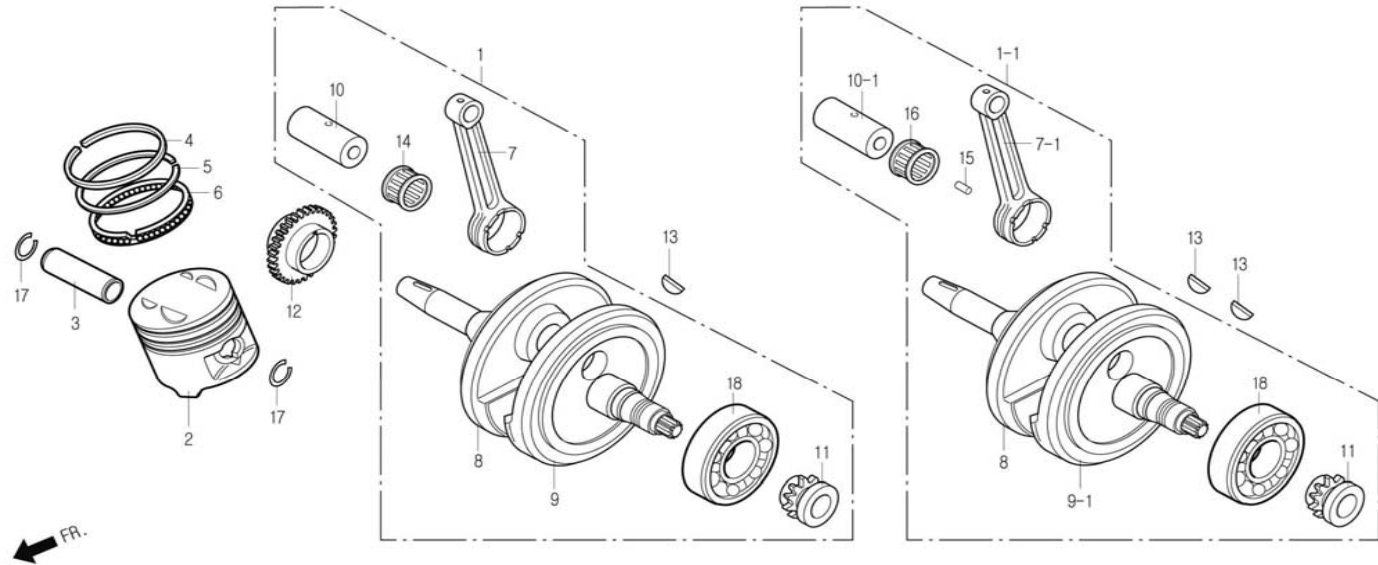
# E-18



## CRANK SHAFT / PISTON

Service item	FRT	Ref. No.	Part No.	Description	QTY	A/S	Exch	Start	End	Start	End
								Date	Date	FRM.No	FRM.No
SHAFT COMP., CRANK	*4.0	1	13000-SA1-0005	SHAFT COMP., CRANK	1	Y	N	19980408	19990322	KMYSG125FKW000001	KMYSG125FKY400008
SHAFT, CRANK		1-1	13000-SA1-0200	SHAFT COMP., CRANK	1	Y		20000320		KMYSG125JYC009479	KMYSG125FKY400009
RING SET, PISTON	*3.0	2	13101-SA1-0000	PISTON	1	N	N	19980408	19990322	KMYSG125FKW000001	KMYSG125FKY400008
PISTON			13101-SA1-0100	PISTON	1	Y		20000320		KMYSG125JYC009479	KMYSG125FKY400009
PIN, PISTON		3	13111-SA1-0000	PIN, PISTON	1	N	N	19980408	19990322	KMYSG125FKW000001	KMYSG125FKY400008
ROD, CONNECTING (INCLUDE RELATIVE PARTS)			13111-BA6-9300	PIN, PISTON	1	Y		20000320		KMYSG125JYC009479	KMYSG125FKY400009
BEARING, RADIAL BALL 6305	*4.5	4	13121-SA1-0000	RING, PISTON TOP	1	Y		20000320		KMYSG125JYC009479	KMYSG125FKW000001
		5	13131-SA1-0000	RING, PISTON 2ND	1	Y		19980408		KMYSG125FKW000001	KMYSG125JYC009479
		6	13141-SA1-0000	RING, PISTON OIL	1	Y		20000320		KMYSG125JYC009479	KMYSG125FKW000001
		7	H1	ROD, CONNECTING	1	N	N	19980408	19990322	KMYSG125FKW000001	KMYSG125FKY400008
		7-1	H1	ROD, CONNECTING	1	Y		20000320		KMYSG125JYC009479	KMYSG125FKY400009
		8	H1	SHAFT, RH.CRANK	1	Y	N	19980408	19990322	KMYSG125FKW000001	KMYSG125FKY400008
			H1	SHAFT COMP., RH.CRANK	1	Y		20000320		KMYSG125JYC009479	KMYSG125FKY400009

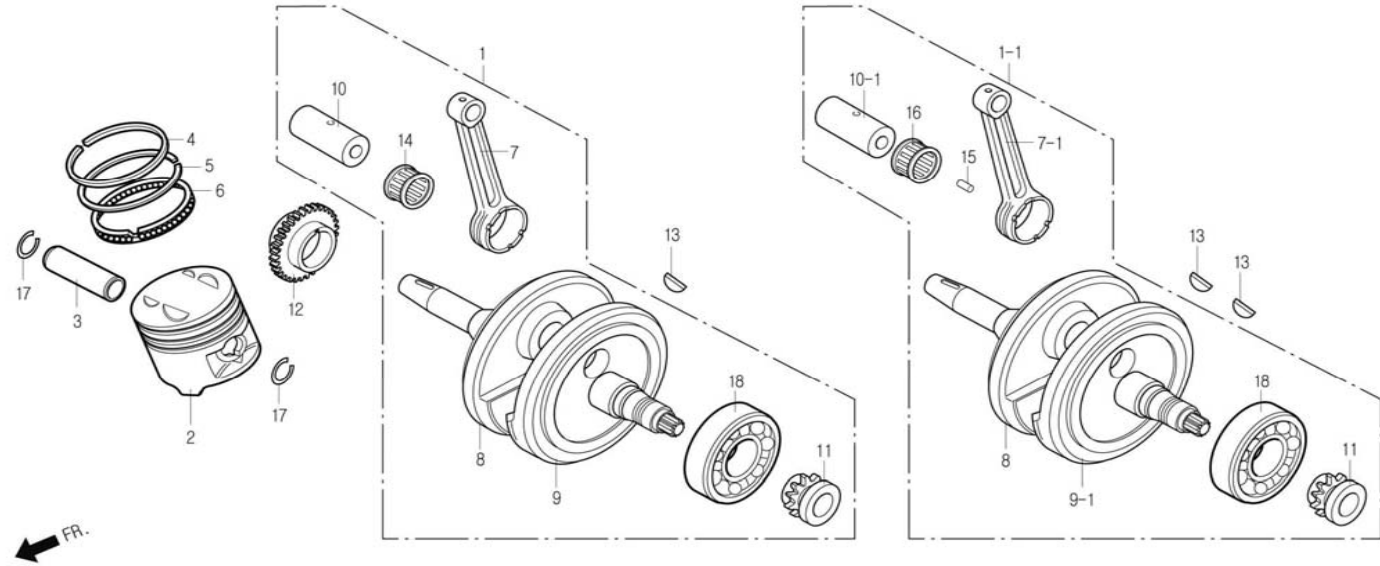
# E-18



## CRANK SHAFT / PISTON

Service item	FRT	Ref.	Description	QTY	A/S	Exch	Start	End	Start	End	
		No.					Part No.	Date	Date	FRM.No	FRM.No
		9	H1	SHAFT, LH.CRANK	1	Y	N	19980408	19990322	KMYSG125FKW000001	KMYSG125FKY400008
		9-1	H1	SHAFT, LH.CRANK	1	Y		20000320		KMYSG125JYC009479	
								19990323		KMYSG125FKY400009	
		10	H1	PIN, CRANK	1	N	N	19980408	19980831	KMYSG125FKW000001	KMYSG125FKW005585
		10-1	H1	PIN, CRANK	1	N	N	19980901	19990322	KMYSG125FKW005586	KMYSG125FKY400008
			H1	PIN, CRANK	1	Y		20000320		KMYSG125JYC009479	
								19990323		KMYSG125FKY400009	
		11	H1	SPROCKET, TIMING	1	Y		20000320		KMYSG125JYC009479	
								19980408		KMYSG125FKW000001	
		12	15133-SA1-0000	GEAR, OIL PUMP DRIVE	1	N	N	20000320	20000614	KMYSG125JYC009479	KMYSG125JYC013102
								19980408	20000614	KMYSG125FKW000001	KMYSG125FKY405956
			15133-SA1-0100	GEAR, OIL PUMP DRIVE	1	Y		20000615		KMYSG125JYC013103	
								20000615		KMYSG125FKY405957	
		13	90741-BA6-9600	KEY, WOODRUFF 4mm	2	Y		20000320		KMYSG125JYC009479	
								19980408		KMYSG125FKW000001	
		14	91101-SA1-0000	BEARING, CON-ROD(RED)	1	Y		19980408	19990322	KMYSG125FKW000001	KMYSG125FKY400008
		15	91102-BA6-0030	ROLLER 4x14.8A	18	Y		20000320		KMYSG125JYC009479	
								19990323		KMYSG125FKY400009	
		16	91105-BA6-0031	RETAINER, CONROD LARGE END	1	Y		20000320		KMYSG125JYC009479	
								19990323		KMYSG125FKY400009	
		17	S4601-15000	CLIP, PISTON PIN 15mm	2	Y		20000320		KMYSG125JYC009479	

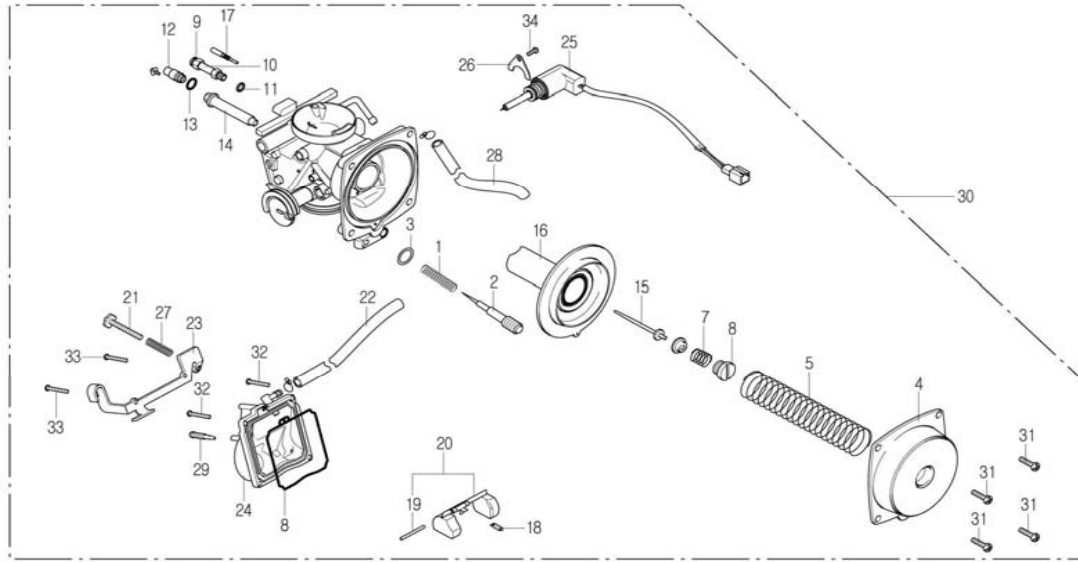
# E-18



## CRANK SHAFT / PISTON

Service item	FRT	Ref. No.	Part No.	Description	QTY	A/S	Exch	Start Date	End Date	Start FRM.No	End FRM.No
								19980408		KMYSG125FKW000001	
		18	S6100-63050-00	BEARING, RADIAL BALL 6305	1	Y		20000320		KMYSG125JYC009479	
								19980408		KMYSG125FKW000001	

# E-19

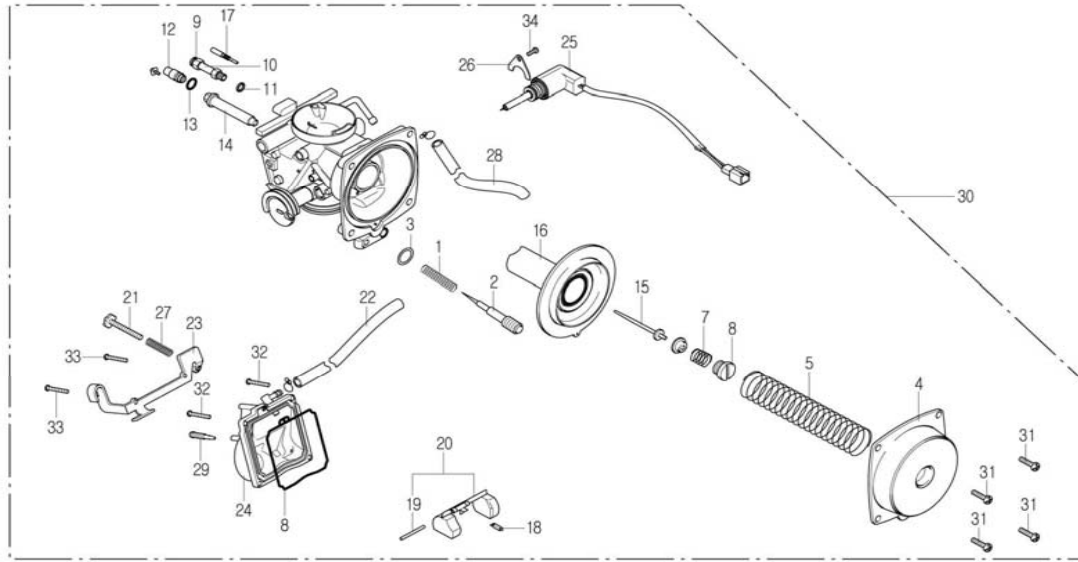


## CARBURETOR

Service item	FRT	Ref. No.	Part No.	Description	QTY	A/S	Exch	Start Date	End Date	Start FRM.No	End FRM.No
NEEDLE, JET	0.7	1	16005-SA1-0000	SPRING	1	N		20000320		KMYSG125JYC009479	
PLANGER ASSY		2	16006-SA1-0000	ADJUSTER	1	N	N	20000320	20020510	KMYSG125JYC009479	KMYSG125J2C019984
CARBURETOR ASSY			16006-SA2-0000	ADJUSTER	1	N		19980408		KMYSG125FKW000001	
FLOAT ASSY	0.6							20020511		KMYSG125J2C019985	
JET, MAIN		3	16007-SA1-0000	WASHER	1	N		20030612		KMYSG125FK3413034	
								20000320		KMYSG125JYC009479	
		4	16008-SA1-0000	COVER, DIAPHRAGM	1	N	N	19980408	19991130	KMYSG125FKW000001	KMYSG125FKY400876
			16008-SA1-0001	COVER, DIAPHRAGM	1	N		20000320		KMYSG125JYC009479	
								19991201		KMYSG125FKY400877	
		5	16009-SA1-0000	SPRING	1	Y		20000320		KMYSG125JYC009479	
								19980408		KMYSG125FKW000001	
		6	16010-SA1-0000	SCREW	1	Y		20000320		KMYSG125JYC009479	
								19980408		KMYSG125FKW000001	
		7	16012-SA1-0000	SPRING	1	Y		20000320		KMYSG125JYC009479	
								19980408		KMYSG125FKW000001	
		8	16014-SA1-0000	O-RING	1	N		20000320		KMYSG125JYC009479	
								19980408		KMYSG125FKW000001	
		9	16015-SA1-0925	JET, MAIN	1	Y		20000320		KMYSG125JYC009479	
								19980408		KMYSG125FKW000001	
		10	16017-SA1-0000	HOLDER	1	N		20000320		KMYSG125JYC009479	



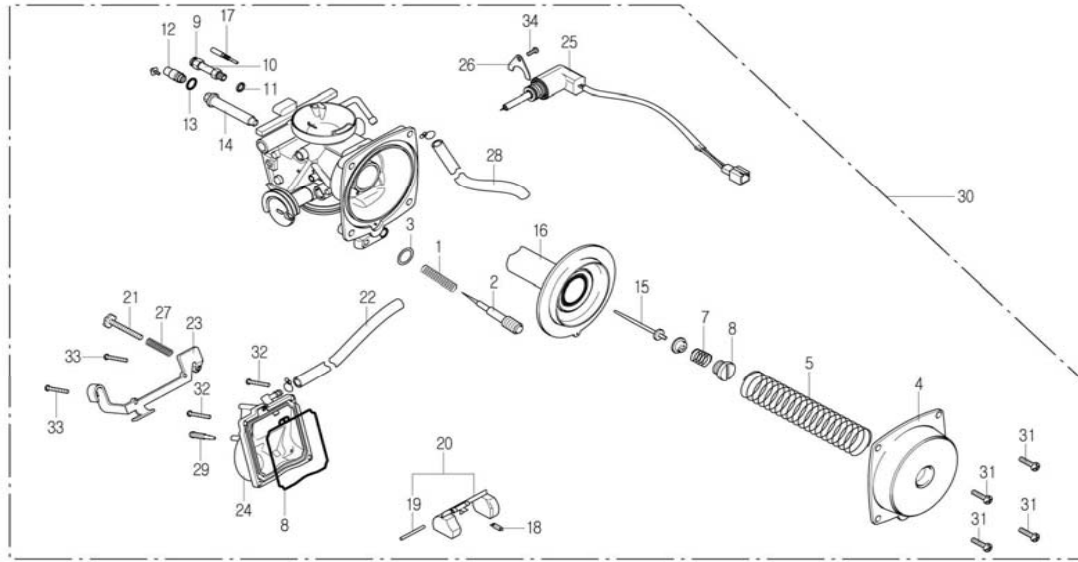
# E-19



## CARBURETOR

Service item	FRT	Ref. No.	Part No.	Description	QTY	A/S	Exch	Start Date	End Date	Start FRM.No	End FRM.No
								19980408		KMYSG125FKW000001	
		11	16018-SA1-0000	WASHER	1	Y		20000320		KMYSG125JYC009479	
		12	16019-SA1-0000	SCREW	1	Y		19980408		KMYSG125FKW000001	
								20000320		KMYSG125JYC009479	
								19980408		KMYSG125FKW000001	
		13	16020-SA1-0000	WASHER	1	Y		20000320		KMYSG125JYC009479	
								19980408		KMYSG125FKW000001	
		14	16021-SA1-0000	JET, NEEDLE	1	Y		20000320		KMYSG125JYC009479	
								19980408		KMYSG125FKW000001	
			16021-SA2-RZ00	JET, NEEDLE(Euro2)	1	Y		20030612		KMYSG125FK3413034	
		15	16022-SA1-0000	NEEDLE, JET	1	Y	N	20000320	20020510	KMYSG125JYC009479	KMYSG125J2C019984
								19980408		KMYSG125FKW000001	
			16022-SA2-0000	NEEDLE, JET	1	Y		20020511		KMYSG125J2C019985	
			16022-SA1-RZ00	NEEDLE, JET(Euro2)	1	Y		20030612		KMYSG125FK3413034	
		16	16024-SA1-0000	DIAPHRAGM	1	Y		20000320		KMYSG125JYC009479	
								19980408		KMYSG125FKW000001	
		17	16026-SA1-0020	JET, PILOT	1	Y	N	19980408	19990712	KMYSG125FKW000001	KMYSG125FKX316743
			16026-SA1-0175	JET, PILOT	1	Y	N	20000320	20020510	KMYSG125JYC009479	KMYSG125J2C019984
								19990713		KMYSG125FKX316744	
			16026-SA1-0200	JET, PILOT	1	Y		20020511		KMYSG125J2C019985	
								20030612		KMYSG125FK3413034	

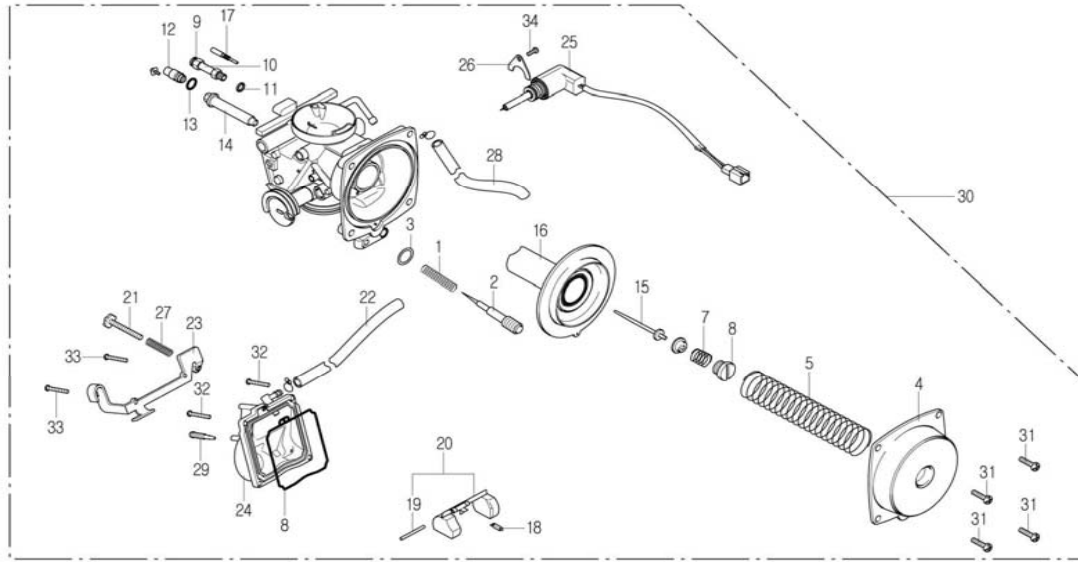
# E-19



## CARBURETOR

Service item	FRT	Ref. No.	Part No.	Description	QTY	A/S	Exch	Start Date	End Date	Start FRM.No	End FRM.No
		18	16028-SA1-0000	VALVE ASS'Y, NEEDLE	1	Y	N	19980408	19991130	KMYSG125FKW000001	KMYSG125FKY400876
			16028-SA1-0015	VALVE ASS'Y, NEEDLE	1	Y		20000320		KMYSG125JYC009479	
								19991201		KMYSG125FKY400877	
		19	16031-SA1-0000	PIN	1	Y		20000320		KMYSG125JYC009479	
								19980408		KMYSG125FKW000001	
		20	16032-SA1-0000	FLOAT ASS'Y	1	Y		20000320		KMYSG125JYC009479	
								19980408		KMYSG125FKW000001	
			16032-SA2-RZ00	FLOAT ASS'Y(Euro2)	1	Y		20030612		KMYSG125FK3413034	
		21	16037-SA1-0000	SCREW, ADJUST	1	Y		20000320		KMYSG125JYC009479	
								19980408		KMYSG125FKW000001	
		22	16038-SA1-0000	HOSE	1	N		20000320		KMYSG125JYC009479	
								19980408		KMYSG125FKW000001	
		23	16039-SA1-0000	BRACKET	1	Y		20000320		KMYSG125JYC009479	
								19980408		KMYSG125FKW000001	
			16039-SA2-RZ00	BRACKET(Euro2)	1	Y		20030612		KMYSG125FK3413034	
		24	16040-SA1-0000	BODY ASS'Y, FLOAT	1	Y	N	20000320	20020510	KMYSG125JYC009479	KMYSG125J2C019984
								19980408		KMYSG125FKW000001	
			16040-SA2-0001	BODY ASS'Y, FLOAT	1	Y		20020511		KMYSG125J2C019985	
			16040-SA2-RZ00	BODY ASS'Y, FLOAT(Euro2)	1	Y		20030612		KMYSG125FK3413034	
		25	16041-SA1-0001	PLUNGER ASS'Y	1	Y		20000320		KMYSG125JYC009479	
								19980408		KMYSG125FKW000001	
		26	16042-SA1-0000	PLATE	1	Y		20000320		KMYSG125JYC009479	

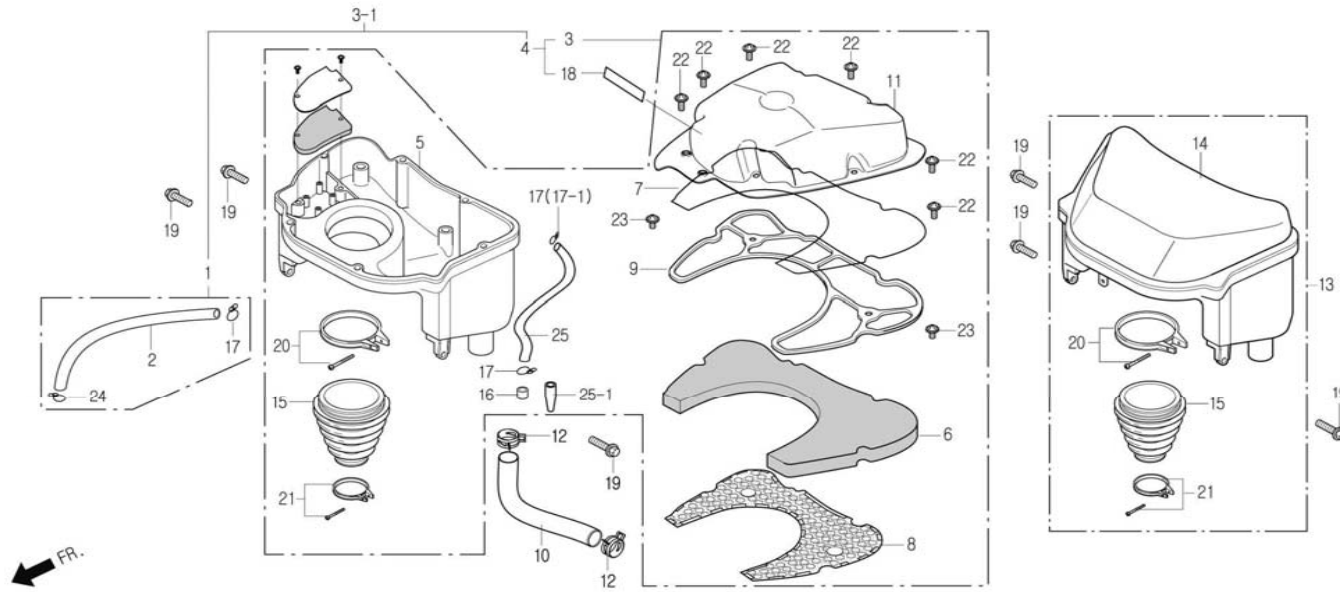
# E-19



## CARBURETOR

Service item	FRT	Ref. No.	Part No.	Description	QTY	A/S	Exch	Start Date	End Date	Start FRM.No	End FRM.No
		27	16043-SA1-0000	SPRING(CD)	1	Y		19980408		KMYSG125FKW000001	
		28	16044-SA1-0001	HOSE	1	Y		20000320		KMYSG125JYC009479	
		29	16055-SA1-0000	SCREW	1	Y		19980408		KMYSG125FKW000001	
								20000320		KMYSG125JYC009479	
								19980408		KMYSG125FKW000001	
		30	16100-SA1-0000-01	CARBURETOR ASS'Y	1	N	N	19980408	19991130	KMYSG125FKW000001	KMYSG125FKY400876
			16100-SA1-0100-01	CARBURETOR ASS'Y	1	N	N	20000320	20020510	KMYSG125JYC009479	KMYSG125J2C019984
								19991201		KMYSG125FKY400877	
			16100-SA2-0020-01	CARBURETOR ASS'Y	1	Y		20020511		KMYSG125J2C019985	
			16100-SA1-RZ00	CARBURETOR ASS'Y(Euro2)	1	Y		20030612		KMYSG125FK3413034	
		31	S3500-04010-1A	SCREW	4	Y		20000320		KMYSG125JYC009479	
								19980408		KMYSG125FKW000001	
		32	S3500-04014-1A	SCREW	2	Y		20000320		KMYSG125JYC009479	
								19980408		KMYSG125FKW000001	
		33	S3500-04016-1A	SCREW	2	Y		20000320		KMYSG125JYC009479	
								19980408		KMYSG125FKW000001	
		34	S3500-05010-1H	SCREW	1	Y		20000320		KMYSG125JYC009479	
								19980408		KMYSG125FKW000001	

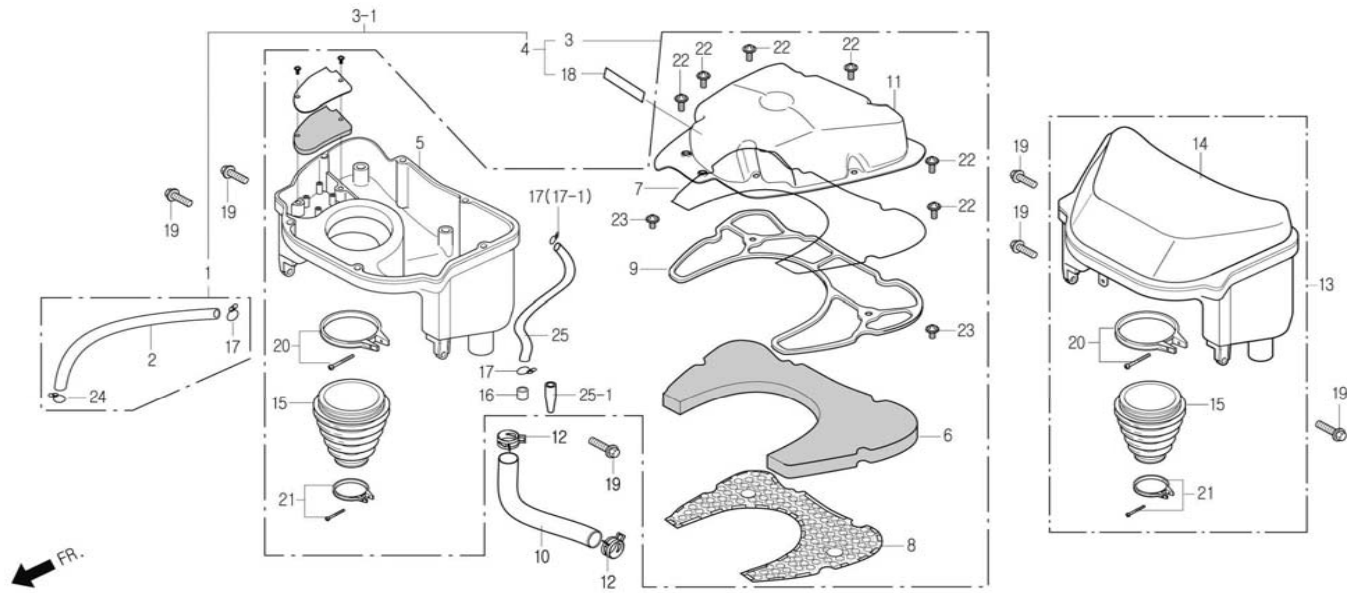
# E-20



## AIR CLEANER

Service item	FRT	Ref. No.	Part No.	Description	QTY	A/S	Exch	Start Date	End Date	Start FRM.No	End FRM.No
CLEANER ASS'Y, AIR	0.3	1	1122B-SA1-0002	TUBE B ASS'Y, BREATHER	1	N	N	19980408	19990225	KMYSG125FKW000001	KMYSG125FKX310373
			1122B-SA1-0100	TUBE B ASS'Y, BREATHER	1	N	N	19990226	20010724	KMYSG125FKX310374	KMYSG125FK1410315
ELEMENT, AIR CLEANER	0.4							20000320	20000920	KMYSG125JYC009479	KMYSG125J1C017047
			1122B-SA1-0200	TUBE B ASS'Y, BREATHER	1	N	N	20000921	20010419	KMYSG125J1C017048	KMYSG125J1C019136
			1122B-SA1-0300	TUBE B ASS'Y, BREATHER	1	N	N	20010420	20010724	KMYSG125J1C019137	KMYSG125J1C019487
			1122B-SA2-RB00	TUBE B ASS'Y, BREATHER	1	Y		20010725		KMYSG125J1C019488	
								20010725		KMYSG125FK1410316	
		2	11222-SA1-0002	TUBE B, BREATHER	1	N	N	19980408	19990225	KMYSG125FKW000001	KMYSG125FKX310373
			11222-SA1-0100	TUBE B, BREATHER	1	N	N	19990226	20010724	KMYSG125FKX310374	KMYSG125FK1410315
								20000320	20000920	KMYSG125JYC009479	KMYSG125J1C017047
			11222-SA1-0200	TUBE B, BREATHER	1	N	N	20000921	20010419	KMYSG125J1C017048	KMYSG125J1C019136
			11222-SA1-0300	TUBE B, BREATHER	1	N	N	20010420	20010724	KMYSG125J1C019137	KMYSG125J1C019487
			11222-SA2-RB00	TUBE B, BREATHER	1	N		20010725		KMYSG125J1C019488	
								20010725		KMYSG125FK1410316	
		3	17200-SA1-0100	CLEANER ASS'Y, AIR	1	N	N	20000320	20000920	KMYSG125JYC009479	KMYSG125J1C017047
			17200-SA1-0200	CLEANER ASS'Y, AIR	1	Y		20000921	20020531	KMYSG125J1C017048	KMYSG125J2C020066
		3-1	17200-SA2-RB01	CLEANER ASS'Y, AIR	1	Y		20030724		KMYSG125FK3413185	
		4	1720A-SA1-0100-EU	CLEANER ASS'Y, AIR	1	Y		20020601		KMYSG125J2C020067	
								19990226		KMYSG125FKX310374	
		5	17210-SA1-0000	CASE COMP., AIR CLEANER	1	N	N	19990226		KMYSG125FKX310374	
								20000320	20000920	KMYSG125JYC009479	KMYSG125J1C017047
			17210-SA1-0100	CASE COMP., AIR CLEANER	1	N	N	20000921	20020531	KMYSG125J1C017048	KMYSG125J2C020066
			17210-SA1-0000	CASE COMP., AIR CLEANER	1	N		20020601		KMYSG125J2C020067	

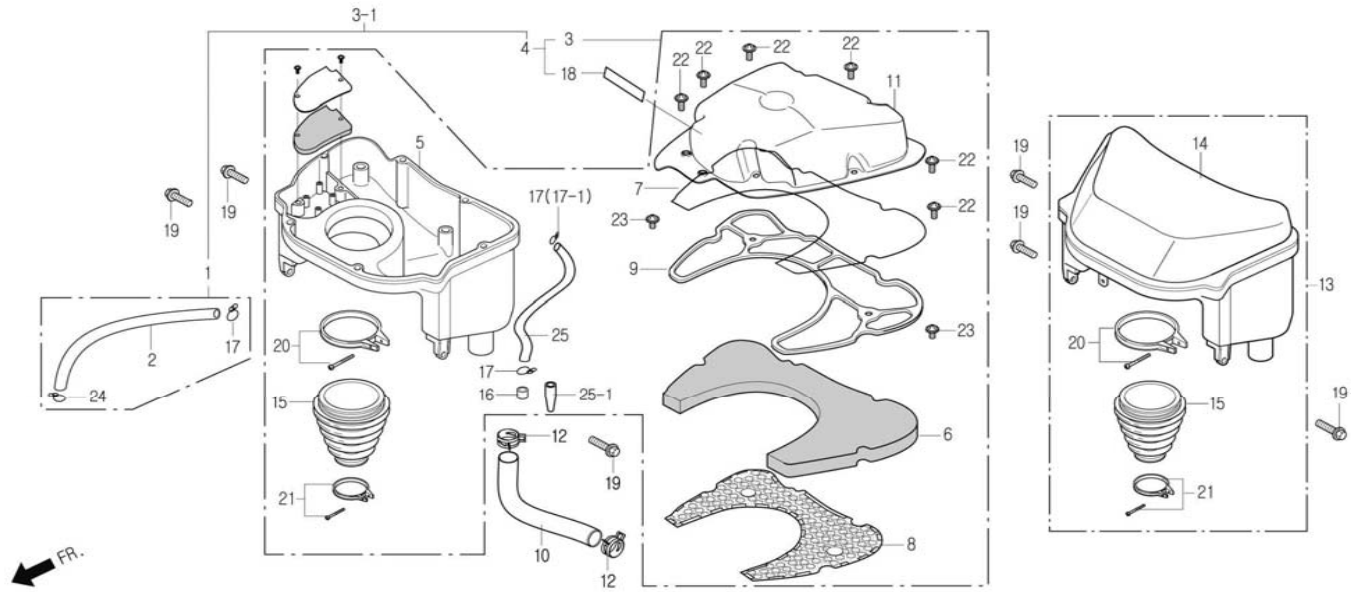
# E-20



## AIR CLEANER

Service item	FRT	Ref. No.	Part No.	Description	QTY	A/S	Exch	Start Date	End Date	Start FRM.No	End FRM.No
			17210-SA2-RB00	CASE COMP., AIR CLEANER	1	N		20030612		KMYSG125FK3413034	
		6	17211-SA1-0101	ELEMENT, AIR CLEANER	1	Y		20000320		KMYSG125JYC009479	
		7	17212-SA1-0100	SEAL, AIR CLEANER COVER	1	Y		20000320		KMYSG125JYC009479	
		8	17213-SA1-0000	TRAP COMP., AIR CLEANER	1	Y		20000320		KMYSG125JYC009479	
		9	17214-SA1-0000	HOLDER, AIR CLEANER ELEMENT	1	Y		20000320		KMYSG125JYC009479	
		10	17225-SA1-0000	DUCT, AIR CLEANER INLET	1	Y		20000320		KMYSG125JYC009479	
		11	17230-SA1-0000	COVER, AIR CLEANER CASE	1	Y		20000320		KMYSG125JYC009479	
		12	17234-SA1-0000	CLIP, DUCT	2	Y		20000320		KMYSG125JYC009479	
		13	1724A-SA1-0000-EU	CHAMBER ASS'Y, INTAKE	1	N		19980408	19990225	KMYSG125FKW000001	KMYSG125FKX310373
			1724A-SA1-0002	CHAMBER ASS'Y, INTAKE	1	N		19980526	19990225	KMYSG125FKW003915	KMYSG125FKX310373
		14	17240-SA1-0000	CHAMBER, INTAKE	1	N		19980408	19990225	KMYSG125FKW000001	KMYSG125FKX310373
		15	17253-SA1-0000	COUPLING, INTAKE	1	Y		19980408		KMYSG125FKW000001	
								20000320		KMYSG125JYC009479	
		16	17370-SA1-0000	PLUG, BREATHER TUBE	1	Y		19990226		KMYSG125FKX310374	

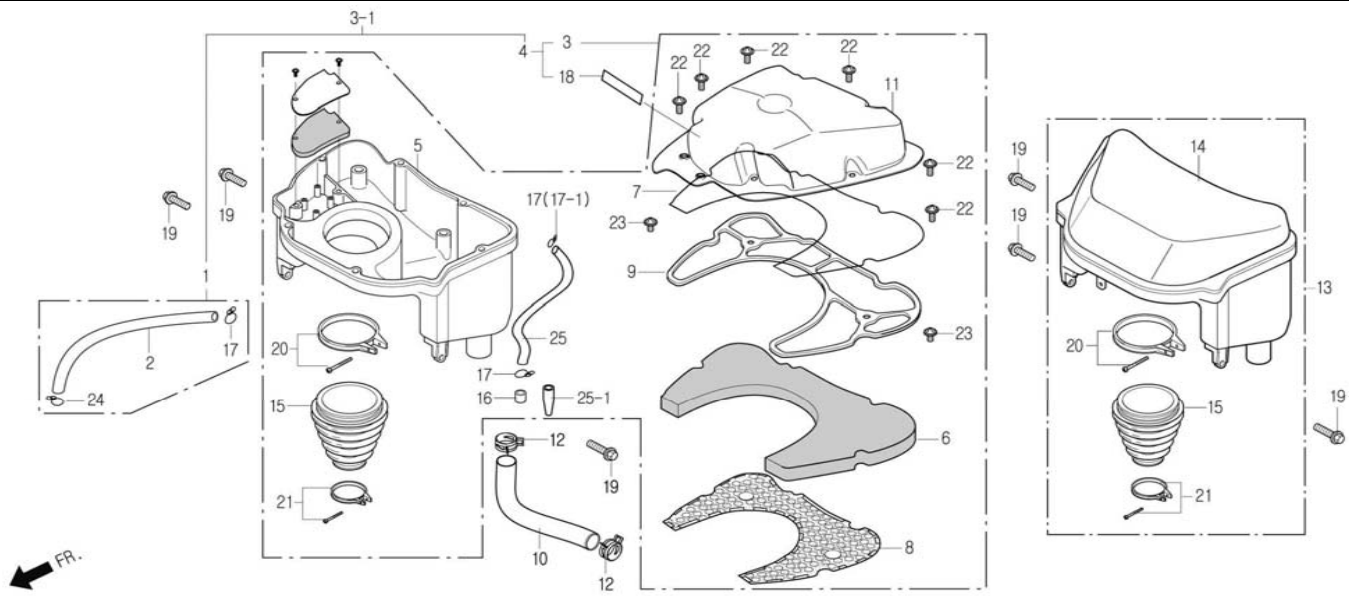
# E-20



## AIR CLEANER

Service item	FRT	Ref. No.	Part No.	Description	QTY	A/S	Exch	Start Date	End Date	Start FRM.No	End FRM.No
		17	17371-SA1-0000	CLIP, BREATHER TUBE	3	Y		20000320		KMYSG125JYC009479	
			17371-SA1-0000	CLIP, BREATHER TUBE	1	Y		19980408	19980525	KMYSG125FKW000001	KMYSG125FKW003914
								19990226		KMYSG125FKX310374	
		17-1	S5002-02120	CLIP, B12 TUBE	1	Y		20000320		KMYSG125JYC009479	
								19980408		KMYSG125FKW000001	
			S5002-70000	CLIP C II, TUBE	1	Y		20030612		KMYSG125FK3413034	
		18	87570-SA1-0000-EU	MARK A, EEC APPROVAL	1	Y		19980408		KMYSG125FKW000001	
								20020601		KMYSG125J2C020067	
		19	90111-SE5-9000	BOLT, FLANGE 6mm	3	Y	Y	19980408	19990131	KMYSG125FKW000001	KMYSG125FKX308693
			90111-SE5-1000	BOLT, FLANGE 6mm	3	Y		20000320		KMYSG125JYC009479	
								19990201		KMYSG125FKX308694	
		20	90652-SA1-0001	BAND A86.5, INTAKE COUPLING	1	Y		20000320		KMYSG125JYC009479	
								19980408		KMYSG125FKW000001	
		21	90653-SA1-0001	BAND B54.5, INTAKE COUPLING	1	Y		20000320		KMYSG125JYC009479	
								19980408		KMYSG125FKW000001	
		22	S3891-05012	SCREW, WASHER 5x12	6	Y		20000320		KMYSG125JYC009479	
								19990226		KMYSG125FKX310374	
		23	S3892-06012-00	SCREW, WASHER 6x12	2	Y		20000320		KMYSG125JYC009479	
								19990226		KMYSG125FKX310374	
		24	S5002-02080	CLIP, B8 TUBE	1	Y		19980408	19990225	KMYSG125FKW000001	KMYSG125FKX310373
			S5002-02100	CLIP, B10 TUBE	1	Y		20030612		KMYSG125FK3413034	
		25	S5003-23025-10	TUBE 8x12x250	1	Y		20000320		KMYSG125JYC009479	

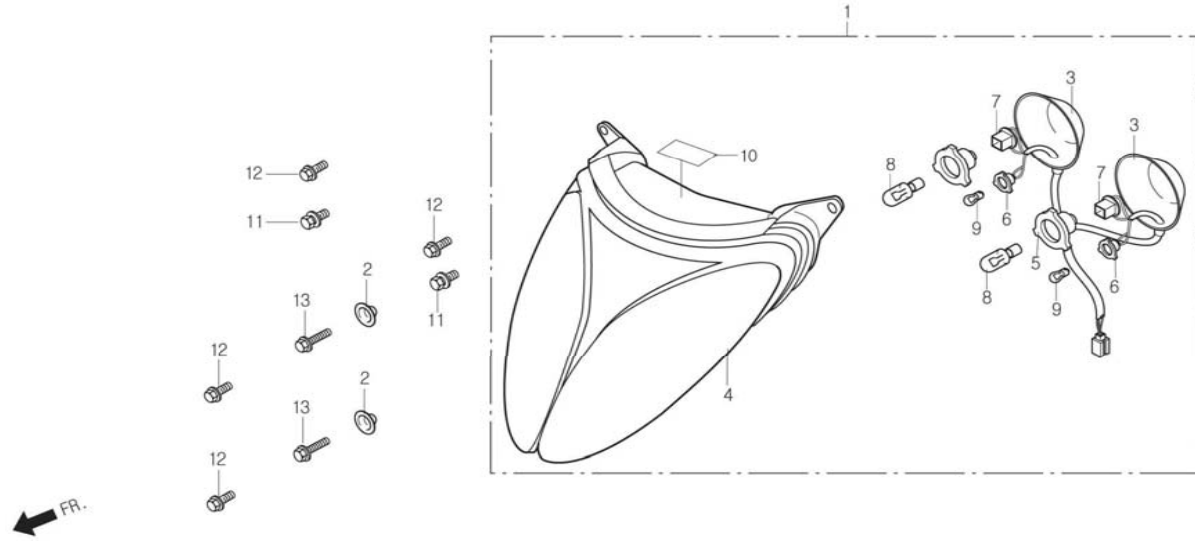
# E-20



## AIR CLEANER

Service item	FRT	Ref. No.	Part No.	Description	QTY	A/S	Exch	Start Date	End Date	Start FRM.No	End FRM.No
								19990226		KMYSG125FKX310374	
		25-1	17359-CB3-7600	TUBE, DRAIN	1	Y		20030612		KMYSG125FK3413034	

# F-01

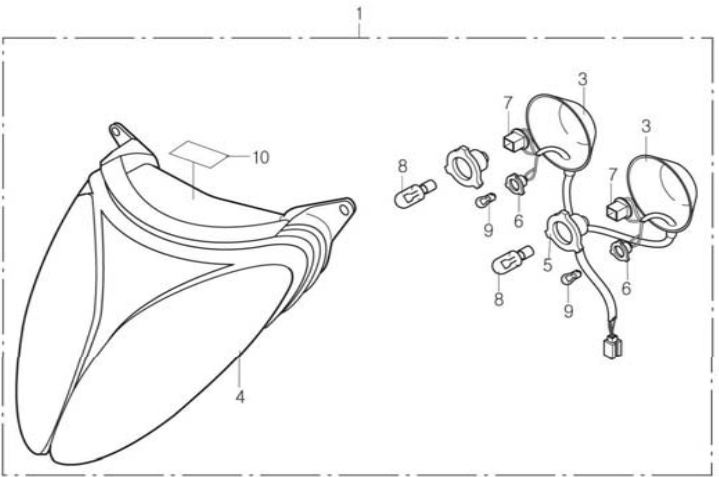
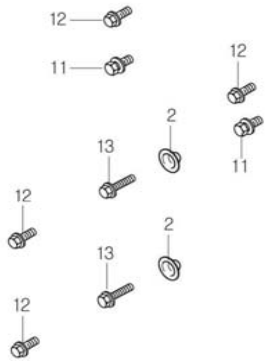


## HEAD LIGHT

Service item	FRT	Ref. No.	Part No.	Description	QTY	A/S	Exch	Start Date	End Date	Start FRM.No	End FRM.No
LIGHT ASS'Y, HEAD	0.4	1	33100-SA1-0000	LIGHT ASS'Y, HEAD	1	N	N	20000320	20020916	KMYSG125JYC009479	KMYSG125J2C020379
UNIT, HEAD LIGHT			33100-SA1-RC01-M1	LIGHT ASS'Y, HEAD	1	Y		19980526	20020630	KMYSG125FKW003915	KMYSG125FK2411825
BULB, HEAD LIGHT			33100-SA1-0010-M1	LIGHT ASS'Y, HEAD	1	Y		20000329		KMYSG125JYC010297	
SOCKET COMP., HEAD LIGHT	0.4	2	33108-BA6-0001	COLLAR, HEAD LIGHT HOUSING	2	Y		19980408		KMYSG125FKW000001	
		3	33116-BA6-0000	COVER, RUBBER	2	N		20000320		KMYSG125JYC009479	
		4	33120-SA1-RC00-M1	UNIT, HEAD LIGHT	1	Y		19980408		KMYSG125FKW000001	
			33120-SA1-0000	UNIT, HEAD LIGHT	1	Y		20000329		KMYSG125JYC010297	
								19980408		KMYSG125FKW000001	
		5	33130-SA1-0001	SOCKET COMP., HEAD LIGHT	1	N	N	20000320	20020630	KMYSG125FKW003915	KMYSG125FK2411825
			33130-SA1-RC00-M1	WIRING ASS'Y	1	N		19980526	20020630	KMYSG125JYC009479	KMYSG125J2C020379
								19980526	20020630	KMYSG125FKW003915	KMYSG125FK2411825
			33130-SA1-0010	SOCKET COMP., HEAD LIGHT	1	N		20000329		KMYSG125JYC010297	
								19980408		KMYSG125FKW000001	
								20020917		KMYSG125J2C020380	
		6	33150-BA6-0000	SOCKET, POSITION LIGHT	2	N		20000320	20020630	KMYSG125JYC009479	
								19980526	20020630	KMYSG125FKW003915	KMYSG125FK2411825
		7	33155-BA6-0033	RUBBER, JOINT	2	N		20000320		KMYSG125JYC009479	
								19980526	20020630	KMYSG125FKW003915	KMYSG125FK2411825



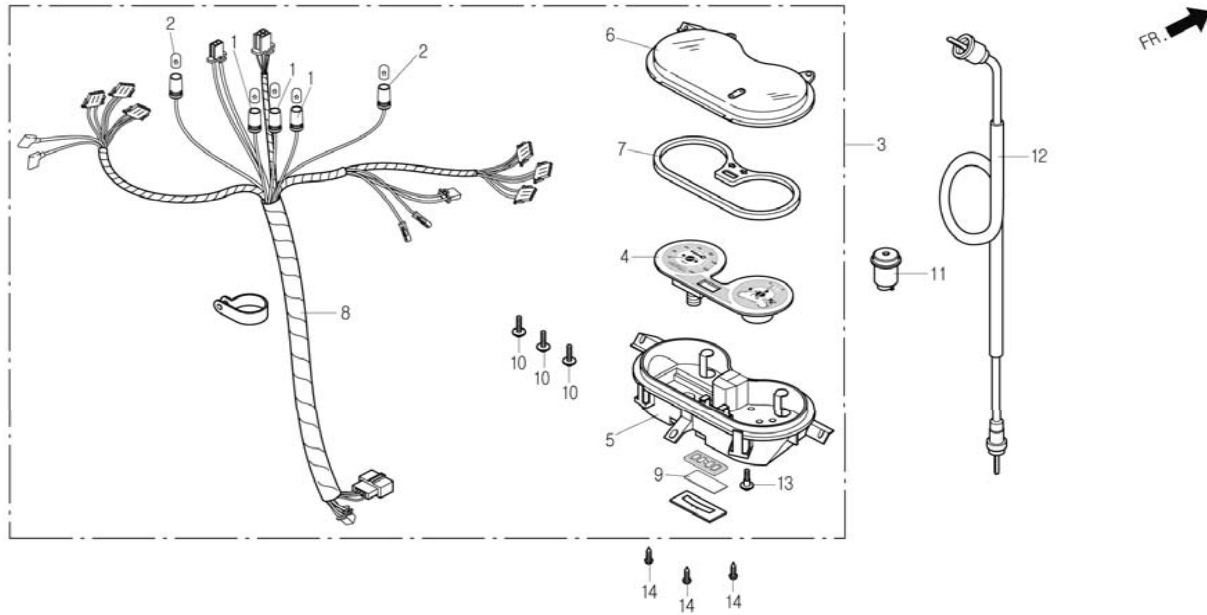
# F-01



## HEAD LIGHT

Service item	FRT	Ref. No.	Part No.	Description	QTY	A/S	Exch	Start Date	End Date	Start FRM.No	End FRM.No
		8	34901-BA6-0000	BULB, HEAD LIGHT	2	Y		20000320		KMYSG125JYC009479	
			34901-SA1-RB00	BULB, HEAD LIGHT(12V35/35W)	2	Y		19980526	20020630	KMYSG125FKW003915	KMYSG125FK2411825
								20000329		KMYSG125JYC010297	
								19980408		KMYSG125FKW000001	
		9	34902-BA7-RB00	BULB, MARKER LIGHT(12V/4W)	2	Y	N	20000320	20020916	KMYSG125JYC009479	KMYSG125J2C020379
								19980408	20020630	KMYSG125FKW000001	KMYSG125FK2411825
			34902-SA1-RB00	BULB, WEDGE BASE(12V/5W)	2	Y		20000329		KMYSG125JYC010297	
								19991222		KMYSG125FKY401001	
		10	35408-SA1-0100	LABEL, RESISTER CAUTION	1	Y		20000320		KMYSG125JYC009479	
								19980526	20020630	KMYSG125FKW003915	KMYSG125FK2411825
		11	S3404-06012-08	BOLT, WASHER 6x12	2	Y		20000320		KMYSG125JYC009479	
								19990601		KMYSG125FKX315336	
		12	S5701-06016-00	BOLT, FLANGE 6x16	4	Y		19980408	19990531	KMYSG125FKW000001	KMYSG125FKX315335
		13	S5701-06022-08	BOLT, FLANGE 6x22	2	Y		20000320		KMYSG125JYC009479	
								19990601		KMYSG125FKX315336	

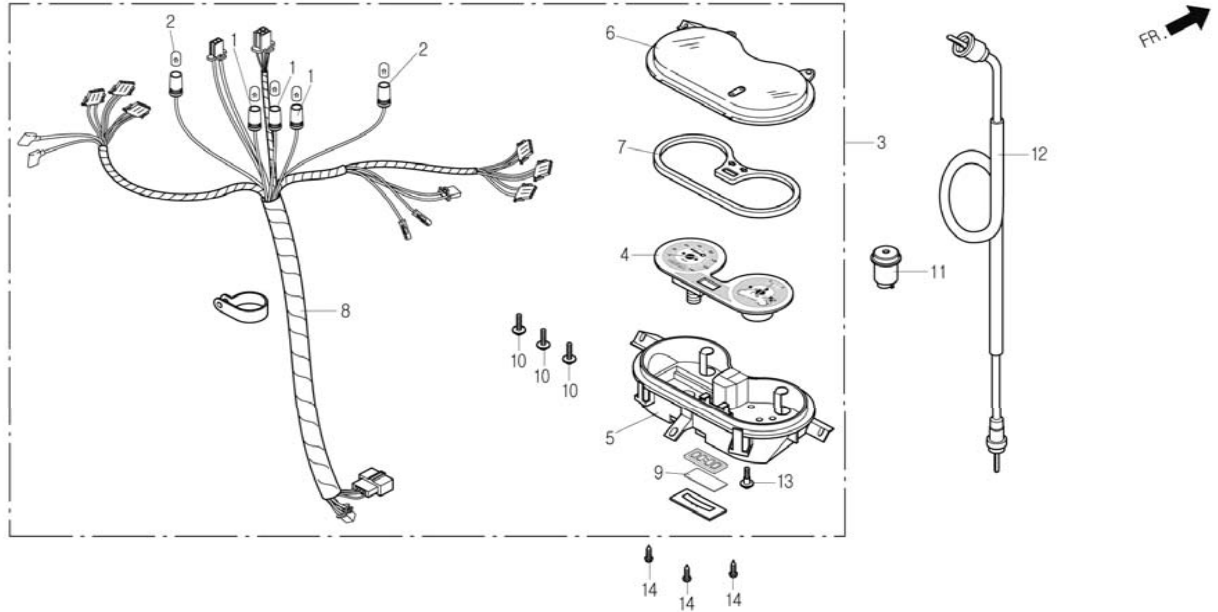
F-02



**SPEEDOMETER**

Service item	FRT	Ref.		Description	QTY	A/S	Exch	Start Date	End Date	Start FRM.No	End FRM.No
		No.	Part No.								
SPEEDOMETER ASS'Y	0.7	1	34908-SE5-7010-M1	BULB, WEDGE BASE(12V 3.4W)	3	Y		20000320		KMYSG125JYC009479	
SPEEDOMETER COMP.		2	34908-SA2-8710-M1	BULB, WEDGE BASE(12V 1.7W)	2	Y		19980408		KMYSG125FKW000001	
CASE ASS'Y	0.9	3	37200-SA1-RC00	SPEEDOMETER ASS'Y	1	N	N	19980408	19981203	KMYSG125FKW000001	KMYSG125FKX007122
			37200-SA1-RC10	SPEEDOMETER ASS'Y	1	N		19981204		KMYSG125FKX007123	
LENS	0.7		37200-SA1-0000	SPEEDOMETER ASS'Y	1	N	N	19980526	19990401	KMYSG125FKW003915	KMYSG125FKX312101
			37200-SA1-3030	SPEEDOMETER ASS'Y	1	Y	N	19990402	19991231	KMYSG125FKX312102	KMYSG125FKY401000
PLATE, REFLECTION			37200-SA1-0100	SPEEDOMETER ASS'Y	1	N	N	20000320	20020916	KMYSG125JYC009479	KMYSG125J2C020379
CABLE COMP., SPEEDOMETER			37200-SA1-0210	SPEEDOMETER ASS'Y	1	Y		20020917		KMYSG125J2C020380	
SOCKET COMP.	0.8	4	37210-SA1-0000	SPEEDOMETER COMP.	1	N	N	19980408	19991231	KMYSG125FKW000001	KMYSG125FKY401000
			37210-SA1-RC10	SPEEDOMETER COMP.	1	Y		19981204		KMYSG125FKX007123	
			37210-SA1-0100	SPEEDOMETER COMP.	1	N	N	20000320	20020916	KMYSG125JYC009479	KMYSG125J2C020379
RELAY COMP., AUDIBLE PILOT WINKER			37210-SA1-0200	SPEEDOMETER COMP.	1	Y		20020917		KMYSG125J2C020380	
		5	37211-SA1-0000	CASE ASS'Y	1	Y		20000320		KMYSG125JYC009479	
								19980408		KMYSG125FKW000001	
		6	37212-SA1-0000	LENS	1	Y		20000320		KMYSG125JYC009479	
								19980408		KMYSG125FKW000001	
		7	37213-SA1-0000	PLATE, REFLECTION	1	Y		19980408		KMYSG125FKW000001	
								20000320		KMYSG125JYC009479	
		8	37223-SA1-0000	SOCKET COMP.	1	N	N	19980408	19981203	KMYSG125FKW000001	KMYSG125FKX007122
			37223-SA1-0100	SOCKET COMP.	1	N	N	20000320	20020916	KMYSG125JYC009479	KMYSG125J2C020379

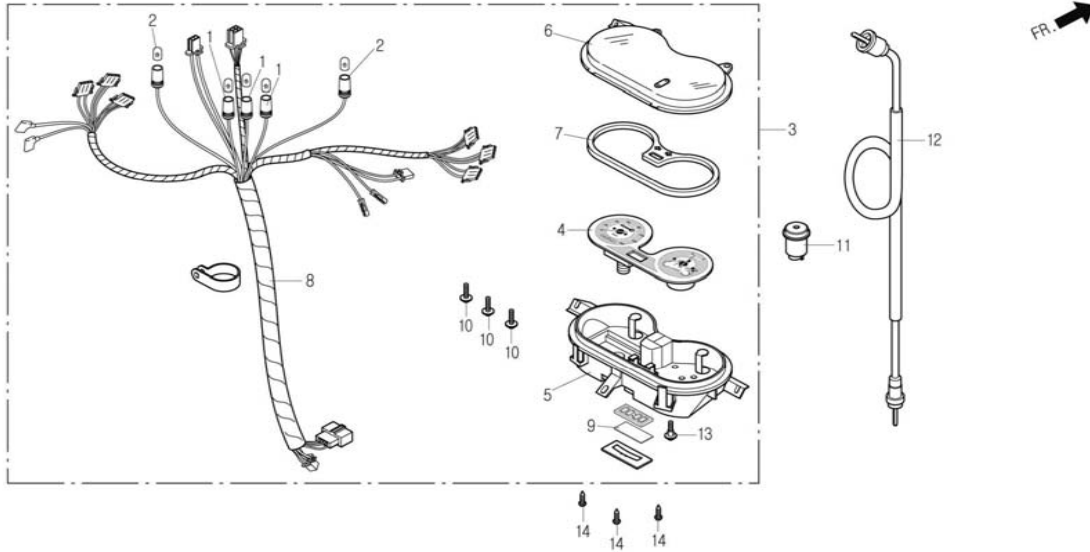
F-02



**SPEEDOMETER**

Service item	FRT	Ref. No.	Part No.	Description	QTY	A/S	Exch	Start Date	End Date	Start FRM.No	End FRM.No
			37223-SA1-0110	SOCKET COMP.	1	Y		19981204		KMYSG125FKX007123	
		9	37240-SA1-0000	CLOCK ASS'Y, DIGITAL	1	Y		20020917		KMYSG125J2C020380	
		10	37305-BA6-0080	SCREW, WASHER 3x22	3	Y		20000320	20020916	KMYSG125JYC009479	KMYSG125J2C020379
								19980701		KMYSG125FKW004329	
								20000320		KMYSG125JYC009479	
								19980408		KMYSG125FKW000001	
		11	38301-SC1-9500	RELAY COMP., AUDIBLE PILOT WINKER	1	N	N	20000320	20001231	KMYSG125JYC009479	KMYSG125J1C018112
								19980408	20001231	KMYSG125FKW000001	KMYSG125FK1408106
			38301-BA6-0300-P	RELAY COMP., AUDIBLE PILOT WINKER	1	Y		20010101		KMYSG125J1C018113	
								20010101		KMYSG125FK1408107	
		12	44830-SA1-0003	CABLE COMP., SPEEDOMETER	1	N	N	19980408	19990225	KMYSG125FKW000001	KMYSG125FKX310373
			44830-SA1-0100	CABLE COMP., SPEEDOMETER	1	Y		20000320		KMYSG125JYC009479	
								19990226		KMYSG125FKX310374	
		13	90035-BA6-0080	SCREW, SPECIAL WASHER	1	Y		20000320		KMYSG125JYC009479	
								19980408		KMYSG125FKW000001	
		14	S3903-25320	SCREW, TAPPING 5x16	3	Y		20000320		KMYSG125JYC009479	
								19980408		KMYSG125FKW000001	

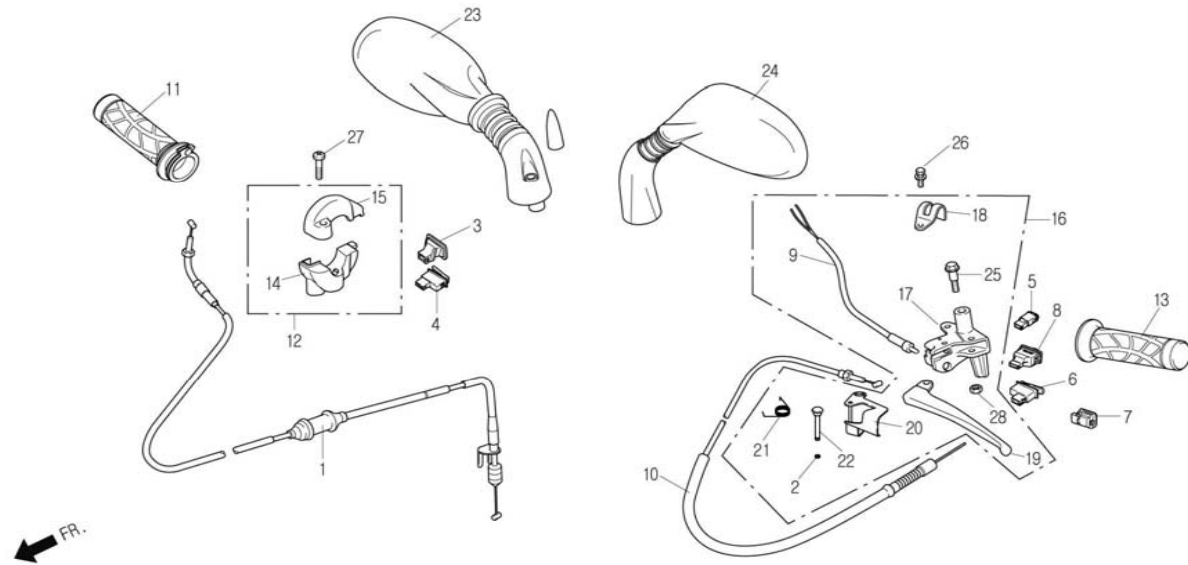
# F-02-L



## SPEEDOMETER

Service item	FRT	Ref. No.	Part No.	Description	QTY	A/S	Exch	Start Date	End Date	Start FRM.No	End FRM.No
SPEEDOMETER ASS'Y	0.7	1	34908-SE5-7010-M1	BULB, WEDGE BASE(12V 3.4W)	3	Y		20001221		KMYSG125FK1500013	
		2	34908-SA2-8710-M1	BULB, WEDGE BASE(12V 1.7W)	2	Y		20001221		KMYSG125FK1500013	
SPEEDOMETER COMP.		3	37200-SA3-RB00	SPEEDOMETER ASS'Y	1	Y		20001221		KMYSG125FK1500013	
		4	37210-SA3-RB00	BODY ASS'Y, SPEEDOMETER	1	Y		20001221		KMYSG125FK1500013	
CASE ASS'Y	0.9	5	37211-SA3-RB00	CASE ASS'Y	1	Y		20001221		KMYSG125FK1500013	
LENS	0.7	6	37212-SA1-0000	LENS	1	Y		20001221		KMYSG125FK1500013	
		7	37213-SA1-0000	PLATE, REFLECTION	1	Y		20001221		KMYSG125FK1500013	
PLATE, REFLECTION		8	37223-SA3-RB00	SOCKET COMP.	1	Y		20001221		KMYSG125FK1500013	
CABLE COMP., SPEEDOMETER		9	37240-SA1-0000	CLOCK ASS'Y, DIGITAL	1	Y		20001221		KMYSG125FK1500013	
		10	37305-BA6-0080	SCREW, WASHER 3x22	3	Y		20001221		KMYSG125FK1500013	
SOCKET COMP.	0.8	11	38301-BA6-0300-P	RELAY COMP., AUDIBLE PILOT WINKER	1	Y		20001221		KMYSG125FK1500013	
RELAY COMP., AUDIBLE PILOT		12	44830-SA1-0100	CABLE COMP., SPEEDOMETER	1	Y		20001221		KMYSG125FK1500013	
WINKER		13	90035-BA6-0080	SCREW, SPECIAL WASHER	1	Y		20001221		KMYSG125FK1500013	
		14	S3903-25320	SCREW, TAPPING 5x16	3	Y		20001221		KMYSG125FK1500013	

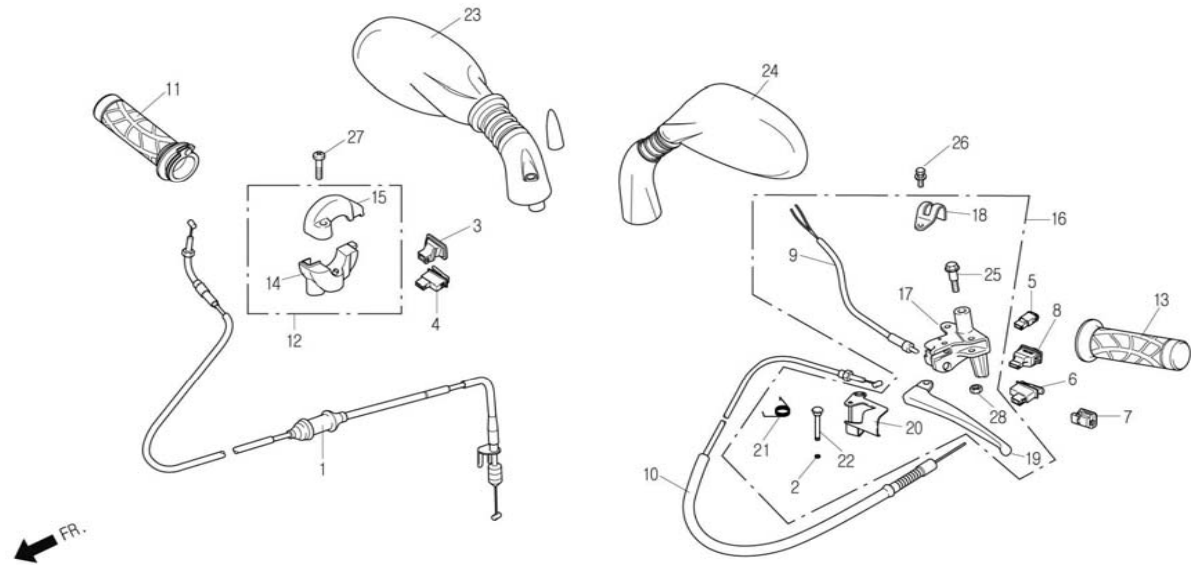
# F-03



## HANDLE LEVER / SWITCH / CABLE

Service item	FRT	Ref.		Description	QTY	A/S	Exch	Start Date	End Date	Start FRM.No	End FRM.No
		No.	Part No.								
CABLE COMP., THROTTLE	0.8	1	17910-SA1-0001	CABLE COMP., THROTTLE	1	N	Y	19980408	19991205	KMYSG125FKW000001	KMYSG125FKY400876
			17910-SA1-0004-M1	CABLE COMP., THROTTLE	1	Y		20000320		KMYSG125JYC009479	
SWITCH UNIT, LIGHTING	0.3							19991206		KMYSG125FKY400877	
		2	30158-BA5-0101	CIR CLIP, E-TYPE 3mm	1	N	N	19980408	19990613	KMYSG125FKW000001	KMYSG125FKX316001
SWITCH UNIT, STARTER			30158-SE5-0000	CIR CLIP, E-TYPE 3mm	1	Y		20000320		KMYSG125JYC009479	
SWITCH UNIT, DIMMER								19990614		KMYSG125FKX316002	
SWITCH UNIT, HORN		3	35150-SC1-0032	SWITCH UNIT, LIGHTING	1	N	N	19980526	19980608	KMYSG125FKW003915	KMYSG125FKW003914
SWITCH UNIT, WINKER			35150-SC1-0040-M1	SWITCH UNIT, LIGHTING	1	Y		20000320		KMYSG125JYC009479	
GRIP COMP., THROTTLE								19980408		KMYSG125FKW000001	
		4	35160-SC1-0002	SWITCH UNIT, START	1	N	N	19980526	19980608	KMYSG125FKW003915	KMYSG125FKW003914
SWITCH ASS'Y, FR.STOP	0.5		35160-SC1-0010-M1	SWITCH UNIT, START	1	Y		20000320		KMYSG125JYC009479	
								19980408		KMYSG125FKW000001	
HOUSING, UNDER THROTTLE		5	35170-SC1-0004	SWITCH UNIT, DIMMER	1	N	N	19980526	19980608	KMYSG125FKW003915	KMYSG125FKW003914
BRACKET, HANDLE			35170-SC1-0010-M1	SWITCH UNIT, DIMMER	1	Y		20000320		KMYSG125JYC009479	
								19980408		KMYSG125FKW000001	
CABLE COMP., RR.BRAKE	0.7										
		6	35180-SC1-9500	SWITCH UNIT, HORN	1	N	N	19980526	19980608	KMYSG125FKW003915	KMYSG125FKW003914
GRIP, LH.HANDLE	0.1		35180-SC1-0010-M1	SWITCH UNIT, HORN	1	Y		20000320		KMYSG125JYC009479	
								19980408		KMYSG125FKW000001	
LEVER, LH.HANDLE	0.2	7	35190-SA1-0000-M1	SWITCH UNIT, HAZARD	1	Y		20000320		KMYSG125JYC009479	
								19980408		KMYSG125FKW000001	
		8	35200-SC1-0232	SWITCH UNIT, WINKER	1	N	N	19980526	19980608	KMYSG125FKW003915	KMYSG125FKW003914
			35200-SC1-0240-M1	SWITCH UNIT, WINKER	1	Y		19980408		KMYSG125FKW000001	

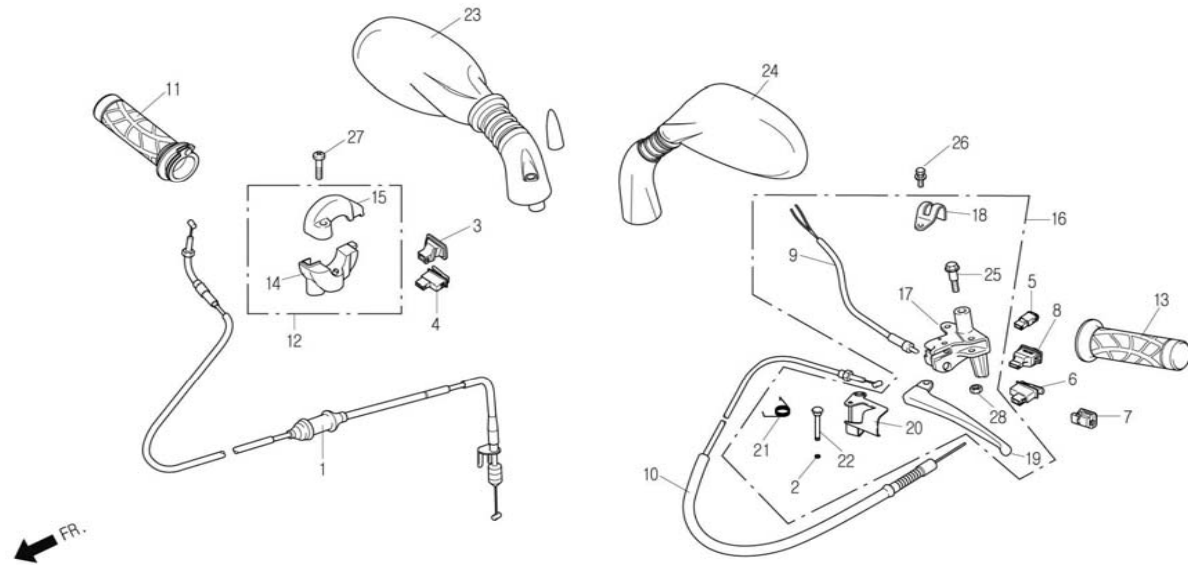
# F-03



## HANDLE LEVER / SWITCH / CABLE

Service item	FRT	Ref. No.	Part No.	Description	QTY	A/S	Exch	Start Date	End Date	Start FRM.No	End FRM.No
		9	35340-SC1-9501	SWITCH ASS'Y, FR.STOP	1	Y		20000320		KMYSG125JYC009479	
		10	43450-SA1-0001	CABLE COMP., RR.BRAKE	1	Y		20000320		KMYSG125JYC009479	
								19980408		KMYSG125FKW000001	
		11	53140-SA1-0000	GRIP COMP., THROTTLE	1	Y	N	19980408	20000531	KMYSG125FKW000001	KMYSG125FKY405638
								20000320	20010101	KMYSG125JYC009479	KMYSG125J1C018112
			53140-SA1-RB10	GRIP COMP., THROTTLE	1	Y	N	20010102	20030101	KMYSG125J1C018113	KMYSG125J3C020508
								20000601	20001220	KMYSG125FKY405639	KMYSG125FK1408106
			53140-SA3-RB00	GRIP COMP., RH.	1	Y	N	20001221	20021114	KMYSG125FK1500013	KMYSG125FK3412288
			53140-SA3-RB10	GRIP COMP., RH.	1	Y	N	20021115	20030131	KMYSG125FK3412289	KMYSG125FK3412661
			53140-SA2-0000	GRIP COMP., RH.	1	Y		20030201		KMYSG125FK3412662	
			53140-SA1-0000	GRIP COMP., THROTTLE	1	Y		20030102		KMYSG125J3C020509	
		12	5316A-SE5-0200	HOUSING ASS'Y, THROTTLE	1	Y		20000320		KMYSG125JYC009479	
								19980408		KMYSG125FKW000001	
		13	53166-SA1-0000	GRIP, LH.HANDLE	1	Y	N	20000320	20010101	KMYSG125JYC009479	KMYSG125J1C018112
								19980408	20000531	KMYSG125FKW000001	KMYSG125FKY405638
			53166-SA1-RB10	GRIP, LH.HANDLE	1	Y	N	20010102	20030101	KMYSG125J1C018113	KMYSG125J3C020508
								20000601	20001220	KMYSG125FKY405639	KMYSG125FK1408106
			53166-SA3-RB00	GRIP COMP., LH	1	Y	N	20001221	20021114	KMYSG125FK1500013	KMYSG125FK3412288
			53166-BA7-9300	GRIP COMP., LH	1	Y		20021115		KMYSG125FK3412289	
			53166-SA1-0000	GRIP, LH.HANDLE	1	Y		20030102		KMYSG125J3C020509	

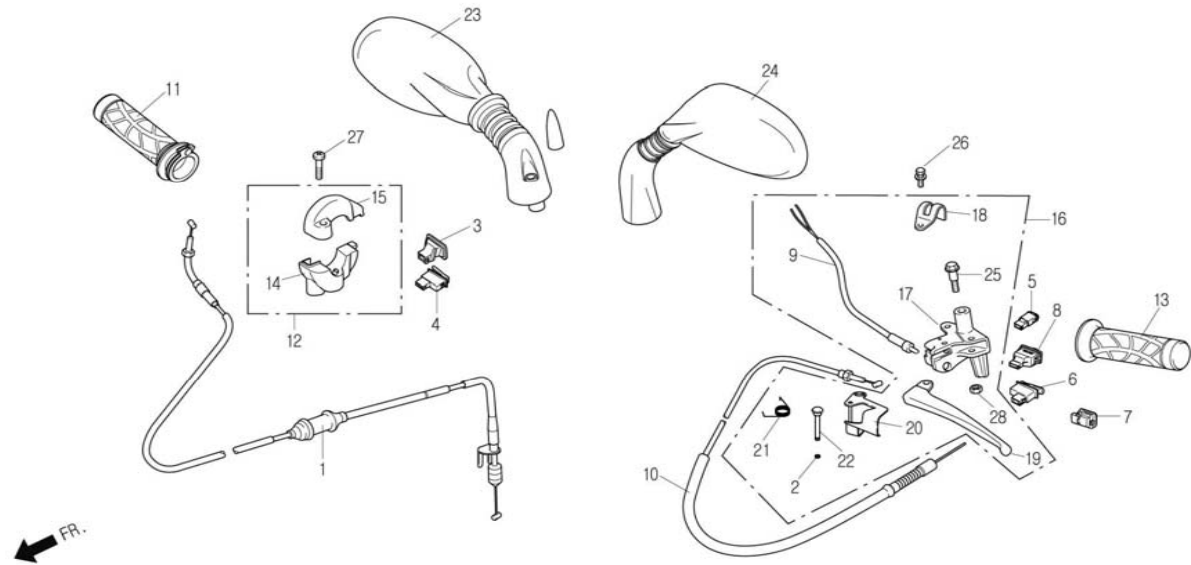
# F-03



## HANDLE LEVER / SWITCH / CABLE

Service item	FRT	Ref.		Description	QTY	A/S	Exch	Start Date	End Date	Start FRM.No	End FRM.No
		No.	Part No.								
		14	53167-SE5-0202	HOUSING, UNDER THROTTLE	1	Y		20000320		KMYSG125JYC009479	
		15	53168-SE5-0202	HOUSING, UPPER THROTTLE	1	Y		19980408		KMYSG125FKW000001	
								20000320		KMYSG125JYC009479	
								19980408		KMYSG125FKW000001	
		16	5317A-SA1-0000	BRACKET ASS'Y, LH.HANDLE	1	N	N	19980408	19981108	KMYSG125FKW000001	KMYSG125FKX006555
			5317A-SA1-0101	BRACKET ASS'Y, LH.HANDLE	1	Y	N	20000320		KMYSG125JYC009479	
								19981109	20010205	KMYSG125FKX006556	KMYSG125FK1408325
			5317A-SA1-RB00	BRACKET ASS'Y, LH.HANDLE	1	Y		20010206		KMYSG125FK1408326	
		17	53172-SC1-9500	BRACKET, HANDLE	1	Y		20000320		KMYSG125JYC009479	
								19980408		KMYSG125FKW000001	
		18	53173-SE5-1030	BAND, HANDLE BRACKET	1	N	N	19980408	19990413	KMYSG125FKW000001	KMYSG125FKX313169
			53173-SE5-0000	BAND, HANDLE BRACKET	1	Y		20000320		KMYSG125JYC009479	
								19990414		KMYSG125FKX313170	
		19	53178-SC1-9500	LEVER, LH.HANDLE	1	N	N	19980408	19981108	KMYSG125FKW000001	KMYSG125FKX006555
			53178-SA1-0100	LEVER, LH.STEERING HANDLE	1	N	N	20000320		KMYSG125JYC009479	
								19981109	20010227	KMYSG125FKX006556	KMYSG125FK1408767
			53178-SC1-9500	LEVER, LH.HANDLE	1	Y		20010228		KMYSG125FK1408768	
		20	53181-SA1-0100	LEVER COMP., PARKING	1	Y	N	20000320		KMYSG125JYC009479	
								19981109	20010205	KMYSG125FKX006556	KMYSG125FK1408325
			53181-SA1-RB00	LEVER COMP., PARKING	1	Y		20010206		KMYSG125FK1408326	
		21	53182-SE5-0100	SPRING, LEVER RETURN	1	N	N	19981109	19990613	KMYSG125FKX006556	KMYSG125FKX316001
			53182-SE5-0000	SPRING, LEVER RETURN	1	Y		20000320		KMYSG125JYC009479	

# F-03

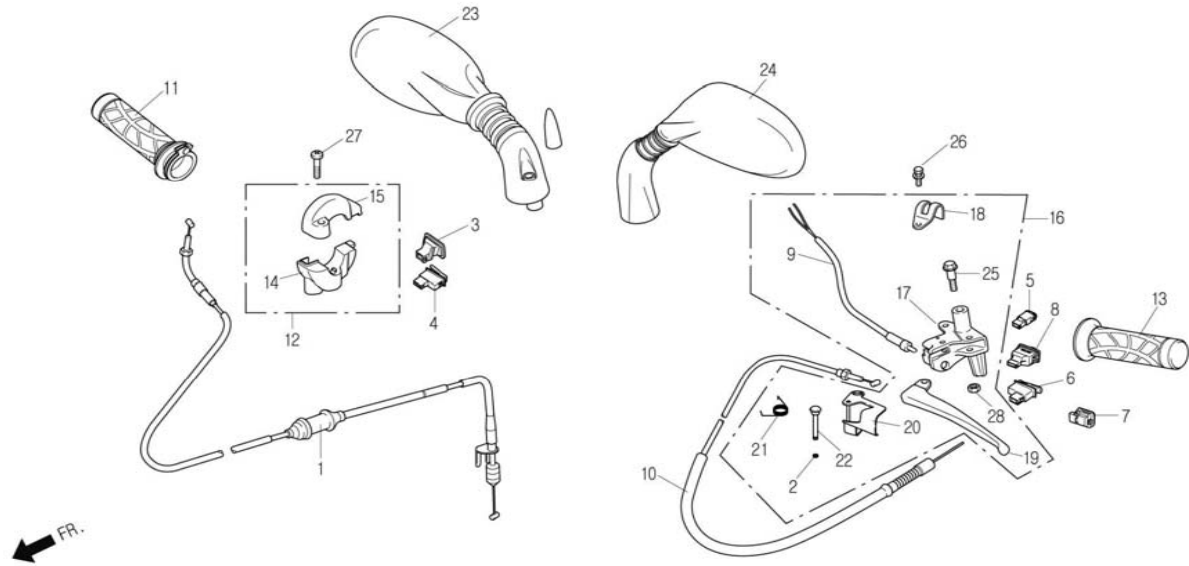


## HANDLE LEVER / SWITCH / CABLE

Service item	FRT	Ref.		Description	QTY	A/S	Exch	Start	End	Start	End
		No.	Part No.					Date	Date	FRM.No	FRM.No
		22	53183-SE5-1001	PIN, PIVOT PARKING LEVER	1	N	N	19990614			KMYSG125FKX316002
			53183-SE5-0000	PIN, PIVOT PARKING LEVER	1	Y		19981204	19990613		KMYSG125FKX007123
								20000320			KMYSG125JYC009479
								19990614			KMYSG125FKX316002
		23	88110-SA1-0003-EU	MIRROR, RH.BACK	1	Y	N	20000320	20030101		KMYSG125JYC009479
								19980408	20001220		KMYSG125FKW000001
			88110-SA1-0000	MIRROR, RH.BACK	1	Y	N	19980526	19981108		KMYSG125FKW003915
			88110-SA3-RB00	MIRROR, RH.BACK	1	Y	N	20001221	20021113		KMYSG125FK1500013
			88110-SA3-RB00-BK	MIRROR, RH.BACK(BLACK)	1	Y		20030102			KMYSG125J3C020509
								20021114			KMYSG125FK3412289
		24	88120-SA1-0003-EU	MIRROR, LH.BACK	1	Y	N	20000320	20030101		KMYSG125JYC009479
								19980408	20001220		KMYSG125FKW000001
			88120-SA1-0000	MIRROR, LH.BACK	1	Y	N	19980526	19981108		KMYSG125FKW003915
			88120-SA3-RB00	MIRROR, LH.BACK	1	Y	N	20001221	20021113		KMYSG125FK1500013
			88120-SA3-RB00-BK	MIRROR, LH.BACK(BLACK)	1	Y		20030102			KMYSG125J3C020509
								20021114			KMYSG125FK3412289
		25	90115-SC1-0001	SCREW, HANDLE LEVER PIVOT	1	Y		20000320			KMYSG125JYC009479
								19980408			KMYSG125FKW000001
		26	S3401-06020-08	BOLT, WASHER 6x20	1	Y		20000320			KMYSG125JYC009479
								19980408			KMYSG125FKW000001
		27	S3500-05028-0G	SCREW, PAN 5x28	1	Y	Y	19980408	19981109		KMYSG125FKW000001
			S3500-05028-0H	SCREW, PAN 5x28	1	Y		20000320			KMYSG125JYC009479



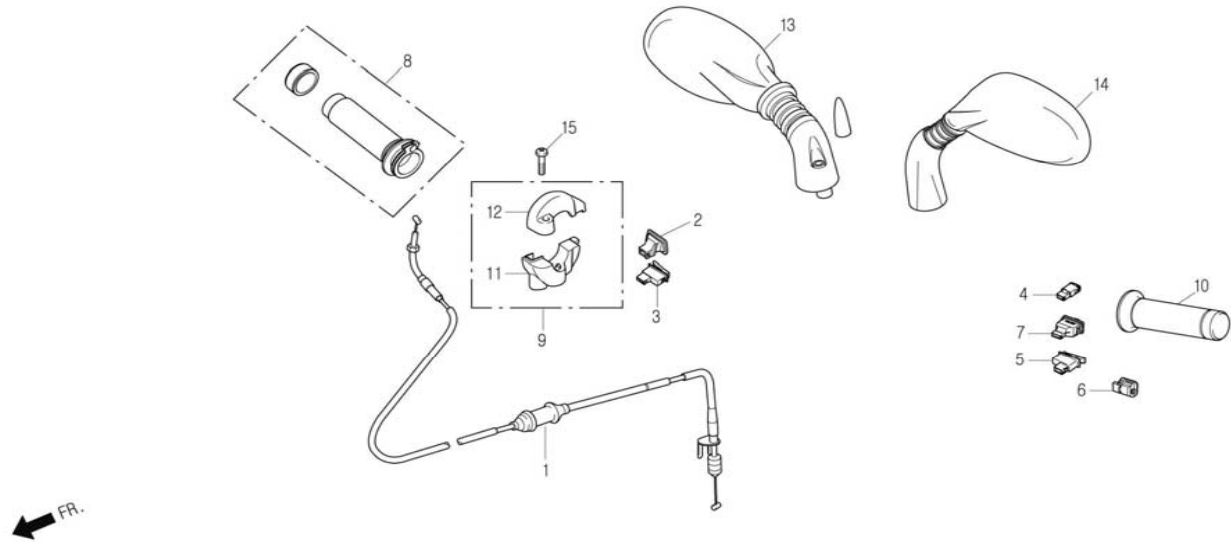
# F-03



## HANDLE LEVER / SWITCH / CABLE

Service item	FRT	Ref. No.	Part No.	Description	QTY	A/S	Exch	Start Date	End Date	Start FRM.No	End FRM.No
								19981110		KMYSG125FKX007123	
		28	S4001-05070-0S	NUT, HEX 5mm	1	Y	N	19980408	19990613	KMYSG125FKW000001	KMYSG125FKX316001
			S4001-05080-0S	NUT, HEX 5mm	1	Y		20000320		KMYSG125JYC009479	
								19990614		KMYSG125FKX316002	

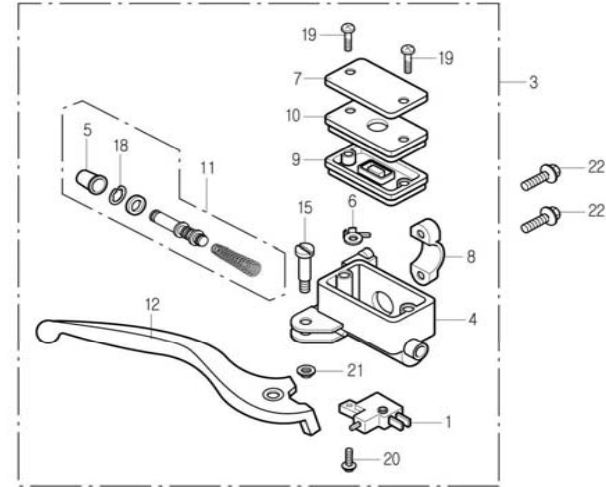
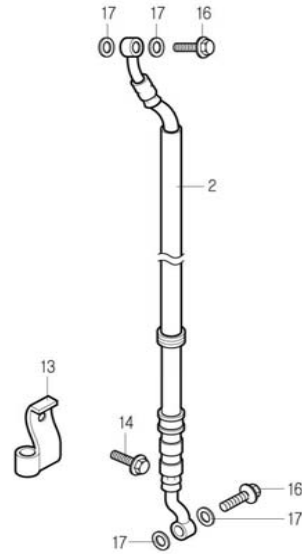
# F-03-L



## HANDLE LEVER / SWITCH / CABLE

Service item	FRT	Ref.		Description	QTY	A/S	Exch	Start Date	End Date	Start FRM.No	End FRM.No
		No.	Part No.								
CABLE COMP., THROTTLE	0.8	1	17910-SA1-0004-M1	CABLE COMP., THROTTLE	1	Y		20001221		KMYSG125FK1500013	
SWITCH UNIT, LIGHTING	0.3	2	35150-SC1-0040-M1	SWITCH UNIT, LIGHTING	1	Y		20001221		KMYSG125FK1500013	
SWITCH UNIT, STARTER		3	35160-SC1-0010-M1	SWITCH UNIT, START	1	Y		20001221		KMYSG125FK1500013	
SWITCH UNIT, DIMMER		4	35170-SC1-0010-M1	SWITCH UNIT, DIMMER	1	Y		20001221		KMYSG125FK1500013	
SWITCH UNIT, HORN		5	35180-SC1-0010-M1	SWITCH UNIT, HORN	1	Y		20001221		KMYSG125FK1500013	
SWITCH UNIT, HAZARD		6	35190-SA1-0000-M1	SWITCH UNIT, HAZARD	1	Y		20001221		KMYSG125FK1500013	
SWITCH UNIT, WINKER		7	35200-SC1-0240-M1	SWITCH UNIT, WINKER	1	Y		20001221		KMYSG125FK1500013	
GRIP COMP., THROTTLE		8	53140-SA3-RB00	GRIP COMP., THROTTLE	1	Y	N	20001221	20021104	KMYSG125FK1500013	KMYSG125FK3412046
			53140-CB4-0000	GRIP COMP., THROTTLE	1	Y		20021105		KMYSG125FK3412047	
SWITCH ASS'Y, FR.STOP	0.5	9	5316A-SE5-0200	HOUSING ASS'Y, THROTTLE	1	Y		20001221		KMYSG125FK1500013	
HOUSING, UNDER THROTTLE		10	53166-SA3-RB00	GRIP, LH.HANDLE	1	Y	N	20001221	20021104	KMYSG125FK1500013	KMYSG125FK3412046
BRACKET, HANDLE			53166-CB4-0000	GRIP, LH.HANDLE	1	Y		20021105		KMYSG125FK3412047	
		11	53167-SE5-0202	HOUSING, THROTTLE UNDER	1	Y		20001221		KMYSG125FK1500013	
CABLE COMP., RR.BRAKE	0.7	12	53168-SE5-0202	HOUSING, THROTTLE UPPER	1	Y		20001221		KMYSG125FK1500013	
GRIP, LH.HANDLE	0.1	13	88110-SA3-RB00	MIRROR, RH.BACK	1	Y	N	20001221	20021113	KMYSG125FK1500013	KMYSG125FK3412101
			88110-SA3-RB00-BK	MIRROR, RH.BACK(BLACK)	1	Y		20021114		KMYSG125FK3412102	
LEVER, LH.HANDLE	0.2	14	88120-SA3-RB00	MIRROR, LH.BACK	1	Y	N	20001221	20021113	KMYSG125FK1500013	KMYSG125FK3412101
			88120-SA3-RB00-BK	MIRROR, LH.BACK(BLACK)	1	Y		20021114		KMYSG125FK3412102	
		15	S3500-05028-0H	SCREW, PAN 5x28	1	Y		20001221		KMYSG125FK1500013	

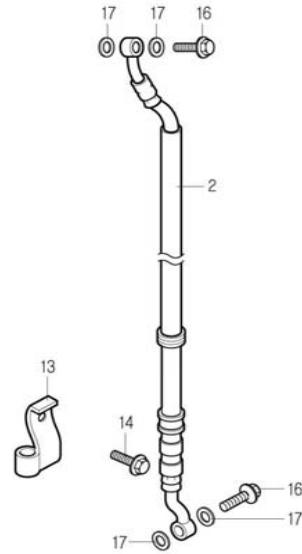
# F-04



## FRONT MASTER CYLINDER

Service item	FRT	Ref. No.	Part No.	Description	QTY	A/S	Exch	Start Date	End Date	Start FRM.No	End FRM.No
SWITCH ASS'Y, FR.STOP	0.3	1	35340-SC1-6710-M1	SWITCH ASS'Y, FR.STOP	1	Y		20000320		KMYSG125JYC009479	
DIAPHRAGM		2	45126-SA1-0000	HOSE ASS'Y, FR.BRAKE	1	N	N	19980408		KMYSG125FKW000001	
LEVER, RH.STEERING HANDLE			45126-SA1-0103	HOSE ASS'Y, FR.BRAKE	1	Y		19990601	19990531	KMYSG125FKX315336	KMYSG125FKX315335
								20000320		KMYSG125JYC009479	
HOSE ASS'Y, FR.BRAKE	0.7	3	45500-SA1-0000	CYLINDER ASS'Y, FR.MASTER	1	N	N	19980408	19990418	KMYSG125FKW000001	KMYSG125FKX313169
			45500-SA1-0101	CYLINDER ASS'Y, FR.MASTER	1	Y	N	20000320		KMYSG125JYC009479	
CYLINDER ASS'Y, FR.MASTER	0.6							19990419	20010110	KMYSG125FKX313170	KMYSG125FK1408151
			45500-SA3-RB00	CYLINDER ASS'Y, FR.MASTER	1	Y		20010111		KMYSG125FK1408152	
CYLINDER SET, MASTER	0.5	4	45501-SA1-0000	BODY, FR.MASTER CYLINDER	1	Y		20000512		KMYSG125JYC012107	
								19980408		KMYSG125FKW000001	
		5	45504-BA6-0031	BOOT COMP.	1	N		19980408		KMYSG125FKW000001	
								20000320		KMYSG125JYC009479	
		6	45512-BA6-0062	PROTECTOR	1	Y	N	19980408	19990613	KMYSG125FKW000001	KMYSG125FKX316001
			45512-SE6-9800	PROTECTOR	1	Y		20000320		KMYSG125JYC009479	
								19990614		KMYSG125FKX316002	
		7	45513-SC1-7011-M1	CAP, OIL CUP(DC)	1	N		20000320		KMYSG125JYC009479	
								19980408		KMYSG125FKW000001	
		8	45517-SC1-7121-M1	HOLDER, MASTER CYLINDER	1	Y		20000320		KMYSG125JYC009479	
								19980408		KMYSG125FKW000001	
		9	45520-SC1-0060	DIAPHRAGM	1	Y		20000320		KMYSG125JYC009479	
								19980408		KMYSG125FKW000001	

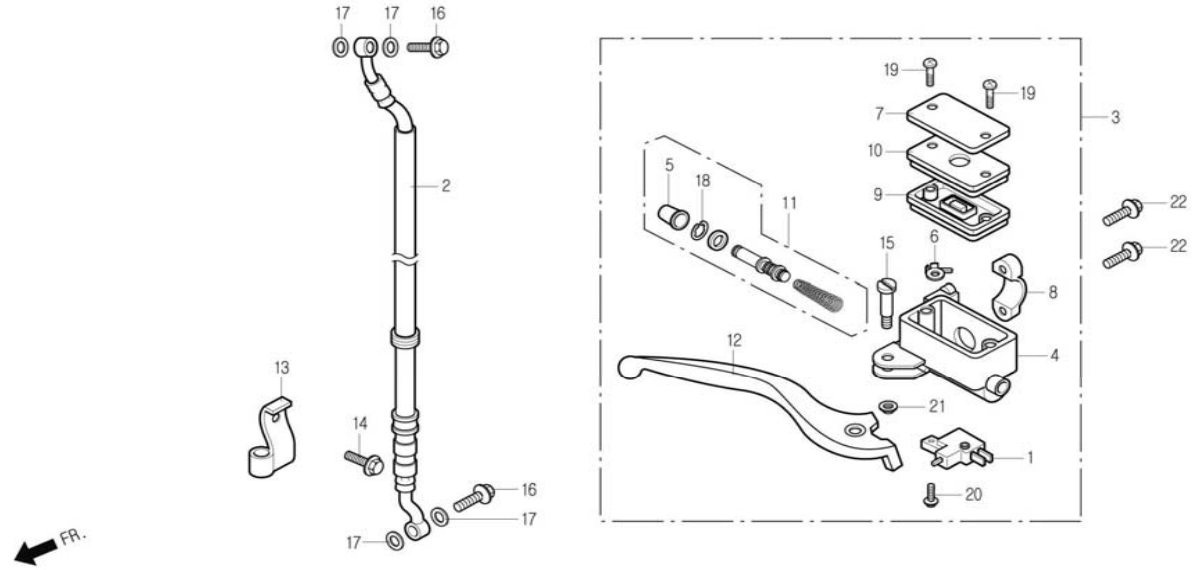
# F-04



## FRONT MASTER CYLINDER

Service item	FRT	Ref. No.	Part No.	Description	QTY	A/S	Exch	Start	End	Start	End
								Date	Date	FRM.No	FRM.No
		10	45521-SC1-0061	PLATE, DIAPHRAGM	1	Y		20000320		KMYSG125JYC009479	
								19980408		KMYSG125FKW000001	
		11	45530-BA6-3050	CYLINDER SET, MASTER	1	N		20000320		KMYSG125JYC009479	
								19980408		KMYSG125FKW000001	
		12	53175-SC1-0130	LEVER, RH.STEERING HANDLE	1	N	N	19980408	19990613	KMYSG125FKW000001	KMYSG125FKX316001
			53175-SA1-0100	LEVER, RH.STEERING HANDLE	1	N	N	20000320	20010110	KMYSG125JYC009479	KMYSG125J1C018354
								19990614	20010110	KMYSG125FKX316002	KMYSG125FK1408151
			53175-SC1-0131	LEVER, RH.STEERING HANDLE	1	Y		20010111		KMYSG125FK1408152	
			53175-BA6-7411-M1	LEVER, HANDLE	1	Y		20010111		KMYSG125J1C018355	
		13	61118-BA6-9600	CLIP A, BRAKE HOSE	1	N	N	19980408	19990531	KMYSG125FKW000001	KMYSG125FKX315335
			61118-BA6-9602	CLIP A, BRAKE HOSE	1	Y		20000320		KMYSG125JYC009479	
								19990601		KMYSG125FKX315336	
		14	90103-SC1-1002	BOLT, FLANGE 6x12	1	Y	N	19980408	19990613	KMYSG125FKW000001	KMYSG125FKX316001
			90103-SC1-0000	BOLT, FLANGE 6x12	1	Y	Y	20000320	20010213	KMYSG125JYC009479	KMYSG125J1C018663
								19990614	20010213	KMYSG125FKX316002	KMYSG125FK1408151
			90103-BA5-0000	SCREW, TORUS 6x12	1	Y		20010214		KMYSG125J1C018664	
								20010214		KMYSG125FK1408152	
		15	90114-BA6-2060	BOLT, HANDLE LEVER	1	Y	N	19980408	19990418	KMYSG125FKW000001	KMYSG125FKX313169
			90114-BA6-0000	BOLT, HANDLE LEVER	1	Y		20000320		KMYSG125JYC009479	
								19990419		KMYSG125FKX313170	
		16	90145-BA6-0100	BOLT, OIL 10x22	2	Y	Y	19980408	19981011	KMYSG125FKW000001	KMYSG125FKX007122

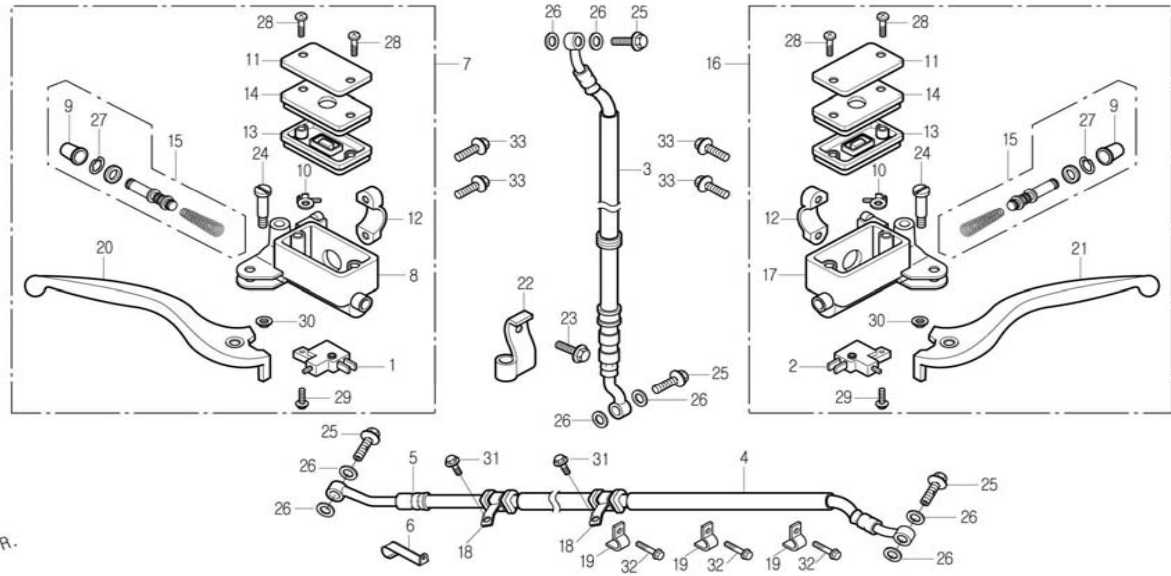
# F-04



## FRONT MASTER CYLINDER

Service item	FRT	Ref. No.	Part No.	Description	QTY	A/S	Exch	Start Date	End Date	Start FRM.No	End FRM.No
			90145-SE5-0000	BOLT, OIL 10x22	2	Y		20000320		KMYSG125JYC009479	
		17	90545-BA6-0000	WASHER, OIL BOLT	4	Y		19981012		KMYSG125FKX007123	
								20000320		KMYSG125JYC009479	
								19980408		KMYSG125FKW000001	
		18	90651-CB2-0030	CIR CLIP, INTERNAL 18	1	N		20000320		KMYSG125JYC009479	
								19980408		KMYSG125FKW000001	
		19	S3600-04012-1G	SCREW, FLAT 4x12	2	Y	N	19980408	19990418	KMYSG125FKW000001	KMYSG125FKX313169
			S3600-04012-1H	SCREW, FLAT 4x12	1	Y		20000320		KMYSG125JYC009479	
								19990419		KMYSG125FKX313170	
		20	S3893-04012-18	SCREW, WASHER 4x12	1	Y		20000320		KMYSG125JYC009479	
								19980408		KMYSG125FKW000001	
		21	S4050-06000	NUT, FLANGE 6mm	1	Y	N	19980408	19990418	KMYSG125FKW000001	KMYSG125FKX313169
			S4050-06080	NUT, FLANGE 6mm	1	Y		20000320		KMYSG125JYC009479	
								19990419		KMYSG125FKX313170	
		22	S5701-06022-08	BOLT, FLANGE 6x22	2	Y		20000320		KMYSG125JYC009479	
								19980408		KMYSG125FKW000001	

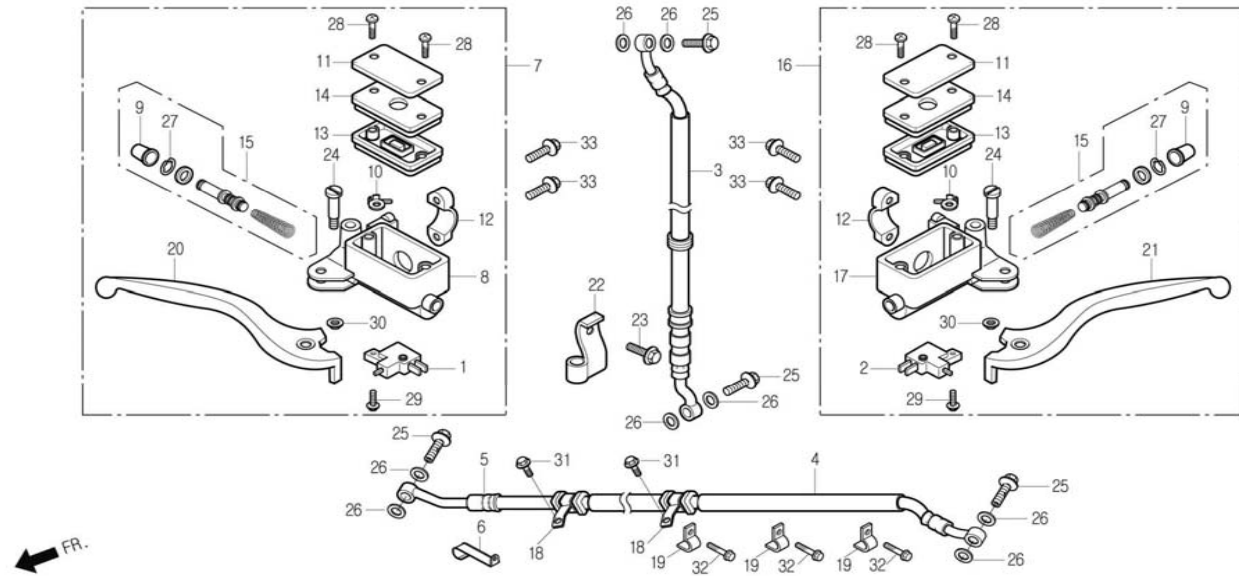
# F-04-L



## FRONT MASTER CYLINDER

Service item	FRT	Ref. No.	Part No.	Description	QTY	A/S	Exch	Start Date	End Date	Start FRM.No	End FRM.No
SWITCH ASS'Y, FR.STOP	0.3	1	35340-SC1-6710-M1	SWITCH ASS'Y, FR.STOP	1	Y		20001221		KMYSG125FK1500013	
		2	35340-SA2-0000	SWITCH ASS'Y, RR.STOP	1	Y		20001221		KMYSG125FK1500013	
DIAPHRAGM		3	45126-SA1-0103	HOSE ASS'Y, FR.BRAKE	1	Y		20001221		KMYSG125FK1500013	
LEVER, RH.STEERING HANDLE		4	45146-SA3-RB00	HOSE B ASS'Y, RR.BRAKE	1	Y		20001221		KMYSG125FK1500013	
		5	45147-SA2-0000	HOSE A ASS'Y, RR.BRAKE	1	Y		20001221		KMYSG125FK1500013	
HOSE ASS'Y, FR.BRAKE	0.7	6	45151-SA2-0000	CLIP, BRAKE HOSE	1	Y		20001221		KMYSG125FK1500013	
CYLINDER ASS'Y, FR.MASTER	0.6	7	45500-SA3-RB00	CYLINDER ASS'Y, FR.MASTER	1	Y		20001221		KMYSG125FK1500013	
		8	45501-SA1-0000	BODY, FR.MASTER CYLINDER	1	Y		20001221		KMYSG125FK1500013	
CYLINDER SET, MASTER	0.5	9	45504-BA6-0031	BOOT COMP.	2	N		20001221		KMYSG125FK1500013	
		10	45512-BA6-0062	PROTECTOR	2	Y	N	20001221	20020430	KMYSG125FK1500013	KMYSG125FK2411710
			45512-SE6-9800	PROTECTOR	2	Y		20020501		KMYSG125FK2411711	
		11	45513-SC1-7011-M1	CAP, OIL CUP(DC)	2	N		20001221		KMYSG125FK1500013	
		12	45517-SC1-7121-M1	HOLDER, MASTER CYLINDER	2	Y		20001221		KMYSG125FK1500013	
		13	45520-SC1-0060	DIAPHRAGM	2	Y		20001221		KMYSG125FK1500013	
		14	45521-SC1-0061	PLATE, DIAPHRAGM	2	Y		20001221		KMYSG125FK1500013	
		15	45530-BA6-3050	CYLINDER SET, MASTER	2	N		20001221		KMYSG125FK1500013	
		16	45600-SA3-RB00	CYLINDER ASS'Y, RR.MASTER	1	Y		20001221		KMYSG125FK1500013	
		17	45601-SA2-0000-M1	BODY, RR.MASTER CYLINDER	1	Y		20001221		KMYSG125FK1500013	
		18	51107-SA2-0000	CLAMP, BRAKE HOSE	2	Y		20001221		KMYSG125FK1500013	
		19	51108-SA2-0000	CLIP, BRAKE HOSE	3	Y		20001221		KMYSG125FK1500013	

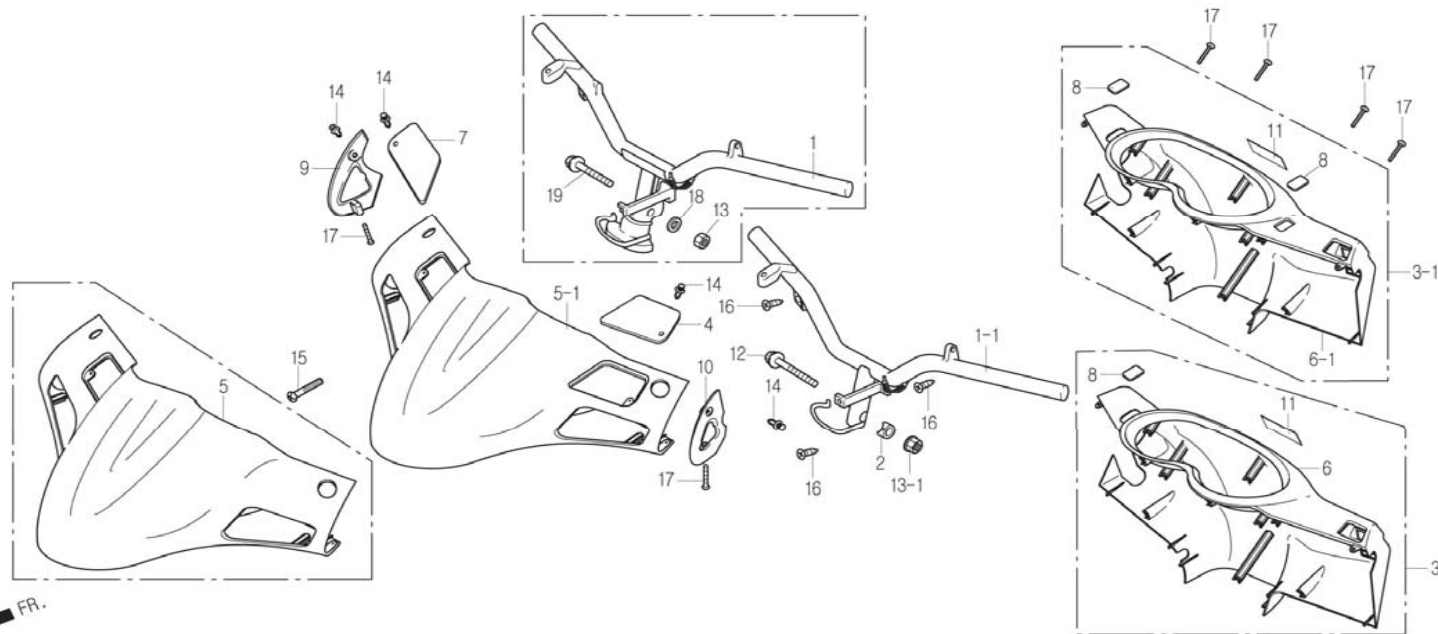
# F-04-L



## FRONT MASTER CYLINDER

Service item	FRT	Ref. No.	Part No.	Description	QTY	A/S	Exch	Start Date	End Date	Start FRM.No	End FRM.No
		20	53175-SC1-0131	LEVER, RH.STEERING HANDLE	1	Y		20001221		KMYSG125FK1500013	
		21	53178-SA3-RB00	LEVER, LH.STEERING HANDLE	1	Y		20001221		KMYSG125FK1500013	
		22	61118-BA6-9602	CLIP A, BRAKE HOSE	1	Y		20001221		KMYSG125FK1500013	
		23	90103-BA5-0000	SCREW, TORUS 6x12	1	Y		20001221		KMYSG125FK1500013	
		24	90114-BA6-0000	BOLT, HANDLE LEVER	2	Y		20001221		KMYSG125FK1500013	
		25	90145-SE5-0000	BOLT, OIL 10x22	4	Y		20001221		KMYSG125FK1500013	
		26	90545-BA6-0000	WASHER, OIL BOLT	8	Y		20001221		KMYSG125FK1500013	
		27	90651-CB2-0030	CIRCLIP, INTERNAL 18	2	N		20001221		KMYSG125FK1500013	
		28	S3600-04012-1H	SCREW, FLAT 4x12	4	Y		20001221		KMYSG125FK1500013	
		29	S3893-04012-18	SCREW, WASHER 4x12	2	Y		20001221		KMYSG125FK1500013	
		30	S4050-06080	NUT, FLANGE 6mm	2	Y		20001221		KMYSG125FK1500013	
		31	S5701-06010-08	BOLT, FLANGE 6x10	2	Y		20001221		KMYSG125FK1500013	
		32	S6001-06012-00	BOLT, FLANGE SH.6x12	3	Y		20001221		KMYSG125FK1500013	
		33	S6001-06022-07	BOLT, FLANGE SH.6x22	4	Y	Y	20001221	20010206	KMYSG125FK1500013	KMYSG125FK1408699
			S6001-06022-00	BOLT, FLANGE SH.6x22	4	Y		20010207		KMYSG125FK1408700	

# F-05

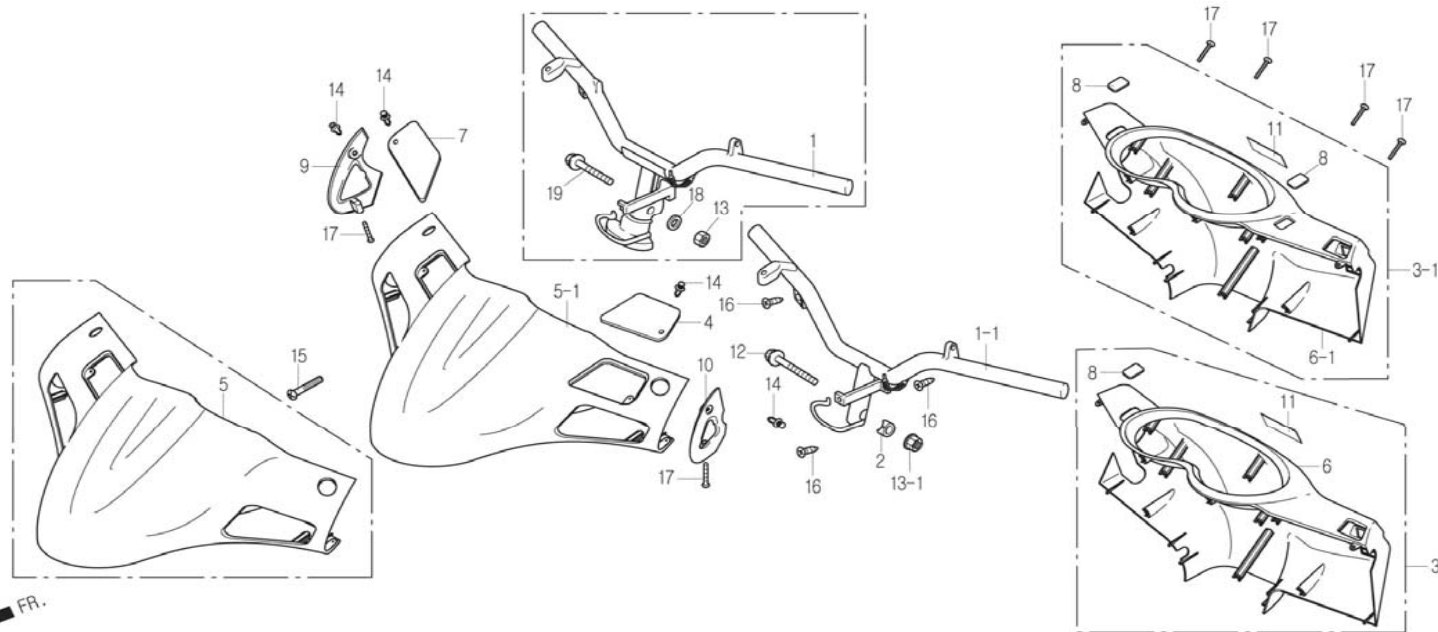


## STEERING HANDLE / HANDLE COVER

Service item	FRT	Ref. No.	Part No.	Description	QTY	A/S	Exch	Start Date	End Date	Start FRM.No	End FRM.No	
HANDLE COMP., STEERING	1.0	1	53100-SA1-0000	HANDLE COMP., STEERING	1	Y	N	19980408	19990418	KMYSG125FKW000001	KMYSG125FKX313169	
COVER, HANDLE FR.	0.5	1-1	53100-SA1-0003	HANDLE COMP., STEERING	1	Y	N	20000320		KMYSG125JYC009479		
COVER, HANDLE RR.	0.7		53100-SA1-RB01	HANDLE COMP., STEERING	1	Y		20001221		KMYSG125FK1500013		
		2	53125-CB2-9001	COLLAR, HANDLE SETTING	1	Y		20000320		KMYSG125JYC009479		
COVER, HANDLE RR.	0.7	3	5320A-SA1-0000	COVER ASS'Y, HANDLE RR.	1	Y	N	19980526	19991121	KMYSG125FKW003915	KMYSG125FKY400876	
			5320A-SA1-MA00	COVER ASS'Y, HANDLE RR.(ENGLISH)	1	Y	N	20000320	20010101	KMYSG125JYC009479	KMYSG125J1C018112	
									19981030	20000116	KMYSG125FKX007123	KMYSG125FKY401000
			5320A-SA1-MA10	COVER ASS'Y, HANDLE RR.(ENGLISH)	1	Y	N	19991122	20001010	KMYSG125FKY400877	KMYSG125FK1407346	
		3-1	5320A-SA1-MA20	COVER ASS'Y, HANDLE RR.(ENGLISH)	1	Y	N	20001011	20021113	KMYSG125FK1407347	KMYSG125FK3412288	
									20010102	20030101	KMYSG125J1C018113	KMYSG125J3C020508
			5320A-SA1-MA20-BK	COVER ASS'Y, HANDLE RR.(ENGLISH)	1	Y		20021114		KMYSG125FK3412289		
									20030102		KMYSG125J3C020509	
			3	5320A-SA1-RB00	COVER ASS'Y, HANDLE RR.(GERMAN)	1	Y	N	19981216	19991121	KMYSG125FKX307276	KMYSG125FKY400876
				5320A-SA1-RB10	COVER ASS'Y, HANDLE RR.(GERMAN)	1	Y	N	19991122	20001010	KMYSG125FKY400877	KMYSG125FK1407346
COVER, HANDLE RR.	0.7	3-1	5320A-SA1-RB20	COVER ASS'Y, HANDLE RR.(GERMAN)	1	Y	N	20001011	20021113	KMYSG125FK1407347	KMYSG125FK3412288	
			5320A-SA1-RB20-BK	COVER ASS'Y, HANDLE RR.(GERMAN)	1	Y		20021114		KMYSG125FK3412289		
COVER, HANDLE RR.	0.7	3	5320A-SA1-RC00	COVER ASS'Y, HANDLE RR.(ITALIAN)	1	Y	N	19980408	19991121	KMYSG125FKW000001	KMYSG125FKY400876	
			5320A-SA1-RC10	COVER ASS'Y, HANDLE RR.(ITALIAN)	1	Y	N	19991122	20001010	KMYSG125FKY400877	KMYSG125FK1407346	
COVER, HANDLE RR.	0.7	3-1	5320A-SA1-RC20	COVER ASS'Y, HANDLE RR.(ITALIAN)	1	Y	N	20001011	20021113	KMYSG125FK1407347	KMYSG125FK3412288	
			5320A-SA1-RC20-BK	COVER ASS'Y, HANDLE RR.(ITALIAN)	1	Y		20021114		KMYSG125FK3412289		



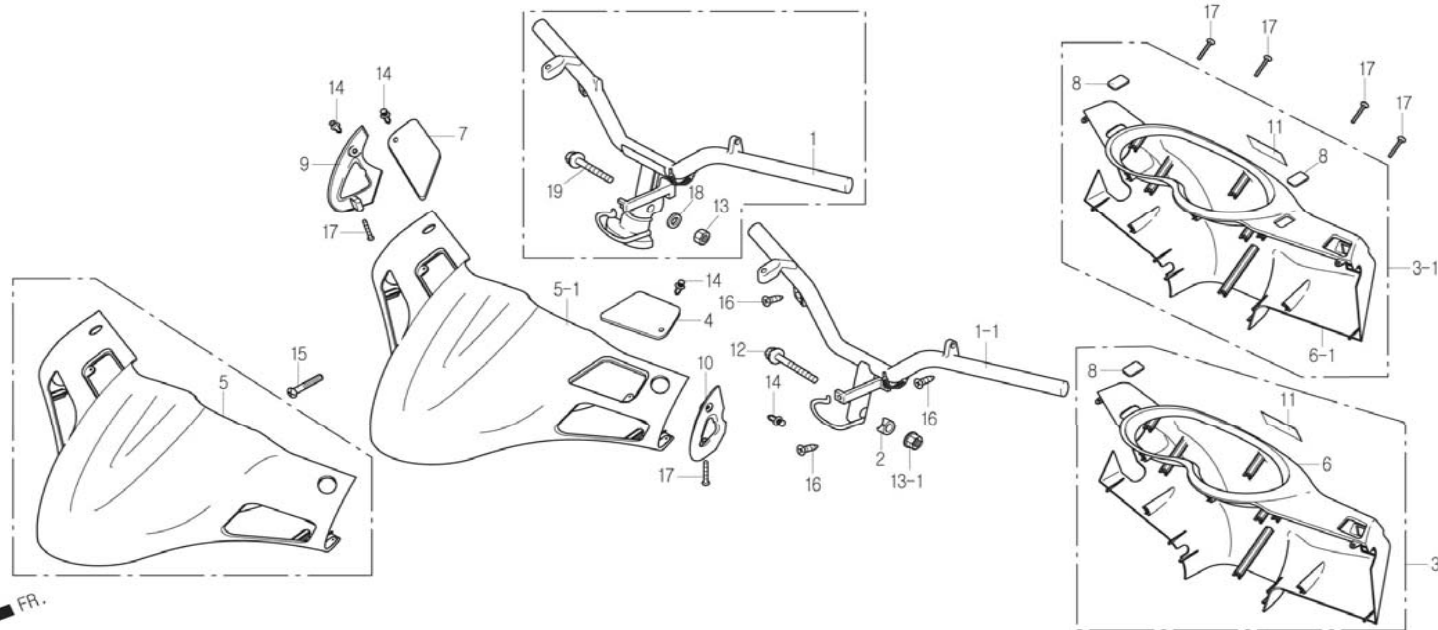
# F-05



## STEERING HANDLE / HANDLE COVER

Service item	FRT	Ref. No.	Part No.	Description	QTY	A/S	Exch	Start Date	End Date	Start FRM.No	End FRM.No
		3	5320A-SA1-RE00	COVER ASS'Y, HANDLE RR.(FRENCH)	1	Y	N	19980523	19991121	KMYSG125FKW003381	KMYSG125FKY400876
			5320A-SA1-RE10	COVER ASS'Y, HANDLE RR.(FRENCH)	1	Y	N	19991122	20001010	KMYSG125FKY400877	KMYSG125FK1407346
		3-1	5320A-SA1-RE20	COVER ASS'Y, HANDLE RR.(FRENCH)	1	Y	N	20001011	20021113	KMYSG125FK1407347	KMYSG125FK3412288
			5320A-SA1-RE20-BK	COVER ASS'Y, HANDLE RR.(FRENCH)	1	Y		20021114		KMYSG125FK3412289	
		3	5320A-SA1-RJ00	COVER ASS'Y, HANDLE RR.(SPANISH)	1	Y	N	19980423	19991121	KMYSG125FKW001978	KMYSG125FKY400876
			5320A-SA1-RJ10	COVER ASS'Y, HANDLE RR.(SPANISH)	1	Y	N	19991122	20001010	KMYSG125FKY400877	KMYSG125FK1407346
		3-1	5320A-SA1-RJ20	COVER ASS'Y, HANDLE RR.(SPANISH)	1	Y	N	20001011	20021113	KMYSG125FK1407347	KMYSG125FK3412288
			5320A-SA1-RJ20-BK	COVER ASS'Y, HANDLE RR.(SPANISH)	1	Y		20021114		KMYSG125FK3412289	
		4	53203-SA3-RB00-CE	LID, LH.FLUID MAINTENANCE(C/BEIGE)	1	Y		20001011		KMYSG125J1C017048	
								20001011		KMYSG125FK1407347	
			53203-SA3-RB00-DB	LID, LH.FLUID MAINTENANCE(D/BLUE)	1	Y		20020909		KMYSG125J2C020155	
								20001130		KMYSG125FK1408107	
			53203-SA3-RB00-DR	LID, LH.FLUID MAINTENANCE(D/RED)	1	Y		20001011		KMYSG125J1C017048	
								20001011		KMYSG125FK1407347	
			53203-SA3-RB00-GW	LID, LH.FLUID MAINTENANCE(G/WHITE)	1	Y		20001011	20020630	KMYSG125J1C017048	KMYSG125J2C020066
			53203-SA3-RB00-IG	LID, LH.FLUID MAINTENANCE(I/GRAY)	1	Y		20001011		KMYSG125J1C017048	
								20001011		KMYSG125FK1407347	
			53203-SA3-RB00-LG	LID, LH.FLUID MAINTENANCE(L/GREEN)	1	Y		20001101		KMYSG125J1C017729	
								20001011		KMYSG125FK1407347	
			53203-SA3-RB00-NL	LID, LH.FLUID MAINTENANCE(N/BLUE)	1	Y		20001011		KMYSG125J1C017048	
								20001011		KMYSG125FK1407347	
			53203-SA3-RB00-PB	LID, LH.FLUID MAINTENANCE(P/BLACK)	1	Y		20001011	20020630	KMYSG125J1C017048	KMYSG125J2C020066
			53203-SA3-RB00-RD	LID, LH.FLUID MAINTENANCE(RED)	1	Y		20001011	20020630	KMYSG125J1C017048	KMYSG125J2C020066

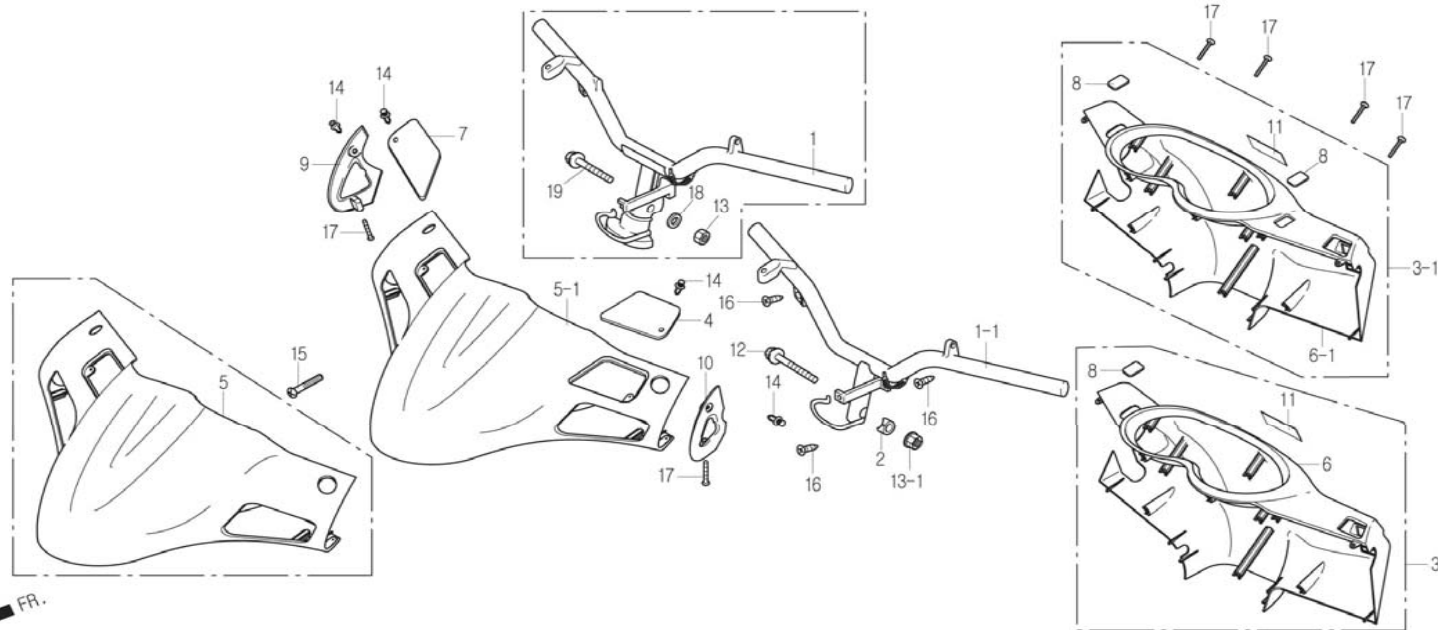
# F-05



## STEERING HANDLE / HANDLE COVER

Service item	FRT	Ref. No.	Part No.	Description	QTY	A/S	Exch	Start Date	End Date	Start FRM.No	End FRM.No
			53203-SA3-RB00-SL	LID, LH.FLUID MAINTENANCE(SILVER)	1	Y		20001011		KMYSG125J1C017048	
								20001011		KMYSG125FK1407347	
		5	53205-SA1-0000-BE	COVER, HANDLE FR.(BEIGE)	1	Y		19980526	19981108	KMYSG125FKW003915	KMYSG125FKX006555
			53205-SA1-0000-BL	COVER, HANDLE FR.(BLUE)	1	Y		19980408	19991231	KMYSG125FKW000001	KMYSG125FKY401000
			53205-SA1-0000-BS	COVER, HANDLE FR.(B/SAPPHIRE)	1	Y		19981214	19991231	KMYSG125FKX007123	KMYSG125FKY401000
			53205-SA1-0000-CE	COVER, HANDLE FR.(C/BEIGE)	1	Y	N	20000901	20001010	KMYSG125JYC015712	KMYSG125J1C017047
								19991119	20001010	KMYSG125FKY400781	KMYSG125FK1407346
		5-1	53205-SA3-RB00-CE	COVER, HANDLE FR.(C/BEIGE)	1	Y		20001011		KMYSG125J1C017048	
								20001011		KMYSG125FK1407347	
			53205-SA3-RB00-DB	COVER, HANDLE FR.(D/BLUE)	1	Y		20020909		KMYSG125J2C020155	
								20001130		KMYSG125FK1408107	
		5	53205-SA1-0000-DR	COVER, HANDLE FR.(D/RED)	1	Y	N	19991216	20001010	KMYSG125FKY400905	KMYSG125FK1407346
								20000320	20001010	KMYSG125JYC009479	KMYSG125J1C017047
		5-1	53205-SA3-RB00-DR	COVER, HANDLE FR.(D/RED)	1	Y		20001011		KMYSG125J1C017048	
								20001011		KMYSG125FK1407347	
		5	53205-SA1-0000-ER	COVER, HANDLE FR.(E/RED)	1	Y		19981214	19991231	KMYSG125FKX007123	KMYSG125FKY401000
			53205-SA1-0000-GW	COVER, HANDLE FR.(G/WHITE)	1	Y	N	20000512	20001010	KMYSG125JYC012107	KMYSG125J1C017047
								19981214	19991231	KMYSG125FKX007123	KMYSG125FKY401000
		5-1	53205-SA3-RB00-GW	COVER, HANDLE FR.(G/WHITE)	1	Y		20001011	20020630	KMYSG125J1C017048	KMYSG125J2C020066
		5	53205-SA1-0000-IG	COVER, HANDLE FR.(I/GRAY)	1	Y	N	20000901	20001010	KMYSG125JYC015712	KMYSG125J1C017047
								19990903	20001010	KMYSG125FKX317909	KMYSG125FK1407346
		5-1	53205-SA3-RB00-IG	COVER, HANDLE FR.(I/GRAY)	1	Y		20001011	20020930	KMYSG125J1C017048	KMYSG125J3C020484
								20001011		KMYSG125FK1407347	

# F-05

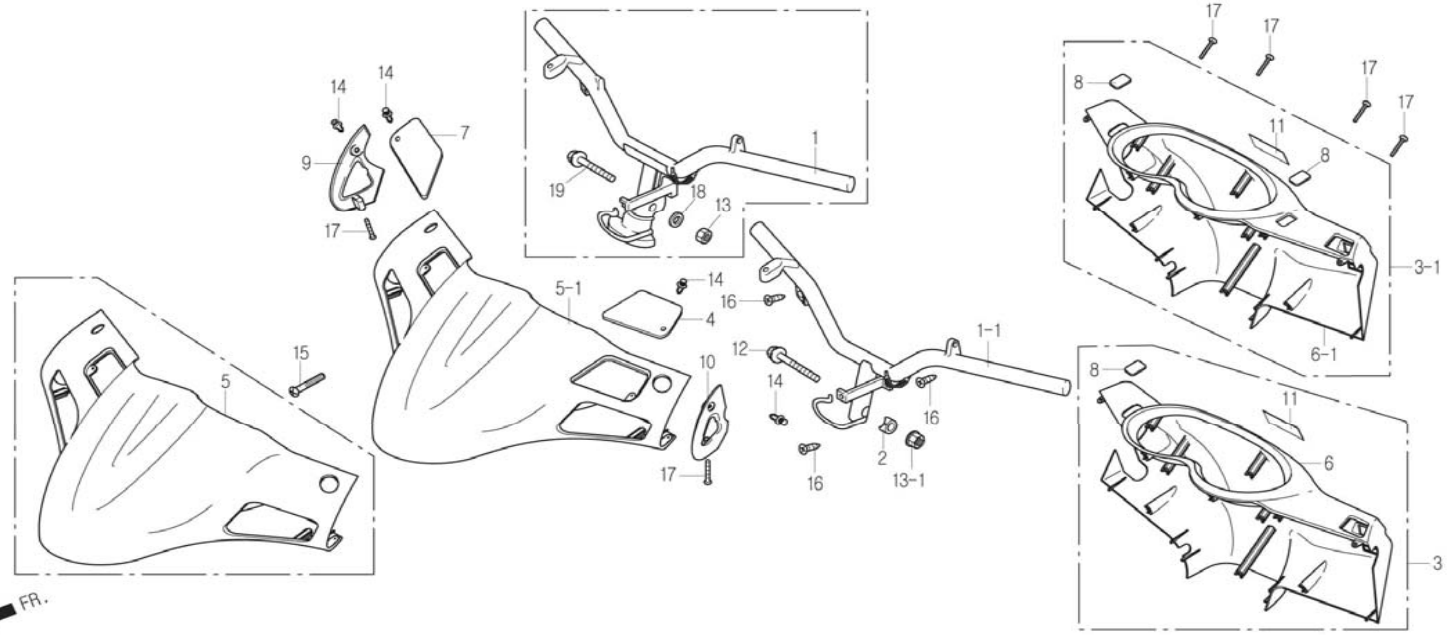


FR.

## STEERING HANDLE / HANDLE COVER

Service item	FRT	Ref. No.	Part No.	Description	QTY	A/S	Exch	Start Date	End Date	Start FRM.No	End FRM.No
		5	53205-SA1-0000-LG	COVER, HANDLE FR.(L/GREEN)	1	Y	N	19990903	20001010	KMYSG125FKX317909	KMYSG125FK1407346
		5-1	53205-SA3-RB00-LG	COVER, HANDLE FR.(L/GREEN)	1	Y		20010914		KMYSG125J1C019505	
								20001011		KMYSG125FK1407347	
		5	53205-SA1-0000-NL	COVER, HANDLE FR.(N/BLUE)	1	Y	N	20000320	20001010	KMYSG125JYC009479	KMYSG125J1C017047
		5-1	53205-SA3-RB00-NL	COVER, HANDLE FR.(N/BLUE)	1	Y		19991119	20001010	KMYSG125FKY400781	KMYSG125FK1407346
								20001011		KMYSG125J1C017048	
								20001011		KMYSG125FK1407347	
		5	53205-SA1-0000-PB	COVER, HANDLE FR.(P/BLACK)	1	Y	N	20000603	20001010	KMYSG125JYC012924	KMYSG125J1C017047
								19981214	19991231	KMYSG125FKX007123	KMYSG125FKY401000
		5-1	53205-SA3-RB00-PB	COVER, HANDLE FR.(P/BLACK)	1	Y		20001011	20000630	KMYSG125J1C017048	KMYSG125JYC013933
		5	53205-SA1-0000-RD	COVER, HANDLE FR.(RED)	1	Y	N	20000512	20001010	KMYSG125JYC012107	KMYSG125J1C017047
		5-1	53205-SA3-RB00-RD	COVER, HANDLE FR.(RED)	1	Y		20001011	20020630	KMYSG125J1C017048	KMYSG125J2C020066
		5	53205-SA1-0000-SL	COVER, HANDLE FR.(SILVER)	1	Y	N	20000320	20001010	KMYSG125JYC009479	KMYSG125J1C017047
								19980417	20001010	KMYSG125FKW001978	KMYSG125FK1407346
		5-1	53205-SA3-RB00-SL	COVER, HANDLE FR.(SILVER)	1	Y		20001011		KMYSG125J1C017048	
								20001011		KMYSG125FK1407347	
		6	53206-SA1-0000	COVER, HANDLE RR.	1	N	N	19980408	19991121	KMYSG125FKW000001	KMYSG125FKY400876
								20000320	20010101	KMYSG125JYC009479	KMYSG125J1C018112
		6-1	53206-SA1-RB10	COVER, HANDLE RR.	1	N	N	19991122	20001010	KMYSG125FKY400877	KMYSG125FK1407346
			53206-SA3-RB00	COVER, HANDLE RR.	1	N	N	20001011	20021113	KMYSG125FK1407347	KMYSG125FK3412288
								20010102	20030101	KMYSG125J1C018113	KMYSG125J3C020508

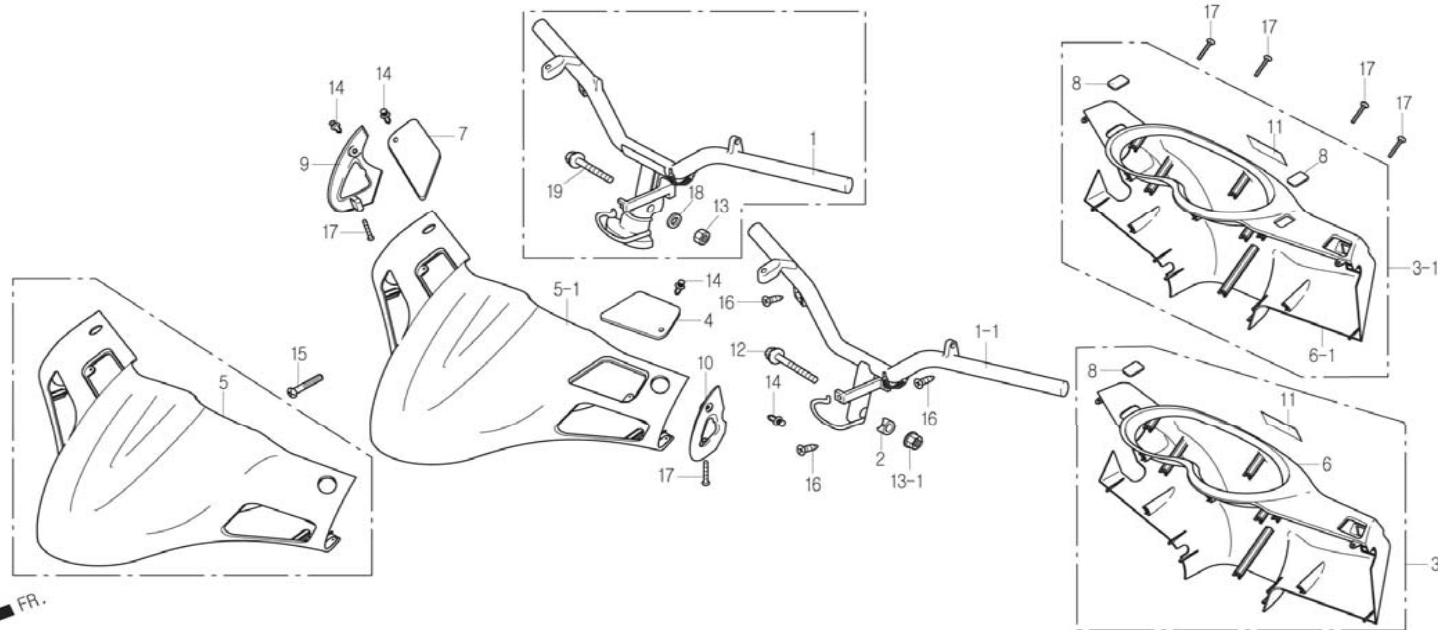
# F-05



## STEERING HANDLE / HANDLE COVER

Service item	FRT	Ref. No.	Part No.	Description	QTY	A/S	Exch	Start Date	End Date	Start FRM.No	End FRM.No
			53206-SA3-RB00-BK	COVER, HANDLE RR.(BLACK)	1	N		20030102		KMYSG125J3C020509	
								20021114		KMYSG125FK3412289	
		7	53207-SA1-0000-BE	LID, FLUID MAINTENANCE(BEIGE)	1	Y		19980526	19991231	KMYSG125FKW003915	KMYSG125FKY401000
			53207-SA1-0000-BL	LID, FLUID MAINTENANCE(BLUE)	1	Y		19980408	19991231	KMYSG125FKW000001	KMYSG125FKY401000
			53207-SA1-0000-BS	LID, FLUID MAINTENANCE(B/SAPPHIRE)	1	Y		19981214	19991231	KMYSG125FKX007123	KMYSG125FKY401000
			53207-SA1-0000-CE	LID, FLUID MAINTENANCE(C/BEIGE)	1	Y		20000901		KMYSG125JYC015712	
								19991119		KMYSG125FKY400781	
			53207-SA1-0000-DB	LID, FLUID MAINTENANCE(D/BLUE)	1	Y		20020909		KMYSG125J2C020155	
								20001130		KMYSG125FK1408107	
			53207-SA1-0000-DR	LID, FLUID MAINTENANCE(D/RED)	1	Y		20000320		KMYSG125JYC009479	
								19991216		KMYSG125FKY400905	
			53207-SA1-0000-ER	LID, FLUID MAINTENANCE(E/RED)	1	Y		19981214	19991231	KMYSG125FKX007123	KMYSG125FKY401000
			53207-SA1-0000-GW	LID, FLUID MAINTENANCE(G/WHITE)	1	Y		20000512	20020630	KMYSG125JYC012107	KMYSG125J2C020066
								19981214	19991231	KMYSG125FKX007123	KMYSG125FKY401000
			53207-SA1-0000-IG	LID, FLUID MAINTENANCE(I/GRAY)	1	Y		20000901	20020930	KMYSG125JYC015712	KMYSG125J3C020484
								19990903		KMYSG125FKX317909	
			53207-SA1-0000-LG	LID, FLUID MAINTENANCE(L/GREEN)	1	Y		19990903		KMYSG125FKX317909	
								20010914		KMYSG125J1C019505	
			53207-SA1-0000-NL	LID, FLUID MAINTENANCE(N/BLUE)	1	Y		20000320		KMYSG125JYC009479	
								19991216		KMYSG125FKY400905	
			53207-SA1-0000-PB	LID, FLUID MAINTENANCE(P/BLACK)	1	Y		20000603	20020630	KMYSG125JYC012924	KMYSG125J2C020066
								19981214	19991231	KMYSG125FKX007123	KMYSG125FKY401000
			53207-SA1-0000-RD	LID, FLUID MAINTENANCE(RED)	1	Y		20000512	20020630	KMYSG125JYC012107	KMYSG125J2C020066

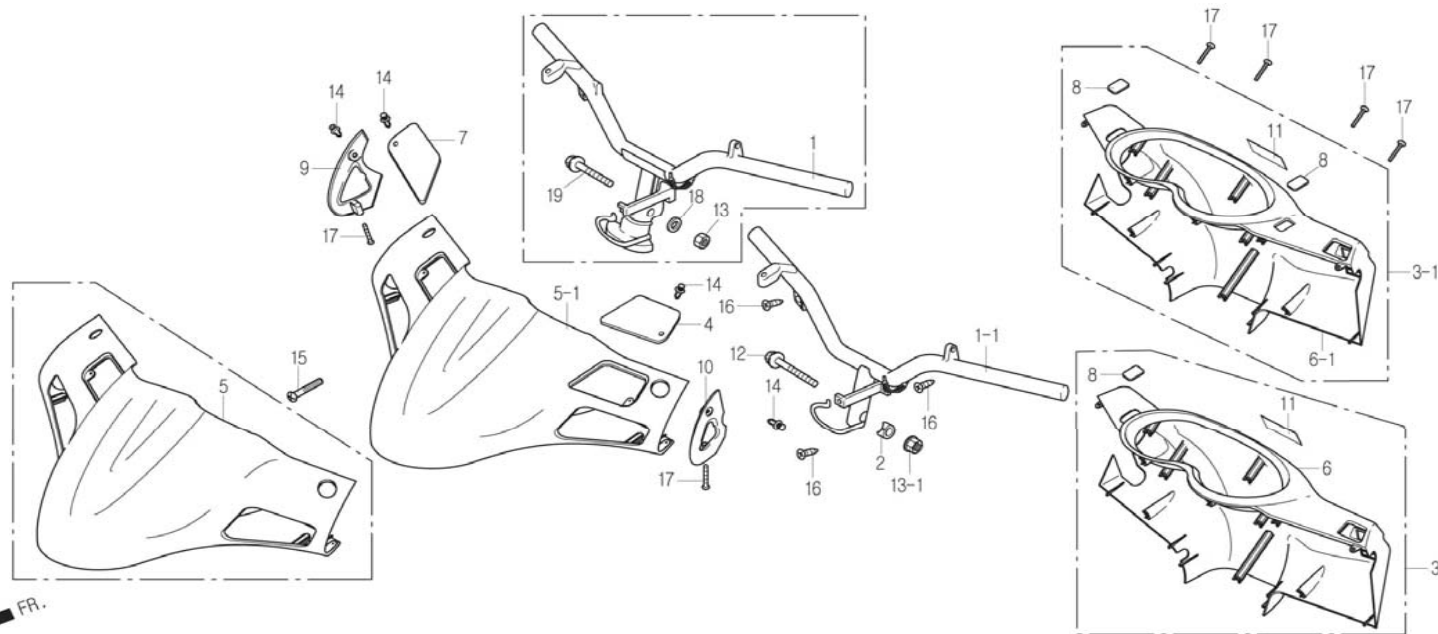
# F-05



## STEERING HANDLE / HANDLE COVER

Service item	FRT	Ref. No.	Part No.	Description	QTY	A/S	Exch	Start Date	End Date	Start FRM.No	End FRM.No
			53207-SA1-0000-SL	LID, FLUID MAINTENANCE(SILVER)	1	Y		20000320		KMYSG125JYC009479	
		8	53208-SA1-0000	WINDOW, BRAKE FLUID CHECK	1	Y	N	19980417		KMYSG125FKW001978	
			53208-SA2-0000	WINDOW, BRAKE FLUID CHECK	2	Y		20000320	20010101	KMYSG125JYC009479	KMYSG125J1C018112
			53208-SA2-0000	WINDOW, BRAKE FLUID CHECK	2	Y		19980408	20000116	KMYSG125FKW000001	KMYSG125FKY401000
			53208-SA2-0000	WINDOW, BRAKE FLUID CHECK	2	Y		20010102		KMYSG125J1C018113	
			53208-SA2-0000	WINDOW, BRAKE FLUID CHECK	2	Y		20000117		KMYSG125FKY401001	
		9	53209-SA1-0000	COVER, RH.FR.HANDLE SIDE	1	Y	N	20000320	20010101	KMYSG125JYC009479	KMYSG125J1C018112
			53209-SA1-0000	COVER, RH.FR.HANDLE SIDE	1	Y		19980408	19991012	KMYSG125FKW000001	KMYSG125FKY318004
			53209-SA1-RB10	COVER, RH.FR.HANDLE SIDE	1	Y	N	19991013	20021113	KMYSG125FKY318005	KMYSG125FK3412288
			53209-SA1-RB10	COVER, RH.FR.HANDLE SIDE	1	Y		20010102	20030101	KMYSG125J1C018113	KMYSG125J3C020508
			53209-SA1-RB10-BK	COVER, RH.FR.HANDLE SIDE(BLACK)	1	Y		20030102		KMYSG125J3C020509	
			53209-SA1-RB10-BK	COVER, RH.FR.HANDLE SIDE(BLACK)	1	Y		20021114		KMYSG125FK3412289	
		10	53210-SA1-0000	COVER, LH.FR.HANDLE SIDE	1	Y	N	19980408	19981213	KMYSG125FKW000001	KMYSG125FKX007122
			53210-SA1-0100	COVER, LH.FR.HANDLE SIDE	1	Y	N	19981214	19991012	KMYSG125FKX007123	KMYSG125FKY318004
			53210-SA1-0100	COVER, LH.FR.HANDLE SIDE	1	Y		20000320	20010101	KMYSG125JYC009479	KMYSG125J1C018112
			53210-SA1-RB10	COVER, LH.FR.HANDLE SIDE	1	Y	N	20010102	20030101	KMYSG125J1C018113	KMYSG125J3C020508
			53210-SA1-RB10	COVER, LH.FR.HANDLE SIDE	1	Y		19991013	20021113	KMYSG125FKY318005	KMYSG125FK3412288
			53210-SA1-RB10-BK	COVER, LH.FR.HANDLE SIDE(BLACK)	1	Y		20030102		KMYSG125J3C020509	
			53210-SA1-RB10-BK	COVER, LH.FR.HANDLE SIDE(BLACK)	1	Y		20021114		KMYSG125FK3412289	
		11	87560-SA1-0000	MARK, DRIVE CAUTION	1	Y	N	19980526	19991121	KMYSG125FKW003915	KMYSG125FKY400876
			87560-SA1-MA00	MARK, DRIVE CAUTION(ENGLISH)	1	Y		20000320		KMYSG125JYC009479	
			87560-SA1-MA00	MARK, DRIVE CAUTION(ENGLISH)	1	Y		19981030		KMYSG125FKX007123	

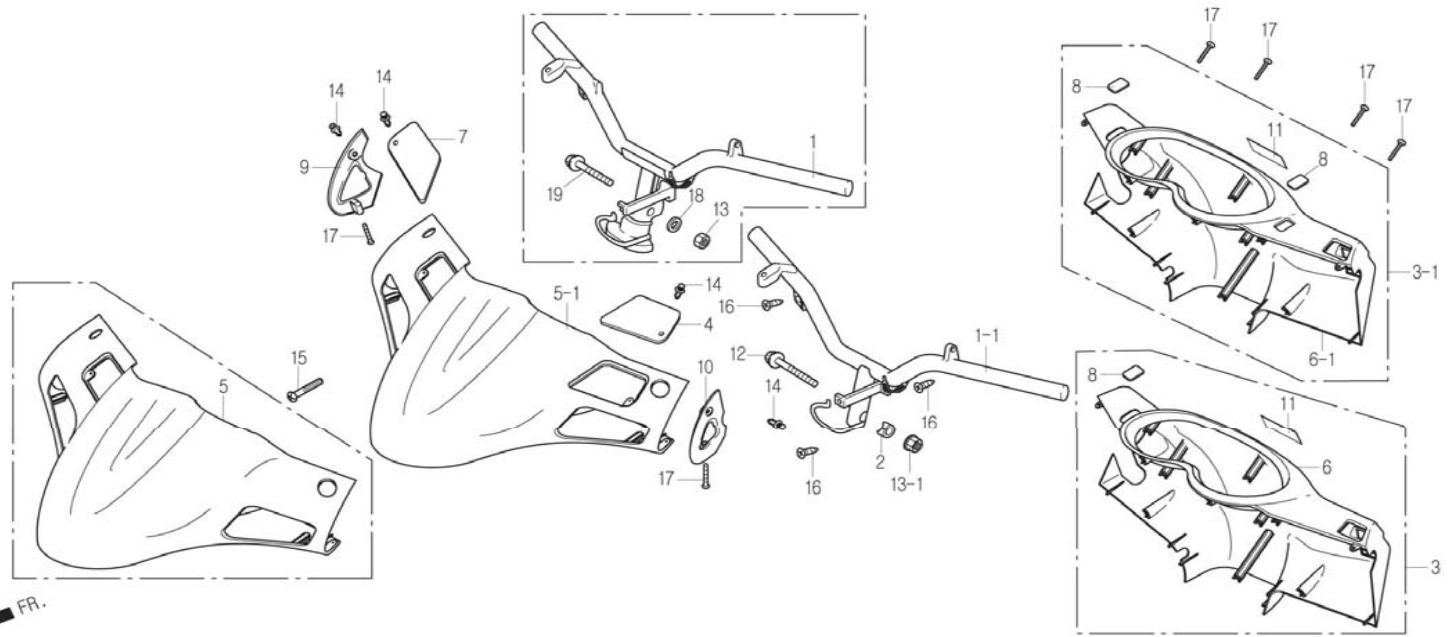
# F-05



## STEERING HANDLE / HANDLE COVER

Service item	FRT	Ref. No.	Part No.	Description	QTY	A/S	Exch	Start Date	End Date	Start FRM.No	End FRM.No
			87560-SA1-RB00	MARK, DRIVE CAUTION(GERMAN)	1	Y		19981216		KMYSG125FKX307276	
			87560-SA1-RC00	MARK, DRIVE CAUTION(ITALIAN)	1	Y		19980408		KMYSG125FKW000001	
			87560-SA1-RE00	MARK, DRIVE CAUTION(FRENCH)	1	Y		19980523		KMYSG125FKW003381	
			87560-SA1-RJ00	MARK, DRIVE CAUTION(SPANISH)	1	Y		19980423		KMYSG125FKW001978	
		12	90106-CB2-9000	BOLT, FLANGE 10x50	1	Y		20000320		KMYSG125JYC009479	
								19981214		KMYSG125FKX007123	
		13	90304-CB2-0031	NUT, U 10mm	1	Y	Y	19980408	19990531	KMYSG125FKW000001	KMYSG125FKX315335
		13-1	90304-SE6-0000	NUT, U 10mm	1	Y		20000320		KMYSG125JYC009479	
								19990601		KMYSG125FKX315336	
		14	90658-BA6-0030	RIVET, SCREW	3	Y		19980408	20001010	KMYSG125FKW000001	KMYSG125FK1407346
								20000320	20001010	KMYSG125JYC009479	KMYSG125J1C017047
			90658-BA6-0030	RIVET, SCREW	4	Y		20001011		KMYSG125J1C017048	
								20001011		KMYSG125FK1407347	
		15	S3891-05030-10	SCREW, WASHER 5x30	1	Y	Y	19980408	19990531	KMYSG125FKW000001	KMYSG125FKX315335
			S3891-05030-18	SCREW, WASHER 5x30	1	Y		20000320		KMYSG125JYC009479	
								19990601		KMYSG125FKX315336	
		16	S3903-25280	SCREW, TAPPING 5x12	3	Y	N	19980408	19990131	KMYSG125FKW000001	KMYSG125FKX308693
			S3903-25220	SCREW, TAPPING 5x12	3	Y		20000320		KMYSG125JYC009479	
								19990201		KMYSG125FKX308694	
		17	S3903-34380	SCREW, TAPPING 4x12	6	Y	N	19980408	19990531	KMYSG125FKW000001	KMYSG125FKX315335
			S3903-34320	SCREW, TAPPING 4x12	6	Y		20000320		KMYSG125JYC009479	
								19990601		KMYSG125FKX315336	

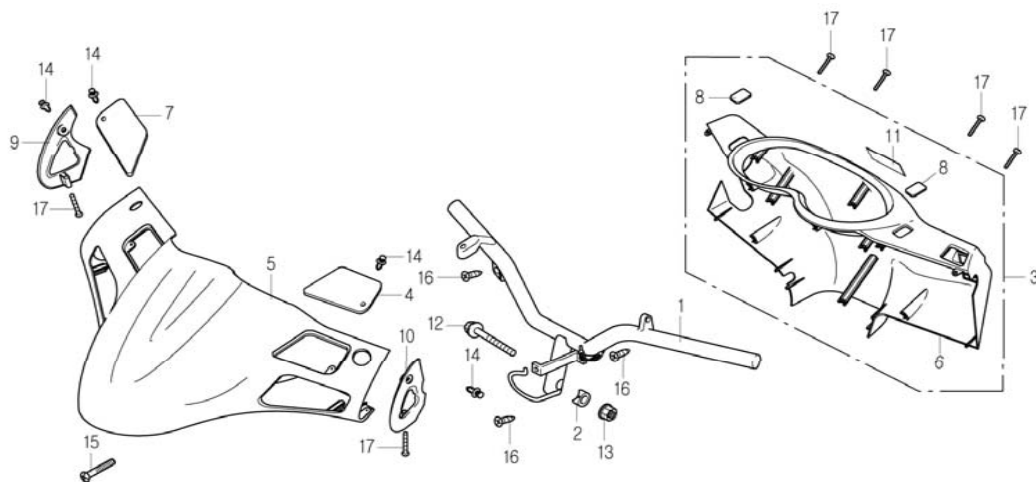
# F-05



## STEERING HANDLE / HANDLE COVER

Service item	FRT	Ref. No.	Part No.	Description	QTY	A/S	Exch	Start Date	End Date	Start FRM.No	End FRM.No
		18	S4101-10000	WASHER, PLAIN 10mm	1	Y		19980408	19990201	KMYSG125FKW000001	KMYSG125FKX310373
		19	S5801-10040-08	BOLT, FLANGE 10x40	1	Y		19980408	19981214	KMYSG125FKW000001	KMYSG125FKX307275

# F-05-L

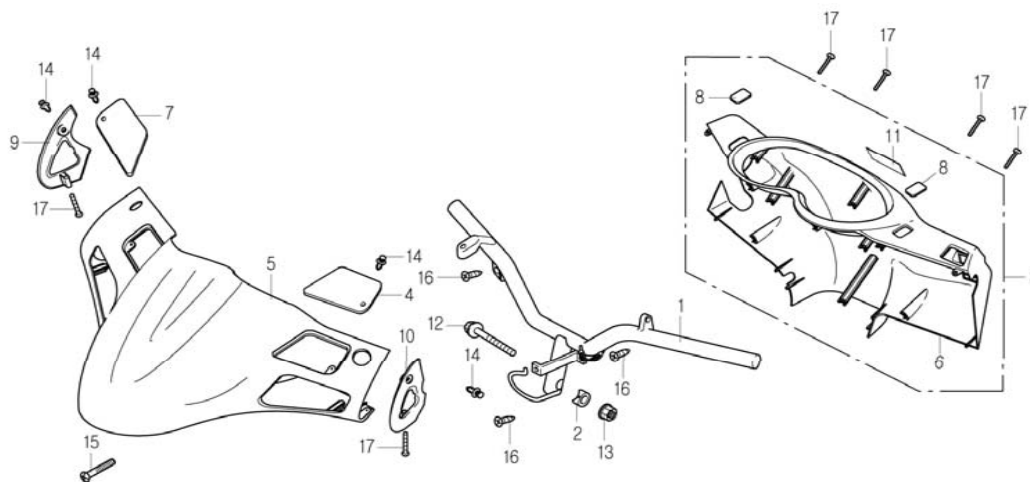


## STEERING HANDLE / HANDLE COVER

Service item	FRT	Ref.		Description	QTY	A/S	Exch	Start Date	End Date	Start FRM.No	End FRM.No
		No.	Part No.								
HANDLE COMP., STEERING	1.0	1	53100-SA3-RB00	HANDLE COMP., STEERING	1	Y	N	20001221	20021104	KMYSG125FK1500013	KMYSG125FK3412046
			53100-SA3-RB10	HANDLE COMP., STEERING	1	Y		20021105		KMYSG125FK3412047	
COVER, HANDLE FR.	0.5	2	53125-CB2-9001	COLLAR, HANDLE SETTING	1	Y		20001221		KMYSG125FK1500013	
		3	5320A-SA1-MA20	COVER ASS'Y, HANDLE RR.(ENGLISH)	1	Y	N	20010528	20021113	KMYSG125FK1410164	KMYSG125FK3412101
COVER, HANDLE RR.	0.7		5320A-SA1-MA20-BK	COVER ASS'Y, HANDLE RR.(ENGLISH)	1	Y		20021114		KMYSG125FK3412102	
			5320A-SA1-RB20	COVER ASS'Y, HANDLE RR.(GERMAN)	1	Y	N	20001221	20021113	KMYSG125FK1500013	KMYSG125FK3412101
			5320A-SA1-RB20-BK	COVER ASS'Y, HANDLE RR.(GERMAN)	1	Y		20021114		KMYSG125FK3412102	
			5320A-SA1-RC20	COVER ASS'Y, HANDLE RR.(ITALIAN)	1	Y	N	20010112	20021113	KMYSG125FK1408177	KMYSG125FK3412101
			5320A-SA1-RC20-BK	COVER ASS'Y, HANDLE RR.(ITALIAN)	1	Y		20021114		KMYSG125FK3412102	
			5320A-SA1-RE20	COVER ASS'Y, HANDLE RR.(FRENCH)	1	Y	N	20010111	20021113	KMYSG125FK1408176	KMYSG125FK3412101
			5320A-SA1-RE20-BK	COVER ASS'Y, HANDLE RR.(FRENCH)	1	Y		20021114		KMYSG125FK3412102	
			5320A-SA1-RJ20	COVER ASS'Y, HANDLE RR.(SPANISH)	1	Y	N	20020322	20021113	KMYSG125FK2411449	KMYSG125FK3412101
			5320A-SA1-RJ20-BK	COVER ASS'Y, HANDLE RR.(SPANISH)	1	Y		20021114		KMYSG125FK3412102	
		4	53203-SA3-RB00-CE	LID, LH.F.MAINTENANCE(C/BEIGE)	1	Y		20010111	20020630	KMYSG125FK1408176	KMYSG125FK2411834
			53203-SA3-RB00-DB	LID, LH.F.MAINTENANCE(D/BLUE)	1	Y		20010112		KMYSG125FK1408177	
			53203-SA3-RB00-DR	LID, LH.F.MAINTENANCE(D/RED)	1	Y		20001221		KMYSG125FK1500013	
			53203-SA3-RB00-IG	LID, LH.F.MAINTENANCE(I/GRAY)	1	Y		20001221		KMYSG125FK1500013	
			53203-SA3-RB00-LG	LID, LH.F.MAINTENANCE(L/GREEN)	1	Y		20001221		KMYSG125FK1500013	
			53203-SA3-RB00-NL	LID, LH.F.MAINTENANCE(N/BLUE)	1	Y		20001221		KMYSG125FK1500013	
			53203-SA3-RB00-SL	LID, LH.F.MAINTENANCE(SILVER)	1	Y		20010214		KMYSG125FK1408700	
		5	53205-SA3-RB00-CE	COVER, HANDLE FR.(C/BEIGE)	1	Y		20010111	20020630	KMYSG125FK1408176	KMYSG125FK2411834
			53205-SA3-RB00-DB	COVER, HANDLE FR.(D/BLUE)	1	Y		20010112		KMYSG125FK1408177	
			53205-SA3-RB00-DR	COVER, HANDLE FR.(D/RED)	1	Y		20001221		KMYSG125FK1500013	



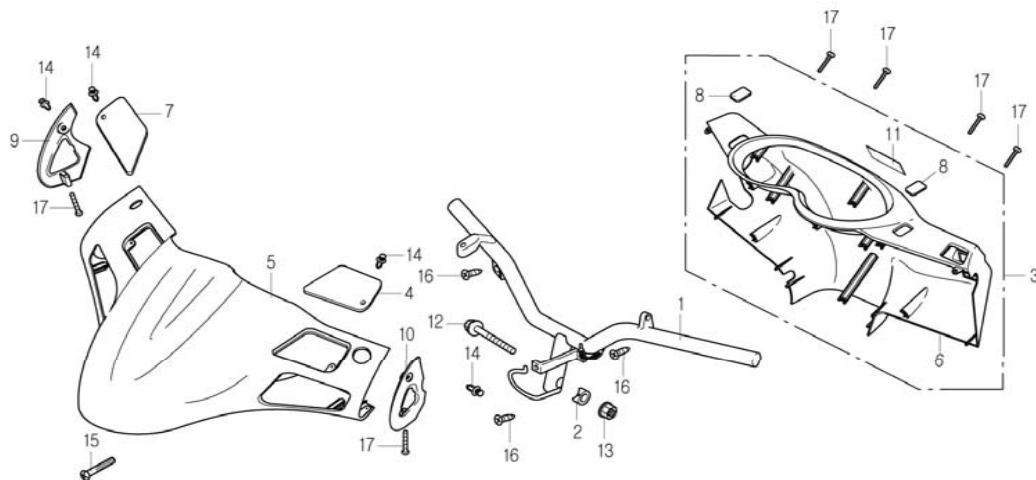
# F-05-L



## STEERING HANDLE / HANDLE COVER

Service item	FRT	Ref.		Description	QTY	A/S	Exch	Start Date	End Date	Start FRM.No	End FRM.No
		No.	Part No.								
			53205-SA3-RB00-IG	COVER, HANDLE FR.(I/GRAY)	1	Y		20001221		KMYSG125FK1500013	
			53205-SA3-RB00-LG	COVER, HANDLE FR.(L/GREEN)	1	Y		20001221		KMYSG125FK1500013	
			53205-SA3-RB00-NL	COVER, HANDLE FR.(N/BLUE)	1	Y		20001221		KMYSG125FK1500013	
			53205-SA3-RB00-SL	COVER, HANDLE FR.(SILVER)	1	Y		20010214		KMYSG125FK1408700	
		6	53206-SA3-RB00	COVER, HANDLE RR.	1	N	N	20001221	20021113	KMYSG125FK1500013	KMYSG125FK3412101
			53206-SA3-RB00-BK	COVER, HANDLE RR.(BLACK)	1	N		20021114		KMYSG125FK3412102	
		7	53207-SA1-0000-CE	LID, FLUID MAINTENANCE(C/BEIGE)	1	Y		20010111	20020630	KMYSG125FK1408176	KMYSG125FK2411834
			53207-SA1-0000-DB	LID, FLUID MAINTENANCE(D/BLUE)	1	Y		20010112		KMYSG125FK1408177	
			53207-SA1-0000-DR	LID, FLUID MAINTENANCE(D/RED)	1	Y		20001221		KMYSG125FK1500013	
			53207-SA1-0000-IG	LID, FLUID MAINTENANCE(I/GRAY)	1	Y		20001221		KMYSG125FK1500013	
			53207-SA1-0000-LG	LID, FLUID MAINTENANCE(L/GREEN)	1	Y		20001221		KMYSG125FK1500013	
			53207-SA1-0000-NL	LID, FLUID MAINTENANCE(N/BLUE)	1	Y		20001221		KMYSG125FK1500013	
			53207-SA1-0000-SL	LID, FLUID MAINTENANCE(SILVER)	1	Y		20010214		KMYSG125FK1408700	
		8	53208-SA2-0000	WINDOW, BRAKE FLUID CHECK	2	Y		20001221		KMYSG125FK1500013	
		9	53209-SA1-RB10	COVER, RH.FR.HANDLE SIDE	1	Y	N	20001221	20021113	KMYSG125FK1500013	KMYSG125FK3412101
			53209-SA1-RB10-BK	COVER, RH.FR.HANDLE SIDE(BLACK)	1	Y		20021114		KMYSG125FK3412102	
		10	53210-SA1-RB10	COVER, LH.FR.HANDLE SIDE	1	Y	N	20001221	20021113	KMYSG125FK1500013	KMYSG125FK3412101
			53210-SA1-RB10-BK	COVER, LH.FR.HANDLE SIDE(BLACK)	1	Y		20021114		KMYSG125FK3412102	
		11	87560-SA1-MA00	MARK, DRIVE CAUTION(ENGLISH)	1	Y		20010528		KMYSG125FK1410164	
			87560-SA1-RB00	MARK, DRIVE CAUTION(GERMAN)	1	Y		20001221		KMYSG125FK1500013	
			87560-SA1-RC00	MARK, DRIVE CAUTION(ITALIAN)	1	Y		20010112		KMYSG125FK1408177	

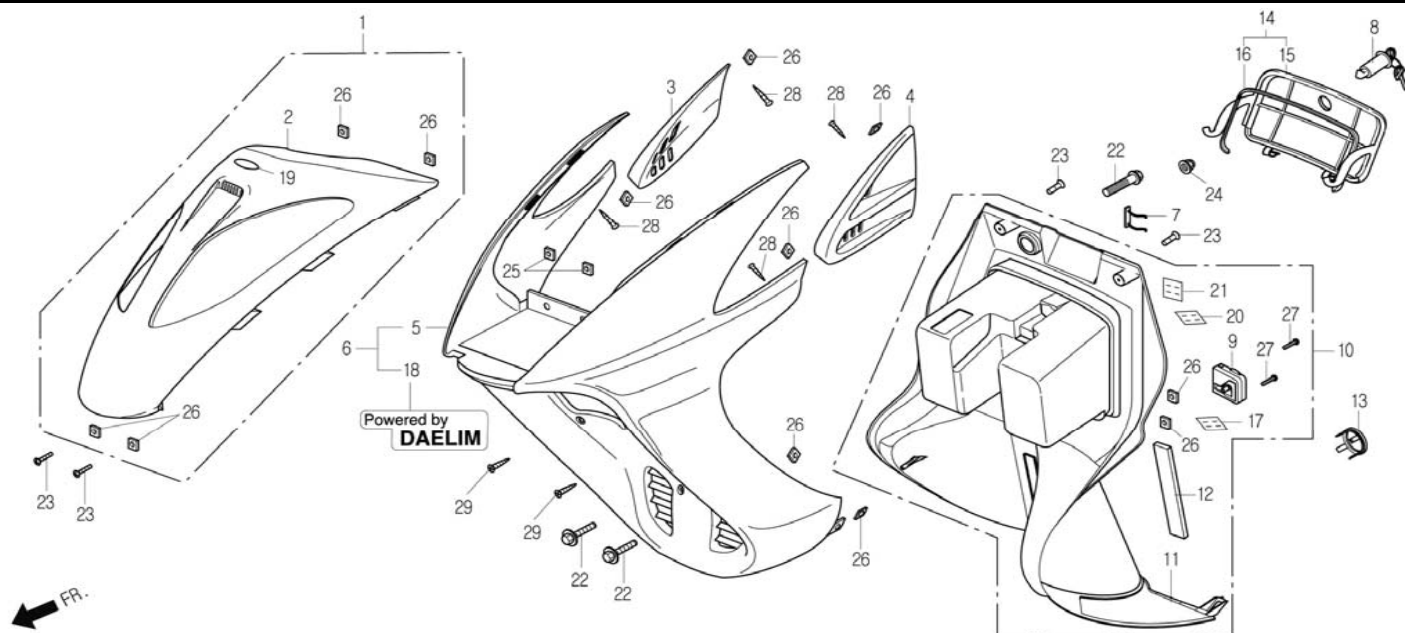
# F-05-L



## STEERING HANDLE / HANDLE COVER

Service item	FRT	Ref. No.	Part No.	Description	QTY	A/S	Exch	Start Date	End Date	Start FRM.No	End FRM.No
			87560-SA1-RE00	MARK, DRIVE CAUTION(FRENCH)	1	Y		20010111		KMYSG125FK1408176	
			87560-SA1-RJ00	MARK, DRIVE CAUTION(SPANISH)	1	Y		20020322		KMYSG125FK2411449	
		12	90106-CB2-9000	BOLT, FLANGE 10x50	1	Y		20001221		KMYSG125FK1500013	
		13	90304-SE6-0000	NUT, U 10mm	1	Y		20001221		KMYSG125FK1500013	
		14	90658-BA6-0030	RIVET, SCREW	4	Y		20001221		KMYSG125FK1500013	
		15	S3891-05030-18	SCREW, WASHER 5x30	1	Y		20001221		KMYSG125FK1500013	
		16	S3903-25220	SCREW, TAPPING 5x12	3	Y		20001221		KMYSG125FK1500013	
		17	S3903-34320	SCREW, TAPPING 4x12	6	Y		20001221		KMYSG125FK1500013	

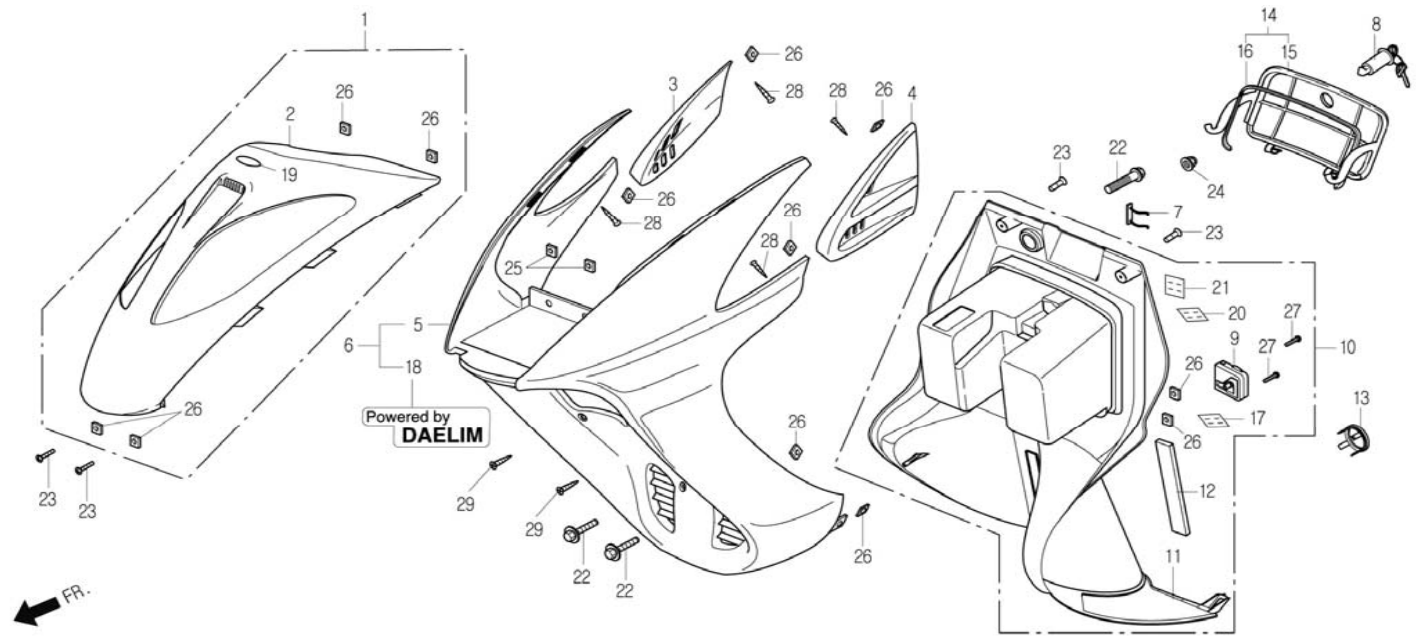
# F-06



## FRONT COVER / INNER BOX

Service item	FRT	Ref. No.	Part No.	Description	QTY	A/S	Exch	Start Date	End Date	Start FRM.No	End FRM.No
COVER, FR.	0.1	1	6430A-SA1-0000-BE	COVER ASS'Y, FR.(BEIGE)	1	N	N	19980526	19981108	KMYSG125FKW003915	KMYSG125FKX006555
LID, INNER BOX			6430A-SA1-0100-BE	COVER ASS'Y, FR.(BEIGE)	1	Y		19981204	19991231	KMYSG125FKX007123	KMYSG125FKY401000
			6430A-SA1-0000-BL	COVER ASS'Y, FR.(BLUE)	1	N	N	19980408	19981213	KMYSG125FKW000001	KMYSG125FKX007122
			6430A-SA1-0100-BL	COVER ASS'Y, FR.(BLUE)	1	Y		19981214	19991118	KMYSG125FKX007123	KMYSG125FKY400780
BOX, INNER	0.8		6430A-SA1-RB10-BS	COVER ASS'Y, FR.(B/SAPPHIRE)	1	Y		19981214	19991231	KMYSG125FKX007123	KMYSG125FKY401000
			6430A-SA1-RB10-CE	COVER ASS'Y, FR.(C/BEIGE)	1	N	N	20000901		KMYSG125JYC015712	
COVER, FR.SIDE	1.0							19991119		KMYSG125FKY400781	
			6430A-SA1-RB20-CE	COVER ASS'Y, FR.(C/BEIGE)	1	Y		20000304		KMYSG125FKY402086	
GRILLE, RH.FR.COVER			6430A-SA1-RB10-DB	COVER ASS'Y, FR.(D/BLUE)	1	Y		20020909		KMYSG125J2C020155	
GRILLE, LH.FR.COVER								20001130		KMYSG125FK1408107	
			6430A-SA1-RB20-DB	COVER ASS'Y, FR.(D/BLUE)	1	Y		20010130		KMYSG125FK1408225	
			6430A-SA1-RB10-DR	COVER ASS'Y, FR.(D/RED)	1	Y	N	20000320		KMYSG125JYC009479	
								19991216		KMYSG125FKY400905	
			6430A-SA1-RB20-DR	COVER ASS'Y, FR.(D/RED)	1	Y		20000214		KMYSG125FKY401372	
			6430A-SA1-RB10-ER	COVER ASS'Y, FR.(E/RED)	1	Y		19981214	19991231	KMYSG125FKX007123	KMYSG125FKY401000
			6430A-SA1-RB10-GW	COVER ASS'Y, FR.(G/WHITE)	1	Y		20000512	20020630	KMYSG125JYC012107	KMYSG125J2C020066
								19981214	19991231	KMYSG125FKX007123	KMYSG125FKY401000
			6430A-SA1-RB10-IG	COVER ASS'Y, FR.(I/GRAY)	1	N	N	20000901	20020930	KMYSG125JYC015712	KMYSG125J3C020484
								19991216		KMYSG125FKY400905	
			6430A-SA1-RB20-IG	COVER ASS'Y, FR.(I/GRAY)	1	Y		19990903		KMYSG125FKX317909	
			6430A-SA1-RB10-LG	COVER ASS'Y, FR.(L/GREEN)	1	N	N	20010914		KMYSG125J1C019505	
								19991119		KMYSG125FKY400781	
			6430A-SA1-RB20-LG	COVER ASS'Y, FR.(L/GREEN)	1	Y		19990903		KMYSG125FKX317909	

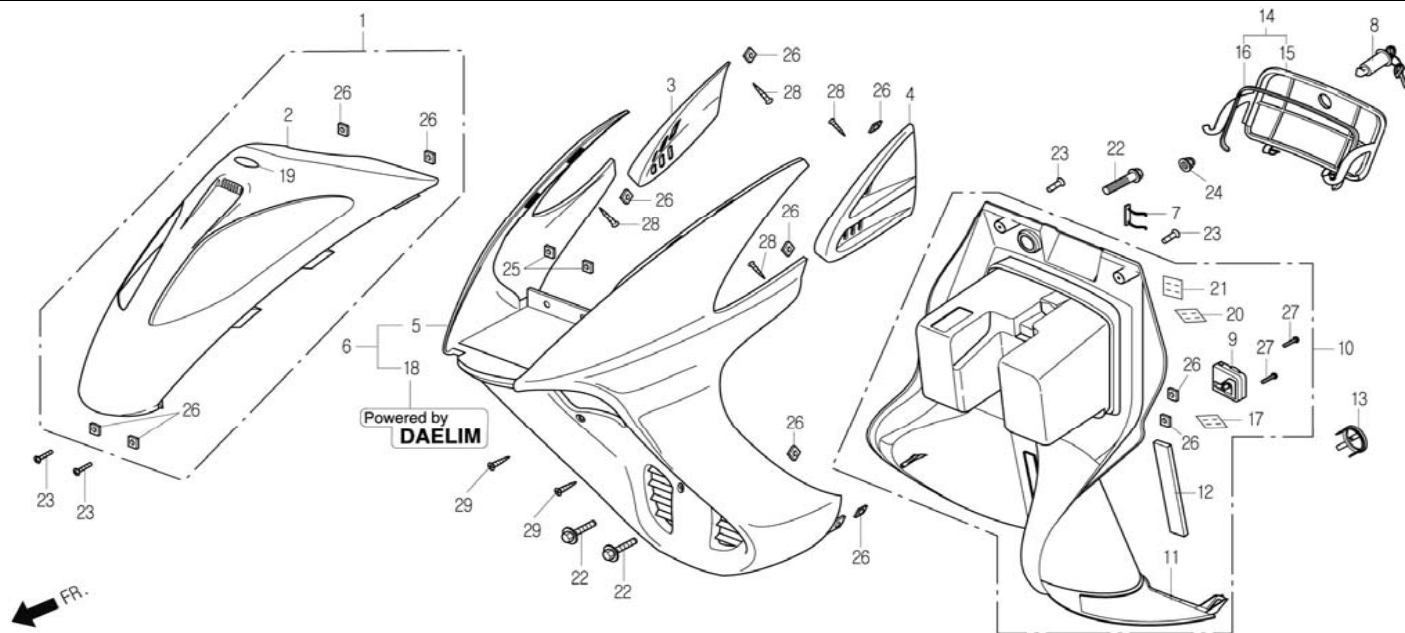
# F-06



## FRONT COVER / INNER BOX

Service item	FRT	Ref. No.	Part No.	Description	QTY	A/S	Exch	Start	End	Start	End
								Date	Date	FRM.No	FRM.No
			6430A-SA1-RB10-NL	COVER ASS'Y, FR.(N/BLUE)	1	N	N	20000320		KMYSG125JYC009479	
			6430A-SA1-RB20-NL	COVER ASS'Y, FR.(N/BLUE)	1	Y		19991119		KMYSG125FKY400781	
			6430A-SA1-RB10-PB	COVER ASS'Y, FR.(P/BLACK)	1	Y		20000216		KMYSG125FKY401588	
			6430A-SA1-RB10-RD	COVER ASS'Y, FR.(RED)	1	Y		20000603	20020630	KMYSG125JYC012924	KMYSG125J2C020066
			6430A-SA1-0000-SL	COVER ASS'Y, FR.(SILVER)	1	Y	N	19981214	19991231	KMYSG125FKX007123	KMYSG125FKY401000
			6430A-SA1-0100-SL	COVER ASS'Y, FR.(SILVER)	1	Y	N	20000512	20020630	KMYSG125JYC012107	KMYSG125J2C020066
			6430A-SA1-RB10-SL	COVER ASS'Y, FR.(SILVER)	1	N	N	19980417	19981213	KMYSG125FKW001978	KMYSG125FKX007122
			6430A-SA1-RB20-SL	COVER ASS'Y, FR.(SILVER)	1	Y		19981204	19991118	KMYSG125FKX007123	KMYSG125FKY400780
			6430A-SA1-0100-SL	COVER ASS'Y, FR.(SILVER)	1	N	N	20000320		KMYSG125JYC009479	
			6430A-SA1-RB20-SL	COVER ASS'Y, FR.(SILVER)	1	Y		19981214		KMYSG125FKX007123	
		2	6430A-SA1-RB20-SL	COVER ASS'Y, FR.(SILVER)	1	Y		19990527		KMYSG125FKX315336	
			64301-SA1-0000-BE	FR.COVER(BEIGE)	1	N	N	19980417	19981213	KMYSG125FKW001978	KMYSG125FKX007122
			64301-SA1-0100-BE	FR.COVER(BEIGE)	1	Y		19981204	19991231	KMYSG125FKX007123	KMYSG125FKY401000
			64301-SA1-0000-BL	FR.COVER(BLUE)	1	N	N	19980408	19981213	KMYSG125FKW000001	KMYSG125FKX007122
			64301-SA1-0100-BL	FR.COVER(BLUE)	1	Y		19981204	19991231	KMYSG125FKX007123	KMYSG125FKY401000
			64301-SA1-0100-BS	FR.COVER(B/SAPPHIRE)	1	Y		19981214	19991231	KMYSG125FKX007123	KMYSG125FKY401000
			64301-SA1-0100-CE	FR.COVER(C/BEIGE)	1	Y		20000901		KMYSG125JYC015712	
			64301-SA1-0100-DB	FR.COVER(D/BLUE)	1	Y		19991119		KMYSG125FKY400781	
			64301-SA1-0100-DR	FR.COVER(D/RED)	1	Y		20020909		KMYSG125J2C020155	
			64301-SA1-0100-ER	FR.COVER(E/RED)	1	Y		20001130		KMYSG125FK1408107	
			64301-SA1-0100-ER	FR.COVER(E/RED)	1	Y		20000320		KMYSG125JYC009479	
			64301-SA1-0100-ER	FR.COVER(E/RED)	1	Y		19991216		KMYSG125FKY400905	
			64301-SA1-0100-ER	FR.COVER(E/RED)	1	Y		19981214	19991206	KMYSG125FKX007123	KMYSG125FKY400904

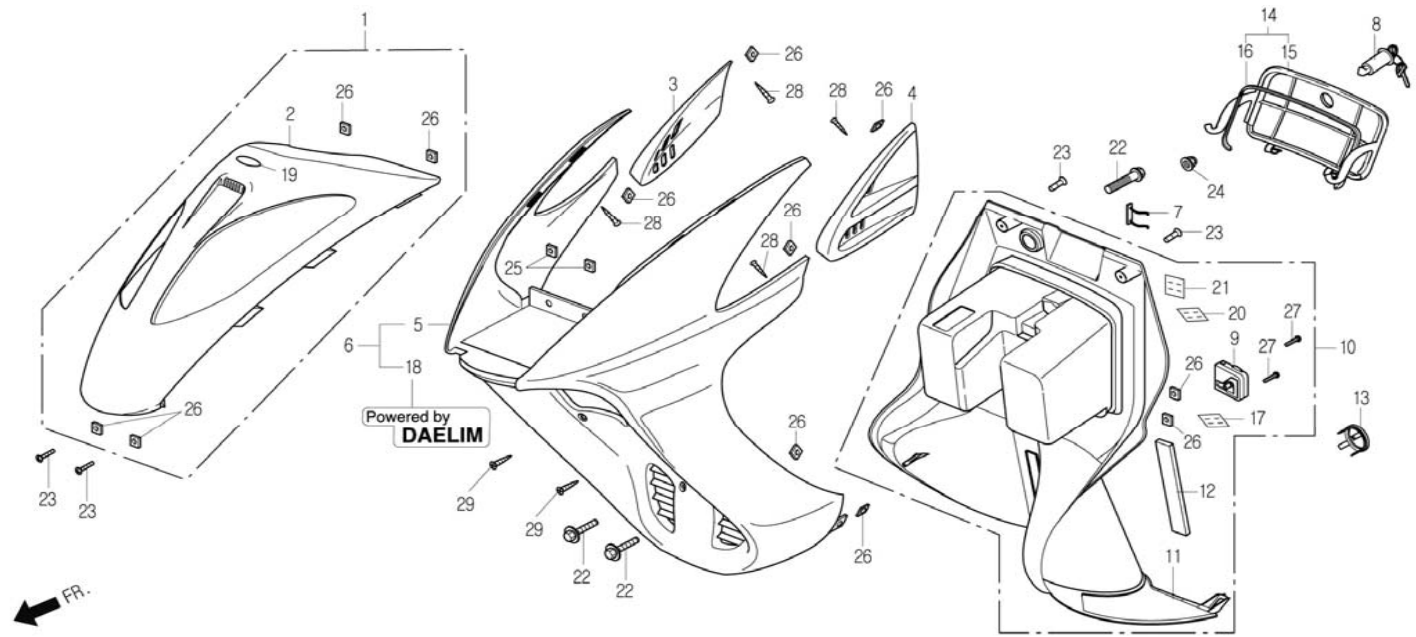
# F-06



## FRONT COVER / INNER BOX

Service item	FRT	Ref. No.	Part No.	Description	QTY	A/S	Exch	Start	End	Start	End
								Date	Date	FRM.No	FRM.No
			64301-SA1-0100-GW	FR.COVER(G/WHITE)	1	Y		20000512	20020630	KMYSG125JYC012107	KMYSG125J2C020066
			64301-SA1-0100-IG	FR.COVER(I/GRAY)	1	Y		19981214	19991231	KMYSG125FKX007123	KMYSG125FKY401000
			64301-SA1-0100-LG	FR.COVER(L/GREEN)	1	Y		20000901	20020930	KMYSG125JYC015712	KMYSG125J3C020484
			64301-SA1-0100-NL	FR.COVER(N/BLUE)	1	Y		19990903		KMYSG125FKX317909	
			64301-SA1-0100-PB	FR.COVER(P/BLACK)	1	Y		20010914		KMYSG125J1C019505	
			64301-SA1-0100-RD	FR.COVER(RED)	1	Y		19990903		KMYSG125FKX317909	
			64301-SA1-0000-SL	FR.COVER(SILVER)	1	N	N	20000320		KMYSG125JYC009479	
			64301-SA1-0100-SL	FR.COVER(SILVER)	1	Y		19991119		KMYSG125FKY400781	
		3	64302-SA1-0000	GRILLE, RH.FR.COVER	1	N	N	20000603	20020630	KMYSG125JYC012924	KMYSG125J2C020066
			64302-SA1-RB10	GRILLE, RH.FR.COVER	1	Y	N	19981214	19991231	KMYSG125FKX007123	KMYSG125FKY401000
			64302-SA1-RB10-BK	GRILLE, RH.FR.COVER(BLACK)	1	Y		20000512	20020630	KMYSG125JYC012107	KMYSG125J2C020066
			64302-SA1-RB10	GRILLE, RH.FR.COVER	1	Y	N	19980417	19981213	KMYSG125FKW001978	KMYSG125FKX007122
			64302-SA1-RB10-BK	GRILLE, RH.FR.COVER(BLACK)	1	Y		20000320		KMYSG125JYC009479	
			64302-SA1-RB10	GRILLE, RH.FR.COVER	1	Y	N	19981204		KMYSG125FKX007123	
			64302-SA1-RB10-BK	GRILLE, RH.FR.COVER(BLACK)	1	Y		20000320	20010101	KMYSG125JYC009479	KMYSG125J1C018112
			64302-SA1-RB10	GRILLE, RH.FR.COVER	1	Y	N	19980408	19991012	KMYSG125FKW000001	KMYSG125FKY318004
			64302-SA1-RB10-BK	GRILLE, RH.FR.COVER(BLACK)	1	Y		20010102	20030101	KMYSG125J1C018113	KMYSG125J3C020508
			64302-SA1-RB10	GRILLE, RH.FR.COVER	1	Y	N	19991013	20021113	KMYSG125FKY318005	KMYSG125FK3412288
			64302-SA1-RB10-BK	GRILLE, RH.FR.COVER(BLACK)	1	Y		20030102		KMYSG125J3C020509	
			64302-SA1-RB10	GRILLE, RH.FR.COVER	1	Y	N	20021114		KMYSG125FK3412289	
		4	64303-SA1-0000	GRILLE, LH.FR.COVER	1	N	N	20000320	20010101	KMYSG125JYC009479	KMYSG125J1C018112
			64303-SA1-RB10	GRILLE, LH.FR.COVER	1	Y	N	19980408	19991012	KMYSG125FKW000001	KMYSG125FKY318004
			64303-SA1-RB10	GRILLE, LH.FR.COVER	1	Y	N	20010102	20030101	KMYSG125J1C018113	KMYSG125J3C020508

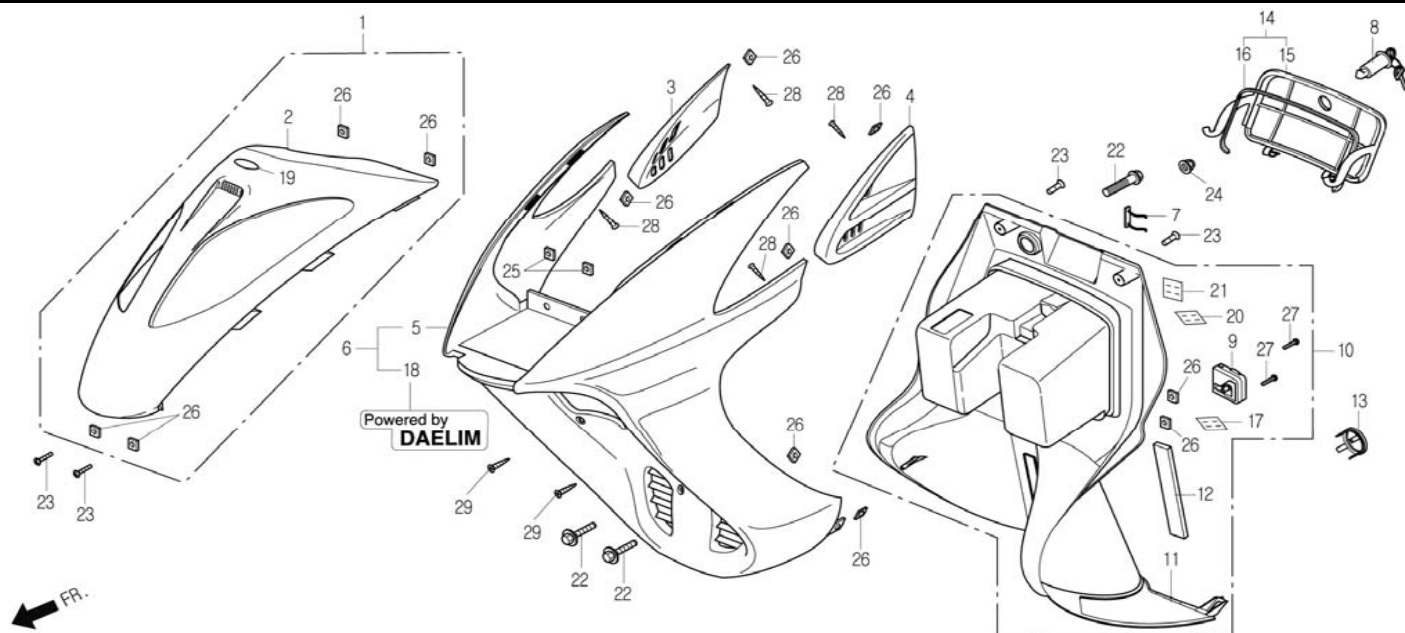
# F-06



## FRONT COVER / INNER BOX

Service item	FRT	Ref. No.	Part No.	Description	QTY	A/S	Exch	Start	End	Start	End
								Date	Date	FRM.No	FRM.No
			64303-SA1-RB10-BK	GRILLE, LH.FR.COVER(BLACK)	1	Y		19991013	20021113	KMYSG125FKY318005	KMYSG125FK3412288
								20030102		KMYSG125J3C020509	
								20021114		KMYSG125FK3412289	
		5	6440A-SA1-0000-BL	COVER ASS'Y, FR.SIDE(BLUE)	1	N		19980408	19991231	KMYSG125FKW000001	KMYSG125FKY401000
			6440A-SA1-0000-BS	COVER ASS'Y, FR.SIDE(B/SAPPHIRE)	1	N	N	19981214	19990225	KMYSG125FKX007123	KMYSG125FKX310373
			64400-SA1-0100-BS	COVER, FR.SIDE(B/SAPPHIRE)	1	Y		19990226	19991231	KMYSG125FKX310374	KMYSG125FKY401000
			64400-SA1-0100-CE	COVER, FR.SIDE(C/BEIGE)	1	Y		20000901		KMYSG125JYC015712	
								19991119		KMYSG125FKY400781	
			64400-SA1-0100-DB	COVER, FR.SIDE(D/BLUE)	1	Y		20020909		KMYSG125J2C020155	
								20001130		KMYSG125FK1408107	
			64400-SA1-0100-DR	COVER, FR.SIDE(D/RED)	1	Y		20000320		KMYSG125JYC009479	
								19991216		KMYSG125FKY400905	
			6440A-SA1-0000-ER	COVER ASS'Y, FR.SIDE(E/RED)	1	N	N	19981214	19990225	KMYSG125FKX007123	KMYSG125FKX310373
			64400-SA1-0100-ER	COVER, FR.SIDE(E/RED)	1	Y		19990226	19991231	KMYSG125FKX310374	KMYSG125FKY401000
			6440A-SA1-0000-GW	COVER ASS'Y, FR.SIDE(G/WHITE)	1	N	N	19981214	19990225	KMYSG125FKX007123	KMYSG125FKX310373
			64400-SA1-0100-GW	COVER, FR.SIDE(G/WHITE)	1	Y		20000512	20010104	KMYSG125JYC012107	KMYSG125J1C018112
								19990226	19991231	KMYSG125FKX310374	KMYSG125FKY401000
			64400-SA1-0100-IG	COVER, FR.SIDE(I/GRAY)	1	Y		20000901	20020930	KMYSG125JYC015712	KMYSG125J3C020484
								19990903		KMYSG125FKX317909	
			64400-SA1-0100-LG	COVER, FR.SIDE(L/GREEN)	1	Y		20010914		KMYSG125J1C019505	
								19990903		KMYSG125FKX317909	
			64400-SA1-0100-NL	COVER, FR.SIDE(N/BLUE)	1	Y		20000320		KMYSG125JYC009479	
								19991119		KMYSG125FKY400781	

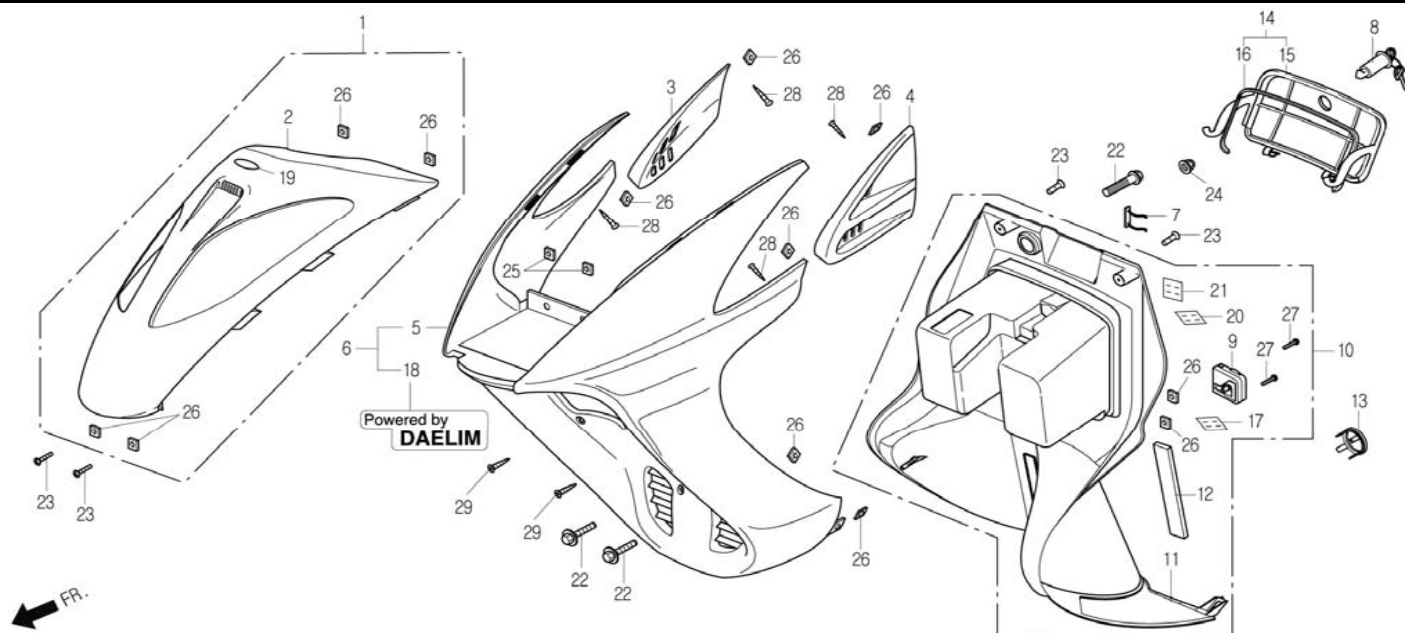
# F-06



## FRONT COVER / INNER BOX

Service item	FRT	Ref. No.	Part No.	Description	QTY	A/S	Exch	Start Date	End Date	Start FRM.No	End FRM.No
			6440A-SA1-0000-PB	COVER ASS'Y, FR.SIDE(P/BLACK)	1	N	N	19981214	19990225	KMYSG125FKX007123	KMYSG125FKX310373
			64400-SA1-0100-PB	COVER, FR.SIDE(P/BLACK)	1	Y		20000603	20010104	KMYSG125JYC012924	KMYSG125J1C018112
								19990226	19991231	KMYSG125FKX310374	KMYSG125FKY401000
			6440A-SA1-0000-RD	COVER ASS'Y, FR.SIDE(RED)	1	N	N	19980417	19991231	KMYSG125FKW001978	KMYSG125FKY401000
			64400-SA1-0100-RD	COVER, FR.SIDE(RED)	1	Y		20000512	20010104	KMYSG125JYC012107	KMYSG125J1C018112
			6440A-SA1-0000-SL	COVER ASS'Y, FR.SIDE(SILVER)	1	N	N	19981214	19990225	KMYSG125FKX007123	KMYSG125FKX310373
			64400-SA1-0100-SL	COVER, FR.SIDE(SILVER)	1	Y		20000320		KMYSG125JYC009479	
								19990226		KMYSG125FKX310374	
		6	64450-SA1-0000-GW	COVER SET, FR.SIDE(G/WHITE)	1	Y		20000512	20000630	KMYSG125JYC012107	KMYSG125JYC013933
			64450-SA1-0000-PB	COVER SET, FR.SIDE(P/BLACK)	1	Y		20000603	20020630	KMYSG125JYC012924	KMYSG125J2C020066
			64450-SA1-0000-RD	COVER SET, FR.SIDE(RED)	1	Y		20000512	20020630	KMYSG125JYC012107	KMYSG125J2C020066
		7	75581-SC1-9501	SET SPRING, LOCK KEY	1	Y		20000320		KMYSG125JYC009479	
								19980408		KMYSG125FKW000001	
		8	77238-SA1-0000-EU	KEY, INNER BOX LOCK	1	N		19980408		KMYSG125FKW000001	
			77238-SA1-0000	KEY, INNER BOX LOCK	1	N		20000320		KMYSG125JYC009479	
		9	81100-SA1-0100	HOLDER COMP., BAG	1	N	N	19981109	19991020	KMYSG125FKX006556	KMYSG125FKY318251
			81100-SA1-0101	HOLDER COMP., BAG	1	N	N	20000320	20010101	KMYSG125JYC009479	KMYSG125J1C018112
								19991021	19991231	KMYSG125FKY318252	KMYSG125FKY401000
			81100-SA1-RB10	HOLDER COMP., BAG	1	N	N	20010102	20021113	KMYSG125J1C018113	KMYSG125J3C020484
								19990903	20021113	KMYSG125FKX317909	KMYSG125FK3412288
			81100-SA1-RB10-BK	HOLDER COMP., BAG(BLACK)	1	Y		20021114		KMYSG125J3C020485	
								20021114		KMYSG125FK3412289	

# F-06

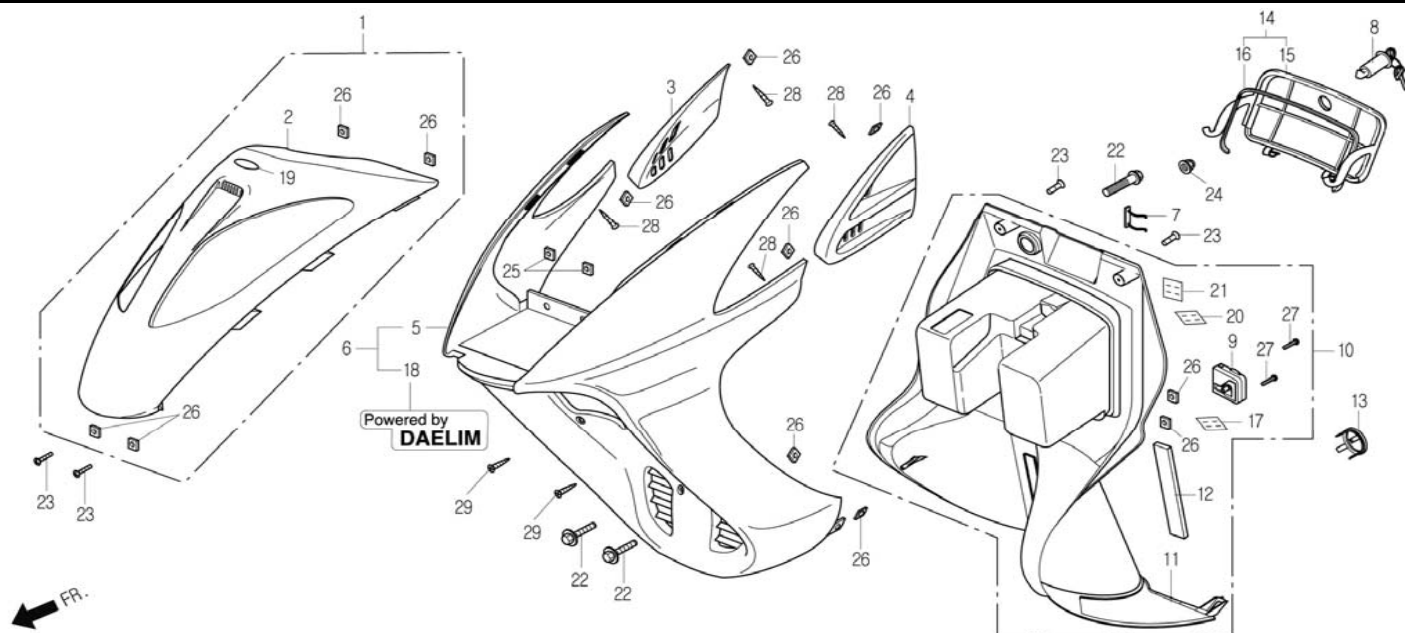


## FRONT COVER / INNER BOX

Service item	FRT	Ref. No.	Part No.	Description	QTY	A/S	Exch	Start Date	End Date	Start FRM.No	End FRM.No
		10	8113A-SA1-0000	BOX ASS'Y, INNER	1	N	N	19980526	19981108	KMYSG125FKW003915	KMYSG125FKX006555
			8113A-SA1-0101	BOX ASS'Y, INNER	1	N	N	19981109	19991014	KMYSG125FKX006556	KMYSG125FKY318082
			8113A-SA1-MA00	BOX ASS'Y, INNER(ENGLISH)	1	N	N	19981030	19981213	KMYSG125FKX007123	KMYSG125FKX007122
			8113A-SA1-MA11	BOX ASS'Y, INNER(ENGLISH)	1	N	N	20000320	20010101	KMYSG125JYC009479	KMYSG125J1C018112
			8113A-SA1-MA30	BOX ASS'Y, INNER(ENGLISH)	1	Y	N	20010102	20021113	KMYSG125J1C018113	KMYSG125J3C020484
			8113A-SA1-MA30-BK	BOX ASS'Y, INNER(ENGLISH)	1	Y		20001011	20021113	KMYSG125FK1407347	KMYSG125FK3412288
			8113A-SA1-RB11	BOX ASS'Y, INNER(GERMAN)	1	N	N	19981216	20001010	KMYSG125FKX307276	KMYSG125FK1407346
			8113A-SA1-RB30	BOX ASS'Y, INNER(GERMAN)	1	Y	N	20001011	20021113	KMYSG125FK1407347	KMYSG125FK3412288
			8113A-SA1-RB30-BK	BOX ASS'Y, INNER(GERMAN)	1	Y		20021114		KMYSG125FK3412289	
			8113A-SA1-RC00	BOX ASS'Y, INNER(ITALIAN)	1	N	N	19980408	19981213	KMYSG125FKW000001	KMYSG125FKX007122
			8113A-SA1-RC11	BOX ASS'Y, INNER(ITALIAN)	1	N	N	19981214	20001010	KMYSG125FKX007123	KMYSG125FK1407346
			8113A-SA1-RC30	BOX ASS'Y, INNER(ITALIAN)	1	Y	N	20001011	20021113	KMYSG125FK1407347	KMYSG125FK3412288
			8113A-SA1-RC30-BK	BOX ASS'Y, INNER(ITALIAN)	1	Y		20021114		KMYSG125FK3412289	
			8113A-SA1-RE00	BOX ASS'Y, INNER(FRENCH)	1	N	N	19980523	19981213	KMYSG125FKW003381	KMYSG125FKX007122
			8113A-SA1-RE11	BOX ASS'Y, INNER(FRENCH)	1	N	N	19981214	20001010	KMYSG125FKX007123	KMYSG125FK1407346
			8113A-SA1-RE30	BOX ASS'Y, INNER(FRENCH)	1	Y	N	20001011	20021113	KMYSG125FK1407347	KMYSG125FK3412288
			8113A-SA1-RE30-BK	BOX ASS'Y, INNER(FRENCH)	1	Y		20021114		KMYSG125FK3412289	
			8113A-SA1-RJ00	BOX ASS'Y, INNER(SPANISH)	1	N	N	19980423	19981213	KMYSG125FKW001978	KMYSG125FKX007122
			8113A-SA1-RJ11	BOX ASS'Y, INNER(SPANISH)	1	N	N	19981214	20001010	KMYSG125FKX007123	KMYSG125FK1407346
			8113A-SA1-RJ30	BOX ASS'Y, INNER(SPANISH)	1	Y	N	20001011	20021113	KMYSG125FK1407347	KMYSG125FK3412288



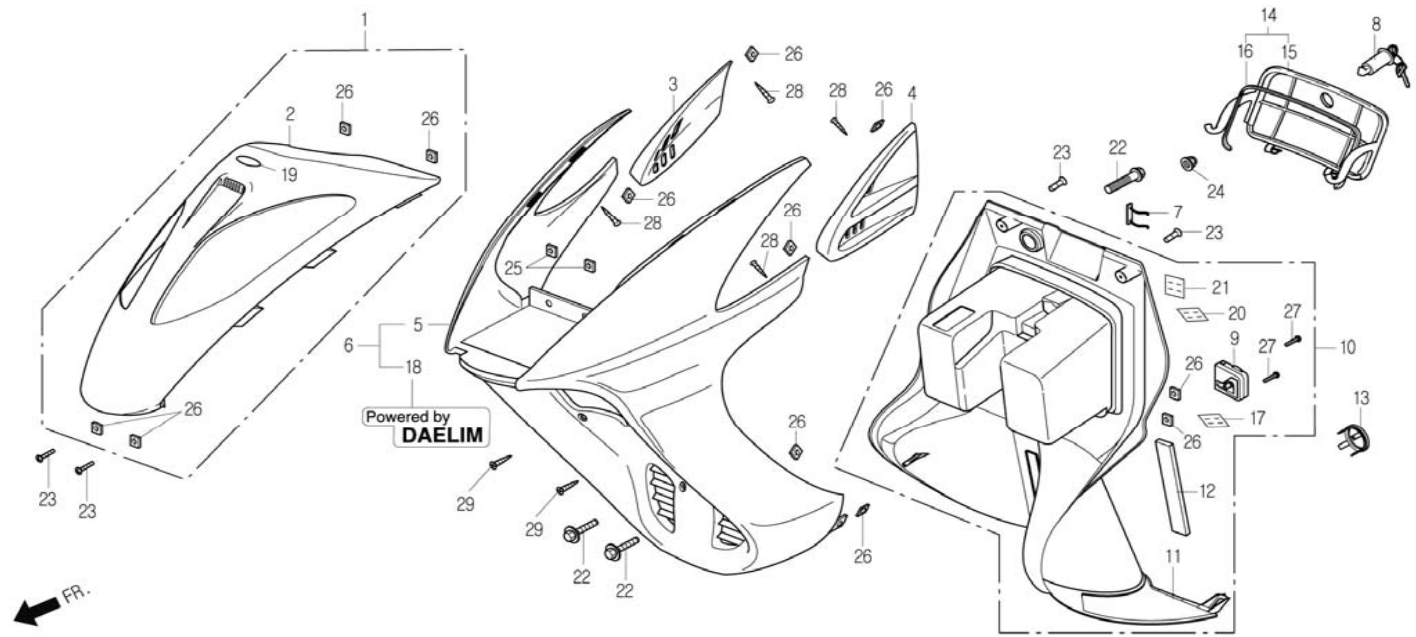
# F-06



## FRONT COVER / INNER BOX

Service item	FRT	Ref. No.	Part No.	Description	QTY	A/S	Exch	Start Date	End Date	Start FRM.No	End FRM.No
			8113A-SA1-RJ30-BK	BOX ASS'Y, INNER(SPANISH)	1	Y		20021114		KMYSG125FK3412289	
			8113A-SA1-RZ00	BOX ASS'Y, INNER(ENGLISH)	1	Y		20030612		KMYSG125FK3413034	
		11	81131-SA1-0000	BOX, INNER	1	N	N	19980408	19981108	KMYSG125FKW000001	KMYSG125FKX006555
			81131-SA1-0102	BOX, INNER	1	N	N	20000320	20010101	KMYSG125JYC009479	KMYSG125J1C018112
								19981109	19991014	KMYSG125FKX006556	KMYSG125FKY318082
			81131-SA1-RB10	BOX, INNER	1	N	N	19991015	20001010	KMYSG125FKY318083	KMYSG125FK1407346
			81131-SA3-RB00	BOX, INNER	1	Y	N	20010102	20021113	KMYSG125J1C018113	KMYSG125J3C020484
								20001011	20021113	KMYSG125FK1407347	KMYSG125FK3412288
			81131-SA3-RB00-BK	BOX, INNER(BLACK)	1	Y		20021114		KMYSG125J3C020485	
								20021114		KMYSG125FK3412289	
		12	81132-SA1-0000	CAP, NUMBERING	1	N	N	20000320	20010101	KMYSG125JYC009479	KMYSG125J1C018112
								19980408	19991231	KMYSG125FKW000001	KMYSG125FKY401000
			81132-SA1-RB10	CAP, NUMBERING	1	Y	N	20010102	20030101	KMYSG125J1C018113	KMYSG125J3C020508
								19990903	20021113	KMYSG125FKX317909	KMYSG125FK3412288
			81132-SA1-RB10-BK	CAP, NUMBERING(BLACK)	1	Y		20030102		KMYSG125J3C020509	
								20021114		KMYSG125FK3412289	
		13	81135-SA3-0000	CAP, CHARGE SOCKET	1	N		20010102		KMYSG125J1C018113	
								20001011		KMYSG125FK1407347	
		14	8114A-SA1-0000	LID ASS'Y, INNER BOX	1	N	N	20000320	20010101	KMYSG125JYC009479	KMYSG125J1C018112
								19980408	19991012	KMYSG125FKW000001	KMYSG125FKY318004
			8114A-SA1-RB10	LID ASS'Y, INNER BOX	1	Y	N	20010102	20030101	KMYSG125J1C018113	KMYSG125J3C020508
								19991013	20021113	KMYSG125FKY318005	KMYSG125FK3412288

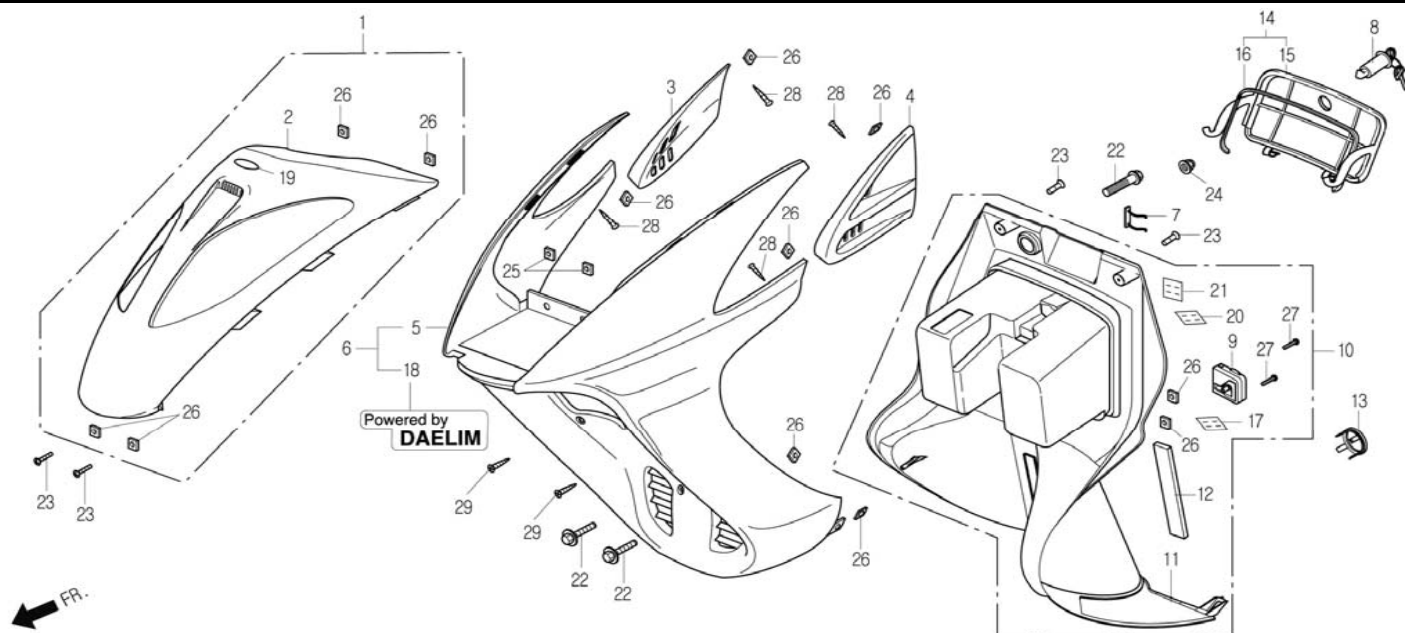
# F-06



## FRONT COVER / INNER BOX

Service item	FRT	Ref. No.	Part No.	Description	QTY	A/S	Exch	Start	End	Start	End
								Date	Date	FRM.No	FRM.No
			8114A-SA1-RB10-BK	LID ASS'Y, INNER BOX(BLACK)	1	Y		20030102		KMYSG125J3C020509	
		15	81141-SA1-0000	LID, INNER BOX	1	N	N	20000320	20010101	KMYSG125JYC009479	KMYSG125J1C018112
			81141-SA1-RB10	LID, INNER BOX	1	N	N	20010102	20030101	KMYSG125J1C018113	KMYSG125J3C020508
			81141-SA1-RB10-BK	LID, INNER BOX(BLACK)	1	N		19991013	20021113	KMYSG125FKY318005	KMYSG125FK3412288
			81141-SA1-RB10-BK	LID, INNER BOX(BLACK)	1	N		20030102		KMYSG125J3C020509	
			81141-SA1-RB10-BK	LID, INNER BOX(BLACK)	1	N		20021114		KMYSG125FK3412289	
		16	81146-SA1-0000	SEAL, INNER BOX	1	Y		20000320		KMYSG125JYC009479	
			81146-SA1-0000	SEAL, INNER BOX	1	Y		19980408		KMYSG125FKW000001	
		17	81218-SE5-6100	LABEL, GLOVE BOX CAUTION	1	Y	Y	19980526	19991014	KMYSG125FKW003915	KMYSG125FKY318082
			81218-SE5-6100-B1	LABEL, GLOVE BOX CAUTION(ENGLISH)	1	Y		20000320		KMYSG125JYC009479	
			81218-SE5-6100-B1	LABEL, GLOVE BOX CAUTION(ENGLISH)	1	Y		19981030		KMYSG125FKX007123	
			81218-SE5-RC00-B1	LABEL, GLOVE BOX CAUTION(ITALIAN)	1	Y		19980408		KMYSG125FKW000001	
			81218-SE5-RE00-B1	LABEL, GLOVE BOX CAUTION(FRENCH)	1	Y		19980523		KMYSG125FKW003381	
			81218-SE5-RJ00-B1	LABEL, GLOVE BOX CAUTION(SPANISH)	1	Y		19980423		KMYSG125FKW001978	
			81219-SA1-RB00	LABEL, GLOVE BOX CAUTION(GERMAN)	1	Y		19981216		KMYSG125FKX307276	
		18	87123-SA1-0000-GW	MARK, LH.FR.SIDE COVER(G/WHITE)	1	Y		20010105	20020630	KMYSG125J1C018113	KMYSG125J2C020066
			87123-SA1-0000-PB	MARK, LH.FR.SIDE COVER(P/BLACK)	1	Y		20010105	20020630	KMYSG125J1C018113	KMYSG125J2C020066
			87123-SA1-0000-RD	MARK, LH.FR.SIDE COVER(RED)	1	Y		20010105	20020630	KMYSG125J1C018113	KMYSG125J2C020066
		19	64121-SA1-RB10	EMBLEM, FR.COVER	1	Y		19990903		KMYSG125FKX317909	
			87127-SA1-RB10	EMBLEM, FR.COVER	1	Y		20000320		KMYSG125JYC009479	

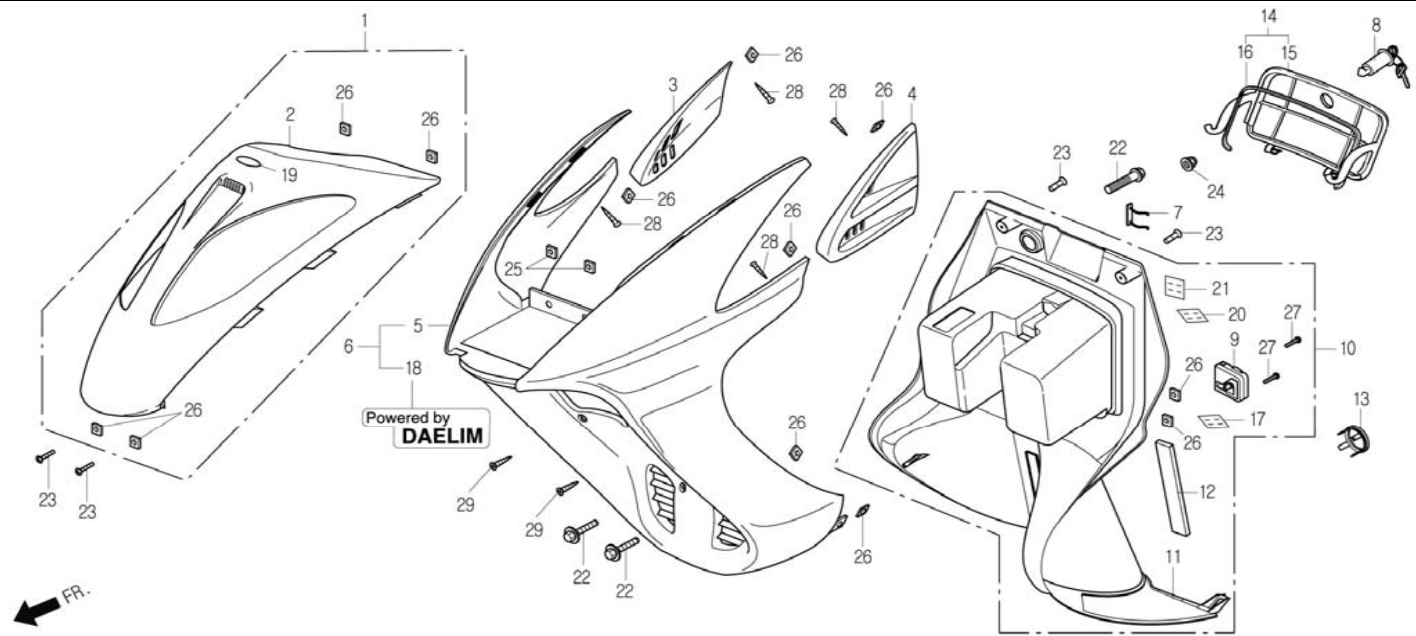
# F-06



## FRONT COVER / INNER BOX

Service item	FRT	Ref. No.	Part No.	Description	QTY	A/S	Exch	Start Date	End Date	Start FRM.No	End FRM.No
		20	87565-SA1-0000-EU	CONTROL LABEL, ANTI-TAMPERING	1	N	N	19981214		KMYSG125FKX007123	
			87565-SA1-0100-EU	CONTROL LABEL, ANTI-TAMPERING	1	Y		19980408	19990812	KMYSG125FKW000001	KMYSG125FKX316900
			87565-SA1-RZ00	CONTROL LABEL, ANTI-TAMPERING	1	Y		19990813		KMYSG125FKX316901	
			87565-SA1-RZ00	CONTROL LABEL, ANTI-TAMPERING	1	Y		20030612		KMYSG125FK3413034	
		21	87571-SA1-0000-EU	MARK, ECE APPROVAL	1	Y		20000320		KMYSG125JYC009479	
								19980408		KMYSG125FKW000001	
		22	90111-SE5-9000	BOLT, FLANGE 6mm	2	Y	N	19980408	19990131	KMYSG125FKW000001	KMYSG125FKX308693
			90111-SE5-1000	BOLT, FLANGE 6mm	3	Y		20000320		KMYSG125JYC009479	
								19990201		KMYSG125FKX308694	
		23	90115-HD2-8900	SCREW, UPPER COVER SETTING 5x18	4	Y	N	19980408	19990131	KMYSG125FKW000001	KMYSG125FKX308693
			90192-SB1-0000	SCREW, SPECIAL 5x12	4	Y		20000320		KMYSG125JYC009479	
								19990201		KMYSG125FKX308694	
		24	90302-SE5-8300	NUT, FLANGE CAP 6mm	1	Y		19980408	19991001	KMYSG125FKW000001	KMYSG125FKY318004
		25	90305-SE5-1001	NUT, CLIP 6mm	2	Y		20000320		KMYSG125JYC009479	
								19980408		KMYSG125FKW000001	
		26	90677-SE5-0030	NUT, CLIP 5mm	12	Y		20000320		KMYSG125JYC009479	
								19980408		KMYSG125FKW000001	
		27	S3500-05020-0G	SCREW, PAN 5x20	2	Y		20000320		KMYSG125JYC009479	
								19981109		KMYSG125FKX006556	
		28	S3891-05014-00	SCREW, WASHER 5x14	4	Y	Y	19980408	19981109	KMYSG125FKW000001	KMYSG125FKX007122
			S3891-05014-08	SCREW, WASHER 5x14	4	Y		20000320		KMYSG125JYC009479	
								19981110		KMYSG125FKX007123	

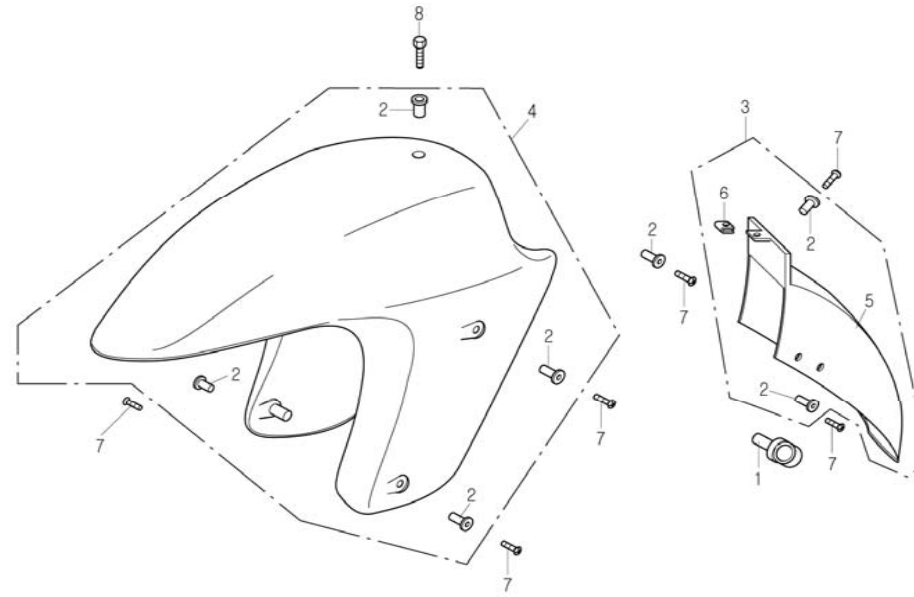
# F-06



## FRONT COVER / INNER BOX

Service item	FRT	Ref. No.	Part No.	Description	QTY	A/S	Exch	Start Date	End Date	Start FRM.No	End FRM.No
		29	S3903-34480	SCREW, TAPPING 4x16	6	Y	Y	19980408	19981109	KMYSG125FKW000001	KMYSG125FKX007122
			S3903-34420	SCREW, TAPPING 4x16	6	Y		20000320		KMYSG125JYC009479	
								19981110		KMYSG125FKX007123	

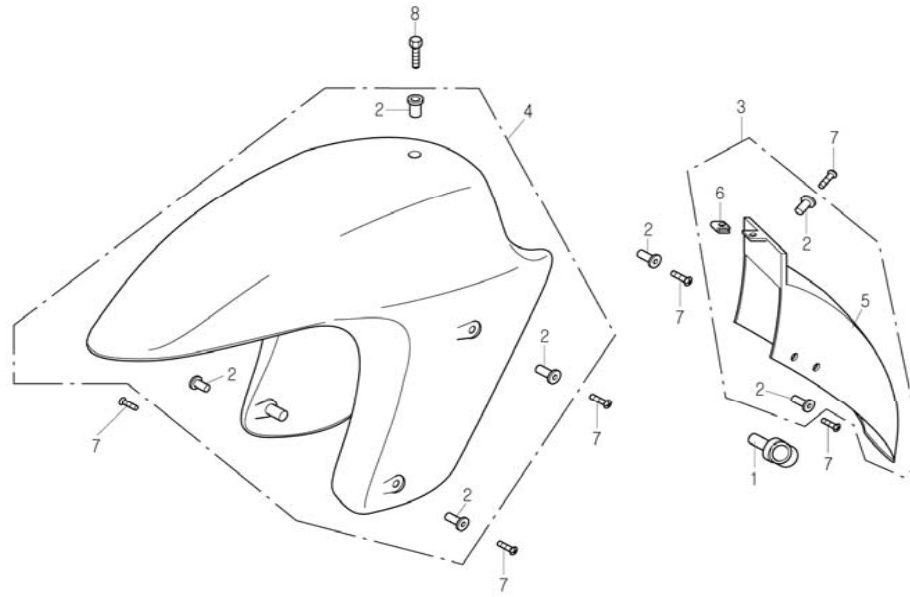
# F-07



## FRONT FENDER

Service item	FRT	Ref. No.	Part No.	Description	QTY	A/S	Exch	Start Date	End Date	Start FRM.No	End FRM.No
FENDER A, FR.	0.2	1	45451-BA5-0001	GROMMET, WIRE	1	Y		20000320		KMYSG125JYC009479	
FENDER B, FR.	0.3	2	61101-BA6-0000	COLLAR, FR.FENDER	7	Y		19980408		KMYSG125FKW000001	
		3	6111B-SA1-0000-BL	FENDER B ASS'Y, FR.(BLUE)	1	Y		19980408	19991231	KMYSG125FKW000001	KMYSG125FKY401000
			6111B-SA1-0000-BS	FENDER B ASS'Y, FR.(B/SAPPHIRE)	1	Y		19981214	19991231	KMYSG125FKX007123	KMYSG125FKY401000
			6111B-SA1-0000-CE	FENDER B ASS'Y, FR.(C/BEIGE)	1	Y	N	20000901	20011018	KMYSG125JYC015712	KMYSG125J2C019677
								19991119	20011018	KMYSG125FKY400781	KMYSG125FK2411346
			6111B-SA1-0000-DB	FENDER B ASS'Y, FR.(D/BLUE)	1	Y	N	20001130	20011018	KMYSG125FK1408107	KMYSG125FK2411346
			6111B-SA1-0000-DR	FENDER B ASS'Y, FR.(D/RED)	1	Y	N	19991216	20011018	KMYSG125FKY400905	KMYSG125FK2411346
								20000320	20011018	KMYSG125JYC009479	KMYSG125J2C019677
			6111B-SA1-0000-ER	FENDER B ASS'Y, FR.(E/RED)	1	Y		19981214	19991231	KMYSG125FKX007123	KMYSG125FKY401000
			6111B-SA1-0000-GR	FENDER B ASS'Y, FR.(GREEN)	1	Y		19980408	19991118	KMYSG125FKW000001	KMYSG125FKY400780
			GW	FENDER B ASS'Y, FR.(G/WHITE)	1	Y	N	20000512	20011018	KMYSG125JYC012107	KMYSG125J2C019677
								19981214	19991231	KMYSG125FKX007123	KMYSG125FKY401000
			6111B-SA1-0000-IG	FENDER B ASS'Y, FR.(I/GRAY)	1	Y	N	19990903	20011018	KMYSG125FKX317909	KMYSG125FK2411346
								20000901	20011018	KMYSG125JYC015712	KMYSG125J2C019677
			6111B-SA1-0000-LG	FENDER B ASS'Y, FR.(L/GREEN)	1	Y	N	19990903	20011018	KMYSG125FKX317909	KMYSG125FK2411346
								20010914	20011018	KMYSG125J1C019505	KMYSG125J2C019677
			6111B-SA1-0000-NL	FENDER B ASS'Y, FR.(N/BLUE)	1	Y	N	20000320	20011018	KMYSG125JYC009479	KMYSG125J2C019677
								19991119	20011018	KMYSG125FKY400781	KMYSG125FK2411346
			6111B-SA1-0000-PB	FENDER B ASS'Y, FR.(P/BLACK)	1	Y	N	20000603	20011018	KMYSG125JYC012924	KMYSG125J2C019677
								19981214	19991231	KMYSG125FKX007123	KMYSG125FKY401000

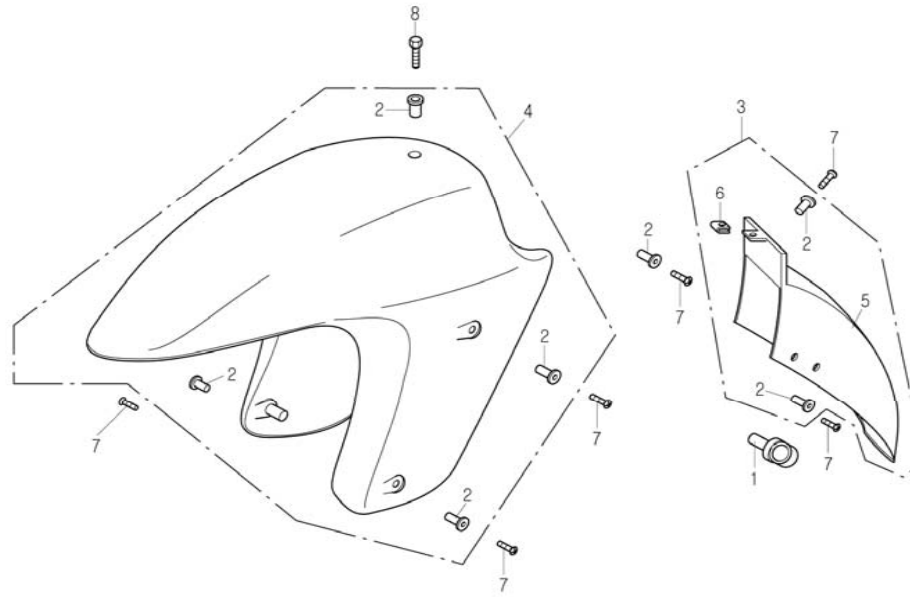
# F-07



## FRONT FENDER

Service item	FRT	Ref. No.	Part No.	Description	QTY	A/S	Exch	Start Date	End Date	Start FRM.No	End FRM.No
			6111B-SA1-0000-RD	FENDER B ASS'Y, FR.(RED)	1	Y	N	19980417	19991231	KMYSG125FKW001978	KMYSG125FKY401000
			6111B-SA1-0000-SL	FENDER B ASS'Y, FR.(SILVER)	1	Y	N	20000512	20011018	KMYSG125JYC012107	KMYSG125J2C019677
			6111B-SA1-0100	FENDER B ASS'Y, FR.	1	Y	N	19981214	20011018	KMYSG125FKX007123	KMYSG125FK2411346
			6111B-SA1-0100-BK	FENDER B ASS'Y, FR.(BLACK)	1	Y	N	20000320	20011018	KMYSG125JYC009479	KMYSG125J2C019677
			6111A-SA1-0000-BL	FENDER A ASS'Y, FR.(BLUE)	1	Y	N	20011019	20021113	KMYSG125FK2411347	KMYSG125FK3412288
			6111A-SA1-0000-BS	FENDER A ASS'Y, FR.(B/SAPPHIRE)	1	Y	N	20011019	20030101	KMYSG125J2C019678	KMYSG125J3C020508
			61110-SA1-0100-BS	FENDER A COMP., FR.(B/SAPPHIRE)	1	Y	N	20030102		KMYSG125J3C020509	
			61110-SA1-0100-CE	FENDER A COMP., FR.(C/BEIGE)	1	Y	N	20021114		KMYSG125FK3412289	
			61110-SA1-0200-CE	FENDER A COMP., FR.(C/BEIGE)	1	Y	N	19980408	19991231	KMYSG125FKW000001	KMYSG125FKY401000
			61110-SA1-0100-DB	FENDER A COMP., FR.(D/BLUE)	1	N	N	19981214	19990224	KMYSG125FKX007123	KMYSG125FKX310373
			61110-SA1-0200-DB	FENDER A COMP., FR.(D/BLUE)	1	Y	N	19990225	19991231	KMYSG125FKX310374	KMYSG125FKY401000
			61110-SA1-0100-DR	FENDER A COMP., FR.(D/RED)	1	N	N	19991119	20010110	KMYSG125FKY400781	KMYSG125FK1408151
			61110-SA1-0200-DR	FENDER A COMP., FR.(D/RED)	1	Y	N	20010111		KMYSG125FK1408152	
			6111A-SA1-0000-ER	FENDER A ASS'Y, FR.(E/RED)	1	N	N	20010111		KMYSG125J1C018355	
			61110-SA1-0100-ER	FENDER A COMP., FR.(E/RED)	1	Y	N	20001130	20010110	KMYSG125FK1408107	KMYSG125FK1408151
								20020909		KMYSG125J2C020155	
								20010111		KMYSG125FK1408152	
								20010111		KMYSG125J1C018355	
								20000320	20010110	KMYSG125JYC009479	KMYSG125J1C018354
								19991216	20010110	KMYSG125FKY400905	KMYSG125FK1408151
								20010111		KMYSG125J1C018355	
								20010111		KMYSG125FK1408152	
								19981214	19990224	KMYSG125FKX007123	KMYSG125FKX310373
								19990225	19991231	KMYSG125FKX310374	KMYSG125FKY401000

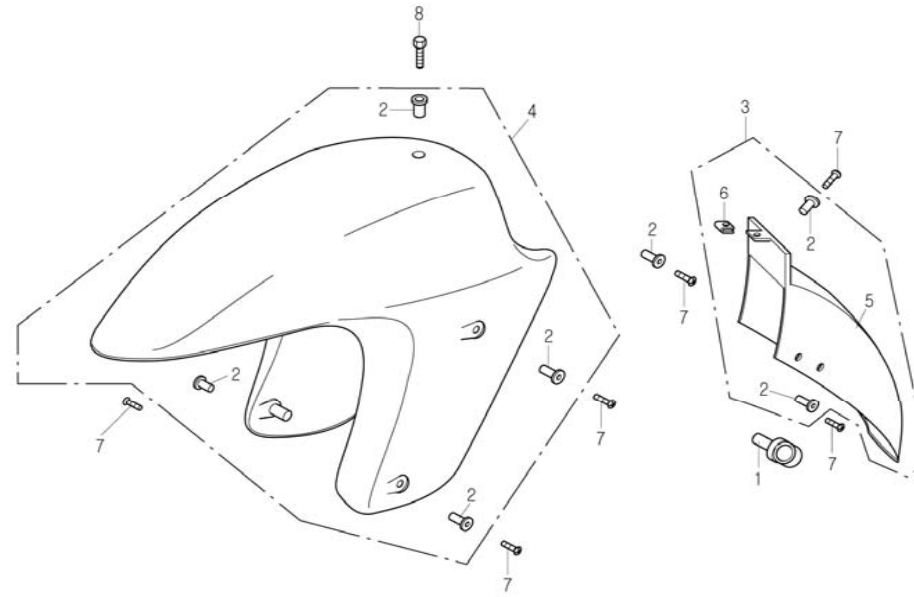
# F-07



## FRONT FENDER

Service item	FRT	Ref. No.	Part No.	Description	QTY	A/S	Exch	Start Date	End Date	Start FRM.No	End FRM.No
			6111A-SA1-0000-GR	FENDER A ASS'Y, FR.(GREEN)	1	Y		19980408	19991118	KMYSG125FKW000001	KMYSG125FKY400780
			GW	FENDER A ASS'Y, FR.(G/WHITE)	1	N	N	19981214	19990224	KMYSG125FKX007123	KMYSG125FKX310373
			61110-SA1-0100-GW	FENDER A COMP., FR.(G/WHITE)	1	N	N	19990225	19991231	KMYSG125FKX310374	KMYSG125FKY401000
								20000512	20010110	KMYSG125JYC012107	KMYSG125J1C018354
			61110-SA1-0200-GW	FENDER A COMP., FR.(G/WHITE)	1	Y		20010111	20020630	KMYSG125J1C018355	KMYSG125J2C020066
			61110-SA1-0100-IG	FENDER A COMP., FR.(I/GRAY)	1	N	N	19990903	20010110	KMYSG125FKX317909	KMYSG125FK1408151
								20000901	20010110	KMYSG125JYC015712	KMYSG125J1C018354
			61110-SA1-0200-IG	FENDER A COMP., FR.(I/GRAY)	1	Y		20010111	20020930	KMYSG125J1C018355	KMYSG125J3C020484
								20010111		KMYSG125FK1408152	
			61110-SA1-0100-LG	FENDER A COMP., FR.(L/GREEN)	1	N	N	19990903	20010110	KMYSG125FKX317909	KMYSG125FK1408151
			61110-SA1-0200-LG	FENDER A COMP., FR.(L/GREEN)	1	Y		20010111		KMYSG125FK1408152	
								20010914		KMYSG125J1C019505	
			61110-SA1-0100-NL	FENDER A COMP., FR.(N/BLUE)	1	N	N	19991119	20010110	KMYSG125FKY400781	KMYSG125FK1408151
								20000320	20010110	KMYSG125JYC009479	KMYSG125J1C018354
			61110-SA1-0200-NL	FENDER A COMP., FR.(N/BLUE)	1	Y		20010111		KMYSG125FK1408152	
								20010111		KMYSG125J1C018355	
			6111A-SA1-0000-PB	FENDER A ASS'Y, FR.(P/BLACK)	1	N	N	19981214	19990224	KMYSG125FKX007123	KMYSG125FKX310373
			61110-SA1-0100-PB	FENDER A COMP., FR.(P/BLACK)	1	N	N	20000603	20010110	KMYSG125JYC012924	KMYSG125J1C018354
								19990225	19991231	KMYSG125FKX310374	KMYSG125FKY401000
			61110-SA1-0200-PB	FENDER A COMP., FR.(P/BLACK)	1	Y		20010111	20020630	KMYSG125J1C018355	KMYSG125J2C020066
			6111A-SA1-0000-RD	FENDER A ASS'Y, FR.(RED)	1	N	N	19980417	19991231	KMYSG125FKW001978	KMYSG125FKY401000
			61110-SA1-0100-RD	FENDER A COMP., FR.(RED)	1	N	N	20000512	20010111	KMYSG125JYC012107	KMYSG125J1C018354
			61110-SA1-0200-RD	FENDER A COMP., FR.(RED)	1	Y		20010111	20020630	KMYSG125J1C018355	KMYSG125J2C020066

# F-07

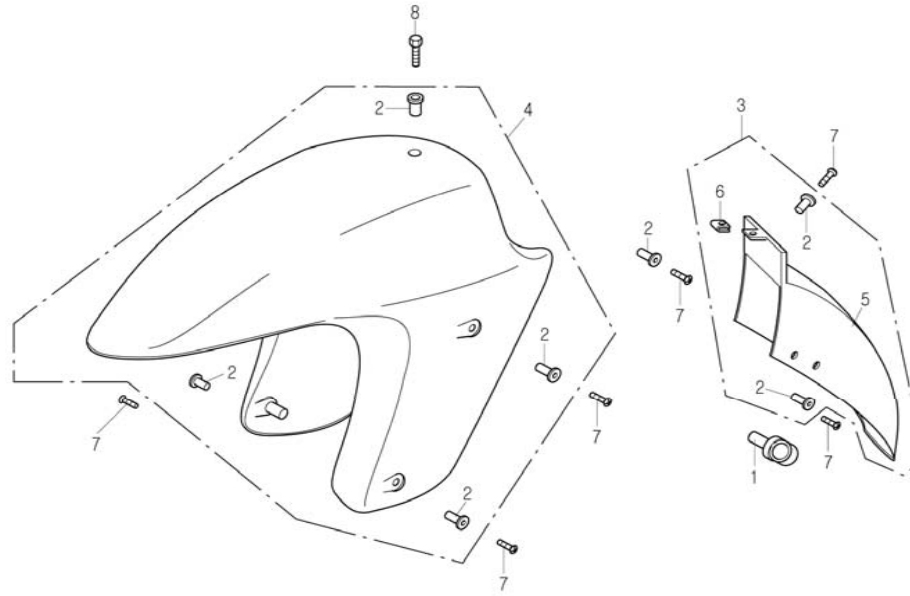


## FRONT FENDER

Service item	FRT	Ref. No.	Part No.	Description	QTY	A/S	Exch	Start Date	End Date	Start FRM.No	End FRM.No
			6111A-SA1-0000-SL	FENDER A ASS'Y, FR.(SILVER)	1	N	N	19981214	19990225	KMYSG125FKX007123	KMYSG125FKX310373
			61110-SA1-0100-SL	FENDER A COMP., FR.(SILVER)	1	N	N	19990226	20010110	KMYSG125FKX310374	KMYSG125FK1408151
			61110-SA1-0200-SL	FENDER A COMP., FR.(SILVER)	1	Y		20000320	20010110	KMYSG125JYC009479	KMYSG125J1C018354
								20010111		KMYSG125J1C018355	
								20010111		KMYSG125FK1408152	
	5		61115-SA1-0000-BL	FENDER B COMP., FR.(BLUE)	1	N		19980408	19991231	KMYSG125FKW000001	KMYSG125FKY401000
			61115-SA1-0000-BS	FENDER B COMP., FR.(B/SAPPHIRE)	1	N		19981214	19991231	KMYSG125FKX007123	KMYSG125FKY401000
			61115-SA1-0000-CE	FENDER B COMP., FR.(C/BEIGE)	1	N	N	20000901	20011018	KMYSG125JYC015712	KMYSG125J2C019677
								19991119	20011018	KMYSG125FKY400781	KMYSG125FK2411346
			61115-SA1-0000-DB	FENDER B COMP., FR.(D/BLUE)	1	N	N	20001130	20011018	KMYSG125FK1408107	KMYSG125FK2411346
			61115-SA1-0000-DR	FENDER B COMP., FR.(D/RED)	1	N	N	20000320	20011018	KMYSG125JYC009479	KMYSG125J2C019677
								19991216	20011018	KMYSG125FKY400905	KMYSG125FK2411346
			61115-SA1-0000-ER	FENDER B COMP., FR.(E/RED)	1	N		19981214	19991231	KMYSG125FKX007123	KMYSG125FKY401000
			61115-SA1-0000-GR	FENDER B COMP., FR.(GREEN)	1	N		19980408	19991118	KMYSG125FKW000001	KMYSG125FKY400780
			61115-SA1-0000-GW	FENDER B COMP., FR.(G/WHITE)	1	N	N	20000512	20011018	KMYSG125JYC012107	KMYSG125J2C019677
								19981214	19991231	KMYSG125FKX007123	KMYSG125FKY401000
			61115-SA1-0000-IG	FENDER B COMP., FR.(I/GRAY)	1	N	N	20000901	20011018	KMYSG125JYC015712	KMYSG125J2C019677
								19990903	20011018	KMYSG125FKX317909	KMYSG125FK2411346
			61115-SA1-0000-LG	FENDER B COMP., FR.(L/GREEN)	1	N	N	19990903	20011018	KMYSG125FKX317909	KMYSG125FK2411346
								20010914	20011018	KMYSG125J1C019505	KMYSG125J2C019677
			61115-SA1-0000-NL	FENDER B COMP., FR.(N/BLUE)	1	N	N	19991119	20011018	KMYSG125FKY400781	KMYSG125FK2411346
								20000320	20011018	KMYSG125JYC009479	KMYSG125J2C019677
			61115-SA1-0000-PB	FENDER B COMP., FR.(P/BLACK)	1	N	N	20000603	20011018	KMYSG125JYC012924	KMYSG125J2C019677



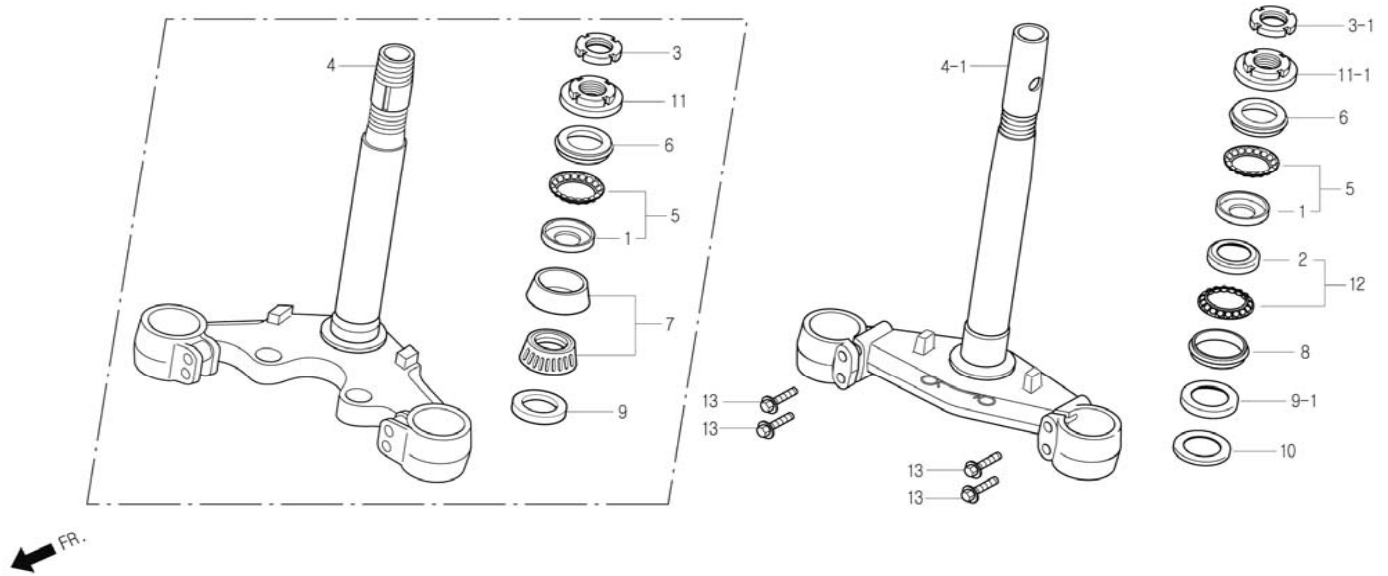
# F-07



## FRONT FENDER

Service item	FRT	Ref. No.	Part No.	Description	QTY	A/S	Exch	Start Date	End Date	Start FRM.No	End FRM.No
			61115-SA1-0000-RD	FENDER B COMP., FR.(RED)	1	N	N	19981214	19991231	KMYSG125FKX007123	KMYSG125FKY401000
			61115-SA1-0000-SL	FENDER B COMP., FR.(SILVER)	1	N	N	20000512	20011018	KMYSG125JYC012107	KMYSG125J2C019677
			61115-SA1-0100	FENDER B COMP., FR.	1	N	N	19980417	19991231	KMYSG125FKW001978	KMYSG125FKY401000
			61115-SA1-0100-BK	FENDER B COMP., FR.(BLACK)	1	N	N	20000320	20011018	KMYSG125JYC009479	KMYSG125J2C019677
			6	64529-BA7-0000	NUT, CLIP 6mm	1	Y	19981214	20011018	KMYSG125FKX007123	KMYSG125FK2411346
			7	90110-SE5-0001	SCREW, SPECIAL 6x14	6	Y	20011019	20021113	KMYSG125FK2411347	KMYSG125FK3412288
			8	S5701-06020-00	BOLT, FLANGE 6x20	1	Y	20011019	20030101	KMYSG125J2C019678	KMYSG125J3C020508
				S5701-06020-08	BOLT, FLANGE 6x20	1	Y	20030102		KMYSG125J3C020509	
								20021114		KMYSG125FK3412289	
								20000320		KMYSG125JYC009479	
								19980408		KMYSG125FKW000001	
								20000320		KMYSG125JYC009479	
								19980408		KMYSG125FKW000001	
								19980408	19990531	KMYSG125FKW000001	KMYSG125FKX315335
								20000320		KMYSG125JYC009479	
								19990601		KMYSG125FKX315336	

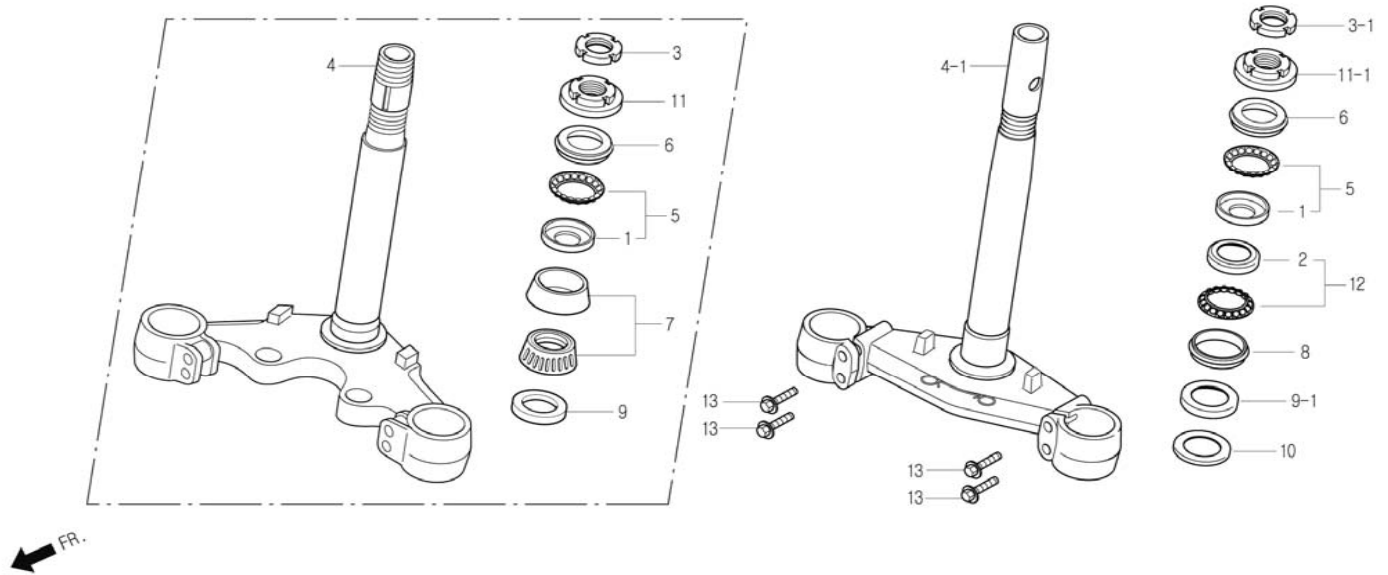
# F-08



## STEERING STEM

Service item	FRT	Ref. No.	Part No.	Description	QTY	A/S	Exch	Start	End	Start	End
								Date	Date	FRM.No	FRM.No
RACE, STEERING TOP CONE	1.0	1	50301-CB2-9002	RACE, STEERING TOP BALL	1	Y		20000320		KMYSG125JYC009479	
								19980408		KMYSG125FKW000001	
		2	50302-CB2-9002	RACE, STEERING BOTTOM BALL	1	Y		20000320		KMYSG125JYC009479	
								19991216		KMYSG125FKY400905	
		3	50306-CB3-7500	NUT, STEERING STEM LOCK	1	Y	N	19980408	19990531	KMYSG125FKW000001	KMYSG125FKX315335
		3-1	50306-CB3-0000	NUT, STEERING STEM LOCK	1	Y		20000320		KMYSG125JYC009479	
								19990601		KMYSG125FKX315336	
		4	53200-SA1-0000	STEM COMP., STEERING	1	N	N	19980408	19990224	KMYSG125FKW000001	KMYSG125FKX310373
			53200-SA1-0100	STEM COMP., STEERING	1	Y	N	20000320	20000423	KMYSG125JYC009479	KMYSG125JYC011724
								19990225	19991215	KMYSG125FKX310374	KMYSG125FKY400904
		4-1	53200-SA1-0202	STEM COMP., STEERING	1	Y	N	20000424	20030114	KMYSG125JYC011725	KMYSG125J3C020508
								19991216	20030114	KMYSG125FKY400905	KMYSG125FK3412661
			53200-SA1-0210	STEM COMP., STEERING	1	Y		20030115		KMYSG125J3C020509	
								20030115		KMYSG125FK3412662	
5	53210-CB3-7500	BALL ASS'Y, STEERING UPPER	1	Y		20000320		KMYSG125JYC009479			
						19980408		KMYSG125FKW000001			
6	53211-CB2-9002	RACE, STEERING TOP CONE	1	Y		20000320		KMYSG125JYC009479			
						19980408		KMYSG125FKW000001			
7	53212-SA1-0000	BEARING, STEERING BOTTOM	1	Y	N	20000320	20000423	KMYSG125JYC009479	KMYSG125JYC011724		
						19980408	19991215	KMYSG125FKW000001	KMYSG125FKY400904		
8	53212-CB2-9002	RACE, STEERING BOTTOM CONE	1	Y		20000424		KMYSG125JYC011725			
						19991216		KMYSG125FKY400905			

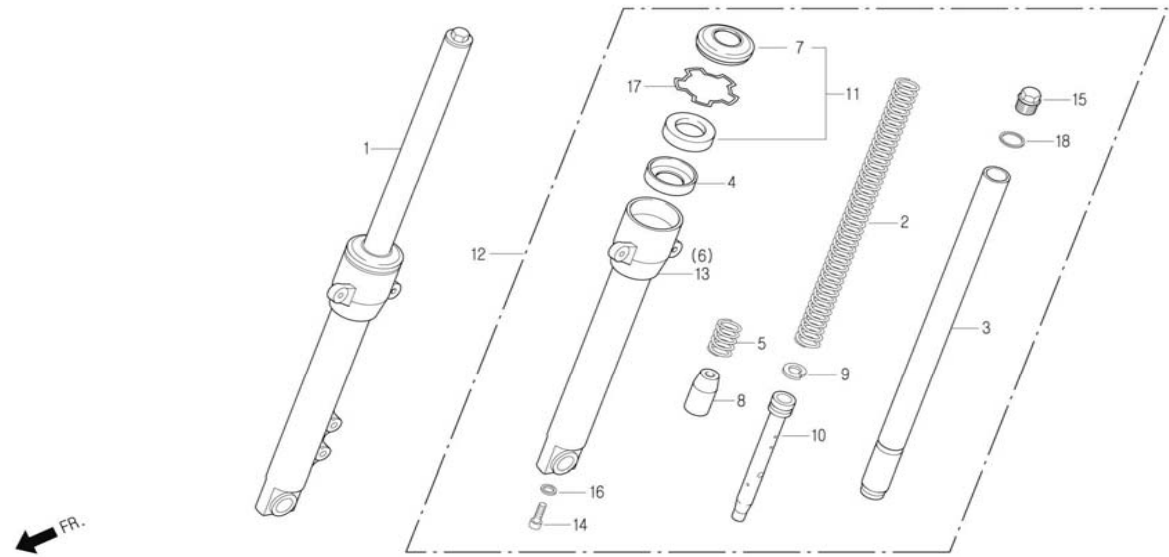
# F-08



## STEERING STEM

Service item	FRT	Ref. No.	Part No.	Description	QTY	A/S	Exch	Start Date	End Date	Start FRM.No	End FRM.No
		9	53214-SA1-0100-M1	SEAL, STEERING HEAD DUST	1	Y	N	20000320	20000423	KMYSG125JYC009479	KMYSG125JYC011724
		9-1	53214-CB2-9001	SEAL, STEERING HEAD DUST	1	Y		19980408	19991215	KMYSG125FKW000001	KMYSG125FKY400904
		10	53215-CB2-9000	WASHER, STEERING HEAD DUST SEAL	1	Y	Y	20000424		KMYSG125JYC011725	
			53215-CB3-0000	WASHER, STEERING HEAD DUST SEAL	1	Y		19991216		KMYSG125FKY400905	
								20000424	20000529	KMYSG125JYC011725	KMYSG125JYC012923
								19991216	20000529	KMYSG125FKY400905	KMYSG125FKY405638
								20000530		KMYSG125JYC012924	
								20000530		KMYSG125FKY405639	
		11	53220-CB2-9002	THREAD COMP., TOP	1	Y	N	19980408	19990531	KMYSG125FKW000001	KMYSG125FKX315335
		11-1	53220-CB3-0000	THREAD COMP., TOP	1	Y		20000320		KMYSG125JYC009479	
								19990601		KMYSG125FKX315336	
		12	53220-CB3-7500	BALL ASS'Y, STEERING UNDER	1	Y		20000424		KMYSG125JYC011725	
								19991216		KMYSG125FKY400905	
		13	S5801-10050-00	BOLT, FLANGE 10x50	4	Y	Y	19980408	19990613	KMYSG125FKW000001	KMYSG125FKX316001
			S5801-10050-08	BOLT, FLANGE 10x50	4	Y		20000320		KMYSG125JYC009479	
								19990614		KMYSG125FKX316002	

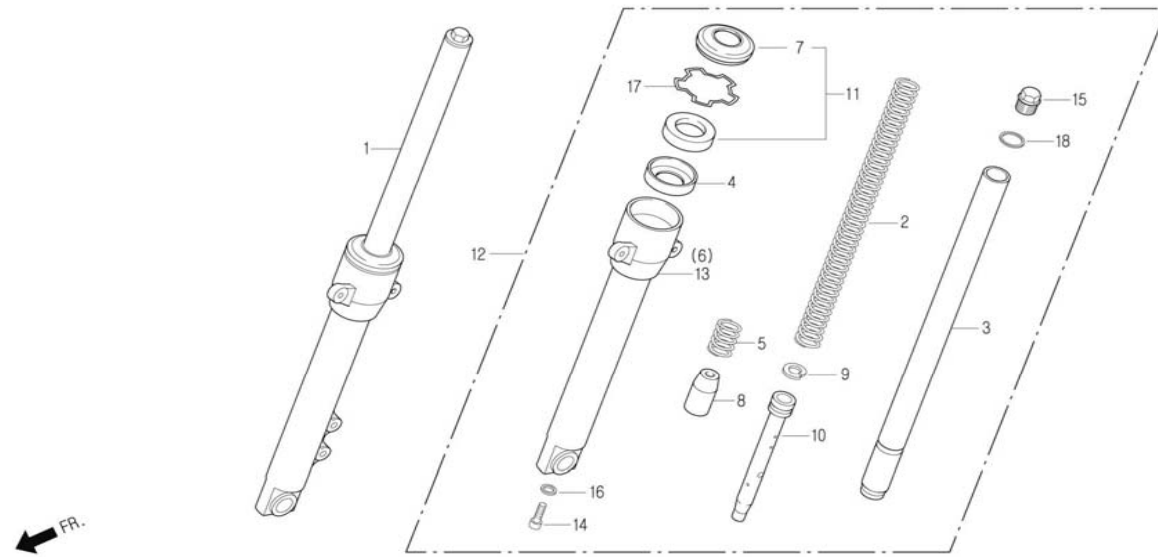
# F-09



## FRONT FORK

Service item	FRT	Ref.		Description	QTY	A/S	Exch	Start Date	End Date	Start FRM.No	End FRM.No
		No.	Part No.								
FORK ASS'Y, FR. (ADD 0.1 FOR EACH)	0.7	1	51400-SA1-0000	FORK ASS'Y, RH.FR.	1	N	N	19980408	19981112	KMYSG125FKW000001	KMYSG125FKX007122
			51400-SA1-0100-EU	FORK ASS'Y, RH.FR.	1	Y		19981113		KMYSG125FKX007123	
			51400-SA1-0100	FORK ASS'Y, RH.FR.	1	Y		20000320		KMYSG125JYC009479	
PIPE COMP., FR.FROK (ADD 0.4 FOR EACH)	0.9	2	51401-SA1-0000	SPRING, FR.CUSHION	2	Y	N	19980408	19981112	KMYSG125FKW000001	KMYSG125FKX007122
			51401-SA1-0100	SPRING, FR.CUSHION	2	Y		20000320		KMYSG125JYC009479	
SEAL SET, FR.FORK (ADD 0.4 FOR EACH)		3	51410-SA1-0000	PIPE COMP., FR.FORK	2	Y	N	19980408	19981112	KMYSG125FKW000001	KMYSG125FKX007122
			51410-SA1-0100	PIPE COMP., FR.FORK	2	Y		20000320		KMYSG125JYC009479	
								19981113		KMYSG125FKX007123	
CASE COMP., BOTTOM (ADD 0.5 FOR EACH)	1.0	4	51412-BA6-7310-M1	RING, BACK UP	2	Y		20000320		KMYSG125JYC009479	
								19980408		KMYSG125FKW000001	
		5	51412-BA7-0000	SPRING, REBOUND	2	Y		20000320		KMYSG125JYC009479	
								19980408		KMYSG125FKW000001	
		6	51420-SA1-0002	CASE COMP., RH.BOTTOM	1	Y		20000320		KMYSG125JYC009479	
								19980408		KMYSG125FKW000001	
		7	51425-BA6-0131	SEAL, DUST	2	N		20000320		KMYSG125JYC009479	
								19980408		KMYSG125FKW000001	
		8	51432-BA6-9100	PIECE, OIL LOCK	2	Y		20000320		KMYSG125JYC009479	
								19980408		KMYSG125FKW000001	
		9	51437-BA7-0030	RING, PISTON	2	Y		20000320		KMYSG125JYC009479	
								19980408		KMYSG125FKW000001	
		10	51440-SA1-0000	SEAT, PIPE	2	Y		20000320		KMYSG125JYC009479	

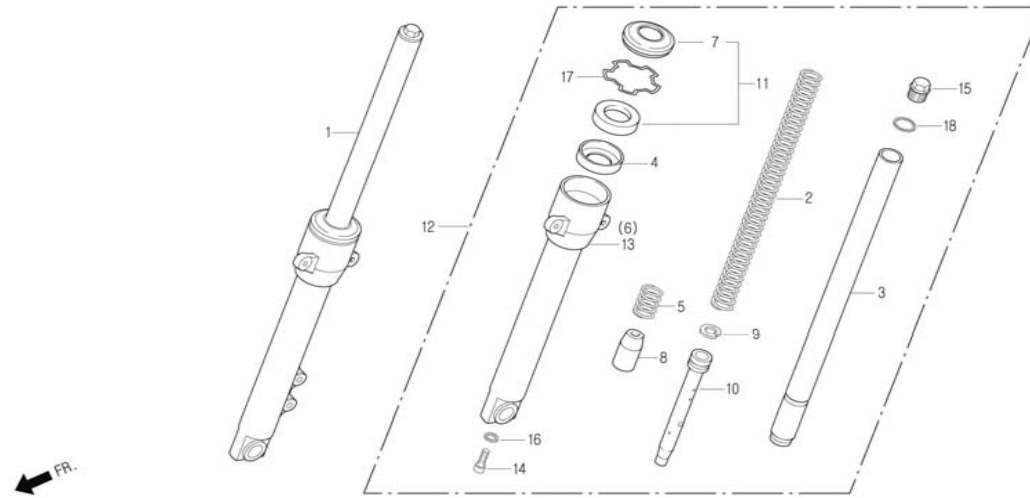
# F-09



## FRONT FORK

Service item	FRT	Ref. No.	Part No.	Description	QTY	A/S	Exch	Start Date	End Date	Start FRM.No	End FRM.No
								19980408		KMYSG125FKW000001	
		11	51490-BA6-9100-S1	SEAL SET, FR.FORK	2	Y		20000320		KMYSG125JYC009479	
		12	51500-SA1-0000	FORK ASS'Y, LH.FR.	1	Y	N	19980408	19981112	KMYSG125FKW000001	KMYSG125FKX007122
			51500-SA1-0100-EU	FORK ASS'Y, LH.FR.	1	Y		19981113		KMYSG125FKX007123	
			51500-SA1-0100	FORK ASS'Y, LH.FR.	1	Y		20000320		KMYSG125JYC009479	
		13	51520-SA1-0002	CASE COMP., LH.BOTTOM	1	Y		20000320		KMYSG125JYC009479	
								19980408		KMYSG125FKW000001	
		14	90116-BA6-7210-M1	BOLT, SOCKET 8mm	2	Y		20000320		KMYSG125JYC009479	
								19980408		KMYSG125FKW000001	
		15	90123-SA1-0000	BOLT, FR.FORK	2	Y		20000320		KMYSG125JYC009479	
								19980408		KMYSG125FKW000001	
		16	90544-HD2-0002	WASHER, SPECIAL 8mm	2	Y		20000320		KMYSG125JYC009479	
								19980408		KMYSG125FKW000001	
		17	90601-BA6-0030	RING, OIL SEAL STOP	2	N		20000320		KMYSG125JYC009479	
								19980408		KMYSG125FKW000001	
		18	91356-SE5-0030	O-RING 22x2.8	2	Y	Y	20000320	20011018	KMYSG125JYC009479	KMYSG125J2C019677
								19980408	20011018	KMYSG125FKW000001	KMYSG125FK2411346
			91356-SA1-0000	O-RING 22x2.8	2	Y		20011019		KMYSG125J2C019678	
								20011019		KMYSG125FK2411347	

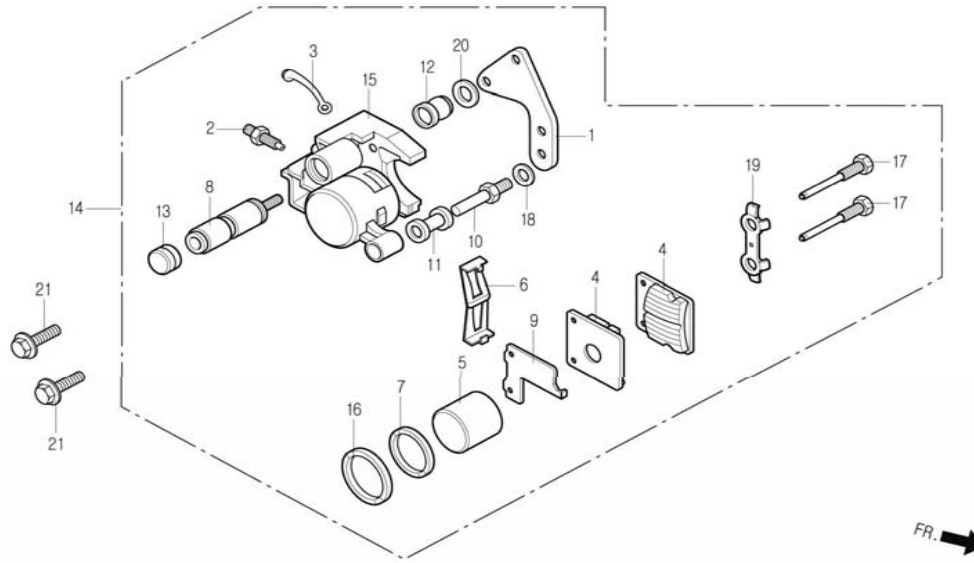
# F-09-L



## FRONT FORK

Service item	FRT	Ref. No.	Part No.	Description	QTY	A/S	Exch	Start Date	End Date	Start FRM.No	End FRM.No
FORK ASSY, FR. (ADD 0.1 FOR EACH)	0.7	1	51400-SA3-RB00	FORK ASS'Y, RH.FR.	1	Y		20001221		KMYSG125FK1500013	
		2	51401-SA1-0100	SPRING, FR.CUSHION	2	Y		20001221		KMYSG125FK1500013	
		3	51410-SA1-0100	PIPE COMP., FR.FORK	2	Y		20001221		KMYSG125FK1500013	
PIPE COMP., FR.FROK (ADD 0.4 FOR EACH)	0.9	4	51412-BA6-7310-M1	RING, BACK UP	2	Y		20001221		KMYSG125FK1500013	
		5	51412-BA7-0000	SPRING, REBOUND	2	Y		20001221		KMYSG125FK1500013	
SEAL SET, FR.FORK (ADD 0.4 FOR EACH)		6	51420-SA3-RB01	CASE COMP., RH.BOTTOM	1	Y		20001221		KMYSG125FK1500013	
		7	51425-BA6-0131	SEAL, DUST	2	N		20001221		KMYSG125FK1500013	
		8	51432-BA6-9100	PIECE, OIL LOCK	2	Y		20001221		KMYSG125FK1500013	
CASE COMP., BOTTOM (ADD 0.5 FOR EACH)	1.0	9	51437-BA7-0030	RING, PISTON	2	Y		20001221		KMYSG125FK1500013	
		10	51440-SA1-0000	SEAT, PIPE	2	Y		20001221		KMYSG125FK1500013	
		11	51490-BA6-9100-S1	SEAL SET, FR.FORK	2	Y		20001221		KMYSG125FK1500013	
		12	51500-SA1-0100-EU	FORK ASS'Y, LH.FR.	1	Y		20001221		KMYSG125FK1500013	
		13	51520-SA1-0002	CASE COMP., LH.BOTTOM	1	Y		20001221		KMYSG125FK1500013	
		14	90116-BA6-7210-M1	BOLT, SOCKET 8mm	2	Y		20001221		KMYSG125FK1500013	
		15	90123-SA1-0000	BOLT, FR.FORK	2	Y		20001221		KMYSG125FK1500013	
		16	90544-HD2-0002	WASHER, SPECIAL 8mm	2	Y		20001221		KMYSG125FK1500013	
		17	90601-BA6-0030	RING, OIL SEAL STOP	2	N		20001221		KMYSG125FK1500013	
		18	91356-SA1-0000	O-RING 22x2.8	2	Y		20001221		KMYSG125FK1500013	

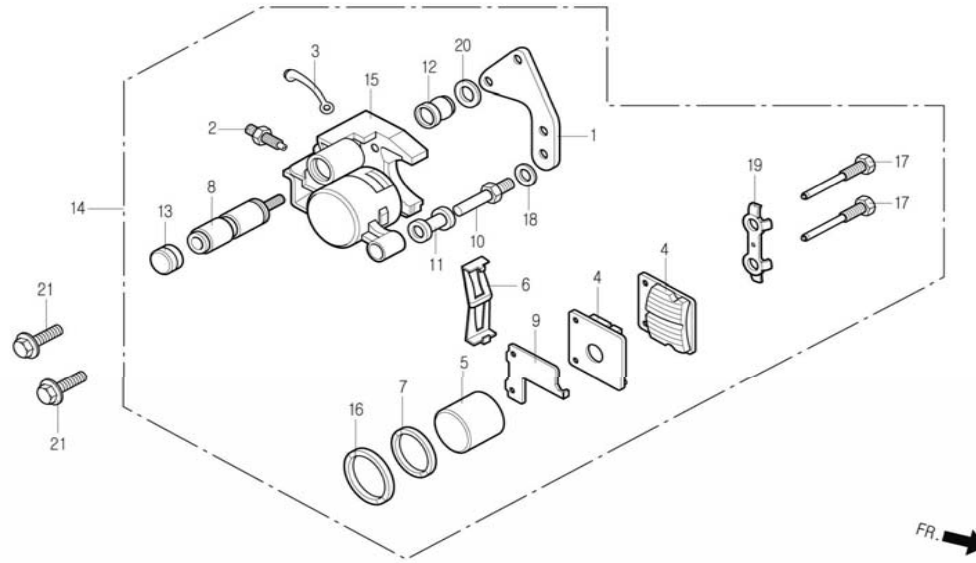
# F-10



## FRONT BRAKE CALIPER

Service item	FRT	Ref.		Description	QTY	A/S	Exch	Start Date	End Date	Start FRM.No	End FRM.No
		No.	Part No.								
PAD COMP.	0.2	1	43210-SA1-0000	BRACKET, RR.	1	Y		20000320		KMYSG125JYC009479	
BRACKET, RR.	0.2	2	43352-SE6-9800	SCREW, BLEEDER	1	Y		20000320		KMYSG125FKW000001	
								19980408		KMYSG125FKW000001	
PISTON (ADD 0.1 FOR EACH) (INCLUDE RELATIVE PARTS)	0.5	3	43353-SE6-9800	CAP, BLEEDER	1	N		20000320		KMYSG125JYC009479	
								19980408		KMYSG125FKW000001	
CALIPER ASS'Y, FR.	0.4	4	45105-BA6-0060	PAD COMP.	2	Y	N	20000320	20020916	KMYSG125JYC009479	KMYSG125J2C020379
								19980526	19991231	KMYSG125FKW003915	KMYSG125FKY401000
		5	45107-BA6-0000	PISTON	1	N		20020917		KMYSG125J2C020380	
								19980408		KMYSG125FKW000001	
		6	45108-SE6-9800	SPRING, PAD	1	N		20000320		KMYSG125JYC009479	
								19980408		KMYSG125FKW000001	
		7	45109-BA6-0000	SEAL, DUST	1	N		20000320		KMYSG125JYC009479	
								19980408		KMYSG125FKW000001	
		8	45115-SE6-9800	PIN, SLIDE(DC)	1	N		20000320		KMYSG125JYC009479	
								19980408		KMYSG125FKW000001	
		9	45116-BA6-0000	SHIM, RH.(DC)	1	N		20000320		KMYSG125JYC009479	
								19980408		KMYSG125FKW000001	
		10	45131-SE6-9800	PIN, BOLT	1	N		20000320		KMYSG125JYC009479	
								19980408		KMYSG125FKW000001	

# F-10

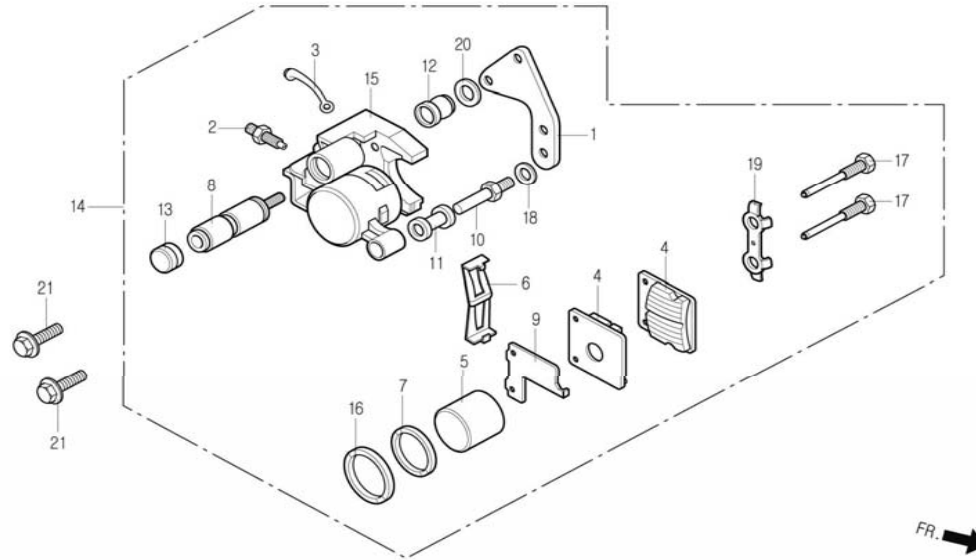


## FRONT BRAKE CALIPER

Service item	FRT	Ref. No.	Part No.	Description	QTY	A/S	Exch	Start Date	End Date	Start FRM.No	End FRM.No
		11	45132-SE6-9800	BUSH, PIN	1	N		20000320		KMYSG125JYC009479	
		12	45133-SE6-9800	BOOT, PIN	1	N		20000320		KMYSG125FKW000001	
		13	45134-SE6-9800	PLUG, DUST	1	N		20000320		KMYSG125JYC009479	
		14	45200-SA1-0000	CALIPER ASS'Y, FR.	1	N	N	20000320	20020916	KMYSG125JYC009479	KMYSG125J2C020379
			45200-SA1-0000-EU	CALIPER ASS'Y, FR.	1	Y		19980526	19991231	KMYSG125FKW003915	KMYSG125FKY401000
		15	45201-SA1-0000	BODY, CALIPER	1	Y		20020917		KMYSG125FKW000001	
								20000320		KMYSG125J2C020380	
		16	45209-BA6-0000	SEAL, PISTON	1	Y		20000320		KMYSG125JYC009479	
								19980408		KMYSG125FKW000001	
		17	45215-BA6-0000	PIN, HANGER	2	Y		20000320		KMYSG125JYC009479	
								19980408		KMYSG125FKW000001	
		18	45216-SE6-9800	WASHER, WAVE	1	Y		20000320		KMYSG125JYC009479	
								19980408		KMYSG125FKW000001	
		19	45217-BA6-0000	WASHER, TONGUED	1	Y		20000320		KMYSG125JYC009479	
								19980408		KMYSG125FKW000001	
		20	45218-SE6-9800	WASHER, CONICAL SPRING	1	Y		20000320		KMYSG125JYC009479	



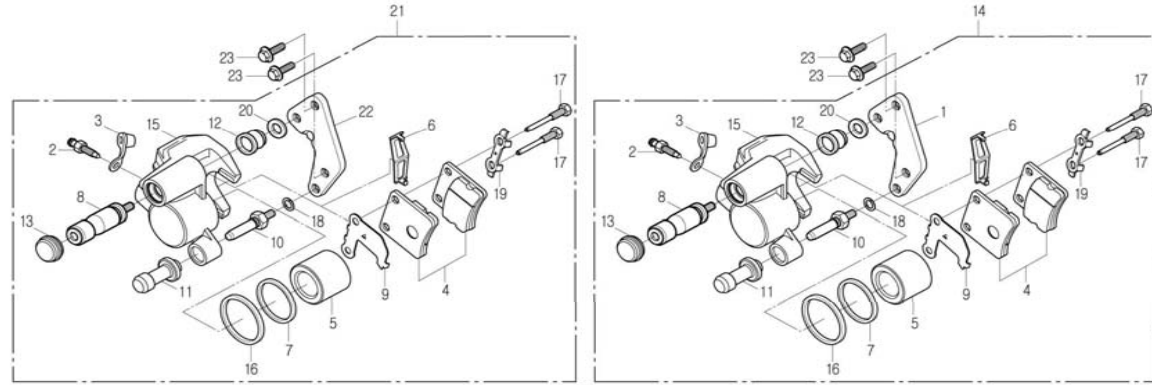
# F-10



## FRONT BRAKE CALIPER

Service item	FRT	Ref. No.	Part No.	Description	QTY	A/S	Exch	Start Date	End Date	Start FRM.No	End FRM.No
								19980408		KMYSG125FKW000001	
		21	S5801-08025-07	BOLT, FLANGE 8x25	2	Y	Y	19980408	19990531	KMYSG125FKW000001	KMYSG125FKX315335
			S5801-08025-08	BOLT, FLANGE 8x25	2	Y		20000320		KMYSG125JYC009479	
								19990601		KMYSG125FKX315336	

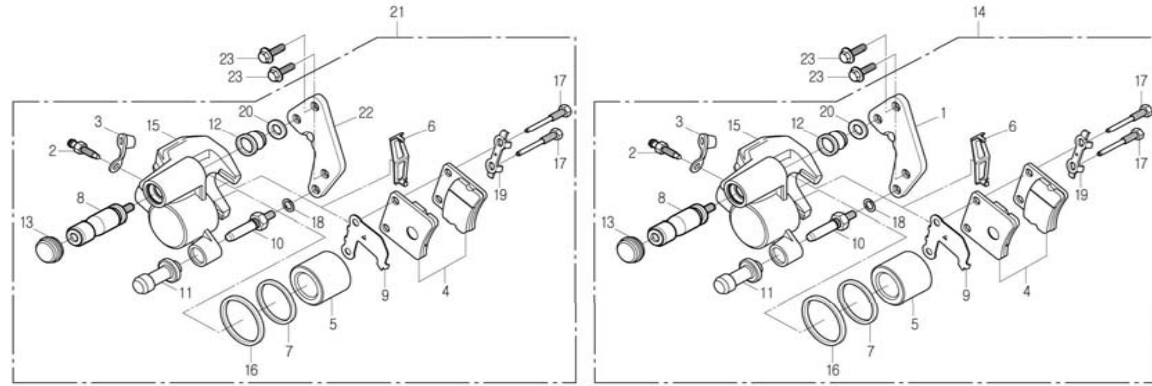
# F-10-L



## FRONT BRAKE CALIPER

Service item	FRT	Ref. No.	Part No.	Description	QTY	A/S	Exch	Start	End	Start	End
								Date	Date	FRM.No	FRM.No
PAD COMP.	0.2	1	43210-SA1-0000	BRACKET, RR.	1	Y		20001221		KMYSG125FK1500013	
		2	43352-SE6-9800	SCREW, BLEEDER	2	Y		20001221		KMYSG125FK1500013	
BRACKET, RR.	0.2	3	43353-SE6-9800	CAP, BLEEDER	2	N		20001221		KMYSG125FK1500013	
		4	45105-BA7-0001-EU	PAD COMP.	4	Y		20001221		KMYSG125FK1500013	
PISTON	0.5	5	45107-BA6-0000	PISTON	2	N		20001221		KMYSG125FK1500013	
(ADD 0.1 FOR EACH)											
(INCLUDE RELATIVE PARTS)		6	45108-SE6-9800	SPRING, PAD	2	N		20001221		KMYSG125FK1500013	
		7	45109-BA6-0000	SEAL, DUST	2	N		20001221		KMYSG125FK1500013	
CALIPER ASS'Y, FR.	0.4	8	45115-SE6-9800	PIN, SLIDE(DC)	2	N		20001221		KMYSG125FK1500013	
		9	45116-BA6-0000	SHIM, RH.(DC)	2	N		20001221		KMYSG125FK1500013	
		10	45131-SE6-9800	PIN, BOLT	2	N		20001221		KMYSG125FK1500013	
		11	45132-SE6-9800	BUSH, PIN	2	N		20001221		KMYSG125FK1500013	
		12	45133-SE6-9800	BOOT, PIN	2	N		20001221		KMYSG125FK1500013	
		13	45134-SE6-9800	PLUG, DUST	2	N		20001221		KMYSG125FK1500013	
		14	45200-SA1-0000-EU	CALIPER ASS'Y, FR.	1	Y		20001221		KMYSG125FK1500013	
		15	45201-SA1-0000	BODY, CALIPER	2	Y		20001221		KMYSG125FK1500013	
		16	45209-BA6-0000	SEAL, PISTON	2	Y		20001221		KMYSG125FK1500013	
		17	45215-BA6-0000	PIN, HANGER	4	Y		20001221		KMYSG125FK1500013	
		18	45216-SE6-9800	WASHER, WAVE	2	Y		20001221		KMYSG125FK1500013	
		19	45217-BA6-0000	WASHER, TONGUED	2	Y		20001221		KMYSG125FK1500013	
		20	45218-SE6-9800	WASHER, CONICAL SPRING	2	Y		20001221		KMYSG125FK1500013	

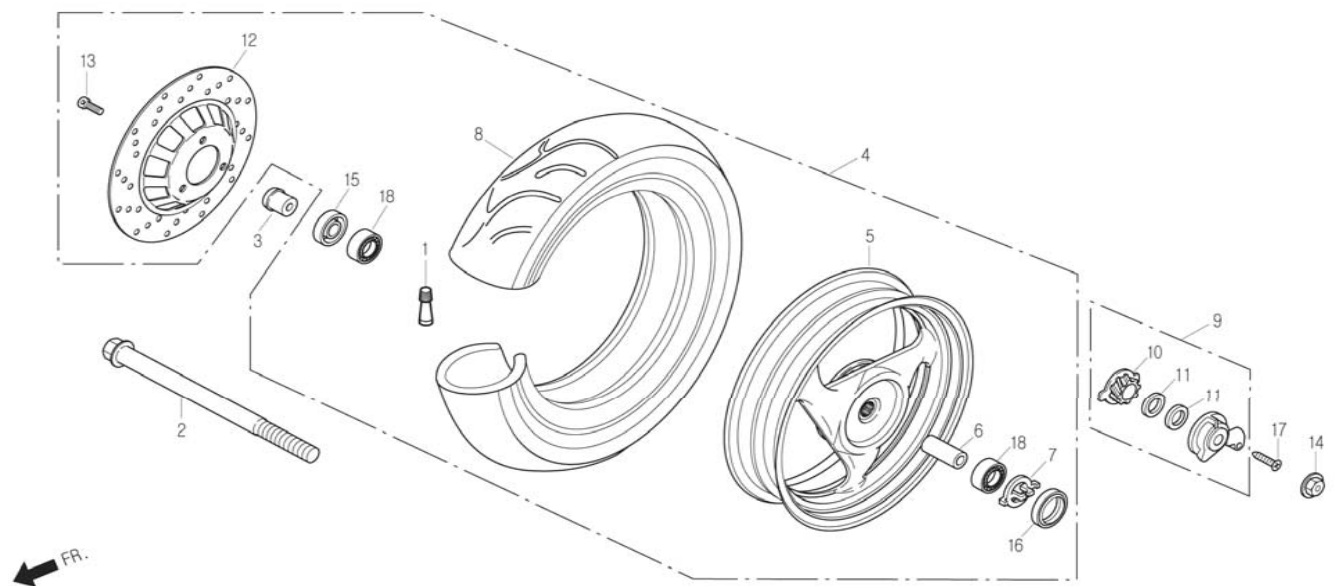
# F-10-L



## FRONT BRAKE CALIPER

Service item	FRT	Ref. No.	Part No.	Description	QTY	A/S	Exch	Start Date	End Date	Start FRM.No	End FRM.No
		21	46200-SA2-RB00	CALIPER ASS'Y, RR.	1	Y		20001221		KMYSG125FK1500013	
		22	46210-SA2-0000	BRACKET, RR.CALIPER	1	Y		20001221		KMYSG125FK1500013	
		23	S5801-08025-08	BOLT, FLANGE 8x25	2	Y		20001221		KMYSG125FK1500013	

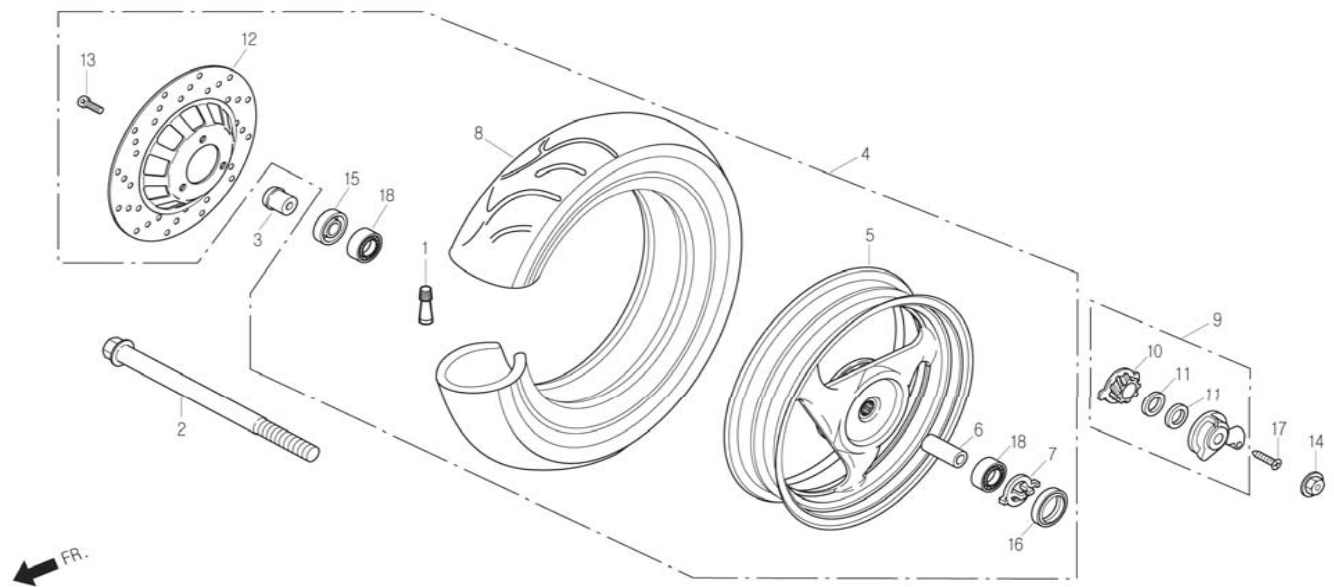
# F-11



## FRONT WHEEL

Service item	FRT	Ref.		Description	QTY	A/S	Exch	Start Date	End Date	Start FRM.No	End FRM.No
		No.	Part No.								
AXLE, FR.WHEEL	0.2	1	42753-BA7-9000	VALVE, RIM TR 412	1	Y	N	19980408	19990131	KMYSG125FKW000001	KMYSG125FKX308693
			42753-BA7-0000	VALVE, RIM TR 413	1	Y		20000320		KMYSG125JYC009479	
WHEEL, FR.CASTING	0.7							19990201		KMYSG125FKX308694	
		2	44301-SA1-0000	AXLE, FR.WHEEL	1	N	N	19980408	19990613	KMYSG125FKW000001	KMYSG125FKX316001
COLLAR, FR.AXLE DISTANCE	0.4		44301-SA1-0001	AXLE, FR.WHEEL	1	Y		20000320		KMYSG125JYC009479	
								19990614		KMYSG125FKX316002	
DISK, FR.BRAKE		3	44311-BA6-1002	COLLAR, FR.WHEEL SIDE	1	N	N	19980408	19990531	KMYSG125FKW000001	KMYSG125FKX315335
BEARING, RADIAL BALL 6301U (ADD 0.1 FOR EACH)			44311-CB3-1000	COLLAR, FR.WHEEL SIDE	1	Y		20000320		KMYSG125JYC009479	
								19990601		KMYSG125FKX315336	
		4	44600-SA1-0000	WHEEL ASS'Y, FR.	1	N	N	19980408	19991130	KMYSG125FKW000001	KMYSG125FKY400876
TIRE ASS'Y, FR.	0.6		44600-SA1-0102	WHEEL ASS'Y, FR.	1	Y	N	20000320		KMYSG125JYC009479	
								19981109	19990503	KMYSG125FKX006556	KMYSG125FKX314260
BOX ASS'Y, SPEEDOMETER GEAR	0.3		44600-SA1-RC00	WHEEL ASS'Y, FR.	1	N	N	19990504	19991130	KMYSG125FKX314261	KMYSG125FKY400876
			44600-SA1-RB00	WHEEL ASS'Y, FR.	1	N	N	19990504	20000423	KMYSG125FKX314261	KMYSG125FKY404594
			44600-SA1-RB02	WHEEL ASS'Y, FR.	1	Y		20000424		KMYSG125FKY404595	
		5	44601-SA1-0000	WHEEL, FR.CASTING	1	Y		19980408		KMYSG125FKW000001	
								20000320		KMYSG125JYC009479	
		6	44620-SA1-0000	COLLAR, FR.DISTANCE	1	Y		20000320		KMYSG125JYC009479	
								19980408		KMYSG125FKW000001	
		7	44680-BA6-0100	RETAINER, GEAR BOX	1	Y		20000320		KMYSG125JYC009479	
								19980408		KMYSG125FKW000001	
		8	44710-SA1-0003	TIRE ASS'Y, FR.(120/70-13 53K)	1	N	N	19980408	19981108	KMYSG125FKW000001	KMYSG125FKX006555

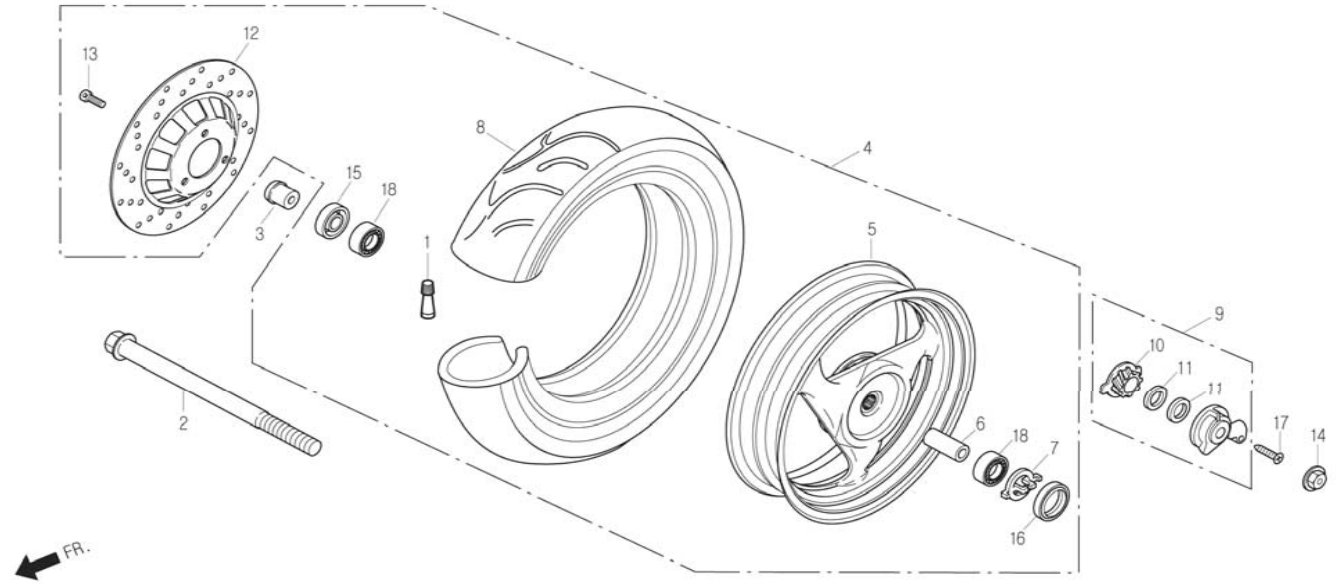
# F-11



## FRONT WHEEL

Service item	FRT	Ref.		Description	QTY	A/S	Exch	Start Date	End Date	Start FRM.No	End FRM.No
		No.	Part No.								
			44710-SA1-0100-M1	TIRE ASS'Y, FR.(120/70-13 53K)	1	N	N	20000320		KMYSG125JYC009479	
			44710-SA1-0200-M1	TIRE ASS'Y, FR.(120/70-13 53K)	1	Y		19981109	20000423	KMYSG125FKX006556	KMYSG125FKY404594
		9	44800-SA1-0001	BOX ASS'Y, SPEEDOMETER GEAR	1	Y	Y	20000424		KMYSG125FKY404595	
			44800-SA1-0000-M3	BOX ASS'Y, SPEEDOMETER GEAR	1	Y		19980408	20030408	KMYSG125FKW000001	KMYSG125FK3412825
								20000320	20030408	KMYSG125JYC009479	KMYSG125J3C020691
								20030409		KMYSG125J3C020692	
								20030409		KMYSG125FK3412826	
		10	44806-SA1-0000-M1	GEAR, SPEEDOMETER	1	N	Y	20000320	20030317	KMYSG125JYC009479	KMYSG125J3C020691
								19980408	20030317	KMYSG125FKW000001	KMYSG125FK3412825
			44806-SA1-0000-M3	GEAR, SPEEDOMETER	1	N		20030318		KMYSG125J3C020692	
								20030318		KMYSG125FK3412826	
		11	44808-BA6-7010-Y1	WASHER, GEAR	1	N	N	20000320	20030312	KMYSG125JYC009479	KMYSG125J3C020691
								19980408	20030312	KMYSG125FKW000001	KMYSG125FK3412825
			44809-BA7-0030-M3	WASHER, GEAR	2	Y		20030313		KMYSG125J3C020692	
								20030313		KMYSG125FK3412826	
		12	45121-SA1-0001	DISK, FR.BRAKE	1	Y		20000320		KMYSG125JYC009479	
								19980408		KMYSG125FKW000001	
			90101-BA5-1000	BOLT, SPECIAL FLANGE 8x32	3	N	N	19980408	19990531	KMYSG125FKW000001	KMYSG125FKX315335
			90101-BA5-0000	BOLT, SPECIAL FLANGE 8x32	3	Y		20000320		KMYSG125JYC009479	
								19990601		KMYSG125FKX315336	
		14	90306-BA7-0030	NUT, FLANGE 12mm	1	N	N	19980408	19990531	KMYSG125FKW000001	KMYSG125FKX315335
			90306-CB3-0000	NUT, FLANGE 12mm	1	Y		20000320		KMYSG125JYC009479	

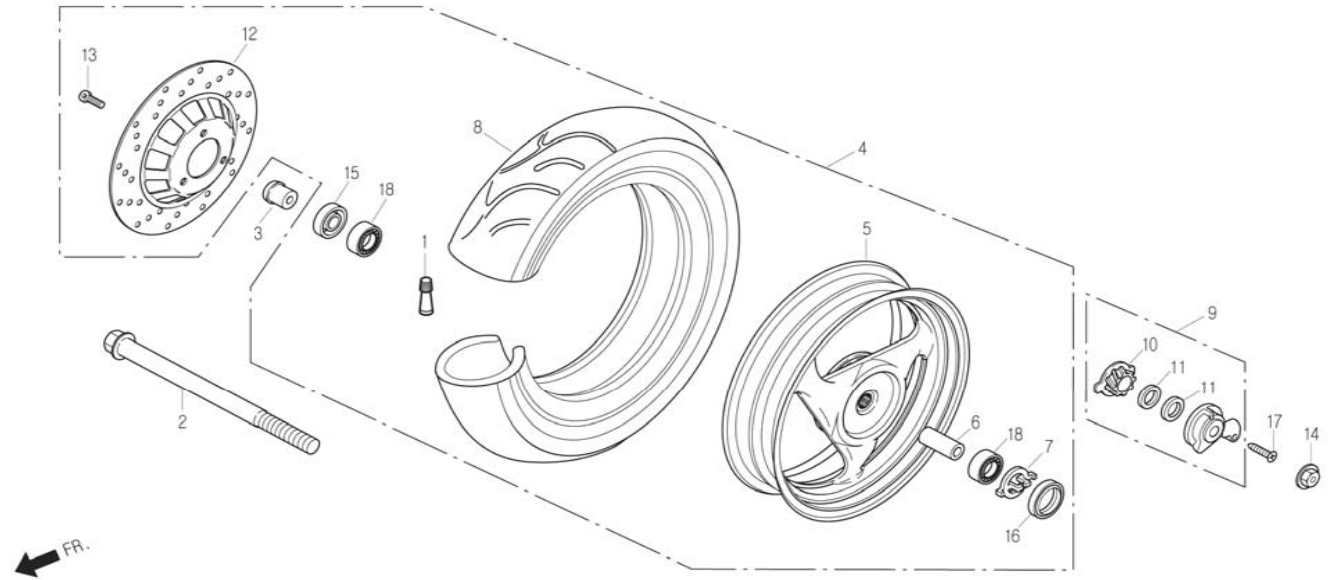
# F-11



## FRONT WHEEL

Service item	FRT	Ref. No.	Part No.	Description	QTY	A/S	Exch	Start Date	End Date	Start FRM.No	End FRM.No
								19990601		KMYSG125FKX315336	
		15	91252-BA6-0030	SEAL, OIL 23x37x7	1	Y		20000320		KMYSG125JYC009479	
								19980408		KMYSG125FKW000001	
		16	91258-BA6-0061	SEAL, DUST 40x50x5	1	Y		20000320		KMYSG125JYC009479	
								19980408		KMYSG125FKW000001	
		17	S3700-05016-0G	SCREW, OVAL 5x16	1	Y		20000320		KMYSG125JYC009479	
								19980408		KMYSG125FKW000001	
		18	S6140-63010-10	BEARING, RADIAL BALL 6301U	2	Y		20000320		KMYSG125JYC009479	
								19980408		KMYSG125FKW000001	

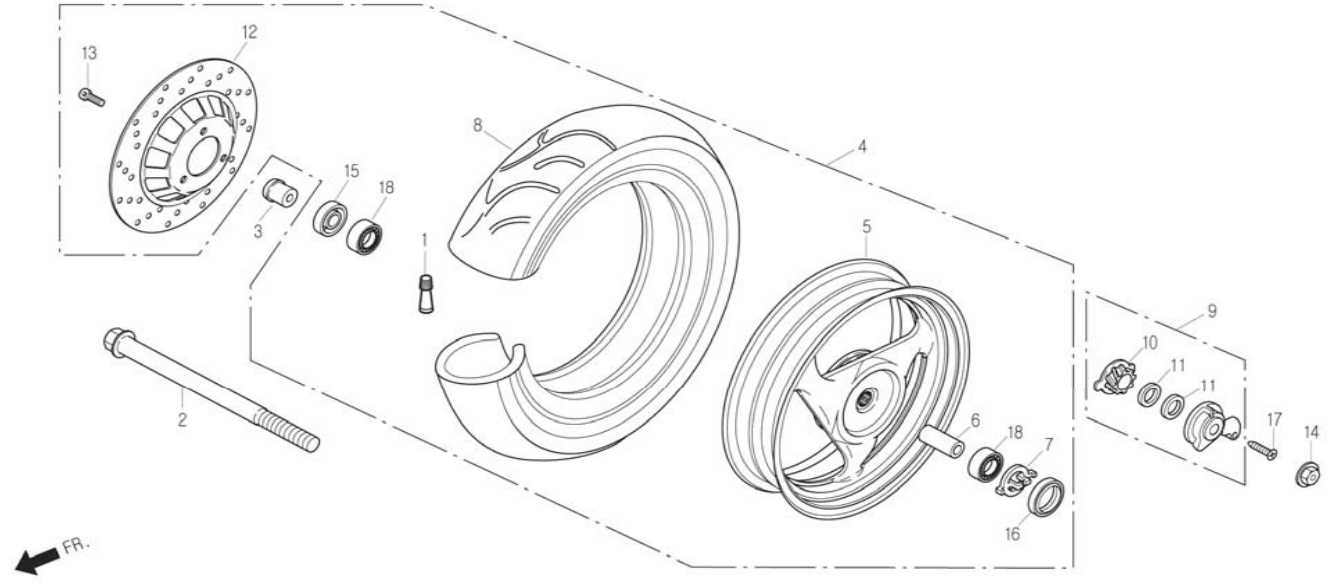
# F-11-L



## FRONT WHEEL

Service item	FRT	Ref. No.	Part No.	Description	QTY	A/S	Exch	Start Date	End Date	Start FRM.No	End FRM.No
AXLE, FR.WHEEL	0.2	1	42753-BA7-0000	VALVE, RIM TR 413	1	Y		20001221		KMYSG125FK1500013	
WHEEL, FR.CASTING	0.7	2	44301-SA1-0001	AXLE, FR.WHEEL	1	Y		20001221		KMYSG125FK1500013	
		3	44311-SA2-0000	COLLAR, FR.WHEEL SIDE	1	Y		20001221		KMYSG125FK1500013	
		4	44600-SA3-RB01	WHEEL ASS'Y, FR.	1	Y		20001221		KMYSG125FK1500013	
COLLAR, FR.DISTANCE	0.4	5	44601-SA3-RB00	WHEEL, FR.CASTING	1	Y		20001221		KMYSG125FK1500013	
		6	44620-SA3-RB00	COLLAR, FR.DISTANCE	1	Y		20001221		KMYSG125FK1500013	
DISK, FR.BRAKE		7	44680-BA6-0100	RETAINER, GEAR BOX	1	Y		20001221		KMYSG125FK1500013	
BEARING, RADIAL BALL 6301U (ADD 0.1 FOR EACH)		8	44711-SE1-0000	TIRE, FR.(120/70-12 53K)	1	Y		20001221		KMYSG125FK1500013	
TIRE ASS'Y, FR.	0.6	9	44800-SA1-0001	BOX ASS'Y, SPEEDOMETER GEAR	1	Y	Y	20001221	20030408	KMYSG125FK1500013	KMYSG125FK3412714
			44800-SA1-0000-M3	BOX ASS'Y, SPEEDOMETER GEAR	1	Y		20030409		KMYSG125FK3412715	
		10	44806-SA1-0000-M1	GEAR, SPEEDOMETER	1	N	Y	20001221	20030317	KMYSG125FK1500013	KMYSG125FK3412666
BOX ASS'Y, SPEEDOMETER GEAR	0.3		44806-SA1-0000-M3	GEAR, SPEEDOMETER	1	N		20030318		KMYSG125FK3412667	
		11	44808-BA6-7010-Y1	WASHER, GEAR	2	N	N	20001221	20030312	KMYSG125FK1500013	KMYSG125FK3412666
			44809-BA7-0030-M3	WASHER, GEAR	2	Y		20030313		KMYSG125FK3412667	
		12	45121-SA1-0001	DISK, FR.BRAKE	1	Y		20001221		KMYSG125FK1500013	
		13	90101-BA5-0000	BOLT, SPECIAL FLANGE 8x32	3	Y		20001221		KMYSG125FK1500013	
		14	90306-CB3-0000	NUT, FLANGE 12mm	1	Y		20001221		KMYSG125FK1500013	
		15	91252-BA6-0030	SEAL, OIL 23x37x7	1	Y		20001221		KMYSG125FK1500013	
		16	91258-BA6-0061	SEAL, DUST 40x50x5	1	Y		20001221		KMYSG125FK1500013	
		17	S3700-05016-0G	SCREW, OVAL 5x16	1	Y		20001221		KMYSG125FK1500013	

F-11-L

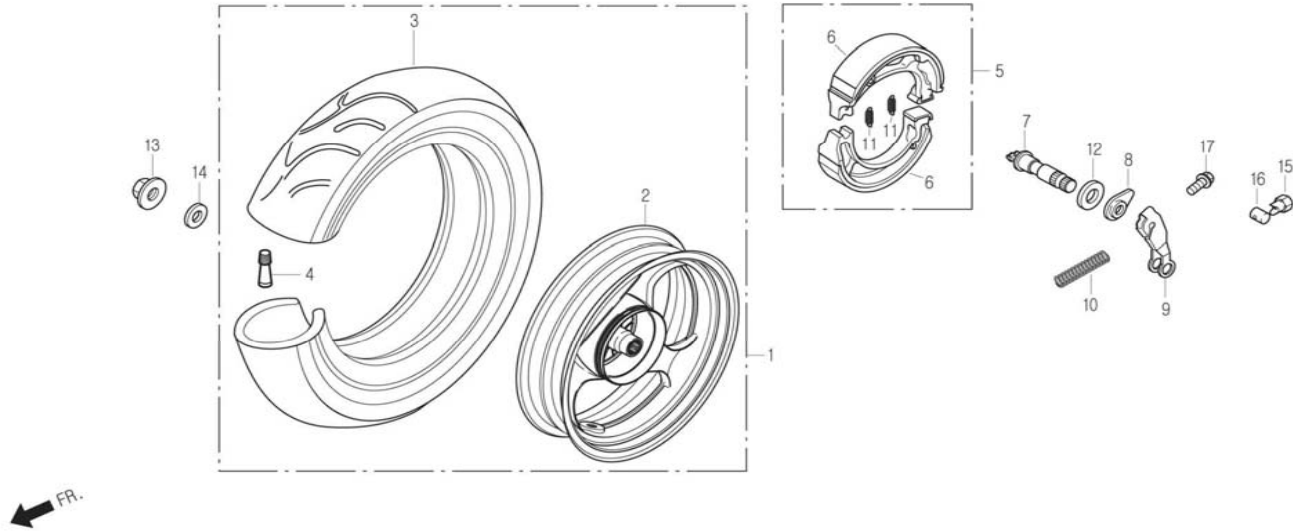


FRONT WHEEL

Service item	FRT	Ref. No.	Part No.	Description	QTY	A/S	Exch	Start Date	End Date	Start FRM.No	End FRM.No
		18	S6140-63010-10	BEARING, RADIAL BALL 6301U	2	Y		20001221		KMYSG125FK1500013	



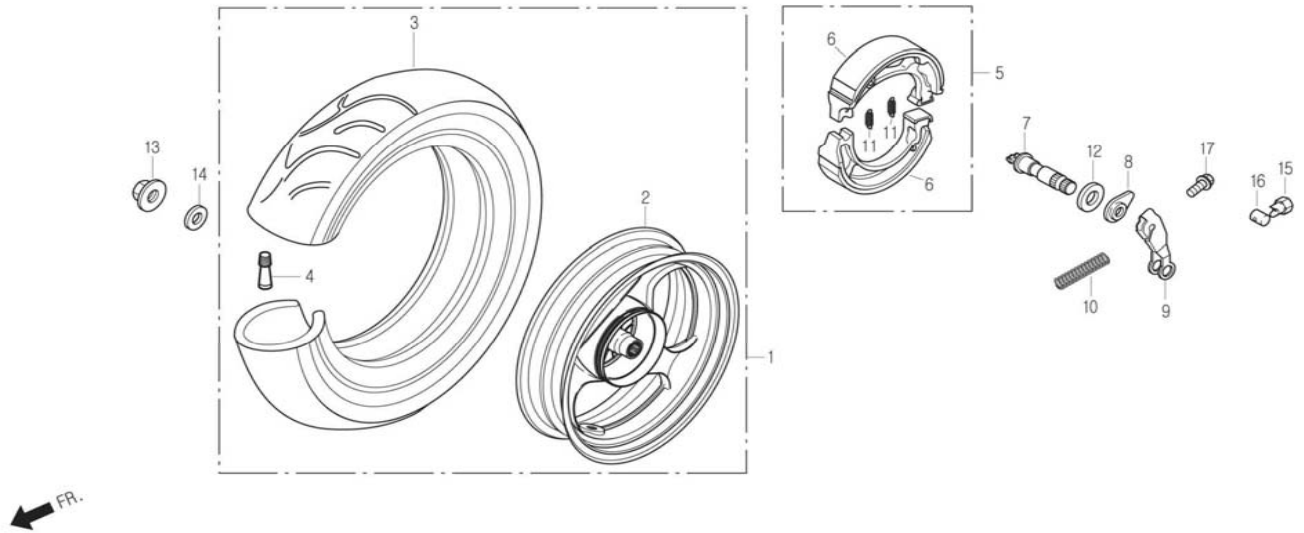
# F-12



## REAR WHEEL

Service item	FRT	Ref.		Description	QTY	A/S	Exch	Start Date	End Date	Start FRM.No	End FRM.No
		No.	Part No.								
WHEEL, RR.CASTING	0.8	1	42600-SA1-0001	WHEEL ASS'Y, RR.	1	N	N	20011001		KMYSG125J1C019564	
TIRE ASSY, RR.			42600-SA1-0100	WHEEL ASS'Y, RR.	1	Y	N	20000320	20010930	KMYSG125JYC009479	KMYSG125J1C019563
SHOE COMP., BRAKE	0.5		42600-SA1-RB00	WHEEL ASS'Y, RR.	1	N	N	19990901	20000423	KMYSG125FKX317573	KMYSG125FKY404594
CAM, RR.BRAKE	0.7	2	42601-SA1-0003	WHEEL, RR.CASTING	1	Y		20000320		KMYSG125JYC009479	
ARM, RR.BRAKE	0.6	3	42710-SA1-0003	TIRE ASS'Y, RR.(130/60-13 60K)	1	N	N	20000320		KMYSG125JYC009479	
			42710-SA1-0100-M1	TIRE ASS'Y, RR.(130/60-13 60K)	1	N	N	19981108	19981108	KMYSG125FKW000001	KMYSG125FKX006555
			42710-SA1-0200-M1	TIRE ASS'Y, RR.(130/60-13 60K)	1	Y		20000424		KMYSG125FKY404595	
		4	42753-BA7-9000	VALVE, RIM TR 412	1	Y	N	19980408	19990131	KMYSG125FKW000001	KMYSG125FKX308693
			42753-BA7-0000	VALVE, RIM TR 413	1	Y		20000320		KMYSG125JYC009479	
								19990201		KMYSG125FKX308694	
		5	4312B-CB2-0000	SHOE ASS'Y, RR.BRAKE	1	Y	N	20000320	20020916	KMYSG125JYC009479	KMYSG125J2C020379
								19980526	19991231	KMYSG125FKW003915	KMYSG125FKY401000
			4312A-SA1-0000-EU	SHOE ASS'Y, BRAKE	1	Y		20020917		KMYSG125J2C020380	
								19980408		KMYSG125FKW000001	
		6	43120-CB2-0032	SHOE COMP., BRAKE	2	N	N	20000320	20020916	KMYSG125JYC009479	KMYSG125J2C020379
								19980526	19991231	KMYSG125FKW003915	KMYSG125FKY401000
			43120-SA1-0000-EU	SHOE COMP., BRAKE	2	N		20020917		KMYSG125J2C020380	

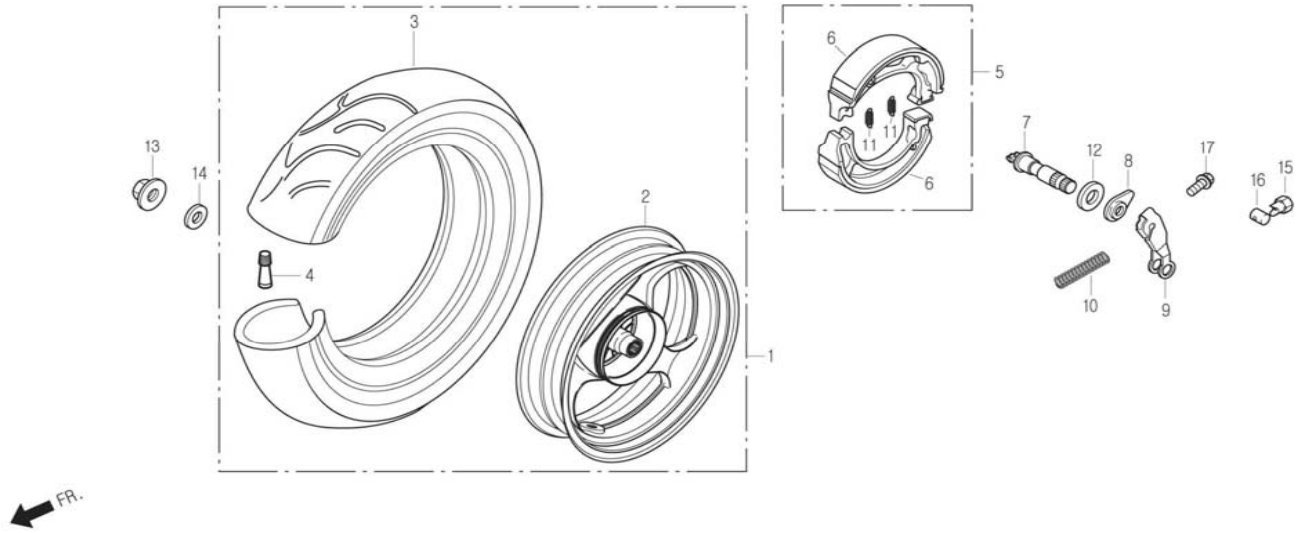
# F-12



## REAR WHEEL

Service item	FRT	Ref. No.	Part No.	Description	QTY	A/S	Exch	Start Date	End Date	Start FRM.No	End FRM.No
		7	43141-SC1-9501	CAM, RR.BRAKE	1	Y		19980408		KMYSG125FKW000001	
								19980408		KMYSG125FKW000001	
								20000320		KMYSG125JYC009479	
		8	43145-SE5-7500	INDICATOR, RR.BRAKE	1	Y	N	19980408	19990531	KMYSG125FKW000001	KMYSG125FKX315335
			43145-SB1-0000	INDICATOR, RR.BRAKE	1	Y		20000320		KMYSG125JYC009479	
								19990601		KMYSG125FKX315336	
		9	43410-SA1-0001	ARM, RR.BRAKE	1	Y		20000320		KMYSG125JYC009479	
								19980408		KMYSG125FKW000001	
		10	43472-SA1-0000	SPRING, RR.BRAKE ARM	1	Y		20000320		KMYSG125JYC009479	
								19980408		KMYSG125FKW000001	
		11	45133-CB2-0000	SPRING, RR.BRAKE SHOE	2	N		20000320		KMYSG125JYC009479	
								19980408		KMYSG125FKW000001	
		12	45134-CB2-0000	SEAL, BRAKE CAM DUST	1	Y		20000320		KMYSG125JYC009479	
								19980408		KMYSG125FKW000001	
		13	90305-CB2-0030	NUT, U 14mm	1	Y	N	19980408	19990531	KMYSG125FKW000001	KMYSG125FKX315335
			90305-SE5-0000	NUT, U 14mm	1	Y		20000320		KMYSG125JYC009479	
								19990601		KMYSG125FKX315336	
		14	90501-SE6-0001	WASHER 26x14xT2.8	1	Y		20000320		KMYSG125JYC009479	
								19980408		KMYSG125FKW000001	
		15	S5015-42000	NUT B, BRAKE ROD ADJUSTING	1	N	N	19980408	19990531	KMYSG125FKW000001	KMYSG125FKX315335
			S5015-BA6-0000-M1	NUT B, ADJUST(Y)	1	Y		20000320		KMYSG125JYC009479	
								19990601		KMYSG125FKX315336	

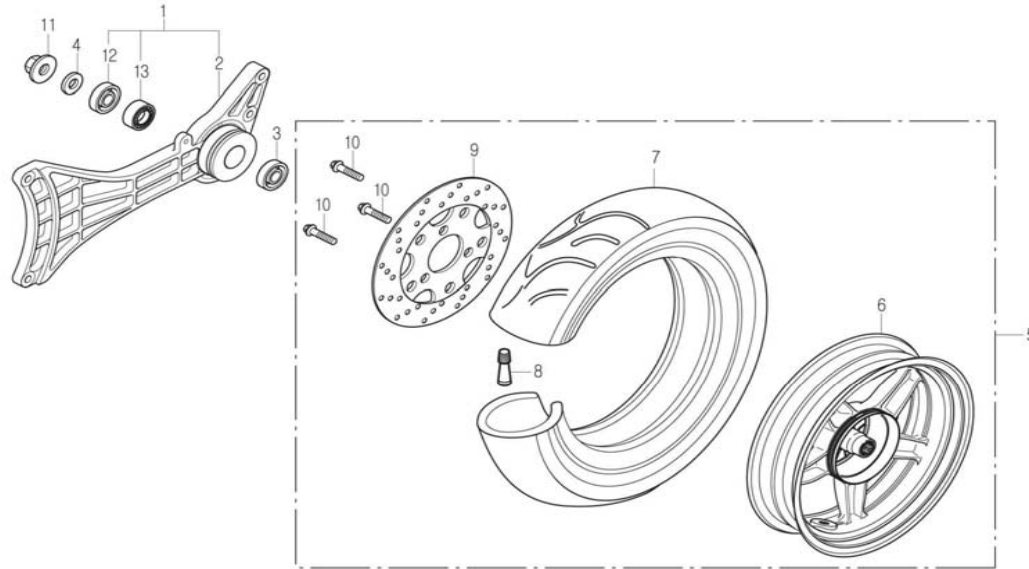
# F-12



## REAR WHEEL

Service item	FRT	Ref. No.	Part No.	Description	QTY	A/S	Exch	Start Date	End Date	Start FRM.No	End FRM.No
		16	S5015-32001	JOINT B, BRAKE ARM(W)	1	N	N	19980408	19990531	KMYSG125FKW000001	KMYSG125FKX315335
			S5016-CB3-0000	JOINT B, BRAKE ARM	1	Y		20000320		KMYSG125JYC009479	
								19990601		KMYSG125FKX315336	
		17	S5701-06030-00	BOLT, FLANGE 6x30	1	N	N	19980408	19990531	KMYSG125FKW000001	KMYSG125FKX315335
			S5701-06030-08	BOLT, FLANGE 6x30	1	Y		20000320		KMYSG125JYC009479	
								19990601		KMYSG125FKX315336	

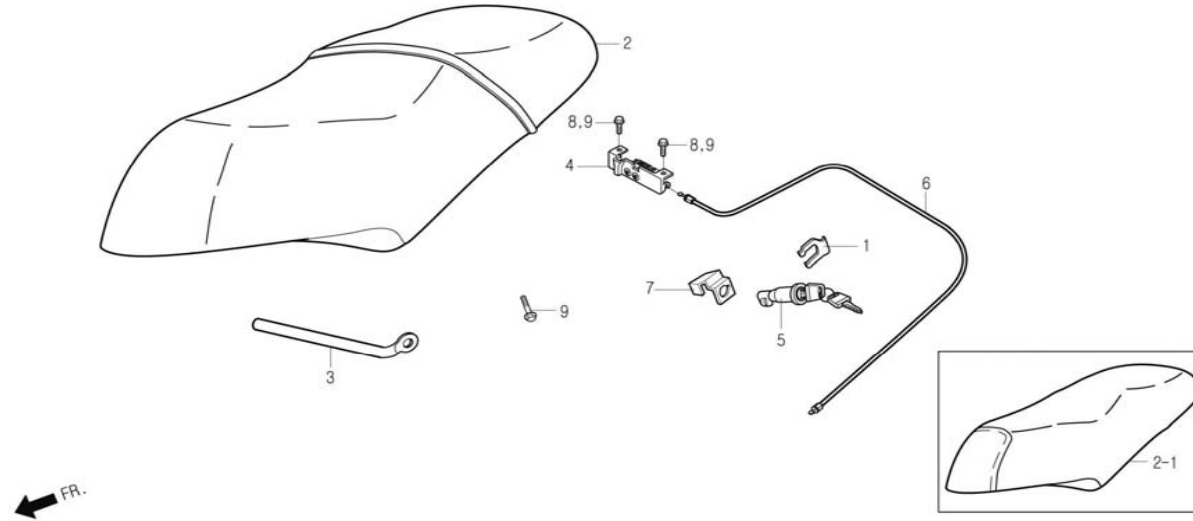
# F-12-L



## REAR WHEEL

Service item	FRT	Ref. No.	Part No.	Description	QTY	A/S	Exch	Start Date	End Date	Start FRM.No	End FRM.No
WHEEL, RR.CASTING	0.8	1	4230A-SA3-RB01	ARM ASSY, RR.SWING	1	Y		20001221		KMYSG125FK1500013	
		2	42301-SA3-RB01	ARM, RR.SWING	1	Y		20001221		KMYSG125FK1500013	
TIRE ASSY, RR.		3	42304-SA2-0000	COLLAR, RR.WHEEL INSIDE	1	Y		20001221		KMYSG125FK1500013	
		4	42305-SA2-0000	COLLAR, RR.WHEEL OUTSIDE	1	Y		20001221		KMYSG125FK1500013	
SHOE COMP., BRAKE	0.5	5	42600-SA2-0002	WHEEL ASS'Y, RR.	1	Y		20001221		KMYSG125FK1500013	
CAM, RR.BRAKE	0.7	6	42601-SA2-0000	WHEEL, RR.CASTING	1	N	Y	20001221	20021203	KMYSG125FK1500013	KMYSG125FK3412169
			42601-SA2-0000-M3	WHEEL COMP., RR.CASTING(W.F)	1	Y		20021204		KMYSG125FK3412170	
ARM, RR.BRAKE	0.6	7	42711-SE1-0000	TIRE, RR.(130/70-12 62K)	1	Y		20001221		KMYSG125FK1500013	
		8	42753-BA7-0000	VALVE, RIM TR 413	1	Y		20001221		KMYSG125FK1500013	
		9	45351-SA2-0000	DISK, RR.BRAKE	1	Y		20001221		KMYSG125FK1500013	
		10	90106-BA5-0001	BOLT, FR.DISK 8x24	3	Y		20001221		KMYSG125FK1500013	
		11	90305-SE5-0000	NUT, U 14mm	1	Y		20001221		KMYSG125FK1500013	
		12	91257-BA6-0031	SEAL, OIL 28x42x7	1	Y		20001221		KMYSG125FK1500013	
		13	S6150-63020-10	BEARING, RADIAL BALL 6302UU	1	Y		20001221		KMYSG125FK1500013	

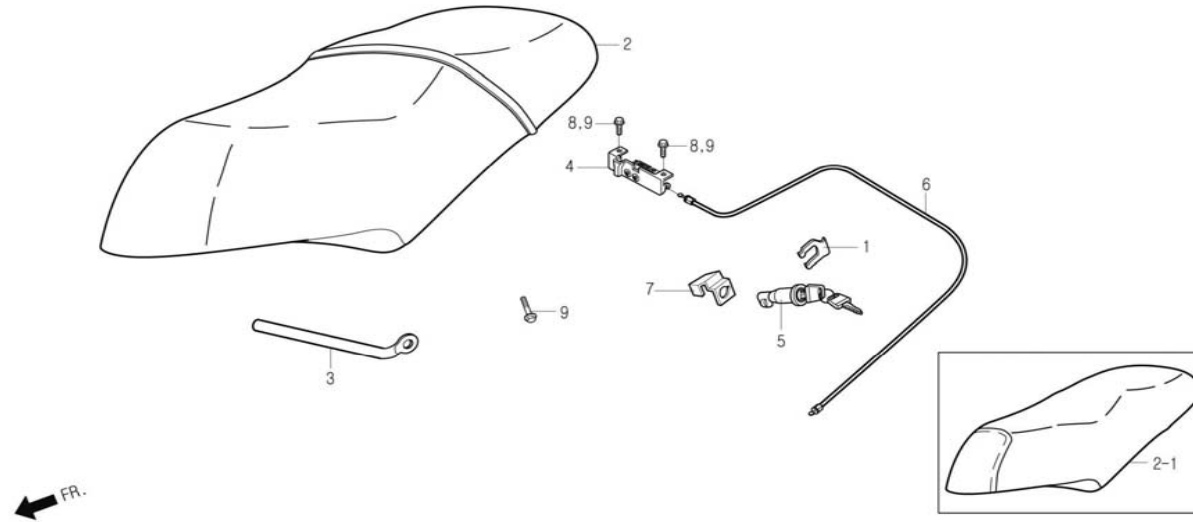
# F-13



## SEAT

Service item	FRT	Ref. No.	Part No.	Description	QTY	A/S	Exch	Start Date	End Date	Start FRM.No	End FRM.No
SEAT ASS'Y, DOUBLE	0.1	1	75581-SC1-9501	SET SPRING, LOCK KEY	1	N	Y	19980408	19991012	KMYSG125FKW000001	KMYSG125FKY318004
			75581-CB2-9201	SET SPRING, LOCK KEY	1	Y		20000320		KMYSG125JYC009479	
CATCH COMP., SEAT	0.2							19991013		KMYSG125FKY318005	
		2	77200-SA1-0000	SEAT ASS'Y, DOUBLE	1	N	N	19980408	19981108	KMYSG125FKW000001	KMYSG125FKX006555
LOCK, SEAT		2-1	77200-SA1-0102-EU	SEAT ASS'Y, DOUBLE	1	Y	N	19981109	20021113	KMYSG125FKX006556	KMYSG125FK3412288
			77200-SA1-0102	SEAT ASS'Y, DOUBLE	1	N	N	20000320	20010101	KMYSG125JYC009479	KMYSG125J1C018112
			77200-SA1-0200	SEAT ASS'Y, DOUBLE	1	N	N	20010102	20030101	KMYSG125J1C018113	KMYSG125J3C020508
			77200-SA1-0210	SEAT ASS'Y, DOUBLE	1	Y		20030102		KMYSG125J3C020509	
			77200-SA3-RB00	SEAT ASS'Y, DOUBLE	1	Y		20021114		KMYSG125FK3412289	
		3	77210-SA1-0003	PIN, SEAT HINGE	1	Y		20000320		KMYSG125JYC009479	
								19980408		KMYSG125FKW000001	
		4	77235-SA1-0000	CATCH COMP., SEAT	1	Y	N	20000320	20010227	KMYSG125JYC009479	KMYSG125J1C019042
								19980408	20010227	KMYSG125FKW000001	KMYSG125FK1408767
			77235-SA1-0101	CATCH COMP., SEAT	1	Y		20010228		KMYSG125J1C019043	
								20010228		KMYSG125FK1408768	
		5	77239-SA1-0000	KEY, SEAT LOCK	1	N	N	20000320		KMYSG125JYC009479	
								19980526	19991231	KMYSG125FKW003915	KMYSG125FKY401000
			77239-SA1-0000-EU	KEY, SEAT LOCK	1	N		19980408		KMYSG125FKW000001	
		6	77240-SA1-0000	CABLE, SEAT LOCK	1	Y		20000320		KMYSG125JYC009479	
								19980408		KMYSG125FKW000001	
		7	77242-SE6-0001	STAY, SEAT LOCK CABLE	1	Y		20000320		KMYSG125JYC009479	
								19980408		KMYSG125FKW000001	

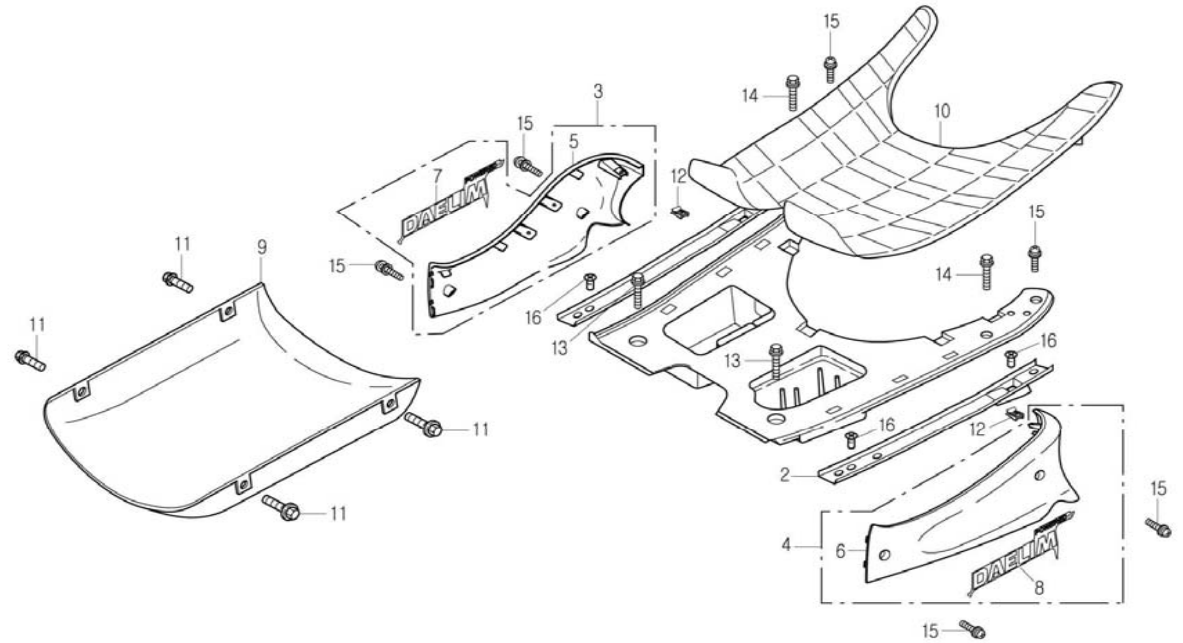
**F-13**



**SEAT**

Service item	FRT	Ref. No.	Part No.	Description	QTY	A/S	Exch	Start Date	End Date	Start FRM.No	End FRM.No
		8	90103-BA5-0000	SCREW, TORUS 6x12	2	Y		20001004		KMYSG125J1C017048	
								20001004		KMYSG125FK1407347	
		9	S5701-06012-07	BOLT, FLANGE 6x12	3	Y	N	19980408	19980728	KMYSG125FKW000001	KMYSG125FKW004887
			S5701-06012-08	BOLT, FLANGE 6x12	3	Y		20000320	20001003	KMYSG125JYC009479	KMYSG125J1C017047
								19980729	20001003	KMYSG125FKW004888	KMYSG125FK1407346
			S5701-06012-08	BOLT, FLANGE 6x12	1	Y		20001004		KMYSG125J1C017048	
								20001004		KMYSG125FK1407347	

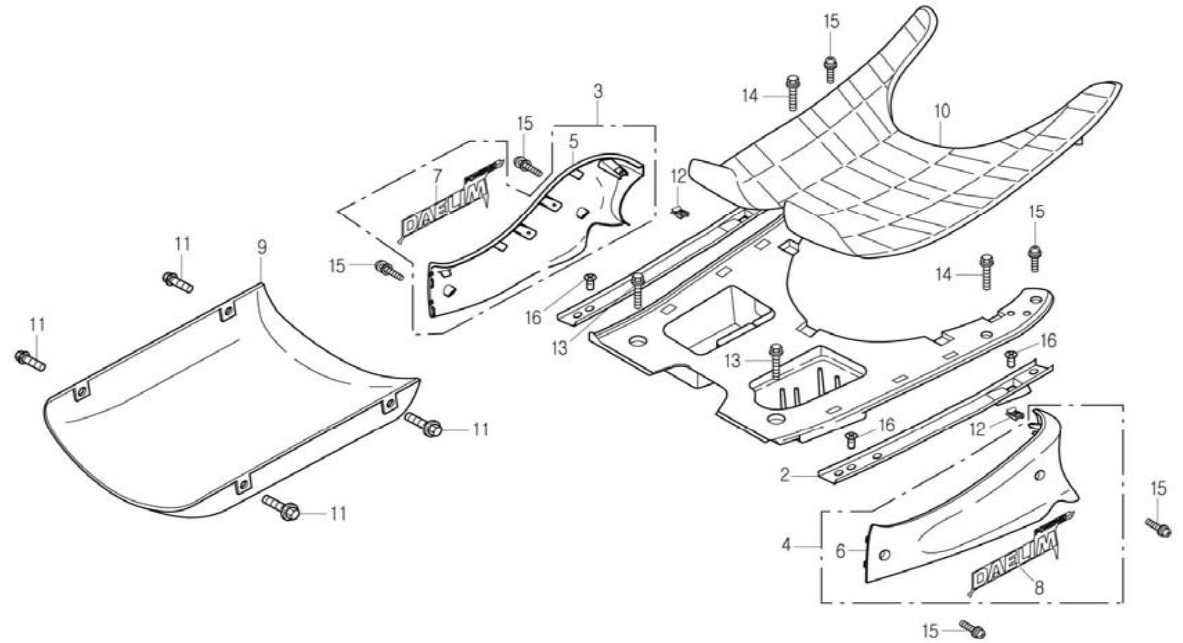
# F-14



## FLOOR SIDE COVER / UNDER COVER

Service item	FRT	Ref. No.	Part No.	Description	QTY	A/S	Exch	Start Date	End Date	Start FRM.No	End FRM.No
COVER, RH.FLOOR SIDE	0.2	1	50116-SA1-0002	BASE COMP., RH.FLOOR	1	Y		20000320		KMYSG125JYC009479	
COVER, LH.FLOOR SIDE		2	50117-SA1-0002	BASE COMP., LH.FLOOR	1	Y		20000320		KMYSG125FKW000001	
COVER, UNDER	0.3	3	5061A-SA1-0000-BL	COVER ASS'Y, RH.FLOOR SIDE(BLUE)	1	Y		19980408	19991231	KMYSG125FKW000001	KMYSG125FKY401000
			5061A-SA1-0000-BS	COVER ASS'Y, RH.FLOOR SIDE(B/SAPPHIRE)	1	Y		19981214	19991231	KMYSG125FKX007123	KMYSG125FKY401000
STEP, RH.PILLION	0.1		5061A-SA1-0000-CE	COVER ASS'Y, RH.FLOOR SIDE(C/BEIGE)	1	Y		20000901		KMYSG125JYC015712	
								19991119		KMYSG125FKY400781	
STEP, LH.PILLION			5061A-SA1-0000-DB	COVER ASS'Y, RH.FLOOR SIDE(D/BLUE)	1	Y		20020909		KMYSG125J2C020155	
								20001130		KMYSG125FK1408107	
			5061A-SA1-0000-DR	COVER ASS'Y, RH.FLOOR SIDE(D/RED)	1	Y		20000320		KMYSG125JYC009479	
								19991216		KMYSG125FKY400905	
			5061A-SA1-0000-ER	COVER ASS'Y, RH.FLOOR SIDE(E/RED)	1	Y		19981214	19991231	KMYSG125FKX007123	KMYSG125FKY401000
			5061A-SA1-0000-GR	COVER ASS'Y, RH.FLOOR SIDE(GREEN)	1	Y		19980408	19991118	KMYSG125FKW000001	KMYSG125FKY400780
			5061A-SA1-0000-GW	COVER ASS'Y, RH.FLOOR SIDE(G/WHITE)	1	Y		20010105	20020630	KMYSG125J1C018113	KMYSG125J2C020066
								19981214	19991231	KMYSG125FKX007123	KMYSG125FKY401000
			5061A-SA1-0100-GW	COVER ASS'Y, RH.FLOOR SIDE(G/WHITE)	1	Y	N	20000512	20010104	KMYSG125JYC012107	KMYSG125J1C018112
			5061A-SA1-0000-IG	COVER ASS'Y, RH.FLOOR SIDE(I/GRAY)	1	Y		20000901	20020930	KMYSG125JYC015712	KMYSG125J3C020484
								19990903		KMYSG125FKX317909	
			5061A-SA1-0000-LG	COVER ASS'Y, RH.FLOOR SIDE(L/GREEN)	1	Y		20010914		KMYSG125J1C019505	
								19990903		KMYSG125FKX317909	
			5061A-SA1-0000-NL	COVER ASS'Y, RH.FLOOR SIDE(N/BLUE)	1	Y		20000320		KMYSG125JYC009479	
								19991119		KMYSG125FKY400781	

# F-14

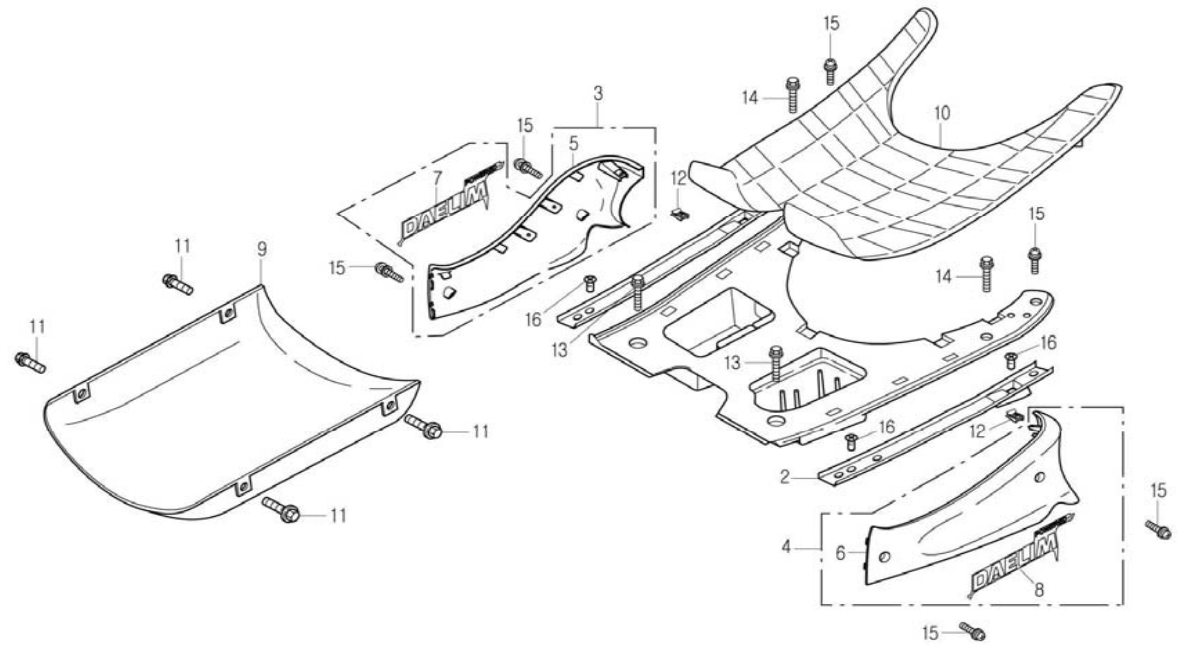


## FLOOR SIDE COVER / UNDER COVER

Service item	FRT	Ref. No.	Part No.	Description	QTY	A/S	Exch	Start	End	Start	End
								Date	Date	FRM.No	FRM.No
			5061A-SA1-0000-PB	COVER ASS'Y, RH.FLOOR SIDE(P/BLACK)	1	Y		20010105	20020630	KMYSG125J1C018113	KMYSG125J2C020066
			5061A-SA1-0100-PB	COVER ASS'Y, RH.FLOOR SIDE(P/BLACK)	1	Y	N	19981214	19991231	KMYSG125FKX007123	KMYSG125FKY401000
			5061A-SA1-0000-RD	COVER ASS'Y, RH.FLOOR SIDE(RED)	1	Y		20000603	20010104	KMYSG125JYC012924	KMYSG125J1C018112
			5061A-SA1-0000-RD	COVER ASS'Y, RH.FLOOR SIDE(RED)	1	Y		19980417	19991231	KMYSG125FKW001978	KMYSG125FKY401000
			5061A-SA1-0100-RD	COVER ASS'Y, RH.FLOOR SIDE(RED)	1	Y	N	20010105	20020630	KMYSG125J1C018113	KMYSG125J2C020066
			5061A-SA1-0000-SL	COVER ASS'Y, RH.FLOOR SIDE(SILVER)	1	Y		20000512	20010104	KMYSG125JYC012107	KMYSG125J1C018112
			5061A-SA1-0000-SL	COVER ASS'Y, RH.FLOOR SIDE(SILVER)	1	Y		20000320		KMYSG125JYC009479	
			5061B-SA1-0000-BL	COVER ASS'Y, LH.FLOOR SIDE(BLUE)	1	Y		19981214		KMYSG125FKX007123	
		4	5061B-SA1-0000-BL	COVER ASS'Y, LH.FLOOR SIDE(BLUE)	1	Y		19980408	19991231	KMYSG125FKW000001	KMYSG125FKY401000
			5061B-SA1-0000-BS	COVER ASS'Y, LH.FLOOR SIDE(B/SAPPHIRE)	1	Y		19981214	19991231	KMYSG125FKX007123	KMYSG125FKY401000
			5061B-SA1-0000-CE	COVER ASS'Y, LH.FLOOR SIDE(C/BEIGE)	1	Y	N	20000901	20001017	KMYSG125JYC015712	KMYSG125J1C017728
			5061B-SA1-0000-CE	COVER ASS'Y, LH.FLOOR SIDE(C/BEIGE)	1	Y		19991119	20001017	KMYSG125FKY400781	KMYSG125FK1407506
			5061B-SA3-RB00-CE	COVER ASS'Y, LH.FLOOR SIDE(C/BEIGE)	1	Y		20001018		KMYSG125J1C017729	
			5061B-SA3-RB00-CE	COVER ASS'Y, LH.FLOOR SIDE(C/BEIGE)	1	Y		20001018		KMYSG125FK1407507	
			5061B-SA3-RB00-DB	COVER ASS'Y, LH.FLOOR SIDE(D/BLUE)	1	Y		20020909		KMYSG125J2C020155	
			5061B-SA3-RB00-DB	COVER ASS'Y, LH.FLOOR SIDE(D/BLUE)	1	Y		20001130		KMYSG125FK1408107	
			5061B-SA1-0000-DR	COVER ASS'Y, LH.FLOOR SIDE(D/RED)	1	Y	N	20000320	20001017	KMYSG125JYC009479	KMYSG125J1C017728
			5061B-SA1-0000-DR	COVER ASS'Y, LH.FLOOR SIDE(D/RED)	1	Y		19991216	20001017	KMYSG125FKY400905	KMYSG125FK1407506
			5061B-SA3-RB00-DR	COVER ASS'Y, LH.FLOOR SIDE(D/RED)	1	Y		20001018		KMYSG125J1C017729	
			5061B-SA3-RB00-DR	COVER ASS'Y, LH.FLOOR SIDE(D/RED)	1	Y		20001018		KMYSG125FK1407507	
			5061B-SA1-0000-ER	COVER ASS'Y, LH.FLOOR SIDE(E/RED)	1	Y		19981214	19991206	KMYSG125FKX007123	KMYSG125FKY400904
			5061B-SA1-0000-GR	COVER ASS'Y, LH.FLOOR SIDE(GREEN)	1	Y		19980408	19991118	KMYSG125FKW000001	KMYSG125FKY400780
			5061B-SA1-0000-GW	COVER ASS'Y, LH.FLOOR SIDE(G/WHITE)	1	Y		19981214	19991231	KMYSG125FKX007123	KMYSG125FKY401000



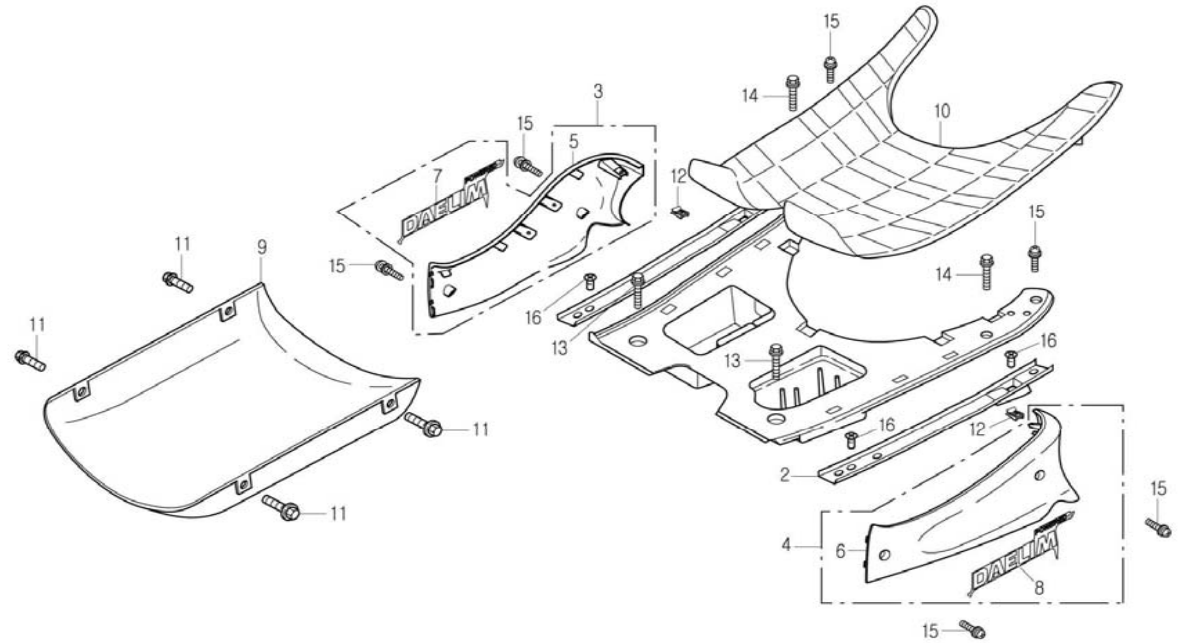
# F-14



## FLOOR SIDE COVER / UNDER COVER

Service item	FRT	Ref. No.	Part No.	Description	QTY	A/S	Exch	Start	End	Start	End
								Date	Date	FRM.No	FRM.No
			5061B-SA1-0100-GW	COVER ASS'Y, LH.FLOOR SIDE(G/WHITE)	1	Y	N	20000512	20010104	KMYSG125JYC012107	KMYSG125J1C018112
			5061B-SA3-RB00-GW	COVER ASS'Y, LH.FLOOR SIDE(G/WHITE)	1	Y		20010105	20020630	KMYSG125J1C018113	KMYSG125J2C020066
			5061B-SA1-0000-IG	COVER ASS'Y, LH.FLOOR SIDE(I/GRAY)	1	Y	N	19990903	20001017	KMYSG125FKX317909	KMYSG125FK1407506
								20000901	20001017	KMYSG125JYC015712	KMYSG125J1C017728
			5061B-SA3-RB00-IG	COVER ASS'Y, LH.FLOOR SIDE(I/GRAY)	1	Y		20001018		KMYSG125J1C017729	
								20001018		KMYSG125FK1407507	
			5061B-SA1-0000-LG	COVER ASS'Y, LH.FLOOR SIDE(L/GREEN)	1	Y	N	19990903	20001017	KMYSG125FKX317909	KMYSG125FK1407506
			5061B-SA3-RB00-LG	COVER ASS'Y, LH.FLOOR SIDE(L/GREEN)	1	Y		20001018		KMYSG125FK1407507	
								20001018		KMYSG125J1C017729	
			5061B-SA1-0000-NL	COVER ASS'Y, LH.FLOOR SIDE(N/BLUE)	1	Y	N	20000320	20001017	KMYSG125JYC009479	KMYSG125J1C017728
								19991119	20001017	KMYSG125FKY400781	KMYSG125FK1407506
			5061B-SA3-RB00-NL	COVER ASS'Y, LH.FLOOR SIDE(N/BLUE)	1	Y		20001018		KMYSG125J1C017729	
								20001018		KMYSG125FK1407507	
			5061B-SA1-0000-PB	COVER ASS'Y, LH.FLOOR SIDE(P/BLACK)	1	Y		19981214	19991231	KMYSG125FKX007123	KMYSG125FKY401000
			5061B-SA1-0100-PB	COVER ASS'Y, LH.FLOOR SIDE(P/BLACK)	1	Y	N	20000603	20010104	KMYSG125JYC012924	KMYSG125J1C018112
			5061B-SA3-RB00-PB	COVER ASS'Y, LH.FLOOR SIDE(P/BLACK)	1	Y		20010105	20020630	KMYSG125J1C018113	KMYSG125J2C020066
			5061B-SA1-0000-RD	COVER ASS'Y, LH.FLOOR SIDE(RED)	1	Y		19980417	19991231	KMYSG125FKW001978	KMYSG125FKY401000
			5061B-SA1-0100-RD	COVER ASS'Y, LH.FLOOR SIDE(RED)	1	Y	N	20000512	20010104	KMYSG125JYC012107	KMYSG125J1C018112
			5061B-SA3-RB00-RD	COVER ASS'Y, LH.FLOOR SIDE(RED)	1	Y		20010105	20020630	KMYSG125J1C018113	KMYSG125J2C020066
			5061B-SA1-0000-SL	COVER ASS'Y, LH.FLOOR SIDE(SILVER)	1	Y	N	20000320	20001017	KMYSG125JYC009479	KMYSG125J1C017728
								19981214	20001017	KMYSG125FKX007123	KMYSG125FK1407506
			5061B-SA3-RB00-SL	COVER ASS'Y, LH.FLOOR SIDE(SILVER)	1	Y		20001018		KMYSG125J1C017729	
								20001018		KMYSG125FK1407507	

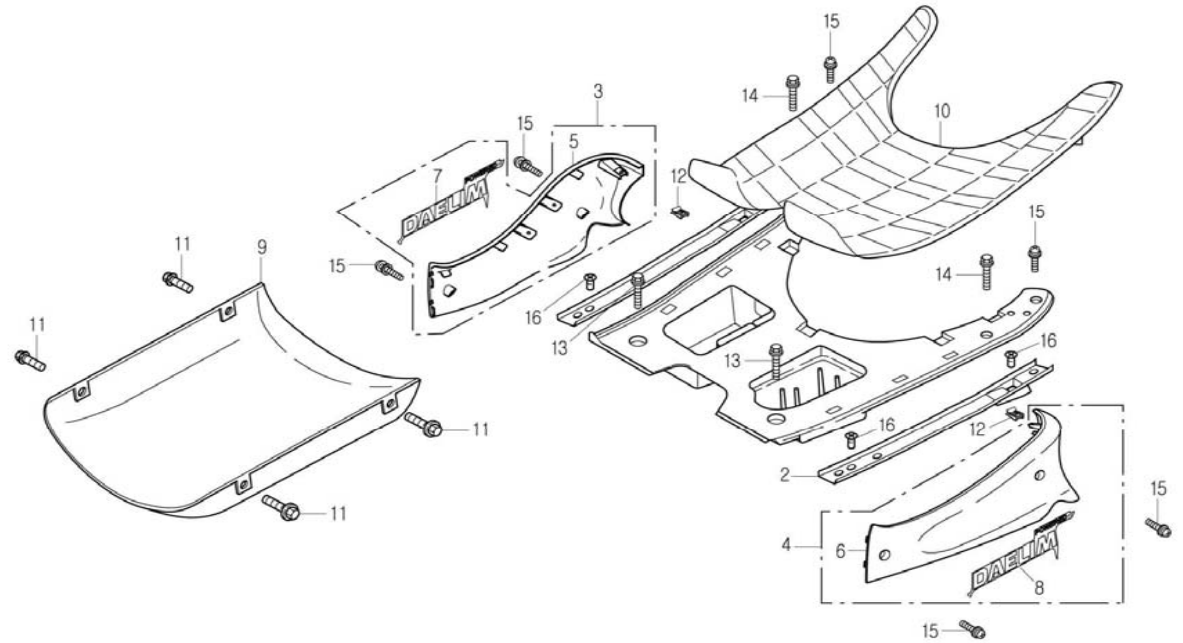
# F-14



## FLOOR SIDE COVER / UNDER COVER

Service item	FRT	Ref. No.	Part No.	Description	QTY	A/S	Exch	Start	End	Start	End
								Date	Date	FRM.No	FRM.No
		5	50613-SA1-0000-BL	COVER, RH.FLOOR SIDE(BLUE)	1	Y		19980408	19991231	KMYSG125FKW000001	KMYSG125FKY401000
			50613-SA1-0000-BS	COVER, RH.FLOOR SIDE(B/SAPPHIRE)	1	Y		19981214	19991231	KMYSG125FKX007123	KMYSG125FKY401000
			50613-SA1-0000-CE	COVER, RH.FLOOR SIDE(C/BEIGE)	1	Y		20000901		KMYSG125JYC015712	
								19991119		KMYSG125FKY400781	
			50613-SA1-0000-DB	COVER, RH.FLOOR SIDE(D/BLUE)	1	Y		20020909		KMYSG125J2C020155	
								20001130		KMYSG125FK1408107	
			50613-SA1-0000-DR	COVER, RH.FLOOR SIDE(D/RED)	1	Y		20000320		KMYSG125JYC009479	
								19991216		KMYSG125FKY400905	
			50613-SA1-0000-ER	COVER, RH.FLOOR SIDE(E/RED)	1	Y		19981214	19991231	KMYSG125FKX007123	KMYSG125FKY401000
			50613-SA1-0000-GR	COVER, RH.FLOOR SIDE(GREEN)	1	Y		19980408	19991118	KMYSG125FKW000001	KMYSG125FKY400780
			50613-SA1-0000-GW	COVER, RH.FLOOR SIDE(G/WHITE)	1	Y		20000512	20020630	KMYSG125JYC012107	KMYSG125J2C020066
								19981214	19991231	KMYSG125FKX007123	KMYSG125FKY401000
			50613-SA1-0000-IG	COVER, RH.FLOOR SIDE(I/GRAY)	1	Y		19990903		KMYSG125FKX317909	
								20000901	20020930	KMYSG125JYC015712	KMYSG125J3C020484
			50613-SA1-0000-LG	COVER, RH.FLOOR SIDE(L/GREEN)	1	Y		20010914		KMYSG125J1C019505	
								19990903		KMYSG125FKX317909	
			50613-SA1-0000-NL	COVER, RH.FLOOR SIDE(N/BLUE)	1	Y		20000320		KMYSG125JYC009479	
								19991119		KMYSG125FKY400781	
			50613-SA1-0000-PB	COVER, RH.FLOOR SIDE(P/BLACK)	1	Y		20000603	20020630	KMYSG125JYC012924	KMYSG125J2C020066
								19981214	19991231	KMYSG125FKX007123	KMYSG125FKY401000
			50613-SA1-0000-RD	COVER, RH.FLOOR SIDE(RED)	1	Y		20000512	20020630	KMYSG125JYC012107	KMYSG125J2C020066
								19980417	19991231	KMYSG125FKW001978	KMYSG125FKY401000
			50613-SA1-0000-SL	COVER, RH.FLOOR SIDE(SILVER)	1	Y		20000320		KMYSG125JYC009479	

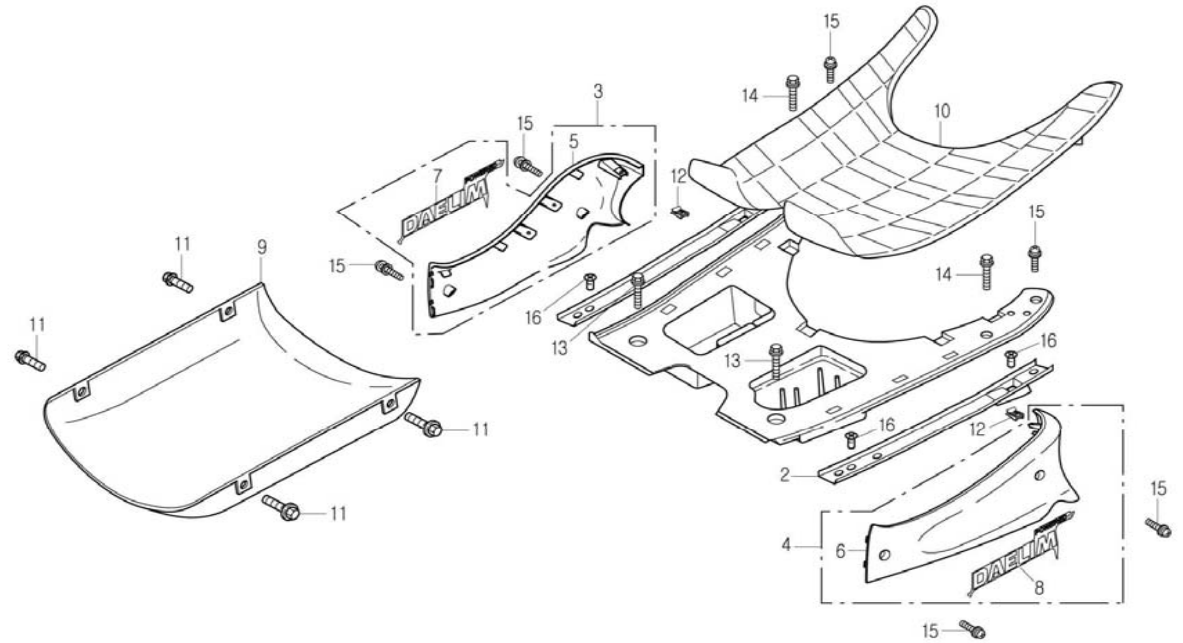
# F-14



## FLOOR SIDE COVER / UNDER COVER

Service item	FRT	Ref. No.	Part No.	Description	QTY	A/S	Exch	Start Date	End Date	Start FRM.No	End FRM.No
								19981214		KMYSG125FKX007123	
		6	50614-SA1-0000-BL	COVER, LH.FLOOR SIDE(BLUE)	1	Y		19980408	19991231	KMYSG125FKW000001	KMYSG125FKY401000
			50614-SA1-0000-BS	COVER, LH.FLOOR SIDE(B/SAPPHIRE)	1	Y		19981214	19991231	KMYSG125FKX007123	KMYSG125FKY401000
			50614-SA1-0000-CE	COVER, LH.FLOOR SIDE(C/BEIGE)	1	Y	N	19991119	20001017	KMYSG125FKY400781	KMYSG125FK1407506
								20000901	20001017	KMYSG125JYC015712	KMYSG125J1C017728
			50614-SA3-RB00-CE	COVER, LH.FLOOR SIDE(C/BEIGE)	1	Y		20001018		KMYSG125J1C017729	
								20001018		KMYSG125FK1407507	
			50614-SA3-RB00-DB	COVER, LH.FLOOR SIDE(D/BLUE)	1	Y		20020909		KMYSG125J2C020155	
								20001130		KMYSG125FK1408107	
			50614-SA1-0000-DR	COVER, LH.FLOOR SIDE(D/RED)	1	Y	N	20000320	20001017	KMYSG125JYC009479	KMYSG125J1C017728
								19991216	20001017	KMYSG125FKY400905	KMYSG125FK1407506
			50614-SA3-RB00-DR	COVER, LH.FLOOR SIDE(D/RED)	1	Y		20001018		KMYSG125J1C017729	
								20001018		KMYSG125FK1407507	
			50614-SA1-0000-ER	COVER, LH.FLOOR SIDE(E/RED)	1	Y		19981214	19991231	KMYSG125FKX007123	KMYSG125FKY401000
			50614-SA1-0000-GR	COVER, LH.FLOOR SIDE(GREEN)	1	Y		19980408	19991118	KMYSG125FKW000001	KMYSG125FKY400780
			50614-SA1-0000-GW	COVER, LH.FLOOR SIDE(G/WHITE)	1	Y	N	20000512	20010104	KMYSG125JYC012107	KMYSG125J1C018112
								19981214	19991231	KMYSG125FKX007123	KMYSG125FKY401000
			50614-SA3-RB00-GW	COVER, LH.FLOOR SIDE(G/WHITE)	1	Y		20010105	20020630	KMYSG125J1C018113	KMYSG125J2C020066
			50614-SA1-0000-IG	COVER, LH.FLOOR SIDE(I/GRAY)	1	Y	N	19990903	20001017	KMYSG125FKX317909	KMYSG125FK1407506
								20000901	20001017	KMYSG125JYC015712	KMYSG125J1C017728
			50614-SA3-RB00-IG	COVER, LH.FLOOR SIDE(I/GRAY)	1	Y		20001018	20020930	KMYSG125J1C017729	KMYSG125J3C020484
								20001018		KMYSG125FK1407507	

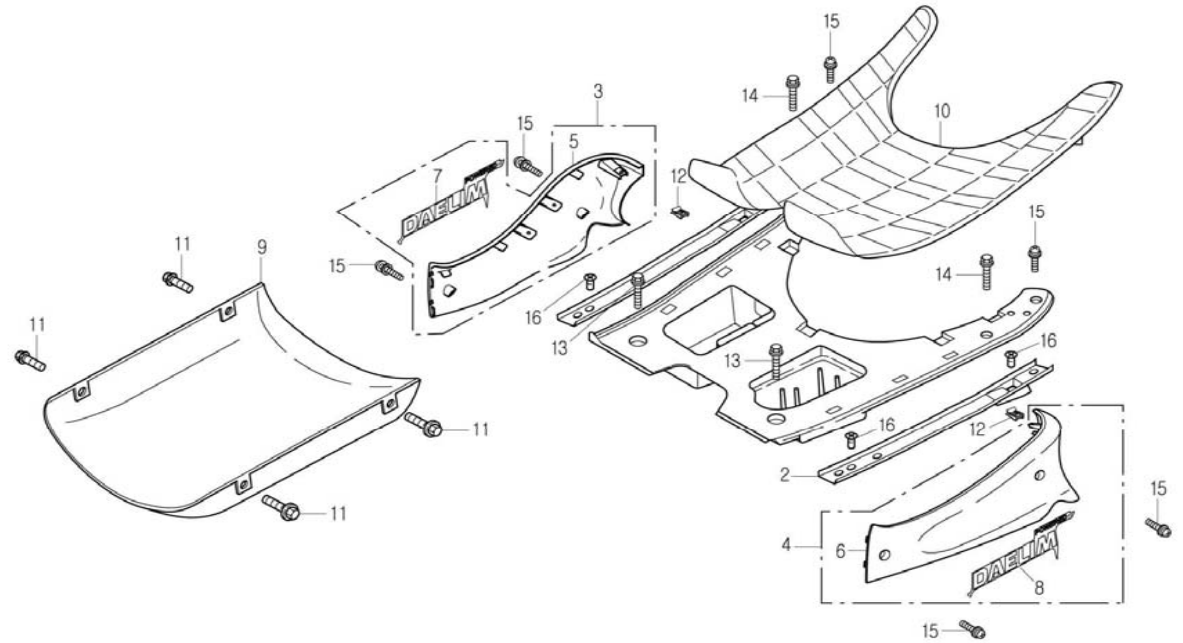
# F-14



## FLOOR SIDE COVER / UNDER COVER

Service item	FRT	Ref. No.	Part No.	Description	QTY	A/S	Exch	Start Date	End Date	Start FRM.No	End FRM.No
			50614-SA1-0000-LG	COVER, LH.FLOOR SIDE(L/GREEN)	1	Y	N	19990903	20001017	KMYSG125FKX317909	KMYSG125FK1407506
			50614-SA3-RB00-LG	COVER, LH.FLOOR SIDE(L/GREEN)	1	Y		20001018		KMYSG125FK1407507	
								20010914		KMYSG125J1C019505	
			50614-SA1-0000-NL	COVER, LH.FLOOR SIDE(N/BLUE)	1	Y	N	20000320	20001017	KMYSG125JYC009479	KMYSG125J1C017728
								19991119	20001017	KMYSG125FKY400781	KMYSG125FK1407506
			50614-SA3-RB00-NL	COVER, LH.FLOOR SIDE(N/BLUE)	1	Y		20001018		KMYSG125FK1407507	
								20001018		KMYSG125J1C017729	
			50614-SA1-0000-PB	COVER, LH.FLOOR SIDE(P/BLACK)	1	Y	N	20000603	20010104	KMYSG125JYC012924	KMYSG125J1C018112
								19981214	19991231	KMYSG125FKX007123	KMYSG125FKY401000
			50614-SA3-RB00-PB	COVER, LH.FLOOR SIDE(P/BLACK)	1	Y		20010105	20020630	KMYSG125J1C018113	KMYSG125J2C020066
			50614-SA1-0000-RD	COVER, LH.FLOOR SIDE(RED)	1	Y	N	20000512	20010104	KMYSG125JYC012107	KMYSG125J1C018112
								19980417	19991231	KMYSG125FKW001978	KMYSG125FKY401000
			50614-SA3-RB00-RD	COVER, LH.FLOOR SIDE(RED)	1	Y		20010105	20020630	KMYSG125J1C018113	KMYSG125J2C020066
			50614-SA1-0000-SL	COVER, LH.FLOOR SIDE(SILVER)	1	Y	N	20000320	20001017	KMYSG125JYC009479	KMYSG125J1C017728
								19980114	20001017	KMYSG125FKW000001	KMYSG125FK1407506
			50614-SA3-RB00-SL	COVER, LH.FLOOR SIDE(SILVER)	1	Y		20001018		KMYSG125J1C017729	
								20001018		KMYSG125FK1407507	
		7	50615-SA1-0100-GW	MARK, RH.FLOOR SIDE COVER(G/WHITE)	1	Y		20000512	20010104	KMYSG125JYC012107	KMYSG125J1C018112
			50615-SA1-0100-PB	MARK, RH.FLOOR SIDE COVER(P/BLACK)	1	Y		20000603	20010104	KMYSG125JYC012924	KMYSG125J1C018112
			50615-SA1-0100-RD	MARK, RH.FLOOR SIDE COVER(RED)	1	Y		20000512	20010104	KMYSG125JYC012107	KMYSG125J1C018112
		8	50616-SA1-0100-GW	COVER ASS'Y, LH.FLOOR SIDE(G/WHITE)	1	Y		20000512	20010104	KMYSG125JYC012107	KMYSG125J1C018112
			50616-SA1-0100-PB	COVER ASS'Y, LH.FLOOR SIDE(P/BLACK)	1	Y		20000603	20010104	KMYSG125JYC012924	KMYSG125J1C018112
			50616-SA1-0100-RD	COVER ASS'Y, LH.FLOOR SIDE(RED)	1	Y		20000512	20010104	KMYSG125JYC012107	KMYSG125J1C018112

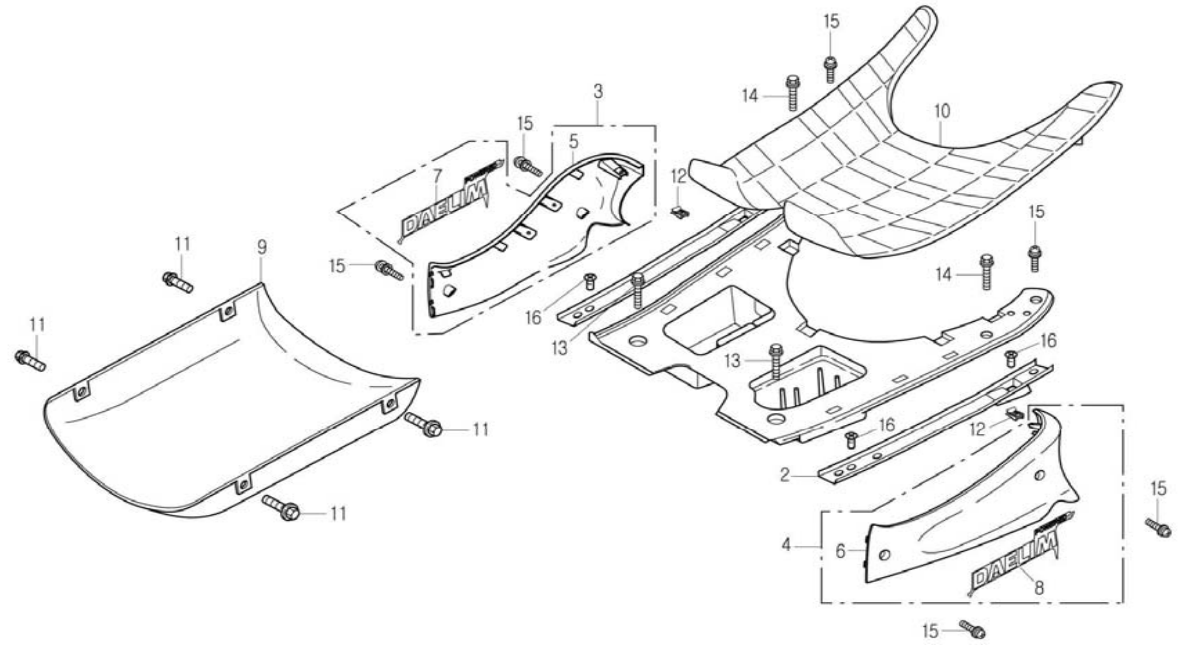
# F-14



## FLOOR SIDE COVER / UNDER COVER

Service item	FRT	Ref. No.	Part No.	Description	QTY	A/S	Exch	Start	End	Start	End			
								Date	Date	FRM.No	FRM.No			
		9	50621-SA1-0000	COVER, UNDER	1	Y	N	20000320	20010101	KMYSG125JYC009479	KMYSG125J1C018112			
				50621-SA1-RB10	COVER, UNDER	1	Y	N	19980408	19991012	KMYSG125FKW000001	KMYSG125FKY318004		
				50621-SA1-RB10	COVER, UNDER	1	Y	N	20010102	20030101	KMYSG125J1C018113	KMYSG125J3C020508		
				50621-SA3-RB00	COVER, UNDER	1	Y	N	19991013	20001031	KMYSG125FKY318005	KMYSG125FK1407506		
				50621-SA3-RB10	COVER, UNDER	1	Y	N	20001101	20020510	KMYSG125FK1407507	KMYSG125FK2411711		
				50621-SA3-RB10-BK	COVER, UNDER(BLACK)	1	Y		20020511	20021113	KMYSG125FK2411712	KMYSG125FK3412288		
		10		64320-SA1-0000-EU	64320-SA1-0000	MAT, FLOOR	1	Y	N	20030102		KMYSG125J3C020509		
						64320-SA1-0000	MAT, FLOOR	1	Y		20021114		KMYSG125FK3412289	
						64320-SA1-0000-EU	MAT, FLOOR	1	Y	N	19980408	19991012	KMYSG125FKW000001	KMYSG125FKY318004
						64320-SA1-0000	MAT, FLOOR	1	Y	N	20000320	20010101	KMYSG125JYC009479	KMYSG125J1C018112
						64320-SA1-0000	MAT, FLOOR	1	Y	N	19980526	19981108	KMYSG125FKW003915	KMYSG125FKX006555
						64320-SA1-RB10	MAT, FLOOR	1	Y	N	20010102	20030101	KMYSG125J1C018113	KMYSG125J3C020508
		11		90115-HD2-8900	90115-HD2-8900	SCREW, UPPER COVER SETTING 5x18	4	Y	N	19991013	20021113	KMYSG125FKY318005	KMYSG125FK3412288	
						90115-SE5-5000	SCREW, UPPER COVER SETTING 5x18	4	Y		20021114		KMYSG125FK3412289	
						90115-SE5-5000	SCREW, UPPER COVER SETTING 5x18	4	Y		20030102		KMYSG125J3C020509	
12		90677-SE5-0030	90677-SE5-0030	NUT, CLIP 5mm	2	Y		20000320		KMYSG125JYC009479				
				90677-SE5-0030	NUT, CLIP 5mm	2	Y		19980408		KMYSG125FKW000001			
13		S3404-06020-08	S3404-06020-08	BOLT, WASHER 6x20	2	Y		20000320		KMYSG125JYC009479				
				S3404-06020-08	BOLT, WASHER 6x20	2	Y		19980408		KMYSG125FKW000001			

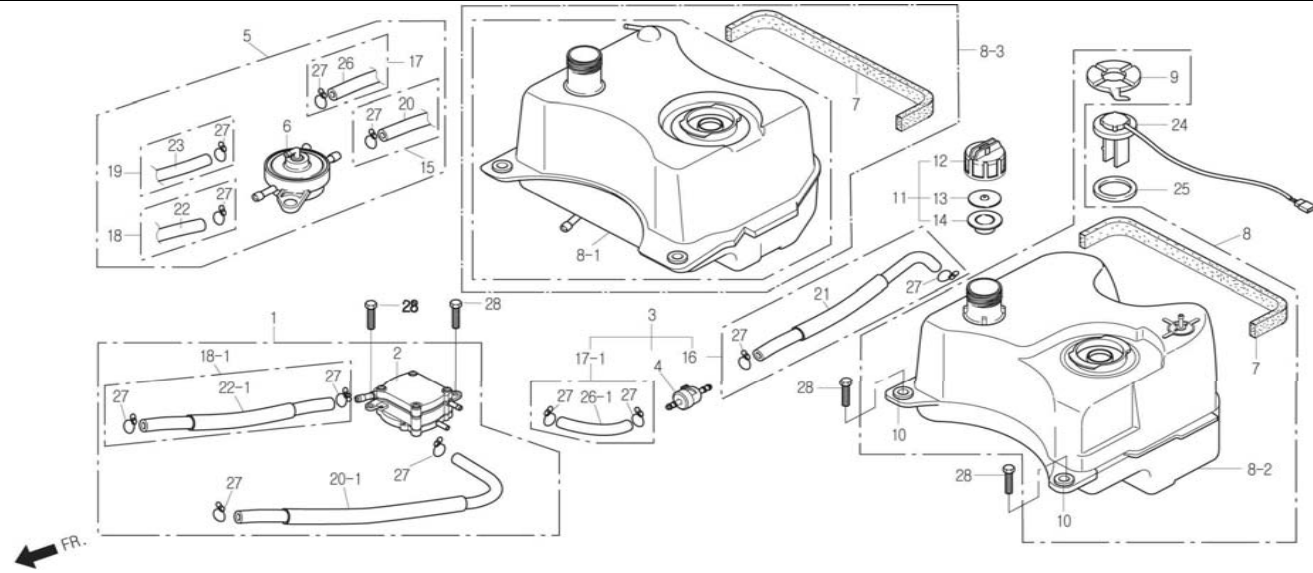
# F-14



## FLOOR SIDE COVER / UNDER COVER

Service item	FRT	Ref. No.	Part No.	Description	QTY	A/S	Exch	Start Date	End Date	Start FRM.No	End FRM.No
		14	S3404-06028-08	BOLT, WASHER 6x28	2	Y		20000320		KMYSG125JYC009479	
								19980408		KMYSG125FKW000001	
		15	S3891-05014-00	SCREW, WASHER 5x14	6	Y	Y	19980408	19981109	KMYSG125FKW000001	KMYSG125FKX007122
			S3891-05014-08	SCREW, WASHER 5x14	6	Y		20000320		KMYSG125JYC009479	
								19981110		KMYSG125FKX007123	
		16	S5701-06010-00	BOLT, FLANGE 6x10	4	Y	N	19980408	19990531	KMYSG125FKW000001	KMYSG125FKX315335
			S5701-06010-08	BOLT, FLANGE 6x10	4	Y		20000320		KMYSG125JYC009479	
								19990601		KMYSG125FKX315336	

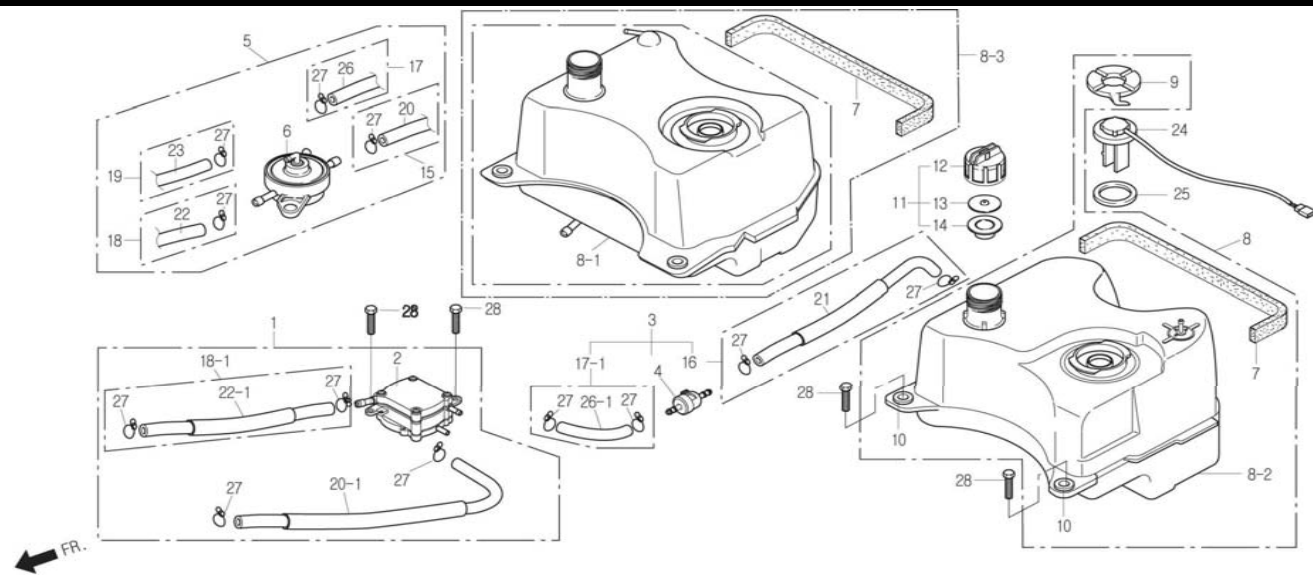
# F-15



## FUEL TANK

Service item	FRT	Ref. No.	Part No.	Description	QTY	A/S	Exch	Start Date	End Date	Start FRM.No	End FRM.No
STRAINER COMP., FUEL	0.2	1	1670A-SA1-0001	PUMP SET, FUEL	1	N	N	20000320	20020510	KMYSG125JYC009479	KMYSG125J2C019984
TANK COMP., FUEL	0.6		1670A-SA1-0101	PUMP SET, FUEL	1	Y		20020520		KMYSG125FKY401001	KMYSG125FK2411826
			1670A-SA2-0020	PUMP SET, FUEL	1	Y		20020511		KMYSG125J2C019985	
UNIT, FUEL	0.5	2	16700-SA1-0100	BODY ASS'Y, FUEL PUMP	1	N	N	20000320	20020510	KMYSG125JYC009479	KMYSG125J2C019984
								20000117		KMYSG125FKY401001	
COCK ASS'Y, FUEL(AUTO)	0.3		16700-SA2-0010	BODY ASS'Y, FUEL PUMP	1	Y		20020511		KMYSG125J2C019985	
		3	1691A-SA1-0000	STRAINER ASS'Y, FUEL	1	N	N	19980408	20000116	KMYSG125FKW000001	KMYSG125FKY401000
			1691A-SA1-0100	STRAINER ASS'Y, FUEL	1	N	N	20000320	20001004	KMYSG125JYC009479	KMYSG125J1C017047
								20000117	20001004	KMYSG125FKY401001	KMYSG125FK1407346
			1691A-SA1-0101	STRAINER ASS'Y, FUEL	1	Y		20001005		KMYSG125J1C017048	
								20001005		KMYSG125FK1407347	
		4	16910-CB2-9110-M1	STRAINER COMP., FUEL	1	Y		20000320		KMYSG125JYC009479	
								19980408		KMYSG125FKW000001	
		5	1695A-SA1-0000	COCK SET, FUEL(AUTO)	1	N	N	19980408	19990318	KMYSG125FKW000001	KMYSG125FKX311506
			1695A-SA1-0100	COCK SET, FUEL(AUTO)	1	N	N	19990319	19991014	KMYSG125FKX311507	KMYSG125FKY318082
			1695A-SA1-0131	COCK SET, FUEL(AUTO)	1	Y		19991015	20000116	KMYSG125FKY318083	KMYSG125FKY401000
		6	16950-SA1-0000	COCK ASS'Y, FUEL(AUTO)	1	N	N	19980408	19990318	KMYSG125FKW000001	KMYSG125FKX311506
			16950-SA1-0100	COCK ASS'Y, FUEL(AUTO)	1	N	N	19990319	19991014	KMYSG125FKX311507	KMYSG125FKY318082
			16950-SA1-0130	COCK ASS'Y, FUEL(AUTO)	1	Y		19991015	20000116	KMYSG125FKY318083	KMYSG125FKY401000
		7	17508-SA1-0000	MAT, SILENCER	1	Y		20000320		KMYSG125JYC009479	
								19980408		KMYSG125FKW000001	

# F-15

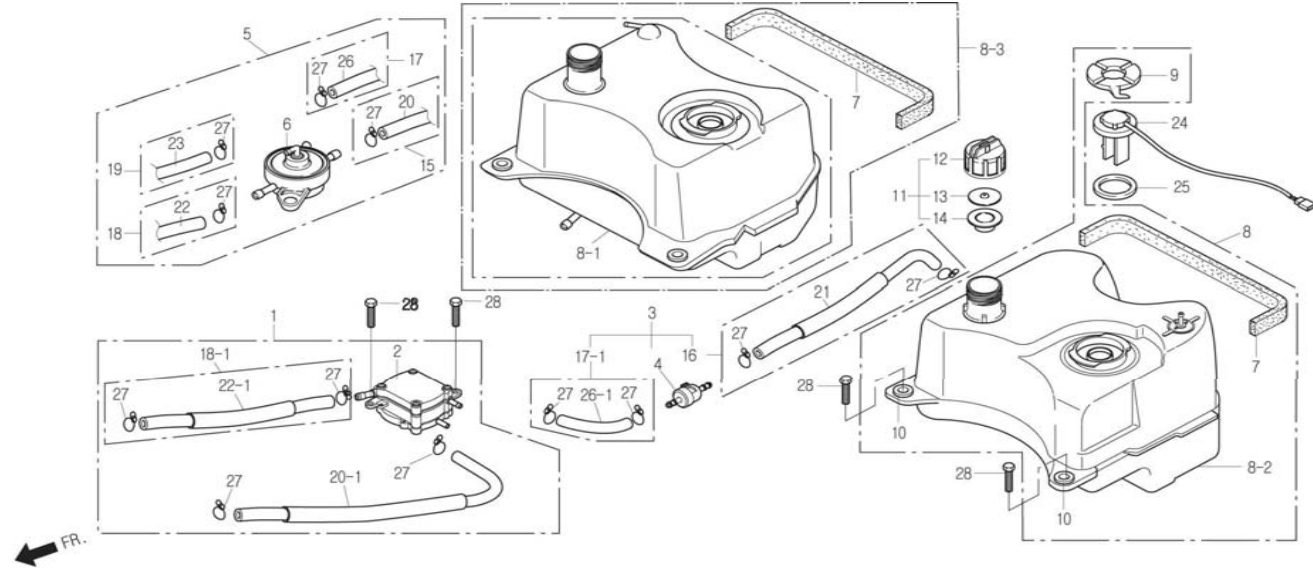


## FUEL TANK

Service item	FRT	Ref. No.	Part No.	Description	QTY	A/S	Exch	Start Date	End Date	Start FRM.No	End FRM.No
		8	1751A-SA1-0000	TANK ASS'Y, FUEL	1	N	Y	19980408	19991031	KMYSG125FKW000001	KMYSG125FKY400572
		8-1	17510-SA1-0002	TANK COMP., FUEL	1	Y	N	19991101	20000116	KMYSG125FKY400573	KMYSG125FKY401000
		8-2	17510-SA1-0100	TANK COMP., FUEL	1	N	N	20000320	20000719	KMYSG125JYC009479	KMYSG125JYC014514
								20000117	20000719	KMYSG125FKY401001	KMYSG125FKY406646
		8-3	17510-SA1-0201	TANK COMP., FUEL	1	Y		20000720		KMYSG125JYC014515	
								20000720		KMYSG125FKY406647	
		9	17514-SC1-9510-M1	CAP COMP., UNIT SET	1	Y		20000320		KMYSG125JYC009479	
								19980408		KMYSG125FKW000001	
		10	17520-SA1-0000	COLLAR, FUEL TANK	2	Y		20000320		KMYSG125JYC009479	
								19980408		KMYSG125FKW000001	
		11	17620-SA1-0000	CAP ASS'Y, FUEL	1	Y		20000320		KMYSG125JYC009479	
								19980408		KMYSG125FKW000001	
		12	17621-SA1-0000	BODY, FUEL CAP	1	Y		20000320		KMYSG125JYC009479	
								19980408		KMYSG125FKW000001	
		13	17622-SA1-0000	PLATE, FUEL CAP	1	Y		20000320		KMYSG125JYC009479	
								19980408		KMYSG125FKW000001	
		14	17623-SA1-0000	PACKING, FUEL CAP	1	Y		20000320		KMYSG125JYC009479	
								19980408		KMYSG125FKW000001	
		15	1768A-SA1-0000	TUBE A ASS'Y, FUEL 5.3x400	1	Y		19980408	20000116	KMYSG125FKW000001	KMYSG125FKY401000
		16	1768B-SA1-0000	TUBE B ASS'Y, FUEL 5.3x150	1	Y	N	19980408	20000116	KMYSG125FKW000001	KMYSG125FKY401000
		16-1	1768B-SA1-0100	TUBE B ASS'Y, FUEL 5.3x270	1	Y		20000320		KMYSG125JYC009479	



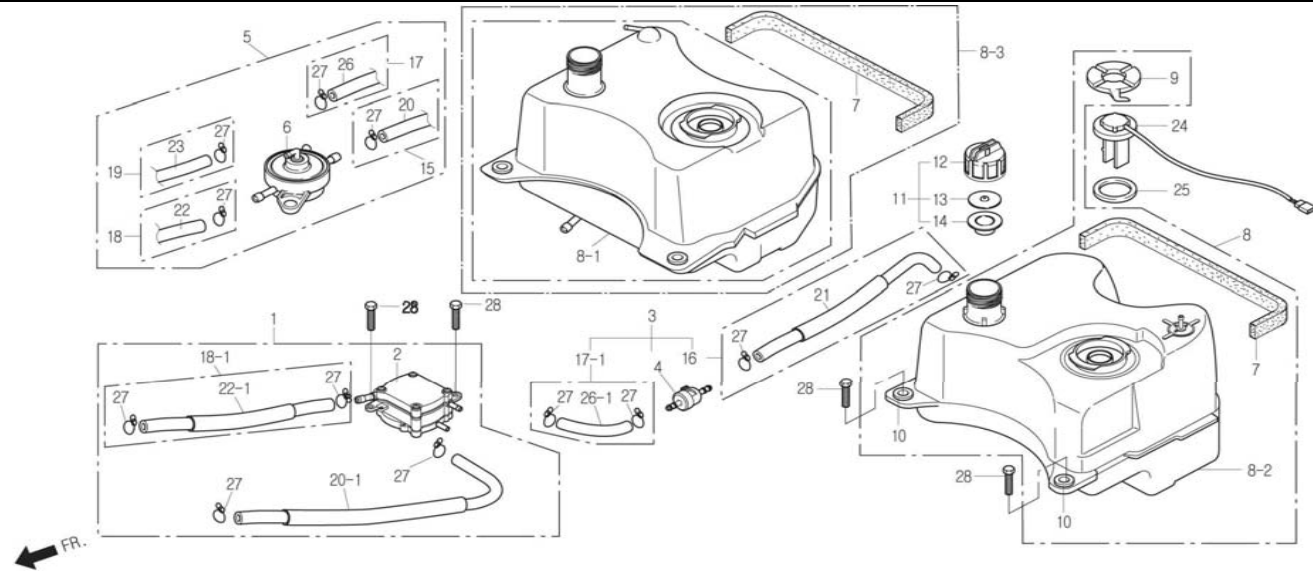
# F-15



## FUEL TANK

Service item	FRT	Ref. No.	Part No.	Description	QTY	A/S	Exch	Start Date	End Date	Start FRM.No	End FRM.No
								20000117		KMYSG125FKY401001	
		17	1768C-SA1-0000	TUBE C ASS'Y, FUEL 5.3x80	1	Y	N	19980408	20000116	KMYSG125FKW000001	KMYSG125FKY401000
		17-1	1768C-SA1-0100	TUBE C ASS'Y, FUEL 5.3x75	1	Y		20000320		KMYSG125JYC009479	
								20000117		KMYSG125FKY401001	
		18	1768D-SA1-0000	TUBE D ASS'Y, FUEL 5.3x380	1	Y	N	19980408	19990318	KMYSG125FKW000001	KMYSG125FKX311506
		18-1	1768D-SA1-0100	TUBE D ASS'Y, FUEL 5.3x380	1	Y		19990319	20000116	KMYSG125FKX311507	KMYSG125FKY401000
		19	1768E-SA1-0100	TUBE E ASS'Y, FUEL 5.3x370	1	Y	N	19990319	19991014	KMYSG125FKX311507	KMYSG125FKY318082
			1768E-SA1-0101	TUBE E ASS'Y, FUEL 5.3x370	1	Y		19991015	20000116	KMYSG125FKY318083	KMYSG125FKY401000
		20	17681-SA1-0000	TUBE A, FUEL 5.3x400	1	Y	N	19980408	20000116	KMYSG125FKW000001	KMYSG125FKY401000
		20-1	17681-SA1-0101	TUBE, PLUSE	1	Y		20000320		KMYSG125JYC009479	
								20000117		KMYSG125FKY401001	
		21	17682-SA1-0000	TUBE B, FUEL 5.3x150	1	N	N	19980408	20000116	KMYSG125FKW000001	KMYSG125FKY401000
			17682-SA1-0101	TUBE, FUEL 5.3x296	1	N		20000320		KMYSG125JYC009479	
								20000117		KMYSG125FKY401001	
		22	17683-SA1-0000	TUBE, FUEL 5.3x380	1	Y	N	19980408	19990318	KMYSG125FKW000001	KMYSG125FKX311506
		22-1	17683-SA1-0100	TUBE, FUEL 5.3x380	1	Y	N	19990319	20000116	KMYSG125FKX311507	KMYSG125FKY401000
			17683-SA1-0200	TUBE, FUEL 5.3x570	1	N	N	20000320	20020510	KMYSG125JYC009479	KMYSG125J2C019984
								20000117	20020519	KMYSG125FKY401001	KMYSG125FK2411825
			17683-SA1-0300	TUBE, FUEL 570	1	N		20020511		KMYSG125J2C019985	
								20020520		KMYSG125FK2411826	
		23	17684-SA1-0100-B1	TUBE, FUEL 370mm	1	Y		19991015	20000116	KMYSG125FKY318083	KMYSG125FKY401000
		24	37800-SA1-0001	UNIT, FUEL	1	Y	N	20000320	20030717	KMYSG125JYC009479	KMYSG125J000001
								19980408	20030717	KMYSG125FKW000001	KMYSG125F000001

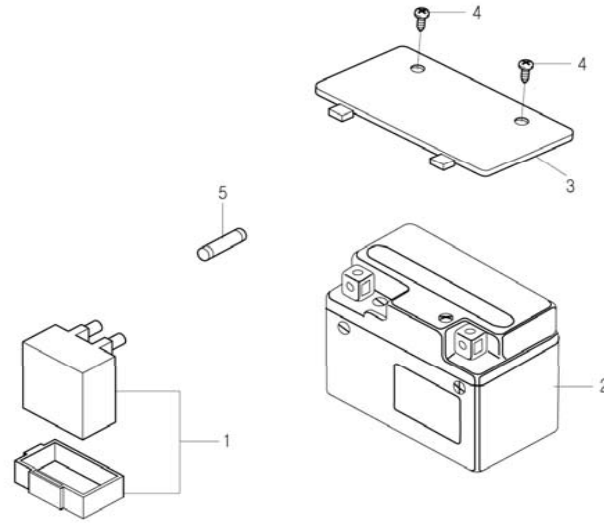
# F-15



## FUEL TANK

Service item	FRT	Ref. No.	Part No.	Description	QTY	A/S	Exch	Start Date	End Date	Start FRM.No	End FRM.No
			37800-SA1-0000-M3	UNIT ASS'Y, FUEL	1	Y		20030718		KMYSG125J3C020693	
		25	37801-SE5-7001	PACKING, BASE	1	Y		20030718		KMYSG125FK3413185	
								20000320		KMYSG125JYC009479	
								19980408		KMYSG125FKW000001	
		26	S5001-55080-40	TUBE, FUEL 5.3x80	1	N	N	19980408	20000116	KMYSG125FKW000001	KMYSG125FKY401000
		26-1	S5001-55075-40	TUBE, FUEL 5.3x75	1	N		20000320		KMYSG125JYC009479	
								20000117		KMYSG125FKY401001	
		27	S5002-02100	CLIP, B10 TUBE	10	Y		19980408	20000116	KMYSG125FKW000001	KMYSG125FKY401000
			S5002-02100	CLIP, B10 TUBE	8	Y		20000320		KMYSG125JYC009479	
								20000117		KMYSG125FKY401001	
		28	S5701-06016-00	BOLT, FLANGE 6x16	3	Y	N	19980408	19990531	KMYSG125FKW000001	KMYSG125FKX315335
			S5701-06016-08	BOLT, FLANGE 6x16	3	Y		19990601	20000116	KMYSG125FKX315336	KMYSG125FKY401000
			S5701-06016-08	BOLT, FLANGE 6x16	4	Y		20000320		KMYSG125JYC009479	
								20000117		KMYSG125FKY401001	

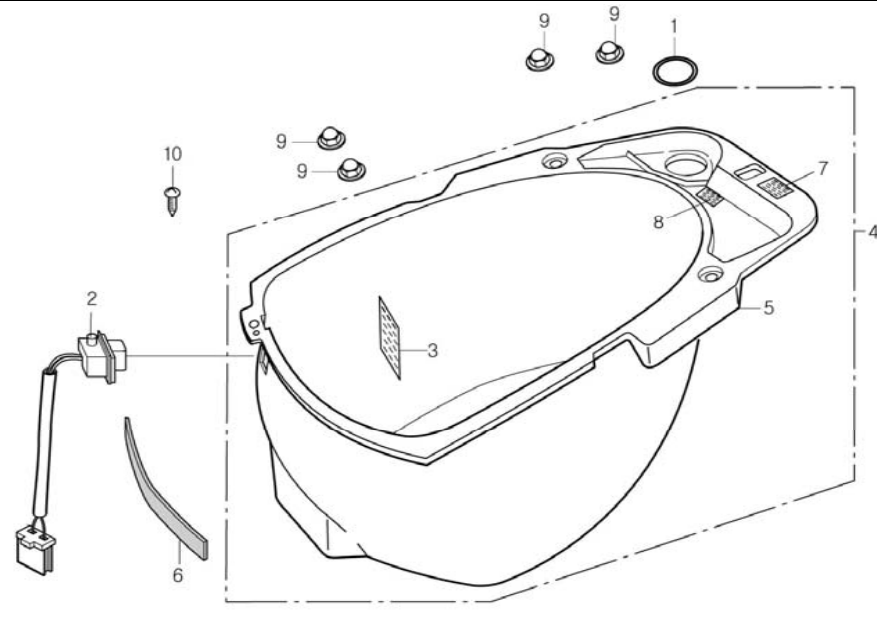
# F-16



## BATTERY

Service item	FRT	Ref. No.	Part No.	Description	QTY	A/S	Exch	Start Date	End Date	Start FRM.No	End FRM.No
UNIT COMP., CDI	0.4	1	30400-SA1-0000	UNIT ASS'Y, CDI	1	N	N	19980408	20020510	KMYSG125FKW000001	KMYSG125FK2411711
BATTERY	0.5		30400-SA2-1000	UNIT ASS'Y, CDI	1	Y		20000320	20020510	KMYSG125JYC009479	KMYSG125J2C019984
			30400-SA2-RZ00	UNIT ASS'Y, CDI	1	Y		20020511		KMYSG125J2C019985	
			30400-SA2-RZ00	UNIT ASS'Y, CDI	1	Y		20020511		KMYSG125FK2411712	
		2	31500-CB3-1000	BATTERY ASS'Y	1	N	Y	19980408	19990614	KMYSG125FKW000001	KMYSG125FKX316001
			31500-SA1-0000	BATTERY ASS'Y, YTX7A-BS	1	N	Y	19990615	20011031	KMYSG125FKX316002	KMYSG125FK2411346
								20000320	20011031	KMYSG125JYC009479	KMYSG125J2C019677
			31500-SA1-0000-M2	BATTERY ASS'Y, GTX7A-BS(12V 6A)	1	Y	N	20011101	20020510	KMYSG125FK2411347	KMYSG125FK2411711
								20011101	20020510	KMYSG125J2C019678	KMYSG125J2C019984
			31500-SA2-0000-M2	BATTERY ASS'Y, GTX9-BS(12V 8A)	1	Y		20020511		KMYSG125J2C019985	
								20020511		KMYSG125FK2411712	
		3	50326-SA1-0000	COVER, BATTERY	1	N	N	20000320	20010101	KMYSG125JYC009479	KMYSG125J1C018112
								19980408	19991012	KMYSG125FKW000001	KMYSG125FKY318004
			50326-SA1-RB10	COVER, BATTERY	1	Y	N	20010102	20030101	KMYSG125J1C018113	KMYSG125J3C020508
								19991013	20021113	KMYSG125FKY318005	KMYSG125FK3412288
			50326-SA1-RB10-BK	COVER, BATTERY(BLACK)	1	Y		20030102		KMYSG125J3C020509	
						20021114		KMYSG125FK3412289			
	4	S3903-45380	SCREW, TAPPING 5x16	2	Y	N	19980408	19990531	KMYSG125FKW000001	KMYSG125FKX315335	
		S3903-45320	SCREW, TAPPING 5x16	2	Y		20000320		KMYSG125JYC009479		
						19990601		KMYSG125FKX315336			
	5	S8200-11500	FUSE A(15A)	1	Y		20000320		KMYSG125JYC009479		
						19980408		KMYSG125FKW000001			

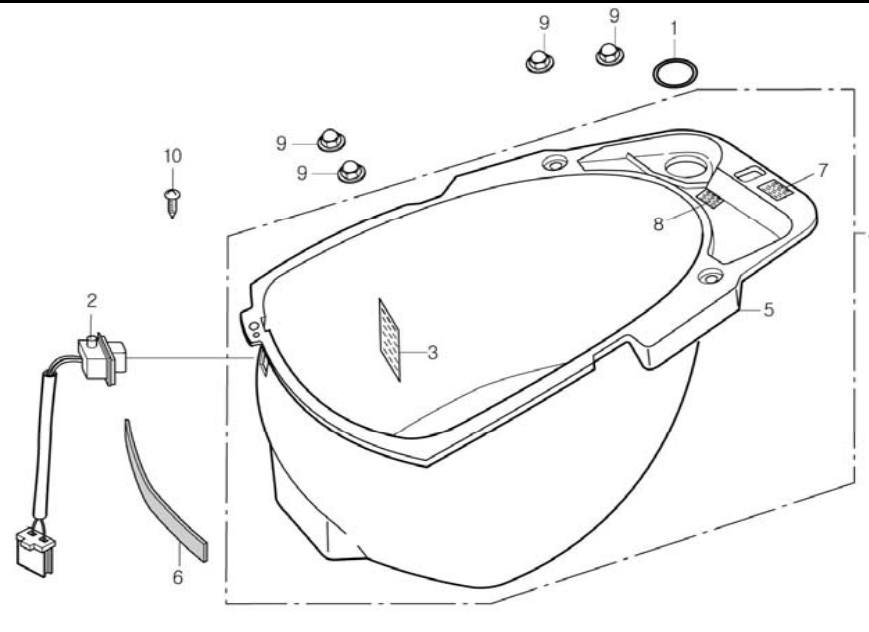
# F-17



## LUGGAGE BOX

Service item	FRT	Ref. No.	Part No.	Description	QTY	A/S	Exch	Start Date	End Date	Start FRM.No	End FRM.No	
BOX, LUGGAGE	0.3	1	17630-SA1-0000	RUBBER, FUEL GUIDE	1	Y		20000320		KMYSG125JYC009479		
								19980408		KMYSG125FKW000001		
		2	33900-SA1-0100	LAMP, TRUNK	1	Y	N	19981109	19990731	KMYSG125FKX006556	KMYSG125FKX316900	
			33900-SA1-0102-M1	LAMP, TRUNK	1	Y	N	19990801	19991215	KMYSG125FKX316901	KMYSG125FKY400904	
			33900-SA1-0200-M1	LAMP, TRUNK	1	Y		20000320	20020510	KMYSG125JYC009479	KMYSG125J2C019984	
									19991216		KMYSG125FKY400905	
		3	81218-SE5-3000	LABEL, LUGGAGE BOX CAUTION	1	Y	N	19980526	19991020	KMYSG125FKW003915	KMYSG125FKY318251	
			81218-SE5-3000-B1	LABEL, LUGGAGE BOX CAUTION(ENGLISH)	1	Y		20000320		KMYSG125JYC009479		
									19981030		KMYSG125FKX007123	
			81218-SA1-RB00	LABEL, LUGGAGE BOX CAUTION(GERMAN)	1	Y		19981216		KMYSG125FKX307276		
			81218-SE5-RC00	LABEL, LUGGAGE BOX CAUTION(ITALIAN)	1	Y		19980408		KMYSG125FKW000001		
			81218-SE5-RE00	LABEL, LUGGAGE BOX CAUTION(FRENCH)	1	Y		19980523		KMYSG125FKW003381		
			81218-SE5-RJ00	LABEL, LUGGAGE BOX CAUTION(SPANISH)	1	Y		19980423		KMYSG125FKW001978		
		4	8125A-SA1-0000	BOX ASS'Y, LUGGAGE	1	N	N	19980526	19991020	KMYSG125FKW003915	KMYSG125FKY318251	
			8125A-SA1-MA00	BOX ASS'Y, LUGGAGE(ENGLISH)	1	N	N	19981030	19991020	KMYSG125FKX007123	KMYSG125FKY318251	
			8125A-SA1-MA10	BOX ASS'Y, LUGGAGE(ENGLISH)	1	Y	N	19981109	19991020	KMYSG125FKX006556	KMYSG125FKY318251	
			8125A-SA1-MA12	BOX ASS'Y, LUGGAGE(ENGLISH)	1	Y		20000320		KMYSG125JYC009479		
									19991021		KMYSG125FKY318252	
			8125A-SA1-RB10	BOX ASS'Y, LUGGAGE(GERMAN)	1	Y	N	19981109	19991020	KMYSG125FKX006556	KMYSG125FKY318251	
			8125A-SA1-RB13	BOX ASS'Y, LUGGAGE(GERMAN)	1	Y		19991021		KMYSG125FKY318252		
			8125A-SA1-RC00	BOX ASS'Y, LUGGAGE(ITALIAN)	1	N	N	19980408	19981108	KMYSG125FKW000001	KMYSG125FKX006555	
			8125A-SA1-RC10	BOX ASS'Y, LUGGAGE(ITALIAN)	1	Y	N	19981109	19991020	KMYSG125FKX006556	KMYSG125FKY318251	
			8125A-SA1-RC13	BOX ASS'Y, LUGGAGE(ITALIAN)	1	Y		19991021		KMYSG125FKY318252		

# F-17

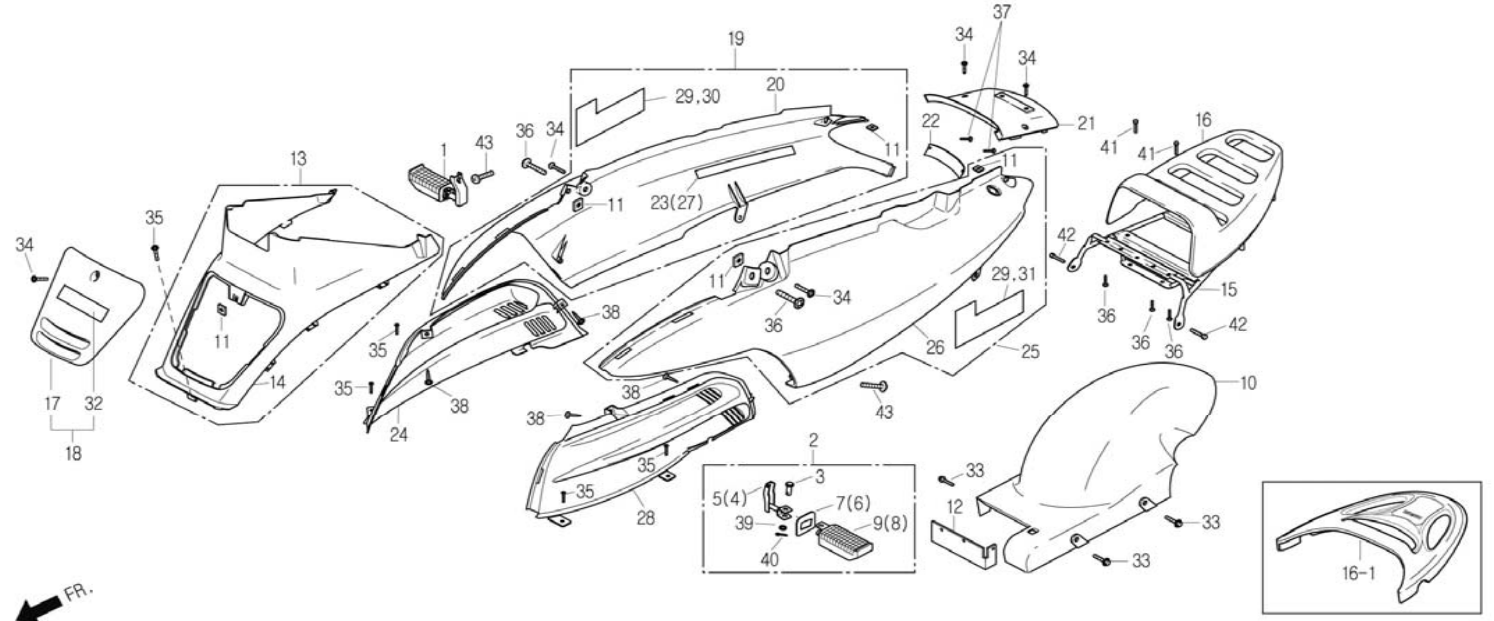


← FR.

## LUGGAGE BOX

Service item	FRT	Ref. No.	Part No.	Description	QTY	A/S	Exch	Start Date	End Date	Start FRM.No	End FRM.No
			8125A-SA1-RE00	BOX ASS'Y, LUGGAGE(FRENCH)	1	N	N	19980523	19981108	KMYSG125FKW003381	KMYSG125FKX006555
			8125A-SA1-RE10	BOX ASS'Y, LUGGAGE(FRENCH)	1	Y	N	19981109	19991020	KMYSG125FKX006556	KMYSG125FKY318251
			8125A-SA1-RE13	BOX ASS'Y, LUGGAGE(FRENCH)	1	Y		19991021		KMYSG125FKY318252	
			8125A-SA1-RJ00	BOX ASS'Y, LUGGAGE(SPANISH)	1	N	N	19980423	19991108	KMYSG125FKW001978	KMYSG125FKY400780
			8125A-SA1-RJ10	BOX ASS'Y, LUGGAGE(SPANISH)	1	Y	N	19981109	19991020	KMYSG125FKX006556	KMYSG125FKY318251
			8125A-SA1-RJ13	BOX ASS'Y, LUGGAGE(SPANISH)	1	Y		19991021		KMYSG125FKY318252	
		5	81250-SA1-0000	BOX, LUGGAGE	1	N	N	19980408	19881108	KMYSG125FKW000001	KMYSG125F000001
			81250-SA1-0105	BOX, LUGGAGE	1	Y		20000320		KMYSG125JYC009479	
								19981109		KMYSG125FKX006556	
		6	81253-SA1-0100	MAT, LUGGAGE BOX SILENCER	1	Y		20000320		KMYSG125JYC009479	
								19981109		KMYSG125FKX006556	
		7	81255-SA1-MA10	LABEL, TRUNK LAMP CAUTION(ENGLISH)	1	Y		20000320		KMYSG125JYC009479	
								19991021		KMYSG125FKY318252	
			81255-SA1-RB10	LABEL, TRUNK LAMP CAUTION(GERMAN)	1	Y		19991021		KMYSG125FKY318252	
		8	87570-SA1-0000	LABEL, FUEL CAUTION	1	N		19980408	19980410	KMYSG125FKW000001	KMYSG125FKW001977
		9	90301-SC1-0000	NUT, OPEN STAY 6mm	4	Y	Y	19980408	19990531	KMYSG125FKW000001	KMYSG125FKX315335
			90301-SB1-0000	NUT, OPEN STAY 6mm	4	Y		20000320		KMYSG125JYC009479	
								19990601		KMYSG125FKX315336	
		10	S3903-45380	SCREW, TAPPING 5x16	1	Y	Y	19980408	19990531	KMYSG125FKW000001	KMYSG125FKX315335
			S3903-45320	SCREW, TAPPING 5x16	1	Y		20000320		KMYSG125JYC009479	
								19990601		KMYSG125FKX315336	

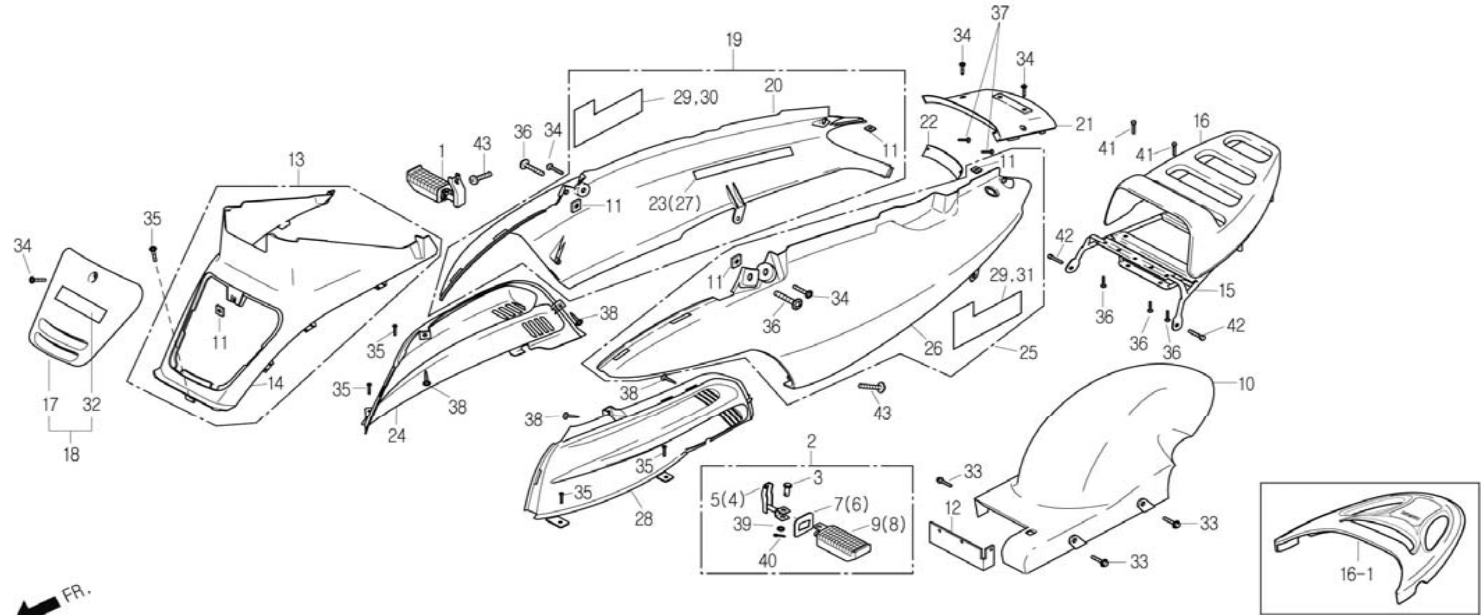
# F-18



## CENTER COVER / BODY COVER

Service item	FRT	Ref. No.	Part No.	Description	QTY	A/S	Exch	Start Date	End Date	Start FRM.No	End FRM.No
COVER, CENTER	0.2	1	50600-SA1-0000-EU	BAR ASS'Y, RH.PILLION STEP	1	N	N	19980408	19990613	KMYSG125FKW000001	KMYSG125FKX316001
			50600-SA1-0001-EU	BAR ASS'Y, RH.PILLION STEP	1	Y		19990614		KMYSG125FKX316002	
			50600-SA1-RZ00	BAR ASS'Y, RH.PILLION STEP	1	Y		20000320		KMYSG125JYC009479	
COVER, PLUG MAINTENANCE	0.5	2	50601-SA1-0000-EU	BAR ASS'Y, LH.PILLION STEP	1	N	N	19980408	19990613	KMYSG125FKW000001	KMYSG125FKX316001
			50601-SA1-0001-EU	BAR ASS'Y, LH.PILLION STEP	1	Y		20000320		KMYSG125JYC009479	
								19990614		KMYSG125FKX316002	
COVER, RR.UPPER	0.3	3	50603-HD2-8900	PIN, MAIN STEP BAR JOINT	2	N	N	19980408	19990613	KMYSG125FKW000001	KMYSG125FKX316001
			50603-HD2-0000	PIN, MAIN STEP BAR JOINT	2	N		20000320		KMYSG125JYC009479	
COVER, RR.UNDER	0.3	4	50610-SA1-0000-EU	BRACKET COMP., RH.PILLION STEP	1	N		19990614		KMYSG125FKX316002	
			50610-SA1-RZ00	BRACKET COMP., RH.PILLION STEP	1	Y		20000320		KMYSG125JYC009479	
RR.CARRIER	0.3	5	50611-SA1-0000-EU	BRACKET COMP., LH.PILLION STEP	1	N		19980408		KMYSG125FKW000001	
								19980408		KMYSG125FKW000001	
								20000320		KMYSG125JYC009479	
		6	50614-SA1-0000-EU	PLATE, PILLION STEP RH.SIDE	1	N	N	19980408	19990613	KMYSG125FKW000001	KMYSG125FKX316001
			50614-SA1-0001-EU	PLATE, PILLION STEP RH.SIDE	1	N		20000320		KMYSG125JYC009479	
		7	50615-SA1-0000-EU	PLATE, PILLION STEP LH.SIDE	1	N	N	19980408	19990613	KMYSG125FKW000001	KMYSG125FKX316001
			50615-SA1-0001-EU	PLATE, PILLION STEP LH.SIDE	1	N		20000320		KMYSG125JYC009479	
		8	50661-SA1-0000-EU	RUBBER COMP., RH.PILLION STEP	1	N	N	19980408	19990613	KMYSG125FKW000001	KMYSG125FKX316001

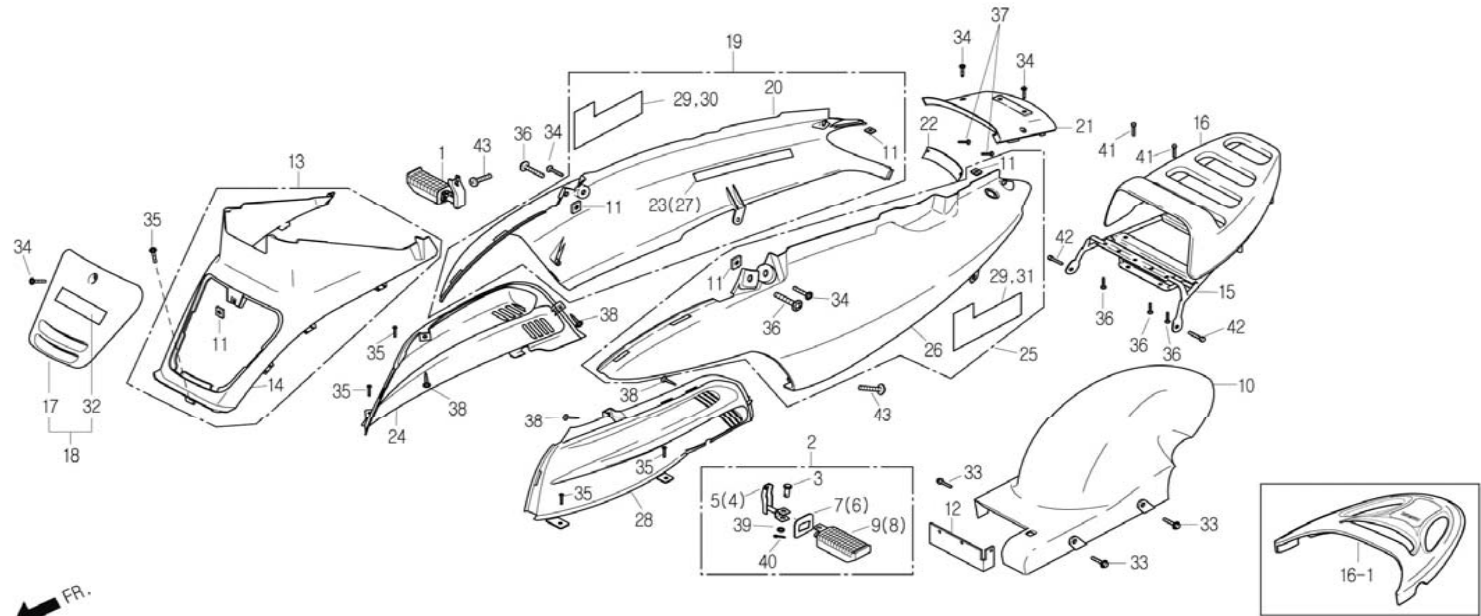
# F-18



## CENTER COVER / BODY COVER

Service item	FRT	Ref. No.	Part No.	Description	QTY	A/S	Exch	Start Date	End Date	Start FRM.No	End FRM.No
			50661-SA1-0001-EU	RUBBER COMP., RH.PILLION STEP	1	N		20000320		KMYSG125JYC009479	
								19990614		KMYSG125FKX316002	
		9	50662-SA1-0000-EU	RUBBER COMP., LH.PILLION STEP	1	N	N	19980408	19990613	KMYSG125FKW000001	KMYSG125FKX316001
			50662-SA1-0001-EU	RUBBER COMP., LH.PILLION STEP	1	N		20000320		KMYSG125JYC009479	
								19990614		KMYSG125FKX316002	
		10	61120-SA1-0000	MUDGUARD, RR.WHEEL	1	Y	N	19980408	19981108	KMYSG125FKW000001	KMYSG125FKX006555
			61120-SA1-0100	MUDGUARD, RR.WHEEL	1	Y	N	20000320	20010101	KMYSG125JYC009479	KMYSG125J1C018112
								19981109	19991012	KMYSG125FKX006556	KMYSG125FKY318004
			61120-SA1-RB12	MUDGUARD, RR.WHEEL	1	Y	N	20010102	20030101	KMYSG125J1C018113	KMYSG125J3C020508
								19991013	20021113	KMYSG125FKY318005	KMYSG125FK3412288
			61120-SA1-RB12-BK	MUDGUARD, RR.WHEEL(BLACK)	1	Y		20030102		KMYSG125J3C020509	
								20021114		KMYSG125FK3412289	
		11	64527-BA6-7000	NUT, CLIP 4mm	5	Y		19980408		KMYSG125FKW000001	
								20000320		KMYSG125JYC009479	
		12	80104-SA1-0000	PLATE, SPLASH GUARD	1	Y		20000320		KMYSG125JYC009479	
								19980408		KMYSG125FKW000001	
		13	8015A-SA1-0000	COVER ASS'Y, CENTER	1	Y	N	20000320	20010101	KMYSG125JYC009479	KMYSG125J1C018112
								19980408	19991012	KMYSG125FKW000001	KMYSG125FKY318004
			8015A-SA1-RB10	COVER ASS'Y, CENTER	1	Y	N	20010102	20030101	KMYSG125J1C018113	KMYSG125J3C020508
								19991013	20021113	KMYSG125FKY318005	KMYSG125FK3412288
			8015A-SA1-RB10-BK	COVER ASS'Y, CENTER(BLACK)	1	Y		20030102		KMYSG125J3C020509	
								20021114		KMYSG125FK3412289	

# F-18

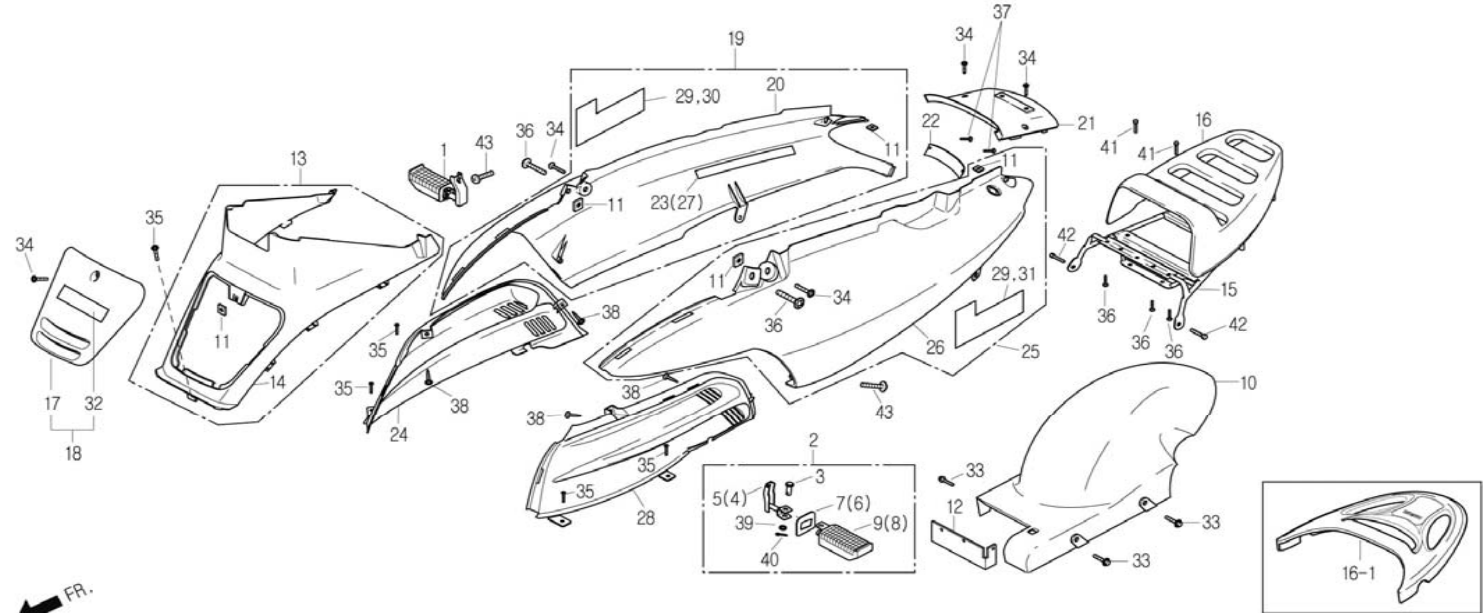


## CENTER COVER / BODY COVER

Service item	FRT	Ref. No.	Part No.	Description	QTY	A/S	Exch	Start Date	End Date	Start FRM.No	End FRM.No
		14	80151-SA1-0000	COVER, CENTER	1	Y	N	20000320	20010101	KMYSG125JYC009479	KMYSG125J1C018112
			80151-SA1-RB10	COVER, CENTER	1	Y	N	19980408	19991012	KMYSG125FKW000001	KMYSG125FKY318004
			80151-SA1-RB10-BK	COVER, CENTER(BLACK)	1	Y		19991013	20021113	KMYSG125FKY318005	KMYSG125FK3412288
								20010102	20030101	KMYSG125J1C018113	KMYSG125J3C020508
								20021114		KMYSG125FK3412289	
								20030102		KMYSG125J3C020509	
		15	81200-SA1-0000-EU	CARRIER, RR.	1	Y	N	19980408	19990103	KMYSG125FKW000001	KMYSG125FKX307275
			81200-SA1-0001	CARRIER, RR.	1	Y	N	20000320		KMYSG125JYC009479	
								19980526	19990103	KMYSG125FKW003915	KMYSG125FKX307275
								19990104	20001130	KMYSG125FKX307276	KMYSG125FK1408106
								20001201		KMYSG125FK1408107	
				16	81201-SA1-0000-BL	COVER, RR.CARRIER(BLUE)	1	Y		19980408	19991231
	81201-SA1-0000-BS			COVER, RR.CARRIER(B/SAPPHIRE)	1	Y	N	19981214	19990104	KMYSG125FKX007123	KMYSG125FKX308517
16-1		81201-SA1-0100-BS	COVER, RR.CARRIER(B/SAPPHIRE)	1	Y		19990105	19991231	KMYSG125FKX308518	KMYSG125FKY401000	
		81201-SA1-0100-CE	COVER, RR.CARRIER(C/BEIGE)	1	Y	N	19991119	20001130	KMYSG125FKY400781	KMYSG125FK1408106	
16		81201-SA1-0000-CE	COVER, RR.CARRIER(C/BEIGE)	1	Y		20000901		KMYSG125JYC015712		
							20000304		KMYSG125FKY402086		
		81201-SA1-0000-DB	COVER, RR.CARRIER(D/BLUE)	1	Y		20001130		KMYSG125FK1408107		
						20020909		KMYSG125J2C020155			
16-1		81201-SA1-0100-DR	COVER, RR.CARRIER(D/RED)	1	Y	N	19991216	20001130	KMYSG125FKY400905	KMYSG125FK1408106	



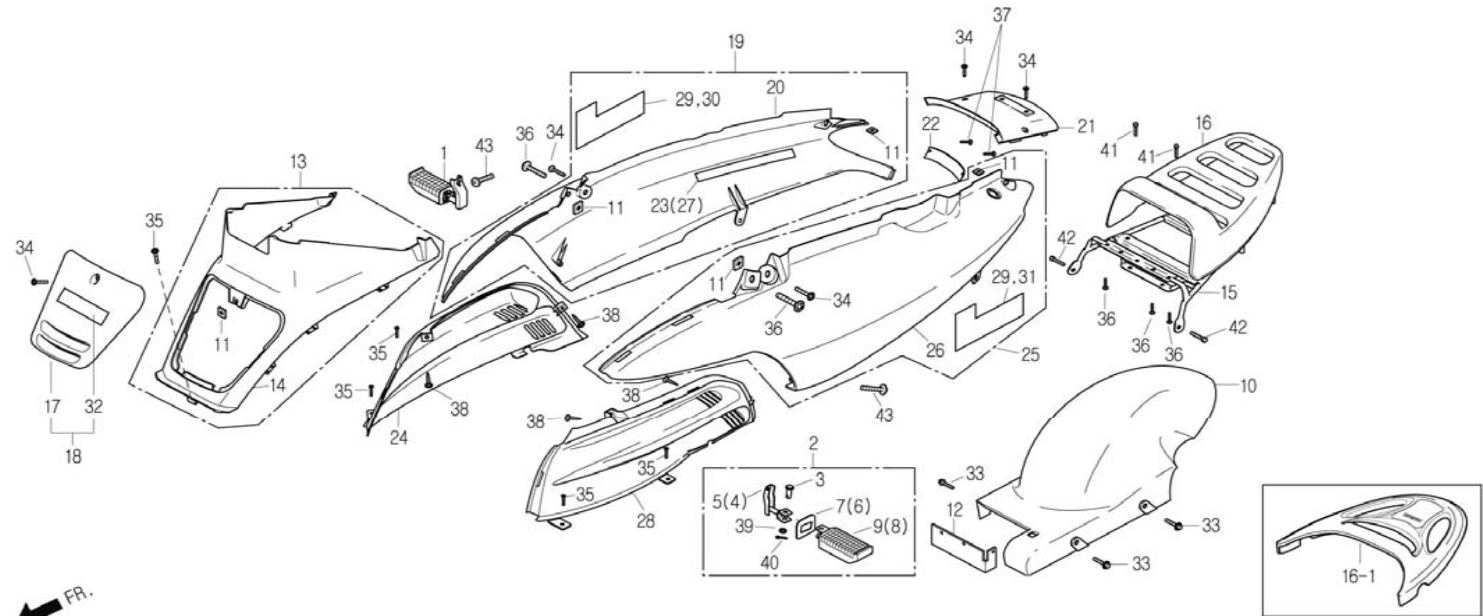
# F-18



## CENTER COVER / BODY COVER

Service item	FRT	Ref.	Description	QTY	A/S	Exch	Start Date	End Date	Start FRM.No	End FRM.No
		No.								
		16	81201-SA1-0000-DR COVER, RR.CARRIER(D/RED)	1	Y		20000320		KMYSG125JYC009479	
			81201-SA1-0000-ER COVER, RR.CARRIER(E/RED)	1	Y	N	19981214	19990104	KMYSG125FKY401372	
		16-1	81201-SA1-0100-ER COVER, RR.CARRIER(E/RED)	1	Y		19990105	19991231	KMYSG125FKX308518	KMYSG125FKY401000
		16	81201-SA1-0000-GR COVER, RR.CARRIER(GREEN)	1	Y		19980408	19991118	KMYSG125FKW000001	KMYSG125FKY400780
			81201-SA1-0000-GW COVER, RR.CARRIER(G/WHITE)	1	Y	N	19981214	19990104	KMYSG125FKX007123	KMYSG125FKX308517
							20000512	20020630	KMYSG125JYC012107	KMYSG125JC020066
		16-1	81201-SA1-0100-GW COVER, RR.CARRIER(G/WHITE)	1	Y		19990105	19991231	KMYSG125FKX308518	KMYSG125FKY401000
			81201-SA1-0100-IG COVER, RR.CARRIER(I/GRAY)	1	Y	N	19991216	20001130	KMYSG125FKY400905	KMYSG125FK1408106
		16	81201-SA1-0000-IG COVER, RR.CARRIER(I/GRAY)	1	Y		20000901	20020930	KMYSG125JYC015712	KMYSG125J3C020484
							19990903		KMYSG125FKX317909	
		16-1	81201-SA1-0100-LG COVER, RR.CARRIER(L/GREEN)	1	Y	N	19991119	20001130	KMYSG125FKY400781	KMYSG125FK1408106
		16	81201-SA1-0000-LG COVER, RR.CARRIER(L/GREEN)	1	Y		19990903		KMYSG125FKX317909	
							20010914		KMYSG125J1C019505	
		16-1	81201-SA1-0100-NL COVER, RR.CARRIER(N/BBLUE)	1	Y	N	19991119	20001130	KMYSG125FKY400781	KMYSG125FK1408106

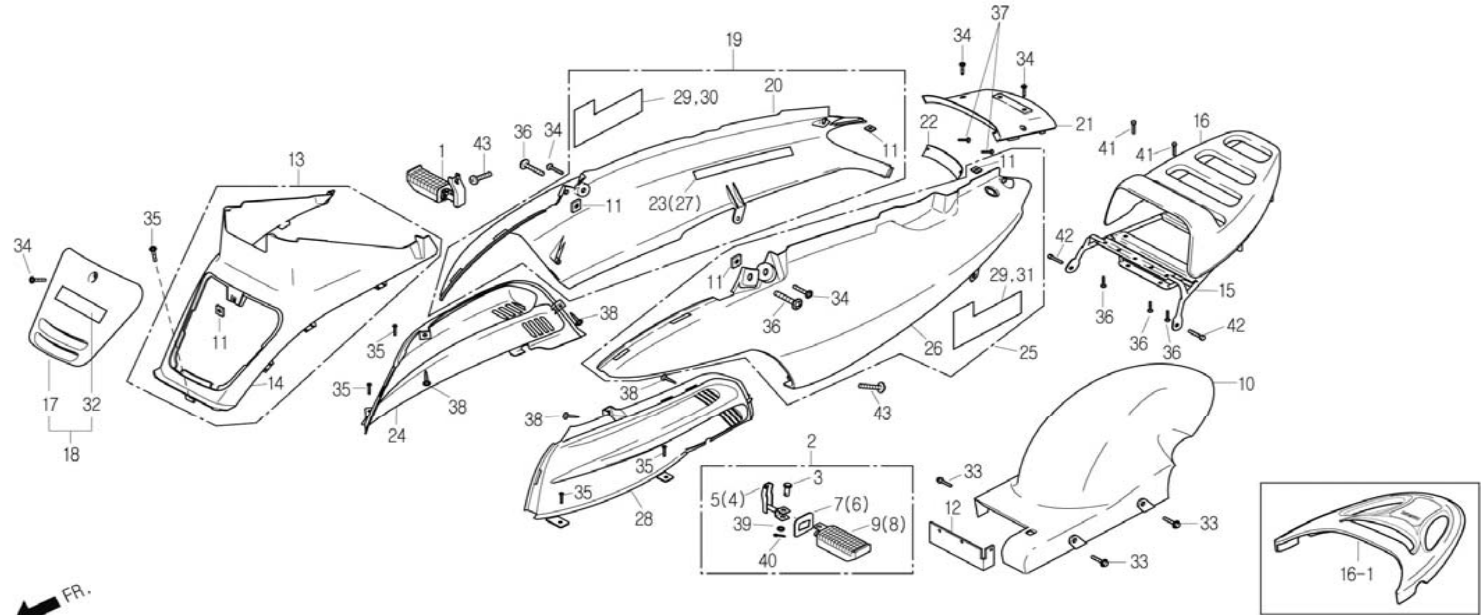
# F-18



## CENTER COVER / BODY COVER

Service item	FRT	Ref. No.	Part No.	Description	QTY	A/S	Exch	Start Date	End Date	Start FRM.No	End FRM.No
		16	81201-SA1-0000-NL	COVER, RR.CARRIER(N/BLUE)	1	Y		20000320		KMYSG125JYC009479	
			81201-SA1-0000-PB	COVER, RR.CARRIER(P/BLACK)	1	Y	N	20000630	20020630	KMYSG125JYC012924	KMYSG125J2C020066
								19981214	19990103	KMYSG125FKX007123	KMYSG125FKX307275
		16-1	81201-SA1-0100-PB	COVER, RR.CARRIER(P/BLACK)	1	Y		19990104	19991231	KMYSG125FKX307276	KMYSG125FKY401000
		16	81201-SA1-0000-RD	COVER, RR.CARRIER(RED)	1	Y		19980417	19991231	KMYSG125FKW001978	KMYSG125FKY401000
			81201-SA1-0000-SL	COVER, RR.CARRIER(SILVER)	1	Y	N	20000512	20020630	KMYSG125JYC012107	KMYSG125J2C020066
								19981214	19990103	KMYSG125FKX007123	KMYSG125FKX307275
		16-1	81201-SA1-0100-SL	COVER, RR.CARRIER(SILVER)	1	Y	N	19990104	20001130	KMYSG125FKX307276	KMYSG125FK1408106
		16	81201-SA1-0000-SL	COVER, RR.CARRIER(SILVER)	1	Y		20000320		KMYSG125JYC009479	
								20001201		KMYSG125FK1408107	
		17	81251-SA1-0000	COVER, PLUG MAINTENANCE	1	N	N	20000320	20010101	KMYSG125JYC009479	KMYSG125J1C018112
								19980408	19991012	KMYSG125FKW000001	KMYSG125FKY318004
			81251-SA1-RB11	COVER, PLUG MAINTENANCE	1	N	N	19991013	20021113	KMYSG125FKY318005	KMYSG125FK3412288
								20010102	20030101	KMYSG125J1C018113	KMYSG125J3C020508
			81251-SA1-RB10-BK	COVER, PLUG MAINTENANCE(BLACK)	1	N		20030102		KMYSG125J3C020509	
								20021114		KMYSG125FK3412289	
		18	81260-SA1-0000	COVER ASS'Y, S/P MAINTENANCE	1	N	N	19980526	19991231	KMYSG125FKW003915	KMYSG125FKY401000

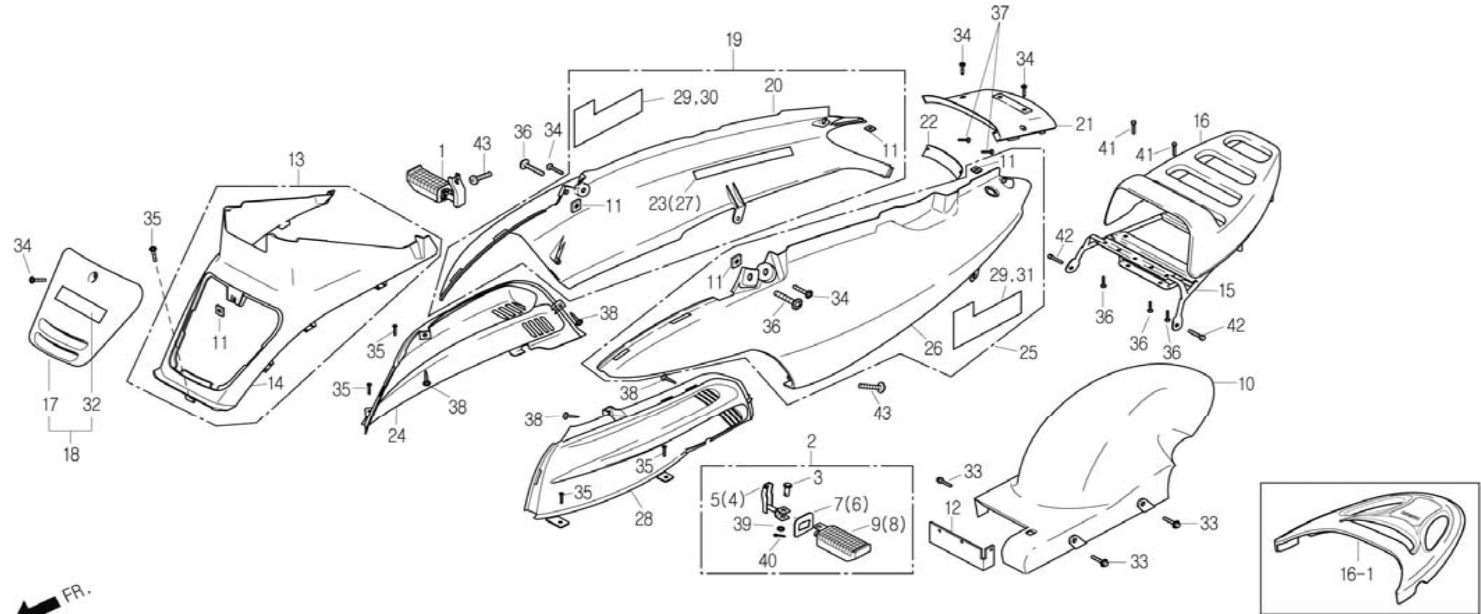
# F-18



## CENTER COVER / BODY COVER

Service item	FRT	Ref. No.	Part No.	Description	QTY	A/S	Exch	Start Date	End Date	Start FRM.No	End FRM.No
			81260-SA1-MA00	COVER ASS'Y, S/P MAINTENANCE(ENGLISH)	1	N	N	19981030	19981130	KMYSG125FKX007123	KMYSG125FKX007122
			81260-SA1-MA10	COVER ASS'Y, S/P MAINTENANCE(ENGLISH)	1	N	N	20000320	20010101	KMYSG125JYC009479	KMYSG125J1C018112
			81260-SA1-MA20	COVER ASS'Y, S/P MAINTENANCE(ENGLISH)	1	Y	N	20010102	20021113	KMYSG125J1C018113	KMYSG125J3C020484
			81260-SA1-MA20-BK	COVER ASS'Y, S/P MAINTENANCE(ENGLISH)	1	Y		20000117	20021113	KMYSG125FKY401001	KMYSG125FK3412288
			81260-SA1-MA20-BK	COVER ASS'Y, S/P MAINTENANCE(ENGLISH)	1	Y		20021114		KMYSG125J3C020485	
			81260-SA1-MA20-BK	COVER ASS'Y, S/P MAINTENANCE(ENGLISH)	1	Y		20021114		KMYSG125FK3412289	
			81260-SA1-RB10	COVER ASS'Y, S/P MAINTENANCE(GERMAN)	1	N	N	19981216	19991231	KMYSG125FKX307276	KMYSG125FKY401000
			81260-SA1-RB20	COVER ASS'Y, S/P MAINTENANCE(GERMAN)	1	Y	N	19990903	20021113	KMYSG125FKX317909	KMYSG125FK3412288
			81260-SA1-RB20-BK	COVER ASS'Y, S/P MAINTENANCE(GERMAN)	1	Y		20021114		KMYSG125FK3412289	
			81260-SA1-RC00	COVER ASS'Y, S/P MAINTENANCE(ITALIAN)	1	N	N	19980408	19981118	KMYSG125FKW000001	KMYSG125FKX007122
			81260-SA1-RC10	COVER ASS'Y, S/P MAINTENANCE(ITALIAN)	1	N	N	19981109	19990503	KMYSG125FKX006556	KMYSG125FKX314260
			81260-SA1-RC20	COVER ASS'Y, S/P MAINTENANCE(ITALIAN)	1	Y	N	19990504	20021113	KMYSG125FKX314261	KMYSG125FK3412288
			81260-SA1-RC20-BK	COVER ASS'Y, S/P MAINTENANCE(ITALIAN)	1	Y		20021114		KMYSG125FK3412289	
			81260-SA1-RE00	COVER ASS'Y, S/P MAINTENANCE(FRENCH)	1	N	N	19980523	19981130	KMYSG125FKW003381	KMYSG125FKX007122
			81260-SA1-RE10	COVER ASS'Y, S/P MAINTENANCE(FRENCH)	1	N	N	19990120	19991231	KMYSG125FKX308518	KMYSG125FKY401000
			81260-SA1-RE20	COVER ASS'Y, S/P MAINTENANCE(FRENCH)	1	Y	N	20000117	20021113	KMYSG125FKY401001	KMYSG125FK3412288
			81260-SA1-RE20-BK	COVER ASS'Y, S/P MAINTENANCE(FRENCH)	1	Y		20021114		KMYSG125FK3412289	
			81260-SA1-RJ00	COVER ASS'Y, S/P MAINTENANCE(SPANISH)	1	N	N	19980423	19991118	KMYSG125FKW001978	KMYSG125FKY400780
			81260-SA1-RJ20	COVER ASS'Y, S/P MAINTENANCE(SPANISH)	1	Y	N	19991119	20021113	KMYSG125FKY400781	KMYSG125FK3412288
			81260-SA1-RJ20-BK	COVER ASS'Y, S/P MAINTENANCE(SPANISH)	1	Y		20021114		KMYSG125FK3412289	
		19	8350A-SA1-0100-GW	COVER ASS'Y, RH.BODY(G/WHITE)	1	Y		20000512	20020630	KMYSG125JYC012107	KMYSG125J2C020066
			8350A-SA1-0100-PB	COVER ASS'Y, RH.BODY(P/BLACK)	1	Y		20000603	20020630	KMYSG125JYC012924	KMYSG125J2C020066

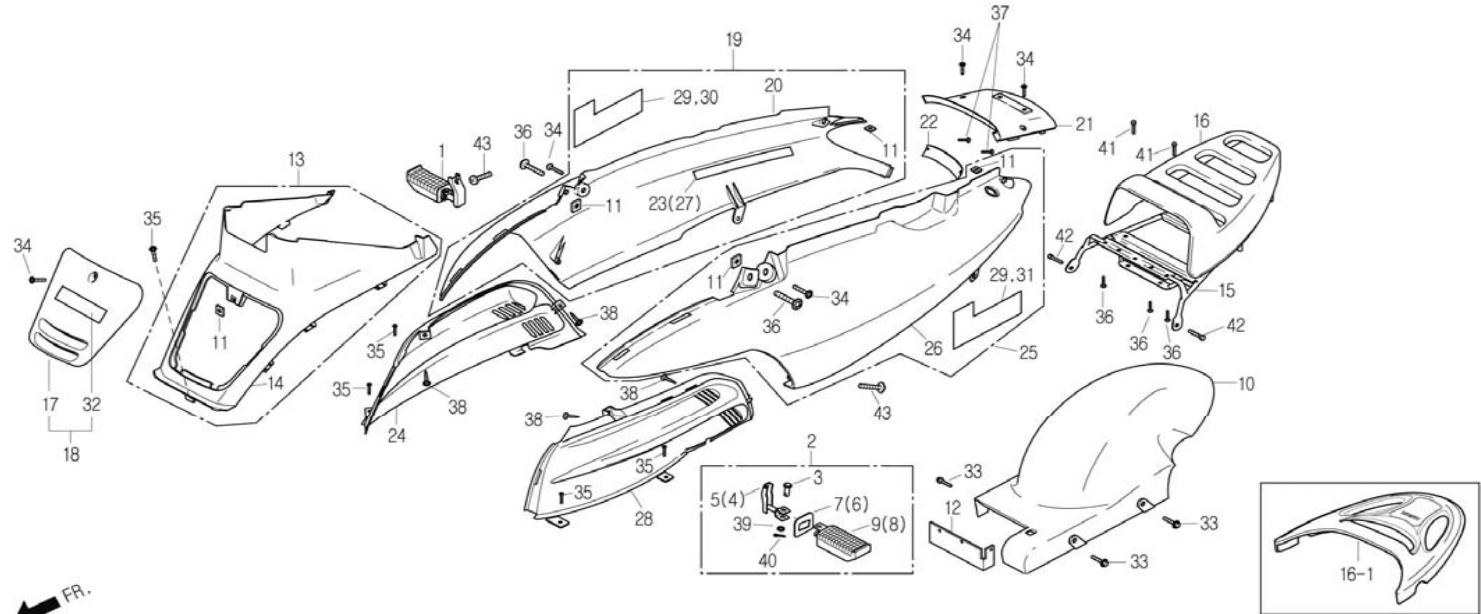
# F-18



## CENTER COVER / BODY COVER

Service item	FRT	Ref. No.	Part No.	Description	QTY	A/S	Exch	Start Date	End Date	Start FRM.No	End FRM.No
			8350A-SA1-0100-RD	COVER ASS'Y, RH.BODY(RED)	1	Y		20000512	20020630	KMYSG125JYC012107	KMYSG125J2C020066
		20	83500-SA1-0000-BL	COVER, RH.BODY(BLUE)	1	Y		19980408	19991231	KMYSG125FKW000001	KMYSG125FKY401000
			83500-SA1-0000-BS	COVER, RH.BODY(B/SAPPHIRE)	1	Y		19981214	19991231	KMYSG125FKX007123	KMYSG125FKY401000
			83500-SA1-0000-CE	COVER, RH.BODY(C/BEIGE)	1	Y		20000901		KMYSG125JYC015712	
			83500-SA1-0000-DB	COVER, RH.BODY(D/BLUE)	1	Y		20020909		KMYSG125J2C020155	
			83500-SA1-0000-DR	COVER, RH.BODY(D/RED)	1	Y		20000320		KMYSG125JYC009479	
			83500-SA1-0000-ER	COVER, RH.BODY(E/RED)	1	Y		19981214	19991231	KMYSG125FKX007123	KMYSG125FKY401000
			83500-SA1-0000-GR	COVER, RH.BODY(GREEN)	1	Y		19980408	19991118	KMYSG125FKW000001	KMYSG125FKY400780
			83500-SA1-0000-GW	COVER, RH.BODY(G/WHITE)	1	Y		20000512	20020630	KMYSG125JYC012107	KMYSG125J2C020066
			83500-SA1-0000-IG	COVER, RH.BODY(I/GRAY)	1	Y		19981214	19991231	KMYSG125FKX007123	KMYSG125FKY401000
			83500-SA1-0000-LG	COVER, RH.BODY(L/GREEN)	1	Y		20000901	20020930	KMYSG125JYC015712	KMYSG125J3C020484
			83500-SA1-0000-LG	COVER, RH.BODY(L/GREEN)	1	Y		19990903		KMYSG125FKX317909	
			83500-SA1-0000-NL	COVER, RH.BODY(N/BLUE)	1	Y		19990903		KMYSG125FKX317909	
			83500-SA1-0000-NL	COVER, RH.BODY(N/BLUE)	1	Y		20010914		KMYSG125J1C019505	
			83500-SA1-0000-NL	COVER, RH.BODY(N/BLUE)	1	Y		19991119		KMYSG125FKY400781	
			83500-SA1-0000-PB	COVER, RH.BODY(P/BLACK)	1	Y		20000320		KMYSG125JYC009479	
			83500-SA1-0000-PB	COVER, RH.BODY(P/BLACK)	1	Y		20000603	20020630	KMYSG125JYC012924	KMYSG125J2C020066
			83500-SA1-0000-PB	COVER, RH.BODY(P/BLACK)	1	Y		19981214	19991231	KMYSG125FKX007123	KMYSG125FKY401000
			83500-SA1-0000-RD	COVER, RH.BODY(RED)	1	Y		20000512	20020630	KMYSG125JYC012107	KMYSG125J2C020066
			83500-SA1-0000-RD	COVER, RH.BODY(RED)	1	Y		19980417	19991231	KMYSG125FKW001978	KMYSG125FKY401000

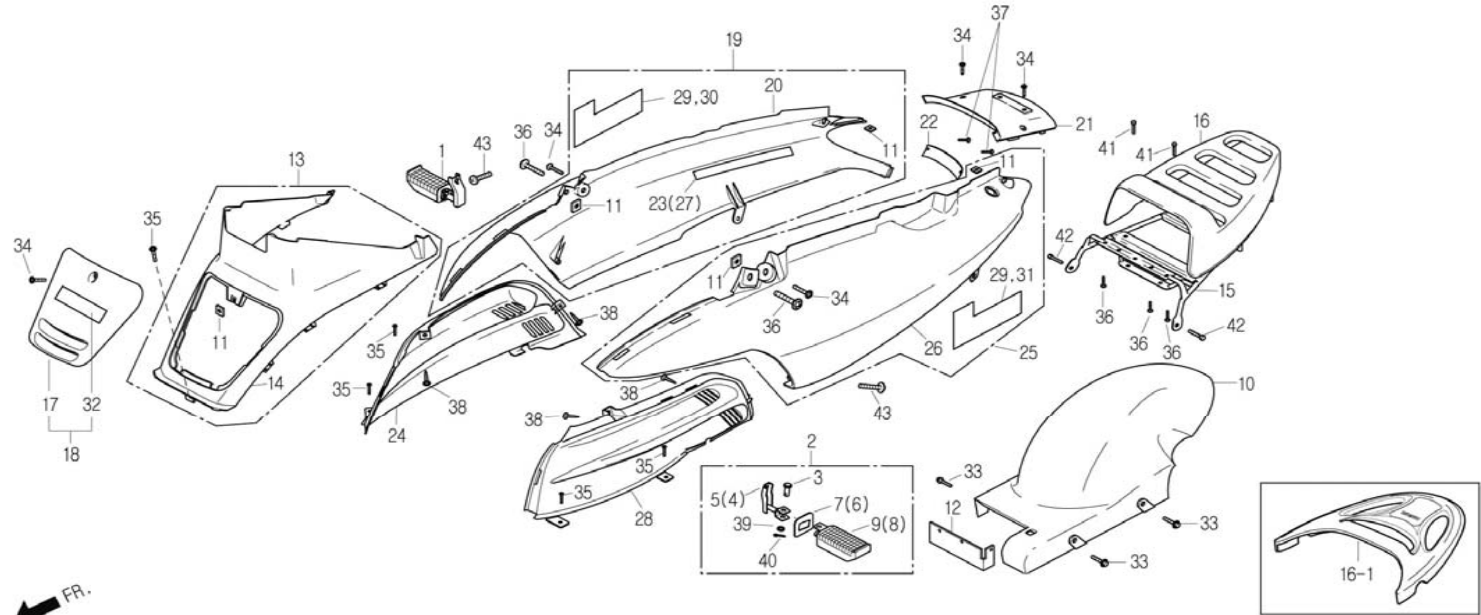
# F-18



## CENTER COVER / BODY COVER

Service item	FRT	Ref. No.	Part No.	Description	QTY	A/S	Exch	Start Date	End Date	Start FRM.No	End FRM.No
			83500-SA1-0000-SL	COVER, RH.BODY(SILVER)	1	Y		20000320		KMYSG125JYC009479	
		21	83502-SA1-0000-BL	COVER, RR.UPPER(BLUE)	1	Y		19980408	19991231	KMYSG125FKW000001	KMYSG125FKY401000
			83502-SA1-0000-BS	COVER, RR.UPPER(B/SAPPHIRE)	1	Y		19981214	19991231	KMYSG125FKX007123	KMYSG125FKY401000
			83502-SA1-0000-CE	COVER, RR.UPPER(C/BEIGE)	1	Y		19991119		KMYSG125FKY400781	
			83502-SA1-0000-DB	COVER, RR.UPPER(D/BLUE)	1	Y		20020909		KMYSG125J2C020155	
			83502-SA1-0000-DR	COVER, RR.UPPER(D/RED)	1	Y		20001130		KMYSG125FK1408107	
			83502-SA1-0000-ER	COVER, RR.UPPER(E/RED)	1	Y		20000320		KMYSG125JYC009479	
			83502-SA1-0000-GR	COVER, RR.UPPER(GREEN)	1	Y		19991216		KMYSG125FKY400905	
			83502-SA1-0000-IG	COVER, RR.UPPER(I/GRAY)	1	Y		19981214	19991231	KMYSG125FKX007123	KMYSG125FKY401000
			83502-SA1-0000-LG	COVER, RR.UPPER(L/GREEN)	1	Y		19980408	19991118	KMYSG125FKW000001	KMYSG125FKY400780
			83502-SA1-0000-GW	COVER, RR.UPPER(G/WHITE)	1	Y		20000512	20020630	KMYSG125JYC012107	KMYSG125J2C020066
			83502-SA1-0000-IG	COVER, RR.UPPER(I/GRAY)	1	Y		19981214	19991231	KMYSG125FKX007123	KMYSG125FKY401000
			83502-SA1-0000-IG	COVER, RR.UPPER(I/GRAY)	1	Y		20000901	20020930	KMYSG125JYC015712	KMYSG125J3C020484
			83502-SA1-0000-LG	COVER, RR.UPPER(L/GREEN)	1	Y		19990903		KMYSG125FKX317909	
			83502-SA1-0000-LG	COVER, RR.UPPER(L/GREEN)	1	Y		20010914		KMYSG125J1C019505	
			83502-SA1-0000-NL	COVER, RR.UPPER(N/BLUE)	1	Y		19990903		KMYSG125FKX317909	
			83502-SA1-0000-NL	COVER, RR.UPPER(N/BLUE)	1	Y		20000320		KMYSG125JYC009479	
			83502-SA1-0000-NL	COVER, RR.UPPER(N/BLUE)	1	Y		19991119		KMYSG125FKY400781	
			83502-SA1-0000-PB	COVER, RR.UPPER(P/BLACK)	1	Y		20000603	20020630	KMYSG125JYC012924	KMYSG125J2C020066
			83502-SA1-0000-PB	COVER, RR.UPPER(P/BLACK)	1	Y		19981214	19991231	KMYSG125FKX007123	KMYSG125FKY401000
			83502-SA1-0000-RD	COVER, RR.UPPER(RED)	1	Y		20000512	20020630	KMYSG125JYC012107	KMYSG125J2C020066

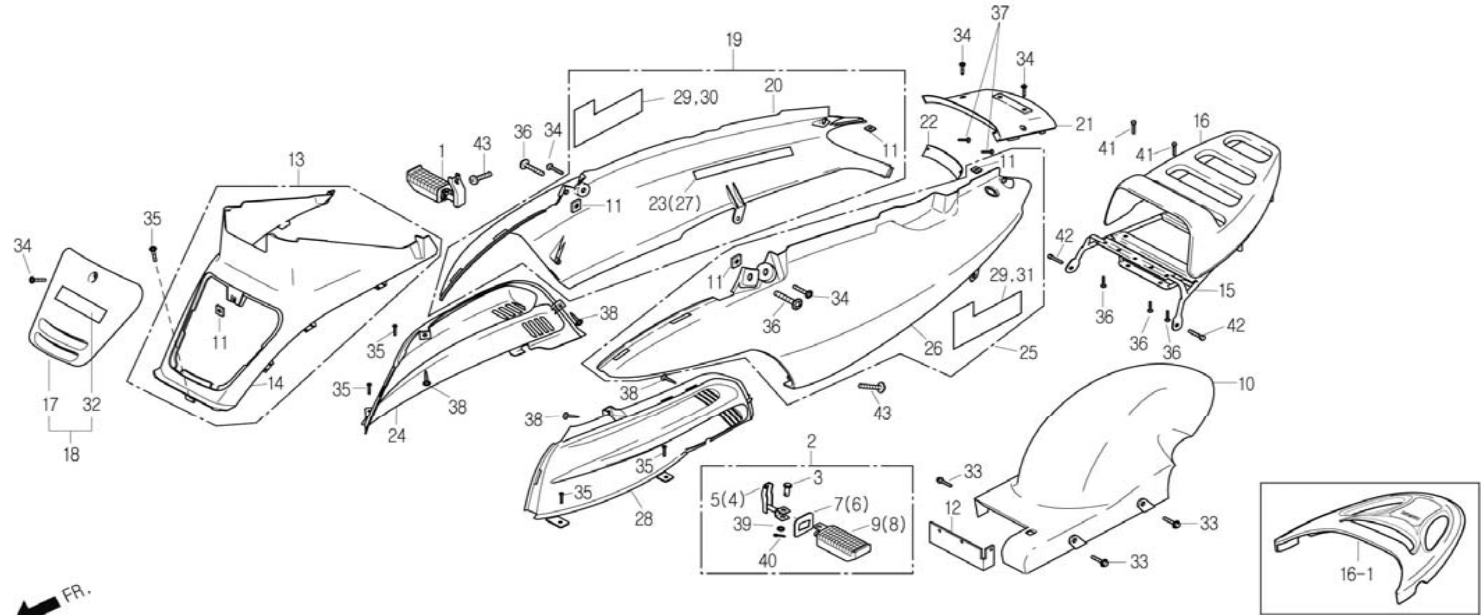
# F-18



## CENTER COVER / BODY COVER

Service item	FRT	Ref. No.	Part No.	Description	QTY	A/S	Exch	Start Date	End Date	Start FRM.No	End FRM.No
			83502-SA1-0000-SL	COVER, RR.UPPER (SILVER)	1	Y		19980417	19991231	KMYSG125FKW001978	KMYSG125FKY401000
		22	83503-SA1-0000-BL	COVER, RR.UNDER(BLUE)	1	Y		20000320		KMYSG125JYC009479	
			83503-SA1-0000-BL	COVER, RR.UNDER(BLUE)	1	Y		19981214		KMYSG125FKX007123	
			83503-SA1-0000-BL	COVER, RR.UNDER(BLUE)	1	Y		19980408	19991231	KMYSG125FKW000001	KMYSG125FKY401000
			83503-SA1-0000-BS	COVER, RR.UNDER(B/SAPPHIRE)	1	Y		19981214	19991231	KMYSG125FKX007123	KMYSG125FKY401000
			83503-SA1-0000-CE	COVER, RR.UNDER(C/BEIGE)	1	Y		20000901		KMYSG125JYC015712	
			83503-SA1-0000-DB	COVER, RR.UNDER(D/BLUE)	1	Y		19991119		KMYSG125FKY400781	
			83503-SA1-0000-DB	COVER, RR.UNDER(D/BLUE)	1	Y		20020909		KMYSG125J2C020155	
			83503-SA1-0000-DR	COVER, RR.UNDER(D/RED)	1	Y		20001130		KMYSG125FK1408107	
			83503-SA1-0000-DR	COVER, RR.UNDER(D/RED)	1	Y		20000320		KMYSG125JYC009479	
			83503-SA1-0000-ER	COVER, RR.UNDER(E/RED)	1	Y		19991216		KMYSG125FKY400905	
			83503-SA1-0000-ER	COVER, RR.UNDER(E/RED)	1	Y		19981214	19991231	KMYSG125FKX007123	KMYSG125FKY401000
			83503-SA1-0000-GR	COVER, RR.UNDER(GREEN)	1	Y		19980408	19991118	KMYSG125FKW000001	KMYSG125FKY400780
			83503-SA1-0000-GW	COVER, RR.UNDER(G/WHITE)	1	Y		20000512	20020630	KMYSG125JYC012107	KMYSG125J2C020066
			83503-SA1-0000-IG	COVER, RR.UNDER(I/GRAY)	1	Y		19981214	19991231	KMYSG125FKX007123	KMYSG125FKY401000
			83503-SA1-0000-IG	COVER, RR.UNDER(I/GRAY)	1	Y		20000901	20020930	KMYSG125JYC015712	KMYSG125J3C020484
			83503-SA1-0000-LG	COVER, RR.UNDER(L/GREEN)	1	Y		19990903		KMYSG125FKX317909	
			83503-SA1-0000-LG	COVER, RR.UNDER(L/GREEN)	1	Y		19990903		KMYSG125FKX317909	
			83503-SA1-0000-NL	COVER, RR.UNDER(N/BLUE)	1	Y		20010914		KMYSG125J1C019505	
			83503-SA1-0000-NL	COVER, RR.UNDER(N/BLUE)	1	Y		19991119		KMYSG125FKY400781	
			83503-SA1-0000-PB	COVER, RR.UNDER(P/BLACK)	1	Y		20000320		KMYSG125JYC009479	
			83503-SA1-0000-PB	COVER, RR.UNDER(P/BLACK)	1	Y		20000603	20020630	KMYSG125JYC012924	KMYSG125J2C020066
			83503-SA1-0000-PB	COVER, RR.UNDER(P/BLACK)	1	Y		19981214	19991231	KMYSG125FKX007123	KMYSG125FKY401000

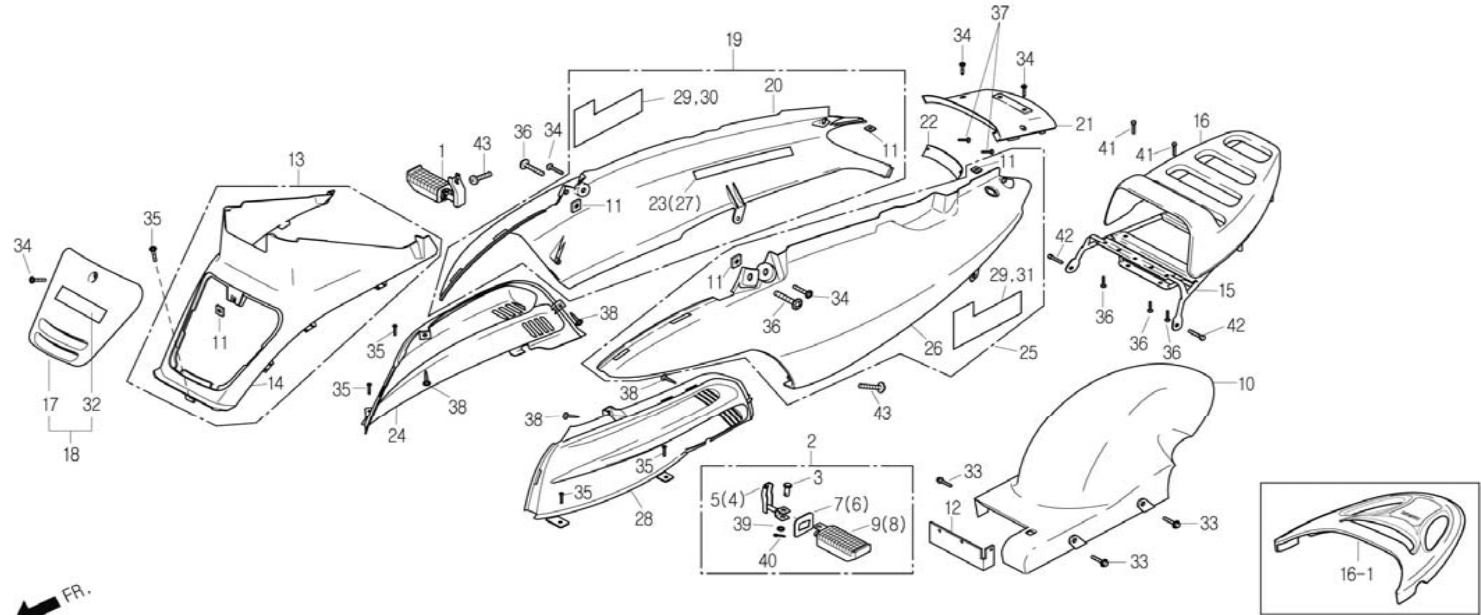
# F-18



## CENTER COVER / BODY COVER

Service item	FRT	Ref. No.	Part No.	Description	QTY	A/S	Exch	Start	End	Start	End
								Date	Date	FRM.No	FRM.No
			83503-SA1-0000-RD	COVER, RR.UNDER(RED)	1	Y		20000512	20020630	KMYSG125JYC012107	KMYSG125J2C020066
			83503-SA1-0000-SL	COVER, RR.UNDER(SILVER)	1	Y		19980417	19991231	KMYSG125FKW001978	KMYSG125FKY401000
		23	83504-SA1-0001	MAT, RH.SILENSER	1	Y		20000320		KMYSG125JYC009479	
								19981214		KMYSG125FKX007123	
		24	83506-SA1-0000	GRILLE, RH.BODY COVER	1	Y	N	19980408	20020909	KMYSG125FKW000001	KMYSG125FK2411940
								20000320	20020909	KMYSG125JYC009479	KMYSG125J2C020379
			83506-SA1-RB10	GRILLE, RH.BODY COVER	1	Y	N	19980408	19991231	KMYSG125FKW000001	KMYSG125FKY401000
								20000320	20010101	KMYSG125JYC009479	KMYSG125J1C018112
			83506-SA1-RB10-BK	GRILLE, RH.BODY COVER(BLACK)	1	Y		19990903	20021113	KMYSG125FKX317909	KMYSG125FK3412288
								20010102	20030101	KMYSG125J1C018113	KMYSG125J3C020508
			8360A-SA1-0100-GW	COVER ASS'Y, LH.BODY(G/WHITE)	1	Y		20030102		KMYSG125J3C020509	
								20021114		KMYSG125FK3412289	
		25	8360A-SA1-0100-PB	COVER ASS'Y, LH.BODY(P/BLACK)	1	Y		20000512	20020630	KMYSG125JYC012107	KMYSG125J2C020066
			8360A-SA1-0100-RD	COVER ASS'Y, LH.BODY(RED)	1	Y		20000603	20020630	KMYSG125JYC012924	KMYSG125J2C020066
								20000512	20020630	KMYSG125JYC012107	KMYSG125J2C020066
		26	83600-SA1-0000-BL	COVER, LH.BODY(BLUE)	1	Y		19980408	19991231	KMYSG125FKW000001	KMYSG125FKY401000
			83600-SA1-0000-BS	COVER, LH.BODY(B/SAPPHIRE)	1	Y		19981214	19991231	KMYSG125FKX007123	KMYSG125FKY401000
			83600-SA1-0000-CE	COVER, LH.BODY(C/BEIGE)	1	Y		20000901		KMYSG125JYC015712	
								19991119		KMYSG125FKY400781	
			83600-SA1-0000-DB	COVER, LH.BODY(D/BLUE)	1	Y		20020909		KMYSG125J2C020155	
								20001130		KMYSG125FK1408107	
			83600-SA1-0000-DR	COVER, LH.BODY(D/RED)	1	Y		20000320		KMYSG125JYC009479	

# F-18

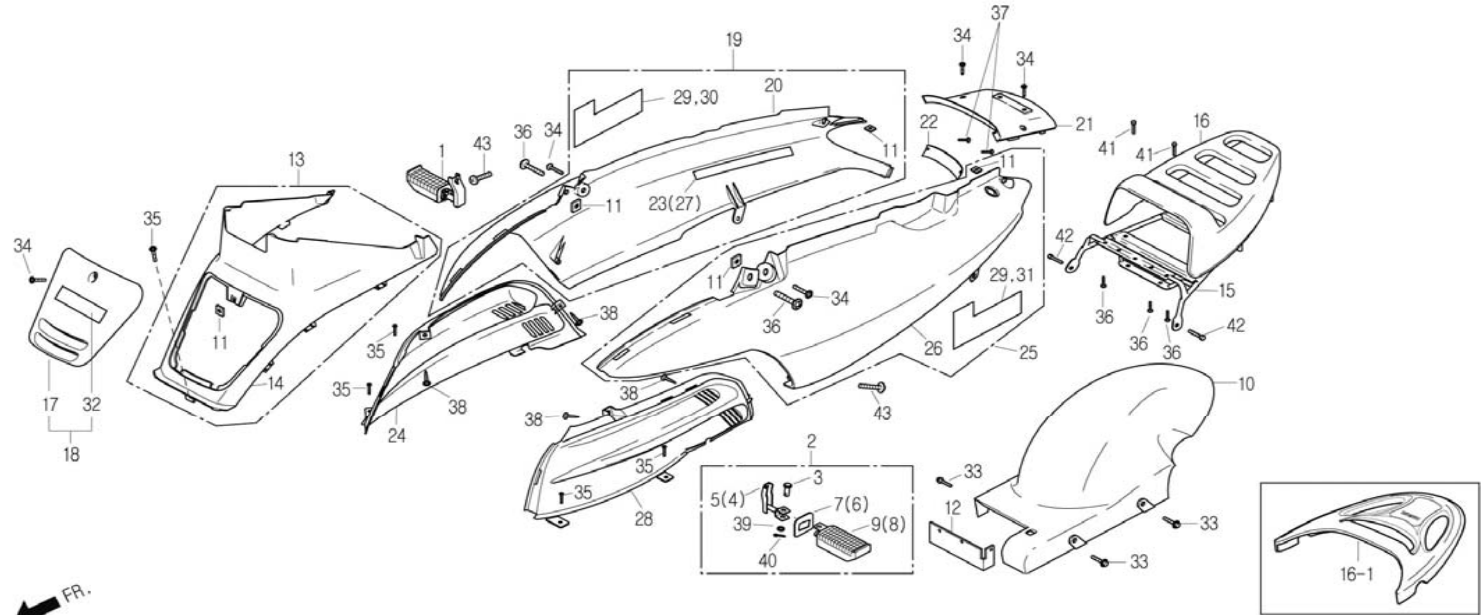


## CENTER COVER / BODY COVER

Service item	FRT	Ref. No.	Part No.	Description	QTY	A/S	Exch	Start Date	End Date	Start FRM.No	End FRM.No
								19991216		KMYSG125FKY400905	
			83600-SA1-0000-ER	COVER, LH.BODY(E/RED)	1	Y		19981214	19991231	KMYSG125FKX007123	KMYSG125FKY401000
			83600-SA1-0000-GR	COVER, LH.BODY(GREEN)	1	Y		19980408	19991118	KMYSG125FKW000001	KMYSG125FKY400780
			83600-SA1-0000-GW	COVER, LH.BODY(G/WHITE)	1	Y		19981214	19991231	KMYSG125FKX007123	KMYSG125FKY401000
								20000512	20020630	KMYSG125JYC012107	KMYSG125J2C020066
			83600-SA1-0000-IG	COVER, LH.BODY(I/GRAY)	1	Y		20000901	20020930	KMYSG125JYC015712	KMYSG125J3C020484
								19990903		KMYSG125FKX317909	
			83600-SA1-0000-LG	COVER, LH.BODY(L/GREEN)	1	Y		20010914		KMYSG125J1C019505	
								19990903		KMYSG125FKX317909	
			83600-SA1-0000-NL	COVER, LH.BODY(N/BLUE)	1	Y		20000320		KMYSG125JYC009479	
								19991119		KMYSG125FKY400781	
			83600-SA1-0000-PB	COVER, LH.BODY(P/BLACK)	1	Y		20000603	20020630	KMYSG125JYC012924	KMYSG125J2C020066
								19981214	19991231	KMYSG125FKX007123	KMYSG125FKY401000
			83600-SA1-0000-RD	COVER, LH.BODY(RED)	1	Y		20000512	20020630	KMYSG125JYC012107	KMYSG125J2C020066
								19980417	19991231	KMYSG125FKW001978	KMYSG125FKY401000
			83600-SA1-0000-SL	COVER, LH.BODY(SILVER)	1	Y		20000320		KMYSG125JYC009479	
								19981214		KMYSG125FKX007123	
		27	83604-SA1-0001	MAT, LH.SILENSER	1	Y		20000320	20020909	KMYSG125JYC009479	KMYSG125J2C020379
								19980408	20020909	KMYSG125FKW000001	KMYSG125FK2411940
		28	83606-SA1-0000	GRILLE, LH.BODY COVER	1	Y	N	20000320	20010101	KMYSG125JYC009479	KMYSG125J1C018112
								19980408	19991012	KMYSG125FKW000001	KMYSG125FKY318004
			83606-SA1-RB10	GRILLE, LH.BODY COVER	1	Y	N	19991013	20021113	KMYSG125FKY318005	KMYSG125FK3412288
								20010102	20030101	KMYSG125J1C018113	KMYSG125J3C020508



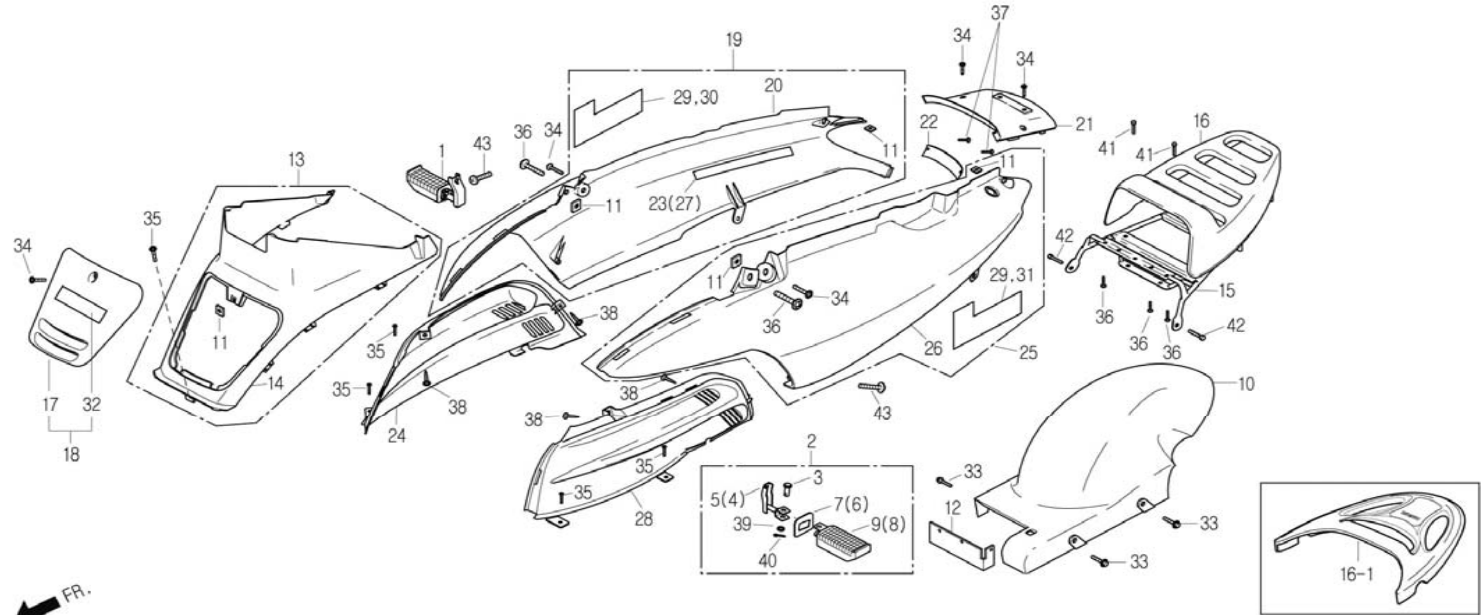
# F-18



## CENTER COVER / BODY COVER

Service item	FRT	Ref. No.	Part No.	Description	QTY	A/S	Exch	Start Date	End Date	Start FRM.No	End FRM.No
			83606-SA1-RB10-BK	GRILLE, LH.BODY COVER(BLACK)	1	Y		20030102		KMYSG125J3C020509	
		29	87121-SA1-RB10	MARK, BODY COVER	2	Y		19990903		KMYSG125FKX317909	
		30	87125-SA1-0000-BL	MARK, RH.BODY COVER(BLUE)	1	Y		19980526	19981108	KMYSG125FKW003915	KMYSG125FKX006555
			87125-SA1-RB00-BL	MARK, RH.BODY COVER(BLUE)	1	Y		19980408	19991118	KMYSG125FKW000001	KMYSG125FKY400780
			87125-SA1-RB10-BS	MARK, BODY COVER(B/SAPPHIRE)	2	Y		19981216	19991231	KMYSG125FKX307276	KMYSG125FKY401000
			87125-SA1-RK10-BS	MARK, BODY COVER(B/SAPPHIRE)	1	Y	N	19981214	19990524	KMYSG125FKX007123	KMYSG125FKX314663
			87125-SA1-RK11-BS	MARK, BODY COVER(B/SAPPHIRE)	2	Y		19990525	19991231	KMYSG125FKX314664	KMYSG125FKY401000
			87125-SA1-RK20-CE	MARK, BODY COVER(C/BEIGE)	2	Y	N	20000901	20020930	KMYSG125JYC015712	KMYSG125J3C020484
								19991119	20000131	KMYSG125FKY400781	KMYSG125FKY401267
			87125-SA1-RK30-CE	MARK, BODY COVER(C/BEIGE)	2	Y		20010507		KMYSG125J1C019143	
								20000201		KMYSG125FKY401268	
			87125-SA1-RK30-DB	MARK, BODY COVER(D/BLUE)	2	Y		20020909		KMYSG125J2C020155	
								20001130		KMYSG125FK1408107	
			87125-SA1-RK20-DR	MARK, BODY COVER(D/RED)	2	Y	N	20000320		KMYSG125JYC009479	
								19991216	20000131	KMYSG125FKY400905	KMYSG125FKY401267
			87125-SA1-RK30-DR	MARK, BODY COVER(D/RED)	2	Y		20010507		KMYSG125J1C019143	
								20000201		KMYSG125FKY401268	
			87125-SA1-RB10-ER	MARK, RH.BODY COVER(E/RED)	2	Y		19981216	19991231	KMYSG125FKX307276	KMYSG125FKY401000
			87125-SA1-RK10-ER	MARK, BODY COVER(E/RED)	1	Y	N	19981214	19990524	KMYSG125FKX007123	KMYSG125FKX314663
			87125-SA1-RK11-ER	MARK, BODY COVER(E/RED)	2	Y		19990525	19991231	KMYSG125FKX314664	KMYSG125FKY401000
			87125-SA1-RB00-GR	MARK, RH.BODY COVER(GREEN)	1	Y		19980408	19991118	KMYSG125FKW000001	KMYSG125FKY400780
			87125-SA1-0100-GW	MARK, BODY COVER(G/WHITE)	1	Y		20000512	20020630	KMYSG125JYC012107	KMYSG125J2C020066

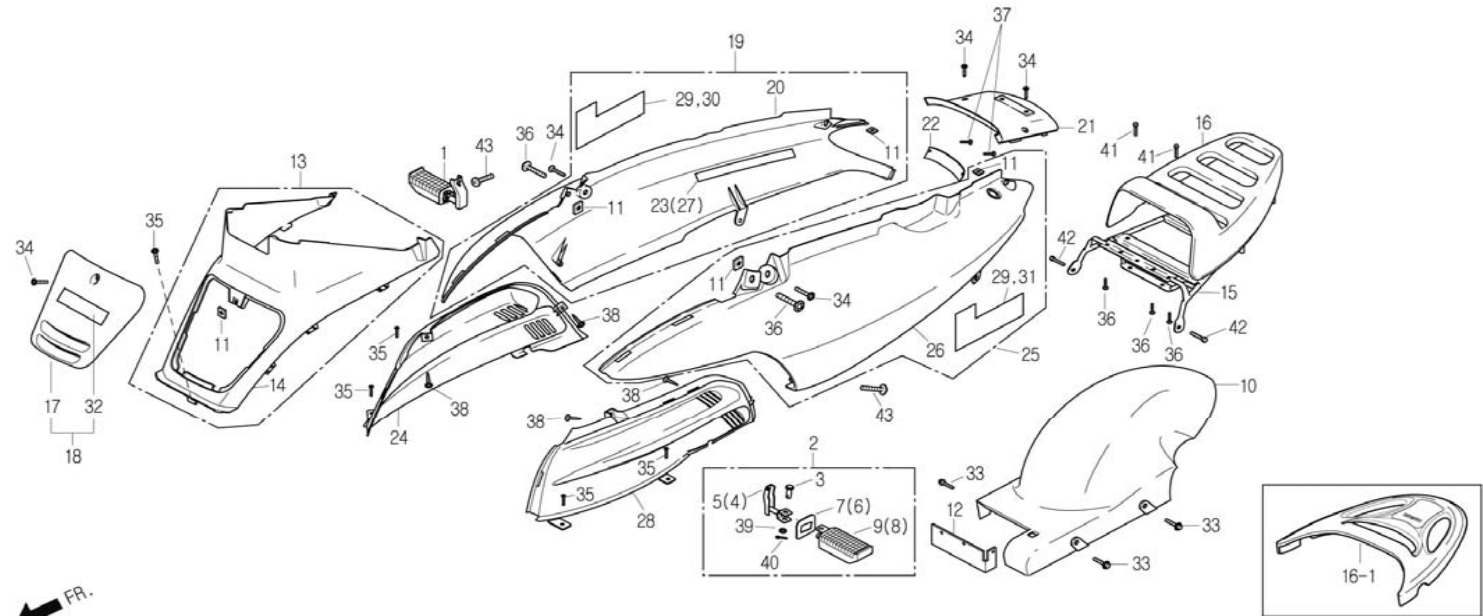
# F-18



## CENTER COVER / BODY COVER

Service item	FRT	Ref. No.	Part No.	Description	QTY	A/S	Exch	Start Date	End Date	Start FRM.No	End FRM.No
			87125-SA1-RB10-GW	MARK, BODY COVER(G/WHITE)	2	Y		19981216	19991231	KMYSG125FKX307276	KMYSG125FKY401000
			87125-SA1-RK10-GW	MARK, BODY COVER(G/WHITE)	1	Y	N	19981214	19990524	KMYSG125FKX007123	KMYSG125FKX314663
			87125-SA1-RK11-GW	MARK, BODY COVER(G/WHITE)	2	Y		19990525	19991231	KMYSG125FKX314664	KMYSG125FKY401000
			87125-SA1-RK20-IG	MARK, BODY COVER(I/GRAY)	2	Y	N	20000901	20020930	KMYSG125JYC015712	KMYSG125J3C020484
								19991216	20000131	KMYSG125FKY400905	KMYSG125FKY401267
			87125-SA1-RK30-IG	MARK, BODY COVER(I/GRAY)	2	Y		20000201		KMYSG125FKY401268	
			87125-SA1-RK20-LG	MARK, BODY COVER(L/GREEN)	2	Y	N	19991119	20001129	KMYSG125FKY400781	KMYSG125FK1408106
			87125-SA1-RK30-LG	MARK, BODY COVER(L/GREEN)	2	Y		20000210		KMYSG125FKY401395	
								20010914		KMYSG125J1C019505	
			87125-SA1-RK20-NL	MARK, BODY COVER(N/BLUE)	2	Y	N	20000320		KMYSG125JYC009479	
								19991119	20000131	KMYSG125FKY400781	KMYSG125FKY401267
			87125-SA1-RK30-NL	MARK, BODY COVER(N/BLUE)	2	Y		20000201		KMYSG125FKY401268	
			87125-SA1-0100-PB	MARK, BODY COVER(P/BLACK)	1	Y		20000603	20020630	KMYSG125JYC012924	KMYSG125J2C020066
								19981214	19991231	KMYSG125FKX007123	KMYSG125FKY401000
			87125-SA1-RB10-PB	MARK, BODY COVER(P/BLACK)	2	Y		19981216	19991231	KMYSG125FKX307276	KMYSG125FKY401000
			87125-SA1-RK10-PB	MARK, BODY COVER(P/BLACK)	1	Y	N	19981214	19990524	KMYSG125FKX007123	KMYSG125FKX314663
			87125-SA1-RK11-PB	MARK, BODY COVER(P/BLACK)	2	Y		19990525	19991231	KMYSG125FKX314664	KMYSG125FKY401000
			87125-SA1-0000-RD	MARK, RH.BODY COVER(RED)	1	Y		19980526	19981108	KMYSG125FKW003915	KMYSG125FKX006555
			87125-SA1-0100-RD	MARK, BODY COVER(RED)	1	Y		20000512	20020630	KMYSG125JYC012107	KMYSG125J2C020066
			87125-SA1-RB00-RD	MARK, RH.BODY COVER(RED)	1	Y		19980417	19991231	KMYSG125FKW001978	KMYSG125FKY401000
			87125-SA1-RB10-SL	MARK, BODY COVER(SILVER)	2	Y		19990527	19991231	KMYSG125FKX315336	KMYSG125FKY401000
			87125-SA1-RK10-SL	MARK, BODY COVER(SILVER)	1	Y	N	19981214	19990524	KMYSG125FKX007123	KMYSG125FKX314663
			87125-SA1-RK11-SL	MARK, BODY COVER(SILVER)	2	Y	N	19990525	20001129	KMYSG125FKX314664	KMYSG125FK1408106

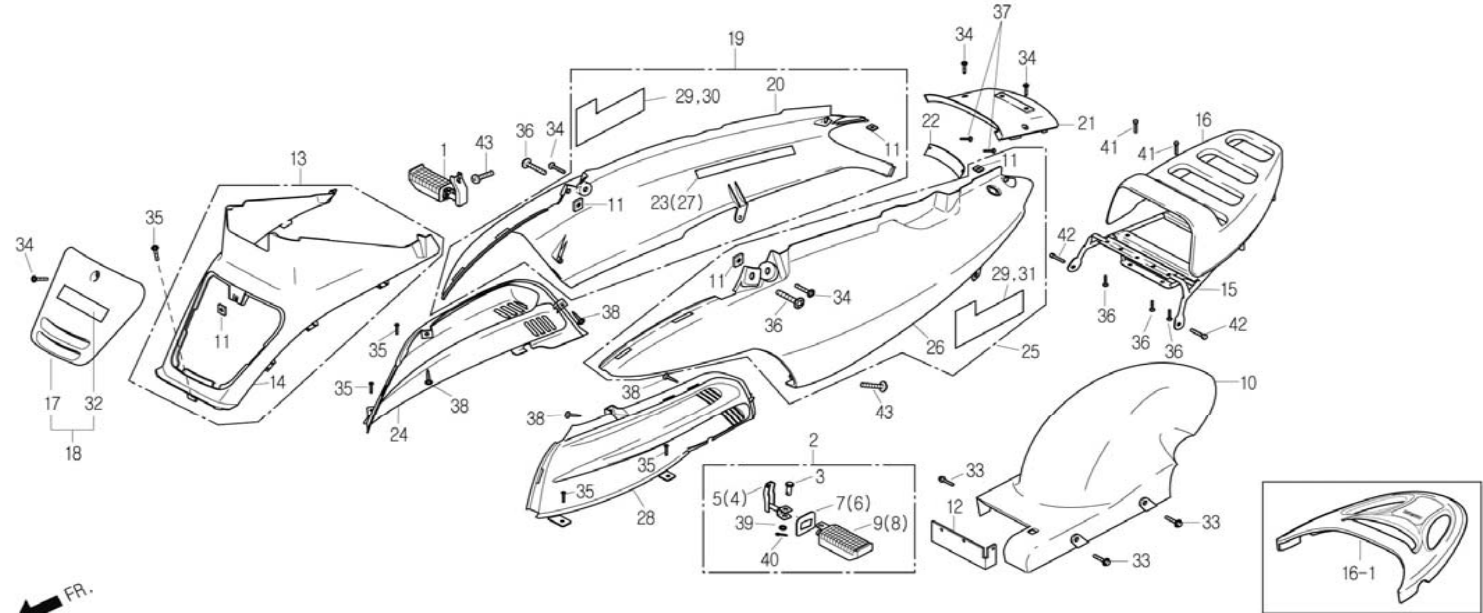
# F-18



## CENTER COVER / BODY COVER

Service item	FRT	Ref. No.	Part No.	Description	QTY	A/S	Exch	Start Date	End Date	Start FRM.No	End FRM.No
			87125-SA1-RK30-SL	MARK, BODY COVER(SILVER)	2	Y		20000320		KMYSG125JYC009479	
								20010507		KMYSG125J1C019143	
								20000201		KMYSG125FKY401268	
		31	87126-SA1-0000-BL	MARK, LH.BODY COVER(BLUE)	1	Y		19980526	19981108	KMYSG125FKW003915	KMYSG125FKX006555
			87126-SA1-RB00-GR	MARK, LH.BODY COVER(GREEN)	1	Y		19980408	19991118	KMYSG125FKW000001	KMYSG125FKY400780
			87126-SA1-RB00-BL	MARK, LH.BODY COVER(BLUE)	1	Y		19980408	19991118	KMYSG125FKW000001	KMYSG125FKY400780
			87126-SA1-0000-RD	MARK, LH.BODY COVER(RED)	1	Y		19980526	19981108	KMYSG125FKW003915	KMYSG125FKX006555
			87126-SA1-RB00-RD	MARK, LH.BODY COVER(RED)	1	Y		19980417	19991231	KMYSG125FKW001978	KMYSG125FKY401000
		32	87505-SA1-0000	LABEL, TIRE	1	N	N	19980526	19981108	KMYSG125FKW003915	KMYSG125FKX006555
			87505-SA1-MA01	LABEL, TIRE(ENGLISH)	1	Y	N	19981030	19981130	KMYSG125FKX007123	KMYSG125FKX007122
			87505-SA1-MA11	LABEL, TIRE(ENGLISH)	1	Y		20000320		KMYSG125JYC009479	
								19990318		KMYSG125FKX311507	
			87505-SA1-RB11	LABEL, TIRE(GERMAN)	1	Y		19981216		KMYSG125FKX307276	
			87505-SA1-RC00	LABEL, TIRE(ITALIAN)	1	N	N	19980408	19981213	KMYSG125FKW000001	KMYSG125FKX007122
			87505-SA1-RC11	LABEL, TIRE(ITALIAN)	1	Y		19981214		KMYSG125FKX007123	
			87505-SA1-RE00	LABEL, TIRE(FRENCH)	1	N	N	19980523	19981130	KMYSG125FKW003381	KMYSG125FKX007122
			87505-SA1-RE11	LABEL, TIRE(FRENCH)	1	Y		19990120		KMYSG125FKX308518	
			87505-SA1-RJ00	LABEL, TIRE(SPANISH)	1	N	N	19980423	19991118	KMYSG125FKW001978	KMYSG125FKY400780
			87505-SA1-RJ11	LABEL, TIRE(SPANISH)	1	Y		19991119		KMYSG125FKY400781	
		33	90111-SE5-9000	BOLT, FLANGE 6mm	3	Y	Y	19980408	19990131	KMYSG125FKW000001	KMYSG125FKX308693
			90111-SE5-1000	BOLT, FLANGE 6mm	3	Y		20000320		KMYSG125JYC009479	
								19990201		KMYSG125FKX308694	

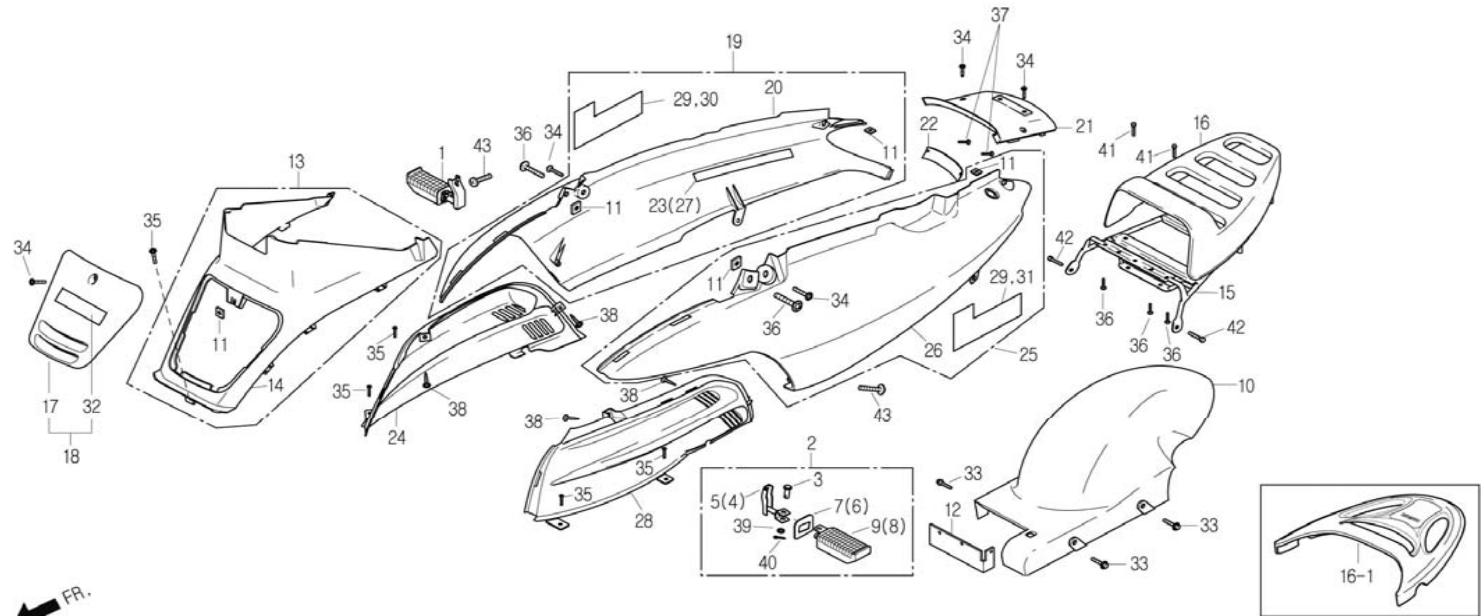
# F-18



## CENTER COVER / BODY COVER

Service item	FRT	Ref.	Description	QTY	A/S	Exch	Start Date	End Date	Start FRM.No	End FRM.No
		No.								
		34	90111-SA1-0000	5	Y	N	19980408	19990613	KMYSG125FKW000001	KMYSG125FKX316001
			90111-SA1-1000	5	Y		20000320		KMYSG125JYC009479	
							19990614		KMYSG125FKX316002	
		35	90115-HD2-8900	5	Y	N	19980408	19990131	KMYSG125FKW000001	KMYSG125FKX308693
			90192-SB1-0000	5	Y		20000320		KMYSG125JYC009479	
							19990201		KMYSG125FKX308694	
		36	90190-SC1-0000	8	Y	N	19980408	19990531	KMYSG125FKW000001	KMYSG125FKX315335
			90191-SB1-0000	8	Y		20000320		KMYSG125JYC009479	
							19990601		KMYSG125FKX315336	
		37	S3500-05016-0A	2	Y	N	19980408	19990531	KMYSG125FKW000001	KMYSG125FKX315335
			S3500-05016-0H	2	Y		20000320		KMYSG125JYC009479	
							19990601		KMYSG125FKX315336	
		38	S3903-25280	4	Y	N	19980408	19990131	KMYSG125FKW000001	KMYSG125FKX308693
			S3903-25220	4	Y		20000320		KMYSG125JYC009479	
							19990201		KMYSG125FKX308694	
		39	S4102-08800	2	N		19980408		KMYSG125FKW000001	
							20000320		KMYSG125JYC009479	
		40	S4201-16150	2	N		20000320		KMYSG125JYC009479	
							19980408		KMYSG125FKW000001	
		41	S5701-06012-08	2	Y		20000320		KMYSG125JYC009479	
							19980408		KMYSG125FKW000001	
		42	S5701-08012-00	2	Y	N	19980408	19990531	KMYSG125FKW000001	KMYSG125FKX315335

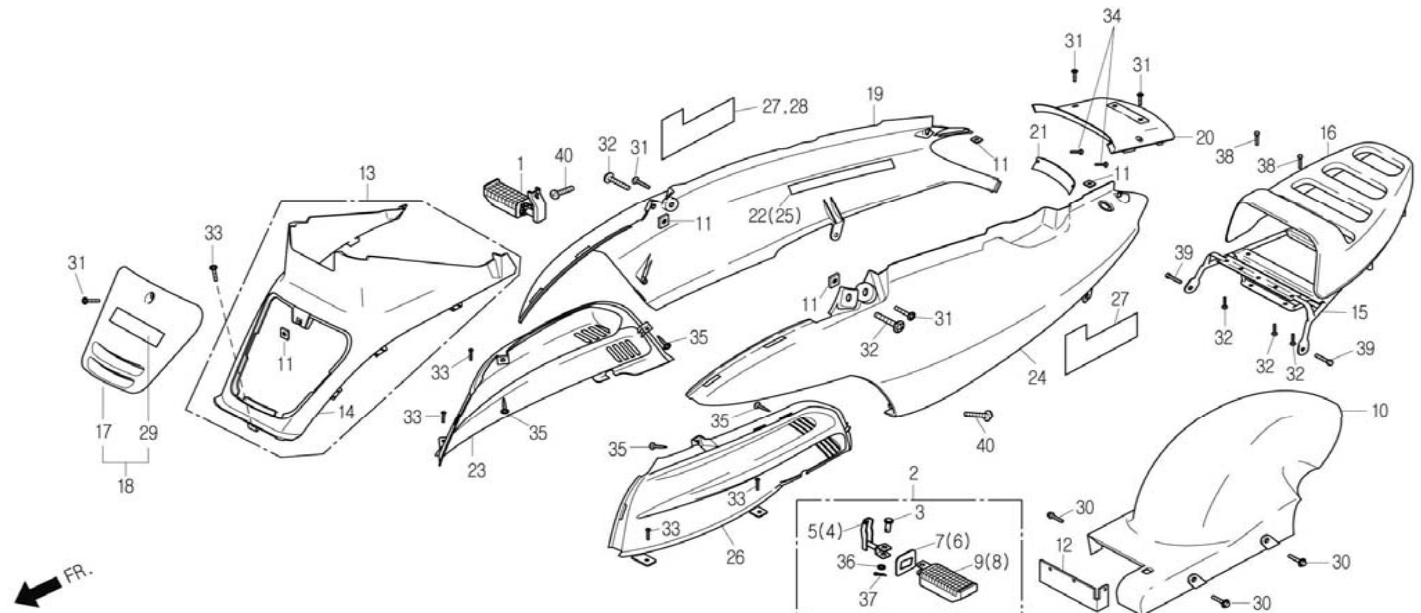
# F-18



## CENTER COVER / BODY COVER

Service item	FRT	Ref. No.	Part No.	Description	QTY	A/S	Exch	Start Date	End Date	Start FRM.No	End FRM.No
			S5701-08012-08	BOLT, FLANGE 8x12	2	Y		20000320		KMYSG125JYC009479	
								19990601		KMYSG125FKX315336	
		43	S5701-08016-08	BOLT, FLANGE 8x16	2	Y		20000320		KMYSG125JYC009479	
								19980408		KMYSG125FKW000001	

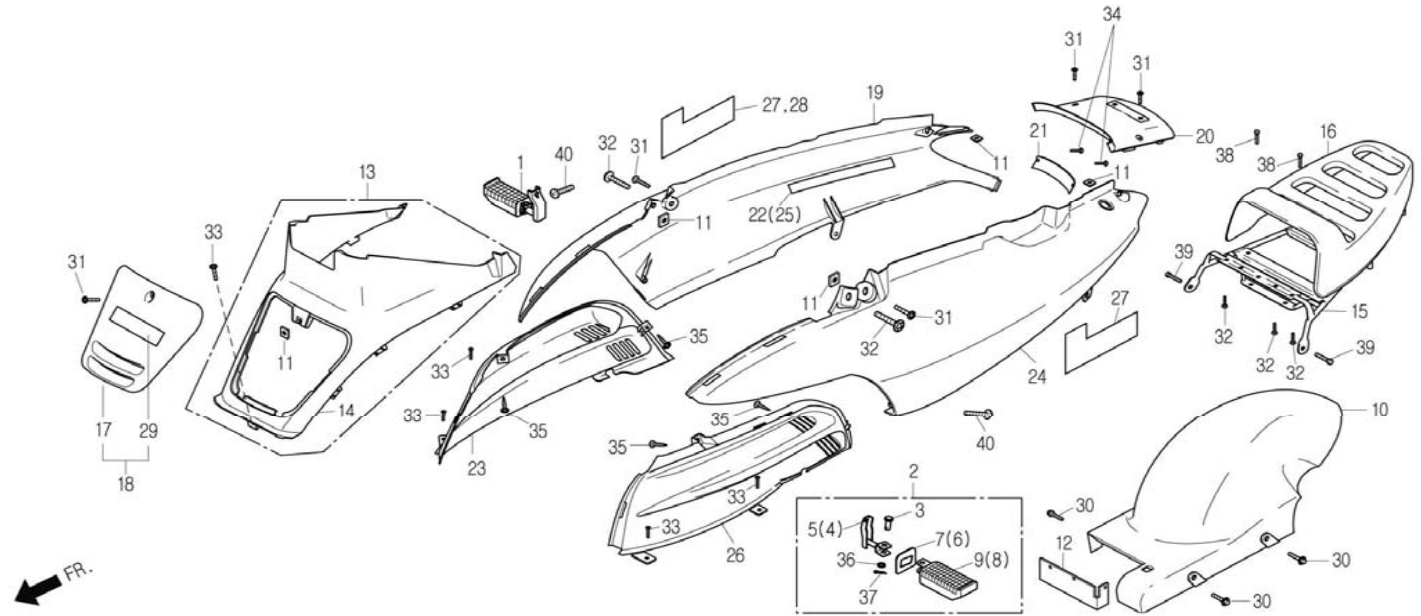
# F-18-L



## CENTER COVER / BODY COVER

Service item	FRT	Ref. No.	Part No.	Description	QTY	A/S	Exch	Start Date	End Date	Start FRM.No	End FRM.No
COVER, CENTER	0.2	1	50600-SA1-0001-EU	BAR ASS'Y, RH.PILLION STEP	1	Y		20001221		KMYSG125FK1500013	
			50600-SA1-RZ00	BAR ASS'Y, RH.PILLION STEP	1	Y		20030612		KMYSG125FK3412914	
COVER, PLUG MAINTENANCE		2	50601-SA1-0001-EU	BAR ASS'Y, LH.PILLION STEP	1	Y		20001221		KMYSG125FK1500013	
		3	50603-HD2-0000	PIN, MAIN STEP BAR JOINT	2	N		20001221		KMYSG125FK1500013	
COVER, BODY	0.5	4	50610-SA1-0000-EU	BRACKET COMP., RH.PILLION STEP	1	N		20001221		KMYSG125FK1500013	
(ADD 0.1 FOR EACH)			50610-SA1-RZ00	BRACKET COMP., RH.PILLION STEP	1	N		20030612		KMYSG125FK3412914	
		5	50611-SA1-0000-EU	BRACKET COMP., LH.PILLION STEP	1	N		20001221		KMYSG125FK1500013	
COVER, RR.UPPER		6	50614-SA1-0001-EU	PLATE, RH.PILLION STEP SIDE	1	N		20001221		KMYSG125FK1500013	
COVER, RR.UNDER		7	50615-SA1-0001-EU	PLATE, LH.PILLION STEP SIDE	1	N		20001221		KMYSG125FK1500013	
CARRIER, RR.	0.3	8	50661-SA1-0001-EU	RUBBER COMP., RH.PILLION STEP	1	N		20001221		KMYSG125FK1500013	
		9	50662-SA1-0001-EU	RUBBER COMP., LH.PILLION STEP	1	N		20001221		KMYSG125FK1500013	
		10	61120-SA1-RB12	MUDGUARD, RR.WHEEL	1	Y	N	20001221	20021113	KMYSG125FK1500013	KMYSG125FK3412101
			61120-SA1-RB12-BK	MUDGUARD, RR.WHEEL(BLACK)	1	Y		20021114		KMYSG125FK3412102	
		11	64527-BA6-7000	NUT, CLIP 4mm	5	Y		20001221		KMYSG125FK1500013	
		12	80104-SA1-0000	PLATE, SPLASH GUARD	1	Y		20001221		KMYSG125FK1500013	
		13	8015A-SA1-RB10	COVER ASS'Y, CENTER	1	Y	N	20001221	20021113	KMYSG125FK1500013	KMYSG125FK3412101
			8015A-SA1-RB10-BK	COVER ASS'Y, CENTER(BLACK)	1	Y		20021114		KMYSG125FK3412102	
		14	80151-SA1-RB10	COVER, CENTER	1	Y	N	20001221	20021113	KMYSG125FK1500013	KMYSG125FK3412101
			80151-SA1-RB10-BK	COVER, CENTER(BLACK)	1	Y		20021114		KMYSG125FK3412102	
		15	81200-SA1-0000-EU	CARRIER, RR.	1	Y		20001221		KMYSG125FK1500013	
		16	81201-SA1-0000-CE	COVER, RR.CARRIER(C/BEIGE)	1	Y		20010111	20020630	KMYSG125FK1408176	KMYSG125FK2411834

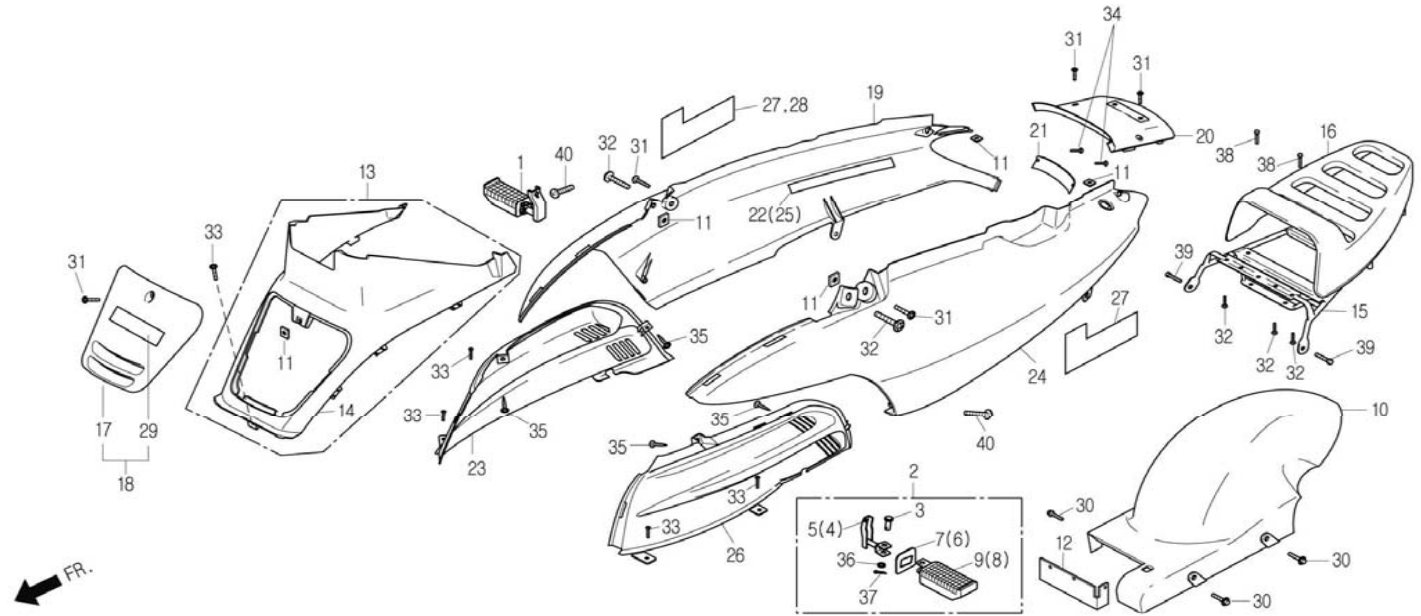
# F-18-L



## CENTER COVER / BODY COVER

Service item	FRT	Ref. No.	Part No.	Description	QTY	A/S	Exch	Start Date	End Date	Start FRM.No	End FRM.No
			81201-SA1-0000-DB	COVER, RR.CARRIER(D/BLUE)	1	Y		20010112		KMYSG125FK1408177	
			81201-SA1-0000-DR	COVER, RR.CARRIER(D/RED)	1	Y		20001221		KMYSG125FK1500013	
			81201-SA1-0000-IG	COVER, RR.CARRIER(I/GRAY)	1	Y		20001221		KMYSG125FK1500013	
			81201-SA1-0000-LG	COVER, RR.CARRIER(L/GREEN)	1	Y		20001221		KMYSG125FK1500013	
			81201-SA1-0000-NL	COVER, RR.CARRIER(N/BLUE)	1	Y		20001221		KMYSG125FK1500013	
			81201-SA1-0000-SL	COVER, RR.CARRIER(SILVER)	1	Y		20010214		KMYSG125FK1408700	
		17	81251-SA1-RB11	COVER, PLUG MAINTENANCE	1	N	N	20001221	20021113	KMYSG125FK1500013	KMYSG125FK3412101
			81251-SA1-RB10-BK	COVER, PLUG MAINTENANCE(BLACK)	1	N		20021114		KMYSG125FK3412102	
		18	81260-SA3-MA00	COVER ASS'Y, PLUG MAINTENANCE(ENGLISH)	1	Y	N	20010528	20021113	KMYSG125FK1410164	KMYSG125FK3412101
			81260-SA3-MA00-BK	COVER ASS'Y, PLUG MAINTENANCE(ENGLISH)	1	Y		20021114		KMYSG125FK3412102	
			81260-SA3-RB00	COVER ASS'Y, PLUG MAINTENANCE(GERMAN)	1	Y	N	20001221	20021113	KMYSG125FK1500013	KMYSG125FK3412101
			81260-SA3-RB00-BK	COVER ASS'Y, PLUG MAINTENANCE(GERMAN)	1	Y		20021114		KMYSG125FK3412102	
			81260-SA3-RC00	COVER ASS'Y, PLUG MAINTENANCE(ITALIAN)	1	Y	N	20010112	20021113	KMYSG125FK1408177	KMYSG125FK3412101
			81260-SA3-RC00-BK	COVER ASS'Y, PLUG MAINTENANCE(ITALIAN)	1	Y		20021114		KMYSG125FK3412102	
			81260-SA3-RE00	COVER ASS'Y, PLUG MAINTENANCE(FRENCH)	1	Y	N	20010111	20021113	KMYSG125FK1408176	KMYSG125FK3412101
			81260-SA3-RE00-BK	COVER ASS'Y, PLUG MAINTENANCE(FRENCH)	1	Y		20021114		KMYSG125FK3412102	
			81260-SA3-RJ00	COVER ASS'Y, PLUG MAINTENANCE(SPANISH)	1	Y	N	20020322	20021113	KMYSG125FK2411449	KMYSG125FK3412101
			81260-SA3-RJ00-BK	COVER ASS'Y, PLUG MAINTENANCE(SPANISH)	1	Y		20021114		KMYSG125FK3412102	
		19	83500-SA1-0000-CE	COVER, RH.BODY(C/BEIGE)	1	Y		20010111	20020630	KMYSG125FK1408176	KMYSG125FK2411834
			83500-SA1-0000-DB	COVER, RH.BODY(D/BLUE)	1	Y		20010112		KMYSG125FK1408177	
			83500-SA1-0000-DR	COVER, RH.BODY(D/RED)	1	Y		20001221		KMYSG125FK1500013	
			83500-SA1-0000-IG	COVER, RH.BODY(I/GRAY)	1	Y		20001221		KMYSG125FK1500013	
			83500-SA1-0000-LG	COVER, RH.BODY(L/GREEN)	1	Y		20001221		KMYSG125FK1500013	

# F-18-L

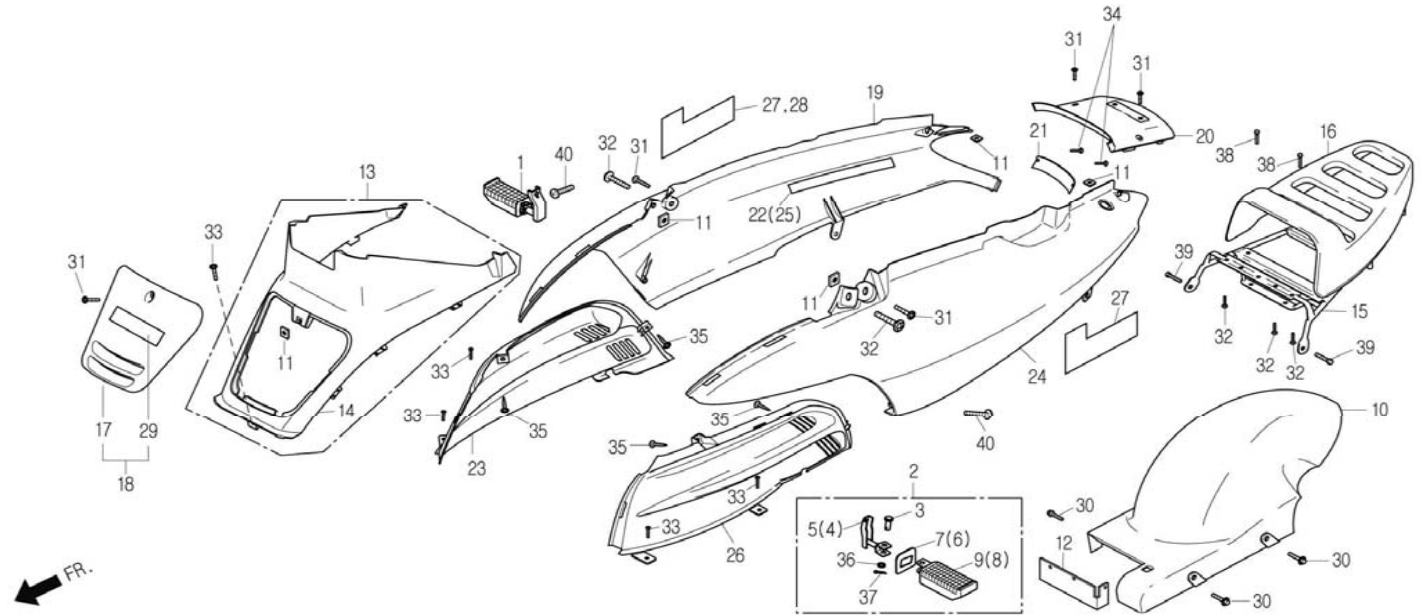


## CENTER COVER / BODY COVER

Service item	FRT	Ref. No.	Part No.	Description	QTY	A/S	Exch	Start Date	End Date	Start FRM.No	End FRM.No
			83500-SA1-0000-NL	COVER, RH.BODY(N/BLUE)	1	Y		20001221		KMYSG125FK1500013	
			83500-SA1-0000-SL	COVER, RH.BODY(SILVER)	1	Y		20010214		KMYSG125FK1408700	
		20	83502-SA1-0000-CE	COVER, RR.UPPER(C/BEIGE)	1	Y		20010111	20020630	KMYSG125FK1408176	KMYSG125FK2411834
			83502-SA1-0000-DB	COVER, RR.UPPER(D/BLUE)	1	Y		20010112		KMYSG125FK1408177	
			83502-SA1-0000-DR	COVER, RR.UPPER(D/RED)	1	Y		20001221		KMYSG125FK1500013	
			83502-SA1-0000-IG	COVER, RR.UPPER(I/GRAY)	1	Y		20001221		KMYSG125FK1500013	
			83502-SA1-0000-LG	COVER, RR.UPPER(L/GREEN)	1	Y		20001221		KMYSG125FK1500013	
			83502-SA1-0000-NL	COVER, RR.UPPER(N/BLUE)	1	Y		20001221		KMYSG125FK1500013	
			83502-SA1-0000-SL	COVER, RR.UPPER(SILVER)	1	Y		20010214		KMYSG125FK1408700	
		21	83503-SA1-0000-CE	COVER, RR.UNDER(C/BEIGE)	1	Y		20010111	20020630	KMYSG125FK1408176	KMYSG125FK2411834
			83503-SA1-0000-DB	COVER, RR.UNDER(D/BLUE)	1	Y		20010112		KMYSG125FK1408177	
			83503-SA1-0000-DR	COVER, RR.UNDER(D/RED)	1	Y		20001221		KMYSG125FK1500013	
			83503-SA1-0000-IG	COVER, RR.UNDER(I/GRAY)	1	Y		20001221		KMYSG125FK1500013	
			83503-SA1-0000-LG	COVER, RR.UNDER(L/GREEN)	1	Y		20001221		KMYSG125FK1500013	
			83503-SA1-0000-NL	COVER, RR.UNDER(N/BLUE)	1	Y		20001221		KMYSG125FK1500013	
			83503-SA1-0000-SL	COVER, RR.UNDER(SILVER)	1	Y		20010214		KMYSG125FK1408700	
		22	83504-SA1-0001	MAT, RH.SILENSER	1	Y		20001221	20020909	KMYSG125FK1500013	KMYSG125FK2411944
		23	83506-SA1-RB10	GRILLE, RH.BODY COVER	1	Y	N	20001221	20021113	KMYSG125FK1500013	KMYSG125FK3412101
			83506-SA1-RB10-BK	GRILLE, RH.BODY COVER(BLACK)	1	Y		20021114		KMYSG125FK3412102	
		24	83600-SA1-0000-CE	COVER, LH.BODY(C/BEIGE)	1	Y		20010111	20020630	KMYSG125FK1408176	KMYSG125FK2411834
			83600-SA1-0000-DB	COVER, LH.BODY(D/BLUE)	1	Y		20010112		KMYSG125FK1408177	
			83600-SA1-0000-DR	COVER, LH.BODY(D/RED)	1	Y		20001221		KMYSG125FK1500013	
			83600-SA1-0000-IG	COVER, LH.BODY(I/GRAY)	1	Y		20001221		KMYSG125FK1500013	



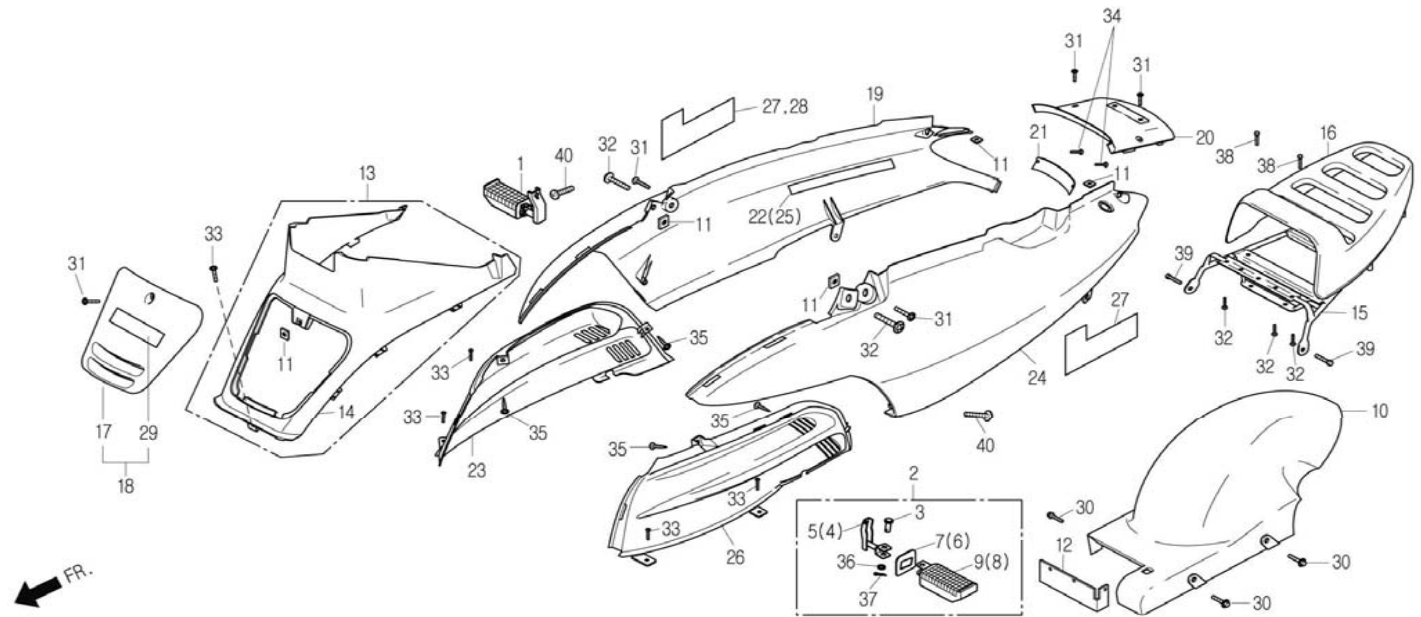
# F-18-L



## CENTER COVER / BODY COVER

Service item	FRT	Ref. No.	Part No.	Description	QTY	A/S	Exch	Start Date	End Date	Start FRM.No	End FRM.No
			83600-SA1-0000-LG	COVER, LH.BODY(L/GREEN)	1	Y		20001221		KMYSG125FK1500013	
			83600-SA1-0000-NL	COVER, LH.BODY(N/BLUE)	1	Y		20001221		KMYSG125FK1500013	
			83600-SA1-0000-SL	COVER, LH.BODY(SILVER)	1	Y		20010214		KMYSG125FK1408700	
25			83604-SA1-0001	MAT, LH.SILENSER	1	Y		20001221	20020909	KMYSG125FK1500013	KMYSG125FK2411944
26			83606-SA1-RB10	GRILLE, LH.BODY COVER	1	Y	N	20001221	20021113	KMYSG125FK1500013	KMYSG125FK3412101
			83606-SA1-RB10-BK	GRILLE, LH.BODY COVER(BLACK)	1	Y		20021114		KMYSG125FK3412102	
27			87121-SA3-RB00	MARK, BODY COVER	2	Y	N	20001221	20011231	KMYSG125FK1500013	KMYSG125FK2410818
			87121-SA1-RB10	MARK, BODY COVER	2	Y		20020101		KMYSG125FK2410819	
28			87125-SA3-RK00-CE	MARK, BODY COVER(C/BEIGE)	2	Y	N	20010111	20010129	KMYSG125FK1408176	KMYSG125FK1408699
			87125-SA3-RK00-DB	MARK, BODY COVER(D/BLUE)	2	Y	N	20010112	20010129	KMYSG125FK1408177	KMYSG125FK1408699
			87125-SA3-RK00	MARK, BODY COVER	2	Y		20010130		KMYSG125FK1408700	
29			87505-SA3-MA00	LABEL,TIRE(ENGLISH)	1	Y		20010528		KMYSG125FK1410164	
			87505-SA3-RB00	LABEL,TIRE(GERMAN)	1	Y		20001221		KMYSG125FK1500013	
			87505-SA3-RC00	LABEL,TIRE(ITALIAN)	1	Y		20010112		KMYSG125FK1408177	
			87505-SA3-RE00	LABEL,TIRE(FRENCH)	1	Y		20010111		KMYSG125FK1408176	
			87505-SA3-RJ00	LABEL,TIRE(SPANISH)	1	Y		20020322		KMYSG125FK2411449	
30			90111-SE5-1000	BOLT, FLANGE 6mm	3	Y		20001221		KMYSG125FK1500013	
31			90111-SA1-1000	SCREW, SPECIAL 4x14	5	Y		20001221		KMYSG125FK1500013	
32			90191-SB1-0000	SCREW, SPECIAL 6x10	8	Y		20001221		KMYSG125FK1500013	
33			90192-SB1-0000	SCREW, SPECIAL 5x12	5	Y		20001221		KMYSG125FK1500013	
35			S3903-25220	SCREW, TAPPING 5x12	4	Y		20001221		KMYSG125FK1500013	

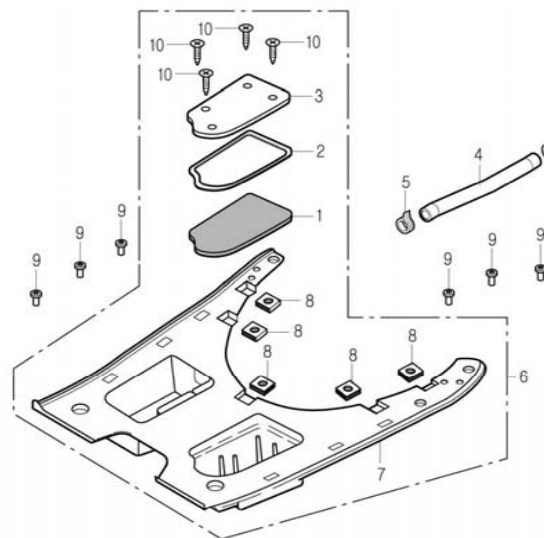
# F-18-L



## CENTER COVER / BODY COVER

Service item	FRT	Ref. No.	Part No.	Description	QTY	A/S	Exch	Start Date	End Date	Start FRM.No	End FRM.No
		36	S4102-08800	WASHER, PLAIN 8mm	2	N		20001221		KMYSG125FK1500013	
		37	S4201-16150	PIN, SPLIT 1.6x15	2	N		20001221		KMYSG125FK1500013	
		38	S5701-06012-08	BOLT, FLANGE 6x12	2	Y		20001221		KMYSG125FK1500013	
		39	S5701-08012-08	BOLT, FLANGE 8x12	2	Y		20001221		KMYSG125FK1500013	
		40	S5701-08016-08	BOLT, FLANGE 8x16	2	Y		20001221		KMYSG125FK1500013	

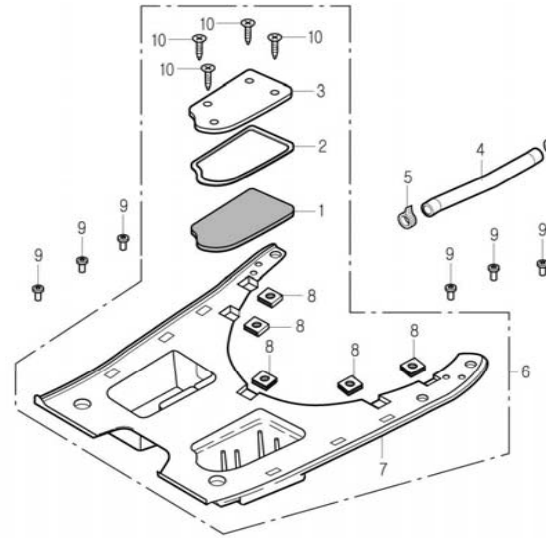
# F-19



## FLOOR PANEL

Service item	FRT	Ref. No.	Part No.	Description	QTY	A/S	Exch	Start Date	End Date	Start FRM.No	End FRM.No
PANEL, FLOOR	0.6	1	17211-SA1-0000	ELEMENT, AIR CLEANER	1	Y		19980408	19990225	KMYSG125FKW000001	KMYSG125FKX310373
ELEMENT, AIR CLEANER	0.4	2	17212-SA1-0000	SEAL, AIR CLEANER COVER	1	Y		19980408	19990225	KMYSG125FKW000001	KMYSG125FKX310373
		3	17220-SA1-0000	COVER, AIR CLEANER	1	Y	N	20000320	20010101	KMYSG125JYC009479	KMYSG125J1C018112
			17220-SA1-RB10	COVER, AIR CLEANER	1	Y		19980408	19991012	KMYSG125FKW000001	KMYSG125FKY318004
								20010102		KMYSG125J1C018113	
								19991013		KMYSG125FKY318005	
DUCT, INTAKE		4	17233-SA1-0000	DUCT, INTAKE	1	Y		19980408	19990225	KMYSG125FKW000001	KMYSG125FKX310373
COVER, AIR CLEANER	0.2	5	17234-SA1-0000	CLIP, DUCT	2	Y		19980408	19990225	KMYSG125FKW000001	KMYSG125FKX310373
		6	6431A-SA1-0000-EU	PANEL SET, FLOOR	1	Y	N	19980408	19991012	KMYSG125FKW000001	KMYSG125FKY318004
			6431A-SA1-0000	PANEL SET, FLOOR	1	Y	N	19980526	19991012	KMYSG125FKW003915	KMYSG125FKY318004
			6431A-SA1-0101	PANEL SET, FLOOR	1	Y	N	20000320	20010101	KMYSG125JYC009479	KMYSG125J1C018112
			6431A-SA1-RB11	PANEL SET, FLOOR	1	Y	N	20010102	20020510	KMYSG125J1C018113	KMYSG125J2C019984
								19991013	20020510	KMYSG125FKY318005	KMYSG125FK2411711
			6431A-SA1-RB20	PANEL SET, FLOOR	1	Y	N	20020511	20030101	KMYSG125J2C019985	KMYSG125J3C020508
								20020511	20021113	KMYSG125FK2411712	KMYSG125FK3412288
			6431A-SA1-RB20-BK	PANEL SET, FLOOR(BLACK)	1	Y		20030102		KMYSG125J3C020509	
								20021114		KMYSG125FK3412289	
		7	64310-SA1-0000	PANEL, FLOOR	1	Y	N	20000320	20010101	KMYSG125JYC009479	KMYSG125J1C018112
								19980408	19991012	KMYSG125FKW000001	KMYSG125FKY318004
			64310-SA1-RB10	PANEL, FLOOR	1	Y	N	20010102	20020510	KMYSG125J1C018113	KMYSG125J2C019984
								19991013	20020510	KMYSG125FKY318005	KMYSG125FK2411711
			64310-SA1-RB20	PANEL, FLOOR	1	Y	N	20020511	20030101	KMYSG125J2C019985	KMYSG125J3C020508

# F-19

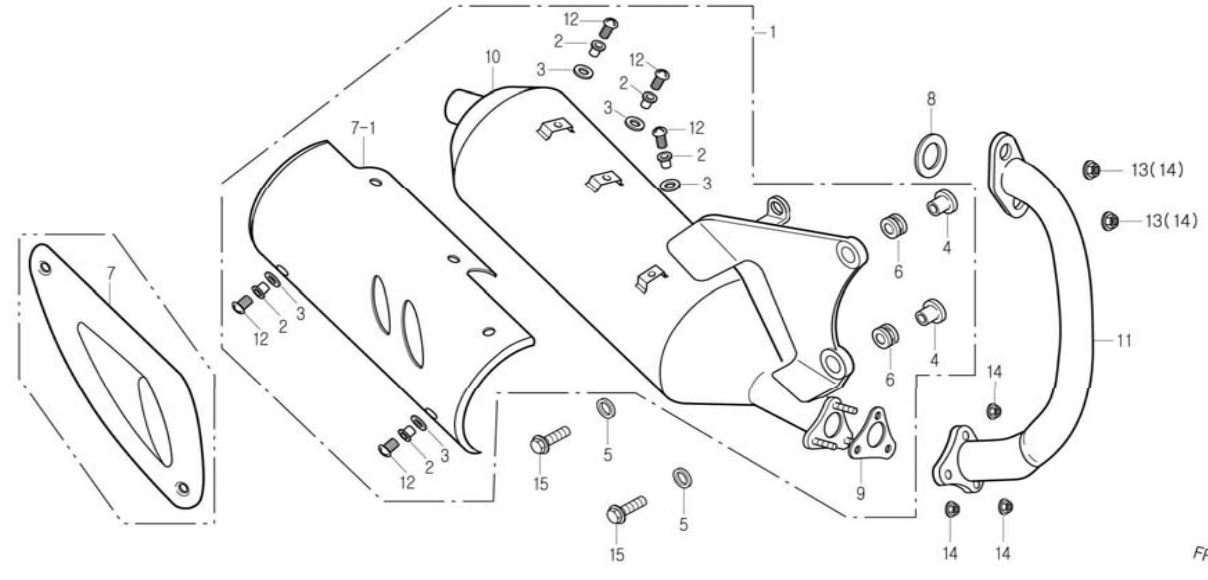


FR. ←

## FLOOR PANEL

Service item	FRT	Ref. No.	Part No.	Description	QTY	A/S	Exch	Start Date	End Date	Start FRM.No	End FRM.No
								20020511	20021113	KMYSG125FK2411712	KMYSG125FK3412288
			64310-SA1-RB20-BK	PANEL, FLOOR(BLACK)	1	Y		20030102		KMYSG125J3C020509	
								20021114		KMYSG125FK3412289	
		8	90677-SE5-0030	NUT, CLIP 5mm	5	Y		20000320		KMYSG125JYC009479	
								19980408		KMYSG125FKW000001	
		9	90683-SE5-0030	CLIP, BODY COVER	6	Y		20000320		KMYSG125JYC009479	
								19980408		KMYSG125FKW000001	
		10	S3903-25480	SCREW, TAPPING 5x20	4	Y	Y	19980408	20000620	KMYSG125FKW000001	KMYSG125FKY406088
			S3903-25420	SCREW, TAPPING 5x20	4	Y		20000320		KMYSG125JYC009479	
								20000621		KMYSG125FKY406089	

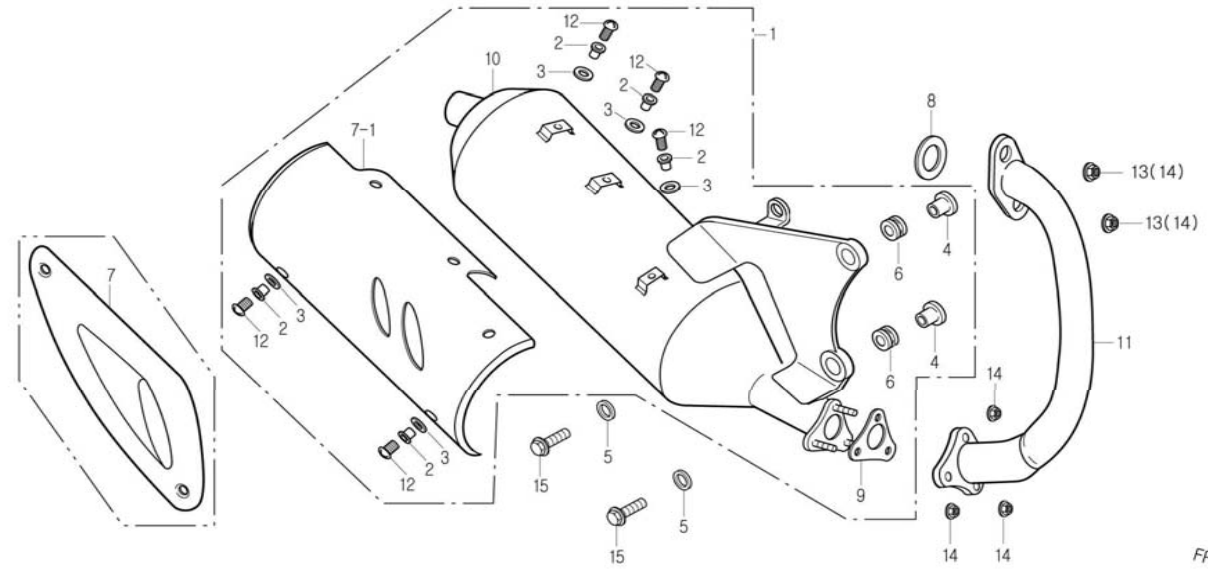
# F-20



## EXHAUST MUFFLER

Service item	FRT	Ref. No.	Part No.	Description	QTY	A/S	Exch	Start Date	End Date	Start FRM.No	End FRM.No
MUFFLER COMP.	0.4	1	18200-SA1-0002-EU	MUFFLER ASS'Y, EXHAUST	1	N	N	19980408	19991031	KMYSG125FKW000001	KMYSG125FKY400572
			18200-SA1-0000	MUFFLER ASS'Y, EXHAUST	1	N	N	19980526	19980731	KMYSG125FKW003915	KMYSG125FKW004887
PROTECTOR, MUFFLER			18200-SA1-0101	MUFFLER ASS'Y, EXHAUST	1	Y		20000320		KMYSG125JYC009479	
								19991101		KMYSG125FKY400573	
		2	18201-SA1-0000	COLLAR, MUFFLER PROTECTOR	5	Y		20000320		KMYSG125JYC009479	
								19980408		KMYSG125FKW000001	
		3	18202-SA1-0000	RUBBER, PROTECTOR	5	Y		20000320		KMYSG125JYC009479	
								19980408		KMYSG125FKW000001	
		4	18203-SA1-0000	COLLAR, MUFFLER MOUNT	2	Y		20000320		KMYSG125JYC009479	
								19980408		KMYSG125FKW000001	
		5	18204-SA1-0000	WASHER, MUFFLER MOUNT	2	Y		20000320		KMYSG125JYC009479	
								19980408		KMYSG125FKW000001	
		6	18205-SA1-0000	RUBBER, MUFFLER MOUNT	2	Y		20000320		KMYSG125JYC009479	
								19980408		KMYSG125FKW000001	
		7	18240-SA1-0000	PROTECTOR, MUFFLER	1	Y	N	19980526	19980731	KMYSG125FKW003915	KMYSG125FKW004887
		7-1	18240-SA1-0000-EU	PROTECTOR, MUFFLER	1	Y		20000320		KMYSG125JYC009479	
								19980408		KMYSG125FKW000001	
		8	18291-SC1-0001	GASKET, EXHAUST PIPE	1	Y	N	20000320		KMYSG125JYC009479	
								19980526	19991231	KMYSG125FKW003915	KMYSG125FKY401000
			18291-SE5-0000-EU	GASKET, EXHAUST PIPE	1	Y	N	19980408	20000831	KMYSG125FKW000001	KMYSG125FKY407094
			18291-SE5-5000-EU	GASKET, EXHAUST PIPE	1	Y		20000901		KMYSG125FKY407095	
		9	18292-SA1-0000	GASKET, EXHAUST PIPE FLANGE	1	Y		20000320		KMYSG125JYC009479	

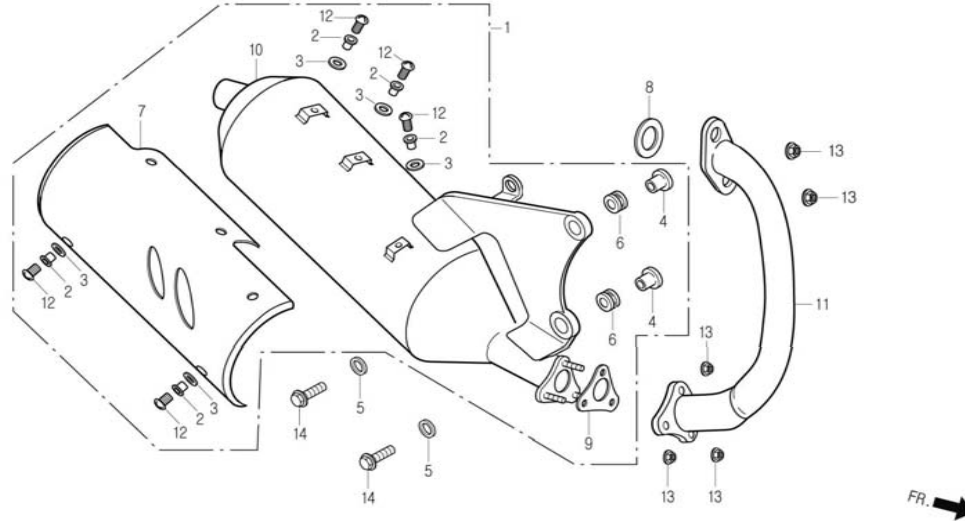
F-20



**EXHAUST MUFFLER**

Service item	FRT	Ref. No.	Part No.	Description	QTY	A/S	Exch	Start Date	End Date	Start FRM.No	End FRM.No
		10	18310-SA1-0000-EU	MUFFLER COMP.	1	N	N	19980408	19991030	KMYSG125FKW000001	KMYSG125FKY400572
			18310-SA1-0000	MUFFLER COMP.	1	N	N	19980526	19980731	KMYSG125FKW003915	KMYSG125FKW004887
			18310-SA1-0101	MUFFLER COMP.	1	Y		20000320		KMYSG125JYC009479	
								19991101		KMYSG125FKY400573	
		11	18320-SA1-0000	PIPE COMP., EXHAUST	1	N	N	19980408	19990318	KMYSG125FKW000001	KMYSG125FKX311506
			18320-SA1-0000-EU	PIPE COMP., EXHAUST	1	N	N	20000320	20010509	KMYSG125JYC009479	KMYSG125J1C019246
								19980523	20010509	KMYSG125FKW003381	KMYSG125FK1409951
			18320-SA1-0001	PIPE COMP., EXHAUST	1	Y		20010510		KMYSG125J1C019247	
								20010510		KMYSG125FK1409952	
		12	90001-BA7-9200	SCREW, TORUS 6x11	5	Y	N	19980408	20020930	KMYSG125FKW000001	KMYSG125FK3412288
								20000320	20020930	KMYSG125JYC009479	KMYSG125J3C020484
			90002-SA1-0000	WASHER, TORUS SCREW 6x13	5	Y		20021001		KMYSG125J3C020485	
								20021001		KMYSG125FK3412289	
		13	S4050-06000	NUT, FLANGE 6mm	2	Y		19980408	19990131	KMYSG125FKW000001	KMYSG125FKX308693
		14	S4050-06070	NUT, FLANGE 6mm	3	N	N	19980408	19990131	KMYSG125FKW000001	KMYSG125FKX308693
			S4050-06080	NUT, FLANGE 6mm	5	Y		20000320		KMYSG125JYC009479	
								19990201		KMYSG125FKX308694	
		15	S5801-08035-07	BOLT, FLANGE 8x35	2	Y	N	19980408	19990613	KMYSG125FKW000001	KMYSG125FKX316001
			S5801-08035-08	BOLT, FLANGE 8x35	2	Y		20000320		KMYSG125JYC009479	
								19990614		KMYSG125FKX316002	

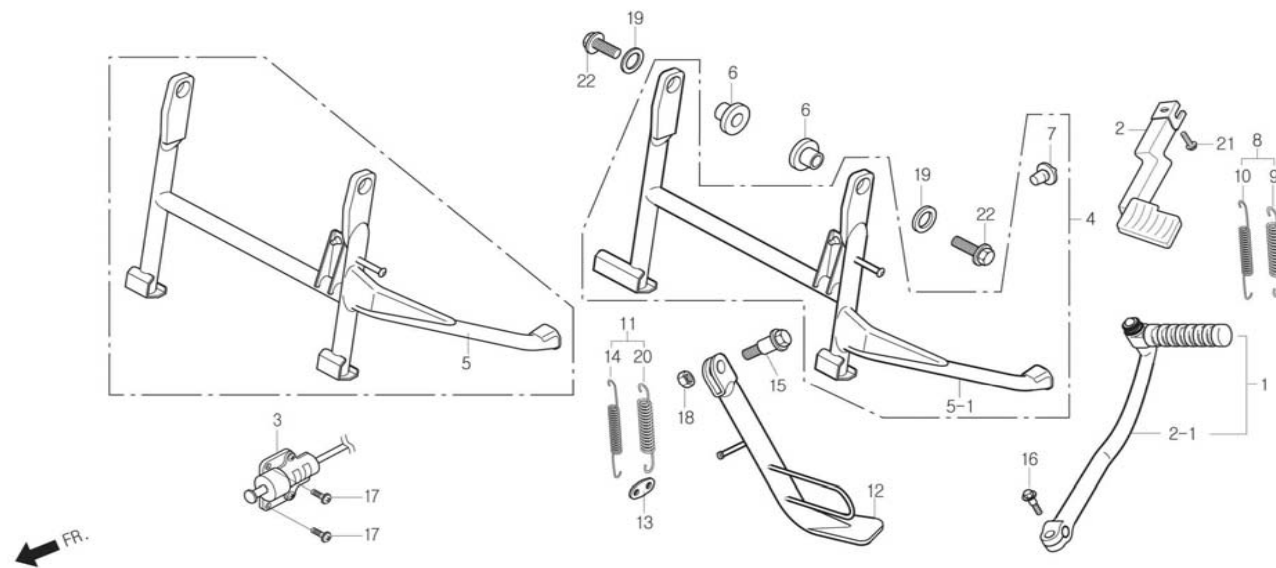
# F-20-L



## EXHAUST MUFFLER

Service item	FRT	Ref. No.	Part No.	Description	QTY	A/S	Exch	Start Date	End Date	Start FRM.No	End FRM.No
MUFFLER COMP.	0.4	1	18200-SA3-RB00	MUFFLER ASS'Y, EXHAUST	1	Y		20001221		KMYSG125FK1500013	
PROTECTOR, MUFFLER		2	18201-SA1-0000	COLLAR, MUFFLER PROTECTOR	5	Y		20001221		KMYSG125FK1500013	
		3	18202-SA1-0000	RUBBER, PROTECTOR	5	Y		20001221		KMYSG125FK1500013	
		4	18203-SA1-0000	COLLAR, MUFFLER MOUNT	2	Y		20001221		KMYSG125FK1500013	
		5	18204-SA1-0000	WASHER, MUFFLER MOUNT	2	Y		20001221		KMYSG125FK1500013	
		6	18205-SA1-0000	RUBBER, MUFFLER MOUNT	2	Y		20001221		KMYSG125FK1500013	
		7	18240-SA1-0000-EU	PROTECTOR, MUFFLER	1	Y		20001221		KMYSG125FK1500013	
		8	18291-SE5-5000-EU	GASKET, EXHAUST PIPE	1	Y		20001221		KMYSG125FK1500013	
		9	18292-SA1-0000	GASKET, EXHAUST PIPE FLANGE	1	Y		20001221		KMYSG125FK1500013	
		10	18310-SA3-RB00	MUFFLER COMP.	1	Y		20001221		KMYSG125FK1500013	
		11	18320-SA3-RB00	PIPE COMP., EXHAUST	1	Y		20001221		KMYSG125FK1500013	
		12	90002-SA1-0000	WASHER, TORUS SCREW 6x13	5	Y		20001221		KMYSG125FK1500013	
		13	S4050-06080	NUT, FLANGE 6mm	5	Y		20001221		KMYSG125FK1500013	
		14	S5801-08055-08	BOLT, FLANGE 8x55	2	Y		20001221		KMYSG125FK1500013	

# F-21

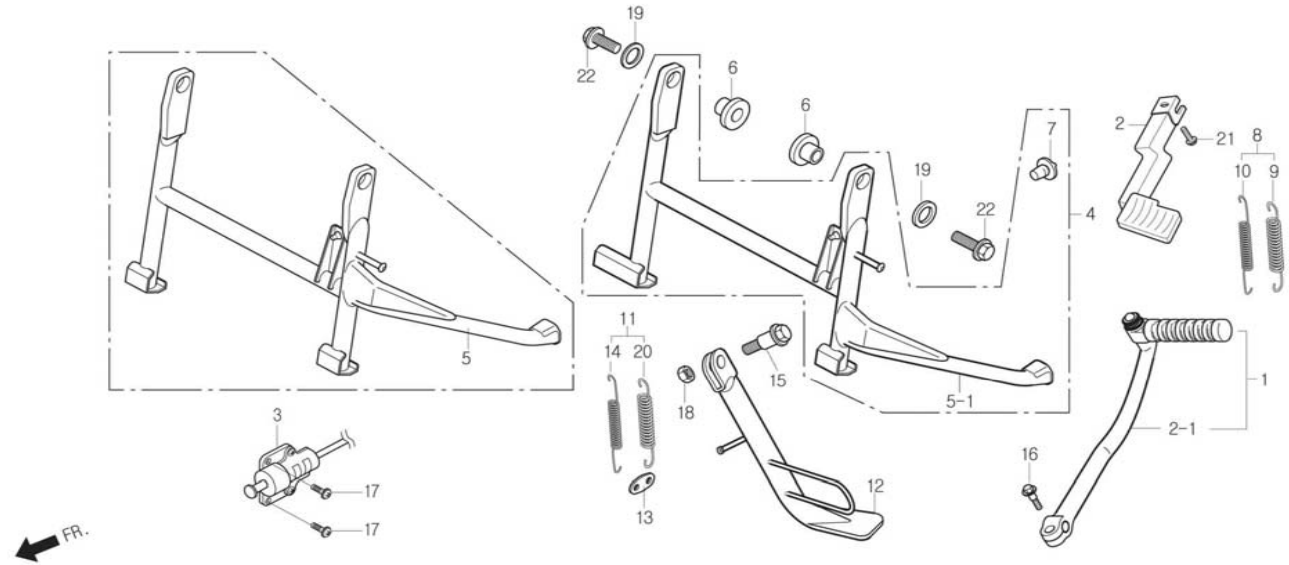


## MAIN STAND / KICK STARTER ARM

Service item	FRT	Ref. No.	Part No.	Description	QTY	A/S	Exch	Start Date	End Date	Start FRM.No	End FRM.No
ARM ASS'Y, KICK STARTER	0.1	1	28300-SA1-0000	ARM ASS'Y, KICK STARTER	1	N	N	20000320	20010419	KMYSG125JYC009479	KMYSG125J1C019136
SPRING, MAIN STAND			28300-SA2-0000	ARM ASS'Y, KICK STARTER	1	N	Y	20010420	20030306	KMYSG125J1C019137	KMYSG125J3C020691
STAND COMP., MAIN	0.3		28300-SA2-0000-M3	ARM ASS'Y, KICK STARTER	1	Y		20030307		KMYSG125J3C020692	
BAR COMP., SIDE STAND	0.2	2	28301-SA1-0000	ARM, KICK STARTER	1	Y	N	19980408	19981108	KMYSG125FKW000001	KMYSG125FKX006555
		2-1	28301-SA1-0100	ARM, KICK STARTER	1	N		20000320		KMYSG125JYC009479	
		3	35700-SA2-RB00-M1	SWITCH ASS'Y, SIDE STAND	1	Y		20020801		KMYSG125J2C020155	
		4	5050A-SA1-0000	STAND ASS'Y, MAIN	1	N	N	19980408	19981108	KMYSG125FKW000001	KMYSG125FKX006555
			5050A-SA1-0100	STAND ASS'Y, MAIN	1	Y		20000320		KMYSG125JYC009479	
		5	50500-SA1-0000	STAND COMP., MAIN	1	N	N	19980408	19981108	KMYSG125FKW000001	KMYSG125FKX006555
		5-1	50500-SA1-0101	STAND COMP., MAIN	1	Y		20000320		KMYSG125JYC009479	
		6	50504-SA1-0000	COLLAR, MAIN STAND	2	Y		20000320		KMYSG125JYC009479	
		7	50505-SC1-0101	STOPPER RUBBER, STAND	1	Y		19980408		KMYSG125FKW000001	
								20000320		KMYSG125JYC009479	
		8	50520-SA1-0000	SPRING, MAIN STAND	1	N	N	20000320	20020630	KMYSG125JYC009479	KMYSG125J2C020066



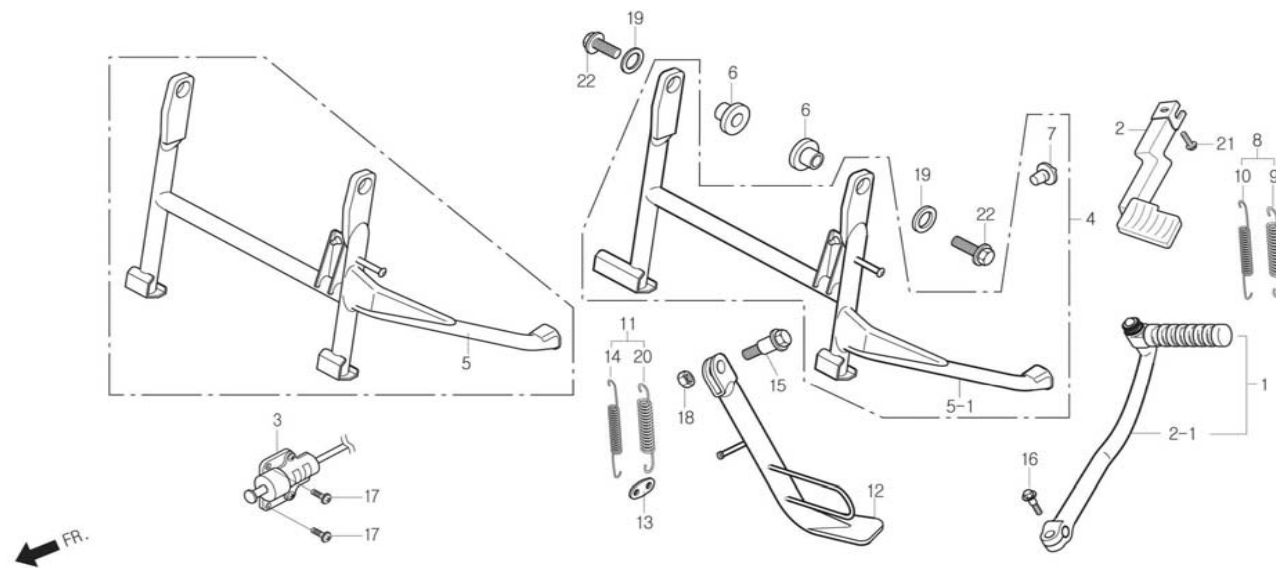
# F-21



## MAIN STAND / KICK STARTER ARM

Service item	FRT	Ref. No.	Part No.	Description	QTY	A/S	Exch	Start Date	End Date	Start FRM.No	End FRM.No
			5052A-SE5-5000-EU	SPRING SET, MAIN STAND	1	Y		19980526	19991231	KMYSG125FKW003915	KMYSG125FKY401000
		9	50520-SE5-5000-EU	SPRING, MAIN STAND OUTER	1	N		20020701		KMYSG125J2C020067	
								19980408		KMYSG125FKW000001	
		10	50521-SE5-5000-EU	SPRING, MAIN STAND INNER	1	N		20020701		KMYSG125J2C020067	
								19980408		KMYSG125FKW000001	
		11	5053A-SA1-0000-EU	SPRING SET, SIDE STAND	1	N	N	19980408	20020630	KMYSG125FKW000001	KMYSG125FK2411825
			5053A-SE1-RB00	SPRING SET, SIDE STAND	1	Y		20020701		KMYSG125J2C020067	
								20020701		KMYSG125FK2411826	
		12	50530-SA1-0003-EU	BAR COMP., SIDE STAND	1	N	N	19980408	20020630	KMYSG125FKW000001	KMYSG125FK2411825
			50530-SA1-0000	BAR COMP., SIDE STAND	1	N	N	20000320	20020630	KMYSG125JYC009479	KMYSG125J2C020066
								19980526	19991231	KMYSG125FKW003915	KMYSG125FKY401000
			50530-SA3-RB01	BAR COMP., SIDE STAND	1	Y		20020701		KMYSG125J2C020067	
								20020701		KMYSG125FK2411826	
		13	50531-BA7-0000-EU	LEVER, SIDE STAND SPRING	1	Y		19980408	20020630	KMYSG125FKW000001	KMYSG125FK2411825
		14	50532-SA1-0000-EU	SPRING, SIDE STAND INNER	1	N	N	19980408	20020630	KMYSG125FKW000001	KMYSG125FK2411825
			50532-SE1-RB00	SPRING, SIDE STAND INNER	1	Y		20020701		KMYSG125J2C020067	
								20020701		KMYSG125FK2411826	
		15	90108-SA1-0000-EU	BOLT, SIDE STAND SPECIAL	1	N	N	19980408	19981109	KMYSG125FKW000001	KMYSG125FKX007122
			90108-SE5-9000	SCREW, SIDE STAND PIVOT	1	N	N	19980526	19981109	KMYSG125FKW003915	KMYSG125FKX007122
			90108-SE5-RB00	SCREW, SIDE STAND SPECIAL	1	Y	N	19981110	20020630	KMYSG125FKX007123	KMYSG125FK2411825

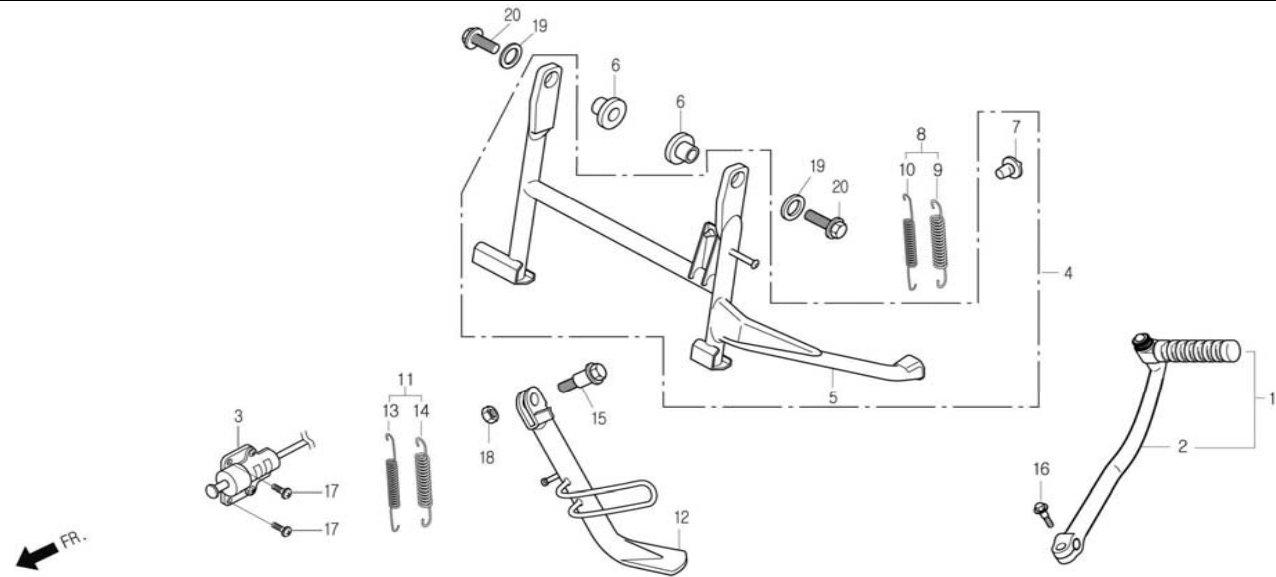
# F-21



## MAIN STAND / KICK STARTER ARM

Service item	FRT	Ref. No.	Part No.	Description	QTY	A/S	Exch	Start Date	End Date	Start FRM.No	End FRM.No
			90108-SE5-0000	SCREW, SIDE STAND PIVOT	1	Y		20000320		KMYSG125JYC009479	
								19981110		KMYSG125FKX007123	
		16	S2101-06022-0A	BOLT, HEX 6x22	1	N	N	19981109	19990531	KMYSG125FKX006556	KMYSG125FKX315335
			S2101-06022-0H	BOLT, HEX 6x22	1	Y		20000320		KMYSG125JYC009479	
								19990601		KMYSG125FKX315336	
		17	S3892-05016-08	SCREW, WASHER 5x16	2	Y		20020801		KMYSG125J2C020155	
								20020801		KMYSG125FK2411941	
		18	S4001-10000-0S	NUT, HEX 10mm	1	Y	N	19980408	19990131	KMYSG125FKW000001	KMYSG125FKX308693
			S4001-10080-0S	NUT, HEX 10mm	1	Y		20000320		KMYSG125JYC009479	
								19990201		KMYSG125FKX308694	
		19	S4101-10000	WASHER, PLAIN 10mm	2	Y	N	19980408	19990131	KMYSG125FKW000001	KMYSG125FKX308693
			S4101-10800	WASHER, PLAIN 10mm	2	Y		20000320		KMYSG125JYC009479	
								19990201		KMYSG125FKX308694	
		20	S5014-72102	SPRING A, SIDE STAND	1	Y		20000320	20020630	KMYSG125JYC009479	KMYSG125J2C020066
								19980526	19991231	KMYSG125FKW003915	KMYSG125FKY401000
			50533-SA1-0000-EU	SPRING, SIDE STAND OUTER	1	N	N	19980408	20020630	KMYSG125FKW000001	KMYSG125FK2411825
			50533-SE1-RB00	SPRING, SIDE STAND OUTER	1	Y		20020701		KMYSG125J2C020067	
								20020701		KMYSG125FK2411826	
		21	S5701-06025-00	BOLT, FLANGE 6x25	1	Y		19980408	19981108	KMYSG125FKW000001	KMYSG125FKX006555
		22	S5801-10035-00	BOLT, FLANGE 10x35	2	Y	N	19980408	19981109	KMYSG125FKW000001	KMYSG125FKX007122
			S5801-10035-08	BOLT, FLANGE 10x35	2	Y		20000320		KMYSG125JYC009479	
								19981110		KMYSG125FKX007123	

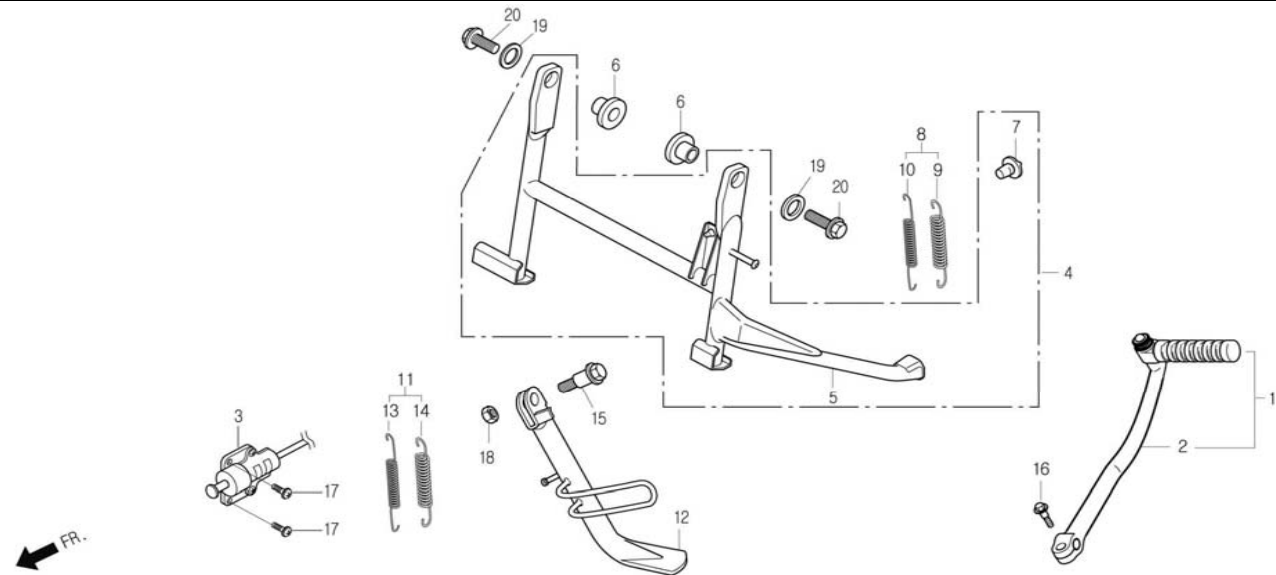
# F-21-L



## MAIN STAND / KICK STARTER ARM

Service item	FRT	Ref.		Description	QTY	A/S	Exch	Start Date	End Date	Start FRM.No	End FRM.No
		No.	Part No.								
ARM ASS'Y, KICK STARTER	0.1	1	28300-SA1-0000	ARM ASS'Y, KICK STARTER	1	N	N	20001221	20010419	KMYSG125FK1500013	KMYSG125FK1409613
			28300-SA2-0000	ARM ASS'Y, KICK STARTER	1	N	Y	20010420	20030306	KMYSG125FK1409614	KMYSG125FK3412613
SPRING, MAIN STAND			28300-SA2-0000-M3	ARM ASS'Y, KICK STARTER	1	Y		20030307		KMYSG125FK3412614	
STAND COMP., MAIN	0.3	2	28301-SA1-0100	ARM, KICK STARTER	1	N		20001221		KMYSG125FK1500013	
		3	35700-SA3-RB00	SWITCH ASS'Y, SIDE STAND	1	N	N	20020101	20020510	KMYSG125FK2410819	KMYSG125FK2411711
BAR COMP., SIDE STAND	0.2		35700-SA2-RB00	SWITCH ASS'Y, SIDE STAND	1	N	Y	20020511	20020731	KMYSG125FK2411712	KMYSG125FK2411911
			35700-SA2-RB00-M1	SWITCH ASS'Y, SIDE STAND	1	Y		20020801		KMYSG125FK2411912	
		4	5050A-SA1-0100	STAND ASS'Y, MAIN	1	Y		20001221		KMYSG125FK1500013	
		5	50500-SA1-0101	STAND COMP., MAIN	1	Y		20001221		KMYSG125FK1500013	
		6	50504-SA1-0000	COLLAR, MAIN STAND	2	Y		20001221		KMYSG125FK1500013	
		7	50505-SC1-0101	STOPPER RUBBER, STAND	1	Y		20001221		KMYSG125FK1500013	
		8	5052A-SE5-5000-EU	SPRING SET, MAIN STAND	1	Y		20001221		KMYSG125FK1500013	
		9	50520-SE5-5000-EU	SPRING, MAIN STAND OUTER	1	N		20001221		KMYSG125FK1500013	
		10	50521-SE5-5000-EU	SPRING, MAIN STAND INNER	1	N		20001221		KMYSG125FK1500013	
		11	5053A-SE1-RB00	SPRING SET, SIDE STAND	1	Y		20001221		KMYSG125FK1500013	
		12	50530-SA3-RB01	BAR COMP., SIDE STAND	1	Y		20001221		KMYSG125FK1500013	
		13	50532-SE1-RB00	SPRING, SIDE STAND INNER	1	Y		20001221		KMYSG125FK1500013	
		14	50533-SE1-RB00	SPRING, SIDE STAND OUTER	1	Y		20001221		KMYSG125FK1500013	
		15	90108-SE5-0000	SCREW, SIDE STAND PIVOT	1	Y		20001221		KMYSG125FK1500013	
		16	S2101-06022-0H	BOLT, HEX 6x22	1	Y		20001221		KMYSG125FK1500013	

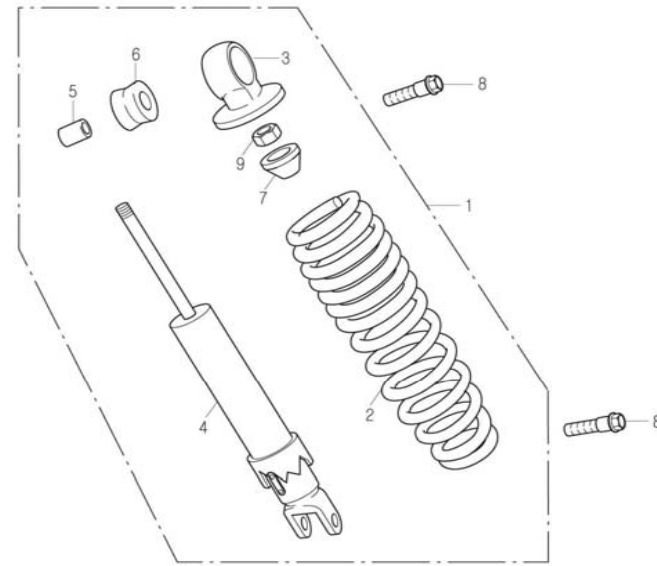
# F-21-L



## MAIN STAND / KICK STARTER ARM

Service item	FRT	Ref. No.	Part No.	Description	QTY	A/S	Exch	Start Date	End Date	Start FRM.No	End FRM.No
		17	S3892-05016-08	SCREW, WASHER 5x16	2	Y		20020101		KMYSG125FK2410819	
		18	S4001-10080-0S	NUT, HEX 10mm	1	Y		20001221		KMYSG125FK1500013	
		19	S4101-10800	WASHER, PLAIN 10mm	2	Y		20001221		KMYSG125FK1500013	
		20	S5801-10035-08	BOLT, FLANGE 10x35	2	Y		20001221		KMYSG125FK1500013	

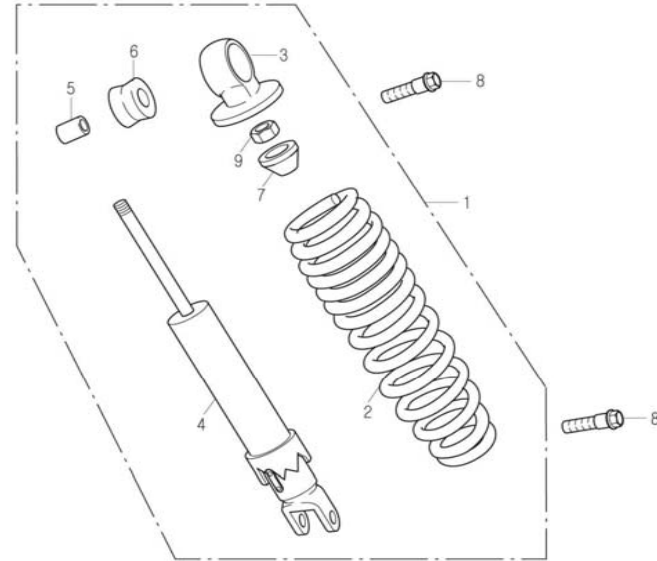
# F-22



## REAR CUSHION

Service item	FRT	Ref. No.	Part No.	Description	QTY	A/S	Exch	Start Date	End Date	Start FRM.No	End FRM.No		
CUSHION ASS'Y, RR.	0.4	1	52400-SA1-0000-EU	CUSHION ASS'Y, RR.	1	N	N	19980408	19981108	KMYSG125FKW000001	KMYSG125FKX006555		
			52400-SA1-0100	CUSHION ASS'Y, RR.	1	Y	N	20000320	20000321	KMYSG125JYC009479	KMYSG125JYC010296		
DAMPER COMP., RR. (INCLUDE RELATIVE PARTS)	0.6		52400-SA1-0100-EU	CUSHION ASS'Y, RR.	1	Y		19981109	20000102	KMYSG125FKX006556	KMYSG125FKY401000		
			52400-SA1-0100-EU	CUSHION ASS'Y, RR.	1	Y		20000103		KMYSG125FKY401001			
			52400-SA1-0201	CUSHION ASS'Y, RR.	1	Y		20000322		KMYSG125JYC010297			
			2	52401-SA1-0000	SPRING, RR.CUSHION	1	N	N	20000320		KMYSG125JYC009479		
					52401-SA1-0100	SPRING, RR.CUSHION	1	N	N	19980408	19981108	KMYSG125FKW000001	KMYSG125FKX006555
				52401-SA1-0100	SPRING, RR.CUSHION	1	N	N	20000320	20000321	KMYSG125JYC009479	KMYSG125JYC010296	
					52401-SA1-0100-EU	SPRING, RR.CUSHION	1	N		19981109	20000102	KMYSG125FKX006556	KMYSG125FKY401000
			3	52403-SA1-0000	METAL COMP., UPPER	1	N	N	20000320	20020908	KMYSG125JYC009479	KMYSG125J2C020154	
					52403-BA7-RB01	METAL COMP., UPPER	1	Y		19980408	20000102	KMYSG125FKW000001	KMYSG125FKY401000
					52403-BA7-9000	METAL, UPPER	1	N		20000103		KMYSG125FKY401001	
4	52410-SA1-0000-EU	DAMPER COMP., RR.	1	N	N	20020909		KMYSG125J2C020155					
		52410-SA1-0100	DAMPER COMP., RR.	1	N	N	19980408	19981108	KMYSG125FKW000001	KMYSG125FKX006555			
		52410-SA1-0100	DAMPER COMP., RR.	1	N	N	20000320	20000321	KMYSG125JYC009479	KMYSG125JYC010296			
		52410-SA1-0100-EU	DAMPER COMP., RR.	1	N		19981109	20000102	KMYSG125FKX006556	KMYSG125FKY401000			
5	52485-SE5-9011-M1	BUSH, RUBBER	52410-SA1-0100-EU	DAMPER COMP., RR.	1	N	20000103		KMYSG125FKY401001				
			52410-SA1-0201	DAMPER COMP., RR.	1	N	20000322		KMYSG125JYC010297				
6	52486-SE5-0031	COLLAR, RUBBER BUSH	52485-SE5-9011-M1	BUSH, RUBBER	1	N	20000320		KMYSG125JYC009479				
			52486-SE5-0031	COLLAR, RUBBER BUSH	1	N	19980408		KMYSG125FKW000001				
			52486-SE5-0031	COLLAR, RUBBER BUSH	1	N	20000320		KMYSG125JYC009479				

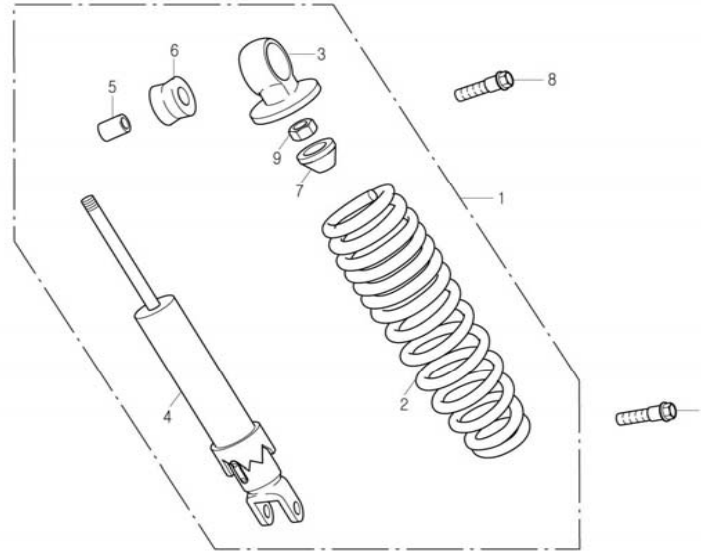
F-22



**REAR CUSHION**

Service item	FRT	Ref. No.	Part No.	Description	QTY	A/S	Exch	Start Date	End Date	Start FRM.No	End FRM.No
								19980408		KMYSG125FKW000001	
		7	52517-BA6-0030	RUBBER, STOPPER	1	N		20000320		KMYSG125JYC009479	
								19980408		KMYSG125FKW000001	
		8	90108-BA6-2000	BOLT, RR.CUSHION UNDER	2	Y	N	19980408	19990531	KMYSG125FKW000001	KMYSG125FKX315335
			90108-CB3-0000	BOLT, RR.CUSHION UNDER	2	Y		20000320		KMYSG125JYC009479	
								19990601		KMYSG125FKX315336	
		9	S4002-10000-0S	NUT, HEX 10mm	1	N		20000320		KMYSG125JYC009479	
								19980408		KMYSG125FKW000001	

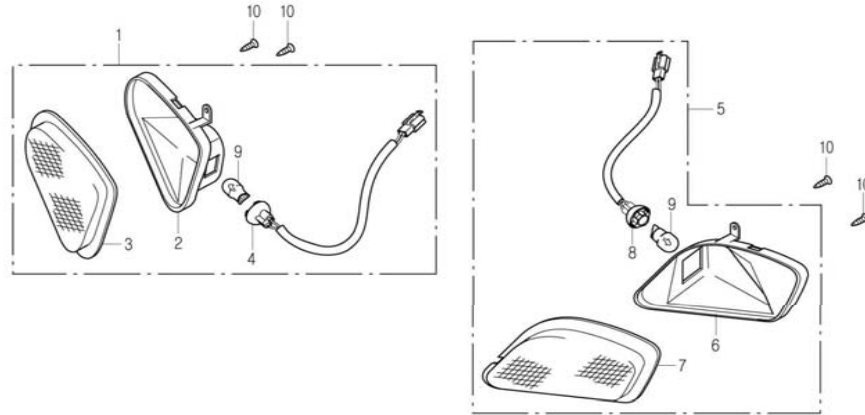
# F-22-L



## REAR CUSHION

Service item	FRT	Ref. No.	Part No.	Description	QTY	A/S	Exch	Start Date	End Date	Start FRM.No	End FRM.No
CUSHION ASS'Y, RR.	0.4	1	52400-SA3-RB00	CUSHION ASS'Y, RR.	1	Y	N	20001221	20030301	KMYSG125FK1500013	KMYSG125FK3412613
			52400-SA1-0100-EU	CUSHION ASS'Y, RR.	1	Y		20030302		KMYSG125FK3412614	
DAMPER COMP., RR. (INCLUDE RELATIVE PARTS)	0.6	2	52401-SA3-RB00	SPRING, RR.CUSHION	1	N	N	20001221	20030301	KMYSG125FK1500013	KMYSG125FK3412613
			52401-SA1-0100-EU	SPRING, RR.CUSHION	1	N		20030302		KMYSG125FK3412614	
		3	52403-SA1-0000	METAL COMP., UPPER	1	N	N	20001221	20030301	KMYSG125FK1500013	KMYSG125FK3412613
			52403-BA7-RB01	METAL COMP., UPPER	1	N		20030302		KMYSG125FK3412614	
		4	52410-SA1-0100-EU	DAMPER COMP., RR.	1	N		20001221		KMYSG125FK1500013	
		5	52485-SE5-9011-M1	BUSH, RUBBER	1	N		20001221		KMYSG125FK1500013	
		6	52486-SE5-0031	COLLAR, RUBBER BUSH	1	N		20001221		KMYSG125FK1500013	
		7	52517-BA6-0030	RUBBER, STOPPER	1	N		20001221		KMYSG125FK1500013	
		8	90108-CB3-0000	BOLT, RR.CUSHION UNDER	2	Y		20001221		KMYSG125FK1500013	
		9	S4002-10000-0S	NUT, HEX 10mm	1	N		20001221		KMYSG125FK1500013	

# F-23

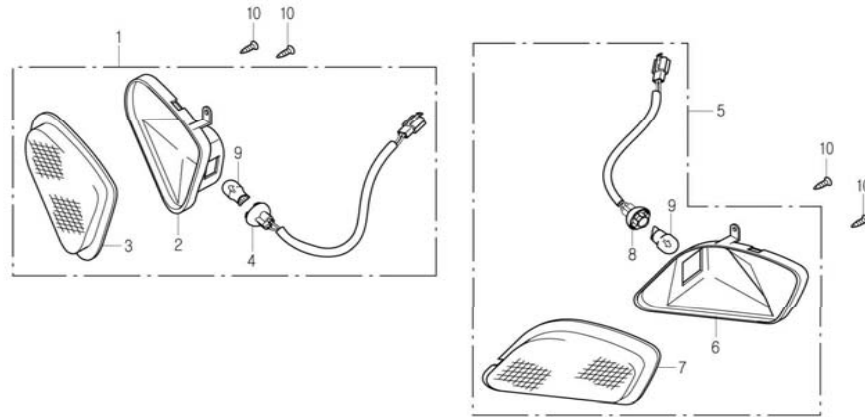


## FRONT WINKER

Service item	FRT	Ref. No.	Part No.	Description	QTY	A/S	Exch	Start Date	End Date	Start FRM.No	End FRM.No
WINKER ASS'Y, RH.FR. (ADD 0.1 FOR EACH) (INCLUDE RELATIVE PARTS)	0.3	1	33400-SA1-RC00-M1	WINKER ASS'Y, RH.FR.	1	Y		19980408		KMYSG125FKW000001	
			33400-SA1-0000	WINKER ASS'Y, RH.FR.	1	Y		20000320		KMYSG125JYC009479	
		2	33401-SA1-RC00-M1	BASE, RH.FR.WINKER	1	Y		19980408		KMYSG125FKW000001	
			33401-SA1-0000	BASE, RH.FR.WINKER	1	Y		20000320	19980526	20020630	KMYSG125JYC009479
		3	33402-SA1-RC00-M1	LENS, RH.FR.WINKER	1	Y		19980408		KMYSG125FKW000001	
			33402-SA1-0000	LENS, RH.FR.WINKER	1	Y		20000320	19980526	20020630	KMYSG125JYC009479
		4	33406-SA1-RC00-M1	SOCKET COMP., RH.	1	Y		19980408		KMYSG125FKW000001	
			33406-SC1-9500	SOCKET COMP., RH.	1	Y		20000320	19980526	20020630	KMYSG125JYC009479
		5	33450-SA1-RC00-M1	WINKER ASS'Y, LH.FR.	1	Y		19980408		KMYSG125FKW000001	
			33450-SA1-0000	WINKER ASS'Y, LH.FR.	1	Y		20000320	19980526	20020630	KMYSG125JYC009479
6	33451-SA1-RC00-M1	BASE, LH.FR.WINKER	1	Y		19980408		KMYSG125FKW000001			
	33451-SA1-0000	BASE, LH.FR.WINKER	1	Y		20000320	19980526	20020630	KMYSG125JYC009479	KMYSG125FK2411825	
7	33452-SA1-RC00-M1	LENS, LH.FR.WINKER	1	Y		19980408		KMYSG125FKW000001			
	33452-SA1-0000	LENS, LH.FR.WINKER	1	Y		20000320	19980526	20020630	KMYSG125JYC009479	KMYSG125FK2411825	
8	33456-SA1-RC00-M1	SOCKET COMP., LH.	1	Y		19980408		KMYSG125FKW000001			



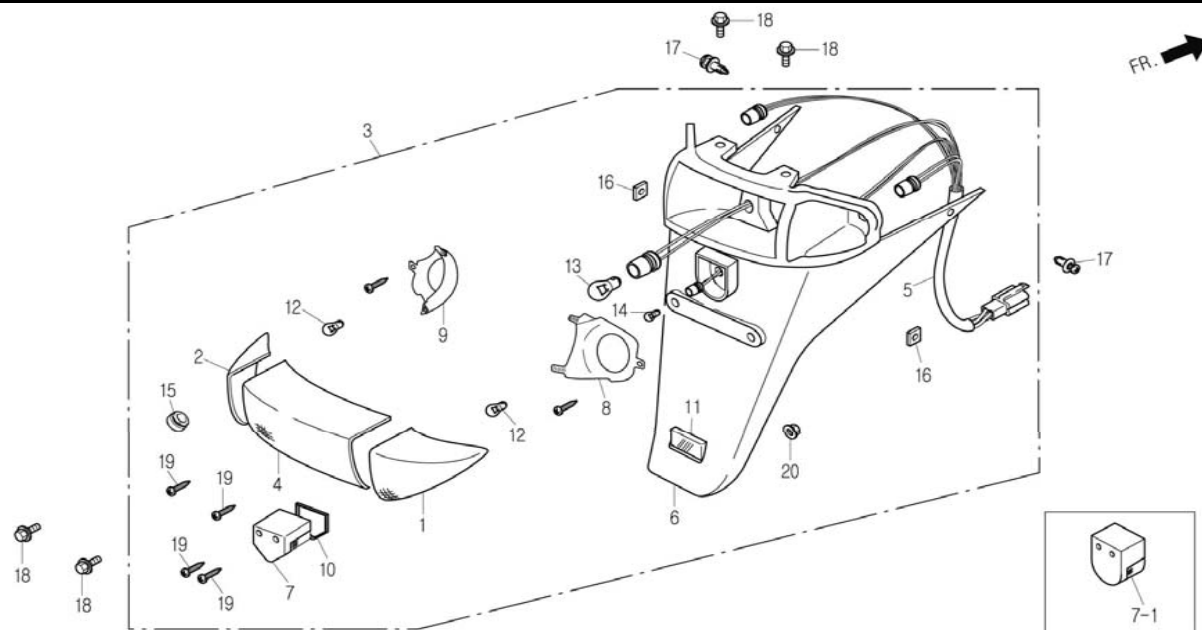
# F-23



## FRONT WINKER

Service item	FRT	Ref. No.	Part No.	Description	QTY	A/S	Exch	Start Date	End Date	Start FRM.No	End FRM.No
			33456-SC1-9500	SOCKET COMP., LH.	1	Y		20000320		KMYSG125JYC009479	
								19980526	20020630	KMYSG125FKW003915	KMYSG125FK2411825
		9	34905-BA7-RB00	BULB, WINKER(12V/10W)	2	Y		19980408		KMYSG125FKW000001	
			34905-SC1-0030	BULB, WINKER(12V/10W)	2	Y		20000320		KMYSG125JYC009479	
								19980526	20020630	KMYSG125FKW003915	KMYSG125FK2411825
		10	S3903-25280	SCREW, TAPPING 5x12	4	Y	N	19980408	19990131	KMYSG125FKW000001	KMYSG125FKX308693
			S3903-25220	SCREW, TAPPING 5x12	4	Y		20000320		KMYSG125JYC009479	
								19990201		KMYSG125FKX308694	

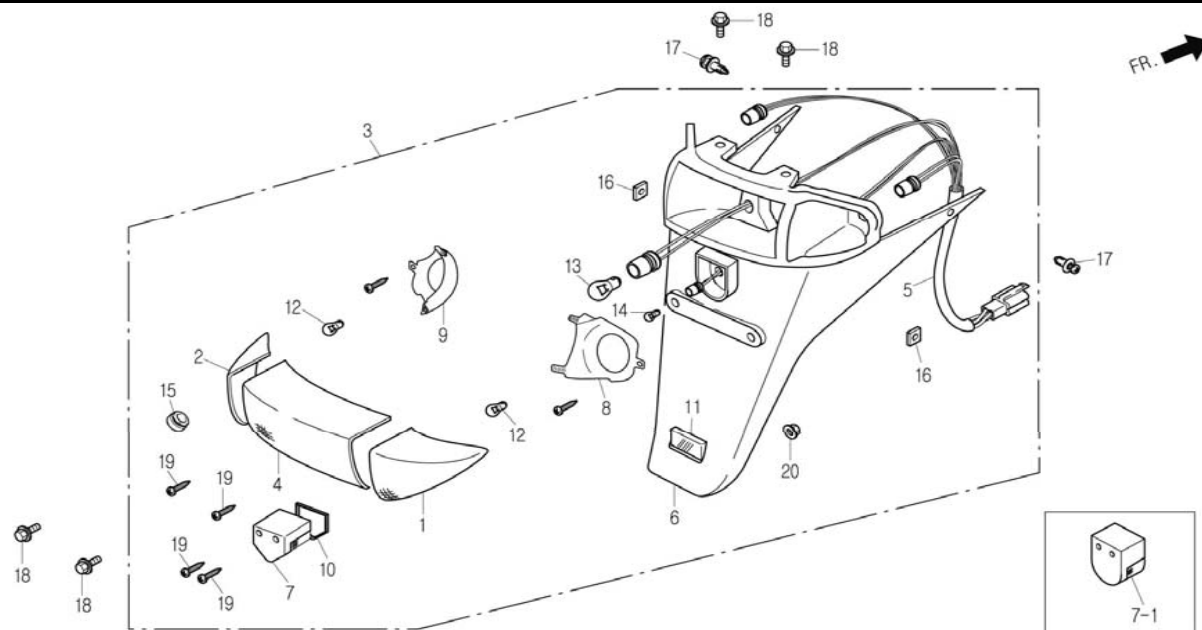
# F-24



## REAR COMBINATION LIGHT

Service item	FRT	Ref. No.	Part No.	Description	QTY	A/S	Exch	Start Date	End Date	Start FRM.No	End FRM.No
LIGHT SET, RR.COMBINATION	0.5	1	33602-SA1-0000	LENS, TURN SIGNAL RH.	1	Y		20000320	19980408	KMYSG125JYC009479	KMYSG125FKW000001
BULB, WINKER (ONE OR ALL)	0.1	2	33652-SA1-0000	LENS, TURN SIGNAL LH.	1	Y		20000320	19980408	KMYSG125JYC009479	KMYSG125FKW000001
BULB, TAIL LIGHT(12V 21/5W)		3	3370A-SA1-RC00-M1	LIGHT SET, RR.COMBINATION	1	Y	N	19980408	19990831	KMYSG125FKW000001	KMYSG125FKX317572
			3370A-SA1-RC10	LIGHT SET, RR.COMBINATION	1	Y	N	19990901	19991108	KMYSG125FKX317573	KMYSG125FKY400780
			3370A-SA1-RB11	LIGHT SET, RR.COMBINATION	1	Y	N	19990903	20021113	KMYSG125FKX317909	KMYSG125FK3412288
			3370A-SA1-RB11-BK	LIGHT SET, RR.COMBINATION(BLACK)	1	Y		20021114		KMYSG125FK3412289	
			3370A-SA1-0000	LIGHT SET, RR.COMBINATION	1	N	N	19980526	19990328	KMYSG125FKW003915	KMYSG125FKX312101
			3370A-SA1-0101	LIGHT SET, RR.COMBINATION	1	N	N	20000320	20010101	KMYSG125JYC009479	KMYSG125J1C018112
								19990329	19991108	KMYSG125FKX312102	KMYSG125FKY400780
			3370A-SA1-0200	LIGHT SET, RR.COMBINATION	1	Y	N	20010102	20030101	KMYSG125J1C018113	KMYSG125J3C020508
			3370A-SA1-0200-BK	LIGHT SET, RR.COMBINATION(BLACK)	1	Y		20030102		KMYSG125J3C020509	
			4	33702-SA1-0000	LENS COMP., RR.COMBINATION	1	Y		20000320	19980408	KMYSG125JYC009479
		5	33703-SA1-0001	SOCKET COMP., RR.COMBINATION	1	Y		20000320	19980408	KMYSG125JYC009479	KMYSG125FKW000001
		6	33704-SA1-0000	BASE COMP., RR.COMBINATION	1	N	N	19980408	19990831	KMYSG125FKW000001	KMYSG125FKX317572
			33704-SA1-0101	BASE COMP., RR.COMBINATION	1	N	N	20000320	20010101	KMYSG125JYC009479	KMYSG125J1C018112
							19990329	19990831	KMYSG125FKX312102	KMYSG125FKX317572	
			33704-SA1-RB10	BASE COMP., RR.COMBINATION	1	Y	N	20010102	20030101	KMYSG125J1C018113	KMYSG125J3C020508
							19990901	20021113	KMYSG125FKX317573	KMYSG125FK3412288	

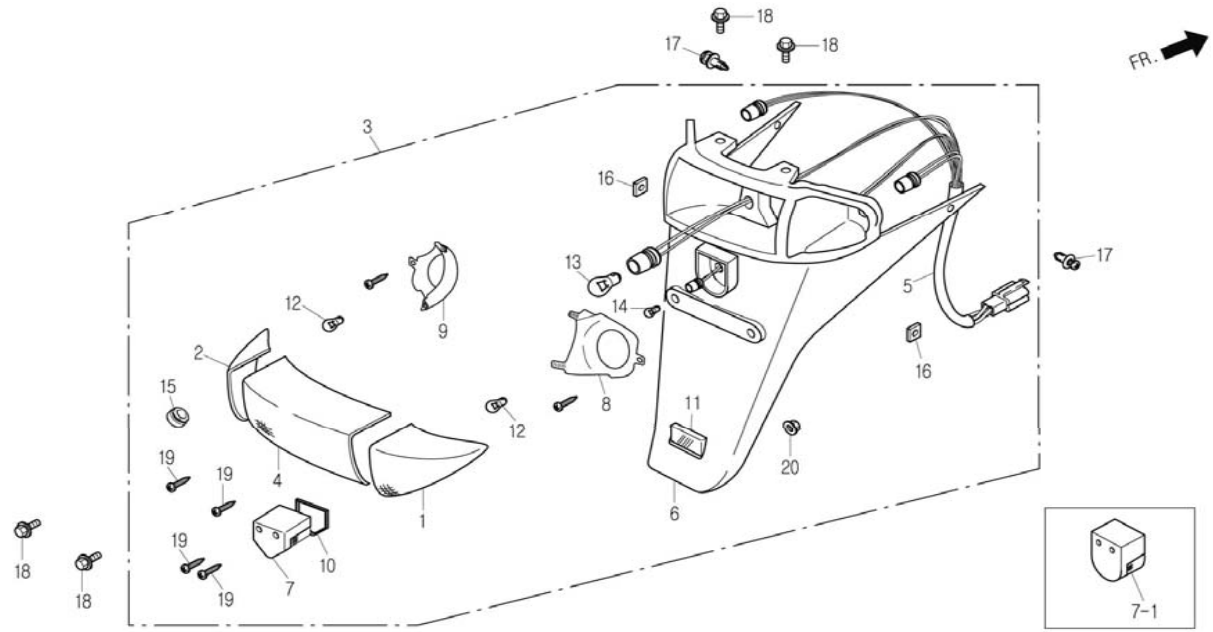
# F-24



## REAR COMBINATION LIGHT

Service item	FRT	Ref. No.	Part No.	Description	QTY	A/S	Exch	Start Date	End Date	Start FRM.No	End FRM.No
			33704-SA1-RB10-BK	BASE COMP., RR.COMBINATION(BLACK)	1	Y		20030102		KMYSG125J3C020509	
		7	33706-SA1-0000	COVER, LICENSE	1	N	N	20000320	20010101	KMYSG125JYC009479	KMYSG125J1C018112
		7-1	33706-SA1-RB10	COVER, LICENSE	1	N	N	20000320	20030101	KMYSG125FKW000001	KMYSG125FKX317572
			33706-SA1-RB10-BK	COVER, LICENSE(BLACK)	1	N		20000320	20030101	KMYSG125JYC009479	KMYSG125J3C020508
								19990901	20021113	KMYSG125FKX317573	KMYSG125FK3412288
								20030102		KMYSG125J3C020509	
								20021114		KMYSG125FK3412289	
		8	33707-SA1-RC00-M1	REFLECTOR, TURN SIGNAL RH.	1	Y		19980408		KMYSG125FKW000001	
		9	33708-SA1-RC00-M1	REFLECTOR, TURN SIGNAL LH.	1	Y		19980408		KMYSG125FKW000001	
		10	33709-SA1-0000	PACKING, LICENSE LIGHT	1	Y		20000320		KMYSG125JYC009479	
								19980408		KMYSG125FKW000001	
		11	33741-SE5-5000-EU	REFLECTOR, REFLEX	1	N	N	19980408	19990831	KMYSG125FKW000001	KMYSG125FKX317572
			33741-SA1-0000	REFLECTOR, REFLEX	1	N	N	20000320		KMYSG125JYC009479	
								19980526	19990831	KMYSG125FKW003915	KMYSG125FKX317572
			33741-SE5-RB00-M1	REFLECTOR, REFLEX	1	Y		19990901		KMYSG125FKX317573	
		12	34905-SA1-0000	BULB, WINKER(12V 10W)	2	Y	N	19980526	19990831	KMYSG125FKW003915	KMYSG125FKX317572
								20000320		KMYSG125JYC009479	
			34905-BA7-RB00	BULB, WINKER(12V 10W)	2	Y		19980408		KMYSG125FKW000001	
		13	34906-SA1-0000	BULB, TAIL LIGHT(12V 21W/5W)	1	Y	N	20000320		KMYSG125JYC009479	
								19980526	19990831	KMYSG125FKW003915	KMYSG125FKX317572
			34906-BA7-RB00	BULB, TAIL & STOP(12V 21W/5W)	1	Y		19980408		KMYSG125FKW000001	

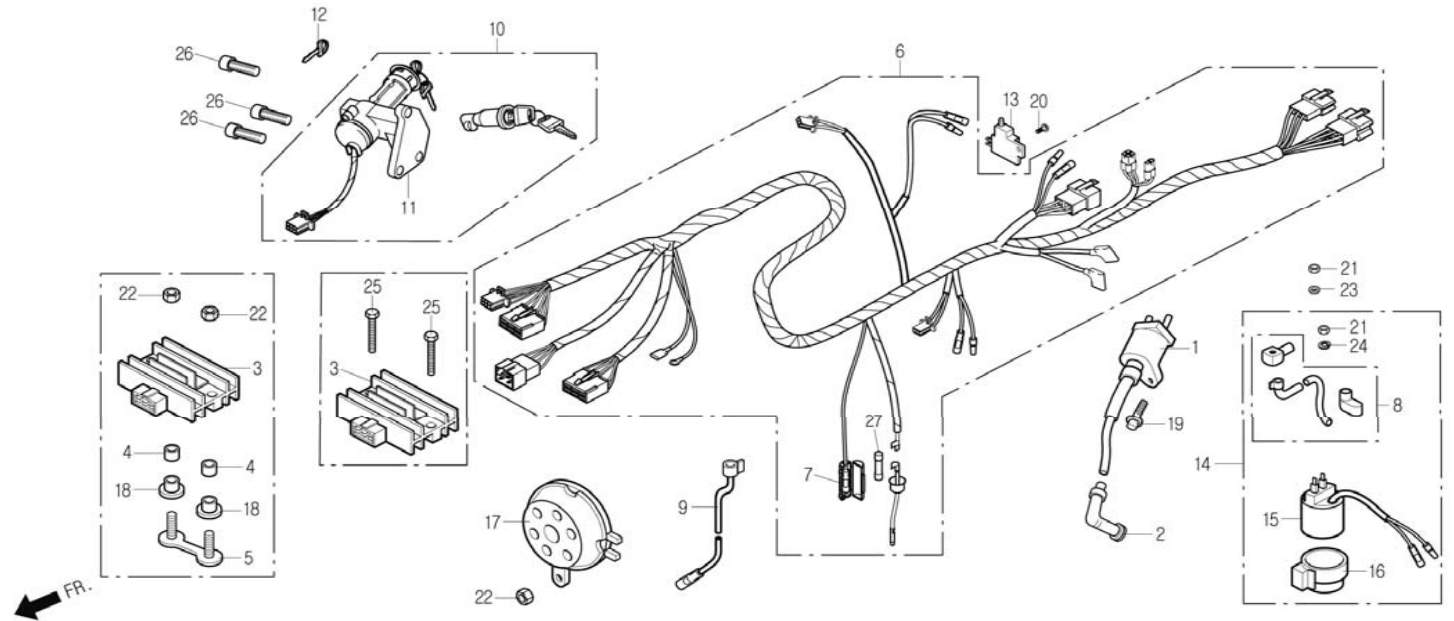
# F-24



## REAR COMBINATION LIGHT

Service item	FRT	Ref. No.	Part No.	Description	QTY	A/S	Exch	Start Date	End Date	Start FRM.No	End FRM.No
		14	34908-SA1-0000	BULB, LICENSE(12V/5W)	1	N	N	20000320		KMYSG125JYC009479	
								19980526	19991221	KMYSG125FKW003915	KMYSG125FKY401000
			34902-BA7-RB00	BULB, MARKER LIGHT(12V 4W)	1	Y	N	19980408	19991221	KMYSG125FKW000001	KMYSG125FKY401000
			34902-SA1-RB00	BULB, WEDGE BASE(12V 5W)	1	Y		19991222		KMYSG125FKY401001	
		15	80101-BA1-0001	RUBBER, LICENSE PLATE	1	Y		20000320		KMYSG125JYC009479	
								19980408		KMYSG125FKW000001	
		16	90677-SE5-0030	NUT, CLIP 5mm	2	Y		20000320		KMYSG125JYC009479	
								19980408		KMYSG125FKW000001	
		17	90683-SE5-0030	CLIP, BODY COVER	2	Y		20000320		KMYSG125JYC009479	
								19980408		KMYSG125FKW000001	
		18	S3404-06012-08	BOLT, WASHER 6x12	4	Y		20000320		KMYSG125JYC009479	
								19980408		KMYSG125FKW000001	
		19	S3901-34420	SCREW, TAPPING 4x16	4	Y		20000320		KMYSG125JYC009479	
								19980408		KMYSG125FKW000001	
		20	S4050-05000	NUT, FLANGE 5mm	1	Y		20000320		KMYSG125JYC009479	
								19980408		KMYSG125FKW000001	

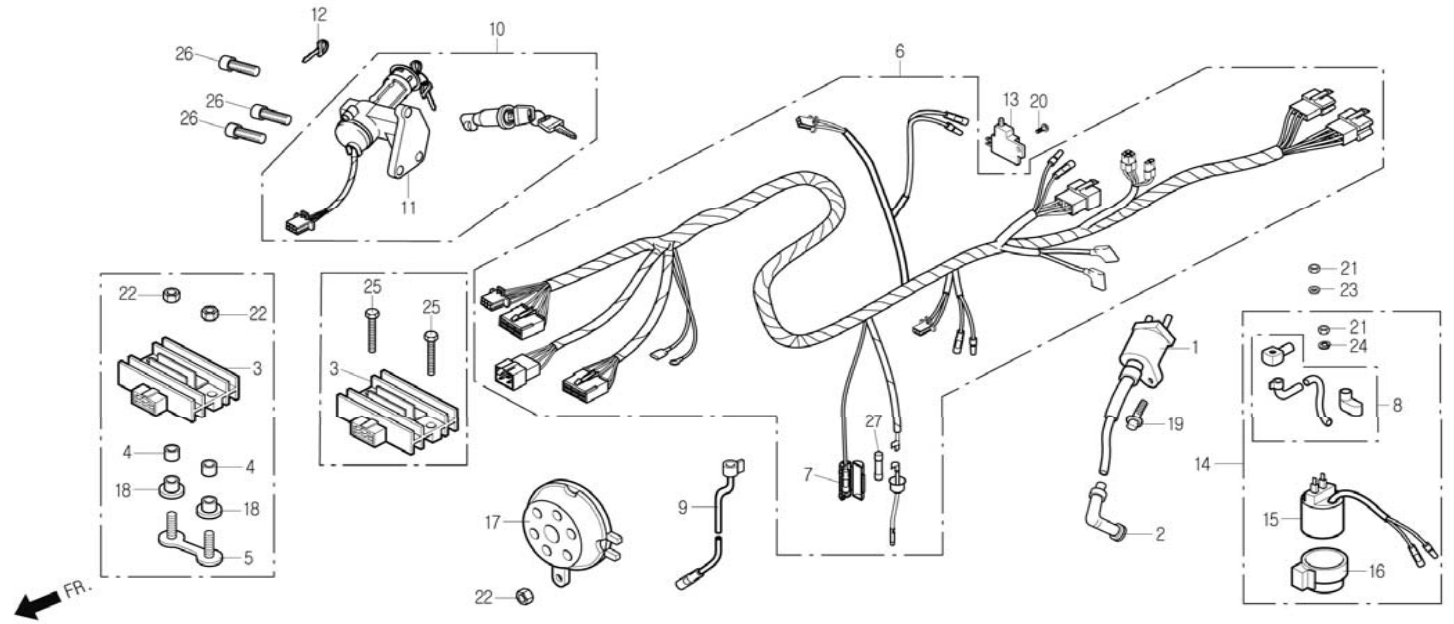
# F-25



## WIRE HARNESS / IGNITION COIL

Service item	FRT	Ref.	Description	QTY	A/S	Exch	Start Date	End Date	Start FRM.No	End FRM.No
		No.								
COIL COMP., IGNITION	0.4	1	30510-SA1-0000	1	N	N	19980408	19991031	KMYSG125FKW000001	KMYSG125FKY400572
			30510-SA1-0100	1	Y		20000320		KMYSG125JYC009479	
RECTIFIER ASS'Y., REGULATE	0.4	2	30700-BA7-9002	1	Y		19991101		KMYSG125FKY400573	
HARNESS, WIRE	01.ma	2	30700-BA7-9002	1	Y		20000320		KMYSG125JYC009479	
		3	31600-BA6-0001	1	Y		19980408		KMYSG125FKW000001	
SET, KEY	1.0	3	31600-BA6-0001	1	Y		20000320		KMYSG125JYC009479	
SWITCH ASS'Y, COMBINATION&LOCK	0.9	4	31605-BA6-9600	2	Y		19980408	19990225	KMYSG125FKW000001	KMYSG125FKX310373
		5	31610-BA6-0000	1	Y		19980408	19990225	KMYSG125FKW000001	KMYSG125FKX310373
HORN COMP.	0.5	6	32100-SA1-0000	1	Y	N	19980526	19981108	KMYSG125FKW003915	KMYSG125FKX006555
			32100-SA1-0000-EU	1	Y	N	19980408	19981213	KMYSG125FKW000001	KMYSG125FKX007122
			32100-SA1-0100-EU	1	Y	N	19981214	20000402	KMYSG125FKX007123	KMYSG125FKY403637
			32100-SA1-0200-EU	1	Y	N	20000403	20020510	KMYSG125FKY403638	KMYSG125FK2411711
							20000320	20020510	KMYSG125JYC009479	KMYSG125J2C019984
			32100-SA1-3030	1	Y	N	19990402	20000402	KMYSG125FKX312102	KMYSG125FKY403637
			32100-SA3-RB30	1	Y	N	20020511	20020916	KMYSG125J2C019985	KMYSG125J2C020379
							20020511	20020916	KMYSG125FK2411712	KMYSG125FK2411940
			32100-SA3-RB41	1	Y		20020917		KMYSG125J2C020380	
							20020917		KMYSG125FK2411941	
HORN COMP.	0.5	7	32120-BA6-9100	1	N	N	19980408	20000402	KMYSG125FKW000001	KMYSG125FKY403637
			32121-HD2-0030-M1	1	N		20000320		KMYSG125JYC009479	
							20000403		KMYSG125FKY403638	

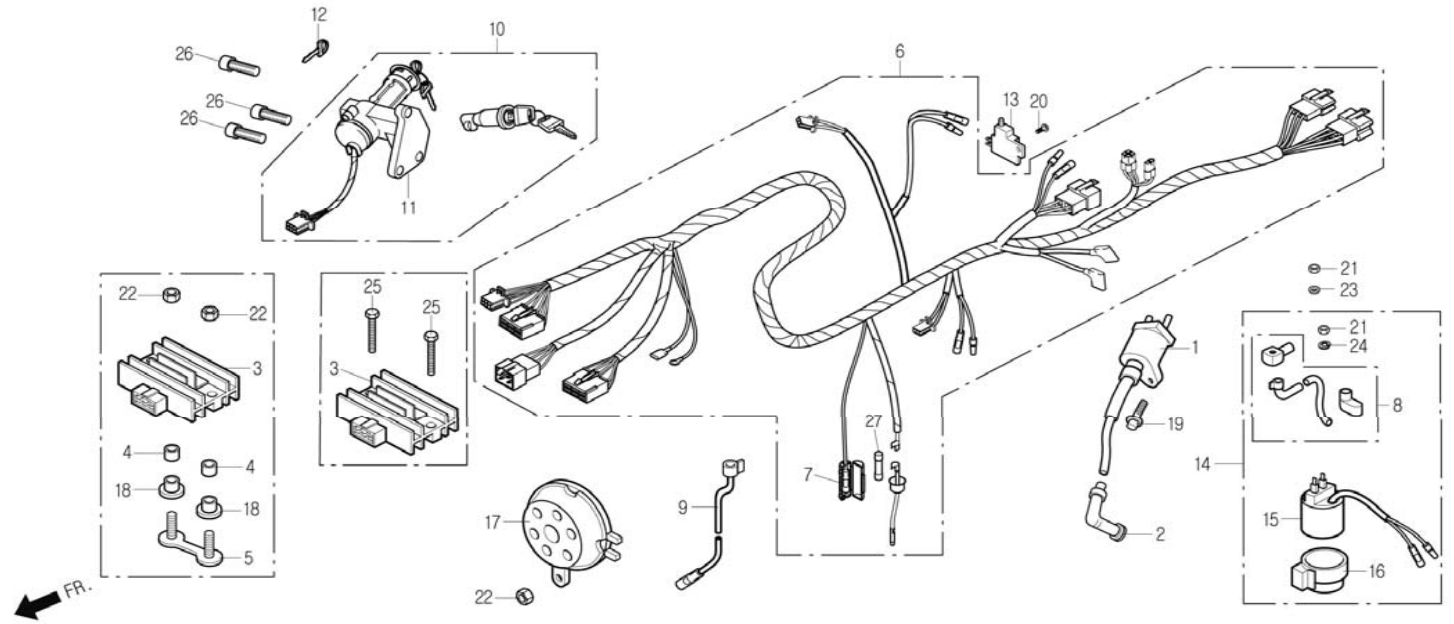
# F-25



## WIRE HARNESS / IGNITION COIL

Service item	FRT	Ref.				Start	End	Start	End		
		No.	Part No.	Description	QTY	A/S	Exch	Date	Date	FRM.No	FRM.No
		8	32401-SA1-0001	CABLE, START MAGNETIC BATTERY	1	Y		20000320		KMYSG125JYC009479	
		9	3260A-SA1-0000	CABLE ASS'Y, BATTERY EARTH	1	N	N	19980408		KMYSG125FKW000001	
			3260A-SA1-0001	CABLE ASS'Y, BATTERY EARTH	1	Y		20000320	20000920	KMYSG125JYC009479	KMYSG125J1C017047
								20000921		KMYSG125J1C017048	
								20000921		KMYSG125FKY407095	
		10	35010-SA1-0001	SET, KEY	1	N	N	20000320		KMYSG125JYC009479	
								19980526	19991231	KMYSG125FKW003915	KMYSG125FKY401000
			35010-SA1-0000-EU	SET, KEY	1	Y		19980408		KMYSG125FKW000001	
		11	35100-SA1-0001	SWITCH ASS'Y, COMBINATION & LOCK	1	N	N	20000320		KMYSG125JYC009479	
								19980526	19991231	KMYSG125FKW003915	KMYSG125FKY401000
			35100-SA1-0000-EU	SWITCH ASS'Y, COMBINATION & LOCK	1	N		19980408		KMYSG125FKW000001	
		12	35121-SA1-0000	KEY, BLANK	1	Y		20000320		KMYSG125JYC009479	
								19980408		KMYSG125FKW000001	
		13	35350-SA1-0000	SWITCH ASS'Y, TRUNK LAMP	1	Y		20000320	20020510	KMYSG125JYC009479	KMYSG125J2C019984
								19991216		KMYSG125FKY400905	
		14	3585A-SA1-0002	SWITCH SET, START MAGNETIC	1	Y		20000320		KMYSG125JYC009479	
								19980408		KMYSG125FKW000001	
		15	35850-SA1-0000	SWITCH ASS'Y, START MAGNETIC	1	Y		20000320		KMYSG125JYC009479	
								19980408		KMYSG125FKW000001	
		16	35856-SA1-0001	RUBBER, MAGNETIC SHOCK	1	Y		20000320		KMYSG125JYC009479	

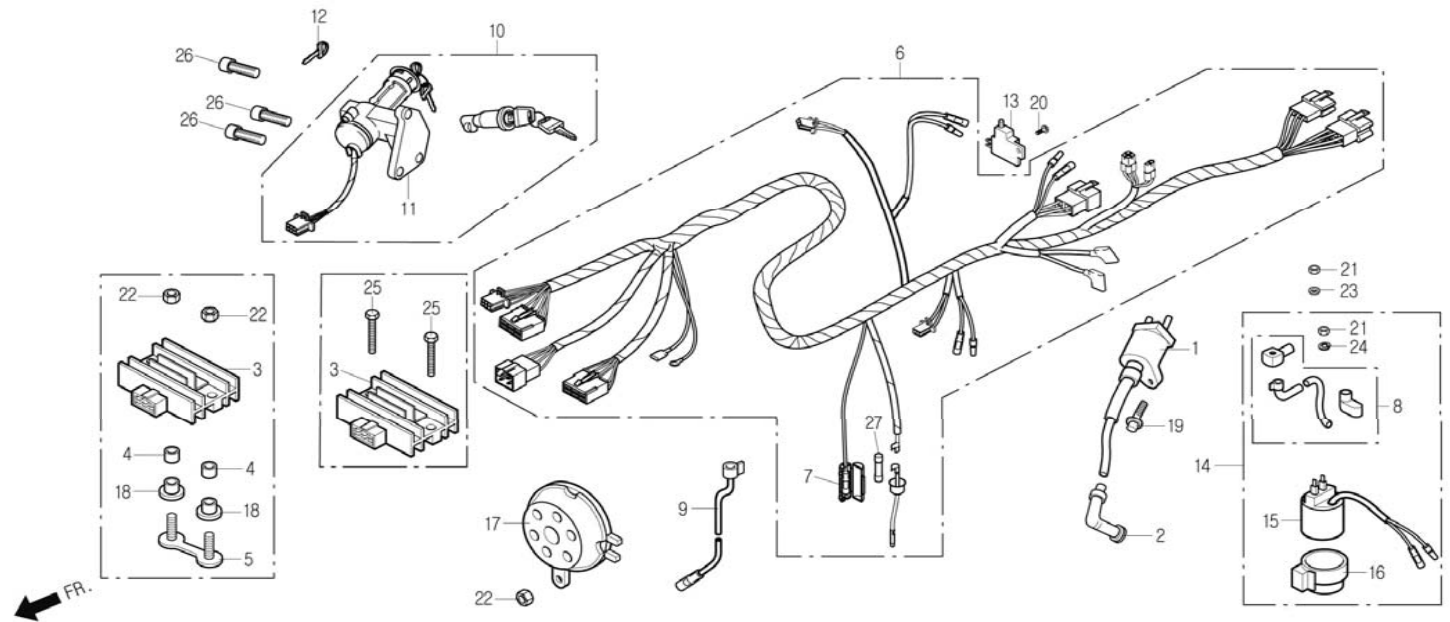
# F-25



## WIRE HARNESS / IGNITION COIL

Service item	FRT	Ref. No.	Part No.	Description	QTY	A/S	Exch	Start Date	End Date	Start FRM.No	End FRM.No
		17	38110-SA1-0000-EU	HORN COMP.	1	Y	N	19980408		KMYSG125FKW000001	
			38110-SC1-9500	HORN COMP.	1	N	N	20000320	20020930	KMYSG125JYC009479	KMYSG125J3C020484
			38110-SB1-0000	HORN COMP.	1	Y		19980408		KMYSG125FKW000001	
		18	61104-BA6-0000	COLLAR, FR.FENDER	2	Y		19980526	19990418	KMYSG125FKW003915	KMYSG125FKX313169
		19	90112-SC1-9500	BOLT, FLANGE 5x20	1	Y	Y	20021001		KMYSG125J3C020485	
			90112-BA7-0000	BOLT, FLANGE 5x22	2	Y		19980408	19990225	KMYSG125FKW000001	KMYSG125FKX310373
					1	Y		19980408	19990430	KMYSG125FKW000001	KMYSG125FKX314260
								20000320		KMYSG125JYC009479	
		20	S3893-04012-18	SCREW, WASHER 4x12	1	Y		19990501		KMYSG125FKX314261	
								20000320	20010430	KMYSG125JYC009479	KMYSG125J1C019142
								19991216	20010430	KMYSG125FKY400905	KMYSG125FK1409821
		21	S4002-06000-0S	NUT, HEX 6mm(W)	2	Y	Y	19980408	19990531	KMYSG125FKW000001	KMYSG125FKX315335
			S4002-06080-0S	NUT, HEX 6mm(Y)	2	Y		20000320		KMYSG125JYC009479	
								19990601		KMYSG125FKX315336	
		22	S4050-06000	NUT, FLANGE 6mm	2	Y	Y	19980408	19990131	KMYSG125FKW000001	KMYSG125FKX308693
			S4050-06080	NUT, FLANGE 6mm	2	Y		19990201	19990225	KMYSG125FKX308694	KMYSG125FKX310373
		23	S4101-06000	WASHER, PLAIN 6mm	1	Y	Y	19980408	19990531	KMYSG125FKW000001	KMYSG125FKX315335
			S4101-06800	WASHER, PLAIN 6mm	1	Y		20000320	20010301	KMYSG125JYC009479	KMYSG125J1C019042
								19990601	20010301	KMYSG125FKX315336	KMYSG125FK1408767
		24	S4111-06800	WASHER, SPRING 6mm	1	Y		20000320		KMYSG125JYC009479	
								19980408		KMYSG125FKW000001	
		25	S5701-06022-08	BOLT, FLANGE 6x22	2	Y		20000320		KMYSG125JYC009479	
								19990226		KMYSG125FKX310374	

# F-25

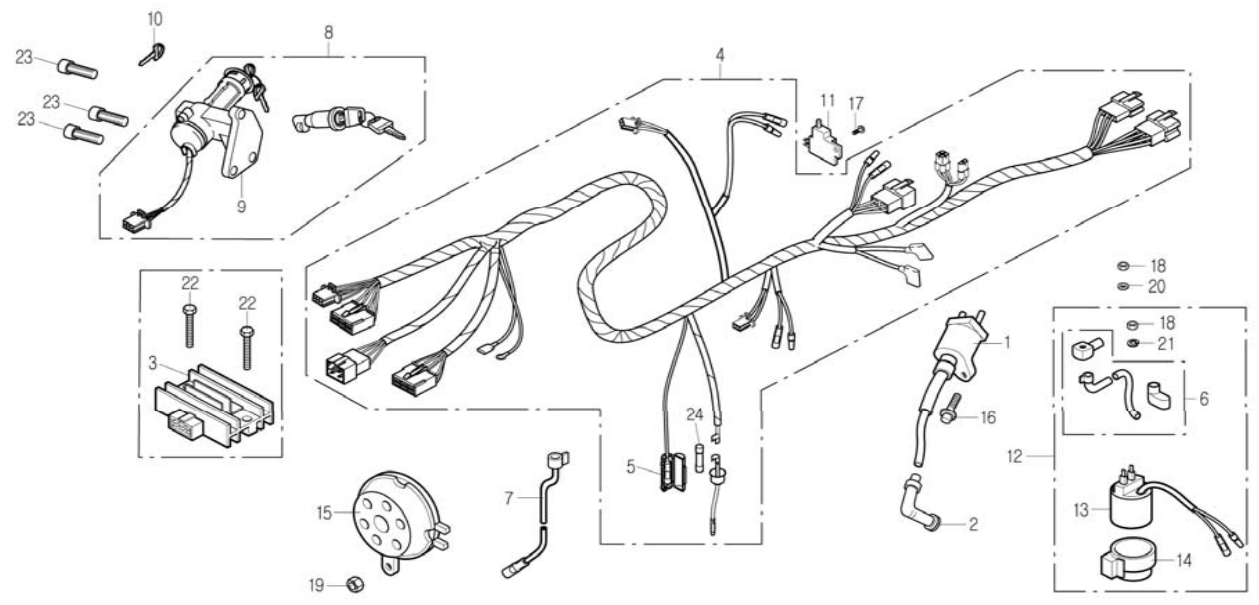


## WIRE HARNESS / IGNITION COIL

Service item	FRT	Ref. No.	Part No.	Description	QTY	A/S	Exch	Start Date	End Date	Start FRM.No	End FRM.No
		26	S6700-06020-07	BOLT, SOCKET 6x20	3	Y		20000320		KMYSG125JYC009479	
								19980408		KMYSG125FKW000001	
		27	S8200-11500	FUSE A(15A)	1	Y		20000320		KMYSG125JYC009479	
								19980408		KMYSG125FKW000001	



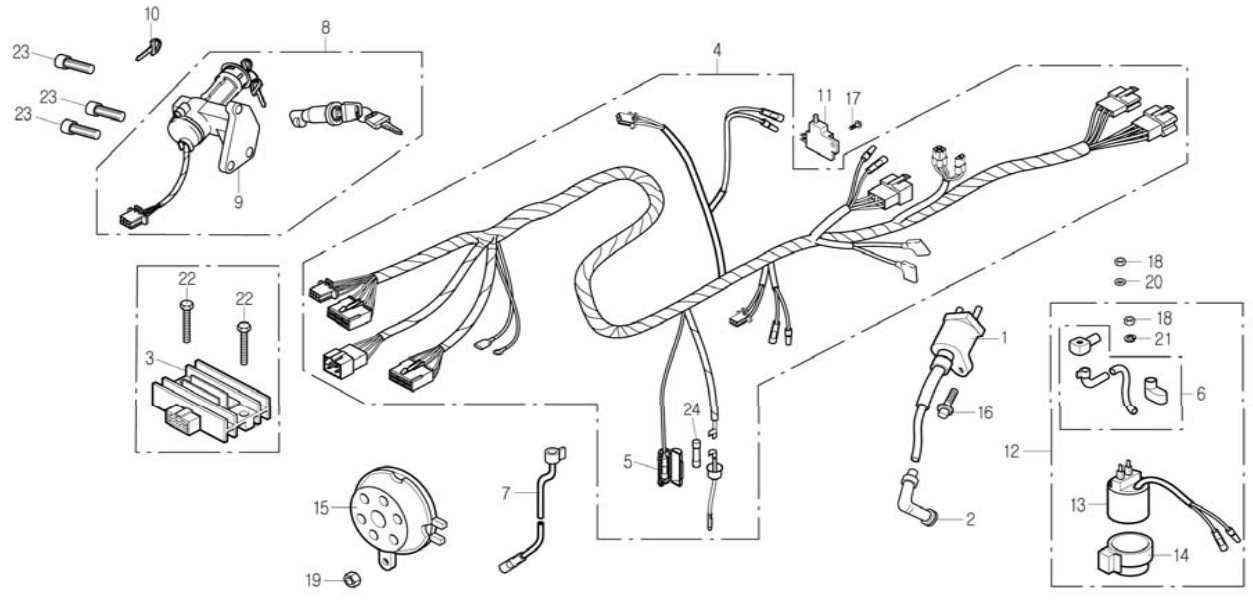
# F-25-L



## WIRE HARNESS / IGNITION COIL

Service item	FRT	Ref. No.	Part No.	Description	QTY	A/S	Exch	Start Date	End Date	Start FRM.No	End FRM.No
COIL COMP., IGNITION	0.4	1	30510-SA1-0100	COIL COMP., IGNITION	1	Y		20001221		KMYSG125FK1500013	
RECTIFIER ASS'Y, REGULATE	0.4	2	30700-BA7-9002	CAP ASS'Y, NOISE SUPPRESSOR	1	Y		20001221		KMYSG125FK1500013	
		3	31600-BA6-0001	RECTIFIER ASS'Y, REGULATOR	1	Y		20001221		KMYSG125FK1500013	
		4	32100-SA3-RB00	HARNESS, WIRE	1	N	N	20001221	20020510	KMYSG125FK1500013	KMYSG125FK2411711
HARNESS, WIRE	01.ma		32100-SA3-RB20	HARNESS, WIRE	1	N	N	20020511	20020630	KMYSG125FK2411712	KMYSG125FK2411834
			32100-SA3-RB30	HARNESS, WIRE	1	N	N	20020701	20020916	KMYSG125FK2411835	KMYSG125FK2411944
SET, KEY	1.0		32100-SA3-RB41	HARNESS, WIRE	1	Y		20020917		KMYSG125FK2411945	
		5	32121-HD2-0030-M1	CASE, FUSE	1	N		20001221		KMYSG125FK1500013	
SWITCH ASS'Y, COMBINATION&LOCK	0.9										
		6	32401-SA1-0001	CABLE, START MAGNETIC BATTERY	1	Y		20001221		KMYSG125FK1500013	
HORN COMP.	0.5										
		7	3260A-SA1-0001	CABLE ASS'Y, BATTERY EARTH	1	Y		20001221		KMYSG125FK1500013	
		8	35010-SA1-0000-EU	SET, KEY	1	Y		20001221		KMYSG125FK1500013	
		9	35100-SA1-0000-EU	SWITCH ASS'Y, COMBINATION & LOCK	1	N		20001221		KMYSG125FK1500013	
		10	35121-SA1-0000	KEY, BLANK	1	Y		20001221		KMYSG125FK1500013	
		11	35350-SA1-0000	SWITCH ASS'Y, TRUNK LAMP	1	Y		20001221		KMYSG125FK1500013	
		12	3585A-SA1-0002	SWITCH SET, START MAGNETIC	1	Y		20001221		KMYSG125FK1500013	
		13	35850-SA1-0000	SWITCH ASS'Y, START MAGNETIC	1	Y		20001221		KMYSG125FK1500013	
		14	35856-SA1-0001	RUBBER, MAGNETIC SHOCK	1	Y		20001221		KMYSG125FK1500013	
		15	38110-SA1-0000-EU	HORN COMP.	1	Y		20001221		KMYSG125FK1500013	
		16	90112-BA7-0000	BOLT, FLANGE 5x22	1	Y		20001221		KMYSG125FK1500013	
		17	S3893-04012-18	SCREW, WASHER 4x12	1	Y		20001221		KMYSG125FK1500013	

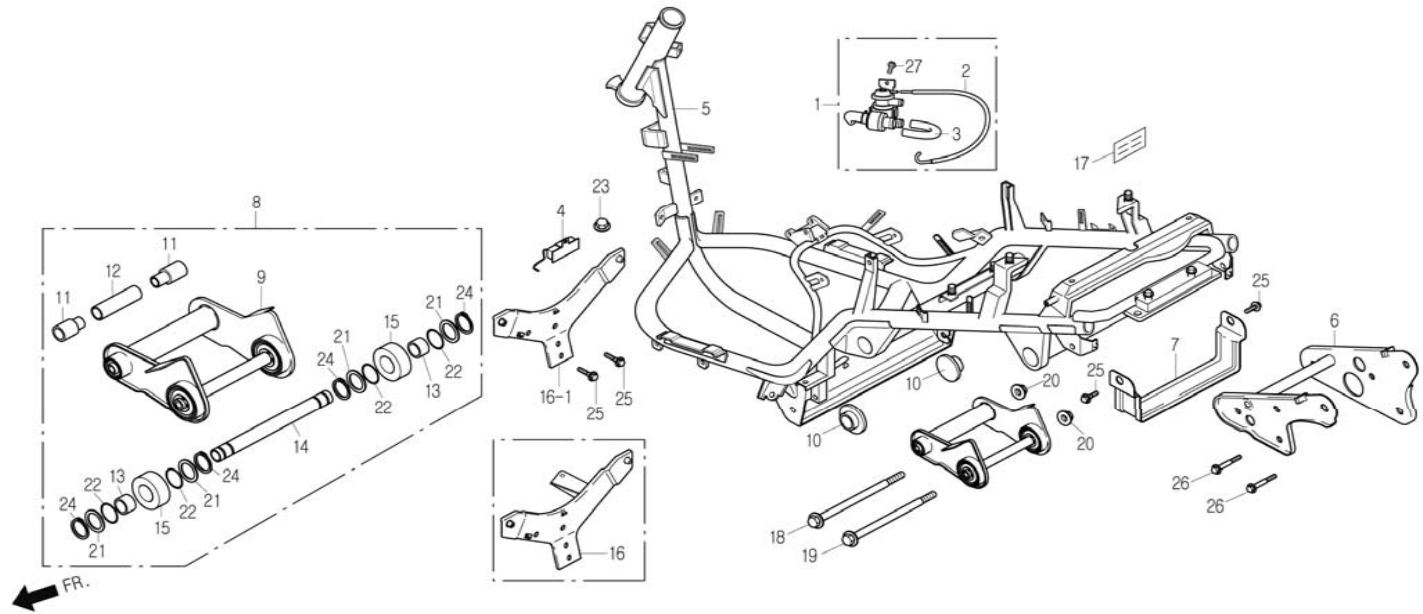
# F-25-L



## WIRE HARNESS / IGNITION COIL

Service item	FRT	Ref.		Description	QTY	A/S	Exch	Start Date	End Date	Start FRM.No	End FRM.No
		No.	Part No.								
		18	S4002-06080-0S	NUT, HEX 6mm(Y)	2	Y		20001221		KMYSG125FK1500013	
		19	S4050-06080	NUT, FLANGE 6mm	1	Y		20001221		KMYSG125FK1500013	
		20	S4101-06800	WASHER, PLAIN 6mm	1	Y		20001221		KMYSG125FK1500013	
		21	S4111-06800	WASHER, SPRING 6mm	1	Y		20001221		KMYSG125FK1500013	
		22	S5701-06022-08	BOLT, FLANGE 6x22	2	Y		20001221		KMYSG125FK1500013	
		23	S6700-06020-07	BOLT, SOCKET 6x20	3	Y		20001221		KMYSG125FK1500013	
		24	S8200-11500	FUSE A(15A)	1	Y		20001221		KMYSG125FK1500013	

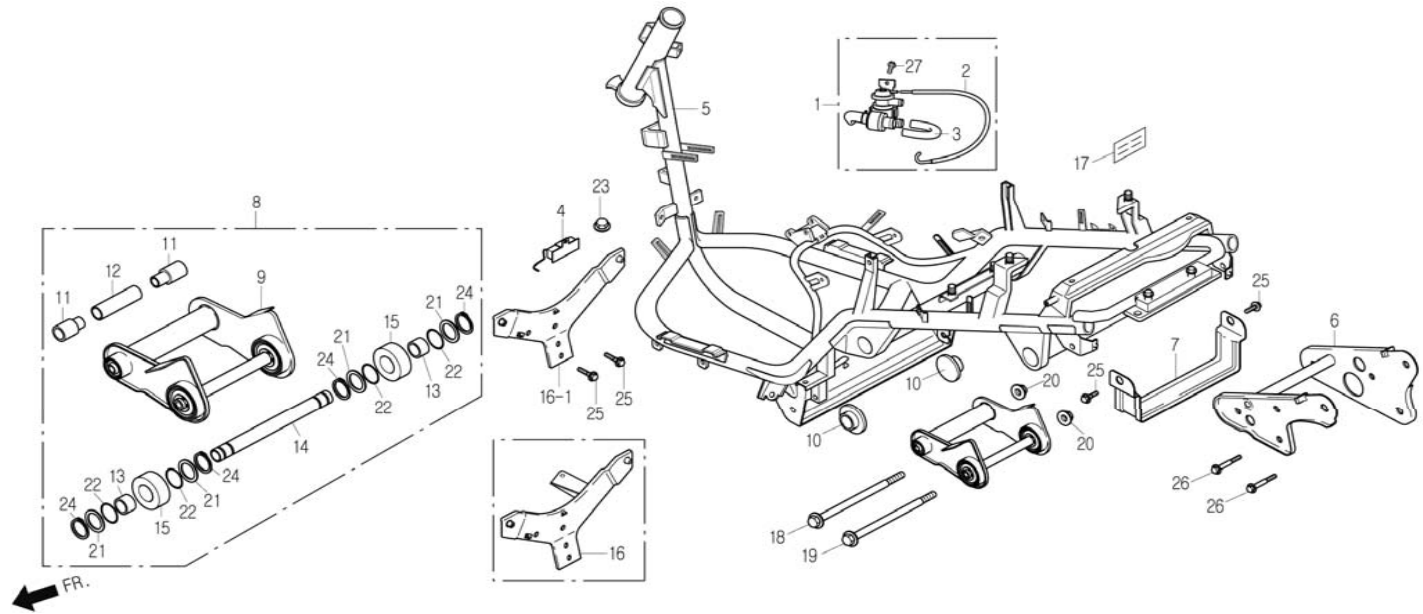
# F-26



## FRAME BODY

Service item	FRT	Ref. No.	Part No.	Description	QTY	A/S	Exch	Start Date	End Date	Start FRM.No	End FRM.No
BODY COMP., FRAME	*4.7	1	17300-SA1-RZ00	AIR FILTER ASS'Y, SECONDARY	1	Y		20030612		KMYSG125FK3413034	
		2	17332-SA2-RZ00	TUBE B, A.I.C.V	1	Y		20030612		KMYSG125FK3413034	
HANGER ASSY ENGINE	0.9	3	17333-SA1-RZ00	TUBE C, A.I.C.V	1	Y		20030612		KMYSG125FK3413034	
		4	35401-SE5-9002	RESISTOR COMP., B	1	Y		19980408	19991216	KMYSG125FKW000001	KMYSG125FKY401000
STAY, HEAD LIGHT	0.3	5	50100-SA1-0000-EU	BODY COMP., FRAME	1	N	N	19980408	19981130	KMYSG125FKW000001	KMYSG125FKX007122
			50100-SA1-0003	BODY COMP., FRAME	1	N	N	19980526	19981108	KMYSG125FKW003915	KMYSG125FKX006555
			50100-SA1-0100	BODY COMP., FRAME	1	N	N	19981204	19990303	KMYSG125FKX007123	KMYSG125FKX307275
			50100-SA1-3030	BODY COMP., FRAME	1	N	N	19990304	19991012	KMYSG125FKX307276	KMYSG125FKY318004
			50100-SA1-0100-EU	BODY COMP., FRAME	1	N	N	19991013	19991215	KMYSG125FKY318005	KMYSG125FKY400904
			50100-SA1-0200-EU	BODY COMP., FRAME	1	N	N	19991216	20000116	KMYSG125FKY400905	KMYSG125FKY401000
			50100-SA1-0201-EU	BODY COMP., FRAME	1	N	N	20000117	20011011	KMYSG125FKY401001	KMYSG125FK2410716
			50100-SA1-0300-EU	BODY COMP., FRAME	1	N	N	20011012	20020707	KMYSG125FK2410717	KMYSG125FK2411825
			50100-SA1-0310-EU	BODY COMP., FRAME	1	Y		20020708		KMYSG125FK2411826	
			50100-SA1-0201	BODY COMP., FRAME	1	N	N	20000320	20011014	KMYSG125JYC009479	KMYSG125J1C019563
			50100-SA1-0400	BODY COMP., FRAME	1	N	N	20011015	20020707	KMYSG125J1C019564	KMYSG125J2C020066
			50100-SA1-0410	BODY COMP., FRAME	1	Y		20020708		KMYSG125J2C020067	
			50100-SA1-RZ00	BODY COMP., FRAME	1	Y		20030612		KMYSG125FK3413034	
		6	50170-SA1-0001	PLATE COMP., ENGINE HANGER	1	N		20000320		KMYSG125JYC009479	
								19980408		KMYSG125FKW000001	
		7	50180-SA1-0000	STAY, FUEL TANK SUPPORT	1	Y		20000320		KMYSG125JYC009479	
								19980408		KMYSG125FKW000001	
		8	50350-SA1-0000	HANGER ASS'Y, ENGINE	1	Y		20000320		KMYSG125JYC009479	

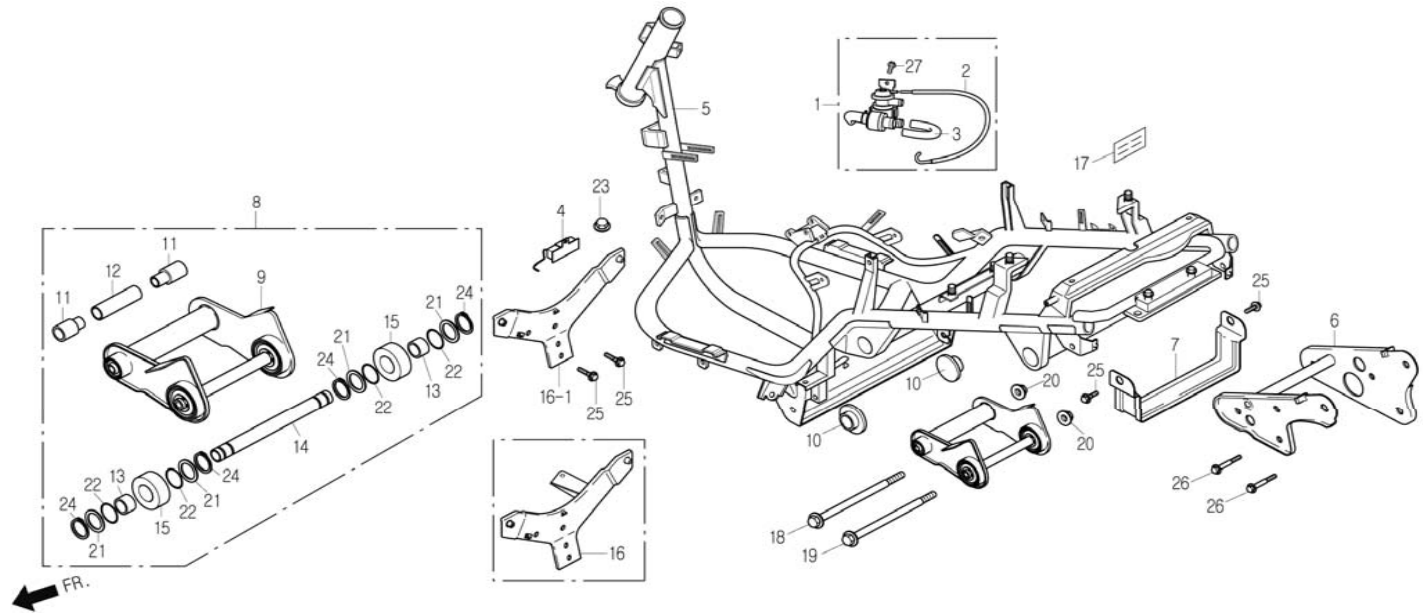
# F-26



## FRAME BODY

Service item	FRT	Ref. No.	Part No.	Description	QTY	A/S	Exch	Start Date	End Date	Start FRM.No	End FRM.No
		9	50351-SA1-0000	LINK, ENGINE HANGER	1	N		19980408		KMYSG125FKW000001	
		10	50352-SA1-0000	RUBBER, LINK STOPPER	2	Y		20000320		KMYSG125JYC009479	
								19980408		KMYSG125FKW000001	
								20000320		KMYSG125JYC009479	
		11	50353-CB2-0000	BUSH, ENGINE HANGER RUBBER	2	Y		19980408		KMYSG125FKW000001	
								20000320		KMYSG125JYC009479	
		12	50354-SC1-0002	COLLAR, ENGINE HANGER	1	N		20000320		KMYSG125JYC009479	
								19980408		KMYSG125FKW000001	
		13	50355-SA1-0000	METAL, OIL LESS	2	N		20000320		KMYSG125JYC009479	
								19980408		KMYSG125FKW000001	
		14	50356-SA1-0000	COLLAR, ENGINE HANGER PIVOT	1	N		20000320		KMYSG125JYC009479	
								19980408		KMYSG125FKW000001	
		15	50357-SA1-0000	BUSH A, ENGINE HANGER RUBBER	2	N		20000320		KMYSG125JYC009479	
								19980408		KMYSG125FKW000001	
		16	64315-SA1-0001	STAY, HEAD LIGHT	1	N	N	19980408	19990224	KMYSG125FKW000001	KMYSG125FKX310373
		16-1	64315-SA1-0100	STAY, HEAD LIGHT	1	Y		20000320		KMYSG125JYC009479	
								19990225		KMYSG125FKX310374	
		17	87509-SA1-RC00	PLATE, MANUFACTURER'S DATA	1	N		19980914	19991207	KMYSG125FKW005859	KMYSG125FKY400904
			87509-SA1-RH01	PLATE, MANUFACTURER'S DATA	1	N	N	19980526	19990902	KMYSG125FKW003915	KMYSG125FKX317908

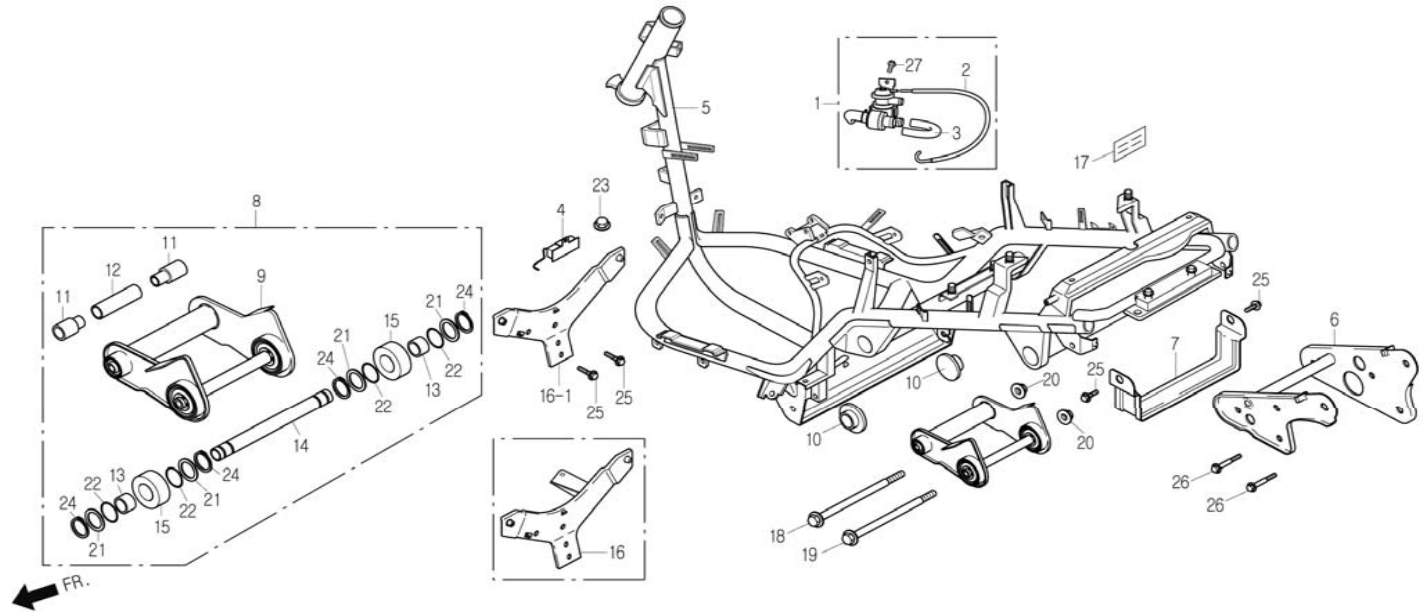
# F-26



## FRAME BODY

Service item	FRT	Ref. No.	Part No.	Description	QTY	A/S	Exch	Start Date	End Date	Start FRM.No	End FRM.No
			87509-SA1-0000-EU	PLATE, MANUFACTURER'S DATA	1	N	N	19980408	19990812	KMYSG125FKW000001	KMYSG125FKX316900
			87509-SA1-0100-EU	PLATE, MANUFACTURER'S DATA	1	N	N	19990813	19990902	KMYSG125FKX316901	KMYSG125FKX317908
			87509-SA1-0201-EU	PLATE, MANUFACTURER'S DATA	1	N	N	19990903	20010213	KMYSG125FKX317909	KMYSG125FK1408151
			87509-SA1-0300-EU	PLATE, MANUFACTURER'S DATA	1	Y		20010214		KMYSG125FK1408152	
			87509-SA1-0000	LABEL, CERTIFICATION	1	Y		20030310		KMYSG125J3C020692	
		18	90105-SC1-7100	BOLT, FLANGE 10x212	1	Y	N	19980408	19990420	KMYSG125FKW000001	KMYSG125FKX313544
			90105-SB1-0000	BOLT, FLANGE 10x212	1	Y		20000320		KMYSG125JYC009479	
								19990421		KMYSG125FKX313545	
		19	90107-SA1-0000	BOLT, FLANGE 10x200	1	Y	N	19980408	19990613	KMYSG125FKW000001	KMYSG125FKX316001
			90107-SA1-0001	BOLT, FLANGE 10x200	1	Y		19990614		KMYSG125FKX316002	
								20000320		KMYSG125JYC009479	
		20	90304-CB2-0030	NUT, U 10mm	2	Y	N	19980408	19990531	KMYSG125FKW000001	KMYSG125FKX315335
			90304-SE6-0000	NUT, U 10mm	2	Y		20000320		KMYSG125JYC009479	
								19990601		KMYSG125FKX315336	
		21	90441-SA1-0000	WASHER, THRUST	4	N		20000320		KMYSG125JYC009479	
								19980408		KMYSG125FKW000001	
		22	91301-SA1-0000	O-RING 16.8x1.6	4	N		20000320		KMYSG125JYC009479	
								19980408		KMYSG125FKW000001	
		23	S4050-06000	NUT, FLANGE 6mm	1	Y	Y	19980408	19990131	KMYSG125FKW000001	KMYSG125FKX308693
			S4050-06080	NUT, FLANGE 6mm	1	Y		20000320		KMYSG125JYC009479	
								19990201		KMYSG125FKX308694	
		24	S4510-17000	CIR CLIP, EXTERNAL 17mm	4	N		20000320		KMYSG125JYC009479	
								19980408		KMYSG125FKW000001	

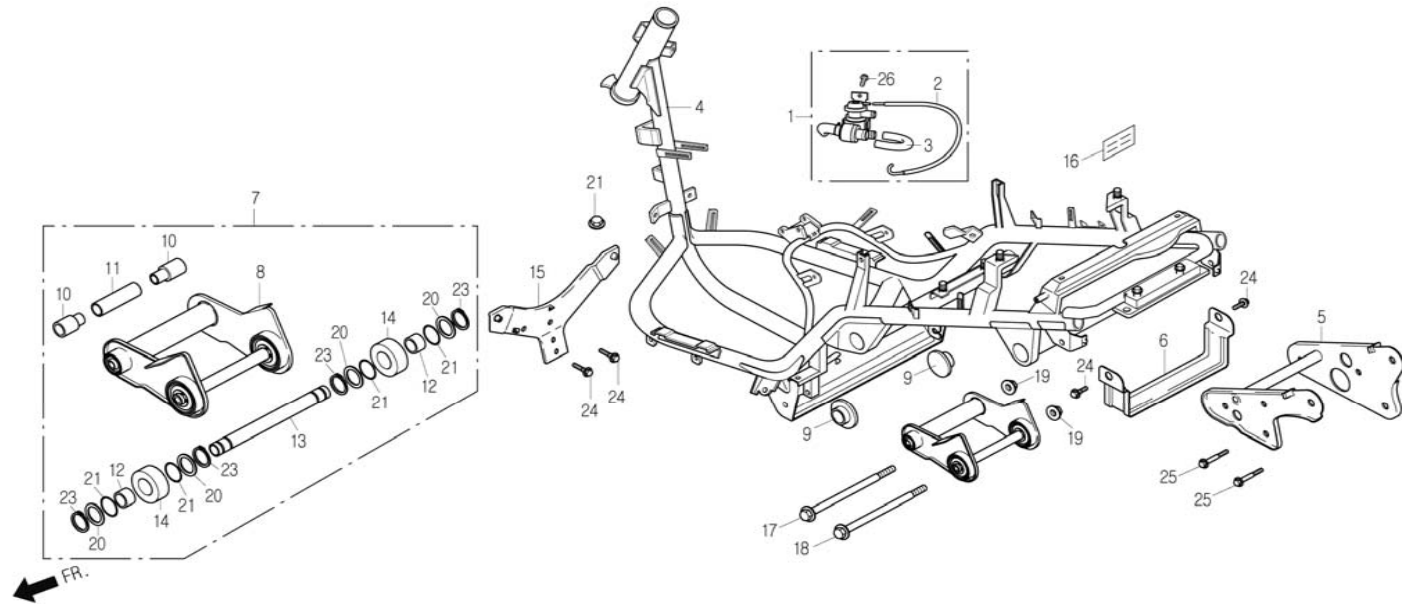
# F-26



## FRAME BODY

Service item	FRT	Ref. No.	Part No.	Description	QTY	A/S	Exch	Start Date	End Date	Start FRM.No	End FRM.No
		25	S5701-08012-00	BOLT, FLANGE 8x12	4	Y	N	19980408	19990531	KMYSG125FKW000001	KMYSG125FKX315335
			S5701-08012-08	BOLT, FLANGE 8x12	4	Y		20000320		KMYSG125JYC009479	
								19990601		KMYSG125FKX315336	
		26	S5801-10035-00	BOLT, FLANGE 10x35	4	Y	N	19980408	19981109	KMYSG125FKW000001	KMYSG125FKX007122
			S5801-10035-08	BOLT, FLANGE 10x35	4	Y		19981110		KMYSG125FKX007123	
								20000320		KMYSG125JYC009479	
		27	S6001-06012-00	BOLT, FLANGE SH.6x12	1	Y		20030612		KMYSG125FK3413034	

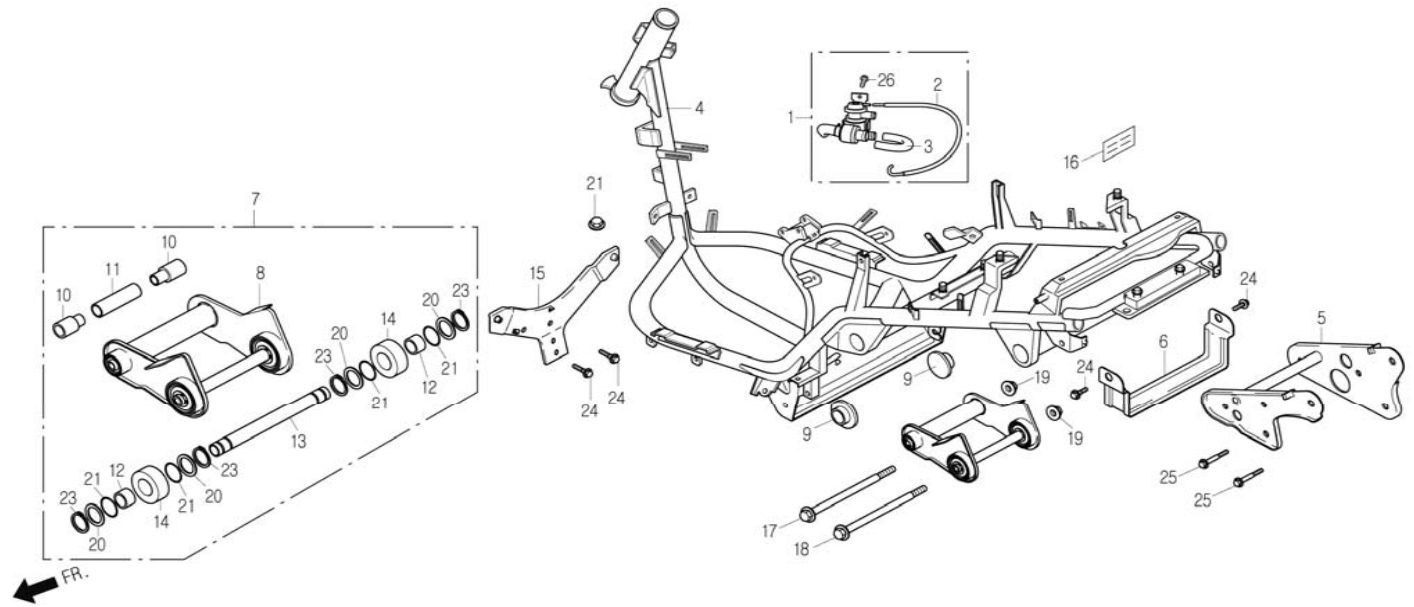
# F-26-L



## FRAME BODY

Service item	FRT	Ref.		Description	QTY	A/S	Exch	Start Date	End Date	Start FRM.No	End FRM.No
		No.	Part No.								
BODY COMP., FRAME	*4.7	1	17300-SA1-RZ00	AIR FILTER ASS'Y, SECONDARY	1	Y		20030612		KMYSG125FK3412914	
HANGER ASSY, ENGINE	0.9	2	17332-SA2-RZ00	TUBE B, A.I.C.V	1	Y		20030612		KMYSG125FK3412914	
		3	17333-SA1-RZ00	TUBE C, A.I.C.V	1	Y		20030612		KMYSG125FK3412914	
STAY, HEAD LIGHT	0.3	4	50100-SA3-RB00	BODY COMP., FRAME	1	Y		20001221		KMYSG125FK1500013	
			50100-SA3-RZ00	BODY COMP., FRAME	1	Y		20030612		KMYSG125FK3412914	
		5	50170-SA1-0001	PLATE COMP., ENGINE HANGER	1	N		20001221		KMYSG125FK1500013	
		6	50180-SA1-0000	STAY, FUEL TANK SUPPORT	1	Y		20001221		KMYSG125FK1500013	
		7	50350-SA1-0000	HANGER ASSY, ENGINE	1	Y		20001221		KMYSG125FK1500013	
		8	50351-SA1-0000	LINK, ENGINE HANGER	1	N		20001221		KMYSG125FK1500013	
		9	50352-SA1-0000	RUBBER, LINK STOPPER	2	Y		20001221		KMYSG125FK1500013	
		10	50353-CB2-0000	BUSH, ENGINE HANGER RUBBER	2	Y		20001221		KMYSG125FK1500013	
		11	50354-SC1-0002	COLLAR, ENGINE HANGER	1	N		20001221		KMYSG125FK1500013	
		12	50355-SA1-0000	METAL, OIL LESS	2	N		20001221		KMYSG125FK1500013	
		13	50356-SA1-0000	COLLAR, ENGINE HANGER PIVOT	1	N		20001221		KMYSG125FK1500013	
		14	50357-SA1-0000	BUSH A, ENGINE HANGER RUBBER	2	N		20001221		KMYSG125FK1500013	
		15	64315-SA1-0100	STAY, HEAD LIGHT	1	Y		20001221		KMYSG125FK1500013	
		16	87509-SA1-0201-EU	PLATE, MANUFACTURER'S DATA	1	N	N	20001221	20010213	KMYSG125FK1500013	KMYSG125FK1408699
			87509-SA1-0300-EU	PLATE, MANUFACTURER'S DATA	1	Y		20010214		KMYSG125FK1408700	
		17	90105-SB1-0000	BOLT, FLANGE 10x212	1	Y		20001221		KMYSG125FK1500013	
		18	90107-SA1-0001	BOLT, FLANGE 10x200	1	Y		20001221		KMYSG125FK1500013	

# F-26-L

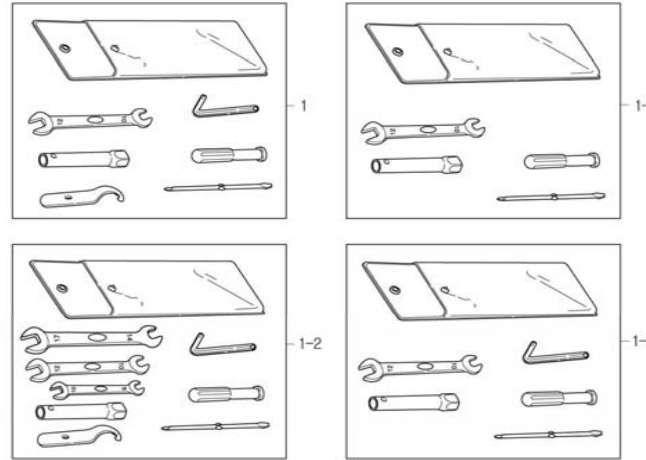


## FRAME BODY

Service item	FRT	Ref. No.	Part No.	Description	QTY	A/S	Exch	Start Date	End Date	Start FRM.No	End FRM.No
		19	90304-SE6-0000	NUT, U 10mm	2	Y		20001221		KMYSG125FK1500013	
		20	90441-SA1-0000	WASHER, THRUST	4	N		20001221		KMYSG125FK1500013	
		21	91301-SA1-0000	O-RING 16.8x1.6	4	N		20001221		KMYSG125FK1500013	
		22	S4050-06080	NUT, FLANGE 6mm	1	Y		20001221		KMYSG125FK1500013	
		23	S4510-17000	CIR CLIP, EXTERNAL 17mm	4	N		20001221		KMYSG125FK1500013	
		24	S5701-08012-08	BOLT, FLANGE 8x12	4	Y		20001221		KMYSG125FK1500013	
		25	S5801-10035-08	BOLT, FLANGE 10x35	4	Y		20001221		KMYSG125FK1500013	
		26	S6001-06012-00	BOLT, FLANGE SH.6x12	1	Y		20030612		KMYSG125FK3412914	



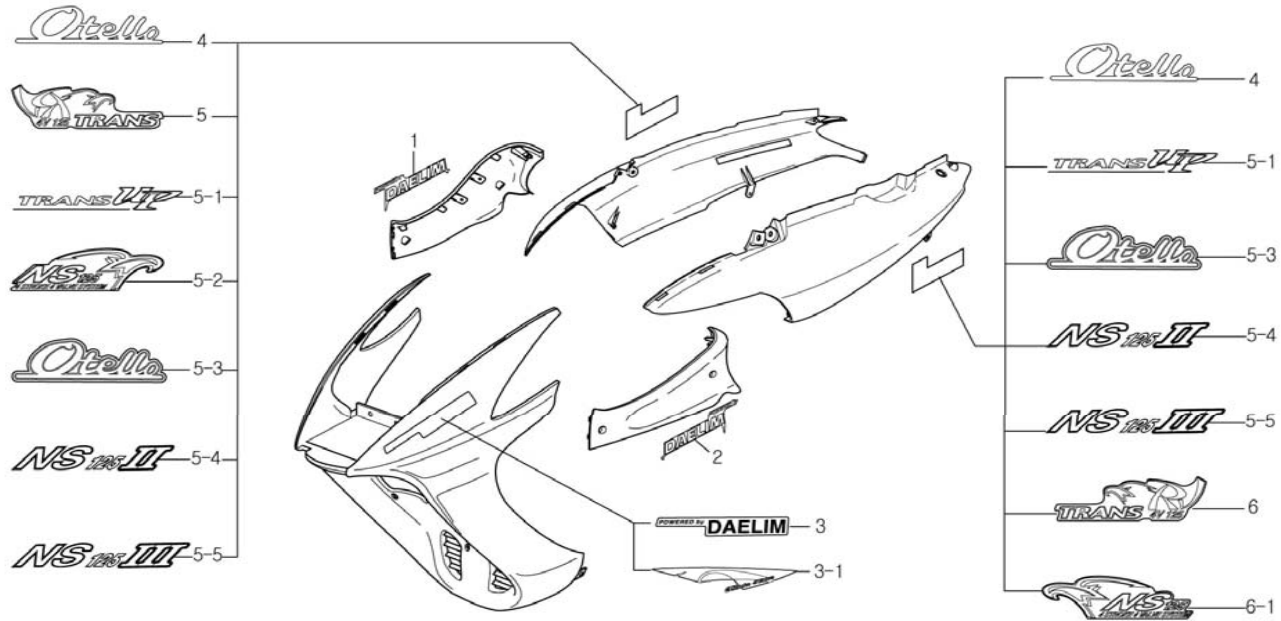
# F-27



## TOOLS

Service item	FRT	Ref. No.	Part No.	Description	QTY	A/S	Exch	Start Date	End Date	Start FRM.No	End FRM.No
		1	89010-SA1-0000-EU	TOOL SET	1	N	Y	19980408	19981213	KMYSG125FKW000001	KMYSG125FKX007122
			89010-SA1-0100-EU	TOOL SET	1	N	N	19981214	20010429	KMYSG125FKX007123	KMYSG125FK1409821
		1-1	89010-SA1-0000	TOOL SET	1	N	Y	20000320	20010429	KMYSG125JYC009479	KMYSG125J1C019142
								19980526	19991231	KMYSG125FKW003915	KMYSG125FKY401000
			89010-SA2-0000	TOOL SET	1	N	N	20010430	20030101	KMYSG125J1C019143	KMYSG125J3C020508
		1-2	89010-SA2-RB00	TOOL SET	1	N		20010430		KMYSG125FK1409822	
		1-3	89010-SA2-0010	TOOL SET	1	Y		20030102		KMYSG125J3C020509	

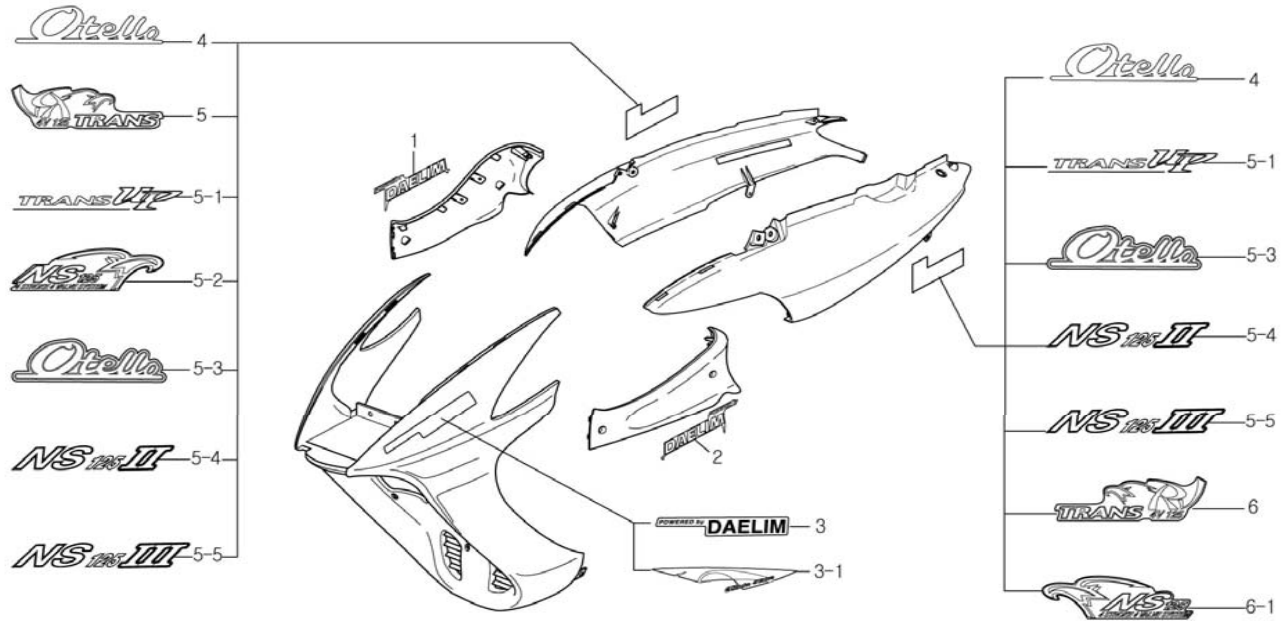
F-28



MARK

Service item	FRT	Ref. No.	Part No.	Description	QTY	A/S	Exch	Start Date	End Date	Start FRM.No	End FRM.No
		1	50615-SA1-0100-GW	MARK, RH.FLOOR SIDE COVER(G/WHITE)	1	Y		20000512	20010104	KMYSG125JYC012107	KMYSG125J1C018112
			50615-SA1-0100-PB	MARK, RH.FLOOR SIDE COVER(P/BLACK)	1	Y		20000603	20010104	KMYSG125JYC012924	KMYSG125J1C018112
			50615-SA1-0100-RD	MARK, RH.FLOOR SIDE COVER(RED)	1	Y		20000512	20010104	KMYSG125JYC012107	KMYSG125J1C018112
		2	50616-SA1-0100-GW	MARK, LH.FLOOR SIDE COVER(G/WHITE)	1	Y		20000512	20010104	KMYSG125JYC012107	KMYSG125J1C018112
			50616-SA1-0100-PB	MARK, LH.FLOOR SIDE COVER(P/BLACK)	1	Y		20000603	20010104	KMYSG125JYC012924	KMYSG125J1C018112
			50616-SA1-0100-RD	MARK, LH.FLOOR SIDE COVER(RED)	1	Y		20000512	20010104	KMYSG125JYC012107	KMYSG125J1C018112
		3	87123-SA1-0000-GW	MARK, LH.FR.SIDE COVER(G/WHITE)	1	Y		20010105	20020630	KMYSG125J1C018113	KMYSG125J2C020066
			87123-SA1-0000-PB	MARK, LH.FR.SIDE COVER(P/BLACK)	1	Y		20010105	20020630	KMYSG125J1C018113	KMYSG125J2C020066
			87123-SA1-0000-RD	MARK, LH.FR.SIDE COVER(RED)	1	Y		20010105	20020630	KMYSG125J1C018113	KMYSG125J2C020066
		4	87121-SA1-RB10	MARK, BODY COVER	2	Y		19990903		KMYSG125FKX317909	
		5	87125-SA1-0000-BL	MARK, RH.BODY COVER(BLUE)	1	Y		19980526	19981108	KMYSG125FKW003915	KMYSG125FKX006555
		5-1	87125-SA1-0100-GW	MARK, BODY COVER(G/WHITE)	1	Y		20000512	20020630	KMYSG125JYC012107	KMYSG125J2C020066
		5	87125-SA1-0000-RD	MARK, RH.BODY COVER(RED)	1	Y		19980526	19981108	KMYSG125FKW003915	KMYSG125FKX006555
		5-1	87125-SA1-0100-PB	MARK, BODY COVER(P/BLACK)	1	Y		20000603	20020630	KMYSG125JYC012924	KMYSG125J2C020066
								19981214	19991231	KMYSG125FKX007123	KMYSG125FKY401000
			87125-SA1-0100-RD	MARK, BODY COVER(RED)	1	Y		20000512	20020630	KMYSG125JYC012107	KMYSG125J2C020066
		5-2	87125-SA1-RB00-BL	MARK, RH.BODY COVER(BLUE)	1	Y		19980408	19991118	KMYSG125FKW000001	KMYSG125FKY400780
			87125-SA1-RB00-GR	MARK, RH.BODY COVER(GREEN)	1	Y		19980408	19991118	KMYSG125FKW000001	KMYSG125FKY400780
			87125-SA1-RB00-RD	MARK, RH.BODY COVER(RED)	1	Y		19980417	19991231	KMYSG125FKW001978	KMYSG125FKY401000
		5-3	87125-SA1-RB10-BS	MARK, BODY COVER(B/SAPPHIRE)	2	Y		19981216	19991231	KMYSG125FKX307276	KMYSG125FKY401000
			87125-SA1-RB10-ER	MARK, BODY COVER(E/RED)	2	Y		19981216	19991231	KMYSG125FKX307276	KMYSG125FKY401000
			87125-SA1-RB10-GW	MARK, BODY COVER(G/WHITE)	2	Y		19981216	19991231	KMYSG125FKX307276	KMYSG125FKY401000
			87125-SA1-RB10-PB	MARK, BODY COVER(P/BLACK)	2	Y		19981216	19991231	KMYSG125FKX307276	KMYSG125FKY401000

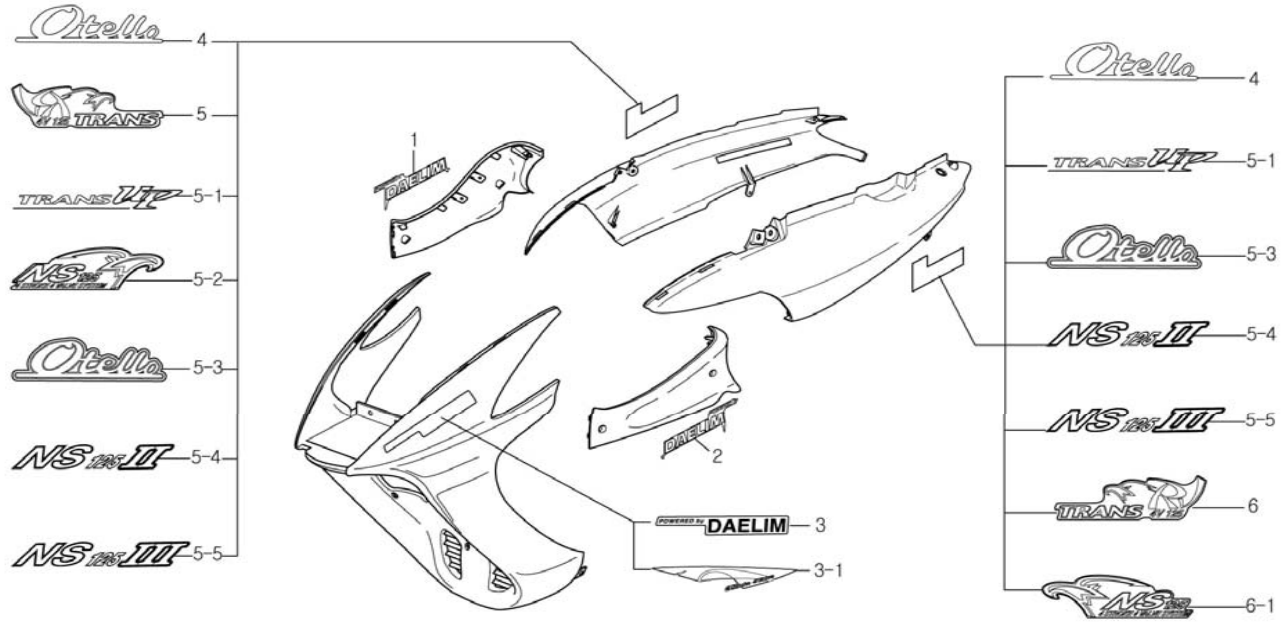
F-28



MARK

Service item	FRT	Ref. No.	Part No.	Description	QTY	A/S	Exch	Start Date	End Date	Start FRM.No	End FRM.No
			87125-SA1-RB10-SL	MARK, BODY COVER(SILVER)	2	Y		19990527	19991231	KMYSG125FKX315336	KMYSG125FKY401000
		5-4	87125-SA1-RK10-BS	MARK, BODY COVER(B/SAPPHIRE)	1	Y	N	19981214	19990524	KMYSG125FKX007123	KMYSG125FKX314663
			87125-SA1-RK11-BS	MARK, BODY COVER(B/SAPPHIRE)	2	Y		19990525	19991231	KMYSG125FKX314664	KMYSG125FKY401000
			87125-SA1-RK10-ER	MARK, BODY COVER(E/RED)	1	Y	N	19981214	19990524	KMYSG125FKX007123	KMYSG125FKX314663
			87125-SA1-RK11-ER	MARK, BODY COVER(E/RED)	2	Y		19990525	19991231	KMYSG125FKX314664	KMYSG125FKY401000
			87125-SA1-RK10-GW	MARK, BODY COVER(G/WHITE)	1	Y	N	19981214	19990524	KMYSG125FKX007123	KMYSG125FKX314663
			87125-SA1-RK11-GW	MARK, BODY COVER(G/WHITE)	2	Y		19990525	19991231	KMYSG125FKX314664	KMYSG125FKY401000
			87125-SA1-RK10-PB	MARK, BODY COVER(P/BLACK)	1	Y	N	19981214	19990524	KMYSG125FKX007123	KMYSG125FKX314663
			87125-SA1-RK11-PB	MARK, BODY COVER(P/BLACK)	2	Y		19990525	19991231	KMYSG125FKX314664	KMYSG125FKY401000
			87125-SA1-RK10-SL	MARK, BODY COVER(SILVER)	1	Y	N	19981214	19990524	KMYSG125FKX007123	KMYSG125FKX314663
			87125-SA1-RK11-SL	MARK, BODY COVER(SILVER)	2	Y	N	19990525	20001129	KMYSG125FKX314664	KMYSG125FK1408106
								20000320		KMYSG125JYC009479	
		5-5	87125-SA1-RK30-SL	MARK, BODY COVER(SILVER)	2	Y		20010507		KMYSG125J1C019143	
								20000201		KMYSG125FKY401268	
		5-4	87125-SA1-RK20-CE	MARK, BODY COVER(C/BEIGE)	2	Y	N	20000901	20020930	KMYSG125JYC015712	KMYSG125J3C020484
								19991119	20000131	KMYSG125FKY400781	KMYSG125FKY401267
		5-5	87125-SA1-RK30-CE	MARK, BODY COVER(C/BEIGE)	2	Y		20010507		KMYSG125J1C019143	
								20000201		KMYSG125FKY401268	
			87125-SA1-RK30-DB	MARK, BODY COVER(D/BLUE)	2	Y		20020909		KMYSG125J2C020155	
								20001130		KMYSG125FK1408107	
		5-4	87125-SA1-RK20-DR	MARK, BODY COVER(D/RED)	2	Y	N	19991216	20000131	KMYSG125FKY400905	KMYSG125FKY401267
								20000320		KMYSG125JYC009479	
		5-5	87125-SA1-RK30-DR	MARK, BODY COVER(D/RED)	2	Y		20010507		KMYSG125J1C019143	

F-28



MARK

Service item	FRT	Ref. No.	Part No.	Description	QTY	A/S	Exch	Start Date	End Date	Start FRM.No	End FRM.No
								20000201		KMYSG125FKY401268	
		5-4	87125-SA1-RK20-IG	MARK, BODY COVER(I/GRAY)	2	Y	N	20000901	20020930	KMYSG125JYC015712	KMYSG125J3C020484
								19991216	20000131	KMYSG125FKY400905	KMYSG125FKY401267
		5-5	87125-SA1-RK30-IG	MARK, BODY COVER(I/GRAY)	2	Y		20000201		KMYSG125FKY401268	
		5-4	87125-SA1-RK20-LG	MARK, BODY COVER(L/GREEN)	2	Y	N	19991119	20001129	KMYSG125FKY400781	KMYSG125FK1408106
		5-5	87125-SA1-RK30-LG	MARK, BODY COVER(L/GREEN)	2	Y		20000210		KMYSG125FKY401395	
								20010914		KMYSG125J1C019505	
		5-4	87125-SA1-RK20-NL	MARK, BODY COVER(N/BLUE)	2	Y	N	19991119	20000131	KMYSG125FKY400781	KMYSG125FKY401267
								20000320		KMYSG125JYC009479	
		5-5	87125-SA1-RK30-NL	MARK, BODY COVER(N/BLUE)	2	Y		20000201		KMYSG125FKY401268	
		6	87126-SA1-0000-BL	MARK, LH.BODY COVER(BLUE)	1	Y		19980526	19981108	KMYSG125FKW003915	KMYSG125FKX006555
			87126-SA1-0000-RD	MARK, LH.BODY COVER(RED)	1	Y		19980526	19981108	KMYSG125FKW003915	KMYSG125FKX006555
		6-1	87126-SA1-RB00-BL	MARK, LH.BODY COVER(BLUE)	1	Y		19980408	19991118	KMYSG125FKW000001	KMYSG125FKY400780
			87126-SA1-RB00-GR	MARK, LH.BODY COVER(GREEN)	1	Y		19980408	19991118	KMYSG125FKW000001	KMYSG125FKY400780
			87126-SA1-RB00-RD	MARK, LH.BODY COVER(RED)	1	Y		19980417	19991231	KMYSG125FKW001978	KMYSG125FKY401000