

NACIONAL MOTOR, S.A. DERBI

C/ Barcelona, nº19 - Martorelles 08107 - BARCELONA (SPAIN)

Tel. 93 565 78 78 - Fax 93 565 78 52



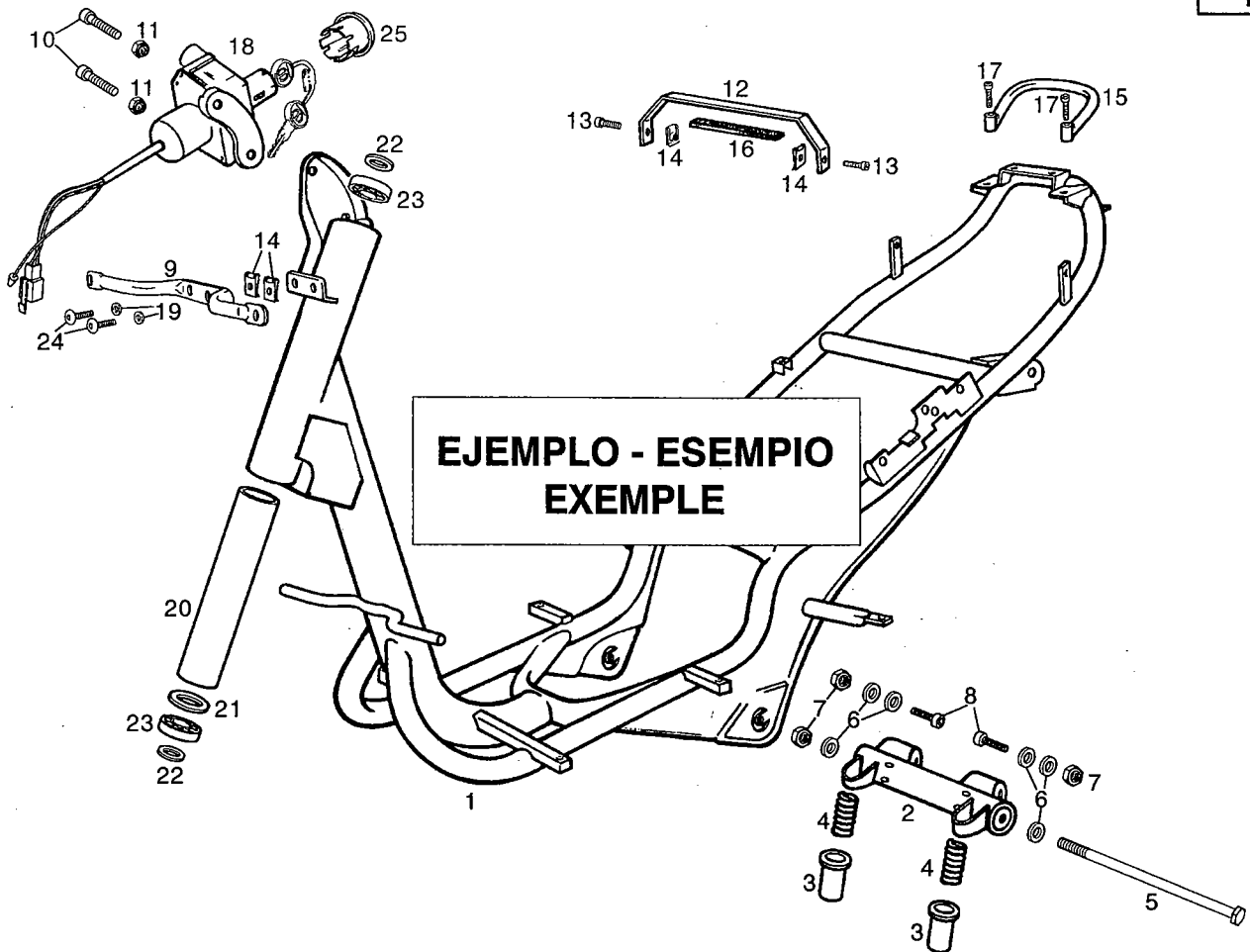
ATLANTIS

**IDENTIFICACION DE MODELOS REPRESENTADOS EN ESTE
CATALOGO SEGUN LOS DIGITOS SIGUIENTES**

**IDENTIFICAZIONE DEI MODELLI RAPPRESENTATI IN QUESTO CATALOGO
SECONDO I NUMERI A SEGUIRE**

**THE MODELS REFERRED INTO THIS CATALOGUE ARE IDENTIFIED
BY FOLLOWING NUMBERS**

<u>MODELO</u>	<u>DENOMINACION</u>
<u>MODELLI</u>	<u>DENOMINAZIONE</u>
<u>MODEL</u>	<u>MODEL NAME</u>
1.....	ATLANTIS ESPAÑA 99 AZUL LINO
2.....	ATLANTIS ESPAÑA 99 NEGRO VID
3.....	ATLANTIS ESPAÑA 99 AZUL ENDRINO
4.....	ATLANTIS ESPAÑA 99 ROJO AVELLANO
5.....	ATLANTIS ITALIA 99 AZUL LINO
6.....	ATLANTIS ITALIA 99 NEGRO VID
7.....	ATLANTIS ITALIA 99 AZUL ENDRINO
8.....	ATLANTIS ITALIA 99 ROJO AVELLANO
9.....	ATLANTIS WVTA 99 AZUL LINO
A.....	ATLANTIS WVTA 99 NEGRO VID
B.....	ATLANTIS WVTA 99 AZUL ENDRINO
C.....	ATLANTIS WVTA 99 ROJO AVELLANO
D.....	ATLANTIS ESPAÑA 2000 ROJO PIROMORFITA/NEGRO VID
E.....	ATLANTIS ESPAÑA 2000 GRIS CROMO/NEGRO VID
F.....	ATLANTIS ITALIA 2000 ROJO PIROMORFITA/NEGRO VID
G.....	ATLANTIS ITALIA 2000 GRIS CROMO/NEGRO VID
H.....	ATLANTIS W.V.T.A. 2000 ROJO PIROMORFITA/NEGRO VID
I.....	ATLANTIS W.V.T.A. 2000 GRIS CROMO/NEGRO VID



Figr.	Vers.	COD.	DESCRIPCIÓN / DENOMINAZIONE	DESIGNATION	MOD.	Nº CHASIS Nº TELAIO FRAME NUM.
①	01A	00G01923601	R-SCTO.CUADRO C/COJIN. ATLANTIS TELAIO	FRAME SUB-ASSEMBLY	123	XXXXXXX
②	01A 01	00G01923601	R-SCTO.CUADRO C/COJIN. ATLANTIS TELAIO	FRAME SUB-ASSEMBLY	123	XXXXXXX
③	01A 02	00G01923601				
④	01A 03	00G01923601	R-SCTO.CUADRO C/COJIN. ATLANTIS TELAIO	FRAME SUB-ASSEMBLY	123	XXXXXXX
⑤				⑧	⑥	⑦

1. Código de localización de piezas.
2. Código indicativo de pieza reemplazada.
3. Código indicativo de pieza anulada.
4. Código indicativo de pieza restituida (esta se monta de nuevo).
5. Código de referencia de la pieza.
6. Identificación de modelos.
7. Los códigos de esta casilla indican que, a partir del número de chasis o motor indicado dentro de esta, se monta una nueva pieza que reemplaza a la anterior (sección 2), que una pieza no se monta (sección 3), o que la pieza anulada se monta de nuevo (sección 4), y concierne a los modelos indicados (sección 6).
8. Denominación de la pieza.

1. Part location number.
2. Substituted part number.
3. Withdrawn part number (no longer fitted).
4. Restored part number (newly fitted being withdrawn).
5. Part reference number.
6. Model identification number.
7. Chassis or engine number from which a new part is fitted substituting a part which has been withdrawn (see para 2) or a part is withdrawn (see para 3), or a part previously withdrawn is fitted again (see para 4), in the models indicated (see para 6).
8. Part identification label.

1. Codice di localizzazione pezzi.
2. Codice indicatore del pezzo sostituito.
3. Il pezzo precedente non si monta.
4. Codice indicatore dei pezzi che si tomano a montare.
5. Codice di identificazione del pezzo.
6. Identificazione del modello.
7. Il codice di questa casella indica che, dal numero di Telaio/motore indicato, si monta un nuovo pezzo che sostituisce il precedente (sezione 2), che un pezzo non si monta (sezione 3), oppure che il pezzo annullato si monta di nuovo (sezione 4), facendo riferimento al modello indicato (sezione 6).
8. Denominazione del pezzo.

Relación Piezas Diferenciadas por el Color / Lista Parti Coloranti
Color Combination Parts List

Color / Colore / Colour: AZUL LINO		
Cod.	Denominación / Denominazione	Name
00G04926081	R-SCTO.ESC.FR.AZ.LI.ATLANTIS CARENATURA FRONTALE	FRONT SHIELD
00G00703021	GUARD.DT.AZ.LINO.ATLANTIS PARAFANGO ANTERIORE	FRONT FENDER
00G05906831	CUERPO INF.SILL.AZ.LI.ATLANTIS CORPO INFERIORE SELLA HUNTER	LOWER SADDLE BASE
00G00502701	R-SCTO.TAPA LAT.IZ.AZ.LI.ATLAN COPERCHIO LATERALE SINISTRO	LH SIDE COVER SUB/ASSY
00G00502691	R-SCTO.TAPA LAT.DR.AZ.LI.ATLAN COPERCHIO LATERALE DESTRO	RIGHT-HAND SIDE COVER
00G01008511	CARCASA ANT.AZ.LINO.ATLANTIS CARENATURA ANTERIORE	FRONT BODY PANEL

Color / Colore / Colour: NEGRO VID		
Cod.	Denominación / Denominazione	Name
00G04926082	R-SCTO.ESC.FR.NG.VID ATLANTIS CARENATURA FRONTALE	FRONT SHIELD
00G00703022	GUARD.DT.NG.VID.ATLANTIS PARAFANGO ANTERIORE	FRONT FENDER
00G05906832	CUERPO INF.SILL.NG.VI.ATLANTIS CORPO INFERIORE SELLA HUNTER	LOWER SADDLE BASE
00G00502702	R-SCTO.TAPA LAT.IZ.NG.VID.ATLA COPERCHIO LATERALE SINISTRO	LH SIDE COVER SUB/ASSY
00G00502692	R-SCTO.TAPA LAT.DR.NG.VID.ATLA COPERCHIO LATERALE DESTRO	RIGHT-HAND SIDE COVER
00G01008512	CARCASA ANT.NG.VID.ATLANTIS CARENATURA ANTERIORE	FRONT BODY PANEL

Relación Piezas Diferenciadas por el Color / Lista Parti Coloranti
Color Combination Parts List

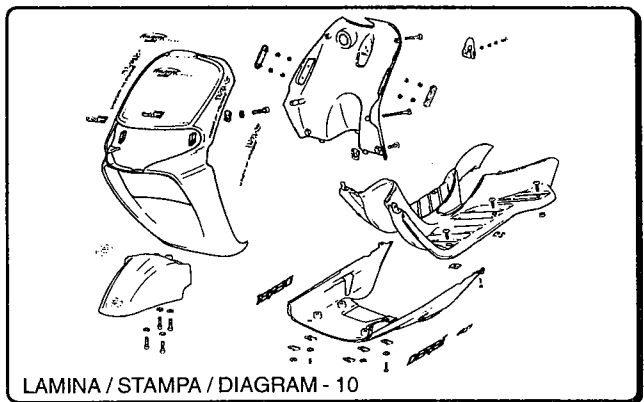
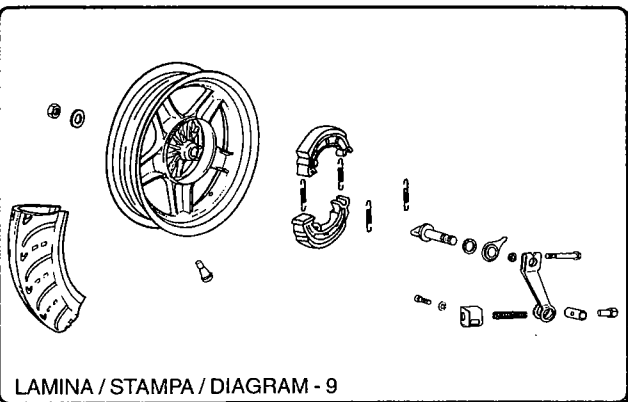
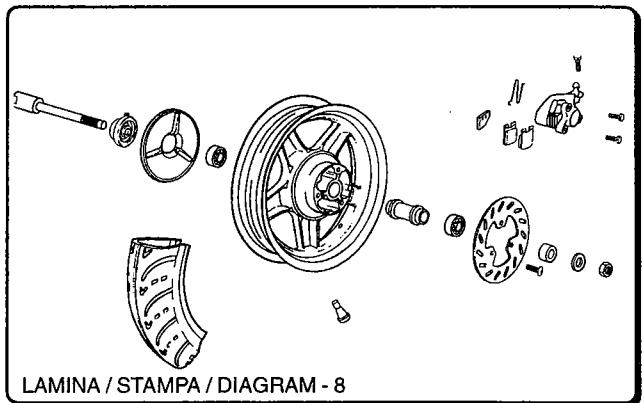
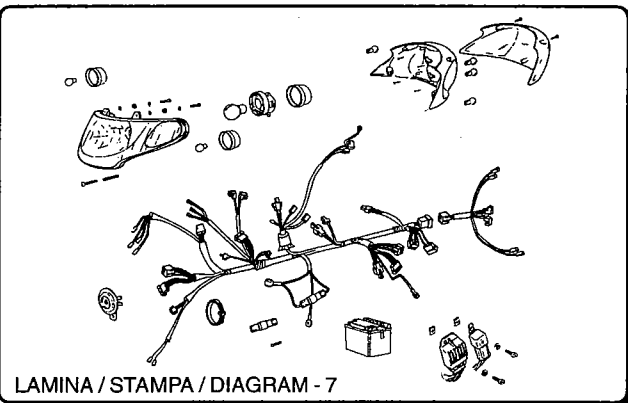
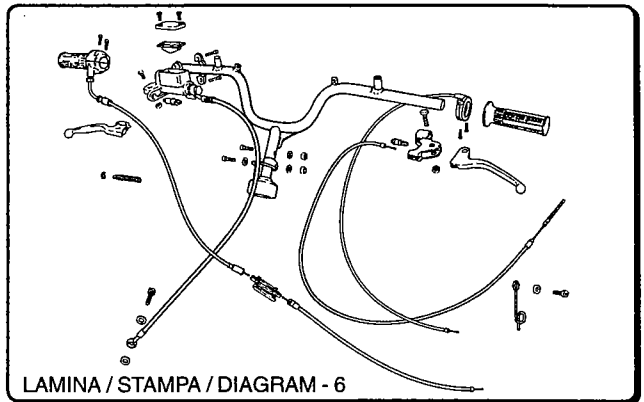
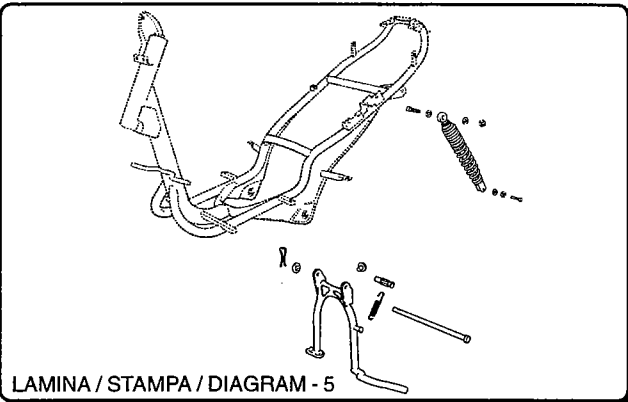
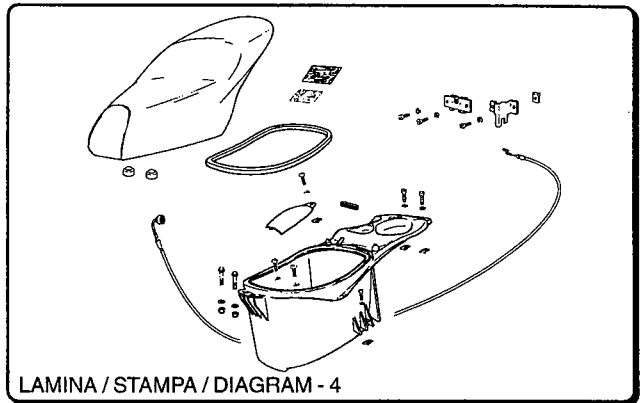
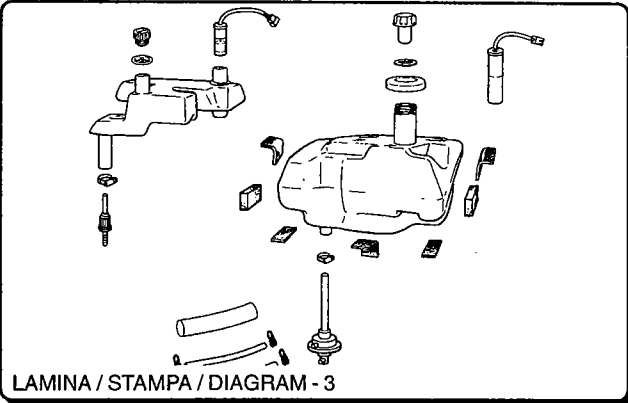
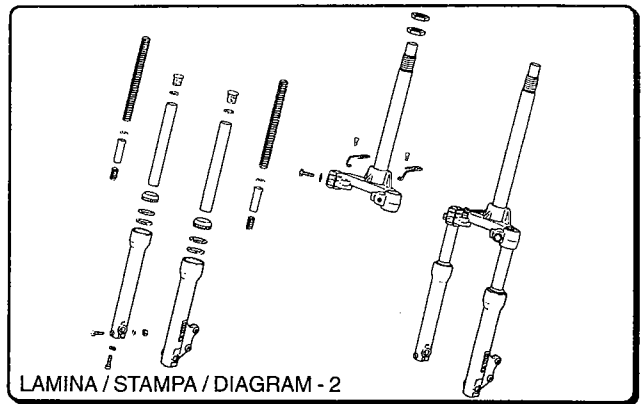
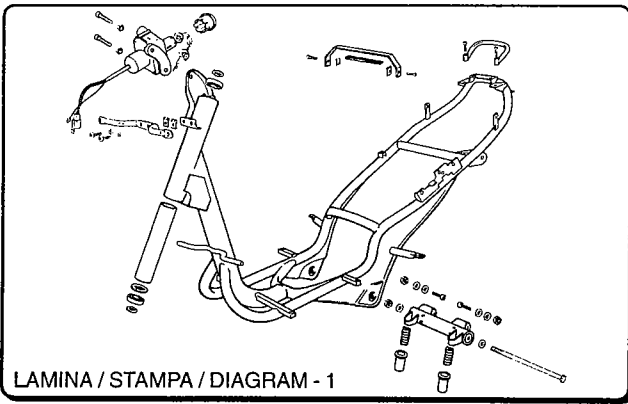
Color / Colore / Colour: AZUL ENDRINO		
Cod.	Denominación / Denominazione	Name
00G04926083	R-SCTO.ESC.FR.AZ.END.ATLANTIS CARENATURA FRONTALE	FRONT SHIELD
00G00703023	GUARD.DT.AZ.ENDR.ATLANTIS PARAFANGO ANTERIORE	FRONT FENDER
00G05906833	CUERPO INF.SILL.AZ.EN.ATLANTIS CORPO INFERIORE SELLA HUNTER	LOWER SADDLE BASE
00G00502703	R-SCTO.TAPA LAT.IZ.AZ.END.ATLA COPERCHIO LATERALE SINISTRO	LH SIDE COVER SUB/ASSY
00G00502693	R-SCTO.TAPA LAT.DR.AZ.END.ATLA COPERCHIO LATERALE DESTRO	RIGHT-HAND SIDE COVER
00G01008513	CARCASA ANT.AZ.ENDR.ATLANTIS CARENATURA ANTERIORE	FRONT BODY PANEL

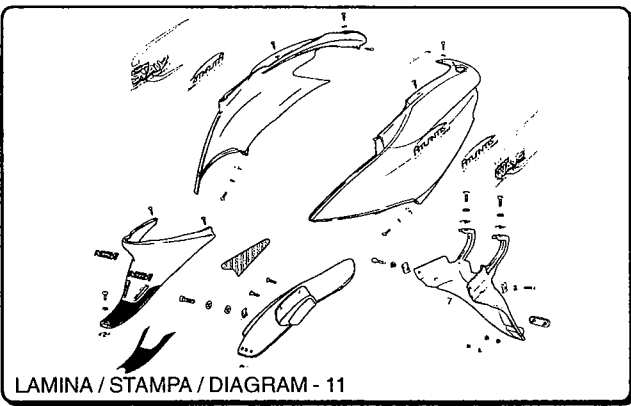
Color / Colore / Colour: ROJO AVELLANO		
Cod.	Denominación / Denominazione	Name
00G04926084	R-SCTO.ESC.FR.ROJO AV.ATLANTIS CARENATURA FRONTALE	FRONT SHIELD
00G00703024	GUARD.DT.ROJO AVELL.ATLANTIS PARAFANGO ANTERIORE	FRONT FENDER
00G05906834	CUERPO INF.SILL.RJ.AV.ATLANTIS CORPO INFERIORE SELLA HUNTER	LOWER SADDLE BASE
00G00502704	R-SCTO.TAPA LAT.IZ.RJ.AVE.ATLA COPERCHIO LATERALE SINISTRO	LH SIDE COVER SUB/ASSY
00G00502694	R-SCTO.TAPA LAT.DR.RJ.AVELL.AT COPERCHIO LATERALE DESTRO	RIGHT-HAND SIDE COVER
00G01008514	CARCASA ANT.ROJO AVEL.ATLANTIS CARENATURA ANTERIORE	FRONT BODY PANEL

Relación Piezas Diferenciadas por el Color / Lista Parti Coloranti
Color Combination Parts List

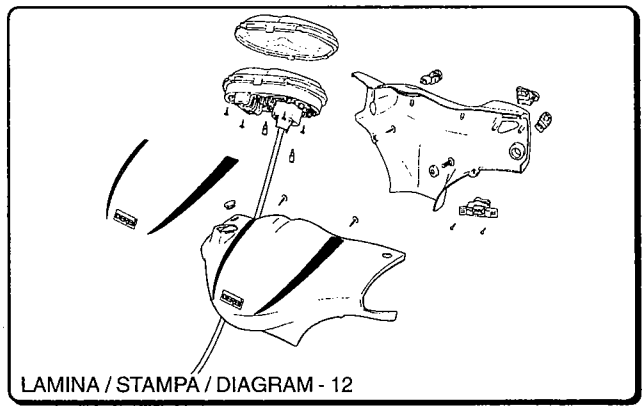
Color / Colore / Colour: ROJO PIROMORFITA		
Cod.	Denominación / Denominazione	Name
00G04930081	R-SCTO.ESC.FR.RJ.PIROM.ATLANTIS CARENATURA FRONTALE	FRONT SHIELD
00G00703027	GUARD.DT.RJ.PIROM.ATLANTIS PARAFANGO ANTERIORE	FRONT FENDER
00G06800581	CUERPO INF.SILL.RJ.PIROM.ATLANTIS CORPO INFERIORE SELLA HUNTER	LOWER SADDLE BASE
00G00511701	R-SCTO.TAPA LAT.IZ.RJ.PIROM.ATLA COPERCHIO LATERALE SINISTRO	LH SIDE COVER SUB/ASSY
00G00511691	R-SCTO.TAPA LAT.DR.RJ.PIROM.ATLA COPERCHIO LATERALE DESTRO	RIGHT-HAND SIDE COVER
00G02312491	CARCASA ANT.RJ.PIROM.ATLANTIS CARENATURA ANTERIORE	FRONT BODY PANEL

Color / Colore / Colour: GRIS CROMO		
Cod.	Denominación / Denominazione	Name
00G04930082	R-SCTO.ESC.FR.GR.CROMO.ATLANTIS CARENATURA FRONTALE	FRONT SHIELD
00G00703028	GUARD.DT.GR.CROMO.ATLANTIS PARAFANGO ANTERIORE	FRONT FENDER
00G06800582	CUERPO INF.SILL.GR.CROMO.ATLANTIS CORPO INFERIORE SELLA HUNTER	LOWER SADDLE BASE
00G00511702	R-SCTO.TAPA LAT.IZ.GR.CROMO.ATLA COPERCHIO LATERALE SINISTRO	LH SIDE COVER SUB/ASSY
00G00511692	R-SCTO.TAPA LAT.DR.GR.CROMO.AT COPERCHIO LATERALE DESTRO	RIGHT-HAND SIDE COVER
00G02312491	CARCASA ANT.GR.CROMO.ATLANTIS CARENATURA ANTERIORE	FRONT BODY PANEL

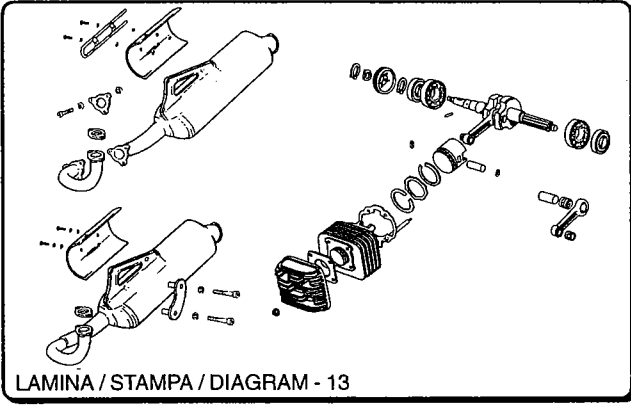




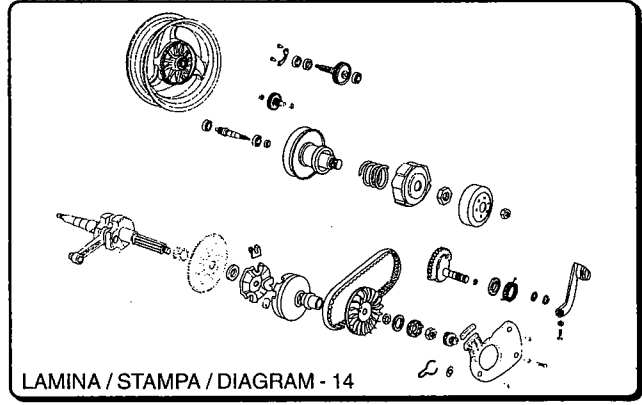
LAMINA / STAMPA / DIAGRAM - 11



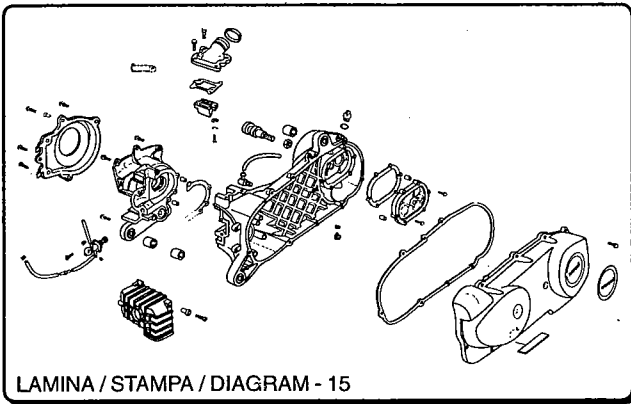
LAMINA / STAMPA / DIAGRAM - 12



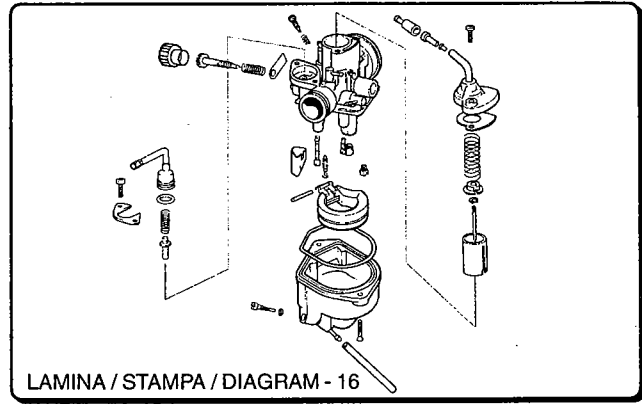
LAMINA / STAMPA / DIAGRAM - 13



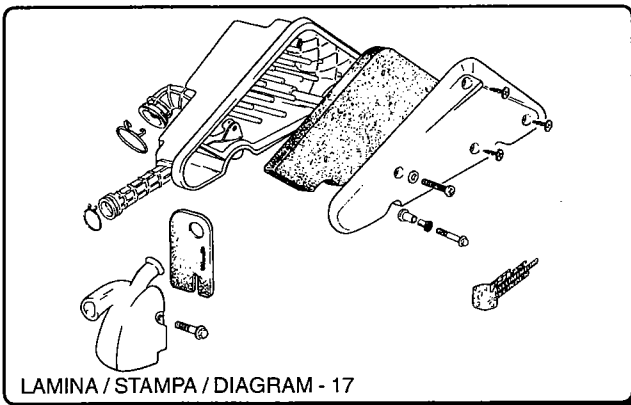
LAMINA / STAMPA / DIAGRAM - 14



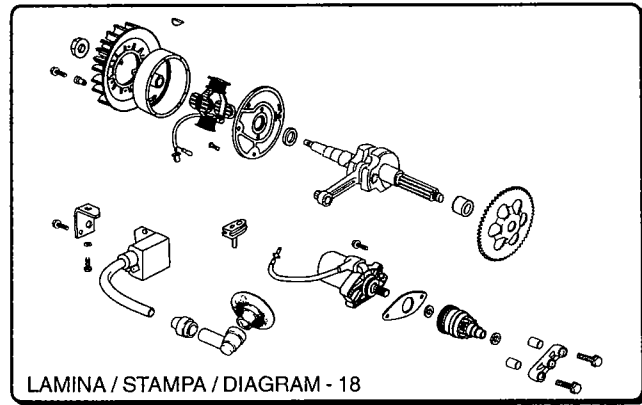
LAMINA / STAMPA / DIAGRAM - 15



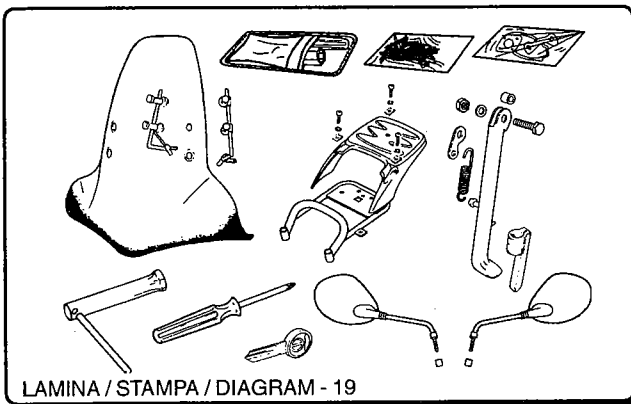
LAMINA / STAMPA / DIAGRAM - 16



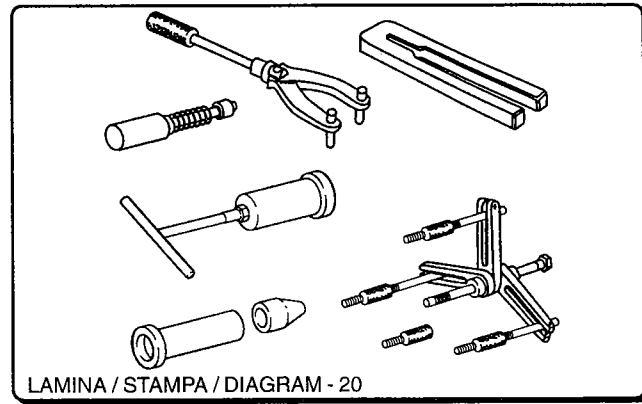
LAMINA / STAMPA / DIAGRAM - 17



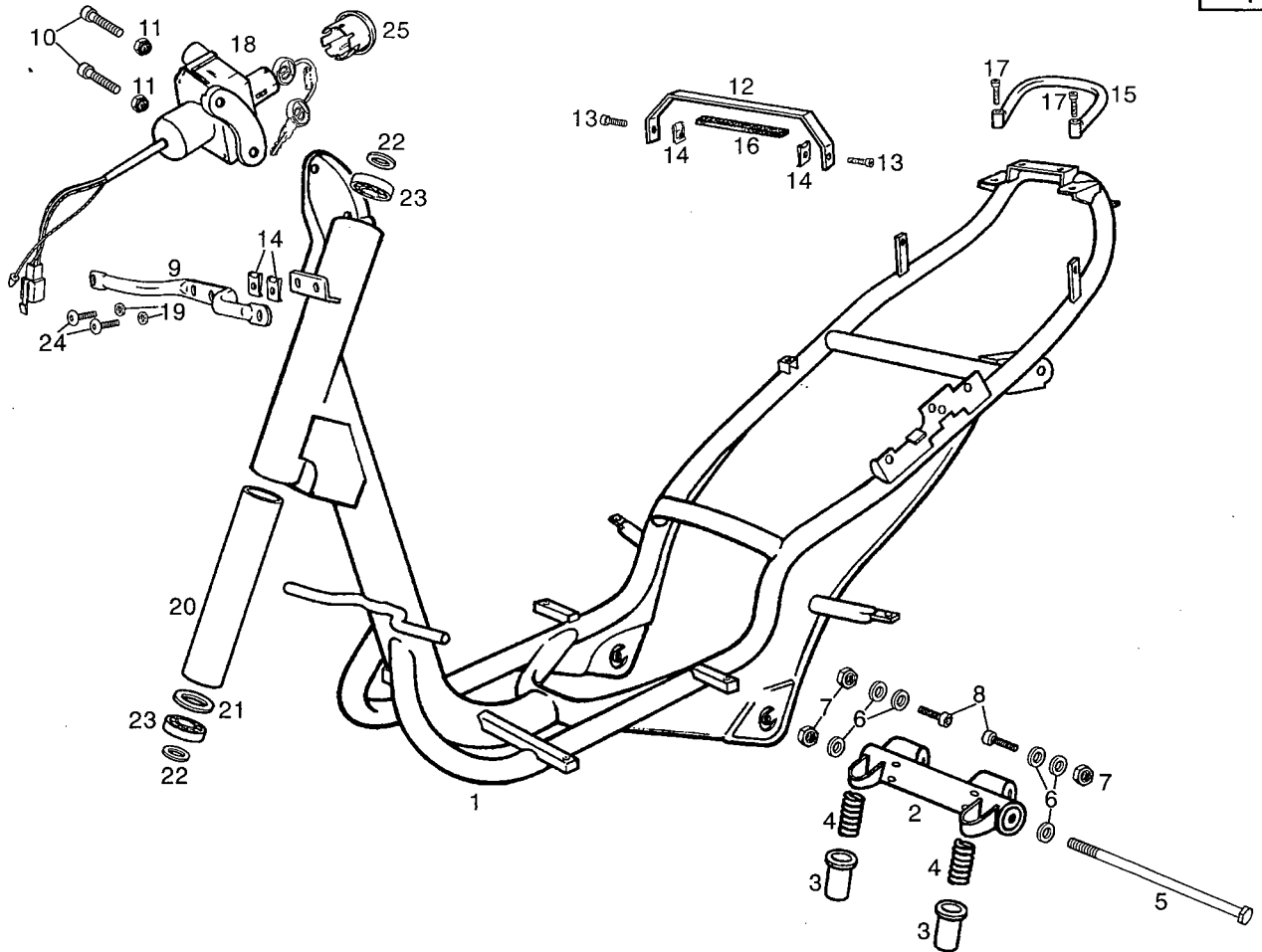
LAMINA / STAMPA / DIAGRAM - 18



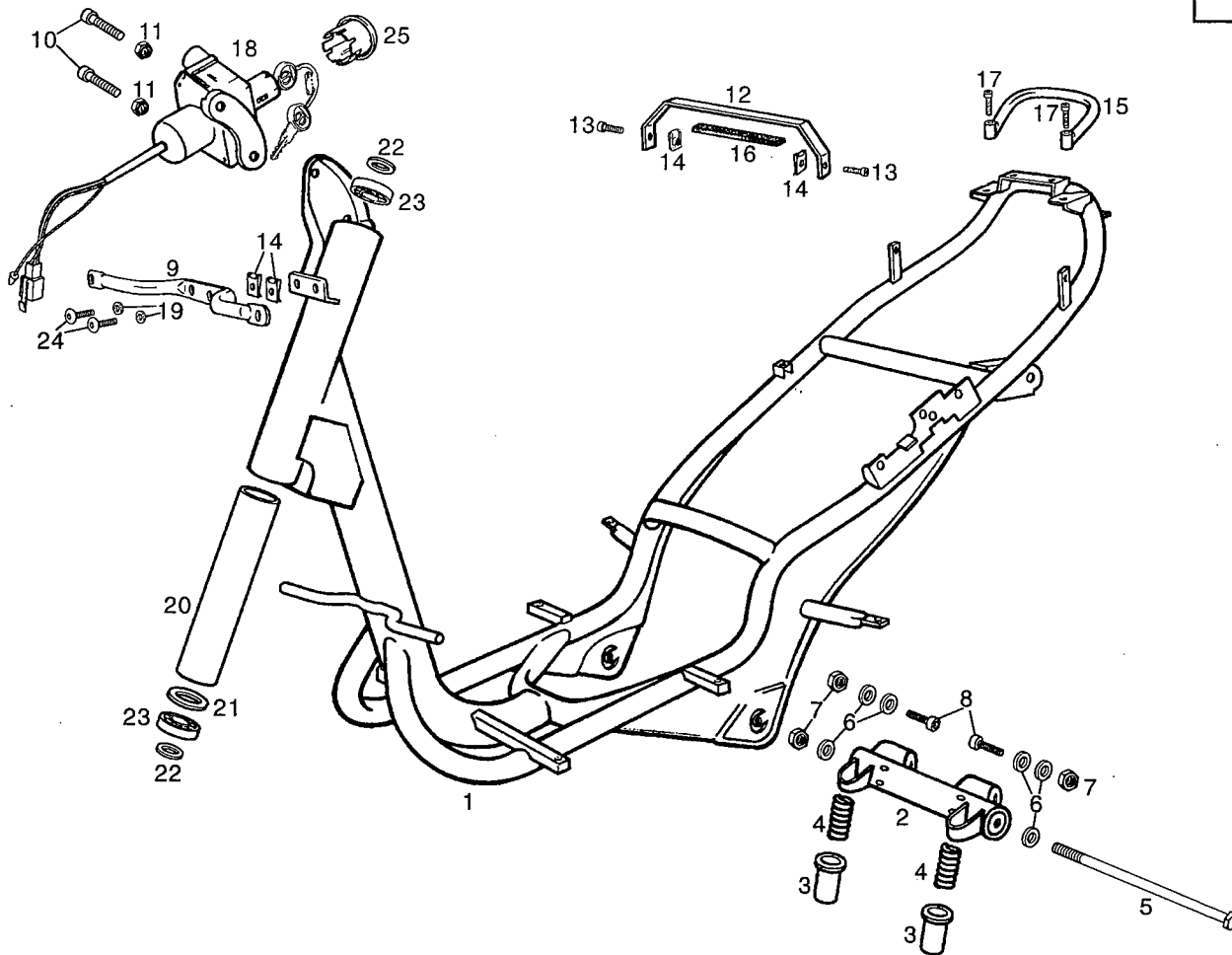
LAMINA / STAMPA / DIAGRAM - 19



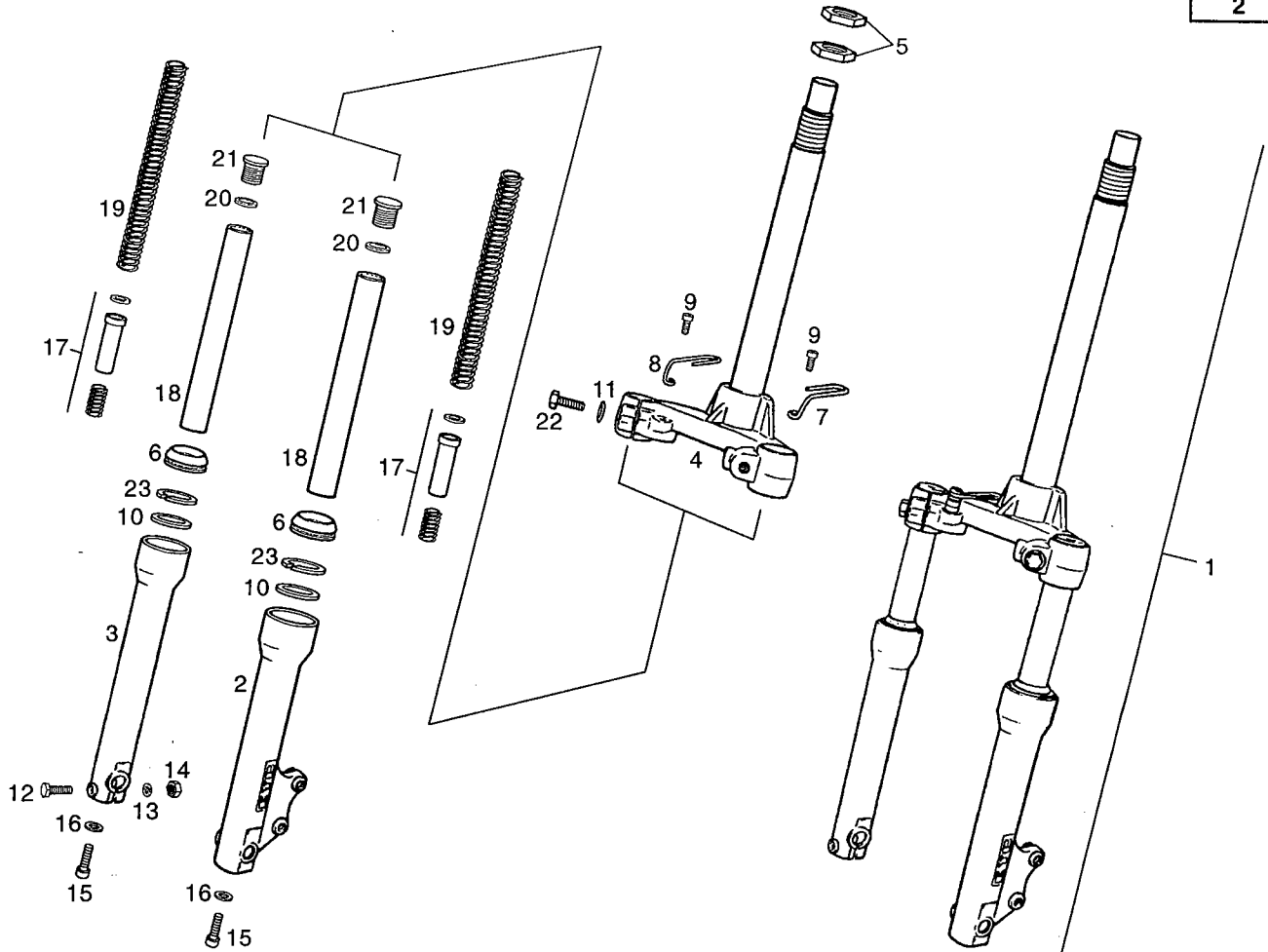
LAMINA / STAMPA / DIAGRAM - 20



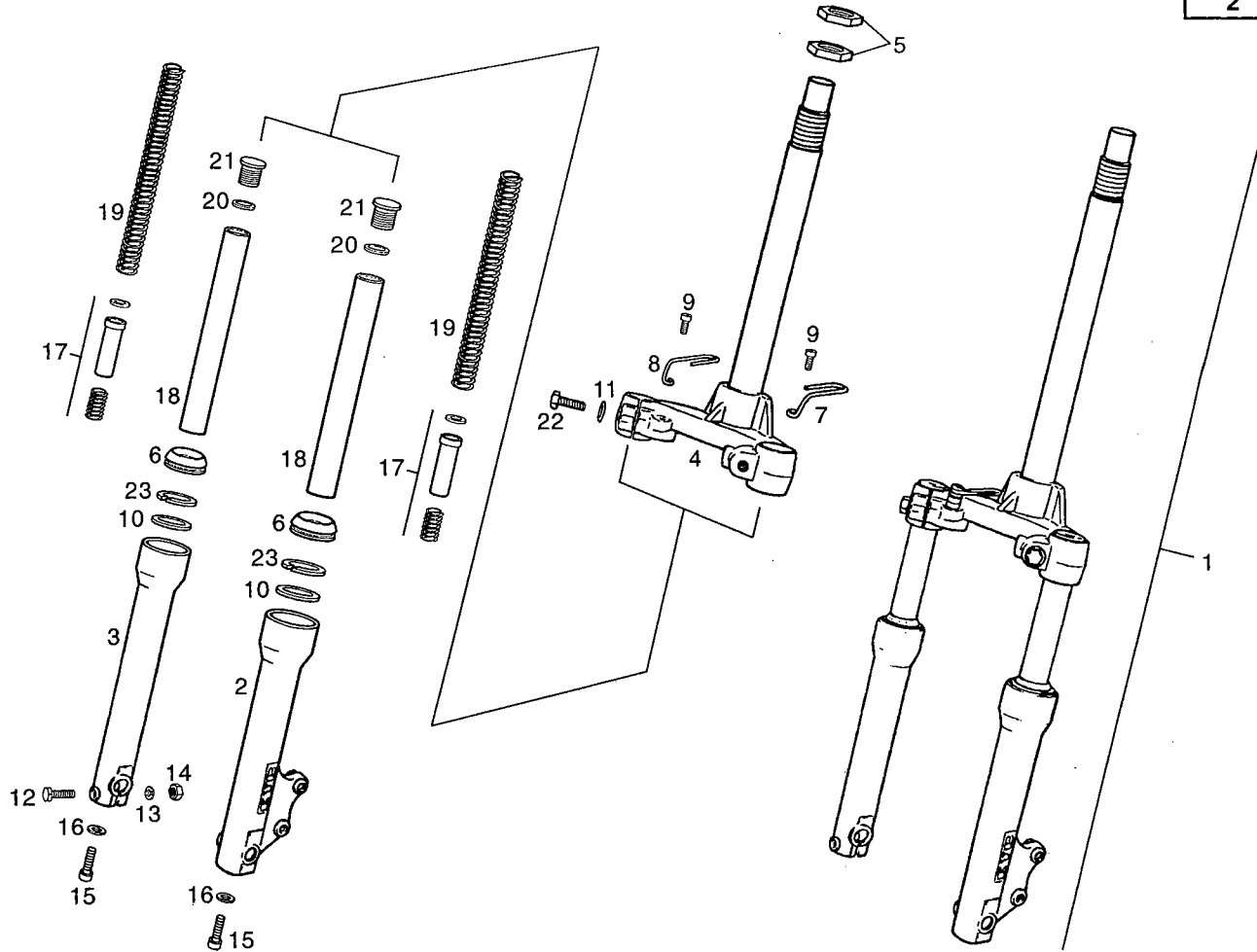
Figr.	Vers.	COD.	DESCRIPCIÓN / DENOMINAZIONE	DESIGNATION	MOD.	Nº CHASIS Nº TELAIO FRAME NUM.
01A		00G01923601	R-SCTO.CUADRO C/COJIN.ATLANTIS SUBCOMPLESSO TELAIO	FRAME SUB-ASSEMBLY	123456789	ABCDEFGHI
02A		00G04803961	CTO.SOPTE.MOTOR C/SILENT.ATLAN SUPPORTO MOTORE	ENG BRCKT / RUBBER BUSH ASSY	123456789	ABCDEFGHI
03A		00G06300571	PROT.MUELLE.AMORTG.SOPTE.MT PROTEZIONE MOLLA	ENG BRCKT SHCK ABSRBR SPRG	123456789	ABCDEFGHI
04A		00G01500511	MUELLE AMORTIGD.SOPTE.MOTOR. MOLLA AMMORTIZZATORE SUPPORTO	ENG BRCKT SHCK ABSRBR SPRING	123456789	ABCDEFGHI
05A		00G03001271	TOR.FIJ.MOTOR.HUNTER VITE FISSAGGIO MOTORE	ENGINE SECURING SCREW	123456789	ABCDEFGHI
06A		00000031100	ARAND.PLANA D.10.D125 RONDELLA PIATTA D.10	MACHINED FLAT WASHER D.10	123456789	ABCDEFGHI
07A		00000023100	TCA.AUTOBLOC.10M150 D-985/8 DADO AUTOBLOCCANTE 10.M150	SELF-LOCKING NUT M10	123456789	ABCDEFGHI
08A		00004114500	TOR.C/ALLEN 10M150X45 D912 8.8 VITE TESTA ALLEN 10M150X45	ALLEN SCREW 10M150X45 D912 8.	123456789	ABCDEFGHI
09A		00G04802891	SOPTE.ESCUDO FRONTAL ATLANTIS SUPPORTO FISSAGGIO SCUDO FRONT	FRONT SHIELD BRACKET	123456789	ABCDEFGHI
10A		00004161600	TOR.C/ALLEN.6M100X16.DIN-7984. VITE TESTA ALLEN 6M100X16.	ALLEN SCREW 6M100X16	123456789	ABCDEFGHI
11A		00000023060	TCA.AUTOBLOC. 6M100.DIN-985.8 DADO AUTOBLOCCANTE 6M100	SELF-LOCKING NUT M6	123456789	ABCDEFGHI
12A		00G01403301	BRIDA FIJ.DEPOSITOS ATLANTIS TRAVE FISSAGGIO	REAR CARRIER SECURING FRAME	123456789	ABCDEFGHI
13A		00H02900761	TOR.FIJ.TOPE ARRQ.SDA/FEN.6X10 VITE	SCREW	123456789	ABCDEFGHI
14A		00D01501371	TCA.FIJ.CUBRECAD.212827 DADO FISSAGGIO	NUT	123456789	ABCDEFGHI
15A		00G01802441	SCTO.AGARRAD.POST.NG.MATE ATLA IMPUGNATURA	HANDHOLD	123456789	ABCDEFGHI



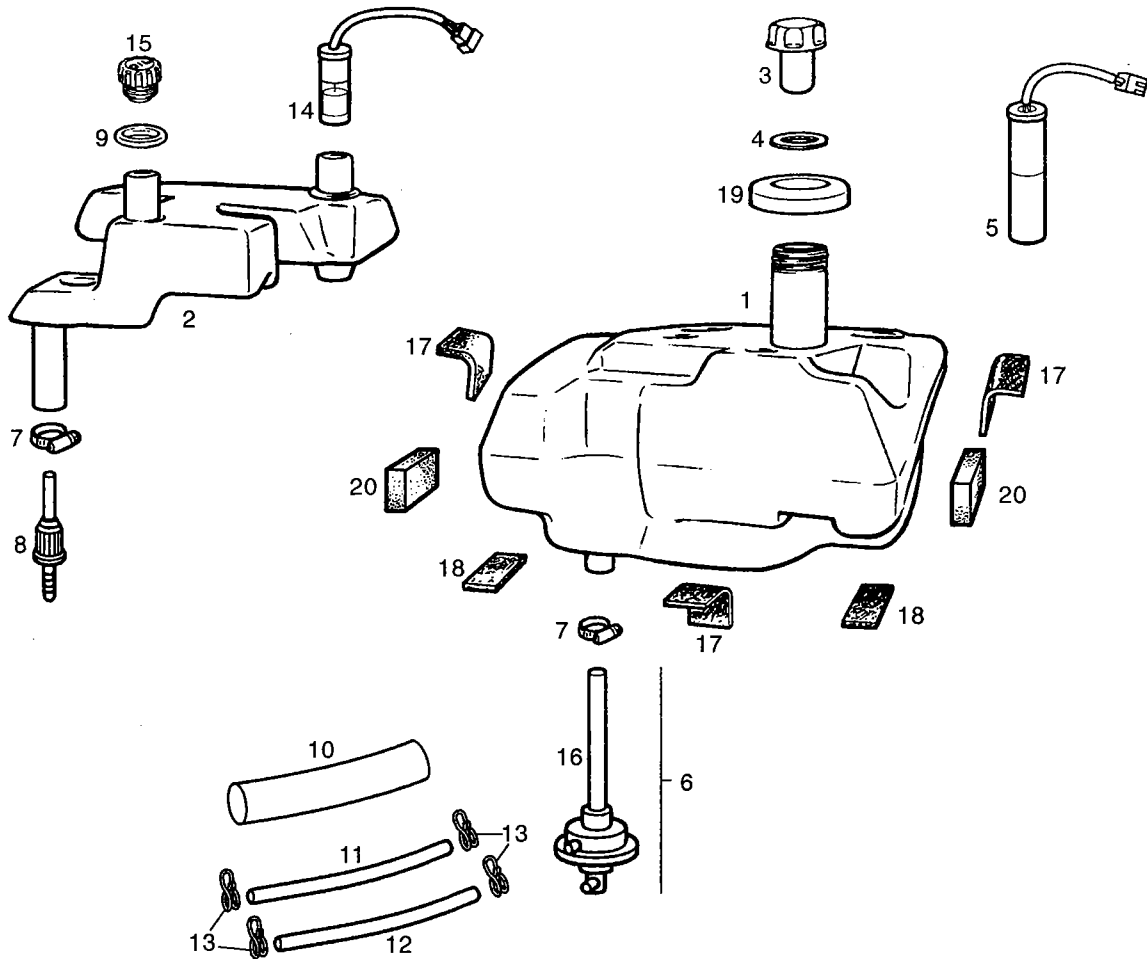
Figr.	Vers.	COD.	DESCRIPCIÓN / DENOMINAZIONE	DESIGNATION	MOD.	Nº CHASIS Nº TELAIO FRAME NUM.
16A		00G06200151	TOPE DPSTO.ACEITE ATLANTIS FERMO SERBATOIO OLIO	OIL TANK STOP	123456789	ABCDEFGHI
17A		00000004830	TOR.C/ALL.8M125X30NG.D-912/8.8 VITE TESTA ALLEN 8M125X30	ALLEN SCREW 8M125X3	123456789	ABCDEFGHI
18A		00G05900331	R-CTO.CERRAD.CTACTO.ATLANTIS INTERRUPTORE ACCENSIONE	IGNITION SWITCH	123456789	ABCDEFGHI
19A		00000031060	ARAND.PLANA MECANIZ.D.6.DIN125 RONDELLA PIATTA D6	MACHINED FLAT WASHER D6 DIN-12	123456789	ABCDEFGHI
20A		00G06302401	TUBO SEP.RDMTO.DIRECC.ATLANTIS TUBO SEPARATORE CUSCINETTO A S	STEERINGBEARING SEPARAT. BUSH	123456789	ABCDEFGHI
21A		00G06500451	ARAND.COJIN.TUBO DIREC.ATLAN TI RONDELLA BRONZINA TUBO STERZO	STEERING TUBE BEARING WASHER	123456789	ABCDEFGHI
22A		00008902630	ARAND.TAPON TUBO PNA.COYOTE. RONDELLA TAPPO FORCELLA	WASHER, FORK TUBE CAP	123456789	ABCDEFGHI
23A		00057000500	COJINETE 6005 25.47.12 2RS CUSCINETTO	BEARING	123456789	ABCDEFGHI
24A		00000004615	TOR.C/ALLEN.BCR.6M100X15.D-912 VITE TESTA ALLEN BCR 6M100X15	SCREW, ALLEN 6MM1.00X15	123456789	ABCDEFGHI
25A		00G01500021	R-INDICADOR POSICION LLAVE CERR. FRONTALINO TOPOGRAFATO	DIRECTION INDICATOR	123456789	ABCDEFGHI



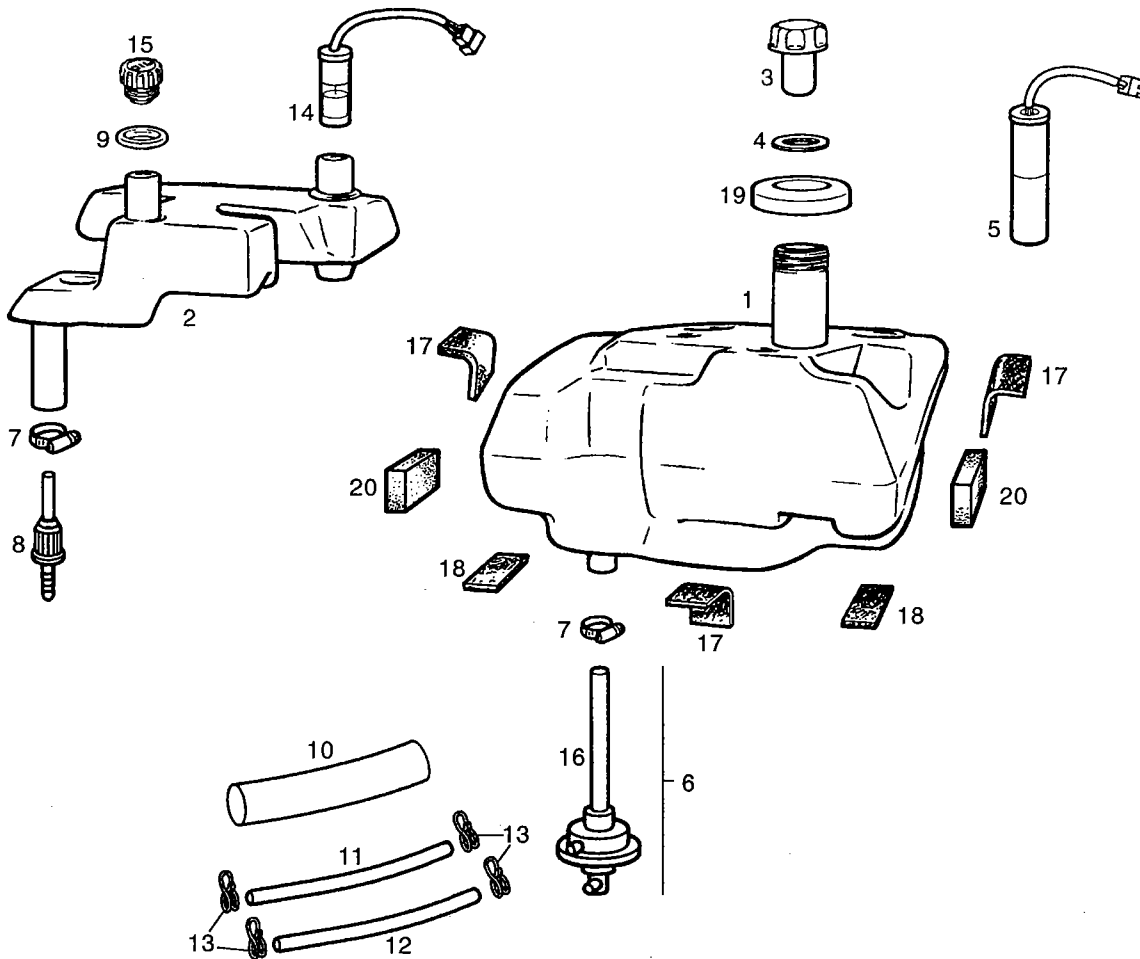
Figr.	Vers.	COD.	DESCRIPCIÓN / DENOMINAZIONE	DESIGNATION	MOD.	Nº CHASIS Nº TELAIO FRAME NUM.
01A		00G00208001	CTO.HORQ.DIRECTRIZ ATLANTIS FORCELLA DIRECTRICE	FRONT FORK ASSY	123456789 ABCDEFGHI	
02A		00G00202121	PIERNA IZ.HORQUILLA ATLANTIS GAMBA SINISTRA	LEFT FORK BAR ASSY	123456789 ABCDEFGHI	
03A		00G00202131	PIERNA DR.HORQUILLA ATLANTIS GAMBA DESTRA	RIGHT FORK BAR ASSY	123456789 ABCDEFGHI	
04A		00G00205011	R-SCTO.TIJA PLAT.ATLANTIS CANNELLO FLANGIA	LOWER TRIPLE CLAMP, W/PIN ASS	123456789 ABCDEFGHI	
05A		00G00200111	TCA.FIJ.TIJA. DADO FISSAGGIO FUSTO	CAP NUT, FORK STEM	123456789 ABCDEFGHI	
06A		00G00203231	GUARDAPOLVO HORQUILLA ATLANTIS PARAPOLVERE FORCELLA	FORK DUST GUARD	123456789 ABCDEFGHI	
07A		00G00900521	MUELLE GUIA TUBO LIQ.FR.DT.ATL MOLLA GUIDA	CABLE SLEEVE GUID.	123456789 ABCDEFGHI	
08A		00G01502381	MUELLE GUIA CABLE CT.KMS.ATLAN MOLLA GUIDA CAVO CONTACHILOME.	SPEEDOMETER CABLE SLEEVE GUID.	123456789 ABCDEFGHI	
09A		00000004610	TOR.C/ALLEN.6M100X10.DIN- VITE TESTA ALLEN 6M100X10	ALLEN SCREW M6X10	123456789 ABCDEFGHI	
10A		00G00202471	R-RETEN PNA. HORQ. ATLANTIS GIUNTO TENUTA GAMBA DESTRA	LOWER FORK TUBE SEAL	123456789 ABCDEFGHI	
11A		00000031100	ARAND.PLANA D.10.D125 RONDELLA PIATTA D.10	MACHINED FLAT WASHER D.10	123456789 ABCDEFGHI	
12A		00000002850	TOR.C/EXAG. 8M125X50.DIN-931. VITE T/ESAG. 8M125X50	HEX.HEAD SCREW 8M125X50	123456789 ABCDEFGHI	
13A		00000031080	ARAND.PLANA MECANIZ.D.8.DIN125 RONDELLA PIATTA D8	MACHINED FLAT WASHER D8 DIN-12	123456789 ABCDEFGHI	
14A		00000023080	TCA.AUTOBLOC. 8M125. DIN-982. DADO AUTOBLOCCANTE 8M125	SELF-LOCKING NUT M8	123456789 ABCDEFGHI	
15A		00002112500	TOR.C/EXAG.10M100X25.D-931 VITE 10M100X25	HEXAG.HEAD SCREW 10M100X25	123456789 ABCDEFGHI	



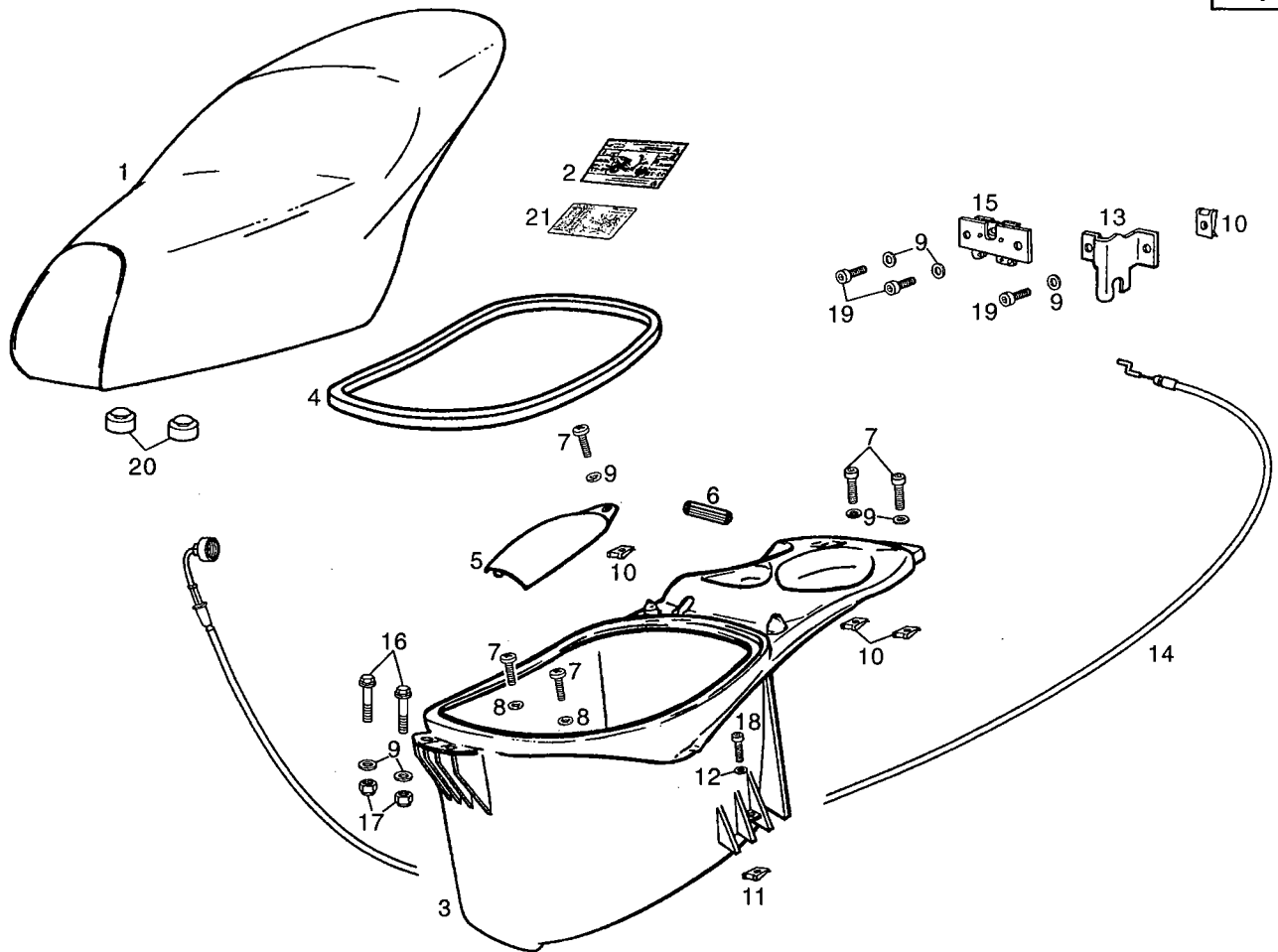
Figr.	Vers.	COD.	DESCRIPCIÓN / DENOMINAZIONE	DESIGNATION	MOD.	Nº CHASIS Nº TELAIO FRAME NUM.
16A		00G00201281	R-ARAND. INT. PNA. HORQ. ATLANTIS RONDELLA DE GAMBA	WASHER	123456789	ABCDEFGHI
17A		00G00201531	R-CTO. TUBO HIDRAUL. ATLANTIS TUBO IDRAULICO	DAMPER TUBE ASSY	123456789	ABCDEFGHI
18A		00G00201191	TUBO PRINCIPAL HORQ. ATLANTIS TUBO PRINCIPALE	FORK TUBE, UPPER	123456789	ABCDEFGHI
19A		00G00204171	R-MUELLE HORQUILLA ATLANTIS MOLLA FORCELLA	FORK SPRING	123456789	ABCDEFGHI
20A		00G00202441	R-ANILLO FIJ. BARRA HORQ. ATLANTIS SCODELLINO FISSAGGIO ASSE	RACE	123456789	ABCDEFGHI
21A		00G02001541	R-TAPON EXT. PNA. HORQ. ATLANTIS TAPPO ESTER. GAMBA FORCELLA	EXTERIOR FORK TUBE CAP	123456789	ABCDEFGHI
22A		00002113500	TOR.C/EXAG.10M125X35.D-558 VITE 10M125X35	HEXAG.HEAD SCREW 10M125X35	123456789	ABCDEFGHI
23A		00G00200701	R- ANILLO RETENC. ACEITE ATLANTIS ANELLO	RING	123456789	ABCDEFGHI



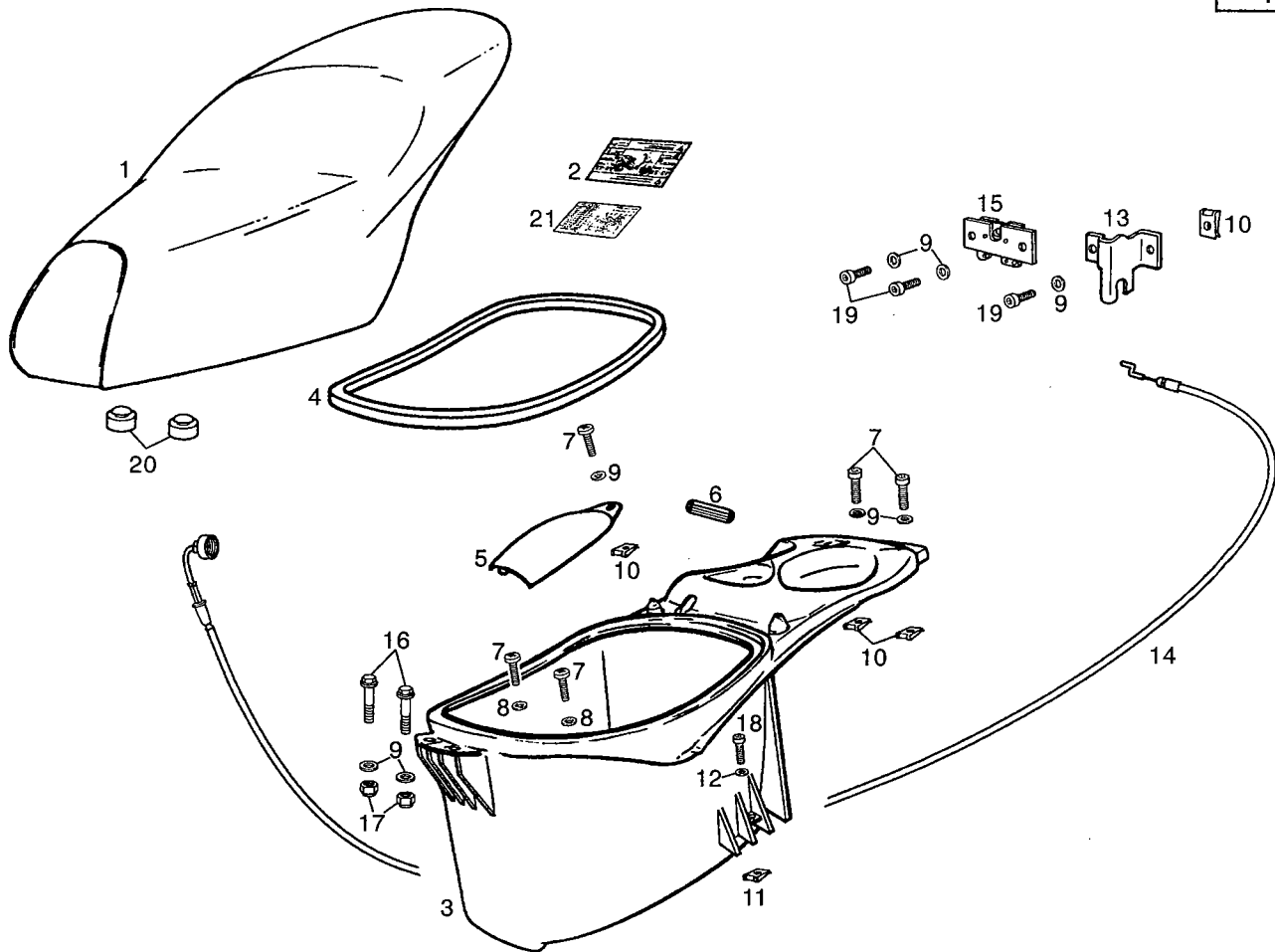
Figr.	Vers.	COD.	DESCRIPCIÓN / DENOMINAZIONE	DESIGNATION	MOD.	Nº CHASIS Nº TELAIO FRAME NUM.
01A		00G00410011	DEPOSITO GASOLINA ATLANTIS SERBATOIO BENZINA	FUEL TANK	12345678 DEFG	
01B		00G00411011	DEPOSITO GASOLINA ATLANTIS SERBATOIO BENZINA	FUEL TANK	ABC HI	9
02A		00G03702081	DEPOSITO ACEITE ATLANTIS SERBATOIO OLIO	OIL RESERVOIR HUNTER	123456789 ABCDEFGHI	
03A		00F00400131	CTO.TAPON DEPTO.GASOLINA V.BOX TAPPO SERBATOIO BENZINA	FUEL TANK CAP ASSY	123456789 ABCDEFGHI	
04A		00F00400771	R-ARAND.TAPON DEPOSITO RONDELLA TAPPO SERBATOIO	FUEL TANK CAP WASHER	123456789 ABCDEFGHI	
05A		00G04304181	CTO.FLOTADOR GASOLINA ATLANTIS GALLEGGIANTE BENZINA	FUEL LEVEL FLOAT ASSY	123456789 ABCDEFGHI	
06A		00G00400181	CTO.GRIFO GASOLINA. RUBINETTO BENZINA	FUEL COCK ASSY	123456789 ABCDEFGHI	
07A		00008204500	ABRAZ.FIJ.GRIFO.16-25. FASCETTA FISSAGGIO RUBINETTO	FUEL COCK SECURING CLAMP	123456789 ABCDEFGHI	
08A		00G03700411	CTO.FILTRO ACEITE. FILTRO OLIO	OIL FILTER ASSY	123456789 ABCDEFGHI	
09A		00G06800641	ARAND.BOCA DPSTO.ACEITE ATLAN. FERMO SERBATOIO OLIO	OIL TANK STOP END.	123456789 ABCDEFGHI	
10A		00G03700351	MANGUITO UNION TUB.ACTE.ATLANT MANICOTTO UNIONE TUBO OLIO 74/	OIL PIPE COUPLING CONNECTOR	123456789 ABCDEFGHI	
11A		00F03740111	TUBO SAL.DEPTO.ACTE.SCO/91.EXP TUBO USCITA SERBATOIO OLIO	OIL RESERVOIR OUTLET PIPE	123456789 ABCDEFGHI	
12A		00G06202061	TUBO DEPRESION GASOL.HUNTER TUBO DEPRESSIONE BENZINA	FUEL COCK VACUUM TUBE	123456789 ABCDEFGHI	
13A		00H00400501	ABRAZ.ELAST.TUBO GAS. FASCETTA ELASTICA TUBO BENZINA	FUEL PIPE ELASTIC CLAMP	123456789 ABCDEFGHI	
14A		00G03703051	CTO.INDICAD.NIVEL ACEITE ATLAN INDICATORE LIVELLO	OIL LEVEL INDICATOR ASSY	123456789 ABCDEFGHI	



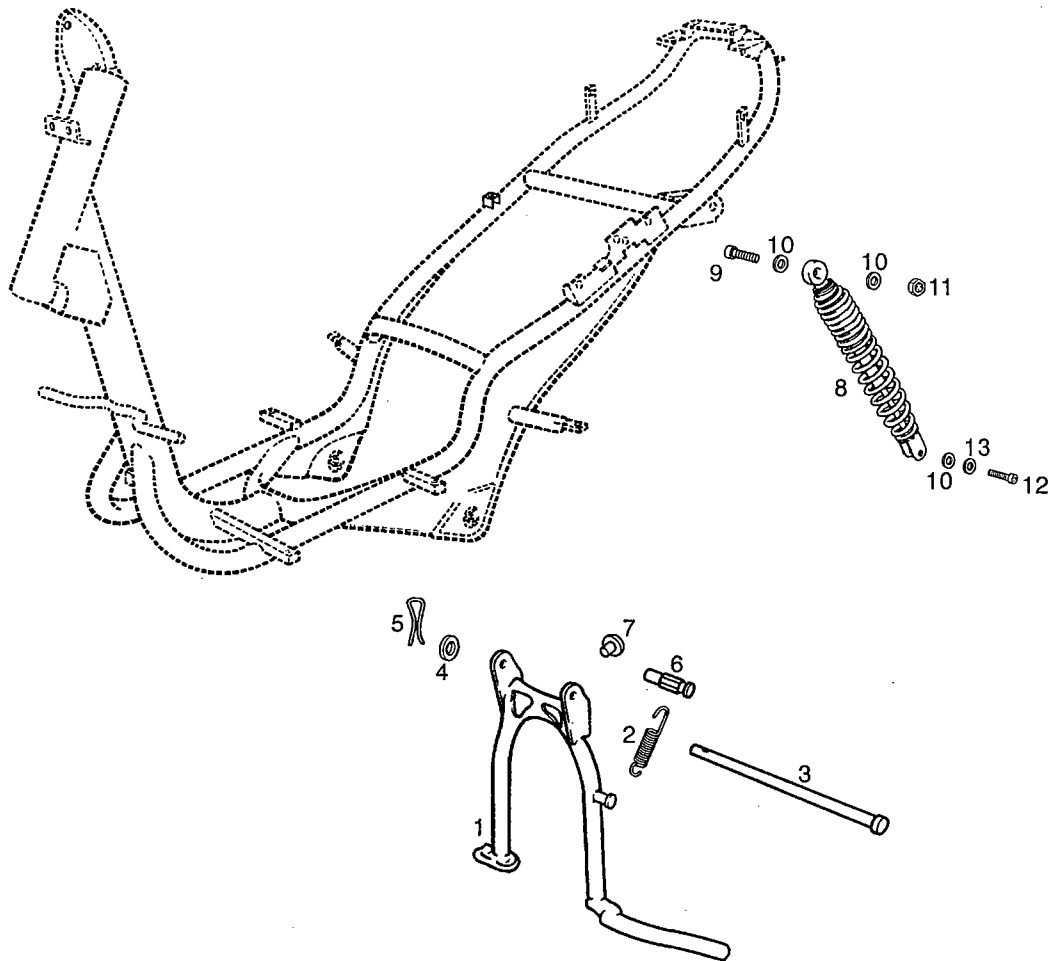
Figr.	Vers.	COD.	DESCRIPCIÓN / DENOMINAZIONE	DESIGNATION	MOD.	Nº CHASIS Nº TELAIO FRAME NUM.
15A		00F03710241	CTO.TAPON DEPTO.ACTE.SCO/90. TAPPO SERBATOIO OLIO	OIL RESERVOIR FILLER PLUG ASSY	123456789 ABCDEFGHI	
16A		00H00400371	TUBO DEPSTO.GAS.A GRIFO.GPR-75 TUBO SERBATOIO BENZINA	FUEL TANK/FUEL COCK TUBE	123456789 ABCDEFGHI	
17A		00G06200081	TOPE INF.DEPOSITO HUNTER FERMO INFERIORE SERBATOIO	LOWER TANK STOP	123456789 ABCDEFGHI	
18A		00G00401581	TOPE INF.DT.IZ.DPSTO.HUNTER FERMO INFERIORE ANTERIORE SX.	LEFT AND RIGHT LOWER TANK STOP	123456789 ABCDEFGHI	
19A		00G06200051	JUNTA BOCA DEP. GASOLINA GUARNIZIONE	GASKET	123456789 ABCDEFGHI	
20A		00G06301771	TOPE LATERAL DESPOSITO FERMO LATERALE SERBATOIO	FUEL TANK SIDE STOP	123456789 ABCDEFGHI	



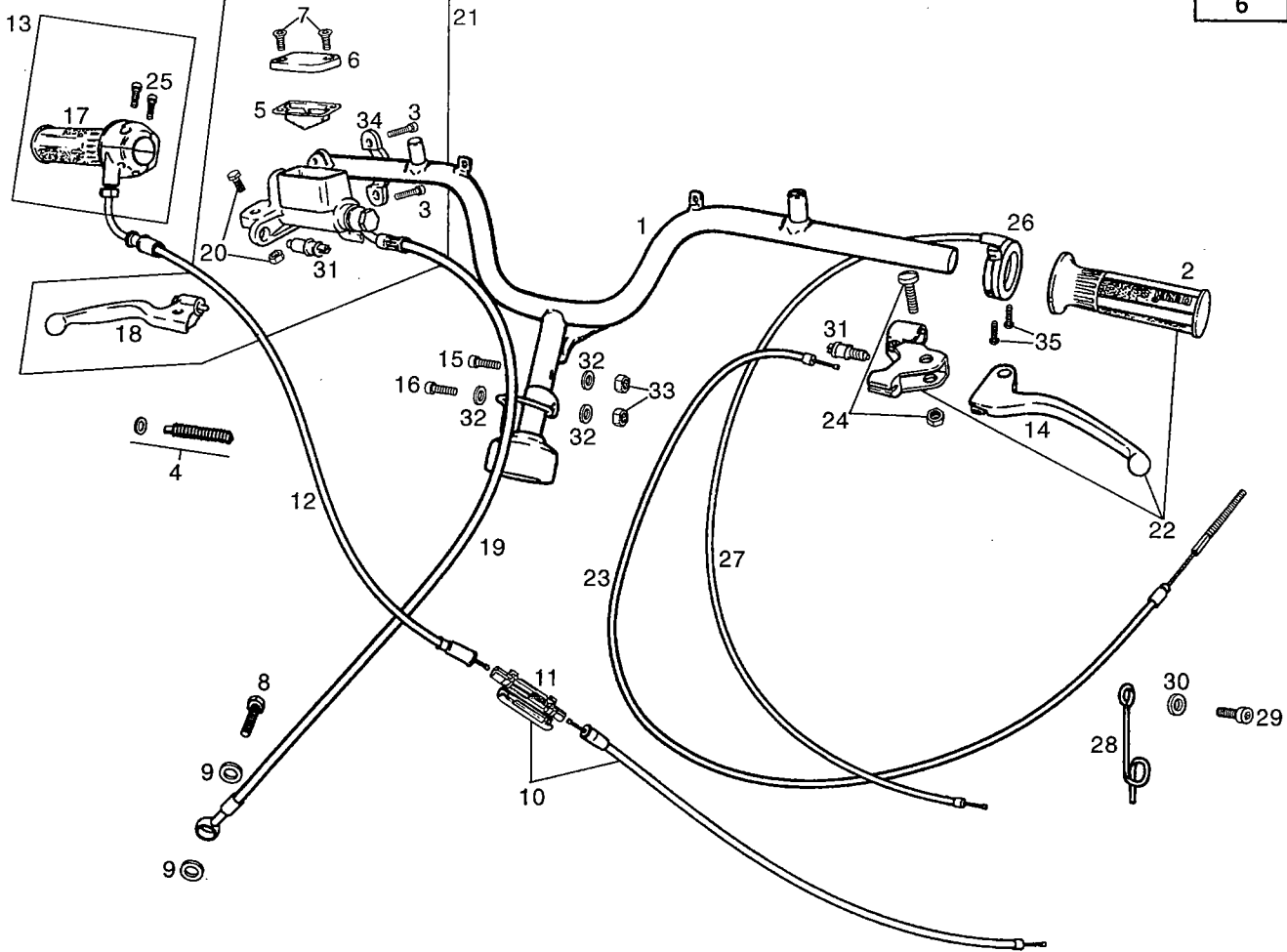
Figr.	Vers.	COD.	DESCRIPCIÓN / DENOMINAZIONE	DESIGNATION	MOD.	Nº CHASIS Nº TELAIO FRAME NUM.
01A		00G00623011	CTO.SILLIN ATLANTIS SELLA	SADDLE ASSY	123456789 ABCDEFGHI	
02A		00G04630141	CALCA PRES.NEUM.ATLANTIS ADESIVO PRESSIONE PNEUMATICI	TYRE PRESSURE PLACARD TRANS.	12345678 DEFG	
02B		00G04626141	CALCA PRES.NEUM.ATLANTIS ADESIVO PRESSIONE PNEUMATICI	TYRE PRESSURE PLACARD TRANS.	ABC 9 HI	
03A		00G06306721	CTO.PORTACASCO C/PERFIL.ATLANT PORTA-ELMO	TRUNK	123456789 ABCDEFGHI	
04A		00G06301551	PERFIL PORTACASCO.HUNTER VANO CASCO	HELMET BOX RUBBER SEAL PROT.	123456789 ABCDEFGHI	
05A		00G01801221	TAPA ACCESO CARBURAD.GR.PART. COPERCHIO REGISTRO CARBURATORE	CARBURETTOR ACCESS COVER	123456789 ABCDEFGHI	
06A		00G01848101	PLACA CHARACTER.ATLANTIS ESPAÑA ADESIVO	DECAL	1234 DE	
06B		00G01851101	PLACA CHARACTER.ATLANTIS ITALIA ADESIVO	DECAL	5678 FG	
06C		00G01864101	PLACA CHARACTER.ATLANTIS WVTA ADESIVO	DECAL	ABC 9 HI	
07A		00012161600	TOR.C/CRUZ.NG.6M100X16.D7985-Z VITE TESTA CROCE NERA	PHILIPS SCREW	123456789 ABCDEFGHI	
08A		00H00500212	ARAND.FIJ.PORTACAS.(NGR)HUNTER RONDELLA FISSAGGIO	HELMET CARRIER SECUR. WASHER	123456789 ABCDEFGHI	
09A		00000031060	ARAND.PLANA MECANIZ.D.6.DIN125 RONDELLA PIATTA D6	MACHINED FLAT WASHER D6 DIN-12	123456789 ABCDEFGHI	
10A		00D01501371	TCA.FIJ.CUBRECAD.212827 DADO FISSAGGIO	NUT	123456789 ABCDEFGHI	
11A		00G04401461	TCA.FIJ.ESCUDO FRONTAL D.5 DADO FISSAGGIO SCUDO FRONTALE	FRONT SHIELD NUT	123456789 ABCDEFGHI	
12A		00D02600631	ARAND.TOPE MUELLE EMBRG.4-6V. RONDELLA FERMO MOLLA FRIZIONE	CLUTCH SPRING STOP WASHER	123456789 ABCDEFGHI	



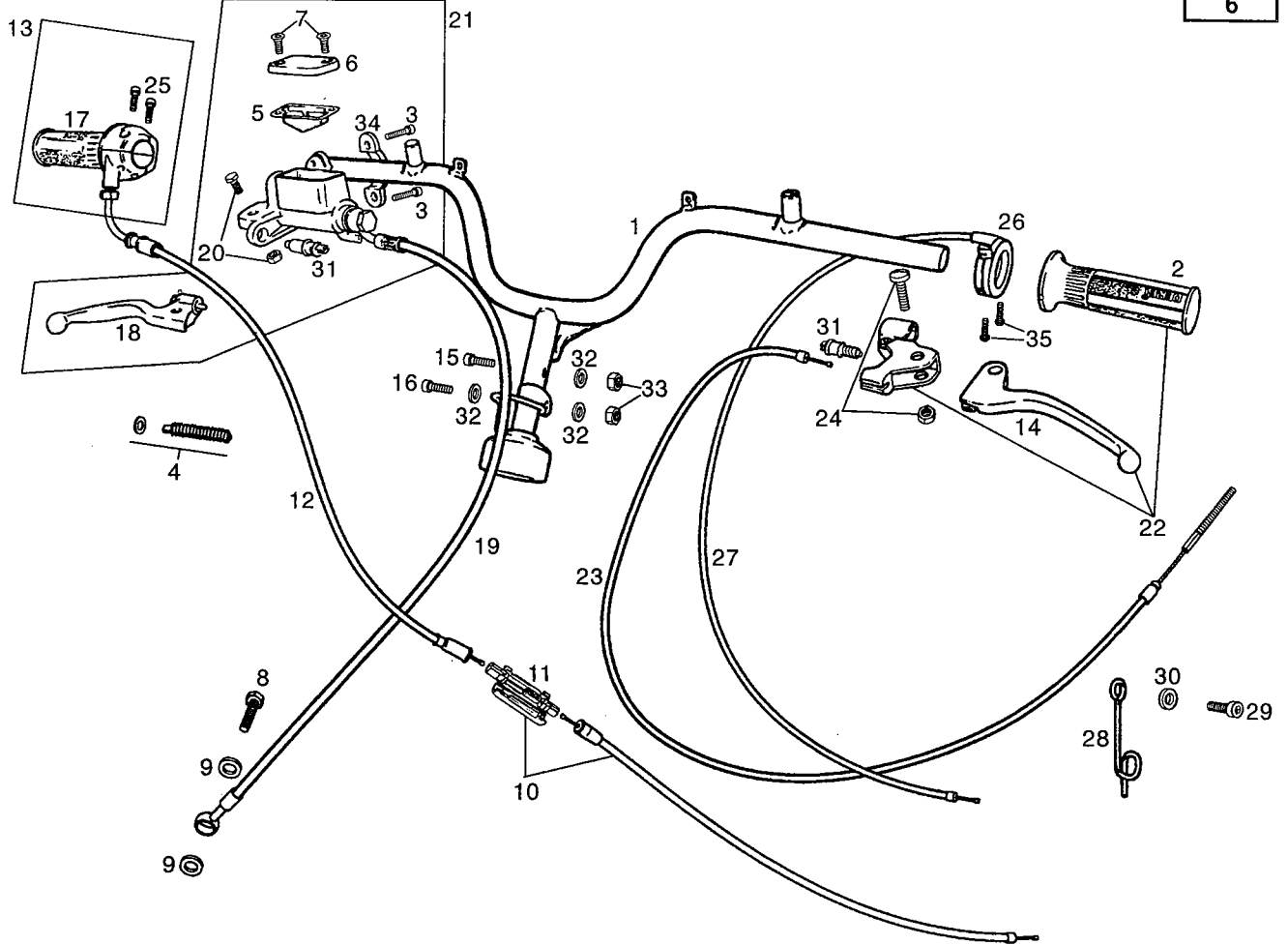
Figr.	Vers.	COD.	DESCRIPCIÓN / DENOMINAZIONE	DESIGNATION	MOD.	Nº CHASIS Nº TELAIO FRAME NUM.
13A		00G06801051	TOPE POST.CABLE CIERRE SILL.HT FERMO POSTERIORE CAVO CHIUSURA	REAR SADDLE LOCKING CABLE LUG	123456789 ABCDEFGHI	
14A		00G00602181	SCTO.CABLE CIERRE SILLIN ATLAN CAVO CHIUSURA SELLA	SADDLE LOCKING CABLE ASSY	123456789 ABCDEFGHI	
15A		00G06800501	SCTO.PLACA CIERRE SILLIN PADD. PIASTRA SERRATURA SELLA	PLATE, SADDLE LOCK FITTING	123456789 ABCDEFGHI	
16A		00G03600991	TOR.FIJ.TURBINA HUNTER(6X16) VITE FISSAGGIO VENTOLA (6X16)	BLOWER SECURING SCREW	123456789 ABCDEFGHI	
17A		00000023060	TCA.AUTOBLOC. 6M100.DIN-985.8 DADO AUTOBLOCCANTE 6M100	SELF-LOCKING NUT M6	123456789 ABCDEFGHI	
18A		00000004515	TOR.C/ALLEN 5M80X15 D912/8.8NG VITE TESTA ALLEN 5M80X15.	ALLEN SCREW M5X15	123456789 ABCDEFGHI	
19A		00004061600	TOR.C/ALL.6M100X16.D912/8.8 NG VITE TESTA ALLEN 6M100X16	ALLEN SCREW M6X16	123456789 ABCDEFGHI	
20A		00G01503951	APOYO SILLIN ATLANTIS APOGGIO SELLA	SADDLE REST	123456789 ABCDEFGHI	
21A		00G06318731	CALCA ADESIVO	DECAL	9 ABC HI	



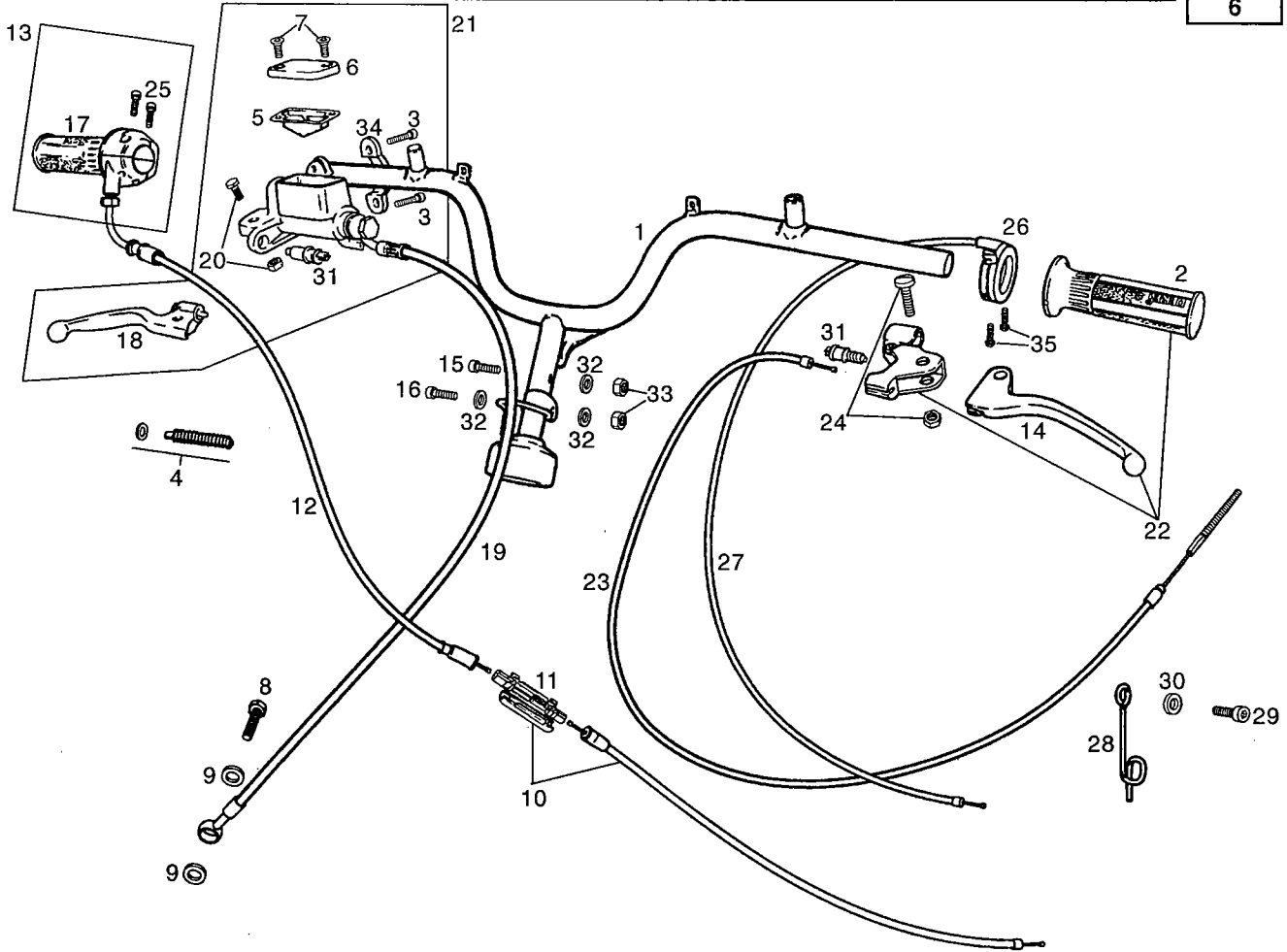
Figr.	Vers.	COD.	DESCRIPCIÓN / DENOMINAZIONE	DESIGNATION	MOD.	Nº CHASIS Nº TELAIO FRAME NUM.
01A		00G00802221	SCTO.CABALLETE NEGRO ATLANTIS CAVALLETTO NERO	CENTRE STAND SUB-ASSY (BLACK)	123456789 ABCDEFGHI	
02A		00G00800081	MUELLE CABALLETE. MOLLA CAVALLETTO	CENTRE STAND SPRING	123456789 ABCDEFGHI	
03A		00G00800071	EJE CABALLETE. PERNO CAVALLETTO	CENTRE STAND SHAFT	123456789 ABCDEFGHI	
04A		00D02500271	ARAND.FIJ.MOTOR.(125)D8,4X0,8. RONDELLA FISSAGGIO .MOTORE	ENGINE SECURING WASHER	123456789 ABCDEFGHI	
05A		00000051205	PASADOR ABIERTO.2X18.DIN-94. CHIAVISTELLO APERTO 2X18	SPLIT PIN	123456789 ABCDEFGHI	
06A		00G00800051	TOR.FIJ.MUELLE CABALLETE. VITE MOLLA CAVALLETTO	CENTRE STAND SPRING SECUR SPR.	123456789 ABCDEFGHI	
07A		00003108060	TOPE CABALLETE. FERMO CAVALLETTO	CENTRE STAND STOP	123456789 ABCDEFGHI	
08A		00G01504191	CTO.AMORTIGUADOR ATLANTIS AMMORTIZZATORE	SHOCK ABSORBER ASSY	123456789 ABCDEFGHI	
09A		00G01800901	TOR.FIJ.SUP.AMORTIGD. VITE FISSAGGIO SUPERIORE AMORT	SHOCK ABSORBER BRACKET SEC.	123456789 ABCDEFGHI	
10A		00000031100	ARAND.PLANA D.10.D125 RONDELLA PIATTA D.10	MACHINED FLAT WASHER D.10	123456789 ABCDEFGHI	
11A		00000023100	TCA.AUTOBLOC.10M150 D-985/8 DADO AUTOBLOCCANTE 10.M150	SELF-LOCKING NUT M10	123456789 ABCDEFGHI	
12A		00004213500	TOR.C/ALLEN.10M125X35.D912/8.8 VITE TESTA ALLEN 10M125X35	ALLEN SCREW	123456789 ABCDEFGHI	
13A		00000033100	ARAND.MUELLE. D.10.DIN-127-B. RONDELLA MOLLA D.10 DIN-127-B	SPRING WASHER D.10 DIN-127-B	123456789 ABCDEFGHI	



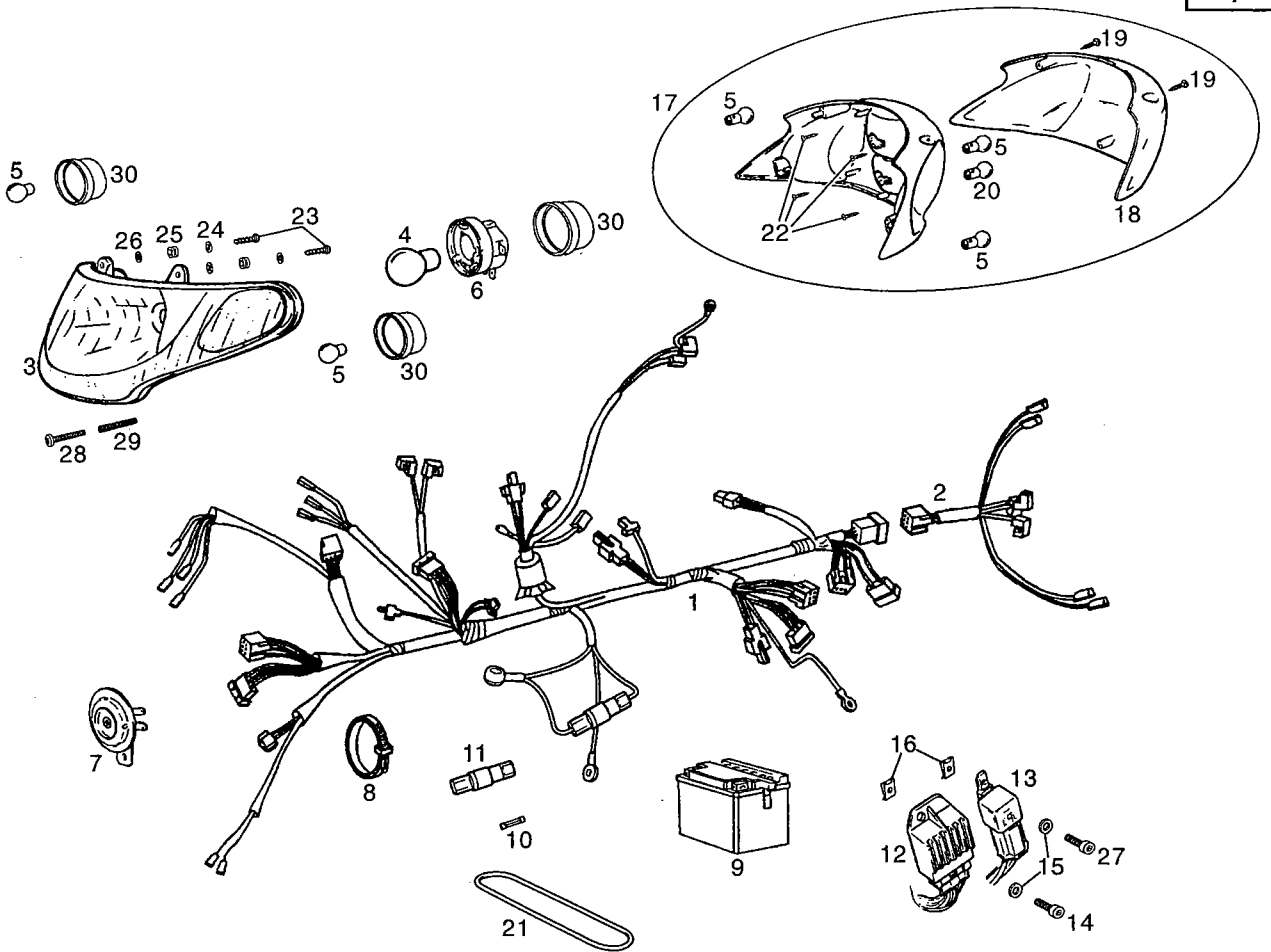
Figr.	Vers.	COD.	DESCRIPCIÓN / DENOMINAZIONE	DESIGNATION	MOD.	Nº CHASIS Nº TELAIO FRAME NUM.
01A		00G00903011	SCTO.MANILLAR ATLANTIS MANUBRIO	HANDLEBAR ASSY	123456789 ABCDEFGHI	
02A		00F00930071	R-EMPUÑ.FR.TR.1373021551 W.CH. MANOPOLA FRENO POSTERIORE	GRIP, THROTTLE	123456789 ABCDEFGHI	
03A		00000004620	TOR.C/ALLEN.6M100X20.D-912/8.8 VITE TESTA ALLEN 6M100x20	ALLEN SCREW M6X20	123456789 ABCDEFGHI	
04A		00H02101811	R-CTO.KIT REPARAC.BOMBA SDA.R KIT RIPARAZIONE POMPA	MASTER CYLINDER REPAIR KIT	123456789 ABCDEFGHI	
05A		00H02100861	R-JUNTA TAP.DPT.LIQ.FR.DT.SD.R GUARNIZIONE COPERCHIO	BRAKE FLUID RESERVOIR CAP SEAL	123456789 ABCDEFGHI	
06A		00H02100191	R-TAPA DEPOSITO LIQ.FR.DT.SD.R COPERCHIO SERBATOIO LIQUIDO	BRAKE FLUID RESERVOIR CAP	123456789 ABCDEFGHI	
07A		00014041200	TOR.C/AV.CRUZ.NG.4M80X12.D-965 VITE TESTA SVASATA CROCE NERO	COUNTERSUNK PHILIPS SCREW	123456789 ABCDEFGHI	
08A		00006309260	RACORD TUBO HIDRAULICO. RACCORDO TUBO IDRAULICO	HYDRAULIC TUBE CONNECTOR	123456789 ABCDEFGHI	
09A		00006321040	ARAND.JUNTA RACORD. RONDELLA GUARNIZIONE RACCORDO	CONNECTOR GASKET WASHER	123456789 ABCDEFGHI	
10A		00G00905891	SCTO.CABLE-FUNDA POST.GAS.HUNT CAVO-FODERO ACCELERATORE POST.	REAR THROTTLE CABLE/SLEEVE S/A	123456789 ABCDEFGHI	
11A		00G00900861	CAJA CONEX.CABLES GAS. CASSA COLLEGAMENTO CAVI BENZ.	THROTTLE CABLE CONNECTOR BOX	123456789 ABCDEFGHI	
12A		00G00906171	CTO.CABLE FUNDA GAS ATLANTIS CAVO FODERO ACCELERATORE	THROTTLE CABLE/SLEEVE ASSY	123456789 ABCDEFGHI	
13A		00G00906081	CTO.PUÑO GAS ATLANTIS MANOPOLA ACCELERATORE	THROTTLE TWIST GRIP	123456789 ABCDEFGHI	
14A		00G00900291	R-MANETA FRENO.TR.1699022076. LEVA FRENO POSTERIORE	REAR BRAKE LEVER	123456789 ABCDEFGHI	
15A		00000004840	TOR.C/ALLEN.8M125X40.D-912/8.8 VITE TESTA ALLEN 8M125X40	ALLEN SCREW 8M125X40 D.912/8.8	123456789 ABCDEFGHI	



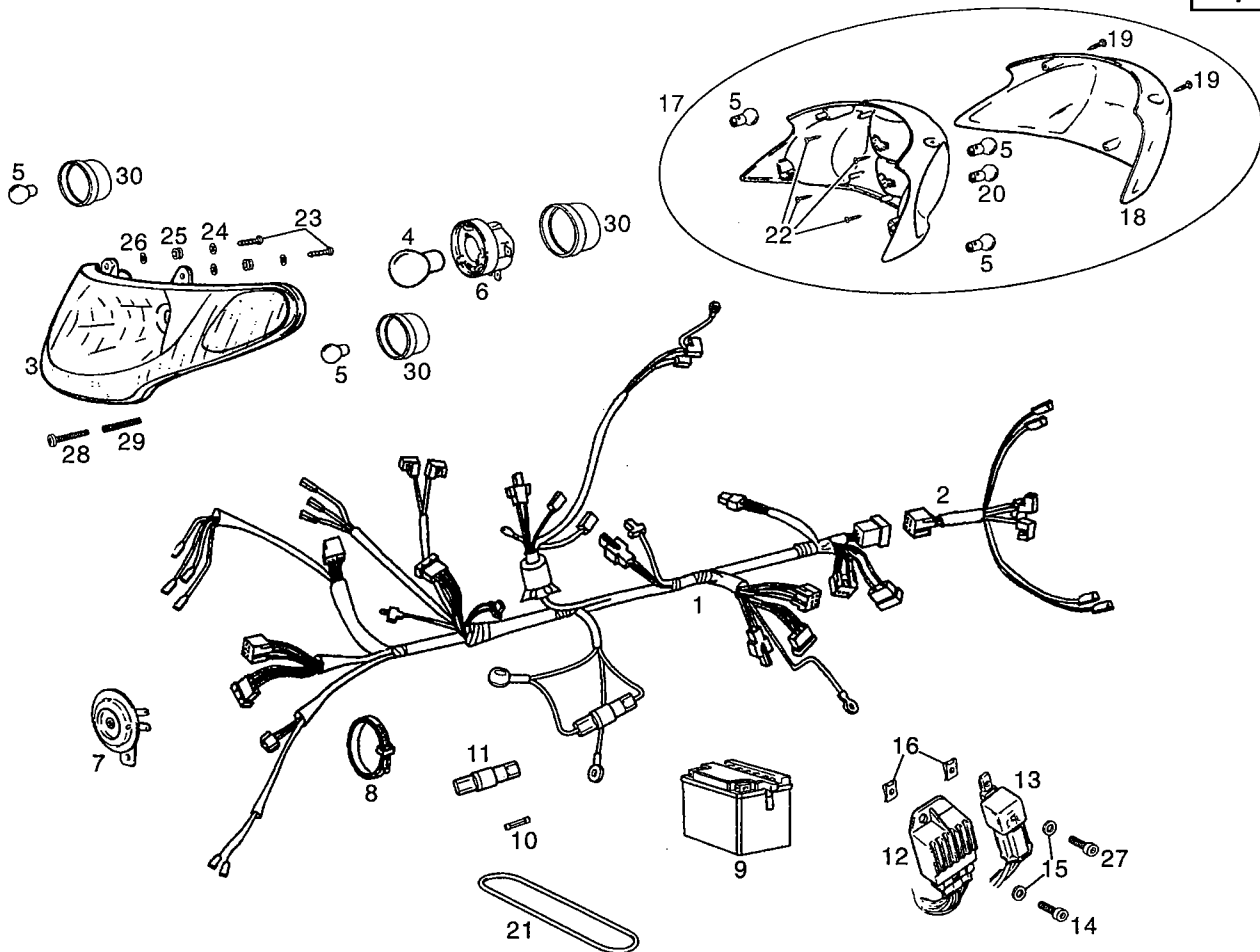
Figr.	Vers.	COD.	DESCRIPCIÓN / DENOMINAZIONE	DESIGNATION	MOD.	Nº CHASIS Nº TELAIO FRAME NUM.
16A		00000004845	TOR.C/ALLEN.8M125X45.D-912.8.8 VITE TESTA ALLEN 8M125X45	ALLEN SCREW M8X45		123456789 ABCDEFGH I
17A		00F00930091	R-EMPUÑADURA GAS.V.TOP. IMPUGNATURA ACCELERATORE	GRIP, THROTTLE		123456789 ABCDEFGH I
18A		00G00901201	R-MANETA FRE.DT.13376010 LEVA FRENO ANTERIORE	FRONT BRAKE LEVER		123456789 ABCDEFGH I
19A		00G00905751	R-CTO.TUBO LIQ.FR.DT.ATLANTIS TUBO LIQUIDO FRENI	FRONT BRAKE FLUID TUBE ASSY		123456789 ABCDEFGH I
20A		00F05800021	R-CTO.TOR.ARTIC.MANT.FR.D.SP-R VITE ARTICULAZ.MANETA	SCREW ASSY		123456789 ABCDEFGH I
21A		00G02102081	R-CTO.MANDO FR.DT.HUNTER POMPA FRENO ANTERIORE COMPLETA	FRONT BRAKE LEVER/CYLINDER ASS		123456789 ABCDEFGH I
22A		00G02106611	CTO.PORTAMANETA.IZ.VECOS PORTAMANOPIOLA SINIST	LEFT LEVER BRACKET		123456789 ABCDEFGH I
23A		00G00904431	SCTO.CABLE-FDA.FR.TR.ATLANTIS CAVO-FODERO FRENO	REAR BRAKE CABLE/SLEEVE ASSY		123456789 ABCDEFGH I
24A		00G00900211	R-CTO.TOR.ARTIC.MANETA. VITE SNODO MANOPOLA	LEVER HINGE PIN SCREW ASSY		123456789 ABCDEFGH I
25A		00F00901151	R-TOR.FIJ.TAPETA PUÑO GAS FURA VITE FISSAGGIO	THROTTLE GRIP CAP SECUR SCREW		123456789 ABCDEFGH I
26A		00G00901661	CTO.MANETA AIRE ATLANTIS LEVA ARIA GPR-75	LEVER AIR		123456789 ABCDEFGH I
27A		00G00901651	SCTO.CAB.-FUND.AIRE.ATLANTIS CAVO-FODERO	CABLE ASSY, CHOKE.		123456789 ABCDEFGH I
28A		00G00901531	MUELLE GUIA CABLE FR.TR.VM.'95 MOLLA GUIDA CAVO FRENO POSTERI	REAR BRAKE SPRING GUIDE		123456789 ABCDEFGH I
29A		00004061600	TOR.C/ALL.6M100X16.D912/8.8 NG VITE TESTA ALLEN 6M100X16.D912	ALLEN SCREW M6X16		123456789 ABCDEFGH I
30A		00000031060	ARAND.PLANA MECANIZ.D.6.DIN125 RONDELLA PIATTA D6	MACHINED FLAT WASHER D6 DIN-12		123456789 ABCDEFGH I



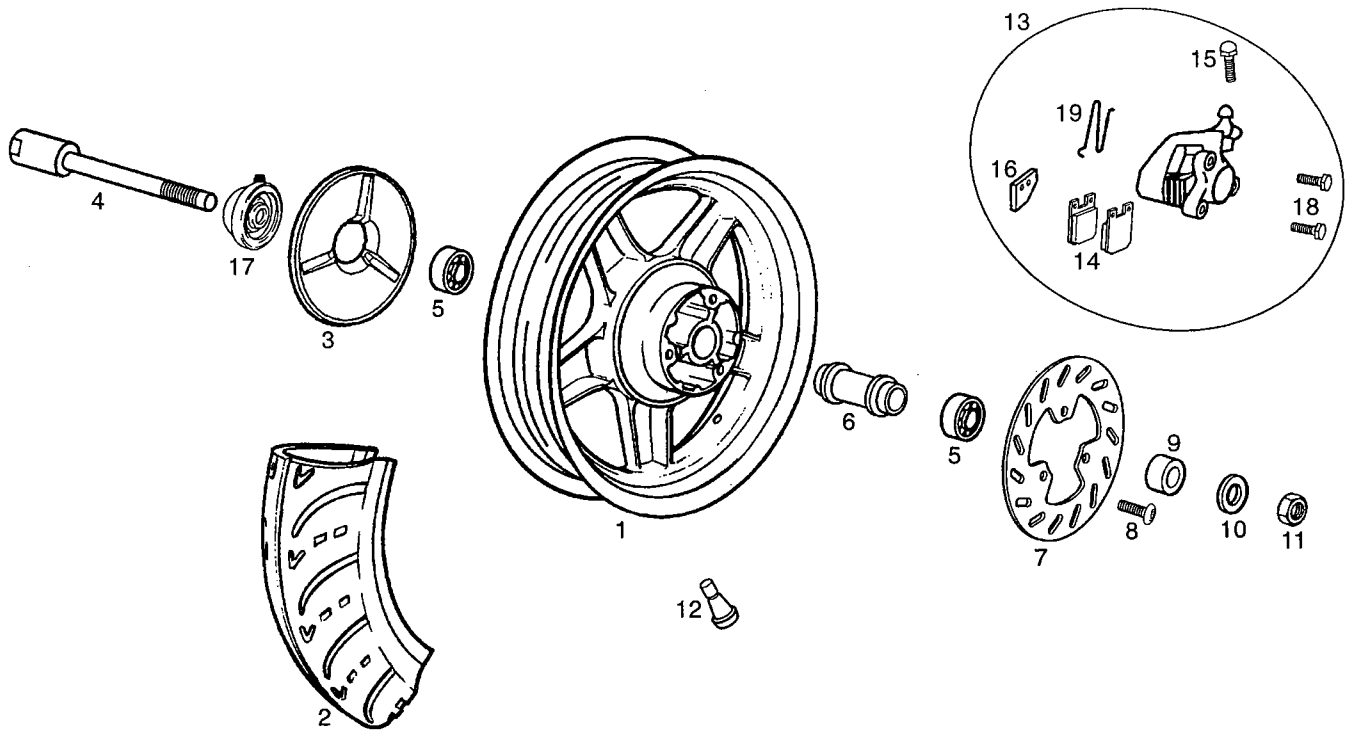
Figr.	Vers.	COD.	DESCRIPCIÓN / DENOMINAZIONE	DESIGNATION	MOD.	Nº CHASIS Nº TELAIO FRAME NUM.
31A		00D01000701	INTERRUP.MANDO STOP. INTERRUPTORE STOP	SWITCH, STOP LIGHT	1 2 3 4 5 6 7 8 9	ABCDEFGHI
32A		00000031080	ARAND.PLANA MECANIZ.D.8.DIN125 RONDELLA PIATTA D8	MACHINED FLAT WASHER D8 DIN-12	1 2 3 4 5 6 7 8 9	ABCDEFGHI
33A		00000023080	TCA.AUTOBLOC. 8M125. DIN-982. DADO AUTOBLOCCANTE 8M125	SELF-LOCKING NUT M8	1 2 3 4 5 6 7 8 9	ABCDEFGHI
34A		00D02100901	R-BRIDA FIJ.MANDO FRENO.FD. CAVALLOTTO FISSAGGIO POMPA	CLAMP	1 2 3 4 5 6 7 8 9	ABCDEFGHI
35A		00014030600	TOR.C/AV.CRUZ.NG.3X6.D-965 VITE TESTA SVASATA CROCE NERO	COUNTERSUNK PHILIPS SCREW	1 2 3 4 5 6 7 8 9	ABCDEFGHI



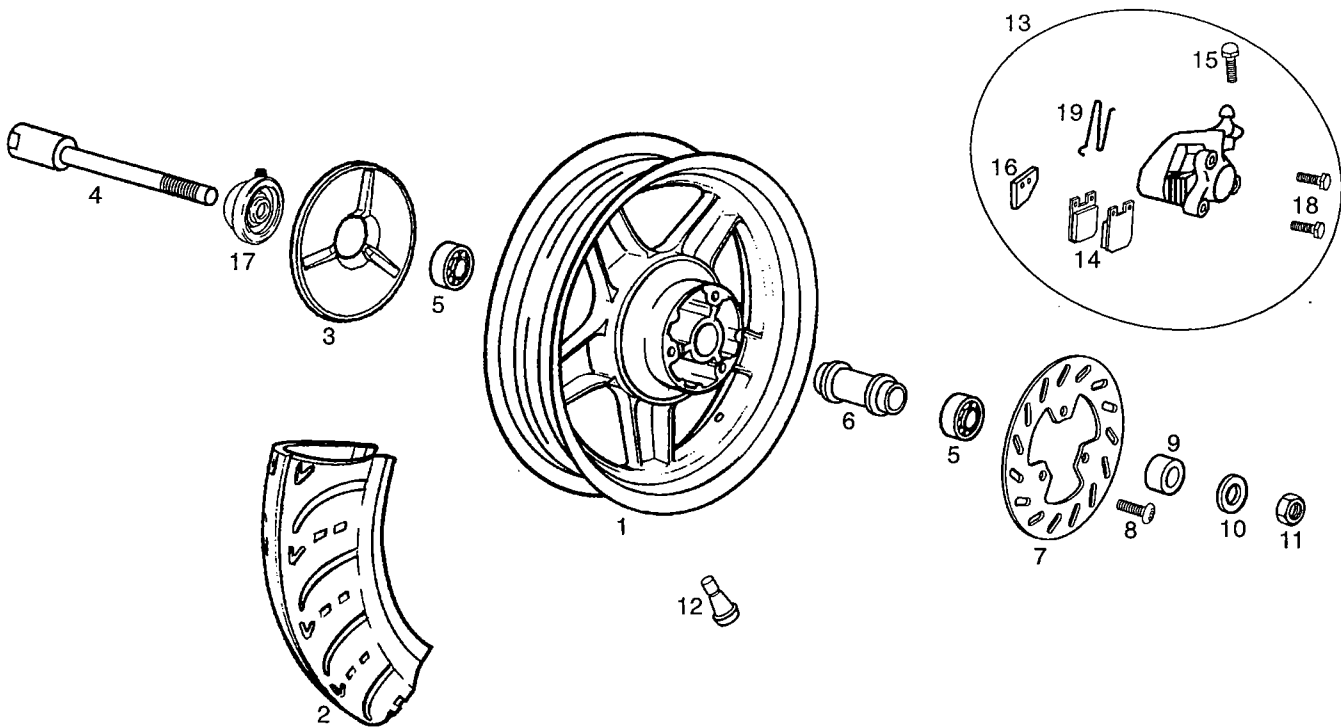
Figr.	Vers.	COD.	DESCRIPCIÓN / DENOMINAZIONE	DESIGNATION	MOD.	Nº CHASIS Nº TELAIO FRAME NUM.
01A		00G01017301	CTO.INSTAL.ELECT.ATLANTIS INSTALLAZIONE ELETTRICA	ELECTRICAL INSTALATIONS ASSY	123456789 ABCDEFGHI	
02A		00G05703051	CTO.INSTAL.FARO PILOTO ATLANTI IMPIANTO FANALINO POSTERIORE	TAILLIGHT WIRING ASSY PREDATOR	123456789 ABCDEFGHI	
03A		00G01018011	CTO.FARO DT.ATLANTIS FARO ANTERIORE	HEADLAMP ASSY	123456789 ABCDEFGHI	
04A		00E01020131	LAMP.FARO 12V.25/25W.SCO-USA LAMPADA FARO 12V.25/25W	HEADLAMP BULB	123456789 ABCDEFGHI	
05A		0000A517011	LAMP.FARO INTERMITTES.12V.10W. LAMPADA 12V 10W	INDICATOR LIGHT BULB 12V 10W	123456789 ABCDEFGHI	
06A		00G01004111	R-PORTALAMP.FARO DT.ATLANTIS PORTALAMPADA FARO ANTERIORE	HEADLIGHT BULB SOCKET	123456789 ABCDEFGHI	
07A		00F01001311	CTO.CLAXON.12V-DC/0450-A.SC/91 CLACSON 12V CC	HORN ASSEMBLY	123456789 ABCDEFGHI	
08A		00A00900531	BRIDA UNECABLES NEGRA. FLANGIA UNIONE CAVI	BLACK CABLE TIE	123456789 ABCDEFGHI	
09A		00G03301401	BATERIA.12V.4AH.ATLANTIS BATTERIA 12V. 3 AO	BATTERY 12V.3AH.	123456789 ABCDEFGHI	
10A		00G01000911	FUSIBLE 4 AH.PREDATOR FUSIBILE 4AO	FUSE, 4 A	123456789 ABCDEFGHI	
11A		00G02300811	CTO.PORTAFUSIBILE INST.EL.PRED. PORTAFUSIBILE	FUSE HOLDER	123456789 ABCDEFGHI	
12A		00G01001841	REGULADOR.AC/DC.CENT.INTTS.G2B REGOLATORE CA/CC	VOLTAGE REGULATOR	123456789 ABCDEFGHI	
13A		00G03900011	CTO.RELE ARRQ.ELECTR.HUNTER RELÉ AVVIAMENTO ELETTRICO	ELECTRIC START RELAY	123456789 ABCDEFGHI	
14A		00000004515	TOR.C/ALLEN 5M80X15 D912/8.8NG VITE TESTA ALLEN 5M80X15.	ALLEN SCREW M5X15	123456789 ABCDEFGHI	
15A		00000031050	ARAND.PLANA MEC.D.5.DIN125-B RONDELLA PIATTA D5	MACHINED FLAT WASHER D5	123456789 ABCDEFGHI	



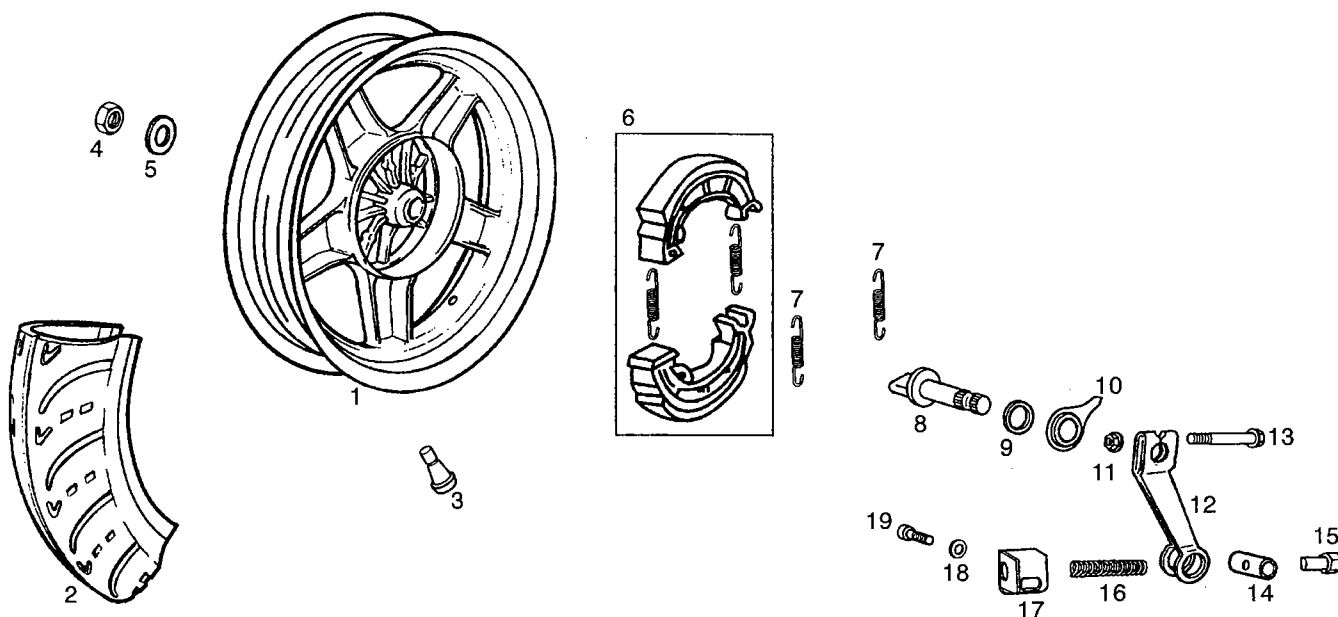
Figr.	Vers.	COD.	DESCRIPCIÓN / DENOMINAZIONE	DESIGNATION	MOD.	Nº CHASIS Nº TELAIO FRAME NUM.
16A		00H01500691	TCA.FIJ.CARENADO A SOPTE.D.5 DADO FISSAGGIO CARENATURA	FAIRING SECURING NUT	123456789 ABCDEFGHI	
17A		00G01004321	CTO.FARO PILOTO ATLANTIS FANALINO POSTERIORE	REAR LIGHT ASSY	123456789 ABCDEFGHI	
18A		00G01004341	CRISTAL FARO PILOTO ATLANTIS COPPETTA ESTERNA	REAR LIGHT LENS	123456789 ABCDEFGHI	
19A		00011031600	TOR.AUTR.C/CRUZ.3,9X16D7981NEG VITE AUTOAVV.T/CR.3,9X16	SCREW	123456789 ABCDEFGHI	
20A		00F01020371	LAMP.PILOTO.12V.5W.SPORT.IT/89 LAMPADA FANALE 12V.5W.	UPPER LIGHT 12V.5W.	123456789 ABCDEFGHI	
21A		00G01802361	SCTO.BRIDA FIJ.BATERIA HUNTER FLANGIA FISSAGGIO BATERIA	BATTERY SECUR. CLAMP SUB-ASS	123456789 ABCDEFGHI	
22A		00011031401	TOR.AUTR.CTE.3,6X14 NG.CL ALH VITE AUTOFIETTANTE 3,6X14	SELF-TAPPING SCREW	123456789 ABCDEFGHI	
23A		00011031801	TOR.AUTR.CTE.3,6X18 NG.CL ALH VITE AUTOFIETTANTE 3,6X18	SCREW	123456789 ABCDEFGHI	
24A		00040008000	ARAND.PLANA.D.8,4.DIN-433. RONDELLA 8,4	WASHER D.8,4.	123456789 ABCDEFGHI	
25A		00D01500021	PASACABL.INST.GUARD.TR.FDS/89. PORTACAVI IST.PARAFANGO POST.	GROMMET	123456789 ABCDEFGHI	
26A		00038004000	ARAND.PLANA.D.4,3.DIN-9021. RONDELLA 4,3	MACHINED FLAT WASHER, D.4,3.	123456789 ABCDEFGHI	
27A		00000004512	TOR.C/ALLEN 5M80X12NEGRO VITE TESTA ALLEN 5M80X12 NERO	ALLEN SCREW M5X12	123456789 ABCDEFGHI	
28A		00012044000	TOR.C/RED.CRUIZ 4M70X40 DIN7985 VITE	BOLT, ROUND HEAD 4MM70X40	123456789 ABCDEFGHI	
29A		00G02302501	R-MUELLE REG.FARO.DT.ATLANTIS MOLLA REGOLAZIONE FARO	HEADLAMP ADJUSTER SPRING	123456789 ABCDEFGHI	
30A		00G05701141	R-PROTECTOR PORTALAM.FARO ATL. PROTEZIONE PORTALAMPADE FARO	HEADLIGHT BULBHOLDER PROT	123456789 ABCDEFGHI	



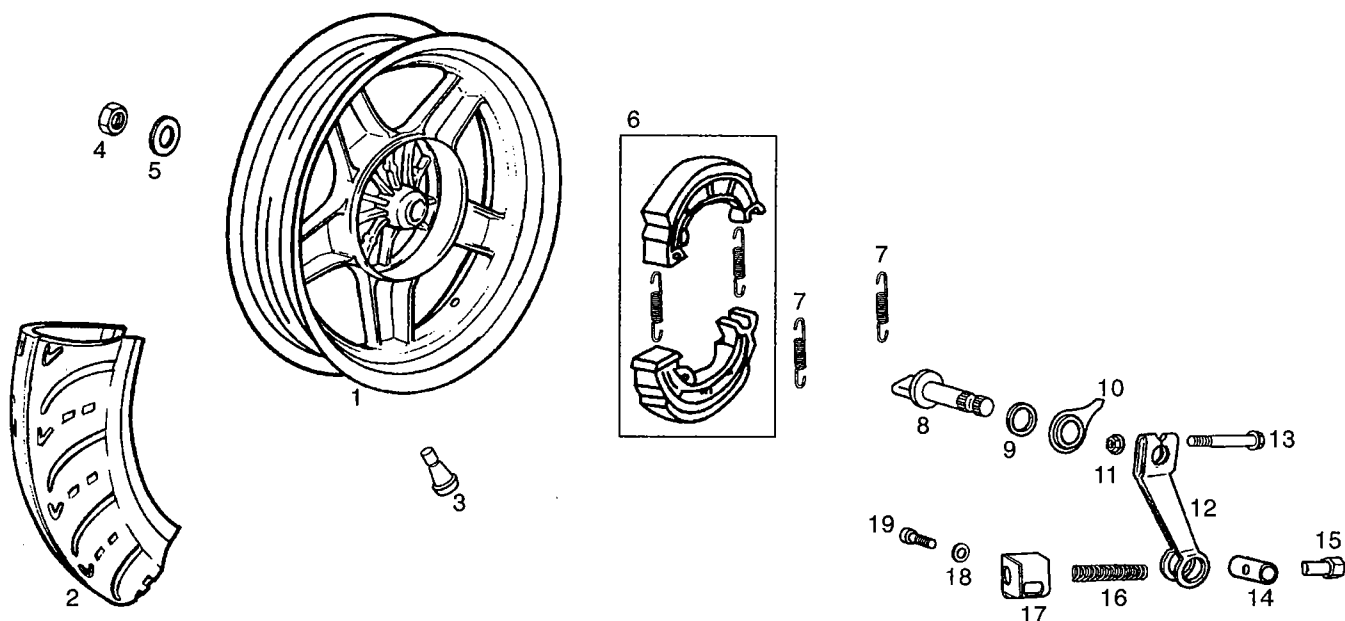
Figr.	Vers.	COD.	DESCRIPCIÓN / DENOMINAZIONE	DESIGNATION	MOD.	Nº CHASIS Nº TELAIO FRAME NUM.
01A		00G01206951	R-CTO.LLANTA DT.GR.ZIR.ATLANT. CERCHIO ANTERIORE	FRONT WHEEL ASSEMBLY	123456789 ABC	
01B		00G01206952	R-CTO.LLANTA DT.GR.ZIR.ATLANT. CERCHIO ANTERIORE	FRONT WHEEL ASSEMBLY	DEFGHI	
02A		00G01208111	CUBIERTA 120/70X12 ATLANTIS COPERTONE	TYRE	123456789 ABCDEFGHI	
03A		00F01201121	TAPACUBOS RUEDA DTRA. URBAN-R. COPRIMOZZO RUOTA ANTERIORE	FRONT HUB CAP	123456789 ABCDEFGHI	
04A		00G01201271	EJE RUEDA DT.HUNTER ASSE RUOTA ANTERIORE	FRONT WHEEL AXLE	123456789 ABCDEFGHI	
05A		00058120100	COJINETE 6201.C3.2RS.12.32.10 CUSCINETTO A SFERE 12x32x10	BEARING 6201 12X32X10	123456789 ABCDEFGHI	
06A		00G01200031	SCTO.SEPARAD.COJINET.DT.HUN'98 Distanziale CUSCINETTO	FR BEARING DISTANCE BUSH ASSY	123456789 ABCDEFGHI	
07A		00G01202021	DISCO FRENO DT.HUNTER DISCO FRENO	FRONT BRAKE DISC	123456789 ABCDEFGHI	
08A		00H02401281	TOR.FIJ.DISCO FR.TR.FEN.95 AL. VITE FISSAGGIO DISCO FRENO	REAR BRAKE DISC SECURING SCREW	123456789 ABCDEFGHI	
09A		00H01301291	CASQ.RUEDA TR.LADO DISCO SEN.R GHIERA RUOTA LATO DISCO	SPACER, REAR WHEEL DISC SIDE	123456789 ABCDEFGHI	
10A		00003112320	ARAND.EJE RUEDA.12'25X20X2. RONDELLA ASSE RUOTA.12'25X20X2	FRONT WHEEL AXLE WASHER	123456789 ABCDEFGHI	
11A		00021012001	TCA.EXAG.12M150.DIN-934/10. DADO ESAGONALE 12M150	HEX NUT, 12 MM X 1.50	123456789 ABCDEFGHI	
12A		00G04702092	CTO.VALV.AIRE RDAS.13" PREDATOR VALVOLA ARIA 13"	VALVE, TYRE	123456789 ABCDEFGHI	
13A		00G01202191	CTO.PINZA FR.DT.NG.VAM-R/AJP COMPL.PINZA ANTERIORE	BRAKE CALIPER	123456789 ABC	
13B		00G01202192	CTO.PINZA FR.DT.NG.VAM-R/AJP COMPL.PINZA ANTERIORE	BRAKE CALIPER	DEFGHI	



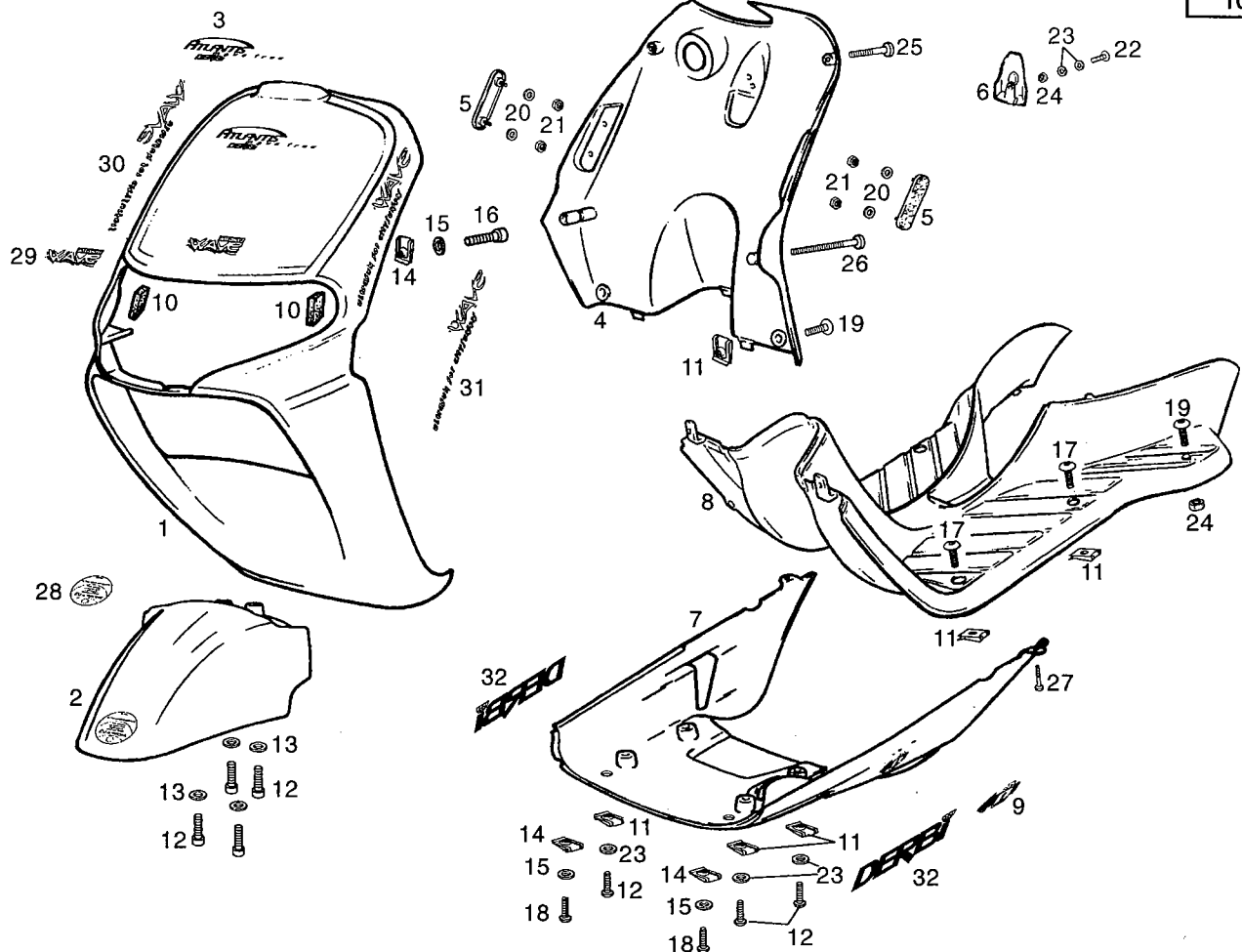
Figr.	Vers.	COD.	DESCRIPCIÓN / DENOMINAZIONE	DESIGNATION	MOD.	Nº CHASIS Nº TELAIO FRAME NUM.
14A		00G04700141	R-JUEG.PAST.FR.DT.BS-S-40-GF PASTIGLIE FRENO POSTERIORE	FRONT BRAKE PAD	123456789 ABCDEFGHI	
15A		00F04700121	R-CTO.PURGADOR PINZA FR.DTRO. SPURGO PINZA FRENO ANTERIORE	FRONT BRAKE CALIPER BLEED ASSY	123456789 ABCDEFGHI	
16A		00G04700131	R-PLACA INTERM.PASTILLA FRENO PIASTRA INTERMEDIA PASTIGLIA	INTERMEDIATE PLATE, BRAKE PAD	123456789 ABCDEFGHI	
17A		00G01608051	CTO.REENVIO ATLANTIS 14/9 RINVIO	RETURN UNIT.	123456789 ABCDEFGHI	
18A		00006083000	TOR.EX.C/BRID.8M125X30.D6921. VITE ESSAGONALE 6M100X30	HEXAGONAL SCREW/FLANGE	123456789 ABCDEFGHI	
19A		00H01301831	MUELLE FIJ.PASTILLA FRENO TR. MOLLA FISSAGGIO PASTIGLIA FRENO	REAR BRAKE PAD SECUR SPRING	123456789 ABCDEFGHI	



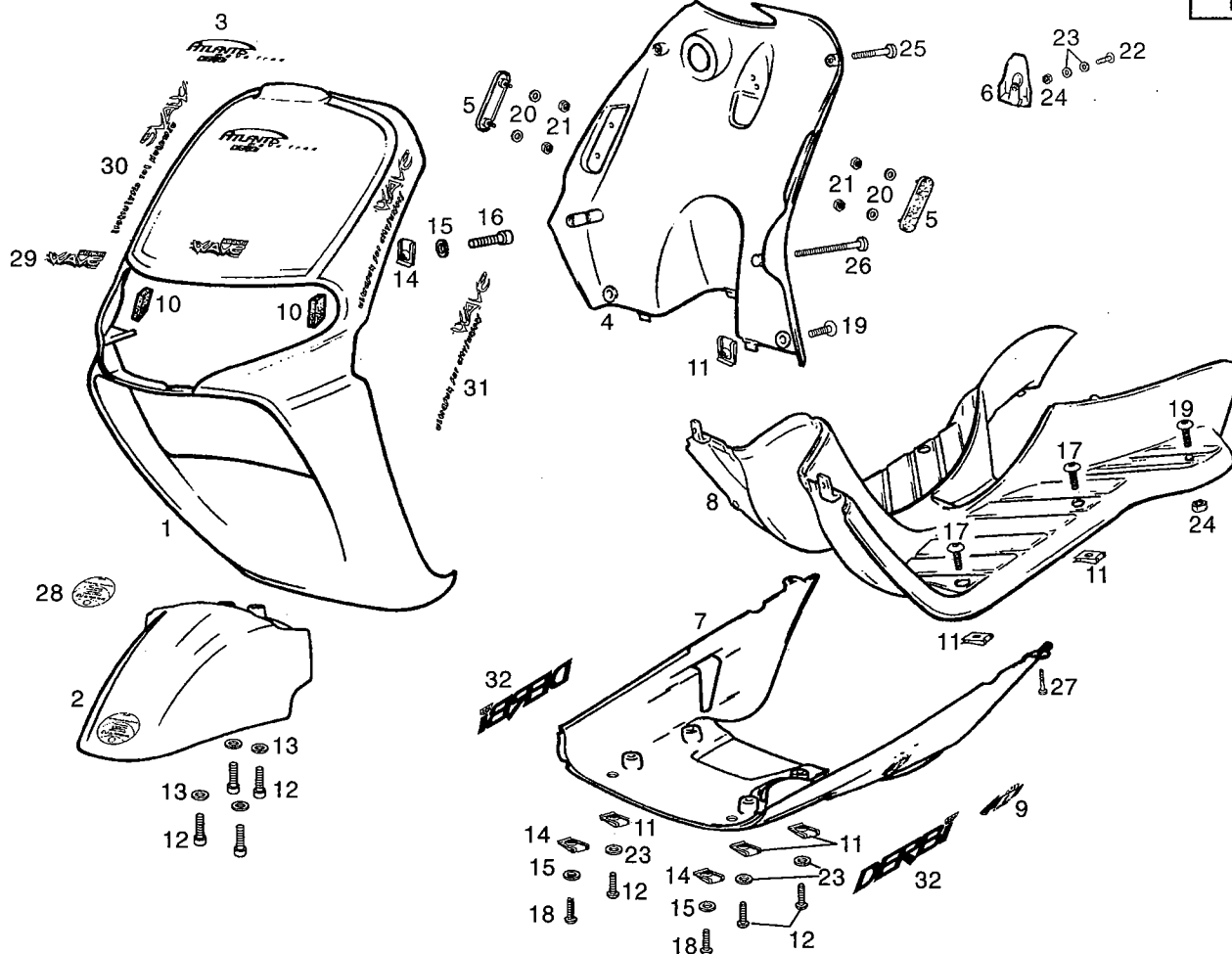
Figr.	Vers.	COD.	DESCRIPCIÓN / DENOMINAZIONE	DESIGNATION	MOD.	Nº CHASIS Nº TELAIO FRAME NUM.
01A		00G02404151	R-SCTO.LLANTA TR.GR.ZIRC.ATLAN CERCHIO POSTERIORE	REAR WHEEL ASSY	123456789 ABC	
01B		00G02404152	R-SCTO.LLANTA TR. NG. CERCHIO POSTERIORE	REAR WHEEL ASSY	DEFGHI	
02A		00G01208111	CUBIERTA 120/70X12 ATLANTIS COPERTONE	TYRE	123456789 ABCDEFGHI	
03A		00G04702092	CTO.VALV.AIRE RDAS.13"PREDATOR VALVOLA ARIA 13"	VALVE, TYRE	123456789 ABCDEFGHI	
04A		00G01300271	TCA.EJE RUEDA TR.M16 D980-V DADO ASSE RUOTA POSTERIORE M16	REAR WHEEL AXLE NUT	123456789 ABCDEFGHI	
05A		00G01302191	ARAND.EJE RUEDA TR.VAM.ALEM. RONDELLA ASSE RUOTA POSTERIORE	REAR WHEEL AXLE WASHER	123456789 ABCDEFGHI	
06A		00G01300931	CTO.MORDAZA FR.C/MUELLESVAMOS GANASCIA FRENO C/MOLLE	REAR BRAKE SHOE AND SPRINGS AS	123456789 ABCDEFGHI	
07A		00G01200241	MUELLE MORDAZ.FRENO DT./TR. MOLLA GANASCIA FRENO	SPRING, BRAKE SHOE RETURN	123456789 ABCDEFGHI	
08A		00G01300231	EJE LEVA MORDAZAS. ASSE LEVA GANASCE	BRAKE SHOES CAM SHAFT	123456789 ABCDEFGHI	
09A		00G01200911	ARAND.GUARDAP.EJE LEVA. RONDELLA PARAPOLVERE ASSE	WASHER	123456789 ABCDEFGHI	
10A		00G01200721	INDICAD.DESGASTE FORRO MORD.DT INDIC. DETER.FODERA	FRONT BRAKE SHOE WEAR INDICATO	123456789 ABCDEFGHI	
11A		00026005000	TCA.EXAG.C/BRIDA.5M80 D6923 NG DADO ESAG.C/FLANGIA 5M80	HEX NUT WITH FLANGE	123456789 ABCDEFGHI	
12A		00G01302121	PALANCA FRENO TR.HUNTER LEVA FRENO POSTERIORE	REAR BRAKE ARM	123456789 ABCDEFGHI	
13A		00006052500	TOR.EX.C/BRIDA.5M80X25 D6921NG VITE ESAGONALE TESTA FLANGIA 5	HEX HEAD SCREW WITH FLANGE	123456789 ABCDEFGHI	
14A		00003111110	RODILLO PALANCA TRAS. RULLO LEVA POSTERIORE	REAR LEVER ROLLER	123456789 ABCDEFGHI	



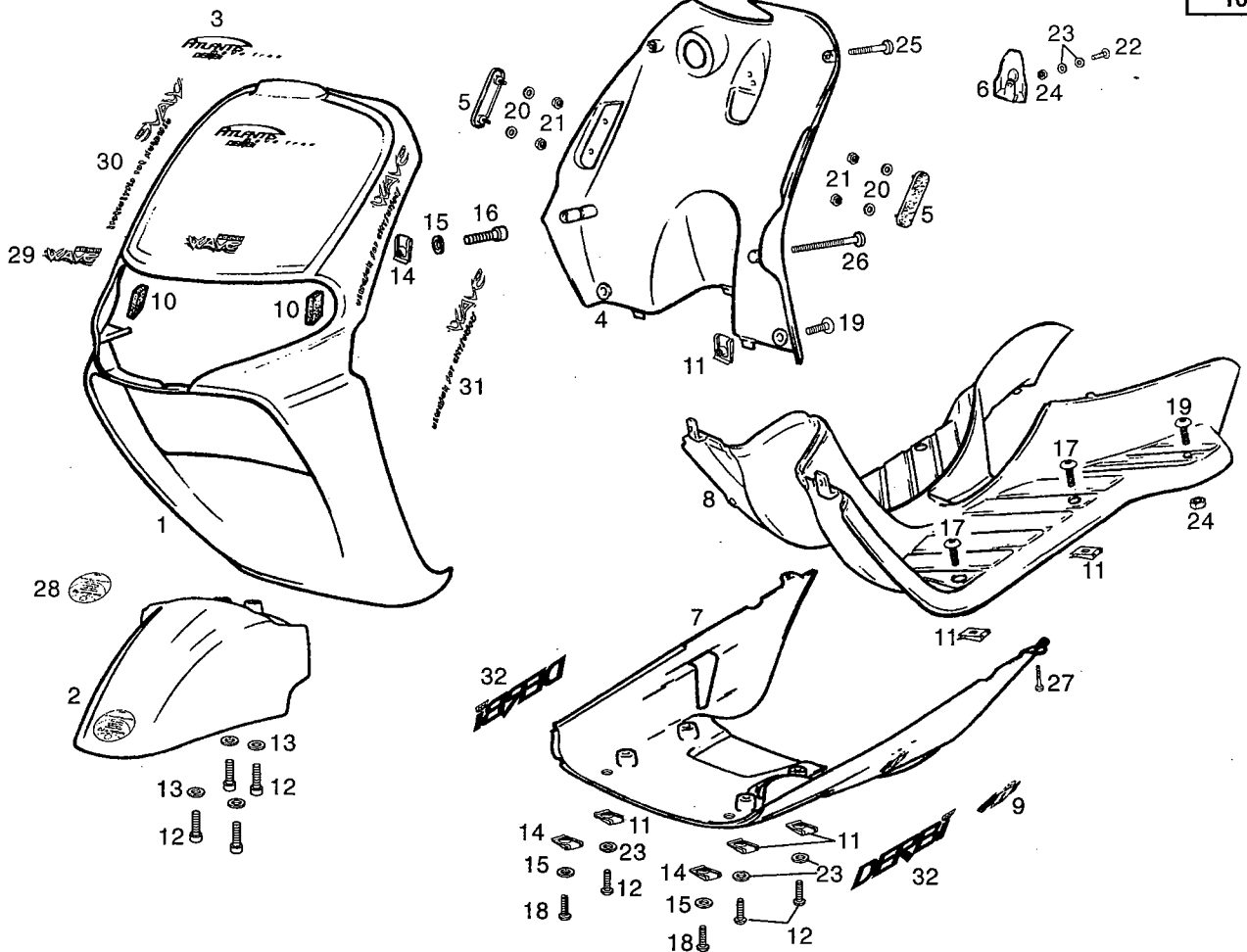
Figr.	Vers.	COD.	DESCRIPCIÓN / DENOMINAZIONE	DESIGNATION	MOD.	Nº CHASIS Nº TELAIO FRAME NUM.
15A		00003111120	PALOMILLA REGULAC.FRENO. GALLETTO REGOLAZIONE FRENO	ADJUSTER, REAR BRAKE	123456789	ABCDEFGHI
16A		00G01300831	MUELLE CABLE FRENO TR. MOLLA CAVO FRENO POSTERIORE	REAR BRAKE CABLE SPRING	123456789	ABCDEFGHI
17A		00G05800101	PLACA FIJ.CABLE FRENO TRAS. PLACCA FISSAGGIO CAVO FRENO PO	REAR BRAKE CABLE FIXING PLATE	123456789	ABCDEFGHI
18A		00000033060	ARAND.MUELLE. D.6.DIN-127-B. RONDELLA MOLLA D.6	SPRING WASHER D6	123456789	ABCDEFGHI
19A		00004061600	TOR.C/ALL.6M100X16.D912/8.8 NG VITE TESTA ALLEN 6M100X16	ALLEN SCREW M6X16	123456789	ABCDEFGHI



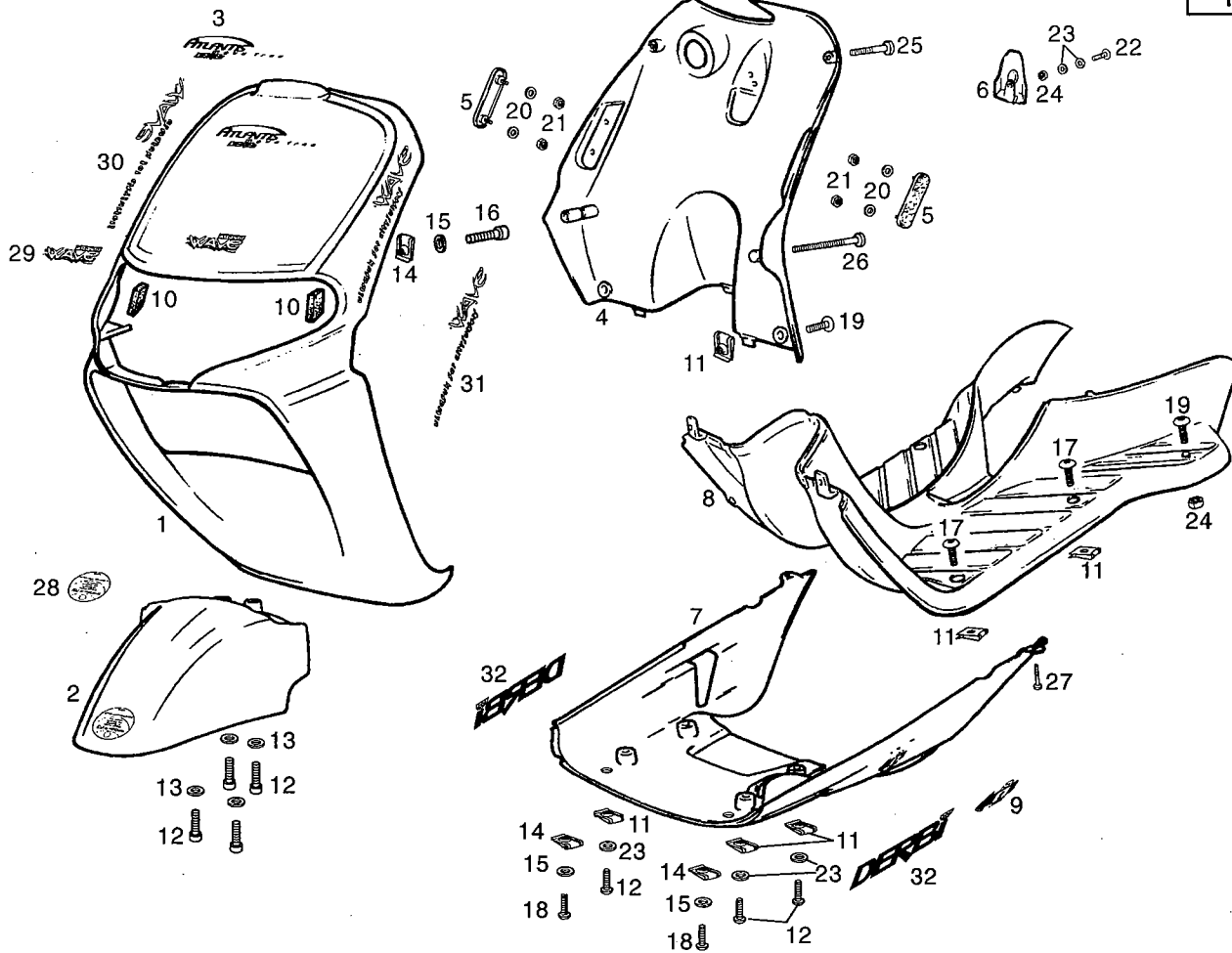
Figr.	Vers.	COD.	DESCRIPCIÓN / DENOMINAZIONE	DESIGNATION	MOD.	Nº CHASIS Nº TELAIO FRAME NUM.
01A		00G04926081	R-SCTO.ESC.FR.AZ.LI.ATLANTIS CARENATURA FRONTALE	FRONT SHIELD	1 5 9	
01B		00G04926082	R-SCTO.ESC.FR.NG.VID.ATLANTIS CARENATURA FRONTALE	FRONT SHIELD	2 6 A	
01C		00G04926083	R-SCTO.ESC.FR.AZ.END.ATLANTIS CARENATURA FRONTALE	FRONT SHIELD	3 7 B	
01D		00G04926084	R-SCTO.ESC.FR.ROJO AV.ATLANTIS CARENATURA FRONTALE	FRONT SHIELD	4 8 C	
01E		00G04930081	R-SCTO.ESC.ROJO PIROM.ATLANTIS CARENATURA FRONTALE	FRONT SHIELD	D F H	
01F		00G04930082	R-SCTO.ESC.FR.GR.CR.ATLANTIS CARENATURA FRONTALE	FRONT SHIELD	E G I	
02A		00G00703021	GUARD.DT.AZ.LINO.ATLANTIS PARAFANGO ANTERIORE	FRONT FENDER	1 5 9	
02B		00G00703022	GUARD.DT.NG.VID.ATLANTIS PARAFANGO ANTERIORE	FRONT FENDER	2 6 A	
02C		00G00703023	GUARD.DT.AZ.ENDR.ATLANTIS PARAFANGO ANTERIORE	FRONT FENDER	3 7 B	
02D		00G00703024	GUARD.DT.ROJO AVELL.ATLANTIS PARAFANGO ANTERIORE	FRONT FENDER	4 8 C	
02E		00G00703027	GUARD.DT.ROJO PIROM.ATLANTIS PARAFANGO ANTERIORE	FRONT FENDER	D F H	
02F		00G00703028	GUARD.DT.GRIS. CROMO ATLANTIS PARAFANGO ANTERIORE	FRONT FENDER	E G I	
03A		00G02209251	CALCA SUP.ESC.FR.ATLANT.AZ.LI. ADESIVO	DECAL	1 5 9	
03B		00G02209252	CALCA SUP.ESC.FR.ATLANT.AZ.LI. ADESIVO	DECAL	23 67 AB	
03C		00G02209253	CALCA SUP.ESC.FR.ATLANT.AZ.LI. ADESIVO	DECAL	4 8 C	



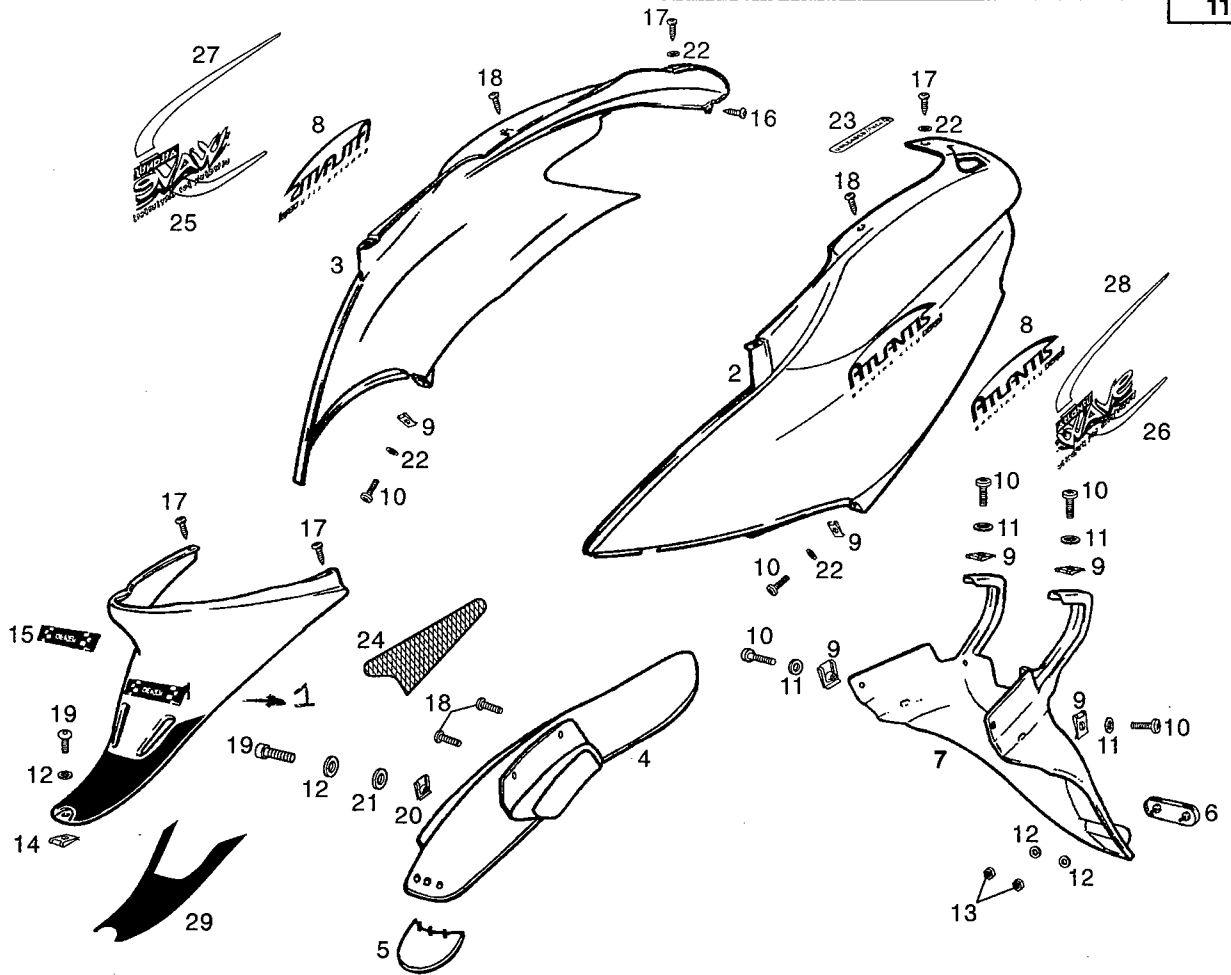
Figr.	Vers.	COD.	DESCRIPCIÓN / DENOMINAZIONE	DESIGNATION	MOD.	Nº CHASIS Nº TELAIO FRAME NUM.
04A		00G06803431	SCTO.INT.ESC.FR.C/GANCHO ATLAN CARENAT.INTERNO FRONTALE	FRONT SHIELD INNER	123456789 ABCDEFGH I	
05A		00G04403751	CATADIOPTRICOS.LAT.AMBAR.ATLAN CATARIFRANGENTI LATERALI	AMBER SIDE REFLECTOR PRED	123456789 ABCDEFGH I	
06A		00G06301101	GANCHO PORTABOLSA N.P.ATLANTIS GANCIO PORTABORSA	PANNIER HOOK	123456789 ABCDEFGH I	
07A		00G05902861	PROTECT.INF.CHASIS.ATLANTIS PROTETTORE INFERIORE TELAIO	LOWER FRAME SHIELD BIOT ORANGE	123456789 ABC	
07B		00G04603081	PROTECT.INF.CHASIS.ATLANTIS PROTETTORE INFERIORE TELAIO	LOWER FRAME SHIELD	DEF G H I	
08A		00G01504091	REPOSAPIES N.P.ATLANTIS APPOGGIAPIEDI	FOOTREST	123456789 ABCDEFGH I	
09A		00G06301061	CALCA CANDADO ATLANTIS ADESIVO LUCCHETTO	DECAL, PADLOCK	123456789 ABCDEFGH I	
10A		00G05700101	TOPE FARO DTRO.ATLANTIS FERMO FARO	HEADLIGHT STOP	123456789 ABCDEFGH I	
11A		00D01501371	TCA.FIJ.CUBRECAD.212827 DADO FISSAGGIO	NUT	123456789 ABCDEFGH I	
12A		00012161600	TOR.C/CRUZ.NG.6M100X16.D7985-Z VITE TESTA CROCE NERA	PHILIPS SCREW	123456789 ABCDEFGH I	
13A		00D01200171	ARAND.EJE LEVA-FIJ.CUBRECAD. RONDELLA	WASHER	123456789 ABCDEFGH I	
14A		00G04401461	TCA.FIJ.ESCUDO FRONTAL D.5 DADO FISSAGGIO SCUDO FRONTALE	FRONT SHIELD NUT	123456789 ABCDEFGH I	
15A		00000031050	ARAND.PLANA MEC.D.5.DIN125-B RONDELLA PIATTA D5	MACHINED FLAT WASHER D5	123456789 ABCDEFGH I	
16A		00000004515	TOR.C/ALLEN 5M80X15 D912/8.8NG VITE TESTA ALLEN 5M80X15.	ALLEN SCREW M5X15	123456789 ABCDEFGH I	
17A		00G01504701	TOR.FIJ.REPOSAPIES VECOS VITE FISSAGGIO	SCREW	123456789 ABCDEFGH I	



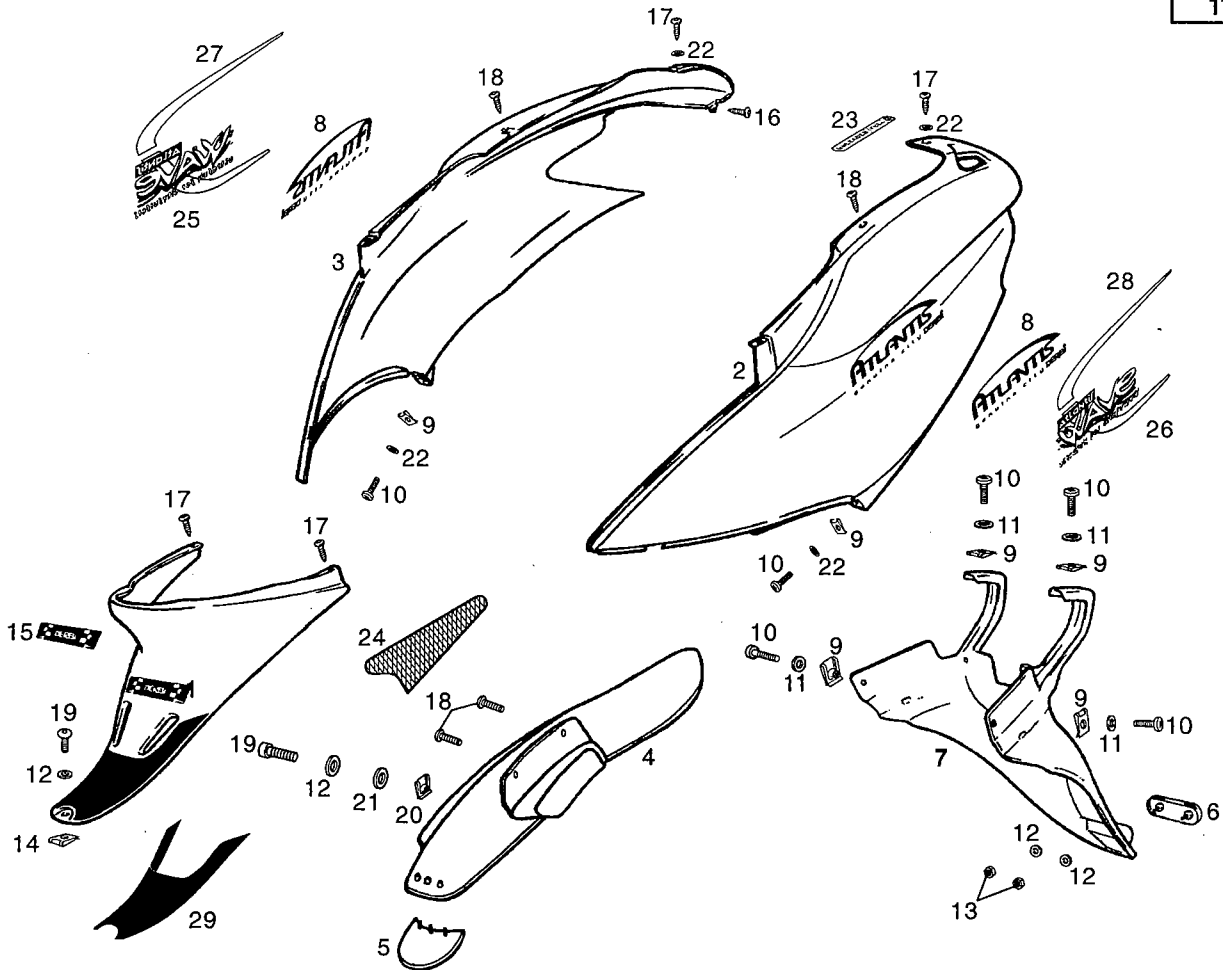
Figr.	Vers.	COD.	DESCRIPCIÓN / DENOMINAZIONE	DESIGNATION	MOD.	Nº CHASIS Nº TELAIO FRAME NUM.
18A		00012151500	TOR.C/RED.CRUZ.5M80X16.D7985NG VITE TESTA TONDA CROCE 5M80X16	ROUND HD CROSSHD SCREW	123456789 ABCDEFGHI	
19A		00G01503701	TOR.FIJ.ESC.FRONTAL HUNTER 5.6 VITE FISSAGGIO SCUDO FRONTALE	FRONT SHIELD SECURING SCREW	123456789 ABCDEFGHI	
20A		00D02600631	ARAND.TOPE MUELLE EMBRG.4-6V. RONDELLA FERMO MOLLA FRIZIONE	CLUTCH SPRING STOP WASHER	123456789 ABCDEFGHI	
21A		00000023040	TCA.AUTOBLOC. 4M70 D985 DADO AUTOBLOCCANTE 4M70	SELF-LOCKING NUT 4M70	123456789 ABCDEFGHI	
22A		00008062500	TOR.C/RED.ALLEN.6M100X25. VITE TONDO ALLEN 6M100X25	ALLEN ROUND HEAD SCR.6M100X25	123456789 ABCDEFGHI	
23A		00000031060	ARAND.PLANA MECANIZ.D.6.DIN125 RONDELLA PIATTA D6	MACHINED FLAT WASHER D6 DIN-12	123456789 ABCDEFGHI	
24A		00000023060	TCA.AUTOBLOC. 6M100.DIN-985.8 DADO AUTOBLOCCANTE 6M100	SELF-LOCKING NUT M6	123456789 ABCDEFGHI	
25A		00011052201	TOR.AUTRCTE.5X22 NG.CL ALH VITE AUTOFIETTANTE 5X22 NERA	SELF-TAPPING SCREW	123456789 ABCDEFGHI	
26A		00011055001	TOR.AUTRCTE.5,1X50 NG.CL ALH VITE AUTOFIETTANTE 5X50 NERA	SELF-TAPPING SCREW	123456789 ABCDEFGHI	
27A		00011051601	TOR.AUTRCTE.5X16 NG.CL ALH VITE AUTOFIETTANTE 5X16	SELF-TAPPING SCREW	123456789 ABCDEFGHI	
28A		00G04600371	CALCA EU APPROVAL ADESIVO EU APPROVAL	DECAL EU APPROVAL	9 ABC HI	
29A		00G02211251	CALCA ADESIVO	DECAL	123456789 ABCDEFGHI	
29B		00G02211252	CALCA ADESIVO	DECAL	123456789 ABCDEFGHI	
30A		00G04621111	CALCA ADESIVO	DECAL	D F H	
30B		00G04621112	CALCA ADESIVO	DECAL	E G I	



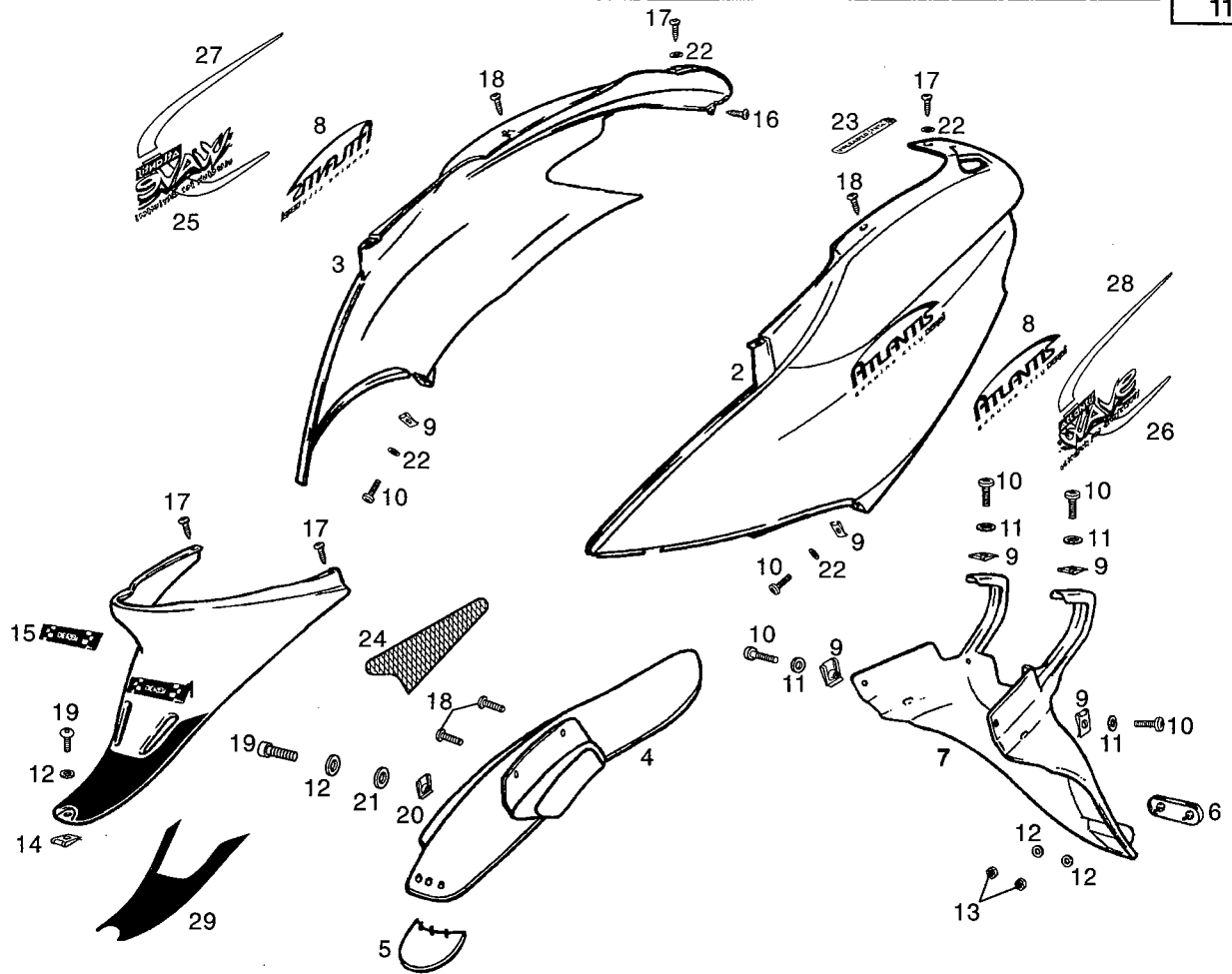
Figr.	Vers.	COD.	DESCRIPCIÓN / DENOMINAZIONE	DESIGNATION	MOD.	Nº CHASIS Nº TELAIO FRAME NUM.
31A		00G04611101	CALCA ADESIVO	DECAL	D F H	
31B		00G04611102	CALCA ADESIVO	DECAL	E G I	
32A		00G04907501	CALCA ADESIVO	DECAL	DEFGHI	



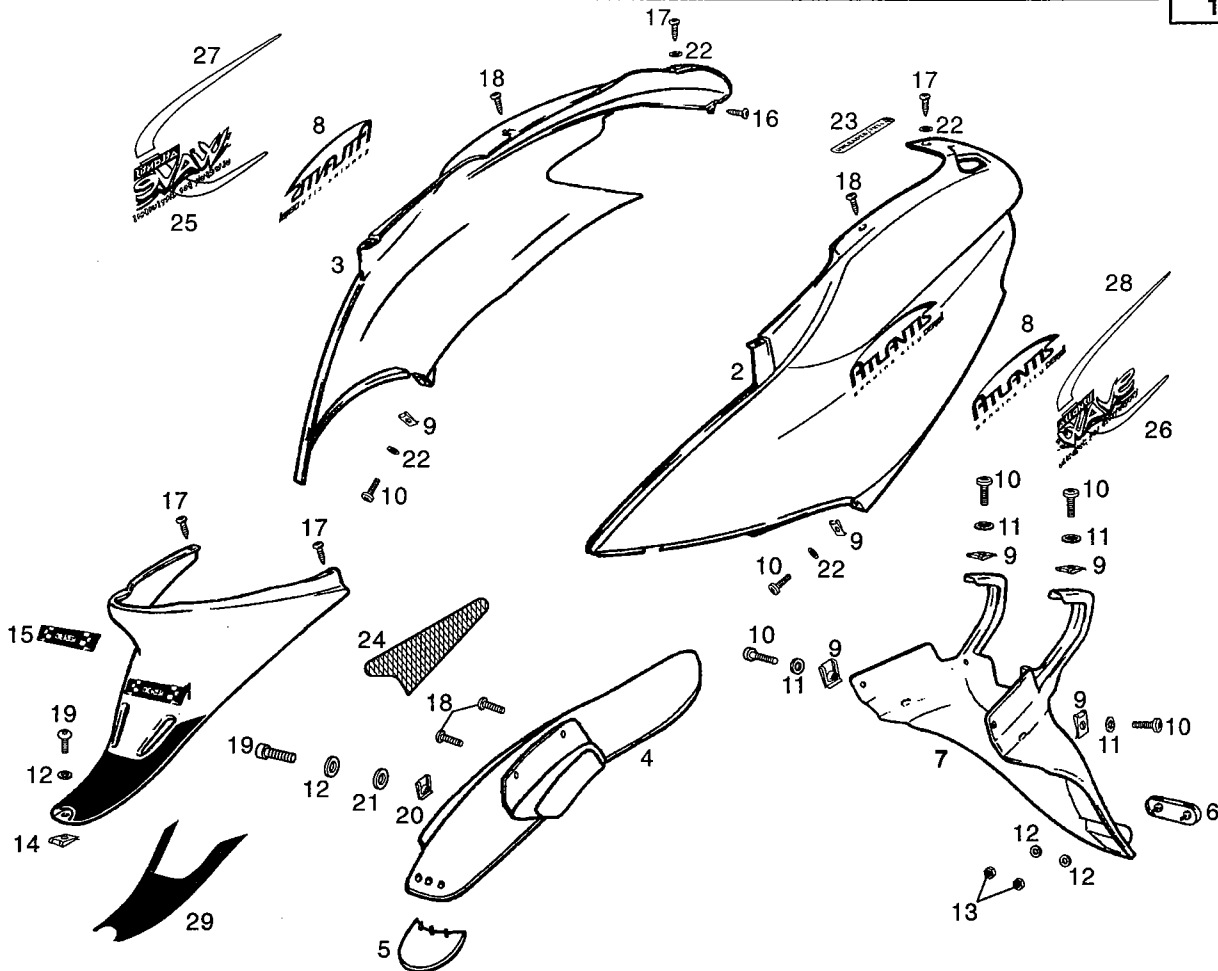
Figr.	Vers.	COD.	DESCRIPCIÓN / DENOMINAZIONE	DESIGNATION	MOD.	Nº CHASIS Nº TELAIO FRAME NUM.
01A		00G05906831	CUERPO INF.SILL.AZ.LI.ATLANTIS CORPO INFERIORE SELLA	LOWER SADDLE BASE	1 5 9	
01B		00G05906832	CUERPO INF.SILL.NG.VI.ATLANTIS CORPO INFERIORE SELLA	LOWER SADDLE BASE	2 6 A	
01C		00G05906833	CUERPO INF.SILL.AZ.EN.ATLANTIS CORPO INFERIORE SELLA	LOWER SADDLE BASE	3 7 B	
01D		00G05906834	CUERPO INF.SILL.RJ.AV.ATLANTIS CORPO INFERIORE SELLA	LOWER SADDLE BASE	4 8 C	
01E		00G05900581 00G05900581	CUERPO INF.SILL.RJ.PI.ATLANTIS CORPO INFERIORE SELLA	LOWER SADDLE BASE	D F H	
01F		00G05900582 00G05900582	CUERPO INF.SILL.GR.CR.ATLANTIS CORPO INFERIORE SELLA	LOWER SADDLE BASE	E G I	
02A		00G00502701	R-SCTO.TAPA LAT.IZ.AZ.LI.ATLAN COPERCHIO LATERALE SINISTRO	LH SIDE COVER SUB/ASSY	1 5 9	
02B		00G00502702	R-SCTO.TAPA LAT.IZ.NG.VID.ATLA COPERCHIO LATERALE SINISTRO	LH SIDE COVER SUB/ASSY	2 6 A	
02C		00G00502703	R-SCTO.TAPA LAT.IZ.AZ.END.ATLA COPERCHIO LATERALE SINISTRO	LH SIDE COVER SUB/ASSY	3 7 B	
02D		00G00502704	R-SCTO.TAPA LAT.IZ.RJ.AVE.ATLA COPERCHIO LATERALE SINISTRO	LH SIDE COVER SUB/ASSY	4 8 C	
02E		00G00511701	R-SCTO.TAPA LAT.IZ.RJ.PI.ATLA COPERCHIO LATERALE SINISTRO	LH SIDE COVER SUB/ASSY	D F H	
02F		00G00511702	R-SGTO.TAPA LAT.IZ.GR.CR.ATLA COPERCHIO LATERALE SINISTRO	LH SIDE COVER SUB/ASSY	E G I	
03A		00G00502691	R-SCTO.TAPA LAT.DR.AZ.LI.ATLAN COPERCHIO LATERALE DESTRO	RIGHT-HAND SIDE COVER	1 5 9	
03B		00G00502692	R-SCTO.TAPA LAT.DR.NG.VID.ATLA COPERCHIO LATERALE DESTRO	RIGHT-HAND SIDE COVER	2 6 A	
03C		00G00502693	R-SCTO.TAPA LAT.DR.AZ.END.ATLA COPERCHIO LATERALE DESTRO	RIGHT-HAND SIDE COVER	3 7 B	



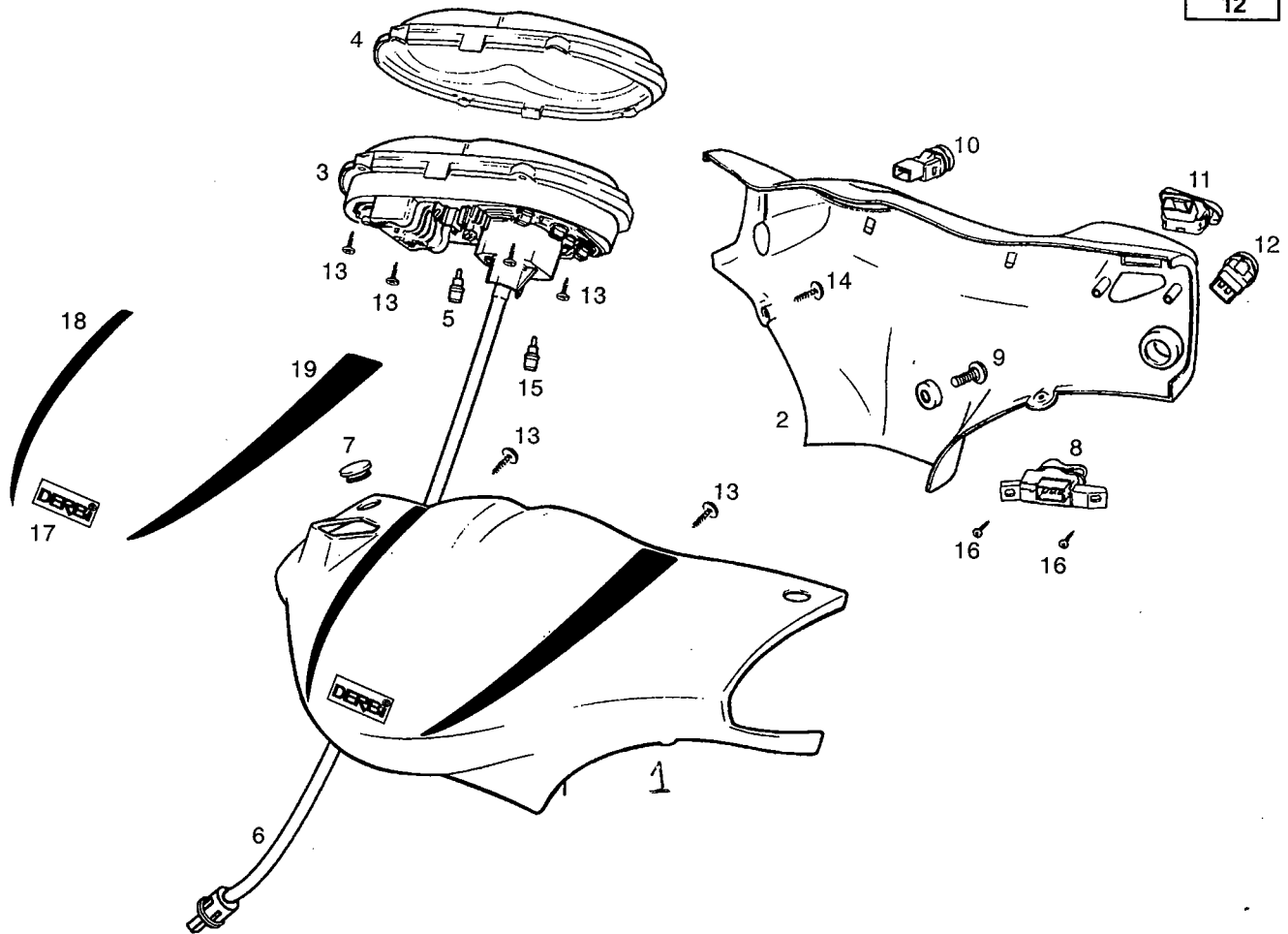
Figr.	Vers.	COD.	DESCRIPCIÓN / DENOMINAZIONE	DESIGNATION	MOD.	Nº CHASIS Nº TELAIO FRAME NUM.
03D		00G00502694	R-SCTO.TAPA LAT.DR.RJ.AVELL.AT COPERCHIO LATERALE DESTRO	RIGHT-HAND SIDE COVER	4 8 C	
03E		00G00511691	R-SCTO.TAPA LAT.DR.RJ.PIRO.ATL COPERCHIO LATERALE DESTRO	RIGHT-HAND SIDE COVER	D F H	
03F		00G00511692	R-SCTO.TAPA LAT.DR.GR.CR.ATL COPERCHIO LATERALE DESTRO	RIGHT-HAND SIDE COVER	E G I	
04A		00G00702141	GUARDAB.TR.PREDATOR PARAFANGO POSTERIORE	REAR MUDGUARD PREDATOR	123456789 ABCDEFGH I	
05A		00F00700381	SUPLEMTO.ANT.GUARDAB.TR.ST.A.E SUPPL. ANTERIORE PARAFANGO	SUPPLEM. REAR MUDGUARD,V.START	123456789 ABCDEFGH I	
06A		00G04403752	CATADIOPTRICOS ROJO.ATLANTIS CATARIFRANGENTI	REFLECTOR	123456789 ABCDEFGH I	
07A		00G01507861	SUPLEMTO.GUARD.TR.ATLANTIS SUPPLEMENTO PARAFANGHI POSTERI	REAR MUDGUARD EXTENSION	123456789 ABCDEFGH I	
08A		00G01819931	CALCA TAPA LAT.ATLANT.AZ.LINO ADESIVO	DECAL	1 5 9	
08B		00G01819932	CALCA TAPA LAT.DR.ATLANT.AZ.EN ADESIVO	DECAL	23 67 AB	
08C		00G01819933	CALCA TAPA LAT.DR.ATLANT.RJ.AV ADESIVO	DECAL	4 8 C	
09A		00D01501371	TCA.FIJ.CUBRECAD.212827 DADO FISSAGGIO	NUT	123456789 ABCDEFGH I	
10A		00012161600	TOR.C/CRUZ.NG.6M100X16.D7985-Z VITE TESTA CROCE NERA	PHILIPS SCREW	123456789 ABCDEFGH I	
11A		00D01200171	ARAND.EJE LEVA-FIJ.CUBRECAD. RONDELLA	WASHER	123456789 ABCDEFGH I	
12A		00D02600631	ARAND.TOPE MUELLE EMBRG.4-6V. RONDELLA FERMO MOLLA FRIZIONE	CLUTCH SPRING STOP WASHER	123456789 ABCDEFGH I	
13A		00000023040	TCA.AUTOBLOC. 4M70 D985 DADO AUTOBLOCCANTE 4M70	SELF-LOCKING NUT 4M70	123456789 ABCDEFGH I	



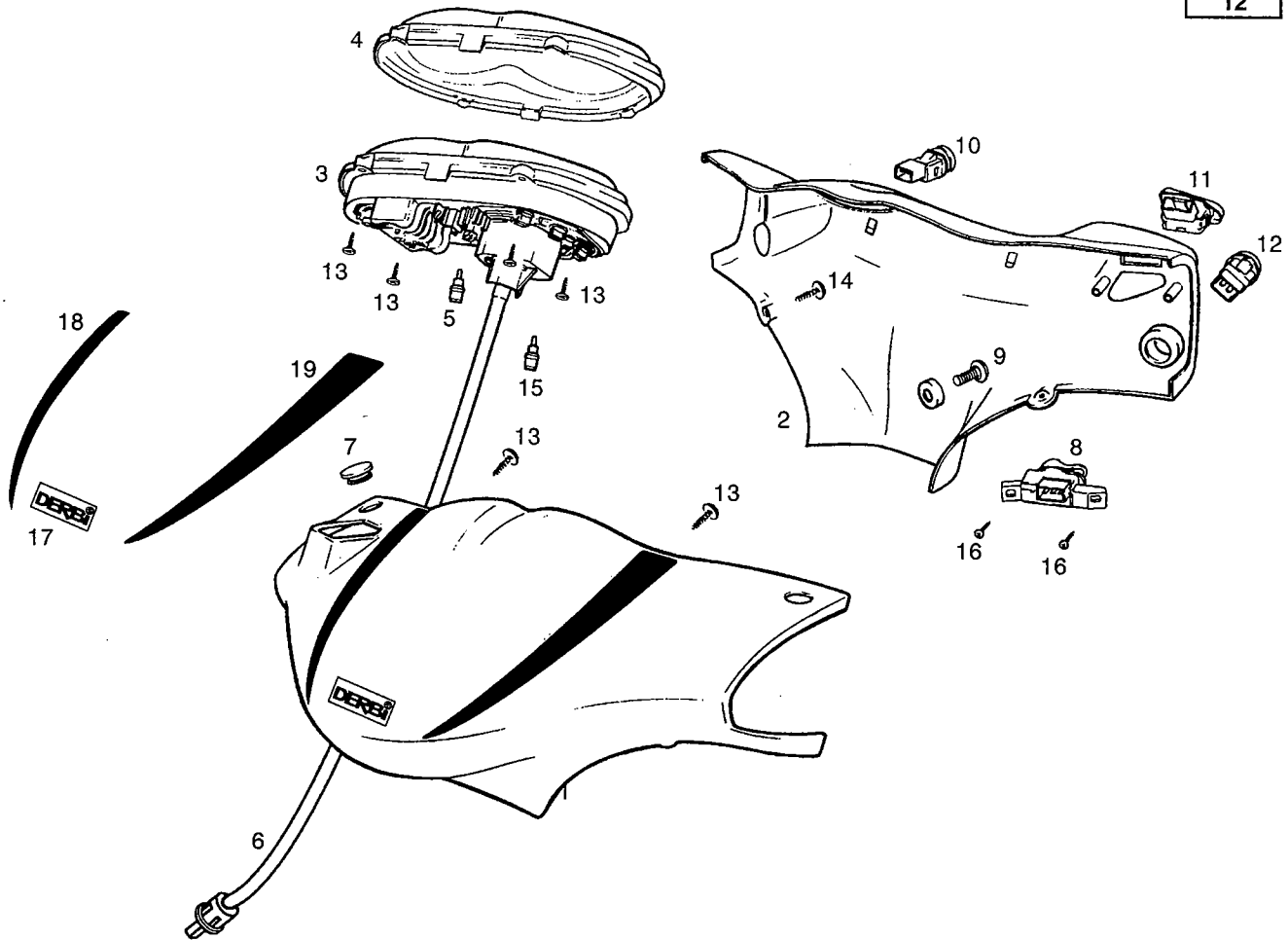
Figr.	Vers.	COD.	DESCRIPCIÓN / DENOMINAZIONE	DESIGNATION	MOD.	Nº CHASIS Nº TELAIO FRAME NUM.
14A		00G04401461	TCA.FIJ.ESCUDO FRONTAL D.5 DADO FISSAGGIO SCUDO FRONTALE	FRONT SHIELD NUT	123456789 ABCDEFGHI	
15A		00H04900231	CALCA DERBI 8 VECES GPR50R ADESIVO DERBI 8	DERBI 8 TIMES TRANSFER GPR 5	123456789 ABCDEFGHI	
16A		00011032501	TOR.AUTRCTE.3,6X25 NG.CL ALH VITE AUTOFILETTANTE 3,6X25	SCREW	123456789 ABCDEFGHI	
17A		00011051801	TOR.AUTRCTE.5,1X18 NG.CL ALH VITE AUTOFILETTANTE 5,1X18	SELF-TAPPING SCREW	123456789 ABCDEFGHI	
18A		00011051601	TOR.AUTRCTE.5X16 NG.CL ALH VITE AUTOFILETTANTE 5X16	SELF-TAPPING SCREW	123456789 ABCDEFGHI	
19A		00012151500	TOR.C/RED.CRUZ.5M8OX16.D7985NG VITE TESTA TONDA CROCE 5M8OX16	ROUND HD CROSSHD SCREW	123456789 ABCDEFGHI	
20A		00H01500691	TCA.FIJ.CÁRENADO A SOPTD.D.5 DADO FISSAGGIO CARENATURA	FAIRING SECURING NUT	123456789 ABCDEFGHI	
21A		00F04201361	ARAND.FIJ.PROTECT.SILENC.FURAX RONDELLA FISS.SILENZIATORE	SILENCER SHIELD SECURING WASH.	123456789 ABCDEFGHI	
22A		00000031060	ARAND.PLANA MECANIZ.D.6.DIN125 RONDELLA PIATTA D6	MACHINED FLAT WASHER D6 DIN-12	123456789 ABCDEFGHI	
23A		00G04401481	CALCA UNLEADED FUEL ADESIVO UNLEADED FUEL	DECAL UNLEADED	9 ABC H1	
24A		00G00700271	CALCA ADESIVO	DECAL	9 ABC H1	
25A		00G00503651	CALCA ADESIVO	DECAL	D F H	
25B		00G00503652	CALCA ADESIVO	DECAL	E G I	
26A		00G00501641	CALCA ADESIVO	DECAL	D F H	
26B		00G00501642	CALCA ADESIVO	DECAL	E G I	



Figr.	Vers.	COD.	DESCRIPCIÓN / DENOMINAZIONE	DESIGNATION	MOD.	Nº CHASIS Nº TELAIO FRAME NUM.
27A		00G00504221	CALCA ADESIVO	DECAL	D F H	
27B		00G00504222	CALCA ADESIVO	DECAL	E G I	
28A		00G00504231	CALCA ADESIVO	DECAL	D F H	
28B		00G00504232	CALCA ADESIVO	DECAL	E G I	
29A		00G04607501	CALCA ADESIVO	DECAL	DEFGHI	



Figr.	Vers.	COD.	DESCRIPCIÓN / DENOMINAZIONE	DESIGNATION	MOD.	Nº CHASIS Nº TELAIO FRAME NUM.
01A		00G01008511	CARCASA ANT.AZ.LINO.ATLANTIS CARENATURA ANTERIORE	FRONT BODY PANEL	1 5 9	
01B		00G01008512	CARCASA ANT.NG.VID.ATLANTIS CARENATURA ANTERIORE	FRONT BODY PANEL	2 6 A	
01C		00G01008513	CARCASA ANT.AZ.ENDR.ATLANTIS CARENATURA ANTERIORE	FRONT BODY PANEL	3 7 B	
01D		00G01008514	CARCASA ANT.ROJO AVEL.ATLANTIS CARENATURA ANTERIORE	FRONT BODY PANEL	4 8 C	
01E		00G02312491	CARCASA ANTERIOR ATLANTIS CARENATURA ANTERIORE	FRONT BODY PANEL		DEFGHI
02A		00G01011521	CARCASA POST.N.P.ATLANTIS CARENATURA POSTERIORE	REAR BODY PANEL	123456789 ABCDEFGHI	
03A		00G01615521	CTO.TABL.PORTAINST.ATLANTIS CRUSCOTTO	APRON INSTRUMENTATION HOLDER	123456789 ABCDEFGHI	
04A		00G01604071	R-CRISTAL TABLIER C/KMS.ATLANT PROTEZIONE TRASPARENTE	TRANSPARENT PROTECTION	123456789 ABCDEFGHI	
05A		00G01602581	R-CTO.PORTALAMP./LAMP.12V.1,2W PORTALAMPADE	BULB HOLDER AND 12V 1.2W BULB	123456789 ABCDEFGHI	
06A		00G01605021	CTO.CABLE-FDA CTA.KM.ATLANTIS CABLE	CABLE DUCT.KM.COUNTER	123456789 ABCDEFGHI	
07A		00G06303451	TAPON ALOJAMTO.ESPEJO DR.ATLAN ALLOGGIAMENTO SPECCHIO DESTRO	RIGHT CAP	123456789 ABCDEFGHI	
08A		00G01703701	CTO.CONMUT.INTTES.ATLANTIS COMMUTATORE INTERMITTENTE	SWITCH,TURN.SIGNA LLIGHTS	123456789 ABCDEFGHI	
09A		00G01503701	TOR.FIJ.ESC.FRONTAL HUNTER 5.6 VITE FISSAGGIO SCUDO FRONTALE	FRONT SHIELD SECURING SCREW	123456789 ABCDEFGHI	
10A		00G02101631	CTO.CONMUT.ARRQ.ELECTR.ATLANTI COMMUTATORE AVVIAM.ELETR	SWITCH SPRING HOLDER	123456789 ABCDEFGHI	
11A		00G02303171	CTO.CONMUT.LUCES ATLANTIS COMMUTATORE LUCI	LIGHT SWITCH	123456789 ABCDEFGHI	



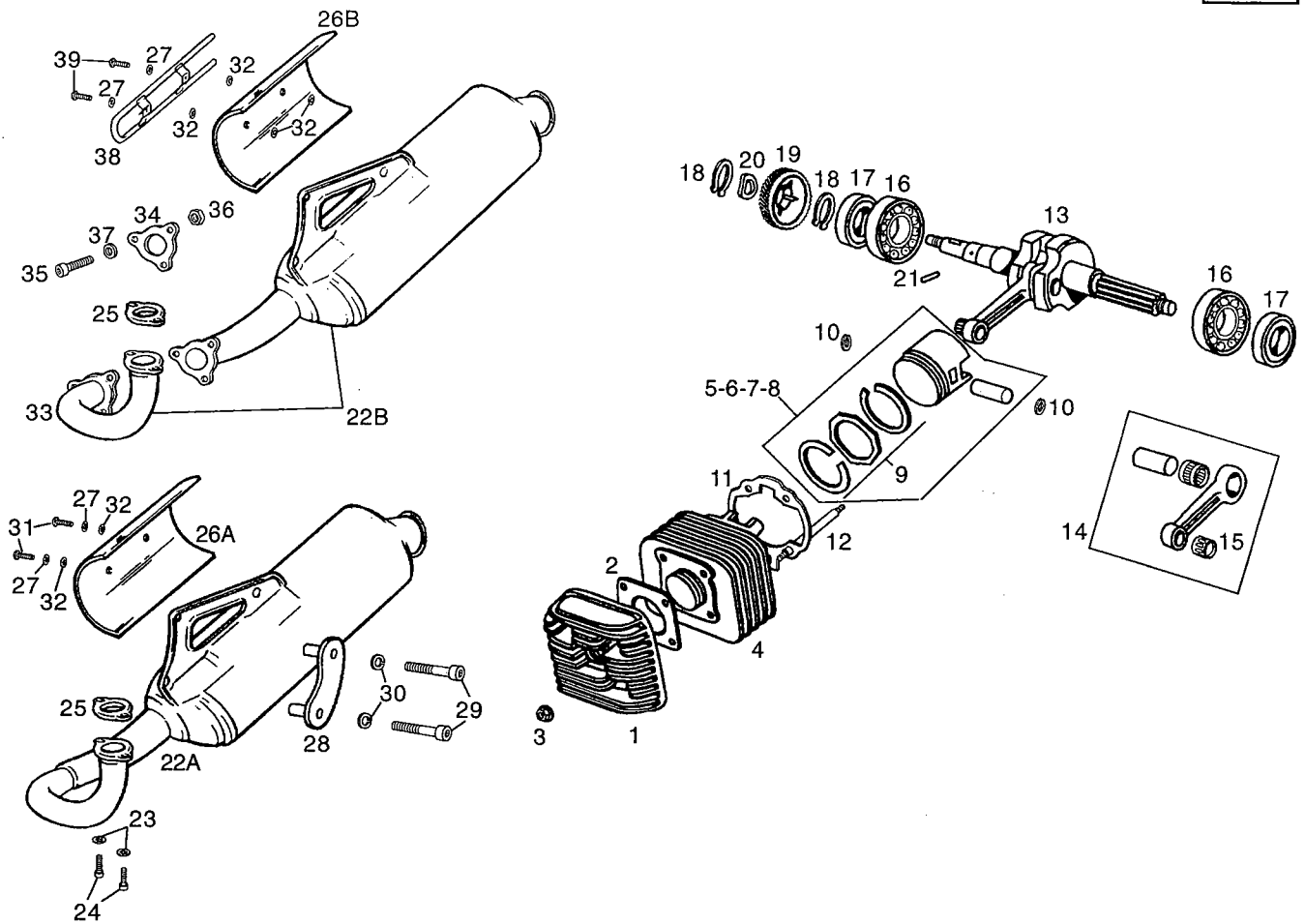
Figr.	Vers.	COD.	DESCRIPCIÓN / DENOMINAZIONE	DESIGNATION	MOD.	Nº CHASIS Nº TELAIO FRAME NUM.
-------	-------	------	-----------------------------	-------------	------	--------------------------------------

12A		00G01001811	CTO.PULSADOR CLAXON ATLANTIS BOTONE CLACSON	HORN,PULSATOR	123456789	ABCDEFGHI
13A		00011031401	TOR.AUTRCTE.3,6X14 NG.CL ALH VITE AUTOFILETTANTE 3,6X14	SELF-TAPPING SCREW	123456789	ABCDEFGHI
14A		00011031801	TOR.AUTRCTE.3,6X18 NG.CL ALH VITE AUTOFILETTANTE 3,6X18	SCREW	123456789	ABCDEFGHI
15A		00G01601581	R-CTO.PORTALAMP./LAMP.12V.2W. PORTALAMPADA 12V.	SOCKET,BULB	123456789	ABCDEFGHI
16A		00011031001	TOR.AUTRCTE.3,6X10 NG.CL ALH VITE AUTOFILETTANTE 3,6X10	SELF-TAPPING SCREW	123456789	ABCDEFGHI

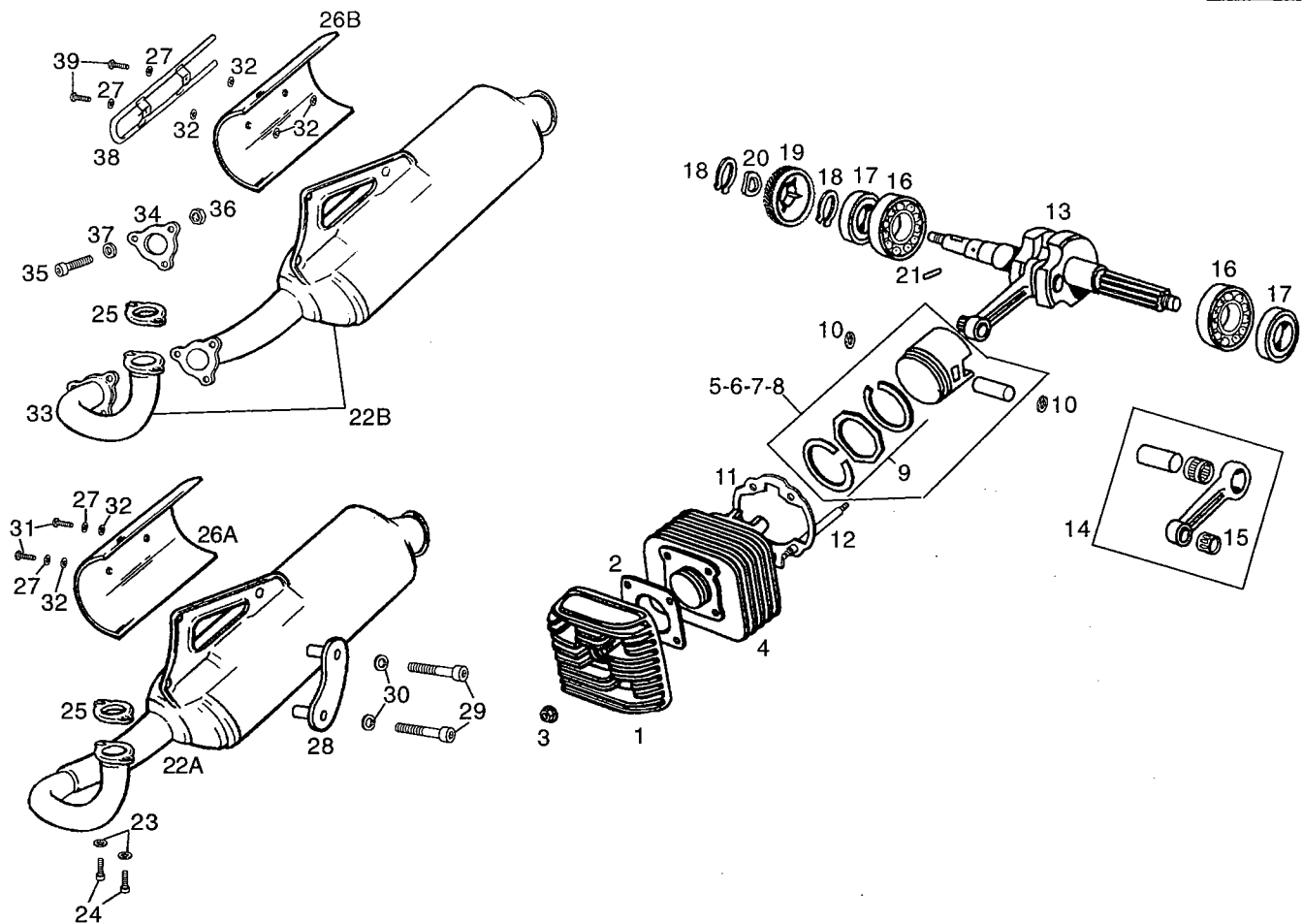
17A 00F01509781 CALCA DERBI

18A 00G01503251 CALCA DCHA. CARCASA

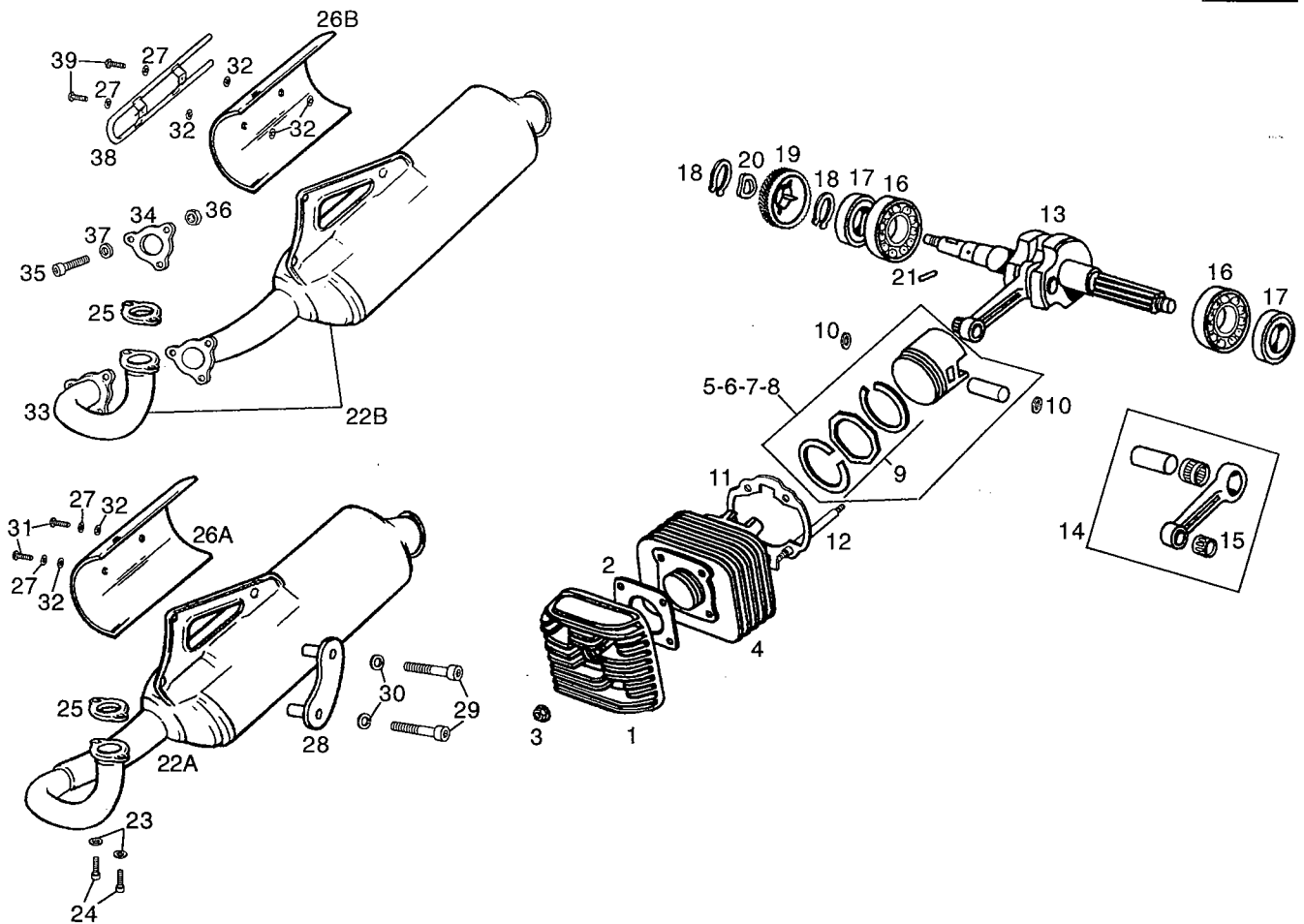
19A 00G01503331 L IZQDA. L



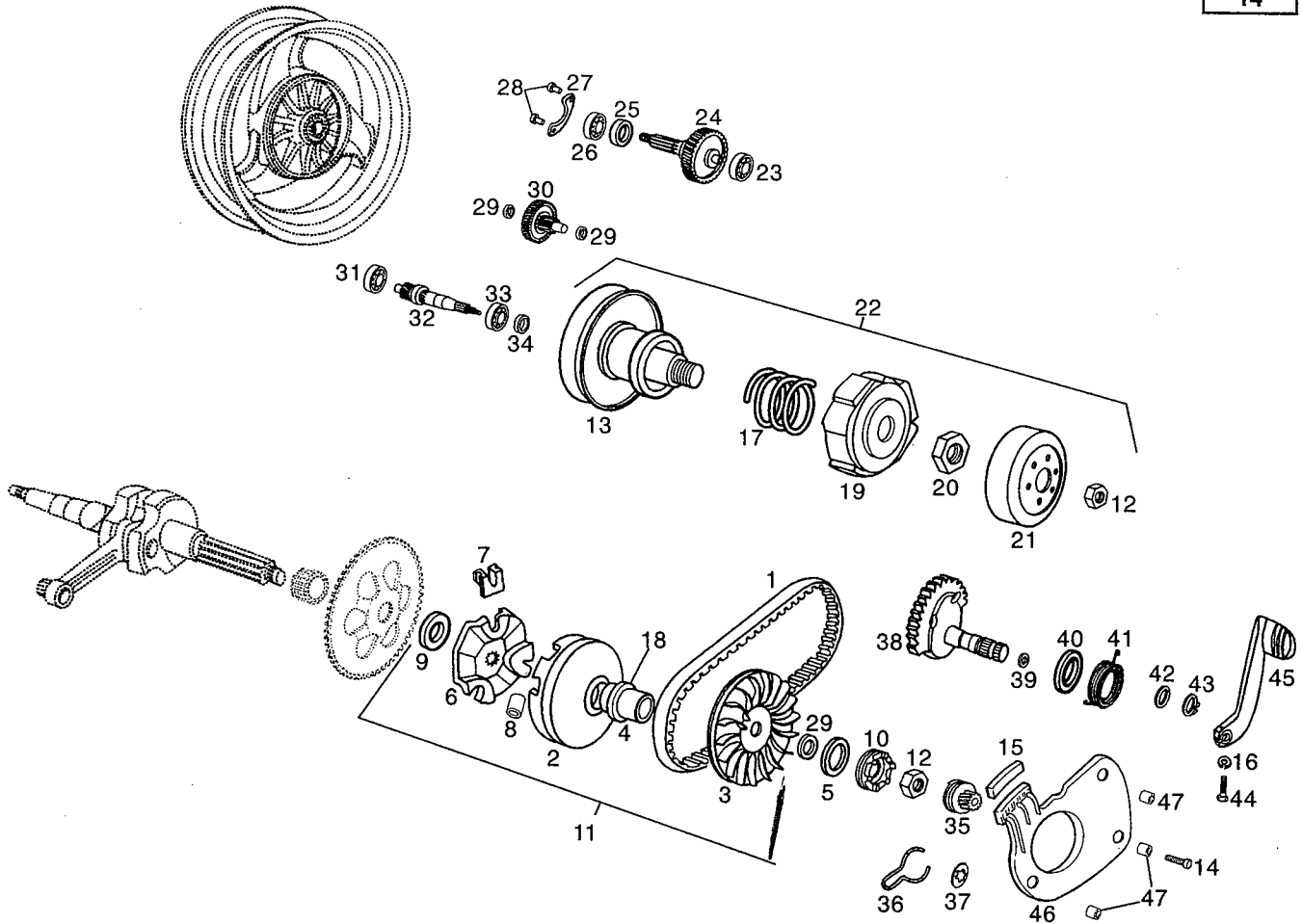
Figr.	Vers.	COD.	DESCRIPCIÓN / DENOMINAZIONE	DESIGNATION	MOD.	Nº CHASIS Nº TELAIO FRAME NUM.
01A		00G02501011	CULATA VAMOS-K TESTATA	CYLINDER HEAD	123456789 ABCDEFGHI	
02A		00G02500021	JUNTA CULATA VAMOS GUARNIZIONE TESTATA	CYLINDER HEAD GASKET	123456789 ABCDEFGHI	
03A		00026006002	TCA.EX.C/BRIDA.6M100.D-6923.10 DADO ESTERNO TESTA FLANGIA	HEX NUT WITH FLANGE	123456789 ABCDEFGHI	
04A		00G05014121	R-CTO.CILIND.PISTON PRED-E CILINDRO-PISTONE	CYLINDER/PISTON ASSY	12345678 DEFG	
04B		00G05016121	R-CTO.CILIND.PISTON PRED-E CILINDRO-PISTONE	CYLINDER/PISTON ASSY	9 ABC HI	
05A		00G02507091	R-CTO.PISTON (A) PADDOCK PISTONE (A)	PISTON(A)	123456789 ABCDEFGHI	
06A		00G02508091	R-CTO.PISTON (B) PADDOCK PISTONE (B)	PISTON(B)	123456789 ABCDEFGHI	
07A		00G02509091	R-CTO.PISTON (C) PADDOCK PISTONE (C)	PISTON(C)	123456789 ABCDEFGHI	
08A		00G02510091	R-CTO.PISTON (D) PADDOCK PISTONE (D)	PISTON(D)	123456789 ABCDEFGHI	
09A		00G05006101	R-CTO.AROS PISTON PADDOCK SEGMENTI PISTONE	RING, SET, PISTON	123456789 ABCDEFGHI	
10A		00G02501131	R-ANILLO BULON PADDOCK ANELLO SPINOTTO	RING SNAP	123456789 ABCDEFGHI	
11A		00G02501041	JUNTA CILINDRO VAMOS-K GUARNIZIONE BASE CILINDRO	CYLINDER GASKET	123456789 ABCDEFGHI	
12A		00G03002051	ESPARRGO CILINDRO VAMOS-K BULLONE CILINDRO	CYLINDER STUD	123456789 ABCDEFGHI	
13A		00G02502141	CTO.CIGÜEÑAL-BIELA.HUNTER ALBERO MOTORE	CRANKSHAFT/CONNECT. ROD ASSY	123456789 ABCDEFGHI	
14A		00G05001011	R-CTO.BIELA.HUNTER BIELLA	CONNECTING ROD ASSY	123456789 ABCDEFGHI	



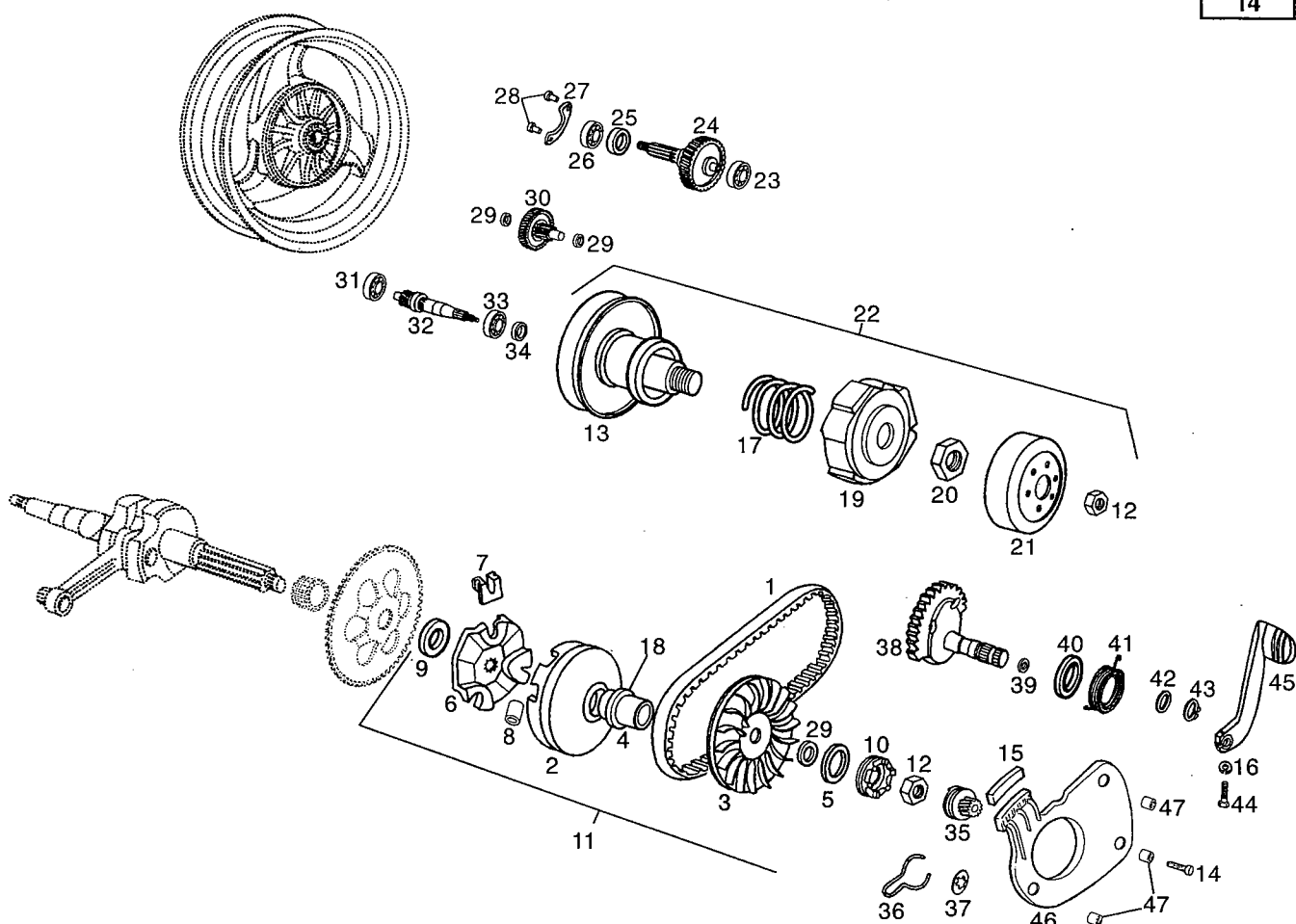
Figr.	Vers.	COD.	DESCRIPCIÓN / DENOMINAZIONE	DESIGNATION	MOD.	Nº CHASIS Nº TELAIO FRAME NUM.
15A		00G02500171	JAULA PIE BIELA VAMOS GABBIA PIEDE BIELLA	CONN ROD BIG END NEEDLE BEARIN	123456789	ABCDEFGHI
16A		00059220400	COJINETE 6204 PX2 V4 CUSCINETTO 6204 PX2 V4	BEARING	123456789	ABCDEFGHI
17A		00G02501231	RETEN CIGÜEÑAL.BASL.20X38X7.VM-K GIUNTO ALBERO GOMITO 20X38X7	SEAL, CRANKSHAFT 20X38X7	123456789	ABCDEFGHI
18A		00000047119	ANILLO SEG.EJES D19.DIN-471. ANELLO SICUREZZA ASSI D19	SHAFT SAFETY CIRCLIP	123456789	ABCDEFGHI
19A		00G03701101	TOR.MANDO BOMBA ACEITE.VAMOS-K VITE COMANDO POMPA OLIO	OIL PUMP CONTROL SCREW	123456789	ABCDEFGHI
20A		00G03700631	ARAND.FIJ.TOR.MANDO BOMBA.VM-K RONDELLA	OIL PUMP CTRL SCREW SEC WASHR	123456789	ABCDEFGHI
21A		00066031200	RODILLO 3X12. RULLO 3X12	ROLLER	123456789	ABCDEFGHI
22A		00G03429601	SCTO.SILENC/TUBO ESC.ATLANTIS TUBO SCAPPAMENTO	EXHAUST PIPE AND MUFFLER ASSY	12345678	DEFG
22B		00G03434601	SCTO.SILENC/TUBO ESC.ATLANTIS TUBO SCAPPAMENTO	EXHAUST PIPE AND MUFFLER ASSY	ABC	HI 9
23A		00000031060	ARAND.PLANA MECANIZ.D.6.DIN125 RONDELLA PIATTA D6	MACHINED FLAT WASHER D6 DIN-12	123456789	ABCDEFGHI
24A		00000004620	TOR.C/ALLEN.6M100X20.D-912/8.8 VITE TESTA ALLEN 6M100x20	ALLEN SCREW M6X20	123456789	ABCDEFGHI
25A		00G03400041	JUNTA TUBO ESCAPE. GUARNIZIONE SCARICO	EXHAUST GASKET	123456789	ABCDEFGHI
26A		00G01813391	PROTECTOR SILENC.ATLANTIS PROTEZIONE SILENZIATORE	SILENCER SHIELD	12345678	DEFG
26B		00G01814391	PROTECTOR SILENC.ATLANTIS PROTEZIONE SILENZIATORE	SILENCER SHIELD	ABC	HI 9
27A		00D02600631	ARAND.TOPE MUELLE EMBRG.4-6V. RONDELLA FERMO MOLLA FRIZIONE	CLUTCH SPRING STOP WASHER	123456789	ABCDEFGHI



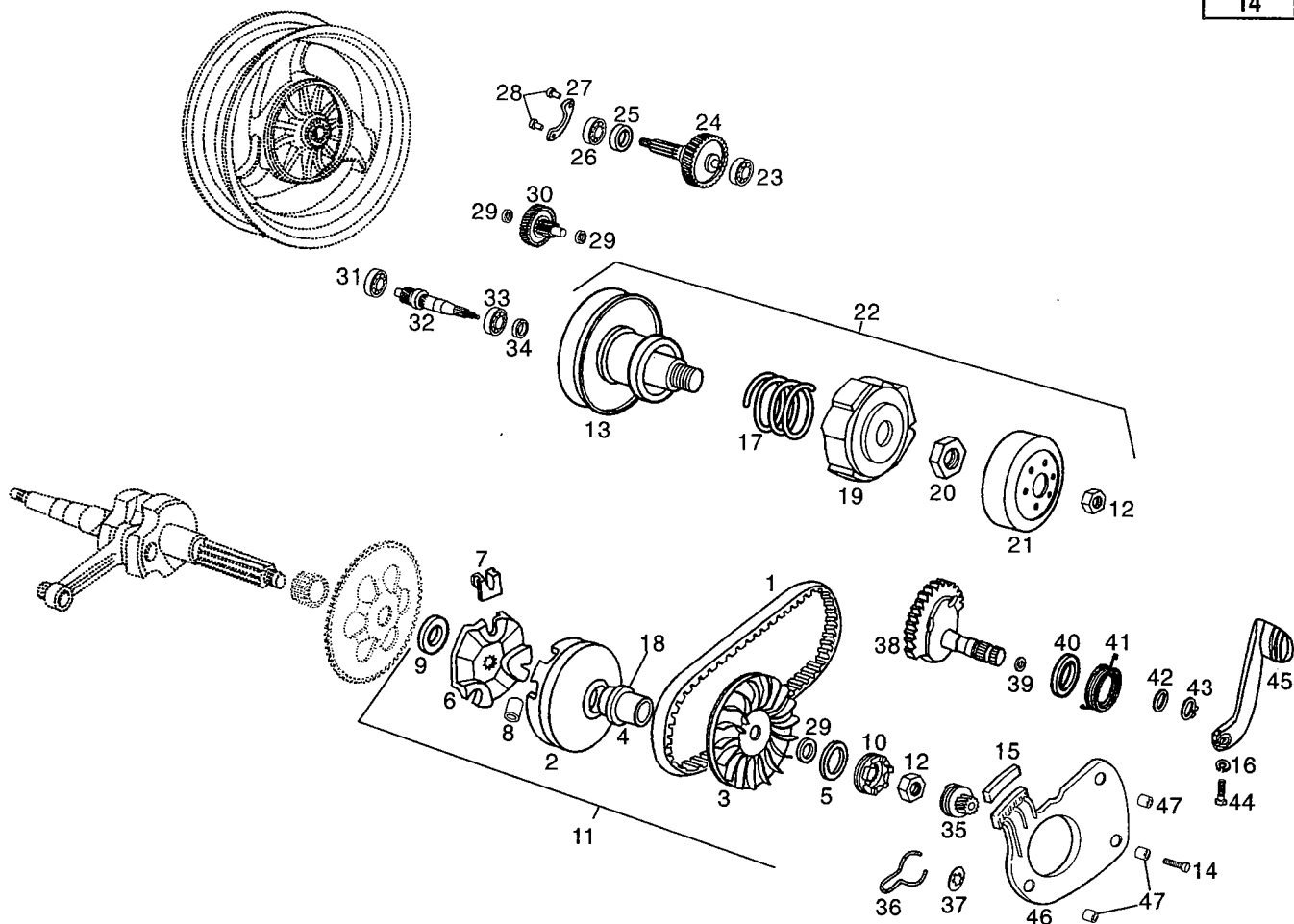
Figr.	Vers.	COD.	DESCRIPCIÓN / DENOMINAZIONE	DESIGNATION	MOD.	Nº CHASIS Nº TELAIO FRAME NUM.
28A		00G04200641	SCTO.CART.INT.SOPTE.SIL.HUN'97 NERVATURA INTERIORE SUPPORTO	INNER SILENCER BRACKET	123456789	ABCDEFGHI
29A		00004006500	TOR.C/ALLEN 10M150X65 10.9D912 VITE TESTA ALLEN 10M150X65	ALLEN SCREW 10M150X65	123456789	ABCDEFGHI
30A		00000033100	ARAND.MUELLE. D.10.DIN-127-B. RONDELLA MOLLA D.10	SPRING WASHER D.10 DIN-127-B	123456789	ABCDEFGHI
31A		00012151500	TOR.C/RED.CRUIZ.5M80X16.D7985NG VITE TESTA TONDA CROCE 5M80X16	ROUND HD CROSSHD SCREW	123456789	ABCDEFGHI
32A		00F04201361	ARAND.FIJ.PROTECT.SILENC.FURAX RONDELLA FISS.SILENZIATORE	SILENCER SHIELD SECURING WASH.	123456789	ABCDEFGHI
33A		00G03437011	SCTO.SILENC/TUBO ESC.ATLANTIS TUBO SCAPPAMENTO	EXHAUST PIPE AND MUFFLER ASSY	9	ABC HI
34A		00G03400321	JUNTA FIJ.SILENCIOSO HUNTER GUARNIZIONE FISSAGGIO MARMITTA	SILENCER SECURING GASKET	9	ABC HI
35A		00G05001061	TOR.FIJ.BOQ.CARBUR.HUNT.(6X20) VITE ATTACCO CARBURATORE	EXHAUT PIPE AND MUFFLER ASSY	9	ABC HI
36A		00026006001	TCA.EX.C/BRIDA.6M100.DIN-6927. VITE ESAGONALE CON FLANGIA 6M1	HEX NUT WITH FLANGE	9	ABC HI
37A		00000033060	ARAND.MUELLE. D.6.DIN-127-B. RONDELLA MOLLA D.6	SPRING WASHER D6	9	ABC HI
38A		00G03400891	SCTO. VARILLA PROTEC. SILENCIOSO ASTA PROTEZIONE SILENCIOSO	SILENCER PROTECTOR BAR	9	ABC HI
39A		00000012420	TOR.C/RED.CRUIZ 4M70X20 D7985NG VITE TESTA TONDA CROCE 4M70X20	ROUNDHEAD PHILIPS SCREW 4MM-.7	9	ABC HI



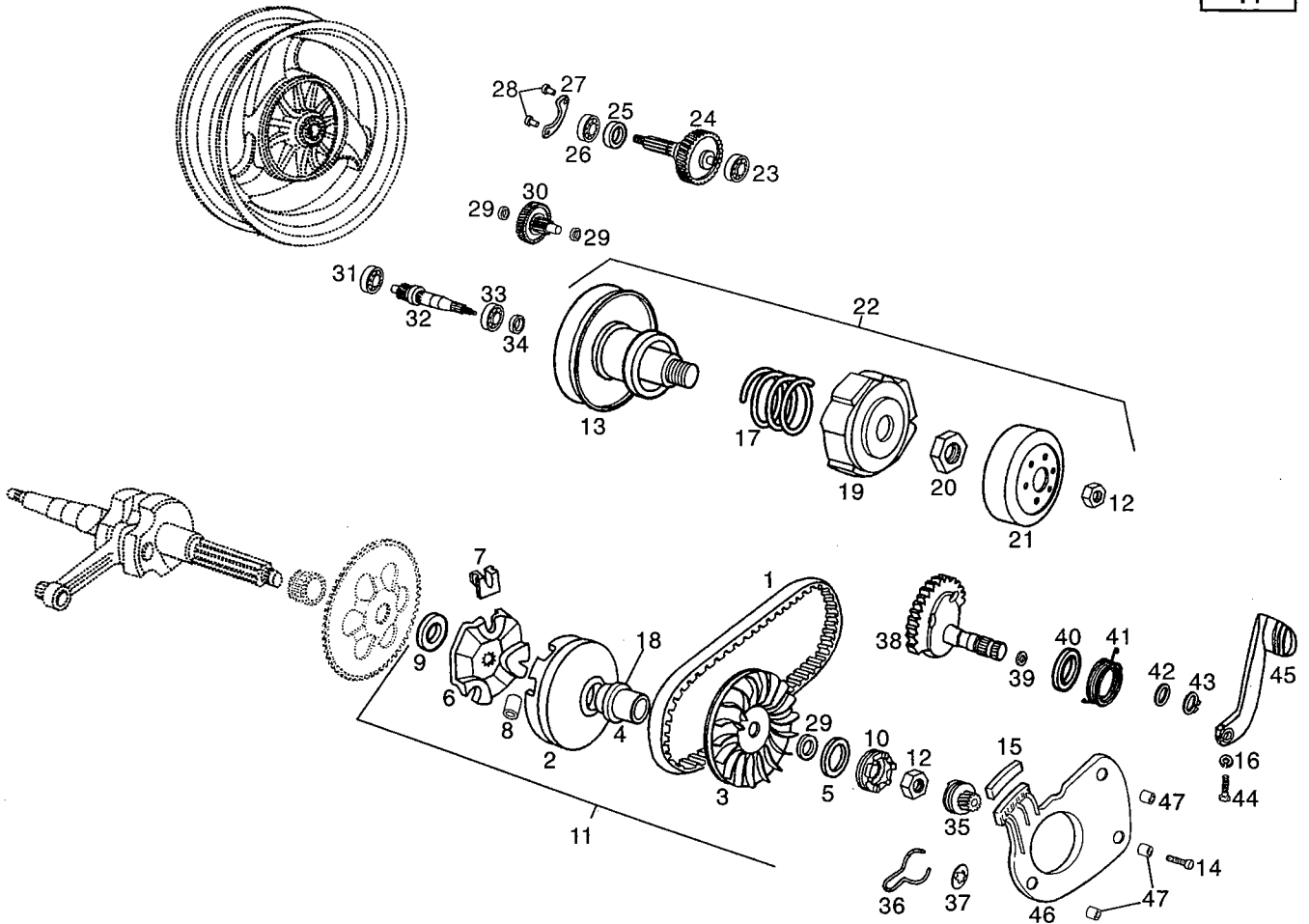
Figr.	Vers.	COD.	DESCRIPCIÓN / DENOMINAZIONE	DESIGNATION	MOD.	N° CHASIS N° TELAIO FRAME NUM.
01A		00G02605371	CORREA VARIADOR PREDATOR CINGHIA VARIATORE	DRIVE BELT	123456789 ABCDEFGHI	
02A		00G02605461	SCTO.CAMPANA DESLIZ.MASAS.ATLA SEMIPULEGGIA ANTERIORE	WEIGHTS DISPLACEMENT PULLEY	123456789 ABCDEFGHI	
03A		00G02605381	POLEA MOTRIZ ATLANTIS PULEGGIA MOTRICE	DRIVE PULLEY	123456789 ABCDEFGHI	
04A		00G03603651	CASQ.BUJE CAMPANA DESLIZ. DISTALZIALE	BUSHING	12345678 DEFG	
04B		00G03604651	CASQ.BUJE CAMPANA DESLIZ. DISTALZIALE	BUSHING	ABC 9 HI	
05A		00G02902091	ARAND.ARRASTRE POLEA MOTR.ATL. RONDELLA TRAINO PULEGGIA MOTRI	WASHER	12345678 DEFG	
05B		00G01302191	ARAND.ARRASTRE POLEA MOTR.ATL. RONDELLA TRAINO PULEGGIA MOTRI	WASHER	ABC 9 HI	
06A		00G02604831	PLACA DESLIZ.MASAS.ATLANTIS PIATTO CONTRASTO RULLI	WEIGHT COVER	123456789 ABCDEFGHI	
07A		00G03603091	GUIA PLACA DESLIZAM.MASAS ATL. PATTINO DI TRASCINAMENTO	WEIGHT COVER GUIDE	123456789 ABCDEFGHI	
08A		00G03614111	SCTO.ROD.MASAS CENT.ATLANTIS ASSIEME RULLINO	WEIGHT ROLLER SUB-ASSY	12345678 DEFG	
08B		00G03612111	SCTO.ROD.MASAS CENT.ATLANTIS ASSIEME RULLINO	WEIGHT ROLLER SUB-ASSY	ABC 9 HI	
09A		00G03901021	ARAND. TOPE CORONA ARRQ. ATL. RONDELLA FERMO CORONA AVVIAM.	STAR. CROWN WHEEL STOP WASH.	123456789 ABCDEFGHI	
10A		00G02900271	CAZLTA.ARRQ.VAMOS-K. SCODELLINO AVVIAMENTO	STARTER BOSS	123456789 ABCDEFGHI	
11A		00G03614611 00G03611611	R-CTO.VARIADOR ANTERIOR ATLANTIS VARIATORE ANT.	VARIATOR TRANSMISSION	12345678 DEFG	
11B		00G03613611	R-CTO.VARIADOR ANTERIOR ATLANTIS VARIATORE ANT.	VARIATOR TRANSMISSION	ABC 9 HI	



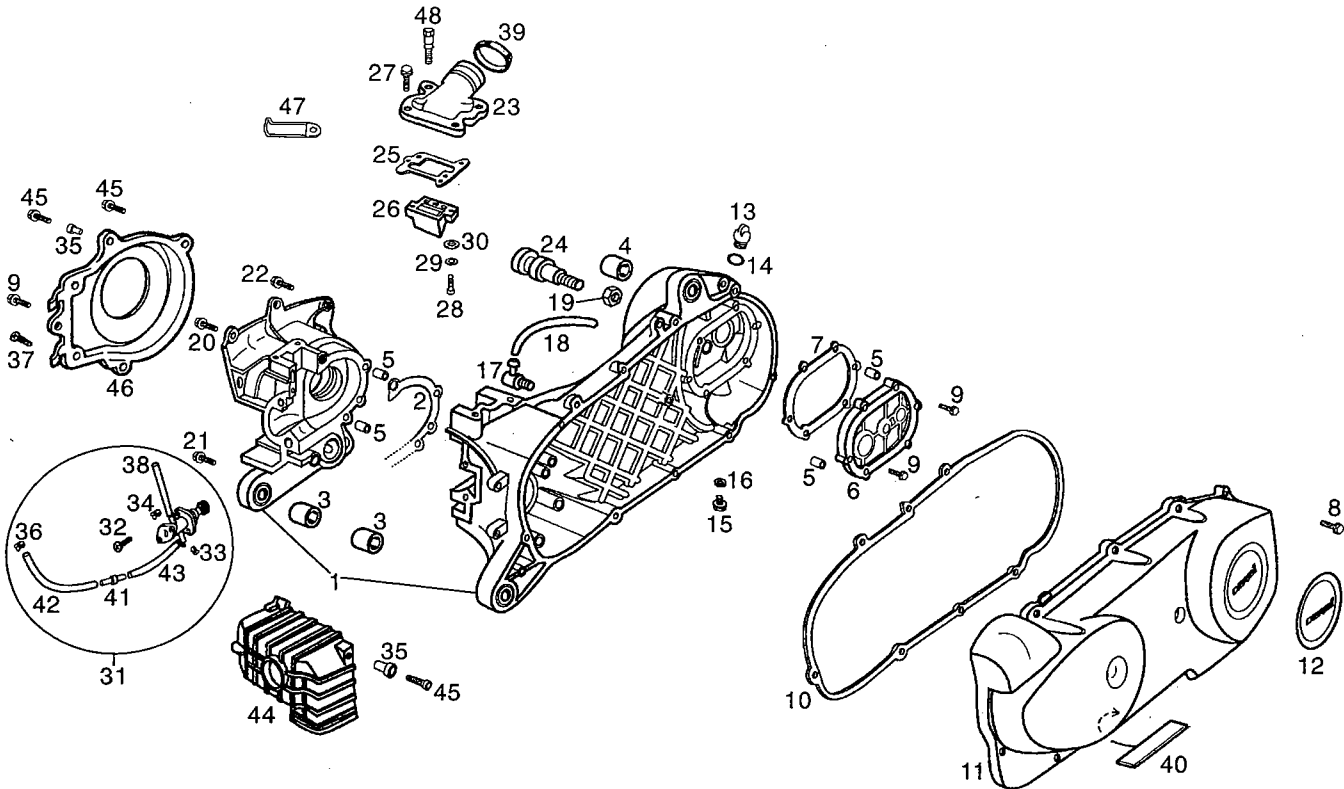
Figr.	Vers.	COD.	DESCRIPCIÓN / DENOMINAZIONE	DESIGNATION	MOD.	Nº CHASIS Nº TELAIO FRAME NUM.
12A		00026010000	TCA.C/BASE M.10M125.D-6923.C10 DADO CAMPANA	FLANGED NUT	123456789 ABCDEFGHI	
13A		00G03604981	CTO.POLEAS VAR.TR.ATLANTIS ASSEMBLE PULEGGE CONDOTTE	DRIVEN SHEAVE ASSY	123456789 ABCDEFGHI	
14A		00004161200	TOR.C/ALLEN.6M100X12.DIN-7984. VITE TESTA ALLEN 6M100X12	ALLEN SCREW 6M100X12	123456789 ABCDEFGHI	
15A		00G06401121	ESPUMA FILTRO VARIADOR PRED. ESPANSO FILTRO VARIATORE	FILTER	123456789 ABCDEFGHI	
16A		00000033060	ARAND.MUELLE. D.6.DIN-127-B. RONDELLA MOLLA D.6	SPRING WASHER D6	123456789 ABCDEFGHI	
17A		00G02604211	MUELLE VARIADOR ATLANTIS MOLLA VARIATORE	SPRING	123456789 ABCDEFGHI	
18A		00G03606191	ARAND.LIMIT.VELOC.PADD.L.C.FR. RONDELLA	WASHER	9 ABC HI	
19A		00G02606821	CTO.PLACA MORD.EMBRAG.ATLANTIS PIASTRA FRIZIONE	CLUTCH FRICTION PLATE ASSY	123456789 ABCDEFGHI	
20A		00G02602401	TCA.VARIADOR EMBRAGUE.ATLANTIS DADO CAMPANA	NUT	123456789 ABCDEFGHI	
21A		00G03604081	SCTO.CAMPANA EMBRAG.ATLANTIS CAMPANA FRIZIONE	CLUTCH HUB SUB-ASSY	123456789 ABCDEFGHI	
22A		00G03607561	CTO.VARIADOR POSTERIOR ATLANTI VARIATORE POST.	VARIATOR CLUTCH	123456789 ABCDEFGHI	
23A		00057120300	COJINETE 6203-C3 17.40.12 NACH CUSCINETTO 6203-C3 17x40x12	BEARING 6203 C-3 17.40.12	123456789 ABCDEFGHI	
24A		00G04005641	SCTO.EJE RUEDA REDUCT.PDD.L.C. ASSE RUOTA POSTERIORE	REDUCTION GEAR SHAFT SUB-ASSY	123456789 ABCDEFGHI	
25A		00G02401381	RETEN EJE RUEDA TR.VAMOS K ANELLO TENUTA ASSE RUOTA POST.	REAR SHAFT SEAL	123456789 ABCDEFGHI	
26A		00058020401	COJINETE 6204 20X47X14 2RS CUSCINETTO 6204 20X47X14 2RS	BEARING 20X47X14 2RSR	123456789 ABCDEFGHI	



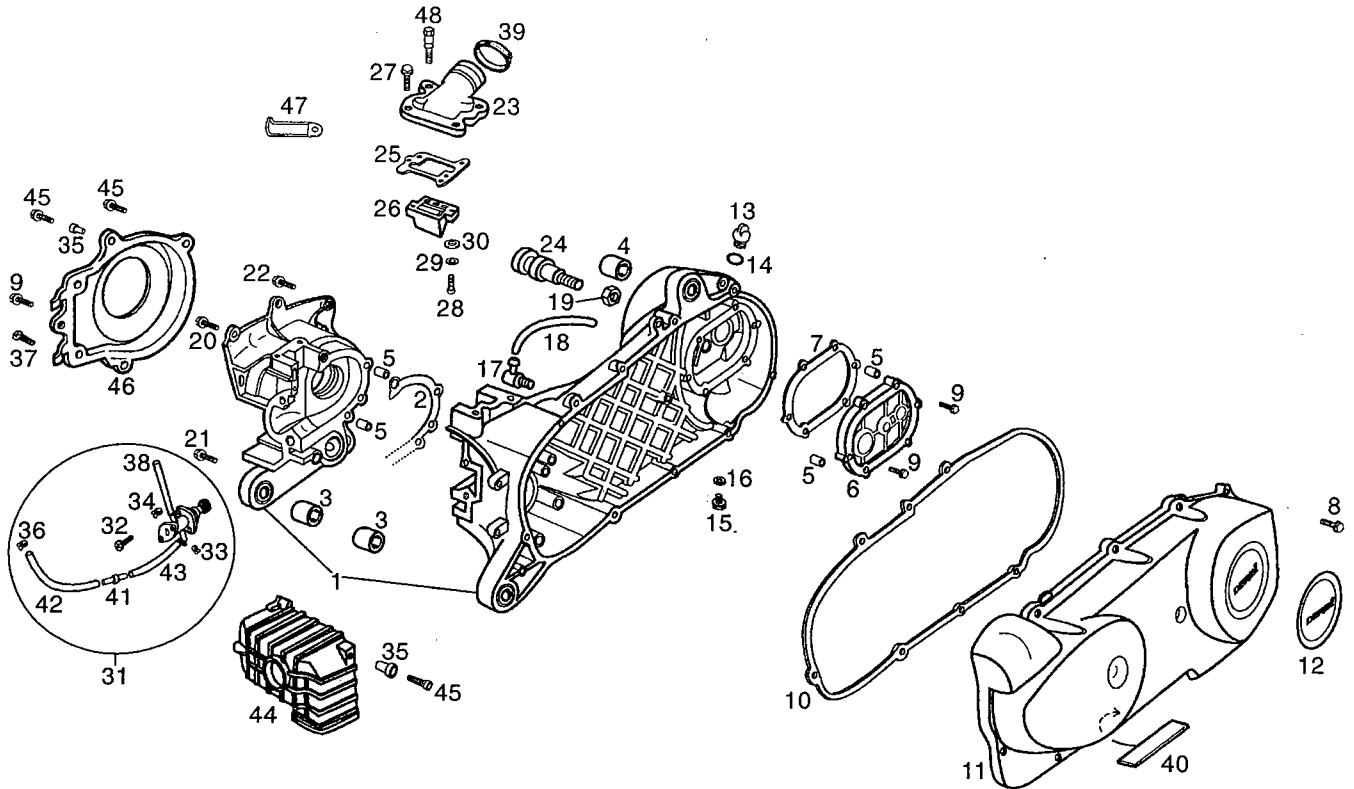
Figr.	Vers.	COD.	DESCRIPCIÓN / DENOMINAZIONE	DESIGNATION	MOD.	Nº CHASIS Nº TELAIO FRAME NUM.
27A		00G02801901	PRECTO.COJNTE.EJE POLEA REDUCT. PIASOLINA FISSAGGIO CUSCINETTO	REDUCER PULLEY SHAFT BEARING	123456789 ABCDEFGHI	
28A		00000013616	TOR.AV.ALL.6M100X16.NGR.D-7991 VITE INCASSATA ALLEN 6M100X16	COUNTERSUNK ALLEN SCREW	123456789 ABCDEFGHI	
29A		00006128280	ARAND.COJNTE.ROD.DCH. RONDELLA	WASHER	123456789 ABCDEFGHI	
30A		00G04003281	SCTO.EJE INTERM.REDUCT.PADD.LC ALBERO INTERMEDIO RIDUTTORE	INTERMEDIATE REDUCTION SHAFT	123456789 ABCDEFGHI	
31A		00057020100	COJINETE 6201 12X32X10 C3 CUSCINETTO 6201 12X32X10	BEARING 6201.C3.12X32X10	123456789 ABCDEFGHI	
32A		00G02802291	SCTO.EJE POLEAS PADD.L.C. ALBERO ENTRATA	PULLEY SHAFT SUB-ASSY	123456789 ABCDEFGHI	
33A		00057020400	COJINETE 6204 C3 20-47-14 CUSCINETTO 6204 C3 20X47X14	BEARING, CRANK 6204C3 20X47X14	123456789 ABCDEFGHI	
34A		00G02802471	RETEN EJE POLEAS HUNTER ANELLO TENUTA	PULLEY SHAFT SEAL	123456789 ABCDEFGHI	
35A		00G02900651	SCTO.PIÑON DESPLAZ.ARRQ.VAM-K. PIGNONE	STARTER SLIDER PINION SUB-ASSY	123456789 ABCDEFGHI	
36A		00G02901281	MUELLE RETENC.ARRQUE.VAMOS-K MOLLA TENUTA AVVIAMENTO	STARTER RETAINING SPRING	123456789 ABCDEFGHI	
37A		00F02900051	ARAND.RETENC.MUELLE ARRQ.URBAN RONDELLA TENUTA MOLLA AVVIAMEN	STARTER SPRING RETAINING WASH.	123456789 ABCDEFGHI	
38A		00G02903011	SCTO.EJE ARRANQUE HUNTER ALBERO MESSA IN MOTO	STARTER SHAFT SUB-ASSY	123456789 ABCDEFGHI	
39A		00F02900711	ANILLO TORICO EJE ARRANQ.URBAN ANELLO DI TENUTA	STARTER SHAFT O-RING	123456789 ABCDEFGHI	
40A		00G02900051	CASQ.TOPE SECTOR ARRQ.VAMOS-K GHIERA FERMO SETTORE AVVIAMENT	STARTER MECHANISM STOP BUSH	123456789 ABCDEFGHI	
41A		00G02900041	R-MUELLE ARRQ. MOLLA AVVIAMENTO	SPRING, STARTER RETURN	123456789 ABCDEFGHI	



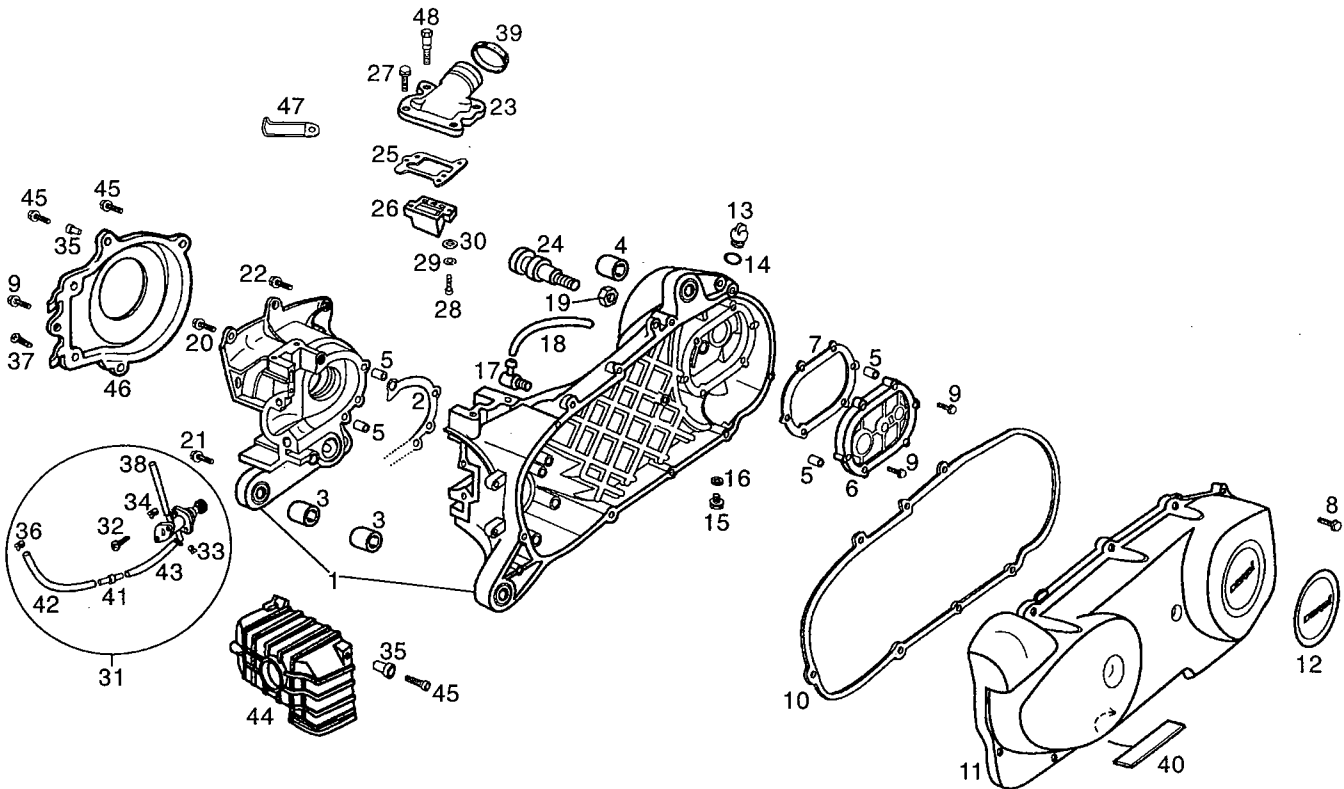
Figr.	Vers.	COD.	DESCRIPCIÓN / DENOMINAZIONE	DESIGNATION	MOD.	Nº CHASIS Nº TELAIO FRAME NUM.
42A		00G02900661	ARAND.REGLEJE ARRQ.VAMOS-K. RONDELLA REGOLAZIONE ALBERO	STARTER SHAFT SHIM WASHER	123456789 ABCDEFGHI	
43A		00000047114	ANILLO SEG.EJES D14.DIN-471. ANELLO SICUREZZA ASSI D14	CIRCLIP D14	123456789 ABCDEFGHI	
44A		00000004620	TOR.C/ALL.6M100X20 VITE TESTA ALLEN 6M100X20	ALLEN SCREW M6X20	123456789 ABCDEFGHI	
45A		00G02902422	R-CTO.PALANCA ARRQ.GR.ZIRCON. LEVA AVVIAMENTO	KICK START LEVER ASSY	123456789 ABCDEFGHI	
46A		00G02900171	CTO.PLACA PROTECC.ARRQ.HUNTER PIASTRA PROTEZIONE	STARTER COVER PLATE AND BUSH	123456789 ABCDEFGHI	
47A		00H06300281	CASQ.FIJ.PROT.INTERR.ROTAT. CASQ.FIJ.PROT.INTERR.ROTAT.	ROTATION SWITCH PROTECTOR SEC.	123456789 ABCDEFGHI	



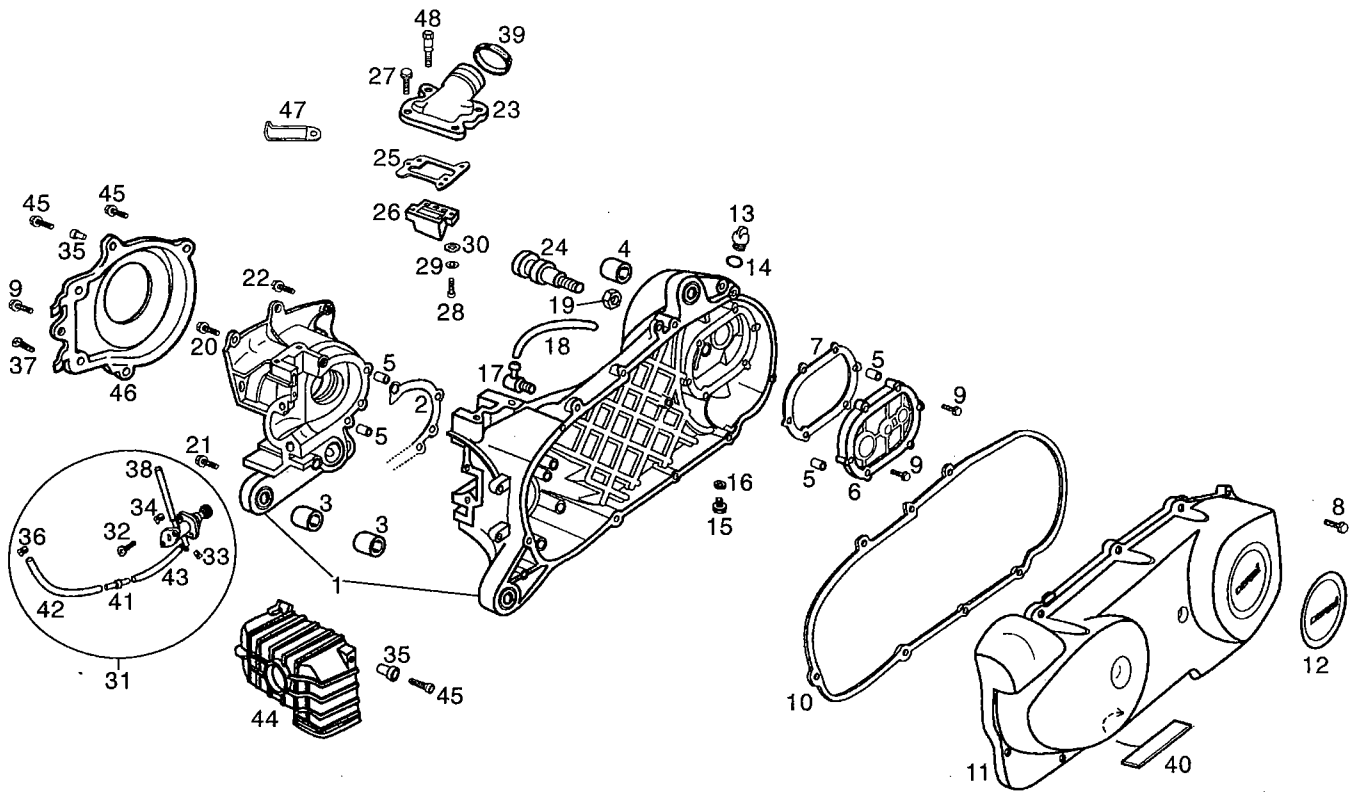
Figr.	Vers.	COD.	DESCRIPCIÓN / DENOMINAZIONE	DESIGNATION	MOD.	Nº CHASIS Nº TELAIO FRAME NUM.
01A		00G03009631	CTO.CARTERS PREDATOR-E CARTER COMPLETO	CRANKCASE ASSY	123456789 ABCDEFGHI	
02A		00G03001031	JUNTA CARTERS.VAMOS-K. GUARNIZIONE CARTER	CRANKCASE GASKET	123456789 ABCDEFGHI	
03A		00G02201711	SCTO.SILENTB.FIJ.MOTOR.VAMOS-K SILENTBLOCK ATTACO MOTORE	ENGINE MOUNT BUSHINGS SUB-ASSY	123456789 ABCDEFGHI	
04A		00G01800141	SCTO.SILENTB.AMORTIGD. SILENTBLOCK ATTACO AMMORTIZZAT	SHOCK ABSORBER MOUNT BUSHING	123456789 ABCDEFGHI	
05A		00G03001021	CENTRADOR CARTERS.VAMOS-K. BOCCOLA	CRANKCASE LOCATOR	123456789 ABCDEFGHI	
06A		00G03002331	TAPA REDUCTOR HUNTER COPERCHIO RIDUTTORE	CRANCKCASE COVER	123456789 ABCDEFGHI	
07A		00G06401031	JUNTA TAPA REDUCTOR.VAMOS-K. GUARNIZIONE COPERCHIO RIDUTTOR	CRANKCASE COVER GASKET	123456789 ABCDEFGHI	
08A		00G03900821	TOR.FIJ.PLAT.MOT.ARR.HUNT.6X30 VITE PIATTO MOTORINO AVVIAMEN	STARTER MOTOR SUPPORT PLATE	123456789 ABCDEFGHI	
09A		00G03000211	TOR.FIJ.TAPA CART.IZ.HUNT.6X25 VITE	LEFT CRANKCASE COVER SECURING	123456789 ABCDEFGHI	
10A		00G03001321	JUNTA TAPA CARTER IZQ.HUNTER GUARNIZIONE COPERCHIO CARTER	LEFT CRANKCASE COVER GASKET	123456789 ABCDEFGHI	
11A		00G06401065	R-SCTO.TAPA CARTER IZ.C/EJE COPERCHIO CARTER	LH CRNKCASE CVR SUB/ASS W/SHAF	123456789 ABCDEFGHI	
12A		00G04401991	PLACA DERBI TAPA CARTER IZ.HUN PIASTRINA COPERCHIO CARTER	LEFT CRANKCASE COVER DERBI SHI	123456789 ABCDEFGHI	
13A		00G03000081	TOR.LLENADO ACEITE.VAMOS-K. VITE RIEMPIMENTO OLIO	OIL FILLER CAP	123456789 ABCDEFGHI	
14A		00G03000621	ANILLO TORICO TOR.LLENADO ACTE ANELLO VITE RIEMPIMENTO OLIO	OIL FILLER CAP O-RING	123456789 ABCDEFGHI	
15A		00G03000131	TOR.VACDO.ACTE.8M125X16.D-6921 VITE SVUOTAMENTO OLIO 8M125X16	OIL DRAIN PLUG	123456789 ABCDEFGHI	



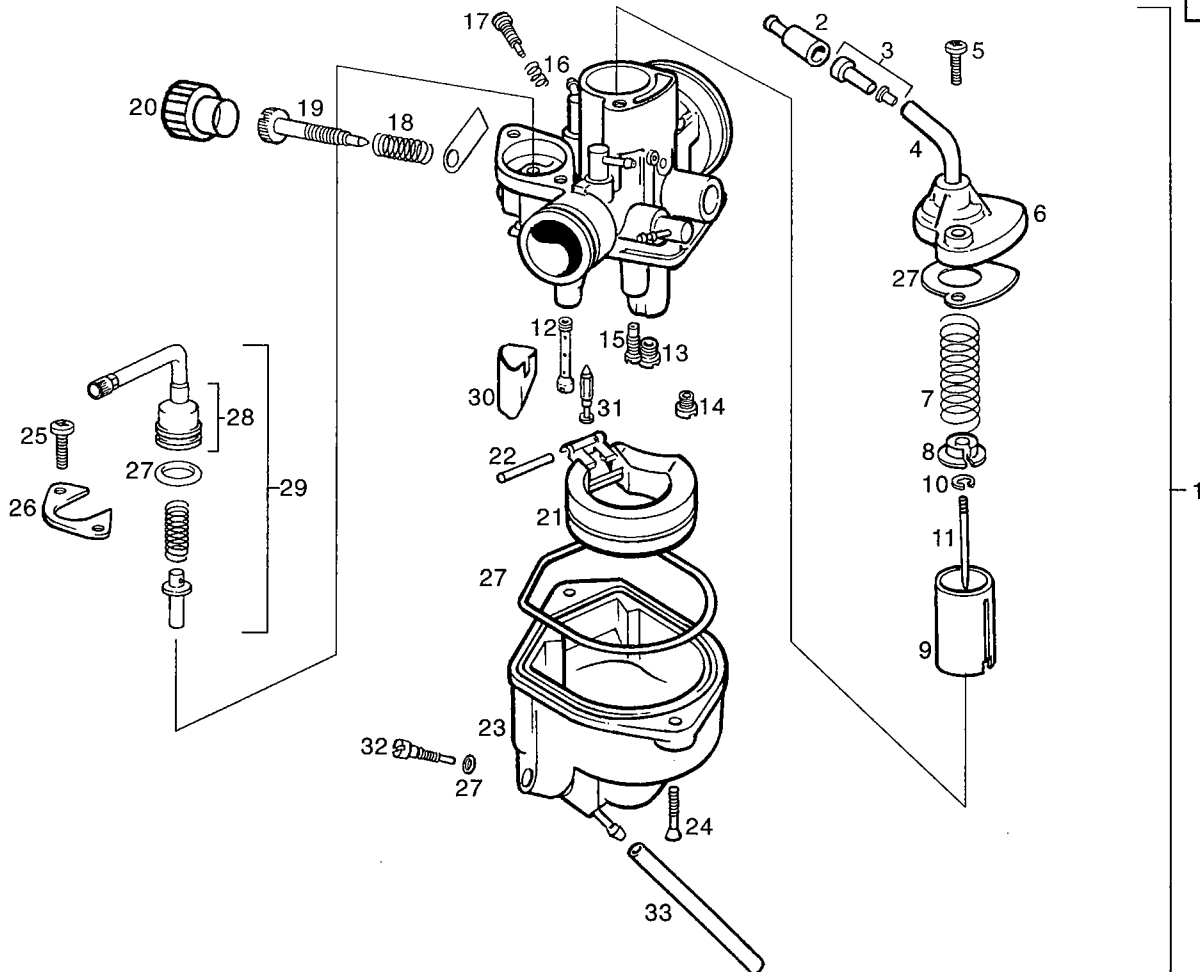
Figr.	Vers.	COD.	DESCRIPCIÓN / DENOMINAZIONE	DESIGNATION	MOD.	Nº CHASIS Nº TELAIO FRAME NUM.
16A		00G03000121	ARAND.VACDO.ACEITE.VAMOS-K. RONDELLA SVUOTAMENTO OLIO	OIL DRAIN PLUG WASHER	123456789 ABCDEFGHI	
17A		00G03000601	RACORD SALIDA GASES CARTER. RACCORDO USCITA GAS CARTER	CRANKCASE BREAT. TUBE CONNec.	123456789 ABCDEFGHI	
18A		00G03000651	TUBO SALIDA GASES CARTER HUNTER. TUBO USCITA GAS CARTER	ENGINE BREATHER TUBE	123456789 ABCDEFGHI	
19A		00023108000	TCA.AUTOBLOC. 8M125.DIN-985.8 DADO AUTOBLOCCANTE 8M125	SELF-LOCKING NUT M8	123456789 ABCDEFGHI	
20A		00G03001091	TOR.FIJ.CARTERS.(6X35)HUNTER VITE FISSAGGIO CARTER (6X35)	CRANKCASE SECURING SCREW	123456789 ABCDEFGHI	
21A		00G03002091	TOR.FIJ.CARTERS.(6X40)HUNTER VITE FISSAGGIO CARTER (6X40)	CRANKCASE SECURING SCREW	123456789 ABCDEFGHI	
22A		00G03003091	TOR.FIJ.CARTERS.(6X55)HUNTER VITE FISSAGGIO CARTER (6X50)	CRANKCASE SECURING SCREW	123456789 ABCDEFGHI	
23A		00G02500061	BOQUILLA CARBURADOR HUNTER ATTACCO CARBURATORE	INTAKE MANIFOLD W/REED VALVE	123456789 ABCDEFGHI	
24A		00G01200151	EJE GIRO MORDAZAS. ASSE GIRO GANASCE	BRAKE SHOE SHAFT	123456789 ABCDEFGHI	
25A		00G02501051	JUNTA BOQ.CARBUR.VAMOS-K GUARNIZIONE ATTACCO CARBURATOR	INLET MANIFOLD GASKET	123456789 ABCDEFGHI	
26A		00G02501641	CTO.SOPTE.VALV.ADMISION HUNTER VALVOLA LAMELLARE	REED VALVE BRACKET	123456789 ABCDEFGHI	
27A		00G05001061	TOR.FIJ.BOQ.CARBUR.HUNT.(6X20) VITE ATTACCO CARBURATORE	INLET MANIFOLD SECURING SCREW	123456789 ABCDEFGHI	
28A		00000012420	TOR.C/RED.CRUZ 4M70X20 D7985NG VITE TESTA TONDA CROCE 4M70X20	ROUNDHEAD PHILIPS SCREW	123456789 ABCDEFGHI	
29A		00000031040	ARAND.PLANA MECANIZ.D.4.NG RONDELLA PIATTA D4	MACHINED FLAT WASHER D4	123456789 ABCDEFGHI	
30A		00000033040	ARAND.MUELLE.D.4.DIN-127-B. RONDELLA MOLLA D4	SPRING WASHER	123456789 ABCDEFGHI	



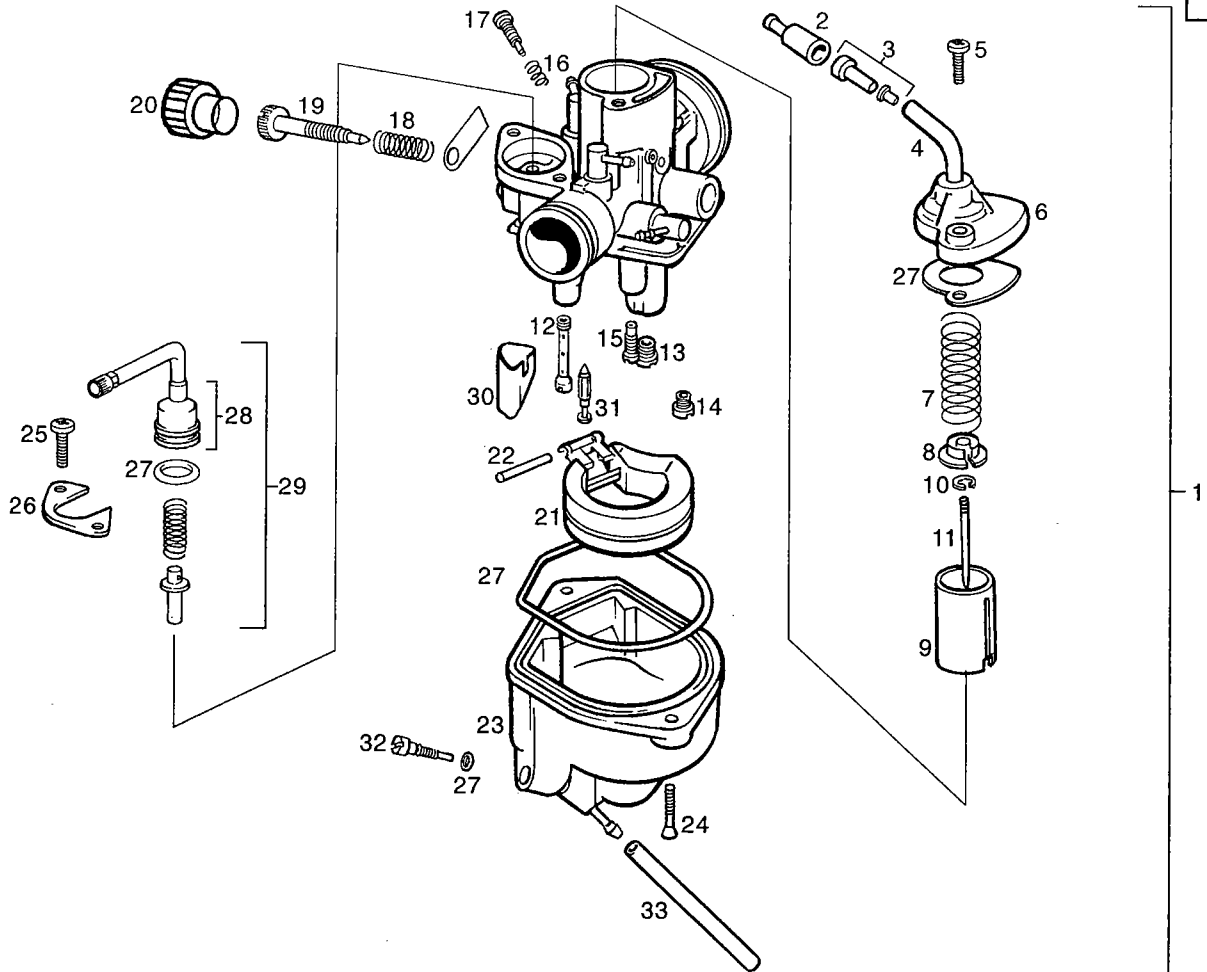
Figr.	Vers.	COD.	DESCRIPCIÓN / DENOMINAZIONE	DESIGNATION	MOD.	Nº CHASIS Nº TELAIO FRAME NUM.
31A		00G03705021	R-CTO.BOMBA ACEITE ATLANTIS POMPA OLIO COMPLETA	OIL PUMP ASSY	123456789 ABCDEFGHI	
32A		00000012515	TOR.C/RED.CR.BCR.5M80X15.D7985 VITE TONDA CROCE BCR 5M80X15	ROUNDHEAD PHILIPS SCREW	123456789 ABCDEFGHI	
33A		00D03700131	ABRAZ.ELAST.9,8-10,4. FASCETTA ELASTICA 9,8-10,4.	ELASTIC CLAMP	123456789 ABCDEFGHI	
34A		00G03701181	BRIDA FIJ.TUBO ACTE.BOMBA-CARB FLANGIA FISSAGGIO TUBO OLIO	OIL PUMP-CARB OIL PIPE CLAMP	123456789 ABCDEFGHI	
35A		00G03601871	CASQ.FIJ.TURBINA. GHIERA FISSAGGIO VENTOLA	BLOWER SECURING BUSH	123456789 ABCDEFGHI	
36A		00H00400501	ABRAZ.ELAST.TUBO GAS. FASCETTA ELASTICA TUBO BENZINA	FUEL PIPE ELASTIC CLAMP	123456789 ABCDEFGHI	
37A		00011062000	TOR.AUTR.C/CRUZ.6'3X19.D-7981B VITE AUTOFIETTANTE	SELF-TAPPING PHILIPS SCREW 6,3	123456789 ABCDEFGHI	
38A		00G03702121	TUBO ACEITE BOMBA-CARB.HUNTER TUBO OLIO POMPA-CARBURATORE	PUMP-CARBURETTOR OIL TUBE	123456789 ABCDEFGHI	
39A		00H03800451	ABRAZ.BOCA LLENADO AGUA. FASCETTA	WATER FILLER INLET CLAMP	123456789 ABCDEFGHI	
40A		00G06400141	PROTECTOR CORREA VARIADOR G2B PROTEZIONE CINGHIA VARIATORE	PROTECTOR	123456789 ABCDEFGHI	
41A		00G03701031	RACORD UNION TUBOS ACTE.PRED RACCORDO UNIONE TUBI OLIO	BREATHER	123456789 ABCDEFGHI	
42A		00G00400781	TUBO GASOLINA FILTRO/CARBURAD. TUBO	TUBE	123456789 ABCDEFGHI	
43A		00G03702221	TUBO ACEITE BOMBA-RACOR HUNTER TUBO OLIO POMPA-RACCORDO	PUMP-CONNECTOR OIL TUBE	123456789 ABCDEFGHI	
44A		00G03001981	CTO.CARCASA ENVOLVTE.CILIND. CARCASSA EVOLVENTE C	CYLINDER CASING ASSY	123456789 ABCDEFGHI	
45A		00G03600991	TOR.FIJ.TURBINA HUNTER(6X16) VITE FISSAGGIO VENTOLA (6X16)	BLOWER SECURING SCREW	123456789 ABCDEFGHI	



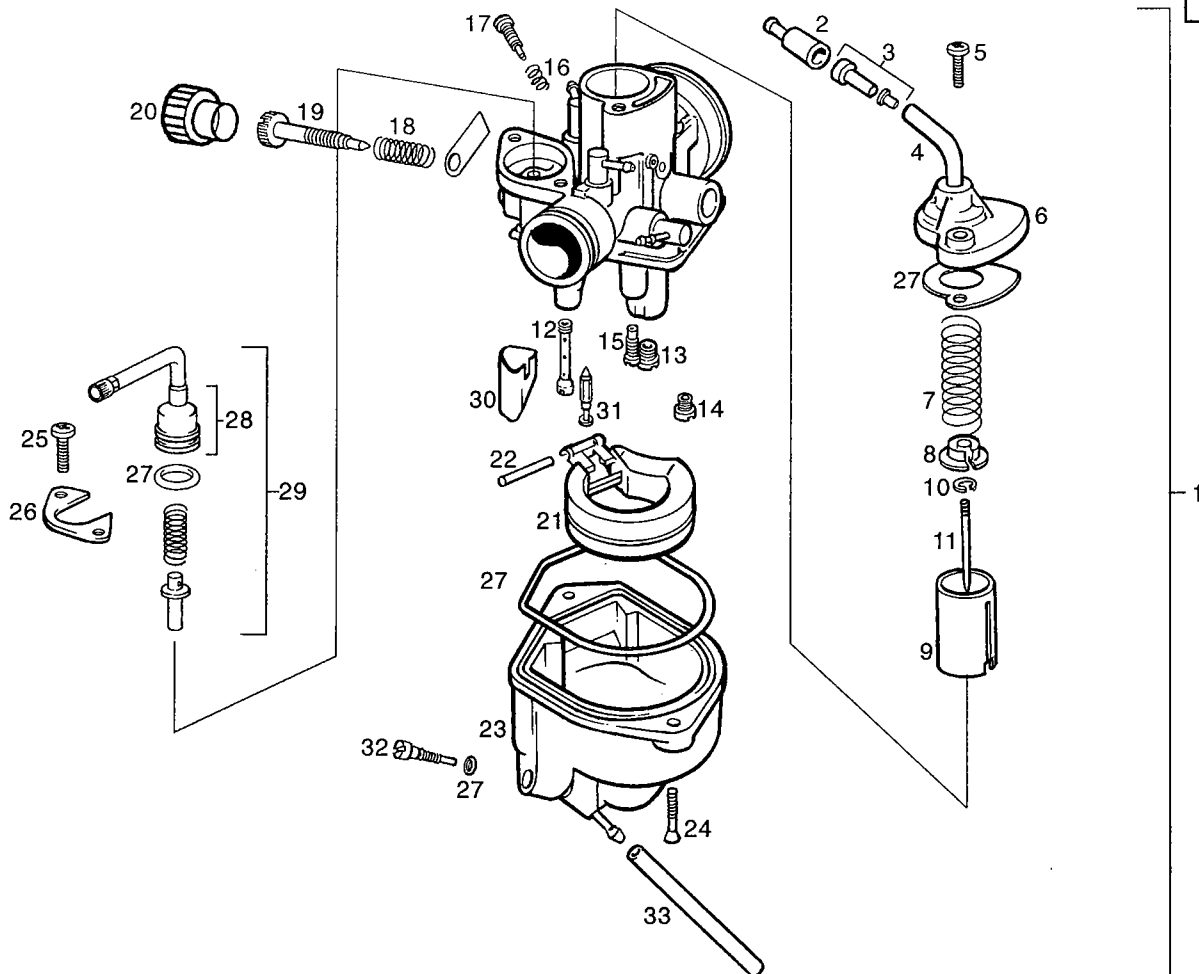
Figr.	Vers.	COD.	DESCRIPCIÓN / DENOMINAZIONE	DESIGNATION	MOD.	Nº CHASIS Nº TELAIO FRAME NUM.
46A		00G03000151	CTO.TAPA TURBINA.VAMOS-K. COPERCHIO VENTOLA VA	BLOWER COVER ASSY	123456789	ABCDEFGHI
47A		00G03702181	BRIDA FIJ.TUBO ACTE.BOMBA-BOQ FLANGIA FISSAGGIO TUBO OLIO PO	PUMP-INLET OIL TUBE SECURING F	123456789	ABCDEFGHI
48A		00F03400051	TOR.FIJ.TUBO ESCAPE.SPORT.BELG VITE FISSAZ.TUBO SCAPPAMENTO	HEXAGONAL HEAD SCREW	12345678	ABC HI



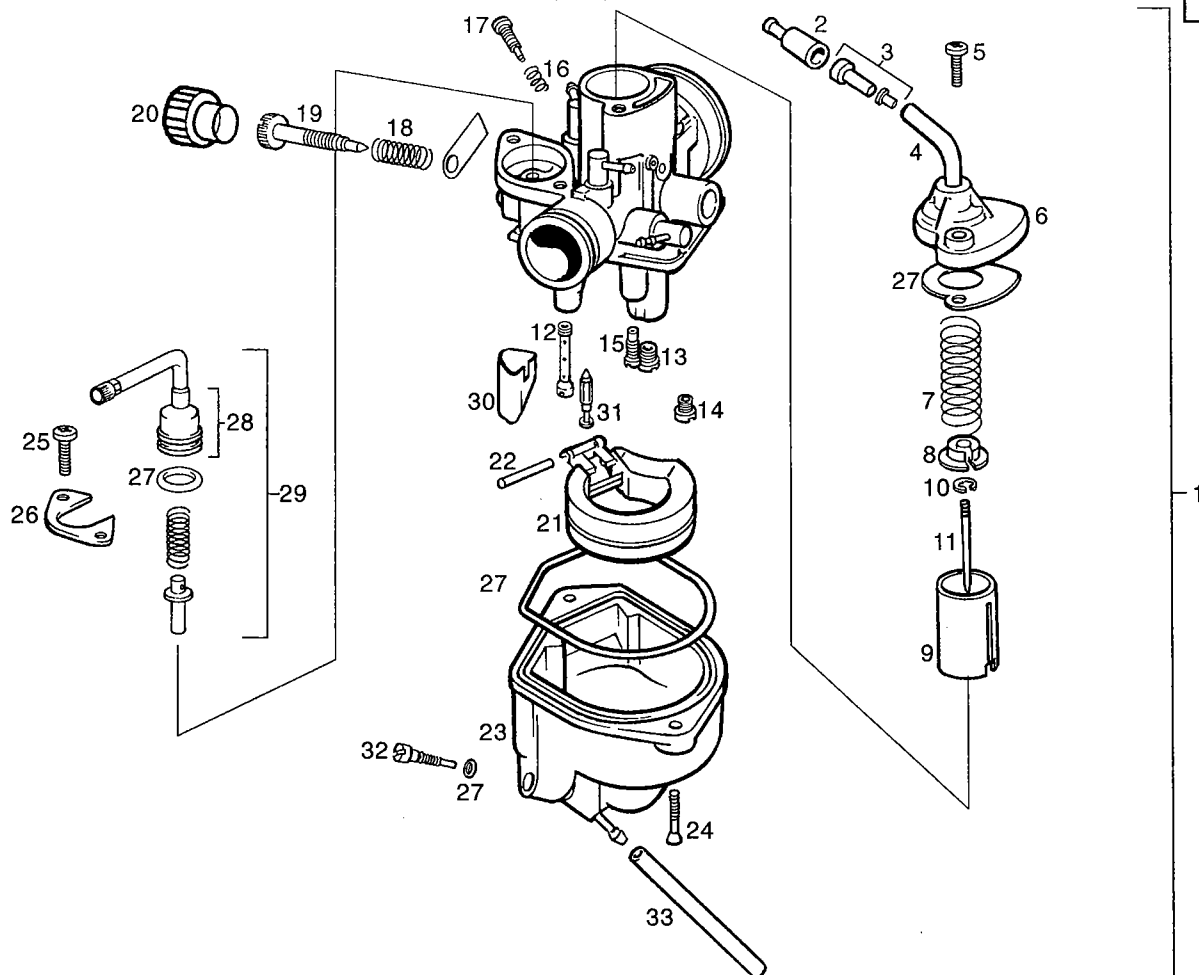
Figr.	Vers.	COD.	DESCRIPCIÓN / DENOMINAZIONE	DESIGNATION	MOD.	Nº CHASIS Nº TELAIO FRAME NUM.
01A		00G03232011	CTO.CARBURAD.ATLANTIS CARBURATORE	CARBURETOR	1234 DE	
01B		00G03231011	CTO.CARBUR.PREDATOR O2 ITALIA CARBURATORE	CARBURETOR	5678 FG	
01C		00G03234011	CTO.CARBURAD.ATLANTIS CARBURATORE	CARBURETOR	ABC HI	9
02A		00G03201561	R-CAPUCHON CABLE GAS.VM.AU.40K COPERCHIO CAVO BENZINA	THROTTLE CABLE RUBBER CAP	1234 ABCDE	9 HI
02B		00G03202561	R-CAPUCHON CABLE GAS.PADD.L.C. CAPPuccio CAVO BENZINA	THROTTLE CABLE RUBBER CAP	5678 FG	
03A		00F03200021	R-CTO.TORN.TENSOR CABLE GAS TENDITORE CAVO BENZINA	THROTTLE CABLE ADJUSTER SCREW	123456789 ABCDEFGHI	
04A		00G03200761	R-TUBO CABLE GAS.VAM.AUS.40K/H TUBO CAVO GAS	THROTTLE CABLE SLEEVE	123456789 ABCDEFGHI	
05A		00G03200061	R-TOR FIJ.TAPA CAM.MEZCLA.VM/A VITE FISSAGIO COPERCHIO CAME	MIXING CHAMBER COVER SECURING	1234 ABCDE	9 HI
05B		00G03203061	R-TOR FIJ.TAPA CAM.MEZCLA VITE FISSAGIO COPERCHIO CAME	MIXING CHAMBER COVER SECURING	5678 FG	
06A		00G03201231	R-TAPA CAMARA MEZCLA.VM.AU.40K COPERCHIO CAMERA MISCELA	CARBURETOR UPPER COVER	1234 ABCDE	9 HI
06B		00G03203231	R-SCTO. TAPA CAMARA MEZCLA L.C COPERCHIO CAMERA MISCELA	CARBURETOR UPPER COVER	5678 FG	
07A		00G03201071	R-MUELLE VALV.GAS.VAM.AUS.40KH MOLLA VALVOLA GAS	THROTTLE VALVE RETURN SPRING	1234 ABCDE	9 HI
07B		00G03202071	R-MUELLE VALV.GAS.PADD.L.C. MOLLA VALVOLA GAS	THROTTLE VALVE RETURN SPRING	5678 FG	
08A		00G03200511	R-CASQ.AGUJA PULVERIZ.VA.AU.40 GHIERA SPILLO SPRUZZATORE V	NEEDLE BUSHING	1234 ABCDE	9 HI



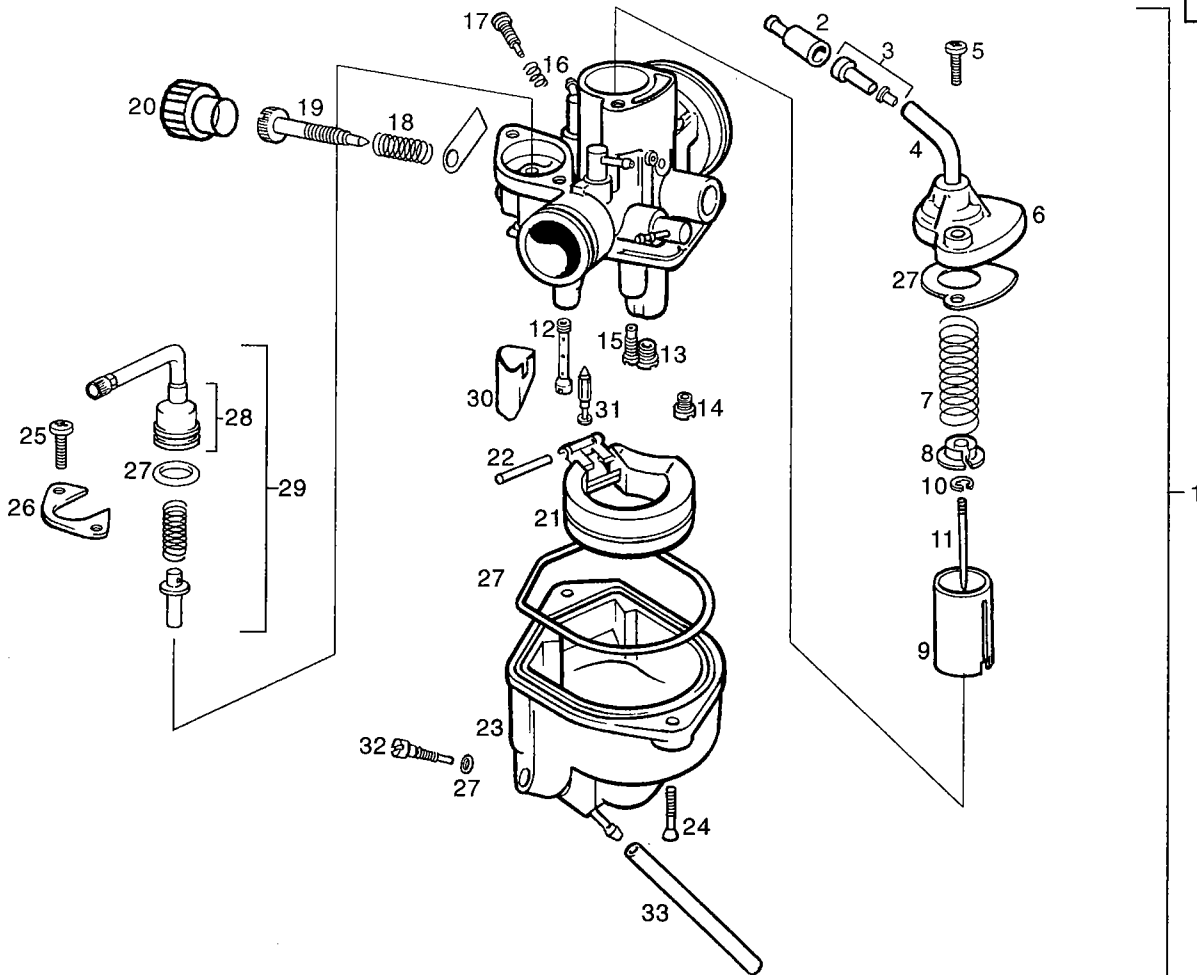
Figr.	Vers.	COD.	DESCRIPCIÓN / DENOMINAZIONE	DESIGNATION	MOD.	Nº CHASIS Nº TELAIO FRAME NUM.
08B		00G03202511	R-CASQ.AGUJA PULVERIZ.PREDATOR GHIERA SPILLO SPRUZZATORE V	NEEDLE BUSHING	5678 FG	
09A		00F03201211	R-COMPUERTA GAS 40 URBAN VALVOLA BENZINA	SLIDE	1234 9 ABCDE HI	
09B		00G03203211	R-COMPUERTA GAS.PADDOCK L.C. VALVOLA BENZINA	SLIDE	5678 FG	
10A		00G03201371	R-PINZA AGUJA PULVER.VAM.AU.40 FERMAGLIO SPILLO	NEEDLE CIRCLIP	1234 9 ABCDE HI	
10B		00G03202371	R-PINZA AGUJA PULVER.PADD.L.C. FERMAGLIO SPILLO	NEEDLE CIRCLIP	5678 FG	
11A		00G03201431	R-AGUJA PULVERIZ.VAM.AUS.40K/H SPILLO SPRUZZATORE	NEEDLE	1234 9 ABCDE HI	
11B		00G03205431	R-AGUJA PULVERIZ.PRED.ITALIA SPILLO SPRUZZATORE	NEEDLE	5678 FG	
12A		00H03203421	R-PULVERIZADOR GA210 SENDA R POLVERIZZATORE	NEEDLE JET	1234 DE	
12B		00G03206421	R-PULVERIZADOR.PREDATOR. POLVERIZZATORE	NEEDLE JET	5678 FG	
12C		00G03204421	R-PULVERIZADOR GA212 POLVERIZZATORE GA212	NEEDLE JET GA212	9 ABC HI	
13A		00G03214031	R-SURTIDOR MAX.57 ATLANTIS GETTO MASSIMO 67	MAIN JET 67	1234 DE	
13B		00G03213031	R-SURTIDOR MAX.67 PRED-E GETTO MASSIMO 66	MAIN JET 66	5678 FG	
13C		00G03201031	R-SURTIDOR MAX.67 PRED-E GETTO MASSIMO 66	MAIN JET 66	9 ABC HI	
14A		00G04103181	R-SURTIDOR MIN.34.VAM.25KH GETTO MINIMO 34	JET MIN.34	1234 9 ABCDE HI	



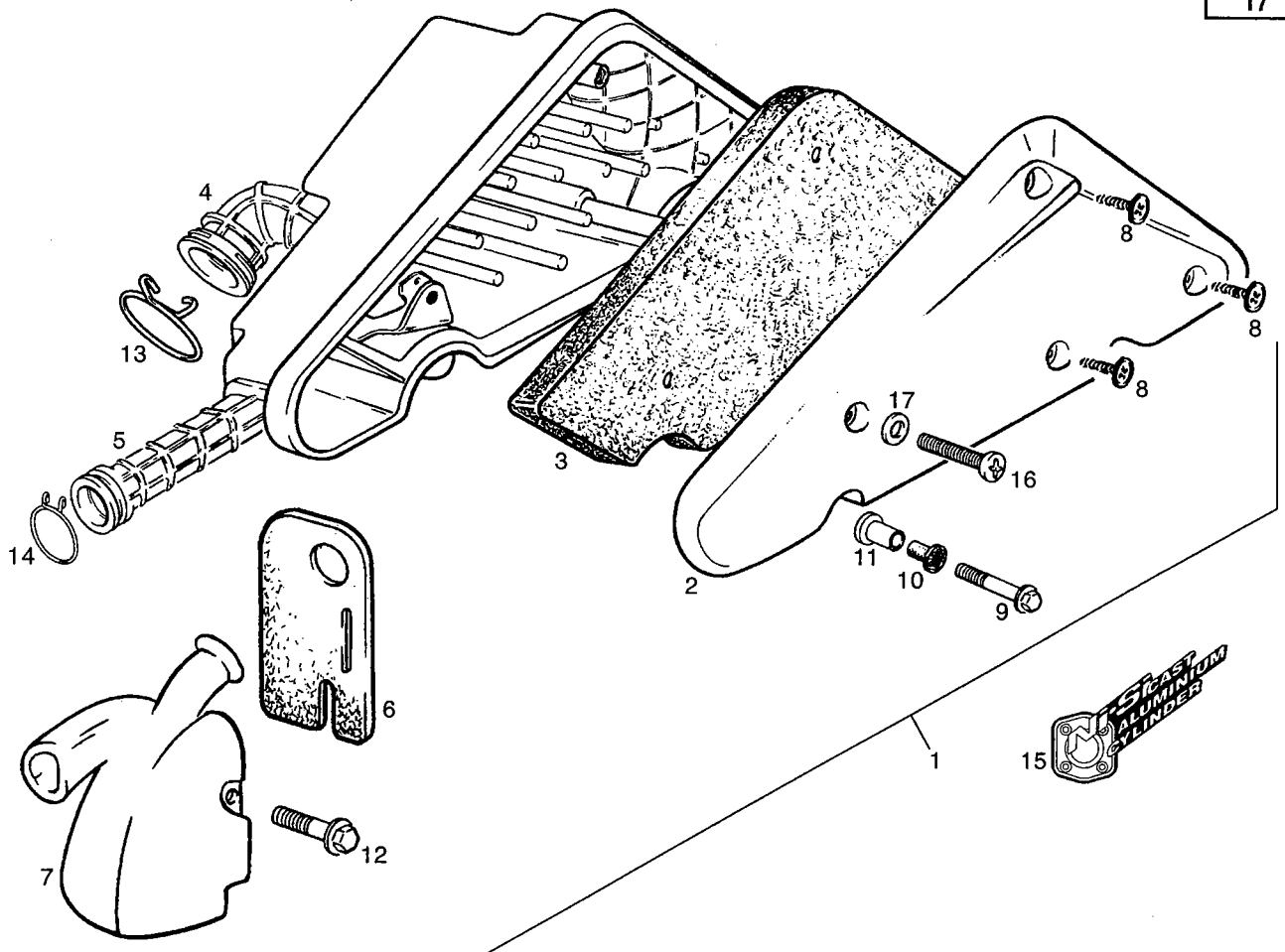
Figr.	Vers.	COD.	DESCRIPCIÓN / DENOMINAZIONE	DESIGNATION	MOD.	Nº CHASIS Nº TELAIO FRAME NUM.
14B		00G04105181	R-SURTIDOR MIN.35.PREDATOR GETTO MINIMO 35	JET MIN.35	5678 FG	
15A		00G03205481	R-SURTIDOR STARTER 50 PREDATOR GETTO MOTORINO 50	JET 50	123456789 ABCDEFGHI	
16A		00G03200721	R-MUELLE REG.AIRE MIN.VM.AU.40 MOLLA REGOLAZIONE ARIA MINIM	IDLE ADJUSTER SPRING	1234 9 ABCDE HI	
16B		00G03201721	R-MUELLE REG.AIRE MIN.PADD.L.C MOLLA REGOLAZIONE ARIA MINIM	IDLE ADJUSTER SPRING	5678 FG	
17A		00G03200731	R-TOR.REG.AIRE MIN.VAM.AU.40KH VITE REGOLAZIONE ARIA MINIMO	IDLE ADJUSTER SCREW	1234 9 ABCDE HI	
17B		00G03204731	R-TOR.REG.AIRE PREDATOR VITE REGOLAZIONE ARIA MINIMO	IDLE ADJUSTER SCREW	5678 FG	
18A		00G03200101	R-MUELLE REG.VALV.GAS.VM.AU.40 MOLLA REGOLAZIONE VALVOLA GA	THROTTLE VALVE ADJUSTER SPR.	1234 9 ABCDE HI	
18B		00G03202101	R-MUELLE REG.VALV.GAS.PADD.L.C MOLLA REGOLAZIONE VALVOLA GA	THROTTLE VALVE ADJUSTER SPR	5678 FG	
19A		00G04100131	R-TOR.REG.VALV.GAS.VAM.AU.40KH VITE REGOLAZIONE VALVOLA GAS	THROTTLE VALVE ADJUSTER SCR.	1234 9 ABCDE HI	
19B		00G04101131	R-TOR.REG.VALV.GAS.PADDOCK L.C VITE REGOLAZIONE VALVOLA GAS	THROTTLE VALVE ADJUSTER SCR.	5678 FG	
20A		00G04100741	R-BOTON TOR.REG.VALV.GAS.V.AU. BOTTONE VITE REG.VALV.BENZ.V.A	THROTTLE VALVE ADJUSTER SCR.	123456789 ABCDEFGHI	
21A		00G03201281	R-FLOTADOR.VAMOS.AUSTR.40 K/H. GALLEGGIANTE	FLOAT	1234 9 ABCDE HI	
21B		00G03202281	R-FLOTADOR.PADDOCK L.C. GALLEGGIANTE	FLOAT	5678 FG	
22A		00G03201121	R-PASADOR EJE FLOTAD.VA.AU.40K PERNO GALLEGGIANTE	FLOAT PIN	1234 9 ABCDE HI	



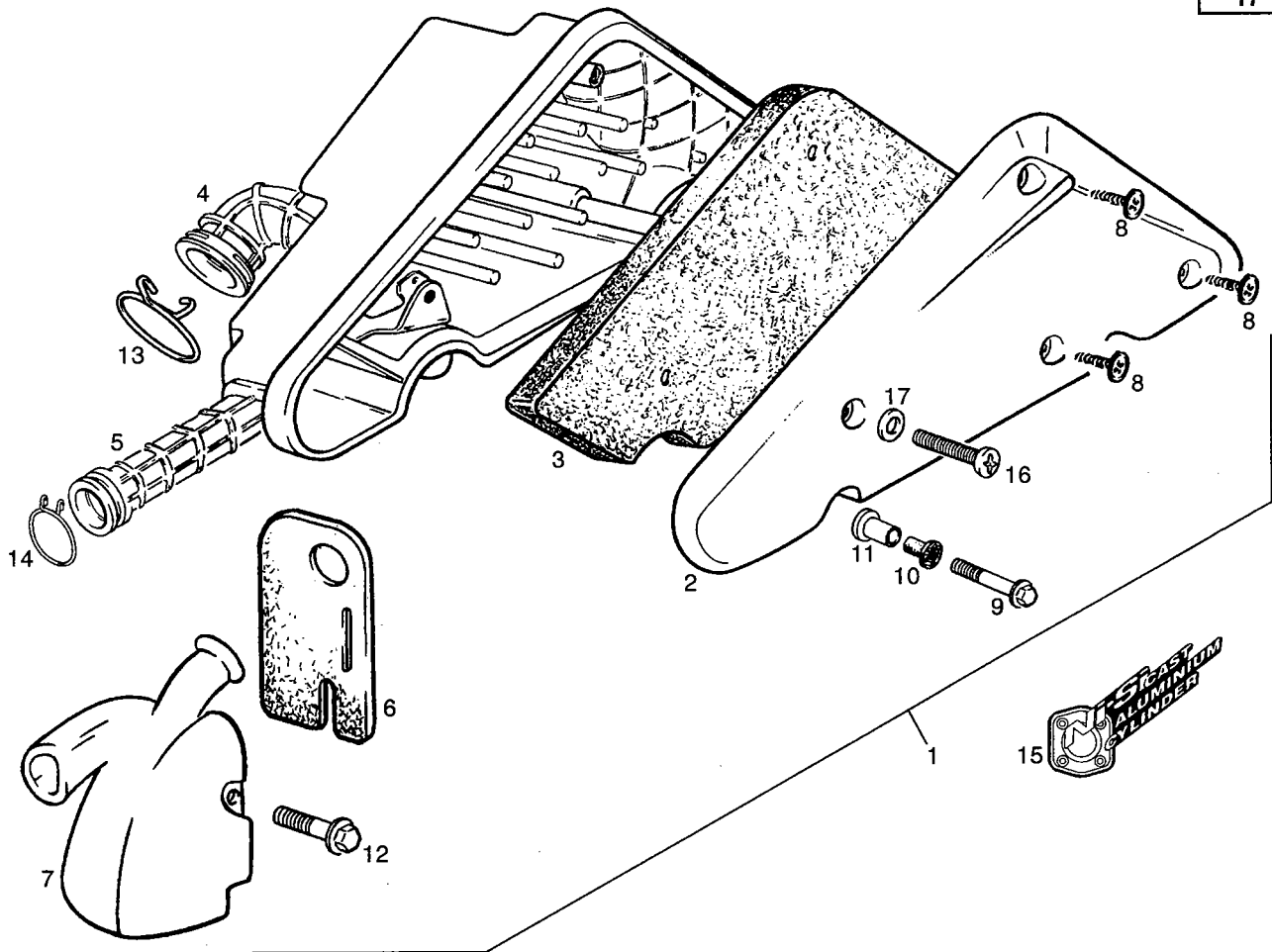
Figr.	Vers.	COD.	DESCRIPCIÓN / DENOMINAZIONE	DESIGNATION	MOD.	Nº CHASIS Nº TELAIO FRAME NUM.
22B		00G03202121	R-PASADOR EJE FLOTAD.PADD.L.C. PERNO GALLEGGIANTE	FLOAT PIN	5678 FG	
23A		00G03201201	R-CTO.VASO GASOL.VAMOS R'95 VASCHETTA	FLOAT CHAMBER SUB-ASSY	1234 9 ABCDE HI	
23B		00G03202201	R-SCTO.VASO GASOL.PADDOCL L.C. VASCHETTA	FLOAT CHAMBER SUB-ASSY	5678 FG	
24A		00G03201091	R-TOR.FIJ.VASO GASOL.VA.AU.40K VITE FISSAGGIO VASCHETTA	FLOAT CHAMBER SECURING SCREW	1234 9 ABCDE HI	
24B		00G03202091	R-TOR.FIJ.VASO GASOL.PADD.L.C. VITE FISSAGGIO VASCHETTA	FLOAT CHAMBER SECURING SCREW	5678 FG	
25A		00G03200541	R-TOR.FIJ.START.AUTOM.VM.AU.40 VITE FISSAGGIO STARTER AUT	AUTOMATIC CHOKE SECUR. SCREW	1234 9 ABCDE HI	
25B		00G03201541	R-TOR.FIJ.START.AUTOM.PADD.L.C VITE FISSAGGIO STARTER AUT	AUTOMATIC CHOKE SECUR. SCREW	5678 FG	
26A		00G03200551	R-PRECTO.FIJ.START.AUT.V.AU.40 PIASTRINA FISSAGGIO STARTER	AUTOMATIC CHOKE SECUR. SCREW	12345678 DEFG	
26B		00G03201551	R-PRECTO.FIJ.START.AUT.V.AU.40 PIASTRINA FISSAGGIO STARTER	AUTOMATIC CHOKE SECUR. SCREW	5678 ABC HI	
27A		00G04100771	R-CTO.JUNTAS CARBUR.V.25K/H.AL GUARNIZIONE VASCHETTA	CARBURETOR GASKET SET	1234 9 ABCDE HI	
27B		00G04101771	R-CTO.JUNTAS CARBUR.PADD.L.C. GUARNIZIONE VASCHETTA	CARBURETOR GASKET SET	5678 FG	
28A		00G03200391	R-CUERPO STARTER HUN'97 CORPO STARTER SENDA GERMANIA	BODY «STARTER»	123456789 ABCDEFGHI	
29A		00G03202711	R-CTO.STARTER MAN.HUNT'97 STARTER AUTOM.	CHOKE ASSY	1234 DE	
29B		00G03203711	R-CTO.STARTER MAN.PRED-E STARTER	CHOKE ASSY	56789 ABC FGH I	



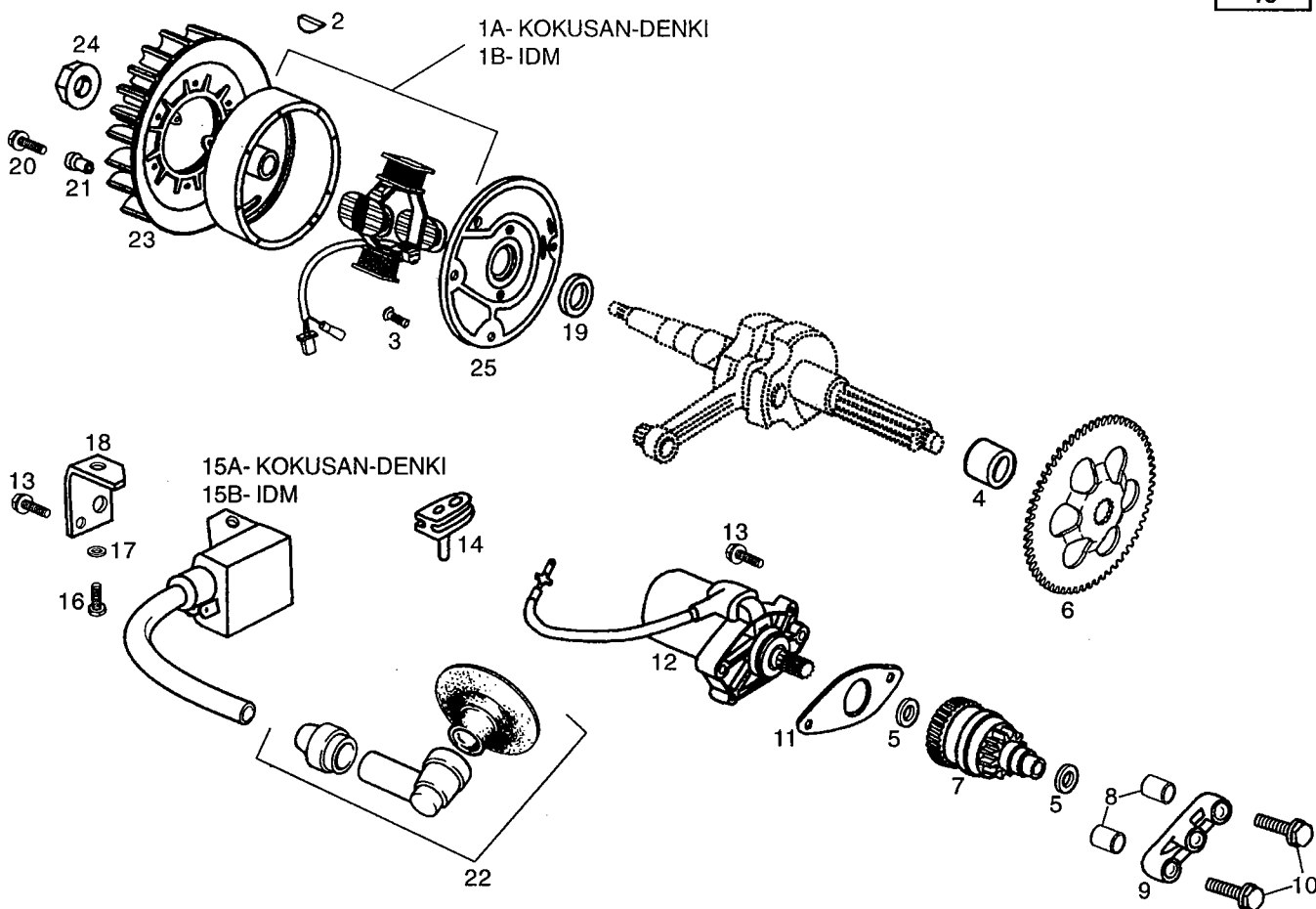
Figr.	Vers.	COD.	DESCRIPCIÓN / DENOMINAZIONE	DESIGNATION	MOD.	Nº CHASIS Nº TELAIO FRAME NUM.
30A		00G04100941	R-VASO STARTER PADD.L.C VASCHETTA MOTORINO	FLOAT STARTER	123456789 ABCDEFGHI	
31A		00G03203051	R-CTO.AGUJA FLOTAD.PADD.L.C. SPILLO CHIUSURA BENZINA	FLOAT NEEDLE ASSY	1234 DE	
31B		00G03203051	R-CTO.AGUJA FLOTAD.PADD.L.C. SPILLO CHIUSURA BENZINA	FLOAT NEEDLE ASSY	56789 ABC FGHI	
32A		00G04100951	R-TORN.DISCARGA VASO VITE SCARICO VASCHETTA	SCREW	56789 ABC FGHI	
33A		00G04101681	R-TUBO DESCARGA VASO PADD.L.C. TUBO SCARICO VASCHETTA	CHAMBER DISCHARGE TUBE	56789 ABC FGHI	



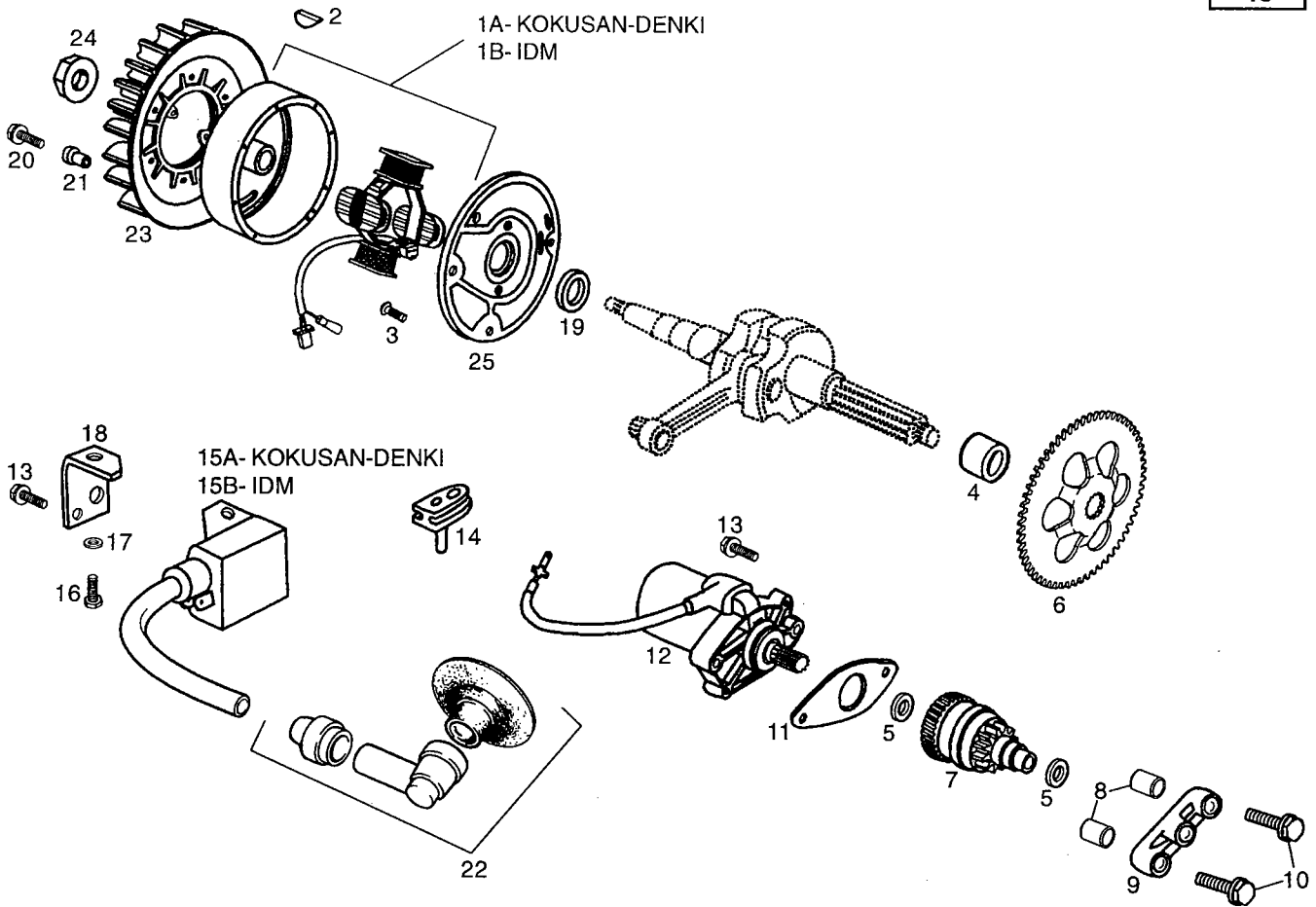
Figr.	Vers.	COD.	DESCRIPCIÓN / DENOMINAZIONE	DESIGNATION	MOD.	Nº CHASIS Nº TELAIO FRAME NUM.
01A		00G01804541	CTO.CAJA FILTRO.HUNTER CASSA FILTRO COMPLETA	FILTER BOX ASSY	123456789 ABCDEFGH I	
02A		00G00501771	TAPA CAJA FILTRO.HUNTER COPERCHIO CASSA FILTRO	FILTER BOX COVER	123456789 ABCDEFGH I	
03A		00G03202251	FILTRO AIRE HUNTER FILTRO ARIA	AIR FILTER	123456789 ABCDEFGH I	
04A		00G03203261	TUBO ADMISION HUNTER MANICOTTO ASPIRAZIONE	AIR INTAKE HOSE	123456789 ABCDEFGH I	
05A		00G03206491	TUBO ASPIRAC.HUNTER TUBO ASPIRAZIONE	BREATHER TUBE	123456789 ABCDEFGH I	
06A		00G06800511	PROTECT.ENTR.AIRE VARIADOR PROTEZIONE ENTRATA ARIA	PROTECTOR	123456789 ABCDEFGH I	
07A		00G06800341	DEPOSITO DRENAJE TUBO ASP.HUNT SERBATOIO DRENAGGIO ASPIRAZION	BREATHER TUBE DRAIN SUMP	123456789 ABCDEFGH I	
08A		00011051801	TOR.AUTRCTE.5,1X18 NG.CL ALH VITE AUTOFILETTANTE 5,1X18	SELF-TAPPING SCREW	123456789 ABCDEFGH I	
09A		00G03001091	TOR.FIJ.CARTERS.(6X35)HUNTER VITE FISSAGGIO CARTER (6X35)	CRANKCASE SECURING SCREW	123456789 ABCDEFGH I	
10A		00G06301201	CASQ.SILENT.FIJ.CAJA FILT.HUNT GHIERA SILENTBLOCK	FILTER BOX SECURING BUSHING	123456789 ABCDEFGH I	
11A		00G04901261	SILENT.FIJ.CAJA FILTRO.HUNTER SILENTBLOCK CASSA FILTRO	FILTER BOX SECURING MOUNTS	123456789 ABCDEFGH I	
12A		00G03600991	TOR.FIJ.TURBINA HUNTER(6X16) VITE FISSAGGIO VENTOLA (6X16)	BLOWER SECURING SCREW	123456789 ABCDEFGH I	
13A		00G03204271	MUELLE TUBO ADMIS.CARBUR.HUNTE ANELLO FERMAGOMMA	CARBURETTOR AIR INTAKE TUBE SP	123456789 ABCDEFGH I	
14A		00G06302581	MUELLE FIJ.TUBO ASPIRAC.HUNTER MOLLA FISSAGGIO ASPIRAZIONE	BREATHER TUBE SECURING SPRING	123456789 ABCDEFGH I	
15A		00G03000901	CALCA CILINDRO ALUMINIO PADD. ADESIVO CILINDRO ALLUMINIO	DECAL, ALUMINIUM CYLINDER.	123456789 ABCDEFGH I	



Figr.	Vers.	COD.	DESCRIPCIÓN / DENOMINAZIONE	DESIGNATION	MOD.	Nº CHASIS Nº TELAIO FRAME NUM.
16A		00012054000	TOR.C/RED.CR.5M80X40.D7985NG. VITE C/CROCE	ROUNDHEAD PRHILLIPS SCREW	123456789 ABCDEFGH I	
17A		00000031050	ARAND.PLANA MEC.D.5.DIN125-B RONDELLA PIATTA D5	MACHINED FLAT WASHER D5	123456789 ABCDEFGH I	

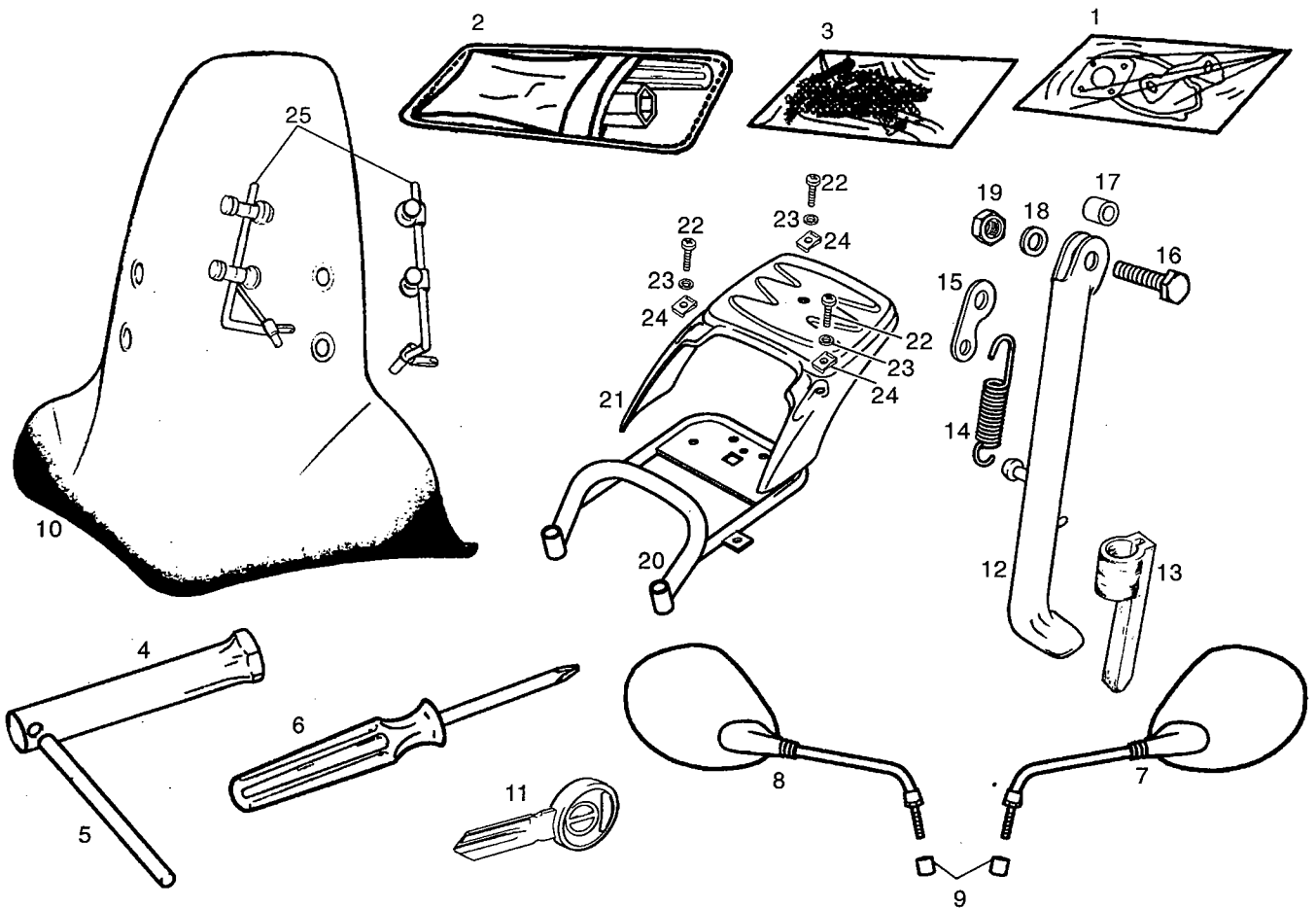


Figr.	Vers.	COD.	DESCRIPCIÓN / DENOMINAZIONE	DESIGNATION	MOD.	Nº CHASIS Nº TELAIO FRAME NUM.
01A		00G03301011	CTO.VOLTE.ELECTR.VAMOS-K. VOLANO MAGNETE	MAGNETO ASSEMBLY	123456789	ABCDEFGHI
01B		00G03302011	CTO.VOLTE.ELECTR.VAMOS-K. VOLANO MAGNETE	MAGNETO ASSEMBLY	123456789	ABCDEFGHI
02A		00G03300231	CHAVETA VOLTE.ELECTRON. CHIAVETTA VOLANO	KEY, FLYWHEEL	123456789	ABCDEFGHI
03A		00000013616	TOR.AV.ALL.6M100X16.NGR.D-7991 VITE INCASSATA ALLEN 6M100X16	COUNTERSUNK ALLEN SCREW	123456789	ABCDEFGHI
04A		00G03901781	CASQ.TOPE CORONA ARRQ.VAMOS-K. DISTANZIALE	BUSHING	123456789	ABCDEFGHI
05A		00005527540	ARAND.REG.TOR.PALCA.FIJ.MARCH. RONDELLA	GEAR SELECTOR LEVER SCR. SHIM	123456789	ABCDEFGHI
06A		00G03901051	CORONA ARRQ.ELECTR.VAMOS-K. CORONA AVV.ELETTRICO	SPROCKET	123456789	ABCDEFGHI
07A		00G03901851	CTO.PIÑONES MOTOR A.EL.VAMOS-K RINVIO MOTORINO	ELECTRIC START GEAR ASSY	123456789	ABCDEFGHI
08A		00G03001021	CENTRADOR CARTERS.VAMOS-K. BOCCOLA	CRANKCASE LOCATOR	123456789	ABCDEFGHI
09A		00G03901871	R-SCTO.PLATINA APOYO MOT.ARRQ. FLANGIA MOTORINO AVVIAMENTO	STARTER MOTOR SUPP. PLATE SU	123456789	ABCDEFGHI
10A		00G03900821	TOR.FIJ.PLAT.MOT.ARR.HUNT.6X30 VITE PIATTO MOTORINO AVVIAMEN	STARTER MOTOR SUPP. PLATE SE	123456789	ABCDEFGHI
11A		00G03900501	JUNTA PLATINA APOYO MOTOR A.E. GUARNIZIONE FLANGIA APPOGGIO M	GASKET	123456789	ABCDEFGHI
12A		00G03901891	CTO.MOTOR ARRQ.ELECTR.VAMOS-K. MOTORINO AVVIAMENTO	STARTER MOTOR ASSY	123456789	ABCDEFGHI
13A		00G03000211	TOR.FIJ.TAPA CART.IZ.HUNT.6X25 VITE	LEFT CRANKCASE COVER SECUR.	123456789	ABCDEFGHI
14A		00G03300281	PASACABLES VOLTE.ELECTR.VAM-K. PASSACAVI VOLANO MAGNETE	MAGNETO CABLE RUBBER GROM.	123456789	ABCDEFGHI

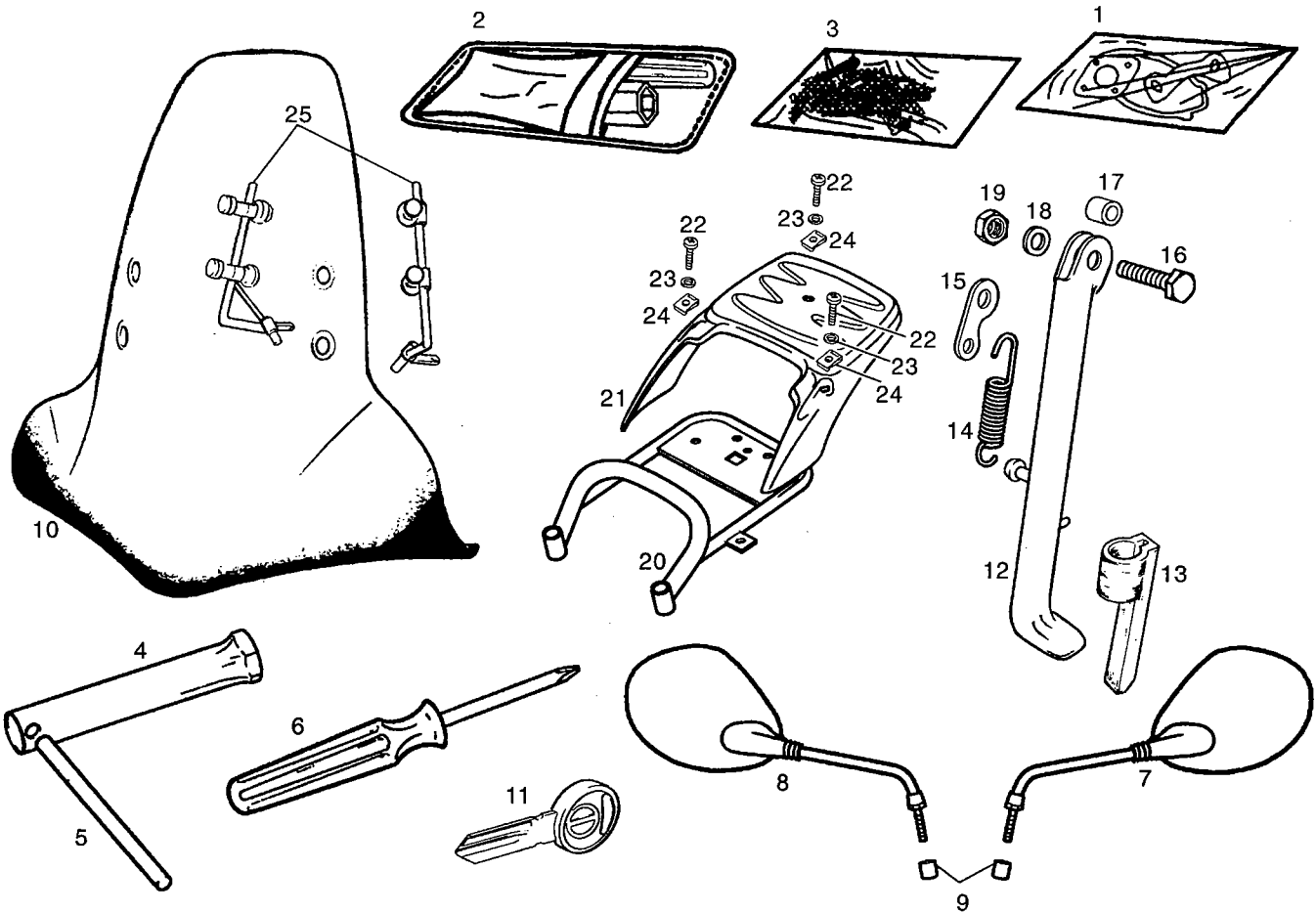


Figr.	Vers.	COD.	DESCRIPCIÓN / DENOMINAZIONE	DESIGNATION	MOD.	Nº CHASIS Nº TELAIO FRAME NUM.
15A		00G03302171	CTO.CONVER.ELECTR.VAMOS K TRASDUTTORE COMPLETO	IGNITION COIL	123456789	ABCDEFGHI
15B		00G03305171	CTO.CONVER.ELECTR.VAMOS K TRASDUTTORE COMPLETO	IGNITION COIL	123456789	ABCDEFGHI
16A		00000004612	TOR.C/ALLEN 6M100X12.DIN- VITE TESTA ALLEN 6M100X12	SCREW M6X12	123456789	ABCDEFGHI
17A		00000031060	ARAND.PLANA MECANIZ.D.6.DIN125 RONDELLA PIATTA D6	MACHINED FLAT WASHER D6 DIN-12	123456789	ABCDEFGHI
18A		00G04401241	SOPT.E.CONVERSOR ELECTR.HUNTER SUPPORTO	HT COIL BRACKET	123456789	ABCDEFGHI
19A		00G03300751	RETEN VOLTE.ELECT.BA.18,9X30X5 GIUNTO TENUTA VOLANO ELETTRONI	MAGNETO SEAL	123456789	ABCDEFGHI
20A		00G03600991	TOR.FIJ.TURBINA HUNTER(6X16) VITE FISSAGGIO VENTOLA (6X16)	BLOWER SECURING SCREW	123456789	ABCDEFGHI
21A		00G03601871	ÇASQ.FIJ.TURBINA. GHIERA FISSAGGIO VENTOLA	BLOWER SECURING BUSH	123456789	ABCDEFGHI
22A		00G03300831	CTO.PIPA BUJIA PIPETTA CANDELA	COVER, SPARK PLUG	123456789	ABCDEFGHI
23A		00G03601511	CTO.TURBINA VAMOS-K VENTOLA	BLOWER ASSY	123456789	ABCDEFGHI
24A		00026010000	TCA.C/BASE M.10M125.D-6923.C10 DADO CAMPANA	FLANGED NUT	123456789	ABCDEFGHI
25A		00G03301271	PLATO PIATTO	PLATE STATOR	123456789	ABCDEFGHI

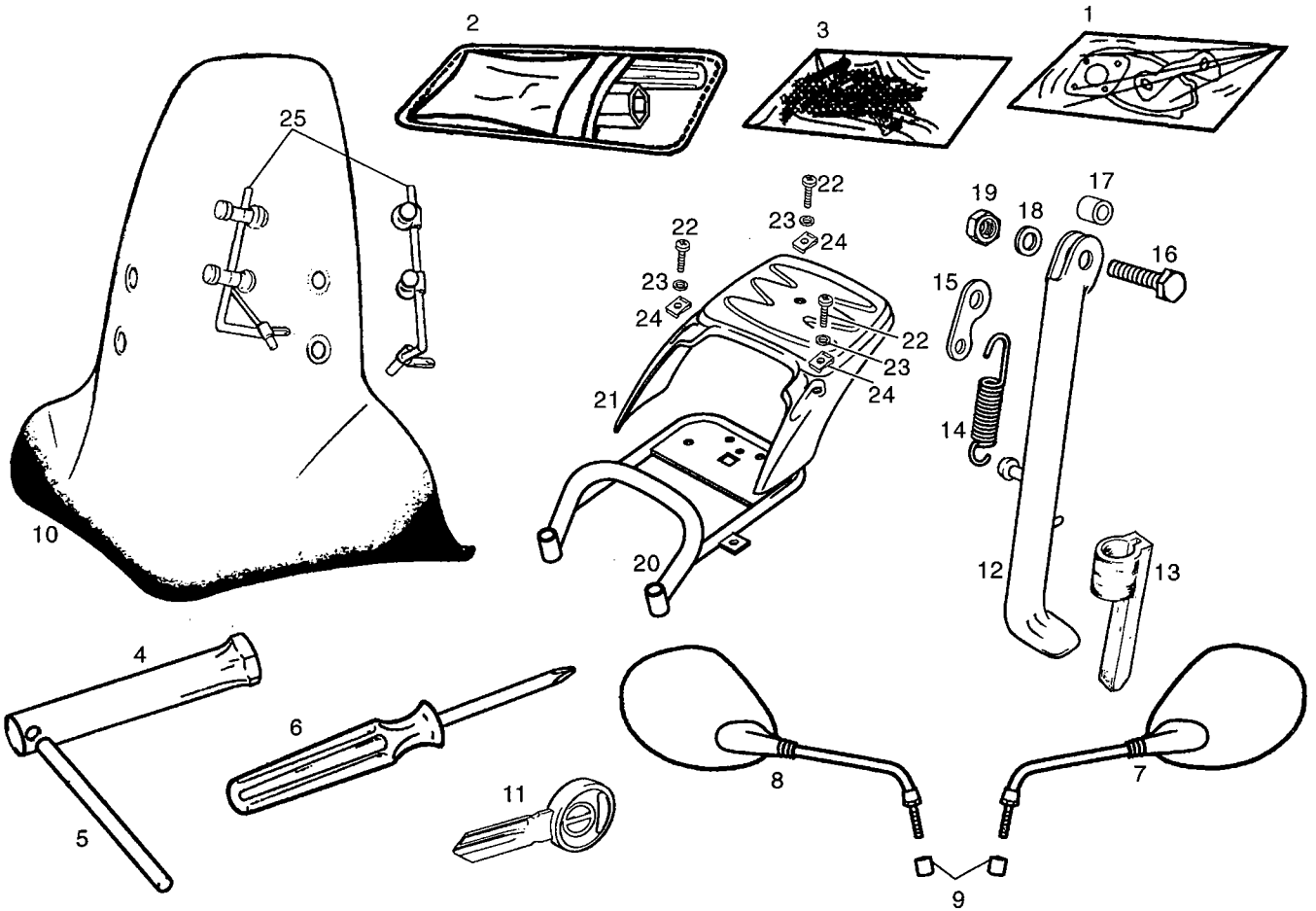
00603300021



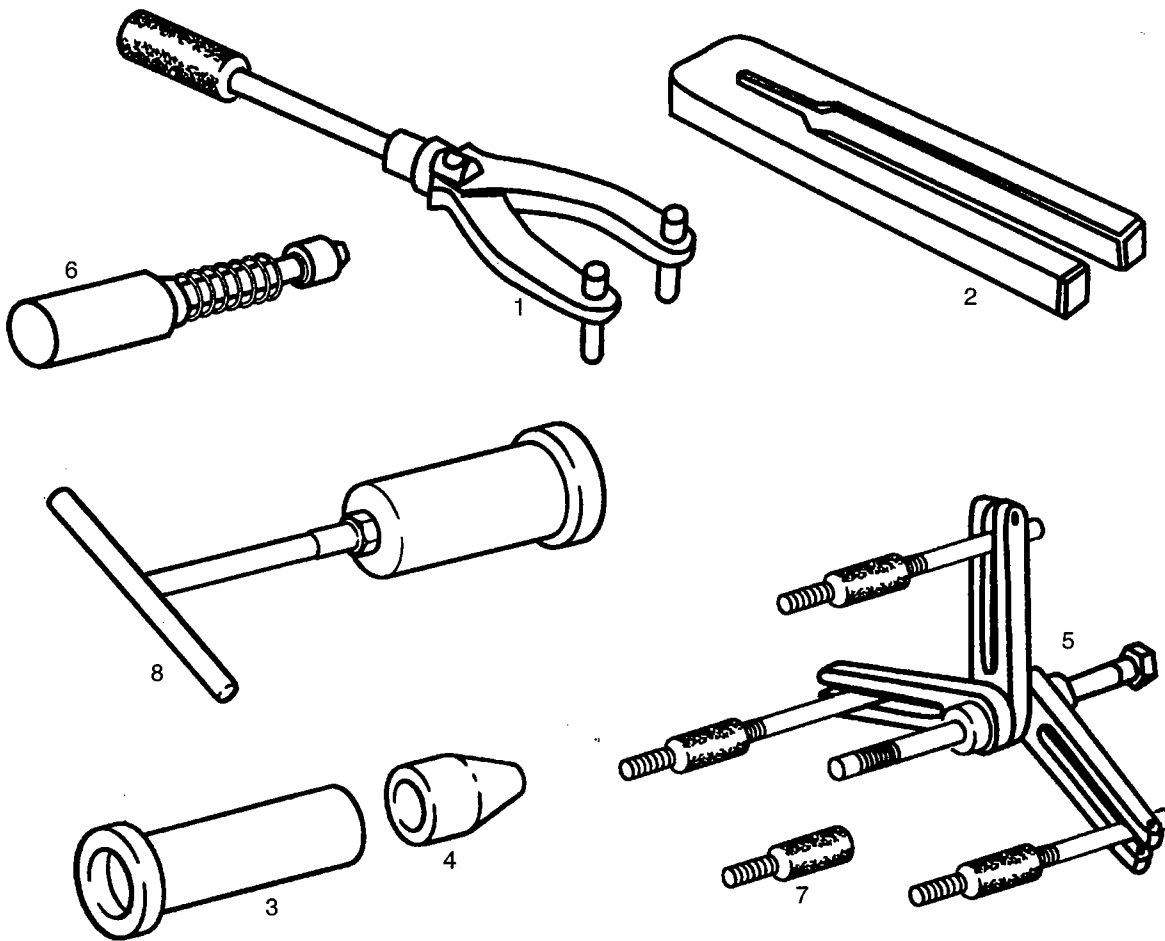
Figr.	Vers.	COD.	DESCRIPCIÓN / DENOMINAZIONE	DESIGNATION	MOD.	Nº CHASIS Nº TELAIO FRAME NUM.
01A		00G05202481	R-JUEGO JUNTAS HUNTER GUARNIZIONI	GASKET SET		123456789 ABCDEFGH I
02A		00G05101561	CTO.BOLSA HERRAMTAS.HUNTER SACCO FERRI	TOOL KIT		123456789 ABCDEFGH I
03A		00G05125651	R-JUEGO CALCAS ATLANT.AZ.IR. SERIE ADESIVI	SET OF TRANSFERS	1 5 9	
03B		00G05125652	R-JUEGO CALCAS ATLANT.NG/AZ.EN SERIE ADESIVI	SET OF TRANSFERS	23 67 AB	
03C		00G05125653	R-JUEGO CALCAS ATLANT.RJ.AVELL SERIE ADESIVI	SET OF TRANSFERS	4 8 C	
03D		00G05129651	R-JUEGO CALCAS ATLANT.RJ.PIROM. SERIE ADESIVI	SET OF TRANSFERS		D F H
03E		00G05129652	R-JUEGO CALCAS ATLANT.GR.CROMO SERIE ADESIVI	SET OF TRANSFERS		E G I
04A		00G05100011	LLAVE BUJIA HUNTER CHIAVE CANDELA	SPARK PLUG SPANNER		123456789 ABCDEFGH I
05A		00G05101031	MANGO LLAVE HUNTER MANICO CHIAVE	SPANNER HANDLE		123456789 ABCDEFGH I
06A		00G05300601	DESTORNILLADOR HUNTER CACCIAVITE	SCREWDRIVER		123456789 ABCDEFGH I
07A		00G04609921	CTO.ESPEJO RETROV.IZ.ATLANTIS SPECHIO S.	MIRROW L.		1234 DE
07B		00G04610921	CTO.ESPEJO RETROV.IZ.ATL.EXP. SPECHIO S.	MIRROW L.		56789 ABC FGH I
08A		00G02208671	CTO.ESPEJO RETROV.DR.ATLANTIS SPECHIO D.	MIRROW R.		1234 DE
08B		00G02209671	CTO.ESPEJO RETROV.DR.ATLAN.EXP SPECHIO D.	MIRROW R.		56789 ABC FGH I



Figr.	Vers.	COD.	DESCRIPCIÓN / DENOMINAZIONE	DESIGNATION	MOD.	Nº CHASIS Nº TELAIO FRAME NUM.
09A		00D04900581	CASQ.SUPLEMTO.ESPARR.RETROV. GHIERA SUPPLEMENTO BULLONE RET	SPACER REAR MIRROR	123456789	ABCDEFGHI
10A		00G01502751	CTO.PARABRISAS DT.ATLANTIS PARABREZZA ANTERIORE	WINDSCREEN KIT ASSY	123456789	ABCDEFGHI
11A		00F01811411	R-LLAVE CERRAD.P/MEC.VNT.96 CHIAVE	LOCK KEYS	123456789	ABCDEFGHI
12A		00G00806011	SCTO.PATA CABALLETE VECOS ZAMPA CAVALETTO	SIDE STAND SUB-ASSY	123456789	ABCDEFGHI
13A		00G00801061	APOYO PATA CABALLETE ATLANTIS ARRESTO CAVALLETTO	PROTECTOR KICKSTAND	123456789	ABCDEFGHI
14A		00H00802081	MUELLE INT.PATA CABALL.SEN-EXP MOLLA INTERNA ZAMPA CAVALLETTO	SIDE STAND SPRING	123456789	ABCDEFGHI
15A		00H00800421	PLACA RETORNO CABALLETE GPR-75 PIASTRINA RITORNO CAVALLETTO	SPRING KIK-STAND SUPPORT	123456789	ABCDEFGHI
16A		00G00802071	TOR.FIJ.PATA CABALLETE VITE FISSAGGIO ZAMPA CAV.	PIVOT PIN KICKSTAND	123456789	ABCDEFGHI
17A		00H00801261	CASQ.GIRO PATA CABALLETE SENDA GHIERA CAVALLETTO LATERALE	SIDE STAND BUSHING	123456789	ABCDEFGHI
18A		00034000802	ARANDELA EST. INT. D8 RONDELLA	WASHER	123456789	ABCDEFGHI
19A		00000021080	TCA.EXAG. 8M125. DIN-934. DADO ESAGONALE 8M125	HEXAGON NUT 8M125 D934	123456789	ABCDEFGHI
20A		00G01409191	R-SCTO. PORTAPAQUETES PORTAPACCHI	REAR CARRIER	123456789	ABCDEFGHI
21A		00G01401241	TAPA PORTAPAQUETES COPERCHIO PORTAPACCHI	UPPER LUGGAGE RACK COVER	123456789	ABCDEFGHI
22A		00012151500	TOR.C/RED.CRUZ.5M8OX16.D7985NG VITE TESTA TONDA CROCE 5M8OX16	ROUND HD CROSSHD SCREW	123456789	ABCDEFGHI



Figr.	Vers.	COD.	DESCRIPCIÓN / DENOMINAZIONE	DESIGNATION	MOD.	Nº CHASIS Nº TELAIO FRAME NUM.
23A		00000031050	ARAND.PLANA MEC.D.5.DIN125-B RONDELLA PIATTA D5	MACHINED FLAT WASHER D5	123456789	ABCDEFGHI
24A		00H01500691	TCA.FIJ.CARENADO A SOPTE.D.5 DADO FISSAGGIO CARENATURA	FAIRING SECURING NUT	123456789	ABCDEFGHI
25A		00G05203611	SOPORTE PARABRISAS APOGGIO PARABREZZA	WINDSCREEN SUPPORT	123456789	ABCDEFGHI



Figr.	Vers.	COD.	DESCRIPCIÓN / DENOMINAZIONE	DESIGNATION	MOD.	Nº CHASIS Nº TELAIO FRAME NUM.
01A		00G05300011	CTO.UTIL DESMTAR.VOLTE.ELECTR. CHIAVE VOLANO MAG./CAMPANA FR.	MAGNETO EXTRACTOR TOOL	123456789	ABCDEFGHI
02A		00G05600371	UTIL FIJAR BIELA. PIASTRA PER BLOCO BIELA	CONNECTING ROD TOOL	123456789	ABCDEFGHI
03A		00F05400451	R-PUNZON MONT.RETENES CIG.URBA TAMPONE ANELLI TENUTA	CRANKCASE SEAL MOUNTING PUNCH	123456789	ABCDEFGHI
04A		00F05300841	CASQ.GUIA RETEN CIG.DR.URBAN TAMPONE ANELLO ALBERO MOTORE	RIGHT CRANKCASE SEAL GUIDE BUS	123456789	ABCDEFGHI
05A		00G05300151	CTO.UTIL ABRIR MOTOR. ESTRATTORE SEMICARTER/ALBERO	ENGINE SEPARATOR TOOL	123456789	ABCDEFGHI
06A		00G05600411	R-CTO.UTIL MONTAR ANILLO BULON ATTREZO MONTAGGIO SPINOTTO.	GUDGEON PIN RING ASSEMBLY TOOL	123456789	ABCDEFGHI
07A		00G05300161	ESPARRAGO UTIL ABRIR MOTOR ASPARAGO MONTAGGIO SPINOTTO	GUDGEON PIN RING ASSEMBLY PART	123456789	ABCDEFGHI
08A		00G05600361	CTO.UTIL MONTAJE EJE MOTOR. ESTRATTORE POMPA ACQUA	ENGINE AXLE ASSEMBLY/MOUNTING	123456789	ABCDEFGHI

CODIGO CODE	Lám. Diagr.	Figr.	Vers.	CODIGO CODE	Lám. Diagr.	Figr.	Vers.	CODIGO CODE	Lám. Diagr.	Figr.	Vers.	CODIGO CODE	Lám. Diagr.	Figr.	Vers.
00A00900531	007	08A		00G00205011	002	04A		00G00905751	006	19A		00G01605021	012	06A	
00D01000701	006	31A		00G00208001	002	01A		00G00905891	006	10A		00G01608051	008	17A	
00D01200171	010	13A		00G00400181	003	06A		00G00906081	006	13A		00G01615521	012	03A	
00D01200171	011	11A		00G00400781	015	42A		00G00906171	006	12A		00G01703701	012	08A	
00D01500021	007	25A		00G00401581	003	18A		00G01000911	007	10A		00G01800141	015	04A	
00D01501371	001	14A		00G00411011	003	01A		00G01001811	012	12A		00G01800901	005	10A	
00D01501371	004	10A		00G00501641	011	26A		00G01001841	007	12A		00G01801221	004	05A	
00D01501371	010	11A		00G00501642	011	26B		00G01004111	007	06A		00G01802361	007	21A	
00D01501371	011	09A		00G00501771	017	02A		00G01004321	007	17A		00G01802441	001	15A	
00D02100901	006	34A		00G00502691	011	03A		00G01004341	007	18A		00G01804541	017	01A	
00D02500271	005	04A		00G00502692	011	03B		00G01008511	012	01A		00G01813391	013	26A	
00D02600631	004	12A		00G00502693	011	03C		00G01008512	012	01B		00G01813392	013	26C	
00D02600631	010	20A		00G00502694	011	03D		00G01008513	012	01C		00G01814391	013	26B	
00D02600631	011	12A		00G00502701	011	02A		00G01008514	012	01D		00G01819931	011	08A	
00D02600631	013	27A		00G00502702	011	02B		00G01011521	012	02A		00G01819932	011	08B	
00D03700131	015	33A		00G00502703	011	02C		00G01017301	007	01A		00G01819933	011	08C	
00D04900581	019	09A		00G00502704	011	02D		00G01018011	007	03A		00G01848101	004	06A	
00E01020131	007	04A		00G00503651	011	25A		00G01200031	008	06A		00G01851101	004	06B	
00F00400131	003	03A		00G00503652	011	25B		00G01200151	015	24A		00G01864101	004	06C	
00F00400771	003	04A		00G00504221	011	27A		00G01200241	009	07A		00G01923601	001	01A	
00F00700381	011	05A		00G00504222	011	27B		00G01200721	009	10A		00G02001541	002	21A	
00F00901151	006	25A		00G00504231	011	28A		00G01200911	009	09A		00G02101631	012	10A	
00F00930071	006	02A		00G00504232	011	28B		00G01201271	008	04A		00G02102081	006	21A	
00F00930091	006	17A		00G00511691	011	03E		00G01202021	008	07A		00G02106611	006	22A	
00F01001311	007	07A		00G00511692	011	03F		00G01202191	008	13A		00G02201711	015	03A	
00F01020371	007	20A		00G00511701	011	02E		00G01202192	008	13B		00G02209251	010	03A	
00F01201121	008	03A		00G00511702	011	02F		00G01206951	008	01A		00G02209252	010	03B	
00F01509781	012	17A		00G00602181	004	14A		00G01206952	008	01B		00G02209253	010	03C	
00F01811411	019	11A		00G00623011	004	01A		00G01208111	008	02A		00G02208671	019	08A	
00F02900051	014	37A		00G00700271	011	24A		00G01208111	009	02A		00G02209671	019	08B	
00F02900711	014	39A		00G00702141	011	04A		00G01300231	009	08A		00G02211251	010	29A	
00F03200021	016	03A		00G00703021	010	02A		00G01300271	009	04A		00G02211252	010	29B	
00F03201211	016	09A		00G00703022	010	02B		00G01300831	009	16A		00G02300811	007	11A	
00F03400051	015	48A		00G00703023	010	02C		00G01300931	009	06A		00G02302501	007	29A	
00F03710241	003	15A		00G00703024	010	02D		00G01302121	009	12A		00G02303171	012	11A	
00F03740111	003	11A		00G00703027	010	02E		00G01302191	009	05A		00G02312491	012	01E	
00F04201361	011	21A		00G00703028	010	02F		00G01302191	014	05B		00G02401381	014	25A	
00F04201361	013	32A		00G00800051	005	06A		00G01403301	001	12A		00G02404151	009	01A	
00F04700121	008	15A		00G00800071	005	03A		00G01500511	001	04A		00G02404152	009	01B	
00F05300841	020	04A		00G00800081	005	02A		00G01502381	002	08A		00G02500021	013	02A	
00F05400451	020	03A		00G00801061	019	13A		00G01502751	019	10A		00G02500061	015	23A	
00F05800021	006	20A		00G00802221	005	01A		00G01503251	012	18A		00G02500171	013	15A	
00G00200111	002	05A		00G00806011	019	12A		00G01503331	012	19A		00G02501011	013	01A	
00G00200701	002	22A		00G00900211	006	24A		00G01503701	010	19A		00G02501041	013	11A	
00G00201191	002	18A		00G00900291	006	14A		00G01503701	012	09A		00G02501051	015	25A	
00G00201281	002	16A		00G00900521	002	07A		00G01503951	004	20A		00G02501131	013	10A	
00G00201531	002	17A		00G00900861	006	11A		00G01504091	010	08A		00G02501231	013	17A	
00G00202121	002	02A		00G00901201	006	18A		00G01504191	005	09A		00G02501641	015	26A	
00G00202131	002	03A		00G00901531	006	28A		00G01504701	010	17A		00G02502141	013	13A	
00G00202441	002	20A		00G00901651	006	27A		00G01507861	011	07A		00G02507091	013	05A	
00G00202471	002	23A		00G00901661	006	26A		00G01601581	012	15A		00G02508091	013	06A	
00G00203231	002	06A		00G00903011	006	01A		00G01602581	012	05A		00G02509091	013	07A	
00G00204171	002	19A		00G00904431	006	23A		00G01604071	012	04A		00G02510091	013	08A	

CODIGO CODE	Lám. Diagr.	Figr.	Vers.	CODIGO CODE	Lám. Diagr.	Figr.	Vers.	CODIGO CODE	Lám. Diagr.	Figr.	Vers.	CODIGO CODE	Lám. Diagr.	Figr.	Vers.
00G02602401	014	20A		00G03201031	016	13C		00G03400041	013	25A		00G04101681	016	33A	
00G02603371	014	01A		00G03201051	016	31B		00G03400321	013	34A		00G04101771	016	27B	
00G02604211	014	17A		00G03201071	016	07A		00G03400891	013	38A		00G04103181	016	14A	
00G02604831	014	06A		00G03201091	016	24A		00G03429601	013	22A		00G04105181	016	14B	
00G02605381	014	03A		00G03201121	016	22A		00G03434601	013	22B		00G04200641	013	28A	
00G02605461	014	02A		00G03201201	016	23A		00G03437011	013	33A		00G04304181	003	05A	
00G02606821	014	19A		00G03201231	016	06A		00G03600991	004	16A		00G04401241	018	18A	
00G02801901	014	27A		00G03201281	016	21A		00G03600991	015	45A		00G04401461	004	11A	
00G02802291	014	32A		00G03201371	016	10A		00G03600991	017	12A		00G04401461	010	14A	
00G02802471	014	34A		00G03201431	016	11A		00G03600991	018	20A		00G04401461	011	14A	
00G02900041	014	41A		00G03201541	016	25B		00G03601511	018	23A		00G04401481	011	23A	
00G02900051	014	40A		00G03201551	016	26B		00G03601871	015	35A		00G04401991	015	12A	
00G02900171	014	46A		00G03201561	016	02A		00G03601871	018	21A		00G04403751	010	05A	
00G02900271	014	10A		00G03201721	016	16B		00G03603091	014	07A		00G04403752	011	06A	
00G02900651	014	35A		00G03202071	016	07B		00G03603651	014	04A		00G04600371	010	28A	
00G02900661	014	42A		00G03202091	016	24B		00G03604081	014	21A		00G04603081	010	07B	
00G02901091	014	09A		00G03202101	016	18B		00G03604651	014	04B		00G04607501	011	29A	
00G02901281	014	36A		00G03202121	016	22B		00G03604981	014	13A		00G04609921	019	07A	
00G02902091	014	05A		00G03202201	016	23B		00G03607561	014	22A		00G04610921	019	07B	
00G02902422	014	45A		00G03202251	017	03A		00G03606191	014	18A		00G04611101	010	31A	
00G02903011	014	38A		00G03202281	016	21B		00G03612111	014	08B		00G04611102	010	31B	
00G03000081	015	13A		00G03202371	016	10B		00G03613611	014	11B		00G04621111	010	30A	
00G03000121	015	16A		00G03202511	016	08B		00G03614111	014	08A		00G04621112	010	30B	
00G03000131	015	15A		00G03202561	016	02B		00G03614611	014	11A		00G04626141	004	02B	
00G03000151	015	46A		00G03202711	016	29A		00G03700351	003	10A		00G04630141	004	02A	
00G03000211	015	09A		00G03203051	016	31A		00G03700411	003	08A		00G04700131	008	16A	
00G03000211	018	13A		00G03203061	016	05B		00G03700631	013	20A		00G04700141	008	14A	
00G03000601	015	17A		00G03203211	016	09B		00G03701031	015	41A		00G04702092	008	12A	
00G03000621	015	14A		00G03203231	016	06B		00G03701101	013	19A		00G04702092	009	03A	
00G03000651	015	18A		00G03203261	017	04A		00G03701181	015	34A		00G04802891	001	09A	
00G03000901	017	15A		00G03203711	016	29B		00G03702081	003	02A		00G04803961	001	02A	
00G03001021	015	05A		00G03204271	017	13A		00G03702121	015	38A		00G04901261	017	11A	
00G03001021	018	08A		00G03204421	016	12C		00G03702181	015	47A		00G04907501	010	32A	
00G03001031	015	02A		00G03204731	016	17B		00G03702221	015	43A		00G04926081	010	01A	
00G03001091	015	20A		00G03205431	016	11B		00G03703051	003	14A		00G04926082	010	01B	
00G03001091	017	09A		00G03205481	016	15B		00G03705021	015	31A		00G04926083	010	01C	
00G03001271	001	05A		00G03206421	016	12B		00G03900011	007	13A		00G04926084	010	01D	
00G03001321	015	10A		00G03206491	017	05A		00G03900501	018	11A		00G04930081	010	01E	
00G03001981	015	44A		00G03213031	016	13B		00G03900821	015	08A		00G04930082	010	01F	
00G03002051	013	12A		00G03214031	016	13A		00G03900821	018	10A		00G05001011	013	14A	
00G03002091	015	21A		00G03231011	016	01B		00G03901051	018	06A		00G05001061	013	35A	
00G03002331	015	06A		00G03232011	016	01A		00G03901781	018	04A		00G05001061	015	27A	
00G03003091	015	22A		00G03234011	016	01C		00G03901851	018	07A		00G05006101	013	09A	
00G03009631	015	01A		00G03300021	018	25A		00G03901871	018	09A		00G05014121	013	04A	
00G03200061	016	05A		00G03300231	018	02A		00G03901891	018	12A		00G05016121	013	04B	
00G03200101	016	18A		00G03300281	018	14A		00G04003281	014	30A		00G05100011	019	04A	
00G03200391	016	28A		00G03300751	018	19A		00G04005641	014	24A		00G05101031	019	05A	
00G03200511	016	08A		00G03300831	018	22A		00G04100131	016	19A		00G05101561	019	02A	
00G03200541	016	25A		00G03301011	018	01A		00G04100741	016	20A		00G05125651	019	03A	
00G03200551	016	26A		00G03301401	007	09A		00G04100771	016	27A		00G05125652	019	03B	
00G03200721	016	16A		00G03302011	018	01A		00G04100941	016	30A		00G05125653	019	03C	
00G03200731	016	17A		00G03302171	018	15A		00G04100951	016	32A		00G05129561	019	03D	
00G03200761	016	04A		00G03305171	018	15B		00G04101131	016	19B		00G05129562	019	03E	

CODIGO CODE	Lám. Diagr.	Figr.	Vers.	CODIGO CODE	Lám. Diagr.	Figr.	Vers.	CODIGO CODE	Lám. Diagr.	Figr.	Vers.	CODIGO CODE	Lám. Diagr.	Figr.	Vers.
00G05202481	019	01A		00H01301291	008	09A		00000031060	018	17A		00012044000	007	28A	
00G05203611	019	25A		00H01301831	008	19A		00000031080	002	13A		00012054000	017	16A	
00G05300011	020	01A		00H01500691	007	16A		00000031080	006	32A		00012151500	010	18A	
00G05300151	020	05A		00H01500691	011	20A		00000031100	001	06A		00012151500	011	19A	
00G05300161	020	07A		00H02100191	006	06A		00000031100	002	11A		00012151500	013	31A	
00G05300601	019	06A		00H02100861	006	05A		00000031100	005	11A		00012161600	004	07A	
00G05600361	020	08A		00H02101811	006	04A		00000033040	015	30A		00012161600	010	12A	
00G05600371	020	02A		00H02401281	008	08A		00000033060	009	18A		00012161600	011	10A	
00G05600411	020	06A		00H02900761	001	13A		00000033060	013	37A		00014030600	006	35A	
00G05700101	010	10A		00H03201481	016	15A		00000033060	014	16A		00014041200	006	07A	
00G05701141	007	30A		00H03203421	016	12A		00000033100	005	14A		00021012001	008	11A	
00G05703051	007	02A		00H03800451	015	39A		00000033100	013	30A		00023108000	015	19A	
00G05800101	009	17A		00H04900231	011	15A		00000047114	014	43A		00026005000	009	11A	
00G05900331	001	18A		00H06300281	014	47A		00000047119	013	18A		00026006001	013	36A	
00G05902861	010	07A		0000A517011	007	05A		00000051205	005	05A		00026006002	013	03A	
00G05906831	011	01A		00000002850	002	12A		00002112500	002	15A		00026010000	014	12A	
00G05906832	011	01B		00000004512	007	27A		00002113500	002	10A		00026010000	018	24A	
00G05906833	011	01C		00000004515	004	18A		00003108060	005	07A		00032015000	005	08A	
00G05906834	011	01D		00000004515	007	14A		00003111110	009	14A		00034000802	019	18A	
00G06200081	003	17A		00000004515	010	16A		00003111120	009	15A		00038004000	007	26A	
00G06200151	001	16A		00000004610	002	09A		00003112320	008	10A		00040008000	007	24A	
00G06202061	003	12A		00000004612	018	16A		00004006500	013	29A		00057000500	001	23A	
00G06300571	001	03A		00000004615	001	24A		00004061600	004	19A		00057020100	014	31A	
00G06301061	010	09A		00000004620	006	03A		00004061600	006	29A		00057020400	014	33A	
00G06301101	010	06A		00000004620	013	24A		00004061600	009	19A		00057120300	014	23A	
00G06301201	017	10A		00000004830	001	17A		00004061600	014	44A		00058020401	014	26A	
00G06301551	004	04A		00000004840	006	15A		00004114500	001	08A		00058120100	008	05A	
00G06302401	001	20A		00000004845	006	16A		00004161200	014	14A		00059220400	013	16A	
00G06302581	017	14A		00000012420	013	39A		00004161600	001	10A		00066031200	013	21A	
00G06303451	012	07A		00000012420	015	28A		00004213500	005	13A					
00G06306721	004	03A		00000012515	015	32A		00005527540	018	05A					
00G06318731	004	21A		00000013616	014	28A		00006052500	009	13A					
00G06400141	015	40A		00000013616	018	03A		00006083000	008	18A					
00G06401031	015	07A		00000021080	019	19A		00006128280	014	29A					
00G06401065	015	11A		00000023040	010	21A		00006309260	006	08A					
00G06401121	014	15A		00000023040	011	13A		00006321040	006	09A					
00G06500451	001	21A		00000023060	001	11A		00008062500	010	22A					
00G06800341	017	07A		00000023060	004	17A		00008204500	003	07A					
00G06800501	004	15A		00000023060	010	24A		00008902630	001	22A					
00G06800511	017	06A		00000023080	002	14A		00011031001	012	16A					
00G06800581	011	01E		00000023080	006	33A		00011031401	007	22A					
00G06800582	011	01F		00000023100	001	07A		00011031401	012	13A					
00G06800641	003	09A		00000023100	005	12A		00011031600	007	19A					
00G06801051	004	13A		00000031040	015	29A		00011031801	007	23A					
00G06803431	010	04A		00000031050	007	15A		00011031801	012	14A					
00H00400371	003	16A		00000031050	010	15A		00011032501	011	16A					
00H00400501	003	13A		00000031050	017	17A		00011051601	010	27A					
00H00400501	015	36A		00000031060	001	19A		00011051601	011	18A					
00H00500212	004	08A		00000031060	004	09A		00011051801	011	17A					
00H00800421	019	15A		00000031060	006	30A		00011051801	017	08A					
00H00801261	019	17A		00000031060	010	23A		00011052201	010	25A					
00H00802071	019	16A		00000031060	011	22A		00011055001	010	26A					
00H00802081	019	14A		00000031060	013	23A		00011062000	015	37A					