

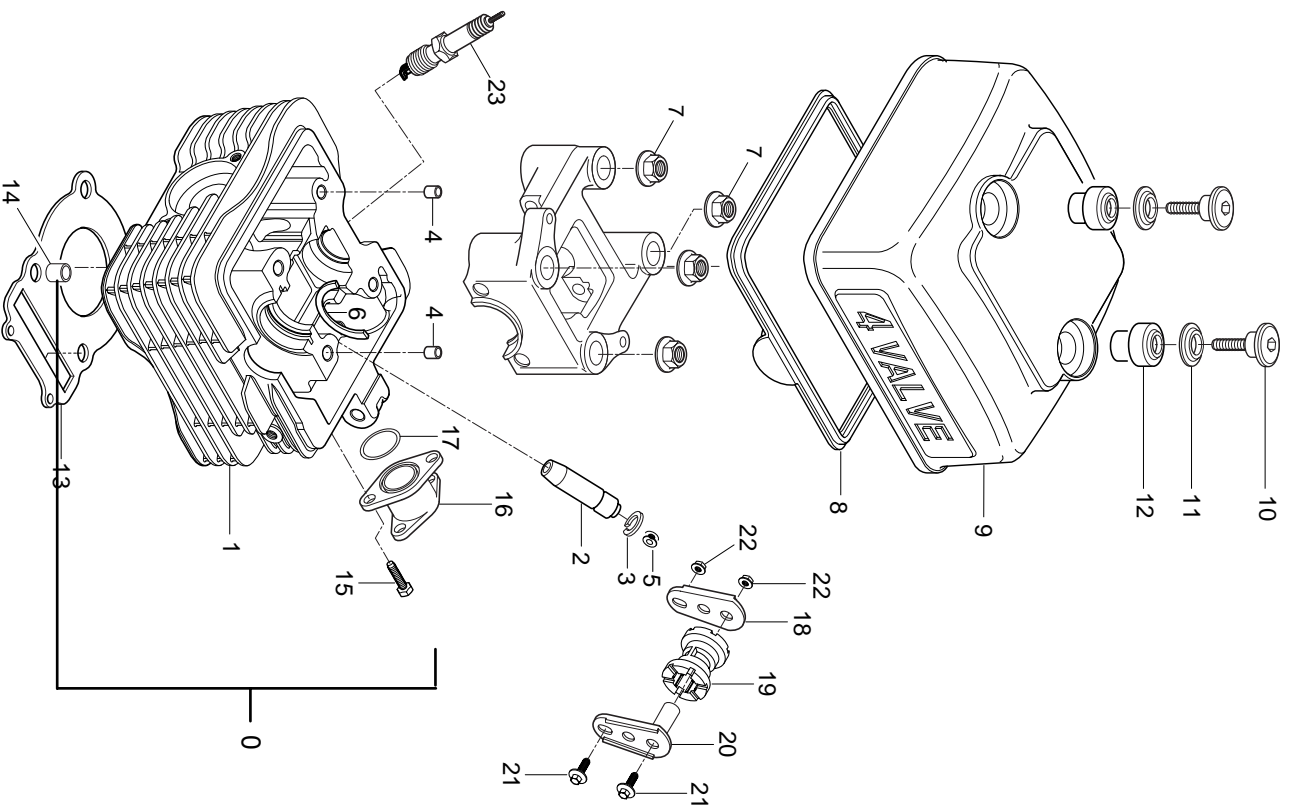
## **PREFACE**

1. This master price list of GA125F was newly prepared and the prices herein will be effective on orders received by us and after Aug. 04, 2003.  
Any price list of GA125F issued previously is no longer valid.
2. This master price list is based on US\$ and EUR, and the prices are per a piece, not per sales unit.
3. Prices and sales unit in this master price list may be changed without prior notice.

**HYOSUNG MOTORS & MACHINERY INC.**



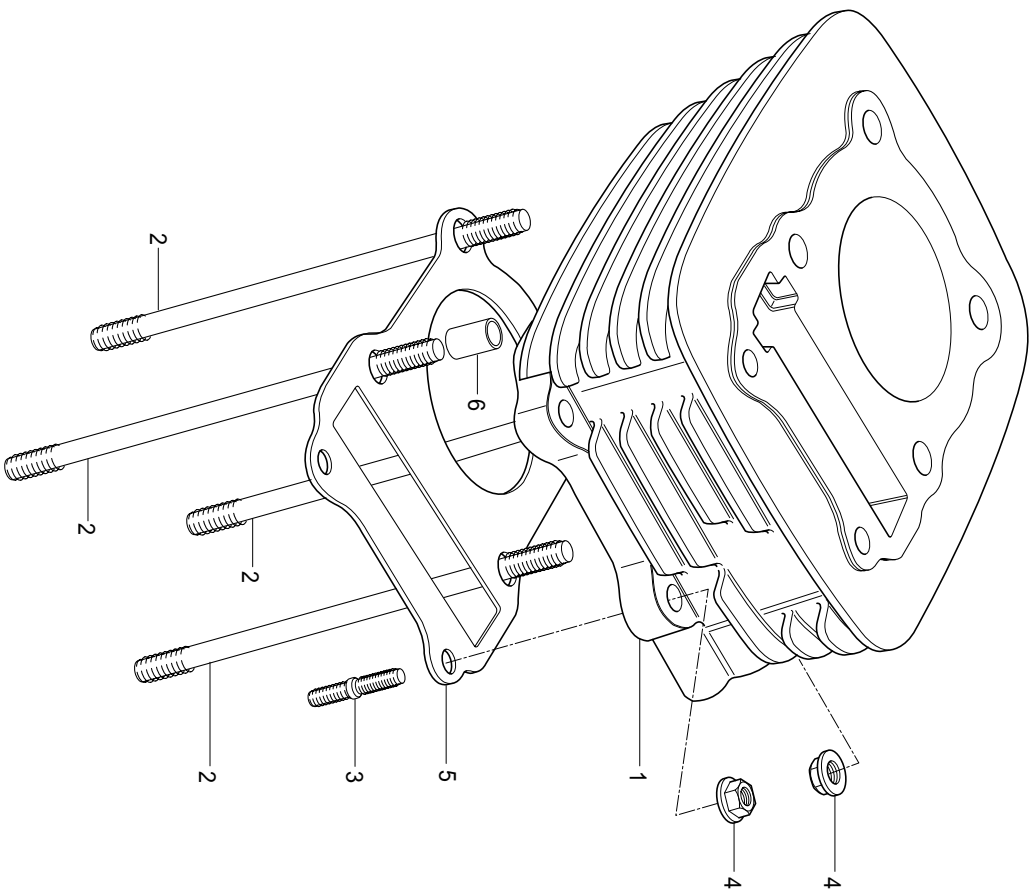
FIG. 1



# FIG 1. CYLINDER HEAD

REF PARTS NUMBER.									PARTS NAME	Q'TY	REMARKS	REC.Q'TY /
NO.	DOMESTIC	GEU01	GG02	JEN01	JF01	NAM	CLS	FG01				100 Motorcycles
0	11110SD6300HPA	11110SD6300HPA	11110SD6300HPA	11110SD6300HPA	11110SD6300HPA	11110SD6300HPA	11110SD6300HPA	11110SD6300HPA	HEAD ASS'Y CYLINDER	1		1
1	11110HD6303PCH	11110HD6303PCH	11110HD6303PCH	11110HD6303PCH	11110HD6303PCH	11110HD6303PCH	11110HD6303PCH	11110HD6303PCH	HEAD COMP CYLINDER	1		1
2	11115HD6300	11115HD6300	11115HD6300	11115HD6300	11115HD6300	11115HD6300	11115HD6300	11115HD6300	GUIDE,VALVE	4	NOT SALE	
3	09381-10004	09381-10004	09381-10004	09381-10004	09381-10004	09381-10004	09381-10004	09381-10004	SNAP RING,VALVE GUIDE	4	NOT SALE	10
4	04213-11169	04213-11169	04213-11169	04213-11169	04213-11169	04213-11169	04213-11169	04213-11169	KNOCK PIN	2		
5	09289-05008	09289-05008	09289-05008	09289-05008	09289-05008	09289-05008	09289-05008	09289-05008	OIL SEAL,VALVE STEM	4		2
6	09390H38001	09390H38001	09390H38001	09390H38001	09390H38001	09390H38001	09390H38001	09390H38001	CIRCLIP,CAMSHAFT BEARING NO.2	1		
7	09159-08031	09159-08031	09159-08031	09159-08031	09159-08031	09159-08031	09159-08031	09159-08031	NUT,CYLINDER	4		
8	11173HD6302	11173HD6302	11173HD6302	11173HD6302	11173HD6302	11173HD6302	11173HD6302	11173HD6302	PACKING,CYLINDER HEAD COVER	1		
9	11171HD6311999	11171HD6311999	11171HD6311999	11171HD6311999	11171HD6311999	11171HD6311999	11171HD6311999	11171HD6311999	COVER,CYLINDER HEAD	1		1
10	09106H07009	09106H07009	09106H07009	09106H07009	09106H07009	09106H07009	09106H07009	09106H07009	BLT C/HEAD COV	2		
11	11124H93B11	11124H93B11	11124H93B11	11124H93B11	11124H93B11	11124H93B11	11124H93B11	11124H93B11	WASHER, CYLINDER HEAD COVER BOLT	2		
12	11123H93B01	11123H93B01	11123H93B01	11123H93B01	11123H93B01	11123H93B01	11123H93B01	11123H93B01	PACKING, CYLINDER	2		
13	11141H93B01	11141H93B01	11141H93B01	11141H93B01	11141H93B01	11141H93B01	11141H93B01	11141H93B01	GASKET,CYLINDER HEAD	1		
14	04213-11169	04213-11169	04213-11169	04213-11169	04213-11169	04213-11169	04213-11169	04213-11169	KNOCK PIN	2		
15	09128-06005	09128-06005	09128-06005	09128-06005	09128-06005	09128-06005	09128-06005	09128-06005	BOLT,CYLINDER	2		
16	13110HD6300	13110HD6300	13110HD6300	13110HD6300	13110HD6300	13110HD6300	13110HD6300	13110HD6300	PIPE COMP,INTAKE	1		5
17	09280H32006	09280H32006	09280H32006	09280H32006	09280H32006	09280H32006	09280H32006	09280H32006	O-RING	1		
18	41971H93B00	41971H93B00	41971H93B00	41971H93B00	41971H93B00	41971H93B00	41971H93B00	41971H93B00	PLATE,ENGINE MOUNTING UPPER R	1		
19	41961H93B00	41961H93B00	41961H93B00	41961H93B00	41961H93B00	41961H93B00	41961H93B00	41961H93B00	CUSHION,INGIME UPPER	1		
20	41980H93B00	41980H93B00	41980H93B00	41980H93B00	41980H93B00	41980H93B00	41980H93B00	41980H93B00	PLATE,ENGINE MOUNTING L	1		
21	01517-08468	01517-08468	01517-08468	01517-08468	01517-08468	01517-08468	01517-08468	01517-08468	BOLT,ENGINE UPPER	2		
22	08319-31088	08319-31088	08319-31088	08319-31088	08319-31088	08319-31088	08319-31088	08319-31088	NUT	2		
23	09482-00248					09482-00248	09482-00248	09482-00248	SPARK PLUG D8EA	1		10
23-1		09482-01248	09482-01248	09482-01248	09482-01248				SPARK PLUG D8EA	1		

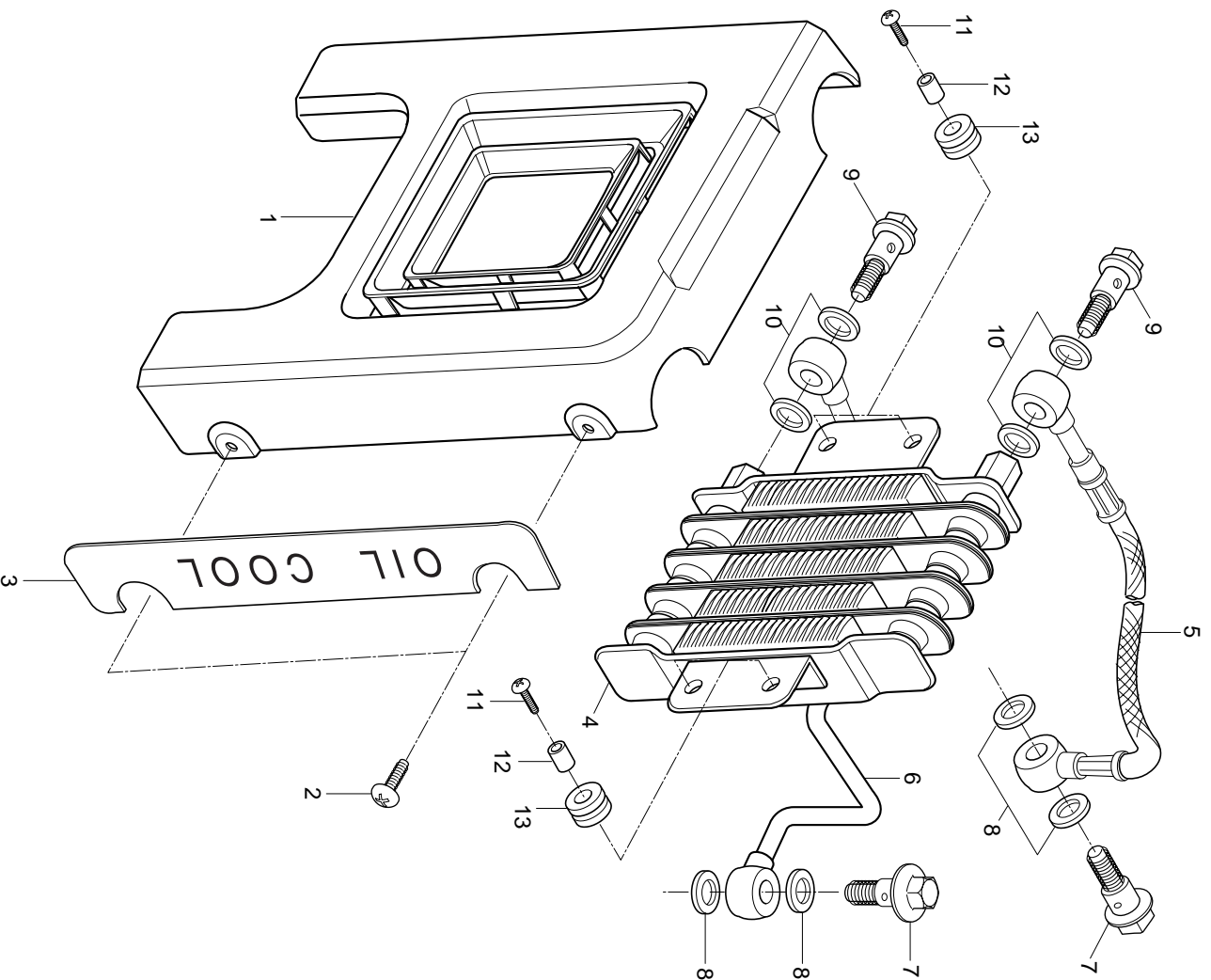
FIG.2



# FIG 2. CYLINDER

REF PARTS NUMBER.									PARTS NAME	Q'TY	REMARKS	REC.Q'TY (PCS)
NO.	DOMESTIC	GEU01	GG02	JEN01	JF01	NAM	CLS	FG01				
1	11210HD6313PCY	11210HD6313PCY	11210HD6313PCY	11210HD6313PCY	11210HD6313PCY	11210HD6313PCY	11210HD6313PCY	11210HD6313PCY	CYLINDER COMP	1		1
2	09108H08175	09108H08175	09108H08175	09108H08175	09108H08175	09108H08175	09108H08175	09108H08175	STUD BOLT,CYLINDER(L=233)	4		
3	01421-06258	01421-06258	01421-06258	01421-06258	01421-06258	01421-06258	01421-06258	01421-06258	SUTD BOLT,CYLINDER	2		
4	08316-16068	08316-16068	08316-16068	08316-16068	08316-16068	08316-16068	08316-16068	08316-16068	NUT,CYLINDER	2		
5	11241H05201	11241H05201	11241H05201	11241H05201	11241H05201	11241H05201	11241H05201	11241H05201	GASKET,CYLINDER	1		10
6	04213-11149	04213-11149	04213-11149	04213-11149	04213-11149	04213-11149	04213-11149	04213-11149	KINOCK PIN,CYLINDER	2		

FIG.3

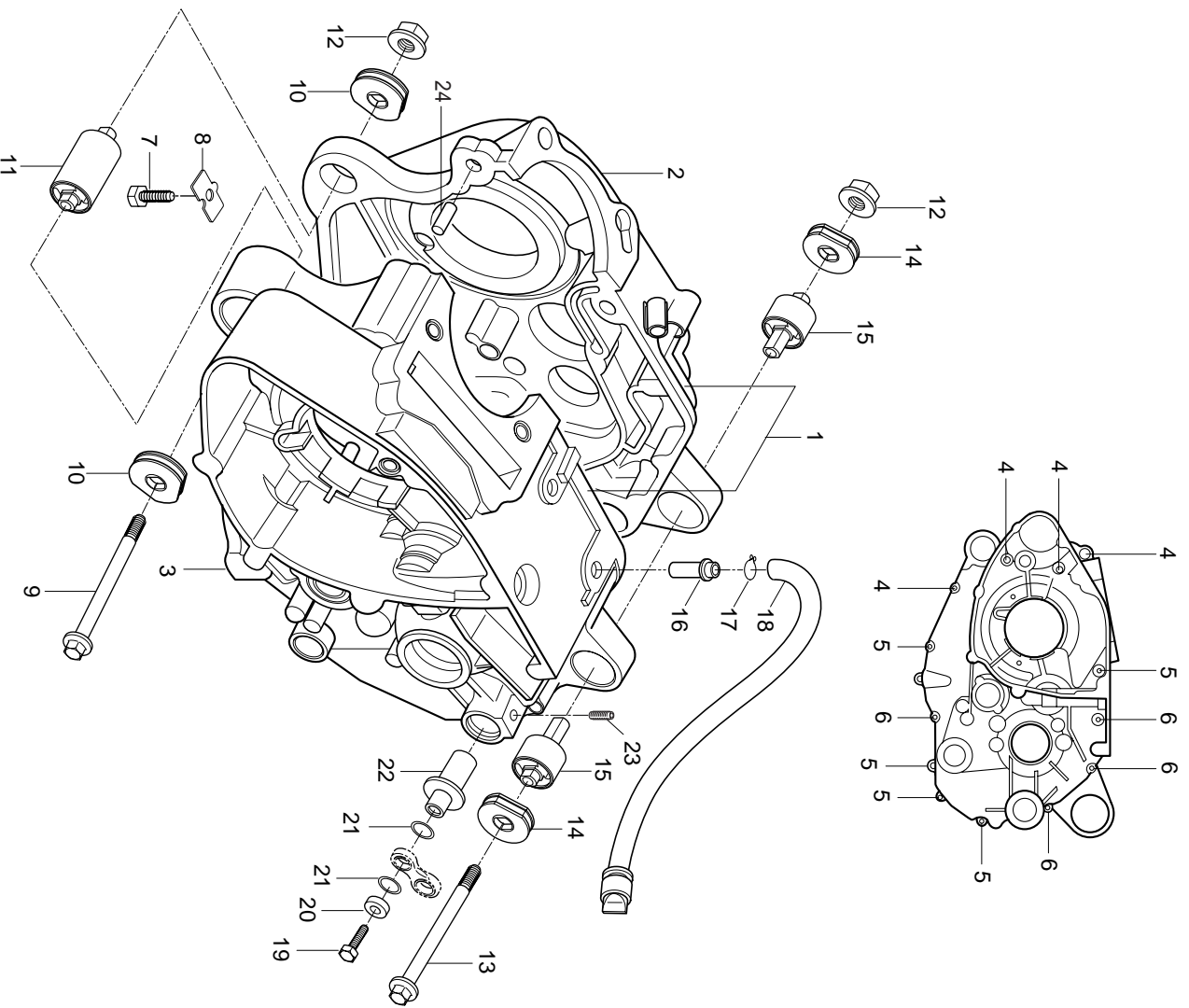


# FIG 3. OIL COOLER

REF PARTS NUMBER.								PARTS NAME	Q'TY	REMARKS	REC.Q'TY (PCS)
NO.	DOMESTIC	GEU01	GG02	JEN01	JF01	NAM	CLS				
1	47531H93B20	47531H93B20	47531H93B20	47531H93B20	47531H93B20CCG		47531H93B20	47531H93B20	GRILL,OIL COOLER VERT		
1					47531H93B20CMB				GRILL OIL COOLER NOIR		
1					47531H93B20CMR				GRILL OIL COOLER MARRON ROUGE		
1					47531H93B20CPB				GRILL OIL COOLER BLEU		
1					47531H93B20CPW				GRILL OIL COOLER BLANC		
1					47531H93B20CWB				GRILL OIL COOLER BORDEAUX		
2	02142-06108	02142-06108	02142-06108	02142-06108	02142-06108	02142-06108	02142-06108	02142-06108	SCREW	4	
3	68220H93B10	68220H93B10	68220H93B10	68220H93B10	68220H93B10	68220H93B10	68220H93B10	68220H93B10	TAPE,OIL COOLER GRILLE	2	
4	16600H93B01	16600H93B01	16600H93B01	16600H93B01	16600H93B01	16600H93B01	16600H93B01	16600H93B01	COOLER ASSY,OIL	1	5
5	16470H93B00	16470H93B00	16470H93B00	16470H93B00	16470H93B00	16470H93B00	16470H93B00	16470H93B00	HOSE COMP,OIL COOL NO.2	1	5
6	16460H93B02	16460H93B02	16460H93B02	16460H93B02	16460H93B02	16460H93B02	16460H93B02	16460H93B02	HOSE COMP,OIL COOL NO.1	1	5
7	09360H10034	09360H10034	09360H10034	09360H10034	09360H10034	09360H10034	09360H10034	09360H10034	BOLT,UNION	2	5
8	09161-10009	09161-10009	09161-10009	09161-10009	09161-10009	09161-10009	09161-10009	09161-10009	WASHER	4	
9	09360H12007	09360H12007	09360H12007	09360H12007	09360H12007	09360H12007	09360H12007	09360H12007	BOLT UNION(12mm)	2	5
10	09168-14011	09168-14011	09168-14011	09168-14011	09168-14011	09168-14011	09168-14011	09168-14011	GASKET	4	5
11	09136H06022	09136H06022	09136H06022	09136H06022	09136H06022	09136H06022	09136H06022	09136H06022	SCRW COW	4	
12	09180-06030	09180-06030	09180-06030	09180-06030	09180-06030	09180-06030	09180-06030	09180-06030	SPACER, OIL COOLER	4	
13	09320-10015	09320-10015	09320-10015	09320-10015	09320-10015	09320-10015	09320-10015	09320-10015	CUSHION,OIL COOLER	4	



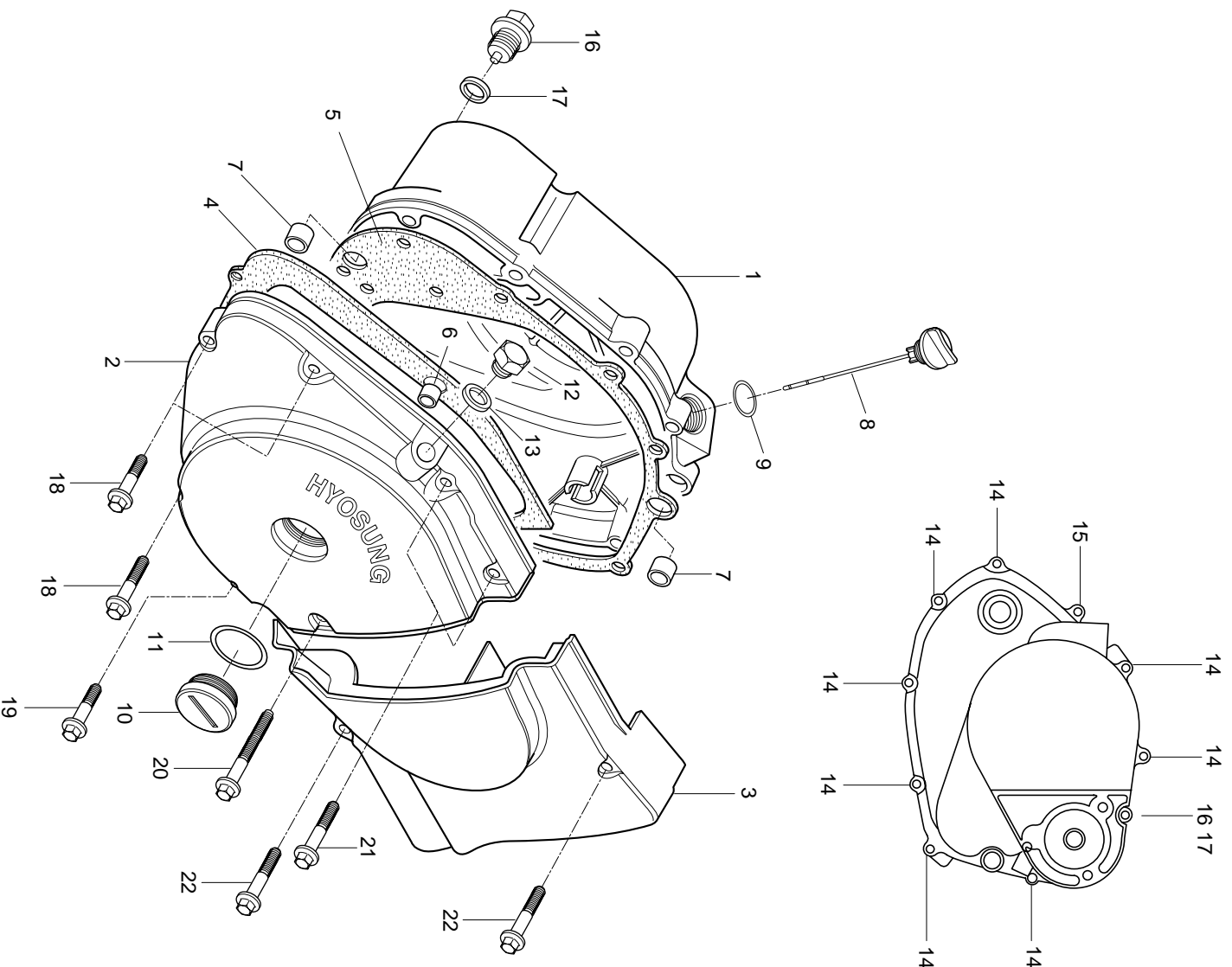
FIG.4



# FIG 4. CRANK CASE

REF PARTS NUMBER.									PARTS NAME	Q'TY	REMARKS	REC.Q'TY (PCS)
NO.	DOMESTIC	GEU01	GG02	JEN01	JF01	NAM	CLS	FG01				
1	11300HD6300HPA	11300HD6300HPA	11300HD6300HPA	11300HD6300HPA	11300HD6300HPA	11300HD6300HPA	11300HD6300HPA	11300HD6300HPA	CRANK CASE ASSY	1		1
2	11310HD6303PCC	11310HD6303PCC	11310HD6303PCC	11310HD6303PCC	11310HD6303PCC	11310HD6303PCC	11310HD6303PCC	11310HD6303PCC	CRANK CASE, R	1		
3	11320H93B05PCC	11320H93B05PCC	11320H93B05PCC	11320H93B05PCC	11320H93B05PCC	11320H93B05PCC	11320H93B05PCC	11320H93B05PCC	CRANK CASE L	1		
4	01547-06558	01547-06558	01547-06558	01547-06558	01547-06558	01547-06558	01547-06558	01547-06558	BOLT	4		
5	01547-06608	01547-06608	01547-06608	01547-06608	01547-06608	01547-06608	01547-06608	01547-06608	BOLT	5		
6	01547-06758	01547-06758	01547-06758	01547-06758	01547-06758	01547-06758	01547-06758	01547-06758	BOLT	4		
7	01107-06106	01107-06106	01107-06106	01107-06106	01107-06106	01107-06106	01107-06106	01107-06106	BOLT, OIL GALLERY PLATE	1		
8	11319-05200	11319-05200	11319-05200	11319-05200	11319-05200	11319-05200	11319-05200	11319-05200	PLATE,OIL GALLEY PLUG	1		
9	09103H10152	09103H10152	09103H10152	09103H10152	09103H10152	09103H10152	09103H10152	09103H10152	BOLT,ENGINE MOUNTING FRONT(=96	1		
10	09320H12023	09320H12023	09320H12023	09320H12023	09320H12023	09320H12023	09320H12023	09320H12023	CUSHION,FRONT	1		
11	09319H11050	09319H11050	09319H11050	09319H11050	09319H11050	09319H11050	09319H11050	09319H11050	BUSH, FRONT	1		
12	08319-31108	08319-31108	08319-31108	08319-31108	08319-31108	08319-31108	08319-31108	08319-31108	NUT	2		
13	09103H10153	09103H10153	09103H10153	09103H10153	09103H10153	09103H10153	09103H10153	09103H10153	BOLT EG REAR(GA)	1		
14	09320H12024	09320H12024	09320H12024	09320H12024	09320H12024	09320H12024	09320H12024	09320H12024	CUSHION,REAR	1		
15	09319H11051	09319H11051	09319H11051	09319H11051	09319H11051	09319H11051	09319H11051	09319H11051	BUSH,REAR	1		
16	09364-12001	09364-12001	09364-12001	09364-12001	09364-12001	09364-12001	09364-12001	09364-12001	UNION	1		
17	13824-05331	13824-05331	13824-05331	13824-05331	13824-05331	13824-05331	13824-05331	13824-05331	CLAMP	1		
18	13870H29B00	13870H29B00	13870H29B00	13870H29B00	13870H29B00	13870H29B00	13870H29B00	13870H29B00	CAP COMP,BREATHER DRAIN	1		
19	01137-06128	01137-06128	01137-06128	01137-06128	01137-06128	01137-06128	01137-06128	01137-06128	BOLT	1		
20	61351H93B00	61351H93B00	61351H93B00	61351H93B00	61351H93B00	61351H93B00	61351H93B00	61351H93B00	HOLDER	1		
21	09280H20001	09280H20001	09280H20001	09280H20001	09280H20001	09280H20001	09280H20001	09280H20001	O-RING	2		2
22	11323H93B03	11323H93B03	11323H93B03	11323H93B03	11323H93B03	11323H93B03	11323H93B03	11323H93B03	PIN,CRANK CASE LINK	1		
23	09264H06006	09264H06006	09264H06006	09264H06006	09264H06006	09264H06006	09264H06006	09264H06006	BOLT,CRANKCASE LINK PIN	1		

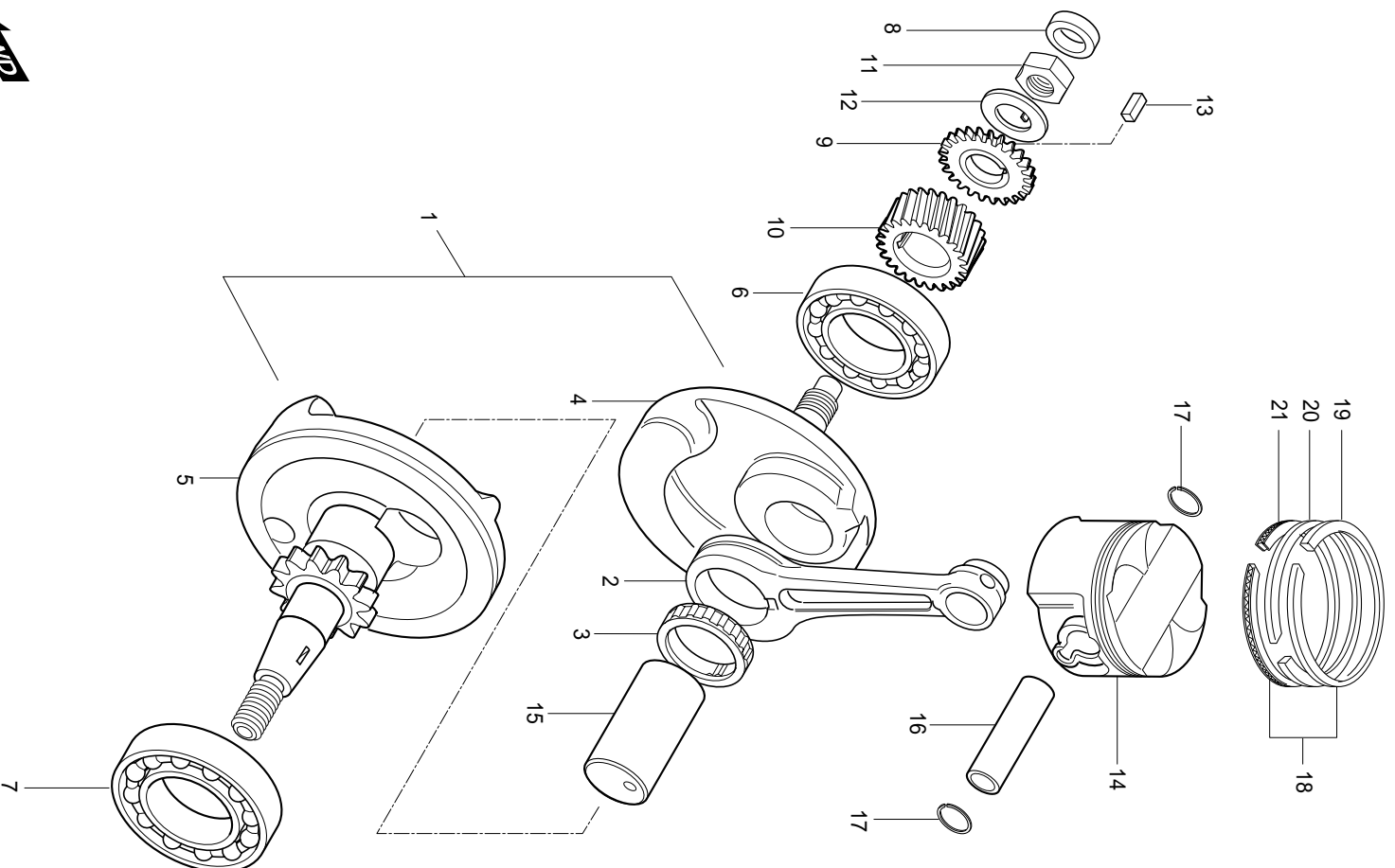
FIG.5



# FIG 5. CRANK CASE COVER

REF PARTS NUMBER.									PARTS NAME	Q'TY	REMARKS	REC.Q'TY (PCS)
NO.	DOMESTIC	GEU01	GG02	JEN01	JF01	NAM	CLS	FG01				
1	11340H93B01121	11340H93B01121	11340H93B01121	11340H93B01121	11340H93B01121	11340H93B01121	11340H93B01121	11340H93B01121	COVER COMP, CLUTCH	1		5
2	11351H93B00121	11351H93B00121	11351H93B00121	11351H93B00121	11351H93B00121	11351H93B00121	11351H93B00121	11351H93B00121	COVER,MAGNETO	1		5
3	11361H93B0103R	11361H93B0103R	11361H93B0103R	11361H93B0103R	11361H93B0103R	11361H93B0103R	11361H93B0103R	11361H93B0103R	COVER,E/G SPROCKET	1		2
4	11483H05301	11483H05301	11483H05301	11483H05301	11483H05301	11483H05301	11483H05301	11483H05301	GASKET,MAGNET COVER	1		20
5	11482H93B02	11482H93B02	11482H93B02	11482H93B02	11482H93B02	11482H93B02	11482H93B02	11482H93B02	CASKET,CLUTCH COVER	1		20
6	04213-09129	04213-09129	04213-09129	04213-09129	04213-09129	04213-09129	04213-09129	04213-09129	PIN,MAGNETO COVER	1		
7	09206-08001	09206-08001	09206-08001	09206-08001	09206-08001	09206-08001	09206-08001	09206-08001	PIN,CLUTCH COVER	2		
8	11971H93B00	11971H93B00	11971H93B00	11971H93B00	11971H93B00	11971H93B00	11971H93B00	11971H93B00	PLUG EG O/FLTR	1		2
9	09280-17003	09280-17003	09280-17003	09280-17003	09280-17003	09280-17003	09280-17003	09280-17003	O-RING, ENGINE OIL FILLER PLUG	1		2
10	09259-2601503P	09259-2601503P	09259-2601503P	09259-2601503P	09259-2601503P	09259-2601503P	09259-2601503P	09259-2601503P	PLUG, CRANK SHAFT HOLE	1		
11	09280-22008	09280-22008	09280-22008	09280-22008	09280-22008	09280-22008	09280-22008	09280-22008	O-RING, CRANK SHAFT HOLE PLUG	1		2
12	09247H12102	09247H12102	09247H12102	09247H12102	09247H12102	09247H12102	09247H12102	09247H12102	PLUG, T.D.C	1		5
13	09168H12003	09168H12003	09168H12003	09168H12003	09168H12003	09168H12003	09168H12003	09168H12003	GASKET, T.D.C. PLUG	1		5
14	01547-06308	01547-06308	01547-06308	01547-06308	01547-06308	01547-06308	01547-06308	01547-06308	BOLT, CLUTCH COVER	9		
15	01547-06458	01547-06458	01547-06458	01547-06458	01547-06458	01547-06458	01547-06458	01547-06458	BOLT, CLUTCH COVER	1		
16	09247-14026	09247-14026	09247-14026	09247-14026	09247-14026	09247-14026	09247-14026	09247-14026	PLUG, OIL CHECK	1		5
17	09168H14003	09168H14003	09168H14003	09168H14003	09168H14003	09168H14003	09168H14003	09168H14003	GASKET, OIL CHECK PLUG	1		5
18	01547-06308	01547-06308	01547-06308	01547-06308	01547-06308	01547-06308	01547-06308	01547-06308	BOLT,MAGNET COVER	3		
19	01547-06358	01547-06358	01547-06358	01547-06358	01547-06358	01547-06358	01547-06358	01547-06358	BOLT, MAGNETO COVER	1		
20	01547-06558	01547-06558	01547-06558	01547-06558	01547-06558	01547-06558	01547-06558	01547-06558	BOLT, MAGNETO COVER	1		
21	01547-06358	01547-06358	01547-06358	01547-06358	01547-06358	01547-06358	01547-06358	01547-06358	BOLT, MAGNETO COVER	2		
22	01547-06358	01547-06358	01547-06358	01547-06358	01547-06358	01547-06358	01547-06358	01547-06358	BOLT, ENGINE SPROCKET COVER	2		

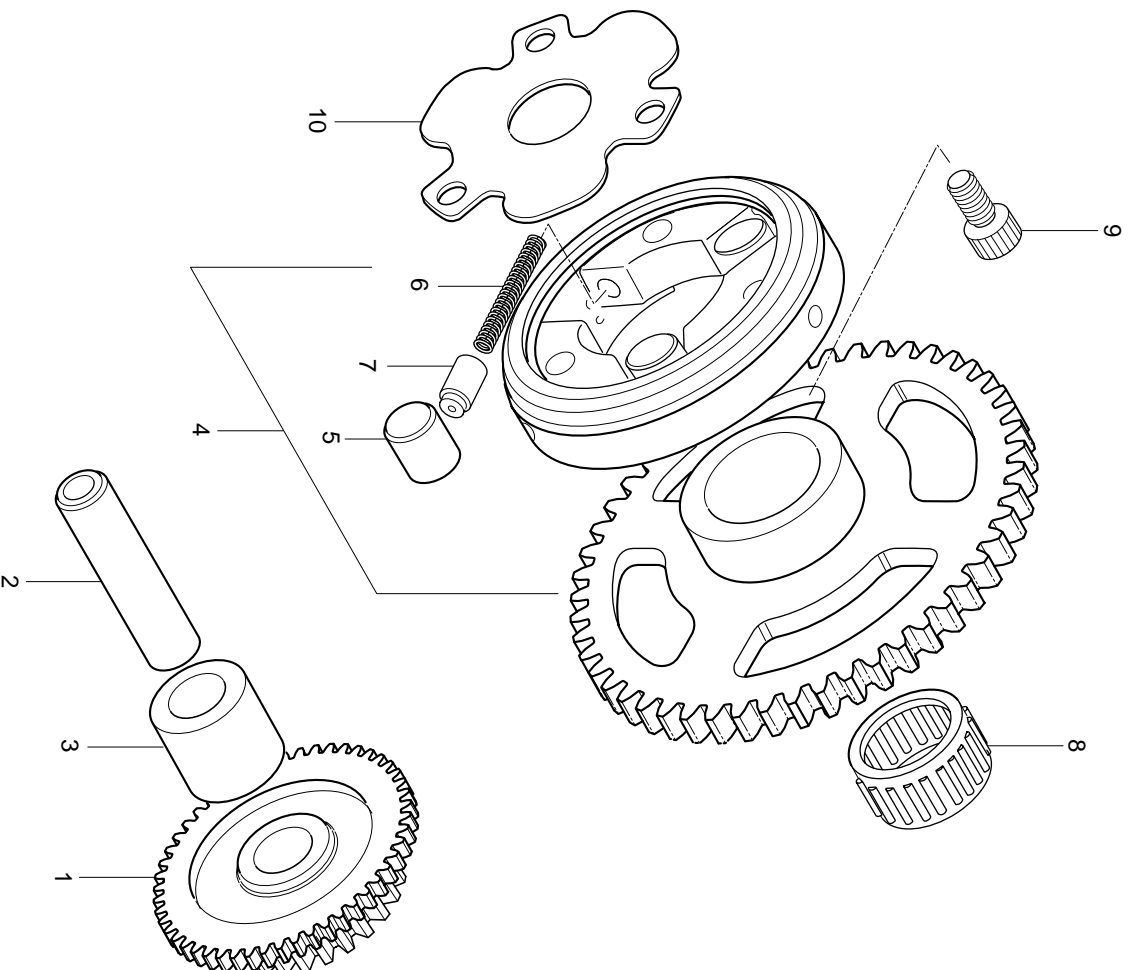
FIG.6



# FIG 6. CRANK SHAFT

REF PARTS NUMBER.									PARTS NAME	Q'TY	REMARKS	REC.Q'TY (PCS)
NO.	DOMESTIC	GEU01	GG02	JEN01	JF01	NAM	CLS	FG01				
1	12200HD6301HPA	12200HD6301HPA	12200HD6301HPA	12200HD6301HPA	12200HD6301HPA	12200HD6301HPA	12200HD6301HPA	12200HD6301HPA	CRANK SHAFT ASSY	1		1
2	12161HD6301	12161HD6301	12161HD6301	12161HD6301	12161HD6301	12161HD6301	12161HD6301	12161HD6301	ROD CONNECTING	1		
3	09263H30003	09263H30003	09263H30003	09263H30003	09263H30003	09263H30003	09263H30003	09263H30003	BG CRNK PIN	1		
4	12221HF4600CSA	12221HF4600CSA	12221HF4600CSA	12221HF4600CSA	12221HF4600CSA	12221HF4600CSA	12221HF4600CSA	12221HF4600CSA	CRANK SHAFT R	1		
5	12261H35C02CSA	12261H35C02CSA	12261H35C02CSA	12261H35C02CSA	12261H35C02CSA	12261H35C02CSA	12261H35C02CSA	12261H35C02CSA	CRANK SHAFT L	1		
6	09262H28003	09262H28003	09262H28003	09262H28003	09262H28003	09262H28003	09262H28003	09262H28003	BG C/SHAFT R	1		2
7	09262H350A60AO	09262H350A60AO	09262H350A60AO	09262H350A60AO	09262H350A60AO	09262H350A60AO	09262H350A60AO	09262H350A60AO	BG C/SHAFT L	1		1
8	09282-12001	09282-12001	09282-12001	09282-12001	09282-12001	09282-12001	09282-12001	09282-12001	OIL SEAL, CRANK SHAFT, R	1		
9	16321-04B01	16321-04B01	16321-04B01	16321-04B01	16321-04B01	16321-04B01	16321-04B01	16321-04B01	GEAR OIL PUMP DRIVE	1		
10	21111HD6300	21111HD6300	21111HD6300	21111HD6300	21111HD6300	21111HD6300	21111HD6300	21111HD6300	GR PRIM DRV(TN,R)	1		1
11	09140-16019	09140-16019	09140-16019	09140-16019	09140-16019	09140-16019	09140-16019	09140-16019	NUT PRIM DRVN GR	1		
12	09166-16012	09166-16012	09166-16012	09166-16012	09166-16012	09166-16012	09166-16012	09166-16012	WASHER, PRIMARY DRIVE GEAR	1		
13	09421-04004	09421-04004	09421-04004	09421-04004	09421-04004	09421-04004	09421-04004	09421-04004	KEY PRIMARY DRIVE GEAR	1		
14	12111HD6301PPS	12111HD6301PPS	12111HD6301PPS	12111HD6301PPS	12111HD6301PPS	12111HD6301PPS	12111HD6301PPS	12111HD6301PPS	PISTON	1		10
15	12211HF4600	12211HF4600	12211HF4600	12211HF4600	12211HF4600	12211HF4600	12211HF4600	12211HF4600	PIN,CRANK	1		
16	12151-30B00	12151-30B00	12151-30B00	12151-30B00	12151-30B00	12151-30B00	12151-30B00	12151-30B00	PIN, PISTON	1		5
17	09381-15001	09381-15001	09381-15001	09381-15001	09381-15001	09381-15001	09381-15001	09381-15001	CIRCLIP, PISTON PIN	2		10
18	12140-16E00	12140-16E00	12140-16E00	12140-16E00	12140-16E00	12140-16E00	12140-16E00	12140-16E00	RING SET PISTON	1	NOT SALE	
19	12141-16E00	12141-16E00	12141-16E00	12141-16E00	12141-16E00	12141-16E00	12141-16E00	12141-16E00	RING,PISTON 1ST	1		20
20	12142-16E00	12142-16E00	12142-16E00	12142-16E00	12142-16E00	12142-16E00	12142-16E00	12142-16E00	RING PISTON 2ND	1		20
21	12144-16E00	12144-16E00	12144-16E00	12144-16E00	12144-16E00	12144-16E00	12144-16E00	12144-16E00	RING,PISTON OIL	1		20

FIG. 7



# FIG 7. STARTER CLUTCH

REF PARTS NUMBER.									PARTS NAME	Q'TY	REMARKS	REC.Q'TY (PCS)
NO.	DOMESTIC	GEU01	GG02	JEN01	JF01	NAM	CLS	FG01				
1	12611-05300	12611-05300	12611-05300	12611-05300	12611-05300	12611-05300	12611-05300	12611-05300	GEAR, STARTER IDLE	1		1
2	09206-13003	09206-13003	09206-13003	09206-13003	09206-13003	09206-13003	09206-13003	09206-13003	PIN, STATER IDLE GEAR	1		
3	09180-13006	09180-13006	09180-13006	09180-13006	09180-13006	09180-13006	09180-13006	09180-13006	SPACER	1		
4	12620HD6300HPA	12620HD6300HPA	12620HD6300HPA	12620HD6300HPA	12620HD6300HPA	12620HD6300HPA	12620HD6300HPA	12620HD6300HPA	GEAR STARTER CLUTCH	1		
5	09261-10003	09261-10003	09261-10003	09261-10003	09261-10003	09261-10003	09261-10003	09261-10003	ROLLER, STRTER CLUTCH	3		
6	09440-03004	09440-03004	09440-03004	09440-03004	09440-03004	09440-03004	09440-03004	09440-03004	SPRING, STARTER CLUTCH	3		
7	12633-05300	12633-05300	12633-05300	12633-05300	12633-05300	12633-05300	12633-05300	12633-05300	PIECE, STARTER CLUTCH	3		
8	09263-22031	09263-22031	09263-22031	09263-22031	09263-22031	09263-22031	09263-22031	09263-22031	BEARING, STARTER CLUTCH GEAR	1		
9	09106-06030	09106-06030	09106-06030	09106-06030	09106-06030	09106-06030	09106-06030	09106-06030	BOLT, STARTER CLUTCH(M6*16)	3		
10	12649-05300	12649-05300	12649-05300	12649-05300	12649-05300	12649-05300	12649-05300	12649-05300	SHIM,STARTER CLUTCH HUB	1		



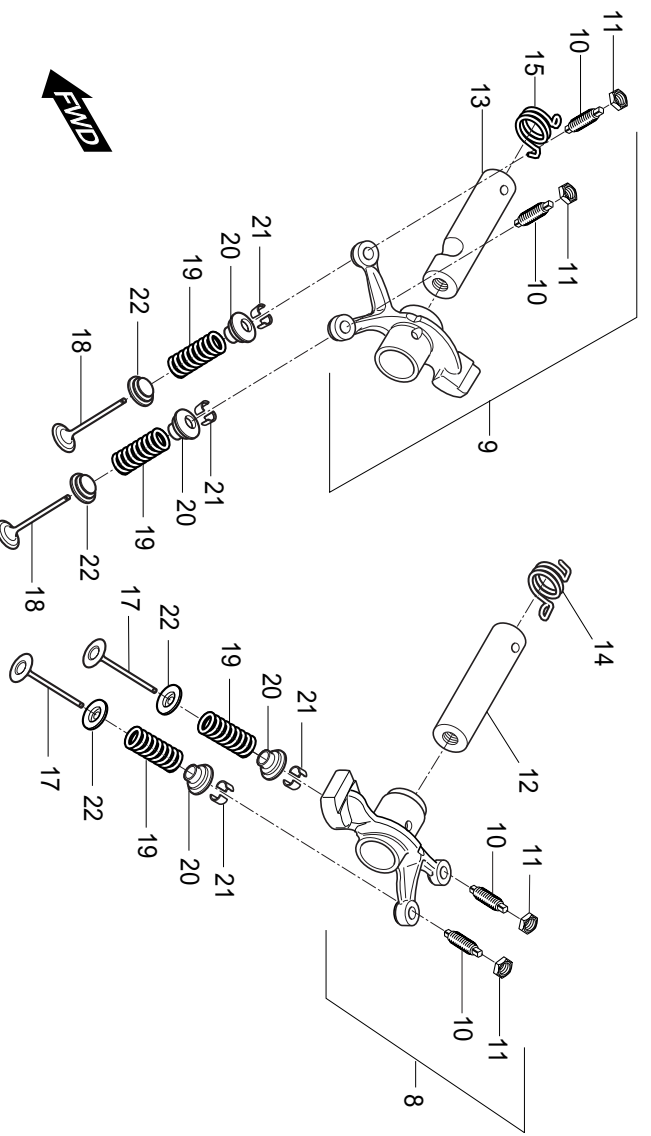
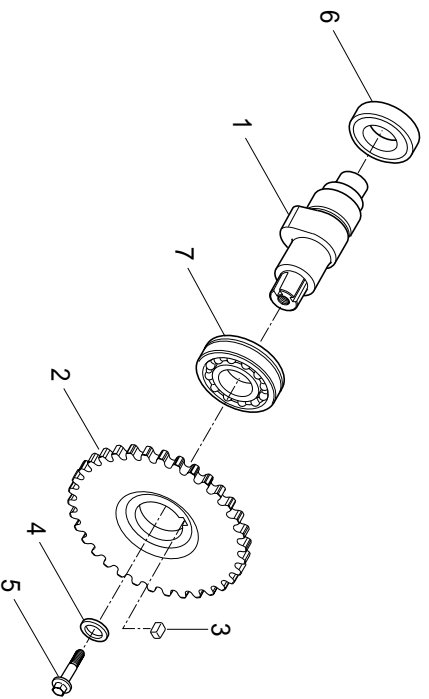
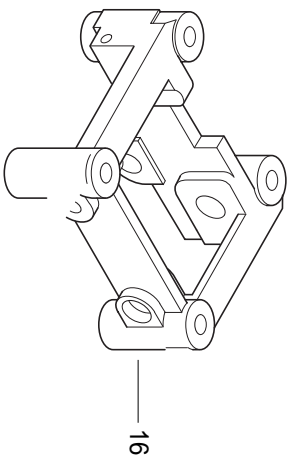
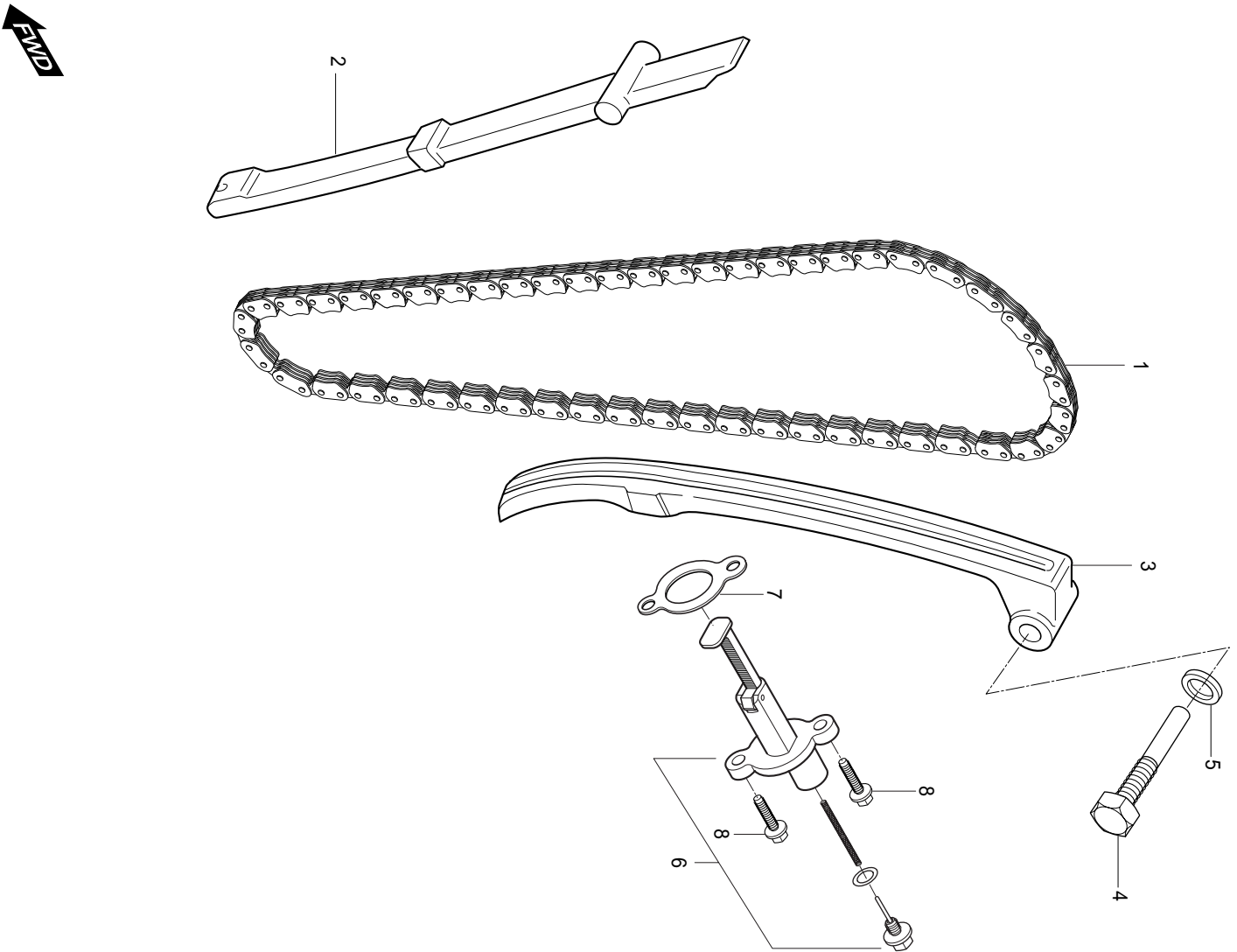


FIG. 8

# FIG 8. CAM SHAFT

REF PARTS NUMBER.									PARTS NAME	Q'TY	REMARKS	REC.Q'TY (PCS)
NO.	DOMESTIC	GEU01	GG02	JEN01	JF01	NAM	CLS	FG01				
1	12711HD6302888	12711HD6302888	12711HD6302888	12711HD6302888	12711HD6302888	12711HD6302888	12711HD6302888	12711HD6302888	CAM SHAFT	1		2
2	12741HD6301	12741HD6301	12741HD6301	12741HD6301	12741HD6301	12741HD6301	12741HD6301	12741HD6301	SPROCKET, CAMSHAFT	1		2
3	09421H04004	09421H04004	09421H04004	09421H04004	09421H04004	09421H04004	09421H04004	09421H04004	KEY,CAMSHAFT	1		
4	09160H08016	09160H08016	09160H08016	09160H08016	09160H08016	09160H08016	09160H08016	09160H08016	WASHER, CAMSHAFT CENTER	1		
5	09103H08007	09103H08007	09103H08007	09103H08007	09103H08007	09103H08007	09103H08007	09103H08007	BOLT, CAMSHAFT CENTER(M8*23)	1		
6	09262H17002	09262H17002	09262H17002	09262H17002	09262H17002	09262H17002	09262H17002	09262H17002	BEARING,CAMSHAFT NO.1	1		1
7	09269H17003	09269H17003	09269H17003	09269H17003	09269H17003	09269H17003	09269H17003	09269H17003	BEARING,CAMSHAFT NO.2	1		
8	12840HD6300	12840HD6300	12840HD6300	12840HD6300	12840HD6300	12840HD6300	12840HD6300	12840HD6300	ARM,VALVE ROCKER INTAKE	1	NOT SALE	5
9	12850HD6300	12850HD6300	12850HD6300	12850HD6300	12850HD6300	12850HD6300	12850HD6300	12850HD6300	ARM,VALVE ROCKER EXHAUST	1	NOT SALE	
10	12842-49201	12842-49201	12842-49201	12842-49201	12842-49201	12842-49201	12842-49201	12842-49201	SCREW, TAPPET ADJUSTER	4		5
11	12843-27A00	12843-27A00	12843-27A00	12843-27A00	12843-27A00	12843-27A00	12843-27A00	12843-27A00	NUT, TAPPET ADJUSTER	4		
12	12861HD6300	12861HD6300	12861HD6300	12861HD6300	12861HD6300	12861HD6300	12861HD6300	12861HD6300	SHAFT,VALVE ROCKER ARM NO.1	1		1
13	12871HD6300	12871HD6300	12871HD6300	12871HD6300	12871HD6300	12871HD6300	12871HD6300	12871HD6300	SHAFT VALVE ROCKER ARM NO.2	1		1
14	09448H17008	09448H17008	09448H17008	09448H17008	09448H17008	09448H17008	09448H17008	09448H17008	SPRING,VALVE ROCKER ARM NO.1	1		
15	09448H17009	09448H17009	09448H17009	09448H17009	09448H17009	09448H17009	09448H17009	09448H17009	SPRING,VALVE ROCKER ARM NO.2	1		
16	11130HD6303PCH	11130HD6303PCH	11130HD6303PCH	11130HD6303PCH	11130HD6303PCH	11130HD6303PCH	11130HD6303PCH	11130HD6303PCH	HOLDER COMP, CAMSHAFT	1		
17	12911HD6300	12911HD6300	12911HD6300	12911HD6300	12911HD6300	12911HD6300	12911HD6300	12911HD6300	VALV INTAKE	2		10
18	12912HD6300	12912HD6300	12912HD6300	12912HD6300	12912HD6300	12912HD6300	12912HD6300	12912HD6300	VALVE,EXAUST	2		10
19	12921HD6300	12921HD6300	12921HD6300	12921HD6300	12921HD6300	12921HD6300	12921HD6300	12921HD6300	SPRING SET, VALVE	4		
20	12931HD6300	12931HD6300	12931HD6300	12931HD6300	12931HD6300	12931HD6300	12931HD6300	12931HD6300	RETAINER, VALVE SPRING	4		5
21	12932HD6300	12932HD6300	12932HD6300	12932HD6300	12932HD6300	12932HD6300	12932HD6300	12932HD6300	COTTER VALVE	8		5
22	12933HD6300	12933HD6300	12933HD6300	12933HD6300	12933HD6300	12933HD6300	12933HD6300	12933HD6300	SEAT,VALVE SPRING	4		5

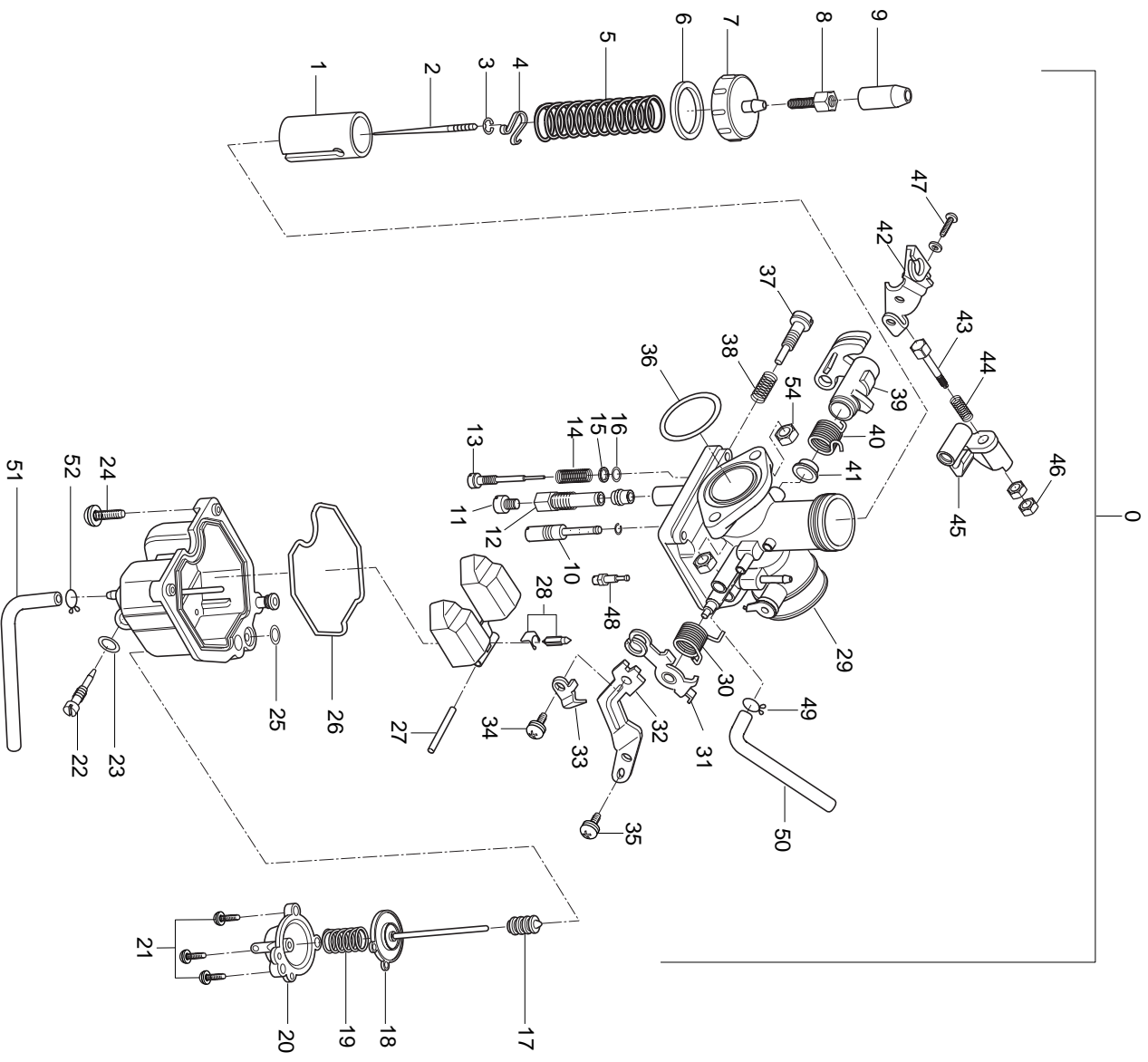
FIG. 9



# FIG 9. CAM CHAIN

REF PARTS NUMBER.									PARTS NAME	Q'TY	REMARKS	REC.Q'TY (PCS)
NO.	DOMESTIC	GEU01	GG02	JEN01	JF01	NAM	CLS	FG01				
1	12760HD6300	12760HD6300	12760HD6300	12760HD6300	12760HD6300	12760HD6300	12760HD6300	12760HD6300	CHAIN, CAM SHAFT DRIVE(98 LINK)	1		5
2	12771HD6300	12771HD6300	12771HD6300	12771HD6300	12771HD6300	12771HD6300	12771HD6300	12771HD6300	GUIDE CAM LNK	1		5
3	12811HD6300	12811HD6300	12811HD6300	12811HD6300	12811HD6300	12811HD6300	12811HD6300	12811HD6300	TENSIONER CAM LNK	1		5
4	12812-32410	12812-32410	12812-32410	12812-32410	12812-32410	12812-32410	12812-32410	12812-32410	BOLT, CAM LINK TENSIONER	1		
5	09168-08008	09168-08008	09168-08008	09168-08008	09168-08008	09168-08008	09168-08008	09168-08008	WASHER	1		5
6	12830H93B00	12830H93B00	12830H93B00	12830H93B00	12830H93B00	12830H93B00	12830H93B00	12830H93B00	ADJUSTER ASSY, TENSIONER	1		5
7	12837H19B11	12837H19B11	12837H19B11	12837H19B11	12837H19B11	12837H19B11	12837H19B11	12837H19B11	GASKET,TENSIONER ADJUSTER	1		5
8	01104-06208	01104-06208	01104-06208	01104-06208	01104-06208	01104-06208	01104-06208	01104-06208	BOLT,TENSIONER ADJUSTER(M6*20)	2		

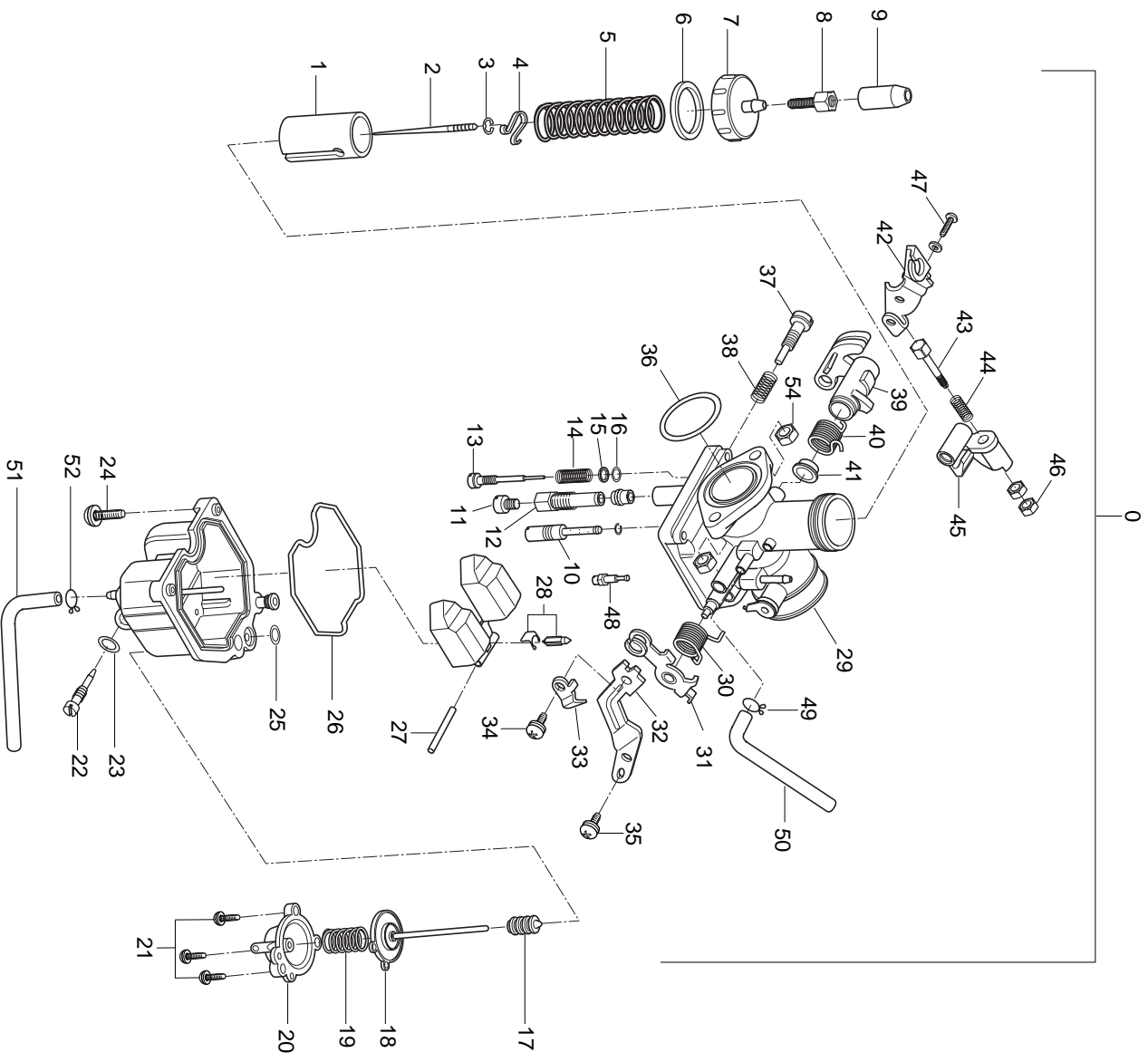
FIG. 10



# FIG 10. CARBURETOR ASSY

REF PARTS NUMBER.									PARTS NAME	Q'TY	REMARKS	REC.Q'TY
NO.	DOMESTIC	GEU01	GG02	JEN01	JF01	NAM	CLS	FG01				(PCS)
0	13200HD6300	13200HD6300	13200HD6300	13200HD6300	13200HD6300	13200HD6300	13200HD6300	13200HD6300	CARB ASSY (GA)	1		2
1	13551H93B00	13551H93B00	13551H93B00	13551H93B00	13551H93B00	13551H93B00	13551H93B00	13551H93B00	VALVE,THROTTLE	1		
2	13383H93B00	13383H93B00	13383H93B00	13383H93B00	13383H93B00	13383H93B00	13383H93B00	13383H93B00	NEEDLE, JET	1		
3	13533H93B00	13533H93B00	13533H93B00	13533H93B00	13533H93B00	13533H93B00	13533H93B00	13533H93B00	E-RING, THROTTLE VALVE	1		
4	13581H93B00	13581H93B00	13581H93B00	13581H93B00	13581H93B00	13581H93B00	13581H93B00	13581H93B00	CLIP	1		
5	13573H93B00	13573H93B00	13573H93B00	13573H93B00	13573H93B00	13573H93B00	13573H93B00	13573H93B00	SPRING, THROTTLE VALVE	1		
6	13249H93B00	13249H93B00	13249H93B00	13249H93B00	13249H93B00	13249H93B00	13249H93B00	13249H93B00	GASKET, TOP COVER	1		5
7	13261H93B00	13261H93B00	13261H93B00	13261H93B00	13261H93B00	13261H93B00	13261H93B00	13261H93B00	COVER, TOP	1		
8	13577H93B00	13577H93B00	13577H93B00	13577H93B00	13577H93B00	13577H93B00	13577H93B00	13577H93B00	AJUSTER, THROTTLE CABLE	1	NOT SALE	
9	13681H93B00	13681H93B00	13681H93B00	13681H93B00	13681H93B00	13681H93B00	13681H93B00	13681H93B00	CAP, CARBURETOR TOP	1		
10	09492H40001	09492H40001	09492H40001	09492H40001	09492H40001	09492H40001	09492H40001	09492H40001	JET, PILOT	1		
11	09494H93B00	09494H93B00	09494H93B00	09494H93B00	09494H93B00	09494H93B00	09494H93B00	09494H93B00	JET, MAIN	1		
12	09491H95001	09491H95001	09491H95001	09491H95001	09491H95001	09491H95001	09491H95001	09491H95001	JET, NEEDLE	1		
13	13279H93B00	13279H93B00	13279H93B00	13279H93B00	13279H93B00	13279H93B00	13279H93B00	13279H93B00	SCREW PILOT	1		
14	13268H93B00	13268H93B00	13268H93B00	13268H93B00	13268H93B00	13268H93B00	13268H93B00	13268H93B00	SPRING, PILOT SCREW	1		
15	13291H93B00	13291H93B00	13291H93B00	13291H93B00	13291H93B00	13291H93B00	13291H93B00	13291H93B00	WASHER	1		
16	13295H93B00	13295H93B00	13295H93B00	13295H93B00	13295H93B00	13295H93B00	13295H93B00	13295H93B00	O-RING	1		
17	13455H93B00	13455H93B00	13455H93B00	13455H93B00	13455H93B00	13455H93B00	13455H93B00	13455H93B00	CAP, SEALING	1		
18	13460H93B00	13460H93B00	13460H93B00	13460H93B00	13460H93B00	13460H93B00	13460H93B00	13460H93B00	DIAPHRAGM COMP,PUMP	1		
19	13452H93B00	13452H93B00	13452H93B00	13452H93B00	13452H93B00	13452H93B00	13452H93B00	13452H93B00	SPRING, PUMP DIAPHRAGM	1		
20	13450H93B00	13450H93B00	13450H93B00	13450H93B00	13450H93B00	13450H93B00	13450H93B00	13450H93B00	COVER COMP, PUMP	1		
21	02112-44126	02112-44126	02112-44126	02112-44126	02112-44126	02112-44126	02112-44126	02112-44126	SCREW	3		
22	13247H93B00	13247H93B00	13247H93B00	13247H93B00	13247H93B00	13247H93B00	13247H93B00	13247H93B00	SCREW,DRAIN	1		
23	13278H93B00	13278H93B00	13278H93B00	13278H93B00	13278H93B00	13278H93B00	13278H93B00	13278H93B00	O-RING,DRAIN SCREW	1		
24	02112-44166	02112-44166	02112-44166	02112-44166	02112-44166	02112-44166	02112-44166	02112-44166	SCREW	3		
25	13297H93B00	13297H93B00	13297H93B00	13297H93B00	13297H93B00	13297H93B00	13297H93B00	13297H93B00	O-RING	1		
26	13258H93B00	13258H93B00	13258H93B00	13258H93B00	13258H93B00	13258H93B00	13258H93B00	13258H93B00	GASKET, FLOAT CHAMBER	1		5
27	13250H93B00	13250H93B00	13250H93B00	13250H93B00	13250H93B00	13250H93B00	13250H93B00	13250H93B00	FLOAT COMP	1		
28	13370H93B00	13370H93B00	13370H93B00	13370H93B00	13370H93B00	13370H93B00	13370H93B00	13370H93B00	VALVE ASSY, NEEDLE	1		
29	13410H93B00	13410H93B00	13410H93B00	13410H93B00	13410H93B00	13410H93B00	13410H93B00	13410H93B00	SHAFT ASSY, CHOKE	1		
30	13472H93B00	13472H93B00	13472H93B00	13472H93B00	13472H93B00	13472H93B00	13472H93B00	13472H93B00	SPRING	1		
31	13411H93B00	13411H93B00	13411H93B00	13411H93B00	13411H93B00	13411H93B00	13411H93B00	13411H93B00	LEVER, CHOKE	1		
32	13413H93B00	13413H93B00	13413H93B00	13413H93B00	13413H93B00	13413H93B00	13413H93B00	13413H93B00	STAY,CHOCK WIRE	1		
33	13415H93B00	13415H93B00	13415H93B00	13415H93B00	13415H93B00	13415H93B00	13415H93B00	13415H93B00	PLATE,STAY	1		
34	02112-45126	02112-45126	02112-45126	02112-45126	02112-45126	02112-45126	02112-45126	02112-45126	SCREW,STAY PLATE	1		
35	02112-44086	02112-44086	02112-44086	02112-44086	02112-44086	02112-44086	02112-44086	02112-44086	SCREW,CHOCK WIRE STAY	1		
36	13277H93B00	13277H93B00	13277H93B00	13277H93B00	13277H93B00	13277H93B00	13277H93B00	13277H93B00	O-RING	1		
37	13267H93B00	13267H93B00	13267H93B00	13267H93B00	13267H93B00	13267H93B00	13267H93B00	13267H93B00	ADJUSTER, THROTTLE VALVE STOP	1		
38	13268H93B00	13268H93B00	13268H93B00	13268H93B00	13268H93B00	13268H93B00	13268H93B00	13268H93B00	SPRING, PILOT SCREW	1		
39	13441H93B00	13441H93B00	13441H93B00	13441H93B00	13441H93B00	13441H93B00	13441H93B00	13441H93B00	PUMP ARM-B	1		

FIG. 10

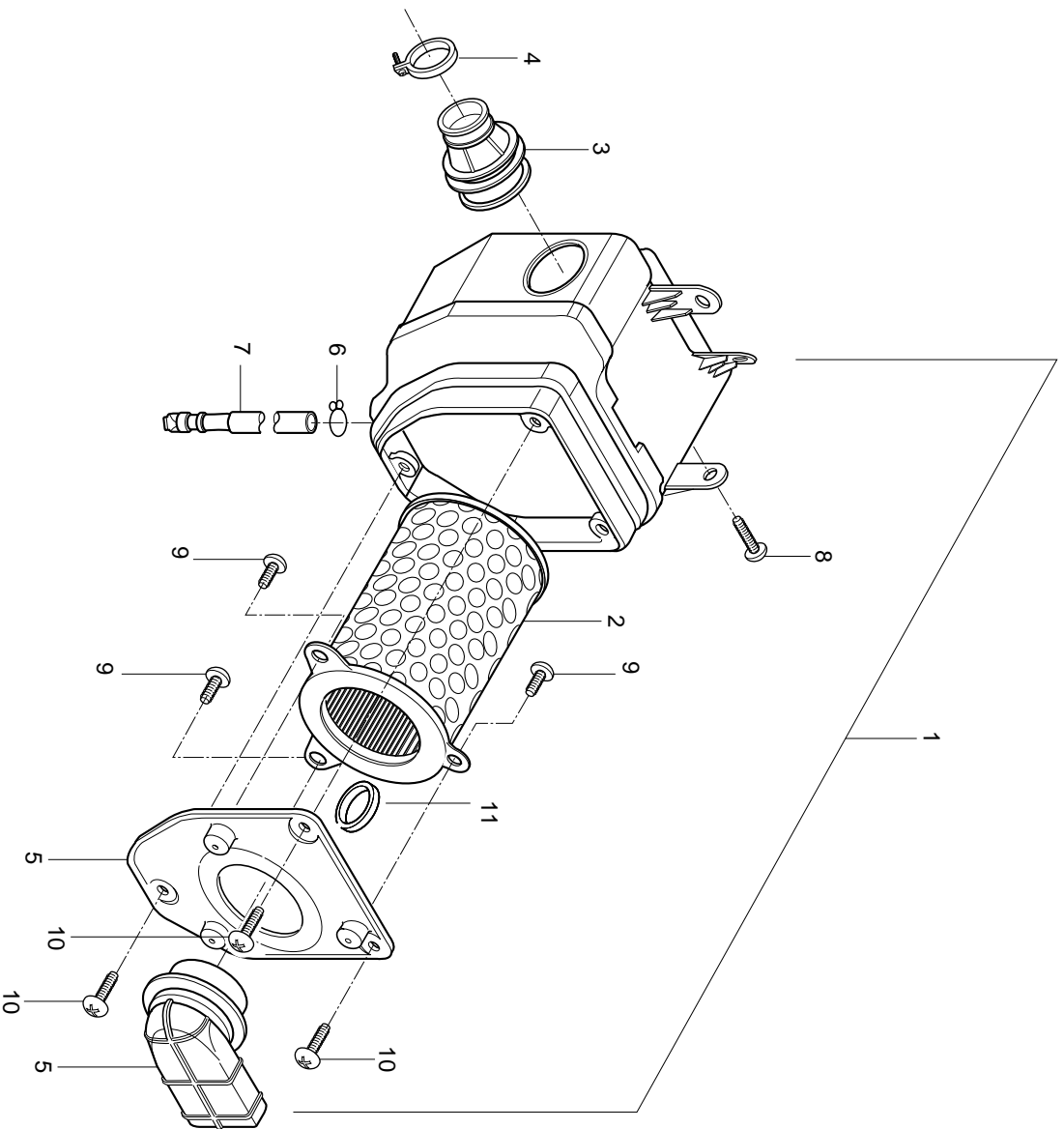


# FIG 10. CARBURETOR ASSY

REF PARTS NUMBER.								PARTS NAME	Q'TY	REMARKS	REC.Q'TY (PCS)
NO.	DOMESTIC	GEU01	GG02	JEN01	JF01	NAM	CLS				
40	13443H93B00	13443H93B00	13443H93B00	13443H93B00	13443H93B00	13443H93B00	13443H93B00	13443H93B00	SPRING, PUMP ARM-B	1	
41	13442H93B00	13442H93B00	13442H93B00	13442H93B00	13442H93B00	13442H93B00	13442H93B00	13442H93B00	GUIDE, PUMP ARM-B SPRING	1	
42	13449H93B00	13449H93B00	13449H93B00	13449H93B00	13449H93B00	13449H93B00	13449H93B00	13449H93B00	STAY PLATE, PUMP ARM	1	
43	13447H93B00	13447H93B00	13447H93B00	13447H93B00	13447H93B00	13447H93B00	13447H93B00	13447H93B00	ADJUSTER, PUMP	1	
44	13446H93B00	13446H93B00	13446H93B00	13446H93B00	13446H93B00	13446H93B00	13446H93B00	13446H93B00	SPRING, PUMP ARM-A	1	
45	13445H93B00	13445H93B00	13445H93B00	13445H93B00	13445H93B00	13445H93B00	13445H93B00	13445H93B00	PUMP ARM-A	1	
46	08310-31046	08310-31046	08310-31046	08310-31046	08310-31046	08310-31046	08310-31046	08310-31046	NUT, PUMP ADJUSTER	1	
47	02112-45146	02112-45146	02112-45146	02112-45146	02112-45146	02112-45146	02112-45146	02112-45146	SCREW, PUMP ARM STAY PLATE	1	
48	13448H93B00	13448H93B00	13448H93B00	13448H93B00	13448H93B00	13448H93B00	13448H93B00	13448H93B00	NOZZLE, PUMP	1	
49	09401-08401	09401-08401	09401-08401	09401-08401	09401-08401	09401-08401	09401-08401	09401-08401	CLIP	1	
50	13684H93B00	13684H93B00	13684H93B00	13684H93B00	13684H93B00	13684H93B00	13684H93B00	13684H93B00	HOSE	1	
51	13683H93B00	13683H93B00	13683H93B00	13683H93B00	13683H93B00	13683H93B00	13683H93B00	13683H93B00	HOSE	1	
52	09401-08401	09401-08401	09401-08401	09401-08401	09401-08401	09401-08401	09401-08401	09401-08401	CLIP	1	



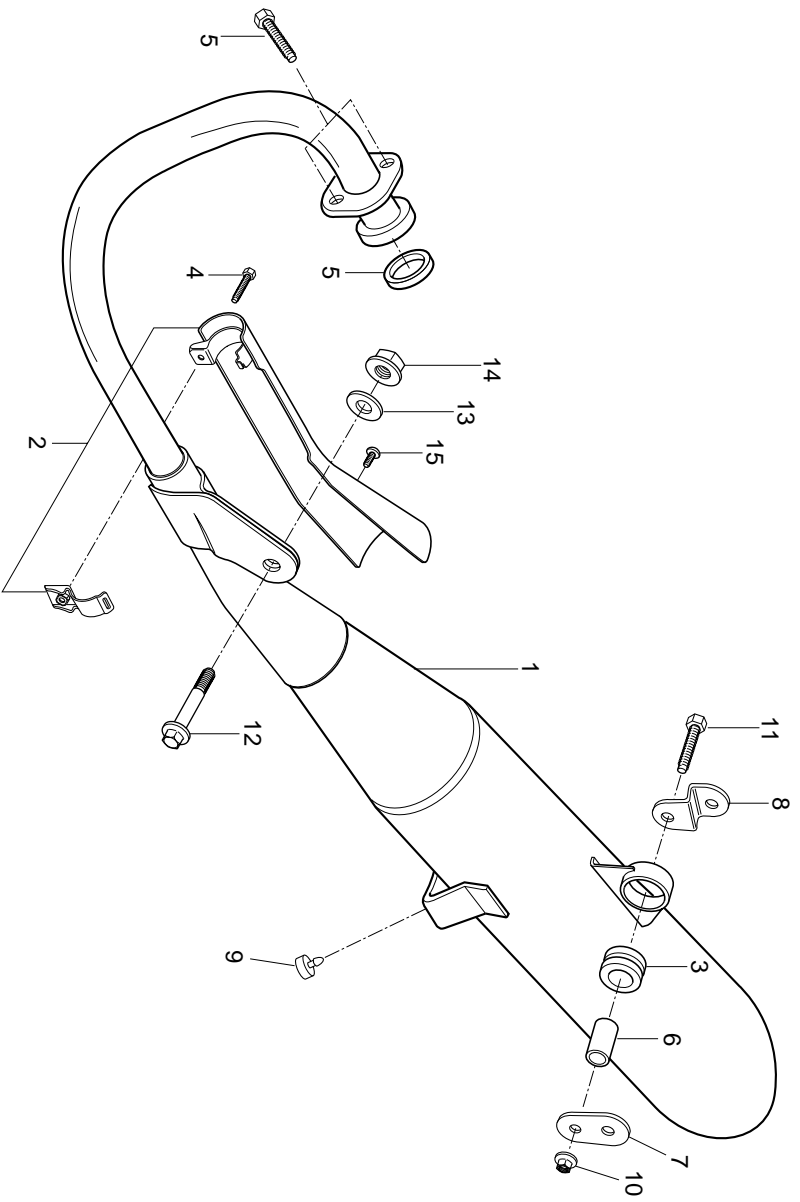
FIG. 11



# FIG 11. AIR CLEANER

REF PARTS NUMBER.									PARTS NAME	Q'TY	REMARKS	REC.Q'TY (PCS)
NO.	DOMESTIC	GEU01	GG02	JEN01	JF01	NAM	CLS	FG01				
1	13700HD6302	13700HD6302	13700HD6302	13700HD6302	13700HD6302	13700HD6302	13700HD6302	13700HD6302	AIR CLEANER	1		5
2	13781H93B00	13781H93B00	13781H93B00	13781H93B00	13781H93B00	13781H93B00	13781H93B00	13781H93B00	ELEMENT,AIR CLEANER	1		
3	13881H93B00	13881H93B00	13881H93B00	13881H93B00	13881H93B00	13881H93B00	13881H93B00	13881H93B00	TUBE,OUTLET	1		
4	09402-44207	09402-44207	09402-44207	09402-44207	09402-44207	09402-44207	09402-44207	09402-44207	CLAMP	1		
5	13723HD6301	13723HD6301	13723HD6301	13723HD6301	13723HD6301	13723HD6301	13723HD6301	13723HD6301	CAP, AIR CLEANER CASE	1		
6	13824-05331	13824-05331	13824-05331	13824-05331	13824-05331	13824-05331	13824-05331	13824-05331	CLIP	2		
7	13870-11124	13870-11124	13870-11124	13870-11124	13870-11124	13870-11124	13870-11124	13870-11124	TUBE, DRAIN	1		
8	02142-06167	02142-06167	02142-06167	02142-06167	02142-06167	02142-06167	02142-06167	02142-06167	SCREW	1		
9	02112-96105	02112-96105	02112-96105	02112-96105	02112-96105	02112-96105	02112-96105	02112-96105	SCREW,AIR CLEANER ELEMENT	3		
10	02142-05165	02142-05165	02142-05165	02142-05165	02142-05165	02142-05165	02142-05165	02142-05165	SCREW	3		
11	13741HD6300	13741HD6300	13741HD6300	13741HD6300	13741HD6300	13741HD6300	13741HD6300	13741HD6300	SEAL,AIR CLEANER FILTER	1		

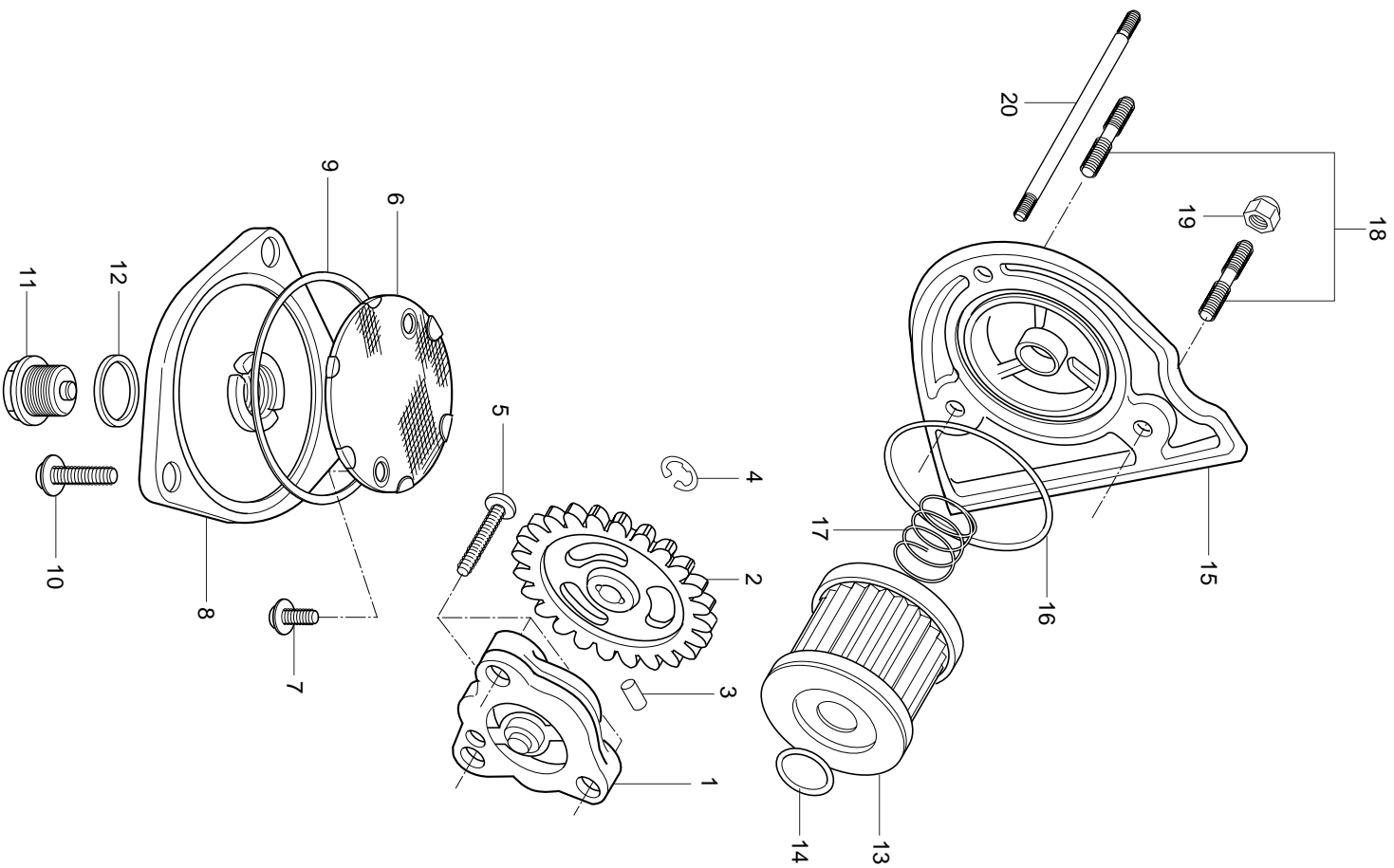
FIG.12



# FIG 12. MUFFLER

REF PARTS NUMBER.									PARTS NAME	Q'TY	REMARKS	REC.Q'TY
NO.	DOMESTIC	GEU01	GG02	JEN01	JF01	NAM	CLS	FG01				(PCS)
1	14300SD6301PLH	14300SD6301PLH	14300SD6301PLH	14300SD6301PLH	14300SD6301PLH	14300SD6301PLH	14300SD6301PLH	14300SD6301PLH	BODY COMP, MUFFLER	1		5
2	14780HD6300PLA	14780HD6300PLA	14780HD6300PLA	14780HD6300PLA	14780HD6300PLA	14780HD6300PLA	14780HD6300PLA	14780HD6300PLA	COVER COMP,MUFFLER	1		
3	09320H12058	09320H12058	09320H12058	09320H12058	09320H12058	09320H12058	09320H12058	09320H12058	CUSHION,MUFFLER SUPPORT BRACKET NO.1	1		
4	01547-06258	01547-06258	01547-06258	01547-06258	01547-06258	01547-06258	01547-06258	01547-06258	BOLT	1		
5	07110-08258	07110-08258	07110-08258	07110-08258	07110-08258	07110-08258	07110-08258	07110-08258	BOLT	2		
6	14181-17C00	14181-17C00	14181-17C00	14181-17C00	14181-17C00	14181-17C00	14181-17C00	14181-17C00	GASKET,EXHAUST PIPE	1		10
7	09180H08011	09180H08011	09180H08011	09180H08011	09180H08011	09180H08011	09180H08011	09180H08011	SPACER, MUFFLER SUPPORT	1		
8	14882H93B00	14882H93B00	14882H93B00	14882H93B00	14882H93B00	14882H93B00	14882H93B00	14882H93B00	PLATE,MUFFLER SUPPORT NO.2	1		
9	14881H93B00	14881H93B00	14881H93B00	14881H93B00	14881H93B00	14881H93B00	14881H93B00	14881H93B00	PLATE,MUFFLER SUPPORT NO.1	1		
10	09321-10001	09321-10001	09321-10001	09321-10001	09321-10001	09321-10001	09321-10001	09321-10001	STOPPER,CENTER STAND	1		
11	08316-16088	08316-16088	08316-16088	08316-16088	08316-16088	08316-16088	08316-16088	08316-16088	NUT	2		
12	09100-08260	09100-08260	09100-08260	09100-08260	09100-08260	09100-08260	09100-08260	09100-08260	BOLT,MUFFLER SUPPORT BRACKET NO.1	1		
13	09103-08109	09103-08109	09103-08109	09103-08109	09103-08109	09103-08109	09103-08109	09103-08109	BOLT,CRANK CASE BRACKET	1		
14	08322-11088	08322-11088	08322-11088	08322-11088	08322-11088	08322-11088	08322-11088	08322-11088	WASHER,CRANK CASE BRACKET	1		
15	08319-31088	08319-31088	08319-31088	08319-31088	08319-31088	08319-31088	08319-31088	08319-31088	NUT,CRANK CASE BRACKET	1		
16	02112-06068	02112-06068	02112-06068	02112-06068	02112-06068	02112-06068	02112-06068	02112-06068	SCREW, MUFFLER COVER	1		

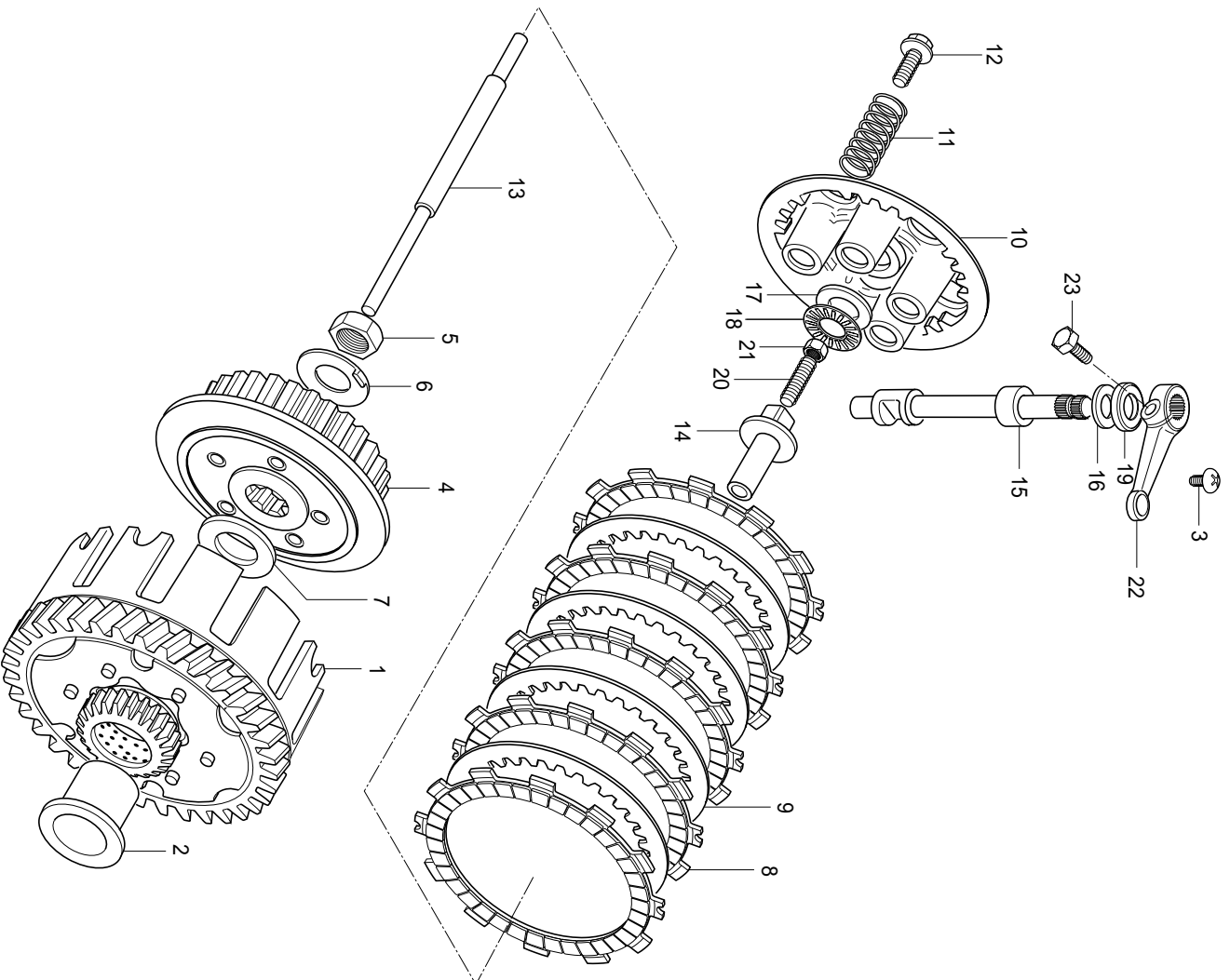
FIG. 13



# FIG 13. OIL PUMP

REF PARTS NUMBER.									PARTS NAME	Q'TY	REMARKS	REC.Q'TY (PCS)
NO.	DOMESTIC	GEU01	GG02	JEN01	JF01	NAM	CLS	FG01				
1	16400HF4600	16400HF4600	16400HF4600	16400HF4600	16400HF4600	16400HF4600	16400HF4600	16400HF4600	O/PUMP EG(TN,RG,	1		
2	16331H93B00	16331H93B00	16331H93B00	16331H93B00	16331H93B00	16331H93B00	16331H93B00	16331H93B00	GEAR OIL PUMP DRIVE	1		2
3	09261-02008	09261-02008	09261-02008	09261-02008	09261-02008	09261-02008	09261-02008	09261-02008	PIN	1		
4	08332-11069	08332-11069	08332-11069	08332-11069	08332-11069	08332-11069	08332-11069	08332-11069	CIRCLIP, OIL PUMP DRIVEN GEAR	1		
5	02112-06258	02112-06258	02112-06258	02112-06258	02112-06258	02112-06258	02112-06258	02112-06258	SCREW	3		
6	16520-05202	16520-05202	16520-05202	16520-05202	16520-05202	16520-05202	16520-05202	16520-05202	STRAINER ENGINE OIL	1		
7	02112-95126	02112-95126	02112-95126	02112-95126	02112-95126	02112-95126	02112-95126	02112-95126	SCREW, ENGINE OIL STRAINER	2		
8	16523-05200	16523-05200	16523-05200	16523-05200	16523-05200	16523-05200	16523-05200	16523-05200	CAP,OIL STRAINER	1		1
9	09280-60005	09280-60005	09280-60005	09280-60005	09280-60005	09280-60005	09280-60005	09280-60005	O-RING	1		2
10	01547-06208	01547-06208	01547-06208	01547-06208	01547-06208	01547-06208	01547-06208	01547-06208	BOLT	3		
11	09247-14002	09247-14002	09247-14002	09247-14002	09247-14002	09247-14002	09247-14002	09247-14002	PLUG OIL DRAIN	1		5
12	09168H14003	09168H14003	09168H14003	09168H14003	09168H14003	09168H14003	09168H14003	09168H14003	GASKET	1		5
13	16510-05240	16510-05240	16510-05240	16510-05240	16510-05240	16510-05240	16510-05240	16510-05240	O/FLTR EG(TN,RG,	1		50
14	09280-13004	09280-13004	09280-13004	09280-13004	09280-13004	09280-13004	09280-13004	09280-13004	O-RING	1		2
15	16512H93B01	16512H93B01	16512H93B01	16512H93B01	16512H93B01	16512H93B01	16512H93B01	16512H93B01	CAP,E/G OIL FILTER	1		1
16	09280-54001	09280-54001	09280-54001	09280-54001	09280-54001	09280-54001	09280-54001	09280-54001	O-RING	1		2
17	09440-18002	09440-18002	09440-18002	09440-18002	09440-18002	09440-18002	09440-18002	09440-18002	SPRING, OIL FILTER CAP	1		
18	01421-06128	01421-06128	01421-06128	01421-06128	01421-06128	01421-06128	01421-06128	01421-06128	STUD BOLT,OIL FILLTER CAP	2		
19	08313-11068	08313-11068	08313-11068	08313-11068	08313-11068	08313-11068	08313-11068	08313-11068	NUT,OIL FILTER CAP	3		
20	01421-06858	01421-06858	01421-06858	01421-06858	01421-06858	01421-06858	01421-06858	01421-06858	STUD BOLT	1		

FIG. 14

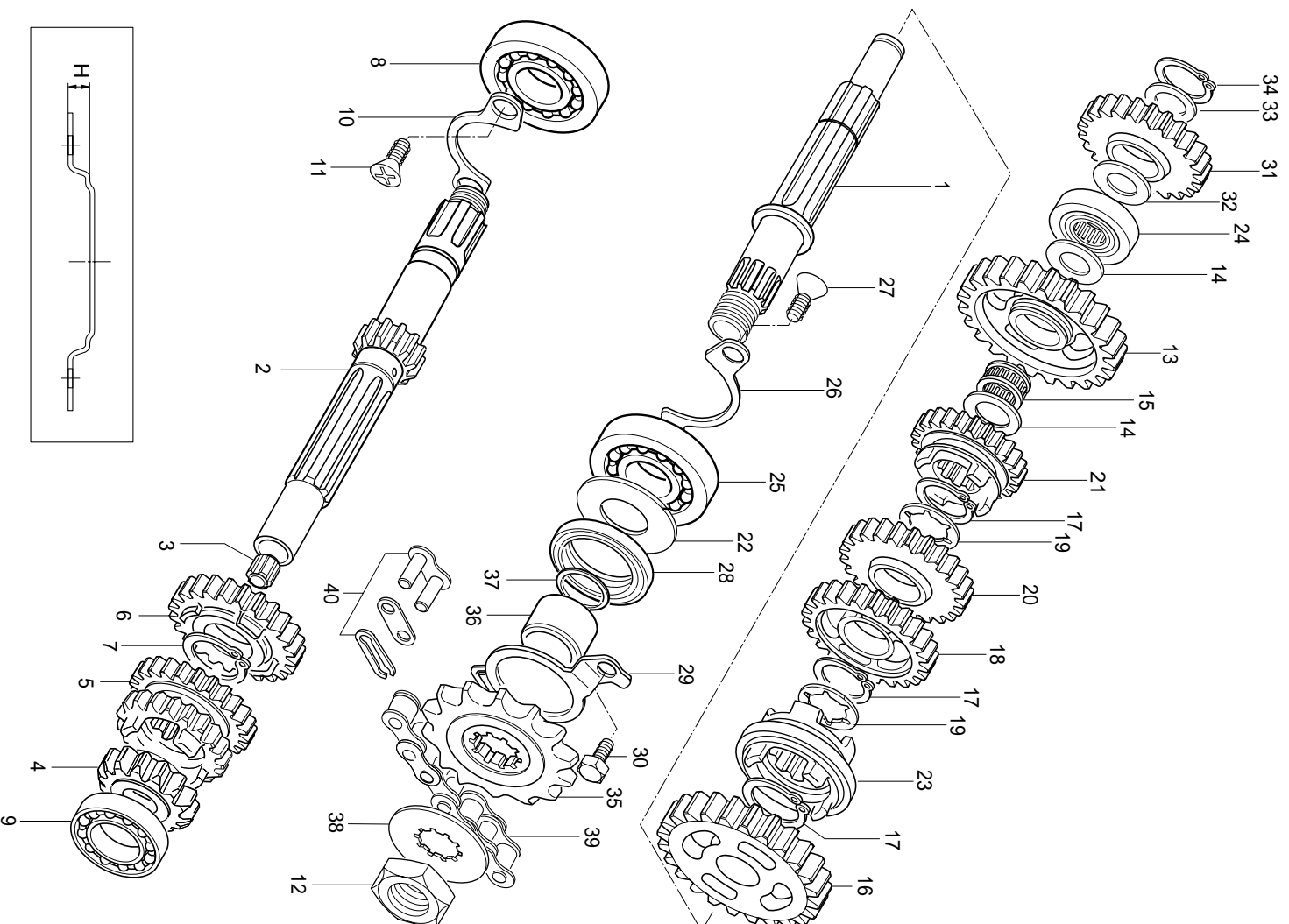


# FIG 14. CLUTCH ASSY

REF PARTS NUMBER.									PARTS NAME	Q'TY	REMARKS	REC.Q'TY (PCS)	
NO.	DOMESTIC	GEU01	GG02	JEN01	JF01	NAM	CLS	FG01					
1	21200HD6300HPA	21200HD6300HPA	21200HD6300HPA	21200HD6300HPA	21200HD6300HPA	21200HD6300HPA	21200HD6300HPA	21200HD6300HPA	21200HD6300HPA	PRIMARY ASS'Y	1		
2	21251H13E00	21251H13E00	21251H13E00	21251H13E00	21251H13E00	21251H13E00	21251H13E00	21251H13E00	21251H13E00	SPACER,PRIMARY DRIVEN GEAR	1		
3	02142-06108	02142-06108	02142-06108	02142-06108	02142-06108	02142-06108	02142-06108	02142-06108	02142-06108	STOPPER,CLUTCH RELEASE CAMSHAFT	1		
4	21411-05200	21411-05200	21411-05200	21411-05200	21411-05200	21411-05200	21411-05200	21411-05200	21411-05200	HUB,CLUTCH SLEEVE	1		1
5	09140-16014	09140-16014	09140-16014	09140-16014	09140-16014	09140-16014	09140-16014	09140-16014	09140-16014	NUT	1		
6	09169-16003	09169-16003	09169-16003	09169-16003	09169-16003	09169-16003	09169-16003	09169-16003	09169-16003	WASHER	1		
7	08211-20352	08211-20352	08211-20352	08211-20352	08211-20352	08211-20352	08211-20352	08211-20352	08211-20352	THRUST WASHER	1		
8	21441-13A01	21441-13A01	21441-13A01	21441-13A01	21441-13A01	21441-13A01	21441-13A01	21441-13A01	21441-13A01	PLATE,CLUTCH DRIVE	5		100
9	21451-28000	21451-28000	21451-28000	21451-28000	21451-28000	21451-28000	21451-28000	21451-28000	21451-28000	PLATE,CLUTCH DRIVEN	4		50
10	21462-14102	21462-14102	21462-14102	21462-14102	21462-14102	21462-14102	21462-14102	21462-14102	21462-14102	DISK,CLUTCH PRESSURE	1		1
11	09440-15014	09440-15014	09440-15014	09440-15014	09440-15014	09440-15014	09440-15014	09440-15014	09440-15014	SPRING	5		
12	09116-05003	09116-05003	09116-05003	09116-05003	09116-05003	09116-05003	09116-05003	09116-05003	09116-05003	BOLT	5		
13	23110-05202	23110-05202	23110-05202	23110-05202	23110-05202	23110-05202	23110-05202	23110-05202	23110-05202	ROD,PUSK	1		
14	23121-05200	23121-05200	23121-05200	23121-05200	23121-05200	23121-05200	23121-05200	23121-05200	23121-05200	PIECE	1		
15	23122-05200	23122-05200	23122-05200	23122-05200	23122-05200	23122-05200	23122-05200	23122-05200	23122-05200	CAM SHAFT,CLUTCH RELEASE	1		
16	08211-10201	08211-10201	08211-10201	08211-10201	08211-10201	08211-10201	08211-10201	08211-10201	08211-10201	THRUST WASHER	1		
17	09160-15015	09160-15015	09160-15015	09160-15015	09160-15015	09160-15015	09160-15015	09160-15015	09160-15015	WASHER	1		
18	09263H15001	09263H15001	09263H15001	09263H15001	09263H15001	09263H15001	09263H15001	09263H15001	09263H15001	THRUST BEARING	1		
19	09282-10007	09282-10007	09282-10007	09282-10007	09282-10007	09282-10007	09282-10007	09282-10007	09282-10007	OIL SEAL(10*20*6)	1		
20	09134-06010	09134-06010	09134-06010	09134-06010	09134-06010	09134-06010	09134-06010	09134-06010	09134-06010	SCREW	1		
21	08310-22068	08310-22068	08310-22068	08310-22068	08310-22068	08310-22068	08310-22068	08310-22068	08310-22068	WASHER NUT	1		
22	23271HJ8250	23271HJ8250	23271HJ8250	23271HJ8250	23271HJ8250	23271HJ8250	23271HJ8250	23271HJ8250	23271HJ8250	ARM CLUTCH RELEASE	1		5
23	01107-06168	01107-06168	01107-06168	01107-06168	01107-06168	01107-06168	01107-06168	01107-06168	01107-06168	BOLT	1		



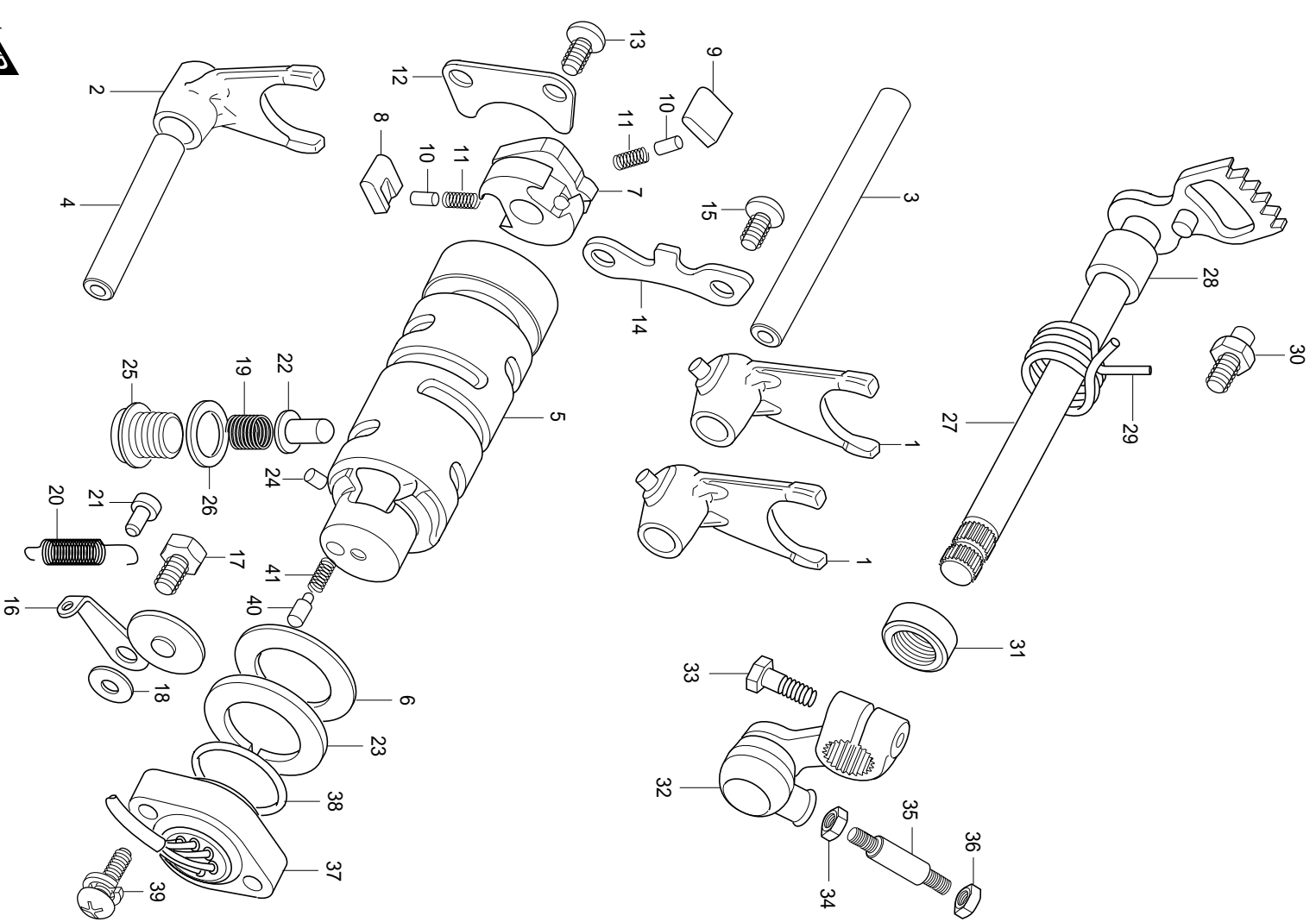
FIG. 15



# FIG 15. TRANSMISSION

REF PARTS NUMBER.									PARTS NAME	Q'TY	REMARKS	REC.Q'TY (PCS)
NO.	DOMESTIC	GEU01	GG02	JEN01	JF01	NAM	CLS	FG01				
1	24130-05210	24130-05210	24130-05210	24130-05210	24130-05210	24130-05210	24130-05210	24130-05210	SHAFT COMP,DIRVE	1		1
2	24121-05211	24121-05211	24121-05211	24121-05211	24121-05211	24121-05211	24121-05211	24121-05211	SHAFT COUNTER	1		1
3	24125-38201	24125-38201	24125-38201	24125-38201	24125-38201	24125-38201	24125-38201	24125-38201	BUSH	1	NOT SALE	
4	24221-29B00	24221-29B00	24221-29B00	24221-29B00	24221-29B00	24221-29B00	24221-29B00	24221-29B00	GEAR,2ND DRIVE	1		2
5	24231-29B10	24231-29B10	24231-29B10	24231-29B10	24231-29B10	24231-29B10	24231-29B10	24231-29B10	GEAR 3,4TH DRIVE	1		1
6	24251-05202	24251-05202	24251-05202	24251-05202	24251-05202	24251-05202	24251-05202	24251-05202	GEAR 5TH DRIVE	1		2
7	09380-20009	09380-20009	09380-20009	09380-20009	09380-20009	09380-20009	09380-20009	09380-20009	CIRCLIP	1		
8	09262-20062	09262-20062	09262-20062	09262-20062	09262-20062	09262-20062	09262-20062	09262-20062	BEARING, R(6204A)	1		1
9	08123-60020	08123-60020	08123-60020	08123-60020	08123-60020	08123-60020	08123-60020	08123-60020	BEARING, L(6002D)	1		
10	24741-05200	24741-05200	24741-05200	24741-05200	24741-05200	24741-05200	24741-05200	24741-05200	RETAINER	1		
11	02122-06128	02122-06128	02122-06128	02122-06128	02122-06128	02122-06128	02122-06128	02122-06128	SCREW	21		
12	09140-16017	09140-16017	09140-16017	09140-16017	09140-16017	09140-16017	09140-16017	09140-16017	NUT	1		
13	24311-29B00	24311-29B00	24311-29B00	24311-29B00	24311-29B00	24311-29B00	24311-29B00	24311-29B00	GEAR,1ST DRIVEN	2		2
14	08211-15251	08211-15251	08211-15251	08211-15251	08211-15251	08211-15251	08211-15251	08211-15251	THRUST WASHER	1		
15	09263H15002	09263H15002	09263H15002	09263H15002	09263H15002	09263H15002	09263H15002	09263H15002	BEARING, 1st DRIVEN GEAR	1		
16	24320-29B00	24320-29B00	24320-29B00	24320-29B00	24320-29B00	24320-29B00	24320-29B00	24320-29B00	GEAR 2ND D/N	3		2
17	09380-20009	09380-20009	09380-20009	09380-20009	09380-20009	09380-20009	09380-20009	09380-20009	CIRCLIP	1		
18	24331-05201	24331-05201	24331-05201	24331-05201	24331-05201	24331-05201	24331-05201	24331-05201	GEAR 3ND D/N	1		2
19	09167-20011	09167-20011	09167-20011	09167-20011	09167-20011	09167-20011	09167-20011	09167-20011	THRUST WASHER	1		
20	24341-29B10	24341-29B10	24341-29B10	24341-29B10	24341-29B10	24341-29B10	24341-29B10	24341-29B10	GEAR 4TH D/N	1		2
21	24351-05201	24351-05201	24351-05201	24351-05201	24351-05201	24351-05201	24351-05201	24351-05201	GEAR 5TH D/N	1		2
22	24359-05200	24359-05200	24359-05200	24359-05200	24359-05200	24359-05200	24359-05200	24359-05200	WASHER, OIL SEALING	1		
23	24421-05300	24421-05300	24421-05300	24421-05300	24421-05300	24421-05300	24421-05300	24421-05300	WHEEL SLIDIMG	1		
24	09263H15003	09263H15003	09263H15003	09263H15003	09263H15003	09263H15003	09263H15003	09263H15003	BEARING, DRIVE SHAFT R	1		
25	08113-62040	08113-62040	08113-62040	08113-62040	08113-62040	08113-62040	08113-62040	08113-62040	BEARING, R(6204A)	1		
26	24741-48000	24741-48000	24741-48000	24741-48000	24741-48000	24741-48000	24741-48000	24741-48000	RETAINER,DRIVE SHAFT	1		
27	02122-06128	02122-06128	02122-06128	02122-06128	02122-06128	02122-06128	02122-06128	02122-06128	SCREW	2		
28	09283-27010	09283-27010	09283-27010	09283-27010	09283-27010	09283-27010	09283-27010	09283-27010	OIL SEAL(27*40*7)	1		5
29	24751-05201	24751-05201	24751-05201	24751-05201	24751-05201	24751-05201	24751-05201	24751-05201	RETAINER	1		
30	01107-06106	01107-06106	01107-06106	01107-06106	01107-06106	01107-06106	01107-06106	01107-06106	BOLT	2		
31	26260-05201	26260-05201	26260-05201	26260-05201	26260-05201	26260-05201	26260-05201	26260-05201	GEAR K/STARTER IDLE	1		1
32	08211-15201	08211-15201	08211-15201	08211-15201	08211-15201	08211-15201	08211-15201	08211-15201	THRUST WASHER, L	1		
33	08211-15201	08211-15201	08211-15201	08211-15201	08211-15201	08211-15201	08211-15201	08211-15201	THRUST WASHER, R	1		
34	08331-31159	08331-31159	08331-31159	08331-31159	08331-31159	08331-31159	08331-31159	08331-31159	CIRCLIP	1		
35	27510H41732	27510H41732	27510H41732	27510H41732	27510H41732	27510H41732	27510H41732	27510H41732	SPROCKET, ENGINE(14T)	1		
36	27531-05200	27531-05200	27531-05200	27531-05200	27531-05200	27531-05200	27531-05200	27531-05200	SPACER ENGINE	1		5
37	09280-19005	09280-19005	09280-19005	09280-19005	09280-19005	09280-19005	09280-19005	09280-19005	O-RING	1		2
38	09167-20006	09167-20006	09167-20006	09167-20006	09167-20006	09167-20006	09167-20006	09167-20006	LOCK WASHER ENGINE SPROCKET	1		
39	27600H93B00	27600H93B00	27600H93B00	27600H93B00	27600H93B00	27600H93B00	27600H93B00	27600H93B00	CHAIN DRV126L(GA	1		5
40	27620H93B00	27620H93B00	27620H93B00	27620H93B00	27620H93B00	27620H93B00	27620H93B00	27620H93B00	JOINT CHINE	1		

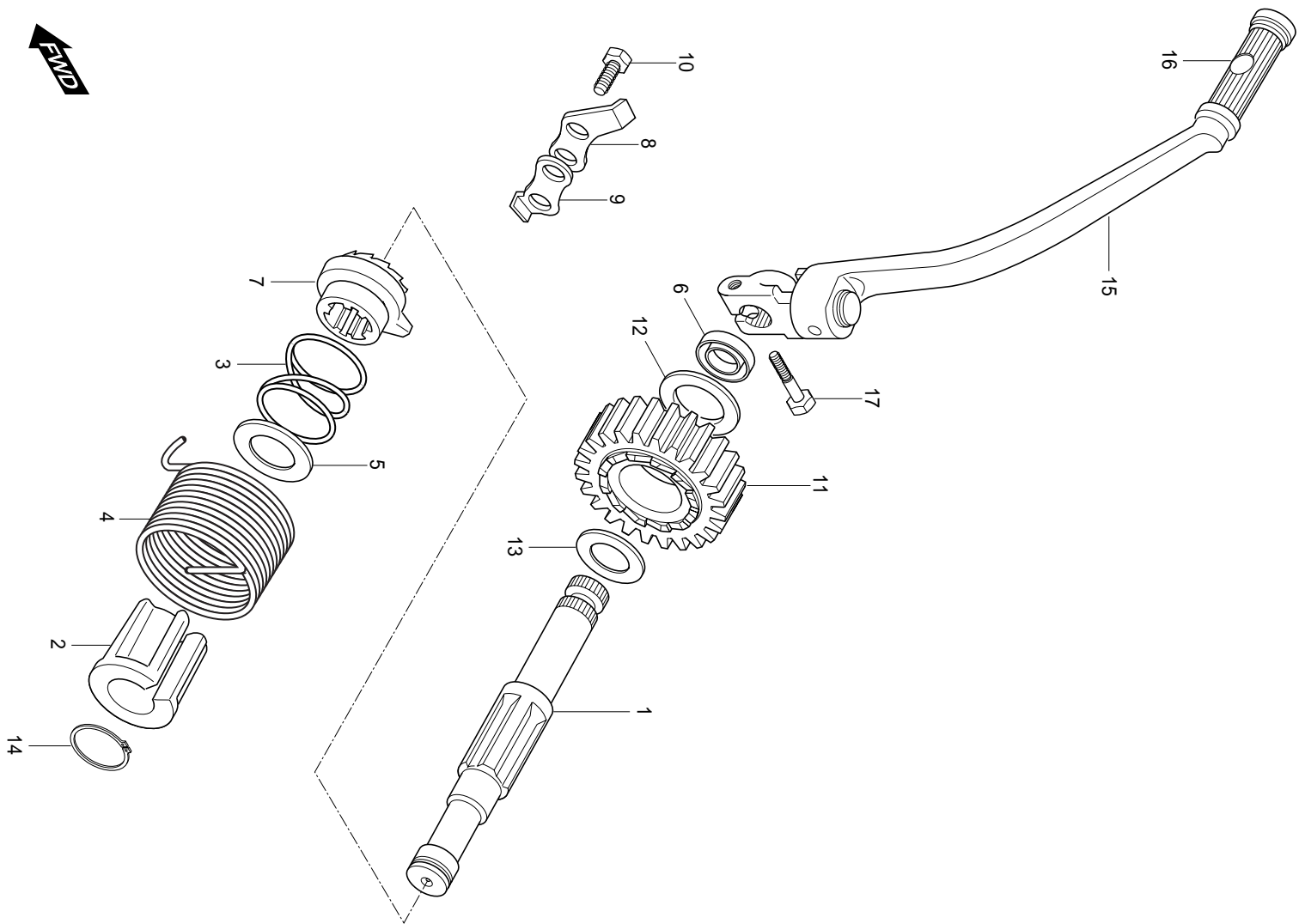
FIG. 16



# FIG 16. GEAR SHIFTING

REF PARTS NUMBER.									PARTS NAME	Q'TY	REMARKS	REC.Q'TY (PCS)
NO.	DOMESTIC	GEU01	GG02	JEN01	JF01	NAM	CLS	FG01				
1	25211-05200	25211-05200	25211-05200	25211-05200	25211-05200	25211-05200	25211-05200	25211-05200	FORK,GEAR SHIFTING	2		2
2	25231-05201	25231-05201	25231-05201	25231-05201	25231-05201	25231-05201	25231-05201	25231-05201	FORK GEAR SHIFT	1		2
3	25411-05201	25411-05201	25411-05201	25411-05201	25411-05201	25411-05201	25411-05201	25411-05201	SHAFT, GEAR SHIFT FORK NO.1	1		
4	25421-35403	25421-35403	25421-35403	25421-35403	25421-35403	25421-35403	25421-35403	25421-35403	SHAFT,GEAR SHIFT FORK NO.2	1		
5	25310-05200	25310-05200	25310-05200	25310-05200	25310-05200	25310-05200	25310-05200	25310-05200	CAM GEAR SHIFT	1		2
6	08211-25401	08211-25401	08211-25401	08211-25401	08211-25401	08211-25401	08211-25401	08211-25401	WASHER	1		
7	25322-31301	25322-31301	25322-31301	25322-31301	25322-31301	25322-31301	25322-31301	25322-31301	GEAR SHIFT CAM D/N	1		1
8	25323-34201	25323-34201	25323-34201	25323-34201	25323-34201	25323-34201	25323-34201	25323-34201	PAWL,GEAR SHIFTING NO.1	1		
9	25324-34201	25324-34201	25324-34201	25324-34201	25324-34201	25324-34201	25324-34201	25324-34201	PAWL,GEAR SHIFT NO. 2	1		
10	09261-05003	09261-05003	09261-05003	09261-05003	09261-05003	09261-05003	09261-05003	09261-05003	PIN	2		
11	09440-04003	09440-04003	09440-04003	09440-04003	09440-04003	09440-04003	09440-04003	09440-04003	SPRING	2		
12	25331-30000	25331-30000	25331-30000	25331-30000	25331-30000	25331-30000	25331-30000	25331-30000	LIFTER,GEAR SHIFT PAWL	1		
13	02122-06128	02122-06128	02122-06128	02122-06128	02122-06128	02122-06128	02122-06128	02122-06128	SCRW	2		
14	25341-05200	25341-05200	25341-05200	25341-05200	25341-05200	25341-05200	25341-05200	25341-05200	GUIDE,GEAR SHIFT CAM	1		
15	02122-06128	02122-06128	02122-06128	02122-06128	02122-06128	02122-06128	02122-06128	02122-06128	SCRW	2		
16	25350-44A00	25350-44A00	25350-44A00	25350-44A00	25350-44A00	25350-44A00	25350-44A00	25350-44A00	STOPPER,GEAR SHIFT CAM	1		
17	09111-06019	09111-06019	09111-06019	09111-06019	09111-06019	09111-06019	09111-06019	09111-06019	BOLT	1		
18	08211-06141	08211-06141	08211-06141	08211-06141	08211-06141	08211-06141	08211-06141	08211-06141	WASHER	1		
19	09440-11016	09440-11016	09440-11016	09440-11016	09440-11016	09440-11016	09440-11016	09440-11016	SPRING	1		
20	09443-08044	09443-08044	09443-08044	09443-08044	09443-08044	09443-08044	09443-08044	09443-08044	SPRING	1		
21	09223-04001	09223-04001	09223-04001	09223-04001	09223-04001	09223-04001	09223-04001	09223-04001	HOOK	1		
22	25351-30010	25351-30010	25351-30010	25351-30010	25351-30010	25351-30010	25351-30010	25351-30010	STOPPER, NEUTRAL	1		
23	25381-45400	25381-45400	25381-45400	25381-45400	25381-45400	25381-45400	25381-45400	25381-45400	PLATE G/SHIFT CAM	1		1
24	04221-04069	04221-04069	04221-04069	04221-04069	04221-04069	04221-04069	04221-04069	04221-04069	PIN	1		
25	09247-14026	09247-14026	09247-14026	09247-14026	09247-14026	09247-14026	09247-14026	09247-14026	PLUG,CAM STOPPER	1		5
26	09168H14003	09168H14003	09168H14003	09168H14003	09168H14003	09168H14003	09168H14003	09168H14003	GASKET	1		5
27	25510H93B00	25510H93B00	25510H93B00	25510H93B00	25510H93B00	25510H93B00	25510H93B00	25510H93B00	SHAFT GEAR SHIFTINTG	1		5
28	09180-12068	09180-12068	09180-12068	09180-12068	09180-12068	09180-12068	09180-12068	09180-12068	SPACER	1		
29	09444-26013	09444-26013	09444-26013	09444-26013	09444-26013	09444-26013	09444-26013	09444-26013	SPRING	1		
30	25671-01000	25671-01000	25671-01000	25671-01000	25671-01000	25671-01000	25671-01000	25671-01000	STOPPER,GEAR SHIFT ARM	1		
31	09285-12002	09285-12002	09285-12002	09285-12002	09285-12002	09285-12002	09285-12002	09285-12002	OIL SEAL(12*22*9)	1		2
32	25520-05340	25520-05340	25520-05340	25520-05340	25520-05340	25520-05340	25520-05340	25520-05340	ARM,GEAR SHIFT LINK	1		
33	01107-06208	01107-06208	01107-06208	01107-06208	01107-06208	01107-06208	01107-06208	01107-06208	BOLT	1		
34	08310-11067	08310-11067	08310-11067	08310-11067	08310-11067	08310-11067	08310-11067	08310-11067	NUT, R	1		
35	25525H93B00	25525H93B00	25525H93B00	25525H93B00	25525H93B00	25525H93B00	25525H93B00	25525H93B00	ROD,GEAR SHIFT LINK	1		
36	09140-06011	09140-06011	09140-06011	09140-06011	09140-06011	09140-06011	09140-06011	09140-06011	NUT, L	1		
37	37720H93B00	37720H93B00	37720H93B00	37720H93B00	37720H93B00	37720H93B00	37720H93B00	37720H93B00	S/W ASSY,NATURAL	1		2
38	09280-26003	09280-26003	09280-26003	09280-26003	09280-26003	09280-26003	09280-26003	09280-26003	O-RING	1		2
39	02112-95208	02112-95208	02112-95208	02112-95208	02112-95208	02112-95208	02112-95208	02112-95208	SCREW	1		
40	09209-05011	09209-05011	09209-05011	09209-05011	09209-05011	09209-05011	09209-05011	09209-05011	CONTACT	1		
41	09440-04010	09440-04010	09440-04010	09440-04010	09440-04010	09440-04010	09440-04010	09440-04010	SPRING	1		

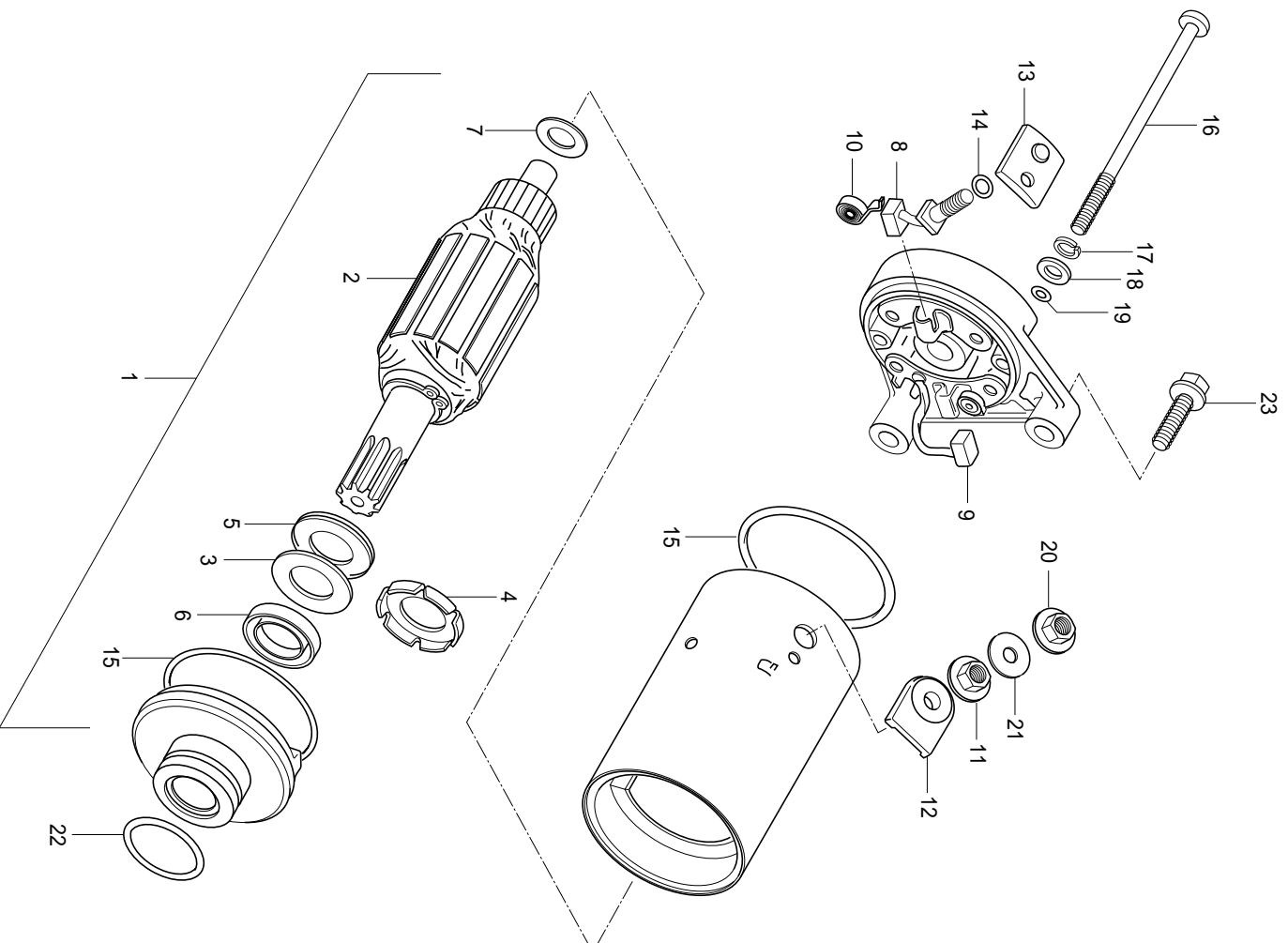
FIG.17



# FIG 17. KICK STARTER

REF PARTS NUMBER.								PARTS NAME	Q'TY	REMARKS	REC.Q'TY (PCS)
NO.	DOMESTIC	GEU01	GG02	JEN01	JF01	NAM	CLS				
1	26211H93B00	26211H93B00	26211H93B00	26211H93B00	26211H93B00	26211H93B00	26211H93B00	26211H93B00	SHAFT,KICK STARTER	1	
2	26221-05200	26221-05200	26221-05200	26221-05200	26221-05200	26221-05200	26221-05200	26221-05200	GUIDE, SPRING	1	
3	09440-32006	09440-32006	09440-32006	09440-32006	09440-32006	09440-32006	09440-32006	09440-32006	SPRING	1	
4	09448-45003	09448-45003	09448-45003	09448-45003	09448-45003	09448-45003	09448-45003	09448-45003	SPRING	1	
5	08211-17341	08211-17341	08211-17341	08211-17341	08211-17341	08211-17341	08211-17341	08211-17341	PLATE, KICK STARTER	1	
6	09285-16003	09285-16003	09285-16003	09285-16003	09285-16003	09285-16003	09285-16003	09285-16003	OIL SEAL	1	2
7	26231-38200	26231-38200	26231-38200	26231-38200	26231-38200	26231-38200	26231-38200	26231-38200	STARTER,KICK	1	1
8	26232-38200	26232-38200	26232-38200	26232-38200	26232-38200	26232-38200	26232-38200	26232-38200	GUIDE,KICK STARTER	1	
9	26233-32400	26233-32400	26233-32400	26233-32400	26233-32400	26233-32400	26233-32400	26233-32400	STOPPER,KIK STARTER	1	
10	01107-08208	01107-08208	01107-08208	01107-08208	01107-08208	01107-08208	01107-08208	01107-08208	BOLT,KICK STARTER STOPPER	2	
11	26240-05201	26240-05201	26240-05201	26240-05201	26240-05201	26240-05201	26240-05201	26240-05201	GEAR K/STARTER DRIVE	1	1
12	09160-16003	09160-16003	09160-16003	09160-16003	09160-16003	09160-16003	09160-16003	09160-16003	WASHER	1	
13	08211-20261	08211-20261	08211-20261	08211-20261	08211-20261	08211-20261	08211-20261	08211-20261	WSHR KICK DRV GR	1	
14	09380-17001	09380-17001	09380-17001	09380-17001	09380-17001	09380-17001	09380-17001	09380-17001	CIRCL 3RD GR	1	
15	26300H93B00	26300H93B00	26300H93B00	26300H93B00	26300H93B00	26300H93B00	26300H93B00	26300H93B00	LEVER ASSY,KICK STARTER	1	
16	26352HE6100	26352HE6100	26352HE6100	26352HE6100	26352HE6100	26352HE6100	26352HE6100	26352HE6100	RUBBER,KICK STARTER LEVER	1	
17	01107-08258	01107-08258	01107-08258	01107-08258	01107-08258	01107-08258	01107-08258	01107-08258	BOLT,KICK STARTER LEVER	1	

FIG. 18

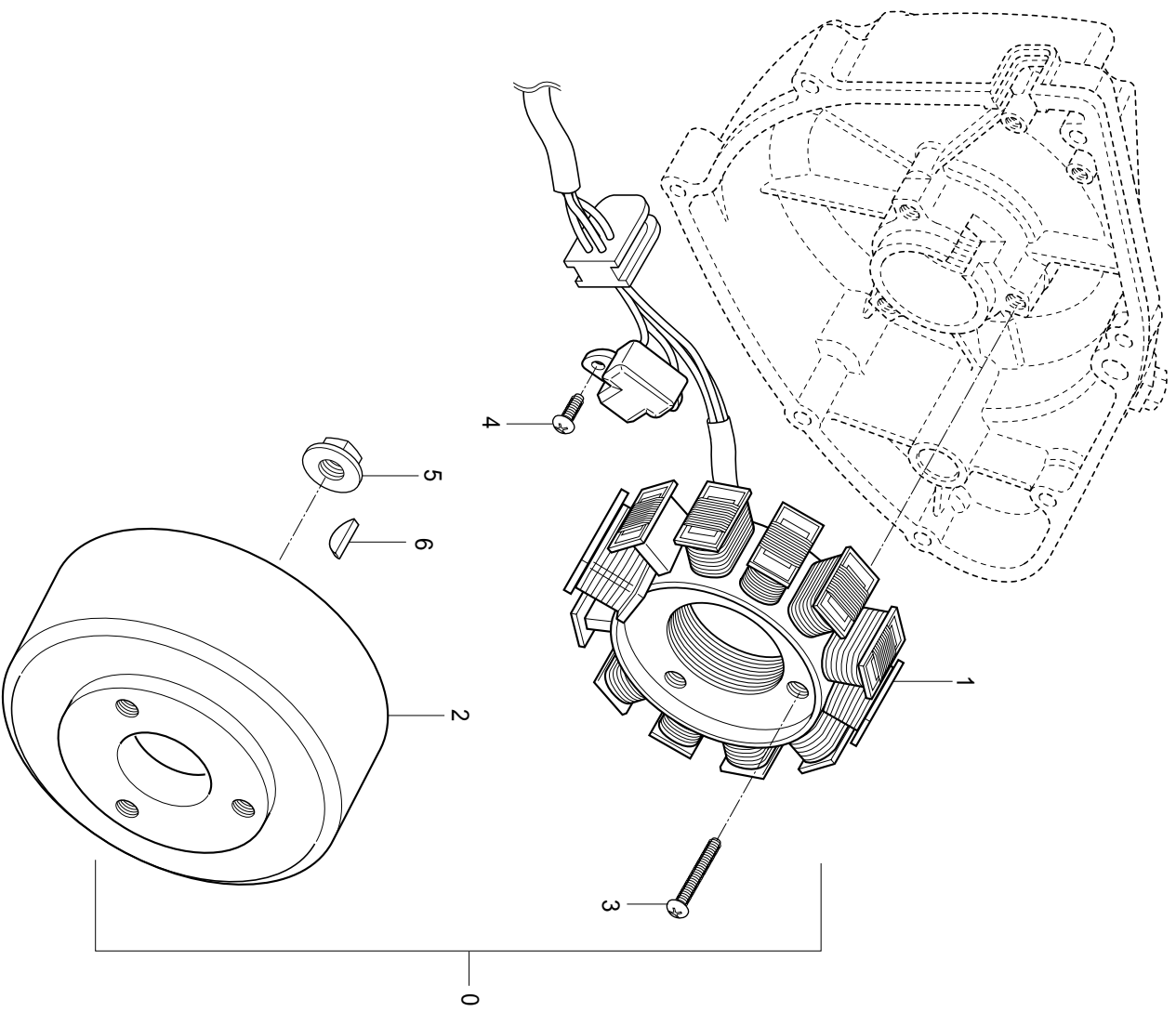


# FIG 18. STARTING MOTOR

REF PARTS NUMBER.									PARTS NAME	Q'TY	REMARKS	REC.Q'TY (PCS)
NO.	DOMESTIC	GEU01	GG02	JEN01	JF01	NAM	CLS	FG01				
1	31100HD6300	31100HD6300	31100HD6300	31100HD6300	31100HD6300	31100HD6300	31100HD6300	31100HD6300	MOTOR ASSY, STARTING	1		5
2	31311-10201	31311-10201	31311-10201	31311-10201	31311-10201	31311-10201	31311-10201	31311-10201	ARMATURE	1		
3	31361-10200	31361-10200	31361-10200	31361-10200	31361-10200	31361-10200	31361-10200	31361-10200	SHIM(A)	1		
4	31361-01400	31361-01400	31361-01400	31361-01400	31361-01400	31361-01400	31361-01400	31361-01400	SHIM(A)	1		
5	31361-38300	31361-38300	31361-38300	31361-38300	31361-38300	31361-38300	31361-38300	31361-38300	SHIM(A)	1		
6	31153-43400	31153-43400	31153-43400	31153-43400	31153-43400	31153-43400	31153-43400	31153-43400	OIL SEAL	1		
7	31361-47010	31361-47010	31361-47010	31361-47010	31361-47010	31361-47010	31361-47010	31361-47010	SHIM(B)	1		
8	31130-05300	31130-05300	31130-05300	31130-05300	31130-05300	31130-05300	31130-05300	31130-05300	BRUSH(+)	2		
9	31131-10200	31131-10200	31131-10200	31131-10200	31131-10200	31131-10200	31131-10200	31131-10200	BRUSH(-)	2		
10	31135-65010	31135-65010	31135-65010	31135-65010	31135-65010	31135-65010	31135-65010	31135-65010	SPRING, BRUSH	2		
11	08310-22067	08310-22067	08310-22067	08310-22067	08310-22067	08310-22067	08310-22067	08310-22067	O-RING	1		
12	31172-05300	31172-05300	31172-05300	31172-05300	31172-05300	31172-05300	31172-05300	31172-05300	BUSHING(A)	2		
13	31171-05300	31171-05300	31171-05300	31171-05300	31171-05300	31171-05300	31171-05300	31171-05300	BUSHING(B)	1		
14	31143-38300	31143-38300	31143-38300	31143-38300	31143-38300	31143-38300	31143-38300	31143-38300	O-RING	1		
15	31264-05300	31264-05300	31264-05300	31264-05300	31264-05300	31264-05300	31264-05300	31264-05300	O-RING	1		
16	31281-05310	31281-05310	31281-05310	31281-05310	31281-05310	31281-05310	31281-05310	31281-05310	BOLT	2		
17	08321-21057	08321-21057	08321-21057	08321-21057	08321-21057	08321-21057	08321-21057	08321-21057	LOCK WASHER	2		
18	31161-05310	31161-05310	31161-05310	31161-05310	31161-05310	31161-05310	31161-05310	31161-05310	WASHER	2		
19	31156-38300	31156-38300	31156-38300	31156-38300	31156-38300	31156-38300	31156-38300	31156-38300	O-RING	2		
20	08316-26066	08316-26066	08316-26066	08316-26066	08316-26066	08316-26066	08316-26066	08316-26066	NUT(M35)	1		
21	09160-06003	09160-06003	09160-06003	09160-06003	09160-06003	09160-06003	09160-06003	09160-06003	WASHER	1		
22	09280-24001	09280-24001	09280-24001	09280-24001	09280-24001	09280-24001	09280-24001	09280-24001	O-RING	1		
23	01547-06308	01547-06308	01547-06308	01547-06308	01547-06308	01547-06308	01547-06308	01547-06308	SCREW, STARTING MOTOR(M6*30)	2		



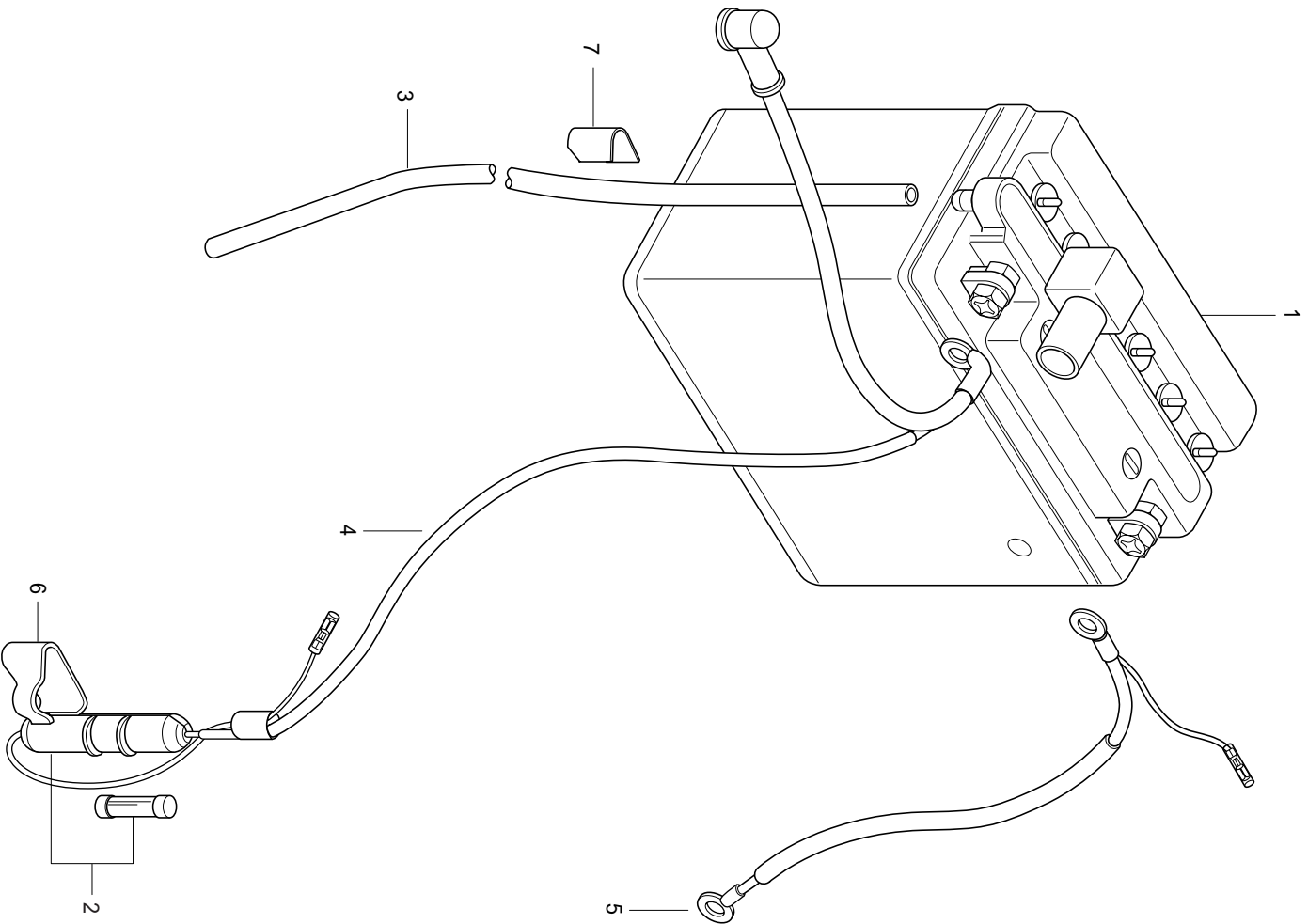
FIG.19



# FIG 19. MAGNETO ASSY

REF PARTS NUMBER.									PARTS NAME	Q'TY	REMARKS	REC.Q'TY (PCS)
NO.	DOMESTIC	GEU01	GG02	JEN01	JF01	NAM	CLS	FG01				
0	32100HD6300	32100HD6300	32100HD6300	32100HD6300	32100HD6300	32100HD6300	32100HD6300	32100HD6300	MAGNET ASS'Y	1		5
1	32101-05310	32101-05310	32101-05310	32101-05310	32101-05310	32101-05310	32101-05310	32101-05310	STATOR ASS'Y	1		
2	32102-05310	32102-05310	32102-05310	32102-05310	32102-05310	32102-05310	32102-05310	32102-05310	ROTOR,FLY WHEEL	1		
3	02112-05258	02112-05258	02112-05258	02112-05258	02112-05258	02112-05258	02112-05258	02112-05258	SCREW, MAGNETO STATOR	3		
4	02152-04128	02152-04128	02152-04128	02152-04128	02152-04128	02152-04128	02152-04128	02152-04128	SCREW, PICK-UP COIL	2		
5	08316-26108	08316-26108	08316-26108	08316-26108	08316-26108	08316-26108	08316-26108	08316-26108	NUT MAG FLY WHEL	1		
6	08341-31039	08341-31039	08341-31039	08341-31039	08341-31039	08341-31039	08341-31039	08341-31039	KEY	1		

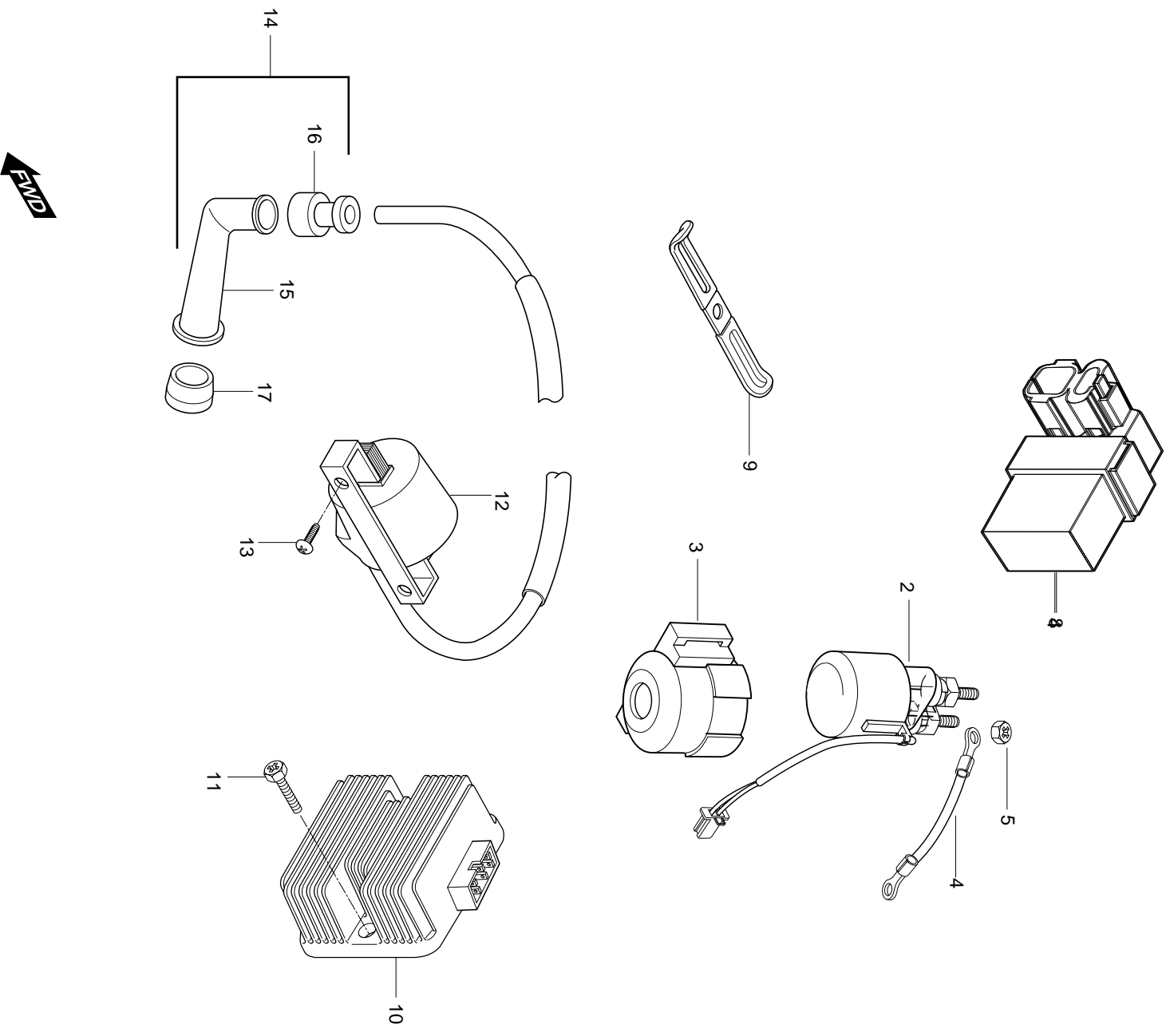
FIG. 20



# FIG 20. BATTERY

REF PARTS NUMBER.									PARTS NAME	Q'TY	REMARKS	REC.Q'TY (PCS)
NO.	DOMESTIC	GEU01	GG02	JEN01	JF01	NAM	CLS	FG01				
1	33610H93B00	33610H93B00	33610H93B00	33610H93B00	33610H93B00	33610H93B00	33610H93B00	33610H93B00	BATTERY(12M8)	1		2
2	36740H93B02	36740H93B02	36740H93B02	36740H93B02	36740H93B02	36740H93B02	36740H93B02	36740H93B02	FUSE CASE ASSY	1		5
3	33680-08401	33680-08401	33680-08401	33680-08401	33680-08401	33680-08401	33680-08401	33680-08401	HOSE,BATTERY EXHAUST	1		
4	30001H93B00	30001H93B00	30001H93B00	30001H93B00	30001H93B00	30001H93B00	30001H93B00	30001H93B00	WRING,DIAGRAM	1	NOT SALE	
5	33850H93B11	33850H93B11	33850H93B11	33850H93B11	33850H93B11	33850H93B11	33850H93B11	33850H93B11	LEAD WIRE, BATTERY(-)	1		
6	36791-46700	36791-46700	36791-46700	36791-46700	36791-46700	36791-46700	36791-46700	36791-46700	HOLDER CASE FUSE	1	NOT SALE	
7	09403-09301	09403-09301	09403-09301	09403-09301	09403-09301	09403-09301	09403-09301	09403-09301	CLAMP, BATTERY EXHAUST HOSE	1	NOT SALE	

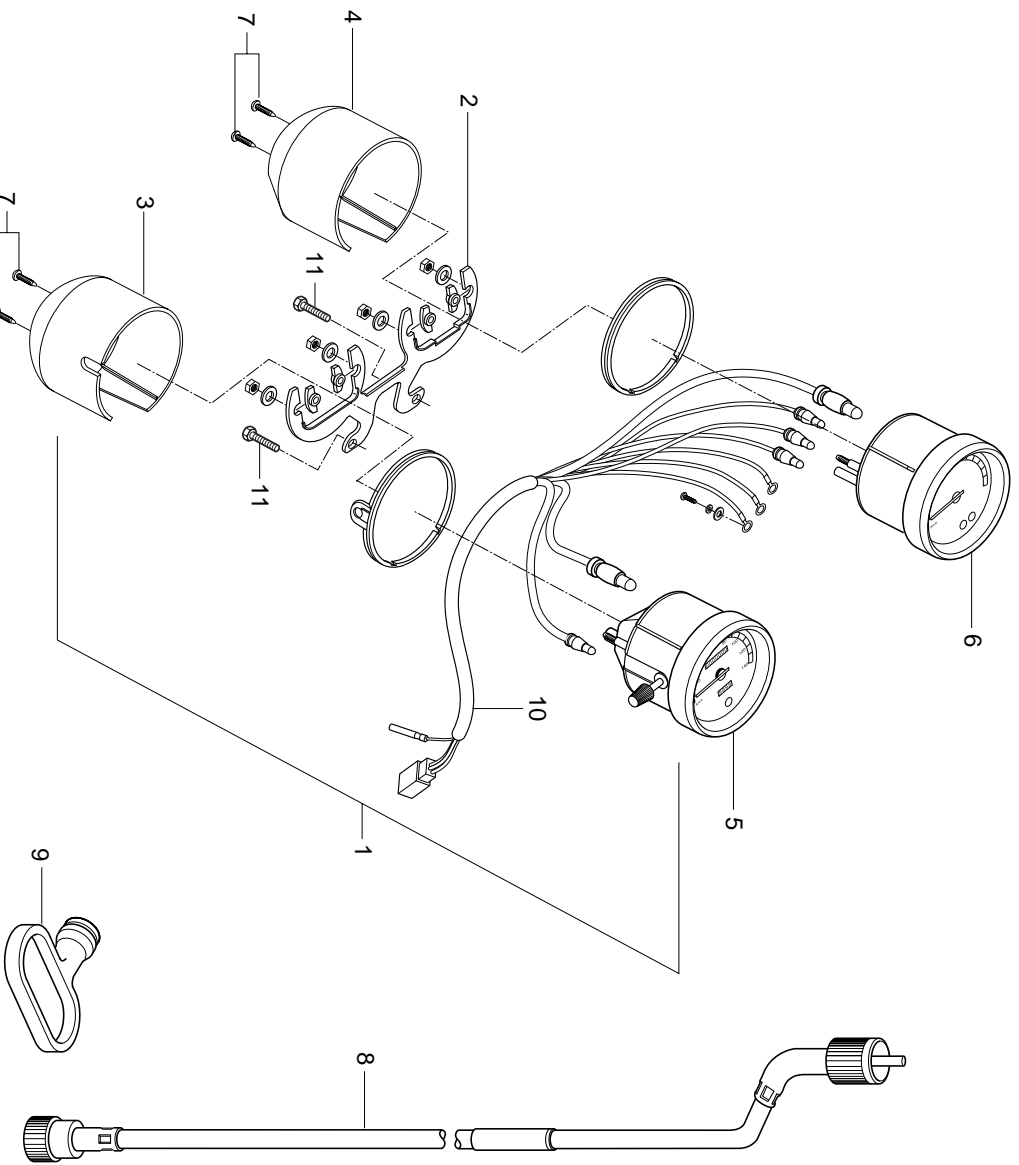
FIG.21



# FIG 21. ELECTRICAL

REF PARTS NUMBER.									PARTS NAME	Q'TY	REMARKS	REC.Q'TY (PCS)
NO.	DOMESTIC	GEU01	GG02	JEN01	JF01	NAM	CLS	FG01				
1	31800-35C00	31800-35C00	31800-35C00	31800-35C00	31800-35C00	31800-35C00	31800-35C00	31800-35C00	RELAY ST/MOT(GA)	1		5
2	31810-35C00	31810-35C00	31810-35C00	31810-35C00	31810-35C00	31810-35C00	31810-35C00	31810-35C00	BODY,STARTER RELAY	1		
3	31820-35C00	31820-35C00	31820-35C00	31820-35C00	31820-35C00	31820-35C00	31820-35C00	31820-35C00	CLAMP,STARTER RELAY	1		
4	33850H93B01	33850H93B01	33850H93B01	33850H93B01	33850H93B01	33850H93B01	33850H93B01	33850H93B01	LEAD WIRE,S/MOTOR	1		
5	08316-26066	08316-26066	08316-26066	08316-26066	08316-26066	08316-26066	08316-26066	08316-26066	NUT,STARTER RELAY	2		
6	31810HD6300	31810HD6300	31810HD6300	31810HD6300	31810HD6300	31810HD6300	31810HD6300	31810HD6300	BRACKET,STARTER RELAY	1		
7	09128-06004	09128-06004	09128-06004	09128-06004	09128-06004	09128-06004	09128-06004	09128-06004	SCREW	2		
8	32900HD6300	32900HD6300	32900HD6300	32900HD6300	32900HD6300	32900HD6300	32900HD6300	32900HD6300	C.D.I UNIT	1		5
9	36651-05300	36651-05300	36651-05300	36651-05300	36651-05300	36651-05300	36651-05300	36651-05300	CLAMP	1	NOT SALE	
10	32800H01413	32800H01413	32800H01413	32800H01413	32800H01413	32800H01413	32800H01413	32800H01413	RECTIFIER	1		2
11	09128-06035	09128-06035	09128-06035	09128-06035	09128-06035	09128-06035	09128-06035	09128-06035	SCREW	2		
12	33410H93B00	33410H93B00	33410H93B00	33410H93B00	33410H93B00	33410H93B00	33410H93B00	33410H93B00	COIL ASSY IGNITION	1		5
13	02112-05108	02112-05108	02112-05108	02112-05108	02112-05108	02112-05108	02112-05108	02112-05108	SCREW	2		
14	33500HD6301	33500HD6301	33500HD6301	33500HD6301	33500HD6301	33500HD6301	33500HD6301	33500HD6301	CAP ASSY,SPARK PLUG	1		10
15	33510H93B00	33510H93B00	33510H93B00	33510H93B00	33510H93B00	33510H93B00	33510H93B00	33510H93B00	CAP,SPARK PLUG	1	NOT SALE	
16	33542-98000	33542-98000	33542-98000	33542-98000	33542-98000	33542-98000	33542-98000	33542-98000	SEAL,HIGHTENSION CORD	1		
17	33541-32410	33541-32410	33541-32410	33541-32410	33541-32410	33541-32410	33541-32410	33541-32410	SEAL,SPARK PLUG	1		

FIG.22

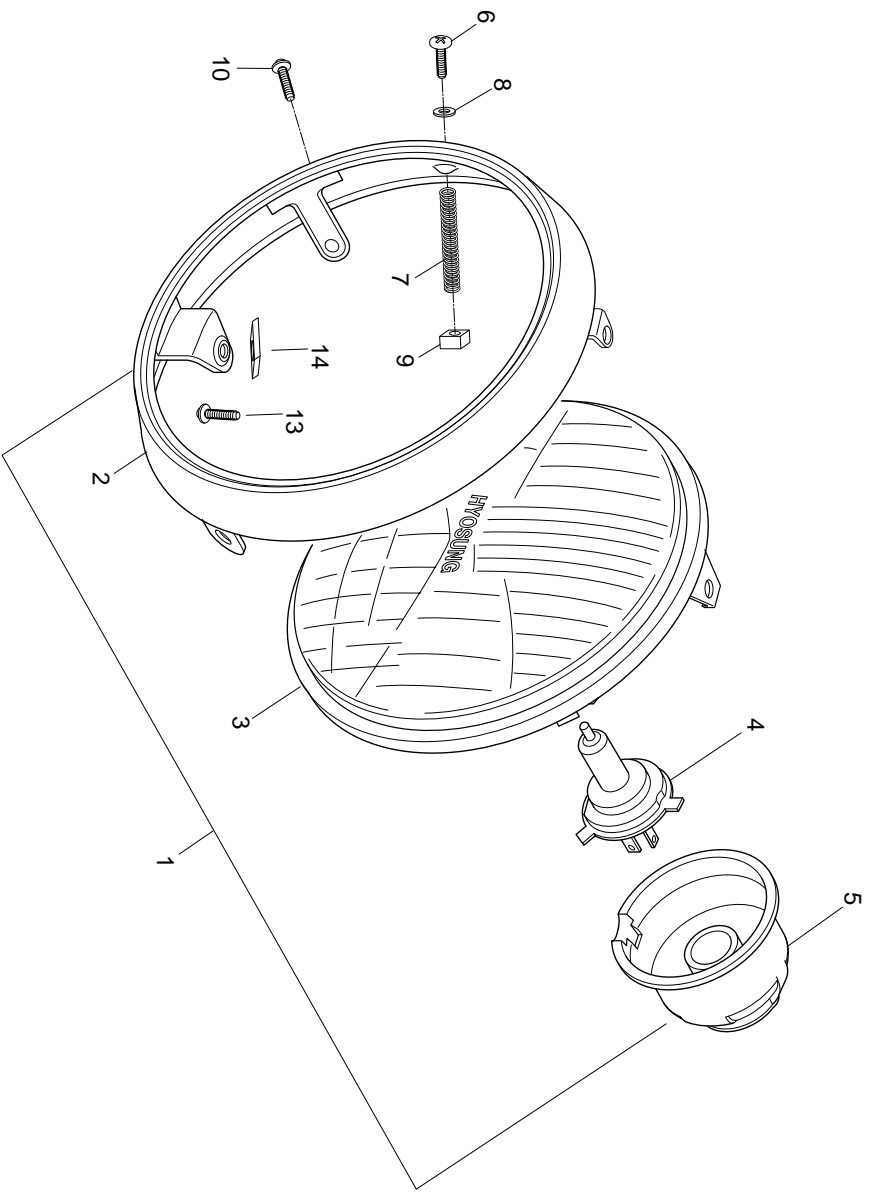


## FIG 22. SPEEDOMETER ASSY

REF PARTS NUMBER.								PARTS NAME	Q'TY	REMARKS	REC.Q'TY (PCS)
NO.	DOMESTIC	GEU01	GG02	JEN01	JF01	NAM	CLS				
1	34100H93B03	34100H93B03	34100H93B03		34100H93B03	34100H93B03	34100H93B03	34100H93B03	SPEEDMETER ASSY	1	1
1-1	34100H93B50			34100H93B50					SPEEDMETER ASSY	1	
2	34950H93B00	34950H93B00	34950H93B00	34950H93B00	34950H93B00	34950H93B00	34950H93B00	34950H93B00	BRACKET	1	
3	34105H93B00	34105H93B00	34105H93B00	34105H93B00	34105H93B00	34105H93B00	34105H93B00	34105H93B00	LOWER CASE,SPEEDOMETER	1	
4	34106H93B00	34106H93B00	34106H93B00	34106H93B00	34106H93B00	34106H93B00	34106H93B00	34106H93B00	LOWER CASE,TECHOMETER	1	
5	34101H93B00	34101H93B00	34101H93B00		34101H93B00	34101H93B00	34101H93B00	34101H93B00	SPEEDOMETER	1	
5-1	34101H93B50			34101H93B50					SPEEDOMETER	1	
6	34102H93B00	34102H93B00	34102H93B00	34102H93B00	34102H93B00	34102H93B00	34102H93B00	34102H93B00	TACHOMETER	1	
7	03211-04166	03211-04166	03211-04166	03211-04166	03211-04166	03211-04166	03211-04166	03211-04166	SCREW	4	
8	34910H93B00	34910H93B00	34910H93B00	34910H93B00	34910H93B00	34910H93B00	34910H93B00	34910H93B00	CABL SP/METER(GA	1	5
9	58621H05300	58621H05300	58621H05300	58621H05300	58621H05300	58621H05300	58621H05300	58621H05300	GUIDE CABL	1	2
10	34103H93B00	34103H93B00	34103H93B00	34103H93B00	34103H93B00	34103H93B00	34103H93B00	34103H93B00	CORD,SPEEDOMETER	1	



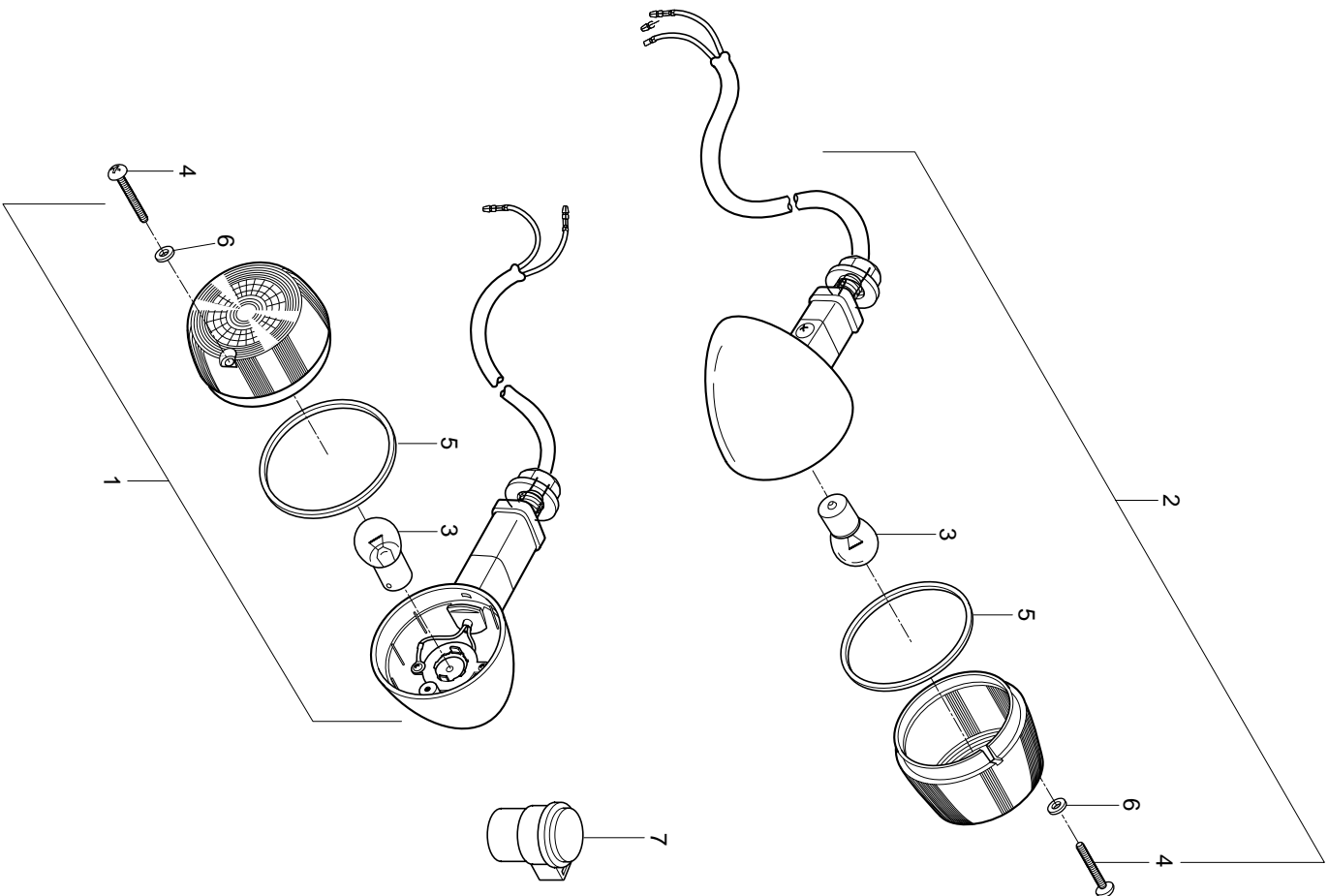
FIG.23



# FIG 23. HEAD LAMP

REF PARTS NUMBER.									PARTS NAME	Q'TY	REMARKS	REC.Q'TY (PCS)
NO.	DOMESTIC	GEU01	GG02	JEN01	JF01	NAM	CLS	FG01				
1	35100H93B01			35100H93B01		35100H93B01	35100H93B01		H/LAMP ASSY (GA)	1		5
1-1	35100HE8321	35100HE8321	35100HE8321		35100HE8321			35100HE8321	H/LAMP ASSY (GA)	1		
2	35111H93B00	35111H93B00	35111H93B00	35111H93B00	35111H93B00	35111H93B00	35111H93B00	35111H93B00	RIM	1		
3	35121H93B00			35121H93B00		35121H93B00	35121H93B00		UNIT	1		
3-1	35121HE8321	35121HE8321	35121HE8321		35121HE8321			35121HE8321	UNIT	1		
4	09471-12101	09471-12101	09471-12101	09471-12101	09471-12101	09471-12101	09471-12101	09471-12101	BULB,HEAD LAMP(12V35/35W)	1		
5	35173H93B00	35173H93B00	35173H93B00	35173H93B00	35173H93B00	35173H93B00	35173H93B00	35173H93B00	COVER	1		
6	35151-33240	35151-33240	35151-33240	35151-33240	35151-33240	35151-33240	35151-33240	35151-33240	SCREW	1		
7	35154-48510	35154-48510	35154-48510	35154-48510	35154-48510	35154-48510	35154-48510	35154-48510	SPRING	1		
8	35157-27630	35157-27630	35157-27630	35157-27630	35157-27630	35157-27630	35157-27630	35157-27630	WASHER	1		
9	35152-48510	35152-48510	35152-48510	35152-48510	35152-48510	35152-48510	35152-48510	35152-48510	NUT	1		
10	02112-95158	02112-95158	02112-95158	02112-95158	02112-95158	02112-95158	02112-95158	02112-95158	SCREW	3		
11	09162-05003	09162-05003	09162-05003	09162-05003	09162-05003	09162-05003	09162-05003	09162-05003	LOCK WASHER	3	NOT SALE	
12	09169-06021	09169-06021	09169-06021	09169-06021	09169-06021	09169-06021	09169-06021	09169-06021	WASHER	3	NOT SALE	
13	02112-05088	02112-05088	02112-05088	02112-05088	02112-05088	02112-05088	02112-05088	02112-05088	SCREW	2		
14	35135-12610	35135-12610	35135-12610	35135-12610	35135-12610	35135-12610	35135-12610	35135-12610	NUT	2		

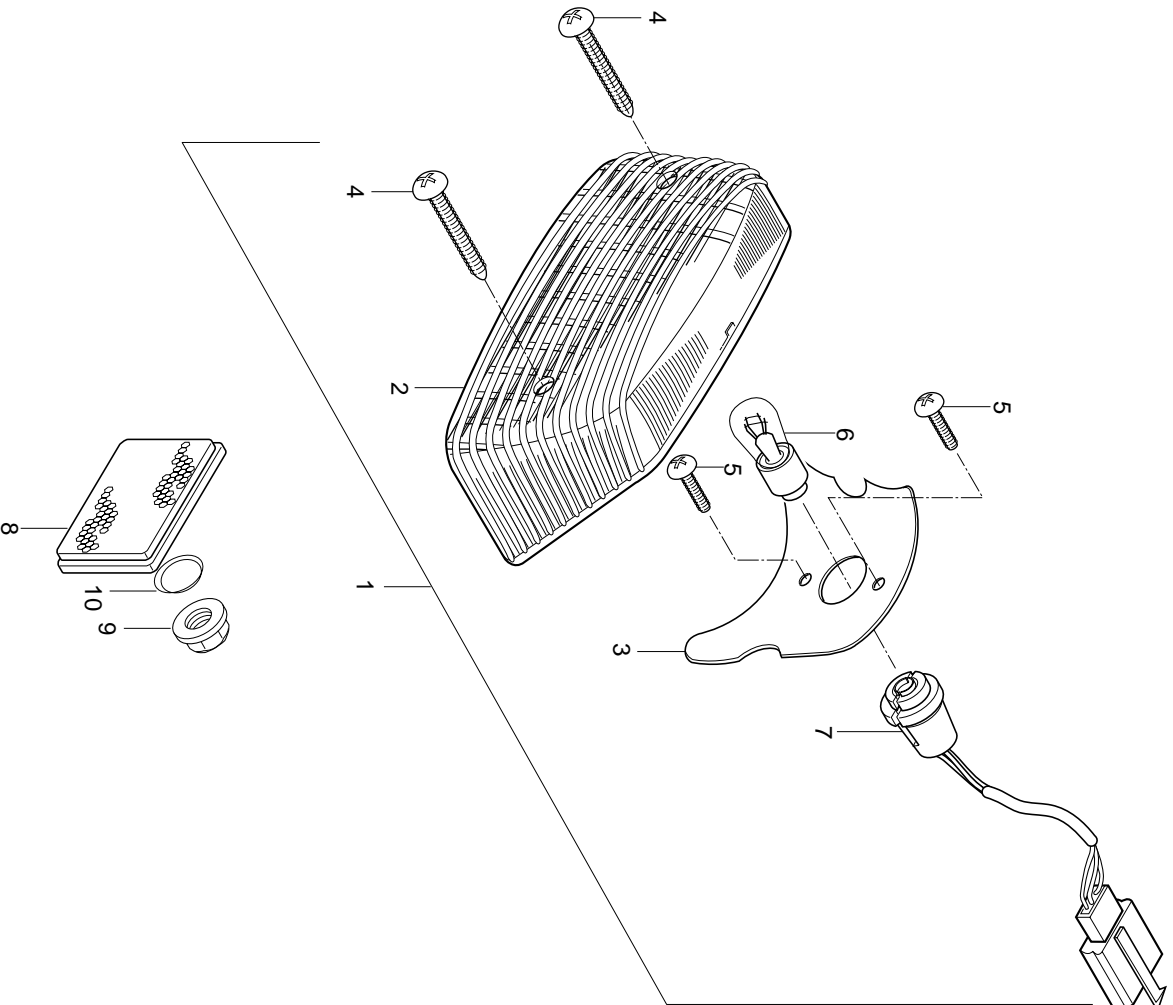
FIG. 24



# FIG 24. TURN SIGNAL LAMP

REF PARTS NUMBER.								PARTS NAME	Q'TY	REMARKS	REC.Q'TY (PCS)
NO.	DOMESTIC	GEU01	GG02	JEN01	JF01	NAM	CLS				
1-1	35601H93B01					35601H93B01	35601H93B01		LAMP FT T/SIG R	1	5
1-1	35601HE5300	35601HE5300	35601HE5300	35601HE5300	35601HE5300			35601HE5300		1	
1-2	35602H93B01					35602H93B01	35602H93B01		LAMP FT T/SIG L	1	5
1-2	35602HE5300	35602HE5300	35602HE5300	35602HE5300	35602HE5300			35602HE5300		1	
2-1	35603H93B01					35603H93B01	35603H93B01		LAMP RR T/SIG R	1	5
2-1	35603HE5300	35603HE5300	35603HE5300	35603HE5300	35603HE5300			35603HE5300		1	
2-2	35604H93B01					35604H93B01	35604H93B01		LAMP RR T/SIG L	1	5
2-2	35604HE5300	35604HE5300	35604HE5300	35604HE5300	35604HE5300			35604HE5300		1	
3	09471-12114	09471-12114	09471-12114	09471-12114	09471-12114	09471-12114	09471-12114	09471-12114	BULB,FRONT T/SIGNAL(12V 10W)	4	
4	03211-04358	03211-04358	03211-04358	03211-04358	03211-04358	03211-04358	03211-04358	03211-04358	SCREW	4	
5	35608H93B00	35608H93B00	35608H93B00	35608H93B00	35608H93B00	35608H93B00	35608H93B00	35608H93B00	GASKET	4	5
6	35609HJ8200	35609HJ8200	35609HJ8200	35609HJ8200	35609HJ8200	35609HJ8200	35609HJ8200	35609HJ8200	VINYL WASHER	4	
7	38610H09411					38610H09411	38610H09411		RELAY T/SIG (GA)	1	5
7-1	38610HF4400	38610HF4400	38610HF4400	38610HF4400	38610HF4400			38610HF4400	RELAY T/SIG (GA)	1	

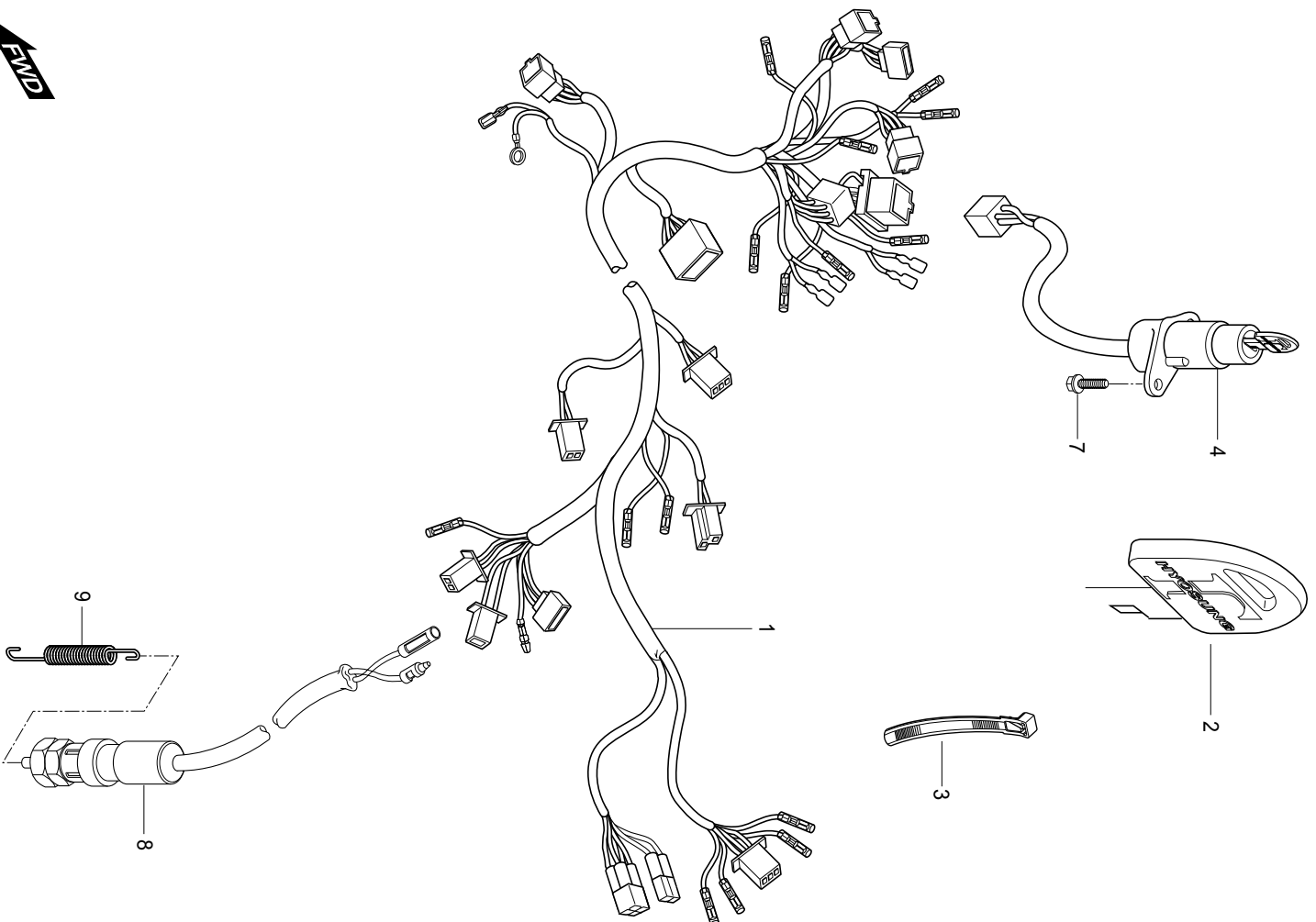
FIG. 25



## FIG 25. REAR COMBINATION

REF PARTS NUMBER.									PARTS NAME	Q'TY	REMARKS	REC.Q'TY (PCS)
NO.	DOMESTIC	GEU01	GG02	JEN01	JF01	NAM	CLS	FG01				
1	35710H93B00	35710H93B00	35710H93B00	35710H93B00	35710H93B00	35710H93B00	35710H93B00	35710H93B00	LAMP ASSY,REAR COMBITION	1	NOT SALE	
2	35712H93B00	35712H93B00	35712H93B00	35712H93B00	35712H93B00	35712H93B00	35712H93B00	35712H93B00	LENS,REAR COMBI	1		
3	35714H93B00	35714H93B00	35714H93B00	35714H93B00	35714H93B00	35714H93B00	35714H93B00	35714H93B00	REFLECTOR	1		
4	03211-05356	03211-05356	03211-05356	03211-05356	03211-05356	03211-05356	03211-05356	03211-05356	SCREW	2		
5	03211-04126	03211-04126	03211-04126	03211-04126	03211-04126	03211-04126	03211-04126	03211-04126	SCREW	2		
6	09471-12057	09471-12057	09471-12057	09471-12057	09471-12057	09471-12057	09471-12057	09471-12057	BULB(12V23/8W)	1		
7	35718H93B00	35718H93B00	35718H93B00	35718H93B00	35718H93B00	35718H93B00	35718H93B00	35718H93B00	SOCKET COMP	1		
8	35970H11A02	35970H11A02	35970H11A02	35970H11A02	35970H11A02	35970H11A02	35970H11A02	35970H11A02	REFLEX,REFLETOR ASSY,REAR	1		2
9	08310-11058	08310-11058	08310-11058	08310-11058	08310-11058	08310-11058	08310-11058	08310-11058	NUT	1		
10	09160-06027	09160-06027	09160-06027	09160-06027	09160-06027	09160-06027	09160-06027	09160-06027	WASHER	1		

FIG.26

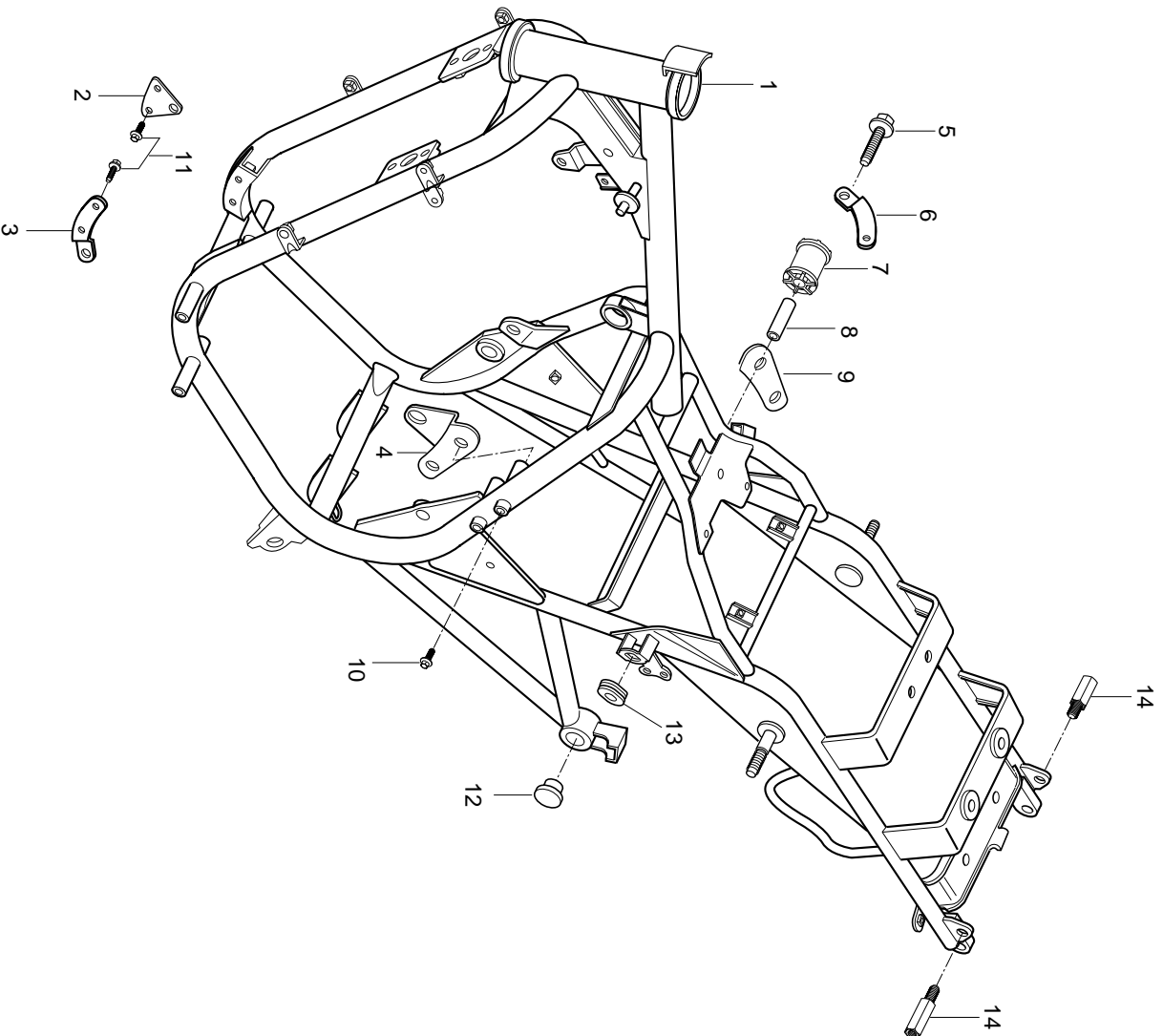


## FIG 26. WIRING HARNESS

REF PARTS NUMBER.								PARTS NAME	Q'TY	REMARKS	REC.Q'TY (PCS)	
NO.	DOMESTIC	GEU01	GG02	JEN01	JF01	NAM	CLS					FG01
1	36610HF7601	36610HF7601	36610HF7601		36610HF7601			36610HF7601	WIRING HARNESS	1		2
1-1	36610HF7651			36610HF7651		36610HF7651	36610HF7651		WIRING HARNESS	1		
2	37111H29E00	37111H29E00	37111H29E00	37111H29E00	37111H29E00	37111H29E00	37111H29E00	37111H29E00	KEY SET	1		
3	09407-14403	09407-14403	09407-14403	09407-14403	09407-14403	09407-14403	09407-14403	09407-14403	BAND	1		
4	37000H93B10	37000H93B10	37000H93B10	37000H93B10	37000H93B10	37000H93B10	37000H93B10	37000H93B10	SWITCH ASSY IGNITION	1		5
5	08322-21064	08322-21064	08322-21064	08322-21064	08322-21064	08322-21064	08322-21064	08322-21064	WASHER	2	NOT SALE	
6	08321-21064	08321-21064	08321-21064	08321-21064	08321-21064	08321-21064	08321-21064	08321-21064	LOCK WASHER	2	NOT SALE	
7	01517-06168	01517-06168	01517-06168	01517-06168	01517-06168	01517-06168	01517-06168	01517-06168	BOLT,STEERING LOCK	2		
7-1	09139H06044	09139H06044	09139H06044	09139H06044	09139H06044			09139H06044	SCREW, STEER LOCK	1		
8	37740H93B00	37740H93B00	37740H93B00	37740H93B00	37740H93B00	37740H93B00	37740H93B00	37740H93B00	SWITCH ASS'Y,BRAKE LAMP	1		5
9	09443H06006	09443H06006	09443H06006	09443H06006	09443H06006	09443H06006	09443H06006	09443H06006	SPRING	1		



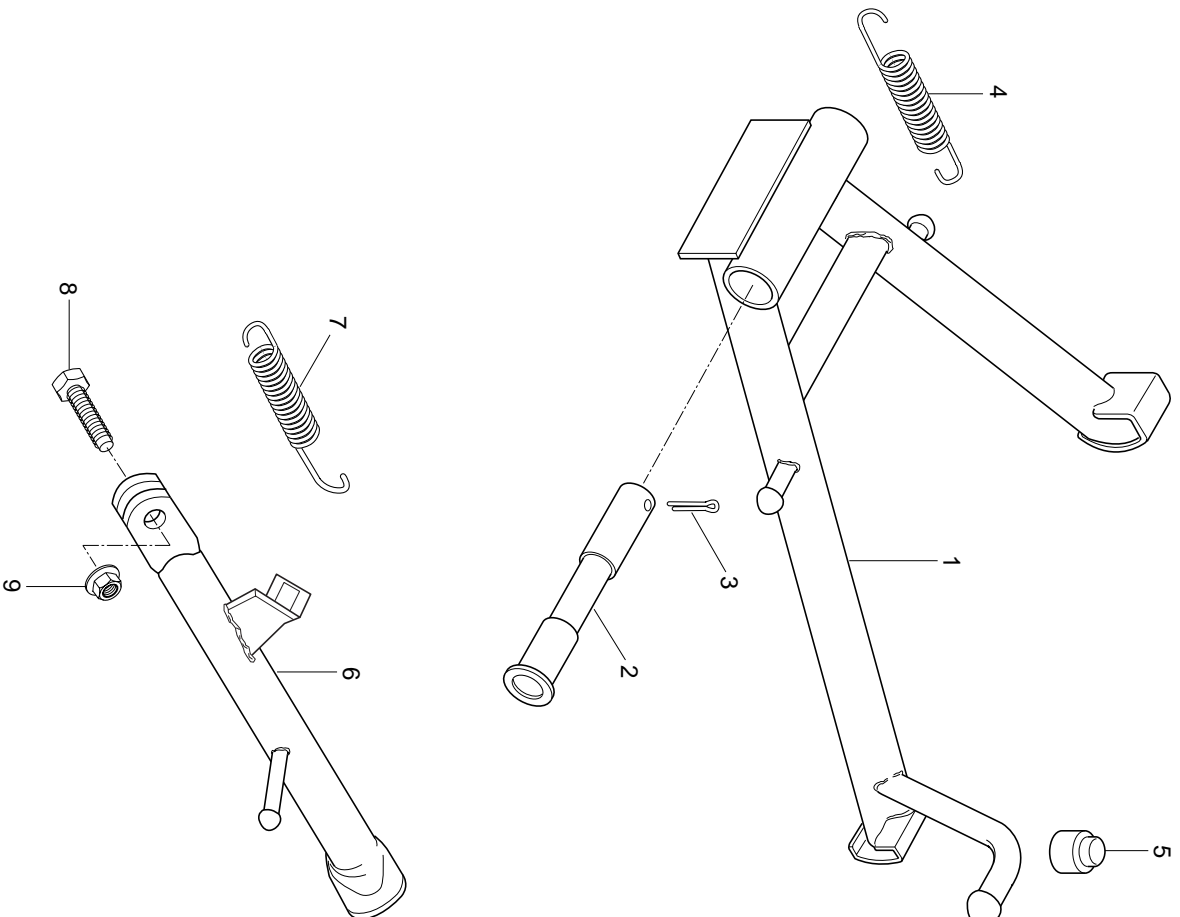
FIG.27



# FIG 27. FRAME

REF PARTS NUMBER.									PARTS NAME	Q'TY	REMARKS	REC.Q'TY (PCS)
NO.	DOMESTIC	GEU01	GG02	JEN01	JF01	NAM	CLS	FG01				
1	41100H93B04PAM					41100H93B04PAM	41100H93B04PAM		FRAME COMP	1		1
1-1	41100HF7500PAM	41100HF7500PAM	41100HF7500PAM	41100HF7500PAM	41100HF7500PAM			41100HF7500PAM	FRAME COMP	1		1
2	41993H93B00	41993H93B00	41993H93B00	41993H93B00	41993H93B00	41993H93B00	41993H93B00	41993H93B00	PLATE,ENGINE MOUNTING FRONT R	1		
3	41994H93B00	41994H93B00	41994H93B00	41994H93B00	41994H93B00	41994H93B00	41994H93B00	41994H93B00	PLATE,ENGINE MOUNTING FRONT L	1		
4	41992H93B00	41992H93B00	41992H93B00	41992H93B00	41992H93B00	41992H93B00	41992H93B00	41992H93B00	PLATE,ENGINE MOUNTINE REAR	1		
5	09103-08081	09103-08081	09103-08081	09103-08081	09103-08081	09103-08081	09103-08081	09103-08081	BOLT,MUFFLER SUPPORT	1		
6	14881H93B00	14881H93B00	14881H93B00	14881H93B00	14881H93B00	14881H93B00	14881H93B00	14881H93B00	PLATE, MUFFLER SUPPORT, NO.1	1		
7	09320H12058	09320H12058	09320H12058	09320H12058	09320H12058	09320H12058	09320H12058	09320H12058	CUSHION, MUFFLER SUPPORT	1		
8	09180H08005	09180H08005	09180H08005	09180H08005	09180H08005	09180H08005	09180H08005	09180H08005	SPACER, MUFFLER SUPPORT	1		
9	14882H93B00	14882H93B00	14882H93B00	14882H93B00	14882H93B00	14882H93B00	14882H93B00	14882H93B00	PLATE, MUFFLER SUPPORT, NO.2	2		
10	01517-08725	01517-08725	01517-08725	01517-08725	01517-08725	01517-08725	01517-08725	01517-08725	BOLT, ENGINE MOUNTING REAR	1		
11	01137-08168	01137-08168	01137-08168	01137-08168	01137-08168	01137-08168	01137-08168	01137-08168	BOLT, ENGINE MOUNTING FRONT	4		
12	09250H24001	09250H24001	09250H24001	09250H24001	09250H24001	09250H24001	09250H24001	09250H24001	CAP, PILLION FOOTREST BOSS L	1		
13	09320-08013	09320-08013	09320-08013	09320-08013	09320-08013	09320-08013	09320-08013	09320-08013	CUSHION,CHAIN CASE INNER	2		
14	46224H93B00	46224H93B00	46224H93B00	46224H93B00	46224H93B00	46224H93B00	46224H93B00	46224H93B00	CUSHION, SIDE COVER REAR	2		

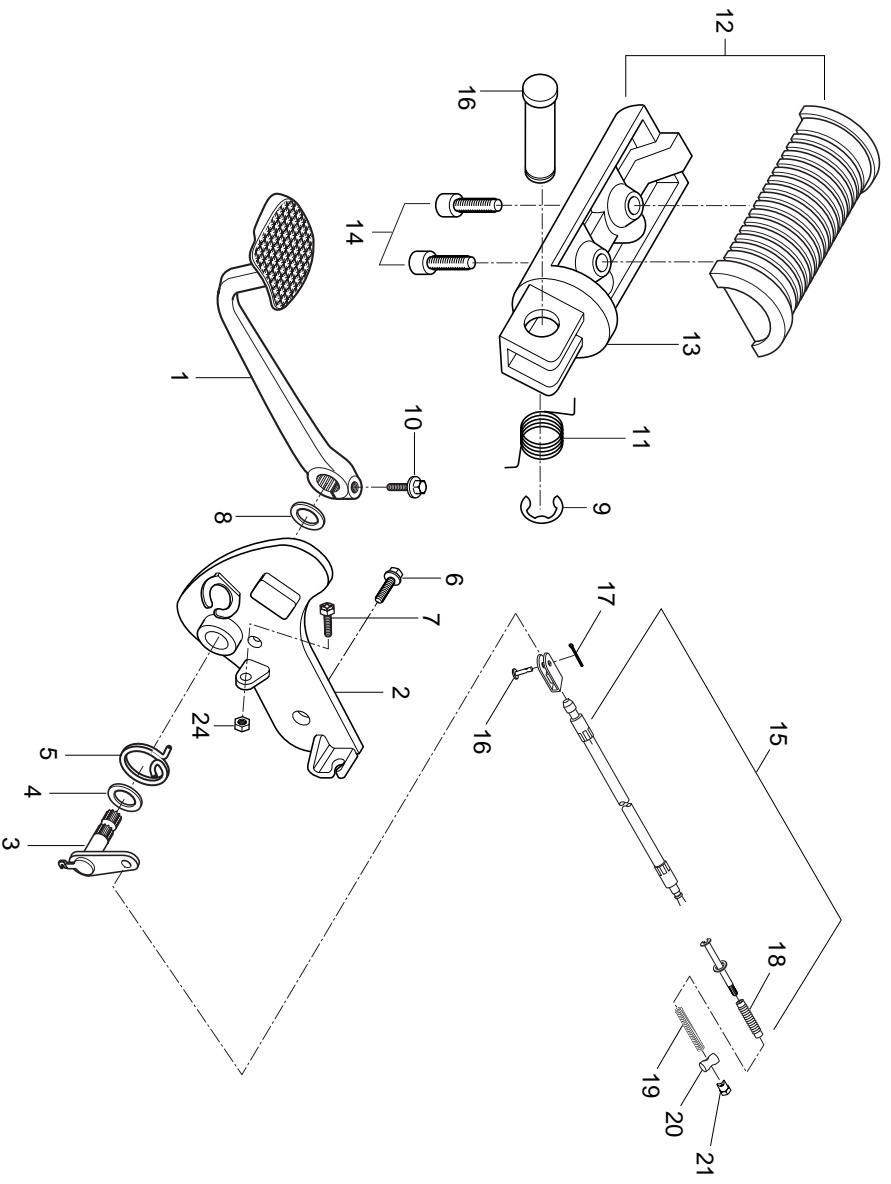
FIG.28



## FIG 28. CENTER STAND

REF PARTS NUMBER.									PARTS NAME	Q'TY	REMARKS	REC.Q'TY (PCS)
NO.	DOMESTIC	GEU01	GG02	JEN01	JF01	NAM	CLS	FG01				
1	42100HE8300	42100HE8300	42100HE8300	42100HE8300	42100HE8300	42100HE8300	42100HE8300	42100HE8300	CENTER STAND	1		1
2	42211H36502	42211H36502	42211H36502	42211H36502	42211H36502	42211H36502	42211H36502	42211H36502	SHAFT,CENTER STAND	1		1
3	04111-30258	04111-30258	04111-30258	04111-30258	04111-30258	04111-30258	04111-30258	04111-30258	COTTER PIN, FRONT AXLE	1		
4	09443-18003	09443-18003	09443-18003	09443-18003	09443-18003	09443-18003	09443-18003	09443-18003	SPRING, CENTER STAND	1		
5	09321-10001	09321-10001	09321-10001	09321-10001	09321-10001	09321-10001	09321-10001	09321-10001	CUSHION, SEAT	1		
6	42310H93B01					42310H93B01	42310H93B01		STAND,PROP	1		2
6-1	42310HE8300	42310HE8300	42310HE8300	42310HE8300	42310HE8300			42310HE8300	STAND,PROP	1		
7	09443-14036	09443-14036	09443-14036	09443-14036	09443-14036	09443-14036	09443-14036	09443-14036	SPRING, PROP STAND	1		
8	09100-10031	09100-10031	09100-10031	09100-10031	09100-10031	09100-10031	09100-10031	09100-10031	BOLT, PROP STAND	1		
9	08313-11107	08313-11107	08313-11107	08313-11107	08313-11107	08313-11107	08313-11107	08313-11107	NUT	1		
10	09443-06001	09443-06001	09443-06001	09443-06001	09443-06001	09443-06001	09443-06001	09443-06001	SPR, PROP S/T IN	1		

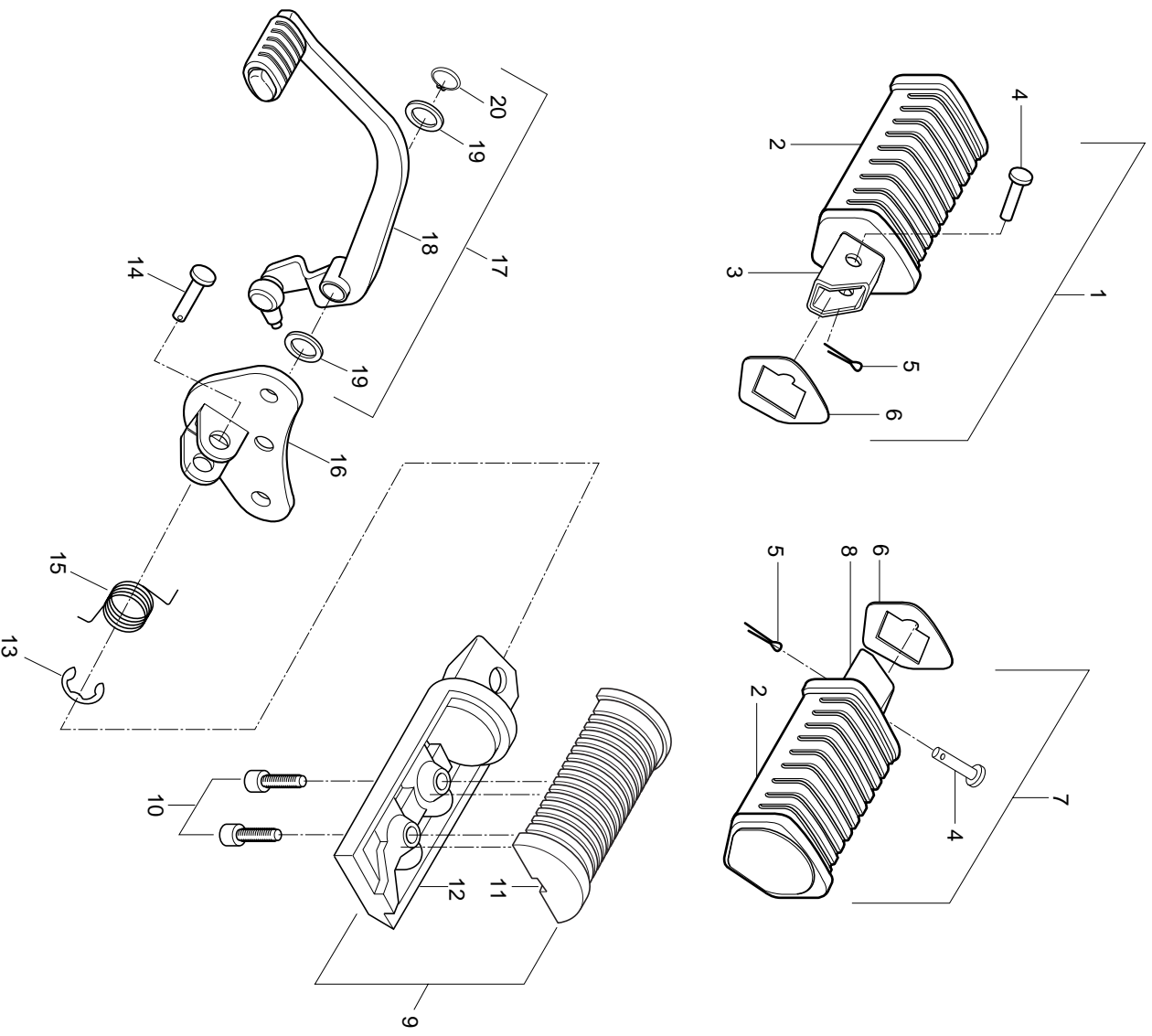
FIG.29



# FIG 29. REAR BRAKE

REF PARTS NUMBER.									PARTS NAME	Q'TY	REMARKS	REC.Q'TY (PCS)
NO.	DOMESTIC	GEU01	GG02	JEN01	JF01	NAM	CLS	FG01				
1	43110H93B00PLA	43110H93B00PLA	43110H93B00PLA	43110H93B00PLA	43110H93B00PLA	43110H93B00PLA	43110H93B00PLA	43110H93B00PLA	PEDAL ASS'Y ,BRAKE	1		3
2	43510H93B01	43510H93B01	43510H93B01	43510H93B01	43510H93B01	43510H93B01	43510H93B01	43510H93B01	BRACKET COMP,F/T FOOTREST	1		5
3	43120H93B00	43120H93B00	43120H93B00	43120H93B00	43120H93B00	43120H93B00	43120H93B00	43120H93B00	ARM COMP,BRAKE READ	1		5
4	43212-04A00	43212-04A00	43212-04A00	43212-04A00	43212-04A00	43212-04A00	43212-04A00	43212-04A00	WASHER,BRAKE PEDAL	2		
5	43213-29B00	43213-29B00	43213-29B00	43213-29B00	43213-29B00	43213-29B00	43213-29B00	43213-29B00	SPRING	1		
6	01527-10258	01527-10258	01527-10258	01527-10258	01527-10258	01527-10258	01527-10258	01527-10258	BOLT,FRONT FOOTREST	2		
7	09128-06005	09128-06005	09128-06005	09128-06005	09128-06005	09128-06005	09128-06005	09128-06005	BOLT	1		
8	43212-04A00	43212-04A00	43212-04A00	43212-04A00	43212-04A00	43212-04A00	43212-04A00	43212-04A00	WASHER,BRAKE PEDAL	2		
9	08332-11106	08332-11106	08332-11106	08332-11106	08332-11106	08332-11106	08332-11106	08332-11106	E-RING,FRONT FOOTREST	2		
10	01517-06208	01517-06208	01517-06208	01517-06208	01517-06208	01517-06208	01517-06208	01517-06208	BOLT,BRAKE PEDAL	1		
11	09448H16001	09448H16001	09448H16001	09448H16001	09448H16001	09448H16001	09448H16001	09448H16001	SPRING, FRONT FOOTREST BAR	2		
12	43501H93B11	43501H93B11	43501H93B11	43501H93B11	43501H93B11	43501H93B11	43501H93B11	43501H93B11	FOOTREST ASS'Y, FRONT R	1		
13	43571H93B11	43571H93B11	43571H93B11	43571H93B11	43571H93B11	43571H93B11	43571H93B11	43571H93B11	BAR,FRONT FOOTREST R	1		
14	09106-06030	09106-06030	09106-06030	09106-06030	09106-06030	09106-06030	09106-06030	09106-06030	BOLT,FRONT FOOTREST BAR	2		
15	58500H93B00	58500H93B00	58500H93B00	58500H93B00	58500H93B00	58500H93B00	58500H93B00	58500H93B00	CABL ASSY,REAR BRAKE	1		5
16	09200-06013	09200-06013	09200-06013	09200-06013	09200-06013	09200-06013	09200-06013	09200-06013	PIN REAR BRAKE CABLE	1		
17	04111-20208	04111-20208	04111-20208	04111-20208	04111-20208	04111-20208	04111-20208	04111-20208	COTTER PIN	1		
18	58515H93B00	58515H93B00	58515H93B00	58515H93B00	58515H93B00	58515H93B00	58515H93B00	58515H93B00	DUST SEAL,REAR BRAKE CABLE	1		
19	09440-09004	09440-09004	09440-09004	09440-09004	09440-09004	09440-09004	09440-09004	09440-09004	SPRING	1		
20	09209H11006	09209H11006	09209H11006	09209H11006	09209H11006	09209H11006	09209H11006	09209H11006	PIN,REAR BRAKE CABLE ROD LEVER	1		
21	09150-06001	09150-06001	09150-06001	09150-06001	09150-06001	09150-06001	09150-06001	09150-06001	NUT	1		

FIG.30

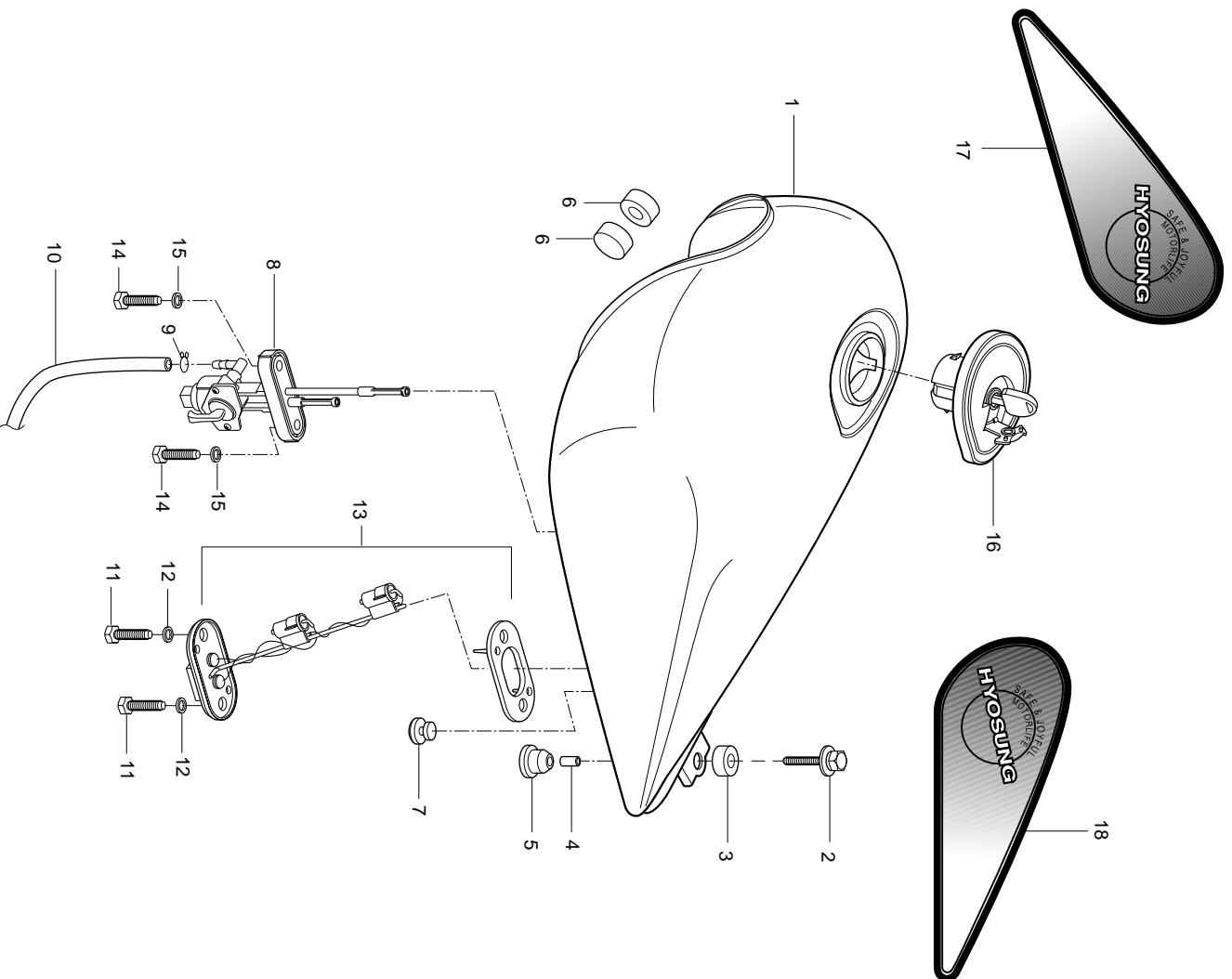


# FIG 30. FOOTREST

REF PARTS NUMBER.									PARTS NAME	Q'TY	REMARKS	REC.Q'TY (PCS)
NO.	DOMESTIC	GEU01	GG02	JEN01	JF01	NAM	CLS	FG01				
1	43600H93B00	43600H93B00	43600H93B00	43600H93B00	43600H93B00	43600H93B00	43600H93B00	43600H93B00	FOOTREST ASS'Y,PILLION R	1		5
2	43612-05351	43612-05351	43612-05351	43612-05351	43612-05351	43612-05351	43612-05351	43612-05351	RUBBER,PILLION FOOTREST	1		
3	43610-05350	43610-05350	43610-05350	43610-05350	43610-05350	43610-05350	43610-05350	43610-05350	BAR COMP,PILLION FOOTREST R	1		
4	09200-06010	09200-06010	09200-06010	09200-06010	09200-06010	09200-06010	09200-06010	09200-06010	PIN,PILLION FOOTREST R	1		
5	04111-20208	04111-20208	04111-20208	04111-20208	04111-20208	04111-20208	04111-20208	04111-20208	COTTER PIN	1		
6	43631-05350	43631-05350	43631-05350	43631-05350	43631-05350	43631-05350	43631-05350	43631-05350	WASHER	1		
7	43700H93B00	43700H93B00	43700H93B00	43700H93B00	43700H93B00	43700H93B00	43700H93B00	43700H93B00	FOOT PILL L(GA)	1		5
8	43620-05350	43620-05350	43620-05350	43620-05350	43620-05350	43620-05350	43620-05350	43620-05350	BAR COMP,PILLION FOOTREST L	1		
9	43502H93B11	43502H93B11	43502H93B11	43502H93B11	43502H93B11	43502H93B11	43502H93B11	43502H93B11	FOOTREST ASS'Y,FRONT L	1		
10	09106-06030	09106-06030	09106-06030	09106-06030	09106-06030	09106-06030	09106-06030	09106-06030	BOLT,FRONT FOOTREST BAR	2		
11	43550H93B00	43550H93B00	43550H93B00	43550H93B00	43550H93B00	43550H93B00	43550H93B00	43550H93B00	RUBBER COMP,FRONT FOOTREST	1		
12	43581H93B11	43581H93B11	43581H93B11	43581H93B11	43581H93B11	43581H93B11	43581H93B11	43581H93B11	BAR,FRONT FOOTREST L	1		
13	08332-11106	08332-11106	08332-11106	08332-11106	08332-11106	08332-11106	08332-11106	08332-11106	E-RING,FRONT FOOTREST	2		
14	09200H12001	09200H12001	09200H12001	09200H12001	09200H12001	09200H12001	09200H12001	09200H12001	PIN FRONT FOOTREST	2		
15	09448H16001	09448H16001	09448H16001	09448H16001	09448H16001	09448H16001	09448H16001	09448H16001	SPRING, FRONT FOOTREST BAR	2		
16	43560H93B01	43560H93B01	43560H93B01	43560H93B01	43560H93B01	43560H93B01	43560H93B01	43560H93B01	BRACKET, FRONT FOOTREST L	1		5
17	25609H93B00	25609H93B00	25609H93B00	25609H93B00	25609H93B00	25609H93B00	25609H93B00	25609H93B00	LEVER ASSY,GEAR SHIFT	1		5
18	25610H93B00	25610H93B00	25610H93B00	25610H93B00	25610H93B00	25610H93B00	25610H93B00	25610H93B00	LEVER COMP,GEAR SHIFT	1		
19	09160-12011	09160-12011	09160-12011	09160-12011	09160-12011	09160-12011	09160-12011	09160-12011	WASHER	2		
20	08331-31128	08331-31128	08331-31128	08331-31128	08331-31128	08331-31128	08331-31128	08331-31128	CIRCLIP GEAR SHIFT LEVER	1		



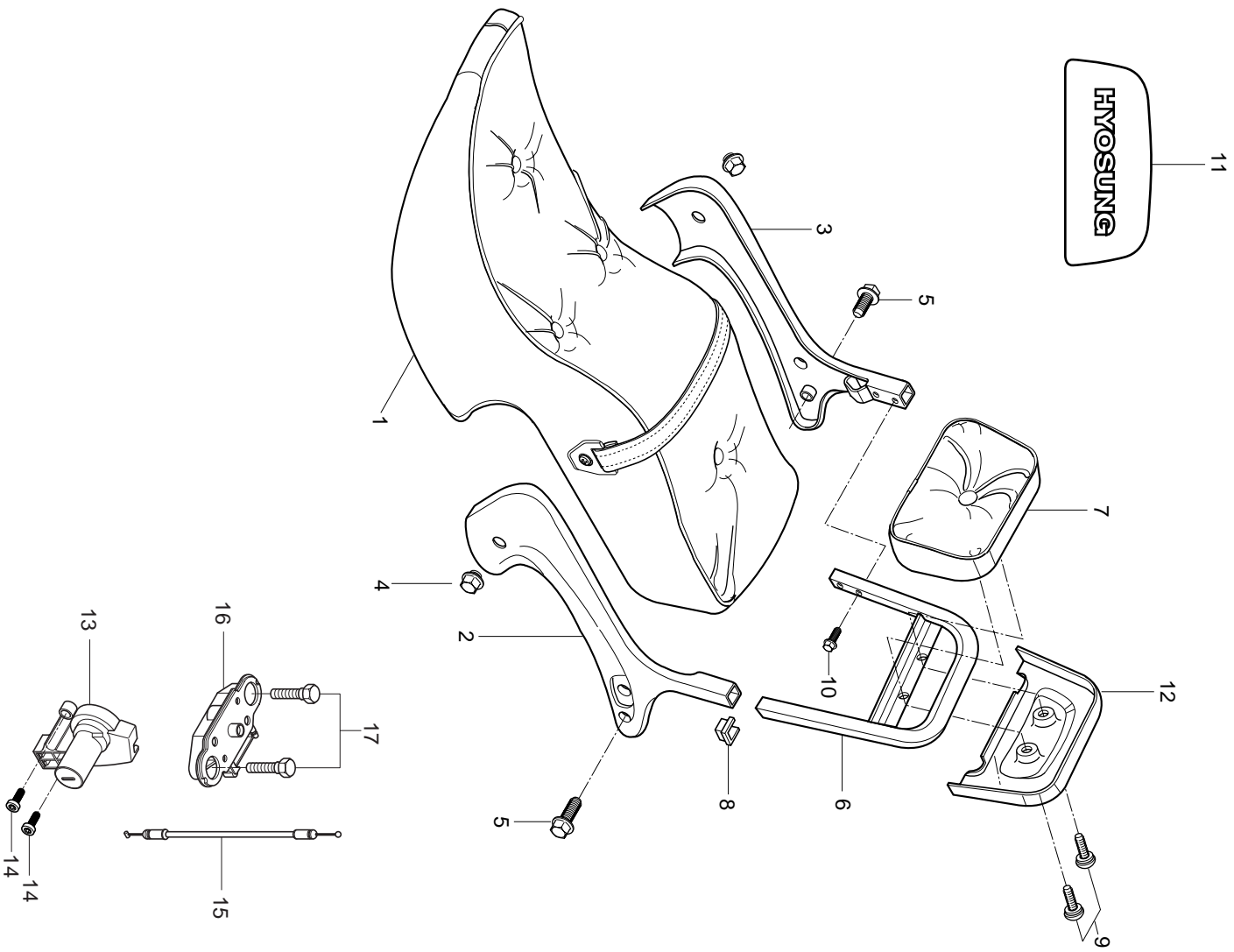
FIG.31



# FIG 31. FUEL TANK

REF PARTS NUMBER.								PARTS NAME	Q'TY	REMARKS	REC.Q'TY (PCS)
NO.	DOMESTIC	GEU01	GG02	JEN01	JF01	NAM	CLS				
1	44100H93B00	44100H93B00	44100H93B00	44100H93B00	44100H93B00	CCG	44100H93B00	44100H93B00	TANK COMP,FUEL VERT METAL	1	
1						CMB			TANK COMP FUEL NOIR		
1						CMR			TANK COMP FUEL MARRON / ROUGE		
1						CPB			TANK COMP FUEL BLEU		
1						CPW			TANK COMP FUEL BLANC		
1						CWB			TANK COMP FUEL BORDEAUX		
2	09116H08078	09116H08078	09116H08078	09116H08078	09116H08078		09116H08078	09116H08078	BOLT,FUEL TANK REAR	1	
3	09320H14013	09320H14013	09320H14013	09320H14013	09320H14013		09320H14013	09320H14013	CUSHION,FUEL TANK REAR UPPER	1	
4	09180H08007	09180H08007	09180H08007	09180H08007	09180H08007		09180H08007	09180H08007	SPACER,FUEL TANK REAR	1	
5	09320H10020	09320H10020	09320H10020	09320H10020	09320H10020		09320H10020	09320H10020	SPACER,FUEL TANK FRONT	1	
6	09329-10007	09329-10007	09329-10007	09329-10007	09329-10007		09329-10007	09329-10007	CUSHION,FUEL TANK FRONT	2	
7	09321-100A7	09321-100A7	09321-100A7	09321-100A7	09321-100A7		09321-100A7	09321-100A7	CUSHION,FUEL TANK REAR BRACKET	1	
8	44300H93B02	44300H93B02	44300H93B02	44300H93B02	44300H93B02		44300H93B02	44300H93B02	COCK ASSY,FUEL	1	2
9	09401-08401	09401-08401	09401-08401	09401-08401	09401-08401		09401-08401	09401-08401	CLIP	1	
10	44191H93B00	44191H93B00	44191H93B00	44191H93B00	44191H93B00		44191H93B00	44191H93B00	HOSE, FUEL(L=105)	1	
11	09128-06035	09128-06035	09128-06035	09128-06035	09128-06035		09128-06035	09128-06035	BOLT,FUEL COCK	2	
12	09168-06010	09168-06010	09168-06010	09168-06010	09168-06010		09168-06010	09168-06010	GSKT F/LEV GAUGE	2	5
13	34810H93B00	34810H93B00	34810H93B00	34810H93B00	34810H93B00		34810H93B00	34810H93B00	GUAGE ASSY, FUEL LEVEL	1	5
14	09128-06035	09128-06035	09128-06035	09128-06035	09128-06035		09128-06035	09128-06035	BOLT,FUEL COCK	2	
15	09168-06010	09168-06010	09168-06010	09168-06010	09168-06010		09168-06010	09168-06010	GSKT F/LEV GAUGE	2	5
16	44200H93B00	44200H93B00	44200H93B00	44200H93B00	44200H93B00		44200H93B00	44200H93B00	CAP ASSY,FUEL TANK FILTER	1	
17-1	68104H93B600LO		68104H93B600LO		68104H93B600LO		68104H93B600LO		TAPE,FUEL TANK R BLEU, NOIR	1	
17-2	68104H93B600LU						68104H93B600LU		TAPE,FUEL TANK R(MR)	1	
17-3	68114H93B000IE	68114H93B000IE		68114H93B000IE		68114H93B000IE		68114H93B000IE	TAPE,FUEL TANK R(MB)	1	
17-4	68114H93B000IF	68114H93B000IF		68114H93B000IF		68114H93B000IF		68114H93B000IF	TAPE,FUEL TANK R(WB)	1	
17-5	68114H93B000JA	68114H93B000JA		68114H93B000JA		68114H93B000JA			TAPE,FUEL TANK R(PB)	1	
17-6	68114H93B000JM	68114H93B000JM		68114H93B000JM		68114H93B000JM			TAPE,FUEL TANK R(PW)	1	
17-7	68114H93B000JO	68114H93B000JO		68114H93B000JO		68114H93B000JO			TAPE,FUEL TANK R(CG)	1	
17-8	68114H93B000JQ	68114H93B000JQ		68114H93B000JQ		68114H93B000JQ			TAPE,FUEL TANK R(MR)	1	
17-9	68114H93B600LP		68114H93B600LP		68114H93B600LP		68114H93B600LP		TAPE,FUEL TANK R BLEU, NOIR	1	
18-1	68106H93B600LO		68106H93B600LO		68106H93B600LO		68106H93B600LO		TAPE,FUEL TANK L BLEU, NOIR	1	
18-2	68106H93B600LU						68106H93B600LU		TAPE,FUEL TANK R(MR)	1	
18-3	68116H93B000IE	68116H93B000IE		68116H93B000IE		68116H93B000IE		68116H93B000IE	TAPE,FUEL TANK R(MB)	1	
18-4	68116H93B000IF	68116H93B000IF		68116H93B000IF		68116H93B000IF		68116H93B000IF	TAPE,FUEL TANK R(WB)	1	
18-5	68116H93B000JA	68116H93B000JA		68116H93B000JA		68116H93B000JA			TAPE,FUEL TANK R(PB)	1	
18-6	68116H93B000JM	68116H93B000JM		68116H93B000JM		68116H93B000JM			TAPE,FUEL TANK R(PW)	1	
18-7	68116H93B000JO	68116H93B000JO		68116H93B000JO		68116H93B000JO			TAPE,FUEL TANK R(CG)	1	
18-8	68116H93B000JQ	68116H93B000JQ		68116H93B000JQ		68116H93B000JQ			TAPE,FUEL TANK R(MR)	1	
18-9	68116H93B600LP		68116H93B600LP		68116H93B600LP		68116H93B600LP		TAPE,FUEL TANK R BLEU, NOIR	1	

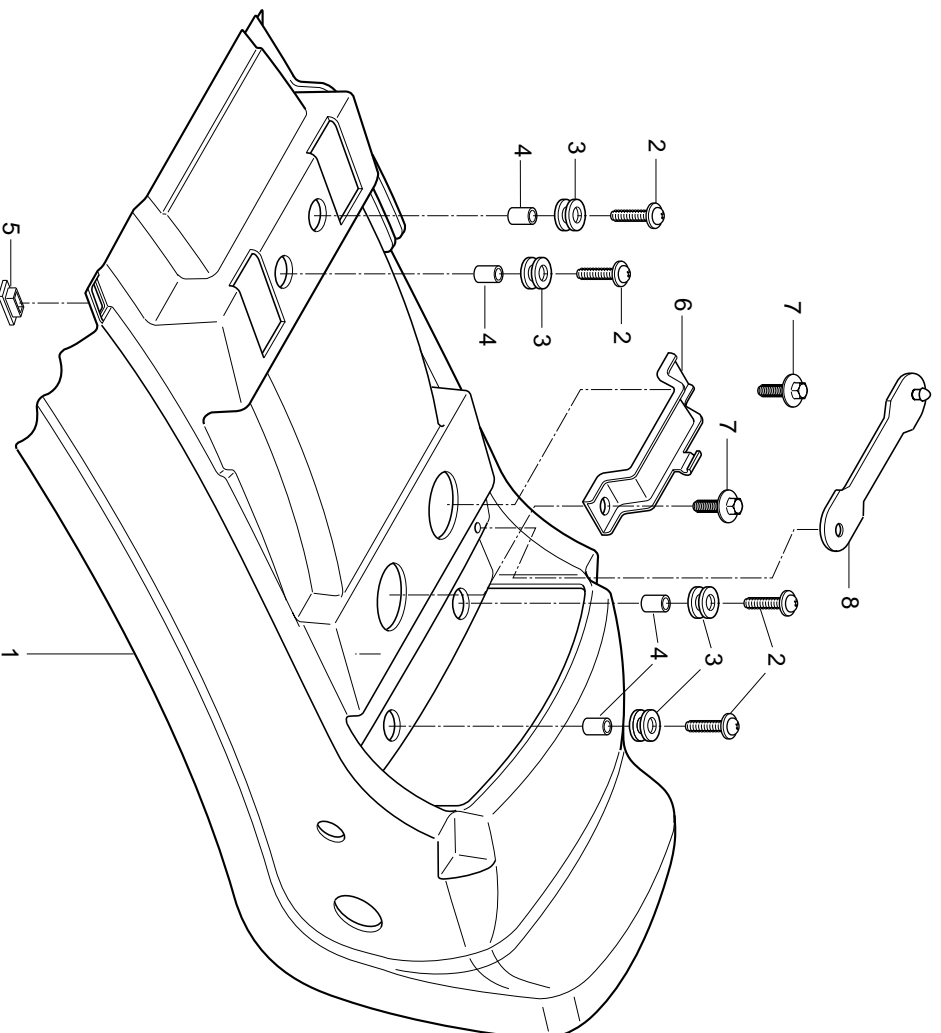
FIG. 32



## FIG 32. SEAT & PILLION RIDER

REF PARTS NUMBER.									PARTS NAME	Q'TY	REMARKS	REC.Q'TY (PCS)
NO.	DOMESTIC	GEU01	GG02	JEN01	JF01	NAM	CLS	FG01				
1	45100H93B01	45100H93B01	45100H93B01	45100H93B01	45100H93B01	45100H93B01	45100H93B01	45100H93B01	SEAT SET (GA)	1		1
2	46230H93B00PLA	46230H93B00PLA	46230H93B00PLA	46230H93B00PLA	46230H93B00PLA	46230H93B00PLA	46230H93B00PLA	46230H93B00PLA	PLATE,PILLION RIDER L	1		
3	46220H93B00PLA	46220H93B00PLA	46220H93B00PLA	46220H93B00PLA	46220H93B00PLA	46220H93B00PLA	46220H93B00PLA	46220H93B00PLA	PLATE,PILLION RIDER R	1		
4	08313-11107	08313-11107	08313-11107	08313-11107	08313-11107	08313-11107	08313-11107	08313-11107	NUT	2		
5	01517-08258	01517-08258	01517-08258	01517-08258	01517-08258	01517-08258	01517-08258	01517-08258	BOLT	2		
6	46210H93B00PLA	46210H93B00PLA	46210H93B00PLA	46210H93B00PLA	46210H93B00PLA	46210H93B00PLA	46210H93B00PLA	46210H93B00PLA	BRACKET COMP,PILLION RIDER	1		
7	46410H93B02	46410H93B02	46410H93B02	46410H93B02	46410H93B02	46410H93B02	46410H93B02	46410H93B02	PAD ASSY SEAT	1		2
8	46227H93B00	46227H93B00	46227H93B00	46227H93B00	46227H93B00	46227H93B00	46227H93B00	46227H93B00	CAP,PLATE PILLION RIDER	2		
9	01517-06168	01517-06168	01517-06168	01517-06168	01517-06168	01517-06168	01517-06168	01517-06168	BOLT,BRACKET PILLION RIDER UPPER	2		
10	01547-06148	01547-06148	01547-06148	01547-06148	01547-06148	01547-06148	01547-06148	01547-06148	BOLT,BRACKET PILLION RIDER LOWER	4		
11	68210H93B00	68210H93B00	68210H93B00	68210H93B00	68210H93B00	68210H93B00	68210H93B00	68210H93B00	EMBLEM,HANDLE PILLION RIDER	1		
12	46211H93B00PLA	46211H93B00PLA	46211H93B00PLA	46211H93B00PLA	46211H93B00PLA	46211H93B00PLA	46211H93B00PLA	46211H93B00PLA	CAP, PILLION RIDER	1		
13	95700-34A02	95700-34A02	95700-34A02	95700-34A02	95700-34A02	95700-34A02	95700-34A02	95700-34A02	LOCK ASSY, SEAT HELMET	1		
14	09106-06030	09106-06030	09106-06030	09106-06030	09106-06030	09106-06030	09106-06030	09106-06030	BOLT, SEAT LOCK	2		
15	45280H93B00	45280H93B00	45280H93B00	45280H93B00	45280H93B00	45280H93B00	45280H93B00	45280H93B00	CABLE, SEAT LOCK	1		
16	45220H93B00	45220H93B00	45220H93B00	45220H93B00	45220H93B00	45220H93B00	45220H93B00	45220H93B00	LOCK ASSY, SEAT STRIKET	1		
17	01517-06168	01517-06168	01517-06168	01517-06168	01517-06168	01517-06168	01517-06168	01517-06168	BOLT,SEAT STRILER	2		

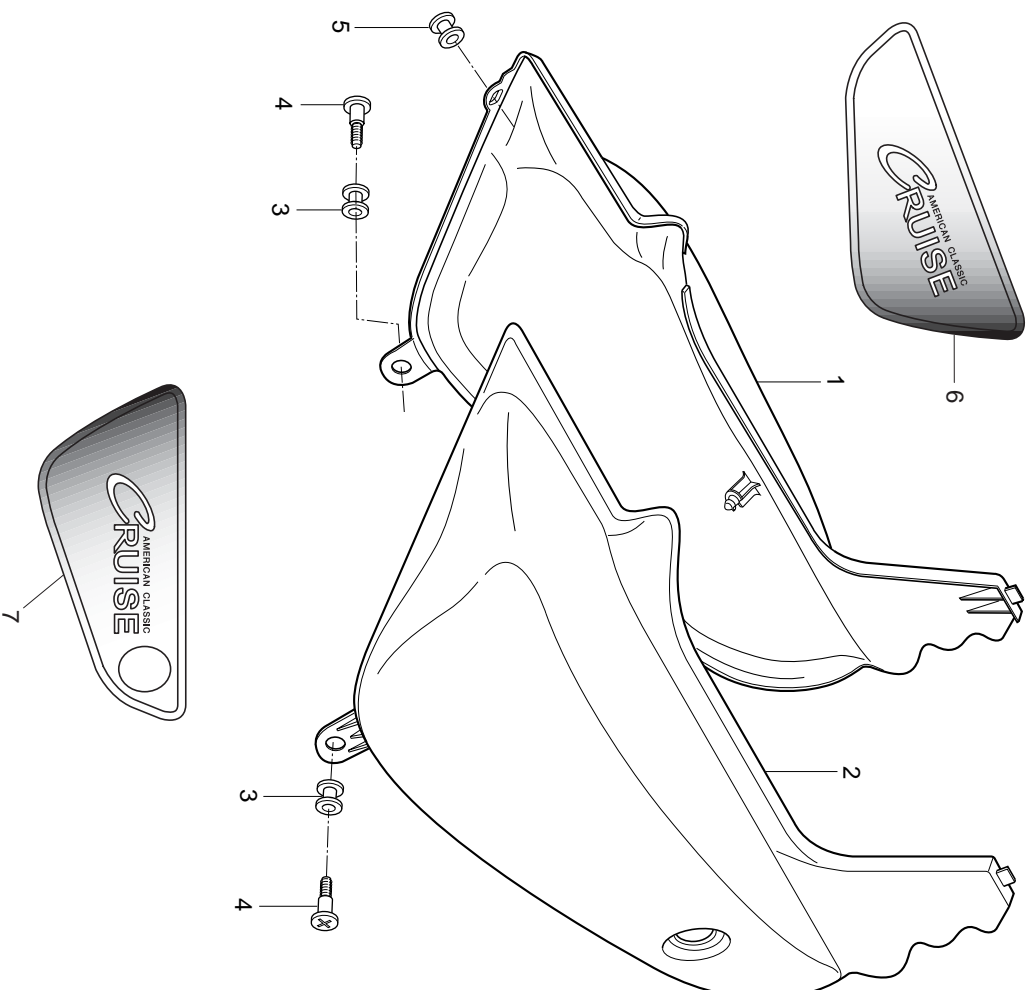
FIG.33



# FIG 33. TAIL COVER

REF PARTS NUMBER.								PARTS NAME	Q'TY	REMARKS	REC.Q'TY (PCS)
NO.	DOMESTIC	GEU01	GG02	JEN01	JF01	NAM	CLS				
1	45511H93B00	45511H93B00	45511H93B00	45511H93B00	45511H93B00	CCG	45511H93B00	45511H93B00	COVER SEAT TAIL VERT	1	
1					45511H93B00	CMB			COVER SEAT TAIL NOIR		
1					45511H93B00	CMR			COVER SEAT TAIL MARRON / ROUGE		
1					45511H93B00	CPB			COVER SEAT TAIL BLEU		
1					45511H93B00	CPW			COVER SEAT TAIL BLANC		
1					45511H93B00	CWB			COVER SEAT TAIL BORDEAUX		
2	09136-06022	09136-06022	09136-06022	09136-06022	09136-06022		09136-06022	09136-06022	SCREW,SEAT TAIL COVER	4	
3	94433H07C00	94433H07C00	94433H07C00	94433H07C00	94433H07C00		94433H07C00	94433H07C00	CUSHION,SEAT TAIL COVER	4	
4	09180H06175	09180H06175	09180H06175	09180H06175	09180H06175		09180H06175	09180H06175	SPACER,SEAT TAIL COVER	4	
5	09320H04006	09320H04006	09320H04006	09320H04006	09320H04006		09320H04006	09320H04006	CUSHION	2	
6	45219H93B00	45219H93B00	45219H93B00	45219H93B00	45219H93B00		45219H93B00	45219H93B00	PLATE	1	
7	01517-06168	01517-06168	01517-06168	01517-06168	01517-06168		01517-06168	01517-06168	BOLT	2	
8	09407-05403	09407-05403	09407-05403	09407-05403	09407-05403		09407-05403	09407-05403	CLAMP, SEAT TAIL COVER	1	

FIG. 34

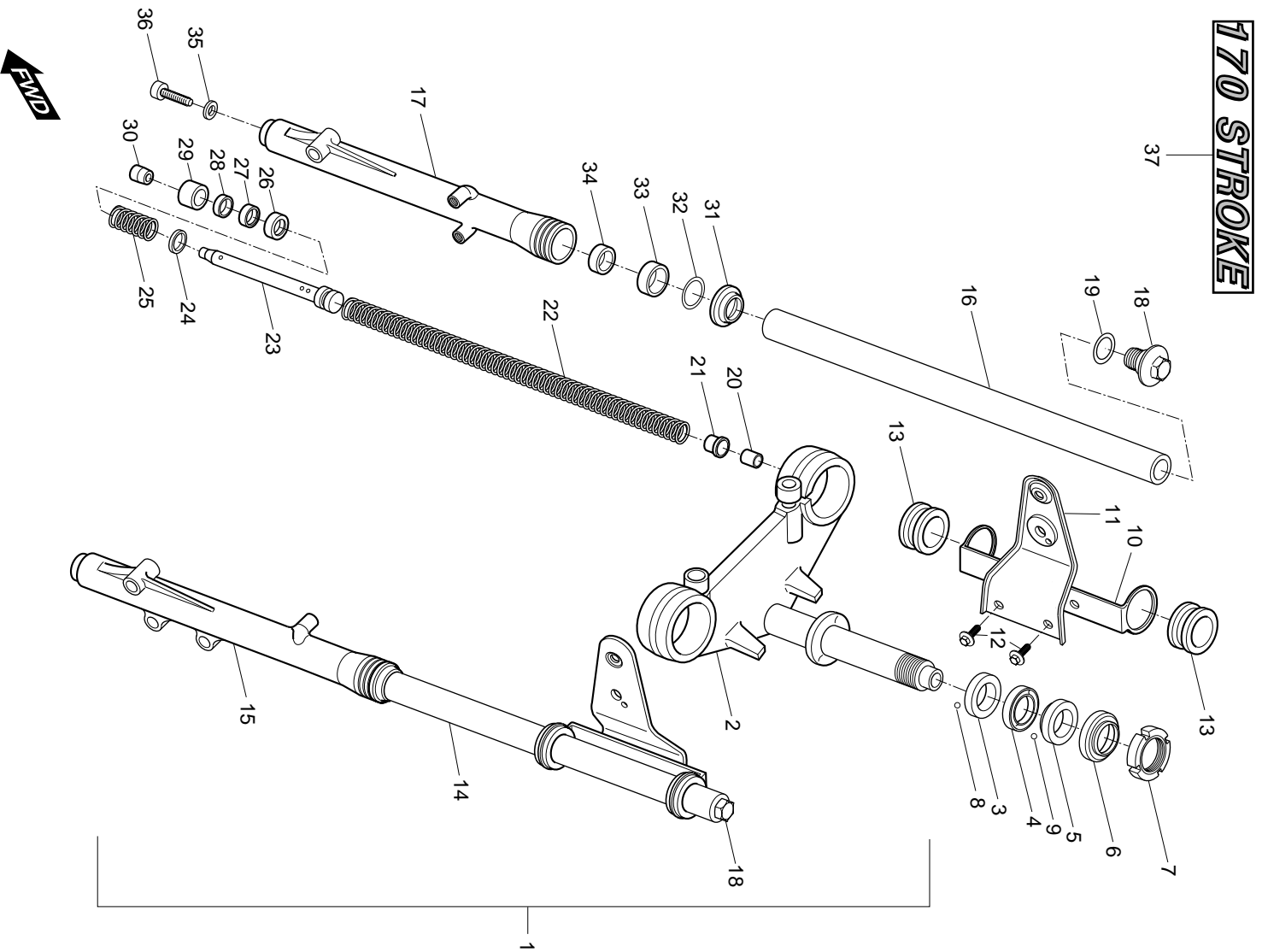


# FIG 34. SIDE COVER

REF PARTS NUMBER.								PARTS NAME	Q'TY	REMARKS	REC.Q'TY (PCS)
NO.	DOMESTIC	GEU01	GG02	JEN01	JF01	NAM	CLS				
1	47111H93B60		47111H93B60		47111H93B60CCG				SIDE COVER R VERT		
1					47111H93B60CMB				SIDE COVER R NOIR		
1					47111H93B60CMR				SIDE COVER R MARRON / ROUGE		
1					47111H93B60CPB				SIDE COVER R BLEU		
1					47111H93B60CPW				SIDE COVER R BLANC		
1					47111H93B60CWB				SIDE COVER R BORDEAUX		
2	47211H93B60		47211H93B60		47211H93B60CCG				SIDE COVER L VERT		
2					47211H93B60CMB				SIDE COVER L NOIR		
2					47211H93B60CMR				SIDE COVER L MARRON / ROUGE		
2					47211H93B60CPB				SIDE COVER L BLEU		
2					47211H93B60CPW				SIDE COVER L BLANC		
2					47211H93B60CWB				SIDE COVER L BORDEAUX		
3	94433H07C00	94433H07C00	94433H07C00	94433H07C00	94433H07C00	94433H07C00	94433H07C00	94433H07C00	CUSHION,SEAT TAIL COVER	2	
4	47311H93B00	47311H93B00	47311H93B00	47311H93B00	47311H93B00	47311H93B00	47311H93B00	47311H93B00	BOLT,SIDE COVER LIGHT	2	
5	09320-08013	09320-08013	09320-08013	09320-08013	09320-08013	09320-08013	09320-08013	09320-08013	CUSHION,CHAIN CASE INNER	2	
6-1	68134H93B100IG	68134H93B100IG		68134H93B100IG		68134H93B100IG			TAPE,SIDE COVER R(MB)	1	
6-2	68134H93B100IH	68134H93B100IH		68134H93B100IH		68134H93B100IH		68134H93B100IH	TAPE,SIDE COVER R(WB)	1	
6-3	68134H93B100JB	68134H93B100JB		68134H93B100JB		68134H93B100JB			TAPE,SIDE COVER R(PB)	1	
6-4	68134H93B100JN	68134H93B100JN		68134H93B100JN		68134H93B100JN		68134H93B100JN	TAPE,SIDE COVER R(PW)	1	
6-5	68134H93B100JP	68134H93B100JP		68134H93B100JP		68134H93B100JP		68134H93B100JP	TAPE,SIDE COVER R(CG)	1	
6-6	68134H93B100JR	68134H93B100JR		68134H93B100JR		68134H93B100JR		68134H93B100JR	TAPE,SIDE COVER R(MR)	1	
6-7	68134H93B600LQ		68134H93B600LQ		68134H93B600LQ				TAPE,SIDE COVER R BLEU, NOIR	1	
7-1	68136H93B100IG	68136H93B100IG		68136H93B100IG		68136H93B100IG			TAPE,SIDE COVER L(MB)	1	
7-2	68136H93B100IH	68136H93B100IH		68136H93B100IH		68136H93B100IH		68136H93B100IH	TAPE,SIDE COVER L(WB)	1	
7-3	68136H93B100JB	68136H93B100JB		68136H93B100JB		68136H93B100JB			TAPE,SIDE COVER L(PB)	1	
7-4	68136H93B100JN	68136H93B100JN		68136H93B100JN		68136H93B100JN		68136H93B100JN	TAPE,SIDE COVER L(PW)	1	
7-5	68136H93B100JP	68136H93B100JP		68136H93B100JP		68136H93B100JP		68136H93B100JP	TAPE,SIDE COVER L(CG)	1	
7-6	68136H93B100JR	68136H93B100JR		68136H93B100JR		68136H93B100JR		68136H93B100JR	TAPE,SIDE COVER L(MR)	1	
7-7	68136H93B600LQ		68136H93B600LQ		68136H93B600LQ				TAPE,SIDE COVER L BLEU, NOIR	1	



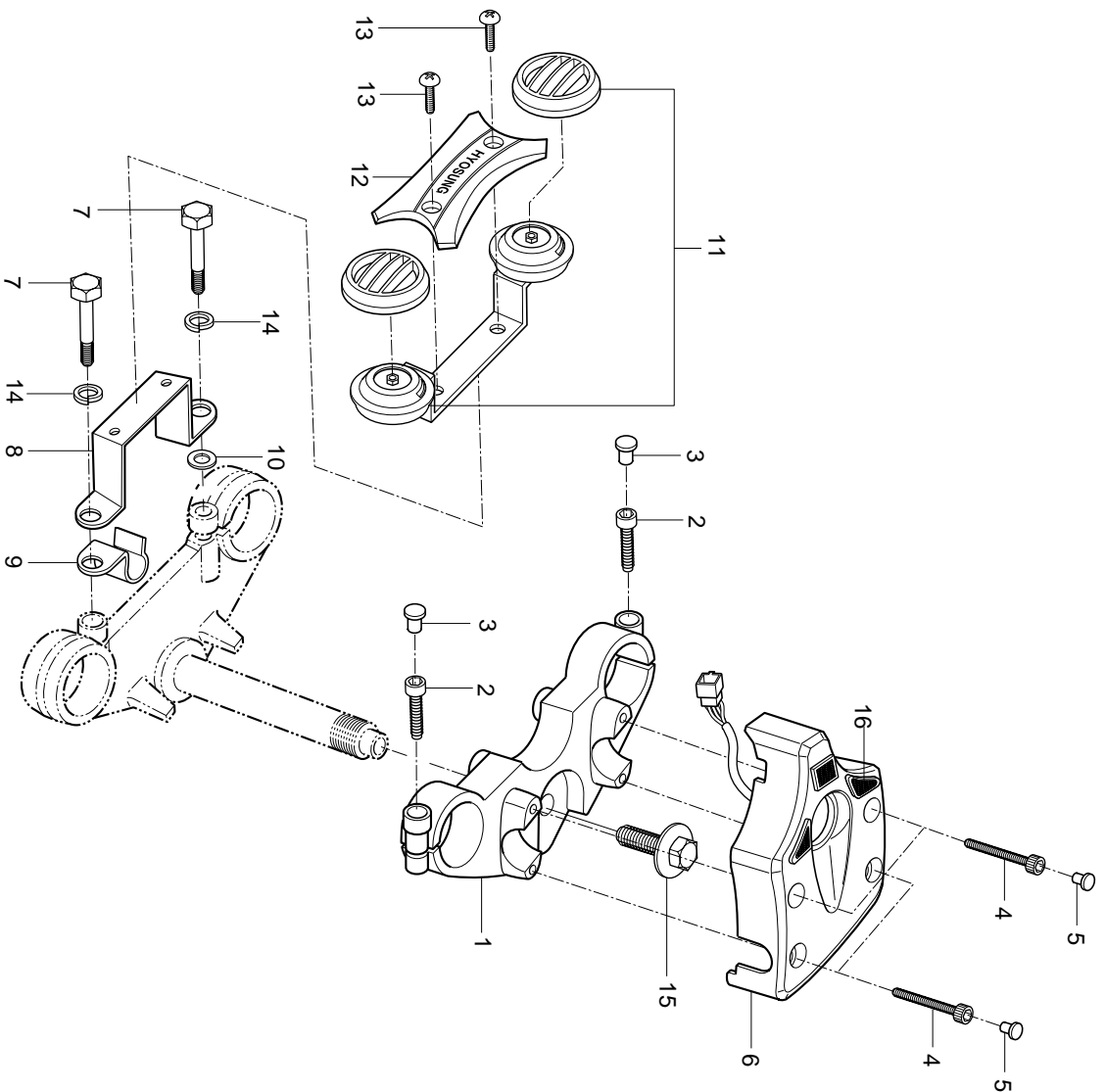
FIG. 35



# FIG 35. FRONT FORK

REF PARTS NUMBER.									PARTS NAME	Q'TY	REMARKS	REC.Q'TY
NO.	DOMESTIC	GEU01	GG02	JEN01	JF01	NAM	CLS	FG01				(PCS)
1	51100H93B01HPA	51100H93B01HPA	51100H93B01HPA	51100H93B01HPA	51100H93B01HPA	51100H93B01HPA	51100H93B01HPA	51100H93B01HPA	FRONT FORK ASS'Y	1		2
2	51400H93B00	51400H93B00	51400H93B00	51400H93B00	51400H93B00	51400H93B00	51400H93B00	51400H93B00	BRACKET,UNDER	1		
3	51611-20002	51611-20002	51611-20002	51611-20002	51611-20002	51611-20002	51611-20002	51611-20002	RACE,STEERING INNER UPPER	1		
4	51611-33002	51611-33002	51611-33002	51611-33002	51611-33002	51611-33002	51611-33002	51611-33002	RACER,INNER LOWER	1		
5	51621-28000	51621-28000	51621-28000	51621-28000	51621-28000	51621-28000	51621-28000	51621-28000	RACE, STEERING OUTER UPPER	1		
6	51643-25001	51643-25001	51643-25001	51643-25001	51643-25001	51643-25001	51643-25001	51643-25001	DUST SEAL,STEERING UPPER	1		
7	51631-28000	51631-28000	51631-28000	51631-28000	51631-28000	51631-28000	51631-28000	51631-28000	NUT, STEERING UPPER	1		
8	06111-08004	06111-08004	06111-08004	06111-08004	06111-08004	06111-08004	06111-08004	06111-08004	BALL, STEERING STEEL LOWER	18		
9	06111-06004	06111-06004	06111-06004	06111-06004	06111-06004	06111-06004	06111-06004	06111-06004	BALL, TEERING UPPER	22		
10	51551H93B00PLA	51551H93B00PLA	51551H93B00PLA	51551H93B00PLA	51551H93B00PLA	51551H93B00PLA	51551H93B00PLA	51551H93B00PLA	PLATE,HEADLAMP BRACKET	2		
11-1	51530H93B00PLA	51530H93B00PLA	51530H93B00PLA	51530H93B00PLA	51530H93B00PLA	51530H93B00PLA	51530H93B00PLA	51530H93B00PLA	BRACKET, HEADLAMP R	1		
11-2	51540H93B00PLA	51540H93B00PLA	51540H93B00PLA	51540H93B00PLA	51540H93B00PLA	51540H93B00PLA	51540H93B00PLA	51540H93B00PLA	BRACKET, HEADLAMP L	1		
12	01517-06128	01517-06128	01517-06128	01517-06128	01517-06128	01517-06128	01517-06128	01517-06128	BOLT, PLATE HEADLAMP	4		
13	51556H93B00	51556H93B00	51556H93B00	51556H93B00	51556H93B00	51556H93B00	51556H93B00	51556H93B00	CUSHION,HEADLAMP BRACKET	4		
14	51415H93B00	51415H93B00	51415H93B00	51415H93B00	51415H93B00	51415H93B00	51415H93B00	51415H93B00	FORK PIPE R	1		
15	51520H93B00	51520H93B00	51520H93B00	51520H93B00	51520H93B00	51520H93B00	51520H93B00	51520H93B00	CASE, BOTTOM L	1		
16	51415H93B00	51415H93B00	51415H93B00	51415H93B00	51415H93B00	51415H93B00	51415H93B00	51415H93B00	FORK PIPE R	1		
17	51420H93B00	51420H93B00	51420H93B00	51420H93B00	51420H93B00	51420H93B00	51420H93B00	51420H93B00	CASE, BOTTOM R	1		
18	90123H93B00	90123H93B00	90123H93B00	90123H93B00	90123H93B00	90123H93B00	90123H93B00	90123H93B00	BOLT, FORK	2		
19	91356H93B00	91356H93B00	91356H93B00	91356H93B00	91356H93B00	91356H93B00	91356H93B00	91356H93B00	O-RING	2		
20	51403H93B00	51403H93B00	51403H93B00	51403H93B00	51403H93B00	51403H93B00	51403H93B00	51403H93B00	SPACER	2		
21	51402H93B00	51402H93B00	51402H93B00	51402H93B00	51402H93B00	51402H93B00	51402H93B00	51402H93B00	GUIDE,SPRING	2		
22	51401H93B00	51401H93B00	51401H93B00	51401H93B00	51401H93B00	51401H93B00	51401H93B00	51401H93B00	SPRING,CUSHION	2		
23	51440H93B00	51440H93B00	51440H93B00	51440H93B00	51440H93B00	51440H93B00	51440H93B00	51440H93B00	PIECE, OIL LOCK	2		
24	51437H93B00	51437H93B00	51437H93B00	51437H93B00	51437H93B00	51437H93B00	51437H93B00	51437H93B00	RING,PISTON	2		
25	51412H93B00	51412H93B00	51412H93B00	51412H93B00	51412H93B00	51412H93B00	51412H93B00	51412H93B00	SPRING,REBOUND	2		
26	51416H93B00	51416H93B00	51416H93B00	51416H93B00	51416H93B00	51416H93B00	51416H93B00	51416H93B00	SEAT, REBOUND	2		
27	51417H93B00	51417H93B00	51417H93B00	51417H93B00	51417H93B00	51417H93B00	51417H93B00	51417H93B00	SPRING, VALVE	2		
28	51418H93B00	51418H93B00	51418H93B00	51418H93B00	51418H93B00	51418H93B00	51418H93B00	51418H93B00	VALVE	2		
29	51419H93B00	51419H93B00	51419H93B00	51419H93B00	51419H93B00	51419H93B00	51419H93B00	51419H93B00	COLLAR, OIL LOCK	2		
30	51432H93B00	51432H93B00	51432H93B00	51432H93B00	51432H93B00	51432H93B00	51432H93B00	51432H93B00	PLECE, OIL LOCK	2		
31	51425H93B00	51425H93B00	51425H93B00	51425H93B00	51425H93B00	51425H93B00	51425H93B00	51425H93B00	SEAL DUST	2		
32	90601H93B00	90601H93B00	90601H93B00	90601H93B00	90601H93B00	90601H93B00	90601H93B00	90601H93B00	RING,OIL SEAL STOP	2		
33	91255H93B00	91255H93B00	91255H93B00	91255H93B00	91255H93B00	91255H93B00	91255H93B00	91255H93B00	SEAL,OIL	2		
34	51427H93B00	51427H93B00	51427H93B00	51427H93B00	51427H93B00	51427H93B00	51427H93B00	51427H93B00	BUSH,GUIDE	2		
35	90544H93B00	90544H93B00	90544H93B00	90544H93B00	90544H93B00	90544H93B00	90544H93B00	90544H93B00	WASHER SPACER 8mm	2		
36	61413H93B00	61413H93B00	61413H93B00	61413H93B00	61413H93B00	61413H93B00	61413H93B00	61413H93B00	BOLT, FRONT FORK UNDER	2		
37	68200H93B00	68200H93B00	68200H93B00	68200H93B00	68200H93B00	68200H93B00	68200H93B00	68200H93B00	TAPE,FRONT FORK	1	NOT SALE	
38	51210H93B00	51210H93B00	51210H93B00	51210H93B00	51210H93B00	51210H93B00	51210H93B00	51210H93B00	F/FORK COMP R	1		
39	51220H93B00	51220H93B00	51220H93B00	51220H93B00	51220H93B00	51220H93B00	51220H93B00	51220H93B00	F/FORK COMP L	1		

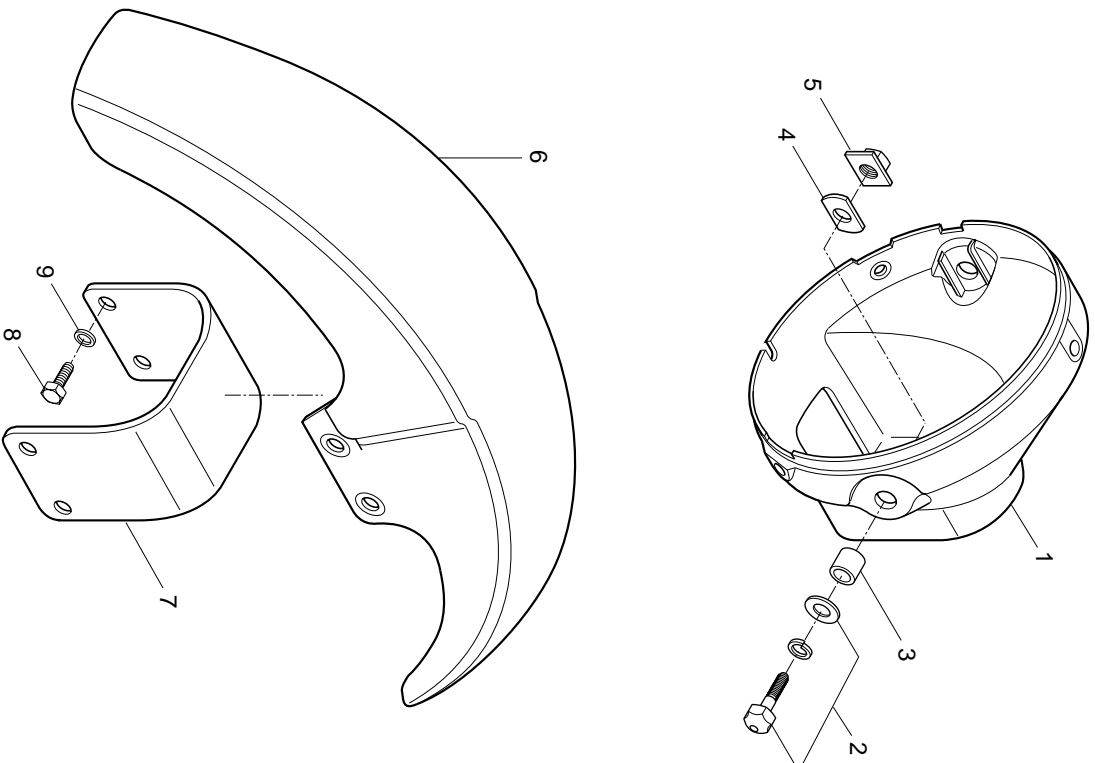
FIG. 36



# FIG 36. STEERING HEAD

REF PARTS NUMBER.									PARTS NAME	Q'TY	REMARKS	REC.Q'TY (PCS)
NO.	DOMESTIC	GEU01	GG02	JEN01	JF01	NAM	CLS	FG01				
1	51311H93B0203P	51311H93B0203P	51311H93B0203P	51311H93B0203P	51311H93B0203P	51311H93B0203P	51311H93B0203P	51311H93B0203P	BRACKET,FRONT FORK UPPER	1		
2	07110-08258	07110-08258	07110-08258	07110-08258	07110-08258	07110-08258	07110-08258	07110-08258	BOLT, FRONT FORK UPPER(M8*25)	2		
3	09250-06008	09250-06008	09250-06008	09250-06008	09250-06008	09250-06008	09250-06008	09250-06008	CAP	2		
4	07110-08358	07110-08358	07110-08358	07110-08358	07110-08358	07110-08358	07110-08358	07110-08358	BOLT,STEERING HEAD COVER	4		
5	09250-06008	09250-06008	09250-06008	09250-06008	09250-06008	09250-06008	09250-06008	09250-06008	CAP, STEERING HEAD COVER	4		
6	56171H93B03	56171H93B03	56171H93B03	56171H93B03	56171H93B03	56171H93B03	56171H93B03	56171H93B03	COV STEER HD(GA)	1		
7	09100H12065	09100H12065	09100H12065	09100H12065	09100H12065	09100H12065	09100H12065	09100H12065	BOLT, FRONT FORK UNDER	2		
8	51876H93B00	51876H93B00	51876H93B00	51876H93B00	51876H93B00	51876H93B00	51876H93B00	51876H93B00	BRACKET, HORN	1		
9	58626H29600	58626H29600	58626H29600	58626H29600	58626H29600	58626H29600	58626H29600	58626H29600	CLAMP,BRAKE HOSE NO.1	1		
10	09160H12083	09160H12083	09160H12083	09160H12083	09160H12083	09160H12083	09160H12083	09160H12083	WASHER,UNDER BRCKET	1		
11	38500H93B01	38500H93B01	38500H93B01	38500H93B01	38500H93B01	38500H93B01	38500H93B01	38500H93B01	HORN ASSY (GA)	1		5
12	51875H93B00	51875H93B00	51875H93B00	51875H93B00	51875H93B00	51875H93B00	51875H93B00	51875H93B00	DECORATION, HORN	1		
13	02112-06258	02112-06258	02112-06258	02112-06258	02112-06258	02112-06258	02112-06258	02112-06258	SCREW	2		
14	08321-21128	08321-21128	08321-21128	08321-21128	08321-21128	08321-21128	08321-21128	08321-21128	WASHER, FORK CLIP	2		
15	09103H10338	09103H10338	09103H10338	09103H10338	09103H10338	09103H10338	09103H10338	09103H10338	BOLT,STEM	2		
16	39000H93B01	39000H93B01	39000H93B01	39000H93B01	39000H93B01	39000H93B01	39000H93B01	39000H93B01	LAMP ASS'Y,INDICATOR	1		5

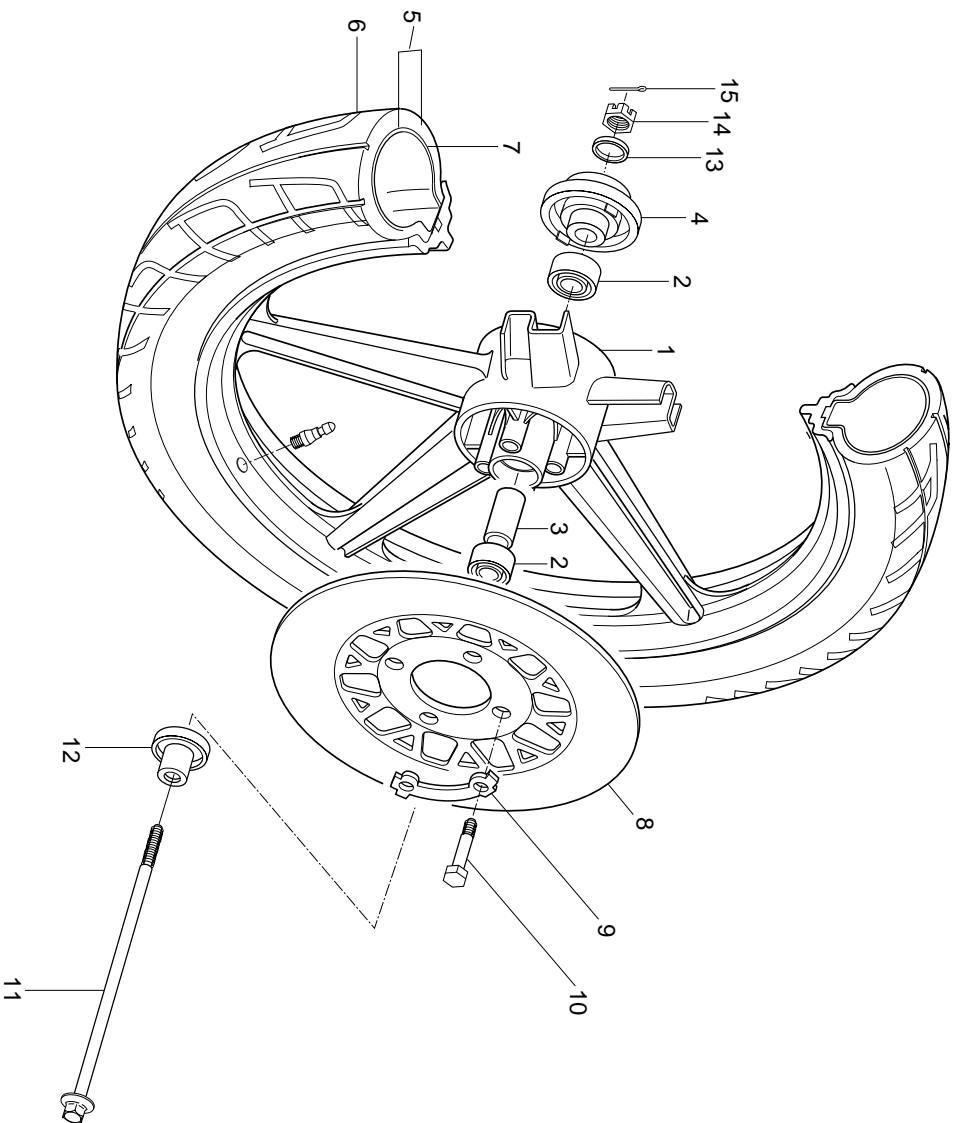
FIG. 37



# FIG 37. FRONT FENDER

REF PARTS NUMBER.								PARTS NAME	Q'TY	REMARKS	REC.Q'TY (PCS)
NO.	DOMESTIC	GEU01	GG02	JEN01	JF01	NAM	CLS				
1	51811H93B01	51811H93B01	51811H93B01	51811H93B01	51811H93B01	51811H93B01	51811H93B01	51811H93B01	HOUSING,HEAD LAMP	1	
2	01284-08258	01284-08258	01284-08258	01284-08258	01284-08258	01284-08258	01284-08258	01284-08258	BOLT,HEAD LAMP HOUSING	2	
3	09180-08030	09180-08030	09180-08030	09180-08030	09180-08030	09180-08030	09180-08030	09180-08030	SPACER,HEAD LAMP HOUSING	2	
4	09329-12002	09329-12002	09329-12002	09329-12002	09329-12002	09329-12002	09329-12002	09329-12002	CUSHION,HEAD LAMP HOUSING	2	
5	51860-45000	51860-45000	51860-45000	51860-45000	51860-45000	51860-45000	51860-45000	51860-45000	PLATE,HEAD LAMP HOUSING	2	
6	53111H93B00	53111H93B00	53111H93B00	53111H93B00	53111H93B00CCG		53111H93B00	53111H93B00	FENDER,FRONT VERT		
6					53111H93B00CMB				FENDER FRONT NOIR		
6					53111H93B00CMR				FENDER FRONT MARRON / ROUGE		
6					53111H93B00CPB				FENDER FRONT BLEU		
6					53111H93B00CPW				FENDER FRONT BLANC		
6					53111H93B00CWB				FENDER FRONT BORDEAUX		
7	53211H93B00	53211H93B00	53211H93B00	53211H93B00	53211H93B00	53211H93B00	53211H93B00	53211H93B00	BRACE FRONT FENDER	1	5
8	01134-08168	01134-08168	01134-08168	01134-08168	01134-08168	01134-08168	01134-08168	01134-08168	BLT F/FENDER	4	
9	09169-08034	09169-08034	09169-08034	09169-08034	09169-08034	09169-08034	09169-08034	09169-08034	WSHR FR FEN	4	

FIG. 38

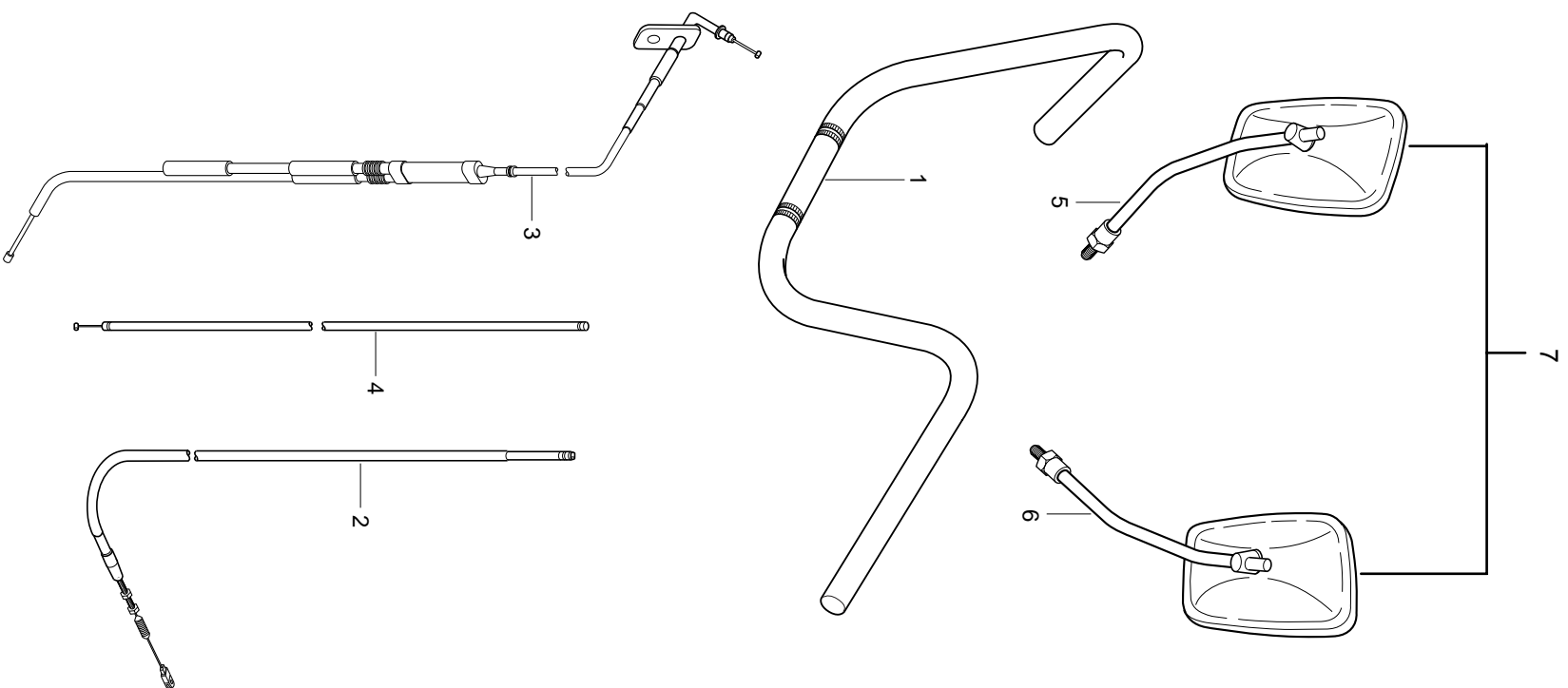


# FIG 38. FRONT WHEEL

REF PARTS NUMBER.									PARTS NAME	Q'TY	REMARKS	REC.Q'TY (PCS)
NO.	DOMESTIC	GEU01	GG02	JEN01	JF01	NAM	CLS	FG01				
1	54111H93B00	54111H93B00	54111H93B00	54111H93B00	54111H93B00	54111H93B00	54111H93B00	54111H93B00	WHEEL COMP FT(GA)	1		2
2	08123-63017	08123-63017	08123-63017	08123-63017	08123-63017	08123-63017	08123-63017	08123-63017	BEARING,FRONT HUB	2		
3	09180-120A3	09180-120A3	09180-120A3	09180-120A3	09180-120A3	09180-120A3	09180-120A3	09180-120A3	SPACER,FRONT HUB BEARING	1		
4	54600H93B00	54600H93B00	54600H93B00	54600H93B00	54600H93B00	54600H93B00	54600H93B00	54600H93B00	BOX ASSY,SPEEDMETER GEAR	1		2
5-1	55101H93B10	55101H93B10	55101H93B10	55101H93B10	55101H93B10	55101H93B10	55101H93B10	55101H93B10	TIRE TUBELESS(90/90-18TT)	1		5
5-2	55101H93B00	55101H93B00	55101H93B00	55101H93B00	55101H93B00	55101H93B00	55101H93B00	55101H93B00	TIRE SET(90/90-18)	1		5
6	55100H93B10	55100H93B10	55100H93B10	55100H93B10	55100H93B10	55100H93B10	55100H93B10	55100H93B10	TIRE,FRONT(90/90-18TT)	1	NOT SALE	
7	55200H93B00	55200H93B00	55200H93B00	55200H93B00	55200H93B00	55200H93B00	55200H93B00	55200H93B00	TUB WHEEL INN	1	NOT SALE	
8	59211H93B00	59211H93B00	59211H93B00	59211H93B00	59211H93B00	59211H93B00	59211H93B00	59211H93B00	DISK,FRONT BRAKE	1		5
9	09169-08019	09169-08019	09169-08019	09169-08019	09169-08019	09169-08019	09169-08019	09169-08019	WSHR	2		
10	09100-08094	09100-08094	09100-08094	09100-08094	09100-08094	09100-08094	09100-08094	09100-08094	BOLT,FRONT BRAKE DISC	4		
11	54711H93B00	54711H93B00	54711H93B00	54711H93B00	54711H93B00	54711H93B00	54711H93B00	54711H93B00	FRONT AXLE	1		2
12	54750H93B00	54750H93B00	54750H93B00	54750H93B00	54750H93B00	54750H93B00	54750H93B00	54750H93B00	SPC F/AXLE L(GA)	1		
13	08322-11128	08322-11128	08322-11128	08322-11128	08322-11128	08322-11128	08322-11128	08322-11128	WASHER,FRONT AXLE	1		
14	08314-31128	08314-31128	08314-31128	08314-31128	08314-31128	08314-31128	08314-31128	08314-31128	NUT,FRONT AXLE	1		
15	04111-30258	04111-30258	04111-30258	04111-30258	04111-30258	04111-30258	04111-30258	04111-30258	COTTER PIN,FRONT AXLE	1		



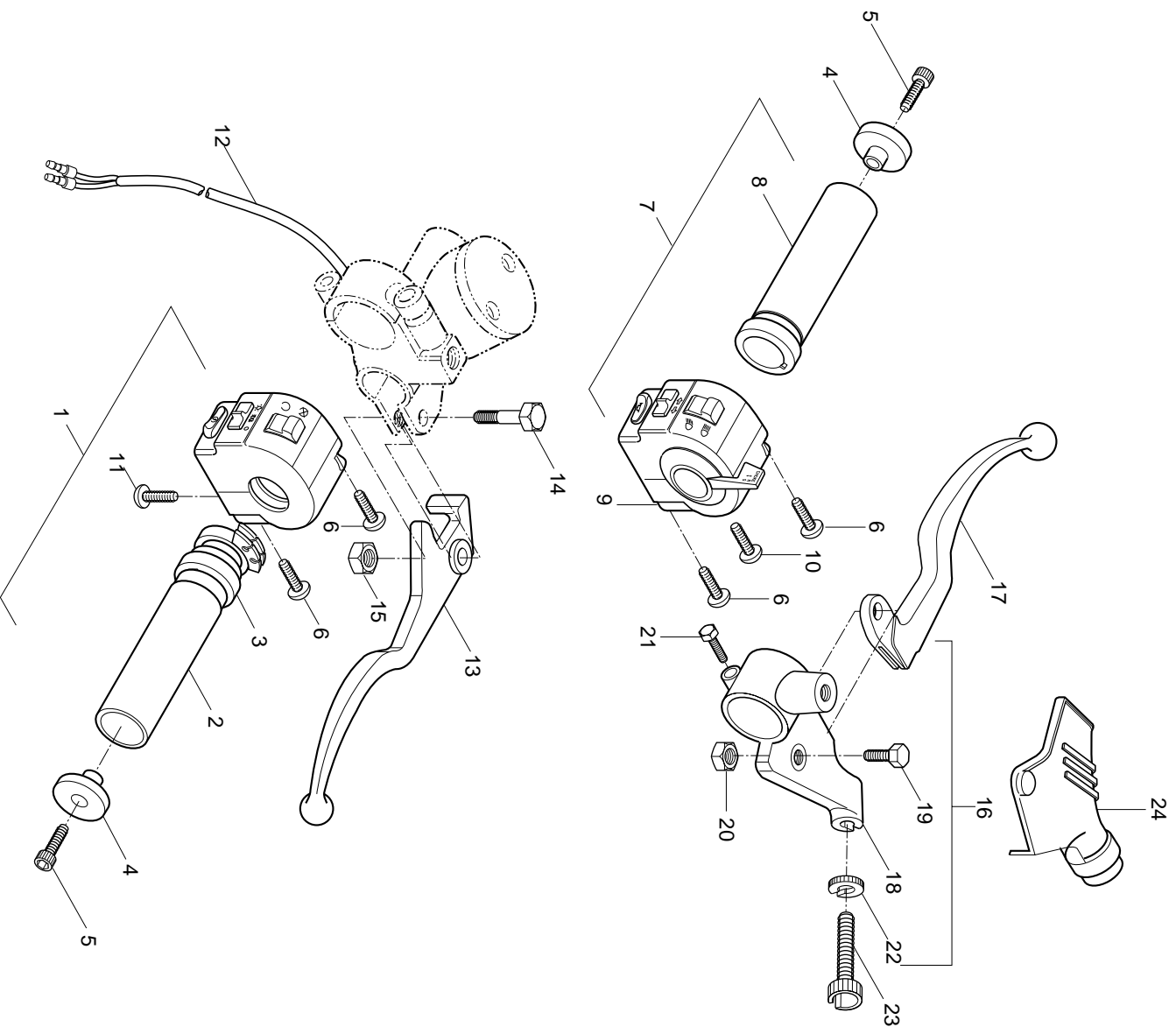
FIG. 39



# FIG 39. HANDLE BAR

REF PARTS NUMBER.									PARTS NAME	Q'TY	REMARKS	REC.Q'TY (PCS)
NO.	DOMESTIC	GEU01	GG02	JEN01	JF01	NAM	CLS	FG01				
1	56110H93B04WED	56110H93B04WED	56110H93B04WED	56110H93B04WED	56110H93B04WED	56110H93B04WED	56110H93B04WED	56110H93B04WED	H/BAR COMP (GA)	1		5
2	58200H93B01	58200H93B01	58200H93B01	58200H93B01	58200H93B01	58200H93B01	58200H93B01	58200H93B01	CLUTCH CABLE	1		5
3	58300H93B01	58300H93B01	58300H93B01	58300H93B01	58300H93B01	58300H93B01	58300H93B01	58300H93B01	THROTTLE CABLE	1		5
4	58410H93B03	58410H93B03	58410H93B03	58410H93B03	58410H93B03	58410H93B03	58410H93B03	58410H93B03	CABL COMP ST(GA)	1		5
5	56500H93B01	56500H93B01	56500H93B01	56500H93B01	56500H93B01	56500H93B01	56500H93B01	56500H93B01	MIRROR R	1		5
6	56600H93B01	56600H93B01	56600H93B01	56600H93B01	56600H93B01	56600H93B01	56600H93B01	56600H93B01	MIRROR L	1		5
7	56501H93B02	56501H93B02	56501H93B02	56501H93B02	56501H93B02	56501H93B02	56501H93B02	56501H93B02	MIRROR SET	1		

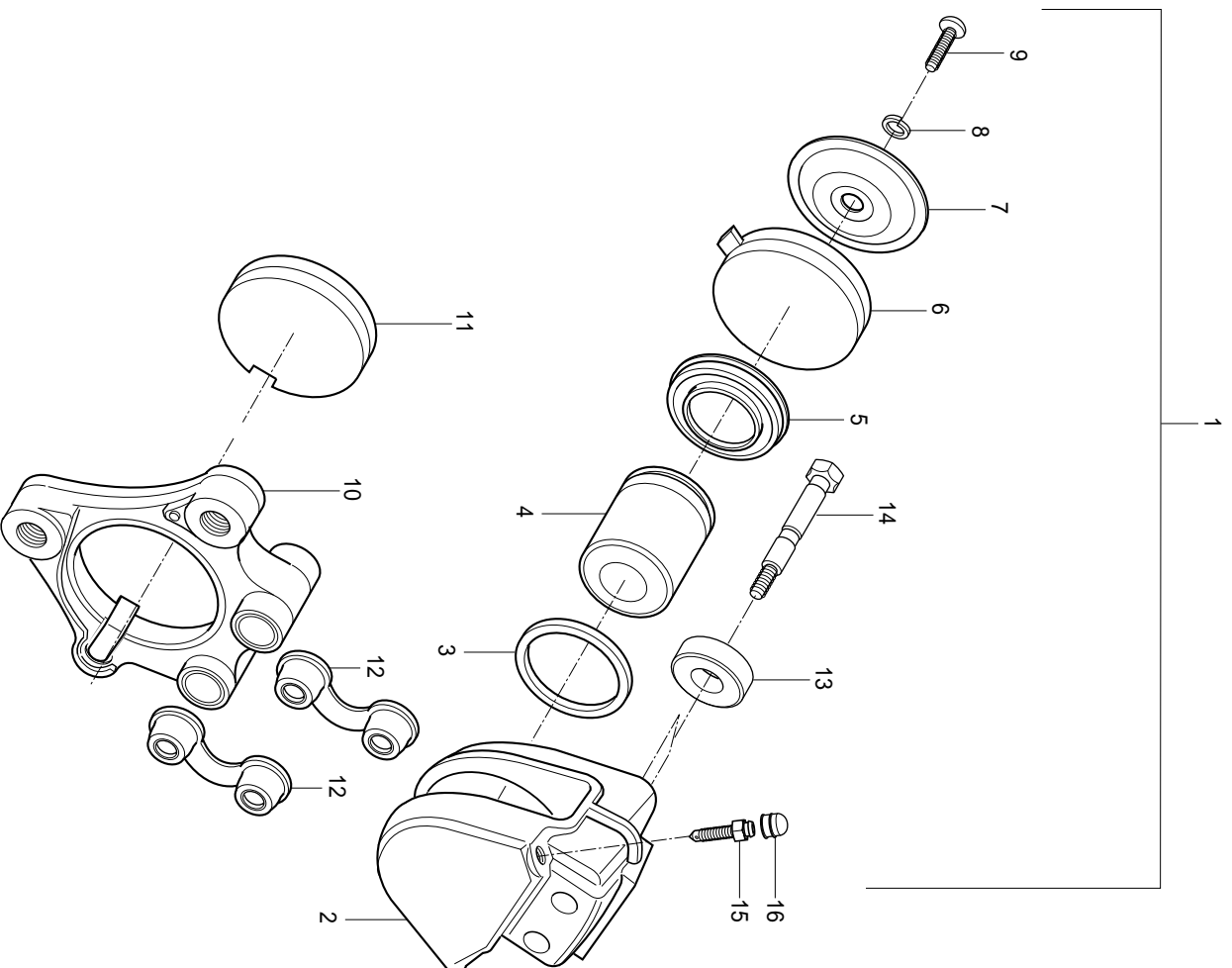
FIG.40



# FIG 40. HANDLE SWITCH

REF PARTS NUMBER.									PARTS NAME	Q'TY	REMARKS	REC.Q'TY
NO.	DOMESTIC	GEU01	GG02	JEN01	JF01	NAM	CLS	FG01				(PCS)
1	37200HE5310	37200HE5310	37200HE5310		37200HE5310			37200HE5310	SWITCH ASS'Y HANDLE R (GA)	1		5
1-1				37200HE5350					SWITCH ASS'Y HANDLE R (GA)	1		
1-2						37200H93B10	37200H93B10		SWITCH ASS'Y HANDLE R (GA)	1		
2	57110HG5101	57110HG5101	57110HG5101	57110HG5101	57110HG5101	57110HG5101	57110HG5101	57110HG5101	GRIP,THROTTLE	1		5
3	57113H93B00	57113H93B00	57113H93B00	57113H93B00	57113H93B00	57113H93B00	57113H93B00	57113H93B00	COVER,THROTTLE GRIP	1	NOT SALE	
4	56271H93B01PLA	56271H93B01PLA	56271H93B01PLA	56271H93B01PLA	56271H93B01PLA	56271H93B01PLA	56271H93B01PLA	56271H93B01PLA	BALANCER H/BAR (GA)	2		
5	07110-08258	07110-08258	07110-08258	07110-08258	07110-08258	07110-08258	07110-08258	07110-08258	BOLT	4		
6	02112-05208	02112-05208	02112-05208	02112-05208	02112-05208	02112-05208	02112-05208	02112-05208	SCREW	2		
7	37400H93B10	37400H93B10	37400H93B10	37400H93B10	37400H93B10	37400H93B10	37400H93B10	37400H93B10	SWITCH ASS'Y HANDLE L (GA)	1		5
8	57210HG5100	57210HG5100	57210HG5100	57210HG5100	57210HG5100	57210HG5100	57210HG5100	57210HG5100	GRIP,L	1		
9	57211H93B00	57211H93B00	57211H93B00	57211H93B00	57211H93B00	57211H93B00	57211H93B00	57211H93B00	COVER,GRIP	1	NOT SALE	
10	02112-04105	02112-04105	02112-04105	02112-04105	02112-04105	02112-04105	02112-04105	02112-04105	SCREW,STARTER CABLE	1	NOT SALE	
11	02112-05105	02112-05105	02112-05105	02112-05105	02112-05105	02112-05105	02112-05105	02112-05105	SCREW,THROTTLE CABLE	1	NOT SALE	
12	57460H93B00	57460H93B00	57460H93B00	57460H93B00	57460H93B00	57460H93B00	57460H93B00	57460H93B00	SWITCH ASS'Y,STOP	1		5
13	57421H93B00	57421H93B00	57421H93B00	57421H93B00	57421H93B00	57421H93B00	57421H93B00	57421H93B00	LEVER BRAKE(GA)	1		5
14	57431H18622	57431H18622	57431H18622	57431H18622	57431H18622	57431H18622	57431H18622	57431H18622	BOLT,BRAKE LEVER PIVOT	1		
15	08319-21068	08319-21068	08319-21068	08319-21068	08319-21068	08319-21068	08319-21068	08319-21068	NUT,BRAKKE LEVER PIVOT	1		
16	57500HJ8204	57500HJ8204	57500HJ8204	57500HJ8204	57500HJ8204	57500HJ8204	57500HJ8204	57500HJ8204	LEVER,CLUTCH	1		5
17	57620HJ8250	57620HJ8250	57620HJ8250	57620HJ8250	57620HJ8250	57620HJ8250	57620HJ8250	57620HJ8250	LEVER CLTCH (GA)	1		
18	57511HJ8204	57511HJ8204	57511HJ8204	57511HJ8204	57511HJ8204	57511HJ8204	57511HJ8204	57511HJ8204	LEVER,HOLDER	1		
19	57431H93B00	57431H93B00	57431H93B00	57431H93B00	57431H93B00	57431H93B00	57431H93B00	57431H93B00	BOLT SET,LEVER	1		
20	08319-21068	08319-21068	08319-21068	08319-21068	08319-21068	08319-21068	08319-21068	08319-21068	NUT,BRAKKE LEVER PIVOT	1		
21	57451H93B00	57451H93B00	57451H93B00	57451H93B00	57451H93B00	57451H93B00	57451H93B00	57451H93B00	CROWN BOLT	1		
22	57442H93B00	57442H93B00	57442H93B00	57442H93B00	57442H93B00	57442H93B00	57442H93B00	57442H93B00	LOCK NUT	1		
23	57441H93B00	57441H93B00	57441H93B00	57441H93B00	57441H93B00	57441H93B00	57441H93B00	57441H93B00	WIRE ADJUSTER	1		
24	57661HJ8200	57661HJ8200	57661HJ8200	57661HJ8200	57661HJ8200	57661HJ8200	57661HJ8200	57661HJ8200	COVER, CLUTCH LEVER	1		

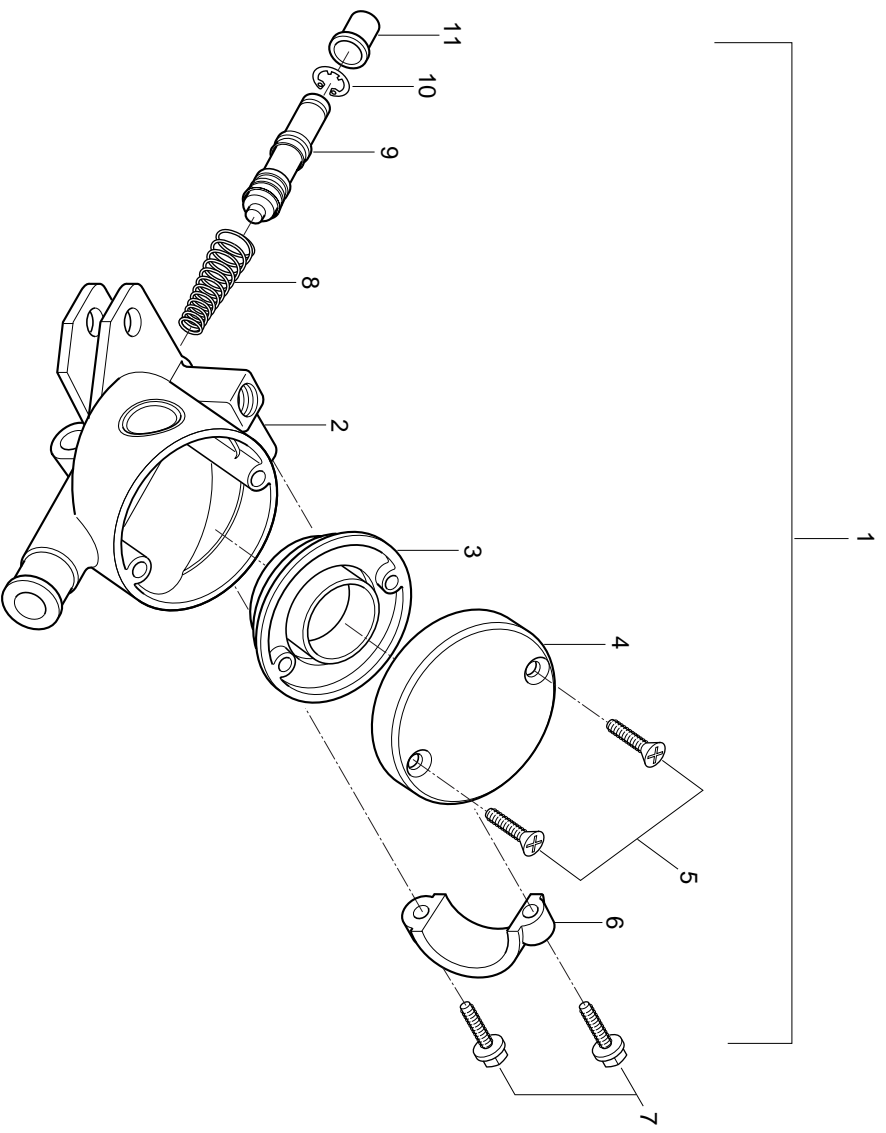
FIG.41



# FIG 41. CALIPERS

REF PARTS NUMBER.									PARTS NAME	Q'TY	REMARKS	REC.Q'TY (PCS)
NO.	DOMESTIC	GEU01	GG02	JEN01	JF01	NAM	CLS	FG01				
1	59300H39102	59300H39102	59300H39102	59300H39102	59300H39102	59300H39102	59300H39102	59300H39102	CALIPERS ASSY	1		5
2	59360-39100	59360-39100	59360-39100	59360-39100	59360-39100	59360-39100	59360-39100	59360-39100	HOUSING COMP,CALIPERS	1	NOT SALE	
3	59107-39100	59107-39100	59107-39100	59107-39100	59107-39100	59107-39100	59107-39100	59107-39100	SEAL PISTON	1	NOT SALE	
4	59110-39100	59110-39100	59110-39100	59110-39100	59110-39100	59110-39100	59110-39100	59110-39100	PISTON COMP	1	NOT SALE	
5	59108-39100	59108-39100	59108-39100	59108-39100	59108-39100	59108-39100	59108-39100	59108-39100	BOOT, PISTON	1	NOT SALE	
6	59300-33812NAS	59300-33812NAS	59300-33812NAS	59300-33812NAS	59300-33812NAS	59300-33812NAS	59300-33812NAS	59300-33812NAS	PAD SET	1		5
7	59372-39100	59372-39100	59372-39100	59372-39100	59372-39100	59372-39100	59372-39100	59372-39100	COVER HOUSING	1		
8	08321-21068	08321-21068	08321-21068	08321-21068	08321-21068	08321-21068	08321-21068	08321-21068	LOCK WASHER	1	NOT SALE	
9	02112-06088	02112-06088	02112-06088	02112-06088	02112-06088	02112-06088	02112-06088	02112-06088	SCREW	1		
10	59350H35C00	59350H35C00	59350H35C00	59350H35C00	59350H35C00	59350H35C00	59350H35C00	59350H35C00	HOLDER,CALIPERS	1		
11	59330-39100	59330-39100	59330-39100	59330-39100	59330-39100	59330-39100	59330-39100	59330-39100	PAD COMP, NO.1	1	NOT SALE	10
12	59374-39100	59374-39100	59374-39100	59374-39100	59374-39100	59374-39100	59374-39100	59374-39100	BLOCK, AXLE	2		
13	59171-39100	59171-39100	59171-39100	59171-39100	59171-39100	59171-39100	59171-39100	59171-39100	WASHER, AXLE	2		
14	59105-39100	59105-39100	59105-39100	59105-39100	59105-39100	59105-39100	59105-39100	59105-39100	AXLE,CALIPERS	2		
15	59121H18411	59121H18411	59121H18411	59121H18411	59121H18411	59121H18411	59121H18411	59121H18411	BREATHER	2		
16	59122-18410	59122-18410	59122-18410	59122-18410	59122-18410	59122-18410	59122-18410	59122-18410	CAP, BREATHER	1		

FIG.42

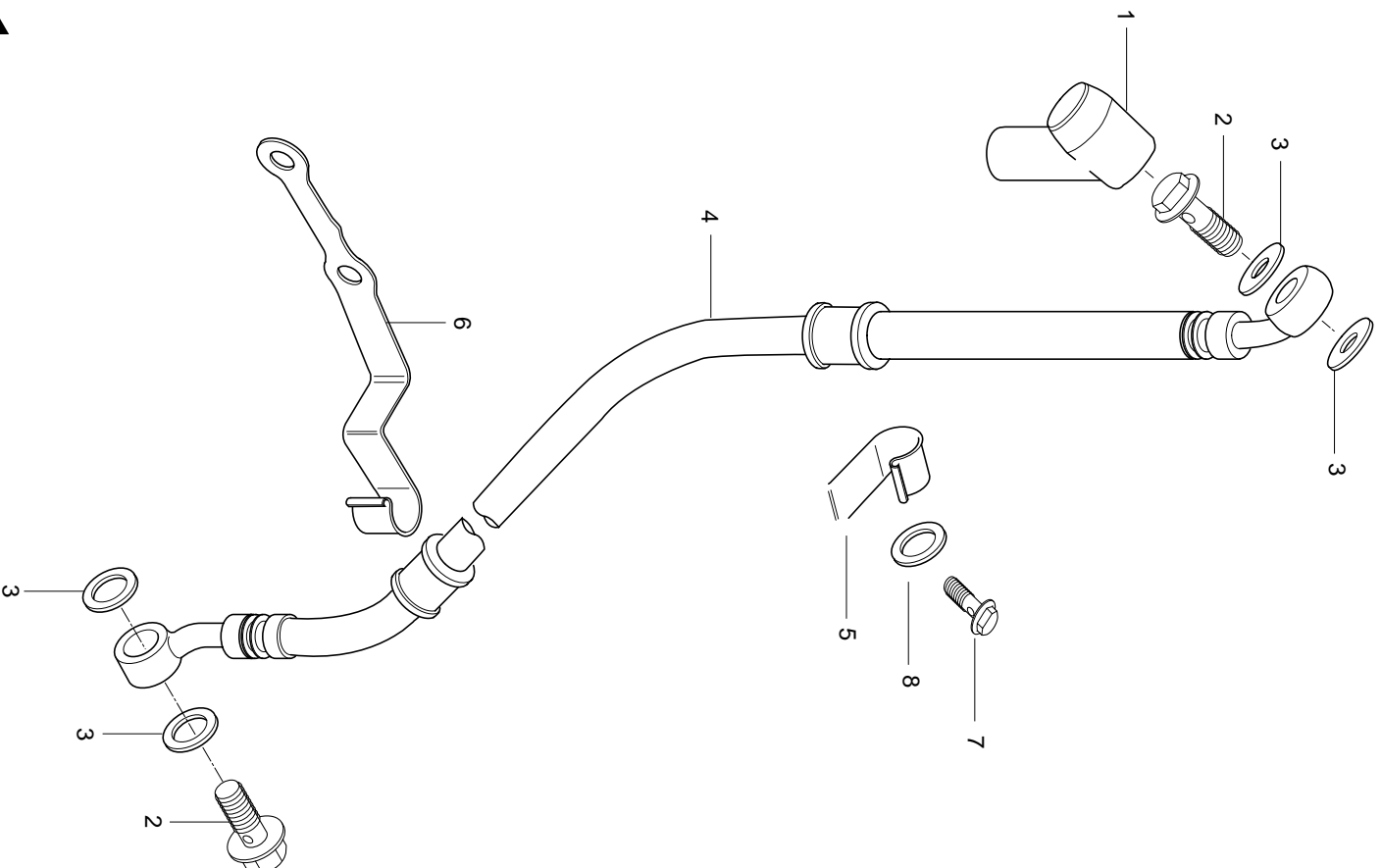


# FIG 42. MASTER CYLINDER

REF PARTS NUMBER.									PARTS NAME	Q'TY	REMARKS	REC.Q'TY (PCS)
NO.	DOMESTIC	GEU01	GG02	JEN01	JF01	NAM	CLS	FG01				
1	59600H93B03	59600H93B03	59600H93B03	59600H93B03	59600H93B03	59600H93B03	59600H93B03	59600H93B03	MASTER CYLINDER	1		5
2	59661H93B00	59661H93B00	59661H93B00	59661H93B00	59661H93B00	59661H93B00	59661H93B00	59661H93B00	BODY	1	NOT SALE	
3	59686H93B00	59686H93B00	59686H93B00	59686H93B00	59686H93B00	59686H93B00	59686H93B00	59686H93B00	DIAPHRAGM	1		
4	59669H93B00	59669H93B00	59669H93B00	59669H93B00	59669H93B00	59669H93B00	59669H93B00	59669H93B00	CAP,RESERVOIR	1		
5	59691H93B00	59691H93B00	59691H93B00	59691H93B00	59691H93B00	59691H93B00	59691H93B00	59691H93B00	SCREW,RESERVOIR	1		
6	59671H93B00	59671H93B00	59671H93B00	59671H93B00	59671H93B00	59671H93B00	59671H93B00	59671H93B00	HOLDER	1		
7	59693-45100	59693-45100	59693-45100	59693-45100	59693-45100	59693-45100	59693-45100	59693-45100	BOLT SET	1		
8	59621-36500	59621-36500	59621-36500	59621-36500	59621-36500	59621-36500	59621-36500	59621-36500	SPRING RETURN	1	NOT SALE	
9	59611-36500	59611-36500	59611-36500	59611-36500	59611-36500	59611-36500	59611-36500	59611-36500	PISTON	1	NOT SALE	
10	59665-36500	59665-36500	59665-36500	59665-36500	59665-36500	59665-36500	59665-36500	59665-36500	CIRCRIP	1	NOT SALE	
11	59666-54100	59666-54100	59666-54100	59666-54100	59666-54100	59666-54100	59666-54100	59666-54100	BOOT COMP	1	NOT SALE	



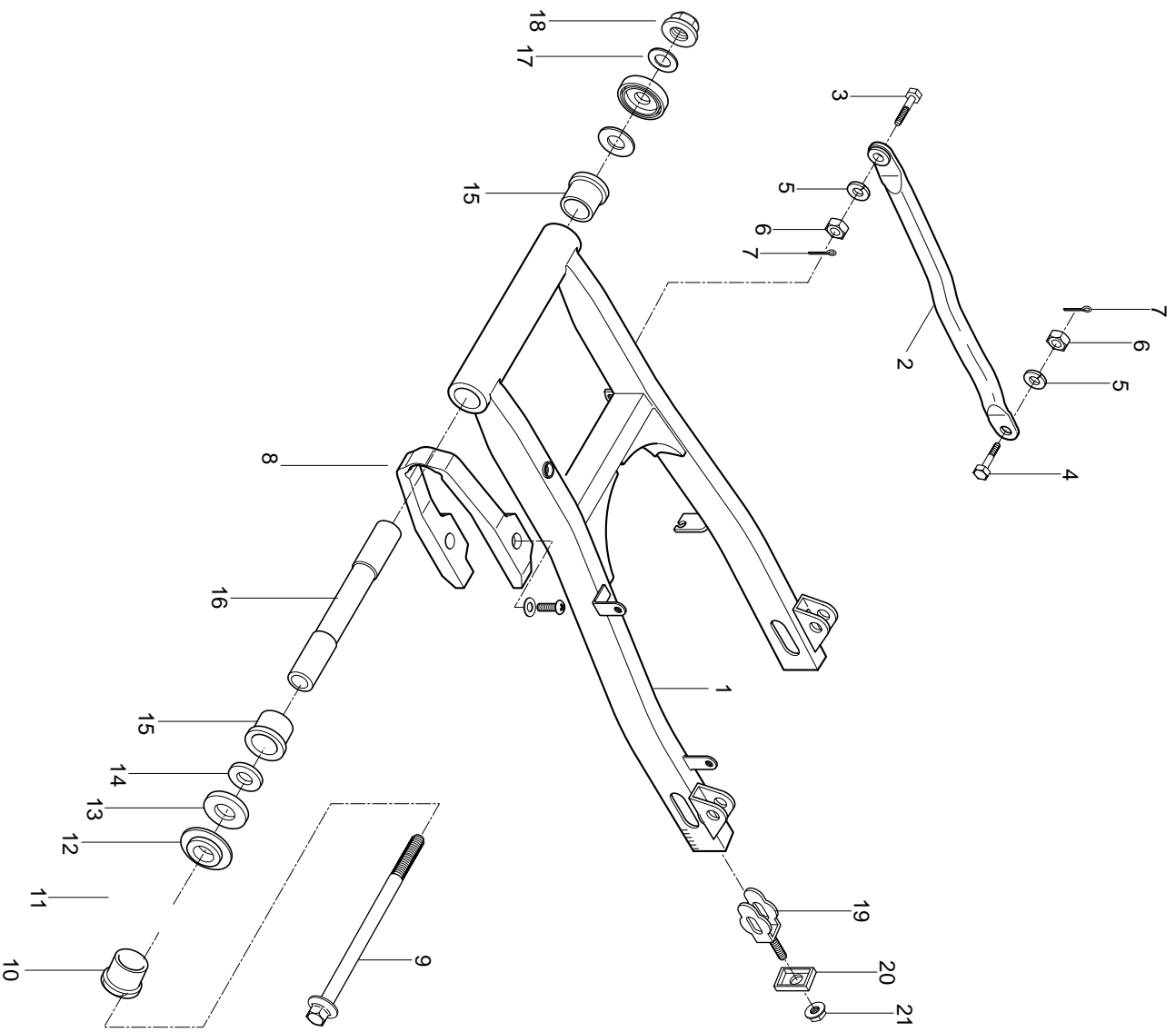
FIG.43



# FIG 43. FRONT BRAKE HOSE

REF PARTS NUMBER.									PARTS NAME	Q'TY	REMARKS	REC.Q'TY (PCS)
NO.	DOMESTIC	GEU01	GG02	JEN01	JF01	NAM	CLS	FG01				
1	59711H49002	59711H49002	59711H49002	59711H49002	59711H49002	59711H49002	59711H49002	59711H49002	BOOT,MASTER CYLINDER	1		
2	09360-10039	09360-10039	09360-10039	09360-10039	09360-10039	09360-10039	09360-10039	09360-10039	BOLT, BRAKE FLUID	2		
3	09161-10005	09161-10005	09161-10005	09161-10005	09161-10005	09161-10005	09161-10005	09161-10005	WASHER, BRAKE HOSE	4		
4	59480H93B00	59480H93B00	59480H93B00	59480H93B00	59480H93B00	59480H93B00	59480H93B00	59480H93B00	HOSE, FRONT BRAKE	1		2
5	59246-39100	59246-39100	59246-39100	59246-39100	59246-39100	59246-39100	59246-39100	59246-39100	CLAMP,BRAKE HOSE NO.1	1		
6	59268H07C00	59268H07C00	59268H07C00	59268H07C00	59268H07C00	59268H07C00	59268H07C00	59268H07C00	CLAMP,BRAKE HOSE NO.2	4		
7	01137-06128	01137-06128	01137-06128	01137-06128	01137-06128	01137-06128	01137-06128	01137-06128	BOLT(M6*12)	2		
8	08321-21067	08321-21067	08321-21067	08321-21067	08321-21067	08321-21067	08321-21067	08321-21067	LOCK WASHER	2	NOT SALE	

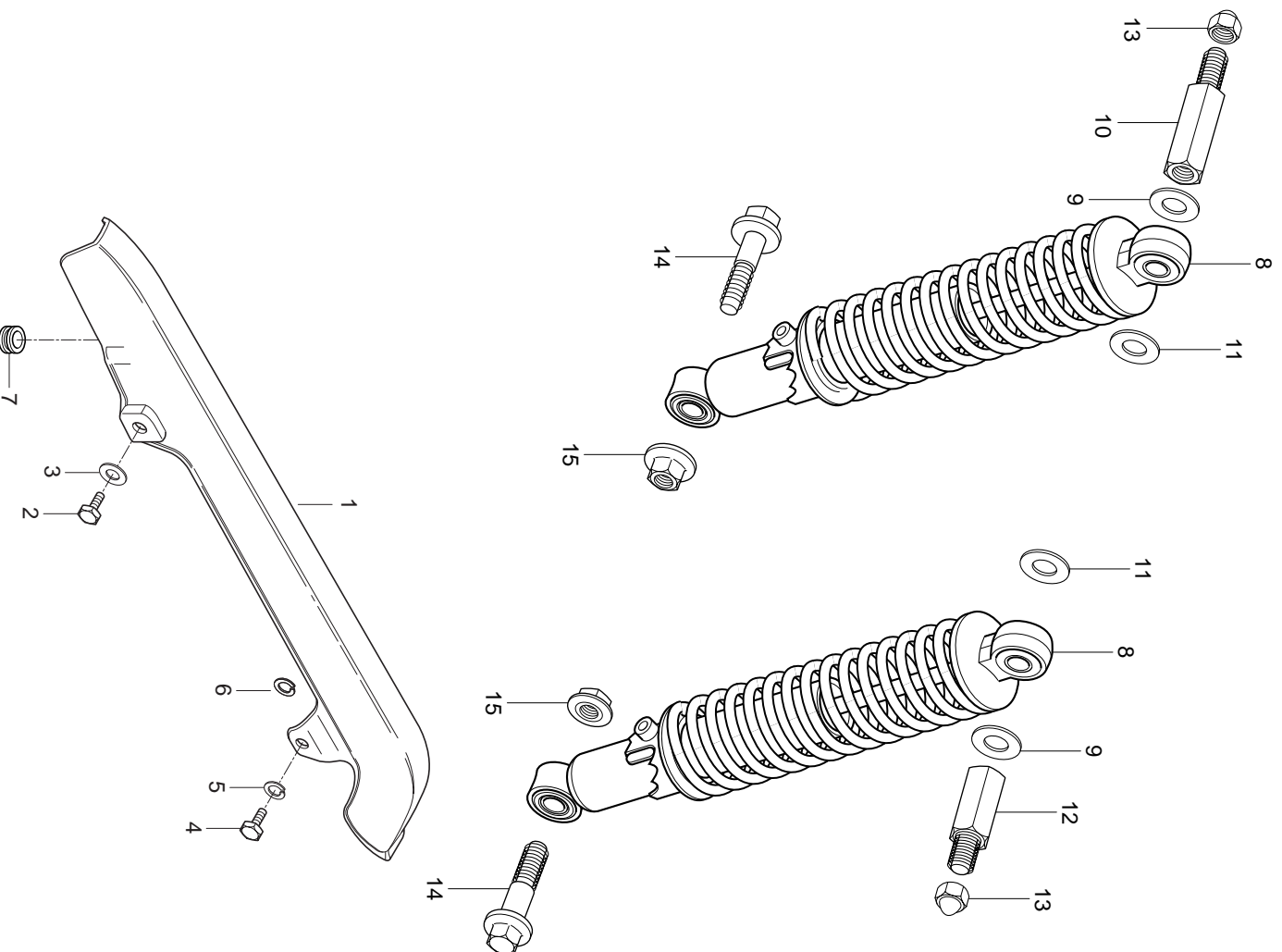
FIG.44



# FIG 44. REAR SWING ARM

REF PARTS NUMBER.									PARTS NAME	Q'TY	REMARKS	REC.Q'TY (PCS)	
NO.	DOMESTIC	GEU01	GG02	JEN01	JF01	NAM	CLS	FG01					
1	61100H93B02PAM	61100H93B02PAM	61100H93B02PAM	61100H93B02PAM	61100H93B02PAM	61100H93B02PAM	61100H93B02PAM	61100H93B02PAM	61100H93B02PAM	SWING ARM COMP,REAR	1		1
2	64310H93B00	64310H93B00	64310H93B00	64310H93B00	64310H93B00	64310H93B00	64310H93B00	64310H93B00	64310H93B00	TORQUE LINK COMP,REAR	1		
3	09111-08012	09111-08012	09111-08012	09111-08012	09111-08012	09111-08012	09111-08012	09111-08012	09111-08012	BOLT, TORQUE LINK FRONT(M8*22)	1		
4	09111-08013	09111-08013	09111-08013	09111-08013	09111-08013	09111-08013	09111-08013	09111-08013	09111-08013	BOLT, TORQUE LINK REAR(M8*26)	1		
5	08321-31088	08321-31088	08321-31088	08321-31088	08321-31088	08321-31088	08321-31088	08321-31088	08321-31088	LOCK WASHER,TORQUE LINK	2		
6	09140-08008	09140-08008	09140-08008	09140-08008	09140-08008	09140-08008	09140-08008	09140-08008	09140-08008	NUT, TOQUE LINK(M8)	2		
7	04111-20208	04111-20208	04111-20208	04111-20208	04111-20208	04111-20208	04111-20208	04111-20208	04111-20208	COTTER PIN, TOQUE LINK	2		
8	61273H93B00	61273H93B00	61273H93B00	61273H93B00	61273H93B00	61273H93B00	61273H93B00	61273H93B00	61273H93B00	BUFFER,CHAIN TOUCH DEFENSE	1		
9	61211-05301	61211-05301	61211-05301	61211-05301	61211-05301	61211-05301	61211-05301	61211-05301	61211-05301	SHAFT,REAR SWING ARM PIVOT	1		1
10	61321H93B10	61321H93B10	61321H93B10	61321H93B10	61321H93B10	61321H93B10	61321H93B10	61321H93B10	61321H93B10	SPACER,REAR SWING ARM LINK	1		
11	61310H93B10	61310H93B10	61310H93B10	61310H93B10	61310H93B10	61310H93B10	61310H93B10	61310H93B10	61310H93B10	LINK COMP,REAR S/W ARM	1		1
12	61331H93B10	61331H93B10	61331H93B10	61331H93B10	61331H93B10	61331H93B10	61331H93B10	61331H93B10	61331H93B10	SPACER	1		
13	61262-45002	61262-45002	61262-45002	61262-45002	61262-45002	61262-45002	61262-45002	61262-45002	61262-45002	COVER	2		
14	08211-14341	08211-14341	08211-14341	08211-14341	08211-14341	08211-14341	08211-14341	08211-14341	08211-14341	THRUST WASHER	2		
15	61261-05301	61261-05301	61261-05301	61261-05301	61261-05301	61261-05301	61261-05301	61261-05301	61261-05301	BUSHING	2		
16	61361H93B00	61361H93B00	61361H93B00	61361H93B00	61361H93B00	61361H93B00	61361H93B00	61361H93B00	61361H93B00	SPACER	1		
17	08322-11148	08322-11148	08322-11148	08322-11148	08322-11148	08322-11148	08322-11148	08322-11148	08322-11148	WASHER,rear swing arm pivot	1	NOT SALE	
18	09159H14008	09159H14008	09159H14008	09159H14008	09159H14008	09159H14008	09159H14008	09159H14008	09159H14008	NUT,rear swing arm pivot	1		
19	61410-29B10	61410-29B10	61410-29B10	61410-29B10	61410-29B10	61410-29B10	61410-29B10	61410-29B10	61410-29B10	ADJUSTER,CHAIN	1		
20	61421-26502	61421-26502	61421-26502	61421-26502	61421-26502	61421-26502	61421-26502	61421-26502	61421-26502	PLATE,CHAIN ADJUSTER	1		
21	08319-31088	08319-31088	08319-31088	08319-31088	08319-31088	08319-31088	08319-31088	08319-31088	08319-31088	NUT, CHAIN ADJUSTER(M31)	1		

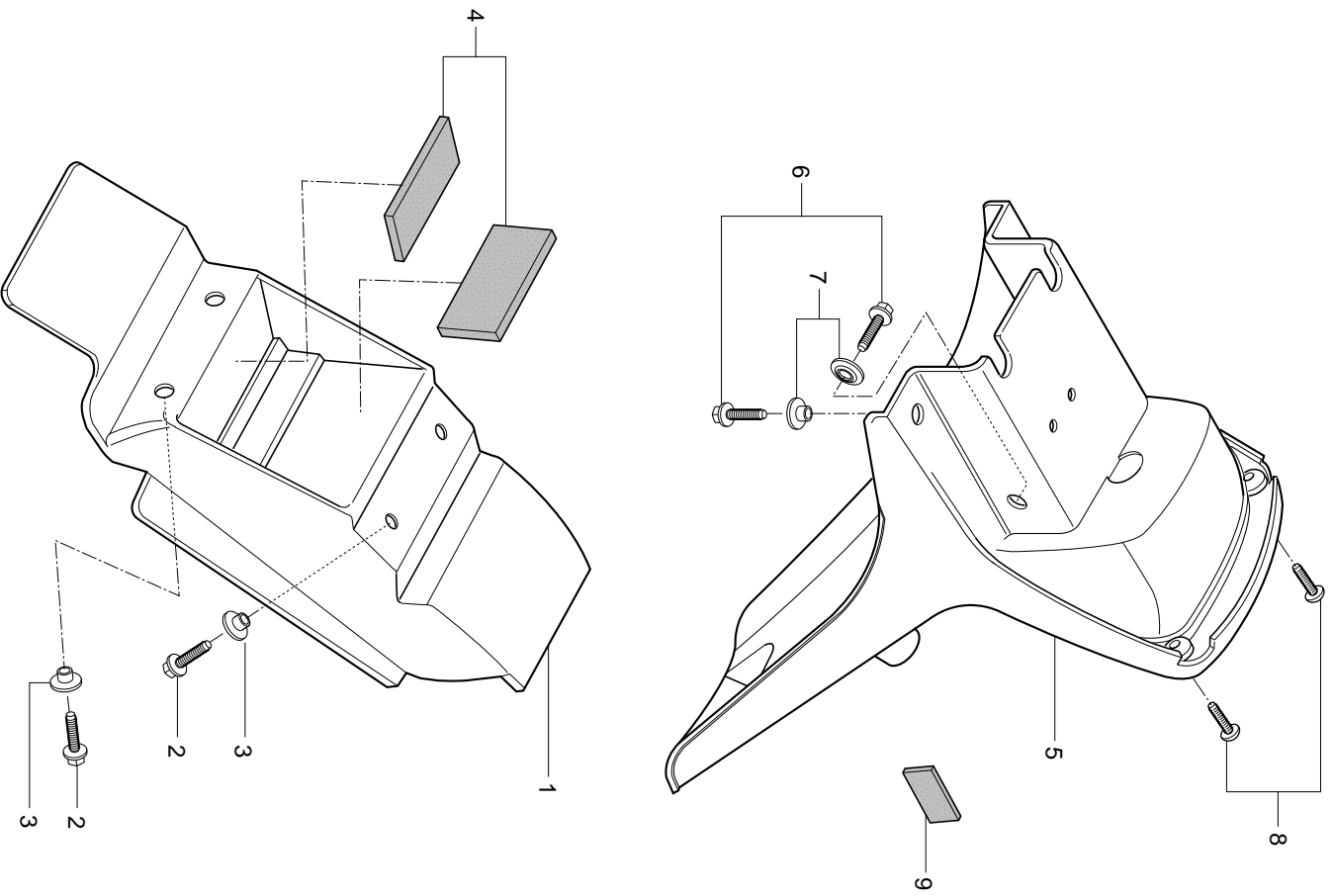
FIG.45



# FIG 45. SHOCK ABSORBER

REF PARTS NUMBER.									PARTS NAME	Q'TY	REMARKS	REC.Q'TY (PCS)
NO.	DOMESTIC	GEU01	GG02	JEN01	JF01	NAM	CLS	FG01				
1	61311H93B01	61311H93B01	61311H93B01	61311H93B01	61311H93B01	61311H93B01	61311H93B01	61311H93B01	CHINE CASE	1		2
2	01104-06108	01104-06108	01104-06108	01104-06108	01104-06108	01104-06108	01104-06108	01104-06108	BOLT,CHAIN CASE FRONT	1		
3	09169-06010	09169-06010	09169-06010	09169-06010	09169-06010	09169-06010	09169-06010	09169-06010	WASHER,CHAIN CASE FRONT	1		
4	01104-06168	01104-06168	01104-06168	01104-06168	01104-06168	01104-06168	01104-06168	01104-06168	BOLT,CYLINDER	1		
5	08321-31088	08321-31088	08321-31088	08321-31088	08321-31088	08321-31088	08321-31088	08321-31088	LOCK WASHER	1	NOT SALE	
6	61318H05301	61318H05301	61318H05301	61318H05301	61318H05301	61318H05301	61318H05301	61318H05301	PLATE	1		
7	09320-08013	09320-08013	09320-08013	09320-08013	09320-08013	09320-08013	09320-08013	09320-08013	CUSHION,CHAIN CASE INNER	1		
8	62100H93B00	62100H93B00	62100H93B00	62100H93B00	62100H93B00	62100H93B00	62100H93B00	62100H93B00	SHOCK ABSORBER	2		1
9	09160-10001	09160-10001	09160-10001	09160-10001	09160-10001	09160-10001	09160-10001	09160-10001	WSHR SORBR	2		
10	46225H93B00	46225H93B00	46225H93B00	46225H93B00	46225H93B00	46225H93B00	46225H93B00	46225H93B00	BOLT,PILLION RIDER PLATE R	1		
11	08322-21128	08322-21128	08322-21128	08322-21128	08322-21128	08322-21128	08322-21128	08322-21128	WASHER	2		
12	46226H93B00	46226H93B00	46226H93B00	46226H93B00	46226H93B00	46226H93B00	46226H93B00	46226H93B00	BOLT,PILLION RIDER PLATE L	1		
13	08313-11107	08313-11107	08313-11107	08313-11107	08313-11107	08313-11107	08313-11107	08313-11107	NUT	2		
14	62311-05350	62311-05350	62311-05350	62311-05350	62311-05350	62311-05350	62311-05350	62311-05350	BLT RR SORBR LOW	2		
15	08316-26128	08316-26128	08316-26128	08316-26128	08316-26128	08316-26128	08316-26128	08316-26128	NUT	2		

FIG. 46

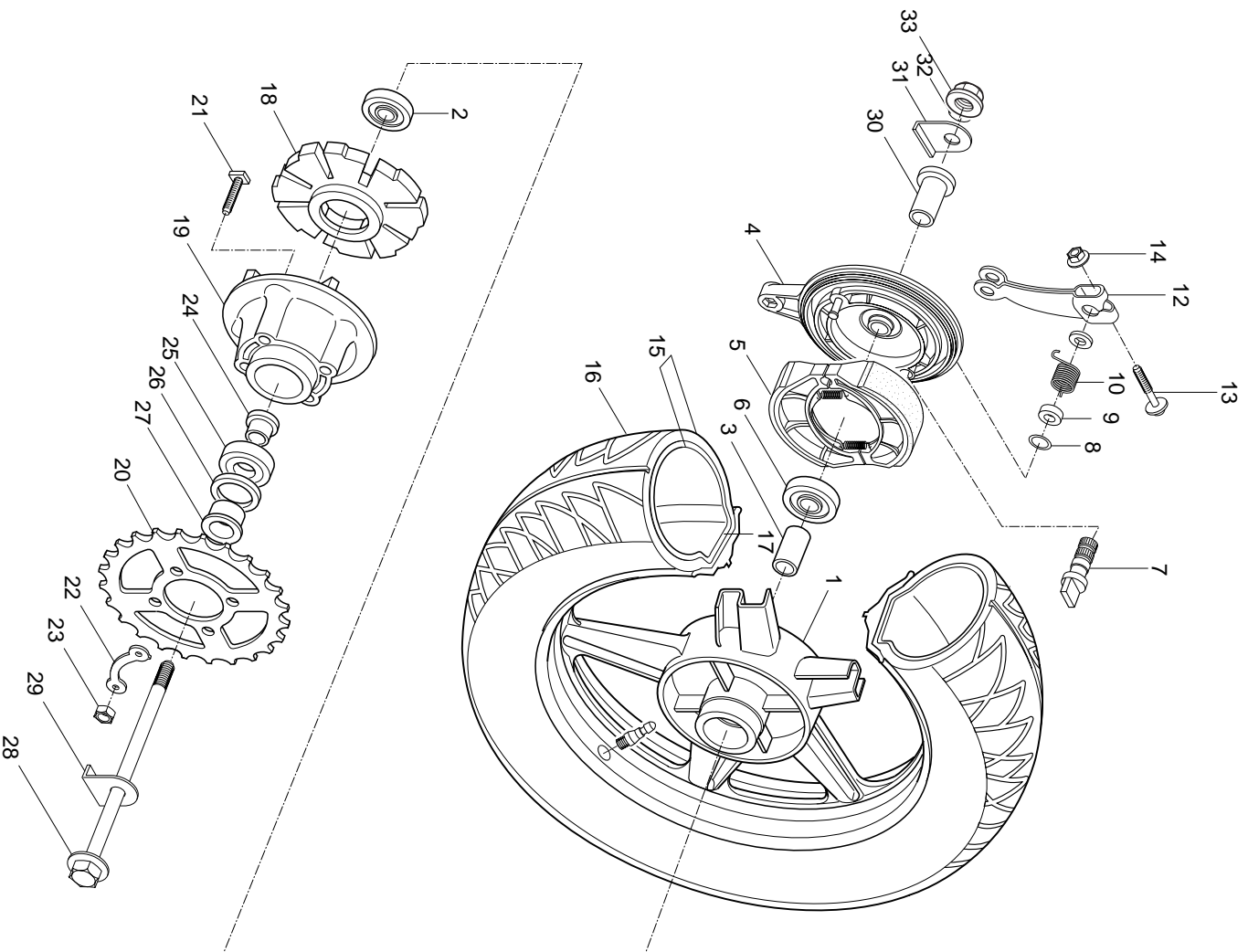


# FIG 46. REAR FENDER

REF PARTS NUMBER.									PARTS NAME	Q'TY	REMARKS	REC.Q'TY (PCS)
NO.	DOMESTIC	GEU01	GG02	JEN01	JF01	NAM	CLS	FG01				
1	63112H93B00	63112H93B00	63112H93B00	63112H93B00	63112H93B00	63112H93B00	63112H93B00	63112H93B00	REAR FENDER,FRONT	1		
2	01517-06168	01517-06168	01517-06168	01517-06168	01517-06168	01517-06168	01517-06168	01517-06168	BOLT, REAR FENDER FRONT(M6*16)	4		
3	09169-06053	09169-06053	09169-06053	09169-06053	09169-06053	09169-06053	09169-06053	09169-06053	WASHER, REAR FENDER FRONT	4		
4	33652H93B00	33652H93B00	33652H93B00	33652H93B00	33652H93B00	33652H93B00	33652H93B00	33652H93B00	CUSHION,REAR FENDER FRONT	2		
5	63113HE8300	63113HE8300	63113HE8300	63113HE8300	63113HE8300	63113HE8300	63113HE8300	63113HE8300	REAR FENDER	1		2
6	01517-06168	01517-06168	01517-06168	01517-06168	01517-06168	01517-06168	01517-06168	01517-06168	BOLT, REAR FENDER REAR(M6*16)	4		
7	09169-06053	09169-06053	09169-06053	09169-06053	09169-06053	09169-06053	09169-06053	09169-06053	WASHER, REAR FENDER REAR	4		
8	03211-05166	03211-05166	03211-05166	03211-05166	03211-05166	03211-05166	03211-05166	03211-05166	SCREW, REAR FENDER REAR(M5*16)	2		
9	45518H93B00	45518H93B00	45518H93B00	45518H93B00	45518H93B00	45518H93B00	45518H93B00	45518H93B00	CUSHION,R/FENDER REAR	2		



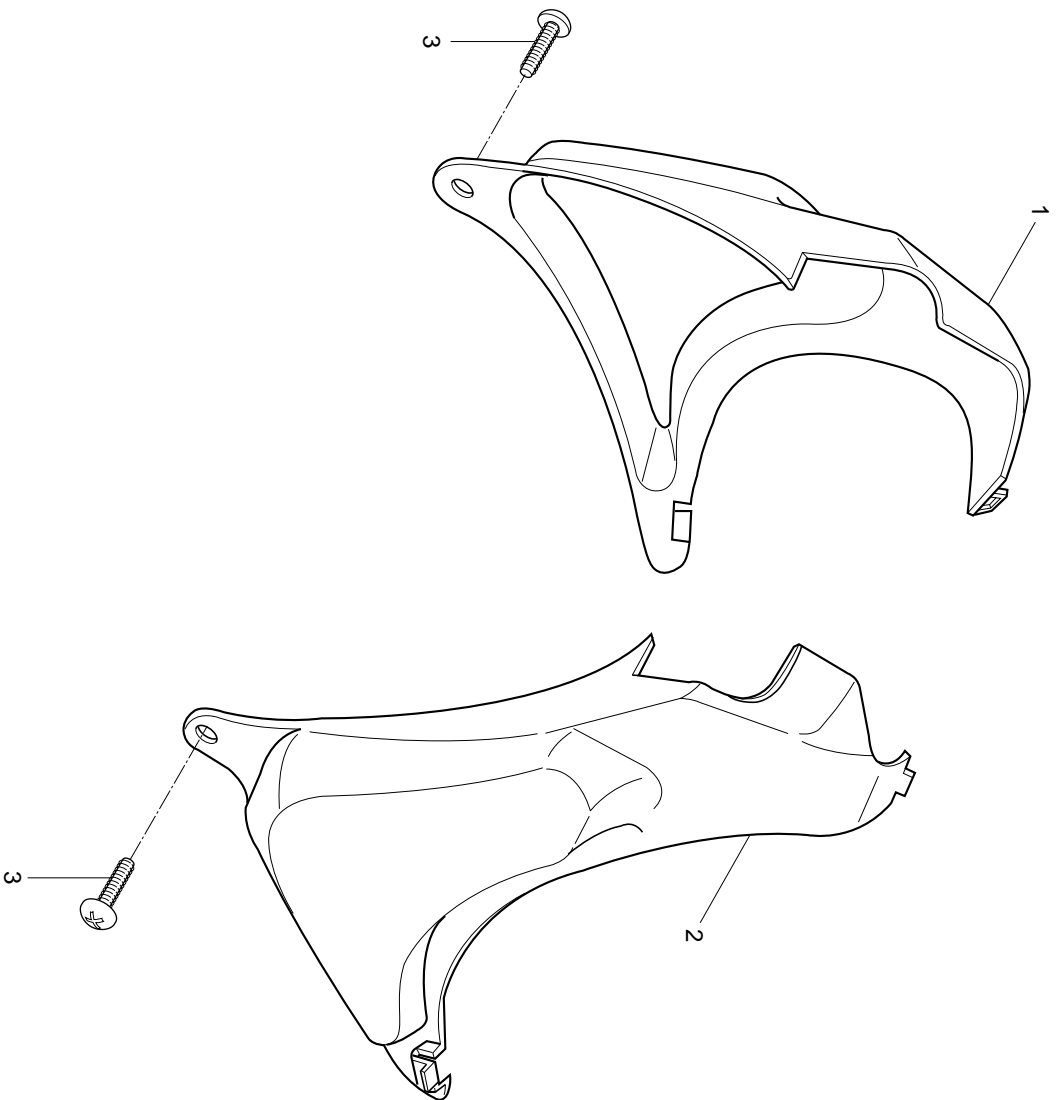
FIG.47



# FIG 47. REAR WHEEL

REF PARTS NUMBER.									PARTS NAME	Q'TY	REMARKS	REC.Q'TY (PCS)
NO.	DOMESTIC	GEU01	GG02	JEN01	JF01	NAM	CLS	FG01				
1	64150H93B00	64150H93B00	64150H93B00	64150H93B00	64150H93B00	64150H93B00	64150H93B00	64150H93B00	WHEEL COMP,REAR(2.50*16)	1		2
2	08123-62027	08123-62027	08123-62027	08123-62027	08123-62027	08123-62027	08123-62027	08123-62027	BG RR HUB L	1		
3	09180-15011	09180-15011	09180-15011	09180-15011	09180-15011	09180-15011	09180-15011	09180-15011	SPACER,REAR HUB BEARING	1		
4	64200H93B00BRA	64200H93B00BRA	64200H93B00BRA	64200H93B00BRA	64200H93B00BRA	64200H93B00BRA	64200H93B00BRA	64200H93B00BRA	R/R PANEL	1		
5	64400S93B01	64400S93B01	64400S93B01	64400S93B01	64400S93B01	64400S93B01	64400S93B01	64400S93B01	SHOE COMP,BRAKE	1		20
6	08124-63027	08124-63027	08124-63027	08124-63027	08124-63027	08124-63027	08124-63027	08124-63027	BG RR HUB R	1		
7	64441H93B00	64441H93B00	64441H93B00	64441H93B00	64441H93B00	64441H93B00	64441H93B00	64441H93B00	CAM, REAR BRAKE	1		
8	09280-14003	09280-14003	09280-14003	09280-14003	09280-14003	09280-14003	09280-14003	09280-14003	O-RING, REAR BRAKE CAM	1		2
9	09180H14009	09180H14009	09180H14009	09180H14009	09180H14009	09180H14009	09180H14009	09180H14009	SPACER,REAR BRAKE CAM	1	NOT SALE	
10	09448H25009	09448H25009	09448H25009	09448H25009	09448H25009	09448H25009	09448H25009	09448H25009	SPRING,REAR BRAKE PANEL	1		
11	09160H14001	09160H14001	09160H14001	09160H14001	09160H14001	09160H14001	09160H14001	09160H14001	WASHER,REAR BRAKE CAM	1		
12	64451-13200	64451-13200	64451-13200	64451-13200	64451-13200	64451-13200	64451-13200	64451-13200	CAM REAR BRAKE LEVER	1		
13	12812-30A00	12812-30A00	12812-30A00	12812-30A00	12812-30A00	12812-30A00	12812-30A00	12812-30A00	BOLT,REAR BRAKE CAM LEVER	1		
14	08316-16068	08316-16068	08316-16068	08316-16068	08316-16068	08316-16068	08316-16068	08316-16068	NUT	1		
15-1	65101H93B10	65101H93B10	65101H93B10	65101H93B10	65101H93B10	65101H93B10	65101H93B10	65101H93B10	TIRE TUBELESS(110/90-16TL)	1		6
15-2	65101H93B00	65101H93B00	65101H93B00	65101H93B00	65101H93B00	65101H93B00	65101H93B00	65101H93B00	TIRE SET(110/90-16)	1	NOT SALE	
16	65100H93B00	65100H93B00	65100H93B00	65100H93B00	65100H93B00	65100H93B00	65100H93B00	65100H93B00	TIRE COMP,REAR(110/90-16TT)	1	NOT SALE	
17	65200H93B00	65200H93B00	65200H93B00	65200H93B00	65200H93B00	65200H93B00	65200H93B00	65200H93B00	TURE ASSY WHEEL REAR	1	NOT SALE	
18	64651H93B00	64651H93B00	64651H93B00	64651H93B00	64651H93B00	64651H93B00	64651H93B00	64651H93B00	HUB, SHOCK ABSORBER	1		
19	64611H05300	64611H05300	64611H05300	64611H05300	64611H05300	64611H05300	64611H05300	64611H05300	DRUM REAR SPROCKET	1		2
20	64511-20800	64511-20800	64511-20800	64511-20800	64511-20800	64511-20800	64511-20800	64511-20800	SPROCKET R/R(GA)	1		8
21	09105H08001	09105H08001	09105H08001	09105H08001	09105H08001	09105H08001	09105H08001	09105H08001	BOLT,REAR SPROCKET	4		
22	09169-08012	09169-08012	09169-08012	09169-08012	09169-08012	09169-08012	09169-08012	09169-08012	WASHER,REAR SPROCKET	2		
23	08310-11088	08310-11088	08310-11088	08310-11088	08310-11088	08310-11088	08310-11088	08310-11088	NUT	4		
24	64733-39100	64733-39100	64733-39100	64733-39100	64733-39100	64733-39100	64733-39100	64733-39100	RETAINER,REAR SPROCKET	1		
25	08113-62047	08113-62047	08113-62047	08113-62047	08113-62047	08113-62047	08113-62047	08113-62047	BEARING(6204)	1		
26	09285-28001	09285-28001	09285-28001	09285-28001	09285-28001	09285-28001	09285-28001	09285-28001	OIL SEAL, REAR SPROCKET	1		2
27	64751H93B00	64751H93B00	64751H93B00	64751H93B00	64751H93B00	64751H93B00	64751H93B00	64751H93B00	SPACER,REAR AXLE L	1		
28	64711-35C00	64711-35C00	64711-35C00	64711-35C00	64711-35C00	64711-35C00	64711-35C00	64711-35C00	REAR AXLE	1		2
29	64712-36A10	64712-36A10	64712-36A10	64712-36A10	64712-36A10	64712-36A10	64712-36A10	64712-36A10	WASHER,CHINE ADJUSTER L	1		
30	64741-08B10	64741-08B10	64741-08B10	64741-08B10	64741-08B10	64741-08B10	64741-08B10	64741-08B10	SPACER, REAR AXLE R	1		
31	64712-36A00	64712-36A00	64712-36A00	64712-36A00	64712-36A00	64712-36A00	64712-36A00	64712-36A00	WASHER,CHINE ADJUSTER R	1		
32	08322-11148	08322-11148	08322-11148	08322-11148	08322-11148	08322-11148	08322-11148	08322-11148	WASHER,REAR AXLE NUT	1	NOT SALE	
33	09159H14008	09159H14008	09159H14008	09159H14008	09159H14008	09159H14008	09159H14008	09159H14008	NUT,REAR AXLE	1		

FIG.48



# FIG 48. FRAME HEAD COVER

REF PARTS NUMBER.									PARTS NAME	Q'TY	REMARKS	REC.Q'TY (PCS)
NO.	DOMESTIC	GEU01	GG02	JEN01	JF01	NAM	CLS	FG01				
1	47511H93B30	47511H93B30	47511H93B30	47511H93B30	47511H93B30	47511H93B30	47511H93B30	47511H93B30	COVER FRAME HEAD R	1		
2	47521H93B30	47521H93B30	47521H93B30	47521H93B30	47521H93B30	47521H93B30	47521H93B30	47521H93B30	COVER FRAME HEAD L	1		
3	02142-06125	02142-06125	02142-06125	02142-06125	02142-06125	02142-06125	02142-06125	02142-06125	SCREW, FRAME HEAD COVER(M6*12)	2		