

PREFACE

1. This master price list of TE100 was newly prepared and the prices herein will be effective on orders received by us and after Jun. 16, 2003.
Any price list of TE100 issued previously is no longer valid.
2. This master price list is based on US\$ and EUR, and the prices are per a piece, not per sales unit.
3. Prices and sales unit in this master price list may be changed without prior notice.

HYOSUNG MOTORS & MACHINERY INC.

REFERENCE

1. Table of specification classified by special country code(registered in Jun.16,2003)

1) DOMESTIC : KOREA

2) ST01 : DENMARK, FRANCE, PORTUGAL, SWEDEN, UK, AUSTRALIA, MALTA
FINLAND, SOUTH AFRICA, SAUDI ARABIA

3) NNE01 : NEW ZEALAND

2. Special demand

When you order plastic covers including Fuel tank, please add color code to the end of parts number and it will be helpful to register your parts order.

※ Color code : CRB(RED + BLUE)

HYOSUNG MOTORS & MACHINERY INC.

FIG 1

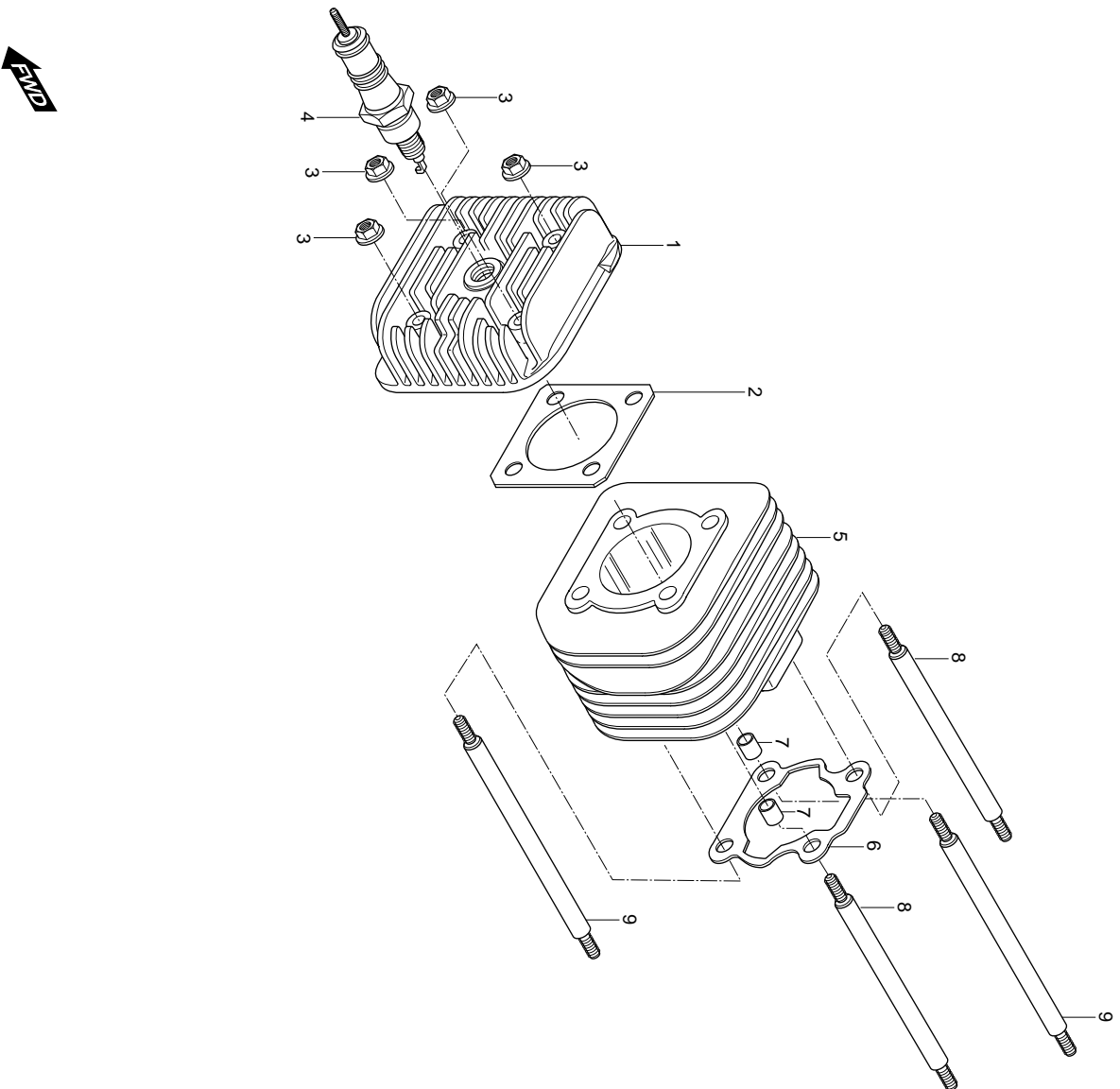


FIG 1. CYLINDER

REF.	PARTS NO.		DESCRIPTION	USAGE	REMARKS	REC.Q'TY
NO. DOMESTIC	NNE01	ST01		(PCS)		(PCS)
1	11111HE7101	11111HE7101	11111HE7101	CYLINDER COMP HEAD	1	2
2	11141-04C00	11141-04C00	11141-04C00	GASKET,cylinder head	1	10
3	08316-16088	08316-16088	08316-16088	NUT,cylinder head(M8)	4	
4	09482-00255	09482-01255	09482-01255	PLUG,spark(W22FPR)	1	25
5	11210HE7100PCY	11210HE7100PCY	11210HE7100PCY	CYLINDER COMP	1	
6	11241HE7102	11241HE7102	11241HE7102	GASKET,cylinder	1	10
7	04213-11129	04213-11129	04213-11129	PIN,cylinder knock	2	
8	09108-08056	09108-08056	09108-08056	STUD BOLT,cylinder	2	
9	09108-08216	09108-08216	09108-08216	STUD BOLT,cylinder	2	

FIG 2

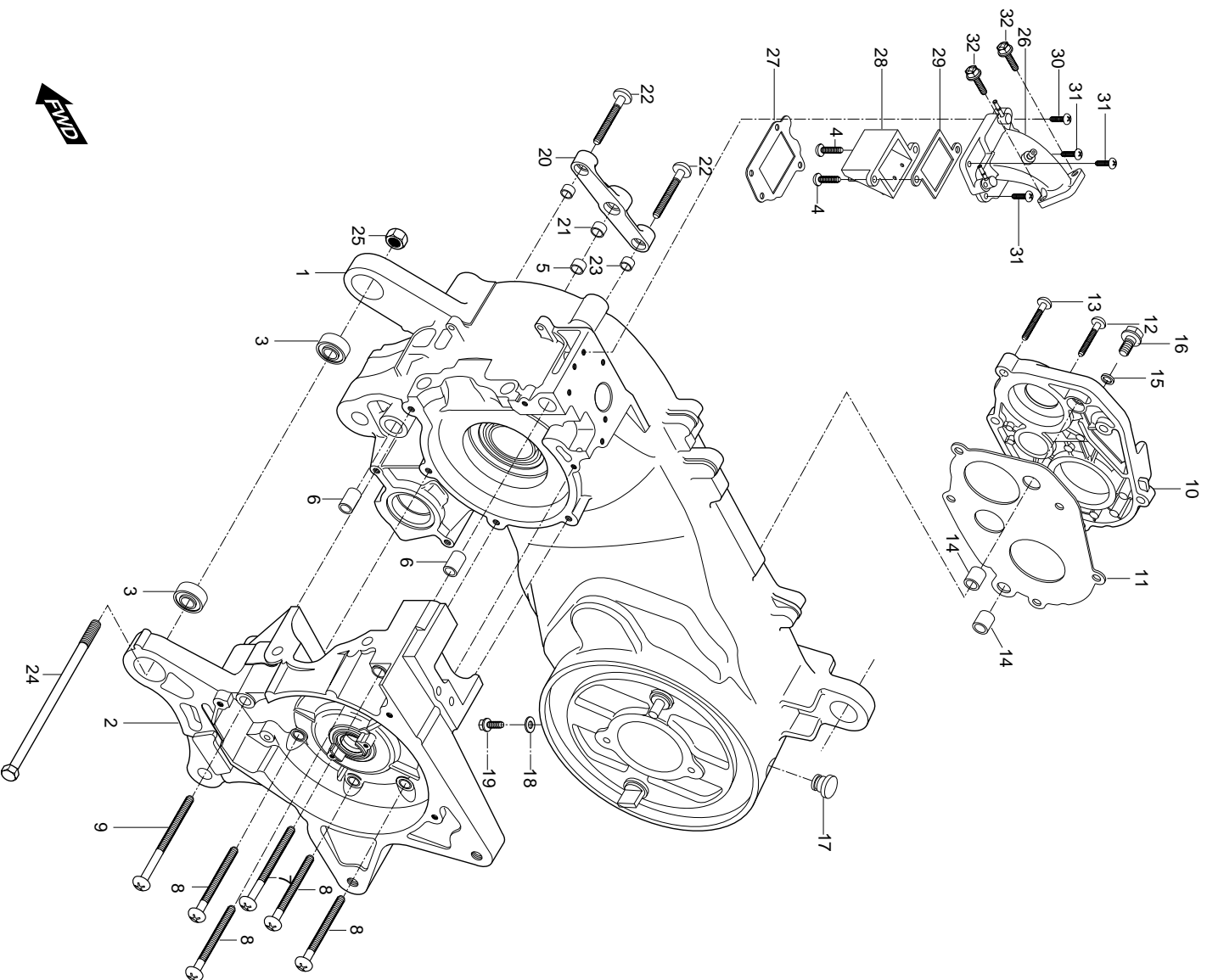


FIG 2. CRANK CASE

REF.	PARTS NO.			DESCRIPTION	USAGE	REMARKS	REC.Q'TY
NO.	DOMESTIC	NNE01	ST01		(PCS)		(PCS)
0	11300SL4100HPA	11300SL4100HPA	11300SL4100HPA	CASE SET,crank	1		
1	11311HL4103PCC	11311HL4103PCC	11311HL4103PCC	CASE,crank RH	1	~ KM4AE12A341104320	
1~1	11311HE7109PCC	11311HE7109PCC	11311HE7109PCC	CASE,crank RH	1	KM4AE12A341104321 ~	
2	11321HE7103PCC	11321HE7103PCC	11321HE7103PCC	CASE,crank LH	1		1
3	09319-12036	09319-12036	09319-12036	BUSH,engine mounting	2		
4	09138-04003	09138-04003	09138-04003	SCREW,rear valve ass'y	2		
5	09300-08016	09300-08016	09300-08016	BUSH,starter idle shaft		NOT SALE	
6	04213-11169	04213-11169	04213-11169	PIN,clutch cover	2		
7	02112-06758	02112-06758	02112-06758	SCREW,crank case(M6*75)	1		
8	02112-06508	02112-06508	02112-06508	SCREW,crank case(M6*50)	4		5
9	02112-06858	02112-06858	02112-06858	SCREW,crank case(M6*85)	1		
10	11431HL4100PCR	11431HL4100PCR	11431HL4100PCR	COVER,gear box	1	~ KM4AE12A341104320	1
10~1	11431HE7100PCR	11431HE7100PCR	11431HE7100PCR	COVER,gear box	1	KM4AE12A341104321 ~	
11	11484HE7102	11484HE7102	11484HE7102	GASKET,gear box cover	1	~ KM4AE12A341104320	3
11~1	11484HP4302	11484HP4302	11484HP4302	GASKET,gear box cover	1	KM4AE12A341104321 ~	3
12	01547-06258	01547-06258	01547-06258	SCREW,gear box cover(M6*25)	5		
13	01547-06308	01547-06308	01547-06308	SCREW,gear box cover(M6*30)	1		
14	04213-11169	04213-11169	04213-11169	PIN,clutch cover	2		
15	09168-08008	09168-08008	09168-08008	GASKET,oil level(NA)	1		2
16	01514-08128	01514-08128	01514-08128	BOLT,oil level	1		2
17	09250H11005	09250H11005	09250H11005	PLUG,oil filler	1		2
18	09168H10003	09168H10003	09168H10003	GASKET,oil drain bolt	1		2
19	09247-100A8	09247-100A8	09247-100A8	PLUG,oil drain	1		2
20	11382-37B01	11382-37B01	11382-37B01	CAP,starter idle gear	1		
21	09300-08016	09300-08016	09300-08016	BUSH,starter idle shaft		NOT SALE	
22	02112-06308	02112-06308	02112-06308	SCREW,starter idle gear cap(M6	2		
23	04213-09109	04213-09109	04213-09109	PIN,starter idle gear cap	2		
24	09100-12028	09100-12028	09100-12028	BOLT,engine mounting(M12*18	1		
25	08319-31126	08319-31126	08319-31126	NUT,engine mounting(M12)	1		

FIG 2

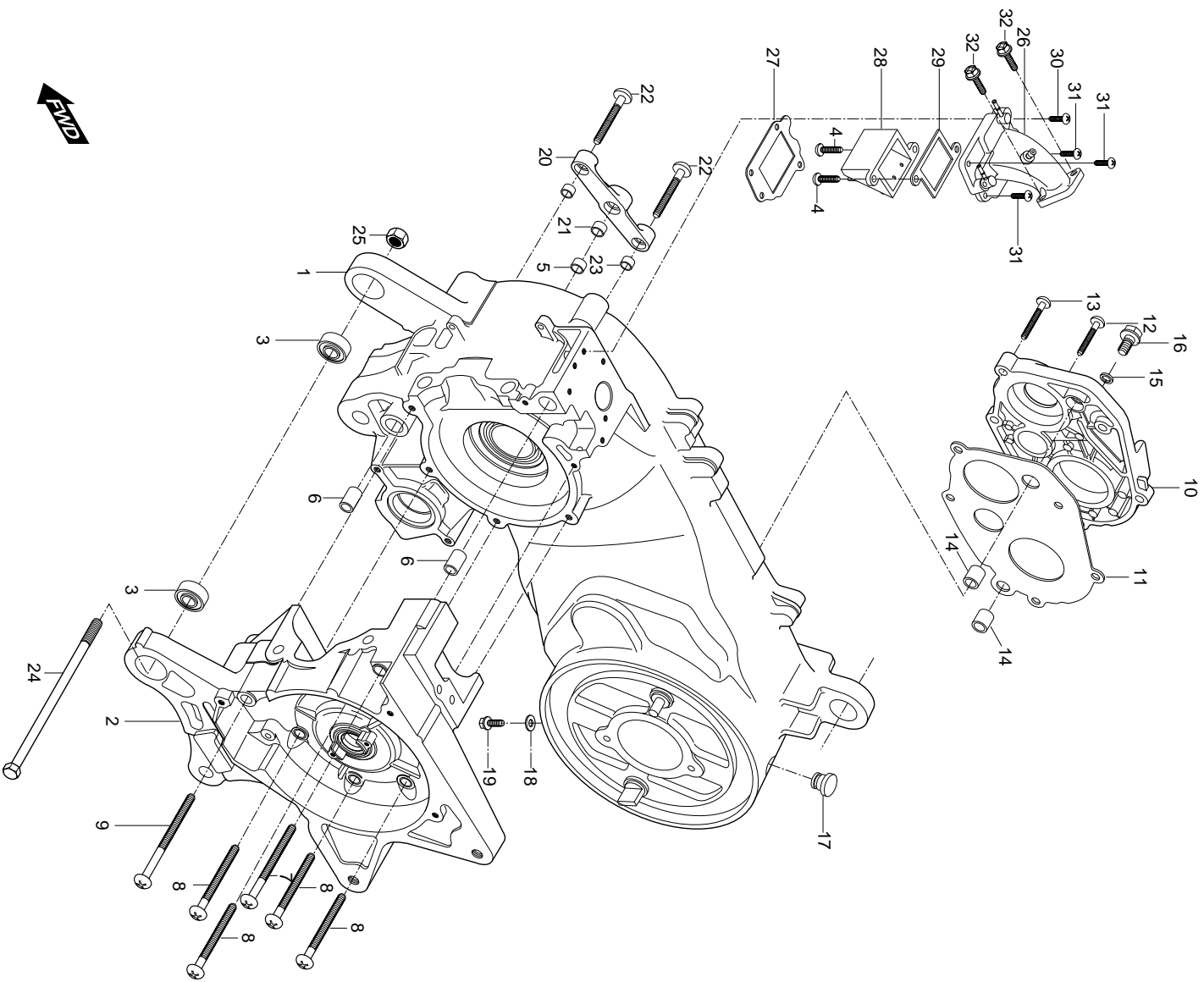


FIG 2. CRANK CASE

REF. NO.	DOMESTIC	PARTS NO.		DESCRIPTION	USAGE (PCS)	REMARKS	REC.Q'TY (PCS)
		NNE01	ST01				
26	13110HL4100	13110HL4100	13110HL4100	PIPE COMP,intake	1		2
27	13125HE7101	13125HE7101	13125HE7101	GASKET,intake pipe	1		5
28	13150HE7100	13150HE7100	13150HE7100	VALVE ASS'Y, reed	1		5
29	13126HE7102	13126HE7102	13126HE7102	GASKET,reed valve	1		5
30	02112-36256	02112-36256	02112-36256	SCREW,intake pipe front L(M6*	1		
31	02112-36206	02112-36206	02112-36206	SCREW,intake pipe(M6*20)	3		12
32	09137H06021	09137H06021	09137H06021	SCREW,carburetor	2		

FIG 3

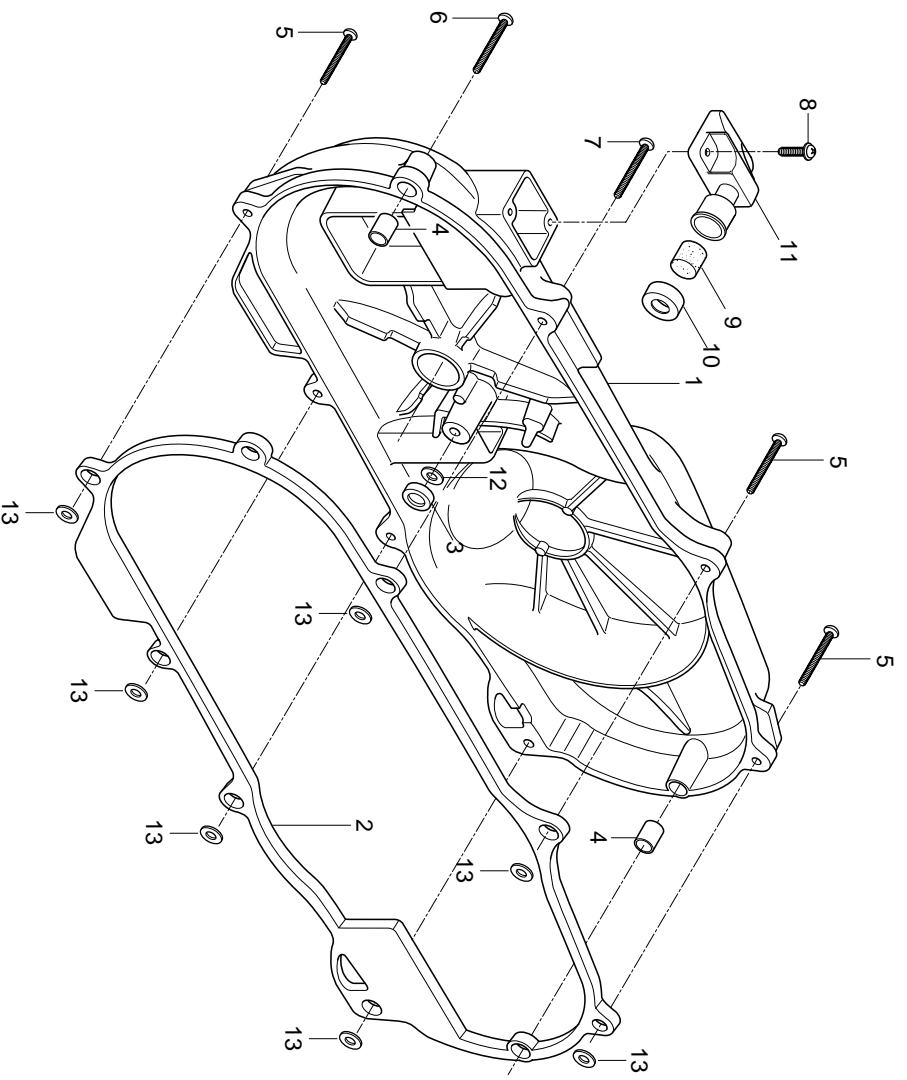


FIG 3. CLUTCH COVER

REF. NO.	PARTS NO.		DESCRIPTION	USAGE (PCS)	REMARKS	REC.Q'TY (PCS)
	DOMESTIC	NNE01				
1	11341HL4100999	11341HL4100999	11341HL4100999	COVER,clutch		1
2	11480HE7102	11480HE7102	11480HE7102	GASKET COMP,clutch cover		
3	11490HE7102	11490HE7102	11490HE7102	GASKET COMP,crank case R c		
4	04213-11169	04213-11169	04213-11169	PIN,clutch cover		
5	02112-06255	02112-06255	02112-06255	SCREW,clutch cover(M6*25)		6
6	02112-06455	02112-06455	02112-06455	SCREW,clutch cover(M6*45)		
7	02112-06605	02112-06605	02112-06605	SCREW,clutch cover(M6*60)		5
8	02142-06125	02142-06125	02142-06125	SCREW,crankcase cleaner(M6*1		
9	17213HE7110	17213HE7110	17213HE7110	FILTER,crankcase cleaner case		
10	17212HE7110	17212HE7110	17212HE7110	CAP,crankcase cleaner case		
11	17200HL4100	17200HL4100	17200HL4100	CASE,crankcase cleaner		
12	09180H12001	09180H12001	09180H12001	SPACER,clutch cover gasket No.2	NOT SALE	
13	09180H07001	09180H07001	09180H07001	SPACER,clutch cover gasket No.1	NOT SALE	

FIG 4

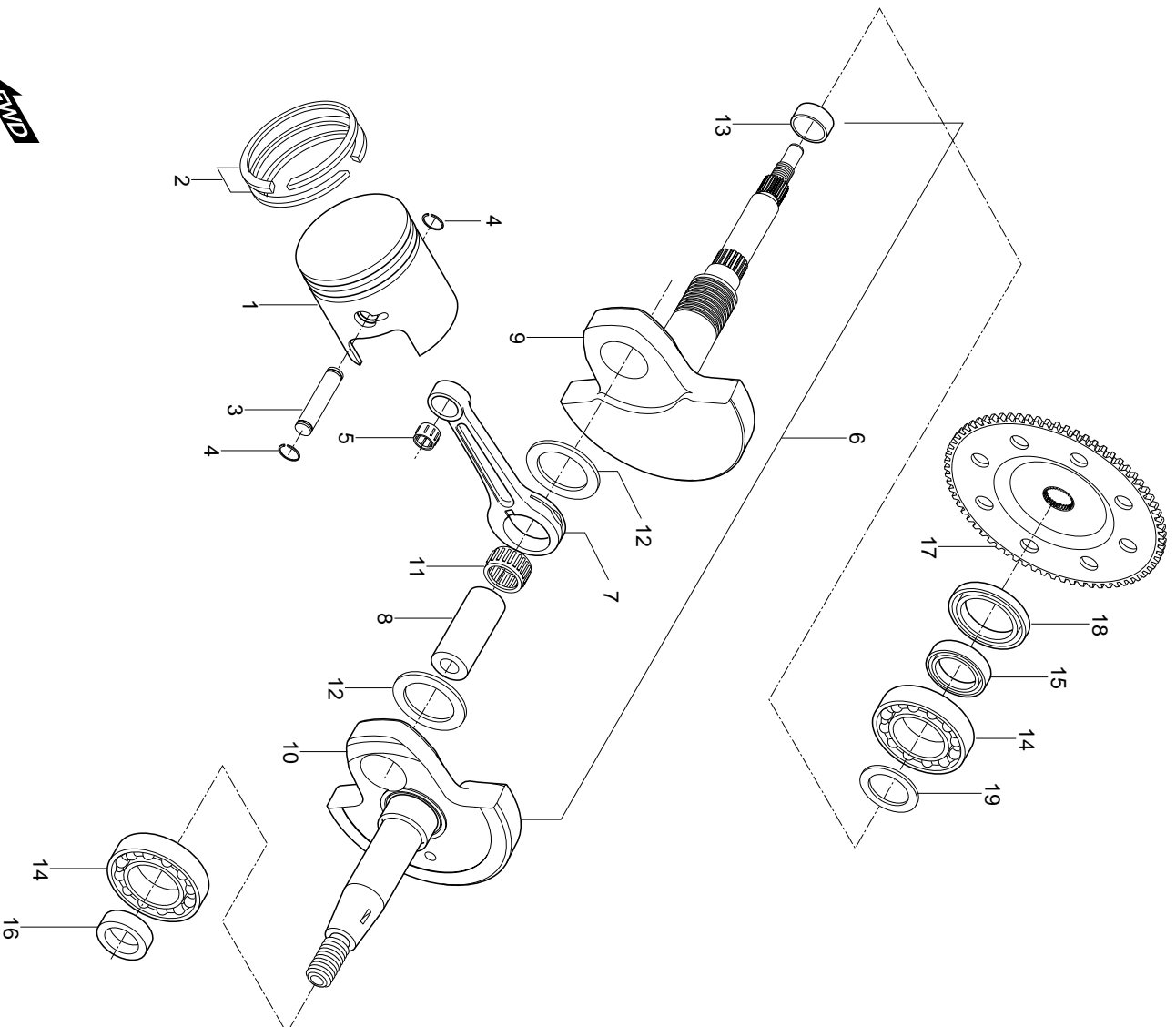


FIG 4. CRANK SHAFT

REF. NO.	PARTS NO.			DESCRIPTION	USAGE (PCS)	REMARKS	REC.Q'TY (PCS)
	DOMESTIC	NNE01	ST01				
1	12111-41D00PSA	12111-41D00PSA	12111-41D00PSA	PISTON,comp	1		3
2	12140-35511	12140-35511	12140-35511	RING SET,piston		NOT SALE	
2-1	12141-35510	12141-35510	12141-35510	RING,piston	2		15
3	12151-35500	12151-35500	12151-35500	PIN,piston	1		5
4	09381-12001	09381-12001	09381-12001	CIRCLIP	2		10
5	09263H12004	09263H12004	09263H12004	BEARING,piston pin	1		
6	12200SE7100HPA	12200SE7100HPA	12200SE7100HPA	CRANKSHAFT,assy	1		
7	12161HE7100	12161HE7100	12161HE7100	CONNROD	1		3
8	12211HE7100	12211HE7100	12211HE7100	PIN,crank	1		2
9	12221HE7100CSA	12221HE7100CSA	12221HE7100CSA	CRANKSHAFT,R	1		
10	12261HE7100CSA	12261HE7100CSA	12261HE7100CSA	CRANKSHAFT,L	1		
11	09263H20002	09263H20002	09263H20002	BEARING,crank pin	1		
12	09160-20010	09160-20010	09160-20010	THRUST WASHER	2		
13	09180-18011	09180-18011	09180-18011	SPACER	1		
14	09262H250A2	09262H250A2	09262H250A2	BEARING,crankshaft	2		4
15	09283-25083	09283-25083	09283-25083	OIL SEAL,crankshaft R	1		
16	09283-17017	09283-17017	09283-17017	OIL SEAL,crankshaft L	1		
17	12622HE7101	12622HE7101	12622HE7101	GEAR,starter	1		
18	09284-24001	09284-24001	09284-24001	OIL SEAL	1		
19	09181-15057	09181-25057	09181-25057	SHIM,crankshaft R	1		

FIG 5

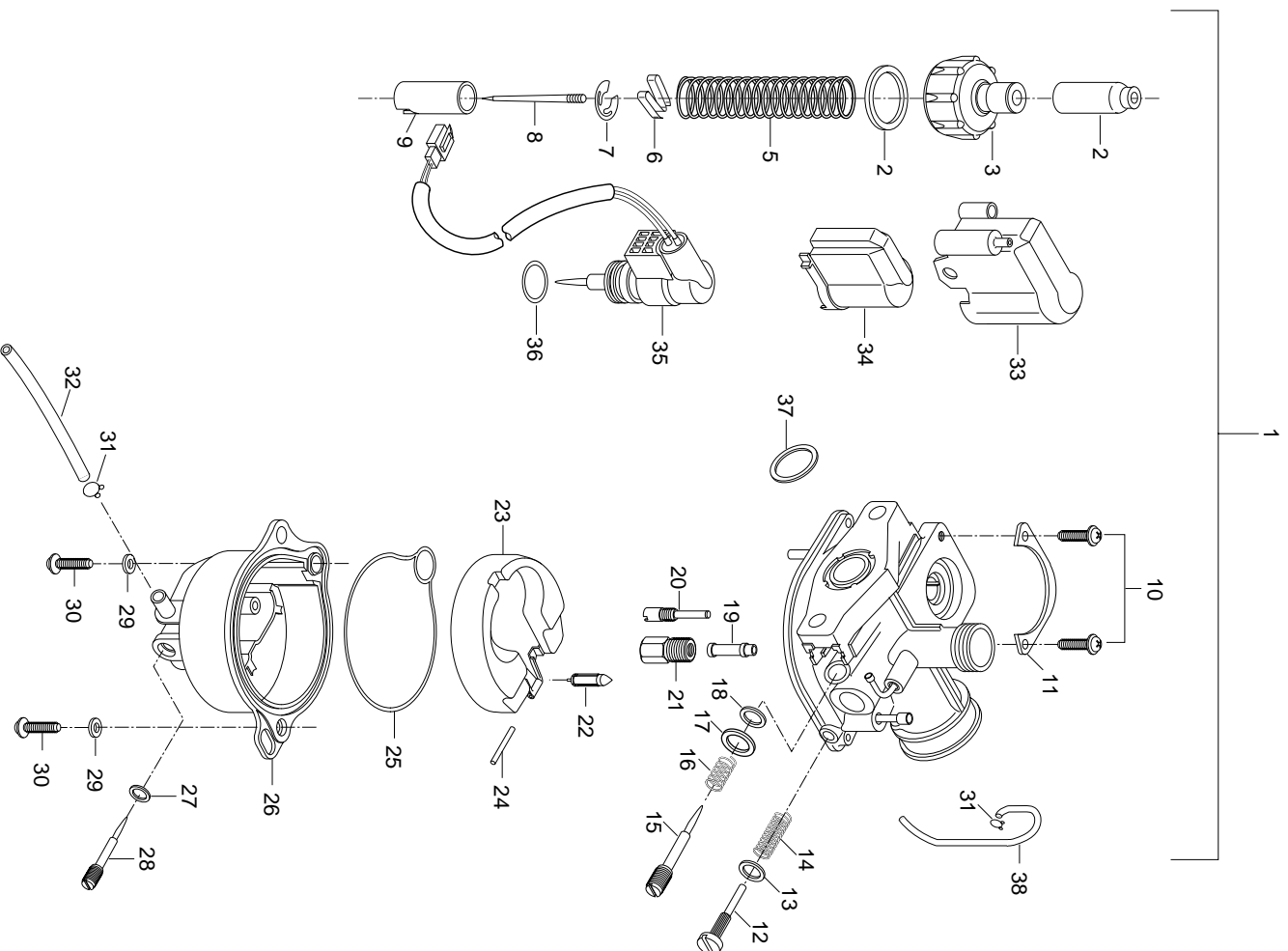


FIG 5. CARBURETOR

REF. NO.	PARTS NO.		DESCRIPTION	USAGE (PCS)	REMARKS	REC.Q'TY (PCS)
	DOMESTIC	NNE01				
1	13200HN4700	13200HN4700	13200HN4700	CARBURETOR ASS'Y	1	1
2	13681HE7100	13681HE7100	13681HE7100	CAP,carburetor top	1	
3	13261HE7100	13261HE7100	13261HE7100	COVER,top	1	
4	13249HE7100	13249HE7100	13249HE7100	GASKET,top cover	1	
5	13573HE7100	13573HE7100	13573HE7100	SPRING,throttle valve	1	
6	13581HE7100	13581HE7100	13581HE7100	CLIP	1	
7	13533HE7100	13533HE7100	13533HE7100	E-RING,throttle valve	1	
8	13383HE7100	13383HE7100	13383HE7100	NEEDLE,jet	1	
9	13551HE7100	13551HE7100	13551HE7100	VALVE,throttle	1	
10	13601HE7100	13601HE7100	13601HE7100	SCREW	2	
11	13610HE7100	13610HE7100	13610HE7100	RETAINER	1	
12	13267HE7100	13267HE7100	13267HE7100	SCREW,throttle stop	1	
13	13266HE7100	13266HE7100	13266HE7100	WASHER	1	
14	13265HE7100	13265HE7100	13265HE7100	SPRING	1	
15	13269HE7100	13269HE7100	13269HE7100	SCREW,pilot air	1	
16	13268HE7100	13268HE7100	13268HE7100	SPRING	1	
17	13606HE7100	13606HE7100	13606HE7100	WASHER	1	
18	13295HE7100	13295HE7100	13295HE7100	O-RING	1	
19	09494HE7100	09494HE7100	09494HE7100	JET,needle	1	
20	09492HE7100	09492HE7100	09492HE7100	JET,pilot	1	
21	09491HE7100	09491HE7100	09491HE7100	JET,main	1	
22	13370HE7100	13370HE7100	13370HE7100	VALVE,needle	1	
23	13250HE7100	13250HE7100	13250HE7100	FLOAT	1	
24	13254HE7100	13254HE7100	13254HE7100	PIN,float	1	
25	13258HE7100	13258HE7100	13258HE7100	GASKET	1	
26	13245HE7100	13245HE7100	13245HE7100	BODY.float	1	
27	13278HE7100	13278HE7100	13278HE7100	O-RING,drain screw	1	
28	13247HE7100	13247HE7100	13247HE7100	SCREW,drain	1	

FIG 5

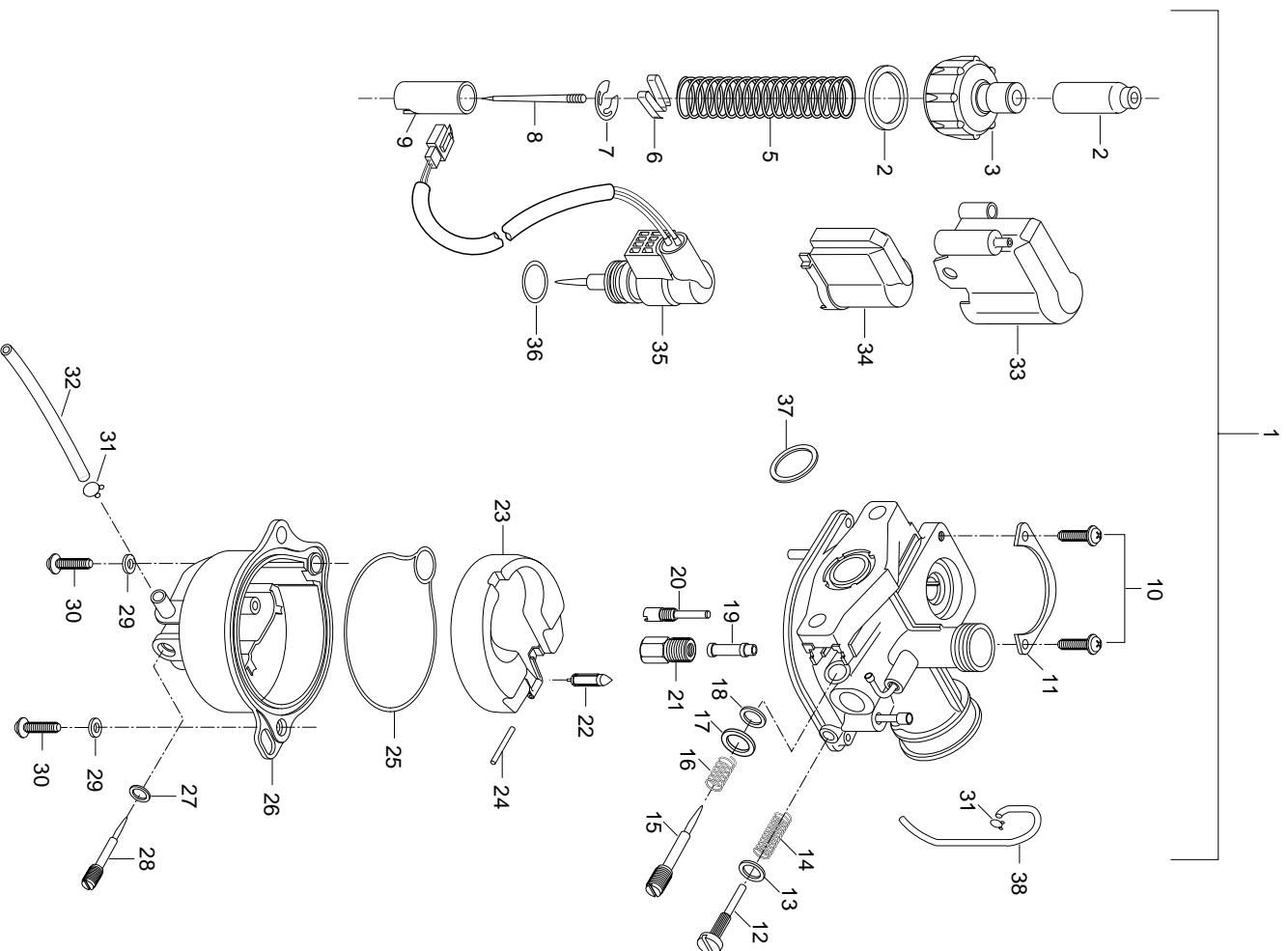


FIG 5. CARBURETOR

REF.	PARTS NO.		DESCRIPTION	USAGE	REMARKS	REC.Q'TY
NO. DOMESTIC	NNE01	ST01		(PCS)		(PCS)
29	08321HE7100	08321HE7100	08321HE7100	WASHER		2
30	02112-04148	02112-04148	02112-04148	SCREW(M4*14)		2
31	09401-08401	09401-08401	09401-08401	CLIP		2
32	13683HE7100	13683HE7100	13683HE7100	HOSE		1
33	13630HE7100	13630HE7100	13630HE7100	CAP,holder outer		1
34	13640HE7100	13640HE7100	13640HE7100	CAP,holder inner		1
35	13430HE7100	13430HE7100	13430HE7100	ELEMENT ASSY,thermo		1
36	13650HE7100	13650HE7100	13650HE7100	O-RING,element		1
37	13277HE7100	13277HE7100	13277HE7100	O-RING		1
38	13684HE7100	13684HE7100	13684HE7100	HOSE,air vent		1

FIG 6

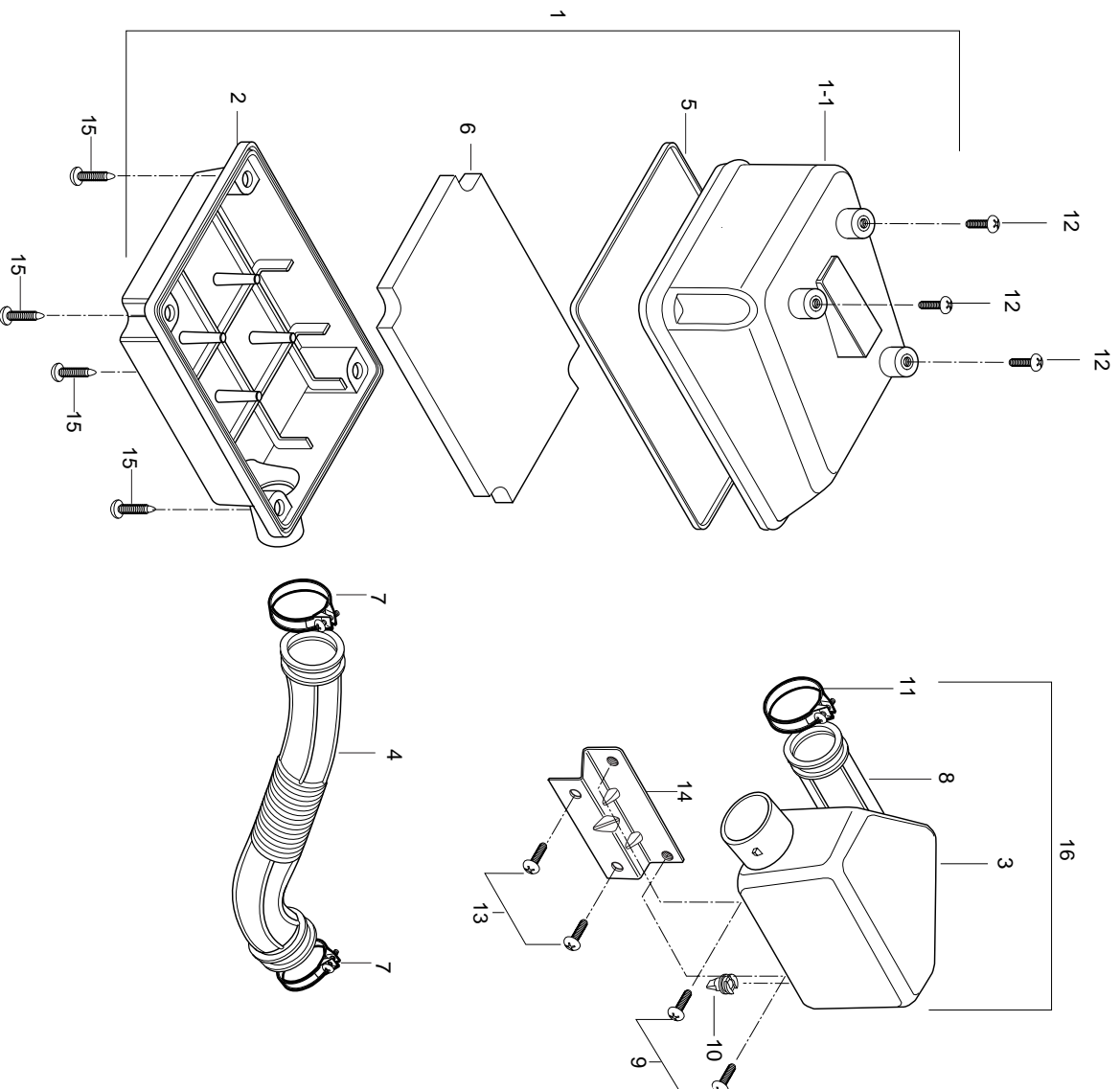


FIG 6. AIR CLEANER

REF. NO.	PARTS NO.		DESCRIPTION	USAGE (PCS)	REMARKS	REC.Q'TY (PCS)
	DOMESTIC	NNE01				
1	13700HK3104	13700HK3104	13700HK3104	CLEANER,assy air	1	3
1-1	13721HK3103	13721HK3103	13721HK3103	CASE,air cleaner	1	
2	13740HK3101	13740HK3101	13740HK3101	CAP,air cleaner	1	
3	13821HK3102	13821HK3102	13821HK3102	CHAMBER,air cleaner	1	
4	13831HK3101	13831HK3101	13831HK3101	TUBE, connecting	1	
5	13736HK3100	13736HK3100	13736HK3100	GASKET,air cleaner	1	
6	13781HK3100	13781HK3100	13781HK3100	FILTER,air cleaner	1	
7	09402-36207	09402-36207	09402-36207	CLAMP, tube connecting	2	
8	13881HK3100	13881HK3100	13881HK3100	TUBE, outlet	1	
9	02112-06168	02112-06168	02112-06168	SCREW,air cleaner chamber(M6	2	
10	13861HE7100	13861HE7100	13861HE7100	TUBE, drain	1	
11	09402-34207	09402-34207	09402-34207	CLAMP, outlet tube	1	
12	02112-16166	02112-16166	02112-16166	SCREW,air cleaner(M6*16)	3	
13	02142-05128	02142-05128	02142-05128	SCREW(M5*12)	2	
14	13830HL4100	13830HL4100	13830HL4100	BRACKET,air cleaner chamber		NOT SALE
15	03142-05169	03142-05169	03142-05169	SCREW(M5*16)	4	
16	13820HL4100	13820HL4100	13820HL4100	CHAMBER,assy air cleaner	1	

FIG 7

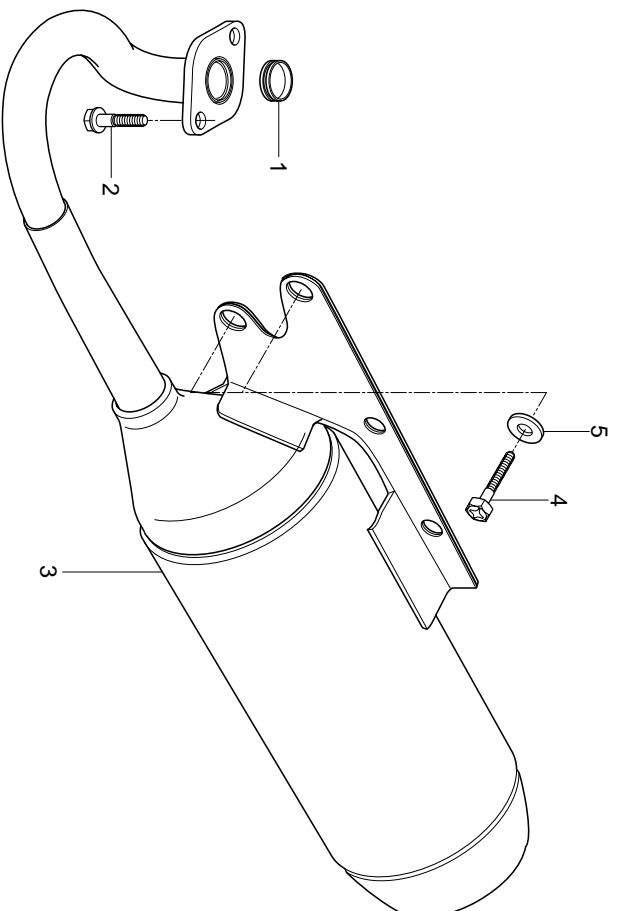


FIG 7. MUFFLER

REF.	PARTS NO.		DESCRIPTION	USAGE	REMARKS	REC.Q'TY
NO. DOMESTIC	NNE01	ST01		(PCS)		(PCS)
1	14181-41D00	14181-41D00	14181-41D00	GASKET,exhaust pipe(NA)	1	
2	01177-08268	01177-08268	01177-08268	BOLT,muffler support bracket(N	2	
3	14310HL4101PAM	14310HL4101PAM	14310HL4101PAM	BODY COMP,muffler	1	2
4	09128-08001	09128-08001	09128-08001	BOLT,exhaust pipe	2	
5	08321-31088	08321-31088	08321-31088	SPRING WASHER,exhaust	2	

FIG 8

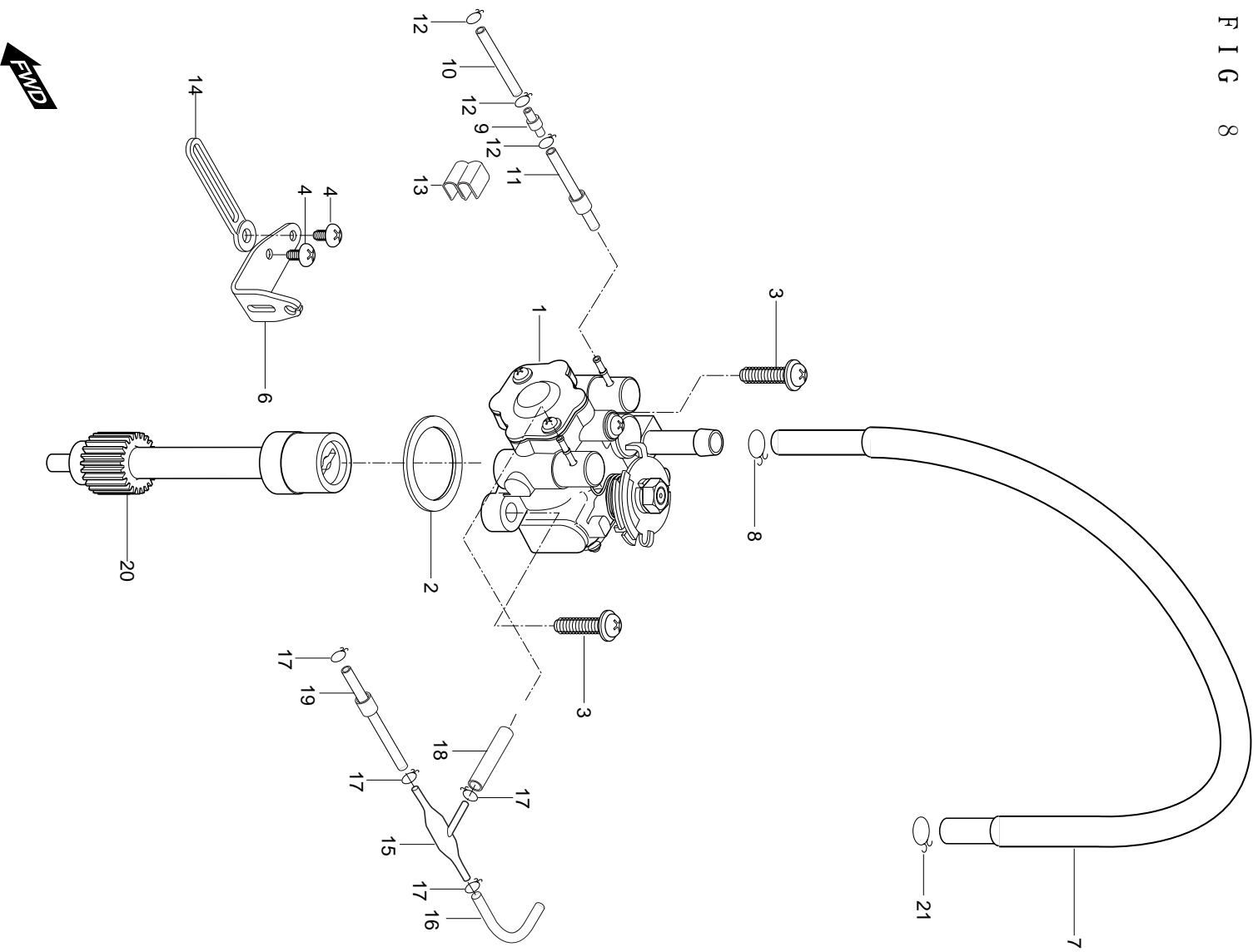


FIG 8. OIL PUMP

REF. NO.	PARTS NO.		DESCRIPTION	USAGE (PCS)	REMARKS	REC.Q'TY (PCS)
	DOMESTIC	NNE01				
1	16000-41D06	16000-41D06	16000-41D06	PUMP,assy oil	1	4
2	09280H20002	09280H20002	09280H20002	O-RING,oil pump	1	
3	02112-35168	02112-35168	02112-35168	SCREW,oil pump(M5*16)	2	10
4	02112-06128	02112-06128	02112-06128	SCREW,oil pump cable bracket(2	
6	16631HE7101	16631HE7101	16631HE7101	BRACKET,oil pump cable adjus	1	
7	16821HK3100	16821HK3100	16821HK3100	HOSE,oil No.1	1	
8	09401-10401	09401-10401	09401-10401	CLIP	2	
9	16910-09C00	16910-09C00	16910-09C00	VALVE COMP	1	
10	16831HE7102200	16831HE7102200	16831HE7102200	HOSE,oil No.2(L=200)	1	
11	16831H11200	16831H11200	16831H11200	HOSE,oil No.2(L=170)	1	
12	09401-04401	09401-04401	09401-04401	CLIP	2	
13	09408-00066	09408-00066	09408-00066	CLAMP,oil hose No.2	1	
14	09404-06401	09404-06401	09404-06401	CLAMP	1	
15	09352-20503025	09352-20503025	09352-20503025	HOSE,oil(L=25)	1	
16	09352-50823360	09352-50823360	09352-50823360	HOSE,oil	1	
17	09401-04401	09401-04401	09401-04401	CLIP,oil hose No.2	4	
18	09352-20503080	09352-20503080	09352-20503080	HOSE,oil(L=80)	1	
19	16831H11200	16831H11200	16831H11200	HOSE,oil No.2(L=170)	1	
20	16331-37B00	16331-37B00	16331-37B00	GEAR,oil pump driven	1	
21	09401H11401	09401H11401	09401H11401	CLIP,oil hose No.1	1	

FIG 9

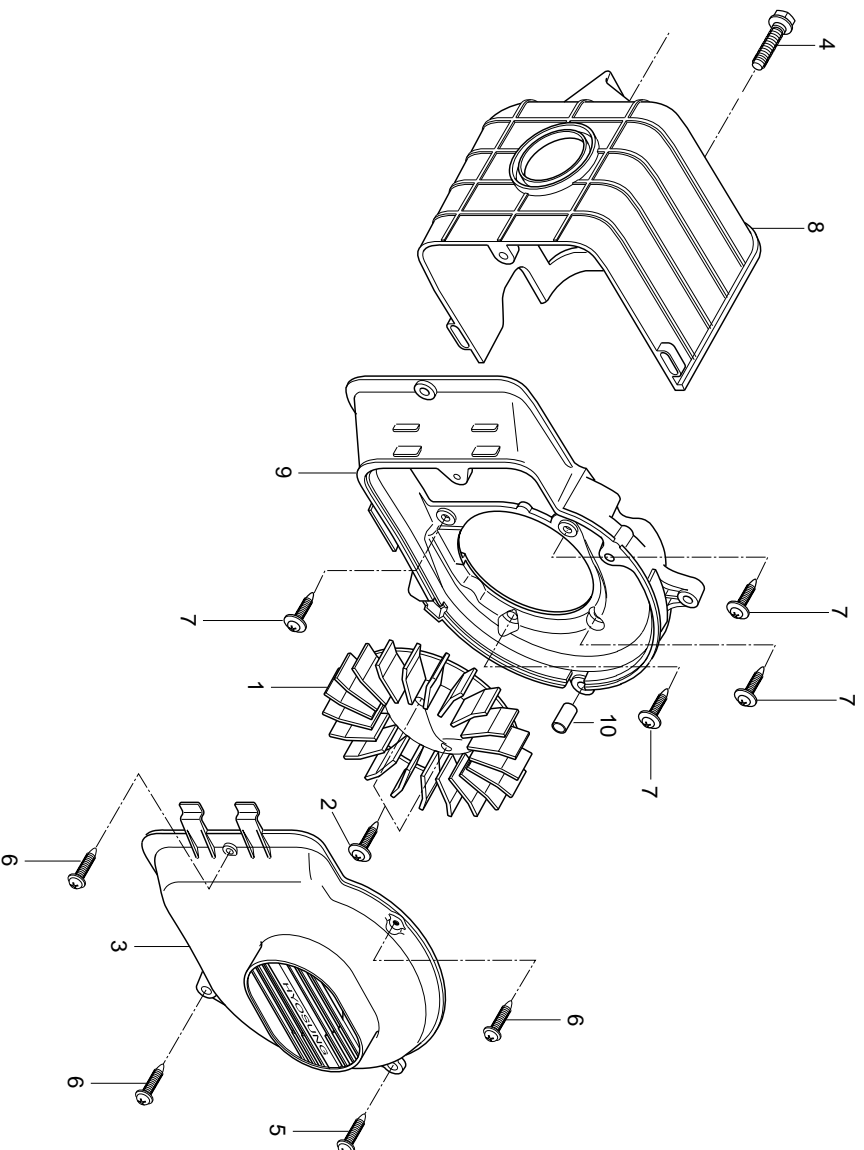


FIG 9. COOLING FAN

REF. NO.	DOMESTIC	PARTS NO.		DESCRIPTION	USAGE (PCS)	REMARKS	REC.Q'TY (PCS)
		NNE01	ST01				
1	17110-04C00	17110-04C00	17110-04C00	FAN COMP,cowling	1		1
2	02152-06128	02152-06128	02152-06128	SCREW,cooling fan(M6*12)	2		8
3	17131HE7100	17131HE7100	17131HE7100	COWLING,fan	1		2
4	02112-96168	02112-96168	02112-96168	SCREW,cylinder cowling(M6*2	1		
5	03141-06305	03141-06305	03141-06305	SCREW,cowling fan(M6*30)	1		
6	03151-06208	03151-06208	03151-06208	SCREW,cowling fan(M6*20)	3		4
7	02112-06168	02112-06168	02112-06168	SCREW,fan case(M6*16)	4		
8	17120HE7104	17120HE7104	17120HE7104	COWLING COMP,cylinder	1		2
9	17140HL4100	17140HL4100	17140HL4100	CASE COMP,fan	1		2
10	17146HF1601	17146HF1601	17146HF1601	SPACER,fan case	1		

FIG 10

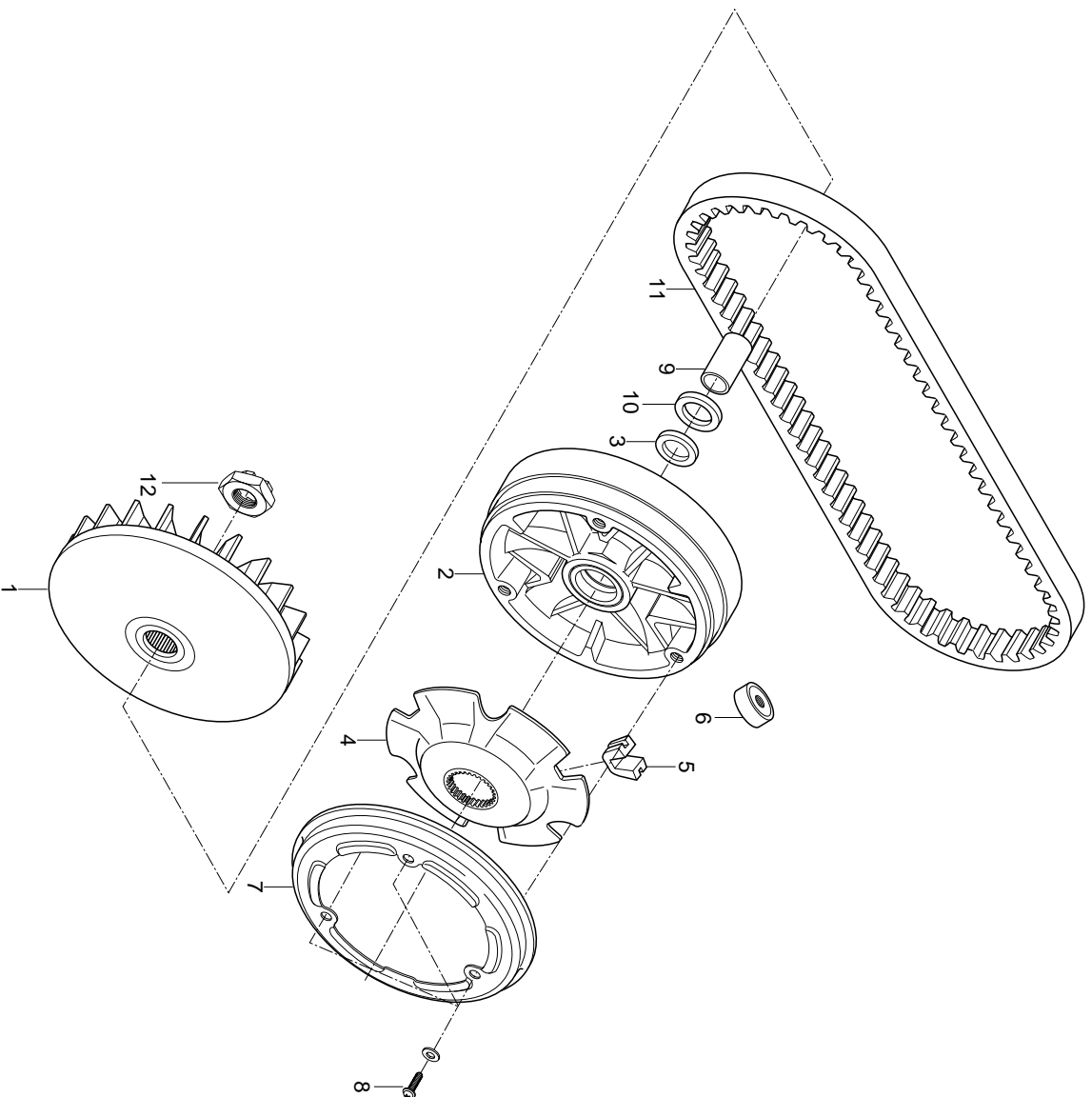


FIG 10. TRANSMISSION(1)

REF. NO.	PARTS NO.		DESCRIPTION	USAGE (PCS)	REMARKS	REC.Q'TY (PCS)
	DOMESTIC	NNE01				
1	21110HE7101	21110HE7101	21110HE7101	FACE, fixed drive	1	3
2	21120HE7100	21120HP5301	21120HP5301	FACE, movable drive	1	3
3	09284-22003	09284-22003	09284-22003	OIL SEAL, movable drive		NOT SALE
4	21431HE7100	21431HE7100	21431HE7100	PLATE, movable drive	1	
5	21481HE7100	21481HE7100	21481HE7100	DAMPER, movable drive	6	1
6	21650HF4500HPA	21650HF4500HPA	21650HF4500HPA	ROLLER COMP, movable drive	6	18
7	21122-37B01	21122-37B01	21122-37B01	COVER, movable drive		
8	02142-04088	02142-04088	02142-04088	SCREW, movable drive(M4*8)		
9	09180H16011	09180H16011	09180H16011	SPACER, movable drive	1	
10	09180H22017	09180H22017	09180H22017	SPACER, movable drive adjuster		NOT SALE
11	27601HE7100	27601HE7100	27601HE7100	V-BELT, drive	1	4
12	08316-26108	08316-26108	08316-26108	NUT, kick starter driven gear	1	

FIG 1 1

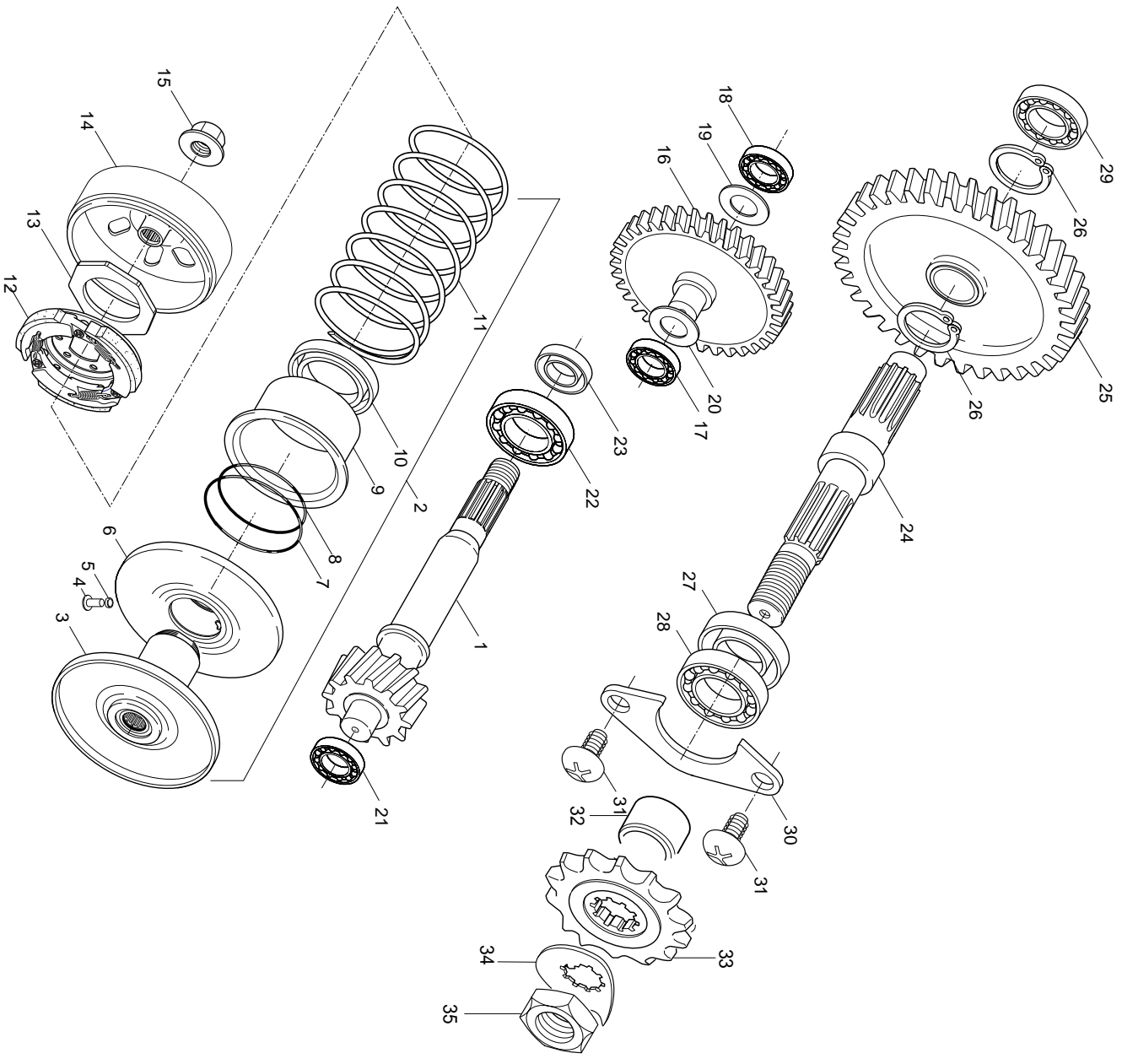


FIG 11. TRANSMISSION(2)

REF.	PARTS NO.		DESCRIPTION	USAGE	REMARKS	REC.Q'TY
NO.	DOMESTIC	NNE01	ST01	(PCS)		(PCS)
1	24131HE7102	24131HE7102	24131HE7102	SHAFT,drive(14T)	1 ~ KM4AE12A341104320	1
1~1	24131HE7103	24131HE7103	24131HE7103	SHAFT,drive(14T)	1 KM4AE12A341104321 ~	1
2	21091HL4100	21091HL4100	21091HL4100	PULLEY ASS'Y,driven	1	
3	21210HE7101	21210HE7101	21210HE7101	FACE,fixed driven	1	
4	09201H05002	09201H05002	09201H05002	PIN,movable driven	3	
5	09180H05002	09180H05002	09180H05002	SPACER	3	
6	21240HE7101	21240HE7101	21240HE7101	FACE,movable driven	1	
7	09280H38002	09280H38002	09280H38002	O-RING	1	
8	09280H36002	09280H36002	09280H36002	O-RING	1	
9	21471HE7100	21471HE7100	21471HE7100	SHEET,movable driven	1	
10	09284H34001	09284H34001	09284H34001	OIL SEAL	2	
11	09440H54002	09440H54002	09440H54002	SPRING, driven face	1	
12	21501HL4100	21501HL4100	21501HL4100	CLUTCH ASS'Y,,shoe(NA)	1	
13	09140H28004	09140H28004	09140H28004	NUT(M28)	1	
14	21220HE7102	21220HE7102	21220HE7102	HOUSING COMP,clutch	1	
15	08316-26108	08316-26108	08316-26108	NUT,cluch housing(M10)	1	
16	24151HL4102	24151HL4102	24151HL4102	SHAFT COMP,idle	1 ~ KM4AE12A341104320	
16~1	24151HE7102	24151HE7102	24151HE7102	SHAFT COMP,idle	1 KM4AE12A341104321 ~	
17	08113-62010	08113-62010	08113-62010	BEARING, idle shaft L	1	
18	09263H16002	09263H16002	09263H16002	BEARING,idle shaft R	1	
19	08211-12201	08211-12201	08211-12201	WASHER,idle shaft L	1	
20	08211-16301	08211-16301	08211-16301	WASHER,idle shaft R	1	
21	09262-15017	09262-15017	09262-15017	BEARING,drive shaft L	1	
22	09262H17001	09262H17001	09262H17001	BEARING,drive shaft R	1	
23	09283H17003	09283H17003	09283H17003	O-SEAL,drive shaft	1	
24	24141HE7100	24141HE7100	24141HE7100	SHAFT,rear axle	1 ~KM4AE12A851104346	1
24~1	24141HL4101	24141HL4101	24141HL4101	SHAFT,rear axle	1 KM4AE12A851104347 ~	
25	24371HL4100	24371HL4100	24371HL4100	GEAR,final driven	1 ~ KM4AE12A341104320	
25~1	24371HE7100	24371HE7100	24371HE7100	GEAR,final driven	1 KM4AE12A341104321 ~	

FIG 1 1

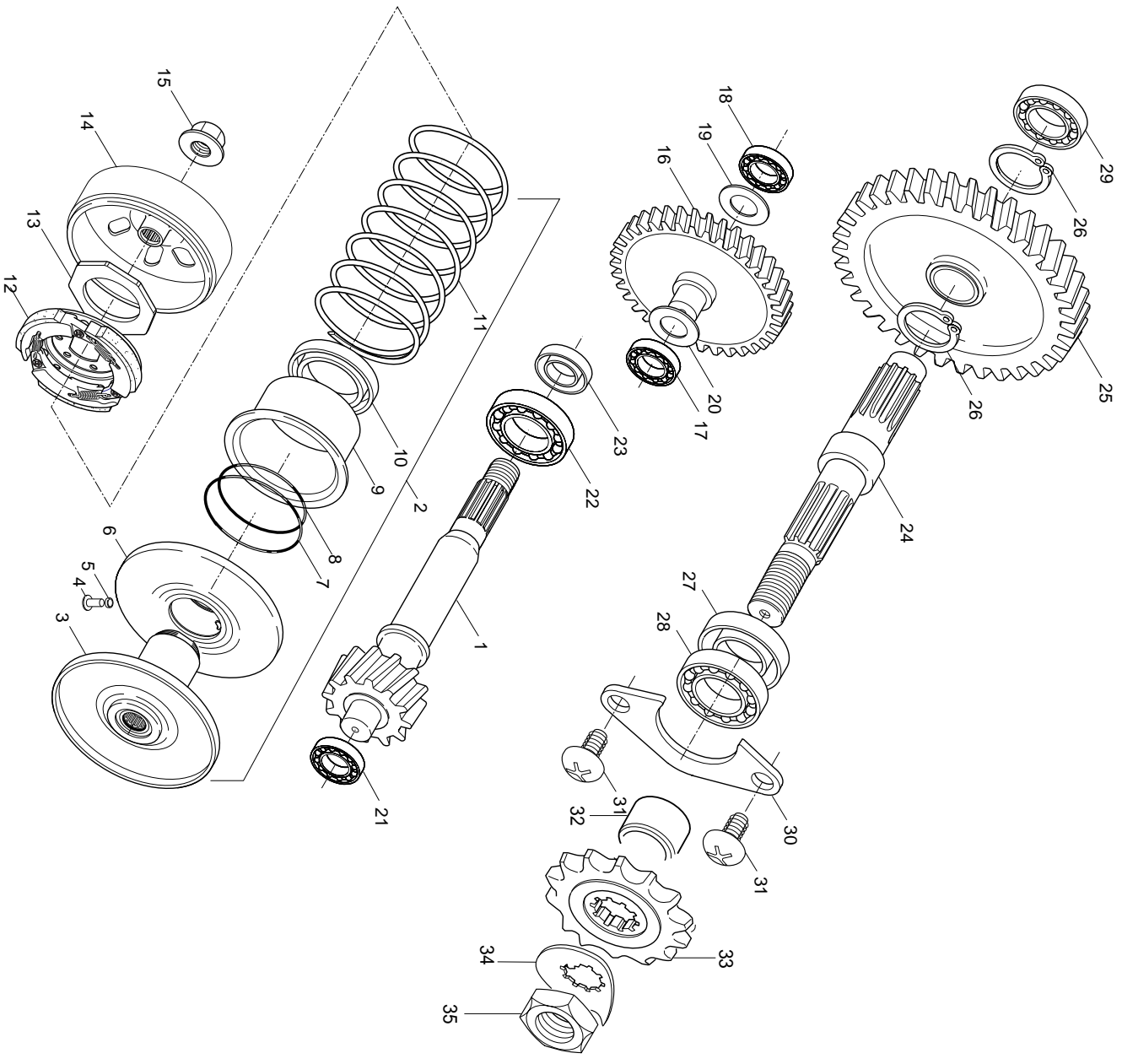


FIG 11. TRANSMISSION(2)

REF.	PARTS NO.		DESCRIPTION	USAGE	REMARKS	REC.Q'TY
NO. DOMESTIC	NNE01	ST01		(PCS)		(PCS)
26	08331-31229	08331-31229	08331-31229	CIRCLIP,final driven gear		2
27	09283-27010	09283-27010	09283-27010	O-SEAL, axle shaft L		1
28	08130-62047	08130-62047	08130-62047	BEARING,axle shaft L		1
29	08110-62030	08110-62030	08110-62030	BEARING,axle shaft R		1
30	24751H07900	24751H07900	24751H07900	RETAINER,axle bearing		1
31	02122-06168	02122-06168	02122-06168	SCREW,bearing fetainer(M6*16		2
32	27531HK3100	27531HK3100	27531HK3100	SPACER,rear axle shaft		1
33	27511HK3104	27511HK3104	27511HK3104	SPROCKET,engine(21T)	~ KM4AE12A341104320	1
33~1	27511HP4300	27511HP4300	27511HP4300	SPROCKET,engine(21T)	KM4AE12A341104321 ~	1
34	09167-20006	09167-20006	09167-20006	WASHER,engine sprocket knock		1
35	09140-16017	09140-16017	09140-16017	NUT,engine sprocket		1

FIG 1 2

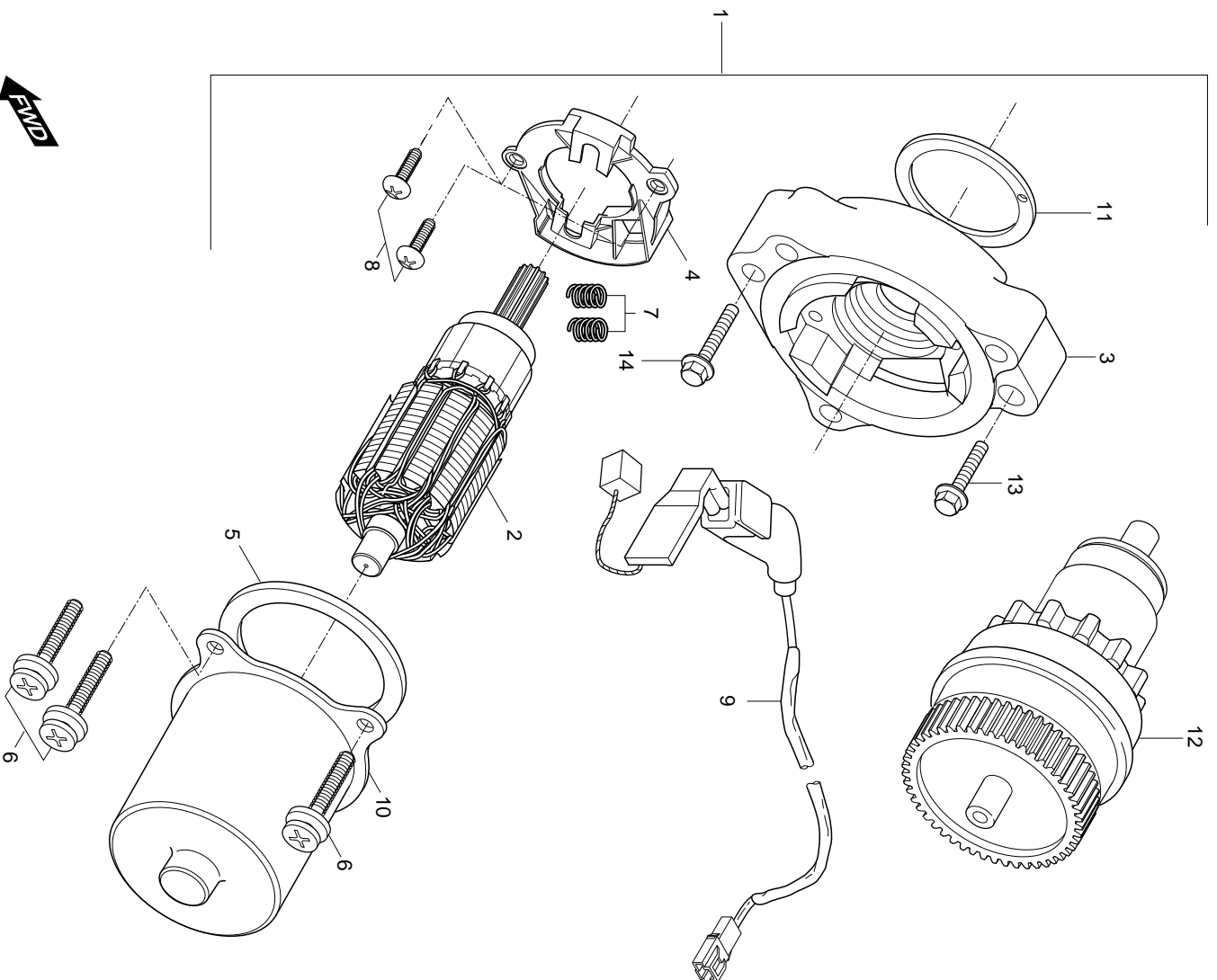


FIG 12. STARTING MOTOR

REF. NO.	PARTS NO.		DESCRIPTION	USAGE (PCS)	REMARKS	REC.Q'TY (PCS)
	DOMESTIC	NNE01				
1	31100HE7100	31100HE7100	31100HE7100	MOTOR ASS'Y,starting	1	4
2	31311-04C01	31311-04C01	31311-04C01	AMATEUR	1	
3	31130-04C00	31130-04C00	31130-04C00	HOLDER,ASS'Y brush	1	
4	31131-04C00	31131-04C00	31131-04C00	HOLDER,brush	1	
5	31157-02540	31157-02540	31157-02540	GASKET	1	
6	02112-35166	02112-35166	02112-35166	SCREW(M5*16)	3	
7	31135-05B00	31135-05B00	31135-05B00	SPRING,brush	2	
8	02112-06308	02112-06308	02112-06308	SCREW(M6*30)	2	5
9	31142-41A00	31142-41A00	31142-41A00	WIRE,lead	1	
10	31120-04C00	31120-04C00	31120-04C00	COVER,starting motor	1	
11	31156-05B00	31156-05B00	31156-05B00	O-RING	1	
12	31370HE7100	31370HE7100	31370HE7100	PINION ASS'Y,starting motor	1	5
13	02112-36308	02112-36308	02112-36308	SCREW,starting motor	1	
14	02112-36358	02112-36358	02112-36358	SCREW,starting motor	1	5

FIG 13

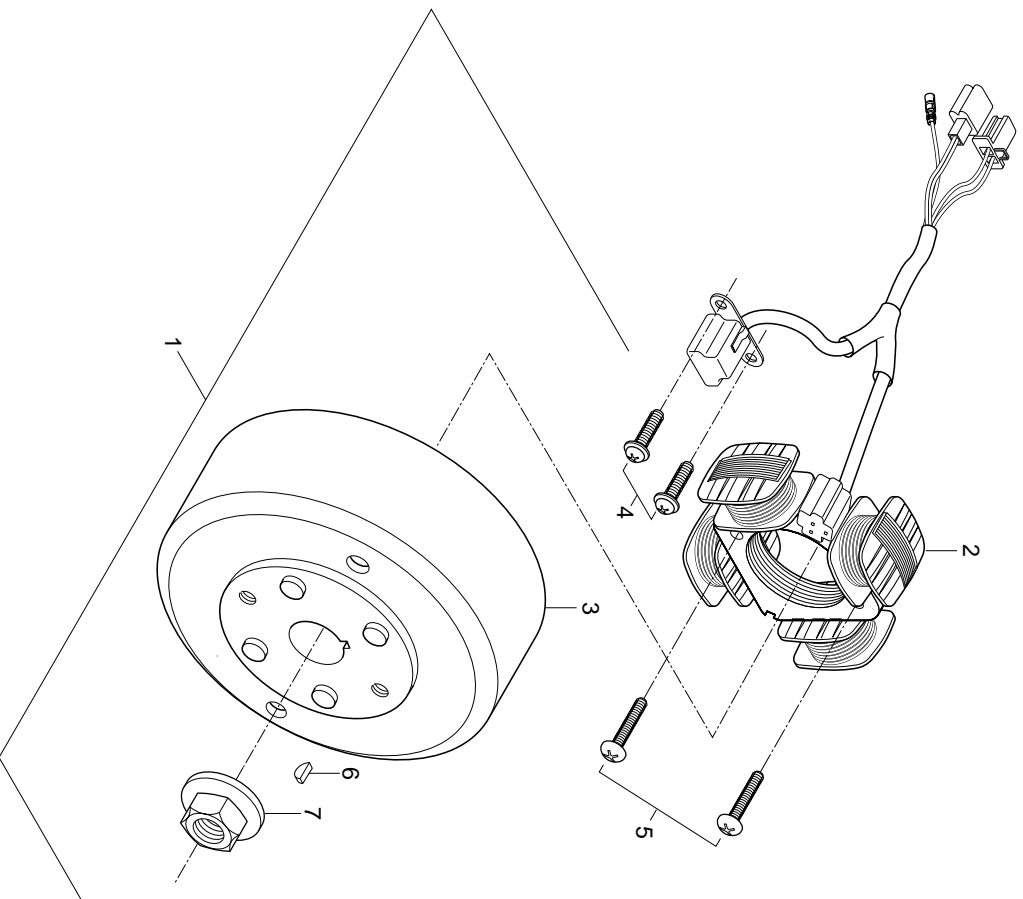


FIG 13. MAGNETO

REF.	PARTS NO.		DESCRIPTION	USAGE	REMARKS	REC.Q'TY
NO. DOMESTIC	NNE01	ST01		(PCS)		(PCS)
1	32100HE7100	32100HE7100	32100HE7100	MAGNETO,assy	1	5
2	32101HE7100	32101HE7100	32101HE7100	STATOR,assy	1	
3	32102HE7100	32102HE7100	32102HE7100	ROTOR,assy	1	
4	02112-05108	02112-05108	02112-05108	SCREW,pulser coil(M5*10)	2	
5	02112-96168	02112-96168	02112-96168	SCREW,magneto stater	2	
6	08341-31039	08341-31039	08341-31039	KEY,magneto	1	
7	09316-26108	09316-26108	09316-26108	NUT,magneto fly wheel(M10)	1	

FIG 14

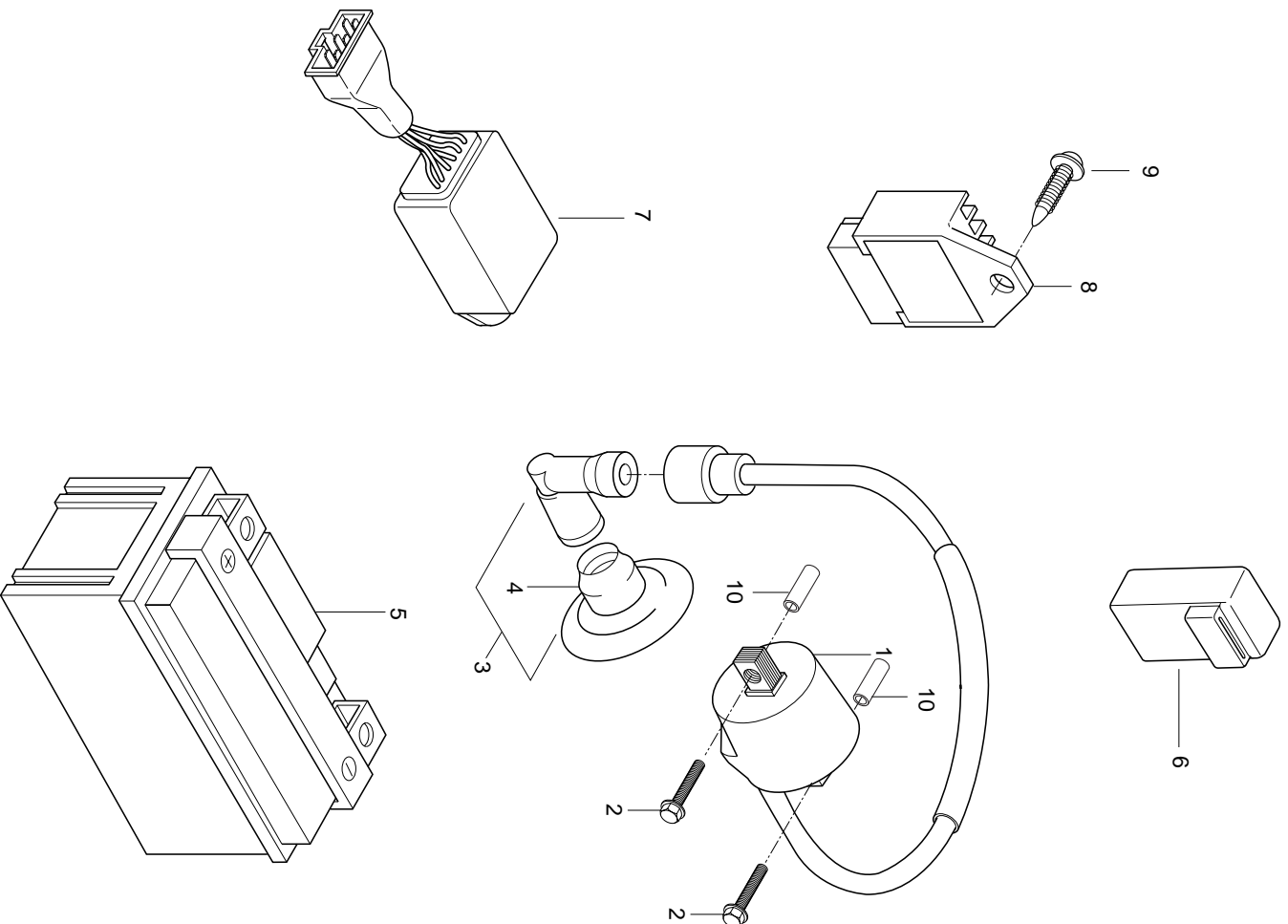
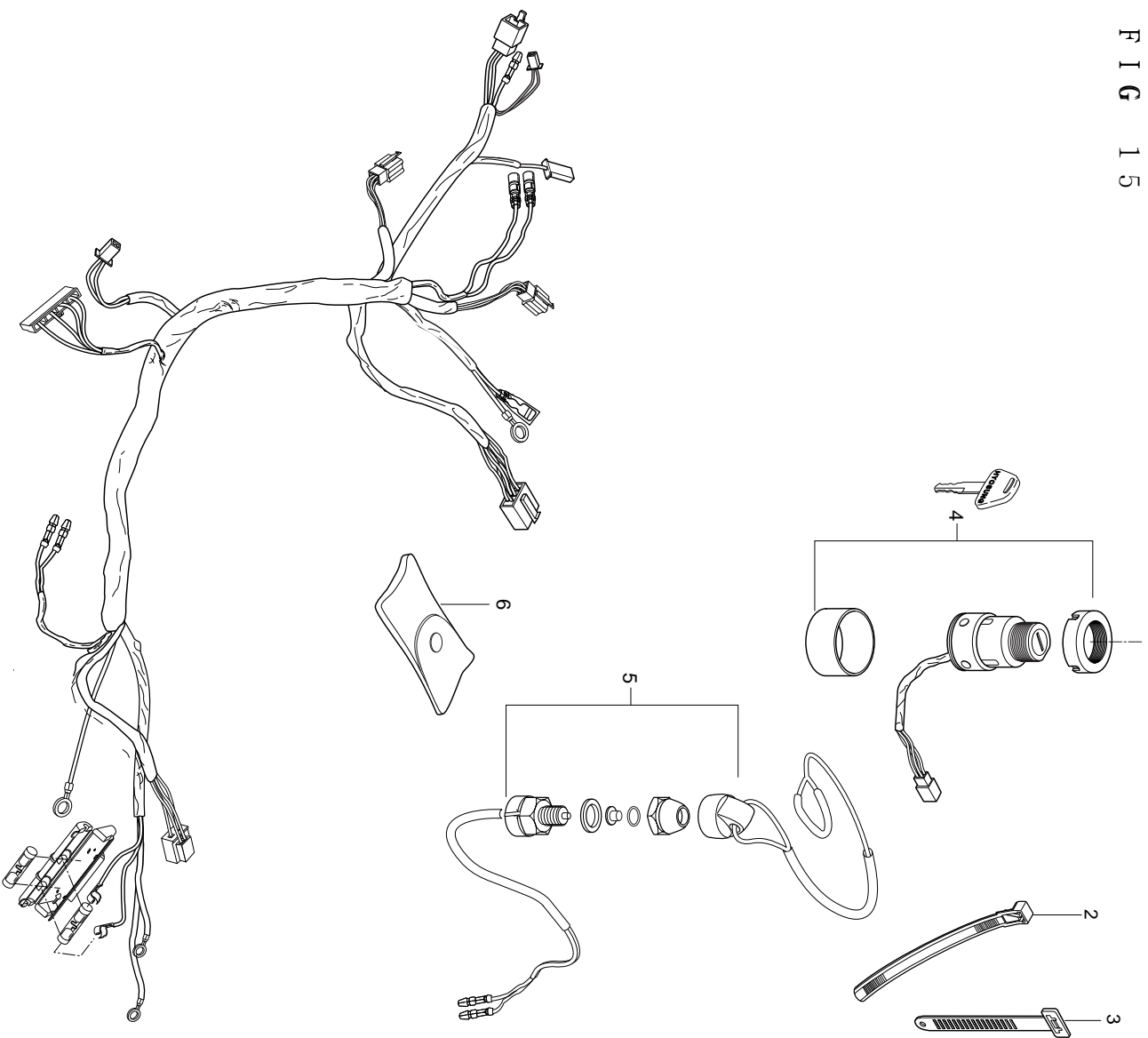


FIG 14. ELECTRICAL

REF. NO.	PARTS NO.		DESCRIPTION	USAGE (PCS)	REMARKS	REC.Q'TY (PCS)
	DOMESTIC	NNE01				
1	33410HK3101	33410HK3101	33410HK3101	COIL ASS'Y, ignition	1	2
2	01517-06308	01517-06308	01517-06308	BOLT,ignition coil(M6*30)	2	
3	33510H11200	33510H11200	33510H11200	CAP,spark plug	1	3
4	33543H11200	33543H11200	33543H11200	BOOT,spark plug, cap	1	
5	33610-40B12	33610-40B12	33610-40B12	BATTERY ASS'Y,(STX5L-BS)	1	7
6	31800-41D00	31800-41D00	31800-41D00	RELAY,starting motor	1	5
7	32900H41D10	32900H41D10	32900H41D10	CDI,unit	1	5
8	32800-36C20	32800-36C20	32800-36C20	RECTIFIER,assy	1	5
9	02112-06168	02112-06168	02112-06168	SCREW,(M6*16)	1	
10	09180-06030	09180-06030	09180-06030	SPACER,ignition coil	2	

FIG 15



- 16

FIG 15. WIRING HARNESS

REF. NO.	DOMESTIC	PARTS NO.		DESCRIPTION	USAGE (PCS)	REMARKS	REC.Q'TY (PCS)
		NNE01	ST01				
1	36610HN4701	36610HN4700	36610HN4700	WIRING HARNESS	1		2
2	09407-14403	09407-14403	09407-14403	CLAMP,wiring harness	8		
3	09407-18401	09407-18401	09407-18401	BAND,wire		NOT SALE	
4	37110-25319	37110-25319	37110-25319	SWITCH ASS'Y, steering	1		5
5	37820HK3100	37820HK3100	37820HK3100	SWITCH ASS'Y, emergency	1		5
6	31910HK3100	31910HK3100	31910HK3100	CASE,emergency switch		NOT SALE	
7	37115H05300	37115H05300	37115H05300	BRACKET, ignition switch	1		

FIG 16

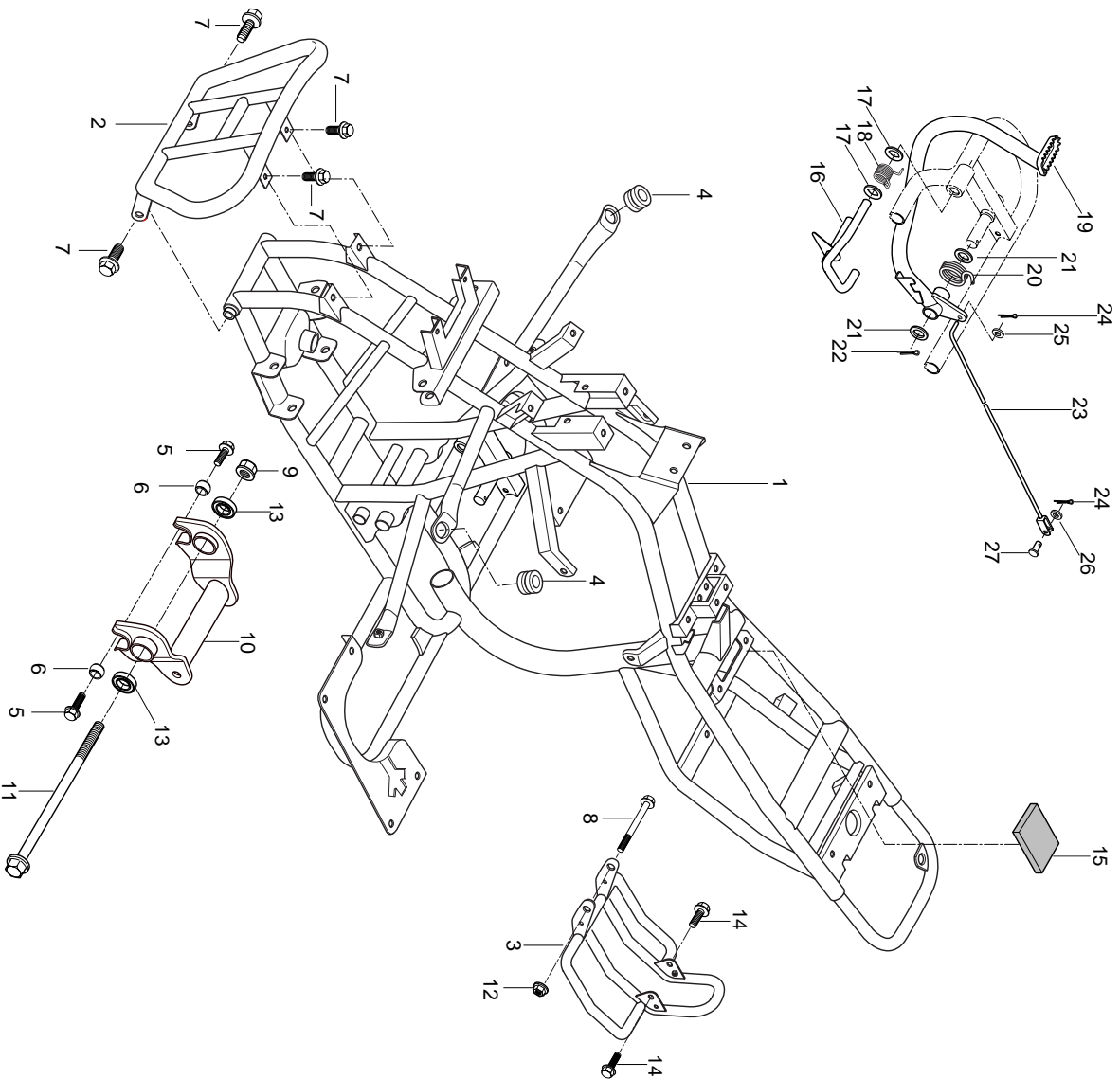


FIG 16. FRAME

REF.	PARTS NO.			DESCRIPTION	USAGE	REMARKS	REC.Q'TY
NO. DOMESTIC	NNE01	ST01			(PCS)		(PCS)
1	41100HN470103P	41100HN470103P	41100HN470103P	FRAME,comp	1		1
2	43990HK310303P	43990HK310303P	43990HK310303P	GRIP COMP, front	1		
3	61390HL410203P	61390HL410203P	61390HL410203P	GUARD COMP, under	1		
4	09320-11008	09320-11008	09320-11008	CUSHION,front fender R/L	2		
5	01517-10306	01517-10306	01517-10306	BOLT(M10,L=30)	2		
6	09320-10023	09320-10023	09320-10023	CUSHION,swing stop	2		
7	01517-06166	01517-06166	01517-06166	BOLT,front grip(M6*16)	4		
8	09103H10022	09103H10022	09103H10022	BOLT,under guard front(M10*1	1		
9	08319-31126	08319-31126	08319-31126	NUT,engine mounting(M12)	1		
10	61110HL4100HPA	61110HL4100HPA	61110HL4100HPA	LINK COMP,engine mounting	1		2
11	09103H12047	09103H12047	09103H12047	BOLT,engine mounting(M12*21	1		
12	08316-26106	08316-26106	08316-26106	NUT,under guard front(M10)	1		
13	09319-12036	09319-12036	09319-12036	BUSH,engine mounting	2		
14	01517-08166	01517-08166	01517-08166	BOLT,under guard rear(M8*16)	2		
15	44281-29C00	44281-29C00	44281-29C00	CUSHION,oil tank lower(30*30	1		

FIG 17

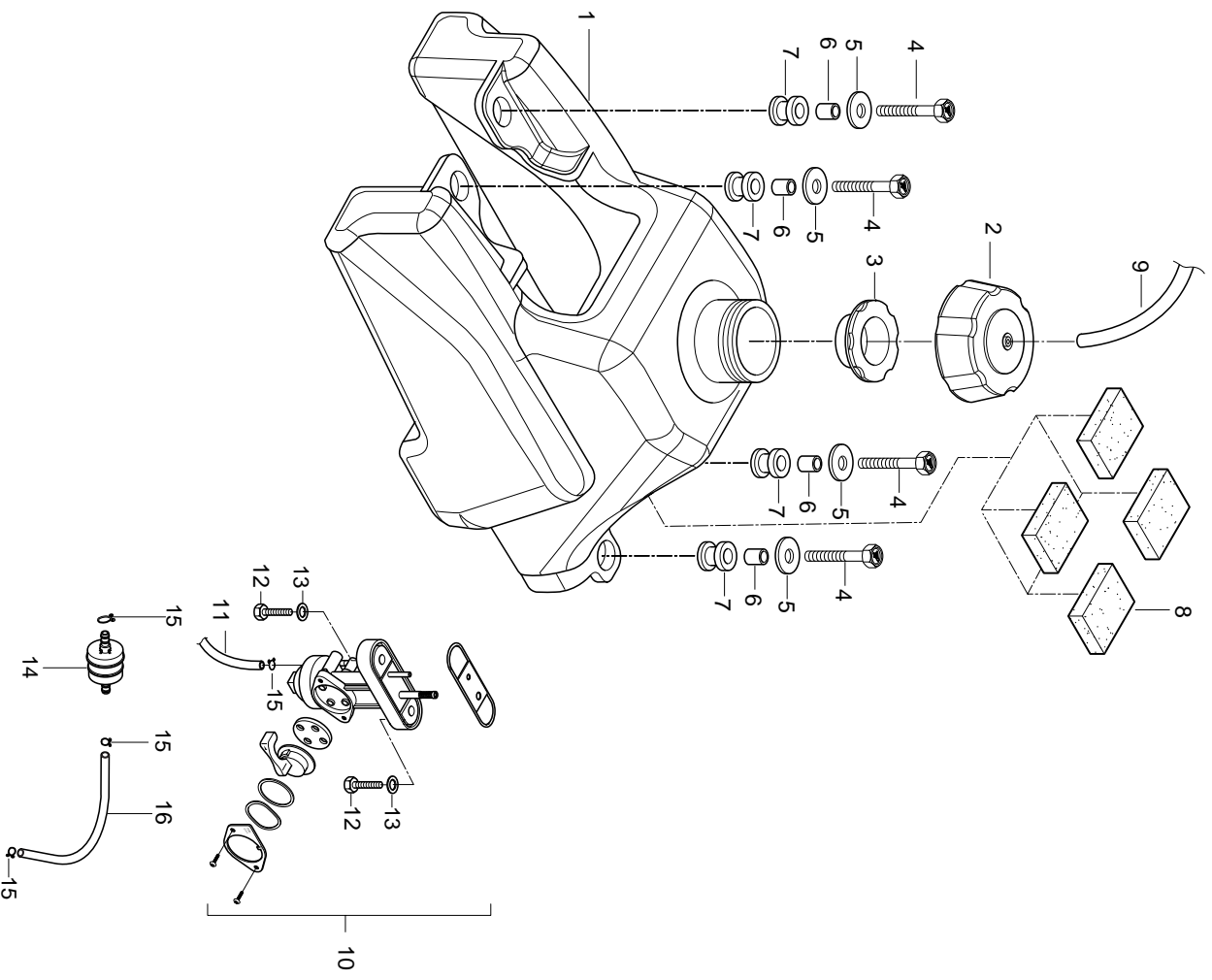


FIG 17. FUEL TANK

REF. NO.	PARTS NO.		DESCRIPTION	USAGE (PCS)	REMARKS	REC.Q'TY (PCS)
	DOMESTIC	NNE01				
1	44110HK3103	44110HK3103	44110HK3103	TANK COMP,fuel	1	1
2	44210HG5801	44210HG5801	44210HG5801	CAP,fuel tank filler	1	
3	44248-05210	44248-05210	44248-05210	GASKET,fuel tank filler cap	1	
4	01107-06256	01107-06256	01107-06256	BOLT,fuel tank(M6*25)	4	
5	09160-06004	09160-06004	09160-06004	WASHER,fuel tank(ø24*T1.6)	4	
6	09180H06069	09180H06069	09180H06069	SPACER,fuel tank(ø14*ø6.5*H7)	4	
7	09320H10038	09320H10038	09320H10038	CUSHION,fuel tank	4	
8	44613HE7100	44613HE7100	44613HE7100	CUSHION,fuel tank lower(40*2:	4	
9	09343-05052	09343-05052	09343-05052	HOSE,fuel tank brth(L=580)	1	
10	44300HG5802	44300HG5802	44300HG5802	COCK ASS'Y, fuel	1	4
11	44199HJ8200	44199HJ8200	44199HJ8200	HOSE,fuel strainer inlet(L=70)	1	
12	09128-06005	09128-06005	09128-06005	BOLT,fuel cock(M6*16)	2	
13	09168-06010	09168-06010	09168-06010	GASKET,fuel cock	2	
14	44910HG2600	44910HG2600	44910HG2600	STRAINER COMP, fuel	1	
15	09401-08401	09401-08401	09401-08401	CLIP,fuel hose No.1 & No.2	4	
16	44199HJ8200	44199HJ8200	44199HJ8200	HOSE,fuel strainer outlet(L=110)	1	

FIG 18

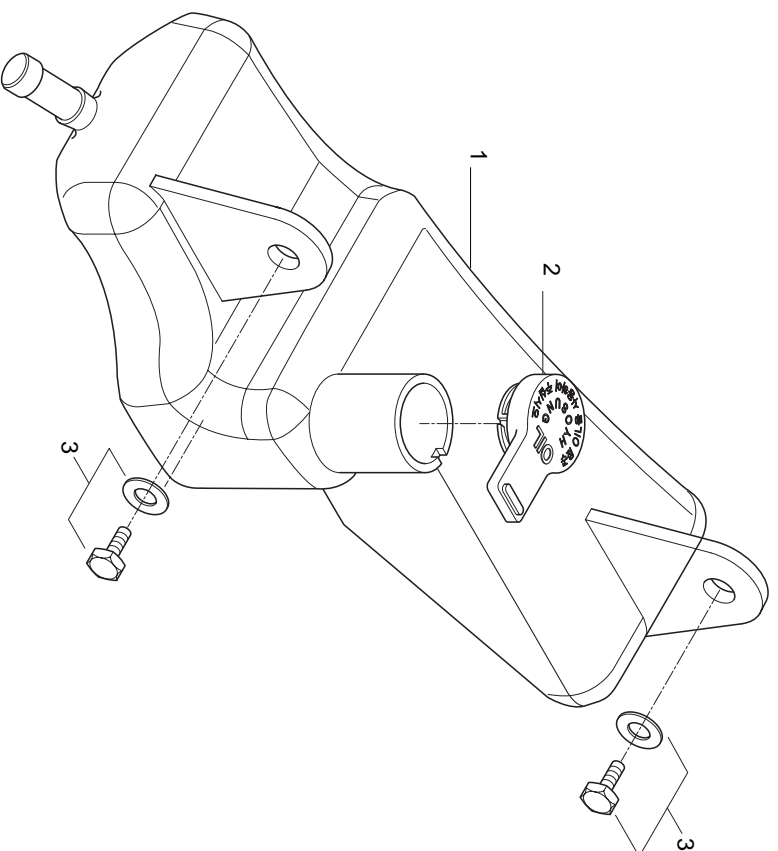


FIG 18. OIL TANK

REF.	PARTS NO.		DESCRIPTION	USAGE	REMARKS	REC.Q'TY
NO. DOMESTIC	NNE01	ST01		(PCS)		(PCS)
1	44611HK3102	44611HK3102	44611HK3102	TANK,oil		3
2	44651HG2600	44651HG2600	44651HG2600	CAP,oil tank filler		
3	09116-06010	09116-06010	09116-06010	BOLT,oil tank		

FIG 19

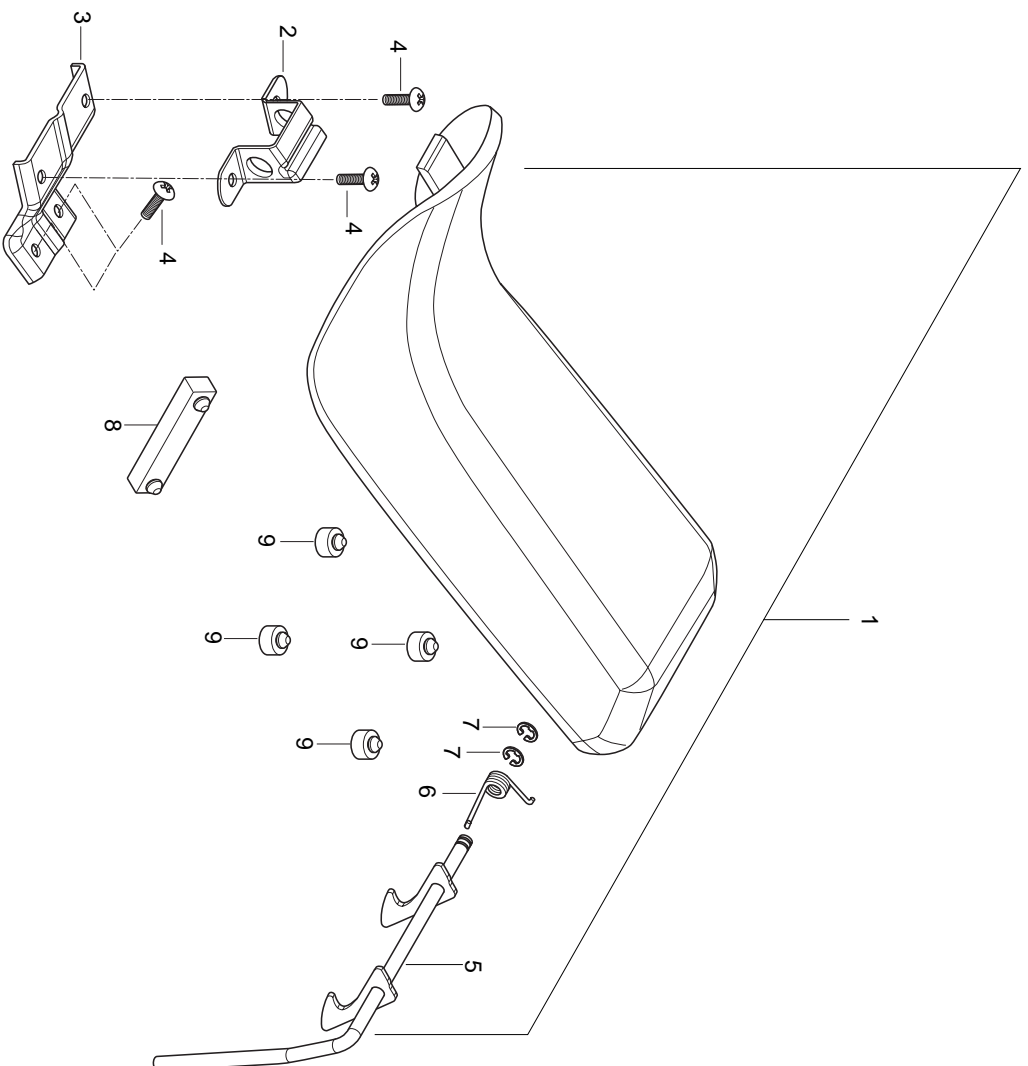


FIG 19. SEAT

REF.	PARTS NO.		DESCRIPTION	USAGE	REMARKS	REC.Q'TY
NO. DOMESTIC	NNE01	ST01		(PCS)		(PCS)
1	45100HK310258P	45100HK316058P	45100HK316058P	SEAT,set		2
2	45119-02C00	45119-02C00	45119-02C00	PLATE,seat front hook		
3	45118HK3100	45118HK3100	45118HK3100	PLATE,seat front hook No.1		
4	02142-06126	02142-06126	02142-06126	SCREW,seat front hook plate(M		
5	45210HK3100	45210HK3100	45210HK3100	CLAMP COMP,seat		
6	45135-243A2	45135-243A2	45135-243A2	SPRING,seat clamp		
7	08332-11066	08332-11066	08332-11066	E-RING,seat clamp		
8	09321-080A9	09321-080A9	09321-080A9	CUSHION,seat(ø60*ø20*T6.5)		
9	09321-100B2	09321-100B2	09321-100B2	CUSHION,seat(ø22*T10)		

FIG 20

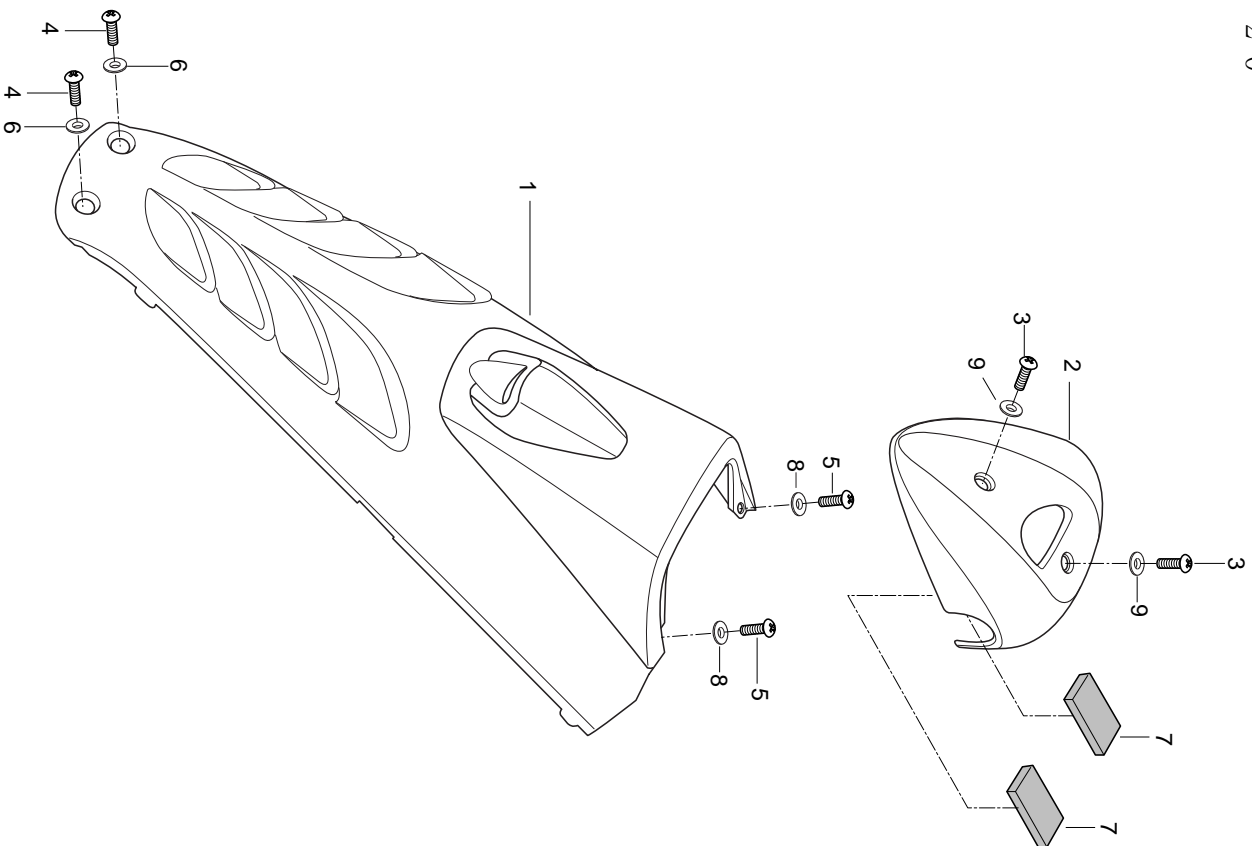


FIG 20. FENDER CENTER FRONT

REF.	PARTS NO.		DESCRIPTION	USAGE	REMARKS	REC.Q'TY
NO. DOMESTIC	NNE01	ST01		(PCS)		(PCS)
1	53118HK3101291	53118HK3101291	53118HK3101291	FENDER,center front(SLD,black	1	5
4	02142-05226	02142-05226	02142-05226	SCREW,center front fender front	2	
5	02142-05166	02142-05166	02142-05166	SCREW,center front fender rear(2	
6	08322-21056	08322-21056	08322-21056	WASHER,center front fender fro	2	
7	33652-01A10	33652-01A10	33652-01A10	CUSHION,steering head cover(4	2	
8	09169-05007	09169-05007	09169-05007	WASHER,center front fender rea	2	

FIG 2 1

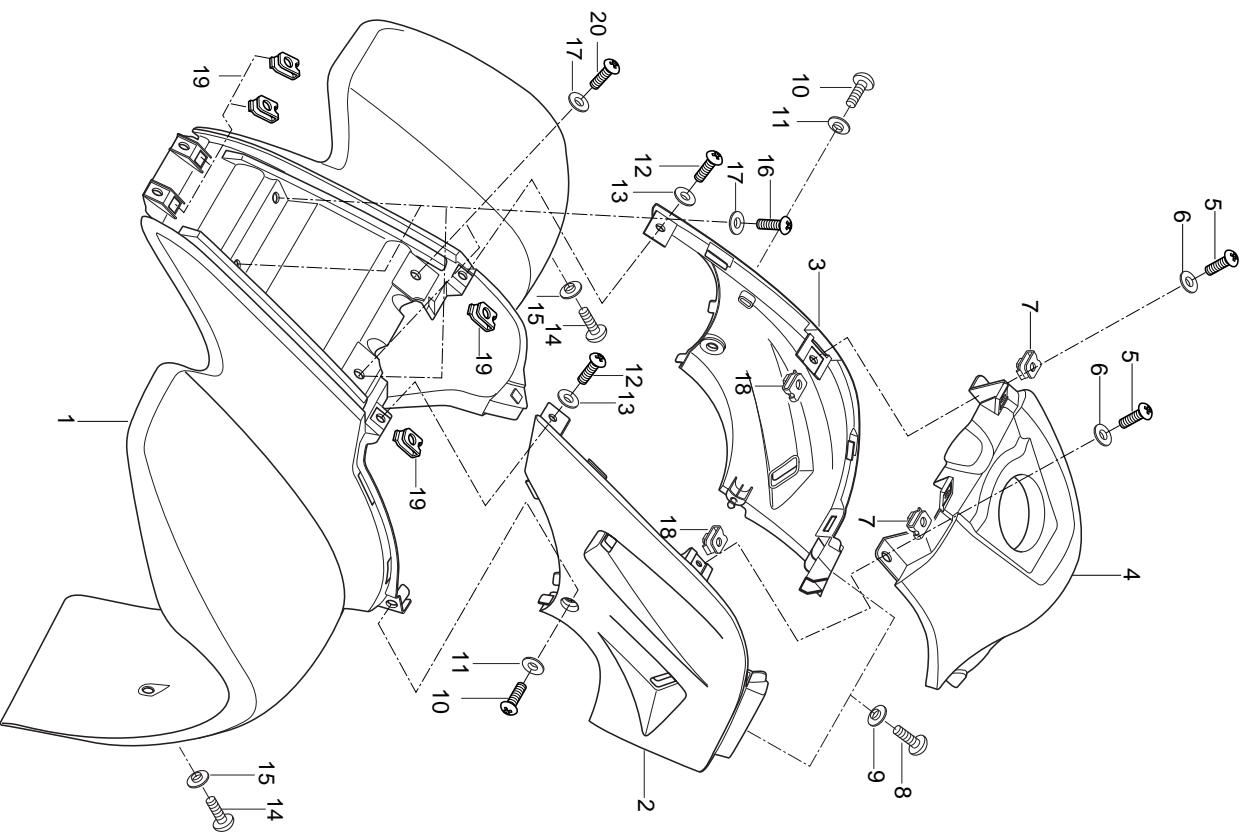


FIG 21. FENDER FRONT

REF.	PARTS NO.		DESCRIPTION	USAGE	REMARKS	REC.Q'TY
NO. DOMESTIC	NNE01	ST01		(PCS)		(PCS)
1	53111HK31013R3	53111HK31013R3	53111HK31013R3	FENDER,front		5
2	47211HK31003R3	47211HK31003R3	47211HK31003R3	COVER,side L		5
3	47111HK31003R3	47111HK31003R3	47111HK31003R3	COVER,side R		2
4	53119HK3101291	53119HK3101291	53119HK3101291	FENDER,center rear		5
5	02142-05166	02142-05166	02142-05166	SCREW,center front fender rear(2	
6	09169-05007	09169-05007	09169-05007	WASHER,center rear fender fron	2	
7	09148-05039	09148-05039	09148-05039	NUT,center rear fender front(M5	2	
8	02142-06166	02142-06166	02142-06166	SCREW,side cover rear(M6*16)	2	
9	09169-06032	09169-06032	09169-06032	WASHER,side cover rear	2	
10	02142-06166	02142-06166	02142-06166	SCREW,side cover lower FT(M6	2	
11	08322-21066	08322-21066	08322-21066	WASHER,side cover lower front	2	
12	02142-05166	02142-05166	02142-05166	SCREW,side cover front upper(M	2	
13	09169-05007	09169-05007	09169-05007	WASHER,side cover front upper	2	
14	02112-06308	02112-06308	02112-06308	SCREW,front fender lower(M6*	2	
15	09169-06032	09169-06032	09169-06032	WASHER,front fender lower	2	
16	02142-06166	02142-06166	02142-06166	SCREW,front fender upper(M6*	3	
17	09169-06032	09169-06032	09169-06032	WASHER,fender front upper	3	
18	09148-05039	09148-05039	09148-05039	NUT,side cover center(M5)	2	
19	09148-05039	09148-05039	09148-05039	NUT,front fender upper(M5)	4	
20	02142-06206	02142-06206	02142-06206	SCREW,staring motor relay & F'	1	

FIG 22

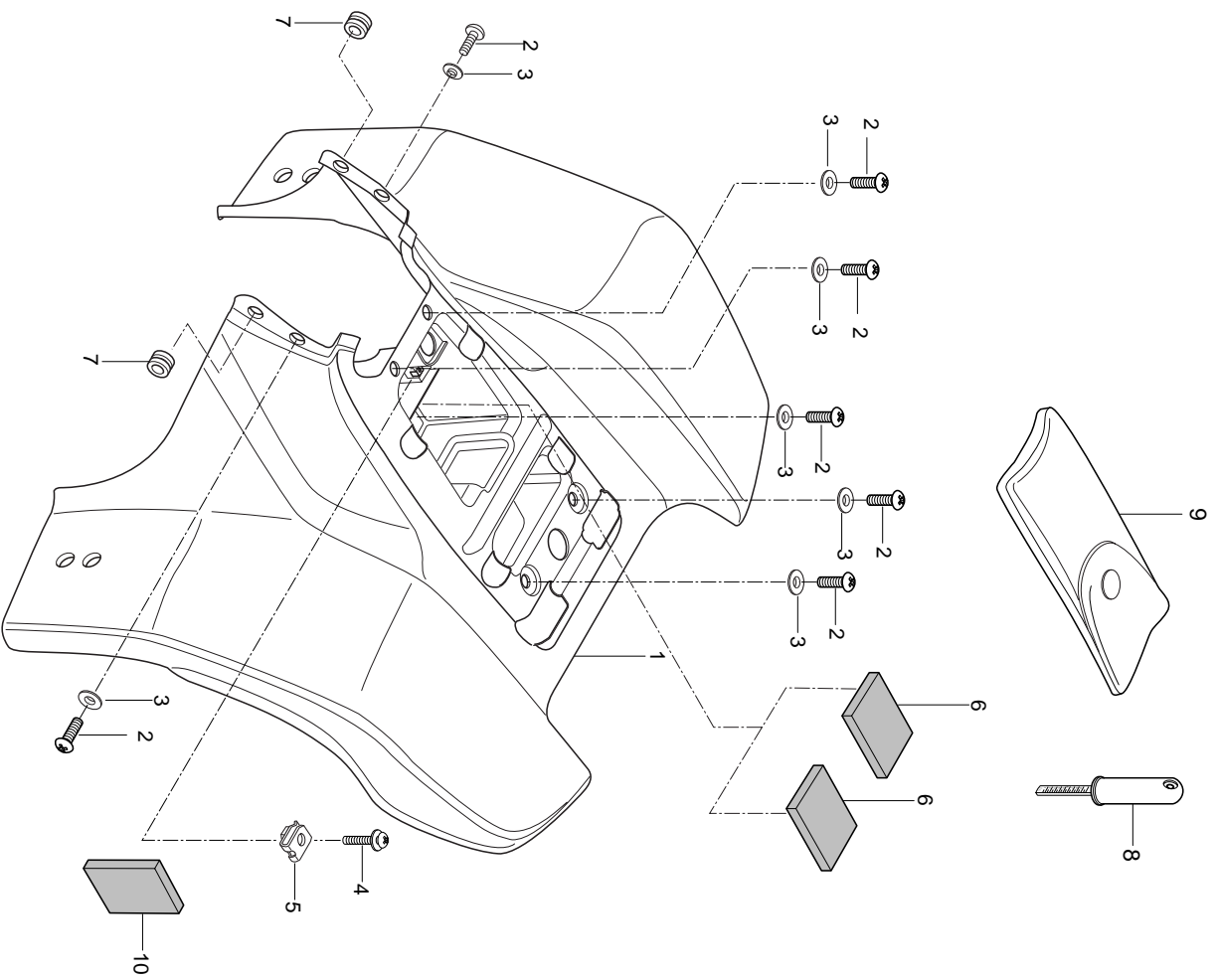


FIG 22. FENDEDR REAR

REF.	PARTS NO.		DESCRIPTION	USAGE	REMARKS	REC.Q'TY
NO. DOMESTIC	NNE01	ST01		(PCS)		(PCS)
1	63111HK310203R3	63111HK310203R3	63111HK310203R3	FENDER,rear		5
2	02142-06166	02142-06166	02142-06166	SCREW,rear fender(M6*16)		
3	09169-06032	09169-06032	09169-06032	WASHER,rear fender		
4	02142-06206	02142-06206	02142-06206	SCREW,starting motor relay & r		
5	09148-06020	09148-06020	09148-06020	NUT,starting motor relay & rear		
6	33652-01A10	33652-01A10	33652-01A10	CUSHION,rear fender & battery		
7	09320-08028	09320-08028	09320-08028	CUSHION,rear fender front		
8		96200HK3100	96200HK3100	GAUGE,assy air pressure		
9	09800HK3100	09800HK3100	09800HK3100	TOOL,assy		
10	63118HL4100	63118HL4100	63118HL4100	HEAT SHIELD,rear fender		

FIG 23

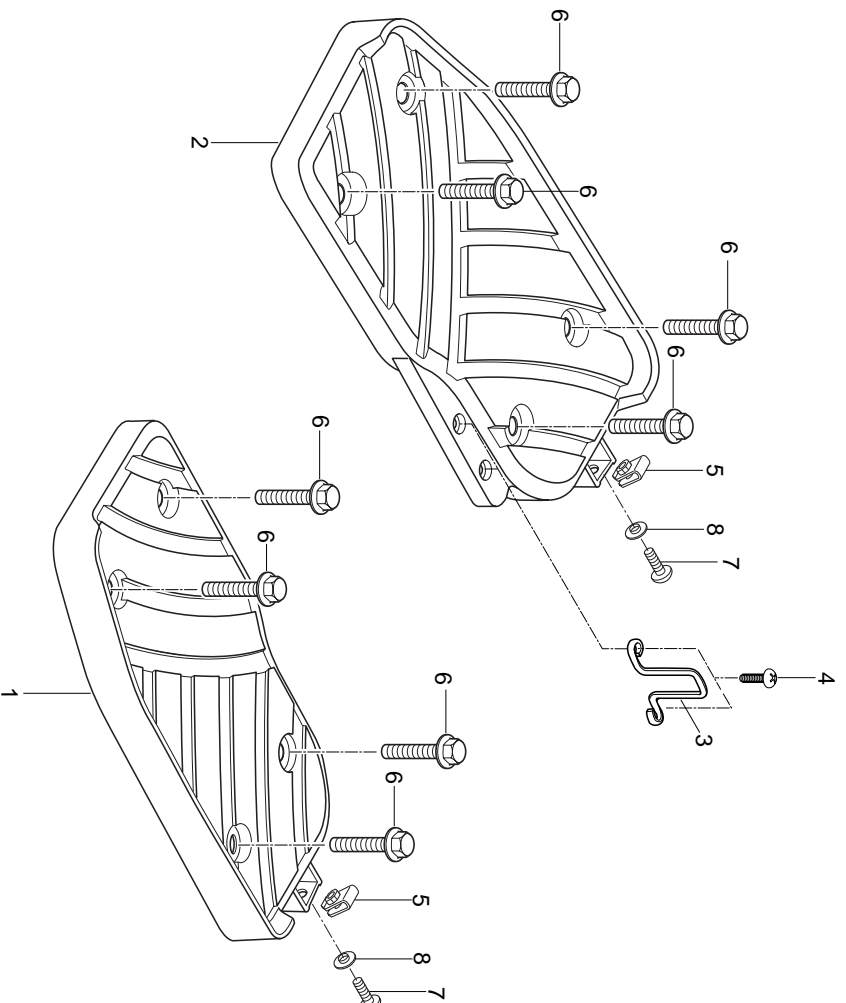


FIG 23. FOOTREST

REF.	PARTS NO.			DESCRIPTION	USAGE	REMARKS	REC.Q'TY
NO. DOMESTIC	NNE01	ST01			(PCS)		(PCS)
1	43521HL410126B	43521HL410126B	43521HL410126B	FRONT FOOTREST L	1		
2	43511HL410026B	43511HL410026B	43511HL410026B	FRONT FOOTREST R	1		
3	45210HL4101	45210HL4101	45210HL4101	GUARD,footrest RH	1		
4	02142-06166	02142-06166	02142-06166	SCREW,footrest guard(M6*16)	2		
5	09148-06020	09148-06020	09148-06020	NUT,footrest & RR fender(M6)	2		
6	01517-06306	01517-06306	01517-06306	BOLT,front footrest(M6*30)	8		
7	02142-06166	02142-06166	02142-06166	SCREW,footrest & RR fender(M	2		
8	09169-06032	09169-06032	09169-06032	WASHER,footrest & RR fender	2		

FIG 24

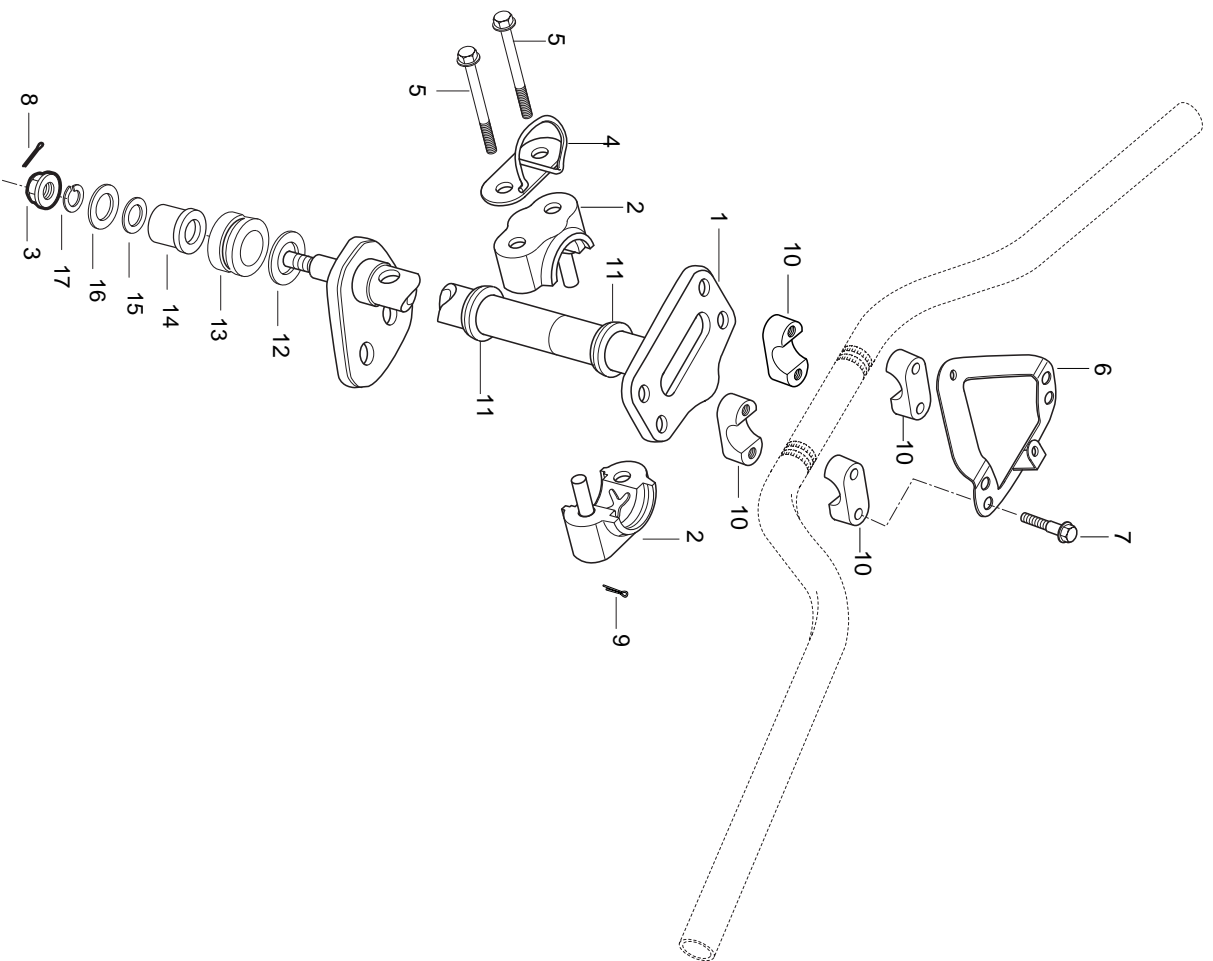


FIG 24. SHAFT COMP STTERING

REF.	PARTS NO.		DESCRIPTION	USAGE	REMARKS	REC.Q'TY
NO. DOMESTIC	NNE01	ST01		(PCS)		(PCS)
1	51650HK3102PAM	51650HK3102PAM	51650HK3102PAM	SHAFT,comp steering		1
2	51670-18902KOR	51670-18902KOR	51670-18902KOR	HOLDER,steering shaft		2
3	08319-31106	08319-31106	08319-31106	NUT,steering shaft(M10)		1
4	51680HK3101	51680HK3101	51680HK3101	REINF,steering holder		1
5	09103-08085KOR	09103-08085KOR	09103-08085KOR	BOLT,steering shaft(M8*60)		2
7	01234-08556	01234-08556	01234-08556	BOLT,handle bar holder(M8*55)		4
8	04111-20206	04111-20206	04111-20206	COTTER PIN,steer`r shaft lower		1
9	04111-20206	04111-20206	04111-20206	COTTER PIN,steer`r shaft lower		2
10	56211-272A0	56211-272A0	56211-272A0	HOLDER,handle bar		4
11	51678-18900KOR	51678-18900KOR	51678-18900KOR	DUST SEAT,steering shaft(32*2)		2
12	09380H30002	09380H30002	09380H30002	SNAP RING,dust seal		1
13	51662-18900KOR	51662-18900KOR	51662-18900KOR	DUST SEAL,steering(35*24.6*1)		1
14	51661-40B00KOR	51661-40B00KOR	51661-40B00KOR	BUSH,steering shaft lower		1
15	09280-14003	09280-14003	09280-14003	O-RING,steering shaft lower(25 ^ø)		1
16	09160-10068	09160-10068	09160-10068	WASHER,steering shaft low upp		1
17	08321-31106	08321-31106	08321-31106	WASHER,steering shaft low low		1

FIG 25

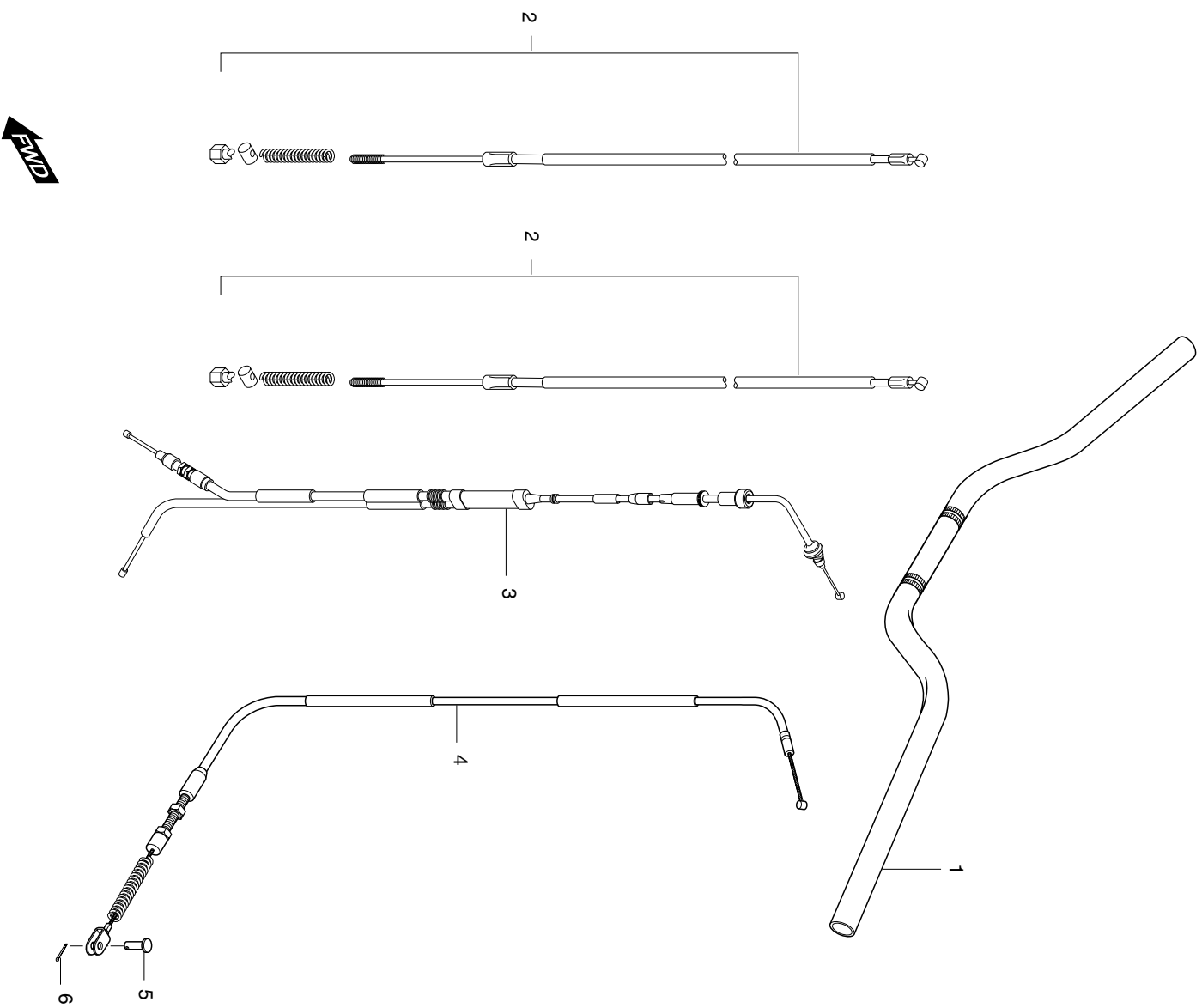


FIG 25. HANDLE BAR

REF.	PARTS NO.			DESCRIPTION	USAGE	REMARKS	REC.Q'TY
NO. DOMESTIC	NNE01	ST01			(PCS)		(PCS)
1	56111HK3103PAM	56111HK3103PAM	56111HK3103PAM	HANDLE BAR	1		1
2	58110HK3102	58110HK3102	58110HK3102	CABLE,assy front brake	2		
3	58300HL4101	58300HL4100	58300HL4100	CABLE,assy throttle	1		5
4	58510HL4100	58510HL4100	58510HL4100	CABLE,RR BK	1		
5	09403-14404	09403-14404	09403-14404	CLANP,RR BK CABLE 2	1		

FIG 26

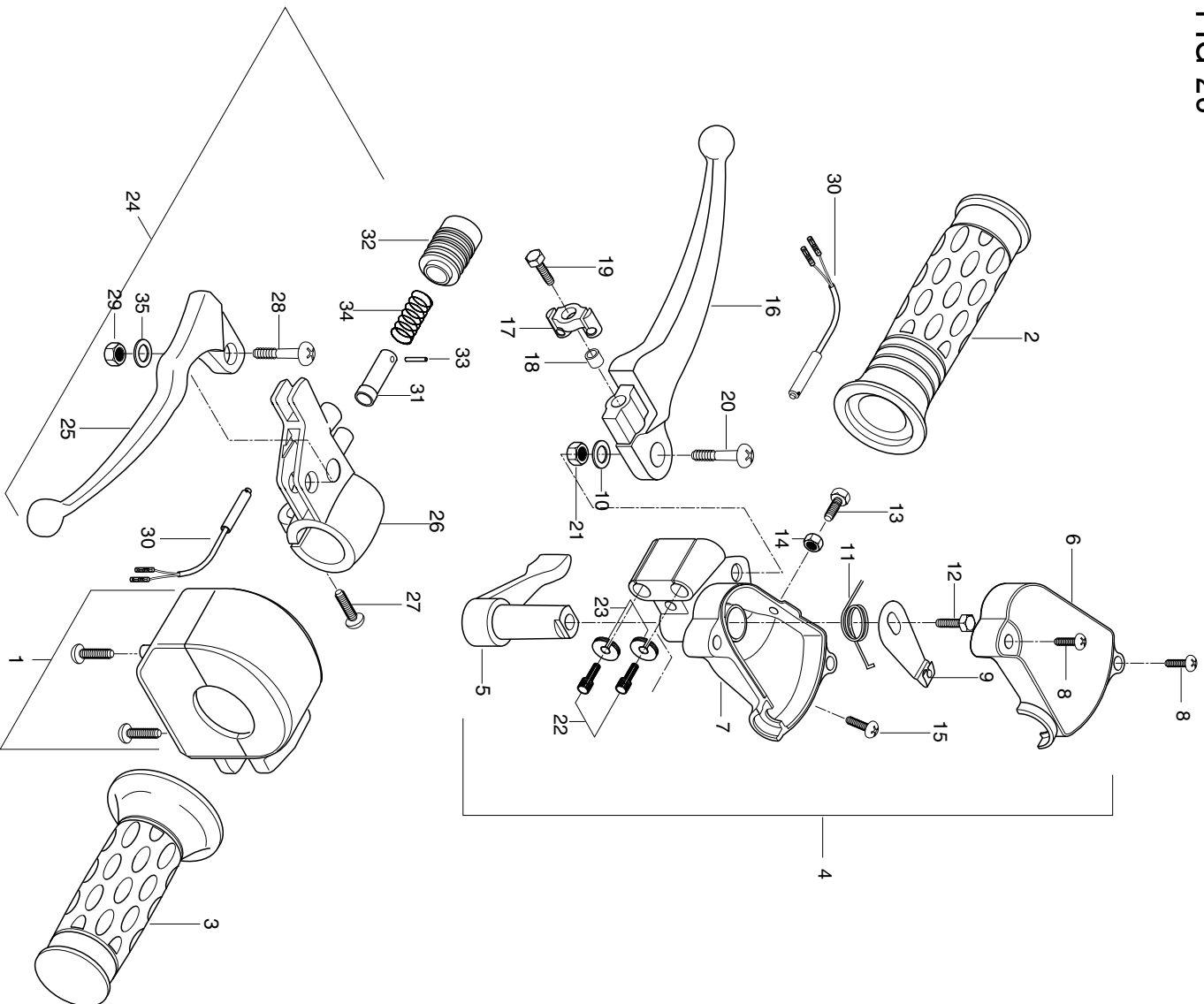


FIG 26. HANDLE SWITCH

REF.	PARTS NUMBER.						PARTS NAME	USAGI REMARKS (PCS)	REC. Q'TY (PCS)	
	NO. DOMESTIC	ST01	LNE01	LUS01	NUS02	STR				ST2
1	37400HK3100	37400HK3100	37400HK3100	37400HK3100	37400HK3100	37400HK3100	37400HK3100	SWITCH,assy handle LH	1	5
2	57311HK3100	57311HK3100	57311HK3100	57311HK3100	57311HK3100	57311HK3100	57311HK3100	GRIP,handle RH	1	3
3	57211HK3101	57211HK3101	57211HK3101	57211HK3101	57211HK3101	57211HK3101	57211HK3101	GRIP,handle LH	1	3
4	57100HK3104	57100HK3104	57100HK3104	57100HK3104	57100HK3104	57100HK3104	57100HK3104	LEVER,assy throttle & FT brake	1	4
5	57151HK3101	57151HK3101	57151HK3101	57151HK3101	57151HK3101	57151HK3101	57151HK3101	LEVER,throttle	1	
6	57131HK3100	57131HK3100	57131HK3100	57131HK3100	57131HK3100	57131HK3100	57131HK3100	COVER,throttle case	1	
7	57121HK3100	57121HK3100	57121HK3100	57121HK3100	57121HK3100	57121HK3100	57121HK3100	CASE,throttle lever	1	
8	02112-05165	02112-05165	02112-05165	02112-05165	02112-05165	02112-05165	02112-05165	SCREW,throttle case cover(M5*16)	2	
9	57158HK3100	57158HK3100	57158HK3100	57158HK3100	57158HK3100	57158HK3100	57158HK3100	ARM,throttle lever	1	
10	09321-21055	09321-21055	09321-21055	09321-21055	09321-21055	09321-21055	09321-21055	WASHER,front brake lever pivot	1	
11	57159HK3100	57159HK3100	57159HK3100	57159HK3100	57159HK3100	57159HK3100	57159HK3100	SPRING,throttle lever return	1	
12	09128-06007	09128-06007	09128-06007	09128-06007	09128-06007	09128-06007	09128-06007	BOLT,throttle lever	1	
13	09100-05001	09100-05001	09100-05001	09100-05001	09100-05001	09100-05001	09100-05001	BOLT,throttle adjuster	1	
14	08310-11055	08310-11055	08310-11055	08310-11055	08310-11055	08310-11055	08310-11055	NUT,throttle case(M5)	1	
15	02112-06205	02112-06205	02112-06205	02112-06205	02112-06205	02112-06205	02112-06205	SCREW,throttle case(M6*20)	1	
16	57621HK3100	57621HK3100	57621HK3100	57621HK3100	57621HK3100	57621HK3100	57621HK3100	LEVER,comp front brake	1	
17	57396HK3101	57396HK3101	57396HK3101	57396HK3101	57396HK3101	57396HK3101	57396HK3101	EQUILIZER	1	
18	09180H06250	09180H06250	09180H06250	09180H06250	09180H06250	09180H06250	09180H06250	BUSH	1	
19	09128-06027	09128-06027	09128-06027	09128-06027	09128-06027	09128-06027	09128-06027	BOLT,equilizer	1	
20	57431HK3100	57431HK3100	57431HK3100	57431HK3100	57431HK3100	57431HK3100	57431HK3100	BOLT,FT brake lever pivot	1	
21	08310-11055	08310-11055	08310-11055	08310-11055	08310-11055	08310-11055	08310-11055	NUT,FT brake lever pivot(M6)	1	
22	57441-26010	57441-26010	57441-26010	57441-26010	57441-26010	57441-26010	57441-26010	ADJUSTER,brake cable	2	
23	57442-26010	57442-26010	57442-26010	57442-26010	57442-26010	57442-26010	57442-26010	NUT,brake cable adjuster	2	
24	57500HK3102	57500HK3102	57500HK3102	57500HK3102	57500HK3102	57500HK3102	57500HK3102	LEVER,assy rear brake	1	
25	57421HK3100	57421HK3100	57421HK3100	57421HK3100	57421HK3100	57421HK3100	57421HK3100	LEVER,comp RR brake lever	1	
26	57321HK3100	57321HK3100	57321HK3100	57321HK3100	57321HK3100	57321HK3100	57321HK3100	HOLDER,rear brake lever	1	
27	02112-06205	02112-06205	02112-06205	02112-06205	02112-06205	02112-06205	02112-06205	SCREW,holder(M6*20)	1	
28	57431HK3100	57431HK3100	57431HK3100	57431HK3100	57431HK3100	57431HK3100	57431HK3100	BOLT,RR brake lever pivot	1	
29	08310-11055	08310-11055	08310-11055	08310-11055	08310-11055	08310-11055	08310-11055	NUT,RR brake lever pivot(M6)	1	
30	57460HK3100	57460HK3100	57460HK3100	57460HK3100	57460HK3100	57460HK3100	57460HK3100	SWITCH,assy RR brake	2	
31	57781-04600	57781-04600	57781-04600	57781-04600	57781-04600	57781-04600	57781-04600	PIN,brake lever stop	1	
32	57784-04600	57784-04600	57784-04600	57784-04600	57784-04600	57784-04600	57784-04600	COVER,RR brake cover stopper	1	
33	57785-04600	57785-04600	57785-04600	57785-04600	57785-04600	57785-04600	57785-04600	PIN,brake cover	1	
34	57783HK3100	57783HK3100	57783HK3100	57783HK3100	57783HK3100	57783HK3100	57783HK3100	SPRING,brake lever stopper pin	1	
35	08321-21055	08321-21055	08321-21055	08321-21055	08321-21055	08321-21055	08321-21055	WASHER,rear brake lever pivot	1	

FIG 27

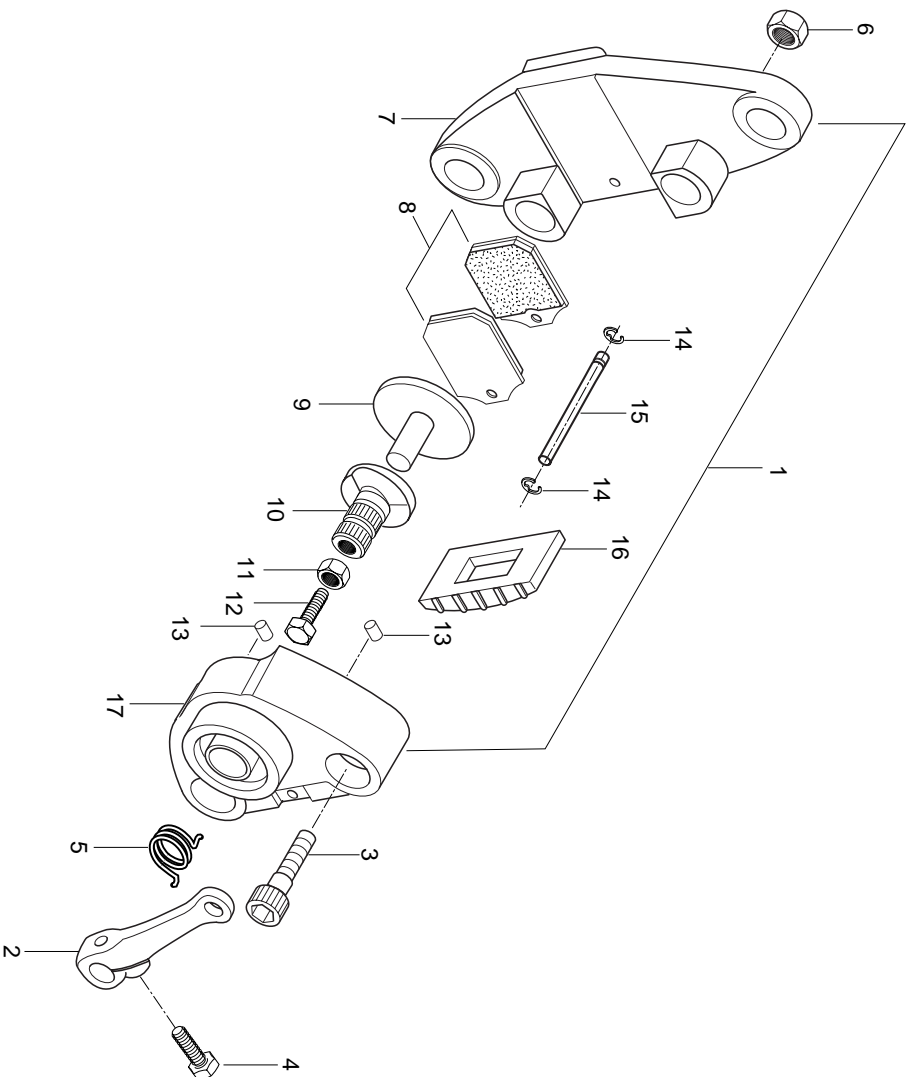


FIG 27. CALIPER

REF.	PARTS NO.			DESCRIPTION	USAGE	REMARKS	REC.Q'TY
NO. DOMESTIC	NNE01	ST01			(PCS)		(PCS)
1	69300HL4100	69300HL4100	69300HL4100	CALIPER,assy rear	1	~ KM4AE12A431100100	4
1~1	69300HK3104	69300HK3104	69300HK3104	CALIPER,assy rear	1	KM4AE12A431100101 ~	4
2	64451HK3101	64451HK3101	64451HK3101	LEVER,rear brake caliper	1		
3	57431H05D00	57431H05D00	57431H05D00	BOLT,caliper	2		
4	01107-06208	01107-06208	01107-06208	BOLT,rear brake lever(M6*16)	1		
5	09448H15002	09448H15002	09448H15002	SPRING,rr caliper lever return	1		
6	08310-11005	08310-11005	08310-11005	NUT,caliper pad push adjuster(M5)		NOT SALE	
7	59311-21000	59311-21000	59311-21000	HOUSING RH,caliper		NOT SALE	
8	59300-21000	59300-21000	59300-21000	PAD,brake	1		15
9	59322-21000	59322-21000	59322-21000	PLATE,pad push		NOT SALE	
10	59321-21000	59321-21000	59321-21000	CAM,brake		NOT SALE	
11	08310-11055	08310-11055	08310-11055	NUT,adjuster(M5)	1		
12	01107-05305	01107-05305	01107-05305	BOLT,adjust(M5*30)	1		
13	09261-06930	09261-06930	09261-06930	ROLLER		NOT SALE	
14	09383-25041	09383-25041	09383-25041	E-RING		NOT SALE	
15	09209-21000	09209-21000	09209-21000	PIN,pad guide		NOT SALE	
16	59340-21000	59340-21000	59340-21000	CAP	1		
17	59312-21000	59312-21000	59312-21000	HOUSING LH,caliper		NOT SALE	

FIG 28

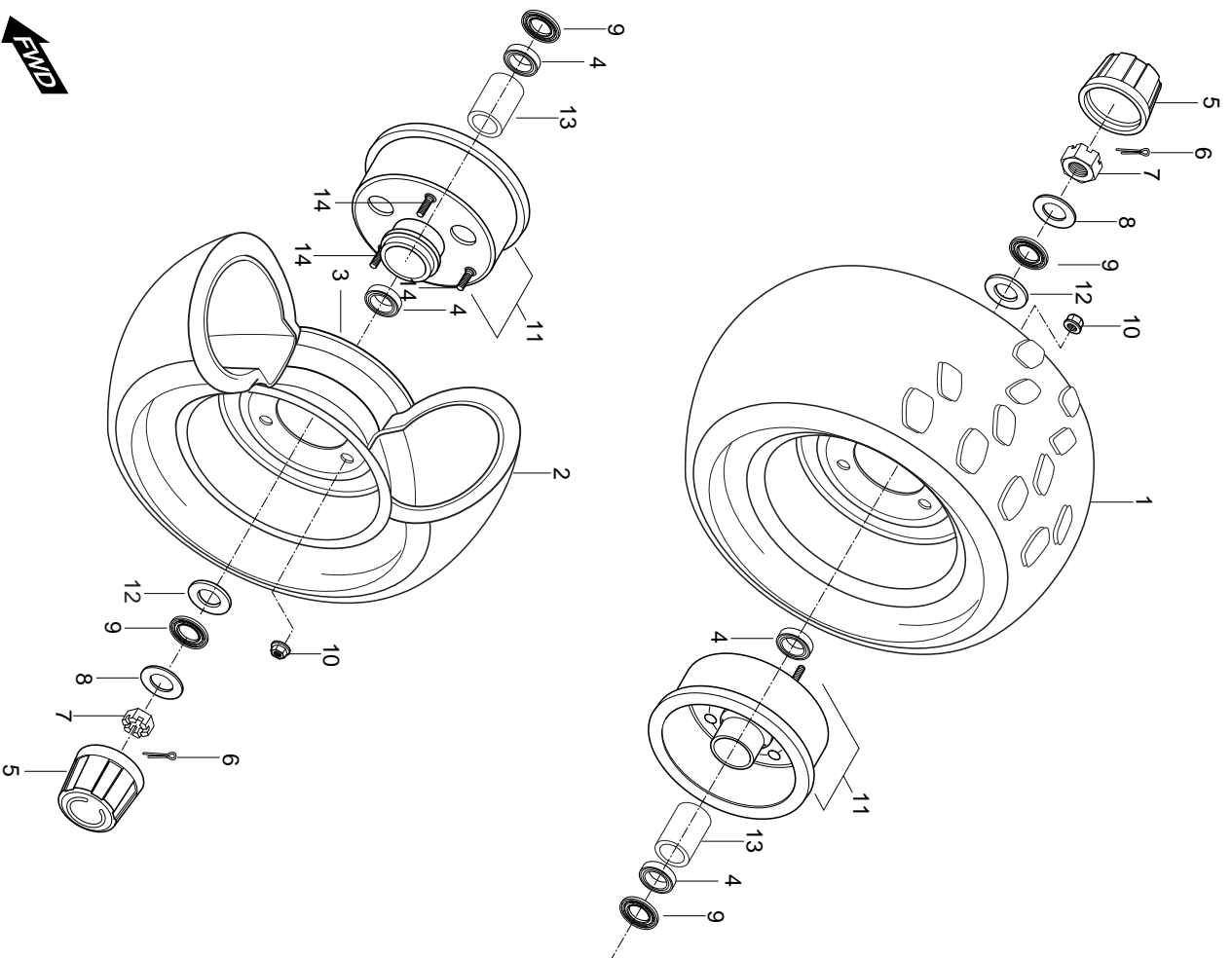


FIG 28. FRONT WHEEL

REF. NO.	PARTS NO.		DESCRIPTION	USAGE (PCS)	REMARKS	REC.Q'TY (PCS)
	DOMESTIC	NNE01				
1	55100HL4100	55100HL4100	55100HL4100	TIRE,set front		
1-1	55300HL4100	55300HL4100	55300HL4100	TIRE + WHEEL SET R		7
1-2	55400HL4100	55400HL4100	55400HL4100	TIRE + WHEEL SET L		
2	55100HL4100	55100HL4100	55100HL4100	TIRE,comp front(AT18*7-7)		
3	55310HL4100	55310HL4100	55310HL4100	RIM COMP,front		
4	08120-60027KOR	08120-60027KOR	08120-60027KOR	BEARING,front hub(15*32*9)		
5	54725HK3101	54725HK3101	54725HK3101	CAP,wheel center		
6	04111-30258	04111-30258	04111-30258	CONTER PIN,axle front		
7	08314-40146	08314-40146	08314-40146	NUT,front axle(M14)		
8	08322-11148	08322-11148	08322-11148	WASHER,front wheel		
9	54841-04200	54841-04200	54841-04200	SEAL,front hub brg(32*20*3)		
10	08319-31088	08319-31088	08319-31088	NUT,front wheel(M8)		
11	54110HK3104	54110HK3104	54110HK3104	HUB,comp front wheel		2
12	54741-04200KOR	54741-04200KOR	54741-04200KOR	SPACER,front axle		
13	54731-04200KOR	54731-04200KOR	54731-04200KOR	SPACER,front hub bearing		
14	09119H08060	09119H08060	09119H08060	BOLT,hub(M8*17)		

FIG 29

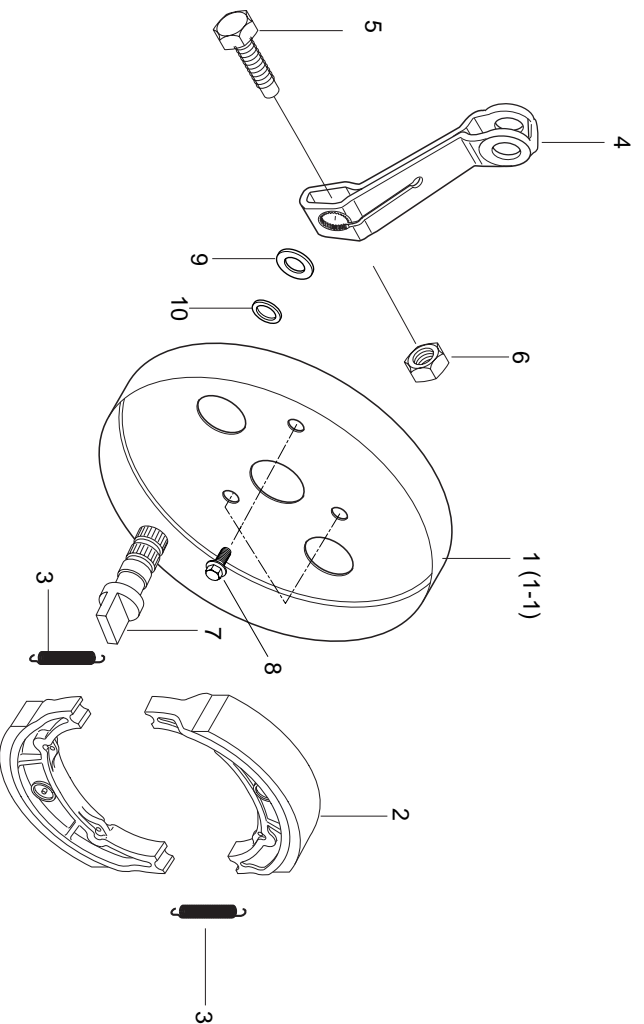


FIG 29. FRONT BRAKE

REF.	PARTS NO.		DESCRIPTION	USAGE	REMARKS	REC.Q'TY
NO. DOMESTIC	NNE01	ST01		(PCS)		(PCS)
1	54511HK3106	54511HK3106	54511HK3106	PLATE,front brake RH		
1-1	54611HK3106	54611HK3106	54611HK3106	PLATE,front brake LH		
2	64400HK3100	64400HK3100	64400HK3100	SHOE,comp front brake		12
3	09443H08025	09443H08025	09443H08025	SPRING,front brake shoe(L=32)		
4	54451HK3102	54451HK3102	54451HK3102	LEVER,front brake cam		4
5	12812-30A00	12812-30A00	12812-30A00	BOLT,rear brake cam lever(M6*)		
6	08316-16068	08316-16068	08316-16068	NUT,rear brake cam lever(M6)		
7	54441HK3103	54441HK3103	54441HK3103	CAM,front brake		
8	09100-06158	09100-06158	09100-06158	BOLT,front brake plate(M6*8)		
9	09160-12011	09160-12011	09160-12011	WASHER,front brake cam(ø20*)		
10	09280H14005	09280H14005	09280H14005	O-RING,front brake cam(ID:11.4)		

FIG 30

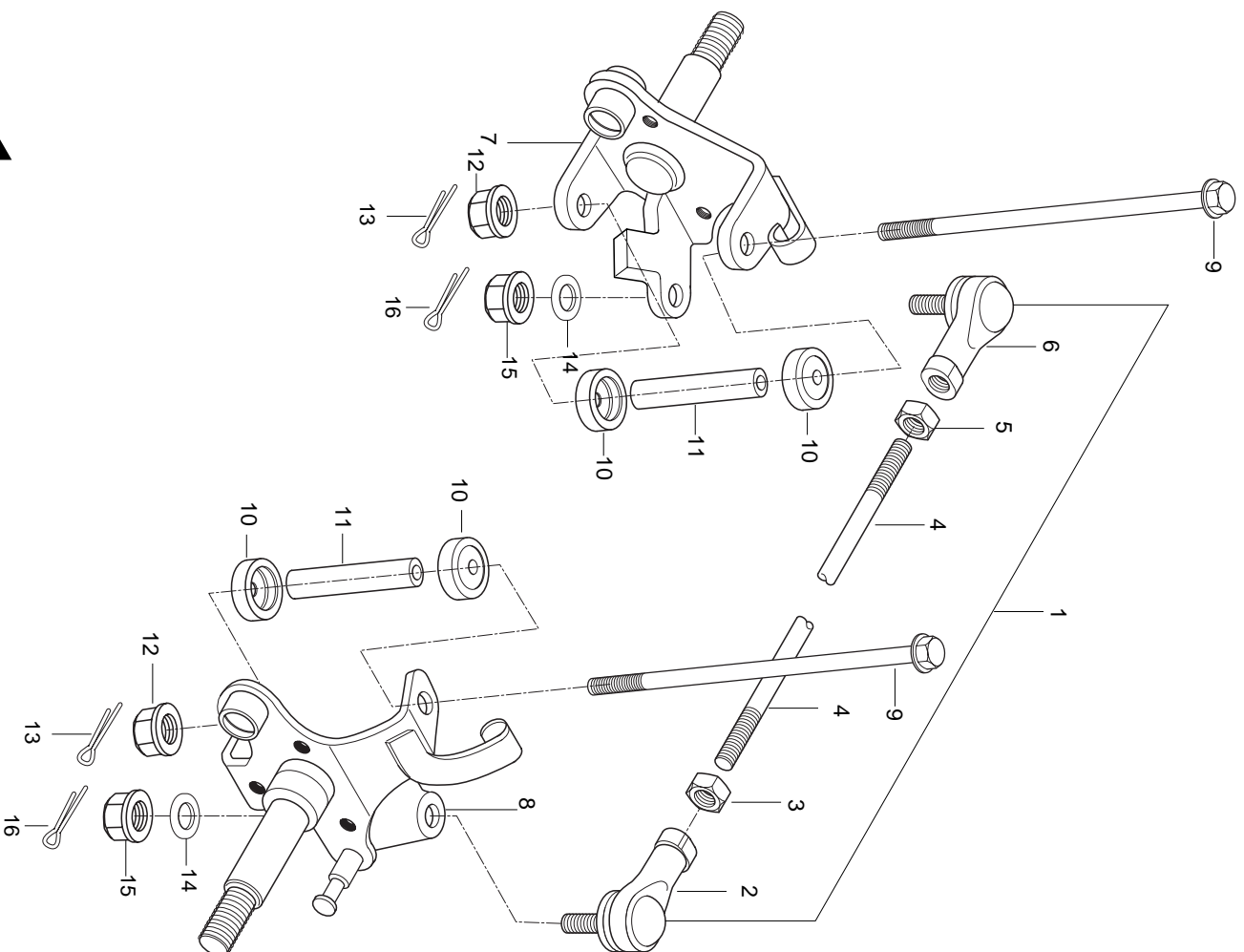


FIG 30. TIE ROD SET

REF. NO.	PARTS NO.		DESCRIPTION	USAGE (PCS)	REMARKS	REC.Q'TY (PCS)
	DOMESTIC	NNE01				
1	51091HK3102	51091HK3102	51091HK3102	TIE ROD,set steering		2
2	51270HK3100	51270HK3100	51270HK3100	END,comp rod L		2
3	09140-10027	09140-10027	09140-10027	NUT,tie rod inner(M10)		2
4	51281HK3101	51281HK3101	51281HK3101	TIE ROD,steering(M10*162)		2
5	09140-10043	09140-10043	09140-10043	NUT,tie rod outer(M10)		2
6	51260HK3100	51260HK3100	51260HK3100	END,comp rod R		2
7	51230HK3110	51230HK3110	51230HK3110	KNUCKLE,comp steering R		1
8	51240HK3110	51240HK3110	51240HK3110	KNUCKLE,comp steering L		1
9	09103-10082KOR	09103-10082KOR	09103-10082KOR	BOLT,knuckle arm(M10*110)		2
10	51255-18900KOR	51255-18900KOR	51255-18900KOR	SEAL,knuckle arm dust		4
11	51251HK3100	51251HK3100	51251HK3100	SPACER,king pin		2
12	08319-31106	08319-31106	08319-31106	NUT,knuckle arm(M10)		2
13	04111-20206	04111-20206	04111-20206	COTTER PIN,knuckle arm bolt()		2
14	08321-31106	08321-31106	08321-31106	WASHER,rod end (ø18.8*ø10.2)		2
15	08319-31106	08319-31106	08319-31106	NUT,rod end(M10)		2
16	04111-20206	04111-20206	04111-20206	COTTER PIN,rod end(L=20)		2

FIG 3 1

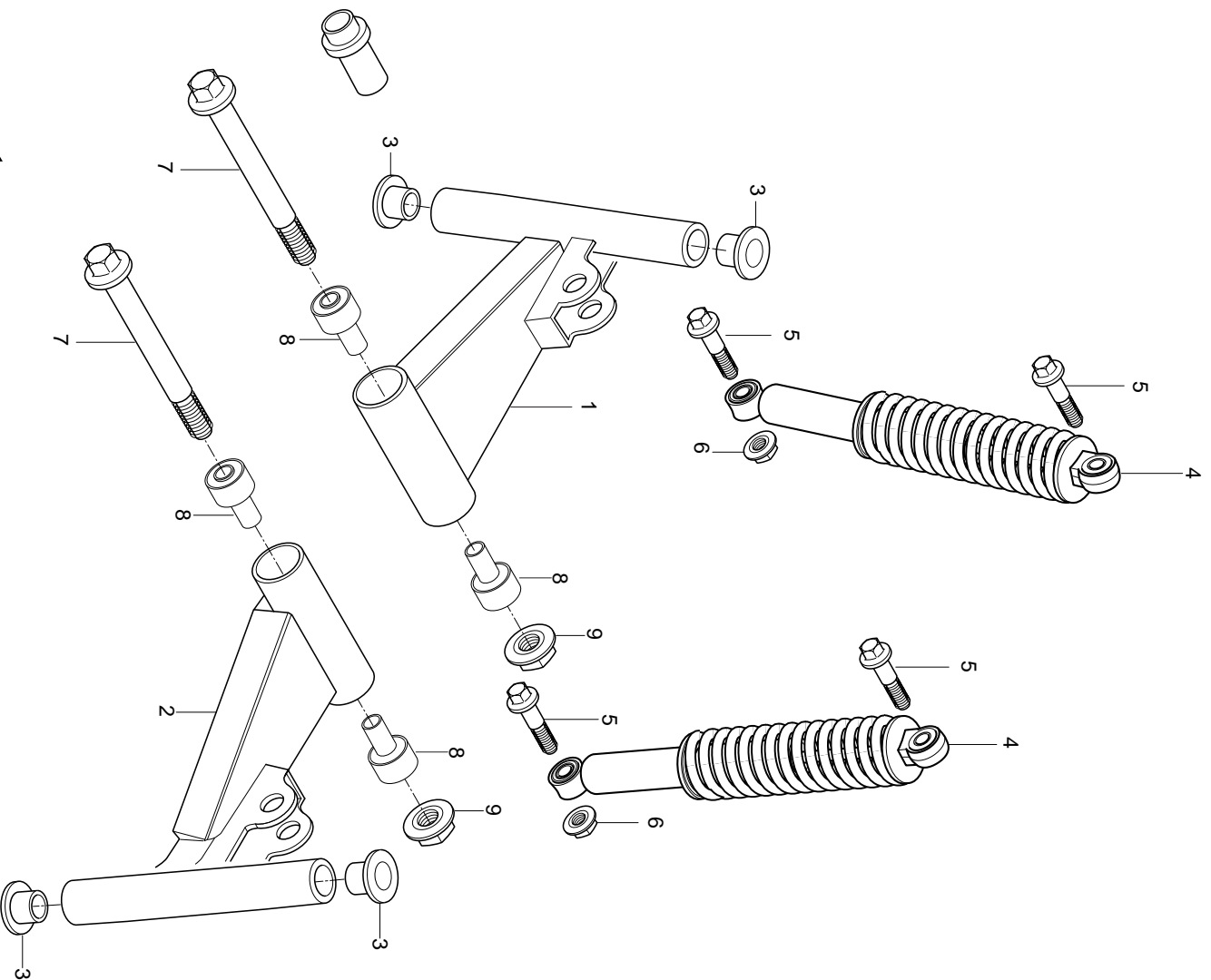


FIG 31. SUSPENSION ARM

REF.	PARTS NO.			DESCRIPTION	USAGE	REMARKS	REC.Q'TY
NO. DOMESTIC	NNE01	ST01			(PCS)		(PCS)
1	52410HL4101PAM	52410HL4101PAM	52410HL4101PAM	ARM,comp suspension R	1		4
2	52420HL4101PAM	52420HL4101PAM	52420HL4101PAM	ARM,comp suspension L	1		4
3	51236-40B00KOR	51236-40B00KOR	51236-40B00KOR	BUSH,king pin	4		
4	52100HL4100	52100HL4100	52100HL4100	ABSORBER,assy front shock	2		4
5	61181-02C00	61181-02C00	61181-02C00	BOLT,front shock absorber assy(4		
6	08316-26106	08316-26106	08316-26106	NUT,front shock absorber assy(2		
7	09103H12026	09103H12026	09103H12026	BOLT,suspension arm(M12*124	2		
8	09319H12005	09319H12005	09319H12005	BUSH,suspension arm	4		
9	08319-31126	08319-31126	08319-31126	NUT,suspension arm(M12)	2		

FIG 32

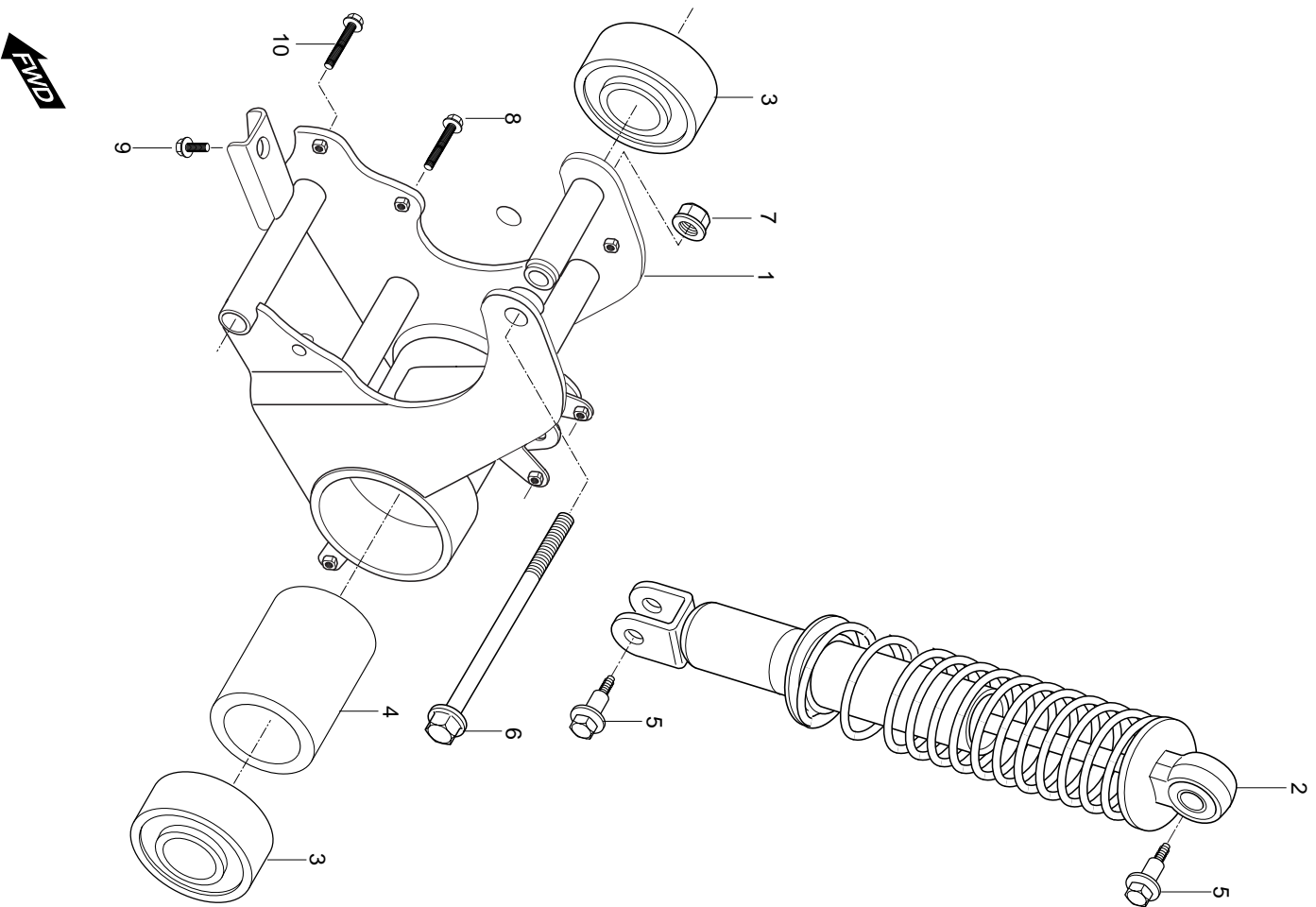


FIG 32. REAR HOUSING COMP

REF.	PARTS NO.			DESCRIPTION	USAGE	REMARKS	REC.Q'TY
NO. DOMESTIC	NNE01	ST01			(PCS)		(PCS)
1	64720HL4106PAM	64720HL4106PAM	64720HL4106PAM	HOUSING,comp RR axle brg	1		1
2	62100HL4102	62100HL4102	62100HL4102	ABSORBER,assy rear shock	2		4
2~1	62100HL4103	62100HL4103	62100HL4103	ABSORBER,assy rear shock	2		4
3	09262H32001	09262H32001	09262H32001	BEARING,rear axle(32*65*17)	2		
4	64731HK3102	64731HK3102	64731HK3102	SPACER,rear axle bearing(L=65	1		
5	61181-02C00	61181-02C00	61181-02C00	BOLT,rear shock absorber(M10*	4		
6	09103H10022	09103H10022	09103H10022	BOLT,rear axle housing & case()	1		
7	08319-31108	08319-31108	08319-31108	NUT,rear axle housing & case(M	1		
8	07110-08256	07110-08256	07110-08256	BOLT,RR axle housing clamp br	1		
9	07110-08168	07110-08168	07110-08168	BOLT,RR axle housing bracket d	1		
10	07110-08358	07110-08358	07110-08358	BOLT,RR axle housing clamp br	1		
11	62211HK3101	62211HK3101	62211HK3101	SPACER,RR S/ASS	1		

FIG 33

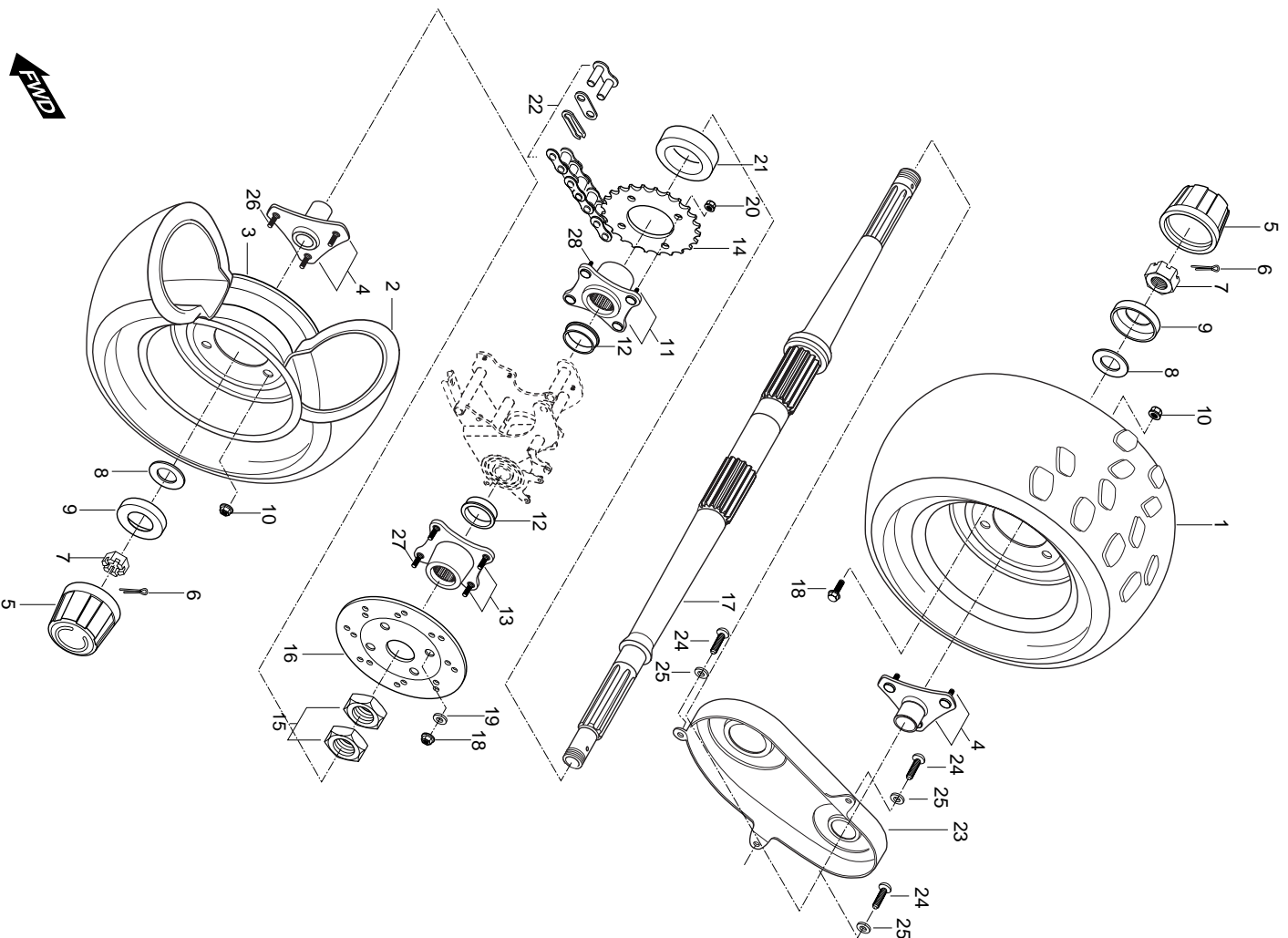


FIG 33. REAR WHEEL

REF.	PARTS NO.		DESCRIPTION	USAGE	REMARKS	REC.Q'TY
NO. DOMESTIC	NNE01	ST01		(PCS)		(PCS)
1	55100HL4100	55100HL4100	55100HL4100	TIRE,set rear (AT18*7-7)		2
1-1	55300HL4100	55300HL4100	55300HL4100	TIRE + WHEEL SET R		1
1-2	55400HL4100	55400HL4100	55400HL4100	TIRE + WHEEL SET L		1
2	55100HL4100	55100HL4100	55100HL4100	TIRE,comp rear(AT18*7-7)		2
3	55310HL4100	55310HL4100	55310HL4100	RIM COMP,rear		2
4	64110HL4103	64110HL4103	64110HL4103	HUB,comp rear		2
5	54725HK3101	54725HK3101	54725HK3101	CAP,wheel center		2
6	04111-40308	04111-40308	04111-40308	COTTER PIN, rear hub		2
7	09141H16000	09141H16000	09141H16000	NUT,rear hub(M16)		2
8	64723-02400	64723-02400	64723-02400	WASHER,rear axle(ø16.5*ø30*		2
9	64726-04200	64726-04200	64726-04200	HOLDER,center cap		2
10	08319-31088	08319-31088	08319-31088	NUT,wheet set(M8)		12
11	64610HK3101HPA	64610HK3101HPA	64610HK3101HPA	FLANGE,comp sprocket mounti		1
12	09285H42001	09285H42001	09285H42001	DUST SEAL, rear axle brg(42*6		2
13	69220HK3101HPA	69220HK3101HPA	69220HK3101HPA	FLANGE,comp rear disk		1
14	64511HK3101	64511HK3101	64511HK3101	SPROCKET,rear(28T)		1
15	09140-28003	09140-28003	09140-28003	NUT,rear axle(M28)		2
16	69211HK3100	69211HK3100	69211HK3100	DISK,rear		1
17	64711HK3102	64711HK3102	64711HK3102	AXLE,rear		1
18	08319-31088	08319-31088	08319-31088	NUT,rear disk(M8)		4
19	09160-08030	09160-08030	09160-08030	WASHER,rear disk(ø8.5*ø22*T		4
20	08319-31088	08319-31088	08319-31088	NUT,rear sprocket(M8)		4
21	09180H35001	09180H35001	09180H35001	SPACER,rear axle R(34*41*T6)		1
22	27600HL4100	27600HL4100	27600HL4100	CHAIN,comp drive	~ KM4AE12A341104320	2
22~1	27600HP4300	27600HP4300	27600HP4300	CHAIN,comp drive	KM4AE12A341104321 ~	2
23	61311HL4100	61311HL4100	61311HL4100	CASE,chain		1
24	01517-06166	01517-06166	01517-06166	BOLT,chain case(M6*16)		3
25	09169-06032	09169-06032	09169-06032	WASHER,chain case		3
26	09119H08060	09119H08060	09119H08060	BOLT,hub(M8*17)		6

FIG 33

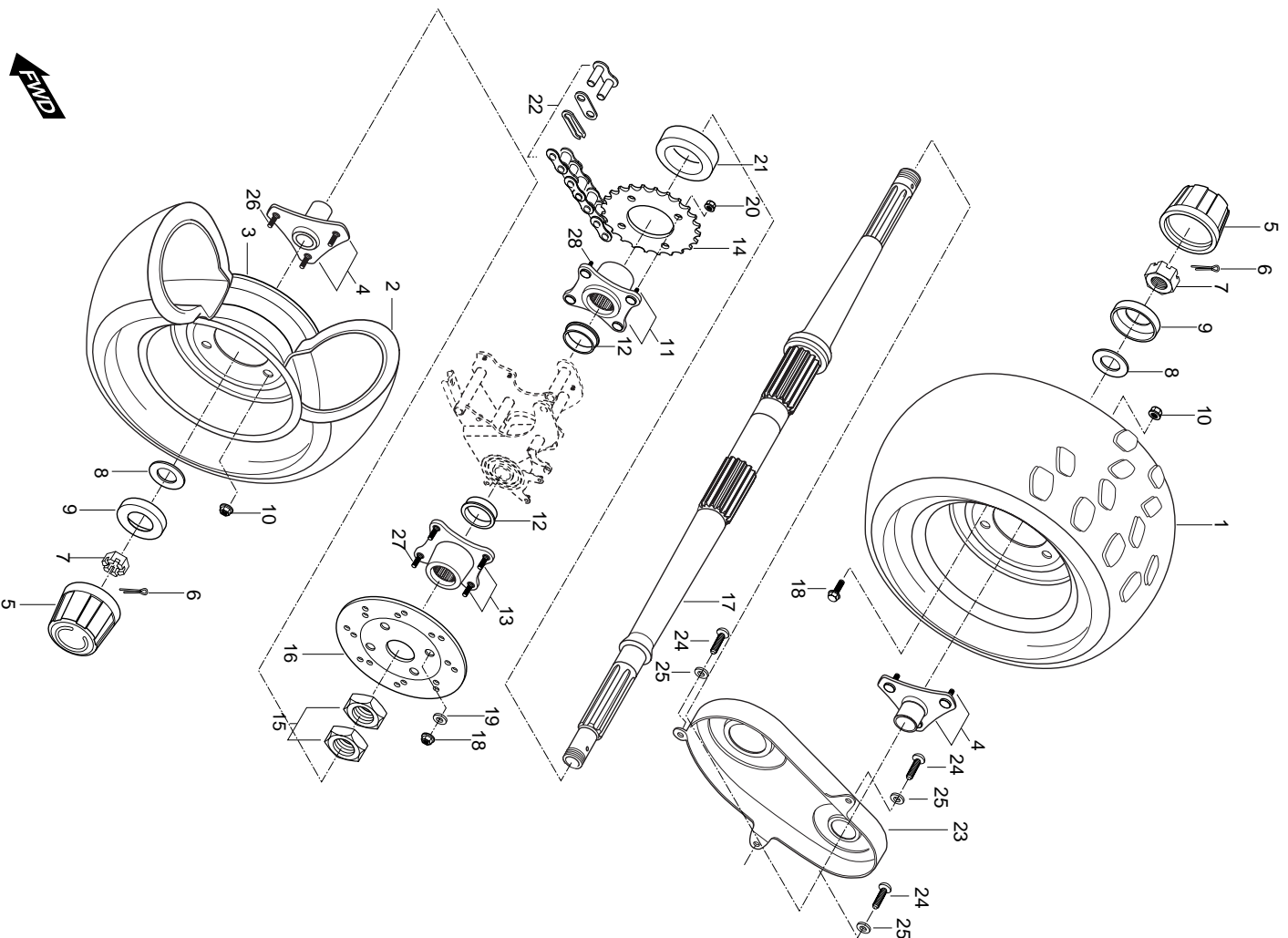


FIG 33. REAR WHEEL

REF.	PARTS NO.		DESCRIPTION	USAGE	REMARKS	REC.Q'TY
NO. DOMESTIC	NNE01	ST01		(PCS)		(PCS)
27	09119-08073KOR	09119-08073KOR	09119-08073KOR	BOLT,rear disk flange		4
28	09119-08073KOR	09119-08073KOR	09119-08073KOR	BOLT,rear sprocket flange		4

FIG 3 4

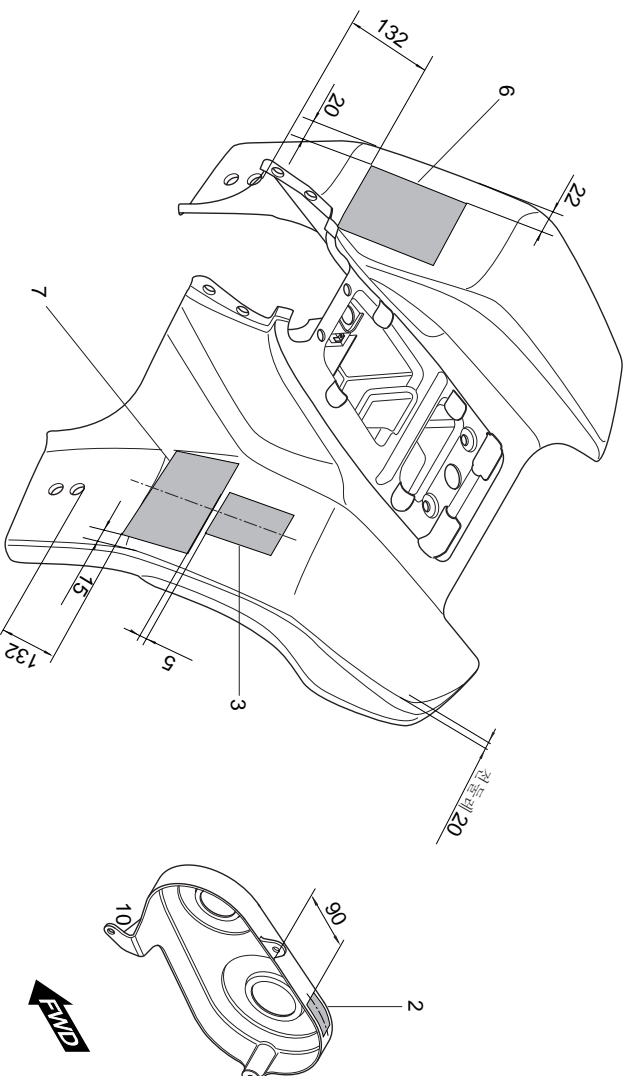
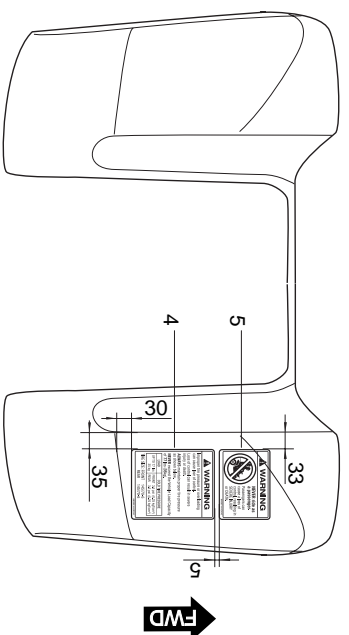
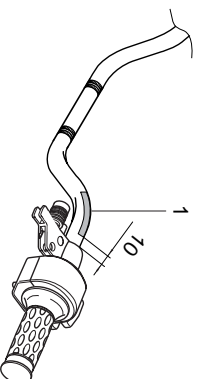
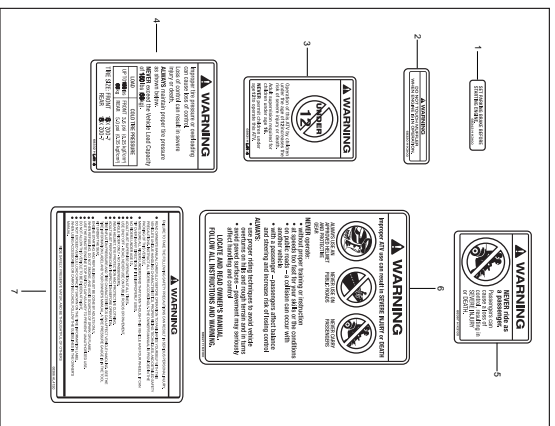


FIG 34. LABEL

REF.	PARTS NO.		DESCRIPTION	USAGE	REMARKS	REC.Q'TY
NO. DOMESTIC	NNE01	ST01		(PCS)		(PCS)
1	68343HK3100	68343HK3100	68343HK3100	WARNING,parking brake		1
2	68320HK3100	68320HK3100	68320HK3100	LABEL,chain case		1
3	68931HL4150	68931HL4150	68931HL4150	LABEL, AGE(6/12)		1
4	68332HL4150	68332HL4150	68332HL4150	LABEL,tire air pressure		1
5	68367HK3100	68367HK3100	68367HK3100	LABEL,no passenger		1
6	68921HK3100	68921HK3100	68921HK3100	LABEL,general warning		1
7	68366HL4150	68366HL4150	68366HL4150	LABEL,warning		1

FIG 35

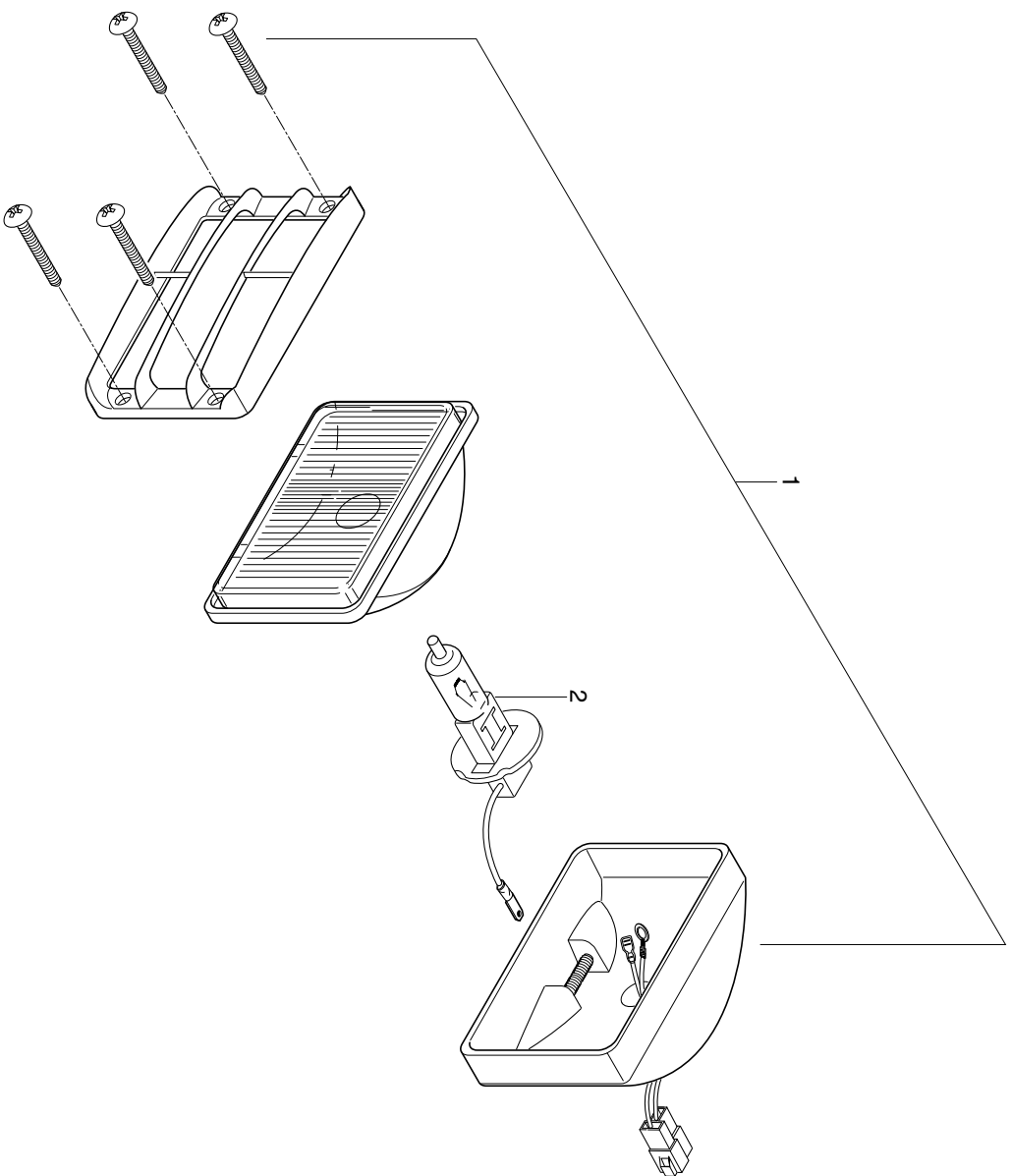


FIG 35. HEAD LAMP

REF.		PARTS NO.		DESCRIPTION	USAGE	REMARKS	REC.Q'TY
NO.	DOMESTIC	NNE01	ST01		(PCS)		(PCS)
1	35100HL2302	35100HL2302	35100HL2302	HEAD LAMP ASS'Y	1		
2	09471H12104	09471H12104	09471H12104	BULB, head lamp (12v, 35W)	1		

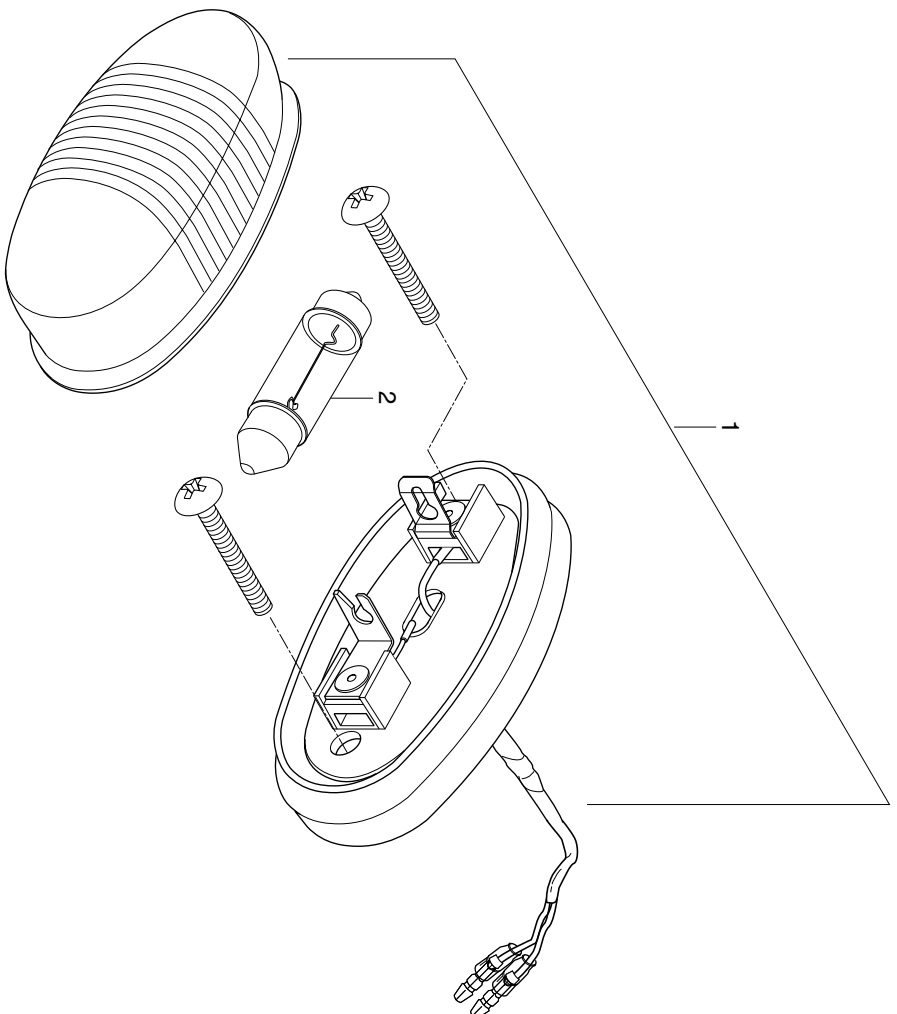


FIG 36

FIG 36. REAR COMBINATION

REF.		PARTS NO.		DESCRIPTION	USAGE	REMARKS	REC.Q'TY
NO.	DOMESTIC	NNE01	ST01		(PCS)		(PCS)
1	35710hl2300	35710hl2300	35710hl2300	LAMP ASS'Y, tail	1		
2	09471h12213	09471h12213	09471h12213	BULB, tail lamp (12V, 5W)	1		