



 **HYOSUNG**
MOTORS & MACHINERY INC.

REFERENCE

1.The detailed specifications of each model are referred by the persons who are in charge of overseas marketing team, Hyosung.

2.Special demand

When you order any colored parts including Fuel tank, please add color code to the end of parts number and it will be helpful to register your parts order.

※ **Color code**



OVB : BLUE



OLO : ORANGE

HYOSUNG MOTORS & MACHINERY INC.

FIG 1

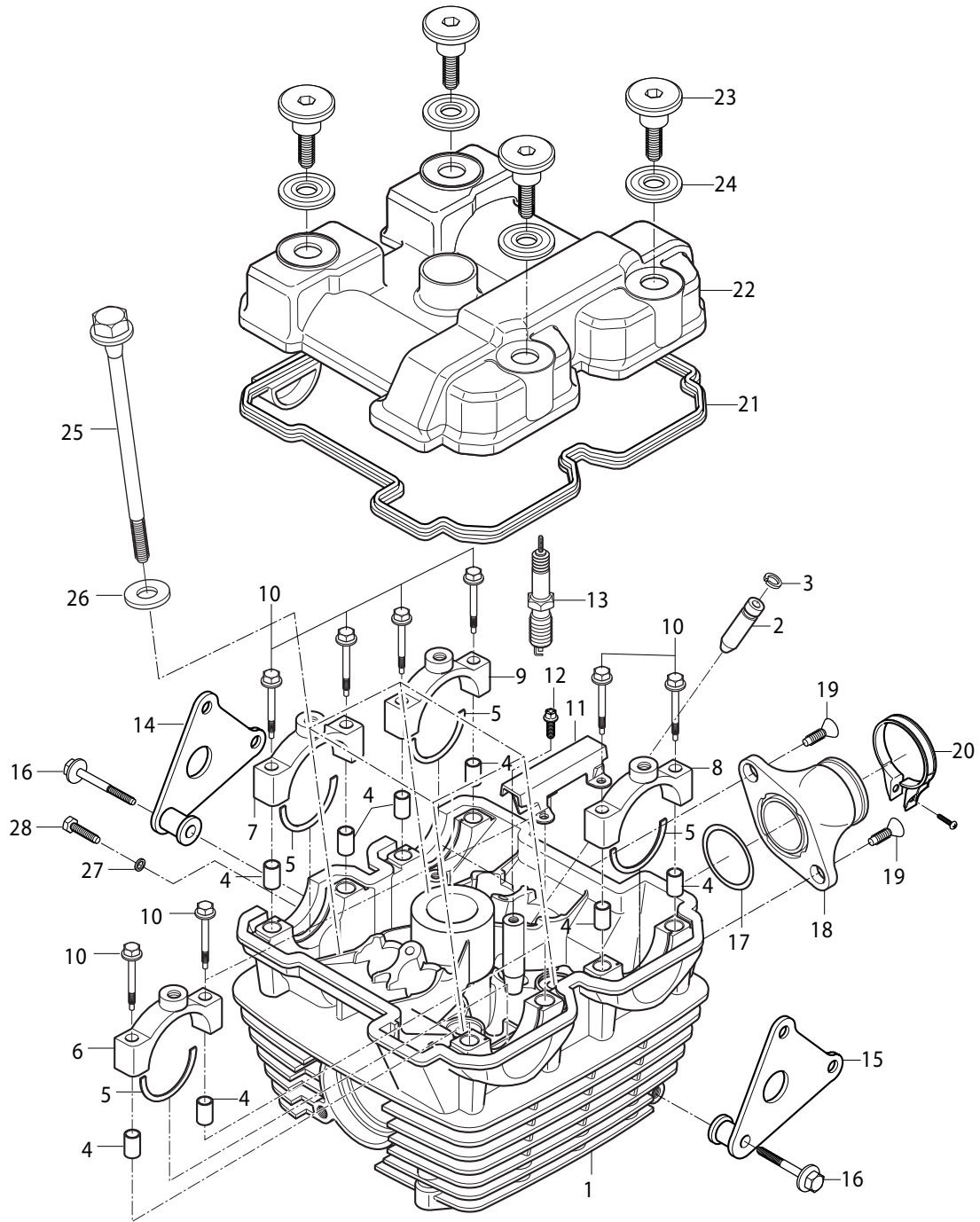


FIG 1. CYLINDER HEAD

| REF NO. | PARTS NO. | | | | | PARTS NAME | Q'TY | REMARKS | REC.Q'TY (PCS) |
|---------|----------------|----------------|----------------|----------------|----------------|----------------------------|------|---------|----------------|
| | SEU01 | SEN01 | SG01 | SSA01 | SS01 | | | | |
| 1 | 11100HR7900PCH | 11100HR7900PCH | 11100HR7900PCH | 11100HR7900PCH | 11100HR7900PCH | HEAD COMP. CYLINDER | 1 | | |
| 2 | 11115HJ8200 | 11115HJ8200 | 11115HJ8200 | 11115HJ8200 | 11115HJ8200 | GUIDE, VALVE | 4 | | |
| 3 | 09381-10004 | 09381-10004 | 09381-10004 | 09381-10004 | 09381-10004 | SNAP RING, VALVE GUIDE | 4 | | |
| 4 | 09206-08001 | 09206-08001 | 09206-08001 | 09206-08001 | 09206-08001 | KNOCK PIN, C/SHAFT HOUSING | 8 | | |
| 5 | 09390-35001 | 09390-35001 | 09390-35001 | 09390-35001 | 09390-35001 | C-RING, CAMSHAFT | 4 | | |
| 6 | 11121M35C00 | 11121M35C00 | 11121M35C00 | 11121M35C00 | 11121M35C00 | HOUSING, C/SHAFT No.1 | 1 | | |
| 7 | 11122M35C00 | 11122M35C00 | 11122M35C00 | 11122M35C00 | 11122M35C00 | HOUSING, C/SHAFT No.2 | 1 | | |
| 8 | 11123M35C00 | 11123M35C00 | 11123M35C00 | 11123M35C00 | 11123M35C00 | HOUSING, C/SHAFT No.3 | 1 | | |
| 9 | 11124M35C00 | 11124M35C00 | 11124M35C00 | 11124M35C00 | 11124M35C00 | HOUSING, C/SHAFT No.4 | 1 | | |
| 10 | 09103-06013 | 09103-06013 | 09103-06013 | 09103-06013 | 09103-06013 | BOLT, C/SHAFT HOUSING | 8 | | |
| 11 | 12782-35C00 | 12782-35C00 | 12782-35C00 | 12782-35C00 | 12782-35C00 | GUIDE, CAM CHAIN No.2 | 1 | | |
| 12 | 01517-06125 | 01517-06125 | 01517-06125 | 01517-06125 | 01517-06125 | BOLT, OIL GALLERY | 2 | | |
| 13 | 09482-00456 | 09482-00456 | 09482-00456 | 09482-00456 | 09482-00456 | SPARK PLUG (CR8E) | 1 | | |
| 14 | 41980-35C00 | 41980-35C00 | 41980-35C00 | 41980-35C00 | 41980-35C00 | PLATE, E/MOUNT No.4 R | 1 | | |
| 15 | 41990HR7800PAM | 41990HR7800PAM | 41990HR7800PAM | 41990HR7800PAM | 41990HR7800PAM | PLATE, E/MOUNT No.4 L | 1 | | |
| 16 | 09103-10219 | 09103-10219 | 09103-10219 | 09103-10219 | 09103-10219 | BOLT, ENG MOUNTING (L=50) | 2 | | |
| 17 | 09280-36004 | 09280-36004 | 09280-36004 | 09280-36004 | 09280-36004 | O-RING, INTAKE PIPE | 1 | | |
| 18 | 13110HR7800 | 13110HR7800 | 13110HR7800 | 13110HR7800 | 13110HR7800 | PIPE COMP, INTAKE | 1 | | |
| 19 | 02122-06208 | 02122-06208 | 02122-06208 | 02122-06208 | 02122-06208 | SCREW, INTAKE PIPE | 2 | | |
| 20 | 09402-48209 | 09402-48209 | 09402-48209 | 09402-48209 | 09402-48209 | CLAMP, INTAKE PIPE | 1 | | |
| 21 | 11173-35C00 | 11173-35C00 | 11173-35C00 | 11173-35C00 | 11173-35C00 | GASKET, C/HEAD COVER No.1 | 1 | | |
| 22 | 11171-35C00999 | 11171-35C00999 | 11171-35C00999 | 11171-35C00999 | 11171-35C00999 | COVER, CYLINDER HEAD | 1 | | |
| 23 | 09106-07009 | 09106-07009 | 09106-07009 | 09106-07009 | 09106-07009 | BOLT, C/HEAD COVER (L=5.5) | 4 | | |
| 24 | 09161-11008 | 09161-11008 | 09161-11008 | 09161-11008 | 09161-11008 | WASHER, C/HEAD COVER | 4 | | |
| 25 | 09103-08305 | 09103-08305 | 09103-08305 | 09103-08305 | 09103-08305 | BOLT, C/HEAD (L=140) | 4 | | |
| 26 | 09168-08021 | 09168-08021 | 09168-08021 | 09168-08021 | 09168-08021 | GASKET, CYLINDER HEAD BOLT | 4 | | |
| 27 | 09168H06009 | 09168H06009 | 09168H06009 | 09168H06009 | 09168H06009 | GASKET, OIL GALLERY PLUG | 2 | | |
| 28 | 01517-06125 | 01517-06125 | 01517-06125 | 01517-06125 | 01517-06125 | PLUG, OIL GALLERY | 2 | | |
| 29 | 11180-43410 | 11180-43410 | 11180-43410 | 11180-43410 | 11180-43410 | JET COMP, OIL GALLERY | 1 | | |

FIG 2

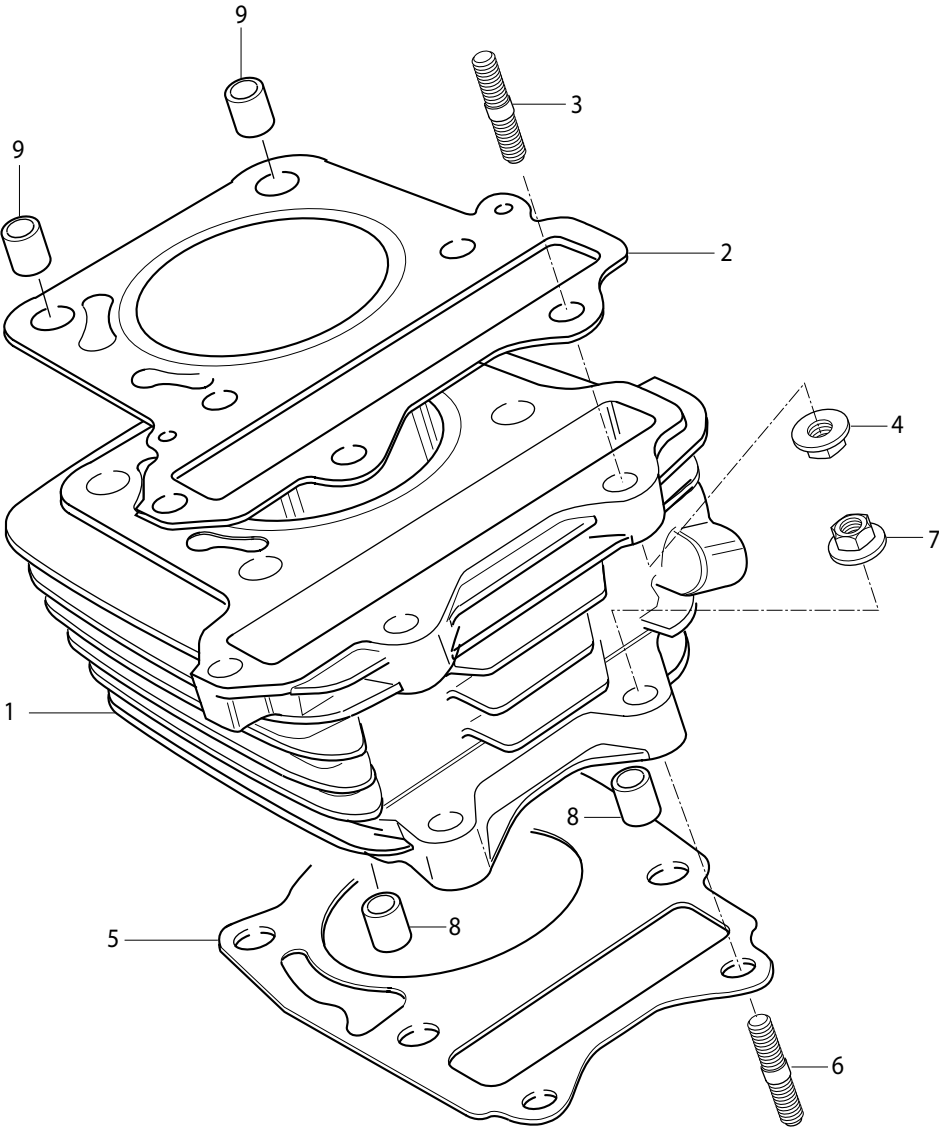


FIG 2. CYLINDER

| REF NO. | PARTS NO. | | | | | PARTS NAME | Q`TY | REMARKS | REC.Q`TY (PCS) |
|---------|----------------|----------------|----------------|----------------|----------------|---------------------------|------|---------|----------------|
| | SEU01 | SEN01 | SG01 | SSA01 | SS01 | | | | |
| 1 | 11210HR7801PCY | 11210HR7801PCY | 11210HR7801PCY | 11210HR7801PCY | 11210HR7801PCY | CYLINDER COMP | 1 | | |
| 2 | 11141HR7800 | 11141HR7800 | 11141HR7800 | 11141HR7800 | 11141HR7800 | GASKET, CYLINDER HEAD | 1 | | |
| 3 | 01421-06255 | 01421-06255 | 01421-06255 | 01421-06255 | 01421-06255 | STUD BOLT , CYLINDER HEAD | 3 | | |
| 4 | 08316-16065 | 08316-16065 | 08316-16065 | 08316-16065 | 08316-16065 | NUT, CYLINDER HEAD | 3 | | |
| 5 | 11241H35C01 | 11241H35C01 | 11241H35C01 | 11241H35C01 | 11241H35C01 | GASKET, CYLINER | 1 | | |
| 6 | 01421-06255 | 01421-06255 | 01421-06255 | 01421-06255 | 01421-06255 | STUD BOLT , CYLINDER | 2 | | |
| 7 | 08316-16065 | 08316-16065 | 08316-16065 | 08316-16065 | 08316-16065 | NUT, CYLINDER | 2 | | |
| 8 | 04211-11129 | 04211-11129 | 04211-11129 | 04211-11129 | 04211-11129 | KNOCK PIN, CYLINDER | 2 | | |
| 9 | 04211-11169 | 04211-11169 | 04211-11169 | 04211-11169 | 04211-11169 | KNOCK PIN, CYLINDER HEAD | 2 | | |

FIG 3

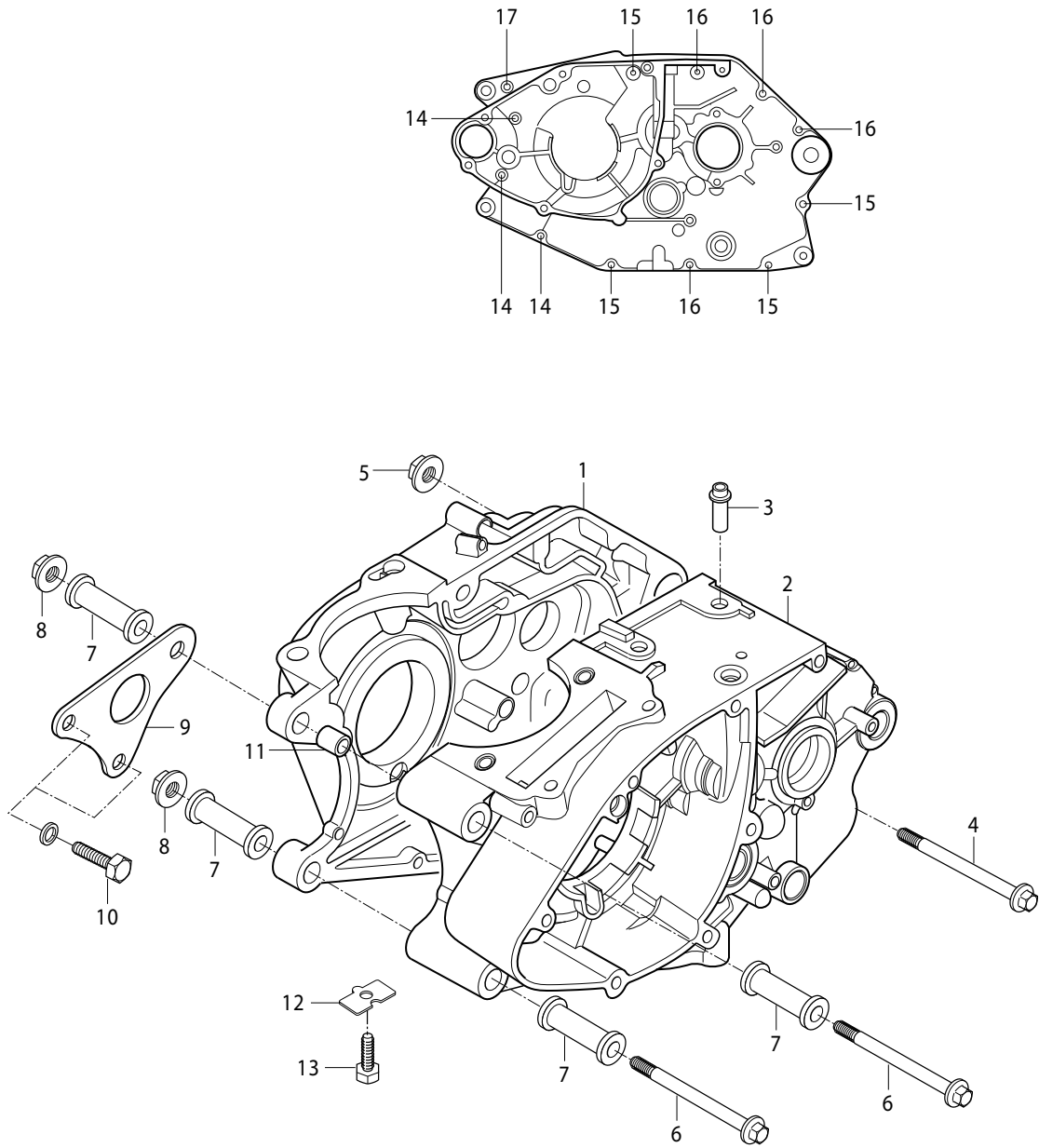


FIG 3. CRANK CASE

| REF NO. | PARTS NO. | | | | | PARTS NAME | Q'TY | REMARKS | REC.Q'TY (PCS) |
|---------|----------------|----------------|----------------|----------------|----------------|-----------------------------|------|---------|----------------|
| | SEU01 | SEN01 | SG01 | SSA01 | SS01 | | | | |
| 1 | 11310H35C20PCC | 11310H35C20PCC | 11310H35C20PCC | 11310H35C20PCC | 11310H35C20PCC | CRANK CASE, R | 1 | | |
| 2 | 11320HR7800PCC | 11320HR7800PCC | 11320HR7800PCC | 11320HR7800PCC | 11320HR7800PCC | CRANK CASE, L | 1 | | |
| 3 | 09364-12001 | 09364-12001 | 09364-12001 | 09364-12001 | 09364-12001 | UNION, BREATHER HOSE | 1 | | |
| 4 | 09103-08072 | 09103-08072 | 09103-08072 | 09103-08072 | 09103-08072 | BOLT, ENG MOUNTING REAR | 1 | | |
| 5 | 08319-31088 | 08319-31088 | 08319-31088 | 08319-31088 | 08319-31088 | NUT, ENG MOUNTING | 1 | | |
| 6 | 09103-08081 | 09103-08081 | 09103-08081 | 09103-08081 | 09103-08081 | BOLT, ENG MOUNTING FRONT | 2 | | |
| 7 | 11610-29B00 | 11610-29B00 | 11610-29B00 | 11610-29B00 | 11610-29B00 | SPACER, ENG MOUNTING No.1 | 4 | | |
| 8 | 08319-31088 | 08319-31088 | 08319-31088 | 08319-31088 | 08319-31088 | NUT, ENG MOUNTING | 2 | | |
| 9 | 41911-35C00 | 41911-35C00 | 41911-35C00 | 41911-35C00 | 41911-35C00 | PLATE, ENG MOUNT No.1 | 1 | | |
| 10 | 01137-08168 | 01137-08168 | 01137-08168 | 01137-08168 | 01137-08168 | BOLT, ENG MOUNT No.1 | 2 | | |
| 11 | 04213-13189 | 04213-13189 | 04213-13189 | 04213-13189 | 04213-13189 | PIN, CRANK CASE | 2 | | |
| 12 | 11319-05200 | 11319-05200 | 11319-05200 | 11319-05200 | 11319-05200 | PLATE, OIL GALLELY PLUG | 1 | | |
| 13 | 01904-06108 | 01904-06108 | 01904-06108 | 01904-06108 | 01904-06108 | BOLT, OIL GALLEY PLUG PLATE | 1 | | |
| 14 | 01547-06558 | 01547-06558 | 01547-06558 | 01547-06558 | 01547-06558 | BOLT, CRANK CASE | 3 | | |
| 15 | 01547-06608 | 01547-06608 | 01547-06608 | 01547-06608 | 01547-06608 | BOLT, CRANK CASE | 4 | | |
| 16 | 01547-06758 | 01547-06758 | 01547-06758 | 01547-06758 | 01547-06758 | BOLT, CRANK CASE | 4 | | |
| 17 | 01547-06808 | 01547-06808 | 01547-06808 | 01547-06808 | 01547-06808 | BOLT, CRANK CASE | 1 | | |

FIG 4

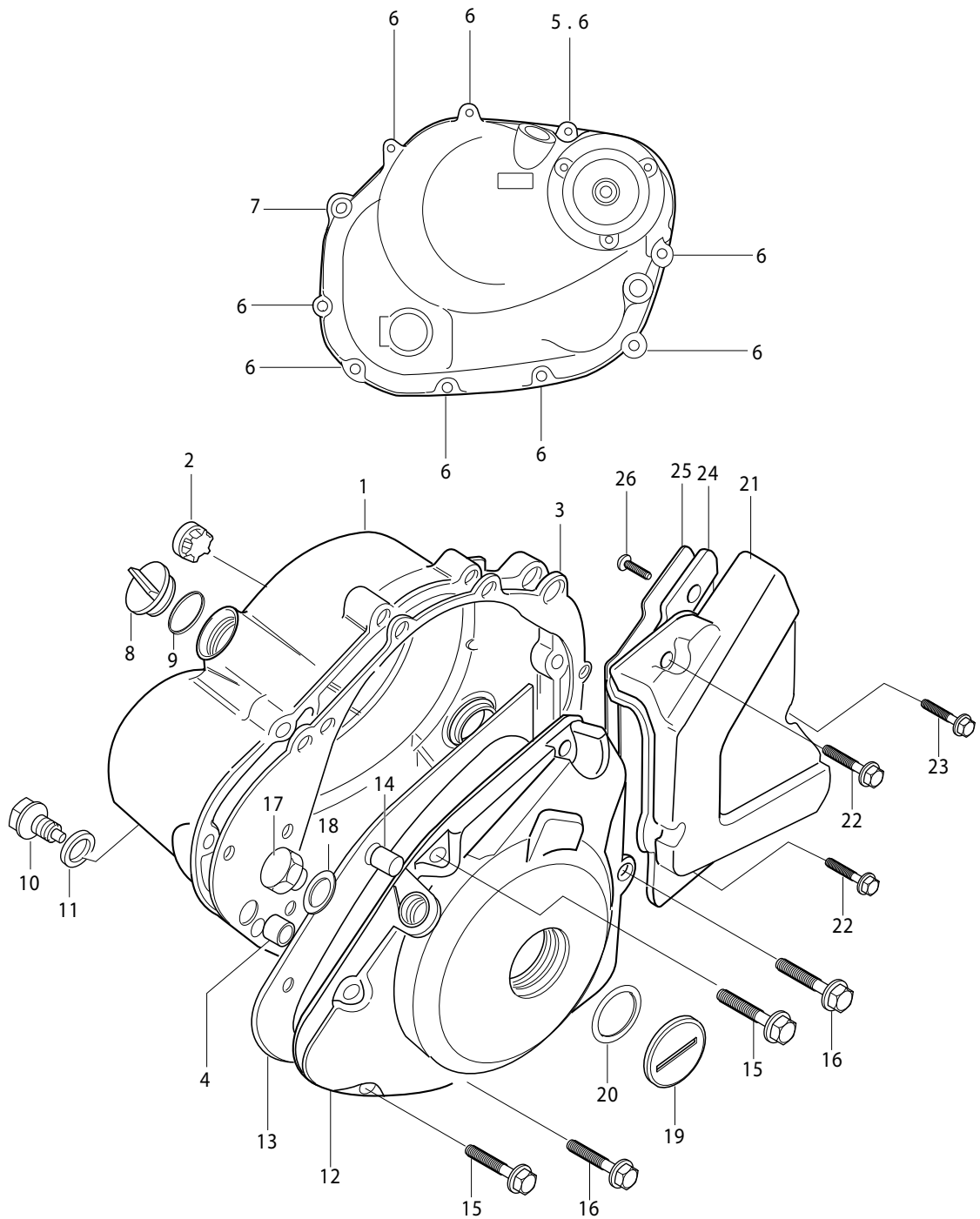


FIG 4. CRANKCASE COVER

| REF NO. | PARTS NO. | | | | | PARTS NAME | Q'TY | REMARKS | REC.Q'TY (PCS) |
|---------|----------------|----------------|----------------|----------------|----------------|-------------------------------|------|---------|----------------|
| | SEU01 | SEN01 | SG01 | SSA01 | SS01 | | | | |
| 1 | 11340-35C00121 | 11340-35C00121 | 11340-35C00121 | 11340-35C00121 | 11340-35C00121 | COVER COMP, CLUTCH | 1 | | |
| 2 | 11971-45010 | 11971-45010 | 11971-45010 | 11971-45010 | 11971-45010 | LENS, OIL LEVER CHECK | 1 | | |
| 3 | 11482H35C01 | 11482H35C01 | 11482H35C01 | 11482H35C01 | 11482H35C01 | GASKET, CLUTCH COVER | 1 | | |
| 4 | 04211-13189 | 04211-13189 | 04211-13189 | 04211-13189 | 04211-13189 | PIN, CLUTCH COVER | 2 | | |
| 5 | 09168H06009 | 09168H06009 | 09168H06009 | 09168H06009 | 09168H06009 | GASKET, C/COVER BOLT | 1 | | |
| 6 | 01547-06308 | 01547-06308 | 01547-06308 | 01547-06308 | 01547-06308 | BOLT, CLUTCH COVER | 9 | | |
| 7 | 01547-06458 | 01547-06458 | 01547-06458 | 01547-06458 | 01547-06458 | BOLT, CLUTCH COVER | 1 | | |
| 8 | 09259-20012 | 09259-20012 | 09259-20012 | 09259-20012 | 09259-20012 | PLUG, ENGINE OIL FILLER | 1 | | |
| 9 | 09280-17003 | 09280-17003 | 09280-17003 | 09280-17003 | 09280-17003 | O-RING, OIL FILLER PLUG | 1 | | |
| 10 | 09247-14026 | 09247-14026 | 09247-14026 | 09247-14026 | 09247-14026 | PLUG, OIL CHECK | 1 | | |
| 11 | 09168-14002 | 09168-14002 | 09168-14002 | 09168-14002 | 09168-14002 | GASKET, OIL CHECK PLUG | 1 | | |
| 12 | 11351-35C00999 | 11351-35C00999 | 11351-35C00999 | 11351-35C00999 | 11351-35C00999 | COVER, MAGNETO | 1 | | |
| 13 | 11483-05301 | 11483-05301 | 11483-05301 | 11483-05301 | 11483-05301 | GASKET, MAGNETO COVER | 1 | | |
| 14 | 04211-09129 | 04211-09129 | 04211-09129 | 04211-09129 | 04211-09129 | PIN, MAGNETO COVER | 1 | | |
| 15 | 01547-06258 | 01547-06258 | 01547-06258 | 01547-06258 | 01547-06258 | BOLT, MAGNETO COVER | 1 | | |
| 16 | 01547-06358 | 01547-06358 | 01547-06358 | 01547-06358 | 01547-06358 | BOLT, MAGNETO COVER | 1 | | |
| 17 | 9247-12103 | 9247-12103 | 9247-12103 | 9247-12103 | 9247-12103 | PLUG, TDC | 1 | | |
| 18 | 09168-12002 | 09168-12002 | 09168-12002 | 09168-12002 | 09168-12002 | GASKET, TDC PLIG | 1 | | |
| 19 | 09259-26006 | 09259-26006 | 09259-26006 | 09259-26006 | 09259-26006 | PLUG, C/SHAFT HOLE | 1 | | |
| 20 | 09280-22008 | 09280-22008 | 09280-22008 | 09280-22008 | 09280-22008 | O-RING, C/SHAFT HOLE PLUG | 1 | | |
| 21 | 11361HR7800121 | 11361HR7800121 | 11361HR7800121 | 11361HR7800121 | 11361HR7800121 | COVER, ENGINE SPROCKET | 1 | | |
| 22 | 01547-06258 | 01547-06258 | 01547-06258 | 01547-06258 | 01547-06258 | BOLT, ENG SPROCKET COVER | 2 | | |
| 23 | 01547-06408 | 01547-06408 | 01547-06408 | 01547-06408 | 01547-06408 | BOLT, ENG SPROCKET COVER | 1 | | |
| 24 | 11363-35C00 | 11363-35C00 | 11363-35C00 | 11363-35C00 | 11363-35C00 | DUMPER, ENGINE SPROCKET COVER | 1 | | |
| 25 | 11362-35C00 | 11362-35C00 | 11362-35C00 | 11362-35C00 | 11362-35C00 | PLATE, ENGINE SPROCKET COVER | 1 | | |
| 26 | 02142-06108 | 02142-06108 | 02142-06108 | 02142-06108 | 02142-06108 | SCREW, SPROCKET COVER PLATE | 4 | | |

FIG 5

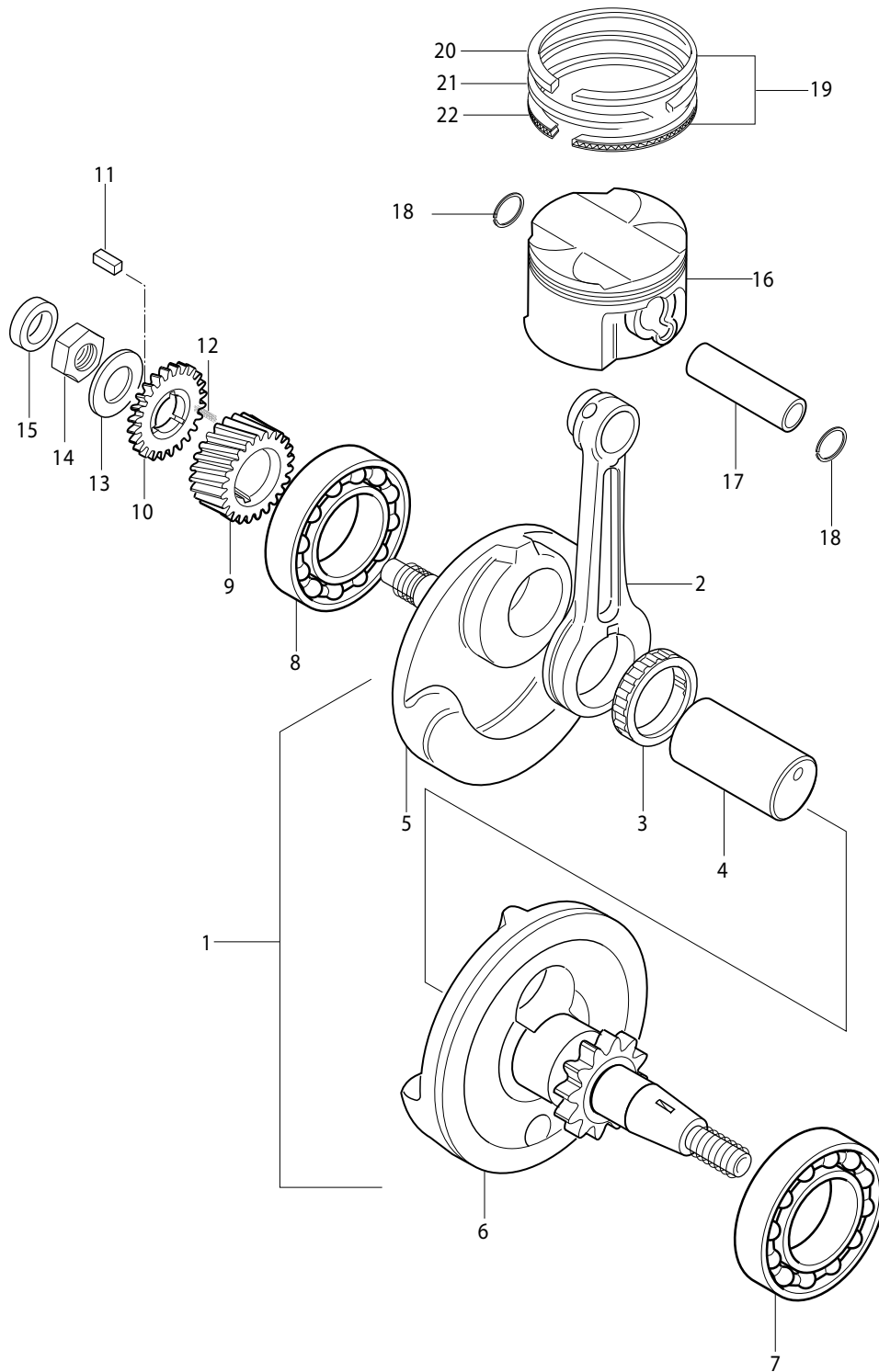


FIG 5. CRANK SHAFT

| REF NO. | PARTS NO. | | | | | PARTS NAME | Q'TY | REMARKS | REC.Q'TY (PCS) |
|---------|----------------|----------------|----------------|----------------|----------------|--------------------------|------|---------|----------------|
| | SEU01 | SEN01 | SG01 | SSA01 | SS01 | | | | |
| 1 | 12200S04B10 | 12200S04B10 | 12200S04B10 | 12200S04B10 | 12200S04B10 | CRANK SHAFT ASS'Y | 1 | | |
| 2 | 12161HJ8200 | 12161HJ8200 | 12161HJ8200 | 12161HJ8200 | 12161HJ8200 | ROD, CONNECTING | 1 | | |
| 3 | 09263-28027 | 09263-28027 | 09263-28027 | 09263-28027 | 09263-28027 | BEARING, CRANK PIN | 1 | | |
| 4 | 12211-05231 | 12211-05231 | 12211-05231 | 12211-05231 | 12211-05231 | PIN, CRANK | 1 | | |
| 5 | 12261-04B10CSA | 12261-04B10CSA | 12261-04B10CSA | 12261-04B10CSA | 12261-04B10CSA | CRANK SHAFT L | 1 | | |
| 6 | 12221-04B00CSA | 12221-04B00CSA | 12221-04B00CSA | 12221-04B00CSA | 12221-04B00CSA | CRANK SHAFT R | 1 | | |
| 7 | 09262-28003 | 09262-28003 | 09262-28003 | 09262-28003 | 09262-28003 | BEARING, CRANK SHAFT R | 1 | | |
| 8 | 09262-35026 | 09262-35026 | 09262-35026 | 09262-35026 | 09262-35026 | BEARING, CRANK SHAFT L | 1 | | |
| 9 | 21111-35C00 | 21111-35C00 | 21111-35C00 | 21111-35C00 | 21111-35C00 | GEAR, PRIMARY DRIVE | 1 | | |
| 10 | 21112-35C00 | 21112-35C00 | 21112-35C00 | 21112-35C00 | 21112-35C00 | GEAR, PRIMARY DRIVE No.2 | 1 | | |
| 11 | 09421-04004 | 09421-04004 | 09421-04004 | 09421-04004 | 09421-04004 | KEY, PRIMARY DRIVE GEAR | 1 | | |
| 12 | 21114-35C00 | 21114-35C00 | 21114-35C00 | 21114-35C00 | 21114-35C00 | SPRING, P/DRIVE GEAR | 3 | | |
| 13 | 16321-05210 | 16321-05210 | 16321-05210 | 16321-05210 | 16321-05210 | OIL PUMP DRIVE GEAR | 1 | | |
| 14 | 09166-16012 | 09166-16012 | 09166-16012 | 09166-16012 | 09166-16012 | WASHER, P/DRIVE GEAR | 1 | | |
| 15 | 09140-16019 | 09140-16019 | 09140-16019 | 09140-16019 | 09140-16019 | NUT, P/DRIVE GEAR | 1 | | |
| 16 | 09282-12001 | 09282-12001 | 09282-12001 | 09282-12001 | 09282-12001 | OIL SEAL, CRANK SHAFT R | 1 | | |
| 17 | 12111-16E00PPS | 12111-16E00PPS | 12111-16E00PPS | 12111-16E00PPS | 12111-16E00PPS | PISTON | 1 | | |
| 18 | 12151-30B00 | 12151-30B00 | 12151-30B00 | 12151-30B00 | 12151-30B00 | PIN, PISTON | 1 | | |
| 19 | 09381-15001 | 09381-15001 | 09381-15001 | 09381-15001 | 09381-15001 | CIRCLIP | 2 | | |
| 20 | 12140-16E00 | 12140-16E00 | 12140-16E00 | 12140-16E00 | 12140-16E00 | RING SET, PISTON | 1 | | |
| 21 | 12141-16E00 | 12141-16E00 | 12141-16E00 | 12141-16E00 | 12141-16E00 | RING , PISTON 1ST | 1 | | |
| 22 | 12142-16E00 | 12142-16E00 | 12142-16E00 | 12142-16E00 | 12142-16E00 | RING, PISTON 2ND | 1 | | |
| 23 | 12144-16E00 | 12144-16E00 | 12144-16E00 | 12144-16E00 | 12144-16E00 | RING, PISTON OIL | 1 | | |

FIG 6

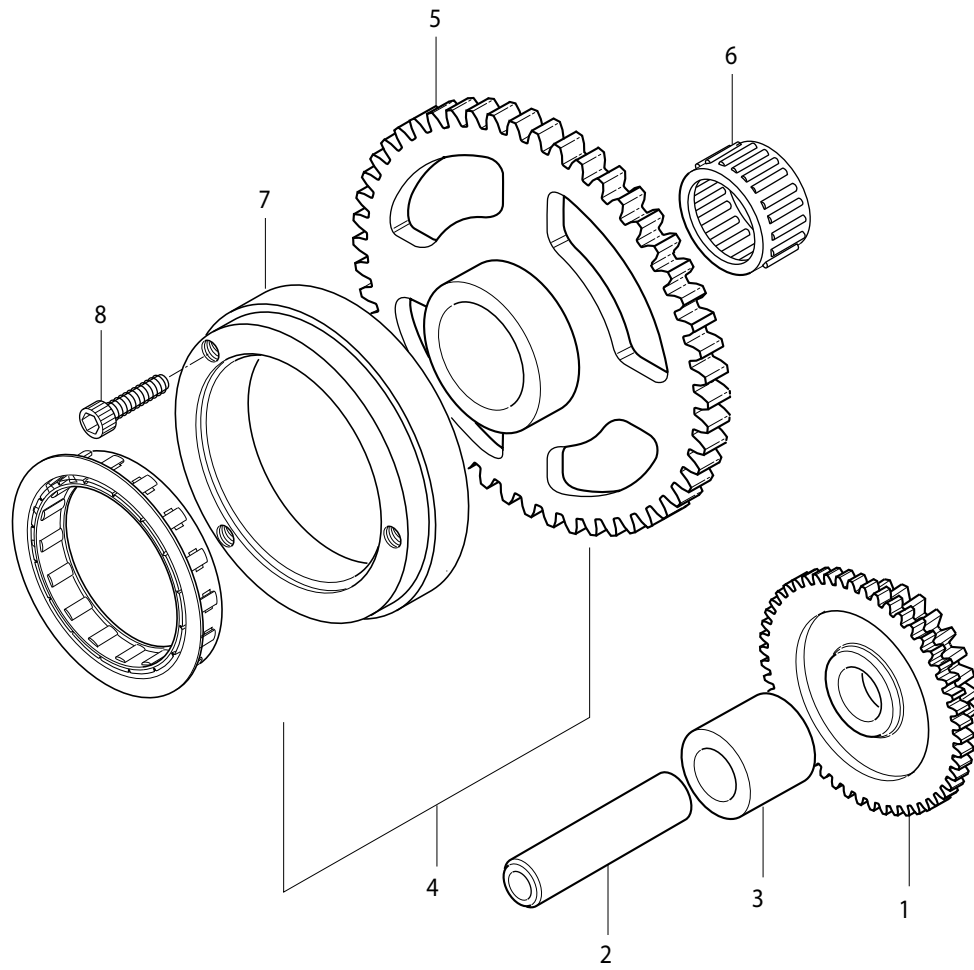


FIG 6. STARTER CLUTCH

| REF NO. | PARTS NO. | | | | | PARTS NAME | Q'TY | REMARKS | REC.Q'TY (PCS) |
|------------|-------------|-------------|-------------|-------------|-------------|---------------------------|------|---------|-------------------|
| | SEU01 | SEN01 | SG01 | SSA01 | SS01 | | | | |
| 1 | 12611-04B00 | 12611-04B00 | 12611-04B00 | 12611-04B00 | 12611-04B00 | GEAR, STARTER IDLE | 1 | | |
| 2 | 09206-13003 | 09206-13003 | 09206-13003 | 09206-13003 | 09206-13003 | PIN, STARTER IDLE GEAR | 1 | | |
| 3 | 09180-13006 | 09180-13006 | 09180-13006 | 09180-13006 | 09180-13006 | SPACER, STARTER IDLE GEAR | 1 | | |
| 4 | 12600-35C00 | 12600-35C00 | 12600-35C00 | 12600-35C00 | 12600-35C00 | CLUTCH SET, STARTER | 1 | | |
| 5 | 12620-42A01 | 12620-42A01 | 12620-42A01 | 12620-42A01 | 12620-42A01 | GEAR COMP, STARTER CLUTCH | 1 | | |
| 6 | 09263-22031 | 09263-22031 | 09263-22031 | 09263-22031 | 09263-22031 | BEARING, S/CLUTCH GEAR | 1 | | |
| 7 | 12614-02C00 | 12614-02C00 | 12614-02C00 | 12614-02C00 | 12614-02C00 | CLUTCH, STARTER CLUTCH | 1 | | |
| 8 | 07110-08168 | 07110-08168 | 07110-08168 | 07110-08168 | 07110-08168 | BOLT, STARTER CLUTCH | 3 | | |

FIG 7

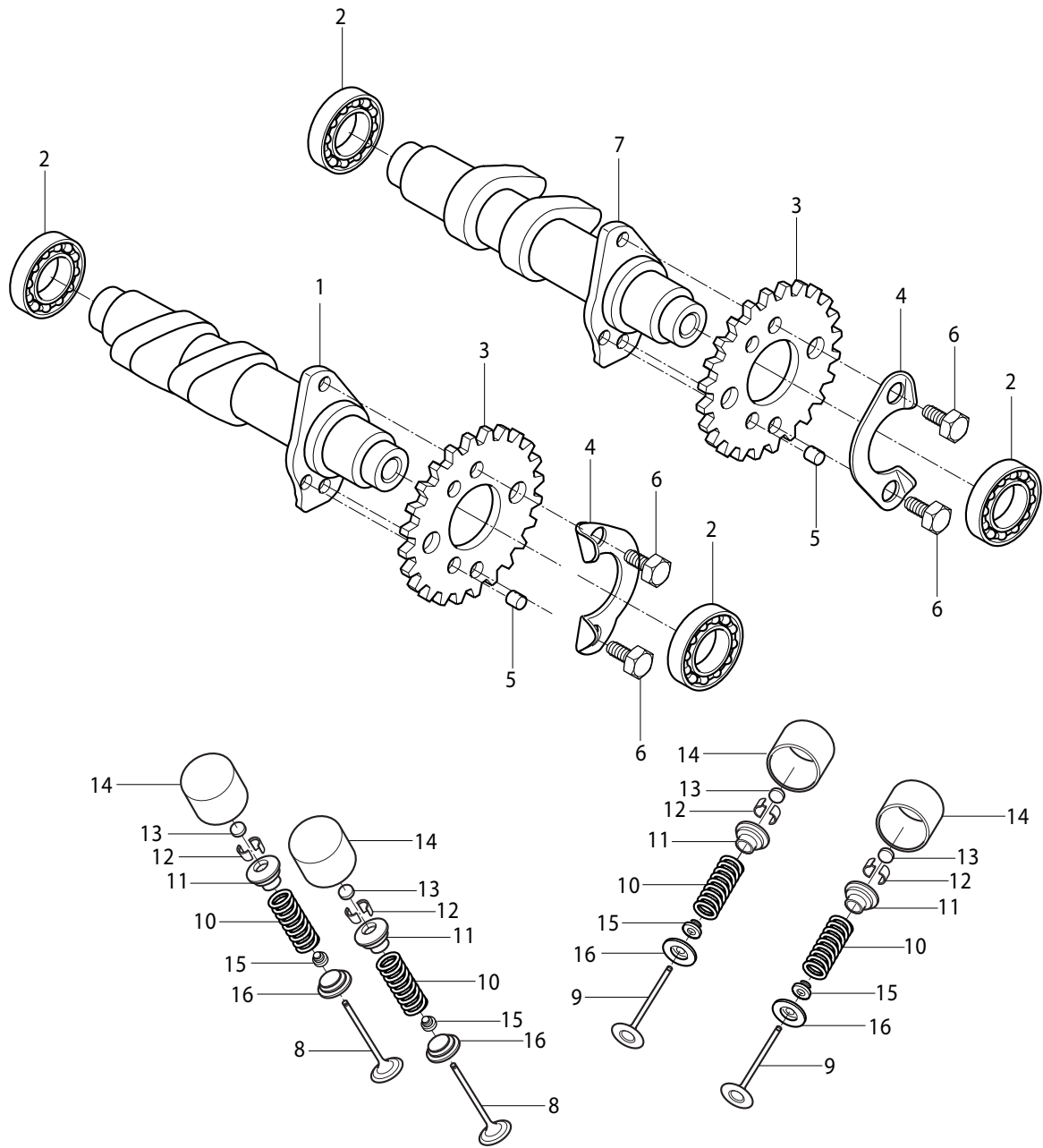


FIG 7. CAM SHAFT

| REF NO. | PARTS NO. | | | | | PARTS NAME | Q'TY | REMARKS | REC.Q'TY (PCS) |
|---------|-----------------|-----------------|-----------------|-----------------|-----------------|------------------------|------|---------|----------------|
| | SEU01 | SEN01 | SG01 | SSA01 | SS01 | | | | |
| 1 | 12711-35C00888 | 12711-35C00888 | 12711-35C00888 | 12711-35C00888 | 12711-35C00888 | CAMSHAFT, INTAKE | 1 | | |
| 2 | 09262-17019 | 09262-17019 | 09262-17019 | 09262-17019 | 09262-17019 | BEARING, CAMSHAFT | 4 | | |
| 3 | 12741H16E00 | 12741H16E00 | 12741H16E00 | 12741H16E00 | 12741H16E00 | SPROCKET, CAMSHAFT | 2 | | |
| 4 | 12747-44B00 | 12747-44B00 | 12747-44B00 | 12747-44B00 | 12747-44B00 | WASHER, SPROCKET | 2 | | |
| 5 | 09261-05005 | 09261-05005 | 09261-05005 | 09261-05005 | 09261-05005 | PIN, SPROCKET KNOCK | 2 | | |
| 6 | 09111-06032 | 09111-06032 | 09111-06032 | 09111-06032 | 09111-06032 | BOLT, SPROCKET | 4 | | |
| 7 | 12721-35C00888 | 12721-35C00888 | 12721-35C00888 | 12721-35C00888 | 12721-35C00888 | CAM SHAFT, EXHAUST | 1 | | |
| 8 | 12911HJ8200 | 12911HJ8200 | 12911HJ8200 | 12911HJ8200 | 12911HJ8200 | VALVE , INTAKE | 2 | | |
| 9 | 12912HJ8200 | 12912HJ8200 | 12912HJ8200 | 12912HJ8200 | 12912HJ8200 | VALVE , EXHAUST | 2 | | |
| 10 | 12921HJ8200 | 12921HJ8200 | 12921HJ8200 | 12921HJ8200 | 12921HJ8200 | SPRING, VALVE | 4 | | |
| 11 | 12931HJ8200 | 12931HJ8200 | 12931HJ8200 | 12931HJ8200 | 12931HJ8200 | RETAINER, VALVE SPRING | 4 | | |
| 12 | 12932HJ8200 | 12932HJ8200 | 12932HJ8200 | 12932HJ8200 | 12932HJ8200 | COTTER, VALVE | 8 | | |
| 13-1 | 12892-05C00-160 | 12892-05C00-160 | 12892-05C00-160 | 12892-05C00-160 | 12892-05C00-160 | SHIM, TAPPET | 4 | | |
| 13-2 | 12892-05C00-165 | 12892-05C00-165 | 12892-05C00-165 | 12892-05C00-165 | 12892-05C00-165 | SHIM, TAPPET | 4 | | |
| 13-3 | 12892-05C00-170 | 12892-05C00-170 | 12892-05C00-170 | 12892-05C00-170 | 12892-05C00-170 | SHIM, TAPPET | 4 | | |
| 13-4 | 12892-05C00-175 | 12892-05C00-175 | 12892-05C00-175 | 12892-05C00-175 | 12892-05C00-175 | SHIM, TAPPET | 4 | | |
| 13-5 | 12892-05C00-180 | 12892-05C00-180 | 12892-05C00-180 | 12892-05C00-180 | 12892-05C00-180 | SHIM, TAPPET | 4 | | |
| 13-6 | 12892-05C00-185 | 12892-05C00-185 | 12892-05C00-185 | 12892-05C00-185 | 12892-05C00-185 | SHIM, TAPPET | 4 | | |
| 13-7 | 12892-05C00-190 | 12892-05C00-190 | 12892-05C00-190 | 12892-05C00-190 | 12892-05C00-190 | SHIM, TAPPET | 4 | | |
| 13-8 | 12892-05C00-195 | 12892-05C00-195 | 12892-05C00-195 | 12892-05C00-195 | 12892-05C00-195 | SHIM, TAPPET | 4 | | |
| 14 | 12891-16E00 | 12891-16E00 | 12891-16E00 | 12891-16E00 | 12891-16E00 | TAPPET | 4 | | |
| 15 | 09289-04002 | 09289-04002 | 09289-04002 | 09289-04002 | 09289-04002 | OIL SEAL, VALVE | 4 | | |
| 16 | 12933HJ8200 | 12933HJ8200 | 12933HJ8200 | 12933HJ8200 | 12933HJ8200 | SEAT, VALVE SPRING | 4 | | |

FIG 8

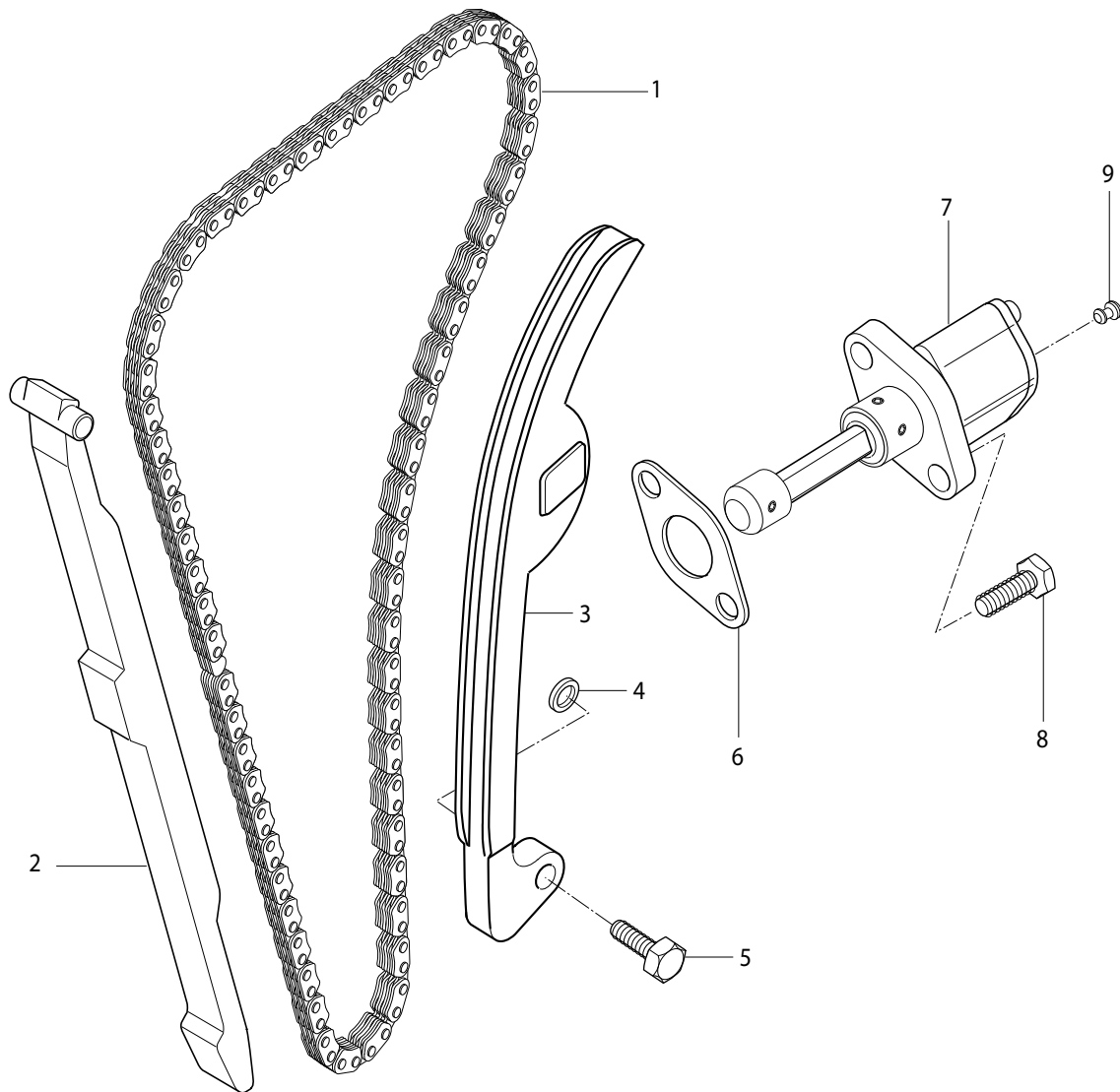


FIG 8.CAM CHAIN

| REF NO. | PARTS NO. | | | | | PARTS NAME | Q`TY | REMARKS | REC.Q`TY (PCS) |
|---------|-------------|-------------|-------------|-------------|-------------|----------------------------|------|---------|----------------|
| | SEU01 | SEN01 | SG01 | SSA01 | SS01 | | | | |
| 1 | 12760-16E00 | 12760-16E00 | 12760-16E00 | 12760-16E00 | 12760-16E00 | CHAIN, CAMSHAFT DRIVE | 1 | | |
| 2 | 12771-16E00 | 12771-16E00 | 12771-16E00 | 12771-16E00 | 12771-16E00 | GUIDE, CAM CHAIN | 1 | | |
| 3 | 12811-16E00 | 12811-16E00 | 12811-16E00 | 12811-16E00 | 12811-16E00 | TENTIONER, CAM CHAIN | 1 | | |
| 4 | 08211-06181 | 08211-06181 | 08211-06181 | 08211-06181 | 08211-06181 | WASHER | 1 | | |
| 5 | 12812H35C00 | 12812H35C00 | 12812H35C00 | 12812H35C00 | 12812H35C00 | BOLT, C/CHAIN TENSIONER | 1 | | |
| 6 | 12837HP7600 | 12837HP7600 | 12837HP7600 | 12837HP7600 | 12837HP7600 | GASKET, TENSIONER ADJUSTER | 1 | | |
| 7 | 12830HR6500 | 12830HR6500 | 12830HR6500 | 12830HR6500 | 12830HR6500 | ADJUSTER ASS'Y, TENSIONER | 1 | | |
| 8 | 07110-06208 | 07110-06208 | 07110-06208 | 07110-06208 | 07110-06208 | BOLT, TENSIONER ADJUSTER | 2 | | |
| 9 | 12839-38200 | 12839-38200 | 12839-38200 | 12839-38200 | 12839-38200 | PLUG, ADJUSTER | 1 | | |

FIG 9

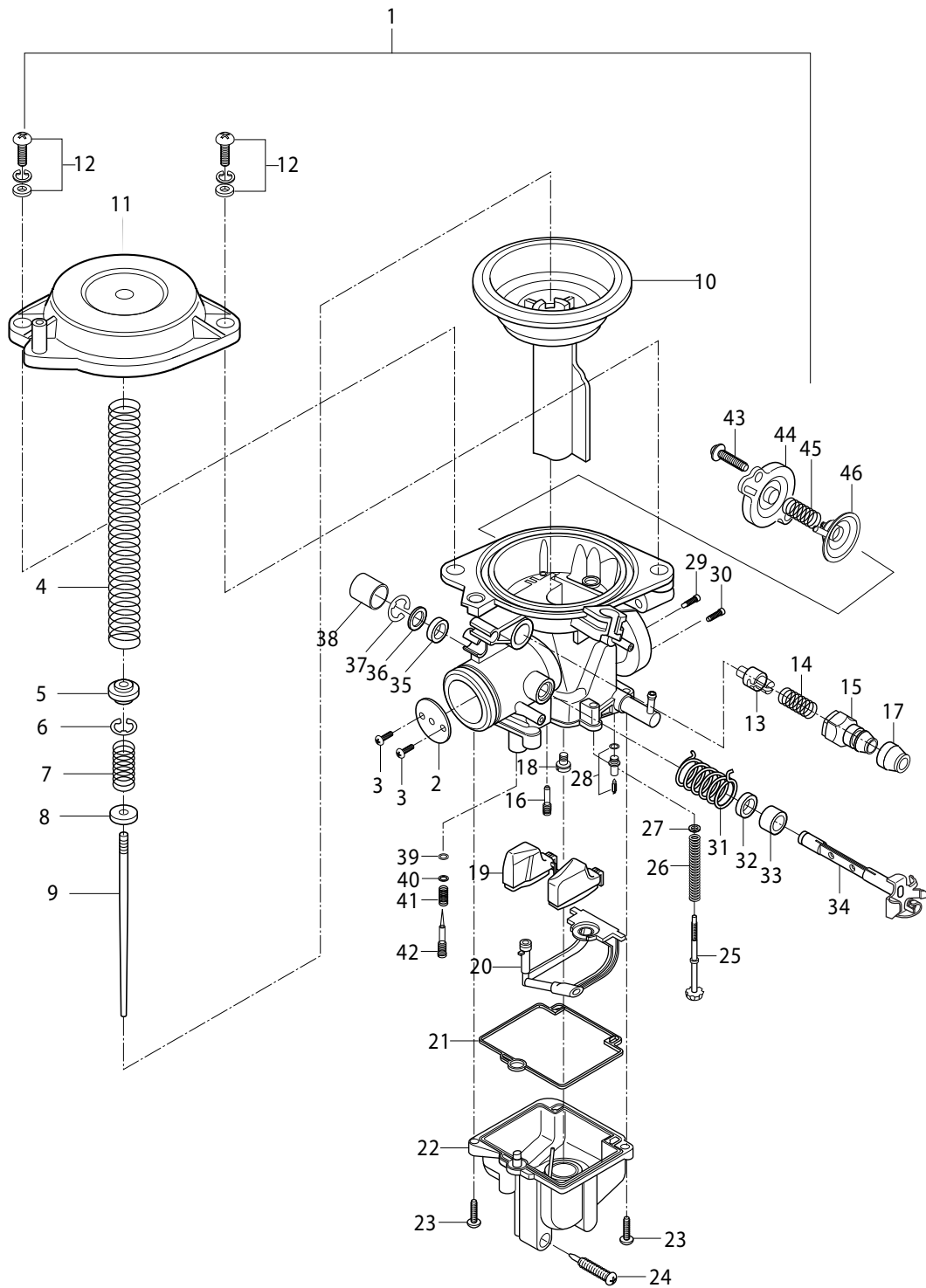


FIG 9. CABURETOR ASS'Y

| REF NO. | PARTS NO. | | | | | PARTS NAME | Q'TY | REMARKS | REC.Q'TY (PCS) |
|---------|-------------|-------------|-------------|-------------|-------------|-----------------------|------|---------|----------------|
| | SEU01 | SEN01 | SG01 | SSA01 | SS01 | | | | |
| 1 | 13200HR7800 | 13200HR7800 | 13200HR7800 | 13200HR7800 | 13200HR7800 | CARBURETOR ASS'Y | 1 | | |
| 2 | 13551-33200 | 13551-33200 | 13551-33200 | 13551-33200 | 13551-33200 | THROTTLE VALVE | 1 | | |
| 3 | 13604-44080 | 13604-44080 | 13604-44080 | 13604-44080 | 13604-44080 | SCREW | 2 | | |
| 4 | 13417-07C30 | 13417-07C30 | 13417-07C30 | 13417-07C30 | 13417-07C30 | SPRING | 1 | | |
| 5 | 13382-42A00 | 13382-42A00 | 13382-42A00 | 13382-42A00 | 13382-42A00 | RING | 1 | | |
| 6 | 13394-10010 | 13394-10010 | 13394-10010 | 13394-10010 | 13394-10010 | CLIP, NEEDLE | 1 | | |
| 7 | 13501-45D00 | 13501-45D00 | 13501-45D00 | 13501-45D00 | 13501-45D00 | PISTON, VALVE | 1 | | |
| 8 | 13387-47010 | 13387-47010 | 13387-47010 | 13387-47010 | 13387-47010 | RING | 1 | | |
| 9 | 13383-35C00 | 13383-35C00 | 13383-35C00 | 13383-35C00 | 13383-35C00 | NEEDLE, JET | 1 | | |
| 10 | 13507-32C01 | 13507-32C01 | 13507-32C01 | 13507-32C01 | 13507-32C01 | DIAPHRAGM | 1 | | |
| 11 | 13502-46D00 | 13502-46D00 | 13502-46D00 | 13502-46D00 | 13502-46D00 | COVER, DIAPHRAGM | 1 | | |
| 12 | 02112-75163 | 02112-75163 | 02112-75163 | 02112-75163 | 02112-75163 | SCREW | 2 | | |
| 13 | 13411-01400 | 13411-01400 | 13411-01400 | 13411-01400 | 13411-01400 | PLUNGER, STARTER | 1 | | |
| 14 | 13417-01010 | 13417-01010 | 13417-01010 | 13417-01010 | 13417-01010 | SPRING, STARTER | 1 | | |
| 15 | 13418-43200 | 13418-43200 | 13418-43200 | 13418-43200 | 13418-43200 | COVER, STARTER | 1 | | |
| 16 | 09492-35008 | 09492-35008 | 09492-35008 | 09492-35008 | 09492-35008 | PILOT, JET (35) | 1 | | |
| 17 | 13682-05340 | 13682-05340 | 13682-05340 | 13682-05340 | 13682-05340 | CAP | 1 | | |
| 18 | 09491-20012 | 09491-20012 | 09491-20012 | 09491-20012 | 09491-20012 | JET, MAIN | 1 | | |
| 19 | 13245-35C00 | 13245-35C00 | 13245-35C00 | 13245-35C00 | 13245-35C00 | FLOAT ASS'Y | 1 | | |
| 20 | 13278-02330 | 13278-02330 | 13278-02330 | 13278-02330 | 13278-02330 | O-RING | 1 | | |
| 21 | 13258-44B00 | 13258-44B00 | 13258-44B00 | 13258-44B00 | 13258-44B00 | GASKET, FLOAT CHAMBER | 1 | | |
| 22 | 13253-35C00 | 13253-35C00 | 13253-35C00 | 13253-35C00 | 13253-35C00 | COVER | 1 | | |
| 23 | 02112-05127 | 02112-05127 | 02112-05127 | 02112-05127 | 02112-05127 | SCREW | 2 | | |
| 24 | 13247-13A00 | 13247-13A00 | 13247-13A00 | 13247-13A00 | 13247-13A00 | SCREW, DRAIN | 1 | | |
| 25 | 13267-14D10 | 13267-14D10 | 13267-14D10 | 13267-14D10 | 13267-14D10 | ADJUSTER | 1 | | |

FIG 9

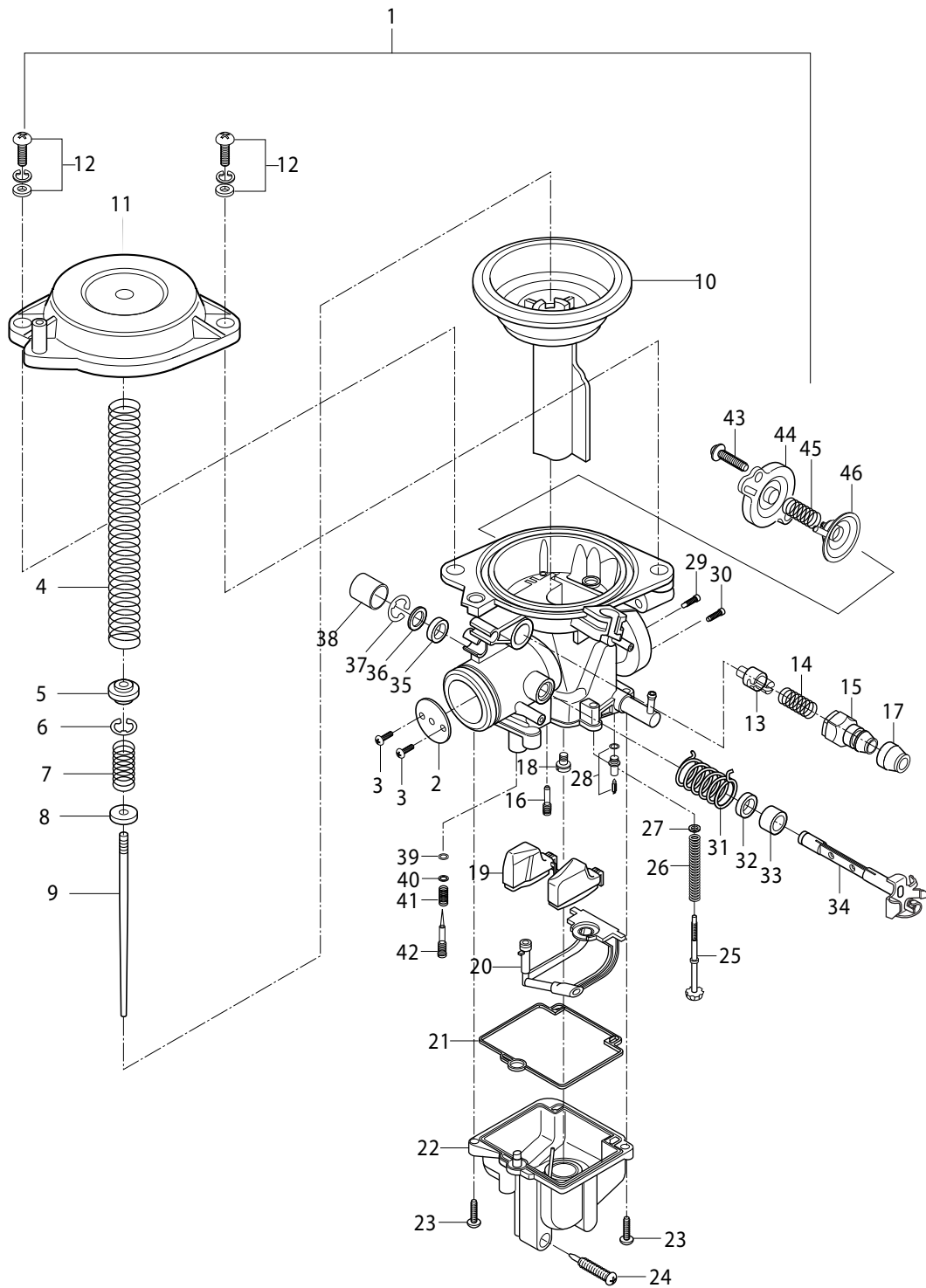


FIG 9. CABURETOR ASS'Y

| REF NO. | PARTS NO. | | | | | PARTS NAME | Q'TY | REMARKS | REC.Q'TY (PCS) |
|------------|-------------|-------------|-------------|-------------|-------------|-----------------------|------|---------|-------------------|
| | SEU01 | SEN01 | SG01 | SSA01 | SS01 | | | | |
| 26 | 13271-33C00 | 13271-33C00 | 13271-33C00 | 13271-33C00 | 13271-33C00 | SPRING | 1 | | |
| 27 | 13427-38300 | 13427-38300 | 13427-38300 | 13427-38300 | 13427-38300 | WASHER THROTTLE | 1 | | |
| 28 | 13370-44B00 | 13370-44B00 | 13370-44B00 | 13370-44B00 | 13370-44B00 | VALVE ASS'Y, NEEDLE | 1 | | |
| 29 | 09493-34003 | 09493-34003 | 09493-34003 | 09493-34003 | 09493-34003 | JET, PILOT AIR(170) | 1 | | |
| 30 | 09493-2007 | 09493-2007 | 09493-2007 | 09493-2007 | 09493-2007 | JET, AIR (1.0) | 1 | | |
| 31 | 13573-35C00 | 13573-35C00 | 13573-35C00 | 13573-35C00 | 13573-35C00 | SPRING, THROTTLE | 1 | | |
| 32 | 13552-35C00 | 13552-35C00 | 13552-35C00 | 13552-35C00 | 13552-35C00 | PACKING, THROTTLE | 1 | | |
| 33 | 13551-35C00 | 13551-35C00 | 13551-35C00 | 13551-35C00 | 13551-35C00 | SPACER, THROTTLE | 1 | | |
| 34 | 13550-35C00 | 13550-35C00 | 13550-35C00 | 13550-35C00 | 13550-35C00 | SHAFT ASS'Y, THROTTLE | 1 | | |
| 35 | 13651-35C00 | 13651-35C00 | 13651-35C00 | 13651-35C00 | 13651-35C00 | SEAL | 1 | | |
| 36 | 13557-35C00 | 13557-35C00 | 13557-35C00 | 13557-35C00 | 13557-35C00 | PACKING | 1 | | |
| 37 | 13617-35C00 | 13617-35C00 | 13617-35C00 | 13617-35C00 | 13617-35C00 | E-RING | 1 | | |
| 38 | 13578-47070 | 13578-47070 | 13578-47070 | 13578-47070 | 13578-47070 | CAP | 1 | | |
| 39 | 13295-29900 | 13295-29900 | 13295-29900 | 13295-29900 | 13295-29900 | O-RING | 1 | | |
| 40 | 13291-29900 | 13291-29900 | 13291-29900 | 13291-29900 | 13291-29900 | WASHER | 1 | | |
| 41 | 13268-47070 | 13268-47070 | 13268-47070 | 13268-47070 | 13268-47070 | SPRING | 1 | | |
| 42 | 13279-47070 | 13279-47070 | 13279-47070 | 13279-47070 | 13279-47070 | SCREW, PILOT | 1 | | |

FIG 10

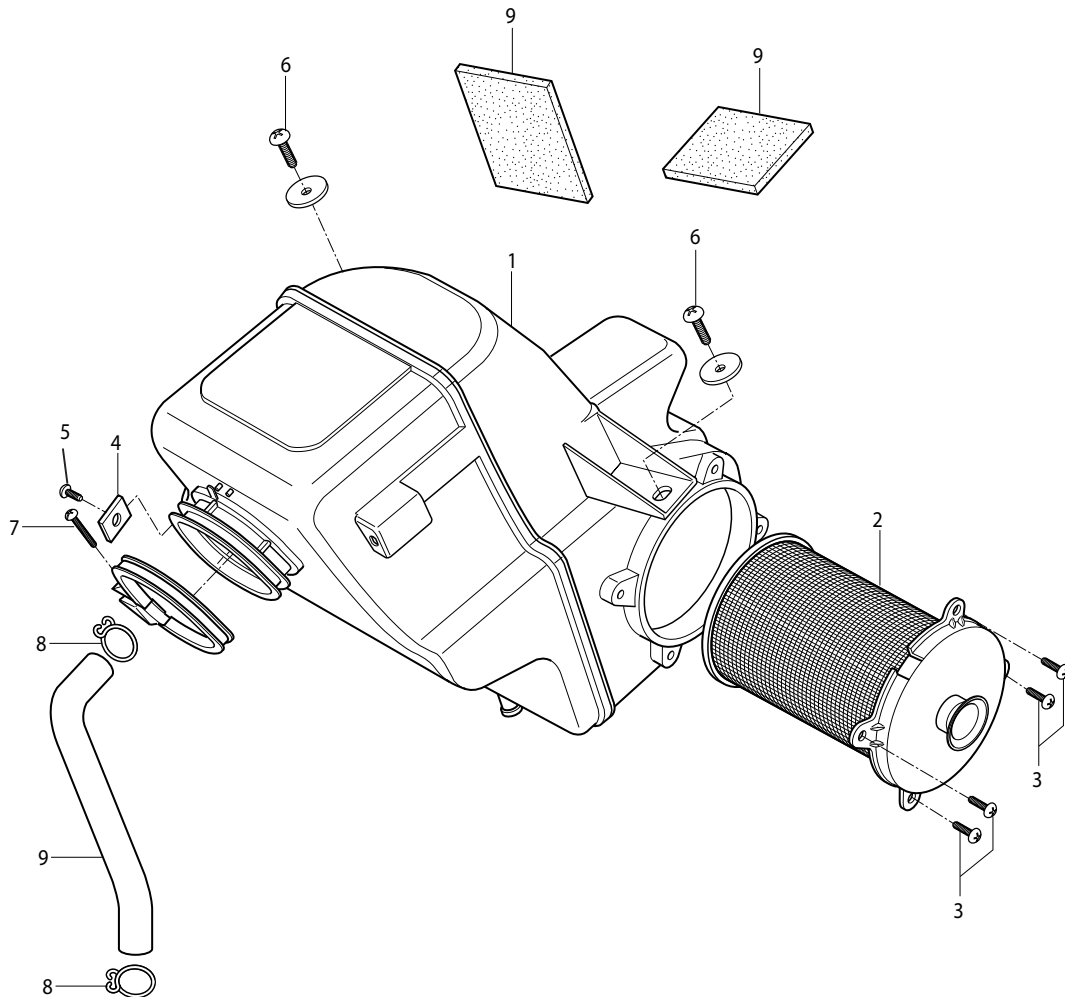


FIG 10. AIR CLEANER

| REF NO. | PARTS NO. | | | | | PARTS NAME | Q`TY | REMARKS | REC.Q`TY (PCS) |
|---------|-------------|-------------|-------------|-------------|-------------|--------------------------|------|---------|----------------|
| | SEU01 | SEN01 | SG01 | SSA01 | SS01 | | | | |
| 1 | 13700HR7900 | 13700HR7900 | 13700HR7900 | 13700HR7900 | 13700HR7900 | CLEANER ASS'Y, AIR | 1 | | |
| 2 | 13780-35C00 | 13780-35C00 | 13780-35C00 | 13780-35C00 | 13780-35C00 | FILTER ASS'Y, AIR | 1 | | |
| 3 | 02142-05103 | 02142-05103 | 02142-05103 | 02142-05103 | 02142-05103 | SCREW, AIR CLEANER FRONT | 4 | | |
| 4 | 13836-42A00 | 13836-42A00 | 13836-42A00 | 13836-42A00 | 13836-42A00 | NUT, AIR CLEARNER FRONT | 1 | | |
| 5 | 02112-06126 | 02112-06126 | 02112-06126 | 02112-06126 | 02112-06126 | SCREW, AIR CLEANER FRONT | 1 | | |
| 6 | 09136-06009 | 09136-06009 | 09136-06009 | 09136-06009 | 09136-06009 | SCREW, AIR CLEANER | 2 | | |
| 7 | 09402-62208 | 09402-62208 | 09402-62208 | 09402-62208 | 09402-62208 | CLAMP, AIR CLEANER | 1 | | |
| 8 | 09401-14301 | 09401-14301 | 09401-14301 | 09401-14301 | 09401-14301 | CLIP, TUBE BREATHER | 2 | | |
| 9 | 13851-35C00 | 13851-35C00 | 13851-35C00 | 13851-35C00 | 13851-35C00 | TUBE COMP, BEATHER | 1 | | |
| 10 | 33652H29101 | 33652H29101 | 33652H29101 | 33652H29101 | 33652H29101 | PROTECTOR, BATTERY | 2 | | |

FIG 11

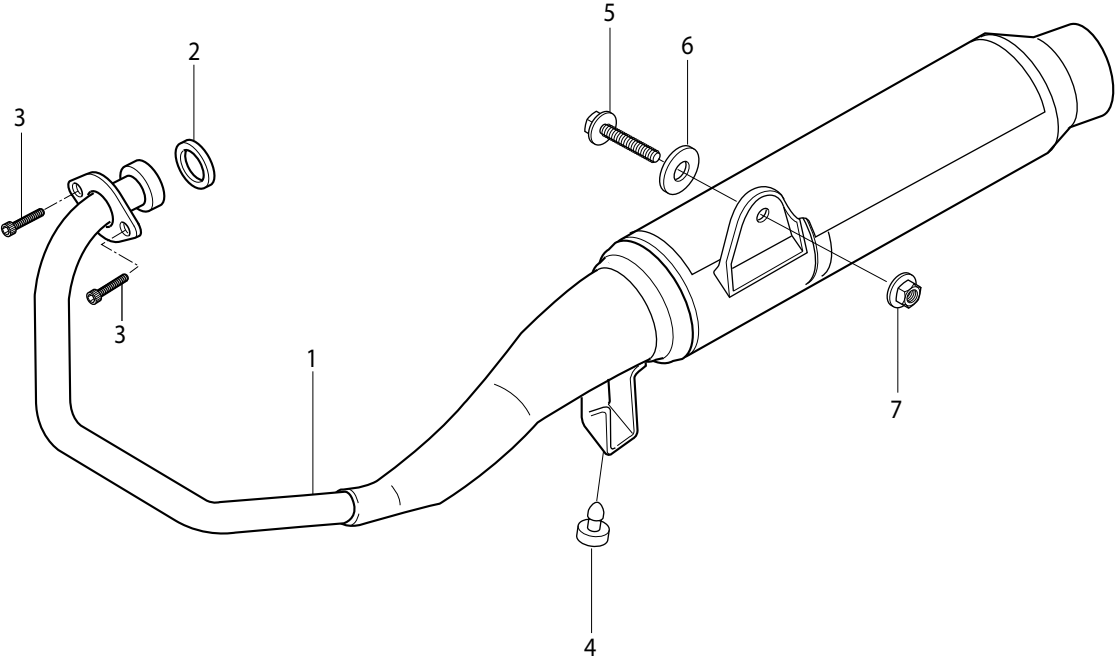


FIG 11. MUFFLER

| REF NO. | PARTS NO. | | | | | PARTS NAME | Q`TY | REMARKS | REC.Q`TY (PCS) |
|---------|----------------|----------------|----------------|----------------|----------------|--------------------|------|----------|----------------|
| | SEU01 | SEN01 | SG01 | SSA01 | SS01 | | | | |
| 0 | 14305HS7800 | 14305HS7800 | 14305HS7800 | 14305HS7800 | 14305HS7800 | MUFFLER ASS'Y | 1 | NOT SALE | |
| 1 | 14310HS7800PAM | 14310HS7800PAM | 14310HS7800PAM | 14310HS7800PAM | 14310HS7800PAM | BODY COMP, MUFFLER | 1 | | 3 |
| 2 | 14150HR7800PAM | 14150HR7800PAM | 14150HR7800PAM | 14150HR7800PAM | 14150HR7800PAM | PIPE, EXHAUST | 1 | | |

FIG 12

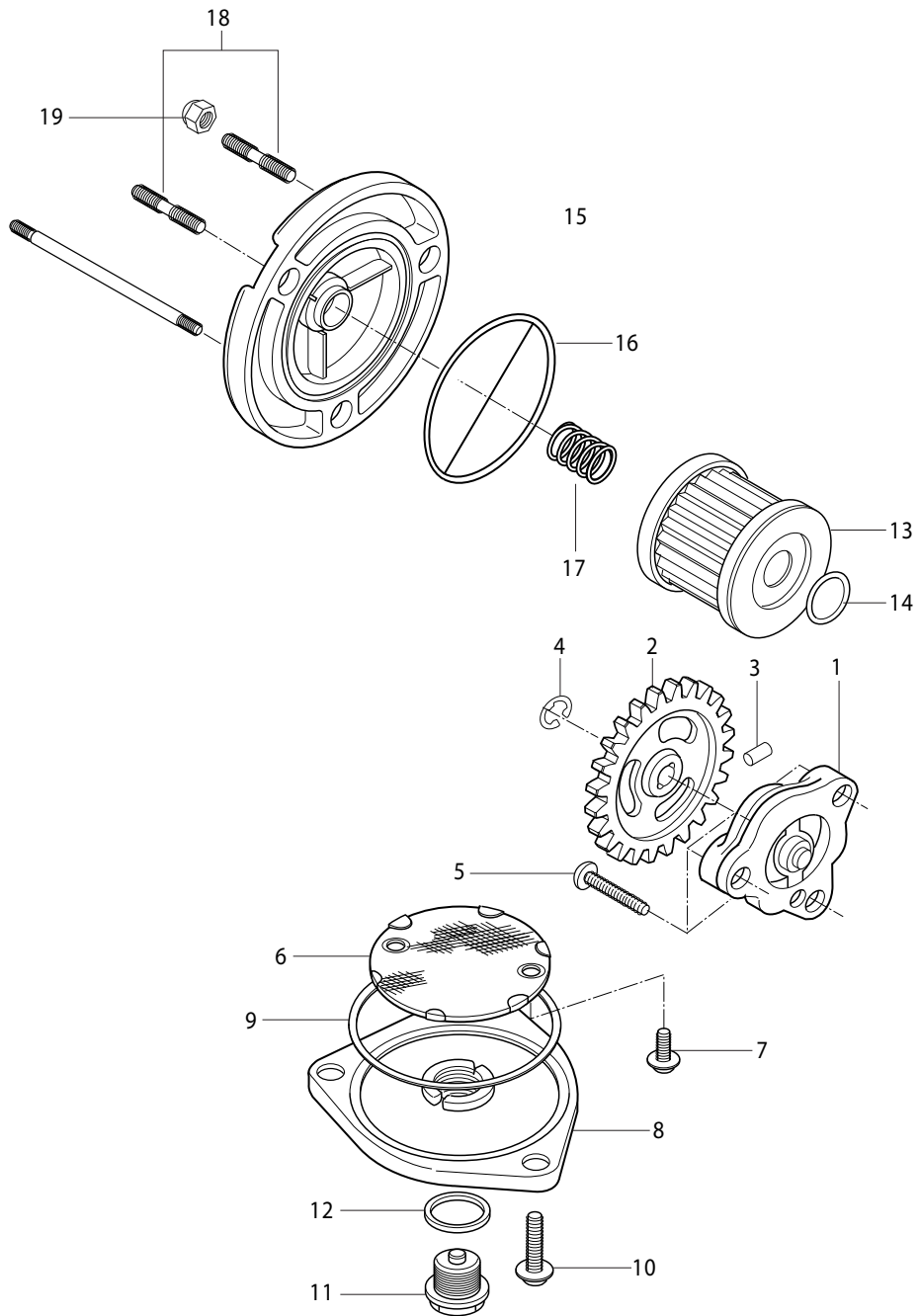


FIG 12. OIL PUMP

| REF NO. | PARTS NO. | | | | | PARTS NAME | Q'TY | REMARKS | REC.Q'TY (PCS) |
|---------|-------------|-------------|-------------|-------------|-------------|----------------------------|------|---------|----------------|
| | SEU01 | SEN01 | SG01 | SSA01 | SS01 | | | | |
| 1 | 16400-42A01 | 16400-42A01 | 16400-42A01 | 16400-42A01 | 16400-42A01 | PUMP ASS'Y OIL | 1 | | |
| 2 | 16331-35C00 | 16331-35C00 | 16331-35C00 | 16331-35C00 | 16331-35C00 | GEAR, OIL PUMP DRIVEN | 1 | | |
| 3 | 09261-02008 | 09261-02008 | 09261-02008 | 09261-02008 | 09261-02008 | PIN, OIL PUMP DRIVEN GEAR | 1 | | |
| 4 | 08332-11069 | 08332-11069 | 08332-11069 | 08332-11069 | 08332-11069 | CIRCLIP, OIL PUMP D/N GEAR | 1 | | |
| 5 | 02112-06258 | 02112-06258 | 02112-06258 | 02112-06258 | 02112-06258 | SCREW, OIL PUMP | 3 | | |
| 6 | 16520-05202 | 16520-05202 | 16520-05202 | 16520-05202 | 16520-05202 | STRAINER, COMP, ENG OIL | 1 | | |
| 7 | 02112-95126 | 02112-95126 | 02112-95126 | 02112-95126 | 02112-95126 | SCREW, ENG OIL STRAINER | 2 | | |
| 8 | 16523-05200 | 16523-05200 | 16523-05200 | 16523-05200 | 16523-05200 | CAP, OIL STRAINER | 1 | | |
| 9 | 09280-60005 | 09280-60005 | 09280-60005 | 09280-60005 | 09280-60005 | O-RING, OIL STRAINER CAP | 1 | | |
| 10 | 01547-06208 | 01547-06208 | 01547-06208 | 01547-06208 | 01547-06208 | BOLT, OIL STRAINER CAP | 3 | | |
| 11 | 09247-14002 | 09247-14002 | 09247-14002 | 09247-14002 | 09247-14002 | PLUG, OIL DRAIN | 1 | | |
| 12 | 09168-14002 | 09168-14002 | 09168-14002 | 09168-14002 | 09168-14002 | GASKET, DRAIN PLUG(NA) | 1 | | |
| 13 | 16510-05240 | 16510-05240 | 16510-05240 | 16510-05240 | 16510-05240 | FILTER COMP, ENGINE OIL | 1 | | |
| 14 | 09280-13004 | 09280-13004 | 09280-13004 | 09280-13004 | 09280-13004 | O-RING, OIL FILTER | 1 | | |
| 15 | 16512-05213 | 16512-05213 | 16512-05213 | 16512-05213 | 16512-05213 | CAP, OIL FILTER | 1 | | |
| 16 | 09280-54001 | 09280-54001 | 09280-54001 | 09280-54001 | 09280-54001 | O-RING, OIL FILTER CAP | 1 | | |
| 17 | 09440-18002 | 09440-18002 | 09440-18002 | 09440-18002 | 09440-18002 | SPRING, OIL FILTER CAP | 1 | | |
| 18 | 01421-06128 | 01421-06128 | 01421-06128 | 01421-06128 | 01421-06128 | STUD BOLT, OIL FILTER CAP | 2 | | |
| 19 | 08313-11068 | 08313-11068 | 08313-11068 | 08313-11068 | 08313-11068 | NUT, OIL FILTER CAP | 3 | | |
| 20 | 01421-06858 | 01421-06858 | 01421-06858 | 01421-06858 | 01421-06858 | STUD BOLT, OIL FILTER CAP | 1 | | |

FIG 13

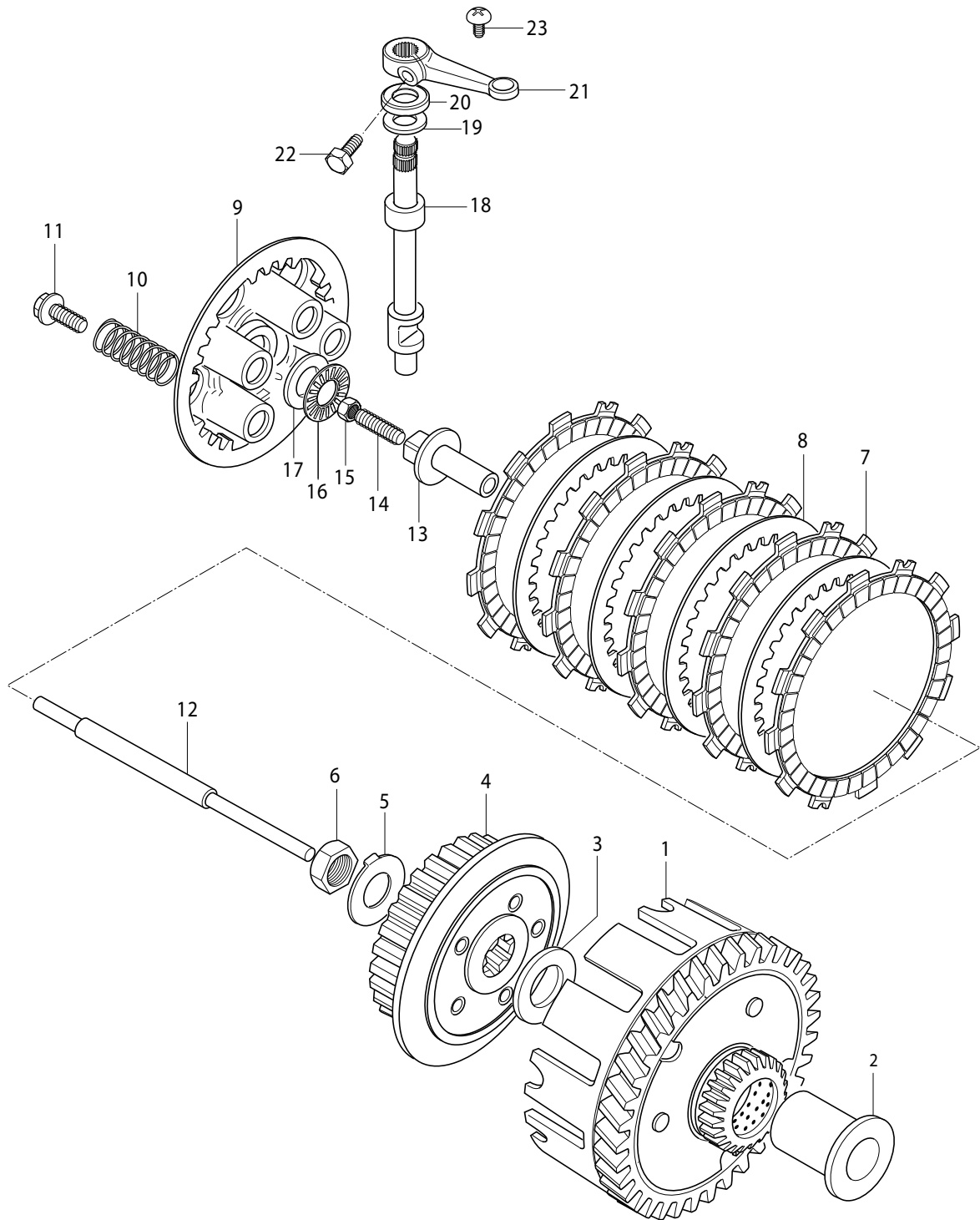


FIG 13. CLUTCH ASS'Y

| REF NO. | PARTS NO. | | | | | PARTS NAME | Q'TY | REMARKS | REC.Q'TY (PCS) |
|---------|----------------|----------------|----------------|----------------|----------------|---------------------------------|------|---------|----------------|
| | SEU01 | SEN01 | SG01 | SSA01 | SS01 | | | | |
| 1 | 21210S35C00HPA | 21210S35C00HPA | 21210S35C00HPA | 21210S35C00HPA | 21210S35C00HPA | GEAR COMP, PRIMARY DRIVEN | 1 | | |
| 2 | 21251-13E00 | 21251-13E00 | 21251-13E00 | 21251-13E00 | 21251-13E00 | SPACER, P/DRIVEN GEAR | 1 | | |
| 3 | 08211-20352 | 08211-20352 | 08211-20352 | 08211-20352 | 08211-20352 | THRUST WASHER, C/SLEEVE | 1 | | |
| 4 | 21411-05200 | 21411-05200 | 21411-05200 | 21411-05200 | 21411-05200 | HUB, CLUTCH SLEEVE | 1 | | |
| 5 | 09169-16003 | 09169-16003 | 09169-16003 | 09169-16003 | 09169-16003 | WASHER, CLUTCH SLEEVE HUB | 1 | | |
| 6 | 09140-16014 | 09140-16014 | 09140-16014 | 09140-16014 | 09140-16014 | NUT, CLUTCH SLEEVE HUB | 1 | | |
| 7 | 21441-13A01 | 21441-13A01 | 21441-13A01 | 21441-13A01 | 21441-13A01 | PLATE, CLUTCH DRIVE | 5 | | |
| 8 | 21451-28000 | 21451-28000 | 21451-28000 | 21451-28000 | 21451-28000 | PLATE, CLUTCH DRIVEN | 4 | | |
| 9 | 21462-14102 | 21462-14102 | 21462-14102 | 21462-14102 | 21462-14102 | DISK, CLUTCH PRESSURE | 1 | | |
| 10 | 09440-15014 | 09440-15014 | 09440-15014 | 09440-15014 | 09440-15014 | SPRING, CLUTCH | 5 | | |
| 11 | 09116-05003 | 09116-05003 | 09116-05003 | 09116-05003 | 09116-05003 | BOLT, CLUTCH SPRING | 5 | | |
| 12 | 23110-05202 | 23110-05202 | 23110-05202 | 23110-05202 | 23110-05202 | ROD COMP, CLUTCH PUSH | 1 | | |
| 13 | 23121-05200 | 23121-05200 | 23121-05200 | 23121-05200 | 23121-05200 | PIECE, CLUTCH PUSH | 1 | | |
| 14 | 09134-06010 | 09134-06010 | 09134-06010 | 09134-06010 | 09134-06010 | SCREW, C/RELEASE ADJUSTER | 1 | | |
| 15 | 09140-06023 | 09140-06023 | 09140-06023 | 09140-06023 | 09140-06023 | NUT, C/RELEASE ADJUSTER | 1 | | |
| 16 | 09263-15003 | 09263-15003 | 09263-15003 | 09263-15003 | 09263-15003 | THRUST BEARING, C/RELEASE | 1 | | |
| 17 | 09160-15015 | 09160-15015 | 09160-15015 | 09160-15015 | 09160-15015 | THRUST WASHER, C/RELEASE | 1 | | |
| 18 | 23122-05200 | 23122-05200 | 23122-05200 | 23122-05200 | 23122-05200 | CAMSHAFT, CLUTCH RELEASE | 1 | | |
| 19 | 08211-10201 | 08211-10201 | 08211-10201 | 08211-10201 | 08211-10201 | THRUST WASHER, C/RELEASE CAMSHA | 1 | | |
| 20 | 09282-10007 | 09282-10007 | 09282-10007 | 09282-10007 | 09282-10007 | OIL SEAL, C/RELEASE CAMSHAFT | 1 | | |
| 21 | 23271-46000 | 23271-46000 | 23271-46000 | 23271-46000 | 23271-46000 | ARM, C/RELEASE | 1 | | |
| 22 | 01107-06165 | 01107-06165 | 01107-06165 | 01107-06165 | 01107-06165 | BOLT, C/RELEASE ARM | 1 | | |
| 23 | 02142-06108 | 02142-06108 | 02142-06108 | 02142-06108 | 02142-06108 | STOPPER, C/RELEASE CAMSHAFT | 1 | | |

FIG 14

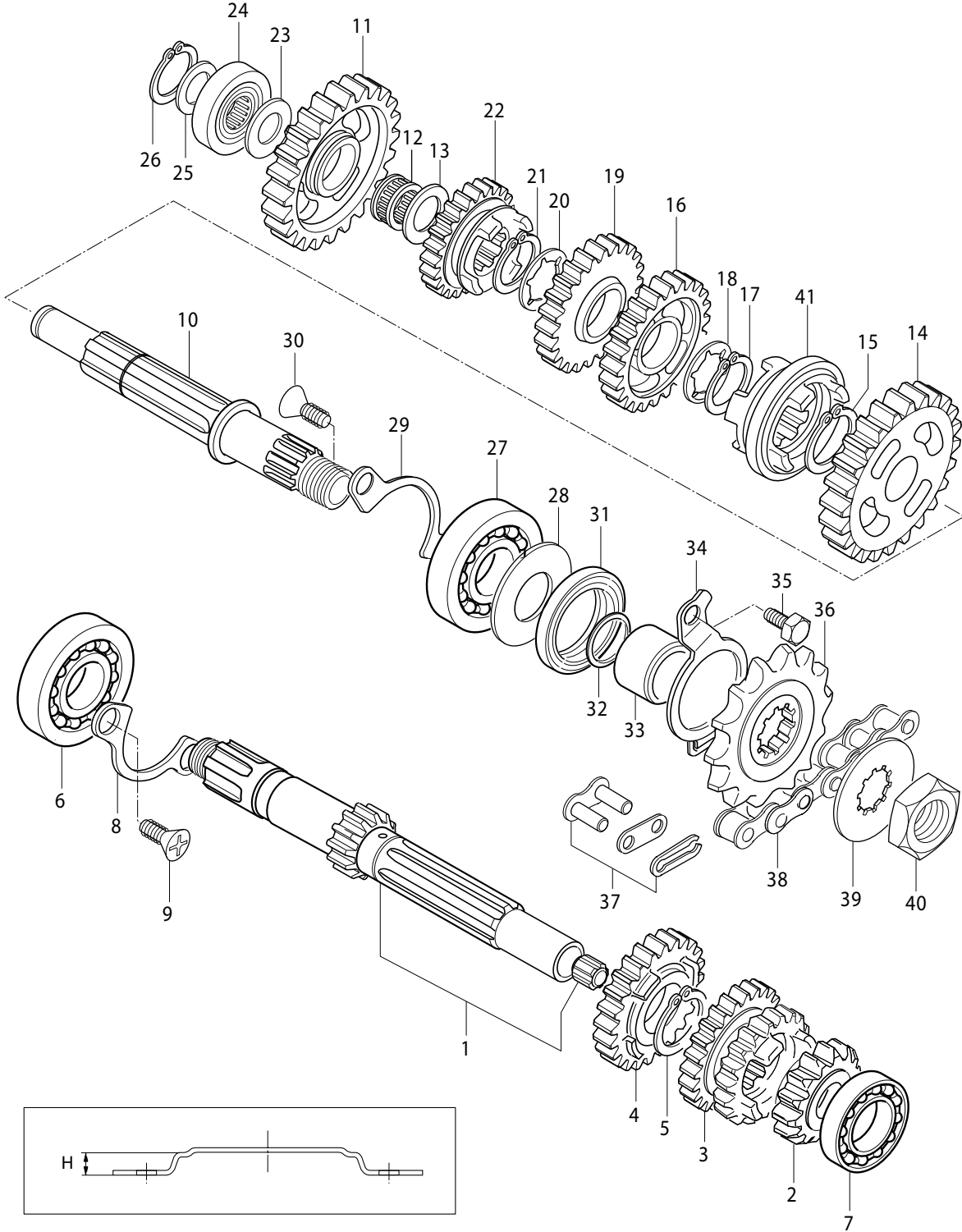


FIG 14. TRANSMISSION

| REF NO. | PARTS NO. | | | | | PARTS NAME | Q'TY | REMARKS | REC.Q'TY (PCS) |
|---------|-------------|-------------|-------------|-------------|-------------|---------------------------------|------|---------|----------------|
| | SEU01 | SEN01 | SG01 | SSA01 | SS01 | | | | |
| 1 | 24120-29B10 | 24120-29B10 | 24120-29B10 | 24120-29B10 | 24120-29B10 | SHAFT COMP, COUNTER | 1 | | |
| 2 | 24221-29B00 | 24221-29B00 | 24221-29B00 | 24221-29B00 | 24221-29B00 | GEAR, 2ND DRIVE | 1 | | |
| 3 | 24231-29B10 | 24231-29B10 | 24231-29B10 | 24231-29B10 | 24231-29B10 | GEAR, 3RD & 4TH DRIVE | 1 | | |
| 4 | 24251-05202 | 24251-05202 | 24251-05202 | 24251-05202 | 24251-05202 | GEAR, 5TH DRIVE | 1 | | |
| 5 | 09380-20009 | 09380-20009 | 09380-20009 | 09380-20009 | 09380-20009 | CIRCLIP, 5TH DRIVE GEAR | 1 | | |
| 6 | 09262-20062 | 09262-20062 | 09262-20062 | 09262-20062 | 09262-20062 | BEARING, COUNTER SHAFT R | 1 | | |
| 7 | 08123-60020 | 08123-60020 | 08123-60020 | 08123-60020 | 08123-60020 | BEARING, COUNTER SHAFT L | 1 | | |
| 8 | 24741-05200 | 24741-05200 | 24741-05200 | 24741-05200 | 24741-05200 | RETAINER, COUNTER SHAFT BEARING | 1 | | |
| 9 | 02122-06128 | 02122-06128 | 02122-06128 | 02122-06128 | 02122-06128 | SCREW, C/SHAFT RETAINER | 1 | | |
| 10 | 24130HR7800 | 24130HR7800 | 24130HR7800 | 24130HR7800 | 24130HR7800 | SHAFT COMP, DRIVE | 1 | | |
| 11 | 24311-29B00 | 24311-29B00 | 24311-29B00 | 24311-29B00 | 24311-29B00 | GEAR, 1ST DRIVEN | 1 | | |
| 12 | 09263H15002 | 09263H15002 | 09263H15002 | 09263H15002 | 09263H15002 | BEARING, 1ST DRIVEN GEAR | 1 | | |
| 13 | 08211-15251 | 08211-15251 | 08211-15251 | 08211-15251 | 08211-15251 | THRUST WASHER, 1ST DRIVEN GEAR | 1 | | |
| 14 | 24320-29B00 | 24320-29B00 | 24320-29B00 | 24320-29B00 | 24320-29B00 | GEAR, 2ND DRIVEN | 1 | | |
| 15 | 09380-20009 | 09380-20009 | 09380-20009 | 09380-20009 | 09380-20009 | CIRCLIP, 2ND DRIVEN GEAR | 3 | | |
| 16 | 24331-05201 | 24331-05201 | 24331-05201 | 24331-05201 | 24331-05201 | GEAR, 3RD DRIVEN | 1 | | |
| 17 | 09380-20009 | 09380-20009 | 09380-20009 | 09380-20009 | 09380-20009 | CIRCLIP, 3RD DRIVEN GEAR | 1 | | |
| 18 | 09167-20011 | 09167-20011 | 09167-20011 | 09167-20011 | 09167-20011 | THRUST WASHER, 3ND DRIVEN | 1 | | |
| 19 | 24341-29B10 | 24341-29B10 | 24341-29B10 | 24341-29B10 | 24341-29B10 | GEAR, 4TH DRIVEN | 1 | | |
| 20 | 09167-20011 | 09167-20011 | 09167-20011 | 09167-20011 | 09167-20011 | THRUST WASHER, 4ND DRIVEN | 1 | | |
| 21 | 09380-20009 | 09380-20009 | 09380-20009 | 09380-20009 | 09380-20009 | CIRCLIP, 4TH DRIVEN GEAR | 1 | | |
| 22 | 24351-05201 | 24351-05201 | 24351-05201 | 24351-05201 | 24351-05201 | GEAR, 5TH DRIVEN | 1 | | |
| 23 | 08211-15251 | 08211-15251 | 08211-15251 | 08211-15251 | 08211-15251 | THRUST WASHER, 1ST DRIVEN R | 1 | | |
| 24 | 09263H15C03 | 09263H15C03 | 09263H15C03 | 09263H15C03 | 09263H15C03 | BEARING, DRIVE SHAFT R | 1 | | |
| 25 | 08211-15201 | 08211-15201 | 08211-15201 | 08211-15201 | 08211-15201 | WASHER, DRIVE SHAFT R | 1 | | |

FIG 14

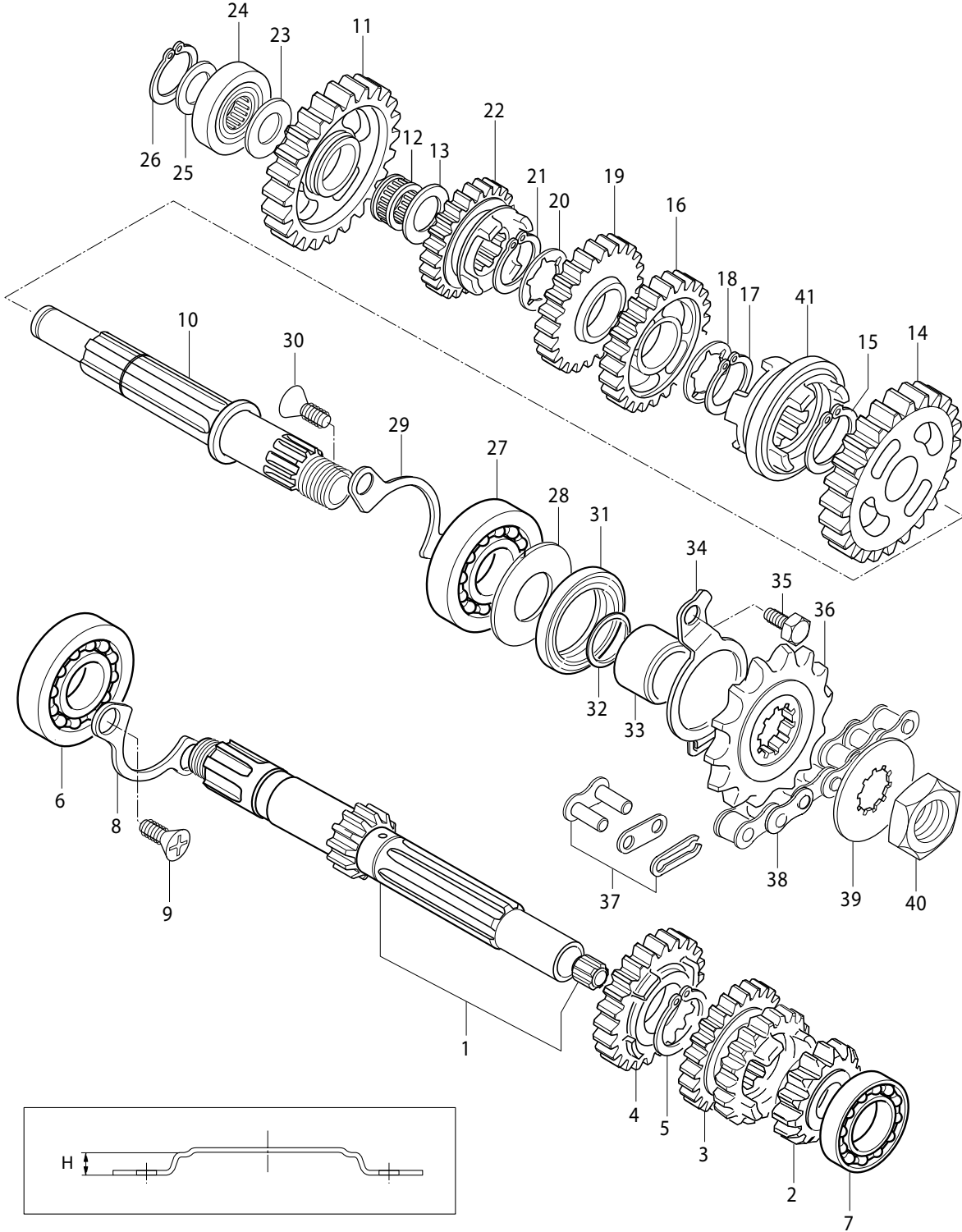


FIG 14. TRANSMISSION

| REF NO. | PARTS NO. | | | | | PARTS NAME | Q`TY | REMARKS | REC.Q`TY (PCS) |
|---------|-------------|-------------|-------------|-------------|-------------|--------------------------------|------|---------|----------------|
| | SEU01 | SEN01 | SG01 | SSA01 | SS01 | | | | |
| 26 | 08331-31159 | 08331-31159 | 08331-31159 | 08331-31159 | 08331-31159 | CIRCLIP, DRIVE BEARING R | 1 | | |
| 27 | 08113-62040 | 08113-62040 | 08113-62040 | 08113-62040 | 08113-62040 | BEARING, DRIVE SHAFT L | 1 | | |
| 28 | 24359-05200 | 24359-05200 | 24359-05200 | 24359-05200 | 24359-05200 | WASHER, OIL SEALING | 1 | | |
| 29 | 24741-05200 | 24741-05200 | 24741-05200 | 24741-05200 | 24741-05200 | RETAINER, DRIVE SHAFT | 1 | | |
| 30 | 02122-06128 | 02122-06128 | 02122-06128 | 02122-06128 | 02122-06128 | SCREW, DRIVE SHAFT RETAINER | 2 | | |
| 31 | 09283-27010 | 09283-27010 | 09283-27010 | 09283-27010 | 09283-27010 | OIL SEAL, DRIVE SHAFT | 1 | | |
| 32 | 09280-19005 | 09280-19005 | 09280-19005 | 09280-19005 | 09280-19005 | O-RING, ENGINE SPROCKET | 1 | | |
| 33 | 27531-05200 | 27531-05200 | 27531-05200 | 27531-05200 | 27531-05200 | SPACER, ENGINE SPROCKET | 1 | | |
| 34 | 24751-05201 | 24751-05201 | 24751-05201 | 24751-05201 | 24751-05201 | RETAINER, DRIVE SHAFT OIL SEAL | 1 | | |
| 35 | 01107-06106 | 01107-06106 | 01107-06106 | 01107-06106 | 01107-06106 | BOLT, DRIVE SHAFT OIL SEAL | 1 | | |
| 36 | 27510-41721 | 27510-41721 | 27510-41721 | 27510-41721 | 27510-41721 | SPROCKET, ENGINE 13T | 1 | | |
| 37 | 27620-29B20 | 27620-29B20 | 27620-29B20 | 27620-29B20 | 27620-29B20 | JOINT, CHAIN | 1 | | |
| 38 | 27600-36012 | 27600-36012 | 27600-36012 | 27600-36012 | 27600-36012 | CHAIN ASS'Y DRIVE(L=128) | 1 | | |
| 39 | 09167-20006 | 09167-20006 | 09167-20006 | 09167-20006 | 09167-20006 | LOCK WASHER, ENG SPROCKET | 1 | | |
| 40 | 09140-16019 | 09140-16019 | 09140-16019 | 09140-16019 | 09140-16019 | NUT, ENGINE SPROCKET | 1 | | |
| 41 | 24421-05300 | 24421-05300 | 24421-05300 | 24421-05300 | 24421-05300 | WHEEL, SLIDING DOG | 1 | | |

FIG 15

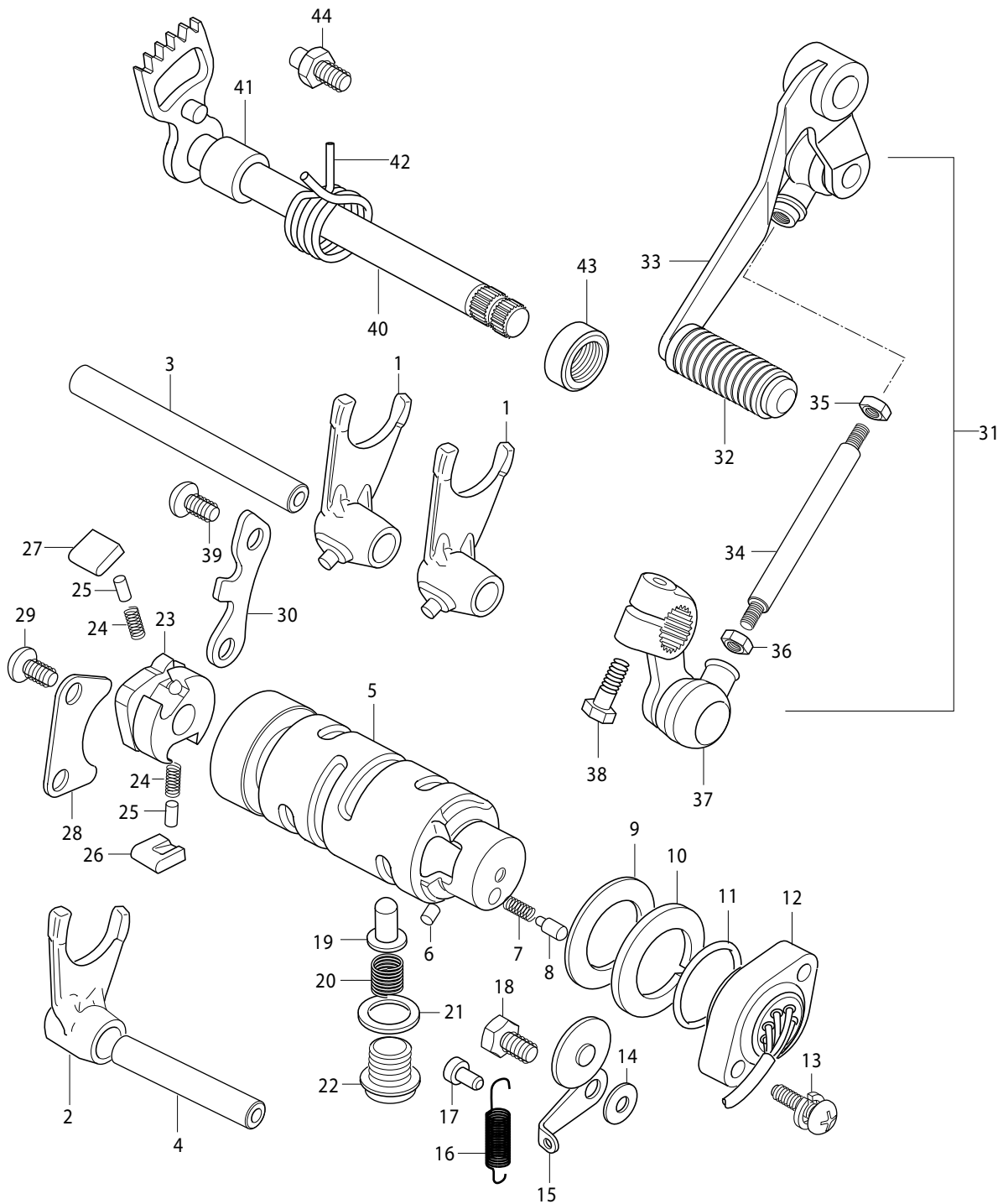


FIG 15. GEAR SHIFTING

| REF NO. | PARTS NO. | | | | | PARTS NAME | Q'TY | REMARKS | REC.Q'TY (PCS) |
|---------|-------------|-------------|-------------|-------------|-------------|----------------------------------|------|---------|----------------|
| | SEU01 | SEN01 | SG01 | SSA01 | SS01 | | | | |
| 1 | 25211-05200 | 25211-05200 | 25211-05200 | 25211-05200 | 25211-05200 | FORK, GEAR SHIFT No.1 | 2 | | |
| 2 | 25231-05201 | 25231-05201 | 25231-05201 | 25231-05201 | 25231-05201 | FORK, GEAR SHIFT No.3 | 1 | | |
| 3 | 25411-05201 | 25411-05201 | 25411-05201 | 25411-05201 | 25411-05201 | SHAFT, GEAR SHIFT FORK No.1 | 1 | | |
| 4 | 25421-35403 | 25421-35403 | 25421-35403 | 25421-35403 | 25421-35403 | SHAFT, GEAR SHIFT FORK No.2 | 1 | | |
| 5 | 25310-05200 | 25310-05200 | 25310-05200 | 25310-05200 | 25310-05200 | CAM COMP, GEAR SHIFT | 1 | | |
| 6 | 04221-04069 | 04221-04069 | 04221-04069 | 04221-04069 | 04221-04069 | PIN, GEAR SHIFT | 1 | | |
| 7 | 09440-04010 | 09440-04010 | 09440-04010 | 09440-04010 | 09440-04010 | SPRING, GEAR SHIFT | 1 | | |
| 8 | 09209-05011 | 09209-05011 | 09209-05011 | 09209-05011 | 09209-05011 | CONTACT, GEAR SHIFT SWITCH | 1 | | |
| 9 | 08211-25401 | 08211-25401 | 08211-25401 | 08211-25401 | 08211-25401 | WASHER, GEAR SHIFT CAM | 1 | | |
| 10 | 25381-45400 | 25381-45400 | 25381-45400 | 25381-45400 | 25381-45400 | PLATE, G/SHIFT CAM STOPPER | 1 | | |
| 11 | 09280-26007 | 09280-26007 | 09280-26007 | 09280-26007 | 09280-26007 | O-RING GEAR SHIFT SWITCH | 1 | | |
| 12 | 37720-35C00 | 37720-35C00 | 37720-35C00 | 37720-35C00 | 37720-35C00 | SWITCH ASS'Y GEAR SHIFT | 1 | | |
| 13 | 02112-95208 | 02112-95208 | 02112-95208 | 02112-95208 | 02112-95208 | SCREW, G/SHIFT SWITCH | 2 | | |
| 14 | 08211-06141 | 08211-06141 | 08211-06141 | 08211-06141 | 08211-06141 | WASHER, G/SHIFT CAM STOPPER | 1 | | |
| 15 | 25350-44A00 | 25350-44A00 | 25350-44A00 | 25350-44A00 | 25350-44A00 | STOPPER COMP, GEAR SHIFT ARM | 1 | | |
| 16 | 09443-08044 | 09443-08044 | 09443-08044 | 09443-08044 | 09443-08044 | SPRING, G/SHIFT CAM STOPPER ARM | 1 | | |
| 17 | 09223-04001 | 09223-04001 | 09223-04001 | 09223-04001 | 09223-04001 | HOOK, GEAR SHIFT CAM | 1 | | |
| 18 | 09111-06019 | 09111-06019 | 09111-06019 | 09111-06019 | 09111-06019 | BOLT, G/SHIFT CAM STOPPER | 1 | | |
| 19 | 25351-30010 | 25351-30010 | 25351-30010 | 25351-30010 | 25351-30010 | STOPPER COMP, CAM NEUTRAL | 1 | | |
| 20 | 09440-11016 | 09440-11016 | 09440-11016 | 09440-11016 | 09440-11016 | SPRING, G/SHIFT CAM STOPPER | 1 | | |
| 21 | 09168-14002 | 09168-14002 | 09168-14002 | 09168-14002 | 09168-14002 | WASHER, G/SHIFT CAM STOPPER PLUG | 1 | | |
| 22 | 09247-14026 | 09247-14026 | 09247-14026 | 09247-14026 | 09247-14026 | PLUG, G/SHIFT CAM STOPPER | 1 | | |
| 23 | 25322-31301 | 25322-31301 | 25322-31301 | 25322-31301 | 25322-31301 | GEAR, G/SHIFT CAM DRIVEN | 1 | | |
| 24 | 09440-04003 | 09440-04003 | 09440-04003 | 09440-04003 | 09440-04003 | SPRING, G/SHIFT PAWL RETURN | 2 | | |
| 25 | 09261-05003 | 09261-05003 | 09261-05003 | 09261-05003 | 09261-05003 | PIN, GEAR SHIFT PAWL CLICK | 2 | | |

FIG 15

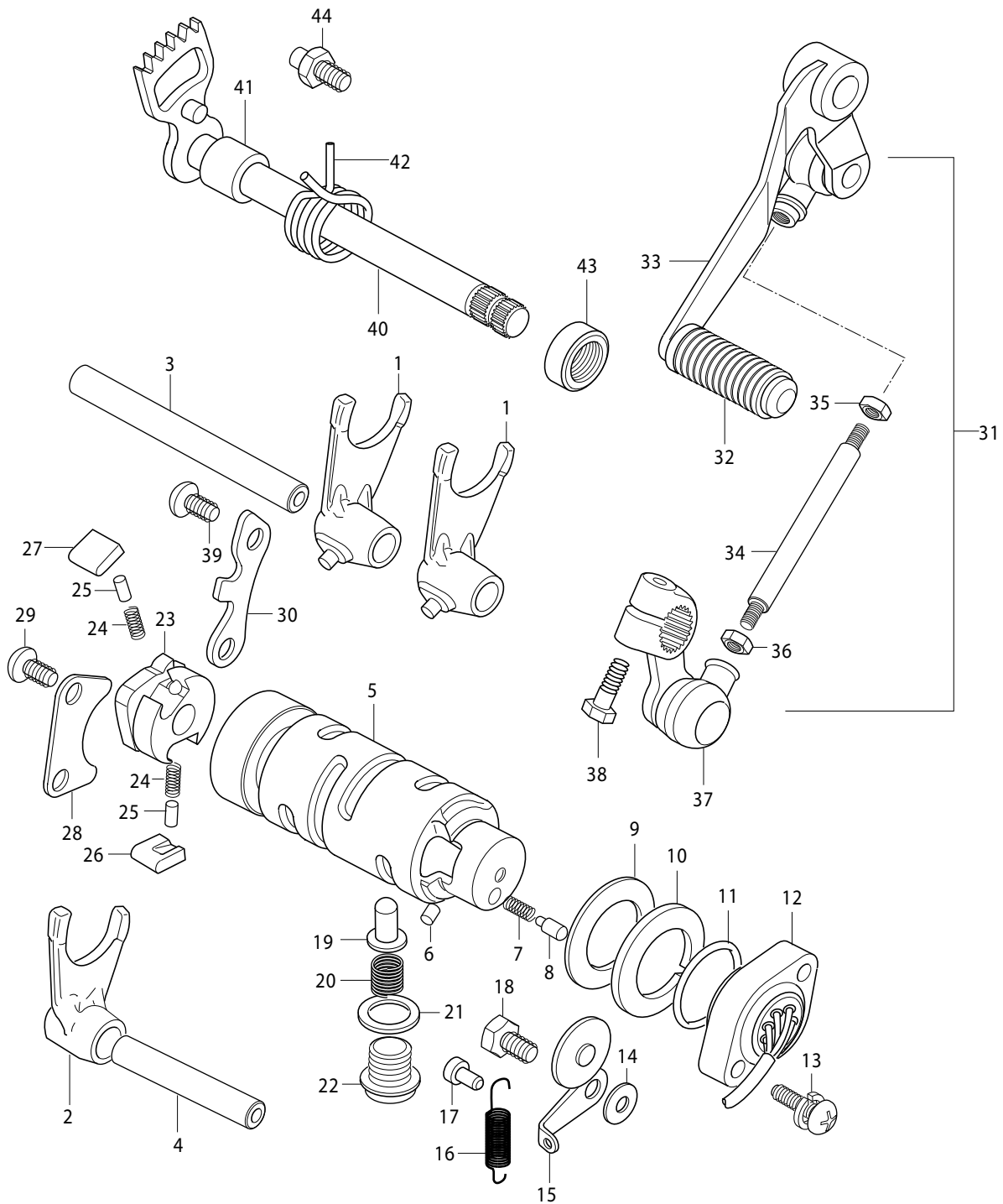


FIG 15. GEAR SHIFTING

| REF NO. | PARTS NO. | | | | | PARTS NAME | Q'TY | REMARKS | REC.Q'TY (PCS) |
|---------|-------------|-------------|-------------|-------------|-------------|----------------------------|------|---------|----------------|
| | SEU01 | SEN01 | SG01 | SSA01 | SS01 | | | | |
| 26 | 25323-34201 | 25323-34201 | 25323-34201 | 25323-34201 | 25323-34201 | PAWL, GEAR SHIFT No.1 | 1 | | |
| 27 | 25324-34201 | 25324-34201 | 25324-34201 | 25324-34201 | 25324-34201 | PAWL, GEAR SHIFT No.2 | 1 | | |
| 28 | 25331-30000 | 25331-30000 | 25331-30000 | 25331-30000 | 25331-30000 | LIFTER, GEAR SHIFT PAWL | 1 | | |
| 29 | 02122-96128 | 02122-96128 | 02122-96128 | 02122-96128 | 02122-96128 | SCREW, G/SHIFT PAWL LIFTER | 2 | | |
| 30 | 25341-05200 | 25341-05200 | 25341-05200 | 25341-05200 | 25341-05200 | GUIDE, GEAR SHIFT CAM | 1 | | |
| 31 | 25600-10D01 | 25600-10D01 | 25600-10D01 | 25600-10D01 | 25600-10D01 | LEVER ASS'Y, GEAR SHIFT | 1 | | |
| 32 | 25652-20C00 | 25652-20C00 | 25652-20C00 | 25652-20C00 | 25652-20C00 | RUBBER, GEAR SHIFT PEDAL | 1 | | |
| 33 | 25600-10D01 | 25600-10D01 | 25600-10D01 | 25600-10D01 | 25600-10D01 | LEVER COMP, GEAR SHIFT | 1 | | |
| 34 | 25525-05C00 | 25525-05C00 | 25525-05C00 | 25525-05C00 | 25525-05C00 | ROD, G/SHIFT LINK (L=132) | 1 | | |
| 35 | 09140-06011 | 09140-06011 | 09140-06011 | 09140-06011 | 09140-06011 | NUT, G/SHIFT LINK ROD, L | 1 | | |
| 36 | 08310-11068 | 08310-11068 | 08310-11068 | 08310-11068 | 08310-11068 | NUT, G/SHIFT LINK ROD, R | 1 | | |
| 37 | 25520-32C00 | 25520-32C00 | 25520-32C00 | 25520-32C00 | 25520-32C00 | ARM COMP, G/SHIFT LINK | 1 | | |
| 38 | 01107-06208 | 01107-06208 | 01107-06208 | 01107-06208 | 01107-06208 | BOLT, G/SHIFT LINK ARM | 1 | | |
| 39 | 02122-06128 | 02122-06128 | 02122-06128 | 02122-06128 | 02122-06128 | SCREW, G/SHIFT CAM GUIDE | 2 | | |
| 40 | 25510-05400 | 25510-05400 | 25510-05400 | 25510-05400 | 25510-05400 | SHAFT COMP, GEAR SHIFT | 1 | | |
| 41 | 09180-12068 | 09180-12068 | 09180-12068 | 09180-12068 | 09180-12068 | SPACER, G/SHIFT SHAFT | 1 | | |
| 42 | 09444-26013 | 09444-26013 | 09444-26013 | 09444-26013 | 09444-26013 | SPRING, G/SHAFT RETURN | 1 | | |
| 43 | 09285-12002 | 09285-12002 | 09285-12002 | 09285-12002 | 09285-12002 | OIL SEAL, G/SHIFT SHAFT | 1 | | |
| 44 | 25671-01000 | 25671-01000 | 25671-01000 | 25671-01000 | 25671-01000 | STOPPER, GEAR SHIFT ARM | 1 | | |

FIG 16

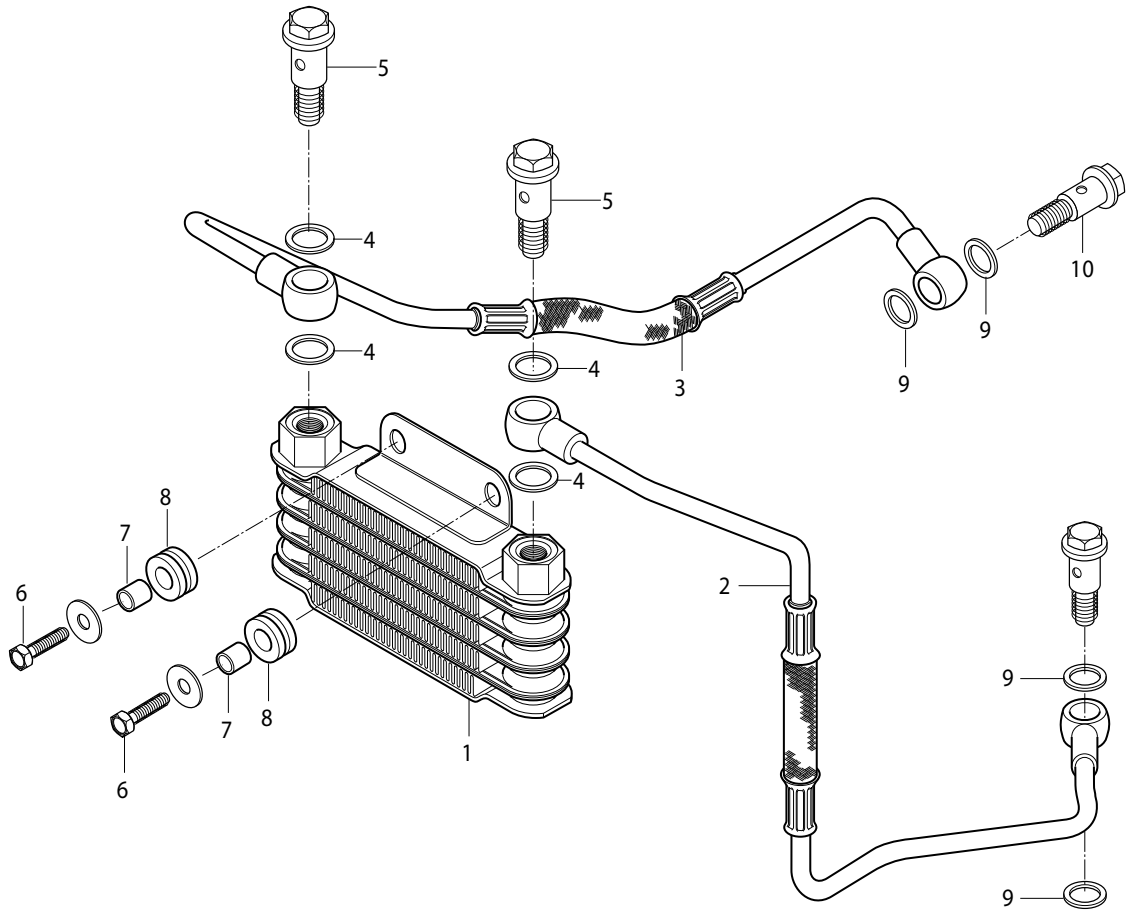


FIG 16. OIL COOLER

| REF NO. | PARTS NO. | | | | | PARTS NAME | Q`TY | REMARKS | REC.Q`TY (PCS) |
|------------|-------------|-------------|-------------|-------------|-------------|------------------------------|------|---------|-------------------|
| | SEU01 | SEN01 | SG01 | SSA01 | SS01 | | | | |
| 1 | 16600HR7800 | 16600HR7800 | 16600HR7800 | 16600HR7800 | 16600HR7800 | COOLER ASS'Y, OIL | 1 | | |
| 2 | 16470HR7800 | 16470HR7800 | 16470HR7800 | 16470HR7800 | 16470HR7800 | HOSE COMP, OIL COOLER L | 1 | | |
| 3 | 16460HR7800 | 16460HR7800 | 16460HR7800 | 16460HR7800 | 16460HR7800 | HOSE COMP, OIL COOLER R | 1 | | |
| 4 | 09168-14011 | 09168-14011 | 09168-14011 | 09168-14011 | 09168-14011 | GASKET, OIL COOLER HOSE No.2 | 4 | | |
| 5 | 09360H12007 | 09360H12007 | 09360H12007 | 09360H12007 | 09360H12007 | BOLT, OIL COOLER | 2 | | |
| 6 | 09116-06143 | 09116-06143 | 09116-06143 | 09116-06143 | 09116-06143 | BOLT, OIL COOLER | 2 | | |
| 7 | 09180-06030 | 09180-06030 | 09180-06030 | 09180-06030 | 09180-06030 | SPACER, OIL COOLER | 2 | | |
| 8 | 09320-10015 | 09320-10015 | 09320-10015 | 09320-10015 | 09320-10015 | CUSHION, OIL COOLER | 2 | | |
| 9 | 09161-10009 | 09161-10009 | 09161-10009 | 09161-10009 | 09161-10009 | GASKET, OIL COOLER HOSE | 2 | | |
| 10 | 09360-10039 | 09360-10039 | 09360-10039 | 09360-10039 | 09360-10039 | BOLT, OIL COOLER HOSE UNION | 2 | | |

FIG 17

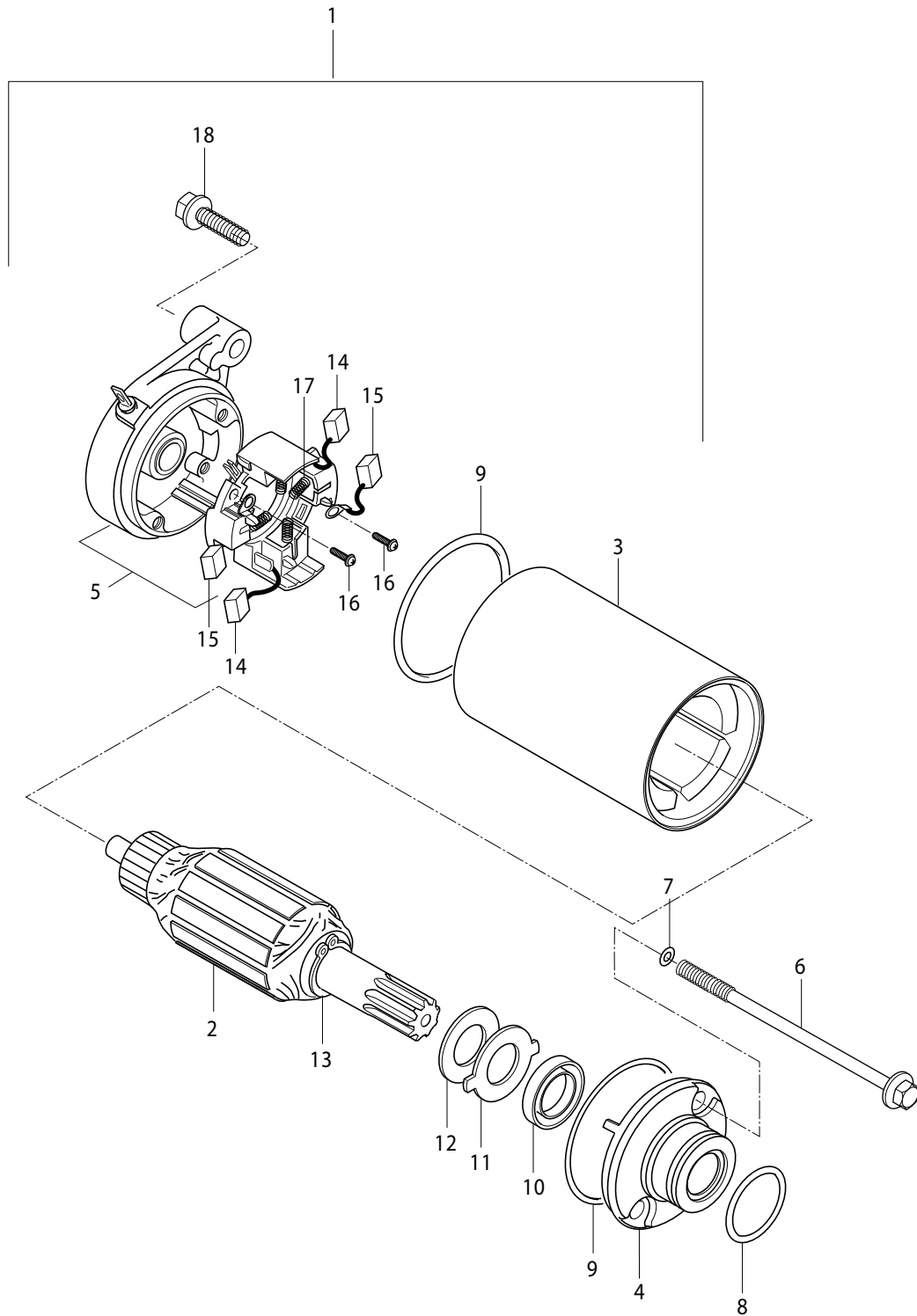


FIG 17. STARTING MOTOR

| REF NO. | PARTS NO. | | | | | PARTS NAME | Q'TY | REMARKS | REC.Q'TY (PCS) |
|---------|-------------|-------------|-------------|-------------|-------------|--------------------------|------|---------|----------------|
| | SEU01 | SEN01 | SG01 | SSA01 | SS01 | | | | |
| 1 | 31100-42A01 | 31100-42A01 | 31100-42A01 | 31100-42A01 | 31100-42A01 | MOTOR ASS'Y, STARTING | 1 | | |
| 2 | 31310-11D10 | 31310-11D10 | 31310-11D10 | 31310-11D10 | 31310-11D10 | ARMATURE ASS'Y, STARTER | 1 | | |
| 3 | 31100-05320 | 31100-05320 | 31100-05320 | 31100-05320 | 31100-05320 | YOKE ASS'Y, STARTER | 1 | | |
| 4 | 31150-42A01 | 31150-42A01 | 31150-42A01 | 31150-42A01 | 31150-42A01 | HOUSING ASS'Y, STARTER | 1 | | |
| 5 | 31175-42A01 | 31175-42A01 | 31175-42A01 | 31175-42A01 | 31175-42A01 | FRAME ASS'Y, COMMUTATOR | 1 | | |
| 6 | 31281-32C10 | 31281-32C10 | 31281-32C10 | 31281-32C10 | 31281-32C10 | BOLT, THROUGH | 2 | | |
| 7 | 31156-38300 | 31156-38300 | 31156-38300 | 31156-38300 | 31156-38300 | O-RING | 2 | | |
| 8 | 09280-24003 | 09280-24003 | 09280-24003 | 09280-24003 | 09280-24003 | O-RING | 1 | | |
| 9 | 31264-35C10 | 31264-35C10 | 31264-35C10 | 31264-35C10 | 31264-35C10 | O-RING | 2 | | |
| 10 | 31153-49210 | 31153-49210 | 31153-49210 | 31153-49210 | 31153-49210 | SEAL, OIL | 1 | | |
| 11 | 31361-32C00 | 31361-32C00 | 31361-32C00 | 31361-32C00 | 31361-32C00 | PLATE, LOCK | 1 | | |
| 12 | 31361-38300 | 31361-38300 | 31361-38300 | 31361-38300 | 31361-38300 | WASHER, PLATE LOCK | 1 | | |
| 13 | 31361-10200 | 31361-10200 | 31361-10200 | 31361-10200 | 31361-10200 | RING, SHAFT SNAP | 1 | | |
| 14 | 31132-32C10 | 31132-32C10 | 31132-32C10 | 31132-32C10 | 31132-32C10 | BRUSH SUB-ASS'Y, STARTER | 2 | | |
| 15 | 31131-32C20 | 31131-32C20 | 31131-32C20 | 31131-32C20 | 31131-32C20 | BRUSH, STARTER | 2 | | |
| 16 | 31114-32C10 | 31114-32C10 | 31114-32C10 | 31114-32C10 | 31114-32C10 | SCREW | 2 | | |
| 17 | 31135-32C10 | 31135-32C10 | 31135-32C10 | 31135-32C10 | 31135-32C10 | SPRING, COMPRESSION COIL | 4 | | |
| 18 | 01547-06308 | 01547-06308 | 01547-06308 | 01547-06308 | 01547-06308 | BOLT, STARTING MOTOR | 2 | | |

FIG 18

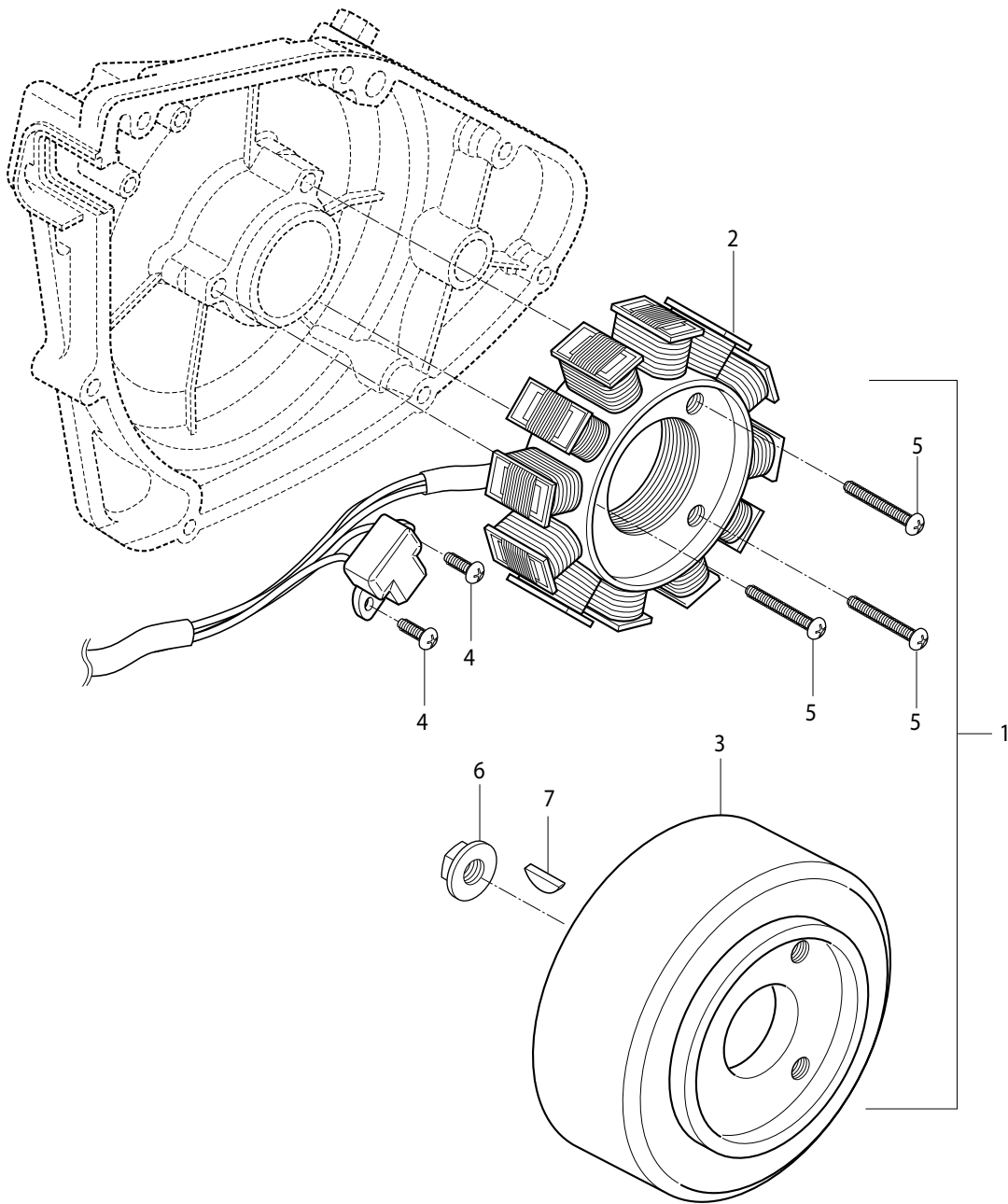


FIG 18. MAGNETO ASS'Y

| REF NO. | PARTS NO. | | | | | PARTS NAME | Q`TY | REMARKS | REC.Q`TY (PCS) |
|------------|-------------|-------------|-------------|-------------|-------------|------------------|------|---------|-------------------|
| | SEU01 | SEN01 | SG01 | SSA01 | SS01 | | | | |
| 1 | 32100HR7800 | 32100HR7800 | 32100HR7800 | 32100HR7800 | 32100HR7800 | MAGNETO ASS'Y | 1 | | |
| 2 | 32101-35C00 | 32101-35C00 | 32101-35C00 | 32101-35C00 | 32101-35C00 | STATOR ASS'Y | 1 | | |
| 3 | 32102-35C00 | 32102-35C00 | 32102-35C00 | 32102-35C00 | 32102-35C00 | ROTOR, FLY WHEEL | 1 | | |
| 4 | 02112-05128 | 02112-05128 | 02112-05128 | 02112-05128 | 02112-05128 | SCREW | 2 | | |
| 5 | 02112-05258 | 02112-05258 | 02112-05258 | 02112-05258 | 02112-05258 | SCREW, STATOR | 3 | | |
| 6 | 08316-26108 | 08316-26108 | 08316-26108 | 08316-26108 | 08316-26108 | NUT | 1 | | |
| 7 | 08341-31039 | 08341-31039 | 08341-31039 | 08341-31039 | 08341-31039 | KEY | 1 | | |

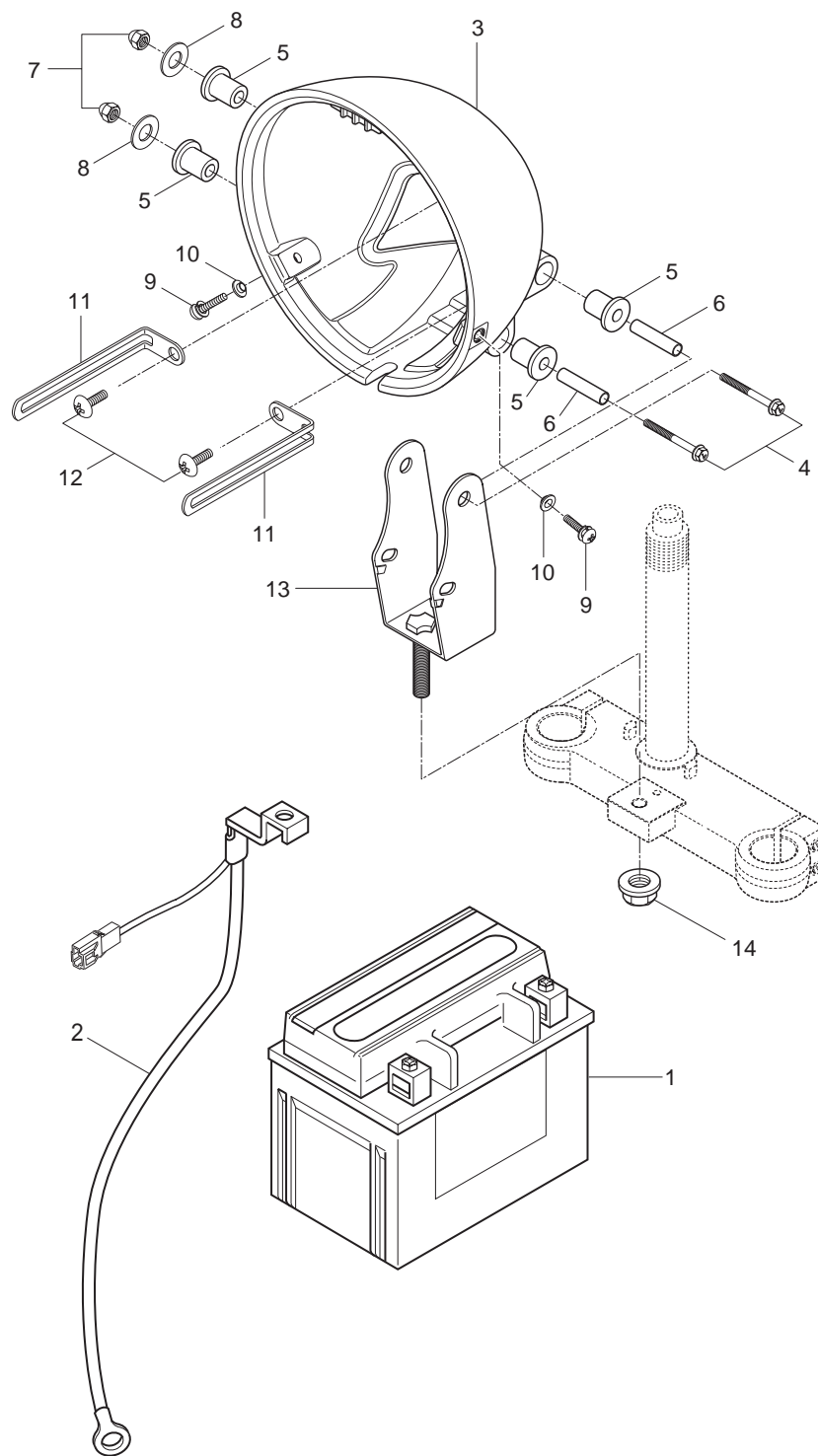


FIG 19. BATTERY

| REF NO. | PARTS NO. | | | | | PARTS NAME | Q'TY | REMARKS | REC.Q'TY (PCS) |
|---------|-------------|-------------|-------------|-------------|-------------|-----------------------------|------|---------|----------------|
| | SEU01 | SEN01 | SG01 | SSA01 | SS01 | | | | |
| 1 | 31800HG5100 | 31800HG5100 | 31800HG5100 | 31800HG5100 | 31800HG5100 | RELAY ASS'Y, starting motor | 1 | | 8 |
| 2 | 08316-26066 | 08316-26066 | 08316-26066 | 08316-26066 | 08316-26066 | NUT, starting relay | 2 | | |
| 3 | 33840HM5401 | 33840HM5401 | 33840HM5401 | 33840HM5401 | 33840HM5401 | LEAD WIRE, battery(+) | 1 | | |
| 4 | 33850HM5401 | 33850HM5401 | 33850HM5401 | 33850HM5401 | 33850HM5401 | LEAD WIRE, starting motor | 1 | | |
| 5 | 32800H01413 | 32800H01413 | 32800H01413 | 32800H01413 | 32800H01413 | RECTIFIER ASS'Y, regulator | 1 | | 5 |
| 6 | 09128-06035 | 09128-06035 | 09128-06035 | 09128-06035 | 09128-06035 | SCREW, rectifier(M6x20) | 2 | | |
| 7 | 33410HG5800 | 33410HG5800 | 33410HG5800 | 33410HG5800 | 33410HG5800 | COIL ASS'Y, ignition | 1 | | 5 |
| 8 | 02112-46208 | 02112-46208 | 02112-46208 | 02112-46208 | 02112-46208 | SCREW, ignition(M5x12) | 2 | | |
| 9 | 33541-38210 | 33541-38210 | 33541-38210 | 33541-38210 | 33541-38210 | SEAL, spark plug | 1 | | |
| 10 | 33500HF4600 | 33500HF4600 | 33500HF4600 | 33500HF4600 | 33500HF4600 | CAP, spark plug | 1 | | 5 |
| 11 | 33542-98000 | 33542-98000 | 33542-98000 | 33542-98000 | 33542-98000 | SEAL, hightension cord | 1 | | |
| 12 | 32900HR7850 | 32900HR7850 | 32900HR7850 | 32900HR7850 | 32900HR7850 | C.D.I UNIT | 1 | | 5 |

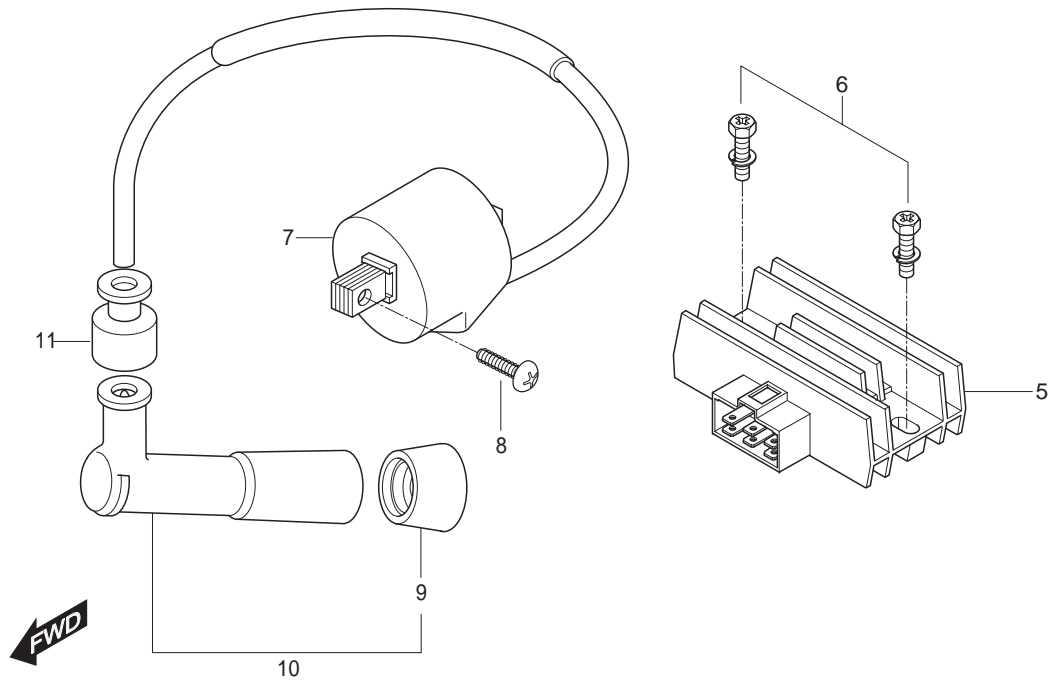
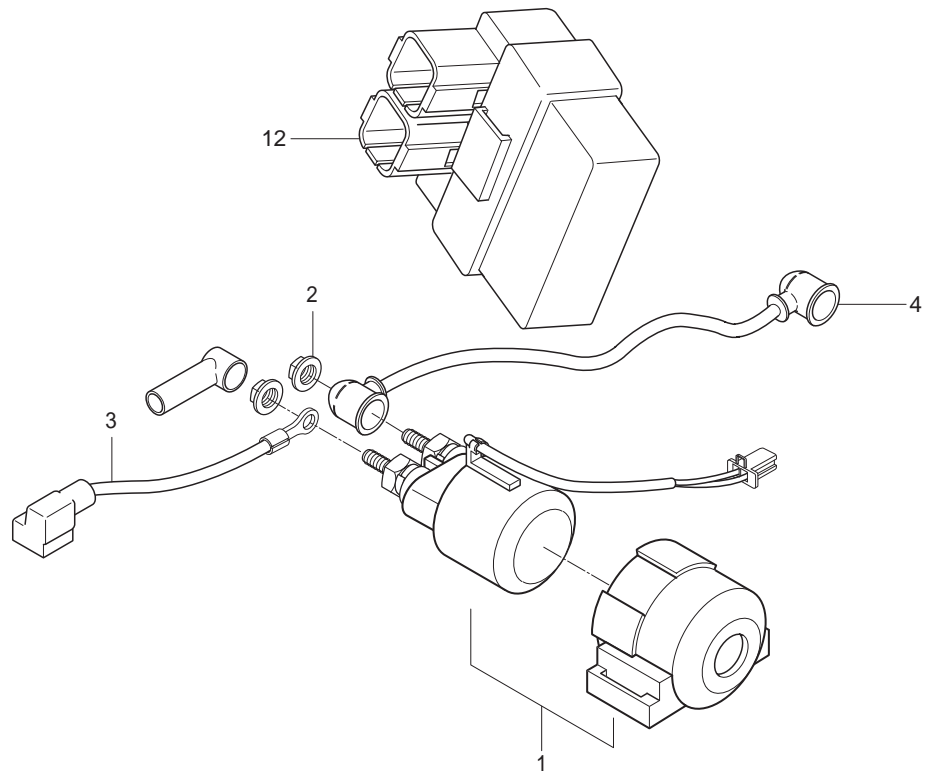
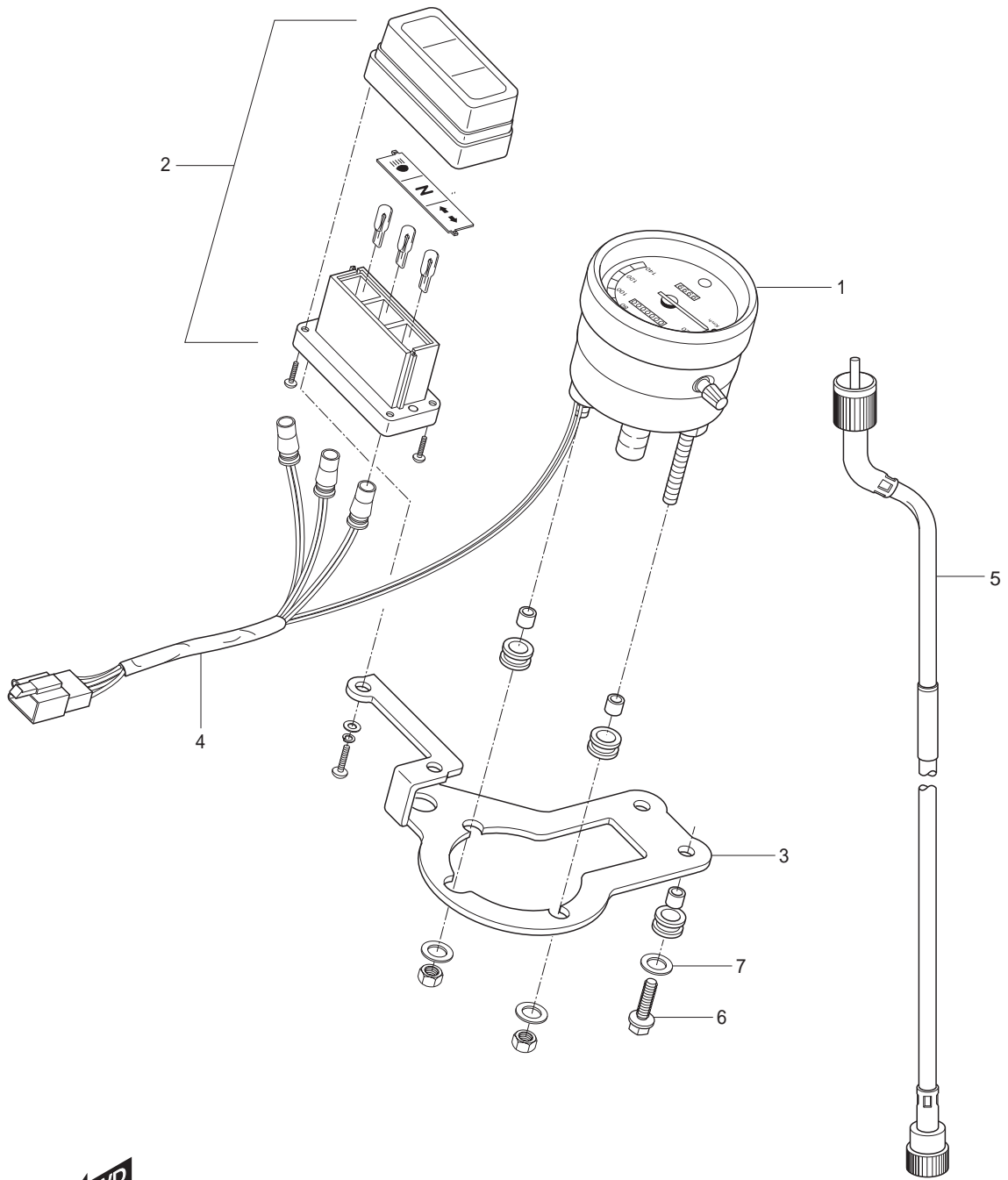


FIG 20. ELECTRICAL

| REF NO. | PARTS NO. | | | | | PARTS NAME | Q`TY | REMARKS | REC.Q`TY (PCS) |
|---------|-------------|-------------|-------------|-------------|-------------|-----------------------------|------|---------|----------------|
| | SEU01 | SEN01 | SG01 | SSA01 | SS01 | | | | |
| 1 | 31800HG5100 | 31800HG5100 | 31800HG5100 | 31800HG5100 | 31800HG5100 | RELAY ASS`Y, starting motor | 1 | | 8 |
| 2 | 08316-26066 | 08316-26066 | 08316-26066 | 08316-26066 | 08316-26066 | NUT, starting relay | 2 | | |
| 3 | 33840HM5401 | 33840HM5401 | 33840HM5401 | 33840HM5401 | 33840HM5401 | LEAD WIRE, battery(+) | 1 | | |
| 4 | 33850HM5401 | 33850HM5401 | 33850HM5401 | 33850HM5401 | 33850HM5401 | LEAD WIRE, starting motor | 1 | | |
| 5 | 32800H01413 | 32800H01413 | 32800H01413 | 32800H01413 | 32800H01413 | RECTIFIER ASS`Y, regulator | 1 | | 5 |
| 6 | 09128-06035 | 09128-06035 | 09128-06035 | 09128-06035 | 09128-06035 | SCREW, rectifier(M6x20) | 2 | | |
| 7 | 33410HG5800 | 33410HG5800 | 33410HG5800 | 33410HG5800 | 33410HG5800 | COIL ASS`Y, ignition | 1 | | 5 |
| 8 | 02112-46208 | 02112-46208 | 02112-46208 | 02112-46208 | 02112-46208 | SCREW, ignition(M5x12) | 2 | | |
| 9 | 33541-38210 | 33541-38210 | 33541-38210 | 33541-38210 | 33541-38210 | SEAL, spark plug | 1 | | |
| 10 | 33500HF4600 | 33500HF4600 | 33500HF4600 | 33500HF4600 | 33500HF4600 | CAP, spark plug | 1 | | 5 |
| 11 | 33542-98000 | 33542-98000 | 33542-98000 | 33542-98000 | 33542-98000 | SEAL, hightension cord | 1 | | |
| 12 | 32900HM5400 | 32900HM5450 | 32900HM5450 | 32900HM5450 | 32900HM5400 | C.D.I UNIT | 1 | | 5 |



FWD

FIG 21. SPEEDOMETER ASS`Y

| REF NO. | PARTS NO. | | | | | PARTS NAME | Q`TY | REMARKS | REC.Q`TY (PCS) |
|------------|-------------|-------------|-------------|-------------|-------------|-------------------|------|---------|-------------------|
| | SEU01 | SEN01 | SG01 | SSA01 | SS01 | | | | |
| 1 | 34100HS78A0 | 34100HR7800 | 34100HR7800 | 34100HR7800 | 34100HR7800 | SPEEDOMETER ASS`Y | 1 | | 2 |
| 2 | 34860HR7800 | 34860HR7800 | 34860HR7800 | 34860HR7800 | 34860HR7800 | SENSOR, S/METER | 1 | | |
| 3 | 34950HR7800 | 34950HR7800 | 34950HR7800 | 34950HR7800 | 34950HR7800 | BKT, SPEED METER | 1 | | |

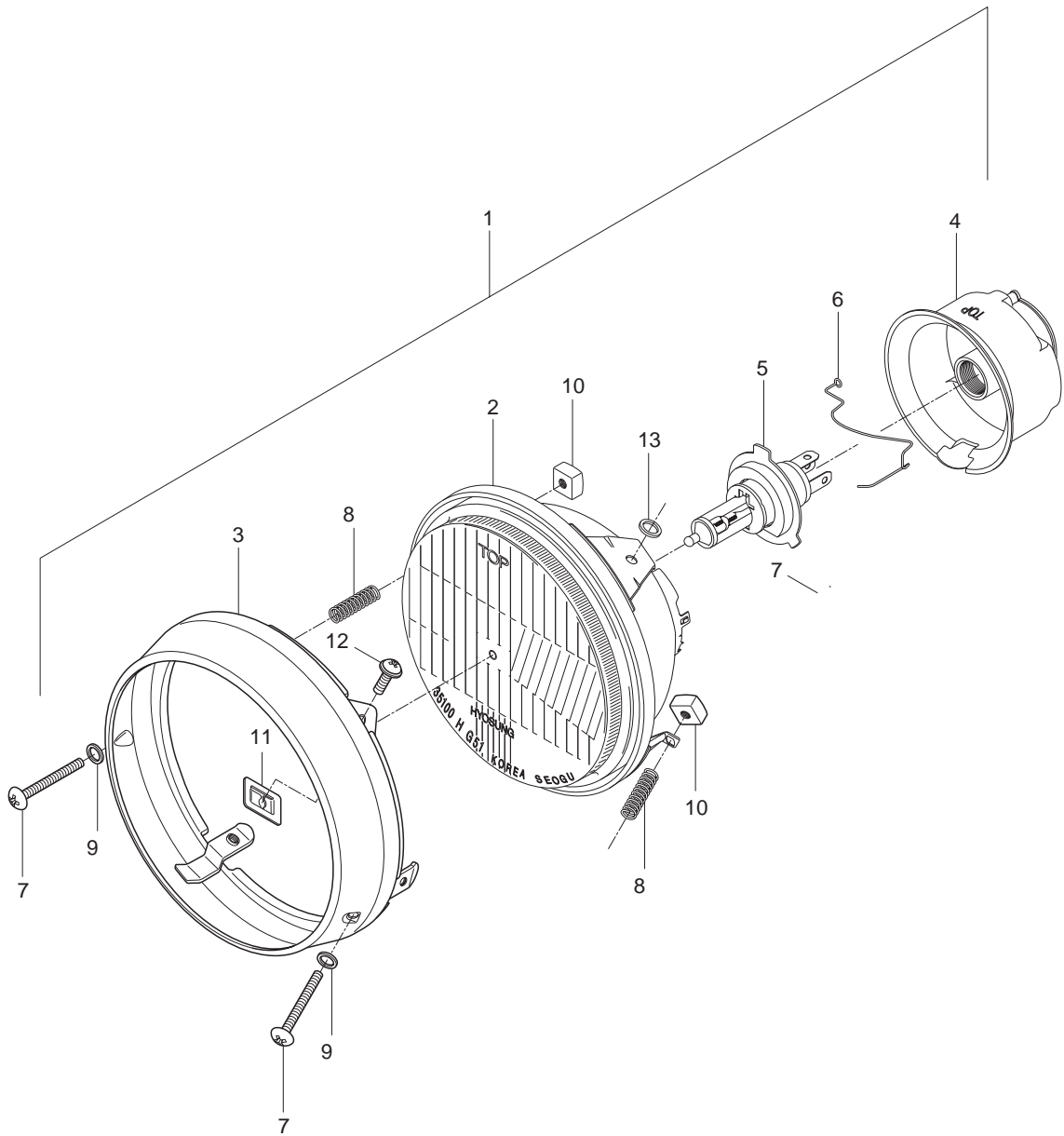


FIG 22. HEAD LAMP ASS'Y

| REF NO. | PARTS NO. | | | | | PARTS NAME | Q'TY | REMARKS | REC.Q'TY (PCS) |
|---------|-------------|-------------|-------------|-------------|-------------|-----------------------------|------|----------|----------------|
| | SEU01 | SEN01 | SG01 | SSA01 | SS01 | | | | |
| 1 | 35100HG5160 | 35100HG5150 | 35100HG5150 | 35100HG5160 | 35100HG5150 | HEAD LAMP ASS'Y | 1 | | 5 |
| 2 | 35120HG5100 | 35120HG5100 | 35120HG5100 | 35120HG5100 | 35120HG5100 | REFLECTOR, headlamp | 1 | | |
| 3 | 35111HG5100 | 35111HG5100 | 35111HG5100 | 35111HG5100 | 35111HG5100 | RIM, headlamp | 1 | | |
| 4 | 35173H93B00 | 35173H93B00 | 35173H93B00 | 35173H93B00 | 35173H93B00 | DUST COVER | 1 | | |
| 5 | 09471-12101 | 09471-12101 | 09471-12101 | 09471-12101 | 09471-12101 | BULB, head lamp(12v 35/35w) | 1 | | |
| 6 | 35175H93B00 | 35175H93B00 | 35175H93B00 | 35175H93B00 | 35175H93B00 | SPRING, bulb socket | 1 | NOT SALE | |
| 7 | 35151HG5800 | 35151HG5800 | 35151HG5800 | 35151HG5800 | 35151HG5800 | SCREW, aiming | 2 | | |
| 8 | 35154-48510 | 35154-48510 | 35154-48510 | 35154-48510 | 35154-48510 | SPRING, aiming | 2 | | |
| 9 | 35128H93B00 | 35128H93B00 | 35128H93B00 | 35128H93B00 | 35128H93B00 | WASHER, aiming | 2 | NOT SALE | |
| 10 | 35152-48510 | 35152-48510 | 35152-48510 | 35152-48510 | 35152-48510 | AIMMING, grommet | 2 | | |
| 11 | 35135-12610 | 35135-12610 | 35135-12610 | 35135-12610 | 35135-12610 | SPACER, aiming nut | 1 | | |
| 12 | 02112-05088 | 02112-05088 | 02112-05088 | 02112-05088 | 02112-05088 | SCREW, aiming | 2 | | |
| 13 | 35136HG5800 | 35136HG5800 | 35136HG5800 | 35136HG5800 | 35136HG5800 | WASHER, aiming | 2 | NOT SALE | |

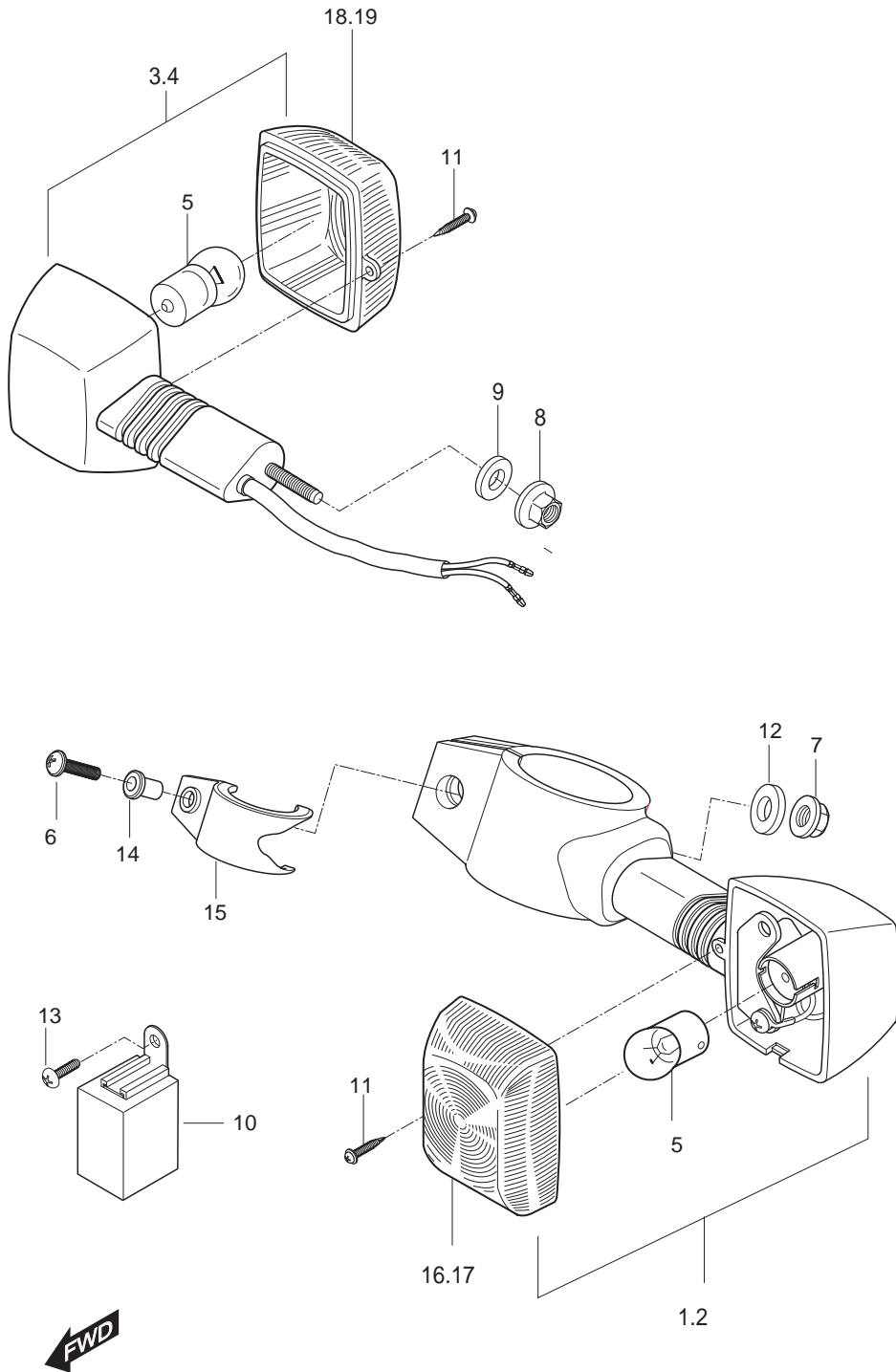


FIG 23. TURN SIGNAL LAMP

| REF NO. | PARTS NO. | | | | | PARTS NAME | Q'TY | REMARKS | REC.Q'TY (PCS) |
|---------|----------------|----------------|----------------|----------------|----------------|---|------|----------|----------------|
| | SEU01 | SEN01 | SG01 | SSA01 | SS01 | | | | |
| 1 | 35601HR7800 | 35601HR7800 | 35601HR7800 | 35601HR7800 | 35601HR7800 | LAMP, Ft turn signal R | 1 | | 10 |
| 2 | 35602HR7800 | 35602HR7800 | 35602HR7800 | 35602HR7800 | 35602HR7800 | LAMP, Ft turn signal L | 1 | | 10 |
| 3 | 35603HR7800 | 35603HR7800 | 35603HR7800 | 35603HR7800 | 35603HR7800 | LAMP, Rr turn signal R | 1 | | 10 |
| 4 | 35604HR7800 | 35604HR7800 | 35604HR7800 | 35604HR7800 | 35604HR7800 | LAMP, Rr turn signal L | 1 | | 10 |
| 5 | 09471-12003 | 09471-12003 | 09471-12003 | 09471-12003 | 09471-12003 | BULB, Ft/Rr turn signal lamp R, L(12V10W) | 4 | | |
| 6 | 02152-06258 | 02152-06258 | 02152-06258 | 02152-06258 | 02152-06258 | SCREW, front turn signal lamp & cover | 2 | | |
| 7 | 08316-26066 | 08316-26066 | 08316-26066 | 08316-26066 | 08316-26066 | NUT, front turn signal lamp | 2 | | |
| 8 | 08316-26066 | 08316-26066 | 08316-26066 | 08316-26066 | 08316-26066 | NUT, rear turn signal | 2 | | |
| 9 | 09160-06019 | 09160-06019 | 09160-06019 | 09160-06019 | 09160-06019 | WASHER, rear turn signal | 2 | | |
| 10 | 38610HL7300 | 38610HL7300 | 38610HL7300 | 38610HL7300 | 38610HL7300 | RELAY ASS'Y, turn signal | 1 | | 5 |
| 11 | 35625-01A00 | 35625-01A00 | 35625-01A00 | 35625-01A00 | 35625-01A00 | TAPPING SCREW | 4 | | |
| 12 | 09169H06016 | 09169H06016 | 09169H06016 | 09169H06016 | 09169H06016 | WASHER, front turn signal lamp | 2 | | |
| 13 | 02112-06128 | 02112-06128 | 02112-06128 | 02112-06128 | 02112-06128 | SCREW, hazard relay | 1 | NOT SALE | |
| 14 | 09169H06016 | 09169H06016 | 09169H06016 | 09169H06016 | 09169H06016 | WASHER, turn signal lamp & cover | 2 | | |
| 15 | 51721HM5400PAM | 51721HM5400PAM | 51721HM5400PAM | 51721HM5400PAM | 51721HM5400PAM | COVER, front turn signal lamp | 2 | | |
| 16 | 35652-35C00 | 35652-35C00 | 35652-35C00 | 35652-35C00 | 35652-35C00 | LENS, front turn signal L | 1 | | |
| 17 | 35652-35C00 | 35652-35C00 | 35652-35C00 | 35652-35C00 | 35652-35C00 | LENS, rear turn signal R | 1 | | |
| 18 | 35672-35C00 | 35672-35C00 | 35672-35C00 | 35672-35C00 | 35672-35C00 | LENS, front turn signal R | 1 | | |
| 19 | 35672-35C00 | 35672-35C00 | 35672-35C00 | 35672-35C00 | 35672-35C00 | LENS, rear turn signal L | 1 | | |

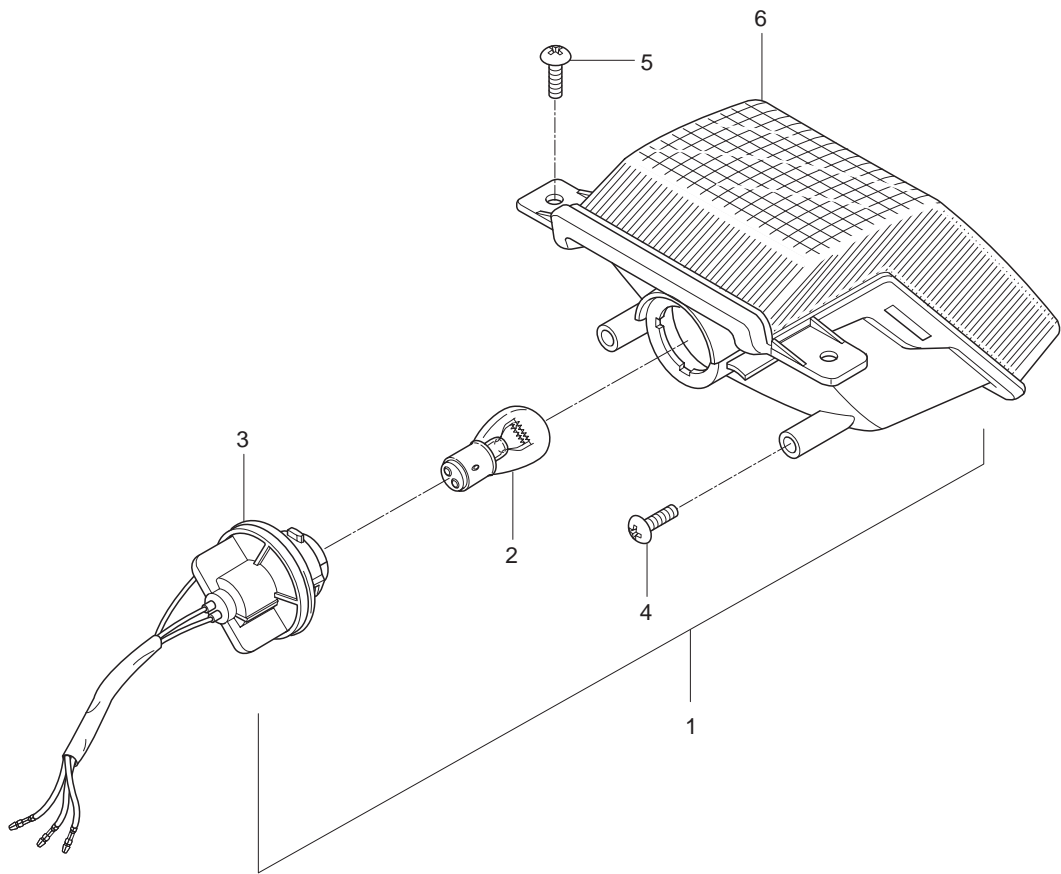


FIG 24. TAIL & STOP LAMP

| REF NO. | PARTS NO. | | | | | PARTS NAME | Q`TY | REMARKS | REC.Q`TY (PCS) |
|------------|-------------|-------------|-------------|-------------|-------------|---|------|---------|-------------------|
| | SEU01 | SEN01 | SG01 | SSA01 | SS01 | | | | |
| 1 | 35710HM5400 | 35710HM5400 | 35710HM5400 | 35710HM5400 | 35710HM5400 | LAMP ASSY, tail & stop | 1 | | 5 |
| 2 | 09471-12047 | 09471-12047 | 09471-12047 | 09471-12047 | 09471-12047 | BULB, tail & stop lamp(12V 21/5W) | 1 | | |
| 3 | 35760HM5400 | 35760HM5400 | 35760HM5400 | 35760HM5400 | 35760HM5400 | SOCKET ASS`Y, tail & stop | 1 | | |
| 4 | 03241-05166 | 03241-05166 | 03241-05166 | 03241-05166 | 03241-05166 | SCREW, rear fender & rear combi lo(M5×20) | 2 | | |
| 5 | 02142-06126 | 02142-06126 | 02142-06126 | 02142-06126 | 02142-06126 | SCREW, rear fender & rear combi up(M6×16) | 2 | | 27 |
| 6 | 35712HG5800 | 35712HG5800 | 35712HG5800 | 35712HG5800 | 35712HG5800 | LENS, tail & stop | 1 | | |

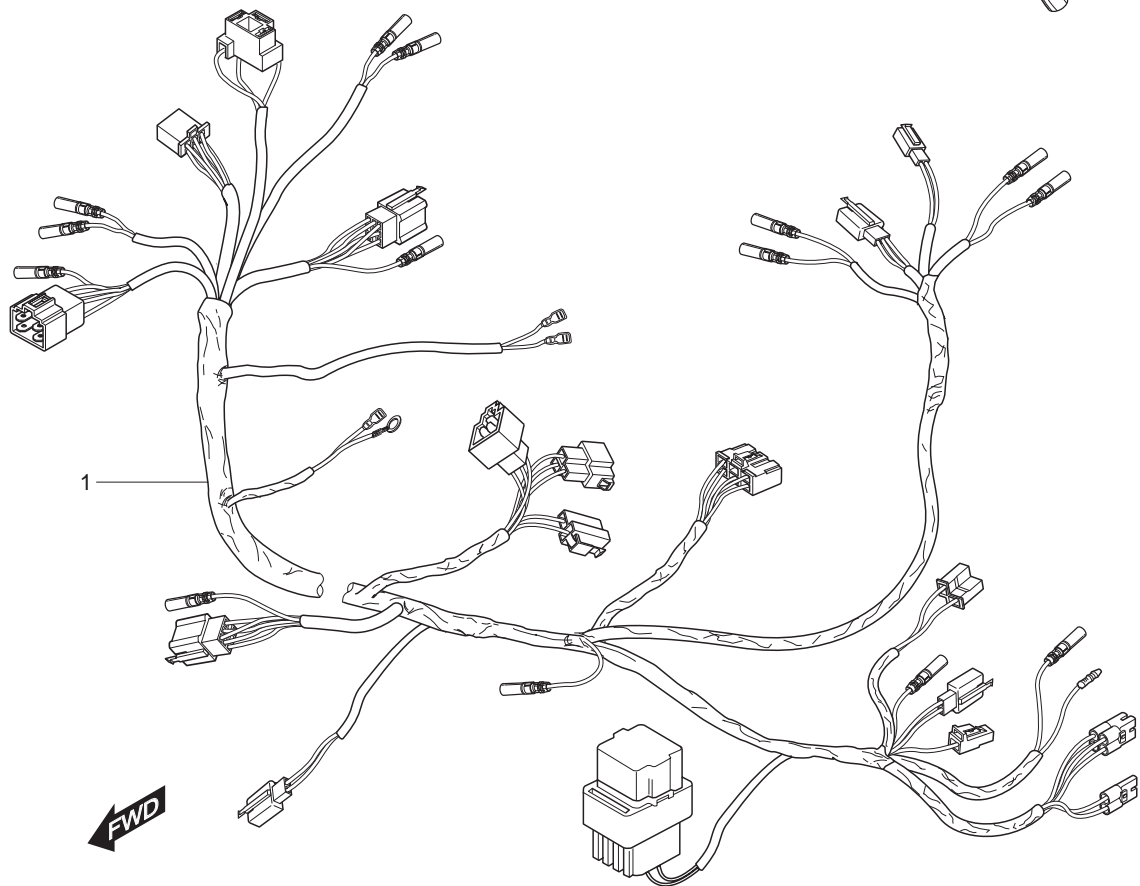
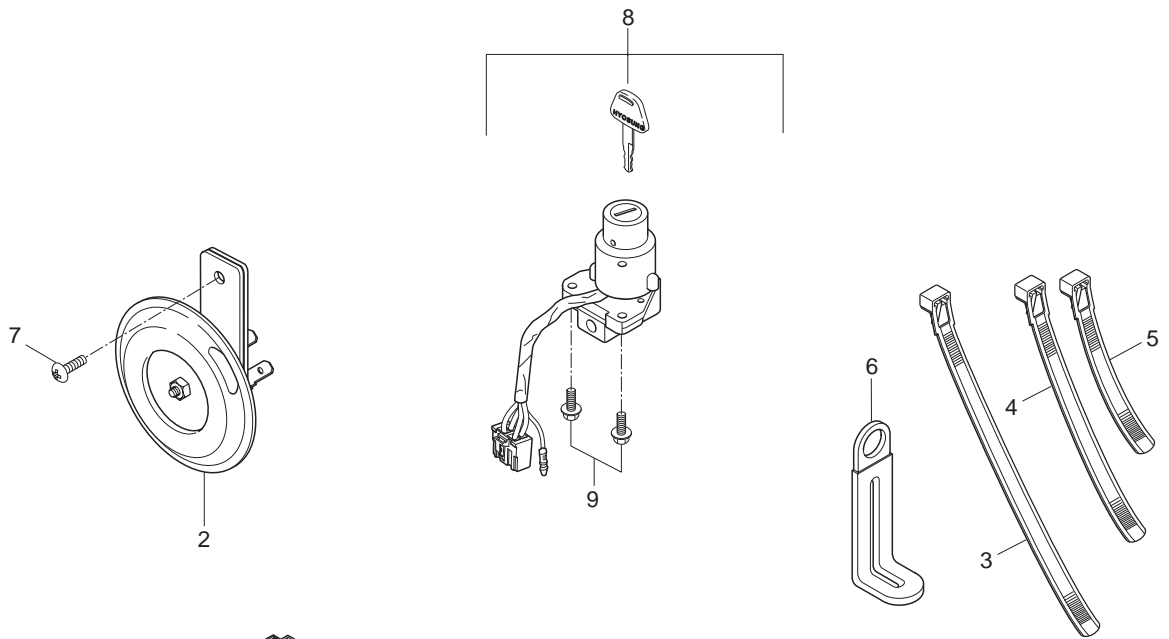


FIG 25. WIRING HARNESS & HORN

| REF NO. | PARTS NO. | | | | | PARTS NAME | Q'TY | REMARKS | REC.Q'TY (PCS) |
|---------|-------------|-------------|-------------|-------------|-------------|----------------------------|------|---------|----------------|
| | SEU01 | SEN01 | SG01 | SSA01 | SS01 | | | | |
| 1 | 36610HR7850 | 36610HR7850 | 36610HR7850 | 36610HR7850 | 36610HR7850 | WIRING HARNESS | 1 | | 5 |
| 2 | 38500HG5850 | 38500HG5850 | 38500HG5850 | 38500HG5850 | 38500HG5850 | HORN ASS`Y | 1 | | 5 |
| 3 | 09407-254A1 | 09407-254A1 | 09407-254A1 | 09407-254A1 | 09407-254A1 | CLAMP, wiring harness | 1 | | |
| 4 | 09407-14403 | 09407-14403 | 09407-14403 | 09407-14403 | 09407-14403 | CLAMP, wiring harness | 5 | | |
| 5 | 09407-14408 | 09407-14408 | 09407-14408 | 09407-14408 | 09407-14408 | CLAMP, wiring harness | 4 | | |
| 6 | 09404-06405 | 09404-06405 | 09404-06405 | 09404-06405 | 09404-06405 | CLAMP, wiring harness | 2 | | |
| 7 | 02112-36128 | 02112-36128 | 02112-36128 | 02112-36128 | 02112-36128 | BOLT, horn(M6×12) | 2 | | |
| 8 | 37100H93B30 | 37100H93B30 | 37100H93B30 | 37100H93B30 | 37100H93B30 | LOCK ASS`Y, steering | 1 | | 5 |
| 9 | 01517-06168 | 01517-06168 | 01517-06168 | 01517-06168 | 01517-06168 | BOLT, steering lock(M6×16) | 1 | | 5 |
| 9-1 | 01517-06168 | 01517-06168 | 01517-06168 | 01517-06168 | 01517-06168 | BOLT,steer'g lock | 1 | | |

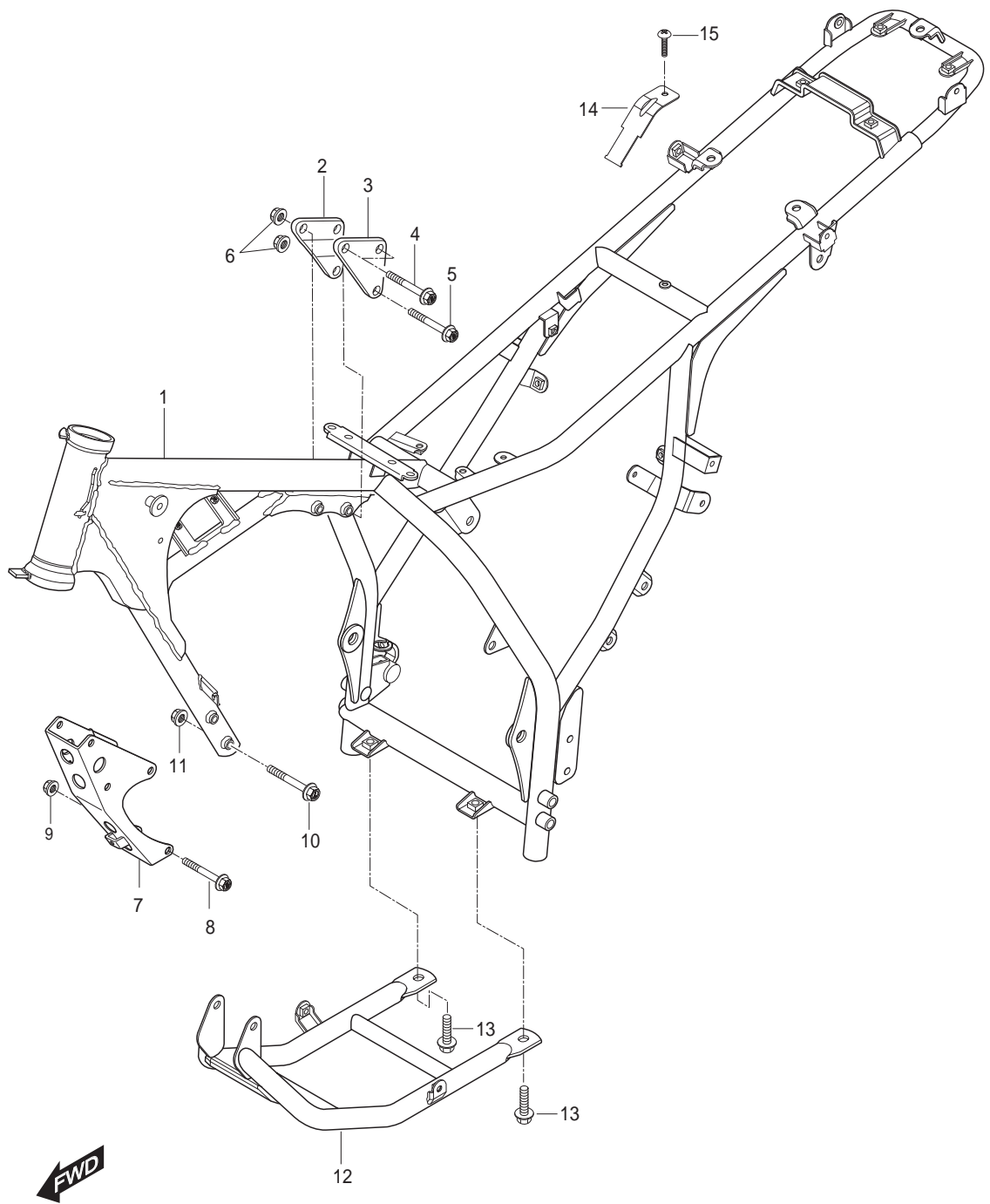


FIG 26. FRAME

| REF NO. | PARTS NO. | | | | | PARTS NAME | Q'TY | REMARKS | REC.Q'TY (PCS) |
|---------|----------------|----------------|----------------|----------------|----------------|---|------|---------|----------------|
| | SEU01 | SEN01 | SG01 | SSA01 | SS01 | | | | |
| 1 | 41100HR7800PAM | 41100HR7800PAM | 41100HR7800PAM | 41100HR7800PAM | 41100HR7800PAM | FRAME COMP | 1 | | 2 |
| 2 | 41993HR7900120 | 41993HR7900120 | 41993HR7900120 | 41993HR7900120 | 41993HR7900120 | PLATE, engine mtg upper RH | 1 | | 5 |
| 3 | 41994HG5801120 | 41994HG5801120 | 41994HG5801120 | 41994HG5801120 | 41994HG5801120 | PLATE, engine mtg upper LH | 1 | | 5 |
| 4 | 01517-08608 | 01517-08608 | 01517-08608 | 01517-08608 | 01517-08608 | BOLT, e/g mtg upper plate & frame(M8×60) | 2 | | 10 |
| 5 | 01517-08508 | 01517-08508 | 01517-08508 | 01517-08508 | 01517-08508 | BOLT, e/g mtg upper plate & engine(M8×50) | 1 | | |
| 6 | 08319-31088 | 08319-31088 | 08319-31088 | 08319-31088 | 08319-31088 | NUT, engine mtg upper plate(M8) | 3 | | |
| 7 | 41990HG5801PAM | 41990HG5801PAM | 41990HG5801PAM | 41990HG5801PAM | 41990HG5801PAM | BRACKET COMP, engine mounting lower | 1 | | 5 |
| 8 | 09103H10149 | 09103H10149 | 09103H10149 | 09103H10149 | 09103H10149 | BOLT, e/g mtg low brkt & engine(L=80) | 2 | | 10 |
| 9 | 08319-31108 | 08319-31108 | 08319-31108 | 08319-31108 | 08319-31108 | NUT, e/g mtg low brkt & engine(M10) | 2 | | |
| 10 | 01517-08658 | 01517-08658 | 01517-08658 | 01517-08658 | 01517-08658 | BOLT, e/g mtg low brkt & frame No.1 | 2 | | |
| 11 | 08319-31088 | 08319-31088 | 08319-31088 | 08319-31088 | 08319-31088 | NUT, e/g mtg low brkt & frame(M8) | 2 | | |
| 12 | 41140HG5803PAM | 41140HG5803PAM | 41140HG5803PAM | 41140HG5803PAM | 41140HG5803PAM | TUBE COMP, down | 1 | | |
| 13 | 01517-08168 | 01517-08168 | 01517-08168 | 01517-08168 | 01517-08168 | BOLT, under guard pipe brkt(M8×16) | 2 | | 30 |
| 14 | 63116HM5400 | 63116HM5400 | 63116HM5400 | 63116HM5400 | 63116HM5400 | PLATE, C. D. I | 1 | | |
| 15 | 02142-06126 | 02142-06126 | 02142-06126 | 02142-06126 | 02142-06126 | SCREW, C. D. I unit(M6×12) | 1 | | |
| 16 | 42511HG5850 | 42511HG5850 | 42511HG5850 | 42511HG5850 | 42511HG5850 | GUARD, engin | 1 | | |
| 17 | 02142-06125 | 02142-06125 | 02142-06125 | 02142-06125 | 02142-06125 | SCREW, engine guard | 3 | | |
| 18 | 09169-06034 | 09169-06034 | 09169-06034 | 09169-06034 | 09169-06034 | WASHER, engine guard | 3 | | |
| 19 | 18500HN9100 | 18500HN9100 | 18500HN9100 | 18500HN9100 | 18500HN9100 | VALVE ASS'Y, 2nd air | 1 | | |
| 20 | 18610HR7800 | 18610HR7800 | 18610HR7800 | 18610HR7800 | 18610HR7800 | PIPE COMP, 2nd air | 1 | | |
| 21 | 18631HM5450 | 18631HM5450 | 18631HM5450 | 18631HM5450 | 18631HM5450 | HOSE, 2nd air pipe | 1 | | |
| 22 | 18651HM8130 | 18651HM8130 | 18651HM8130 | 18651HM8130 | 18651HM8130 | HOSE, 2nd air cleaner | 1 | | |
| 23 | 09352-50823300 | 09352-50823300 | 09352-50823300 | 09352-50823300 | 09352-50823300 | HOSE, 2nd vacuum | 1 | | |
| 24 | 09401H13401 | 09401H13401 | 09401H13401 | 09401H13401 | 09401H13401 | CLAMP, 2nd air pipe hose | 2 | | |
| 25 | 09401H14401 | 09401H14401 | 09401H14401 | 09401H14401 | 09401H14401 | CLAMP, 2nd air cleaner hose | 2 | | |
| 26 | 09401H08401 | 09401H08401 | 09401H08401 | 09401H08401 | 09401H08401 | CLAMP, 2nd vacuum hose | 2 | | |
| 27 | 09128-06005 | 09128-06005 | 09128-06005 | 09128-06005 | 09128-06005 | BOLT, 2nd air pipe | 1 | | |
| 28 | 01104-06208 | 01104-06208 | 01104-06208 | 01104-06208 | 01104-06208 | BOLT, 2nd air valve | 2 | | |

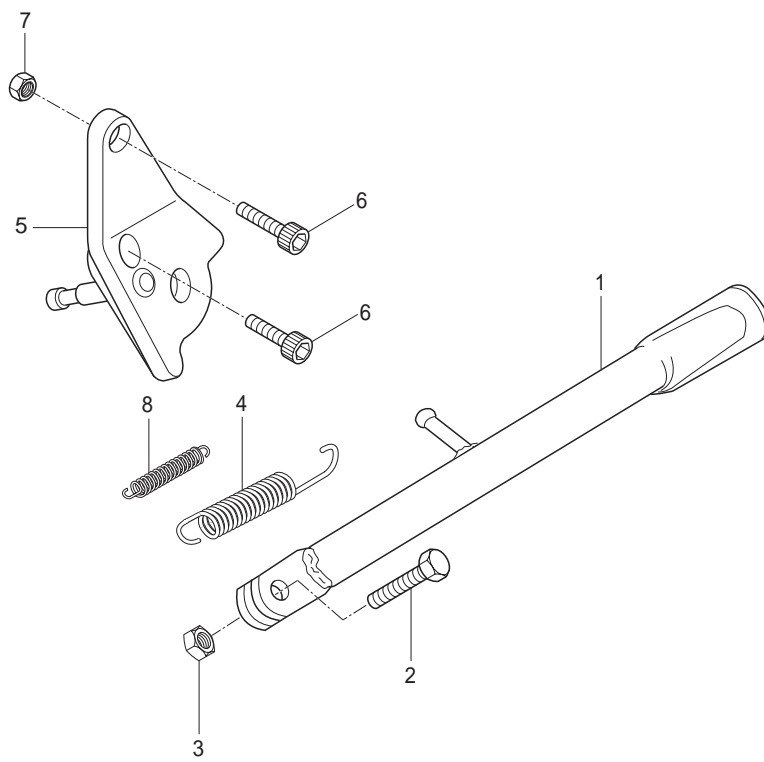


FIG 27. PROP STAND

| REF NO. | PARTS NO. | | | | | PARTS NAME | Q`TY | REMARKS | REC.Q`TY (PCS) |
|---------|----------------|----------------|----------------|----------------|----------------|-----------------------------------|------|---------|----------------|
| | SEU01 | SEN01 | SG01 | SSA01 | SS01 | | | | |
| 1 | 42310HM5450120 | 42310HM5450120 | 42310HM5450120 | 42310HM5450120 | 42310HM5450120 | STAND COMP, prop | 1 | | 5 |
| 2 | 09100-10031 | 09100-10031 | 09100-10031 | 09100-10031 | 09100-10031 | BOLT, prop stand | 1 | | 10 |
| 3 | 08310-22108 | 08310-22108 | 08310-22108 | 08310-22108 | 08310-22108 | NUT, prop stand | 1 | | |
| 4 | 09443H14037 | 09443H14037 | 09443H14037 | 09443H14037 | 09443H14037 | SPRING, prop stand outer | 1 | | 10 |
| 5 | 42340HG5801PAM | 42340HG5801PAM | 42340HG5801PAM | 42340HG5801PAM | 42340HG5801PAM | BRACKET COMP, prop stand | 1 | | 5 |
| 6 | 07110-08258 | 07110-08258 | 07110-08258 | 07110-08258 | 07110-08258 | BOLT, prop stand & brkt(M8×25) | 2 | | |
| 7 | 08319-31088 | 08319-31088 | 08319-31088 | 08319-31088 | 08319-31088 | NUT, prop stand & brkt bolt upper | 2 | | |
| 8 | 09443-06001 | 09443-06001 | 09443-06001 | 09443-06001 | 09443-06001 | SPRING, prop stand inner | 1 | | 10 |

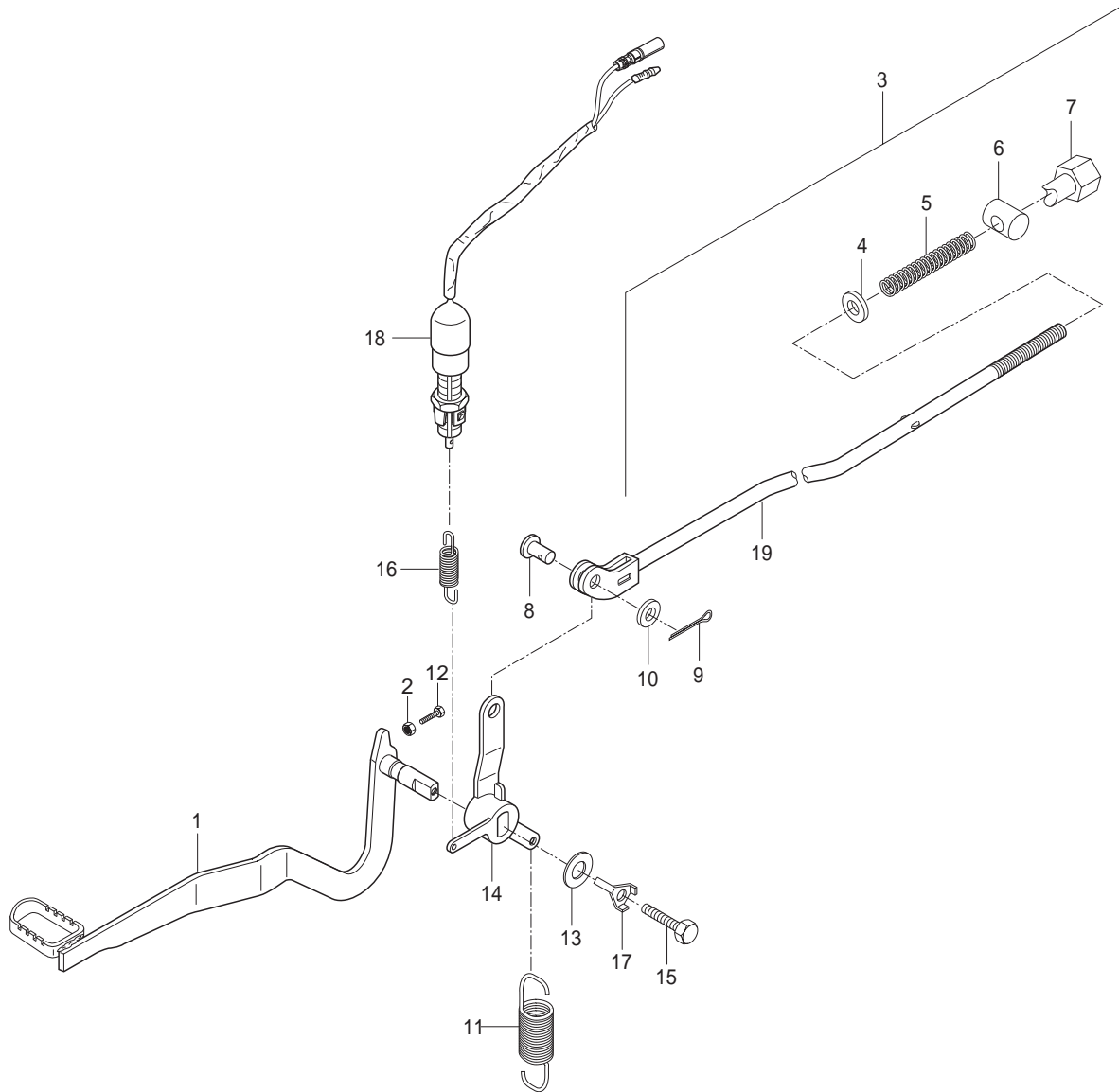


FIG 28. REAR BRAKE

| REF NO. | PARTS NO. | | | | | PARTS NAME | Q'TY | REMARKS | REC.Q'TY (PCS) |
|---------|----------------|----------------|----------------|----------------|----------------|----------------------------|------|---------|----------------|
| | SEU01 | SEN01 | SG01 | SSA01 | SS01 | | | | |
| 1 | 43100HM5401120 | 43100HM5401120 | 43100HM5401120 | 43100HM5401120 | 43100HM5401120 | PEDAL ASS'Y, brake | 1 | | 5 |
| 2 | 08310-11068 | 08310-11068 | 08310-11068 | 08310-11068 | 08310-11068 | NUT, brake pedal(M6) | 1 | | |
| 3 | 43300HM5401 | 43300HM5401 | 43300HM5401 | 43300HM5401 | 43300HM5401 | ROD ASS'Y, rear brake | 1 | | 5 |
| 4 | 08322-21068 | 08322-21068 | 08322-21068 | 08322-21068 | 08322-21068 | WASHER, R/R brake rod R/R | 1 | | |
| 5 | 09440-09013 | 09440-09013 | 09440-09013 | 09440-09013 | 09440-09013 | SPRING, R/R brake rod R/R | 1 | | |
| 6 | 09209-11006 | 09209-11006 | 09209-11006 | 09209-11006 | 09209-11006 | PIN, R/R brake rod R/R | 1 | | |
| 7 | 09150-06009 | 09150-06009 | 09150-06009 | 09150-06009 | 09150-06009 | NUT, R/R brake rod R/R(M6) | 1 | | |
| 8 | 09200-06013 | 09200-06013 | 09200-06013 | 09200-06013 | 09200-06013 | PIN, R/R brake rod front | 1 | | |
| 9 | 04111-20208 | 04111-20208 | 04111-20208 | 04111-20208 | 04111-20208 | COTTER PIN, R/R brake rod | 1 | | |
| 10 | 08322-21068 | 08322-21068 | 08322-21068 | 08322-21068 | 08322-21068 | WASHER, R/R brake FT | 1 | | |
| 11 | 09443H14025 | 09443H14025 | 09443H14025 | 09443H14025 | 09443H14025 | SPRING, R/R brake return | 1 | | 5 |
| 12 | 01104-06208 | 01104-06208 | 01104-06208 | 01104-06208 | 01104-06208 | BOLT, brake pedal(M6×20) | 1 | | |
| 13 | 09160-06012 | 09160-06012 | 09160-06012 | 09160-06012 | 09160-06012 | WASHER, brake pedal | 1 | | |
| 14 | 43123HG5802 | 43123HG5802 | 43123HG5802 | 43123HG5802 | 43123HG5802 | ARM, brake rod | 1 | | 5 |
| 15 | 01107-06168 | 01107-06168 | 01107-06168 | 01107-06168 | 01107-06168 | BOLT, brake pedal(M6×16) | 1 | | |
| 16 | 09443H06006 | 09443H06006 | 09443H06006 | 09443H06006 | 09443H06006 | SPRING, stop lamp switch | 1 | | 5 |
| 17 | 43129-35C00 | 43129-35C00 | 43129-35C00 | 43129-35C00 | 43129-35C00 | WASHER, lock | 1 | | |
| 18 | 37740H93B00 | 37740H93B00 | 37740H93B00 | 37740H93B00 | 37740H93B00 | SWITCH ASS'Y, rear stop | 1 | | 5 |
| 19 | 43310HM5401 | 43310HM5401 | 43310HM5401 | 43310HM5401 | 43310HM5401 | ROD COMP, rear brake | 1 | | |

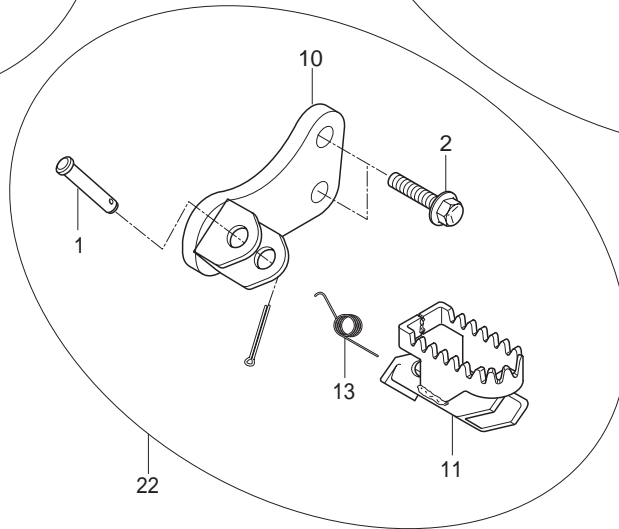
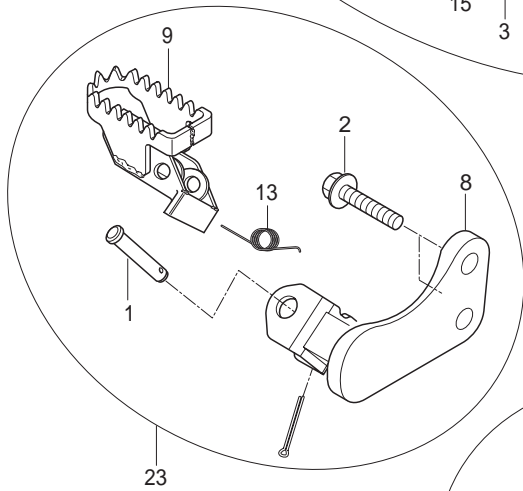
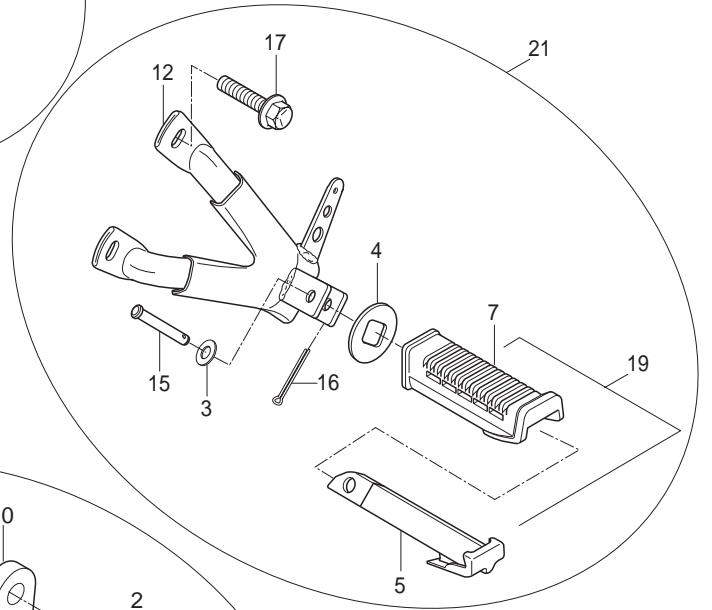
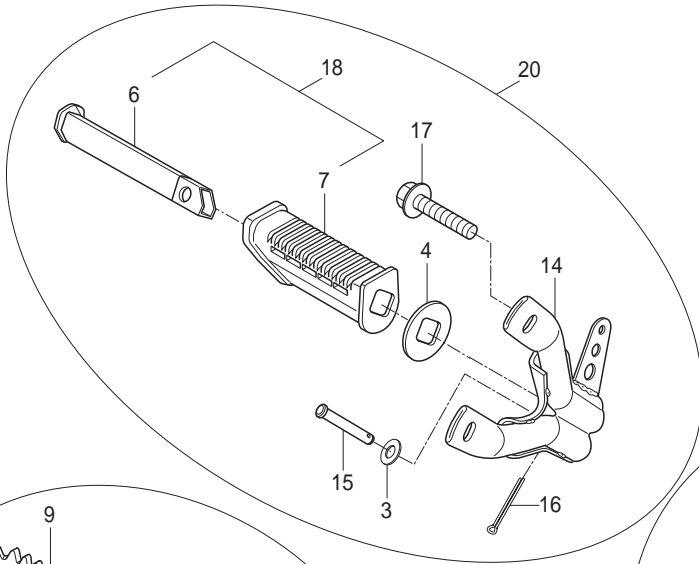
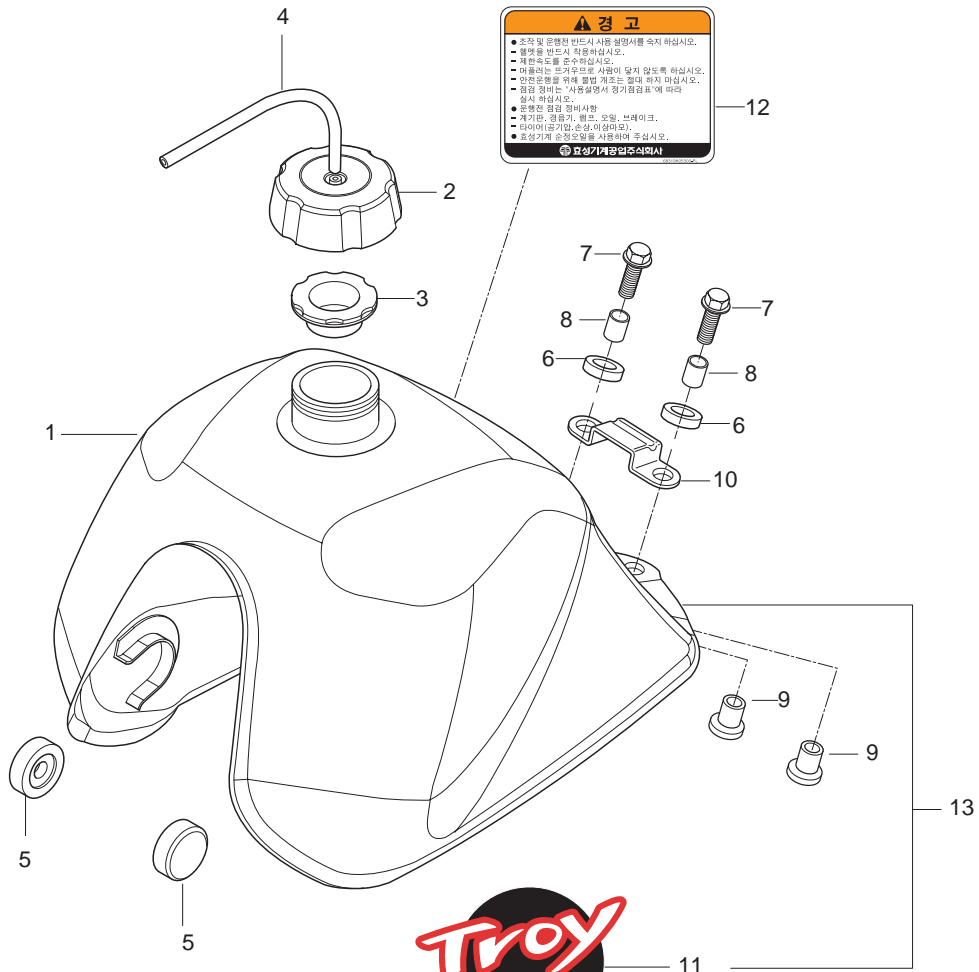


FIG 29. FOOTREST BAR

| REF NO. | PARTS NO. | | | | | PARTS NAME | Q'TY | REMARKS | REC.Q'TY (PCS) |
|---------|----------------|----------------|----------------|----------------|----------------|----------------------------------|------|---------|----------------|
| | SEU01 | SEN01 | SG01 | SSA01 | SS01 | | | | |
| 1 | 09200-10008 | 09200-10008 | 09200-10008 | 09200-10008 | 09200-10008 | PIN, front footrest | 2 | | 20 |
| 2 | 09116H10061 | 09116H10061 | 09116H10061 | 09116H10061 | 09116H10061 | BOLT, front footrest bracket | 4 | | |
| 3 | 08322-21068 | 08322-21068 | 08322-21068 | 08322-21068 | 08322-21068 | WASHER, pillion footrest pin | 2 | | |
| 4 | 43631-34A00 | 43631-34A00 | 43631-34A00 | 43631-34A00 | 43631-34A00 | WASHER, pillion footrest rubber | 2 | | 20 |
| 5 | 43710-12B01 | 43710-12B01 | 43710-12B01 | 43710-12B01 | 43710-12B01 | BAR COMP, pillion footrest L | 1 | | |
| 6 | 43610-12B01 | 43610-12B01 | 43610-12B01 | 43610-12B01 | 43610-12B01 | BAR COMP, pillion footrest R | 1 | | |
| 7 | 43551-29B21 | 43551-29B21 | 43551-29B21 | 43551-29B21 | 43551-29B21 | RUBBER, pillion footrest | 2 | | |
| 8 | 43510HM5402120 | 43510HM5402120 | 43510HM5402120 | 43510HM5402120 | 43510HM5402120 | BAR COMP, front footrest R | 1 | | |
| 9 | 43550-08B10 | 43550-08B10 | 43550-08B10 | 43550-08B10 | 43550-08B10 | FOOTREST COMP, front R | 1 | | 5 |
| 10 | 43520HM5401120 | 43520HM5401120 | 43520HM5401120 | 43520HM5401120 | 43520HM5401120 | BAR COMP, front footrest L | 1 | | |
| 11 | 43560-08B10 | 43560-08B10 | 43560-08B10 | 43560-08B10 | 43560-08B10 | FOOTREST COMP, front L | 1 | | 5 |
| 12 | 43750HG5800PAM | 43750HG5800PAM | 43750HG5800PAM | 43750HG5800PAM | 43750HG5800PAM | BRACKET COMP, pillion footrest L | 1 | | |
| 13 | 09448H16001 | 09448H16001 | 09448H16001 | 09448H16001 | 09448H16001 | SPRING, front footrest | 2 | | |
| 14 | 43650HG5800PAM | 43650HG5800PAM | 43650HG5800PAM | 43650HG5800PAM | 43650HG5800PAM | BRACKET COMP, pillion footrest R | 1 | | |
| 15 | 09200H06057 | 09200H06057 | 09200H06057 | 09200H06057 | 09200H06057 | PIN, pillion footrest | 2 | | |
| 16 | 04111-20208 | 04111-20208 | 04111-20208 | 04111-20208 | 04111-20208 | COTTER PIN, pillion footrest | 2 | | |
| 17 | 01517-08168 | 01517-08168 | 01517-08168 | 01517-08168 | 01517-08168 | BOLT, pillion footrest bracket | 4 | | |
| 18 | 43600HG5800 | 43600HG5800 | 43600HG5800 | 43600HG5800 | 43600HG5800 | FOOTREST ASS'Y, pillion R | 1 | | 5 |
| 19 | 43700HG5800 | 43700HG5800 | 43700HG5800 | 43700HG5800 | 43700HG5800 | FOOTREST ASS'Y, pillion L | 1 | | 5 |
| 20 | 43650HM5400HPA | 43650HM5400HPA | 43650HM5400HPA | 43650HM5400HPA | 43650HM5400HPA | BRACKET PILLION R, ASS'Y | 1 | | |
| 21 | 43750HM5400HPA | 43750HM5400HPA | 43750HM5400HPA | 43750HM5400HPA | 43750HM5400HPA | BRACKET PILLION L, ASS'Y | 1 | | |
| 22 | 43520HM5400HPA | 43520HM5400HPA | 43520HM5400HPA | 43520HM5400HPA | 43520HM5400HPA | BAR FOOTREST L, ASS'Y | 1 | | |
| 23 | 43510HM5400HPA | 43510HM5400HPA | 43510HM5400HPA | 43510HM5400HPA | 43510HM5400HPA | BAR FOOTREST R, ASS'Y | 1 | | |



경고

- 초압 및 순환전 반드시 사용 설명서를 숙지 하십시오.
- 불꽃을 받드시 착용 하십시오.
- 계량측정용 중수 하십시오.
- 미용되는 뜨거운 물 사용이 없게 하십시오.
- 안전장갑을 위해 팔뚝 보호는 없게 하십시오.
- 지침 정비는 "사용설명서 정거점표"에 따라 실시 하십시오.
- 완벽한 정압 정비사항
- 계기판, 경음기, 벨트, 오일, 브레이크.
- 배터리(공기압)순수 하십시오.
- 호성기에 순정오일을 사용하여 주십시오.

◎ 호성기계공업주식회사



FIG 30. FUEL TANK

| REF NO. | PARTS NO. | | | | | PARTS NAME | Q`TY | REMARKS | REC.Q`TY (PCS) |
|---------|---------------|---------------|---------------|---------------|---------------|---|------|-----------|----------------|
| | SEU01 | SEN01 | SG01 | SSA01 | SS01 | | | | |
| 1 | 44110HR7850 | 44110HR7850 | 44110HR7870 | 44110HR7850 | 44110HR7880 | TANK COMP, fuel(color) 0L0, 0VB | 1 | | 3 |
| 2 | 44210HG5801 | 44210HG5801 | 44210HG5801 | 44210HG5801 | 44210HG5801 | CAP, fuel tank filter | 1 | | 10 |
| 3 | 44248-05210 | 44248-05210 | 44248-05210 | 44248-05210 | 44248-05210 | GASKET, fuel tank filter cap | 1 | | |
| 4 | 09343-05052 | 09343-05052 | 09343-05052 | 09343-05052 | 09343-05052 | HOSE, fuel tank breather L=580 | 1 | | 5 |
| 5 | 09329-10007 | 09329-10007 | 09329-10007 | 09329-10007 | 09329-10007 | CUSHION, fuel tank front | 2 | | |
| 6 | 09320-14013 | 09320-14013 | 09320-14013 | 09320-14013 | 09320-14013 | CUSHION, fuel tank RR | 2 | | |
| 7 | 09116H06084 | 09116H06084 | 09116H06084 | 09116H06084 | 09116H06084 | BOLT, fuel tank RR | 2 | | |
| 8 | 09180-06162 | 09180-06162 | 09180-06162 | 09180-06162 | 09180-06162 | SPACER, fuel tank RR cushion | 2 | | |
| 9 | 09320-10020 | 09320-10020 | 09320-10020 | 09320-10020 | 09320-10020 | CUSHION, fuel tank RR up | 2 | | |
| 10 | 45119HM5400 | 45119HM5400 | 45119HM5400 | 45119HM5400 | 45119HM5400 | PLATE, seat fit hook | 1 | | |
| 11 | | | | | | TAPE, fuel tank(TROY) 1AA:SY, 1AB:LR, 1 | 2 | SELECTION | |
| 12 | 68319H05300PL | 68319H05300PL | 68319H05370PL | 68319H05300PL | 68319H05380PL | PLATE, cushion | 1 | | |
| 13 | 44110SM5401 | 44110SM5401 | 44110SM5401 | 44110SM5401 | 44110SM5401 | FUEL TANK(color) 0DB.0LR.0SY | 1 | SELECTION | 3 |
| 14 | | | | | | TAPE, fuel tank(KARION) 1AA:SY,1AB:LR | 2 | SELECTION | |
| 15 | | | | | | BALL,hose fuel drain | 2 | | |

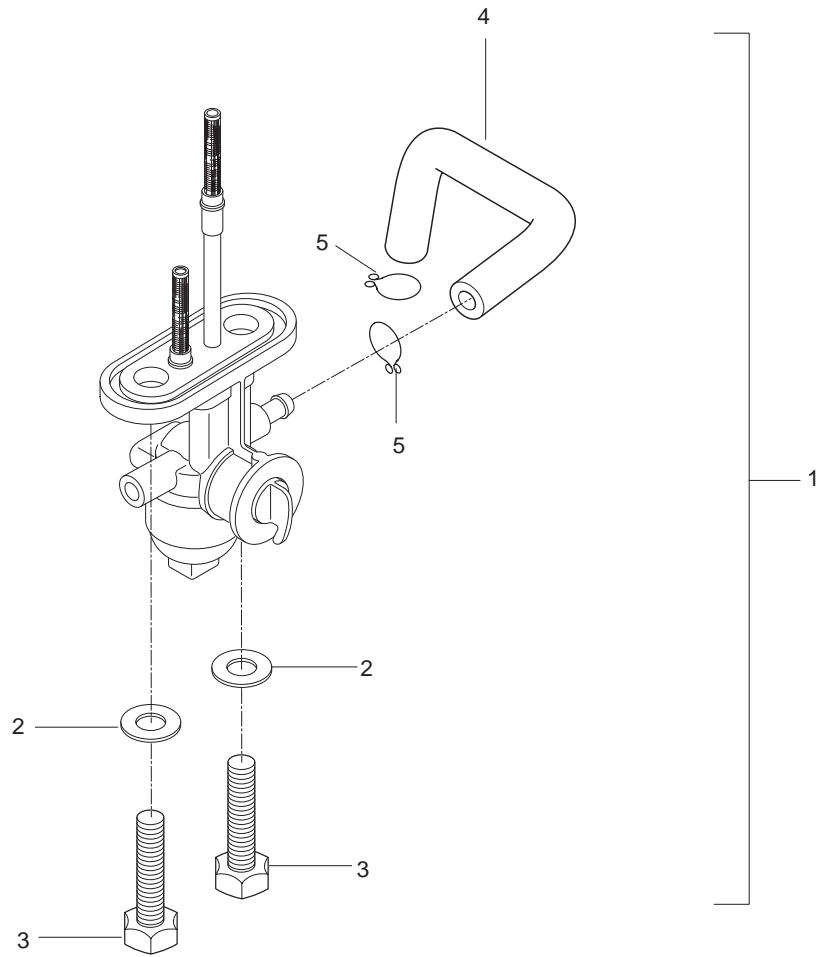


FIG 31. FUEL COCK

| REF NO. | PARTS NO. | | | | | PARTS NAME | Q`TY | REMARKS | REC.Q`TY (PCS) |
|------------|-------------|-------------|-------------|-------------|-------------|-------------------|------|---------|-------------------|
| | SEU01 | SEN01 | SG01 | SSA01 | SS01 | | | | |
| 1 | 44300HR7800 | 44300HR7800 | 44300HR7800 | 44300HR7800 | 44300HR7800 | COCK ASS'Y, fuel | 1 | | 10 |
| 2 | 09168-06010 | 09168-06010 | 09168-06010 | 09168-06010 | 09168-06010 | GASKET, fuel cock | 2 | | |
| 3 | 09128-06005 | 09128-06005 | 09128-06005 | 09128-06005 | 09128-06005 | BOLT, fuel cock | 2 | | |
| 4 | 44197HR7800 | 44197HR7800 | 44197HR7800 | 44197HR7800 | 44197HR7800 | HOSE, fuel(L=170) | 1 | | 5 |
| 5 | 09401-09101 | 09401-09101 | 09401-09101 | 09401-09101 | 09401-09101 | CLIP, fuel hose | 2 | | |

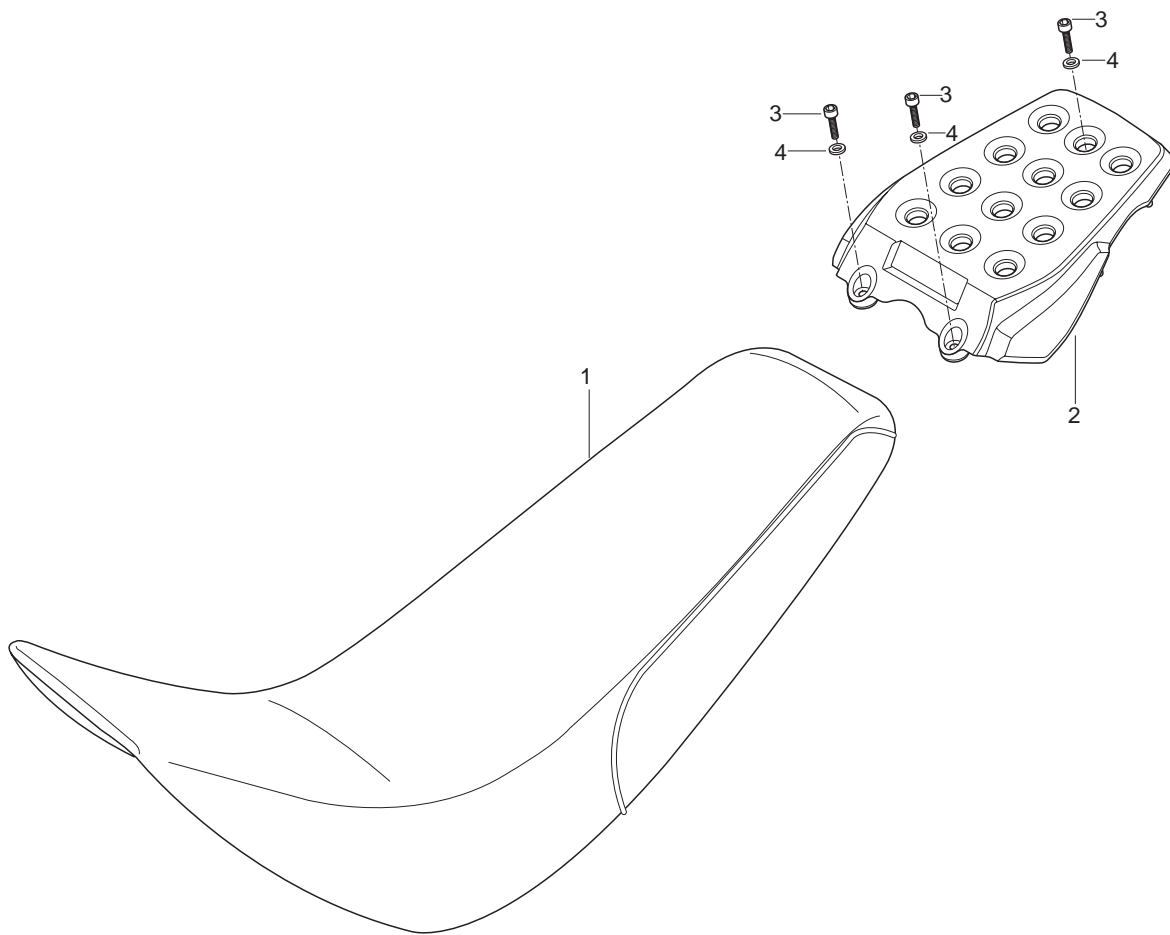


FIG 32. SEAT & SEAT TAIL COVER

| REF NO. | PARTS NO. | | | | | PARTS NAME | Q`TY | REMARKS | REC.Q`TY (PCS) |
|------------|----------------|----------------|----------------|----------------|----------------|----------------------------|------|-----------|-------------------|
| | SEU01 | SEN01 | SG01 | SSA01 | SS01 | | | | |
| 1 | 45100HM5402 | 45100HM5402 | 45100HM5402 | 45100HM5402 | 45100HM5402 | SEAT SET (LO4:0VB LO5:0LO) | 1 | SELECTION | |
| 2 | 46410HM540003P | 46410HM540003P | 46410HM540003P | 46410HM540003P | 46410HM540003P | CARRIER COMP, rear | 1 | | |
| 3 | 07110-08258 | 07110-08258 | 07110-08258 | 07110-08258 | 07110-08258 | BOLT, rear carrier | 3 | | |
| 4 | 08322-11088 | 08322-11088 | 08322-11088 | 08322-11088 | 08322-11088 | WASHER, rear carrier bolt | 3 | | |

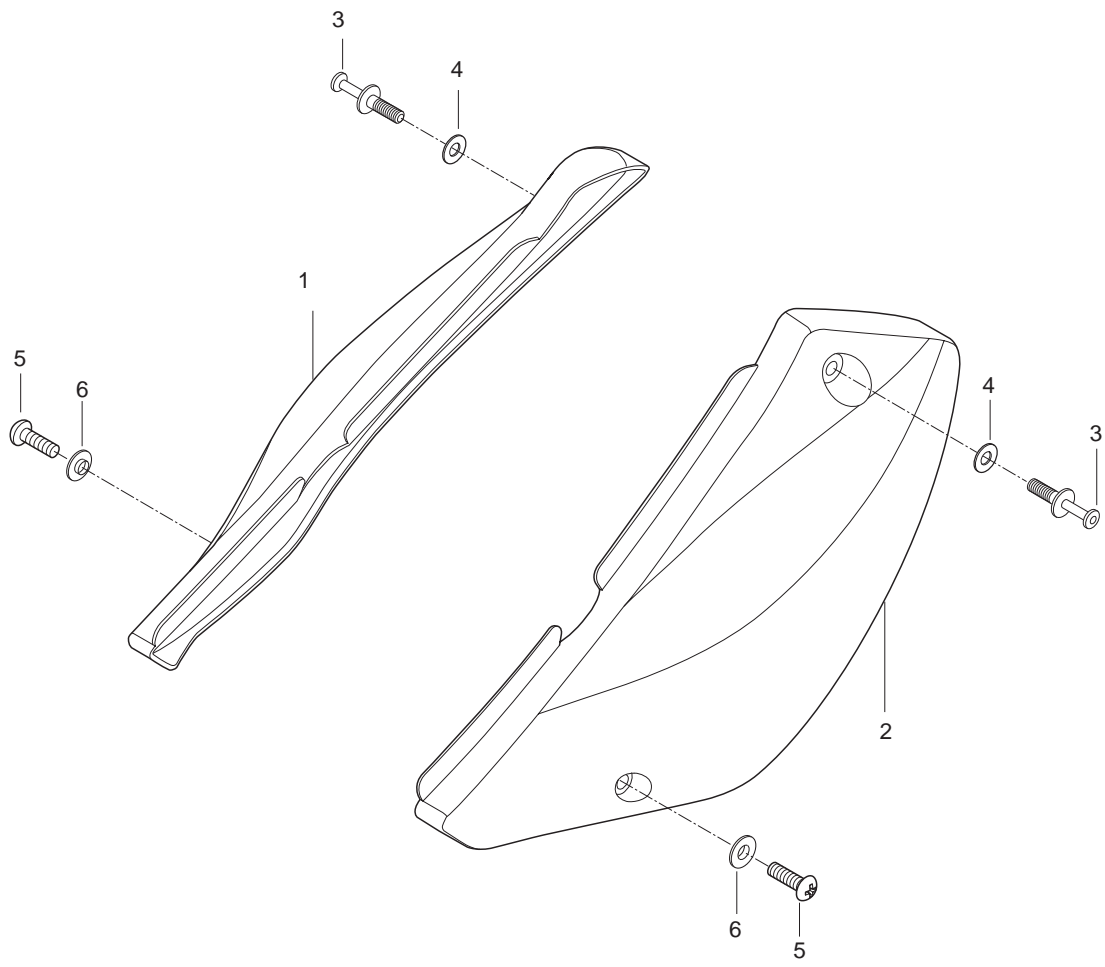


FIG 33. SIDE COVER

| REF NO. | PARTS NO. | | | | | PARTS NAME | Q`TY | REMARKS | REC.Q`TY (PCS) |
|------------|-------------|-------------|-------------|-------------|-------------|------------------------------|------|---------|-------------------|
| | SEU01 | SEN01 | SG01 | SSA01 | SS01 | | | | |
| 1 | 47111HR7800 | 47111HR7800 | 47111HR7800 | 47111HR7800 | 47111HR7800 | COVER, side R(0LO, 0VB) | 1 | | |
| 2 | 47211HR7800 | 47211HR7800 | 47211HR7800 | 47211HR7800 | 47211HR7800 | COVER, side L(0LO, 0VB) | 1 | | |
| 3 | 47113HM8101 | 47113HM8101 | 47113HM8101 | 47113HM8101 | 47113HM8101 | BOLT, luggage support | 2 | | |
| 3-1 | 47115HN9100 | 47115HN9100 | 47115HN9100 | 47115HN9100 | 47115HN9100 | CAP, lugg support bolt | 2 | | |
| 4 | 08322-11088 | 08322-11088 | 08322-11088 | 08322-11088 | 08322-11088 | WASHER, luggage support bolt | 2 | | |
| 5 | 02142-06166 | 02142-06166 | 02142-06166 | 02142-06166 | 02142-06166 | SCREW, side cover | 2 | | |
| 6 | 09169-06034 | 09169-06034 | 09169-06034 | 09169-06034 | 09169-06034 | WASHER, side cover | 2 | | |

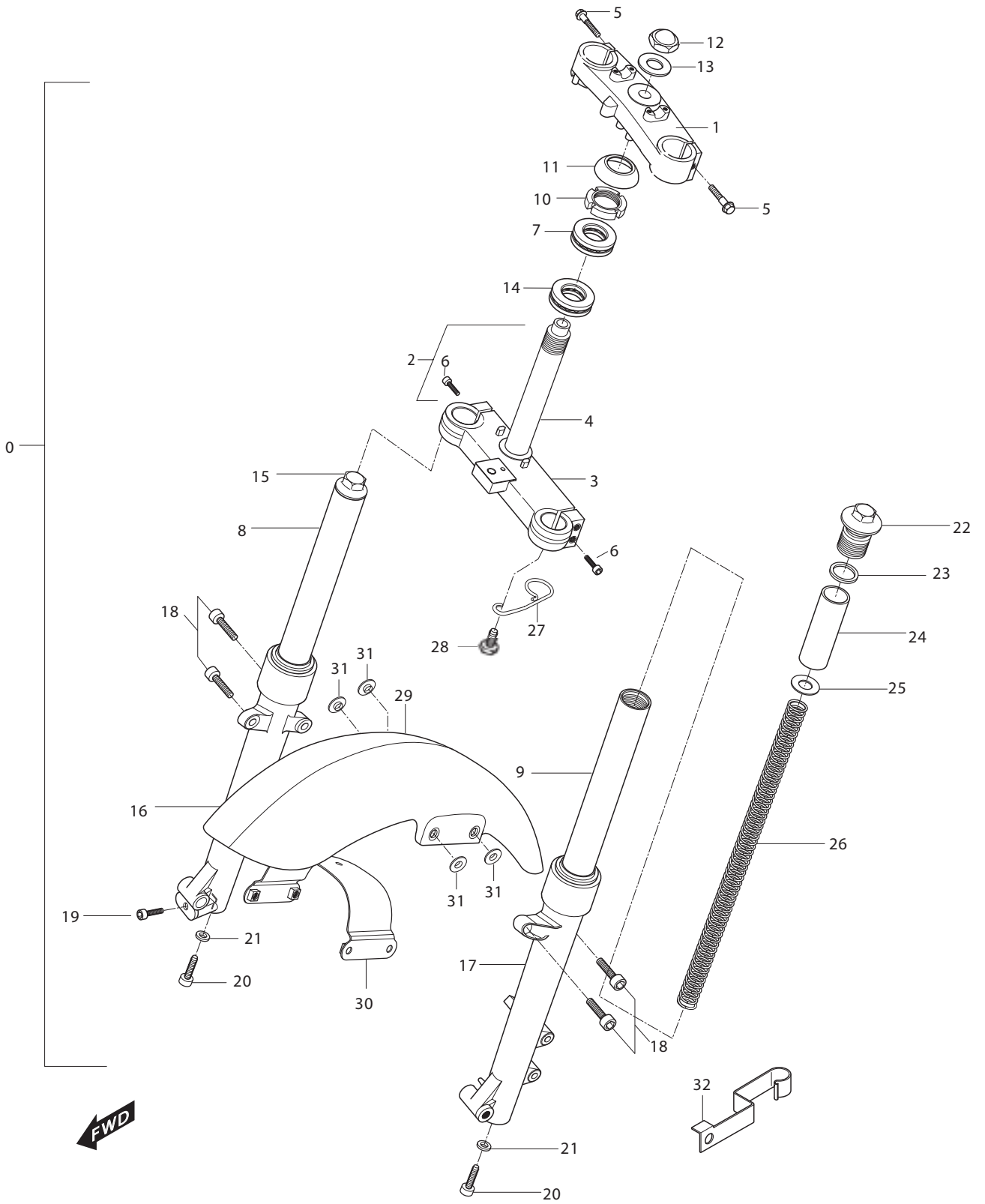


FIG 34. FRONT FORK & FENDER

| REF NO. | PARTS NO. | | | | | PARTS NAME | Q'TY | REMARKS | REC.Q'TY (PCS) |
|---------|----------------|----------------|----------------|----------------|----------------|--------------------------------|------|----------|----------------|
| | SEU01 | SEN01 | SG01 | SSA01 | SS01 | | | | |
| 0 | 51100HM5400HPA | 51100HM5400HPA | 51100HM5400HPA | 51100HM5400HPA | 51100HM5400HPA | FORK ASS'Y, front | 1 | | |
| 1 | 51311HM5400121 | 51311HM5400121 | 51311HM5400121 | 51311HM5400121 | 51311HM5400121 | BRACKET, front fork upper | 1 | | |
| 2 | 51410HM5400121 | 51410HM5400121 | 51410HM5400121 | 51410HM5400121 | 51410HM5400121 | BRACKET COMP, front fork under | 1 | | |
| 3 | 51411HM5400 | 51411HM5400 | 51411HM5400 | 51411HM5400 | 51411HM5400 | BRACKET, front fork under | 1 | NOT SALE | |
| 4 | 51412HG5103 | 51412HG5103 | 51412HG5103 | 51412HG5103 | 51412HG5103 | STEM, steering | 1 | NOT SALE | |
| 5 | 07110-08258 | 07110-08258 | 07110-08258 | 07110-08258 | 07110-08258 | BOLT, front fork upper bracket | 2 | | |
| 6 | 07110-08258 | 07110-08258 | 07110-08258 | 07110-08258 | 07110-08258 | BOLT, front fork under bracket | 4 | | |
| 7 | 09265H25001 | 09265H25001 | 09265H25001 | 09265H25001 | 09265H25001 | BEARING, steering lower | 1 | | |
| 8 | 51210HM5401 | 51210HM5401 | 51210HM5401 | 51210HM5401 | 51210HM5401 | DAMPER ASS'Y, front fork R | 1 | | |
| 9 | 51220HM5403 | 51220HM5403 | 51220HM5403 | 51220HM5403 | 51220HM5403 | DAMPER ASS'Y, front fork L | 1 | | |
| 10 | 51631-28000 | 51631-28000 | 51631-28000 | 51631-28000 | 51631-28000 | NUT, steering stem | 1 | | |
| 11 | 51643HG5801 | 51643HG5801 | 51643HG5801 | 51643HG5801 | 51643HG5801 | DUST SEAL, steering upper | 1 | | |
| 12 | 09159H22001 | 09159H22001 | 09159H22001 | 09159H22001 | 09159H22001 | NUT, steering upper | 1 | | |
| 13 | 09160H22031 | 09160H22031 | 09160H22031 | 09160H22031 | 09160H22031 | WASHER, steering upper | 1 | | |
| 14 | 09265H28001 | 09265H28001 | 09265H28001 | 09265H28001 | 09265H28001 | BEARING, steering upper | 1 | | |
| 15 | 51432HG5100 | 51432HG5100 | 51432HG5100 | 51432HG5100 | 51432HG5100 | BOLT, front fork upper | 1 | NOT SALE | |
| 16 | 51420HM5401 | 51420HM5401 | 51420HM5401 | 51420HM5401 | 51420HM5401 | CASE, botton R | 1 | | |
| 17 | 51520HM5401 | 51520HM5401 | 51520HM5401 | 51520HM5401 | 51520HM5401 | CASE, botton L | 1 | | |
| 18 | 07110-08256 | 07110-08256 | 07110-08256 | 07110-08256 | 07110-08256 | BOLT, front fender(M8×25) | 4 | | |
| 19 | 07110-08358 | 07110-08358 | 07110-08358 | 07110-08358 | 07110-08358 | BOLT, ft fork clamp R (M8×35) | 1 | | |
| 20 | 07110-08256 | 07110-08256 | 07110-08256 | 07110-08256 | 07110-08256 | BOLT, fork clip(M8×25) | 2 | | |
| 21 | 90544H93B00 | 90544H93B00 | 90544H93B00 | 90544H93B00 | 90544H93B00 | WASHER SPACER | 2 | | |
| 22 | 51432HG5100 | 51432HG5100 | 51432HG5100 | 51432HG5100 | 51432HG5100 | BOLT, front fork upper | 1 | NOT SALE | |
| 23 | 91356HG5100 | 91356HG5100 | 91356HG5100 | 91356HG5100 | 91356HG5100 | O-RING | 2 | NOT SALE | |
| 24 | 51610HG5100 | 51610HG5100 | 51610HG5100 | 51610HG5100 | 51610HG5100 | SPACER, ft fork inner | 2 | NOT SALE | |

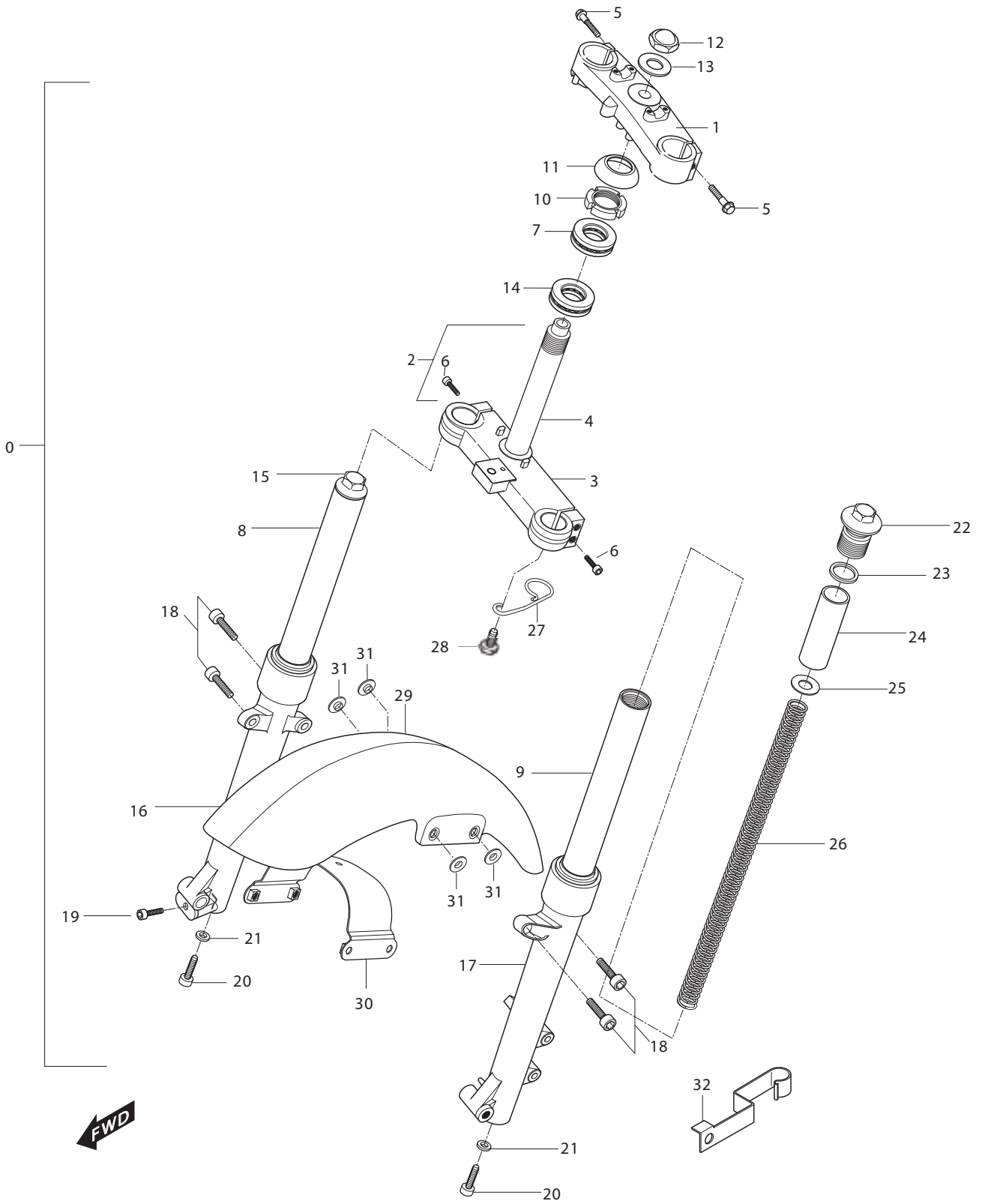


FIG 34. FRONT FORK & FENDER

| REF NO. | PARTS NO. | | | | | PARTS NAME | Q'TY | REMARKS | REC.Q'TY (PCS) |
|---------|-------------|-------------|-------------|-------------|-------------|-------------------------------|------|----------|----------------|
| | SEU01 | SEN01 | SG01 | SSA01 | SS01 | | | | |
| 25 | 51402HG5100 | 51402HG5100 | 51402HG5100 | 51402HG5100 | 51402HG5100 | GUIDE, spring | 2 | NOT SALE | |
| 26 | 51401HG5100 | 51401HG5100 | 51401HG5100 | 51401HG5100 | 51401HG5100 | SPRING, cushion | 2 | NOT SALE | |
| 27 | 59266HM5400 | 59266HM5400 | 59266HM5400 | 59266HM5400 | 59266HM5400 | GUIDE, F/T brake hose & cable | 1 | | |
| 28 | 02142-06126 | 02142-06126 | 02142-06126 | 02142-06126 | 02142-06126 | SCREW, guide(M6×12) | 1 | | |
| 29 | 53111HM5401 | 53111HM5401 | 53111HM5401 | 53111HM5401 | 53111HM5401 | FENDER, front(0LO,0VB) | 1 | | |
| 30 | 53211HM5401 | 53211HM5401 | 53211HM5401 | 53211HM5401 | 53211HM5401 | BRACE, front fender | 1 | | |
| 31 | 09169-08034 | 09169-08034 | 09169-08034 | 09169-08034 | 09169-08034 | WASHER, front fender | 4 | | |
| 32 | 59266HG5101 | 59266HG5101 | 59266HG5101 | 59266HG5101 | 59266HG5101 | CLAMP, brake hose No1 | 1 | | |
| 33 | 51240-G5100 | 51240-G5100 | 51240-G5100 | 51240-G5100 | 51240-G5100 | FORK, Oil Seal | 1 | | |

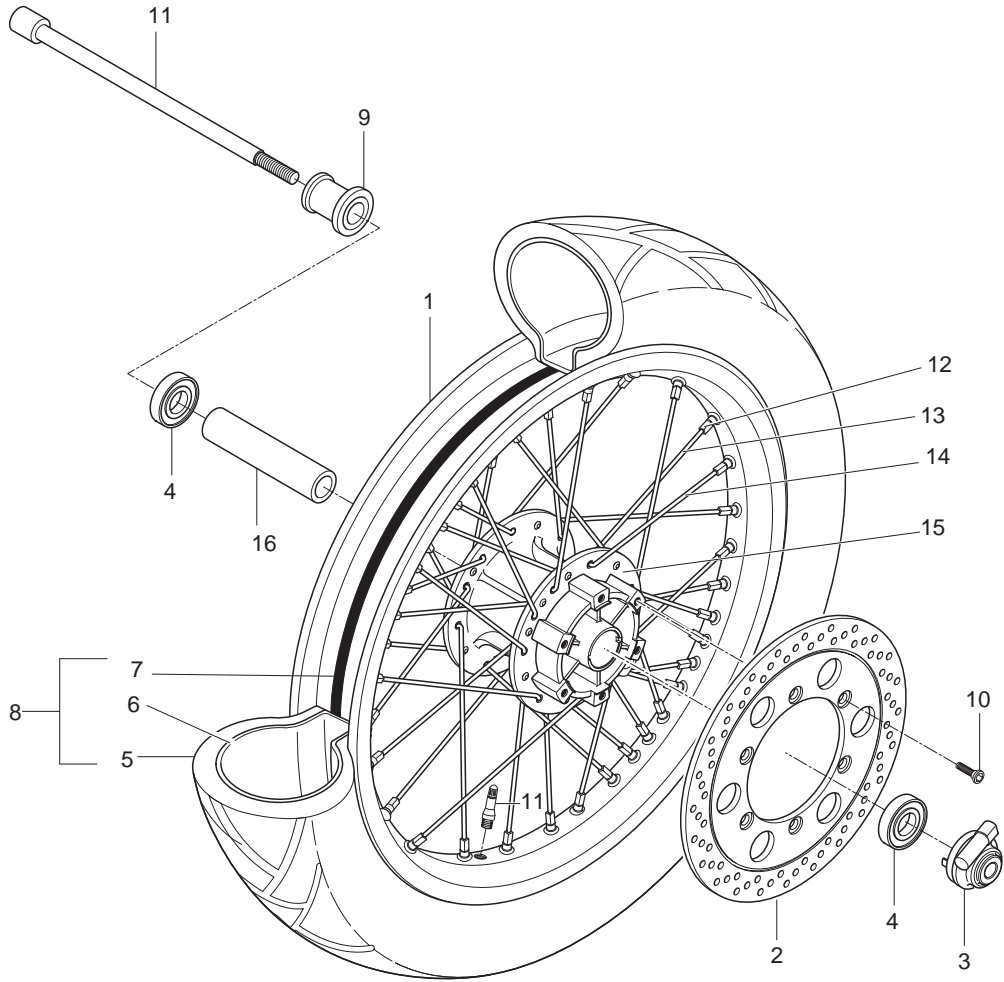


FIG 35. FRONT WHEEL

| REF NO. | PARTS NO. | | | | | PARTS NAME | Q'TY | REMARKS | REC.Q'TY (PCS) |
|---------|----------------|----------------|----------------|----------------|----------------|---------------------------------|------|----------|----------------|
| | SEU01 | SEN01 | SG01 | SSA01 | SS01 | | | | |
| 1 | 55311HM5400 | 55311HM5400 | 55311HM5400 | 55311HM5400 | 55311HM5400 | RIM, front wheel(J18×MT2.50) | 1 | | |
| 2 | 59211HR7800 | 59211HR7800 | 59211HR7800 | 59211HR7800 | 59211HR7800 | DISC, front brake | 1 | | |
| 3 | 54600HM5400 | 54600HM5400 | 54600HM5400 | 54600HM5400 | 54600HM5400 | BOX ASS'Y speedometer gear | 1 | | |
| 4 | 08124-63027 | 08124-63027 | 08124-63027 | 08124-63027 | 08124-63027 | BEARING, front hub | 2 | | |
| 5 | 55100HM5400 | 55100HM5400 | 55100HM5400 | 55100HM5400 | 55100HM5400 | TIRE COMP, front(2.75 x 21 45P) | 1 | | |
| 6 | 55200HM5400 | 55200HM5400 | 55200HM5400 | 55200HM5400 | 55200HM5400 | TUBE ASS'Y, front wheel inner | 1 | | |
| 7 | 55261HM5400 | 55261HM5400 | 55261HM5400 | 55261HM5400 | 55261HM5400 | PROTECTOR, front wheel inner | 1 | | |
| 8 | 55101HM5400 | 55101HM5400 | 55101HM5400 | 55101HM5400 | 55101HM5400 | TIRE SET, front (2.75 x 21 45P) | 1 | NOT SALE | |
| 9 | 54750HM5400 | 54750HM5400 | 54750HM5400 | 54750HM5400 | 54750HM5400 | SPACER COMP, FT axle L | 1 | | |
| 10 | 59421-03A01 | 59421-03A01 | 59421-03A01 | 59421-03A01 | 59421-03A01 | BOLT, front brake | 4 | | |
| 11 | 54711HG5101 | 54711HG5101 | 54711HG5101 | 54711HG5101 | 54711HG5101 | AXLE, front | 1 | | |
| 12 | 65325HM5400 | 65325HM5400 | 65325HM5400 | 65325HM5400 | 65325HM5400 | NIPPLE, wheel spoke | 36 | | |
| 13 | 55321HM5400 | 55321HM5400 | 55321HM5400 | 55321HM5400 | 55321HM5400 | SPOKE, front wheel inner | 18 | | |
| 14 | 55322HM5400 | 55322HM5400 | 55322HM5400 | 55322HM5400 | 55322HM5400 | SPOKE, front wheel outer | 18 | | |
| 15 | 54110HM5400121 | 54110HM5400121 | 54110HM5400121 | 54110HM5400121 | 54110HM5400121 | HUB, front wheel | 1 | | |
| 16 | 54731HG5100 | 54731HG5100 | 54731HG5100 | 54731HG5100 | 54731HG5100 | SPACER, front hub | 1 | | |
| 17 | 54110HM5400HPA | 54110HM5400HPA | 54110HM5400HPA | 54110HM5400HPA | 54110HM5400HPA | WHEEL FT+TIRE | 1 | | |
| 18 | 54110SM5400HPA | 54110SM5400HPA | 54110SM5400HPA | 54110SM5400HPA | 54110SM5400HPA | WHEEL FT ASS'Y | 1 | | |

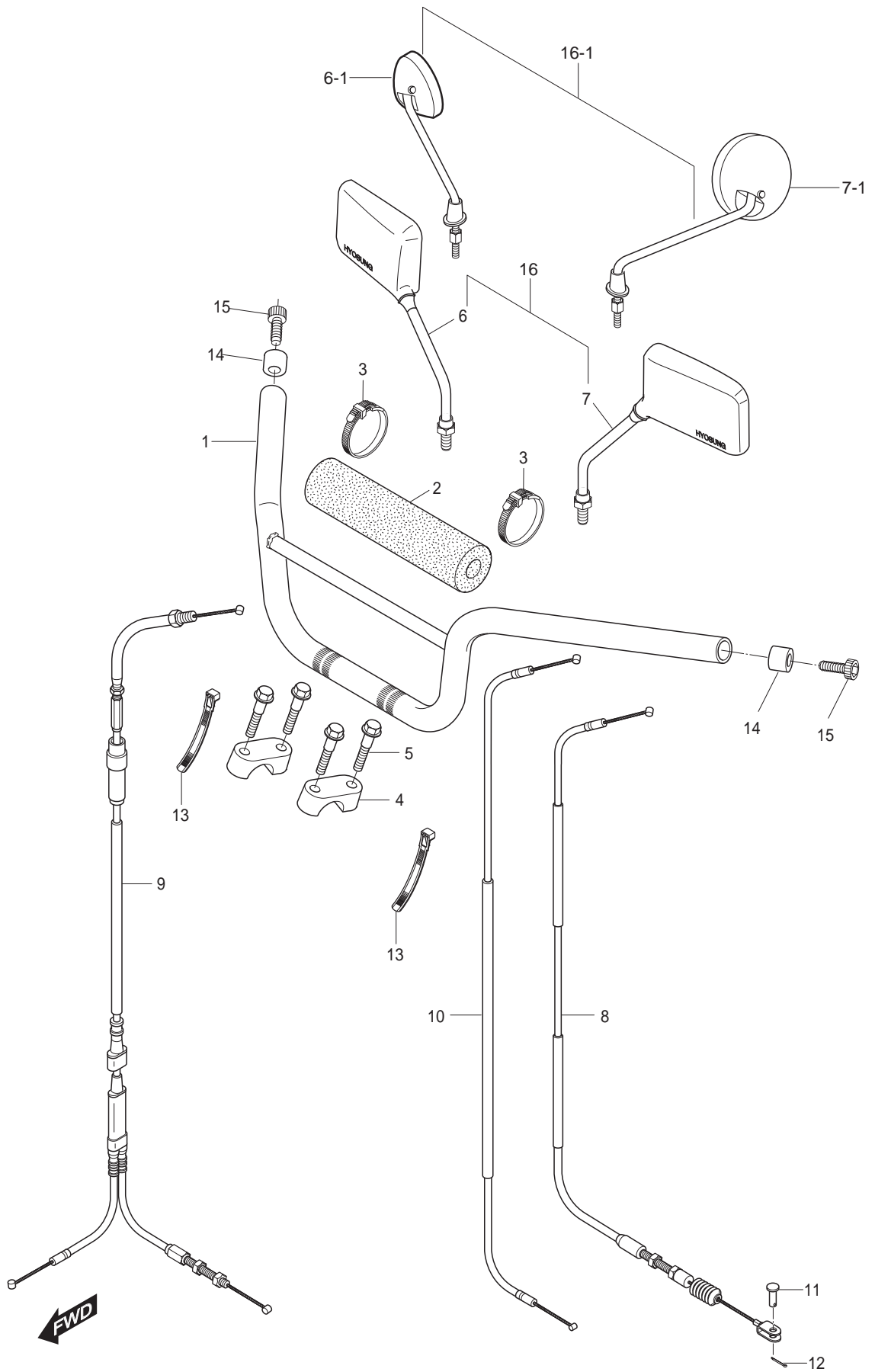


FIG 36. HANDLE BAR

| REF NO. | PARTS NO. | | | | | PARTS NAME | Q'TY | REMARKS | REC.Q'TY (PCS) |
|---------|----------------|----------------|----------------|----------------|----------------|------------------------------|------|---------|----------------|
| | SEU01 | SEN01 | SG01 | SSA01 | SS01 | | | | |
| 1 | 56110HG5856PAM | 56110HG5856PAM | 56110HG5856PAM | 56110HG5856PAM | 56110HG5856PAM | HANDLE BAR COMP | 1 | | |
| 2 | 56172HM5400 | 56172HM5400 | 56172HM5400 | 56172HM5400 | 56172HM5400 | PAD, crossbar | 1 | | |
| 3 | 09407-18401 | 09407-18401 | 09407-18401 | 09407-18401 | 09407-18401 | BAND, crossbar pad | 2 | | |
| 4 | 56211-272A0 | 56211-272A0 | 56211-272A0 | 56211-272A0 | 56211-272A0 | HOLDER, handlebar | 2 | | |
| 5 | 01517-08355 | 01517-08355 | 01517-08355 | 01517-08355 | 01517-08355 | BOLT, handlebar holder | 4 | | |
| 6 | 56500HM5450 | 56500HM5450 | 56500HM5450 | 56500HM5450 | 56500HM5450 | MIRROR ASS'Y, rear view R | 1 | | |
| 7 | 56600HM5450 | 56600HM5450 | 56600HM5450 | 56600HM5450 | 56600HM5450 | MIRROR ASS'Y, rear view L | 1 | | |
| 8 | 58200HR7800 | 58200HR7800 | 58200HR7800 | 58200HR7800 | 58200HR7800 | CABLE ASS'Y, clutch | 1 | | |
| 9 | 58300HR7800 | 58300HR7800 | 58300HR7800 | 58300HR7800 | 58300HR7800 | CABLE ASS'Y, throttle | 1 | | |
| 10 | 58410HR7800 | 58410HR7800 | 58410HR7800 | 58410HR7800 | 58410HR7800 | CABLE ASS'Y, starter | 1 | | |
| 11 | 09200-06004 | 09200-06004 | 09200-06004 | 09200-06004 | 09200-06004 | PIN, clutch cable | 1 | | |
| 12 | 04111-20158 | 04111-20158 | 04111-20158 | 04111-20158 | 04111-20158 | COTTER PIN, clutch | 1 | | |
| 13 | 09407-14403 | 09407-14403 | 09407-14403 | 09407-14403 | 09407-14403 | CLAMP, handle switch harness | 2 | | |
| 14 | 56271HF4501PLA | 56271HF4501PLA | 56271HF4501PLA | 56271HF4501PLA | 56271HF4501PLA | BLANCER, handle bar | 2 | | |
| 15 | 07110-08258 | 07110-08258 | 07110-08258 | 07110-08258 | 07110-08258 | BOLT, handle bar | 2 | | |
| 16 | 56501HM5400 | 56501HM5400 | 56501HM5400 | 56501HM5400 | 56501HM5400 | MIRROR SET | 1 | | |

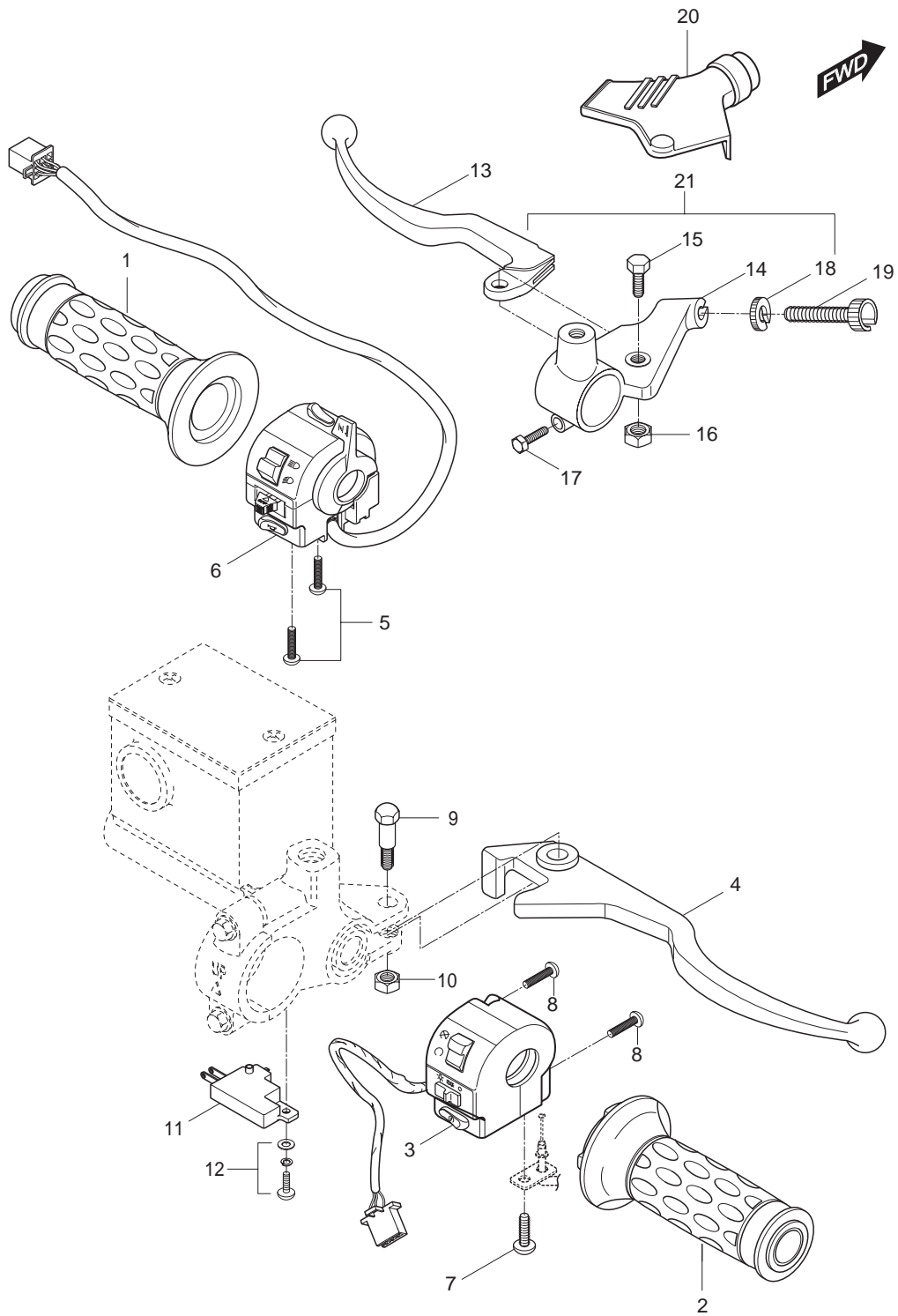


FIG 37. HANDLE SWITCH

| REF NO. | PARTS NO. | | | | | PARTS NAME | Q'TY | REMARKS | REC.Q'TY (PCS) |
|---------|-------------|-------------|-------------|-------------|-------------|------------------------------|------|---------|----------------|
| | SEU01 | SEN01 | SG01 | SSA01 | SS01 | | | | |
| 1 | 57211HG5800 | 57211HG5800 | 57211HG5800 | 57211HG5800 | 57211HG5800 | GRIP, L | 1 | | |
| 2 | 57110HG5803 | 57110HG5803 | 57110HG5803 | 57110HG5803 | 57110HG5803 | GRIP ASS'Y throttle | 1 | | |
| 3 | 37200HM5401 | 37200HM5401 | 37200HM5401 | 37200HM5401 | 37200HM5401 | SWITCH ASS'Y, handle R | 1 | | |
| 4 | 57421-13001 | 57421-13001 | 57421-13001 | 57421-13001 | 57421-13001 | LEVER, brake | 1 | | |
| 5 | 02112-05455 | 02112-05455 | 02112-05455 | 02112-05455 | 02112-05455 | SCREW, H/switch LH | 1 | | |
| 6 | 37400HM5400 | 37400HM5400 | 37400HM5400 | 37400HM5400 | 37400HM5400 | SWITCH ASS'Y, handle L | 1 | | |
| 7 | 02112-05105 | 02112-05105 | 02112-05105 | 02112-05105 | 02112-05105 | SCREW, throttle cable(M5x10) | 1 | | |
| 8 | 02112-05205 | 02112-05205 | 02112-05205 | 02112-05205 | 02112-05205 | SCREW, H/switch RH | 2 | | |
| 9 | 57431H05D00 | 57431H05D00 | 57431H05D00 | 57431H05D00 | 57431H05D00 | BOLT, brake lever pivot | 1 | | |
| 10 | 08319-21065 | 08319-21065 | 08319-21065 | 08319-21065 | 08319-21065 | NUT, brake lever pivot | 1 | | |
| 11 | 57460-17C00 | 57460-17C00 | 57460-17C00 | 57460-17C00 | 57460-17C00 | SWITCH ASS'Y stop | 1 | | |
| 12 | 02112-74108 | 02112-74108 | 02112-74108 | 02112-74108 | 02112-74108 | SCREW, stop switch | 1 | | |
| 13 | 57620HG5800 | 57620HG5800 | 57620HG5800 | 57620HG5800 | 57620HG5800 | CLUTCH LEVER | 1 | | |
| 14 | 57511HG5800 | 57511HG5800 | 57511HG5800 | 57511HG5800 | 57511HG5800 | HOLDER, clutch lever | 1 | | |
| 15 | 57431H05D00 | 57431H05D00 | 57431H05D00 | 57431H05D00 | 57431H05D00 | BOLT SET, lever | 1 | | |
| 16 | 08319-21065 | 08319-21065 | 08319-21065 | 08319-21065 | 08319-21065 | NUT, brake lever pivot(M21) | 1 | | |
| 17 | 57451HG5800 | 57451HG5800 | 57451HG5800 | 57451HG5800 | 57451HG5800 | CROWN BOLT | 1 | | |
| 18 | 57442H93B00 | 57442H93B00 | 57442H93B00 | 57442H93B00 | 57442H93B00 | LOCK NUT | 1 | | |
| 19 | 57441H93B00 | 57441H93B00 | 57441H93B00 | 57441H93B00 | 57441H93B00 | WIRE, adjuster | 1 | | |
| 20 | 57661HJ8200 | 57661HJ8200 | 57661HJ8200 | 57661HJ8200 | 57661HJ8200 | COVER, clutch lever | 1 | | |
| 21 | 57500HG5800 | 57500HG5800 | 57500HG5800 | 57500HG5800 | 57500HG5800 | LEVER ASS'Y, clutch | 1 | | |

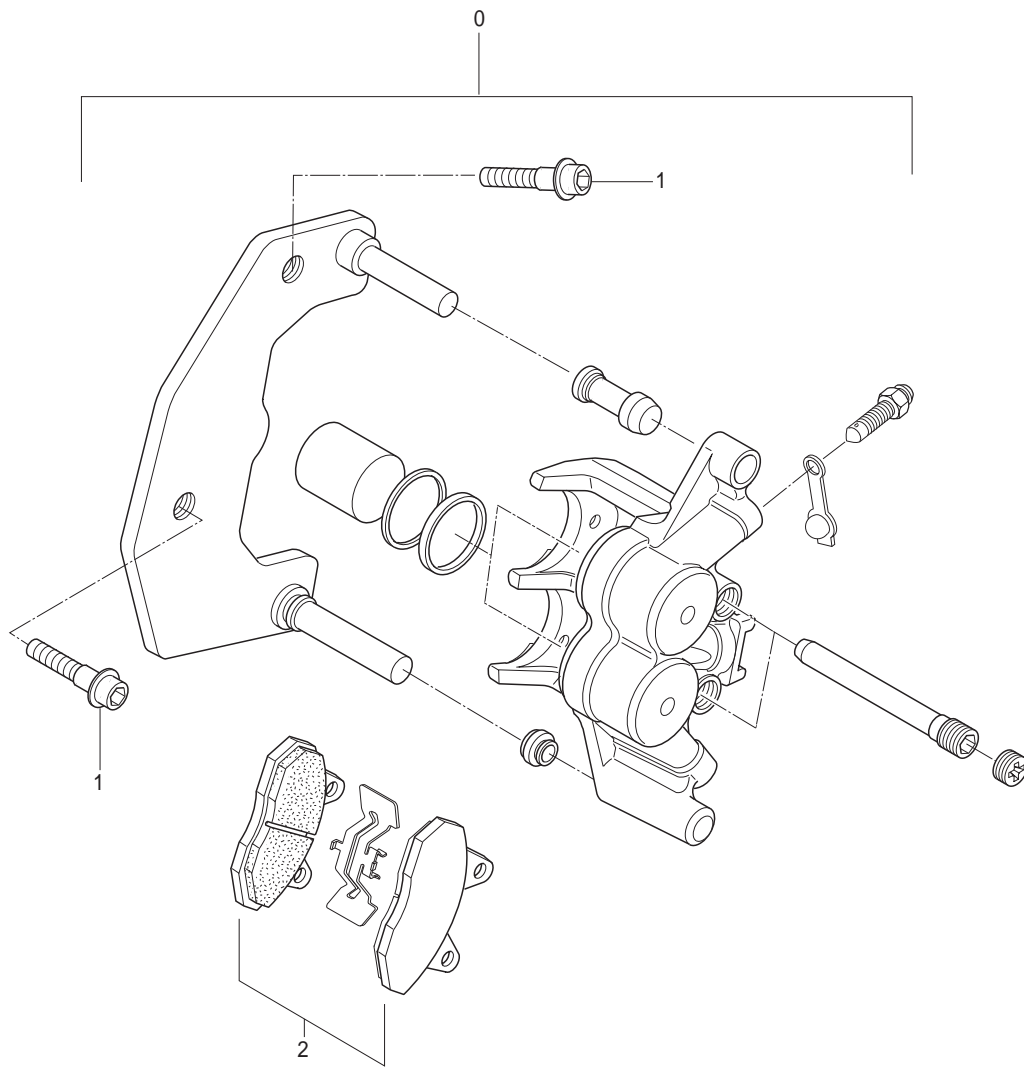


FIG 38. CALIPER

| REF NO. | PARTS NO. | | | | | PARTS NAME | Q`TY | REMARKS | REC.Q`TY (PCS) |
|---------|-------------|-------------|-------------|-------------|-------------|----------------------|------|---------|----------------|
| | SEU01 | SEN01 | SG01 | SSA01 | SS01 | | | | |
| 0 | 59300HR7800 | 59300HR7800 | 59300HR7800 | 59300HR7800 | 59300HR7800 | CALIPER ASS`Y, front | 1 | | |
| 1 | 01517-08508 | 01517-08508 | 01517-08508 | 01517-08508 | 01517-08508 | BOLT, caliper | 2 | | |
| 2 | 59300HG5800 | 59300HG5800 | 59300HG5800 | 59300HG5800 | 59300HG5800 | PAD SET | 1 | | |
| 2-A | 59301HP9500 | 59301HP9500 | 59301HP9500 | 59301HP9500 | 59301HP9500 | PAD SET(8.4t) | 1 | | |

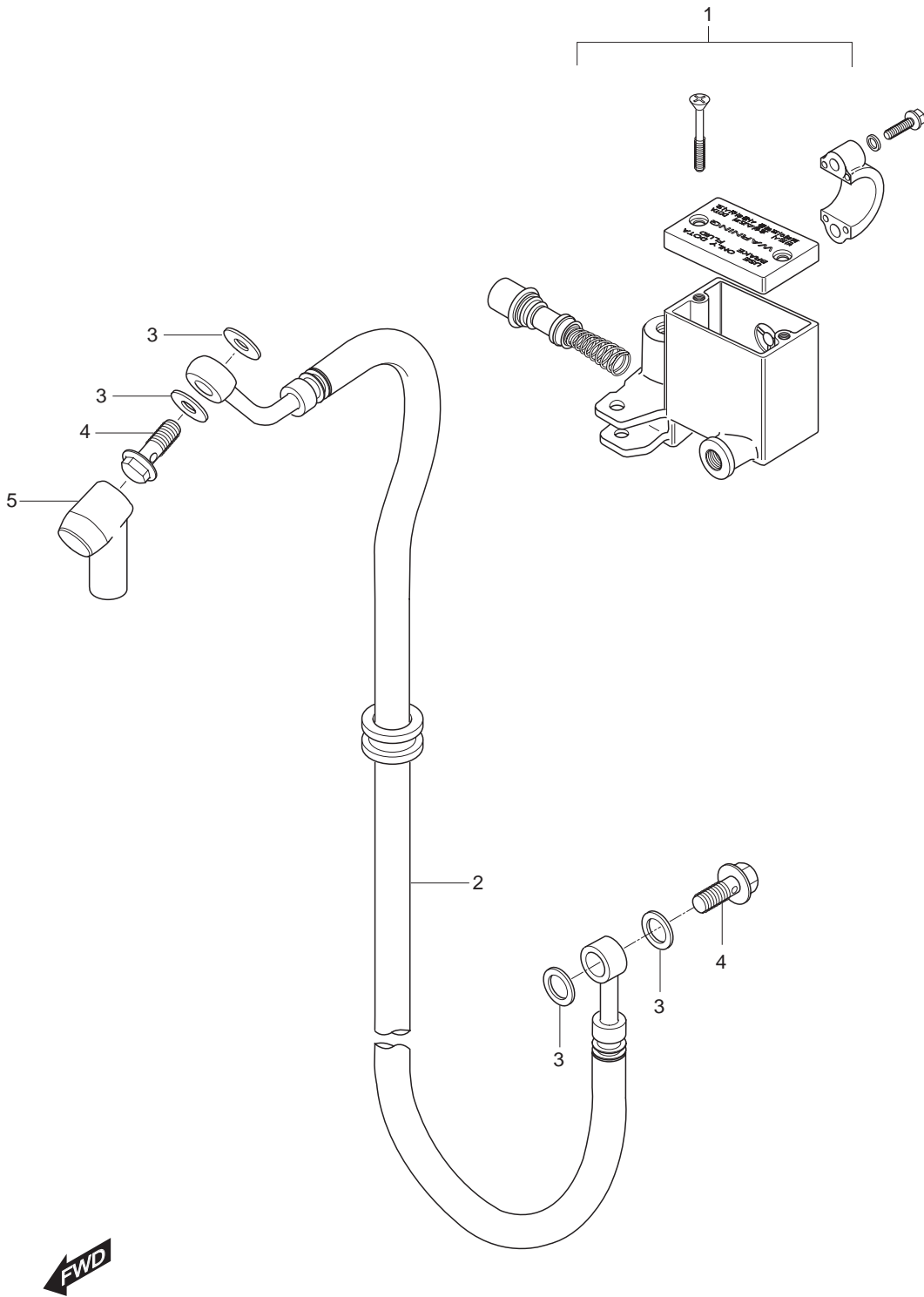


FIG 39. MASTER CYLINDER & BRAKE HOSE

| REF NO. | PARTS NO. | | | | | PARTS NAME | Q`TY | REMARKS | REC.Q`TY (PCS) |
|------------|-------------|-------------|-------------|-------------|-------------|------------------------------|------|---------|-------------------|
| | SEU01 | SEN01 | SG01 | SSA01 | SS01 | | | | |
| 1 | 59600-35C03 | 59600-35C03 | 59600-35C03 | 59600-35C03 | 59600-35C03 | CYLINDER ASS`Y, front master | 1 | | |
| 2 | 59480HM5402 | 59480HM5402 | 59480HM5402 | 59480HM5402 | 59480HM5402 | HOSE COMP, front brake | 1 | | |
| 3 | 09161-10005 | 09161-10005 | 09161-10005 | 09161-10005 | 09161-10005 | WASHER, brake fluid | 4 | | |
| 4 | 09360-10039 | 09360-10039 | 09360-10039 | 09360-10039 | 09360-10039 | BOLT, brake hose | 2 | | |
| 5 | 59711H49002 | 59711H49002 | 59711H49002 | 59711H49002 | 59711H49002 | BOOT, master cylinder | 1 | | |

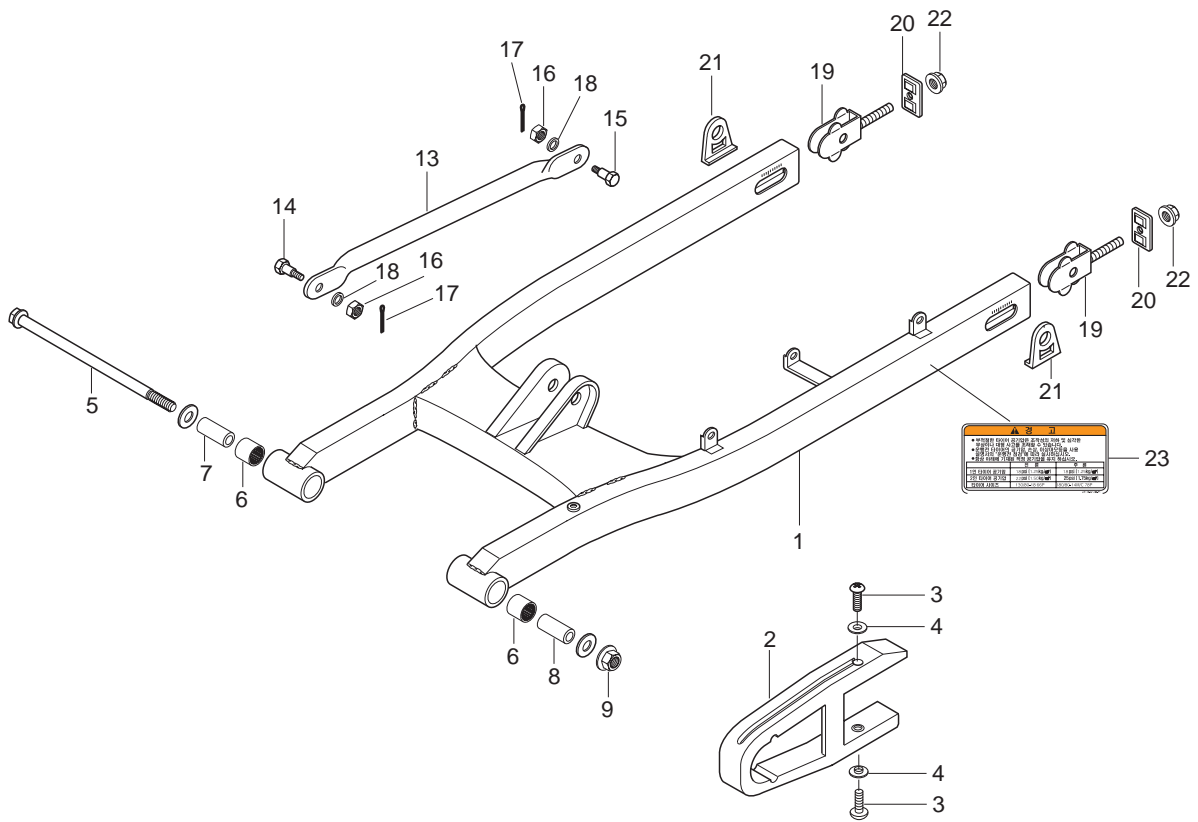


FIG 40. REAR SWINGARM

| REF NO. | PARTS NO. | | | | | PARTS NAME | Q'TY | REMARKS | REC.Q'TY (PCS) |
|---------|----------------|----------------|----------------|----------------|----------------|----------------|------|---------|----------------|
| | SEU01 | SEN01 | SG01 | SSA01 | SS01 | | | | |
| 1 | 61100HM5408PAM | 61100HM5408PAM | 61100HM5408PAM | 61100HM5408PAM | 61100HM5408PAM | 61100HM5408PAM | 1 | | |
| 2 | 61273HG5802 | 61273HG5802 | 61273HG5802 | 61273HG5802 | 61273HG5802 | 61273HG5802 | 1 | | |
| 3 | 02142-06165 | 02142-06165 | 02142-06165 | 02142-06165 | 02142-06165 | 02142-06165 | 2 | | |
| 4 | 09169H06011 | 09169H06011 | 09169H06011 | 09169H06011 | 09169H06011 | 09169H06011 | 2 | | |
| 5 | 61211HM5400 | 61211HM5400 | 61211HM5400 | 61211HM5400 | 61211HM5400 | 61211HM5400 | 1 | | |
| 6 | 09263-20073 | 09263-20073 | 09263-20073 | 09263-20073 | 09263-20073 | 09263-20073 | 2 | | |
| 7 | 09180H14004 | 09180H14004 | 09180H14004 | 09180H14004 | 09180H14004 | 09180H14004 | 1 | | |
| 8 | 09180H14005 | 09180H14005 | 09180H14005 | 09180H14005 | 09180H14005 | 09180H14005 | 1 | | |
| 9 | 09159H14008 | 09159H14008 | 09159H14008 | 09159H14008 | 09159H14008 | 09159H14008 | 1 | | |
| 10 | 09283-20031 | 09283-20031 | 09283-20031 | 09283-20031 | 09283-20031 | 09283-20031 | 2 | | NOT SALE |
| 11 | 09263H20002 | 09263H20002 | 09263H20002 | 09263H20002 | 09263H20002 | 09263H20002 | 2 | | NOT SALE |
| 12 | 09180H14001 | 09180H14001 | 09180H14001 | 09180H14001 | 09180H14001 | 09180H14001 | 1 | | NOT SALE |
| 13 | 64310HM5401 | 64310HM5401 | 64310HM5401 | 64310HM5401 | 64310HM5401 | 64310HM5401 | 1 | | |
| 14 | 09111-08012 | 09111-08012 | 09111-08012 | 09111-08012 | 09111-08012 | 09111-08012 | 1 | | |
| 15 | 09111-08013 | 09111-08013 | 09111-08013 | 09111-08013 | 09111-08013 | 09111-08013 | 1 | | |
| 16 | 09140-08008 | 09140-08008 | 09140-08008 | 09140-08008 | 09140-08008 | 09140-08008 | 2 | | |
| 17 | 04111-20208 | 04111-20208 | 04111-20208 | 04111-20208 | 04111-20208 | 04111-20208 | 2 | | |
| 18 | 08321-31088 | 08321-31088 | 08321-31088 | 08321-31088 | 08321-31088 | 08321-31088 | 2 | | |
| 19 | 61410HM5400 | 61410HM5400 | 61410HM5400 | 61410HM5400 | 61410HM5400 | 61410HM5400 | 2 | | |
| 20 | 61421HG5800 | 61421HG5800 | 61421HG5800 | 61421HG5800 | 61421HG5800 | 61421HG5800 | 2 | | |
| 21 | 64712HM5400 | 64712HM5400 | 64712HM5400 | 64712HM5400 | 64712HM5400 | 64712HM5400 | 2 | | |
| 22 | 08319-31088 | 08319-31088 | 08319-31088 | 08319-31088 | 08319-31088 | 08319-31088 | 2 | | |
| 23 | 68320HM5450PL | 68320HM5450PL | 68320HM5460PL | 68320HM5450PL | 68320HM5480PL | 68320HM5450PL | 1 | | |

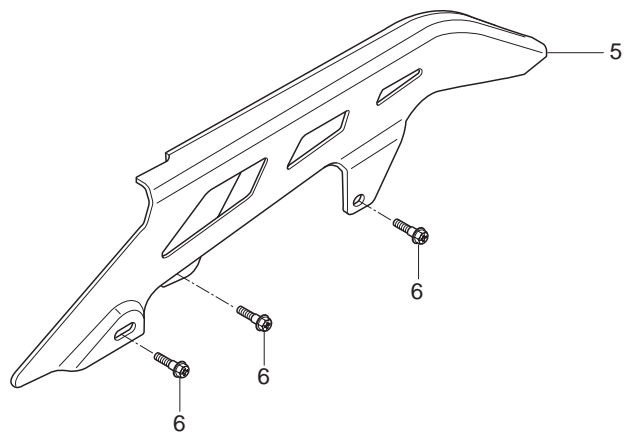
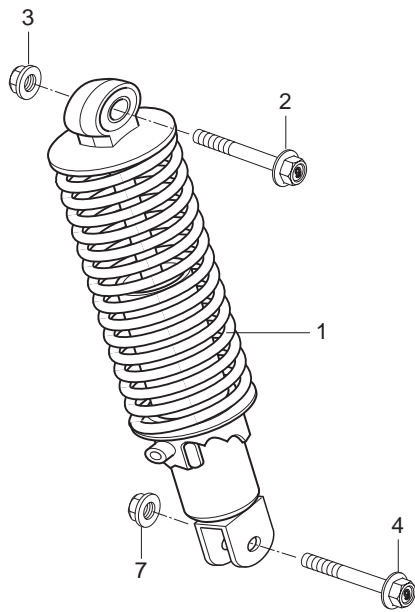


FIG 41. REAR SHOCK ABSORBER

| REF NO. | PARTS NO. | | | | | PARTS NAME | Q`TY | REMARKS | REC.Q`TY (PCS) |
|------------|-------------|-------------|-------------|-------------|-------------|-------------------------------------|------|---------|-------------------|
| | SEU01 | SEN01 | SG01 | SSA01 | SS01 | | | | |
| 1 | 62100HM5404 | 62100HM5404 | 62100HM5404 | 62100HM5404 | 62100HM5404 | SHOCK ABSORBER ASS`Y, rear | 1 | | |
| 2 | 09103H10101 | 09103H10101 | 09103H10101 | 09103H10101 | 09103H10101 | BOLT, rear shock absorber upper | 1 | | |
| 3 | 08319-31108 | 08319-31108 | 08319-31108 | 08319-31108 | 08319-31108 | NUT, rear shock absorber upper(M10) | 1 | | |
| 4 | 09103H10101 | 09103H10101 | 09103H10101 | 09103H10101 | 09103H10101 | BOLT, rear shock absorber lower | 1 | | |
| 5 | 61311HG5802 | 61311HG5802 | 61311HG5802 | 61311HG5802 | 61311HG5802 | CHAIN CASE | 1 | | |
| 6 | 09111H06066 | 09111H06066 | 09111H06066 | 09111H06066 | 09111H06066 | BOLT, chain case | 3 | | |
| 7 | 08319-31108 | 08319-31108 | 08319-31108 | 08319-31108 | 08319-31108 | NUT, rear shock absorber lower | 1 | | |

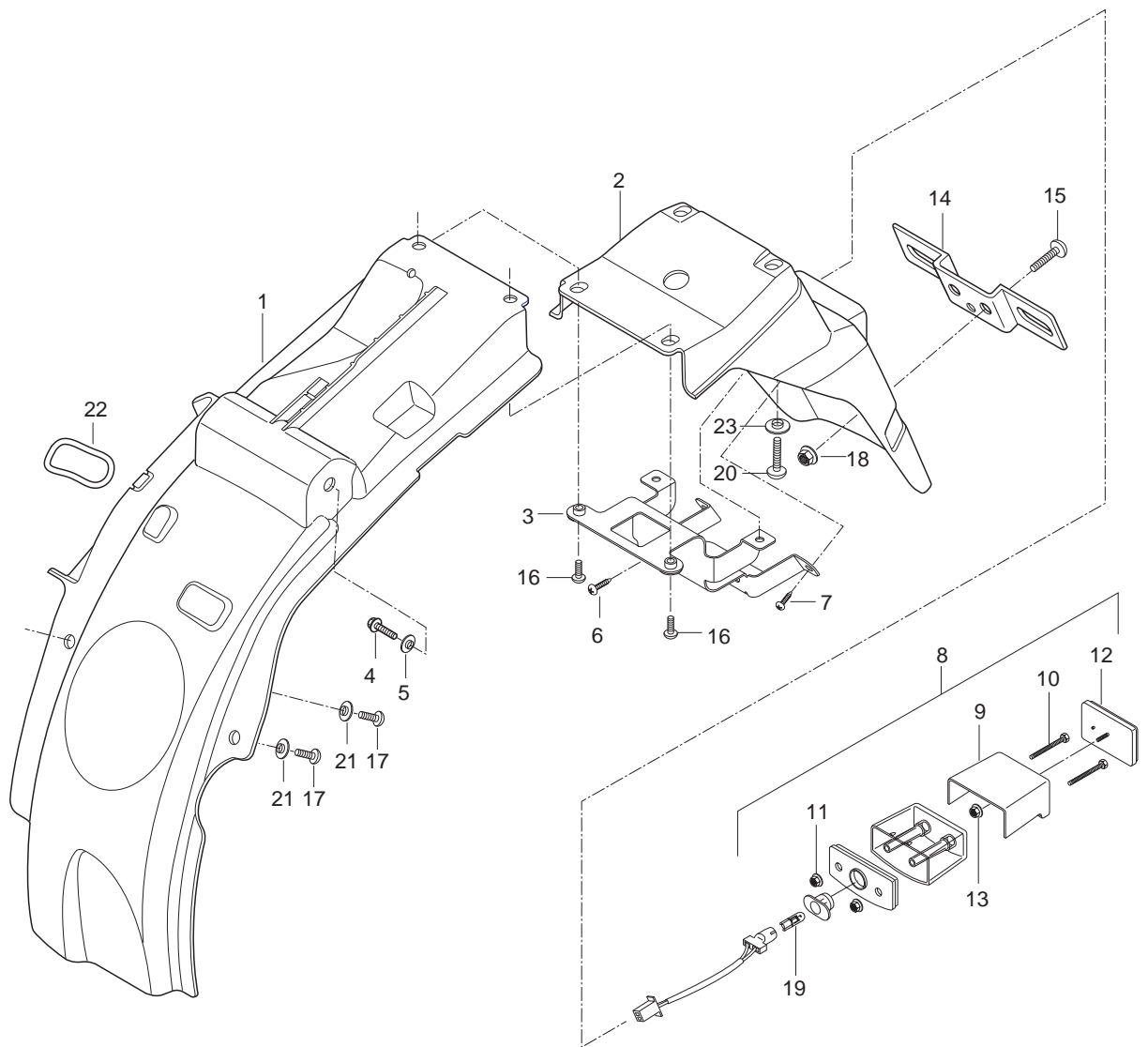


FIG 42. REAR FENDER

| REF NO. | PARTS NO. | | | | | PARTS NAME | Q'TY | REMARKS | REC.Q'TY (PCS) |
|---------|----------------|----------------|----------------|----------------|----------------|------------------------------|------|----------|----------------|
| | SEU01 | SEN01 | SG01 | SSA01 | SS01 | | | | |
| 1 | 63112HM5402 | 63112HM5402 | 63112HM5402 | 63112HM5402 | 63112HM5402 | REAR FENDER, front | 1 | | |
| 2 | 63113HR7800HPA | 63113HR7800HPA | 63113HR7800HPA | 63113HR7800HPA | 63113HR7800HPA | REAR FENDER, rear | 1 | | |
| 3 | 63120HM5400 | 63120HM5400 | 63120HM5400 | 63120HM5400 | 63120HM5400 | BRACE COMP, RR fender | 1 | | |
| 4 | 01517-08168 | 01517-08168 | 01517-08168 | 01517-08168 | 01517-08168 | BOLT, seat rear(M8×16) | 2 | | |
| 5 | 08322-11088 | 08322-11088 | 08322-11088 | 08322-11088 | 08322-11088 | SCREW, rear fender front | 2 | | |
| 6 | 02142-06166 | 02142-06166 | 02142-06166 | 02142-06166 | 02142-06166 | SCREW, brace & RR combi | 2 | | |
| 7 | 02142-06126 | 02142-06126 | 02142-06126 | 02142-06126 | 02142-06126 | SCREW, brace & RR fender RR | 2 | | |
| 8 | 35910HM5400 | 35910HM5400 | 35910HM5400 | 35910HM5400 | 35910HM5400 | LAMP ASS`Y, license | 1 | | |
| 9 | 35915HG5800 | 35915HG5800 | 35915HG5800 | 35915HG5800 | 35915HG5800 | COVER, license lamp | 1 | | |
| 10 | 01107-05605 | 01107-05605 | 01107-05605 | 01107-05605 | 01107-05605 | BOLT, license lamp | 2 | | |
| 11 | 08316-26055 | 08316-26055 | 08316-26055 | 08316-26055 | 08316-26055 | NUT, license lamp | 2 | | |
| 12 | 35970-17303 | 35970-17303 | 35970-17303 | 35970-17303 | 35970-17303 | REFLEX REFLECTOR ASS`Y, rear | 1 | | |
| 13 | 08316-26055 | 08316-26055 | 08316-26055 | 08316-26055 | 08316-26055 | NUT, rear reflex reflector | 1 | | |
| 14 | 35927H44430 | 35927H44430 | 35927H44430 | 35927H44430 | 35927H44430 | BRACKET, license plate | 1 | | |
| 15 | 02142-06165 | 02142-06165 | 02142-06165 | 02142-06165 | 02142-06165 | SCREW, license plate bracket | 2 | | |
| 16 | 02142-06206 | 02142-06206 | 02142-06206 | 02142-06206 | 02142-06206 | SCREW, brace RR fender RR | 2 | | |
| 17 | 02142-06166 | 02142-06166 | 02142-06166 | 02142-06166 | 02142-06166 | SCREW, rear fender front | 2 | | |
| 18 | 08316-16068 | 08316-16068 | 08316-16068 | 08316-16068 | 08316-16068 | NUT, license plate bracket | 2 | | |
| 19 | 09471-12210 | 09471-12210 | 09471-12210 | 09471-12210 | 09471-12210 | BOLT, seat rear | 1 | NOT SALE | |
| 20 | 02142-06166 | 02142-06166 | 02142-06166 | 02142-06166 | 02142-06166 | SCREW, rear fender rear | 2 | | |
| 21 | 09169-06032 | 09169-06032 | 09169-06032 | 09169-06032 | 09169-06032 | WASHER, rear fender front | 2 | | |
| 22 | 09280-63003 | 09280-63003 | 09280-63003 | 09280-63003 | 09280-63003 | O-RING, tool bag | 1 | | |
| 23 | 09169-06032 | 09169-06032 | 09169-06032 | 09169-06032 | 09169-06032 | WASHER, rear fender rear | 2 | | |

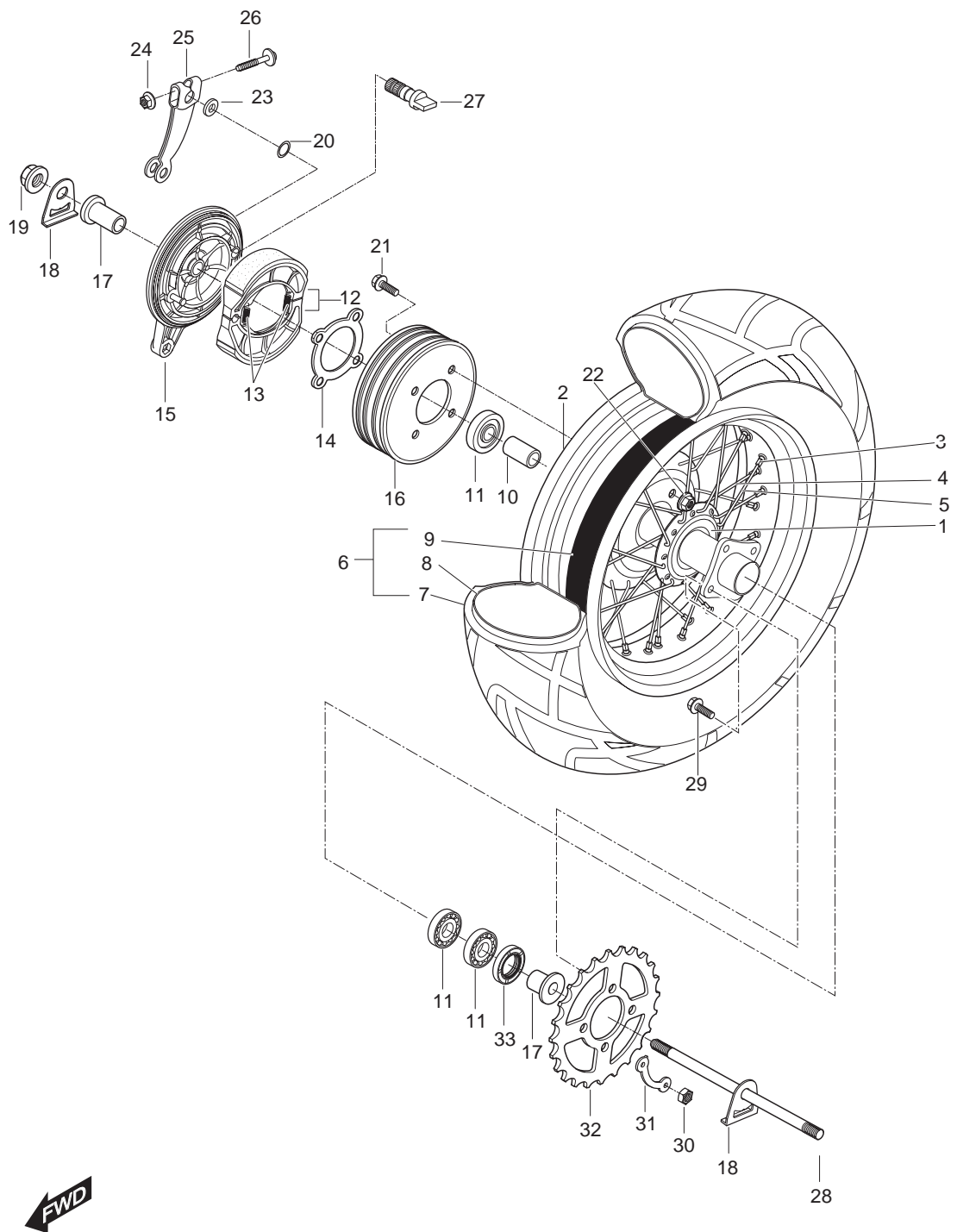


FIG 43. REAR WHEEL

| REF NO. | PARTS NO. | | | | | PARTS NAME | Q'TY | REMARKS | REC.Q'TY (PCS) |
|---------|----------------|----------------|----------------|----------------|----------------|-----------------------------------|------|----------|----------------|
| | SEU01 | SEN01 | SG01 | SSA01 | SS01 | | | | |
| 1 | 64110HM5402PAM | 64110HM5402PAM | 64110HM5402PAM | 64110HM5402PAM | 64110HM5402PAM | HUB COMP, rear | 1 | | |
| 2 | 65311HM5400 | 65311HM5400 | 65311HM5400 | 65311HM5400 | 65311HM5400 | RIM, rear wheel (MT4.50X14M/C) | 1 | | |
| 3 | 65325HM5400 | 65325HM5400 | 65325HM5400 | 65325HM5400 | 65325HM5400 | NIPPLE, wheel spoke | 36 | | |
| 4 | 65321HM5400 | 65321HM5400 | 65321HM5400 | 65321HM5400 | 65321HM5400 | SPOKE, rear wheel R inner | 9 | | |
| 5 | 65322HM5400 | 65322HM5400 | 65322HM5400 | 65322HM5400 | 65322HM5400 | SPOKE, rear wheel outer | 9 | | |
| 6 | 65401HM5400 | 65401HM5400 | 65401HM5400 | 65401HM5400 | 65401HM5400 | TIRE SET, rear (180/80-14 M/C78P) | 1 | NOT SALE | |
| 7 | 65100HM5400 | 65100HM5400 | 65100HM5400 | 65100HM5400 | 65100HM5400 | TIRE ASS'Y rear wheel inner | 1 | | |
| 8 | 65200HM5400 | 65200HM5400 | 65200HM5400 | 65200HM5400 | 65200HM5400 | RUBE COMP, rear | 1 | | |
| 9 | 65261HM5400 | 65261HM5400 | 65261HM5400 | 65261HM5400 | 65261HM5400 | PROTECTOR, rear wheel inner | 1 | | |
| 10 | 64730HM5400 | 64730HM5400 | 64730HM5400 | 64730HM5400 | 64730HM5400 | SPACER, COMP, rear hub bearing | 1 | | |
| 11 | 08133-62037 | 08133-62037 | 08133-62037 | 08133-62037 | 08133-62037 | BEARING, rear hub R/L | 3 | | |
| 12 | 64400S93B03 | 64400S93B03 | 64400S93B03 | 64400S93B03 | 64400S93B03 | SHOE COMP, brake | 1 | | |
| 13 | 09443H08025 | 09443H08025 | 09443H08025 | 09443H08025 | 09443H08025 | SPRING, rear brake shoe | 2 | | |
| 14 | 64621HM5402 | 64621HM5402 | 64621HM5402 | 64621HM5402 | 64621HM5402 | PLATE COMP, rear drum | 1 | | |
| 15 | 64200HM5402 | 64200HM5402 | 64200HM5402 | 64200HM5402 | 64200HM5402 | PANEL COMP, rear brake anchor | 1 | | |
| 16 | 64610HM5403121 | 64610HM5403121 | 64610HM5403121 | 64610HM5403121 | 64610HM5403121 | DRUM COMP, rear hub R | 1 | | |
| 17 | 64751HM5400 | 64751HM5400 | 64751HM5400 | 64751HM5400 | 64751HM5400 | SPACER, rear axle R/L | 1 | | |
| 18 | 64712HM5400 | 64712HM5400 | 64712HM5400 | 64712HM5400 | 64712HM5400 | WASHER, chain adtuster | 2 | | |
| 19 | 09159H16002 | 09159H16002 | 09159H16002 | 09159H16002 | 09159H16002 | NUT, rear axle | 1 | | |
| 20 | 09280-14003 | 09280-14003 | 09280-14003 | 09280-14003 | 09280-14003 | O-RING, rear brake cam | 1 | | |
| 21 | 09119H08060 | 09119H08060 | 09119H08060 | 09119H08060 | 09119H08060 | BOLT, rear hub plate | 4 | | |
| 22 | 08319-31088 | 08319-31088 | 08319-31088 | 08319-31088 | 08319-31088 | WASHER, rear brake cam dust seal | 4 | | |
| 23 | 09160H14001 | 09160H14001 | 09160H14001 | 09160H14001 | 09160H14001 | WASHER, rear sprocket | 1 | | |
| 24 | 08316-16068 | 08316-16068 | 08316-16068 | 08316-16068 | 08316-16068 | NUT, rear brake cam lever | 1 | | |
| 25 | 64451-38210 | 64451-38210 | 64451-38210 | 64451-38210 | 64451-38210 | LEVER, rear brake cam | 1 | | |
| 26 | 01517-06358 | 01517-06358 | 01517-06358 | 01517-06358 | 01517-06358 | BOLT, rear brake cam lever | 1 | | |
| 27 | 54441-29306 | 54441-29306 | 54441-29306 | 54441-29306 | 54441-29306 | CAM, rear brake | 1 | | |
| 28 | 64711HM5400 | 64711HM5400 | 64711HM5400 | 64711HM5400 | 64711HM5400 | AXLE, rear | 1 | | |
| 29 | 09105H08060 | 09105H08060 | 09105H08060 | 09105H08060 | 09105H08060 | BOLT, rear sprocket | 4 | | |
| 30 | 08310-11088 | 08310-11088 | 08310-11088 | 08310-11088 | 08310-11088 | NUT, rear sprocket | 4 | | |
| 31 | 09169-08012 | 09169-08012 | 09169-08012 | 09169-08012 | 09169-08012 | WASHER, rear sprocket | 2 | | |
| 32 | 64511HM5400 | 64511HM5400 | 64511HM5400 | 64511HM5400 | 64511HM5400 | SPROCKET, rear 48T | 1 | | |
| 33 | 09285-250A1 | 09285-250A1 | 09285-250A1 | 09285-250A1 | 09285-250A1 | OIL SEAL, rear hub bearing R | 1 | | |
| 34 | 64110HM5402HPA | 64110HM5402HPA | 64110HM5402HPA | 64110HM5402HPA | 64110HM5402HPA | WHEEL REAR+TIRE | 1 | | |
| 35 | 64110SM5402HPA | 64110SM5402HPA | 64110SM5402HPA | 64110SM5402HPA | 64110SM5402HPA | WHEEL REAR | 1 | | |