

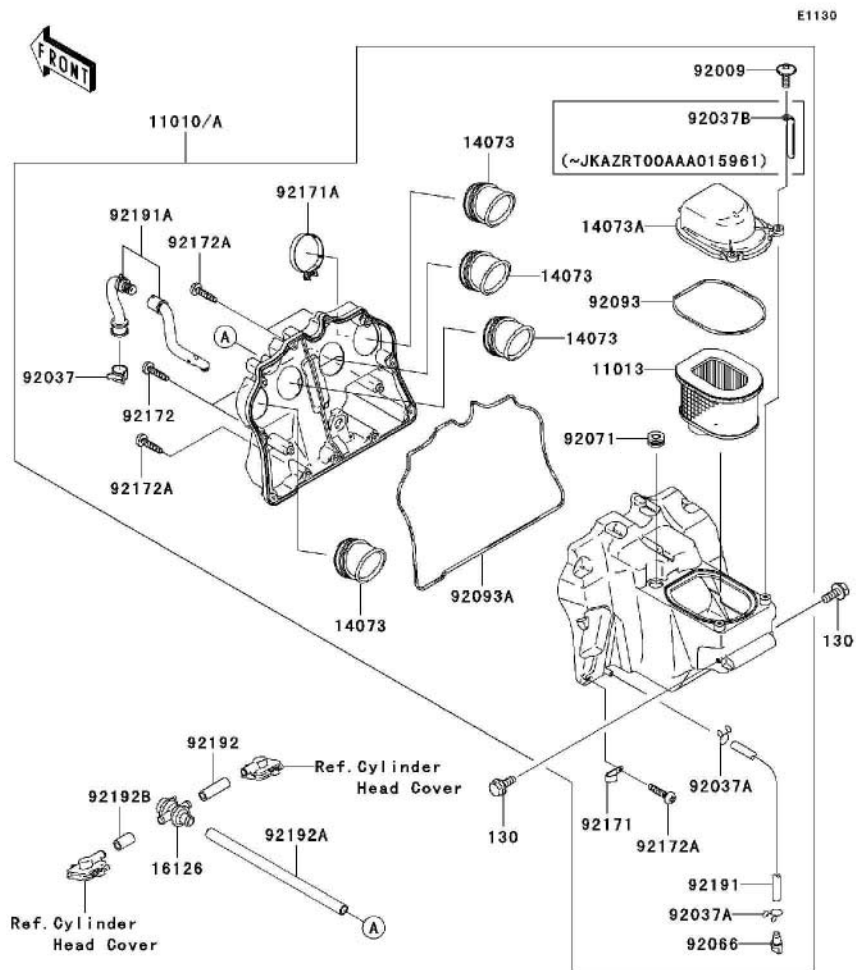
Air Cleaner
Brake pedal-Torque link
Cables
Camshaft Tensioner
Chassis Electrical Equipment
Clutch
Cowling
Crankcase
Crankcase bolt pattern
Crankshaft
Cylinder head
Cylinder head cover
Cylinder-piston
Decals black, green & orange
Engine cover
Engine mount
Fenders
Footrests
Frame
Frame fittings
Front brake
Front fork
Front master cylinder
Front wheel
Fuel pump
Fuel tank
Fuel evaporative system ca
Fuel injection
Gear change drum-shift fork
Gear change mechanism
Generator

Handlebar
Headlight
Ignition switch-locks-reflectors
Ignition system
Labels
Meter
Muffler
Oil pan
Oil pump-oil filter
Owners tools
Publications
Radiator
Rear wheel/chain
Rear Brake
Rear Master Cylinder
Rear Suspension
Seat
Shock absorber
Side covers-chain cover
Stand
Starter motor
Swingarm
Taillight
Throttle
Tires
Transmission
Turn signals
Valve



Contents

2003 Kawasaki Z1000 (ZR1000-A1)



Ref #	Part #	Description	Qty	Spec Code
130	130J0608	BOLT-FLANGED, 6X8	2	
11010	11010-0014	FILTER-ASSY-AIR	1	(- JKAZRT00AAA015961)
11010A	11010-0034	FILTER-ASSY-AIR	1	(JKAZRT00AAA015962 -)
11013	11013-1302	ELEMENT-AIR FILTER	1	
14073	14073-0013	DUCT	4	
14073A	14073-1847	DUCT	1	
16126	16126-1433	VALVE, AIR SWITCH	1	
92009	92009-1621	SCREW, 6X16	2	
92037	92037-1460	CLAMP	1	
92037A	92037-147	CLAMP, TUBE	2	
92037B	92037-1993	CLAMP	1	
92066	92066-1211	PLUG, DRAIN	1	
92071	92071-2140	GROMMET	1	
92093	92093-0002	SEAL	1	
92093A	92093-1583	SEAL	1	
92171	92171-1539	CLAMP	1	
92171A	92171-1553	CLAMP	4	
92172	92172-0009	SCREW, TAPPING, 5X20	2	
92172A	92172-0056	SCREW	11	
92191	92191-0019	TUBE, 7X10X320	1	
92191A	92191-1783	TUBE	1	
92192	92192-0004	TUBE, 10X16X51	1	
92192A	92192-0007	TUBE, 12X18X290	1	
92192B	92192-0009	TUBE, 10X16X29	1	



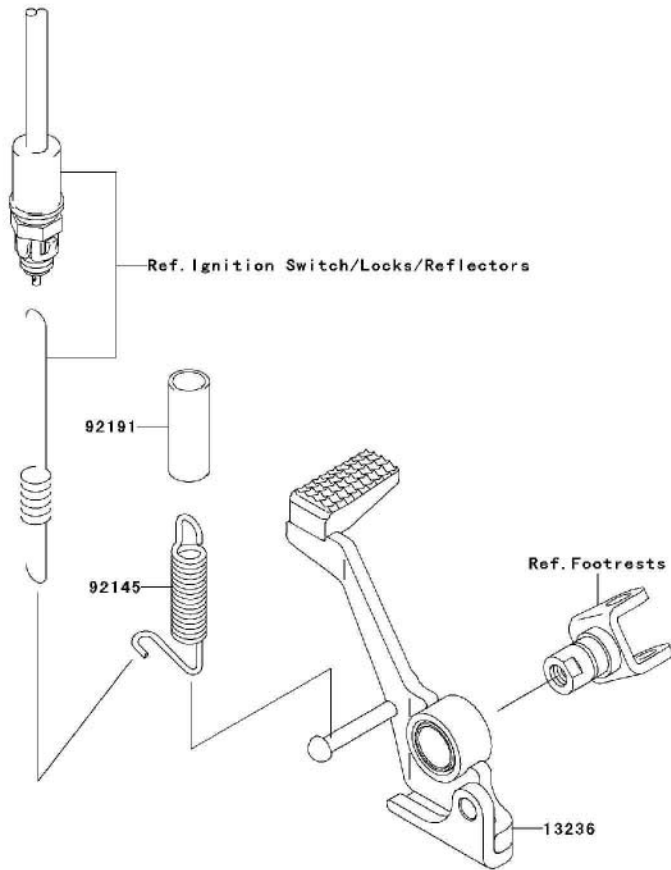
Air cleaner

2003 Kawasaki Z1000 (ZR1000-A1)

Ref #	Part #	Description	Qty	Spec Code
13236	13236-1403	LEVER-COMP, BRAKE PEDAL	1	
92145	92145-1090	SPRING, BRAKE PEDAL RETURN	1	
92191	92191-1739	TUBE, 12X15X40	1	

F2260

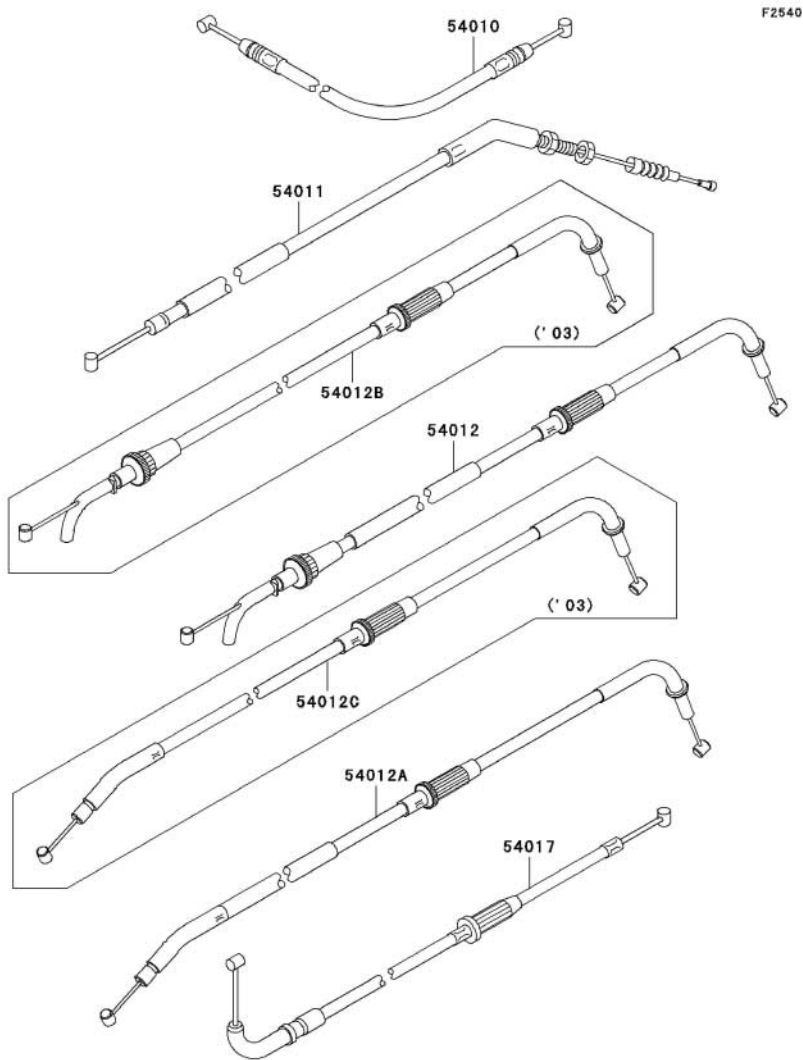
FRONT



Brake pedal / Torque link

2003 Kawasaki Z1000 (ZR1000-A1)

Ref #	Part #	Description	Qty	Spec Code
54010	54010-0001	CABLE, SEAT LOCK	1	
54011	54011-1424	CABLE-CLUTCH	1	
54012B	54012-1667	CABLE-THROTTLE, OPENING	1	
54012C	54012-1668	CABLE-THROTTLE, CLOSING	1	
54017	54017-1225	CABLE-STARTER	1	

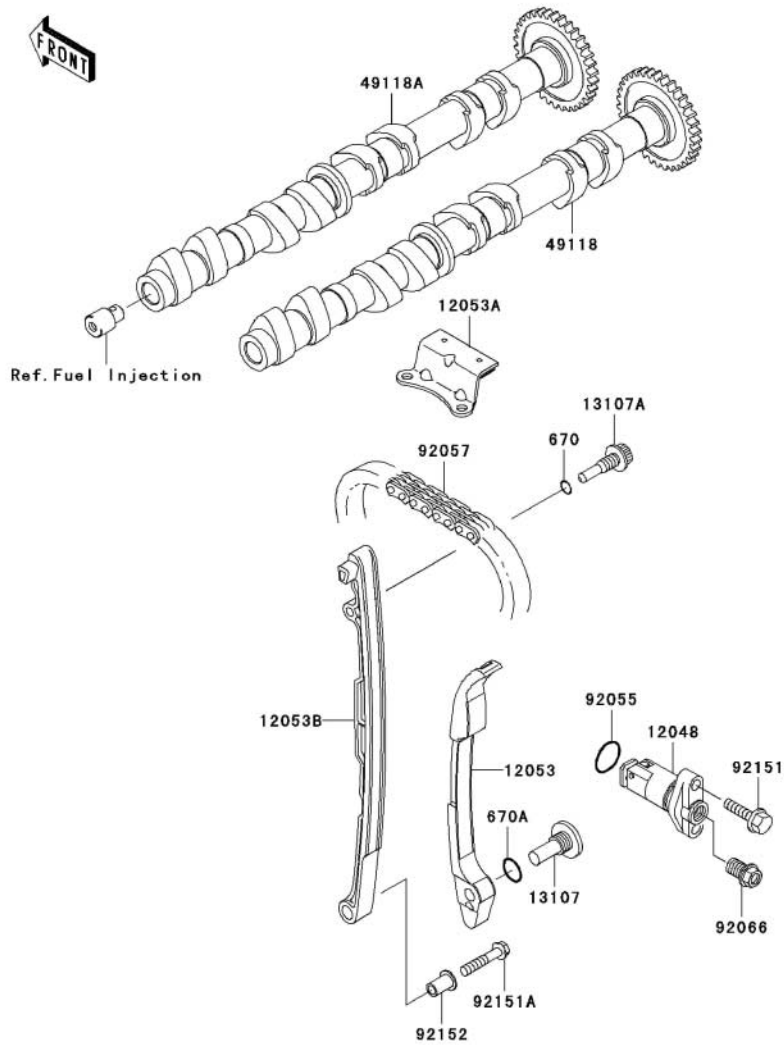


Cables

2003 Kawasaki Z1000 (ZR1000-A1)



E1230

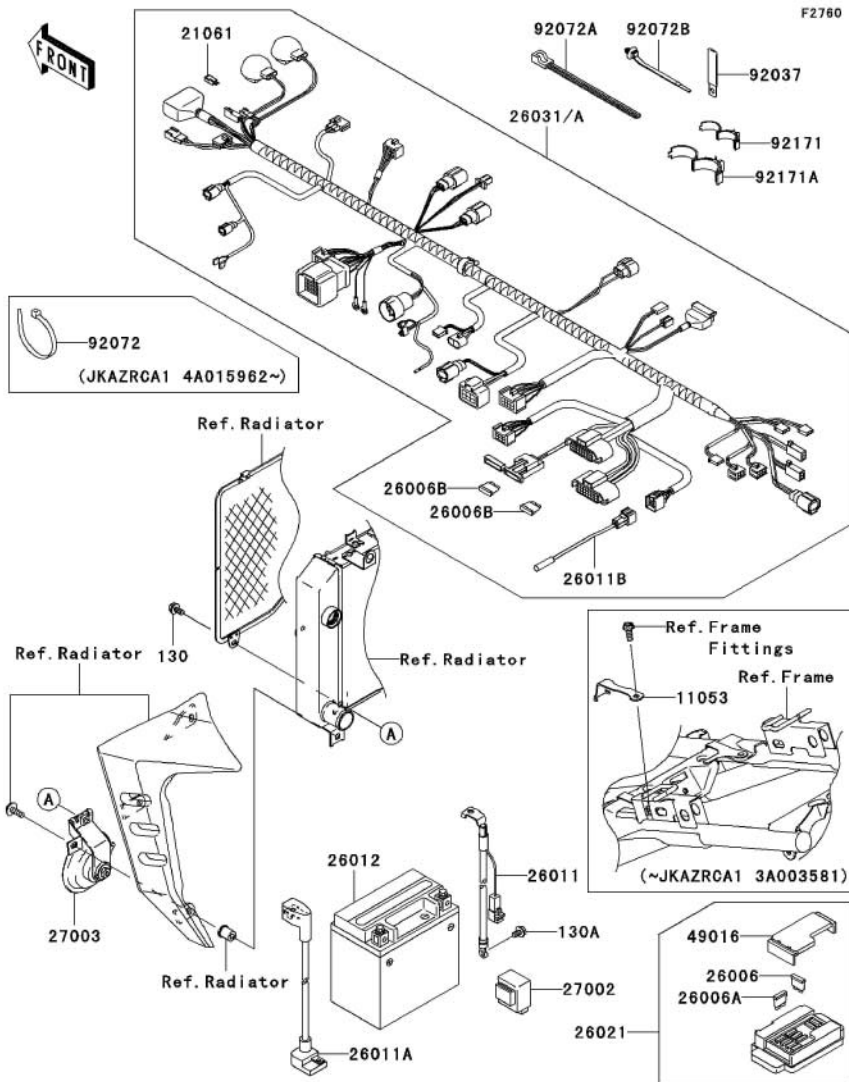


Ref #	Part #	Description	Qty	Spec Code
670	670D1509	O RING,9MM	1	
670A	670D2014	O RING,14MM	1	
12048	12048-0003	TENSIONER-ASSY	1	
12053	12053-1399	GUIDE-CHAIN,RR	1	
12053A	12053-1473	GUIDE-CHAIN,UPP	1	
12053B	12053-1478	GUIDE-CHAIN,FR	1	
13107	13107-1376	SHAFT	1	
13107A	13107-1416	SHAFT,CHAIN GUIDE,FR	1	
49118	49118-1224	CAMSHAFT-COMP,INTAKE	1	
49118A	49118-1225	CAMSHAFT-COMP,EXHAUST	1	
92055	92055-086	RJING- O	1	
92057	92057-1453	CHAIN, CAM,92RH2015-126M	1	
92066	92066-3780	PLUG	1	
92151	92151-1130	BOLT,6X25	2	
92151A	92151-1134	BOLT,6X30	1	
92152	92152-1167	COLLAR	1	



Camshaft tensioner

2003 Kawasaki Z1000 (ZR1000-A1)

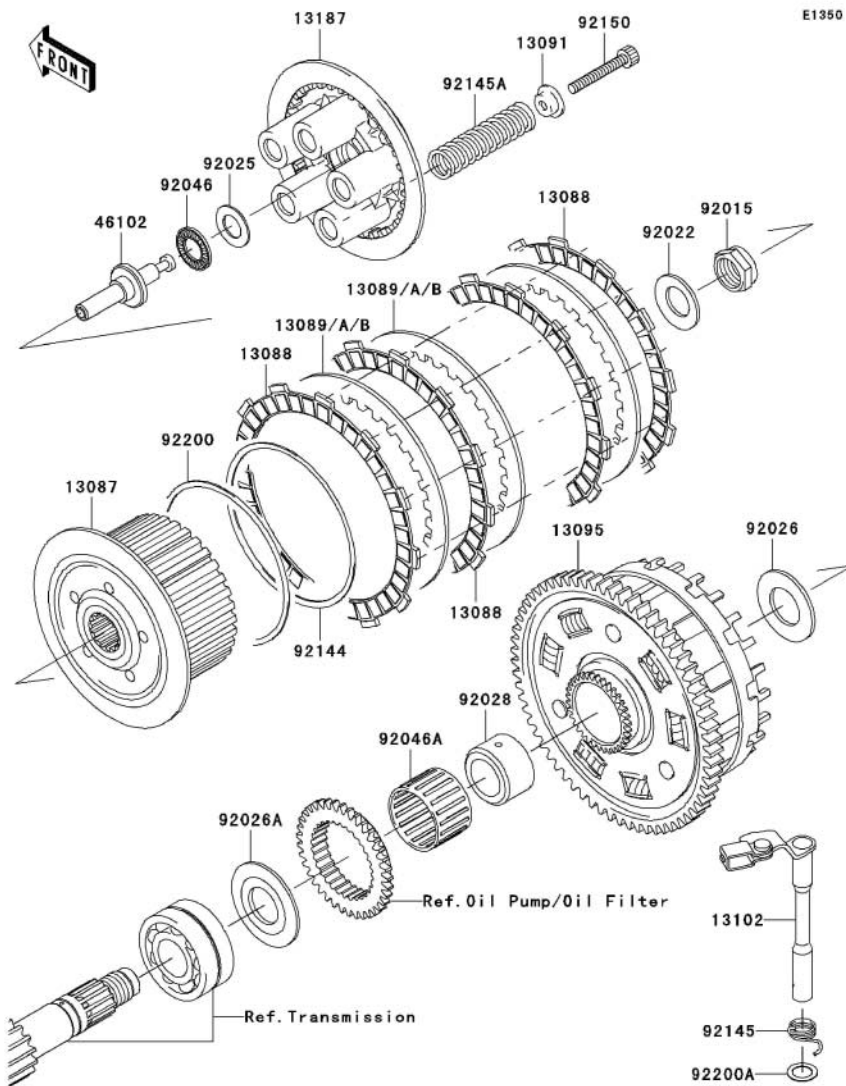


Ref #	Part #	Description	Qty	Spec Code
130	130J0612	BOLT-FLANGED	1	
130A	130V0610	BOLT-FLANGED,6X10	1	
11053	11053-0328	BRACKET,FUSE HOLDER	1	(- JKAZRCA1 3A003581)
21061	21061-0001	RECTIFIER	1	
26006	26006-1067	FUSE,30A-G	1	
26006A	26006-1068	FUSE,10A-R	8	
26006B	26006-1075	FUSE,15A	2	
26011	26011-0005	WIRE-LEAD,BATTERY(-)	1	
26011A	26011-0006	WIRE-LEAD,BATTERY(+)	1	
26011B	26011-1774	WIRE-LEAD,DIAGNOSIS	1	
26012	26012-1326	BATTERY,YTX9-BS,12V 8AH	1	
26021	26021-0001	JUNCTION BOX	1	
26031A	26031-1062	HARNES,MAIN	1	
27002	27002-1101	RELAY-ASSY,TURN SIGNAL	1	
27003	27003-0002	HORN	1	
49016	49016-1177	COVER-SEAL,FUSE	1	
92037	92037-1069	CLAMP,L=60	1	
92072B	92072-1414	BAND	1	
92171	92171-1424	CLAMP,DIA=15	3	
92171A	92171-1559	CLAMP,DIA=25	2	



Chassis electrical equipment

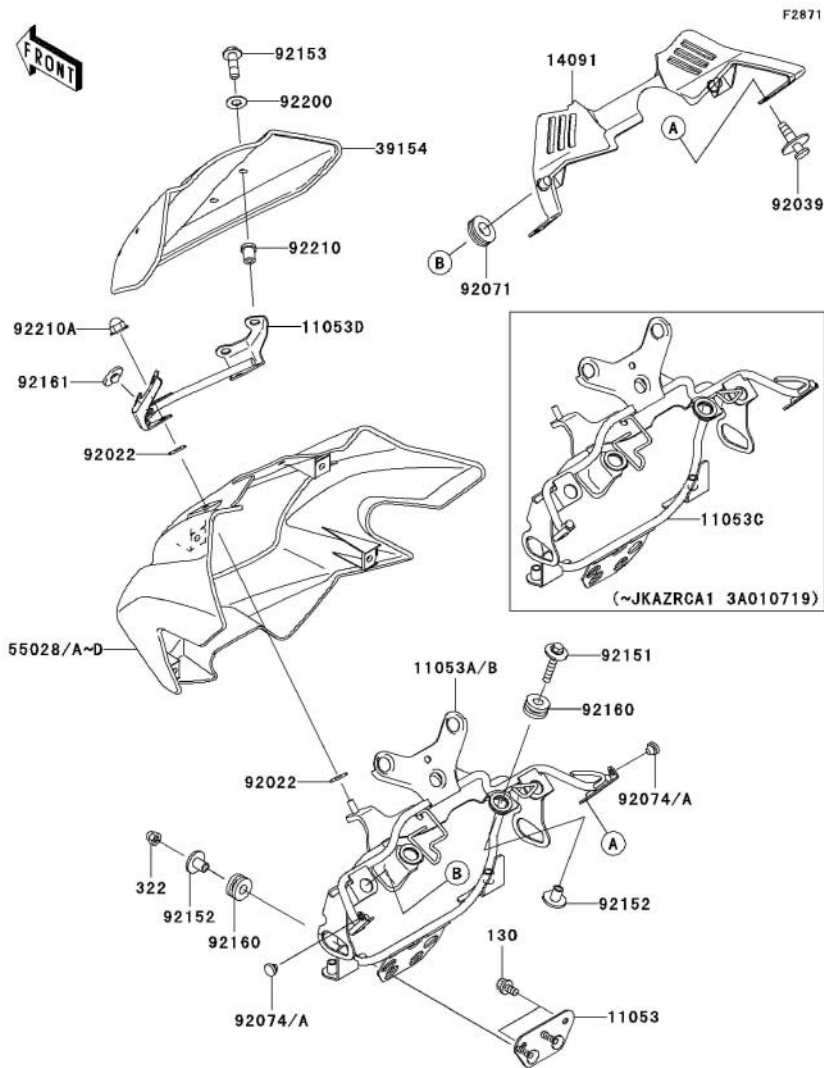
2003 Kawasaki Z1000 (ZR1000-A1)



Ref #	Part #	Description	Qty	Spec Code
13087	13087-1173	HUB-CLUTCH	1	
13088	13088-1124	PLATE-FRICTION	10	
13089	13089-1073	PLATE-CLUTCH,T=2.0	AR	
13089A	13089-1084	PLATE-CLUTCH,T=2.3	9	
13089B	13089-1115	PLATE-CLUTCH,T=2.6	AR	
13091	13091-1041	HOLDER,CLUTCH SPRING	5	
13095	13095-1417	HOUSING-COMP-CLUTCH	1	
13102	13102-1162	RELEASE-COMP-CLUTCH	1	
13187	13187-1083	PLATE-CLUTCH OPERATING	1	
46102	46102-1425	ROD	1	
92015	92015-1555	NUT,20MM	1	
92022	92022-1868	WASHER	1	
92025	92025-1137	SHIM,15.3X27.5X1.20	1	
92026	92026-022	SPACER,25.5X47X2.5	1	
92026A	92026-1497	SPACER	1	
92028	92028-1741	BUSHING	1	
92046	92046-1052	BEARING-NEEDLE,AXK1102	1	
92046A	92046-1263	BEARING-NEEDLE,K38X43X28.8X	1	
92144	92144-1854	SPRING,FRICTION PLATE	1	
92145	92145-0066	SPRING,CLUTCH RELEASE	1	
92145A	92145-1364	SPRING,CLUTCH	5	
92150	92150-1855	BOLT,CLUTCH OPERATING	5	
92200	92200-1260	WASHER,FRICTION PLATE	1	
92200A	92200-1487	WASHER,12X18.5X0.5	1	

K
Clutch

Kawasaki
2003 Kawasaki Z1000 (ZR1000-A1)



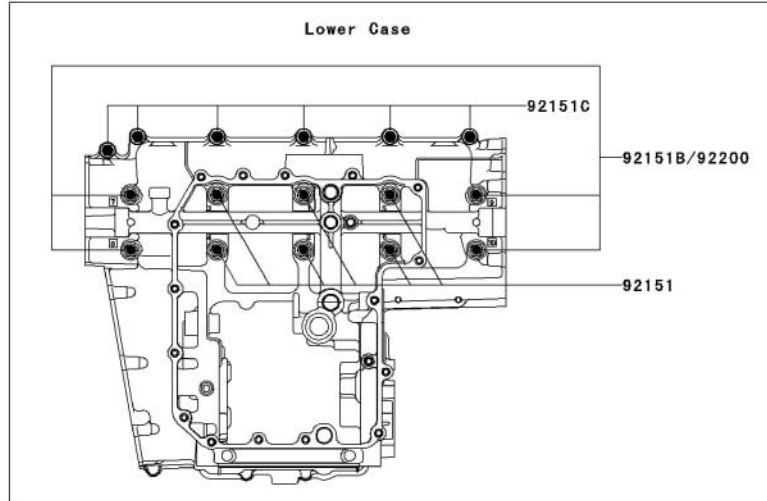
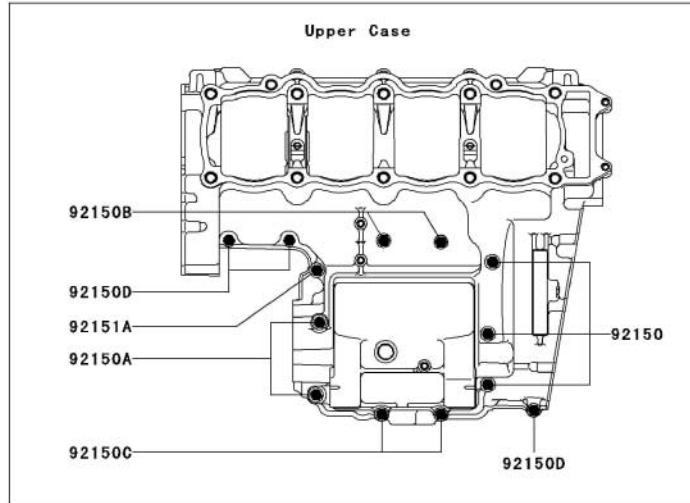
Ref #	Part #	Description	Qty	Spec Code
130	130J0610	BOLT-FLANGED	2	
322	322C0600	NUT-CAP,6MM,BLACK	2	
11053	11053-0146	BRACKET	1	
11053B	11053-0433	BRACKET,UPP COWLING&METER	1	(JKAZRCA1 3A010720 -)
11053C	11053-1152	BRACKET,UPP COWLING&METER	1	(- JKAZRCA1 3A010719)
11053D	11053-1161	BRACKET,WINDSHIELD	1	
14091	14091-1549	COVER,COWLING,INNER	1	
39154	39154-1160	WINDSHIELD	1	
55028	55028-1459-B5	COWLING,UPP,BLACK	1	
55028B	55028-1459-470	COWLING,UPP,P.B.ORANGE	1	
55028D	55028-1459-7F	COWLING,UPP,L.GREEN	1	[CN]
92022	92022-1143	WASHER,6.5X16X1	4	
92039	92039-1227	RIVET	2	
92071	92071-3737	GROMMET	2	
92074A	92074-028	PLUG,7X2	2	(JKAZRCA1 3A010720 -)
92151	92151-1105	BOLT,FLANGED,6X30	2	
92152	92152-0048	COLLAR	4	
92153	92153-0370	BOLT,SOCKET,5X18	4	
92160	92160-1162	DAMPER	4	
92161	92161-1200	DAMPER,RUBBER	1	
92200	92200-1480	WASHER,NYLON,5.3X11.5X0.5	4	
92210	92210-0001	NUT,5MM	4	
92210A	92210-0003	NUT,CAP,6MM	2	



Cowling

2003 Kawasaki Z1000 (ZR1000-A1)

E1412



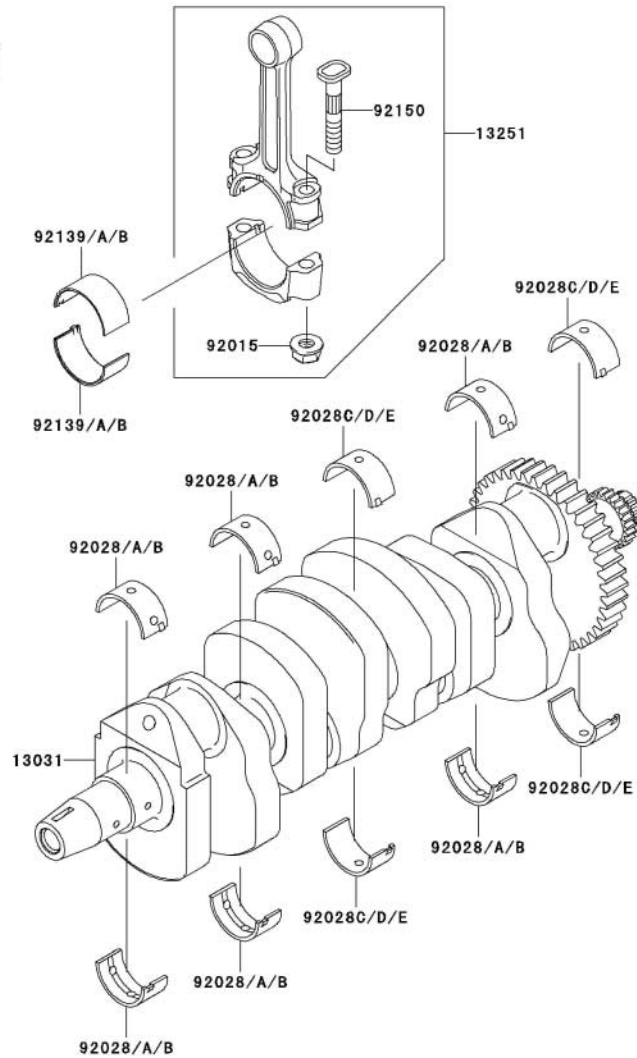
Ref #	Part #	Description	Qty	Spec Code
92150	92150-1251	BOLT,7X85	3	
92150A	92150-1483	BOLT,8X70	2	
92150B	92150-1548	BOLT,6X60	2	
92150C	92150-1622	BOLT,6X90	2	
92150D	92150-1794	BOLT,6X40	3	
92151	92151-1222	BOLT,9X81	6	
92151A	92151-1223	BOLT,7X50	1	
92151B	92151-1378	BOLT,9X95	4	
92151C	92151-1539	BOLT,7X45	6	
92200	92200-1426	WASHER	4	



Crankcase bolt pattern

2003 Kawasaki Z1000 (ZR1000-A1)

FRONT



E1321

Ref #	Part #	Description	Qty	Spec Code
13031	13031-0003	CRANKSHAFT-COMP	1	
13251	13251-1145-II	ROD-ASSY-CONNECTING,II	4	
92015	92015-1311	NUT,FLANGED,8MM	8	
92028	92028-1827	BUSHING,CRANK,BLUE	6	
92028A	92028-1828	BUSHING,CRANK,BLACK	AR	
92028B	92028-1829	BUSHING,CRANK,BROWN	AR	
92028C	92028-1866	BUSHING,CRANK,BLUE	4	
92028D	92028-1867	BUSHING,CRANK,BLACK	AR	
92028E	92028-1868	BUSHING,CRANK,BROWN	AR	
92139	92139-1108	BUSHING,CONNECTING ROD,BLUE	8	
92139A	92139-1109	BUSHING,CONNECTING ROD,BLACK	AR	
92139B	92139-1110	BUSHING,CONNECTING ROD,BROWN	AR	
92150	92150-1216	BOLT,CONNECTING ROD,8MM	8	

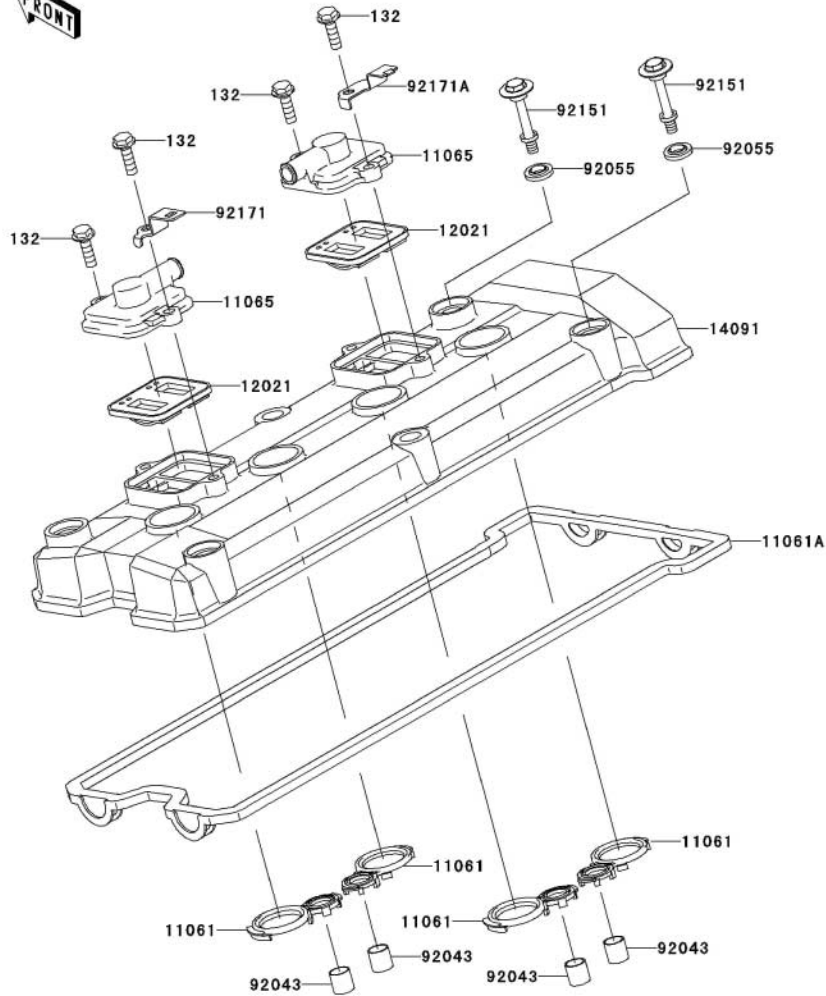


Crankshaft

2003 Kawasaki Z1000 (ZR1000-A1)

FRONT

E1112



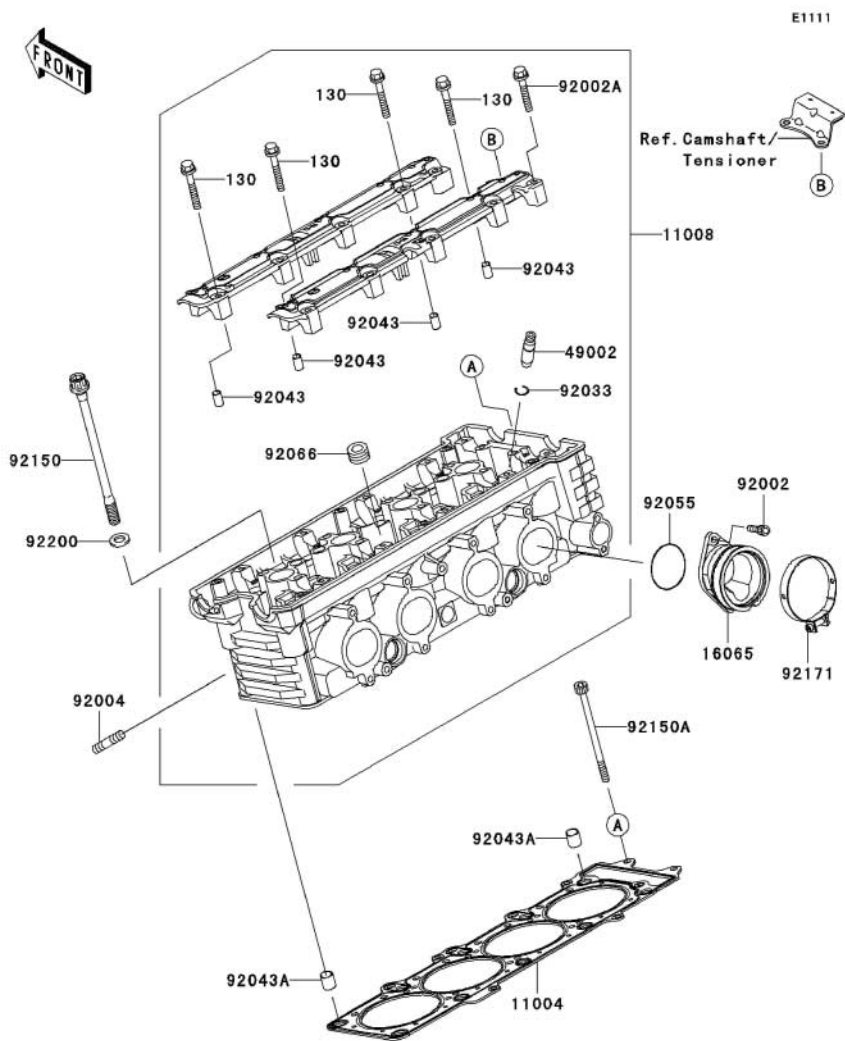
Ref #	Part #	Description	Qty	Spec Code
132	132Y0618	BOLT-FLANGED-SMALL	4	
11061	11061-1111	GASKET,SPARK PLUG	4	
11061A	11061-1165	GASKET,HEAD COVER	1	
11065	11065-1247	CAP	2	
12021	12021-1130	VALVE-ASSY-REED	2	
14091	14091-1540	COVER,HEAD	1	
92043	92043-4009	PIN,10.1X12X14	4	
92055	92055-1352	RING-O,HEAD COVER BOLT	6	
92151	92151-1221	BOLT,HEAD COVER	6	
92171	92171-0051	CLAMP,LH	1	
92171A	92171-0093	CLAMP,RH	1	



Cylinder head cover

2003 Kawasaki Z1000 (ZR1000-A1)

FRONT



Ref #	Part #	Description	Qty	Spec Code
130	130P0645	BOLT-FLANGED	4	
11004	11004-1385	GASKET-HEAD	1	
11008	11008-1433	HEAD-COMP-CYLINDER	1	
16065	16065-1387	HOLDER-CARBURETOR	4	
49002	49002-1116	GUIDE-VALVE	AR	
92002	92002-1143	BOLT,6X16	8	
92002A	92002-1756	BOLT,6X40	16	
92004	92004-1249	STUD,8X22	8	
92033	92033-1247	RING-SNAP	16	
92043	92043-1263	PIN,6.2X8X14	4	
92043A	92043-4009	PIN,10.1X12X14	2	
92055	92055-1401	RING-O,43.7X1.9	4	
92066	92066-0002	PLUG,PT1/2X12.5	5	
92150	92150-1368	BOLT,10X165	10	
92150A	92150-1755	BOLT,SOCKET,6X110	2	
92171	92171-1552	CLAMP	4	
92200	92200-1042	WASHER,10.5X19X2.3	10	

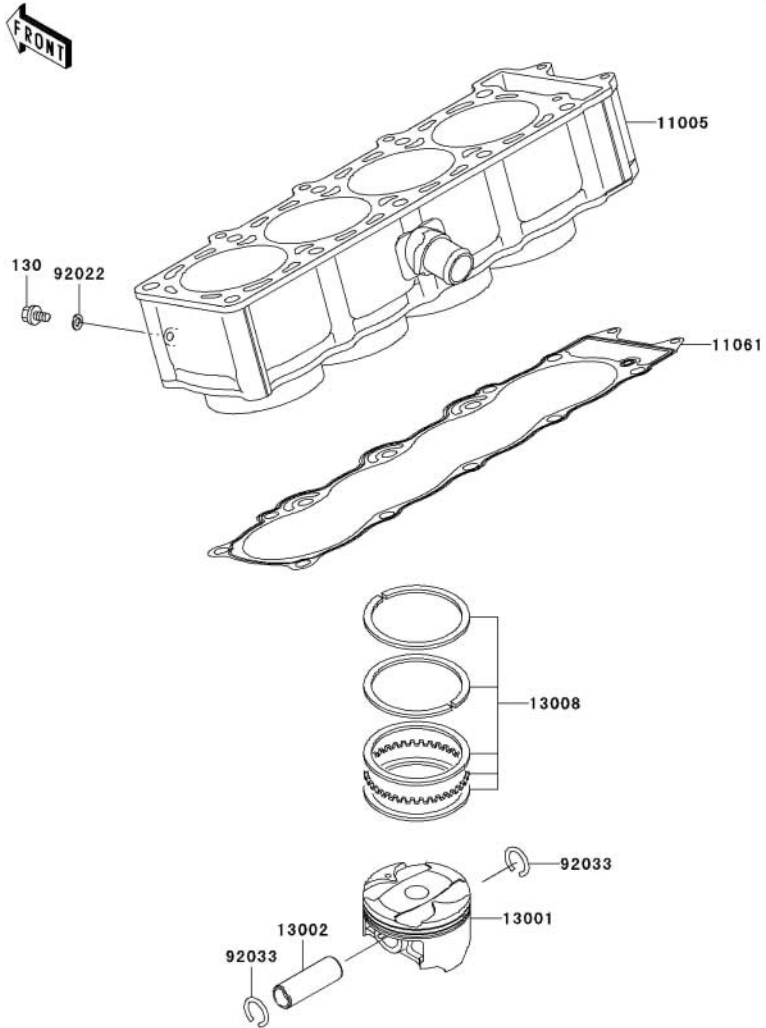


Cylinder head

2003 Kawasaki Z1000 (ZR1000-A1)

Ref #	Part #	Description	Qty	Spec Code
130	130Y0610	BOLT-FLANGED	1	
11005	11005-1987	CYLINDER-ENGINE	1	
11061	11061-1168	GASKET,CYLINDER BASE	1	
13001	13001-1661	PISTON-ENGINE	4	
13002	13002-1129	PIN-PISTON	4	
13008	13008-1217	RING-SET-PISTON	4	
92022	92022-304	WASHER,6,2X11X1	1	
92033	92033-1099	RING-SNAP,20.5X1.2	8	

E1120



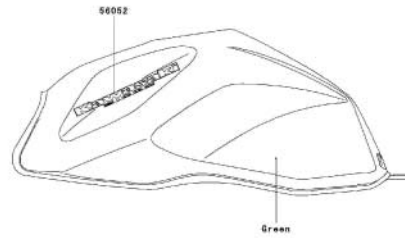
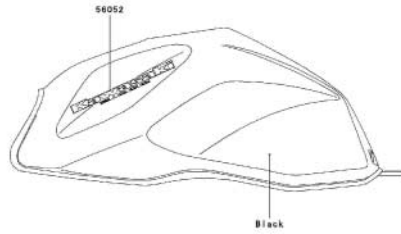
Cylinder / Piston

2003 Kawasaki Z1000 (ZR1000-A1)

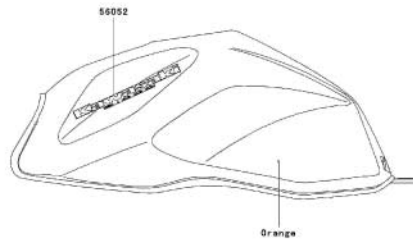
Ref #	Part #	Description	Qty	Spec Code
56052	56052-0092	MARK, FUEL TANK, KAWASAKI Z1000	2	Black
56052	56052-0093	MARK, FUEL TANK, KAWASAKI Z1000	2	Green
56052	56052-0094	MARK, FUEL TANK, KAWASAKI Z1000	2	Orange

F2861

F2861A

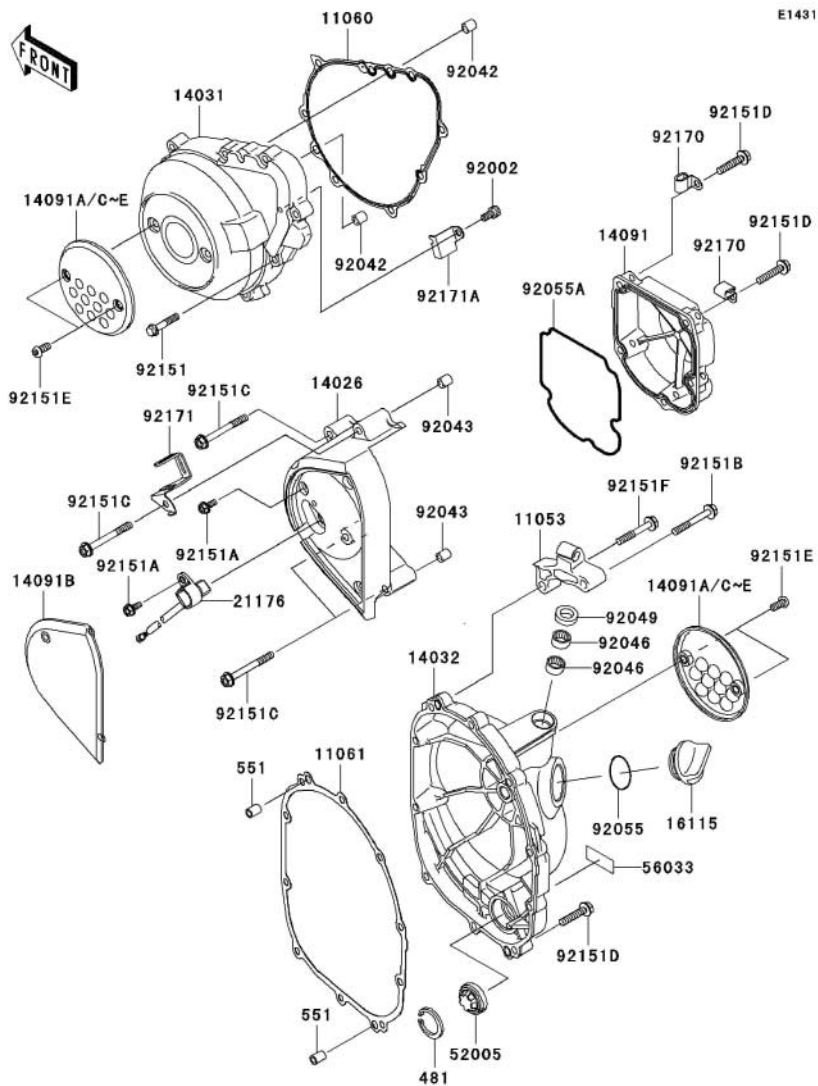


F2861B



Decals (Black, Green & Orange)

2003 Kawasaki Z1000 (ZR1000-A1)



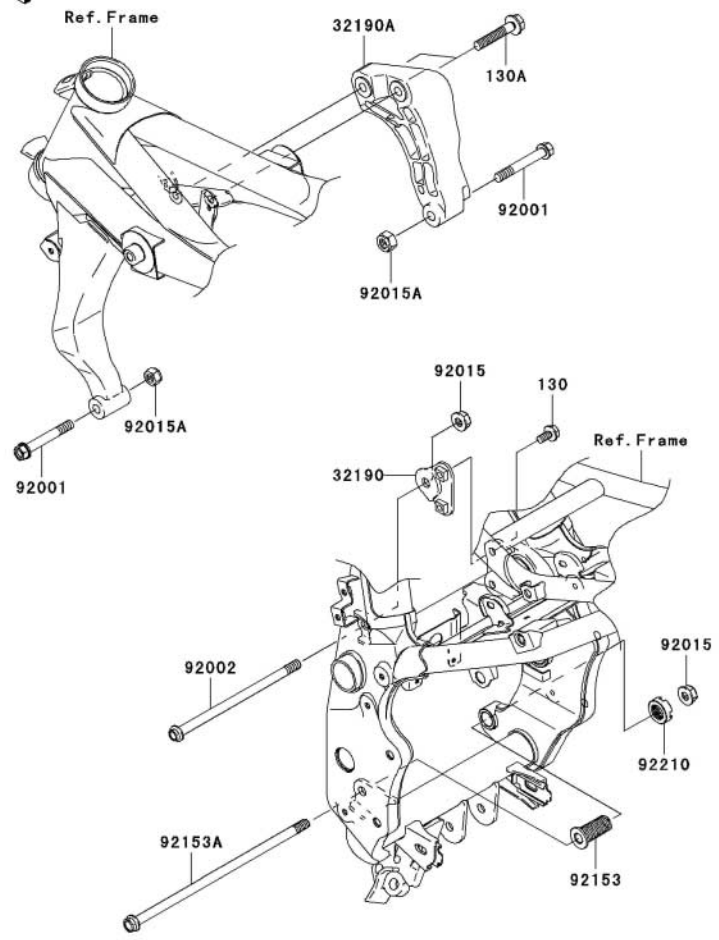
Ref #	Part #	Description	Qty	Spec Code
481	4813000	CIRCLIP-TYPE-C,30MM	1	
551	551A0814	PIN-DOWEL,8X14	2	
11053	11053-1069	BRACKET,CLUTH CABLE	1	
11060	11060-1854	GASKET,GENERATOR COVER	1	
11061	11061-1166	GASKET,CLUTCH COVER	1	
14026	14026-1293	COVER-CHAIN	1	
14031	14031-1403	COVER-GENERATOR	1	
14032	14032-1542	COVER-CLUTCH	1	
14091	14091-0083	COVER,PULSE	1	
14091A	14091-0214	COVER,GENERATOR&CLUTCH,BLACK	2	(OPTION)
14091B	14091-1529	COVER,RELEASE	1	
14091D	14091-1530-6L	COVER,GENERATOR&CLUTCH,F.RED	2	
14091E	14091-1530-6W	COVER,GENERATOR&CLUTCH,L.GREEN	2	[CN]
16115	16115-1009	CAP-OIL FILLER	1	
21176	21176-1076	SENSOR,SPEED	1	
52005	52005-1120	GAUGE	1	
56033	56033-0022	LABEL-MANUAL,OIL CAPACITY	1	
92002	92002-1796	BOLT,SOCKET,6X12	1	
92042	92042-007	PIN,DOWEL,6.3X8X14	2	
92043	92043-1322	PIN,8X16	2	
92046	92046-1010	BEARING-NEEDLE,HK1210	2	
92049	92049-1475	SEAL-OIL,CLUTCH RELEASE	1	
92055	92055-049	RING-O,31.7X2.4	1	
92055A	92055-1570	RING-O,PULSE COVER	1	
92151	92151-1134	BOLT,6X30	8	
92151A	92151-1249	BOLT,5X12	4	
92151B	92151-1521	BOLT,6X45	1	
92151C	92151-1540	BOLT,6X55	4	
92151D	92151-1547	BOLT,6X30	13	
92151E	92151-1554	BOLT,SOCKET,6X14	4	
92151F	92151-1583	BOLT,6X40	1	
92170	92170-1577	CLAMP	2	
92171	92171-0067	CLAMP	1	
92171A	92171-1566	CLAMP	1	



Engine cover

2003 Kawasaki Z1000 (ZR1000-A1)

FRONT

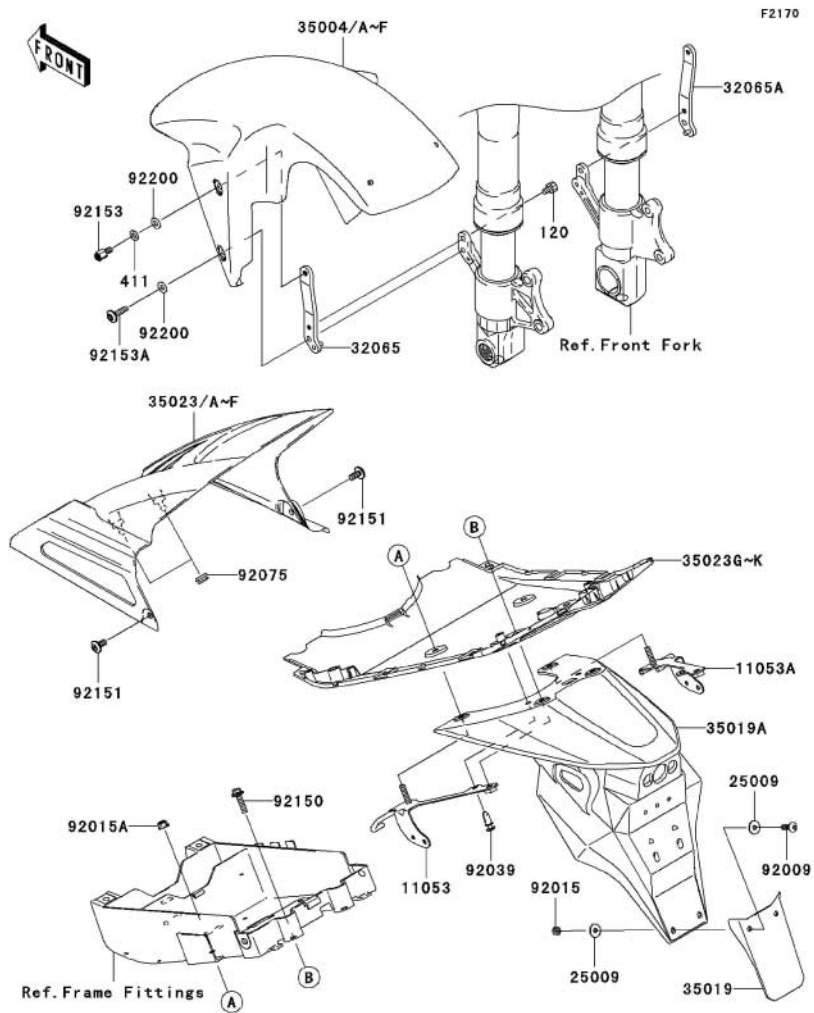


Ref #	Part #	Description	Qty	Spec Code
130	130J0816	BOLT-FLANGED, 8X16, BLACK	2	
130A	130J1055	BOLT-FLANGED, 10X55	2	
32190	32190-0009	BRACKET - ENGINE, RH, RR, UPP	1	
32190A	32190-0010	BRACKET - ENGINE, FR, RH	1	
92001	92001-1618	BOLT, FLANGED, 10X70	2	
92002	92002-1337	BOLT, 10X183	1	
92015	92015-1180	NUT, FLANGED, 10MM	2	
92015A	92015-1189	NUT, LOCK, 10MM, BLACK	2	
92153	92153-1098	BOLT, ENGINE MOUNT, 18MM	1	
92153A	92153-1271	BOLT, FLANGED, 10X240	1	
92210	92210-1203	NUT, 18MM	1	



Engine mount

2003 Kawasaki Z1000 (ZR1000-A1)

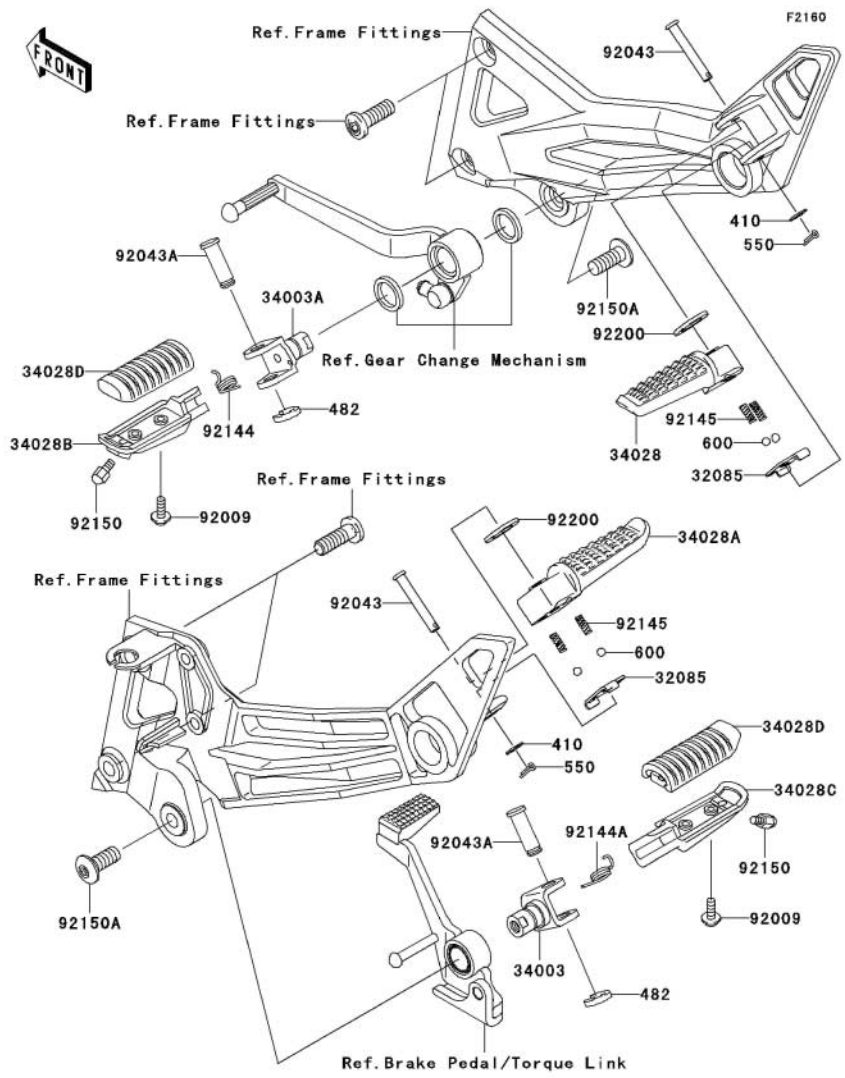


Ref #	Part #	Description	Qty	Spec Code
11053	11053-0060	BRACKET, FLAP, LH	1	
11053A	11053-0061	BRACKET, FLAP, RH	1	
25009	25009-004	WASHER, 5.2X16X1.2	4	
32065	32065-1376	BRACKET-FENDER, LH	1	
32065A	32065-1377	BRACKET-FENDER, RH	1	
35004D	35004-1467-B5	FENDER-FRONT, BLACK	1	
35004E	35004-1467-470	FENDER-FRONT, P. B. ORANGE	1	
35004F	35004-1467-7F	FENDER-FRONT, L. GREEN	1	[CN]
35019	35019-0006	FLAP	1	
35019A	35019-0007	FLAP, REAR FENDER	1	
35023	35023-1597-B5	FENDER- REAR, INNER, BLACK	1	
35023C	35023-1597-470	FENDER- REAR, INNER, P. B. ORANGE	1	
35023F	35023-1597-7F	FENDER- REAR, INNER, L. GREEN	1	[CN]
35023G	35023-1602-B5	FENDER- REAR, CNT, BLACK	1	
35023I	35023-1602-470	FENDER- REAR, CNT, P. B. ORANGE	1	
35023K	35023-1602-7F	FENDER- REAR, CNT, L. GREEN	1	[CN]
92009	92009-1653	SCREW, 5X14	2	
92015	92015-1221	NUT, LOCK, 5MM	2	
92015A	92015-1603	NUT, LOCK, FLANGED, 6MM	2	
92039	92039-1286	RIVET	2	
120	120S0610	BOLT-SOCKET	2	
411	411F0600	WASHER-PLAIN, 6MM, BLACK	2	
92075	92075-1011	DAMPER	2	
92150	92150-1829	BOLT, 6X25	2	
92151	92151-1654	BOLT, SOCKET, 6X14	2	
92153	92153-0335	BOLT, 6MM	2	
92153A	92153-1267	BOLT, SOCKET, 6X23	2	
92200	92200-1388	WASHER, 6.5X14X1	4	



Fenders

2003 Kawasaki Z1000 (ZR1000-A1)

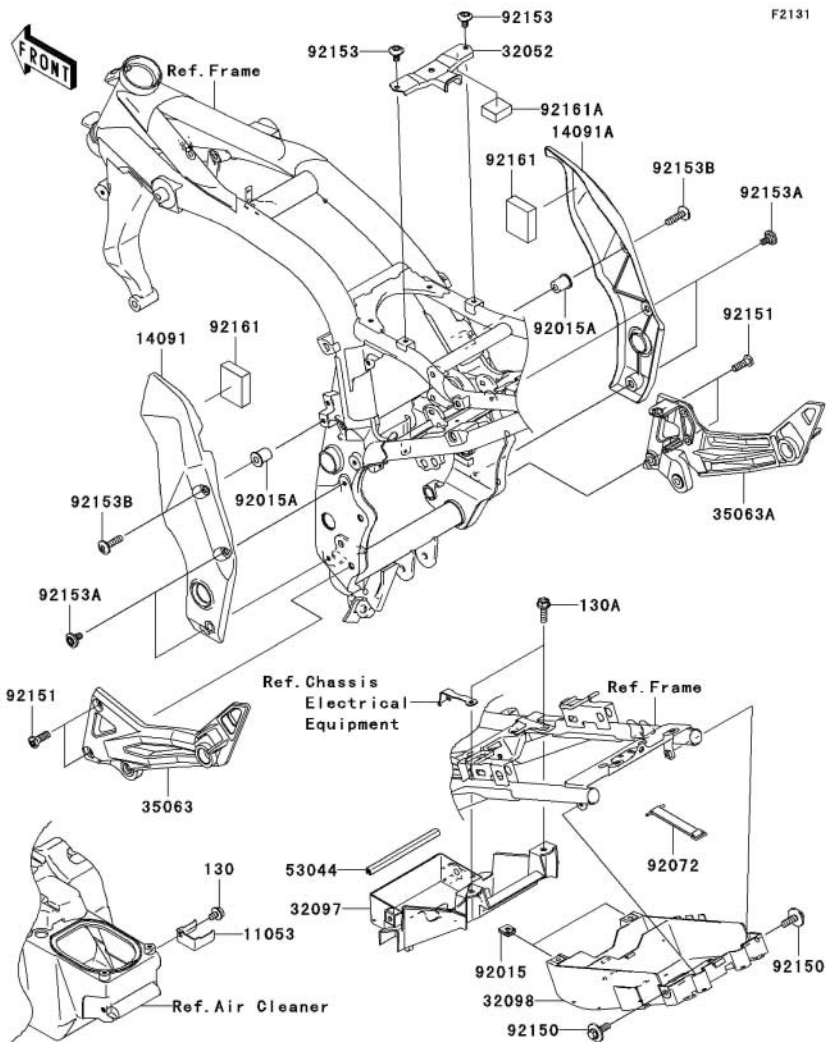


Ref #	Part #	Description	Qty	Spec Code
410	410B0600	WASHER-PLAIN-SMALL,6MM	2	
482	482L0100	CIRCLIP-TYPE-E,10MM	2	
550	550D2512	PIN-COTTER	2	
600	600A0800	BALL-STEEL,1/4"	4	
32085	32085-0014	STOPPER,REAR STEP	2	
34003	34003-1327	HOLDER-STEP	1	
34003A	34003-1474	HOLDER-STEP	1	
34028	34028-0004	STEP,RR,LH	1	
34028A	34028-0005	STEP,RR,RH	1	
34028B	34028-1428	STEP,FR,LH	1	
34028C	34028-1429	STEP,FR,RH	1	
34028D	34028-1430	STEP,FR,RUBBER	2	
92009	92009-1404	SCREW,5X14	4	
92043	92043-0019	PIN,6X43	2	
92043A	92043-1144	PIN,12X37	2	
92144	92144-1567	SPRING,STEP RETURN	1	
92144A	92144-1568	SPRING,STEP RETURN	1	
92145	92145-1319	SPRING	4	
92150	92150-1114	BOLT, BANK SENSOR	2	
92150A	92150-1268	BOLT, SOCKET, 10X25	2	
92200	92200-0043	WASHER,16X26X2.3	2	



Footrests

2003 Kawasaki Z1000 (ZR1000-A1)



Ref #	Part #	Description	Qty	Spec Code
130	130J0608	BOLT-FLANGED,6X8	1	
130A	130J0620	BOLT-FLANGED	2	
11053	11053-0138	BRACKET,MAGNETIC SWITCH	1	
14091	14091-1547-458	COVER,PIVOT,LH,P.SILVER	1	
14091A	14091-1548-458	COVER,PIVOT,RH,P.SILVER	1	
32052	32052-1597	BRACKET-TANK,FUEL	1	
32097	32097-1198	CASE-BATTERY	1	
32098	32098-0002	CASE-TOOL	1	
35063	35063-1262-458	STAY,STEP HOLDER,LH,P.SILVER	1	
35063A	35063-1263-458	STAY,STEP HOLDER,RH,P.SILVER	1	
53044	53044-1303	TRIM,L=150	1	
92015	92015-1678	NUT,CLAMP,6MM	2	
92015A	92015-1700	NUT	2	
92072	92072-1349	BAND,TOOL	1	
92150	92150-1133	BOLT,6X14	2	
92151	92151-1372	BOLT,SOCKET,10X30	4	
92153	92153-0410	BOLT,SOCKET,6X10	2	
92153A	92153-0422	BOLT,SOCKET,6X14	4	
92153B	92153-1267	BOLT,SOCKET,6X23	2	
92161	92161-0055	DAMPER	2	
92161A	92161-0063	DAMPER	1	

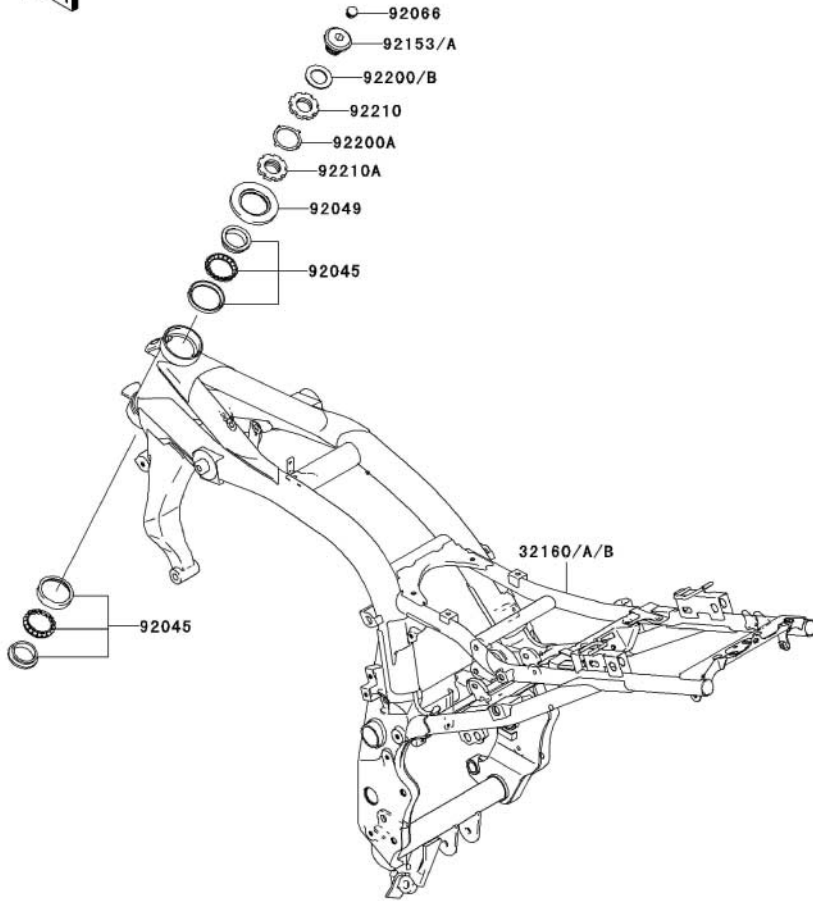


Frame fittings

2003 Kawasaki Z1000 (ZR1000-A1)

FRONT

F2120

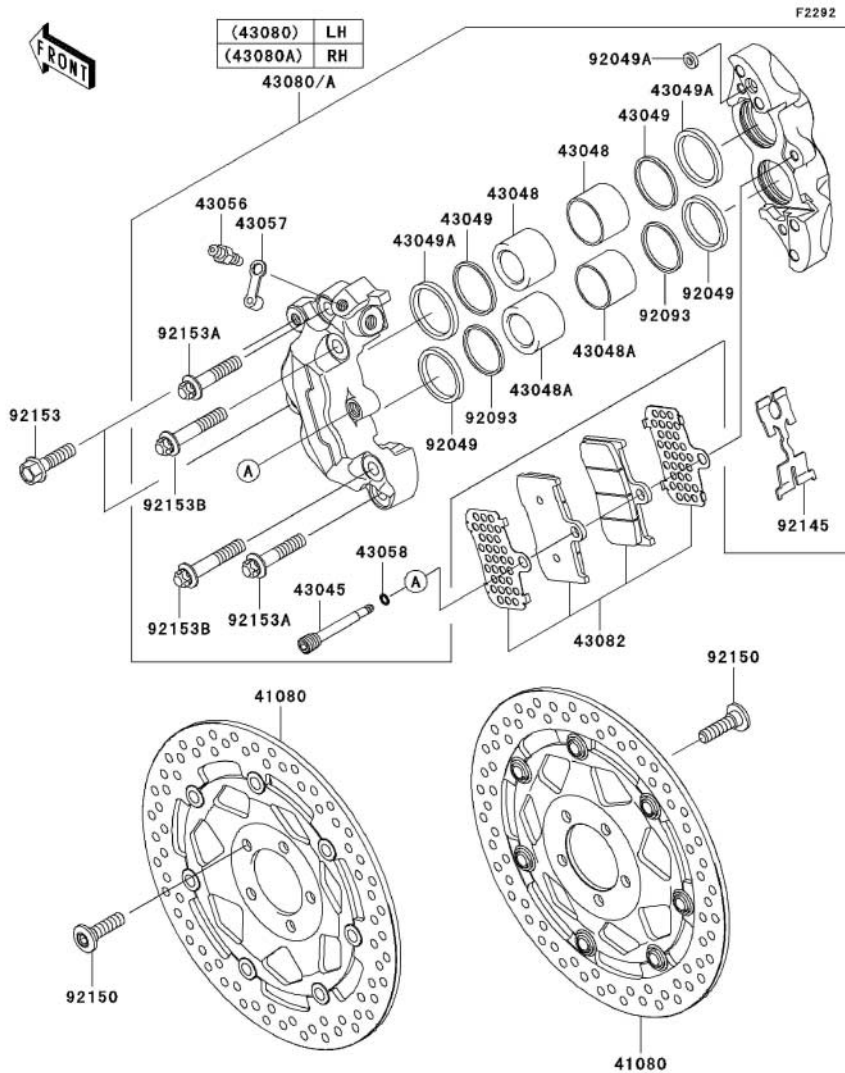


Ref #	Part #	Description	Qty	Spec Code
32160A	32160-0023	FRAME-COMP	1	(JKAZRCA1 3A003582 -)
32160B	32160-1813	FRAME-COMP	1	(- JKAZRCA1 3A003581)
92045	92045-1384	BEARING-BALL,SF07A17PX1V1	2	
92049	92049-1483	SEAL-OIL,MX043N2	1	
92066	92066-1184	PLUG	1	
92153	92153-0337	BOLT,26MM	1	
92200	92200-0024	WASHER,27X42X2.3	1	
92200A	92200-0036	WASHER	1	
92210	92210-0062	NUT,STEERING STEM 35MM	1	
92210A	92210-0077	NUT,STEERING STEM,35MM	1	



Frame

2003 Kawasaki Z1000 (ZR1000-A1)

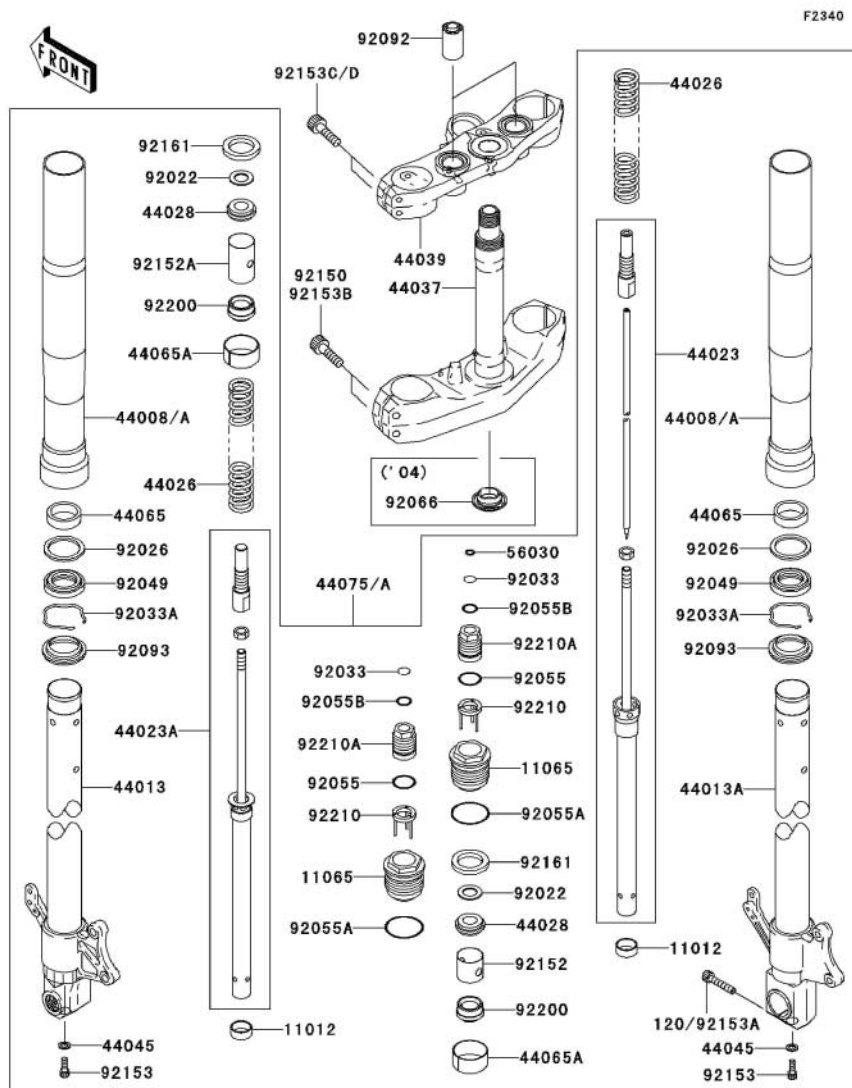


Ref #	Part #	Description	Qty	Spec Code
41080	41080-0001-488	DISC,FR,HOUSING GLD+DISC SIL	2	
43045	43045-1053	SHAFT-CALIPER	2	
43048	43048-0001	PISTON-CALIPER	4	
43048A	43048-0002	PISTON-CALIPER	4	
43049	43049-1081	PACKING	4	
43049A	43049-1082	PACKING	4	
43056	43056-1055	BREATHER-BRAKE	2	
43057	43057-1001	CAP-BREATHER	2	
43058	43058-1100	RING,STOPPER	2	
43080	43080-0001-483	CALIPER-SUB-ASSY,FR,LH,R.GOLD	1	
43080A	43080-0002-483	CALIPER-SUB-ASSY,FR,RH,R.GOLD	1	
43082	43082-0002	PAD-ASSY-BRAKE	2	
92049	92049-1331	SEAL-OIL,PISTON	4	
92049A	92049-1448	SEAL-OIL	2	
92093	92093-1272	SEAL,PISTON	4	
92145	92145-0184	SPRING,PAD	2	
92150	92150-1771	BOLT,SOCKET,8X30	10	
92153	92153-1089	BOLT,FLANGED,8X30	4	
92153A	92153-1093	BOLT,TORX,8X38	4	
92153B	92153-1094	BOLT,TORX,8X45	4	



Front brake

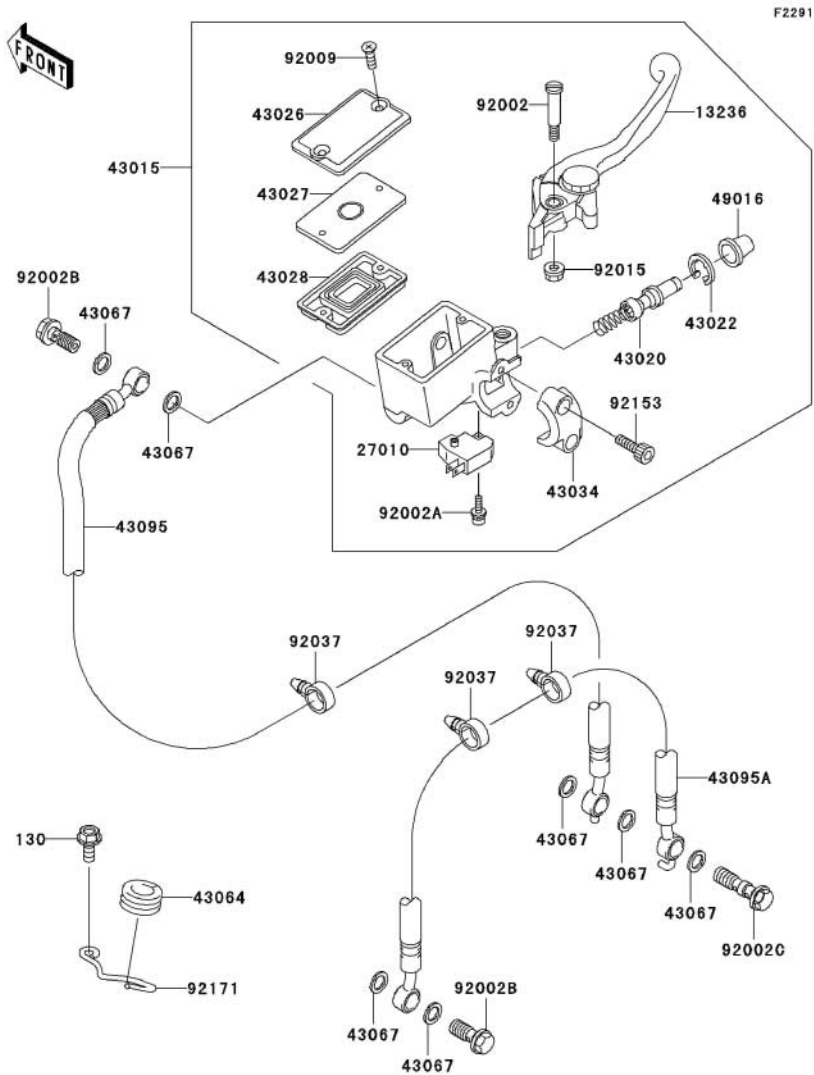
2003 Kawasaki Z1000 (ZR1000-A1)



Ref #	Part #	Description	Qty	Spec Code
11012	11012-1761	CAP	2	
11065	11065-0011	CAP	2	
44008	44008-1059-ES	PIPE-FORK OUTER,GOLD	2	
44013	44013-1513-D3	PIPE-FORK INNER,LH,M.M.GOLD	1	
44013A	44013-1514-D3	PIPE-FORK INNER,RH,M.M.GOLD	1	
44023	44023-0002	CYLINDER-SET-FORK,RH	1	
44023A	44023-0003	CYLINDER-SET-FORK,LH	1	
44026	44026-0004	SPRING-FRONT FORK	2	
44028	44028-1083	GUIDE-FORK SPRING	2	
44037	44037-1444	HOLDER-FORK UNDER	1	
44039	44039-1335	HOLDER-FORK UPPER	1	
44045	44045-051	GASKET,FORK CYLINDER BOLT	2	
44065	44065-0001	BUSHING-FRONT FORK,GUIDE	2	
44065A	44065-0002	BUSHING-FRONT FORK,SLIDE	2	
44075A	44075-1185-ES	DAMPER-SET-FORK,GOLD	1	
56030	56030-0006	LABEL	1	
92022	92022-1713	WASHER,SPRING SEAT	2	
92026	92026-1276	SPACER,FORK OUTER	2	
92033	92033-0002	RING-SNAP	2	
92033A	92033-1222	RING-SNAP	2	
92049	92049-1363	SEAL-OIL,FORK	2	
92055	92055-0003	RING-O	2	
92055A	92055-1497	RING-O,FORK CAP	2	
92055B	92055-1498	RING-O,FORK VALVE	2	
92092	92092-1090	BUSHING-RUBBER	2	
92093	92093-1268	SEAL,FORK	2	
92150	92150-1511	BOLT,SOCKET	4	
92152	92152-0011	COLLAR,SPRING,L=30	1	
92152A	92152-0012	COLLAR,SPRING,L=47.5	1	
92153	92153-0028	BOLT,SOCKET,8X22	2	
92153D	92153-1265	BOLT,SOCKET	4	
92161	92161-0006	DAMPER	2	
92200	92200-1464	WASHER	2	
92210	92210-0019	NUT	2	
120	120S0840	BOLT-SOCKET,8X40,BLACK	1	
92210A	92210-0020	NUT,SPRING ADJUSTER	2	



Front fork
2003 Kawasaki Z1000 (ZR1000-A1)

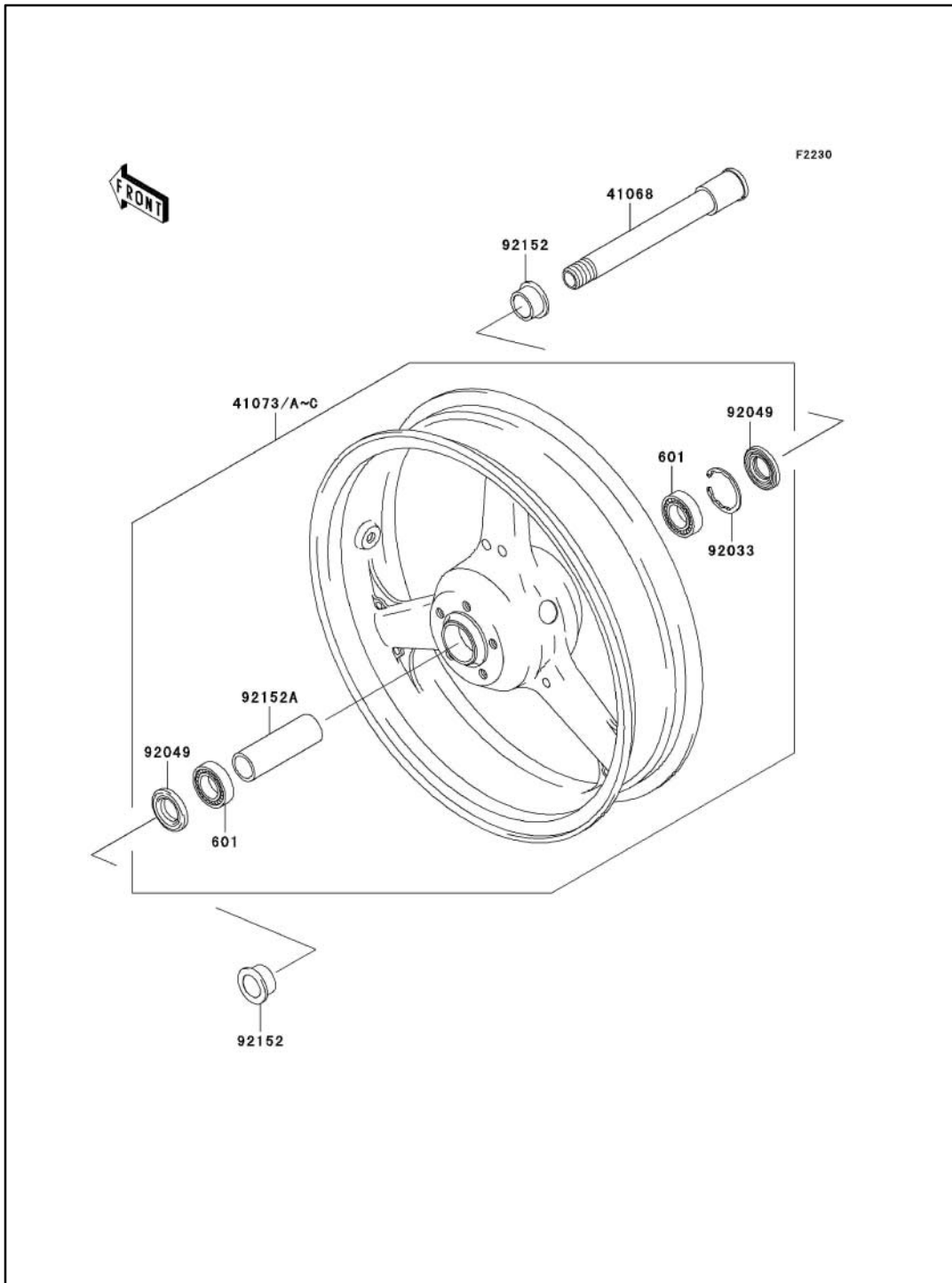


Ref #	Part #	Description	Qty	Spec Code
130	130L0614	BOLT-FLANGED	1	
13236	13236-1337	LEVER-COMP,FRONT BRAKE	1	
27010	27010-1170	SWITCH,BRAKE	1	
43015	43015-0011	CYLINDER-ASSY-MASTER,FR	1	
43020	43020-1054	PISTON-COMP-BRAKE,FR	1	
43022	43022-1010	STOPPER-BRAKE,PISTON	1	
43026	43026-1076	CAP-BRAKE	1	
43027	43027-1055	PLATE-DIAPHRAGM	1	
43028	43028-1058	DIAPHRAGM,MASTER CYLINDER	1	
43034	43034-1053	HOLDER-BRAKE,MASTER CYLINDER	1	
43064	43064-007	GROMMET,HOSE CLAMP	1	
43067	43067-001	WASHER,10.5X15X1.5	7	
43095	43095-1291	HOSE-BRAKE,FR	1	
43095A	43095-1338	HOSE-BRAKE,FR	1	
49016	49016-1044	COVER-SEAL,MASTER CYLINDER	1	
92002	92002-1322	BOLT,LEVER SET,BLACK	1	
92002A	92002-1323	BOLT,SCREW,4X12	1	
92002B	92002-1888	BOLT,OIL,L=23	2	
92002C	92002-1909	BOLT,OIL,L=37	1	
92009	92009-1458	SCREW,4MM	2	
92015	92015-1233	NUT,FLANGED,6MM,BLACK	1	
92037	92037-1827	CLAMP,HOSE	3	
92153	92153-0417	BOLT,SOCKET,6X20	2	
92171	92171-1574	CLAMP,BRAKE HOSE	1	



Front master cylinder

2003 Kawasaki Z1000 (ZR1000-A1)



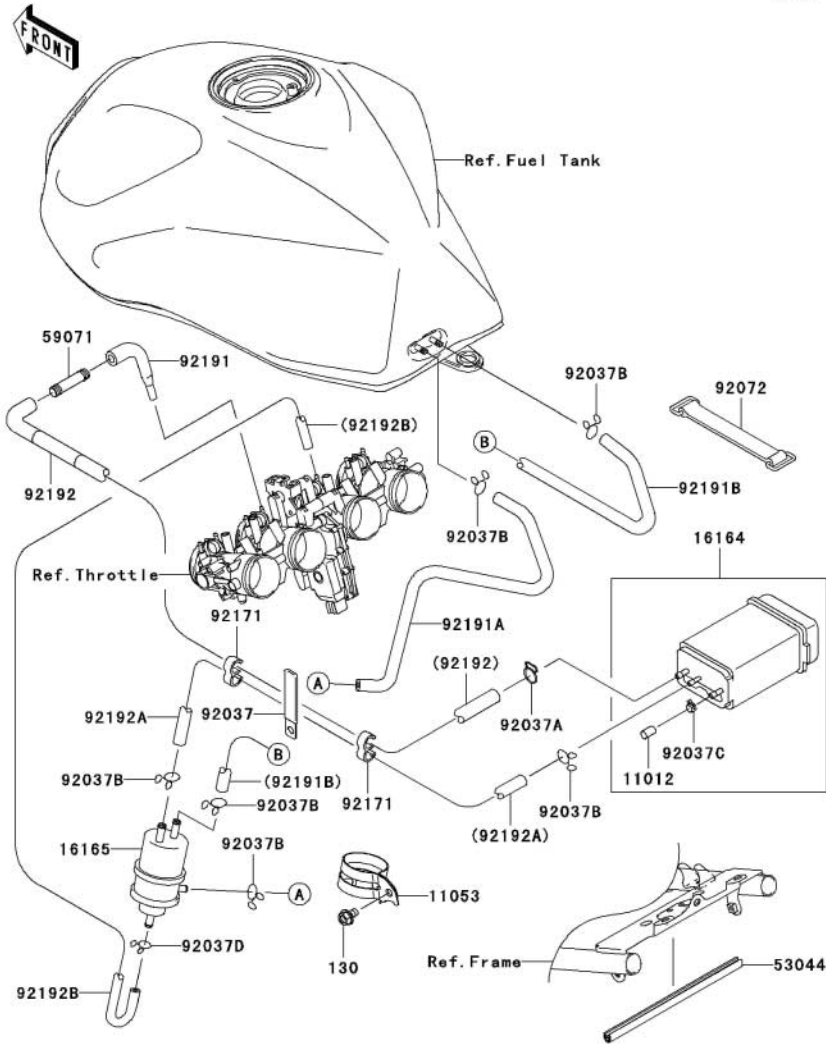
Ref #	Part #	Description	Qty	Spec Code
601	601B6005UU	BEARING-BALL,#6005UU	2	
41068	41068-1463	AXLE,FR	1	
41073	41073-0001-CW	WHEEL-ASSY,FR,F.RED	1	
41073B	41073-0001-475	WHEEL-ASSY,FR,L.GREEN	1	[CN]
41073C	41073-0001-494	WHEEL-ASSY,FR,B.ORANGE	1	
92033	92033-1042	RING-SNAP,47MM	1	
92049	92049-1377	SEAL-OIL,BJN 32 47 5	2	
92152	92152-1078	COLLAR,FR AXLE,L=19	2	
92152A	92152-1079	COLLAR,FR HUB,L=98	1	



Front wheel

2003 Kawasaki Z1000 (ZR1000-A1)

E1650

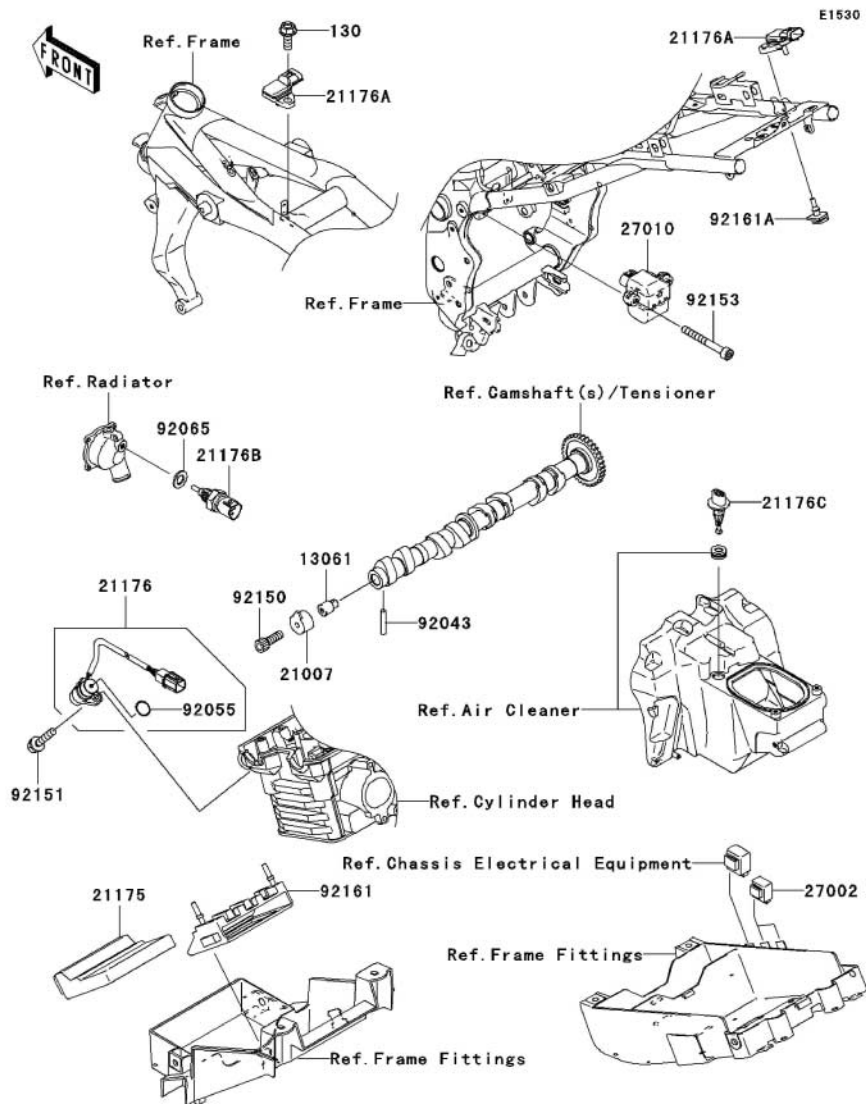


Ref #	Part #	Description	Qty	Spec Code
130	130G0610	BOLT-FLANGED,6X10	1	[CA]
11012	11012-1388	CAP,CANISTER	1	[CA]
11053	11053-1191	BRACKET,SEPARATOR	1	[CA]
16164	16164-1054	CANISTER	1	[CA]
16165	16165-1001	SEPARATOR	1	[CA]
53044	53044-1276	TRIM,L=157	1	[CA]
59071	59071-3764	JOINT	1	[CA]
92037	92037-1069	CLAMP,L=60	1	[CA]
92037A	92037-1104	CLAMP,HOSE	1	[CA]
92037B	92037-147	CLAMP,TUBE	6	[CA]
92037C	92037-1512	CLAMP,CANISTER	1	[CA]
92037D	92037-1712	CLAMP	1	[CA]
92072	92072-1384	BAND	1	[CA]
92171	92171-1184	CLAMP	2	[CA]
92191	92191-0031	TUBE,THROTTLE-FITTING	1	[CA]
92191A	92191-1804	TUBE,TANK-SEPARATOR,RED	1	[CA]
92191B	92191-1805	TUBE,TANK-SEPARATOR,BLUE	1	[CA]
92192	92192-0005	TUBE,CANISTER-FITTING,GREEN	1	[CA]
92192A	92192-0006	TUBE,CANISTER-SEPARATOR,BLUE	1	[CA]
92192B	92192-0008	TUBE,THROTTLE-SEPARATOR,WHITE	1	[CA]



Fuel evaporative System CA

2003 Kawasaki Z1000 (ZR1000-A1)



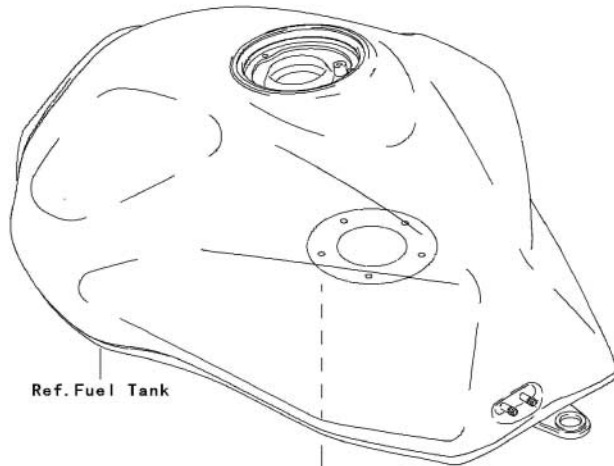
Ref #	Part #	Description	Qty	Spec Code
130	130J0616	BOLT-FLANGED, 6X16, BLACK	1	
13061	13061-1687	BOSS, CAM SENSOR	1	
21007	21007-0005	ROTOR	1	
21175	21175-0007	CONTROL UNIT-ELECTRONIC	1	
21176	21176-1077	SENSOR	1	
21176A	21176-1118	SENSOR	2	
21176B	21176-1120	SENSOR, WATER TEMP	1	
21176C	21176-2106	SENSOR, AIR TEMP	1	
27002	27002-1062	RELAY-ASSY	2	
27010	27010-0007	SWITCH	1	
92043	92043-1575	PIN	1	
92055	92055-1639	RING-O	1	
92065	92065-097	GASKET, 12X22X2, DRAIN PLUG	1	
92150	92150-1645	BOLT, 6X18	1	
92151	92151-1774	BOLT, 6X16	1	
92153	92153-0377	BOLT, 4X35	2	
92161	92161-0019	DAMPER	1	
92161A	92161-0041	DAMPER	1	



Fuel injection
2003 Kawasaki Z1000 (ZR1000-A1)

Ref #	Part #	Description	Qty	Spec Code
670	670E5075	O RING	1	
49040	49040-1082	PUMP-FUEL	1	
51044	51044-1233	TUBE-ASSY	1	
92153	92153-1283	BOLT,6X12	5	

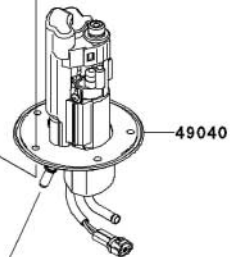
E1520



Ref. Fuel Tank



670



49040

92153



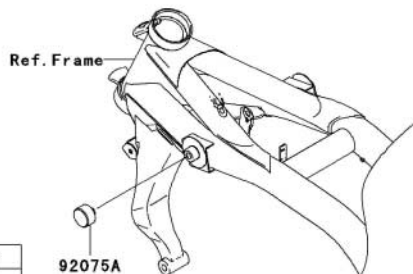
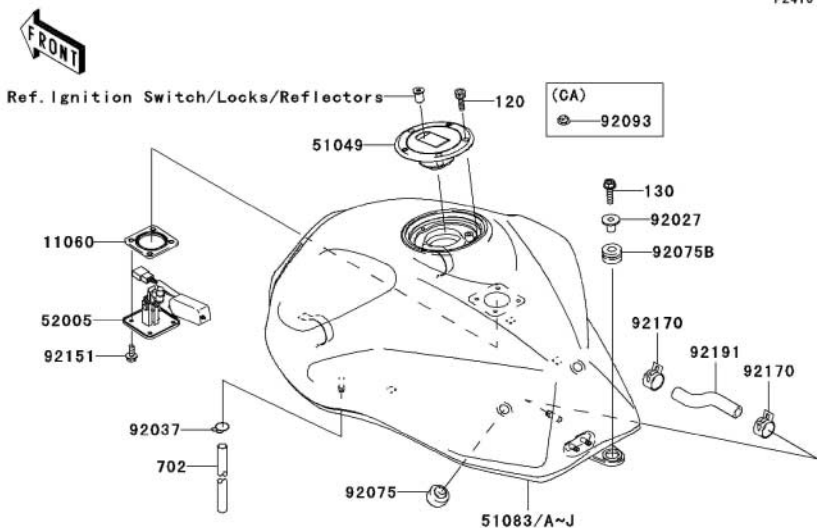
51044



Fuel pump

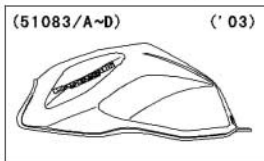
2003 Kawasaki Z1000 (ZR1000-A1)

F2410

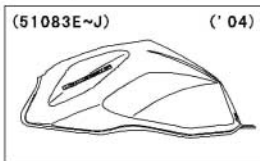


(51083/C)	Black
(51083A)	Green
(51083B/D)	Orange

(51083E/I)	Red
(51083F)	Black
(51083G)	Orange
(51083H/J)	Green



WD



WD

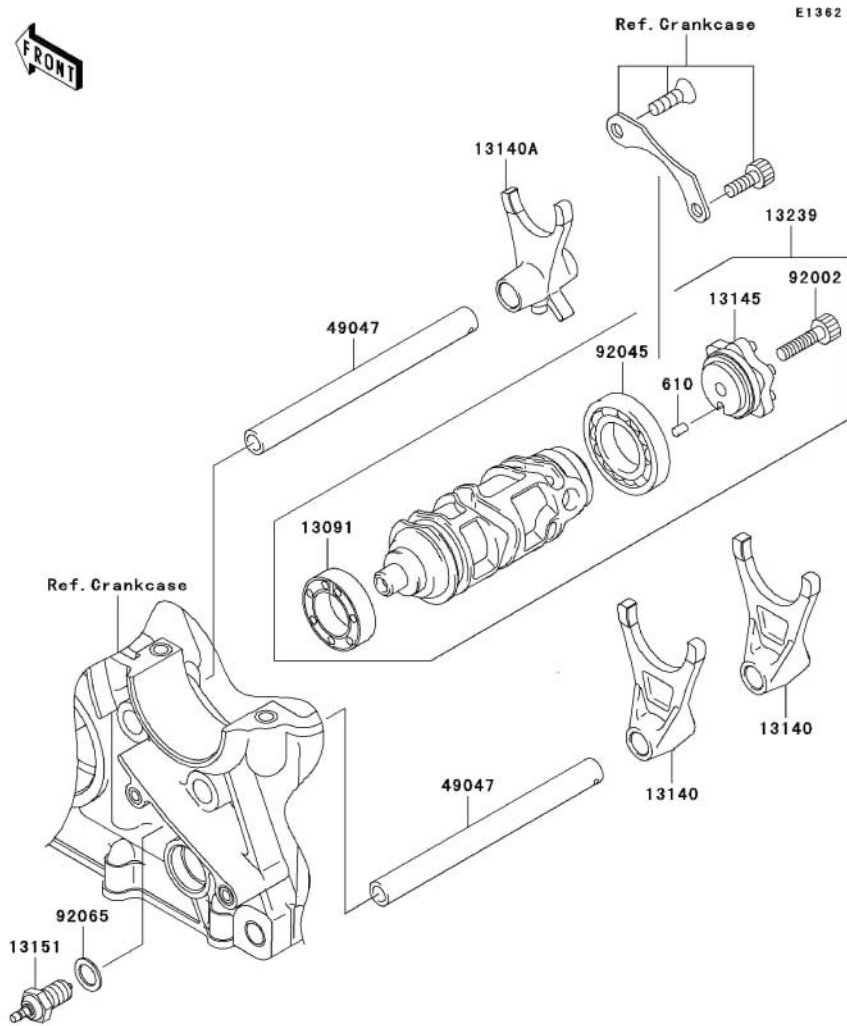
Ref #	Part #	Description	Qty	Spec Code
120	120S0516	BOLT-SOCKET	3	
130	130G0830	BOLT-FLANGED,8X30	1	
702	702A06750	TUBE-RUBBER,6X9X750	1	
11060	11060-1952	GASKET,FUEL GAUGE	1	
51049	51049-1127	CAP-TANK,FUEL	1	
51083	51083-5016-B5	TANK-COMP-FUEL,BLACK	1	[CN,US]
51083A	51083-5017-7F	TANK-COMP-FUEL,L.GREEN	1	[CN]
51083B	51083-5018-470	TANK-COMP-FUEL,P.B.ORANGE	1	[CN,US]
51083C	51083-5019-B5	TANK-COMP-FUEL,BLACK	1	[CA]
51083D	51083-5020-470	TANK-COMP-FUEL,P.B.ORANGE	1	[CA]
52005	52005-1160	GAUGE,FUEL	1	
92027	92027-1780	COLLAR,L=19.3	1	
92037	92037-010	CLAMP,TUBE	1	
92075	92075-015	DAMPER	2	
92075A	92075-101	DAMPER,FUEL TANK	2	
92075B	92075-1736	DAMPER	1	
92093	92093-1030	SEAL,FUEL TANK CAP	1	[CA]
92151	92151-1599	BOLT,5X12	4	
92170	92170-1492	CLAMP	2	
92191	92191-1801	TUBE	1	



Fuel tank

2003 Kawasaki Z1000 (ZR1000-A1)

FRONT



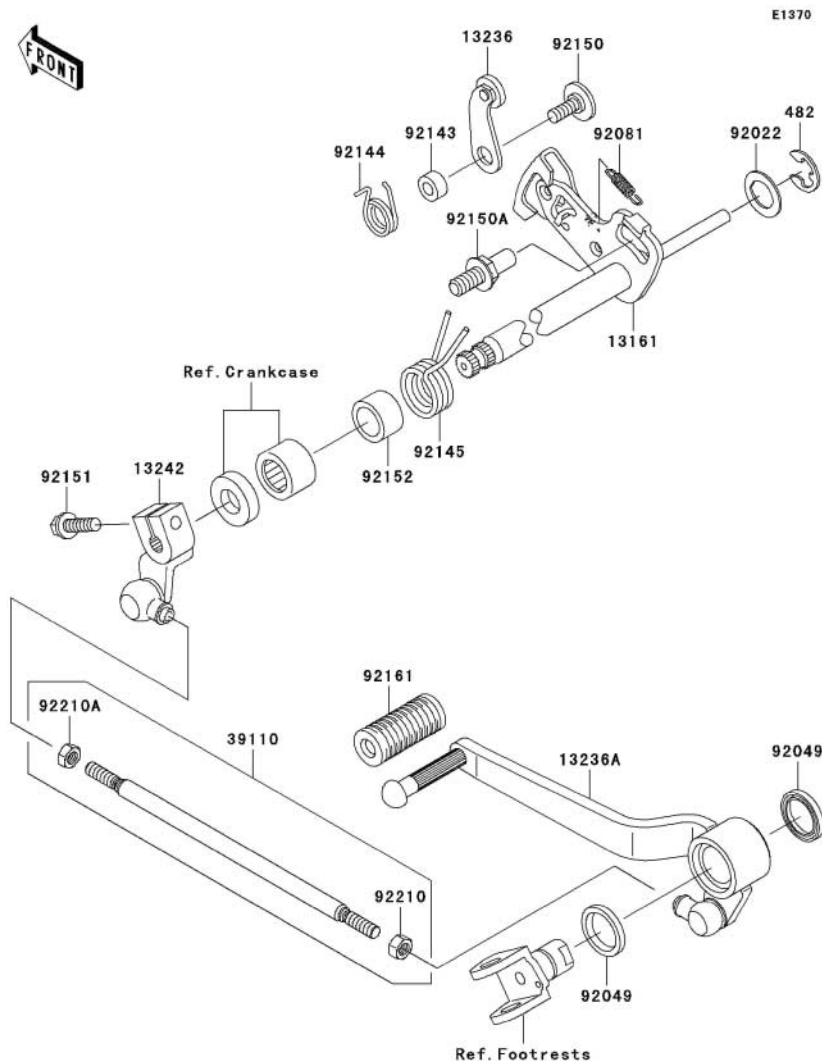
Ref #	Part #	Description	Qty	Spec Code
610	610A0406	ROLLER, 4X6	1	
13091	13091-1791	HOLDER	1	
13140	13140-1266	FORK-SHIFT, OUTPUT	2	
13140A	13140-1317	FORK-SHIFT, INPUT	1	
13145	13145-0002	CAM-CHANGE DRUM	1	
13151	13151-1085	SWITCH-COMP	1	
13239	13239-0002	DRUM-ASSY-CHANGE	1	
49047	49047-0010	ROD-SHIFT	2	
92002	92002-1696	BOLT, SOCKET, 6X25	1	
92045	92045-1045	BEARING-BALL, 16005(NTN)	1	
92065	92065-058	GASKET, 10.5X16X1	1	



Gear change drum / Shift fork

2003 Kawasaki Z1000 (ZR1000-A1)

FRONT



Ref #	Part #	Description	Qty	Spec Code
482	482J0200	CIRCLIP-TYPE-E,12MM	1	
13161	13161-1292	LEVER-COMP-CHANGE SHAFT	1	
13236	13236-1243	LEVER-COMP	1	
13236A	13236-1365	LEVER-COMP, PEDAL	1	
13242	13242-1395	LEVER-ASSY-CHANGE	1	
39110	39110-1131	ROD-ASSY-TIE	1	
92022	92022-1628	WASHER, CHANGE SHAFT	1	
92049	92049-1492	SEAL-OIL	2	
92081	92081-1708	SPRING, PAWL RETURN	1	
92143	92143-1595	COLLAR	1	
92144	92144-1857	SPRING, GEAR POSITION	1	
92145	92145-1122	SPRING	1	
92150	92150-1737	BOLT, SOCKET, 6X16	1	
92150A	92150-1869	BOLT, RETURN SPRING	1	
92151	92151-1226	BOLT, 6X20	1	
92152	92152-1383	COLLAR	1	
92161	92161-1300	DAMPER, CHANGE LEVER	1	
92210	92210-1100	NUT, 6MM	1	
92210A	92210-1101	NUT, LEFT HANDED, 6MM	1	

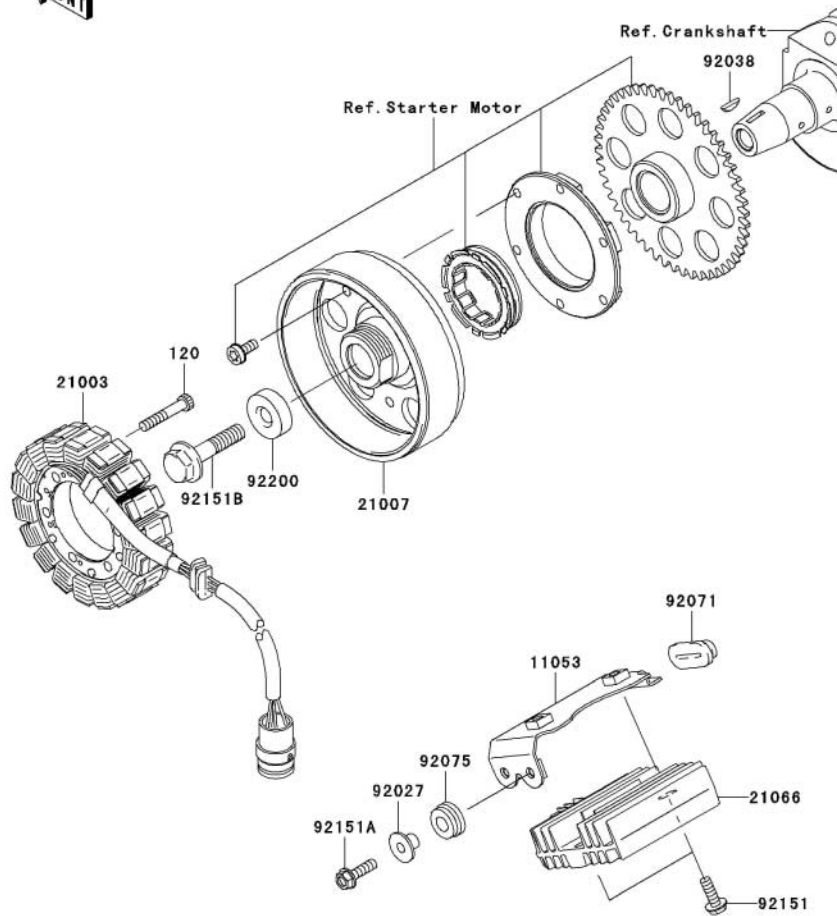


Gear change mechanism

2003 Kawasaki Z1000 (ZR1000-A1)

FRONT

E1810

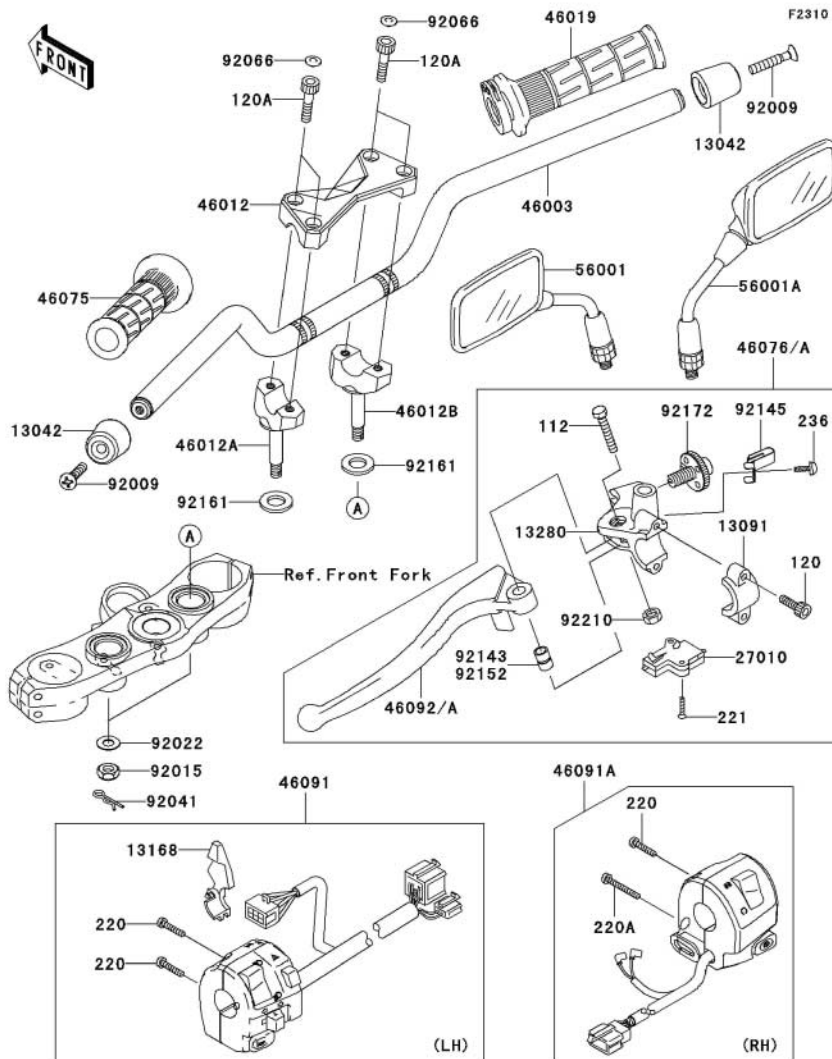


Ref #	Part #	Description	Qty	Spec Code
120	120P0630	BOLT-SOCKET, 6X30	4	
11053	11053-0210	BRACKET, REGULATOR	1	
21003	21003-0001	STATOR	1	
21007	21007-0002	ROTOR	1	
21066	21066-1127	REGULATOR-VOLTAGE	1	
92027	92027-1920	COLLAR, L=14.1	2	
92038	92038-1060	KEY	1	
92071	92071-1187	GROMMET	1	
92075	92075-1123	DAMPER, RUBBER	2	
92151	92151-1226	BOLT, 6X20	2	
92151A	92151-1411	BOLT, 6X22	2	
92151B	92151-1653	BOLT, 10X40	1	
92200	92200-1241	WASHER	1	



Generator

2003 Kawasaki Z1000 (ZR1000-A1)



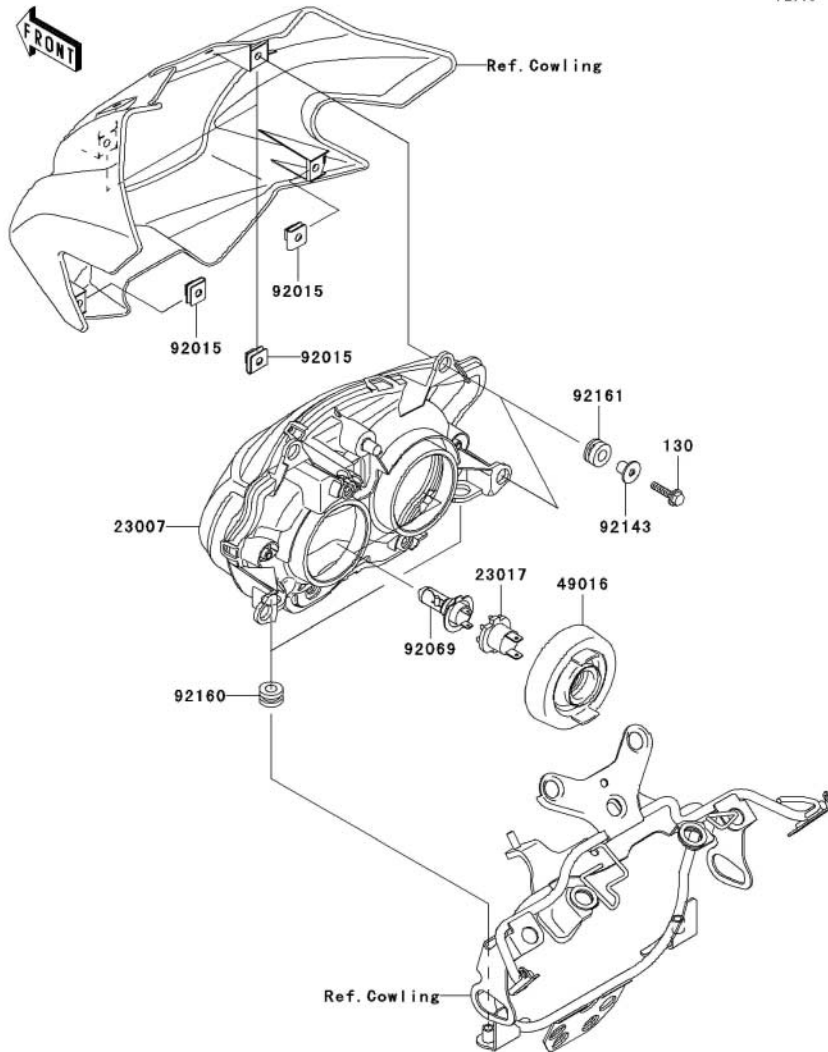
Ref #	Part #	Description	Qty	Spec Code
112	112J0630	BOLT - UPSET	1	
120	120S0620	BOLT - SOCKET	2	
120A	120S0830	BOLT - SOCKET, 8X30, BLACK	4	
220	220C0525	SCREW - PAN-CROS	3	
220A	220C0540	SCREW - PAN-CROS	1	
221	221C0316	SCREW - CSK-CROS	2	
236	236C0410	SCREW - PAN-WSP-CROS, 4X10	1	
13042	13042-1005	WEIGHT, HANDLE	2	
13091	13091-1624	HOLDER, CLUTCH LEVER	1	
13168	13168-1516	LEVER, CHOKE	1	
13280	13280-0017	HOLDER, CLUTCH LEVER	1	
27010	27010-1094	SWITCH, CLUTCH, BLACK	1	
46003	46003-1594	HANDLE	1	
46012	46012-1338	HOLDER - HANDLE, UPP	1	
46012A	46012-1339	HOLDER - HANDLE, LWR, LH	1	
46012B	46012-1340	HOLDER - HANDLE, LWR, RH	1	
46019	46019-0001	GRIP - ASSY, THROTTLE	1	
46075	46075-1144	GRIP, LH	1	
46076	46076-0002	LEVER - ASSY - GRIP, CLUTCH	1	
46091	46091-0008	HOUSING - ASSY - CONTROL, LH	1	
46091A	46091-1891	HOUSING - ASSY - CONTROL, RH	1	
46092A	46092-0003	LEVER - GRIP, CLUTCH	1	
56001	56001-1594	MIRROR - ASSY, LH	1	
56001A	56001-1595	MIRROR - ASSY, RH	1	
92009	92009-1257	SCREW, 8X45	2	
92015	92015-1962	NUT, LOCK, 10MM	2	
92022	92022-1088	WASHER, 10. 2X28X2	2	
92041	92041-1060	COTTER, 8MM	2	
92066	92066-1216	PLUG	4	
92143	92143-1351	COLLAR	1	
92145	92145-1286	SPRING	1	
92161	92161-0037	DAMPER	2	
92172	92172-1060	SCREW, ADJUST NUT	1	
92210	92210-0006	NUT, LOCK, 6MM	1	



Handlebar

2003 Kawasaki Z1000 (ZR1000-A1)

F2710

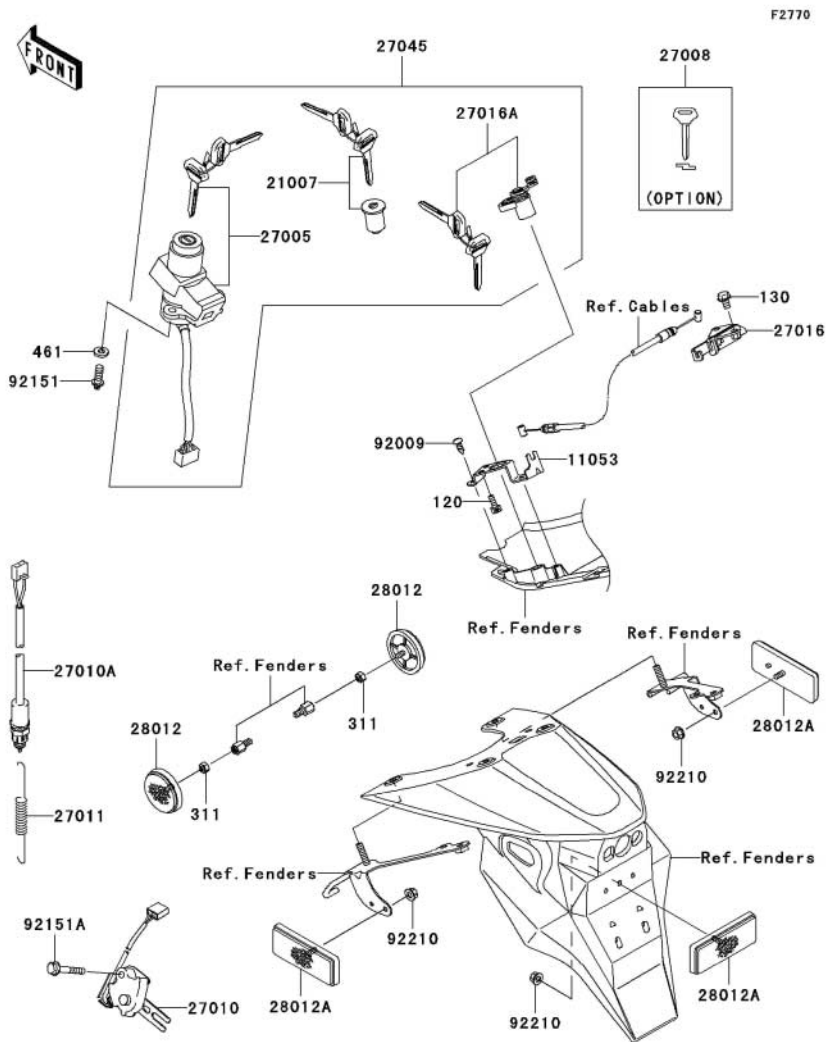


Ref #	Part #	Description	Qty	Spec Code
130	130J0625	BOLT-FLANGED,6X25	4	
23007	23007-1442	LENS-COMP,HEAD LAMP	1	
23017	23017-1067	SOCKET,HEAD LAMP	2	
49016	49016-1209	COVER-SEAL,HEAD LAMP	2	
92015	92015-1094	NUT,6MM	4	
92069	92069-1126	BULB,12V 55W,H7	2	
92143	92143-1353	COLLAR	4	
92160	92160-1167	DAMPER	2	
92161	92161-0036	DAMPER	4	



Headlight

2003 Kawasaki Z1000 (ZR1000-A1)



F2770

Ref #	Part #	Description	Qty	Spec Code
120	120S0512	BOLT-SOCKET	2	
130	130J0612	BOLT-FLANGED	2	
311	311L0500	NUT-HEX	2	
461	461L0600	WASHER-SPRING	2	
11053	11053-1146	BRACKET, SEAT LOCK	1	
21007	21007-5042	ROTOR, LOCK, TANK CAP	1	
27005	27005-5125	SWITCH-ASSY-IGNITION	1	
27008	27008-1189	KEY-LOCK, BLANK	1	(OPTION)
27010	27010-1470	SWITCH, SIDE STAND	1	
27010A	27010-1479	SWITCH, REAR BRAKE	1	
27011	27011-017	SPRING, BRAKE LAMP SWITCH	1	
27016	27016-1115	LOCK-ASSY, SEAT STRIKER	1	
27016A	27016-5292	LOCK-ASSY, SEAT	1	
27045	27045-5184	SWITCH-ASSY	1	
28012	28012-016	REFLECTOR-REFLEX, FR	2	
28012A	28012-1077	REFLECTOR-REFLEX	3	
92009	92009-1138	SCREW, TAPPING, 5X12, BLACK	2	
92151	92151-1911	BOLT, TORX, 6X16	2	
92151A	92151-1982	BOLT, 6X35	1	
92210	92210-0007	NUT, FLANGED, 5MM	3	

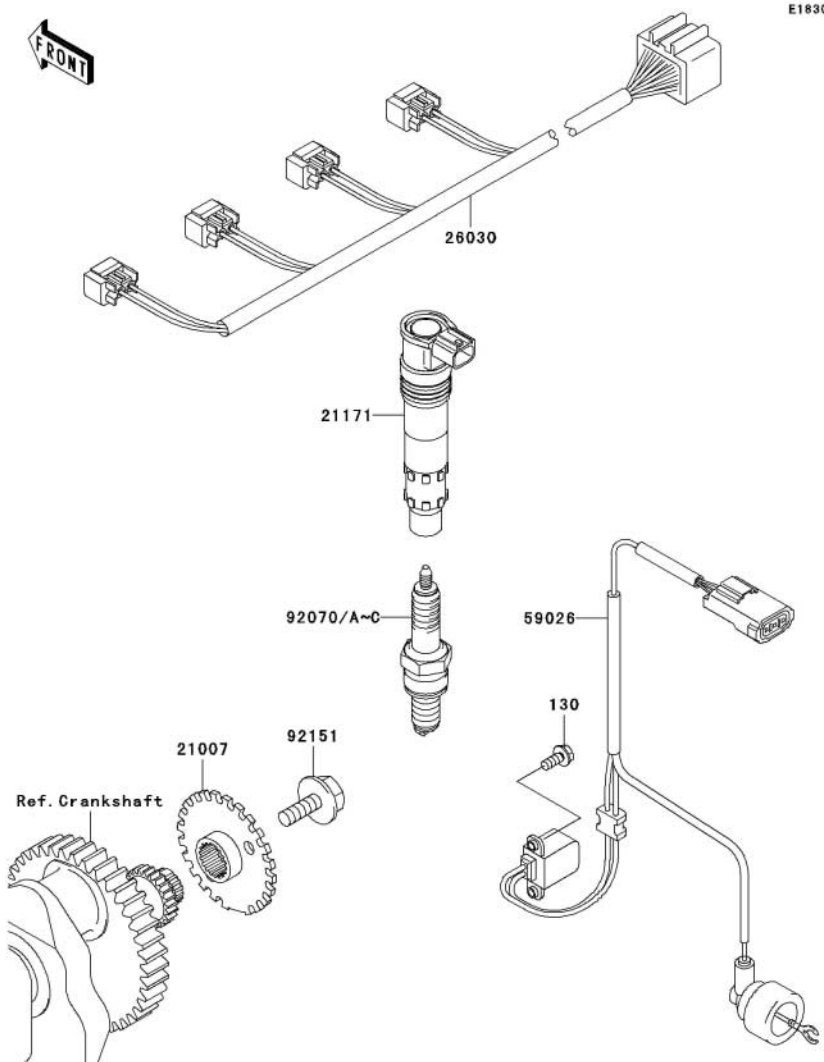


Ignition switch - Locks - Reflectors

2003 Kawasaki Z1000 (ZR1000-A1)

FRONT

E1830



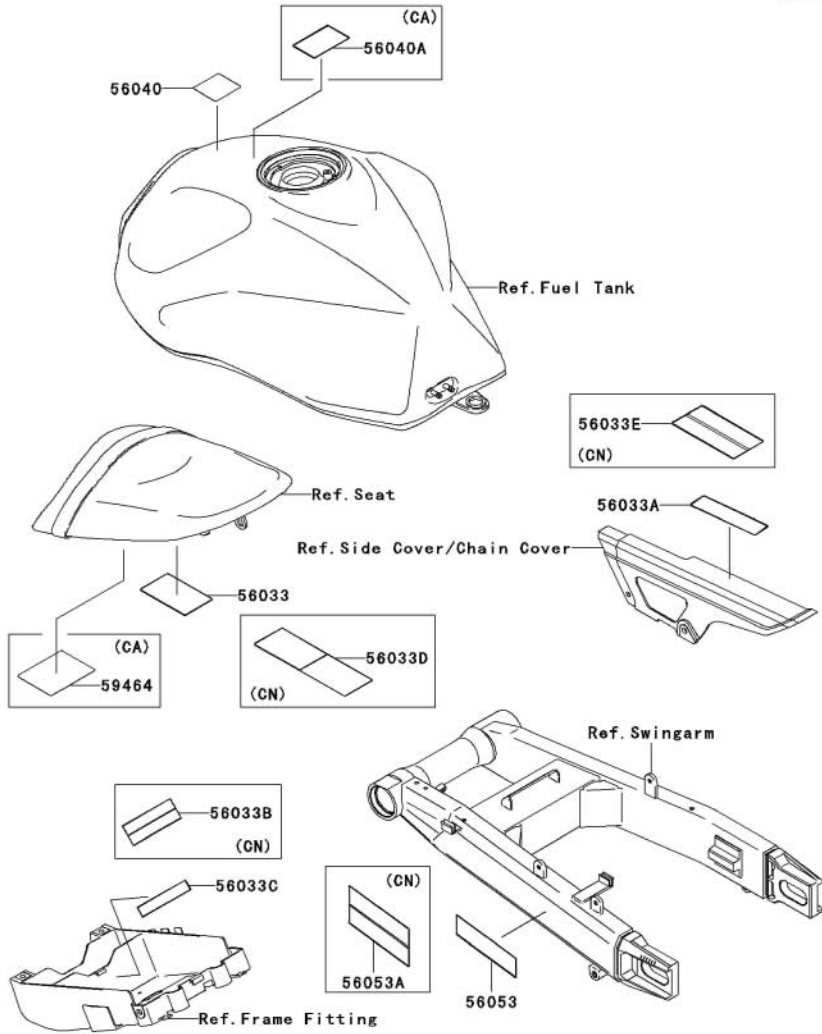
Ref #	Part #	Description	Qty	Spec Code
130	130G0512	BOLT-FLANGED	2	
21007	21007-1419	ROTOR	1	
21171	21171-1286	COIL-ASSY-IGNITION	4	
26030	26030-1750	HARNESS,IGNITION COIL	1	
59026	59026-0004	COIL-PULSING	1	
92070		PLUG-SPARK,U27ETR(ND)	4	(LOCAL PROCUREMENT ITEM)
92070A		PLUG-SPARK,U24ETR(ND)	4	(LOCAL PROCUREMENT ITEM)
92070B	92070-1264	PLUG-SPARK,CR9EK(NGK)	4	
92070C	92070-1265	PLUG-SPARK,CR8EK(NGK)	4	(OPTION)
92151	92151-1308	BOLT,8X23	1	



Ignition system

2003 Kawasaki Z1000 (ZR1000-A1)

F2860



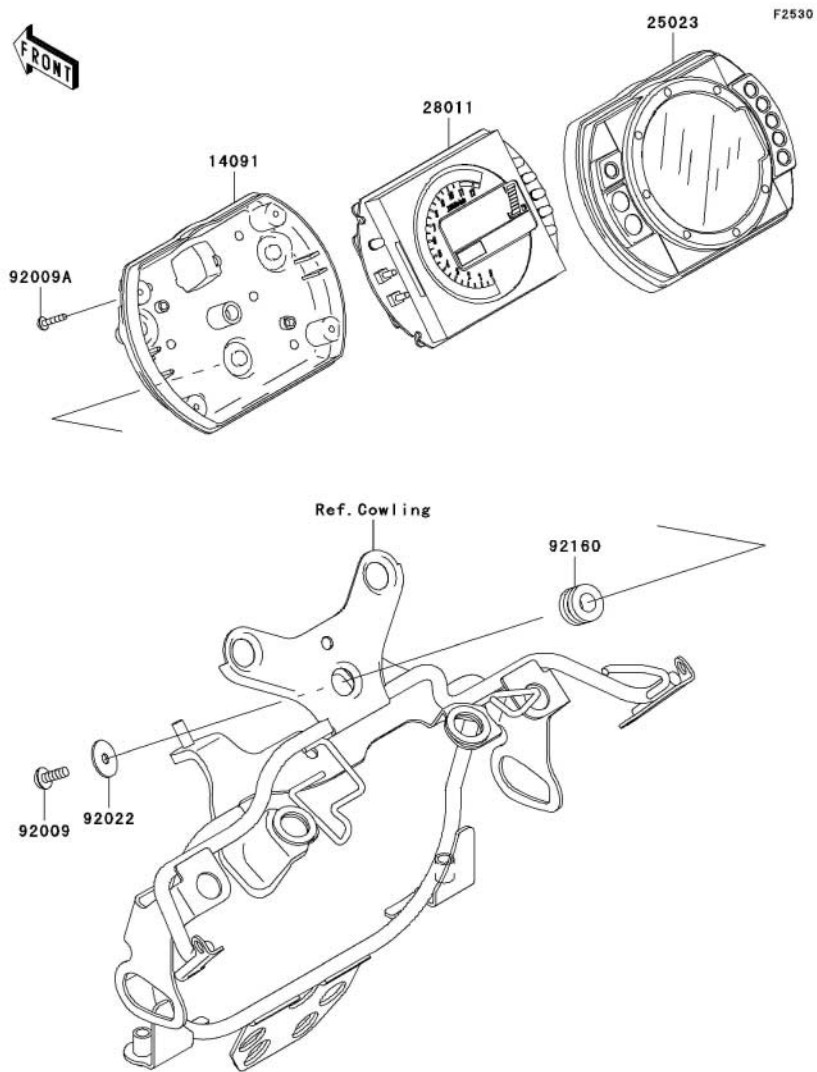
Ref #	Part #	Description	Qty	Spec Code
56033	56033-0003	LABEL-MANUAL,DAILY SAFETY	1	[CA, US]
56033A	56033-0013	LABEL-MANUAL,CHAIN	1	[CA, US]
56033B	56033-1284	LABEL-MANUAL,OIL&OIL FILTER	1	[CN]
56033C	56033-1298	LABEL-MANUAL,OIL&OIL FILTER	1	[CA, US]
56033D	56033-1360	LABEL-MANUAL,DAILY SAFETY	1	[CN]
56033E	56033-1362	LABEL-MANUAL,CHAIN	1	[CN]
56040	56040-1007	LABEL-WARNING,BREAK IN CAUTION	1	[CA, US]
56040A	56040-1121	LABEL-WARNING,EVAPO	1	[CA]
56053	56053-0007	LABEL-SPECIFICATION,TIRE&LOAD	1	[CA, US]
56053A	56053-0008	LABEL-SPECIFICATION,TIRE&LOAD	1	[CN]
59464	59464-0050	LABEL-CERTIFICATION,EVAPO ROUT	1	[CA]



Labels

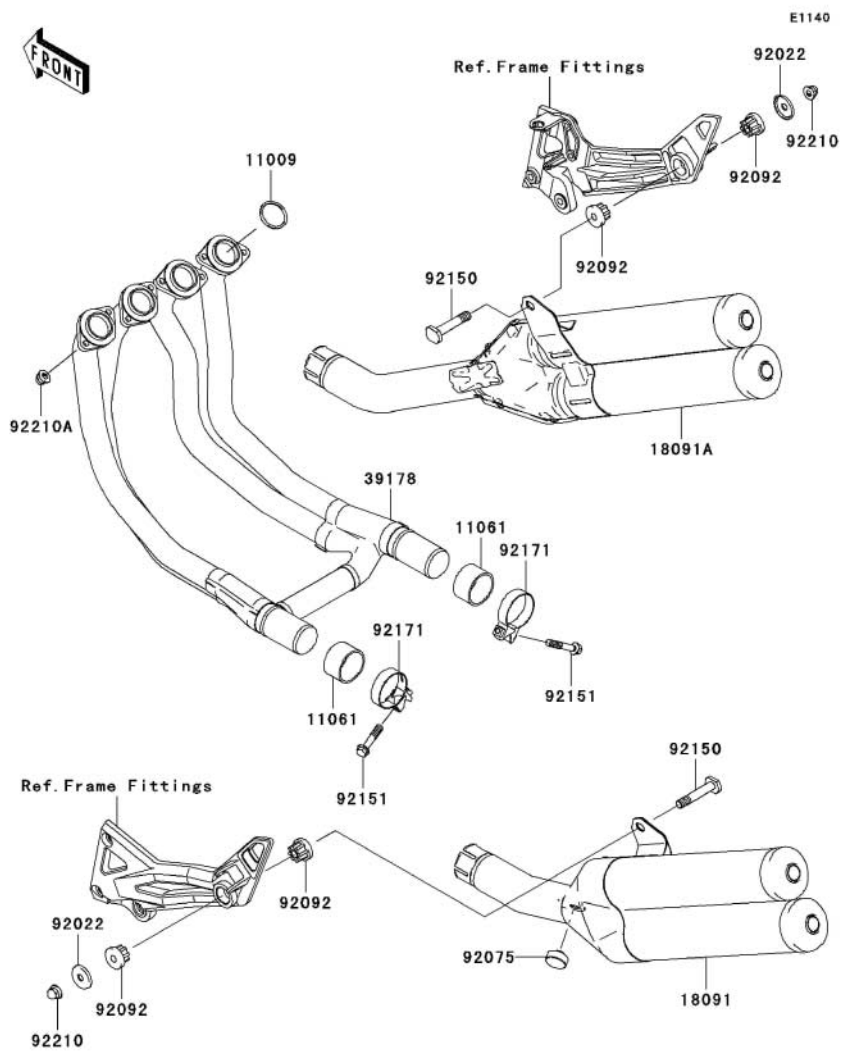
2003 Kawasaki Z1000 (ZR1000-A1)

Ref #	Part #	Description	Qty	Spec Code
14091	14091-1569	COVER,METER,LWR	1	
25023	25023-0001	COVER-METER CASE,UPP	1	
28011	28011-0001	METER,LCD	1	
92009	92009-1197	SCREW,TAPPING,5X14	3	
92009A	92009-1592	SCREW,TAPPING,3X14	5	
92022	92022-1405	WASHER,5.5X20X1.2	3	
92160	92160-1167	DAMPER	3	



Meter

2003 Kawasaki Z1000 (ZR1000-A1)



Ref #	Part #	Description	Qty	Spec Code
11009	11009-1840	GASKET, EXHAUST PIPE HOLDER	4	
11061	11061-0023	GASKET, MUFFLER CONNECTING	2	
18091	18091-0019	BODY-COMP-MUFFLER, LH	1	
18091A	18091-0020	BODY-COMP-MUFFLER, RH	1	
39178	39178-0008	MANIFOLD-COMP-EXHAUST	1	
92022	92022-289	WASHER	2	
92075	92075-1737	DAMPER	1	
92092	92092-1087	BUSHING-RUBBER, MUFFLER	4	
92150	92150-1792	BOLT, 10X55	2	
92151	92151-1532	BOLT, FLANGED, 8X40	2	
92171	92171-0043	CLAMP	2	
92210	92210-1121	NUT, CAP, 10MM	2	
92210A	92210-1328	NUT, 8MM	8	

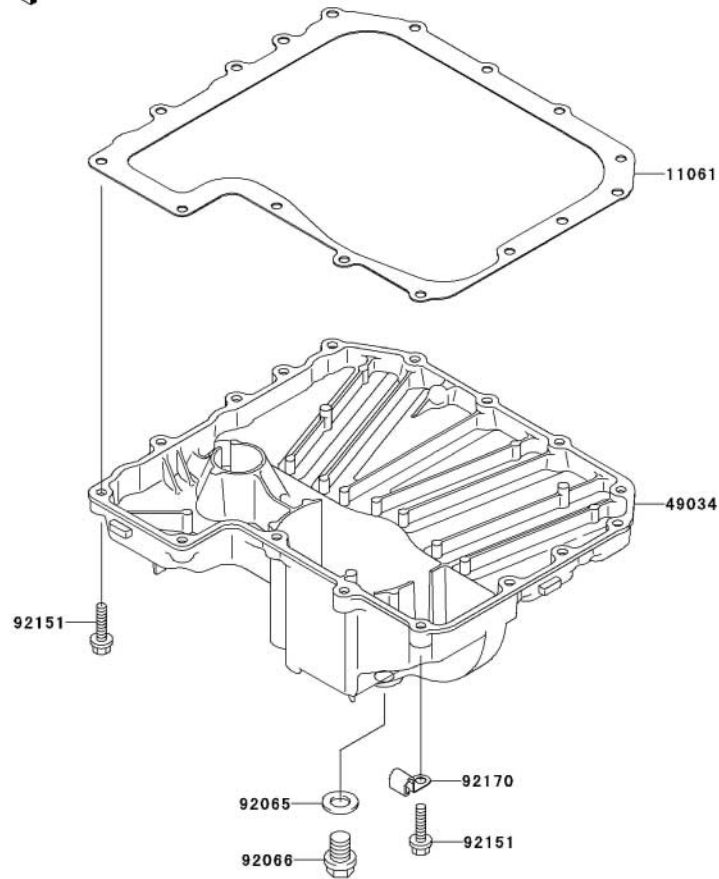


Muffler
2003 Kawasaki Z1000 (ZR1000-A1)

Ref #	Part #	Description	Qty	Spec Code
11061	11061-1167	GASKET, OIL PAN	1	
49034	49034-0002	PAN-OIL	1	
92065	92065-097	GASKET, 12X22X2, DRAIN PLUG	1	
92066	92066-1174	PLUG, OIL DRAIN, 12X15	1	
92151	92151-1546	BOLT, 6X25	16	
92170	92170-1804	CLAMP	1	

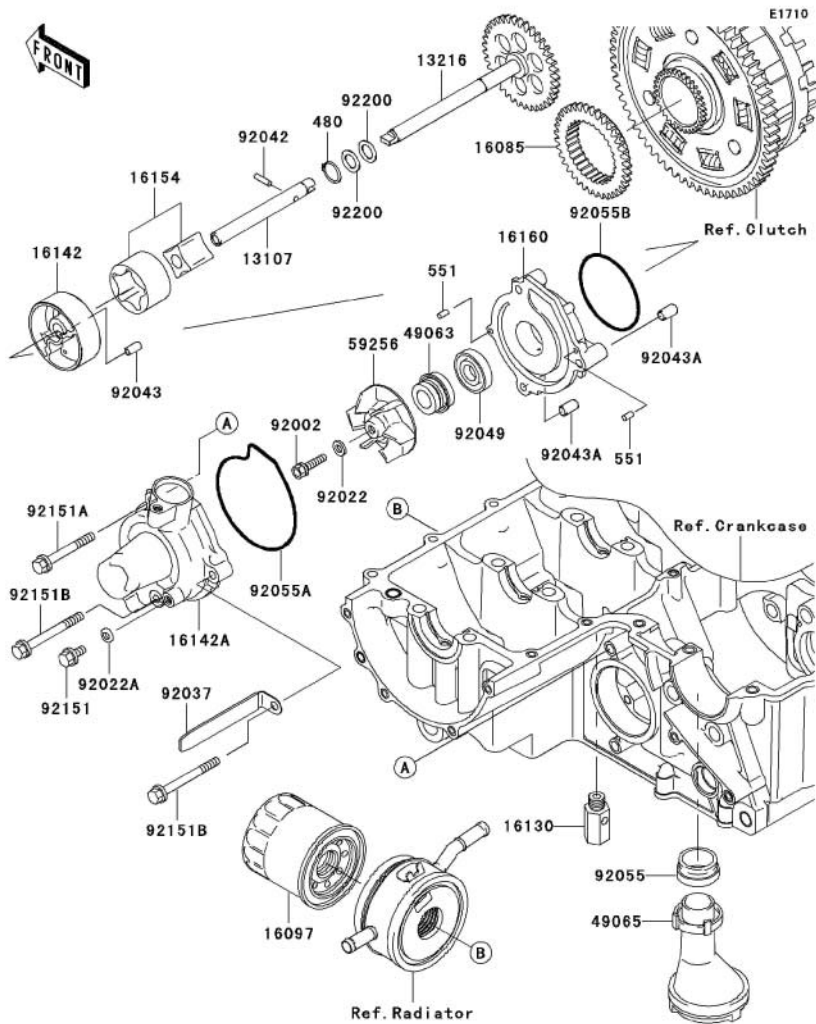
E1434

FRONT



Oil pan

2003 Kawasaki Z1000 (ZR1000-A1)

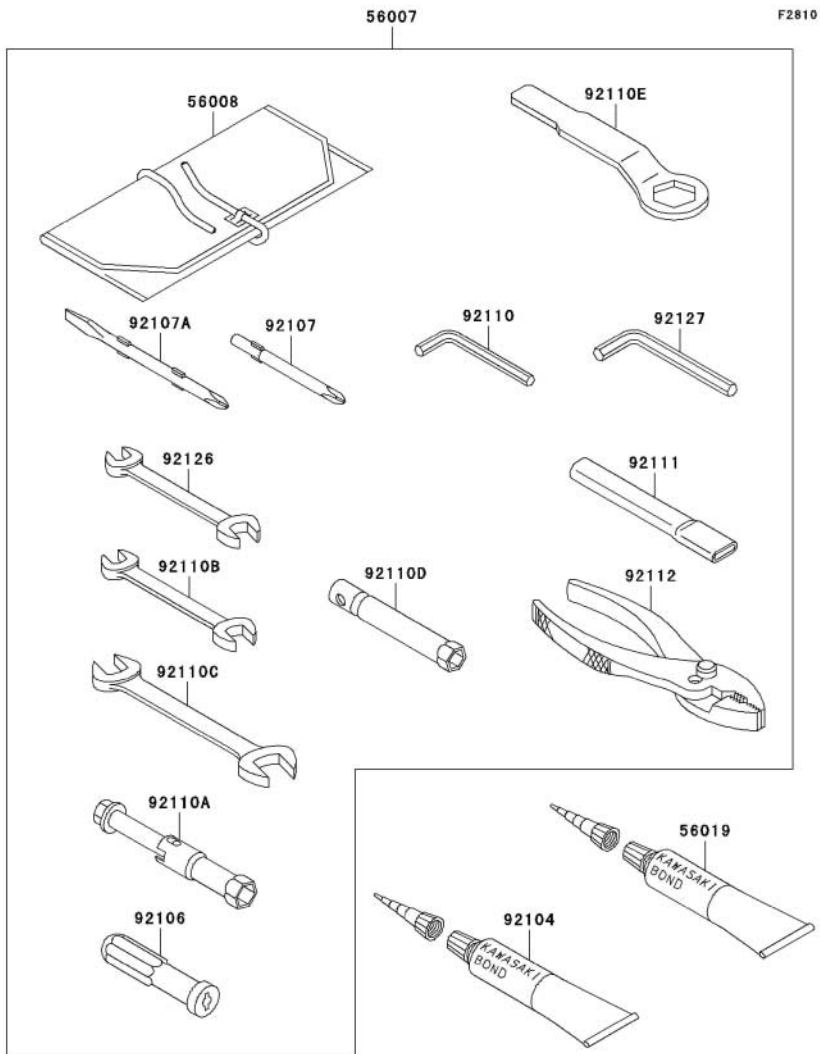


Ref #	Part #	Description	Qty	Spec Code
480	480J1100	CIRCLIP-TYPE-C, 11MM	1	
551	551A0408	PIN-DOWEL, 4X8	2	
13107	13107-1515	SHAFT, OIL PUMP	1	
13216	13216-1168	GEAR-COMP, OIL PUMP, 37T	1	
16085	16085-1305	GEAR, OIL PUMP, 37T	1	
16097	16097-0002	FILTER-ASSY-OIL	1	
16130	16130-1058	VALVE-ASSY-RELIEF	1	
16142	16142-1146	COVER-PUMP, OIL	1	
16142A	16142-1174	COVER-PUMP, WATER	1	
16154	16154-1124	ROTOR-PUMP	1	
16160	16160-1280	BODY, OIL PUMP	1	
49063	49063-1055	SEAL-MECHANICAL, WATER	1	
49065	49065-1078	FILTER-OIL	1	
59256	59256-1074	IMPELLER	1	
92002	92002-1154	BOLT, 6X22	1	
92022	92022-077	WASHER, 6.1X12X1	1	
92022A	92022-304	WASHER, 6.2X11X1	1	
92037	92037-1679	CLAMP	1	
92042	92042-014	PIN, DOWEL, 4X15.8	1	
92043	92043-1262	PIN, 4.2X6X12	1	
92043A	92043-1263	PIN, 6.2X8X14	2	
92049	92049-1336	SEAL-OIL, OIL PUMP	1	
92055	92055-1503	RING-O, OIL FILTER	1	
92055A	92055-1571	RING-O, WATER PUMP COVER	1	
92055B	92055-3018	RING-O	1	
92151	92151-1133	BOLT, 6X12	1	
92151A	92151-1234	BOLT, 6X50	1	
92151B	92151-1235	BOLT, 6X60	2	
92200	92200-1009	WASHER	2	



Oil pump / Oil filter

2003 Kawasaki Z1000 (ZR1000-A1)



Ref #	Part #	Description	Qty	Spec Code
56007	56007-0002	TOOL-KIT	1	
56008	56008-1077	BAG, TOOL	1	
56019	56019-120	THREE BOND TB1211, HT/RS, WHITE	1	
92104	92104-1063	GASKET - LIQUID, SILVER TB1216	1	
92106	92106-1001	GRIP-SCREW DRIVER	1	
92107	92107-005	TOOL-DRIVER, #3PHILLIPS	1	
92107A	92107-1051	TOOL-DRIVER, #2PHILLIPS&SLOT	1	
92110	92110-0001	TOOL-WRENCH, ALLEN, 5MM	1	
92110A	92110-1132	TOOL-WRENCH, BOX, 16MM	1	
92110B	92110-1152	TOOL-WRENCH, OPEN END, 10X12	1	
92110C	92110-1153	TOOL-WRENCH, OPEN END, 14X17	1	
92110D	92110-1156	TOOL-WRENCH, BOX, 10MM	1	
92110E	92110-1161	TOOL-WRENCH, BOX END, 32MM	1	
92111	92111-1051	TOOL-BAR, BOX END WRENCH	1	
92112	92112-1001	TOOL-PLIERS	1	
92126	92126-004	TOOL-WRENCH, OPEN END, 8X10	1	
92127	92127-003	TOOL-WRENCH, ALLEN, 6MM	1	



Owners tools

2003 Kawasaki Z1000 (ZR1000-A1)

Ref #	Part #	Description	Qty	Spec Code
	99987-1152	Owner's Manual	1	
	99931-1413-01	A & P Manual	1	
	99924-1310-02	Service Manual	1	
	99961-0574	Microfiche	1	

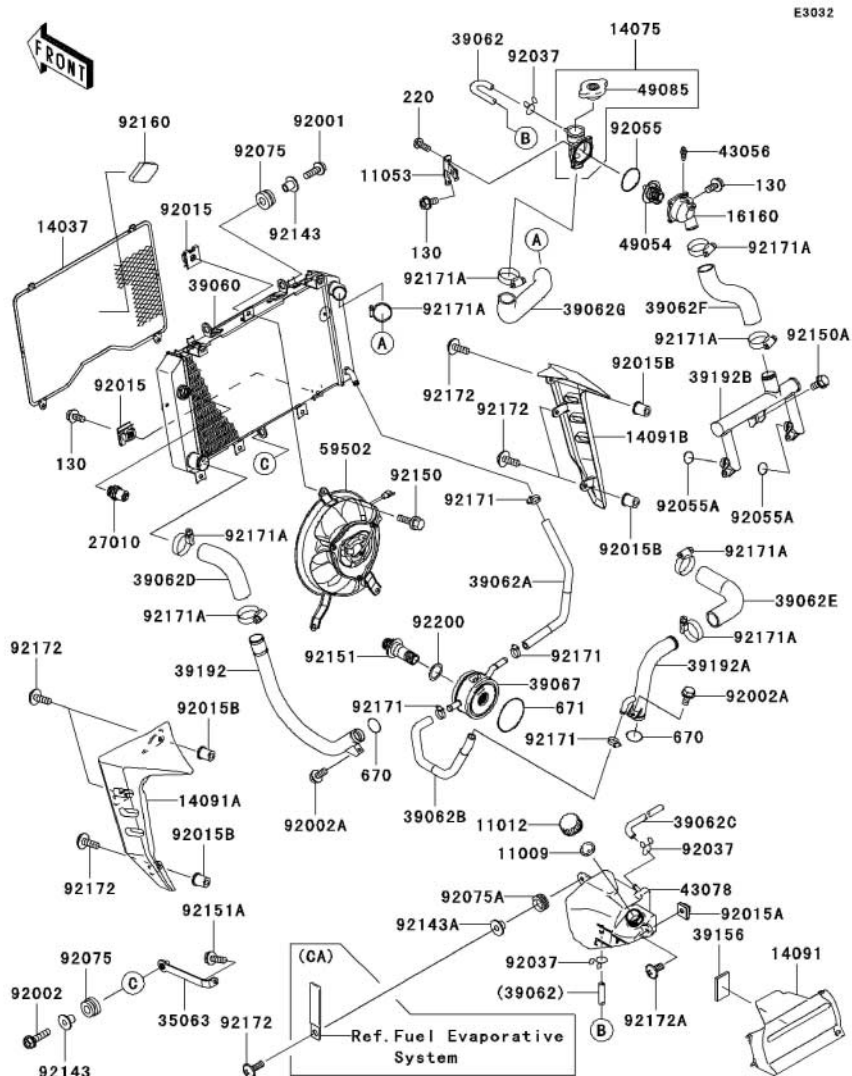
Publications available from Kawasaki



Kawasaki

Publications

2003 Kawasaki Z1000 (ZR1000-A1)

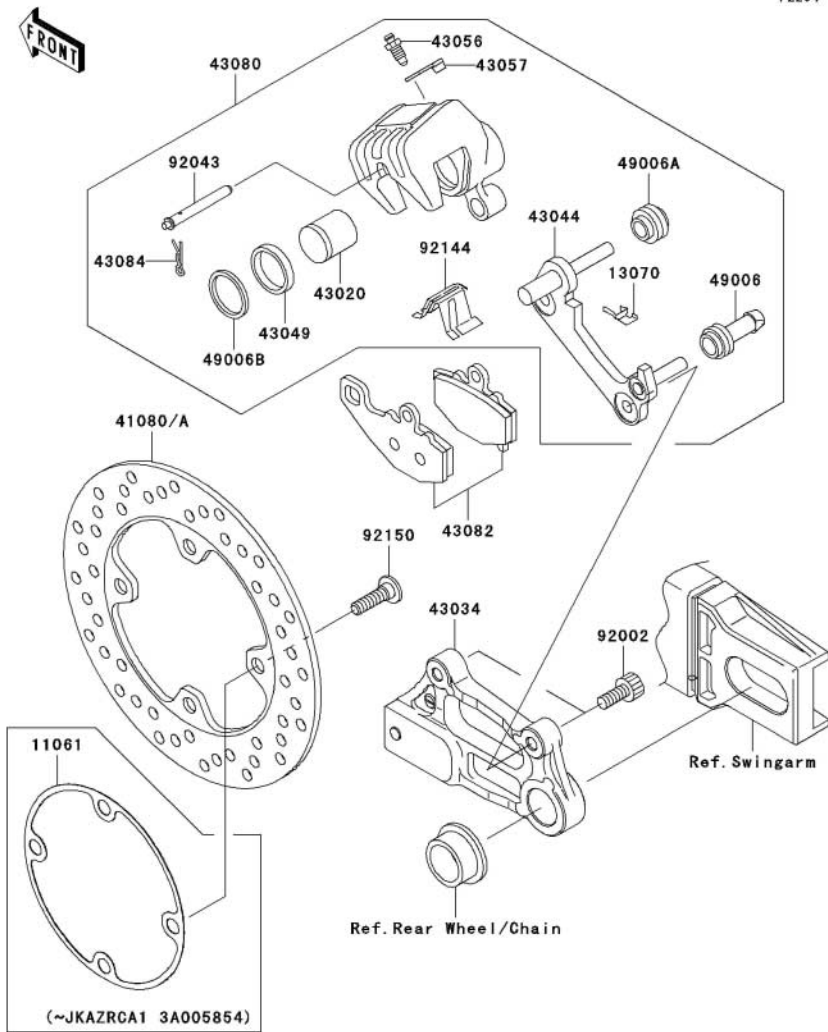


Ref #	Part #	Description	Qty	Spec Code
11009	11009-1145	GASKET, RESERVOIR TANK CAP	1	
11012	11012-1084	CAP	1	
11053	11053-1070	BRACKET, THERMOSTAT	1	
14037	14037-1315	SCREEN, OIL COOLER	1	
14075	14075-0001	CAP-ASSY	1	
14091	14091-1532	COVER	1	
14091A	14091-1541-458	COVER, RADIATOR, LH, P. SILVER	1	
14091B	14091-1542-458	COVER, RADIATOR, RH, P. SILVER	1	
16160	16160-1360	BODY, THERMOSTAT	1	
27010	27010-1443	SWITCH	1	
35063	35063-1261	STAY, RADIATOR	1	
39060	39060-0004	RADIATOR	1	
39062	39062-0013	HOSE-COOLING, THERMO-RESERVOIR	1	
39062A	39062-0016	HOSE-COOLING, RADIATOR	1	
39062B	39062-0017	HOSE-COOLING, OIL COOLER	1	
39062C	39062-1208	HOSE-COOLING	1	
39062D	39062-1851	HOSE-COOLING, FITTING	1	
39062E	39062-1914	HOSE-COOLING, PUMP-CYLINDER	1	
39062F	39062-1916	HOSE-COOLING, HEAD-THERMO	1	
39062G	39062-1917	HOSE-COOLING, THERMO-RADIATOR	1	
39067	39067-0004	COOLER-OIL	1	
39156	39156-0018	PAD	1	
39192	39192-0012	PIPE-WATER	1	
39192A	39192-0014	PIPE-WATER	1	
39192B	39192-1151	PIPE-WATER	1	
43056	43056-003	BREATHER	1	
43078	43078-1187	RESERVOIR	1	
49054	49054-1067	THERMOSTAT	1	
49085	49085-1066	CAP-ASSY-PRESSURE	1	
59502	59502-0002	FAN-ASSY	1	
92001	92001-1947	BOLT, 6X20	2	
92002	92002-1086	BOLT, 6X25	1	
92002A	92002-1569	BOLT, 6X12	2	
92015	92015-1487	NUT	4	
92015A	92015-1531	NUT, CLAMP, 6MM	1	
92015B	92015-1700	NUT	4	
92037	92037-147	CLAMP, TUBE	3	
92055	92055-112	RING-O, 53, 5X2.6	1	
92055A	92055-1350	RING-O, 18, 54X2.6	2	
92075	92075-1123	DAMPER, RUBBER	3	
130	130J0612	BOLT-FLANGED	3	
220	220D0514	SCREW-PAN-CROS, 5X14	4	
670	670B2021	O RING, 21MM	2	
671	671B2565	O RING, 65MM	1	
92075A	92075-1634	DAMPER	1	
92143	92143-1353	COLLAR	3	
92143A	92143-1962	COLLAR	1	
92150	92150-1186	BOLT, 6X12	3	
92150A	92150-1841	BOLT, 6X12	3	
92151	92151-1366	BOLT, OIL COOLER	1	
92151A	92151-1774	BOLT, 6X16	1	
92160	92160-1863	DAMPER	1	
92171	92171-0142	CLAMP, COOLING HOSE	4	
92171A	92171-0179	CLAMP	8	
92172	92172-0002	SCREW, 6X18	7	
92172A	92172-0004	SCREW, 6X14	1	
92200	92200-1379	WASHER, OIL COOLER	1	



Radiator

2003 Kawasaki Z1000 (ZR1000-A1)

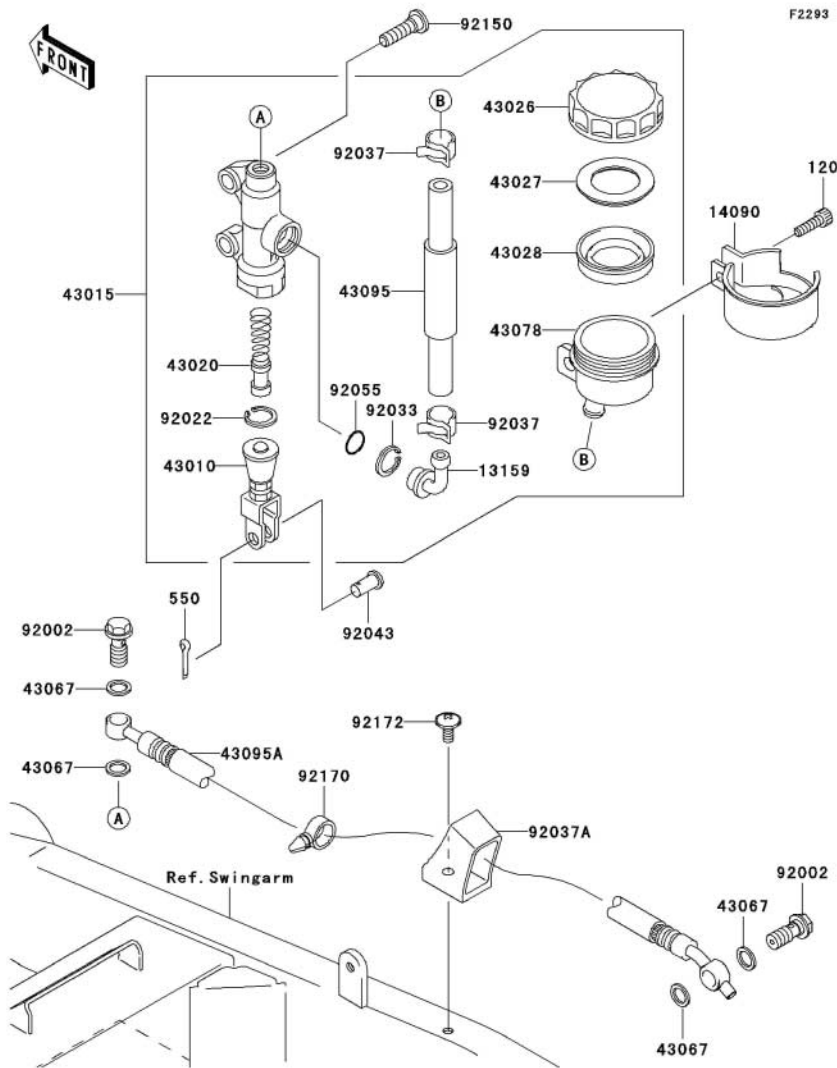


Ref #	Part #	Description	Qty	Spec Code
11061	11061-0034	GASKET, DISC PLATE	1	(- JKAZRCA1 3A005854)
13070	13070-1273	GUIDE	1	
41080A	41080-1443-487	DISC, RR, P. GOLD	1	
43020	43020-1119	PISTON-COMP-BRAKE	1	
43034	43034-1159	HOLDER-BRAKE, REAR CALIPER	1	
43044	43044-1110	HOLDER-COMP-CALIPER, RR	1	
43049	43049-1097	PACKING, PISTON SEAL	1	
43056	43056-1054	BREATHER-BRAKE	1	
43057	43057-003	CAP-BREATHER	1	
43080	43080-5061-483	CALIPER-SUB-ASSY, RR, R. GOLD	1	
43082	43082-1213	PAD-ASSY-BRAKE	1	
43084	43084-003	CLAMP, PAD	1	
49006	49006-1054	BOOT, CALIPER	1	
49006A	49006-1095	BOOT, CALIPER	1	
49006B	49006-1212	BOOT, PISTON SEAL	1	
92002	92002-1178	BOLT, SOCKET, 8X20	2	
92043	92043-1489	PIN, PAD	1	
92144	92144-1719	SPRING, PAD	1	
92150	92150-1771	BOLT, SOCKET, 8X30	4	



Rear brake

2003 Kawasaki Z1000 (ZR1000-A1)

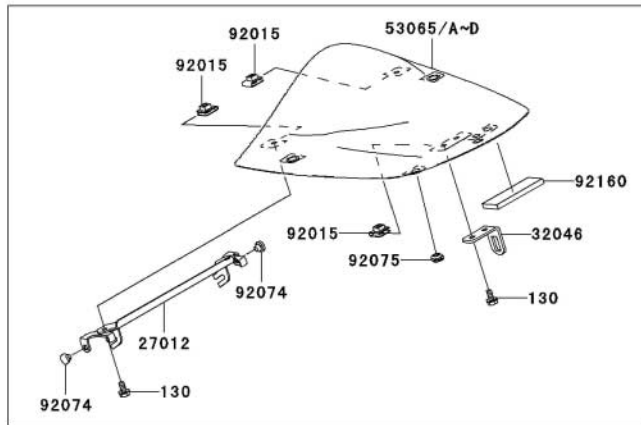
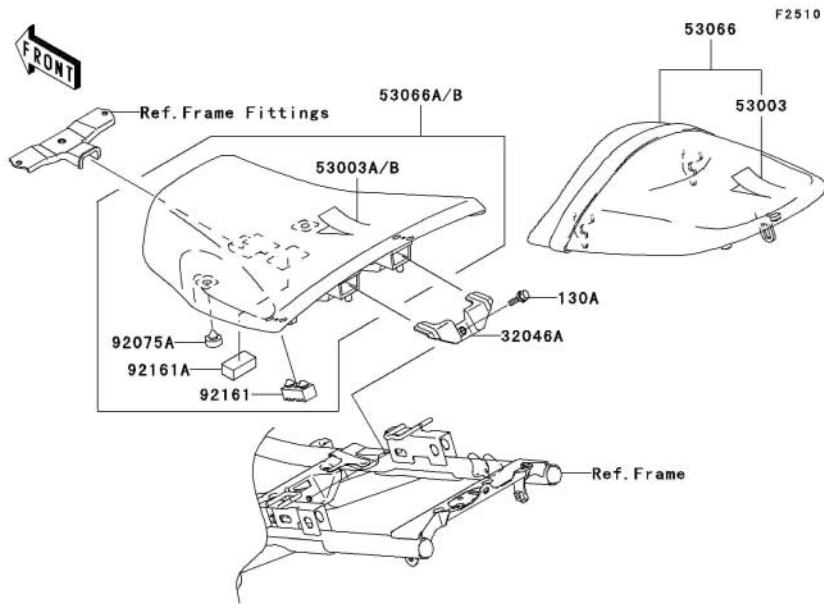


Ref #	Part #	Description	Qty	Spec Code
120	120S0620	BOLT-SOCKET	1	
550	550D2015	PIN-COTTER, 2.0X15	1	
13159	13159-1052	CONNECTOR, RR MASTER CYLINDER	1	
14090	14090-1482	COVER, RESERVOIR TANK	1	
43010	43010-1062	ROD-ASSY-BRAKE	1	
43015	43015-1706	CYLINDER-ASSY-MASTER, RR	1	
43020	43020-1094	PISTON-COMP-BRAKE	1	
43026	43026-1051	CAP-BRAKE	1	
43027	43027-1051	PLATE-DIAPHRAGM	1	
43028	43028-1057	DIAPHRAGM, MASTER CYLINDER	1	
43067	43067-001	WASHER, 10.5X15X1.5	4	
43078	43078-1165	RESERVOIR, RR MASTER CYLINDER	1	
43095	43095-1292	HOSE-BRAKE, RR MASTER CYLINDER	1	
43095A	43095-1337	HOSE-BRAKE, RR	1	
92002	92002-1888	BOLT, OIL, L=23	2	
92022	92022-1601	WASHER, CIRCRIP	1	
92033	92033-1186	RING-SNAP, 20.5MM	1	
92037	92037-1547	CLAMP, BRAKE HOSE	2	
92037A	92037-1896	CLAMP, HOSE	1	
92043	92043-1303	PIN, 8MM	1	
92055	92055-1251	RING-O, MASTER CYLINDER	1	
92150	92150-1843	BOLT, SOCKET, 8X30	2	
92170	92170-1067	CLAMP	1	
92172	92172-0004	SCREW, 6X14	1	



Rear master cylinder

2003 Kawasaki Z1000 (ZR1000-A1)



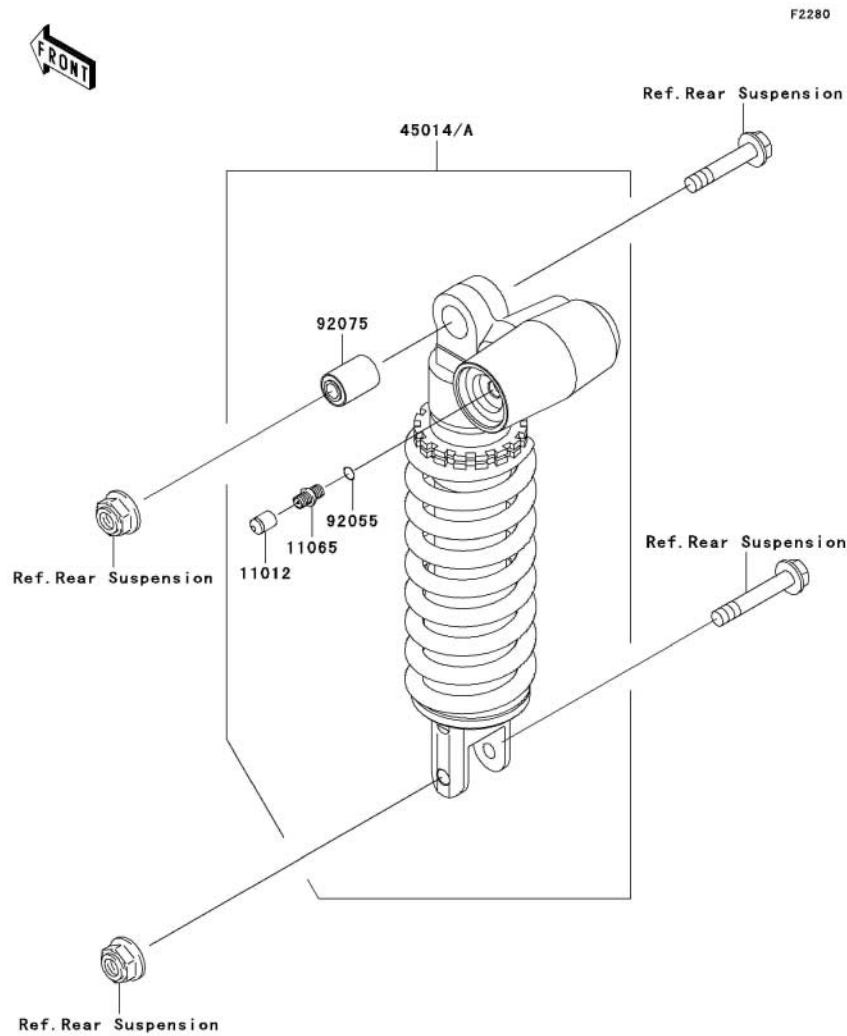
Ref #	Part #	Description	Qty	Spec Code
130	130J0614	BOLT-FLANGED, 6X14, BLACK	4	
130A	130J0620	BOLT-FLANGED	1	
27012	27012-0013	HOOK, SEAT COVER	1	
32046	32046-1468	BRACKET-SEAT	1	
32046A	32046-1530	BRACKET-SEAT, FRONT SEAT, RR	1	
53003	53003-1530-MA	LEATHER, REAR SEAT, BLACK	1	
53003A	53003-1533-MA	LEATHER, FRONT SEAT, BLACK	1	
53003B	53003-1533-MG	LEATHER, FRONT SEAT, RED	1	
53065	53065-1054-B5	COVER SEAT, BLACK	1	
53065B	53065-1054-470	COVER SEAT, P. B. ORANGE	1	
53065D	53065-1054-7F	COVER SEAT, L. GREEN	1	[CN]
53066	53066-1074-MA	SEAT-ASSY, RR, W/BAND, BLACK	1	
53066A	53066-1079-MA	SEAT-ASSY, FR, BLACK	1	
53066B	53066-1079-MG	SEAT-ASSY, FR, RED	1	
92015	92015-1531	NUT, CLAMP, 6MM	4	
92074	92074-028	PLUG, 7X2	2	
92075	92075-1011	DAMPER	4	
92075A	92075-1927	DAMPER	2	
92160	92160-1323	DAMPER	1	
92161	92161-0050	DAMPER, SEAT	2	
92161A	92161-1321	DAMPER, SEAT	1	



Seat

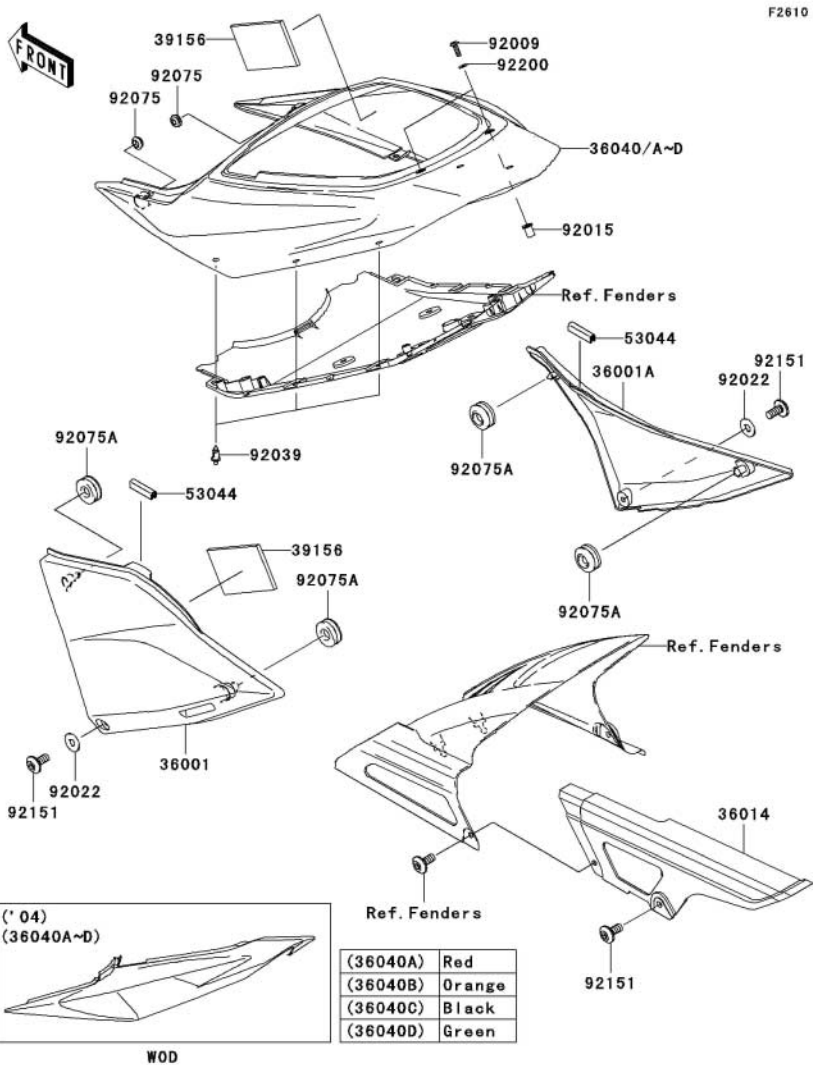
2003 Kawasaki Z1000 (ZR1000-A1)

Ref #	Part #	Description	Qty	Spec Code
11012	11012-1283	CAP	1	
11065	11065-0009	CAP, AIR VALVE	1	
45014A	45014-1833-2K	SHOCKABSORBER, GOLD+BRK. UP- GOLD	1	
92055	92055-0002	RING- O	1	
92075	92075-1426	DAMPER, SHOCKABSORBER	1	



Shock absorber

2003 Kawasaki Z1000 (ZR1000-A1)



Ref #	Part #	Description	Qty	Spec Code
36001	36001-1686-4P	COVER-SIDE, LH, M. F. GRAYSTONE	1	
36001A	36001-1687-4P	COVER-SIDE, RH, M. F. GRAYSTONE	1	
36014	36014-1263	CASE-CHAIN	1	
36040	36040-1065-B5	COVER-TAIL, BLACK	1	
36040B	36040-1065-470	COVER-TAIL, P. B. ORANGE	1	
36040D	36040-1065-7F	COVER-TAIL, L. GREEN	1	[CN]
39156	39156-0024	PAD	2	
53044	53044-0001	TRIM, L=30	2	
92009	92009-1909	SCREW, 5X16	2	
92015	92015-1757	NUT, WELL, 5MM	2	
92022	92022-1143	WASHER, 6.5X16X1	2	
92039	92039-1289	RIVET	6	
92075	92075-1011	DAMPER	2	
92075A	92075-1067	DAMPER	4	
92151	92151-1654	BOLT, SOCKET, 6X14	3	
92200	92200-1480	WASHER, NYLON, 5.3X11.5X0.5	2	



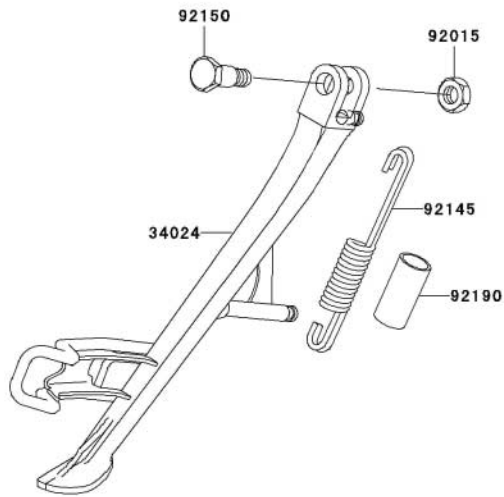
Side cover / Chain cover

2003 Kawasaki Z1000 (ZR1000-A1)

Ref #	Part #	Description	Qty	Spec Code
34024	34024-0006	STAND-SIDE	1	
92015	92015-1188	NUT, LOCK, 10MM, BLACK	1	
92145	92145-0071	SPRING, SIDE STAND	1	
92150	92150-1941	BOLT, SIDE STAND	1	
92190	92190-1181	TUBE, 18X21X60	1	

FRONT

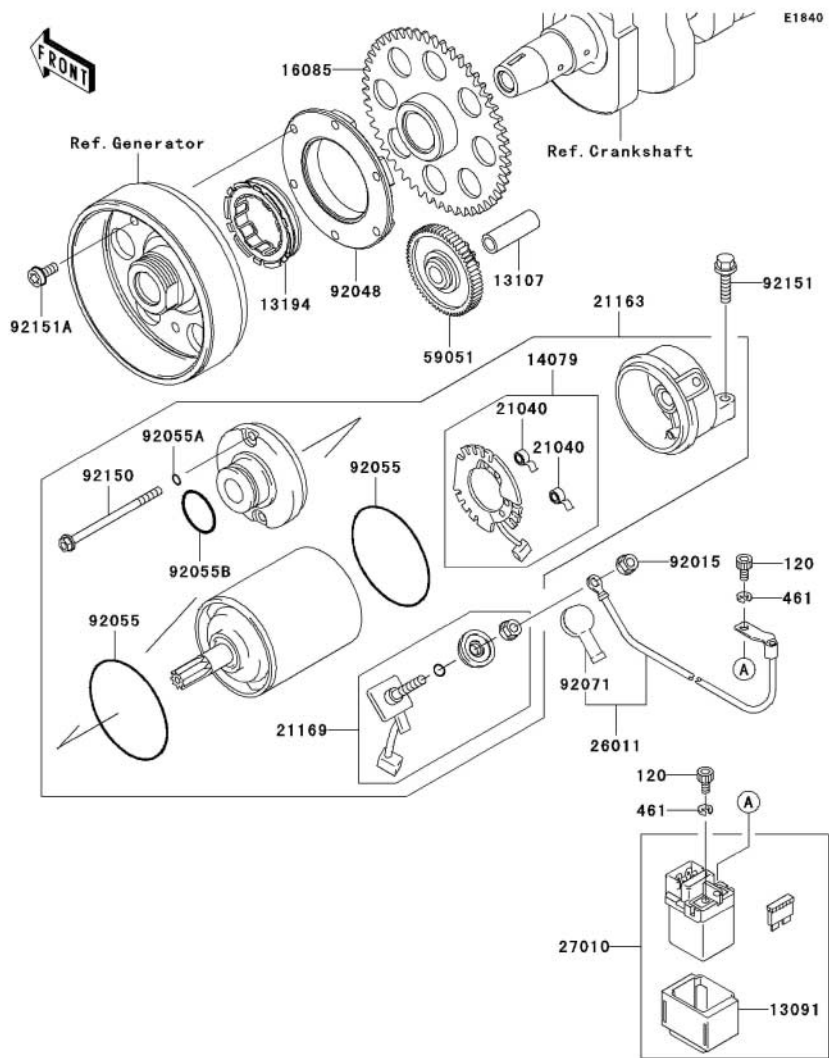
F2190



Stand

Kawasaki

2003 Kawasaki Z1000 (ZR1000-A1)



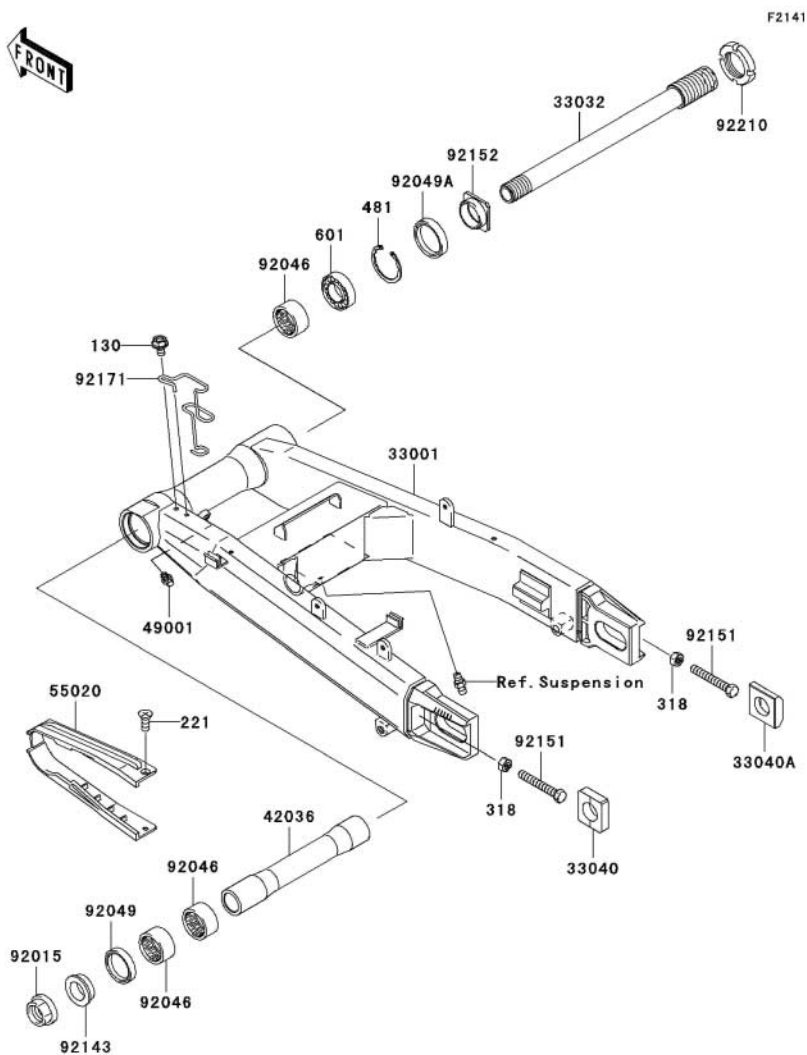
Ref #	Part #	Description	Qty	Spec Code
120	120S0510	BOLT-SOCKET	2	
461	461K0500	WASHER-SPRING,5MM,BLACK	2	
13091	13091-1992	HOLDER	1	
13107	13107-1377	SHAFT, IDLER GEAR	1	
13194	13194-1096	CLUTCH-ONEWAY	1	
14079	14079-1082	HOLDER-ASSY, CARBON BRUSH	1	
16085	16085-1303	GEAR, CLUTCH ONEWAY	1	
21040	21040-1051	SPRING-BRUSH	2	
21163	21163-1288	STARTER-ELECTRIC	1	
21169	21169-1058	TERMINAL, STARTER	1	
26011	26011-0015	WIRE-LEAD, STARTER	1	
27010	27010-1376	SWITCH, MAGNETIC	1	
59051	59051-0037	GEAR-SPUR, IDLER	1	
92015	92015-1623	NUT	1	
92048	92048-1114	RACE, CLUTCH ONEWAY	1	
92055	92055-1260	RING-O, 62MM	2	
92055A	92055-1261	RING-O, 4.5MM	2	
92055B	92055-1262	RING-O, 24.4MM	1	
92071	92071-1120	GROMMET, STARTER TERMINAL	1	
92150	92150-1237	BOLT	2	
92151	92151-1130	BOLT, 6X25	2	
92151A	92151-1335	BOLT, 6X14	6	



Starter motor

2003 Kawasaki Z1000 (ZR1000-A1)

FRONT

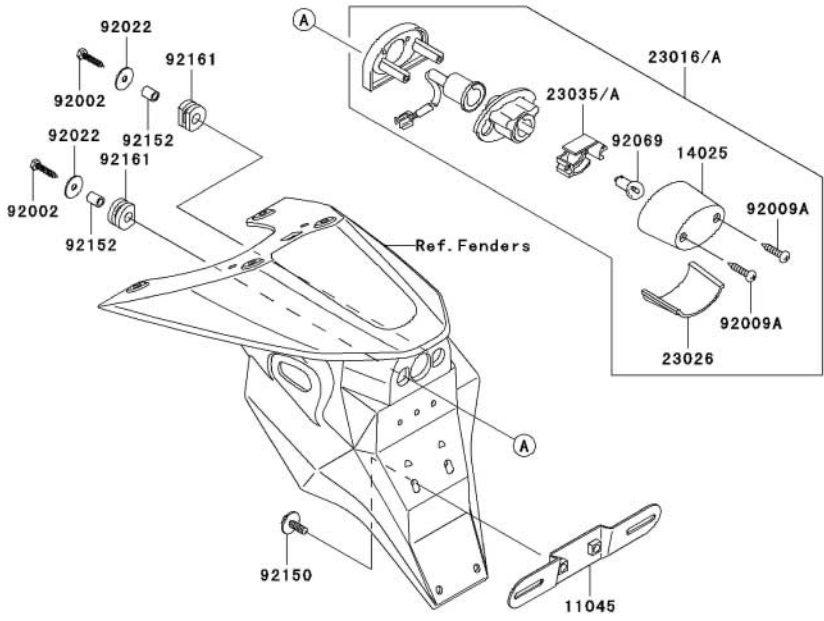
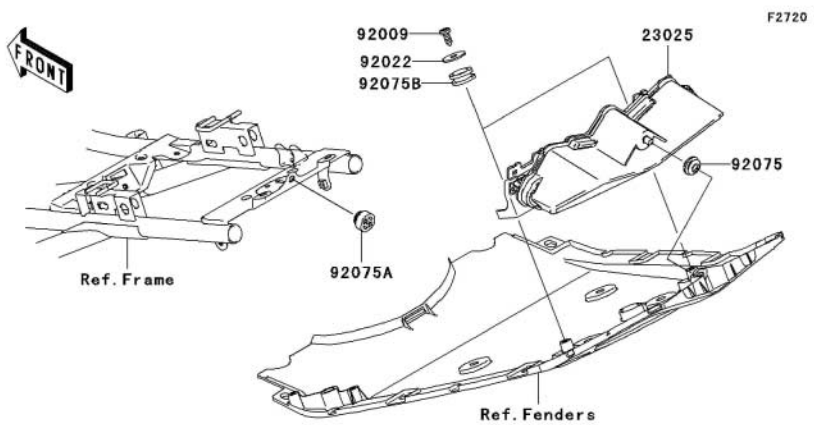


Ref #	Part #	Description	Qty	Spec Code
130	130J0610	BOLT-FLANGED	1	
221	221C0508	SCREW-CSK-CROS, 5X8	2	
318	318G0800	NUT-HEX-SMALL, 8MM	2	
481	481J4700	CIRCLIP-TYPE-C, 47MM	1	
601	601B6005U	BEARING-BALL, #6005U	1	
33001	33001-1643-21	ARM-COMP-SWING, F, BLACK	1	
33032	33032-1206	SHAFT-SWING ARM	1	
33040	33040-1114	ADJUSTER-CHAIN	1	
33040A	33040-1180	ADJUSTER-CHAIN, RH	1	
42036	42036-0002	SLEEVE, SWING ARM, L=224.5	1	
49001	49001-0001	NIPPLE-GREASE	1	
55020	55020-1700	GUARD, CHAIN	1	
92015	92015-1845	NUT, FLANGED, 25MM	1	
92046	92046-1205	BEARING-NEEDLE, BM3520	3	
92049	92049-1381	SEAL-OIL, MHA 35 47 5	1	
92049A	92049-1521	SEAL-OIL, KC38X47X6	1	
92143	92143-1481	COLLAR, SWING ARM, L=12.5	1	
92151	92151-1578	BOLT, 8X55	2	
92152	92152-1445	COLLAR, SWING ARM, L=14.5	1	
92171	92171-0042	CLAMP, TUBE&HOSE	1	
92210	92210-1205	NUT, 32MM	1	



Swingarm

2003 Kawasaki Z1000 (ZR1000-A1)

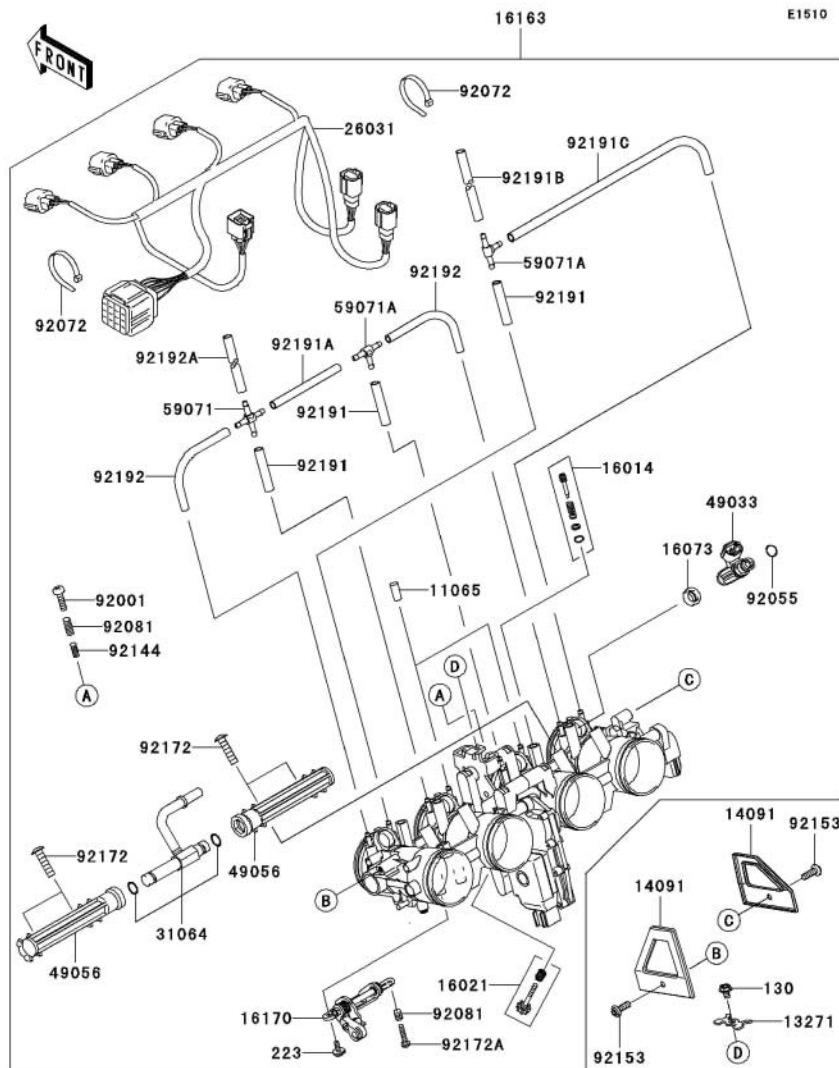


Ref #	Part #	Description	Qty	Spec Code
11045	11045-1387	BRACKET, LICENSE	1	
14025	14025-1725	COVER, LICENSE LAMP	1	
23016A	23016-1201	LAMP-ASSY, LICENSE	1	
23025	23025-1332	LAMP-TAIL	1	
23026	23026-1064	LENS, LICENSE LAMP	1	
23035	23035-1060	REFLECTOR-LAMP, LICENSE	1	
92002	92002-1831	BOLT, TAPPING, 5X25	2	
92009	92009-1138	SCREW, TAPPING, 5X12, BLACK	2	
92009A	92009-1378	SCREW, TAPPING, 4X20	2	
92022	92022-1581	WASHER, 5.5X20X1.2	4	
92069	92069-1055	BULB, 12V 5W	1	
92075	92075-1011	DAMPER	1	
92075A	92075-1598	DAMPER	1	
92075B	92075-1634	DAMPER	2	
92150	92150-1909	BOLT, 6X16	2	
92152	92152-1458	COLLAR, 6X9X11.5	2	
92161	92161-1313	DAMPER	2	



Tailight

2003 Kawasaki Z1000 (ZR1000-A1)



Ref #	Part #	Description	Qty	Spec Code
130	130G0508	BOLT-FLANGED	1	
223	223D0410	SCREW-PAN-WS-CROS	2	
11065	11065-0018	CAP	2	
13271	13271-0056	PLATE	1	
14091	14091-0055	COVER,THROTTLE-BODY	2	
16014	16014-0002	SCREW-PILOT AIR	4	
16021	16021-0002	SCREW-THROTTLE STOP	1	
16073	16073-3707	INSULATOR	4	
16163	16163-1121	THROTTLE-ASSY	1	
16170	16170-0002	LINK-ASSY	1	
26031	26031-0040	HARNES	1	
31064	31064-0005	PIPE-COMP	1	
49033	49033-1060	NOZZLE-INJECTION	4	
49056	49056-0001	PIPE-INJECTION	2	
59071	59071-0014	JOINT,4WAY	1	
59071A	59071-3752	JOINT,3WAY,T	2	
92001	92001-1998	BOLT,THROTTLE ADJUST	1	
92055	92055-1622	RING-O,INJECTION NOZZLE	4	
92072	92072-0012	BAND,SUB-HARNES	2	
92081	92081-1620	SPRING,THROTTLE ADJUST UPP	2	
92144	92144-1451	SPRING,THROTTLE ADJUST LWR	1	
92153	92153-1244	BOLT, SOCKET, 5X16	2	
92172	92172-0064	SCREW,PIPE INJECTION	4	
92172A	92172-0065	SCREW,THROTTLE SYNCRO	1	
92191	92191-0025	TUBE	3	
92191A	92191-0036	TUBE,3X7X82	1	
92191B	92191-0037	TUBE,3X7X180	1	
92191C	92191-0038	TUBE,3X7X265	1	
92192	92192-0018	TUBE,3X7X95	2	
92192A	92192-0019	TUBE,3X7X170	1	



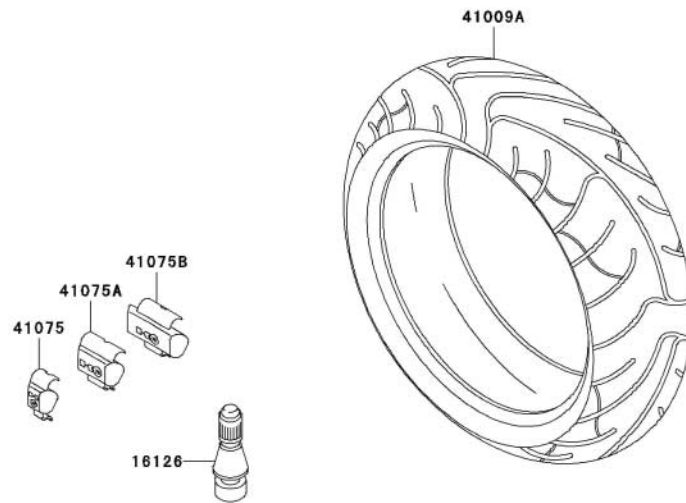
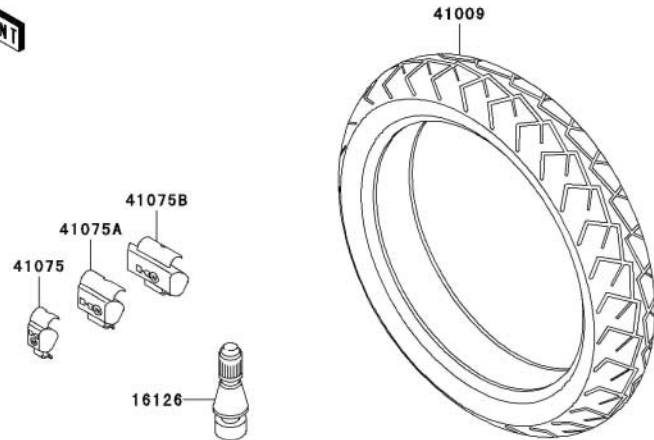
Throttle

2003 Kawasaki Z1000 (ZR1000-A1)

Ref #	Part #	Description	Qty	Spec Code
16126	16126-1140	VALVE, TIRE	2	
41009	41009-1429	TIRE, FR, 120/70ZR17(58W), BT019F	1	
41009A	41009-1430	TIRE, RR, 190/50ZR17(73W), BT012R	1	
41075	41075-1014	BALANCER-WHEEL, 10G, SILVER	AR	
41075A	41075-1015	BALANCER-WHEEL, 20G, SILVER	AR	
41075B	41075-1016	BALANCER-WHEEL, 30G, SILVER	AR	

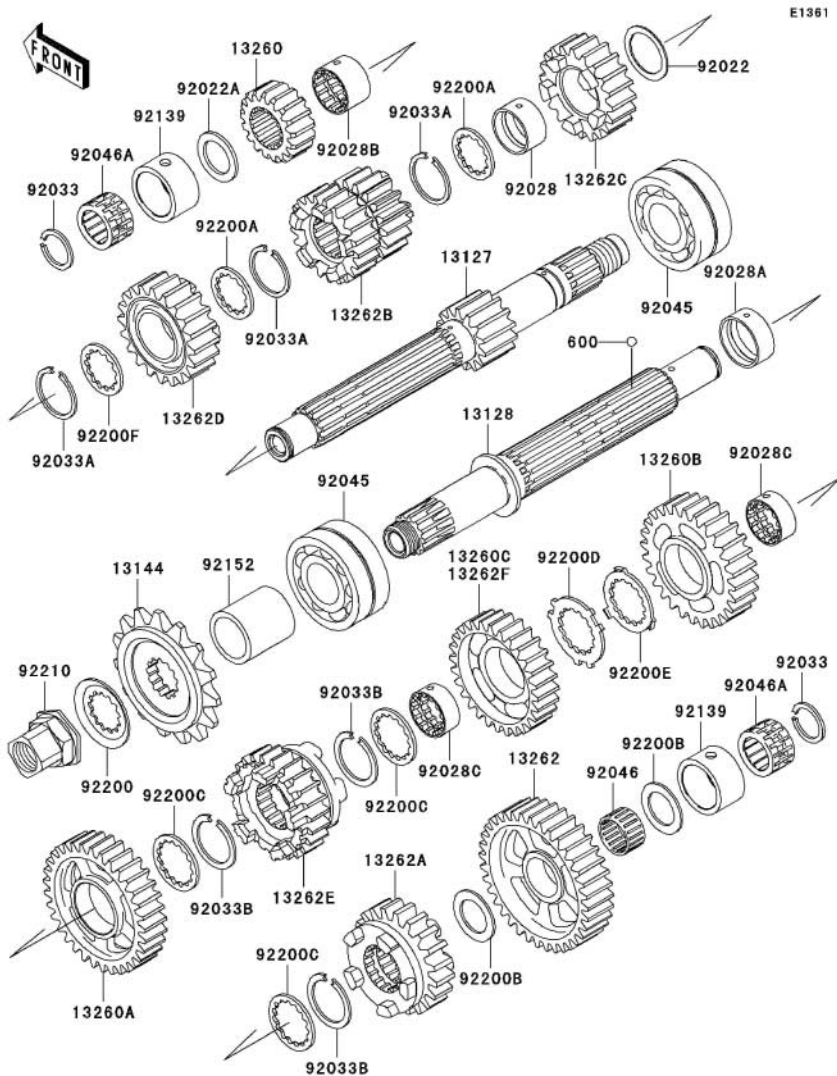
F2210

FRONT



Tires

2003 Kawasaki Z1000 (ZR1000-A1)

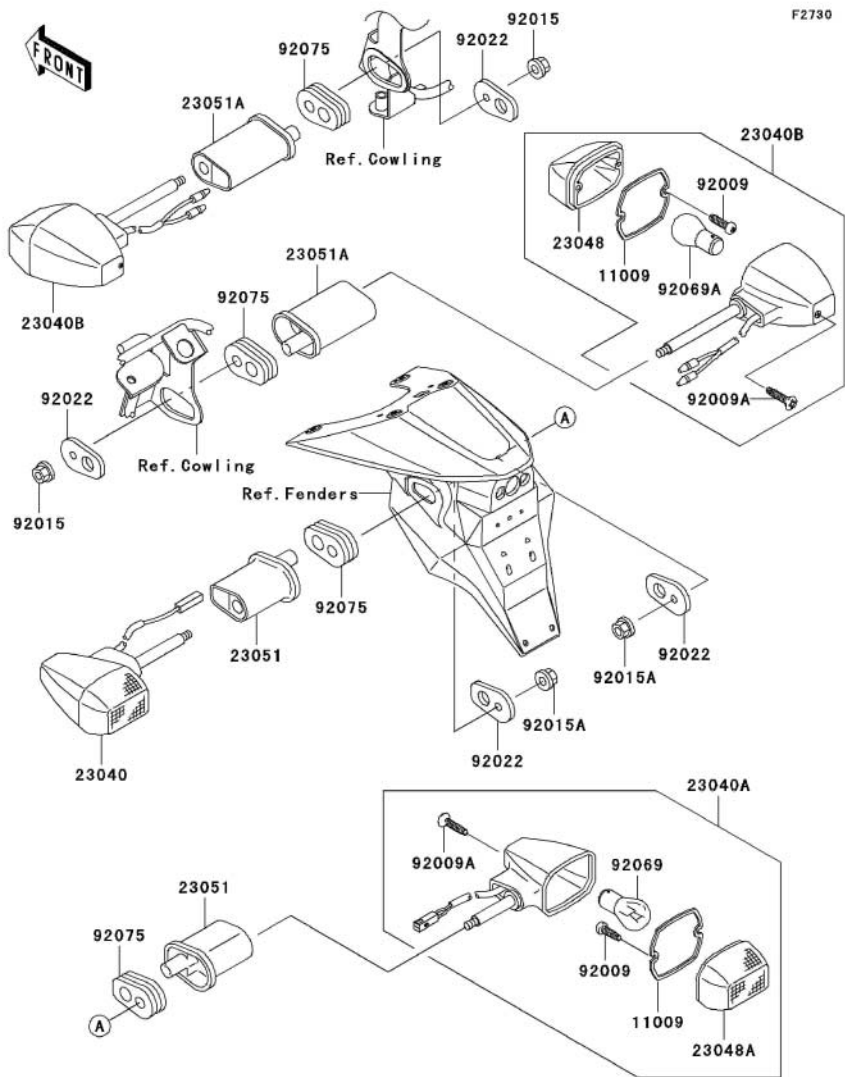


Ref #	Part #	Description	Qty	Spec Code
600	600A0500	BALL-STEEL, 5/32"	3	
13127	13127-0007	SHAFT-TRANSMISSION INPUT	1	
13128	13128-1260	SHAFT-TRANSMISSION OUTPUT	1	
13144	13144-1320	SPROCKET-OUTPUT,16T	1	
13260	13260-1681	GEAR,INPUT 2ND,17T	1	
13260A	13260-1686	GEAR,OUTPUT 2ND,33T	1	
13260B	13260-1880	GEAR,OUTPUT 3RD,28T	1	
13260C	13260-1881	GEAR,OUTPUT 4TH,28T	1	(- ZRT00AE001735)
13262	13262-0029	GEAR,OUTPUT LOW,36T	1	
13262A	13262-0030	GEAR,OUTPUT 5TH,24T	1	
13262B	13262-0031	GEAR,INPUT 3RD&4TH,18T&21T	1	
13262C	13262-0062	GEAR,INPUT 5TH,20T	1	
13262D	13262-0074	GEAR,INPUT TOP,21T	1	
13262E	13262-0076	GEAR,OUTPUT TOP,23T	1	
13262F	13262-0077	GEAR,OUTPUT 4TH,28T	1	(ZRT00AE001736 -)
92022	92022-1109	WASHER, 25.3X33X1	1	
92022A	92022-112	WASHER, 20.5X30X1, STEEL	1	
92028	92028-1735	BUSHING,INPUT 5TH GEAR	1	
92028A	92028-1739	BUSHING,OUTPUT ,2ND	1	
92028B	92028-1915	BUSHING,INPUT TOP GEAR	1	
92028C	92028-1968	BUSHING,OUTPUT ,3RD&4TH	2	
92033	92033-015	RING-SNAP ,20MM	2	
92033A	92033-026	RING-SNAP ,24MM	3	
92033B	92033-1249	RING-SNAP ,T=1.5	3	
92045	92045-0003	BEARING-BALL, DAC2557NSSH	2	
92046	92046-1219	BEARING-NEEDLE, K20X24X13	1	
92046A	92046-1303	BEARING-NEEDLE, PK20X27X17X3	2	
92139	92139-1090	BUSHING, 27X34X18.6	2	
92152	92152-1466	COLLAR, SPROCKET	1	
92200	92200-1065	WASHER	1	
92200A	92200-1239	WASHER,INPUT TOP&5TH	2	
92200B	92200-1375	WASHER, 20.5X31X1.5	2	
92200C	92200-1457	WASHER, T=2.0	3	
92200D	92200-1522	WASHER,OUTPUT 4TH	1	
92200E	92200-1523	WASHER,OUTPUT 3RD	1	
92200F	92200-1524	WASHER,INPUT	1	
92210	92210-1098	NUT, SPROCKET	1	



Transmission

2003 Kawasaki Z1000 (ZR1000-A1)



Ref #	Part #	Description	Qty	Spec Code
11009	11009-1402	GASKET, SIGNAL LAMP	4	
23040	23040-1295	LAMP-SIGNAL, RR	1	
23040A	23040-1320	LAMP-SIGNAL, RR, RH	1	
23040B	23040-1322	LAMP-SIGNAL, FR	2	
23048	23048-1054	LENS-SIGNAL LAMP	2	
23048A	23048-1055	LENS-SIGNAL LAMP	2	
23051	23051-1248	BRACKET-SIGNAL LAMP	2	
23051A	23051-1252	BRACKET-SIGNAL LAMP	2	
92009	92009-1115	SCREW, TAPPING, 3X16	8	
92009A	92009-1304	SCREW, TAPPING, 4X20	4	
92015	92015-1233	NUT, FLANGED, 6MM, BLACK	2	
92015A	92015-1367	NUT, FLANGED, 6MM	2	
92022	92022-1672	WASHER, SIGNAL LAMP	4	
92069		BULB, 12V 21W	2	(LOCAL PROCUREMENT ITEM)
92069A	92069-1084	BULB, 12V 21/5W	2	
92075	92075-1698	DAMPER, SIGNAL LAMP	4	

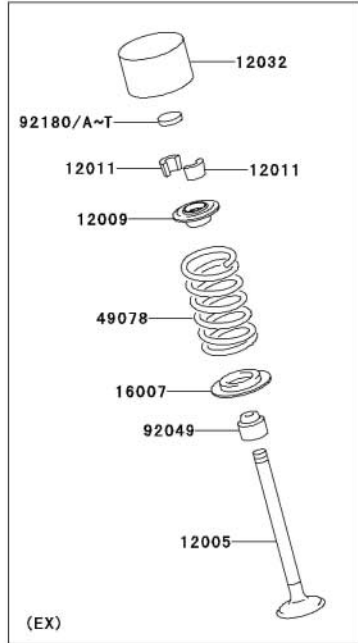


Turn signals

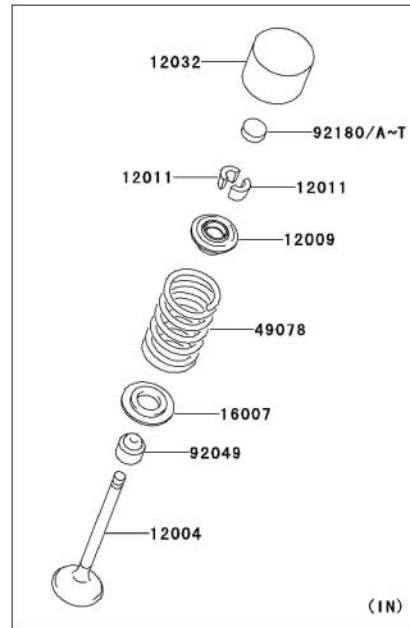
2003 Kawasaki Z1000 (ZR1000-A1)

FRONT

E1210



(EX)



(IN)

Ref #	Part #	Description	Qty	Spec Code
12004	12004-1132	VALVE-INTAKE	8	
12005	12005-1256	VALVE-EXHAUST	8	
12009	12009-1091	RETAINER-VALVE SPRING	16	
12011	12011-1053	COLLET	32	
12032	12032-1065	TAPPET	16	
16007	16007-1228	SEAT-SPRING	16	
49078	49078-1219	SPRING-ENGINE VALVE	16	
92049	92049-1349	SEAL-OIL	16	
92180	92180-1014	SHIM, T=2.50	16	
92180A	92180-1016	SHIM, T=2.55	AR	
92180B	92180-1018	SHIM, T=2.60	AR	
92180C	92180-1020	SHIM, T=2.65	AR	
92180D	92180-1022	SHIM, T=2.70	AR	
92180E	92180-1024	SHIM, T=2.75	AR	
92180F	92180-1026	SHIM, T=2.80	AR	
92180G	92180-1028	SHIM, T=2.85	AR	
92180H	92180-1030	SHIM, T=2.90	AR	
92180I	92180-1032	SHIM, T=2.95	AR	
92180J	92180-1034	SHIM, T=3.00	AR	
92180K	92180-1036	SHIM, T=3.05	AR	
92180L	92180-1038	SHIM, T=3.10	AR	
92180M	92180-1040	SHIM, T=3.15	AR	
92180N	92180-1042	SHIM, T=3.20	AR	
92180O	92180-1044	SHIM, T=3.25	AR	
92180P	92180-1046	SHIM, T=3.30	AR	
92180Q	92180-1048	SHIM, T=3.35	AR	
92180R	92180-1050	SHIM, T=3.40	AR	
92180S	92180-1052	SHIM, T=3.45	AR	
92180T	92180-1054	SHIM, T=3.50	AR	



Valve

2003 Kawasaki Z1000 (ZR1000-A1)

Specifications

Engine

Four-stroke, DOHC, inline four, 16 valves

Displacement: 953cc

Bore x stroke: 77.2 x 50.9mm

Compression ratio: 11.2:1

Cooling: Liquid

Induction: Digital fuel injection with four
38mm throttle bodies

Ignition: Digital

Transmission: Six-speed

Dimensions

Overall length: 81.9 in.

Overall width: 30.3 in.

Overall height: 41.5 in.

Wheelbase: 55.9 in.

Ground clearance: 5.7 in.

Seat height: 32.3 in.

Dry weight: 437 lbs.

Fuel capacity: 4.8 gal.

Frame/Suspension

Diamond, high-tensile steel

Rake / trail: 24° / 4.0 in.

Suspension, front: 41mm cartridge fork,
rebound/spring preload
adjustability

Suspension, rear: UNI-TRAK®, rebound/spring
preload adjustability

Wheel travel, front: 4.7 in.

Wheel travel, rear: 5.4 in.

Colors: Black, Orange - 2003
Green, Red - 2004

List Price: \$8,499.00

Tire, front: 120/70 x R17

Tire, rear: 190/50 x R17

Brakes, F/R Dual hydraulic discs /
Disc

