



POLARIS[®]
The Way Out.

2005

Parts Manual

PARTS MANUAL PN 9919413 and MICROFICHE PN 9919414 7/04

SPORTSMAN 400
Model #A05MH42AB
Model #A05MH42AG
Model #A05MH42AH

TABLE OF CONTENTS

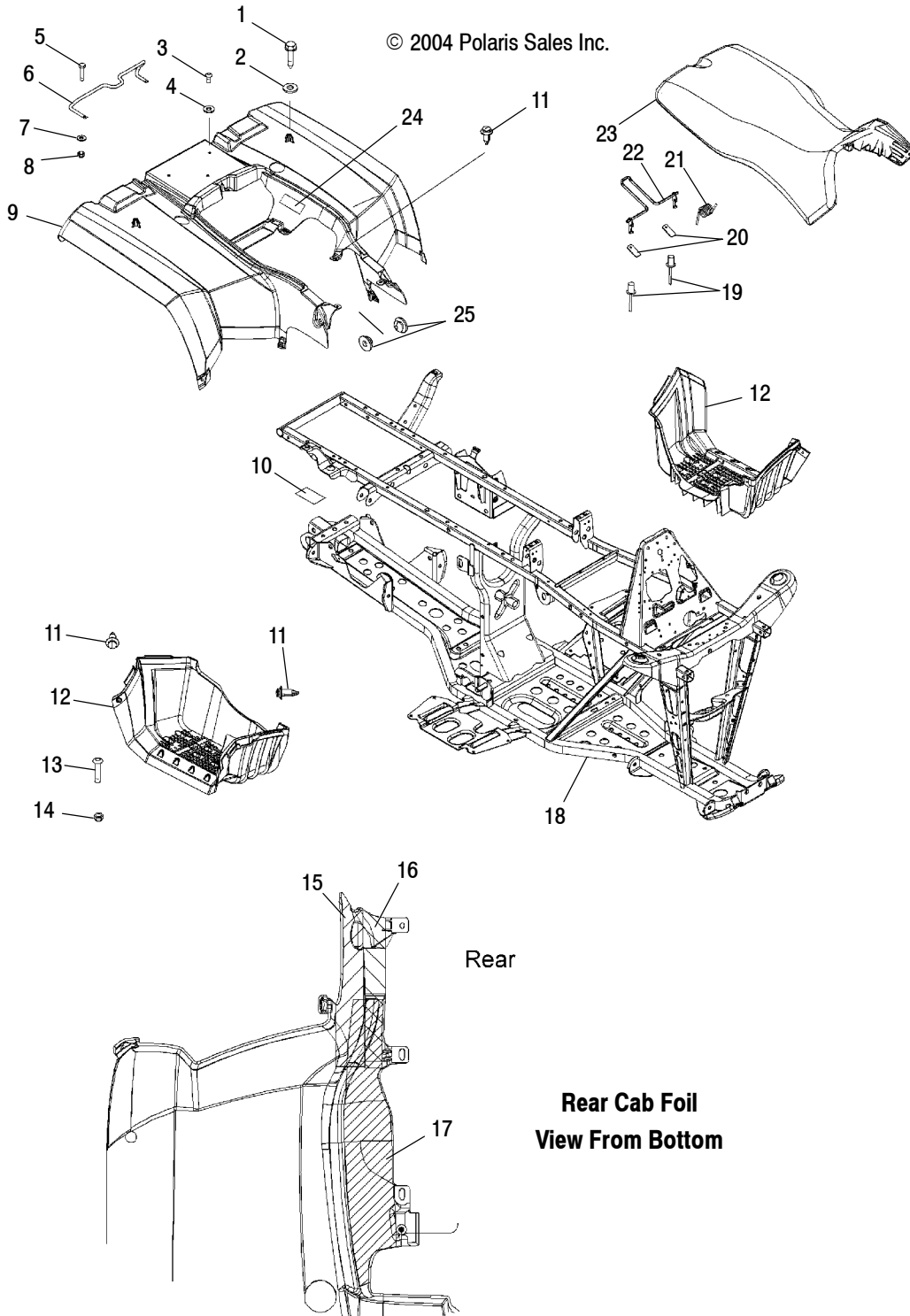
SPORTSMAN 400 A05MH42AB and SPORTSMAN 400 A05MH42AG and SPORTSMAN 400 A05MH42AH

<p style="text-align: center;">A</p> <p>A-ARM C4 AIR BOX B1</p> <p style="text-align: center;">B</p> <p>BRAKE LINES, FRONT B6 BUMPER MOUNTING A7-8</p> <p style="text-align: center;">C</p> <p>CALIPER, REAR B7 CARBURETOR D7-8 CLUTCH COVER C9 CONTROLS B4 CONTROLS - THROTTLE ASM./CABLE B9 COOLING SYSTEM A11 CRANKCASE D4 CRANKSHAFT and PISTON D6 CYLINDER D5</p> <p style="text-align: center;">D</p> <p>DECALS A10 DRIVE CLUTCH C7 DRIVE SHAFT, FRONT B10 DRIVE SHAFT, REAR B11 DRIVEN CLUTCH C8</p> <p style="text-align: center;">E</p> <p>ELECTRICAL/TAILLIGHT C13 ENGINE MOUNTING A13-14 EXHAUST SYSTEM A12</p> <p style="text-align: center;">F</p> <p>FOOT PEDAL B8 FRONT CAB A5 FRONT HOUSING D3 FUEL PUMP D11 FUEL TANK B2</p> <p style="text-align: center;">G</p> <p>GEAR SELECTOR C6 GEARCASE D1-2</p> <p style="text-align: center;">H</p> <p>HANDLEBAR C1-2</p>	<p style="text-align: center;">H</p> <p>HEADLIGHT POD C1-2 HEADLIGHTS C3</p> <p style="text-align: center;">I</p> <p>INTAKE and EXHAUST D9</p> <p style="text-align: center;">M</p> <p>MAGNETO E2 MASTER CYLINDER, REAR B8</p> <p style="text-align: center;">O</p> <p>OIL FILTER D13 OIL PUMP D12 OIL TANK B3</p> <p style="text-align: center;">P</p> <p>PROP SHAFT B12</p> <p style="text-align: center;">R</p> <p>RACK MOUNTING FRONT A8 REAR CAB and SEAT A3-4 REAR RACK MOUNTING A6 REAR SUSPENSION C11-12 REAR WHEEL DRIVE C10 RECOIL STARTER D14</p> <p style="text-align: center;">S</p> <p>STARTING MOTOR E1 STEERING POST C5 STORAGE BOX, REAR A9 STORAGE, FRONT A7-8 STRUT MOUNTING C4 STRUT, FRONT B13</p> <p style="text-align: center;">T</p> <p>TAILLAMPS C3 TOOL KIT E3 TRANSMISSION MOUNTING C14</p> <p style="text-align: center;">W</p> <p>WATER PUMP D10 WHEEL, FRONT B14 WORKLAMPS C3</p>
---	--

The illustrations used in this Parts Manual are for reference to replacement parts only. This manual is not to be used for assembly.

REAR CAB and SEAT

SPORTSMAN 400 A05MH42AB and SPORTSMAN 400 A05MH42AG and SPORTSMAN 400 A05MH42AH



REAR CAB and SEAT

SPORTSMAN 400 A05MH42AB and SPORTSMAN 400 A05MH42AG and SPORTSMAN 400 A05MH42AH

Part numbers may change after the making of the microfiche or paper copies. Electronic records are the most current.

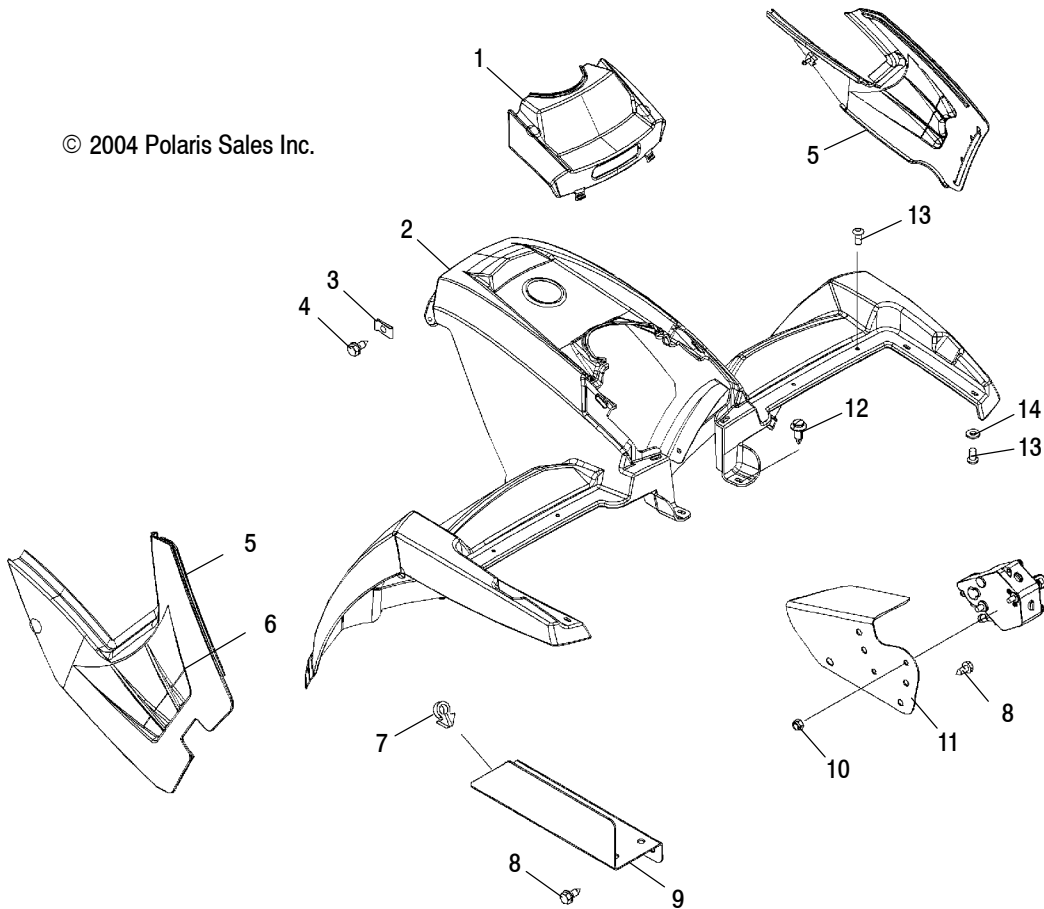
Ref. Part No.	Qty.	Description	Ref. Part No.	Qty.	Description		
1	7512095	2	Screw	13	7517230	8	Screw
2	7555798	2	Washer	14	7542122	8	Nut, Nylok
3	7512026	3	Screw	15	5812703	2	Foil, Rear Cab, Front, Top
4	7556034	3	Washer	16	5812702	1	Foil, Rear, Cab, Front, Bottom
5	7511930	2	Bolt	17	5812701	1	Foil, Cab, Rear
6	5246076	1	Retainer, Seat Latch	18	1014536-067	1	Frame, Main, Black
7	7555792	4	Washer	19	7621403	2	Rivet
8	7541925	2	Nut, Nylok	20	5211033	2	Bracket, Lever Retainer
9	5435363-400	1	Cab, Rear, Camo Green Metallic (AH)	21	7041370	1	Spring, Latch
	5435363-293	1	Cab, Rear, Indy Red (AB)	22	1040387	1	Latch, Seat
	5435363-341	1	Cab, Rear, Sonic Blue (AG)	23	2683433-070	1	Asm., Seat, Black
10	7170911	1	Decal, Hitch		2683434-070	1	Covering, Seat, Black
11	7661855	14	Rivet	24	7079902	1	Decal, Carb/Filter Information
12	5435354-070	1	Footwell, Black, LH	25	5412623	2	Grommet
	5435355-070	1	Footwell, Black, RH				

7/04

FRONT CAB

SPORTSMAN 400 A05MH42AB and SPORTSMAN 400 A05MH42AG and SPORTSMAN 400 A05MH42AH

© 2004 Polaris Sales Inc.



Part numbers may change after the making of the microfiche or paper copies. Electronic records are the most current.

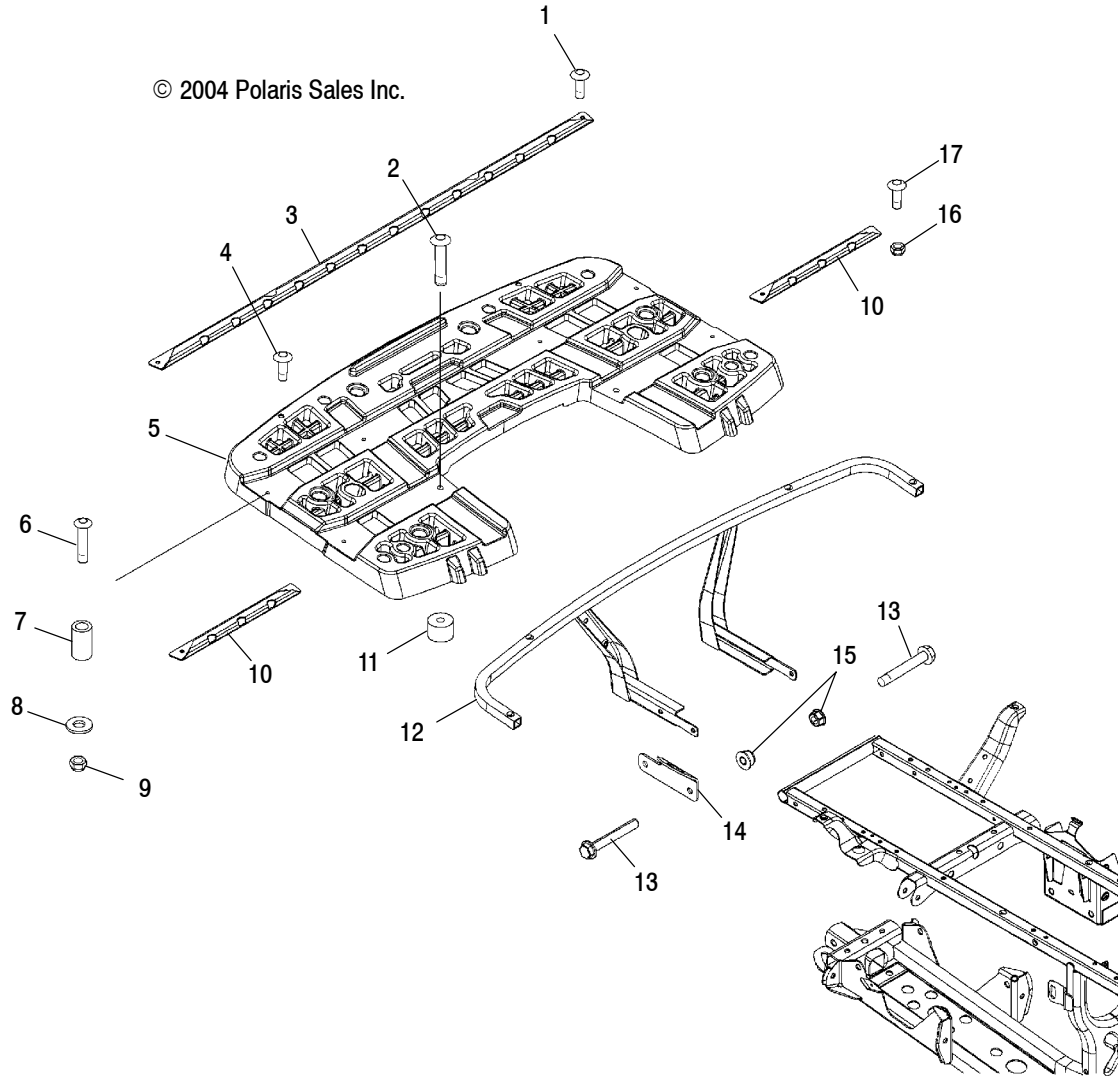
Ref. Part No.	Qty.	Description
1	1	Cover, Front, Camo Gm Met (AH)
	1	Cover, Front, Indy Red (AB)
	1	Cover, Front, Sonic Blue (AG)
2	1	Cab, Front, Camo Green Met (AH)
	1	Cab, Front, Indy Red (AB)
	1	Cab, Front, Sonic Blue (AG)
3	2	Nut, U-Type Speed
4	2	Screw
5	1	Panel, Side, LH, Black (AH)(AG)
	1	Asm., Panel/Foil, RH, Black (AH)(AG)
	1	Panel, Side, LH, Black (AB)
	1	Asm., Panel/Foil, RH, Black (AB)

Ref. Part No.	Qty.	Description
6	1	Foil, Side Panel, RH
7	1	Clip
8	4	Screw
9	1	Guard, Splash, RH
10	2	Nut, Nylok
11	1	Guard, Splash, LH/Pump Mount
12	2	Rivet
13	8	Screw
14	4	Washer

7/04

REAR RACK MOUNTING

SPORTSMAN 400 A05MH42AB and SPORTSMAN 400 A05MH42AG and SPORTSMAN 400 A05MH42AH



© 2004 Polaris Sales Inc.

Part numbers may change after the making of the microfiche or paper copies. Electronic records are the most current.

Ref. Part No.	Qty.	Description
1	4	Screw
2	2	Screw
3	1	Channel, Rear
4	2	Screw
5	1	Asm., Rack, Rear (Incl. Warning Decal)
6	2	Screw
7	2	Spacer
8	2	Washer, Flat
9	2	Nut, Nylok

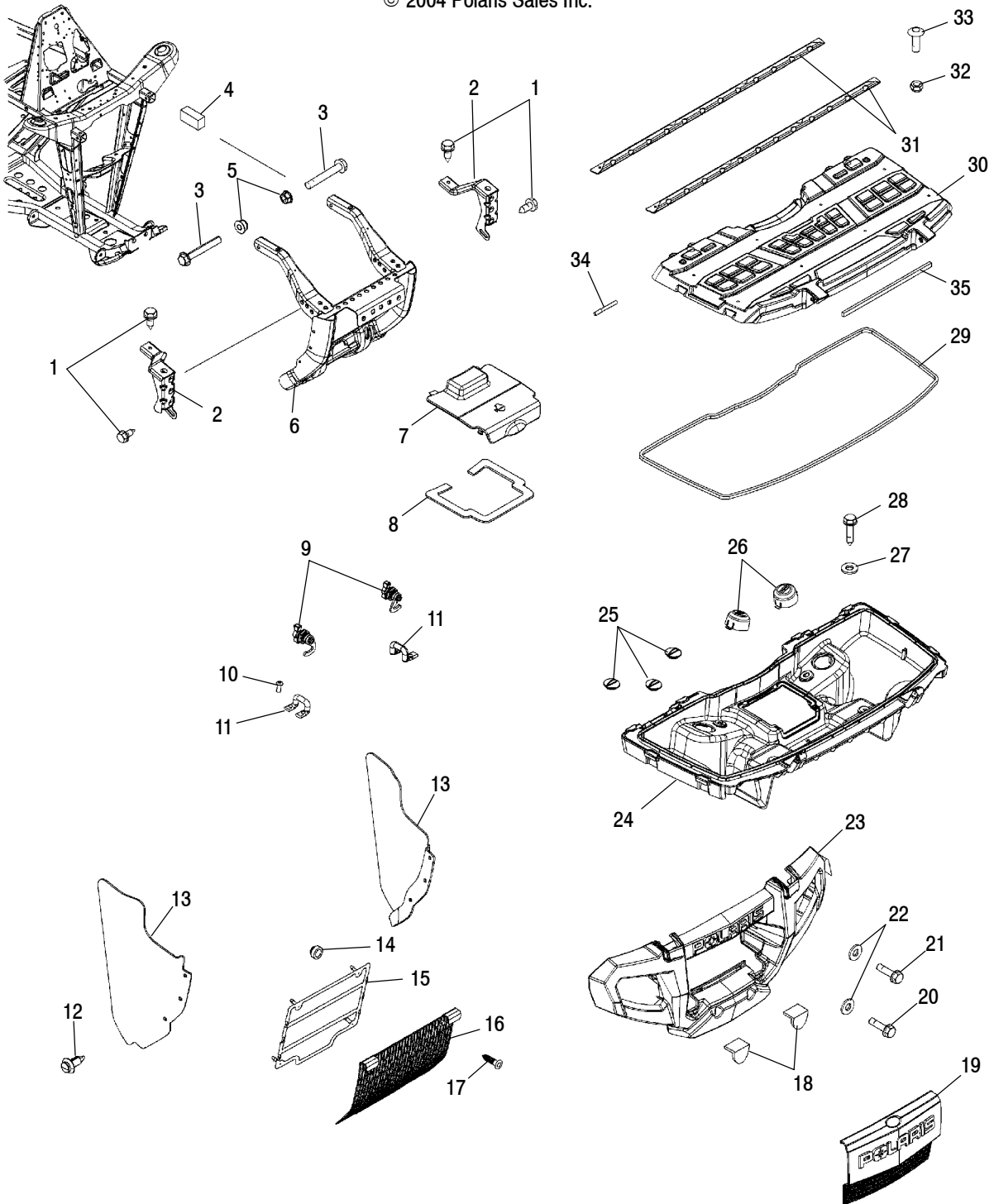
Ref. Part No.	Qty.	Description
10	1	Channel, Front
11	2	Spacer
12	1	Support, Rear Rack
13	4	Bolt, Flange
14	1	Bracket, Silencer, Frame (See Exhaust System Pg. A12, Ref. 6)
15	4	Nut, Nylok, Flange
16	4	Nut, Nylok
17	2	Screw

7/04

FRONT STORAGE and BUMPER MOUNTING

SPORTSMAN 400 A05MH42AB and SPORTSMAN 400 A05MH42AG and SPORTSMAN 400 A05MH42AH

© 2004 Polaris Sales Inc.



FRONT STORAGE and BUMPER MOUNTING
SPORTSMAN 400 A05MH42AB and SPORTSMAN 400 A05MH42AG and SPORTSMAN 400 A05MH42AH

Part numbers may change after the making of the microfiche or paper copies. Electronic records are the most current.

Ref.	Part No.	Qty.	Description
1	7515399	6	Screw
2	1014591-067	1	Support, Rack, LH
	1014592-067	1	Support, Rack, RH
3	7518341	2	Screw, Flange
4	5810467	1	Plug, Frame
5	7542343	8	Nut, Nylok, Flange
6	1014636-067	1	Guard, Brush
7	5435629	1	Cover, Radiator
8	5812778	1	Seal, Radiator Cover
9	7081145	1	Latch, LH
	7081125	1	Latch, RH
10	7512076	4	Screw
11	5334257	2	Latch, Wire
12	7661855	6	Rivet
13	5434314	1	Shield, Side, Radiator, LH
	5434315	1	Shield, Side, Radiator, RH
14	5412504	4	Grommet
15	5435046	1	Cover, Radiator
16	5247507-067	1	Grill, Brush Guard
17	7518046	4	Screw

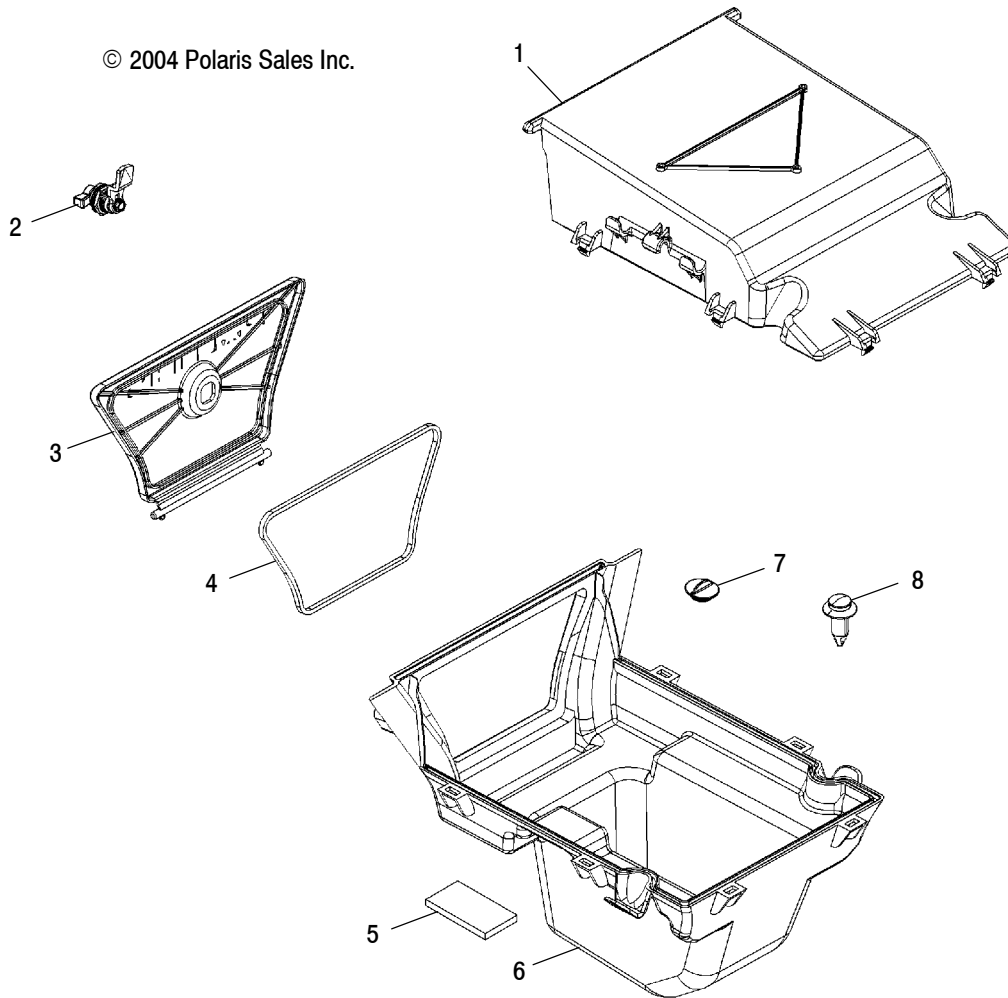
Ref.	Part No.	Qty.	Description
18	5435701	1	Cover, Bumper, LH
	5435702	1	Cover, Bumper, RH
19	5435357-070	1	Panel, Bumper, Front
20	7518383	2	Screw
21	7518382	4	Screw
22	7556341	4	Washer, Flat
23	2632865-070	1	Asm., Bumper, Front, Black (Incl. Warning Decal)
24	1202838	1	Asm., Box, Lower, Front
25	5412352	3	Plug
26	5435628	2	Cover, Strut
27	7555960	4	Washer, Flat
28	7517208	4	Screw, Flange
29	5521693	1	Seal
30	5435362-070	1	Cover, Box, Front
31	5247653-418	2	Channel, Lid, Front
32	7542122	8	Nut, Nylok
33	7518427	8	Screw
34	5134576	2	Pin, Hinge, Front
35	5521706	1	Seal, Lid/Bumper

7/04

REAR STORAGE BOX

SPORTSMAN 400 A05MH42AB and SPORTSMAN 400 A05MH42AG and SPORTSMAN 400 A05MH42AH

© 2004 Polaris Sales Inc.



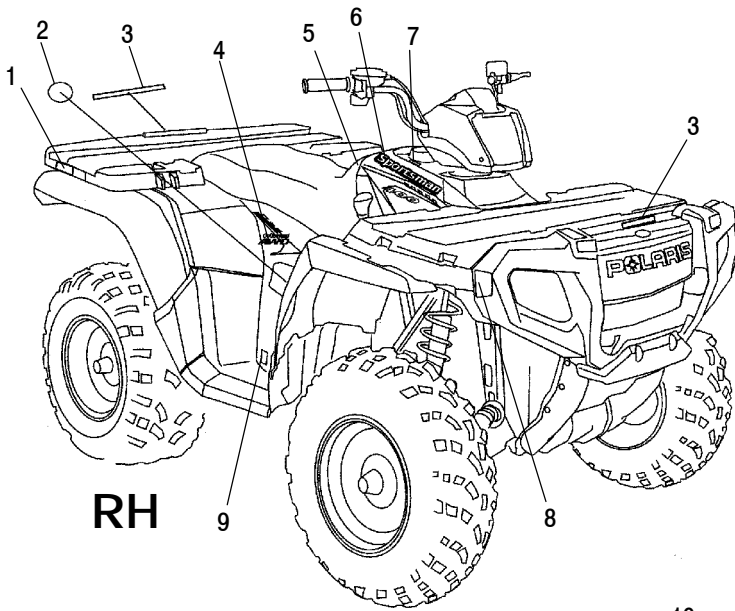
Part numbers may change after the making of the microfiche or paper copies. Electronic records are the most current.

Ref. Part No.	Qty.	Description	Ref. Part No.	Qty.	Description
1	1	Box, Upper	5	2	Pad, Rack Mount
2	1	Latch	6	1	Box, Lower
3	1	Cover, Tool Box	7	1	Plug
4	1	Seal	8	2	Rivet

7/04

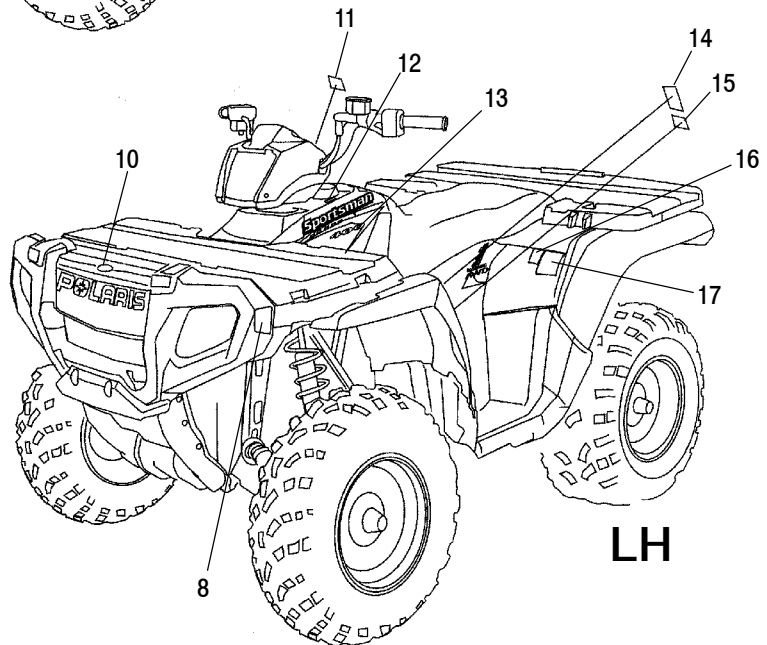
DECALS

SPORTSMAN 400 A05MH42AB and SPORTSMAN 400 A05MH42AG and SPORTSMAN 400 A05MH42AH



RH

© 2004 Polaris Sales Inc.



LH

Part numbers may change after the making of the microfiche or paper copies. Electronic records are the most current.

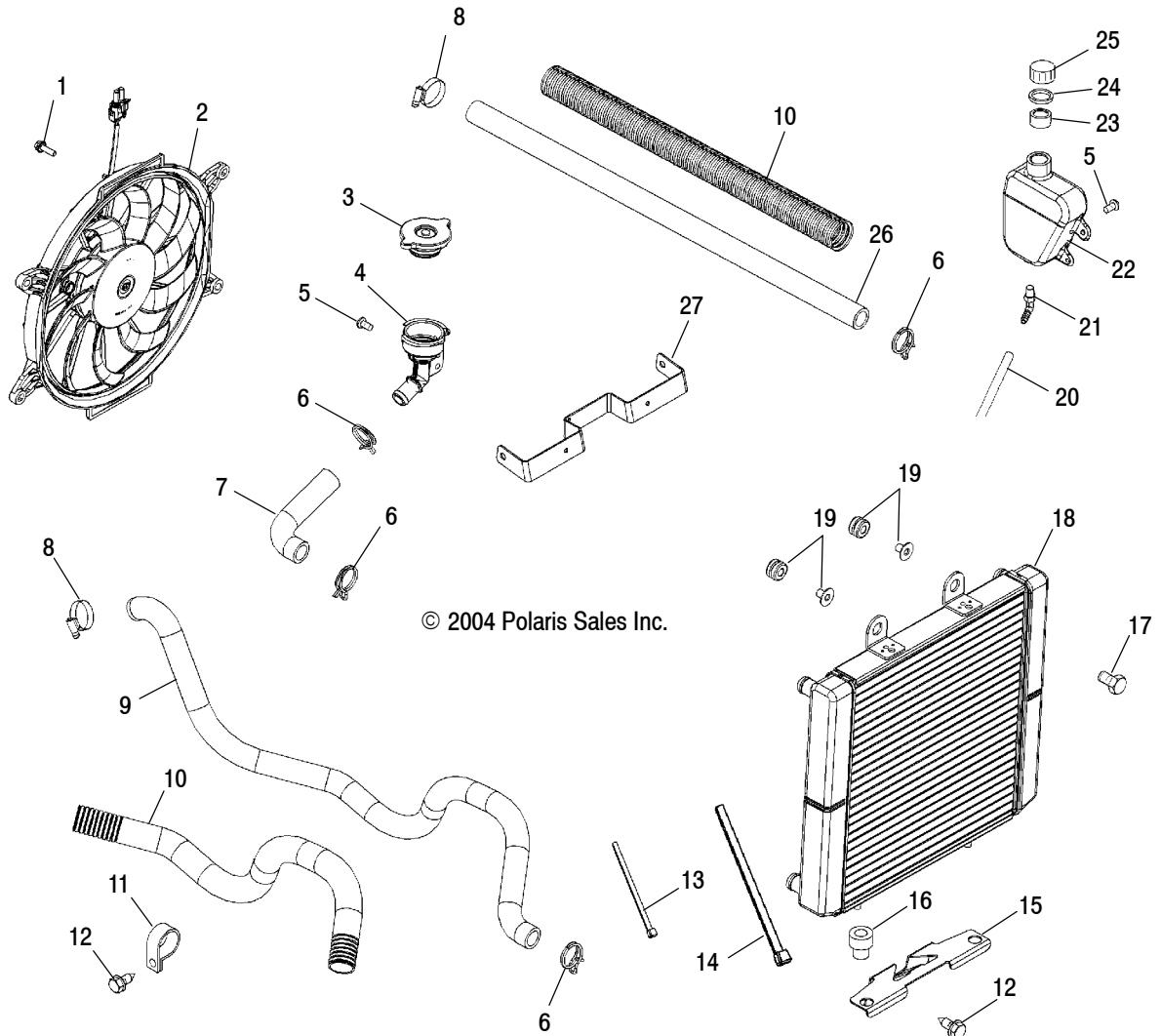
Ref.	Part No.	Qty.	Description
1	7172689	2	Decal, Reflector, Red
2	7173013	1	Urocal, 50th Anniversary
3	7172572	2	Decal, Warning Front and Rear Rack
4	7172707	1	Decal, Rear Cab, "AWD", LH
	7172708	1	Decal, Rear Cab, "AWD", RH
5	7172559	1	Decal, Age Warning, 16 ATV
6	7172704	1	Decal, "SPORTSMAN", LH
	7172710	1	Decal, "SPORTSMAN", RH
7	7079780	1	Decal, Warning, AWD Switch, White
8	7172687	1	Decal, Reflector, Amber, LH
	7172688	1	Decal, Reflector, Amber, RH

Ref.	Part No.	Qty.	Description
9	7172562	1	Decal, Drain Recoil
10	7078465	1	Logo, Polaris Star
11	7079672	1	Decal, Foot Brake
12	7172564	1	Decal, Warning, Override, AWD
13	7172705	1	Decal, Tankside, "400", LH
	7172706	1	Decal, Tankside, "400", RH
14	7172560	1	Decal, Warning, General, CPSC
15	7172561	1	Decal, Discretionary Warning
16	7172566	1	Decal, Passenger Warning
17	7172748	1	Decal, Tire Pressure/Load

7/04

COOLING SYSTEM

SPORTSMAN 400 A05MH42AB and SPORTSMAN 400 A05MH42AG and SPORTSMAN 400 A05MH42AH



© 2004 Polaris Sales Inc.

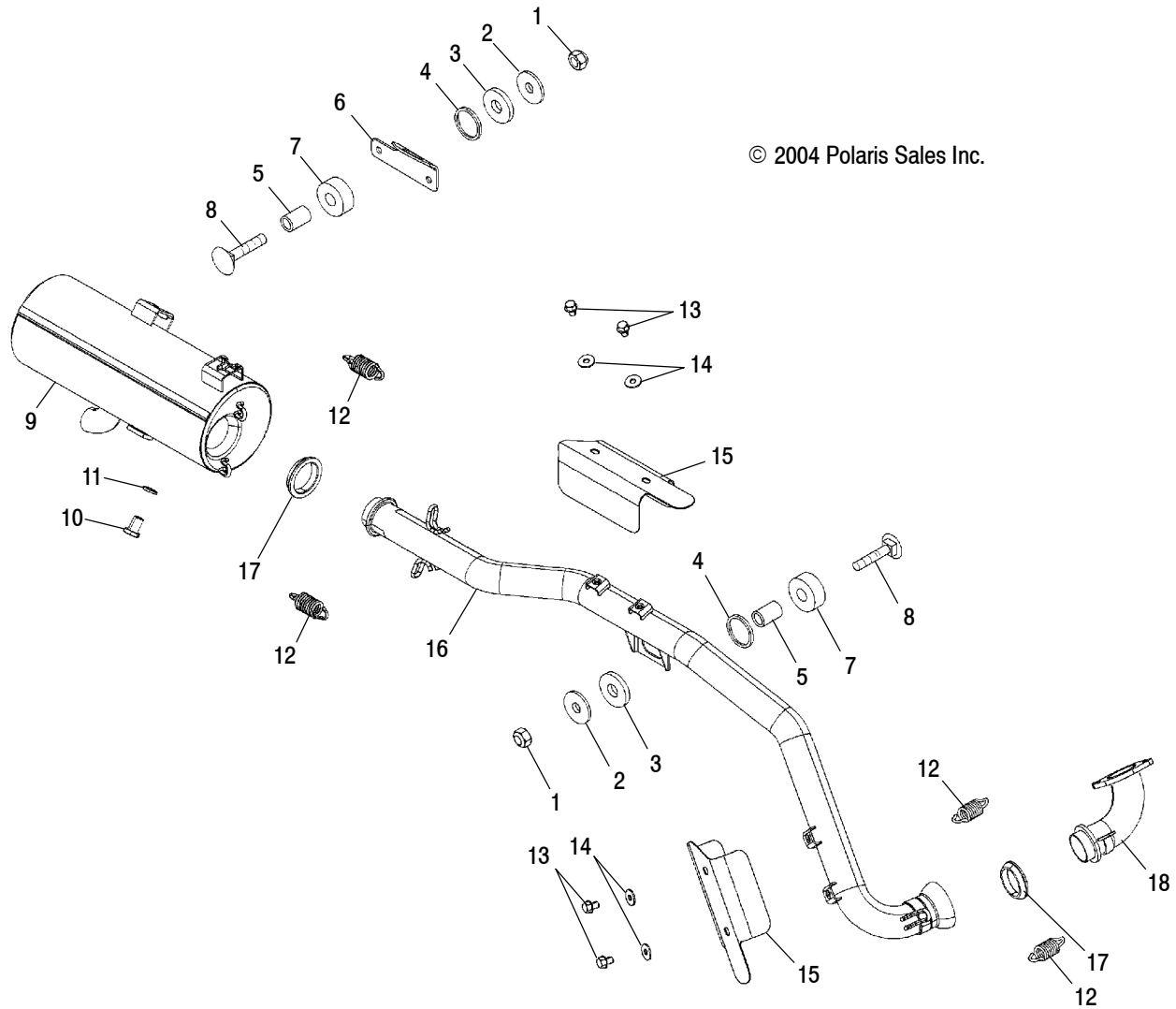
Part numbers may change after the making of the microfiche or paper copies. Electronic records are the most current.

Ref. Part No.	Qty.	Description
1	7517975	4 Screw
2	2410383	1 Asm., Fan and Motor
3	1240044	1 Cap, Pressure
4	5412402	1 Neck, Filler
5	7512084	4 Screw
6	7080826	4 Clamp
7	5412405	1 Hose, Filler Neck
8	7080696	2 Clamp
9	5412404	1 Hose, Engine, Lower
10	5521550	2 Guard, Hose, Plastic
11	7080851	1 Clamp, Hose
12	7517386	3 Screw
13	7080138	1 Cable Tie
14	7080492	1 Cable Tie

Ref. Part No.	Qty.	Description
15	5247047-067	1 Bracket, Radiator, Lower
16	5410584	2 Bushing, Mount, Lower
17	7515179	2 Screw
18	1240152	1 Radiator
19	5411975	2 Asm., Grommet and Insert
20	8450003-1525	1 Line, Fuel
21	7052065	1 Fitting, Barbed, 90 Degree
22	5431673	1 Tank, Surge
23	5433774	1 Plug, Cap
24	5810279	1 Gasket, Overflow Cap
25	5430743	1 Cap, Overflow, Drilled
26	5412403	1 Hose, Engine, Upper
27	5246754-067	1 Bracket, Radiator, Lower

EXHAUST SYSTEM

SPORTSMAN 400 A05MH42AB and SPORTSMAN 400 A05MH42AG and SPORTSMAN 400 A05MH42AH



© 2004 Polaris Sales Inc.

Part numbers may change after the making of the microfiche or paper copies. Electronic records are the most current.

Ref. Part No.	Qty.	Description
1	3	Nut, Nylok
2	3	Washer, Flat
3	3	Washer, Rubber
4	3	Washer
5	3	Bushing
6	1	Bracket, Silencer, Frame
7	3	Dampener, Vibration
8	3	Bolt, Carriage
9	1	Silencer, Exhaust

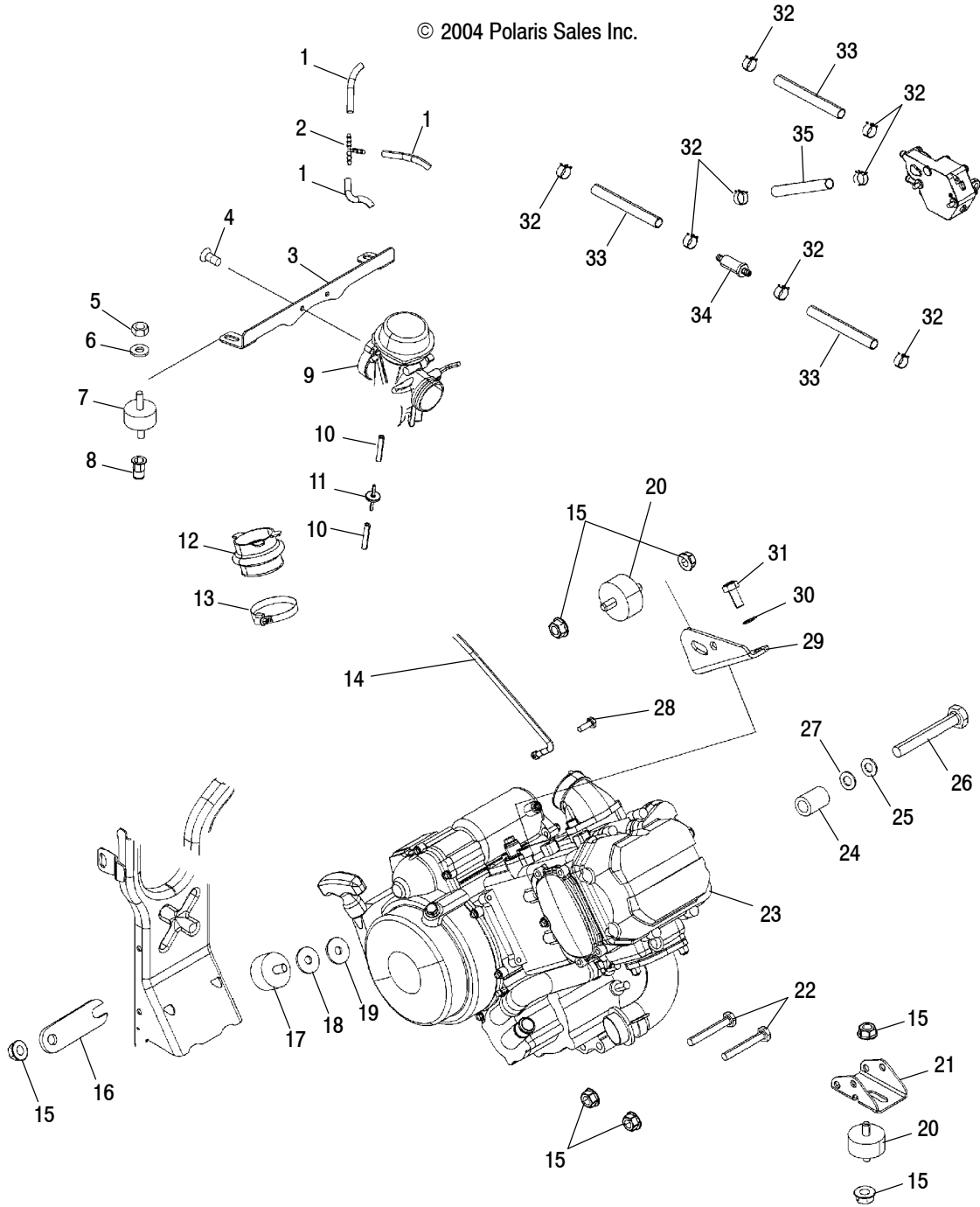
Ref. Part No.	Qty.	Description
10	1	Bolt
11	1	Washer, Clean Out
12	4	Spring, Exhaust
13	4	Screw
14	4	Washer
15	2	Shield, Heat, Exhaust
16	1	Pipe, Exhaust
17	2	Seal, Exhaust
18	1	Manifold

9/04

ENGINE MOUNTING

SPORTSMAN 400 A05MH42AB and SPORTSMAN 400 A05MH42AG and SPORTSMAN 400 A05MH42AH

© 2004 Polaris Sales Inc.



ENGINE MOUNTING

SPORTSMAN 400 A05MH42AB and SPORTSMAN 400 A05MH42AG and SPORTSMAN 400 A05MH42AH

Part numbers may change after the making of the microfiche or paper copies. Electronic records are the most current.

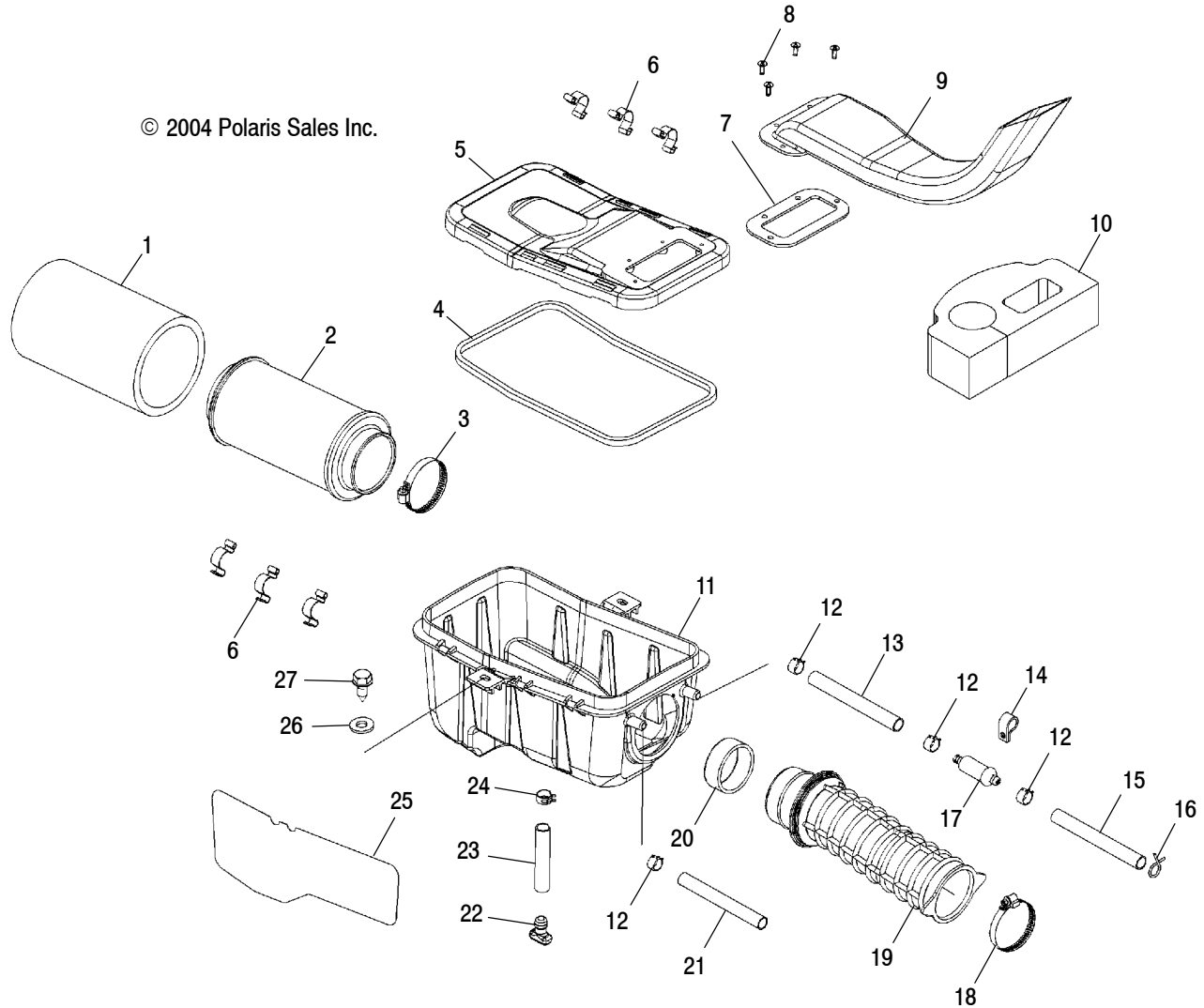
Ref.	Part No.	Qty.	Description
1	8450003-1525	AR	Line, Fuel
2	7052075	1	Fitting, Tee
3	5247154	1	Strap, Carburetor Mount
4	3084205	2	Screw and Washer
5	7542105	2	Nut
6	7558203	2	Washer
7	3110050	2	Mount, Carb
8	7542143	2	Insert
9	-----	1	Asm., Carburetor (See Carburetor Pg. D8, Ref. 9)
10	8360009-600	AR	Line, Fuel
11	7051011	1	Valve, Check Vent
12	5412487	1	Boot, Clutch Intake
13	7080511	2	Clamp, Narrow Band
14	4010895	1	Cable, Black, Frame/Engine
15	7547263	8	Nut, Flange Lock
16	5224658-067	1	Strap, Frame Support
17	3110046	2	Mount, Rubber, Front
18	7555815	2	Washer
19	7555797	2	Washer, Flat
20	3110044	2	Mount, Rubber, Top

Ref.	Part No.	Qty.	Description
21	5241150	1	Mount, Engine, Front
22	7518415	2	Screw
23	3087023	1	Engine, Short Block (EH42PLE053) NOTE: The Short Block assembly contains a crankcase assembly, cylinder & cylinder head assembly and a piston & crankshaft assembly. Prior authorization is required for warranty consideration.
24	5430261	1	Bushing
25	7575202	1	Washer, Interlock
26	7512566	1	Bolt
27	5210748	1	Washer, Flat
28	3082038	1	Asm., Bolt and Washer
29	5241453	1	Mount, Engine, Top
30	7552901	2	Washer, Spring Lock
31	7512315	2	Bolt
32	7080003	8	Clamp, Hose, Red
33	8450103	AR	Hose, Fuel
34	2530009	1	Filter
35	8450040-600	AR	Line, Fuel

7/04

AIR BOX

SPORTSMAN 400 A05MH42AB and SPORTSMAN 400 A05MH42AG and SPORTSMAN 400 A05MH42AH



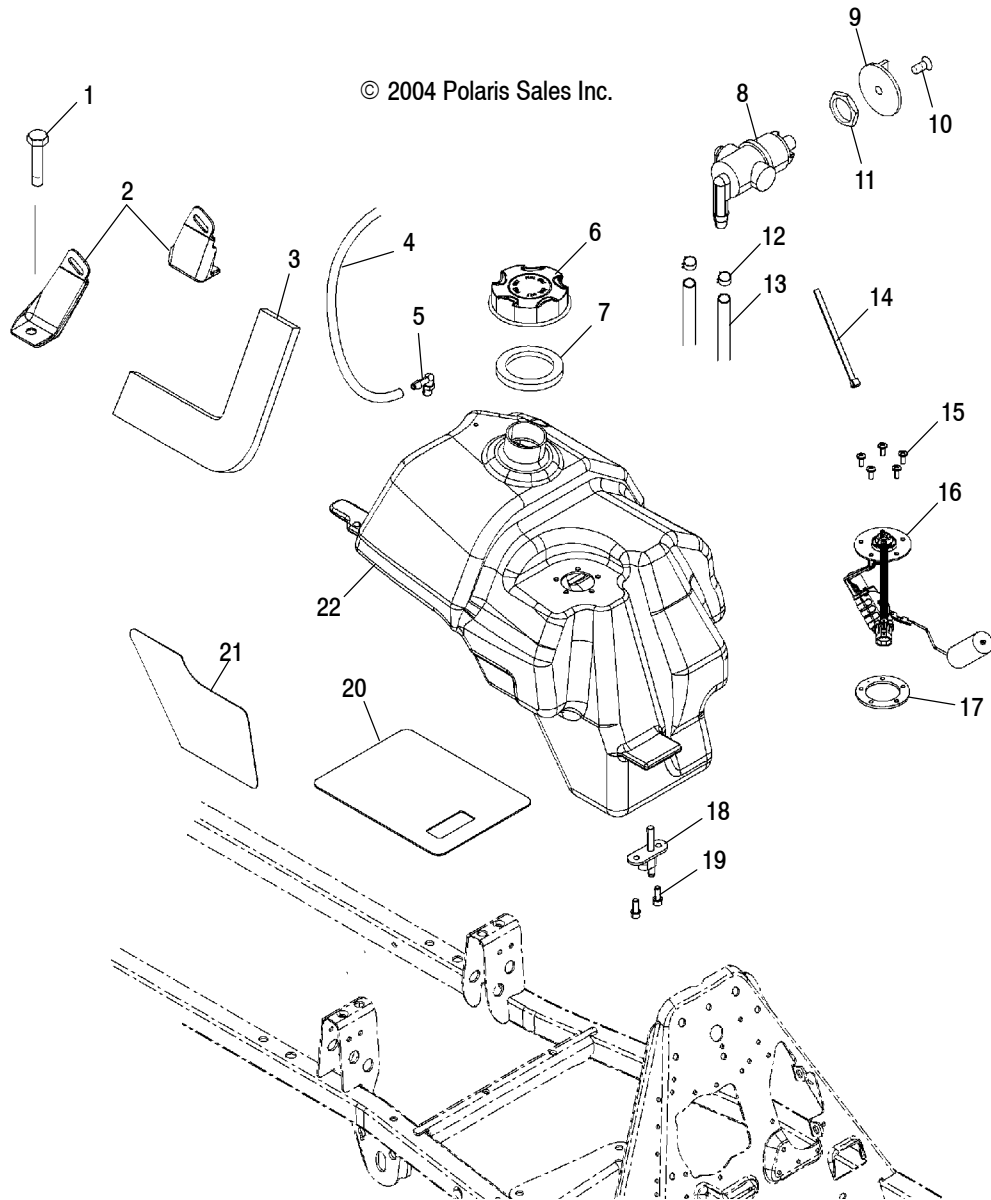
Part numbers may change after the making of the microfiche or paper copies. Electronic records are the most current.

Ref. Part No.	Qty.	Description
1	5811633	1 Filter, Precleaner Sleeve
2	7080595	1 Filter, Air Intake
3	7080413	1 Clamp, Narrow Band
4	5811482	1 Seal, Air Box Cover
5	5432868	1 Cover, Air Box
6	5242044	6 Clip, Air Box
7	5411422	1 Gasket, Intake
8	7517317	4 Screw
9	5433293	1 Duct, Air Inlet
10	5811626	1 Seal, Foam
11	5433387	1 Box, Air
12	7080699	4 Clamp, Hose
13	8450073-600	AR Line, Breather
14	7080913	1 P-Clamp

Ref. Part No.	Qty.	Description
15	5411858	1 Hose, Breather
16	7080694	1 Clamp
17	2530029	1 Filter, Breather
18	7080511	1 Clamp
19	5412283	1 Boot, Carburetor
20	5433847	1 Sleeve
21	5411668	1 Line, Breather
22	5432377	1 Plug, Trap
23	8450059-150	AR Line, Fuel
24	7080650	1 Clamp, Hose
25	5811650	1 Foil, Air Box
26	7558301	2 Washer, Flat
27	7515179	2 Screw

FUEL TANK

SPORTSMAN 400 A05MH42AB and SPORTSMAN 400 A05MH42AG and SPORTSMAN 400 A05MH42AH



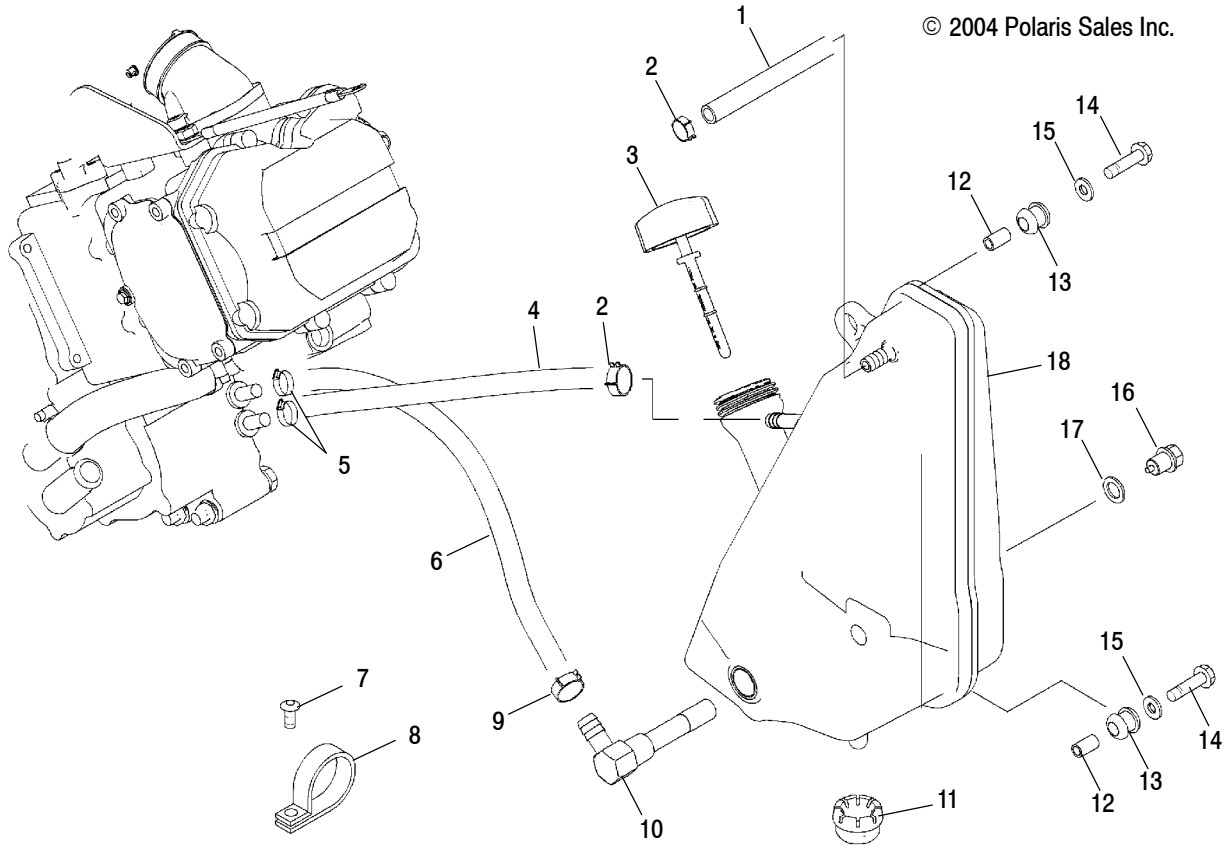
Part numbers may change after the making of the microfiche or paper copies. Electronic records are the most current.

Ref. Part No.	Qty.	Description
1 7517685	2	Screw
2 5247184	1	Bracket, Fuel Cover Mount, LH
5247185	1	Bracket, Fuel Cover Mount, RH
3 5812265	1	Seal, Foam
4 8360009-600	AR	Line, Fuel
5 5431053	1	Vent, Tank
6 5433687	1	Cap, Gas Tank
7 5812123	1	Gasket, Fuel Cap
8 7052159	1	Valve, On/Off
9 5432559	1	Knob, Fuel Valve
10 7517505	1	Screw
11 5432733	1	Nut, Fuel Valve

Ref. Part No.	Qty.	Description
12 7080003	4	Clamp, Hose, Red
13 8450103	AR	Hose, Fuel
14 7080492	1	Cable Tie
15 7518257	5	Screw
16 2410554	1	Sender, Fuel
17 5810858	1	Gasket
18 7052363	1	Fitting, Fuel, Single Outlet
19 7515136	2	Screw
20 5812005	1	Foil, Tank
21 5812004	1	Foil, Tank
22 2520403	1	Asm., Fuel Tank w/Sender (Incl. 15-21)

OIL TANK

SPORTSMAN 400 A05MH42AB and SPORTSMAN 400 A05MH42AG and SPORTSMAN 400 A05MH42AH



© 2004 Polaris Sales Inc.

Part numbers may change after the making of the microfiche or paper copies. Electronic records are the most current.

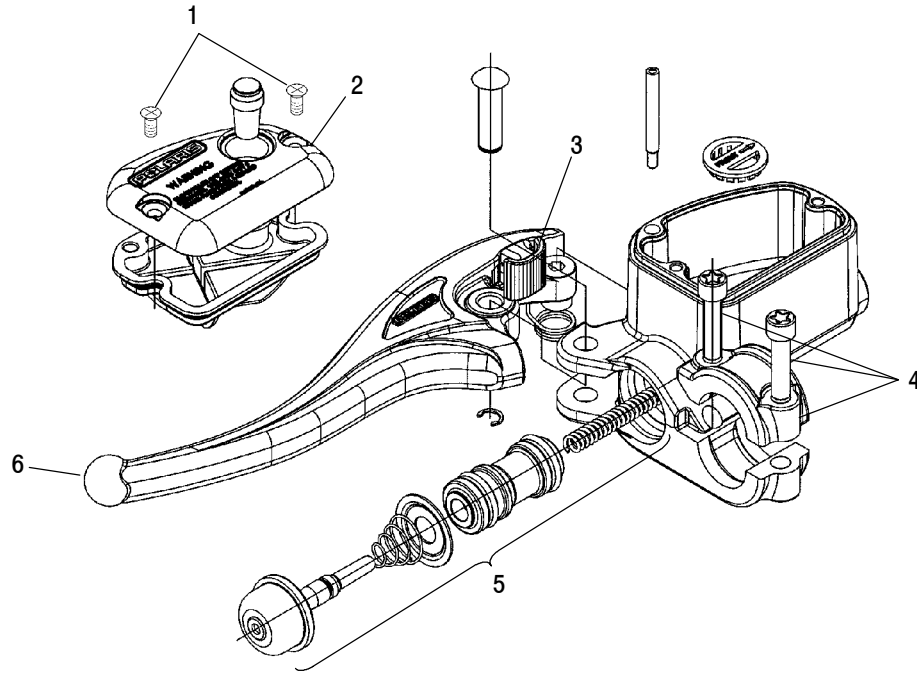
Ref. Part No.	Qty.	Description	Ref. Part No.	Qty.	Description		
1	5411668	1	Line, Breather	10	7052326	1	Screen, Oil Filter, 90 Degree
2	7080699	2	Clamp	11	5412507	1	Grommet
3	5434574	1	Dipstick	12	5333204	2	Bushing, Mounting
4	8450073-34	1	Hose, Breather	13	5410828	2	Grommet
5	7080474	2	Clamp	14	7512242	2	Screw
6	8450096-25	1	Line	15	7558301	2	Washer, Flat
7	7512017	1	Screw	16	7051524	1	Plug
8	7080693	1	Clamp	17	5850135	1	Washer, Nylon
9	7081026	1	Clamp	18	1261176	1	Tank, Oil

7/04

CONTROLS

SPORTSMAN 400 A05MH42AB and SPORTSMAN 400 A05MH42AG and SPORTSMAN 400 A05MH42AH

© 2004 Polaris Sales Inc.



Part numbers may change after the making of the microfiche or paper copies. Electronic records are the most current.

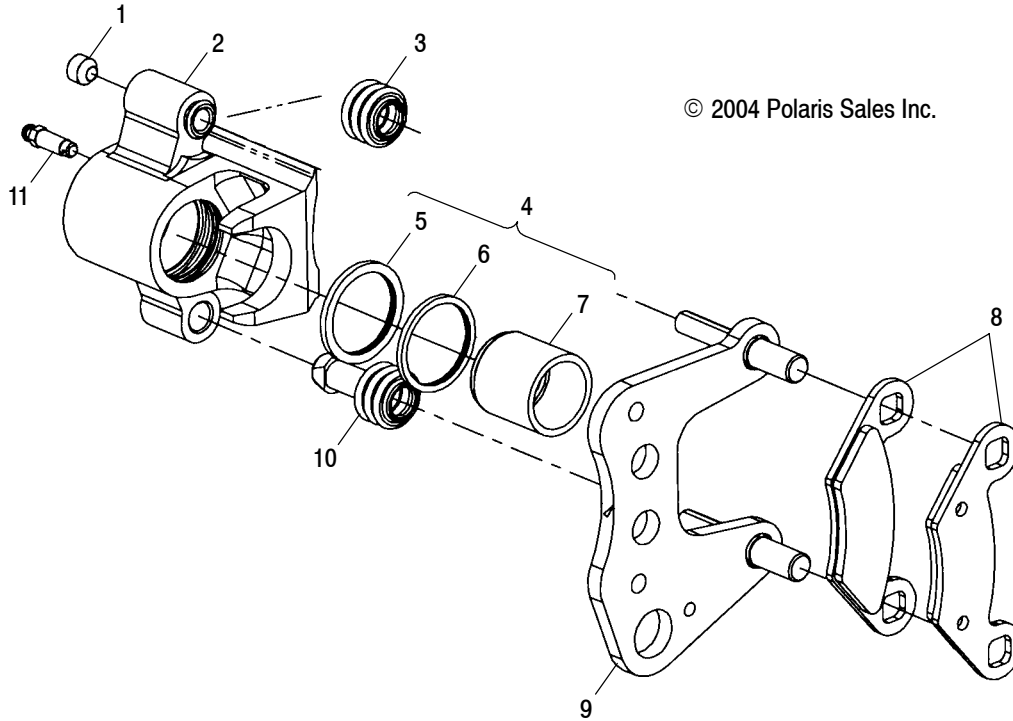
Ref. Part No.	Qty.	Description
	1	Asm., Master Cylinder
1	2	Screw, Torx
2	1	Kit, Master Cylinder Cap (Incl. Cap, Screws, Sight, Gasket)
3	1	Kit, Master Cylinder Park Brake Lever (Incl. Lever, Spring)

Ref. Part No.	Qty.	Description
4	1	Kit, Master Cylinder Clamp (Incl. Clamp, Screws)
5	1	Kit, Piston (Incl. Piston, Seals, Boot, Spring)
6	1	Kit, Master Cylinder Lever (Incl. Pin, Lever, Clip)

7/04

FRONT BRAKE

SPORTSMAN 400 A05MH42AB and SPORTSMAN 400 A05MH42AG and SPORTSMAN 400 A05MH42AH



© 2004 Polaris Sales Inc.

Part numbers may change after the making of the microfiche or paper copies. Electronic records are the most current.

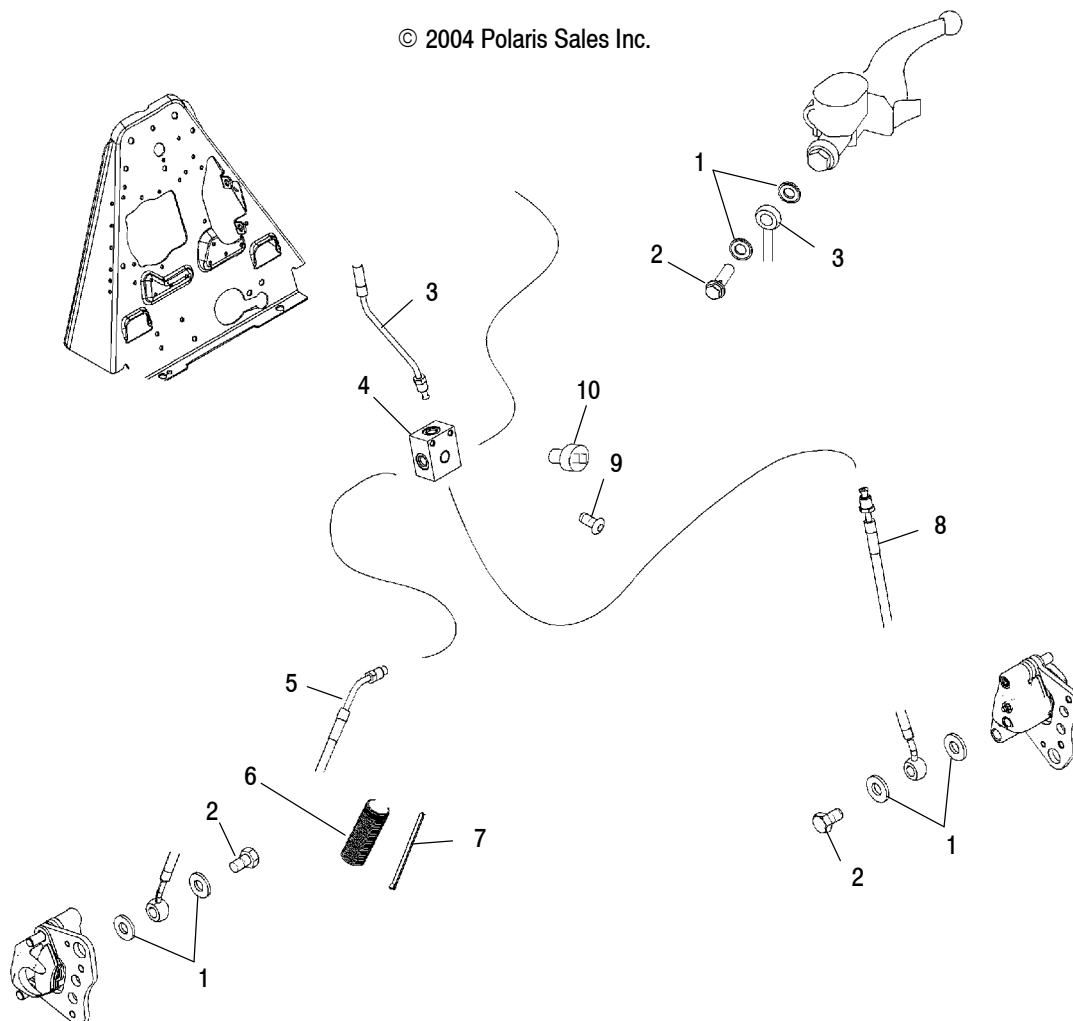
Ref. Part No.	Qty.	Description	Ref. Part No.	Qty.	Description		
1910841	1	Asm., Brake Caliper, LH (Incl. 1-7,9,10)	5	5410780	1	Ring, Molded Square (.103 x .134)	
1910842	1	Asm., Brake Caliper, RH (Incl. 1-7,9,10)	6	5410779	1	Ring, Molded Square (.094)	
1	7515489	1	Screw, Socket Set	7	5132294	1	Piston, Brake, Long
2	5134639	1	Caliper, Brake, LH	8	2202412	1	Kit, Front Brake Pad
	5134640	1	Caliper, Brake, RH	9	1910411	1	Mount, Caliper
	1930642	1	Kit, Front Brake Boot	10	5410495	1	Boot, Bushing
3	5410494	1	Boot, Pin Seal	11	7080352	1	Screw, Bleeder
4	1930665	1	Kit, Piston and Seal (Incl. 5-7)				

7/04

FRONT BRAKE LINES

SPORTSMAN 400 A05MH42AB and SPORTSMAN 400 A05MH42AG and SPORTSMAN 400 A05MH42AH

© 2004 Polaris Sales Inc.



Part numbers may change after the making of the microfiche or paper copies. Electronic records are the most current.

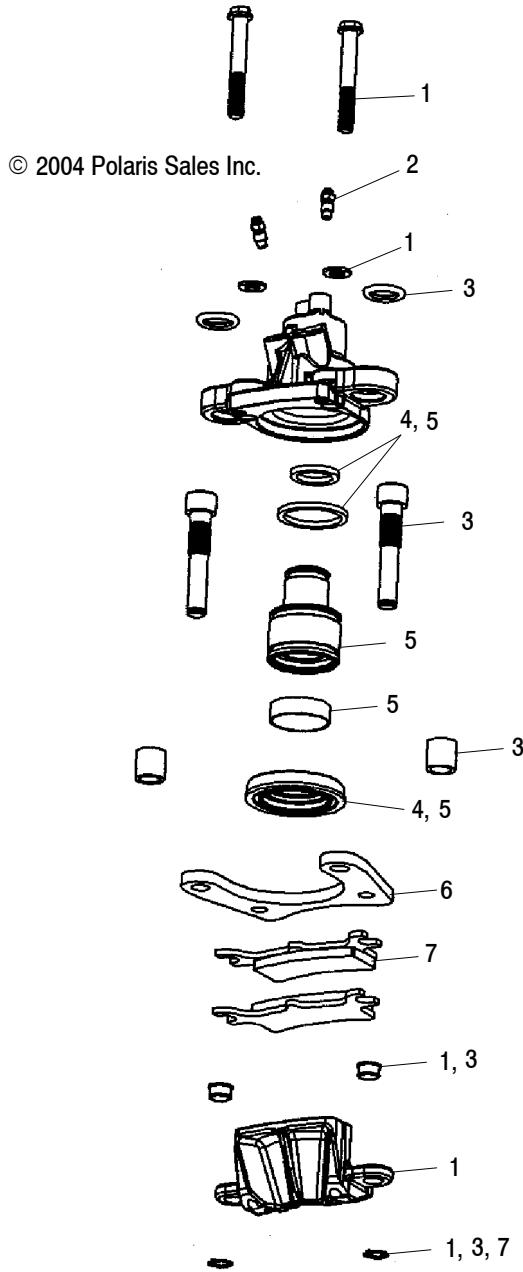
Ref. Part No.	Qty.	Description
1	5410988	6 Seal
2	1910499	3 Bolt, Banjo
3	1910883	1 Line, Brake, Stainless Steel
4	7052292	1 Fitting, Cross
5	1910839	1 Line, Brake, Right Front, SS

Ref. Part No.	Qty.	Description
6	8360031-34	1 Conduit
7	7080138	4 Cable Tie
8	1910838	1 Line, Brake, Left Front, SS
9	7512024	2 Screw
10	4110164	1 Switch

7/04

REAR CALIPER

SPORTSMAN 400 A05MH42AB and SPORTSMAN 400 A05MH42AG and SPORTSMAN 400 A05MH42AH

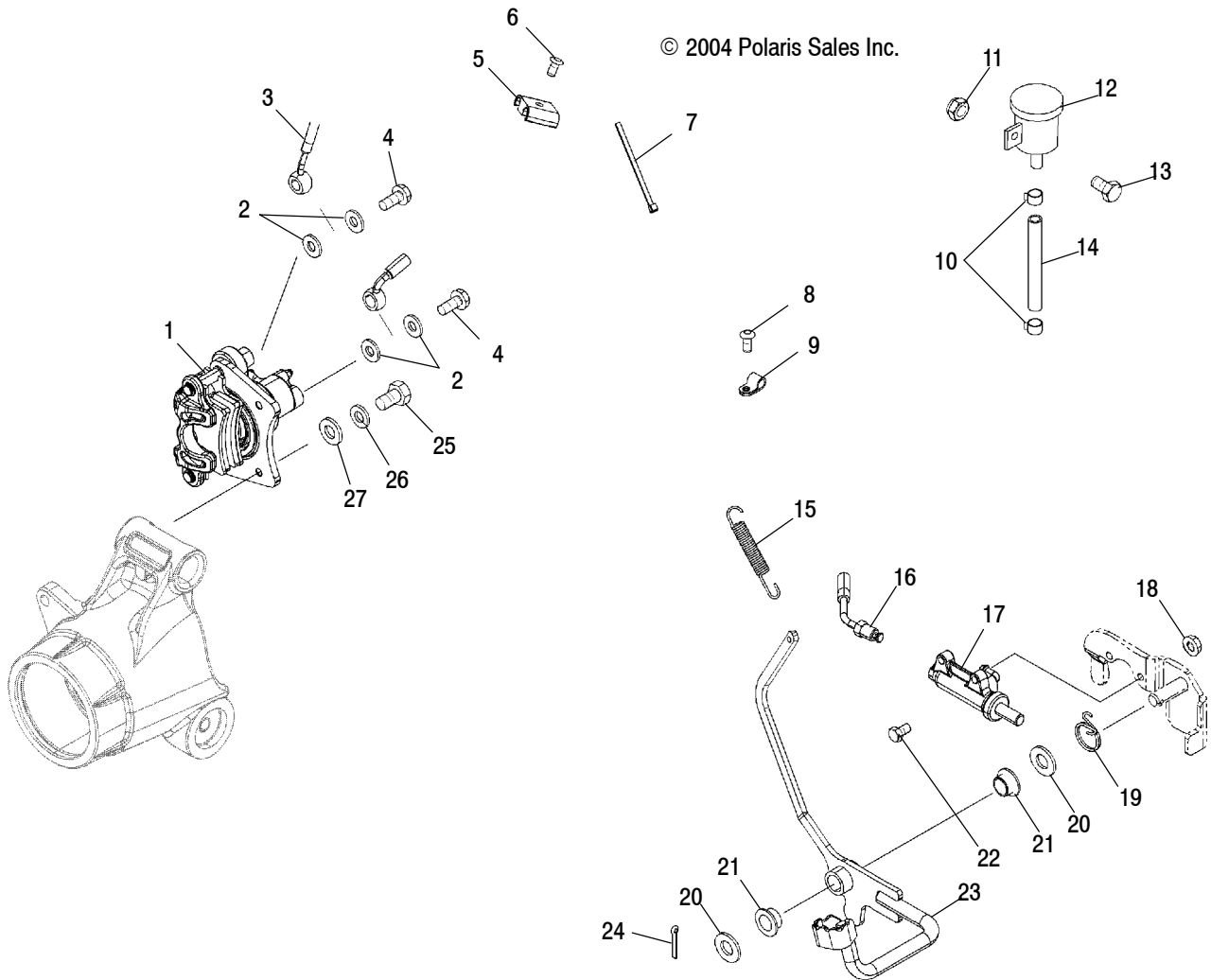


Part numbers may change after the making of the microfiche or paper copies. Electronic records are the most current.

Ref. Part No.	Qty.	Description	Ref. Part No.	Qty.	Description			
		1910690	1	Asm., Caliper	4	2201872	1	Kit, Seal
1	2201873	1	Kit, Anvil Body	5	2201869	1	Kit, Piston and Seal	
2	1910538	2	Fitting, Bleed, Compact	6	1910529	1	Bracket, Caliper	
3	2201870	1	Kit, Slide Bolt	7	2202414	1	Kit, Brake Pad	

REAR MASTER CYLINDER/FOOT PEDAL

SPORTSMAN 400 A05MH42AB and SPORTSMAN 400 A05MH42AG and SPORTSMAN 400 A05MH42AH



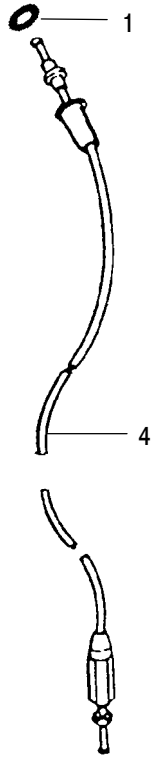
Part numbers may change after the making of the microfiche or paper copies. Electronic records are the most current.

Ref. Part No.	Qty.	Description
	1	Kit, Brake Line, Rear (Incl. 16)
	1	Kit, Brake Line, Rear (Incl. 3)
1	1	Asm., Caliper
2	4	Seal
3	1	Line, Brake, Caliper, Rear
4	2	Bolt, Banjo
5	1	Clip, Retaining
6	1	Screw
7	3	Cable Tie
8	1	Screw
9	1	Clamp, Cable
10	2	Clamp, Hose
11	1	Nut
12	1	Reservoir, Brake, Rear
13	1	Screw

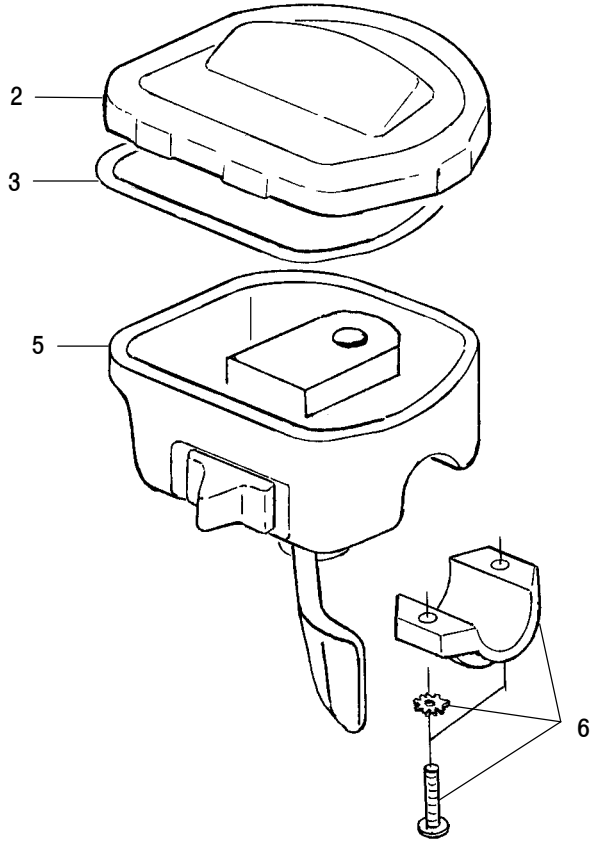
Ref. Part No.	Qty.	Description
14	1	Hose, Reservoir
15	1	Spring, Park Lockout
16	1	Line, Rear Brake
17	1	Master Cylinder, Brake, Rear
18	2	Nut, Nylok
19	1	Spring
20	2	Washer
21	2	Bushing, Pivot, Pedal
22	2	Screw
23	1	Pedal, Brake
24	1	Pin, Cotter
25	2	Screw
26	2	Washer, Spring Lock
27	2	Washer, Flat

CONTROLS - THROTTLE ASM./CABLE

SPORTSMAN 400 A05MH42AB and SPORTSMAN 400 A05MH42AG and SPORTSMAN 400 A05MH42AH



© 2004 Polaris Sales Inc.



Part numbers may change after the making of the microfiche or paper copies. Electronic records are the most current.

Ref. Part No.	Qty.	Description
1	5410193	1 O-Ring
2	5434113	1 Cover
3	5411439	1 O-Ring
4	7081181	1 Cable, Throttle

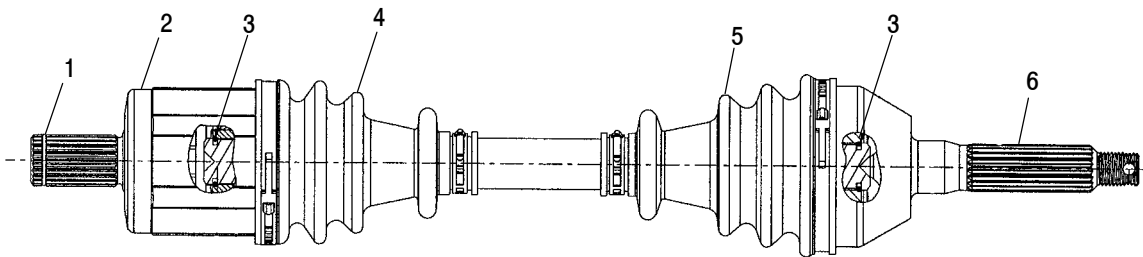
Ref. Part No.	Qty.	Description
5	2010230	1 Asm., Throttle Control, AWD (Incl. 6)(If built before 10/04/04)
	2010250	1 Asm., Throttle Control, AWD (Incl. 6)(If built after 10/04/04)
6	2010191	1 Asm., Throttle Clamp

7/04

FRONT DRIVE SHAFT

SPORTSMAN 400 A05MH42AB and SPORTSMAN 400 A05MH42AG and SPORTSMAN 400 A05MH42AH

© 2004 Polaris Sales Inc.



Part numbers may change after the making of the microfiche or paper copies. Electronic records are the most current.

Ref. Part No.	Qty.	Description
	2	Asm., Drive Shaft, Front
1	2	Circlip
2	2	Joint (CV, Inner)
3	2	Circlip

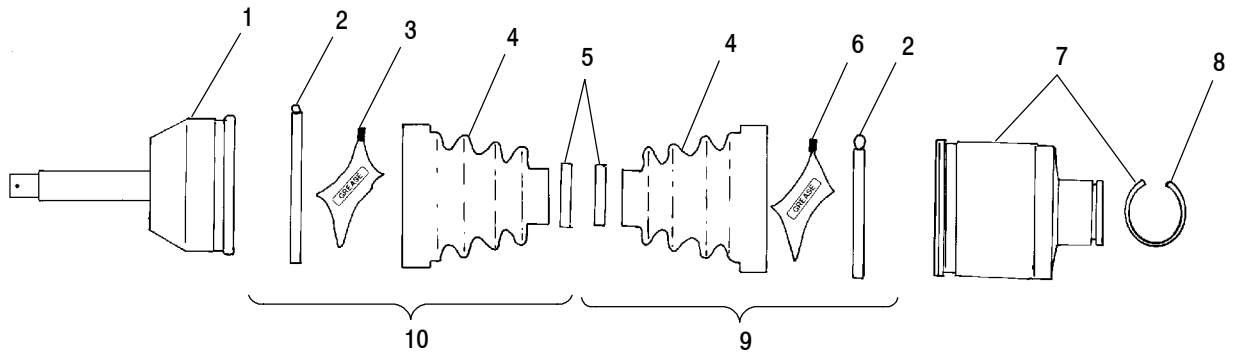
Ref. Part No.	Qty.	Description
4	2	Kit, Boot (Inner)(Incl. Clamps and Grease)
5	1	Kit, Boot (Outer)(Incl. Clamps and Grease)
6	1	Joint, CV (Outer)

7/04

REAR DRIVE SHAFT

SPORTSMAN 400 A05MH42AB and SPORTSMAN 400 A05MH42AG and SPORTSMAN 400 A05MH42AH

© 2004 Polaris Sales Inc.



Part numbers may change after the making of the microfiche or paper copies. Electronic records are the most current.

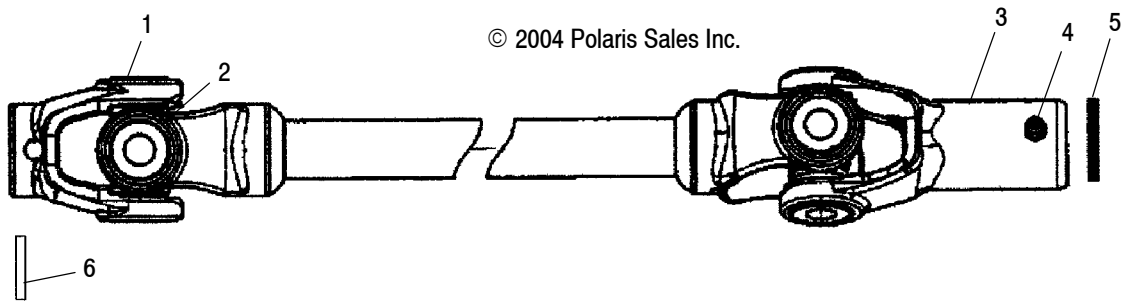
Ref. Part No.	Qty.	Description
	2	Asm., Drive Shaft, Rear (Incl. 1-8)(If built after 11/24/03)
1	1	CV Joint
2	2	Clamp, Large
3	1	Grease, 30g
4	2	Boot

Ref. Part No.	Qty.	Description
5	2	Clamp, Small
6	1	Grease, 50g
7	1	Joint, Plunging
8	1	Ring, Spring
9	1	Kit, Boot (Gear Side)
10	1	Kit, Boot (Wheel Side)

7/04

PROP SHAFT

SPORTSMAN 400 A05MH42AB and SPORTSMAN 400 A05MH42AG and SPORTSMAN 400 A05MH42AH



Part numbers may change after the making of the microfiche or paper copies. Electronic records are the most current.

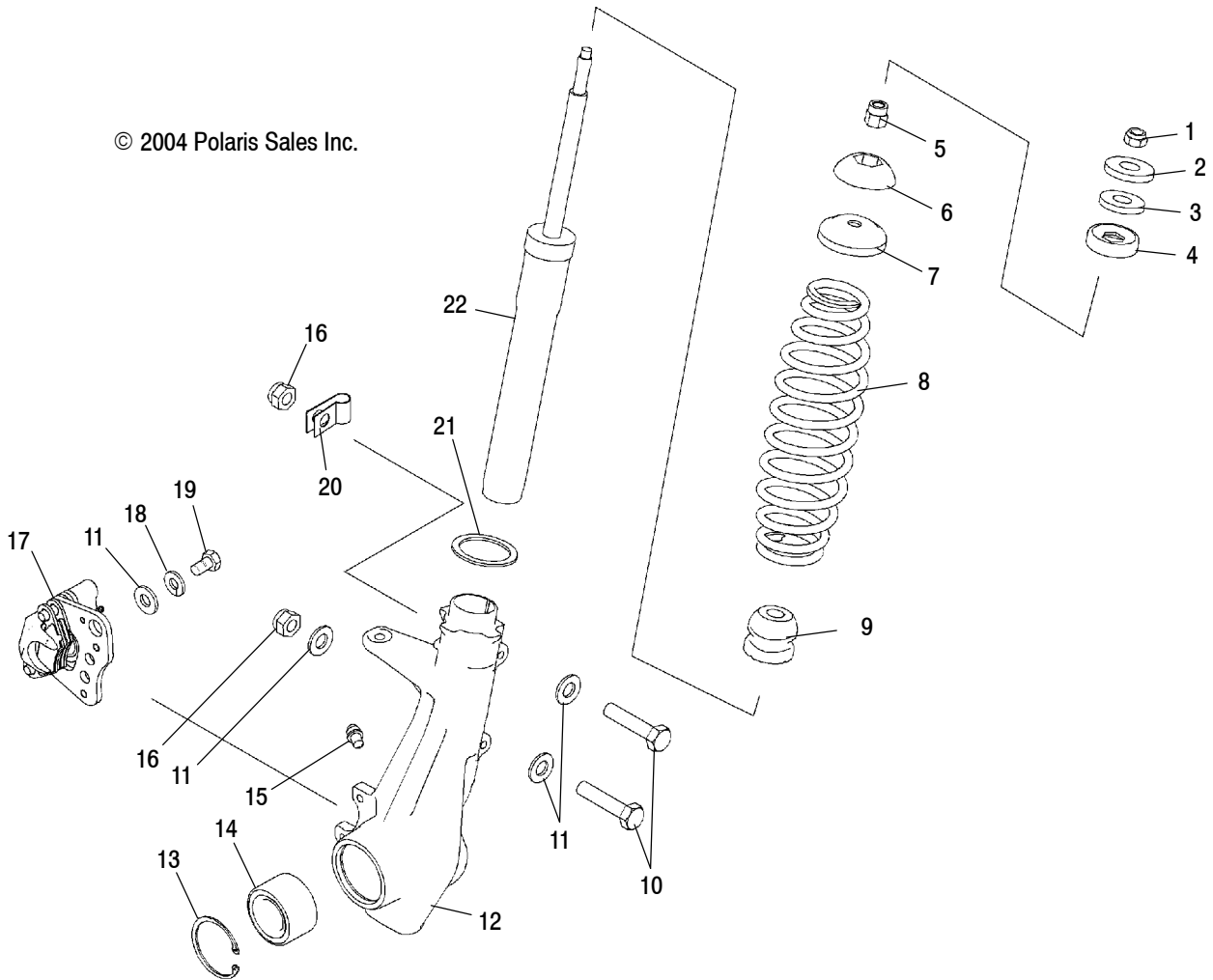
Ref. Part No.	Qty.	Description
	1	Asm., Shaft, Prop, Front
1	1	Yoke, Gear Case, Front
2	2	Kit, Cross and Bearing
3	1	Yoke, Prop Shaft, Transmission

Ref. Part No.	Qty.	Description
4	1	Fitting, Lubrication
5	1	O-Ring
6	1	Pin, Spring

7/04

FRONT STRUT

SPORTSMAN 400 A05MH42AB and SPORTSMAN 400 A05MH42AG and SPORTSMAN 400 A05MH42AH



© 2004 Polaris Sales Inc.

Part numbers may change after the making of the microfiche or paper copies. Electronic records are the most current.

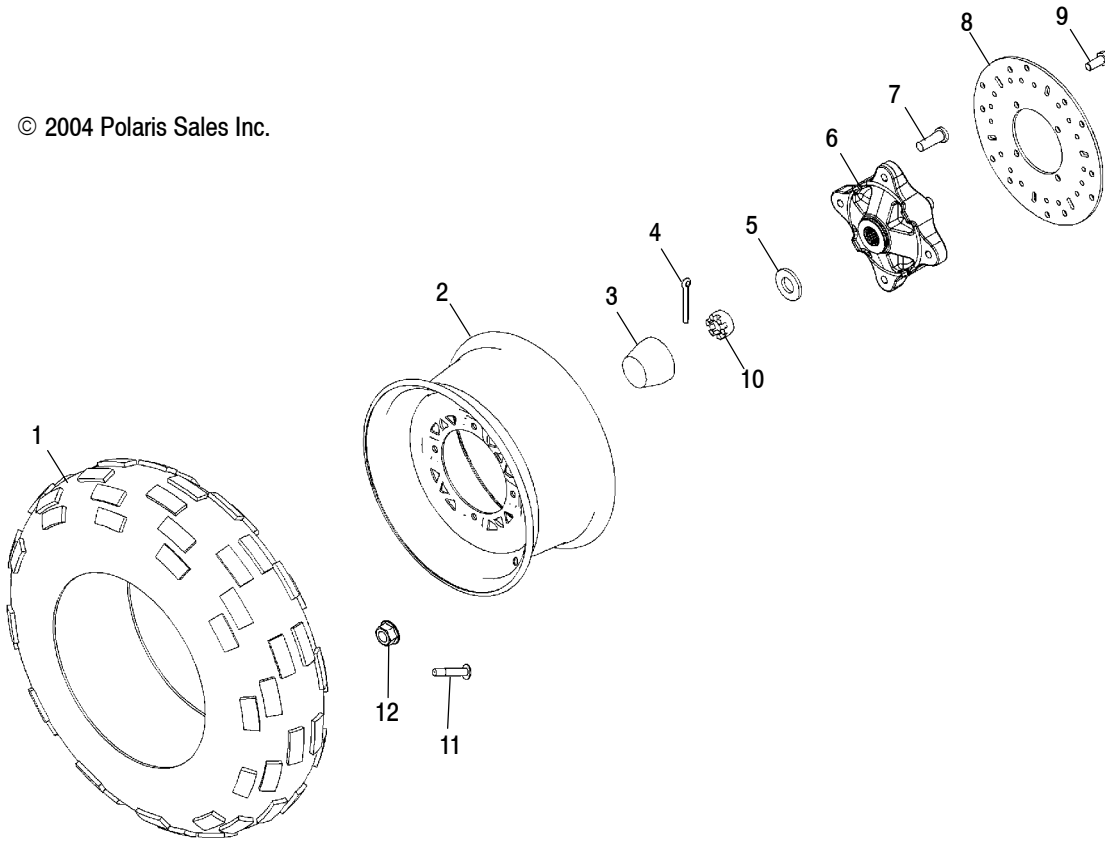
Ref.	Part No.	Qty.	Description
1	7547104	2	Nut, Nylok
2	7555749	2	Washer
3	5810291	2	Spacer, Rubber
4	5432872	2	Ball, Pivot, Top
5	5132062	2	Spacer
6	5432871	2	Ball, Pivot, Bottom
7	5243364	2	Retainer, Spring
8	7042299-067	2	Spring, Compression
9	5412665	2	Bumper
10	7515339	4	Bolt
11	7558402	10	Washer, Flat
12	5134154 5134155	1 1	Hubstrut, LH Hubstrut, RH

Ref.	Part No.	Qty.	Description
13	7710507	2	Ring, Retaining
14	3514342	2	Bearing, Hubstrut
15	7080306	2	Fitting, Lubrication
16	7542324	4	Nut, Nylok
17	-----	1	Asm., Front Brake Caliper, LH (See Front Brake Pg. B5 for Details)
18	7552901	4	Washer, Spring Lock
19	7512365	4	Screw
20	7080367	2	Clamp, Rubber Coated
21	5211115	2	Washer
22	7041762	2	Strut, Front

FRONT WHEEL

SPORTSMAN 400 A05MH42AB and SPORTSMAN 400 A05MH42AG and SPORTSMAN 400 A05MH42AH

© 2004 Polaris Sales Inc.



Part numbers may change after the making of the microfiche or paper copies. Electronic records are the most current.

Ref. Part No.	Qty.	Description
1 5412396	2	Tire, Front, 25x8-12
2 1520269-067	2	Rim, Front, Black (AB)(AH)
2 1520269-486	2	Rim, Front, Silver (AG)
3 5411164	2	Cover, Dust
4 7661401	2	Pin, Cotter
5 7556004	2	Washer
6 5134310	2	Hub

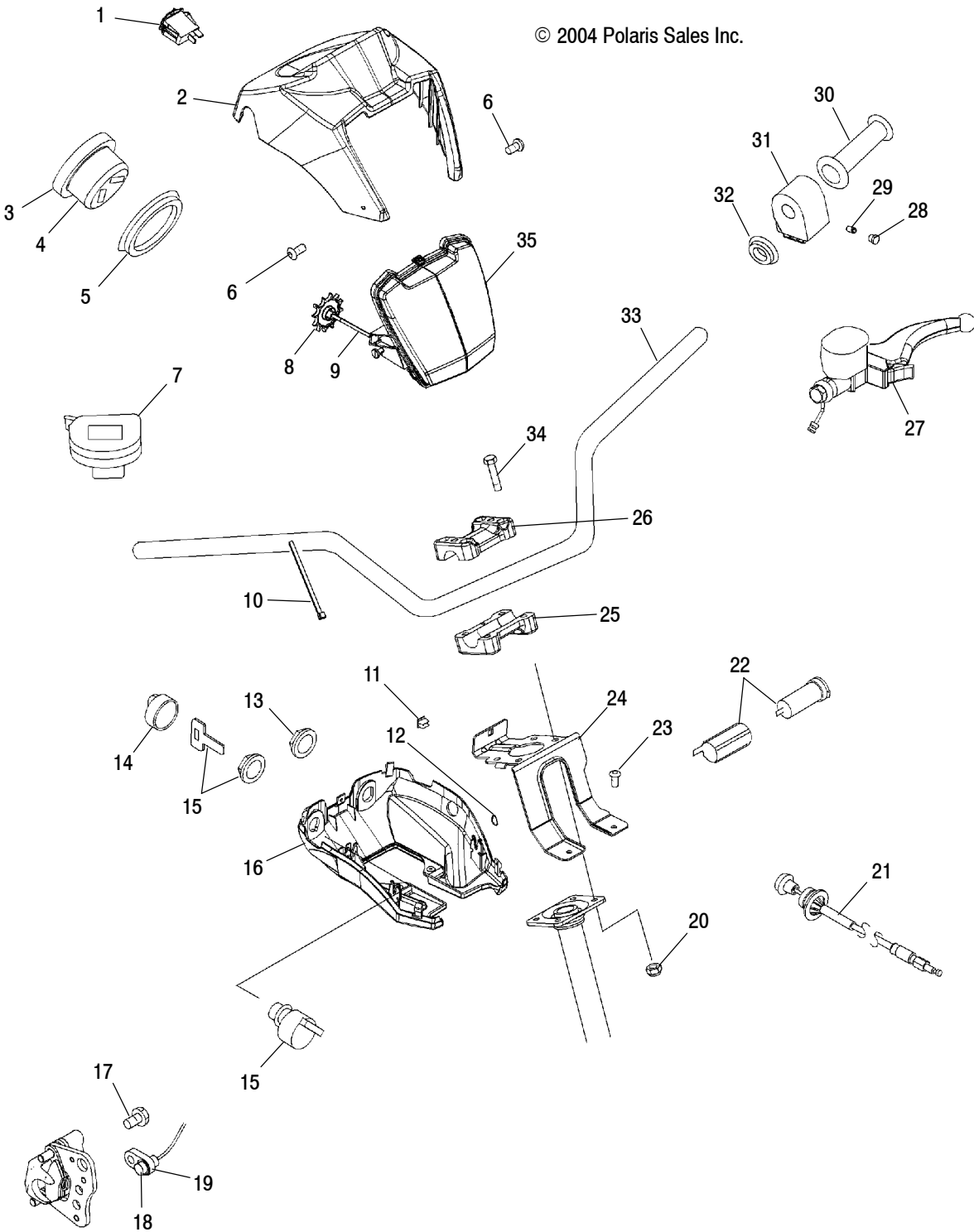
Ref. Part No.	Qty.	Description
7 7515513	8	Stud
8 5244314	2	Disc, Brake
9 7512325	8	Bolt
10 7542810	2	Nut, Slotted
11 1525017	2	Valve, Rim
12 7547237	8	Nut

7/04

HANDLEBAR and HEADLIGHT POD

SPORTSMAN 400 A05MH42AB and SPORTSMAN 400 A05MH42AG and SPORTSMAN 400 A05MH42AH

© 2004 Polaris Sales Inc.



HANDLEBAR and HEADLIGHT POD

SPORTSMAN 400 A05MH42AB and SPORTSMAN 400 A05MH42AG and SPORTSMAN 400 A05MH42AH

Part numbers may change after the making of the microfiche or paper copies. Electronic records are the most current.

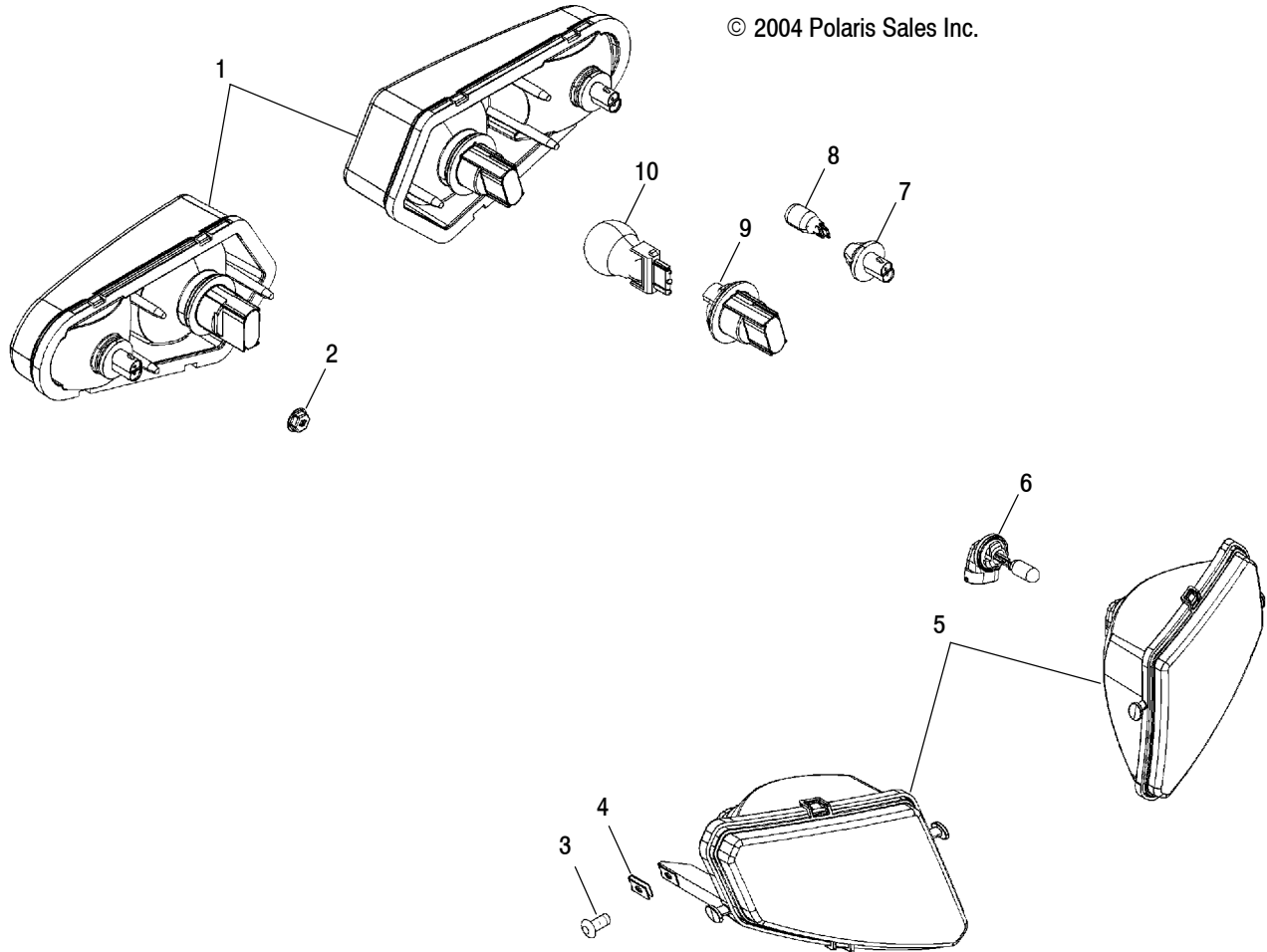
Ref. Part No. Qty. Description			Ref. Part No. Qty. Description				
1	4011074	1	Switch, Worklight	16	5435365-177	1	Pod, Headlight, Lower
2	5435364-400	1	Pod, Headlight, Upper (AH)	17	7517658	1	Screw
	5435364-293	1	Pod, Headlight, Upper (AB)	18	5132382	1	Cap
	5435364-341	1	Pod, Headlight, Upper (AG)	19	4010298	1	Sensor
3	5434380	1	Bezel	20	7542122	4	Nut, Nylok
4	3280431	1	Cluster	21	7081176	1	Cable, Choke
5	5412138	1	Mount, Rubber	22	4010638	1	Receptacle, Pod Mount, 12V
6	7511881	3	Screw	23	7517317	2	Screw
7	-----	1	Asm., Throttle Control (See Controls - Throttle Asm./Cable Pg. B9, Ref. 5)	24	5244969-067	1	Bracket, Pod Mounting
8	5843350	1	Knob, Adjusting	25	5631516		Block, Handlebar
9	4122550	1	Rod, Adjusting	26	5631517	1	Block, Handlebar, Pegged
10	7080138	1	Cable Tie	27	-----	1	Asm., Master Cylinder (See Controls Pg. B4 for Details)
11	7670127	1	Clip, Screw	28	5432952	1	Plug
12	5410163	2	O-Ring	29	7517625	1	Screw, Set
13	7080922	1	Nut, Choke	30	5433834-070	2	Grip, Handlebar
14	5433534	1	Cover, Key	31	4010592	1	Switch, Handlebar, Hi/Lo/Off
15	4011002	1	Switch, Key, 3 Position (Incl. Key)	32	5433903	1	Spacer, Switch, LH
	4010278	1	Blank, Key, Series 2000, 6700, 6800	33	5242987-067	1	Tube, Handlebar
	4010321	1	Blank, Key, Series 2200, 2300, 2700, 2800 NOTE: Your key can be duplicated only by obtaining a key blank from Polaris and having it cut by mating it with your existing key.	34	7515189	4	Screw
				35	2410429	1	Asm., Headlight
					4831060	1	Bulb, Headlight

7/04

TAILLAMPS/WORKLAMPS/HEADLIGHTS

SPORTSMAN 400 A05MH42AB and SPORTSMAN 400 A05MH42AG and SPORTSMAN 400 A05MH42AH

© 2004 Polaris Sales Inc.



Part numbers may change after the making of the microfiche or paper copies. Electronic records are the most current.

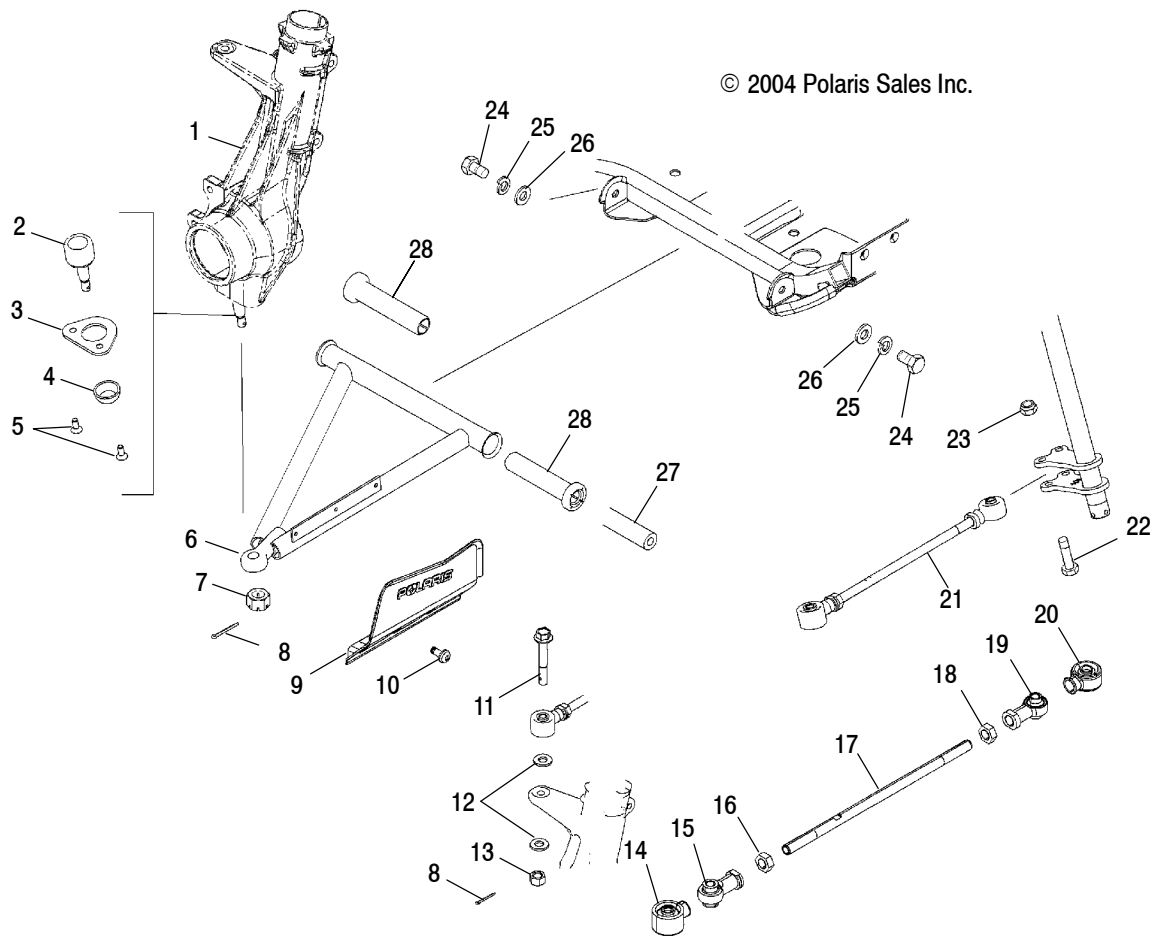
Ref. Part No.	Qty.	Description
1	1	Asm., Tail/Worklight, LH
2410428	1	Asm., Tail/Worklight, RH
2	4	Nut, Speed
3	2	Screw
4	2	U-Nut
5	1	Asm., Headlight, LH
2410426	1	Asm., Headlight, RH

Ref. Part No.	Qty.	Description
6	2	Bulb, Bumperlight
7	2	Socket, Worklight
8	2	Bulb, Worklight
9	2	Socket, Taillight
10	2	Bulb, Tail/Stop

7/04

A-ARM/STRUT MOUNTING

SPORTSMAN 400 A05MH42AB and SPORTSMAN 400 A05MH42AG and SPORTSMAN 400 A05MH42AH



Part numbers may change after the making of the microfiche or paper copies. Electronic records are the most current.

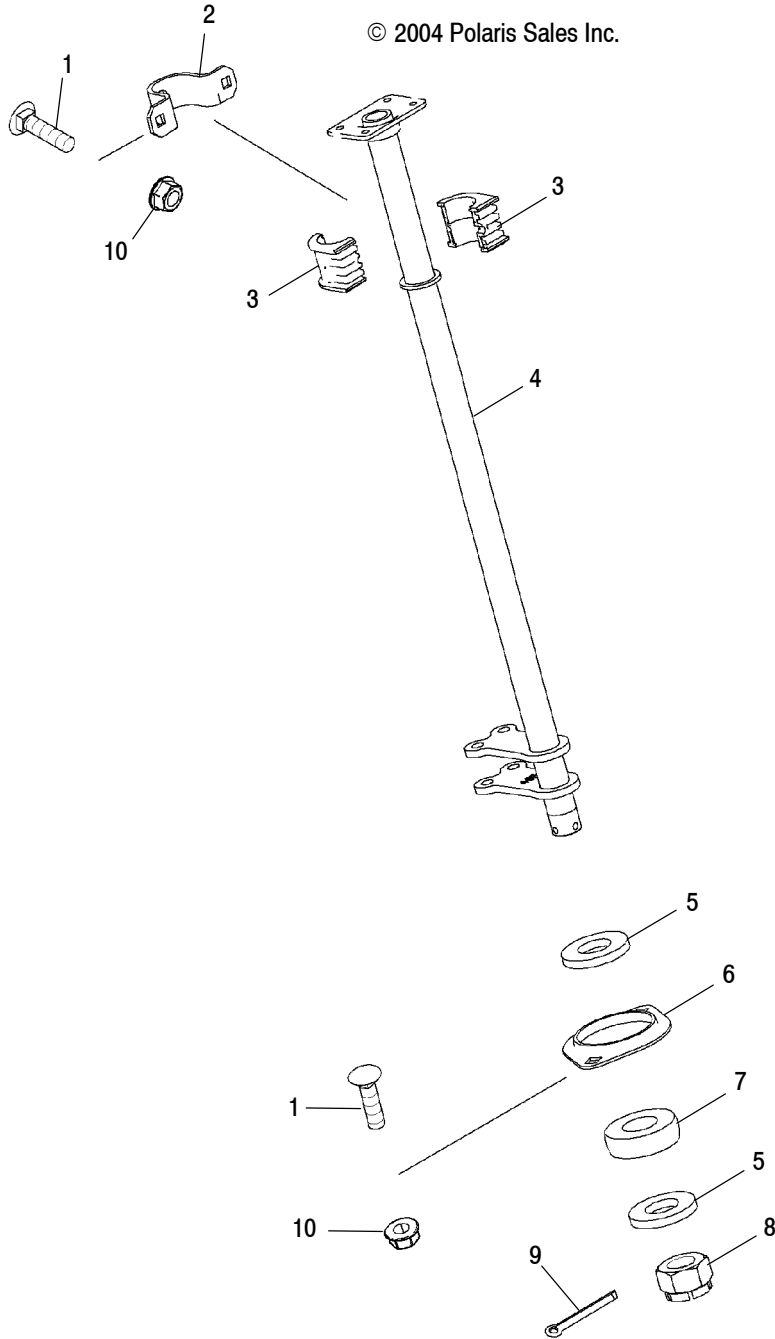
Ref.	Part No.	Qty.	Description
1	-----	1	Asm., Hubstrut (See Front Strut Pg. B13, Ref. 12)
2	7080927	2	Joint, Ball
3	5211121	2	Bracket, Ball Joint
4	5410548	2	Boot, Rubber
5	7512284	4	Screw
6	2202906 2202907	1 1	Kit, A-Frame, LH (Incl. 8,24,25,27,28) Kit, A-Frame, RH (Incl. 8,24,25,27,28)
7	7542438	2	Nut, Castle
8	7661203	4	Pin, Cotter
9	5435028-070 5435029-070	1 1	Shield, CV Joint, LH Shield, CV Joint, RH
10	7512084	6	Screw
11	7517909	2	Bolt
12	7556099	4	Washer, Flat
13	7547177	2	Nut

Ref.	Part No.	Qty.	Description
14	5411920	1	Boot, Seal, Rod End
15	7061054	2	Rod End, LH
16	7547028	2	Nut, Jam, LH
17	5134242	2	Tie Rod
18	7542711	2	Nut
19	7061034	2	Rod End
20	5411291	2	Boot, Seal, Rod End
21	1821498	2	Asm., Tie Rod (Incl. 14-20)
22	7515415	2	Screw
23	7542439	2	Nut, FLEXLOC
24	7512492	4	Screw
25	7552603	4	Washer, Spring Lock
26	7555832	4	Washer
27	5133806	2	Shaft, A-Arm
28	5434551	4	Bushing, A-Arm, Long

STEERING POST

SPORTSMAN 400 A05MH42AB and SPORTSMAN 400 A05MH42AG and SPORTSMAN 400 A05MH42AH

© 2004 Polaris Sales Inc.



Part numbers may change after the making of the microfiche or paper copies. Electronic records are the most current.

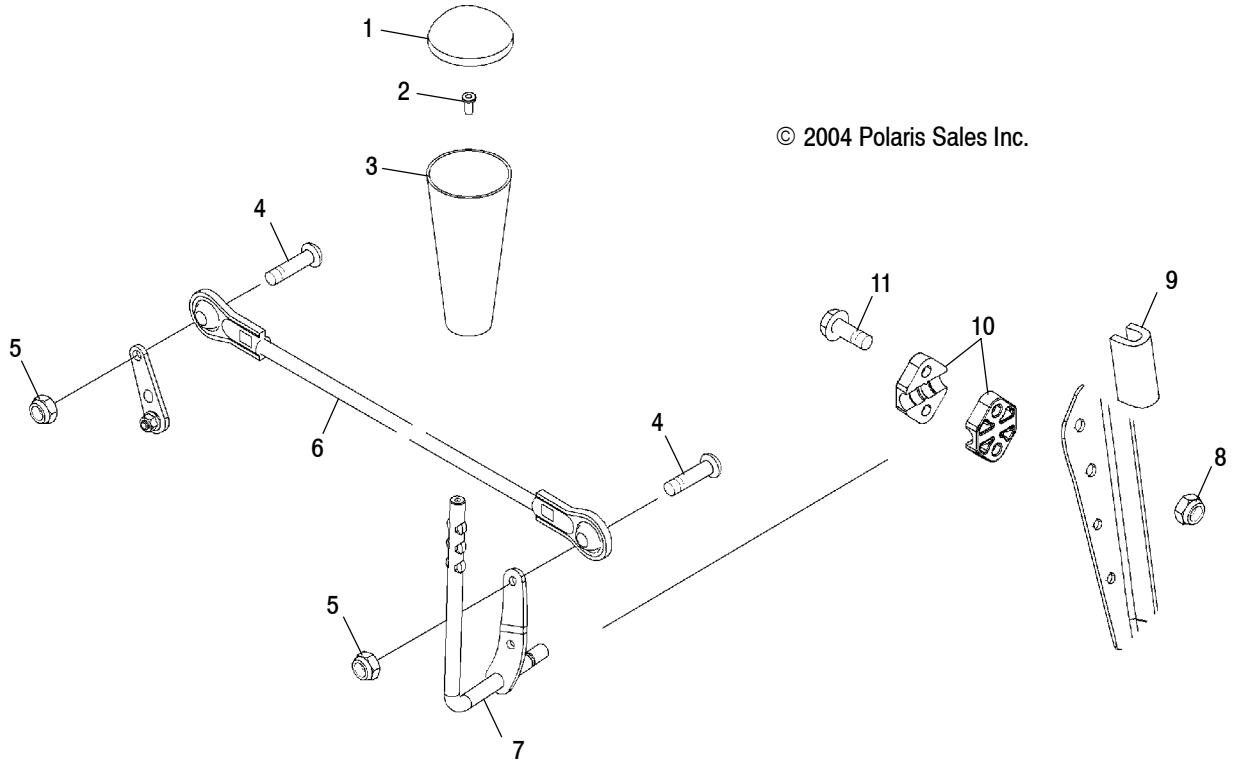
Ref.	Part No.	Qty.	Description
1	7517428	4	Bolt, Carriage
2	5246732	1	Bracket, Steering Post, Upper
3	5433866	2	Bushing, Steering, Upper
4	1822630-067	1	Post, Steering
5	7556162	2	Bushing

Ref.	Part No.	Qty.	Description
6	5222393	1	Flangette
7	3514352	1	Bearing
8	7547158	1	Nut
9	7661633	1	Pin, Cotter
10	7542343	4	Nut, Nylok, Flange

7/04

GEAR SELECTOR

SPORTSMAN 400 A05MH42AB and SPORTSMAN 400 A05MH42AG and SPORTSMAN 400 A05MH42AH



© 2004 Polaris Sales Inc.

Part numbers may change after the making of the microfiche or paper copies. Electronic records are the most current.

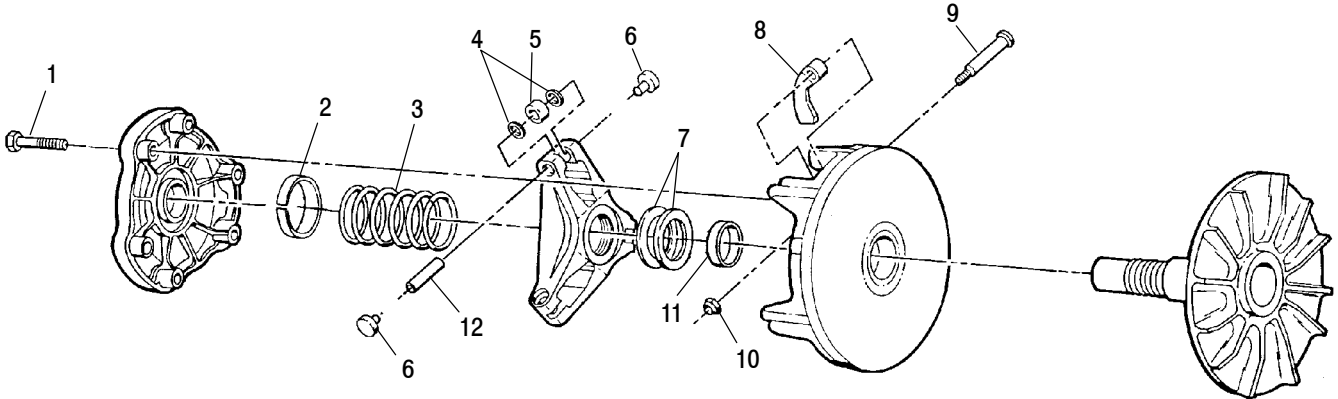
Ref. Part No.	Qty.	Description
1	5412003	1 Cover
2	7512024	1 Screw
3	5411007	1 Knob, Gear Selector
4	7515175	2 Screw
5	7542122	2 Nut, Nylok
6	1822730	1 Asm., Linkage

Ref. Part No.	Qty.	Description
7	1013315-067	1 Selector, Gear
8	7542324	2 Nut, Nylok
9	8360012-10	1 Trim, Edge
10	5435042	2 Mount, Gear Selector
11	7518342	2 Screw

DRIVE CLUTCH

SPORTSMAN 400 A05MH42AB and SPORTSMAN 400 A05MH42AG and SPORTSMAN 400 A05MH42AH

© 2004 Polaris Sales Inc.



Part numbers may change after the making of the microfiche or paper copies. Electronic records are the most current.

Ref. Part No.	Qty.	Description
1321976	1	Asm., Drive Clutch, Basic (Incl. All Less 3,8)
1 7518062	6	Bolt
2 3576510	1	Bearing, Cover
3 7042202	1	Spring, Clutch
4 5430945	6	Washer, Multilube
5 1321457	3	Asm., Roller and Bushing
6 5431936	6	Button, Guide, Stemless

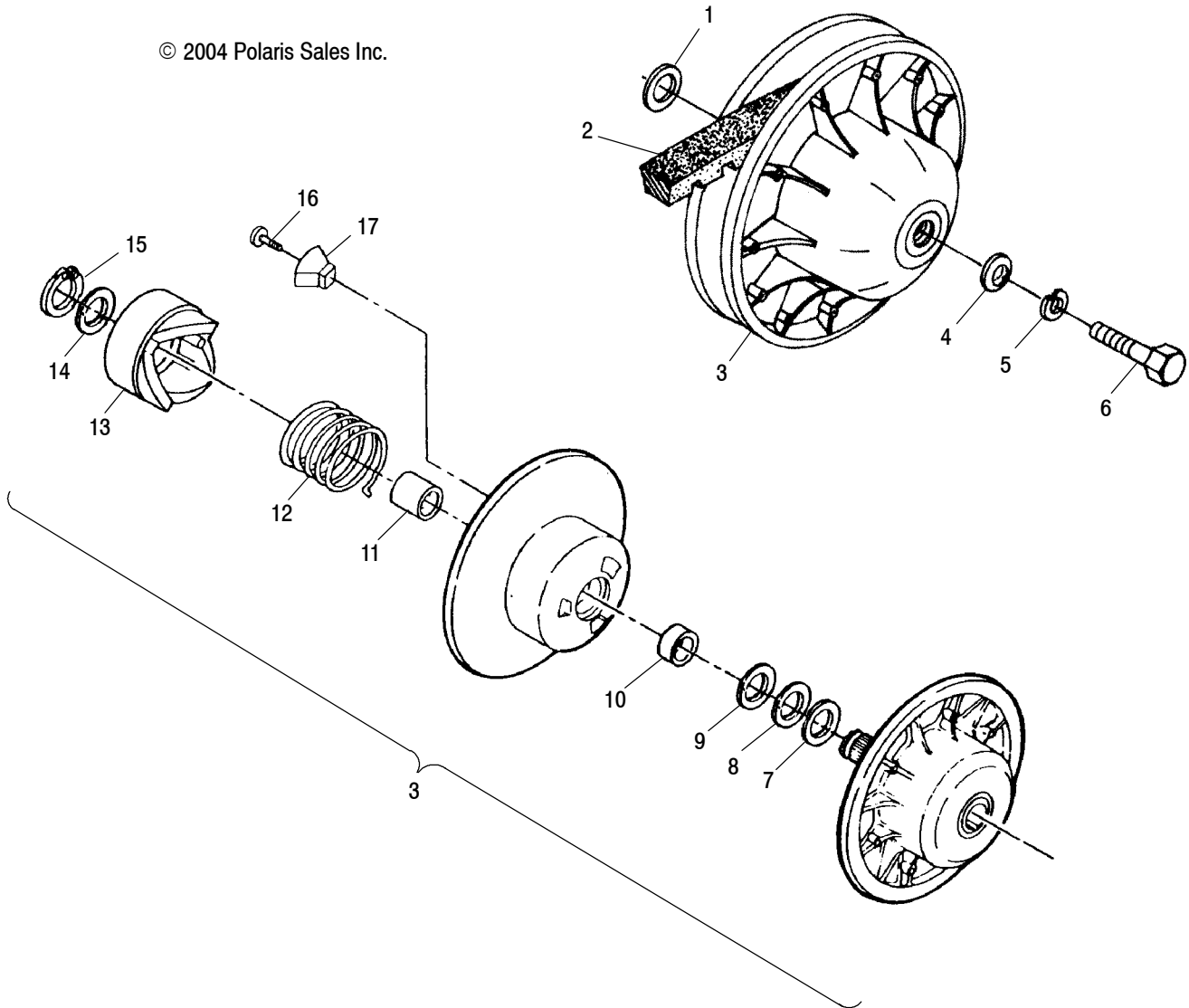
Ref. Part No.	Qty.	Description
7 5210752	AR	Spacer, .020
5242981	AR	Spacer, .025
5210753	AR	Spacer, .032
5210754	AR	Spacer, .050
8 5630710	3	Weight, Shift, 10 WH
9 7512266	3	Bolt, Shoulder
10 7541906	3	Nut, FLEXLOC
11 3576504	1	Bearing, Moveable, 1/2 Inch
12 5020422	3	Pin, Roller

7/04

DRIVEN CLUTCH

SPORTSMAN 400 A05MH42AB and SPORTSMAN 400 A05MH42AG and SPORTSMAN 400 A05MH42AH

© 2004 Polaris Sales Inc.



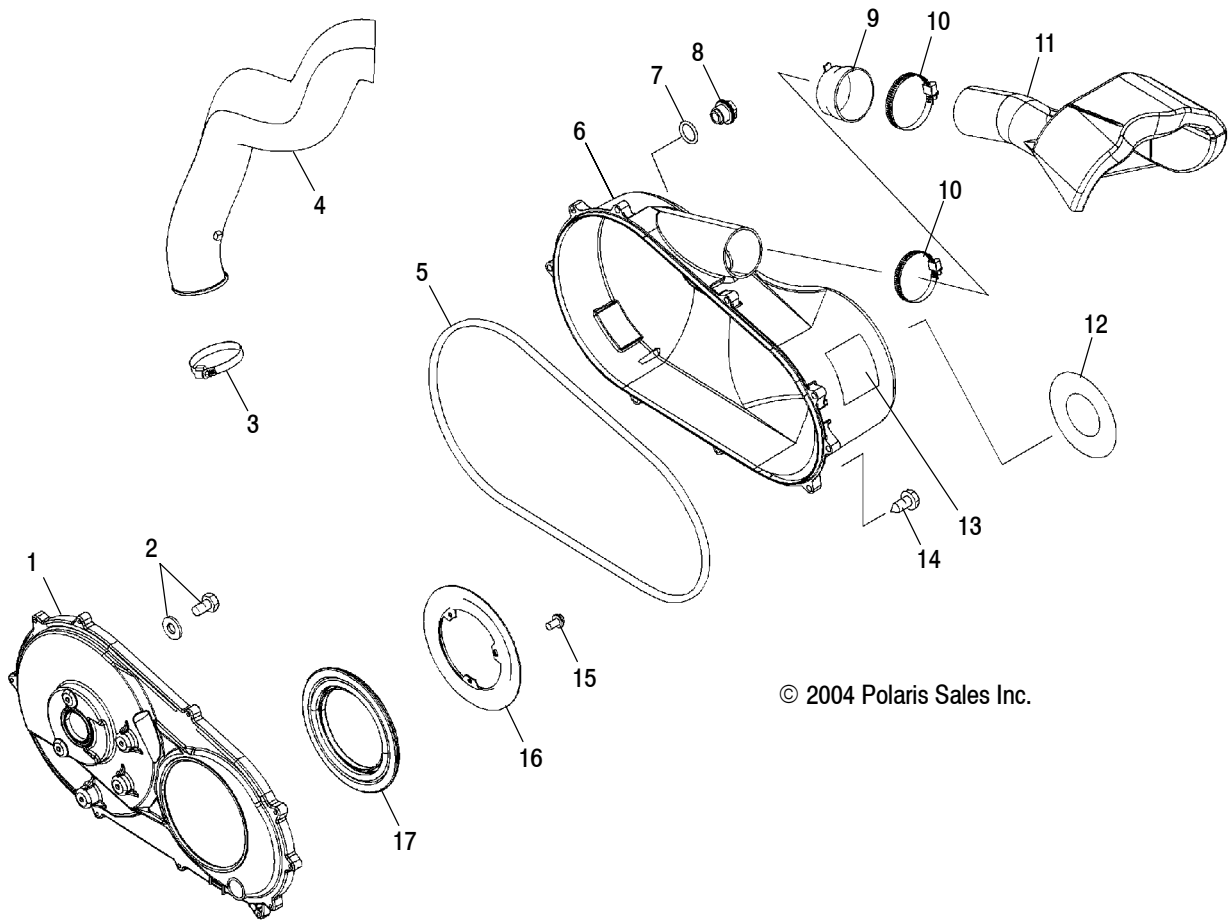
Part numbers may change after the making of the microfiche or paper copies. Electronic records are the most current.

Ref. Part No.	Qty.	Description
1	7556120	AR Bushing (3 Max)
2	3211077	1 Belt, Drive
3	1321848	1 Asm., Driven Clutch (Incl. 7-17)
4	5220646	1 Washer, Domed
5	7552901	1 Washer, Spring Lock
6	7515327	1 Bolt
7	7555898	AR Washer (.020)
8	7556076	AR Washer (.025)
9	7556804	AR Washer (.030)

Ref. Part No.	Qty.	Description
10	3576504	1 Bearing, Moveable, 1/2 Inch
11	3576511	1 Bearing, Moveable, 1 Inch
12	7041782	1 Spring, Clutch
13	5131446	1 Ramp, Stationary
14	5210752	1 Spacer
15	7710448	1 Ring, Retaining
16	7511854	3 Bolt
17	5430766	3 Button, Ramp

CLUTCH COVER

SPORTSMAN 400 A05MH42AB and SPORTSMAN 400 A05MH42AG and SPORTSMAN 400 A05MH42AH



© 2004 Polaris Sales Inc.

Part numbers may change after the making of the microfiche or paper copies. Electronic records are the most current.

Ref. Part No.	Qty.	Description
1	2201954	1 Kit, Inner Clutch Cover (Incl. 14)
2	7517599	5 Asm., Bolt/Washer
3	7080511	1 Clamp, Narrow Band
4	5435236	1 Duct, Clutch Air Inlet
5	5521578	1 Seal, Cover, Clutch
6	5434255-070	1 Cover, Clutch, Outer
7	5410542	1 O-Ring
8	5434264	1 Plug, Drain
9	5411489	1 Boot, Duct

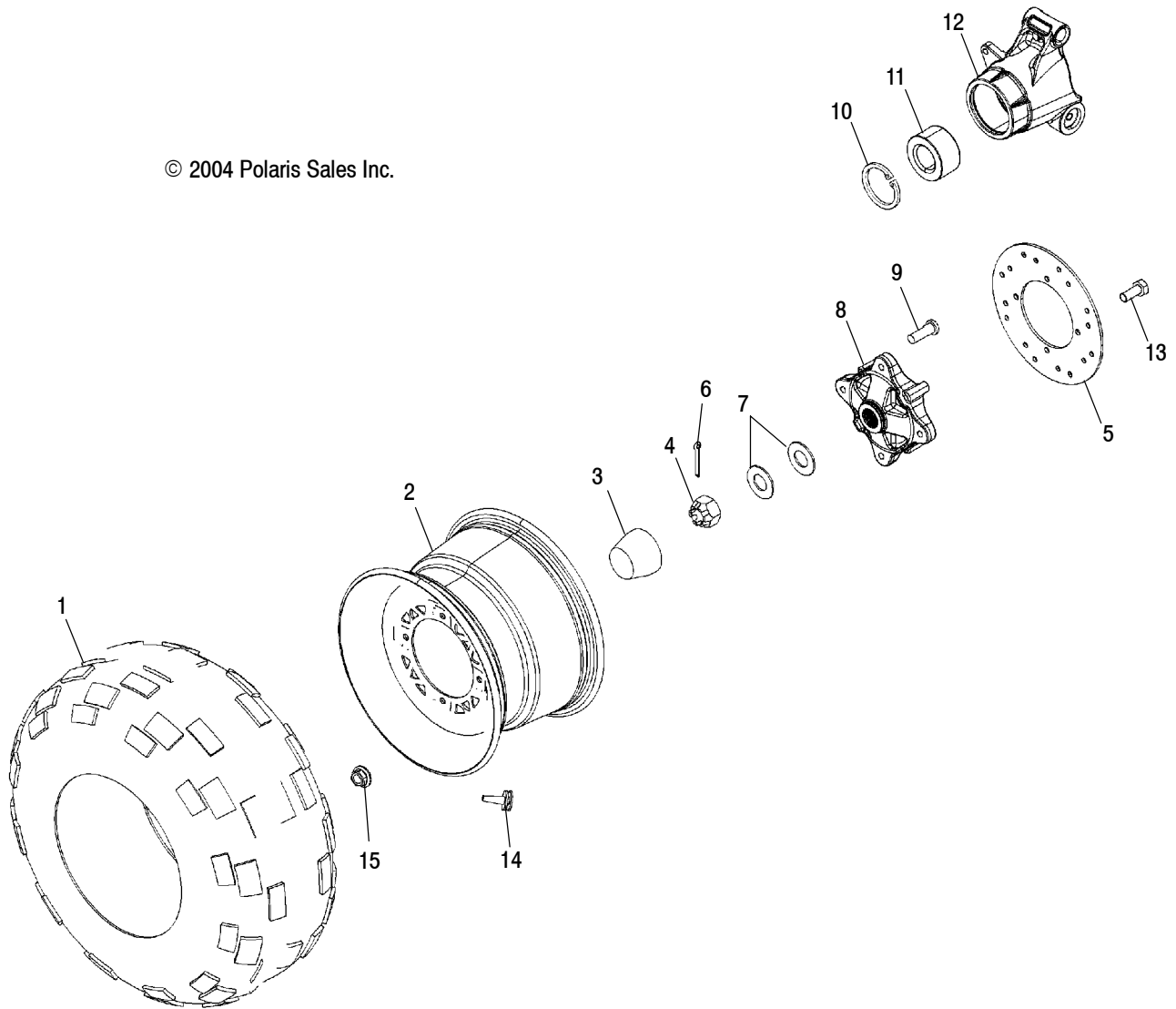
Ref. Part No.	Qty.	Description
10	7080707	2 Clamp, Narrow Band
11	5435235	1 Duct, Clutch Outlet
12	7172746	1 Decal, "Automatic Transmission"
13	7172563	1 Decal, Warning, Clutch Cover
14	7512094	9 Screw
15	-----	3 Screw and Washer (See Crankcase Pg. D4, Ref. 6)
16	5242046	1 Bracket, Clutch, Seal
17	5410575	1 Seal, Cover Case

7/04

REAR WHEEL DRIVE

SPORTSMAN 400 A05MH42AB and SPORTSMAN 400 A05MH42AG and SPORTSMAN 400 A05MH42AH

© 2004 Polaris Sales Inc.



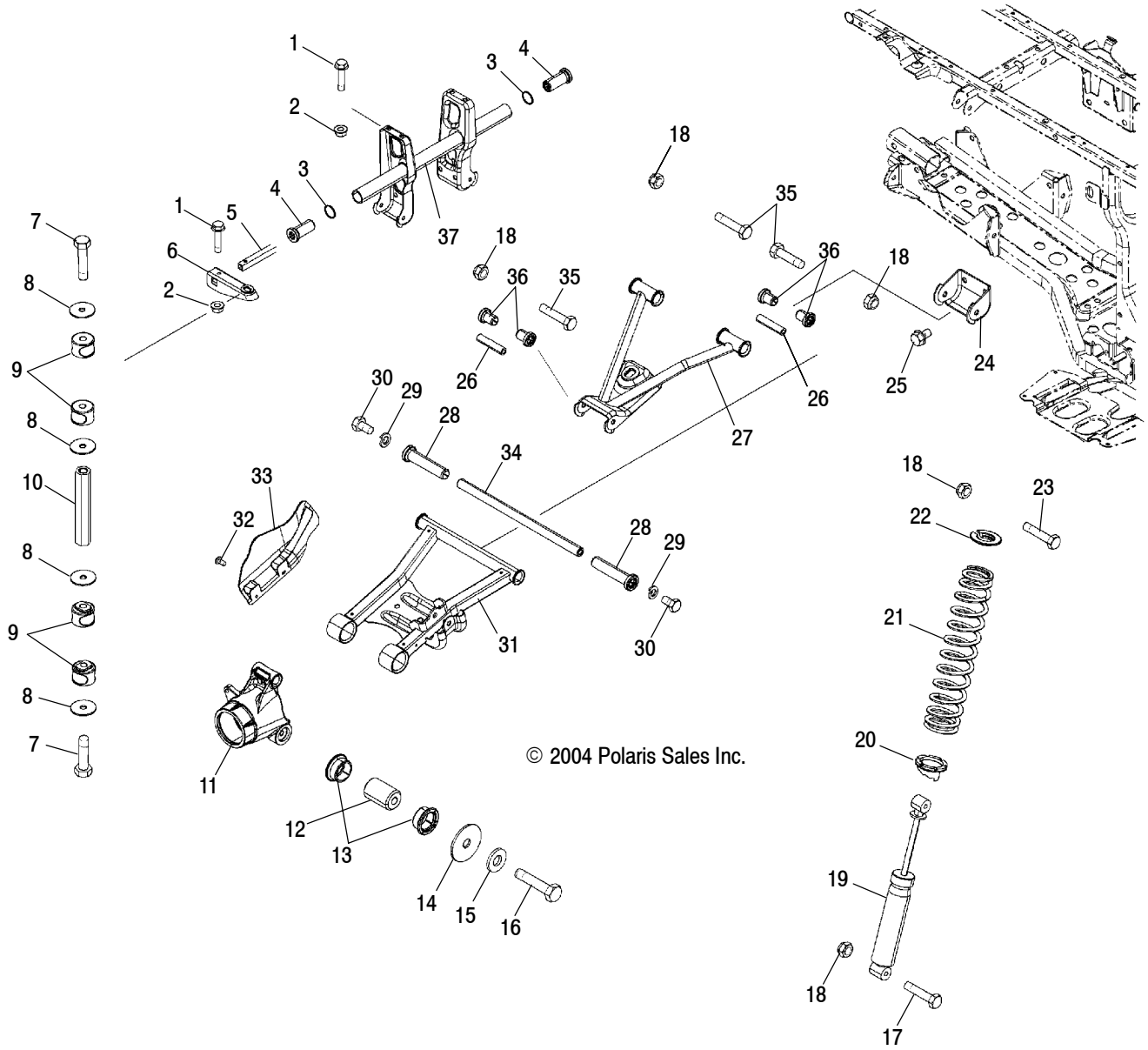
Part numbers may change after the making of the microfiche or paper copies. Electronic records are the most current.

Ref.	Part No.	Qty.	Description
1	5412451	2	Tire, 25x11-12
2	1520457-067 1520457-486	2	Rim, Rear, Black (AB)(AH) Rim, Rear, Silver (AG)
3	5411164	2	Cover, Dust, Hub
4	7543005	2	Nut, Castle
5	5244635	2	Disc, Brake, Rear
6	7661404	2	Pin, Cotter
7	7555796	4	Washer, Cone
8	5134311	2	Hub, Rear Wheel

Ref.	Part No.	Qty.	Description
9	7515513	8	Stud
10	7710440	2	Ring, Retaining
11	3585502	2	Bearing
12	-----	2	Carrier, Bearing, Wheel (See Rear Suspension Pg. C12, Ref. 11)
13	7512325	8	Screw
14	1525017	2	Valve, Rim
15	7547237	8	Nut, Flange

REAR SUSPENSION

SPORTSMAN 400 A05MH42AB and SPORTSMAN 400 A05MH42AG and SPORTSMAN 400 A05MH42AH



REAR SUSPENSION

SPORTSMAN 400 A05MH42AB and SPORTSMAN 400 A05MH42AG and SPORTSMAN 400 A05MH42AH

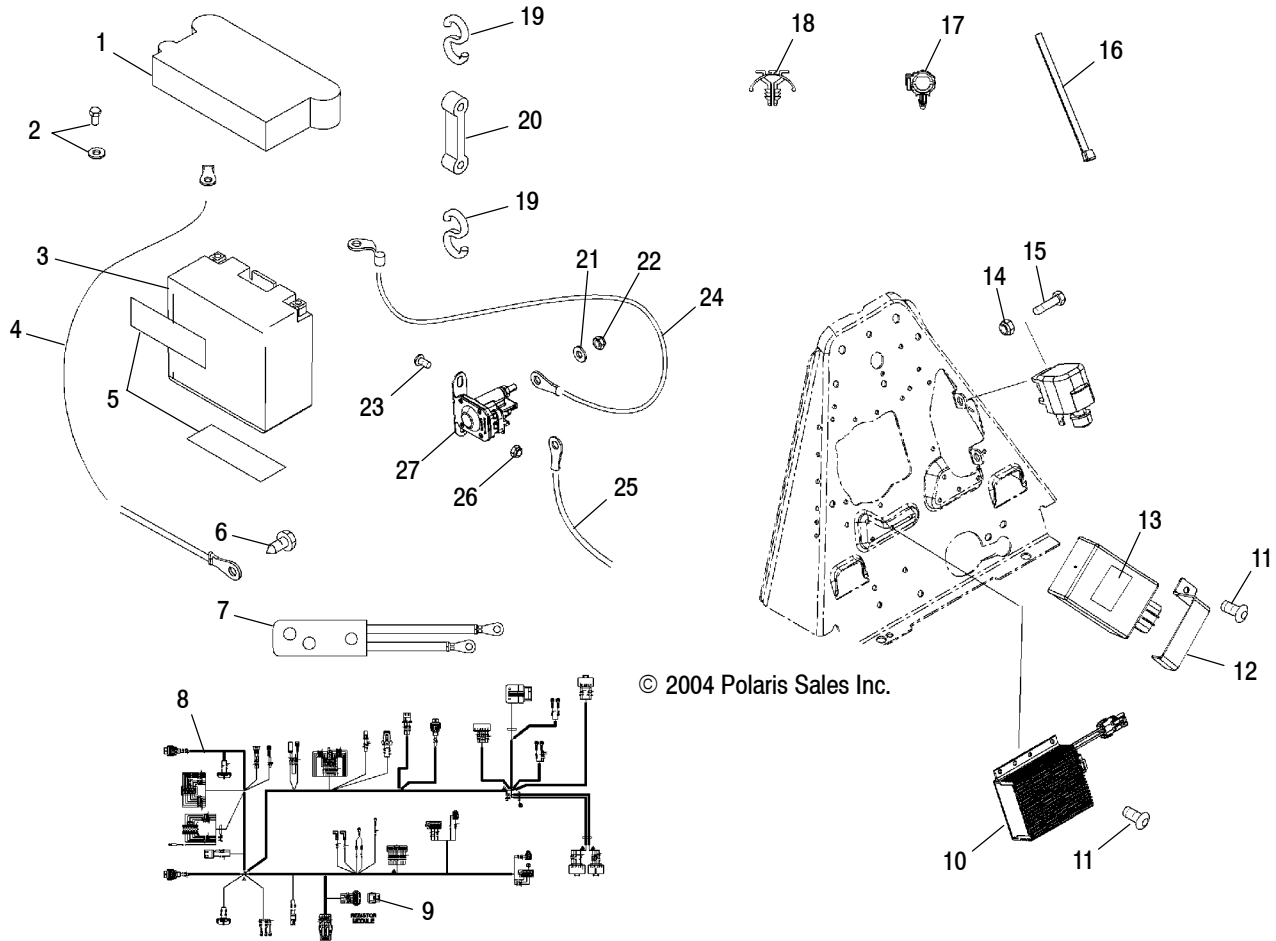
Part numbers may change after the making of the microfiche or paper copies. Electronic records are the most current.

Ref.	Part No.	Qty.	Description	Ref.	Part No.	Qty.	Description
1	7518341	6	Bolt, Flange	21	7043091-067	2	Spring, Compression, Rear
2	7542343	6	Nut, Nylok	22	5630885	2	Retainer, Spring
3	7555939	2	Washer	23	7515433	2	Screw
4	5434549	2	Bushing, Stabilizer Tube	24	5247345	2	Bracket, A-Arm Pivot
5	5334114-067	1	Bar, Stabilizer Tube	25	7518364	4	Screw
6	1580107-067	2	Arm, Stabilizer Bar	26	5020826	6	Shaft, A-Arm, Short
7	7517231	4	Screw	27	1014320-293	1	Arm, Control, Upper, LH
8	7555761	8	Washer, Flat		1014321-293	1	Arm, Control, Upper, RH
9	5432598	8	Bushing, Stabilizer	28	5434551	4	Bushing, A-Arm, Long
10	5020827	2	Rod, Linkage, Stabilizer	29	7552603	4	Washer, Spring Lock
11	5134206	2	Carrier, Wheel Bearing	30	7512492	4	Screw
12	5631142	4	Bushing, Bearing Carrier	31	1014174-293	1	Arm, Control, Lower, LH
13	5434550	8	Bushing, Control, Lower		1014175-293	1	Arm, Control, Lower, RH
14	7552614	4	Washer, Lock	32	7512084	4	Screw
15	7555740	4	Washer, Flat	33	5435008-067	1	Shield, Rear, LH
16	7517873	4	Bolt		5435009-067	1	Shield, Rear, RH
17	7515415	2	Screw	34	5133806	2	Shaft, A-Arm
18	7542439	10	Nut, Nylok	35	7515472	6	Screw
19	7043100	2	Shock, Rear	36	5434548	12	Bushing, A-Arm, Short
20	5630551	2	Cam, Adjusting, Spring	37	1541802-067	1	Support, Stabilizer

7/04

ELECTRICAL/TAILLIGHT

SPORTSMAN 400 A05MH42AB and SPORTSMAN 400 A05MH42AG and SPORTSMAN 400 A05MH42AH



Part numbers may change after the making of the microfiche or paper copies. Electronic records are the most current.

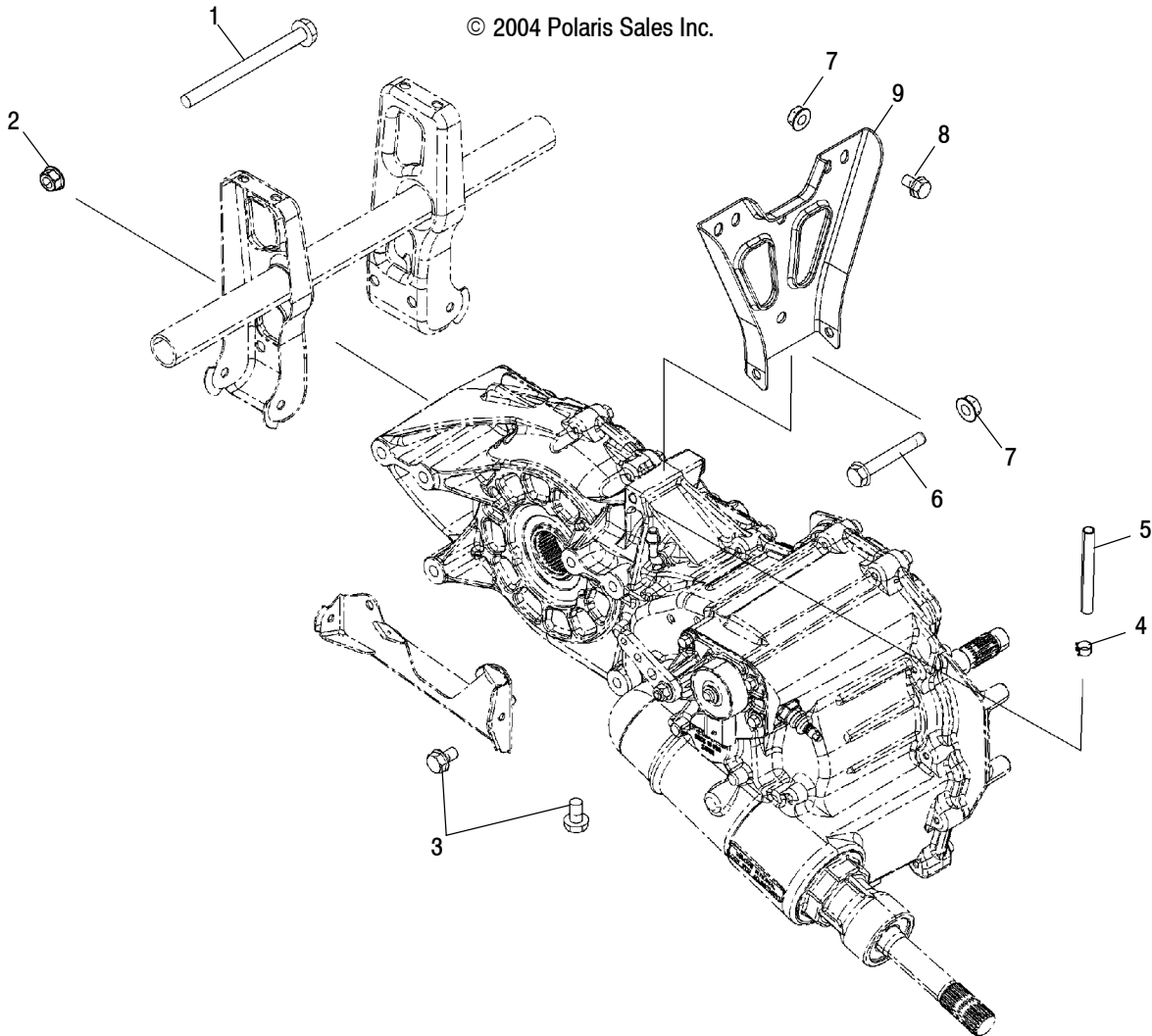
Ref. Part No.	Qty.	Description
1 5431769	1	Cover, Battery
2 2202848	1	Kit, Battery Bolt
3 4011138	1	Battery
4 4011139	1	Cable, Battery/Frame
5 5810290	3	Pad, Battery
6 7512232	1	Screw
7 2410535	1	Harness, Winch
8 2410466	1	Harness, Main
2202147	1	Kit, Fusible Link
9 4010924	1	Module, Resistor
10 4011110	1	Module, Controller
11 7512024	4	Screw
12 5246747	1	Bracket, CDI
13 5810317	1	Pad

Ref. Part No.	Qty.	Description
14 7541925	1	Nut, Nylok
15 7512007	1	Screw
16 7080138	12	Cable Tie
17 4020139	3	Clip, Rosebud
18 7080965	3	Mount, Cable Tie
19 7010032	2	Hook, Battery Strap
20 5412499	1	Strap, Battery Holddown
21 7552801	2	Washer, Spring Lock
22 7547283	2	Nut
23 7512027	2	Screw
24 4010094	1	Cable, Battery/Solenoid
25 4010093	1	Cable, Solenoid/Starter
26 7518287	2	Nut
27 4011072	1	Switch, Magnetic

TRANSMISSION MOUNTING

SPORTSMAN 400 A05MH42AB and SPORTSMAN 400 A05MH42AG and SPORTSMAN 400 A05MH42AH

© 2004 Polaris Sales Inc.



Part numbers may change after the making of the microfiche or paper copies. Electronic records are the most current.

Ref. Part No.	Qty.	Description
1	7518365	3 Screw
2	7547180	3 Nut, Flange
3	7518364	4 Screw, Flange
4	7080307	1 Clamp
5	8450003	AR Line, Fuel

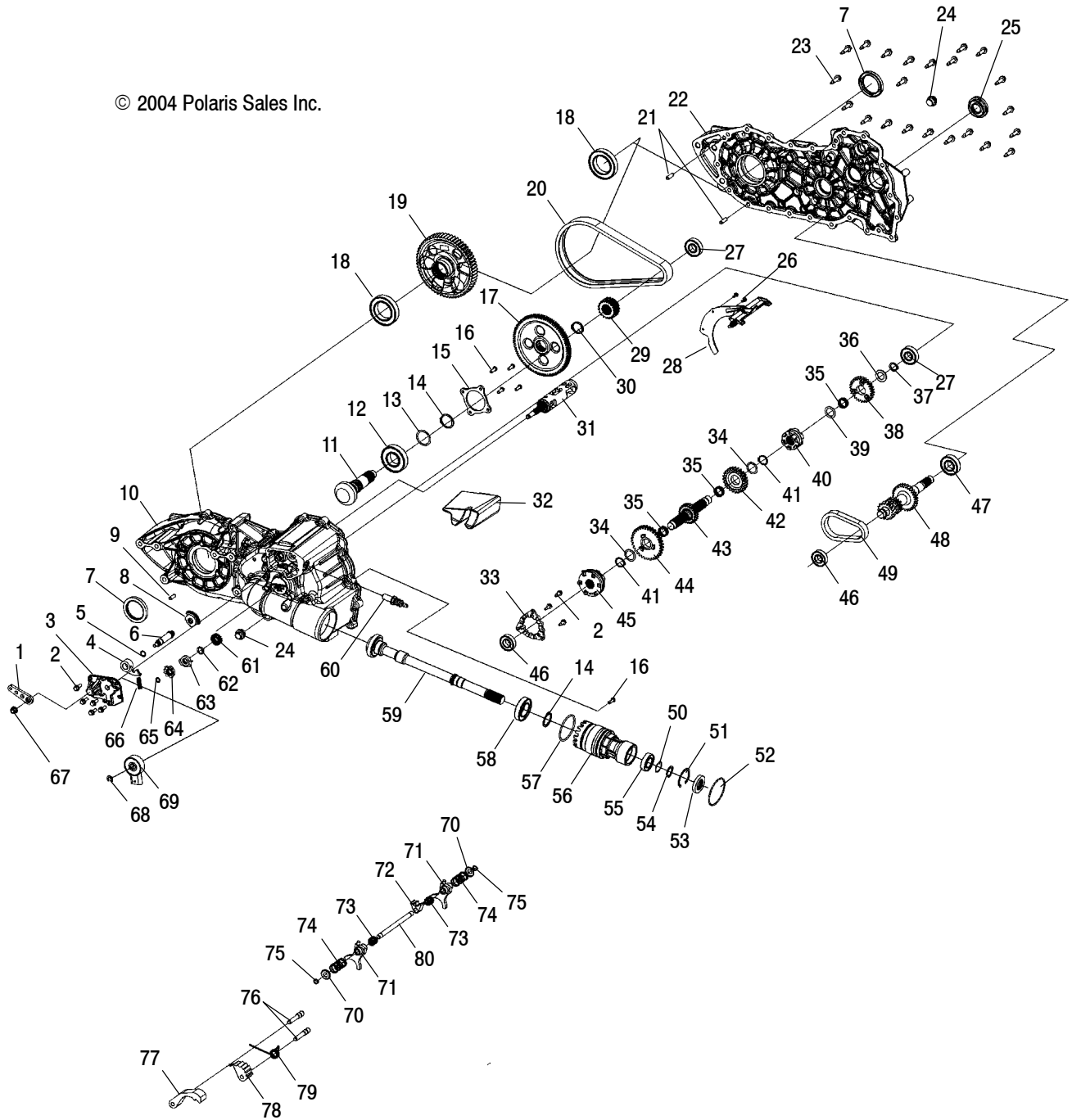
Ref. Part No.	Qty.	Description
6	7515382	1 Screw
7	7542343	3 Nut, Flange
8	7515398	2 Screw, Flange
9	5221624-067	1 Support, Transmission, Upper

7/04

GEARCASE

SPORTSMAN 400 A05MH42AB and SPORTSMAN 400 A05MH42AG and SPORTSMAN 400 A05MH42AH

© 2004 Polaris Sales Inc.



GEARCASE

SPORTSMAN 400 A05MH42AB and SPORTSMAN 400 A05MH42AG and SPORTSMAN 400 A05MH42AH

Part numbers may change after the making of the microfiche or paper copies. Electronic records are the most current.

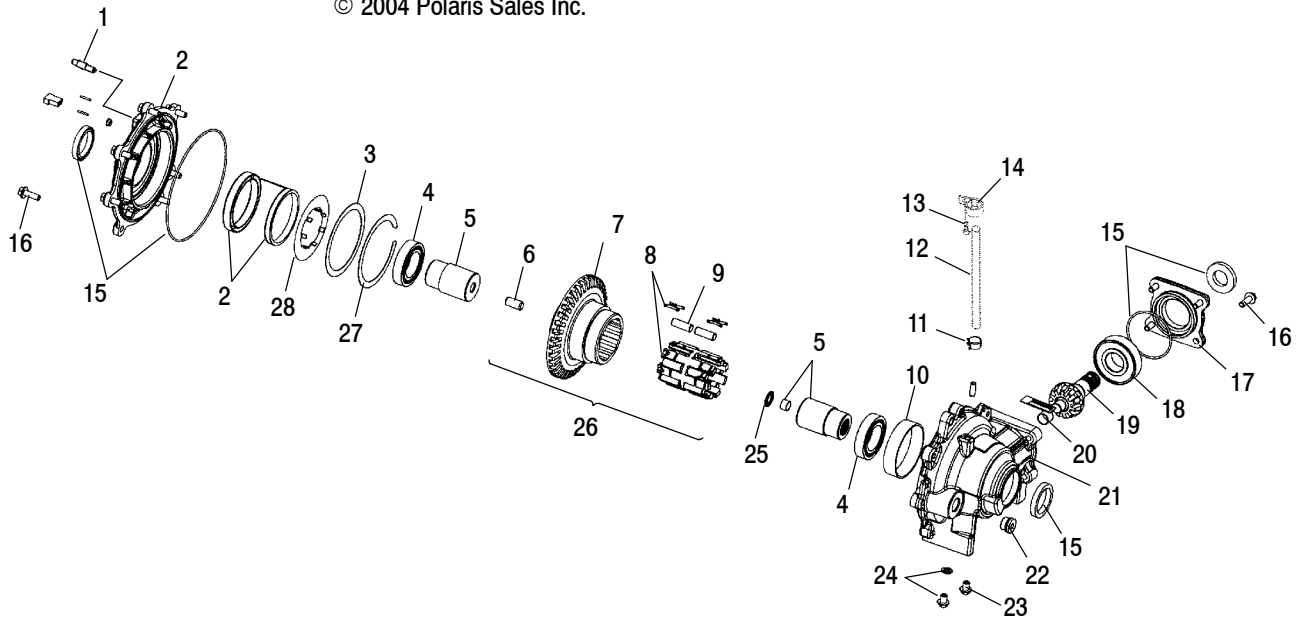
Ref.	Part No.	Qty.	Description
	1341450	1	Asm., Gearcase
1	3233906	1	Bellcrank
2	3233826	8	Screw
3	3233827	1	Cover, Gear
4	3233829	1	Pawl, Detent
5	3233869	1	O-Ring
6	3233831	1	Shaft, Shift
7	3233878	2	Seal, Triple Lip
8	3233832	1	Gear, 31T
9	3233524	1	Tube, Vent
10	3234059	1	Gearcase, RH
11	3234066	1	Shaft, Center Drive
12	3234065	1	Bearing, Ball
13	3234064	1	Spacer
14	3233364	2	Ring, Retaining
15	3234063	1	Cover, Bearing
16	3234086	5	Screw
17	3234062	1	Gear, Output, 91T
18	3233268	2	Bearing, Ball
19	3234058	1	Sprocket, 59T
20	3234057	1	Chain
21	3233247	2	Pin, Dowel
22	3234056	1	Gearcase, LH
23	3233846	22	Screw
24	3234087	2	Plug
25	3233874	1	Seal, Dual Lip
26	3233749	2	Screw
27	3233018	2	Bearing
28	3234061	1	Deflector, Oil
29	3234060	1	Sprocket, 19T
30	3233699	1	Ring, Retaining
31	3234080	1	Drum, Shift
32	3234088	1	Baffle, Oil
33	3233915	1	Plate, Park
34	3233851	2	Washer
35	3233718	3	Bearing, Needle
36	3233176	1	Washer, Thrust
37	3234067	1	Ring, Retaining
38	3234068	1	Gear, 28T
39	3233855	1	Washer
40	3234070	1	Dog, Engagement

Ref.	Part No.	Qty.	Description
41	3233850	2	Ring, Retaining
42	3233854	1	Sprocket, 24T
43	3234071	1	Shaft, Reverse, 26T
44	3233852	1	Gear, 33T
45	3234069	1	Dog, Engagement
46	3234074	2	Bearing, Ball
47	3233019	1	Bearing
48	3234075	1	Asm., Input Shaft
49	3233036	1	Chain, Silent
50	3233357	1	Spacer
51	3234092	1	Ring, Retaining
52	3234076	1	O-Ring
53	3233788	1	Seal, Triple Lip
54	3233106	1	Ring, Snap
55	3233305	1	Bearing, Ball
56	3234085	1	Tube, Snorkel
57	3234084	1	O-Ring
58	3233265	1	Bearing, Ball
59	3234083	1	Shaft, Snorkel
60	3233917	1	Asm., Park Lockout
61	3233839	1	Gear, 16T
62	3233548	1	O-Ring
63	3234081	1	Disc, Lockout
64	3234082	1	Star, Detent
65	3233076	1	O-Ring
66	3233830	1	Spring, Compression
67	3233961	1	Nut, Lock
68	3233834	1	Ring, Retaining
69	3233835	1	Switch
70	3234091	2	Washer
71	3234077	2	Fork, Shift
72	3234073	1	Collar, Shift
73	3234089	2	Spring, Compression
74	3234078	2	Spring, Compression
75	3234090	2	Ring, Retaining
76	3233432	2	Pin, Dowel
77	3233433	1	Shoe, Chain Tensioner
78	3233434	1	Cam, Chain Tensioner
79	3233431	1	Spring, Torsion
80	3234079	1	Rail, Shift Shaft

FRONT HOUSING

SPORTSMAN 400 A05MH42AB and SPORTSMAN 400 A05MH42AG and SPORTSMAN 400 A05MH42AH

© 2004 Polaris Sales Inc.



Part numbers may change after the making of the microfiche or paper copies. Electronic records are the most current.

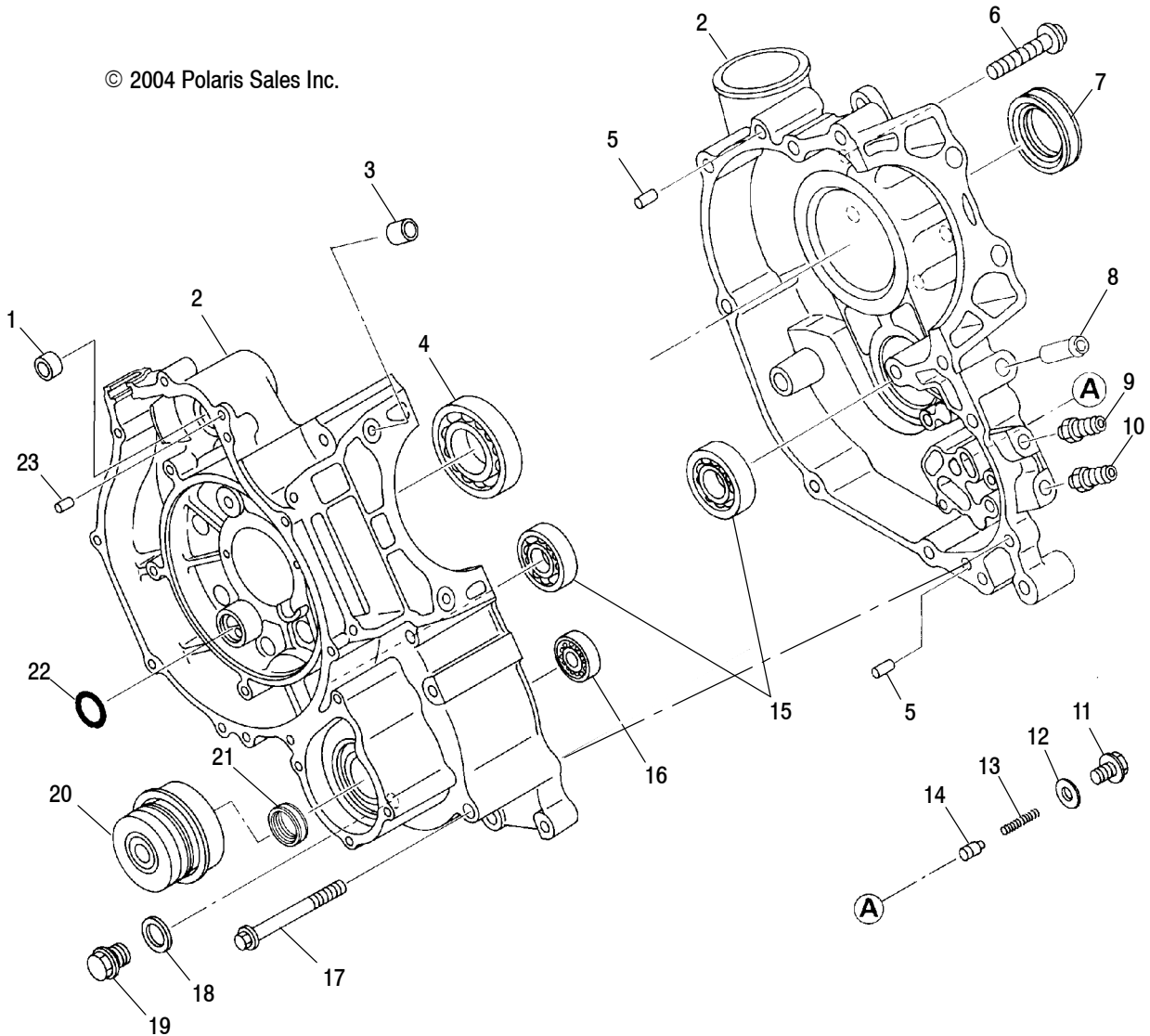
Ref.	Part No.	Qty.	Description
	1341497	1	Asm., Front Gearcase
	3233955	1	Kit, Bolt
1	3234163	1	Screw, Set
2	3234159	1	Asm., Cover Plate (Incl. Output Cover, Insert and Coil)
3	3234161	1	Shim, Armature Plate
4	3233926	2	Bearing, Roller Ball
5	3233953	1	Asm., Race/Output Hub (Incl. 25)
6	3233928	1	Pin, Dowel
7	3234166	1	Clutch Housing/Ring Gear
8	3234167	1	Asm., Roll Cage (Incl. Spring and Roll Cage)
	-----	1	Spring
9	3233957	14	Kit, Roll
10	3234169	1	Bushing
11	7080307	1	Clamp
12	8450003	AR	Line
13	7512024	1	Screw

Ref.	Part No.	Qty.	Description
14	7080693	1	Clamp
15	3233956	1	Kit, Minor Repair (Incl. O-Rings and Seals)
16	3233918	11	Bolt
17	3233947	1	Cover, Input
18	3234112	1	Bearing, Roller Ball
19	3233944	1	Shaft, Pinion, 11T
20	-----	1	Bushing
21	-----	1	Gearcase, LH
22	3233942	1	Plug, Oil Fill
23	7518364	4	Screw, Flange
24	3233951	1	Asm., Drain Plug (Incl. Plug and Washer)
25	3233929	1	Bearing, Needle, Roller Thrust
26	3234168	1	Asm., Clutch (Incl. 7-9)
27	3234162	1	Ring, Retaining, Internal
28	3234160	1	Plate Armature

CRANKCASE

SPORTSMAN 400 A05MH42AB and SPORTSMAN 400 A05MH42AG and SPORTSMAN 400 A05MH42AH

© 2004 Polaris Sales Inc.



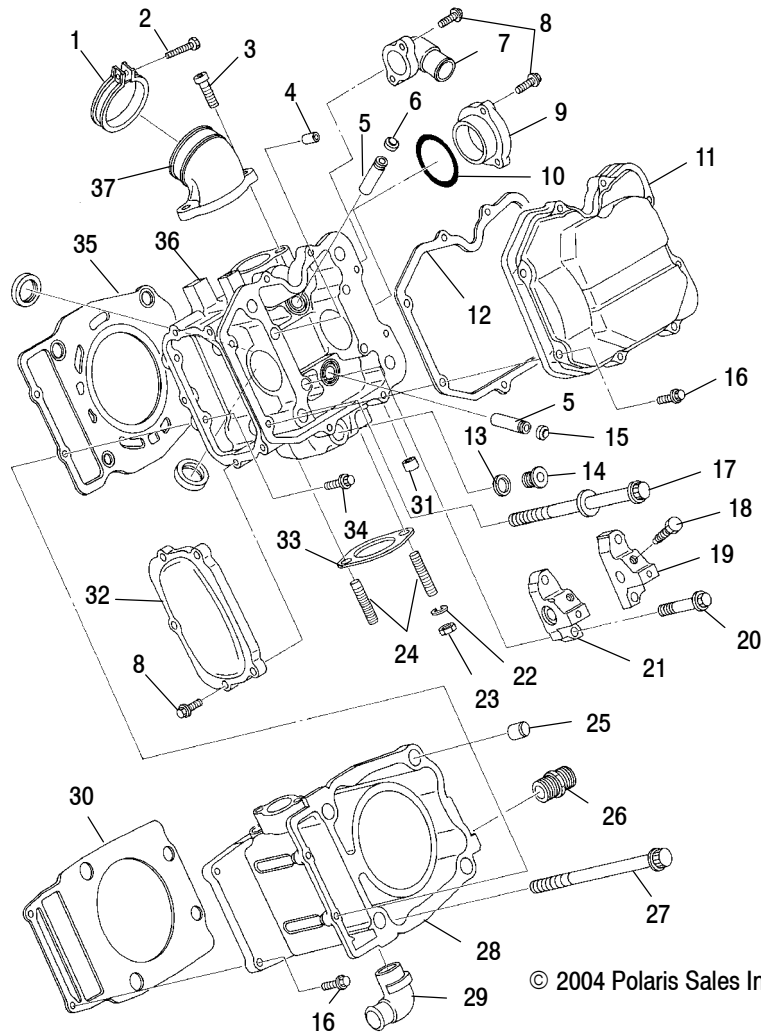
Part numbers may change after the making of the microfiche or paper copies. Electronic records are the most current.

Ref.	Part No.	Qty.	Description
1	3083669	1	Bushing, Starter
2	3089240	1	Asm., Crankcase (Incl. 1,4,5,7,8,15,16,17,20,21,23)
3	3087266	2	Pipe, Knock
4	3080676	1	Bearing, Ball
5	3084840	2	Pin, Dowel
6	3084205	3	Screw and Washer
7	3084839	1	Seal, Oil
8	3085525	1	Pipe, Air Breather
9	3087154	1	Fitting, Oil Inlet
10	3084842	1	Union
11	3084845	1	Plug

Ref.	Part No.	Qty.	Description
12	3084846	1	Gasket, Aluminum
13	3084844	1	Spring, One Way Valve
14	3086810	1	Valve, One Way
15	3084834	2	Bearing, Ball
16	3084835	1	Bearing, Ball
17	3084841	10	Bolt, Flange
18	3082956	1	Gasket
19	3086749	1	Plug
20	3084837	1	Seal, Mechanical
21	3084836	1	Seal, Oil
22	3084847	1	O-Ring
23	3086838	2	Pin, Dowel

CYLINDER

SPORTSMAN 400 A05MH42AB and SPORTSMAN 400 A05MH42AG and SPORTSMAN 400 A05MH42AH

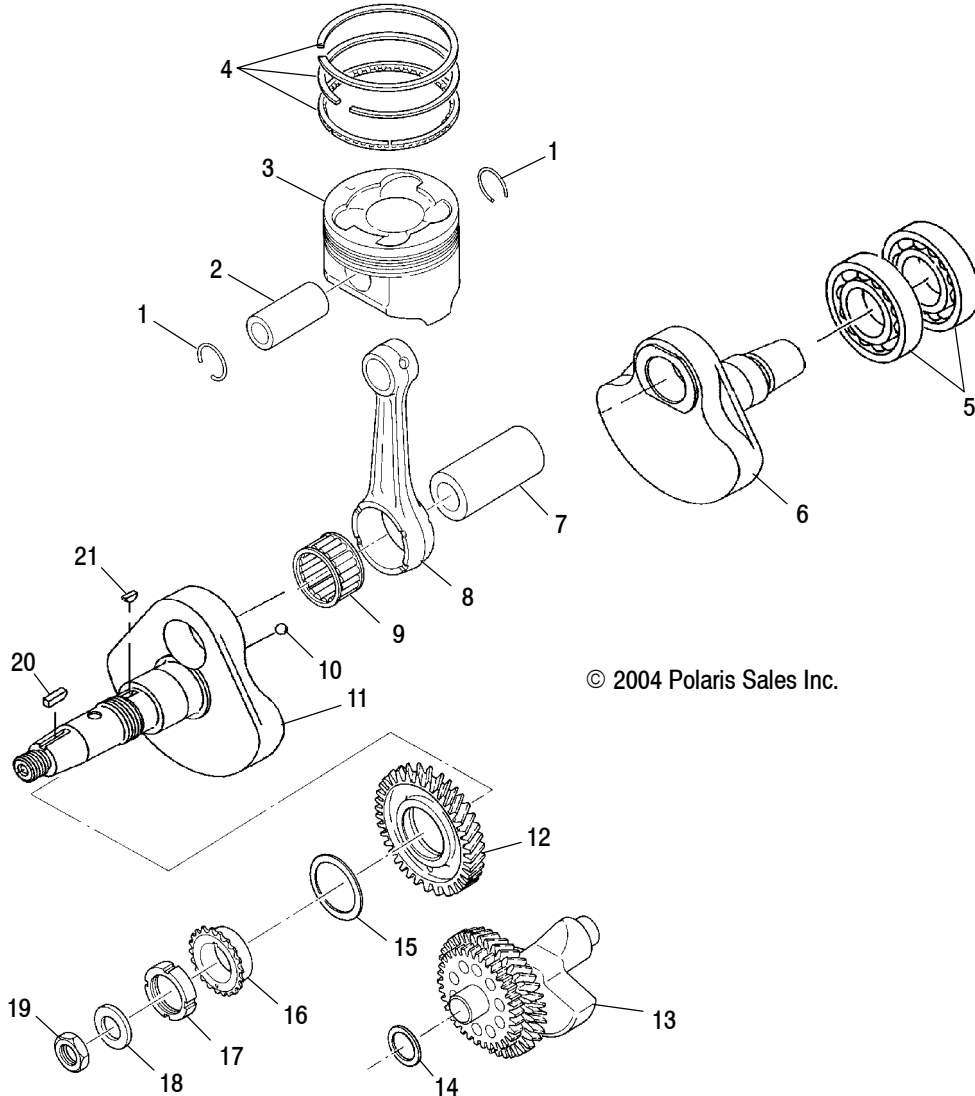


Part numbers may change after the making of the microfiche or paper copies. Electronic records are the most current.

Ref. Part No.	Qty.	Description	Ref. Part No.	Qty.	Description		
1	3083166	1	Asm., Band, Adapter (Incl. 2)	20	3084876	4	Bolt
2	3081497	1	Screw	21	3084863	1	Support, Valve Rocker Shaft
3	3081330	2	Bolt, Socket Head	22	3080530	2	Washer, Lock
4	3084857	2	Pin, Straight	23	3087199	2	Nut
5	3084994	4	Guide, Valve	24	3085326	2	Stud
6	3084858	2	Seal, Intake Valve	25	3087266	2	Pipe, Knock
7	3084870	1	Adapter, Water Out	26	3084849	1	Union, Oil Pump
8	3084877	10	Bolt, Flange	27	3084873	4	Bolt, Flange
9	3084866	1	Adapter, Camshaft	28	3089241	1	Cylinder (Incl. 29)
10	3084867	1	O-Ring	29	3086747	1	Pipe, Elbow, 2
11	3085073	1	Cover, Rocker	30	3085370	1	Gasket, Cylinder
12	3085074	1	Gasket, Rocker Cover	31	3084862	1	Plug, Blind
13	3084861	1	Gasket	32	3089242	1	Cover, Camshaft
14	3084860	1	Plug	33	3085075	1	Gasket, Exhaust
15	3084859	2	Seal, Exhaust Valve	34	3086781	2	Bolt, Flange
16	3084874	10	Bolt, Flange	35	3085337	1	Gasket, Head
17	3084875	4	Bolt, Cylinder Head	36	3085527	1	Head, Cylinder (Incl. 4-6,13-15,24,31)
18	3085854	1	Bolt, Rocker Shaft	37	3084879	1	Adapter
19	3084864	1	Support, Valve Rocker Shaft				

CRANKSHAFT and PISTON

SPORTSMAN 400 A05MH42AB and SPORTSMAN 400 A05MH42AG and SPORTSMAN 400 A05MH42AH



© 2004 Polaris Sales Inc.

Part numbers may change after the making of the microfiche or paper copies. Electronic records are the most current.

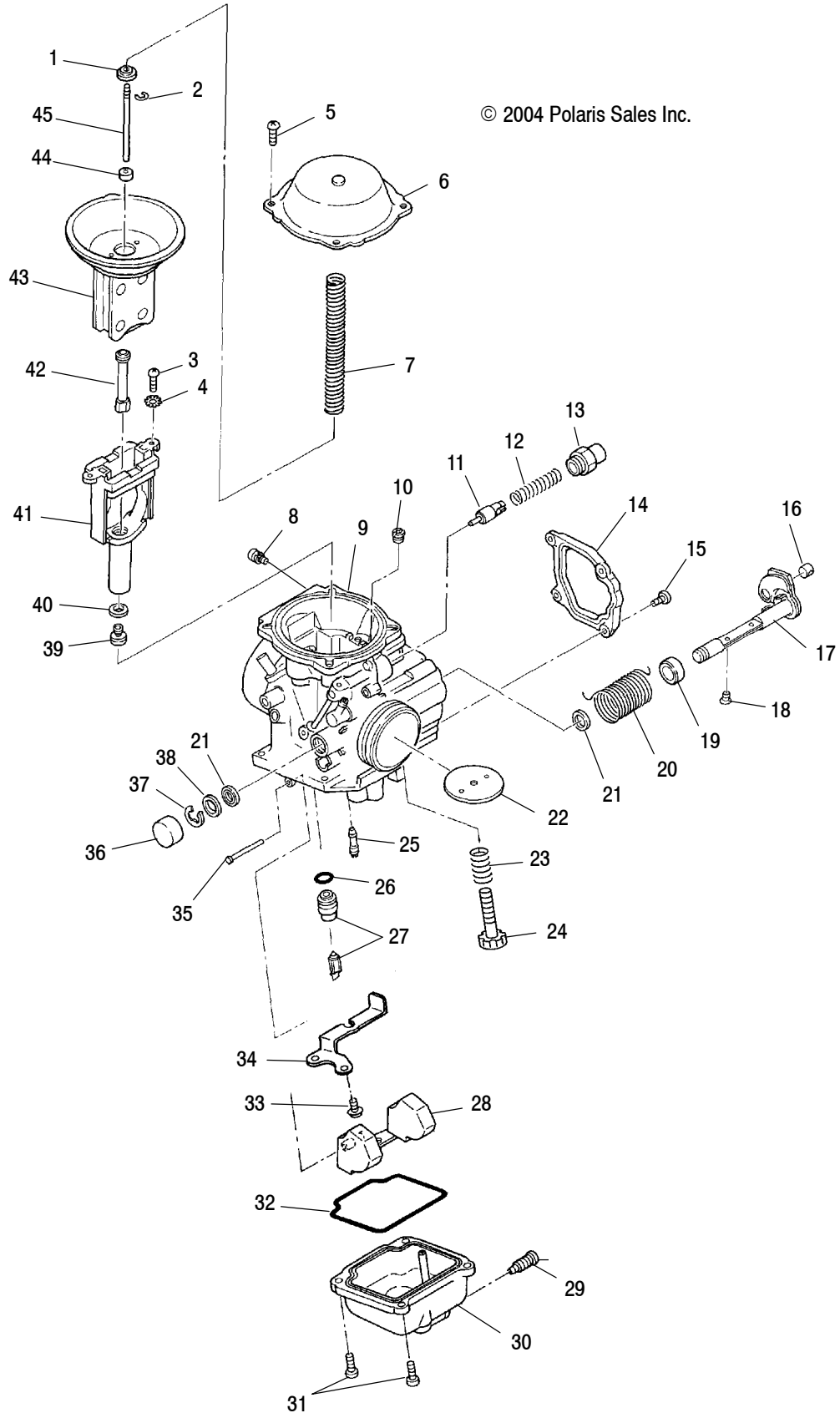
Ref. Part No.	Qty.	Description
1	3085534	2 Clip
2	-----	1 Pin, Piston
3	3087230	1 Piston Set (Std)(Incl. 1)
	3087231	1 Piston Set (0.25 mm O/S)(Incl. 1)
	3087232	1 Piston Set (0.50 mm O/S)(Incl. 1)
4	3087233	1 Ring Set, Piston (Std)
	3087234	1 Ring Set, Piston (0.25 mm O/S)
	3087235	1 Ring Set, Piston (0.50 mm O/S)
5	3085815	2 Bearing, Ball
6	3088719	1 Crankshaft 2
7	3087090	1 Pin, Crank
8	3086206	1 Rod, Connecting
9	3085343	1 Bearing, Large End
10	3085024	1 Ball, Steel
11	3089573	1 Asm., Crankshaft (Incl. 6-12)
	3089574	1 Crankshaft 1

Ref. Part No.	Qty.	Description
12	3089245	1 Balancer, Gear 1
13	3085404	1 Shaft, Balancer
14	3084895	1 Spacer (0.8)
	3084896	1 Spacer (1.0)
	3084897	1 Spacer (1.2)
15	3240088	1 Spacer (0.6)
	3084892	1 Spacer (0.8)
	3084893	1 Spacer (1.0)
	3084894	1 Spacer (1.2)
16	3084882	1 Sprocket 1
17	3085528	1 Nut, Slit
18	3086767	1 Washer
19	3083905	1 Nut, Lock
20	3081447	1 Key
21	3081543	1 Key, Woodruff

CARBURETOR

SPORTSMAN 400 A05MH42AB and SPORTSMAN 400 A05MH42AG and SPORTSMAN 400 A05MH42AH

© 2004 Polaris Sales Inc.



CARBURETOR

SPORTSMAN 400 A05MH42AB and SPORTSMAN 400 A05MH42AG and SPORTSMAN 400 A05MH42AH

Part numbers may change after the making of the microfiche or paper copies. Electronic records are the most current.

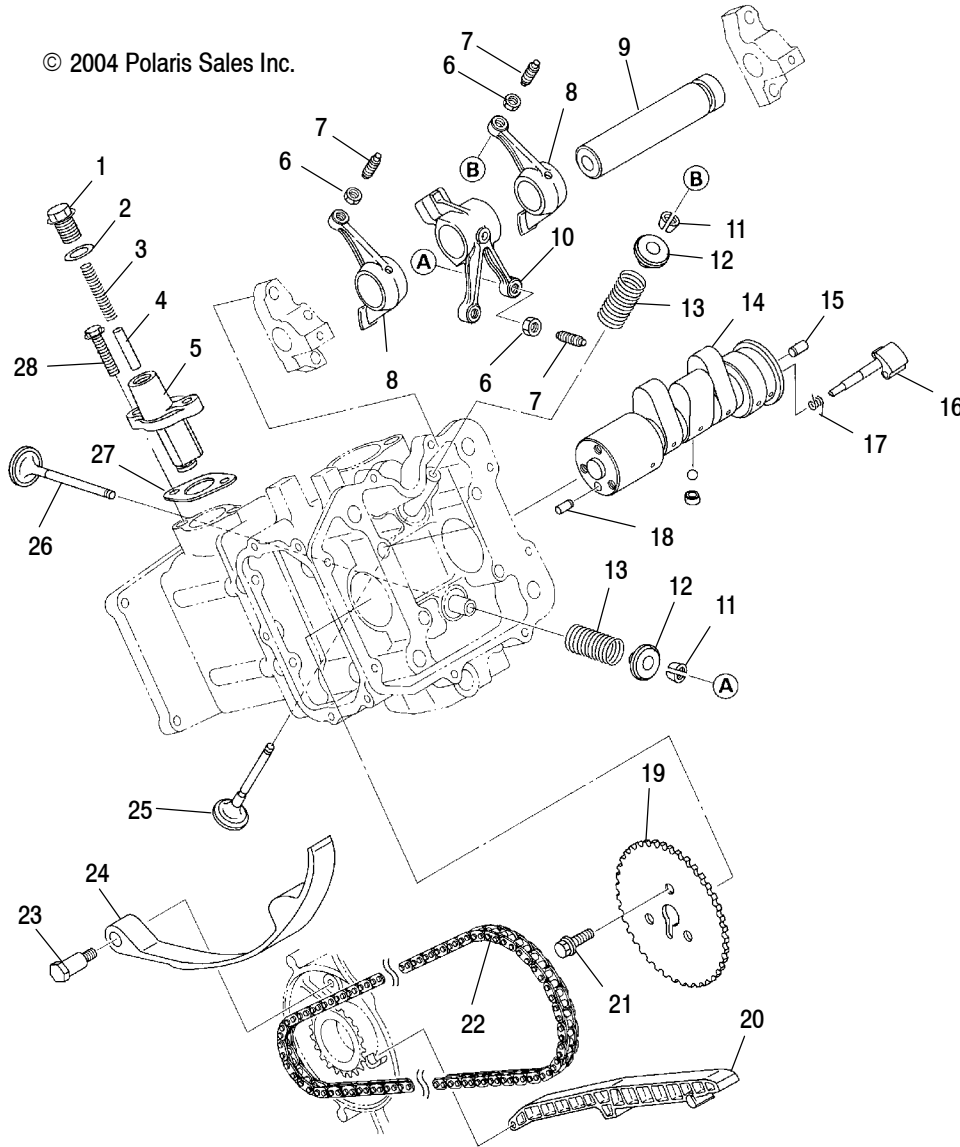
Ref.	Part No.	Qty.	Description
1	3130507	1	Ring
2	3130508	1	E-Ring
3	3130541	2	Screw
4	3130540	2	Washer, Spring
5	3130924	4	Screw
6	3130503	1	Cover
7	3130505	1	Spring
8	3085698	2	Screw and Washer
9	3131589	1	Asm., Carburetor (Incl. All less 8,14-16)
10	3130625	1	Jet, Air, #160
11	3131228	1	Asm., Plunger
12	3130538	1	Spring
13	3131396	1	Holder, Guide
14	3130511	1	Cover
15	3130535	4	Screw
16	3130543	1	Guide, Cable
17	3130513	1	Shaft, Throttle
18	3130501	2	Screw
19	3130514	1	Ring
20	3130589	1	Spring
21	3130515	2	Seal
22	3130502	1	Valve, Throttle, 100
23	3130836	1	Spring

Ref.	Part No.	Qty.	Description
24	3131423	1	Screw, Adjust
25	3130624	1	Jet, Pilot, #40
26	3131360	1	Valve, Needle (1.5)
27	3130533	1	O-Ring
28	3130529	1	Float
29	3130521	1	Screw
30	3130590	1	Body, Float
31	3130520	4	Screw
32	3130532	1	O-Ring
33	3130591	2	Screw
34	3130594	1	Plate
35	3130361	1	Pin, Float
36	3130519	1	Cap
37	3130518	1	E-Ring
38	-----	1	Packing
39	3131570	1	Jet, Main (#172.5)
40	3130014	1	Washer
41	3130504	1	Block, Jet
42	3131311	1	Jet, Needle (Q-0)
43	3130732	1	Diaphragm
44	3130752	1	Ring
45	3131312	1	Needle, Jet (5F14)

INTAKE and EXHAUST

SPORTSMAN 400 A05MH42AB and SPORTSMAN 400 A05MH42AG and SPORTSMAN 400 A05MH42AH

© 2004 Polaris Sales Inc.



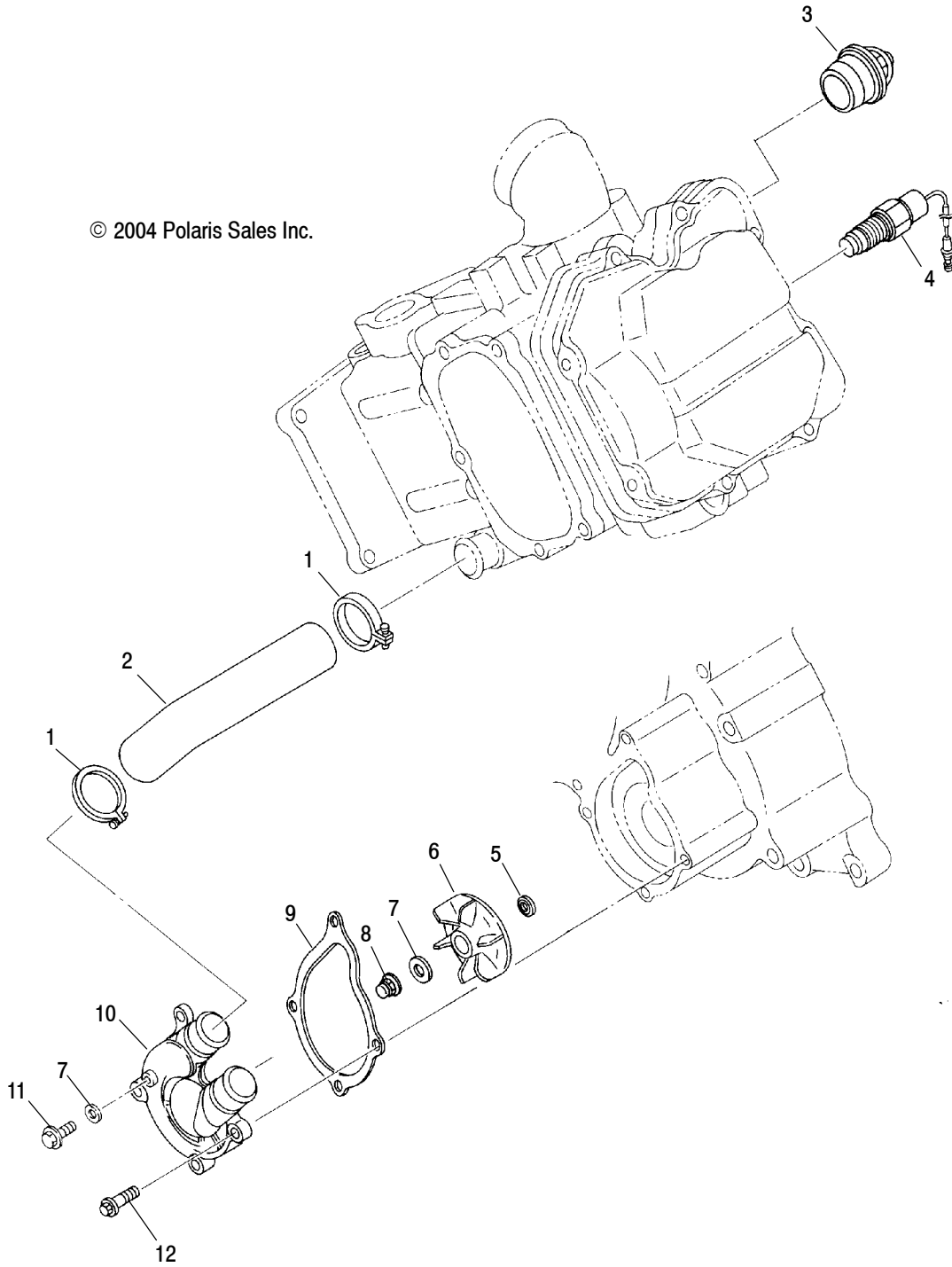
Part numbers may change after the making of the microfiche or paper copies. Electronic records are the most current.

Ref. Part No.	Qty.	Description
1	3087129	1 Plug
2	3087130	1 Gasket
3	3087131	1 Spring
4	3087132	1 Pin
5	3086493	1 Asm., Tensioner (Incl. 1-4)
6	3084912	4 Nut
7	3084911	4 Screw, Adjusting
8	3084910	2 Asm., Rocker Arm, Intake (Incl. 6,7)
9	3084909	1 Shaft, Rocker
10	3084913	1 Asm., Rocker Arm, Exhaust (Incl. 6,7)
11	3084908	8 Valve, Collet
12	3087203	4 Retainer, Spring
13	3086892	4 Spring, Valve
14	3086212	1 Camshaft (Incl. 15-18)

Ref. Part No.	Qty.	Description
15	3086838	1 Pin, Dowel
16	3085348	1 Lever, Release
17	3085076	1 Spring, Return
18	3084899	1 Pin, Dowel
19	3084914	1 Sprocket 2
20	3084916	1 Guide, Chain
21	3081657	3 Bolt and Washer
22	3084915	1 Chain, Timing
23	3084924	1 Bolt, Pivot Lever
24	3084917	1 Lever
25	3085349	2 Valve, Intake
26	3085412	2 Valve, Exhaust
27	3086448	1 Gasket, Tensioner
28	3083361	2 Asm., Bolt and Washer

WATER PUMP

SPORTSMAN 400 A05MH42AB and SPORTSMAN 400 A05MH42AG and SPORTSMAN 400 A05MH42AH

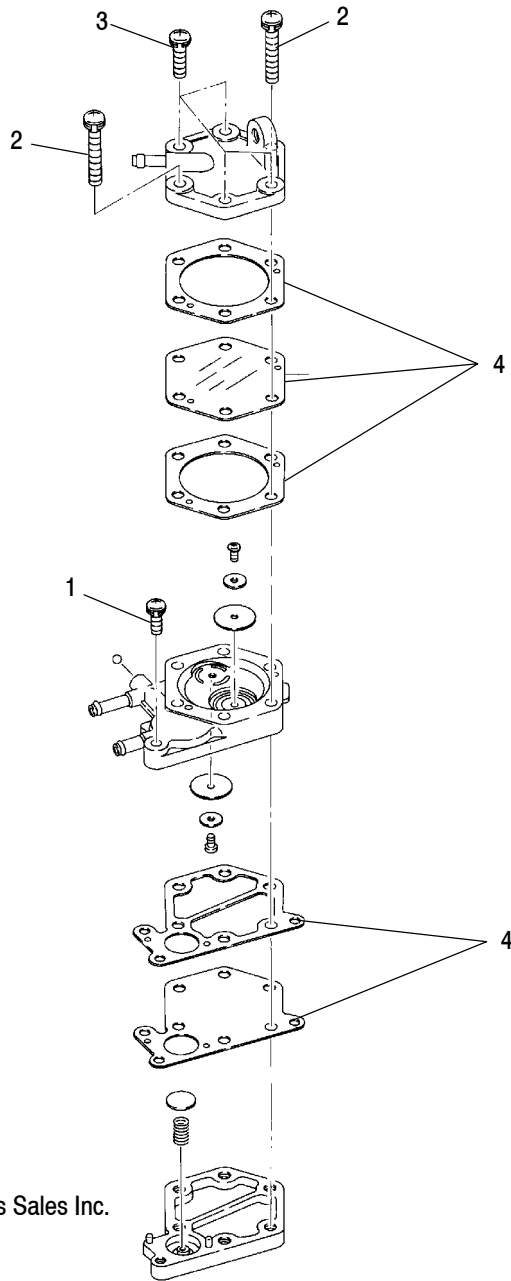


Part numbers may change after the making of the microfiche or paper copies. Electronic records are the most current.

Ref. Part No.	Qty.	Description	Ref. Part No.	Qty.	Description		
1	3086774	2	Clamp, Hose	7	7555998	2	Washer, Flat
2	3085857	1	Hose, Main	8	3085077	1	Nut, Self Lock
3	3084940	1	Thermostat	9	3086840	1	Gasket, Water Pump
4	3089246	1	Asm., Thermo Sensor	10	3085351	1	Cover, Water Pump
5	3084942	1	Washer, Seal	11	3085359	1	Bolt, Flange
6	3084935	1	Impeller	12	3084877	4	Bolt, Flange

FUEL PUMP

SPORTSMAN 400 A05MH42AB and SPORTSMAN 400 A05MH42AG and SPORTSMAN 400 A05MH42AH



© 2004 Polaris Sales Inc.

Part numbers may change after the making of the microfiche or paper copies. Electronic records are the most current.

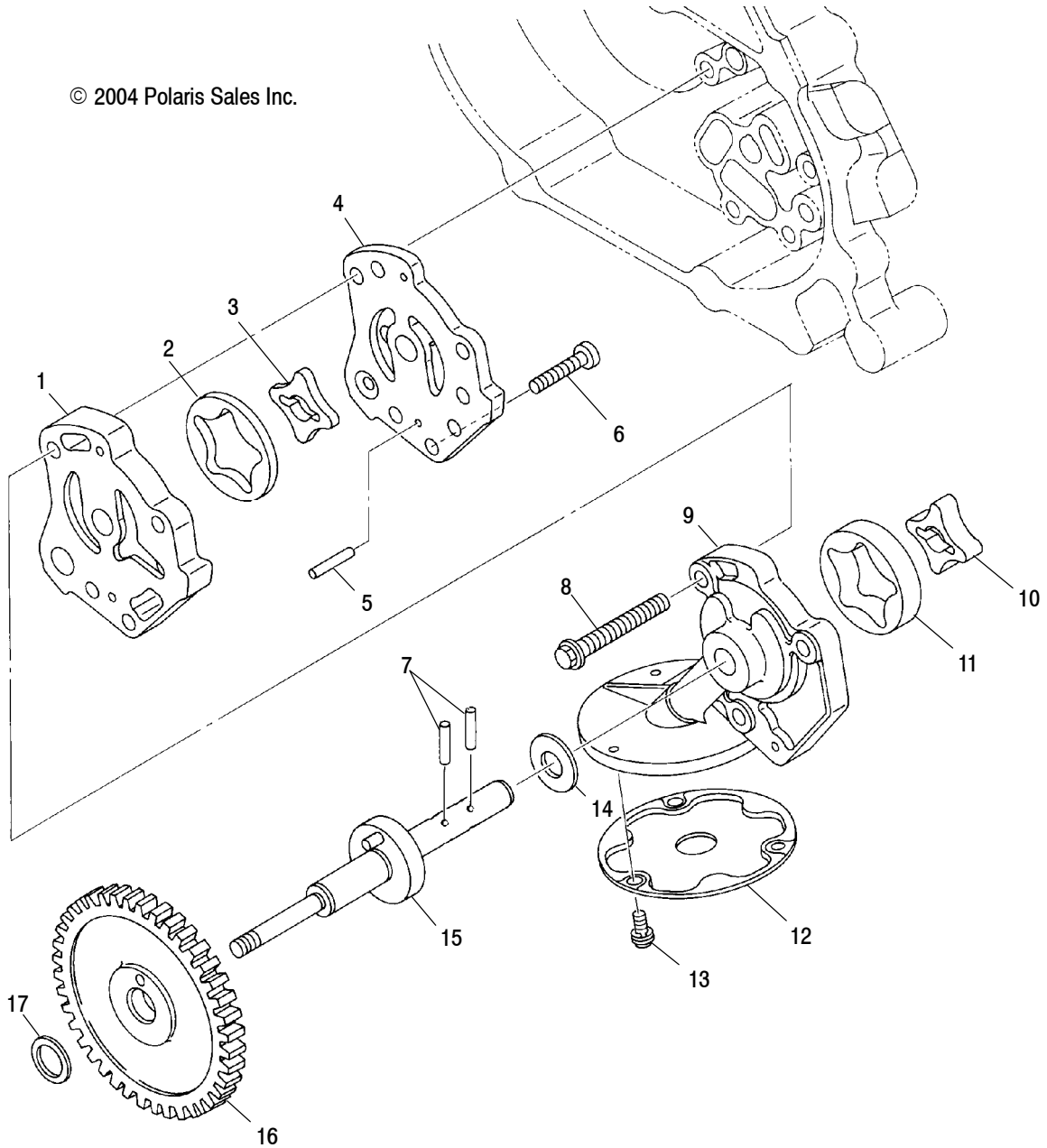
Ref. Part No.	Qty.	Description
	1	Asm., Fuel Pump (Incl. 1-4)
1	1	Screw and Washer
2	2	Screw and Washer

Ref. Part No.	Qty.	Description
3	4	Screw & Washer
4	1	Diaphragm, Gasket Set

OIL PUMP

SPORTSMAN 400 A05MH42AB and SPORTSMAN 400 A05MH42AG and SPORTSMAN 400 A05MH42AH

© 2004 Polaris Sales Inc.



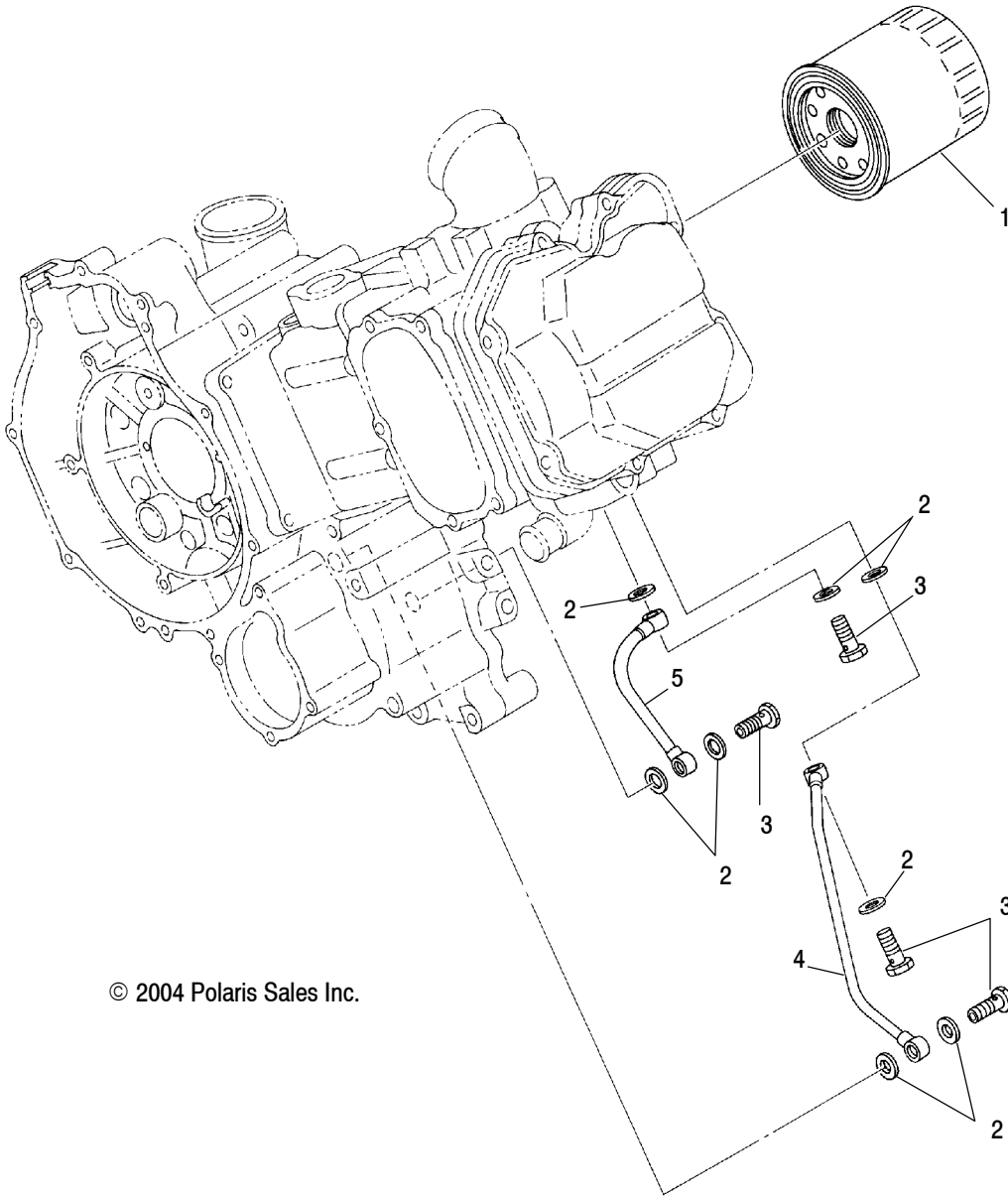
Part numbers may change after the making of the microfiche or paper copies. Electronic records are the most current.

Ref. Part No.	Qty.	Description
1	3084946	1 Pump, Oil, Case 2
2	3084949	1 Rotor, Outer, Feed
3	3084948	1 Rotor, Inner, Feed
4	3087276 3087264	1 Asm., Oil Pump (Incl. 1-7,9-15) 1 Pump, Oil, Case 1
5	3084955	2 Pin, Dowel
6	3085535	1 Screw
7	3084954	2 Pin, Dowel
8	3084962	3 Bolt and Washer
9	3087265	1 Pump, Oil, Case 3

Ref. Part No.	Qty.	Description
10	3084950	1 Rotor, Inner, Scav
11	3084951	1 Rotor, Outer
12	3084956	1 Unit, Oil Strainer
13	3084205	3 Screw and Washer
14	3084953	1 Washer
15	3084952	1 Shaft, Pump
16	3084958	1 Gear, Pump, 2
17	3084959 3084960 3084961	AR Spacer (0.8) AR Spacer (1.0) AR Spacer (1.2)

OIL FILTER

SPORTSMAN 400 A05MH42AB and SPORTSMAN 400 A05MH42AG and SPORTSMAN 400 A05MH42AH



© 2004 Polaris Sales Inc.

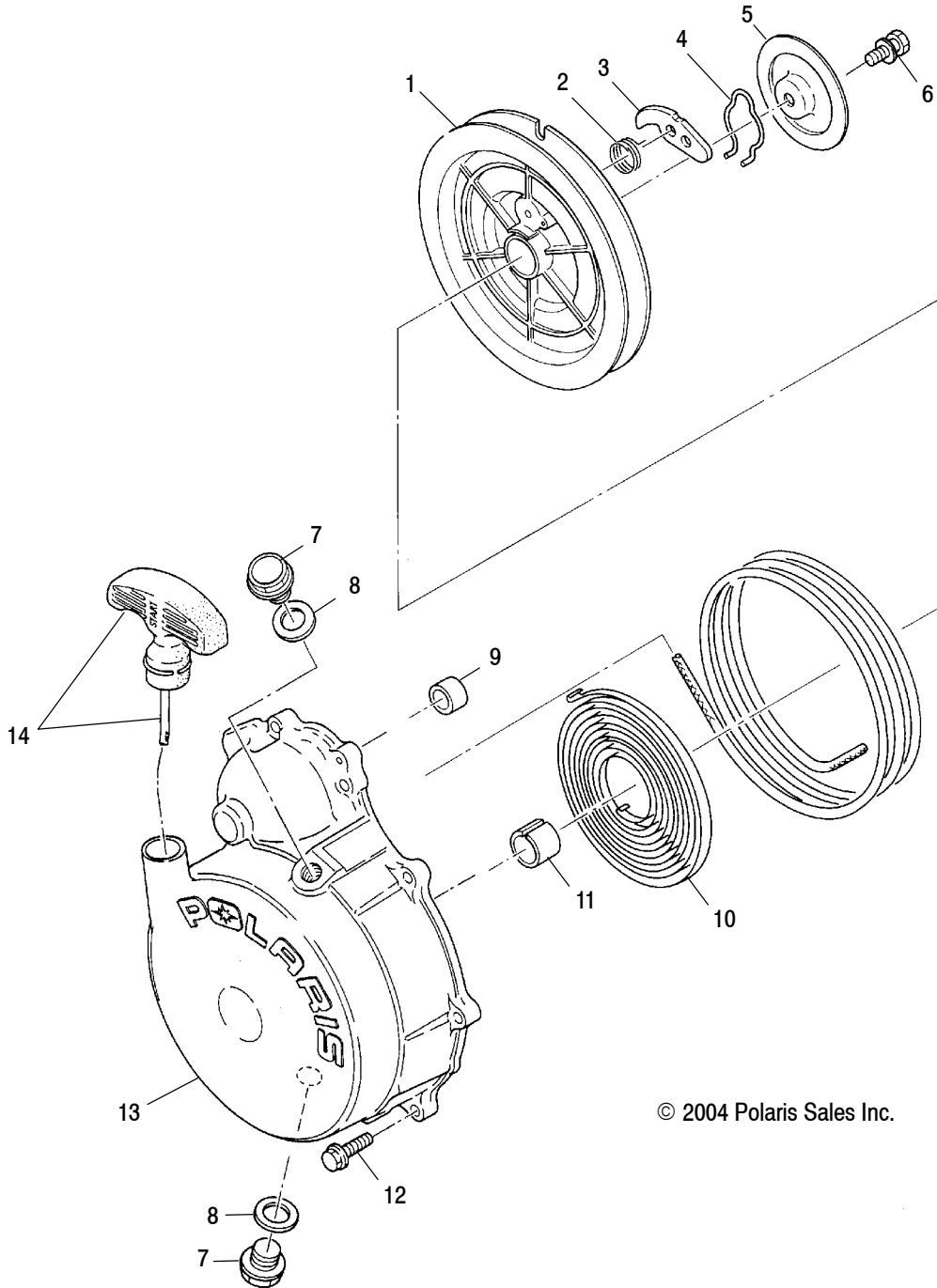
Part numbers may change after the making of the microfiche or paper copies. Electronic records are the most current.

Ref. Part No.	Qty.	Description
1	3084963	1 Oil Filter
2	3084846	8 Gasket, Aluminum
3	3086815	4 Bolt, Banjo

Ref. Part No.	Qty.	Description
4	3084965	1 Pipe, Oil Delivery 2
5	3084964	1 Pipe, Oil Delivery 1

RECOIL STARTER

SPORTSMAN 400 A05MH42AB and SPORTSMAN 400 A05MH42AG and SPORTSMAN 400 A05MH42AH



© 2004 Polaris Sales Inc.

Part numbers may change after the making of the microfiche or paper copies. Electronic records are the most current.

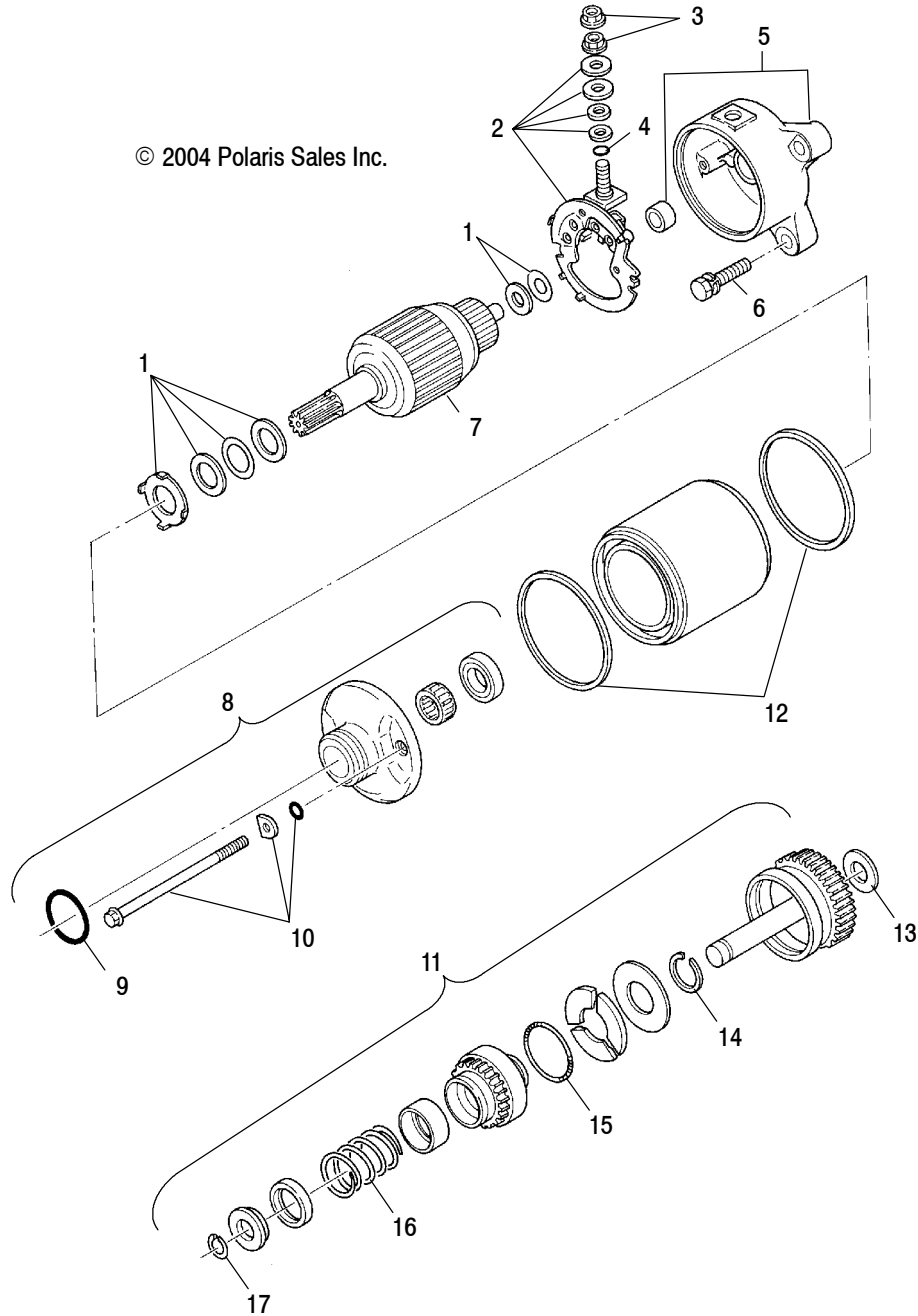
Ref. Part No.	Qty.	Description
1	3084822	1 Reel
2	3083463	1 Spring, Return
3	3083378	1 Ratchet
4	3083379	1 Spring, Friction
5	3084744	1 Plate, Friction
6	3085266	1 Bolt and Washer
7	3086749	2 Plug
8	3082956	2 Gasket

Ref. Part No.	Qty.	Description
9	3083669	1 Bushing, Starter
10	3083185	1 Spring, Spiral
11	3084750	1 Bushing
12	3084877	9 Bolt, Flange
13	3087163	1 Asm., Recoil (Incl. 1-6,9-11,13,14)
	3087164	1 Starter Case (Incl. 11)
14	3085083	1 Asm., Rope

STARTING MOTOR

SPORTSMAN 400 A05MH42AB and SPORTSMAN 400 A05MH42AG and SPORTSMAN 400 A05MH42AH

© 2004 Polaris Sales Inc.



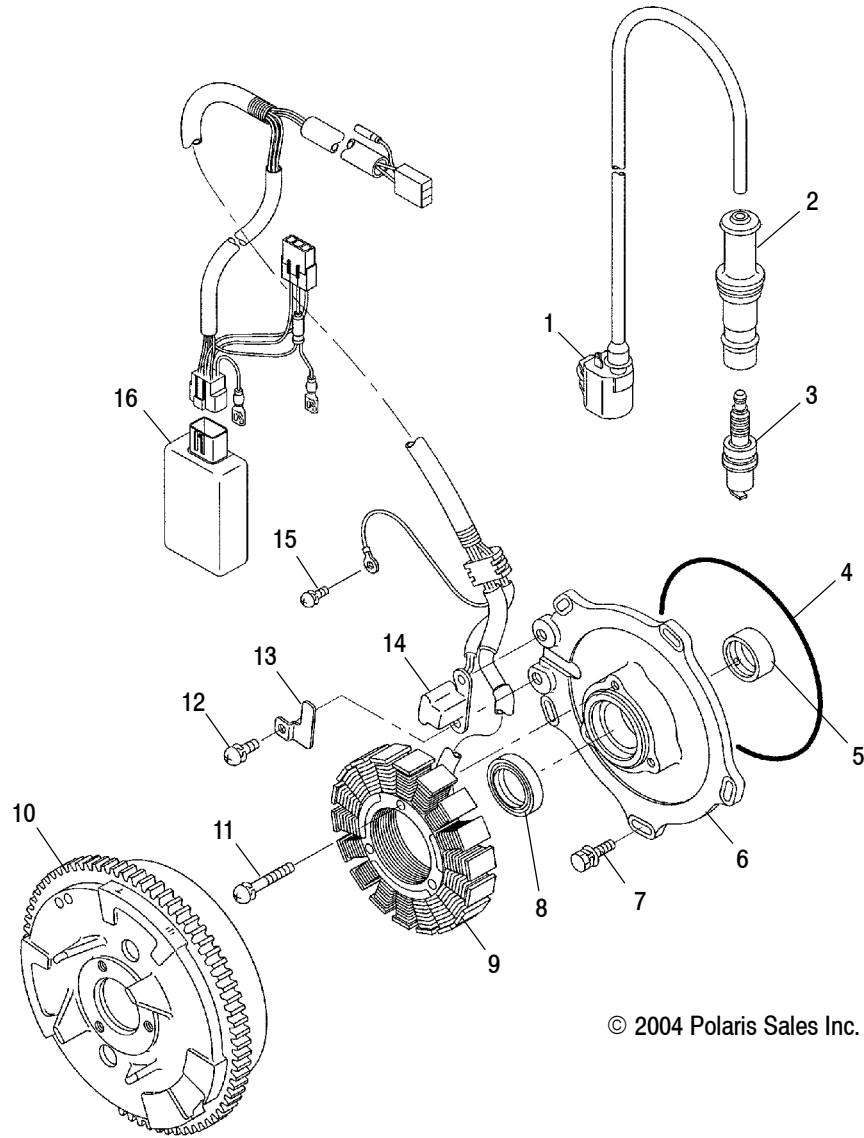
Part numbers may change after the making of the microfiche or paper copies. Electronic records are the most current.

Ref. Part No.	Qty.	Description
		3084981 1 Starting Motor (Incl. 1-5,7-10,12)
1	1	3084982 1 Washer Set
2	1	3088169 1 Brush, Carbon
3	2	3083649 2 Nut, Flange
4	3	3084408 3 O-Ring
5	1	3085034 1 Bracket, Rear
6	2	3082038 2 Bolt and Washer
7	1	3085353 1 Armature
8	1	3085033 1 Asm., Front Bracket (Incl. 9)

Ref. Part No.	Qty.	Description
9	1	3240114 1 O-Ring
10	2	3084983 2 Asm., Bolt Set (Incl. 4)
11	1	3087030 1 Asm., Gear Shaft (Incl. 14-17)
12	2	3084405 2 Ring, Rubber
13	1	7555908 1 Washer, Thrust
14	1	3084412 1 Clip
15	1	3084411 1 Spring, Weight
16	1	3084410 1 Spring, Return
17	1	3084409 1 Clip

MAGNETO

SPORTSMAN 400 A05MH42AB and SPORTSMAN 400 A05MH42AG and SPORTSMAN 400 A05MH42AH



© 2004 Polaris Sales Inc.

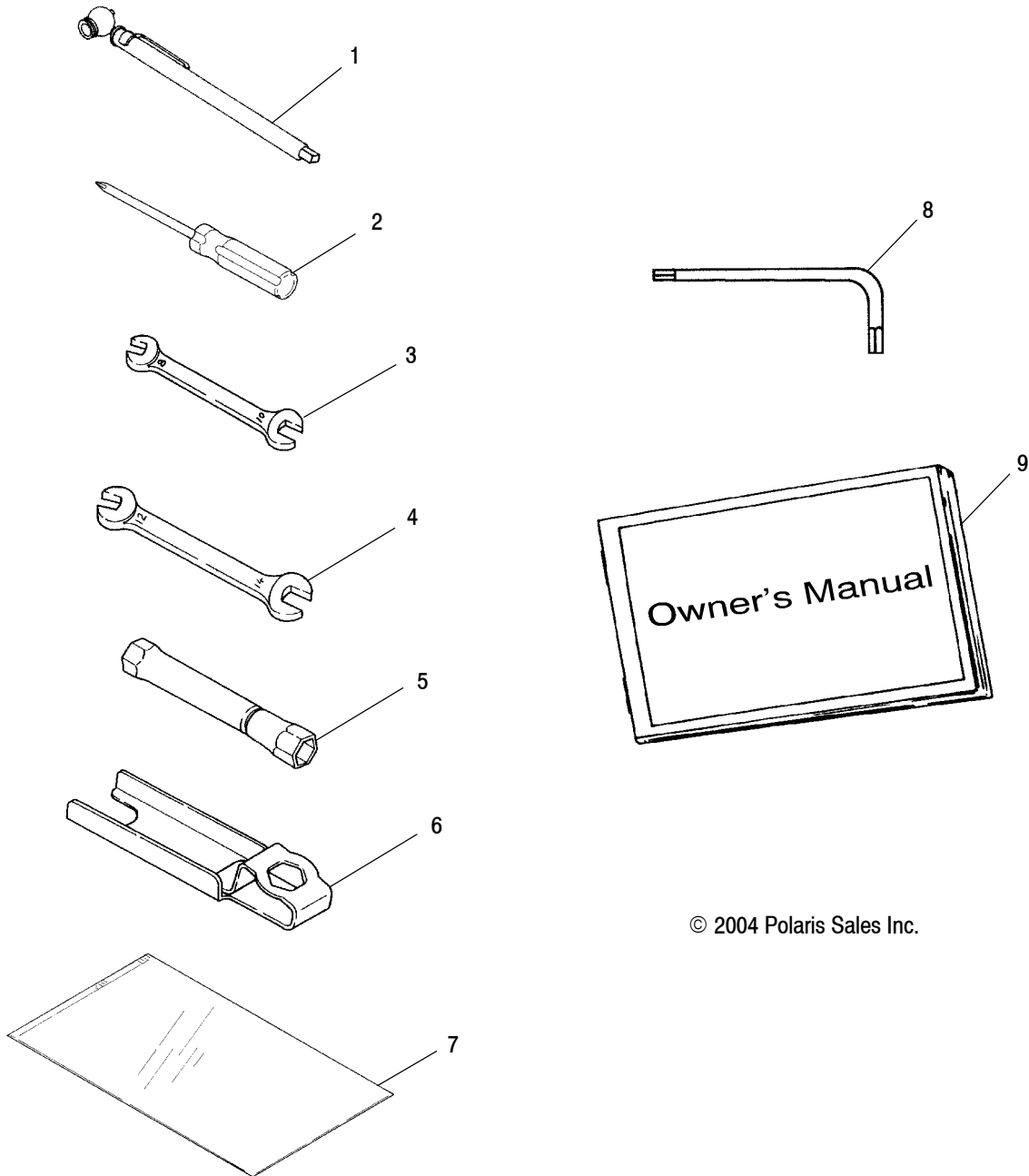
Part numbers may change after the making of the microfiche or paper copies. Electronic records are the most current.

Ref.	Part No.	Qty.	Description
1	3089239	1	Coil, Ignition
2	3084980	1	Cap, Spark Plug
3	3070175	1	Plug, Spark
4	3084978	1	O-Ring
5	3084972	1	Metal, Bearing
6	3089545 3089248	1 1	Asm., Plate (Incl. 5,8-15) Plate
7	3081657	5	Bolt and Washer
8	3084973	1	Seal, Oil

Ref.	Part No.	Qty.	Description
9	3089546	1	Stator (Incl. 13)
10	3089544	1	Flywheel w/Ring Gear
11	3089547	3	Screw and Washer
12	3084976	2	Screw and Washer
13	3089250	1	Band, Pulse
14	3089254	1	Coil, Pulser
15	3081256	1	Screw and Washer
16	3089238	1	CDI System

TOOL KIT

SPORTSMAN 400 A05MH42AB and SPORTSMAN 400 A05MH42AG and SPORTSMAN 400 A05MH42AH



© 2004 Polaris Sales Inc.

Part numbers may change after the making of the microfiche or paper copies. Electronic records are the most current.

Ref. Part No.	Qty.	Description
3085383	1	Kit, Tool (Incl. 2-8)(If built before 8/02/04)
2874924	1	Kit, Tool (Incl. 2-8)(If built after 8/02/04)
1 2870725	1	Gauge, Tire Pressure
2 3082657	1	Screwdriver
3 3085001	1	Wrench, 8-10 Open
4 3085002	1	Wrench, 12-14 Open

Ref. Part No.	Qty.	Description
5 3085568	1	Wrench, Box
6 3085569	1	Puller, Spark Plug (Wrench Handle)
7 2682572	1	Pouch, Tool Kit
8 2873647	1	Wrench, Torx (If built before 8/02/04)
2874858	1	Wrench, Torx (If built after 8/02/04)
9 9919412	1	Owner's Manual, '05 Sportsman 4/5/6/700



PRINTED IN THE USA

PARTS MANUAL PN 9919413 and MICROFICHE PN 9919414 7/04