



# PARTS CATALOGUE

# YB125SPD (27S1) EUROPE

---

YB125SPD  
PARTS CATALOGUE  
©2008 by Yamaha Motor Co., Ltd.  
1st edition, April 2008  
All rights reserved.  
Any reprinting or unauthorized use  
without the written permission of  
Yamaha Motor Co., Ltd.  
is expressly prohibited.  
Printed in Japan.

# FOREWORD

This Parts Catalogue is related to the parts for the model(s) on the cover page. When you are ordering replacement parts, please refer to this Parts Catalogue and quote both part numbers and part names correctly.

1. Modifications or additions which have been made after the issue of the Parts Catalogue will be announced in the Parts News.

It is advisable that you make the necessary corrections to the Parts Catalogue according to the Parts News.

2. Abbreviations

The following abbreviations are used in this Parts Catalogue.

“UR” Use specified parts number.

“UN” Use as many as needed.

“AP” Alternate Parts

“LM” Locally Made (Parts need to be ordered locally)

“F#” Frame No. (Applicable machine No.)

“O/S” Over Size

3. The number of components for assembly

- Parts, which are to be supplied in an assembly, are listed with a dot (.) in front of the part name as shown below.
- The numeral appearing to the right of each component part indicates the quantity of parts for each assembly unit.

PART NO.	DESCRIPTION	Q'TY	REMARKS
2F5-83310-60	FRONT FLASHER LIGHT ASSY	2	
115-83311-60	.BULB (6V-18W)	1	

4. Applicable colours of graphics are represented in the “REMARKS” as shown below.

PART NO.	DESCRIPTION	Q'TY	REMARKS
2N4-24110-00-X5	FUEL TANK COMP.	2	MXR
3J1-24240-10	.GRAPHIC, FUEL TANK	1	FOR MXR

5. Note that the illustrations for reference in finding parts numbers are not to be used for assembling. When assembling, please use the applicable service manual.

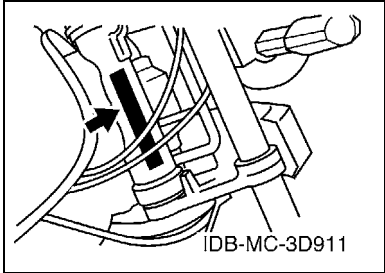
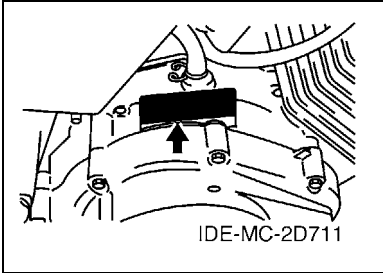
6. The asterisk (\*) before a reference number indicates modified items after the first edition.

# FOREWORD

7. Applicable Serial No.

Engine Serial No.

Frame Serial No.



8. Applicable Colour Code (The (\*) mark shows Model colour.)

Abbreviation	Colour Name	Colour Code
LGM3(*)	LIGHT GRAY METALLIC 3	0137
SL	SILVER	0035
SMX(*)	BLACK METALLIC X	0903
VRC7(*)	VIVID RED COCKTAIL 7	0580
YB	YAMAHA BLACK	0033



# CONTENTS

## ENGINE

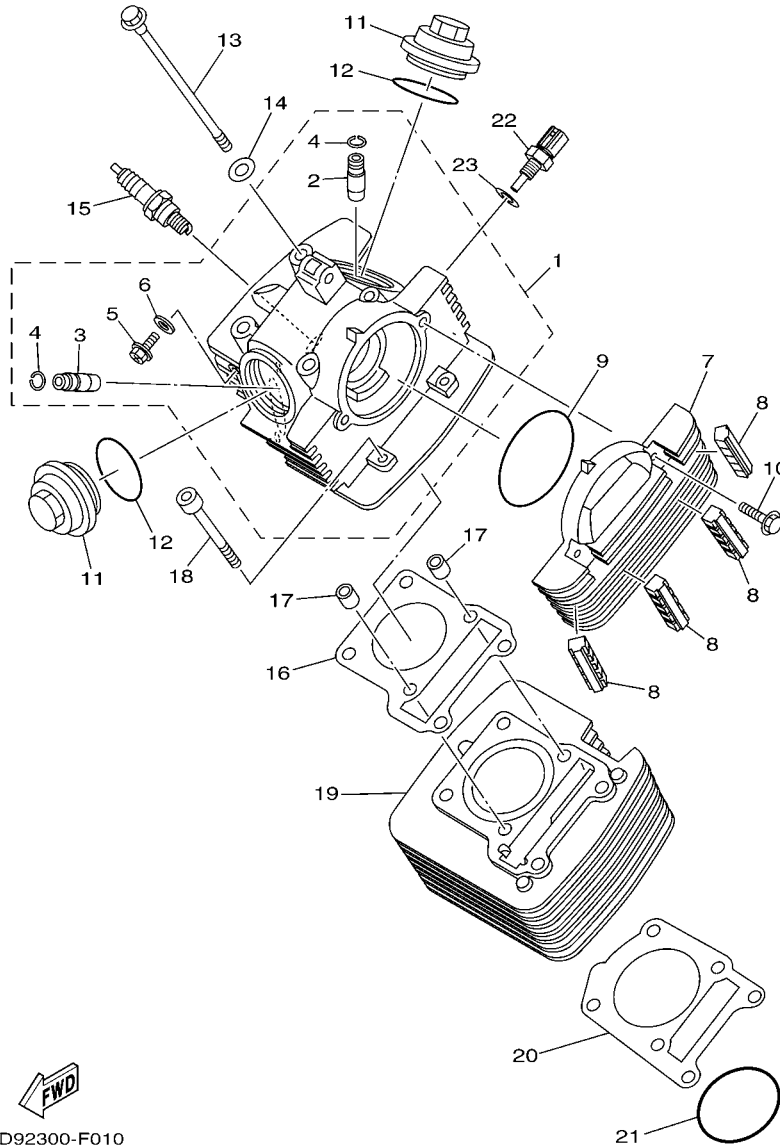
CYLINDER .....	1
CRANKSHAFT & PISTON .....	2
VALVE .....	3
CAMSHAFT & CHAIN .....	4
OIL PUMP .....	5
INTAKE .....	6
EXHAUST .....	8
CRANKCASE .....	10
CRANKCASE COVER 1 .....	11
STARTER .....	12
STARTER CLUTCH .....	13
CLUTCH .....	14
TRANSMISSION .....	15
SHIFT CAM & FORK .....	17
SHIFT SHAFT .....	18

## CHASSIS

FRAME .....	19
FENDER .....	21
SIDE COVER .....	23
REAR ARM & SUSPENSION .....	25
STEERING .....	26
FRONT FORK .....	27
FUEL TANK .....	29
SEAT .....	31
FRONT WHEEL .....	32
FRONT BRAKE CALIPER .....	33
REAR WHEEL .....	34
STEERING HANDLE & CABLE .....	36
FRONT MASTER CYLINDER .....	37
STAND & FOOTREST .....	38
GENERATOR .....	40
STARTING MOTOR .....	41
FLASHER LIGHT .....	42
METER .....	43
HEADLIGHT .....	44
TAILLIGHT .....	45
HANDLE SWITCH & LEVER .....	46
ELECTRICAL 1 .....	47
ELECTRICAL 2 .....	48

## INDEX

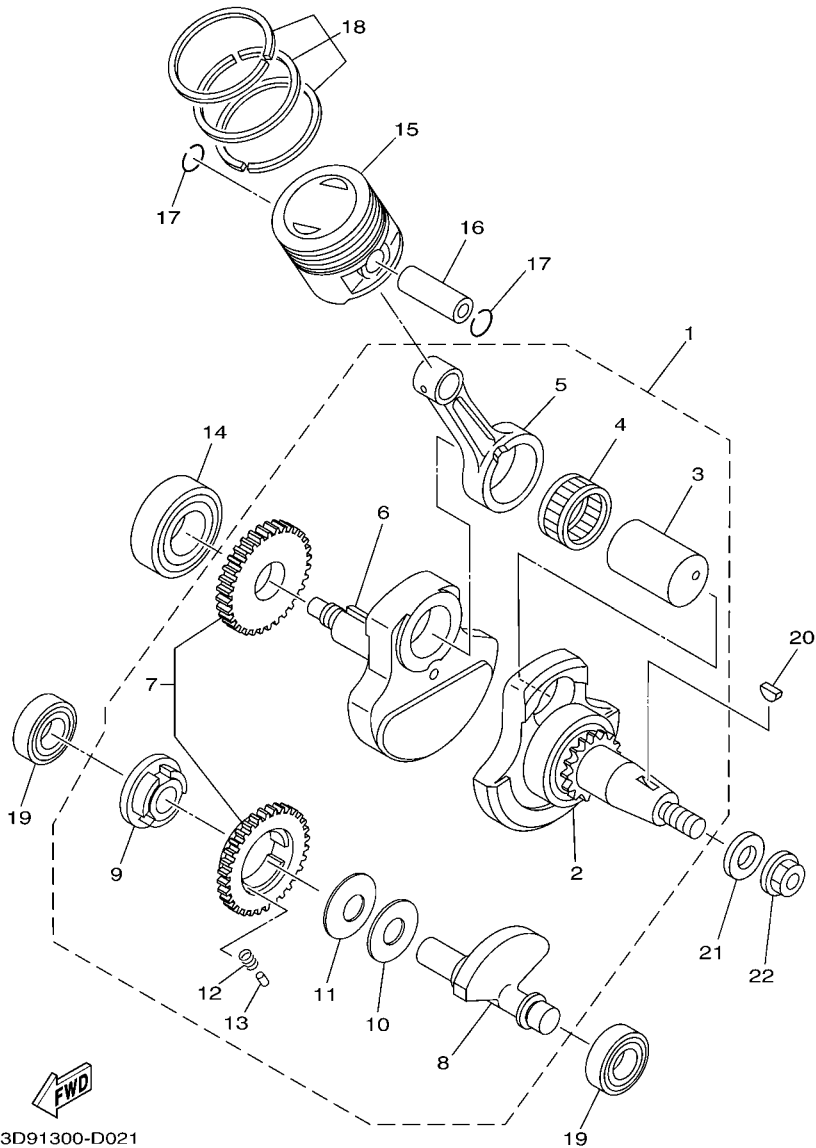
NUMERICAL INDEX .....	49
-----------------------	----



3D92300-F010

FIG. 1 CYLINDER

REF. NO.	PART NO.	DESCRIPTION	2751				REMARKS
1	3D9-E1111-00	HEAD, CYLINDER 1	1				
2	5VL-E1133-00	.GUIDE, VALVE 1	1				
3	5VL-E1134-00	.GUIDE, VALVE 2	1				
4	93440-10109	.CIRCLIP	2				
5	90153-06803	.SCREW, HEXAGON	1				
6	90430-06817	.GASKET	1				
7	5VL-E1185-10	COVER, CYLINDER HEAD SIDE 1	1				
8	5VL-E1161-00	ABSORBER 1	4				
9	93210-79801	O-RING	1				
10	9502L-06020	BOLT, FLANGE	2				
11	5VL-E1186-00	COVER, CYLINDER HEAD SIDE 2	2				
12	93210-44889	O-RING	2				
13	90105-08724	BOLT, FLANGE	4				
14	90201-088C3	WASHER, PLATE	4				
15	94700-00869	PLUG SPARK (NGK CR6HSA)	1				
16	5VL-E1181-00	GASKET, CYLINDER HEAD 1	1				
17	99530-10114	PIN, DOWEL	2				
18	9131N-06090	BOLT	2				
19	5VL-E1310-00	CYLINDER	1				
20	5VL-E1351-10	GASKET, CYLINDER	1				
21	93210-57897	O-RING	1				
22	4P9-83591-00	THERMO UNIT	1				
23	90201-10128	WASHER, PLATE	1				

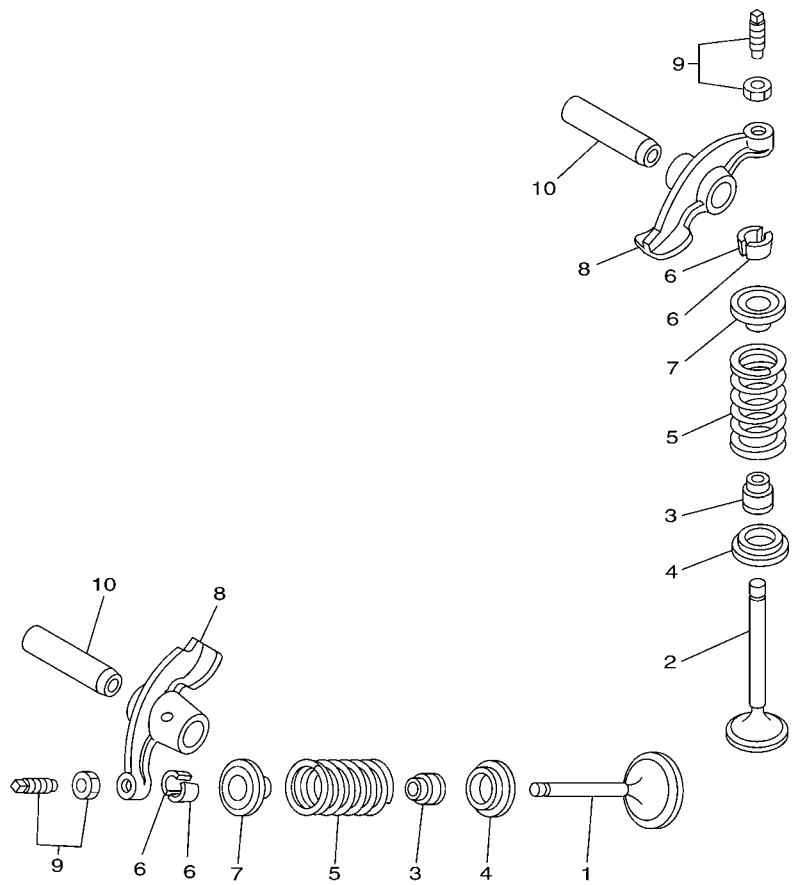


3D91300-D021

FIG. 2 CRANKSHAFT & PISTON

REF. NO.	PART NO.	DESCRIPTION	2751				REMARKS
1	3D9-W1140-00	CRANKSHAFT ASSY	1				
2	3D9-W1141-00	.CRANK SUB ASSY 1	1				
3	5VL-E1681-00	.PIN, CRANK 1	1				
4	93310-629Y3	.BEARING	1				
5	5VL-E1651-00	.ROD, CONNECTING	1				
6	5VL-E1422-00	.CRANK 2	1				
7	5VL-Y1153-20	.GEAR, BALANCE WELGHT ASSY.	1				
8	5VL-E1454-10	.WEIGHT 1	1				
9	5VL-E1496-00	.BOSS, BUFFER	1				
10	5VL-E1533-00	.PLATE, ABSORBER	1				
11	90208-26800	.WASHER, CONICAL SPRING	1				
12	90501-16001	.SPRING, COMPRESSION	3				
13	93604-08800	.PIN, DOWEL	3				
14	93306-205XJ	BEARING	1				
15	5VL-E1631-00	PISTON (STD)	1				
16	5VL-E1633-00	PIN, PISTON	1				
17	93450-16812	CIRCLIP	2				
18	5VL-W1161-00	PISTON RING SET	1				
19	93306-252X8	BEARING	2				
20	90280-03017	KEY, WOODRUFF	1				
21	90201-122H1	WASHER, PLATE	1				
22	90179-12863	NUT	1				

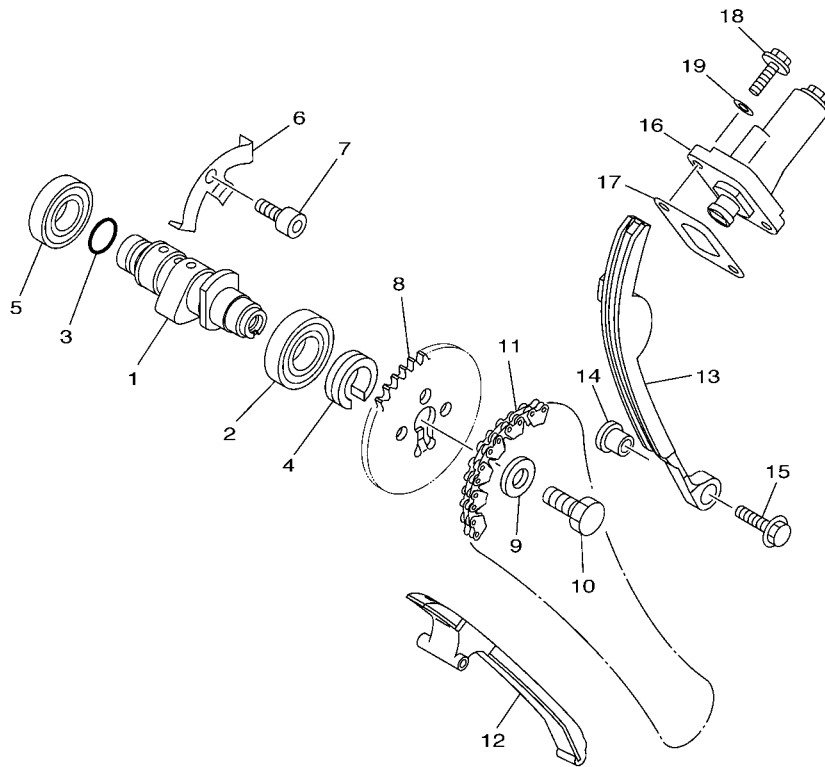




  
27S1300-G030

**FIG. 3 VALVE**

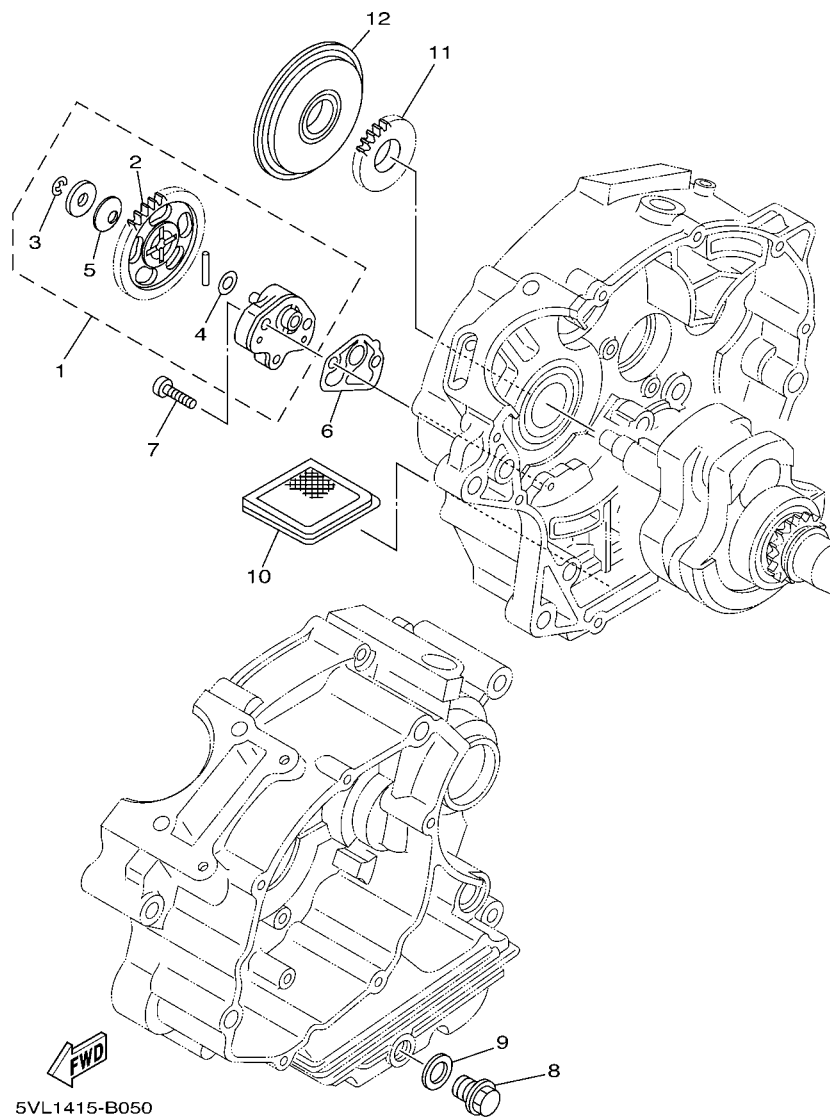
REF. NO.	PART NO.	DESCRIPTION	27S1				REMARKS
1	5VL-E2111-00	VALVE, INTAKE	1				
2	5VL-E2121-00	VALVE, EXHAUST	1				
3	5VL-E2119-00	SEAL, VALVE STEM	2				
4	5VL-E2116-00	SEAT, VALVE SPRING	2				
5	5KA-12113-00	SPRING, VALVE INNER	2				
6	5VL-E2118-00	COTTER, VALVE	4				
7	5VL-E2117-01	RETAINER, VALVE SPRING	2				
8	5VL-E2151-00	ARM, VALVE ROCKER	2				
9	5VL-Y1215-00	SCREW, VALVE ADJUSTING	2				
10	5VL-E2156-00	SHAFT, ROCKER 2	2				



3D91300-D040

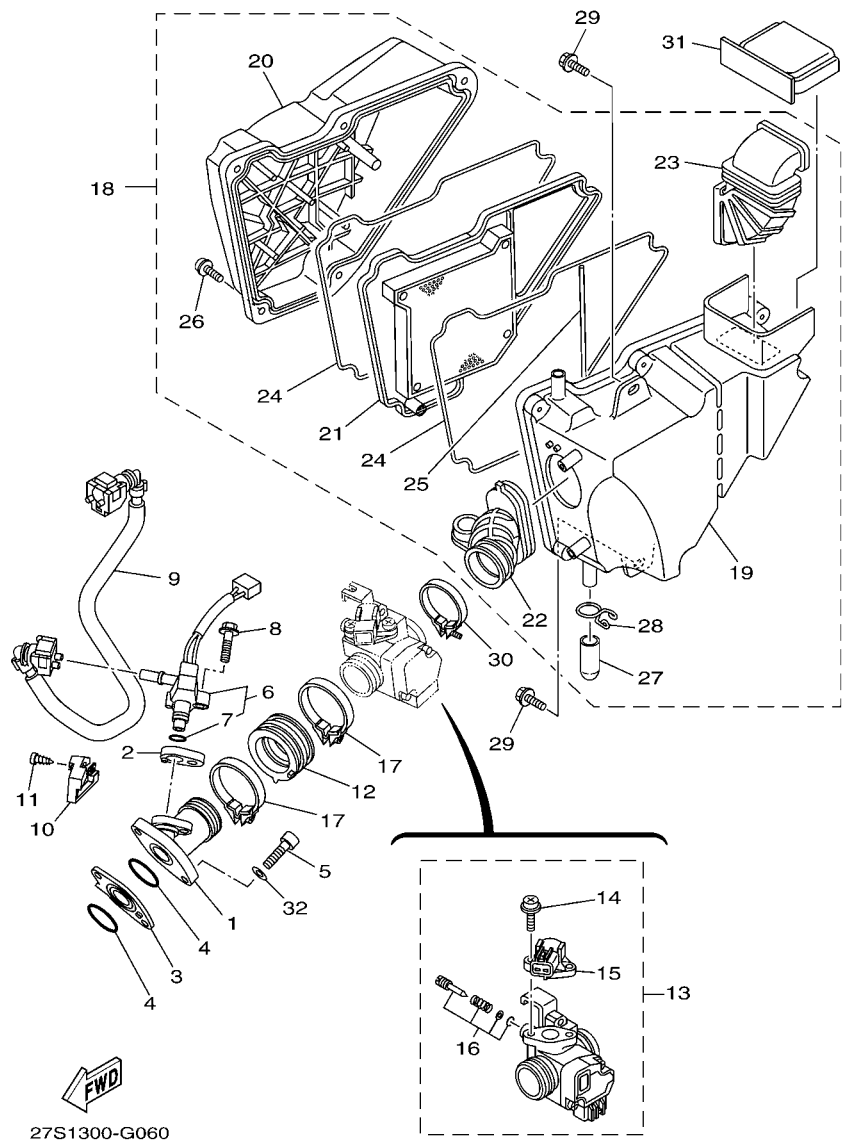
FIG. 4 CAMSHAFT & CHAIN

REF. NO.	PART NO.	DESCRIPTION	27S1				REMARKS
1	5VL-E2171-10	CAMSHAFT 1	1				
2	93306-003X6	BEARING	1				
3	93210-108B1	O-RING	1				
4	90387-16804	COLLAR	1				
5	93306-002Y1	BEARING	1				
6	5VL-E111F-00	PLATE	1				
7	9131N-06012	BOLT	1				
8	5VL-E2176-10	SPROCKET, CAM CHAIN	1				
9	90201-08326	WASHER, PLATE	1				
10	90101-08820	BOLT	1				
11	94568-A4090	CHAIN	1				
12	5VL-E2231-10	GUIDE, STOPPER 1	1				
13	5VL-E2241-10	GUIDE, STOPPER 2	1				
14	5VL-E5598-00	COLLAR	1				
15	9580N-06020	BOLT, FLANGE	1				
16	5VL-12210-10	TENSIONER ASSY, CAM CHAIN	1				
17	5VL-E2213-10	GASKET, TENSIONER CASE	1				
18	9502L-06016	BOLT, FLANGE	2				
19	90430-06817	GASKET	2				



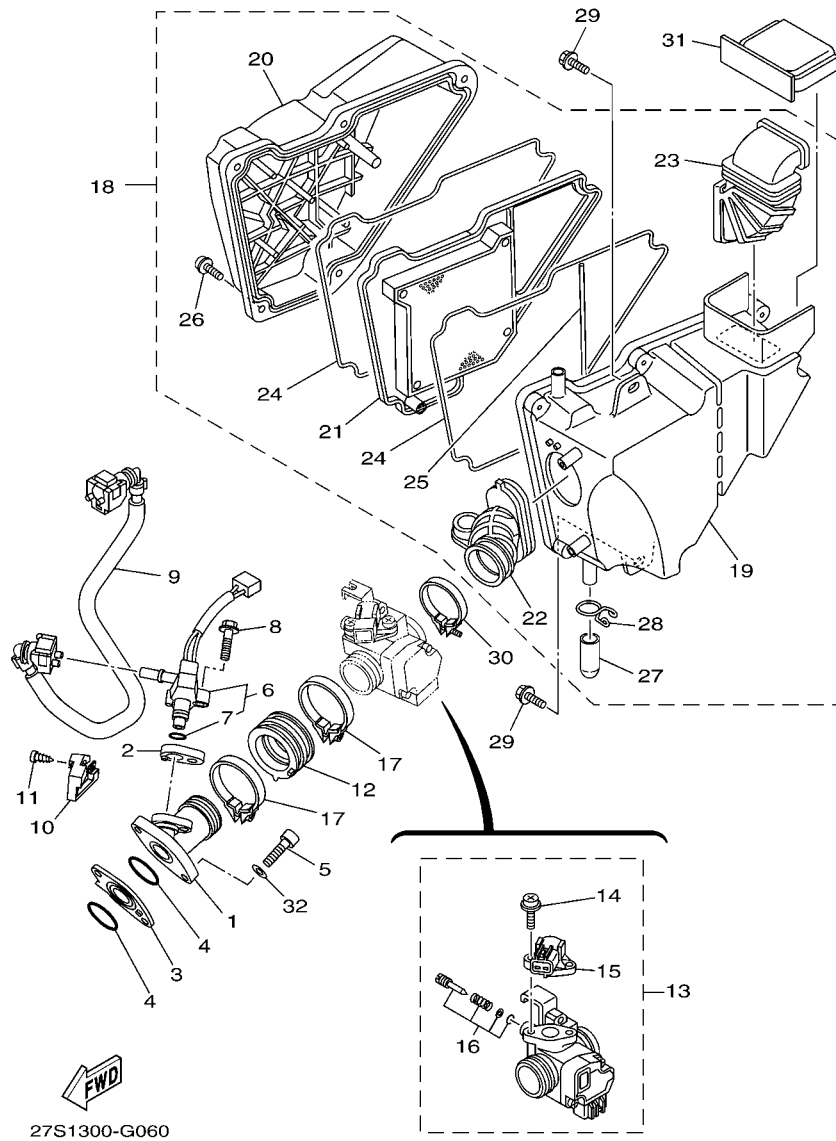
**FIG. 5 OIL PUMP**

REF. NO.	PART NO.	DESCRIPTION	2751				REMARKS
1	5VL-E3300-00	OIL PUMP ASSY	1				
2	5VL-E3325-00	.GEAR, PUMP DRIVEN	1				
3	99001-05600	.CIRCLIP	1				
4	90201-07641	.WASHER, PLATE	1				
5	90208-07052	.WASHER, CONICAL SPRING	1				
6	5VL-E3329-00	GASKET, PUMP COVER	1				
7	90155-06800	SCREW, FLAT FILLISTER	2				
8	90340-12097	PLUG, STRAIGHT SCREW	1				
9	90430-12227	GASKET	1				
10	4FP-E3411-00	STRAINER, OIL	1				
11	5VL-E3324-00	GEAR, PUMP DRIVE	1				
12	5VL-E3451-00	FILTER, ROTARY	1				



**FIG. 6 INTAKE**

REF. NO.	PART NO.	DESCRIPTION	27S1				REMARKS
1	3D9-E3585-00	MANIFOLD	1				
2	3D9-E3556-00	GASKET, MANIFOLD	1				
3	3D9-E3595-00	JOINT	1				
4	93210-32809	O-RING	2				
5	9131M-06030	BOLT	2				
6	3D9-13770-00	INJECTOR ASSY	1				
7	5CA-14147-00	.O-RING	1				
8	9582N-06030	BOLT, FLANGE	1				
9	27S-13971-00	PIPE, FUEL 1	1				
10	12B-F4135-00	CLAMP 1	1				
11	9770M-40512	SCREW, TAPPING	1				
12	3D9-E3586-00	JOINT, CARBURETOR 1	1				
13	3D9-13750-10	THROTTLE BODY ASSY	1				
14	1S4-14216-00	.SCREW	2				
15	2S5-1410H-00	.FUEL CUT SOLENOID VALVE	1				
16	5JW-14104-00	.AIR SCREW SET	1				
17	3D9-E3575-00	BAND	2				
18	27S-Y1441-00	AIR CLEANER ASSY.	1				
19	27S-E4411-00	.CASE, AIR CLEANER 1	1				
20	5VL-E4412-00	.CAP, CLEANER CASE 1	1				
21	5VL-E4450-10	.ELEMENT ASSY, AIR CLEANER	1				
22	3D9-E4453-00	.JOINT, AIR CLEANER 1	1				
23	3D9-E4437-01	.DUCT	1				
24	3D9-E4452-00	.SEAL	2				
25	3D9-E4462-00	.SEAL	1				
26	97607-06220	.SCREW,WITH WASHER	5				
27	3D9-E443E-00	.PIPE, DRAIN	1				



**FIG. 6 INTAKE**

REF. NO.	PART NO.	DESCRIPTION	27S1			REMARKS
28	5VL-E4424-00	.CLIP, CAP FITTING	1			
29	90119-06869	BOLT, WITH WASHER	2			
30	3D9-E3474-00	BAND	1			
31	3D9-E4417-00	COVER 1	1			
32	3D9-E3578-00	WASHER	2			
<hr style="border-top: 1px dashed black;"/>						
<hr style="border-top: 1px dashed black;"/>						
<hr style="border-top: 1px dashed black;"/>						
<hr style="border-top: 1px dashed black;"/>						
<hr style="border-top: 1px dashed black;"/>						
<hr style="border-top: 1px dashed black;"/>						
<hr style="border-top: 1px dashed black;"/>						
<hr style="border-top: 1px dashed black;"/>						
<hr style="border-top: 1px dashed black;"/>						
<hr style="border-top: 1px dashed black;"/>						
<hr style="border-top: 1px dashed black;"/>						
<hr style="border-top: 1px dashed black;"/>						

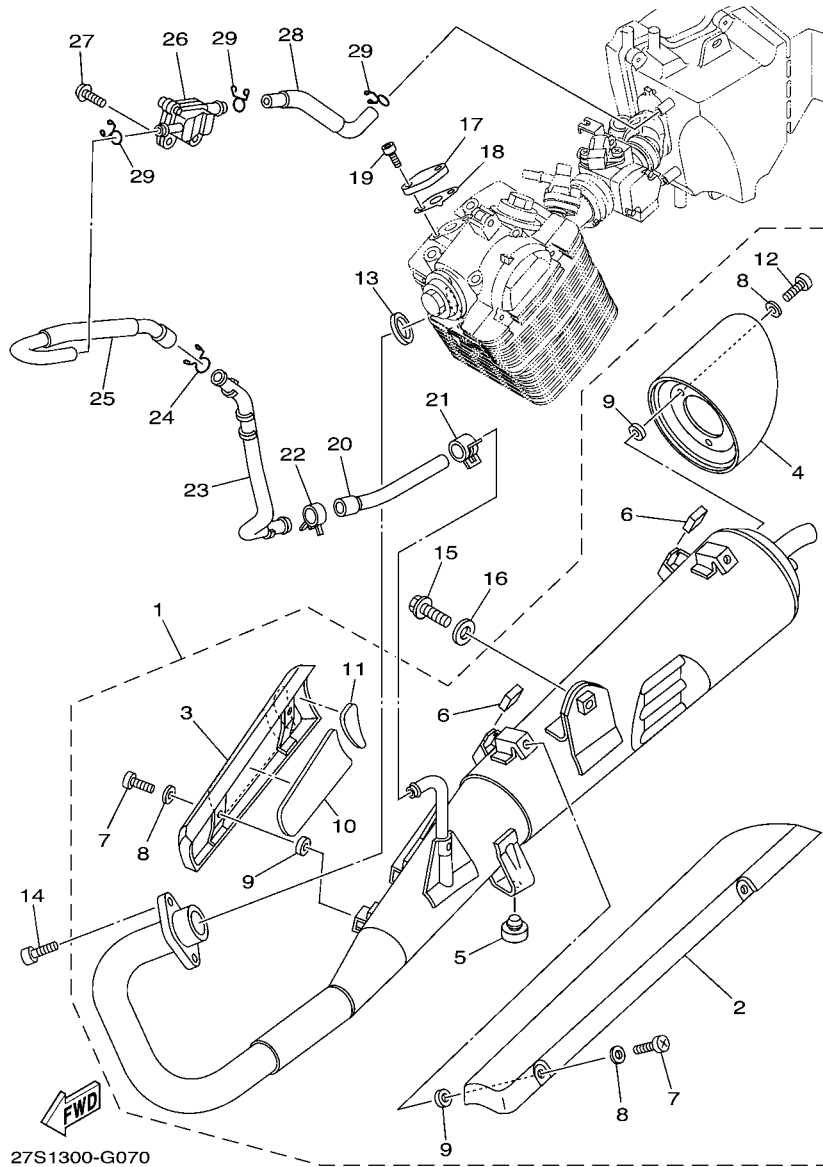
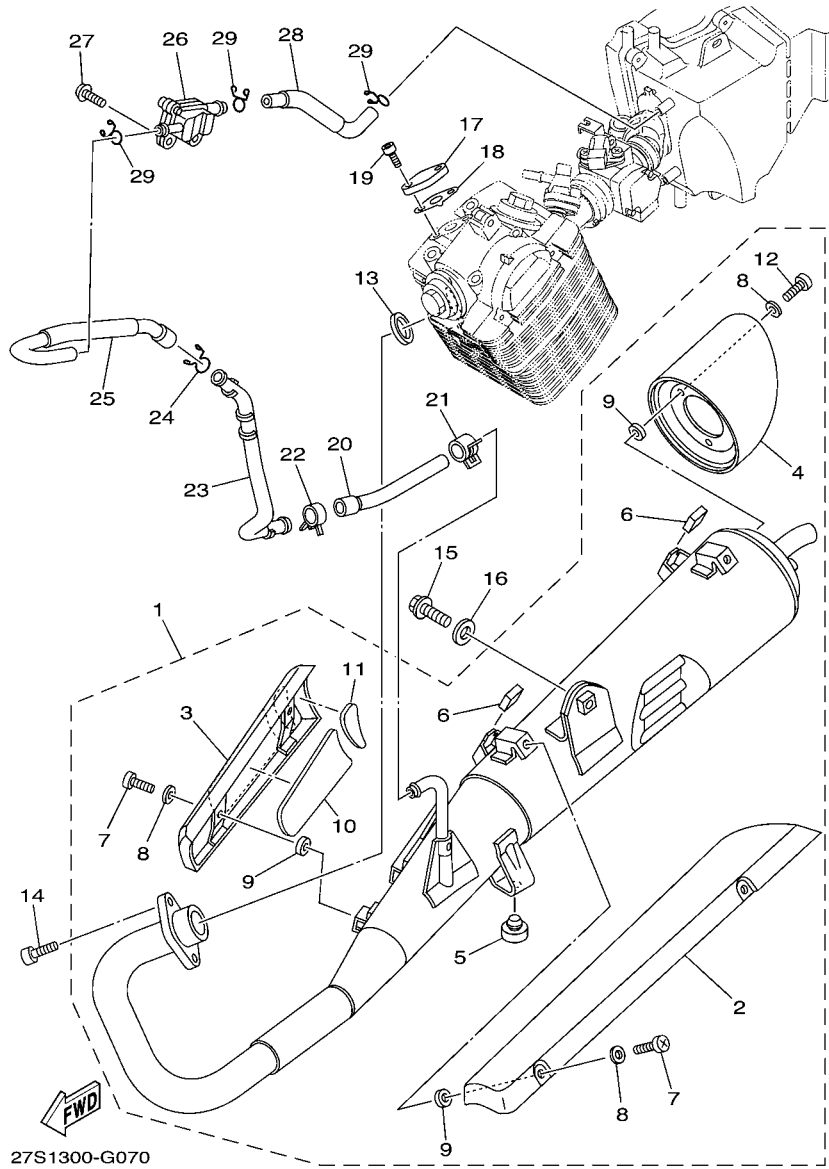


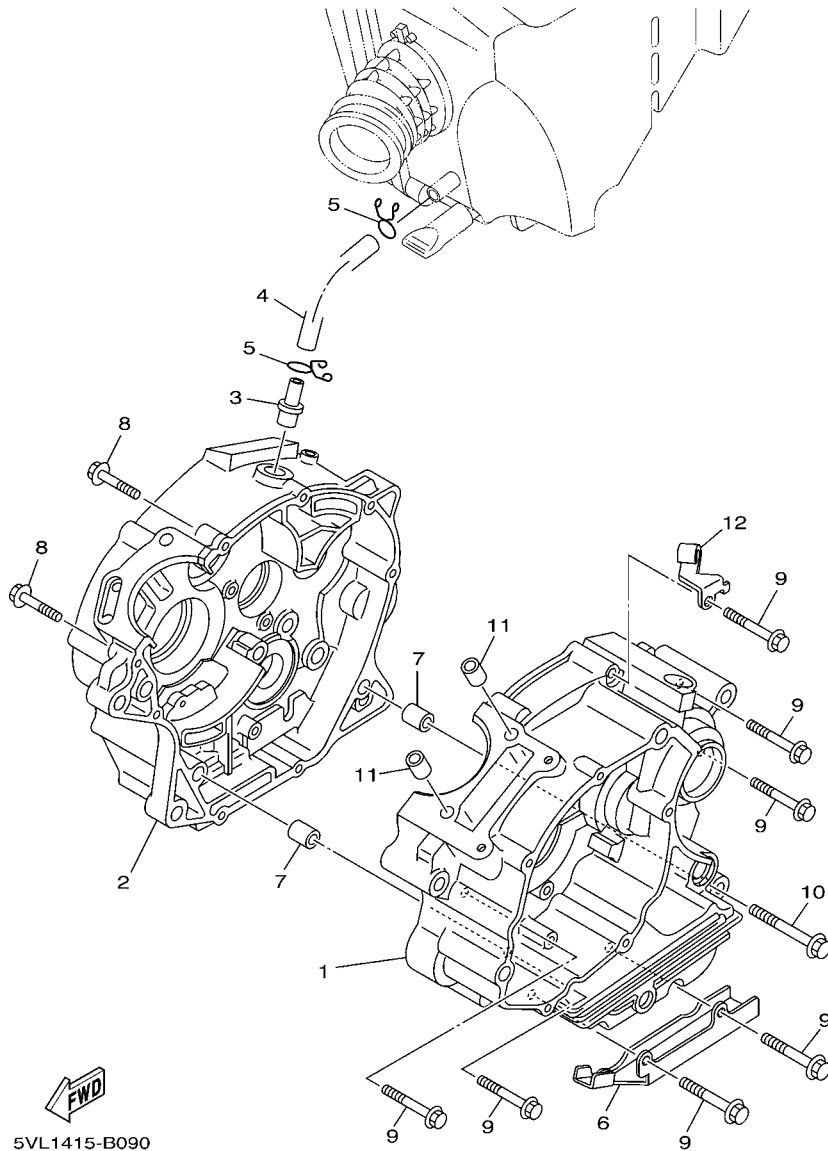
FIG. 7 EXHAUST

REF. NO.	PART NO.	DESCRIPTION	27S1				REMARKS
1	27S-Y1471-00	MUFFLER ASSY 1	1				
2	27S-E4758-00	.PROTECTOR, SILENCER	1				
3	27S-E4728-00	.PROTECTOR, MUFFLER 2	1				
4	27S-E4799-00	.CAP	1				
5	4TU-F4741-00	.PAD, SEAT	1				
6	3S9-E4737-00	.DAMPER, MUFFLER	2				
7	98980-06012	.SCREW, BIND	4				
8	90201-05803	.WASHER, PLATE	7				
9	90201-05804	.WASHER, PLATE	7				
10	27S-E4738-00	.PROTECTOR, MUFFLER 3	1				
11	27S-E4748-00	.PROTECTOR, MUFFLER 4	1				
12	9890M-06012	.SCREW, BIND	3				
13	5VL-E4613-00	GASKET, EXHAUST PIPE	1				
14	91314-06020	BOLT	2				
15	9581N-08020	BOLT, FLANGE	1				
16	90201-08840	WASHER, PLATE	1				
17	3D9-E113F-00	PLATE 3	1				
18	5VL-E4815-00	GASKET	1				
19	9131M-06016	BOLT	2				
20	3D9-E4881-00	HOSE, BEND 1	1				
21	90467-16800	CLIP	1				
22	90467-19801	CLIP	1				
23	27S-E4873-00	PIPE 3	1				
24	90467-18806	CLIP	1				
25	27S-E4882-00	HOSE, BEND 2	1				
26	3D9-E4803-00	AIR INDUCTION SYSTEM ASSY	1				
27	9201N-06012	BOLT, BUTTON HEAD	2				

FIG. 7 EXHAUST



REF. NO.	PART NO.	DESCRIPTION	27S1				REMARKS
28	27S-E4883-00	HOSE, BEND 3	1				
29	90467-14802	CLIP	3				



5VL1415-B090

FIG. 8 CRANKCASE

REF. NO.	PART NO.	DESCRIPTION	2751				REMARKS
1	5VL-E5111-11	CRANKCASE 1	1				
2	5VL-E5121-01	CRANKCASE 2	1				
3	4FP-E1167-00	PIPE, BREATHER 2	1				
4	5VL-E1166-00	PIPE, BREATHER 1	1				
5	90467-12828	CLIP	2				
6	90462-16801	CLAMP	1				
7	99530-10114	PIN, DOWEL	2				
8	9502L-06030	BOLT, FLANGE	2				
9	9502L-06045	BOLT, FLANGE	7				
10	9502L-06055	BOLT, FLANGE	1				
11	99530-10114	PIN, DOWEL	2				
12	5VL-E5441-00	HOLDER, CLUTCH CABLE	1				



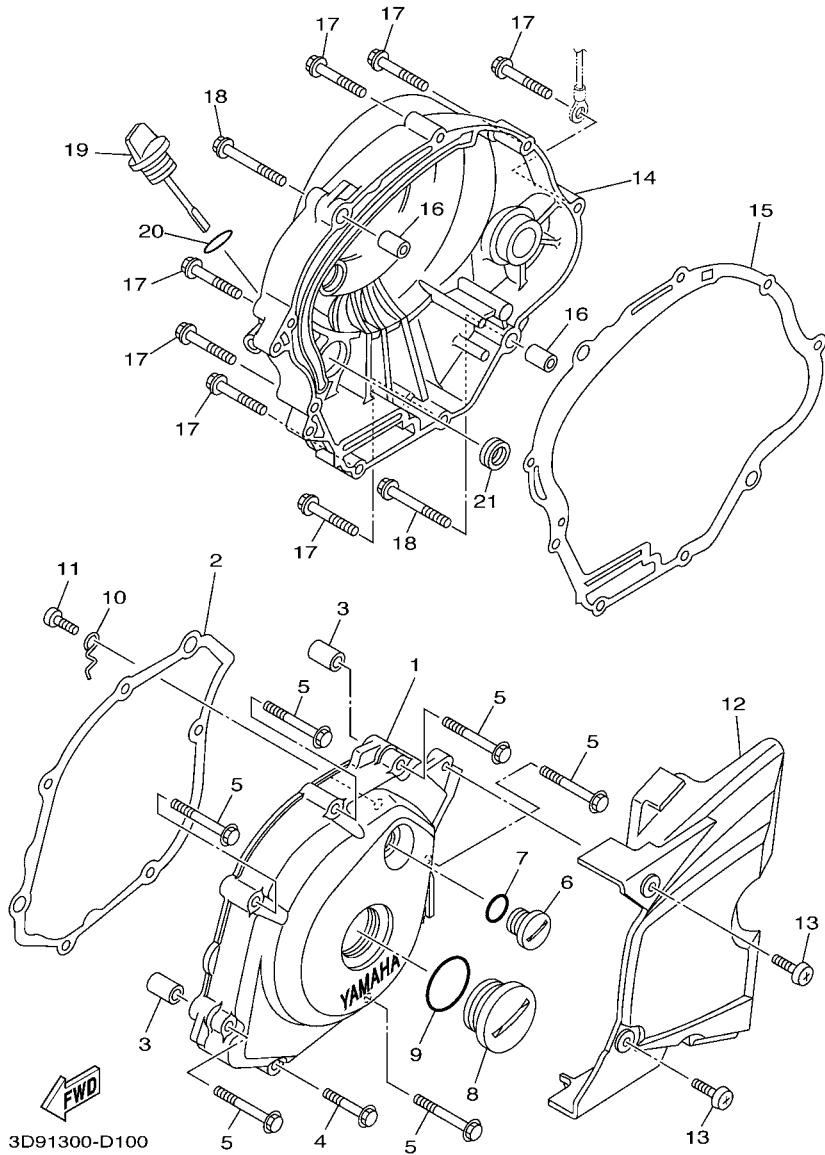
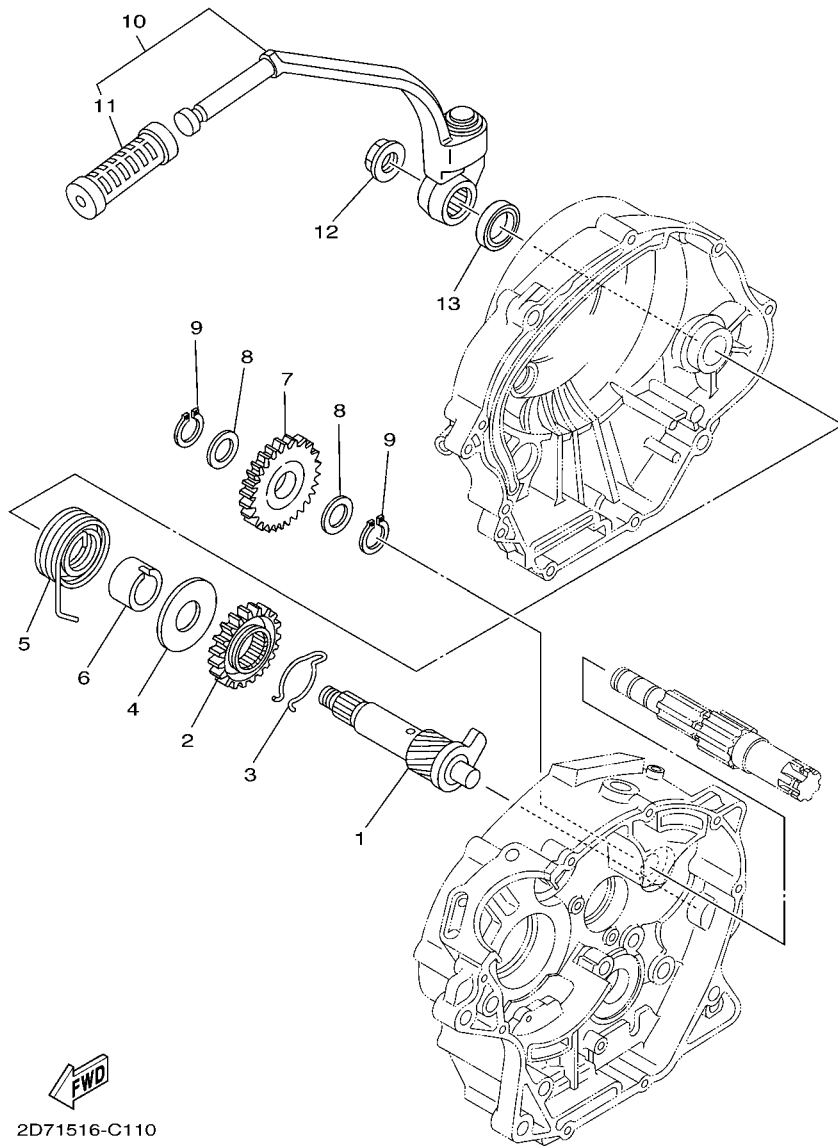


FIG. 9 CRANKCASE COVER 1

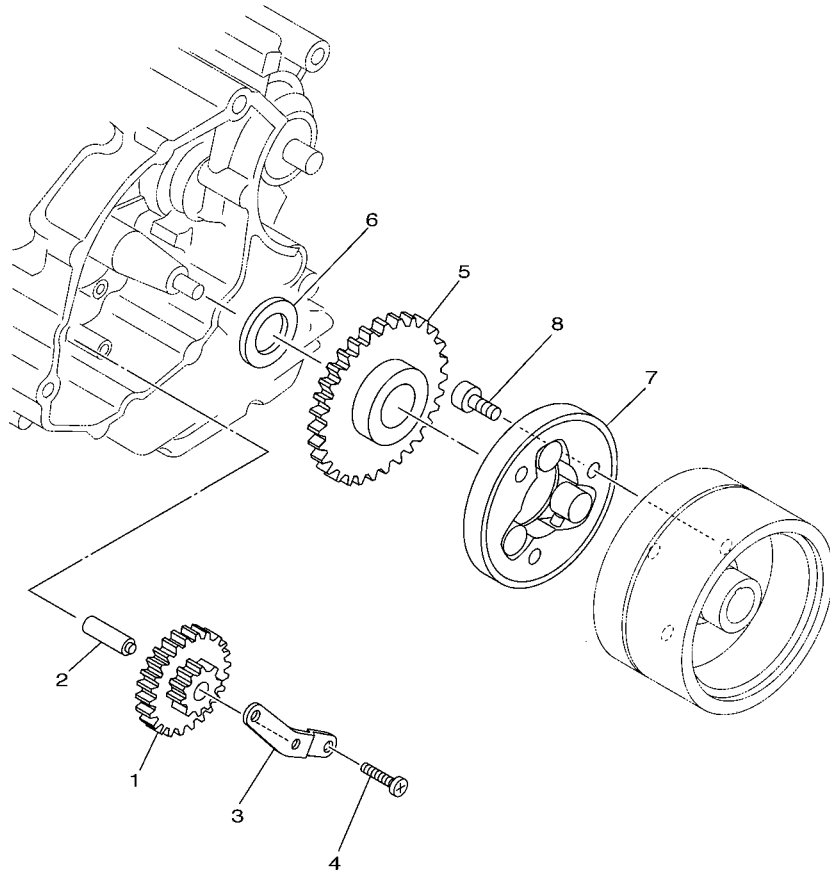
REF. NO.	PART NO.	DESCRIPTION	2751				REMARKS
1	5VL-E5411-10	COVER, CRANKCASE 1	1				
2	5VL-E5451-10	GASKET, CRANKCASE COVER 1	1				
3	99530-10114	PIN, DOWEL	2				
4	9502L-06035	BOLT, FLANGE	1				
5	9502L-06050	BOLT, FLANGE	6				
6	90340-14810	PLUG, STRAIGHT SCREW	1				
7	93210-14899	O-RING	1				
8	90340-32812	PLUG, STRAIGHT SCREW	1				
9	93210-328A4	O-RING	1				
10	5VL-E5191-00	PLATE	1				
11	9851N-06010	SCREW, PAN HEAD	1				
12	3D9-E5418-01	COVER, CHAIN CASE	1				
13	9890L-06012	SCREW, BIND	2				
14	5VL-E5421-00	COVER, CRANKCASE 2	1				
15	5VL-E5461-10	GASKET, CRANKCASE COVER 2	1				
16	99530-10114	PIN, DOWEL	2				
17	9502L-06035	BOLT, FLANGE	7				
18	9502L-06045	BOLT, FLANGE	2				
19	5VL-E5362-00	PLUG, OIL LEVEL	1				
20	93210-19809	O-RING	1				
21	93101-10800	OIL SEAL	1				



**FIG. 10 STARTER**

REF. NO.	PART NO.	DESCRIPTION	27S1				REMARKS
1	5VL-E5660-00	KICK AXLE ASSY	1				
2	4FP-E5641-00	GEAR, KICK	1				
3	90468-26813	CLIP	1				
4	90201-208D5	WASHER, PLATE	1				
5	90508-26836	SPRING, TORSION	1				
6	4FP-E5666-00	SPACER	1				
7	5VL-E5651-00	GEAR, KICK IDLE	1				
8	90201-152H7	WASHER, PLATE	2				
9	99009-15400	CIRCLIP	2				
10	5VL-E5620-00	KICK CRANK ASSY	1				
11	47V-E5618-00	.COVER, KICK LEVER	1				
12	90179-12813	NUT	1				
13	93109-20806	OIL SEAL	1				

**FIG. 11 STARTER CLUTCH**



  
5VL1415-B120

REF. NO.	PART NO.	DESCRIPTION	2751					REMARKS
1	5VL-E5512-00	GEAR, IDLER 1	1					
2	5VL-E5521-00	SHAFT 1	1					
3	5VL-E5532-00	PLATE, IDLE GEAR	1					
4	9851L-06012	SCREW, PAN HEAD	2					
5	5VL-E5517-00	GEAR, IDLER 2	1					
6	90201-258D7	WASHER, PLATE	1					
7	4FP-E5580-00	STARTER CLUTCH OUTER ASSY	1					
8	9131N-08025	BOLT	3					

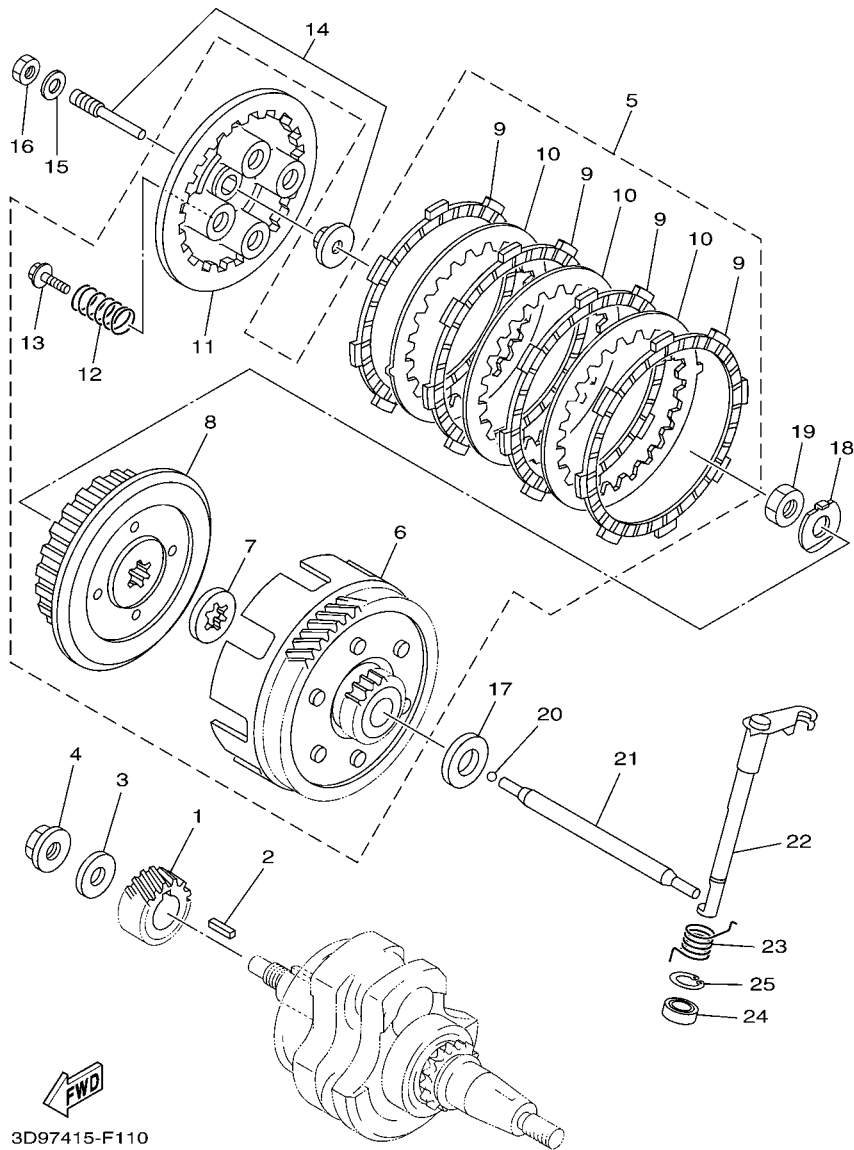


FIG. 12 CLUTCH

REF. NO.	PART NO.	DESCRIPTION	2751				REMARKS
1	5VL-E6111-00	GEAR, PRIMARY DRIVE	1				
2	90282-05001	KEY, STRAIGHT (5MMX16MM)	1				
3	90201-122H1	WASHER, PLATE	1				
4	90179-12813	NUT	1				
5	5VL-E6300-00	CLUTCH ASSY	1				
6	5VL-E6150-00	.PRIMARY DRIVEN GEAR COMP.	1				
7	5VL-E6154-00	.PLATE, THRUST 1	1				
8	5VL-E6371-00	.BOSS, CLUTCH	1				
9	5VL-E6321-00	.PLATE, FRICTION	4				
10	5VL-E6324-00	.PLATE, CLUTCH 1	3				
11	5VL-E6351-00	.PLATE, PRESSURE 1	1				
12	5VL-E6333-00	.SPRING, CLUTCH 1	4				
13	5VL-E6337-00	.SCREW, SPRING	4				
14	5VL-Y1635-00	PUSH LEVER COMP.	1				
15	9290N-06200	WASHER	1				
16	9530N-06600	NUT	1				
17	5VL-E6164-10	PLATE, THRUST 2	1				
18	90215-12211	WASHER, LOCK	1				
19	90170-12060	NUT	1				
20	93503-16824	BALL	1				
21	5VL-E6357-00	ROD, PUSH 2	1				
22	5VL-E6381-00	PUSH LEVER COMP.	1				
23	90508-16800	SPRING, TORSION	1				
24	93102-12802	OIL SEAL	1				
25	99009-20500	CIRCLIP	1				

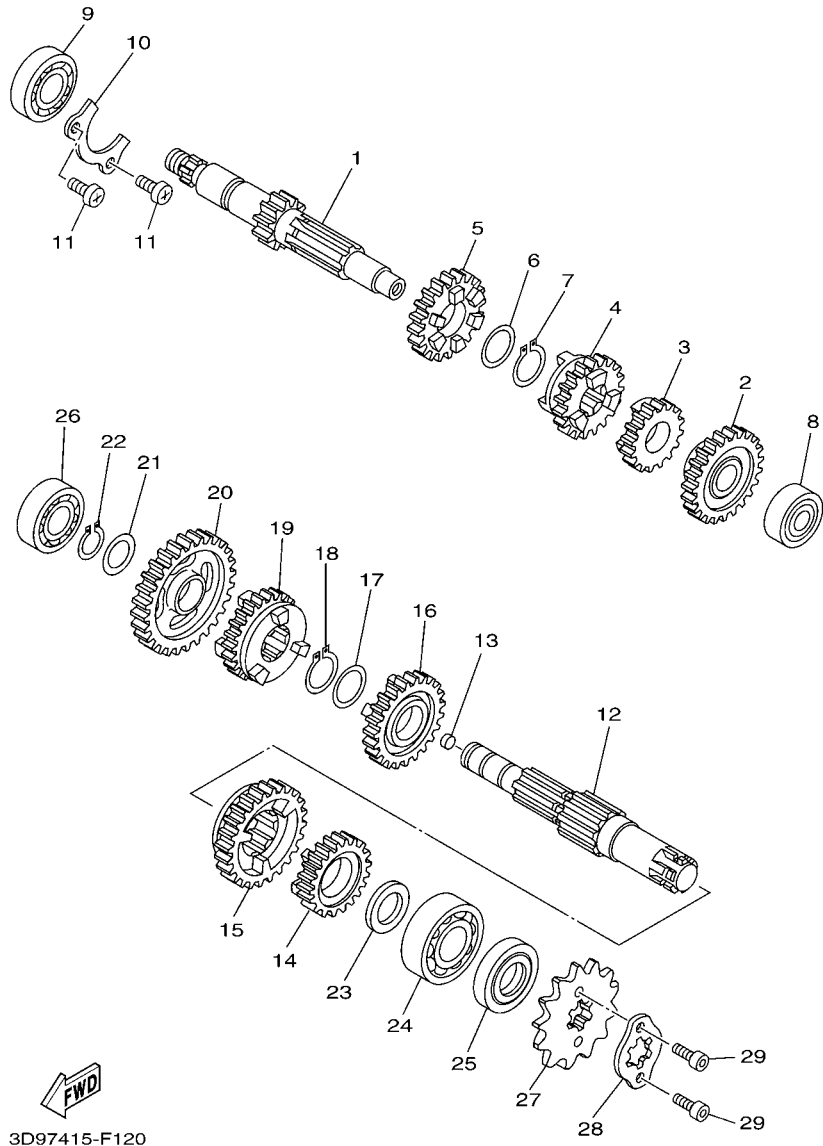


FIG. 13 TRANSMISSION

REF. NO.	PART NO.	DESCRIPTION	27S1				REMARKS
1	5VL-E7411-00	AXLE, MAIN (14T)	1				
2	3D9-17151-00	GEAR, 5TH PINION (24T)	1				
3	5VL-E7121-00	GEAR, 2ND PINION (19T)	1				
4	5VL-E7131-00	GEAR, 3RD PINION (19T)	1				
5	5VL-E7141-00	GEAR, 4TH PINION (22T)	1				
6	90201-20266	WASHER, PLATE (T=1.0)	1				
7	93410-20809	CIRCLIP	1				
8	93306-201Y8	BEARING	1				
9	93306-203YT	BEARING	1				
10	5VL-E7471-00	PLATE, COVER	1				
11	9851L-06012	SCREW, PAN HEAD	2				
12	5VL-E7421-00	AXLE, DRIVE	1				
13	90331-07031	PLUG	1				
14	3D9-17251-00	GEAR, 5TH WHEEL (21T)	1				
15	5VL-E7221-00	GEAR, 2ND WHEEL (32T)	1				
16	5VL-E7231-00	GEAR, 3RD WHEEL (25T)	1				
17	90201-20266	WASHER, PLATE (T=1.0)	1				
18	93410-20809	CIRCLIP	1				
19	5VL-E7241-00	GEAR, 4TH WHEEL (23T)	1				
20	5VL-E7211-00	GEAR, 1ST WHEEL (37T)	1				
21	90201-15700	WASHER, PLATE	1				
22	99009-15400	CIRCLIP	1				
23	90201-20272	WASHER, PLATE	1				
24	93306-204YD	BEARING	1				
25	93102-20854	OIL SEAL	1				
26	93306-202XP	BEARING	1				
27	93822-14813	SPROCKET, DRIVE (14T)	1				

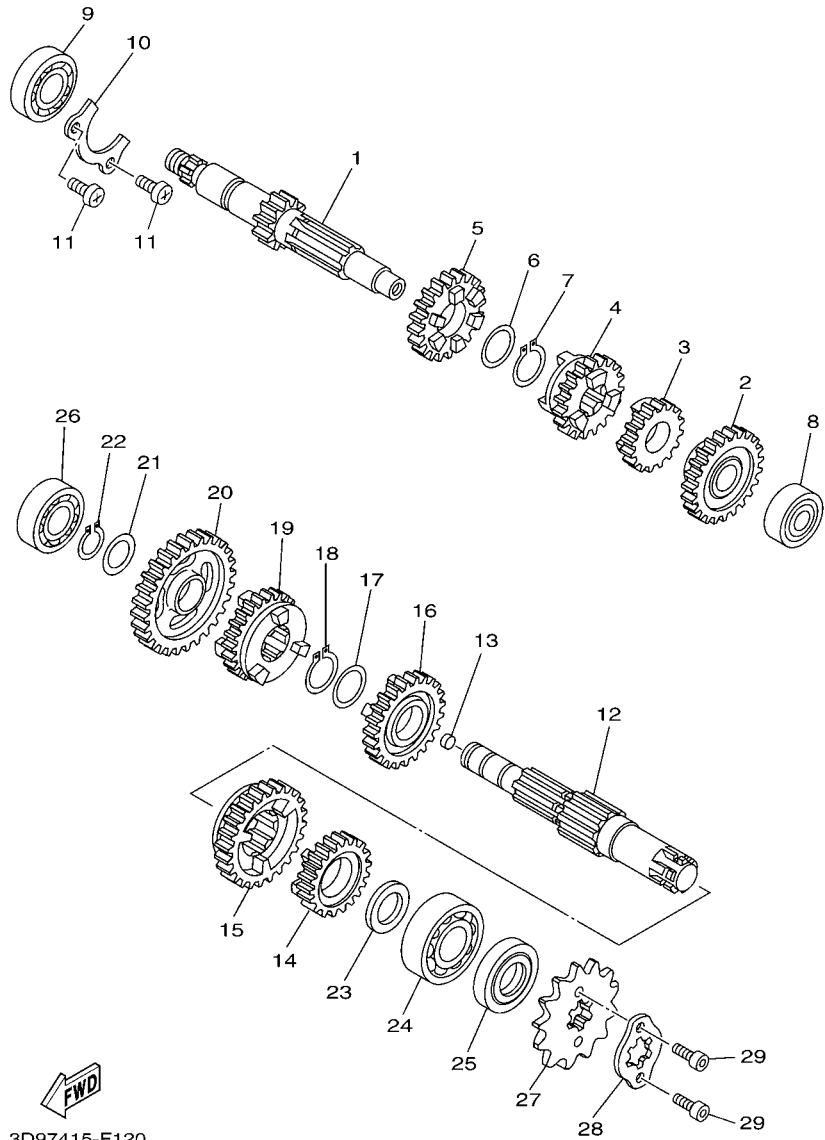
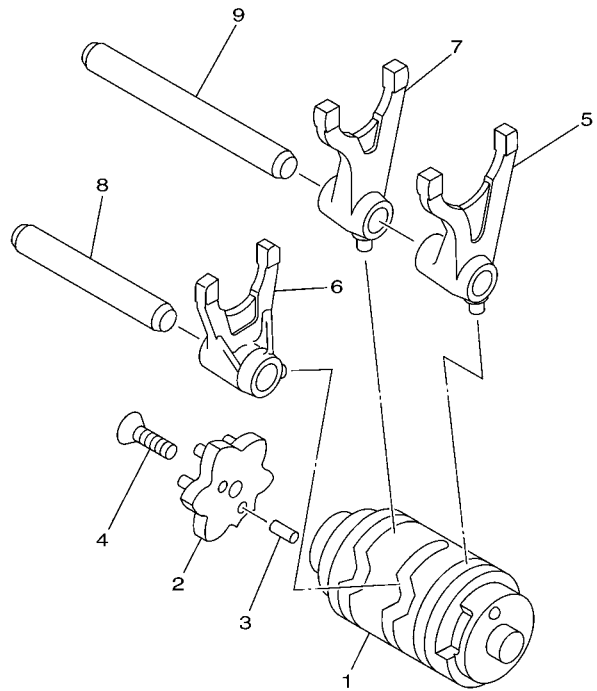


FIG. 13 TRANSMISSION

REF. NO.	PART NO.	DESCRIPTION	27S1				REMARKS
28	3D9-E7456-00	HOLDER, SPROCKET	1				
29	9131N-05010	BOLT	2				



**FWD**  
5HP1100-0140

**FIG. 14 SHIFT CAM & FORK**

REF. NO.	PART NO.	DESCRIPTION	27S1				REMARKS
1	5VL-Y1854-01	SHIFT CAM ASSY	1				
2	5AP-18185-00	SEGMENT	1				
3	93604-10837	PIN, DOWEL	2				
4	90149-06830	SCREW	1				
5	5VL-E8511-00	FORK, SHIFT 1	1				
6	5VL-E8512-00	FORK, SHIFT 2	1				
7	5VL-E8513-00	FORK, SHIFT 3	1				
8	5VL-E8531-00	BAR, SHIFT FORK GUIDE 1	1				
9	5VL-E8535-00	BAR, SHIFT FORK GUIDE 2	1				

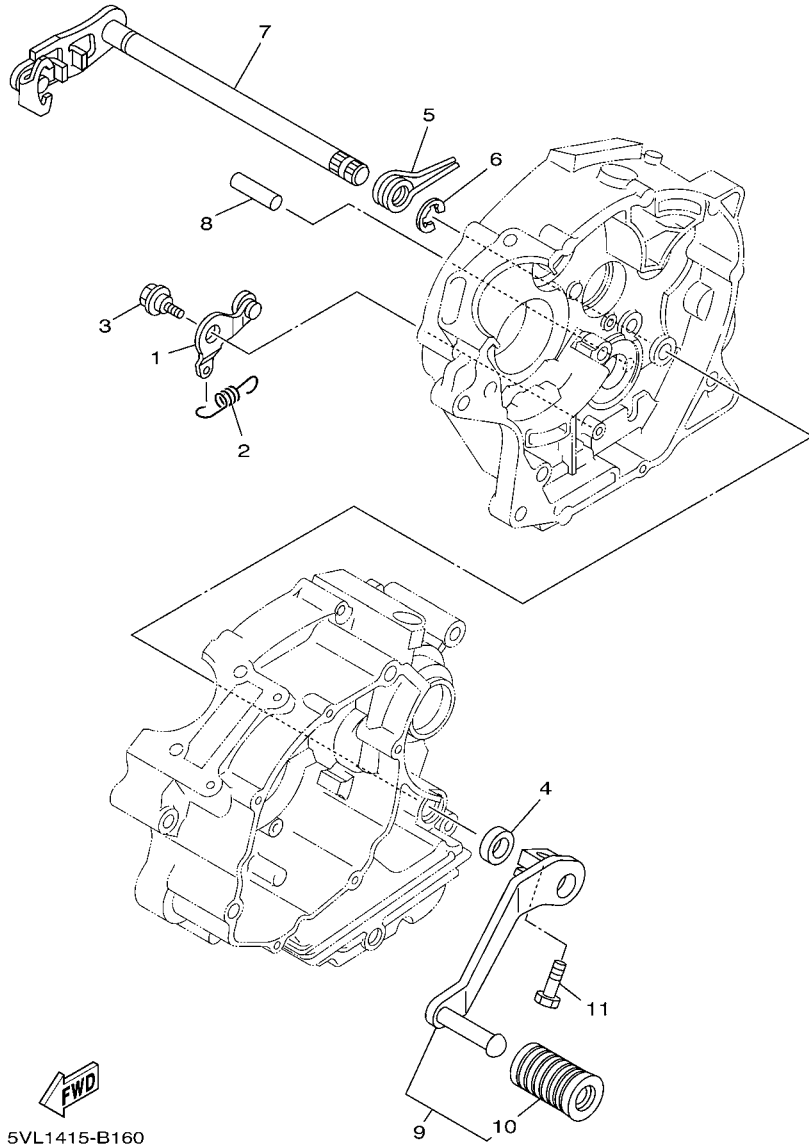


FIG. 15 SHIFT SHAFT

REF. NO.	PART NO.	DESCRIPTION	2751				REMARKS
1	5VL-E8140-00	STOPPER LEVER ASSY	1				
2	5VL-E8337-00	SPRING	1				
3	4FP-E8177-00	BOLT, STOPPER	1				
4	93101-12812	OIL SEAL	1				
5	90508-32801	SPRING, TORSION	1				
6	99001-10600	CIRCLIP	1				
7	5VL-E8101-00	SHIFT SHAFT ASSY	1				
8	93608-30839	PIN, DOWEL	1				
9	5VL-E8110-00	SHIFT PEDAL ASSY	1				
10	1KL-E8113-00	.COVER, SHIFT PEDAL	1				
11	9702N-06020	BOLT	1				



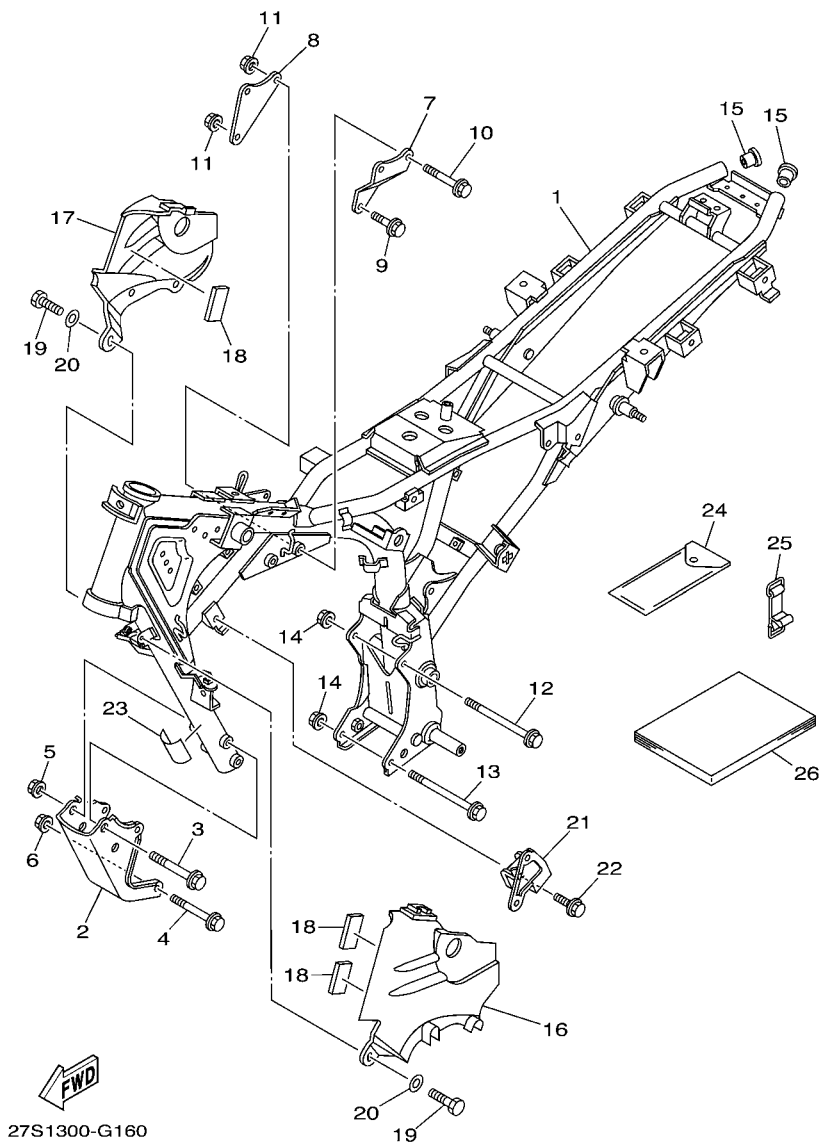


FIG. 16 FRAME

REF. NO.	PART NO.	DESCRIPTION	27S1				REMARKS
1	27S-F1110-00-33	FRAME COMP.	1				YB
2	5VL-F1316-00	STAY, ENGINE 3	1				
3	9581L-10080	BOLT, FLANGE	2				
4	90105-08874	BOLT, FLANGE	2				
5	9570L-10500	NUT, FLANGE	2				
6	9570L-08500	NUT, FLANGE	2				
7	5VL-F1317-00	STAY, ENGINE 3	1				
8	5VL-F1318-00	STAY, ENGINE 5	1				
9	90105-08802	BOLT, FLANGE	1				
10	90105-08803	BOLT, FLANGE	2				
11	9570L-08500	NUT, FLANGE	3				
12	90105-08873	BOLT, FLANGE	1				
13	90105-08882	BOLT, FLANGE	1				
14	9570L-08500	NUT, FLANGE	2				
15	90338-18815	PLUG	2				
16	3S9-F171E-00	COVER, SIDE 5	1				
17	3S9-F171X-00	COVER, SIDE 6	1				
18	3S9-F1747-00	DAMPER	3				
19	9700N-06016	BOLT	2				
20	90201-06850	WASHER, PLATE	2				
21	27S-F128A-00	BRACKET, REGULATOR	1				
22	9582N-06012	BOLT, FLANGE	1				
23	27S-F118N-00	LABEL	1				
24	3D9-F8100-00	TOOL KIT	1				
25	5VL-F811G-00	BAND	1				
26	27S-F8199-E0	MANUAL,OWNER'S	1				UR FOR ENGLISH
	27S-F8199-F0	MANUAL,OWNER'S	1				UR FOR FRENCH

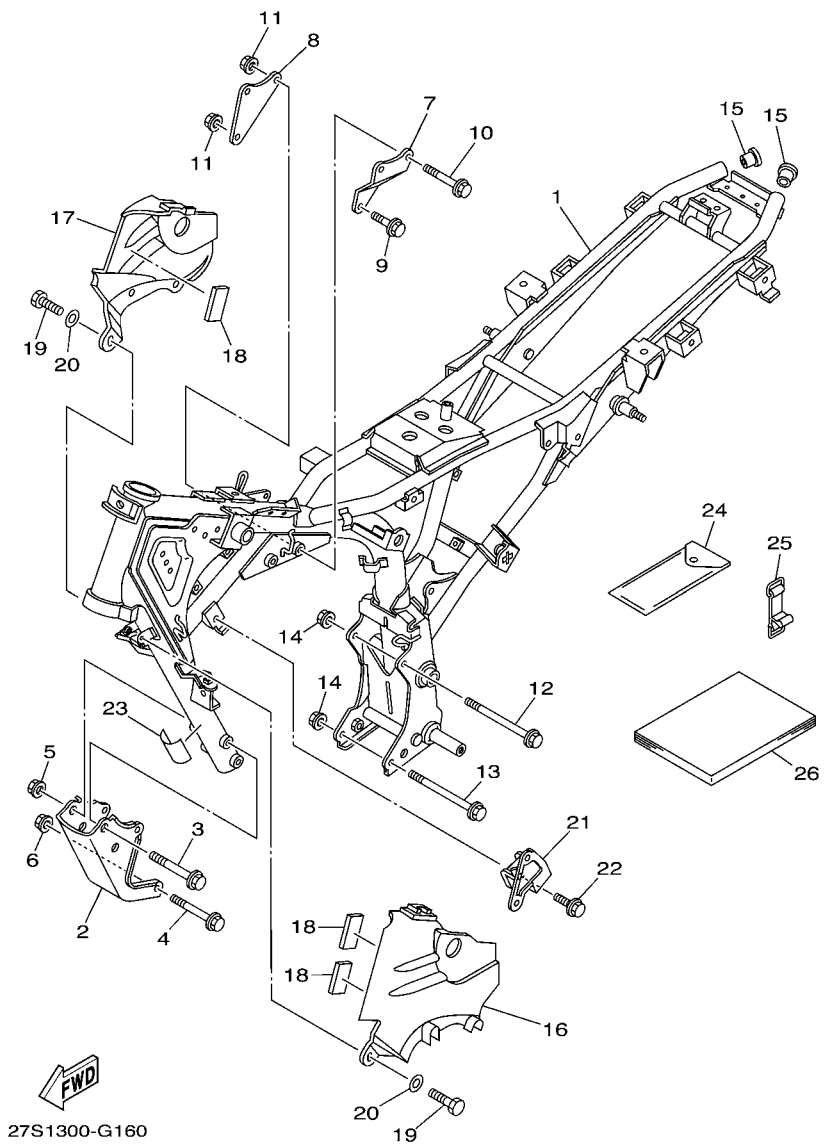


FIG. 16 FRAME

REF. NO.	PART NO.	DESCRIPTION	27S1				REMARKS
26	27S-F8199-G0	MANUAL,OWNER'S	1				UR FOR GERMAN
	27S-F8199-H0	MANUAL,OWNER'S	1				UR FOR ITALIAN
	27S-F8199-S0	MANUAL,OWNER'S	1				UR FOR SPANISH

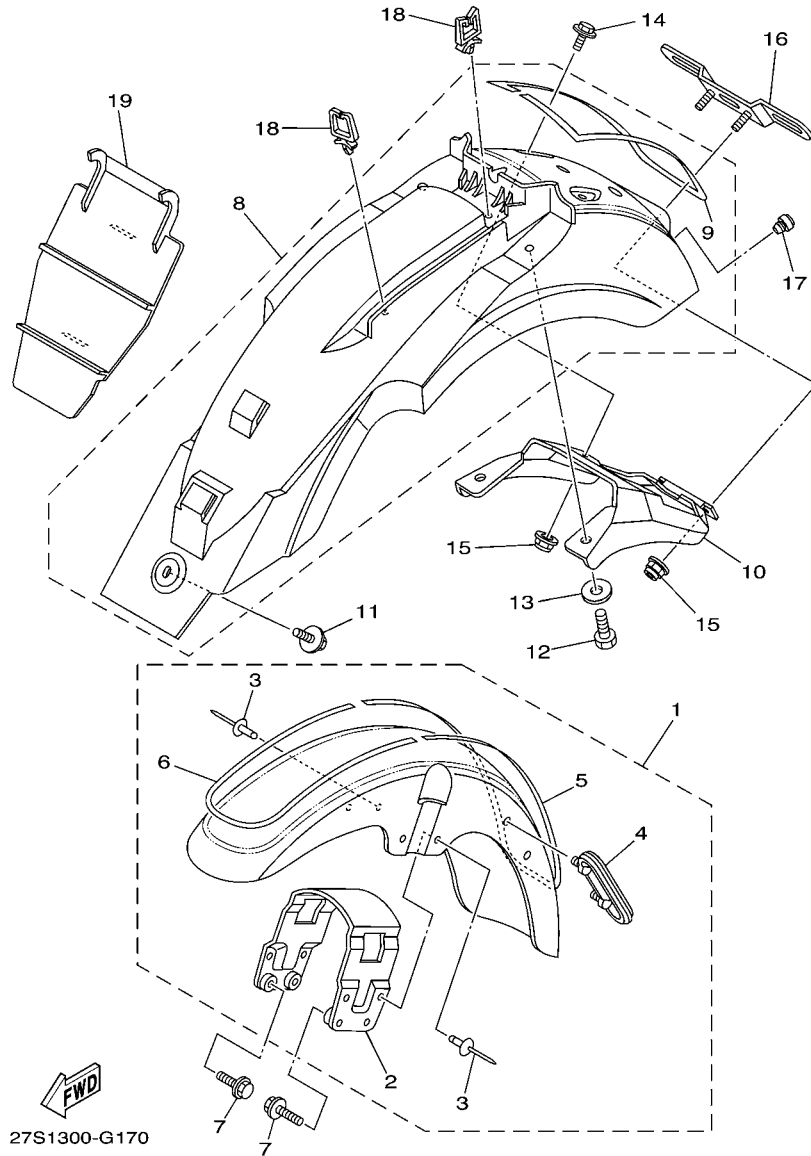


FIG. 17 FENDER

REF. NO.	PART NO.	DESCRIPTION	27S1				REMARKS
1	3S9-Y2151-03-P1	FRONT FENDER ASSY	1				UR FOR SMX
	3S9-Y2151-01-P0	FRONT FENDER ASSY	1				UR FOR LGM3
	3S9-Y2151-02-P2	FRONT FENDER ASSY	1				UR FOR VRC7
2	3S9-F1513-01	.STAY, FENDER 1	1				
3	90267-48854	.RIVET, BLIND	4				
4	5VL-F1518-01	.HOLDER, CABLE	1				
5	3S9-F1571-10	.GRAPHIC, FRONT FENDER 1	1				UR FOR SMX
	3S9-F1571-00	.GRAPHIC, FRONT FENDER 1	1				UR FOR LGM3
	3S9-F1571-40	.GRAPHIC, FRONT FENDER 1	1				UR FOR VRC7
6	3S9-F1572-10	.GRAPHIC, FRONT FENDER 2	1				UR FOR SMX
	3S9-F1572-00	.GRAPHIC, FRONT FENDER 2	1				UR FOR LGM3
	3S9-F1572-40	.GRAPHIC, FRONT FENDER 2	1				UR FOR VRC7
7	9582L-06016	BOLT, FLANGE	4				
8	27S-W2161-00-P1	REAR FENDER COMP.	1				UR FOR SMX
	27S-W2161-00-P0	REAR FENDER COMP.	1				UR FOR LGM3
	27S-W2161-00-P2	REAR FENDER COMP.	1				UR FOR VRC7
9	3S9-F1675-10	.GRAPHIC, REAR FENDER	1				UR FOR SMX
	3S9-F1675-00	.GRAPHIC, REAR FENDER	1				UR FOR LGM3
	3S9-F1675-40	.GRAPHIC, REAR FENDER	1				UR FOR VRC7
10	27S-F1613-00	STAY, FENDER 1	1				
11	90119-06879	BOLT, WITH WASHER	1				
12	9701N-08020	BOLT	2				
13	90201-08088	WASHER, PLATE	2				
14	90119-06869	BOLT, WITH WASHER	2				
15	9560N-06200	NUT, U FLANGE	4				
16	27S-F1685-00	BRACKET, LICENSE	1				
17	90338-06801	PLUG	1				

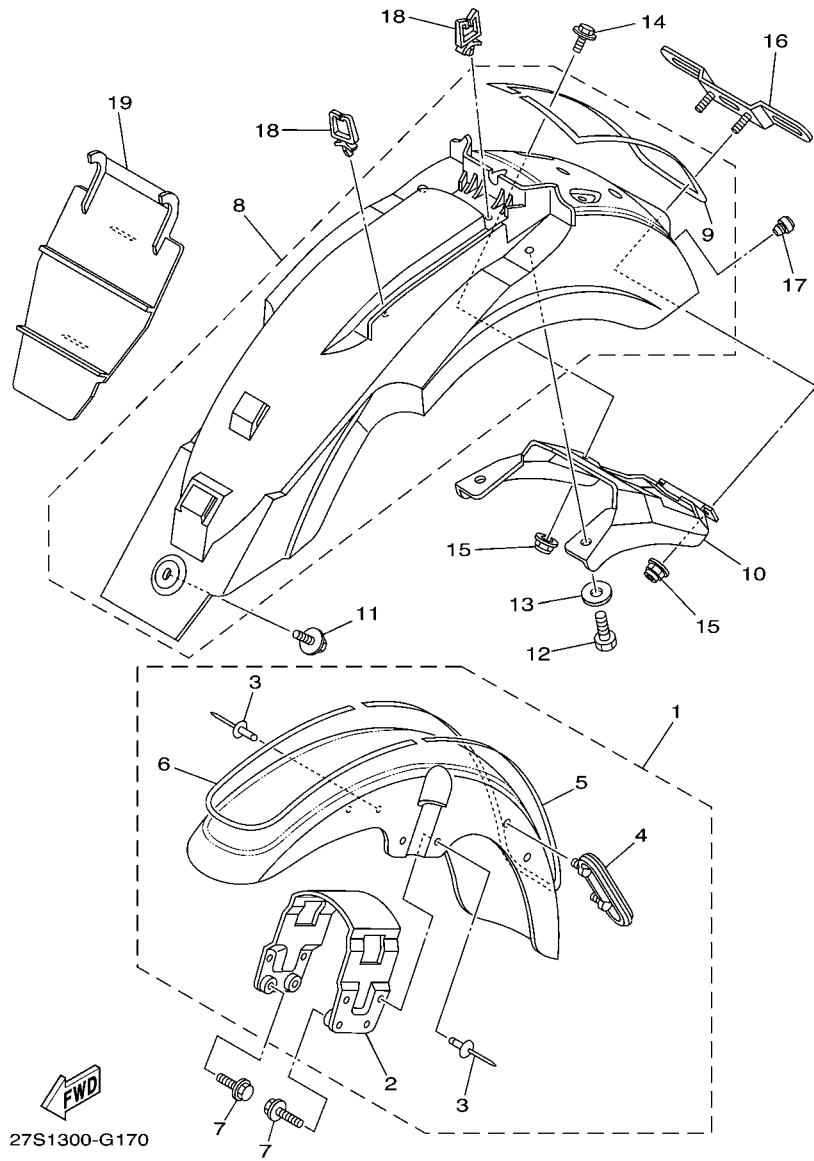


FIG. 17 FENDER

REF. NO.	PART NO.	DESCRIPTION	27S1				REMARKS
18	90464-16804	CLAMP	2				
19	5VL-F1621-00	FLAP	1				

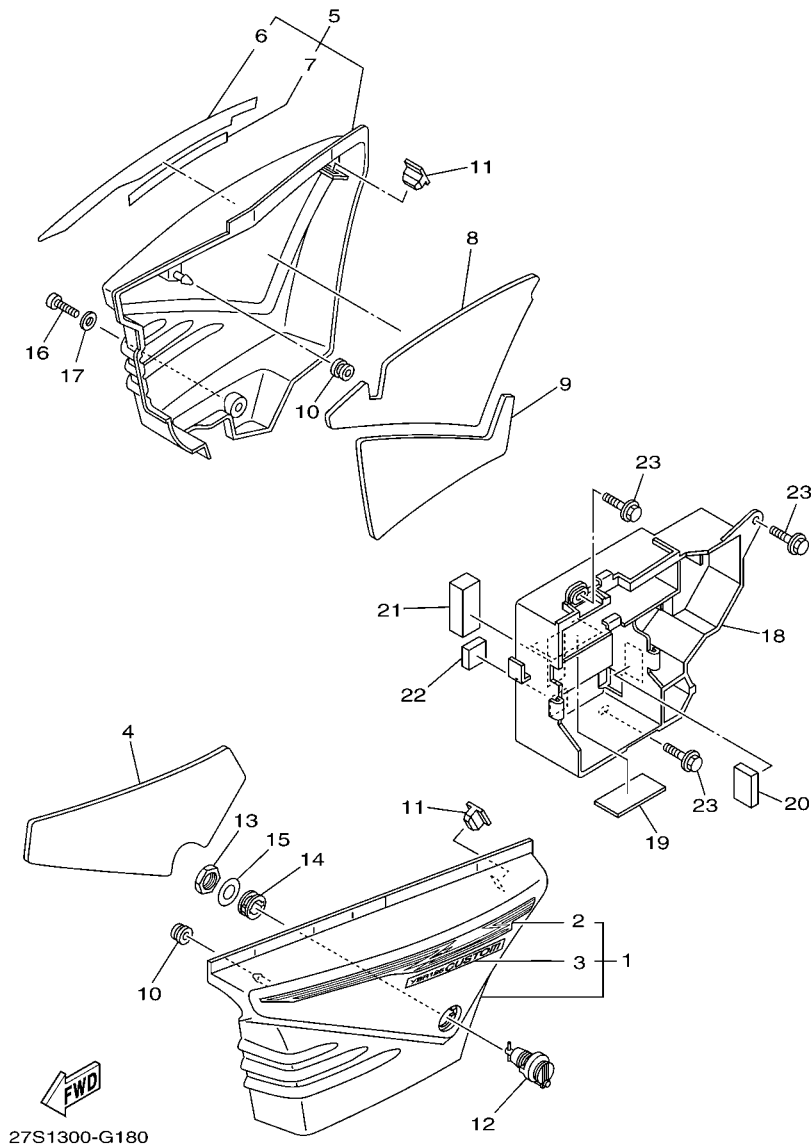
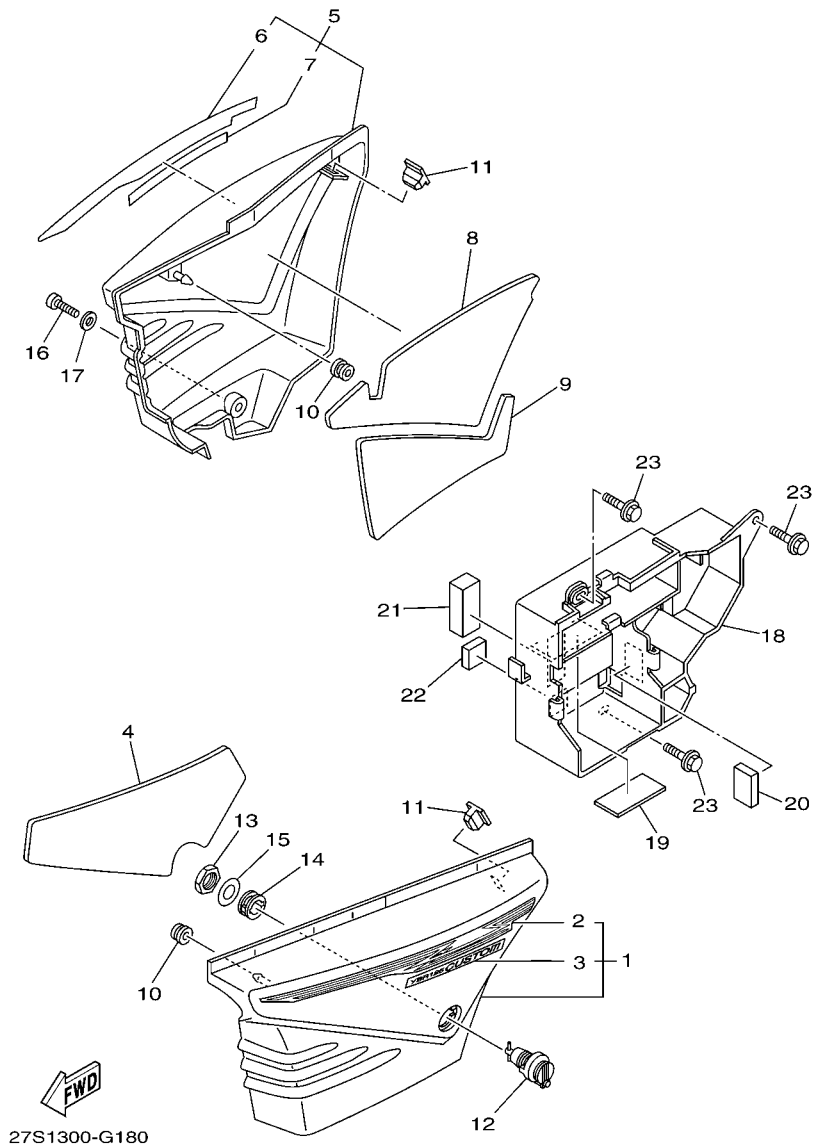


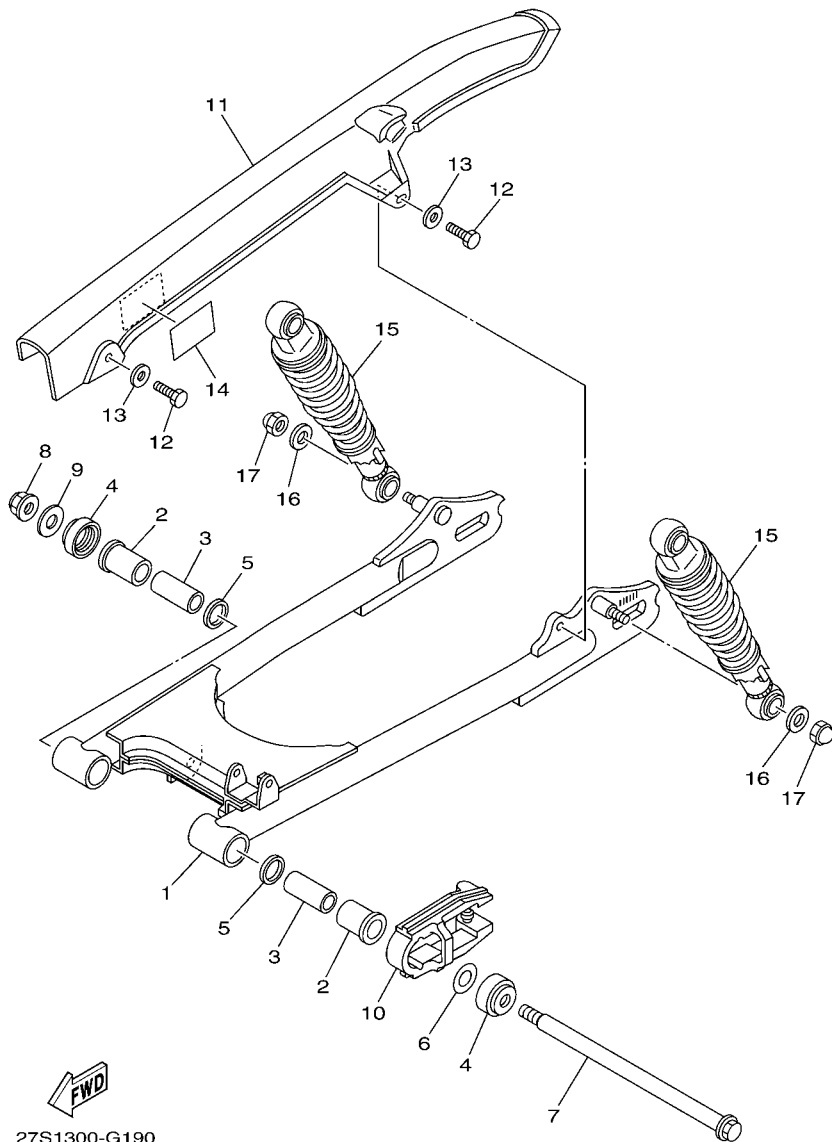
FIG. 18 SIDE COVER

REF. NO.	PART NO.	DESCRIPTION	27S1			REMARKS
1	3S9-Y2171-10-1X	COVER, SIDE 1	1			UR FOR SMX
	3S9-Y2171-10-0X	COVER, SIDE 1	1			UR FOR LGM3
	3S9-Y2171-01-2X	COVER, SIDE 1	1			UR FOR VRC7
2	3S9-F173E-10	.GRAPHIC 1	1			UR FOR SMX
	3S9-F173E-00	.GRAPHIC 1	1			UR FOR LGM3
	3S9-F173E-20	.GRAPHIC 1	1			UR FOR VRC7
3	27S-F1788-10	.GRAPHIC	1			UR FOR SMX
	27S-F1788-00	.GRAPHIC	1			UR FOR LGM3
	27S-F1788-20	.GRAPHIC	1			UR FOR VRC7
4	27S-F172P-00	SEAT	1			
5	27S-Y2172-00-0X	COVER, SIDE 2	1			UR FOR SMX
	27S-Y2172-00-1X	COVER, SIDE 2	1			UR FOR LGM3
	27S-Y2172-00-2X	COVER, SIDE 2	1			UR FOR VRC7
6	3S9-F173F-10	.GRAPHIC 2	1			UR FOR SMX
	3S9-F173F-00	.GRAPHIC 2	1			UR FOR LGM3
	3S9-F173F-20	.GRAPHIC 2	1			UR FOR VRC7
7	27S-F1788-10	.GRAPHIC	1			UR FOR SMX
	27S-F1788-00	.GRAPHIC	1			UR FOR LGM3
	27S-F1788-20	.GRAPHIC	1			UR FOR VRC7
8	27S-F173P-00	SEAT	1			
9	27S-F174P-00	SEAT 3	1			
10	90480-13837	GROMMET	2			
11	5VL-F1778-00	DAMPER, LOCATING 1	2			
12	5VL-F1780-00	LOCK ASSY	1			
13	90170-22850	NUT	1			
14	90480-24186	GROMMET	1			
15	90201-228F6	WASHER, PLATE	1			



**FIG. 18 SIDE COVER**

REF. NO.	PART NO.	DESCRIPTION	27S1				REMARKS
16	9890L-06020	SCREW, BIND	1				
17	90201-06850	WASHER, PLATE	1				
18	27S-F177G-00	BOX, BATTERY	1				
19	5VL-F1746-00	DAMPER	1				
20	3D9-F1747-00	DAMPER	1				
21	27S-F174X-00	DAMPER	1				
22	3D9-F174Y-00	DAMPER	1				
23	90119-06869	BOLT, WITH WASHER	3				



**FIG. 19 REAR ARM & SUSPENSION**

REF. NO.	PART NO.	DESCRIPTION	27S1				REMARKS
1	3S9-F2110-00-33	REAR ARM COMP.	1				YB
2	90386-18099	BUSH	2				
3	5VL-F2123-00	BUSH 1	2				
4	5VL-F2128-00	COVER, THRUST 1	2				
5	93109-18802	OIL SEAL	2				
6	5VL-F2127-00	SHIM	1				UN
7	5VL-F2141-00	SHAFT, PIVOT	1				
8	95604-12200	NUT, SELF-LOCKING	1				
9	90201-12819	WASHER, PLATE	1				
10	5VL-F2151-10	SEAL, GUARD	1				
11	27S-F2311-00	CASE, CHAIN	1				
12	9700N-06012	BOLT	2				
13	90201-06857	WASHER, PLATE	2				
14	3D9-F1668-00	LABEL, TIRE	1				
15	3S9-F2210-30	SHOCK ABSORBER ASSY, REAR	2				
16	90201-108C7	WASHER, PLATE	4				
17	90176-10810	NUT, CROWN	4				

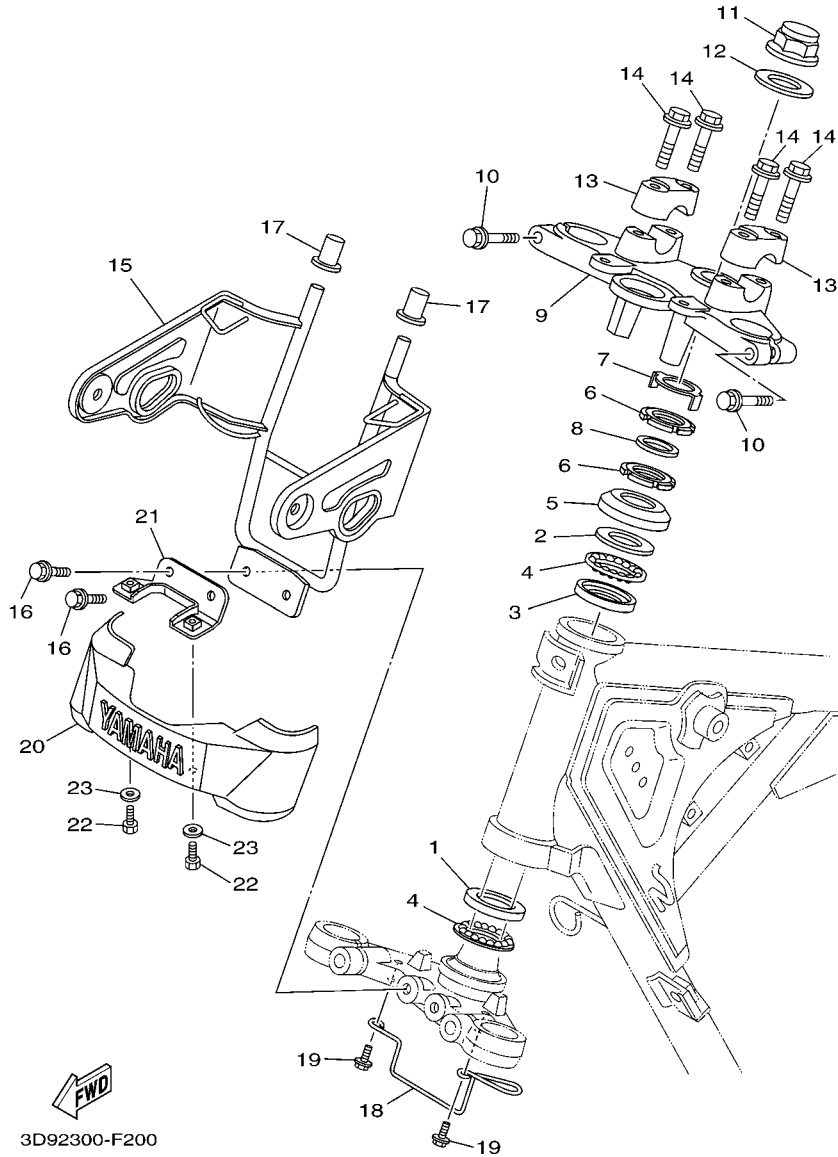


FIG. 20 STEERING

REF. NO.	PART NO.	DESCRIPTION	2751				REMARKS
1	1KL-F3412-00	RACE, BALL 2	1				
2	4FP-F3411-00	RACE, BALL 1	1				
3	4FP-F3412-00	RACE, BALL 2	1				
4	5VL-F341E-00	RETAINER, BALL BEARING	2				
5	4GU-F3416-00	COVER, BALL RACE 2	1				
6	90179-25806	NUT	2				
7	5VL-F3418-00	WASHER, SPECIAL	1				
8	90202-26142	WASHER, PLATE	1				
9	5VL-F3435-00-35	CROWN, HANDLE	1				SL
10	9502L-08040	BOLT, FLANGE	2				
11	90176-22801	NUT, CROWN	1				
12	5VL-F3165-00	WASHER, FELT	1				
13	3S9-F3441-00	HOLDER, HANDLE UPPER	2				
14	9502L-08035	BOLT, FLANGE	4				
15	3D9-F3174-10	STAY, HEADLIGHT	1				
16	9582L-06016	BOLT, FLANGE	2				
17	4FP-F317J-00	DAMPER 1	2				
18	3D9-F3389-00	GUIDE, CABLE	1				
19	9582N-06012	BOLT, FLANGE	2				
20	4FP-F3395-10	EMBLEM	1				
21	5VL-F334G-10	BRACKET 1	1				
22	9700N-05012	BOLT	2				
23	90201-05802	WASHER, PLATE	2				



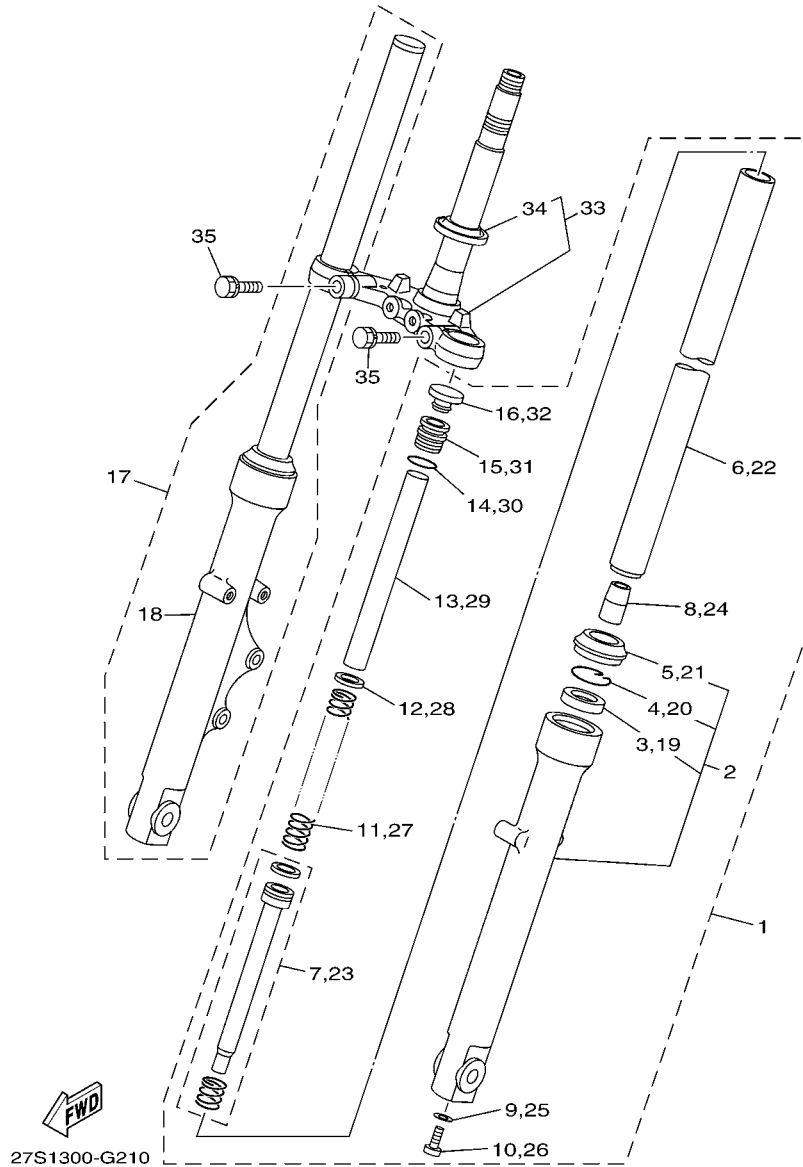


FIG. 21 FRONT FORK

REF. NO.	PART NO.	DESCRIPTION	27S1				REMARKS
1	27S-F3102-00	FRONT FORK ASSY (L.H)	1				
2	3D9-F3106-10	.OUTER TUBE COMP. (L.H)	1				
3	4GU-F3145-00	..OIL SEAL	1				
4	5AP-F3153-00	..RING, SNAP	1				
5	4GU-F3144-00	..SEAL, DUST	1				
6	3S9-F3110-00	.INNER TUBE COMP.1	1				
7	3S9-F3170-00	.CYLINDER COMP., FRONT FORK	1				
8	5AP-F3166-00	.SPACER, OIL LOCK	1				
9	4TU-F3479-00	.GASKET	1				
10	5LK-F3356-00	.BOLT 2	1				
11	3S9-F3141-00	.SPRING, FRONT FORK	1				
12	5AP-F3427-00	.WASHER	1				
13	5VL-F3118-00	.SPACER	1				
14	5AP-F3147-00	.O-RING	1				
15	5VL-F3111-00	.BOLT, CAP	1				
16	5VL-F3168-00	.CAP, FRONT FORK	1				
17	27S-F3103-00	FRONT FORK ASSY (R.H)	1				
18	3D9-F3107-10	.OUTER TUBE COMP. (R.H)	1				
19	4GU-F3145-00	..OIL SEAL	1				
20	5AP-F3153-00	..RING, SNAP	1				
21	4GU-F3144-00	..SEAL, DUST	1				
22	3S9-F3110-00	.INNER TUBE COMP.1	1				
23	3S9-F3170-00	.CYLINDER COMP., FRONT FORK	1				
24	5AP-F3166-00	.SPACER, OIL LOCK	1				
25	4TU-F3479-00	.GASKET	1				
26	5LK-F3356-00	.BOLT 2	1				
27	3S9-F3141-00	.SPRING, FRONT FORK	1				

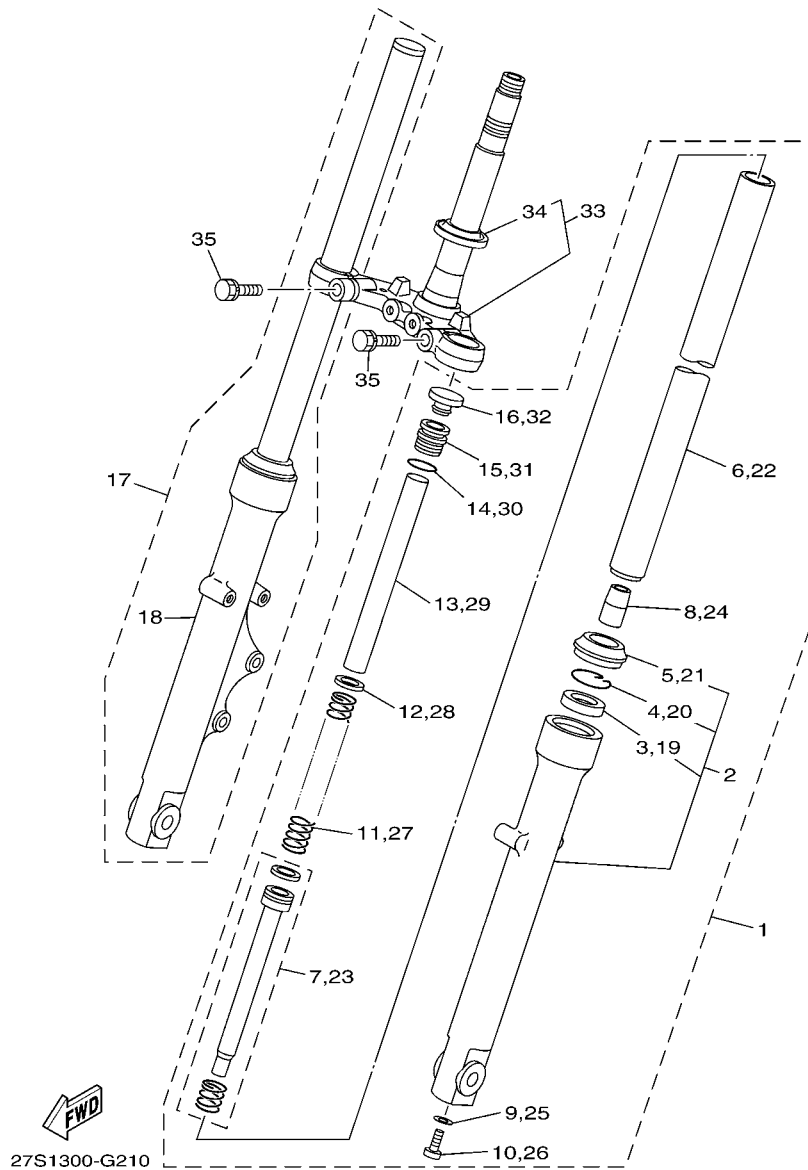


FIG. 21 FRONT FORK

REF. NO.	PART NO.	DESCRIPTION	27S1				REMARKS
28	5AP-F3427-00	.WASHER	1				
29	5VL-F3118-00	.SPACER	1				
30	5AP-F3147-00	.O-RING	1				
31	5VL-F3111-00	.BOLT, CAP	1				
32	5VL-F3168-00	.CAP, FRONT FORK	1				
33	3S9-F331X-00	BRACKET, UNDER	1				
34	4FP-F3411-10	.RACE, BALL 1	1				
35	5VL-F3346-00	BOLT 1	2				

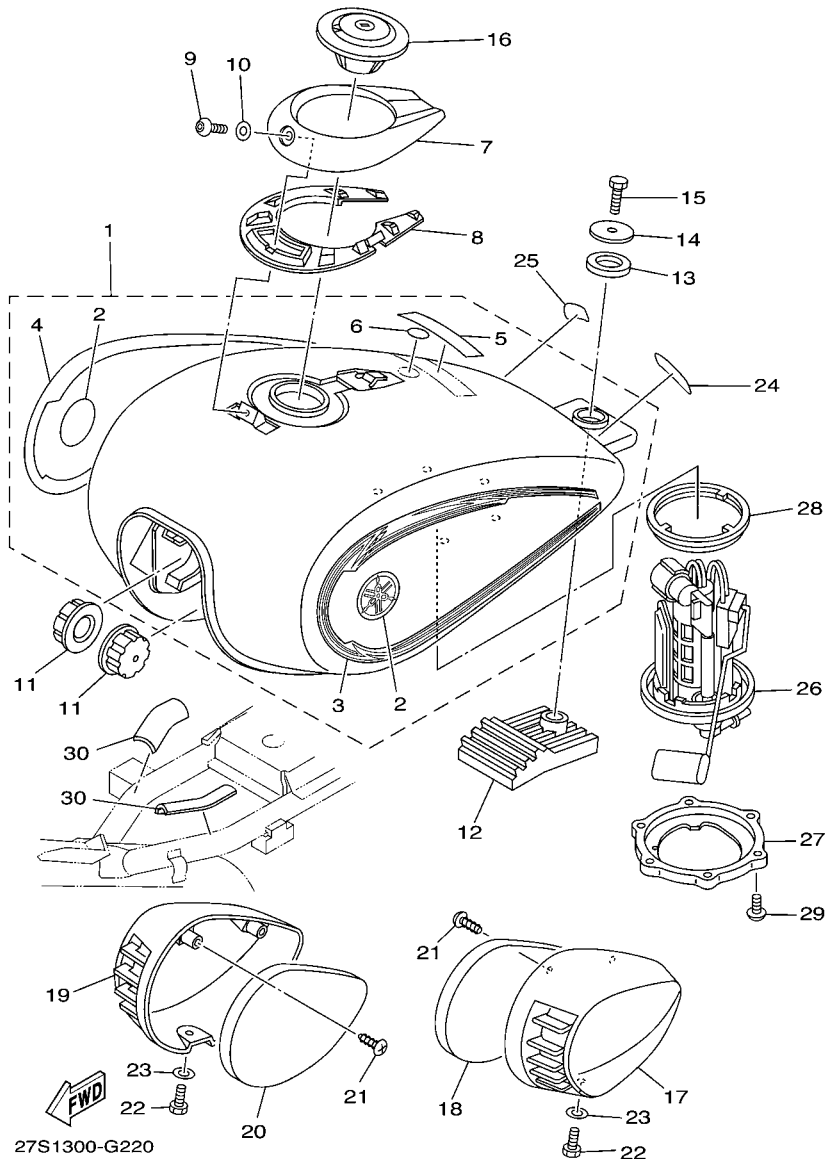
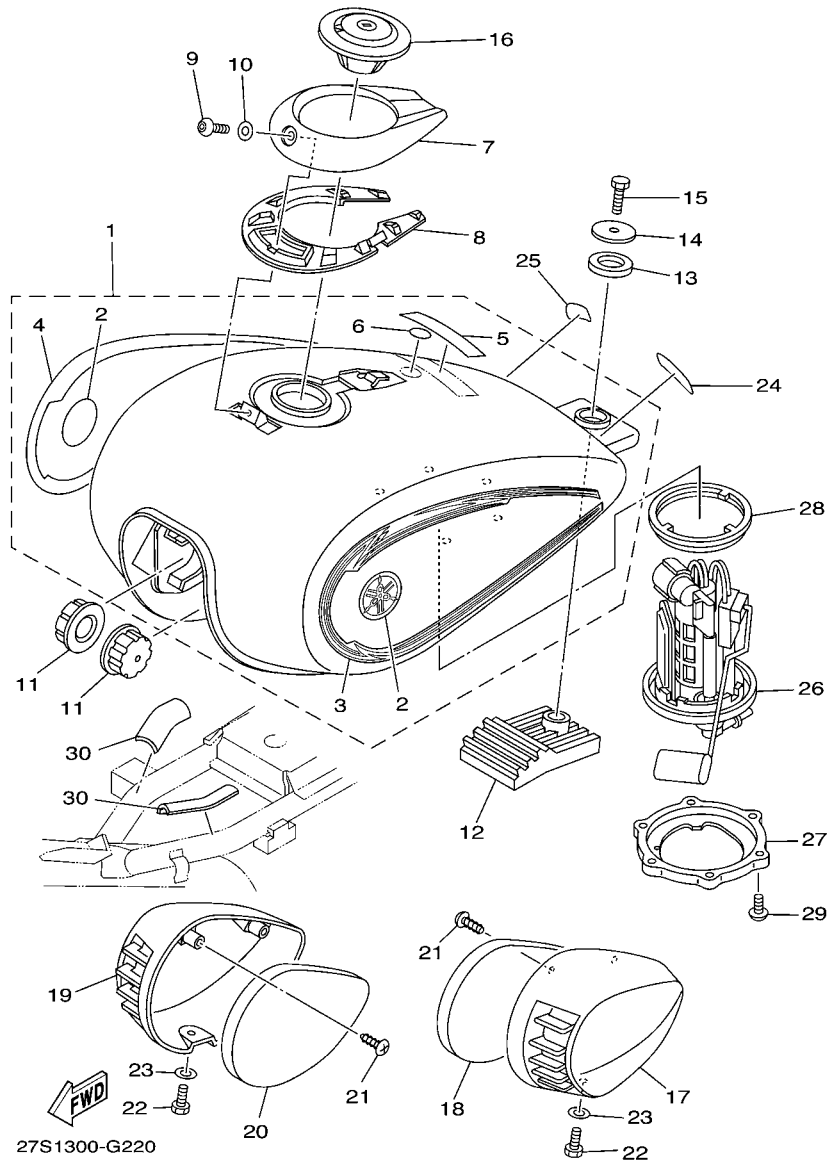


FIG. 22 FUEL TANK

REF. NO.	PART NO.	DESCRIPTION	27S1			REMARKS
1	27S-W2411-00-P0	FUEL TANK ASSY	1			UR FOR SMX
	27S-W2411-00-P1	FUEL TANK ASSY	1			UR FOR LGM3
	27S-W2411-00-P2	FUEL TANK ASSY	1			UR FOR VRC7
2	2B9-F411B-00	.EMBLEM	2			
3	3S9-F4244-10	.GRAPHIC, FUEL TANK 1	1			UR FOR SMX
	3S9-F4244-00	.GRAPHIC, FUEL TANK 1	1			UR FOR LGM3
	3S9-F4244-20	.GRAPHIC, FUEL TANK 1	1			UR FOR VRC7
4	3S9-F4245-10	.GRAPHIC, FUEL TANK 2	1			UR FOR SMX
	3S9-F4245-00	.GRAPHIC, FUEL TANK 2	1			UR FOR LGM3
	3S9-F4245-20	.GRAPHIC, FUEL TANK 2	1			UR FOR VRC7
5	5PA-21568-01	.LABEL, WARNING	1			
6	3ME-2415E-01	.LABEL, CAUTION	1			
7	27S-F4141-00	PROTECTOR, FUEL TANK	1			
8	27S-F414H-00	DAMPER, PLATE 1	1			
9	90111-05806	BOLT,HEX. SOCKET BUTTON	1			
10	90202-05180	WASHER, PLATE	1			
11	4FP-F4181-00	DAMPER, LOCATING 1	2			
12	3S9-F4183-00	DAMPER, LOCATING 3	1			
13	5VL-F4182-00	DAMPER, LOCATING 2	1			
14	90201-088P2	WASHER, PLATE	1			
15	9700N-08016	BOLT	1			
16	5VL-F4610-01	CAP ASSY	1			
17	3S9-F198F-00	COVER 1	1			
18	27S-F414K-00	DAMPER, PLATE 3	1			
19	3S9-F198G-00	COVER 2	1			
20	27S-F414N-00	DAMPER, PLATE 4	1			
21	9770N-50012	SCREW, TAPPING	4			



**FIG. 22 FUEL TANK**

REF. NO.	PART NO.	DESCRIPTION	27S1				REMARKS
22	9700N-06016	BOLT	2				
23	90201-06850	WASHER, PLATE	2				
24	27S-F414G-00	SEAL	1				
25	27S-F414E-00	SEAL 2	1				
26	27S-13907-00	FUEL PUMP COMP.	1				
27	27S-F4491-00	BRACKET, FUEL PUMP	1				
28	1S4-24486-00	O-RING	1				
29	9201N-05016	BOLT, BUTTON HEAD	6				
30	27S-F414J-00	DAMPER, PLATE 2	2				

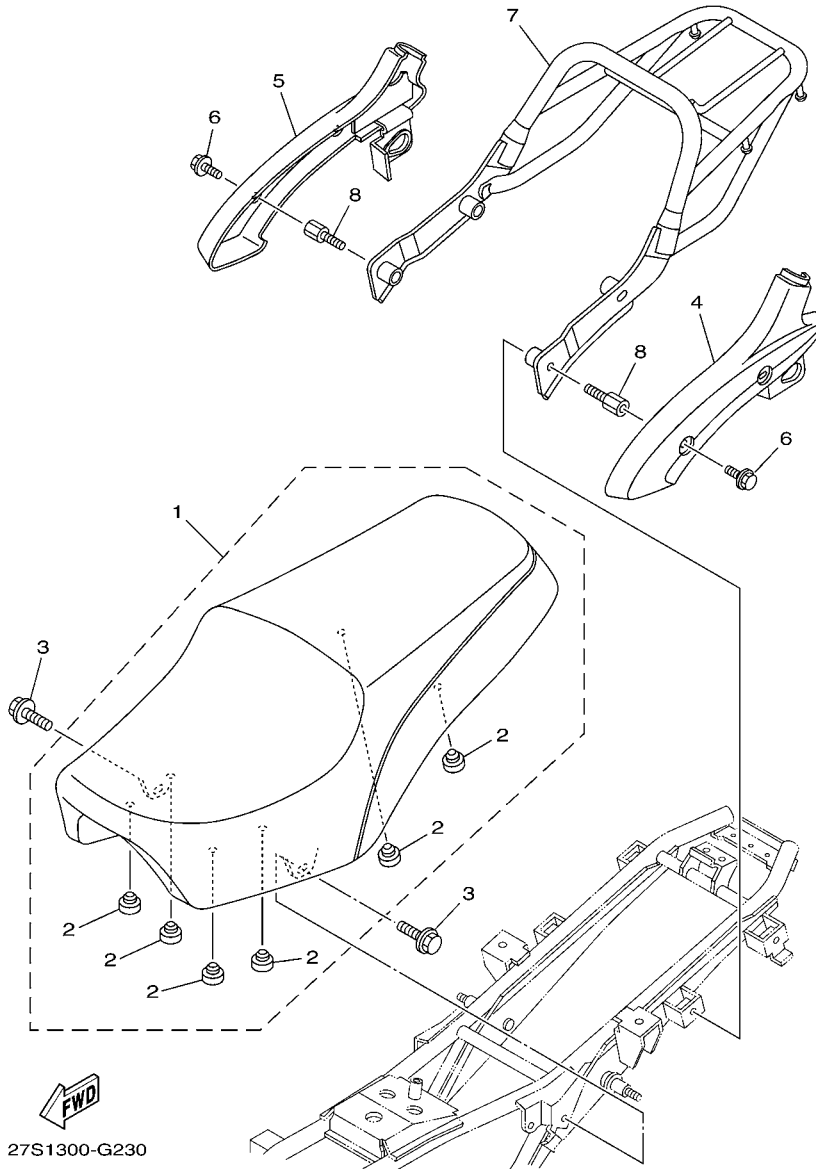
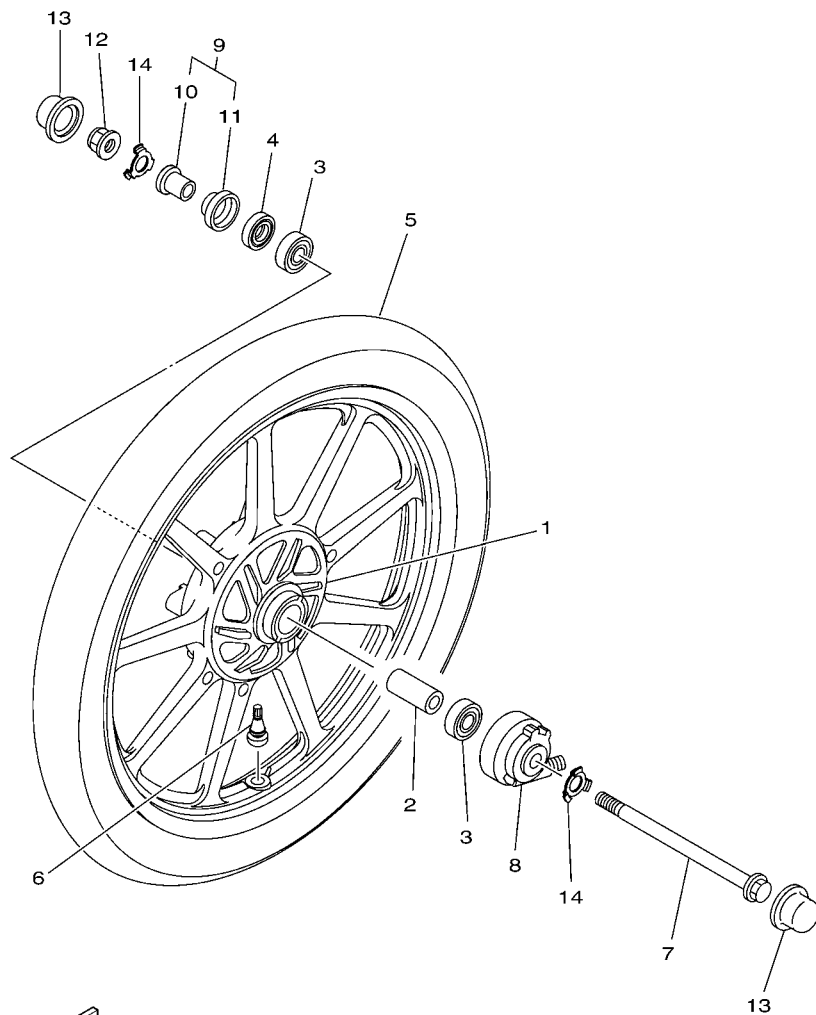


FIG. 23 SEAT

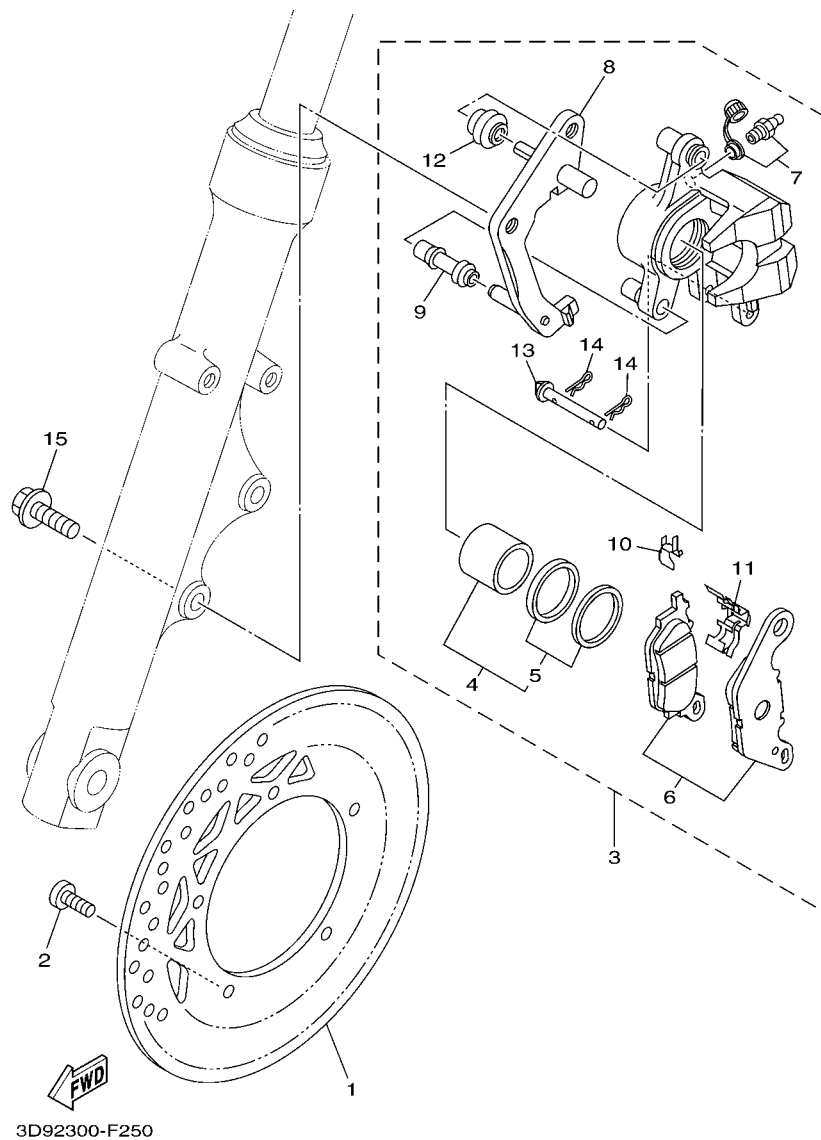
REF. NO.	PART NO.	DESCRIPTION	27S1				REMARKS
1	27S-F4730-00	DOUBLE SEAT ASSY	1				
2	4TU-F4741-00	.PAD, SEAT	6				
3	90119-06869	BOLT, WITH WASHER	2				
4	27S-F474A-00	ASSIST, GRIP	1				
5	27S-F474W-00	ASSIST,GRIP 2	1				
6	90111-06812	BOLT,HEX. SOCKET BUTTON	4				
7	27S-F4841-00	CARRIER, FRONT	1				
8	90109-06838	BOLT	4				



**FWD**  
27S1300-G240

**FIG. 24 FRONT WHEEL**

REF. NO.	PART NO.	DESCRIPTION	27S1				REMARKS
1	27S-F5168-00-35	CAST WHEEL, FRONT	1				SL FOR SMX,VRC7
	27S-F5168-00-33	CAST WHEEL, FRONT	1				YB FOR LGM3
2	90560-15293	SPACER	1				
3	93306-202Y4	BEARING	2				
4	93102-20857	OIL SEAL	1				
5	94130-18827	TIRE (3.00-18 C-6039 47P TL)	1				
6	93900-00819	VALVE, RIM (TR412)	1				
7	5VL-F5181-10	AXLE, WHEEL	1				
8	4GU-F5190-00	GEAR UNIT ASSY	1				
9	4GU-F511X-00	COLLAR	1				
10	90387-158K1	.COLLAR	1				
11	4GU-F5118-00	.COVER, HUB DUST	1				
12	9560L-14200	NUT, SELF-LOCKING	1				
13	3D9-F5188-00	CAP	2				
14	90209-16802	WASHER	2				



**FIG. 25 FRONT BRAKE CALIPER**

REF. NO.	PART NO.	DESCRIPTION	2751				REMARKS
1	3D9-F582U-10	DISK, BRAKE (RIGHT)	1				
2	90111-08805	BOLT,HEX. SOCKET BUTTON	5				
3	3D9-F580U-00	CALIPER ASSY (RIGHT)	1				
4	4S5-W0057-00	.PISTON ASSY, CALIPER	1				
5	4S5-W0047-00	..CALIPER SEAL KIT	1				
6	4S5-W0045-00	.BRAKE PAD KIT	1				
7	4S5-W0048-00	.BLEED SCREW KIT	1				
8	4S5-F5921-00	.BRACKET, SUPPORT	1				
9	4S5-F5937-00	.BOOT 2	1				
10	4S5-F5939-00	.CLIP, PAD	1				
11	4S5-F5919-00	.SUPPORT, PAD	1				
12	4S5-F5917-00	.BOOT, CALIPER	1				
13	4S5-F5924-00	.PIN, PAD	1				
14	4S5-F5925-00	.CLIP	2				
15	90105-10831	BOLT, FLANGE	2				

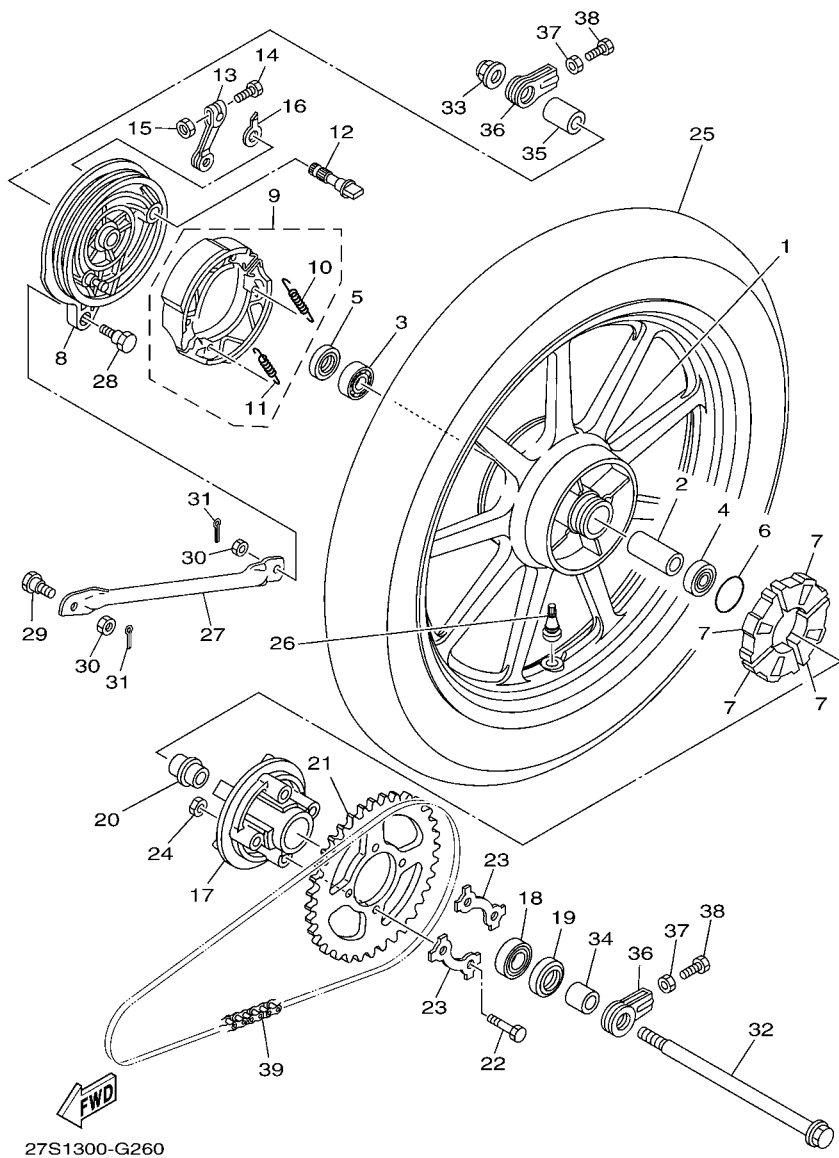
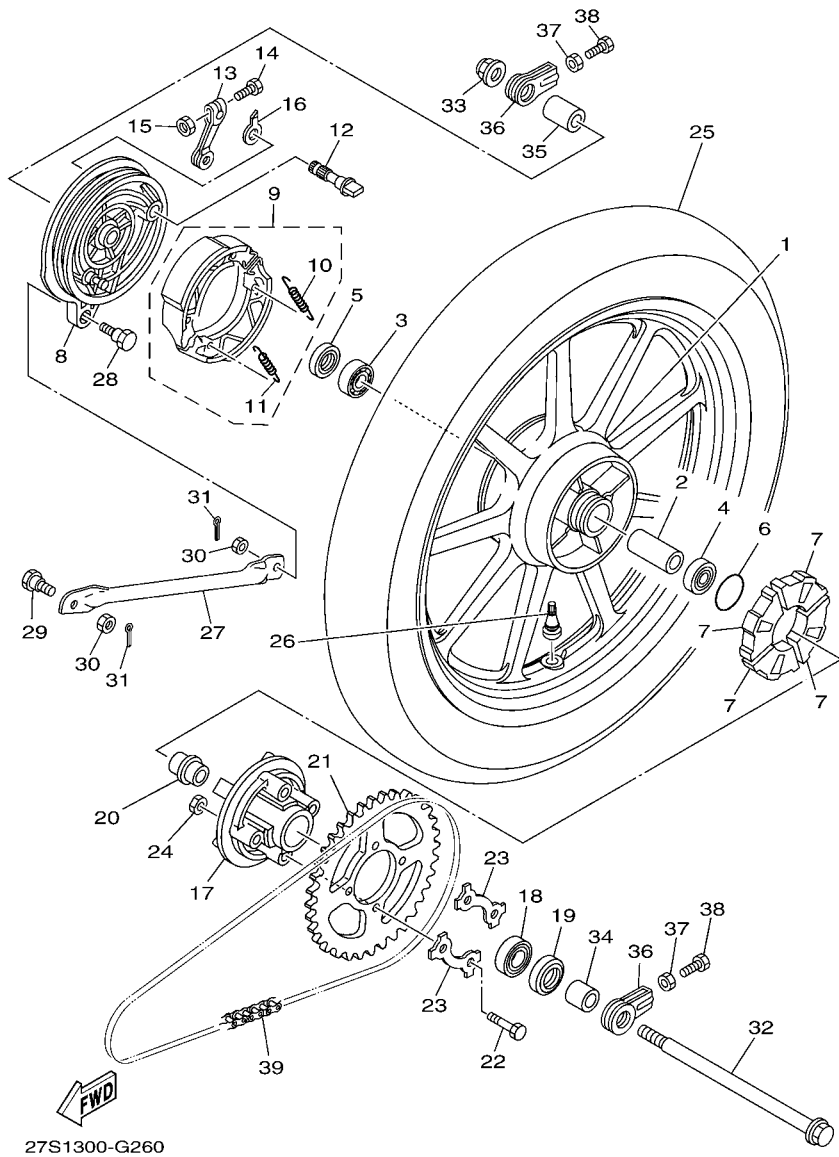


FIG. 26 REAR WHEEL

REF. NO.	PART NO.	DESCRIPTION	27S1				REMARKS
1	27S-F5338-00-35	CAST WHEEL, REAR	1				SL FOR SMX,VRC7
	27S-F5338-00-33	CAST WHEEL, REAR	1				YB FOR LGM3
2	90387-15809	COLLAR	1				
3	93306-202Y4	BEARING	1				
4	93306-252X5	BEARING	1				
5	93104-22802	OIL SEAL	1				
6	93210-42807	O-RING	1				
7	1KL-F5364-00	DAMPER	4				
8	5VL-F5321-01-35	PLATE, BRAKE SHOE	1				SL FOR SMX,VRC7
	5VL-F5321-01-33	PLATE, BRAKE SHOE	1				YB FOR LGM3
9	3D9-W2533-00	BRAKE SHOE KIT	1				
10	90506-12801	.SPRING, TENSION	1				
11	90506-15802	.SPRING, TENSION	1				
12	4GU-F5351-01	CAMSHAFT	1				
13	5VL-F5355-00	LEVER, CAMSHAFT	1				
14	90101-06848	BOLT	1				
15	9530N-06600	NUT	1				
16	4GU-F533A-00	PLATE, INDICATOR	1				
17	5VL-F5366-00	CLUTCH, HUB	1				
18	93306-004YL	BEARING	1				
19	93106-26804	OIL SEAL	1				
20	5VL-F5387-00	AXLE, SPROCKET	1				
21	3S9-F5443-00	SPROCKET, DRIVEN (43T)	1				
22	90109-08864	BOLT	4				
23	5LK-F5412-00	WASHER	2				
24	90179-08639	NUT	4				
25	94135-16801	TIRE (3.50-16 C-289 58P TL)	1				





27S1300-G260

FIG. 26 REAR WHEEL

REF. NO.	PART NO.	DESCRIPTION	27S1				REMARKS
26	93900-00819	VALVE, RIM (TR412)	1				
27	5VL-F5371-00	BAR, TENSION	1				
28	90109-08847	BOLT	1				
29	90109-08848	BOLT	1				
30	9570L-08500	NUT, FLANGE	2				
31	91401-20012	PIN, COTTER	2				
32	5VL-F5381-00	AXLE, WHEEL	1				
33	9560L-14200	NUT, SELF-LOCKING	1				
34	5VL-F5386-00	COLLAR, SPROCKET AXLE	1				
35	5VL-F5377-00	COLLAR, WHEEL	1				
36	5VL-F5388-00	PULLER, CHAIN 1	2				
37	9531L-08600	NUT	2				
38	90153-08804	SCREW, HEXAGON	2				
39	94568-B8118	CHAIN	1				

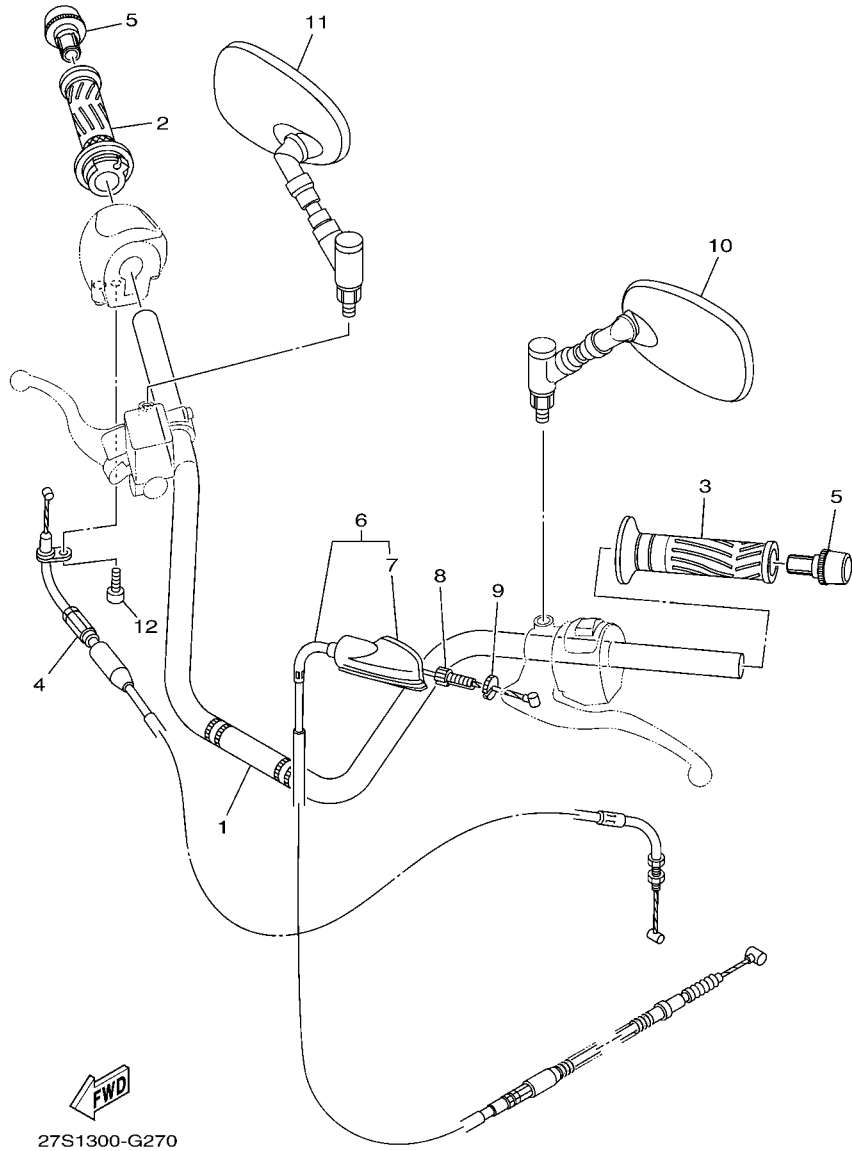
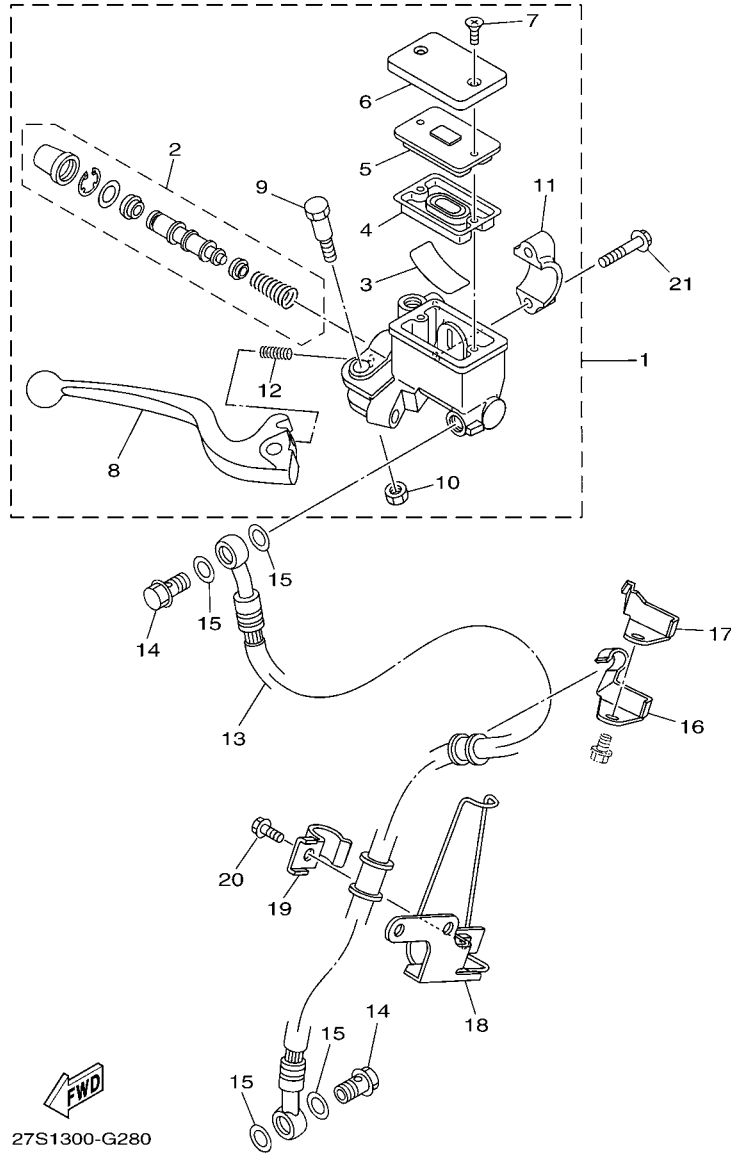


FIG. 27 STEERING HANDLE & CABLE

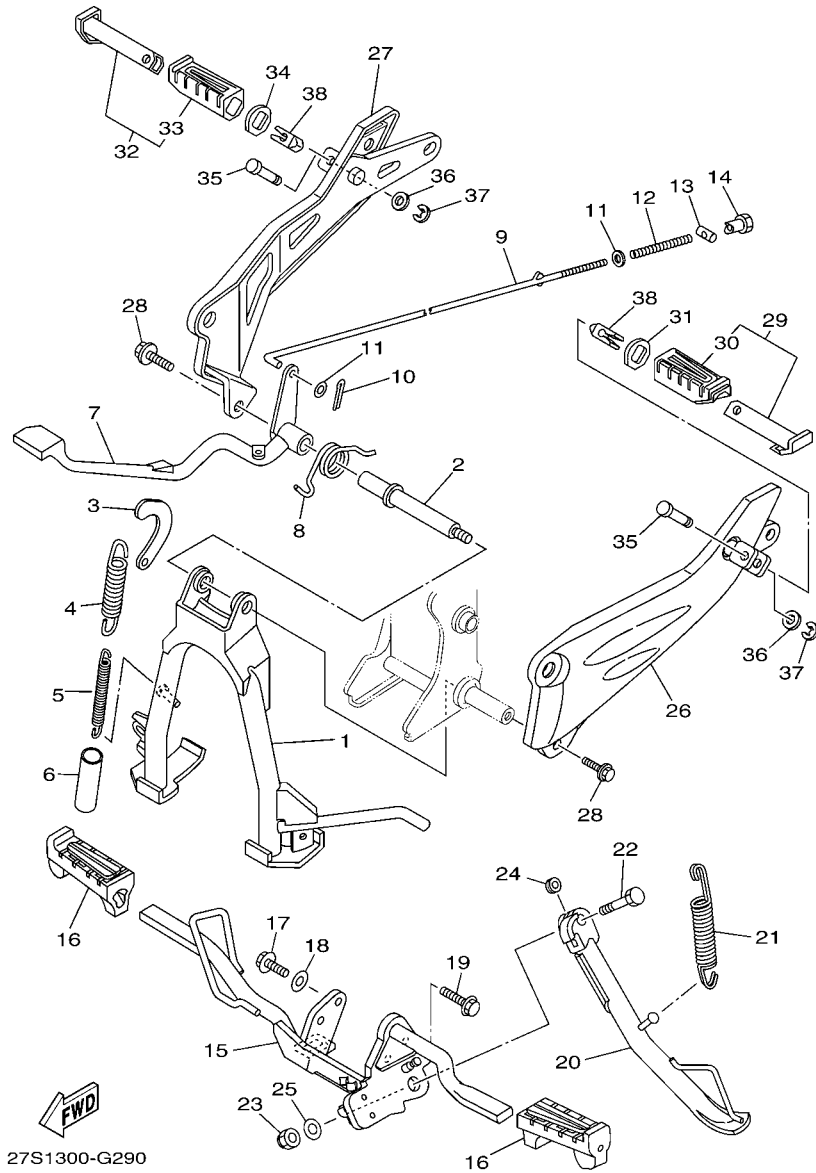
REF. NO.	PART NO.	DESCRIPTION	27S1				REMARKS
1	27S-F6111-00	HANDLEBAR	1				
2	5VL-F6240-10	GRIP ASSY	1				
3	5VL-F6241-10	GRIP	1				
4	27S-F6311-00	CABLE, THROTTLE 1	1				
5	5VL-F628J-10	CAP, GRIP	2				
6	27S-F6335-00	CABLE, CLUTCH	1				
7	5VL-F6372-01	.COVER, HANDLE LEVER 1	1				
8	90123-08813	BOLT	1				
9	90179-08862	NUT	1				
10	5EL-26280-10	REAR VIEW MIRROR ASSY (LEFT)	1				
11	5EL-26290-10	REAR VIEW MIRROR ASSY (RIGHT)	1				
12	9850N-05014	SCREW, PAN HEAD	1				



27S1300-G280

FIG. 28 FRONT MASTER CYLINDER

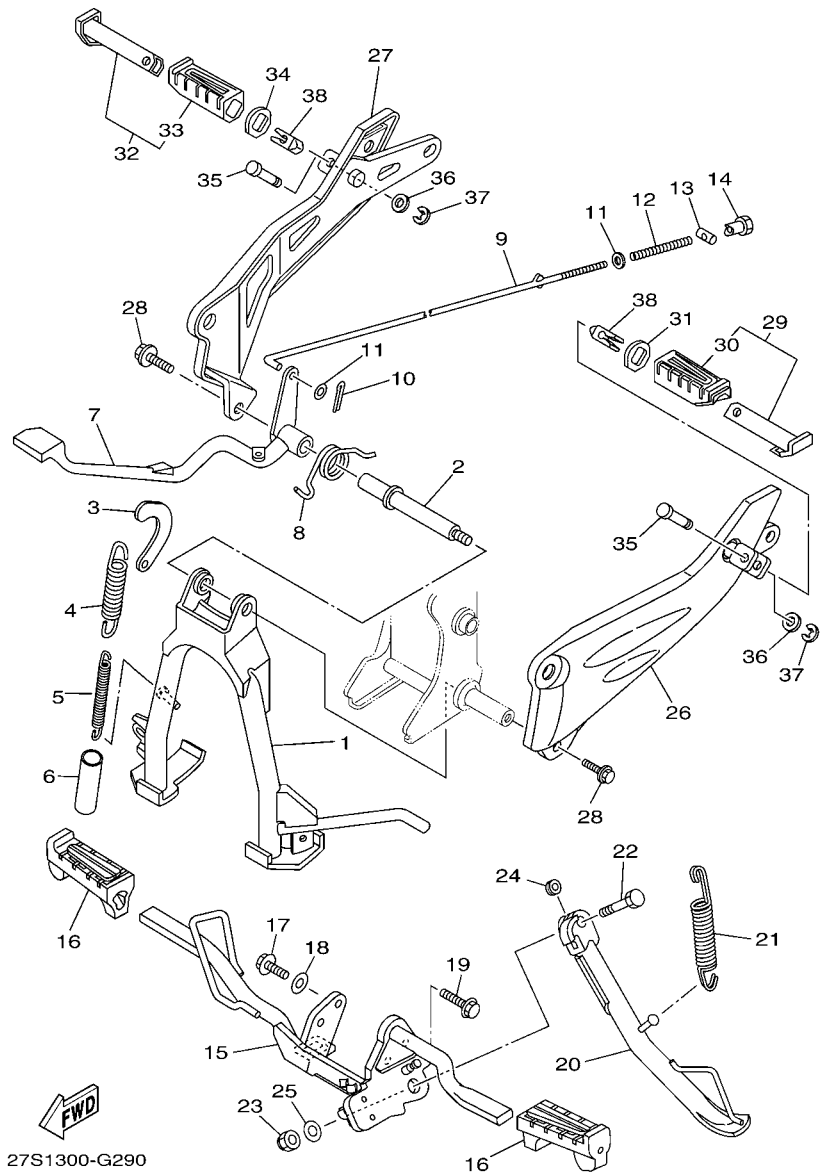
REF. NO.	PART NO.	DESCRIPTION	27S1				REMARKS
1	3D9-F583T-11	MASTER CYLINDER ASSY	1				
2	3D9-W0041-00	.CYLINDER KIT, MASTER	1				
3	4KL-F5896-00	.PLATE, RESERVOIR	1				
4	4KL-F5854-00	.GASKET, DIAPHRAGM	1				
5	4KL-F585B-00	.PLATE, DIAPHRAGM	1				
6	4KL-F5852-00	.CAP, RESERVOIR	1				
7	4KL-F589H-00	.SCREW	2				
8	3D9-H3922-01	.LEVER 2	1				
9	3D9-F589F-00	.BOLT, LEVER	1				
10	3D9-F586F-00	.NUT, U	1				
11	4KL-F5867-00	.HOLDER	1				
12	3D9-F5865-00	.SPRING, LEVER	1				
13	27S-F5872-00	HOSE, BRAKE 1	1				
14	90401-10811	BOLT, UNION	2				
15	90201-108J9	WASHER, PLATE	4				
16	3S9-F5887-00	HOLDER, BRAKE HOSE	1				
17	3S9-F5886-00	HOLDER, BRAKE HOSE	1				
18	5VL-F5875-01	HOLDER, BRAKE HOSE 1	1				
19	5VL-F5876-00	HOLDER, BRAKE HOSE 2	1				
20	9502L-06016	BOLT, FLANGE	1				
21	95027-06025	BOLT, FLANGE	2				



27S1300-G290

FIG. 29 STAND & FOOTREST

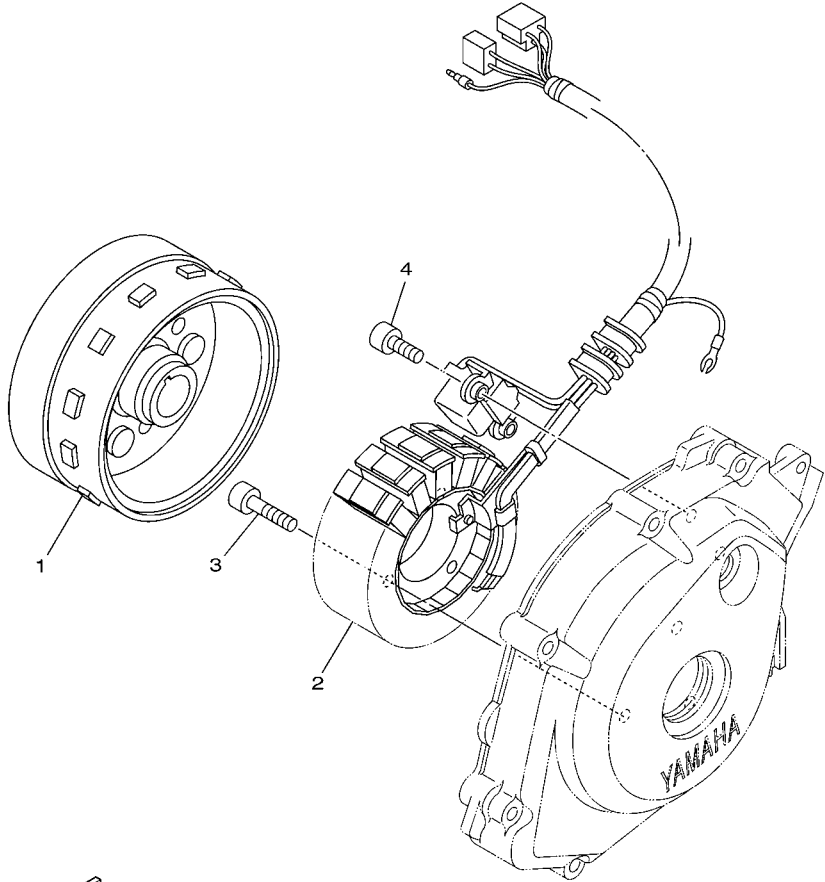
REF. NO.	PART NO.	DESCRIPTION	27S1				REMARKS
1	3S9-F7111-00	STAND, MAIN	1				
2	5VL-F7112-10	SHAFT, MAIN STAND	1				
3	3D9-F7115-00	LINK, MAIN STAND	1				
4	90506-32808	SPRING, TENSION	1				
5	90506-20814	SPRING, TENSION	1				
6	90445-12800	HOSE	1				
7	3D9-F7211-00	PEDAL, BRAKE	1				
8	90508-40801	SPRING, TORSION	1				
9	5VL-F7231-00	ROD, BRAKE	1				
10	91401-20012	PIN, COTTER	1				
11	9290N-06200	WASHER	2				
12	90501-10806	SPRING, COMPRESSION	1				
13	90249-12808	PIN	1				
14	90179-06826	NUT	1				
15	3D9-F7411-00	FOOTREST 1	1				
16	5VL-F7413-00	COVER, FOOTREST	2				
17	9581N-08020	BOLT, FLANGE	1				
18	90201-08840	WASHER, PLATE	1				
19	9581N-08025	BOLT, FLANGE	1				
20	27S-F7311-00	STAND, SIDE	1				
21	90506-23014	SPRING, TENSION	1				
22	90101-10816	BOLT	1				
23	90185-10813	NUT, SELF-LOCKING	1				
24	3S9-F7313-00	COLLAR	1				
25	90201-10831	WASHER, PLATE	1				
26	3S9-F7452-00	BRACKET, FOOTREST 1	1				
27	27S-F7462-00	BRACKET, FOOTREST 2	1				



**FIG. 29 STAND & FOOTREST**

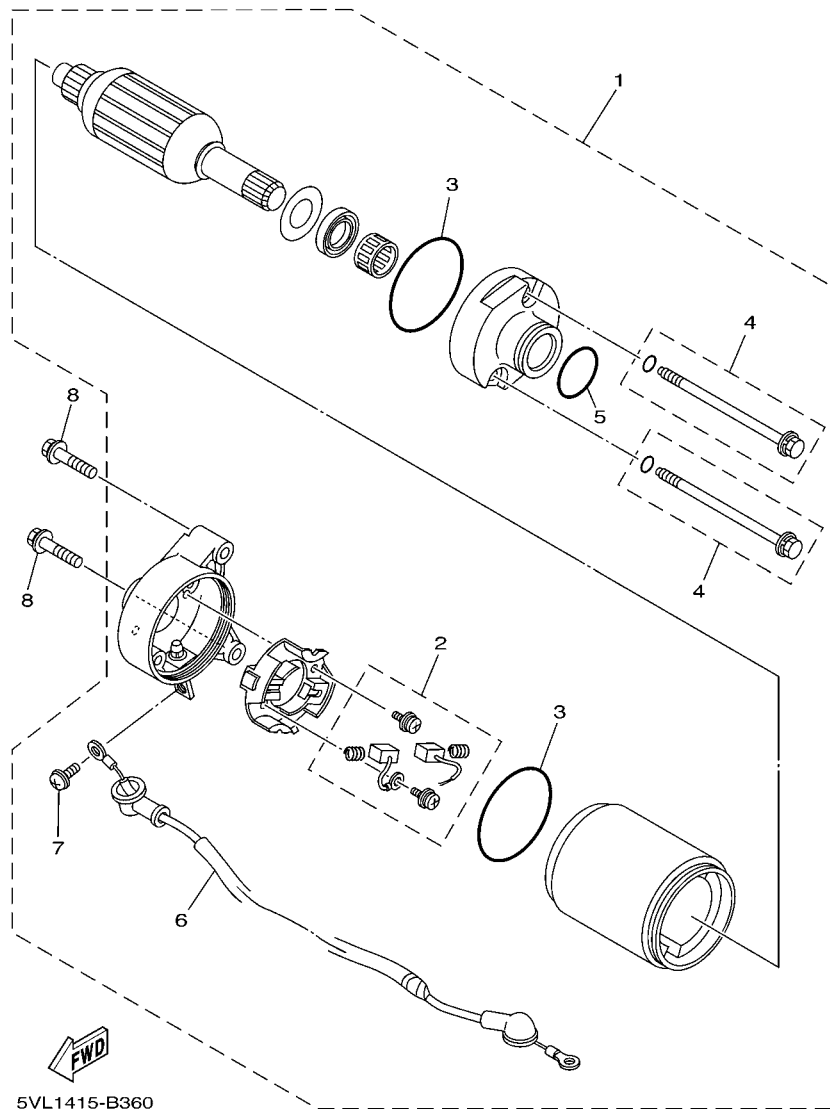
REF. NO.	PART NO.	DESCRIPTION	27S1				REMARKS
28	9581N-08020	BOLT, FLANGE	2				
29	5VL-F7430-00	REAR FOOTREST ASSY 1	1				
30	5VL-F7433-00	.COVER, REAR FOOTREST	1				
31	5VL-F7445-00	PLATE 1	1				
32	5VL-F7440-00	REAR FOOTREST ASSY 2	1				
33	5VL-F7444-00	.COVER, REAR FOOTREST	1				
34	5VL-F7445-00	PLATE 1	1				
35	90249-06800	PIN	2				
36	9290N-06200	WASHER	2				
37	99001-05600	CIRCLIP	2				
38	5VL-F7414-00	DAMPER, FOOTREST	2				

**FIG. 30 GENERATOR**



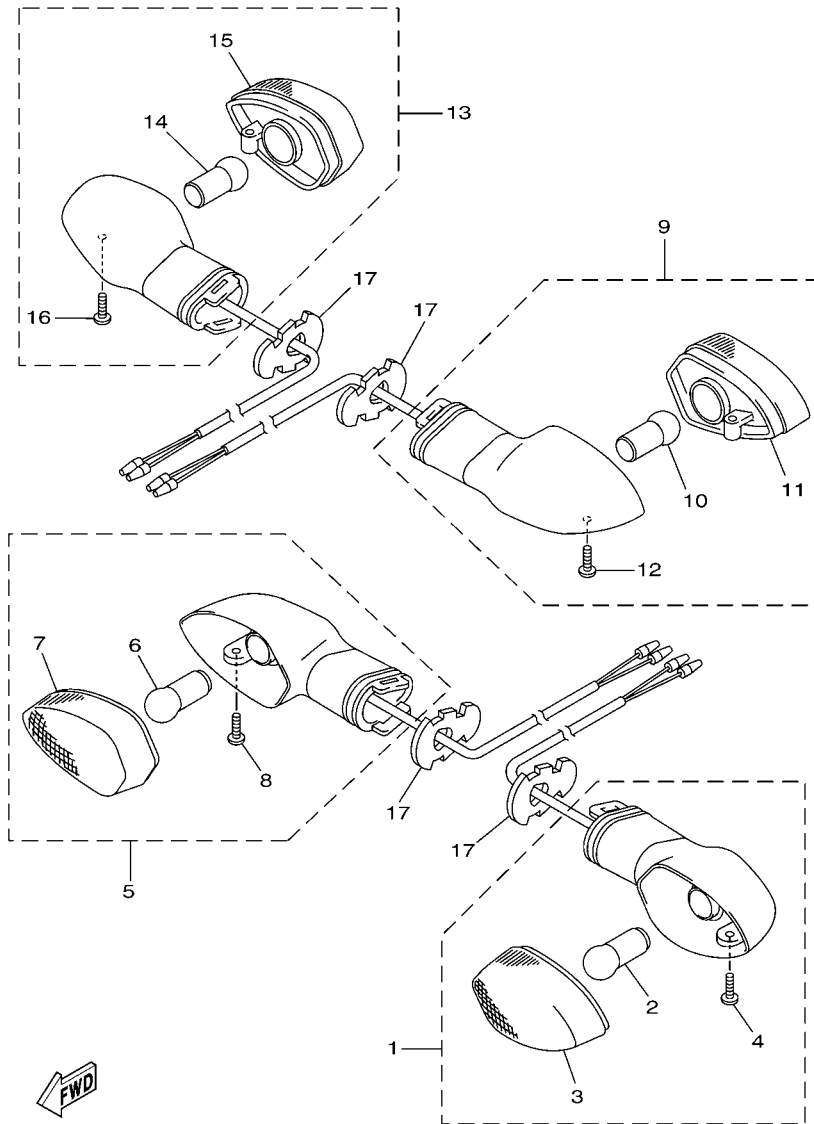
3D92300-F300

REF. NO.	PART NO.	DESCRIPTION	27S1				REMARKS
1	3D9-H1450-10	ROTOR ASSY	1				
2	3D9-H1410-10	STATOR ASSY	1				
3	9131N-06030	BOLT	3				
4	9131N-06014	BOLT	2				



**FIG. 31 STARTING MOTOR**

REF. NO.	PART NO.	DESCRIPTION	27S1				REMARKS
1	3D9-H1800-00	STARTING MOTOR ASSY	1				
2	7CP-H1801-00	.BRUSH SET	1				
3	93210-55669	.O-RING	2				
4	4FP-H1828-01	.BOLT 2	2				
5	4FP-H182L-00	.O-RING 1	1				
6	3D9-H183G-00	.CORD COMP.	1				
7	9890N-05008	.SCREW, BIND	1				
8	9502L-06025	BOLT, FLANGE	2				

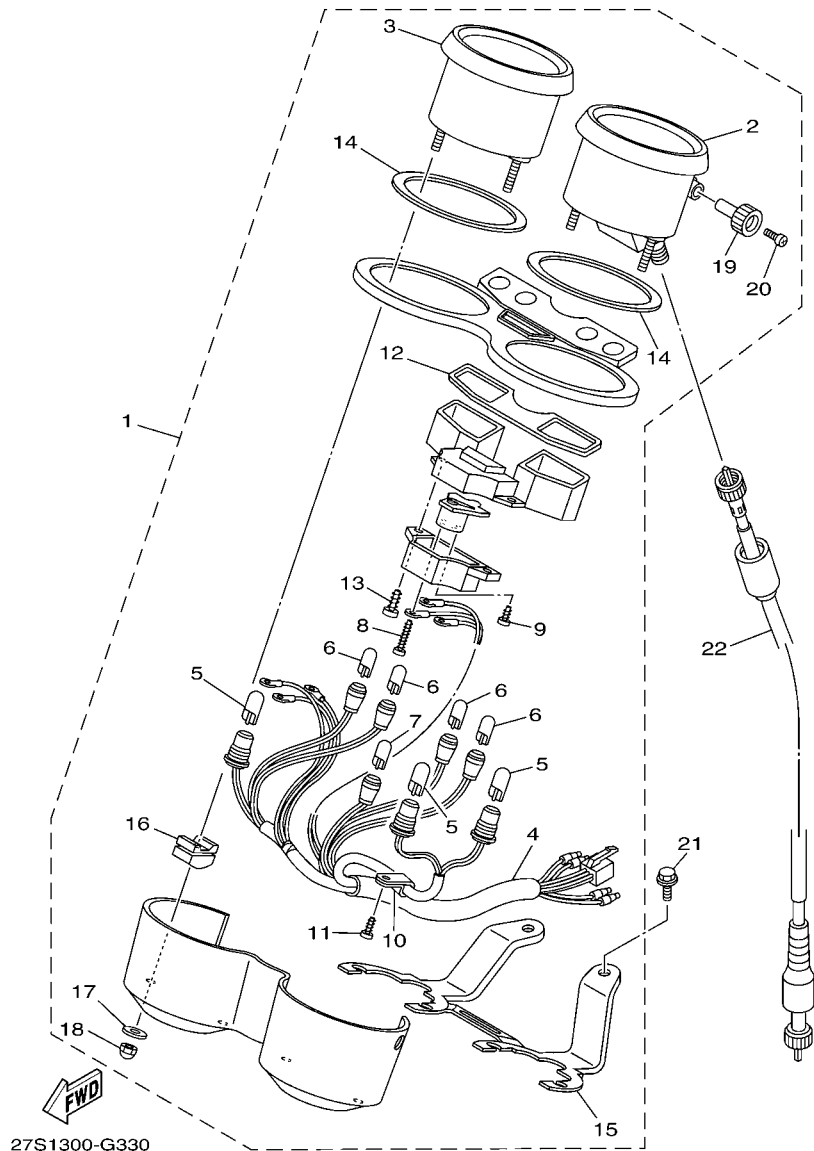


27S1300-G320

FIG. 32 FLASHER LIGHT

REF. NO.	PART NO.	DESCRIPTION	27S1				REMARKS
1	27S-H3310-00	FRONT FLASHER LIGHT ASSY 1	1				
2	3D9-H3311-10	.BULB, FLASHER (12V 10W)	1				
3	3D9-H333A-00	.LENS COMP	1				
4	3D9-H3333-10	.SCREW, LENS FITTING	1				
5	27S-H3320-00	FRONT FLASHER LIGHT ASSY 2	1				
6	3D9-H3311-10	.BULB, FLASHER (12V 10W)	1				
7	3D9-H334A-00	.LENS COMP	1				
8	3D9-H3333-10	.SCREW, LENS FITTING	1				
9	27S-H3330-00	REAR FLASHER LIGHT ASSY 1	1				
10	3D9-H3311-10	.BULB, FLASHER (12V 10W)	1				
11	3D9-H334A-00	.LENS COMP	1				
12	3D9-H3333-10	.SCREW, LENS FITTING	1				
13	27S-H3340-00	REAR FLASHER LIGHT ASSY 2	1				
14	3D9-H3311-10	.BULB, FLASHER (12V 10W)	1				
15	3D9-H333A-00	.LENS COMP	1				
16	3D9-H3333-10	.SCREW, LENS FITTING	1				
17	3D9-H3318-10	STAY, FLASHER 1	4				





**FIG. 33 METER**

REF. NO.	PART NO.	DESCRIPTION	27S1				REMARKS
1	27S-H3500-00	METER ASSY (KM/H)	1				UR
	27S-H3500-10	METER ASSY (MPH)	1				UR GBR
2	27S-H351A-00	.METER ASSY	1				UR
	27S-H351A-10	.METER ASSY	1				UR GBR
3	27S-H3540-00	.TACHOMETER ASSY	1				
4	27S-H3509-00	.SOCKET CORD ASSY	1				
5	3D9-H3517-00	.BULB (12V-1.7W T10)	3				
6	3D9-H3516-00	.BULB (14V-3W T6.5)	4				
7	3D9-H3518-00	.BULB, METER (12V-1.7W T6.5)	1				
8	3D9-H3549-00	.SCREW, TAPPING	3				
9	3D9-H3645-00	.SCREW, FUEL METER FITTING	1				
10	3D9-H357E-00	.CLAMP	1				
11	3D9-H3616-00	.SCREW, TAPPING	1				
12	3D9-H357K-00	.PACKING, METER	1				
13	3D9-H352S-00	.SCREW, PANEL FITTING	2				
14	3D9-H3541-00	.DAMPER	2				
15	3D9-H350E-00	.BRACKET	1				
16	3D9-H3543-00	.DAMPER, BRACKET	4				
17	3D9-H3524-00	.WASHER, SPECIAL	4				
18	3D9-H354P-00	.NUT	4				
19	3D9-H357H-00	.KNOB	1				
20	3D9-H353S-00	.SCREW, KNOB FITTING	1				
21	9502L-06016	BOLT, FLANGE	2				
22	3D9-H3550-00	SPEEDOMETER CABLE ASSY	1				

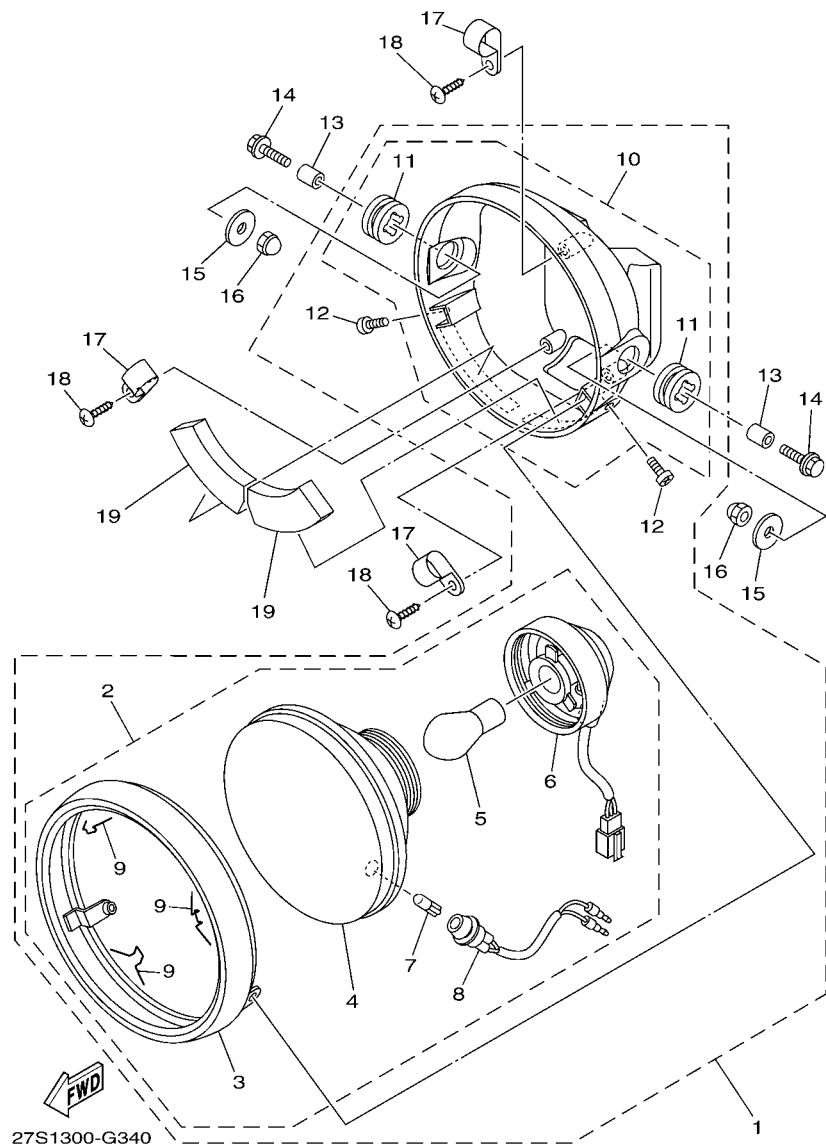
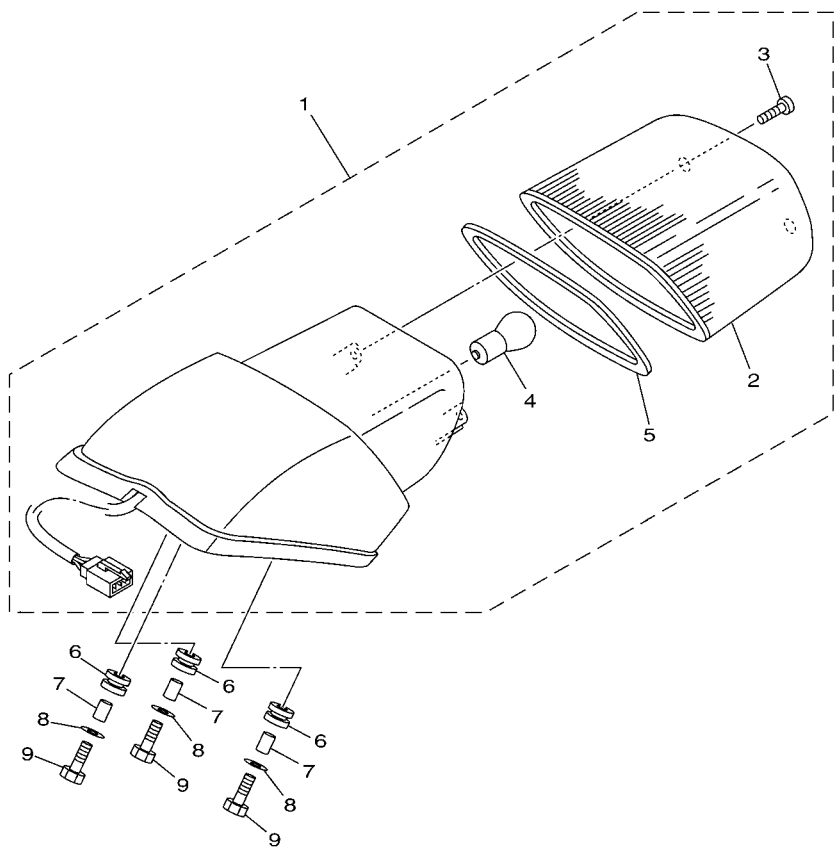


FIG. 34 HEADLIGHT

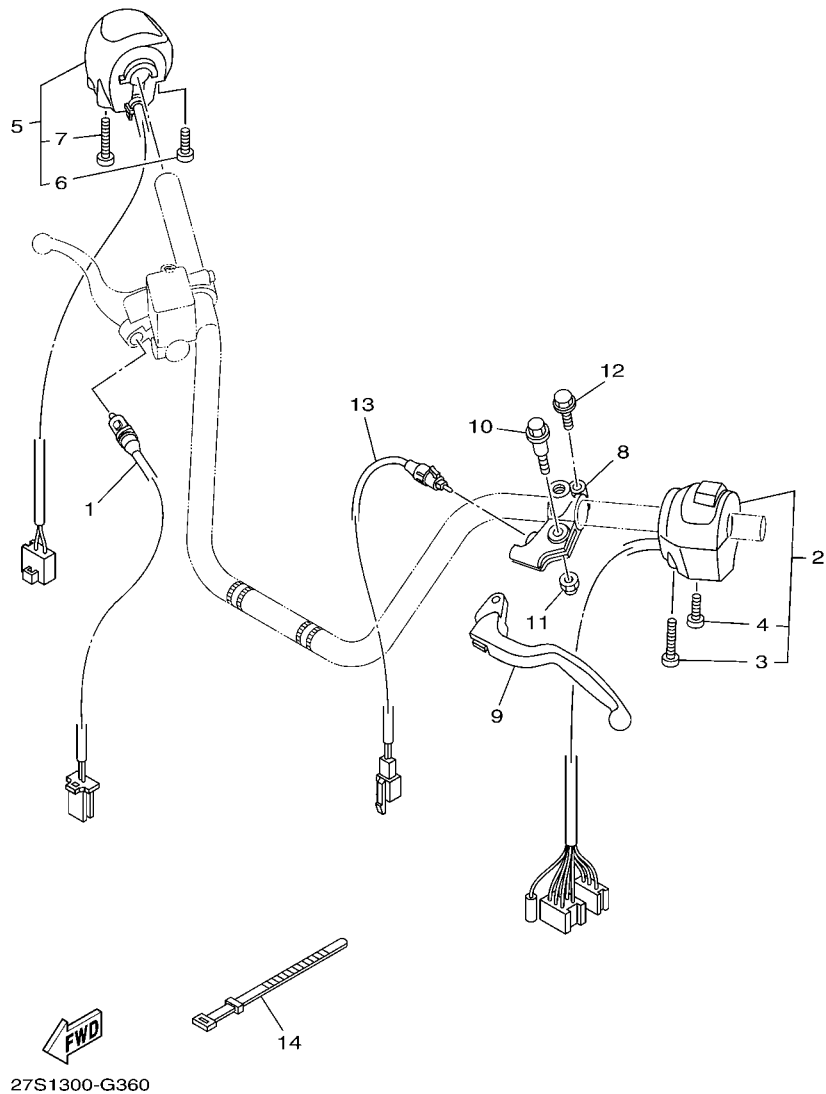
REF. NO.	PART NO.	DESCRIPTION	27S1				REMARKS
1	27S-H4300-00	HEADLIGHT ASSY	1				
2	3D9-H4303-00	..HEADLIGHT UNIT ASSY	1				
3	3D9-H4315-10	..RIM, HEADLIGHT	1				
4	3D9-H410A-00	..HEADLIGHT UNIT COMP.	1				
5	3D9-H4314-10	..BULB, HEADLIGHT (12V-35/35W)	1				
6	3D9-H4359-10	..CORD, HEADLIGHT	1				
7	3D9-H4347-10	..BULB (12V-5W)	1				
8	3D9-H4312-00	..CORD ASSY	1				
9	3D9-H4363-00	..SPRG. LAMP SET	3				
10	27S-H4330-00	..BODY ASSY	1				
11	3D9-H4345-00	..DAMPER, HEADLIGHT	2				
12	9851N-05012	..SCREW, PAN HEAD	2				
13	90387-08818	COLLAR	2				
14	95024-08025	BOLT, FLANGE	2				
15	90201-08835	WASHER, PLATE	2				
16	9530N-08800	NUT	2				
17	90461-15801	CLAMP	3				
18	97702-50516	SCREW, TAPPING	3				
19	27S-H4367-00	DAMPER, HEADLIGHT 2	2				

**FIG. 35 TAILLIGHT**



  
27S1300-G350

REF. NO.	PART NO.	DESCRIPTION	27S1				REMARKS
1	27S-H4700-00	TAILLIGHT ASSY	1				
2	27S-H4721-00	.LENS, TAILLIGHT	1				
3	27S-H4724-00	.SCREW, LENS FITTING	2				
4	2D0-H4714-00	.BULB (12V P21/5W)	1				
5	27S-H4718-00	.GROMMET	1				
6	90480-15882	GROMMET	3				
7	90387-064W3	COLLAR	3				
8	90201-06854	WASHER, PLATE	3				
9	9700N-06025	BOLT	3				



**FIG. 36 HANDLE SWITCH & LEVER**

REF. NO.	PART NO.	DESCRIPTION	27S1				REMARKS
1	3S9-H3980-00	FRONT STOP SWITCH ASSY	1				
2	3S9-H3973-00	SWITCH, HANDLE 3	1				
3	98507-05045	.SCREW, PAN HEAD	1				
4	98507-05025	.SCREW, PAN HEAD	1				
5	27S-H3976-00	SWITCH, HANDLE 1	1				
6	9850M-05030	.SCREW, PAN HEAD	1				
7	9850M-05050	.SCREW, PAN HEAD	1				
8	4FP-H2911-00	HOLDER, LEVER 1	1				
9	3D9-H3912-10	LEVER 1	1				
10	90109-06850	BOLT	1				
11	9560N-06100	NUT	1				
12	97590-06522	BOLT, WITH WASHER	1				
13	3S9-H2917-00	SWITCH	1				
14	4TU-H3936-00	BAND, SWITCH CORD	4				

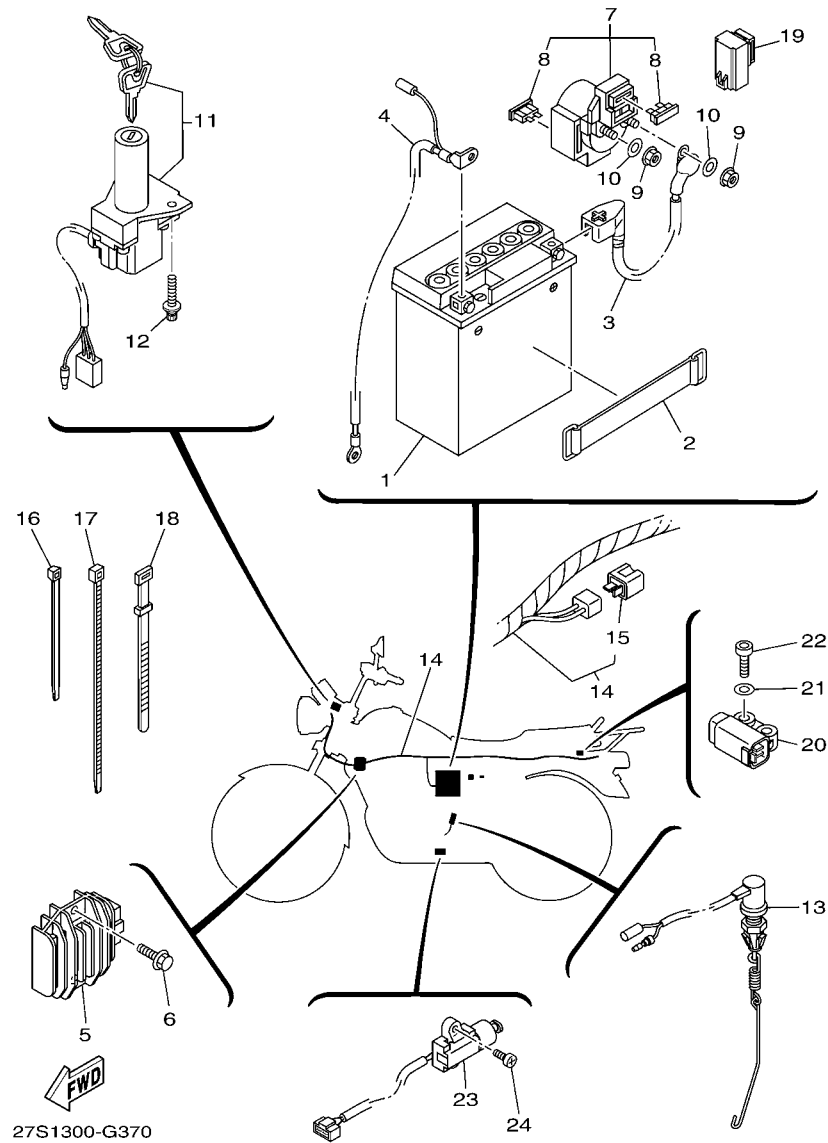
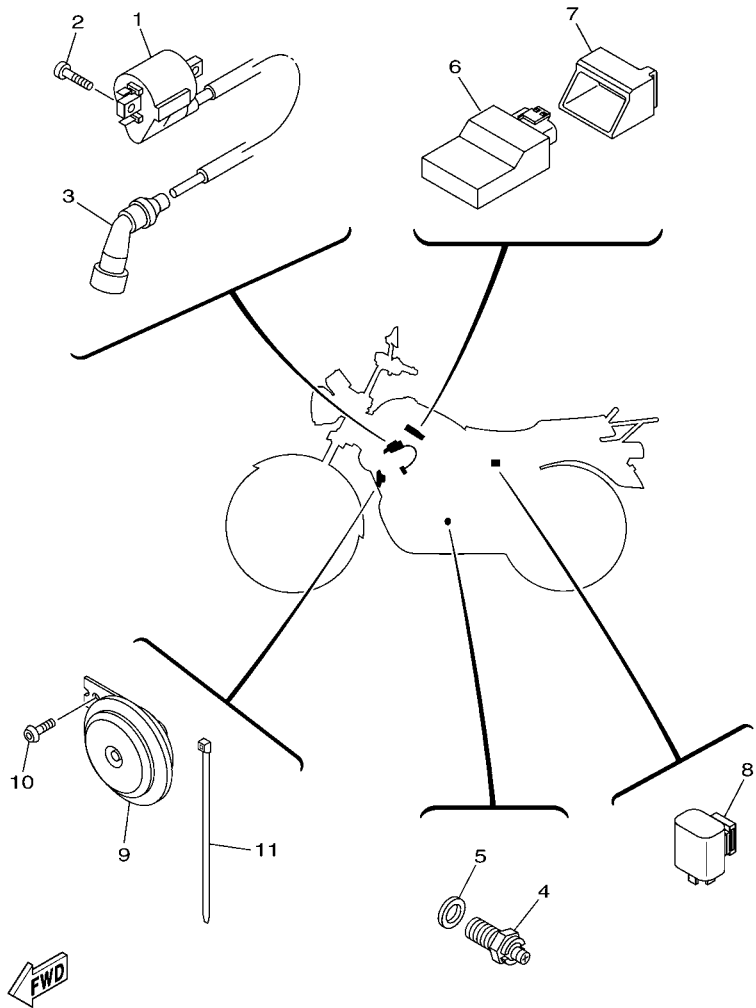


FIG. 37 ELECTRICAL 1

REF. NO.	PART NO.	DESCRIPTION	27S1				REMARKS
1	1S4-H2100-00	BATTERY ASSY (YTX7L-BS YUASA)	1				
2	5VL-H2131-00	BAND, BATTERY	1				
3	3S9-H2115-00	WIRE, PLUS LEAD	1				
4	3D9-H2116-01	WIRE, MINUS LEAD	1				
5	4HM-81960-01	RECTIFIER & REGULATOR ASSY	1				
6	9580N-06020	BOLT, FLANGE	2				
7	5VL-H1940-00	STARTER RELAY ASSY	1				
8	4FP-H2151-00	.FUSE (15A)	2				
9	9530N-06600	NUT	2				
10	9290N-06600	WASHER	2				
11	3D9-H2501-10	MAIN SWITCH STEERING LOCK	1				
12	90109-060G4	BOLT	2				
13	3S9-H2530-00	STOP SWITCH ASSY	1				
14	27S-H2590-00	WIRE HARNESS ASSY	1				
15	5VL-H1980-00	.DIODE ASSY	3				
16	90464-35820	CLAMP	3				
17	90464-70801	CLAMP	1				
18	5VL-H3936-00	BAND, SWITCH CORD	2				
19	3D9-81950-00	RELAY ASSY	1				
20	5PS-82576-01	LEAN ANGLE SENSOR	1				
21	90201-04325	WASHER, PLATE	2				
22	91312-04025	BOLT	2				
23	3LD-82566-60	SWITCH, SIDE STAND	1				
24	9850N-05014	SCREW, PAN HEAD	2				

FIG. 38 ELECTRICAL 2



27S1300-G380



REF. NO.	PART NO.	DESCRIPTION	27S1				REMARKS
1	1B9-82310-00	IGNITION COIL ASSY	1				
2	9850N-06016	SCREW, PAN HEAD	2				
3	4FP-H2370-01	PLUG CAP ASSY	1				
4	5VL-H2540-00	NEUTRAL SWITCH ASSY	1				
5	90430-10819	GASKET	1				
6	27S-8591A-00	ENGINE CONTROL UNIT ASSY	1				
7	3D9-H5546-10	BAND	1				
8	29G-83350-20	FLASHER RELAY ASSY	1				
9	27S-83371-00	HORN	1				
10	9201N-06012	BOLT, BUTTON HEAD	1				
11	90464-35820	CLAMP	1				
-----							
-----							
-----							
-----							
-----							
-----							

NUMERICAL INDEX

PART NO.	REF. NO.	PART NO.	REF. NO.	PART NO.	REF. NO.	PART NO.	REF. NO.	PART NO.	REF. NO.	PART NO.	REF. NO.
5KA-12113-00	3 - 5	5VL-E2111-00	3 - 1	27S-E4883-00	7 - 28	5VL-E8110-00	15 - 9	27S-F177G-00	18 - 18	5VL-F3346-00	21 - 35
5VL-12210-10	4 - 16	5VL-E2116-00	3 - 4	5VL-E5111-11	8 - 1	1KL-E8113-00	15 - 10	5VL-F1780-00	18 - 12	5VL-F334G-10	20 - 21
3D9-13750-10	6 - 13	5VL-E2117-01	3 - 7	5VL-E5121-01	8 - 2	5VL-E8140-00	15 - 1	27S-F1788-00	18 - 3	5LK-F3356-00	21 - 10
3D9-13770-00	6 - 6	5VL-E2118-00	3 - 6	5VL-E5191-00	9 - 10	4FP-E8177-00	15 - 3		18 - 7		21 - 26
27S-13907-00	22 - 26	5VL-E2119-00	3 - 3	5VL-E5362-00	9 - 19	5VL-E8337-00	15 - 2	27S-F1788-10	18 - 3	3D9-F3389-00	20 - 18
27S-13971-00	6 - 9	5VL-E2121-00	3 - 2	5VL-E5411-10	9 - 1	5VL-E8511-00	14 - 5		18 - 7	4FP-F3395-10	20 - 20
5JW-14104-00	6 - 16	5VL-E2151-00	3 - 8	3D9-E5418-01	9 - 12	5VL-E8512-00	14 - 6	27S-F1788-20	18 - 3	4FP-F3411-00	20 - 2
2S5-1410H-00	6 - 15	5VL-E2156-00	3 - 10	5VL-E5421-00	9 - 14	5VL-E8513-00	14 - 7		18 - 7	4FP-F3411-10	21 - 34
5CA-14147-00	6 - 7	5VL-E2171-10	4 - 1	5VL-E5441-00	8 - 12	5VL-E8531-00	14 - 8	3S9-F198F-00	22 - 17	1KL-F3412-00	20 - 1
1S4-14216-00	6 - 14	5VL-E2176-10	4 - 8	5VL-E5451-10	9 - 2	5VL-E8535-00	14 - 9	3S9-F198G-00	22 - 19	4FP-F3412-00	20 - 3
3D9-17151-00	13 - 2	5VL-E2213-10	4 - 17	5VL-E5461-10	9 - 15	27S-F1110-00-33	16 - 1	3S9-F2110-00-33	19 - 1	4GU-F3416-00	20 - 5
3D9-17251-00	13 - 14	5VL-E2231-10	4 - 12	5VL-E5512-00	11 - 1	27S-F118N-00	16 - 23	5VL-F2123-00	19 - 3	5VL-F3418-00	20 - 7
5AP-18185-00	14 - 2	5VL-E2241-10	4 - 13	5VL-E5517-00	11 - 5	27S-F128A-00	16 - 21	5VL-F2127-00	19 - 6	5VL-F341E-00	20 - 4
5PA-21568-01	22 - 5	5VL-E3300-00	5 - 1	5VL-E5521-00	11 - 2	5VL-F1316-00	16 - 2	5VL-F2128-00	19 - 4	5AP-F3427-00	21 - 12
3ME-2415E-01	22 - 6	5VL-E3324-00	5 - 11	5VL-E5532-00	11 - 3	5VL-F1317-00	16 - 7	5VL-F2141-00	19 - 7		21 - 28
1S4-24486-00	22 - 28	5VL-E3325-00	5 - 2	4FP-E5580-00	11 - 7	5VL-F1318-00	16 - 8	5VL-F2151-10	19 - 10	5VL-F3435-00-35	20 - 9
5EL-26280-10	27 - 10	5VL-E3329-00	5 - 6	4FP-E5598-00	4 - 14	3S9-F1513-01	17 - 2	3S9-F2210-30	19 - 15	3S9-F3441-00	20 - 13
5EL-26290-10	27 - 11	4FP-E3411-00	5 - 10	47V-E5618-00	10 - 11	5VL-F1518-01	17 - 4	27S-F2311-00	19 - 11	4TU-F3479-00	21 - 9
3D9-81950-00	37 - 19	5VL-E3451-00	5 - 12	5VL-E5620-00	10 - 10	3S9-F1571-00	17 - 5	27S-F3102-00	21 - 1		21 - 25
4HM-81960-01	37 - 5	3D9-E3474-00	6 - 30	4FP-E5641-00	10 - 2	3S9-F1571-10	17 - 5	27S-F3103-00	21 - 17	2B9-F411B-00	22 - 2
1B9-82310-00	38 - 1	3D9-E3556-00	6 - 2	5VL-E5651-00	10 - 7	3S9-F1571-40	17 - 5	3D9-F3106-10	21 - 2	12B-F4135-00	6 - 10
3LD-82566-60	37 - 23	3D9-E3575-00	6 - 17	5VL-E5660-00	10 - 1	3S9-F1572-00	17 - 6	3D9-F3107-10	21 - 18	27S-F4141-00	22 - 7
5PS-82576-01	37 - 20	3D9-E3578-00	6 - 32	4FP-E5666-00	10 - 6	3S9-F1572-10	17 - 6	3S9-F3110-00	21 - 6	27S-F414E-00	22 - 25
29G-83350-20	38 - 8	3D9-E3585-00	6 - 1	5VL-E6111-00	12 - 1	3S9-F1572-40	17 - 6		21 - 22	27S-F414G-00	22 - 24
27S-83371-00	38 - 9	3D9-E3586-00	6 - 12	5VL-E6150-00	12 - 6	27S-F1613-00	17 - 10	5VL-F3111-00	21 - 15	27S-F414H-00	22 - 8
4P9-83591-00	1 - 22	3D9-E3595-00	6 - 3	5VL-E6154-00	12 - 7	5VL-F1621-00	17 - 19		21 - 31	27S-F414J-00	22 - 30
27S-8591A-00	38 - 6	27S-E4411-00	6 - 19	5VL-E6164-10	12 - 17	3D9-F1668-00	19 - 14	5VL-F3118-00	21 - 13	27S-F414K-00	22 - 18
3D9-E1111-00	1 - 1	5VL-E4412-00	6 - 20	5VL-E6300-00	12 - 5	3S9-F1675-00	17 - 9		21 - 29	27S-F414N-00	22 - 20
5VL-E111F-00	4 - 6	3D9-E4417-00	6 - 31	5VL-E6321-00	12 - 9	3S9-F1675-10	17 - 9	3S9-F3141-00	21 - 11	4FP-F4181-00	22 - 11
5VL-E1133-00	1 - 2	5VL-E4424-00	6 - 28	5VL-E6324-00	12 - 10	3S9-F1675-40	17 - 9		21 - 27	5VL-F4182-00	22 - 13
5VL-E1134-00	1 - 3	3D9-E4437-01	6 - 23	5VL-E6333-00	12 - 12	27S-F1685-00	17 - 16	4GU-F3144-00	21 - 5	3S9-F4183-00	22 - 12
3D9-E113F-00	7 - 17	3D9-E443E-00	6 - 27	5VL-E6337-00	12 - 13	3S9-F171E-00	16 - 16		21 - 21	3S9-F4244-00	22 - 3
5VL-E1161-00	1 - 8	5VL-E4450-10	6 - 21	5VL-E6351-00	12 - 11	3S9-F171X-00	16 - 17	4GU-F3145-00	21 - 3	3S9-F4244-10	22 - 3
5VL-E1166-00	8 - 4	3D9-E4452-00	6 - 24	5VL-E6357-00	12 - 21	27S-F172P-00	18 - 4		21 - 19	3S9-F4244-20	22 - 3
4FP-E1167-00	8 - 3	3D9-E4453-00	6 - 22	5VL-E6371-00	12 - 8	3S9-F173E-00	18 - 2	5AP-F3147-00	21 - 14	3S9-F4245-00	22 - 4
5VL-E1181-00	1 - 16	3D9-E4462-00	6 - 25	5VL-E6381-00	12 - 22	3S9-F173E-10	18 - 2		21 - 30	3S9-F4245-10	22 - 4
5VL-E1185-10	1 - 7	5VL-E4613-00	7 - 13	5VL-E7121-00	13 - 3	3S9-F173E-20	18 - 2	5AP-F3153-00	21 - 4	3S9-F4245-20	22 - 4
5VL-E1186-00	1 - 11	27S-E4728-00	7 - 3	5VL-E7131-00	13 - 4	3S9-F173F-00	18 - 6		21 - 20	27S-F4491-00	22 - 27
5VL-E1310-00	1 - 19	3S9-E4737-00	7 - 6	5VL-E7141-00	13 - 5	3S9-F173F-10	18 - 6	5VL-F3165-00	20 - 12	5VL-F4610-01	22 - 16
5VL-E1351-10	1 - 20	27S-E4738-00	7 - 10	5VL-E7211-00	13 - 20	3S9-F173F-20	18 - 6	5AP-F3166-00	21 - 8	27S-F4730-00	23 - 1
5VL-E1422-00	2 - 6	27S-E4748-00	7 - 11	5VL-E7221-00	13 - 15	27S-F173P-00	18 - 8		21 - 24	4TU-F4741-00	7 - 5
5VL-E1454-10	2 - 8	27S-E4758-00	7 - 2	5VL-E7231-00	13 - 16	5VL-F1746-00	18 - 19	5VL-F3168-00	21 - 16		23 - 2
5VL-E1496-00	2 - 9	27S-E4799-00	7 - 4	5VL-E7241-00	13 - 19	3D9-F1747-00	18 - 20		21 - 32	27S-F474A-00	23 - 4
5VL-E1533-00	2 - 10	3D9-E4803-00	7 - 26	5VL-E7411-00	13 - 1	3S9-F1747-00	16 - 18	3S9-F3170-00	21 - 7	27S-F474W-00	23 - 5
5VL-E1631-00	2 - 15	5VL-E4815-00	7 - 18	5VL-E7421-00	13 - 12	27S-F174P-00	18 - 9		21 - 23	27S-F4841-00	23 - 7
5VL-E1633-00	2 - 16	27S-E4873-00	7 - 23	3D9-E7456-00	13 - 28	27S-F174X-00	18 - 21	3D9-F3174-10	20 - 15	4GU-F5118-00	24 - 11
5VL-E1651-00	2 - 5	3D9-E4881-00	7 - 20	5VL-E7471-00	13 - 10	3D9-F174Y-00	18 - 22	4FP-F317J-00	20 - 17	4GU-F511X-00	24 - 9
5VL-E1681-00	2 - 3	27S-E4882-00	7 - 25	5VL-E8101-00	15 - 7	5VL-F1778-00	18 - 11	3S9-F331X-00	21 - 33	27S-F5168-00-33	24 - 1

NUMERICAL INDEX

PART NO.	REF. NO.	PART NO.	REF. NO.	PART NO.	REF. NO.	PART NO.	REF. NO.	PART NO.	REF. NO.	PART NO.	REF. NO.
27S-F5168-00-35	24 - 1	5VL-F628J-10	27 - 5	4FP-H2911-00	36 - 8	3S9-H3980-00	36 - 1	27S-Y2172-00-2X	18 - 5	90201-06850	22 - 23
5VL-F5181-10	24 - 7	27S-F6311-00	27 - 4	3S9-H2917-00	36 - 13	3D9-H410A-00	34 - 4	90101-06848	26 - 14	90201-06854	35 - 8
3D9-F5188-00	24 - 13	27S-F6335-00	27 - 6	27S-H3310-00	32 - 1	27S-H4300-00	34 - 1	90101-08820	4 - 10	90201-06857	19 - 13
4GU-F5190-00	24 - 8	5VL-F6372-01	27 - 7	3D9-H3311-10	32 - 2	3D9-H4303-00	34 - 2	90101-10816	29 - 22	90201-07641	5 - 4
5VL-F5321-01-33	26 - 8	3S9-F7111-00	29 - 1		32 - 6	3D9-H4312-00	34 - 8	90105-08724	1 - 13	90201-08088	17 - 13
5VL-F5321-01-35	26 - 8	5VL-F7112-10	29 - 2		32 - 10	3D9-H4314-10	34 - 5	90105-08802	16 - 9	90201-08326	4 - 9
27S-F5338-00-33	26 - 1	3D9-F7115-00	29 - 3		32 - 14	3D9-H4315-10	34 - 3	90105-08803	16 - 10	90201-08835	34 - 15
27S-F5338-00-35	26 - 1	3D9-F7211-00	29 - 7	3D9-H3318-10	32 - 17	27S-H4330-00	34 - 10	90105-08873	16 - 12	90201-08840	7 - 16
4GU-F533A-00	26 - 16	5VL-F7231-00	29 - 9	27S-H3320-00	32 - 5	3D9-H4345-00	34 - 11	90105-08874	16 - 4		29 - 18
4GU-F5351-01	26 - 12	27S-F7311-00	29 - 20	27S-H3330-00	32 - 9	3D9-H4347-10	34 - 7	90105-08882	16 - 13	90201-088C3	1 - 14
5VL-F5355-00	26 - 13	3S9-F7313-00	29 - 24	3D9-H3333-10	32 - 4	3D9-H4359-10	34 - 6	90105-10831	25 - 15	90201-088P2	22 - 14
1KL-F5364-00	26 - 7	3D9-F7411-00	29 - 15		32 - 8	3D9-H4363-00	34 - 9	90109-060G4	37 - 12	90201-10128	1 - 23
5VL-F5366-00	26 - 17	5VL-F7413-00	29 - 16		32 - 12	27S-H4367-00	34 - 19	90109-06838	23 - 8	90201-10831	29 - 25
5VL-F5371-00	26 - 27	5VL-F7414-00	29 - 38		32 - 16	27S-H4700-00	35 - 1	90109-06850	36 - 10	90201-108C7	19 - 16
5VL-F5377-00	26 - 35	5VL-F7430-00	29 - 29	3D9-H333A-00	32 - 3	2D0-H4714-00	35 - 4	90109-08847	26 - 28	90201-108J9	28 - 15
5VL-F5381-00	26 - 32	5VL-F7433-00	29 - 30		32 - 15	27S-H4718-00	35 - 5	90109-08848	26 - 29	90201-122H1	2 - 21
5VL-F5386-00	26 - 34	5VL-F7440-00	29 - 32	27S-H3340-00	32 - 13	27S-H4721-00	35 - 2	90109-08864	26 - 22		12 - 3
5VL-F5387-00	26 - 20	5VL-F7444-00	29 - 33	3D9-H334A-00	32 - 7	27S-H4724-00	35 - 3	90111-05806	22 - 9	90201-12819	19 - 9
5VL-F5388-00	26 - 36	5VL-F7445-00	29 - 31		32 - 11	3D9-H5546-10	38 - 7	90111-06812	23 - 6	90201-152H7	10 - 8
5LK-F5412-00	26 - 23		29 - 34	27S-H3500-00	33 - 1	3D9-W0041-00	28 - 2	90111-08805	25 - 2	90201-15700	13 - 21
3S9-F5443-00	26 - 21	3S9-F7452-00	29 - 26	27S-H3500-10	33 - 1	4S5-W0045-00	25 - 6	90119-06869	6 - 29	90201-20266	13 - 6
3D9-F580U-00	25 - 3	27S-F7462-00	29 - 27	27S-H3509-00	33 - 4	4S5-W0047-00	25 - 5		17 - 14		13 - 17
3D9-F582U-10	25 - 1	3D9-F8100-00	16 - 24	3D9-H350E-00	33 - 15	4S5-W0048-00	25 - 7		18 - 23	90201-20272	13 - 23
3D9-F583T-11	28 - 1	5VL-F811G-00	16 - 25	3D9-H3516-00	33 - 6	4S5-W0057-00	25 - 4		23 - 3	90201-208D5	10 - 4
4KL-F5852-00	28 - 6	27S-F8199-E0	16 - 26	3D9-H3517-00	33 - 5	3D9-W1140-00	2 - 1	90119-06879	17 - 11	90201-228F6	18 - 15
4KL-F5854-00	28 - 4	27S-F8199-F0	16 - 26	3D9-H3518-00	33 - 7	3D9-W1141-00	2 - 2	90123-08813	27 - 8	90201-258D7	11 - 6
4KL-F585B-00	28 - 5	27S-F8199-G0	16 - 26	27S-H351A-00	33 - 2	5VL-W1161-00	2 - 18	90149-06830	14 - 4	90202-05180	22 - 10
3D9-F5865-00	28 - 12	27S-F8199-H0	16 - 26	27S-H351A-10	33 - 2	27S-W2161-00-P0	17 - 8	90153-06803	1 - 5	90202-26142	20 - 8
4KL-F5867-00	28 - 11	27S-F8199-S0	16 - 26	3D9-H3524-00	33 - 17	27S-W2161-00-P1	17 - 8	90153-08804	26 - 38	90208-07052	5 - 5
3D9-F586F-00	28 - 10	3D9-H1410-10	30 - 2	3D9-H352S-00	33 - 13	27S-W2161-00-P2	17 - 8	90155-06800	5 - 7	90208-26800	2 - 11
27S-F5872-00	28 - 13	3D9-H1450-10	30 - 1	3D9-H353S-00	33 - 20	27S-W2411-00-P0	22 - 1	90170-12060	12 - 19	90209-16802	24 - 14
5VL-F5875-01	28 - 18	3D9-H1800-00	31 - 1	27S-H3540-00	33 - 3	27S-W2411-00-P1	22 - 1	90170-22850	18 - 13	90215-12211	12 - 18
5VL-F5876-00	28 - 19	7CP-H1801-00	31 - 2	3D9-H3541-00	33 - 14	27S-W2411-00-P2	22 - 1	90176-10810	19 - 17	90249-06800	29 - 35
3S9-F5886-00	28 - 17	4FP-H1828-01	31 - 4	3D9-H3543-00	33 - 16	3D9-W2533-00	26 - 9	90176-22801	20 - 11	90249-12808	29 - 13
3S9-F5887-00	28 - 16	4FP-H182L-00	31 - 5	3D9-H3549-00	33 - 8	5VL-Y1153-20	2 - 7	90179-06826	29 - 14	90267-48854	17 - 3
4KL-F5896-00	28 - 3	3D9-H183G-00	31 - 6	3D9-H354P-00	33 - 18	5VL-Y1215-00	3 - 9	90179-08639	26 - 24	90280-03017	2 - 20
3D9-F589F-00	28 - 9	5VL-H1940-00	37 - 7	3D9-H3550-00	33 - 22	27S-Y1441-00	6 - 18	90179-08862	27 - 9	90282-05001	12 - 2
4KL-F589H-00	28 - 7	5VL-H1980-00	37 - 15	3D9-H357E-00	33 - 10	27S-Y1471-00	7 - 1	90179-12813	10 - 12	90331-07031	13 - 13
4S5-F5917-00	25 - 12	1S4-H2100-00	37 - 1	3D9-H357H-00	33 - 19	5VL-Y1635-00	12 - 14		12 - 4	90338-06801	17 - 17
4S5-F5919-00	25 - 11	3S9-H2115-00	37 - 3	3D9-H357K-00	33 - 12	5VL-Y1854-01	14 - 1	90179-12863	2 - 22	90338-18815	16 - 15
4S5-F5921-00	25 - 8	3D9-H2116-01	37 - 4	3D9-H3616-00	33 - 11	3S9-Y2151-01-P0	17 - 1	90179-25806	20 - 6	90340-12097	5 - 8
4S5-F5924-00	25 - 13	5VL-H2131-00	37 - 2	3D9-H3645-00	33 - 9	3S9-Y2151-02-P2	17 - 1	90185-10813	29 - 23	90340-14810	9 - 6
4S5-F5925-00	25 - 14	4FP-H2151-00	37 - 8	3D9-H3912-10	36 - 9	3S9-Y2151-03-P1	17 - 1	90201-04325	37 - 21	90340-32812	9 - 8
4S5-F5937-00	25 - 9	4FP-H2370-01	38 - 3	3D9-H3922-01	28 - 8	3S9-Y2171-01-2X	18 - 1	90201-05802	20 - 23	90386-18099	19 - 2
4S5-F5939-00	25 - 10	3D9-H2501-10	37 - 11	4TU-H3936-00	36 - 14	3S9-Y2171-10-0X	18 - 1	90201-05803	7 - 8	90387-064W3	35 - 7
27S-F6111-00	27 - 1	3S9-H2530-00	37 - 13	5VL-H3936-00	37 - 18	3S9-Y2171-10-1X	18 - 1	90201-05804	7 - 9	90387-08818	34 - 13
5VL-F6240-10	27 - 2	5VL-H2540-00	38 - 4	3S9-H3973-00	36 - 2	27S-Y2172-00-0X	18 - 5	90201-06850	16 - 20	90387-15809	26 - 2
5VL-F6241-10	27 - 3	27S-H2590-00	37 - 14	27S-H3976-00	36 - 5	27S-Y2172-00-1X	18 - 5		18 - 17	90387-158K1	24 - 10



NUMERICAL INDEX

PART NO.	REF. NO.	PART NO.	REF. NO.	PART NO.	REF. NO.	PART NO.	REF. NO.	PART NO.	REF. NO.	PART NO.	REF. NO.
90387-16804	4 - 4	9201N-06012	38 - 10	94130-18827	24 - 5	9700N-05012	20 - 22				
90401-10811	28 - 14	9290N-06200	12 - 15	94135-16801	26 - 25	9700N-06012	19 - 12				
90430-06817	1 - 6		29 - 11	94568-A4090	4 - 11	9700N-06016	16 - 19				
	4 - 19		29 - 36	94568-B8118	26 - 39		22 - 22				
90430-10819	38 - 5	9290N-06600	37 - 10	94700-00869	1 - 15	9700N-06025	35 - 9				
90430-12227	5 - 9	93101-10800	9 - 21	95024-08025	34 - 14	9700N-08016	22 - 15				
90445-12800	29 - 6	93101-12812	15 - 4	95027-06025	28 - 21	9701N-08020	17 - 12				
90461-15801	34 - 17	93102-12802	12 - 24	9502L-06016	4 - 18	9702N-06020	15 - 11				
90462-16801	8 - 6	93102-20854	13 - 25		28 - 20	97590-06522	36 - 12				
90464-16804	17 - 18	93102-20857	24 - 4		33 - 21	97607-06220	6 - 26				
90464-35820	37 - 16	93104-22802	26 - 5	9502L-06020	1 - 10	97702-50516	34 - 18				
	38 - 11	93106-26804	26 - 19	9502L-06025	31 - 8	9770M-40512	6 - 11				
90464-70801	37 - 17	93109-18802	19 - 5	9502L-06030	8 - 8	9770N-50012	22 - 21				
90467-12828	8 - 5	93109-20806	10 - 13	9502L-06035	9 - 4	98507-05025	36 - 4				
90467-14802	7 - 29	93210-108B1	4 - 3		9 - 17	98507-05045	36 - 3				
90467-16800	7 - 21	93210-14899	9 - 7	9502L-06045	8 - 9	9850M-05030	36 - 6				
90467-18806	7 - 24	93210-19809	9 - 20		9 - 18	9850M-05050	36 - 7				
90467-19801	7 - 22	93210-32809	6 - 4	9502L-06050	9 - 5	9850N-05014	27 - 12				
90468-26813	10 - 3	93210-328A4	9 - 9	9502L-06055	8 - 10		37 - 24				
90480-13837	18 - 10	93210-42807	26 - 6	9502L-08035	20 - 14	9850N-06016	38 - 2				
90480-15882	35 - 6	93210-44889	1 - 12	9502L-08040	20 - 10	9851L-06012	11 - 4				
90480-24186	18 - 14	93210-55669	31 - 3	9530N-06600	12 - 16		13 - 11				
90501-10806	29 - 12	93210-57897	1 - 21		26 - 15	9851N-05012	34 - 12				
90501-16001	2 - 12	93210-79801	1 - 9		37 - 9	9851N-06010	9 - 11				
90506-12801	26 - 10	93306-002Y1	4 - 5	9530N-08800	34 - 16	9890L-06012	9 - 13				
90506-15802	26 - 11	93306-003X6	4 - 2	9531L-08600	26 - 37	9890L-06020	18 - 16				
90506-20814	29 - 5	93306-004YL	26 - 18	95604-12200	19 - 8	9890M-06012	7 - 12				
90506-23014	29 - 21	93306-201Y8	13 - 8	9560L-14200	24 - 12	9890N-05008	31 - 7				
90506-32808	29 - 4	93306-202XP	13 - 26		26 - 33	98980-06012	7 - 7				
90508-16800	12 - 23	93306-202Y4	24 - 3	9560N-06100	36 - 11	99001-05600	5 - 3				
90508-26836	10 - 5		26 - 3	9560N-06200	17 - 15		29 - 37				
90508-32801	15 - 5	93306-203YT	13 - 9	9570L-08500	16 - 6	99001-10600	15 - 6				
90508-40801	29 - 8	93306-204YD	13 - 24		16 - 11	99009-15400	10 - 9				
90560-15293	24 - 2	93306-205XJ	2 - 14		16 - 14		13 - 22				
91312-04025	37 - 22	93306-252X5	26 - 4		26 - 30	99009-20500	12 - 25				
91314-06020	7 - 14	93306-252X8	2 - 19	9570L-10500	16 - 5	99530-10114	1 - 17				
9131M-06016	7 - 19	93310-629Y3	2 - 4	9580N-06020	4 - 15		8 - 7				
9131M-06030	6 - 5	93410-20809	13 - 7		37 - 6		8 - 11				
9131N-05010	13 - 29		13 - 18	9581L-10080	16 - 3		9 - 3				
9131N-06012	4 - 7	93440-10109	1 - 4	9581N-08020	7 - 15		9 - 16				
9131N-06014	30 - 4	93450-16812	2 - 17		29 - 17						
9131N-06030	30 - 3	93503-16824	12 - 20		29 - 28						
9131N-06090	1 - 18	93604-08800	2 - 13	9581N-08025	29 - 19						
9131N-08025	11 - 8	93604-10837	14 - 3	9582L-06016	17 - 7						
91401-20012	26 - 31	93608-30839	15 - 8		20 - 16						
	29 - 10	93822-14813	13 - 27	9582N-06012	16 - 22						
9201N-05016	22 - 29	93900-00819	24 - 6		20 - 19						
9201N-06012	7 - 27		26 - 26	9582N-06030	6 - 8						