

1993-96

LH = CHRYSLER DODGE EAGLE

PARTS CATALOG

**ILLUSTRATIONS AND TEXT
BODY - CHASSIS - TRIM**

**LP41 = CONCORDE
CH41 = NEW YORKER
DH41, DP41 = INTREPID
XP41 = VISION
CP41 = LHS**

81-690-1943
SUPERSEDES
81-690-1847

GENERAL
INFORMATION

1993-96 (LH) CHRYSLER-DODGE-EAGLE
PARTS CATALOG

Page INF - 1

This publication contains Parts Information for all 1993-96 LH=Chrysler-Intrepid-Vision-Concorde.

The use of this Parts Catalog and the arrangement of information herein is explained in the General Information Section as indexed below.

INDEX TO INFORMATION PAGES

● ABBREVIATIONS	INF-11-14
● ALPHABETICAL INDEX.	INF- 5
● BODY PLATE INTERPRETATION.	INF- 8
● BUILD DATE MO. AND YR.	INF- 8
● COLOR CODED OR COMBINED PART NUMBERS.	INF- 6
● GROUP SYSTEM.	INF- 3
● HOW TO LOCATE PARTS.	INF- 2
● ILLUSTRATION INDEX.	INF- 5
● INTERIOR TRIM.	INF- 6
● INTERNATIONAL SYMBOLS.	INF-15
● METRIC CONVERSION TABLE	INF-10
● NEWPART INDEX.	INF- 5
● NUMERICAL INDEX.	INF- 5
● PAGE NUMBERING	INF- 4
● PARTS CATALOG REVISION SERVICE.	INF- 5
● PARTS PACKAGES.	INF- 5
● PRICE CLASS (SERIES) INFORMATION.	INF-7 & 8
● PRODUCT BULLETINS.	INF- 5
● RIGHT AND LEFT PART NUMBERS	INF- 4
● SALES CODES.	INF- 9
● SPECIFYING INFORMATION.	INF- 4
● STANDARD PARTS	INF- 5
● SYMBOLS USED IN THIS CATALOG.	INF- 4
● VIN PLATE IDENTIFICATION.	INF- 7

HOW TO USE THIS CATALOG AND LOCATE PARTS

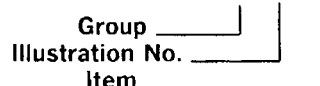
This Catalog is divided into Part Groups in which illustrations for parts of a similar function and/or location are published. The Group Contents listing on the next page shows the type of parts contained in each group. Tabs are provided or available to separate each group.

Several methods may be used to locate a specific part:

Option 1: From the Group Contents listing, select the group which would most logically contain the part to be found. Or open the catalog to Group 1, Master Group Illustration Index. Select the illustration group most likely to contain the parts associated. Turn to the Illustration Index in front of that group to select illustration and locate the parts item numbers and associated text information

Option 2: If the "noun" name of the part you seek is known, an alphabetical index of Nouns and illustration titles is provided to assist in finding the part. Several keys may be found in this index.

RESERVOIR Power Strng. Oil Pump.	Group 19	Group Reference
ALTERNATOR , 3.3L Engine.	8-200	Illustration Reference
STARTER08-105-1	Illustration/Item Reference



Option 3: If the part number is known but the applications need to be determined, refer to the numerical index. This index shows the group, illustration number and item for each part listed in the catalog. Multiple references mean the part is listed more than once.

PART GROUP - TITLES & CONTENT

GROUP	CONTENTS
INF	Information Section
AL	Alphabetical Index
NE	Newpart Index
IL	Illustration Index (All Groups)
1	Master Index
2	Front Suspension & Drive Front Suspension Components. . . Steering Knuckles Front Drive Shafts, Axles, Locking Hubs. . . Front Differential
4	Parking Brake Controls
5	Service Brakes Brake Controls and Mechanism. . . Brake Warning Switch, Park Brake Components within the Wheel. . . Wheel Hardware, Bearings and Seals
7	Cooling Front Grille, Grille Support, Radiator Supports, Headlamp Supports. . . Radiators, Fans and Fan Motors, Hoses, Thermostats. . . Transmission Cooling. . . Water Pumps. . . Drive Belts and Pulleys . . . Turbocharger Cooling
8	Electrical Switches, Relays, Solenoids, Sensors, . . . Battery Trays. . . Engine Electrical. . . Starters, Alternators, Distributors. . . Front, Rear, Interior Lamp. . . Body Wiring. . . Horn
8A	Instrument Panel and Console Instrument Panel and Console Electrical Parts, Clusters, Switches, Wiring. . . All Hard and Soft Trim Parts. . . Radio, Speakers and Antenna
9 (A, B. . .)	Engine (By Engine Type) Engine Components. . . Engine Oil System. . . Flywheels, Torque Converters . . . Engine Mounting
11	Exhaust Exhaust System Components. . . Heat Shields
13	Frame, Bumper & Fascia Frame Components, Crossmembers. . . Bumper and Fascia Components. . .
14	Fuel Accelerator Pedal, Linkage, Throttle Control. . . Air Cleaner. . . Carburetors Throttle Body and Injection Components . . . Fuel Lines, Fuel Tank. . . Fuel Pump . . . Turbocharger Components. . . Speed Control

GROUP	CONTENTS
17	Rear Suspension Rear Suspension Components
19	Steering Steering Wheels, Column. . . Power Steering Pump. . . Steering Gear. . . Steering Linkage, Tie Rods
21A	Automatic Transmission Automatic Transmission, Transaxle and Components. . . Gearshift Controls. . . Speedometer Pinion and Cable
22	Wheels Wheel Rims. . . Wheel Covers, Hubcaps . . . Jack and Spare Tire Storage
23	Exterior Ornamentation Exterior Ornamentation, Tape Stripes, Decals. . . Exterior Moldings. . . Vinyl Roof and Trim Ground Effects Pkgs.
23A	Body-Sheet Metal Except Doors Body Metal. . . Stationary Glass. . . Sunroof. . . Convertible Top. . . Hood and Deck Release
23C	Body-Doors and Related Parts Door Metal. . . Door Hardware. . . Door Glass. . . and Regulator. . . Door Mirrors . . . Weatherstrips
23D	Body-Miscellaneous Lock Cylinders and Keys. . . Windshield Washer/Wiper System
IT	Interior Trim (By Body Code) All Interior Trim Except Dash and Console. . . Seats and Seat Belts. . . Seat Adjusters, Manual and Power. . . Carpet. . . Interior Panels and Moldings . . . Security/Tonneau Covers
24	Heater and Air Heater, Air Conditioning System and Controls
25	Emission Systems Air Pump. . . EGR System. . . Vapor Canister
NU	Numerical Index

PAGE NUMBERING

Two-part page numbers are used throughout this catalog. The first part of the page designation indicates one major group or section. The second part indicates the actual page number in the group. For example:

- 2-1 indicates Group 2, Front Suspension, Page 1
- 4-4 indicates Group 4 Parking Brakes, Page 4

In the maintenance of the Loose Leaf Parts Catalog Revision Service, it may become necessary to add information beyond the capacity of the page. In this event, an "A" page will be used. For example, if it becomes necessary, because of change, to add several part numbers to page 2-1 and space does not permit the addition, you will be given Page 2-1A. Page 2-1A should be filed immediately following Page 2-1

Figure and Item Numbers are also commonly used to identify locations in this Catalog, i.e., 14-910/8 refers to Group 14, illustration 910, Item Number 8. Illustration Numbers are always ascending sequential within the Groups

RIGHT AND LEFT PART NUMBERS

Right and Left part numbers are frequently combined on one line, e.g., 3514 444-5. Such numbers are interpreted as 3514 444 Right side application and 3514 445 Left Side. Right and Left Sides are always determined by their relationship to the driver when normally seated and looking forward.

SYMBOLS USED IN THIS PARTS CATALOG

The following symbols are commonly used with Part Number and quantity information in this Catalog:

BOLD TYPE - European only.

AR - Indicates the quantity required may vary or is to be determined by the user.

PAR - Indicates Paint As Required.

— - Indicates Item Not Illustrated.

SPECIFYING INFORMATION

The following information is included in this Parts Catalog:

- | | |
|--|---|
| 1. Part Name. | 7. Effective points of model year running changes are indicated by vehicle serial number, engine number or body number where applicable. When serial number effective points are not available, production effective dates are used. (Refer to the Federal Certification Label for the build date.) |
| 2. Part Number. | |
| 3. Model Application. | |
| 4. Quantity used per vehicle. | |
| 5. Description and dimensions necessary for proper identification of parts where necessary. | |
| 6. Model or Engine Column:
Engine by Displacement or Vehicle Model Code Body Style Code or Price Class. | 8. Parts designated as CANADA or EXPORT are not available through U.S. parts outlets. |

In the event replacement parts not listed herein are required due to a special service situation, Chrysler Dealers should contact their factory specifier for assistance. Problems encountered with particular part specifications can be resolved in the same manner.

ILLUSTRATION INDEX

This index is a compilation of catalog parts description data with reference to illustrations, figures and key numbers as shown:

ILLUSTRATION INDEX	GROUP	ILLUS. NO.
THROTTLE BODY	14	600

The first page of each group contains a listing of all illustrations within that group. Also refer to illustrations alphabetically listed in information section.

ALPHABETICAL INDEX

This index is a compilation of catalog parts description data with a reference to the location of the item by group - Figure and key number as shown in the following example:

THROTTLE BODY	14 - 610/ 18
Group _____	
Illustration No. _____	
Item _____	

The index will be expanded progressively as data is added to computer files. To locate a part by name, refer to the Alphabetical Index. This index indicates the group and illustration and item number where the part is located. Alphabetical Index can be found in INF section of catalog.

NUMERICAL INDEX

A listing of Part Numbers contained in the catalog. The numbers are in numerical sequence with reference to the group and illustration and item number where the part is located.

PARTS PACKAGES

Service Parts Packages, containing all parts needed for specific service operation, are listed in their respective groups with related parts. The listing will show adaptability and model application.

STANDARD PARTS

Important attaching standard parts such as bolts, nuts, etc. are generally listed in the text of the respective major parts groups.

CATALOG AND PARTS BULLETINS

BULLETINS are issued when important changes are made in production or when corrections are to be made in the Parts Catalog between regular revisions. All catalogs should be noted and changed accordingly to remain current between revisions.

PARTS CATALOG REVISION SERVICE

Subscribers to the Passenger Car Catalog Revision Service will be periodically provided with revised copy incorporating the latest information. Revisions may be provided by Group or complete book copy.

NEWPART INDEX

A listing of new part numbers contained in the catalog. The numbers are in group sequence with reference to the illustration and item number where the part is located.

COLOR CODED OR COMBINED PART NUMBERS

Appearing throughout this catalog are part numbers containing both letters and numbers. For example: D500 KB7. These are good serviceable part numbers. The combination of letters and numbers merely indicates the parts are keyed to the interior color of the vehicles on which they are used.

In addition, Right and Left part numbers are frequently combined on one line; e.g. D500 -1 KB7. Such numbers are interpreted as D500 KB7, Right side application, and D501 KB7 Left side. Right and Left Sides are always determined by their relationship to the driver when normally seated and looking forward.

INTERIOR TRIM

Refer to the Group IT, Interior Trim section of the catalog, for information relative to Interior Soft and Hard Trim, Rolled Stock, etc.

VIN PLATE IDENTIFICATION

1	2	3	4	5	6	7	8	9	10	11	12 thru 17
Country	Make	Vehicle Type	Other	Line	Series	Body Style	Engine	Check Digit	Model Year	Assy. Plant	Sequence No.

1 COUNTRY

- 1 = Built By Chrysler Corporation
- 2 = Built By Chrysler Canada LTD.
- 3 = Built By Chrysler De Mexico

2 MAKE

- B = Dodge
- C = Chrysler
- E = Eagle

3 VEHICLE TYPE

- 3 = Passenger Car

4 OTHER

- B = Manual Seat Belts
- E = Active Restraint, Passenger Air Bag
- X = Driver Air Bag, Passenger Manual Seat Belt
- H = HYBRID Air Bag

5 LINE

- L = Chrysler, Concorde (LP41)
- D = Dodge, Intrepid (DH41, DP41)
- D = Eagle, Vision (XP41)
- CHRYSLER
- D = New Yorker (H) (CH41)
- D = Chrysler "LHS" (P) (CP41)
- E = Chrysler Vision

5/6 LINE DODGE 1995-96

- D 4 INTREPID
- D 5 INTREPID ES

LINE CHRYSLER 1995-96

- C 4 NEW YORKER
- C 5 LHS
- D 5 LHS (CANADA)
- D 5 CONCORDE
- D # NEW YORKER (EUROPE)
- B, E # VISION (JAPAN/EUROPE)
- H 4/5 INTREPID/ES (CANADA)

LINE EAGLE 1995-96

- D 5 VISION ESI
- D 6 VISION TSI

6 SERIES

- 4 = High Line
- 5 = Premium
- 6 = Sport
- B = 4 Spd. Auto. Trans.

7 BODY STYLE

- 6 = 4 Dr. Sedan

8 ENGINE

- T = 3.3L 6 cyl. Gasoline (EGB)
- F = 3.5L 6 cyl. Gasoline 24V (MPI)(EGE)

9 CHECK DIGIT

- 0, 1, 2, 3, 4, 5, 6, 7, 8, 9, X

10 MODEL YEAR

- P = 1993
- R = 1994
- S = 1995
- T = 1996

11 ASSEMBLY PLANT

- H = Bramalea
- F = Newark Assy.

12 thru 17**SEQUENCE NO.**

Six Digit Number

1993-96 BODY CODE PLATE

The Body Code Plate is located in the engine compartment. There are seven lines of information on the body code plate. Lines 4, 5, 6 and 7 are not used to define service information. Information reads from left to right, starting with line 3 in the center of the plate to line 1 at the bottom of the plate.

If two body code plates are required, the last code shown on either plate will be followed by END. When two plates are required, the last code space on the first plate will show CTD (for continued), and the first four spaces of each line will not be used due to the overlap of the plates.

CODE PLATE INTERPRETATION																							
1	2	3	4	5	6	7	8	9	10	11	12	13	14	15	16	17	18	19	20	21			
22	23	24		25	26	27	28		29	30	31	32		33	34	35	36		37	38	39		
40	41	42		43		44	45	46	47	48	49	50	51	52	53	54	55	56	57	58	59	60	

1-12
VEHICLE ORDER NUMBER

13-15
VINYL ROOF CODE

16-18
VEH.
SHELL CAR LINE
LHXP = Eagle, Vision ESI
LHXS = Eagle, Vision TSI
LHDH = Dodge, Intrepid
LHDP = Dodge, Intrepid ES
LHLP = Chrysler, Concorde
LHCH = Chrysler, New Yorker
LHCP = Chrysler, "LHS"

19
PRICE CLASS
E = Economy
H = High Line
L = Low Line
M = Mid Line
P = Premium
S = Special/Sport
X = Performance Image

20-21
BODY TYPE
41 = 4 Dr. Sedan

22-24
PAINT PROCEDURE

25-28
PRIMARY PAINT
See Group IT-Trim Section

29-32
SECONDARY PAINT

33-36
INTERIOR TRIM CODE
See IT Section

37-39
ENGINE CODES
EGB = 3.3L 6 cyl. Gasoline
EGE = 3.5L 6 cyl. Gasoline
24 Valve

40-42
TRANSMISSION CODES
DGX = 42LE 4 Spd. Electronic
Auto. Trans.

43
MARKET CODE
U = United States
C = Canada
B = International
M = Mexico

44-60
VEHICAL IDENTIFICATION
NUMBER (VIN)
For definition of the Elements and
the individual positions see VIN
DEFINED

SALES CODES

Due to the increase complexity of qualifications required to describe the application of some replacement parts; particularly those related to the Emission Control System, Sales Codes are used on a selected basis in some areas of this publication.

Normally, Sales Codes will be employed as secondary qualifiers and are for the express purpose of providing positive identification of parts applicable to vehicle components or systems so complex in nature that normal methods of written qualification are either inadequate or confusing.

The Sales code will always appear after the written description of the part; will be enclosed in parenthesis; will be prefixed S/C, and will follow a hyphen appended to the S/C, e.g.: (S/C-NAE).

To determine whether or not the vehicle for which the part is being specified was built with a particular Sales Code it will be necessary to refer to the Body Code Plate depicted on page INF- 8. Sales Codes are also listed on vehicle invoices and on the Maroney label which is affixed to the side glass on new units.

METRIC CONVERSION TABLE

LINEAR MEASUREMENT

1 foot (ft.) = 12 inches (in.)
 1 yard (yd.) = 3 ft. = 36 in.
 1 mile (statute) = 5,280 ft.

1 centimeter (cm) = 10 millimeters (mm)
 1 meter (m) = 100 cm = 1000 mm
 1 kilometer (km) = 1000 meters

To convert	Into	Multiply by	To convert	Into	Multiply by
inches	centimeters	2.5400	centimeters	inches	0.3937
inches	millimeters	25.4000	millimeters	inches	0.0394
feet	meters	0.3048	meters	feet	3.2808
feet	millimeters	304.8000	millimeters	feet	0.0033
yards	meters	0.9144	meters	yards	1.0936
miles	kilometers	1.6093	kilometers	miles	0.6214

AREA MEASUREMENT

1 square foot (sq.ft) = 144 square inches (sq.in.)
 1 square yard (sq.yd.) = 9 square feet
 1 acre = 4,840 sq. ft.
 1 square mile = 640 acres

1 sq. centimeter (cm²) = 100 sq. millimeters (mm²)
 1 sq. meter (m²) = 10,000 cm²
 1 are (a) = 100 m²
 1 sq. kilometer (km²) = 1,000,000 m²

To convert	Into	Multiply by	To convert	Into	Multiply by
square inches	sq. centimeters	6.4516	sq. centimeters	sq. inches	0.1550
square feet	sq. meters	0.0929	sq. meters	sq. feet	10.7639
square yards	sq. meters	0.8361	sq. meters	sq. yards	1.1960
acres	sq. meters	4.047.0	sq. meters	acres	0.0002
square miles	sq. kilometers	2.5900	sq. kilometers	sq. miles	0.3861

CUBIC MEASUREMENT (VOLUME)

1 cubic foot (cu. ft.) = 1.728 cubic inches (cu. in.)
 1 cubic yard (cu. yd.) = 27 cubic feet

1 cu. centimeter (cm³) = 1000 cu. millimeters (mm³)
 1 cubic meter (m³) = 1,000,000 cm³

To convert	Into	Multiply by	To convert	Into	Multiply by
cubic inches	cu. centimeters	16.3872	cu. centimeters	cubic inches	0.0610
cubic feet	cubic meters	0.0283	cubic meters	cubic feet	35.3145
cubic yards	cubic meters	0.7646	cubic meters	cubic yards	1.3079

LIQUID MEASUREMENT (CAPACITY)

1 pint (pt.) = 28.875 cubic inches
 1 quart (qt.) = 2 pints = 57.75 cu. in.
 1 gallon (gal.) = 4 qts. = 231 cu. in.

1 centimeter (cl.) = 10 milliliters (ml.)
 1 liter (l) = 100 cl. = 1000 ml.
 1 kiloliter (kl) = 1000 liters

To convert	Into	Multiply by	To convert	Into	Multiply by
cubic inches	liters	0.0164	liters	cubic inches	61.0250
pints	liters	2.1132	liters	pints	0.4732
quarts	liters	0.9463	liters	quarts	1.0566
gallons	liters	3.7853	liters	gallons	0.2642
cubic feet	liters	28.3162	liters	cubic feet	0.0353

WEIGHT MEASUREMENT

1 ounce (oz.) = 16 drams
 1 pound (lb.) = 16 ounces
 1 short ton = 2000 pounds
 1 long ton = 2240 pounds

1 centigram (cg.) = 10 milligrams (mg.)
 1 gram (g.) = 100 cg. = 1000 mg.
 1 kilogram (kg.) = 1000 grams
 1 metric ton (t.) = 1000 kg.

To convert	Into	Multiply by	To convert	Into	Multiply by
drams	grams	1.7718	grams	drams	0.5644
ounces	grams	28.3495	grams	ounces	0.0353
pounds	kilograms	0.4536	kilograms	pounds	2.2046
tons (short)	tons (metric)	0.9072	tons (metric)	tons (short)	1.1023

POWER MEASUREMENT

1 horsepower (hp) = 746 watts = 7457 kilowatts (kw)

1 horsepower (ps) = 736 watts = 7355 kw

To convert	Into	Multiply by	To convert	Into	Multiply by
horsepower (U.S.)	horsepower (met.)	1.0139	horsepower (met.)	horsepower (U.S.)	0.9863
horsepower (U.S.)	kilowatts	0.7457	kilowatts	horsepower (met.)	0.7355
kilowatts	horsepower (U.S.)	1.3405	horsepower (met.)	kilowatts	1.2596

ABBREVIATIONS

Abbreviations as used throughout this catalog are interpreted as follows:

ABS	ABSORBER	C.A.S.	CLEANER AIR SYSTEM
ACC	ACCESSORY	CARB	CARBURETOR
ACCEL	ACCELERATOR	CATA	CATALYTIC
A/CLNR	AIR CLEANER	C/BAR	CROSS BAR
A/COND	AIR CONDITIONING	CBL	CABLE
ACTG	ACTUATING	C/BRD	CIRCUIT BOARD
ACTR	ACTUATOR	C.BRKR	CIRCUIT BREAKER
ADAPT	ADAPTER-ADAPTATION	CCW	COUNTERCLOCKWISE
ADJ	ADJUSTING-ADJUSTOR-ADJUSTABLE-ADJUSTMENT	C/E	COMMUTATOR END
A/INL	AIR INLET	CHAM	CHAMFRED
ALTR	ALTERNATOR	CHMBR	CHAMBER
ALUM	ALUMINUM	CHR	CHROMIUM
AMP	AMPERE	C.I.	CUBIC INCH
AMPL	AMPLIFIER	C/IRON	CAST IRON
AMTR	AMMETER	C/CASE	CRANKCASE
ANCH	ANCHOR	CK/CHFT	CRANKSHAFT
&	AND	CL	CLEANER
A/OUT	AIR OUTLET	CL/NUT	CLINCH NUT
APPROX	APPROXIMATE, APPROXIMATELY	C/LP	COURTESY LAMP
AR	AS REQUIRED	CLSR	CLOSURE
A/RATLR	ANTI RATTLER	C/LTR	CIGAR OR CIGARETTE LIGHTER
A REST	ARM REST	C/MBR	CROSSMEMBER
ARM	ARMATURE	COE	CAB OVER ENGINE
A/SQK	ANTISQUEAK	COL	COLUMN
ASSY	ASSEMBLY	COMB	COMBINATION
A/SUSP	AIR SUSPENSION	COMBN	COMBUSTION
A.T.C.	AUTOMATIC TEMPERATURE CONTROL	COMP	COMPLETE, COMPONENT
ATT	ATTACHING	COMPN	COMPRESSION
A/TRANS	AUTOMATIC TRANSMISSION	COMPR	COMPRESSOR
AUTO	AUTOMATIC	COMPT	COMPARTMENT
AUX	AUXILIARY	COMTR	COMMUTATOR
BAL	BALANCE	COND	CONDENSER
BATT	BATTERY	CONDT	CONDUIT
BBL	BARREL	CONDTG	CONDITIONING
B/BRK	BOOSTER BRAKE	CONN	CONNECTING-CONNECTION-CONNECTOR
B/CRK	BELL CRANK	CONT	CONTINUED-CONTROL
B.E.	BLACK ENAMEL	CONTD	CONTINUED
B/JNT	BALL JOINT	CONV	CONVERTER
BLK	BLOCK	COP	COPPER
BLT	BUILT	CO/SHFT	COUNTERSHAFT
BLWR	BLOWER	CO/WT	COUNTERWEIGHT
BMPR	BUMPER	CP	CANDLEPOWER
BOLT / RET	BOLT / RETAINER	C/PILLAR	CENTER PILLAR
BOLT / WA	BOLT / WASHER	CPLG	COUPLING
BR	BRASS	C/SHFT	CROSS SHAFT
BRD	BOARD	CSTG	CASTING
BRG	BEARING	CTR	CENTER
BRK	BRAKE	CU	CUBIC
BRKT	BRACKET	CUSH	CUSHION
BRKR	BREAKER	CUST	CUSTOM
BRT	BRIGHT	CV	CONVERTIBLE
BRZ	BRONZE	C/VAL	CONTROL VALVE
BSTR	BOOSTER	CVR	COVER
B/STUD	BALL STUD	C/WT	COUNTERWEIGHT
BTM	BOTTOM	CYL	CYLINDER
BTN	BUTTON	DBL	DOUBLE
B/UP	BACK UP	D/CVR	DUST COVER
BUSH	BUSHING	D/E	DRIVE END
CAD	CADIUM	DECAL	DECALCOMANIA
CAN	CANADA-CANADIAN	DEFL	DEFLECTOR
CAP	CAPACITY	DEFGR	DEFOGGER

ABBREVIATIONS (Cont'd)

DEFR	DEFROSTER	FLR	FLOOR
DEG (°)	DEGREE	F/MLDG	FINISH MOULDING
D/EXH	DUAL EXHAUST	FNDR	FENDER
DIA	DIAMETER	F/PAN	FLOOR PAN
DIAG	DIAGONAL	F/PUMP	FUEL PUMP
DIAPH	DIAPHRAGM	FREQ	FREQUENCY
DIFF	DIFFERENTIAL	FRT	FRONT
DIM	DIMENSION	FT	FOOT-FEET
DIR	DIRECT-DIRECTIONAL	F/TANK	FUEL TANK
DIR CL	DIRECT CLUTCH	FTG	FITTING
DIST	DISTRIBUTOR-DISTRIBUTING	F/TOP	FOLDING TOP
DIV	DIVISION-DIVISIONAL	GA	GAUGE-GAGE
D/LINK	DRAG LINK	GALV	GALVANIZED
D/LP	DOME LAMP	GARN	GARNISH
DMPR	DAMPER	G/BOX	GLOVE BOX
DOM	DOMESTIC	GEN	GENERATOR
D/PINION	DRIVE PINION	GLA	GLASS
DR	DOOR	G/MLDG	GARNISH-MOULDING
D/R SHAFT ..	DOUBLE ROCKER SHAFT	GND	GROUND
DRIV	DRIVE	GOV	GOVERNOR
DRVN	DRIVEN	GR	GEAR
D/SEAL	DUST SEAL	G/REG	GENERATOR-REGULATOR
D/SHLD	DUST SHIELD	GRL	GRILLE
D/SW	DIMMER SWITCH	GRMT	GROMMET
EBL	ELECTRIC HEATED BACK LIGHT	G/SHIFT	GEARSHIFT
ECC	ECCENTRIC	GSKT	GASKET
ECS	EVAPORATE EMISSION CONTROL SYSTEM	GVW	GROSS VEHICLE WEIGHT
E.F.I. (M)	ELECTRONIC FUEL INJECTION (METERING)	H/BRK	HAND BRAKE
E.G.R.	EXHAUST GAS RECIRCULATION	H/C	HIGH COMPRESSION
ELECT	ELECTRIC	HD	HEAD
ELIM	ELIMINATOR	H/D	HEAVY DUTY
EMR	ENGINE MAINTENANCE REMINDER	HDL	HANDLE
ENG	ENGINE	H/LIN	HEAD LINING
EQ	EQUIPMENT	HDLs	HEADLESS
ESC	ESCUTCHEON	HDR	HEADER
ETC	ET CETERA	HEMI	HEMISPHERICAL
EVAP	EVAPORATON-EVAPORATOR	HEX	HEXAGON
EX	EXTRA	HGE	HINGE
EXC	EXCLUDE	H/GUIDE	HYDRAGUIDE
EXH	EXHAUST	H/LP	HEADLAMP
EXP	EXPORT	H/PERF	HIGH PERFORMANCE
EXPN	EXPANSION	H/REST	HEAD REST
EXT	EXTENSION	HSG	HOUSING
EXTL	EXTERNAL	H/SNK	HEAT SINK
EXTR	EXTRUDED	H/SHLD	HEAT SHIELD
F	FAHRENHEIT	HT	HEATER
FACT	FACTORY	HVY	HEAVY
F/AIR	FRESH AIR	HYD	HYDRAULIC
FAST	FASTENING-FASTENER	I/ARM	IDLER ARM
F/AXLE	FRONT AXLE	I.D.	INSIDE DIAMETER
F/BRD	FLOOR BOARD	IDENT	IDENTIFICATION
F/CPLG	FLUID COUPLING	IGN	IGNITION
F/DR	FRONT DOOR	IN	INCH
F/FILT	FUEL FILTER	INCL	INCLUSIVE-INCLUDES
F/GA	FUEL GAGE	IND	INDUSTRIAL
F/IDLE	FAST IDLE	INDIC	INDICATOR
FIL HD	FILLISTER HEAD	INL	INLET
FIN	FINISH	INR	INNER
F/INJ	FUEL INJECTION	INS	INSULATING-INSULATION-INSULATOR
FLD	FIELD	INST	INSTRUMENT-INSTRUCTION
FLEX	FLEXIBLE	INT	INTAKE
FLG	FLANGE	INTER	INTERMITTENTLY-INTERMEDIATE
FL HD	FLAT HEAD	INTL	INTERNAL



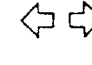








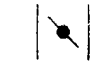







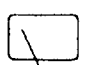




ABBREVIATIONS (Cont'd)

INTLK	INTERLOCK	N/PLT	NAME PLATE
I/PNL	INSTRUMENT PANEL	NUT / WA	NUT AND WASHER
I/PULLEY	IDLER PULLEY	O/CTR	OVER CENTER
I/S	INSIDE	O.D.	OUTSIDE DIAMETER
J/BLK	JUNCTION BLOCK	O/DRV	OVER DRIVE
JNT	JOINT	O/GA	OIL GAUGE
K/DN	KICKDOWN	OPER	OPERATING
KDX	KNOCK DOWN EXPORT	OPNG	OPENING
KILO	KILOMETER	OPP	OPPOSITE
KNU	KNUCKLE	OPT	OPTIONAL
K/UP	KICKUP	O/PUMP	OIL PUMP
LBS	POUNDS	ORN	ORNAMENT
L/C	LOW COMPRESSION	O/RUNN	OVERJNNING
LCF	LOW CAB FORWARD	O/S	OUTSIDE
L/COMPT	LUGGAGE COMPARTMENT	O/SIZE	OVERSIZE
LEA	LEATHER	OTR	OUTER
LED	LIGHT EMITTING DIODE	OUTL	OUTLET
LGH	LENGTH	OV	OVAL
LHD	LEFT HAND DRIVE	O/W	OPTIONAL WITH
L.H. THD	LEFT HAND THREAD	O/WRAP	OVERWRAP
LIC	LICENSE	OZ	OUNCE
LIN	LINING-LINER	P	PITCH
LK	LOCK	PACK	PACKING
LKG	LOCKING	PARK	PARKING
LK/NUT	LOCK NUT	PART	PARTIAL PARTITION
LK/WA	LOCK WASHER	PASS	PASSENGER
LOC	LOCATING	P/BRK	POWER BRAKE
LP	LAMP	P/BTN	PUSH BUTTON
LPG	LIQUID PROPANE GAS	PC/BRD	PRINTED CIRCUIT BOARD
L.S.H.	LOW SECTION HEIGHT	PED	PEDAL
LT	LEFT	PERF	PERFORMANCE
LUB	LUBRICANT-LUBRICATING	PIST	PISTON
LUGG	LUGGAGE	PIV	PIVOT
LVR	LEVER	PKG	PACKAGE
LWR	LOWER	PL	PLAIN
M / I	MARINE / INDUSTRIAL	P/LAMP	PARKING LAMP
M/ADJ	MANUAL ADJUSTING	PLR	PILLAR
MAN	MANUAL	PLT	PLATE-PLATED
MANF	MANIFOLD	PLUNG	PLUNGER
MAR	MARINE	PL/WA	PLAIN WASHER
MAX	MAXIMUM	P/MTR	POTENTIOMETER
MAX PERF	MAXIMUM PERFORMANCE	PNL	PANEL
M/BRK	MANUAL BRAKE	PNTD	PAINTED
MBR	MEMBER	POS	POSITIVE
M/CYL	MASTER CYLINDER	POLY	POLYESTER
MECH	MECHANISM	P/PNL	POCKET PANEL
MED	MEDIUM	PRESS	PRESSURE
MEDAL	MEDALLION	PRI	PRIMARY
MIL	MILITARY	PROD	PRODUCTION
MIN	MINIMUM	P/ROD	PUSH ROD
MDLG	MOULDING	PROP	PROPELLER
MOD	MODEL	PRPG	PROPORTIONING
M/MTRG	MAIN METERING	PSF	POUNDS PER SQUARE FOOT
M.P.H.	MILES PER HOUR	PSI	POUNDS PER SQUARE INCH
MT	MOUNT	P/STRG	POWER STEERING
MTG	MOUNTING	PT	POINT
MTR	MOTOR	PTO	POWER TAKE OFF
M/TRANS	MANUAL TRANSMISSION	PWR	POWER
MTRG	METERING	Q/PNL	QUARTER PANEL
NEG	NEGATIVE	QTR	QUARTER
NEUT	NEUTRAL	Q/WDO	QUARTER WINDOW
NI	NICKEL	R	RADIUS
NO, OR #	NUMBER	R/A	REAR AXLE
NOM	NOMINAL	R/AXLE	REAR AXLE
NO	NITROGEN OXIDE EMISSION CONTROL	RAD	RADIATOR

ABBREVIATIONS (Cont'd)

R/CONT	REMOTE CONTROL	S/SILL	SIDE SILL
RC/SHIFT	ROCKER SHAFT	S/SPD	SINGLE SPEED
RD	ROUND	STA	STATION-STATIONARY
R/DR	REAR DOOR	STAB	STABILIZER
REC	RECEIVER	STD	STANDARD
RECIR	RECIRCULATING	STGHT	STRAIGHT
RECT	RECTANGULAR	STL	STEEL
RECTR	RECTIFIER	STRG	STEERING
RED	REDUCTION	STRKR	STRIKER
REFL	REFLECTOR	STRNR	STRAINER
REG	REGULATOR	STRTR	STARTER
REINF	REINFORCEMENT	SUCT	SUCTION
REL	RELEASE	SUPT	SUPPORT
REM	REMOTE	SUSP	SUSPENSION
REQ	REQUIRED	SW	SWITCH
RES	RESISTOR	SYNCH	SYNCHRONIZER
RET	RETAINER	T	TEETH
RETG	RETAINING	TAP	TAPPING
REV	REVERSE	TBI	THROTTLE BODY INJECTION
REVERB	REVERBERATOR	T/BKL	TURN BUCKLE
R/FLR	REAR FLOOR	T/BLK	TERMINAL BLOCK
RHD	RIGHT HAND DRIVE	T/COMP	TRIMMED COMPLETE
RHEO	RHEOSTAT	T/CONT	THROTTLE CONTROL
R.H. THD	RIGHT HAND THREAD	T/CONV	TORQUE CONVERTER
R/L	RIGHT AND LEFT	TEMP	TEMPERATURE
RPM	REVOLUTIONS PER MINUTE	TERM	TERMINAL
R/QTR	REAR QUARTER	T/GA	TEMPERATURE GAUGE
RR	REAR	T-GATE	TAILGATE
RSVR	RESERVOIR	THD	THREAD
RT	RIGHT	THK	THICK
R/WDO	REAR WINDOW	THERMO	THERMOSTAT
S/ABS	SHOCK ABSORBER	3RD	THIRD
S/C	SALES CODE	THR	THRUST
S/COMPT	SIDE COMPARTMENT	THROT	THROTTLE
S/DEFL	STONE DEFLECTOR	T.I.C.	THERMOSTATIC IGNITION CONTROL
SECT	SECTION	T/LP	TAIL LAMP
SER	SERIAL-SERVICE	TORQ	TORQUE
S/EXH	SINGLE EXHAUST	TORS	TORSION
S-FIN	SEMI-FINISHED	TPI	THREADS PER INCH
S/GR	STEERING GEAR	T/PIPE	TAIL PIPE
SHFT	SHIFT	T/PLT	TAPPING PLATE
SHLD	SHIELD	T/PNL	TRIM PANEL
SIG	SIGNAL	TPR	TAPER
S/KNU	STEERING KNUCKLE	TRANS	TRANSMISSION
SLD	SLIDE	TRANSF	TRANSFER
SLDG	SLIDING	TRIMD	TRIMMED
S/LP	STOP LAMP	T/SIG	TURN SIGNAL
SLTD	SLOTTED	TRUN.	TRUNNION
SLV	SLEEVE	TST	TAIL STOP / TURNING
S/MBR	SIDE MARKER	T/STRIP	TACKING STRIP
SOC	SOCKET	TUB	TUBULAR
SOL	SOLENOID	U/BODY	UNDERBODY
SPD	SPEED	U/DRV	UNDERDRIVE
SPEEDO	SPEEDOMETER	U/JNT	UNIVERSAL JOINT
SPKR	SPEAKER	UNIV	UNIVERSAL
SPL	SPECIAL	UPR	UPPER
SPL EQUIP ...	SPECIAL EQUIPMENT	U/S	UNDERSIZE
SPRG	SPRING	U/SEAT	UNDERSEAT
S/PNL	SIDE PANEL	U/W	USED WITH
SP/SHLD	SPLASH SHIELD	V	VENTUR (QTY OF CARB BBL)
SQ	SQUARE	VAC	VACUUM
S/R SHAFT ..	SINGLE ROCKER SHAFT	VAL	VALVE
S/RAIL	SIDE RAIL	V/DMPR	VIBRATION DAMPER
S/RING	SNAP RING	VENT	VENTILATOR-VENTILATING
S/SHLD	SIDE SHIELD	VERT	VERTICAL

INTERNATIONAL SYMBOLS

 UPPER BEAM	 LOWER BEAM	 TURN SIGNAL	 HAZARD WARNING	 WINDSHIELD WIPER	 WINDSHIELD WASHER
 WINDSHIELD WIPER AND WASHER	 VENTILATING FAN	 PARKING LIGHTS	 FRONT HOOD	 REAR HOOD (TRUNK)	 CHOKE (COLD STARTING AID)
 HORN	 FUEL	 ENGINE COOLANT TEMPERATURE	 BATTERY CHARGING CONDITION	 ENGINE OIL	 SEAT BELT
 LIGHTER	 REAR WINDOW WIPER	 REAR WINDOW WASHER	 PARKING BRAKE	 BRAKE FAILURE	 WINDSCREEN DEMISTING AND DEFROSTING

METRIC SYSTEM

Figure art, specifications, and tightening references in this Service Manual are identified in the metric system and in the SAE system.

During any maintenance or repair procedures, it is important to salvage metric fasteners (nuts, bolts, etc.) for reassembly. If the fastener is not salvageable, a fastener of equivalent specification should be used.

WARNING: USE OF AN INCORRECT FASTENER MAY RESULT IN COMPONENT DAMAGE OR PERSONAL INJURY.

The metric system is based on quantities of one, ten, one hundred, one thousand, and one million.

Mega - (M) Million	Deci - (D) Tenth
Kilo - (K) Thousand	Centi - (C) Hundreth
Milli - (m) Thousandth	

GROUP-2 FRONT SUSPENSION & DRIVE

GROUP 2 - FRONT SUSPENSION & DRIVE

ILLUSTRATION TITLE

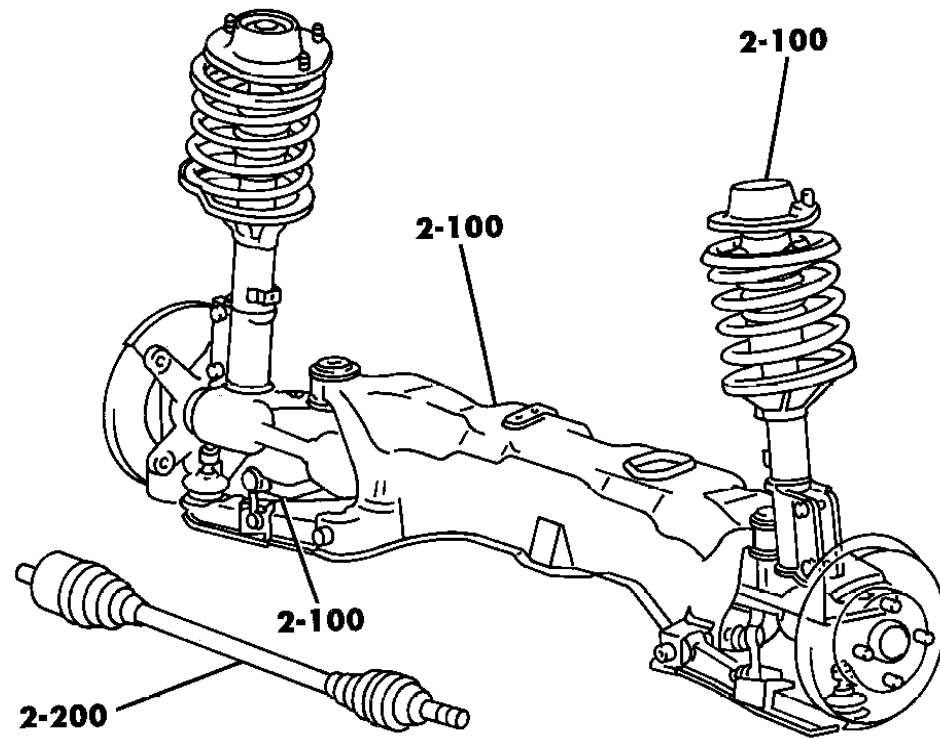
GROUP-FIG. NO.


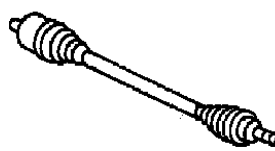
FRONT, SUSPENSION

SUSPENSION, FRONT LH-BODY Fig. 2-110

FRONT DRIVE SHAFTS

SHAFT, FRONT DRIVE LH-BODY Fig. 2-210

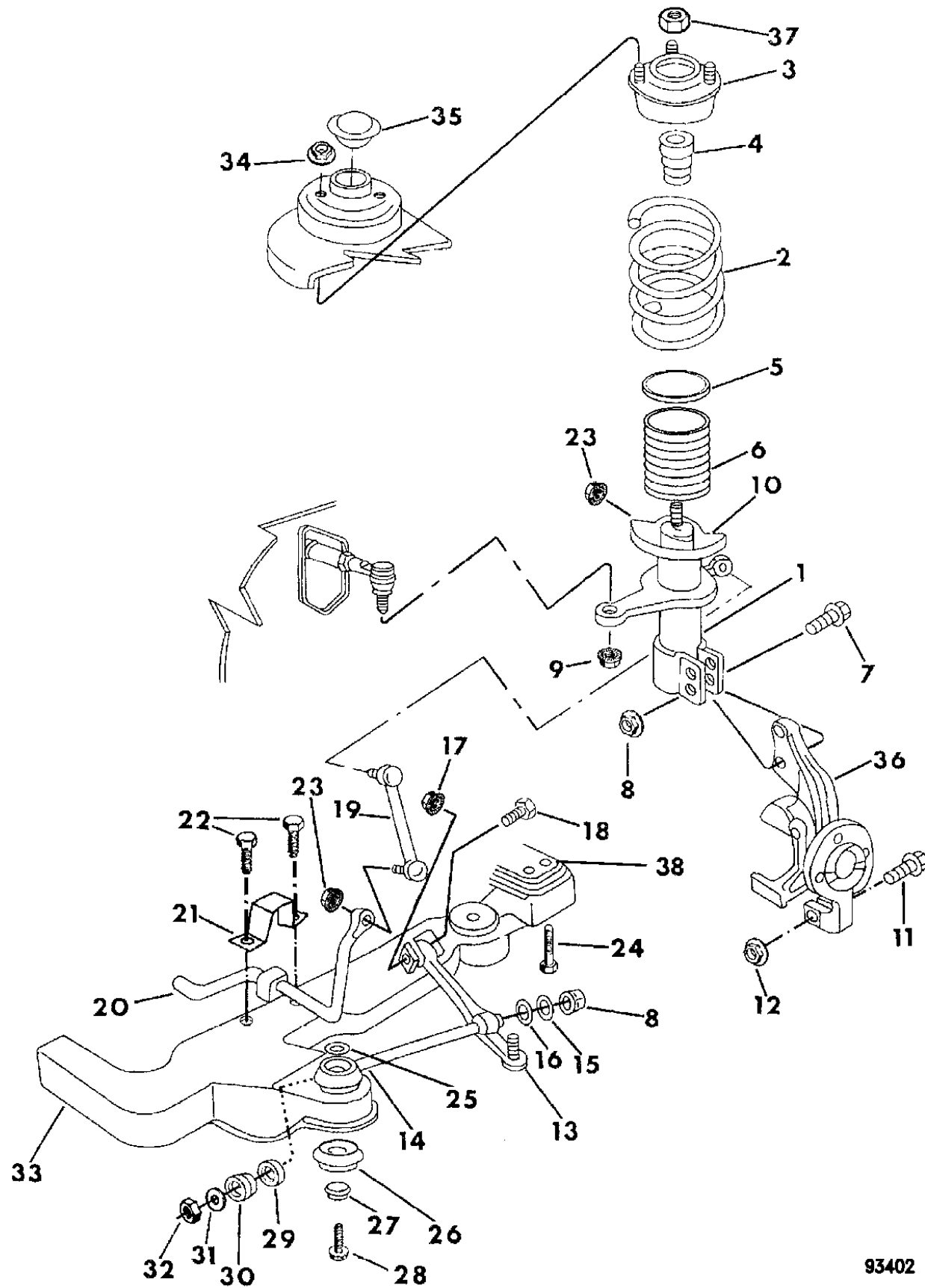


<p>2-100 FRONT SUSPENSION STRUT & SPRING</p>  <p>STABILIZER TORSION BAR</p>	<p>2-200 FRONT AXLE DRIVE SHAFT</p> 		
---	--	--	--

SUSPENSION, FRONT LH-BODY

Figure 2-110

02-110A



93402 110

ITEM	PART NUMBER	QTY	BODY	MODEL	DESCRIPTION
NOTE: Sales Code SDA = Standard Suspension, Used Standard on CH41, DH41, LP41.					
NOTE: Sales Code SDC = Firm Feel Suspension, Used Standard on CP41, DP41, XP41, XS41. Optional on CH41, DH41, LP41, XP41 w/16" Whl. and Handling Pkg.					
NOTE: Sales Code SDE = Special Sport Suspension, Used Optional on DP41, XS41, w/16" Wheels.					
NOTE: Sales Code AGC = 16" Wheel & Handling Package. Standard on DP41, XS41. Optional on CH41, CP41, DH41, DP41, LP41, XP41.					
NOTE: Sales Code AWT = 16" Performance Handling Package. Optional on DP41, XS41					
1					STRUT, Damper Assy. (See Note)
	4616 022	1			Rt. w/Std. or Firm Feel Susp. (SDA) (SDC or AGC)
	4616 023	1			Lt. w/Std. or Firm Feel Susp. (SDA) or (SDC or AGC)
	4616 726	1			Rt. w/Special Sport or Handling Pkg., (SDE),(AGC) or (AWT)
	4616 727	1			Lt. w/Special Sport or Handling Pkg., (SDE),(AGC) or (AWT)
	6505 362AA	4			SCREW, Hex Flg Hd-Camber Adjustment M16x2.00x75.00
					(TSB-L02-08-7)
	6505 363AA	4			NUT, Hex Flg-Camber Adjustment M16x2.00 (TSB-L02-08-7)
2					SPRING, Front (See Note)
	4616 004	1			w/Std. Susp. (SDA) or (SDC) (Z54,74) or (ZAA,ZNA)
	4616 005	1			w/Std. Susp. (SDA) or (SDC) (Z55,75) or (ZAB,ZNB)
	4616 006	1			w/Std. Susp. (SDA) or (SDC) (Z56,76) or (ZAC,ZNC)
	4616 007	1			w/Std. Susp. (SDA) or (SDC) (Z57,77) or (ZAD,ZND)
	4616 008	1			w/Std. Susp. (SDA) or (SDC) (ZAE) w/Auto Stick199 5
	4616 008	2			w/Std Susp (SDA) or (SDC) (ZAE,ZNE) 1996
	4616 014	1			w/Special Sport Susp. (SDE) (Z54,74) or (ZEA,ZTA)
	4616 015	1			w/Special Sport Susp. (SDE) (Z55,75) or (ZEB,ZTB)
	4616 016	2			w/Special Sport Susp. (SDE) Heavy Duty (Z56,76 or ZEC,ZTC)
3	4582 758-9	1			MOUNT AND SEAT ASSY. ***
-					SEAT and BEARING ***
	4582 772	2			1993-94
	4582 772	2			1995, w/o Auto Stick
	4755 003	2			1995, w/Auto Stick
	4755 003	2			1996, w/All
4					BUMPER, Jounce (See Note)
	4582 770	2			w/Std. or Firm Feel Susp. (SDA or SDC)
	4582 771	2			W/Special Sport Susp. (SDE)
5					CLAMP, Dust Sheild
	4582 737	2			1993
	4695 462	2			1994-5-6
6					SHIELD, Dust
	4582 328	2			1993-94
	4582 328	2			1995, w/o Auto Stick
	4755 004	2			1995, w/Auto Stick
	4755 004	2			1996, w/All

MODEL CODES:

Chrysler = (CH41 = New Yorker, CP41 = LHS, DH41 = Intrepid(Canada), DP41 = Intrepid ES(Canada), LP41 = Concorde)
 DODGE = (DH41 = Intrepid(USA), DP41 = Intrepid ES(USA))
 EAGLE = (XP41 = Vision ESI, XS41 = Vision TSI)

BODY STYLES:

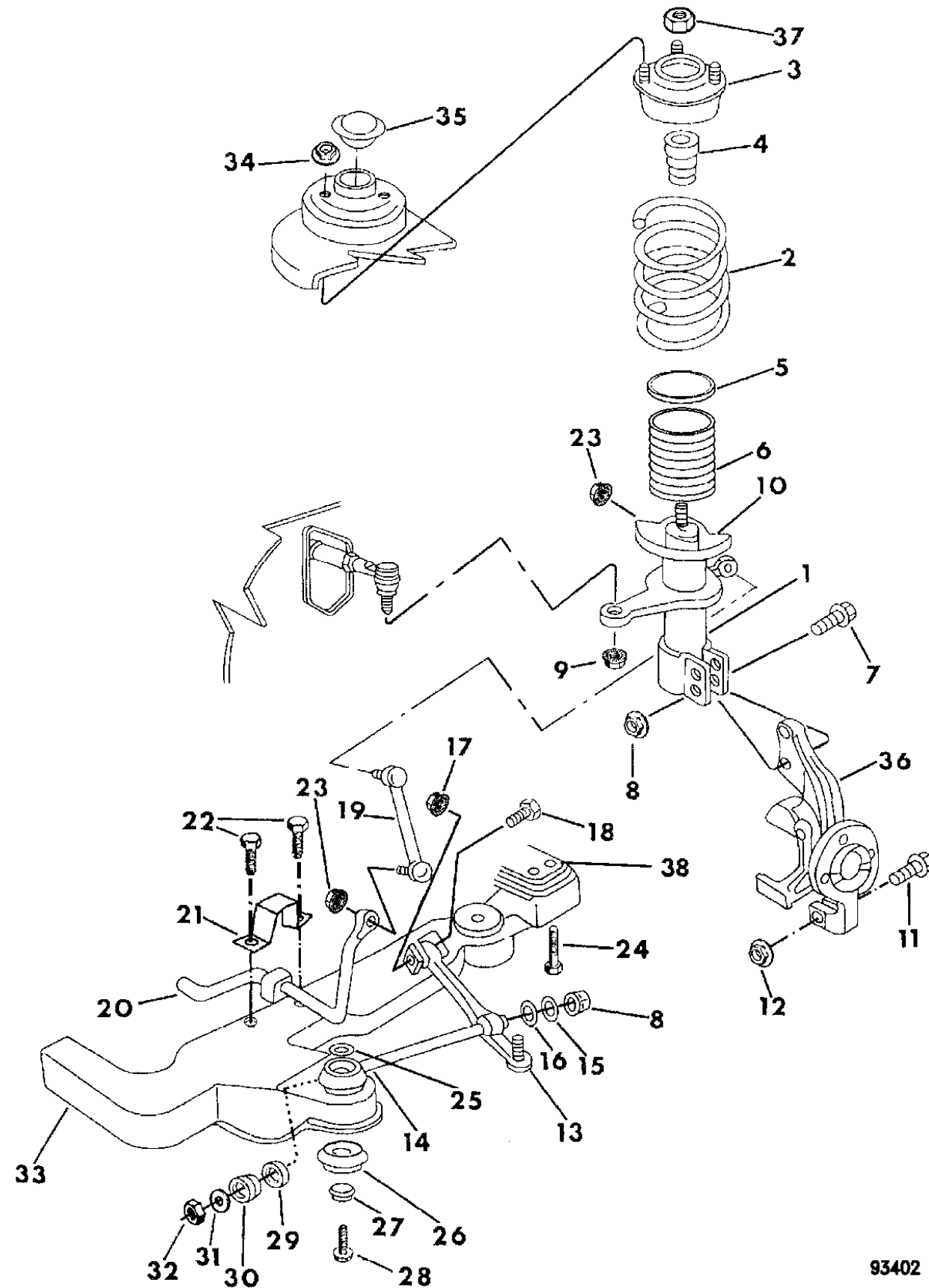
41 = 4 - Door Sedan ENGINE: 3.3L (EGB)
 3.5L (EGE) 24 Valve

AR = Use as Required - = Non Illustrated Part P.A.R. = Paint as Required

SUSPENSION, FRONT LH-BODY

Figure 2-110

02-110A



93402 110

ITEM	PART NUMBER	QTY	BODY	MODEL	DESCRIPTION
7	6502 630	4			BOLT, Strut To Knuckle
8	6502 396	4			NUT, w/Washer, Strut To Knuckle 1993-4
	6503 457	4			1995-6
9	6502 544	2			NUT, Tie Rod To Strut (M10x1.25-6H)
10					ISOLATOR, Front Susp Strut Damper Lower Spring Seat
	4616 031	2			1993-94
	4616 031	2			1995, w/o Auto Stick
	4755 001	2			1995, w/Auto Stick
	4755 001	2			1996, w/All
	4755 002	2			Upper Front Susp. w/Auto Stick 1995
	4755 002	2			1996
11	6502 411	2			BOLT, Knuckle To Lower Control Arm
12	6502 526	2			NUT, Knuckle To Lower Control Arm
13	4616 402-3	1			ARM AND BUSHING, Lower Control Arm ***
		2			BOOT, Ball Joint (Service in Arm and Bushing)
	6503 457	4			NUT, Hex Flg Lk LCA Tension Strg M16x2.00
14	4616 371	2			STRUT, Tension
15	4616 365	2			RETAINER, Tension Strut
16	6502 420	2			WASHER, Tension Strut
17	6502 502	2			NUT, Arm To Cradle
18	6502 412	2			BOLT, Arm To Cradle
19	4616 041	2			LINK, Assy. Sway Bar 1993-4-5
	4764 091	2			1996
	2071 611	2			RETAINER, (Conical Washer) Link
20					SHAFT, Sway Eliminating (See Note)
	4616 324	1			w/All Susp. 1993-4-5
	4616 322	1			w/All Susp. 1996
	4616 344	1			CUSHION, Front Susp. Sway Eliminating 1993-4-5
	4695 838	1			w/All Susp. 1996
21	4582 312	2			CLAMP, Shaft Mounting
22		4			SCREW, M10x1.50x35 (Not Serv.)
23	6502 724	AR			NUT, w/Washer
24	6100 986	4			BOLT, Trans. C/Member to Cradle M10x1.50x90.00
	6100 945	2			M10x1.50x75.00
25	6100 844	8			NUT, Spring M14x2.00
	6502 724	8			M12x1.75
26					ISOLATOR, Cradle Mounting (See Note)
	4582 971	4			Upper, w/Std. Susp. (SDA or SDC) 1993
	4695 176	4			Upper, w/Std. Susp. (SDA or SDC) 1994
	4695 180	4		C-H	Upper, w/Std. Susp. (SDA) 1993-4-5
	4695 176	4		C-P	Upper, w/Std. Susp. (SDC) 1993-4-5
	4695 176	4		DLX	Upper, w/Std. Susp. (SDC) 1993-4-5

MODEL CODES:

Chrysler = (CH41 = New Yorker, CP41 = LHS, DH41 = Intrepid(Canada), DP41 = Intrepid ES(Canada), LP41 = Concorde)
 DODGE = (DH41 = Intrepid(USA), DP41 = Intrepid ES(USA))
 EAGLE = (XP41 = Vision ESI, XS41 = Vision TSI)

BODY STYLES:

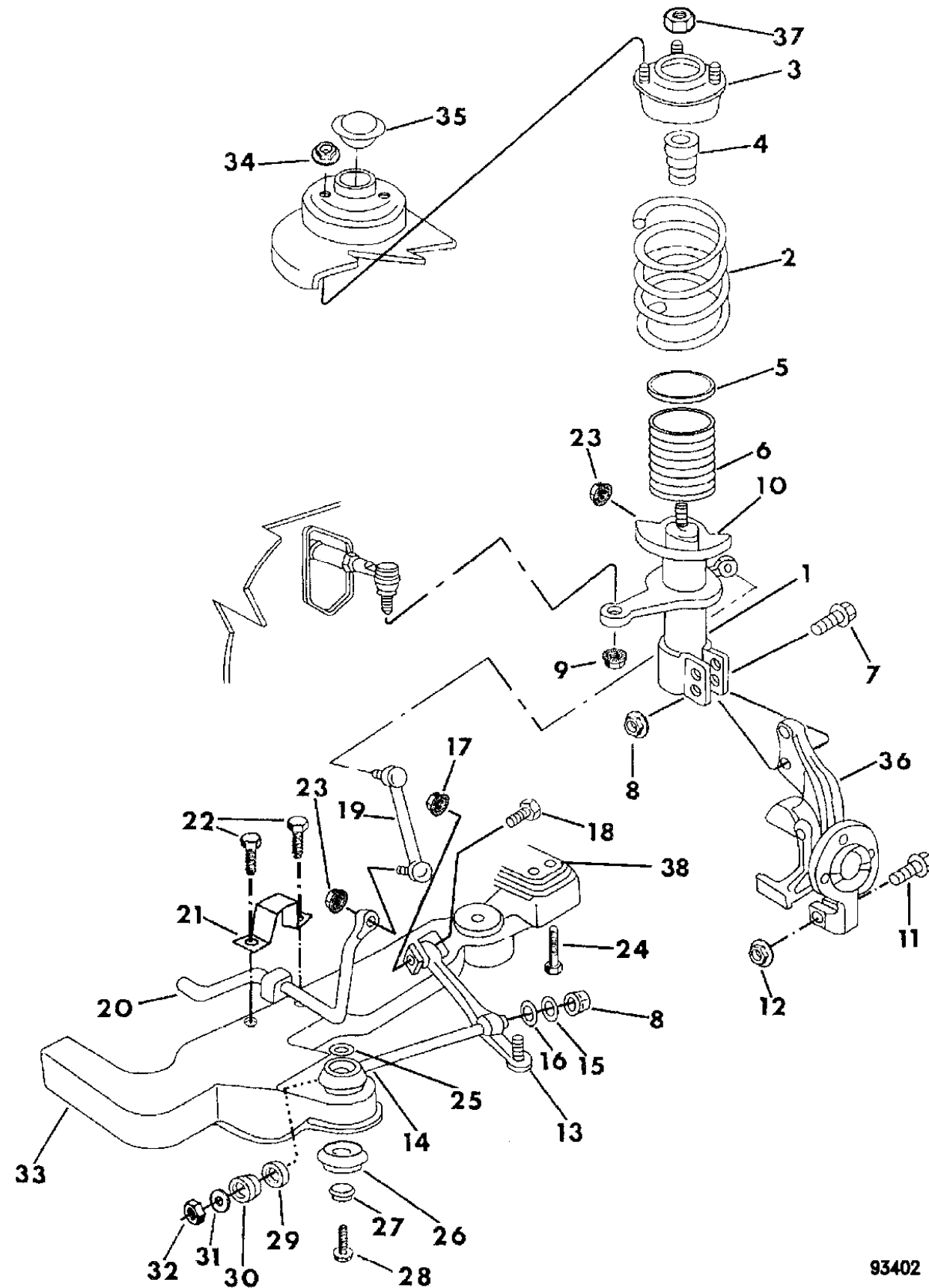
41 = 4 - Door Sedan ENGINE: 3.3L (EGB)
 3.5L (EGE) 24 Valve

AR = Use as Required - = Non Illustrated Part P.A.R. = Paint as Required

SUSPENSION, FRONT LH-BODY

Figure 2-110

02-110A



93402 110

ITEM	PART NUMBER	QTY	BODY	MODEL	DESCRIPTION
	4761 003	4			Upper, w/Std. Susp. (SDC) 1995
	4695 759	4			Upper, w/Std. Susp. (SDC) w/Auto Stick 1995
	4695 759	4			Upper, w/Std. Susp. (SDA or SDC) 1996
	4695 180	1			Upper, w/Std. Susp. (SDA) 1995
	4582 973	4			Lower, w/Std. Susp. (SDA or SDC) 1993-4-5
	4695 755	4			Lower, w/Std. Susp. (SDC) w/Auto Stick 1995
	4695 755	4			Lower, w/Std. Susp. (SDA) or (SDC) 1996
	4582 972	4			Upper, w/Special Sport Susp. (SDE) 1993-4-5
	4695 761	4			Upper, w/Special Sport Susp. (SDE) w/Auto Stick 1995
	4695 761	4			Upper, w/Special Sport Susp. (SDE) 1996
	4582 974	4			Lower, w/Special Sport Susp. (SDE) 1993-4-5
	4695 762	4			Lower, w/Special Sport Susp. (SDE) w/Auto Stick 1995
	4695 762	4			Lower, w/Special Sport Susp. (SDE) 1996
27	4616 237	4			REINFORCEMENT, Cradle Mounting
28	6502 812	4			SCREW, Cradle To Body M14x2.00x105.00
	4624 476-7	1			REINFORCEMENT ASSEMBLY, (Taping Plate-M14x2) Screw, Cradle to Body ***
29	4616 383	2			BUSHING, Strut To Cradle Rear
30					BUSHING, Strut To Cradle Front
	4616 380	2			w/Std. Susp. (SDA,SDC)
	4616 382	2			w/Special Sport Susp. (SDE)
31	6502 409	2			WASHER
32	6502 396	2			NUT, 1993-4
	6503 457	2			1995-6
33	4616 310	1			CRADLE, Assy.(w/Trans Crossmember -4616336) 1993-4-5 ***
	4584 498	1			(w/Trans Crossmember -4616336) 1996
34	6101 446	6			NUT, w/Washer Strut To Tower
35	4616 748	2			CAP, Front Strut Mount
36					KNUCKLE, Front Susp.
	4582 756	1			Stamped 4582754 1993-1995
	4582 757	1			Stamped 4582755 1993-1995
	4755 058	1			Stamped 4755060 1996
	4755 059	1			Stamped 4755061 1996
37	6502 525	2			NUT, Hex Head, Strut Damper Rod
38	4616 336	1			CROSSMEMBER, Rear Trans Mount
	6502 856	4			BOLT, Crossmember to Body M12x1.75x40.00

MODEL CODES:

Chrysler = (CH41 = New Yorker, CP41 = LHS, DH41 = Intrepid(Canada), DP41 = Intrepid ES(Canada), LP41 = Concorde)
 DODGE = (DH41 = Intrepid(USA), DP41 = Intrepid ES(USA))
 EAGLE = (XP41 = Vision ESI, XS41 = Vision TSI)

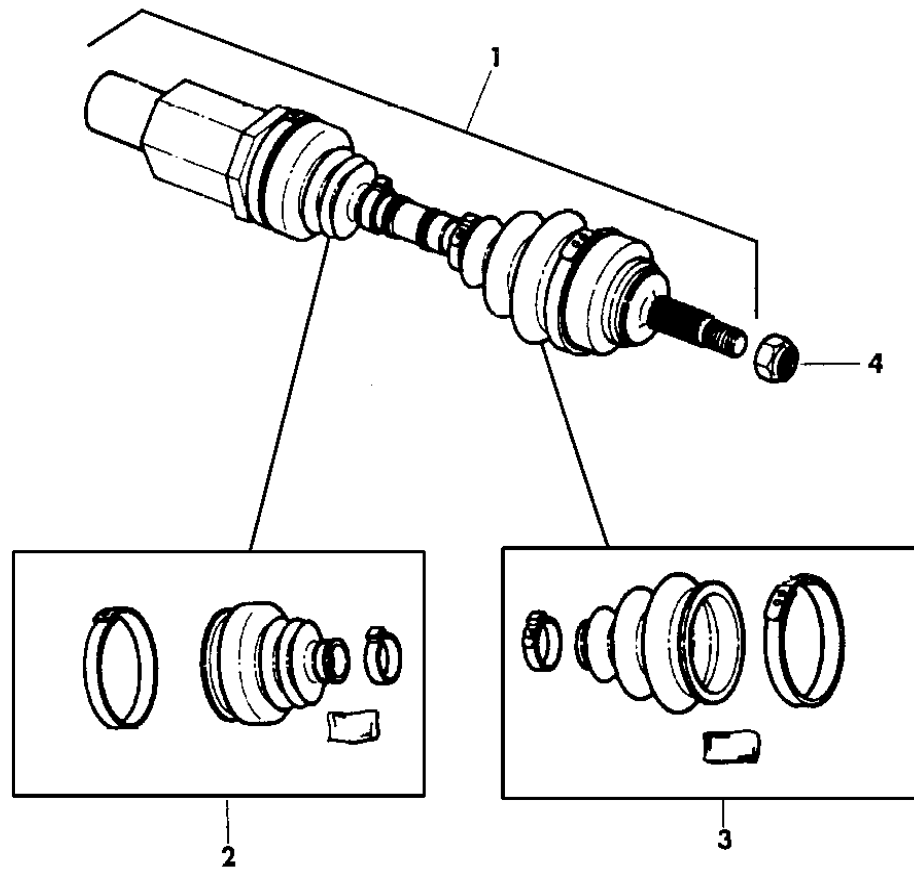
BODY STYLES:

41 = 4 - Door Sedan ENGINE: 3.3L (EGB)
 3.5L (EGE) 24 Valve

AR = Use as Required - = Non Illustrated Part P.A.R. = Paint as Required

SHAFT, FRONT DRIVE LH-BODY
Figure 2-210

02-210



ITEM	PART NUMBER	QTY	BODY	MODEL	DESCRIPTION
1					SHAFT ASSEMBLY, Front Drive
	4728 812	1			Rt. w/o ABS 1993-4-5
	4798 096	1			Rt. w/o ABS 1996
	4798 099	1			Rt. w/o ABS w/Transitory Level Emission Vehicle (NBT) 1996
	4728 813	1			Lt. w/o ABS 1993-4-5
	4798 095	1			Lt. w/o ABS 1996
	4798 095	1			Lt. w/o ABS w/Transitory Level Emission Vehicle (NBT) 1996
	4728 814	1			Rt. w/ABS 1993-4-5
	4798 776	1			Rt. w/ABS 1996
	4798 777	1			Rt. w/ABS w/Transitory Level Emission Vehicle (NBT) 1996
	4728 815	1			Lt. w/ABS 1993-4-5
	4798 773	1			Lt. w/ABS 1996
	4798 773	1			Lt. w/ABS w/Transitory Level Emission Vehicle (NBT) 1996
2					BOOT PACKAGE, Inner C.V.
	4728 262	1			Rt.
	4728 261	1			Lt.
	4778 136	1			ADAPTER, Inner CV Boot (Vendor #26028250)
3					BOOT PACKAGE, Outer C.V.
	4641 038	2			1993
	4762 701	2			1994-5-6
					JOINT ASSEMBLY, Outer
	4798 998	2			w/o ABS 1993-4-5
	4798 999	2			w/ABS, w/or w/o Traction Control 1993-4-5
		1			(Service in Shaft Assembly for 1996)
4					NUT, (34mm) Driveshaft Retaining
	6502 541	2			
	6502 363	2			O-RING, Halfshaft Inner CV Joint Sealing I.D. 25.32 C/S 2.69

MODEL CODES:
 Chrysler = (CH41 = New Yorker, CP41 = LHS, DH41 = Intrepid(Canada), DP41 = Intrepid ES(Canada), LP41 = Concorde)
 DODGE = (DH41 = Intrepid(USA), DP41 = Intrepid ES(USA))
 EAGLE = (XP41 = Vision ESI, XS41 = Vision TSI)

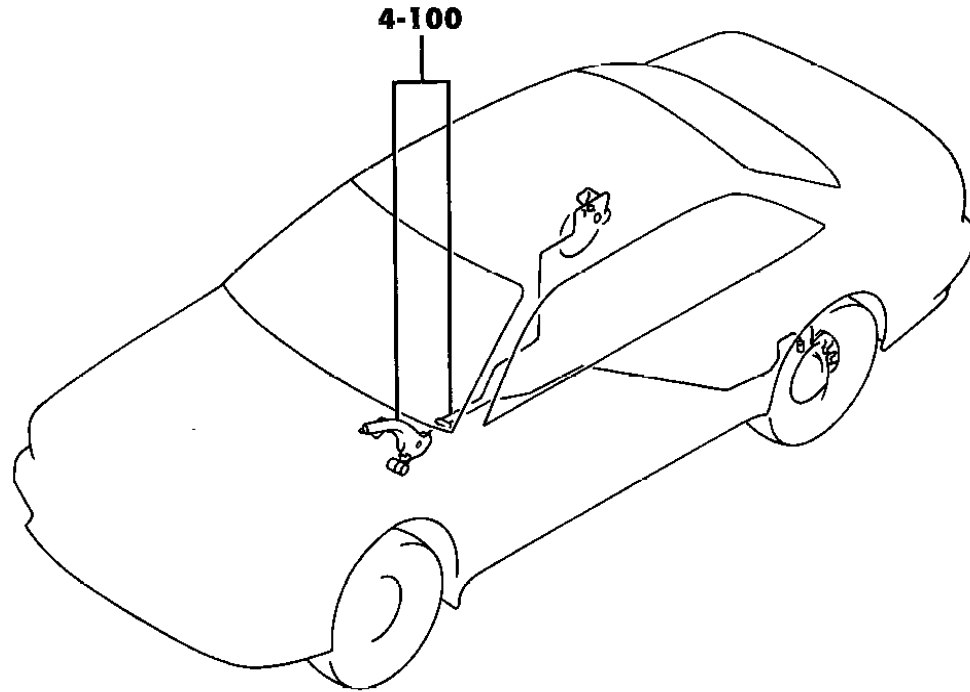
BODY STYLES:
 41 = 4 - Door Sedan ENGINE: 3.3L (EGB)
 3.5L (EGE) 24 Valve

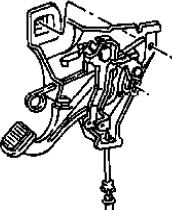
93402 210

AR = Use as Required - = Non Illustrated Part P.A.R. = Paint as Required

GROUP-4 PARKING BRAKE

ILLUSTRATION TITLE
LEVER ASSEMBLY AND CABLES PARKING BRAKE GROUP-FIG. NO.
Fig. 4-110

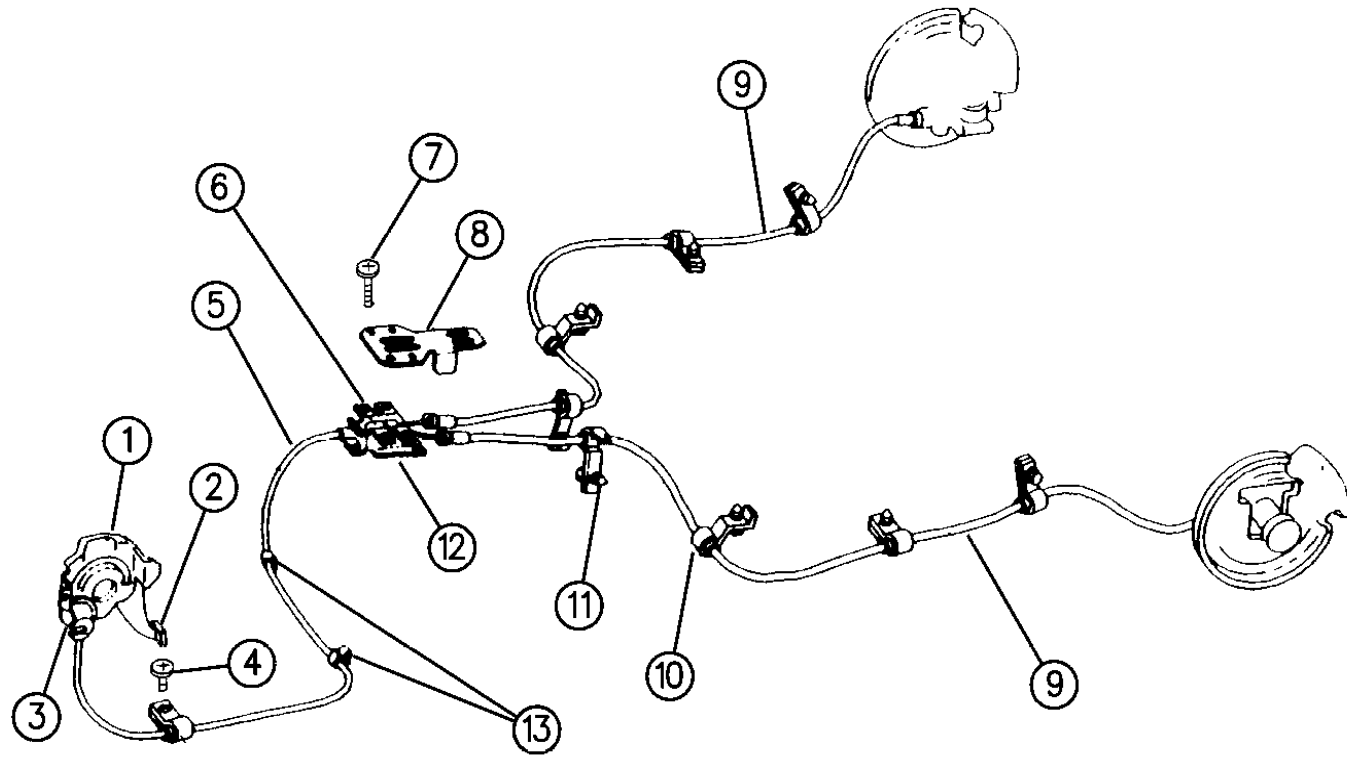


<p>4-100 PARKING BRAKE</p> 			
---	--	--	--

LEVER ASSEMBLY AND CABLES PARKING BRAKE

Figure 4-110

4-110



ITEM	PART NUMBER	QTY	BODY	MODEL	DESCRIPTION
1	4695 211	1			LEVER ASSEMBLY, Parking Brake Complete (w/Cable) 1993 ***
	4764 315	1			1994-5
	4695 919	1			w/Cable 1996
	4695 946	1			w/o Cable 1994-5
	4695 921	1			w/o Cable 1996
-	6101 608	3			SCREW, Lever Assembly Mounting M8x1.25x30.00 1993-94
-	6101 795	3			M8x1.25x30.00 1995
2	4582 270	1			PAD, Parking Brake Assembly
3	2201 467	2			RETAINER, Front Parking Brake Cable to Lever
4		1			SCREW, Clip Front Brake Cable (Not Serviced) Up to 8-24-92
	6033 854	AR			(Hex Flg Hd-Serrations) After 8-24-92
5	4582 474	1			CABLE ASSEMBLY, Parking Brake Front (w/o Lever) 1993 ***
	4695 468	1			1994-5-6
-	2201 467	1			CLIP, Front Cable to Reaction Bracket
6	4616 743	1			EQUALIZER and CLIP ASSEMBLY, Cable Attatching Up to 3-5-93 ***
	4695 379	1			After 3-5-93
7		2			SCREW, M6x1x15 (Not Serviced)
8	4582 486	1			COVER, Reaction Bracket and Equalizer
9					CABLE ASSEMBLY, Parking Brake Rear ***
	4582 472-3	1			w/Rear Drum Brakes 1993
	4695 532-3	1			w/Rear Drum Brakes 1994-5-6
	4582 266-7	1			w/Rear Disc Brakes
10		8			CLIP, Rear Parking Brake Cables (Service in Item 9)
11		8			SCREW, Rear Parking Brake Cable Clip (Not Serviced)
12	4582 478	1			BRACKET, Cable Reaction
-	6501 483	2			NUT and Washer, Reaction Bracket Attatching (M8X1.25) ***
-		2			SCREW, Reaction Bracket Attatching (Not Serviced)
13	4582 475	2			CLIP, Front Parking Brake Cable
	2201 467	1			CLIP, P/Brake Cable to Lever Assy.
	4221 463	1			SWITCH, Park Brake
	0154 619	1			SCREW, Tap Hex Flg Hd. - Park Brake Switch .190-16x1.00

MODEL CODES:

Chrysler = (CH41 = New Yorker, CP41 = LHS, DH41 = Intrepid(Canada), DP41 = Intrepid ES(Canada), LP41 = Concorde)
 DODGE = (DH41 = Intrepid(USA), DP41 = Intrepid ES(USA))
 EAGLE = (XP41 = Vision ESI, XS41 = Vision TSI)

BODY STYLES:

41 = 4 - Door Sedan ENGINE: 3.3L (EGB)
 3.5L (EGE) 24 Valve

93404 110

AR = Use as Required - = Non Illustrated Part P.A.R. = Paint as Required

GROUP-5 SERVICE BRAKES

GROUP 5 - BRAKES, SERVICE

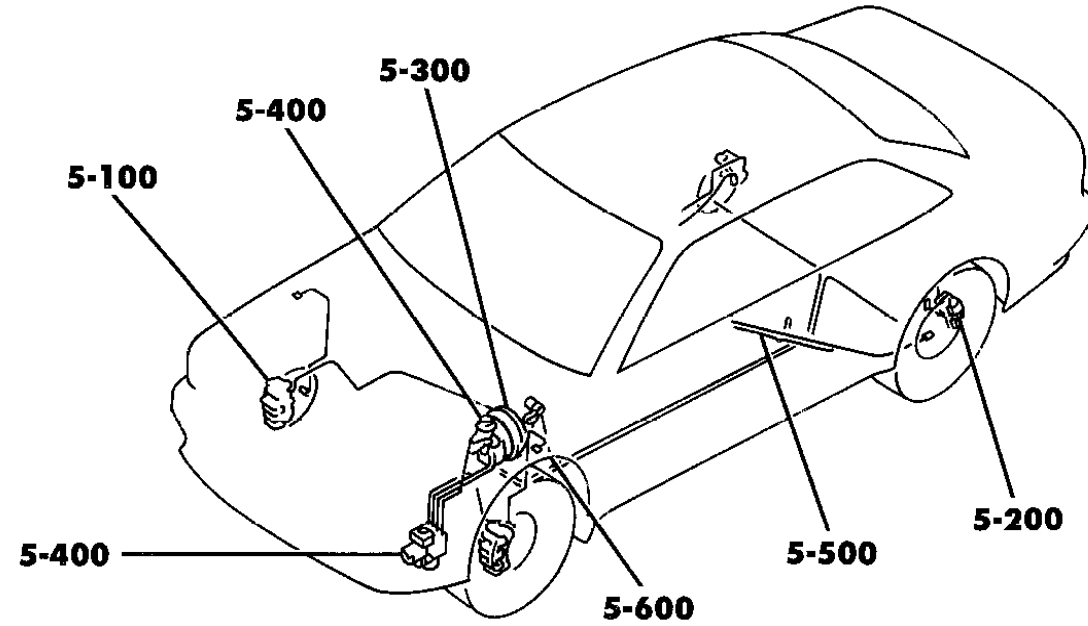


ILLUSTRATION TITLE

GROUP-FIG. NO.

BRAKES--FRONT

BRAKES, FRONT Fig. 5-110

BRAKES--REAR

BRAKES, REAR W/REAR DRUM Fig. 5-205

BRAKES, REAR W/REAR DISC Fig. 5-210

BOOSTER, POWER BRAKE

BOOSTER, POWER BRAKE Fig. 5-310

MASTER CYLINDER, BRAKE

HYDRAULIC CONTROL UNIT ANTI-LOCK BRAKES Fig. 5-410

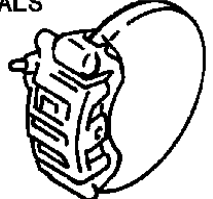
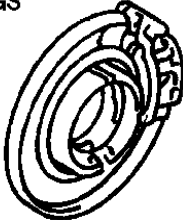
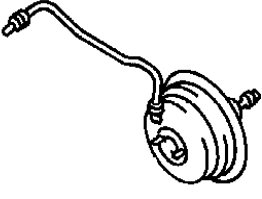
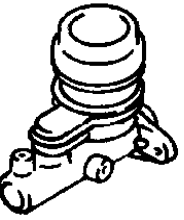
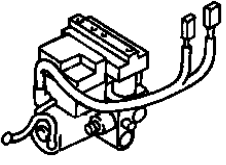
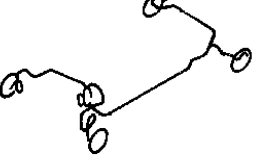


MASTER CYLINDER, BRAKE (PROPORTIONING VALVE-IN LINE) Fig. 5-420

LINES AND HOSES--BRAKE

LINES AND HOSES, BRAKE (PROPORTIONING, VALVE) Fig. 5-510

PEDAL--BRAKE

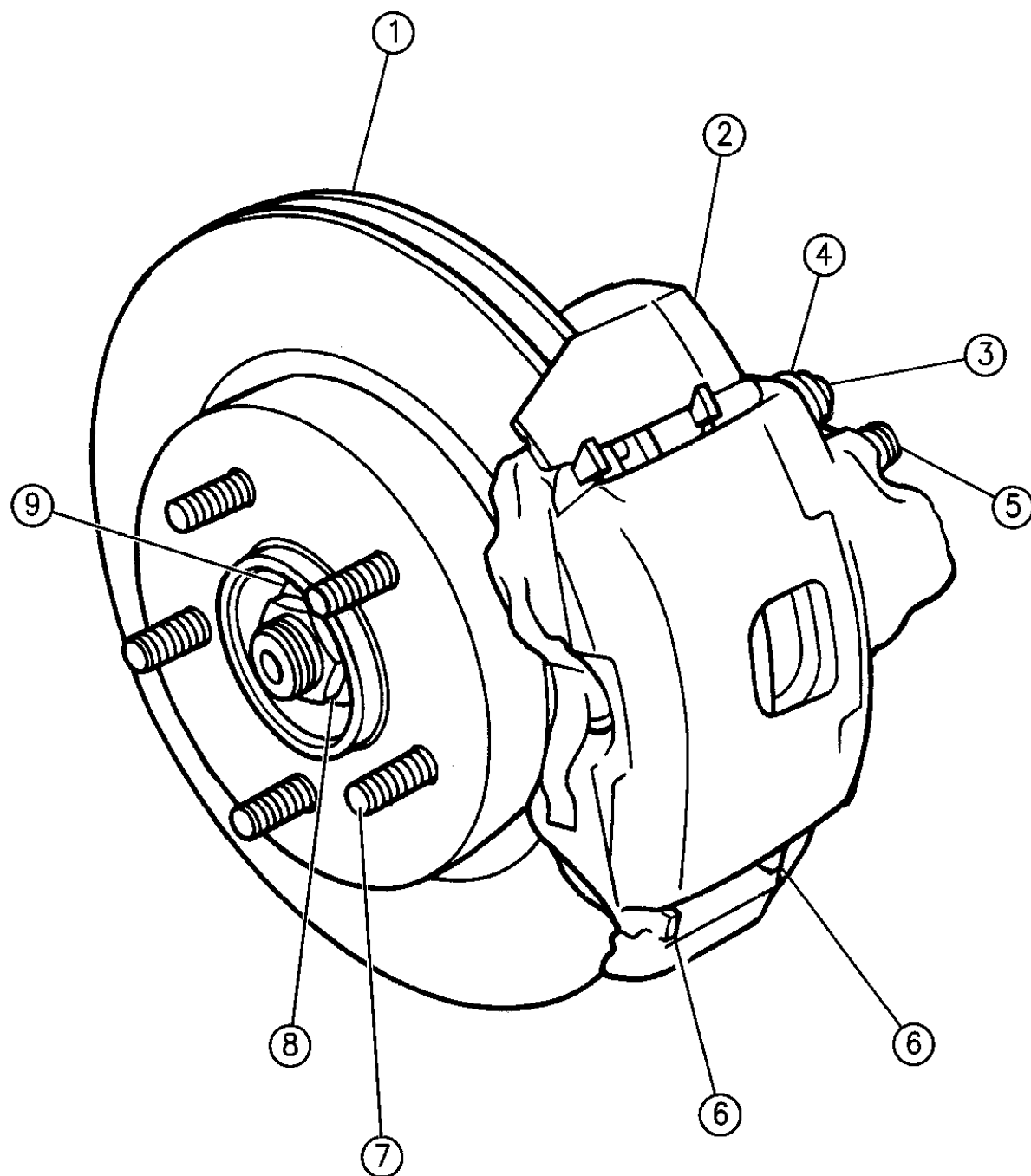
PEDAL, BRAKE Fig. 5-610

<p>5-100 FRT. WHEEL BRAKES BEARINGS SEALS</p> 	<p>5-200 REAR WHEEL BRAKES BEARINGS SEALS</p> 	<p>5-300 POWER BRK. BOOSTER</p> 	<p>5-400 BRAKE MASTER CYL.</p> 
<p>5-400 HYD. CONTROL</p> 	<p>5-500 BRAKE LINE</p> 	<p>5-500 ANTI-SKID BRAKE</p> 	<p>5-600 BRAKE PEDAL SWITCH, STOP LAMP</p> 

BRAKES, FRONT
Figure 5-110

5-110

ITEM	PART NUMBER	QTY	BODY	MODEL	DESCRIPTION
1	4755 028	2			ROTOR, Front Brake
2	4728 114-5	1			CALIPER ASSEMBLY, Front Brake ***
-	4728 121	2			PISTON, BOOT & SEAL PACKAGE, Front Caliper 1993-4
-	4713 874	2			1995-6
-	4364 781	2			BOOT & SEAL PACKAGE ***
3	6502 527	4			BOLT, Front Caliper Mounting (M8-1.25x69mm)
4	4383 471	4			BUSHING, Caliper Mounting
-	4423 573	4			SLEEVE, Caliper Mounting
5	3780 788	2			SCREW, Bleeder
-	4238 717	2			CAP, Bleeder Screw
6	4728 124	1			SHOE, LINING & CLIP PACKAGE, Front Brake 1993-4 ***
-	4773 264	1			1995
-	4882 106	1			1996
7	6503 007	10			BOLT, Front Wheel Stud
8	6502 541	2			NUT, Hub & Bearing to Spindle (M27x2.00)
-	4616 211	2			LOCK, Nut
-	6500 336	2			COTTER PIN, Hub & Bearing to Spindle M5x36.00 1993-4 ***
-	6504 254	2			M5x32.00 1995-6
9	6502 884	2			WASHER, Hub & Bearing to Spindle (Flat)
-	4728 867	2			HUB & BEARING ASSEMBLY PACKAGE, Front Wheel (Inc.#8) ***
-	6502 410	6			BOLT, Hub & Bearing to Knuckle (M12x1.75-53)
-					SENSOR ASSEMBLY, ABS (w/Bracket-Metal Sleeve) w/or w/o Traction Control 1993-95 ***
-	4695 980	1			Rt
-	4695 981	1			Lt
-	4695 738-9	1			w/ABS and Traction Control, w/Auto Stick 1995 ***
-	4695 980-1	1			w/ABS, w/or w/o Traction Control 1996
-	6035 102	2			SCREW, F/Whl Sensor L Bracket Att .250-14x.750
-	6101 682	2			SCREW, ABS Sensor (M6-1.0x20mm)
-	6503 302	2			SCREW, ABS Sensor Att (M7x1.00x11.00)
-	6501 350	2			SCREW, ABS Sensor Bracket to Strut (M6x1.0x11.0) 1993
-	6501 682	2			(M6x1.00x12.00) Up to 9-20-94
-	6504 055	2			(M6x1.00x16.00) After 9-20-94



93405 110

MODEL CODES: _____
 Chrysler = (CH41 = New Yorker, CP41 = LHS, DH41 = Intrepid(Canada), DP41 = Intrepid ES(Canada), LP41 = Concorde)
 DODGE = (DH41 = Intrepid(USA), DP41 = Intrepid ES(USA))
 EAGLE = (XP41 = Vision ESI, XS41 = Vision TSI)

BODY STYLES: _____
 41 = 4 - Door Sedan ENGINE: 3.3L (EGB)
 3.5L (EGE) 24 Valve

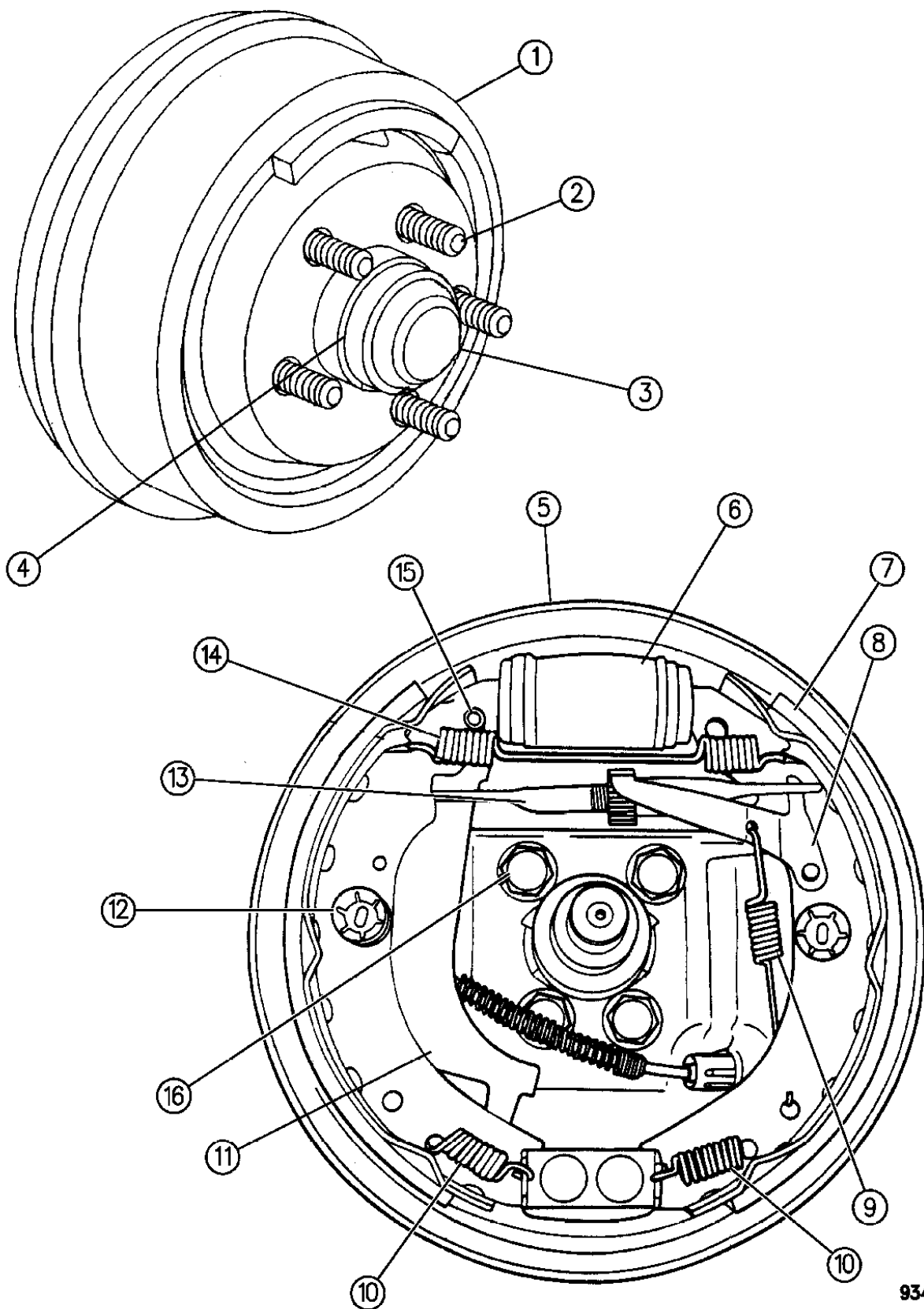
AR = Use as Required - = Non Illustrated Part P.A.R. = Paint as Required

BRAKES, REAR W/REAR DRUM

Figure 5-205

5-205

ITEM	PART NUMBER	QTY	BODY	MODEL	DESCRIPTION
1					DRUM, Rear Brake
	4601 798	2			w/o Aluminum Wheels
	4616 236	2			w/Aluminum Wheels (Painted)
2	6503 007	10			BOLT, Rear Wheel Stud
3	4616 560	2			CAP, Rear Wheel Bearing
4	4582 219	2			HUB & BEARING ASSEMBLY, Rear Wheel w/Drum Brakes ***
-	6502 884	2			WASHER, Hub & Bearing Assembly to Spindle
-	6502 716	2			NUT, Hub & Bearing Assembly to Spindle
-	4616 211	2			LOCK, Hub & Bearing to Spindle Nut
-	6500 336	2			COTTER PIN, Hub & Bearing to Spindle Nut Lock M5x36.00 1993-4 ***
-	6504 254	2			M5x32.00 1995-6
5	4728 762-3	1			SUPPORT, Rear Wheel Brake
-	4238 853	2			SEAL, Brake Support to Spindle
6	4728 859	2			CYLINDER, Rear Wheel Brake (3/4")
-	4423 232	4			SCREW, Cylinder Mounting
-	4423 230	2			SCREW, Bleeder
-	4423 231	2			CAP, Bleeder Screw
7	4728 870	1			SHOE & LINING PACKAGE, Rear Drum Brake (Inc. P/Brk. Lever) ***
8	4423 220-1	1			LEVER, Rear Wheel Brake Adjuster
9	4423 211	2			SPRING, Brake Adjuster Lever
10	4423 226	4			SPRING, Rear Brake Shoe Lower
11					LEVER, Parking Brake Cable to Brake Shoe (Serviced in Item #7)
12	4423 228	4			RETAINER, Rear Wheel Brake Shoe Hold Down
-	4423 229	4			PIN, Rear Wheel Brake Shoe Hold Down
13					ADJUSTER, Rear Wheel Brake
	4728 860-1	1			Screw
	4423 224-5	1			Nut
	4423 200	2			Socket
-	4423 235	2			PLUG, Brake Adjuster
14	4423 227	2			SPRING, Rear Wheel Brake Shoe to Shoe (Upper)
15					PIN, Parking Brake Lever to Shoe (Serviced in Item #7)
16	6502 146	8			BOLT, Support Plate and Spindle Mounting
	5011 281AA	1			SPRING PACKAGE, Drum Brake (Consist: of Item 9,10,12,14) ***



93405 205

MODEL CODES:

Chrysler = (CH41 = New Yorker, CP41 = LHS, DH41 = Intrepid(Canada), DP41 = Intrepid ES(Canada), LP41 = Concorde)
 DODGE = (DH41 = Intrepid(USA), DP41 = Intrepid ES(USA))
 EAGLE = (XP41 = Vision ESI, XS41 = Vision TSI)

BODY STYLES:

41 = 4 - Door Sedan ENGINE: 3.3L (EGB)
 3.5L (EGE) 24 Valve

AR = Use as Required - = Non Illustrated Part P.A.R. = Paint as Required

BRAKES, REAR W/REAR DISC

Figure 5-210

5-210A

ITEM	PART NUMBER	QTY	BODY	MODEL	DESCRIPTION
1	4728 128-9	1			CALIPER ASSEMBLY, Partial ***
2	3780 788	2			SCREW, Brake Bleeder
3	4238 717	2			CAP, Bleeder Screw
4	4238 853	2			SEAL, Rear Wheel Brake Support
5		2			LINK, Parking Brake (Serv. in Item #15)
6		2			PIN, Parking Brake Lever to Link (Serv. in Item #15)
7	4383 471	4			BUSHING, Caliper Mounting
8	4423 573	4			SLEEVE, Caliper Mounting
9	4728 146	1			SHOE & LINING PACKAGE, Rear Disc Brake 1993-4 ***
	4773 265	1			1995-6
10	4383 879	2			BOOT, Rear Caliper Piston (Also Serv. in Package)
-	4728 132	2			BOOT & SEAL PACKAGE ***
11	6502 527	4			BOLT, Caliper Mounting (M8-1.25x69mm)
12					SPRING, Rear Parking Brake
	4383 541	2			Upper (Yellow)
	4383 542	2			Lower (Blue)
13	4383 543	4			CLIP, Parking Brake Shoe Hold Down
14	4582 220	2			HUB & BEARING w/TONE WHEEL ASSEMBLY ***
15					LEVER & LINK ASSEMBLY, Rear Disc Parking Brake ***
	4728 112	1			Rt 1993-4-5
	4882 208	1			Rt 1996
	4728 113	1			Lt 1993-4-5
	4882 209	1			Lt 1996
16	6502 884	2			WASHER, Rear Hub & Bearing Assembly
17	6502 716	2			NUT, Hub & Bearing to Spindle
18	6500 336	2			COTTER PIN, Hub & Bearing to Spindle ***
19	4616 211	2			LOCK, Nut Hub & Bearing to Spindle
20	4616 560	2			CAP, Rear Bearing (Dust)
21	4582 225	2			ROTOR, Rear Disc Brake
22	6101 666	8			BOLT, Rear Brake Adapter to Spindle
23	4728 110-1	2			SHIELD, Rear Disc Brake (Dust)
24	4723 981	8			SCREW, Rear Brake Dust Shield to Adapter
25	4238 733	4			PIN, Rear Parking Brake Shoe Hold Down
26	4238 721	2			PLUG, Rear Wheel Parking Brake Adjuster
27	4383 878	2			PISTON, Rear Brake Caliper (Also Serv. in Package)
-	4728 133	2			PISTON, BOOT & SEAL PACKAGE
28	4383 880	2			SEAL, Rear Caliper Piston
29	6503 007	10			BOLT, Rear Wheel Stud
30					ADAPTER, Rear Wheel Disc Brake
	4728 098-9	1			w/o ABS 1993-4
	4797 308-9	1			w/o ABS 1995
	4728 096-7	1			w/ABS 1993-4

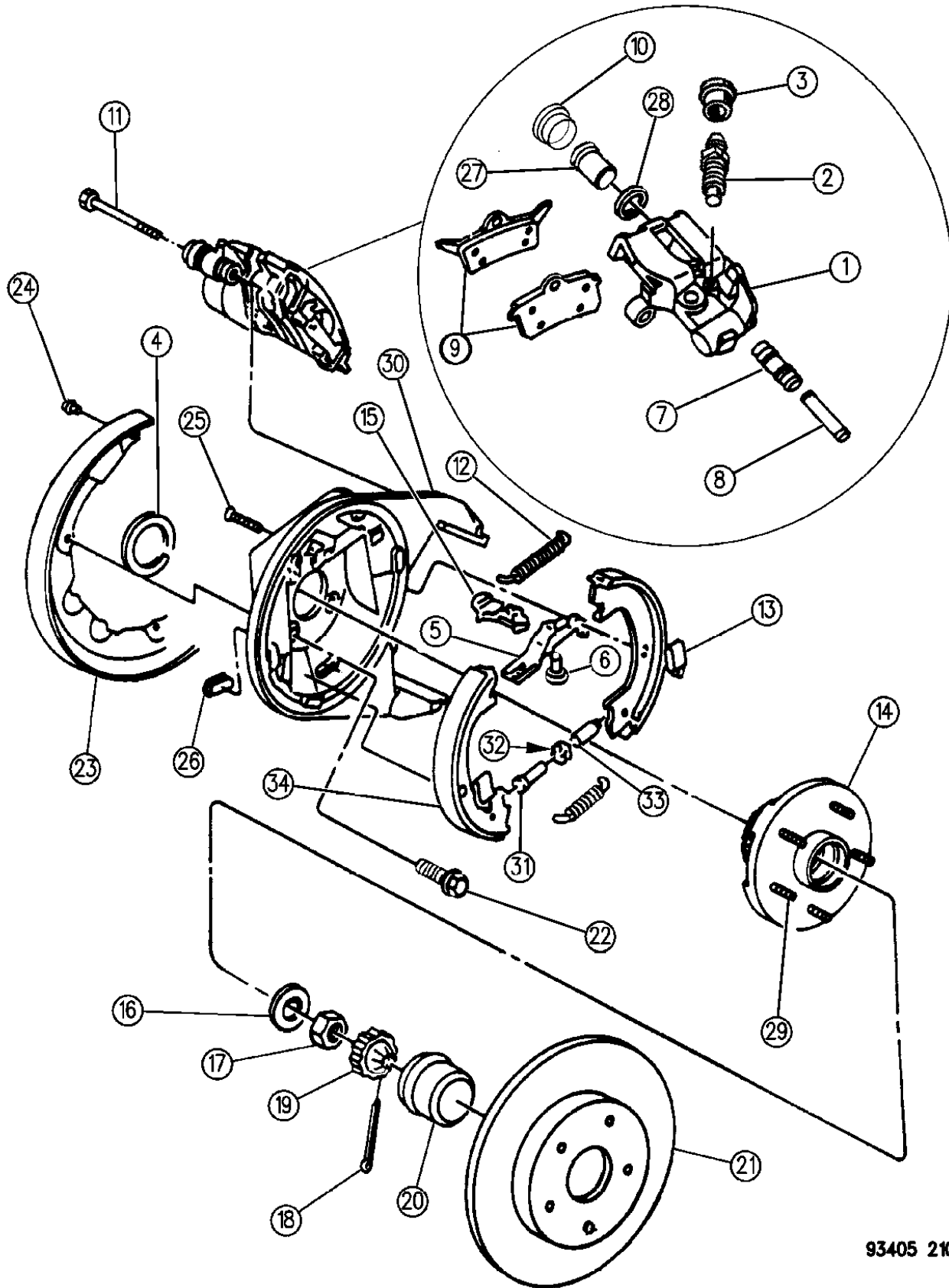
MODEL CODES:

Chrysler = (CH41 = New Yorker, CP41 = LHS, DH41 = Intrepid(Canada), DP41 = Intrepid ES(Canada), LP41 = Concorde)
 DODGE = (DH41 = Intrepid(USA), DP41 = Intrepid ES(USA))
 EAGLE = (XP41 = Vision ESI, XS41 = Vision TSI)

BODY STYLES:

41 = 4 - Door Sedan ENGINE: 3.3L (EGB)
 3.5L (EGE) 24 Valve

AR = Use as Required - = Non Illustrated Part P.A.R. = Paint as Required

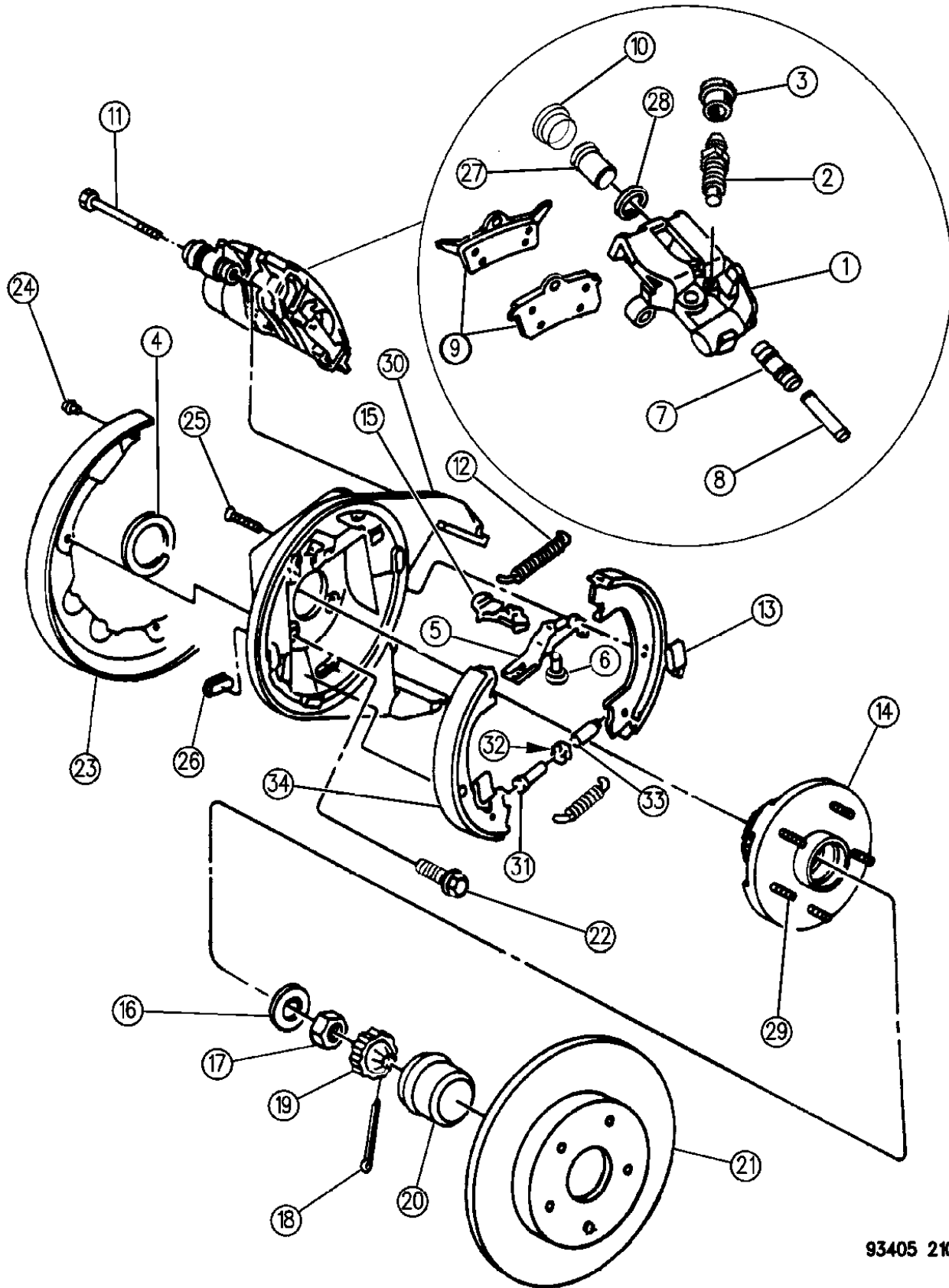


93405 210

BRAKES, REAR W/REAR DISC
Figure 5-210

5-210A

ITEM	PART NUMBER	QTY	BODY	MODEL	DESCRIPTION
	4797 310-1	1			w/ABS 1995
	4797 310-1	1			w/ABS, w/or w/o Traction control 1996
31	4509 503	2			SCREW, Parking Brake Adjuster
32	4383 539	2			NUT, Parking Brake Adjuster
33	4509 504	2			SOCKET, Parking Brake Adjuster
34					SHOE & LINING PACKAGE, Parking Brake (Rear Disc) ***
	4509 505	1			All, Except Europe 1993
	4741 772	1			All, Except Europe 1994-5-6
	4509 375	1			Europe
-	4582 440-1	1			SENSOR, Rear Disc w/ABS 1993-94
-	4695 138-9	1			w/ABS 1995
-	4695 138-9	1			w/ABS, w/or w/o Traction Control 1996
-	4582 630	2			RETAINER, Rear Sensor Wire Grommet
-	6101 683	2			SCREW, Rear Wheel Speed Sensor (M6-1.0x35mm)
-	6501 682	2			SCREW, Rear Sensor Grommet Ret Att or L Bracket to Body Att or Bracket to Hanger Bracket Att M6x1.00x12.00
-	6501 682	2			SCREW, Rear Sensor Tube to Tension Strut Att M6x1.00x12.00



93405 210

MODEL CODES: _____
 Chrysler = (CH41 = New Yorker, CP41 = LHS, DH41 = Intrepid(Canada), DP41 = Intrepid ES(Canada), LP41 = Concorde)
 DODGE = (DH41 = Intrepid(USA), DP41 = Intrepid ES(USA))
 EAGLE = (XP41 = Vision ESI, XS41 = Vision TSI)

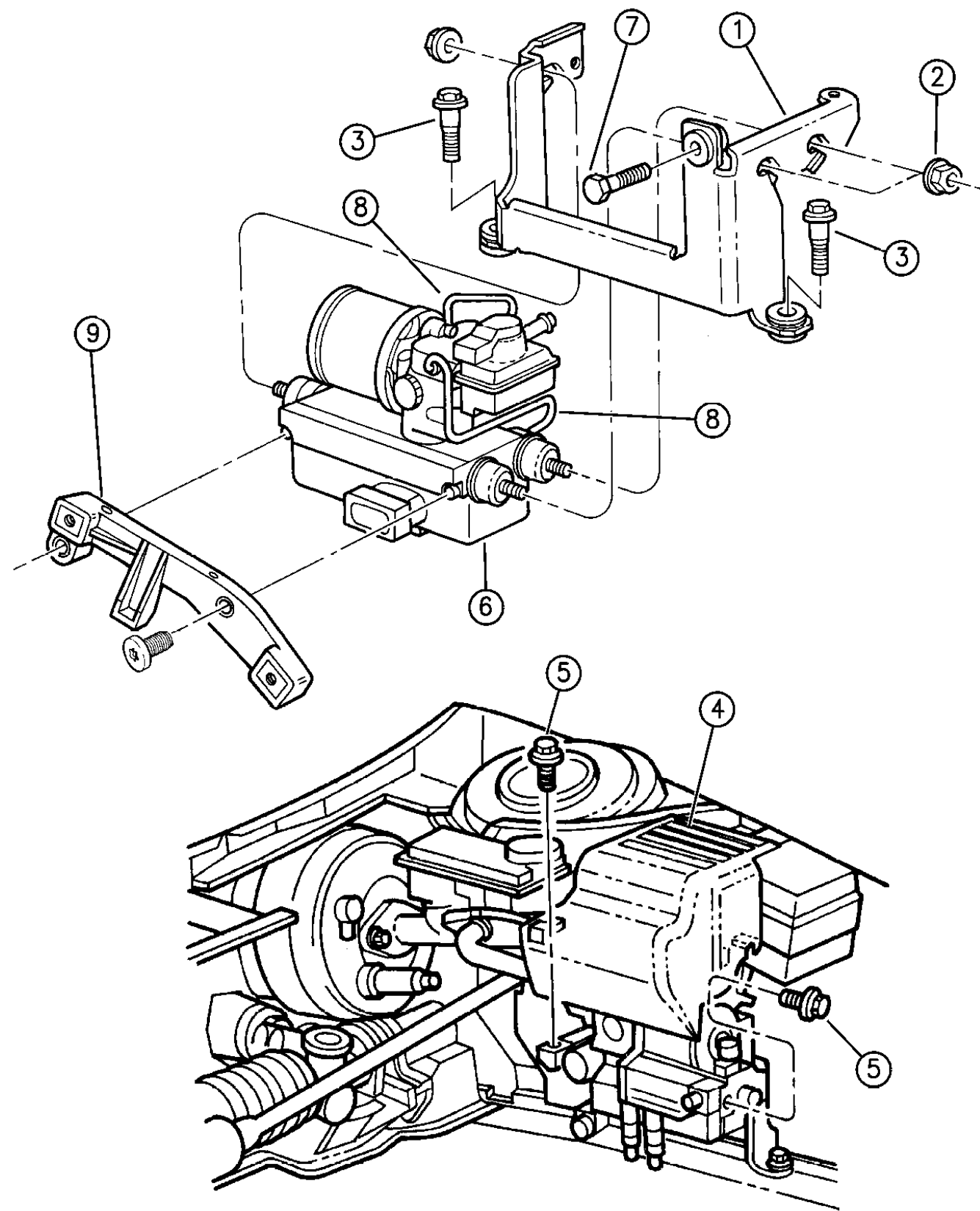
BODY STYLES: _____
 41 = 4 - Door Sedan ENGINE: 3.3L (EGB)
 3.5L (EGE) 24 Valve

AR = Use as Required - = Non Illustrated Part P.A.R. = Paint as Required

HYDRAULIC CONTROL UNIT ANTI-LOCK BRAKES

Figure 5-410

5-410B



ITEM	PART NUMBER	QTY	BODY	MODEL	DESCRIPTION
1	4601 754	1			BRACKET ASSEMBLY, HCU Mounting ***
	4695 722	1			HCU Mount/Heat Acid Shield Att. 1995-6
	6503 847	1			SCREW and WASHER, Hex Hd Att Brkt HCU Assy. Mtg M8x1.25x30.00
2	6101 445	3			NUT and WASHER ASSEMBLY, Bracket Mounting ***
3	6500 879	2			SCREW, HCU Assy. Mtg Brkt to Rail M8x1.25x30.00
4	4601 769	1			SHIELD, HCU Heat & Acid
	4695 358	1			1995-6
	4695 560	1			w/Transitory Level Emission Vehicle 1996
5	6501 350	2			SCREW, HCU Heat Shield Mounting 1993-4
	6504 055	2			1995-6
6					HYDRAULIC CONTROL UNIT ASSEMBLY ***
	4761 892	1			w/ABS, 1993-94
	4616 740	1			w/ABS, 1995
	4601 752	1			w/ABS and Traction Control 1993
	4695 433	1			w/ABS and Traction Control 1994
	4695 935	1			W/ABS and Traction Control 1995
	4616 741	1			W/ABS and Traction Control, w/Auto Stick 1995
	4616 741	1			W/ABS and Traction Control 1996
	4764 462	1			w/ABS, w/o Traction Control 1996
	4761 921	1			RESERVOIR PACKAGE, HYD Control Unit w/ABS (w/Fluid
					Level Sw or w/ABS Traction Control 1993-4-5 ***
		1			PUMP PACKAGE, w/ABS (Service in HCU) ***
		1			VALVE BLOCK PACKAGE, w/ABS (Service in HCU) ***
7	6500 584	AR			SCREW, HCU Mounting M8x1.25x30.00 1993
	6502 511	AR			6LB Pilot Pt M6x1.00x45.00 1994-5-6
8	4761 991	1			TUBE PACKAGE, w/ABS Pump to Valve Block (Hi-Pressure) ***
9	4741 412	1			ADAPTER PACKAGE, HCU Adapter Mounting w/ABS (HCU
					Between Elect Control Unit- Plastic) 1993-4 (Stamp # 10.0501-
					95231) ***
	4741 411	1			w/ABS and Traction Control (HCU Between Elect Control Unit-
					Plastic) 1993-4 (Stamp #10.0501-95241)
	4856 407	1			w/ABS, w/or w/o Traction Control (HCU Between Elect Control
					Unit Plastic) 1995-6
		2			SCREW, Adapter HCU Mounting (Service in Assy.)
	4582 630	1			RETAINER, HYD Assy. Mtg Brkt to Rail

MODEL CODES:

Chrysler = (CH41 = New Yorker, CP41 = LHS, DH41 = Intrepid(Canada), DP41 = Intrepid ES(Canada), LP41 = Concorde)
 DODGE = (DH41 = Intrepid(USA), DP41 = Intrepid ES(USA))
 EAGLE = (XP41 = Vision ESI, XS41 = Vision TSI)

BODY STYLES:

41 = 4 - Door Sedan ENGINE: 3.3L (EGB)
 3.5L (EGE) 24 Valve

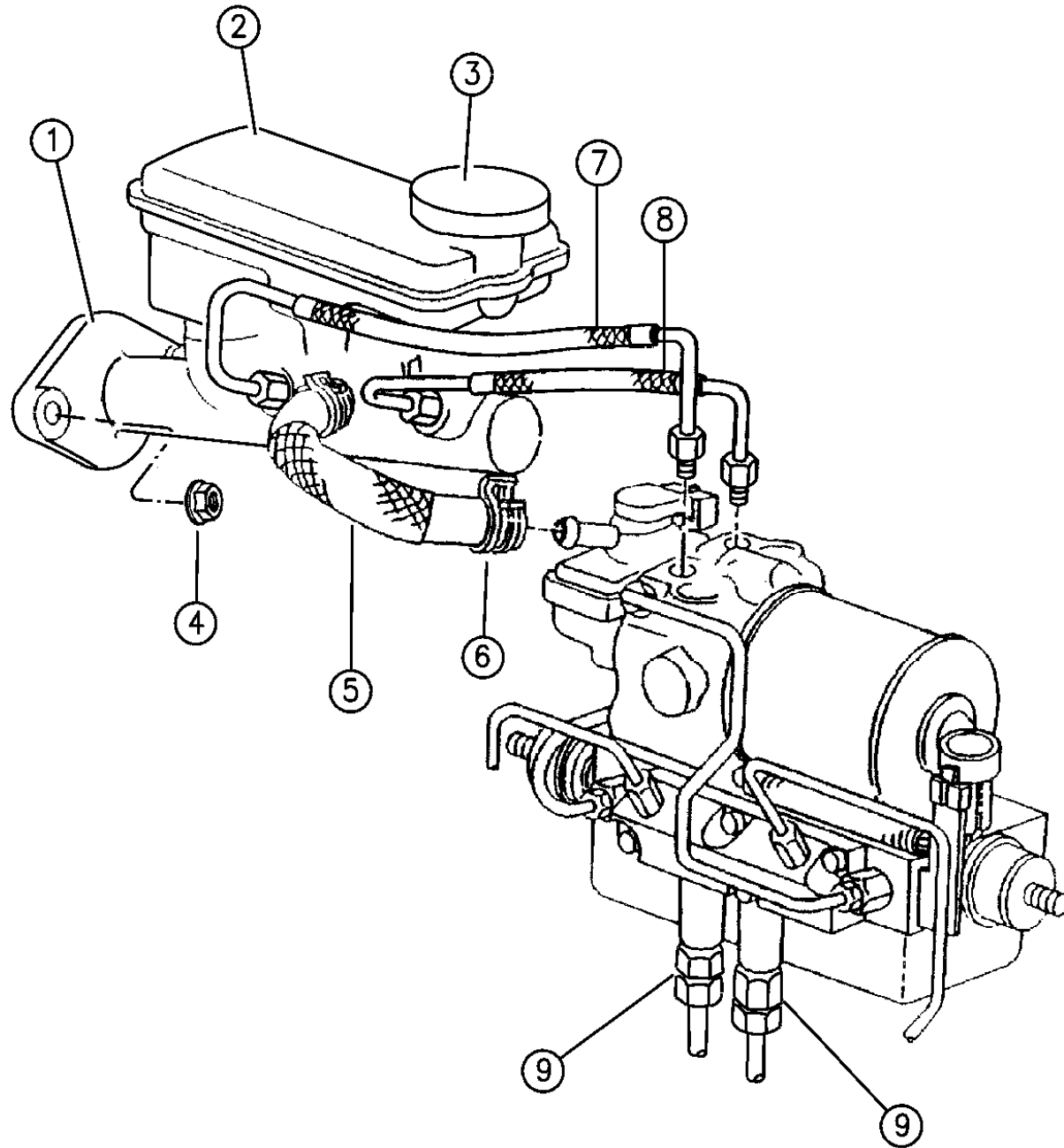
93405 410

AR = Use as Required - = Non Illustrated Part P.A.R. = Paint as Required

MASTER CYLINDER, BRAKE (PROPORTIONING VALVE-IN LINE)

Figure 5-420

5-420D



ITEM	PART NUMBER	QTY	BODY	MODEL	DESCRIPTION
1	4601 771	1			MASTER CYLINDER ASSEMBLY, w/o ABS ***
					1993-94 ***
	4601 770	1			w/ABS Up to 6-22-92
	4695 674	1			w/ABS After 6-22-92
	4761 891	1			w/ABS 1994
					1995 ***
	4764 410	1			w/o ABS
	4764 420	1			w/ABS and TRACTION CONTROL 1995
	4764 524	1			w/ABS w/o TRACTION CONTROL
	4695 192	1			w/ABS and TRACTION CONTROL, w/Auto Stick 1995
	4695 192	1			w/ABS, w/TRACTION CONTROL 1996
	4695 899	1			w/or w/o ABS, w/o TRACTION CONTROL 1996
2	4601 803	1			RESERVOIR ASSEMBLY, w/o ABS 1993-4 (w/o Nipple) ***
					w/o ABS 1995 (w/o Nipple)
	4601 802	1			w/ABS 1993 (w/Nipple)
	4761 884	1			w/ABS 1994 (w/Nipple)
	4778 521	1			w/ABS 1995 (w/Nipple)
	4695 716	1			w/or w/o ABS w/o Traction Control w/o Nipple 1996
	4856 705	1			w/ABS, w/Traction Control 1996
	4695 741	1			LABEL, Brake Master Cylinder Reservoir (European) 1995-6
	4761 885	1			PIN, Reservoir Retaining w/ABS
3	4616 260	1			CAP ASSEMBLY, Reservoir 1993-4 ***
					1995-6
4	6502 524	2			NUT, Master Cylinder to Booster
5	4601 762	1			HOSE, Low Pressure Feed Master Cylinder to HCU (Primary)
6	4601 768	2			CLAMP, Low Pressure Feed Hose
7	4582 628	1			TUBE ASSEMBLY, Master Cylinder to HCU Primary Up to 2-8-93
					w/ABS, w/or w/o Traction Control ***
	6501 913	1			NUT, Tube M12x1.0
	6501 914	1			NUT, Tube M10x1.0
	4695 340	1			Primary After 2-8-93 w/ABS, w/or w/o Traction Control
	6503 136	1			NUT, Tube M12x1.0
	6503 135	1			NUT, Tube M10x1.0
	4764 536	1			Primary w/o Traction Control 1995
	6503 135	1			NUT, Tube M12x1.0
	6503 136	1			NUT, Tube M10x1.0
	4695 402	1			Primary, w/ABS and Traction Control, w/Auto Stick 1995
	6503 479	1			NUT, Hex Tube M12x1.0x24.50
	6503 480	1			NUT, Hex Tube M14x1.50x24.50
	4695 402	1			Primary, w/ABS, w/Traction Control w/or w/o Auto Stick 1996
	6503 479	1			NUT, Hex Tube M12x1.0x24.50
	6503 480	1			NUT, Hex M14x1.50x24.50

MODEL CODES:

Chrysler = (CH41 = New Yorker, CP41 = LHS, DH41 = Intrepid(Canada), DP41 = Intrepid ES(Canada), LP41 = Concorde)
 DODGE = (DH41 = Intrepid(USA), DP41 = Intrepid ES(USA))
 EAGLE = (XP41 = Vision ESI, XS41 = Vision TSI)

93405 420

BODY STYLES:

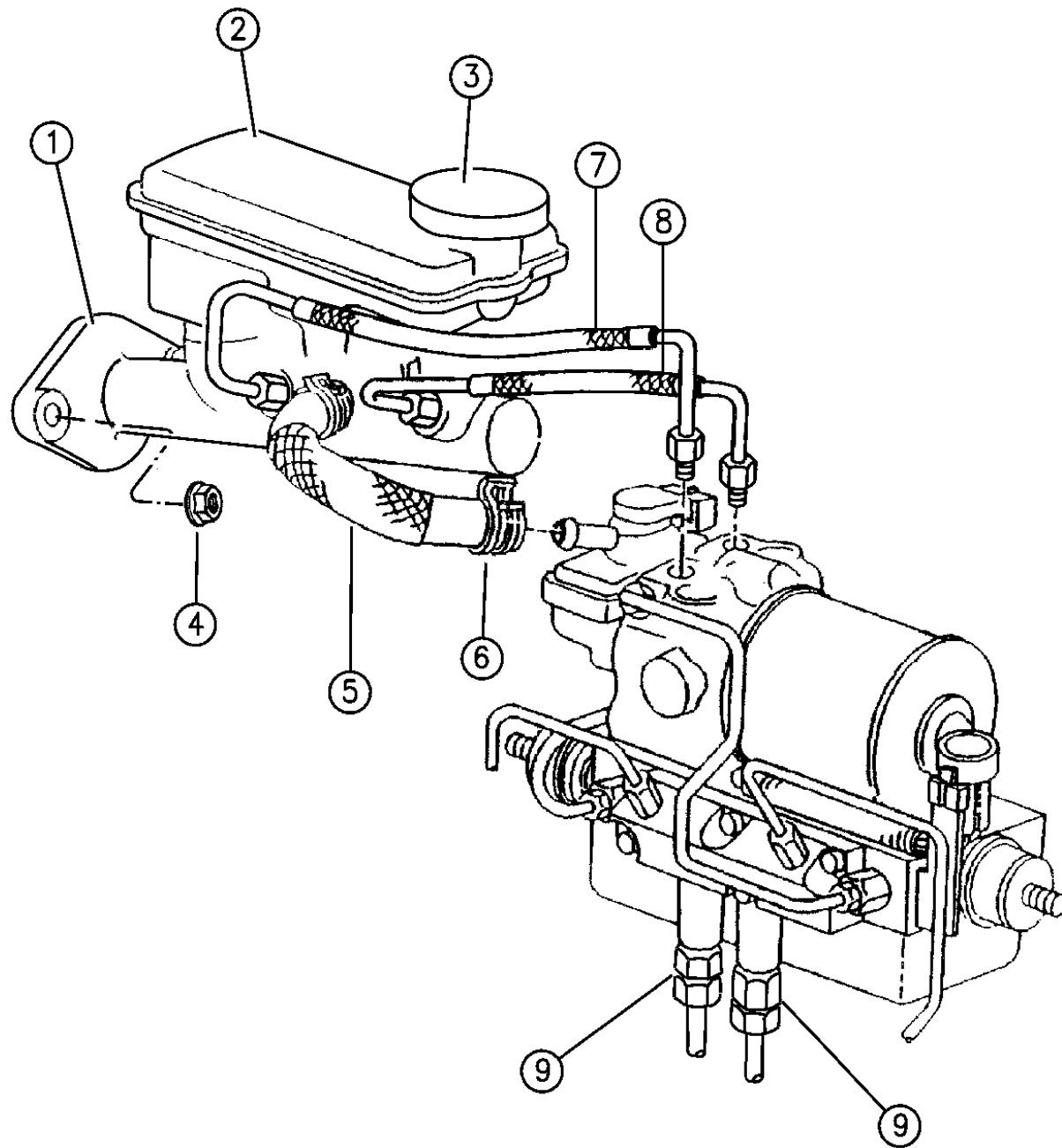
41 = 4 - Door Sedan ENGINE: 3.3L (EGB)
 3.5L (EGE) 24 Valve

AR = Use as Required - = Non Illustrated Part P.A.R. = Paint as Required

MASTER CYLINDER, BRAKE (PROPORTIONING VALVE-IN LINE)

Figure 5-420

5-420D



ITEM	PART NUMBER	QTY	BODY	MODEL	DESCRIPTION
	4695 800	1			Primary, w/ABS, w/o Traction Control 1996
	6503 135	1			NUT, Tube M12x1.0
	4755 072-3	1			TUBE ASSEMBLY, HCU to Coupling w/ABS, w/or w/o Traction Control 1996 ***
	4897 394AA	1			VALVE, Brake Pressure Limit w/ABS, w/or w/o Traction Control (HCU to Coupling) 1996
8	4582 629	1			TUBE ASSEMBLY, Master Cylinder to HCU Secondary Up to 2-8-93 w/ABS, w/or w/o Traction Control ***
	6501 913	1			NUT, Tube M12x1.0
	4695 351	1			Secondary After 2-8-93 w/ABS, w/or w/o Traction Control
	6503 136	1			NUT, Tube M12x1.0
	4764 538	1			Secondary w/o Traction Control 1995
	6503 136	1			NUT, Tube M12x1.0
	4695 404	1	D,C		Secondary, w/ABS and Traction Control, w/Auto Stick 1995
	6503 479	1			NUT, Hex Tube M12x1.0x24.50
	4695 404	1			Secondary, w/ABS, w/Traction Control w/or w/o Auto Stick 1996
	6503 479	1			NUT, Hex Tube M12x1.0x24.50
	4695 801	1			Secondary, w/ABS, w/o Traction Control 1996
	6503 136	1			NUT, Tube M12x1.0
	6503 479	1			NUT, Hex Tube M12x1.0x24.50
9	4582 498	1			VALVE, In-Line w/ABS, w/or w/o Traction Control Primary 1993-4
	4882 416	1			w/ABS Primary (12MM) 1995
	4882 264	1			w/ABS and Traction Control Primary (12MM) 1995
	4582 767	1			w/ABS, w/or w/o Traction Control Secondary 1993-4
	4882 261	1			w/ABS Secondary (12MM) 1995
	4882 415	1			w/ABS and Traction Control Secondary (12MM) 1995
-	4601 799	2			GROMMET, Reservoir to Master Cylinder
		1			ROD, Push M/Cyl. (Serviced in Booster)

93405 420

MODEL CODES:

Chrysler = (CH41 = New Yorker, CP41 = LHS, DH41 = Intrepid(Canada), DP41 = Intrepid ES(Canada), LP41 = Concorde)
 DODGE = (DH41 = Intrepid(USA), DP41 = Intrepid ES(USA))
 EAGLE = (XP41 = Vision ESI, XS41 = Vision TSI)

BODY STYLES:

41 = 4 - Door Sedan ENGINE: 3.3L (EGB)
 3.5L (EGE) 24 Valve

AR = Use as Required - = Non Illustrated Part P.A.R. = Paint as Required

LINES AND HOSES, BRAKE (PROPORTIONING, VALVE)

Figure 5-510

5-510A

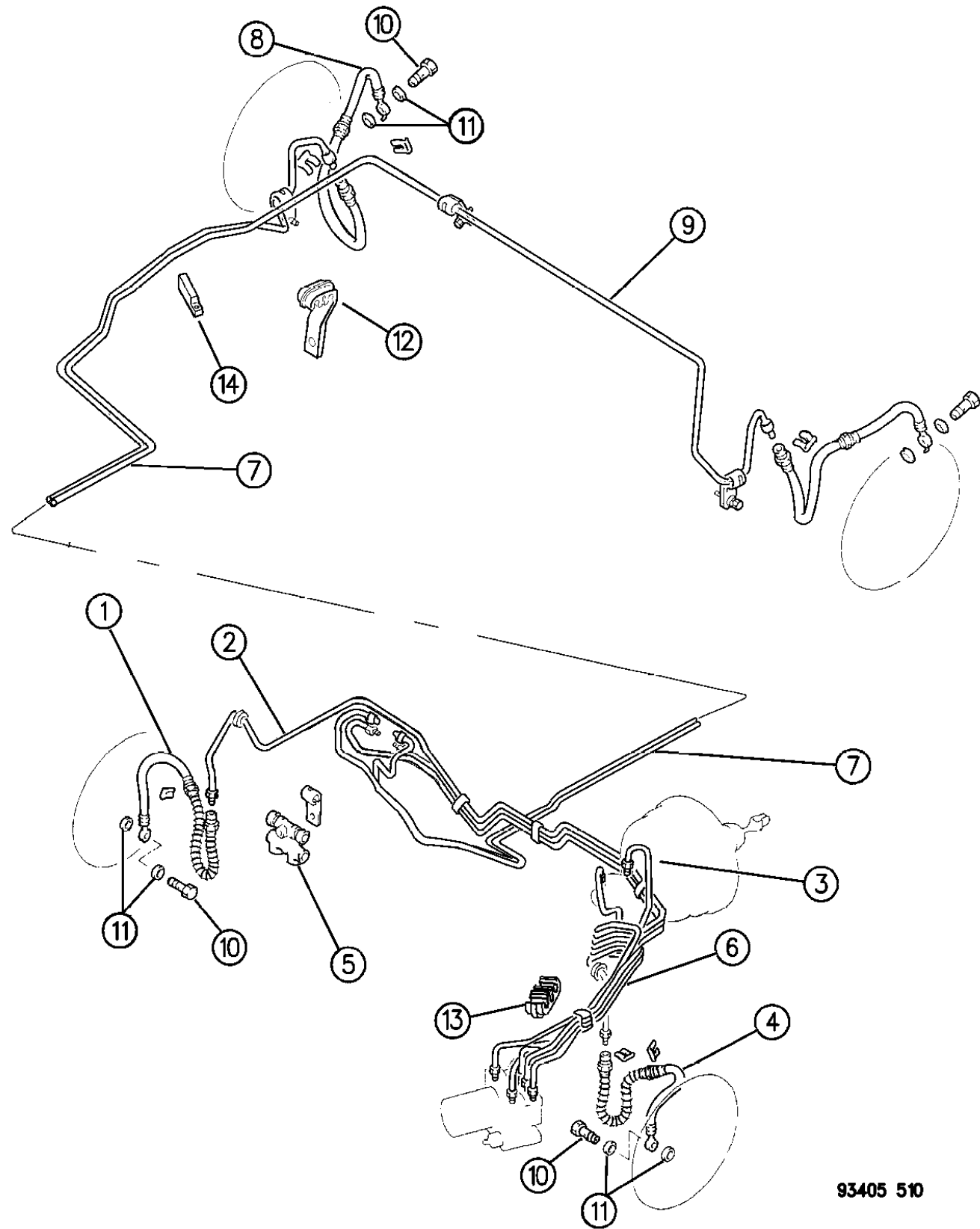
ITEM	PART NUMBER	QTY	BODY	MODEL	DESCRIPTION
1	4582 276-7	1			HOSE ASSEMBLY, Front Wheel Disc Brake ***
2					TUBE ASSEMBLY, to Right Front Brake Hose ***
	4616 752	1			w/o ABS 1993
	6503 136	1			NUT, Tube M12x1.0
	6503 135	1			NUT, Tube M10x1.0
	1843 251	1			w/o ABS (25 Ft. Roll) 3/16" O.D. 1994-5-6
	6503 136	1			NUT, Tube M12x1.0
	6503 135	1			NUT, Tube M10x1.0
	4616 425	1			w/ABS 1993-4
	6503 135	2			NUT, Tube M10x1.0
	4695 362	1			w/ABS, w/Traction Control 1995
	6503 135	2			NUT, Tube M10x1.0
	4695 806	1			w/ABS, w/o Traction Control 1995
	6503 135	2			NUT, Tube M10x1.0
	1843 251	1			w/ABS, w/Traction Control (25 Ft. Roll) 3/16" O.D. 1994-95
	4764 516	1			w/ABS, w/Traction Control, w/Auto Stick 1995
	4764 516	1			w/ABS, w/or w/o Traction Control 1996
	6503 135	1			NUT, Tube M10x1.0
3		1			TUBE ASSEMBLY, Master Cylinder to HCU (Reference) ***
4					TUBE ASSEMBLY, to Left Front Brake Hose ***
	4616 755	1			w/o ABS 1993
	6503 135	2			NUT, Tube M10x1.0
	1843 251	1			w/o ABS (25 Ft. Roll) 3/16" O.D. 1994-95-6
	6503 135	2			NUT, Tube M10x1.0
	4616 694	1			w/ABS 1993
	6503 135	2			NUT, Tube M10x1.0
	1843 251	1			w/ABS (25 Ft. Roll) 3/16" O.D. 1994-5-6
	6503 135	2			NUT, Tube M10x1.0
	4695 373	1			w/ABS, W/TRACTION CONTROL 1995
	6503 135	2			NUT, Tube M10x1.0
	1843 251	1			w/ABS, w/Traction Control 3/16" O.D. 1995-6
	6503 135	2			NUT, Tube M10x1.0
	4695 807	1			w/ABS, w/o Traction Control 1995
	6503 136	1			NUT, Tube M12x1.0
	6503 135	1			NUT, Tube M10x1.0
	4764 517	1			w/ABS, w/Traction Control, w/Auto Stick 1995
	4764 517	1			w/ABS, w/or w/o Traction Control 1996
5					VALVE ASSEMBLY, Proportioning ***
					Valve & Bracket Assembly w/o ABS
	4582 280	1			w/Rear Drum
	4582 501	1			w/Rear Disc

MODEL CODES:

Chrysler = (CH41 = New Yorker, CP41 = LHS, DH41 = Intrepid(Canada), DP41 = Intrepid ES(Canada), LP41 = Concorde)
 DODGE = (DH41 = Intrepid(USA), DP41 = Intrepid ES(USA))
 EAGLE = (XP41 = Vision ESI, XS41 = Vision TSI)

BODY STYLES:

41 = 4 - Door Sedan ENGINE: 3.3L (EGB)
 3.5L (EGE) 24 Valve

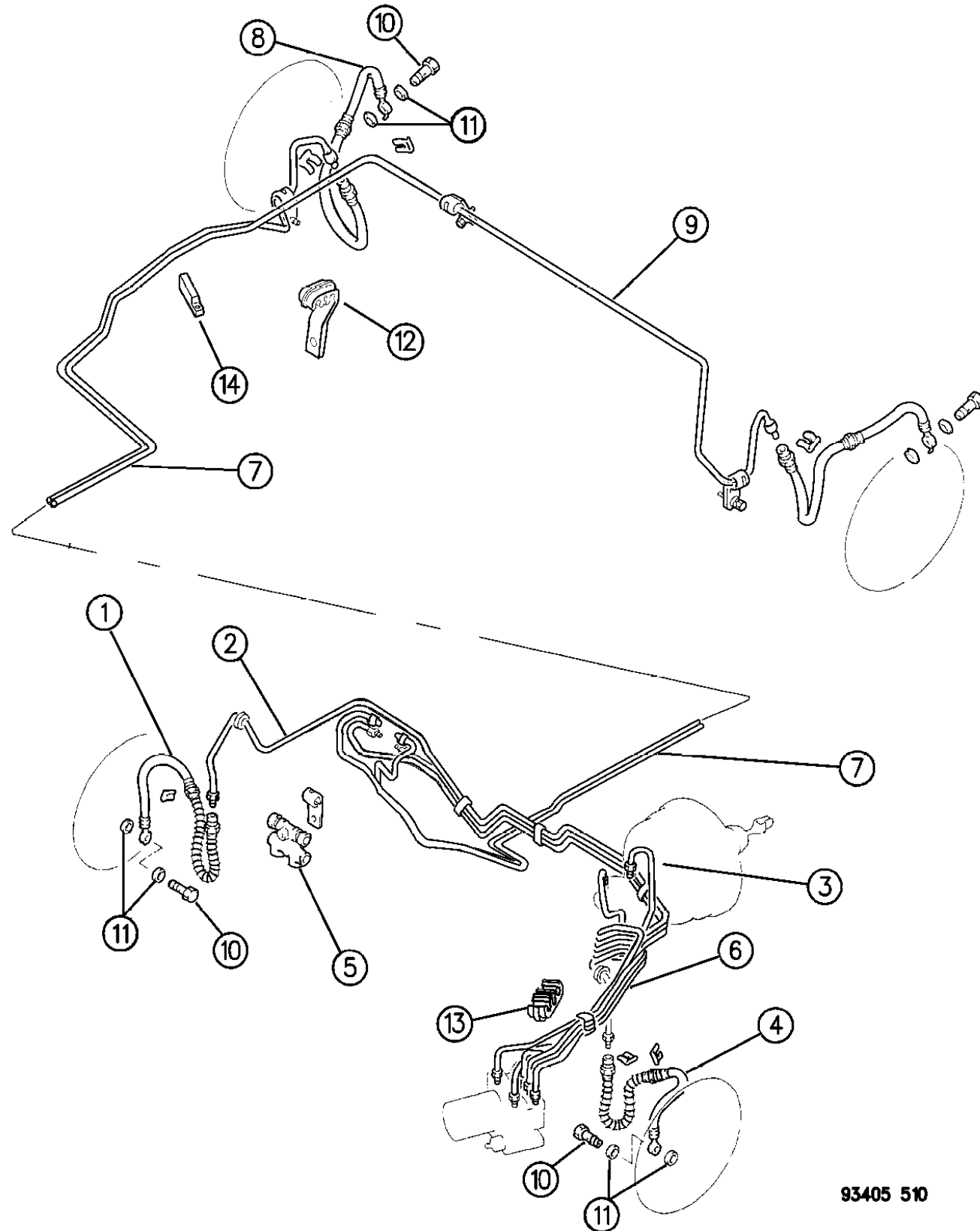


93405 510

AR = Use as Required - = Non Illustrated Part P.A.R. = Paint as Required

LINES AND HOSES, BRAKE (PROPORTIONING, VALVE)
Figure 5-510

5-510A



93405 510

ITEM	PART NUMBER	QTY	BODY	MODEL	DESCRIPTION
		1			w/Rear Disc w/ABS w/o Traction Control 1995 (Service on 4695308-9)
		1			w/Rear Disc w/ABS w/or w/o Traction Control 1996 (Service on 4695308-9)
-	6500 879	1			SCREW, Valve Mounting M8x1.25x30.00
-		1			Valve In Line w/ABS HCU (See Master Cylinder Illust.) ***
6					TUBE ASSEMBLY, Master Cylinder to Valve ***
	4582 496	1			Primary Up to 2-8-93
	6503 135	1			NUT, Tube M10x1.0
	4695 327	1			Primary After 2-8-93
	6503 135	1			NUT, Tube M10x1.0
	4582 497	1			Secondary Up to 2-8-93
	6503 136	1			NUT, Tube M12x1.0
	6503 135	1			NUT, Tube M10x1.0
	4695 335	1			Secondary After 2-8-93
	6503 136	1			NUT, Tube M12x1.0
	6503 135	1			NUT, Tube M10x1.0
7					TUBE ASSEMBLY, to Right Rear Brake Hose ***
	1843 251	1			w/or w/o ABS
	6503 135	2			NUT, Tube M10x1.0
8					HOSE ASSEMBLY, Rear ***
	4582 442-3	1			w/Rear Drum
	4582 272-3	1			w/Rear Disc, w/Female Fitting w/o Tube
	4695 308-9	1			w/Rear Disc, w/Male Fitting w/Tube 1995
	4796 862-3	1			w/Rear Disc, w/Male Fitting, w/Tube 1996
9					TUBE ASSEMBLY, to Rear Left Brake Hose ***
	1843 251	1			w/or w/o ABS
	6503 136	1			NUT, Tube M12x1.0
	6503 135	1			NUT, Tube M10x1.0
10	6030 230	AR			BOLT, .437-20x.937 1993-4
	6035 098	AR			1995-6
11	6030 084	AR			GASKET, ID-.46 OD-.62 THK-.077 1993
	6034 942	AR			ID-.446 OD-.678 THK .060 1994-5-6
12	4582 073	1			CLIP, Brake Tube and Wiring to Rear Rail
13	4582 074	1			CLIP, Brake Tube and Wiring
14	4582 738	1			CLIP, Brake Tube and Fuel
	4582 919	1			CLIP, Tube Module Ctr Spacer
	4582 921	1			CLIP, Tube Module C/Mbr. Ctr Mount
	4582 923	1			CLIP, Tube Module C/Mbr. Lt. Front Mount
	4582 086	1			SPACER, Brake Tube to F/Tank
	4509 019	1			CLIP, Module Tube - Brake Anti-Lock 1993-94
	4695 517	1			1995-6

MODEL CODES:

Chrysler = (CH41 = New Yorker, CP41 = LHS, DH41 = Intrepid(Canada), DP41 = Intrepid ES(Canada), LP41 = Concorde)
DODGE = (DH41 = Intrepid(USA), DP41 = Intrepid ES(USA))
EAGLE = (XP41 = Vision ESI, XS41 = Vision TSI)

BODY STYLES:

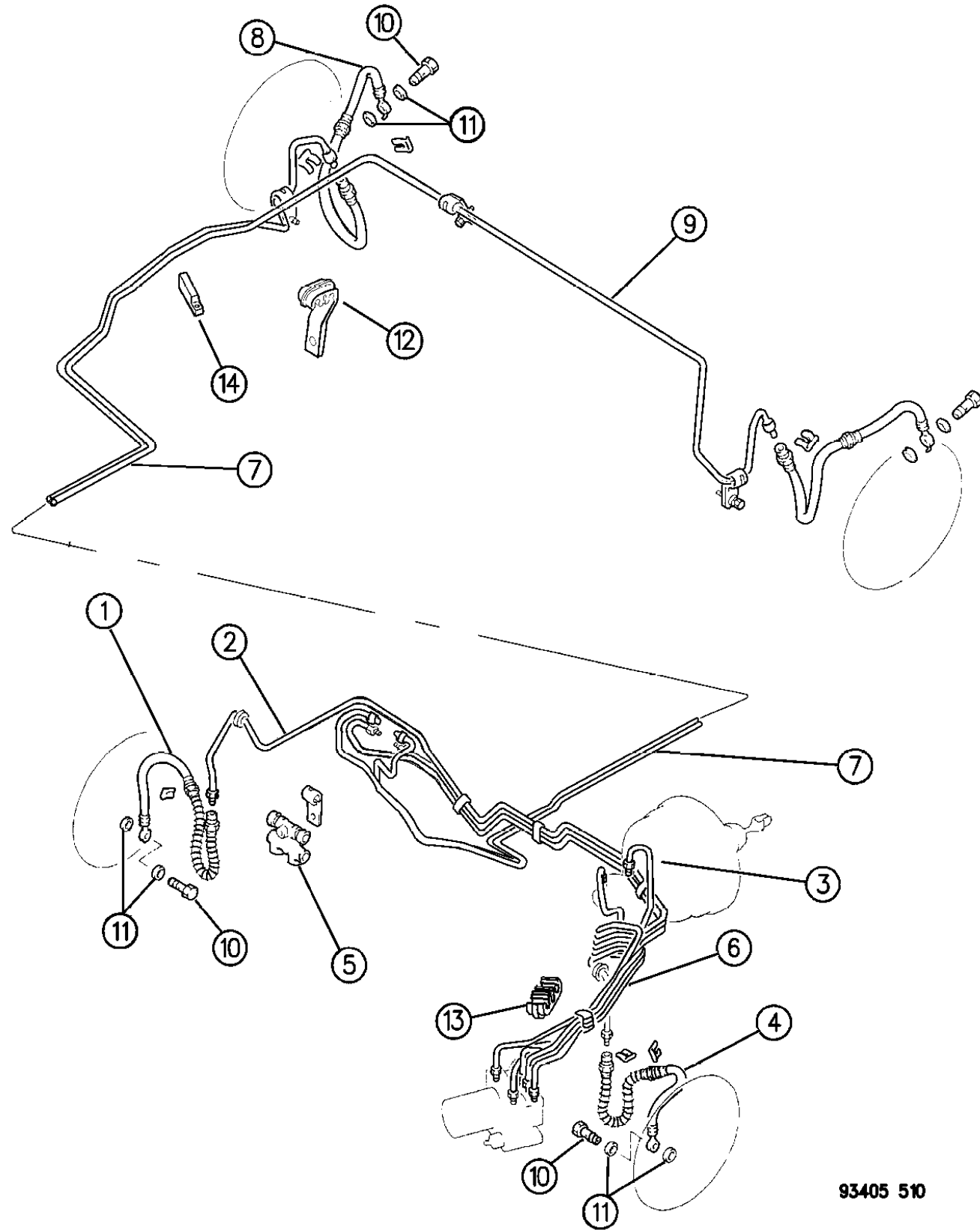
41 = 4 - Door Sedan ENGINE: 3.3L (EGB)
3.5L (EGE) 24 Valve

AR = Use as Required - = Non Illustrated Part P.A.R. = Paint as Required

LINES AND HOSES, BRAKE (PROPORTIONING, VALVE)
Figure 5-510

5-510A

ITEM	PART NUMBER	QTY	BODY	MODEL	DESCRIPTION
	6501 188	AR			SCREW, Frt. Wheel Disc. Brake Frm Brkt Mtg.
		1			SCREW, PRC/Hex Flg Hd Rt Frt Tube to Crossmember Brkt .250-14x.625 (Not Serviced)
	4695 496	1			ISOLATOR, Rubber- Clip Front Brake Module 1994-5-6 ***
	6034 959	2			SCREW, Hex Flange Hd Brake Hose Int Bracket Att Rear .250-14x.549 1994-5-6



93405 510

MODEL CODES:

Chrysler = (CH41 = New Yorker, CP41 = LHS, DH41 = Intrepid(Canada), DP41 = Intrepid ES(Canada), LP41 = Concorde)
DODGE = (DH41 = Intrepid(USA), DP41 = Intrepid ES(USA))
EAGLE = (XP41 = Vision ESI, XS41 = Vision TSI)

BODY STYLES:

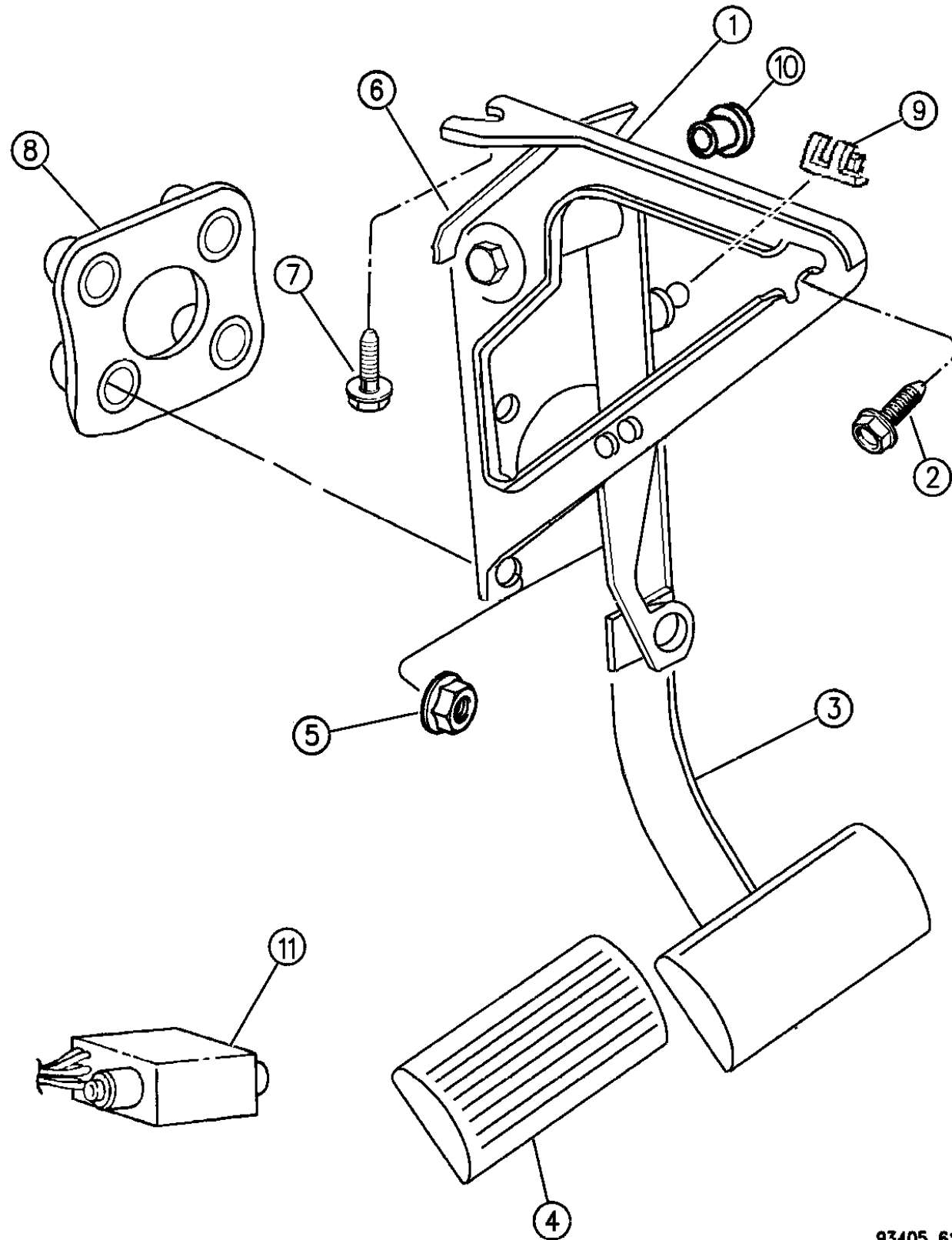
41 = 4 - Door Sedan ENGINE: 3.3L (EGB)
3.5L (EGE) 24 Valve

AR = Use as Required - = Non Illustrated Part P.A.R. = Paint as Required

PEDAL, BRAKE
Figure 5-610

5-610B

ITEM	PART NUMBER	QTY	BODY	MODEL	DESCRIPTION
1	4582 228	1		D,L,X	BRACKET ASSEMBLY, Brake Pedal 1993 ***
	4695 435	1		C	1993
	4695 141	1			Up to 1-19-94 (Bramalea)
	4695 648	1			After 1-19-94 (Bramalea)
	4695 141	1			Up to 1-24-94 (Newark)
	4695 648	1			After 1-24-94 (Newark)
2	6502 430	1			SCREW, Brake Pedal Bracket Mounting
3	4582 458	1			PEDAL ASSEMBLY, Brake ***
		1			PLATE, Brake Pedal, (Serviced in Item 1)
-	4019 420	1			PIN, Master Cylinder Push Rod to Pedal
4	4019 660	1			PAD, Brake Pedal
5	6101 445	4			NUT and WASHER, Brake Pedal Bracket Mounting
6	4019 685	1			SHAFT, Brake Pedal Pivot
-	6500 197	1			NUT, Pedal Shaft
7	6101 603	1			SCREW, Brake Pedal Bracket Mounting
8	4294 633	1			SPACER, Brake Pedal Module to Dash
9	4294 036	1			CLIP, Push Rod to Pedal WD-.920 LG-.950 THK-.019
10	2467 770	1			BUSHING, Pedal Shaft
11	4221 463	1			SWITCH, Park Brake
	0154 619	1			SCREW, Park Brake Switch .190-16x1.00



93405 610

MODEL CODES:

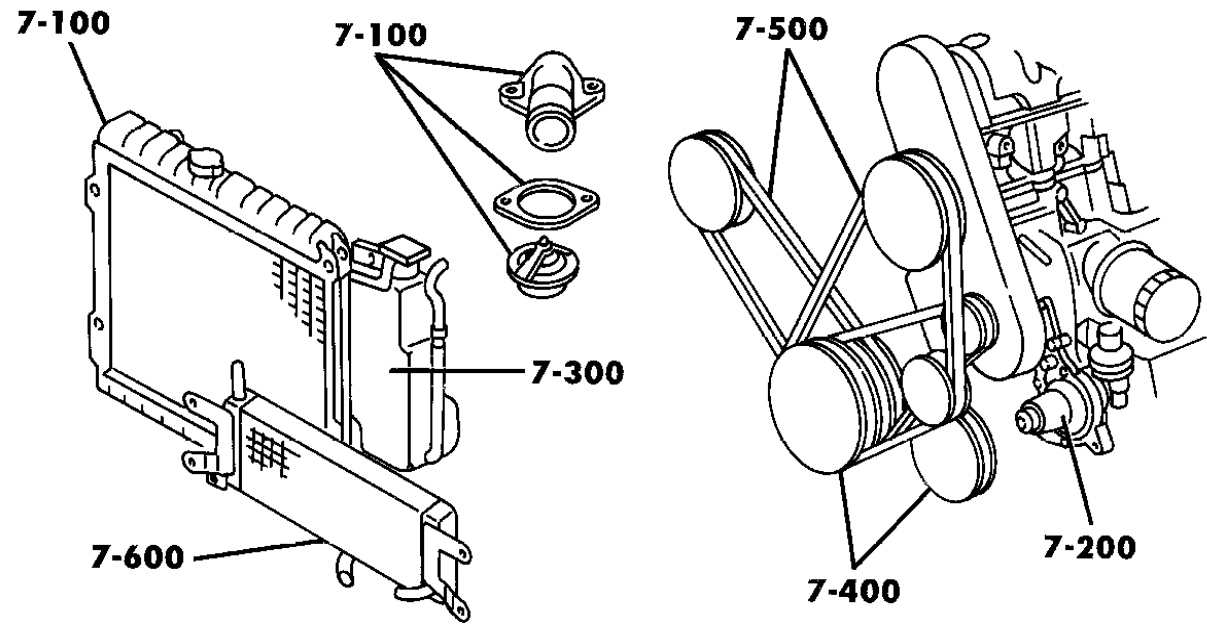
Chrysler = (CH41 = New Yorker, CP41 = LHS, DH41 = Intrepid(Canada), DP41 = Intrepid ES(Canada), LP41 = Concorde)
 DODGE = (DH41 = Intrepid(USA), DP41 = Intrepid ES(USA))
 EAGLE = (XP41 = Vision ESI, XS41 = Vision TSI)

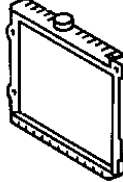



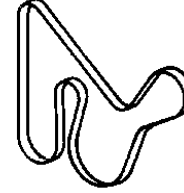
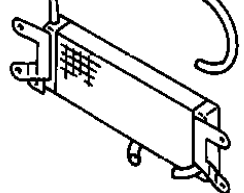
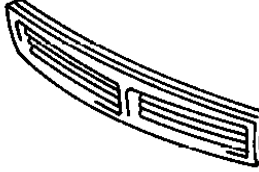
BODY STYLES:

41 = 4 - Door Sedan ENGINE: 3.3L (EGB)
 3.5L (EGE) 24 Valve

AR = Use as Required - = Non Illustrated Part P.A.R. = Paint as Required

GROUP-7 COOLING



<p>7-100 RADIATOR, HOSE & CONDENSER TANK</p> 	<p>7-200 WATER PUMP</p> 	<p>7-300 TANK COOLANT RECOVERY</p> 	<p>7-400 DRIVE PULLEY</p> 
<p>7-500 DRIVE BELTS</p> 	<p>7-600 OIL COOLER</p> 	<p>7-700 RADIATOR GRILLE</p> 	

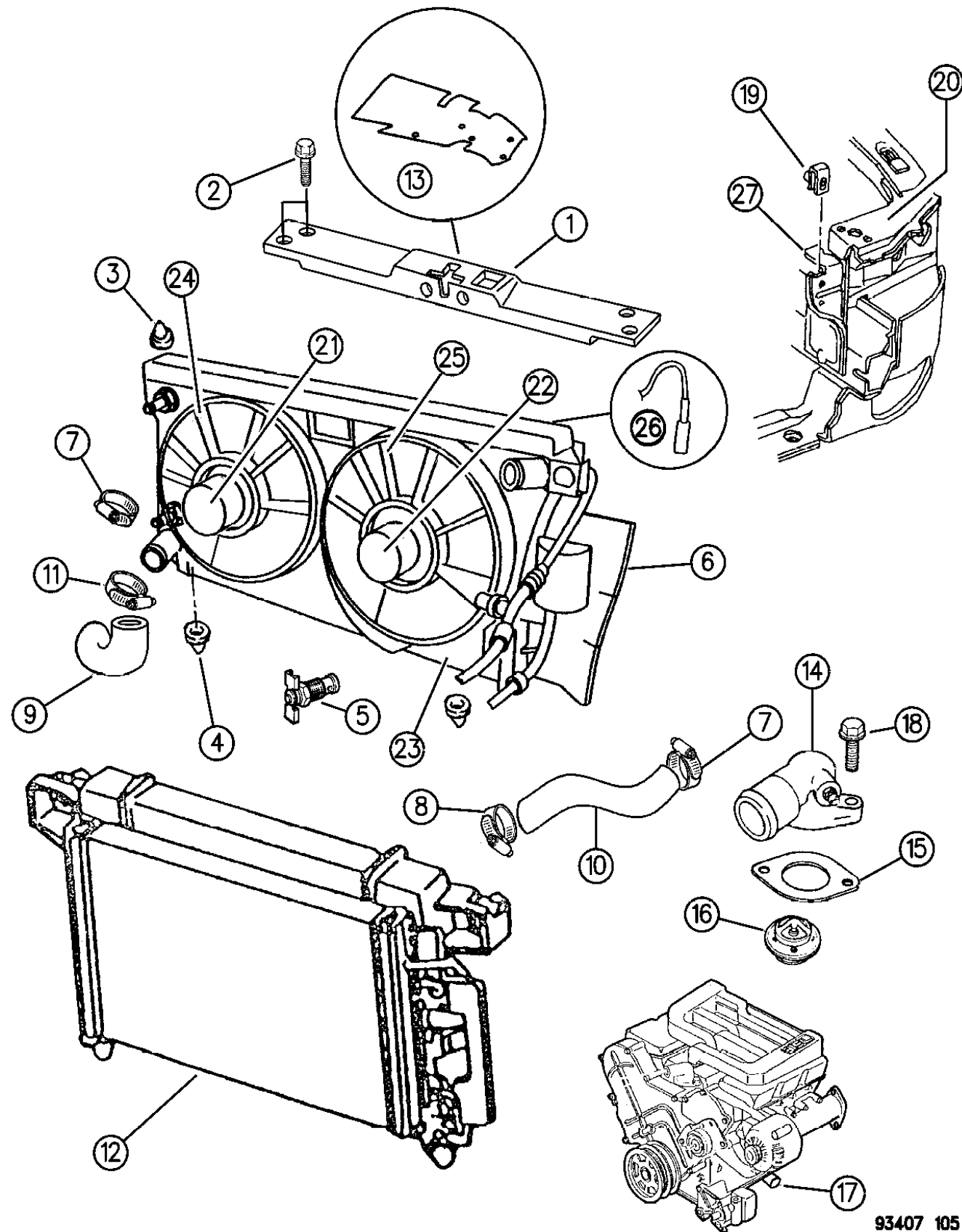
GROUP 7 - COOLING

ILLUSTRATION TITLE	GROUP-FIG. NO.
RADIATOR AND RELATED PARTS	
RADIATOR AND RELATED PARTS 3.3L - 3.5L ENGINE LH BODY	Fig. 7-105
WATER PUMP AND RELATED PARTS	
WATER PUMP AND RELATED PARTS 3.3L - 3.5L ENGINE LH BODY	Fig. 7-205
COOLANT RECOVERY	
COOLANT RECOVERY SYSTEM 3.3L - 3.5L ENGINE LH BODY	Fig. 7-305
DRIVE PULLEYS	
DRIVE PULLEYS 3.3L ENGINE LH BODY	Fig. 7-405
DRIVE PULLEYS 3.5L ENGINE LH BODY	Fig. 7-410
DRIVE BELTS	
DRIVE BELTS 3.3L - 3.5L ENGINE LH BODY	Fig. 7-505
TRANSMISSION COOLING	
OIL COOLER, TRANS. 3.3L - 3.5L ENGINE LH BODY	Fig. 7-605
GRILLE	
GRILLE NEW YORKER (C)	Fig. 7-710

RADIATOR AND RELATED PARTS 3.3L - 3.5L ENGINE LH BODY

Figure 7-105

7-105A



ITEM	PART NUMBER	QTY	BODY	MODEL	DESCRIPTION
18					SCREW, Water Outlet
	6101 462	1			M8 x 1.25 x 30
	6101 724	1			M8 x 1.25 x 55.00
19	1150 3714	2			U-NUT, Module Attaching
20	4624 428-9	1			PANEL ASSEMBLY, Headlamp Mounting ***
	4592 054	1			MODULE, Cooling (Contains Items #21,22,23,24,25,26)
21	4592 088	1			MOTOR, Fan, Left
22	4592 087	1			MOTOR, Fan, Right
	4464 368	3			SCREW, Motor to Shroud
23					SHROUD, Fan
	4592 086	1		1993-96	
	4758 903	1		1997	
					CLIP, Shroud to Radiator
	6504 118	2			Upper
	4546 145	2			Lower
	4464 368	2			SCREW, Harness to Shroud
24	4592 085	1			FAN, Left
25	4592 084	1			FAN, Right
	6500 377	1			CLIP, Fan to Motor Attaching
	4741 988	1			NUT, Fan to Motor Attaching
26	4592 123	1			HARNES ASSEMBLY, Fan Module, w/ RFI Module ***
27	4624 310-1	1			SUPPORT, Front Rail to Headlamp Mounting Reinforcement

MODEL CODES:

Chrysler = (CH41 = New Yorker, CP41 = LHS, DH41 = Intrepid(Canada), DP41 = Intrepid ES(Canada), LP41 = Concorde)
 DODGE = (DH41 = Intrepid(USA), DP41 = Intrepid ES(USA))
 EAGLE = (XP41 = Vision ESI, XS41 = Vision TSI)

BODY STYLES:

41 = 4 - Door Sedan ENGINE: 3.3L (EGB)
 3.5L (EGE) 24 Valve

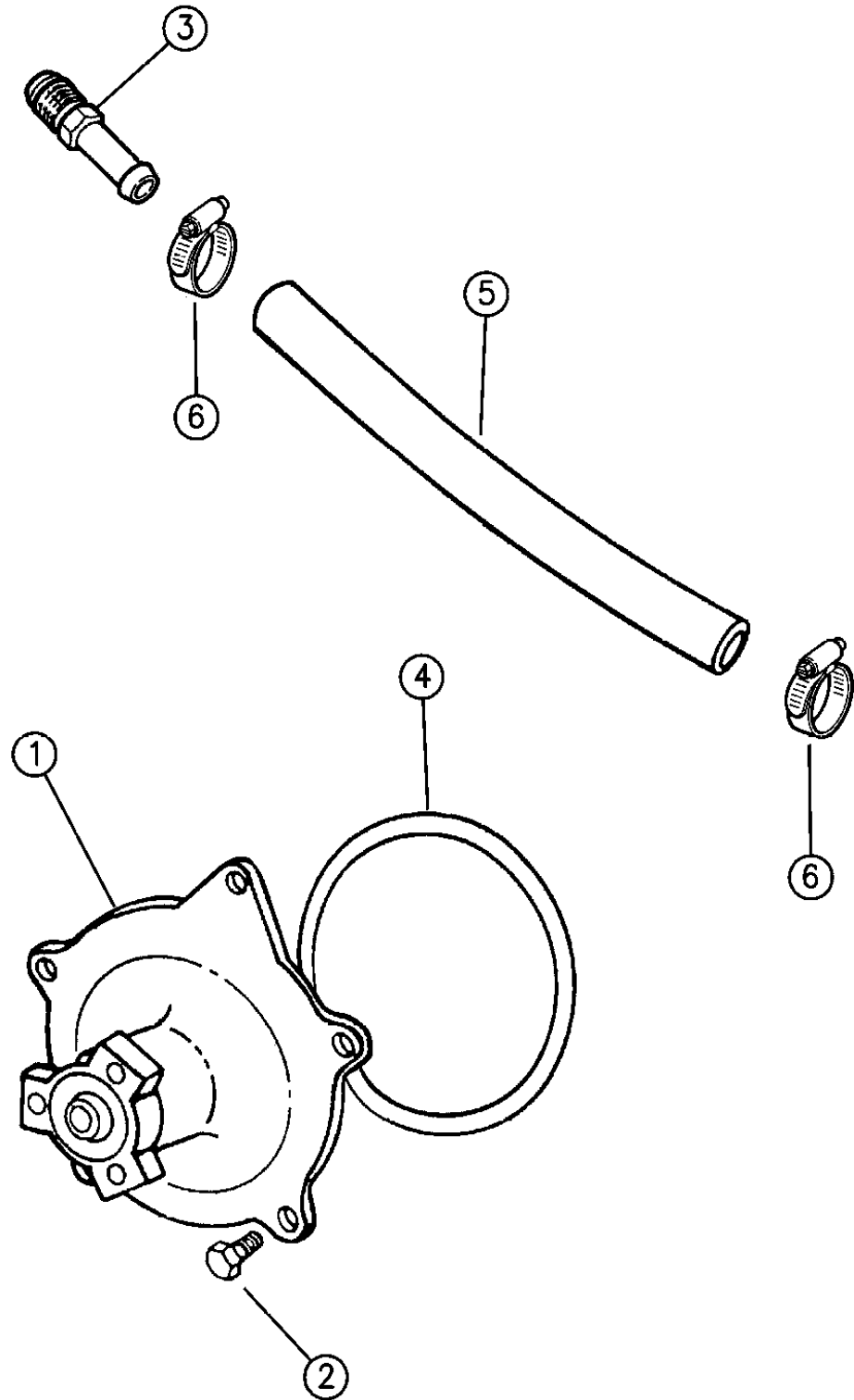
93407 105

AR = Use as Required - = Non Illustrated Part P.A.R. = Paint as Required

WATER PUMP AND RELATED PARTS 3.3L - 3.5L ENGINE LH BODY

Figure 7-205

7-205



ITEM	PART NUMBER	QTY	BODY	MODEL	DESCRIPTION
1					BODY ASSEMBLY, Water Pump ***
	5281 175	1			3.3L Engine
	4556 541	1			3.5L Engine, w/Pulley (Casting# 4556543) 1993-4
	4663 296	1			3.5L Engine, w/Pulley 1995-96
2	6100 266	5			SCREW and WASHER, Pump Attaching
3					NIPPLE
	4621 652	2			Water Pump
	4621 653	1			Heater Water Return
4					SEAL, Pump to Cover
	4483 937	1			3.3L Engine
	4659 430	1			3.5L Engine
5	1546 257	1			HOSE, Water By-Pass
6	6502 017	2			CLAMP

MODEL CODES: _____
 Chrysler = (CH41 = New Yorker, CP41 = LHS, DH41 = Intrepid(Canada), DP41 = Intrepid ES(Canada), LP41 = Concorde)
 DODGE = (DH41 = Intrepid(USA), DP41 = Intrepid ES(USA))
 EAGLE = (XP41 = Vision ESI, XS41 = Vision TSI)

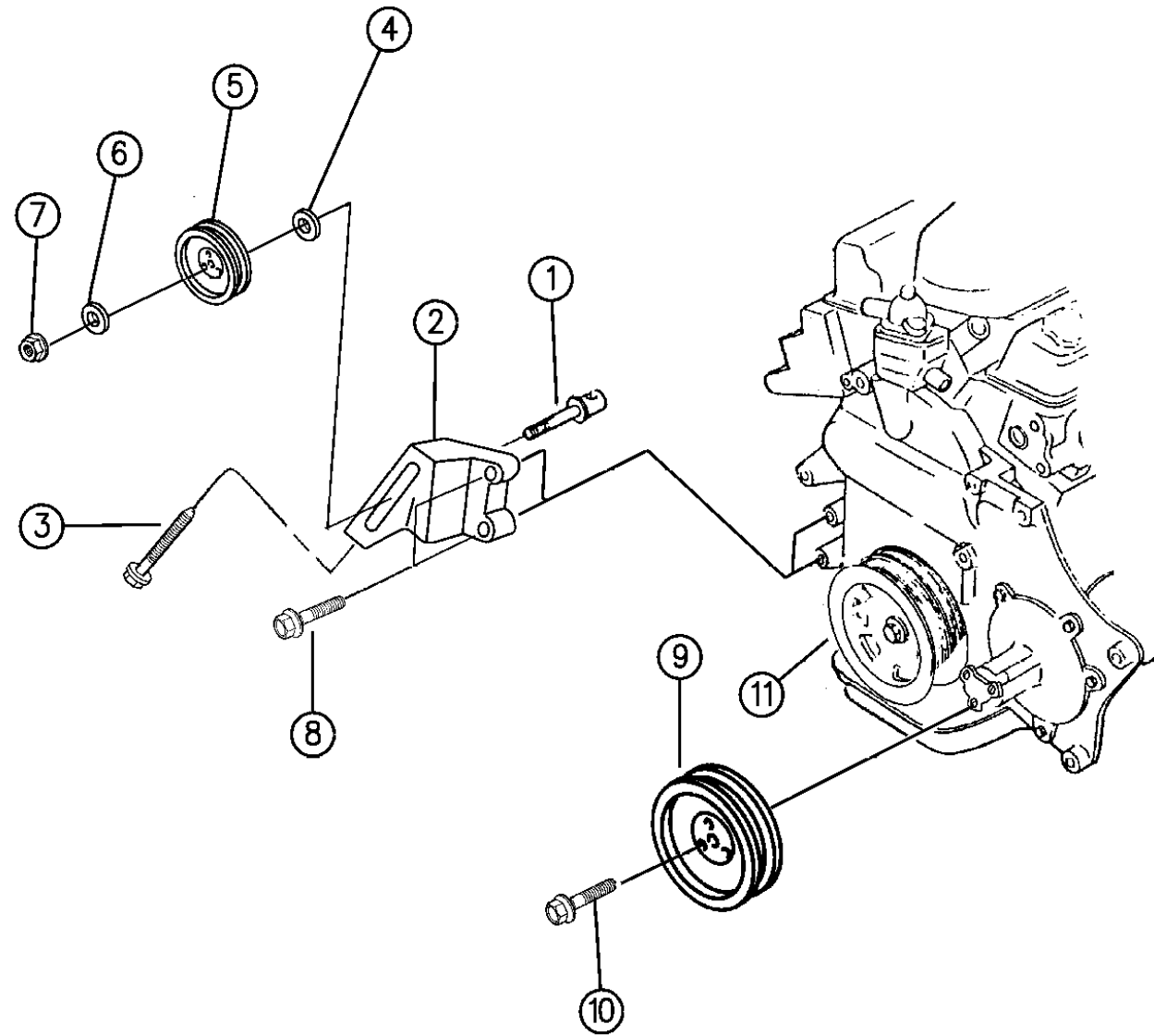
BODY STYLES: _____
 41 = 4 - Door Sedan ENGINE: 3.3L (EGB)
 3.5L (EGE) 24 Valve

93407 205

AR = Use as Required - = Non Illustrated Part P.A.R. = Paint as Required

DRIVE PULLEYS 3.3L ENGINE LH BODY
Figure 7-405

7-405



ITEM	PART NUMBER	QTY	BODY	MODEL	DESCRIPTION
1	6502 592	1			BOLT (M10 x 1.5-50)
2	4573 014	1			BRACKET, Pulley Mounting
	4663 570	1			1995-96
3	6502 929	1			SCREW and WASHER (M8 x 1.25-120)
4	1947 850	1			SPACER
5	3830 196	1			PULLEY ASSEMBLY, Idler
6	4483 016	1			SHIELD, Pulley
7	6101 448	1			NUT and WASHER (M10 x 1.5)
8	6101 504	2			SCREW and WASHER (M10 x 1.5-50)
9	4573 002	1			PULLEY, Water Pump Drive
10	6101 506	3			SCREW and WASHER, Pulley Mounting (M8 x 1.25-18)
11	4663 175	1			DAMPER, Crankshaft Vibration

MODEL CODES: _____
 Chrysler = (CH41 = New Yorker, CP41 = LHS, DH41 = Intrepid(Canada), DP41 = Intrepid ES(Canada), LP41 = Concorde)
 DODGE = (DH41 = Intrepid(USA), DP41 = Intrepid ES(USA))
 EAGLE = (XP41 = Vision ESI, XS41 = Vision TSI)

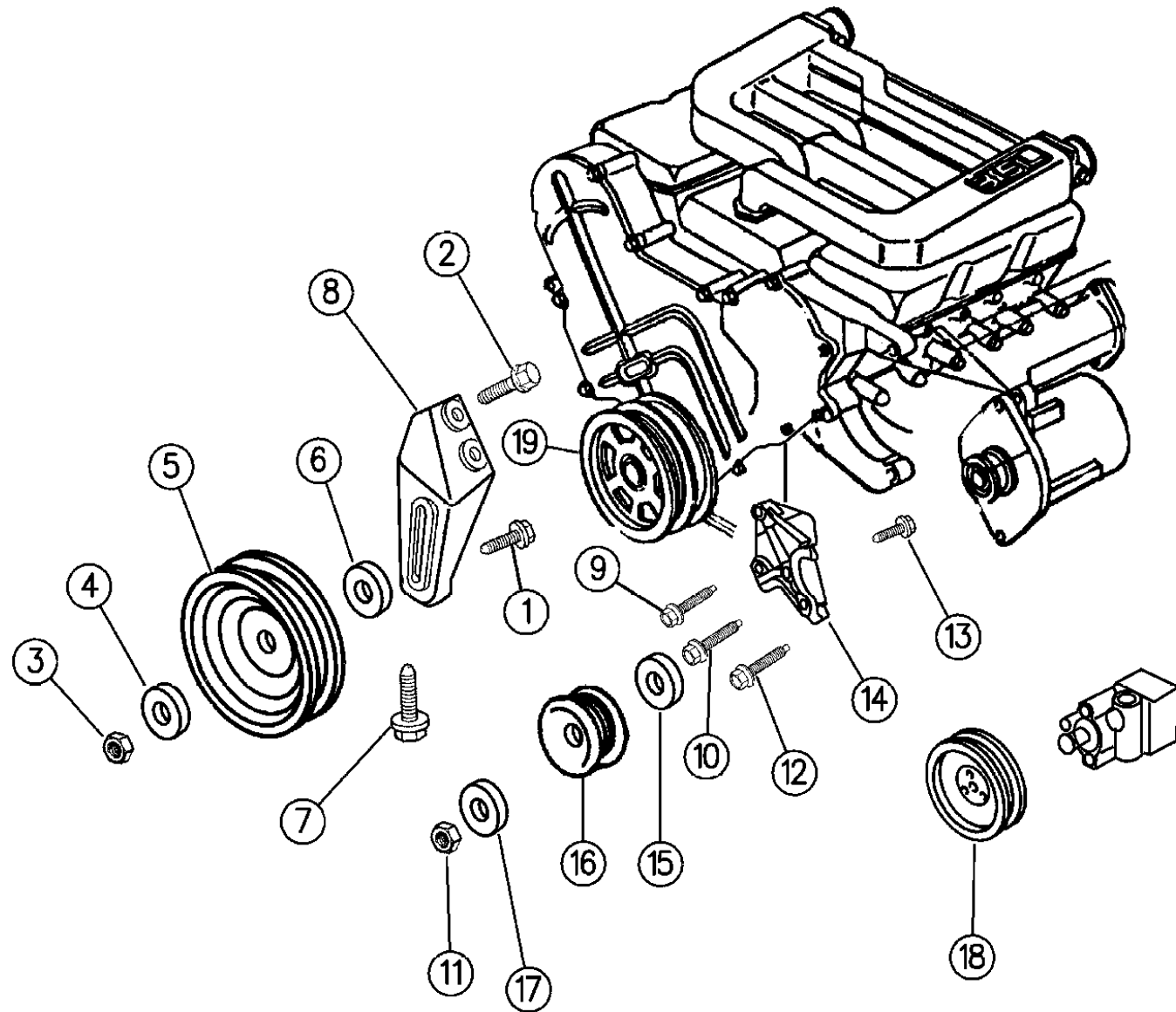
BODY STYLES: _____
 41 = 4 - Door Sedan ENGINE: 3.3L (EGB)
 3.5L (EGE) 24 Valve

93407 405

AR = Use as Required - = Non Illustrated Part P.A.R. = Paint as Required

DRIVE PULLEYS 3.5L ENGINE LH BODY
Figure 7-410

7-410B



ITEM	PART NUMBER	QTY	BODY	MODEL	DESCRIPTION
1	6502 592	2			SCREW, M10 x 1.5-50
2	6101 524	2			SCREW, M10 x 1.5-30
3	6101 448	1			NUT and WASHER
	4663 563	1			PULLEY and BRACKET ASSEMBLY, A/C Idler (Consists of items #4,6,7,8,11,13) ***
4	4483 016	1			SHIELD, A/C Idler Pulley
5	4663 534	1			PULLEY ASSEMBLY, Idler, A/C
6	1947 850	1			SPACER
7	6502 929	1			SCREW, M8 x 1.25-110, Belt Adjusting
8	4663 571	1			BRACKET, Pulley
9	6101 513	1			SCREW, M8 x 1.25-40
10	6101 513	1			SCREW, M8 x 1.25-40
11	6101 448	1			NUT and WASHER
12	6502 929	1			SCREW and WASHER, M8 x 1.25-110, Belt Adjusting
13	6502 592	1			SCREW, M10 x 1.5-50
14	4573 516	1			BRACKET
15	6034 408	1			SPACER
16	4792 112	1			PULLEY ASSEMBLY, Alt., Idler
17	3300 2201	1			BUSHING
18					PULLEY, Power Steering Pump
	4483 748	1			1993-94
	4778 229	1			1995-96
19	4663 176	1			DAMPER, Vibration

NOTE: Water Pump Pulley is Serviced on Pump.

93407 410

MODEL CODES:

Chrysler = (CH41 = New Yorker, CP41 = LHS, DH41 = Intrepid(Canada), DP41 = Intrepid ES(Canada), LP41 = Concorde)
DODGE = (DH41 = Intrepid(USA), DP41 = Intrepid ES(USA))
EAGLE = (XP41 = Vision ESI, XS41 = Vision TSI)

BODY STYLES:

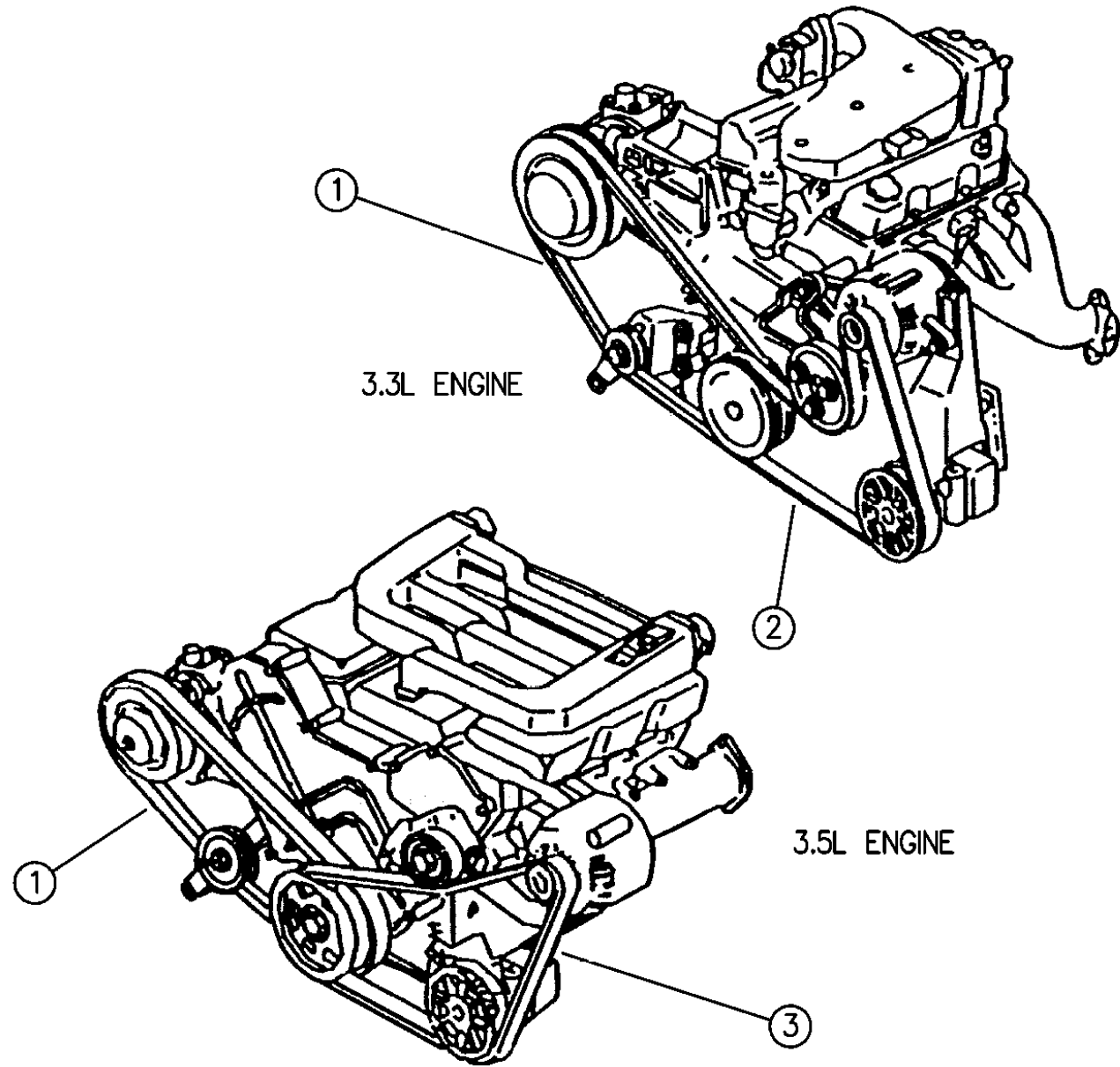
41 = 4 - Door Sedan ENGINE: 3.3L (EGB)
3.5L (EGE) 24 Valve

AR = Use as Required - = Non Illustrated Part P.A.R. = Paint as Required

DRIVE BELTS 3.3L - 3.5L ENGINE LH BODY
Figure 7-505

7-505

ITEM	PART NUMBER	QTY	BODY	MODEL	DESCRIPTION
1	4573 017	1			BELT, A/C Compressor Drive
	4663 950	1			1995-96
2	4573 234	1			BELT, Accessory Drive, 3.3L Engine
3	4573 013	1			BELT, Accessory Drive , 3.5L Engine



MODEL CODES: _____
 Chrysler = (CH41 = New Yorker, CP41 = LHS, DH41 = Intrepid(Canada), DP41 = Intrepid ES(Canada), LP41 = Concorde)
 DODGE = (DH41 = Intrepid(USA), DP41 = Intrepid ES(USA))
 EAGLE = (XP41 = Vision ESI, XS41 = Vision TSI)

BODY STYLES: _____
 41 = 4 - Door Sedan ENGINE: 3.3L (EGB)
 3.5L (EGE) 24 Valve

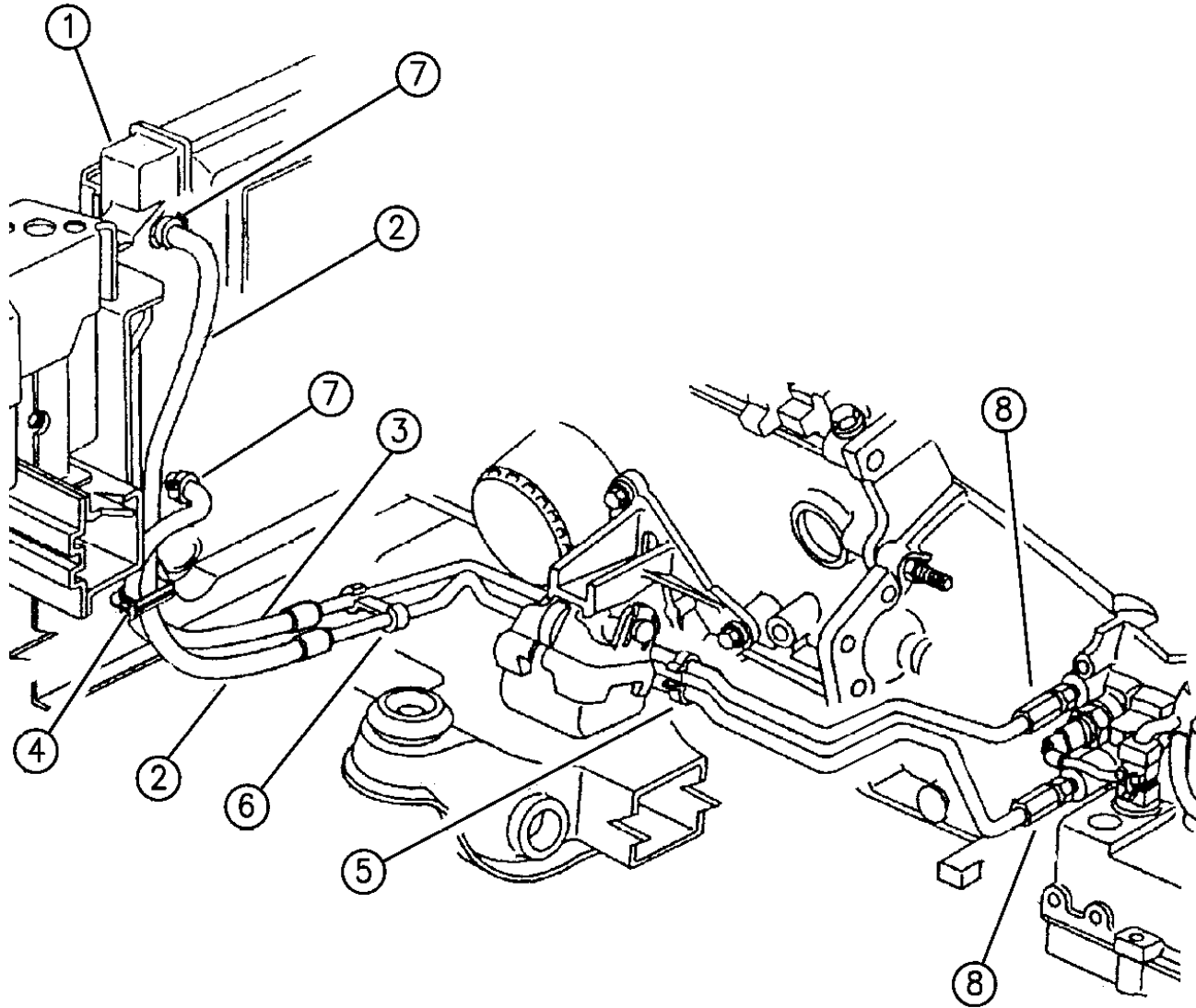
93407 505

AR = Use as Required - = Non Illustrated Part P.A.R. = Paint as Required

OIL COOLER, TRANS. 3.3L - 3.5L ENGINE LH BODY
Figure 7-605

7-605A

ITEM	PART NUMBER	QTY	BODY	MODEL	DESCRIPTION
1	4592 052	1			RADIATOR, w/Cooler
	4758 184	1			COOLER, Aux. Trans.
	4596 206	1			EUROPE
	4796 282	1			FITTING PACKAGE, Cooler Mounting (Contains Rods, Pads, Buttons) ***
	4796 277	1			BRACKET, Oil Cooler Mounting
	4596 208	1			HOSE, Aux. Cooler, Supply EUROPE
	4596 209	1			HOSE, Aux. Cooler, Return EUROPE
	4546 098	2			CLIP, Cooler Lines
2	6035 358	1			CLIP, Trans. Oil Cooler Tube EXPORT
	4592 064	1			LINE ASSEMBLY, Oil Cooler, Pressure ***
	4758 186	1			TUBE AND HOSE, Aux. Cooler, Supply ***
3	4592 063	1			LINE ASSEMBLY, Oil Cooler, Return ***
	4758 187	1			HOSE, Aux. Cooler, Return
4	4592 093	1			RETAINER, Cooler Line to Lower Crossmember
5	4592 094	1			BRACKET, Cooler Line to Strut
6	4546 098	1			CLIP
7	6502 081	2			CLAMP
8	6033 878	2			NUT, Tube Fitting



MODEL CODES:
 Chrysler = (CH41 = New Yorker, CP41 = LHS, DH41 = Intrepid(Canada), DP41 = Intrepid ES(Canada), LP41 = Concorde)
 DODGE = (DH41 = Intrepid(USA), DP41 = Intrepid ES(USA))
 EAGLE = (XP41 = Vision ESI, XS41 = Vision TSI)

BODY STYLES:
 41 = 4 - Door Sedan ENGINE: 3.3L (EGB)
 3.5L (EGE) 24 Valve

93407 605

AR = Use as Required - = Non Illustrated Part P.A.R. = Paint as Required

GROUP-8 ELECTRICAL

ILLUSTRATION TITLE

GROUP-FIG. NO.

<p>8-100 STARTER</p> 	<p>8-200 ALTERNATOR (GENERATOR)</p> 	<p>8-300 DISTRIBUTOR</p> 	<p>8-400 MODULES ELECTRICAL CONTROL</p> 
<p>8-500 RELAY FLASHER 8-600 SENSOR</p> 	<p>8-700 CONTROLLER (PWR. CONTROL MODULE)</p> 	<p>8-800 SWITCHES</p> 	<p>8-900 HORN & BUZZER</p> 
<p>8-1000 BATTERY CABLE & BRACKET</p> 	<p>8-1100 HEADLAMP</p> 	<p>8-1100 FRT. EXTERIOR LAMP</p> 	<p>8-1100 REAR EXTERIOR LAMP</p> 
<p>8-1100 COURTESY LAMP</p> 	<p>8-1100 BULBS-SOCKETS</p> 	<p>8-1200 WIRING & ATTACHING PARTS</p> 	<p>8-1300 WIRING H/LMP. TO DASH</p>  <p>8-1400 WIRING INSTR. PANEL FUSES</p>
<p>8-1500 WIRING BODY & ACCESS.</p> 	<p>8-1600 WIRING REPAIR PKG.</p>	<p>8-1900 SPARK PLUGS, CABLE & COIL</p> 	

STARTER
STARTER (ENGINE STARTER MOTOR) LH BODY Fig. 8-105

ALTERNATORS & MOUNTINGS
ALTERNATOR (GENERATOR) LH BODY Fig. 8-205

MODULES
MODULES LH BODY Fig. 8-405

RELAYS
RELAYS LH BODY Fig. 8-505

SENSORS
SENSORS LH BODY Fig. 8-605

SINGLE BOARD ENGINE CONTROLLERS
SINGLE BOARD ENGINE CONTROLLER (POWERTRAIN CONTROL MODULE) LH BODY Fig. 8-705

SWITCHES
SWITCHES LH BODY Fig. 8-805

HORNS
HORNS LH BODY Fig. 8-905

BATTERY TRAY & CABLES
BATTERY TRAY LH BODY Fig. 8-1005

LAMPS
LAMPS--FRONT LH BODY Fig. 8-1105
LAMPS--REAR LH BODY Fig. 8-1107
LAMPS--CARGO-DOME-COURTESY LH BODY Fig. 8-1110
BULBS LH BODY Fig. 8-1115

WIRING--ENGINE
WIRING--ENGINE & RELATED PARTS LH BODY Fig. 8-1205

WIRING--HEADLAMP TO DASH
WIRING--HEADLAMP TO DASH LH BODY Fig. 8-1305

WIRING--INSTRUMENT PANEL
WIRING--INSTRUMENT PANEL LH BODY Fig. 8-1405

WIRING--BODY & ACCESSORY
WIRING--BODY & ACCESSORY LH BODY Fig. 8-1505

WIRING REPAIR PACKAGES
WIRING REPAIR PACKAGES LH BODY Fig. 8-1605



GROUP 8 - ELECTRICAL

ILLUSTRATION TITLE

GROUP-FIG. NO.

WIRING REPAIR PACKAGES (Continued)

WIRING REPAIR PACKAGES LH BODY Fig. 8-1605

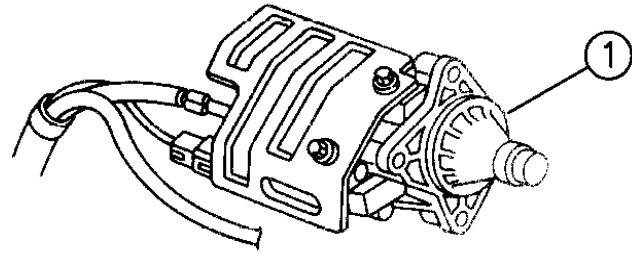
COIL--SPARK PLUGS--WIRES

SPARK PLUGS--CABLES--COIL LH BODY Fig. 8-1905

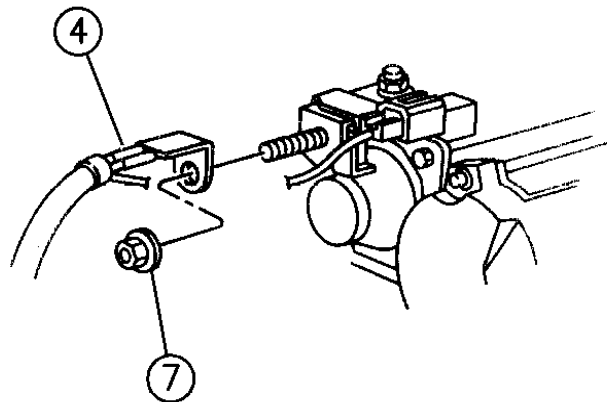
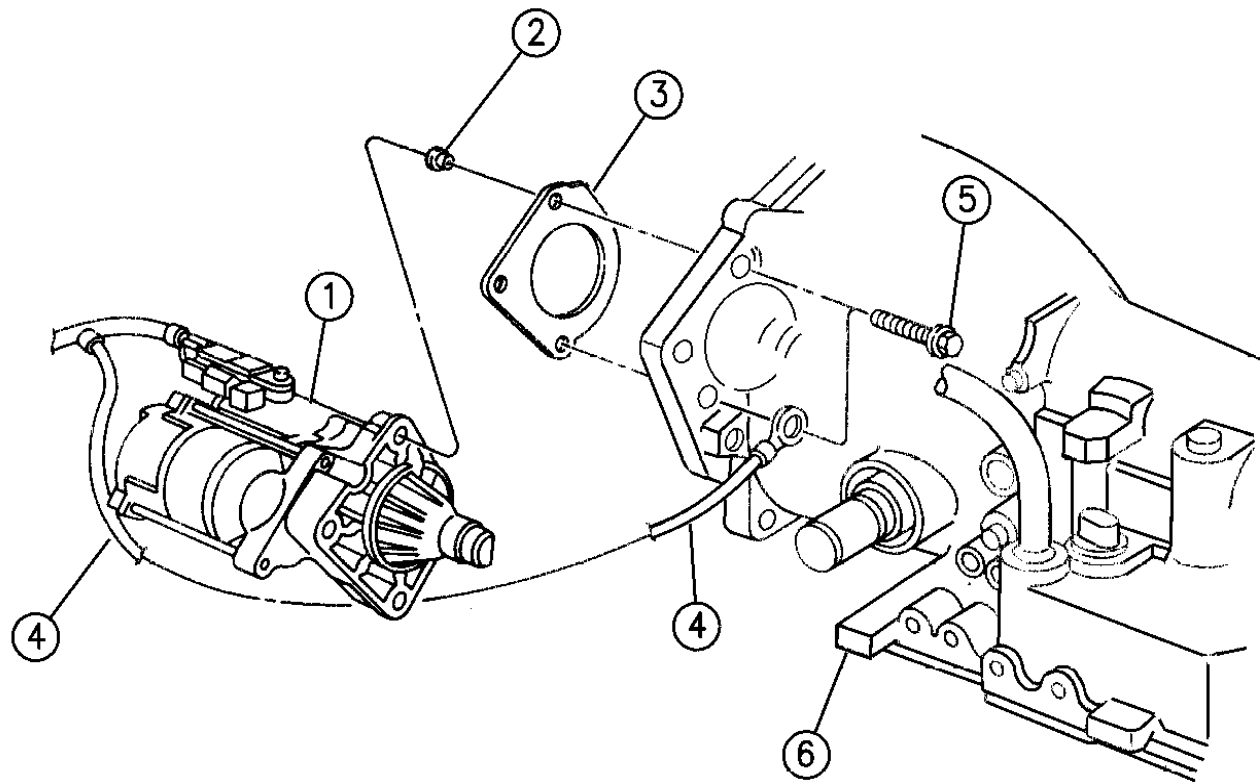
STARTER (ENGINE STARTER MOTOR) LH BODY
Figure 8-105

8-105

ITEM	PART NUMBER	QTY	BODY	MODEL	DESCRIPTION
1	4609 010				STARTER, (Engine Starter Motor) 3.3 Eng.
	4609 011				3.5 Eng.
2	4593 525				SLEEVE, Shield Retention
3	4531 484				COVER, Trans., Starter Sound
4					WIRING, Battery (See Illus. 1205)
5					SCREW, w/Washer (Not Serv.)
6					TRANSMISSION ***
7					NUT, (Not Serv.)



3.5 ENG.



9348 105

MODEL CODES:

Chrysler = (CH41 = New Yorker, CP41 = LHS, DH41 = Intrepid(Canada), DP41 = Intrepid ES(Canada), LP41 = Concorde)
 DODGE = (DH41 = Intrepid(USA), DP41 = Intrepid ES(USA))
 EAGLE = (XP41 = Vision ESI, XS41 = Vision TSI)

BODY STYLES:

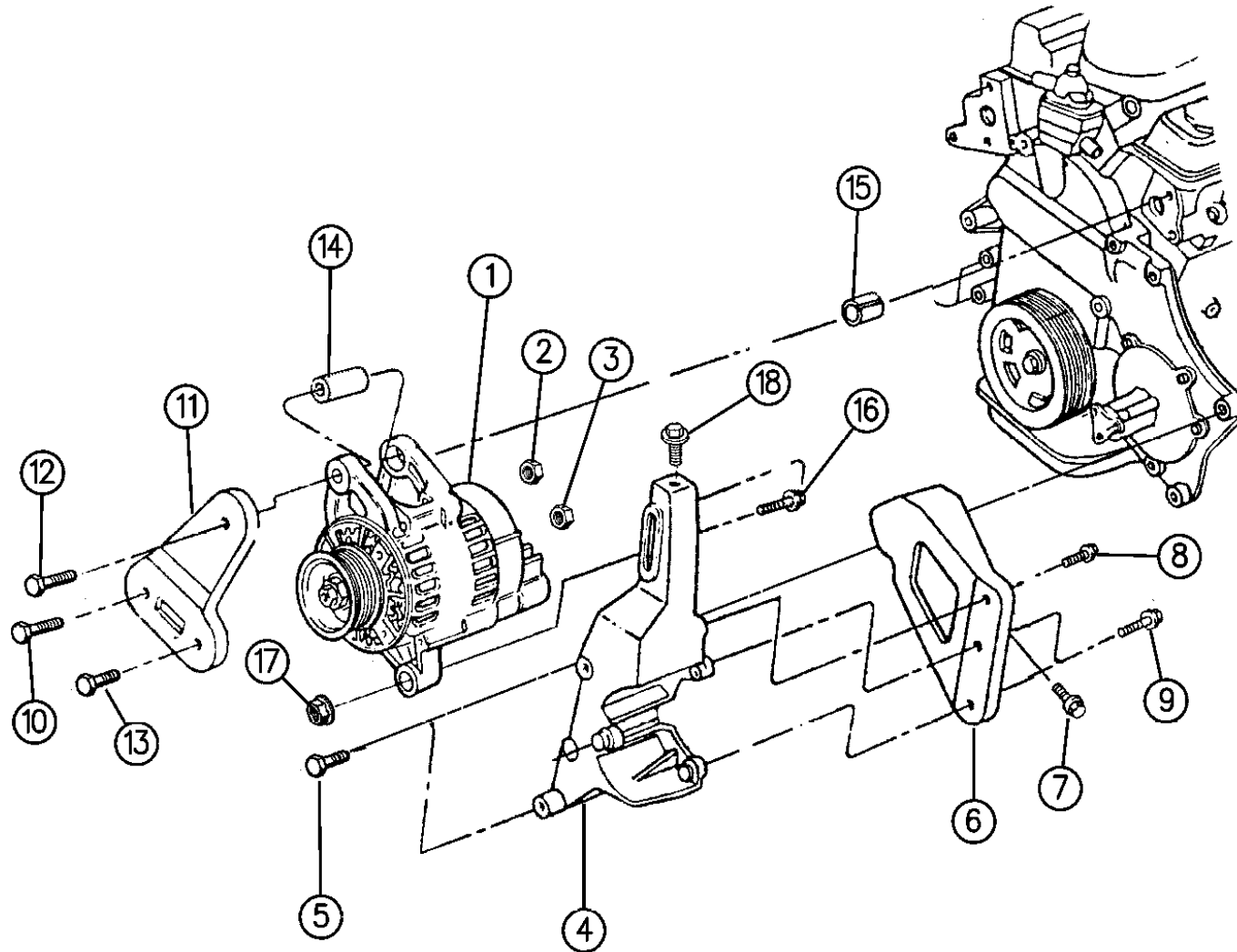
41 = 4 - Door Sedan ENGINE: 3.3L (EGB)
 3.5L (EGE) 24 Valve

AR = Use as Required - = Non Illustrated Part P.A.R. = Paint as Required

ALTERNATOR (GENERATOR) LH BODY

Figure 8-205

8-205



ITEM	PART NUMBER	QTY	BODY	MODEL	DESCRIPTION
1	4609 034				ALTERNATOR, (Generator) (Insul. 4728307)
	4609 093				3.3, 3.5 Eng., 1996-97
	4609 090				3.3 Eng., Calif.1996
	4796 474				COVER ASSY, Altr. 3.3 Eng.1996 ***
2	6502 690				NUT, Field Cable Connector
3	6502 691				NUT, Alt. Wrg. Harness Conn.
4	4573 466	2			BRACKET, Alt. Pivot & Pump Mtg.
5	6101 504	2			SCREW, w/Washer
6	4573 469				STRUT, 3.3 Engine
	4573 995				3.5 Engine, Alt. Support To Cyl. Head
-	6502 582				BOLT, Alternator Pivot, 3.5 Eng.
-	6101 707				BOLT, Alt. Mtg., 3.5 Eng.
7					SCREW, w/Washer (Not Serv.)
8					SCREW, (Not Serv.)
9	6502 701				BOLT
10	6502 582				SCREW
11	4573 470				BRACKET, Alt. Pivot to Block
12	6101 330				SCREW, w/Washer
13					SCREW, Alt. Pivot Brkt. to Timing Cover (Not Serv.)
14	4483 488				SPACER, Alt. Pivot
15	6502 583				SPACER, Alt. Pivot to Cyl. Head
16	6502 592				BOLT, Adjusting
17	6101 448				NUT, w/Washer
18	6502 882				SCREW, w/Washer
-	4602 081				COVER, Alt. B Post (Black)

9348 205

MODEL CODES:

Chrysler = (CH41 = New Yorker, CP41 = LHS, DH41 = Intrepid(Canada), DP41 = Intrepid ES(Canada), LP41 = Concorde)
 DODGE = (DH41 = Intrepid(USA), DP41 = Intrepid ES(USA))
 EAGLE = (XP41 = Vision ESI, XS41 = Vision TSI)

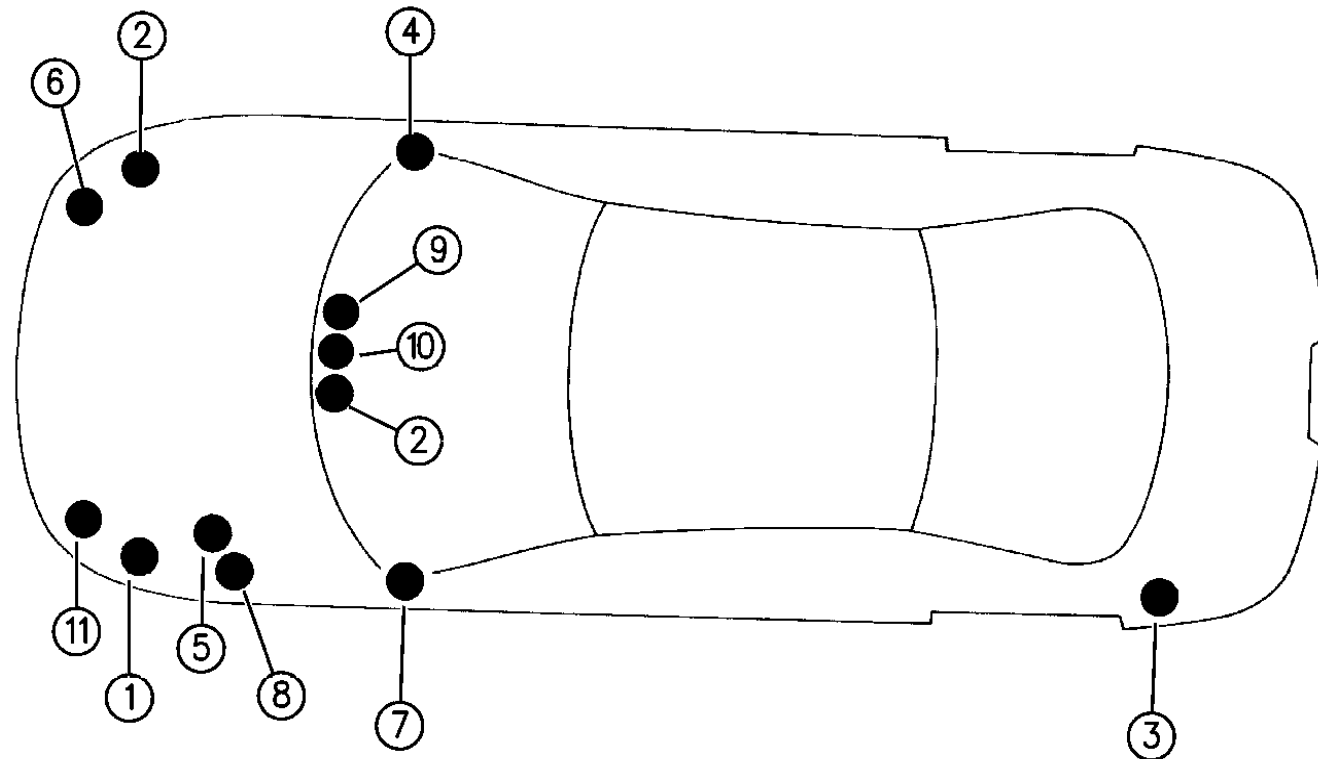
BODY STYLES:

41 = 4 - Door Sedan ENGINE: 3.3L (EGB)
 3.5L (EGE) 24 Valve

AR = Use as Required - = Non Illustrated Part P.A.R. = Paint as Required

MODULES LH BODY
Figure 8-405

8-405A



ITEM	PART NUMBER	QTY	BODY	MODEL	DESCRIPTION
1	4686 159				MODULE, E.A.T.X., (Transmission Control (Insul. 4604539) (Up To 2-3-93)
	4605 364				(Aft. 2-3-93)
	4605 659				1994
	4797 708				1995
	4606 284				1996, 42LE, w/o Autostick
	4606 485				1996, w/Autostick
	4759 067				EUROPE
2	4606 002				MODULE, Airbag Diagnostic, 1993 and Up to April 1994
	4759 742				Aft. April 94-95-96
3	4602 001				MODULE, Power Amp., Includes Bracket
4					MODULE, Body Controller (Insul. 4728329) (REPAIR CENTER/ EXCHANGE Screw 4437662)
	4759 227				1994, Premium
	4605 217				1994, Timing & Control
	4759 410				1995, Timing & Control
	4759 570				1993,1995, Premium
	4759 125				1996, Premium
	4759 430				1996, Timing & Control
5	4605 043				MODULE, A.B.S. w/o Trac-Control, 1993
	4605 044				A.B.S., w/Track Control, 1993
	4759 325				A.B.S., w/o Track-Control 1994
	4759 324				1994-95, w/Trac-Control
	4605 701				1996, w/Track Control
	4605 700				1995, w/o Track Control
	4759 720				1996, w/o Track Control
6	4437 394				MODULE, Daytime Running Lamp, 1993
	4672 271				1994-95-96
7					MODULE, Junction Block (Illus. 1405)
8					MODULE, Power Distribution (Illus. 1305)
9					MODULE, Remote Keyless Entry (Group 23D)
10					MODULE, Climate Control (Group 24)
11					MODULE, S.B.E.C. (Illus. 705)
-	4605 104				MODULE, Power Steering Control
-	4606 026				MODULE, Flex Fuel Sender
-	4759 017				MODULE, keyless Entry Transmitter (For Other Transmitter Modules See 1993 Group 23D Illus. 110)
-	4760 443				MODULE, Universal Garage Door Opener

MODEL CODES:

Chrysler = (CH41 = New Yorker, CP41 = LHS, DH41 = Intrepid(Canada), DP41 = Intrepid ES(Canada), LP41 = Concorde)
DODGE = (DH41 = Intrepid(USA), DP41 = Intrepid ES(USA))
EAGLE = (XP41 = Vision ESI, XS41 = Vision TSI)

BODY STYLES:

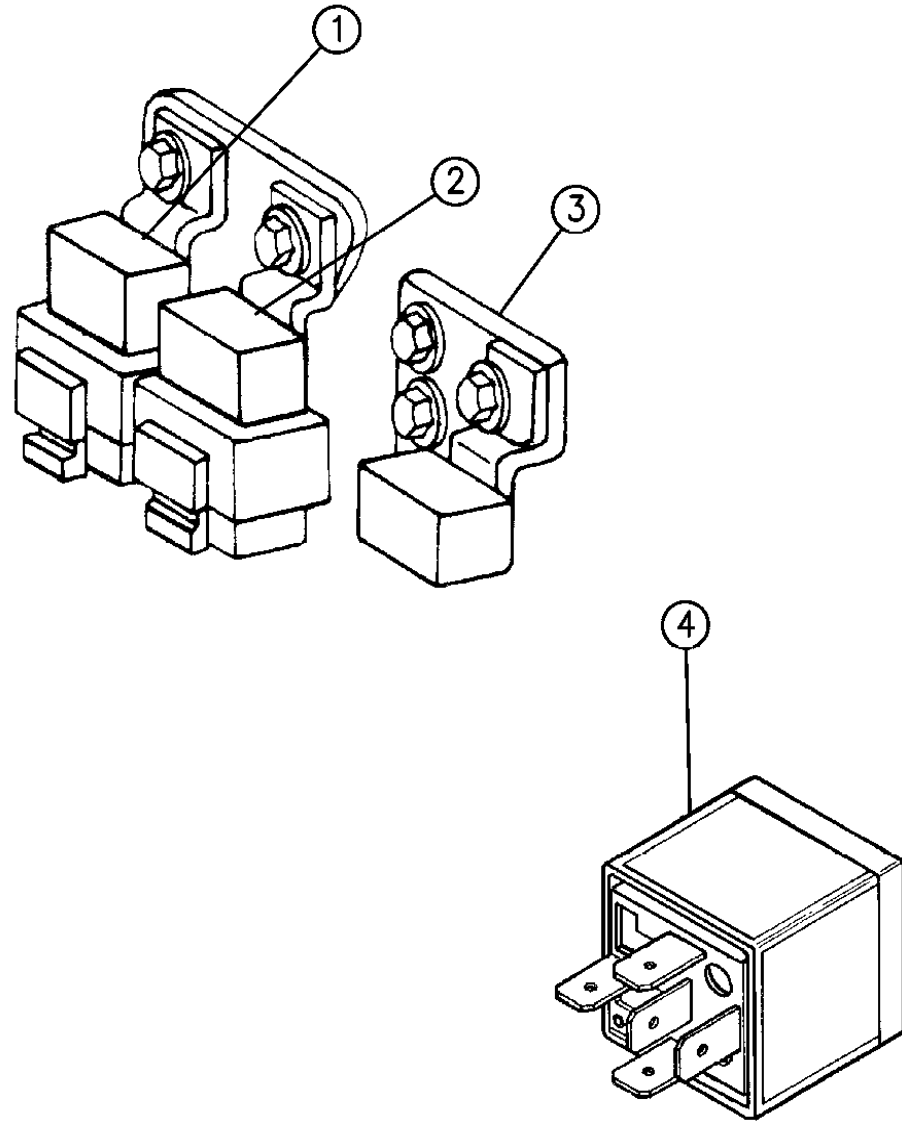
41 = 4 - Door Sedan ENGINE: 3.3L (EGB)
3.5L (EGE) 24 Valve

93408 405

AR = Use as Required - = Non Illustrated Part P.A.R. = Paint as Required

RELAYS LH BODY
Figure 8-505

8-505



ITEM	PART NUMBER	QTY	BODY	MODEL	DESCRIPTION
1	4607 046				RELAY, Dual A.B.S. (Stamp 4687146)
2	4607 036				RELAY, Spec. A.B.S. Pump Motor
3	5600 6846				RELAY, Speed Control, H/Lamp Delay, Horn, Door Lock
4	4638 094				RELAY, A/C Clutch, Auto. Shutdown, Fuel Pump, Intermittent Wipe, E.A.T.X. Shutdown, Starter, Wiper
-	4607 077				RELAY, Parking Lamps
-	5276 501				RELAY, E.B.L. (Rear Deffogger)

MODEL CODES: _____
 Chrysler = (CH41 = New Yorker, CP41 = LHS, DH41 = Intrepid(Canada), DP41 = Intrepid ES(Canada), LP41 = Concorde)
 DODGE = (DH41 = Intrepid(USA), DP41 = Intrepid ES(USA))
 EAGLE = (XP41 = Vision ESI, XS41 = Vision TSI)

BODY STYLES: _____
 41 = 4 - Door Sedan ENGINE: 3.3L (EGB)
 3.5L (EGE) 24 Valve

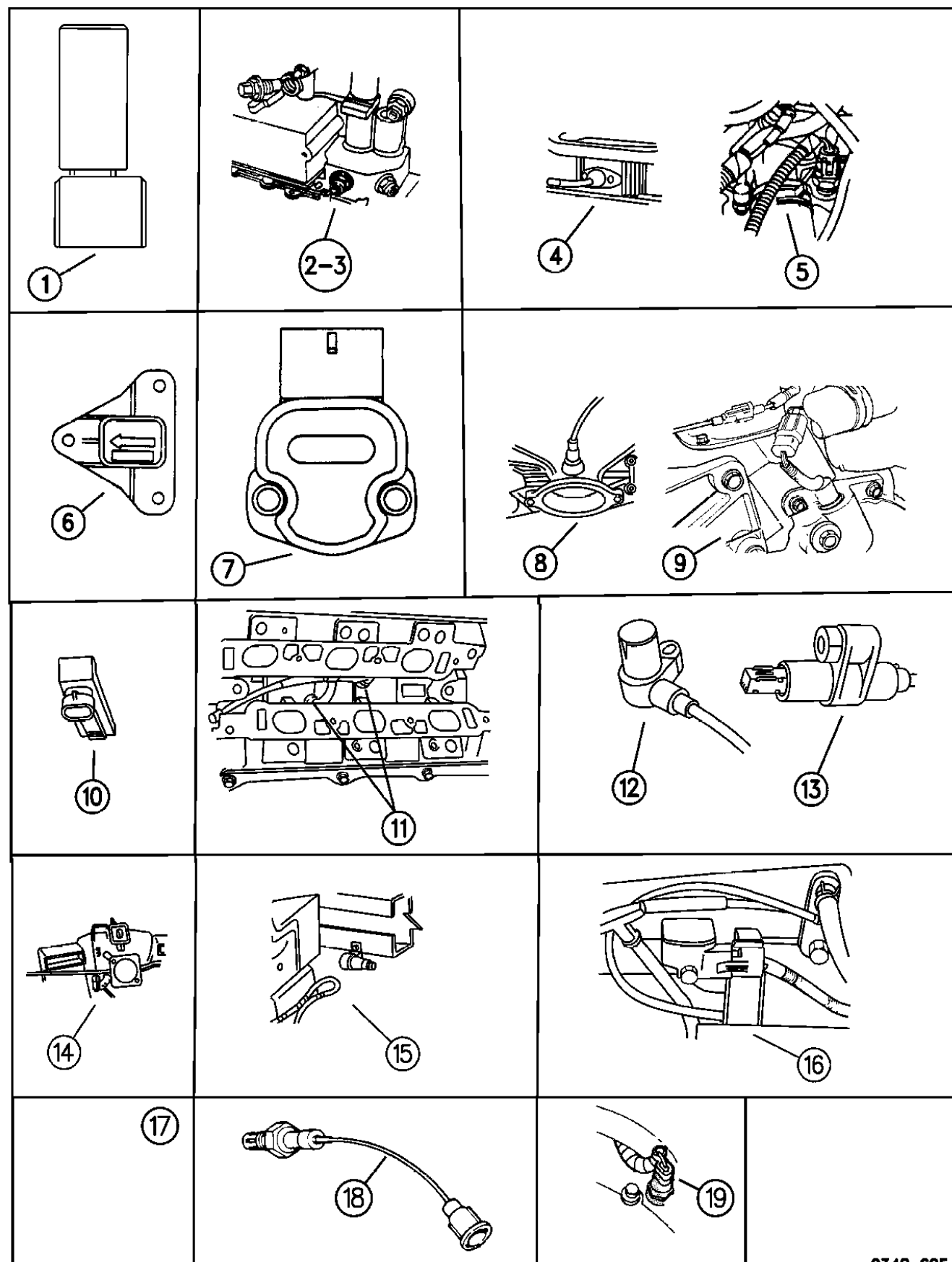
9348 505

AR = Use as Required - = Non Illustrated Part P.A.R. = Paint as Required

SENSORS LH BODY

Figure 8-605

8-605B



ITEM	PART NUMBER	QTY	BODY	MODEL	DESCRIPTION
1	4609 009				SENSOR, Crank Timing (Crankshaft Position Sensor) (Insul. 4728315)
-					SCREW, Crank Timing Mtg. (Not Serv.)
2	4412 878				SENSOR, Input Speed
3	4412 879				SENSOR, Output Speed
4	4688 204				SENSOR, Overhead Console Amb. Temp. (Located In Frt. Bumper Beam)
5	3300 4281				SENSOR, Coolant Temp. (Engine Coolant Temperature Sensor) (Use Insul. 4414901)
6	4728 374				SENSOR, Airbag (Insul. 4439082)
7	4605 103				SENSOR, Throttle Position (Throttle Position (Sensor) 1993-94
	4759 001				1995
	4605 130				1996
8	5233 088				SENSOR, Oxygen, (w/18" Pigtail) 3.5 Eng., 1994-95
	4686 154				3.5, 3.3L Upstream, 1996
	4605 654				3.3, 3.5L, 1993-95
	4606 061				1996 (Downstream) All Eng; RIGHT
	4606 069				1996 Downstream, All, LEFT
-	4759 090				BRACKET, O2 Sensor, Lt.
-	4759 101				BRACKET, O2 Sensor Wiring
9	4609 006				SENSOR, Cam Reference (Camshaft Position Sensor) (Insul. Not Serv., Spacer 5252229, 3.5 Eng.
	4504 225				3.3 Eng. (Spacer 5252229, Insul. 4728319) 1993
	4686 137				3.3 Eng., 1994-95-96
10	4584 019				SENSOR, Windshield Washer Fluid Level
11	4653 069				SENSOR, Detonation (Knock Sensor) (Use Insul. 4124807)
12	4582 434-5				SENSOR, Frt. Wheel Anti-Lock
13	4582 440-1				SENSOR, Rear Wheel Anti-Lock, 1993-94
	4695 138-9				1995-96
14	4540 320				SENSOR, A.T.C. (In Car--Inst. Panel)
					SEAL, ATC Sensor Opening
	4596 177	1		D,L,X	
	4596 178	1		C	
15	4596 186				SENSOR, A.T.C. Sun (Insul. 4527378) (Use Seal 4596177 For DLX--4596178 For C), Theft Alarm Lamp
16	5234 024				SENSOR, M.A.P., (Insul. 4638998)
17	4605 004				SENSOR, Methanol Fuel
18	4605 654				SENSOR, Oxygen (Use Insul. 4604603, 3.3 Eng.)
	4686 154				3.5 Eng., Upstream
19	5227 805				SENSOR, Charge Temp. (Use Insul. 4414902)

MODEL CODES:

Chrysler = (CH41 = New Yorker, CP41 = LHS, DH41 = Intrepid(Canada), DP41 = Intrepid ES(Canada), LP41 = Concorde)
 DODGE = (DH41 = Intrepid(USA), DP41 = Intrepid ES(USA))
 EAGLE = (XP41 = Vision ESI, XS41 = Vision TSI)

BODY STYLES:

41 = 4 - Door Sedan ENGINE: 3.3L (EGB)
 3.5L (EGE) 24 Valve

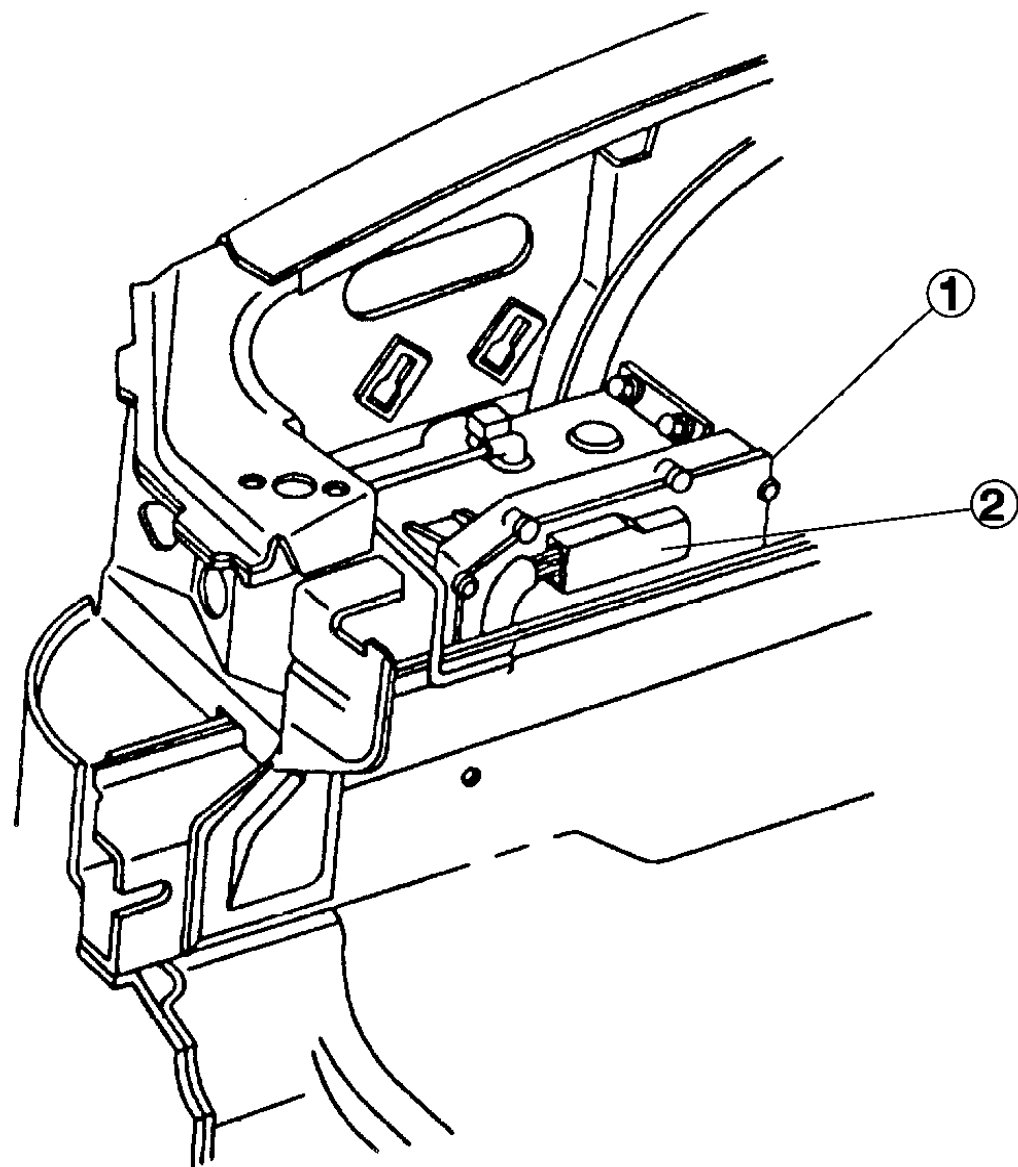
9348 605

AR = Use as Required - = Non Illustrated Part P.A.R. = Paint as Required

SINGLE BOARD ENGINE CONTROLLER (POWERTRAIN CONTROL MODULE) LH BODY

Figure 8-705

8-705



ITEM	PART NUMBER	QTY	BODY	MODEL	DESCRIPTION
1					SINGLE BOARD ENGINE CONTROLLER, (Powertrain Control Module) ***
	4653 025				3.3 Eng., Auto. Trans., 1993 (Up To 2-10-93)
	4605 427				(Aft. 2-10-93)
	4653 027				3.3 Eng., Auto. Trans., Calif., 1993 (Up To 2-10-93)
	4605 428				(Aft. 2-10-93)
	4605 300				3.5 Eng., Auto. Trans., 1993 (Up To 1-27-93)
	4605 429				(Aft. 1-27-93)
	4605 310				3.5 Eng., Auto. Trans., Calif., 1993 (Up To 1-27-93)
	4605 435				(Aft. 1-27-93)
	4605 320				3.5 Eng., Auto. Trans., (P225/60 VR16 BSW) w/o RFI, 1993 (Up To 1-27-93)
	4605 436				(Aft. 1-27-93)
	4605 330				3.5 Eng., Auto. Trans., Calif. (P225/60 VR16 BSW) w/o RFI, 1993 (Up To 1-27-93)
	4605 437				(Aft. 1-27-93)
	4653 130				3.3 Eng., Auto. Trans., w/o Catalyst, w/RFI, 1994, MIDEAST
	4653 131				3.3 Eng., Auto. Trans., w/o RFI, 1994
	4606 550				1995
	4653 133				3.3 Eng., Auto. Trans., Flex Fuel, w/o RFI, 1994
	4606 554				1995
	4605 512				3.3 Eng., Flex Fuel, w/o RFI, Calif.
	4653 134				3.5 Eng., Auto. Trans., (w/o P225/60VR16 BSW, w/o RFI) 1994
	4606 556				1995
	4653 135				3.5 Eng., Auto. Trans., w/o RFI, Calif., 1994
	4653 136				3.5 Eng., Auto. Trans., (w/P225/60 VR16 BSW, w/o RFI) 1994
	4606 560				1995
	4605 137				3.5 Eng., Auto. Trans., w/o RFI, 1994, Calif.
	4606 193				3.5 Eng., Fed. & Calif., RFI, w/225/60-BSW
	4653 129				3.5 Eng., Auto. Trans., 1994, EUROPE
	4606 578				1995 3.5 Eng., EUROPE
	4606 582				1995 3.3 Eng., Leaded Fuel, EUROPE
	4606 566				1995 w/RFI, Calif., 3.3 Eng.
	4606 552				1995 w/o RFI, Calif., 3.3 Eng.
	4606 564				1995 3.3 Eng., Gas
	4606 568				1995 w/RFI, 3.3 Eng. Flex Fuel
	4606 570				1995 3.5 Eng., Flex Fuel
	4606 086				1995-96, 3.3 Flex Fuel, Calif., w/RFI
	4606 084				1995-96, 3.3 Eng., Flex Fuel, Calif., w/o RFI
	4605 610				1996, 3.3 Eng, Fed. Emissions
	4605 618				1996, 3.5 Eng., Calif. Emissions

MODEL CODES:

Chrysler = (CH41 = New Yorker, CP41 = LHS, DH41 = Intrepid(Canada), DP41 = Intrepid ES(Canada), LP41 = Concorde)
 DODGE = (DH41 = Intrepid(USA), DP41 = Intrepid ES(USA))
 EAGLE = (XP41 = Vision ESI, XS41 = Vision TSI)

BODY STYLES:

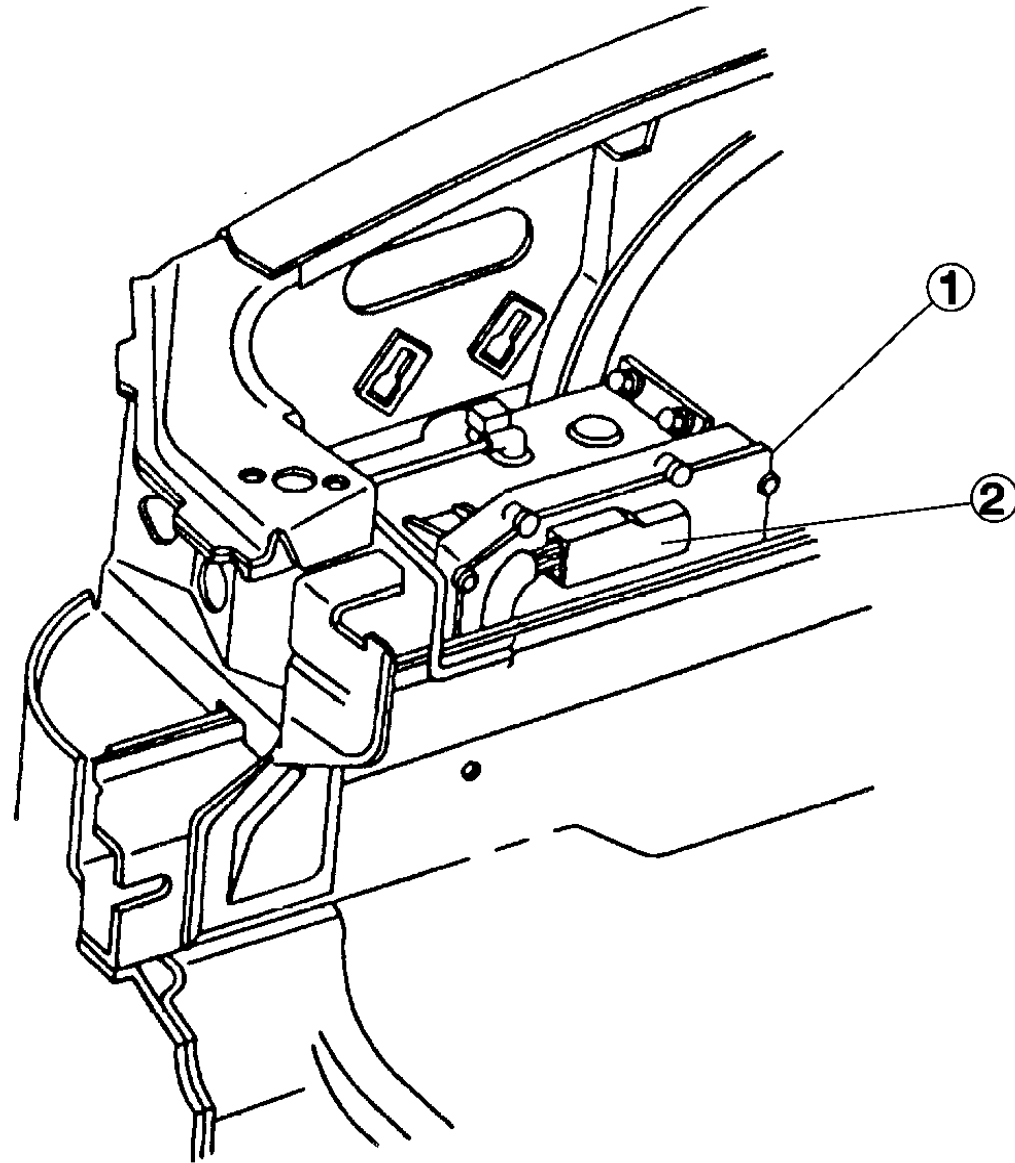
41 = 4 - Door Sedan ENGINE: 3.3L (EGB)
 3.5L (EGE) 24 Valve

AR = Use as Required - = Non Illustrated Part P.A.R. = Paint as Required

SINGLE BOARD ENGINE CONTROLLER (POWERTRAIN CONTROL MODULE) LH BODY

Figure 8-705

8-705



ITEM	PART NUMBER	QTY	BODY	MODEL	DESCRIPTION
	4897 404AA				1996, 3.5 Eng., Federal Emmisions, P225/60VR16 Tires
	4897 403AA				1996, 3.5 Eng., Federal Emissions, w/o P225/60VR16 Tires
	4605 624				1996, 3.5 Eng., EUROPE
	4605 626				1996, 3.3 Eng., Leaded Fuel, EUROPE
	4605 628				1996, 3.3 Eng.
2	4604 687				COVER, Module
	4604 688				Canada
-	4582 800				BRACKET, S.B.E.C. Mtg., (Use 4582800 Fuel Vapor Canister Mtg.)
	4695 611				1996
-	4419 492				INSULATOR, S.B.E.C., 1993-95
	4856 618				1996, S.B.E.C.
	4759 122				1996, "C" Type, Term. & Covers Not Serv.
	4759 124				1996, "D" Type, Terms. & Covers, Not Serv.
-	4856 620				TERMINAL PACKAGE, SBEC, Use w/4856618 Insul.

MODEL CODES:

Chrysler = (CH41 = New Yorker, CP41 = LHS, DH41 = Intrepid(Canada), DP41 = Intrepid ES(Canada), LP41 = Concorde)
 DODGE = (DH41 = Intrepid(USA), DP41 = Intrepid ES(USA))
 EAGLE = (XP41 = Vision ESI, XS41 = Vision TSI)

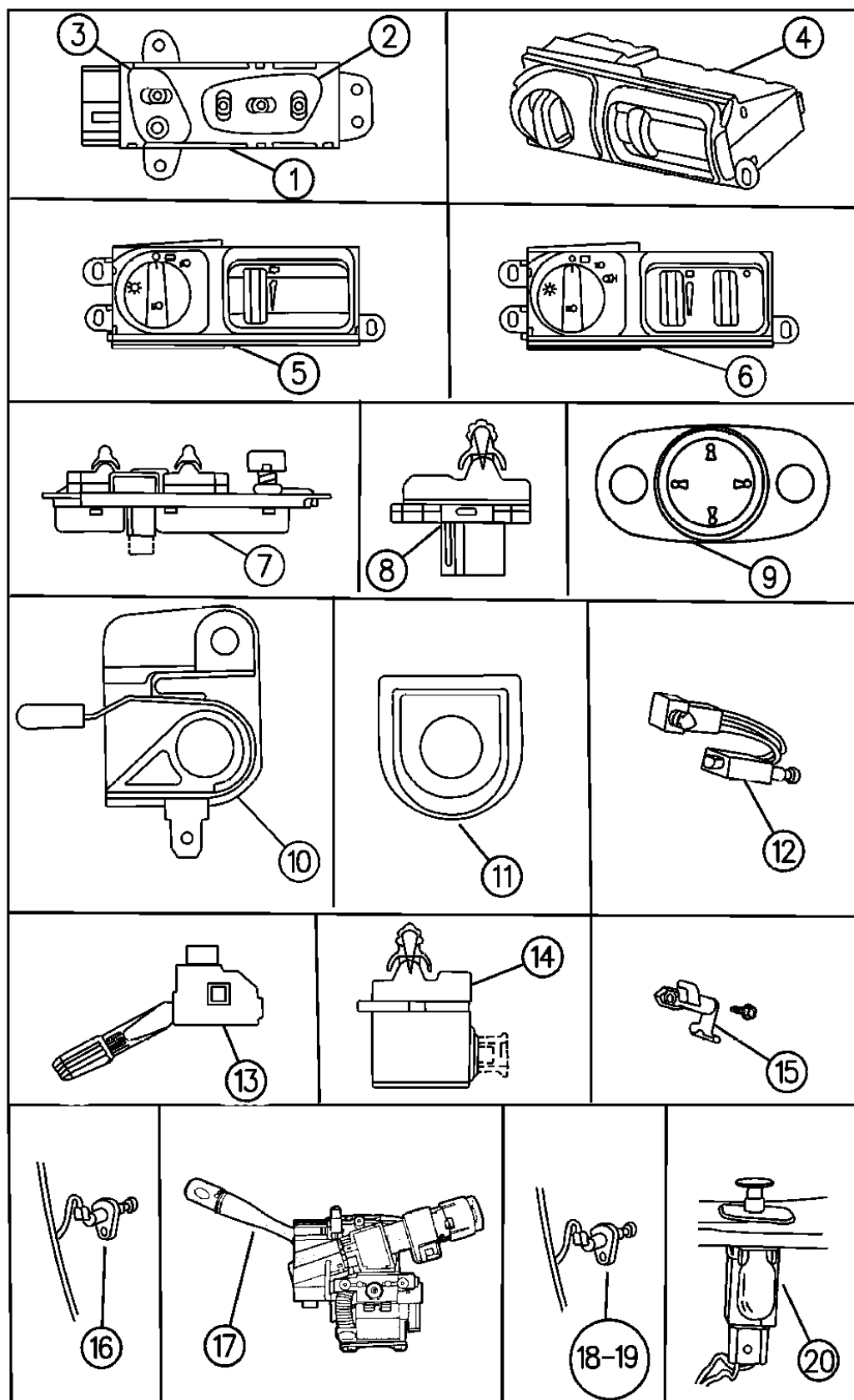
BODY STYLES:

41 = 4 - Door Sedan ENGINE: 3.3L (EGB)
 3.5L (EGE) 24 Valve

AR = Use as Required - = Non Illustrated Part P.A.R. = Paint as Required

SWITCHES LH BODY
Figure 8-805

8-805



ITEM	PART NUMBER	QTY	BODY	MODEL	DESCRIPTION
1	4601 756-7				SWITCH, Power Seat (Insul. 4728355)
2	4607 042-3				KNOB, Power Seat
3	4607 044-5				KNOB, Power Recliner
4	4607 009				SWITCH, Headlamp (Insul. 4728351) (BULB-4741854 Blue Socket--4741855 Black Socket)
5	4607 087				w/Twilight Sentinel, 1994-95-96
5	4607 026				SWITCH, Headlamp & Fog Lamp
6	4607 027				H/Lamp, Rear Fog Lp., H/Lamp Level, EUROPE
6	4607 088				SWITCH, Headlamp & Fog, Ultra-Light, 1994-95-96
7	4607 026				w/o Ultra Light, 1994-95-96
7	4607 035				SWITCH, Window Lift, Frt. Door, 5-Way (Insul. 4728353)
8	4601 739				w/Auto. Down
8	4601 744				SWITCH, Frt. & Rear Door, 1-Way
9	4759 144				1996
9	4601 753				SWITCH, Power Mirror w/Bezel
10	4607 037				SWITCH, Decklid Ajar
11	4607 071				SWITCH, Trunk (Deck Lid Release)
12	5600 6248				SWITCH, Stop Lamp & Speed Control, 1993
13	4565 240				1994-95, (4.15mm)
13	5604 2023				1996
13	4607 001				SWITCH, Multifunction (Insul. 4728331) 1993-94
14	4760 437				1995-96
14	4607 049				EUROPE
14	4601 747				SWITCH, Door Lock (Insul. 4728357)
15	4221 463				SWITCH, Parking Brake
16	5252 559				SWITCH, Front & Rear Door Ind. Lamp
17	4607 002				SWITCH, Ignition (Lamp Halo 4607003) (Insul. 4728333) (Mtg. Screw 4796345) (Interlock Cassette-Switch See Section 21A P. I.A. Cable Assembly)
18	4565 051				SWITCH, Frt. & Rear Door Ajar
19	4688 258				1995-96
19	4607 078-9				SWITCH, Security Alarm
20	4565 022				SWITCH, Glove Box, w/Lamp
-	4607 016				SWITCH, Traction Control Disable
-	4601 027				SWITCH, Sunroof
-	4778 166				1995-96
-	4607 076			L-X	SWITCH, Decklid Security Alarm
-	4607 093			C	
-	4607 097			D	
-	4596 001				SWITCH, E.B.L. & A/C, (Insul. 4504255) (Also See Grp. #24)
-	4688 258				SWITCH, Door Ajar/Courtesy Lamp

MODEL CODES:

Chrysler = (CH41 = New Yorker, CP41 = LHS, DH41 = Intrepid(Canada), DP41 = Intrepid ES(Canada), LP41 = Concorde)
DODGE = (DH41 = Intrepid(USA), DP41 = Intrepid ES(USA))
EAGLE = (XP41 = Vision ESI, XS41 = Vision TSI)

BODY STYLES:

41 = 4 - Door Sedan ENGINE: 3.3L (EGB)
3.5L (EGE) 24 Valve

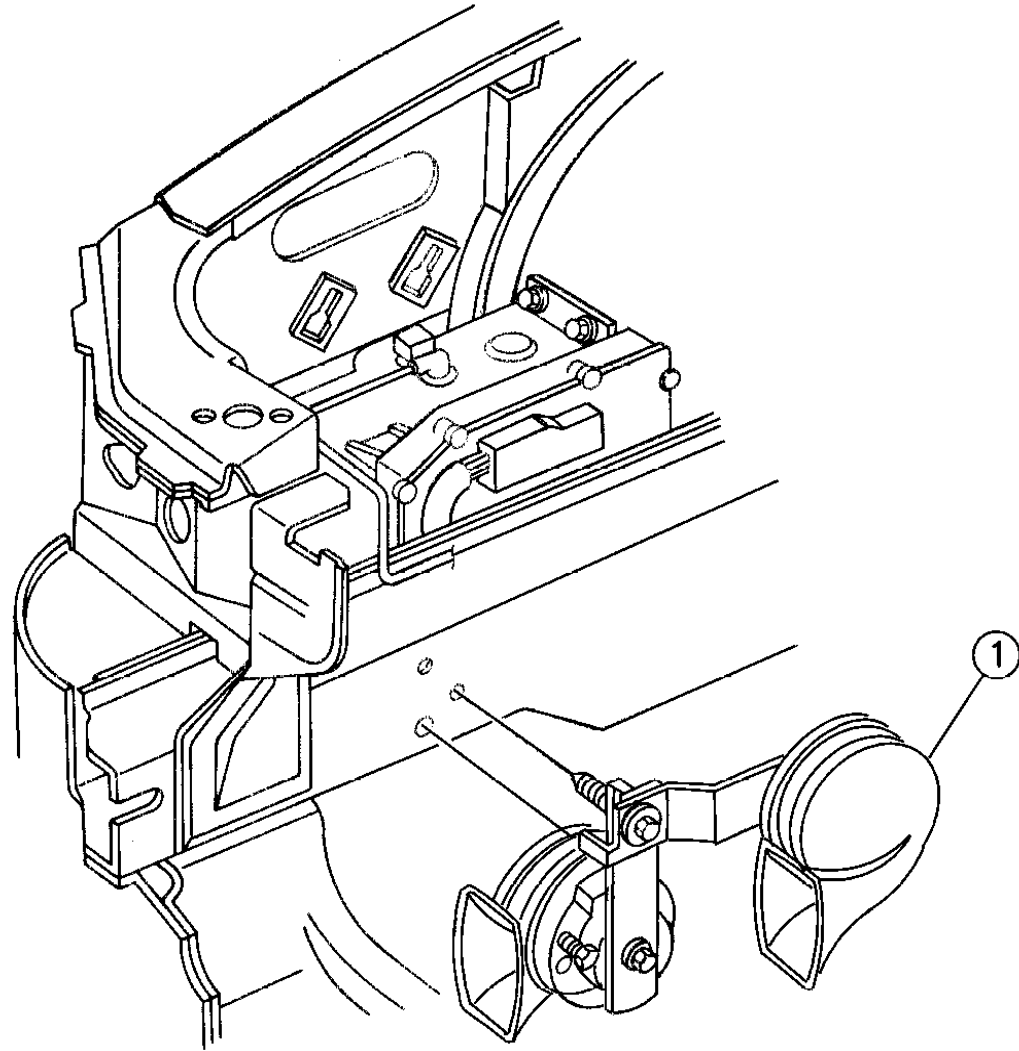
9348 805

AR = Use as Required - = Non Illustrated Part P.A.R. = Paint as Required

HORNS LH BODY
Figure 8-905

8-905

ITEM	PART NUMBER	QTY	BODY	MODEL	DESCRIPTION
1	4608 164				HORN ASSEMBLY, w/Bracket, 1993 ***
	4607 099				1994-95-96



9348 905

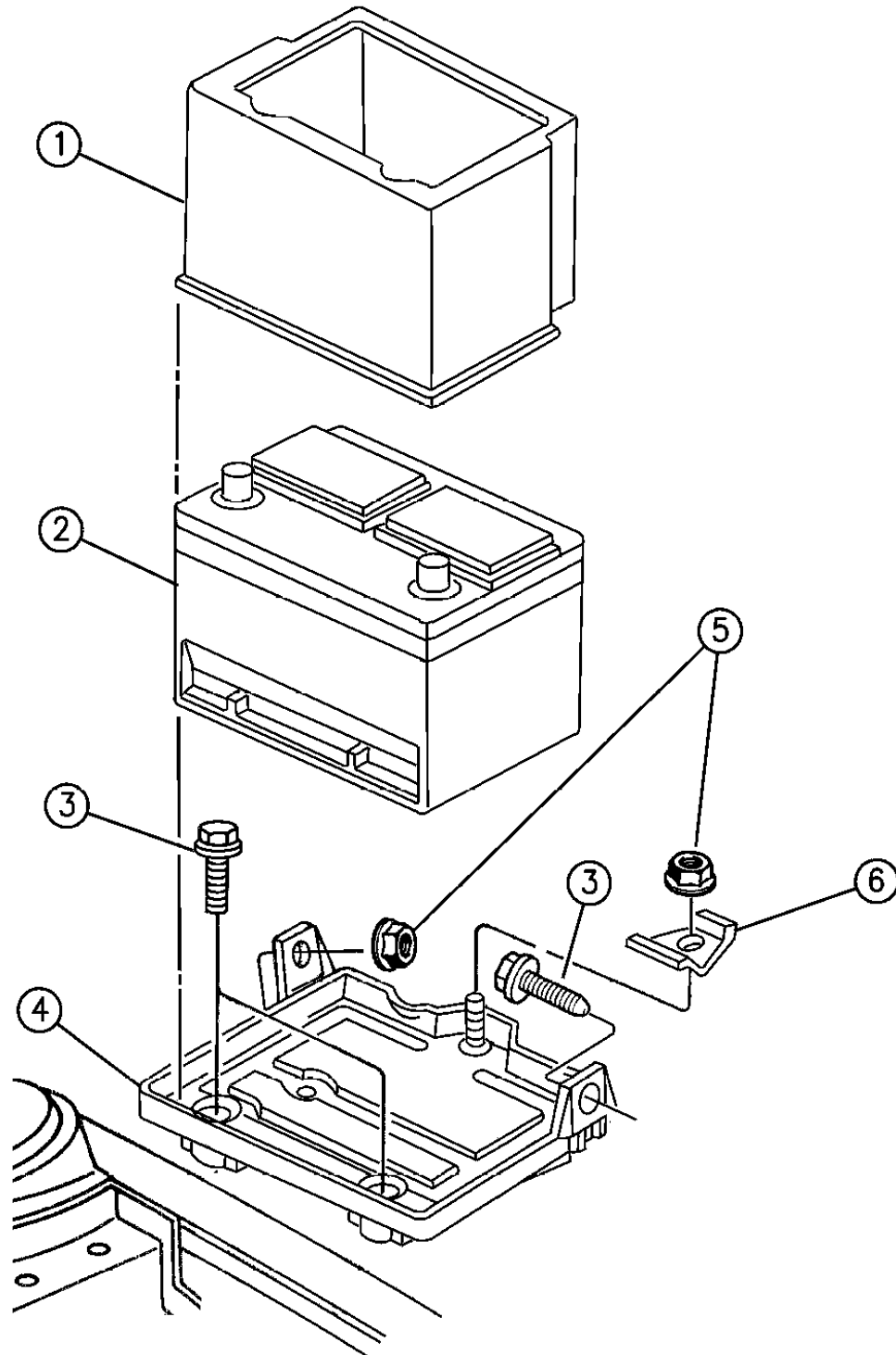
MODEL CODES: _____
 Chrysler = (CH41 = New Yorker, CP41 = LHS, DH41 = Intrepid(Canada), DP41 = Intrepid ES(Canada), LP41 = Concorde)
 DODGE = (DH41 = Intrepid(USA), DP41 = Intrepid ES(USA))
 EAGLE = (XP41 = Vision ESI, XS41 = Vision TSI)

BODY STYLES: _____
 41 = 4 - Door Sedan ENGINE: 3.3L (EGB)
 3.5L (EGE) 24 Valve

AR = Use as Required - = Non Illustrated Part P.A.R. = Paint as Required

BATTERY TRAY LH BODY
Figure 8-1005

8-1005



ITEM	PART NUMBER	QTY	BODY	MODEL	DESCRIPTION
1	4601 567				THERMOGUARD, Battery ***
2					BATTERY
3	6100 567				SCREW
4	4583 102				TRAY, Battery
-	6502 014				BOLT, Battery Tray Hold Down
5					NUT, Not Serv.
6	5202 576				RETAINER, Battery
-	4646 642				PLATE, Battery Tray Attach.
-	6101 283				U-NUT, Battery Tray Attaching
-	6502 108				RETAINER, Battery Tray Attach. Plate (M6.3x12.70)
-	6101 446				NUT, w/Washer, Battery Tray Attaching
-	6500 300				SCREW, Tray To Headlamp Mtg.
-	4604 748				COVER, Battery Terminal
-	4793 062				LABEL, Battery, EUROPE
-	4557 480				Arabic, EUROPE

MODEL CODES:

Chrysler = (CH41 = New Yorker, CP41 = LHS, DH41 = Intrepid(Canada), DP41 = Intrepid ES(Canada), LP41 = Concorde)
DODGE = (DH41 = Intrepid(USA), DP41 = Intrepid ES(USA))
EAGLE = (XP41 = Vision ESI, XS41 = Vision TSI)

BODY STYLES:

41 = 4 - Door Sedan ENGINE: 3.3L (EGB)
3.5L (EGE) 24 Valve

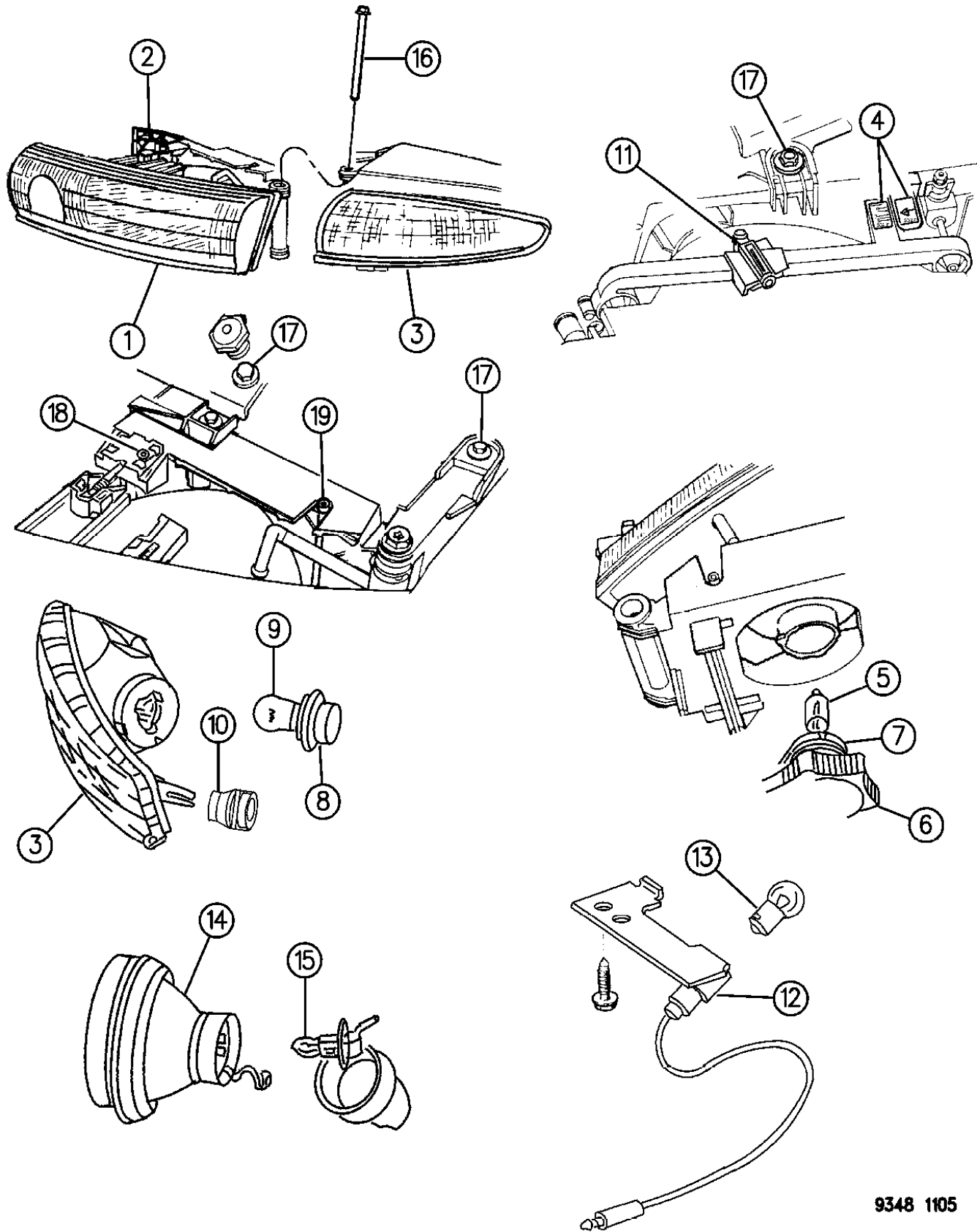
9348 1005

AR = Use as Required - = Non Illustrated Part P.A.R. = Paint as Required

LAMPS--FRONT LH BODY

Figure 8-1105

8-1105A



ITEM	PART NUMBER	QTY	BODY	MODEL	DESCRIPTION
1	4746 436-7			LP,XP,X	LAMP ASSEMBLY, Headlamp, 1993
	4762 058-9			LP,XP,X	1994-95
	4856 562-3			L,X	1996
	4746 452-3			DH,DP	1993-94
	4778 256-7			DH,DP	1995-96
	4746 466-7			CH	Includes Horizontal & Vertical Adj. Screws, 1993-94
	4756 498-9			CH	1995-96, w/Bulbs & Sockets
	4778 258-9			CH	1995-96, w/o Bulbs & Sockets
	4746 458-9			CP	Includes Vertical & Horizontal Adj. Screws, 1993-94
	4778 260-1			CP	1995
4756 496-7			CP	1996	
4796 050-1			CP	1996, EUROPE	
4796 050-1			CP	1995, EUROPE	
4746 442-3			X	EUROPE	
4746 860-1			X	JAPAN	
-	4624 674				SEAL, Headlamp (Fender)
-	4769 195	2		D	BUSHING, Headlamp Mounting
2	4584 068-9			CH,CP	BRACKET, Headlamp Mounting, Adjusting Screws Part Of Headlamp Assy., Stamped 5941070-1
	4746 454-5			DH,DP	w/Adjusting Screws
	4746 446-7			XS,XP,L	w/Adjusting Screws
	4746 450-1			X	JAPAN--EUROPE
	4630 600-1			CP	Stamped 5953730-1, EUROPE
	4746 456-7			DH,DP	LAMP ASSEMBLY, Park/Turn/Side Marker, 1993-94
	4778 254-5			DH,DP	1995-96
	4746 462-3			CP-CH	1993-94-95-96
	4746 462			CH,CP	1997, Rt.
	4746 463			CH,CP	1997, Lt.
4630 604-5			CP	1995, EUROPE	
4630 604			C	1996 Rt., EUROPE	
4630 605			C	1996 Lt., EUROPE	
4746 440-1			LP,XP,X	1993-94-95	
4856 564-5			L,X	1996	
4746 444-5			X	JAPAN--EUROPE	
4746 486			CH-CP	BOLT, 3/8"x 5 1/4" (Bracket To Headlamp Assy.)	
4	4630 294				DECAL, H/Lamp Adjusting (LABEL) ***
	5263 494				EUROPE
	0154 544				BULB, Headlamp, #9007
5	0154 221			X	#9006, Low Beam, JAPAN-EUROPE
	0154 222			X	#9005, Hi-Beam, JAPAN-EUROPE
	4451 512			C	NUT, Retainer, Aero H/Lamp Bulb
4388 837			D-L-X		

MODEL CODES:

Chrysler = (CH41 = New Yorker, CP41 = LHS, DH41 = Intrepid(Canada), DP41 = Intrepid ES(Canada), LP41 = Concorde)
 DODGE = (DH41 = Intrepid(USA), DP41 = Intrepid ES(USA))
 EAGLE = (XP41 = Vision ESI, XS41 = Vision TSI)

BODY STYLES:

41 = 4 - Door Sedan ENGINE: 3.3L (EGB)
 3.5L (EGE) 24 Valve

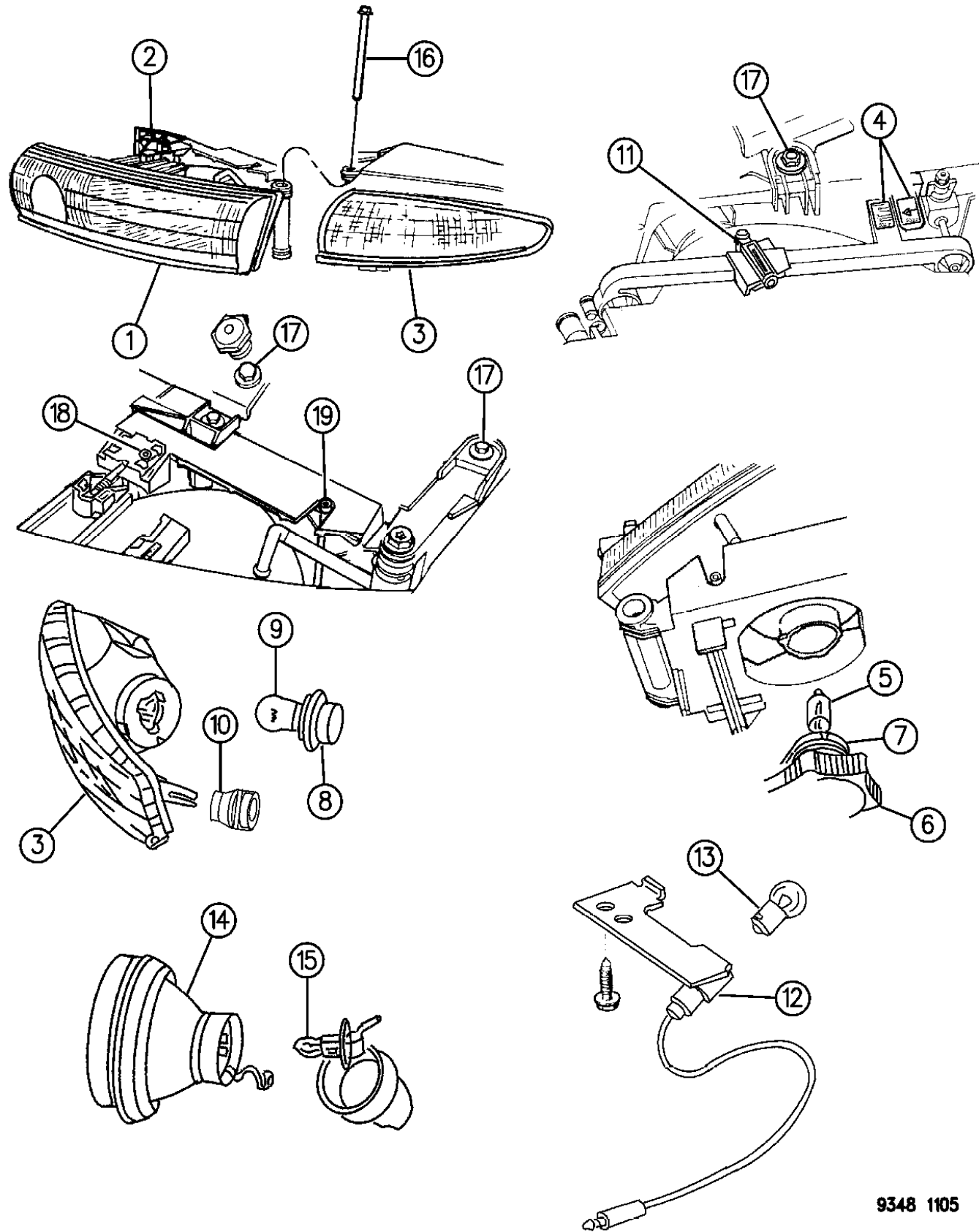
9348 1105

AR = Use as Required - = Non Illustrated Part P.A.R. = Paint as Required

LAMPS--FRONT LH BODY

Figure 8-1105

8-1105A



ITEM	PART NUMBER	QTY	BODY	MODEL	DESCRIPTION
7	4414 332				SOCKET, Headlamp (Insulator)
	5263 384			X	Low Beam, JAPAN-EUROPE
	5263 371			X	Hi-Beam, JAPAN-EUROPE
8	4399 900				SOCKET, Park/Turn/Side Marker (BULB #3157NA)
-	4796 889				SOCKET, Park Signal, EUROPE
-	0153 625				BULB, Park Signal
9	0154 525				BULB, Side Marker (#3157NA)(Socket)
	0154 742				EUROPE
10	4630 285				BUSHING, Park/Turn/Side Marker To Fender
11	4746 423				BUBBLE ASSEMBLY, Headlamp Leveling (Use Clip 5130047) ***
	4630 553			CH,CP	
12	4607 096				LAMP, Underhood
13	9428 606				BULB, Underhood Lamp, #105
-	6032 778				CLIP, Fog Lamp Attach.
14	4630 010-1			DP	LAMP, Fog Lamp
	4630 624-5			X	EUROPE
	4630 012-3			X	Domestic
	4761 518-9	AR		CP	
-	4630 380-1				FOG LAMP, Rear Fascia, EUROPE ***
-				CP	WIRING, Fog Lamp (Serv. w/Lamp
15	4728 646				BULB, Fog Lamp (H-3 50-Watt)
16	4741 858			D-L-X	SCREW, 1/8"x2 1/2", Vertical Mounting, H/Lamp To Mounting Bracket
	4746 486			CH,CP	BOLT, 3/8"x5 1/4"
17	6034 261	4			SCREW, H/Lamp Attach
18	4796 245			CH,CP	ADJUSTER, Up/Down #15 Torx, (Horizontal)
19	4796 248-9			CH,CP	ADJUSTER, Left/Right #15 Torx, w/Frame (Horizontal)
-	4746 464				MOTOR, Headlamp Leveling, EUROPE
-	4756 738	2			INSERT, Headlamp Adjuster Motor, EUROPE
-	4756 282				LAMP, Side Repeater, EUROPE
-	4883 048				BRACKET ASSY,Headlamp, Vertical, Right ***
-	4883 049				BRACKET ASSY, Headlamp Vertical, Left ***
-	4883 050				BRACKET ASSY, Headlamp Horizontal, Right ***
-	4883 051				BRACKET ASSY, Headlamp Horizontal, Left ***
-	0153 620				BULB, Side Repeater, EUROPE
-	4756 704				GASKET, Frt. Fender Side Repeater (Foam Tape)
-	5263 494				LABEL, H/Lamp Adj., EUROPE

9348 1105

MODEL CODES:

Chrysler = (CH41 = New Yorker, CP41 = LHS, DH41 = Intrepid(Canada), DP41 = Intrepid ES(Canada), LP41 = Concorde)
 DODGE = (DH41 = Intrepid(USA), DP41 = Intrepid ES(USA))
 EAGLE = (XP41 = Vision ESI, XS41 = Vision TSI)

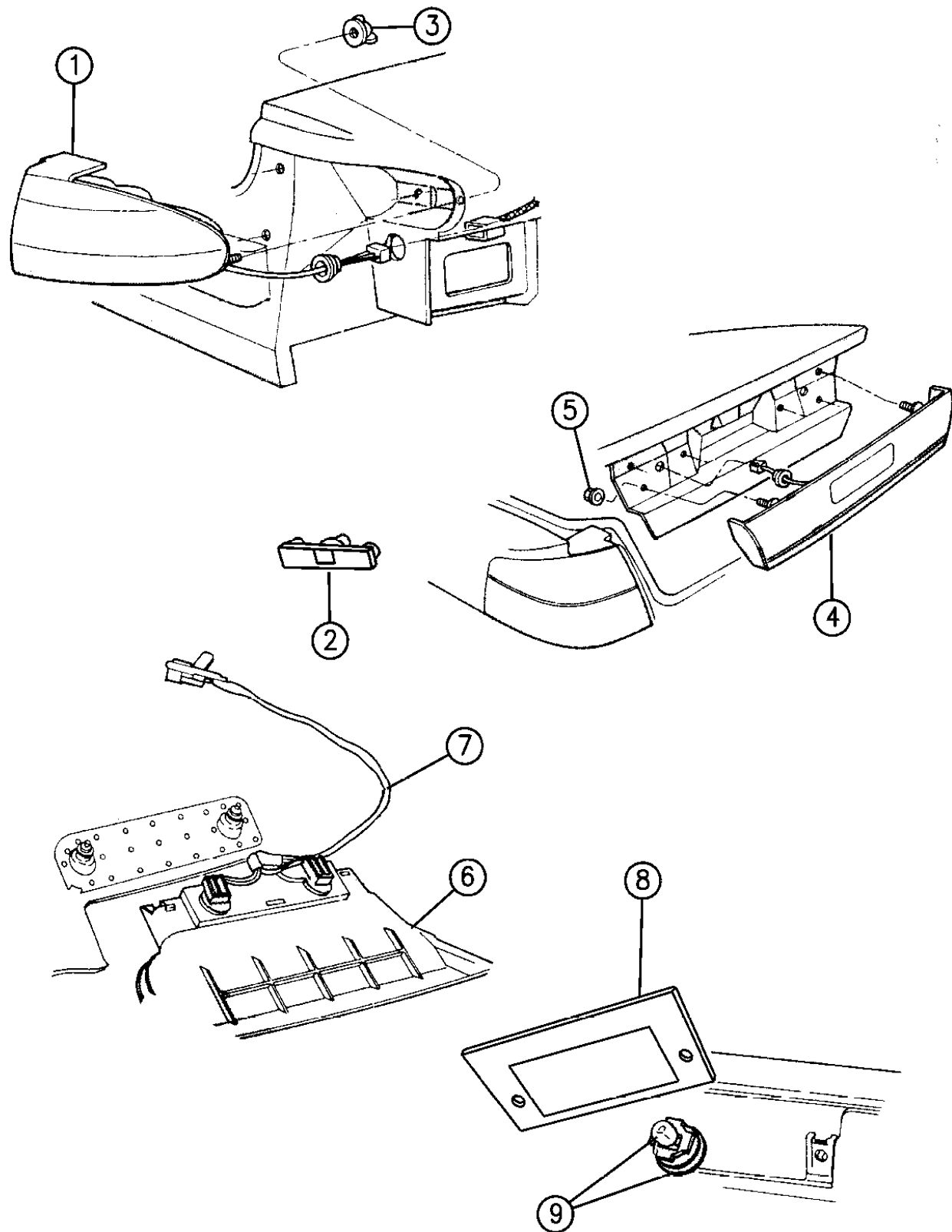
BODY STYLES:

41 = 4 - Door Sedan ENGINE: 3.3L (EGB)
 3.5L (EGE) 24 Valve

AR = Use as Required - = Non Illustrated Part P.A.R. = Paint as Required

LAMPS--REAR LH BODY
Figure 8-1107

8-1107



9348 1107

ITEM	PART NUMBER	QTY	BODY	MODEL	DESCRIPTION
--	4601 366-7			D	LAMP, TAIL/STOP/TURN--w/o COLOR
	4883 904AA			D	w/o Red Stripe, Aft. 12-10-94, Rt.
	4883 905AA			D	Lt.
					NOTE: 4601366-7--w/RED STRIPE--FOR VEHICLES BUILT PRIOR TO 12-16-94 ***
1	4601 362-3			XS,XP	LAMP ASSEMBLY, (Use Welt 4751162-3) 1993-94-95-96
	4601 560-1			XS,XP	EUROPE
	4601 368-9			CH,CP	1993
	4697 480-1			CH,CP	1994-95
	4697 640-1			C	1996
	4630 124-5			LP	1993
	4697 490-1			LP	1994-95-96
	4630 602-3			C	1995, EUROPE
	ED64-5 MBF			DH,DP	Med. Blue, 1993
	KJ74-5 MBF			DH,DP	1994
	KJ74-5 RB3			DH,DP	1995, Up To 12-16-94
	PF54-5 RB3			DH,DP	Aft. 12-16-94
	ED64-5 MFA			DH,DP	Light Driftwood, 1993
	KJ74-5 MFA			DH,DP	1994-95, Up To 12-16-94
	PF54-5 RFA			DH,DP	Aft., 12-16-94
	ED64-5 MGF			DH,DP	Green, 1993
	KJ74-5 MGF			DH,DP	1994
	ED64-5 MJ8			DH,DP	Char/Gold, 1993
	KJ74-5 MJ8			DH,DP	1994-95, Up To 12-16-94
	PF54-5 RJ8			DH,DP	Aft. 12-16-94
	ED64-5 MM9			DH,DP	Black Cherry, 1993
	KJ74-5 MM9			DH,DP	1994
	ED64-5 MP5			DH,DP	Teal, 1993
	KJ74-5 MP5			DH,DP	1994-95, Up To 12-16-94
	PF54 RP5			DH,DP	Rt. Aft. 12-16-94
	PF54 SP6			D	1996 Teal, Rt.
	PF55 SP6			D	1996 Teal, Lt.
	ED64-5 MRB			DH,DP	Radiant Fire, 1993
	KJ74-5 MRB			DH,DP	1994
	ED64-5 MRF			DH,DP	Radiant Red, 1993
	KJ74-5 MRF			DH,DP	1994-95, Up To 12-16-94
	PF54-5 RRF			DH,DP	Aft. 12-16-94
	PF54-5 RHC			D	Red, 1996
	PF54 RHC			D	1996 Candy Apple Red, Rt.
	PF55 RHC			D	1996 Candy Apple Red, Lt.
	ED64-5 MW7			DH,DP	White, 1993
	KJ74-5 MW7			DH,DP	1994-95, Up To 12-16-94

MODEL CODES:

Chrysler = (CH41 = New Yorker, CP41 = LHS, DH41 = Intrepid(Canada), DP41 = Intrepid ES(Canada), LP41 = Concorde)
DODGE = (DH41 = Intrepid(USA), DP41 = Intrepid ES(USA))
EAGLE = (XP41 = Vision ESI, XS41 = Vision TSI)

BODY STYLES:

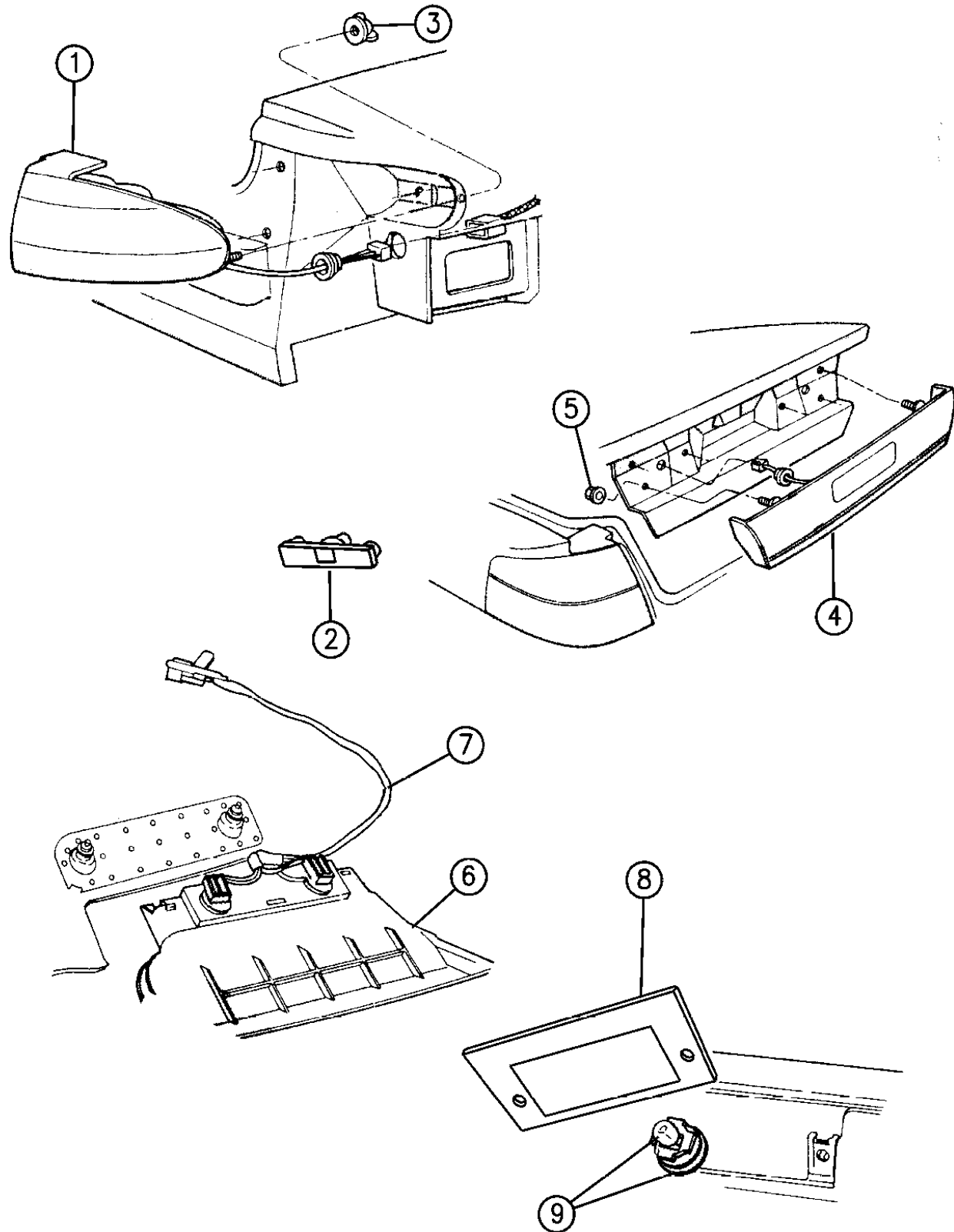
41 = 4 - Door Sedan ENGINE: 3.3L (EGB)
3.5L (EGE) 24 Valve

AR = Use as Required - = Non Illustrated Part P.A.R. = Paint as Required

LAMPS--REAR LH BODY

Figure 8-1107

8-1107



9348 1107

ITEM	PART NUMBER	QTY	BODY	MODEL	DESCRIPTION
	PF54-5 RW7			DH,DP	Aft. 12-16-94
	PF54 SW1			D	1996 White, Rt.
	PF55 SW1			D	1996 White, Lt.
	PF54 SW4			D	1995-96 Pearl White, Rt.
	PF55 SW4			D	1995-96 Pearl White, Lt.
	ED64-5 MX8			DH,DP	Black, 1993
	KJ74-5 MX8			DH,DP	1994-95, Up To 12-16-94
	PF54-5 RX8			DH,DP	Aft. 12-16-94
	PF54 RX8			D	1996 Black, Rt.
	PF55 RX8			D	1996 Black, Lt.
	KJ74-5 MMB			DH,DP	Wildberry, 1995, Up To 12-16-94
	PF54-5 RMB			DH,DP	Aft. 12-16-94
	PF54 RMB			D	1996 Wildberry, Rt.
	PF55 RMB			D	1996 Wildberry, Lt.
	KJ74-5 RMH			DH,DP	Wild Orchid, 1995, Up To 12-16-94
	PF54-5 RMH			DH,DP	Aft. 12-16-94
	KJ74 RPE			DH,DP	Rt. Spruce, Up To 12-16-94
	KJ75 RPE			DH,DP	Lt., Spruce (Up To 12-16-94)
	PF54 RPE			DH,DP	Rt., Aft. 12-16-94
	PF55 RPE			DH,DP	Lt., Aft. 12-16-94
	PF54 RPE			D	1996 Spruce, Rt.
	PF55 RPE			D	1996 Spruce, Lt.
	KJ74-5 RS4				Silver, Up To 12-16-94
	PF54-5 RS4				After 12-16-94
	PF54 RS4			D	1996 Silver, Rt.
	PF55 RS4			D	1996 Silver, Lt.
	-				LENS, Tail/Stop/Turn/Side Marker (FOR MODELS UP TO 12-16-94)
	PL76 RX8			D	Rt., Black
	PL77 RX8			D	Lt.
	PL76 RHC			D	Rt., Candy Apple Red
	PL77 RHC			D	Lt.
	PL76 RB3			D	Rt., Med. Blue
	PL77 RB3			D	Lt.
	PL76 RMB			D	Rt., Wildberry
	PL77 RMB			D	Lt.
	PL76 RFA			D	Rt., Driftwood
	PL77 RFA			D	Lt.
	PL76 RMH			D	Rt., Orchid
	PL77 RMH			D	Lt.
	PL76 RJ8			D	Rt., Char/Gold
	PL77 RJ8			D	Lt.

MODEL CODES:

Chrysler = (CH41 = New Yorker, CP41 = LHS, DH41 = Intrepid(Canada), DP41 = Intrepid ES(Canada), LP41 = Concorde)
 DODGE = (DH41 = Intrepid(USA), DP41 = Intrepid ES(USA))
 EAGLE = (XP41 = Vision ESI, XS41 = Vision TSI)

BODY STYLES:

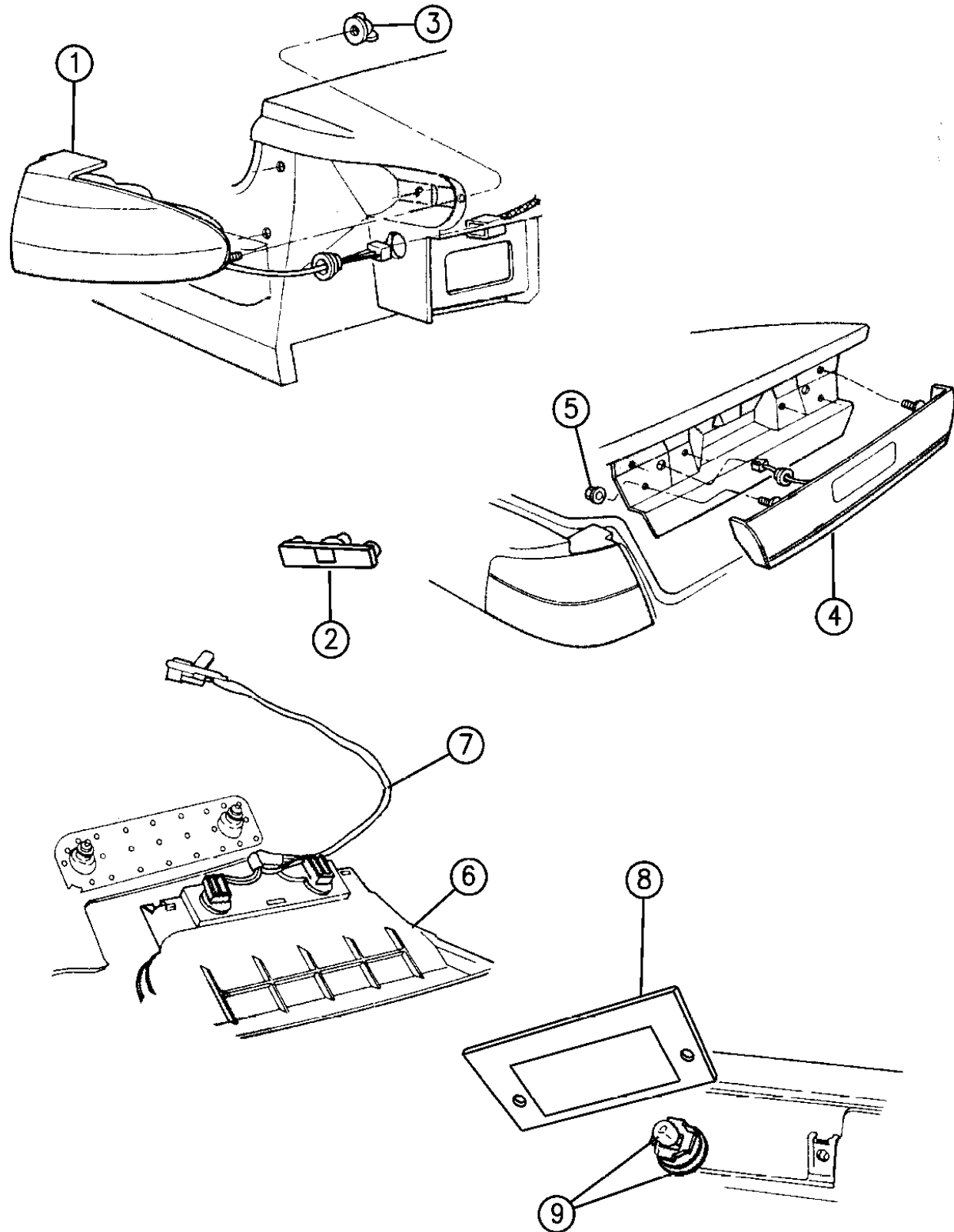
41 = 4 - Door Sedan ENGINE: 3.3L (EGB)
 3.5L (EGE) 24 Valve

AR = Use as Required - = Non Illustrated Part P.A.R. = Paint as Required

LAMPS--REAR LH BODY

Figure 8-1107

8-1107



9348 1107

ITEM	PART NUMBER	QTY	BODY	MODEL	DESCRIPTION
	PL76 RMB			D	Rt., Wildberry
	PL77 RMB			D	Lt.
	PL76 RPE			D	Rt., Spruce
	PL77 RPE			D	Lt.
	PL76 RP5			D	Rt., Teal
	PL77 RP5			D	Lt.
	PL76 RS4			D	Rt., Silver
	PL77 RS4			D	Lt.
	PL76 RRF			D	Rt., Radiant Red
	PL77 RRF			D	Lt.
	PL76 RW7			D	Rt., Bright White
	PL77 RW7			D	Lt.
2	4630 048-9		CH,CP		LAMP, Side Marker & Reflex
3	6500 904				NUT, Attach.
4	4601 558		XS,XP		APPLIQUE, Deck-Lid
	4601 559		XS,XP		EUROPE
	4697 625		XS,XP		Japan
	4601 557		DH,DP		w/Red Line, (Up To 12-16-94)
	4769 101		DH,DP		w/o Red Line, (Aft. 12-16-94)
	4630 126		LP		
	4584 274		CH		Deck Lid Lower
	4630 479		CP		Deck Lid Lower
5	6502 589				NUT, Hex
6	4630 383		CH,CP		LAMP, Hi-Mtd. Stop
	4601 415		D-L-X		(Bulb L.E.D.)
	4769 056				1996
	4756 365		C		1995, EUROPE
-	0154 638				SCREW, Hi-Mtd. Stop Lamp Attaching
7	4604 153		D-L-X		WIRING, Hi-Mtd. Stop Lamp
	4769 057				1996
8	3600 1900		D,L,C		LAMP, License (Bulb #168) 1993-94-95
	4601 409		X		
	4756 179		D,L		1995
	4756 563		C		EUROPE
-	6034 433				CLIP, License Lamp Attaching (On Deck Lid)
-	4604 576				TUBE, w/Grommet
9					SOCKETS AND BULBS ***
	4636 359		ALL		Tail/Stop/Turn (BULB #3057--154509)
	4400 899		DH,DP		Side Marker (BULB #194--9421330)
	4400 899		DH,DP		License Lamp (BULB #168--9425542)
	4636 358		DH,DP		Back-Up Lamp (Bulb #3157--154509)
	4400 588		XP,XS		Tail (BULB #916--153700)

MODEL CODES:

Chrysler = (CH41 = New Yorker, CP41 = LHS, DH41 = Intrepid(Canada), DP41 = Intrepid ES(Canada), LP41 = Concorde)
 DODGE = (DH41 = Intrepid(USA), DP41 = Intrepid ES(USA))
 EAGLE = (XP41 = Vision ESI, XS41 = Vision TSI)

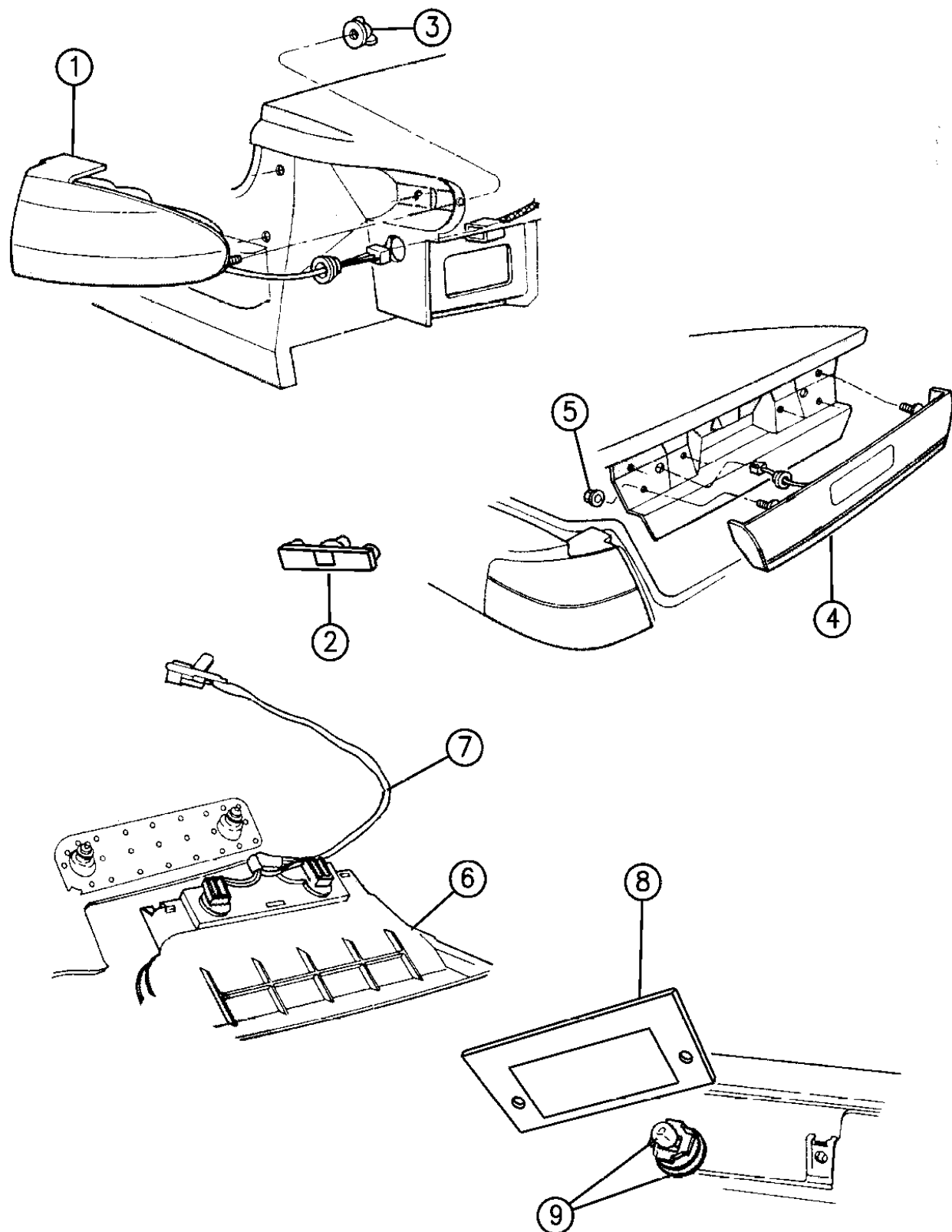
BODY STYLES:

41 = 4 - Door Sedan ENGINE: 3.3L (EGB)
 3.5L (EGE) 24 Valve

AR = Use as Required - = Non Illustrated Part P.A.R. = Paint as Required

LAMPS--REAR LH BODY
Figure 8-1107

8-1107



9348 1107

ITEM	PART NUMBER	QTY	BODY	MODEL	DESCRIPTION
	4400 588			CH,CP	Side Marker (BULB #168--153700)
	4636 358			XP,XS	Back-Up (BULB #3157--154509)
	4450 588			XP,XS	License Lamp (BULB #916--153700)
	4400 899			CH,CP	License Lamp (BULB #168--9425542)
	4443 991			XP,XS	Hi-Mtd. Stop Lamp (BULB #921--153938)
	4443 991			DH,DP	Hi-Mtd. Stop Lamp (BULB #921--153938)
					FOG LAMP, Rear Facia, (EUROPE) ***
	4630 380	1		C	Right
	4630 381	1		C	Left

MODEL CODES:

Chrysler = (CH41 = New Yorker, CP41 = LHS, DH41 = Intrepid(Canada), DP41 = Intrepid ES(Canada), LP41 = Concorde)
DODGE = (DH41 = Intrepid(USA), DP41 = Intrepid ES(USA))
EAGLE = (XP41 = Vision ESI, XS41 = Vision TSI)

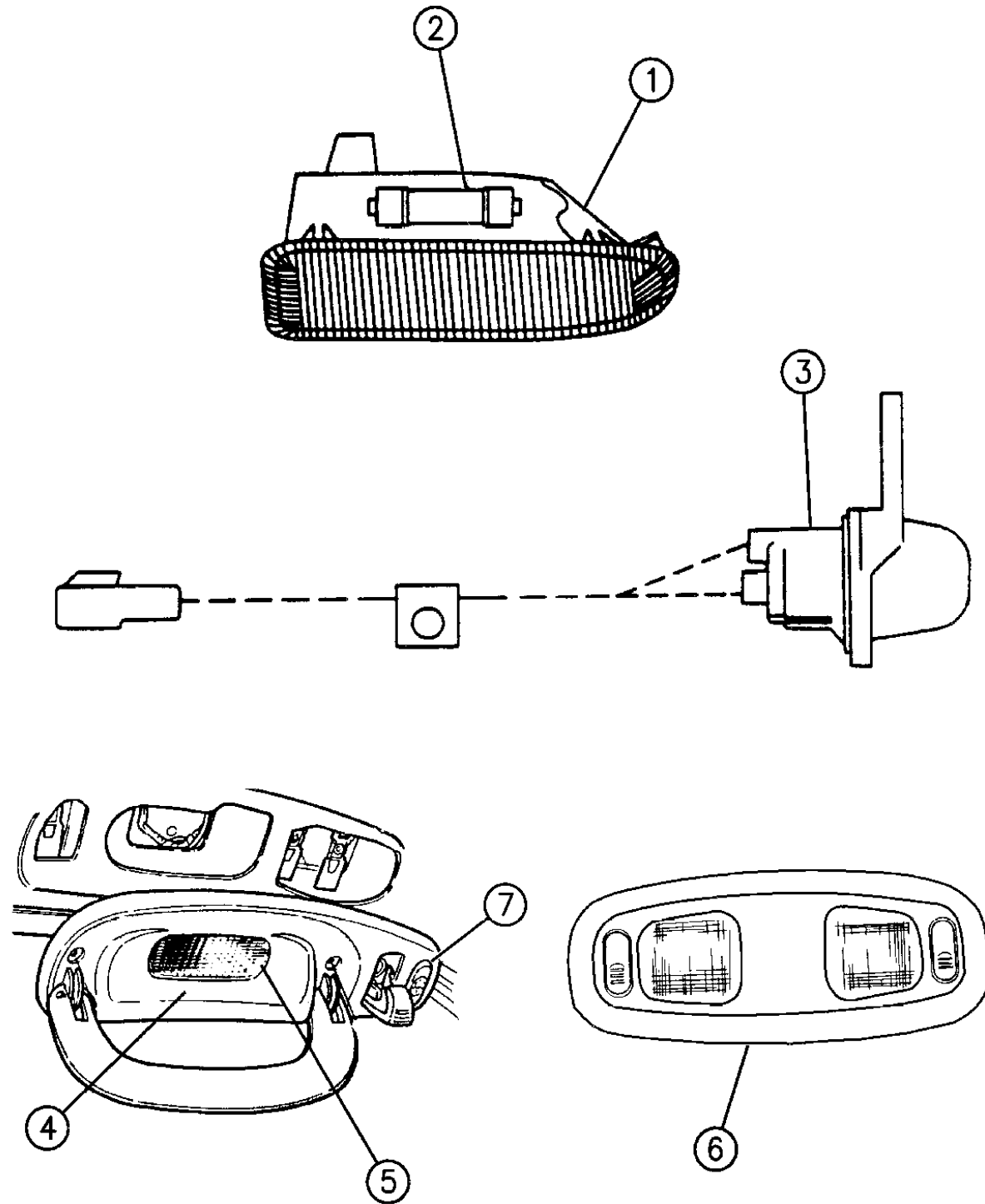
BODY STYLES:

41 = 4 - Door Sedan ENGINE: 3.3L (EGB)
3.5L (EGE) 24 Valve

AR = Use as Required - = Non Illustrated Part P.A.R. = Paint as Required

LAMPS--CARGO-DOME-COURTESY LH BODY
Figure 8-1110

8-1110A



ITEM	PART NUMBER	QTY	BODY	MODEL	DESCRIPTION
1	4608 002-3				LAMP, Door Courtesy
	4760 028-9				w/o Red Stripe
2	9431 809				BULB, (212-2)
3	4601 012				LAMP, Trunk (Use Rivet J4006012)
4	HR76-7 MF1				LAMP, Rear O/Head Courtesy, w/o Grab Handle, Neutral
	HR76-7 MW8				Quartz
	HR78-9 MF1				w/Grab Handle, Neutral, w/Buttons
	HR78-9 MW8				w/Grab Handle, Quartz, w/Buttons
5	4728 529				LENS, w/Grab Handle
6	4728 570				LAMP, Frt. Overhead Reading, w/o Console (Use Retainer 4773593)
-	4773 593				RETAINER, Frt. Overhead Reading Lamp
7	4607 064				SWITCH, Assist Handle Courtesy Lamp
-	4565 022				LAMP, Glove Box, w/Switch

MODEL CODES: _____
 Chrysler = (CH41 = New Yorker, CP41 = LHS, DH41 = Intrepid(Canada), DP41 = Intrepid ES(Canada), LP41 = Concorde)
 DODGE = (DH41 = Intrepid(USA), DP41 = Intrepid ES(USA))
 EAGLE = (XP41 = Vision ESI, XS41 = Vision TSI)

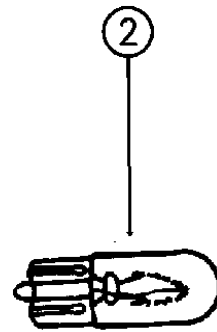
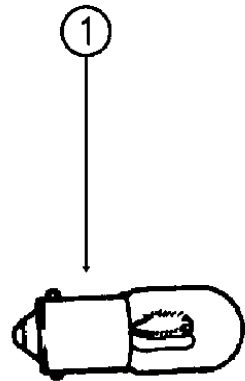
BODY STYLES: _____
 41 = 4 - Door Sedan ENGINE: 3.3L (EGB)
 3.5L (EGE) 24 Valve

9348 1110

AR = Use as Required - = Non Illustrated Part P.A.R. = Paint as Required

BULBS LH BODY
Figure 8-1115

8-1115



ITEM	PART NUMBER	QTY	BODY	MODEL	DESCRIPTION
1					EXTERIOR LAMPS ***
	0154 509			D-X	BULB, Back-Up Lamp, #3157
	0153 938			D-X	Hi-Mtd Stop Lamp, #921
				L	L.E.D.
	4728 646			D-X	Fog Lamp, #H-3
	0154 544				Headlamp, #9007
	0154 525				License Lamp, #3157NA
	0154 525				Park/Turn/Side Marker, #3157NA
	9425 542			D	Rear Side Marker, #168
	0153 938			L	Rear Side Marker, #921
				X	Tail, #916
	0154 509			X	Stop/Turn Signal, #3157
	0154 509			D-L	Tail/Stop/Turn Signal, #3057
2					INTERIOR LAMPS ***
	9423 277				A/C Heater Control, #330
	9417 561				Ash Reciever, #161
	4741 854				Headlamp Switch--Blue Socket
	4741 855				Headlamp Switch--Black Socket
	4437 590				Instrument Cluster, #PC194
	5269 529			D-L-X	Inst. Cluster, Turn Signal Indicator, w/Socket, #121
					Radio, ASC
	4437 661				Traction Control
	4437 661				Message Center
	4437 590			D	Air Bag, #PC194
	9433 184			X-L	Air Bag, #74
				D	Anti-Lock Brake, #PC161
	4437 661			X-L	Anti-Lock Brake,
	9433 184				Brake Warning, #74
	4437 590			D	Check Engine, #PC194
	9433 184			X-L	Check Engine, #74
	4608 304			D	Door Open, #161
	4437 661			X-L	Door Open
	4437 590			D	Engine Oil Pressure, #PC194
	9433 184			X-L	Engine Oil Pressure, #74
	0154 087			D	Engine Temperature, #103
	9433 184			X-L	Engine Temperature, #74
	4437 590			D	Generator, #PC194
	9433 184			X-L	Generator, #74
	5269 529				High Beam, #PC121
	0154 087				Low Fuel, #103
	4608 304			D	Message Center, #161
	4437 661			X-L	Message Center

MODEL CODES:

Chrysler = (CH41 = New Yorker, CP41 = LHS, DH41 = Intrepid(Canada), DP41 = Intrepid ES(Canada), LP41 = Concorde)
DODGE = (DH41 = Intrepid(USA), DP41 = Intrepid ES(USA))
EAGLE = (XP41 = Vision ESI, XS41 = Vision TSI)

BODY STYLES:

41 = 4 - Door Sedan ENGINE: 3.3L (EGB)
3.5L (EGE) 24 Valve

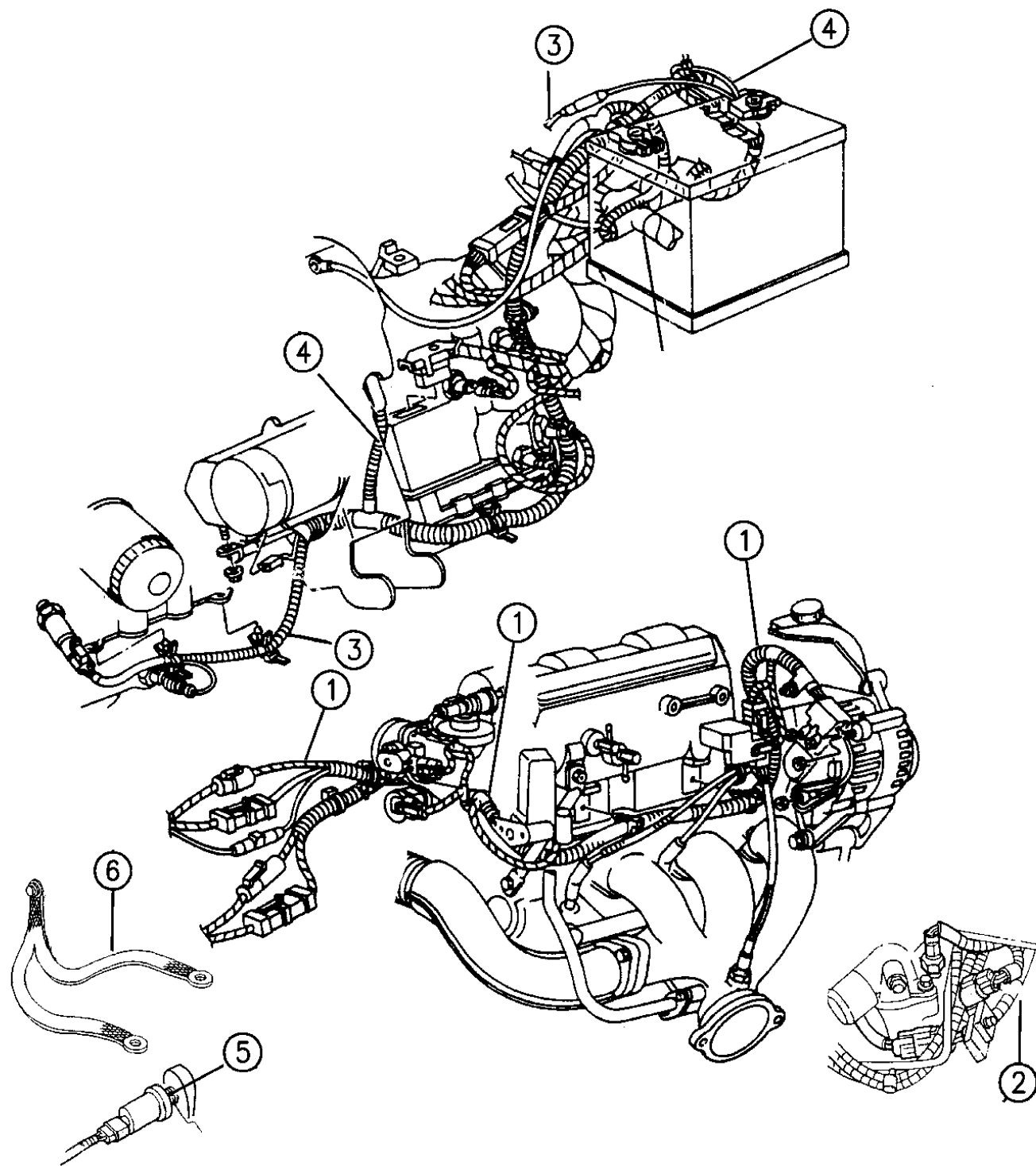
9348 1115

AR = Use as Required - = Non Illustrated Part P.A.R. = Paint as Required

WIRING--ENGINE & RELATED PARTS LH BODY

Figure 8-1205

Q8-1205



ITEM	PART NUMBER	QTY	BODY	MODEL	DESCRIPTION
14	4609 040				SPARK PLUG, RC-12-LYC5, 3.5 Eng. (Use Spark Plug Tube 4573938)
	5235 010				3.3 Eng., RN16YC5, 1993
	4686 083				3.3 Eng., RN14MC5, 1994-95
	4609 076				3.5 Eng., RC-14E5
-	4609 012				TRAY, Ign. Cable, 3.3 Eng.
15	4609 037				SEPARATOR, Ign. Cable, 3.3 Eng.
16	4601 518				SWITCH, Oil Pressure (Oil Pressure Switch) 1993-95
	4608 303				3.5 Eng., 1996
17	4608 174				STRAP, Ground, (Radio Noise)
	4608 172				V-Shaped
18	4443 971				COIL, Ign. D.I.S., (Use Insul. 4439087 & Term. 4661039) 3.3-3.5 Engine
-	4604 603				INSULATOR, D.I.S., Also Terminal 4661039
-	4609 032				BRACKET, Ign. Coil D.I.S, 3.3 Eng.
	4556 595				3.5 Eng.

MODEL CODES:

Chrysler = (CH41 = New Yorker, CP41 = LHS, DH41 = Intrepid(Canada), DP41 = Intrepid ES(Canada), LP41 = Concorde)
 DODGE = (DH41 = Intrepid(USA), DP41 = Intrepid ES(USA))
 EAGLE = (XP41 = Vision ESI, XS41 = Vision TSI)

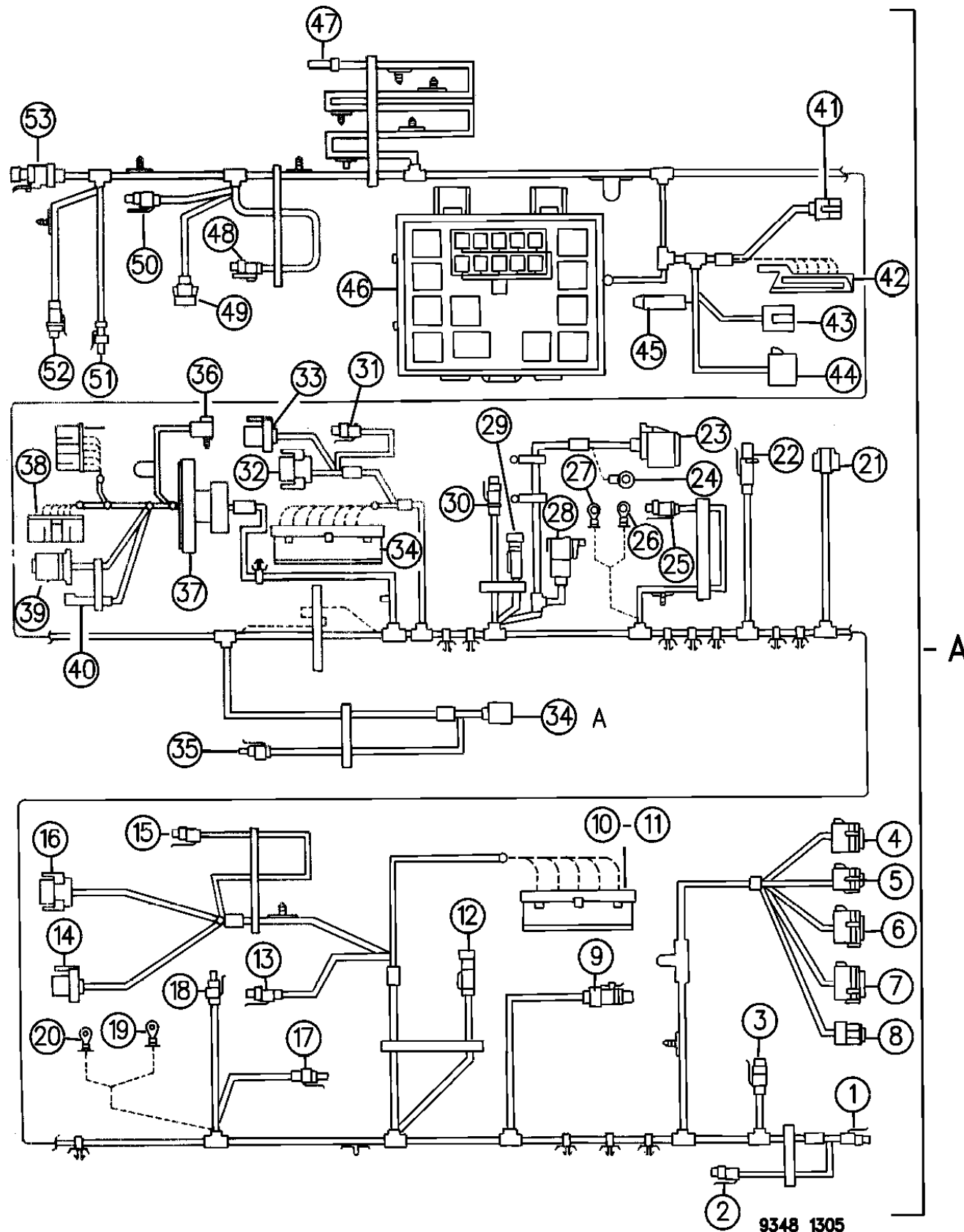
BODY STYLES:

41 = 4 - Door Sedan ENGINE: 3.3L (EGB)
 3.5L (EGE) 24 Valve

AR = Use as Required - = Non Illustrated Part P.A.R. = Paint as Required

WIRING--HEADLAMP TO DASH LH BODY
Figure 8-1305

8-1305



ITEM	PART NUMBER	QTY	BODY	MODEL	DESCRIPTION
A					WIRING, Headlamp To Dash
	4692 650				Base, 3.3 Eng., 1993
	4604 701				1994
	4604 652				w/Speed Control, w/o A.B.S., 3.3, 3.5 Eng., 1993
	4604 702				1994
	4760 742				1995
	4759 052				1996
	4604 653				w/Travler & Fog Lamps, w/o A.B.S., All Eng., 1993
	4604 703				1994
	4760 743				1995
	4759 051				1996
	4604 655				Premium, w/A.B.S., Track Control, Fog Lamp, 1993
	4604 706				1994
	4760 746				1995
	4759 063				1996
	4759 054				1996, Canada
	4604 654				w/A.B.S., 1993
	4604 704				w/A.B.S., 1994
	4604 705				w/A.B.S., w/Speed Control, 1994
	4760 578				1995
	4759 056				1996, w/o Fog Lamps
	4759 063				1996, w/Fog Lamps
	4604 656				w/o ABS, CANADA, 1993
	4604 707				1994, CANADA
	4760 747				1995, CANADA
	4760 675				1996, CANADA
	4604 657				w/ABS, CANADA, 1993
	4604 708				1994, CANADA
	4760 748				1995, CANADA
	4604 709				1994, EUROPE
	4760 749				1995, EUROPE
	4759 059				1996, EUROPE
1	4625 177				INSULATOR, Purge Solenoid (Term. 4414580--Wedge 4625063)
	4661 957				1996, (Term. 4625195-Wedge 4661974)
2	4625 178				INSULATOR, Manifold Solenoid (Term. 4414580--Wedge 4625063)
	4661 959				1996, (Term. 4625195-Wedge 4661974)
3	4625 179				INSULATOR, A.B.S. Sensor (Term. 4414580--Wedge 4625063)
	4661 962				1996, (Term. 4625195-Wedge 4661974)
4	4604 282				INSULATOR, Trans. Wiring, 12-Way (Seals 4604121-4604290)
	4604 282				1996, (Term. 4604119-Wedge 4604307, (9-Seals 4604306) (2-Seals 4604121) (1-Seal 4604517)

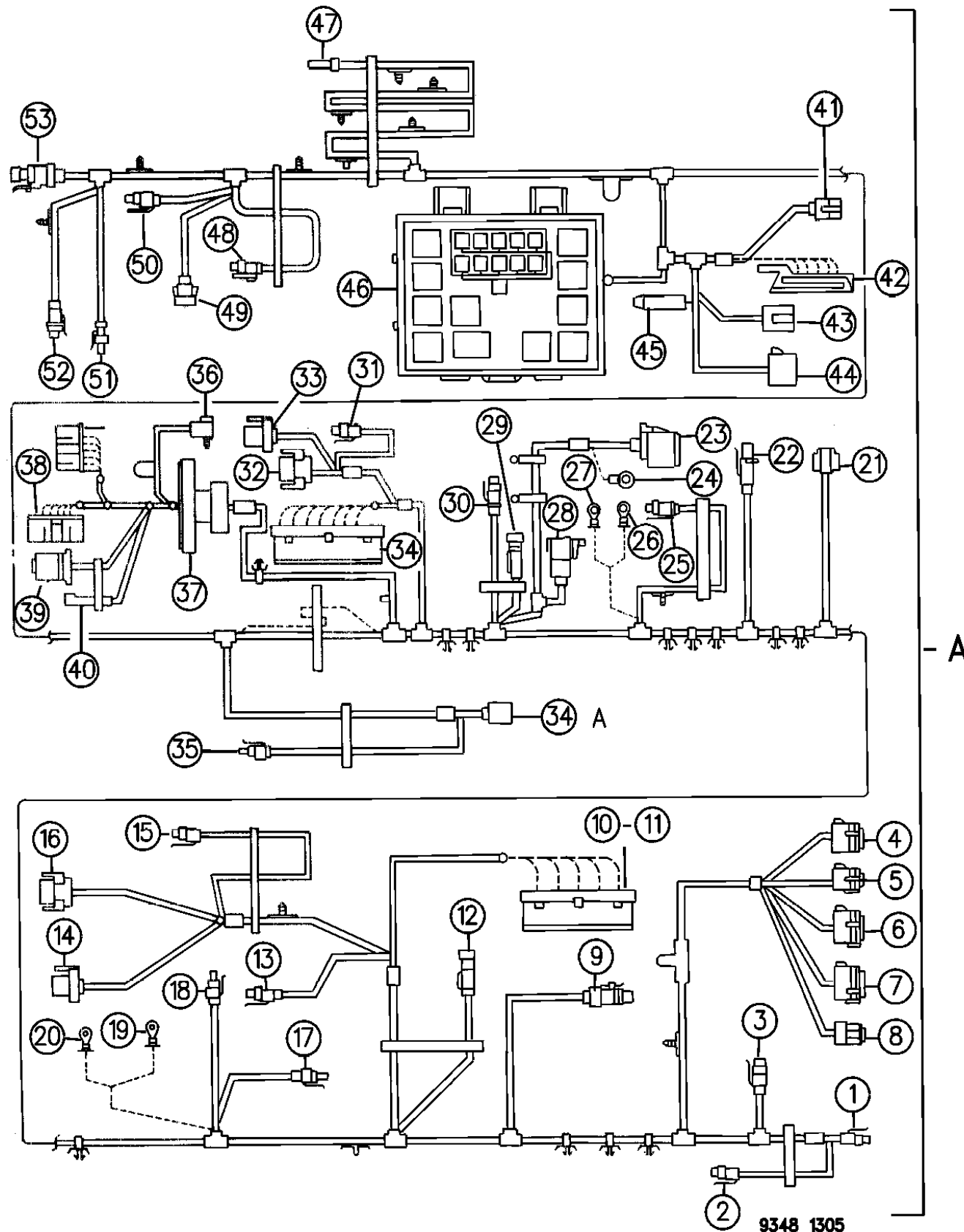
MODEL CODES:
 Chrysler = (CH41 = New Yorker, CP41 = LHS, DH41 = Intrepid(Canada), DP41 = Intrepid ES(Canada), LP41 = Concorde)
 DODGE = (DH41 = Intrepid(USA), DP41 = Intrepid ES(USA))
 EAGLE = (XP41 = Vision ESI, XS41 = Vision TSI)

BODY STYLES:
 41 = 4 - Door Sedan ENGINE: 3.3L (EGB)
 3.5L (EGE) 24 Valve

AR = Use as Required - = Non Illustrated Part P.A.R. = Paint as Required

WIRING--HEADLAMP TO DASH LH BODY
Figure 8-1305

8-1305



ITEM	PART NUMBER	QTY	BODY	MODEL	DESCRIPTION
39					INSULATOR, To Inst. Pnl. Wire, 40-Way (Serv. Assy.)
40					INSULATOR, To A.B.S. Diode (Serv. Assy.) (DIODE 36001676)
41					INSULATOR, A.B.S. Pump Motor (Serv. Assy.)
42					INSULATOR, A.B.S. Pump Unit, (Serv. Assy.)
43					INSULATOR, A.B.S. Mtr. Relay (Serv. Assy.)
44	4439 084				INSULATOR, A.B.S. Mtr. Relay
45	3843 936				INSULATOR, To Battery Disconnect
46					POWER DISTRIBUTION CENTER, (Serv. Assy.) ***
-	4601 279				BRACKET, Power Distribution Center Mtg.
-	4604 694				COVER, Power Dist. Center (UPPER)
	4760 014				1994-95
	4760 012				1994-95, EUROPE
-	4760 013				LABEL, Power Distribution Center
	4760 011				EUROPE
47	2580 064				INSULATOR, To Underhood Lp.
48	4400 548				INSULATOR, Cruise Control
49					INSULATOR, Brake Fluid Switch (Serv. Assy.)
50					INSULATOR, Brake Fluid Switch (Serv. Assy.)
51					INSULATOR, Pedal Travel Sensor (Serv. Assy.)
52					INSULATOR, A.B.S. Sensor, Lt. (Serv. Assy.)
53	4527 042				INSULATOR, To Wiper Module
-	3600 1676				DIODE, A.B.S

MODEL CODES: _____
 Chrysler = (CH41 = New Yorker, CP41 = LHS, DH41 = Intrepid(Canada), DP41 = Intrepid ES(Canada), LP41 = Concorde)
 DODGE = (DH41 = Intrepid(USA), DP41 = Intrepid ES(USA))
 EAGLE = (XP41 = Vision ESI, XS41 = Vision TSI)

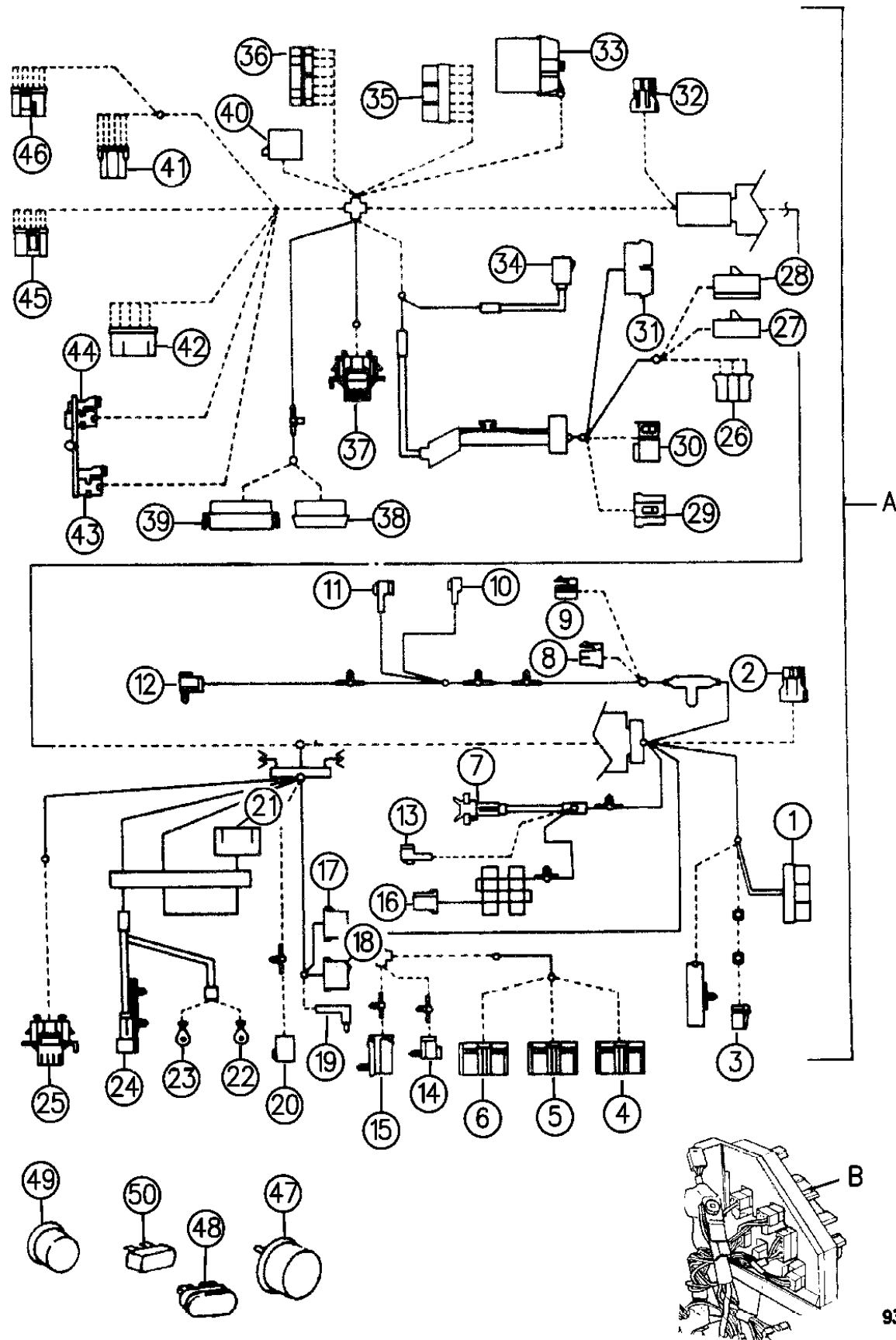
BODY STYLES: _____
 41 = 4 - Door Sedan ENGINE: 3.3L (EGB)
 3.5L (EGE) 24 Valve

AR = Use as Required - = Non Illustrated Part P.A.R. = Paint as Required

WIRING--INSTRUMENT PANEL LH BODY

Figure 8-1405

8-1405



ITEM	PART NUMBER	QTY	BODY	MODEL	DESCRIPTION
A					WIRING, Instrument Panel
					NOTE: FOR MID & HI-LINE VEHICLES.--1996 ONLY--- OVERLAY WIRE MAY BE ORDERED FOR VEHICLES EXPERIENCING ALTERNATOR WHINE FROM SPEAKERS. 4883039 ***
	4760 230				1995, w/o ATC, w/Standard Radio
	4759 044				1996, w/o Keyless Entry
	4760 270				1995, w/ATC, w/o Premium Radio, w/Theft Alarm
	4760 222				1995, w/ATC, w/o Premium Radio
	4760 289				1995, Loaded
	4760 299				1995, EUROPE
	4759 057				1996, EUROPE
	4604 321				w/A.T.C., w/Equalizer, 1993
	4692 089				1994, Up To 1-11-94
	4692 023				1994, Aft. 1-11-94
	4601 909				w/A.T.C., w/Equalizer & Disc., 1993
	4692 080				1994, Up To 1-11-94
	4760 180				1994, Aft. 1-11-94
	4601 908				w/A.T.C., w/Standard Radio, w/Keyless Entry 2, 1993
	4692 070				1994, Up To 1-11-94
	4692 022				1994, Aft. 1-11-94
	4601 907				w/A.T.C., w/o Keyless Entry, 1993
	4692 060				1994, Up To 1-11-94
	4760 160				1994, Aft. 1-11-94
	4601 906				w/o A.T.C., Standard Radio, 1993
	4692 050				1994, Up To 1-11-94
	4760 150				1994, Aft. 1-11-94
	4601 905				w/o A.T.C., w/Equalizer & C.D, 1993
	4692 040				1994, Up To 1-11-94
	4760 140				1994, Aft. 1-11-94
	4601 904				w/o A.T.C., w/Standard Radio, 1993
	4760 130				1994
	4760 122				Standard Radio, 1994
	4760 123				w/Infinity Radio, 1994
	4601 903				w/o A.T.C., w/Standard Radio & Power Locks, 1993
	4692 020				1994, Up To 1-11-94
	4760 120				1994, Aft. 1-11-94
	4601 902				w/o A.T.C., w/Standard Radio, 1993
	4692 010				1994
	4604 090				w/A.T.C., 1994, EUROPE
	4692 099				w/o A.T.C., 1994, EUROPE
	4759 105				1996, w/A.T.C, EUROPE

MODEL CODES:

Chrysler = (CH41 = New Yorker, CP41 = LHS, DH41 = Intrepid(Canada), DP41 = Intrepid ES(Canada), LP41 = Concorde)
DODGE = (DH41 = Intrepid(USA), DP41 = Intrepid ES(USA))
EAGLE = (XP41 = Vision ESI, XS41 = Vision TSI)

BODY STYLES:

41 = 4 - Door Sedan ENGINE: 3.3L (EGB)
3.5L (EGE) 24 Valve

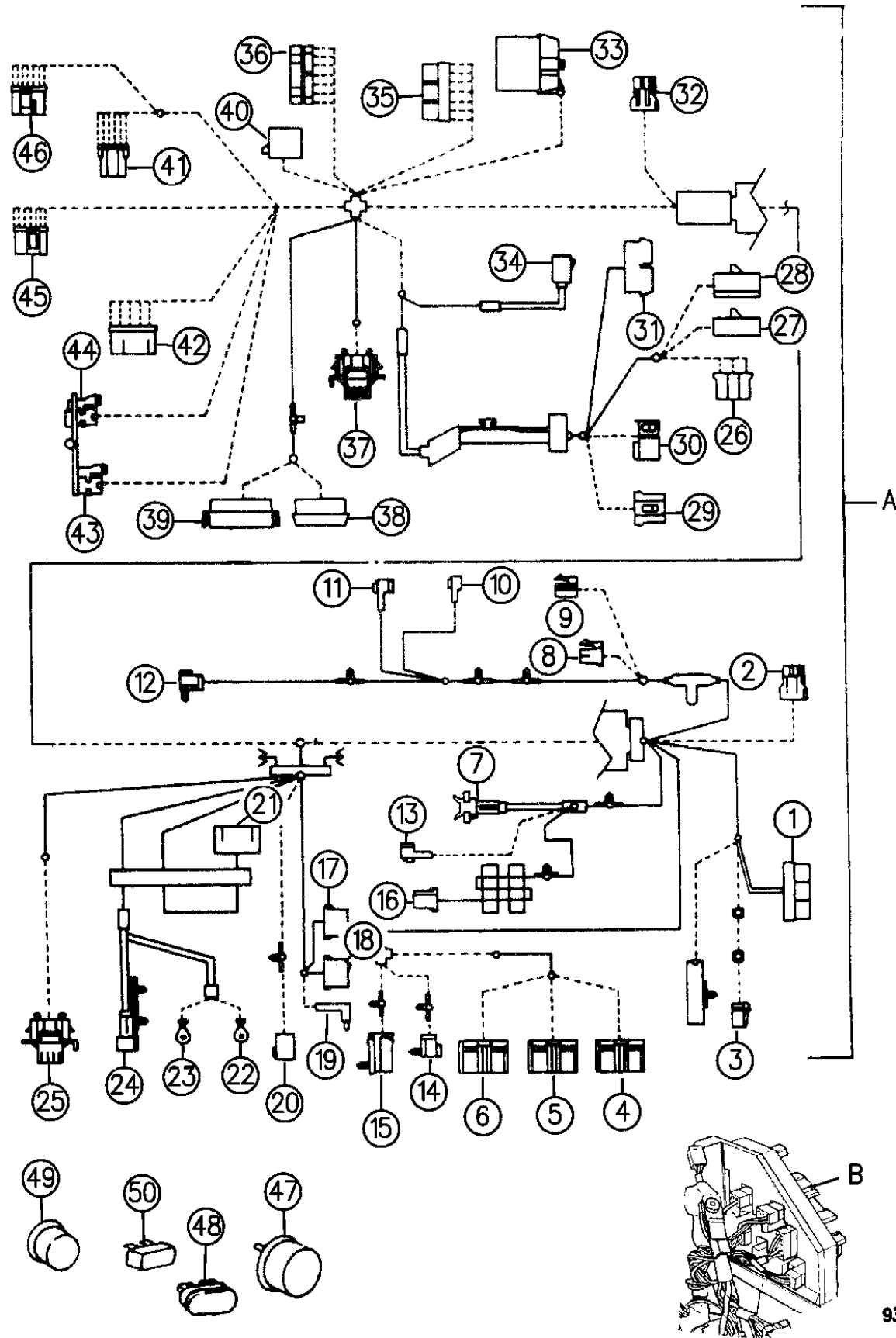
9348 1405

AR = Use as Required - = Non Illustrated Part P.A.R. = Paint as Required

WIRING--INSTRUMENT PANEL LH BODY

Figure 8-1405

8-1405



ITEM	PART NUMBER	QTY	BODY	MODEL	DESCRIPTION
	4759 044				1996. w/o Keyless Entry
	4759 045				1996. w/Keyless Entry
B	4604 469				JUNCTION BLOCK, Base, w/o Power Locks ***
	4604 195				Loaded, w/Power Locks
-	4661 351				DECAL, Fuse Label ***
1					INSULATOR, To Frt. Door Wiring, Rt. (Serv. Assy.)
2	4481 591				INSULATOR, Panel Speaker, Rt.
3					INSULATOR, Body Wire Rt. (Serv. Assy.)
4					INSULATOR, Body Controller (Serv. Assy.)
5					INSULATOR, Body Controller (Serv. Assy.)
6					INSULATOR, Body Controller (Serv. Assy.)
7					INSULATOR, Air Bag, Passenger Side (Serv. Assy.)
8	5267 619				INSULATOR, Remote Keyless Entry
9	5267 621				INSULATOR, Remote Keyless Entry
10	4209 927				INSULATOR, Center Panel Speaker
11	4728 338				INSULATOR, A.T.C. Sun Sensor
	4527 387				1995-96, Term. 4661633, Wedge, Not Serv.
12					INSULATOR, To Headliner Wiring, (Serv. Assy.)
-	4728 348				INSULATOR, A.T.C. Power Module
-	4728 344				INSULATOR, Climate Control Module ATC
-	4728 342				INSULATOR, A/C
-	4728 346				INSULATOR, A/C Resistor Block
13	4527 378				INSULATOR, Glove Box
14					INSULATOR, Rt. Body, 4-Way (Serv. Assy.)
15					INSULATOR, Rt. Body, 18-Way (Serv. Assy.)
16	4527 387				INSULATOR, A.T.C. In Car Sensor
17	4527 392				INSULATOR, Radio
18	4527 393				INSULATOR, Radio
19	4608 016				CABLE ASSEMBLY, Antenna
20	4209 712				INSULATOR, Traction Control Switch
21					INSULATOR, Message Center (Serv. Assy.)
22	4209 499				TERMINAL, Air Bag Ground Pnl.
23	4209 499				TERMINAL, Panel Ground
24	4331 930				INSULATOR, Diagnostic Module Connector
-	6016 284				BRACKET, Swing Down Mechanism
25	4728 336				INSULATOR, Mechanical Cluster
26					INSULATOR, Clock Spring (Serv. Assy.)
27					INSULATOR, Air Bag (Serv. Assy.)
28					INSULATOR, Halo-Lamp (Serv. Assy.)
29	4728 333				INSULATOR, Ignition Switch
30	4728 331				INSULATOR, Multifunction Switch
31	4274 521				INSULATOR, Turn Sig./Hazard Warning Switch

MODEL CODES:

Chrysler = (CH41 = New Yorker, CP41 = LHS, DH41 = Intrepid(Canada), DP41 = Intrepid ES(Canada), LP41 = Concorde)
 DODGE = (DH41 = Intrepid(USA), DP41 = Intrepid ES(USA))
 EAGLE = (XP41 = Vision ESI, XS41 = Vision TSI)

BODY STYLES:

41 = 4 - Door Sedan ENGINE: 3.3L (EGB)
 3.5L (EGE) 24 Valve

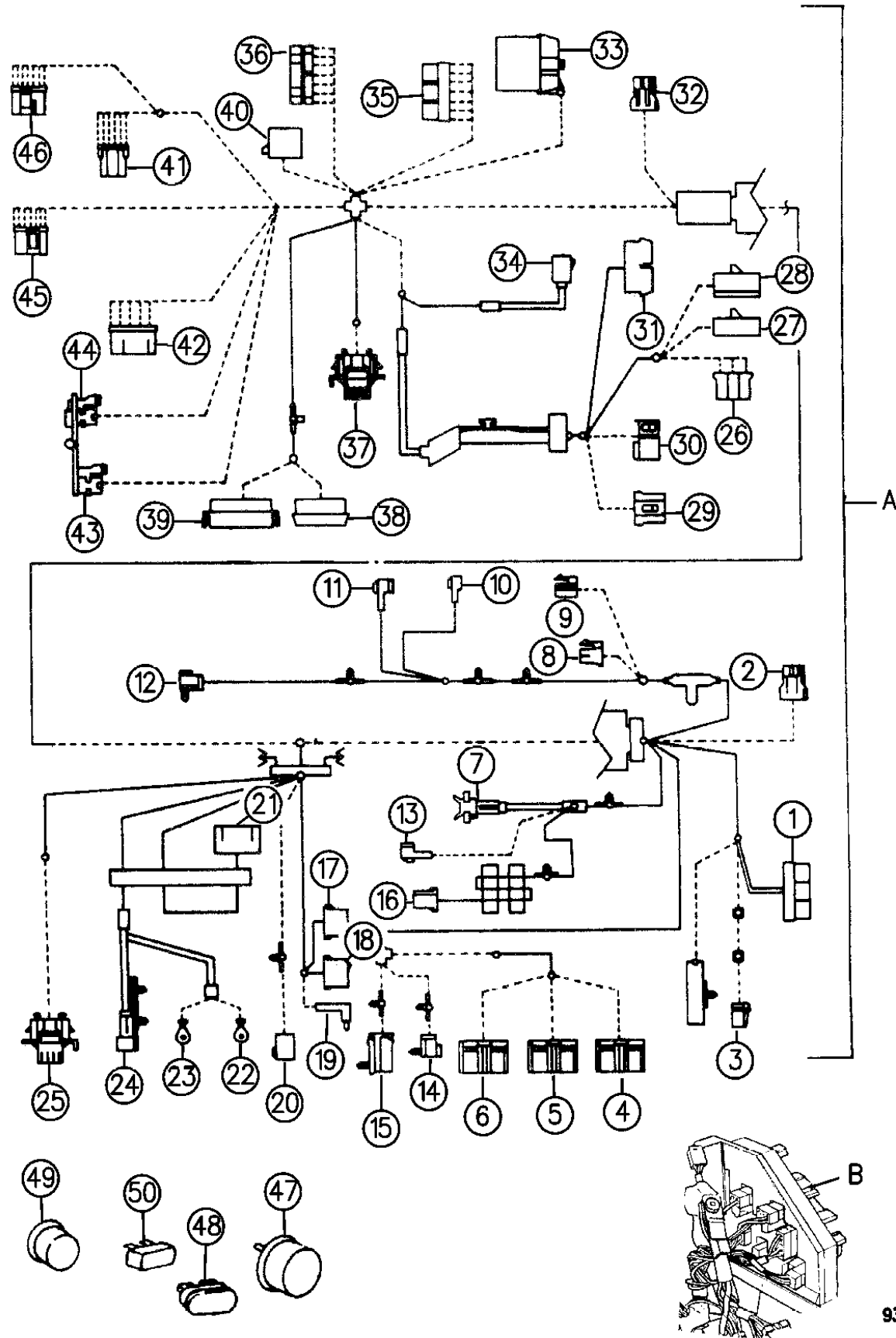
9348 1405

AR = Use as Required - = Non Illustrated Part P.A.R. = Paint as Required

WIRING--INSTRUMENT PANEL LH BODY

Figure 8-1405

8-1405



ITEM	PART NUMBER	QTY	BODY	MODEL	DESCRIPTION
32	4481 591				INSULATOR, Panel Speaker, Lt.
33					INSULATOR, To Headlamp To Dash (Serv. Assy.)
34	4209 712				INSULATOR, Brake Lamp Switch
35					INSULATOR, To Left Body Wire, 16-Way (Serv. Assy.)
36					INSULATOR, To Left Body Wire, 12-Way (Serv. Assy.)
37	4728 334				INSULATOR, Mechanical Cluster
38	4728 351				INSULATOR, Package, Headlamp Repair
39					INSULATOR, Dimmer Switch, Use #38
40	4439 083				INSULATOR, Combo Flasher
41					INSULATOR, Junction Block, 8-Way (Serv. Assy.)
42					INSULATOR, Junction Block, 12-Way (Serv. Assy.)
43					INSULATOR, Junction Block, 4-Way (Serv. Assy.)
44					INSULATOR, Junction Block, 4-Way (Serv. Assy.)
45					INSULATOR, Junction Block, 10-Way (Serv. Assy.)
46					INSULATOR, Junction Block, 10-Way (Serv. Assy.)
	4604 662				INSULATOR, Fuse Block, 3-Way
47	4607 074				FLASHER, Hazard (Combination), 1994-95 ***
	4760 060				Flasher (Combination), 1995-96
	4607 075				EUROPE
	4760 061				1996 EUROPE
	4760 046				Combination, EUROPE
48	6101 618				FUSE, Cartridge 30 Amp.
	6101 617				20 Amp.
	6101 619				40 Amp.
49	4604 235				CIRCUIT BREAKER, 20 Amp. ***
50	6101 481				FUSE, Mini 2-Amp.
	6101 484				5-Amp.
	6101 485				7.5-Amp.
	6101 486				10-Amp.
	6101 487				15-Amp.
	6101 488				20-Amp.
	6101 133				5-Amp. Tan
	6101 135				10-Amp. Red
	6101 137				20-Amp. Yellow
	6101 138				25-Amp. Natural
-	4450 129				FUSE PULLER ***

MODEL CODES:

Chrysler = (CH41 = New Yorker, CP41 = LHS, DH41 = Intrepid(Canada), DP41 = Intrepid ES(Canada), LP41 = Concorde)
 DODGE = (DH41 = Intrepid(USA), DP41 = Intrepid ES(USA))
 EAGLE = (XP41 = Vision ESI, XS41 = Vision TSI)

BODY STYLES:

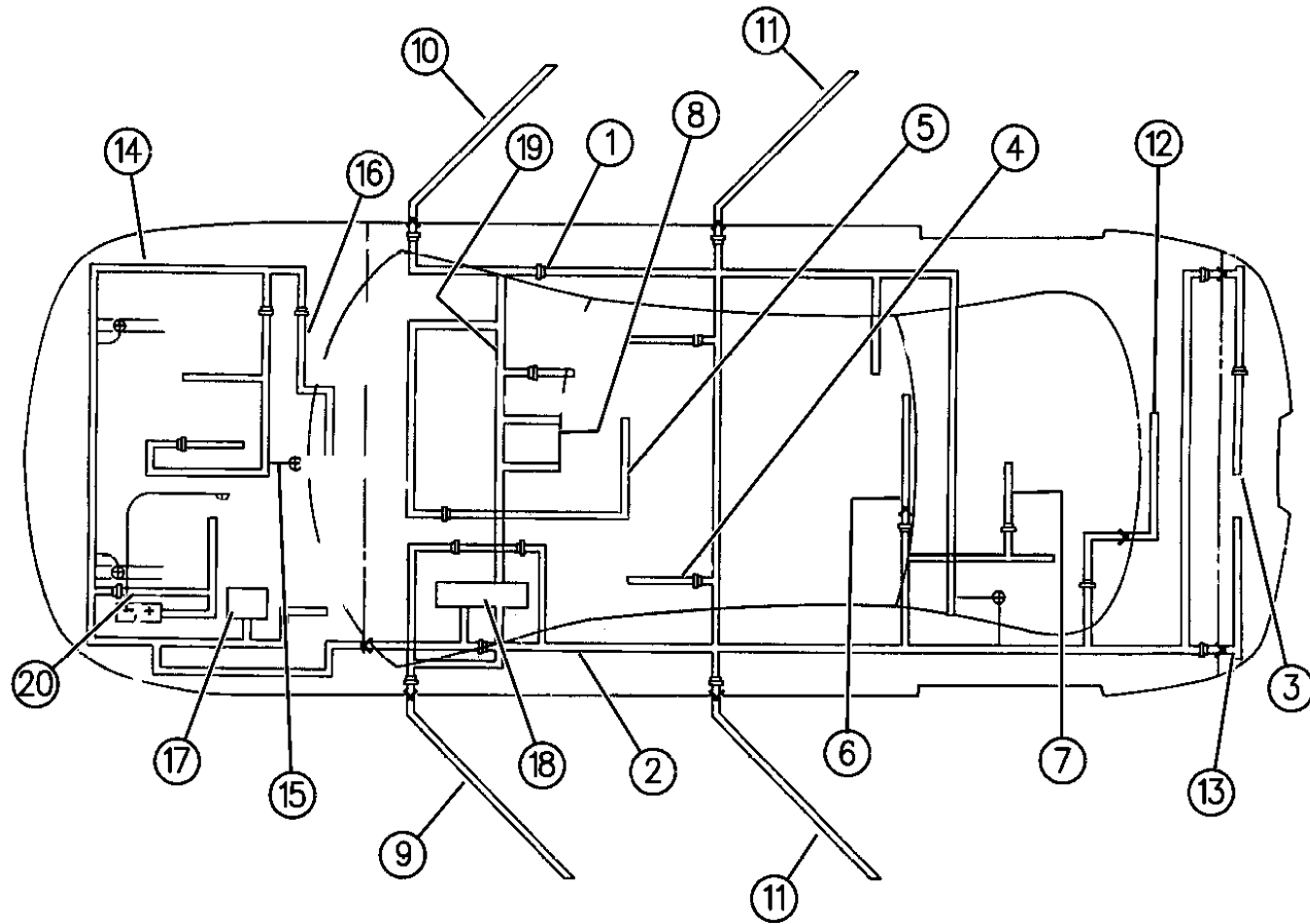
41 = 4 - Door Sedan ENGINE: 3.3L (EGB)
 3.5L (EGE) 24 Valve

9348 1405

AR = Use as Required - = Non Illustrated Part P.A.R. = Paint as Required

WIRING--BODY & ACCESSORY LH BODY
Figure 8-1505

8-1505A



ITEM	PART NUMBER	QTY	BODY	MODEL	DESCRIPTION
-					NOTE: FOR HI-LINE VEHICLES----1996----ONLY, OVERLAY WIRE MAY BE ORDERED FOR VEHICLES EXPERIENCING ALTERNATOR WHINE THRU SPEAKERS--4883038. ***
-					FOR MID-LINE VEHICLES---OVERLAY 4883229 ***
1	4604 638				WIRING, Body, w/Base Radio, Rt.
	4760 551				1995
	4759 030				1996
	4604 636				w/Premium Radio, Rt.
	4759 036		D,L,X		1996
	4759 034		C		1996
2	4601 155		D-L-X		WIRING, Body, Base Lt., 1993
	4604 640				1994
	4601 843		D-L-X		Body, w/Pwr. Seats, Lt., 1993
	4604 547				1994-95
	4759 035				1996
	4604 157		D-L-X		Body, w/A.B.S., Lt., 1993
	4604 633		D-L-X		A.B.S. & Theft, 1994-95
	4760 050				1996
	4604 218		D-L-X		Body, w/Pwr. Windows, Lt., 1993
	4604 640				1994-95
	4604 219		D-L-X		Body, w/Pwr. Windows, Courtesy Lps. (Insul. 4728352), 1993
	4604 641				1994-95-96
	4692 357		C		Body, Lt., 1993
	4604 637		C		1994
	4760 153		C		1995
	4759 031		C		1996
	4759 029		C		1996 EUROPE
	4601 834		X		EUROPE
	4760 415		C		1995-96, EUROPE
-	4760 030				TROUGH, Body Wiring Straight ***
3	4760 008		D-L		WIRING, License Lamp
	4604 649		DH,DP,L		License Lamp
	4760 009		CH,CP		License Lamp (207)
	4760 035		C		1995-96, EUROPE
4	4601 823				WIRING, Power Seat, Lt.
	4601 824				Power Seat, Rt.
5	4601 152				WIRING, Headliner, 1993, w/Lighted Visor & Trip Computer
	4604 632				w/Lighted Rear View Mirror
	4760 018				1994-95-96, Lighted Rear View Mirror/Sunroof
	4604 177				1993, Headliner, Base
	4604 642				1994-95-96, Base
	4604 178				1993, w/Illum. Visor

MODEL CODES:

Chrysler = (CH41 = New Yorker, CP41 = LHS, DH41 = Intrepid(Canada), DP41 = Intrepid ES(Canada), LP41 = Concorde)
 DODGE = (DH41 = Intrepid(USA), DP41 = Intrepid ES(USA))
 EAGLE = (XP41 = Vision ESI, XS41 = Vision TSI)

BODY STYLES:

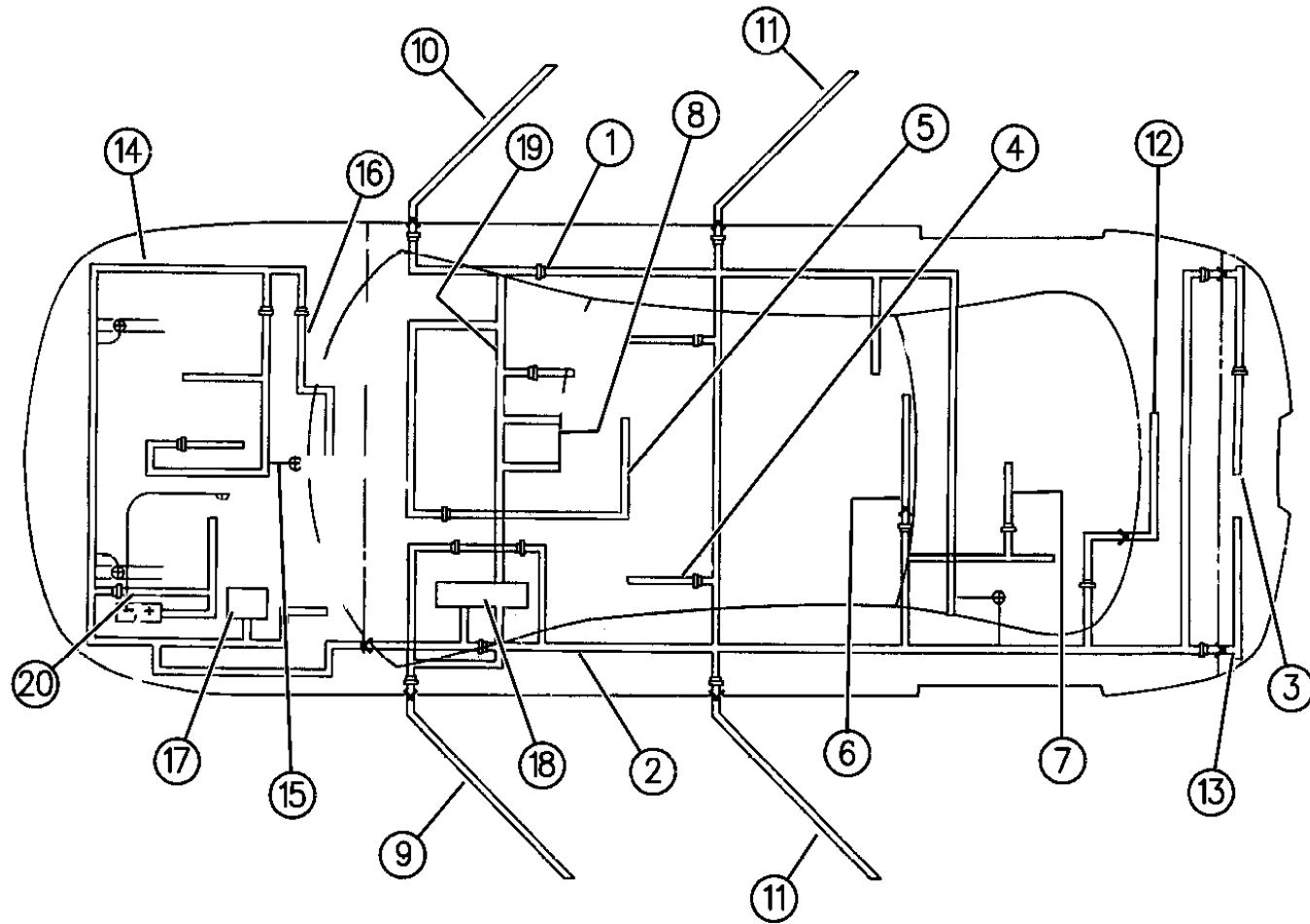
41 = 4 - Door Sedan ENGINE: 3.3L (EGB)
 3.5L (EGE) 24 Valve

93408 1505

AR = Use as Required - = Non Illustrated Part P.A.R. = Paint as Required

WIRING--BODY & ACCESSORY LH BODY
Figure 8-1505

8-1505A



ITEM	PART NUMBER	QTY	BODY	MODEL	DESCRIPTION
	4604 643				1994, w/Illum. Visors
	4604 743			C	1993, w/Sunroof & Day/Night Mirror
	4760 021				1994-95, w/Reading Lamp Switches
	4760 022				1994-95-96, Illum. Visor/Grab Handle Reading Lamp Switches
	4759 175			L	1996, Illuminated Day Night Mirror
6	4601 825				WIRING, Underbody Fuel System (Gas Only)
	4760 452				1996
7	4604 153				WIRING, Hi-Mtd. Stop Lamp
8	4728 549				WIRING, Frt. Overhead Map Light, w/Bulb
9	4604 165	1			WIRING, Front Door, Lt., Courtesy Lamp/Mirrors/Pwr Locks, w/o Pwr. Windows
10	4601 848	1			WIRING, Frt. Door, Rt., Pwr. Mirror/Locks/Windows, 1993
	4604 100	1			Lt., Frt. Door, w/Power Mirror, Locks & Windows, Courtesy Lamps, 1993
	4601 846	AR			Rt., Frt. Door, Courtesy Lps./Power Mirrors, 1993
	4604 713				w/o Courtesy Lamps, Lt., 1994
	4604 716-7				Front Door, w/o Courtesy Lamps, Rt., 1994-95
	4760 234-5				1996
	4601 836				Front Door Speaker, 1993-94-95
	4604 634-5				Front Door, Pwr. Windows, Locks, Security Alarm
	4760 320-1				1996
	4604 714-5				Front Door, w/Power Windows, Locks, w/o Security Alarm
	4760 236-7				1996
	4759 114-5				1995-96, D00r w/Theft Alarm
	4759 107				Rt., 1995-96, Premium
	4759 108				Lt., 1995-96, Premium
	4759 102-3				1995-96, w/Door Locks
	4759 104				1995-96, Rt., w/Power Mirrors & Courtesy Lamps
	4759 106				1995-96, Lt., w/Power Mirrors & Courtesy Lamps
	4759 109				1995-96, Rt., w/Power Locks & Windows
	4759 110				1995-96, Lt., w/Power Locks & Windows
11	4604 098	2			WIRING, Rear Door, w/Pwr. Windows & Locks
	4604 097	2			Rear Door, w/Power Locks
	4759 177				1996, w/Pwr. Wdo. & Locks
	4759 178				1996, Pwr. Wdo., Locks, Courtesy Lamp, Rt.
	4759 179				Lt.
12	4604 184			D	WIRING, Deck Lid Applique
	4759 100			D	1995-96
	4604 182			XP,XS	Applique Lamp
	4604 184			DH,DP	Applique Lamp
	4601 559				Applique, Deck Lid, License, Rear Fog
	4604 181				Applique Lamp, 1993-94, EUROPE

MODEL CODES:

Chrysler = (CH41 = New Yorker, CP41 = LHS, DH41 = Intrepid(Canada), DP41 = Intrepid ES(Canada), LP41 = Concorde)
 DODGE = (DH41 = Intrepid(USA), DP41 = Intrepid ES(USA))
 EAGLE = (XP41 = Vision ESI, XS41 = Vision TSI)

BODY STYLES:

41 = 4 - Door Sedan ENGINE: 3.3L (EGB)
 3.5L (EGE) 24 Valve

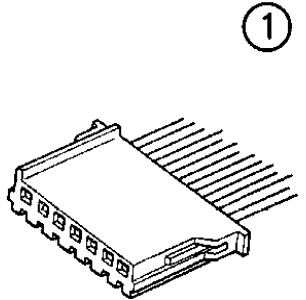
93408 1505

AR = Use as Required - = Non Illustrated Part P.A.R. = Paint as Required

WIRING REPAIR PACKAGES LH BODY

Figure 8-1605

8-1605

			
			93408 1605

ITEM	PART NUMBER	QTY	BODY	MODEL	DESCRIPTION
1	4720 928				INSULATOR, Radio Repair
-	4414 902				INSULATOR, Charge Temp.
-	4504 255				INSULATOR, E.B.L. Switch
-	4504 267				INSULATOR, Throttle Body
-	4728 319				INSULATOR, Cam Sensor
-	4728 329				INSULATOR, Body Control Module
-	4728 341				INSULATOR, Remote Keyless Entry
-	4728 353				INSULATOR, Power Window Switch, Rt.
-	4728 359				INSULATOR, Power Window Switch, Lt.
-	4728 355				INSULATOR, Power Seat Switch
-	4728 357				INSULATOR, Power Lock Switch
-	4414 900				INSULATOR, Idle Speed
-	4439 076				INSULATOR, Aero Headlamp
-	4797 670				INSULATOR, Aero Headlamp Connector Repair
-	4124 807				INSULATOR, Detonation Sensor
-	4728 317				INSULATOR, D.I.S. Coil
-	4439 082				INSULATOR, Impact Sensor
-	4504 253				INSULATOR, Speed Control, 4-Way
-	5267 013				INSULATOR, Cellular Phone, 9-Way
-	5267 015				TERMINAL, Cellular Phone
-	4419 492				INSULATOR, S.B.E.C.
-	4796 566				WIRING PACKAGE, Radio Noise Suppression Repair, 3.3 Eng. ***
	4796 567				3.5 Eng.
-	4364 877				FUSIBLE LINK PACKAGE, Dark Green, 10 Gauge ***
	4364 876				Black, 12 Gauge
	4364 845				Red, 14 Gauge
	4364 874				Dark Blue, 16 Gauge
	4364 873				Gray, 18 Gauge
	4364 878				Orange, 20 Gauge
	4419 351				White, 22 Gauge
-	3600 1676				DIODE, A.B.S.

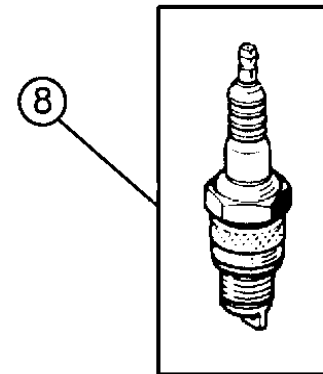
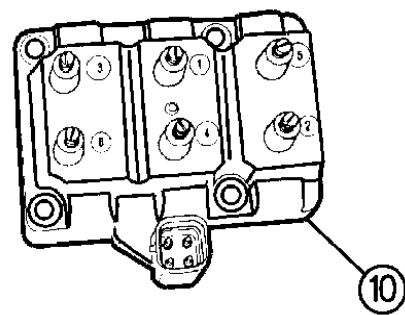
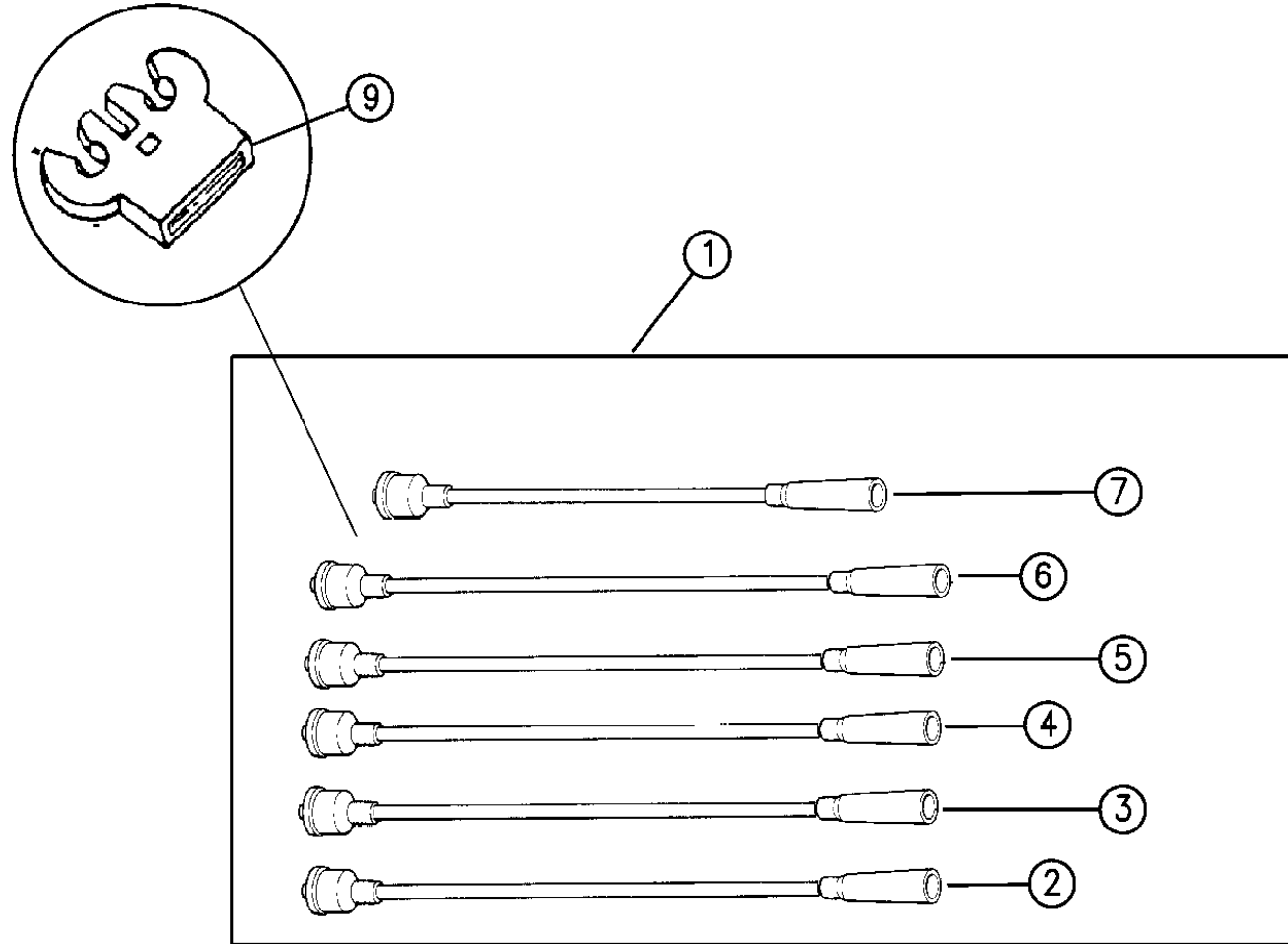
MODEL CODES: _____
 Chrysler = (CH41 = New Yorker, CP41 = LHS, DH41 = Intrepid(Canada), DP41 = Intrepid ES(Canada), LP41 = Concorde)
 DODGE = (DH41 = Intrepid(USA), DP41 = Intrepid ES(USA))
 EAGLE = (XP41 = Vision ESI, XS41 = Vision TSI)

BODY STYLES: _____
 41 = 4 - Door Sedan ENGINE: 3.3L (EGB)
 3.5L (EGE) 24 Valve

AR = Use as Required - = Non Illustrated Part P.A.R. = Paint as Required

SPARK PLUGS--CABLES--COIL LH BODY
Figure 8-1905

8-1905



ITEM	PART NUMBER	QTY	BODY	MODEL	DESCRIPTION
1	4728 943				CABLE SET, 3.3 Eng.
	4728 944				3.5 Eng.
2	4609 013				CABLE, Spark Plug, #1, 3.3 Eng.
	4609 021				3.5 Eng.
3	4609 014				CABLE, Spark Plug, #2, 3.3 Eng.
	4609 022				3.5 Eng.
4	4609 015				CABLE, Spark Plug, #3, 3.3 Eng.
	4609 023				3.5 Eng.
5	4609 016				CABLE, Spark Plug, #4, 3.3 Eng.
	4609 024				3.5 Eng.
6	4609 017				CABLE, Spark Plug, #5, 3.3 Eng.
	4609 025				3.5 Eng.
7	4609 018				CABLE, Spark Plug, #6, 3.3 Eng.
	4609 026				3.5 Eng.
8	4609 040				SPARK PLUG, RC-12-LYC5, 3.5 Eng. (Use Spark Plug Tube 4573938)
	5235 010				3.3 Eng., RN16YC5, 1993
	4686 083				3.3 Eng., RN14MC5, 1994-95-96
	4609 076				3.5 Eng., RC-14E5
	4609 081				3.3 Eng., Flex Fuel
-	4609 012				TRAY, Ign. Cable, 3.3 Eng.
	4609 061				3.5 Eng., #1,3,5 Lower
	4609 062				3.5 Eng., #2,4,6 Upper
-	4609 063				BRACKET, Tray Mtg.
9	4609 037				SEPARATOR, Ign. Cable, 3.3 Eng.
	4609 019				w/Christmas Tree Clip
10	4443 971				COIL, Ign. D.I.S., (Use Insul. 4481591)
-	4609 032				BRACKET, Ign. Coil D.I.S., 3.3 Eng.
	4556 595				3.5 Eng.

93408 1905

MODEL CODES:

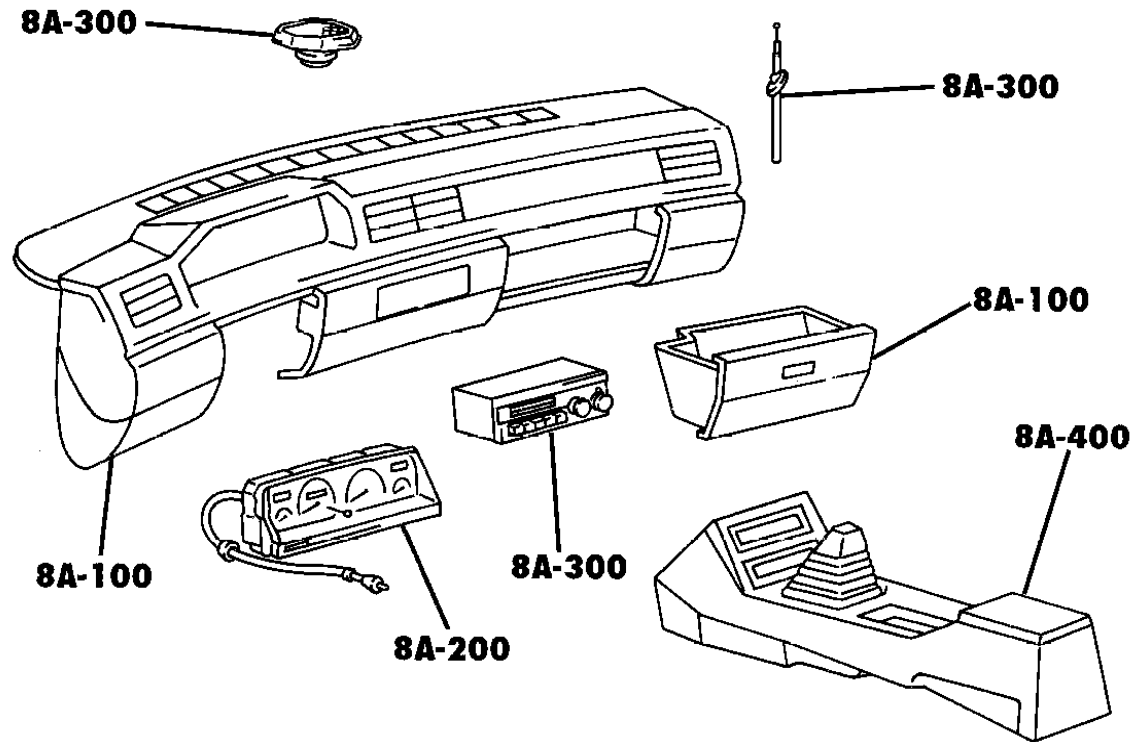
Chrysler = (CH41 = New Yorker, CP41 = LHS, DH41 = Intrepid(Canada), DP41 = Intrepid ES(Canada), LP41 = Concorde)
DODGE = (DH41 = Intrepid(USA), DP41 = Intrepid ES(USA))
EAGLE = (XP41 = Vision ESI, XS41 = Vision TSI)

BODY STYLES:

41 = 4 - Door Sedan ENGINE: 3.3L (EGB)
3.5L (EGE) 24 Valve

AR = Use as Required - = Non Illustrated Part P.A.R. = Paint as Required

GROUP-8A INSTRUMENT PANEL & CONSOLES



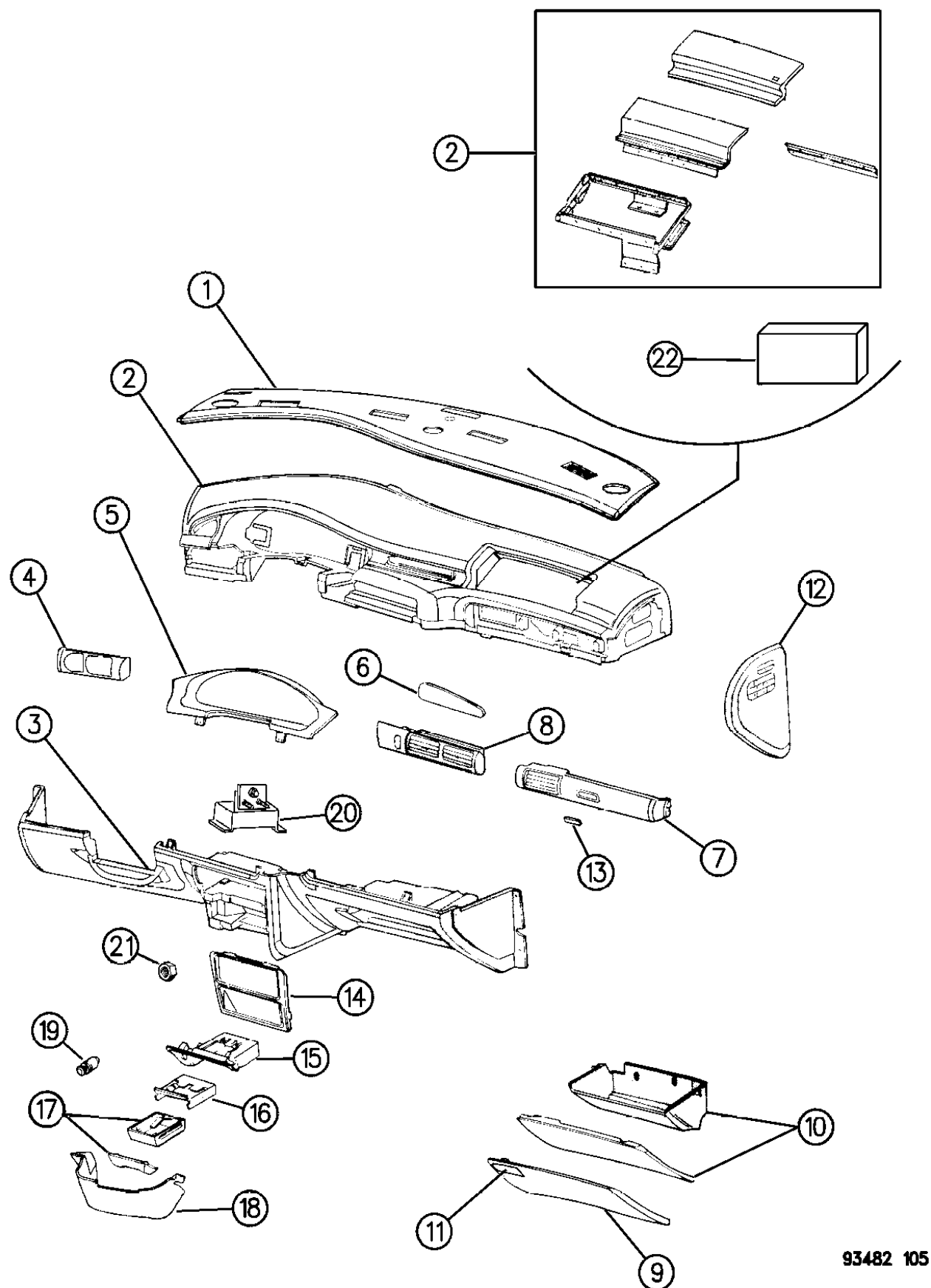
GROUP 8A - ELECTRICAL - INSTRUMENT PANEL AND CONSOLES

ILLUSTRATION TITLE	GROUP-FIG. NO.
INSTRUMENT PANEL	
INSTRUMENT PANEL CONCORD/INTREPID/VISION LH-BODY	Fig. 8A-105
INSTRUMENT PANEL LHS/NEW YORKER LH-BODY	Fig. 8A-107
CLUSTER	
CLUSTER--INSTRUMENT PANEL INTREPID LH-BODY	Fig. 8A-205
CLUSTER--INSTRUMENT PANEL VISION--CONCORDE--NEW YORKER LH-BODY	Fig. 8A-210
RADIO, ANTENNA AND SPEAKER	
RADIO--ANTENNA--SPEAKERS LH-BODY	Fig. 8A-305
CONSOLE	
CONSOLE--FLOOR LH-BODY	Fig. 8A-405
CONSOLE--MINI OVERHEAD LH-BODY	Fig. 8A-410
CONSOLE--FULL OVERHEAD LH-BODY	Fig. 8A-420

8A-100 I/PNL. & RELATED PARTS	8A-200 CLUSTER	8A-300 RADIO, ANTENNA & SPEAKER	8A-400 CONSOLE, FLOOR & OVERHEAD
<p>GLOVEBOX--ASHTRAY</p>			

INSTRUMENT PANEL CONCORD/INTREPID/VISION LH-BODY
Figure 8A-105

8A-105A



93482 105

ITEM	PART NUMBER	QTY	BODY	MODEL	DESCRIPTION
	MB70 RD5	1		D,L,X	Medium Quartz, 1995-96
	MB70 RF6			D,L,X	Medium Driftwood, 1995-96
	MB70 RF8	1		D,L,X	Dark Driftwood, 1995-96
	MB70 RP8	1		D,L,X	Blue Spruce, 1995-96
	MB70 RS6	1		D,L,X	Dark Quartz, 1995-96
-					PANEL, I/Panel Lower Knee Bolster (Panel Only)
	HU58 MF8	1		D	Driftwood
	HU58 MS6	1		D	Quartz
	HU58 MB7	1		L,X	Blue
	HU58 MD5	1		L,X	Quartz
	HU58 MF6	1		L,X	Driftwood
	HU58 MBR	1		D	Blue
-	3842 997	1			PLUG, w/o Electric Deck Lid Release
4					BEZEL, Headlamp Switch
	DV93 MAZ	1		D	1993-94-95-96
	ED91 MB7	1		X	Blue, 1993-94
	ED91 MF6	1		X	Driftwood, 1993-94-95-96
	ED91 MD5	1		X	Quartz, 1993-94-95-96
	ED91 RP8	1		X	Blue Spruce
	4595 406	1		L	1993-94-95, Autumn Teak
	4757 018				Oxford Burlwood
5					BEZEL, I/Panel Cluster
	JD73 MSZ	1		D	Agate/Quartz
	JD73 MFZ	1		D	Agate/Driftwood
	JD73 MBZ	1		D	Blue/Agate
	JD73 RPZ	1		D	Blue Spruce/Agate
-	AY63 MAZ	1		X,L	
-	4595 488	1		D,X,L	SHIELD, Cluster Bezel Gap Filler
-	6006 021	3			FASTENER, Shield
6					MESSAGE CENTER, I/Panel
	DM49 MBR	1		D	Blue, 1993-94
	DM49 RP8	1		D	Blue Spruce, 1995-96
	DM49 MF8	1		D	Driftwood
	DM49 MS6	1		D	Quartz
	DM49 MM8	1		D	Crimson
	4608 088	1		X,L	w/ABS
	4608 210	1		X,L	BASE
	4882 926				w/Methanol
7					BEZEL, I/Panel Upper Right
	JD77 MAZ	1		D	Agate
	JF05 MAZ	1		D	Agate, Canada
	JD75 MB7	1		X	Blue

MODEL CODES:

Chrysler = (CH41 = New Yorker, CP41 = LHS, DH41 = Intrepid(Canada), DP41 = Intrepid ES(Canada), LP41 = Concorde)
 DODGE = (DH41 = Intrepid(USA), DP41 = Intrepid ES(USA))
 EAGLE = (XP41 = Vision ESI, XS41 = Vision TSI)

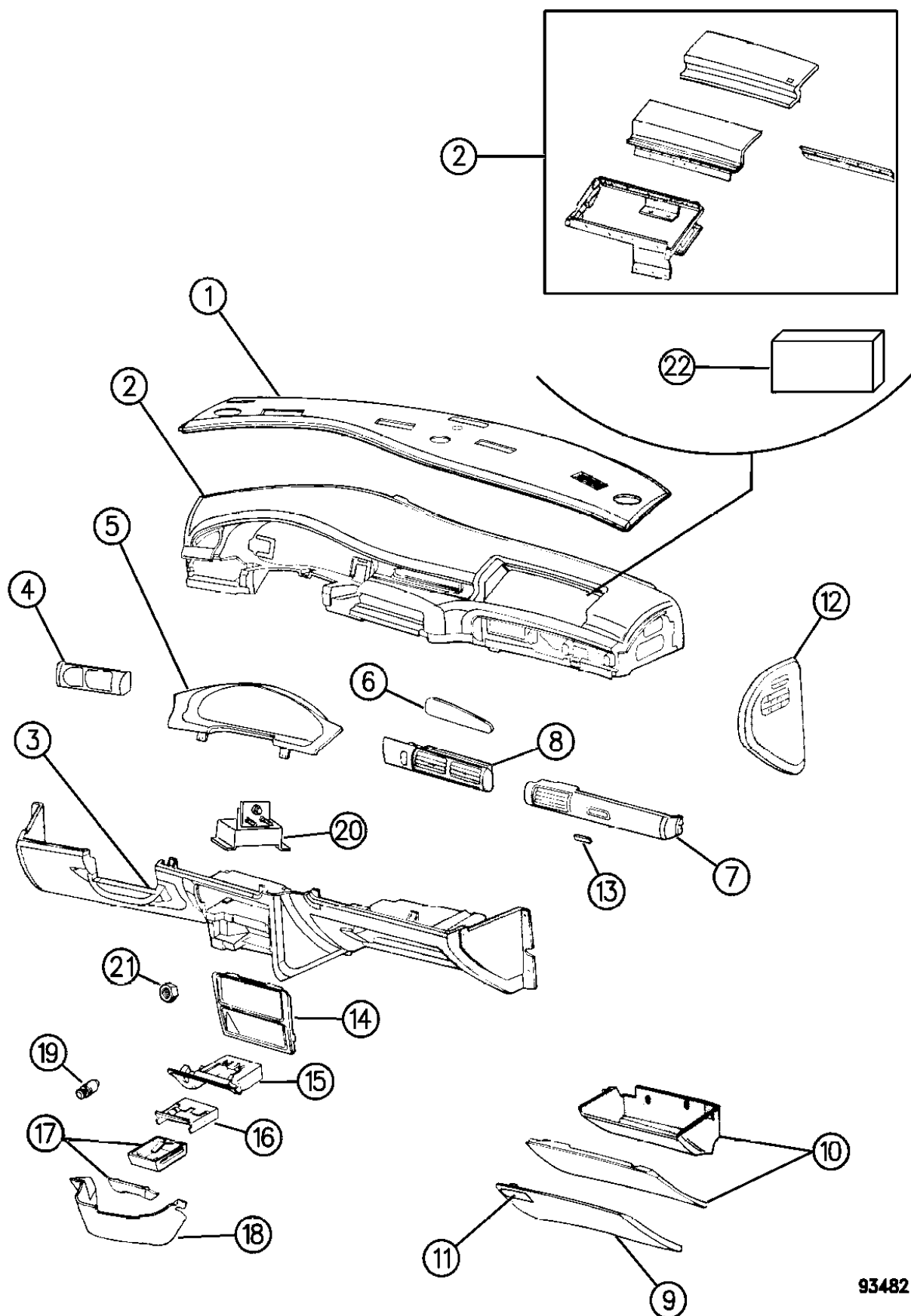
BODY STYLES:

41 = 4 - Door Sedan ENGINE: 3.3L (EGB)
 3.5L (EGE) 24 Valve

AR = Use as Required - = Non Illustrated Part P.A.R. = Paint as Required

INSTRUMENT PANEL CONCORD/INTREPID/VISION LH-BODY
Figure 8A-105

8A-105A



93482 105

ITEM	PART NUMBER	QTY	BODY	MODEL	DESCRIPTION
	JD75 MD5	1		X	Quartz
	JD75 MF6	1		X	Driftwood
	4595 402	1		L	Woodgrain
	JD75 PD5			L	Quartz
	JD75 PF6			L	Driftwood
	JD75 RP8			D-L	Spruce
	4595 402			X	Autumn Taek, EUROPE
	4757 022				Oxford Burlwood
8					BEZEL, I/Panel Upper Center
					w/o TRACTION CONTROL/ANTI-LOCK
	EP11 MAZ	1		D	1993-94-95-96
	EP11 MB7	1		X	Blue, 1993-94
	EP11 RP8			X	Blue Spruce, 1995-96
	EP11 MD5	1		X	Quartz, 1993-94-95-96
	EP11 MF6	1		X	Driftwood, 1993-94-95-96
	4595 408	1		L	Autumn Teak, 1993-94-95
	4595 408	1		X	Autumn Teak, w/o Trac-Lock Switch, EUROPE
	4757 019				Oxford Burlwood
					w/TRACTION CONTROL/ANTI-LOCK
	WB83 MAZ	1		D	Agate, 1993-94-95-96
	WB83 MB7	1		X	Blue, 1993-94
	WB83 RP8	1		X	Blue Spruce, 1995-96
	WB83 MD5	1		X	Quartz, 1993-94-95-96
	WB83 MF6	1		X	Driftwood, 1993-94-95-96
	4595 404	1		L	Autumn Teak, 1993-94-95
	4595 404	1		X	Autumn Teak, Europe
	4757 021				Oxford Burlwood
-	6501 475	2			CLIP, Bezel Att.
9					DOOR, Outer Glovebox
	AY59 MS6	1		D	Quartz, 1993-94-95-96
	AY59 MF8	1		D	Driftwood, 1993-94-95-96
	AY59 MBR	1		D	Blue, 1993-94
	AY59 RP8	1		D	Spruce Blue, 1995-96
	AY59 MB7	1		X,L	Blue, 1993-94
	AY59 MD5	1		X,L	Quartz, 1993-94-95-96
	AY59 MF6	1		X,L	Driftwood, 1993-94-95-96
	ED99 MAZ	1		C	Agate, 1993-94-95-96
	ED99 MB7	1		C	Blue, 1993-94
	ED99 RP8	1		C	Blue, 1995
	ED99 MD5	1		C	Quartz, 1993-94-95-96
	ED99 MF6	1		C	Driftwood, 1993-94-95-96
10	4761 718	1		D,L,X	BIN, w/Inner Door

MODEL CODES:

Chrysler = (CH41 = New Yorker, CP41 = LHS, DH41 = Intrepid(Canada), DP41 = Intrepid ES(Canada), LP41 = Concorde)
 DODGE = (DH41 = Intrepid(USA), DP41 = Intrepid ES(USA))
 EAGLE = (XP41 = Vision ESI, XS41 = Vision TSI)

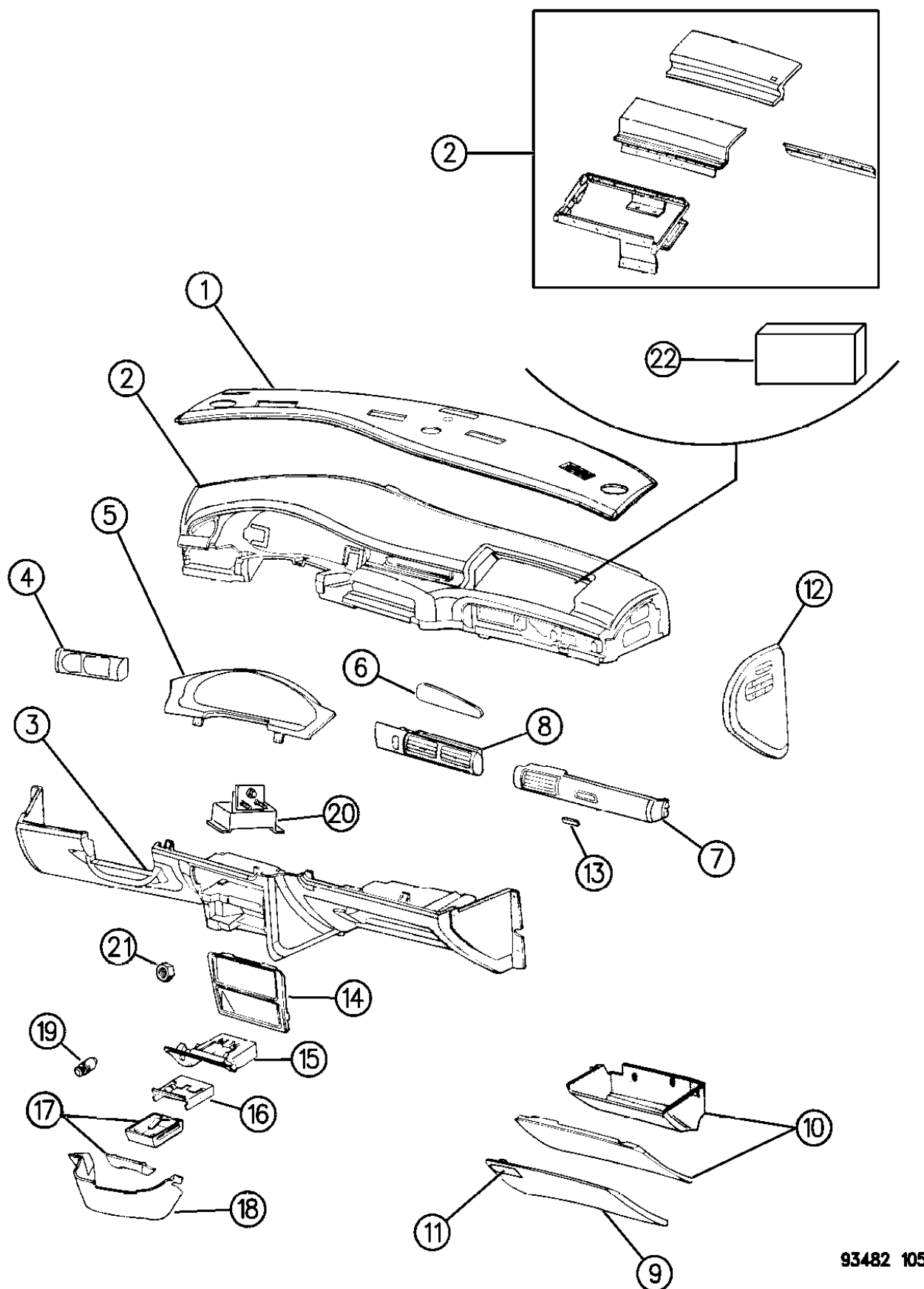
BODY STYLES:

41 = 4 - Door Sedan ENGINE: 3.3L (EGB)
 3.5L (EGE) 24 Valve

AR = Use as Required - = Non Illustrated Part P.A.R. = Paint as Required

INSTRUMENT PANEL CONCORD/INTREPID/VISION LH-BODY
Figure 8A-105

8A-105A



93482 105

ITEM	PART NUMBER	QTY	BODY	MODEL	DESCRIPTION
-	4595 212	1			STRIKER, Glovebox Door
-	3590 551	2			BUMPER, Glovebox Door
11	HJ79 MBR	1	D		HANDLE, w/Latch Glovebox Door Blue
	HJ79 MF8	1	D		Driftwood
	HJ79 MS6	1	D		Quartz
	HJ79 MF6	1	X,L		Driftwood
	HJ79 MD5	1	X,L		Quartz
	HJ79 MB7	1	X,L		Blue
	HJ79 RP8				Blue Spruce, 1995-96
-	4595 034	1			DECAL, Air Bag, ENGLISH
	4595 378				BI-LINGUAL
12					CAP, I/Panel End Right (1993)
	DW00 MAZ	1			Agate
	DW00 MBR	1			Blue
	DW00 MF8	1			Driftwood
	DW00 MS6	1			Quartz
	DW00 MZA	1			Right, 1994-95-96 Agate Left (1993)
	HA98 MAZ	1			Agate
	HA98 MBR	1			Blue
	HA98 MF8	1			Driftwood
	HA98 MS6	1			Quartz
	HA98 MZA	1			Left 1994-95-96 Agate
-	5265 926	AR			CLIP, End Cap Att.
13	4595 188				NAME PLATE, I/Panel, DODGE
	4595 007	1			EAGLE
	4595 399	1			CHRYSLER
14					BEZEL, I/Panel Lower Center w/o FLOOR CONSOLE
	DV91 MBR	1	D		Dark Blue
	DV91 MF8	1	D		Dark Driftwood
	DV91 MS6	1	D		Dark Quartz
	JL24 PB7	1	L		Slate Blue
	JL24 PD5	1	L		Quartz
	JL24 PF6	1	L		Driftwood
	JL24 RP8				Blue Spruce w/FLOOR CONSOLE
	EH30 MBZ	1	D		Blue/Agate

MODEL CODES:

Chrysler = (CH41 = New Yorker, CP41 = LHS, DH41 = Intrepid(Canada), DP41 = Intrepid ES(Canada), LP41 = Concorde)
 DODGE = (DH41 = Intrepid(USA), DP41 = Intrepid ES(USA))
 EAGLE = (XP41 = Vision ESI, XS41 = Vision TSI)

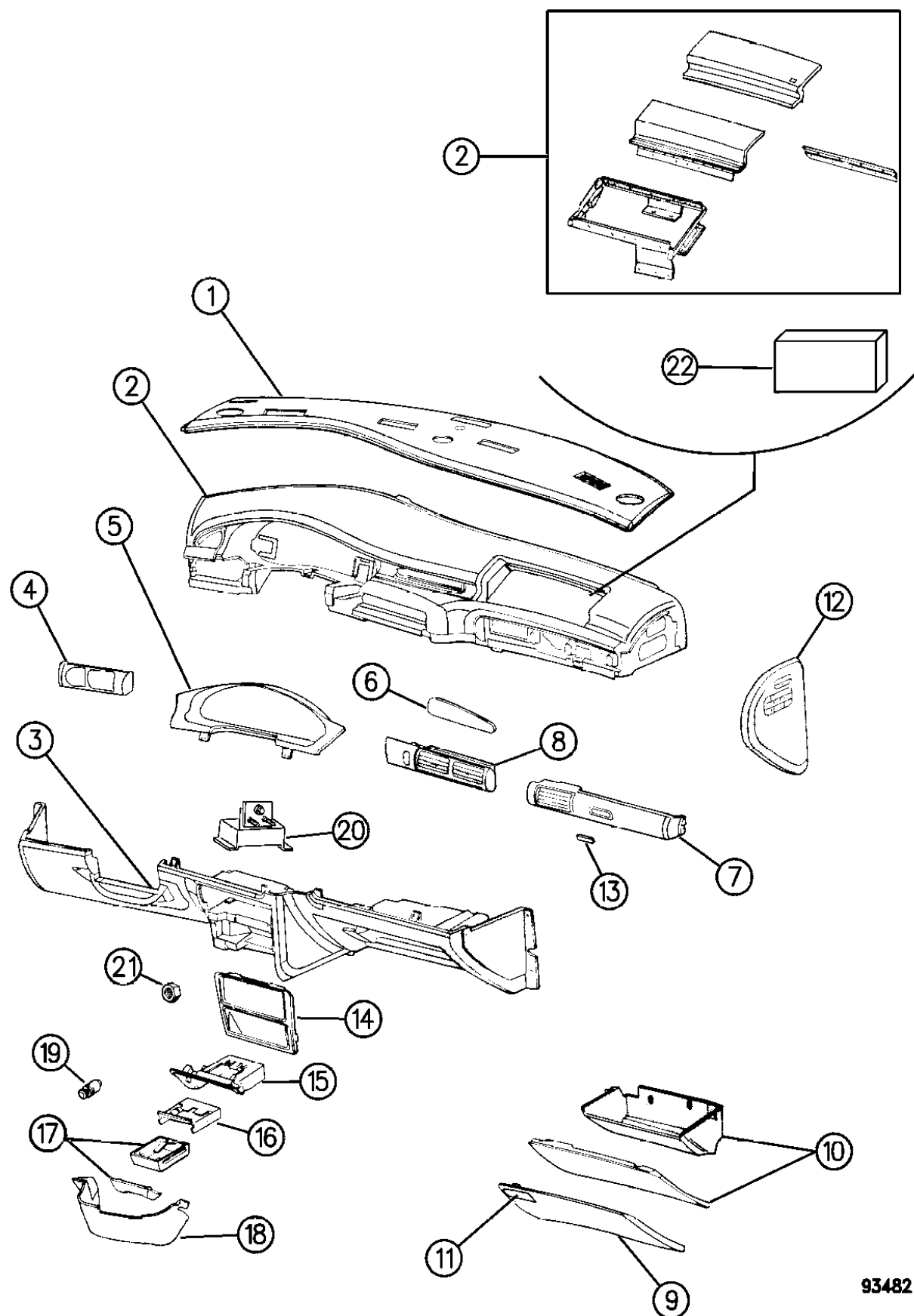
BODY STYLES:

41 = 4 - Door Sedan ENGINE: 3.3L (EGB)
 3.5L (EGE) 24 Valve

AR = Use as Required - = Non Illustrated Part P.A.R. = Paint as Required

INSTRUMENT PANEL CONCORD/INTREPID/VISION LH-BODY
Figure 8A-105

8A-105A



93482 105

ITEM	PART NUMBER	QTY	BODY	MODEL	DESCRIPTION
-	4373 688	1			KNOB & ELEMENT, Cigar Lighter ***
-	2580 453	1			ELEMENT, Heat
-	3747 633	1			SHELL, w/Clamp C/Lighter ***
20	4624 481	1			BRACKET, I/Panel Center Support, 1993 1994-95-96
-	4221 877	1			HOOD, Cigar Lighter
21		1			SCREW, (Not Serv.)
22	5265 025	1			AIRBAG, Passenger, Up To 1-31-94 *** Aft. 1-31-94
	4649 014				DOOR, Airbag
	QN13 MBR	1		D	Slate Blue
	QN13 SP8	1		D	Blue Spruce
	QN13 SF8	1		D	Driftwood
	QN13 SS6	1		D	Quartz
	GA04 MAZ	1		L	Agate
-	4595 197	1		D	COLLAR, Air Bag
	4595 194			X,L	
-	4595 378	1			DECAL, Air Bag (Glove Box)
-	4758 007				COVER, Inst. Panel Brace, EUROPE

MODEL CODES:

Chrysler = (CH41 = New Yorker, CP41 = LHS, DH41 = Intrepid(Canada), DP41 = Intrepid ES(Canada), LP41 = Concorde)
 DODGE = (DH41 = Intrepid(USA), DP41 = Intrepid ES(USA))
 EAGLE = (XP41 = Vision ESI, XS41 = Vision TSI)

BODY STYLES:

41 = 4 - Door Sedan ENGINE: 3.3L (EGB)
 3.5L (EGE) 24 Valve

AR = Use as Required - = Non Illustrated Part P.A.R. = Paint as Required

INSTRUMENT PANEL LHS/NEW YORKER LH-BODY
Figure 8A-107

8A-107A

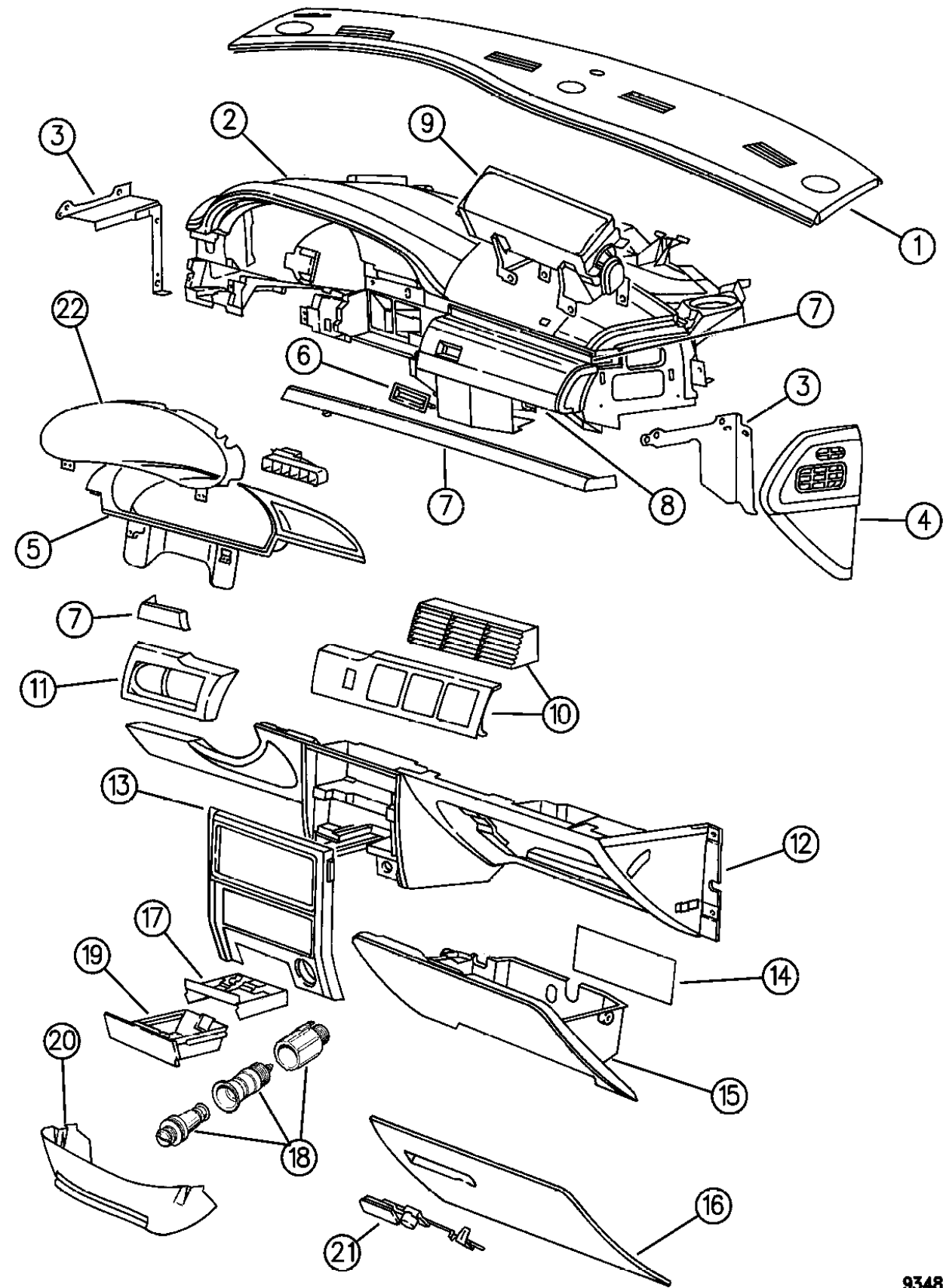
ITEM	PART NUMBER	QTY	BODY	MODEL	DESCRIPTION
1	4595 266				COVER ASSEMBLY, Top, w/o A.T.C. ***
	4758 823	1			w/A.T.C.
	4595 509	1			EUROPE
-	6501 475	4			CLIP, Top Cover Attaching
-	4595 384	2			CLIP, Top Cover to Duct
2					INSTRUMENT PANEL & PAD ASSEMBLY, Upper Complete ***
	WX89 MAZ	1			Agate Trim Code (AZ)
	WX89 MBB	1			Slate Blue/Dark Blue Trim Code (BB)
	WX89 MFF	1			Dark/Medium Driftwood Trim Code (FF)
	WX89 MZF	1			Agate/Medium Driftwood Trim Code (AF)
	WX89 MZD	1			Medium Quartz/Agate Trim Code (AD)
	WX89 RP8				Blue Spruce Trim Code (P8)
-	6034 833	AR			NUT, Clip Push
3	4595 206-7	1			SUPPORT ASSEMBLY, Upper End ***
4					CAP ASSEMBLY, End, Includes Clips ***
					Right
	EM44 MAZ	1			Agate
	EM44 MBR	1			Dark Slate Blue
	EM44 MF8	1			Dark Driftwood
	EM44 RP8				Blue Spruce, 1995-96
-					CAP, End
					Left
	EX67 MAZ	1			Agate
	EX67 MBR	1			Dark Slate Blue
	EX67 MF8	1			Dark Driftwood
	EX67 RP8				Blue Spruce
-	5265 926	3			CLIP, End Cap Attaching
5	JK71 MAZ	1			BEZEL & SHIELD ASSEMBLY (Agate) ***
-	4608 129	1			MESSAGE CENTER ASSEMBLY, (Incandescent, Housing & Bulbs Only. ***
-	4595 489	1			SHIELD, Cluster Bezel Gap Filler
-	6006 021	3			FASTENER, Shield
6					BEZEL ASSEMBLY, Name Plate ***
	EM46 MAZ	1			Agate
	EM46 MB7	1			Slate Blue
	EM46 MD5	1			Medium Quartz
	EM46 MF6	1			Medium Driftwood
	EM46 RP8				Blue Spruce, 1995-96
7	4595 496	1			BEZEL ASSEMBLY, Woodgrain (LEFT SIDE SERV. IN #11) ***
8		1			PANEL, Soft Trim, Serv. in Item 2
9					AIR BAG ASSEMBLY ***
	5265 025	1			Up to 01/31/94

MODEL CODES:

Chrysler = (CH41 = New Yorker, CP41 = LHS, DH41 = Intrepid(Canada), DP41 = Intrepid ES(Canada), LP41 = Concorde)
DODGE = (DH41 = Intrepid(USA), DP41 = Intrepid ES(USA))
EAGLE = (XP41 = Vision ESI, XS41 = Vision TSI)

BODY STYLES:

41 = 4 - Door Sedan ENGINE: 3.3L (EGB)
3.5L (EGE) 24 Valve



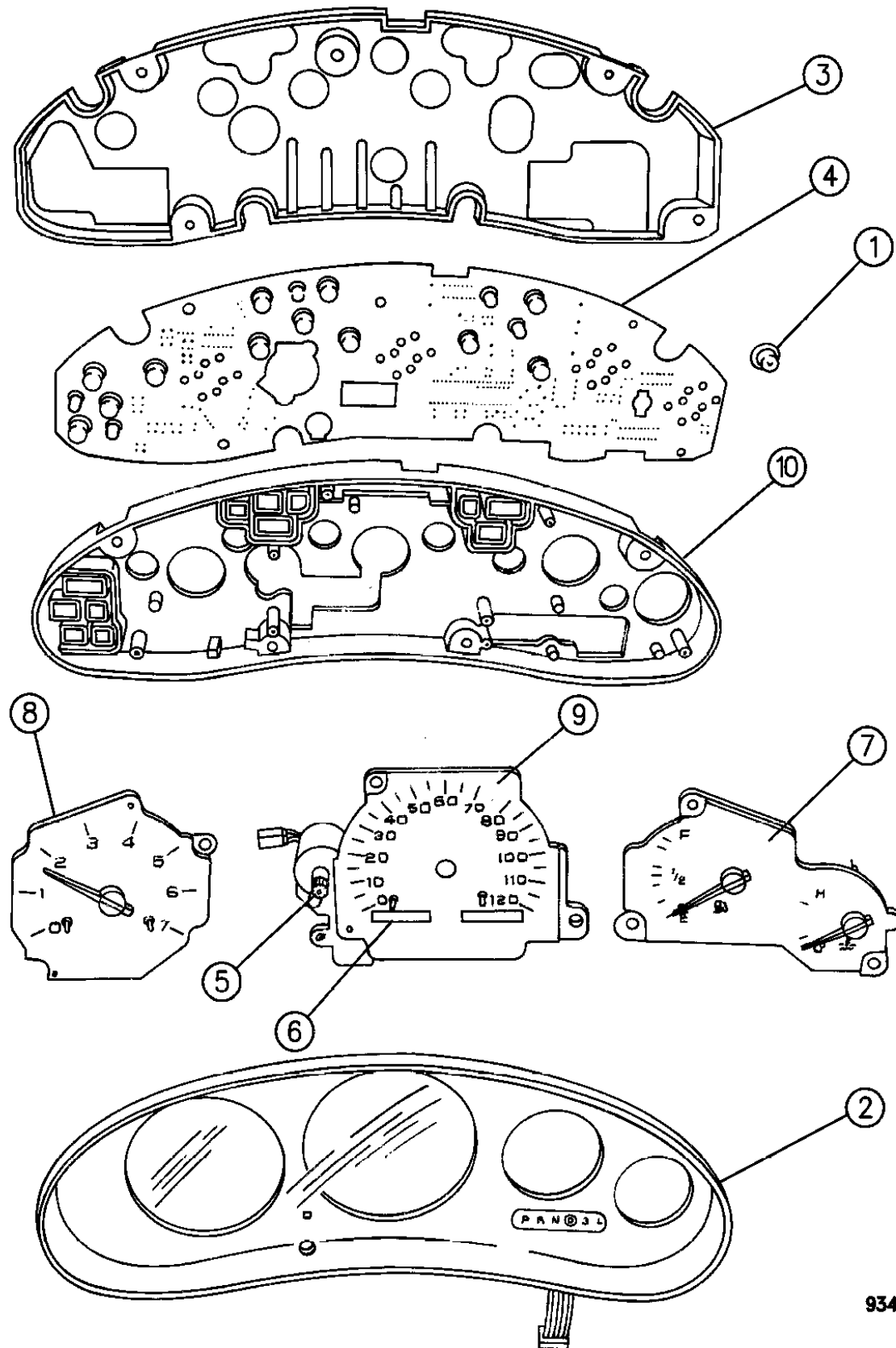
93482 107

AR = Use as Required - = Non Illustrated Part P.A.R. = Paint as Required

CLUSTER--INSTRUMENT PANEL INTREPID LH-BODY

Figure 8A-205

8A-205A



93482 205

ITEM	PART NUMBER	QTY	BODY	MODEL	DESCRIPTION
1	4437 590	AR			SOCKET, w/Lamp (# PC194)
-	5269 391				SOCKET, Brake Warning (Use #74 Bulb)
2	4608 179	1			MASK, w/Lens/PRNDL (Included PRNDL Circuit Board)
	4798 212				1996
	4798 199				w/o Autostick
3	4608 177	1			COVER, Cluster
4	4608 184	1			BOARD, Printed Circuit, Kilo, 1993
	4728 302				1994-95-96
	4608 183	1			Mph (Up to 12/23/92)
	4728 301	1			Mph (After 12/23/92)
	4761 428				MPH, w/Autostick
5	4608 206	1			KNOB, Odometer Reset
6	4608 180	1			ODOMETER
7	4608 182	1			GAUGE, Fuel/Temperature
8	4608 181	1			TACHOMETER, 1993-94
	4741 036				1995-96
	4728 391				Flex Fuel
9	4741 037	1			SPEEDOMETER, MPH
	4608 186				KHM (1993)
	4741 038				KHM (1994-95-96)
	4608 185				Flex Fuel
10	4608 178	1			HOUSING, Cluster

MODEL CODES:

Chrysler = (CH41 = New Yorker, CP41 = LHS, DH41 = Intrepid(Canada), DP41 = Intrepid ES(Canada), LP41 = Concorde)
 DODGE = (DH41 = Intrepid(USA), DP41 = Intrepid ES(USA))
 EAGLE = (XP41 = Vision ESI, XS41 = Vision TSI)

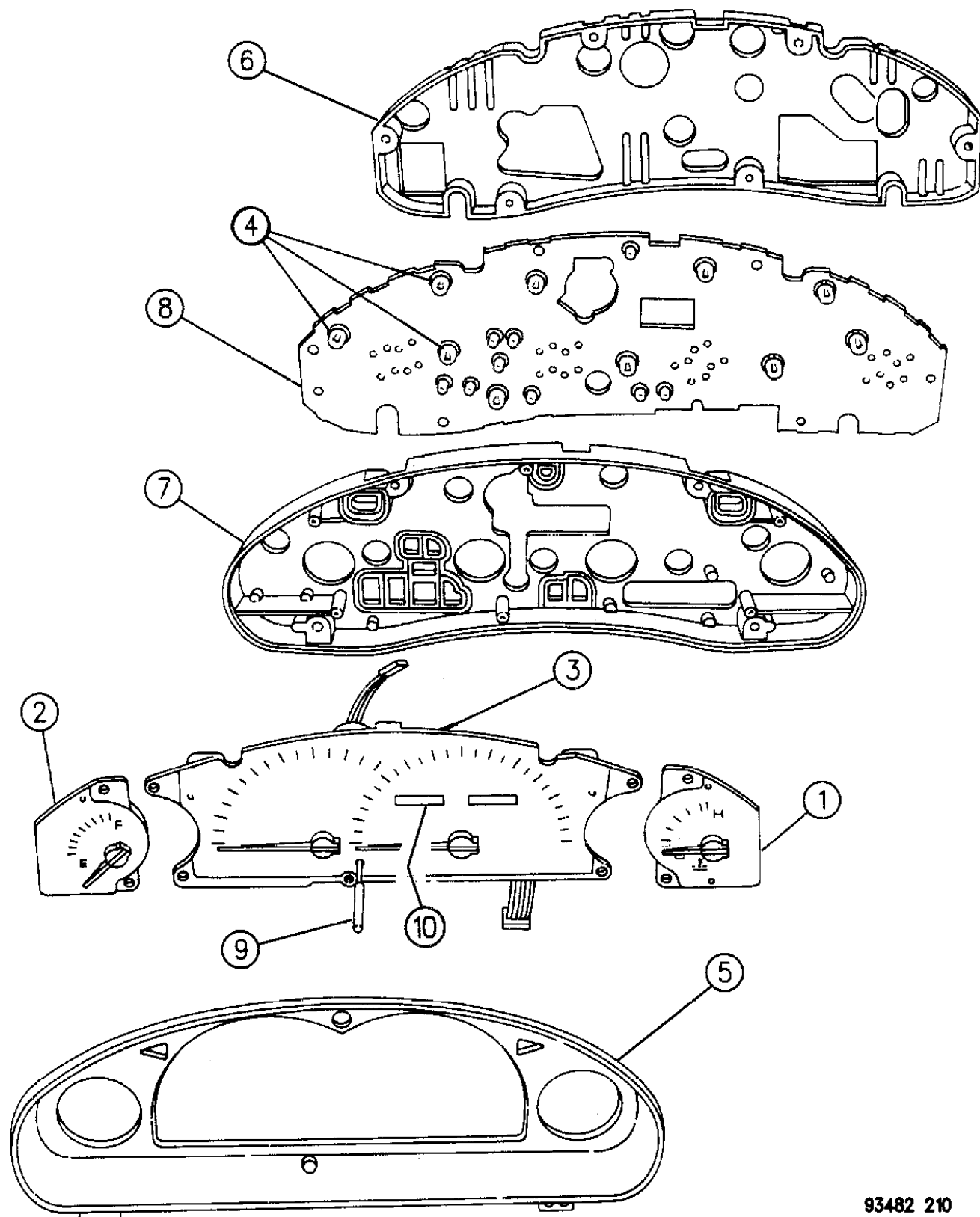
BODY STYLES:

41 = 4 - Door Sedan ENGINE: 3.3L (EGB)
 3.5L (EGE) 24 Valve

AR = Use as Required - = Non Illustrated Part P.A.R. = Paint as Required

CLUSTER--INSTRUMENT PANEL VISION--CONCORDE--NEW YORKER LH-BODY
Figure 8A-210

8A-210



93482 210

ITEM	PART NUMBER	QTY	BODY	MODEL	DESCRIPTION
1	4608 192			X,L	GAUGE, Temperature
	4608 198	1		C	
2	4608 191	1		X,L	GAUGE, Fuel
	4761 810			L,X	1994-95-96
3	4608 197	1		C	
	4761 811			C	1995-96
	4608 189	1		X,L	SPEEDOMETER, w/Tachometer and PRNDL Circuit Board Mph, 1993
	4741 039	1		X,L	1994-95
	4798 197			L,X	1996
	4608 195	1		C	Mph, 1993-94-95
	4798 208			C	1996
	4608 190	1		X,L	Kilo, 1993
	4741 040	1		X,L	1994-95
	4798 211			X	1996, w/Autostick (240 Kilo)
	4798 210			X	1996, Autostick, 120 PH, 1995-96
	4798 198			L-X	1996, w/o Autostick, 240 Kilo
4	4608 196	1		C	Kilo
	4798 209			C	1996
	4604 692	1		L,X	Flex Fuel
		AR			SOCKET, w/Lamp w/Bulb # 74 w/Bulb # 103 w/Bulb # PC194
5	4746 527				
	4746 528				
5	4437 590				
	4608 202	1			MASK, w/Lens
	JD71 MAZ	1			BEZEL, w/Shield, Cluster
6	4608 199	1			COVER, Cluster
7	4608 201	1			HOUSING, Cluster
8					BOARD, Printed Circuit
	4608 187	1			Mph (Up to 12/23/92)
	4728 299	1			Mph (After 12/23/92)
					1996, w/AUTOSTICK
	4608 188	1			Kilo (Up to 12/23/92)
	4728 300	1			Kilo (After 12/23/92)
	4761 426				MPH, w/Autostick
	4761 427				Kilo, w/Autostick
9	4608 206	1			KNOB, Odometer Reset
10	4608 203	1			ODOMETER

MODEL CODES:

Chrysler = (CH41 = New Yorker, CP41 = LHS, DH41 = Intrepid(Canada), DP41 = Intrepid ES(Canada), LP41 = Concorde)
 DODGE = (DH41 = Intrepid(USA), DP41 = Intrepid ES(USA))
 EAGLE = (XP41 = Vision ESI, XS41 = Vision TSI)

BODY STYLES:

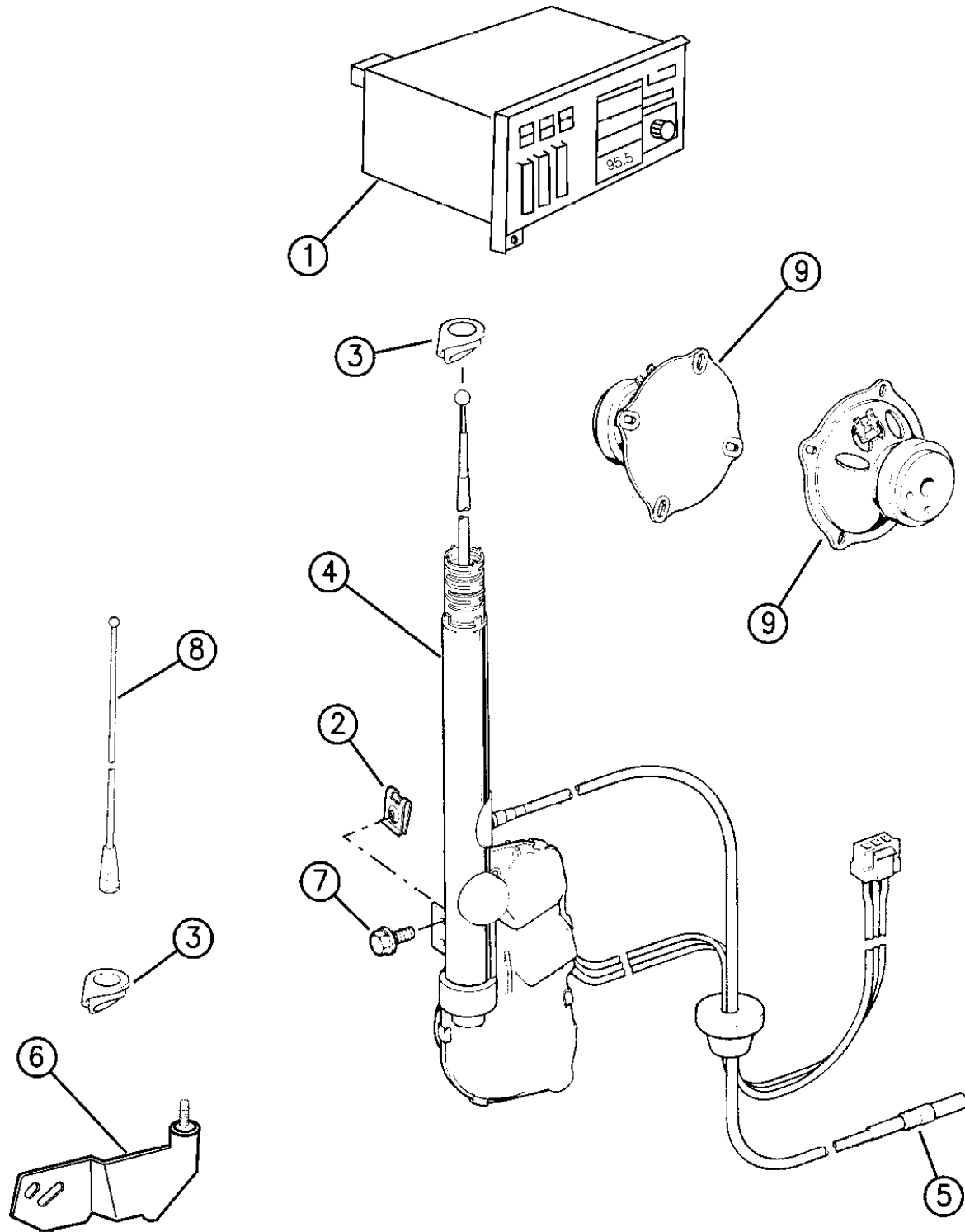
41 = 4 - Door Sedan ENGINE: 3.3L (EGB)
 3.5L (EGE) 24 Valve

AR = Use as Required - = Non Illustrated Part P.A.R. = Paint as Required

RADIO--ANTENNA--SPEAKERS LH-BODY
Figure 8A-305

82-305C

ITEM	PART NUMBER	QTY	BODY	MODEL	DESCRIPTION
	4608 146	1			Manual
	4740 369	1			Power
	4671 094				EUROPE
9					SPEAKER, Radio
	4608 053	2			I/Panel, w/Am/Fm w/Cassette (RAS)
	4608 055	2			Front Door, Lower (RCK)
	4759 149				5 1/4", w/RCG, 1996
	4608 056	2			I/Panel, w/Am/Fm w/Cassette and Equilizer (RAY)(RBC)(RBD) (U-Nut Mtg. 6032778)
	4608 057	1			I/Panel, Center, w/Am/Fm/Cassette and Equilizer (RAY)(RBC) (RBD)
	4760 481				3 1/2" Inst. Panel, RBS
	4759 088				1996, 2 1/2", RS System
	4760 464				1996, 6x9, RS System
	4608 051	2			Rear Compartment, w/Am/Fm/Cassette (RAL)(RAS)
	4760 483	2			AM/FM/Cass/w/CD (RBS) (6x9)
	4608 054	2			Rear Compartment, w/Am/Fm/Cassette and Equilizer (RAY) (RBC)(RBD)
	5269 476				Frnt. Door Lower (RCD/RCG), 1993-95
	4760 462				Front Door, 6-Speaker System, 5 1/4", 1996
-	6034 904	8			SCREW, Rear Speaker Mtg.



93482 305

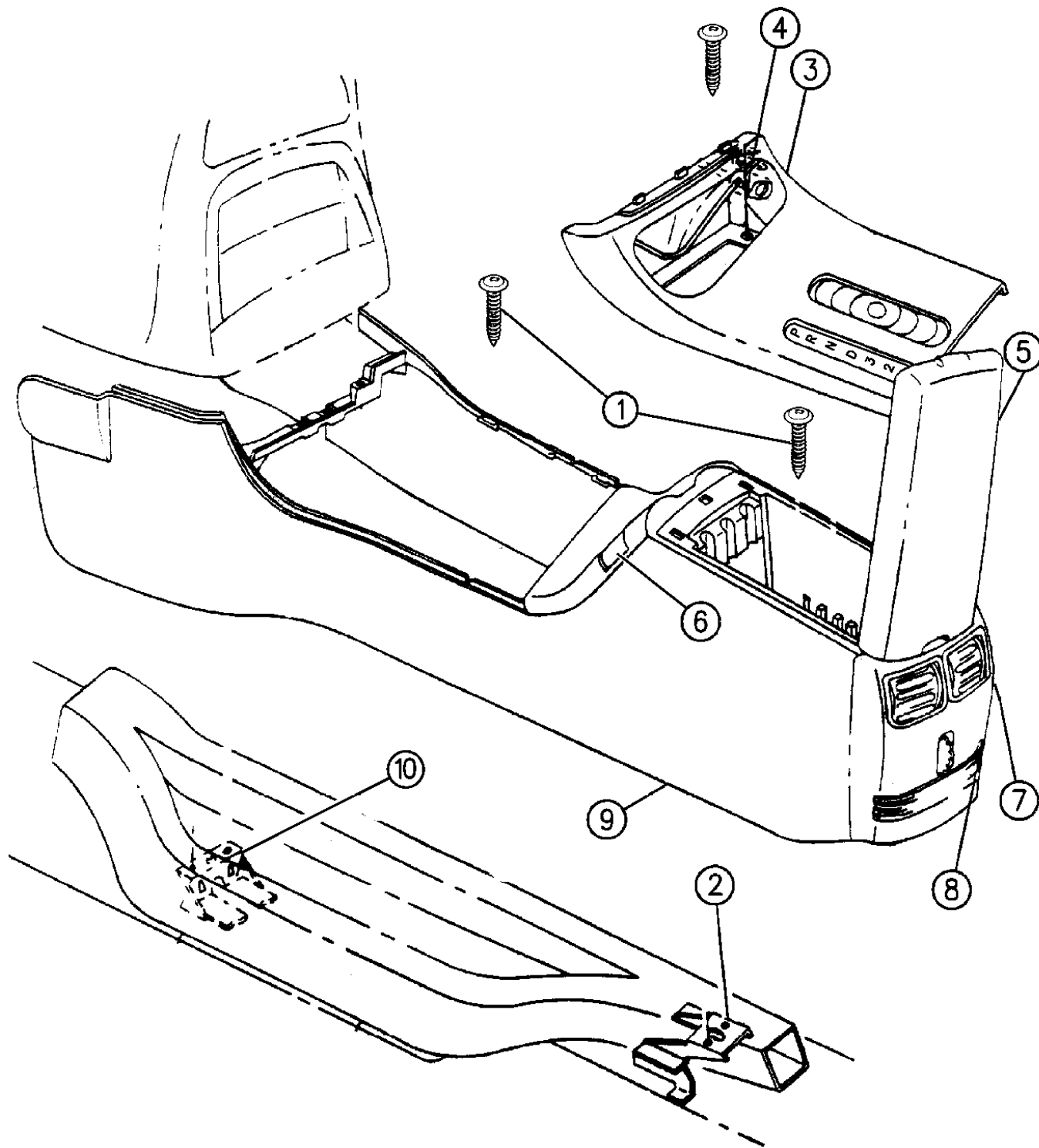
MODEL CODES: _____
 Chrysler = (CH41 = New Yorker, CP41 = LHS, DH41 = Intrepid(Canada), DP41 = Intrepid ES(Canada), LP41 = Concorde)
 DODGE = (DH41 = Intrepid(USA), DP41 = Intrepid ES(USA))
 EAGLE = (XP41 = Vision ESI, XS41 = Vision TSI)

BODY STYLES: _____
 41 = 4 - Door Sedan ENGINE: 3.3L (EGB)
 3.5L (EGE) 24 Valve

AR = Use as Required - = Non Illustrated Part P.A.R. = Paint as Required

CONSOLE--FLOOR LH-BODY
Figure 8A-405

8A-405A



93482 405A

ITEM	PART NUMBER	QTY	BODY	MODEL	DESCRIPTION
1		AR			SCREW, (Not Serv.)
2	4599 956	1		D,L,X	BRACKET, Console Rear Upper Mtg.
	4647 987			C	
3					BEZEL, Console Up to 12/10/92
	FM17 MAZ	1		D	Agate
	FM17 MB7	1		X,L	Blue
	FM17 MD5	1		X,L	Quartz
	FM17 MF6	1		X,L	Driftwood
					After 12/10/92
	JL29 MAZ	1		D	Agate
	JL29 MD5	1		X,L	Quartz
	JL29 MF6	1		X,L	Driftwood
	JL29 MB7	1		X,L	Blue, 1994
	JL29 RP8	1		X,L	Blue Spruce, 1995-96
	HX31 MD5			C	Quartz
	HX31 MF6			C	Driftwood
	HX31 MAZ			C	Agate
	KJ47 RAZ			C	Agate, w/Autostick
	KJ47 RD5			C	Quartz, w/Autostick
	KJ47 RAZ			C	Driftwood, w/Autostick
	KJ49 RAZ			X,D	w/Autostick, Agate
	KJ49 RD5			X,D	w/Autostick, Quartz
	KJ49 RAZ			X,D	w/Autostick, Driftwood
	KJ49 RP8			X,D	w/Autostick, Blue Spruce
-	4647 991	1		C	LINER, Bezel
4					HOUSING, Ash Receiver
	HC67 MAZ	1		D,C	Agate
	HC67 MB7	1		X,L	Blue
	HC67 RP8	1		X,L	Blue Spruce, 1995-96
	HC67 MD5	1		X,L,C	Quartz
	HC67 MF6	1		X,L,C	Driftwood
-	4773 968				TAPE, Felt (Ash Receiver Anti-Rattle)
-	3747 633	1		D,L,X,C	SHELL, w/Clamp C/Lighter ***
-	4373 688	1			KNOB w/Element, Cigar Lighter ***
-					RECEPTACLE, Ash Receiver
	4599 832	1		D,X,L,C	
-					DOOR, Ash Receiver Up to 12/15/92
	HH98 MAZ	1		D,C	Agate
	HH98 MB7	1		X,L	Blue
	HH98 MD5	1		X,L,C	Quartz

MODEL CODES:

Chrysler = (CH41 = New Yorker, CP41 = LHS, DH41 = Intrepid(Canada), DP41 = Intrepid ES(Canada), LP41 = Concorde)
DODGE = (DH41 = Intrepid(USA), DP41 = Intrepid ES(USA))
EAGLE = (XP41 = Vision ESI, XS41 = Vision TSI)

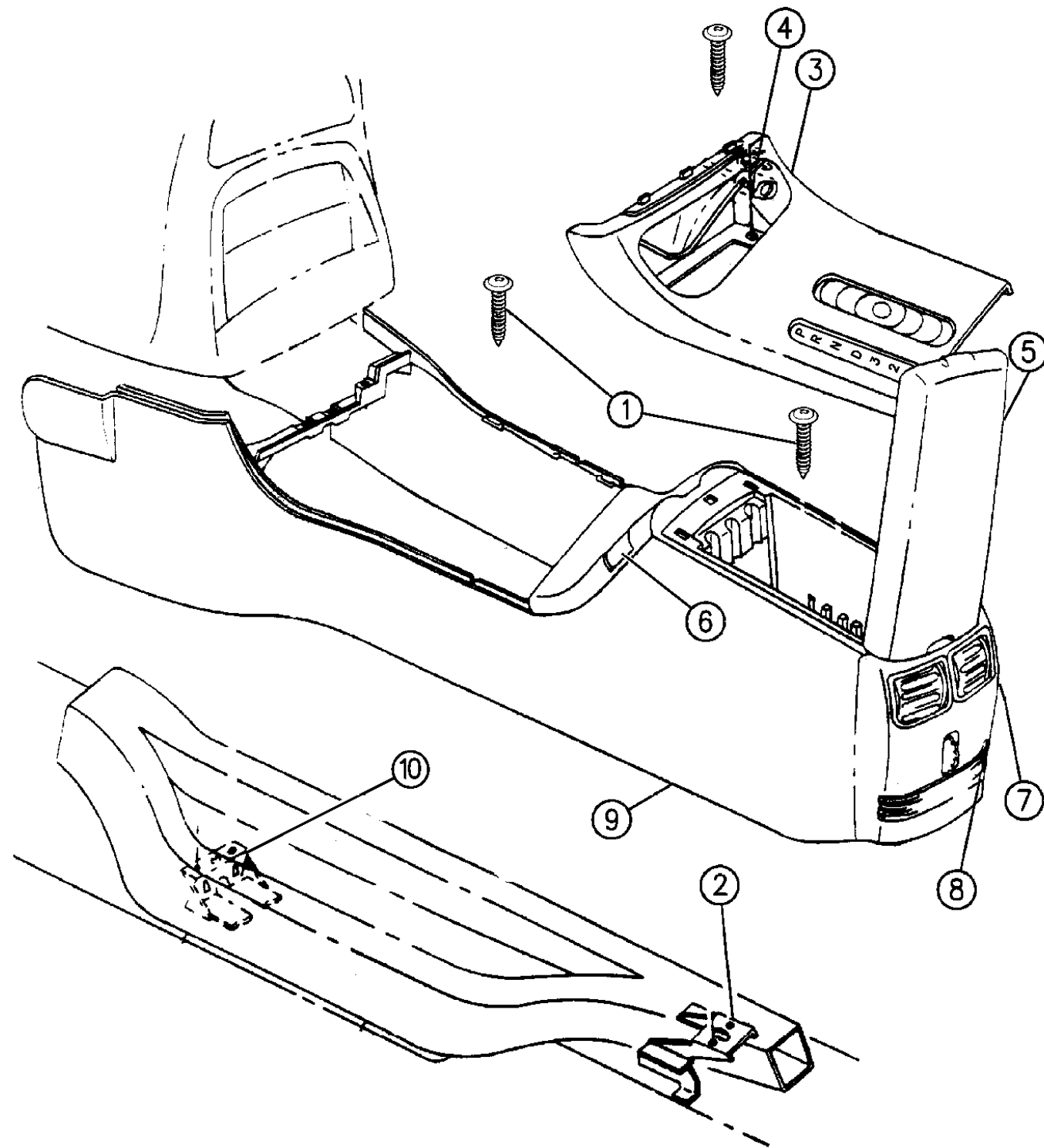
BODY STYLES:

41 = 4 - Door Sedan ENGINE: 3.3L (EGB)
3.5L (EGE) 24 Valve

AR = Use as Required - = Non Illustrated Part P.A.R. = Paint as Required

CONSOLE--FLOOR LH-BODY
Figure 8A-405

8A-405A



93482 405A

ITEM	PART NUMBER	QTY	BODY	MODEL	DESCRIPTION
	HH98 MF6	1		X,L,C	Driftwood
					After 12/15/92
	JL31 MAZ	1		D	Agate
	JL31 MB7	1		X,L	Blue
	JL31 RP8	1		X,L	Blue Spruce, 1995-96
	JL31 MD5	1		X,L	Quartz
	JL31 MF6	1		X,L	Driftwood
-	4647 370	2		D,L,X	SPRING, Ash Reciver Hood
5					ARMREST, Console
	HL63 MBR	1		D	Blue
	HL63 RP8	1		X,L,D,C	Blue Spruce, 1995-96
	HL63 MAZ				Agate
	HL63 MF8	1		D	Driftwood
	HL63 MS6	1		D	Quartz
	HL63 MB7	1		X,L	Blue
	HL63 MD5	1		X,L,C	Quartz
	HL63 MF6	1		X,L,C	Driftwood
	ME60 SAZ			C	1996, Agate
	ME60 SD5			C	1996, Quartz
	ME60 SF6			C	1996, Driftwood
-	4453 713	AR			BUMPER, Armrest
-	4599 162	1			HINGE, Armrest
-	4496 829	AR			SPRING, Armrest Latch
6					CUP HOLDER, Console
	HH94 MBR	1		D	Blue
	HH94 MF8	1		D	Driftwood
	HH94 MS6	1		D	Quartz
	HH94 MAZ	1		C	Agate
	HH94 MB7	1		X,L	Blue
	HH94 MD5	1		X,L,C	Quartz
	HH94 MF6	1		X,L,C	Driftwood
	HH94 RP8			D,X,L,C	Blue Spruce, 1995-96
-					BEZEL, w/Cup Holder
					1993
	HH96 MBR	1		D	Blue
	HH96 MF8	1		D	Driftwood
	HH96 MS6	1		D	Quartz
	HH96 MB7	1		X,L	Blue
	HH96 MD5	1		X,L,C	Quartz
	HH96 MF6	1		X,L,C	Driftwood
	JX02 MAZ	1		C	Agate (1993-94)
					1994-95-96

MODEL CODES:

Chrysler = (CH41 = New Yorker, CP41 = LHS, DH41 = Intrepid(Canada), DP41 = Intrepid ES(Canada), LP41 = Concorde)
DODGE = (DH41 = Intrepid(USA), DP41 = Intrepid ES(USA))
EAGLE = (XP41 = Vision ESI, XS41 = Vision TSI)

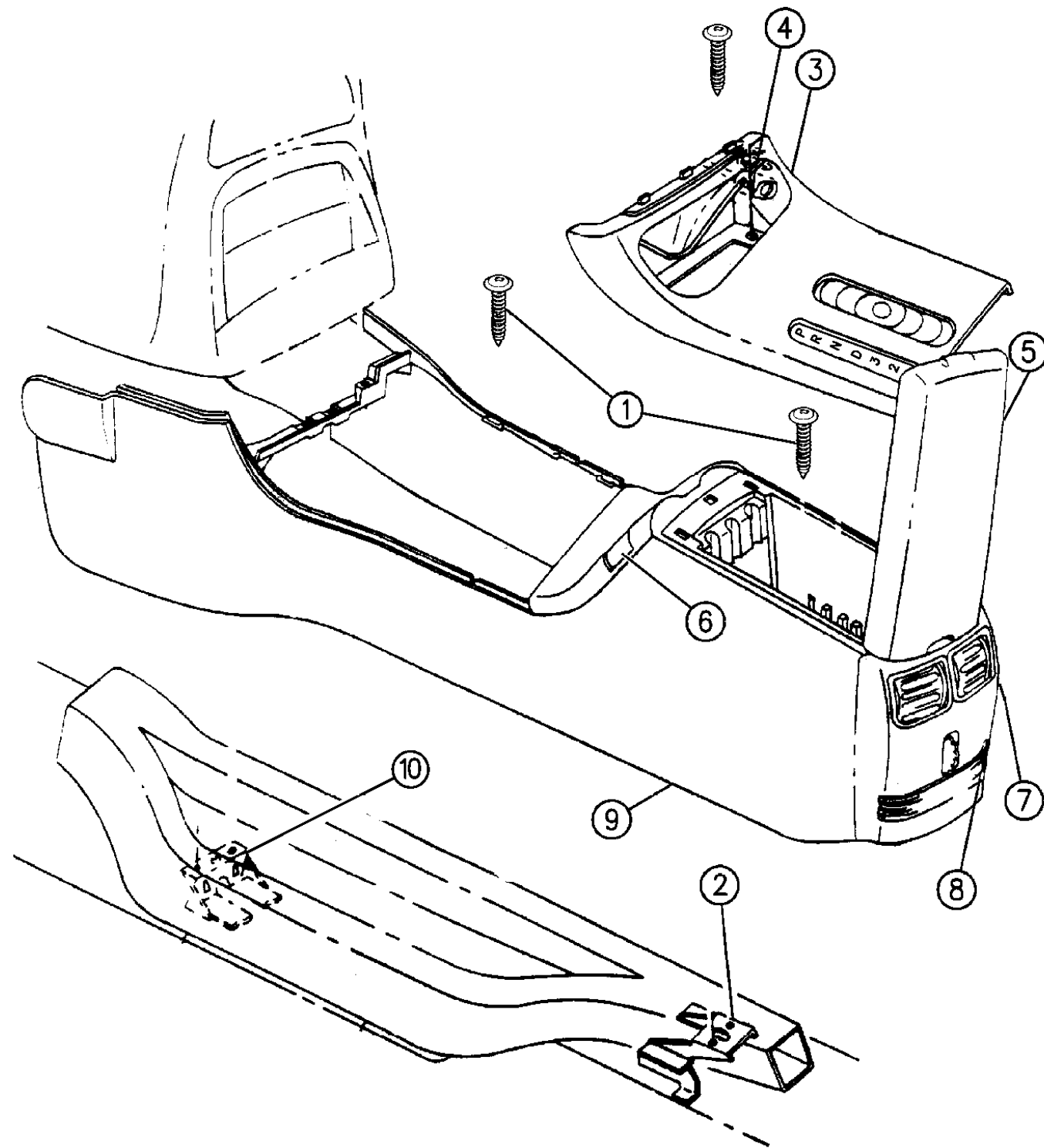
BODY STYLES:

41 = 4 - Door Sedan ENGINE: 3.3L (EGB)
3.5L (EGE) 24 Valve

AR = Use as Required - = Non Illustrated Part P.A.R. = Paint as Required

CONSOLE--FLOOR LH-BODY
Figure 8A-405

8A-405A



93482 405A

ITEM	PART NUMBER	QTY	BODY	MODEL	DESCRIPTION
	JX02 MBR	1		D	Blue
	JX02 MF8	1		D	Driftwood
	JX02 MS6	1		D	Quartz
	JX02 MB7	1		X,L	Blue
	JX02 MD5	1		X,L,C	Quartz
	JX02 MF6	1		X,L,C	Driftwood
	JX02 MAZ			C	Agate
	JX02 RP8				Blue Spruce, 1995-96
7					LOUVER, Air Outlet ***
	HL80-1 MAZ	1		D,C	Agate
	HL80-1 MB7	1		X,L	Blue
	HL80-1 RP8				Blue Spruce, 1995-96
	HL80-1 MD5	1		X,L,C	Quartz
	HL80-1 MF6	1		X,L,C	Driftwood
8					CAP, Console End
	HH92 MAZ	1		C	Agate
	HH92 MBR	1		D	Blue
	HH92 RP8	1		All	Blue Spruce, 1995-96
	HH92 MF8	1		D	Driftwood
	HH92 MS6	1		D	Quartz
	HH92 MB7	1		X,L	Blue
	HH92 MD5	1		X,L,C	Quartz
	HH92 MF6	1		X,L,C	Driftwood
9					CONSOLE, Floor Ungrained
	WW84 MFA	1		D	Driftwood
	WW84 MMA	1		D	Red
	WW84 MSA	1		D	Charcoal
	WW84 MB7	1		X,L	Blue
	WW84 MD5	1		X,L	Quartz
	WW84 MF6	1		X,L	Driftwood
					Grained
	JL79 MF8	1		D	Driftwood
	JL79 MBR	1		D	Blue
	JL79 MS6	1		D	Quartz
	JL79 MB7	1		X,L	Blue
	JL79 MD5	1		X,L	Quartz
	JL79 MF6	1		X,L	Driftwood
	JL79 RP8			D,L,X	Blue Spruce
	HX45 MD5	1		C	Quartz
	MF02 SD5			C	Quartz, 1996
	HX45 MF6	1		C	Driftwood

MODEL CODES:

Chrysler = (CH41 = New Yorker, CP41 = LHS, DH41 = Intrepid(Canada), DP41 = Intrepid ES(Canada), LP41 = Concorde)
DODGE = (DH41 = Intrepid(USA), DP41 = Intrepid ES(USA))
EAGLE = (XP41 = Vision ESI, XS41 = Vision TSI)

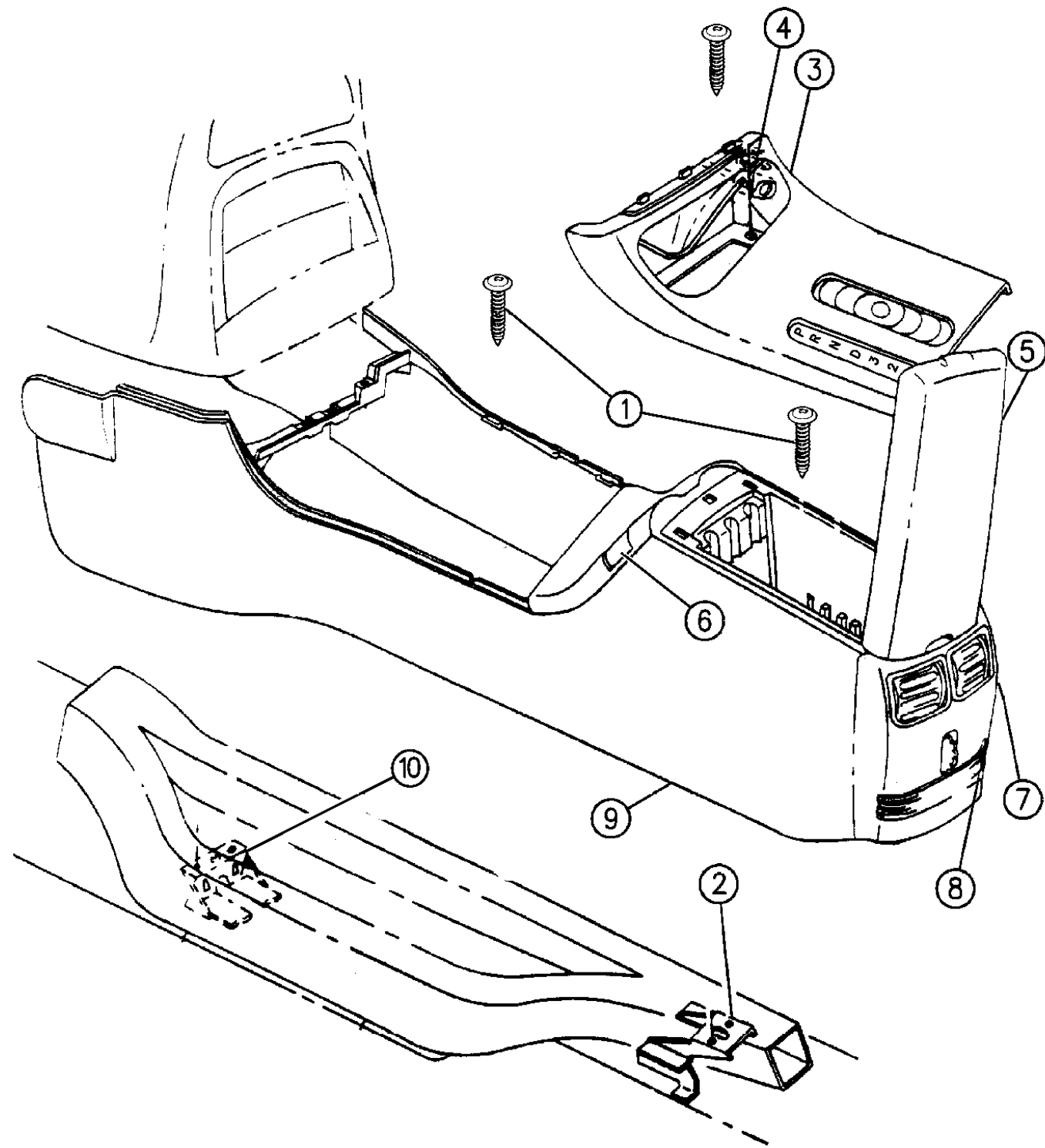
BODY STYLES:

41 = 4 - Door Sedan ENGINE: 3.3L (EGB)
3.5L (EGE) 24 Valve

AR = Use as Required - = Non Illustrated Part P.A.R. = Paint as Required

CONSOLE--FLOOR LH-BODY
Figure 8A-405

8A-405A



93482 405A

ITEM	PART NUMBER	QTY	BODY	MODEL	DESCRIPTION
	MF02 SF6			C	Driftwood, 1996
	HX45 MAZ	1		C	Agate
	MF02 SAZ			C	Agate, 1996
10	4647 319	1		D,L,X	BRACKET ASSEMBLY, Floor Console Foward Upper Mounting ***
-	4758 076				SLIDER/HOUSING ASSEMBLY, Floor Console w/AUTOSTICK ***

MODEL CODES:

Chrysler = (CH41 = New Yorker, CP41 = LHS, DH41 = Intrepid(Canada), DP41 = Intrepid ES(Canada), LP41 = Concorde)
DODGE = (DH41 = Intrepid(USA), DP41 = Intrepid ES(USA))
EAGLE = (XP41 = Vision ESI, XS41 = Vision TSI)

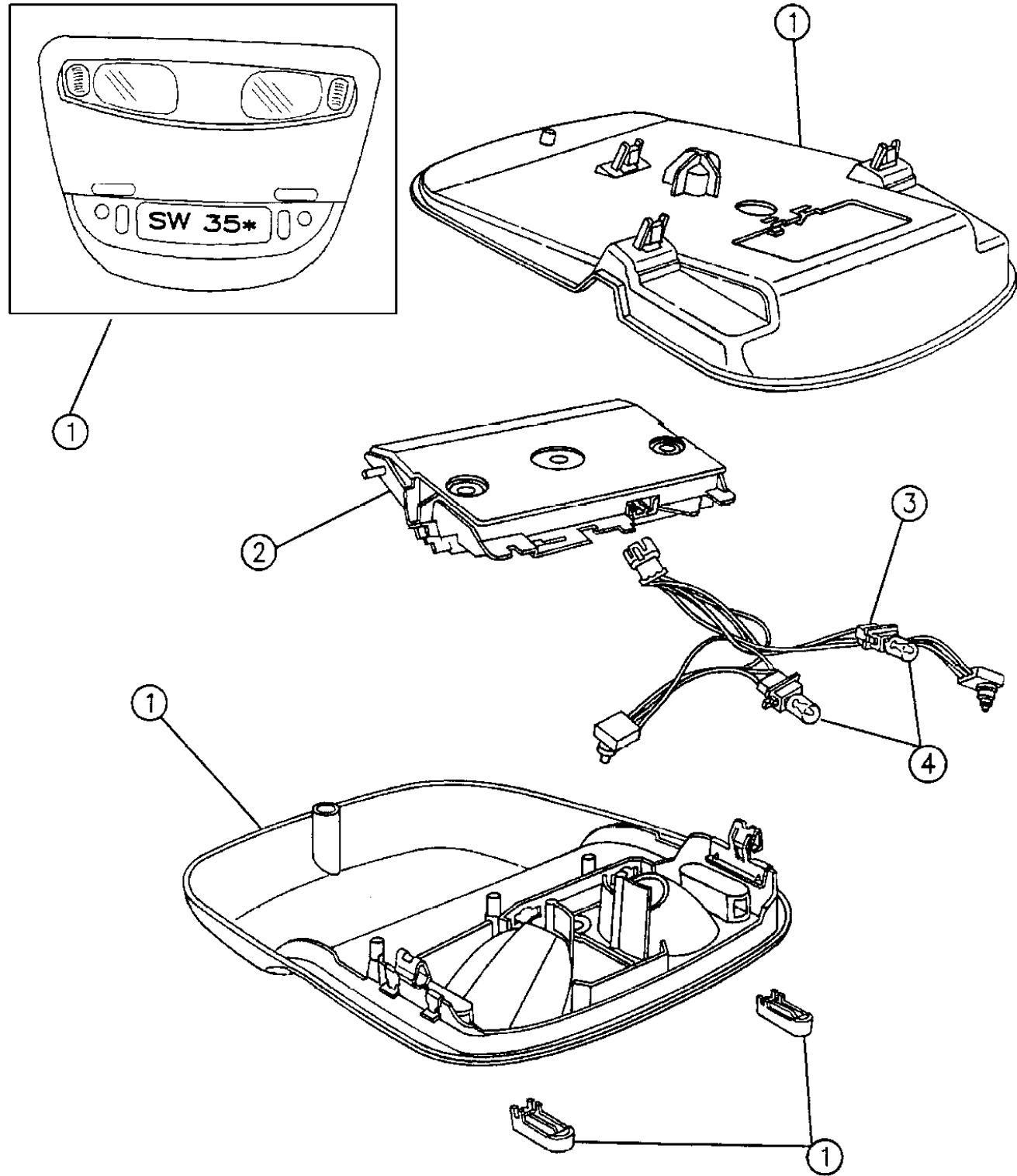
BODY STYLES:

41 = 4 - Door Sedan ENGINE: 3.3L (EGB)
3.5L (EGE) 24 Valve

AR = Use as Required - = Non Illustrated Part P.A.R. = Paint as Required

CONSOLE--MINI OVERHEAD LH-BODY
Figure 8A-410

82-410



ITEM	PART NUMBER	QTY	BODY	MODEL	DESCRIPTION
1	4728 538	1			CONSOLE, Mini, w/o Sunroof
	4746 726	1			w/Sunroof
2	4601 727	1			MODULE, Electronics (Compass/Traveler/Temp.)
3	4728 549	1			WIRING, w/Switches
4	0154 537	AR			BULB
5	4773 593				COVER, Upper Roof Retainer

MODEL CODES:
 Chrysler = (CH41 = New Yorker, CP41 = LHS, DH41 = Intrepid(Canada), DP41 = Intrepid ES(Canada), LP41 = Concorde)
 DODGE = (DH41 = Intrepid(USA), DP41 = Intrepid ES(USA))
 EAGLE = (XP41 = Vision ESI, XS41 = Vision TSI)

BODY STYLES:
 41 = 4 - Door Sedan ENGINE: 3.3L (EGB)
 3.5L (EGE) 24 Valve

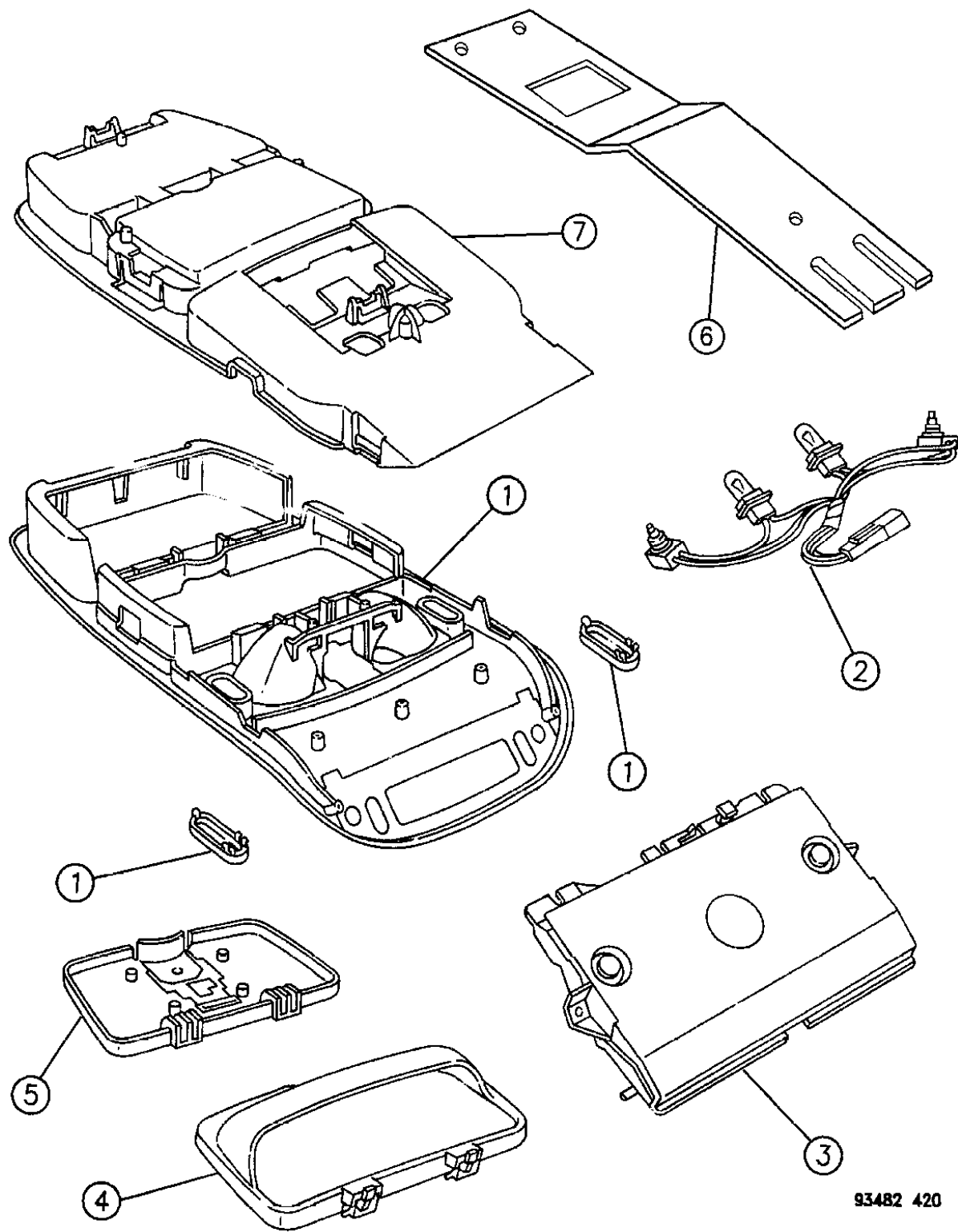
93482 410

AR = Use as Required - = Non Illustrated Part P.A.R. = Paint as Required

CONSOLE--FULL OVERHEAD LH-BODY
Figure 8A-420

8A 420

ITEM	PART NUMBER	QTY	BODY	MODEL	DESCRIPTION
1	4728 542	1			CONSOLE ASSEMBLY, Includes Items #2,4,5 ***
2	4728 549	1			WIRING, w/Switches
3	4601 727	1			MODULE, Electronics
4	4728 543	1			DOOR, Sunglass
5	4728 544	1			DOOR, Garage Door Opener
-	4547 583				KIT, Door Opener (Hight Adaptor & Velcro) ***
6		1			BRACKET, Console Mtg.
	4599 656				1993
	4758 003				1994-95-96
7	4746 575	1			RETAINER, Console



93482 420

MODEL CODES: _____
 Chrysler = (CH41 = New Yorker, CP41 = LHS, DH41 = Intrepid(Canada), DP41 = Intrepid ES(Canada), LP41 = Concorde)
 DODGE = (DH41 = Intrepid(USA), DP41 = Intrepid ES(USA))
 EAGLE = (XP41 = Vision ESI, XS41 = Vision TSI)

BODY STYLES: _____
 41 = 4 - Door Sedan ENGINE: 3.3L (EGB)
 3.5L (EGE) 24 Valve

AR = Use as Required - = Non Illustrated Part P.A.R. = Paint as Required

GROUP-9B

3.3L ENGINE (6 CYL.)

09B (T) EGB = 3.3L ENGINE 6 CYL. (GAS)

09C (F) EGE = 3.5L ENGINE 6 CYL. (GAS) 24V MPI

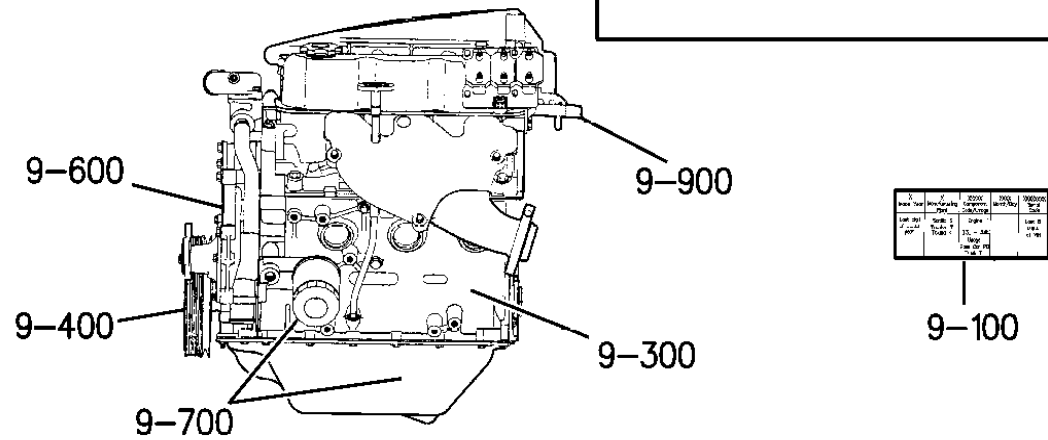


ILLUSTRATION TITLE

GROUP-FIG. NO.

I.D. LOCATION

I.D. LOCATION 3.3L ENGINE Fig. 9B-110

CYLINDER HEAD

CYLINDER HEAD 3.3L ENGINE Fig. 9B-210

CYLINDER BLOCK

CYLINDER BLOCK 3.3L ENGINE Fig. 9B-310

CRANKSHAFT, PISTON, AND TORQUE CONVERTER

CRANKSHAFT, PISTON, AND TORQUE CONVERTER 3.3L ENGINE Fig. 9B-410

CAMSHAFT AND VALVES

CAMSHAFT AND VALVES 3.3L ENGINE Fig. 9B-510

TIMING CHAIN AND COVER

TIMING CHAIN AND COVER 3.3L ENGINE Fig. 9B-610

ENGINE OILING

ENGINE OILING 3.3L ENGINE Fig. 9B-710

MANIFOLDS

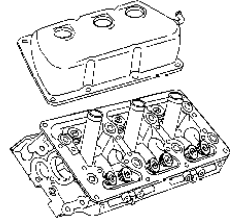
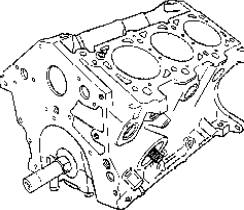
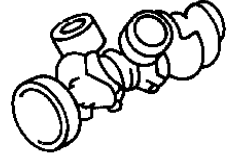
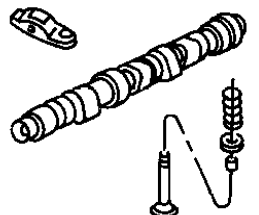
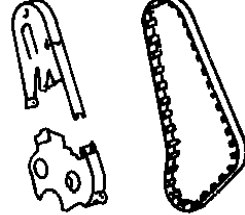
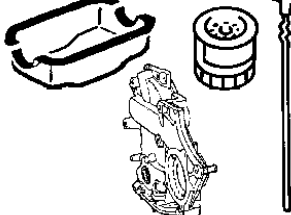
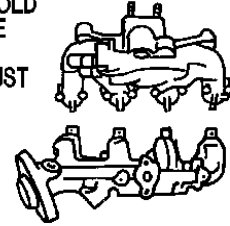
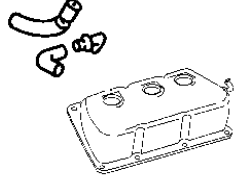
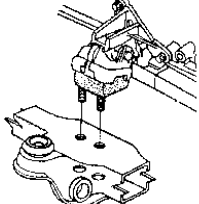
MANIFOLD, INTAKE AND EXHAUST 3.3L ENGINE Fig. 9B-810

CRANKCASE VENTILATION

CRANKCASE VENTILATION 3.3L ENGINE Fig. 9B-910

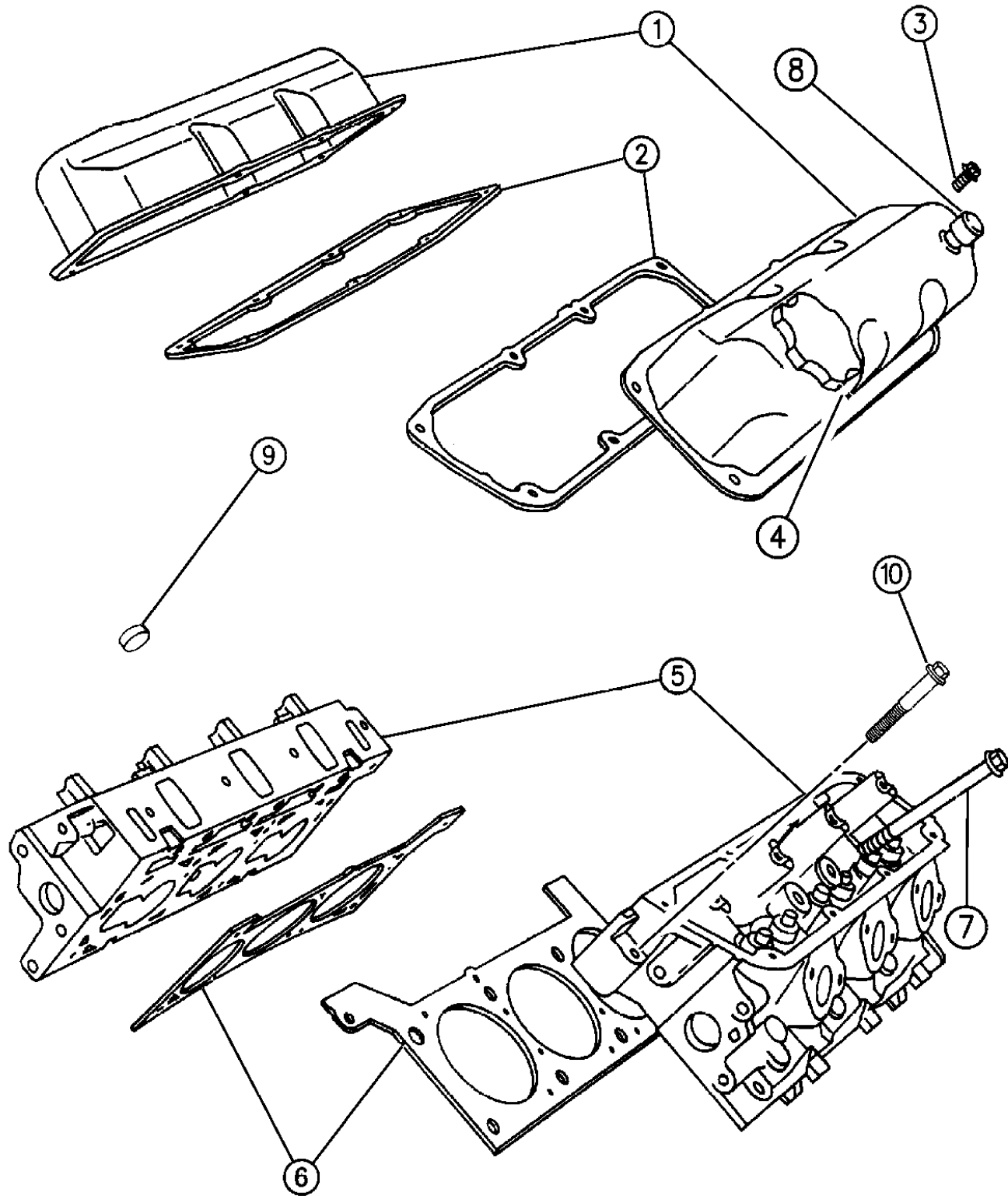
ENGINE MOUNTS

ENGINE MOUNTS 3.3L ENGINE Fig. 9B-1010

<p>9-100 I.D. LOCATION</p> <table border="1"> <tr> <td>X</td> <td>X</td> <td>XXXXX</td> <td>XXXX</td> <td>XXXXXXXXXX</td> </tr> <tr> <td>Model Year</td> <td>Manufacturing Plant</td> <td>Component Code/Usage</td> <td>Month/Day</td> <td>Serial Code</td> </tr> <tr> <td>Last digit of model year</td> <td>Satiko S Trenton T Tokyo K</td> <td>Engine 3.3L - 3.3L Usage Pass Car PC Truck T</td> <td></td> <td>Last 8 Digits of VIN</td> </tr> </table>	X	X	XXXXX	XXXX	XXXXXXXXXX	Model Year	Manufacturing Plant	Component Code/Usage	Month/Day	Serial Code	Last digit of model year	Satiko S Trenton T Tokyo K	Engine 3.3L - 3.3L Usage Pass Car PC Truck T		Last 8 Digits of VIN	<p>9-200 CYL. HEAD & COVER</p> 	<p>9-300 CYL. BLOCK-SHORT ENG.</p> 	<p>9-400 PISTON & CRANKSHAFT</p> 
X	X	XXXXX	XXXX	XXXXXXXXXX														
Model Year	Manufacturing Plant	Component Code/Usage	Month/Day	Serial Code														
Last digit of model year	Satiko S Trenton T Tokyo K	Engine 3.3L - 3.3L Usage Pass Car PC Truck T		Last 8 Digits of VIN														
<p>9-500 CAMSHAFT & VALVES</p> 	<p>9-600 TIMING BELT & COVER</p> 	<p>9-700 ENGINE OILING</p> 	<p>9-800 MANIFOLD INTAKE and EXHAUST</p> 															
<p>9-900 CRANKCASE VENT</p> 	<p>9-1000 ENGINE MTG. & SUPPORT</p> 																	

CYLINDER HEAD 3.3L ENGINE
Figure 9B-210

9B-210A



93456 210

ITEM	PART NUMBER	QTY	BODY	MODEL	DESCRIPTION
	4773 583	1			GASKET PACKAGE, Engine Upper 3.3L
NOTE: PKG CONTAINS GSKTS FOR CYL HEADS, INTAKE TO HTR TUBE, INT.MAN.PLENUM, INT.MAN.TO HEAD & BLOCK EXH.CROSSOVER, VLV CVRS(2), VLV STEM OIL SEALS(12)					
1	5281 166	1			COVER, Cylinder Head Right
	4448 867	1			Left
2	4448 007	2			GASKET, Cylinder Head Cover
3	6502 343	16			SCREW, Cylinder Head Cover Attaching
	6502 647	2			STUD, w/Washer m6x1.0x44
4					CAP, Oil Filler
	4483 642	1			1993-94
	4621 876	1			1995
	5302 0555	1			1996
5					HEAD, Cylinder Partial
	4448 016	2			1993 Up to and Including Engine Date Code '626'.
	4761 390	2			1993 With Engine Date Code '627' and Later.
	4882 220	2			1994-97 (Plug for Sensor Hole if Required 0444650)
NOTE: ENGINE DATE CODE SHOULD BE IMPRINTED IN LABEL ON CYLINDER HEAD COVER, NEXT TO ENGINE PART NUMBER...					
6					GASKET, Cylinder Head
	4621 770	1			Right
	4621 769	1			Left
7	6503 494	16			SCREW, Cylinder Head Attaching (M11 x 1.50 x 122.50)
	6503 495	16			WASHER, Cylinder Head Attaching
	6101 631	2			SCREW, w/Washer, Cylinder Head to Block M8 x 1.25 x 65.00
8		1			NIPPLE, Cylinder Head Cover (Serviced in Cover)
9	4556 020	2			PLUG, Cylinder Head Core Hole Cup 1.25"
	0444 650	2			PLUG, Cylinder Head .125-27 x .310 1/8 Pipe

MODEL CODES:

Chrysler = (CH41 = New Yorker, CP41 = LHS, DH41 = Intrepid(Canada), DP41 = Intrepid ES(Canada), LP41 = Concorde)
DODGE = (DH41 = Intrepid(USA), DP41 = Intrepid ES(USA))
EAGLE = (XP41 = Vision ESI, XS41 = Vision TSI)

BODY STYLES:

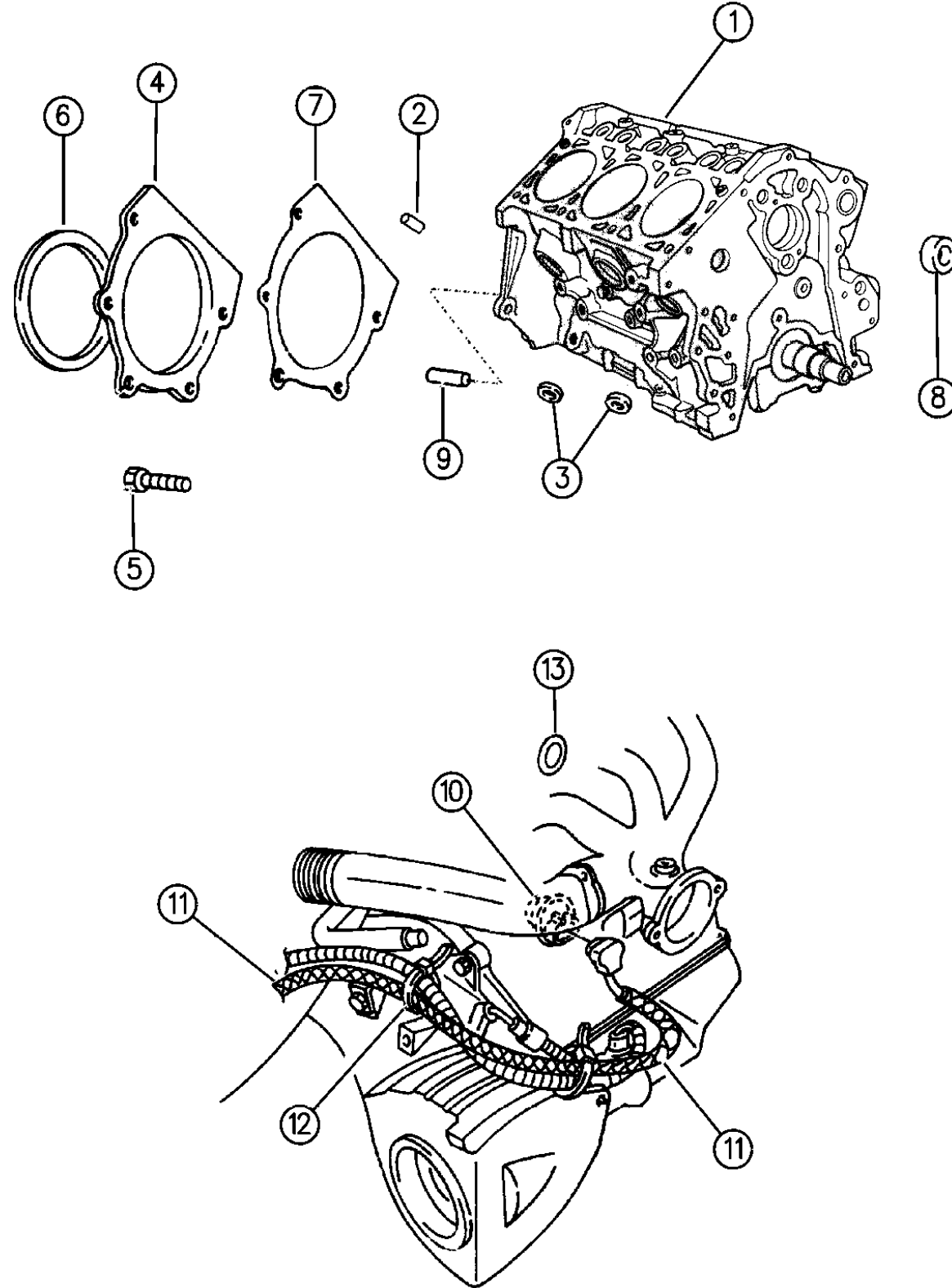
41 = 4 - Door Sedan ENGINE: 3.3L (EGB)
3.5L (EGE) 24 Valve

AR = Use as Required - = Non Illustrated Part P.A.R. = Paint as Required

CYLINDER BLOCK 3.3L ENGINE

Figure 9B-310

9B-310A



ITEM	PART NUMBER	QTY	BODY	MODEL	DESCRIPTION
GASKET PACKAGE, Eng Lower					
	4778 037	1			1993-96 w/non'Steel Backbone' Chaincase Cover Gskt
NOTE: Contains SEALS: for Crankshaft-Frt/Rr, Oil Pump/Water Pump, GSKTS: for Oil Pan, Oil Seal Ret, Chain Case Cvr, Cvr to Oil Inlet, Cvr to Wtr Inlet&Outlet					
ENGINE, Short					
	4626 670	1			1993
	4741 636	1			1994-95
	4741 637	1			1994-95 w/Flex Fuel
	4796 228	1			1996
NOTE: Short Assembly Consists of the Cylinder Block with Piston and Rings, Crankshaft and Bearing, Connecting Rods and Bearing					
1		1			BLOCK, Cylinder (Serviced in Short Engine) ***
2	4448 856	4			DOWEL, Cylinder Block to Cylinder Head
3		2			PLUG, Cylinder Block Water Jacket Drain (1/4) Pipe (Not Serviced)
	4556 022	8			PLUG, Cylinder Block Water Hole (1-5/8")
	4556 023	1			.065 O/Size
4	4448 021	1			RETAINER, Crankshaft Rear Oil Seal w/Oil Seal
5	6100 276	5			SCREW and WASHER, Crankshaft Oil Seal Retainer Rear
6	5203 590	1			OIL SEAL, Crankshaft Rear
7	4448 018	1			GASKET, Crankshaft Oil Seal Retainer Rear
	4621 965	1			1995
8	4556 018	5			PLUG, Cylinder Block Oil Hole (5/8)
	4556 222	2			(0.88MM" O/S) Orifice 5/8 Dia.
9	5240 849	2			DOWEL, Cylinder Block to Clutch Housing or Trans. Case
	5203 466	2			DOWEL, Cylinder Block to Crankshaft Seal Retainer
10	4609 550	1			HEATER, Engine Block
11	4609 060	1			CORD, Engine Block Heater
12	6015 756	AR			STRAP, Engine Block Heater
13	6501 445	1			O-RING, Engine Block Heater (1-11/32 Dia. 11/64 Width)
	6501 446	1			(1-11/32 Dia. 9/64 Width)

MODEL CODES:

Chrysler = (CH41 = New Yorker, CP41 = LHS, DH41 = Intrepid(Canada), DP41 = Intrepid ES(Canada), LP41 = Concorde)
 DODGE = (DH41 = Intrepid(USA), DP41 = Intrepid ES(USA))
 EAGLE = (XP41 = Vision ESI, XS41 = Vision TSI)

BODY STYLES:

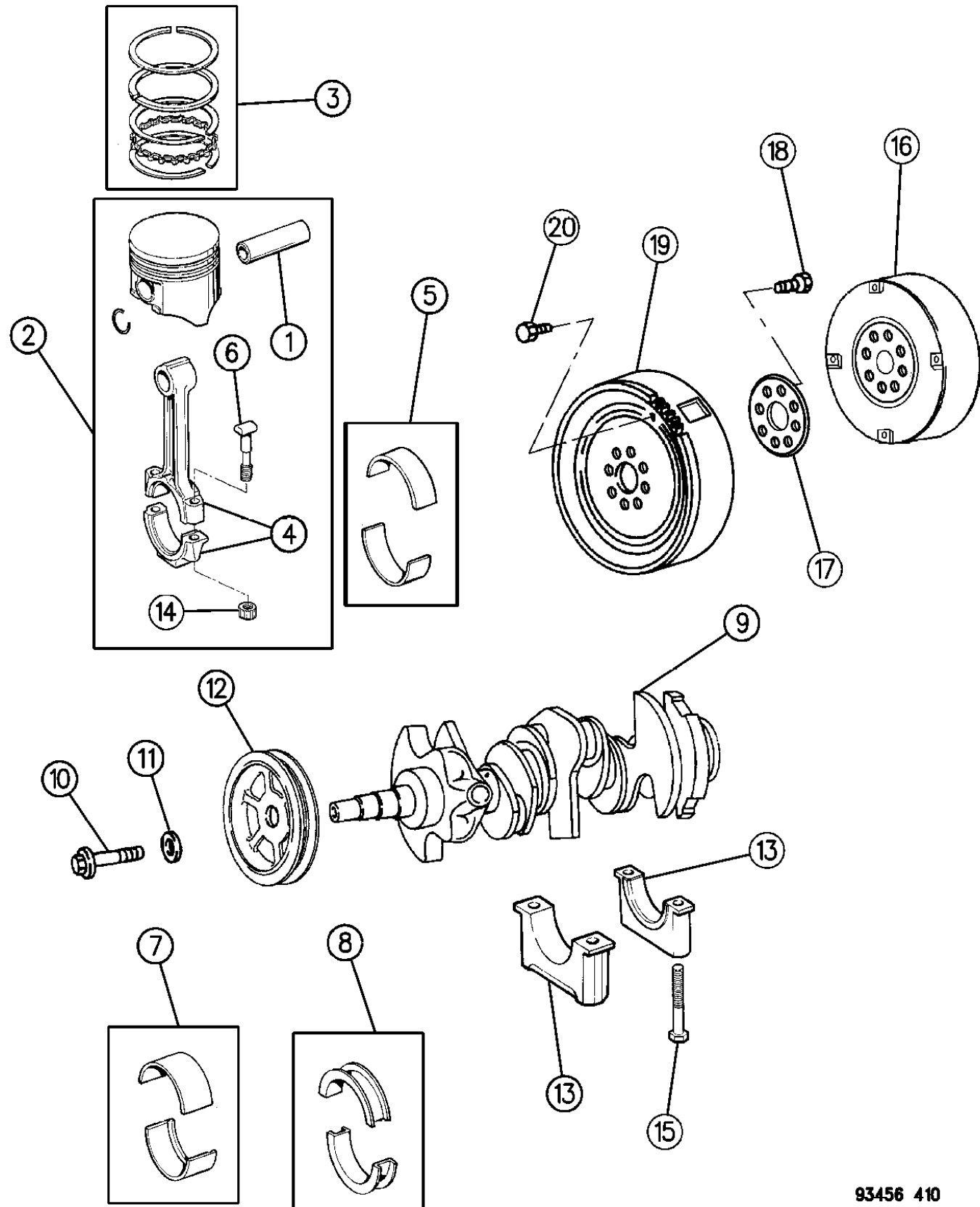
41 = 4 - Door Sedan ENGINE: 3.3L (EGB)
 3.5L (EGE) 24 Valve

93456 310

AR = Use as Required - = Non Illustrated Part P.A.R. = Paint as Required

CRANKSHAFT, PISTON, AND TORQUE CONVERTER 3.3L ENGINE
Figure 9B-410

9B-410



ITEM	PART NUMBER	QTY	BODY	MODEL	DESCRIPTION
1					PIN, Piston (Serviced in Piston Assembly)
2					PISTON, PIN, and ROD Assy.
	4556 359	6			1993-94
	4778 836	6			1995
	4798 744	6			1996
3					RING SET, Piston Complete Engine Standard
	5241 052	1			Flex Fuel Engine
4					ROD, Connecting (Serviced in Piston Assembly)
5					BEARING PACKAGE, Connecting Rod ***
	4504 381	6			Standard
	4504 382	6			.025MM U/S
	4504 384	6			.250MM U/S
6	4448 934	12			BOLT, Connecting Rod Bearing Cap
7					BEARING PACKAGE, Crankshaft #1,3,4 ***
	4626 751	3			Standard
	4626 746	3			.025MM U/S
	4626 748	3			.250MM U/S
8					BEARING PACKAGE, Crankshaft #2 ***
	4626 672	1			1993-94
					Standard
	4728 222	1			.025MM U/S
	4728 227	1			.250MM U/S
	4728 228	1			.250MM U/S
9					CRANKSHAFT ASSEMBLY ***
	4556 224	1			1993-95
	4621 983	1			1996
10	6502 976	1			SCREW, Crankshaft
11	6500 431	1			WASHER, Crankshaft
12	4663 175	1			DAMPER, Vibration
13					CAP, Crankshaft Bearing, SERVICED IN SHORT BLOCK
14	4227 678	12			NUT, Connecting Rod Bearing Cap Bolt
15	6501 985	8			SCREW, Crankshaft Bearing Cap M11 x 1.50 x 84.00
16	4626 644	1			CONVERTER PKG, Torque (w/Bolts) ***
17	4471 933	1			PLATE, Crankshaft Bolt Backing
18	6501 193	8			BOLT, Drive Plate to Crankshaft
19	4505 423	1			PLATE, Torque Converter Drive
	4736 016	1			1995
20	6501 099	4			SCREW, Drive Plate to Torque Converter

MODEL CODES:

Chrysler = (CH41 = New Yorker, CP41 = LHS, DH41 = Intrepid(Canada), DP41 = Intrepid ES(Canada), LP41 = Concorde)
 DODGE = (DH41 = Intrepid(USA), DP41 = Intrepid ES(USA))
 EAGLE = (XP41 = Vision ESI, XS41 = Vision TSI)

BODY STYLES:

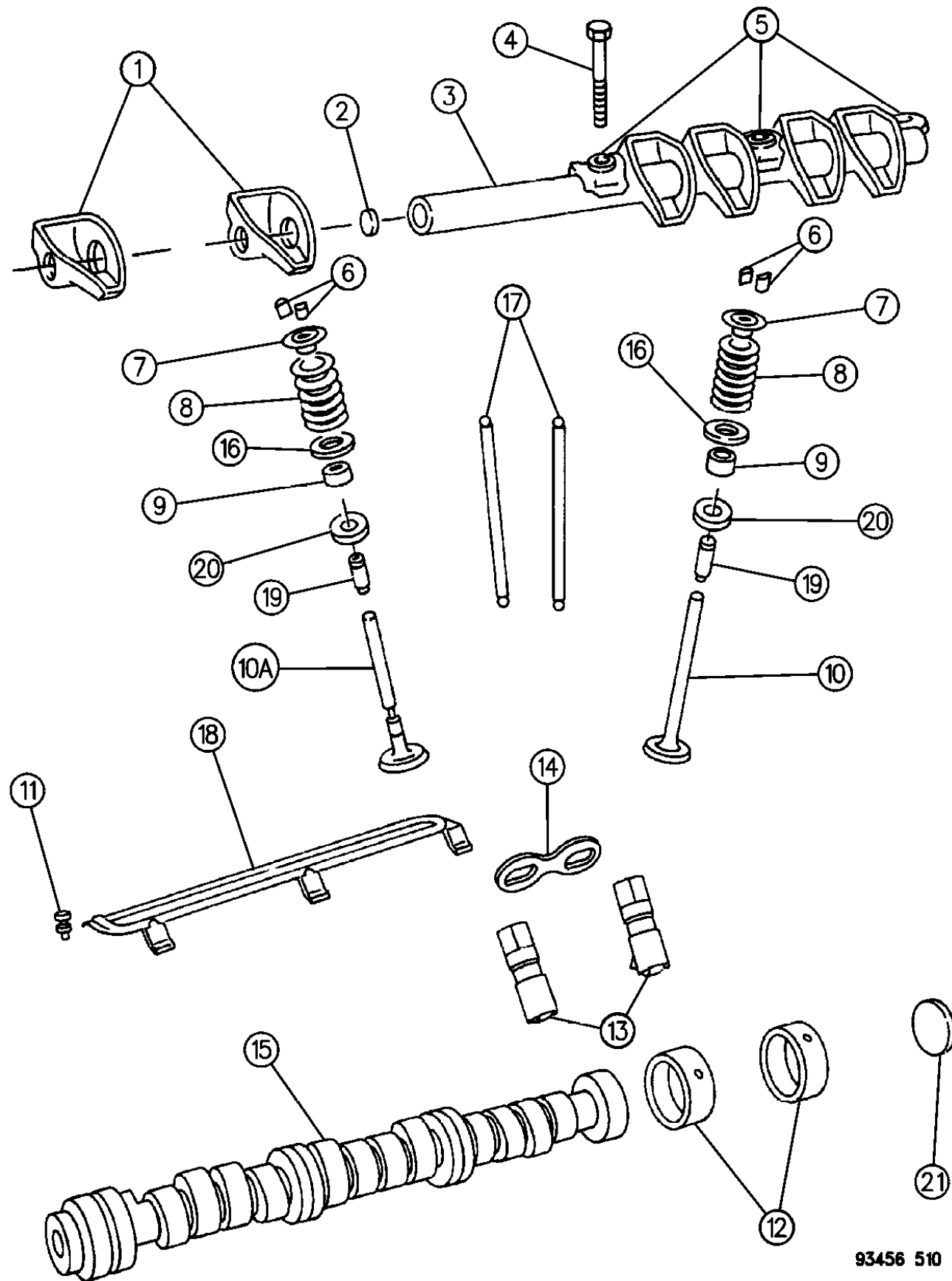
41 = 4 - Door Sedan ENGINE: 3.3L (EGB)
 3.5L (EGE) 24 Valve

93456 410

AR = Use as Required - = Non Illustrated Part P.A.R. = Paint as Required

CAMSHAFT AND VALVES 3.3L ENGINE
Figure 9B-510

9B-510



93456 510

ITEM	PART NUMBER	QTY	BODY	MODEL	DESCRIPTION
1	4483 725	12			ROCKER, Valve
2	1324 268	4			PLUG, Valve Rocker Shaft
3	4448 152	2			SHAFT, Valve Rocker
4	6100 171	8			SCREW, Valve Rocker Shaft m8x1.25x50
5	2463 322	8			RETAINER, Valve Rocker Shaft
6					LOCK, Valve Spring Retainer
	4448 075	12			Intake
	5203 577	12			Exhaust
7	4483 745	12			RETAINER, Valve Spring
8	4483 859	12			SPRING, Valve
9					SEAL, Valve Guide
	4201 332	12			Standard
	4105 366	12			0.15MM O/S Green
	4105 367	12			0.40MM O/S Yellow
	4105 368	12			0.80MM O/S Red
10					VALVE, Intake
	4448 052	6			Standard
	4448 053	6			0.15MM O/S
	4448 054	6			0.40MM O/S
	4448 055	6			0.80MM O/S
10A					VALVE, Exhaust
	4621 116	6			Standard
	4621 117	6			0.15MM O/S
	4621 118	6			0.40MM O/S
	4621 119	6			0.80MM O/S
11	6100 276	3			SCREW, w/Washer Yoke Retainer Att.
12					BEARING, Camshaft (Serviced in Short Engine)
13	4387 677	12			TAPPET, Valve (Std) .9040/.9035
	4762 578	12			(.001 O/Size) .9050/.9045
	4387 679	12			(.008 O/Size) .9120/.9115
	4387 680	12			(.030 O/Size) .9340/.9335
14	4448 078	6			YOKE, Tappet Aligning
15					CAMSHAFT
	4448 049	1			1993 Up to and Including Engine Date Code '626'. (Built Prior to May 15, 1993)
	4761 387	1			1993 With Engine Date Code '627' and Later.
	4621 685	1			1994-96
NOTE: DATE CODE IS ON LABEL ON VALVE COVER...					
	6500 402	1			PIN, Camshaft Dowel M6 x 16.00
16	5203 474	12			SEAT, Valve Spring
17	4448 050	12			ROD, Valve Push
18	4448 933	1			RETIANER, Tappet Aligning Yoke ***

MODEL CODES:

Chrysler = (CH41 = New Yorker, CP41 = LHS, DH41 = Intrepid(Canada), DP41 = Intrepid ES(Canada), LP41 = Concorde)
 DODGE = (DH41 = Intrepid(USA), DP41 = Intrepid ES(USA))
 EAGLE = (XP41 = Vision ESI, XS41 = Vision TSI)

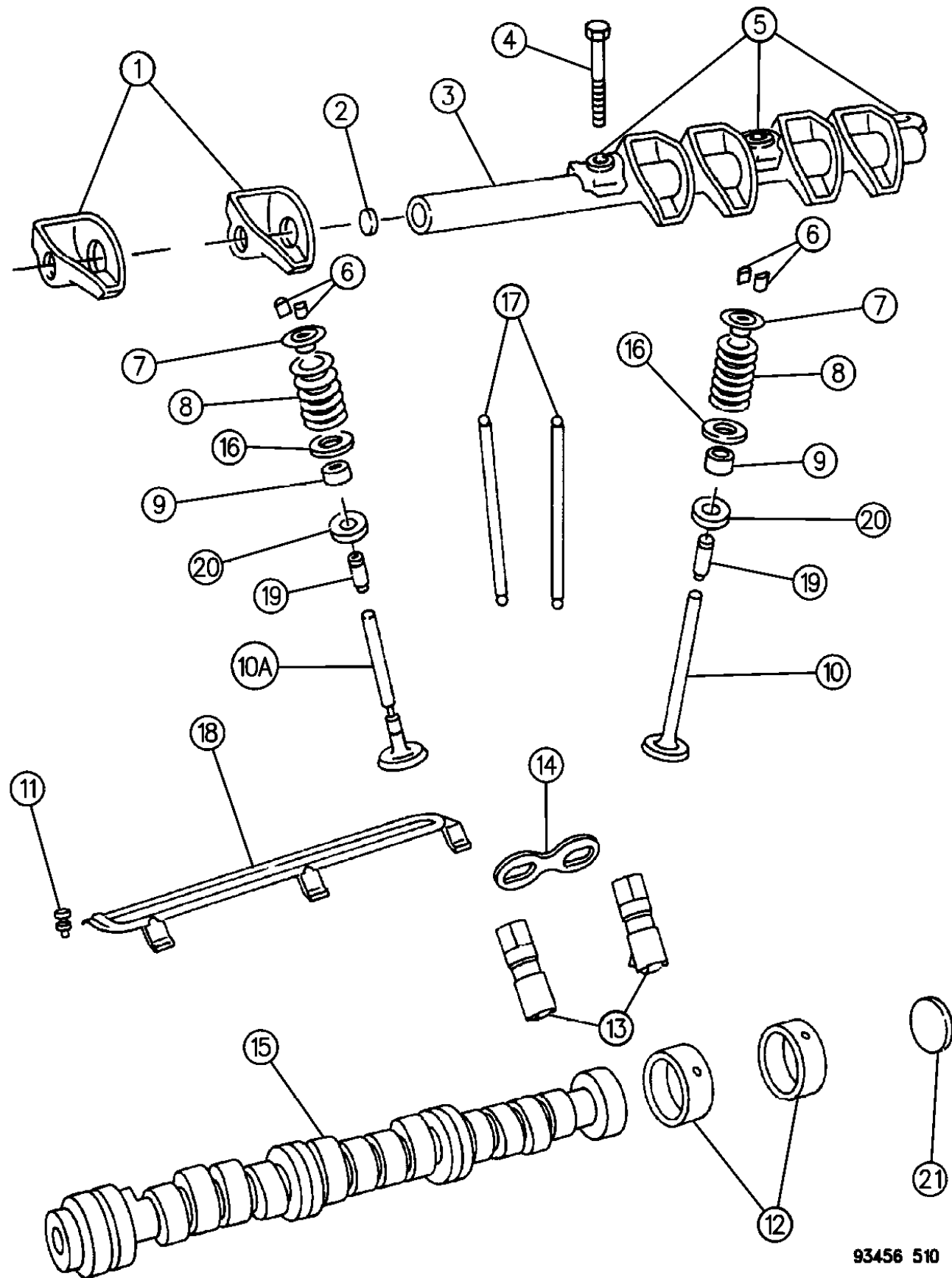
BODY STYLES:

41 = 4 - Door Sedan ENGINE: 3.3L (EGB)
 3.5L (EGE) 24 Valve

AR = Use as Required - = Non Illustrated Part P.A.R. = Paint as Required

CAMSHAFT AND VALVES 3.3L ENGINE
Figure 9B-510

9B-510



93456 510

ITEM	PART NUMBER	QTY	BODY	MODEL	DESCRIPTION
19					GUIDE, Valve (Serviced in Head Assembly)
20		6			SEAT, Intake Valve, SERVICED IN HEAD
		6			Exhaust, SERVICED IN HEAD
21	4483 620	1			PLUG, Camshaft Rear Bearing

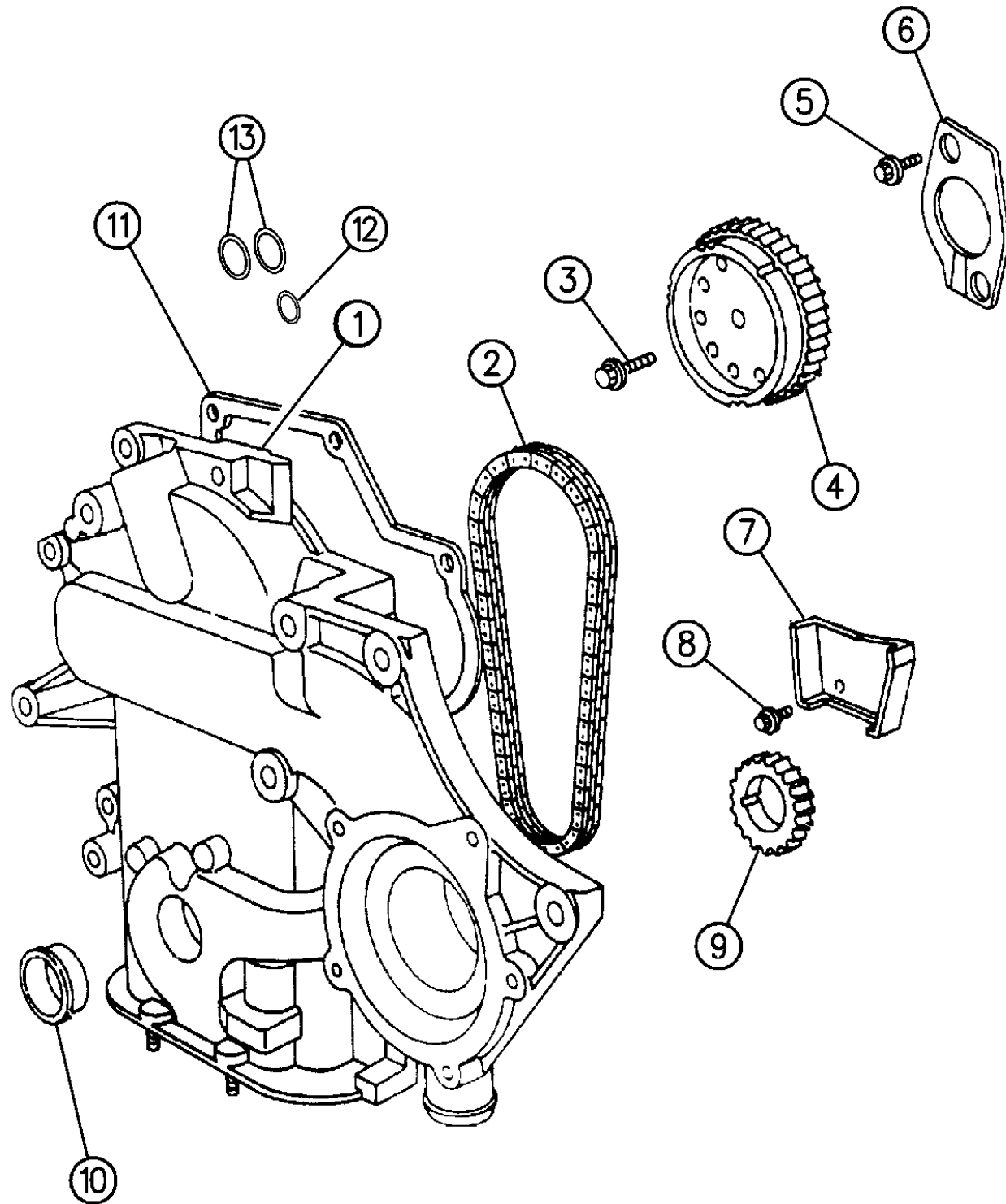
MODEL CODES: _____
 Chrysler = (CH41 = New Yorker, CP41 = LHS, DH41 = Intrepid(Canada), DP41 = Intrepid ES(Canada), LP41 = Concorde)
 DODGE = (DH41 = Intrepid(USA), DP41 = Intrepid ES(USA))
 EAGLE = (XP41 = Vision ESI, XS41 = Vision TSI)

BODY STYLES: _____
 41 = 4 - Door Sedan ENGINE: 3.3L (EGB)
 3.5L (EGE) 24 Valve

AR = Use as Required - = Non Illustrated Part P.A.R. = Paint as Required

TIMING CHAIN AND COVER 3.3L ENGINE
Figure 9B-610

9B-610



ITEM	PART NUMBER	QTY	BODY	MODEL	DESCRIPTION
1					COVER PKG., Chaincase (includes Gaskets) ***
	4796 222	1			1993-96
	4621 652	2			NIPPLE, Water Pump
					SCREW, w/Washer Chain Case Attaching
	6101 611	4			m8x1.25x25
	6101 614	4			m8x1.25x45
	6101 330	3			m10x1.5x85
2	4740 275	1			CHAIN, Timing
3	6101 062	1			SCREW, w/Washer, Camshaft Sprocket Attach M10 x 1.50 x 40.
					00
4					SPROCKET, Camshaft
	4778 707	1			1993-95
	4621 622	1			1996
	6100 902	1			DOWEL, Camshaft Sprocket
5	6100 276	2			SCREW, w/Washer Camshaft Sprocket Thrust Plate m 6x1.0x20
6					PLATE, Camshaft Sprocket Thrust
	4448 921	1			1993
	4621 668	1			1994-95
	4621 623	1			1996
7	4448 158	1			SNUBBER, Timing Chain (1993) ***
8	6100 276	1			SCREW, w/Washer Timing Chain Snubber
9	4448 154	1			SPROCKET, Crankshaft Silent - (Sintered)
	4448 557	1			DOWEL, Crankshaft Sprocket
10	4273 275	1			SEAL, Crankshaft Front Oil
11	4621 958	1			GASKET, Chain Case Cover
12	4483 444	1			O-RING, Chain Case Cover Oil Inlet to Cyl Block
13	4483 443	2			O-RING, Chain Case Cover Water Inlet to Cyl Block

MODEL CODES:

Chrysler = (CH41 = New Yorker, CP41 = LHS, DH41 = Intrepid(Canada), DP41 = Intrepid ES(Canada), LP41 = Concorde)
DODGE = (DH41 = Intrepid(USA), DP41 = Intrepid ES(USA))
EAGLE = (XP41 = Vision ESI, XS41 = Vision TSI)

BODY STYLES:

41 = 4 - Door Sedan ENGINE: 3.3L (EGB)
3.5L (EGE) 24 Valve

93456 610

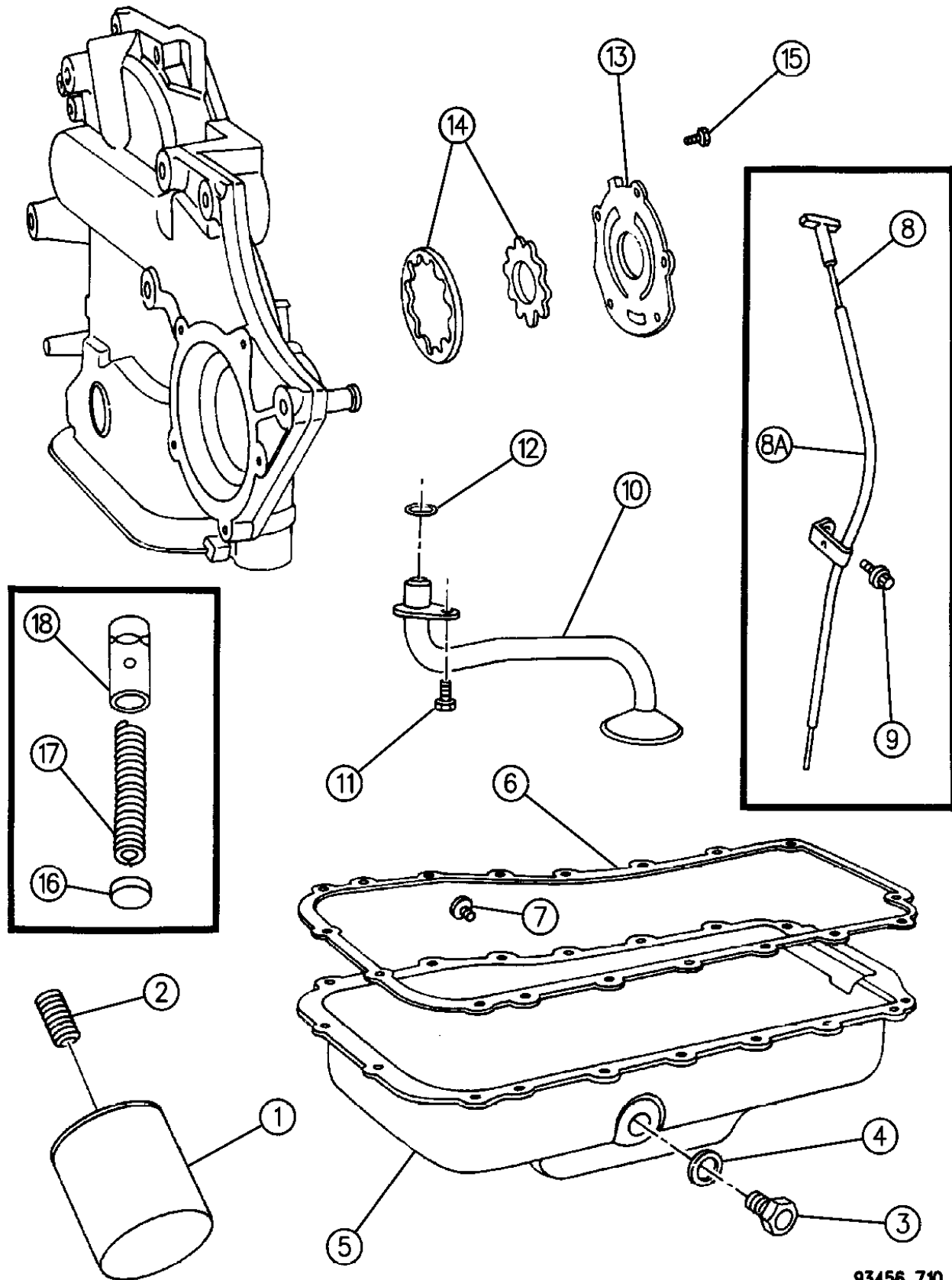
AR = Use as Required - = Non Illustrated Part P.A.R. = Paint as Required

ENGINE OILING 3.3L ENGINE

Figure 9B-710

9B-710

ITEM	PART NUMBER	QTY	BODY	MODEL	DESCRIPTION
1	5281 090	1			FILTER, Oil
2	4104 511	1			ADAPTER, Oil Filter to Cylinder Block
3	6035 417	1			PLUG PACKAGE, Oil Pan Drain
4	6032 145	1			GASKET, Oil Pan Drain (Also in Plug Pkg.)
5	4573 510	1			PAN, Oil
6	5241 062	1			GASKET PACKAGE, Oil Pan (Contains Pan Gskt and Oil Pickup Tube Seal)
7	6502 343	16			SCREW, w/WASHER Oil Pan Attaching m6x1.0x17
	6500 274	2			NUT, Oil Pan Attaching
	6501 991	2			STUD, Oil Pan Attaching M6 x 1.00 x 32.00
8	4573 660	1			INDICATOR, Oil Level
	4663 601	1			1995-96
8A	4573 237	1			TUBE, Oil Level Indicator and Clip
9	6101 452	1			SCREW, w/WASHER Oil Indicator Tube Attaching
10	5281 157	1			TUBE, Oil Pickup w/Strainer
11	6500 070	1			SCREW, w/WASHER Oil Pickup Tube m8x1.25x25
12	6032 920	1			SEAL, Oil Pickup Tube to Chain Case Cover
13	4483 603	1			COVER, Oil Pump
14	4728 396	1			ROTOR PKG. Oil Pump ***
15	6101 386	5			SCREW, Oil Pump Cover (M6x18)
16	2806 273	1			CAP, Oil Pressure Relief Valve
17	2402 473	1			SPRING, Oil Pressure Relief Valve
18	2843 208	1			PLUNGER, Oil Pressure Relief Valve



93456 710

MODEL CODES:

Chrysler = (CH41 = New Yorker, CP41 = LHS, DH41 = Intrepid(Canada), DP41 = Intrepid ES(Canada), LP41 = Concorde)
 DODGE = (DH41 = Intrepid(USA), DP41 = Intrepid ES(USA))
 EAGLE = (XP41 = Vision ESI, XS41 = Vision TSI)

BODY STYLES:

41 = 4 - Door Sedan ENGINE: 3.3L (EGB)
 3.5L (EGE) 24 Valve

AR = Use as Required - = Non Illustrated Part P.A.R. = Paint as Required

MANIFOLD, INTAKE AND EXHAUST 3.3L ENGINE
Figure 9B-810

9B-810

ITEM	PART NUMBER	QTY	BODY	MODEL	DESCRIPTION
1	4448 161	1			GASKET, Intake Manifold
2	6502 256	2			SCREW, w/WASHER Intake Manifold m8x1.25x70
	6502 257	6			m8x1.25x120
	6100 276	2			m6x1.0x20
3	4573 576	1			MANIFOLD, Intake Lower 1993-95
	4694 319	1			1996
4	6502 649	1			SCREW, w/WASHER Plenum to Lower Inake m8x1.25x55
	6502 650	1			m8x1.25x70
	6502 651	1			m8x1.25x90
	6502 652	1			m8x1.25x115
5	4573 146	1			MANIFOLD ASSEMBLY, Intake Plenum *** 1993-95
	4663 548	1			1996
	4663 557	1			Flex Fuel
	4663 548	1			All w/NAE
6	4621 966	1			GASKET, Intake Manifold Plenum
7	4573 962	1			CONNECTOR, Manifold Vacuum .375x18 Two Port
8	3580 171	2			CAP, Vacuum Connector
9	4573 514	1			CONNECTOR, Manifold Vacuum .375x18 Straight
10	4573 963	1			CONNECTOR, Parking Brake Vacuum .375x18 Straight
11	4663 031	1			CAP, Power Brake Vacuum Connector
12	4556 406	1			MANIFOLD, Exhaust Left
	4663 591	1			Left w/NAE -1996
	4556 404	1			Right
	4663 590	1			Right w/NAE -1996
13	6100 929	12			BOLT, Exhaust Manifold Attaching 1993-94 M8 x 1.25 x 45.00
	6503 569	12			1995-96 M8 x 1.25 x 55.00
14	4573 363	1			SHIELD, Exhaust Manifold Heat Left
	4573 364	1			Right
	4663 595	1			Left w/NAE -1996
	4663 596	1			Right w/NAE -1996
15	6100 274	6			SCREW, w/Washer Manifold Heat Shield Attaching
-	4621 967	1			GASKET, Intake Manifold to Heater Hose Tube

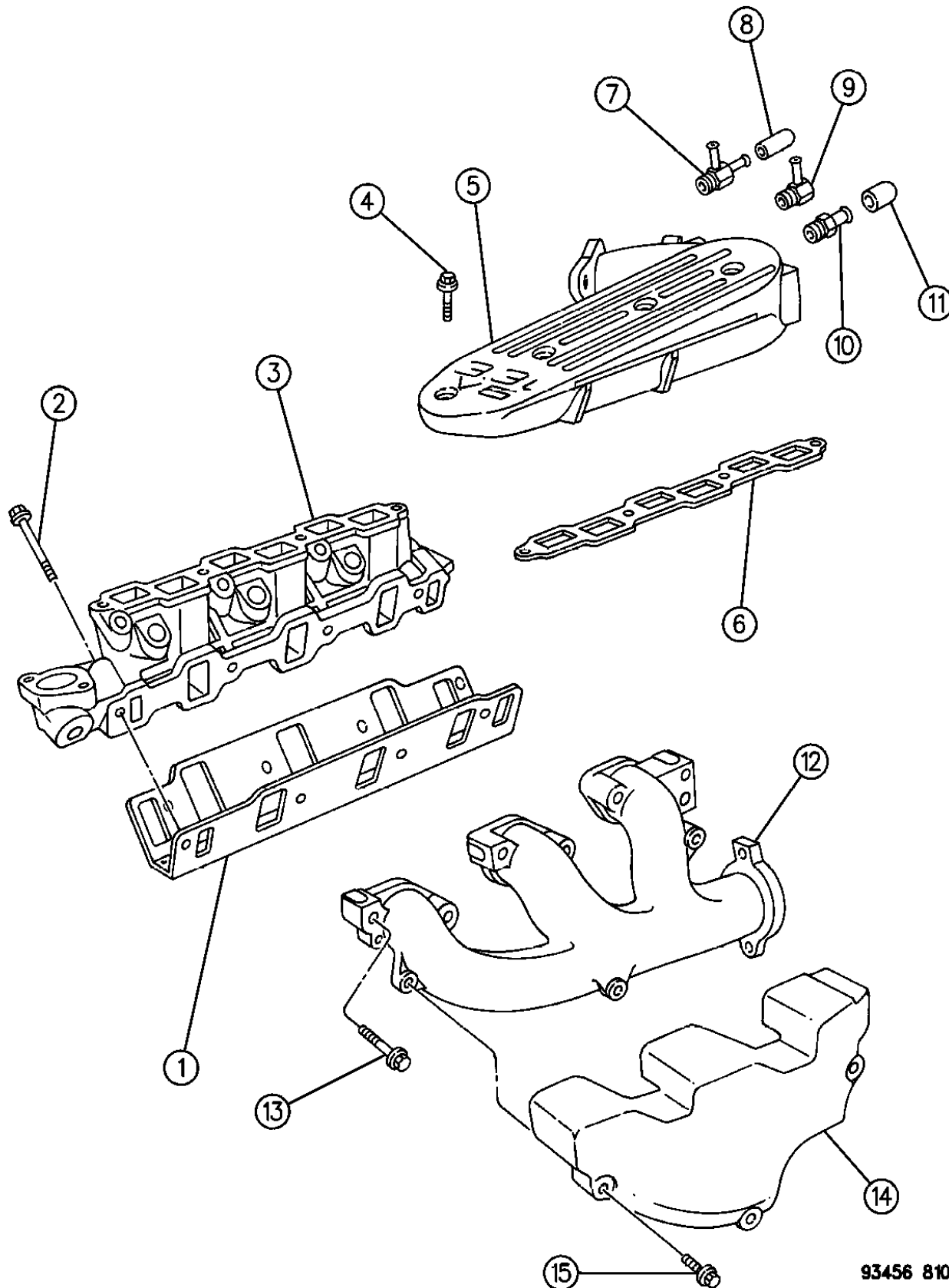
MODEL CODES:

Chrysler = (CH41 = New Yorker, CP41 = LHS, DH41 = Intrepid(Canada), DP41 = Intrepid ES(Canada), LP41 = Concorde)
DODGE = (DH41 = Intrepid(USA), DP41 = Intrepid ES(USA))
EAGLE = (XP41 = Vision ESI, XS41 = Vision TSI)

BODY STYLES:

41 = 4 - Door Sedan ENGINE: 3.3L (EGB)
3.5L (EGE) 24 Valve

AR = Use as Required - = Non Illustrated Part P.A.R. = Paint as Required

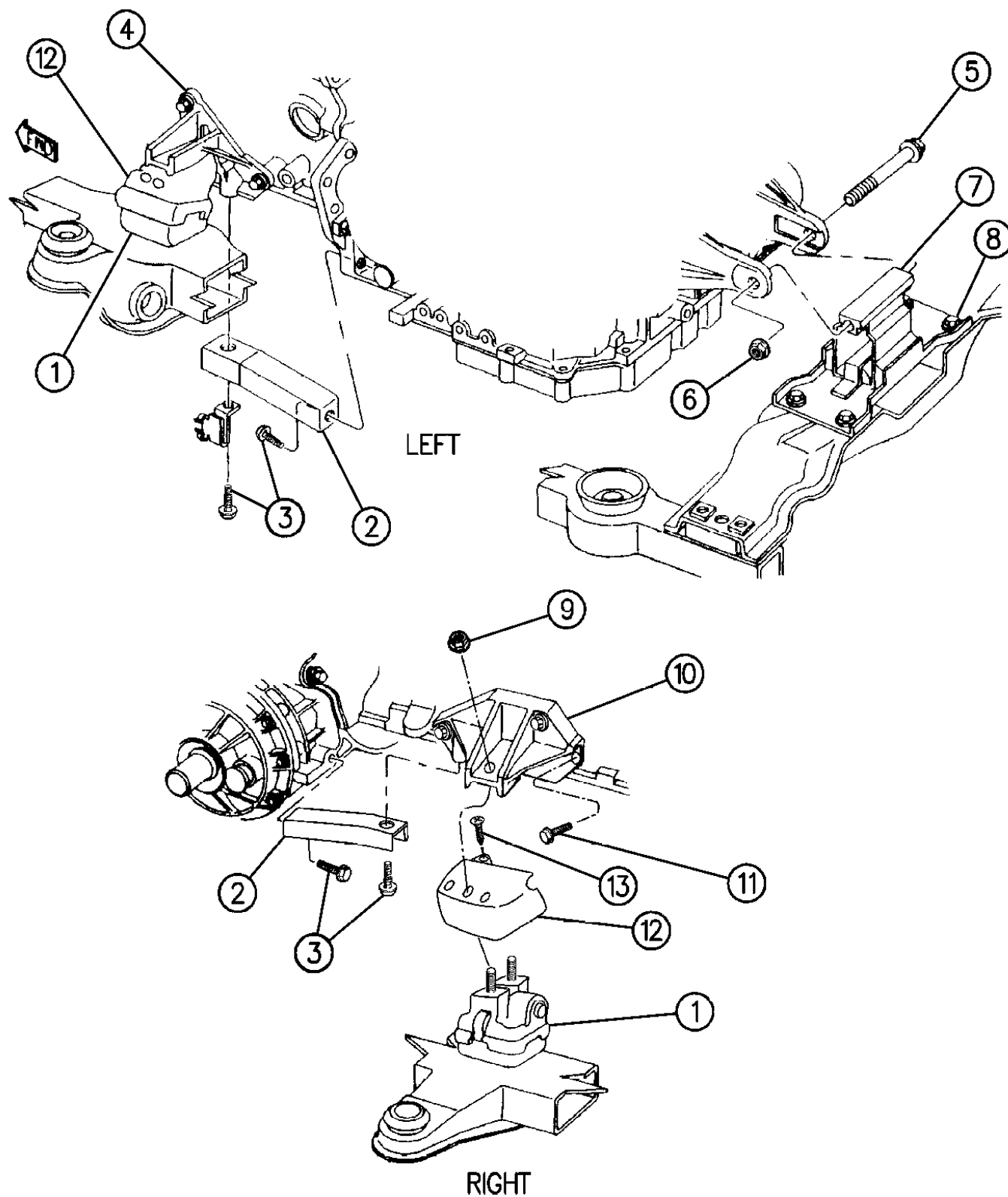


93456 810

ENGINE MOUNTS 3.3L ENGINE

Figure 9B-1010

9B-1010



ITEM	PART NUMBER	QTY	BODY	MODEL	DESCRIPTION
1					INSULATOR ASSY, Engine (MUST Be Replaced in PAIRS) ***
	4573 232	1			1993
	4663 526	2			1994-95
	4593 239	2			1996
2	4573 224	2			STRUT,Power Plant Bending
3	6101 060	4			SCREW,w/Washer m10x1.5-30
4	4573 189	1			BRACKET,Engine Mount Left
5	6502 795	1			SCREW, Transmission Mount Attach m10x1.5-170
6	6101 448	1			NUT,w/Washer, Transmission Mount M10 x 1.5
7					SUPPORT ASSY, Transmission Mount ***
	4663 228	1			w/Out AutoStick (DHD)
	4593 238	1			w/AutoStick (DHD)
8	6502 848	4			SCREW,w/Washer,m8x1.25-20
9	6101 448	4			NUT,w/Washer,Engine Insulator to Bracket
10	4573 188	1			BRACKET, Engine Mount Rt.
11					SCREW,w/Washer, Engine Mounting Bracket
	6101 524	4			m10x1.5-30
	6101 622	2			m10x1.5-55
12					SHIELD, Engine Supt. Heat
	4663 041	1			Left 1993-95
	4663 069	1			1996
	4663 042	1			Right 1993-95
	4663 070	1			1996
13	6502 946	AR			SCREW, Heat Shield Attach M6 x 1.00 x 13.00
-	4797 441	AR			SHIM, Engine Mount (TSB 02-06-97) ***

93456 1010

MODEL CODES:

Chrysler = (CH41 = New Yorker, CP41 = LHS, DH41 = Intrepid(Canada), DP41 = Intrepid ES(Canada), LP41 = Concorde)
 DODGE = (DH41 = Intrepid(USA), DP41 = Intrepid ES(USA))
 EAGLE = (XP41 = Vision ESI, XS41 = Vision TSI)

BODY STYLES:

41 = 4 - Door Sedan ENGINE: 3.3L (EGB)
 3.5L (EGE) 24 Valve

AR = Use as Required - = Non Illustrated Part P.A.R. = Paint as Required

GROUP-9C

3.5L ENGINE (6 CYL.)

09B (T) EGB = 3.3L ENGINE 6 CYL. (GAS)

09C (F) EGE = 3.5L ENGINE 6 CYL. (GAS) 24V MPI

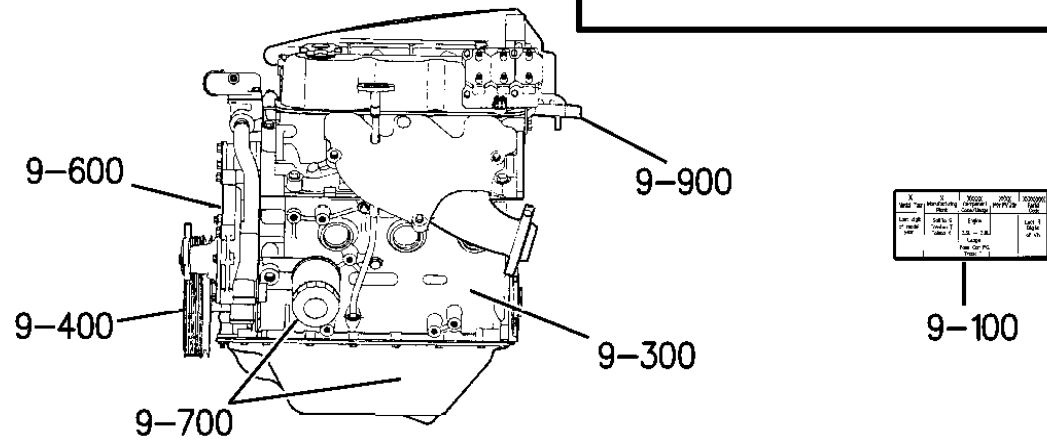


ILLUSTRATION TITLE

GROUP-FIG. NO.

I.D. LOCATION

I.D. LOCATION 3.5L ENGINE Fig. 9C-110

CYLINDER HEAD

CYLINDER HEAD 3.5L ENGINE Fig. 9C-210

CYLINDER BLOCK

CYLINDER BLOCK 3.5L ENGINE Fig. 9C-310

CRANKSHAFT, PISTON, AND TORQUE CONVERTER

CRANKSHAFT, PISTON, AND TORQUE CONVERTER 3.5L ENGINE Fig. 9C-410

CAMSHAFT AND VALVES

CAMSHAFT AND VALVES 3.5L ENGINE Fig. 9C-510

TIMING BELT AND COVER

TIMING BELT AND COVER 3.5L ENGINE Fig. 9C-610

ENGINE OILING

ENGINE OILING 3.5L ENGINE Fig. 9C-710

MANIFOLDS

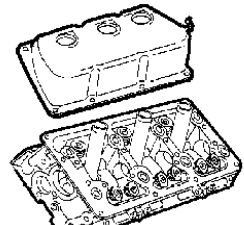
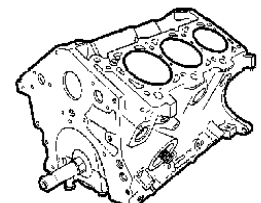
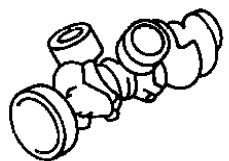
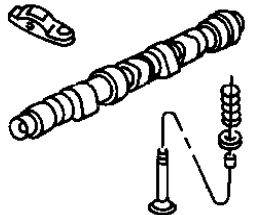
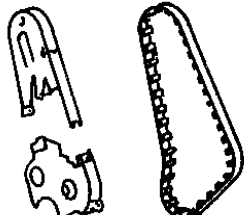
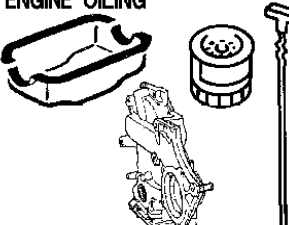
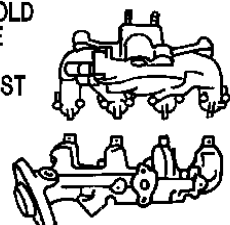
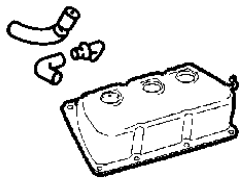
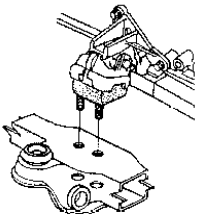
MANIFOLD, INTAKE AND EXHAUST 3.5L ENGINE Fig. 9C-810

CRANKCASE VENTILATION

CRANKCASE VENTILATION 3.5L ENGINE Fig. 9C-910

ENGINE MOUNTS

ENGINE MOUNTS 3.5L ENGINE Fig. 9C-1010

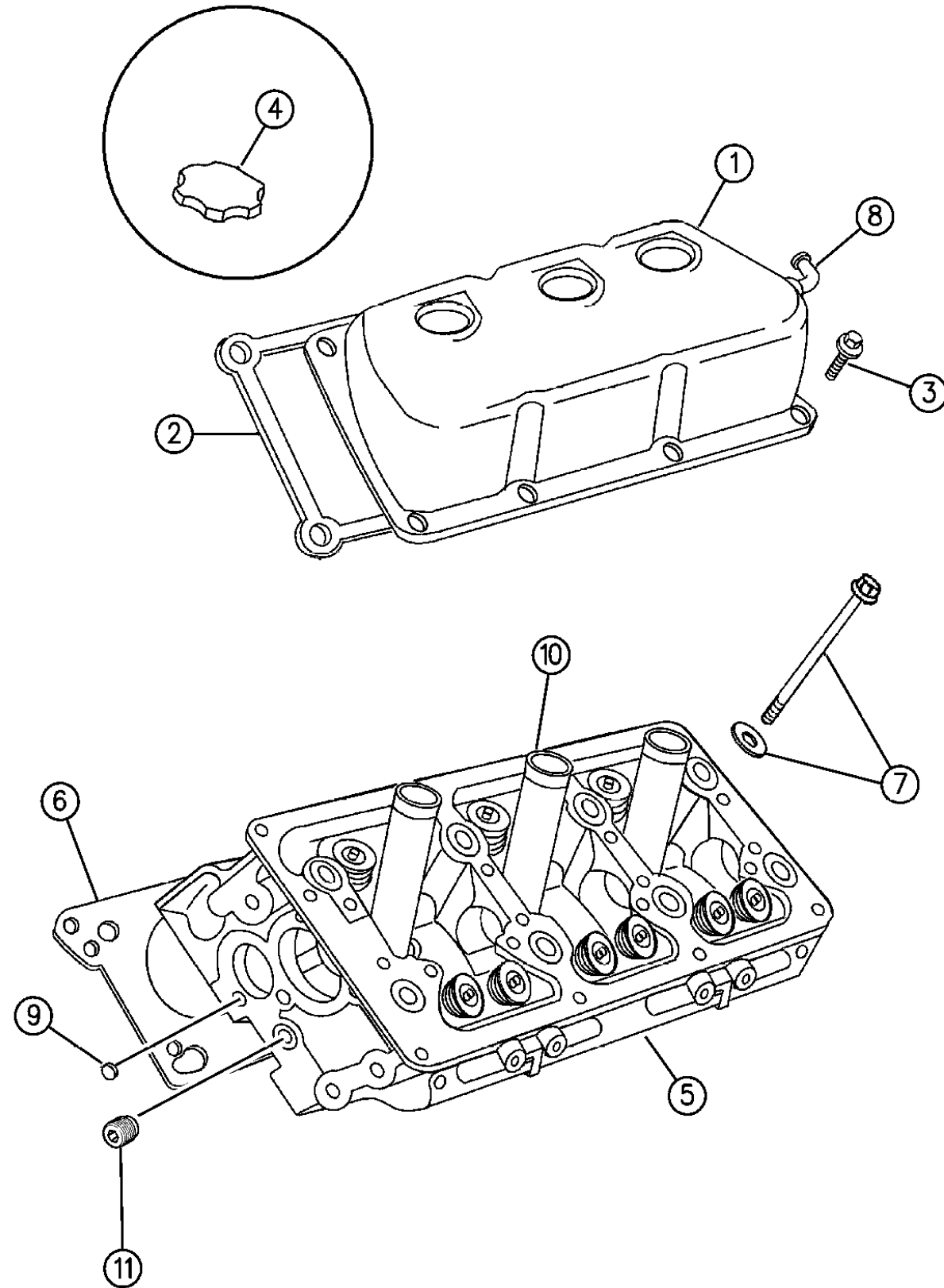
<p>9-100 I.D. LOCATION</p> <table border="1"> <tr> <td>X Model Year</td> <td>X Manufacturing Plant</td> <td>XXXXX Component Code/Lineage</td> <td>XXXX Month/Day</td> <td>XXXXXXXXXX Serial Code</td> </tr> <tr> <td>Last digit of model year</td> <td>Sabbio S Trenton T Tokyo K</td> <td>Engine 3.3L - 3.5L Range Pass Car PC Truck T</td> <td></td> <td>Last 8 Digits of VIN</td> </tr> </table>	X Model Year	X Manufacturing Plant	XXXXX Component Code/Lineage	XXXX Month/Day	XXXXXXXXXX Serial Code	Last digit of model year	Sabbio S Trenton T Tokyo K	Engine 3.3L - 3.5L Range Pass Car PC Truck T		Last 8 Digits of VIN	<p>9-200 CYL. HEAD & COVER</p> 	<p>9-300 CYL. BLOCK-SHORT ENG.</p> 	<p>9-400 PISTON & CRANKSHAFT</p> 
X Model Year	X Manufacturing Plant	XXXXX Component Code/Lineage	XXXX Month/Day	XXXXXXXXXX Serial Code									
Last digit of model year	Sabbio S Trenton T Tokyo K	Engine 3.3L - 3.5L Range Pass Car PC Truck T		Last 8 Digits of VIN									
<p>9-500 CAMSHAFT & VALVES</p> 	<p>9-600 TIMING BELT & COVER</p> 	<p>9-700 ENGINE OILING</p> 	<p>9-800 MANIFOLD INTAKE and EXHAUST</p> 										
<p>9-900 CRANKCASE VENT</p> 	<p>9-1000 ENGINE MTG. & SUPPORT</p> 												

CYLINDER HEAD 3.5L ENGINE

Figure 9C-210

9C-210A

ITEM	PART NUMBER	QTY	BODY	MODEL	DESCRIPTION
	4626 662	1			GASKET PACKAGE, Eng Upper
	4773 587				1995-96
NOTE:CONTAINS GSKTS:for CYL HEADS&CVRS,FUEL RAILS,PLENUM to MAN,INT to HEAD,INT to HTR TUBE,EGR,SEALS:for CAM,SPARK PLUG TUBES,VLV GUIDE SEALS					
1					COVER ASSEMBLY, Cylinder Head
	4663 936	1			Right (Includes Oil Filler Cap)
	4556 581	1			Left
2	4556 593	2			GASKET, Cylinder Head Cover
3	6502 343	16			SCREW, Cylinder Head Cover Attaching
	6502 647	3			STUD, w/Washer m6x1.0x44
4					CAP, Oil Filler
	4621 875	1			1993-95
	5302 0554				1996
5					HEAD, Cylinder Partial
	4773 095	2			1993 only
	4315 808	2			1994 (Reman # R4315808)
	4663 491	2			1995-96
6					GASKET, Cylinder Head
	4663 444				Right
	4663 445				Left
7	6503 493	16			SCREW, Cylinder Head Attaching m11x1.5x190
	6503 495	16			WASHER, Cylinder Head Attching Screw
	6501 435	16			1995
8		1			NIPPLE, Cylinder Head Cover (Serviced in Cover)
9	4556 020	2			PLUG, Cylinder Head Core Hole Cup (1-1/4")
		1			PLUG, EGR 3/8-18 (Not Serviced)
10	4573 938	6			TUBE, Spark Plug
	4536 538	6			SEAL, Spark Plug Tube O-Ring
	4573 943	6			NUT, Spark Plug Tube
11	6034 826	1			PLUG, Pipe (3/8-18 Hex)



MODEL CODES:

Chrysler = (CH41 = New Yorker, CP41 = LHS, DH41 = Intrepid(Canada), DP41 = Intrepid ES(Canada), LP41 = Concorde)
 DODGE = (DH41 = Intrepid(USA), DP41 = Intrepid ES(USA))
 EAGLE = (XP41 = Vision ESI, XS41 = Vision TSI)

BODY STYLES:

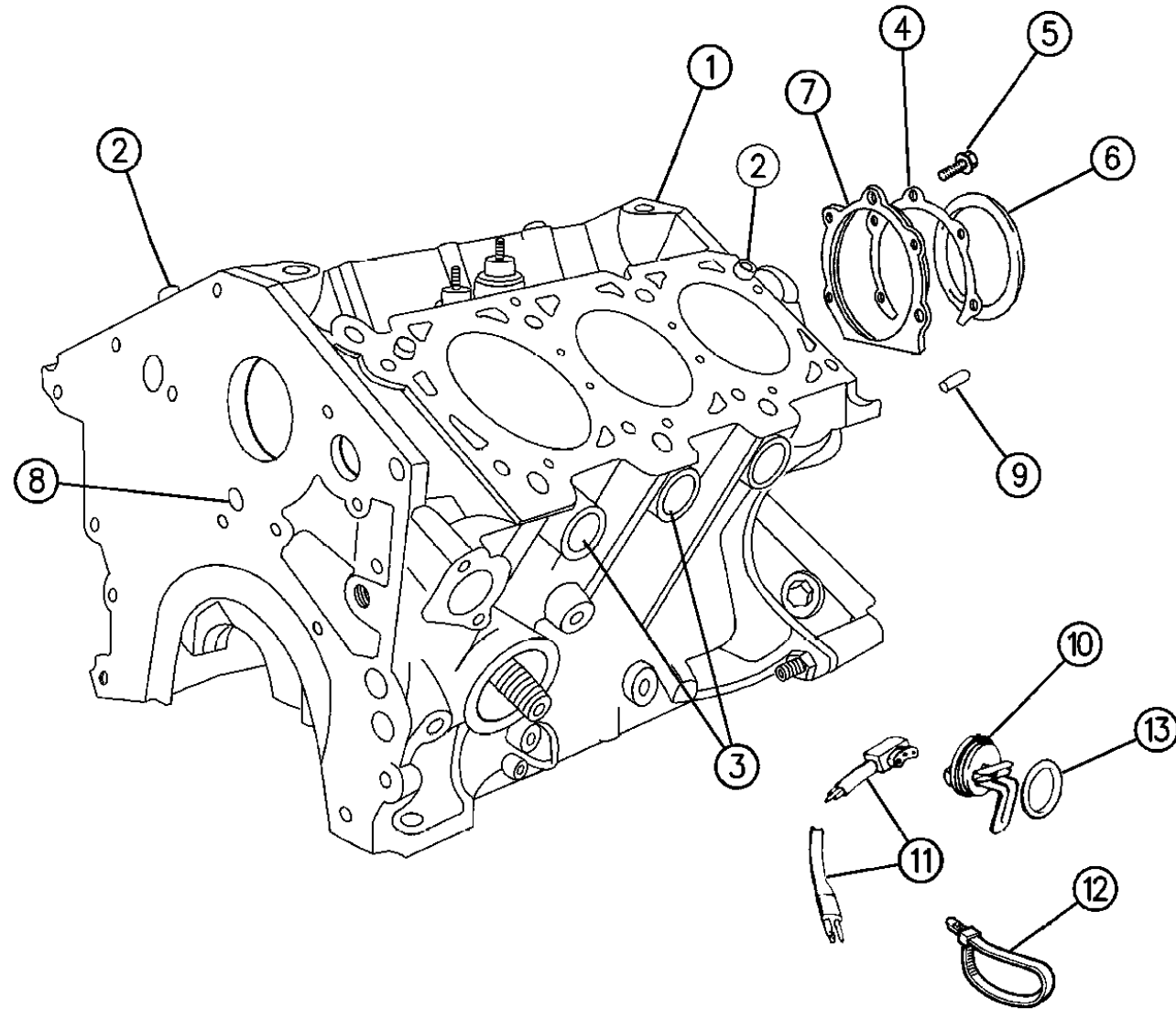
41 = 4 - Door Sedan ENGINE: 3.3L (EGB)
 3.5L (EGE) 24 Valve

93458 210

AR = Use as Required - = Non Illustrated Part P.A.R. = Paint as Required

CYLINDER BLOCK 3.5L ENGINE
Figure 9C-310

9C-310



ITEM	PART NUMBER	QTY	BODY	MODEL	DESCRIPTION
	4626 661	1			GASKET PACKAGE, Eng Lower
	4796 011				1995-96
NOTE: Contains SEALS:for Crankshaft-Frt/Rr,Oil PumpWater Pump, GSKTS:for Oil Pan,Oil Seal Ret,Chain Case Cvr,Cvr to Oil Inlet Cvr to Water Inlet&Outlet					
					ENGINE, Short
	4626 443	1			1993
	4741 658	1			1994
	4773 081				1995
	4882 152	1			1996 (Reman # R4882152)
NOTE: Short Assembly Consists of the Cylinder Block with Piston and Rings, Crankshaft and Bearings, Connecting Rods and Bearings.					
1		1			BLOCK, Cylinder (Serviced in Short Engine) ***
2	4448 856	4			DOWEL, Cylinder Block to Cylinder Head
3		2			PLUG, Cylinder Block Water Jacket Drain (1/4) Pipe (Not Serviced)
	4556 022	8			PLUG, Cylinder Block Water Hole (1-5/8")
4	4448 021	1			RETAINER, Crankshaft Rear Oil Seal w/Oil Seal
5	6100 276	5			SCREW and WASHER, Crankshaft Oil Seal Retainer Rear m6x1.0x20
6	5203 590	1			OIL SEAL, Crankshaft Rear
7	4448 018	1			GASKET, Crankshaft Oil Seal Retainer Rear
	4621 965	1			1995
8	4556 018	5			PLUG, Cylinder Block Oil Hole (5/8)
	4556 222	8			(0.88MM" O/S) Orifice 5/8 Dia.
9	5240 849	2			DOWEL, Cylinder Block to Clutch Housing or Trans. Case
	5203 466	2			DOWEL, Cylinder Block to Crankshaft Seal Retainer
10	4609 550	1			HEATER, Engine Block
11	4609 060	1			CORD, Engine Block Heater
12	6015 756	2			STRAP, Engine Block Heater
		1			CLIP, Engine Block Heater Cord (Not Serviced)
13	6501 445	1			O-RING, Engine Block Heater (1-11/32 Dia. 11/64 Width)
	6501 446	1			(1-11/32 Dia. 9/64 Width)

93458 310

MODEL CODES:

Chrysler = (CH41 = New Yorker, CP41 = LHS, DH41 = Intrepid(Canada), DP41 = Intrepid ES(Canada), LP41 = Concorde)
DODGE = (DH41 = Intrepid(USA), DP41 = Intrepid ES(USA))
EAGLE = (XP41 = Vision ESI, XS41 = Vision TSI)

BODY STYLES:

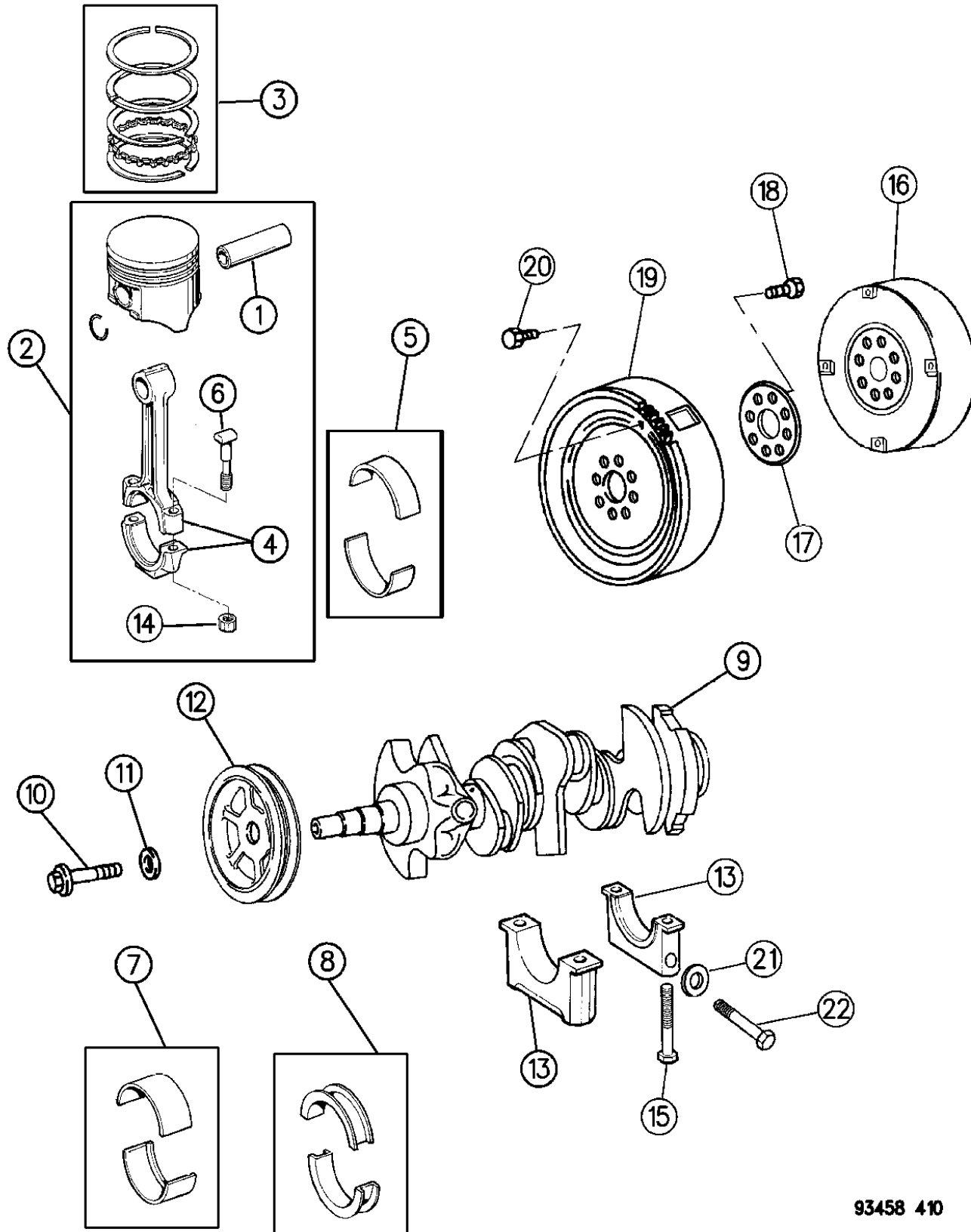
41 = 4 - Door Sedan ENGINE: 3.3L (EGB)
3.5L (EGE) 24 Valve

AR = Use as Required - = Non Illustrated Part P.A.R. = Paint as Required

CRANKSHAFT, PISTON, AND TORQUE CONVERTER 3.5L ENGINE
Figure 9C-410

9C-410

ITEM	PART NUMBER	QTY	BODY	MODEL	DESCRIPTION
18	6501 193	8			BOLT, Drive Plate to Crankshaft
19	4736 053	1			PLATE, Torque Converter Drive
20	6501 099	4			SCREW, Drive Plate to Torque Converter
21	4573 501	4			WASHER, Bearing Cap Tie Bolt
22	6100 944	4			BOLT, Crankshaft Bearing Cap Tie m10x1.5x70



93458 410

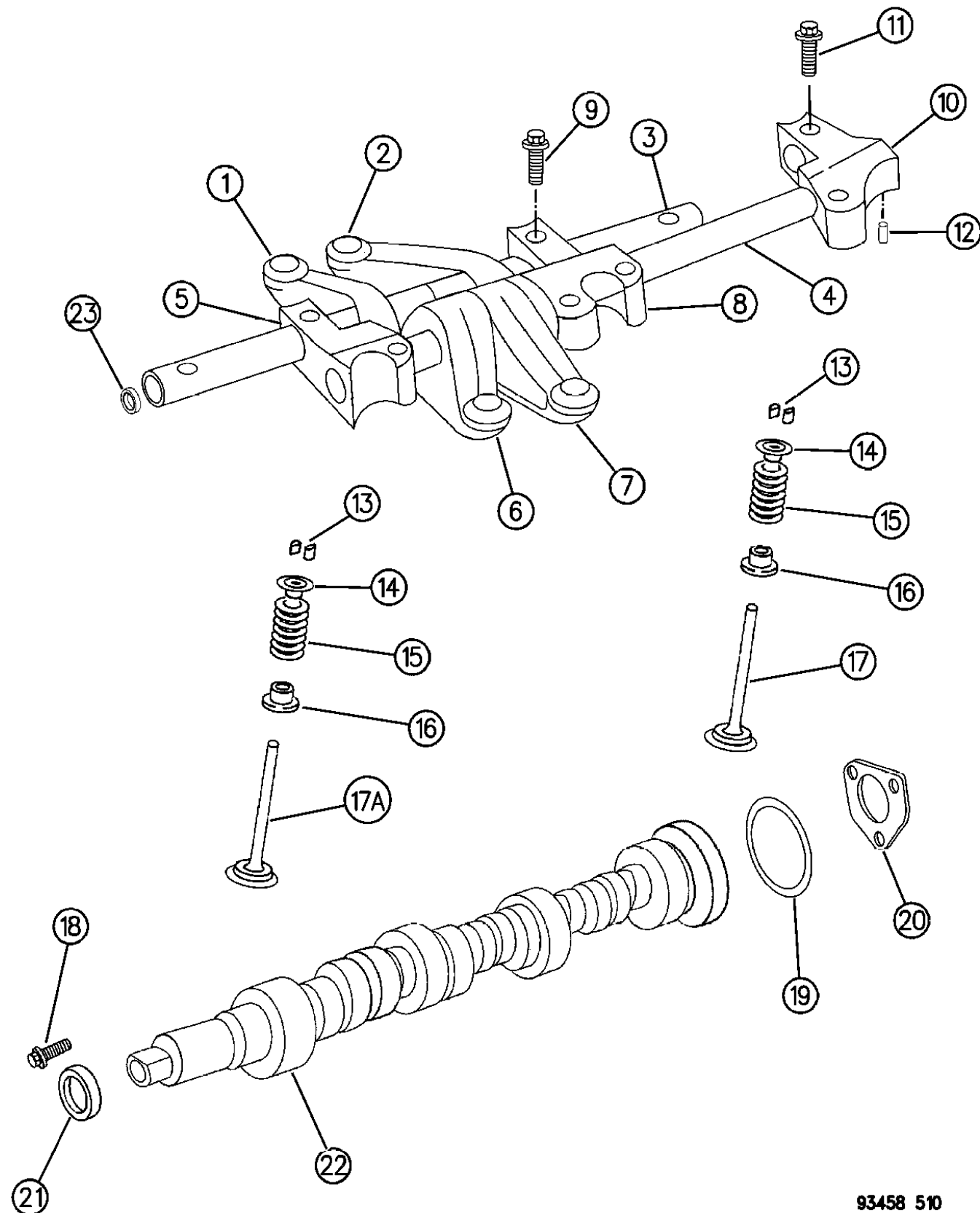
MODEL CODES: _____
 Chrysler = (CH41 = New Yorker, CP41 = LHS, DH41 = Intrepid(Canada), DP41 = Intrepid ES(Canada), LP41 = Concorde)
 DODGE = (DH41 = Intrepid(USA), DP41 = Intrepid ES(USA))
 EAGLE = (XP41 = Vision ESI, XS41 = Vision TSI)

BODY STYLES: _____
 41 = 4 - Door Sedan ENGINE: 3.3L (EGB)
 3.5L (EGE) 24 Valve

AR = Use as Required - = Non Illustrated Part P.A.R. = Paint as Required

CAMSHAFT AND VALVES 3.5L ENGINE
Figure 9C-510

9C-510



93458 510

ITEM	PART NUMBER	QTY	BODY	MODEL	DESCRIPTION
NOTE: Valve Guides and Valve Seats are serviced in Cylinder Head.					
1	4573 460	6			ARM ASSEMBLY, Right Intake Rocker ***
2	4573 459	6			ARM ASSEMBLY, Left Intake Rocker ***
3	4315 823	2			SHAFT ASSEMBLY, Intake Rocker Arm
4	4315 824	2			SHAFT ASSEMBLY, Exhaust Rocker Arm
5	4663 071	2			Pedestal Assembly, Front Rocker Shaft ***
6	4573 462	6			ARM ASSEMBLY, Right Exhaust Rocker ***
7	4573 461	6			ARM ASSEMBLY, Left Exhaust Rocker ***
8	4663 072	4			PEDESTAL ASSEMBLY, Intermediate Rocker Shaft ***
9					SCREW, w/Washer m8x1.25x55
	6502 642	2			1993
	6503 279	2			1994-96
10	4663 073	2			PEDESTAL ASSEMBLY, Rear Rocker Shaft ***
11					SCREW, w/Washer
	6502 877	18			1993 m8-1.25x55.60
	6503 279	18			1994-95 m8-1.25x55
12	4573 379	8			DOWEL
13	4536 513	48			LOCK, Valve Spring Retainer
14	4556 547	24			RETAINER, Valve Spring
15					SPRING, Valve
	4573 320	12			Intake
	4573 507	12			Exhaust
16					SEAL, Valve Guide w/Spring Seat
	4663 002	24			Standard
	4713 467	AR			.15 O/S
	4713 472	AR			.40 O/S
	4713 473	AR			.80 O/S
17					VALVE, Cylinder Head
					Intake 1993-94
	4315 809	12			Standard
	4573 485	AR			.15 O/S
	4573 486	AR			.40 O/S
	4573 487	AR			.80 O/S
					Intake 1995-96
	4663 345	12			Standard
	4746 757	AR			.15 O/S
	4746 758	AR			.40 O/S
	4746 759	AR			.80 O/S
17A					Exhaust 1993-94
	4573 380	12			Standard
	4573 489	AR			.15 O/S
	4573 490	AR			.40 O/S

MODEL CODES:

Chrysler = (CH41 = New Yorker, CP41 = LHS, DH41 = Intrepid(Canada), DP41 = Intrepid ES(Canada), LP41 = Concorde)
 DODGE = (DH41 = Intrepid(USA), DP41 = Intrepid ES(USA))
 EAGLE = (XP41 = Vision ESI, XS41 = Vision TSI)

BODY STYLES:

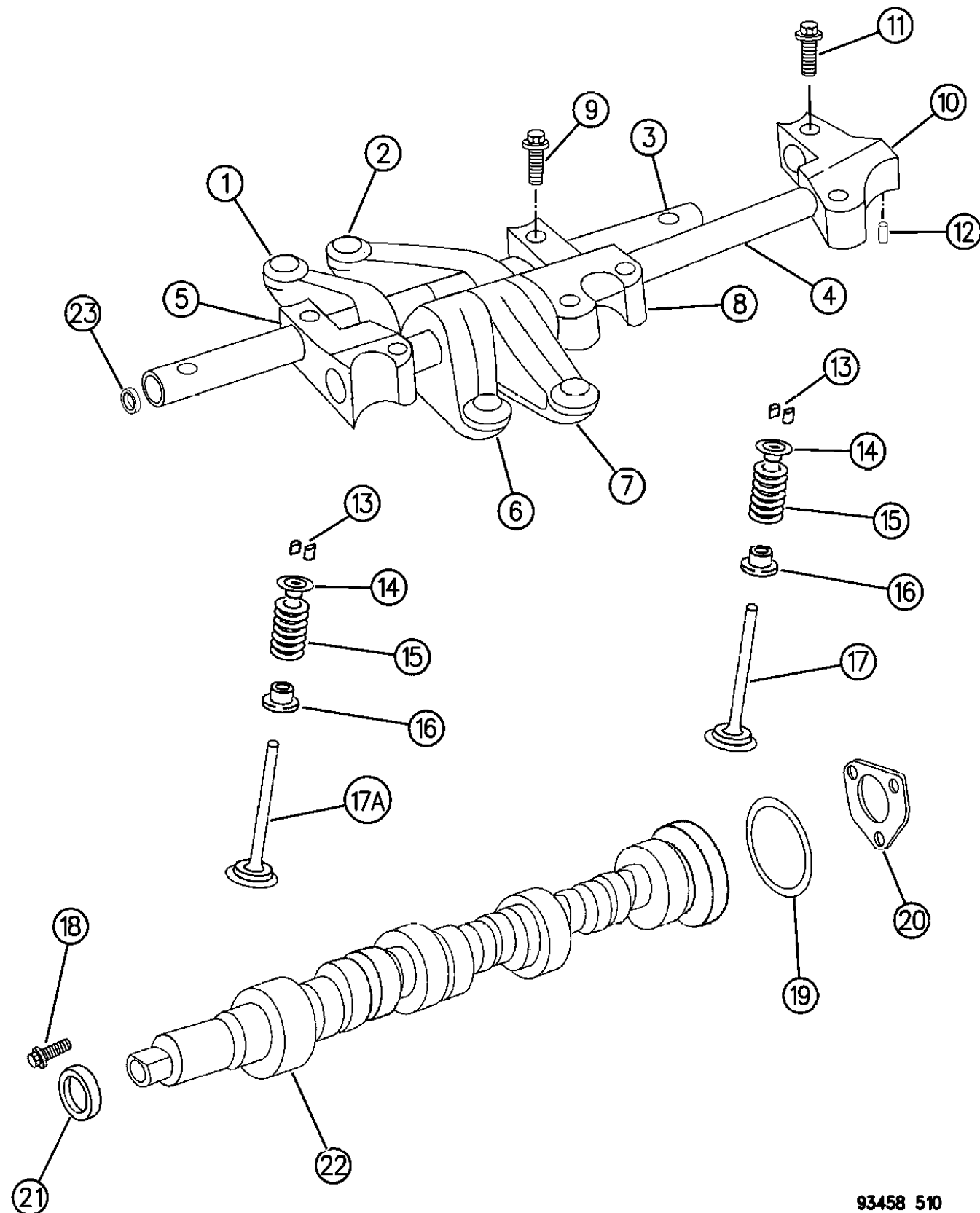
41 = 4 - Door Sedan ENGINE: 3.3L (EGB)
 3.5L (EGE) 24 Valve

AR = Use as Required - = Non Illustrated Part P.A.R. = Paint as Required

CAMSHAFT AND VALVES 3.5L ENGINE

Figure 9C-510

9C-510



93458 510

ITEM	PART NUMBER	QTY	BODY	MODEL	DESCRIPTION
	4573 493	AR			.80 O/S
					Exhaust 1995-96
	4663 347	12			Standard
	4746 760	AR			.15 O/S
	4746 761	AR			.40 O/S
	4746 762	AR			.80 O/S
18	6502 847	6			SCREW, w/Washer Thrust Plate m8x1.25x25
19	4536 492	2			SEAL, Thrust Plate
20	4556 518	2			PLATE, Camshaft Thrust
21	4573 927	2			SEAL, Camshaft Front Oil
22					CAMSHAFT
	4573 925	1			Left, Stamped 4573923
	4573 926	1			Right, Stamped 4573923
23	5203 517	4			PLUG, Rocker Shaft End 7/16

MODEL CODES:

Chrysler = (CH41 = New Yorker, CP41 = LHS, DH41 = Intrepid(Canada), DP41 = Intrepid ES(Canada), LP41 = Concorde)
 DODGE = (DH41 = Intrepid(USA), DP41 = Intrepid ES(USA))
 EAGLE = (XP41 = Vision ESI, XS41 = Vision TSI)

BODY STYLES:

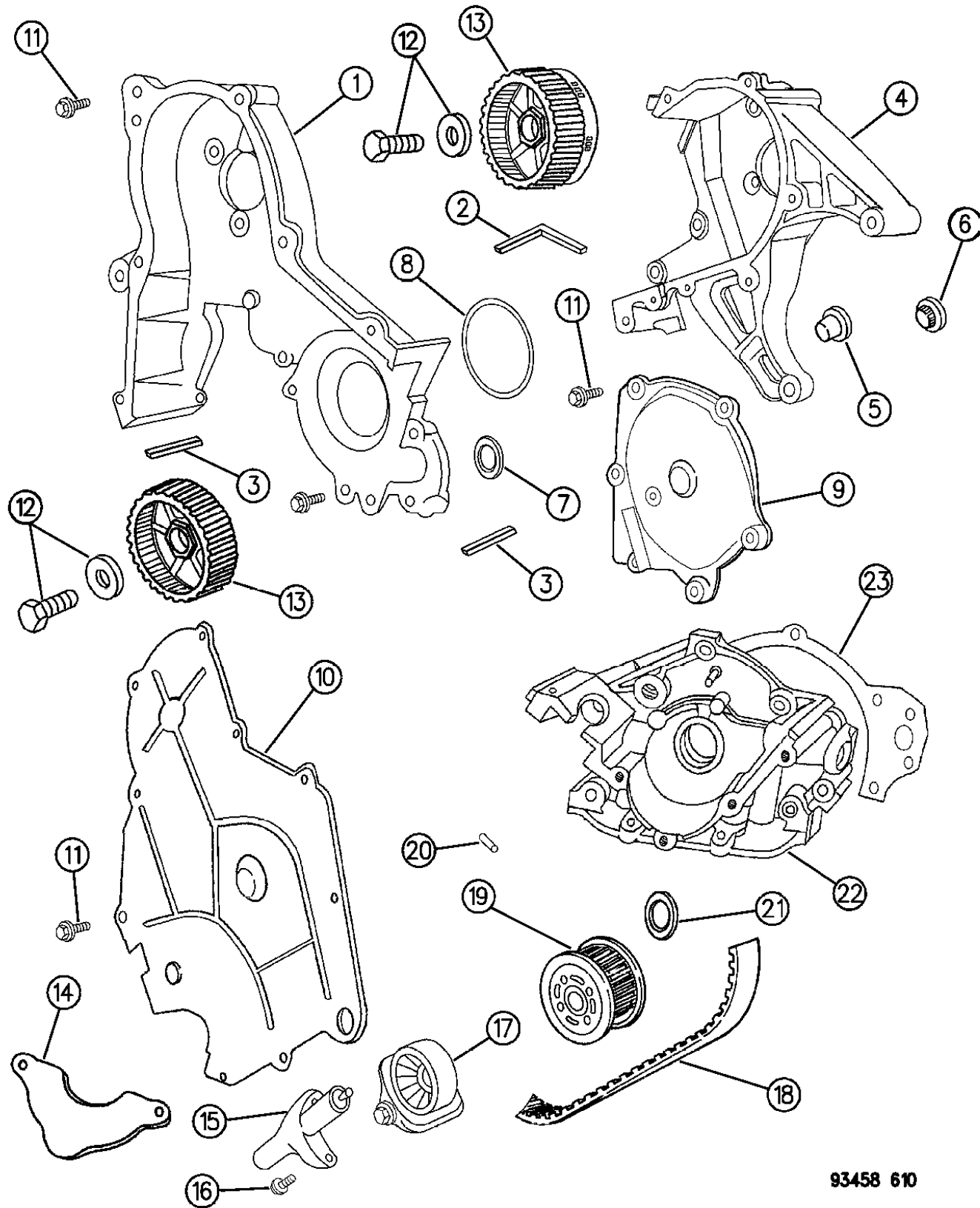
41 = 4 - Door Sedan ENGINE: 3.3L (EGB)
 3.5L (EGE) 24 Valve

AR = Use as Required - = Non Illustrated Part P.A.R. = Paint as Required

TIMING BELT AND COVER 3.5L ENGINE

Figure 9C-610

9C-610



93458 610

ITEM	PART NUMBER	QTY	BODY	MODEL	DESCRIPTION
1	4573 980	1			COVER ASSEMBLY, Timing Belt Rt. Rear
2	4573 937	1			SEAL, Dust RT. Rear
3	4573 919	2			SEAL, Dust Oil Pump Body
4	4573 503	1			COVER ASSEMBLY, Timing Belt Lt. Rear
5	4573 978	1			PLUG, Timing Belt Cover Lt. Rear
6		1			BUSHING, Timing Cover Serviced in Assembly
7	4483 443	2			GASKET, Timing Case Water Inlet to Block
8	4659 430	8			SEAL, Timing Belt Cover to Block
9	4556 535	1			COVER, Timing Belt Lt. Bank Front
10	4556 537	1			COVER, Timing Belt Rt. Bank Front
11					SCREW, w/Washer Timing Belt Cover Attaching
	6100 276	14			m6x1.0x20
	6100 278	6			m6x1.0x30
	6101 052	AR			m10x1.5x40
	6100 229	2			m8x1.25-30
12					SCREW, w/Washer Camshaft Sprocket Attaching
	6502 916	1			m12x1.5x215
	6502 917	1			m12x1.5x258
	6500 346	2			WASHER, Camshaft Attaching
	6503 435	1			1995-96
13					SPROCKET, Camshaft
	4536 491	1			Right
	4573 384	1			Left
14	4556 546	1			COVER, Crankshaft Sprocket
15	4573 347	1			TENSIONER, Timing Belt
16	6100 297	2			SCREW, w/WASHER Timing Belt Tensioner M8 x 1.25 x 35.00
17					PULLEY ASSEMBLY, Tensioner, w/Arm ***
	4573 348	1			1993-94 (With Snubber)
	4663 515	1			1995-96 (With Out Snubber)
18	4573 944	1			BELT, Timing
	4663 598	1			1995-96
19	4536 479	1			SPROCKET ASSEMBLY, Timing Belt
20	4448 557	1			DOWEL, Crankshaft Sprocket
21	4273 275	1			SEAL, Crankshaft Front Oil
22	4556 550	1			PUMP ASSEMBLY, Engine Oil ***
23	4556 512	1			GASKET, Oil Pump Body to Cylinder Block

MODEL CODES:

Chrysler = (CH41 = New Yorker, CP41 = LHS, DH41 = Intrepid(Canada), DP41 = Intrepid ES(Canada), LP41 = Concorde)
 DODGE = (DH41 = Intrepid(USA), DP41 = Intrepid ES(USA))
 EAGLE = (XP41 = Vision ESI, XS41 = Vision TSI)

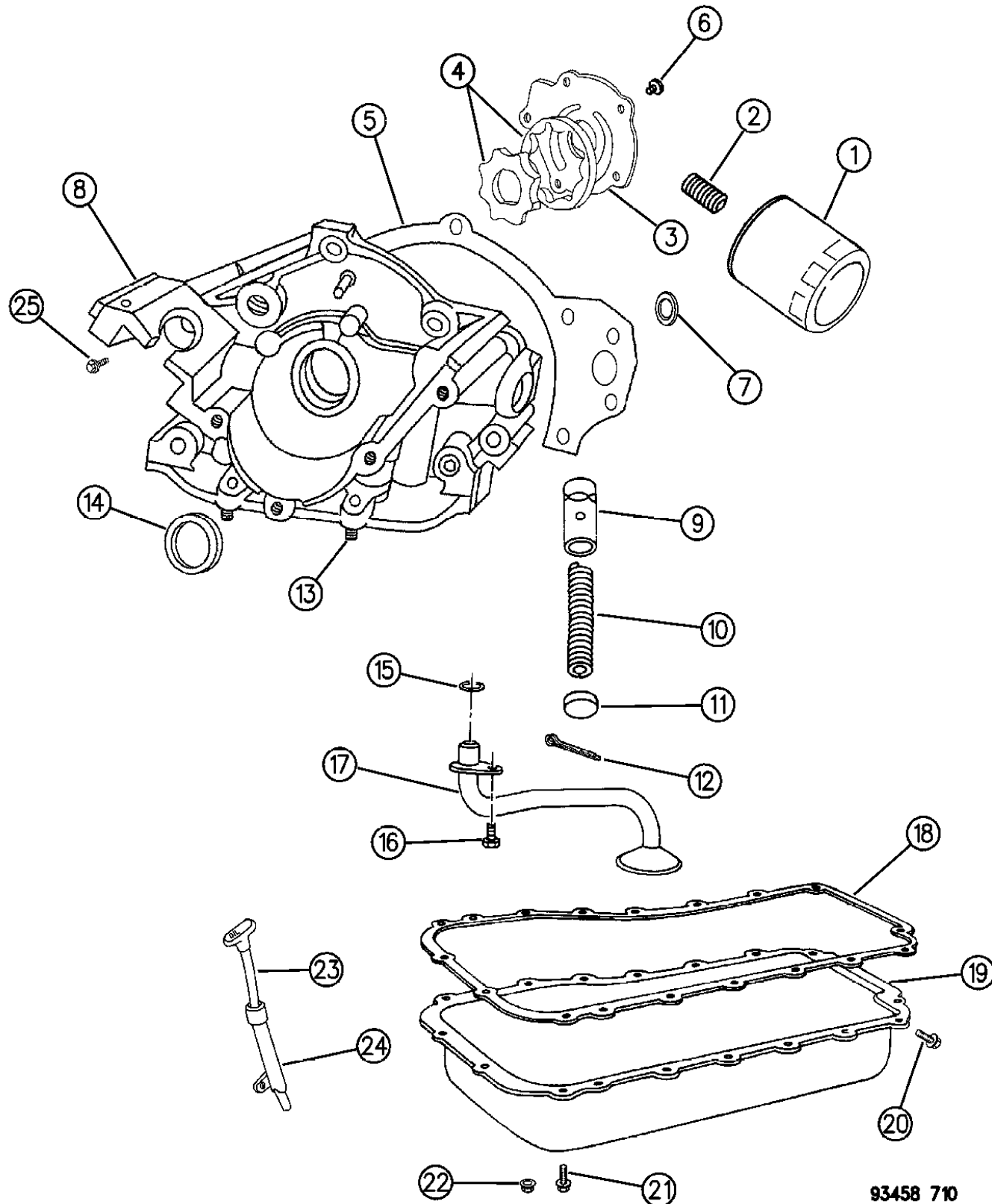
BODY STYLES:

41 = 4 - Door Sedan ENGINE: 3.3L (EGB)
 3.5L (EGE) 24 Valve

AR = Use as Required - = Non Illustrated Part P.A.R. = Paint as Required

ENGINE OILING 3.5L ENGINE
Figure 9C-710

9C-710



93458 710

ITEM	PART NUMBER	QTY	BODY	MODEL	DESCRIPTION
1	5281 090	1			FILTER, Oil
2	4104 511	1			ADAPTER, Oil Filter to Cylinder Block
3					COVER, Oil Pump Body Serviced in Assembly
4	4626 442	1			ROTOR PACKAGE, Oil Pump ***
5	4556 512	1			GASKET, Oil Pump Body to Block
6	6101 386	5			SCREW, Oil Pump Cover (M6x18)
7	4483 444	1			O-Ring, Pump Assy Oil Inlet to Block ***
8	4556 550	1			PUMP ASSEMBLY, Engine Oil
9	2843 208	1			PLUNGER, Oil Pressure Relief Valve
10	2402 473	1			SPRING, Oil Pressure Relief Valve
11	2806 273	1			CAP, Oil Pressure Relief Valve
12	0119 120	1			PIN, Cotter
13	6501 991	2			STUD, Oil Pan Attaching M6 x 1.00 x 32.00
14	4273 275	1			SEAL, Crankshaft Front Oil
15	6032 920	1			SEAL, Oil Pickup Tube to Chain Case Cover
16	6500 070	1			SCREW, w/Washer Oil Pickup Tube Attaching m8x1.25-25
17	5281 157	1			TUBE, Oil Pickup w/Strainer
18	4573 527	1			GASKET and WINDAGE TRAY, Oil Pan ***
19	4573 510	1			PAN, Oil Partial
20	4293 859	1			PLUG PACKAGE, Oil Pan Drain
	6034 376	1			1995-96
-	6032 145	1			GASKET, Oil Pan Drain (Also in Plug Pkg.)
21	6502 343	16			SCREW, Oil Pan Attaching m6x1.0x17
22	6500 274	2			NUT, Oil Pan Attaching m6x1.0
23					INDICATOR, Oil Level
	4573 605	1			1993
	4663 469	1			1994
	4663 599	1			1995-96
24					TUBE, Oil Level Indicator and Clip
	4573 606	1			1993 Only
	4663 470	1			1994-96
25					SCREW, w/Washer Oil Pump Cover Attaching
	6100 306	3			m8x1.25x35
	6101 723	2			m8x1.25x50
	6101 277	1			m10x1.5x65

MODEL CODES:

Chrysler = (CH41 = New Yorker, CP41 = LHS, DH41 = Intrepid(Canada), DP41 = Intrepid ES(Canada), LP41 = Concorde)
 DODGE = (DH41 = Intrepid(USA), DP41 = Intrepid ES(USA))
 EAGLE = (XP41 = Vision ESI, XS41 = Vision TSI)

BODY STYLES:

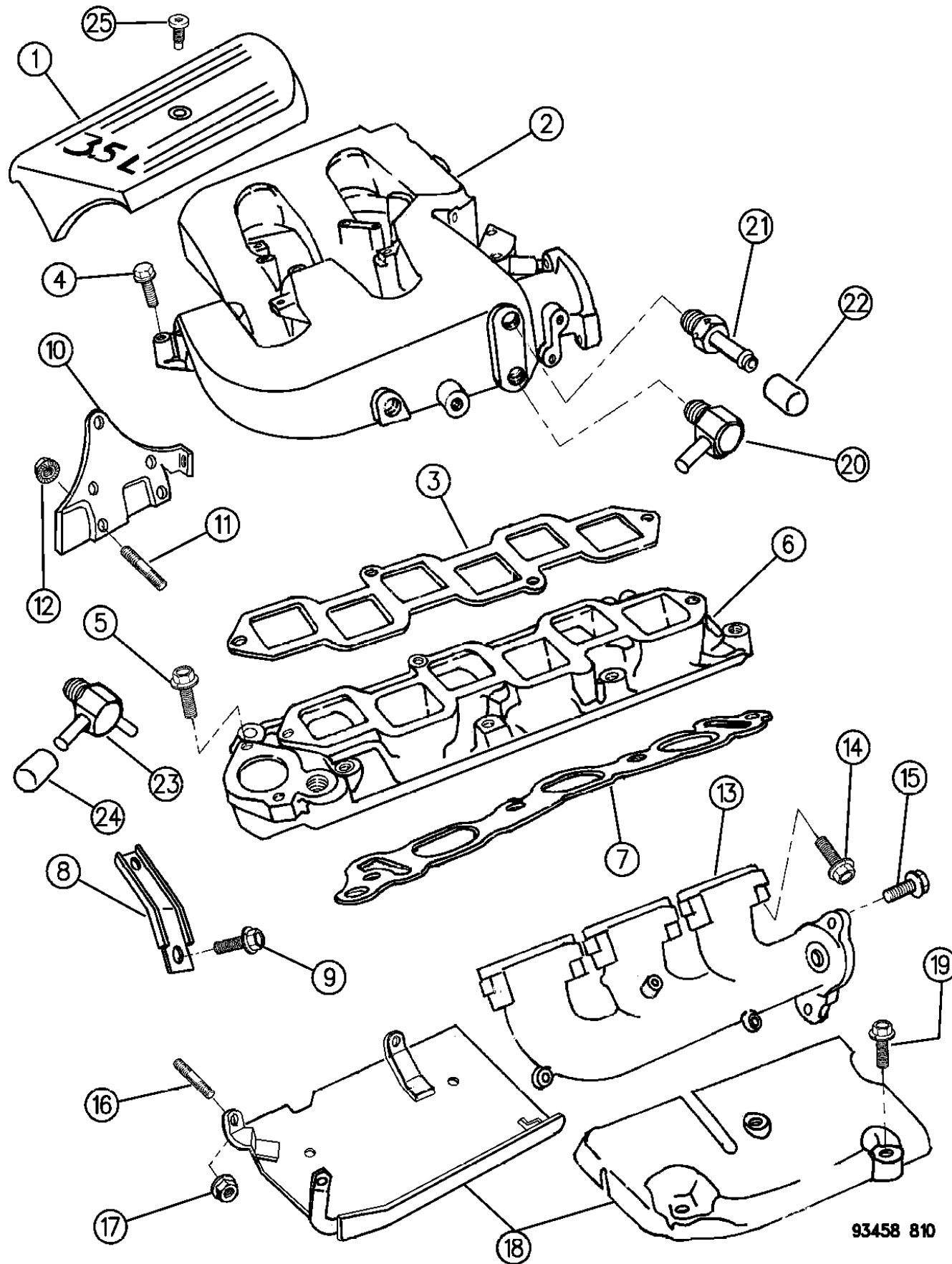
41 = 4 - Door Sedan ENGINE: 3.3L (EGB)
 3.5L (EGE) 24 Valve

AR = Use as Required - = Non Illustrated Part P.A.R. = Paint as Required

MANIFOLD, INTAKE AND EXHAUST 3.5L ENGINE

Figure 9C-810

9C-810A



93458 810

ITEM	PART NUMBER	QTY	BODY	MODEL	DESCRIPTION
1	4573 911	1			COVER, Engine
	4591 003	1			1994-96
2					PLENUM, Intake Manifold
	4626 668	1			1993
	4773 026	1			1994-95
	4798 400	1			1996
3	4556 556	1			GASKET, Plenum to Intake Manifold
4					SCREW, w/Washer Intake Plenum
	6502 649	2			m8x1.25x55
	6502 651	2			m8x1.25x90
5					SCREW, w/WASHER Intake Manifold Attaching
	6101 745	6			m8x1.25x55
	6101 746	2			m8x1.25x65
6					MANIFOLD, Intake Lower
	4556 553	1			1993-94
	4663 517	1			1995-96
7	4556 557	2			GASKET, Intake Manifold to Head
8	4556 594	1			STRUT, Intake Manifold Plenum Support Left
9	6101 503	1			SCREW, w/Washer Strut to Plenum m10x1.5x25
10	4556 595	1			BRACKET, Plenum Support D.I.S. Mounting Right
11	6502 860	1			STUD, Strut to Intake Manifold
12		1			NUT m10x1.5 Not Serviced
13					MANIFOLD, Exhaust
	4556 478	1			Left
	4663 272	1			1995-96
	4556 476	1			Right
	4663 270	1			1995-96
14	6100 931	12			BOLT, Exhaust Manifold Attaching m8x1.25x55
15	6502 915	4			SCREW, Exhaust Flange to Manifold, m10 x 1.50 x 60.00
	6503 276	4			STUD, Dbl End, Same Thrd(Optional w/Screw) M10 x 1.50 x 67.00
16	6501 991	4			STUD, Heat Shield Attaching M6 x 1.00 x 32.00
17	6101 466	AR			NUT, Heat Shield Attaching
18					SHIELD, Exhaust Manifold
	4573 361	1			Upper Left
	4573 362	1			Upper Right
	4573 917	1			Lower Left
	4573 918	1			Lower Right
19	6100 274	AR			SCREW, w/WASHER Shield Attaching m6x1.0x14 .
20	4573 565	1			CONNECTOR, Manifold Vacuum
21	4573 963	1			CONNECTOR, Parking Brake Vacuum Line
22	4663 031	1			CAP, Vacuum Line Connector

MODEL CODES:

Chrysler = (CH41 = New Yorker, CP41 = LHS, DH41 = Intrepid(Canada), DP41 = Intrepid ES(Canada), LP41 = Concorde)
 DODGE = (DH41 = Intrepid(USA), DP41 = Intrepid ES(USA))
 EAGLE = (XP41 = Vision ESI, XS41 = Vision TSI)

BODY STYLES:

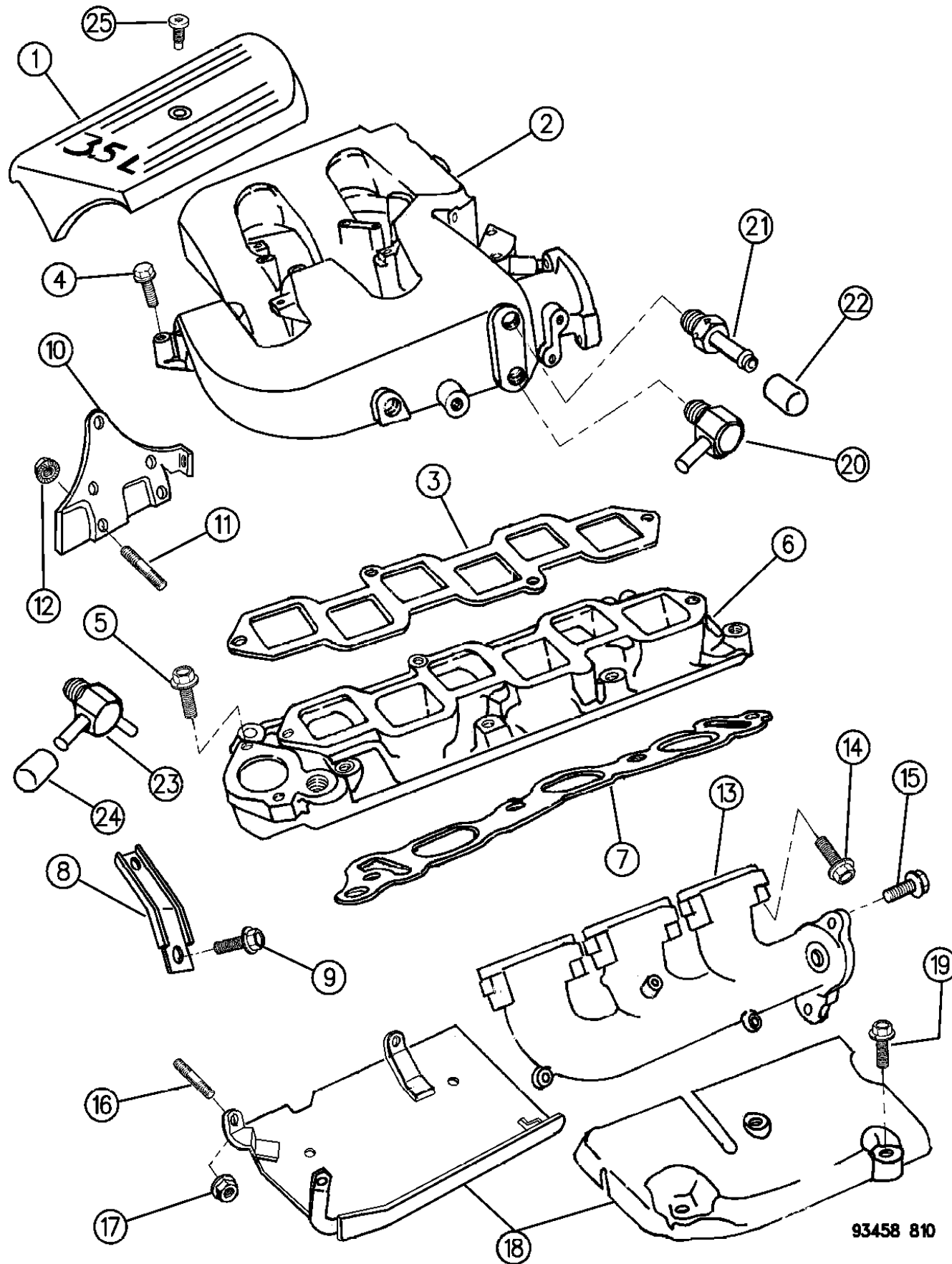
41 = 4 - Door Sedan ENGINE: 3.3L (EGB)
 3.5L (EGE) 24 Valve

AR = Use as Required - = Non Illustrated Part P.A.R. = Paint as Required

MANIFOLD, INTAKE AND EXHAUST 3.5L ENGINE

Figure 9C-810

9C-810A



93458 810

ITEM	PART NUMBER	QTY	BODY	MODEL	DESCRIPTION
23	4663 025	1			CONNECTOR, Vacuum
24	3580 171	1			CAP, Vacuum Connector
25	6502 934	4			SCREW, Truss Head, Int Man Styling Cover Attach M5 x 0.8 x 35.00

MODEL CODES:

Chrysler = (CH41 = New Yorker, CP41 = LHS, DH41 = Intrepid(Canada), DP41 = Intrepid ES(Canada), LP41 = Concorde)
 DODGE = (DH41 = Intrepid(USA), DP41 = Intrepid ES(USA))
 EAGLE = (XP41 = Vision ESI, XS41 = Vision TSI)

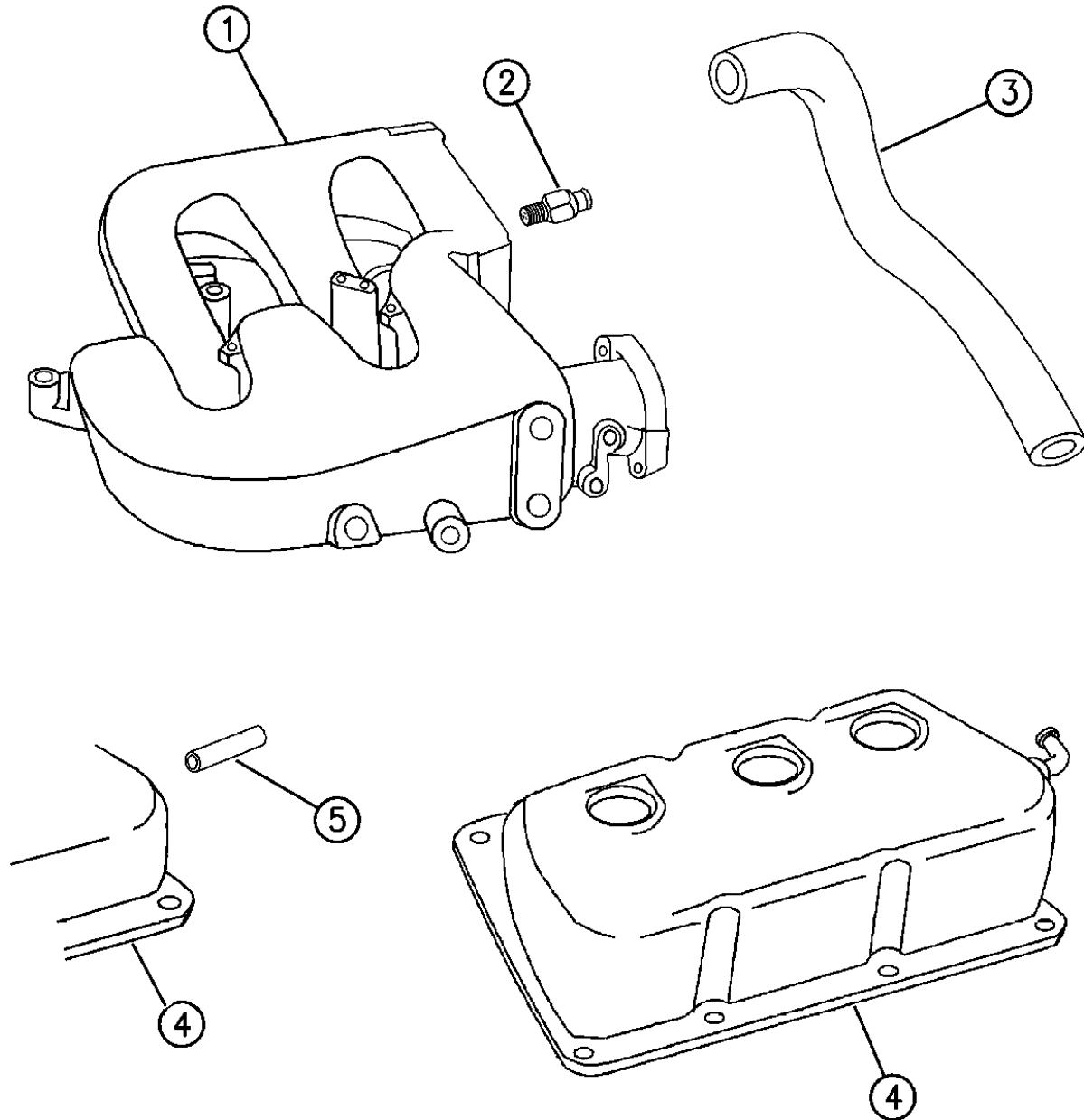
BODY STYLES:

41 = 4 - Door Sedan ENGINE: 3.3L (EGB)
 3.5L (EGE) 24 Valve

AR = Use as Required - = Non Illustrated Part P.A.R. = Paint as Required

CRANKCASE VENTILATION 3.5L ENGINE
Figure 9C-910

9C-910



ITEM	PART NUMBER	QTY	BODY	MODEL	DESCRIPTION
1					PLENUM, Intake Manifold
	4626 668	1		1993	
	4773 026	1		1994-95	
	4798 400	1		1996	
2	4573 561	1			VALVE, Crankcase Vent
3	4573 346	1			TUBE, PCV Cylinder Head Cover to Manifold Plenum
4					Cover Assembly, Cylinder Head ***
	4663 936	1			Right (Includes Oil Filler Cap)
	4556 581	1			Left
5	4573 140	1			HOSE, Cylinder Head Cover to Air Cleaner Plenum

MODEL CODES: _____
 Chrysler = (CH41 = New Yorker, CP41 = LHS, DH41 = Intrepid(Canada), DP41 = Intrepid ES(Canada), LP41 = Concorde)
 DODGE = (DH41 = Intrepid(USA), DP41 = Intrepid ES(USA))
 EAGLE = (XP41 = Vision ESI, XS41 = Vision TSI)

BODY STYLES: _____
 41 = 4 - Door Sedan ENGINE: 3.3L (EGB)
 3.5L (EGE) 24 Valve

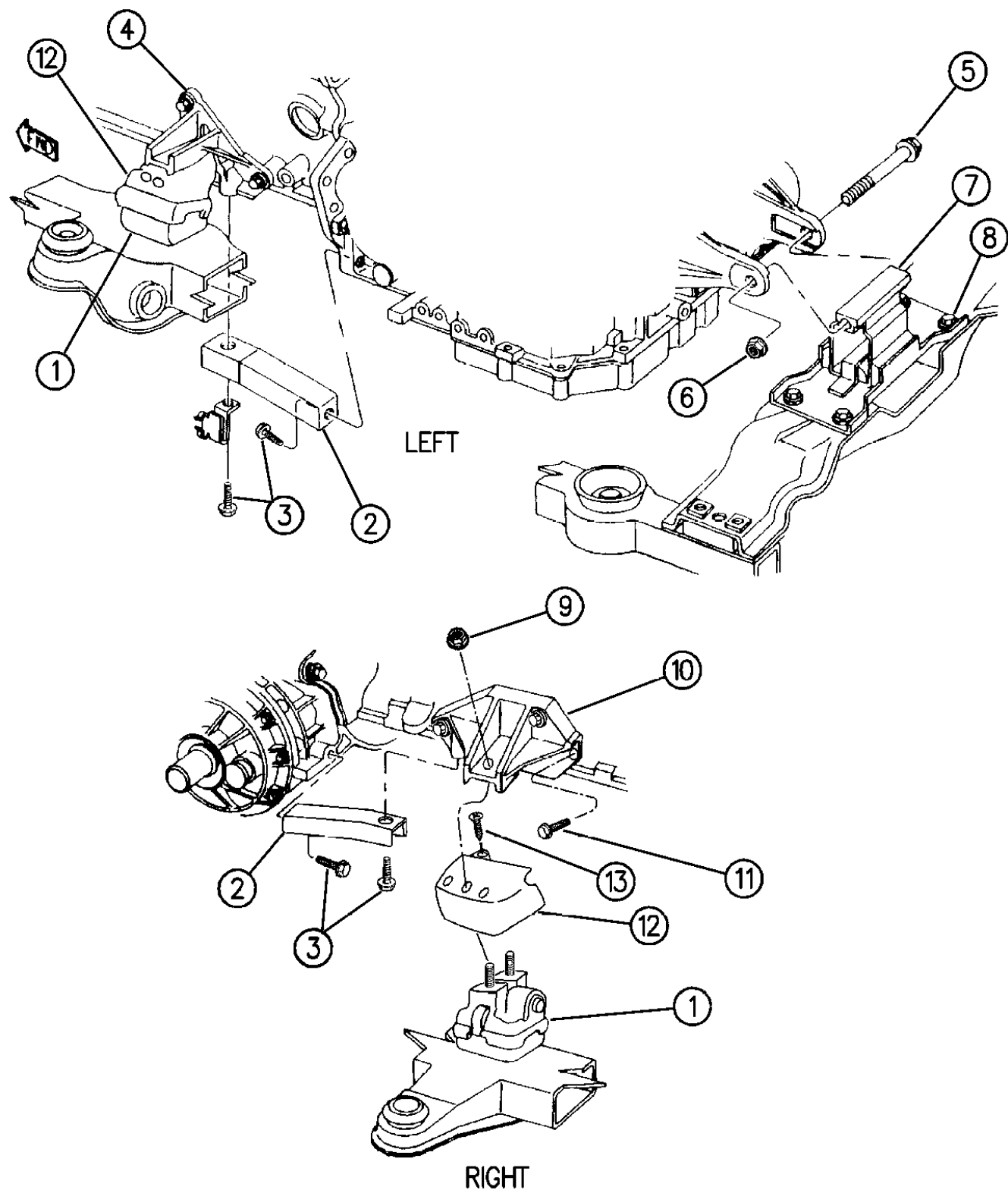
93458 910

AR = Use as Required - = Non Illustrated Part P.A.R. = Paint as Required

ENGINE MOUNTS 3.5L ENGINE

Figure 9C-1010

9C-1010



ITEM	PART NUMBER	QTY	BODY	MODEL	DESCRIPTION
1					INSULATOR ASSY, Engine (MUST Be Replaced in Pairs) ***
	4573 232	2			1993
	4663 526	2			1994-95
	4593 239	2			1996
2	4573 224	2			STRUT,Power Plant Bending
3	6101 060	4			SCREW,w/Washer m10x1.5-30
4	4573 189	1			BRACKET,Engine Mount Left
	4593 241	1			1995-96 w/Auto-Stick DHD
5	6502 795	1			SCREW, Transmission Mount Attach m10x1.5-170
6	6101 448	1			NUT, w/Washer Transmission Mount M10 x 1.5
7					SUPPORT ASSY, Transmission Mount ***
	4663 228	1			w/Out AutoStick (DHD)
	4593 238	1			w/ AutoStick (DHD)
8	6502 848	4			SCREW,w/Washer m8x1.25-20
9	6101 448	4			NUT, w/Washer Engine Insulator to Bracket
10	4573 188	1			BRACKET, Engine Mount Rt.
	4593 240	1			1995-96 w/Auto-Stick DHD
11					SCREW, w/Washer Engine Mounting Bracket
	6101 524	4			m10x1.5-30
	6101 622	2			m10x1.5-55
12					SHIELD, Engine Supt. Heat
					1993-95
	4663 041	1			Left
	4663 042	1			Right
					1996
	4593 269	1			Left
	4593 268	1			Right
13	6502 946	AR			SCREW, Heat Shield Attach M6 x 1.00 x 13.00
-	#4797 441	AR			SHIM, Engine Mount (TSB 02-06-97) ***

93458 1010

MODEL CODES:

Chrysler = (CH41 = New Yorker, CP41 = LHS, DH41 = Intrepid(Canada), DP41 = Intrepid ES(Canada), LP41 = Concorde)
 DODGE = (DH41 = Intrepid(USA), DP41 = Intrepid ES(USA))
 EAGLE = (XP41 = Vision ESI, XS41 = Vision TSI)

BODY STYLES:

41 = 4 - Door Sedan ENGINE: 3.3L (EGB)
 3.5L (EGE) 24 Valve

AR = Use as Required - = Non Illustrated Part P.A.R. = Paint as Required

GROUP-11 EXHAUST

ILLUSTRATION TITLE

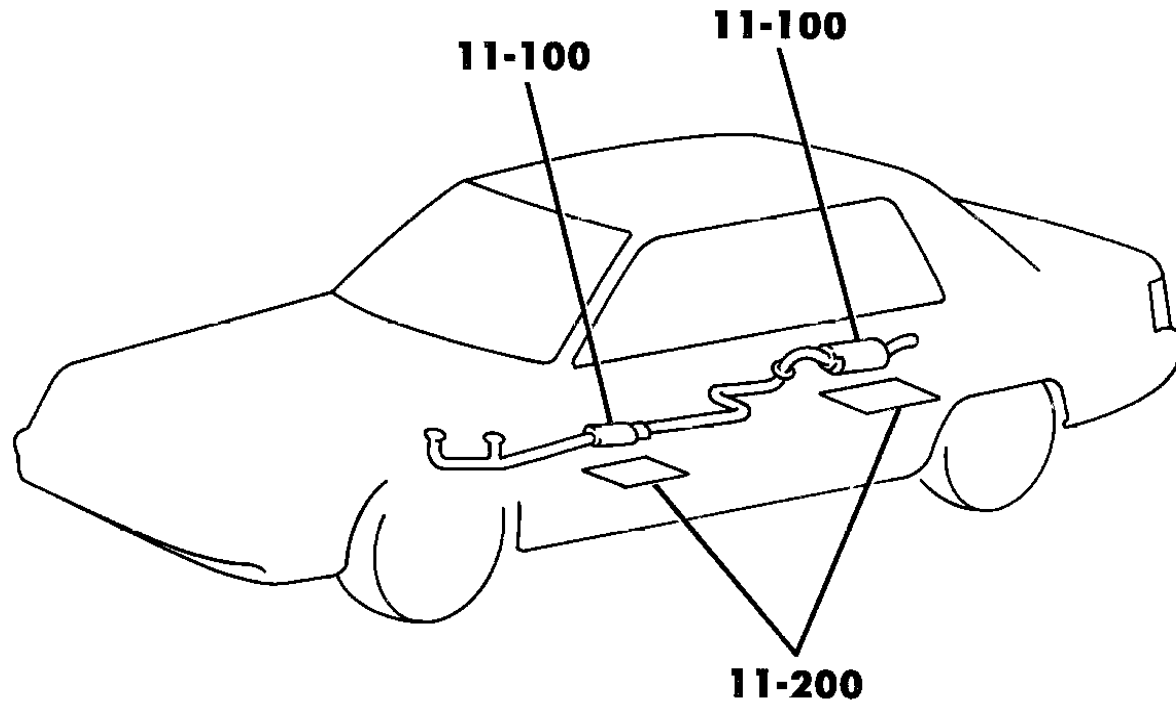
GROUP-FIG. NO.

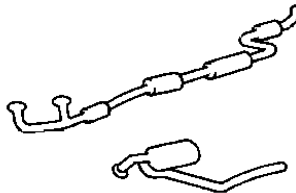
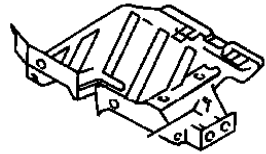
EXHAUST SYSTEM

EXHAUST SYSTEM 3.3L - 3.5L ENGINE Fig. 11-110

SHIELD, HEAT

SHIELD, HEAT, FLOOR LH Fig. 11-210

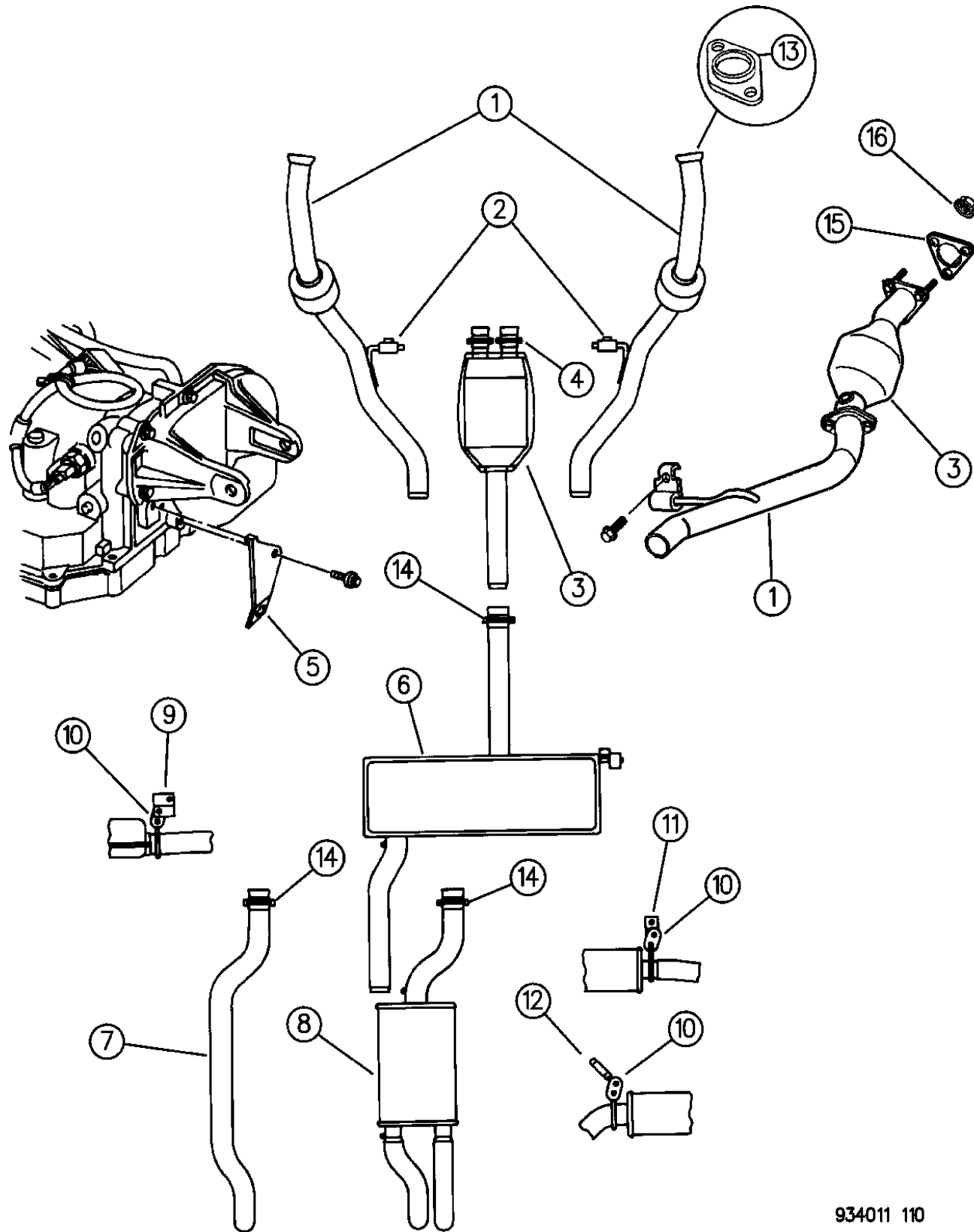


<p>11-100 EXHAUST PIPE & MUFFLER</p> 	<p>11-200 HEAT SHIELDS</p> 		
---	---	--	--

EXHAUST SYSTEM 3.3L - 3.5L ENGINE

Figure 11-110

11-110B



934011 110

ITEM	PART NUMBER	QTY	BODY	MODEL	DESCRIPTION
1					PIPE ASSEMBLY, Front, w/Catalytic Converter ***
	4695 770-1	1			3.3L Engine 1993
	4616 282-3	1			3.3L Engine 1994-95
	4764 478-9	1			3.3L Engine 1996
	4616 276	1	NAE		1996 3.3 (Right) w/Out Converter (Requires 4616274 Converter)
	4616 277	1	NAE		1996 3.3 (Left) w/Out Converter (Requires 4616275 Converter)
	4695 664-5	1			3.3L Engine - Flex Fuel
	4764 622-3	1			3.3L Engine - Flex Fuel, California 1995
	4695 528-9	1			3.5L Engine 1993-94
	4764 548-9	1			3.5L Engine 1995
	4764 484-5	1			3.5L Engine 1996
					EXPORT VEHICLES ***
	4695 333	1			3.3L Engines Left
	4695 334	1			3.3L Engines Right
					3.5L Engines
	4695 880-1	1			Left/Right 1993-95
	4695 892-3	1			Left/Right -1996-
	4764 300-1	1			3.5L Engine-LEADED FUEL-w/Out Converter -1996- Right/Left
	6503 276	4			STUD, Flange to Manifold
	6100 518	4			NUT, Flange to Manifold
2	6502 839	6			INSULATOR, Rubber, Pipe Support (Serviced in Pipe Assembly) SCREW, Front Hanger to Body M10 x 1.50 x 45.00
3					CONVERTER, Catalytic, w/Pipes, Underbody
	4797 153	1			3.3L Engine 1993-95
	4856 616	1			1996
	4616 274-5	1			TLEV w/NAE (Calif) Rt/Lt
	4797 043	1			3.5L Engine
	4856 617	1			1996
	4778 387	1			RESONATOR, Front, MID-EAST (Leaded Fuel) or NAE Emissions ***
4	4301 378	2			CLAMP
5					BRACKET, Pipe Support
	4616 232	1			Upper Right
	4616 233	1			Upper Left
	4616 231	2			Lower
6					MUFFLER
	4728 480	1			w/Tailpipe 3.3L Eng 1993-95
	4797 556	1			w/Tailpipe 3.3L Eng 1996
	4778 388	1	D,L,X		w/Resonator 3.3L Engine MID-EAST

MODEL CODES:

Chrysler = (CH41 = New Yorker, CP41 = LHS, DH41 = Intrepid(Canada), DP41 = Intrepid ES(Canada), LP41 = Concorde)
 DODGE = (DH41 = Intrepid(USA), DP41 = Intrepid ES(USA))
 EAGLE = (XP41 = Vision ESI, XS41 = Vision TSI)

BODY STYLES:

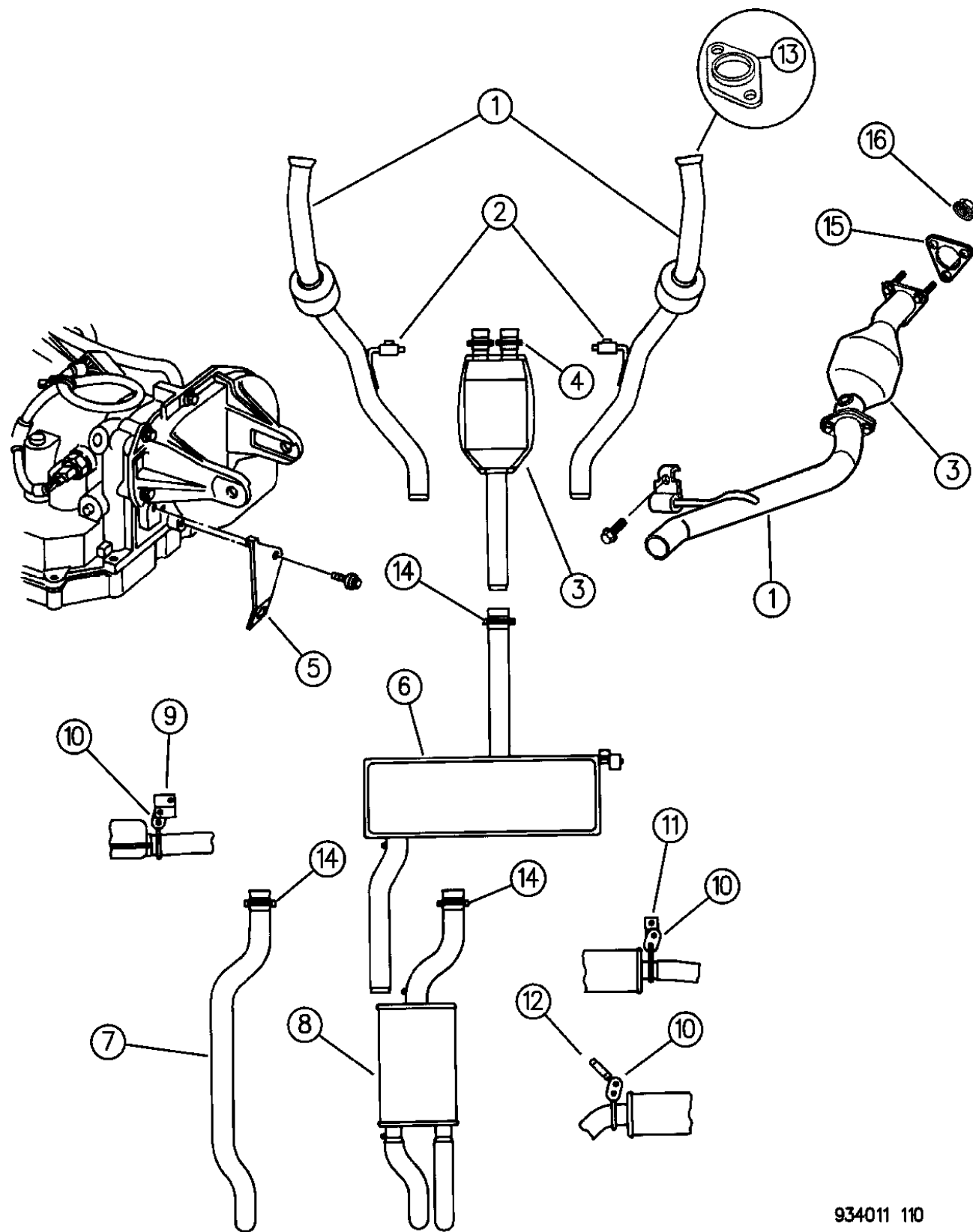
41 = 4 - Door Sedan ENGINE: 3.3L (EGB)
 3.5L (EGE) 24 Valve

AR = Use as Required - = Non Illustrated Part P.A.R. = Paint as Required

EXHAUST SYSTEM 3.3L - 3.5L ENGINE

Figure 11-110

11-110B



934011 110

ITEM	PART NUMBER	QTY	BODY	MODEL	DESCRIPTION
	4778 389	1	C		w/Resonator 3.3L Engine MID-EAST
	4728 477	1	D,L,X		w/Resonator 3.5L Eng 1993-95
	4797 559	1	D,L,X		w/Resonator 3.5L Eng 1996
	4797 561	1	C		w/Resonator 3.5L Engine (Base)
	4740 096	1	C		w/Resonator 3.5L Engine (Sport) (with Chrome Tip)
	4778 392	1	X		w/Resonator 3.5L Engine EUROPE
	4778 400	1	C		w/Resonator 3.5L Engine EUROPE
7	4728 481	1			TAILPIPE, 3.3L Engine ***
8					RESONATOR ***
	4778 390	1	D,L,X		3.3L Engine MID-EAST
	4778 391	1	C		3.3L Engine MID-EAST
	4797 560	1	D,L,X		3.5L Engine
	4797 562	1	C		3.5L Engine, Base Model
	4740 103	1	C		3.5L Engine, Sport (with Chrome Tip)
	4778 393	1	X		3.5L Engine EUROPE
	4778 401	1	C		3.5L Engine EUROPE
	6503 478	AR			SCREW, Muffler and Tailpipe Repair
9					BRACKET, Muffler Support
	4616 210	1			Right
	4616 705	1			Left
10	4616 750	AR			ISOLATOR, Exhaust (Muffler/Tail Pipe) ***
11	4582 138	1			BRACKET, Resonator Support, Front 3.5L Engine
12	4582 912	1			BRACKET, Support (Muffler/Tail Pipe)
	4616 705	1			Muffler Support, Left
13	4004 700	1			FLANGE, Exhaust Pipe
14					CLAMP
	4301 410	AR			3.3L Engine
	4004 445	AR			3.5L Engine
15	4616 707	1			GASKET, Manifold to Catalytic Converter NAE or TLEV
16	6101 467	6			NUT, Converter to Manifold, m8x1.25
-	4764 382	1			CLAMP, Exhaust Pipe to Ext Pipe

MODEL CODES:

Chrysler = (CH41 = New Yorker, CP41 = LHS, DH41 = Intrepid(Canada), DP41 = Intrepid ES(Canada), LP41 = Concorde)
 DODGE = (DH41 = Intrepid(USA), DP41 = Intrepid ES(USA))
 EAGLE = (XP41 = Vision ESI, XS41 = Vision TSI)

BODY STYLES:

41 = 4 - Door Sedan ENGINE: 3.3L (EGB)
 3.5L (EGE) 24 Valve

AR = Use as Required - = Non Illustrated Part P.A.R. = Paint as Required

GROUP-13 FRAME BUMPERS OR FASCIA

GROUP 13 - FRAME & BUMPERS

ILLUSTRATION TITLE

GROUP-FIG. NO.

FRAME

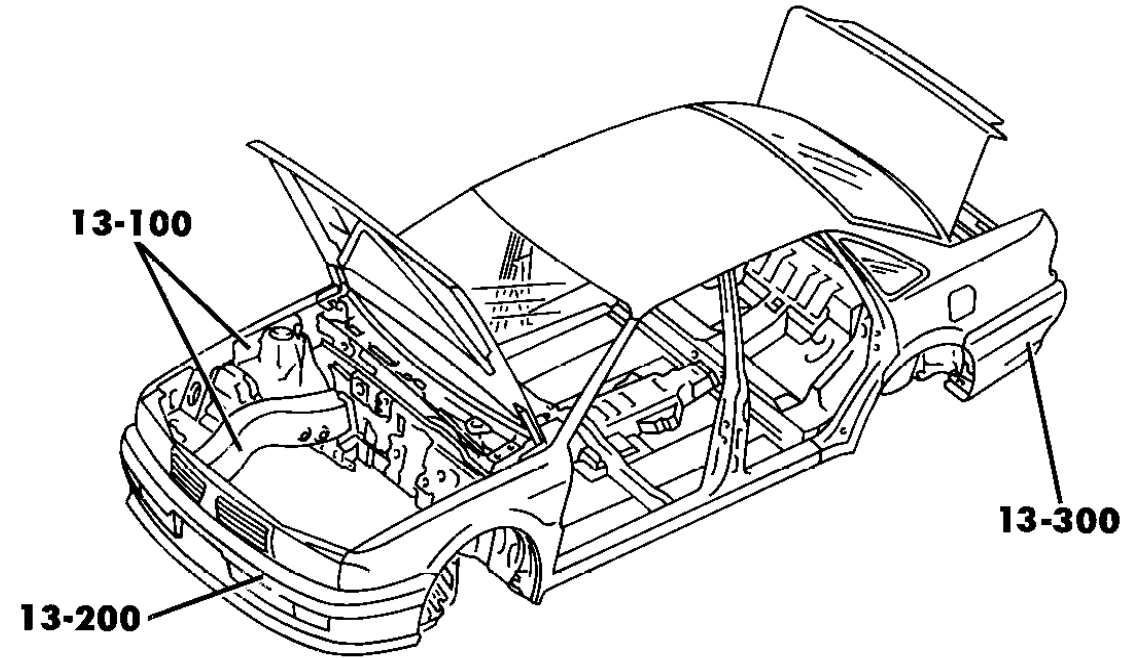
- FRAMES, FRONT Fig. 13-110
- FRAMES, REAR Fig. 13-120

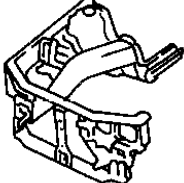
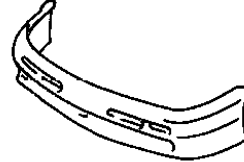

FASCIA, FRONT

- FASCIA, FRONT Fig. 13-210

FASCIA, REAR

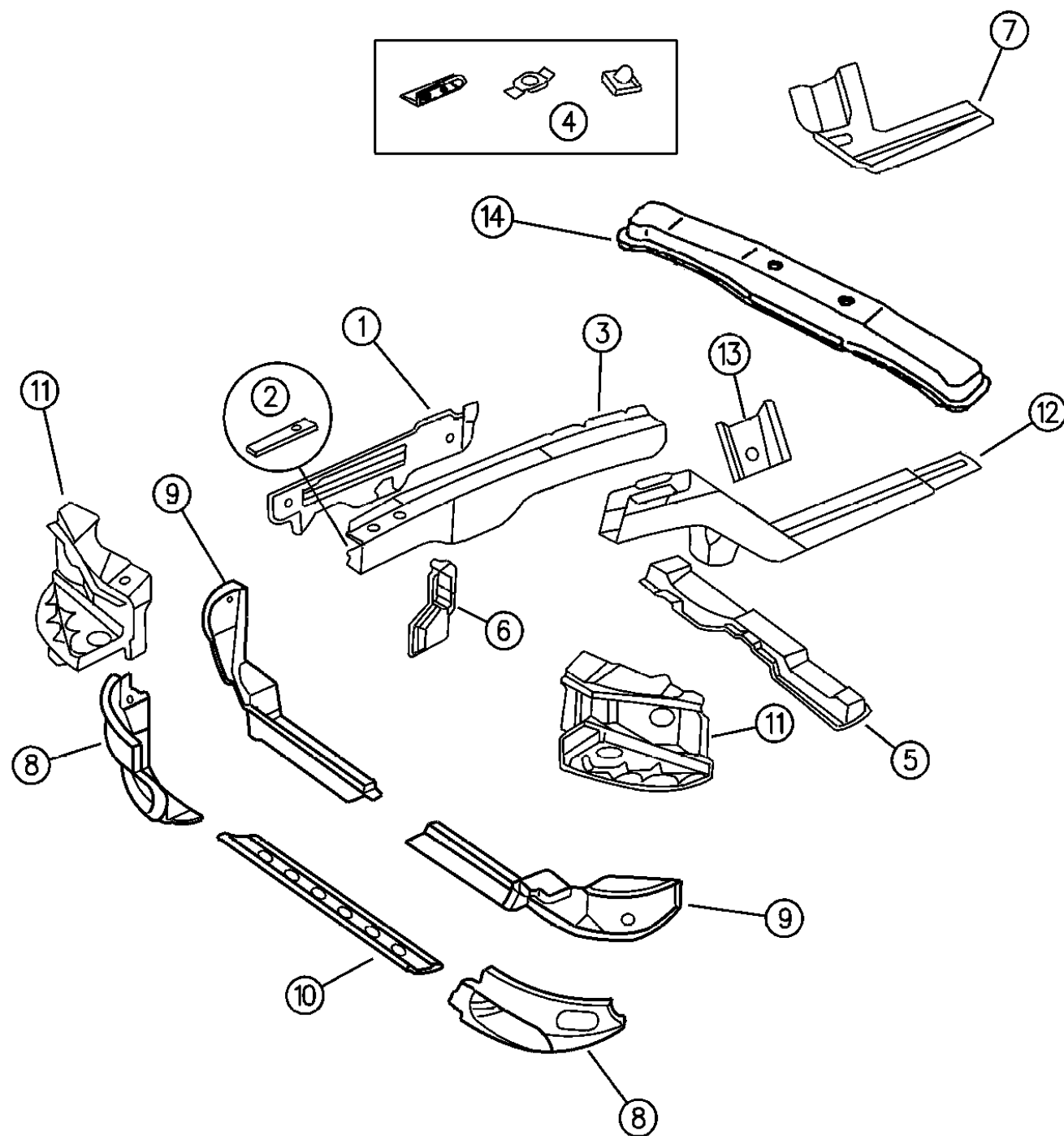
- FASCIA, REAR Fig. 13-310



<p>13-100 FRAME</p> 	<p>13-200 FRONT BUMPER OR FASCIA & SUPPORTS</p> 	<p>13-300 REAR BUMPER OR FASCIA & SUPPORTS</p> 	

FRAMES, FRONT
Figure 13-110

13-110B



ITEM	PART NUMBER	QTY	BODY	MODEL	DESCRIPTION
1	4583 944-5	1			REINFORCEMENT, Front Side Front Rail
2	4646 092-3	1			REINFORCEMENT, Front Side Rail Front Bumper Mounting 1993
	4696 540-1	1			1994-96
3					RAIL, Front Side
	4583 106-7	1			1993
	4696 838-9	1			1994
	4756 706-7	1			1995-96
4	4624 476-7	1			REINFORCEMENT ASSY., Engine Cradle Mounting ***
5					CROSSMEMBER ASSY., Steering Gear ***
	4583 941	1			1993
	4696 848	1			1994
	4696 946	1			1995-96
6	6503 744-5	2			NUT AND RETAINER, Steering Gear Reinforcement ***
7	4624 310-1	1			SUPPORT, Front Rail to H/Lamp Mounting Reinforcement
8	4646 058-9	1			CAP, Body Front Floor Pan Rail
9	4624 530-1	1			CROSSMEMBER, Lower Radiator Mounting Bottom Outer
10	4624 532-3	1			CROSSMEMBER, Lower Radiator Mounting Top
	4583 134	1			CROSSMEMBER, Lower Radiator Mounting Bottom Center
					BRACKET, Disabled Vehicle Tow EXPORT
	4646 020	1		X	
	4696 894	1		C	
	4756 432	1			BRACKET ASSEMBLY, Ocean Tie-Down
11	4624 428-9	1			PANEL ASSEMBLY, Headlamp Mounting ***
12					RAIL, Body Front Floor
	4583 952-3	1			1993
	4696 708-9	1			1994-96
13	4624 526-7	1			REINFORCEMENT AND BRACKET ASSEMBLY, Floor Pan Front, Outer ***
14	4616 336	1			CROSSMEMBER, Trans. Mounting
	6100 945	2			BOLT, Crossmember to Frame, M10x1.50x75.00
	6100 986	2			BOLT, Crossmember to Frame, M10x1.50x90.00

MODEL CODES:
 Chrysler = (CH41 = New Yorker, CP41 = LHS, DH41 = Intrepid(Canada), DP41 = Intrepid ES(Canada), LP41 = Concorde)
 DODGE = (DH41 = Intrepid(USA), DP41 = Intrepid ES(USA))
 EAGLE = (XP41 = Vision ESI, XS41 = Vision TSI)

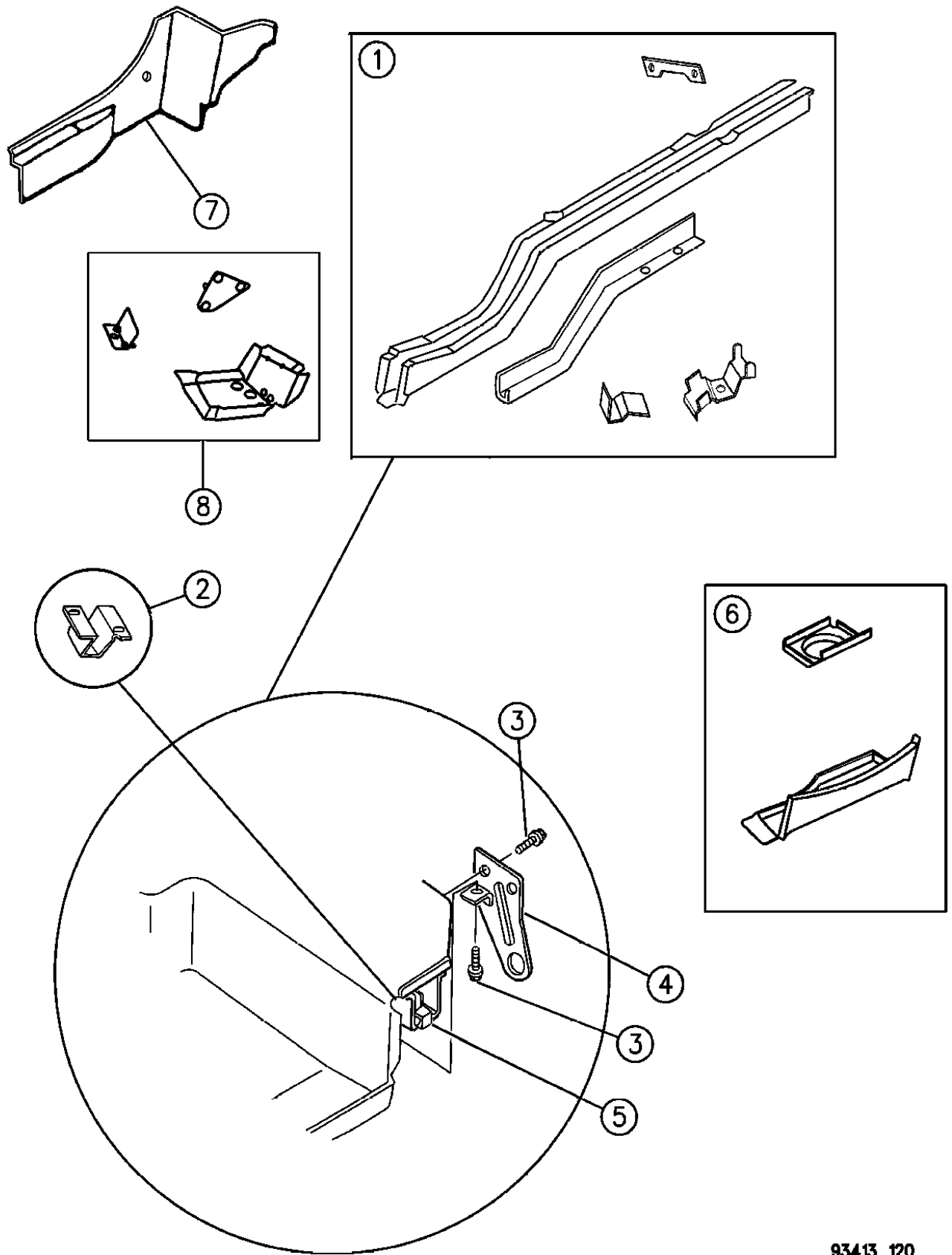
BODY STYLES:
 41 = 4 - Door Sedan ENGINE: 3.3L (EGB)
 3.5L (EGE) 24 Valve

93413 110

AR = Use as Required - = Non Illustrated Part P.A.R. = Paint as Required

FRAMES, REAR
Figure 13-120

13-120A



ITEM	PART NUMBER	QTY	BODY	MODEL	DESCRIPTION
1	4583 198-9	1			RAIL, Rear
2	4624 494	2			EXTENSION, Rear Rail Flange
3		4			SCREW and WASHER, M8x1.25x30.00, Not Serviced
4	4625 000	1			BRACKET, Tow Bar Rear
	6101 100	1			SCREW, Tow Bracket
5	4756 480	1	C		BRACKET, Disabled Vehicle Tow/Ocean Ship Tie Down
	4646 929	1			REINFORCEMENT, Right Rear Tow Bar
6	4646 994-5	1			SUPPORT ASSY., w/Shipping Tie Down and Jack Locator Plate ***
7					EXTENSION, Sill Inner, Rear, w/Seat Belt Reinforcement
	4723 688-9	1			1993
	4741 928-9	1			1994-96
8	4624 520-1	1			BRACKET, Tension Strut Mounting, Trailing Arm attaching

93413 120

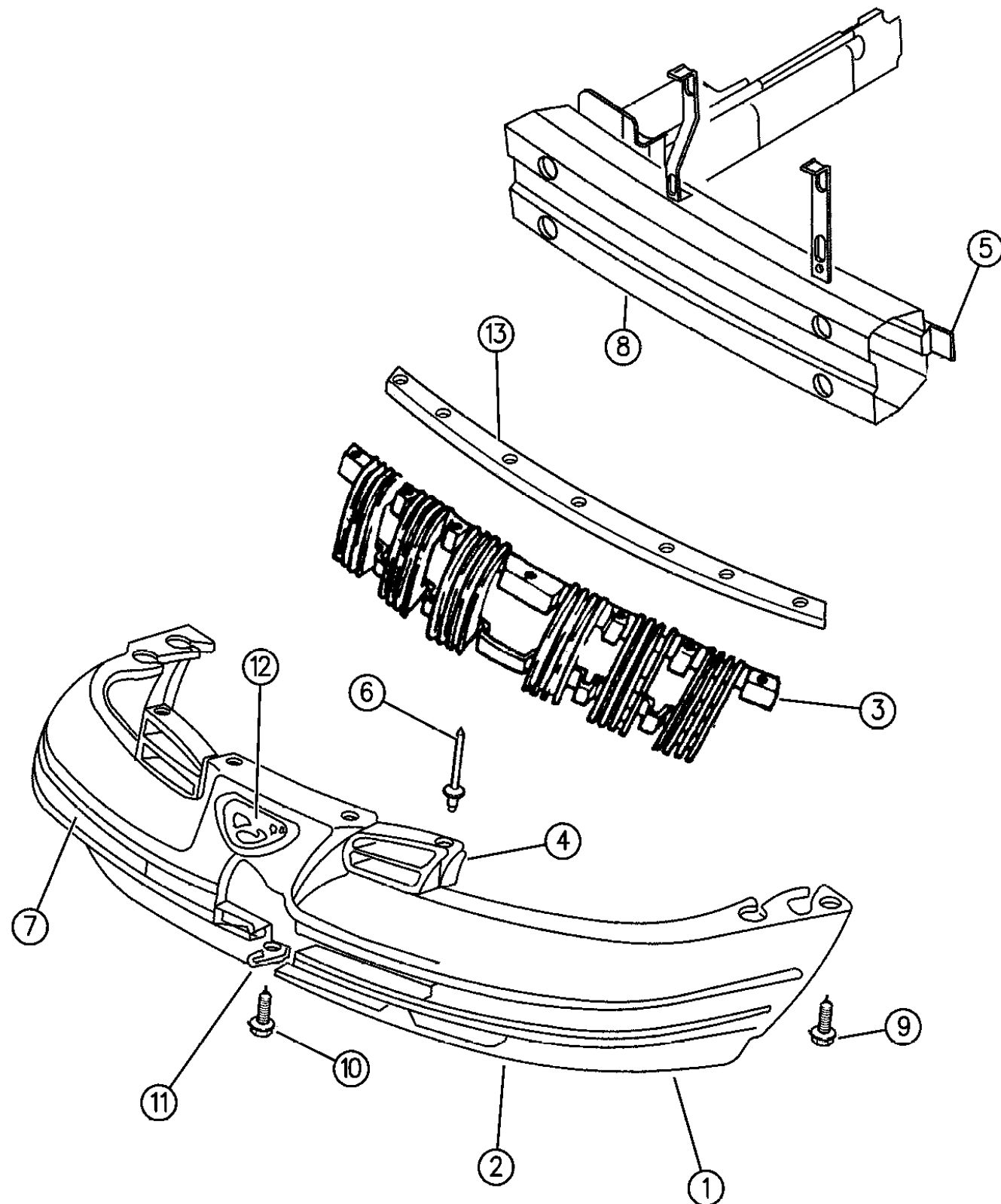
MODEL CODES: _____
 Chrysler = (CH41 = New Yorker, CP41 = LHS, DH41 = Intrepid(Canada), DP41 = Intrepid ES(Canada), LP41 = Concorde)
 DODGE = (DH41 = Intrepid(USA), DP41 = Intrepid ES(USA))
 EAGLE = (XP41 = Vision ESI, XS41 = Vision TSI)

BODY STYLES: _____
 41 = 4 - Door Sedan ENGINE: 3.3L (EGB)
 3.5L (EGE) 24 Valve

AR = Use as Required - = Non Illustrated Part P.A.R. = Paint as Required

FASCIA, FRONT
Figure 13-210

13-210C



ITEM	PART NUMBER	QTY	BODY	MODEL	DESCRIPTION
1					FASCIA, Front, w/Foam Absorber
	4723 699	1		L	
	4723 694	1		X-SP	
	4723 695	1		D-H	
	4723 700	1		D-H	w/ Fog Lamps
	4723 700	1		D-P	
	4723 701	1		C-PH	
	4630 253	4			DRIVEPIN, Fascia Attaching (for use with Steel Fender) ***
	6503 819	AR			SCREW, Fascia to Foam
	6503 401	AR			SCREW, Fascia Attaching, Plastic, Large Head
-	4740 832	2			TAPE, Clear Protective Coating
-	4630 456-7	1		D-P	EXTENSION, Fascia to Splash Shield
	4630 392	1		D-HP	SEAL, Air, Fascia to Radiator Crossmember (Up to 5-1-95)
2					AIR DAM, Cooling
	4630 728	1		D-P	After 5-1-95
	4630 039	1		L-X	
	4756 364	1		C	
	6035 201	5			RIVET, Air Dam to Fascia
3	4630 179	1		L	GRILLE ASSEMBLY ***
4	4630 050	1		X-SP	GRILLE, Right and Left
NOTE: For New Yorker Grilles see Illus. 7-710.					
5	4630 393	1		D-HP	SUPPORT
6	6500 911	AR			RIVET, Air Seal to Fascia
7					BRIGHT STRIP ***
	4630 166	1		C	
	4630 180	1		L	w/Studs (Crimp 6mm I.D. Washer over Stud)
8					REINFORCEMENT ASSY. ***
	4630 610	1		L	w/Grille Straps (1993-95)
	4805 069	1		L	w/Grille Straps (1996)
	4805 067	1		D-HP	
	4601 074	1		C	
	4697 320	1		X	
	4630 638	1		X	EXPORT
	6101 845	2			SCREW and WASHER, Reinforcement Attaching
9	6100 348	4			SCREW, Front Bumper Attach Front & Side
10	6034 703	AR			SCREW, Fascia to Fender & Fascia to Crossmember
	6027 318	4		L,X	RIVET, Fascia Upper to Reinforcement
11					KIT, Front License Mounting ***
	4630 343	1		L	
	4630 275	1		D-H	
	4630 274	1		D-P	
	4630 276	1		C	

MODEL CODES:

Chrysler = (CH41 = New Yorker, CP41 = LHS, DH41 = Intrepid(Canada), DP41 = Intrepid ES(Canada), LP41 = Concorde)
DODGE = (DH41 = Intrepid(USA), DP41 = Intrepid ES(USA))
EAGLE = (XP41 = Vision ESI, XS41 = Vision TSI)

BODY STYLES:

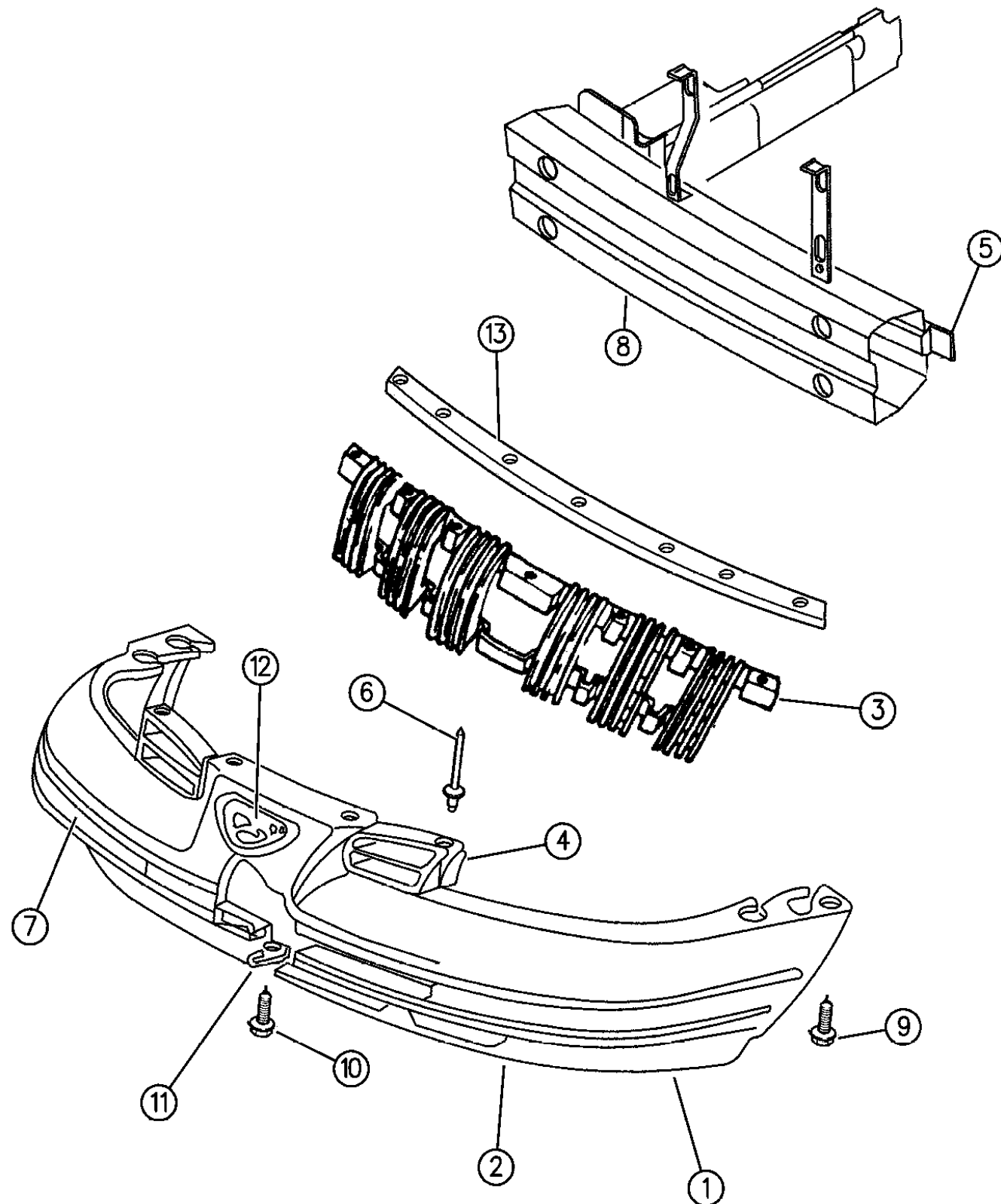
41 = 4 - Door Sedan ENGINE: 3.3L (EGB)
3.5L (EGE) 24 Valve

93413 210

AR = Use as Required - = Non Illustrated Part P.A.R. = Paint as Required

FASCIA, FRONT
Figure 13-210

13-210C



ITEM	PART NUMBER	QTY	BODY	MODEL	DESCRIPTION
	4601 142	1		X	
	4630 492	1		X	EXPORT
	4630 606	1		C	EXPORT 1995-96
12	LK15 RBD	1		L	MEDALLION, Fascia Bright Blue / Dark Blue (B3)
	LK15 RHD	1		L	Magenta (MH)
	LK15 RJF	1		L	Chargold / Gold Met. (J8)
	LK15 RPM	1		L	Spruce (PE)
	LK15 RP6	1		L	Island Teal (P6)
	LK15 RRD	1		L	Radiant Fire (RF)
	LK15 RMD	1		L	Black Cherry (M9,MB)
	LK15 RP5	1		L	Teal (P5)
	LK15 RSF	1		L	Bright Platinum (S4)
	LK15 RWD	1		L	Bright White (W7)
	LK15 RXD	1		L	Black (X8,BF)
	LK15 SMW	1		L	White (W1)
	LK15 SWM	1		L	Opal (W4)
	LK15 RHC	1		L	Candy Apple Red (HC)
	LK15 TCU	1		L	Amethyst (CU)
	4630 036	1		X-SP	EMBLEM, Eagle Head ***
	4630 396	1		X	"Chrysler" w/Pentastar EXPORT
13	4630 552	1		L	BRACE, Grille Support, Upper
-	6500 911	4			RIVET, Grille Support Brace

MODEL CODES:

Chrysler = (CH41 = New Yorker, CP41 = LHS, DH41 = Intrepid(Canada), DP41 = Intrepid ES(Canada), LP41 = Concorde)
 DODGE = (DH41 = Intrepid(USA), DP41 = Intrepid ES(USA))
 EAGLE = (XP41 = Vision ESI, XS41 = Vision TSI)

BODY STYLES:

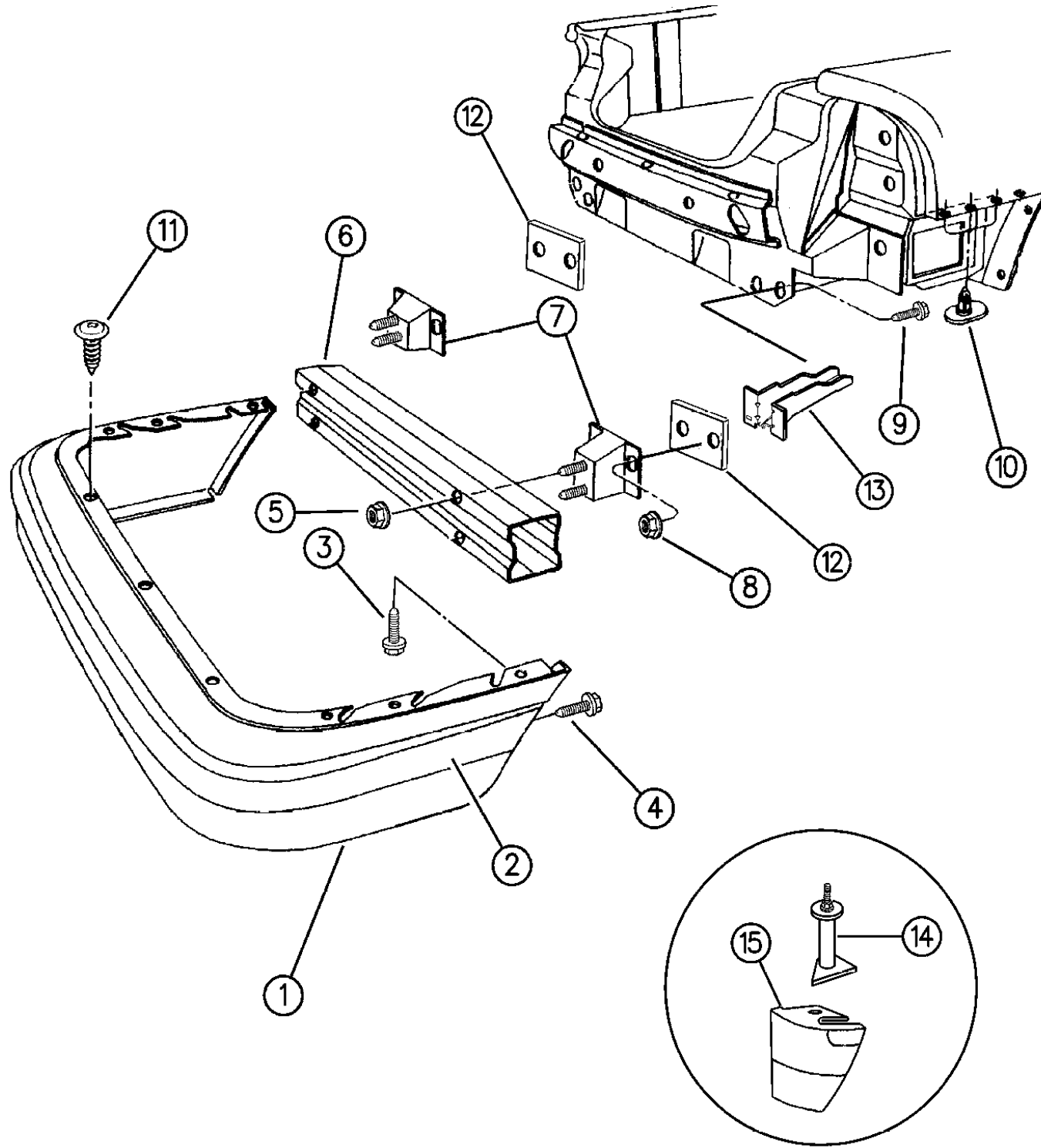
41 = 4 - Door Sedan ENGINE: 3.3L (EGB)
 3.5L (EGE) 24 Valve

93413 210

AR = Use as Required - = Non Illustrated Part P.A.R. = Paint as Required

FASCIA, REAR
Figure 13-310

13-310B



93413 310A

ITEM	PART NUMBER	QTY	BODY	MODEL	DESCRIPTION
1					FASCIA, Rear, w/Foam Absorber
	4723 698	1		L	
	4723 702	1		C-P,H	
	4723 697	1		D-H,P	
	4723 696	1		X-S,P	
	4773 902	1			EUROPE
	6503 401	AR			SCREW, Fascia to Foam, Plastic, Large Head
	3420 1358	2			NUT, Rear Fascia to Quarter Panel
		2			SCREW, Fascia to Quarter Panel, .250-20 x .625 (Not Serviced)
2					NERF STRIP, Bright
	4630 175	1		L	
	4630 167	1		C-H,P	
3		2			SCREW, (.250-14x.500), (Not Serviced)
4		4			BOLT, (.164-15x.625), (Not Serviced)
5	6101 467	4			NUT, Adapter to Reinforcement
6					REINFORCEMENT
	4584 054	1		D,X	
	4630 547	1		C,L	
7					BRACKET, Assy. Reinforcement Adapter
	4630 352-3	1		C	1993
	4630 385	2		D	1993
	4630 385	2		C,D	1994-96
	4630 384	2		L,X	
8		4			NUT and WASHER, (M8x1.25), (Not Serviced)
9	6501 491	4			BOLT
10	4630 253	6			DRIVE PIN ***
11	6502 625	3			SCREW and RETAINER ***
12	4630 549	2			PLATE, Reinforcement Adapter
13				C	BRACKET, Rear Rail Extension
	4696 360	1			Right
	4756 482	1			Right, w/Tow-Tie Mounting Bracket
	4756 469	1			Left
-					KIT, License Plate Attaching ***
	4630 343	1		L	
	4630 275	1		D-H	
	4630 274	1		D-P	
	4630 276	1		C	
	4601 142	1		X	
	4630 492	1		X	EXPORT
	4630 606	1		C	EXPORT 1995
	4630 676	1		X	BRACKET ASSEMBLY, License Plate EXPORT

MODEL CODES:

Chrysler = (CH41 = New Yorker, CP41 = LHS, DH41 = Intrepid(Canada), DP41 = Intrepid ES(Canada), LP41 = Concorde)
DODGE = (DH41 = Intrepid(USA), DP41 = Intrepid ES(USA))
EAGLE = (XP41 = Vision ESI, XS41 = Vision TSI)

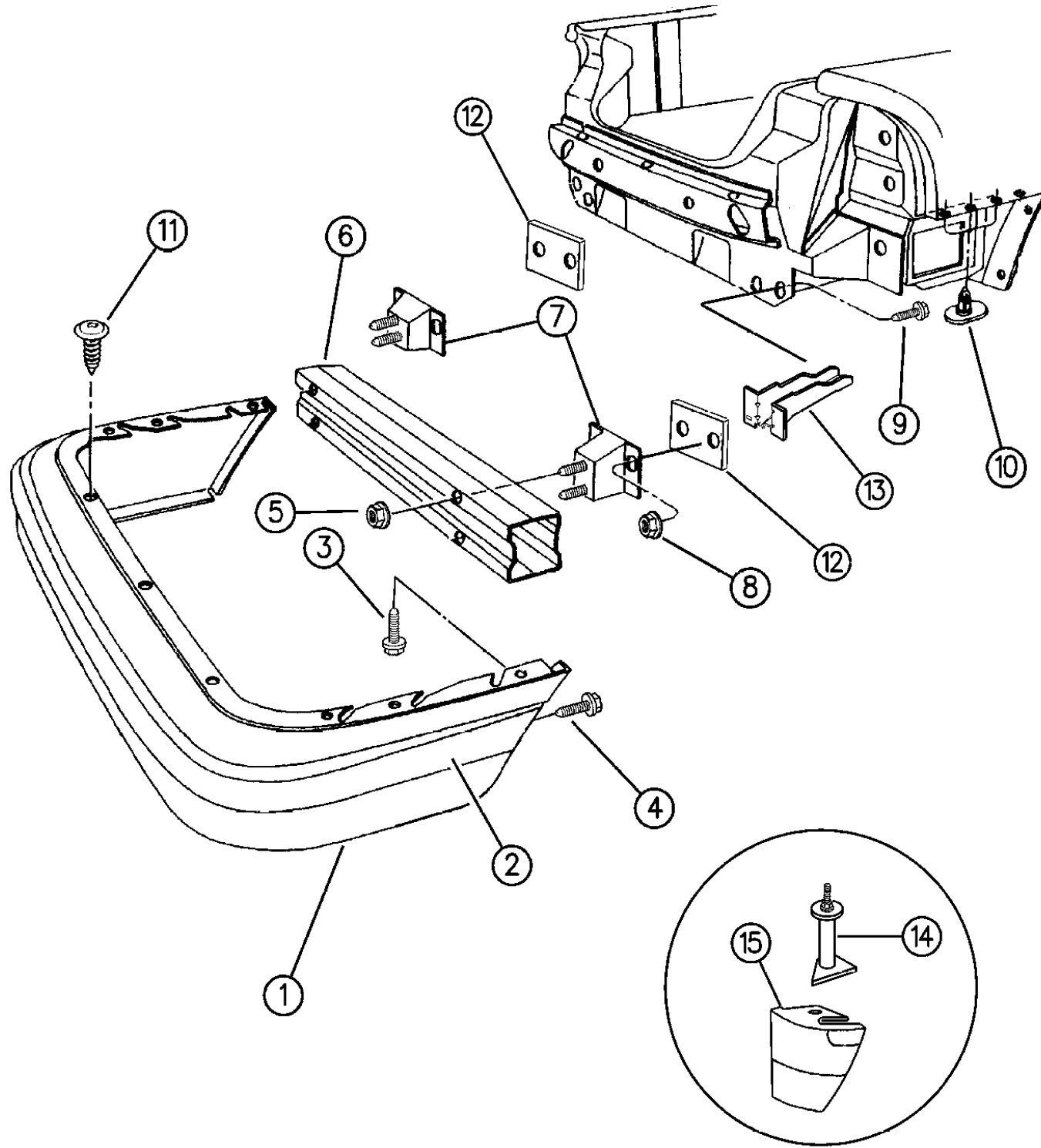
BODY STYLES:

41 = 4 - Door Sedan ENGINE: 3.3L (EGB)
3.5L (EGE) 24 Valve

AR = Use as Required - = Non Illustrated Part P.A.R. = Paint as Required

FASCIA, REAR
Figure 13-310

13-310B



93413 310A

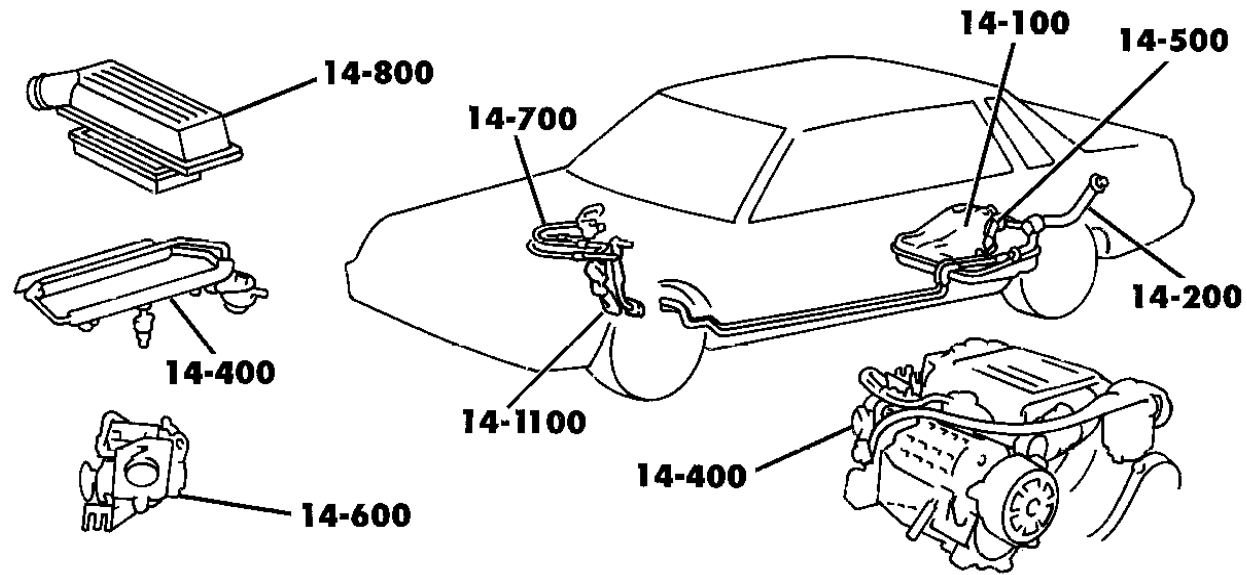
ITEM	PART NUMBER	QTY	BODY	MODEL	DESCRIPTION
-	6034 944	4		X	RIVET, License Plate Mounting Bracket EXPORT
-	4206 315	2			BUMPER, License Plate Vibration
14	4630 645	2		C	RETAINER ASSY, w/ 4" Bolt, Quarter Panel to Fascia ***
15	4630 644	2		C	TUBE, Guide, Quarter Panel to Fascia

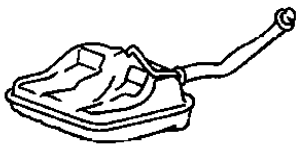
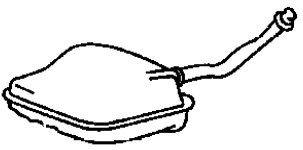
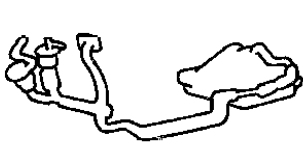
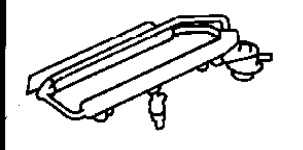
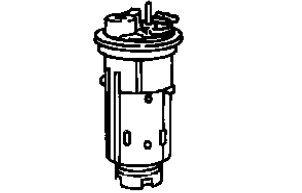
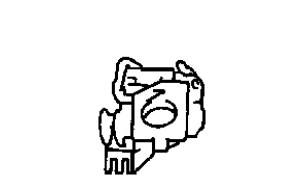
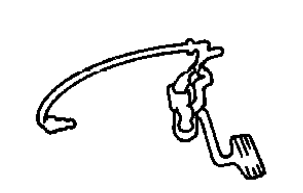
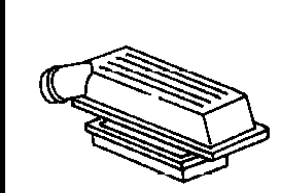

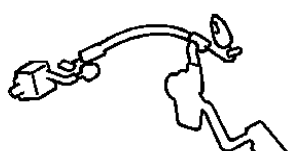

MODEL CODES: _____
 Chrysler = (CH41 = New Yorker, CP41 = LHS, DH41 = Intrepid(Canada), DP41 = Intrepid ES(Canada), LP41 = Concorde)
 DODGE = (DH41 = Intrepid(USA), DP41 = Intrepid ES(USA))
 EAGLE = (XP41 = Vision ESI, XS41 = Vision TSI)

BODY STYLES: _____
 41 = 4 - Door Sedan ENGINE: 3.3L (EGB)
 3.5L (EGE) 24 Valve

AR = Use as Required - = Non Illustrated Part P.A.R. = Paint as Required

GROUP-14 FUEL



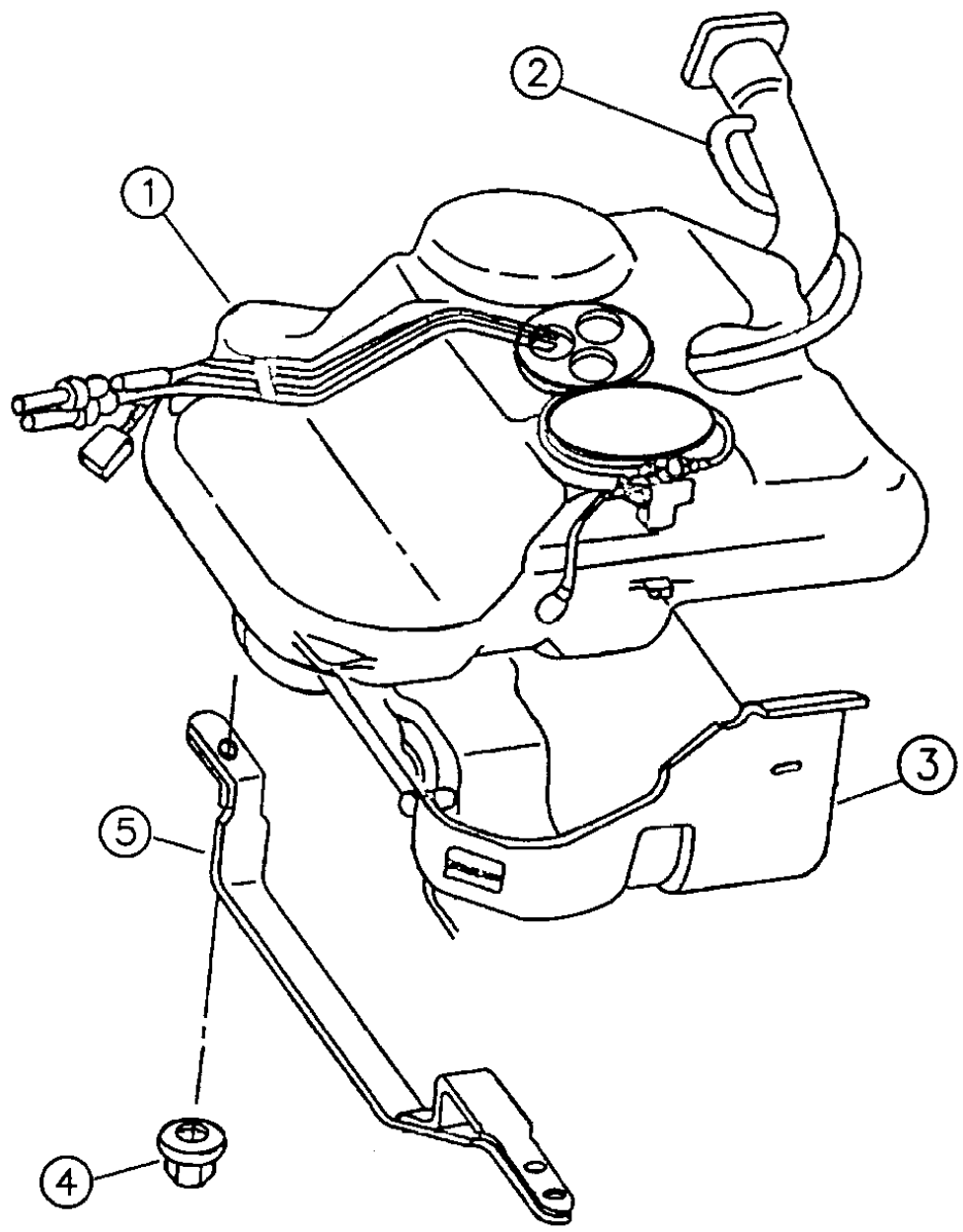
14-100 FUEL TANK 	14-200 FILLER TUBE 	14-300 FUEL LINE & VAPOR GAS CONTROL 	14-400 INJECTOR & RAIL 
14-500 FUEL PUMP 	14-600 THROTTLE BODY 	14-700 THROTTLE CONTROL 	14-800 AIR CLEANER 
14-900 FRESH AIR INTAKE 	14-1000 SPEED CONTROL ACTUATOR 	14-1100 ACCEL. PEDAL 	

GROUP 14 - FUEL

ILLUSTRATION TITLE	GROUP-FIG. NO.
FUEL TANK	
FUEL TANK LH BODY	Fig. 14-110
FUEL FILLER TUBE	
FUEL TANK FILLER TUBE LH BODY	Fig. 14-210
FUEL LINES	
FUEL LINES AND FUEL FILTER LH BODY	Fig. 14-310
FUEL RAIL	
FUEL RAIL LH BODY	Fig. 14-410
FUEL PUMP	
FUEL PUMP AND LEVEL UNIT LH BODY	Fig. 14-510
THROTTLE BODY	
THROTTLE BODY 3.5L ENGINE LH BODY	Fig. 14-610
THROTTLE BODY 3.3L ENGINE LH BODY	Fig. 14-620
THROTTLE CONTROLS	
THROTTLE CONTROLS LH BODY	Fig. 14-710
AIR CLEANER	
AIR CLEANER LH BODY	Fig. 14-810
AIR INTAKE PLENUM	
FRESH AIR INTAKE HOSE AND PLENUM LH BODY	Fig. 14-910
SPEED CONTROL	
SPEED CONTROL LH BODY	Fig. 14-1010
ACCELERATOR PEDAL	
ACCELERATOR PEDAL AND CABLE LH BODY	Fig. 14-1110

FUEL TANK LH BODY
Figure 14-110

14-110



ITEM	PART NUMBER	QTY	BODY	MODEL	DESCRIPTION
1	4582 892	1			TANK, Fuel
	4582 894	1			Flex Fuel
	4616 243	1			INSULATOR, ASSEMBLY, Electrical Connector (Flex Fuel)
	4646 833	1			COVER, Fuel Tank Module
	4646 832	1			GASKET, Cover
	6502 841	2			SCREW, FFV Sensor to Fuel Tank
	4185 506	1			PAD, Fuel Tank Positioning
2	4582 038	1			HOSE, Fuel Tank Filler
3	4582 042	1			SHIELD, Heat
4		2			NUT (Not Serviced)
5	4582 019	1			STRAP, Fuel Tank Mtg., Front
	6502 937	4			SCREW, Tank Strap M10 x 1.50 x 33.00

MODEL CODES: _____
 Chrysler = (CH41 = New Yorker, CP41 = LHS, DH41 = Intrepid(Canada), DP41 = Intrepid ES(Canada), LP41 = Concorde)
 DODGE = (DH41 = Intrepid(USA), DP41 = Intrepid ES(USA))
 EAGLE = (XP41 = Vision ESI, XS41 = Vision TSI)

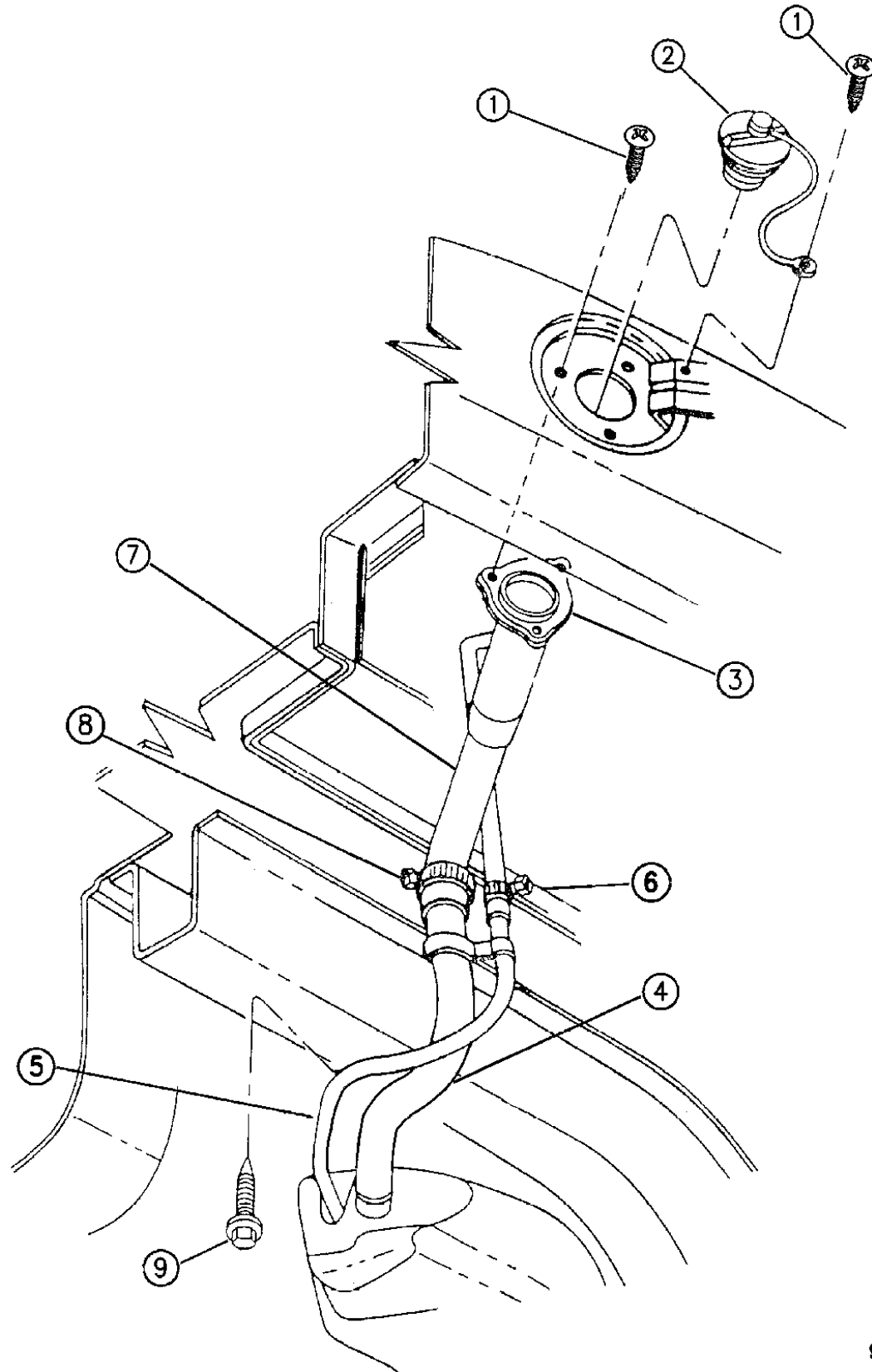
BODY STYLES: _____
 41 = 4 - Door Sedan ENGINE: 3.3L (EGB)
 3.5L (EGE) 24 Valve

93414 110

AR = Use as Required - = Non Illustrated Part P.A.R. = Paint as Required

FUEL TANK FILLER TUBE LH BODY
Figure 14-210

14-210A



93414 210

ITEM	PART NUMBER	QTY	BODY	MODEL	DESCRIPTION
1	6033 695	2			SCREW, Tether Attaching
1	6030 253	1			NUT, Snap-In, Tether Attaching
2					CAP, w/Tether Fuel Filler
	4495 151	1			Locking
	8240 0806	1			Locking
	4582 743	1			Flex Fuel
	8240 0806	1			EUROPE
	4279 144	1			TETHER, Fuel Cap
	4416 406	1			BUMPER and Support, Fuel filler Door ***
3		1			COLLAR, Serviced w/Tube
4					HOSE, Fuel Tank Filler
	4582 038	1			Gas
	4582 733	1			Flex Fuel
5					HOSE, Filler Vent
	4582 018	1			Gas
	4582 727	1			Flex Fuel
6	2448 770	1			CLAMP, Fuel Tank Vent Hose
7					TUBE, Fuel Filler
	4582 039	1			Gas
	4582 742	1			Flex Fuel
	4616 257	1			Export
8	6502 091	1			CLAMP, Hose to Filler Tube
	6502 092	1			CLAMP, Hose to Fuel Tank MID-EAST
9	6502 064	1			SCREW

MODEL CODES:

Chrysler = (CH41 = New Yorker, CP41 = LHS, DH41 = Intrepid(Canada), DP41 = Intrepid ES(Canada), LP41 = Concorde)
DODGE = (DH41 = Intrepid(USA), DP41 = Intrepid ES(USA))
EAGLE = (XP41 = Vision ESI, XS41 = Vision TSI)

BODY STYLES:

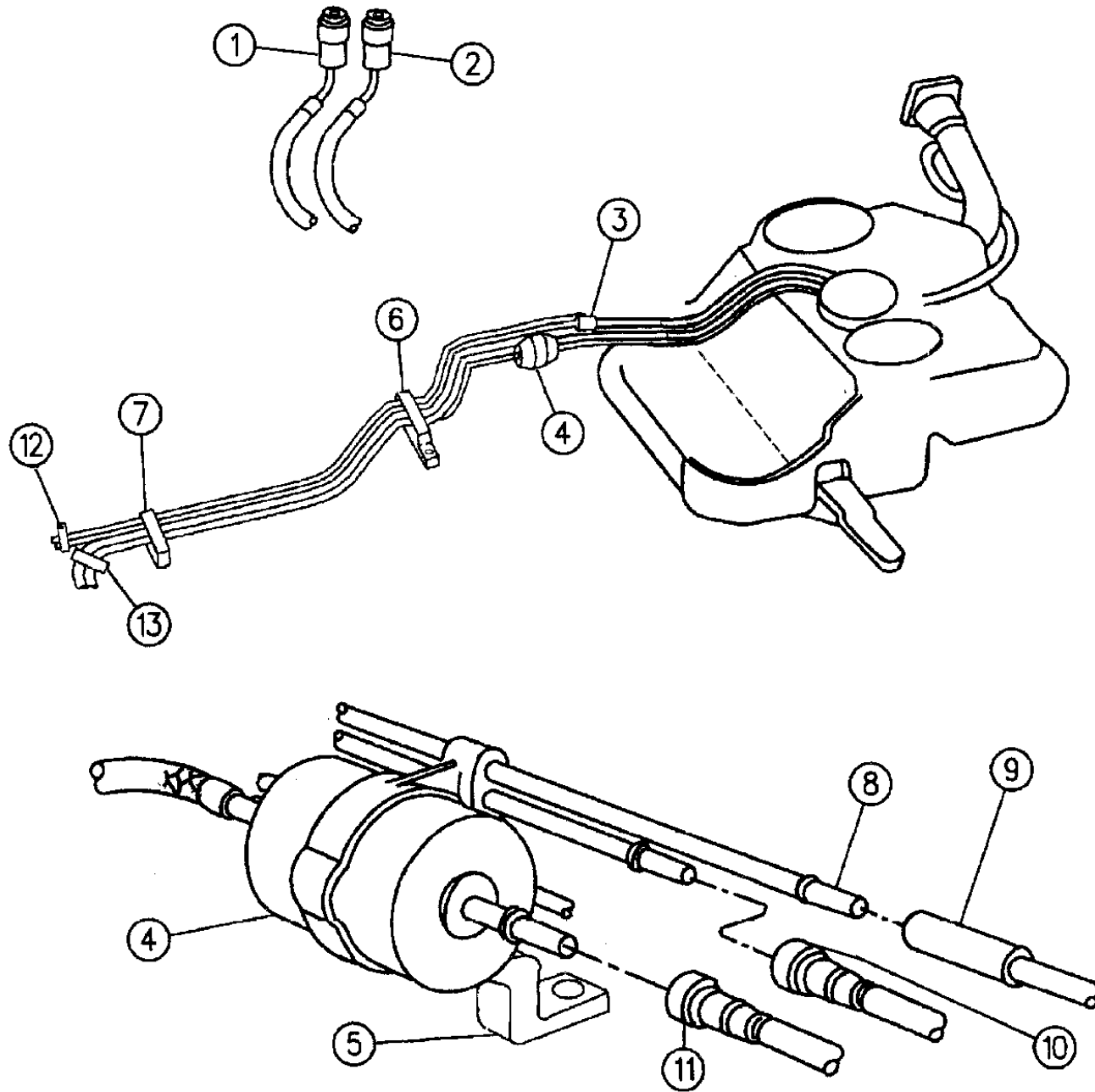
41 = 4 - Door Sedan ENGINE: 3.3L (EGB)
3.5L (EGE) 24 Valve

AR = Use as Required - = Non Illustrated Part P.A.R. = Paint as Required

FUEL LINES AND FUEL FILTER LH BODY

Figure 14-310

14-310



ITEM	PART NUMBER	QTY	BODY	MODEL	DESCRIPTION
					TUBING, Convoluted
	4418 153	AR			1/4" 25 Ft. Roll
	4364 375	AR			3/8" 10 Ft. Roll
	4634 392	AR			5/8" 10 Ft. Roll
	4397 809	AR			1" 10 Ft. Roll
1					TUBE ASSEMBLY, Fuel Return, Front ***
	4773 115	1			Gas, 1993
	4695 238	1			Gas, 1994-96
	4582 979	1			Flex Fuel
					TUBE ASSEMBLY, Return, Half (Newark Built) ***
	4695 489	1			Front
	4695 499	1			Rear
2					TUBE ASSEMBLY, Fuel Supply, Front ***
	4773 114	1			Gas, 1993
	4695 229	1			Gas, 1994-96
	4582 968	1			Flex Fuel
					TUBE ASSEMBLY, Supply, Half (Newark Built) ***
	4695 481	1			Front
	4695 497	1			Rear
	4582 995	1			TUBE ASSEMBLY, Fuel Supply/Module Sensor, Flex Fuel ***
3	4582 073	1			CLIP, Tube and Wiring to Rear Rail
	4582 068	1			CLIP, Fuel Tubes and Wiring to Fuel Tank
	4695 494	1			CLIP, Isolation, Fuel
	4695 495	1			CLIP, Tube Module, Underbody
	4695 523	1			CLIP, Tube Module, Crossmember, Center Mount
	4695 493	1			ISOLATOR, Rubber, Fuel Module, Front
	4695 496	1			ISOLATOR, Rubber, Brake Module, Front
4	4554 040	1			FILTER, Fuel
	4741 862	1			Middle East
	4582 679	1			Flex Fuel
5	4582 070	1			CLIP, Fuel Filter
6	4582 738	AR			CLIP, Fuel/Brake Line
7	4616 178	AR			CLIP, Module to Floor Pan Reinforcement
8	4582 983	1			TUBE, Vapor, Front
	4275 637	1			ELBOW, Vapor Tube Harness (90 Deg.)
9		1			TUBE ASSEMBLY, Vapor Supply, Rear ***
	4582 991	1			Gas
	4616 167	1			Flex Fuel
					TUBE ASSEMBLY, Vapor, Half (Newark Built) ***
	4695 491	1			Front
	4695 502	1			Rear
10					TUBE ASSEMBLY, Fuel Return, Rear ***

MODEL CODES:

Chrysler = (CH41 = New Yorker, CP41 = LHS, DH41 = Intrepid(Canada), DP41 = Intrepid ES(Canada), LP41 = Concorde)
 DODGE = (DH41 = Intrepid(USA), DP41 = Intrepid ES(USA))
 EAGLE = (XP41 = Vision ESI, XS41 = Vision TSI)

BODY STYLES:

41 = 4 - Door Sedan ENGINE: 3.3L (EGB)
 3.5L (EGE) 24 Valve

93414 310

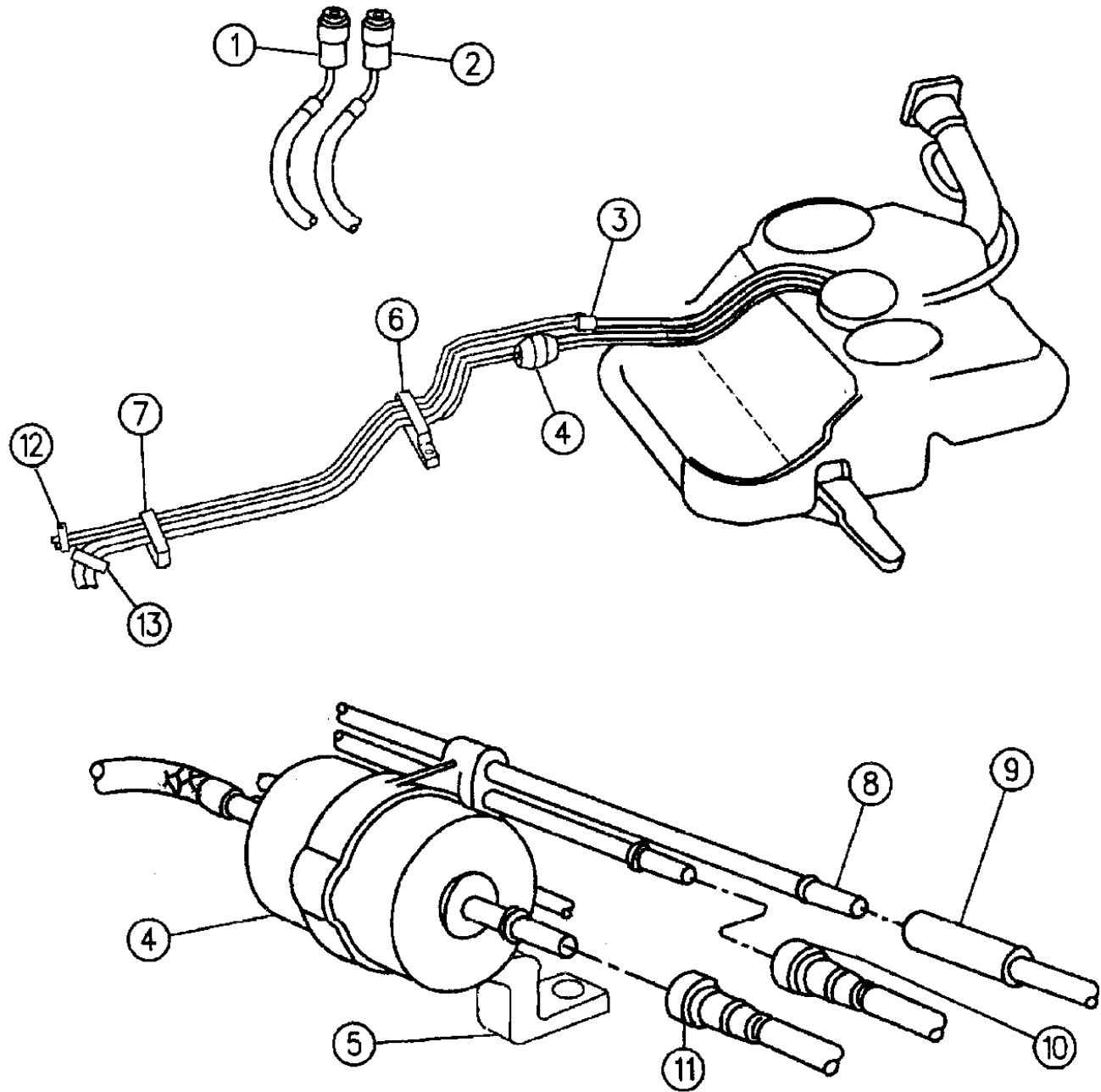
AR = Use as Required - = Non Illustrated Part P.A.R. = Paint as Required

FUEL LINES AND FUEL FILTER LH BODY

Figure 14-310

14-310

ITEM	PART NUMBER	QTY	BODY	MODEL	DESCRIPTION
	4582 989	1			Gas
	4582 998	1			Flex Fuel
11	4582 987	1			Gas
	4582 993	1			Flex Fuel
12	4582 942	1			CLIP, Fuel and Vapor Tubes to Steering Gear Crossmember
13	4616 179	1			SPACER, Fuel and Brake Tubes, A/C Drip Tube
-	4755 075	1			SPACER, Fuel and Brake Tubes



MODEL CODES: _____
 Chrysler = (CH41 = New Yorker, CP41 = LHS, DH41 = Intrepid(Canada), DP41 = Intrepid ES(Canada), LP41 = Concorde)
 DODGE = (DH41 = Intrepid(USA), DP41 = Intrepid ES(USA))
 EAGLE = (XP41 = Vision ESI, XS41 = Vision TSI)

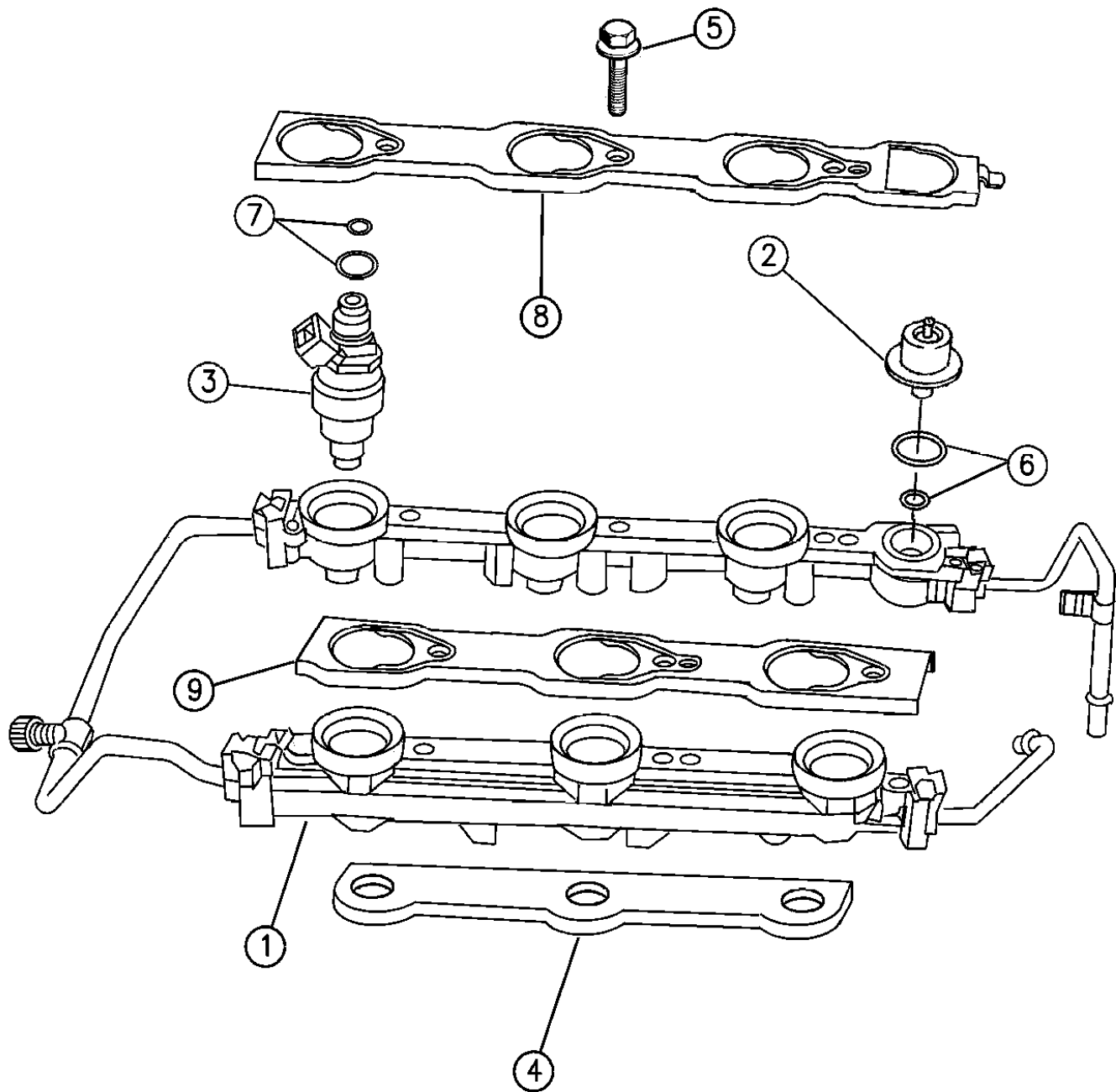
BODY STYLES: _____
 41 = 4 - Door Sedan ENGINE: 3.3L (EGB)
 3.5L (EGE) 24 Valve

93414 310

AR = Use as Required - = Non Illustrated Part P.A.R. = Paint as Required

FUEL RAIL LH BODY
Figure 14-410

14-410



ITEM	PART NUMBER	QTY	BODY	MODEL	DESCRIPTION
1					RAIL ASSEMBLY, Fuel ***
	5277 468	1			3.3L Engine 1993
	4663 929	1			3.3L Engine, Gas
	4663 424	1			3.3L Engine, Flex Fuel
	4746 006	1			3.5L Engine, 1993-94 Up to 7-26-93
	4762 924	1			w/Damper 3.5L Engine 1994
	4778 403	1			w/Damper 3.5L Engine 1995-96
					BRACKET, Fuel Rail Retention
	4663 927	1			3.3L Engine
	4765 016	1			3.3L Engine 1995
	4663 377	1			3.3L Engine, Flex Fuel
	4663 378	1			3.5L Engine
	4591 051	1			3.5L Engine 1995
2					REGULATOR, Fuel Pressure
	5277 471	1			3.3L Engine
	5277 829	1			3.5L Engine (Includes 2 O-Rings)
	4663 009	1			HOSE, Fuel Pressure Regulator
	4663 249	1			HARNESS, Regulator Vacuum
	4746 034	1			PACKAGE, Regulator, Flex Fuel
					CLIP, Regulator
	4418 897	1			3.3L Engine
	4663 428	1			3.3L Engine Flex Fuel
	0154 618	1			SCREW, Clip
3					INJECTOR, Fuel
	5277 470	6			3.3L Engine 1993
	4663 376	6			3.3L Engine 1994-6
	4591 085	6			3.3L Engine, Flex Fuel
	4573 062	6			3.5L Engine
	4418 257	4			CLIP, Injector
4	4573 378	2			GASKET, Fuel Rail to Head, 3.5L Engine
5	6101 279	6			SCREW, Fuel Rail Attach. M6 x 1.00 x 55.00
6					PACKAGE, Regulator O-Ring
	4418 903	1			3.3L-3.5L Engine (Exclude Flex Fuel)
	4746 036	1			3.3L Flex Fuel Engine
7					PACKAGE, Injector O-Ring (Contains 2 O-Rings)
	4723 980	6			3.3L Engine
	4728 062	6			3.3L Engine, Flex Fuel
	4723 966	6			3.5L Engine
8	4720 948	1			RETAINER, Outlet Rail
9	4720 945	1			RETAINER, Inlet Rail
-	1150 2693	4			BOLT, Fuel Rail to Intake Manifold M8x1.25x20.0

MODEL CODES:

Chrysler = (CH41 = New Yorker, CP41 = LHS, DH41 = Intrepid(Canada), DP41 = Intrepid ES(Canada), LP41 = Concorde)
 DODGE = (DH41 = Intrepid(USA), DP41 = Intrepid ES(USA))
 EAGLE = (XP41 = Vision ESI, XS41 = Vision TSI)

BODY STYLES:

41 = 4 - Door Sedan ENGINE: 3.3L (EGB)
 3.5L (EGE) 24 Valve

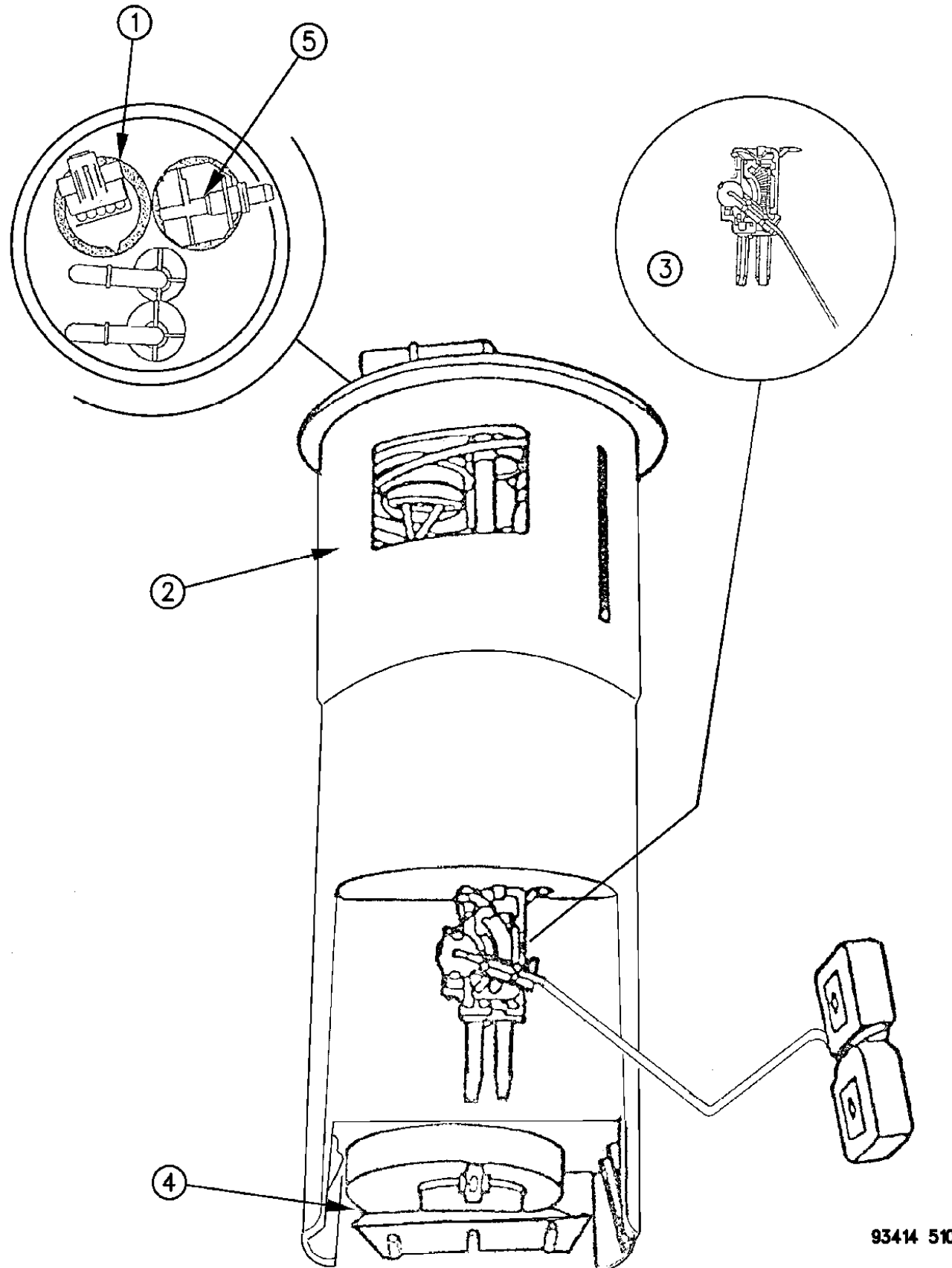
93414 410

AR = Use as Required - = Non Illustrated Part P.A.R. = Paint as Required

FUEL PUMP AND LEVEL UNIT LH BODY

Figure 14-510

14-510



93414 510

ITEM	PART NUMBER	QTY	BODY	MODEL	DESCRIPTION
1	4720 832	1			INSULATOR ASSEMBLY, Electrical Connector ***
2					MODULE PKG, Fuel Pump and Level Unit ***
	4773 804	1			U.S./Europe/Canada 1993-95
	4856 445	1			1996
	4773 805	1			Middle East 1994-95
	4856 626	1			1996
	4778 112	1			Flex Fuel 1994-95
	4773 802	1			Brazil 1994-95
	4856 625	1			1996
	4582 726	1			SEAL, Pump to Tank
	5217 802	1			GROMMET, Fuel Vent Elbow
	4203 911	1			CLAMP, Fuel Pump
3					UNIT, Level
	4762 842	1			U.S./Europe/Canada/Mid East 1993-95
	4856 458	1			1996
	4741 430	1			Flex Fuel and Brazil 1994-95
	4856 622	1			Brazil 1996
4					PACKAGE, Strainer Inlet Filter
	4723 357	1			Except Middle East
	4741 862	1			Middle East
5					VALVE, Rollover
	4002 149	1			GROMMET, Rollover Valve
	4616 244	1			Grommet, Vent Elbow ***
	4582 728	1			GROMMET, Fuel Tank to Rollover Valve

MODEL CODES:

Chrysler = (CH41 = New Yorker, CP41 = LHS, DH41 = Intrepid(Canada), DP41 = Intrepid ES(Canada), LP41 = Concorde)
 DODGE = (DH41 = Intrepid(USA), DP41 = Intrepid ES(USA))
 EAGLE = (XP41 = Vision ESI, XS41 = Vision TSI)

BODY STYLES:

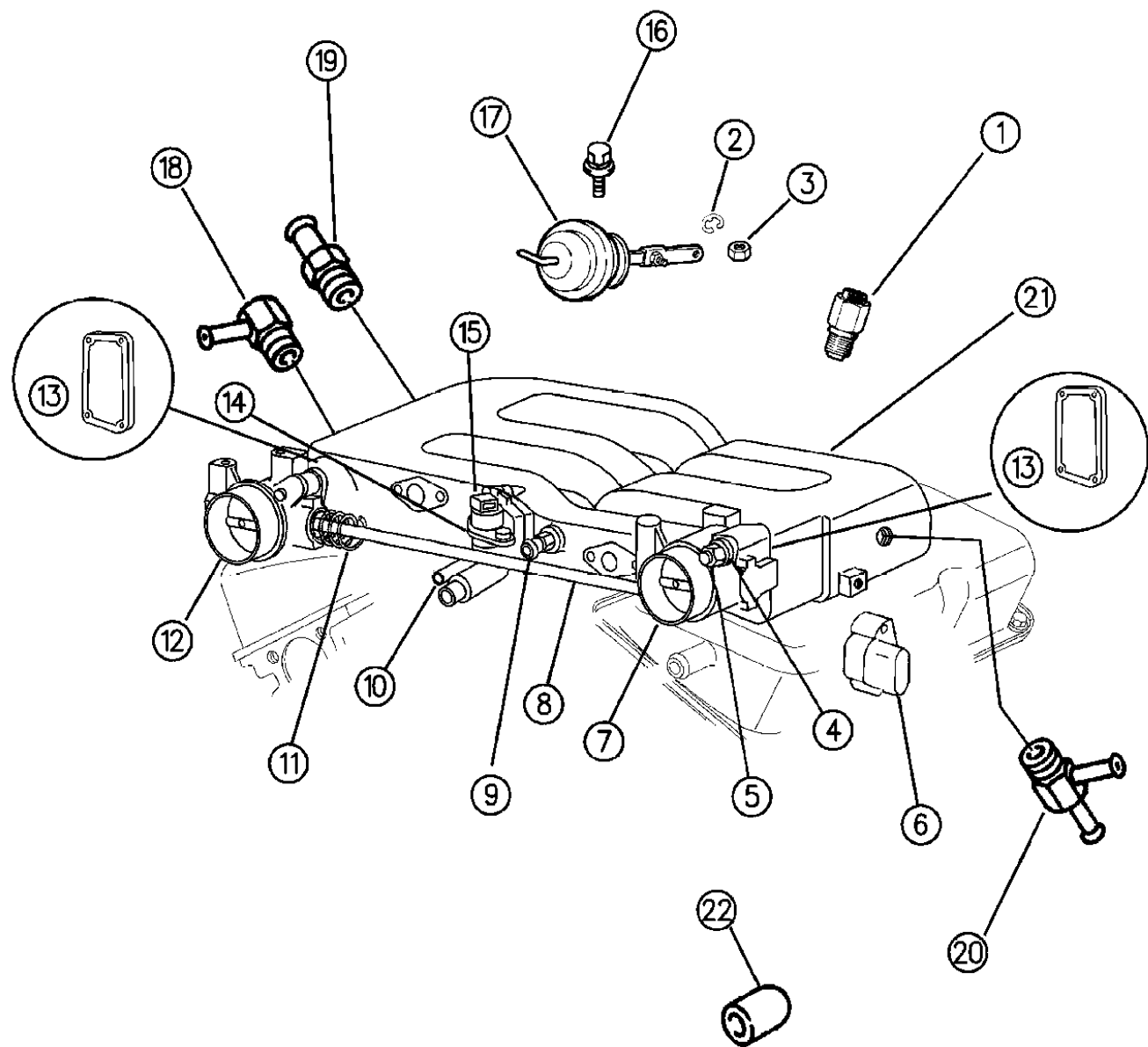
41 = 4 - Door Sedan ENGINE: 3.3L (EGB)
 3.5L (EGE) 24 Valve

AR = Use as Required - = Non Illustrated Part P.A.R. = Paint as Required

THROTTLE BODY 3.5L ENGINE LH BODY

Figure 14-610

14-610



ITEM	PART NUMBER	QTY	BODY	MODEL	DESCRIPTION
1	5227 805	1			SENSOR, Intake Air Temp.
2	6034 403	1			CLIP, Lever Retaining
3		1			NUT (DNS)
4	6101 445	4			NUT
5	6502 645	4			STUD, T/Body Attaching
6	4605 103	1			SENSOR, Throttle Position
7					BODY, Right Throttle
	5283 101	1		1993-94	
	4591 022	1		1995	
	4591 262	1		1996	
	6502 675	2			SCREW AND WASHER, Throttle Body Attaching ***
8	4573 152	1			LINKAGE, Throttle Body ***
9	4573 561	1			VALVE, Crankcase Vent
10	4663 246	1			TUBE, Vacuum
11	4573 268	1			SPRING, Throttle Linkage
12					BODY, Left Throttle
	5283 100	1		1993-94	
	4591 023	1		1995-96	
13	4573 196	2			GASKET, Throttle Body
14	4573 267	1			GASKET, Automatic Idle Speed
15	4612 673	1			MOTOR, w/Flange A.I.S.
-	5003 618AA	1			HOUSING, AIS Motor
16	6502 640	2			BOLT
17	4573 506	1			MOTOR, Vacuum
18	4573 565	1			CONNECTOR, Manifold Vacuum
19	4573 963	1			CONNECTOR, Brake Vacuum Line
20	4663 025	1			CONNECTOR, Fuel Regulator Transducer
21	4626 668	1			PLENUM, Intake Manifold ***
22	3580 171	1			CAP, Vacuum Connector

MODEL CODES:

Chrysler = (CH41 = New Yorker, CP41 = LHS, DH41 = Intrepid(Canada), DP41 = Intrepid ES(Canada), LP41 = Concorde)
 DODGE = (DH41 = Intrepid(USA), DP41 = Intrepid ES(USA))
 EAGLE = (XP41 = Vision ESI, XS41 = Vision TSI)

BODY STYLES:

41 = 4 - Door Sedan ENGINE: 3.3L (EGB)
 3.5L (EGE) 24 Valve

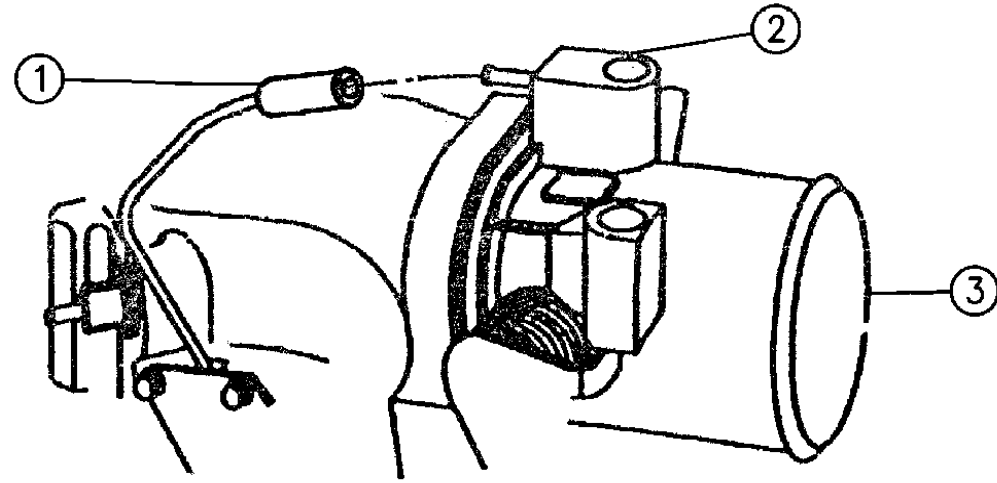
93414 610

AR = Use as Required - = Non Illustrated Part P.A.R. = Paint as Required

THROTTLE BODY 3.3L ENGINE LH BODY
Figure 14-620

14-620

ITEM	PART NUMBER	QTY	BODY	MODEL	DESCRIPTION
1	4104 272	AR			TUBING
	4663 007	1			TUBE ASSEMBLY, Throttle Body Purge ***
2	4573 367	1			MOTOR, Automatic Idle Speed
3					BODY, Throttle
	5277 440	1			1993
	4663 441	1			1994
	4591 024	1			1995
	4591 264	1			1996
	6502 675	2			SCREW AND WASHER, Throttle Body Attaching ***
	4605 103	1			SENSOR, Throttle Position
-	4300 071	1			GASKET, Throttle Body



MODEL CODES: _____
 Chrysler = (CH41 = New Yorker, CP41 = LHS, DH41 = Intrepid(Canada), DP41 = Intrepid ES(Canada), LP41 = Concorde)
 DODGE = (DH41 = Intrepid(USA), DP41 = Intrepid ES(USA))
 EAGLE = (XP41 = Vision ESI, XS41 = Vision TSI)

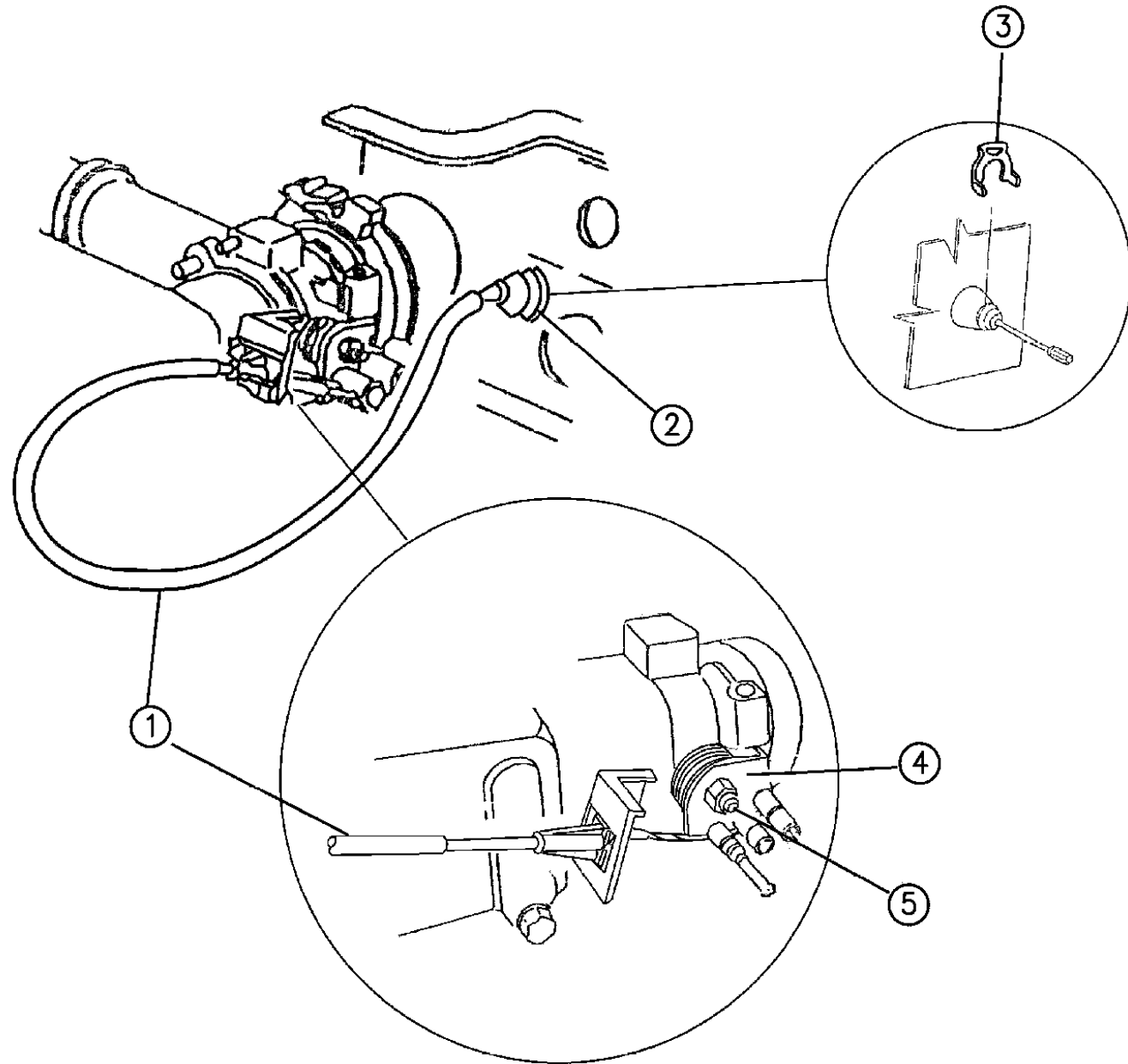
93414 620

BODY STYLES: _____
 41 = 4 - Door Sedan ENGINE: 3.3L (EGB)
 3.5L (EGE) 24 Valve

AR = Use as Required - = Non Illustrated Part P.A.R. = Paint as Required

THROTTLE CONTROLS LH BODY
Figure 14-710

14-710



ITEM	PART NUMBER	QTY	BODY	MODEL	DESCRIPTION
1					CABLE, Throttle Control
	4592 201	1			3.3L Engine
	4592 202	1			3.5L Engine 1993-94
	4591 111	1			3.5L Engine 1995
					BRACKET, Cable Mtg.
	4592 017	1			3.3L Engine
	4592 018	1			3.5L Engine 1993-94
	4591 032	1			3.5L Engine 1995
2	4592 019	1			GROMMET, Cable
3	4592 020	1			RETAINER, Cable
4	4592 018	1			BRACKET, Throttle Body
5	6501 755	1			SCREW

MODEL CODES: _____
 Chrysler = (CH41 = New Yorker, CP41 = LHS, DH41 = Intrepid(Canada), DP41 = Intrepid ES(Canada), LP41 = Concorde)
 DODGE = (DH41 = Intrepid(USA), DP41 = Intrepid ES(USA))
 EAGLE = (XP41 = Vision ESI, XS41 = Vision TSI)

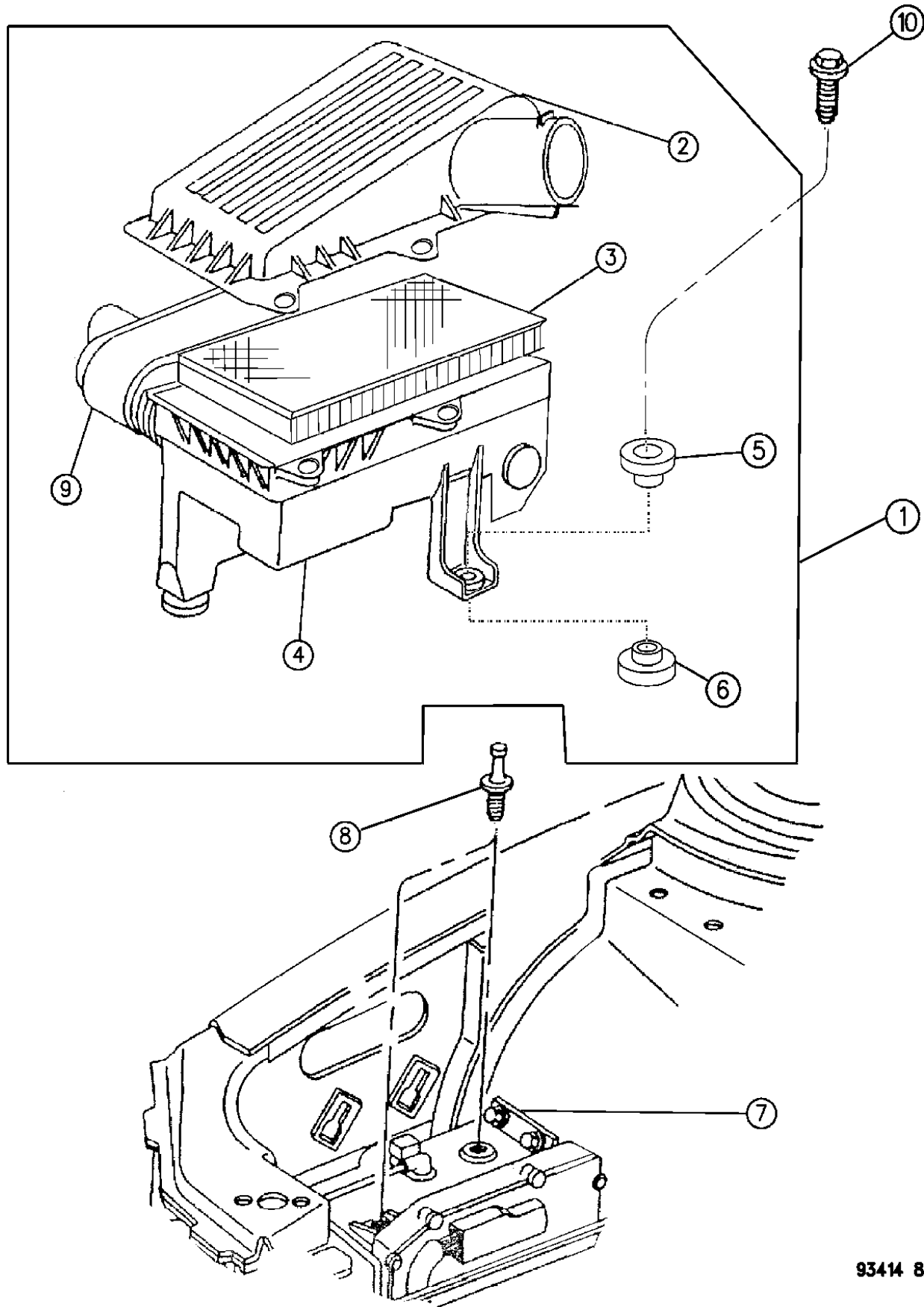
BODY STYLES: _____
 41 = 4 - Door Sedan ENGINE: 3.3L (EGB)
 3.5L (EGE) 24 Valve

93414 710

AR = Use as Required - = Non Illustrated Part P.A.R. = Paint as Required

AIR CLEANER LH BODY
Figure 14-810

14-810A



ITEM	PART NUMBER	QTY	BODY	MODEL	DESCRIPTION
1					AIR CLEANER ASSEMBLY ***
	4573 028	1			1993-95
	4798 949	1			1996
2		1			COVER, Air Cleaner (Serviced in #1)
3	4573 031	1			ELEMENT, Air Cleaner
4		1			BODY, Air Cleaner (Serviced in #1)
5	4573 211	1			BUSHING, Isolator Mounting Leg
6	4573 049	1			ISOLATOR, Mounting Leg
7	4268 295	2			ISOLATOR, Air Cleaner Mounting
8	4573 052	2			FASTENER, Air Cleaner Mtg.
9	4573 033	1			DUCT, Fresh Air
10		3			SCREW, Air Cleaner Mtg. (Not Serviced) (M6 x 1.00 x 25.00)

93414 810

MODEL CODES:

Chrysler = (CH41 = New Yorker, CP41 = LHS, DH41 = Intrepid(Canada), DP41 = Intrepid ES(Canada), LP41 = Concorde)
DODGE = (DH41 = Intrepid(USA), DP41 = Intrepid ES(USA))
EAGLE = (XP41 = Vision ESI, XS41 = Vision TSI)

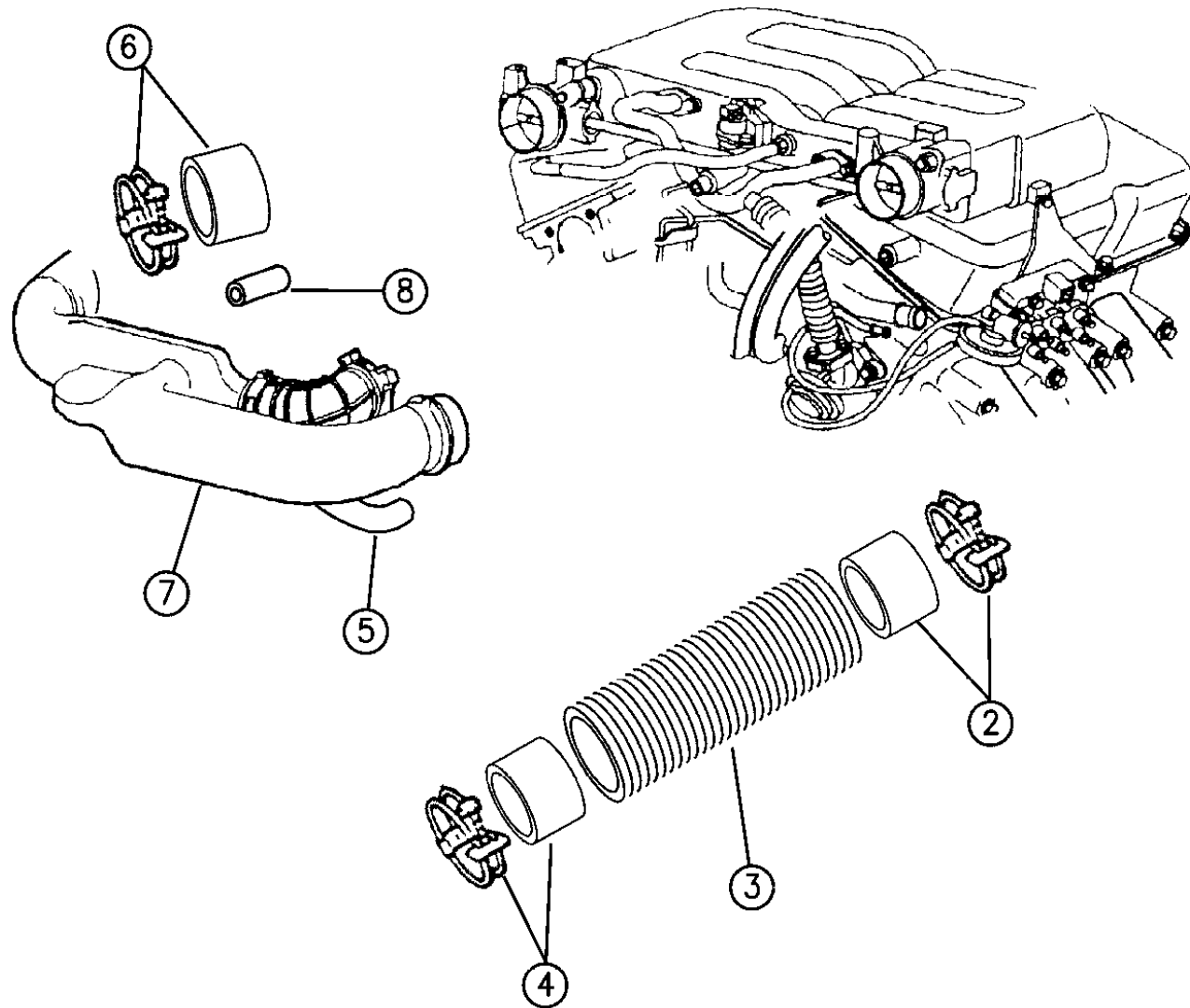
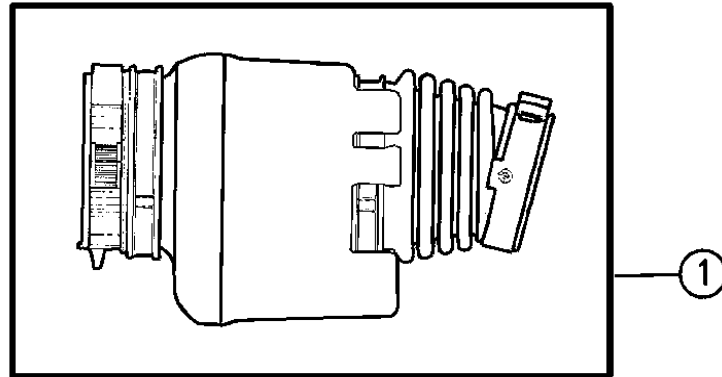
BODY STYLES:

41 = 4 - Door Sedan ENGINE: 3.3L (EGB)
3.5L (EGE) 24 Valve

AR = Use as Required - = Non Illustrated Part P.A.R. = Paint as Required

FRESH AIR INTAKE HOSE AND PLENUM LH BODY
Figure 14-910

14-910B



ITEM	PART NUMBER	QTY	BODY	MODEL	DESCRIPTION
1	4573 047	1			RESONATOR
2	4723 780	1			CUFF Kit, Air Cleaner to Plenum Hose w/Clamp ***
3	4728 120	1			HOSE, Air Cleaner to Plenum
4	4723 781	AR			CUFF, w/Clamp, Air Hose to Plenum ***
5	4573 140	1			HOSE, Crankcase Vent to Plenum
6	4723 782	AR			CUFF Kit, Clean Air Plenum w/Clamp ***
7	4573 120	1			PLENUM, Air Cleaner, w/Small Hose to Plenum ***
8	4573 258	1			HOSE, Plenum to A.I.S. Motor

93414 910

MODEL CODES:

Chrysler = (CH41 = New Yorker, CP41 = LHS, DH41 = Intrepid(Canada), DP41 = Intrepid ES(Canada), LP41 = Concorde)
DODGE = (DH41 = Intrepid(USA), DP41 = Intrepid ES(USA))
EAGLE = (XP41 = Vision ESI, XS41 = Vision TSI)

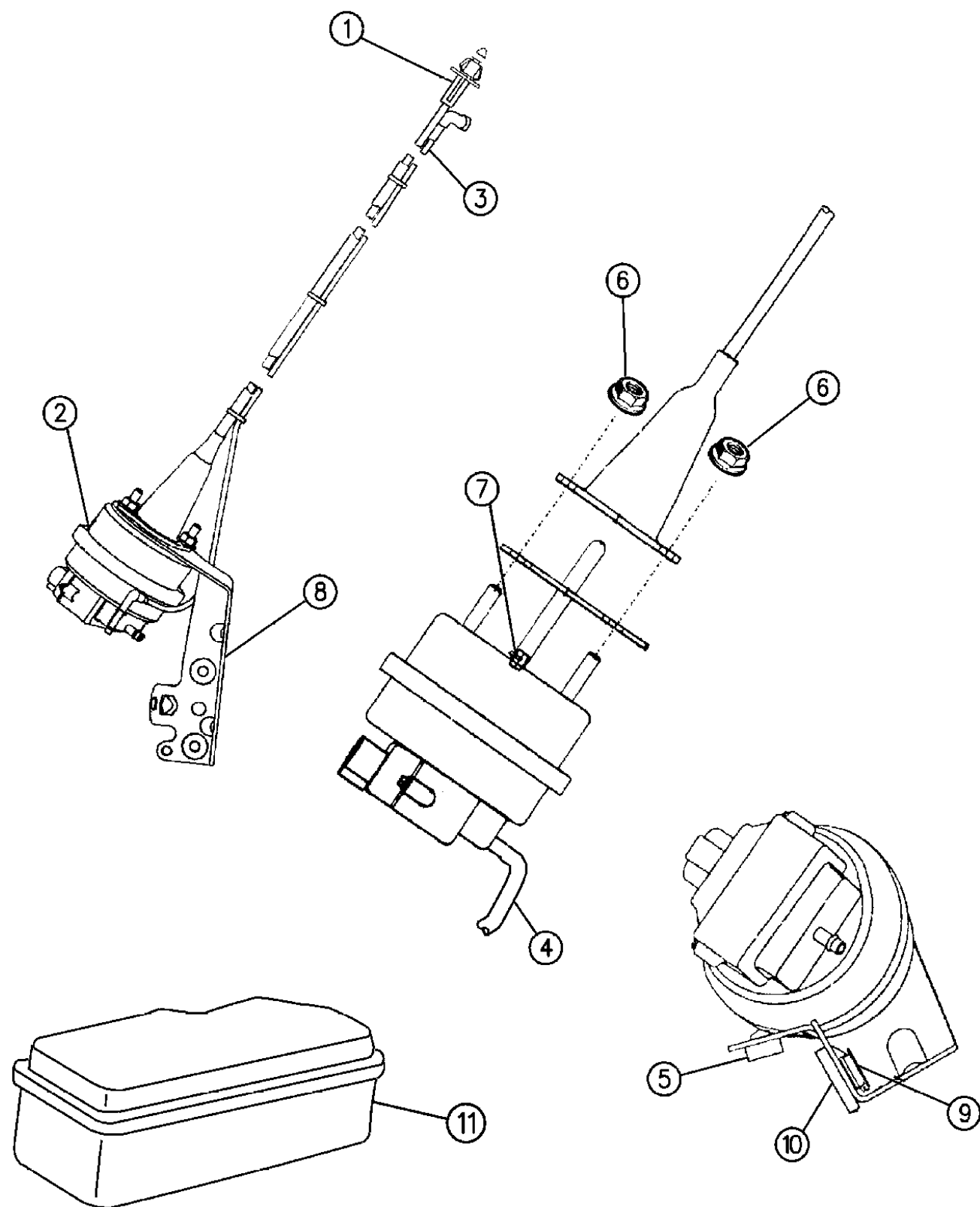
BODY STYLES:

41 = 4 - Door Sedan ENGINE: 3.3L (EGB)
3.5L (EGE) 24 Valve

AR = Use as Required - = Non Illustrated Part P.A.R. = Paint as Required

SPEED CONTROL LH BODY
Figure 14-1010

14-1010



93414 1010

ITEM	PART NUMBER	QTY	BODY	MODEL	DESCRIPTION
1					CABLE, Speed Control
	4573 668	1			3.3L Engine
	4592 029	1			3.5L Engine 1994
	4591 235	1			3.5L Engine 1995-96
2					SERVO
	5277 659	1			3.3L Engine
	4324 052	1			3.5L Engine
3					HARNESSES, Vacuum Speed Control Cable
	5277 593	1			3.3L Engine
	5277 594	1			3.5L Engine
4					HOSE, Vacuum Harness Speed Control 3.5L Engine
	4573 683	1			HOSE, Vacuum, 1/8" I.D., 50 Ft. Roll
	3780 508	AR			HOSE, Vacuum, 1/8" I.D., 50 Ft. Roll
	4104 272	AR			HOSE, Vacuum, 1/4" I.D., 50 Ft. Roll
5	4592 025	1			BUMPER
6	6502 493	2			NUT, Servo Mounting
7	6025 867	1			CLIP, Speed Control Cable to Servo
8					BRACKET, Servo Mounting
	4592 023	1			3.3L Engine
	4592 024	1			3.5L Engine
	4573 702	1			PLATE, Servo Mtg.
9	3502 916	2			SPACER
10	4592 032	1			ISOLATOR, Pad
11	5277 573	1			RESERVOIR, w/Harness, Vacuum
-	4663 063	1			HARNESSES, Mtv/Reservoir
-	3580 172	1			CAP, MTV/Speed Control Harness

MODEL CODES:

Chrysler = (CH41 = New Yorker, CP41 = LHS, DH41 = Intrepid(Canada), DP41 = Intrepid ES(Canada), LP41 = Concorde)
 DODGE = (DH41 = Intrepid(USA), DP41 = Intrepid ES(USA))
 EAGLE = (XP41 = Vision ESI, XS41 = Vision TSI)

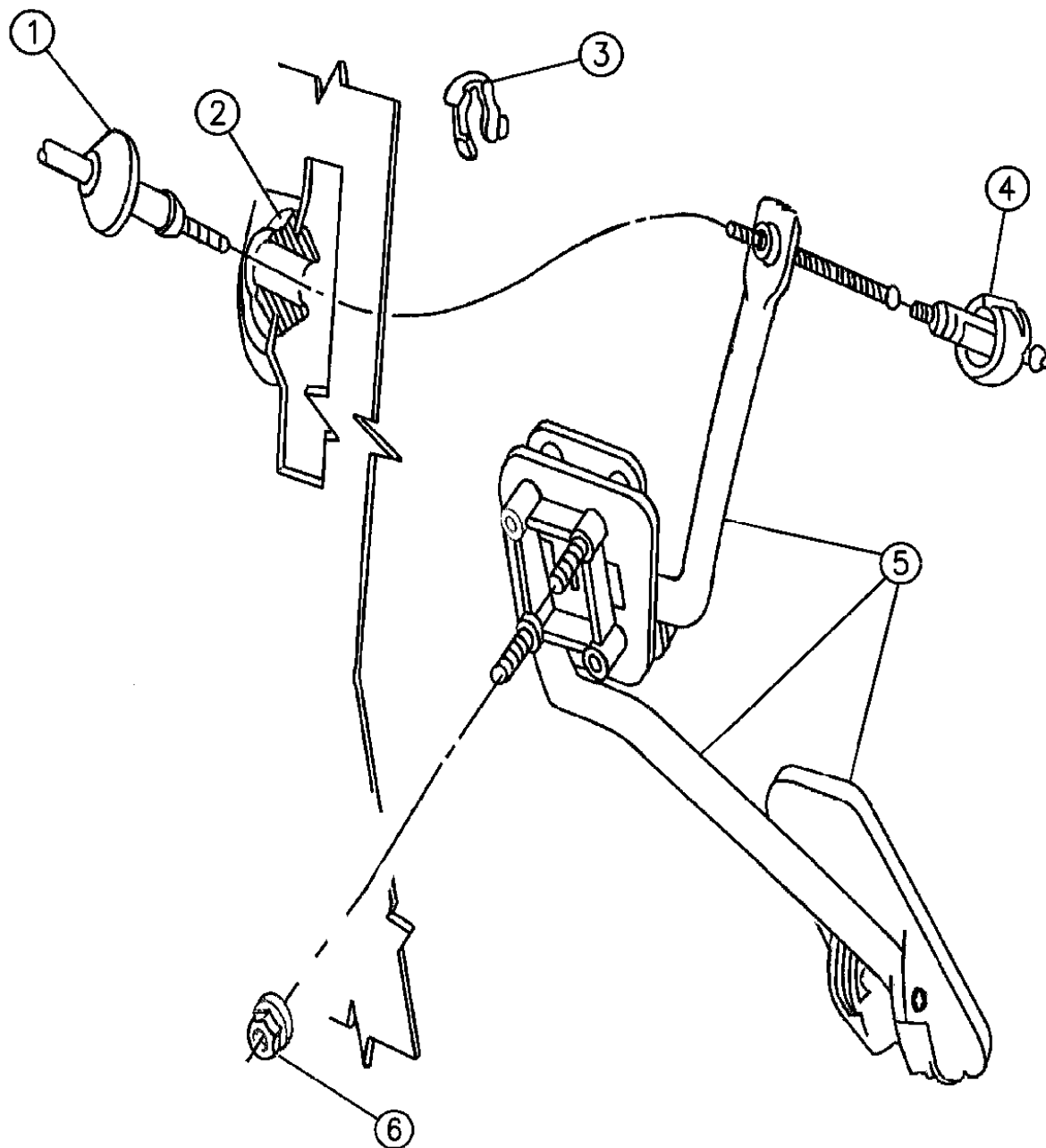
BODY STYLES:

41 = 4 - Door Sedan ENGINE: 3.3L (EGB)
 3.5L (EGE) 24 Valve

AR = Use as Required - = Non Illustrated Part P.A.R. = Paint as Required

ACCELERATOR PEDAL AND CABLE LH BODY
Figure 14-1110

14-1110A



ITEM	PART NUMBER	QTY	BODY	MODEL	DESCRIPTION
1					CABLE, Throttle Control
	4592 201	1			3.3L Engine
	4592 202	1			3.5L Engine 1993-94
	4591 111	1			3.5L Engine 1995
2	4592 019	1			GROMMET, Throttle Control Cable
3	4592 020	1			CLIP, Throttle Cable
4	4306 150	1			ISOLATOR, Throttle Cable
5	4287 736	1			RETAINER, Throttle Cable
6	4592 101	1			PEDAL, w/Bracket Accelerator
7	6100 516	2			NUT

MODEL CODES: _____
 Chrysler = (CH41 = New Yorker, CP41 = LHS, DH41 = Intrepid(Canada), DP41 = Intrepid ES(Canada), LP41 = Concorde)
 DODGE = (DH41 = Intrepid(USA), DP41 = Intrepid ES(USA))
 EAGLE = (XP41 = Vision ESI, XS41 = Vision TSI)

BODY STYLES: _____
 41 = 4 - Door Sedan ENGINE: 3.3L (EGB)
 3.5L (EGE) 24 Valve

93414 1110

AR = Use as Required - = Non Illustrated Part P.A.R. = Paint as Required

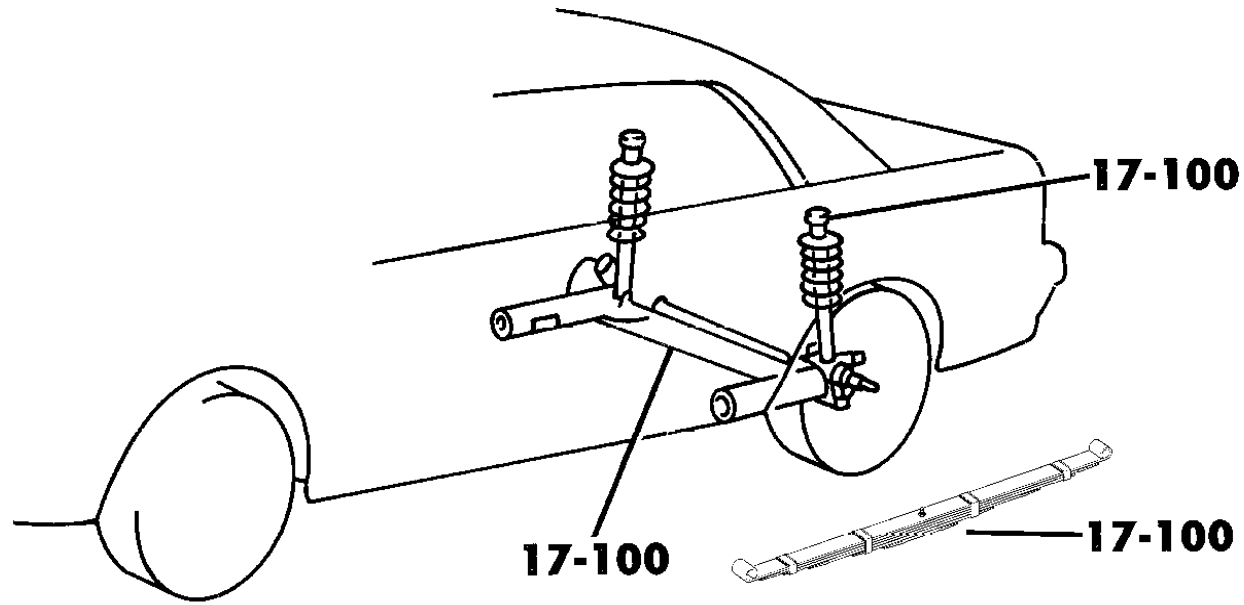
GROUP-17 REAR SUSPENSION

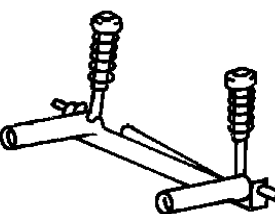
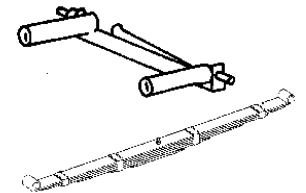
ILLUSTRATION TITLE

GROUP-FIG. NO.

REAR SUSPENSION

SUSPENSION, REAR LH-BODY Fig. 17-110

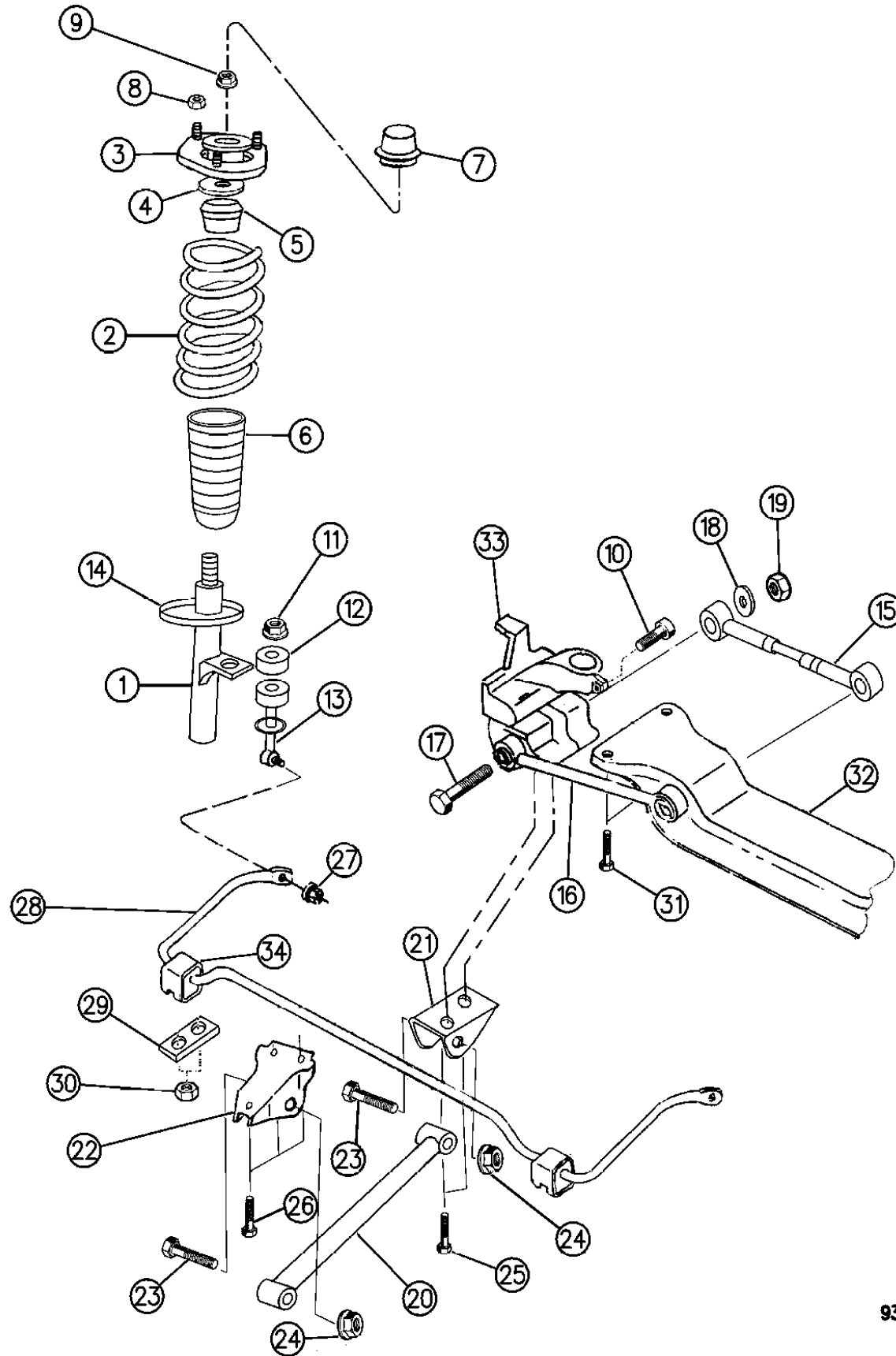


<p>17-100 REAR SUSPENSION</p> 	<p>17-100 REAR STABILIZER & SPRINGS</p> 		
--	--	--	--

SUSPENSION, REAR LH-BODY

Figure 17-110

17-110



93417 110

ITEM	PART NUMBER	QTY	BODY	MODEL	DESCRIPTION
NOTE: Sales Code SDA = Standard Suspension, Used Standard on CH41, DH41, LP41.					
NOTE: Sales Code SDC = Firm Feel Suspension, Used Standard on CP41, DP41, XP41. Optional on CH41, DH41, LP41, XP41 w/ 16" Wheel and Handling Package.					
NOTE: Sales Code SDE = Special Sport Suspension, Used Optional on DP41, XS41, w/16" Wheels.					
NOTE: Sales Code AGC = 16" Wheel & Handling Package. Standard on DP41, XS41. Optional on CH41, CP41, DH41, DP41, LP41, XP41.					
1					STRUT, Damper Assy. Rear (See Note)
	4582 609	2			w/Std. Susp. (SDA or SDC) w/Z04,5,6 or ZAR,ZAS,ZAT,ZNR, ZNS Spring Group
	4601 815	2			w/Special Sport Susp. (SDE) w/Z04,5 or ZER,ZES,ZTR,ZTS Spring Group w/Special Sport Susp Up to 7-26-94 Bramalea Up to 8-22-94 Newark
	4755 030	2			w/Special Sport Susp. (SDE) w/ZER,ZES,ZTR,ZTS Spring Group After 7-26-94 Bramalea After 8-22-94 Newark
	4756 174-5	1	C		SHIELD, Rear Strut Sound 1995-6
	4322 633	2			WASHER, Susp Strut Damper Mount Rear
2					SPRING, Rear (See Note)
	4616 504	2			w/Std. Susp. (SDA) or (SDC) w/Z04 or w/ZAR,ZNR Spring Group
	4616 505	2			w/Std. Susp. (SDA or SDC) w/Z05 or w/ZAS,ZNS Spring Group
	4616 506	2			w/Std. Susp. (SDA or SDC) w/Z06 or w/ZAT,ZNT Spring Group
	4616 514	1			w/Special Sport Susp. (SDE) Rt. w/Z04 or w/ZER,ZTR Spring Group
	4616 515	1			w/Special Sport Susp. (SDE) Lt. w/Z05 or w/ZES,ZTS Spring Group
	4755 007	1			SLEEVE, Coil Spring Rear Suspension
3					MOUNT AND SEAT, Assy. Rear ***
	4601 937	2			1993
	4695 371	2			1994
	4601 937	2			1995-96
	4755 005	2			w/Auto Stick 1995
4					PLATE, Jounce Stop (See Note)
	4601 938	2			w/Std. Susp. (SDA or SDC)
	4616 264	2			w/Special Sport Susp. (SDE)
5					BUMPER, Jounce (See Note)
	4582 801	2	D,L,X		w/Std. Susp. (SDA or SDC)
	4695 218	2	C		w/Std. Susp. (SDA or SDC)
	4582 821	2			w/Special Sport Susp. (SDE)
6	4582 563	2			SHIELD, Dust
7	4582 816	2			CAP, Rear Strut
8	6101 446	6			NUT, w/WASHER
9	6502 525	2			NUT, Strut Upper

MODEL CODES:

Chrysler = (CH41 = New Yorker, CP41 = LHS, DH41 = Intrepid(Canada), DP41 = Intrepid ES(Canada), LP41 = Concorde)
 DODGE = (DH41 = Intrepid(USA), DP41 = Intrepid ES(USA))
 EAGLE = (XP41 = Vision ESI, XS41 = Vision TSI)

BODY STYLES:

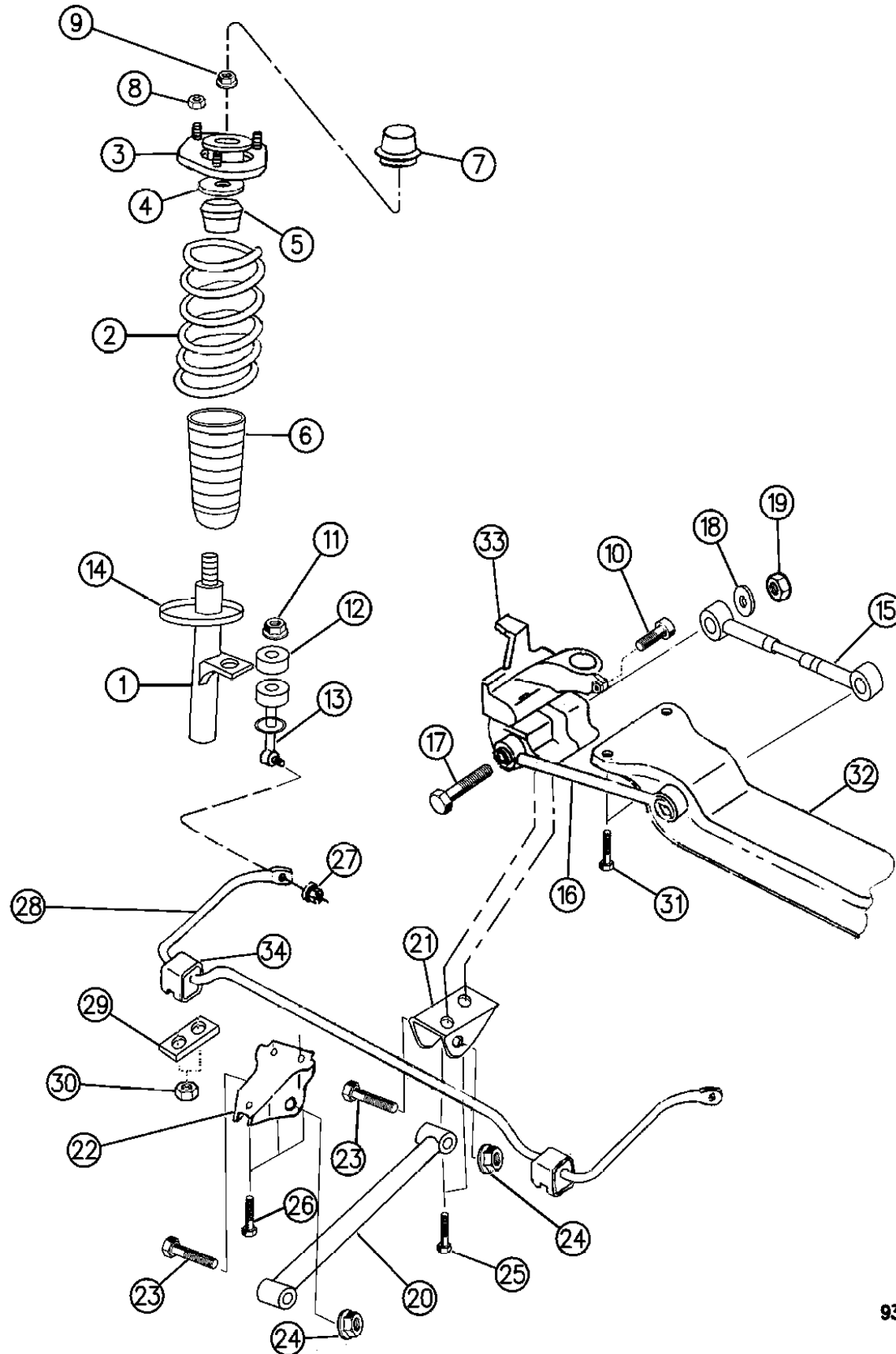
41 = 4 - Door Sedan ENGINE: 3.3L (EGB)
 3.5L (EGE) 24 Valve

AR = Use as Required - = Non Illustrated Part P.A.R. = Paint as Required

SUSPENSION, REAR LH-BODY

Figure 17-110

17-110



93417 110

ITEM	PART NUMBER	QTY	BODY	MODEL	DESCRIPTION
10	6502 938	2			SCREW, Strut Mounting
11	6101 675	2			NUT, M8x1.25
12	4582 820	2			ISOLATOR, Sway Eliminator Link
13	4582 855	2			LINK, Assy.
	2071 611	2			RETAINER, (Conical Washer) Link
14					ISOLATER, Rear Spring ***
	4582 537	2			1993
	4695 385	2			1994-5-6
15	4582 548	2			LINK, Assy Lateral Rear 1993-4-5
	4755 018	2			1996
	4755 018	2			w/Auto Stick 1995
16					LINK, Assy. Lateral Front (See Note)
	4582 525	2			w/Std. Susp. (SDA or SDC) 1993-4-5
	4755 009	2			w/Std. Susp. (SDA or SDC) 1996
	4755 009	2			w/Std. Susp. (SDA or SDC) w/Auto Stick 1995
	4582 529	2			w/Special Sport Susp. (SDE) 1993-4-5
	4755 017	2			w/Special Sport Susp. (SDE) 1996
	4755 017	2			w/Special Sport Susp. (SDE) w/Auto Stick 1995
17	6502 389	4			BOLT, Link Assy.
18	6502 387	4			WASHER, Link Assy.
19	6502 525	4			NUT, Link Bolt
20					LINK, Trailing Body To Knuckle
	4582 534	2		D,L,X	
	4582 538	2		C	1993-4-5 ***
	4755 008	1		C	w/Standard Susp. (SDA or SDC) 1996
	4755 008	1		C	w/Standard Susp. (SDA or SDC) w/Auto Stick 1995
21	4582 596-7	1			HANGER, Rear Trailing Link
22	4582 556	2			HANGER, Front Trailing Link
23	6502 725	4			BOLT, Trailing Link, M12X1.75X90.00
24	6502 697	4			NUT, Trailing Link Bolt, M12X1.75
25	6101 666	4			SCREW, w/Washer, M12x1.75x30.00
26	6502 839	6			SCREW, w/Washer, M10x1.5x45MM
27	6502 724	2			NUT, w/Washer M12x1.75
28	4582 412	1			SWAY BAR, Rear ***
29	4601 874	2			CLAMP, Sway Bar (Screws Used Are 6502937)
30		4			NUT, Sway Bar Clamp M10X1.5 (Not Serv.)
31	6502 856	4			SCREW, w/Washer
32					CROSSMEMBER, Rear (See Note)
	4601 818	1			w/Std. Susp. (SDA or SDC) 1993-94
	4756 323	1			w/Std. Susp. (SDA or SDC) 1995
	4755 021	1			w/Std. Susp. (SDA or SDC) 1996
	4755 021	1			w/Std. Susp. (SDA or SDC) w/Auto Stick 1995

MODEL CODES:

Chrysler = (CH41 = New Yorker, CP41 = LHS, DH41 = Intrepid(Canada), DP41 = Intrepid ES(Canada), LP41 = Concorde)
 DODGE = (DH41 = Intrepid(USA), DP41 = Intrepid ES(USA))
 EAGLE = (XP41 = Vision ESI, XS41 = Vision TSI)

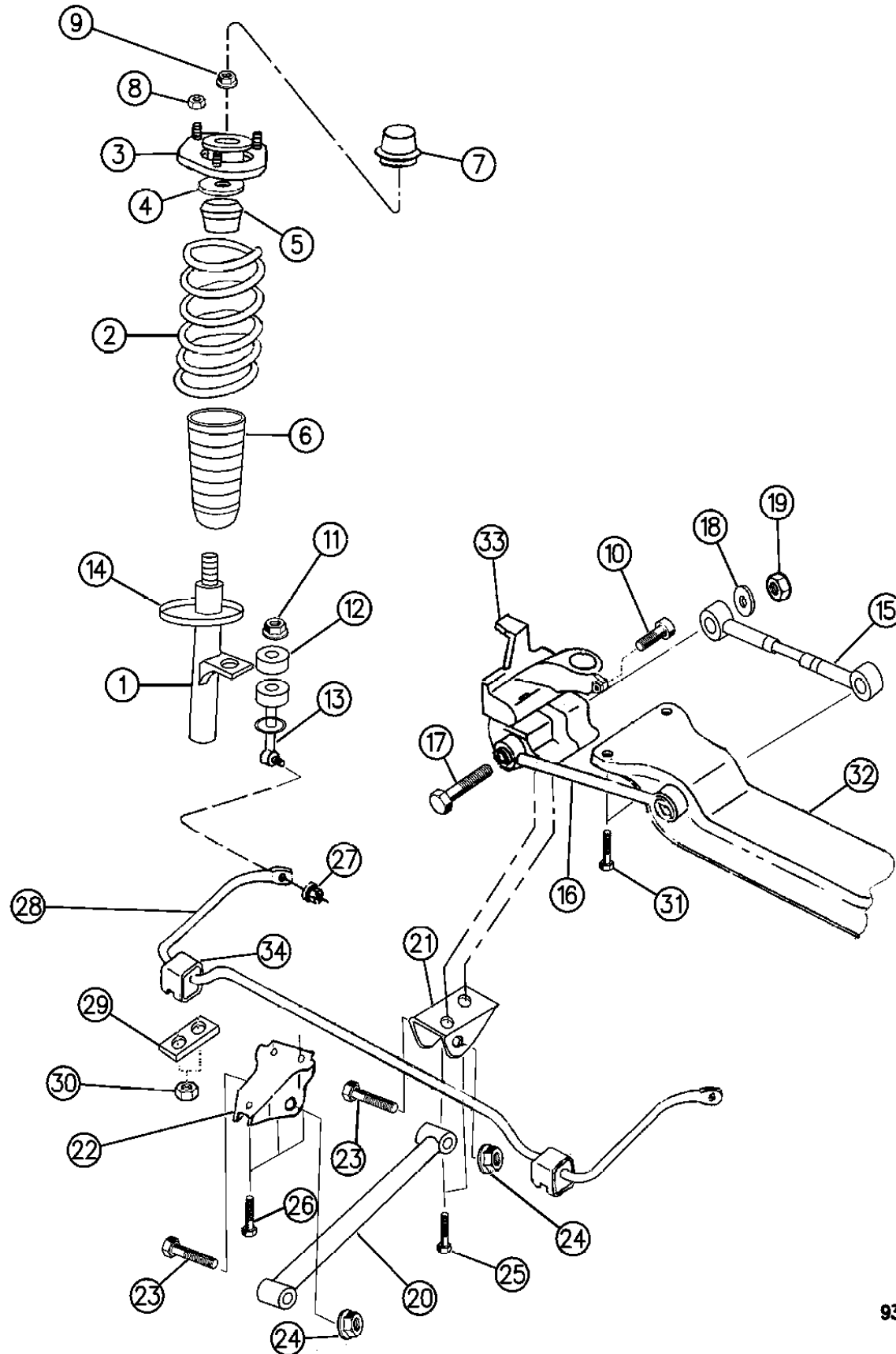
BODY STYLES:

41 = 4 - Door Sedan ENGINE: 3.3L (EGB)
 3.5L (EGE) 24 Valve

AR = Use as Required - = Non Illustrated Part P.A.R. = Paint as Required

SUSPENSION, REAR LH-BODY
Figure 17-110

17-110



93417 110

ITEM	PART NUMBER	QTY	BODY	MODEL	DESCRIPTION
	4584 368	1			w/Special Sport Susp. (SDE) 1993-94
	4756 322	1			w/Special Sport Susp. (SDE) 1995
	4755 020	1			w/Special Sport Susp. (SDE) 1996
	4755 020	1			w/Special Sport Susp. (SDE) w/Auto Stick 1995
33	4582 592-3	1			KNUCKLE, Rear (w/Spindle) ***
34	4601 873	2			BUSHING, Sway Bar

MODEL CODES:

Chrysler = (CH41 = New Yorker, CP41 = LHS, DH41 = Intrepid(Canada), DP41 = Intrepid ES(Canada), LP41 = Concorde)
 DODGE = (DH41 = Intrepid(USA), DP41 = Intrepid ES(USA))
 EAGLE = (XP41 = Vision ESI, XS41 = Vision TSI)

BODY STYLES:

41 = 4 - Door Sedan ENGINE: 3.3L (EGB)
 3.5L (EGE) 24 Valve

AR = Use as Required - = Non Illustrated Part P.A.R. = Paint as Required

GROUP-19 STEERING

GROUP 19 - STEERING

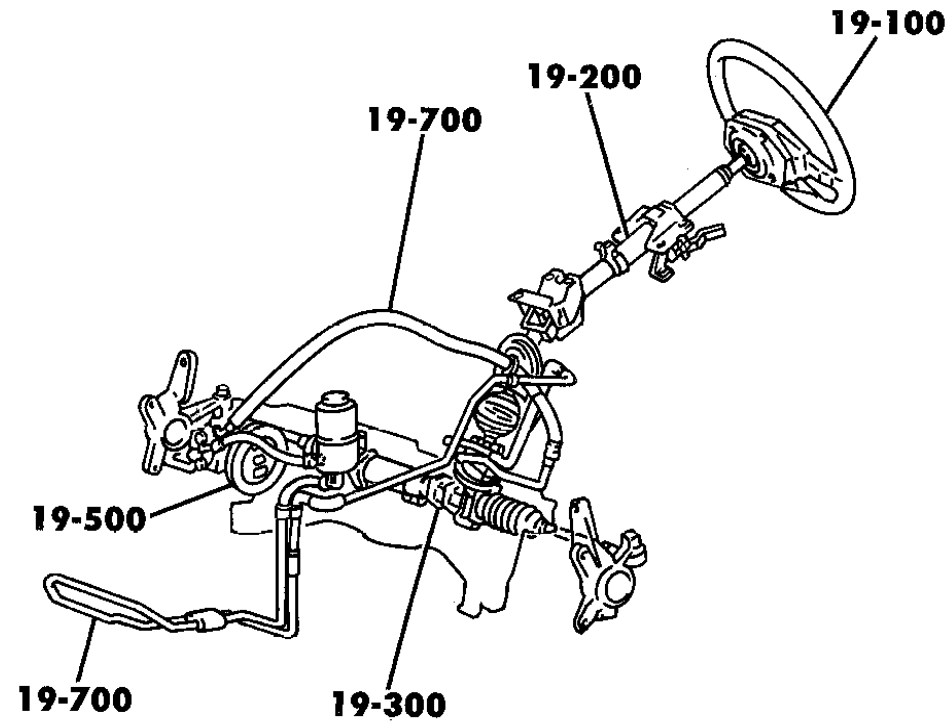


ILLUSTRATION TITLE

GROUP-FIG. NO.

STEERING WHEELS

WHEEL, STEERING LH-BODY Fig. 19-110

STEERING COLUMNS

COLUMN, STEERING LH-BODY Fig. 19-210

POWER RACK AND PINION GEAR

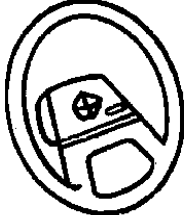
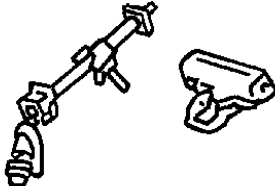
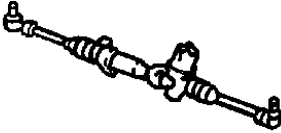
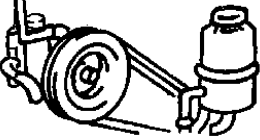

GEAR, RACK AND PINION, POWER AND ATTACHING PARTS LH-BODY Fig. 19-310

POWER STEERING PUMPS

PUMP, ASSYS. AND ATTACHING PARTS 3.3, 3.5L ENGINES LH-BODY Fig. 19-510

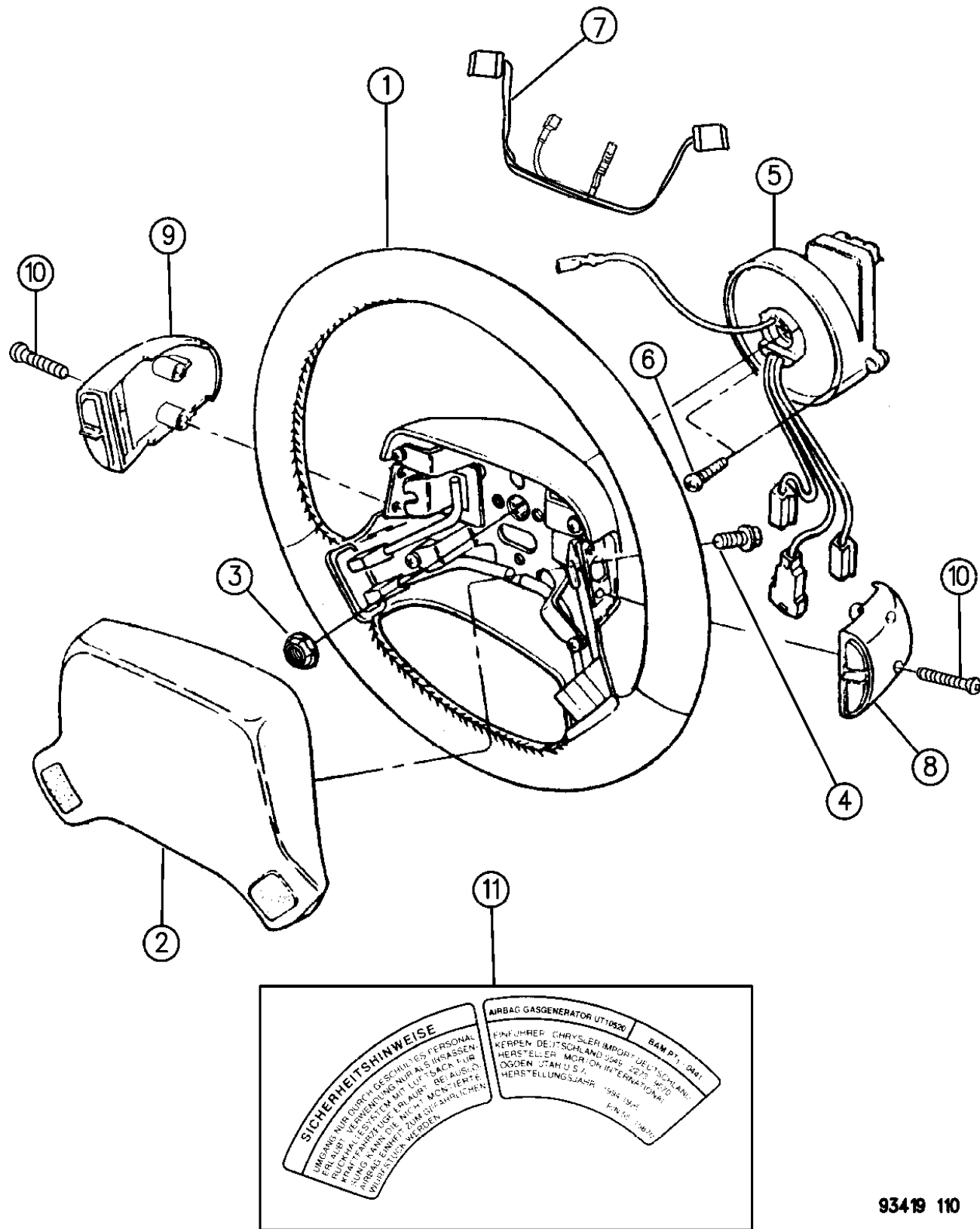
POWERS STEERING HOSES

HOSES, POWER STEERING 3.3, 3.5L ENGINES LH-BODY Fig. 19-710

<p>19-100 STEERING WHEEL</p> 	<p>19-200 STRG. COLUMN & COVER</p> 	<p>19-300 STEERING GEAR</p> 	<p>19-500 PWR. STEERING OIL PUMP & MOUNTING</p> 
<p>19-700 POWER STEERING LINES & HOSES</p> 			

WHEEL, STEERING LH-BODY
Figure 19-110

19-110C



93419 110

ITEM	PART NUMBER	QTY	BODY	MODEL	DESCRIPTION
1					WHEEL, Steering
	WS72 MAZ	1		D,L,X	Agate, w/o Leather 1993-94 S/C SCA
	LR66 PAZ	1			Agate, w/o Leather 1995 (S/C SCA)
	LR66 PAZ	1			Agate, w/o Leather Up to 3-1-96 S/C SCA
	QT30 LAZAA	1			Agate, w/o Leather After 3-1-96 S/C SCA
	JV34 MAZ	1		C	Agate, w/o Leather 1993-94 S/C SCA
	PF50 RAZ	1		C	Agate, w/o Leather w/Auto Stick 1995 S/C SCA
	WS71 MAZ	1		D,L,X	Agate, w/Leather 1993 S/C SCC
	LR67 PAZ	1			Agate, w/Leather 1995 (S/C SCC)
	LR67 PAZ	1			Agate, w/Leather Up to 3-1-96 S/C SCC
	QT31 LAZAA	1			Agate, w/Leather After 3-1-96 S/C SCC
	JV26 MAZ	1		C	Agate, w/Leather 1993 S/C SCC
	JV26 MAZ	1			Agate, w/Leather 1994 S/C SCC
	PF51 RAZ	1			Agate, w/Leather w/Auto Stick 1995 S/C SCC
	JV34 MB7	1		C	Slate Blue, w/o Leather 1993-94 S/C SCA
	JV26 MB7	1		C	Slate Blue, w/Leather 1993 S/C SCC
	LR66 RP8	1		C	Blue Spruce, w/o Leather 1995-6 (S/C SCA)
	PF50 RP8	1		C	Blue Spruce, w/o Leather w/Auto Stick 1995 S/C SCA
	JV26 MB7	1		C	Slate Blue, w/Leather 1993-94 S/C SCC
	LR67 RP8	1		C	Blue Spruce, w/Leather 1995-6 (S/C SCC)
	PF51 RP8	1		C	Blue Spruce, w/Leather w/Auto Stick 1995 S/C SCC
	JV34 MD5	1		C	Medium Quartz, w/o Leather 1993-94 S/C SCA
	LR66 PD5	1		C	Medium Quartz, w/o Leather 1995 (S/C SCA)
	LR66 PD5	1		C	Medium Quartz, w/o Leather Up to 3-1-96 S/C SCA
	4883 868AA	1		C	Medium Quartz, w/Leather After 3-1-96 S/C SCC
	PF50 RD5	1		C	Medium Quartz, w/o Leather w/Auto Stick 1995 S/C SCA
	JV26 MD5	1		C	Medium Quartz, w/Leather 1993-94 S/C SCC
	LR67 PD5	1		C	Medium Quartz, w/Leather 1995 (S/Code SCC)
	LR67 PD5	1		C	Medium Quartz, w/Leather Up to 3-1-96 S/C SCC
	4883 866AA	1		C	Medium Quartz, w/Leather After 3-1-96 S/C SCC
	PF51 RD5	1		C	Medium Quartz, w/Leather w/Auto Stick 1995 S/C SCC
	JV34 MF6	1		C	Medium Driftwood, w/o Leather 1993-94 S/C SCA
	LR66 PF6	1		C	Medium Driftwood, w/o Leather 1995 (S/C SCA)
	LR66 PF6	1		C	Medium Driftwood, w/o Leather Up to 3-1-96 S/C SCA
	4883 867AA	1		C	Medium Driftwood, w/o Leather After 3-1-96 S/C SCA
	PF50 RF6	1		C	Medium Driftwood, w/o Leather w/Auto Stick 1995 S/C SCA
	JV26 MF6	1		C	Medium Driftwood, w/Leather 1993-94 S/C SCC
	LR67 PF6	1		C	Medium Driftwood, w/Leather 1995 (S/C SCC)
	LR67 PF6	1		C	Medium Driftwood, w/Leather Up to 3-1-96 S/C SCC
	4883 865AA	1		C	Medium Driftwood, w/Leather After 3-1-96 S/C SCC
	PF51 RF6	1		C	Medium Driftwood, w/Leather w/Auto Stick 1995 S/C SCC
2					MODULE, Air Bag

MODEL CODES:

Chrysler = (CH41 = New Yorker, CP41 = LHS, DH41 = Intrepid(Canada), DP41 = Intrepid ES(Canada), LP41 = Concorde)
 DODGE = (DH41 = Intrepid(USA), DP41 = Intrepid ES(USA))
 EAGLE = (XP41 = Vision ESI, XS41 = Vision TSI)

BODY STYLES:

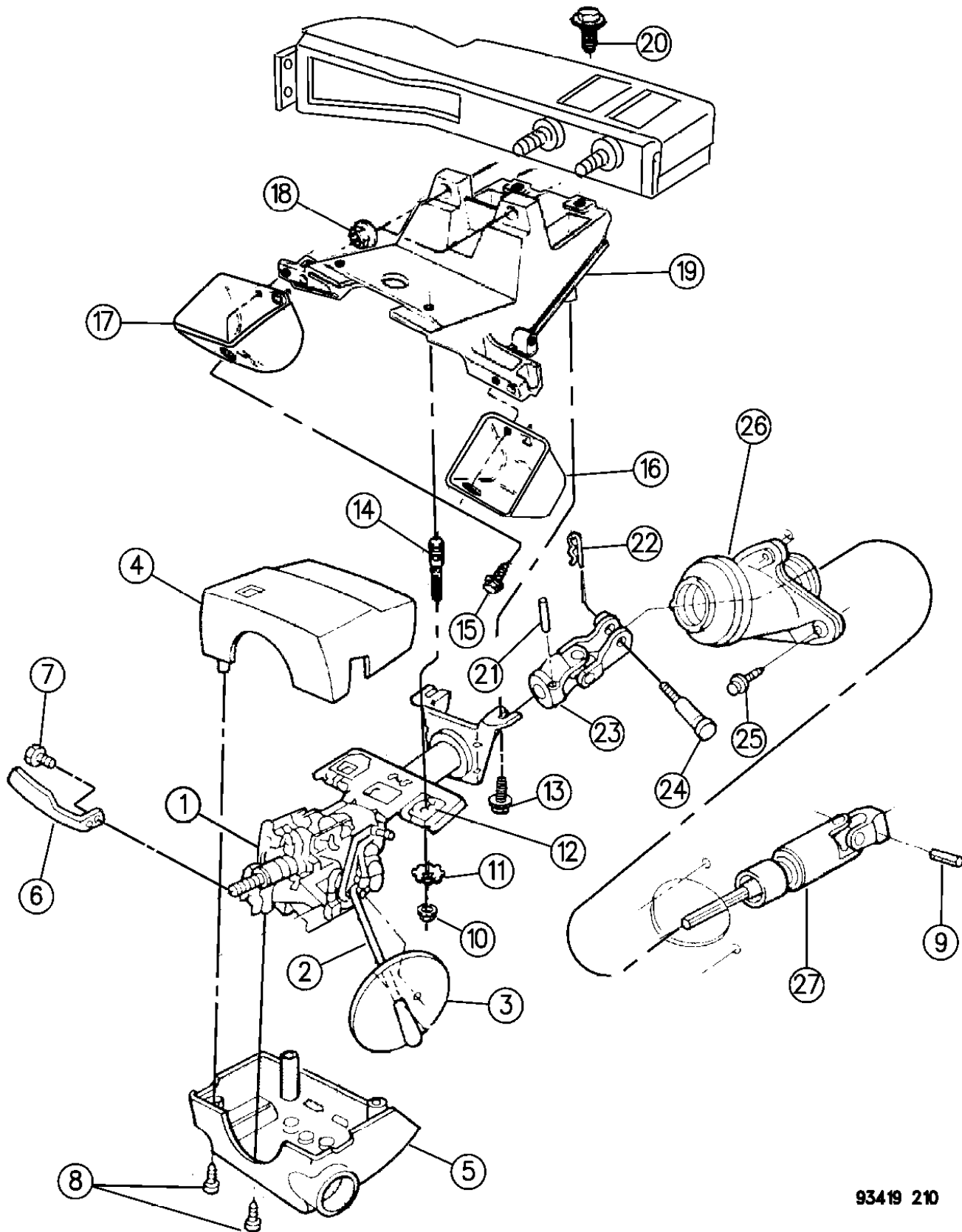
41 = 4 - Door Sedan ENGINE: 3.3L (EGB)
 3.5L (EGE) 24 Valve

AR = Use as Required - = Non Illustrated Part P.A.R. = Paint as Required

COLUMN, STEERING LH-BODY

Figure 19-210

19-210A



93419 210

ITEM	PART NUMBER	QTY	BODY	MODEL	DESCRIPTION
1					COLUMN, Sub-Assy. (w/o Shrouds and Switchs)
	4740 201	1		D,L,X	w/Column Shift 1993
	4773 134	1			w/Column Shift 1994
	4773 784	1			w/Column Shift 1995-6
	4740 200	1		D,L,X	w/Floor Shift 1993
	4773 135	1			w/Floor Shift 1994
	4773 783	1			w/Floor shift 1995-6
2	4740 209	1			LEVER, Pkg. w/Column Shift
	4740 204	1			BRACKET, Pkg. Column Shift Cable Support 1993
	4761 170	1			CABLE, w/Cass. Insert, Column Shift Lever To Lock
-		1			CABLE ASSEMBLY, w/Inner Cassette Switch, Ignition Interlock Atx Shifter w/Floor (Grp 21) ***
-	4740 207	1			LOCK HOUSING, Pkg. Repair (w/Tamper Resistent Screws) ***
	5010 326AA	2			SCREW, Lock Housing Attach
3		1			HIDER, Lever Gap (Not Sevice) ***
4					SHROUD PACKAGE, Upper ***
	DA68 MAZ	1		D,C,L	Agate, w/Column Shift
	DA66 MAZ	1		D,L,X,C	Agate, w/Floor Shift
	DA68 MB7	1		C	Slate Blue, w/Column Shift 1993-4
	DA66 MB7	1		C	Slate Blue, w/Floor Shift 1993-4
	DA68 MD5	1		C	Quartz, w/Column Shift
	DA66 MD5	1		C	Quartz, w/Floor Shift
	DA68 MF6	1		C	Driftwood, w/Column Shift
	DA68 RP8	1		C	Blue Spruce, w/Column Shift 1995-6
	DA66 MF6	1		C	Driftwood, w/Floor Shift
5					SHROUD PACKAGE, Lower ***
	DA69 MAZ	1		D,C	Agate, w/Column Shift (Up To 12-7-92)
	JH88 MAZ	1		D,C	Agate, w/Column Shift (After 12-7-92)
	JH88 MAZ	1		L	Agate, w/Column Shift 1994-5-6
	DA67 MAZ	1		D,L,X,C	Agate, w/Floor Shift (Up To 12-7-92)
	JH86 MAZ	1		D,L,X,C	Agate, w/Floor Shift (After 12-7-92)
	DA69 MB7	1		C	Slate Blue, w/Column Shift (Up To 12-7-92)
	JH88 MB7	1		C	Slate Blue, w/Column Shift (After 12-7-92) 1993
	DA67 MB7	1		C	Slate Blue, w/Floor Shift (Up To 12-7-92)
	JH86 MB7	1		C	Slate Blue, w/Floor Shift (After 12-7-92) 1993
	DA69 MD5	1		C	Quartz, w/Column Shift (Up To 12-7-92)
	JH88 MD5	1		C	Quartz, w/Column Shift (After 12-7-92)
	DA67 MD5	1		C	Quartz, w/Floor Shift (Up To 12-7-92)
	JH86 MD5	1		C	Quartz, w/Floor Shift (After 12-7-92)
	DA69 MF6	1		C	Driftwood, w/Column Shift (Up To 12-7-92)
	JH88 MF6	1		C	Driftwood, w/Column Shift (After 12-7-92)
	JH88 RP8	1		C	Blue Spruce, w/Column Shift 1995-6

MODEL CODES:

Chrysler = (CH41 = New Yorker, CP41 = LHS, DH41 = Intrepid(Canada), DP41 = Intrepid ES(Canada), LP41 = Concorde)
 DODGE = (DH41 = Intrepid(USA), DP41 = Intrepid ES(USA))
 EAGLE = (XP41 = Vision ESI, XS41 = Vision TSI)

BODY STYLES:

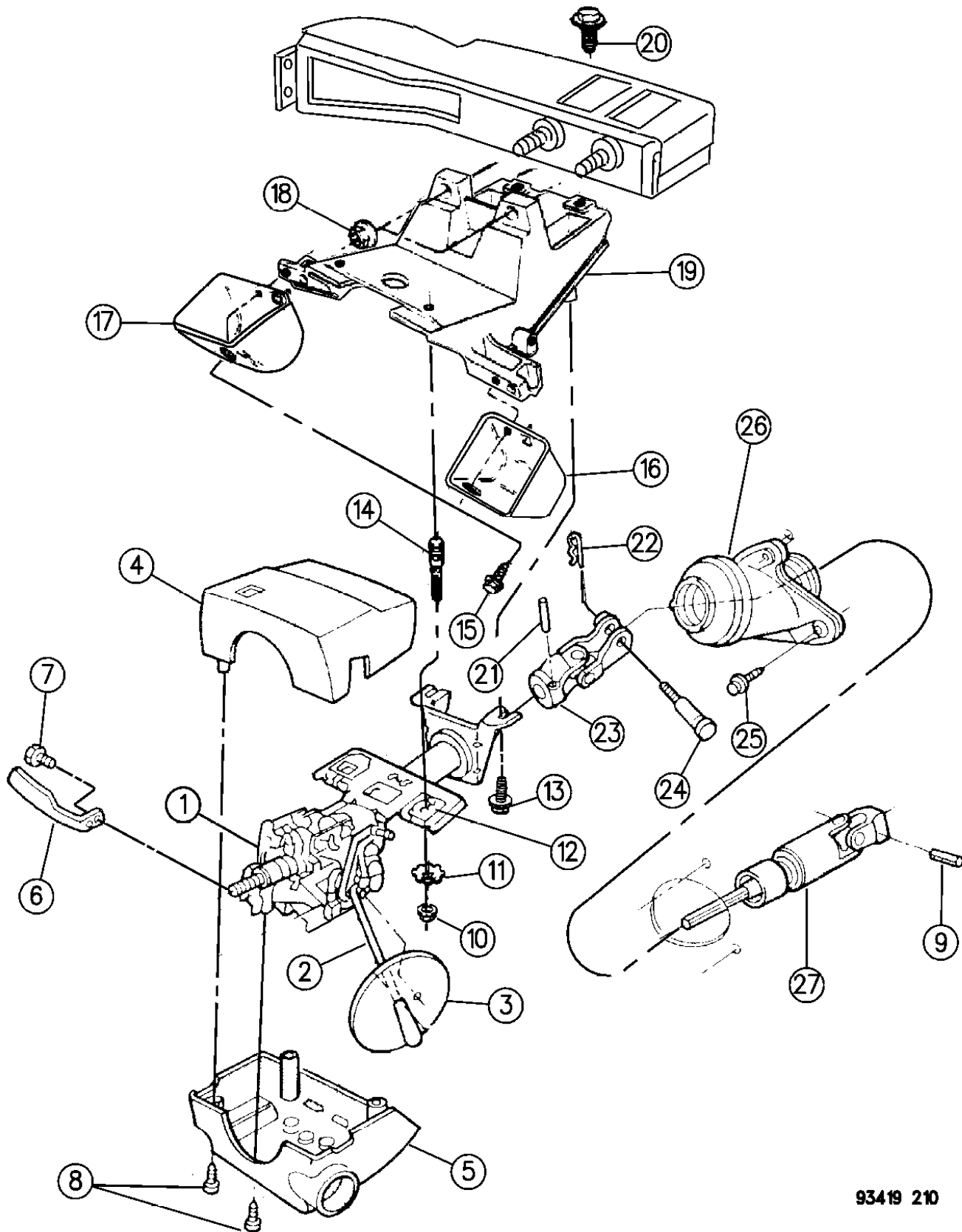
41 = 4 - Door Sedan ENGINE: 3.3L (EGB)
 3.5L (EGE) 24 Valve

AR = Use as Required - = Non Illustrated Part P.A.R. = Paint as Required

COLUMN, STEERING LH-BODY

Figure 19-210

19-210A



93419 210

ITEM	PART NUMBER	QTY	BODY	MODEL	DESCRIPTION
	DA67 MF6	1		C	Driftwood, w/Floor Shift (Up To 12-7-92)
	JH86 MF6	1		C	Driftwood, w/Floor Shift (After 12-7-92)
		1			TRIM RING, Lower Shroud (Rubber Grommet) (Service in Shroud) ***
6	4600 123	1			LEVER, Tilt Release
	4758 006	1			EUROPE
7		1			SCREW, Tilt Lever (Not Serv.)
8	6034 900	6			SCREW, Shroud Mtg. .164-18x1.00
9	4600 196	1			SPACER, Column Centering 1993
10	6503 014	2			NUT AND WASHER, Hex Cone Special M6x1.00 ***
11		2			WASHER, (Not Serv.)
12	5274 178	1			CLIP, Ground Strap
13	6100 286	2			BOLT, M6x1.00x20.00 1993-4-5
	6502 430	2			M6x1.00x25.00 1996
14	6503 008	2			STUD, 2 End M6x1.0x45.00
		2			(Service in Assembly) 1994-5-6
	4756 885	2			CAP, Strg Column Stud 1995-6
15	6101 603	2			SCREW, Bracket Mtg. M6x1.00x20.00 1993-4-5
	6502 430	2			M6x1.00x25.00 1996
16	4600 150	1			BRACKET, Inboard
17	4600 151	1			BRACKET, Outboard
18	6100 051	2			NUT, Bracket To Beam
19	4600 067	1		D,L,X	BRACKET, Support 1993
	4600 227	1		D,L,X	1994
	4758 378	1		C	1994
	4758 378	1			1995-6
-	4600 186	1		D,L,X	BRACE, Support To Floor 1993
-	4600 220	1		D,L,X	BRACE, Bracket To Column 1993
-	4600 224	1			BRACE, Bracket To Column 1994-5
	4758 898	1			1996
20	6101 452	2			SCREW, Bracket Mtg. M8x1.25x20.00
	6100 584	2			M8x1.25x30.00
21	6500 148	1			PIN, Spring 1993-4-5
	6503 985	1			1996
22	6034 206	1			PIN, Bolt Retaining
23	4470 934	1			COUPLING ASSEMBLY, Upper Strg
	4600 228	1		C	1993-4
24	6502 413	1			BOLT, Shaft Coupling
25	6503 375	3			SCREW, Dash Cover
26	4600 126	1			COVER, Assy. Dash
27	4600 002	1		D,L,X	COUPLING, Lower to Gear 1993
	4600 229	1			1994-5-6

MODEL CODES:

Chrysler = (CH41 = New Yorker, CP41 = LHS, DH41 = Intrepid(Canada), DP41 = Intrepid ES(Canada), LP41 = Concorde)
 DODGE = (DH41 = Intrepid(USA), DP41 = Intrepid ES(USA))
 EAGLE = (XP41 = Vision ESI, XS41 = Vision TSI)

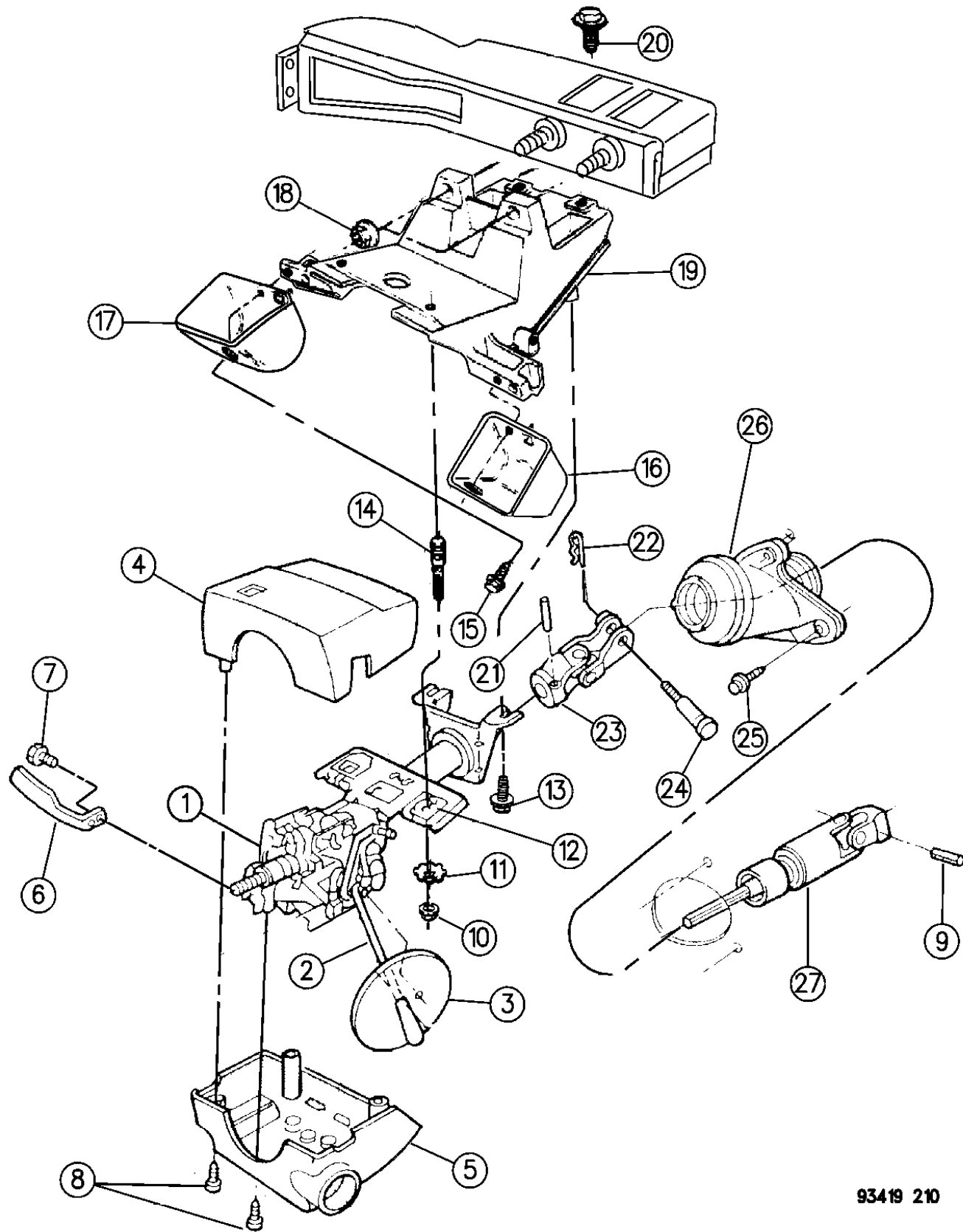
BODY STYLES:

41 = 4 - Door Sedan ENGINE: 3.3L (EGB)
 3.5L (EGE) 24 Valve

AR = Use as Required - = Non Illustrated Part P.A.R. = Paint as Required

COLUMN, STEERING LH-BODY
Figure 19-210

19-210A



93419 210

ITEM	PART NUMBER	QTY	BODY	MODEL	DESCRIPTION
28	6500 148	1			PIN, Spring M8.4x30.00x1.60 THK 1993-4-5
	6503 985	1			M8.4x30.00x1.60 THK 1996
	6502 969	2			SCREW and WASHER, Hex Hd-Strg Col Supt Brkt to Beam M8x1.25x30.00
	6502 430	1			SCREW and WASHER, Supt Brace Mount to Strg Column Supt Bracket M6x1.00x25.00
		1			SCREW, Tap/Hex Hd. Cover to Pencil Brace .164-18x.625 (Not Serviced) 1994-5-6

MODEL CODES:

Chrysler = (CH41 = New Yorker, CP41 = LHS, DH41 = Intrepid(Canada), DP41 = Intrepid ES(Canada), LP41 = Concorde)
 DODGE = (DH41 = Intrepid(USA), DP41 = Intrepid ES(USA))
 EAGLE = (XP41 = Vision ESI, XS41 = Vision TSI)

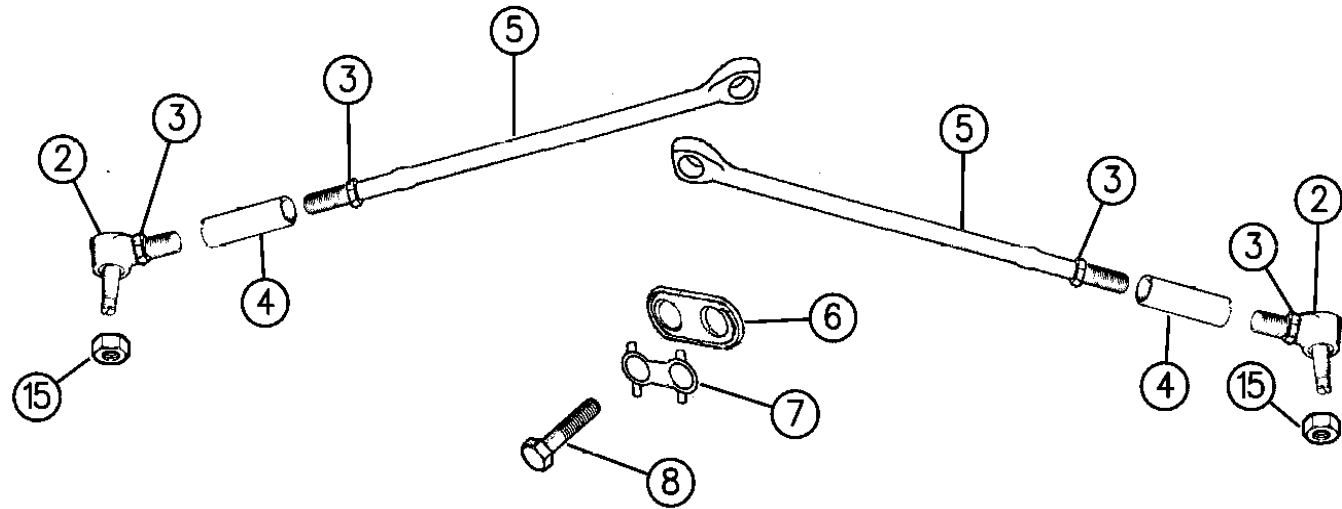
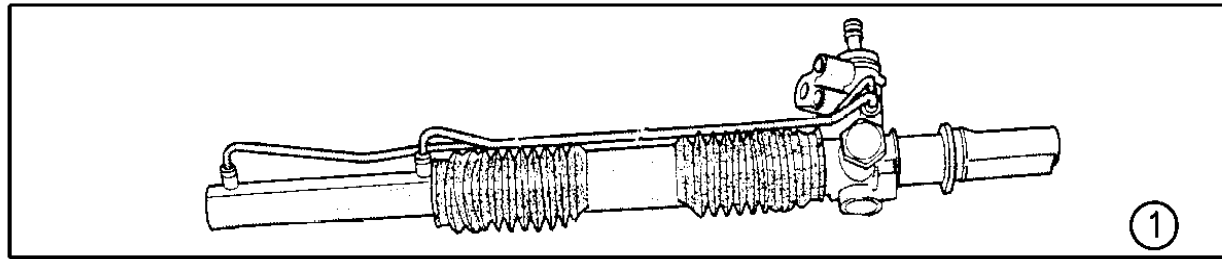
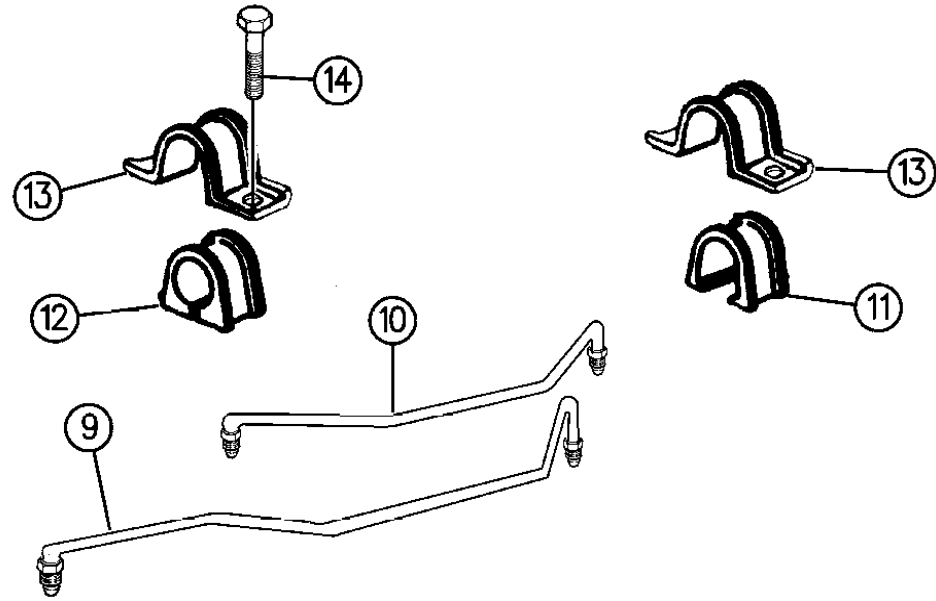
BODY STYLES:

41 = 4 - Door Sedan ENGINE: 3.3L (EGB)
 3.5L (EGE) 24 Valve

AR = Use as Required - = Non Illustrated Part P.A.R. = Paint as Required

GEAR, RACK AND PINION, POWER AND ATTACHING PARTS LH-BODY
Figure 19-310

19-310A



ITEM	PART NUMBER	QTY	BODY	MODEL	DESCRIPTION
------	-------------	-----	------	-------	-------------

NOTE: Sales Code SBA = Standard Power Steering. 1993-95

NOTE: Sales Code SBB = Firm Feel Power Steering, Used w/16" Wheel & Handling Package or w/16" Wheels. 1993

NOTE: Sales Code SBC = Speed Proportional Steering, w/16" Wheel & Handling Package or w/16" Wheels 1994

1					GEAR, Rack And Pinion Assy. (See Note)
	4600 003	1			w/Std. Power Steering (SBA) 1993
	4695 820	1			w/Std. Power Steering (SBA) 1994
	4886 209AA	1			w/Std. Power Steering (SBA) 1995
	4695 756	1			w/Std. Power Steering (SBA) 1996
	4616 985	1			w/Firm Feel Power Steering (SBB) 1993
	4695 830	1			w/Speed Proportional Steering (SBC) 1994 (Control Module Use 4605104)
	4695 736	1			w/Speed Proportional Steering (SBC) 1995 (Control Module Use 4759004)
	4695 758	1			w/Speed Proportional Steering (SBC) 1996 (Control Module Use 4759004)
	4695 758	1			w/Speed Proportional Steering (SBC) w/Auto Stick 1995 (Control Module use 4759004)
-	4695 390	1			SOLENIOD, Control Valve 1994-5 ***
-	4695 914	1			1996
-	4605 104	1			MODULE, Soleniod Control Valve 1994
	4759 004	1			1995-6
					Rubber End Cap and Retaining Clamp (Service in Strg Gear) ***
2	4723 939	2			TIE ROD, Outer
3					NUT, Jam
	4723 940	1			Rt
	4723 941	1			Lt
4	4723 938	2			SLEEVE, Adjusting
5	4723 885	2			TIE ROD, Horizontal
6	4723 883	1			PLATE, Lock
7	4723 882	1			BRACKET
8	8350 5170	2			BOLT
9		1			LINE, Pressure Rt. (Serv. Assy.)
10		1			LINE, Pressure Lt. (Serv. Assy.)
11	4600 004	1			ISOLATER, Lt. 1993-4-5 ***
		1			Service in Item 1 for 1996
12	4600 010	1			ISOLATER, Rt. 1993 ***
	4897 706AA	1			Rt. 1994-95
		1			Service in Item 1 for 1996
13	4600 006	2			CLAMP, Steering Gear Mounting 1993-4-5
		2			Not Required 1996
14	6101 670	4			SCREW, w/Washer M10x1.50-35L 1993-4-5
	6503 581	4			M10x1.50x65.00 1996 ***

MODEL CODES:

Chrysler = (CH41 = New Yorker, CP41 = LHS, DH41 = Intrepid(Canada), DP41 = Intrepid ES(Canada), LP41 = Concorde)
 DODGE = (DH41 = Intrepid(USA), DP41 = Intrepid ES(USA))
 EAGLE = (XP41 = Vision ESI, XS41 = Vision TSI)

BODY STYLES:

41 = 4 - Door Sedan ENGINE: 3.3L (EGB)
 3.5L (EGE) 24 Valve

93419 310

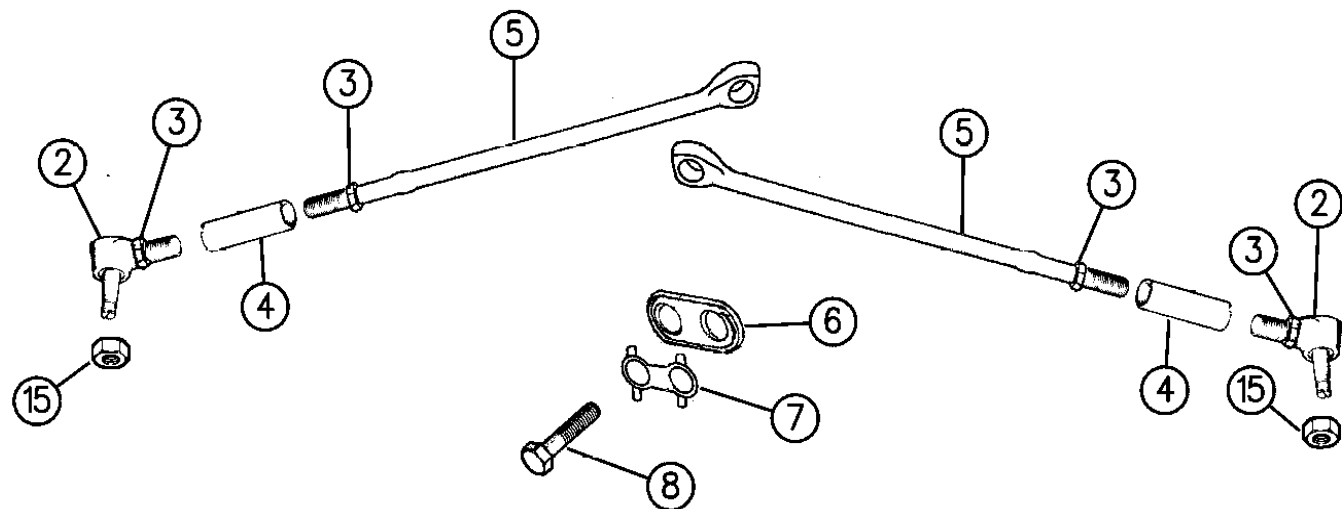
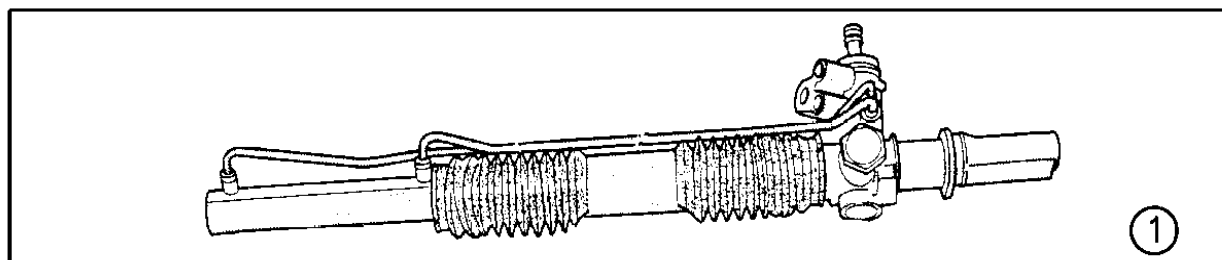
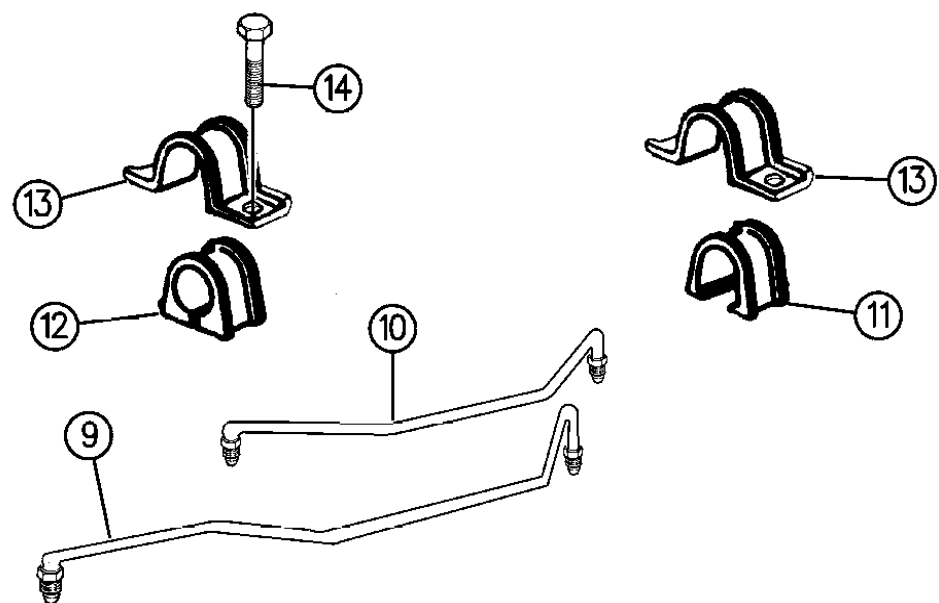
AR = Use as Required - = Non Illustrated Part P.A.R. = Paint as Required

GEAR, RACK AND PINION, POWER AND ATTACHING PARTS LH-BODY
Figure 19-310

19-310A

ITEM	PART NUMBER	QTY	BODY	MODEL	DESCRIPTION
------	-------------	-----	------	-------	-------------

-	6101 340	AR			U-NUT, Bracket Mounting Bolt To Frame M10x1.50 1993-4
-	6503 744	4			NUT and RETAINER, M10x1.50 1995-6
15	6502 544	2			NUT, Tie Rod Outer M12x1.25-6H



MODEL CODES: _____
 Chrysler = (CH41 = New Yorker, CP41 = LHS, DH41 = Intrepid(Canada), DP41 = Intrepid ES(Canada), LP41 = Concorde)
 DODGE = (DH41 = Intrepid(USA), DP41 = Intrepid ES(USA))
 EAGLE = (XP41 = Vision ESI, XS41 = Vision TSI)

BODY STYLES: _____
 41 = 4 - Door Sedan ENGINE: 3.3L (EGB)
 3.5L (EGE) 24 Valve

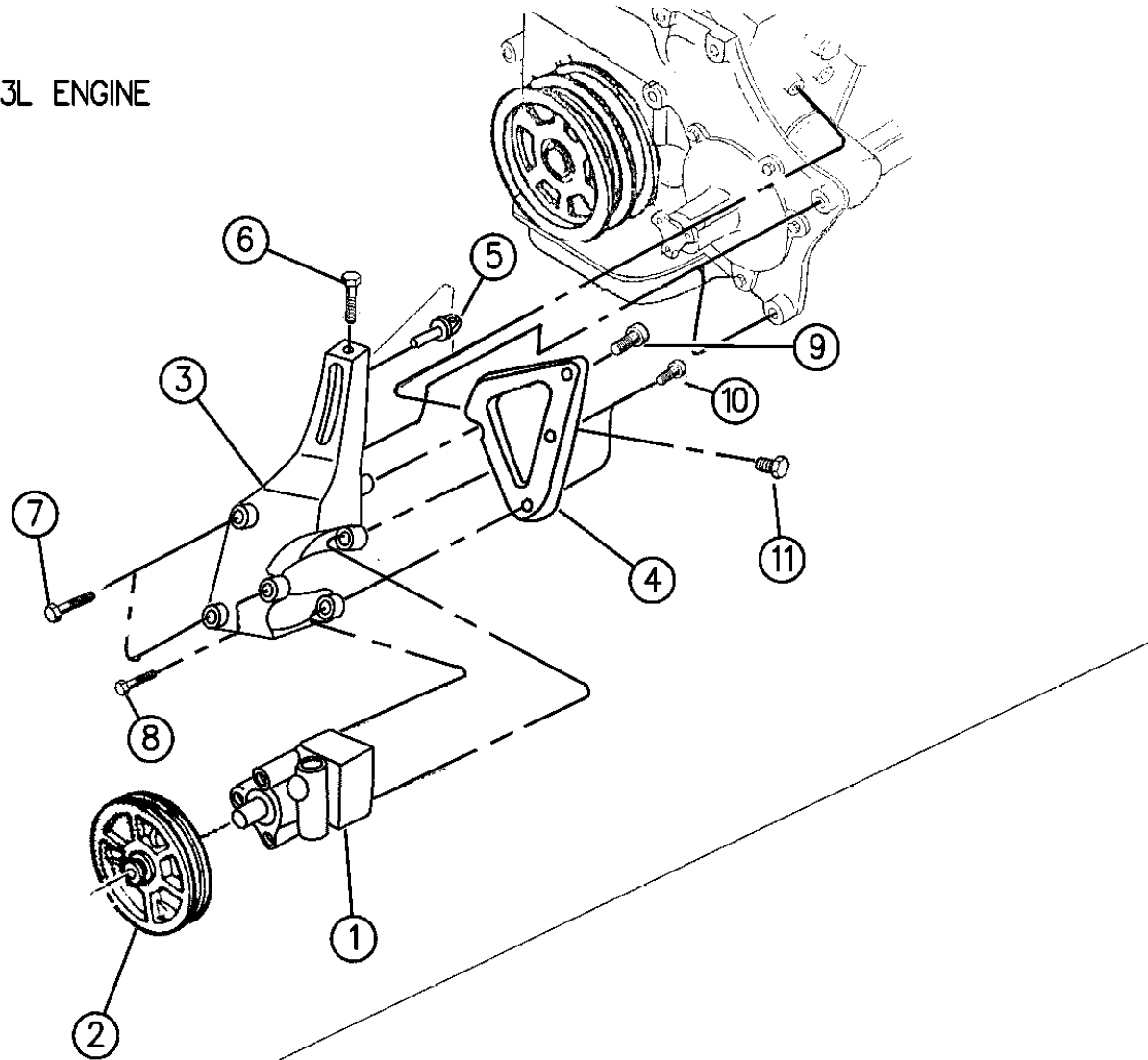
93419 310

AR = Use as Required - = Non Illustrated Part P.A.R. = Paint as Required

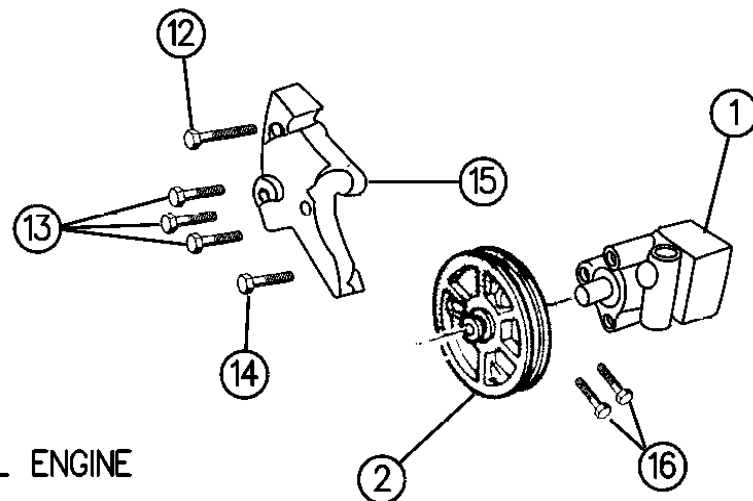
PUMP, ASSYS. AND ATTACHING PARTS 3.3, 3.5L ENGINES LH-BODY
Figure 19-510

19-510

W/3.3L ENGINE



W/3.5L ENGINE



93419 510

ITEM	PART NUMBER	QTY	BODY	MODEL	DESCRIPTION
1	4720 723	1			PUMP, Assy. Power Steering 1993-4
	4778 520	1			1995
	4798 348	1			1996
2	4483 748	1			PULLEY PACKAGE, Power Steering 1993-4 ***
	4778 229	1			1995
3	4874 494	1			6V Ribbed 1996
	4573 466	1			BRACKET, Pump Mounting w/3.3 L w/or w/o Flex 1993-4
	4663 537	1			w/3.3 L w/or w/o Flex Fuel 1995-6
	4663 536	1			w/3.5 L 1995-6
4	4573 469	1			STRUT, Rear Pump Support ***
5	6502 592	1			BOLT, M10x1.5-50
6	6502 929	1			BOLT, M8x1.25-119.00
7	6101 504	2			SCREW, w/Washer M10x1.5-50
8	6502 701	1			BOLT, M8x1.25-35
9		2			BOLT, M10x1.5-20 (Not Serv.)
10	6502 701	2			BOLT, M8x1.25-35
11		1			BOLT, M10x1.5-20 (Not Serv.)
12	6101 639	1			SCREW, w/Washer M10x1.5-100
13	6101 462	3			SCREW, w/Washer M8x1.25-30
14	6101 524	1			SCREW, w/Washer M10x1.5-30
15	4573 308	1			BRACKET, Pump Mounting 1993-4
16	6101 524	2			SCREW, w/Washer M10x1.5-30

MODEL CODES:

Chrysler = (CH41 = New Yorker, CP41 = LHS, DH41 = Intrepid(Canada), DP41 = Intrepid ES(Canada), LP41 = Concorde)
 DODGE = (DH41 = Intrepid(USA), DP41 = Intrepid ES(USA))
 EAGLE = (XP41 = Vision ESI, XS41 = Vision TSI)

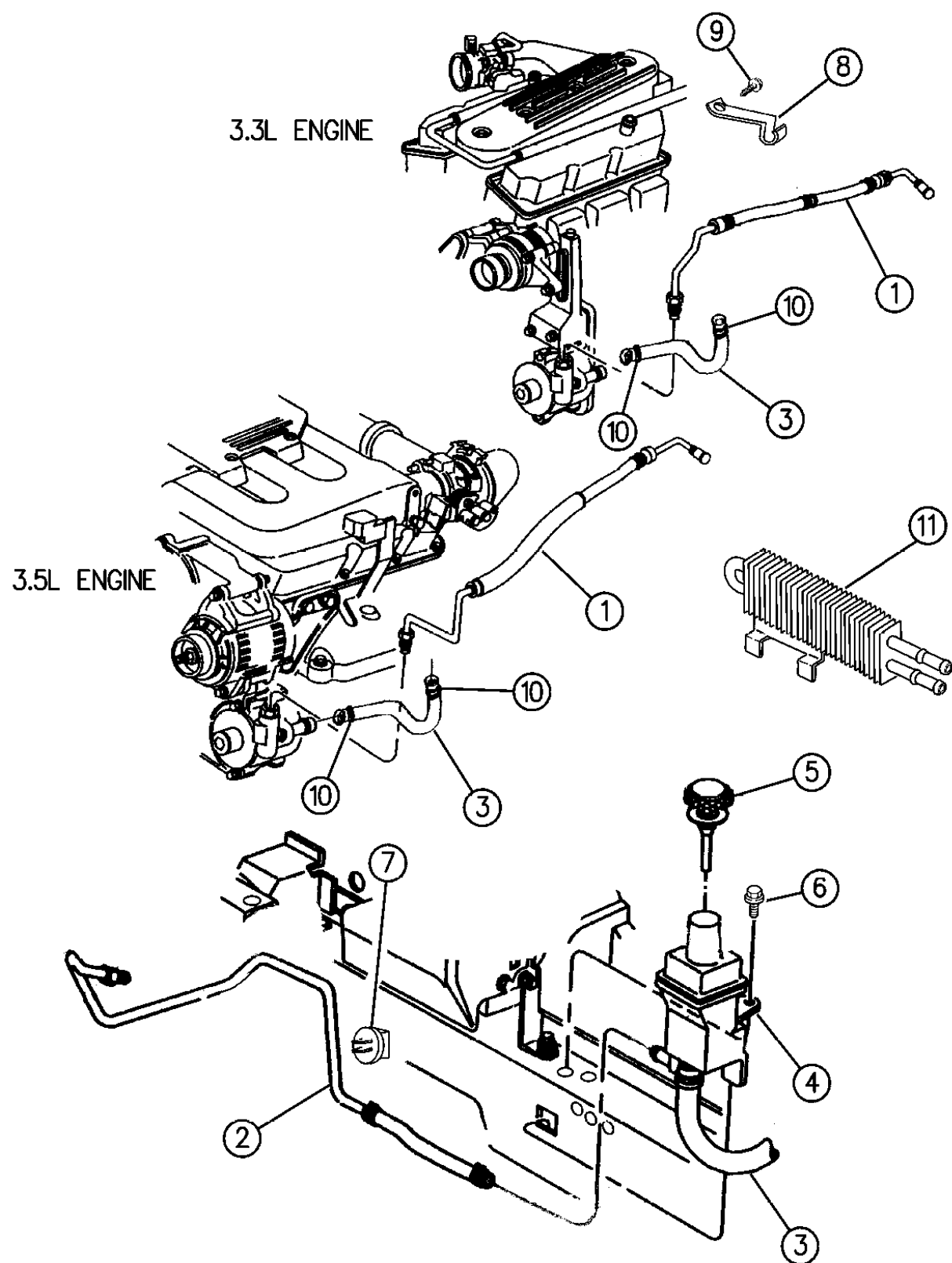
BODY STYLES:

41 = 4 - Door Sedan ENGINE: 3.3L (EGB)
 3.5L (EGE) 24 Valve

AR = Use as Required - = Non Illustrated Part P.A.R. = Paint as Required

HOSES, POWER STEERING 3.3, 3.5L ENGINES LH-BODY
Figure 19-710

19-710A



ITEM	PART NUMBER	QTY	BODY	MODEL	DESCRIPTION
1					HOSE, Pressure Pump To Gear (w/Quick Disconnect)
	4741 074	1			w/3.3L Eng., w/Disconnect Fitting 1993-4
	4798 003	1			w/3.3L Eng., w/Disconnect Fitting 1995-6
	4740 883	1			w/3.5L Eng. w/Disconnect Fitting 1993-4
	4778 162	1			w/3.5L Eng., w/Disconnect Fitting w/or w/o Auto Stick Up to 4-18-95
	4798 347	1			w/3.5L Eng., w/Disconnect Fitting w/o Auto Stick After 4-18-95
	3441 105	1			SEAL, Pwr Strg Fitting
	5205 254	1			O-RING, Hose P/S Pressure
	5203 7556	1			FITTING ASSEMBLY, Pressure Pwr Strg (Quick Connect) Consist of: O-RING, P/S Hose FITTING, Quick Connect
					O-RING, P/S Press Fitting RETAING RING, Fitting Assy.
2	4582 764	1			TUBE, Assy., Return, Gear To Reservoir 1993-4-5
	4755 084	1			1996
3					HOSE, Return Pump To Reservoir
	4600 093	1			w/3.3L Eng. 1993-4
	4695 840	1			w/3.3L Eng. Up to 12-10-95
	4695 851	1			w/3.3L Eng. After 12-10-95
	4600 094	1			w/3.5L Eng. 1993-4
	4695 835	1			w/3.5L Eng. Up to 12-15-95
	4695 848	1			w/3.5L Eng. After 12-15-95
4	4695 521	1			RESERVOIR, Assy.
5	4616 176	1			CAP, Reservoir 1993-4
	4695 723	1			1995-6
6	6034 324	1			SCREW, .25-14x1.00 1993-4
	6034 716	1			.25-14x.875 1995-6
7	4616 980	1			CLIP, Return Hose
	4695 154	1			Pressure Hose
8	4616 981	1			BRACKET, w/3.3L Eng., Hose To Distributor Bracket
9	6101 786	1			SCREW, M6x1-15
10	0870 469	2			CLAMP, Return Hose
11	4695 602	1			COOLER ASSEMBLY, Power Steering Fluid 1995-6 ***
	4755 019	1			TUBE ASSEMBLY, Power Steering Cooler 1995-6
	6035 017	2			SCREW, Prc/Hex Flg Head Power Steering .250-14x1.00 1995-6
	4695 845	1			HOSE ASSEMBLY, Oil Cooler to Reservoir 1995-6
	4764 820	1			TUBE ASSEMBLY, Steering Gear to Oil Cooler 1995
	4755 087	1			1996

MODEL CODES:

Chrysler = (CH41 = New Yorker, CP41 = LHS, DH41 = Intrepid(Canada), DP41 = Intrepid ES(Canada), LP41 = Concorde)
 DODGE = (DH41 = Intrepid(USA), DP41 = Intrepid ES(USA))
 EAGLE = (XP41 = Vision ESI, XS41 = Vision TSI)

BODY STYLES:

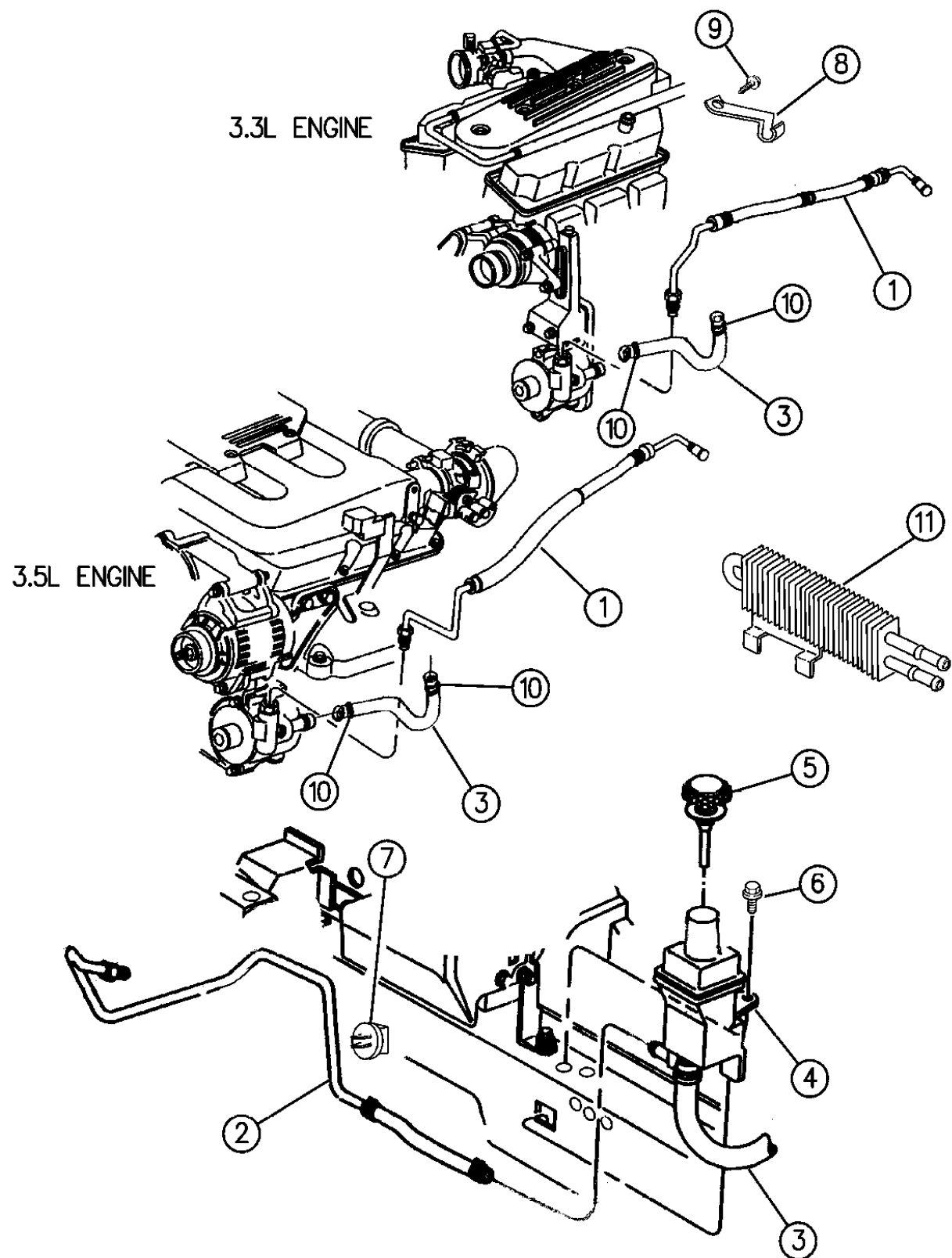
41 = 4 - Door Sedan ENGINE: 3.3L (EGB)
 3.5L (EGE) 24 Valve

93419 710

AR = Use as Required - = Non Illustrated Part P.A.R. = Paint as Required

HOSES, POWER STEERING 3.3, 3.5L ENGINES LH-BODY
Figure 19-710

19-710A



ITEM	PART NUMBER	QTY	BODY	MODEL	DESCRIPTION
	6504 217	1			CLAMP, Hose Rd Sprg- P/Steering Gear to Cooler Hose 1995-6
	6504 217	1			CLAMP, Hose Rd Sprg- P/Steering Tube Assembly or P/Steering Hose Assembly 1995-6

93419 710

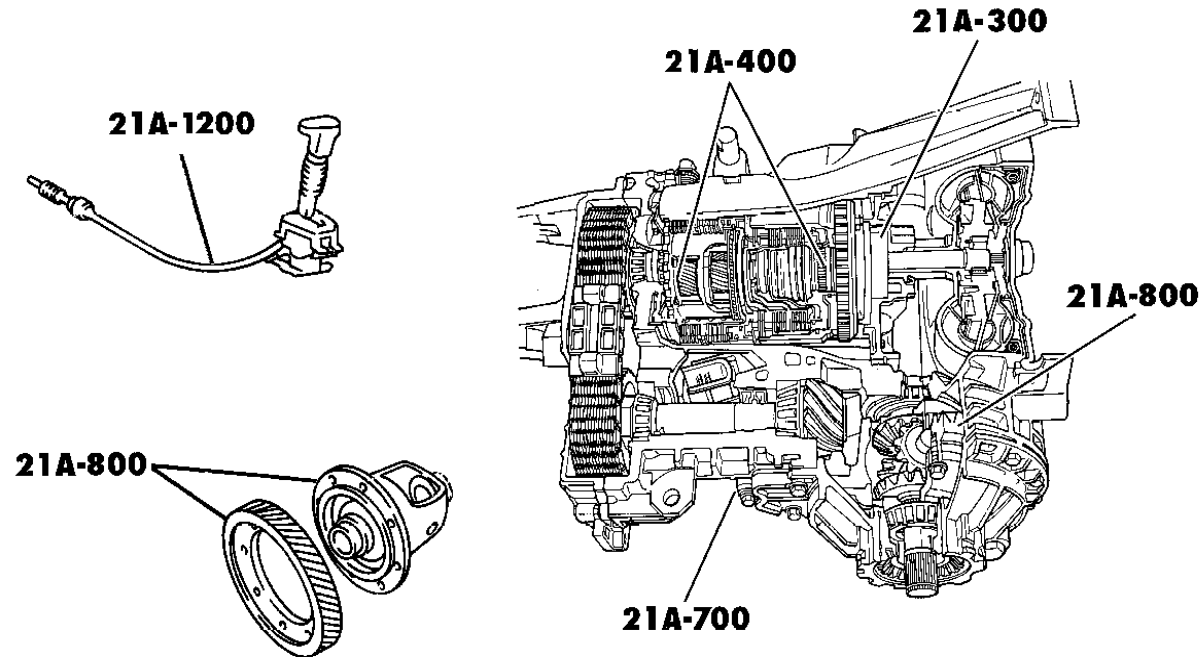
MODEL CODES:
 Chrysler = (CH41 = New Yorker, CP41 = LHS, DH41 = Intrepid(Canada), DP41 = Intrepid ES(Canada), LP41 = Concorde)
 DODGE = (DH41 = Intrepid(USA), DP41 = Intrepid ES(USA))
 EAGLE = (XP41 = Vision ESI, XS41 = Vision TSI)

BODY STYLES:
 41 = 4 - Door Sedan ENGINE: 3.3L (EGB)
 3.5L (EGE) 24 Valve

AR = Use as Required - = Non Illustrated Part P.A.R. = Paint as Required

GROUP-21A AUTOMATIC TRANSAXLE

GROUP 21A - TRANSMISSION, AUTO.



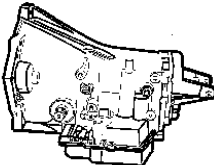
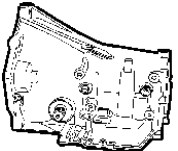

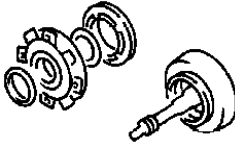

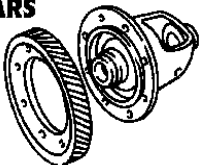

<p>21A-100 TRANSAXLE ASSY</p> 	<p>21A-200 CASE</p> 	<p>21A-300 OIL PUMP</p> 	<p>21A-400 GEAR TRAIN</p> 
<p>21A-700 VALVE BODY</p>  <p>Parking Sprag Accumulator Servo</p>	<p>21A-800 DIFFERENTIAL GEARS</p> 	<p>21A-1200 FLOOR SHIFT LINKAGE</p> 	

ILLUSTRATION TITLE

GROUP-FIG. NO.

42LE TRANSAXLE ASSEMBLY

TRANSAXLE ASSEMBLY, AND SEAL & GASKET PACKAGE AUTOMATIC TRANSAXLE, 4 SPEED 42LE LH BODY Fig. 21A-110

CASE AND EXTENSION

TRANSAXLE MOUNTING AND MISC. PARTS AUTOMATIC TRANSAXLE, 4 SPEED 42LE LH BODY Fig. 21A-205
 CASE AND RELATED PARTS AUTOMATIC TRANSAXLE, 4 SPEED 42LE LH BODY Fig. 21A-210

OIL PUMP

PUMP, OIL WITH REACTION SHAFT AUTOMATIC TRANSAXLE, 4 SPEED 42LE LH BODY Fig. 21A-310

GEAR TRAIN

CLUTCH, INPUT SHAFT AUTOMATIC TRANSAXLE, 4 SPEED 42LE LH BODY Fig. 21A-410
 SHAFT, TRANSFER AUTOMATIC TRANSAXLE, 4 SPEED 42LE LH BODY Fig. 21A-420
 GEAR TRAIN AUTOMATIC TRANSAXLE, 4 SPEED 42LE LH BODY Fig. 21A-430

VALVE BODY

VALVE BODY AUTOMATIC TRANSAXLE, 42LE 4 SPEED LH BODY Fig. 21A-710
 ACCUMULATOR PISTON AND SPRINGS AUTOMATIC TRANSAXLE, 4 SPEED 42LE LH BODY Fig. 21A-720
 PARKING SPRAG AUTOMATIC TRANSAXLE, 4 SPEED 42LE LH BODY Fig. 21A-730

DIFFERENTIAL GEARS

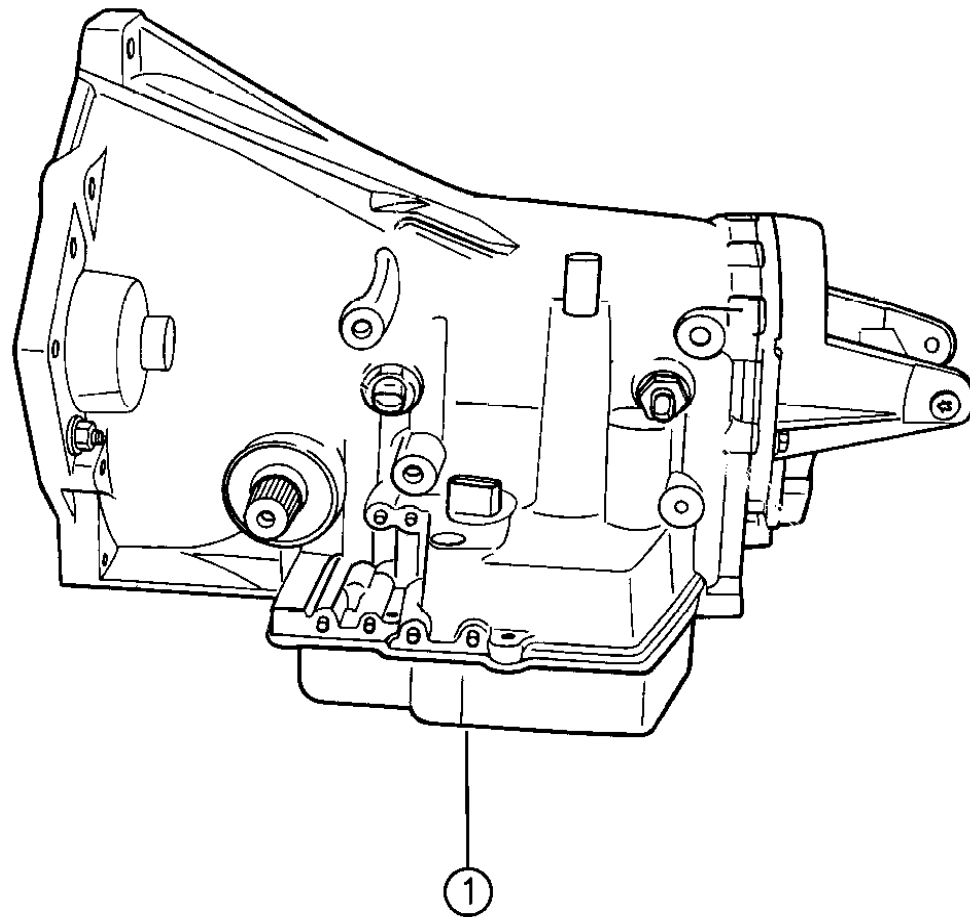
DIFFERENTIAL CASE AND GEARS AUTOMATIC TRANSAXLE, 4 SPEED 42LE LH BODY Fig. 21A-810

CONTROLS, GEARSHIFT

CONTROLS, GEARSHIFT, FLOOR AND COLUMN SHIFT AUTOMATIC TRANSAXLE, 4 SPEED 42LE LH BODY Fig. 21A-1210

TRANSAXLE ASSEMBLY, AND SEAL & GASKET PACKAGE AUTOMATIC TRANSAXLE, 4 SPEED 42LE LH BODY
Figure 21A-110

21A-110



ITEM	PART NUMBER	QTY	BODY	MODEL	DESCRIPTION
1					TRANSAXLE ASSEMBLY, 42LE
	4567 406	1			1993
	4740 831	1			1994
	4762 922	1			1995, w/o 'Autostick'
	4797 840	1			w/Torque Converter, 1995, w/o 'Autostick'
	4773 480	1			1995, w/'Autostick' (Approx. 50 Car Fleet)
	4797 841	1			w/Torque Converter, 1995, w/'Autostick' (Approx. 50 Car Fleet)
	4856 096	1			w/Torque Converter, 1996, With and Without 'Autostick'
					TRANSAXLE ASSY. CROSS REFERENCE
					PRODUCTION NO. SERVICE NO.
					4539823 4567406
					4659606 4740831
					4765900 4773695
					4659580 4762922
					4659710 4773480
					4659580 4797840
					4799711 4797841
					4799711 4856096
					SEAL and GASKET PACKAGE, 42LE Transaxle Complete, ***
	4796 732	1			1993-94
	4778 926	1			1995, w/o 'Autostick'
	4778 927	1			1995, w/'Autostick'
	4882 919AC	1			1996, With and Without 'Autostick'
					Consists Of:
					1 - 4412269 SNAP RING, Tapered
					1 - 4539796 SEAL, Diff. Adjuster
					1 - 4539891 SEAL, Ad. Diff. Cover
					1 - 4431649 GASKET, Cl. Piston Ret.
					1 - 6030608 SEAL, Oil Filler Tube
					1 - 6501700 O-RING, Speed Sensor (22mm)
					1 - 6502453 O-RING, Ball Bearing
					1 - 6502797 O-RING, Diff. Adjuster
					2 - 6502363 O-RING, Half Shaft
					1 - 6502452 O-RING, Diff. Adj., Outer
					1 - 4567809 SEAL, Transfer Shaft, Small
					1 - 4567811 SEAL, Transfer Shaft, Large
					1 - 6501701 O-RING, Speed Sensor, 24mm
					1 - 6502476 NUT, Output Hub Rr. Carrier
					1 - 6502447 NUT, Transfer Shaft
					1 - 4412245 SEAL, Piston, Outer, 1993-95
					1 - 4659374 SEAL KIT, Piston, Outer, 1996
					1 - 4412246 SEAL, Piston, Inner, 1993-95

MODEL CODES:

Chrysler = (CH41 = New Yorker, CP41 = LHS, DH41 = Intrepid(Canada), DP41 = Intrepid ES(Canada), LP41 = Concorde)
 DODGE = (DH41 = Intrepid(USA), DP41 = Intrepid ES(USA))
 EAGLE = (XP41 = Vision ESI, XS41 = Vision TSI)

BODY STYLES:

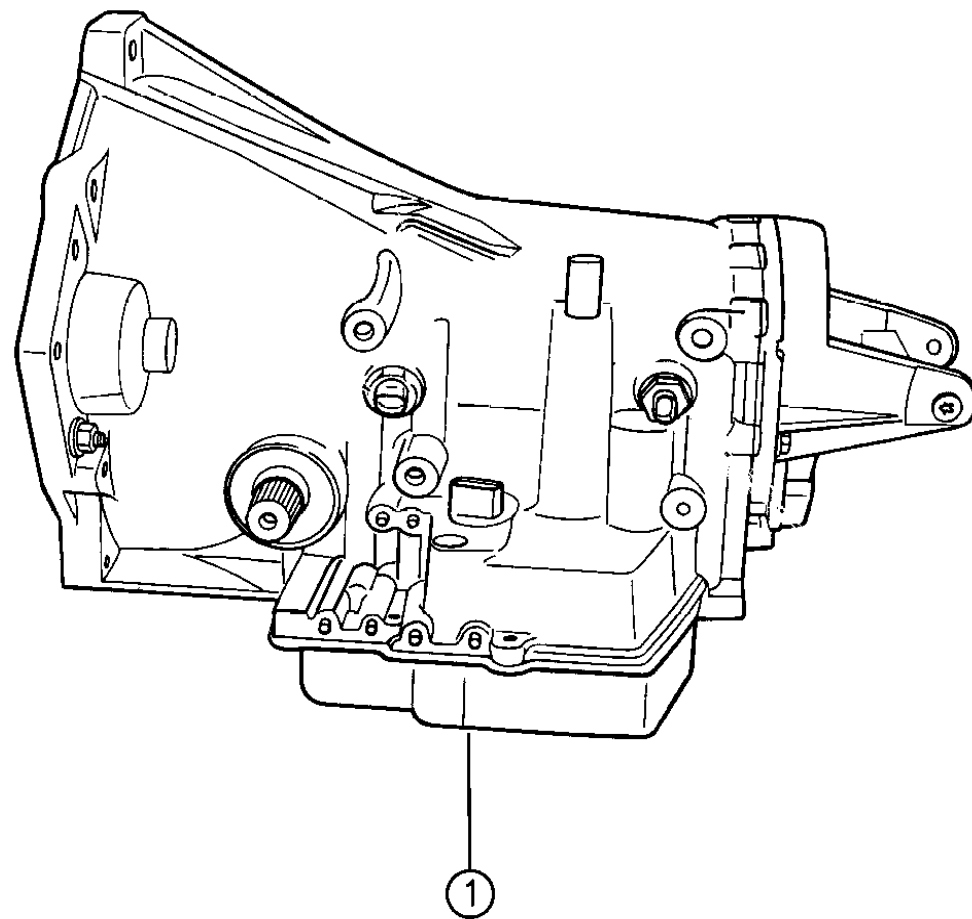
41 = 4 - Door Sedan ENGINE: 3.3L (EGB)
 3.5L (EGE) 24 Valve

93451 110

AR = Use as Required - = Non Illustrated Part P.A.R. = Paint as Required

TRANSAXLE ASSEMBLY, AND SEAL & GASKET PACKAGE AUTOMATIC TRANSAXLE, 4 SPEED 42LE LH BODY
Figure 21A-110

21A-110



ITEM	PART NUMBER	QTY	BODY	MODEL	DESCRIPTION
					1 - 4659376 SEAL KIT, Piston, Inner, 1996
					1 - 4659184 SEAL, Low & Rev. Cl., Outer, 1993-95
					1 - 4864021 SEAL, Low & Rev. Cl., Outer, 1996
					1 - 4659185 SEAL, Low & Rev. Cl., Inner, 1993-95
					1 - 4864021 SEAL, Low & Rev. Cl., Inner, 1996
					1 - 4412475 SEAL, Impeller Hub
					1 - 4659126 GASKET, Oil Pump Hsg.
					3 - 4446543 SEAL RING, Input Shaft (Teflon)
					4 - 4471874 SEAL RING, Reaction Shaft Suppt.
					1 - 3878313 SCREEN, Regulator Valve
					1 - 5205660 SEAL, Oil Pump Hsg.
					1 - 4412291 SEAL, 2nd & 4th Clutch
					1 - 4412836 SEAL, Manual Valve Lever
					1 - 4796730 FILTER, Trans. Oil, 1993-95
					1 - 4659596 FILTER, Trans. Oil, 1996
					8 - 4446544 SEAL RING, Accumulator
					1 - 6032780 O-RING, Oil Filter
					1 - 6501549 O-RING, Accumulator
					1 - 4659391 SEAL, U/Drive Cl. Piston, Inner
					2 - 4659056 SEAL, U/Drive Piston, Outer
					1 - 4431612 RETAINER, U/Drive Cl. Spring
					1 - 4531408 SEAL, U/Drive Piston, Outer
					1 - 4567602 SNAP RING, U/Drive Cl., Tapered
					1 - 6033158 O-RING, Piston, Inner
					1 - 6501702 SNAP RING, Input Shaft
					1 - 6501715 SNAP RING, U/Drive Spring Ret.
					1 - 6502269 O-RING, Input Cl. Hub, Small
					2 - 6502271 O-RING, Input Cl. Hub, Large
					1 - 4539866 SEAL, Sensor Manual Valve
					1 - 4539787 PLATE, Solenoid Spacer
					1 - 6853231 Instruction Sheet
					1 - 6853299 Instruction Sheet
4864	406	1			OVERHAUL PACKAGE, Transaxle Repair ***
					Consists Of:
					3 - 4659053 PLATE, O/Drive Clutch
					4 - 4659054 PLATE, 2nd & 4th Clutch
					5 - 4659055 PLATE, Low & Rev. Clutch
					1 - 4567602 RING, U/Drive Clutch
					1 - 4856087 SEAL & GASKET PACKAGE, Transaxle Complete
					1 - 4431648 RETAINER, Low & Rev. Clutch
					4 - 6501099 BOLT, M10x1.50x13
					4 - 4531678 DISC, Clutch

MODEL CODES:

Chrysler = (CH41 = New Yorker, CP41 = LHS, DH41 = Intrepid(Canada), DP41 = Intrepid ES(Canada), LP41 = Concorde)
 DODGE = (DH41 = Intrepid(USA), DP41 = Intrepid ES(USA))
 EAGLE = (XP41 = Vision ESI, XS41 = Vision TSI)

BODY STYLES:

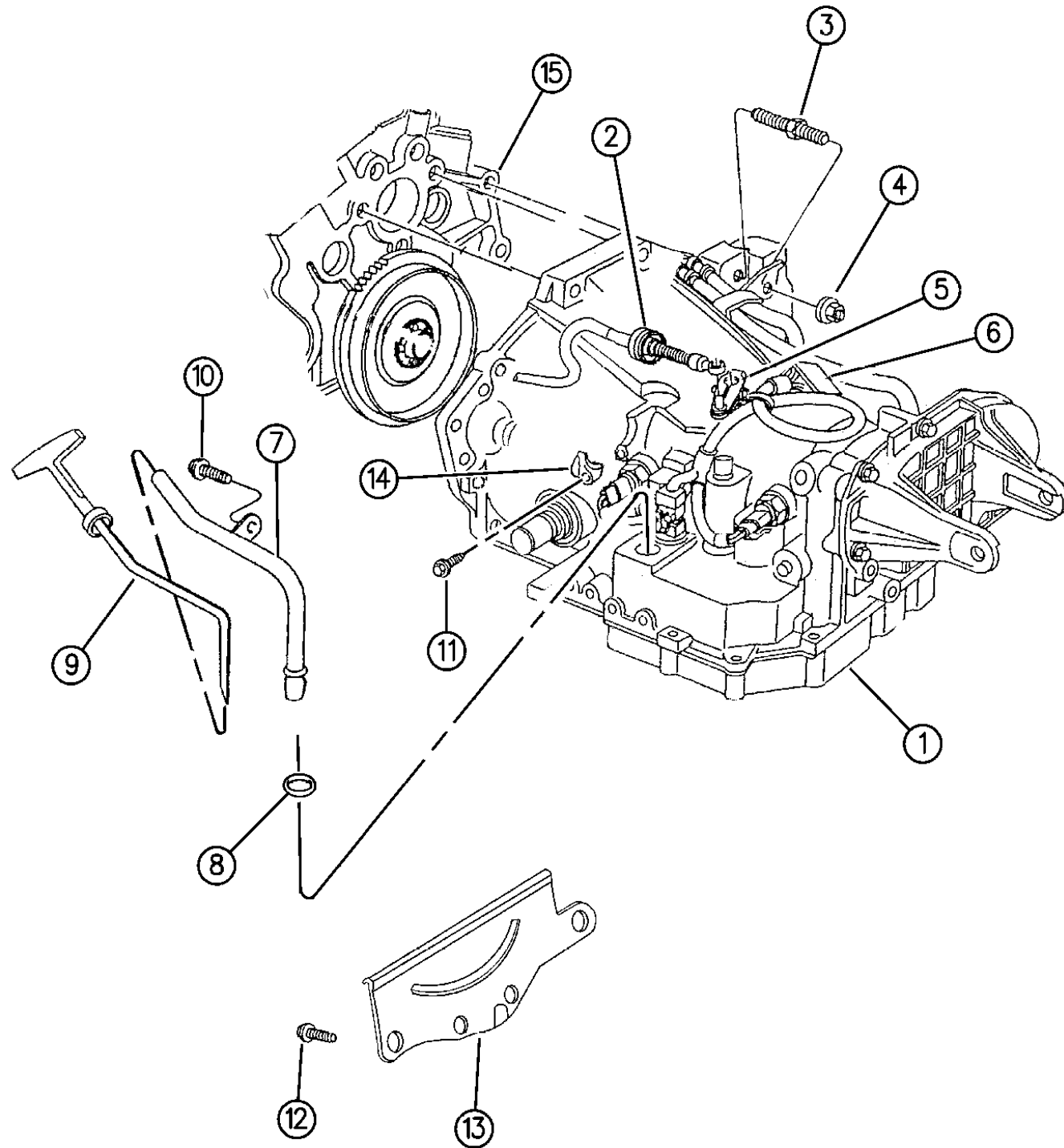
41 = 4 - Door Sedan ENGINE: 3.3L (EGB)
 3.5L (EGE) 24 Valve

93451 110

AR = Use as Required - = Non Illustrated Part P.A.R. = Paint as Required

TRANSAXLE MOUNTING AND MISC. PARTS AUTOMATIC TRANSAXLE, 4 SPEED 42LE LH BODY
Figure 21A-205

21A-205



ITEM	PART NUMBER	QTY	BODY	MODEL	DESCRIPTION
1					TRANSAXLE, (Reference) ***
2					CABLE, Trans. Gearshift
	4765 007	1			Floor Console Shift
	4765 008	1			Column Shift
3	6502 436	6			STUD, Trans. Mtg., M8x1.25/M12x1.75x70
4	6101 467	1			NUT, M8x1.25
5	4670 123	1			LEVER, Manual Control, 1993-95
	4670 322	1			1996
	6101 626	1			SCREW, Manual Control Lever, M6x1.0x40, 1993-95
	6101 781	1			M6x1.0x40, 1996
	5212 384	1			NUT, Lever Screw, M6x1.0
6	4604 645	1			WIRE ASSEMBLY, Trans. ***
7	4593 509	1			TUBE, Trans. Oil Filler, 1993-94
	4765 018	1			2" Longer Tube, 1995
	4593 512	1			1996
8	5210 7671	1			O-RING, Filler Tube
9	4593 530	1			INDICATOR, Trans. Oil Fill, 1993
	4593 166	1			1994
	4765 015	1			Re-Calibrated Indicator, 1995-96
-	4778 692	1			TUBE PACKAGE, 2" Longer Tube and Re-Calibrated Indicator, 1993-94 ***
10	6101 495	1			SCREW, M6x1x12
11	6101 614	1			SCREW, Cable Clamp, M8x1.25x45
12	6500 136	2			SCREW, Cover, M6x1x14
13	4593 505	1			COVER, Trans. Case, Lower
14	4593 791	1			CLAMP, G/Shift Cable Retention
15					ENGINE, (Reference) ***

MODEL CODES:

Chrysler = (CH41 = New Yorker, CP41 = LHS, DH41 = Intrepid(Canada), DP41 = Intrepid ES(Canada), LP41 = Concorde)
 DODGE = (DH41 = Intrepid(USA), DP41 = Intrepid ES(USA))
 EAGLE = (XP41 = Vision ESI, XS41 = Vision TSI)

BODY STYLES:

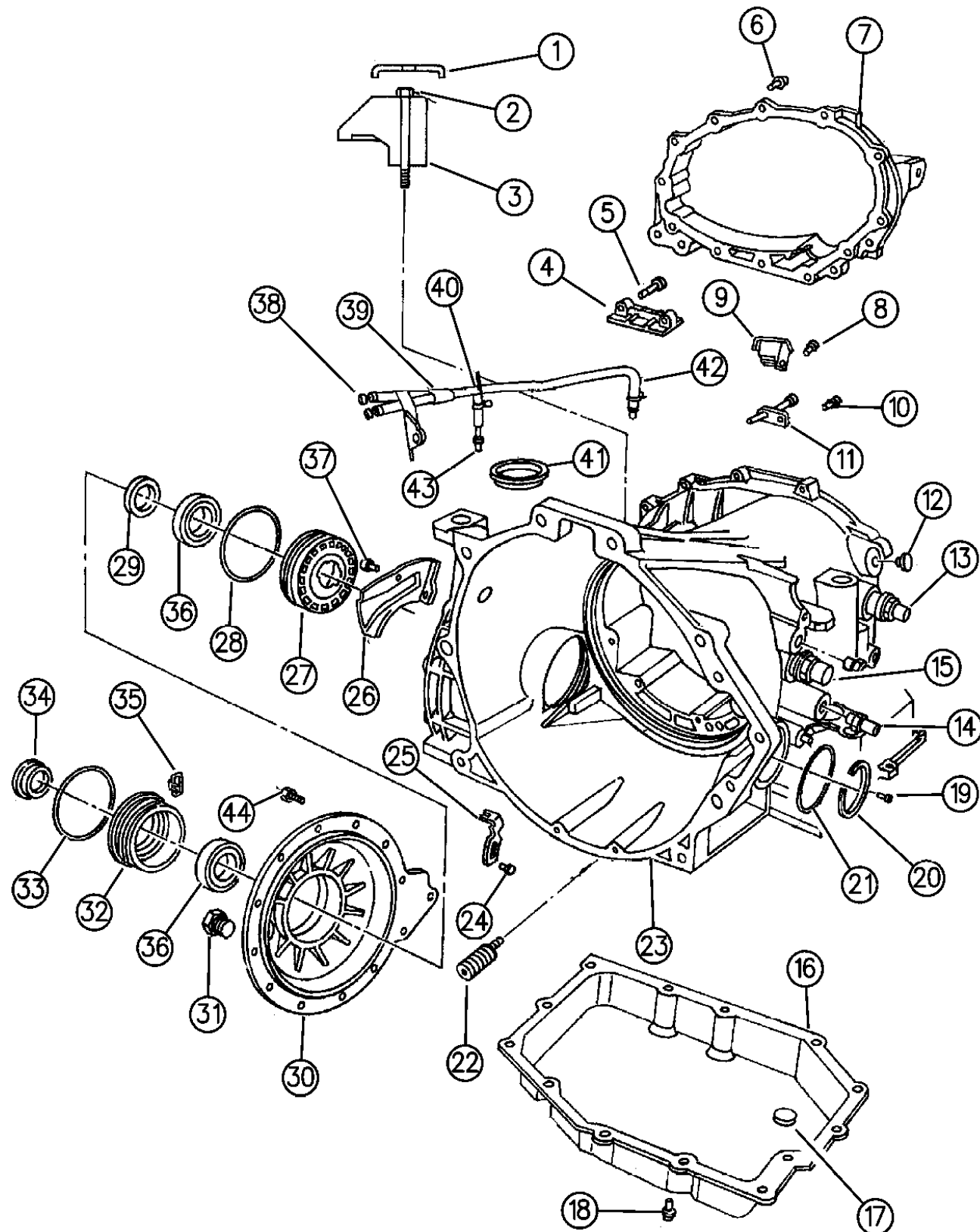
41 = 4 - Door Sedan ENGINE: 3.3L (EGB)
 3.5L (EGE) 24 Valve

93451 205

AR = Use as Required - = Non Illustrated Part P.A.R. = Paint as Required

CASE AND RELATED PARTS AUTOMATIC TRANSAXLE, 4 SPEED 42LE LH BODY
Figure 21A-210

21A-210



ITEM	PART NUMBER	QTY	BODY	MODEL	DESCRIPTION
1	4567 870	1			REINFORCEMENT, Solenoid Retainer
2	6502 894	1			SCREW, Retainer, M6x1x50
3	4567 150	12			RETAINER, Solenoid Connector
4	4567 264	AR			SNUBBER, Trans. Chain, Except 4773480,4856096 Trans. *** Beige
	4567 498	AR			Black
	4567 499	AR			Green
	4778 989	1			SNUBBER PACKAGE, w/2 Screws, Trans. Chain, Use w/ 4773480,4856096 Trans. ***
5	6501 818	2			SCREW, Snubber, M5x8x30, Except 4773480,4856096 Trans.
	6503 658	2			Rubber Faced, M5x8x18, Use w/4773480 Trans.
	6503 931	2			Rubber Faced, M5x8x22.50, Use w/4856096 Trans.
6	6100 296	12			SCREW, Chain Cover, M8x1.25x25, 1993-94
	6503 236	8			M8x1.25x28.50, 1995-96
-	6504 255	1			STUD, Double Ended Trans. to Eng. Cover, M8x1.25x54
7	4567 035	1			COVER, Trans. Chain
8	6501 819	1			SCREW, Baffle, M5x8x11
9	4567 388	1			BAFFLE, Sump Vent
10	6501 819	1			SCREW, Oiler Tube, M5x8x11
11	4539 904	1			TUBE, Chain Oiler
12	4567 312	1			PLUG, Hat Small
13	4412 879	1			VEHICLE SPEED SENSOR, Trans. Output (24mm) ***
	6501 701	1			O-RING, Trans. Speed Sensor (24mm)
14	6033 879	2			CONNECTOR, Oil Cooler Line, 1/4-18
15	4412 878	1			SENSOR, Trans. Input Speed (22mm)
	6501 700	1			O-RING, Trans. Speed Sensor (22mm)
16	4539 762	1			PAN, Trans. Oil
17	4446 728	1			MAGNET, Trans. Case Chip Collector
18	6501 474	13			SCREW, Oil Pan, M8x1.25x14
19	6030 035	AR			PLUG, Pressure Check Pipe, 1/16-27x1/2
20	6502 292	1			SNAP RING, Stub Shaft Ball Brg., 67.82mm O.D., 2.03mm Thk., 1993-94
	6502 292	1			67.82mm O.D., 2.03mm Thk., Use w/4773480 Trans., 1995
	6035 361	1			2.634" O.D., .078" Thk., w/4762922,4856096 Trans., 1995-96
21	6502 453	1			O-RING, Inner Adjuster, 62.10mm O.D.
22	4539 880	1			VALVE, Cooler Bypass
23	4626 669	1			CASE, Transmission
	4531 412	1			BUSHING, Dowel Tapered
24	6503 005	2			SCREW, Bracket M5x8x14
25	4593 022	1			BRACKET, Diff. Brg. Adj. Locking
26	4593 028	1			BAFFLE, Diff. Oil
27	4539 890	1			ADJUSTER, Diff. Bearing, Inner

MODEL CODES:

Chrysler = (CH41 = New Yorker, CP41 = LHS, DH41 = Intrepid(Canada), DP41 = Intrepid ES(Canada), LP41 = Concorde)
DODGE = (DH41 = Intrepid(USA), DP41 = Intrepid ES(USA))
EAGLE = (XP41 = Vision ESI, XS41 = Vision TSI)

BODY STYLES:

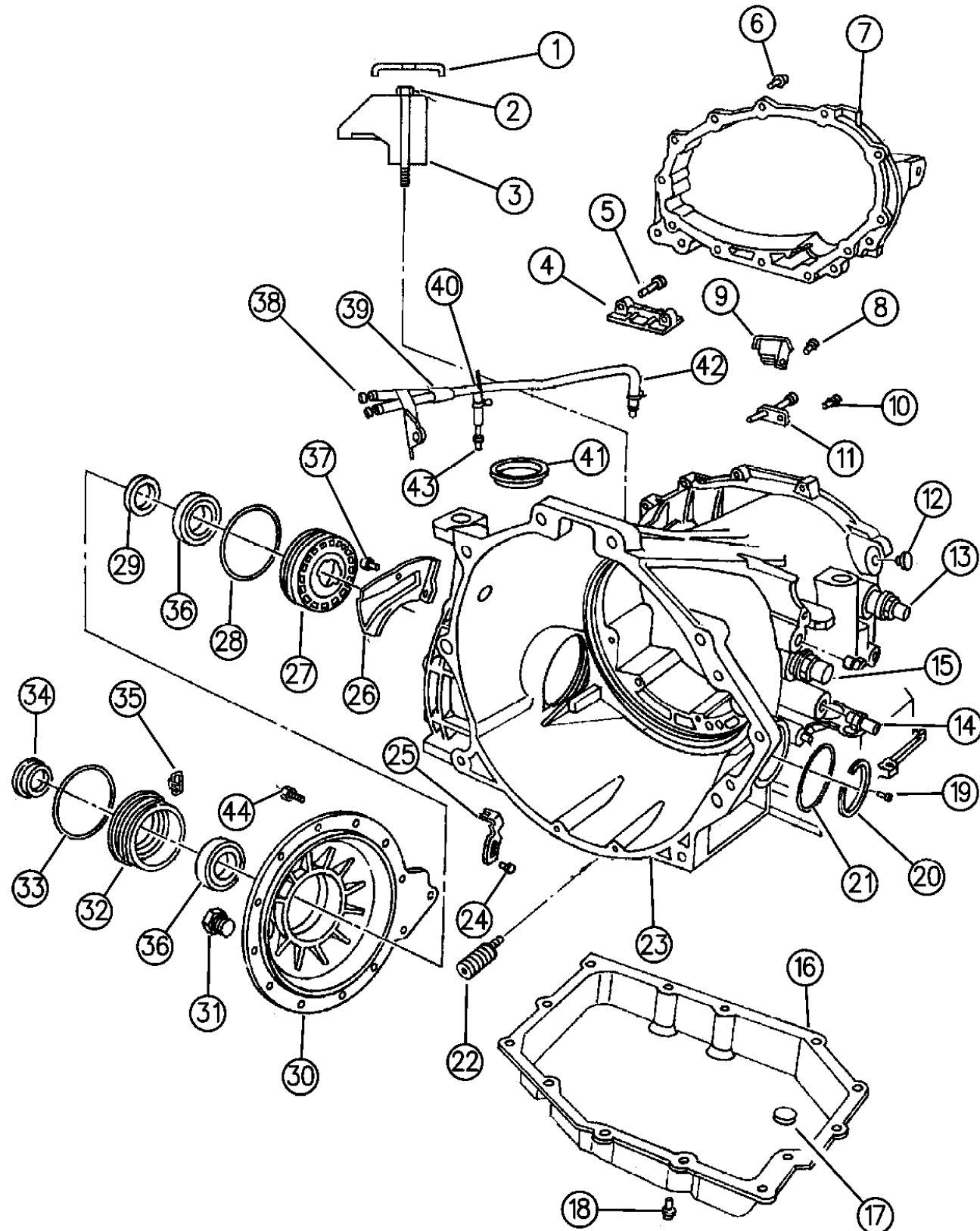
41 = 4 - Door Sedan ENGINE: 3.3L (EGB)
3.5L (EGE) 24 Valve

93451 210

AR = Use as Required - = Non Illustrated Part P.A.R. = Paint as Required

CASE AND RELATED PARTS AUTOMATIC TRANSAXLE, 4 SPEED 42LE LH BODY
Figure 21A-210

21A-210



93451 210

ITEM	PART NUMBER	QTY	BODY	MODEL	DESCRIPTION
28	6502 797	1			O-RING, Diff. Adj. Inner, 81.68 I.D.
29	4539 796	1			SEAL, Diff. Adjuster, 2" O.D.
30	4741 702	1			COVER PACKAGE, Differential (w/13-6503236 Mtg. Screws) ***
	4567 036	1			COVER, Differential
31	6034 581	1			PLUG, Diff. Cover Fill, 3/4"x14
32	4539 776	1			ADJUSTER, Diff. Bearing, Outer
33	6502 452	1			O-RING, Diff Adj., Outer
34	4539 891	1			SEAL, Diff. Cover Adjuster
35	4539 760	1			BRACKET, Adj. Cover Locking
36	3723 569	2			CUP, Diff. Adjuster Cone Bearing
37	0501 819	2			SCREW, Baffle, M5x8x11
38	4213 328	2			VENT, Trans. Hose Cap
39	4593 513	1			HOSE, Diff. Vent
40	4593 517	2			CLAMP, Vent Hose Fitting
41	4567 310	1			PLUG, Trans. Hat, 2" Dia.
42	4593 515	1			HOSE, Trans. Vent, 1993
	4593 154	1			1994
	4765 013	1			1995-96
43	4531 202	2			FITTING, Trans. Vent Hose
44	6503 236	13			SCREW, Diff. Cover, M8x1.25x28.50

MODEL CODES:

Chrysler = (CH41 = New Yorker, CP41 = LHS, DH41 = Intrepid(Canada), DP41 = Intrepid ES(Canada), LP41 = Concorde)
DODGE = (DH41 = Intrepid(USA), DP41 = Intrepid ES(USA))
EAGLE = (XP41 = Vision ESI, XS41 = Vision TSI)

BODY STYLES:

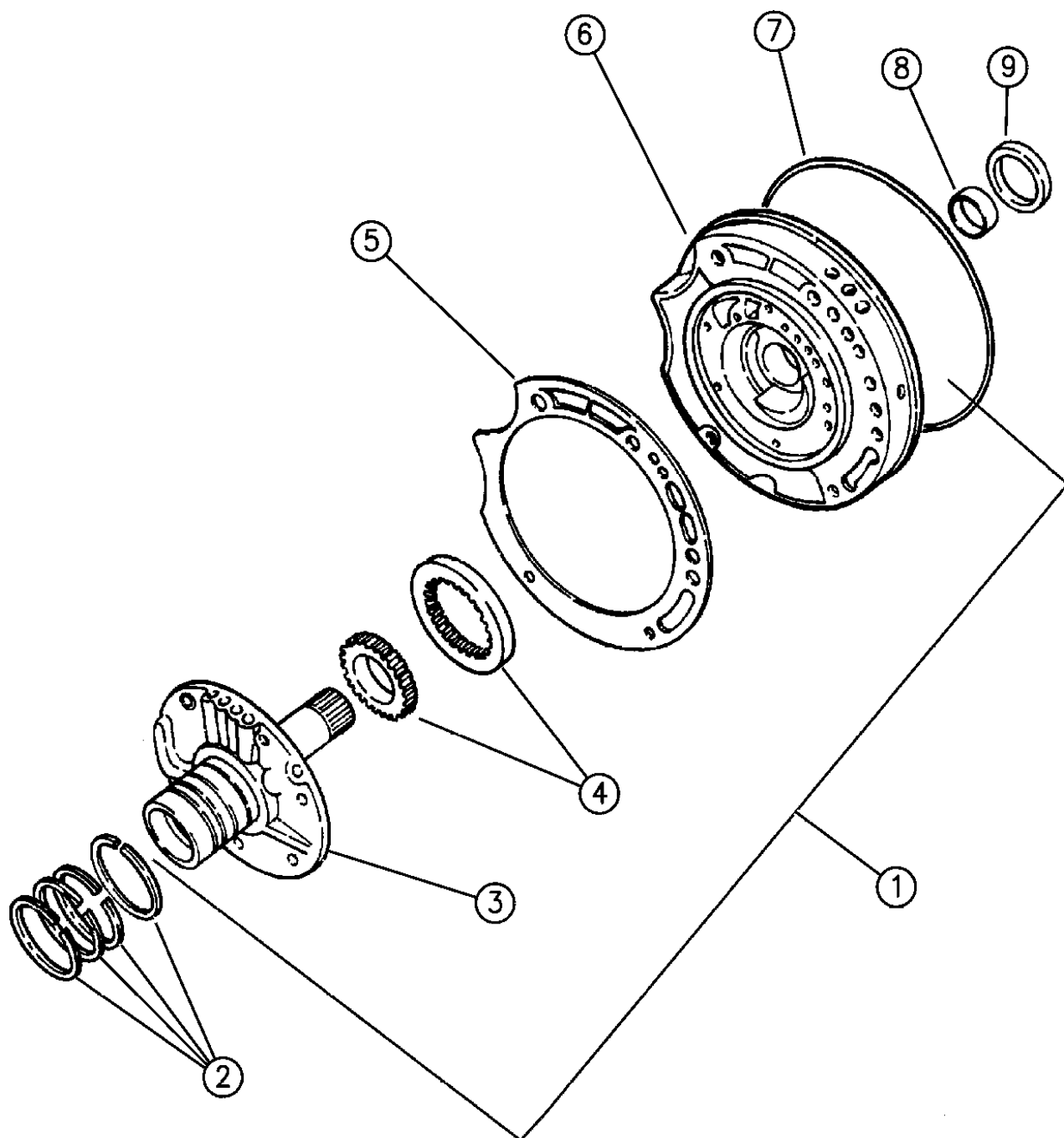
41 = 4 - Door Sedan ENGINE: 3.3L (EGB)
3.5L (EGE) 24 Valve

AR = Use as Required - = Non Illustrated Part P.A.R. = Paint as Required

PUMP, OIL WITH REACTION SHAFT AUTOMATIC TRANSAXLE, 4 SPEED 42LE LH BODY
Figure 21A-310

21A-310

ITEM	PART NUMBER	QTY	BODY	MODEL	DESCRIPTION
	4746 076	1			SEAL and GASKET PACKAGE, Trans. Oil Pump *** Consists Of: 1 - 4412475 SEAL, T/Conv. Impeller Hub 1 - 5205660 SEAL, Oil Pump Hsg. 3 - 4446543 SEAL RING, Input Shaft
	4741 659	1			1 - 4659126 GASKET, Oil Pump Hsg. 4 - 4471874 SEAL RING, Reaction Shaft Suppt. PUMP ASSEMBLY, w/o Seals, Trans. Oil (New Pump w/Added Bleed Orifice Near Pressure Port), Except 4773480 Trans.
	4773 416	1			Use w/4773480 Trans.
2	4471 874	4			SEAL RING, Reaction Shaft Support
3		1			SHAFT, w/Support and Bushing, Reaction (Serviced in Assy.)
	4446 616	1			BALL, Support Check (Not Shown)
	6500 211	6			BOLT, Suppt. to Hsg., M8x1.25x19
4		1			GEAR and ROTOR, Oil Pump (Serviced in Assy.)
5	4659 126	1			GASKET, Oil Pump Housing
6		1			HOUSING, w/Bushing and Rotor (Serviced in Oil Pump Assy.)
	6501 106	5			SCREW, w/Washer, Oil Pump to Case, M8x1.25x25
7	5205 660	1			SEAL, Oil Pump Housing, Rubber
8	2466 796	1			BUSHING, Oil Pump Housing
9	4412 475	1			SEAL, Torque Converter Impeller Hub, 57.25mm O.D.



93451 310

MODEL CODES:

Chrysler = (CH41 = New Yorker, CP41 = LHS, DH41 = Intrepid(Canada), DP41 = Intrepid ES(Canada), LP41 = Concorde)
DODGE = (DH41 = Intrepid(USA), DP41 = Intrepid ES(USA))
EAGLE = (XP41 = Vision ESI, XS41 = Vision TSI)

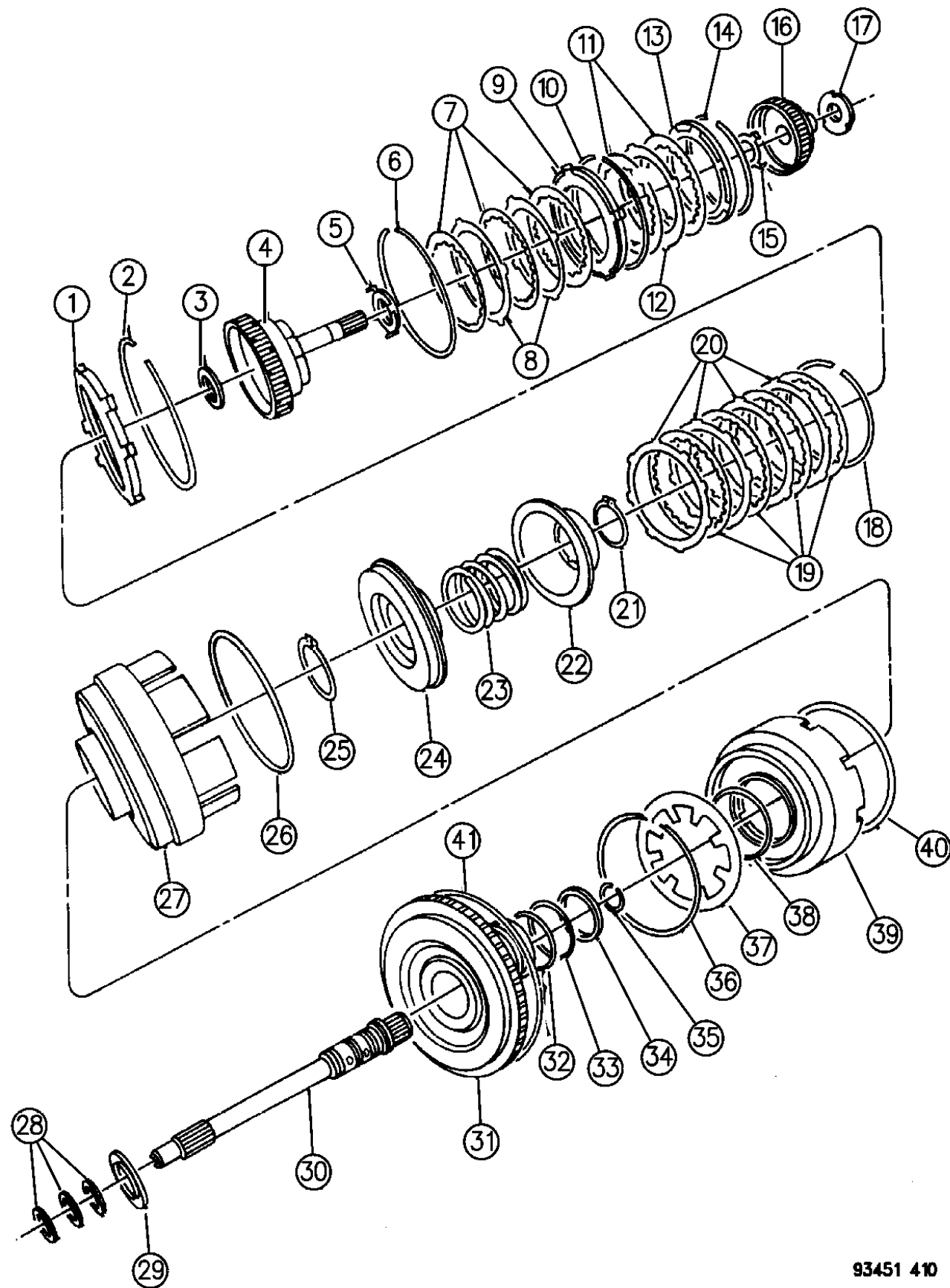
BODY STYLES:

41 = 4 - Door Sedan ENGINE: 3.3L (EGB)
3.5L (EGE) 24 Valve

AR = Use as Required - = Non Illustrated Part P.A.R. = Paint as Required

CLUTCH, INPUT SHAFT AUTOMATIC TRANSAXLE, 4 SPEED 42LE LH BODY
Figure 21A-410

21A-410



93451 410

ITEM	PART NUMBER	QTY	BODY	MODEL	DESCRIPTION
	4728 285	1			SEAL and GASKET PACKAGE, Front Clutch Assy., 1993-95 ***
	4798 254	1			1996 Consists Of: 2 - 4412875 SEAL, O/Drive Piston, Outer, 1993-95 2 - 4659056 SEAL, O/Drive Piston, Outer, 1996
					1 - 4531408 SEAL, U/Drive Piston, Outer 1 - 6033158 O-RING, Rev. & O/Drive Cl. Piston, Inner 1 - 6502271 O-RING, Input Cl. Hub, Large 1 - 6502269 O-RING, Input Cl. Hub, Small
					1 - 4431612 Retainer & Seal Assy., U/Drive Spring, 1993-95 1 - 4659391 SEAL, U/Drive Piston, Inner 1 - 6501715 SNAP RING, U/Drive Piston Spring Retainer 1 - 6501702 SNAP RING, Input Shaft, 1993-95
					1 - 4567602 SNAP RING, U/Drive Tapered 1 - 4412307 SNAP RING, U/Drive Straight, 1993-95 1 - 4505621 SNAP RING, Rev. & O/Drive Wave, 1993-95 1 - 4505622 SNAP RING, O/Drive Flat, 1993-95
					1 - 4377195 SNAP RING, Rev. & Reaction Plate, 1993-95 1 - 4412871 SNAP RING, 1993-95 1 - 4412872 SNAP RING, 1993-95 1 - 4412873 SNAP RING, 1993-95
					1 - 4412203 SNAP RING, Rev. & O/Drive Piston, 1993-95 3 - 4446543 SEAL RING, Input Shaft, 1993-95
1					PLATE, U/Drive Clutch Reaction, Selective 5.47 - 5.57mm Thk.
	4723 684	AR			5.47 - 5.57mm Thk.
	4723 683	AR			5.96 - 6.06mm Thk.
	4723 682	AR			6.45 - 6.55mm Thk.
	4723 681	AR			6.94 - 7.04mm Thk.
2	4567 602	1			SNAP RING, U/Drive Clutch, Tapered
	4412 307	1			SNAP RING, U/Drive Clutch, Straight
3	4567 262	1			BEARING, Input Clutch Hub, Thrust
4	4431 615	1			HUB, w/Shaft, U/Drive Clutch
5	4471 855	1			WASHER, U/Drive Clutch Hub, w/5 Tabs, Thrust
6	4505 621	1			SNAP RING, Rev. & O/Drive Cl. Pressure Plate, Wave
7	4531 678	4			DISC, Overdrive Clutch
8	4659 053	3			PLATE, Overdrive Clutch
9	4531 556	1			PLATE, Rev. & O/Drive Clutch Pressure, 4 Lug
10	4505 622	1			SNAP RING, Rev. & O/Drive Pressure Plate, Flat
11	4531 678	2			DISC, Reverse Clutch
12	4659 053	1			PLATE, Reverse Clutch
13	4531 925	1			PLATE, Reverse Clutch Reaction
14					SNAP RING, Rev. Cl. Reaction Plate, Selective

MODEL CODES:

Chrysler = (CH41 = New Yorker, CP41 = LHS, DH41 = Intrepid(Canada), DP41 = Intrepid ES(Canada), LP41 = Concorde)
 DODGE = (DH41 = Intrepid(USA), DP41 = Intrepid ES(USA))
 EAGLE = (XP41 = Vision ESI, XS41 = Vision TSI)

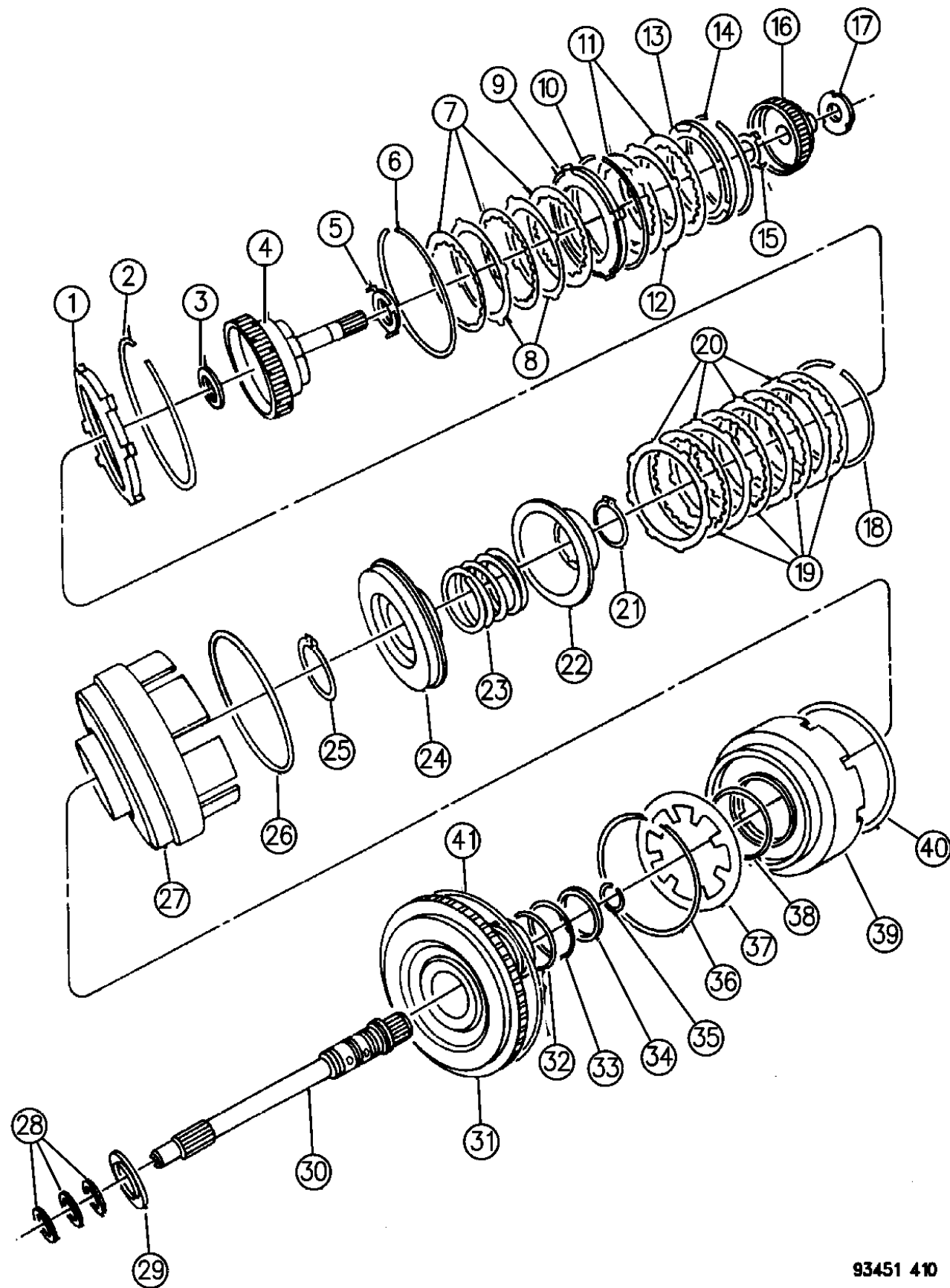
BODY STYLES:

41 = 4 - Door Sedan ENGINE: 3.3L (EGB)
 3.5L (EGE) 24 Valve

AR = Use as Required - = Non Illustrated Part P.A.R. = Paint as Required

CLUTCH, INPUT SHAFT AUTOMATIC TRANSAXLE, 4 SPEED 42LE LH BODY
Figure 21A-410

21A-410



93451 410

ITEM	PART NUMBER	QTY	BODY	MODEL	DESCRIPTION
	4377 195	AR			1.53 - 1.58mm Thk.
	4412 871	AR			1.77 - 1.83mm Thk.
	4412 872	AR			2.02 - 2.07mm Thk.
	4412 873	AR			2.27 - 2.32mm Thk.
15	4431 973	1			PLATE, O/Drive Cl. Hub Thrust, 3 Tabs
16	4762 712	1			HUB, w/Shaft, O/Drive Clutch, 1993
	4567 985	1			1994-96
17					PLATE, O/Drive Cl. Hub Thrust, Selective
	4431 662	AR			0.93 - 1.00mm Thk.
	4431 663	AR			1.15 - 1.22mm Thk.
	4431 664	AR			1.37 - 1.44mm Thk.
	4431 665	AR			1.59 - 1.66mm Thk.
	3836 237	AR			1.70 - 1.77mm Thk.
	4431 666	AR			1.81 - 1.88mm Thk.
	3836 238	AR			1.92 - 1.99mm Thk.
	4431 667	AR			2.03 - 2.10mm Thk.
	3836 239	AR			2.14 - 2.21mm Thk.
	4431 668	AR			2.25 - 2.32mm Thk.
	3836 240	AR			2.36 - 2.43mm Thk.
	4431 669	AR			2.47 - 2.54mm Thk.
	3836 241	AR			2.58 - 2.65mm Thk.
	4446 670	AR			2.69 - 2.76mm Thk.
	4446 671	AR			2.91 - 2.98mm Thk.
	4446 672	AR			3.13 - 3.20mm Thk.
	4446 601	AR			3.35 - 3.42mm Thk.
18	4412 307	1			SNAP RING, U/Drive, Flat 1.53 - 1.58mm Thk.
19	4531 678	4			DISC, U/Drive Clutch
20	4659 053	4			PLATE, U/Drive Clutch
21	6501 715	1			SNAP RING, U/Drive Piston Spring Retainer
22	4431 612	1			RETAINER, w/Seal, U/Drive Spring
23	4377 177	1			SPRING, U/Drive Piston Return
24	4431 610	1			PISTON, Underdrive
25	6501 812	1			SNAP RING, Input Cl. Retainer to Hub
26	4531 408	1			SEAL, U/Drive Piston, Outer, 140mm O.D.
27	4505 623	1			RETAINER, Input Clutch
28	4446 543	3			SEAL RING, Input Shaft, Teflon
29	4412 209	1			BEARING, Suppt. to Input Cl. Hub, Needle Thrust
30	4626 452	1			SHAFT, Input, 22T
31	4531 637	1			HUB, Input Clutch
	5241 064	1			HUB ASSEMBLY, w/6502269,271 O-Rings, Input Clutch ***
32	6502 271	1			O-RING, Input Cl. Hub, Large, Front Blue .103" Thk.
33	6502 269	1			O-RING, Input Cl. Hub, Small, Rear Red .103" Thk.

MODEL CODES:

Chrysler = (CH41 = New Yorker, CP41 = LHS, DH41 = Intrepid(Canada), DP41 = Intrepid ES(Canada), LP41 = Concorde)
 DODGE = (DH41 = Intrepid(USA), DP41 = Intrepid ES(USA))
 EAGLE = (XP41 = Vision ESI, XS41 = Vision TSI)

BODY STYLES:

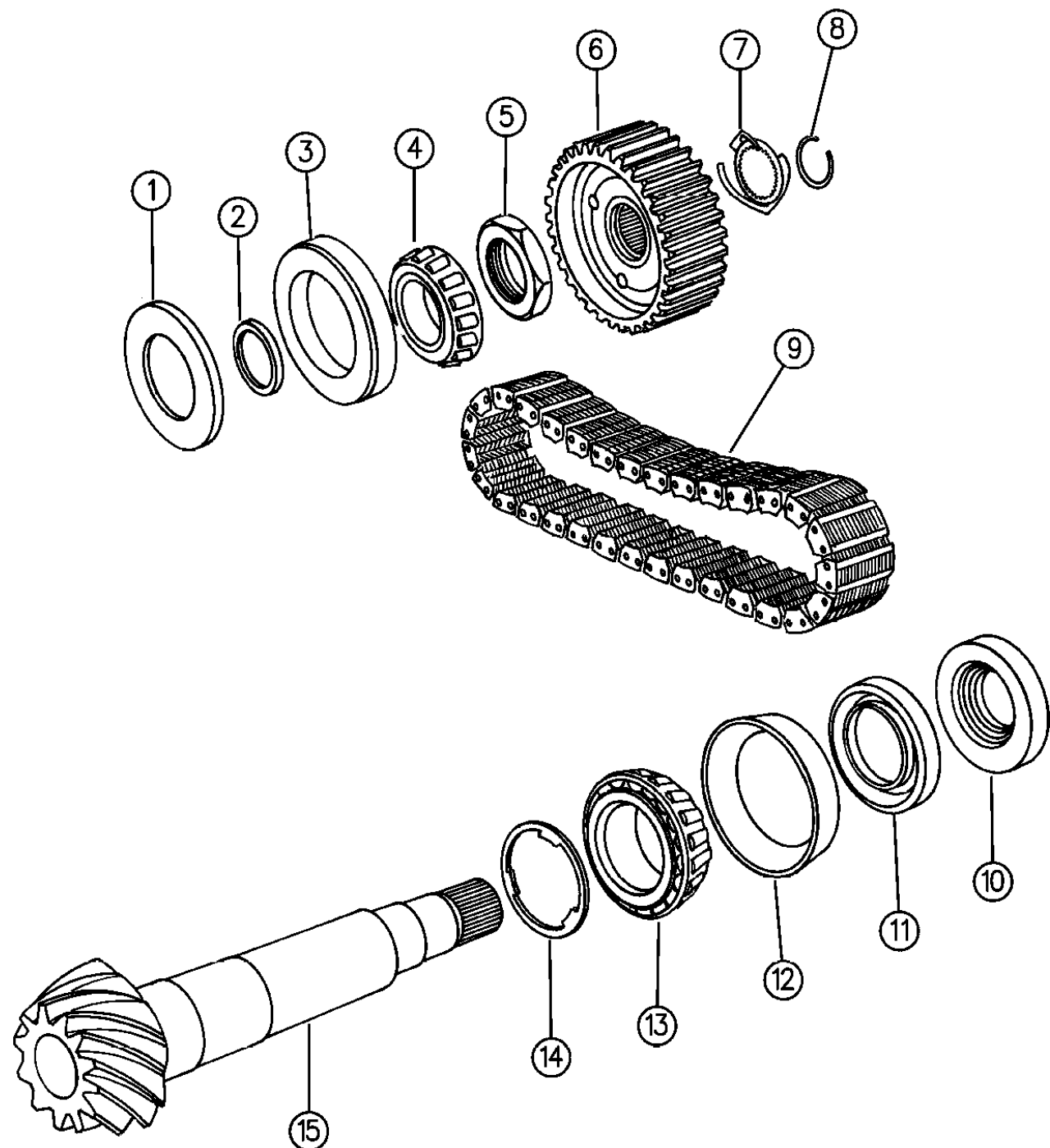
41 = 4 - Door Sedan ENGINE: 3.3L (EGB)
 3.5L (EGE) 24 Valve

AR = Use as Required - = Non Illustrated Part P.A.R. = Paint as Required

SHAFT, TRANSFER AUTOMATIC TRANSAXLE, 4 SPEED 42LE LH BODY
Figure 21A-420

21A-420

ITEM	PART NUMBER	QTY	BODY	MODEL	DESCRIPTION
1	4593 035	1			BAFFLE, Transfer Shaft
2					SHIM, Transfer Shaft, Selective, 39mm O.D. ***
	4567 151	AR			3.53 - 3.55mm Thk.
	4567 152	AR			3.56 - 3.58mm Thk.
	4567 153	AR			3.59 - 3.61mm Thk.
	4567 154	AR			3.62 - 3.64mm Thk.
	4567 155	AR			3.65 - 3.67mm Thk.
	4567 156	AR			3.68 - 3.70mm Thk.
	4567 157	AR			3.71 - 3.73mm Thk.
	4567 158	AR			3.74 - 3.76mm Thk.
	4567 159	AR			3.77 - 3.79mm Thk.
	4567 160	AR			3.80 - 3.82mm Thk.
	4567 161	AR			3.83 - 3.85mm Thk.
	4567 162	AR			3.86 - 3.88mm Thk.
	4567 163	AR			3.89 - 3.91mm Thk.
	4567 164	AR			3.92 - 3.94mm Thk.
	4567 165	AR			3.95 - 3.97mm Thk.
	4567 166	AR			3.98 - 4.00mm Thk.
	4567 167	AR			4.01 - 4.03mm Thk.
	4567 168	AR			4.04 - 4.06mm Thk.
	4567 169	AR			4.07 - 4.09mm Thk.
	4567 170	AR			4.10 - 4.12mm Thk.
	4567 171	AR			4.13 - 4.15mm Thk.
	4567 172	AR			4.16 - 4.18mm Thk.
	4567 173	AR			4.19 - 4.21mm Thk.
	4567 174	AR			4.22 - 4.24mm Thk.
	4567 175	AR			4.25 - 4.27mm Thk.
	4567 176	AR			4.28 - 4.30mm Thk.
	4567 177	AR			4.31 - 4.33mm Thk.
	4567 178	AR			4.34 - 4.36mm Thk.
	4567 179	AR			4.37 - 4.39mm Thk.
	4567 180	AR			4.40 - 4.42mm Thk.
	4567 181	AR			4.43 - 4.45mm Thk.
	4567 182	AR			4.46 - 4.48mm Thk.
	4567 183	AR			4.49 - 4.51mm Thk.
	4567 184	AR			4.52 - 4.54mm Thk.
	4567 185	AR			4.55 - 4.57mm Thk.
	4567 186	AR			4.58 - 4.60mm Thk.
	4567 187	AR			4.61 - 4.63mm Thk.
	4567 188	AR			4.64 - 4.66mm Thk.
	4567 189	AR			4.67 - 4.69mm Thk.
3	4539 863	1			CUP, T/Shaft Gear Bearing



93451 420

MODEL CODES: _____
 Chrysler = (CH41 = New Yorker, CP41 = LHS, DH41 = Intrepid(Canada), DP41 = Intrepid ES(Canada), LP41 = Concorde)
 DODGE = (DH41 = Intrepid(USA), DP41 = Intrepid ES(USA))
 EAGLE = (XP41 = Vision ESI, XS41 = Vision TSI)

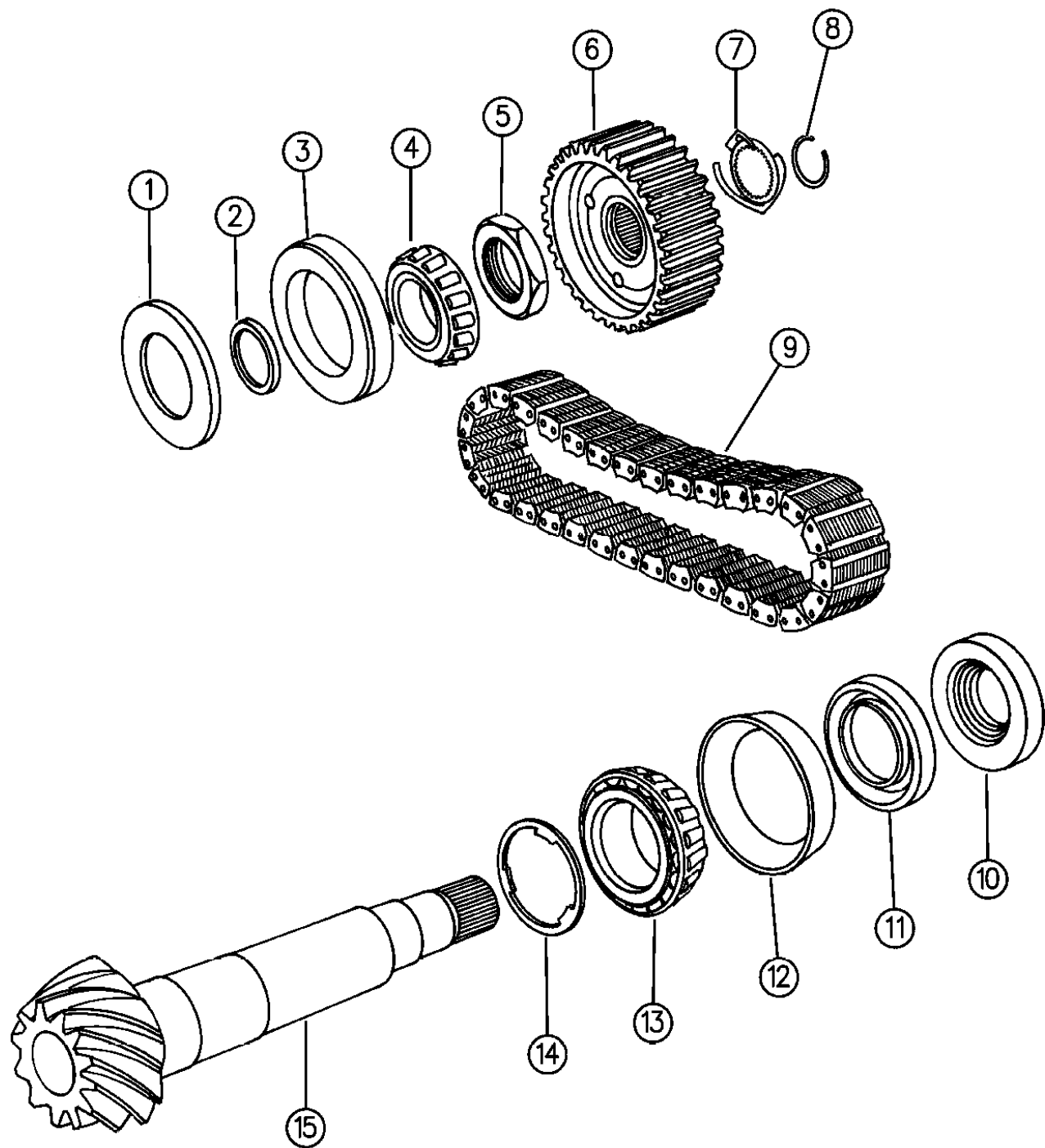
BODY STYLES: _____
 41 = 4 - Door Sedan ENGINE: 3.3L (EGB)
 3.5L (EGE) 24 Valve

AR = Use as Required - = Non Illustrated Part P.A.R. = Paint as Required

SHAFT, TRANSFER AUTOMATIC TRANSAXLE, 4 SPEED 42LE LH BODY
Figure 21A-420

21A-420

ITEM	PART NUMBER	QTY	BODY	MODEL	DESCRIPTION
4	4539 862	1			CONE, T/Shaft Gear Bearing
5	6502 447	1			NUT, Transfer Shaft, M33x1.50
6	4539 933	1			SPROCKET, Transfer Shaft (33T), 1993-94 ***
	4659 233	1			(33T), 1995,96
7	4539 901	1			WASHER, Trans. Sprocket Finger
8	6502 448	1			SNAP RING, Sprocket Retaining, 1-1/8" O.D.
9	4539 777	1			CHAIN, Trans. Drive, 1993-94 ***
	4659 190	2			Split 2-Piece, Type 42, 1995-96
10	4567 811	1			SEAL, T/Shaft, Large
11	4567 809	1			SEAL, T/Shaft, Small
	4728 303	1			SEAL PACKAGE, (1-4567809, 1-4567811 Seal)
12	4567 293	1			CUP, T/Shaft Bearing
13	4567 292	1			CONE, T/Shaft Bearing
14	4539 677	AR			SHIM, Transfer Shaft Gear, Selective, 60mm O.D. ***
	4539 678	AR			0.681 - 0.707mm Thk.
	4539 679	AR			0.708 - 0.734mm Thk.
	4539 680	AR			0.735 - 0.761mm Thk.
	4539 681	AR			0.762 - 0.788mm Thk.
	4539 682	AR			0.789 - 0.815mm Thk.
	4539 683	AR			0.816 - 0.842mm Thk.
	4539 684	AR			0.843 - 0.869mm Thk.
	4539 685	AR			0.870 - 0.896mm Thk.
	4539 686	AR			0.897 - 0.923mm Thk.
	4539 687	AR			0.924 - 0.950mm Thk.
	4539 688	AR			0.951 - 0.977mm Thk.
	4539 689	AR			0.978 - 1.004mm Thk.
	4539 690	AR			1.005 - 1.031mm Thk.
	4539 691	AR			1.032 - 1.058mm Thk.
	4539 692	AR			1.059 - 1.085mm Thk.
	4539 693	AR			1.086 - 1.112mm Thk.
	4539 693	AR			1.113 - 1.139mm Thk.
15	4567 617	1			GEAR SET, Matched, Transfer Shaft & Ring Gear



93451 420

MODEL CODES:

Chrysler = (CH41 = New Yorker, CP41 = LHS, DH41 = Intrepid(Canada), DP41 = Intrepid ES(Canada), LP41 = Concorde)
DODGE = (DH41 = Intrepid(USA), DP41 = Intrepid ES(USA))
EAGLE = (XP41 = Vision ESI, XS41 = Vision TSI)

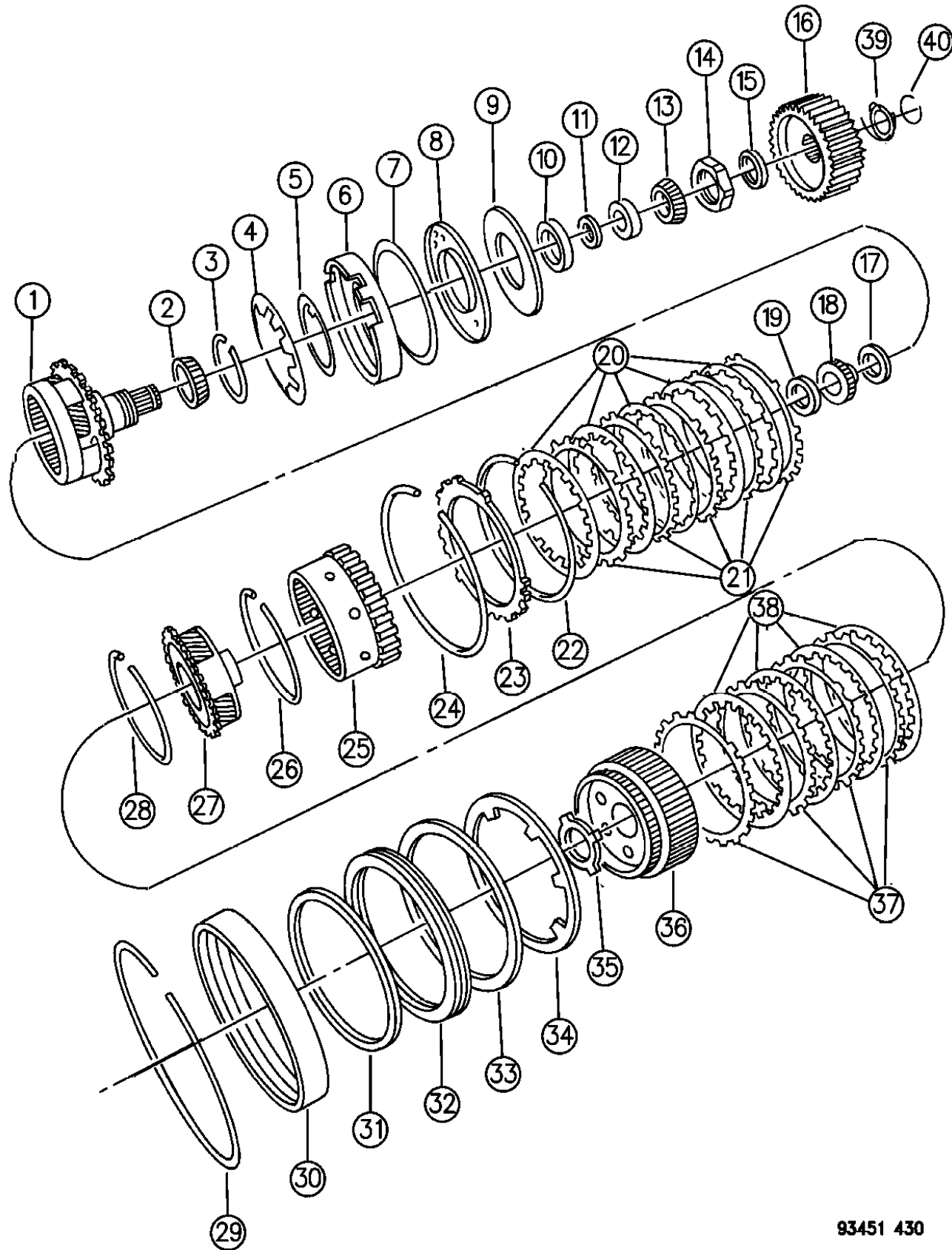
BODY STYLES:

41 = 4 - Door Sedan ENGINE: 3.3L (EGB)
3.5L (EGE) 24 Valve

AR = Use as Required - = Non Illustrated Part P.A.R. = Paint as Required

GEAR TRAIN AUTOMATIC TRANSAXLE, 4 SPEED 42LE LH BODY
Figure 21A-430

21A-430



93451 430

ITEM	PART NUMBER	QTY	BODY	MODEL	DESCRIPTION
1	4539 856	1			CARRIER ASSEMBLY, w/Bushing. Rear Planet Pinion, 1993-95
	4659 111	1			1996
2	4412 235	1			CONE, Rear Carrier Bearing, 68mm O.D.
3	6501 853	1			SNAP RING, Low & Rev. Clutch Piston
4	4412 261	1			SPRING, Low & Rev. Clutch Piston Return
5	4778 883	1			SEAL PACKAGE, Low & Rev. Cl. Piston, Inner 3-3/8" O.D., Outer 6" O.D., 1993-95
	4864 021	1			1996
6	4431 672	1			PISTON ASSEMBLY, Low & Rev. Clutch
7	4778 883	1			SEAL PACKAGE, Low & Rev. Cl. Piston, Outer 6" O.D., Inner 3-3/8" O.D., 1993-95
	4864 021	1			1996
8	4431 648	1			RETAINER, Low & Rev. Clutch Piston
	6501 819	3			SCREW, w/Washer Piston Retainer
9	4431 649	1			GASKET, Low & Rev. Clutch Piston Retainer
10	4412 234	1			CUP, Rear Carrier Bearing
11					SHIM, Output Shaft, 38mm I.D., 43mm O.D. ***
	5280 020	AR			5.17 - 5.19mm Thk.
	5280 021	AR			5.20 - 5.22mm Thk.
	5280 022	AR			5.23 - 5.25mm Thk.
	5280 023	AR			5.26 - 5.28mm Thk.
	5280 024	AR			5.29 - 5.31mm Thk.
	5280 025	AR			5.32 - 5.34mm Thk.
	5280 026	AR			5.35 - 5.37mm Thk.
	5280 027	AR			5.38 - 5.40mm Thk.
	5280 028	AR			5.41 - 5.43mm Thk.
	5280 029	AR			5.44 - 5.46mm Thk.
	5280 030	AR			5.47 - 5.49mm Thk.
	5280 031	AR			5.50 - 5.52mm Thk.
	5280 032	AR			5.53 - 5.55mm Thk.
	5280 033	AR			5.56 - 5.58mm Thk.
	5280 034	AR			5.59 - 5.61mm Thk.
	5280 035	AR			5.62 - 5.64mm Thk.
	5280 036	AR			5.65 - 5.67mm Thk.
	5280 037	AR			5.68 - 5.70mm Thk.
	5280 038	AR			5.71 - 5.73mm Thk.
	5280 039	AR			5.74 - 5.76mm Thk.
	5280 040	AR			5.77 - 5.79mm Thk.
	5280 041	AR			5.80 - 5.82mm Thk.
	5280 042	AR			5.83 - 5.85mm Thk.
	5280 043	AR			5.86 - 5.88mm Thk.
	5280 044	AR			5.89 - 5.91mm Thk.

MODEL CODES:

Chrysler = (CH41 = New Yorker, CP41 = LHS, DH41 = Intrepid(Canada), DP41 = Intrepid ES(Canada), LP41 = Concorde)
 DODGE = (DH41 = Intrepid(USA), DP41 = Intrepid ES(USA))
 EAGLE = (XP41 = Vision ESI, XS41 = Vision TSI)

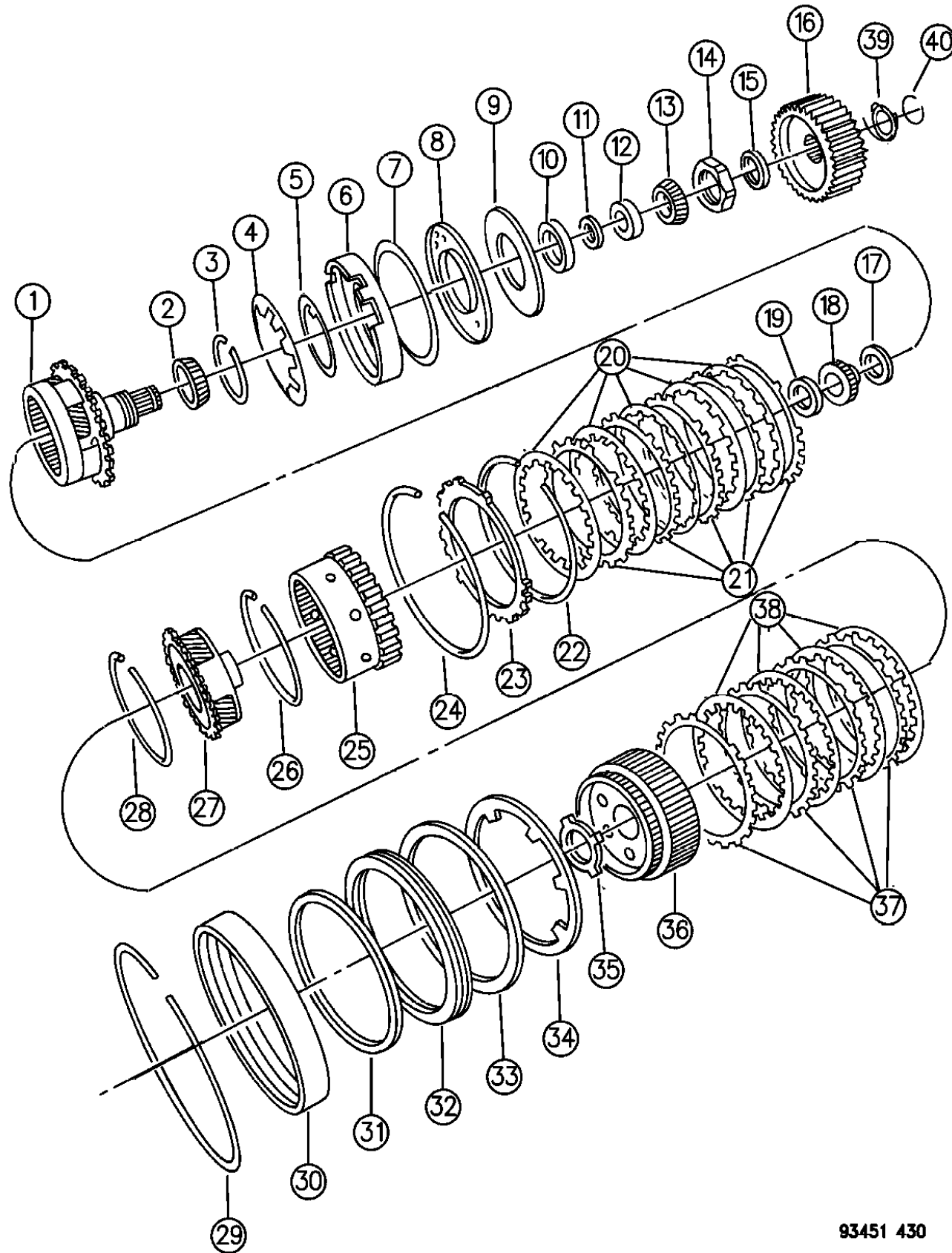
BODY STYLES:

41 = 4 - Door Sedan ENGINE: 3.3L (EGE)
 3.5L (EGE) 24 Valve

AR = Use as Required - = Non Illustrated Part P.A.R. = Paint as Required

GEAR TRAIN AUTOMATIC TRANSAXLE, 4 SPEED 42LE LH BODY
Figure 21A-430

21A-430



93451 430

ITEM	PART NUMBER	QTY	BODY	MODEL	DESCRIPTION
	5280 045	AR			5.92 - 5.94mm Thk.
	5280 046	AR			5.95 - 5.97mm Thk.
	5280 047	AR			5.98 - 6.00mm Thk.
	5280 048	AR			6.01 - 6.03mm Thk.
	5280 049	AR			6.04 - 6.06mm Thk.
12	4446 689	1			CUP, Output Hub
13	4446 610	1			CONE, Output Hub Bearing, 63mm O.D.
14	6502 476	1			NUT, Rear Carrier, M36x1.50
15					SHIM, Output Sprocket, 28.75mm I.D. ***
	5280 053	AR			2.64 - 2.84mm Thk.
	5280 054	AR			2.85 - 3.05mm Thk.
	5280 055	AR			3.06 - 3.26mm Thk.
	5280 056	AR			3.27 - 3.47mm Thk.
	5280 057	AR			3.48 - 3.68mm Thk.
	5280 058	AR			3.69 - 3.89mm Thk.
	5280 059	AR			3.90 - 4.10mm Thk.
	5280 120	AR			4.11 - 4.31mm Thk.
16	4539 932	1			SPROCKET, Output Shaft (32T), 1993-94 ***
	4659 232	1			(32T), 1995-96
17	4567 262	1			BEARING, Rear Sun Gear Thrust
18	4377 080	1			GEAR, Rear Sun, 38T
19	4412 229	1			BEARING, Rear Sun Gear Front, Needle Thrust
20	4567 573	5			DISC, Low & Rev. Clutch
21	4567 911	5			PLATE, Low & Rev. Clutch, 1993-94
	4659 055	5			1995-96
22	4412 395	1			SNAP RING, Low & Rev. Clutch, 6-1/2" O.D.
23					PLATE, Low & Rev. Clutch, Selective
	4567 894	AR			5.23 - 5.49mm Thk.
	4567 895	AR			5.49 - 5.75mm Thk.
	4567 896	AR			5.75 - 6.01mm Thk.
	4567 897	AR			6.01 - 6.27mm Thk.
	4567 898	AR			6.27 - 6.53mm Thk.
	4567 899	AR			6.53 - 6.79mm Thk.
	4567 893	AR			6.79 - 7.05mm Thk.
24	4412 269	1			SNAP RING, Low & Rev. Clutch, Tapered 7" O.D.
25	4567 632	1			GEAR, Rear Annulus
26	4130 513	1			SNAP RING, Rear Annulus Gear, 4-5/8" O.D.
27	4567 539	1			CARRIER ASSEMBLY, w/Thrust Bearing, Front Planet Pinion, 1993-95
	4659 197	1			1996
-	4567 262	1			BEARING, Front Planet Pinion Carrier, Thrust (Not Shown)
28	4130 513	1			SNAP RING, Rear Annulus Gear, 4-5/8" O.D., 1993-94

MODEL CODES:

Chrysler = (CH41 = New Yorker, CP41 = LHS, DH41 = Intrepid(Canada), DP41 = Intrepid ES(Canada), LP41 = Concorde)
 DODGE = (DH41 = Intrepid(USA), DP41 = Intrepid ES(USA))
 EAGLE = (XP41 = Vision ESI, XS41 = Vision TSI)

BODY STYLES:

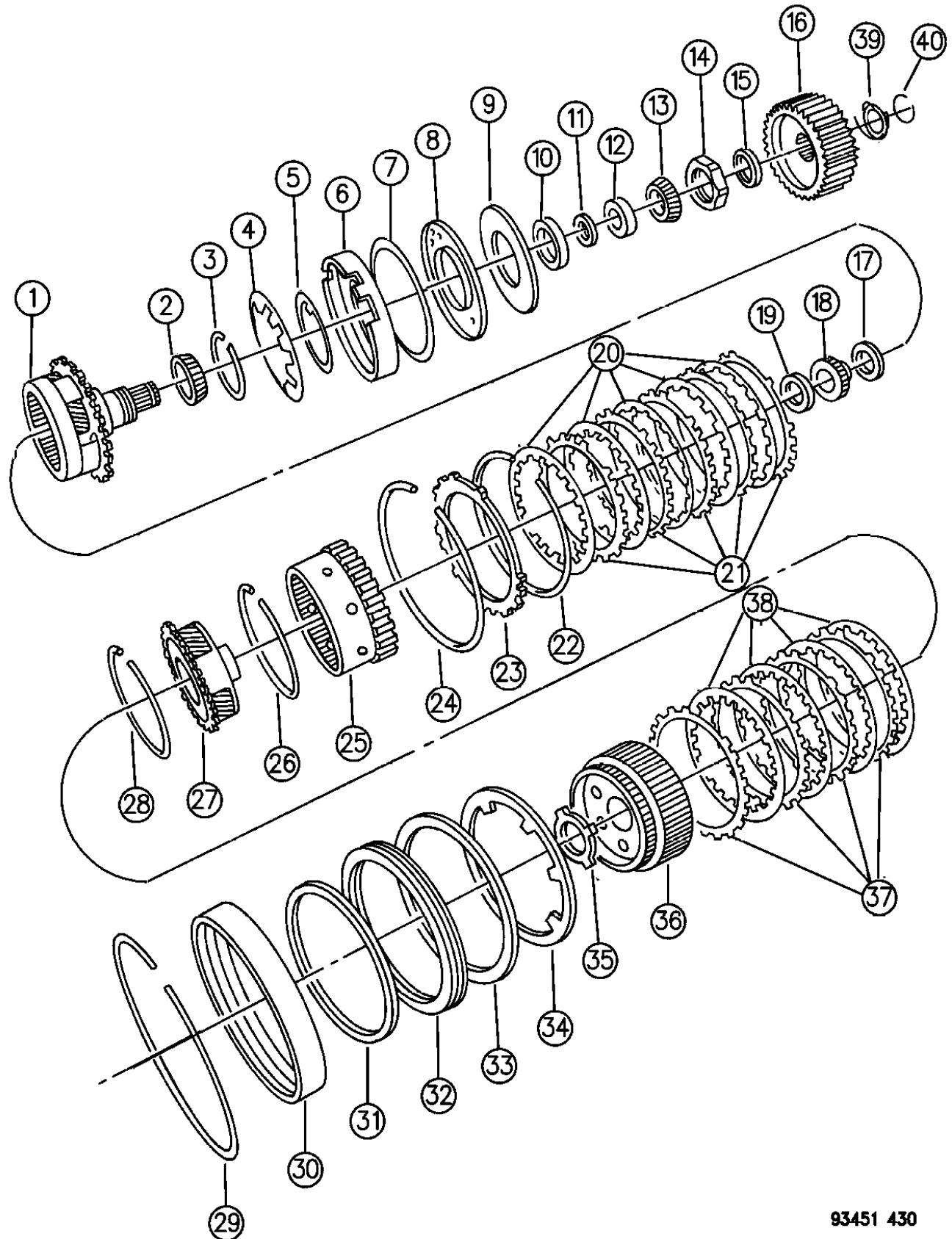
41 = 4 - Door Sedan ENGINE: 3.3L (EGB)
 3.5L (EGE) 24 Valve

AR = Use as Required - = Non Illustrated Part P.A.R. = Paint as Required

GEAR TRAIN AUTOMATIC TRANSAXLE, 4 SPEED 42LE LH BODY
Figure 21A-430

21A-430

ITEM	PART NUMBER	QTY	BODY	MODEL	DESCRIPTION
	6035 238	1			CLIP, Rear Annulus Gear, 4.80x.062" Thk., 1995-96
29	4505 591	1			SNAP RING, 2nd & 4th Clutch Piston Retainer
30	4431 650	1			RETAINER, 2nd & 4th Clutch Piston
31	4504 050	1			SEAL PACKAGE, 2nd & 4th Clutch Piston, Inner and Outer Seal, 145mm O.D., 1993-95
	4856 002	1		1996	
32	4431 647	1			PISTON, 2nd & 4th Clutch
33	4504 050	1			SEAL PACKAGE, 2nd & 4th Clutch Piston, Outer and Inner Seal, 150mm O.D., 1993-95
	4856 002	1		1996	
34	4412 248	1			SPRING, 2nd & 4th Clutch Piston Return
35	4412 216	1			WASHER, O/Drive Clutch Hub, Thrust, 4 Tabs
36	4431 622	1			HUB and GEAR ASSEMBLY, w/Bushings, 2nd & 4th Clutch, 1993-95 ***
	4659 618	1		1996	
37	4659 054	4			PLATE, 2nd & 4th Clutch
38	4567 212	4			DISC, 2nd & 4th Clutch
39	4539 901	1			WASHER, Sprocket Finger
40	6502 448	1			SNAP RING, Sprocket Retaining 1-1/8" O.D.



93451 430

MODEL CODES:

Chrysler = (CH41 = New Yorker, CP41 = LHS, DH41 = Intrepid(Canada), DP41 = Intrepid ES(Canada), LP41 = Concorde)
 DODGE = (DH41 = Intrepid(USA), DP41 = Intrepid ES(USA))
 EAGLE = (XP41 = Vision ESI, XS41 = Vision TSI)

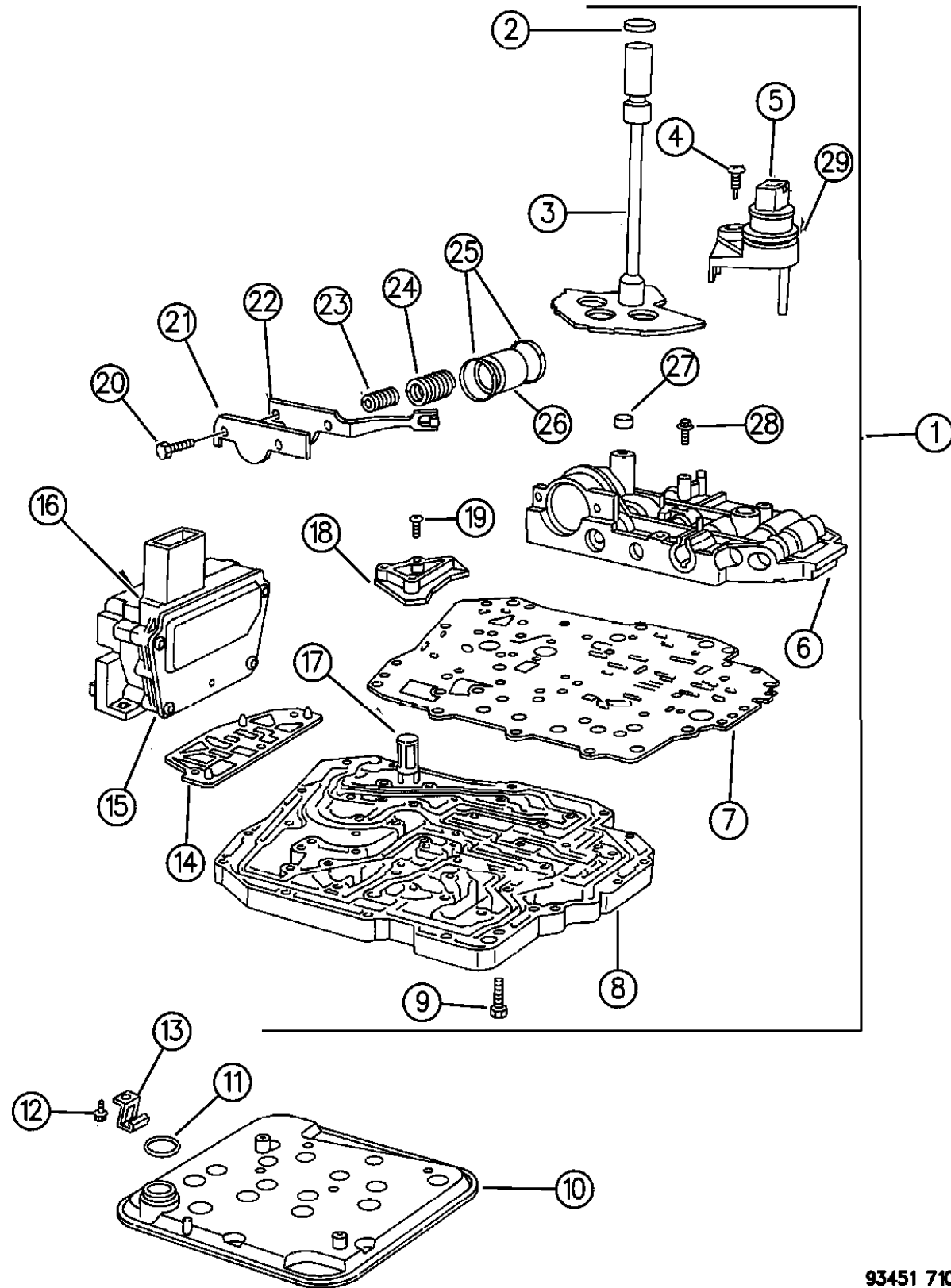
BODY STYLES:

41 = 4 - Door Sedan ENGINE: 3.3L (EGB)
 3.5L (EGE) 24 Valve

AR = Use as Required - = Non Illustrated Part P.A.R. = Paint as Required

VALVE BODY AUTOMATIC TRANSAXLE, 42LE 4 SPEED LH BODY
Figure 21A-710

21A-710



93451 710

ITEM	PART NUMBER	QTY	BODY	MODEL	DESCRIPTION
	4626 451	1			SEAL and GASKET PACKAGE, Trans. Valve Body, 1993-95 ***
	4864 696	1			1996 Consists Of: 1 - 4412291 SEAL, 2nd & 4th Feed 1 - 4412836 SEAL, Manual Valve Lever 1 - 4446544 SEAL RING, Accumulator 1 - 3878313 SCREEN, Regulator Valve 1 - 4659596 FILTER, Trans. Oil 1 - 6501549 O-RING, Accumulator Cover 1 - 6032780 O-RING, FILTER
1	4539 852	1			BODY ASSEMBLY, Transfer Plate & Valve, 1993 ***
	4659 084	1			1994-95, Except 4773480 Trans.
	4659 461	1			Use w/4773480 Trans.
	4659 673	1			1996
2	4412 836	1			SEAL, Manual Valve Lever
3	4539 665	1			LEVER ASSEMBLY, Manual Valve
4	6502 434	1			SCREW, Lever Retaining, Special Shouldred, M5x0.8x21.50
5	4539 800	1			SENSOR, Manual Valve Lever Position (Same as Neutral Start & Back-Up Light Switch), Except 4773480 Trans., 1993-95 Use w/4773480 Trans., 1995 Sensor Pkg., 1996
6	4659 492	1			BODY, Valve (Serviced in Assy.)
7	4659 083	1			PLATE, Valve Body, Steel
8		1			PLATE, (Serviced in Assy.)
9	6500 215	27			SCREW, M5x0.8x25
10	4796 730	1			FILTER PACKAGE, Trans. Oil ***
11	6032 780	1			O-RING, Trans. Oil Filter
12	6502 434	2			SCREW, Shouldred Filter Retaining, M5x0.8x21.50
13	4567 419	1			RETAINER, Filter Retaining
14	4539 787	1			PLATE, Solenoid Switch
15	6502 789	4			SCREW, Solenoid Switch Cover
16	4539 766	1			SOLENOID SWITCH, Valve Body Control ***
17	3878 313	1			SCREEN, Regulator Valve
18	4539 900	1			SUPPORT, Valve Body Plate
19	6500 215	3			SCREW, Support M5x0.8x25
20	6500 214	2			SCREW, Retainer M5x0.8x11
21	4431 711	1			RETAINER, 2nd & 4th Accumulator Spring
22	4431 710	1			DETENT ASSEMBLY, Manual Valve Lever
23	4567 575	1			SPRING, Accumulator, Inner
24	4471 880	1			SPRING, 2nd & 4th Accumulator, Outer
25	4446 544	2			SEAL RING, Trans. Accumulator
26	4446 620	1			PISTON, 2nd & 4th Accumulator

MODEL CODES:

Chrysler = (CH41 = New Yorker, CP41 = LHS, DH41 = Intrepid(Canada), DP41 = Intrepid ES(Canada), LP41 = Concorde)
DODGE = (DH41 = Intrepid(USA), DP41 = Intrepid ES(USA))
EAGLE = (XP41 = Vision ESI, XS41 = Vision TSI)

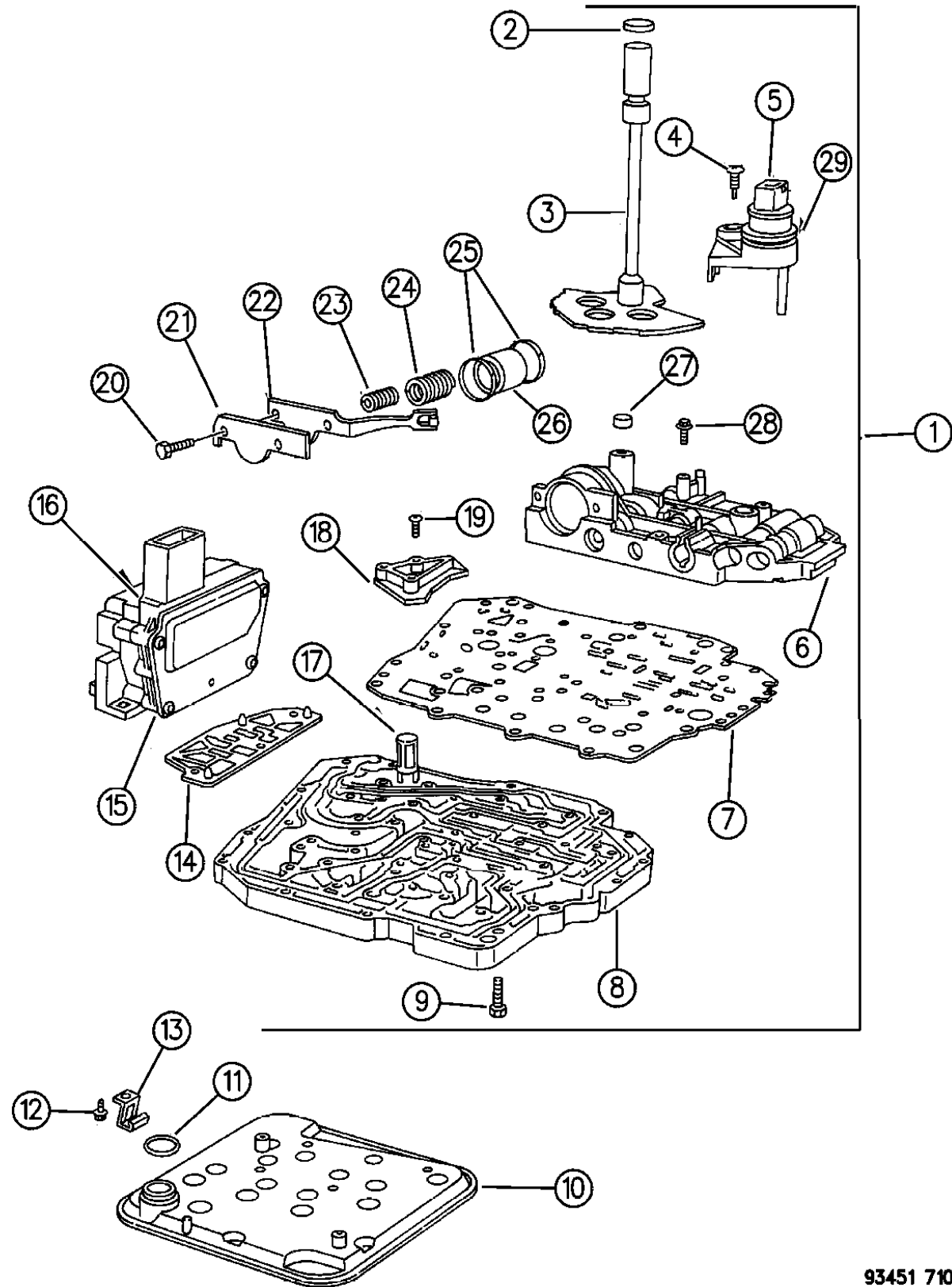
BODY STYLES:

41 = 4 - Door Sedan ENGINE: 3.3L (EGB)
3.5L (EGE) 24 Valve

AR = Use as Required - = Non Illustrated Part P.A.R. = Paint as Required

VALVE BODY AUTOMATIC TRANSAXLE, 42LE 4 SPEED LH BODY
Figure 21A-710

21A-710



ITEM	PART NUMBER	QTY	BODY	MODEL	DESCRIPTION
27	4412 291	1			SEAL, 2nd & 4th Clutch Feed
28	6500 215	23			SCREW, Body to Plate, M5x0.8x25
29	4539 866	1			SEAL, Manual Valve Position Sensor
	4659 081	1			VALVE, Trans. Regulator

MODEL CODES:
 Chrysler = (CH41 = New Yorker, CP41 = LHS, DH41 = Intrepid(Canada), DP41 = Intrepid ES(Canada), LP41 = Concorde)
 DODGE = (DH41 = Intrepid(USA), DP41 = Intrepid ES(USA))
 EAGLE = (XP41 = Vision ESI, XS41 = Vision TSI)

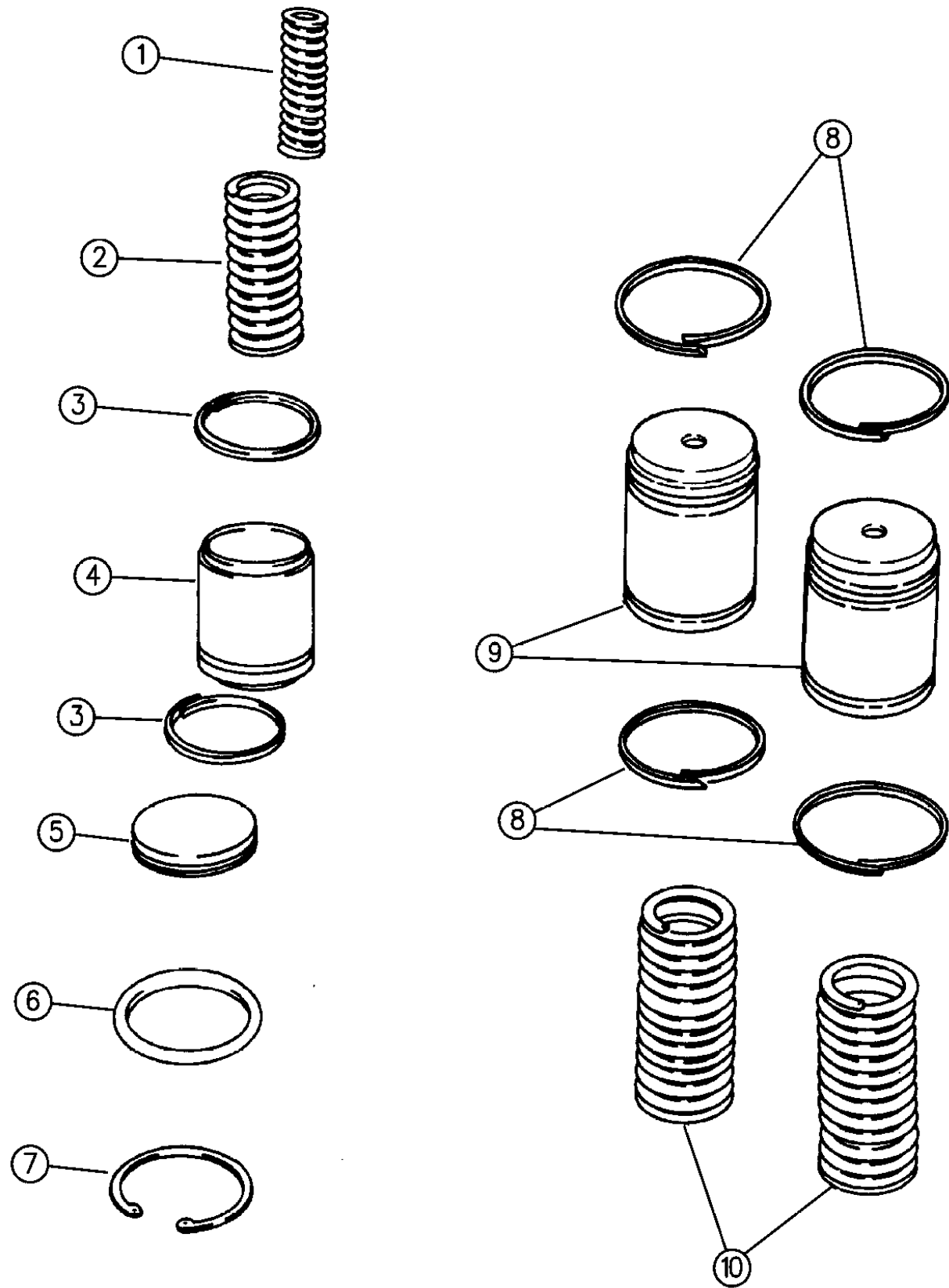
BODY STYLES:
 41 = 4 - Door Sedan ENGINE: 3.3L (EGB)
 3.5L (EGE) 24 Valve

93451 710

AR = Use as Required - = Non Illustrated Part P.A.R. = Paint as Required

ACCUMULATOR PISTON AND SPRINGS AUTOMATIC TRANSAXLE, 4 SPEED 42LE LH BODY
Figure 21A-720

21A-720



93451 720

ITEM	PART NUMBER	QTY	BODY	MODEL	DESCRIPTION
1	4567 575	1			SPRING, Trans. Accumulator, Low and Reverse, Inner
2	4471 880	1			SPRING, Trans. Accumulator
3	4446 544	2			SEAL RING, Trans. Accumulator
4	4446 620	1			PISTON, Trans. Accumulator
5	4431 617	1			COVER, Trans. Accumulator
6	6501 549	1			O-RING, Trans. Accumulator
7	6501 695	1			SNAP RING, Trans. Accumulator
8	4446 544	4			SEAL RING, Trans. Accumulator
9	4446 620	2			PISTON, Trans. Accumulator
10	4471 880	1			SPRING, Trans. Accumulator

MODEL CODES:

Chrysler = (CH41 = New Yorker, CP41 = LHS, DH41 = Intrepid(Canada), DP41 = Intrepid ES(Canada), LP41 = Concorde)
DODGE = (DH41 = Intrepid(USA), DP41 = Intrepid ES(USA))
EAGLE = (XP41 = Vision ESI, XS41 = Vision TSI)

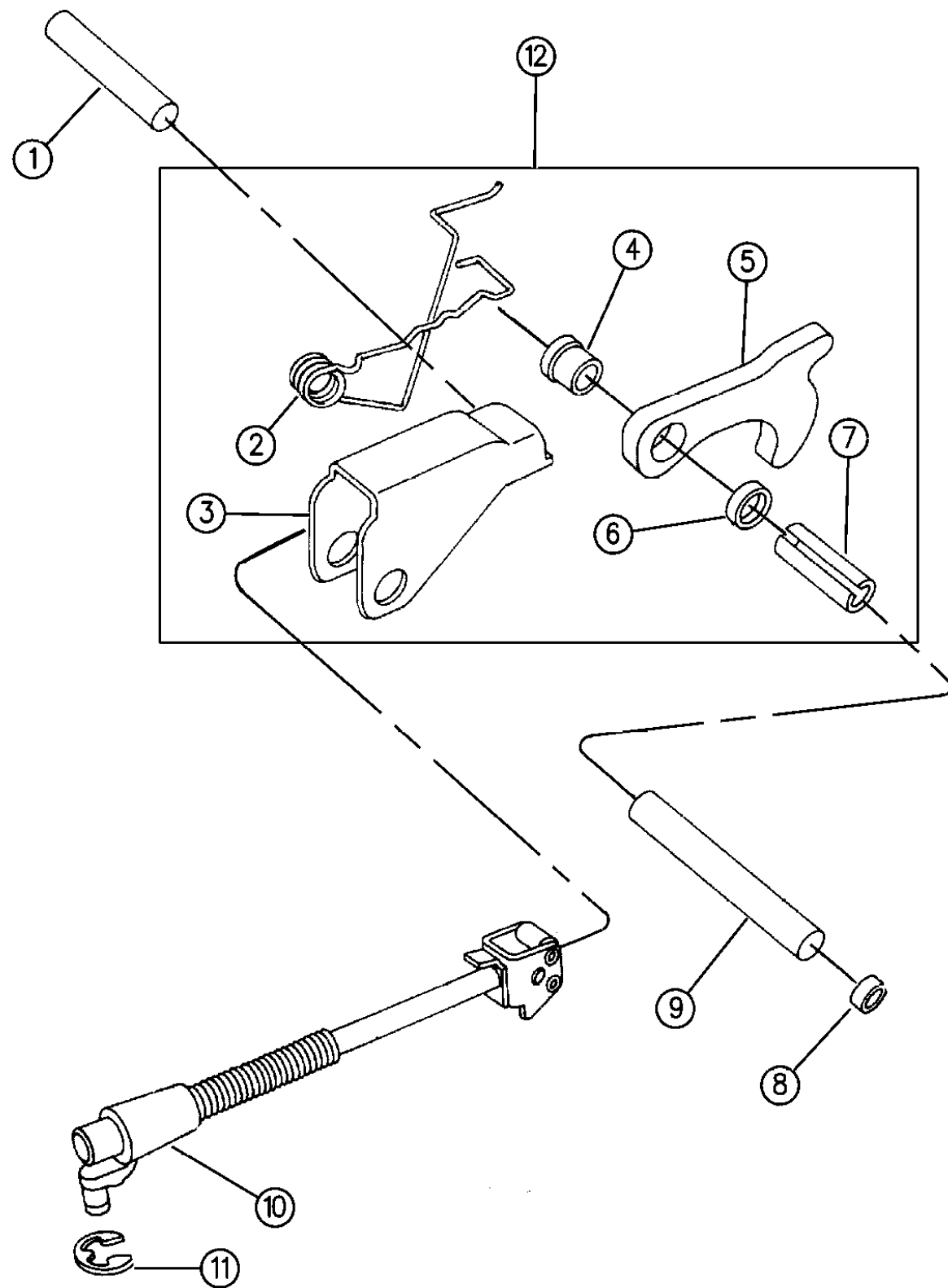
BODY STYLES:

41 = 4 - Door Sedan ENGINE: 3.3L (EGB)
3.5L (EGE) 24 Valve

AR = Use as Required - = Non Illustrated Part P.A.R. = Paint as Required

PARKING SPRAG AUTOMATIC TRANSAXLE, 4 SPEED 42LE LH BODY
Figure 21A-730

21A-730



ITEM	PART NUMBER	QTY	BODY	MODEL	DESCRIPTION
1		1			SHAFT, Parking Sprag Anchor (9.5x52), (Serviced w/Case)
2	4431 653	1			SPRING, Park Sprag Pawl Return
3		1			BRACKET, Park Sprag, Guide (Serviced in 4740234 Assy.)
4		1			SPACER, Park Sprag Pawl (Serviced in 4740234 Assy.)
5		1			PAWL, Park Sprag (Serviced in 4740234 Assy.)
6		1			SPACER, Park Sprag Pawl (Serviced in 4740234 Assy.)
7		1			SLEEVE, Park Sprag Pawl (Serviced in 4740234 Assy.)
8	4446 612	1			CUP, Park Sprag Shaft
9		1			SHAFT, Park Sprag (8.68x67), (Serviced w/Case)
	6100 255	1			SCREW, w/Washer, Park Sprag Shaft Retaining, M5x0.8x12mm
10	4431 634	1			ROD ASSEMBLY, Trans. Parking Sprag
11	6035 256	1			E-RING, Parking Sprag Rod Retainer
12	4740 234	1			BRACKET ASSEMBLY, Trans. Parking Sprag Pawl Guide

93451 730

MODEL CODES:

Chrysler = (CH41 = New Yorker, CP41 = LHS, DH41 = Intrepid(Canada), DP41 = Intrepid ES(Canada), LP41 = Concorde)
DODGE = (DH41 = Intrepid(USA), DP41 = Intrepid ES(USA))
EAGLE = (XP41 = Vision ESI, XS41 = Vision TSI)

BODY STYLES:

41 = 4 - Door Sedan ENGINE: 3.3L (EGB)
3.5L (EGE) 24 Valve

AR = Use as Required - = Non Illustrated Part P.A.R. = Paint as Required

CONTROLS, GEARSHIFT, FLOOR AND COLUMN SHIFT AUTOMATIC TRANSAXLE, 4 SPEED 42LE LH BODY

Figure 21A-1210

21A-1210

ITEM	PART NUMBER	QTY	BODY	MODEL	DESCRIPTION
1	4593 700	1			SHIFTER ASSEMBLY, Console Floor Shifter, 1993-94 ***
	4593 066	1			Except 4773480 Trans., w/o Autostick, 1995
	4593 066	1			w/o Autostick, 1996
	4593 770	1			Use w/4773480 Trans., w/Autostick, 1995
	4593 770	1			w/Autostick, 1996
2	4593 751	1			KNOB, w/Button, G/Shift Lever, Leather (w/o Autostick)
	4593 219	1			Leather (w/Autostick)
	4593 750	1			G/Shift Lever, Vinyl
3	6501 375	1			SET SCREW, G/Shift Knob, M5x0.8x10, 1993
	6503 406	1			1994-95
	6503 894	1			M5x0.8x9.20, 1995-96
4	6501 483	4			NUT, G/Shift Mtg., M8x1.25, 1993
	6502 756	4			1994-96
5	4593 766	1			ROD, Shifter Push
6	4593 732	1			BRACKET, Shifter & Console Attaching
7	4593 781	1			CABLE, G/Shift Control, Console Shift, 1993-94
	4593 743	1			1995
	4765 007	1			1996
8	4295 369	1			CLIP, G/Shift Control Cable, M27x31.75 Lg.
9	4593 779	1			GROMMET, G/Shift Cable
10					STUDS, Shifter Mounting (Reference) ***
11					COLUMN, Steering (Reference) ***
12	4593 800	1			CABLE, w/Inner Cassette Switch, Ignition Interlock, 1993-95
	4593 226	1			1996
-	4600 184	1			SHIELD ASSEMBLY, Interlock Shift Cable ***
13	6503 078	1			CLIP, G/Shift Cable, Column Shift, M25.20x16.50 Lg.
14	4593 782	1			CABLE, G/Shift Control, Column, 1993-94
	4593 744	1			1995
	4765 008	1			1996

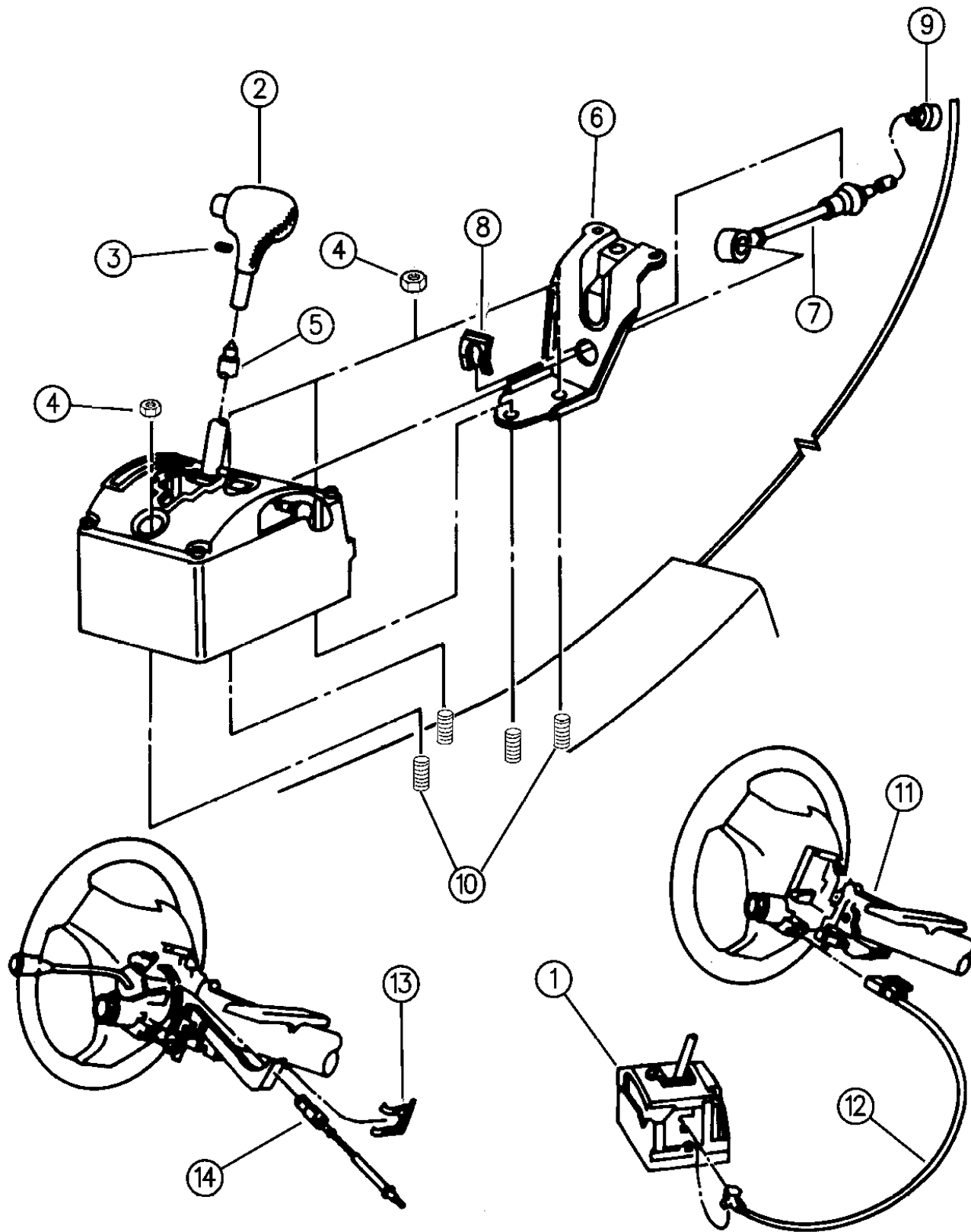
MODEL CODES:

Chrysler = (CH41 = New Yorker, CP41 = LHS, DH41 = Intrepid(Canada), DP41 = Intrepid ES(Canada), LP41 = Concorde)
 DODGE = (DH41 = Intrepid(USA), DP41 = Intrepid ES(USA))
 EAGLE = (XP41 = Vision ESI, XS41 = Vision TSI)

BODY STYLES:

41 = 4 - Door Sedan ENGINE: 3.3L (EGB)
 3.5L (EGE) 24 Valve

AR = Use as Required - = Non Illustrated Part P.A.R. = Paint as Required



93451 1210

GROUP-22

WHEELS, COVERS & JACKS

GROUP 22 - WHEELS-COVERS & JACKS

ILLUSTRATION TITLE

GROUP-FIG. NO.

WHEELS

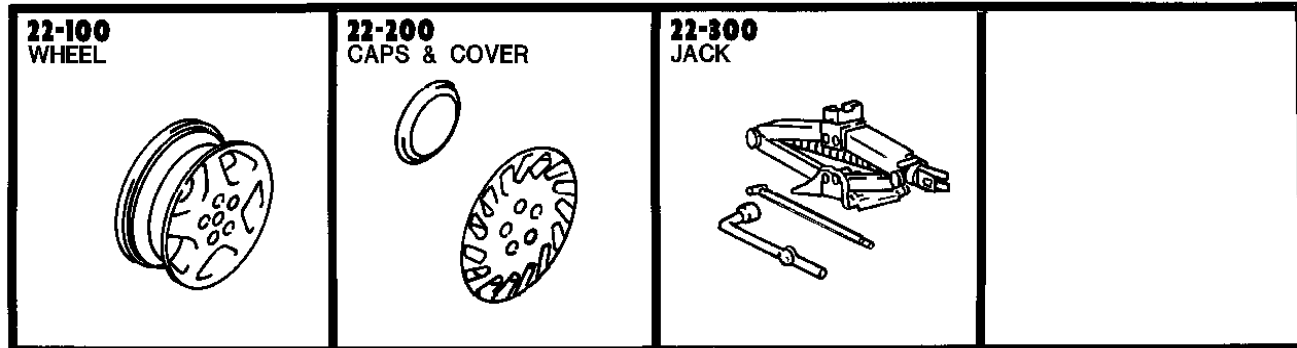
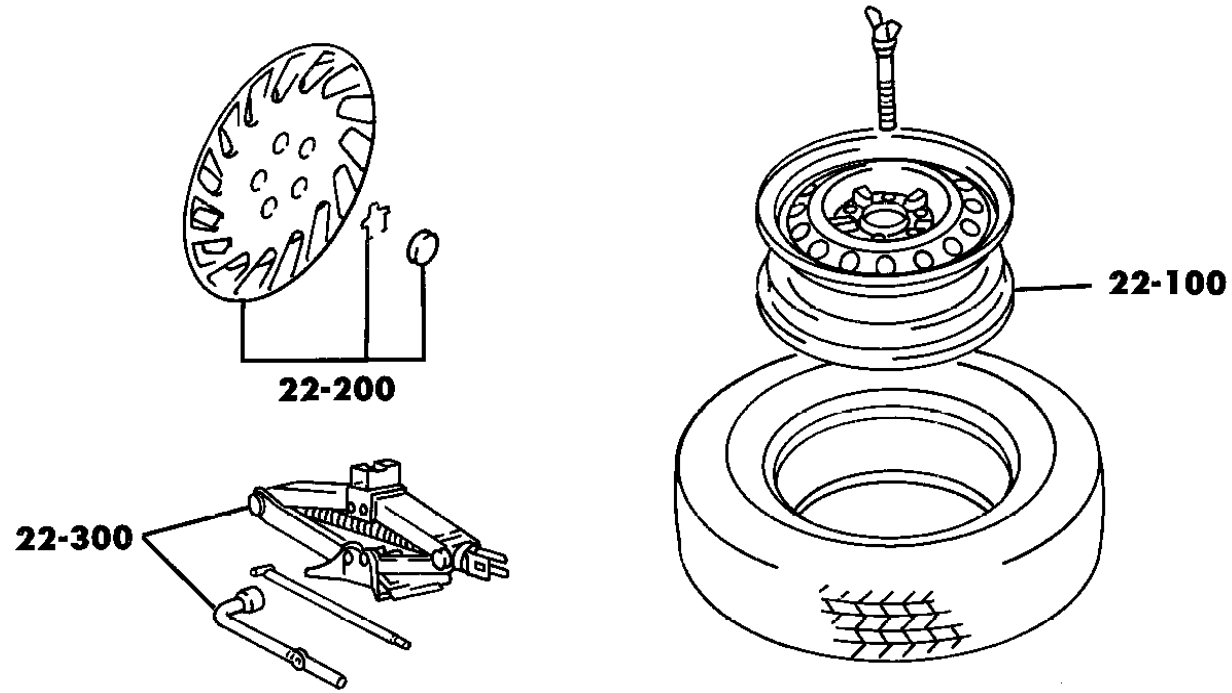
WHEELS, CAPS AND NUTS LH BODY Fig. 22-110

CAPS & COVERS

COVERS, WHEEL LH BODY Fig. 22-210

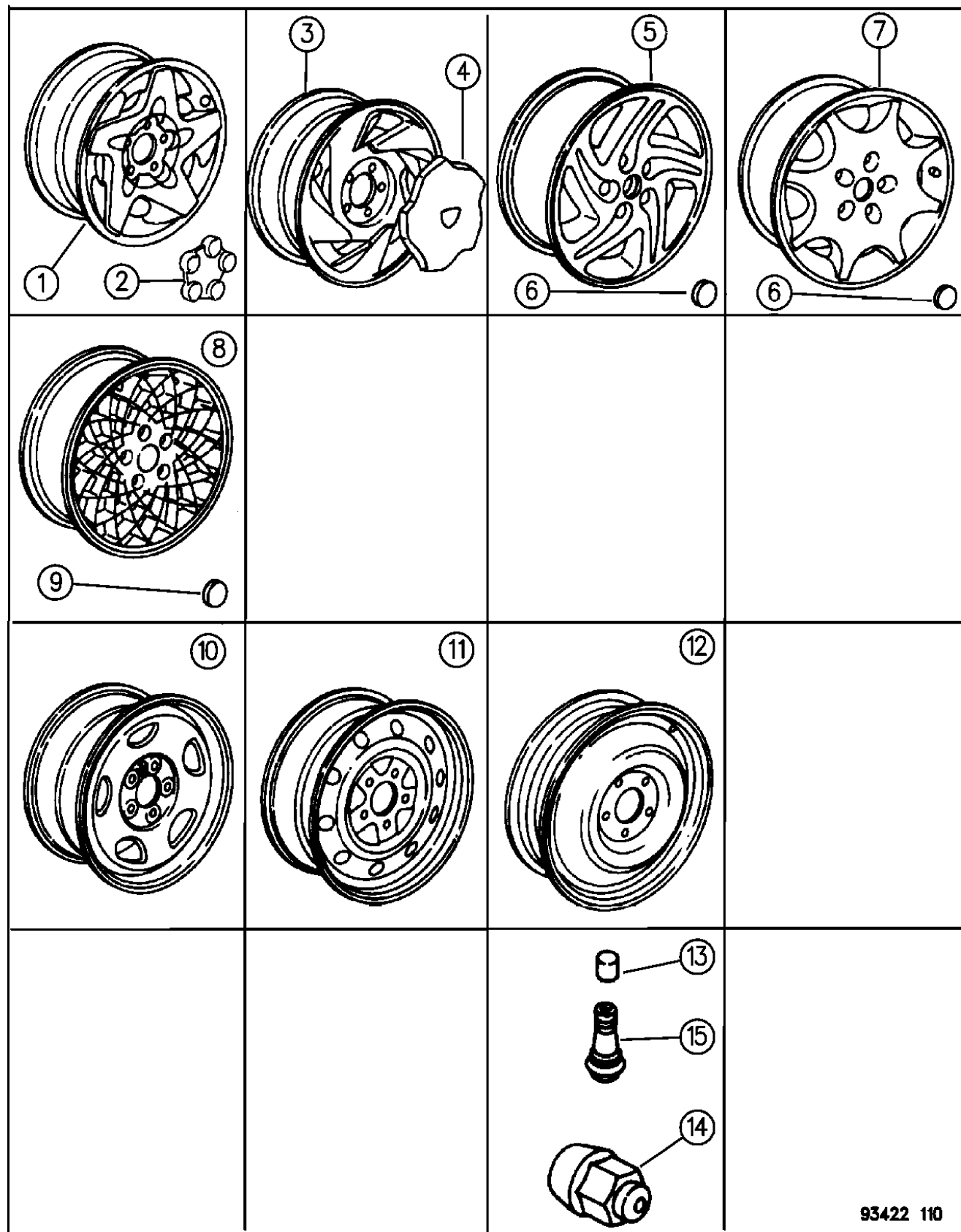
JACK

JACK AND SPARE TIRE STOWAGE LH BODY Fig. 22-310



WHEELS, CAPS AND NUTS LH BODY
Figure 22-110

22-110



93422 110

ITEM	PART NUMBER	QTY	BODY	MODEL	DESCRIPTION
1	4582 681	4		D	WHEEL, 16x7 Polycast, Bright Silver Quartz/Med Quartz, Polystar (WNC)
	4755 124	4			16 x 7 Polycast (WN9) Spring Special
2	4582 716	4		D	CAP, Center, Satin Black (WNC)
	4695 545	4		D	Radiant Silver (WNC)
	4755 128	4			CAP, Wheel, Polycast (WN9) Spring Special
3	4883 041	4		X	WHEEL, 16x7 Polycast, Bright Silver Quartz/Satin Black, Pacifica (WNJ), up to 8-11-93
	4883 328	4		X	after 8-11-93
	4755 125	1			1996
4	4883 044	4		X	CAP, Center, Bright Silver Quartz 1993-95
	4755 127	4			1996
5	ES08 MD1	4			WHEEL, 16x7 Aluminum (WND) Light Quartz
	ES08 MY2	4			Gold Metallic
6	4472 115	4			CAP, Center, Platinum Silver (WND - WNK 1993-95) (WND 1996)
7				X	WHEEL, 16x7 Aluminum (WNK)
	ES09 MD1	4			(WNK) 1993-95 (Light Quartz/Platinum)
	PD62 SAV	4		X	(WNK) Chrome 1996
	4755 049	4			CAP, Center (WNK) 1996
8					WHEEL, 16x7 Aluminum, Spiralcast, 4-1/2" B.C.
	JG99 MA8	4		C-H,L	Dark Charcoal (WNL)
	JG99 MA8	4			Dark Charcoal (WNL) EUROPE
	JG99 MAJ	4		C-P,L	Sparkle Silver (WNL)
	PD55 SAK	1		C-P,L	Light Silver (WN7) 1996
	PD55 SYM	1		C-P,L	Sparkle Gold (WN7) 1996
9	4695 688	4		C,L	CAP, Center Used With (WNL, WN7) Wheel
10	4582 184	4			WHEEL, 16x7 Steel, Conventional, Black 1993-96 (WDK)
	4582 184	4			WHEEL, 16x7 Steel, Spare, Black 1993-96 (WDK)
	4755 053	4			WHEEL, 16x7 Steel, Conventional, Black (WND,WNK,WN7,WDH)
11	4582 177	4			WHEEL, 15x6 Steel, Conventional, Black, 4-5/16" B.C.
	4582 177	1			WHEEL, 15x6 Steel, Conventional Spare, Black, 4-5/16" B.C.
12	4582 176	1			WHEEL, 15x4T Steel, Compact Spare, Black
13		AR			CAP, Valve Stem (Not Serviced)
14					NUT, Wheel Mounting Stud Lug
	6504 266	AR			Standard, M12x1.5, w/Steel Wheels
	6500 526	AR			Standard, M12x1.5, w/Polycast Wheels
	6502 738	AR			M12x1.5, w/Aluminum Wheels
15	2073 355	AR			STEM, Valve 1-1/4" Lg. (Rubber Stem)

MODEL CODES:

Chrysler = (CH41 = New Yorker, CP41 = LHS, DH41 = Intrepid(Canada), DP41 = Intrepid ES(Canada), LP41 = Concorde)
DODGE = (DH41 = Intrepid(USA), DP41 = Intrepid ES(USA))
EAGLE = (XP41 = Vision ESI, XS41 = Vision TSI)

BODY STYLES:

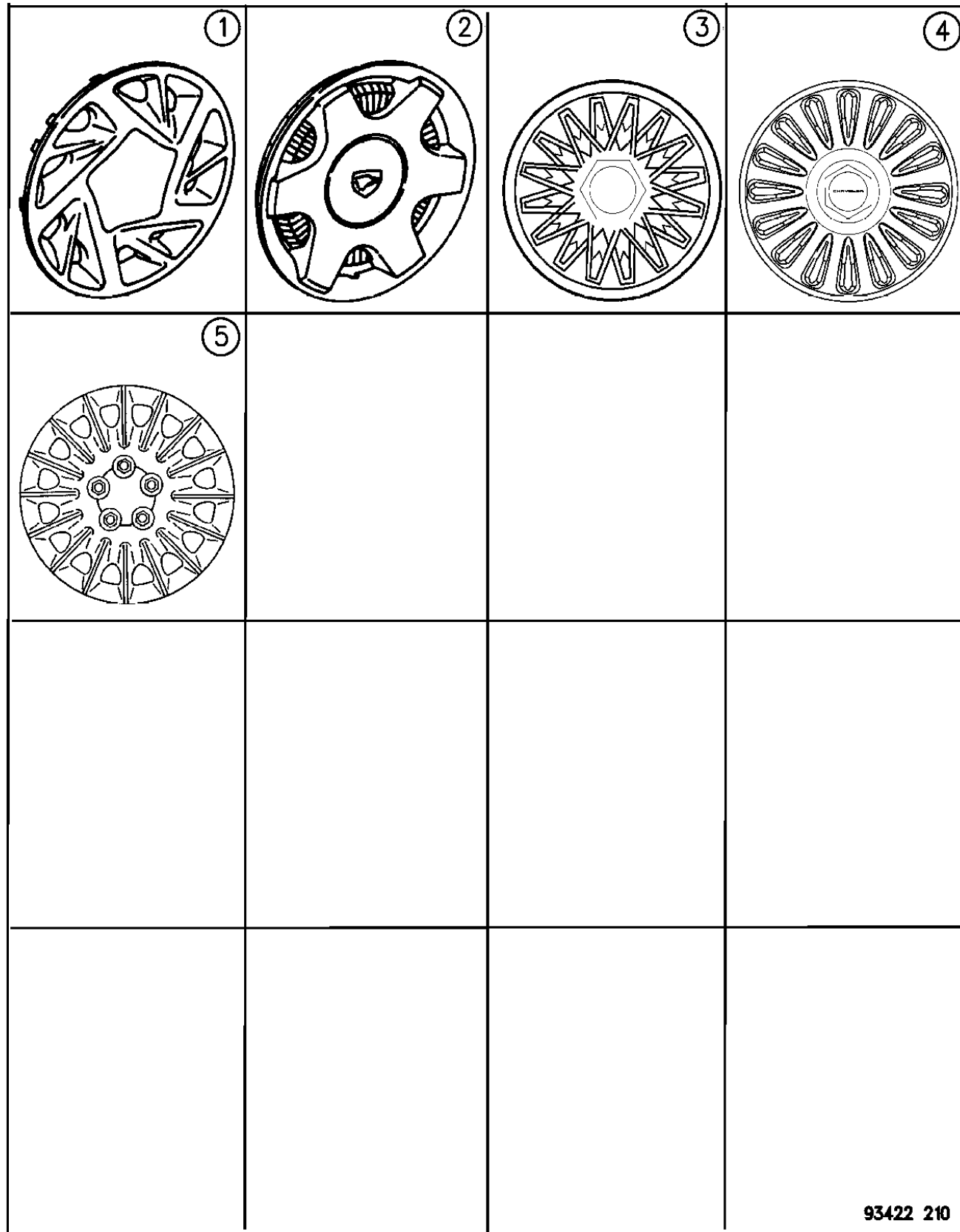
41 = 4 - Door Sedan ENGINE: 3.3L (EGB)
3.5L (EGE) 24 Valve

AR = Use as Required - = Non Illustrated Part P.A.R. = Paint as Required

COVERS, WHEEL LH BODY

Figure 22-210

22-210B



93422 210

ITEM	PART NUMBER	QTY	BODY	MODEL	DESCRIPTION
1	4582 190	4		D	COVER, Full Wheel 15", Bright Silver Quartz, Flying V (W5K) 1993-95
	4755 093	4		D-H	COVER, Wheel "Carrousel" 16" (W6S) 1996
	4755 118	4			COVER, Wheel " 16" (W6L) 1996
	4755 123	4			(W68) "Vanguard", White 1997 (Bolt On) ***
	4755 117	4			(W62) "Vanguard F/W", White 1997 (Bolt On) ***
	4755 122	4			(W61) "Fortress", White 1997 (Bolt On) ***
	4755 045	4			(W6D) "Fortress", 1996 (Bolt On) ***
	6504 672	20			NUT, Wheel, Bolt-On Wheel Covers
	6500 526	20			NUT, Wheel Mounting Stud
2	4582 647	4		X	COVER, Full Wheel 15", Bright Silver Quartz/Satin Black, Six Spoke (W5B) 1995
	4695 473	4		X	
3	4616 242	4		C,L	COVER, Full Wheel 15", (W5C), (Chrysler Printed in Center)
4	4695 564	4		C,L	COVER, Full Wheel 16", (W6B), (Chrysler Printed in Center)
5	4695 564	4		L	COVER, Full Wheel 16", Vanguard (W6C)

MODEL CODES:

Chrysler = (CH41 = New Yorker, CP41 = LHS, DH41 = Intrepid(Canada), DP41 = Intrepid ES(Canada), LP41 = Concorde)
 DODGE = (DH41 = Intrepid(USA), DP41 = Intrepid ES(USA))
 EAGLE = (XP41 = Vision ESI, XS41 = Vision TSI)

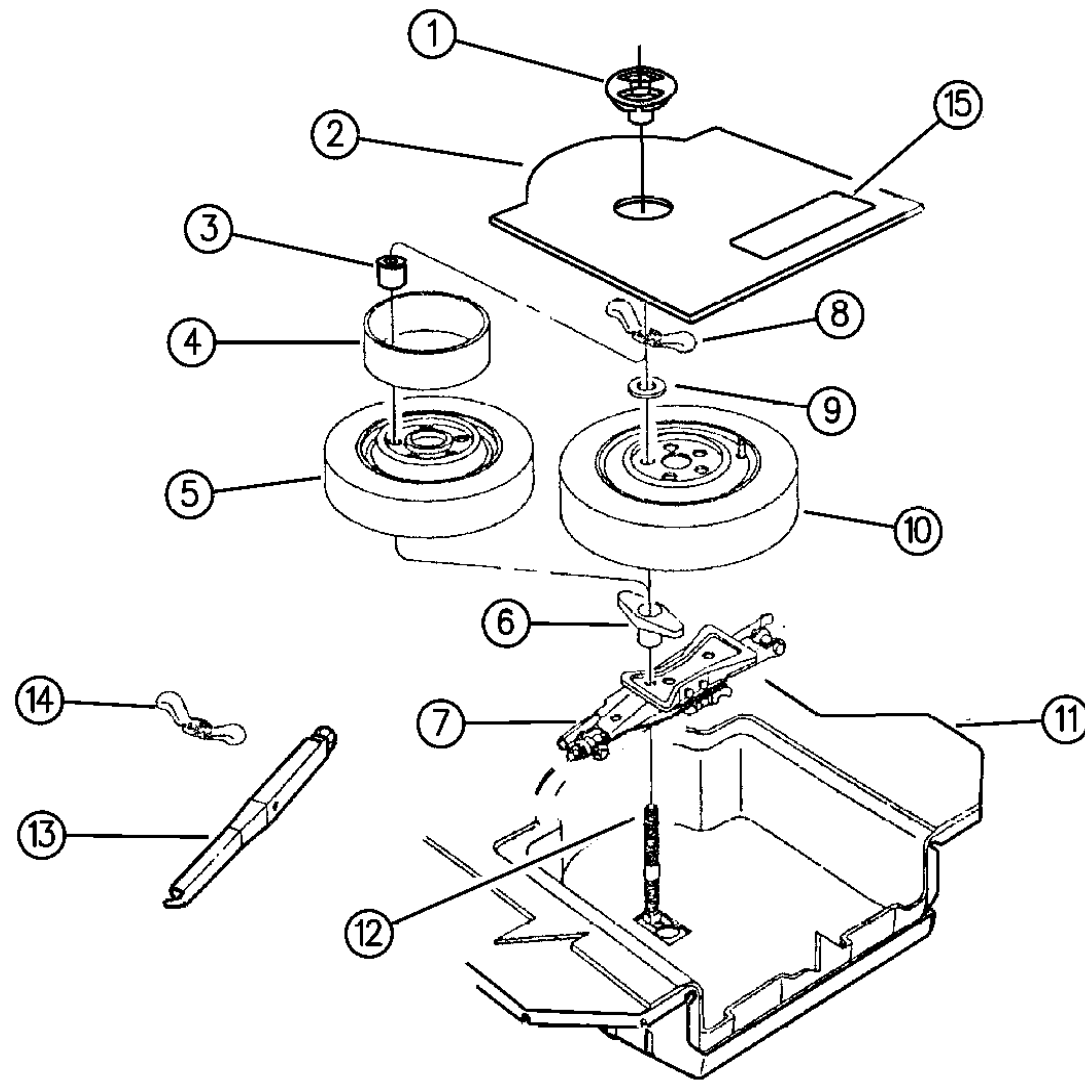
BODY STYLES:

41 = 4 - Door Sedan ENGINE: 3.3L (EGB)
 3.5L (EGE) 24 Valve

AR = Use as Required - = Non Illustrated Part P.A.R. = Paint as Required

JACK AND SPARE TIRE STORAGE LH BODY
Figure 22-310

22-310



ITEM	PART NUMBER	QTY	BODY	MODEL	DESCRIPTION
1	4475 373	1			PLATE, Spare Tire Cover Hold Down
2	4583 237	1	D,L,X		COVER, Spare tire
	4646 300	1	C		1993
	4756 440	1	C		1994-97
	4756 445	1	D,L,X		COVER, Spare Tire w/Label
3	4337 984	1			SPACER, Use w/Compact Spare Only
	4756 889	1			1996-97
4	4624 775	1			SUPPORT, Use w/Compact Spare Only
5					SPARE, Compact (Reference) ***
6	4512 493	1			WING NUT, Jack Hold Down
7	4582 588	1			JACK, Sissor w/Lug Wrench
8	6033 720	1			WING NUT, Tire Hold Down, 5/16-18
9					WASHER, w/Full Size Spare (Not Serviced)
10					SPARE, Full Size (Reference) ***
11					PAN, Rear Floor (Reference) ***
12	6032 521	1			BOLT, Spare Tire Hold Down, 5/16-18x10"
13	5200 3583	1			WRENCH, Wheel Lug Nut
14	6034 228	1			WING NUT, Lug Wrench to Jack Mtg., 3/8-24
15					LABEL, Jack and Spare Tire Instructions
	4582 860	1			1993-95
	4755 036	1			1996-97
					LABEL, Tire Pressure
	4582 296	1			30 PSI, English
	4695 410	1			32 PSI, English
	4582 297	1			35 PSI, English
	4695 411	1			32 PSI, French
	4582 930	1			35 PSI, French
	4695 608	1			EXPORT
-	4284 105	1			DECAL, Compact Spare

93422 310

MODEL CODES:

Chrysler = (CH41 = New Yorker, CP41 = LHS, DH41 = Intrepid(Canada), DP41 = Intrepid ES(Canada), LP41 = Concorde)
DODGE = (DH41 = Intrepid(USA), DP41 = Intrepid ES(USA))
EAGLE = (XP41 = Vision ESI, XS41 = Vision TSI)

BODY STYLES:

41 = 4 - Door Sedan ENGINE: 3.3L (EGB)
3.5L (EGE) 24 Valve

AR = Use as Required - = Non Illustrated Part P.A.R. = Paint as Required

GROUP-23 EXTERIOR MOULDINGS AND ORNAMENTATION

GROUP 23 - BODY - EXTERIOR ORNAMENTATION

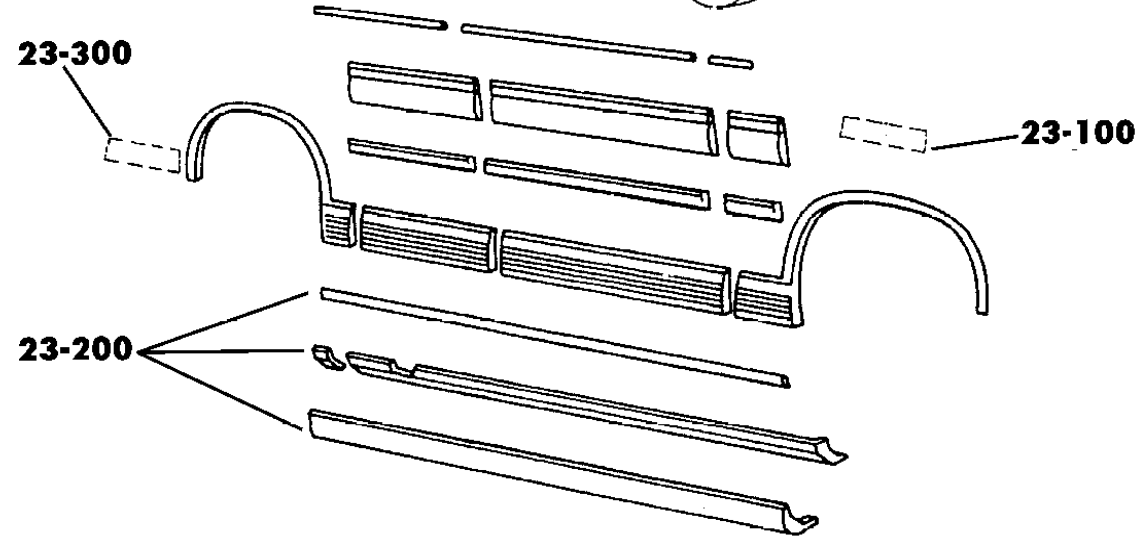
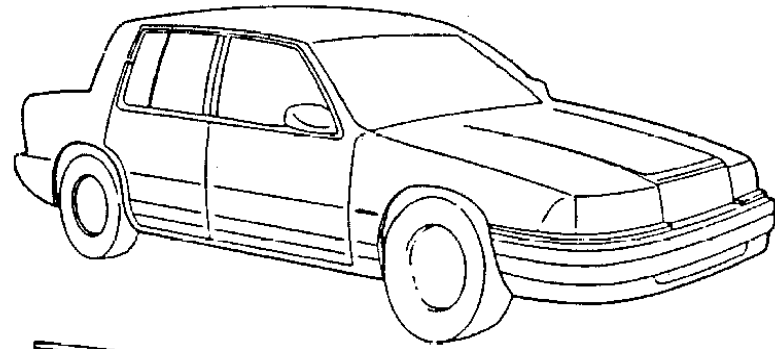


ILLUSTRATION TITLE

GROUP-FIG. NO.

NAMEPLATES

NAMEPLATES LH BODY Fig. 23-110

MOULDINGS CLADDING AND BRACKETS

MOULDINGS AND CLADDING LH, NEW YORKER AND LHS Fig. 23-205

MOULDINGS AND CLADDING LH, CONCORDE Fig. 23-210

MOULDINGS AND CLADDING LH, INTREPID Fig. 23-220

MOULDINGS AND CLADDING LH, VISION Fig. 23-230

BRACKETS, CLADDING ATTACHING CONCORD AND LHS Fig. 23-240

BRACKETS, CLADDING ATTACHING INTREPID AND VISION Fig. 23-250

TAPES

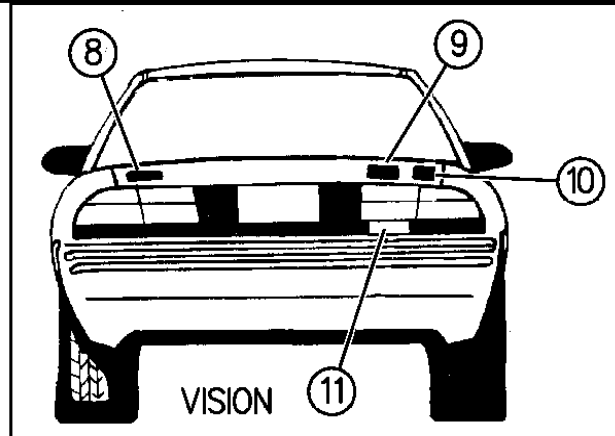
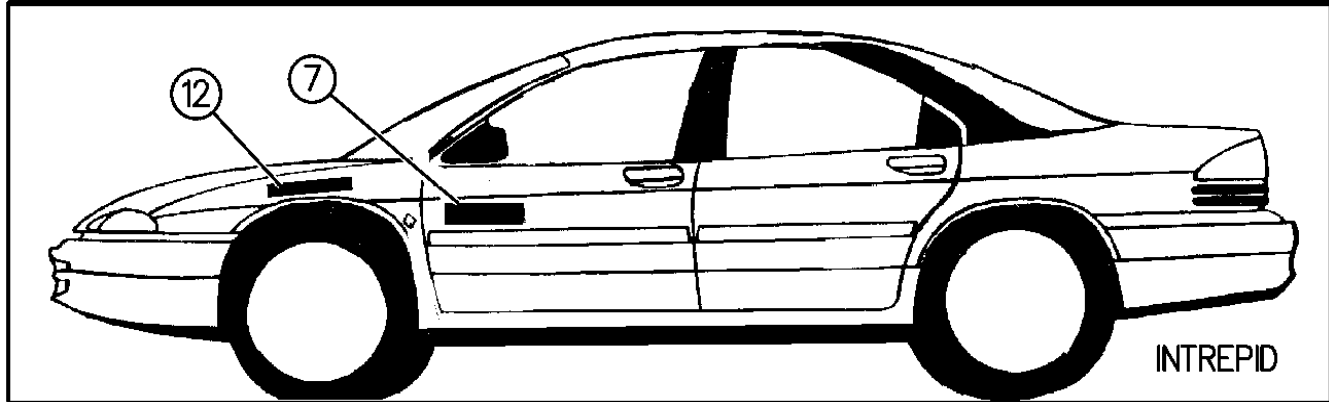
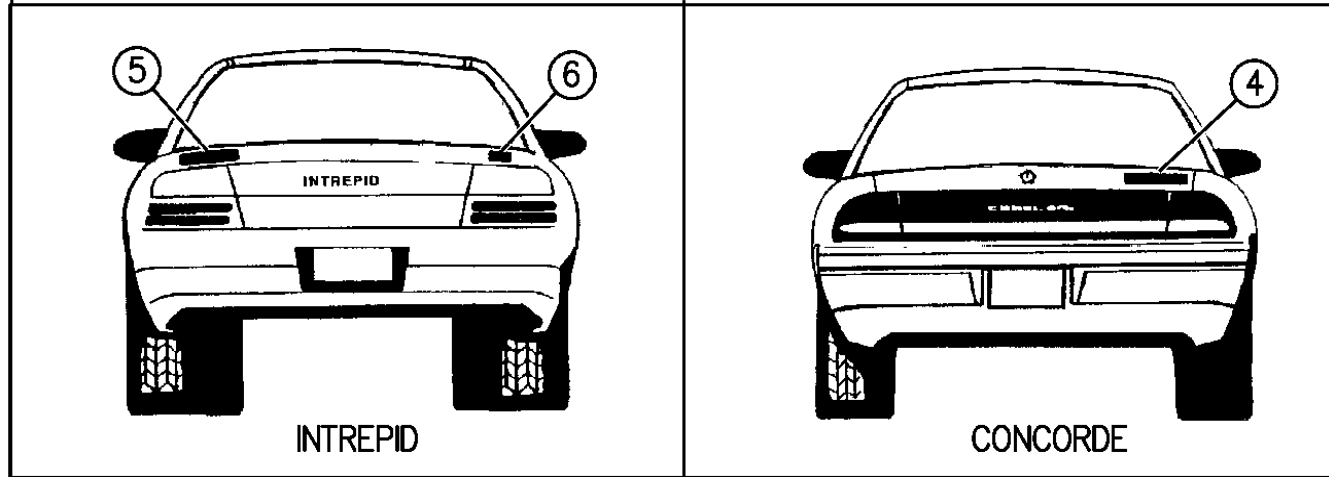
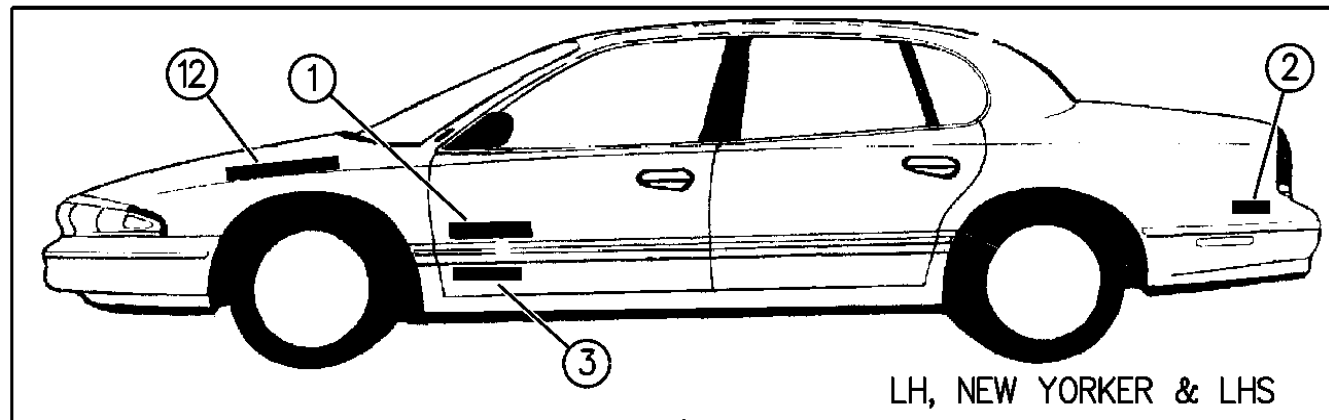
TAPES LH Fig. 23-310

<p>23-100 NAMEPLATES</p>	<p>23-200 MOULDINGS & ORNAMENTATIONS</p>	<p>23-300 TAPES & DECALS</p>	
-------------------------------------	---	---	--

NAMEPLATES LH BODY

Figure 23-110

23-110A



93423 110

ITEM	PART NUMBER	QTY	BODY	MODEL	DESCRIPTION
1					NAMEPLATE, Door
	4630 336	2			"CHRYSLER", Bright
	4805 003	2			"CHRYSLER", Gold 1996
	QH53 SA1	2	D		"DODGE", "Spring Special" 1996
2	4630 501	1			NAMEPLATE, Qtr. Panel "LHS"
3	4630 336	2			NAMEPLATE, Door
4					NAMEPLATE, Deck Lid
	4630 335	1			"CONCORD", Bright
	4805 002	1			"CONCORD" Gold 1996
	4769 144	1			"LX" Bright 1996
	4769 145	1			"LXI" Gold 1996
5					NAMEPLATE, Deck Lid, Left
					"DODGE" Logo, USA
	GL93 SA1	1			Light Quartz 1996
	GL93 MD4	1			Medium Quartz
	GL93 MX9	1			Flat Black
					"CHRYSLER", CANADA
	GM69 SA1	1			Light Quartz 1996
	GM69 MD4	1			Medium Quartz
	GM69 MX9	1			Flat Black
	4630 551	1			"CHRYSLER" EUROPE
	4630 688	1			Pentastar EUROPE
6					NAMEPLATE, DeckLid, Right "ES"
	GM68 SA1	1	D-P		Light Quartz 1996
	GM68 MD4	1	D-P		Medium Quartz
	GM68 MX9	1	D-P		Black
7	4630 342	2			NAMEPLATE, Door "3.5L 24 VALVE"
8	4601 300	1			NAMEPLATE, Deck Lid, Left "EAGLE" w/Eagle Logo
9	4630 328	1			NAMEPLATE, Deck Lid, Right "VISION"
10					NAMEPLATE, Deck Lid, Right
	4630 330	1			"ESI"
	4630 329	1			"TSI"
11	4630 342	1			NAMEPLATE, Engine Badge, "3.5L 24 VALVE"
12	HJ92 MGY	2			DECAL, "Flexible Fuel Vehicle", Front Fender
	4696 351	1			LABEL, "Flex Fuel" CANADA
-	4756 569	1			EMBLEM, Hood, "CHRYSLER" CANADA

MODEL CODES:

Chrysler = (CH41 = New Yorker, CP41 = LHS, DH41 = Intrepid(Canada), DP41 = Intrepid ES(Canada), LP41 = Concorde)
 DODGE = (DH41 = Intrepid(USA), DP41 = Intrepid ES(USA))
 EAGLE = (XP41 = Vision ESI, XS41 = Vision TSI)

BODY STYLES:

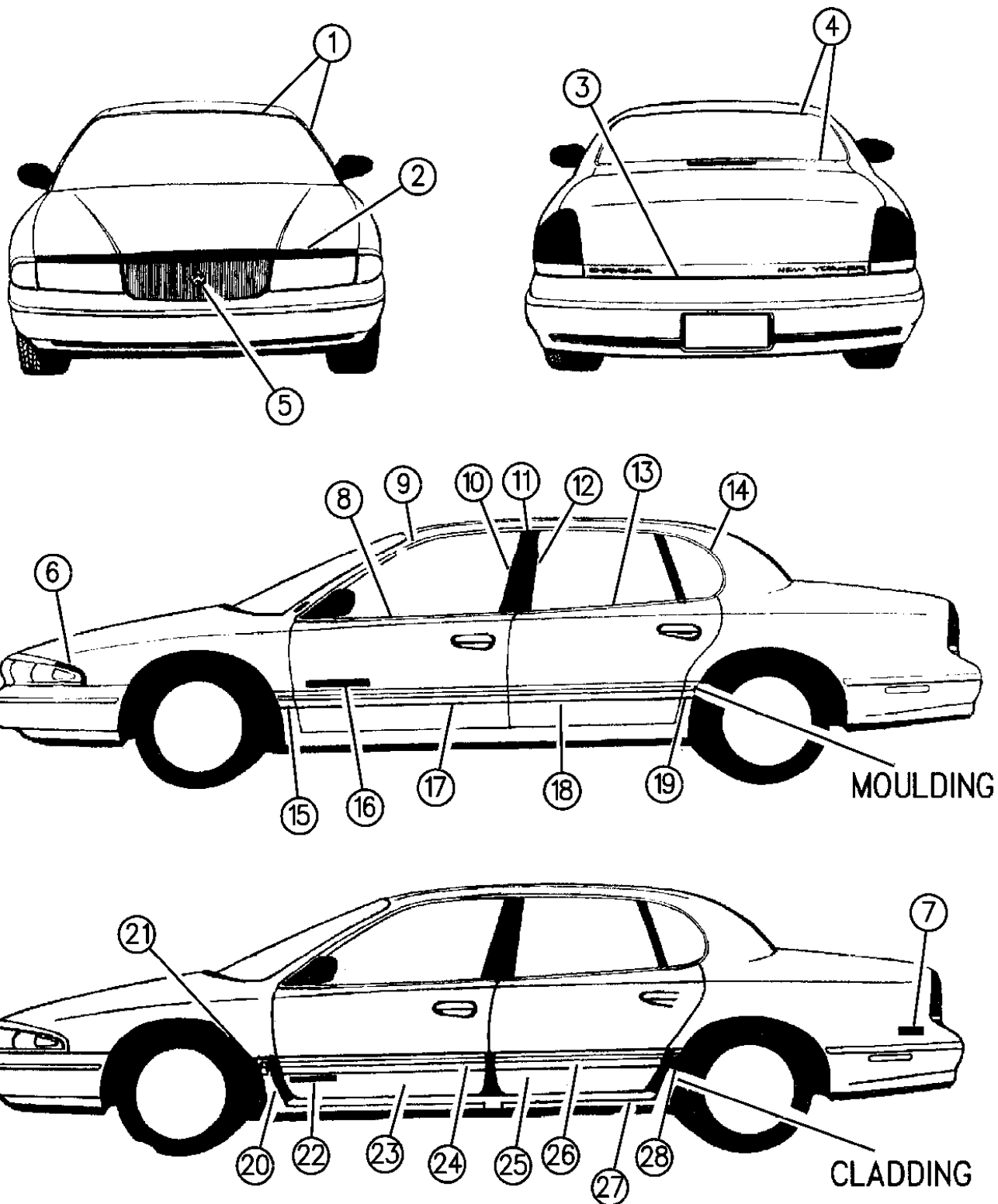
41 = 4 - Door Sedan ENGINE: 3.3L (EGB)
 3.5L (EGE) 24 Valve

AR = Use as Required - = Non Illustrated Part P.A.R. = Paint as Required

MOULDINGS AND CLADDING LH, NEW YORKER AND LHS

Figure 23-205

23-205A



ITEM	PART NUMBER	QTY	BODY	MODEL	DESCRIPTION
1		1			MOULDING, Windshield
	4601 182				1993
	4630 675				1994-96
2					MOULDING, Hood Front Edge (includes tape)
	4630 499	1	C		Bright
	HR97 MM9	1	C		Black Cherry
	HR97 RMB	1	C		Wildberry
	HR97 LRF	1	C		Radiant Red
	HR97 MRF	1	C		Radiant Red Metallic
	HR97 MFA	1	C		Light Driftwood
	HR97 MP5	1	C		Teal
	HR97 RPE	1	C		Spruce
	HR97 MBF	1	C		Medium Water Blue
	HR97 MX8	1	C		Black
	HR97 MJ8	1	C		Char-Gold
	HR97 SYK	1	C		Drama Gold 1996
	HR97 RHC	1	C		Candy Apple Red 1996
	HR97 MW7	1	C		Bright White
	HR97 SW1	1	C		White 1996
	HR97 MGF	1	C		Emerald Green
	HR97 MS4	1	C		Warm Silver (Platinum)
	HR97 TCU	1	C		Black (CU)
	6034 954	8			NUT, Hood Moulding
3					APPLIQUE, Deck Lid, Lower
	4584 274	1	C-H		
	4630 479	1	C-P		
	6502 589	AR			NUT, Applique Attaching
4					MOULDING, Backlite
					Up to 11-3-93
	FB16 MMX	1			WildBerry/Black (PM9)
	FB16 MRX	1			Radiant Red Metallic/Black (PRF)
	FB16 MFX	1			Light Driftwood/Black (PFA)
	FB16 MPX	1			Teal/Black (PP5)
	FB16 MBX	1			Blue/Black (PBF)
	FB16 MXX	1			Black/Black (PX8)
	FB16 MJX	1			Char-Gold/Black (PJ8)
	FB16 MWX	1			Bright White/Black (PW7)
	FB16 MGX	1			Emerald Green/Black (PGF)
	FB16 PSX	1			Gray & Black (PS4)
					After 11-3-93
	KS07 RBX	1			Blue/Black (PBF,PB3)
	KS07 PFX	1			Light Driftwood/Black (PFA)

MODEL CODES:

Chrysler = (CH41 = New Yorker, CP41 = LHS, DH41 = Intrepid(Canada), DP41 = Intrepid ES(Canada), LP41 = Concorde)
 DODGE = (DH41 = Intrepid(USA), DP41 = Intrepid ES(USA))
 EAGLE = (XP41 = Vision ESI, XS41 = Vision TSI)

BODY STYLES:

41 = 4 - Door Sedan ENGINE: 3.3L (EGB)
 3.5L (EGE) 24 Valve

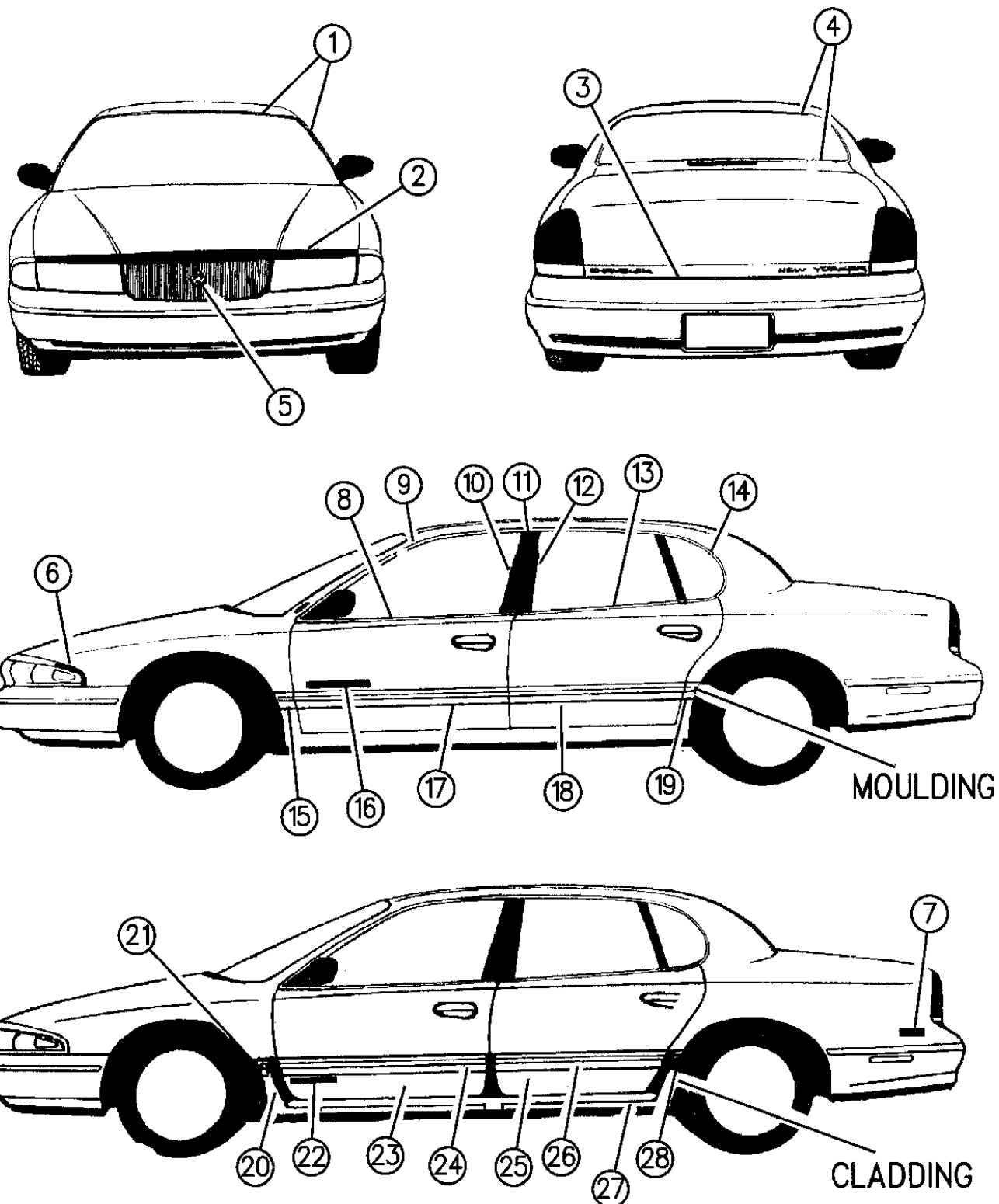
93468 205A

AR = Use as Required - = Non Illustrated Part P.A.R. = Paint as Required

MOULDINGS AND CLADDING LH, NEW YORKER AND LHS

Figure 23-205

23-205A



ITEM	PART NUMBER	QTY	BODY	MODEL	DESCRIPTION
	KS07 RFX	1			Wild Orchid/Black (PFX)
	KS07 PGX	1			Emerald Green/Black (PGF)
	KS07 PJX	1			Gold/Black (PJ8) 1994-95
	KS07 SYX	1			Gold/Black (PYK) 1996
	KS07 RMX	1			WildBerry/Black (PM9,PMB,MH)
	KS07 PPX	1			Teal/Black (PP5) 1994-95
	KS07 RPX	1			Teal/Black (PPE) 1995-96
	KS07 PRX	1			Red/Black (PRF) 1994
	KS07 RHX	1			Candy Apple Red/Black (PHC) 1995
	KS07 SHX	1			Candy Apple Red/Black (PHC) 1996
	KS07 PSX	1			Silver/Black (PS4)
	KS07 PWX	1			Bright White/Black (PW7) 1994-95
	KS07 SWX	1			Bright White/Black (PW1) 1996
	KS07 S4X	1			Opal/Black (PW4) 1996
	KS07 PXX	1			Black/Flat Black (PX8)
5					EMBLEM, Grille
	5261 331	1			1993-94
	4769 260	1			1995-96
6					MOULDING ASSEMBLY, Fender Front, w/Clips
	4630 338-9	1		C-H	Bright 1993-95 (Plastic Fender)
	4756 584-5	1		C-H	Bright 1995-96 (Steel Fender)
	HM66-7 MM9	1		C	Black Cherry 1993-95 (Plastic Fender)
	PP66-7 MM9	1		C	Black Cherry 1995-96 (Steel Fender)
	HM66-7 RMB	1		C	Wildberry 1993-95 (Plastic Fender)
	LG72-3 RMB	1		C	Wildberry 1995-96 (Steel Fender)
	LG72-3 SHC	1		C	Candy Apple Red
	HM66-7 MRF	1		C	Radiant Red Metallic 1993-95 (Plastic)
	LG72-3 RRF	1		C	Radiant Red Metallic 1995-96 (Steel Fender)
	HM66-7 MFA	1		C	Light Driftwood 1993-95 (Plastic Fender)
	PP66-7 MFA	1		C	Light Driftwood 1995-96 (Steel Fender)
	HM66-7 MP5	1		C	Teal 1993-95 (Plastic Fender)
	PP66-7 MP5	1		C	Teal 1995-96 (Steel Fender)
	HM66-7 RPE	1		C	Spruce 1993-95 (Plastic Fender)
	LG72-3 RPE	1		C	Spruce 1995-96 (Steel Fender)
	HM66-7 MBF	1		C	Medium Water Blue 1993-95 (Plastic Fender)
	PP66-7 MBF	1		C	Medium Water Blue 1995-96 (Steel Fender)
	HM66-7 MX8	1		C	Black 1993-95 (Plastic Fender)
	LG72-3 RX8	1		C	Black 1995-96 (Steel Fender)
	HM66-7 MJ8	1		C	Char-Gold 1993-95 (Plastic Fender)
	LG72-3 RJ8	1		C	Char-Gold 1995-96 (Steel Fender)
	LG72-3 SYK	1		C	Drama Gold 1995-96 (Steel Fender)
	HM66-7 MW7	1		C	Bright White 1993-95 (Plastic Fender)

MODEL CODES: _____
 Chrysler = (CH41 = New Yorker, CP41 = LHS, DH41 = Intrepid(Canada), DP41 = Intrepid ES(Canada), LP41 = Concorde)
 DODGE = (DH41 = Intrepid(USA), DP41 = Intrepid ES(USA))
 EAGLE = (XP41 = Vision ESI, XS41 = Vision TSI)

BODY STYLES: _____
 41 = 4 - Door Sedan ENGINE: 3.3L (EGB)
 3.5L (EGE) 24 Valve

93468 205A

AR = Use as Required - = Non Illustrated Part P.A.R. = Paint as Required

MOULDINGS AND CLADDING LH, NEW YORKER AND LHS
Figure 23-205

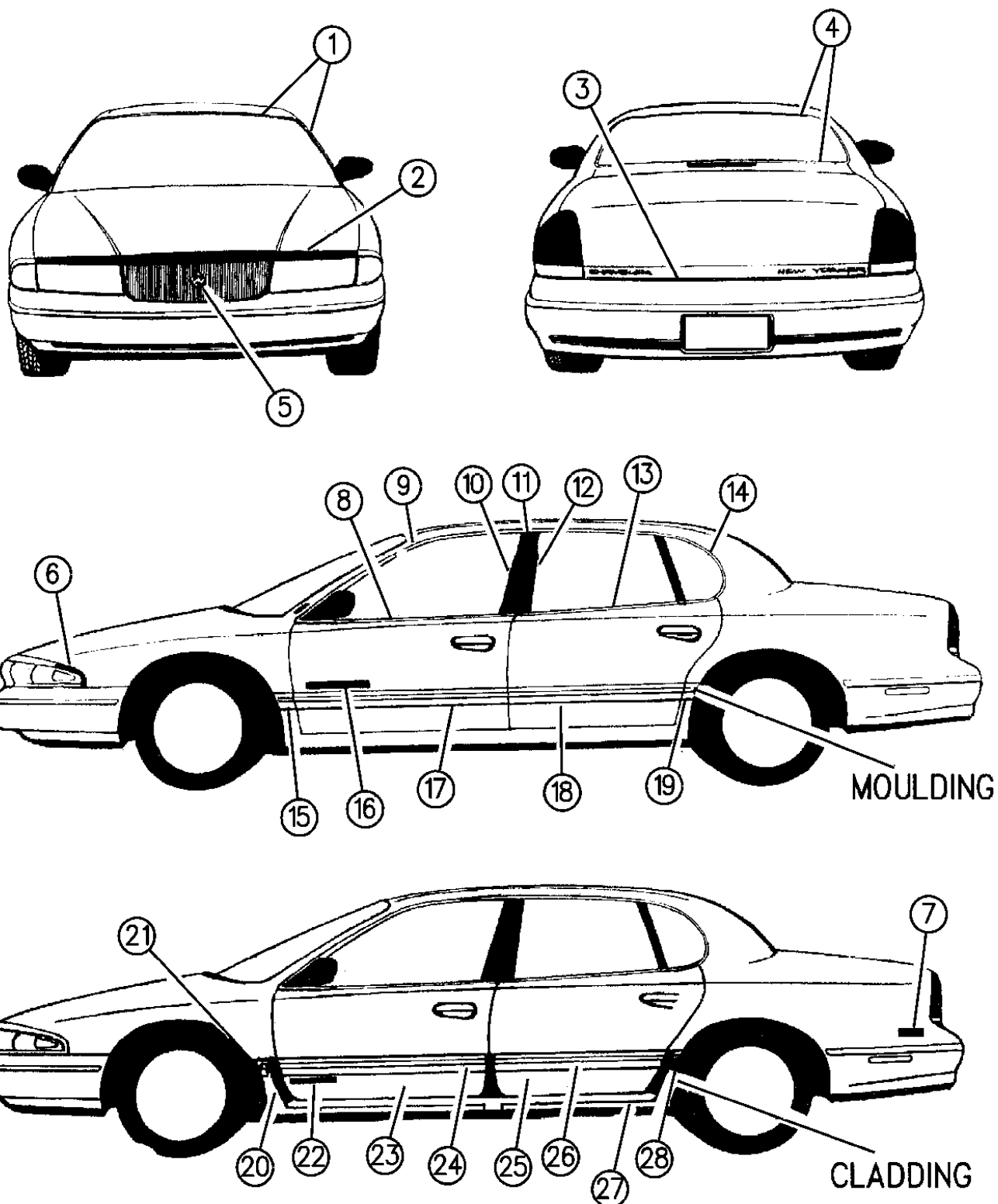
23-205A

ITEM	PART NUMBER	QTY	BODY	MODEL	DESCRIPTION
	LG72-3 SW1	1		C	White 1995-96 (Steel Fender)
	HM66-7 MGF	1		C	Emerald Green 1993-95 (Plastic Fender)
	PP66-7 MGF	1		C	Emerald Green 1995-96 (Steel Fender)
	HM66-7 MS4	1		C	Warm Silver 1993-95 (Plastic Fender)
	LG72-3 RS4	1		C	Warm Silver 1995-96 (Steel Fender)
7	4630 501	2			NAMEPLATE, Quarter Panel "LHS"
8	4630 410-1	1			MOULDING ASSEMBLY, Front Door Belt
	4756 570-1	1			1995-96
9	4630 646-7	1			MOULDING, Roof (1 Piece Moulding)
		16			SCREW (DNS .164-18x.500)
10					APPLIQUE, Front Door (Rear Edge)
	4696 436-7	1			1993-94
	4756 742-3	1			1995
	4769 088-9	1			1996
		6			SCREW (DNS .164-15x.500)
11	4630 280-1	1			TAPE, Center Pillar Blackout
12	4696 438-9	1			APPLIQUE, Rear Door (front edge)
		4			SCREW (DNS .164-15x500)
13	4630 414-5	1			MOULDING ASSEMBLY, Rear Door Belt
	4756 576-7	1			1995-96
		1			SCREW (DNS .164-32x.250)
14					MOULDING ASSEMBLY (Serviced in Item 9) ***
		6			SCREW (DNS .164-15x.500)
15					MOULDING, Fender Rear
	DL40-1 MM9	1			Black Cherry
	DL40-1 MRF	1			Radiant Red Metallic
	DL40-1 MFA	1			Driftwood
	DL40-1 MP5	1			Teal
	DL40-1 MBF	1			Medium Water Blue
	DL40-1 MX8	1			Black
	DL40-1 MJ8	1			Char-Gold
	DL40-1 MW7	1			White
	DL40-1 MGF	1			Green
	DL40-1 PS4	1			Warm Silver
16	4630 336	2			MOULDING, Door, "CHRYSLER"
17			C		MOULDING, Front Door
	EA34-5 MM9	1			Black Cherry
	EA34-5 MRF	1			Radiant Red Metallic
	EA34-5 MFA	1			Driftwood
	EA34-5 MP5	1			Teal
	EA34-5 MBF	1			Medium Water Blue
	EA34-5 MX8	1			Black

MODEL CODES: _____
 Chrysler = (CH41 = New Yorker, CP41 = LHS, DH41 = Intrepid(Canada), DP41 = Intrepid ES(Canada), LP41 = Concorde)
 DODGE = (DH41 = Intrepid(USA), DP41 = Intrepid ES(USA))
 EAGLE = (XP41 = Vision ESI, XS41 = Vision TSI)

BODY STYLES: _____
 41 = 4 - Door Sedan ENGINE: 3.3L (EGB)
 3.5L (EGE) 24 Valve

AR = Use as Required - = Non Illustrated Part P.A.R. = Paint as Required

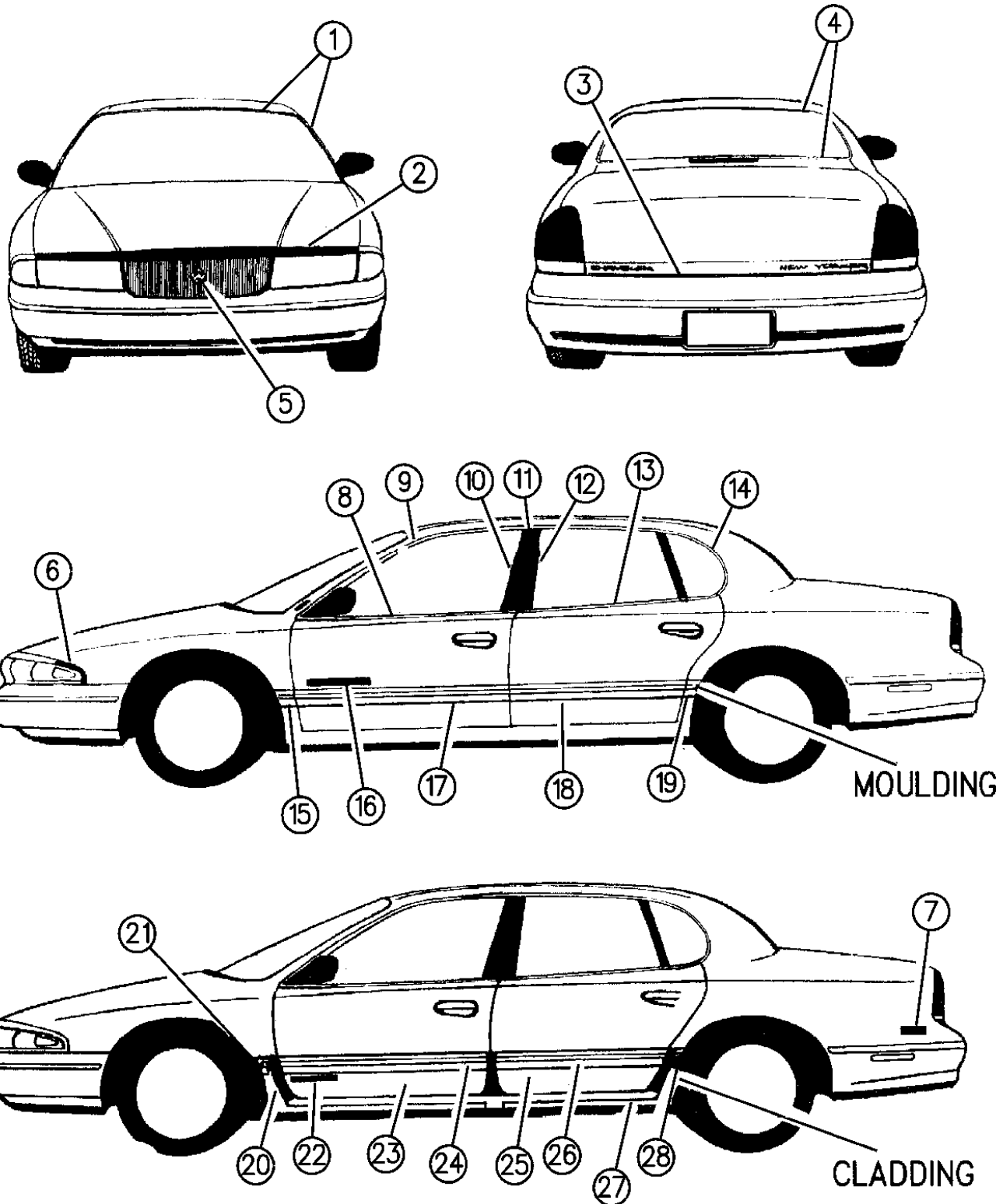


93468 205A

MOULDINGS AND CLADDING LH, NEW YORKER AND LHS

Figure 23-205

23-205A



ITEM	PART NUMBER	QTY	BODY	MODEL	DESCRIPTION
	EA34-5 MJ8	1			Char-Gold
	EA34-5 MW7	1			White
	EA34-5 MGF	1			Green
	EA34-5 PS4	1			Warm Silver
18				C	MOULDING, Rear Door
	EA28-9 MM9	1			Black Cherry
	EA28-9 MRF	1			Radiant Red Metallic
	EA28-9 MFA	1			Driftwood
	EA28-9 MP5	1			Teal
	EA28-9 MBF	1			Medium Water Blue
	EA28-9 MX8	1			Black
	EA28-9 MJ8	1			Char-Gold
	EA28-9 MW7	1			White
	EA28-9 MGF	1			Green
	EA28-9 PS4	1			Warm Silver
19				C	MOULDING, Quarter Front
	DL46-7 MM9	1			Black Cherry
	DL46-7 MRF	1			Radiant Red Metallic
	DL46-7 MFA	1			Driftwood
	DL46-7 MP5	1			Teal
	DL46-7 MBF	1			Medium Water Blue
	DL46-7 MX8	1			Black
	DL46-7 MJ8	1			Char-Gold
	DL46-7 MW7	1			White
	DL46-7 MGF	1			Green
	DL46-7 PS4	1			Warm Silver
20				C	CLADDING, Fender and Front Sill ***
	LH58-9 RA1	1			Lt. Quartz (PW7) 1995
	LH58-9 SA1	1			Lt. Quartz (PW1) 1996
	WX56-7 MD2	1		C-P	Medium Quartz (PM9,PP5,PX8,PBF,PW7) 1993
	WX56-7 MD2	1		C-H	Medium Quartz (PM9,PRF,PGF,PP5,PBF,PX8) 1994
	LH58-9 RD2	1			Medium Quartz (PMB,PRF,PMH,PPE,PP5,PB3,PX8) 1995-96
	WX56-7 MRF	1			Radiant Red Metallic (PRF) 1993-94
	LH58-9 RRF	1			Radiant Red (PRF) 1995
	WX56-7 PFC	1		C-H	Dark Fernlea (Gray) (PFA,PJ8,PS4) 1994
	LH58-9 RFC	1			Dark Fernlea (Gray) (PJ8) 1995
	LH58-9 SFC	1			Dark Fernlea (Gray) (PS4) 1996
	WX56-7 MFA	1			Driftwood (PFA) 1993
	WX56-7 MJ8	1			Char-Gold (PJ8) 1993-94
	LH58-9 RJ8	1			Char-Gold (PJ8) 1995
	LH58-9 SYK	1			Drama Gold (PYK) 1996
	WX56-7 MGF	1			Green (PGF) 1993-94

MODEL CODES:

Chrysler = (CH41 = New Yorker, CP41 = LHS, DH41 = Intrepid(Canada), DP41 = Intrepid ES(Canada), LP41 = Concorde)
 DODGE = (DH41 = Intrepid(USA), DP41 = Intrepid ES(USA))
 EAGLE = (XP41 = Vision ESI, XS41 = Vision TSI)

BODY STYLES:

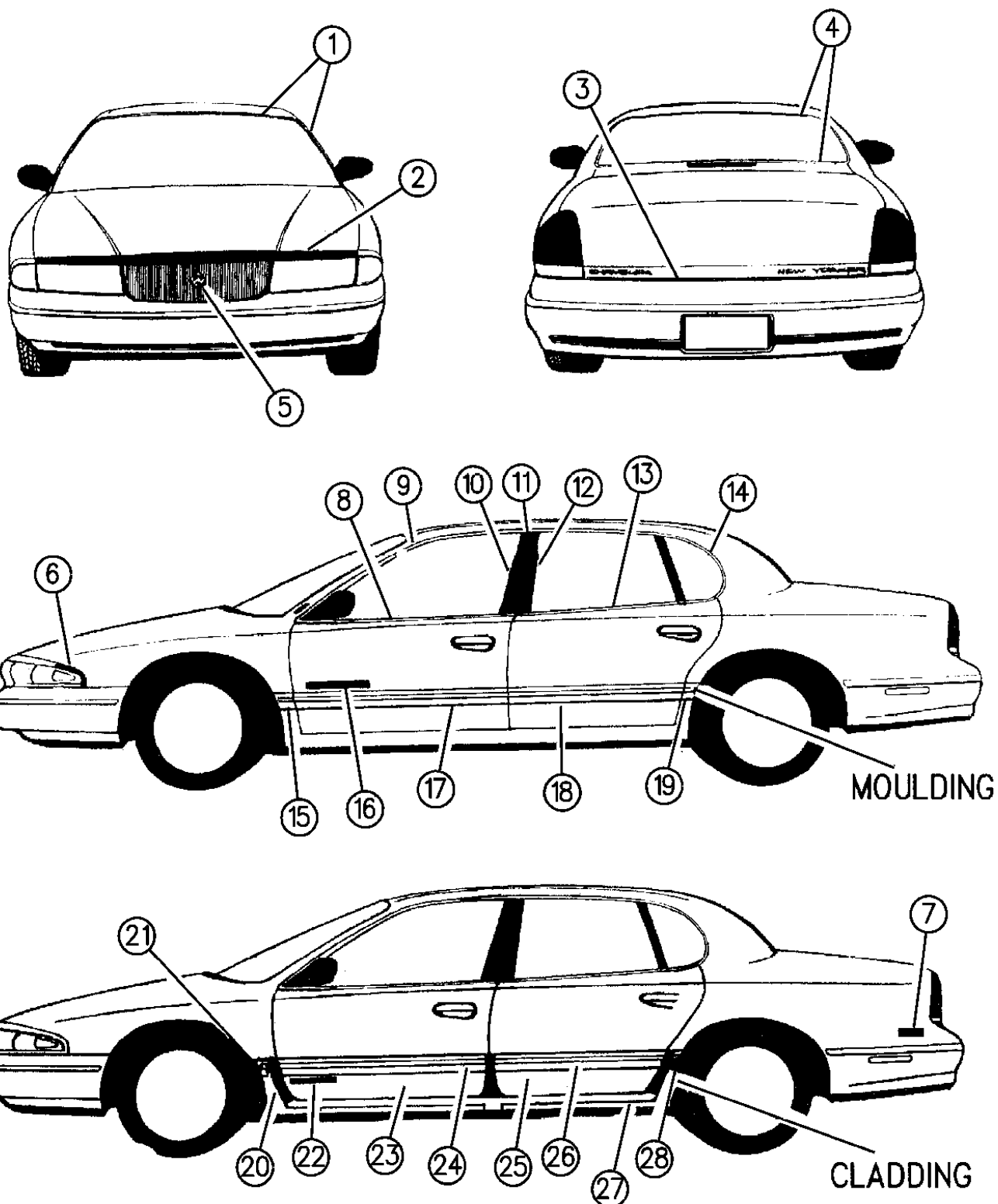
41 = 4 - Door Sedan ENGINE: 3.3L (EGB)
 3.5L (EGE) 24 Valve

93468 205A

AR = Use as Required - = Non Illustrated Part P.A.R. = Paint as Required

MOULDINGS AND CLADDING LH, NEW YORKER AND LHS
Figure 23-205

23-205A



93468 205A

ITEM	PART NUMBER	QTY	BODY	MODEL	DESCRIPTION
	WX42-3 MD2	1		C-H	Medium Quartz (PM9,PP5,PX8,PBF,PRF,PGF, PB3 (1994-96)
	WX42-3 MRF	1			Radiant Red Metallic (PRF)
	WX42-3 MFA	1		C-P	Light Driftwood (PFA) 1993-94
	WX42-3 MJ8	1			Char-Gold (MJ8) 1993-95
	WX42-3 SYK	1			Drama Gold (PYK) 1996
	WX42-3 MGF	1			Green (PGF) 1993-94
	WX42-3 MS4	1			Warm Silver (PS4)
	WX42-3 PX8	1			Black (PX8) 1994-96
	WX42-3 PFC	1		C-H	Dark Fernlea (Gray) (PFA,PJ8,PS4) 1994-95
	WX42-3 SFC	1		C-H	Dark Fernlea (Gray) (PS4) 1996
	WX42-3 PM9	1			Black Cherry (PM9) 1994
	WX42-3 RHC	1			Candy Apple Red (PHC) 1996
	WX42-3 RMB	1			Wildberry (PMB) 1995-96
	WX42-3 RPE	1			Spruce (PPE) 1995-96
	WX42 TCU	1			Black, Right (CU)
	WX43 TCU	1			Black, Left (CU)
	6035 414	10			RIVET
26	4630 118-9	1		C	INSERT, Rear Door
27					CLADDING, Quarter and Sill Rear ***
	WX18-9 PA1	1			Light Quartz (PW7) 1995
	WX18-9 SA1	1			Light Quartz (PW1) 1996
	WX18-9 MD2	1		C-P	Medium Quartz (PM9,PP5,PX8,PBF,PW7) 1993
	WX18-9 MD2	1		C-H	Medium Quartz (PM9,PP5,PX8,PBF,PRF,PGF) 1994
	WX18-9 MRF	1			Radiant Red (PRF)
	WX18-9 PFC	1		C-H	Dark Fernlea (Gray) (PFA,PJ8,PS4) 1994-95
	WX18-9 SFC	1		C-H	Dark Fernlea (Gray) (PS4) 1996
	WX18-9 PX8	1			Black (PX8) 1994-96
	WX18-9 MFA	1			Light Driftwood (PFA) 1993
	WX18-9 MJ8	1			Char-Gold (MJ8) 1993-95
	WX18-9 SYK	1			Drama Gold (PYK) 1996
	WX18-9 MGF	1			Green (PGF) 1993-94
	WX18-9 MS4	1			Warm Silver (PS4)
	WX18-9 PM9	1			Black Cherry (PM9) 1994
	WX18-9 RHC	1			Candy Apple Red (PHC) 1996
	WX18-9 RMB	1			WildBerry (PMB) 1995-96
	WX18-9 RPE	1			Spruce (PPE) 1995-96
	WX18 TCU	1		C-P	Black, Right 1997
	WX19 TCU	1		C-P	Black, Left 1997
	6035 217	AR			SCREW, Cladding Attaching
	6035 414	2			RIVET
28	4630 110-1	1			INSERT, Quarter Moulding
	4756 514-5	1			EUROPE

MODEL CODES:

Chrysler = (CH41 = New Yorker, CP41 = LHS, DH41 = Intrepid(Canada), DP41 = Intrepid ES(Canada), LP41 = Concorde)
 DODGE = (DH41 = Intrepid(USA), DP41 = Intrepid ES(USA))
 EAGLE = (XP41 = Vision ESI, XS41 = Vision TSI)

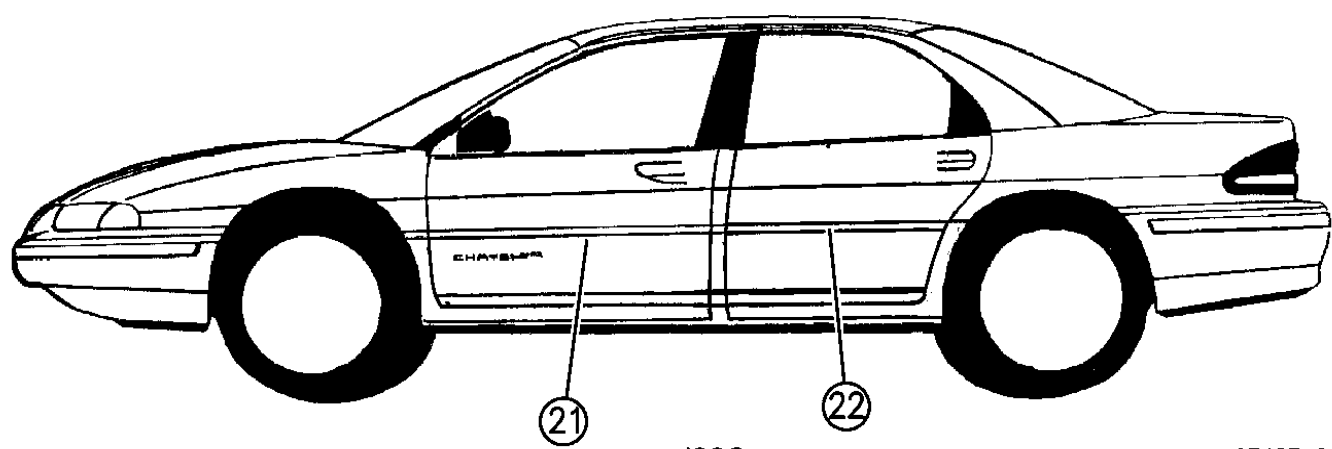
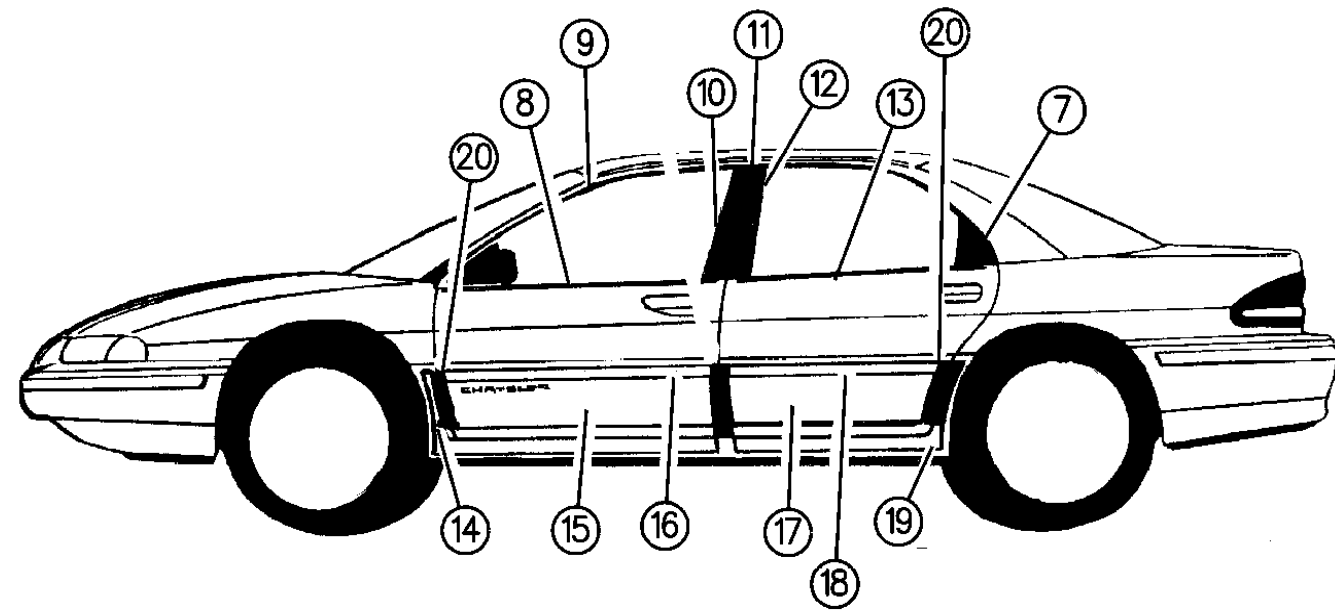
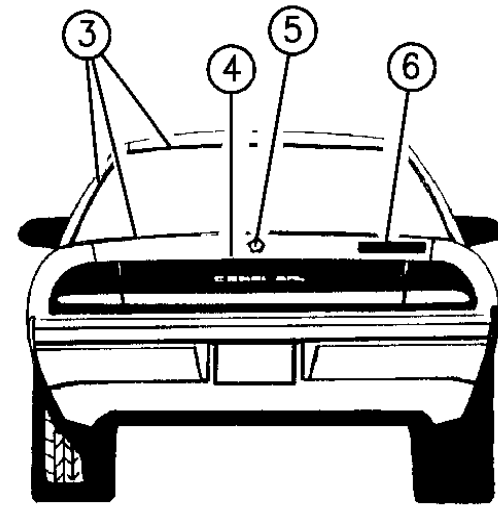
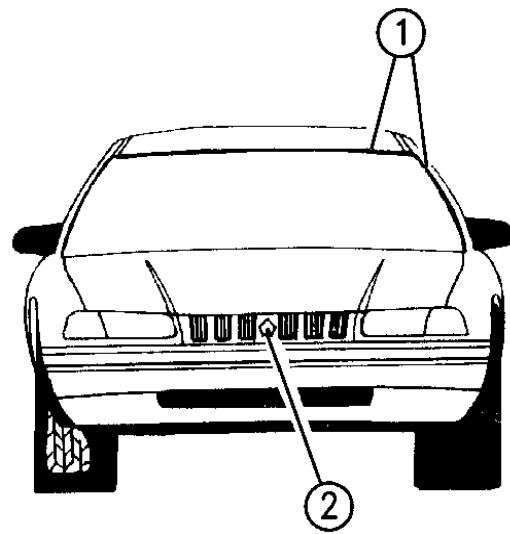
BODY STYLES:

41 = 4 - Door Sedan ENGINE: 3.3L (EGB)
 3.5L (EGE) 24 Valve

AR = Use as Required - = Non Illustrated Part P.A.R. = Paint as Required

MOULDINGS AND CLADDING LH, CONCORDE
Figure 23-210

23-210A



1996

93423 210

ITEM	PART NUMBER	QTY	BODY	MODEL	DESCRIPTION
1		1			MOULDING, Windshield, Black
	4601 182				1993
	4630 675				1994-96
2		1			EMBLEM, Fascia, Pentastar
	4630 279				-- 1993-94 --
					-- 1995-96 -- Round "Chrysler"
	LK15 RBD	1			Blue (B3)
	LK15 RHD	1			Magenta (MH)
	LK15 RJF	1			Chargold/Gold Metallic (J8)
	LK15 RP5	1			Teal (P5)
	LK15 RPM	1			Spruce/Medium Quartz (PE) 1993-95
	LK15 SPM	1			Spruce/Medium Quartz (PE) 1996
	LK15 RRD	1			Radiant Fire (RF)
	LK15 RMD	1			Black Cherry (M9)
	LK15 RHC	1			Candy Apple Red (HC)
	LK15 RSF	1			Dark Fernlea (S4)
	LK15 RWD	1			Bright White/Medium Quartz (W7,W1)
	LK15 RXD	1			Black/Medium Quartz (X8)
	LK15 SMW	1			White (Beige)
	LK15 SWM	1			Opal/Medium Quartz (W4)
3	4756 694	1			MOULDING, Backlight
4	4630 126				APPLIQUE, Deck Lid
5	4630 334	1			MEDALLION, Deck Lid Pentastar
6	4630 335	1			NAMEPLATE, Decklid, "CONCORD", Bright
	4805 002	1			Gold 1996
7					APPLIQUE, Rear Door Rear
	4624 196-7	1			Up to 9/24/92
	4696 440-1	1			After 9/24/92
	1150 3714	2			U-NUT, Applique Att.
		4			SCREW (DNS .164-15x.624)
		2			SCREW (DNS .190-16x.750)
8	4630 410-1	1			MOULDING, Front Door Belt w/Outer Belt Weatherstrip
	4756 570-1	1			1996
9	4630 634-5	1			MOULDING, Roof (w/Extension Retainer)
		12			SCREW (DNS .164-15x.500)
10					APPLIQUE, Front Door (Rear Channel)
	4583 888-9	1			Up to 9/13/92
	4696 436-7	1			After 9/13/92
	4756 742-3	1			1995
	4769 088-9	1			1996
		6			SCREW (DNS .164-15x.500) ***
11	4630 280-1	1			TAPE, Center Pillar Blackout

MODEL CODES:

Chrysler = (CH41 = New Yorker, CP41 = LHS, DH41 = Intrepid(Canada), DP41 = Intrepid ES(Canada), LP41 = Concorde)
 DODGE = (DH41 = Intrepid(USA), DP41 = Intrepid ES(USA))
 EAGLE = (XP41 = Vision ESI, XS41 = Vision TSI)

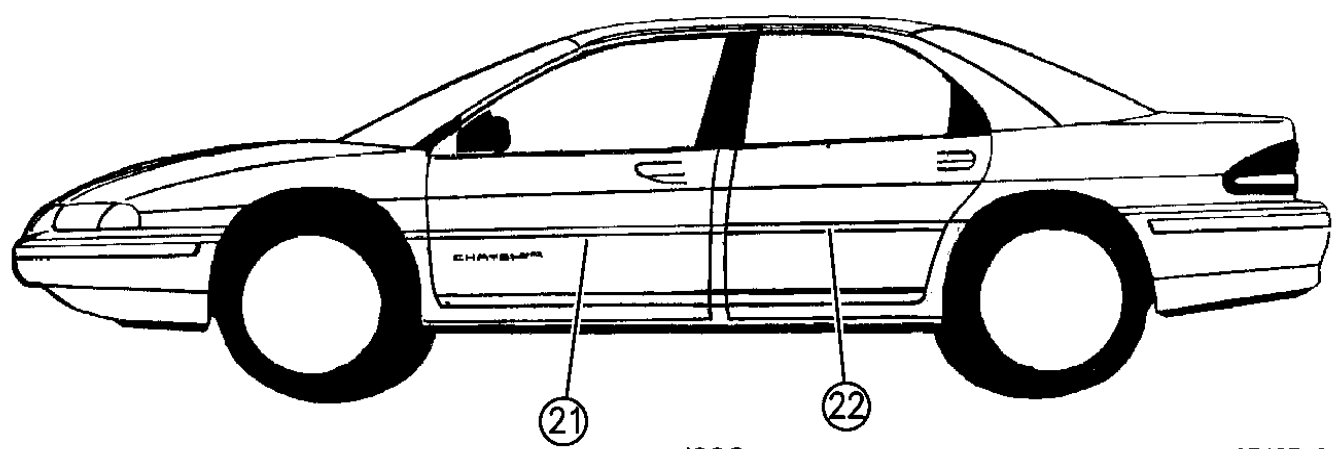
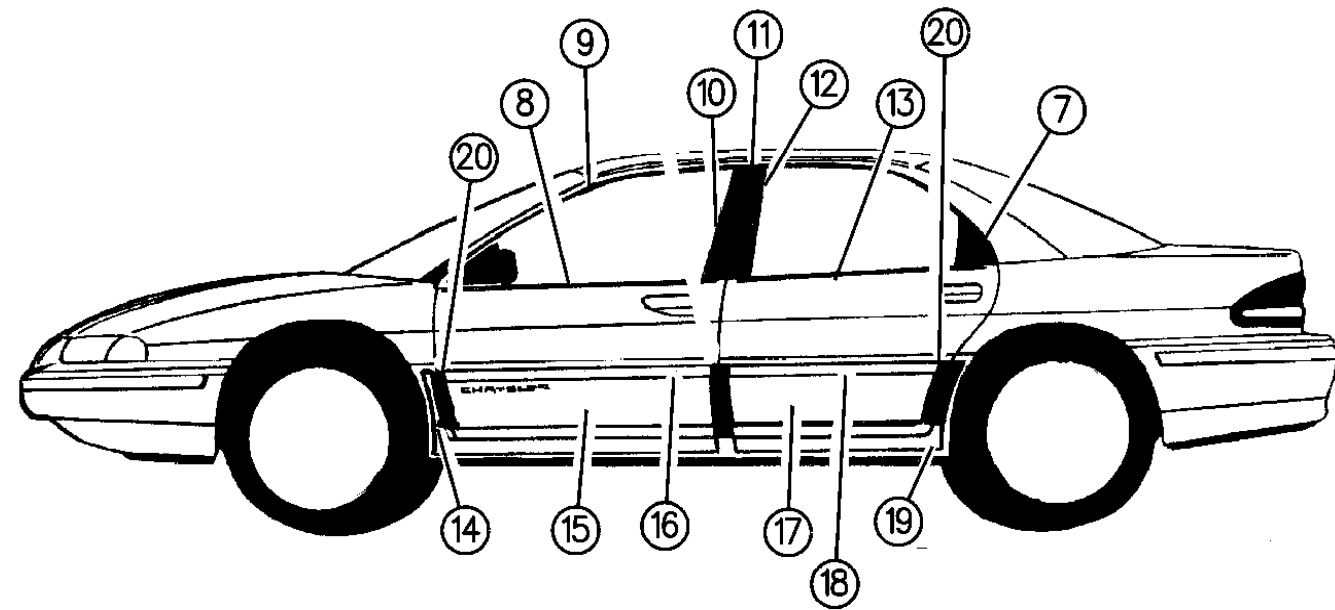
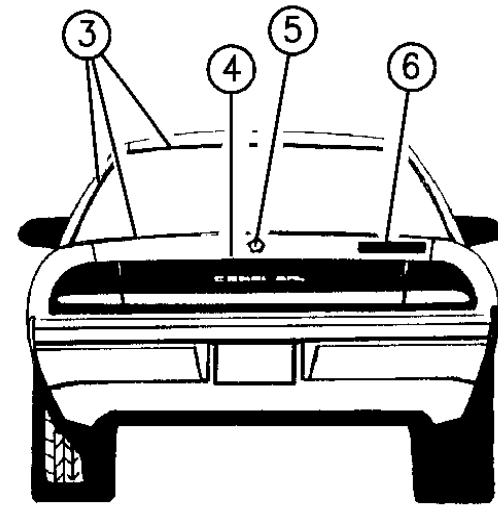
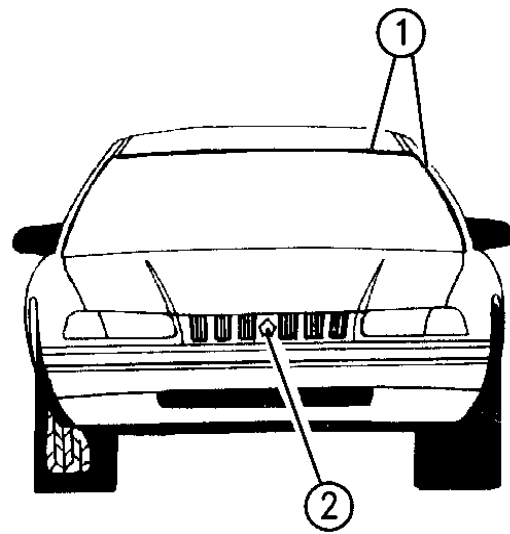
BODY STYLES:

41 = 4 - Door Sedan ENGINE: 3.3L (EGB)
 3.5L (EGE) 24 Valve

AR = Use as Required - = Non Illustrated Part P.A.R. = Paint as Required

MOULDINGS AND CLADDING LH, CONCORDE
Figure 23-210

23-210A



1996

93423 210

ITEM	PART NUMBER	QTY	BODY	MODEL	DESCRIPTION
12	4583 890-1	1			APPLIQUE, Rear Door (Front Edge) Up to 9/13/92
	4696 438-9	1			After 9/13/92
13	4630 412-3	4			SCREW (DNS .164-15x.500)
		1			MOULDING ASSEMBLY, Rear Door Belt w/Outer Belt Weatherstrip 1996
14	4756 572-3	1			CLADDING, Fender and Front Sill *** Up to 02/19/93
					FS68-9 MDM
	FS68-9 MFD	1			Driftwood (PJ8, PFA) After 02/19/93
	JR24-5 MDM	1			Quartz (PMB, PRF, PRB, PGF, PP5, PBF, PX8, PW7, PM9)
	JR24-5 MFD	1			Driftwood (PJ8, PFA)
	LH54-5 RDM	1			Quartz (PMB, PRF, PMH, PPE, PP5, PB3, PX8, PW7, PM9) 1995
	LH54-5 RFD	1			Driftwood (PJ8, PS4) 1995
	6501 067	AR			RETAINER, Cladding Attaching
	6035 414	12			RIVET
		6			SCREW (DNS .164-15x.625)
15	FS64-5 MDM	1			CLADDING, Front Door *** Up to 02/19/93
					FS64-5 MFD
	JR28-9 MDM	1			Quartz
	JR28-9 MFD	1			Driftwood
	6035 414	12			RIVET
16	4630 418-9	1			INSERT, Front Door Cladding 1993
					4630 574-5
17	FS66-7 MDM	1			CLADDING, Rear Door *** Up to 02/19/93
					FS66-7 MFD
	JR30-1 MDM	1			Quartz
	JR30-1 MFD	1			Driftwood
	6035 414	10			RIVET
18	4630 420-1	1			INSERT, Rear Door Cladding 1993
					4630 576-7

MODEL CODES:

Chrysler = (CH41 = New Yorker, CP41 = LHS, DH41 = Intrepid(Canada), DP41 = Intrepid ES(Canada), LP41 = Concorde)
DODGE = (DH41 = Intrepid(USA), DP41 = Intrepid ES(USA))
EAGLE = (XP41 = Vision ESI, XS41 = Vision TSI)

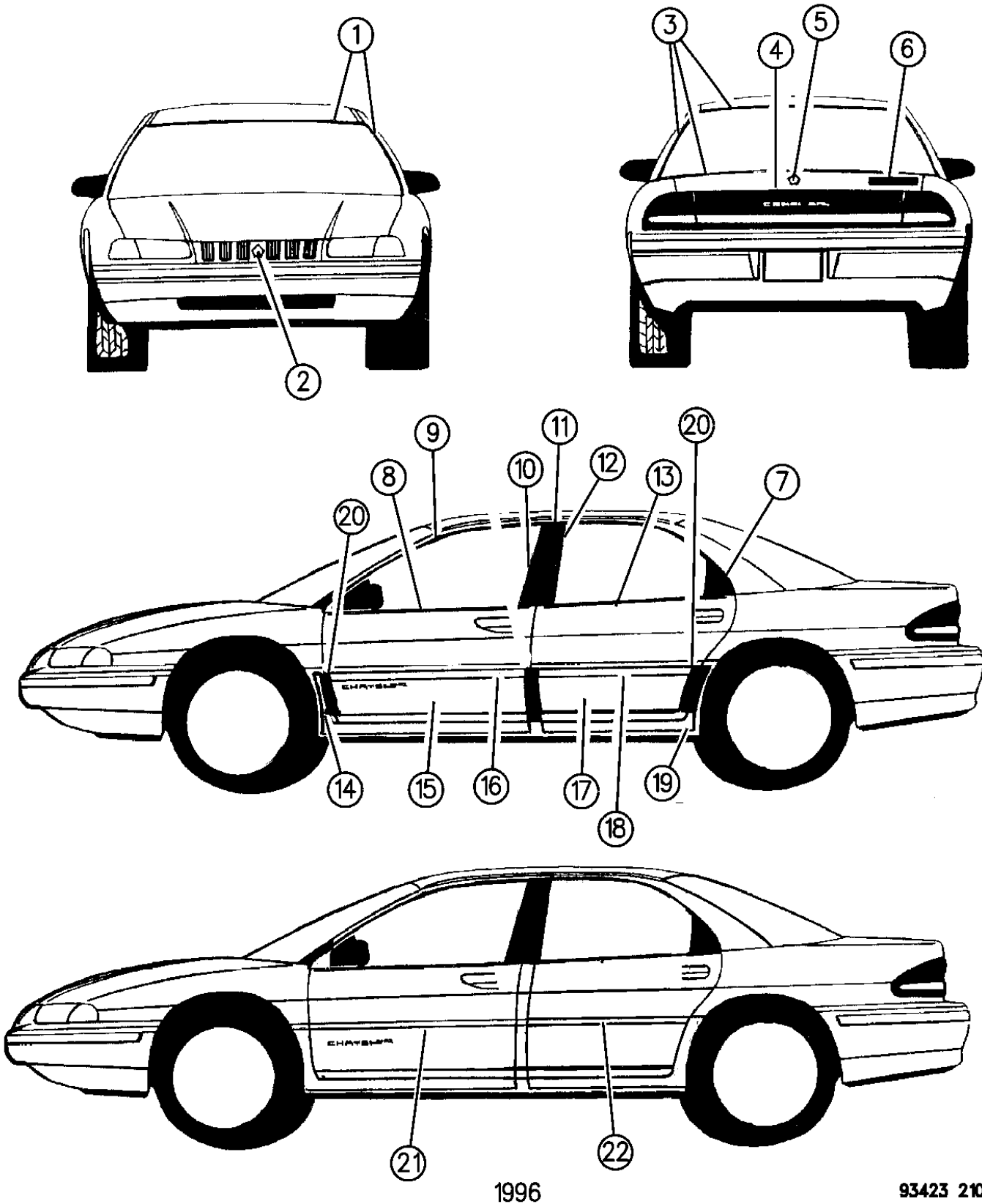
BODY STYLES:

41 = 4 - Door Sedan ENGINE: 3.3L (EGB)
3.5L (EGE) 24 Valve

AR = Use as Required - = Non Illustrated Part P.A.R. = Paint as Required

MOULDINGS AND CLADDING LH, CONCORDE
Figure 23-210

23-210A



ITEM	PART NUMBER	QTY	BODY	MODEL	DESCRIPTION
19					CLADDING, Quarter and Siil Rear ***
					Up to 02/19/93
	FS62-3 MDM	1			Quartz
	FS62-3 MFD	1			Driftwood
					After 02/19/93
	JR26-7 MDM	1			Quartz
	JR26-7 MFD	1			Driftwood
	6501 067	AR			RETAINER, Cladding to Bracket Attaching
	6035 414	10			RIVET
	6035 217	AR			SCREW
20		12			TAPE, Cladding Gap Closure
	HU04 MD4	12			use w/Quartz Claddings
	HU04 MD8	12			use w/Driftwood Claddings
21					MOULDING, Door, Front
	JR23 RMB	2			Wildberry
	JR23 RMH	2			Wild Orchid
	JR23 RPE	2			Spruce
	JR23 RP6	2			Island Teal
	JR23 RS4	2			Warm Silver
	JR23 SW4	2			Pearl White
	JR23 SW1	2			White
	JR23 MX8	2			Black
22					MOULDING, Door, Rear
	KK40 RMB	2			Wildberry
	KK40 RMH	2			Wild Orchid
	KK40 RPE	2			Spruce
	KK40 RS4	2			Warm Silver
	KK40 SW4	2			Pearl White
	KK40 SW1	2			White
	KK40 MX8	2			Black

NOTE: For cladding brackets see 23-240.

MODEL CODES: _____
 Chrysler = (CH41 = New Yorker, CP41 = LHS, DH41 = Intrepid(Canada), DP41 = Intrepid ES(Canada), LP41 = Concorde)
 DODGE = (DH41 = Intrepid(USA), DP41 = Intrepid ES(USA))
 EAGLE = (XP41 = Vision ESI, XS41 = Vision TSI)

BODY STYLES: _____
 41 = 4 - Door Sedan ENGINE: 3.3L (EGB)
 3.5L (EGE) 24 Valve

AR = Use as Required - = Non Illustrated Part P.A.R. = Paint as Required

MOULDINGS AND CLADDING LH, INTREPID

Figure 23-220

23-220

ITEM	PART NUMBER	QTY	BODY	MODEL	DESCRIPTION
1		1			MOULDING, Windshield, Black
	4601 182				1993
	4630 675				1994-96
2					EMBLEM, Hood
	4630 324	1			Ram's Head, USA 1993-94
	4756 568	1			Ram's Head, USA 1995-96
	4630 327	1			Pentastar, CANADA
	4756 569	1			"CHRYSLER", CANADA
3					NAMEPLATE, Deck Lid Left (Ram's Head Discontinued for Serviced)
	GL93 MD4	1			"DODGE", Medium Quartz, USA
	GL93 MX9	1			"DODGE", Flat Black, USA
	GM69 MD4	1			"CHRYSLER", Medium Quartz, CANADA
	GM69 MX9	1			"CHRYSLER", Flat Black, CANADA
4	4601 716	1			MOULDING, Backlight Upper
5	4584 093	1			MOULDING, Backlight Lower
6					APPLIQUE, Deck Lid
	4601 557	1			w/ Red Line
	4769 101	1			w/o Red Line
	4769 181	1			w/o Horizontal Support Fins
7					NAMEPLATE, Deck Lid Right, "ES"
	GM68 MD4	1		D-P	Quartz
	GM68 MX9	1		D-P	Black
8	4630 342	2			NAMEPLATE, Door "3.5L 24 VALVE"
9					APPLIQUE, Rear Door Rear
	4624 560-1	1			Up to 9-13-92
	4696 442-3	1			After 9-13-92
	1150 3714	2			U-NUT, Applique Att.
		4			SCREW (DNS .164-15x.624)
		2			SCREW (DNS .190-16x.750)
10	4630 410-1	1			MOULDING ASSEMBLY, Front Door Belt w/Outer Belt Weatherstrip
	4756 570-1	1			1995-96
11	4630 632-3	1			MOULDING, Roof
		14			SCREW (DNS .164-15x.500)
12					APPLIQUE, Front Door (Rear Channel)
	4583 888-9	1			Up to 9-13-92
	4696 436-7	1			After 9-13-92
	4756 742-3	1			1995
	4769 088-9	1			1996
		6			SCREW (DNS .164-15x.500)
13	4630 280-1	1			TAPE, Center Pillar Blackout

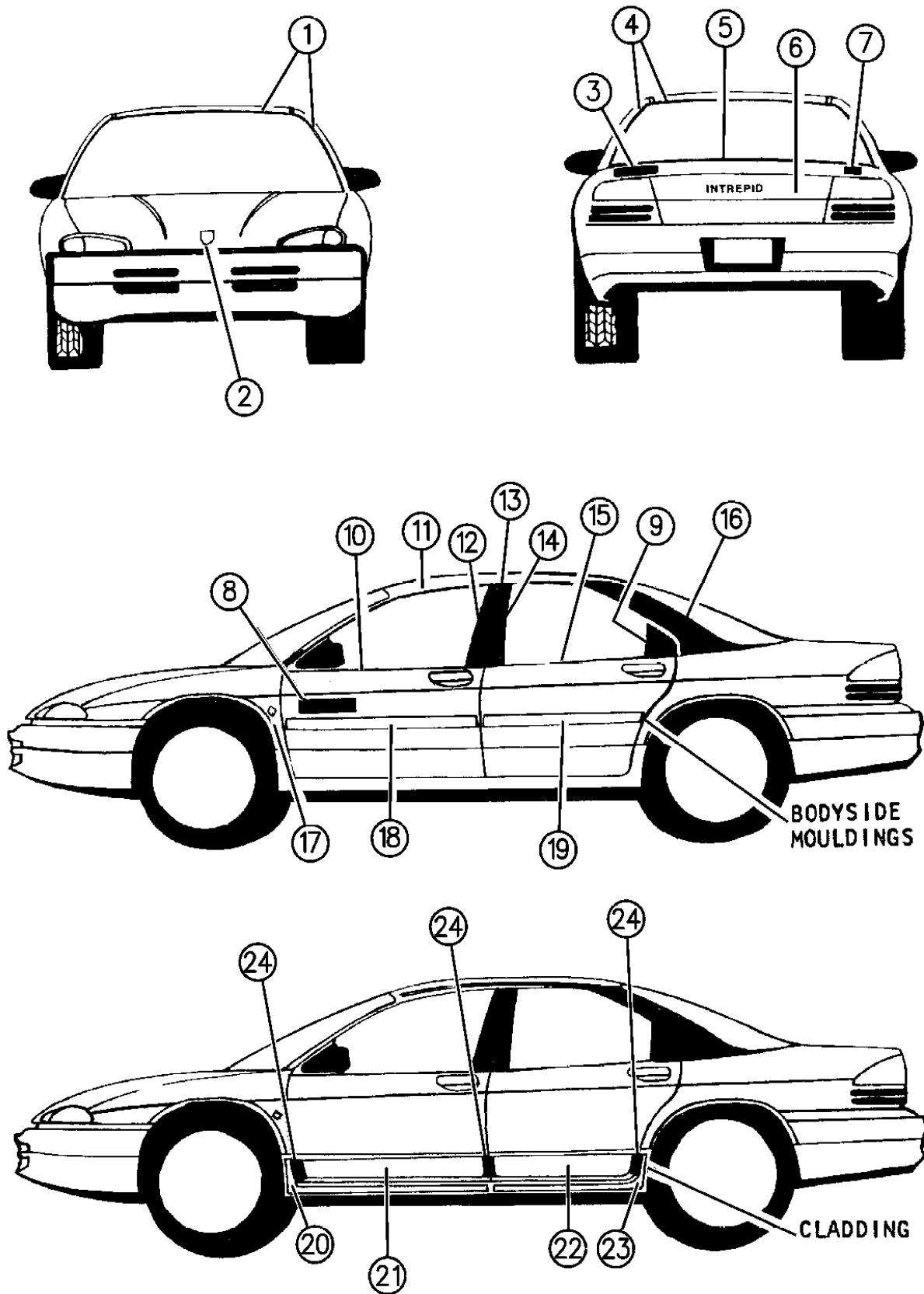
MODEL CODES:

Chrysler = (CH41 = New Yorker, CP41 = LHS, DH41 = Intrepid(Canada), DP41 = Intrepid ES(Canada), LP41 = Concorde)
 DODGE = (DH41 = Intrepid(USA), DP41 = Intrepid ES(USA))
 EAGLE = (XP41 = Vision ESI, XS41 = Vision TSI)

BODY STYLES:

41 = 4 - Door Sedan ENGINE: 3.3L (EGB)
 3.5L (EGE) 24 Valve

AR = Use as Required - = Non Illustrated Part P.A.R. = Paint as Required



93423 220

MOULDINGS AND CLADDING LH, INTREPID

Figure 23-220

23-220

ITEM	PART NUMBER	QTY	BODY	MODEL	DESCRIPTION
14					APPLIQUE, Rear Door (Front Edge)
	4583 890-1	1			Up to 9-13-92
	4696 438-9	1			After 9-13-92
		4			SCREW (DNS .164-15x.500)
15	4630 416-7	1			MOULDING ASSEMBLY, Rear Door Belt w/Outer Belt
					Weatherstrip
	4756 574-5	1			1995-96
		8			SCREW (DNS .164-15x500.)
16					APPLIQUE, "C" Pillar
	4630 004-5	1			1993-94
	4756 616-7	1			1995-96
	6034 869	10			SCREW, Applique
17	4630 238	1			EMBLEM, Right Fender, Makers Mark (Pentastar)
18					MOULDING, Front Door Bodyside
	HE30-1 MBF	1			Medium Water Blue
	HE30-1 RB3	1			Spinnaker Blue Metallic
	HE30-1 MFA	1			Driftwood
	HE30-1 MRB	1			Radiant Fire or Indy Red
	HE30-1 RMB	1			Wildberry
	HE30-1 RMH	1			Wild Orchid
	HE30-1 RPE	1			Spruce
	HE30-1 MGF	1			Green
	HE30-1 MM9	1			Black Cherry
	HE30-1 MP5	1			Teal(Blue in Color)
	HE30-1 MRF	1			Radiant Red or Metallic Red
	PR14 SP6	2			Island Teal
	HE30-1 RS4	1			Warm Silver
	HE30-1 MW7	1			White
	HE30-1 SW4	1			Pearl White
	PR14 SW1	2			Stone White
	HE30-1 MX8	1			Black
	HE30-1 MJ8	1			Char-Gold
		1			Candy Apple Red (Use HE30-1MRF)
19					MOULDING, Rear Door Bodyside
	HE34-5 MBF	1			Nighthawk Blue or Medium Water Blue
	HE34-5 RB3	1			Spinnaker Blue Met.
	HE34-5 MFA	1			Driftwood
	HE34-5 MRB	1			Radiant Fire or Indy Red
	HE34-5 RMB	1			Wildberry
	HE34-5 RMH	1			Wild Orchid
	HE34-5 RPE	1			Spruce
	HE34-5 MGF	1			Green

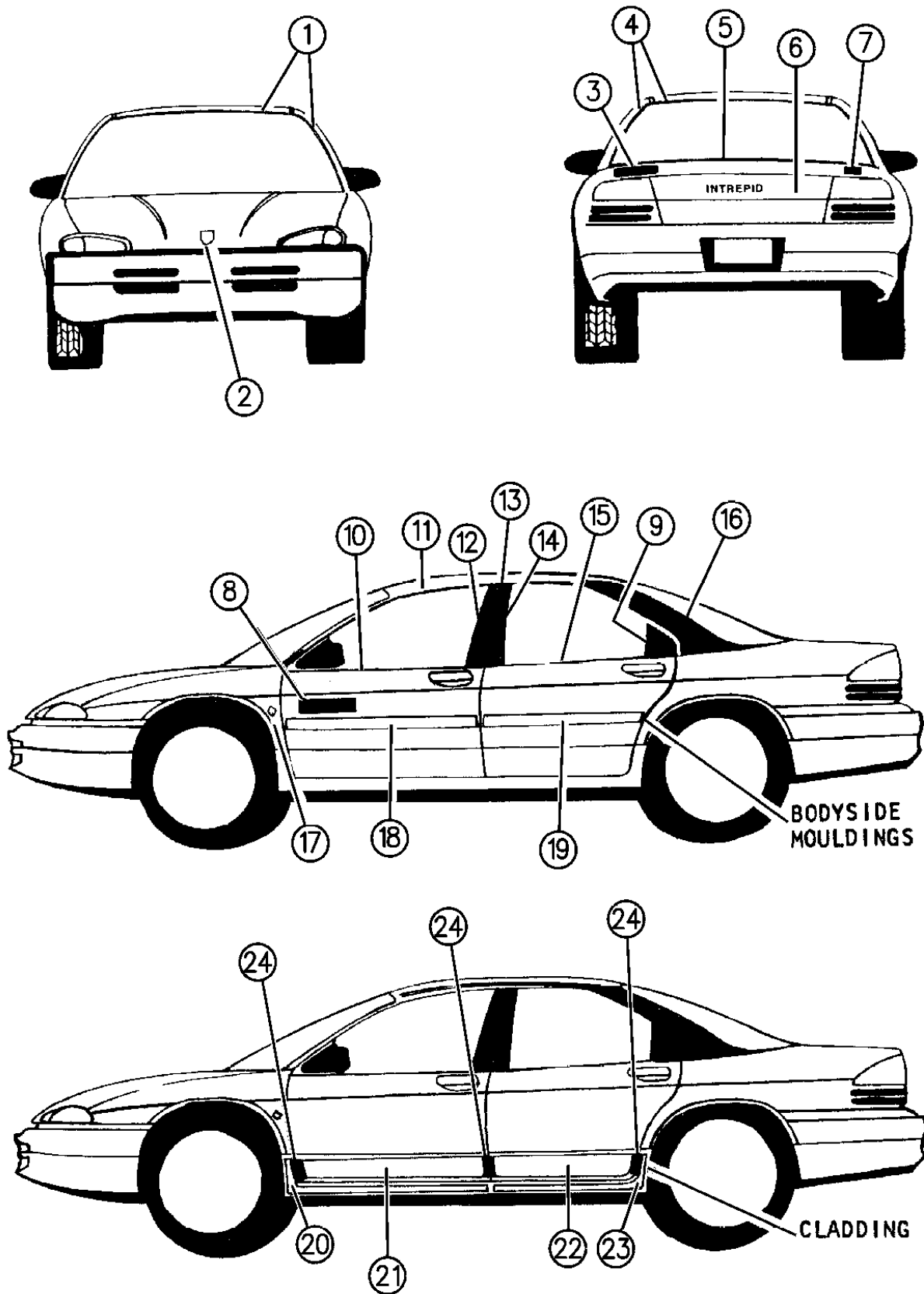
MODEL CODES:

Chrysler = (CH41 = New Yorker, CP41 = LHS, DH41 = Intrepid(Canada), DP41 = Intrepid ES(Canada), LP41 = Concorde)
 DODGE = (DH41 = Intrepid(USA), DP41 = Intrepid ES(USA))
 EAGLE = (XP41 = Vision ESI, XS41 = Vision TSI)

BODY STYLES:

41 = 4 - Door Sedan ENGINE: 3.3L (EGB)
 3.5L (EGE) 24 Valve

AR = Use as Required - = Non Illustrated Part P.A.R. = Paint as Required



93423 220

MOULDINGS AND CLADDING LH, INTREPID

Figure 23-220

23-220

ITEM	PART NUMBER	QTY	BODY	MODEL	DESCRIPTION
	HE34-5 MM9	1			Black Cherry
	HE34-5 MP5	1			Teal
	HE34-5 MRF	1			Radiant Red or Metallic Red
	PR16-7 SP6	1			Island Teal
	HE34-5 RS4	1			Warm Silver
	HE34-5 MW7	1			White
	HE34-5 SW4	1			Pearl White
	PR16-7 SW1	1			Stone White
	HE34-5 MX8	1			Black
	HE34-5 MJ8	1			Char-Gold
20		1			Candy Apple Red (Use HE34-5MRF) CLADDING, Fender and Front Sill ***
	WX52-3 MRB	1		D-P	Radiant Fire or Indy Red, 1993-94
	WX52-3 MRF	1		D-P	Radiant Red or Metallic Red, 1993-96
	WX52-3 RHC	1		D-P	Candy Apple Red, 1996
	WX52-3 MW7	1		D-P	White, 1993-95
	WX52-3 SW1	1		D-P	White, 1996
	WX52-3 MDL	1		D-P	Dark Quartz, 1993-96
	WX52-3 MF9	1		D-P	Dark Driftwood, 1993-96
	WX52-3 SS4	1		D-P	Warm Silver, 1996
					----- NARROW, SILL, FRONT -----
	PD76-7 SHC	1		D-H	Candy Apple Red 1996
	PD76-7 SMB	1		D-H	Wildberry 1996
	PD76-7 SMH	1		D-H	Wild Orchid 1996
	PD76-7 SPE	1		D-H	Spruce 1996
	PD76-7 SP6	1		D-H	Island Teal 1996
	PD76-7 SS4	1		D-H	Warm Silver 1996
	PD76-7 SW1	1		D-H	White 1996
	PD76-7 SW4	1		D-H	Pearl White 1996
	PD76-7 SX8	1		D-H	Black 1996
	PD76 TCU	1		D-H	Black, Right 1997
	PD77 TCU	1		D-H	Black, Left 1997
		6			SCREW (DNS .164-15x.625)
	6035 414	14			RIVET, Blind
	6501 067	14			RETAINER, Fender/Sill Cladding to Bracket
21					CLADDING, Front Door ***
	WX26-7 MRB	1		D-P	Radiant Fire, 1993,94
	WX26-7 MRF	1		D-P	Radiant Red, 1993,94,95
	WX26-7 RHC	1		D-P	Candy Apple Red, 1996
	WX26-7 MW7	1		D-P	White, 1993-95
	WX26-7 SW1	1		D-HP	White, 1996
	WX26-7 MDL	1		D-HP	Quartz, 1993-96

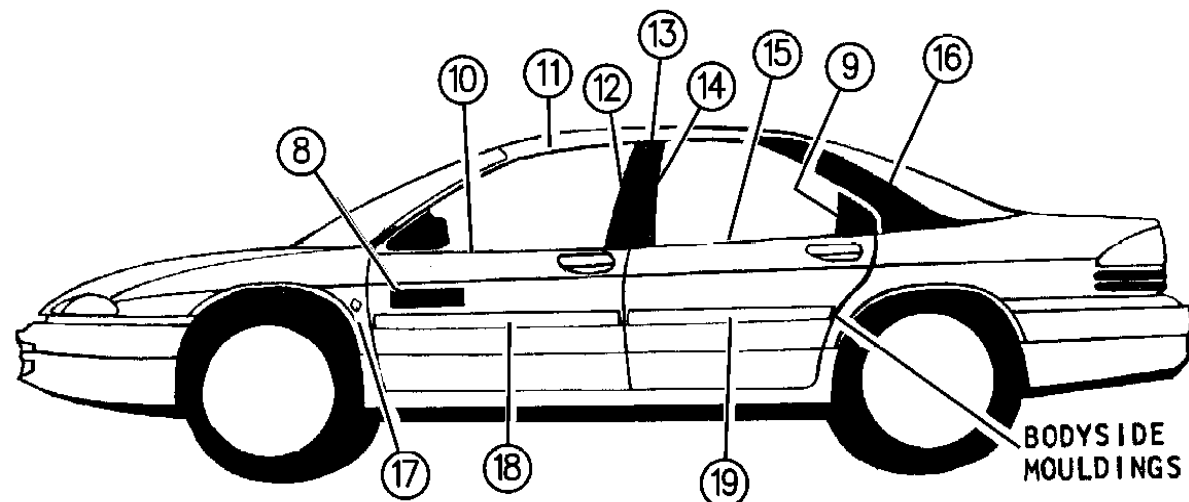
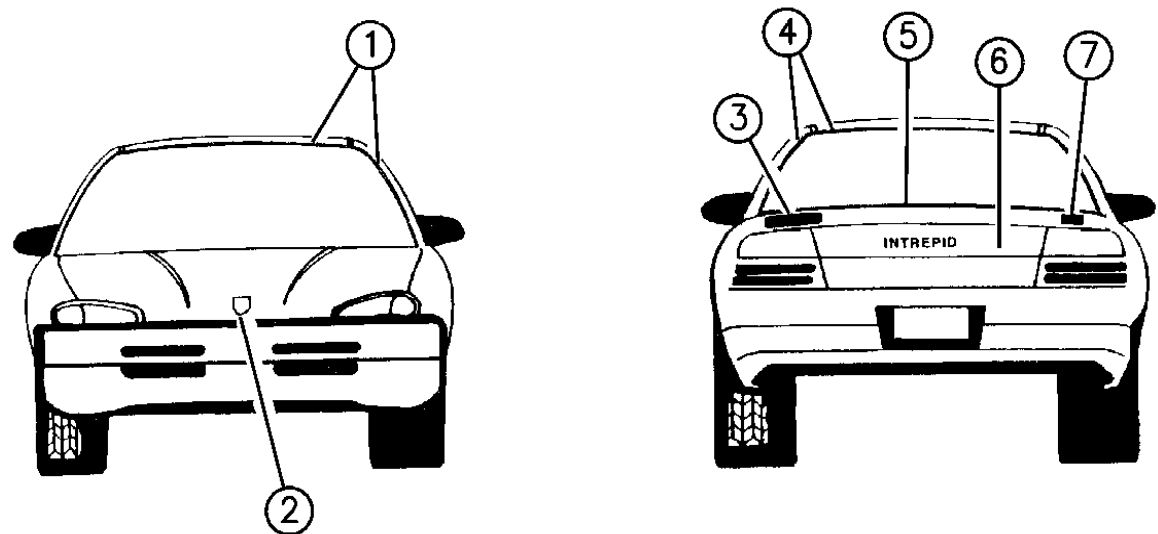
MODEL CODES:

Chrysler = (CH41 = New Yorker, CP41 = LHS, DH41 = Intrepid(Canada), DP41 = Intrepid ES(Canada), LP41 = Concorde)
 DODGE = (DH41 = Intrepid(USA), DP41 = Intrepid ES(USA))
 EAGLE = (XP41 = Vision ESI, XS41 = Vision TSI)

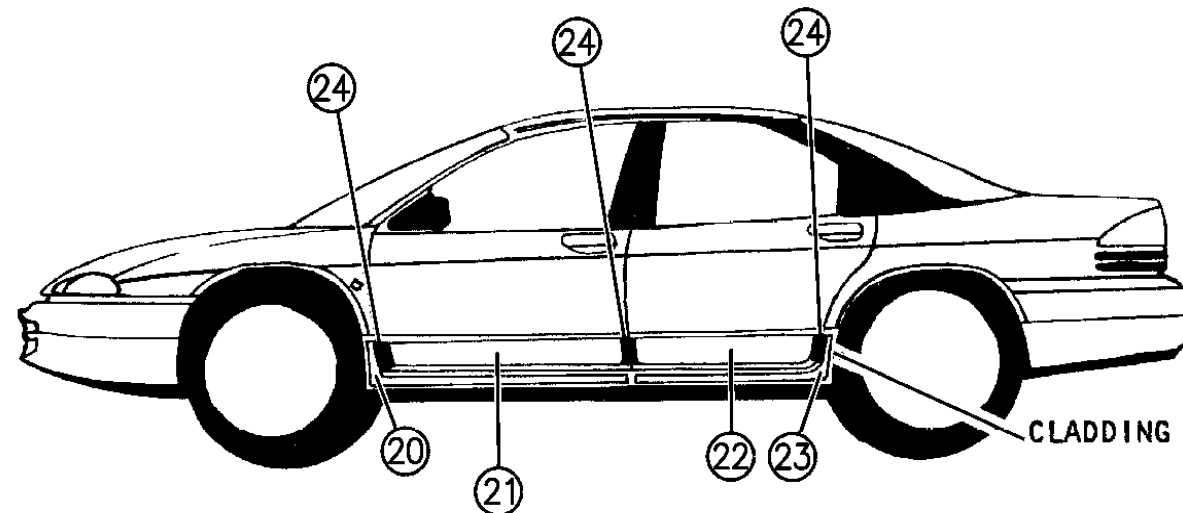
BODY STYLES:

41 = 4 - Door Sedan ENGINE: 3.3L (EGB)
 3.5L (EGE) 24 Valve

AR = Use as Required - = Non Illustrated Part P.A.R. = Paint as Required



BODYSIDE
MOULDINGS



CLADDING

93423 220

MOULDINGS AND CLADDING LH, INTREPID

Figure 23-220

23-220

ITEM	PART NUMBER	QTY	BODY	MODEL	DESCRIPTION
	WX26-7 MF9	1		D-P	Dark Driftwood, 1993-95
	WX26-7 SS4	1		D-HP	Warm Silver, 1996
	6035 414	10			RIVET
22					CLADDING, Rear Door ***
	WX38-9 MRB	1		D-P	Radiant Fire or Indy Red, 1993,94
	WX38-9 MRF	1		D-P	Radiant Red, 1993,94,95
	WX38-9 RHC	1		D-P	Candy Apple Red, 1996
	WX38-9 MW7	1		D-P	White, 1993,94,95
	WX38-9 SW1	1		D-HP	White, 1996
	WX38-9 MDL	1		D-HP	Quartz, 1993-96
	WX38-9 MF9	1		D-P	Dark Driftwood, 1993-95
	WX38-9 SS4	1		D-HP	Warm Silver, 1996
	6035 414	12			RIVET
23					CLADDING, Quarter and Sill Rear ***
	WX14-5 MRB	1		D-P	Radiant Fire or Indy Red, 1993,94
	WX14-5 MRF	1		D-P	Radiant Red or Metallic Red, 1993,94,95
	WX14-5 RHC	1		D-P	Candy Apple Red, 1996
	WX14-5 MW7	1		D-P	White, 1993,95
	WX14-5 SW1	1		D-P	White, 1996
		1		D-P	Candy Apple Red (Use WX14-5MRF)
	WX14-5 MDL	1		D-P	Quartz, 1993,94,95,96
	WX14-5 MF9	1		D-P	Dark Driftwood, 1993,94,95 MS4)
	WX14-5 SS4	1		D-P	1996
					----- NARROW SILL, REAR -----
	PD68-9 SHC	1		D-H	Candy Apple Red 1996
	PD68-9 SMB	1		D-H	Wildberry 1996
	PD68-9 SMH	1		D-H	Wild Orchid 1996
	PD68-9 SPE	1		D-H	Spruce 1996
	PD68-9 SP6	1		D-H	Island Teal 1996
	PD68-9 SS4	1		D-H	Warm Silver 1996
	PD68-9 SW1	1		D-H	White 1996
	PD68-9 SW4	1		D-H	Pearl White 1996
	PD68-9 SX8	1		D-H	Black 1996
	PD68 TCU	1		D-H	Black, Right 1997
	PD69 TCU	1		D-H	Black, Left 1997
	6035 217	AR			SCREW
	6035 414	8			RIVET
	6501 067	8			RETAINER, Quarter/Sill Cladding to Bracket
24	HU28 MD8	12		D-P	TAPE, Cladding Gap Closure (only used with quartz or fern gray cladding, not used with body colored claddings)

NOTE: For cladding brackets see 23-250.

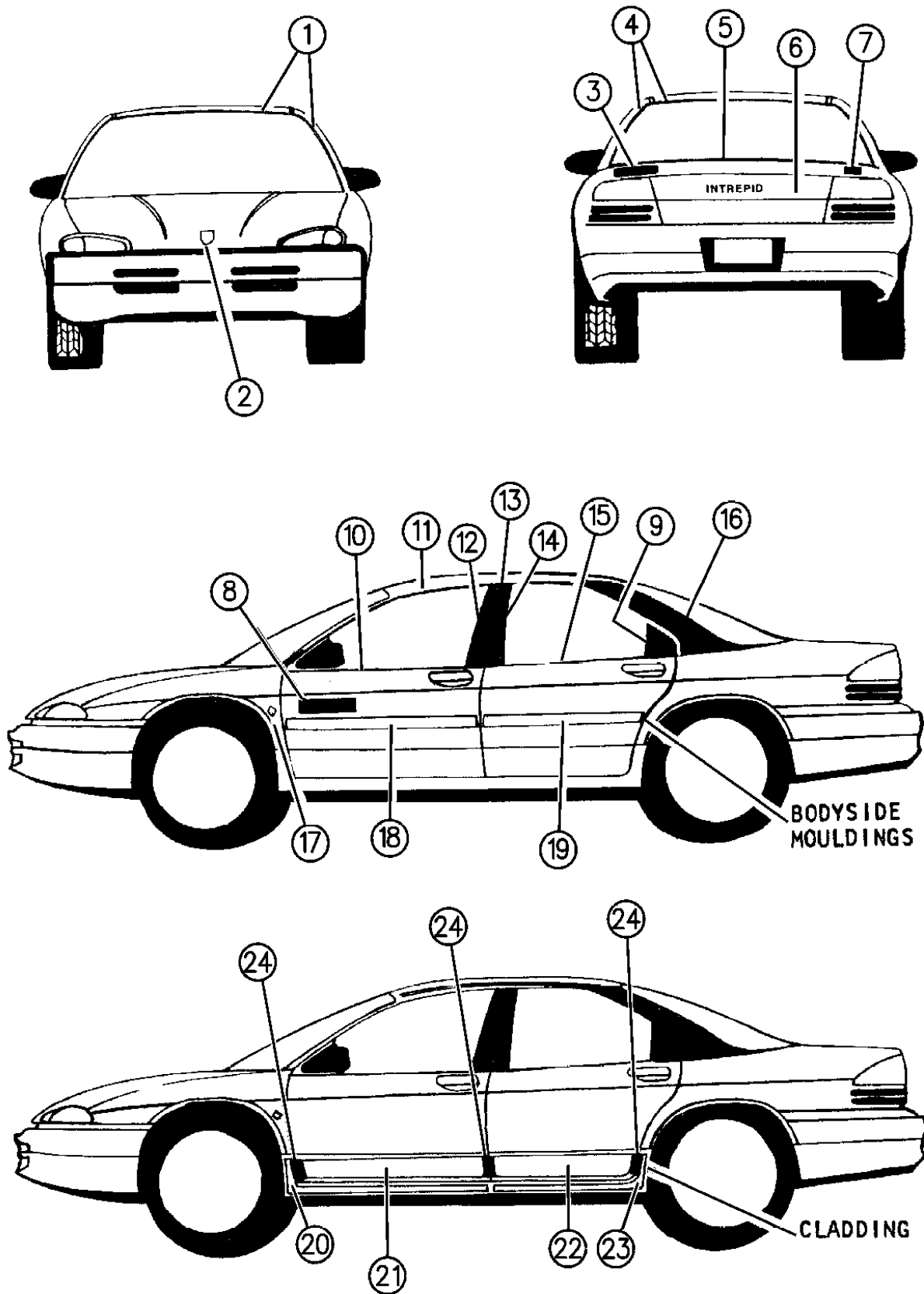
MODEL CODES:

Chrysler = (CH41 = New Yorker, CP41 = LHS, DH41 = Intrepid(Canada), DP41 = Intrepid ES(Canada), LP41 = Concorde)
 DODGE = (DH41 = Intrepid(USA), DP41 = Intrepid ES(USA))
 EAGLE = (XP41 = Vision ESI, XS41 = Vision TSI)

BODY STYLES:

41 = 4 - Door Sedan ENGINE: 3.3L (EGB)
 3.5L (EGE) 24 Valve

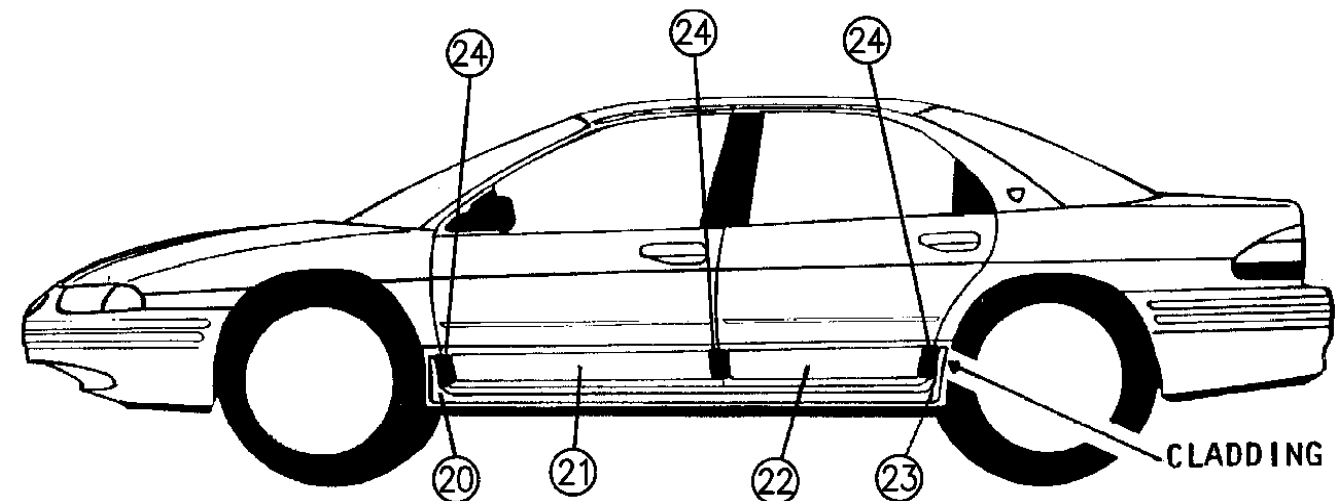
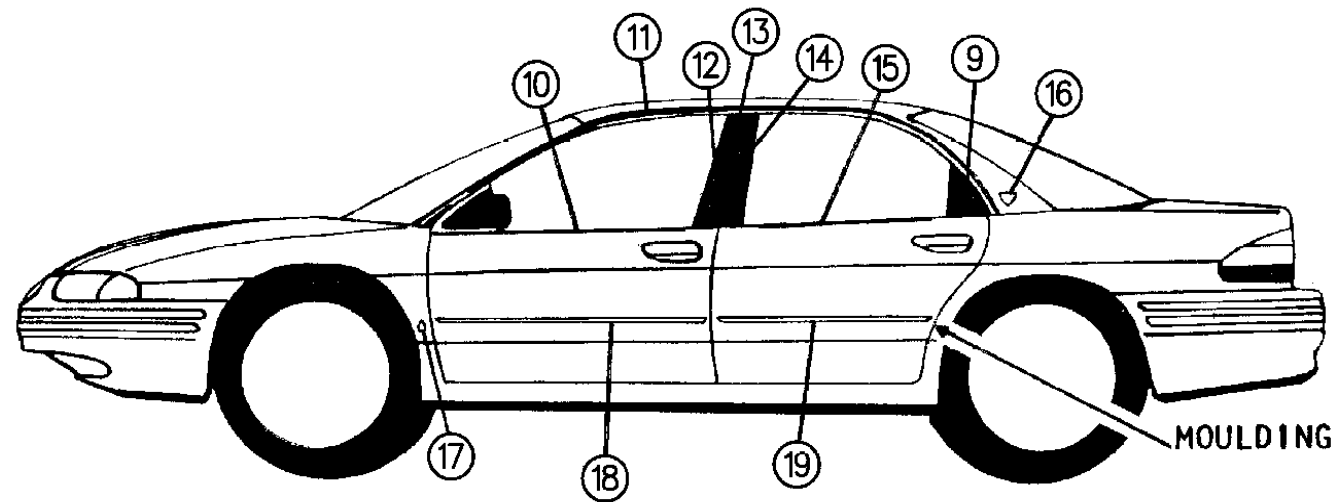
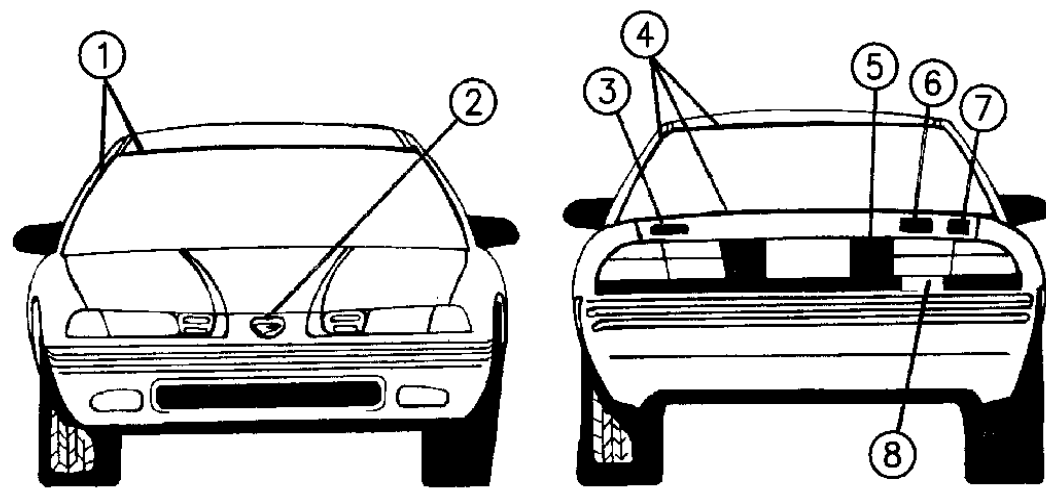
AR = Use as Required - = Non Illustrated Part P.A.R. = Paint as Required



93423 220

MOULDINGS AND CLADDING LH, VISION
Figure 23-230

23-230



93423 230

ITEM	PART NUMBER	QTY	BODY	MODEL	DESCRIPTION
	KK40 RMB	2			Wildberry
	KK40 RMH	2			Wild Orchid
	PT01 SHC	2			Candy Apple Red
	KK40 RPE	2			Spruce
	KK40 RP6	2			Island Teal
	KK40 RS4	2			Warm Silver
	KK40 SW4	2			Pearl White
20					CLADDING, Fender and Front Sill (See Note) ***
	WX48-9 MDL	1			Quartz 1993-95
	WX48-9 MF9	1			Fern Gray 1993-95
	WX48-9 SPE	1			Spruce 1996
	WX48-9 SS4	1			Warm Silver 1996
	WX48-9 SW1	1			White 1996
	WX48-9 SW4	1			Pearl White 1996
	WX48-9 SX8	1			Black 1996
	WX48-9 SHC	1			Candy Apple Red 1996
	WX48 TCU	1			Black, Right (CU) 1997
	WX49 TCU	1			Black, Left (CU) 1997
		6			SCREW, .164-15x.625 (Not Serviced)
	6501 067	14			RETAINER, Fender/Sill Cladding to Bracket
	6035 414	14			RIVET

NOTE: Cladding Colors - Fern Gray is used on vehicles with Driftwood and Char-Gold Exterior colors. All other vehicles use Quartz (1993-96)

21					CLADDING, Front Door (See Note) ***
	WX20-1 MDL	1		X-S	Quartz
	WX20-1 MF9	1		X-S	Fern Gray
	WX20-1 SHC	1			Candy Apple Red
	WX20-1 SMB	1			Wildberry
	WX20-1 SPE	1			Spruce
	WX20-1 SS4	1			Warm Silver
	WX20-1 SW1	1			White
	WX20-1 SW4	1			Pearl White
	WX20-1 SX8	1			Black
	WX20 TCU	1			Black, Right 1997
	WX21 TCU	1			Black, Left 1997
22					CLADDING, Rear Door (See Note) ***
	WX32-3 MDL	1		X-S	Quartz
	WX32-3 MF9	1		X-S	Fern Gray
	WX32-3 SHC	1			Candy Apple Red
	WX32-3 SMB	1			Wildberry
	WX32-3 SPE	1			Spruce
	WX32-3 SS4	1			Warm Silver

MODEL CODES:

Chrysler = (CH41 = New Yorker, CP41 = LHS, DH41 = Intrepid(Canada), DP41 = Intrepid ES(Canada), LP41 = Concorde)
DODGE = (DH41 = Intrepid(USA), DP41 = Intrepid ES(USA))
EAGLE = (XP41 = Vision ESI, XS41 = Vision TSI)

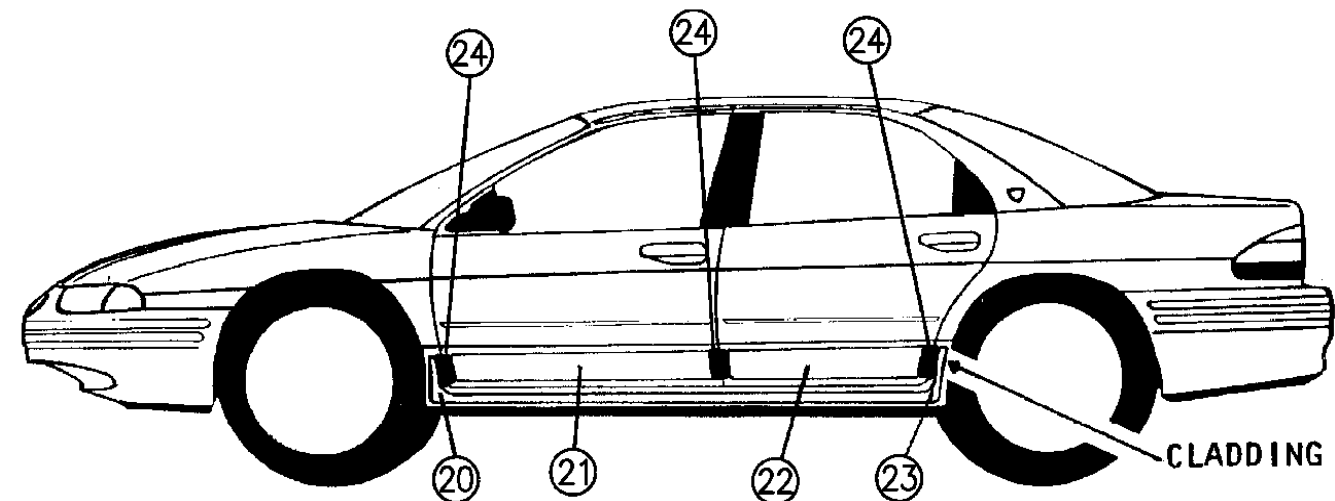
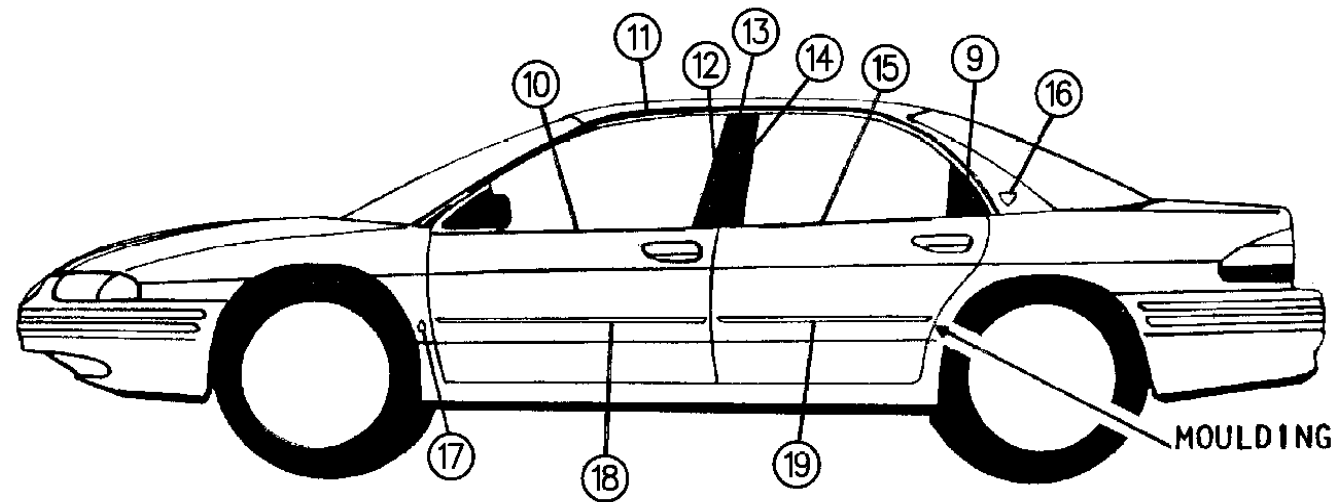
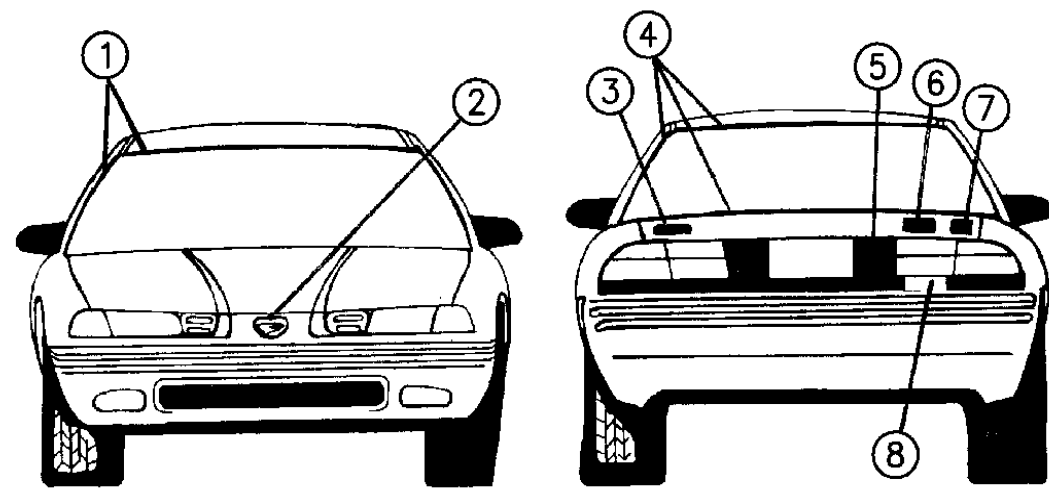
BODY STYLES:

41 = 4 - Door Sedan ENGINE: 3.3L (EGB)
3.5L (EGE) 24 Valve

AR = Use as Required - = Non Illustrated Part P.A.R. = Paint as Required

MOULDINGS AND CLADDING LH, VISION
Figure 23-230

23-230



93423 230

ITEM	PART NUMBER	QTY	BODY	MODEL	DESCRIPTION
	WX32-3 SW1	1			White
	WX32-3 SW4	1			Pearl White
	WX32-3 SX8	1			Black
	WX32 TCU	1			Black, Right 1997
	WX33 TCU	1			Black, Left 1997
	6034 848	AR			RIVET
23					CLADDING, Quarter and Sill Rear (See Note) ***
	WX06-7 MDL	1		X-S	Quartz
	WX06-7 MF9	1		X-S	Fern Gray
	WX06-7 SHC	1			Candy Apple Red
	WX06-7 SMB	1			Wildberry
	WX06-7 SPE	1			Spruce
	WX06-7 SS4	1			Warm Silver
	WX06-7 SW1	1			White
	WX06-7 SW4	1			Pearl White
	WX06-7 SX8	1			Black
	WX06 TCU	1			Black, Right (CU) 1997
	WX07 TCU	1			Black, Left (CU) 1997
	6035 217	AR			SCREW, Attaching
	6035 414	8			RIVET
	6501 067	8			RETAINER, Quarter/Sill Cladding to Bracket
24	HU28 MD8	12		X-S	TAPE, Cladding Gap Closure (used with quartz or fern gray claddings)

NOTE: For cladding brackets see 23-250.

MODEL CODES:

Chrysler = (CH41 = New Yorker, CP41 = LHS, DH41 = Intrepid(Canada), DP41 = Intrepid ES(Canada), LP41 = Concorde)
 DODGE = (DH41 = Intrepid(USA), DP41 = Intrepid ES(USA))
 EAGLE = (XP41 = Vision ESI, XS41 = Vision TSI)

BODY STYLES:

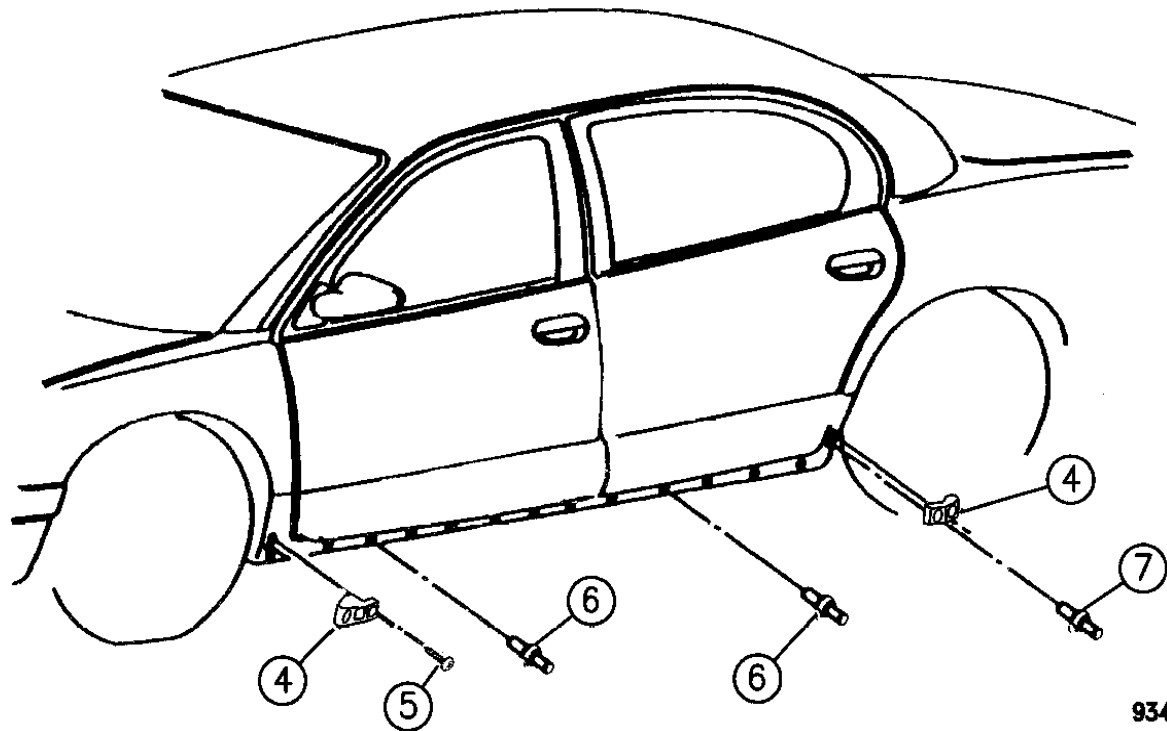
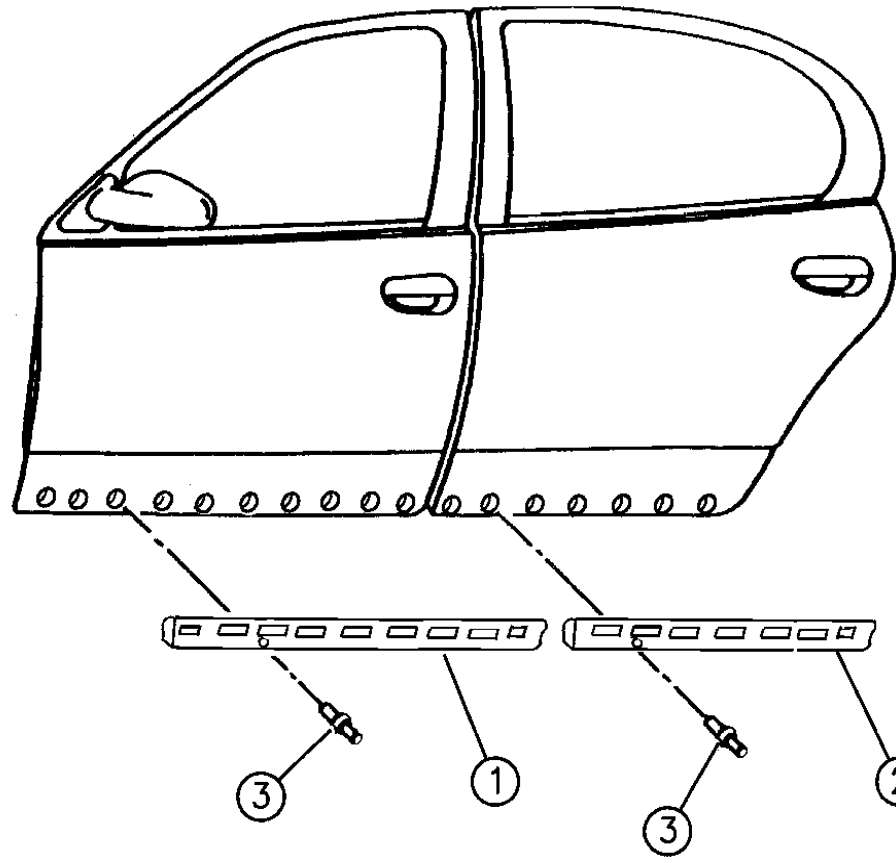
41 = 4 - Door Sedan ENGINE: 3.3L (EGB)
 3.5L (EGE) 24 Valve

AR = Use as Required - = Non Illustrated Part P.A.R. = Paint as Required

BRACKETS, CLADDING ATTACHING CONCORD AND LHS
Figure 23-240

23-240

ITEM	PART NUMBER	QTY	BODY	MODEL	DESCRIPTION
1	4630 309	2			BRACKET, Front Door Cladding
2	4630 310	2			BRACKET, Rear Door Cladding Lower
3	6034 848	AR			RIVET, Bracket
4	4630 086	AR		L-P	BRACKET, Fender/Quarter Cladding
5		4		L-P	SCREW (DNS)
6	4630 660	26		L,D,X,C	RIVET, Cladding Attaching
7	6034 848	4		L-P	RIVET, Quarter Bracket, Metal



93423 240

MODEL CODES: _____
 Chrysler = (CH41 = New Yorker, CP41 = LHS, DH41 = Intrepid(Canada), DP41 = Intrepid ES(Canada), LP41 = Concorde)
 DODGE = (DH41 = Intrepid(USA), DP41 = Intrepid ES(USA))
 EAGLE = (XP41 = Vision ESI, XS41 = Vision TSI)

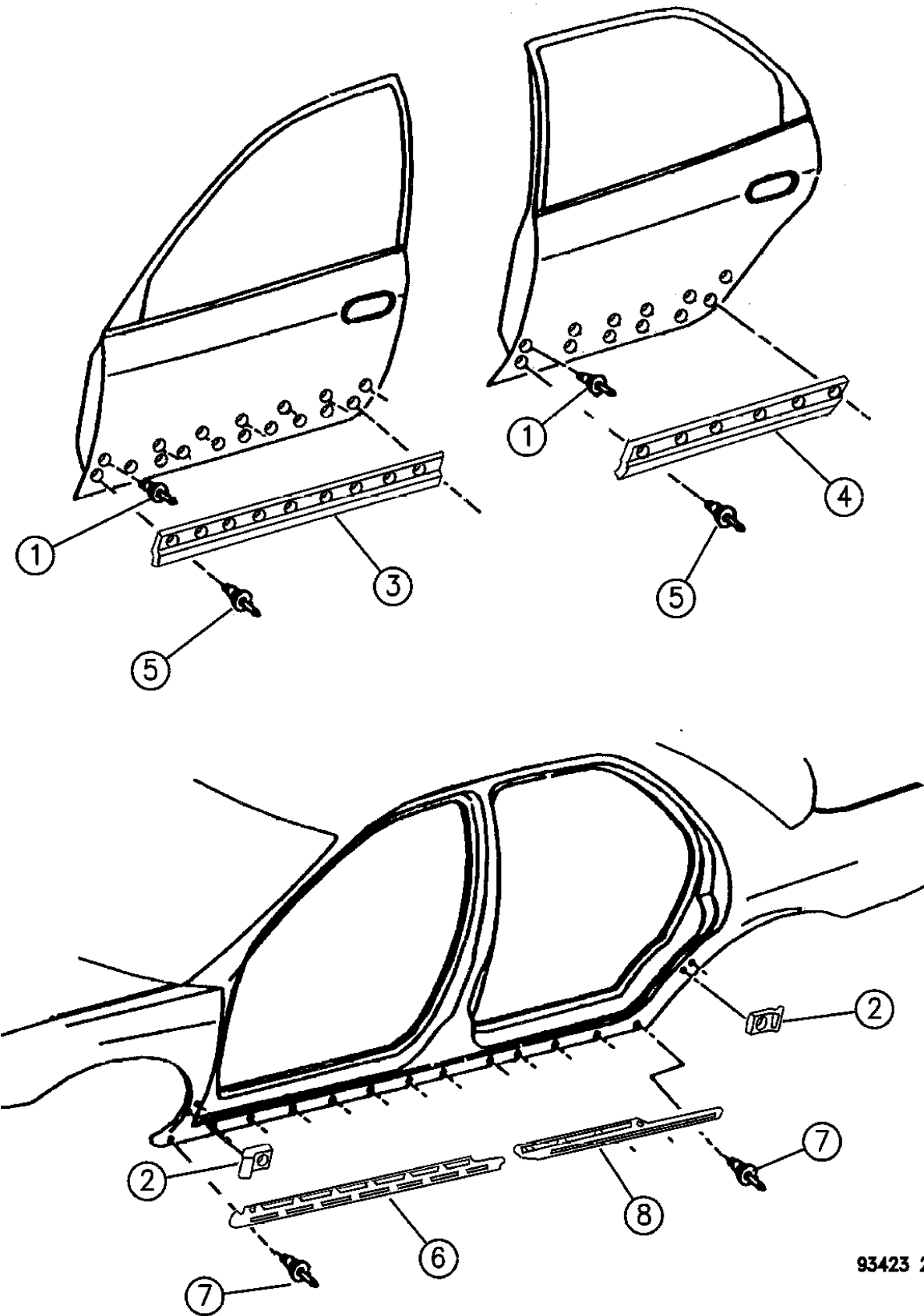
BODY STYLES: _____
 41 = 4 - Door Sedan ENGINE: 3.3L (EGB)
 3.5L (EGE) 24 Valve

AR = Use as Required - = Non Illustrated Part P.A.R. = Paint as Required

BRACKETS, CLADDING ATTACHING INTREPID AND VISION

Figure 23-250

23-250



93423 250

ITEM	PART NUMBER	QTY	BODY	MODEL	DESCRIPTION
1	4630 088	AR			RIVET, Shoulder Type, Plastic
2	4630 086	AR			BRACKET, Fender/Quarter Upper Cladding Attaching
		6			SCREW (DNS)
3	4630 082	2			BRACKET, Front Door Lower Cladding Attaching
4	4630 083	2			BRACKET, Rear Door Lower Cladding Attaching
5	6034 848	AR			RIVET, Bracket Attaching, Metal
6					BRACKET, Lower Cladding (fender and sill front)
	4630 084			D-P	INTREPID ES Right
	4630 085	1		D-P	Left
	4630 132	1		D-H	Right
	4630 133	1		D-H	Left
	4630 132-3	1		X-S	VISION TSI
7	4630 660	AR			RIVET, Sill Bracket Attaching, Plastic
8					BRACKET, Lower Cladding (quarter and sill rear)
	4630 134	1		D-P	INTREPID ES Right
	4630 135	1		D-P	Left
	4630 136	1		D-H	Right
	4630 137	1		D-H	Left
	4630 136-7	1		X-S	VISION TSI

MODEL CODES:

Chrysler = (CH41 = New Yorker, CP41 = LHS, DH41 = Intrepid(Canada), DP41 = Intrepid ES(Canada), LP41 = Concorde)
 DODGE = (DH41 = Intrepid(USA), DP41 = Intrepid ES(USA))
 EAGLE = (XP41 = Vision ESI, XS41 = Vision TSI)

BODY STYLES:

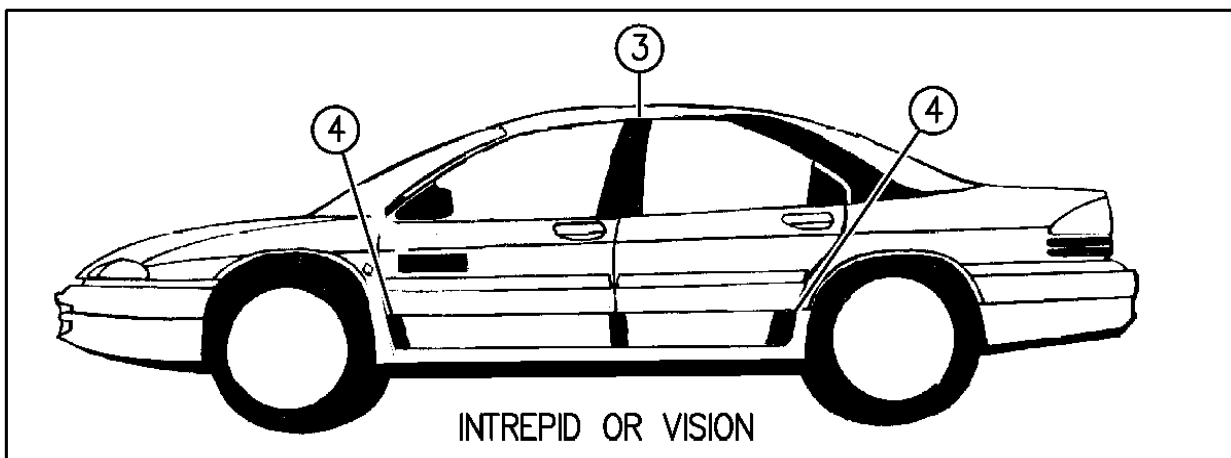
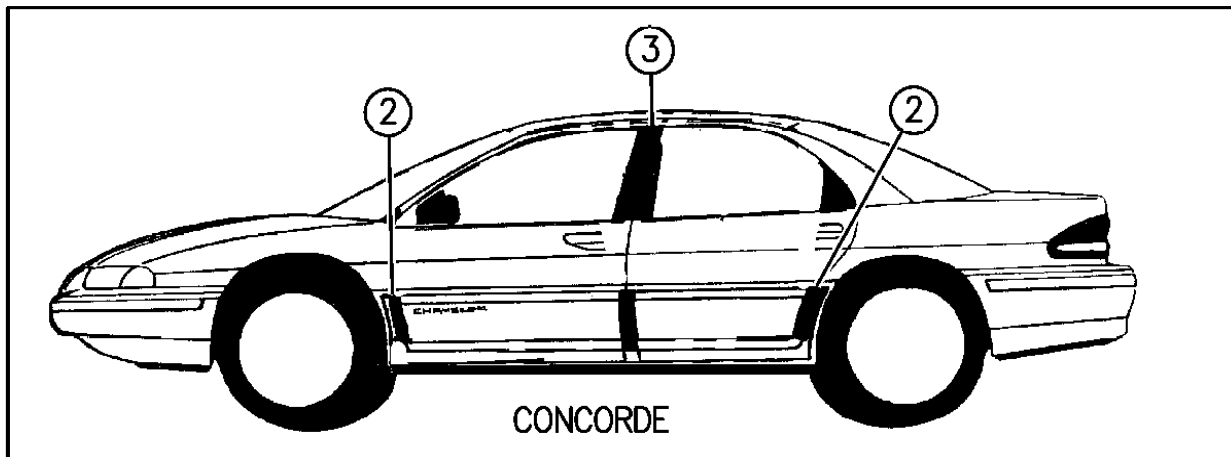
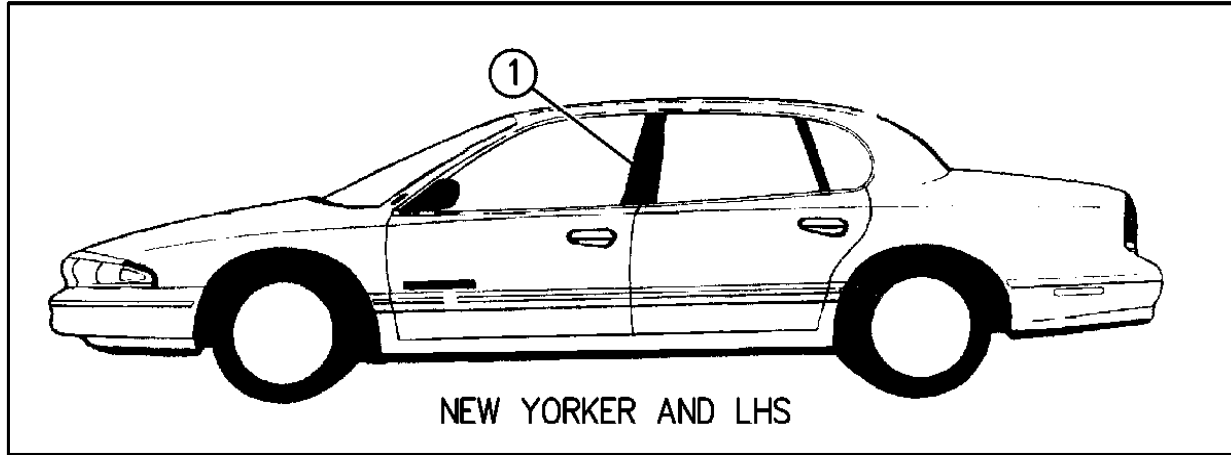
41 = 4 - Door Sedan ENGINE: 3.3L (EGB)
 3.5L (EGE) 24 Valve

AR = Use as Required - = Non Illustrated Part P.A.R. = Paint as Required

TAPES LH
Figure 23-310

23-310

ITEM	PART NUMBER	QTY	BODY	MODEL	DESCRIPTION
1	4630 280-1	1			TAPE, Center Pillar Blackout
2	HU04 MD4	12			TAPE, Cladding Gap Closure use w/Quartz Claddings
	HU04 MD8	12			use w/Driftwood Claddings
3	4630 280-1	1			TAPE, Center Pillar Blackout
4	HU28 MD8	12	D-P		TAPE, Cladding Gap Closure (only used with quartz or fern gray cladding, not used with body colored claddings)



93423 310

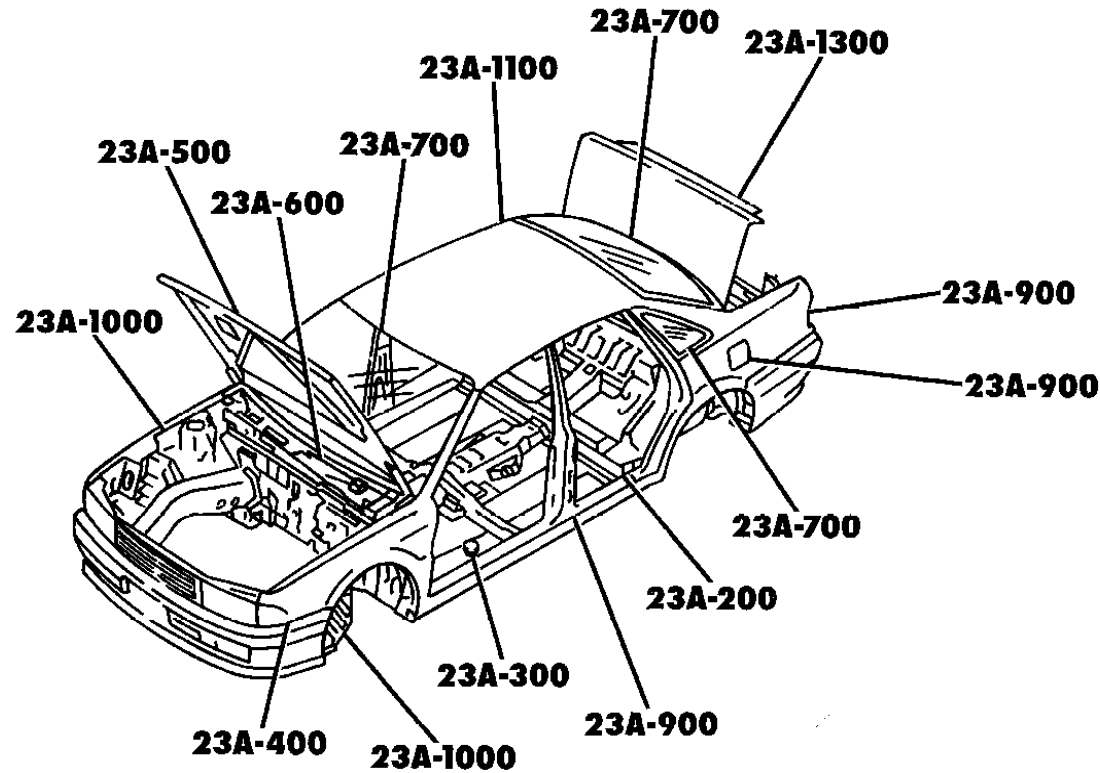
MODEL CODES: _____
 Chrysler = (CH41 = New Yorker, CP41 = LHS, DH41 = Intrepid(Canada), DP41 = Intrepid ES(Canada), LP41 = Concorde)
 DODGE = (DH41 = Intrepid(USA), DP41 = Intrepid ES(USA))
 EAGLE = (XP41 = Vision ESI, XS41 = Vision TSI)

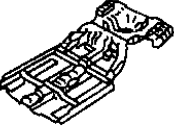


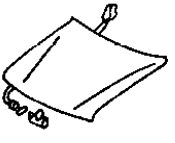
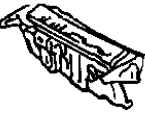


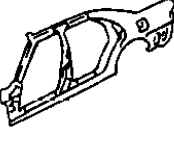
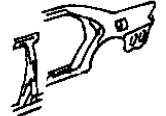
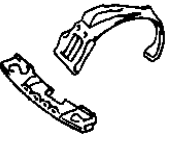
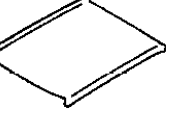

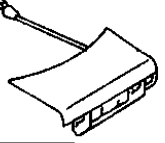
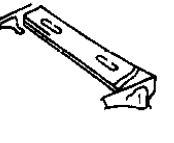
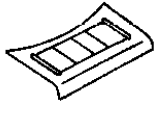
BODY STYLES: _____
 41 = 4 - Door Sedan ENGINE: 3.3L (EGB)
 3.5L (EGE) 24 Valve

AR = Use as Required - = Non Illustrated Part P.A.R. = Paint as Required

GROUP-23A

BODY SHEET METAL, GLASS EXCEPT DOORS



23A-200 FLOOR PAN 	23A-300 PLUGS, COVERS 	23A-400 FENDER — FRONT 	23A-500 HOOD & LOCK 	23A-600 COWL & DASH PANEL 	23A-700 WINDSHIELD GLASS Backlite Glass 
23A-700 QTR WINDOW GLASS & MOULDING 	23A-800 APERTURE PANEL 	23A-900 QUARTER PANEL PILLARS — SUPPORTS 	23A-1000 SHIELDS — SEALS 	23A-1100 ROOF 	23A-1200 SUN ROOF 
23A-1300 TRUNK LID & LOCK 	23A-1400 REAR SHELF PANEL 	23A-1600 LUGGAGE RACK — SPORTS BAR 			

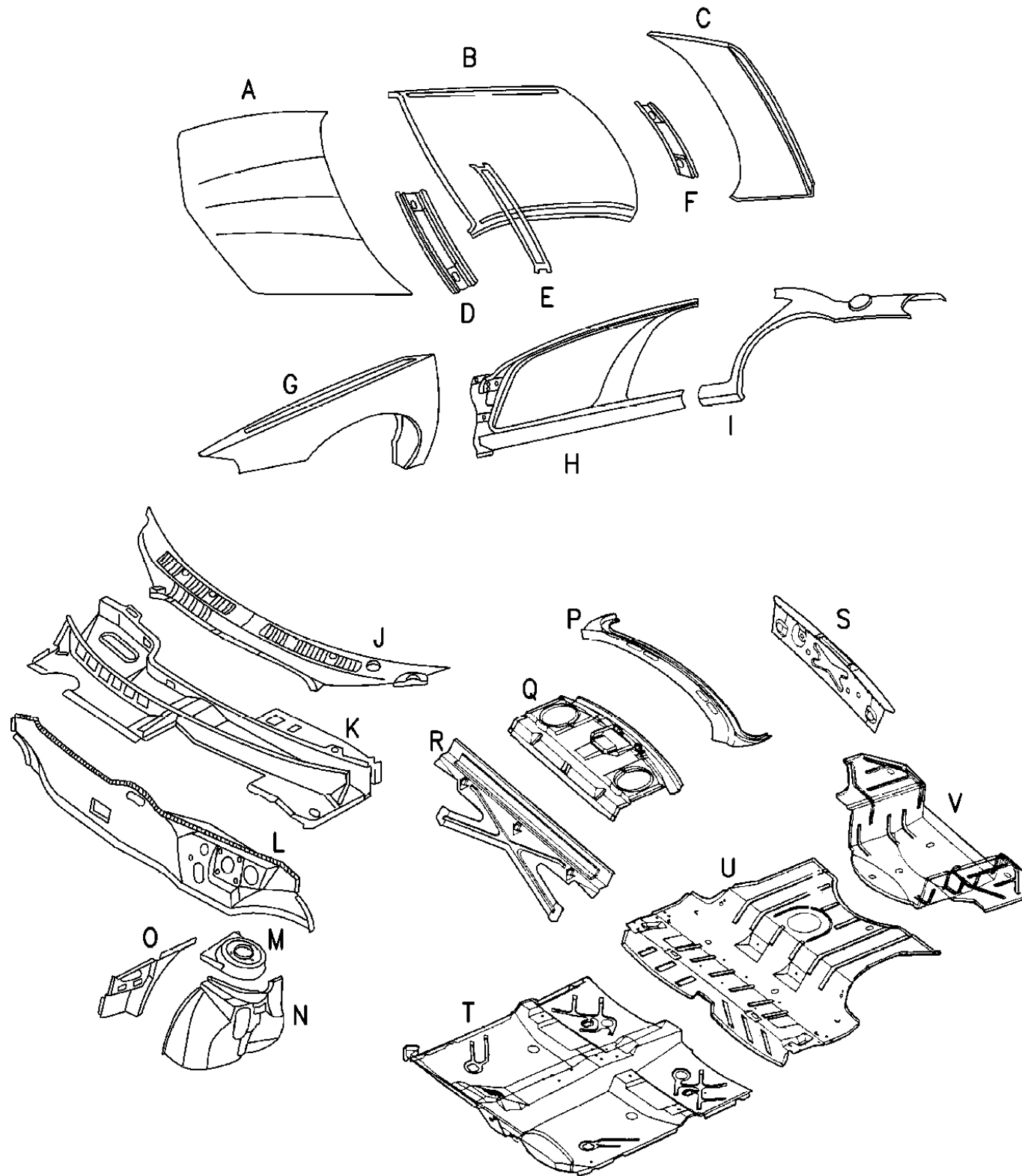
GROUP 23A - BODY - SHEET METAL EXCEPT DOORS

ILLUSTRATION TITLE	GROUP-FIG. NO.
BODY CONSRUCTION	
BODY CONSTRUCTION PARTIAL LIST OF BODY PANEL	Fig. 23A-110
FLOOR PAN	
FLOOR PAN FRONT LH BODY	Fig. 23A-210
FLOOR PAN CENTER AND REAR LH BODY	Fig. 23A-220
PLUGS & COVERS	
PLUGS FLOOR PAN LH BODY	Fig. 23A-310
FRONT FENDER	
FENDER AND SHIELD LH BODY	Fig. 23A-410
HOOD & HOOD RELEASE	
HOOD AND HOOD RELEASE LH BODY	Fig. 23A-510
COWL & DASH PANEL	
COWL AND DASH PANEL LH BODY	Fig. 23A-610
GLASS, WINDSHIELD, BACKLITE AND QUARTER	
GLASS WINDSHIELD AND MIRROR LH BODY	Fig. 23A-710
GLASS REAR WINDOW LH BODY	Fig. 23A-720
APERTURE PANEL	
APERTURE PANEL, PILLAR AND STRIKER LH BODY	Fig. 23A-810
QUARTER PANELS, PILLARS AND SUPPORTS	
QUARTER PANEL LH BODY	Fig. 23A-910
SPLASH SHIELDS AND SEALS	
SPLASH SHIELD REAR LH BODY	Fig. 23A-1010
ROOF PANELS	
ROOF PANEL LH BODY	Fig. 23A-1110
SUNROOF	
SUNROOF LH BODY	Fig. 23A-1210
TRUNK LID & LATCH	
DECK LID LH BODY	Fig. 23A-1310
REAR SHELF PANEL	
REAR SHELF PANEL LH BODY	Fig. 23A-1410

BODY CONSTRUCTION PARTIAL LIST OF BODY PANEL

Figure 23A-110

23A-110



ITEM	PART NUMBER	QTY	BODY	MODEL	DESCRIPTION
A					HOOD
B					ROOF PANEL
C					DECK LID
D					HEADER, Front
E					BOW, Roof
F					HEADER, Rear
G					FENDER, Front
H					APERTURE PANEL
I					QUARTER PANEL
J					SCREEN ASSEMBLY, Cowl
K					PANEL, Cowl Plenum Upper
L					PANEL, Dash
M					CAP, Front Suspension Strut Mounting Panel
N					PANEL, Front Suspension Mounting
O					PANEL, Front Shield
P					REINFORCEMENT, Rear Shelf Panel
Q					PANEL, Shelf (Not Serv.)
R					CROSSMEMBER, Rear Suspension Strut Mount
S					PANEL, Deck Lid Outer Lower
T					PAN, Front Floor
U					PAN ASSEMBLY, Center Floor
V					PAN, Rear Floor

MODEL CODES:

Chrysler = (CH41 = New Yorker, CP41 = LHS, DH41 = Intrepid(Canada), DP41 = Intrepid ES(Canada), LP41 = Concorde)
 DODGE = (DH41 = Intrepid(USA), DP41 = Intrepid ES(USA))
 EAGLE = (XP41 = Vision ESI, XS41 = Vision TSI)

BODY STYLES:

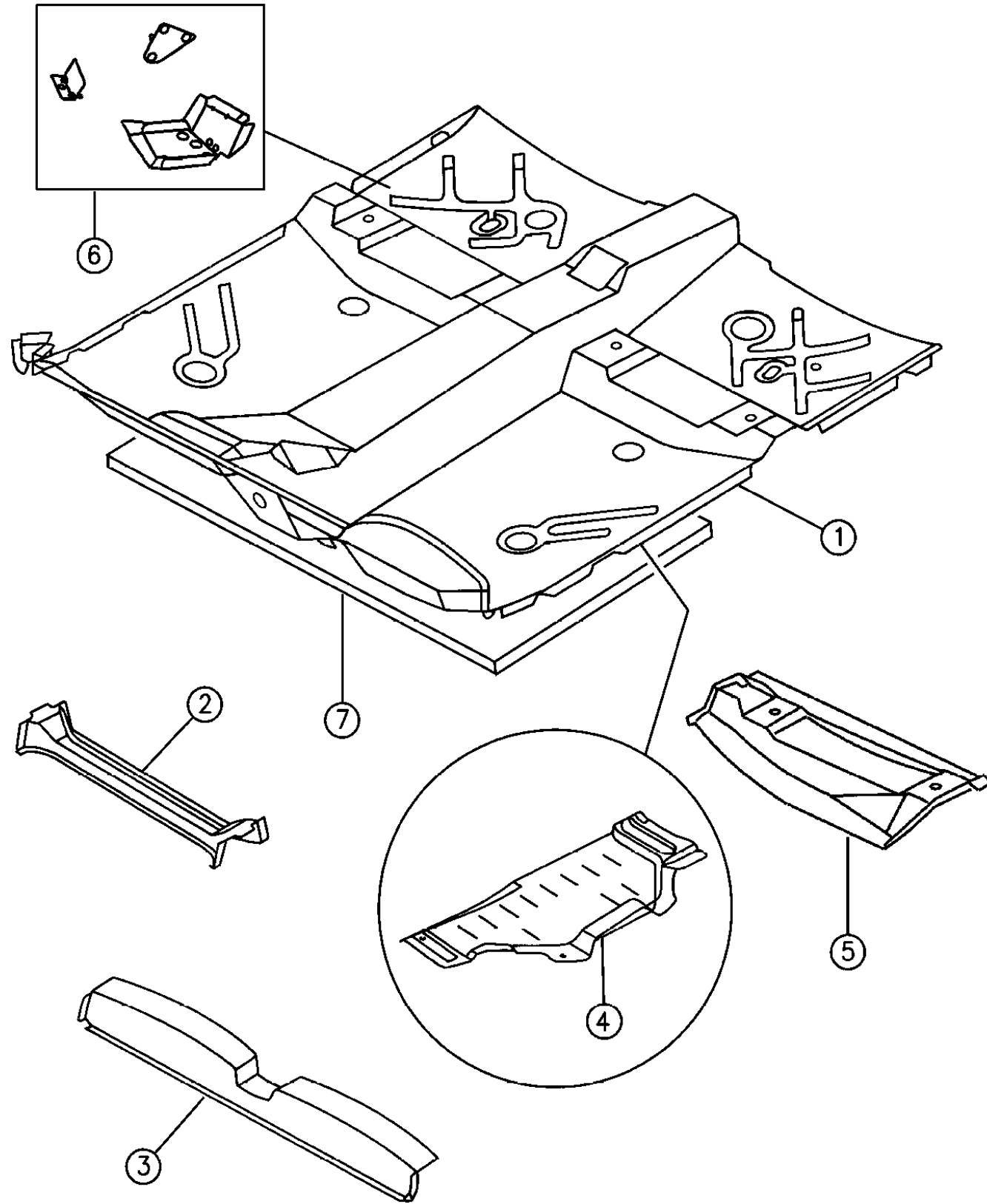
41 = 4 - Door Sedan ENGINE: 3.3L (EGB)
 3.5L (EGE) 24 Valve

93469 110

AR = Use as Required - = Non Illustrated Part P.A.R. = Paint as Required

FLOOR PAN FRONT LH BODY
Figure 23A-210

23A-210F



ITEM	PART NUMBER	QTY	BODY	MODEL	DESCRIPTION
1					PAN, Front Floor
					1993
	4624 496	1		D-L-X	
	4696 609	1		C	
	4756 315	1			1994
	4756 405	1			1995, w/o Autostick Interactive Auto/Trans.
	4756 878	1			1995, w/Autostick Interactive Auto/Trans
	4756 878	1			1996
2	4583 216	1			CROSSMEMBER, Center Floor Rear Suspension
3	4583 212	1			CROSSMEMBER, Center Floor
4	4695 504	1			SHIELD, Brake and Fuel Line Bundle
5	4583 160	1			CROSSMEMBER, Front Seat Mounting, Rear
6	4624 520-1	1			BRACKET, Tension Strut Mounting (Trailing Arm Attaches to This Bracket)
7	4740 136	AR			SILENCER, Floor Pan
-	4696 366	2			DEADENER, Front Floor Pan Front Tunnel ***

MODEL CODES:
 Chrysler = (CH41 = New Yorker, CP41 = LHS, DH41 = Intrepid(Canada), DP41 = Intrepid ES(Canada), LP41 = Concorde)
 DODGE = (DH41 = Intrepid(USA), DP41 = Intrepid ES(USA))
 EAGLE = (XP41 = Vision ESI, XS41 = Vision TSI)

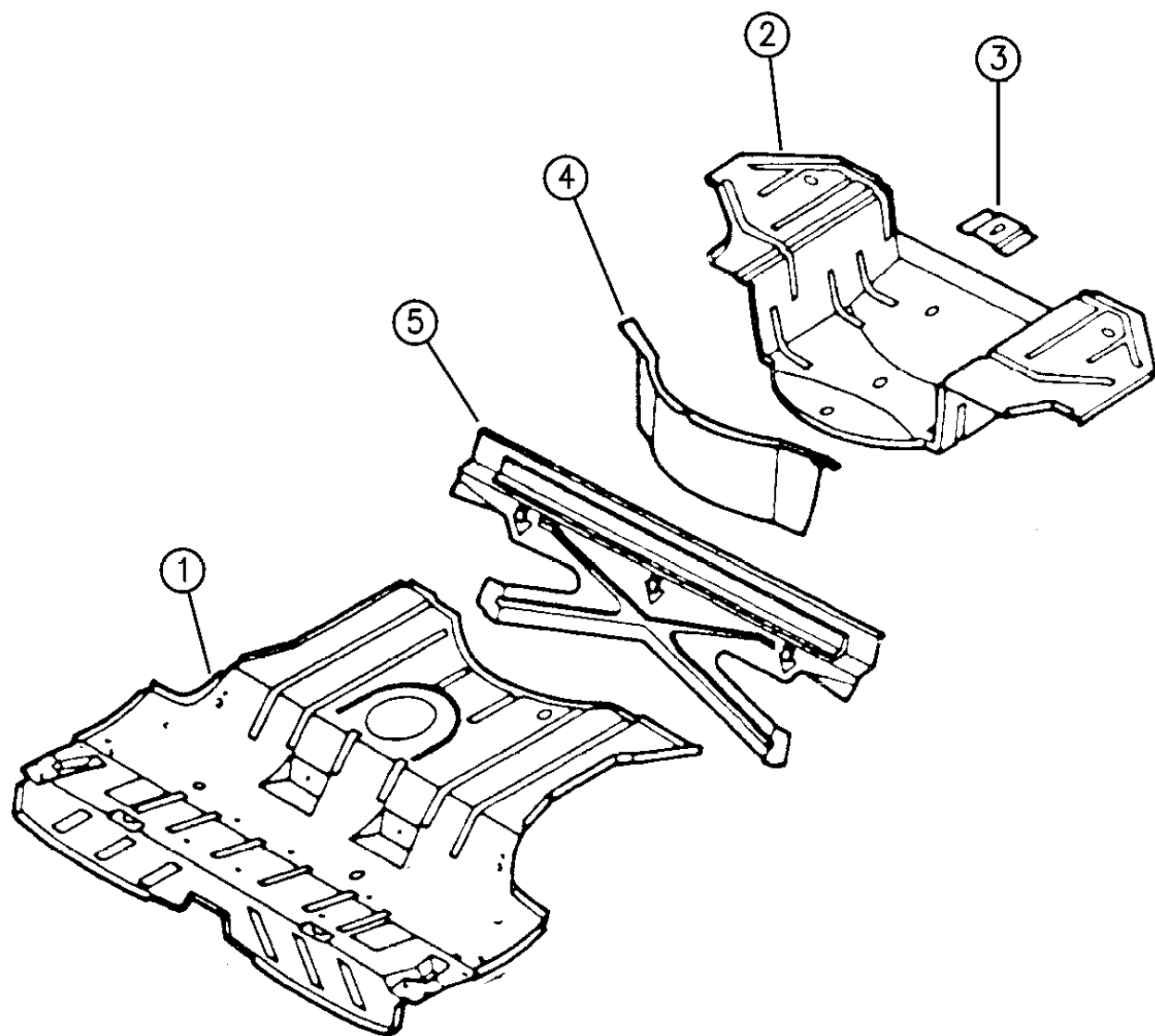
BODY STYLES:
 41 = 4 - Door Sedan ENGINE: 3.3L (EGB)
 3.5L (EGE) 24 Valve

93469 210

AR = Use as Required - = Non Illustrated Part P.A.R. = Paint as Required

FLOOR PAN CENTER AND REAR LH BODY
Figure 23A-220

23A-220A



ITEM	PART NUMBER	QTY	BODY	MODEL	DESCRIPTION
1					PAN ASSEMBLY, Center Floor ***
	4583 226	1			1993
	4696 142	1			(Use Up To 4-1-94)
	4756 462	1			(Use After 4-1-94)
	4756 462	1			1995, (Use Up To 12-22-94)
	4756 821	1			(Use After 12-22-94)
	4756 821	1			1996 ***
2	4583 235	1			PAN, Rear Floor
3	4583 236	1			REINFORCEMENT, Spare Tire Hold Down
4	4583 215	1			PANEL, Spare Tire Front Closure
5	4583 341	1			CROSSMEMBER, Rear Support Strut

MODEL CODES: _____
 Chrysler = (CH41 = New Yorker, CP41 = LHS, DH41 = Intrepid(Canada), DP41 = Intrepid ES(Canada), LP41 = Concorde)
 DODGE = (DH41 = Intrepid(USA), DP41 = Intrepid ES(USA))
 EAGLE = (XP41 = Vision ESI, XS41 = Vision TSI)

BODY STYLES: _____
 41 = 4 - Door Sedan ENGINE: 3.3L (EGB)
 3.5L (EGE) 24 Valve

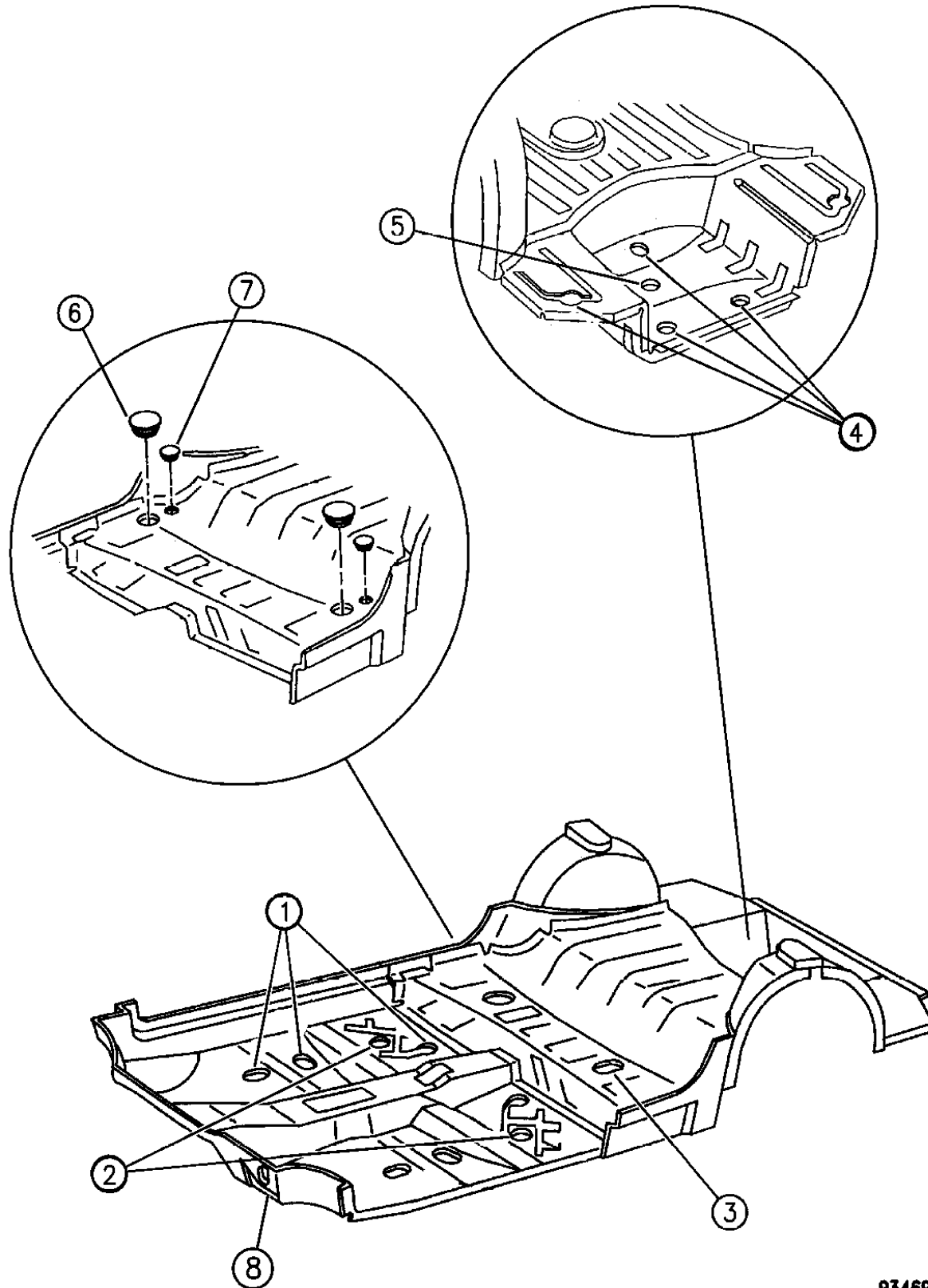
93469 220

AR = Use as Required - = Non Illustrated Part P.A.R. = Paint as Required

PLUGS FLOOR PAN LH BODY
Figure 23A-310

23A-310A

ITEM	PART NUMBER	QTY	BODY	MODEL	DESCRIPTION
1	4646 982	8			PLUG, Floor Pan Front
	4696 666				1993 1994-95
2	4646 971	2			PLUG, Floor Pan Front
3	4646 971	2			PLUG, Floor Pan Center
4	4646 971	5			PLUG, Floor Pan Rear
5	4646 982	AR			PLUG, Floor Pan Rear
	4696 666	AR			PLUG, Floor Pan Rear - 1995
6	5255 216	AR			PLUG, Iso Strut Tower
7	3502 6594	AR			PLUG, ABS Grommet Screw Hole
8	1774 076	1			PLUG, Wheelhouse ABS Pump Attach Hole Front Suspension Mounting, Left



93469 310

MODEL CODES:

Chrysler = (CH41 = New Yorker, CP41 = LHS, DH41 = Intrepid(Canada), DP41 = Intrepid ES(Canada), LP41 = Concorde)
DODGE = (DH41 = Intrepid(USA), DP41 = Intrepid ES(USA))
EAGLE = (XP41 = Vision ESI, XS41 = Vision TSI)

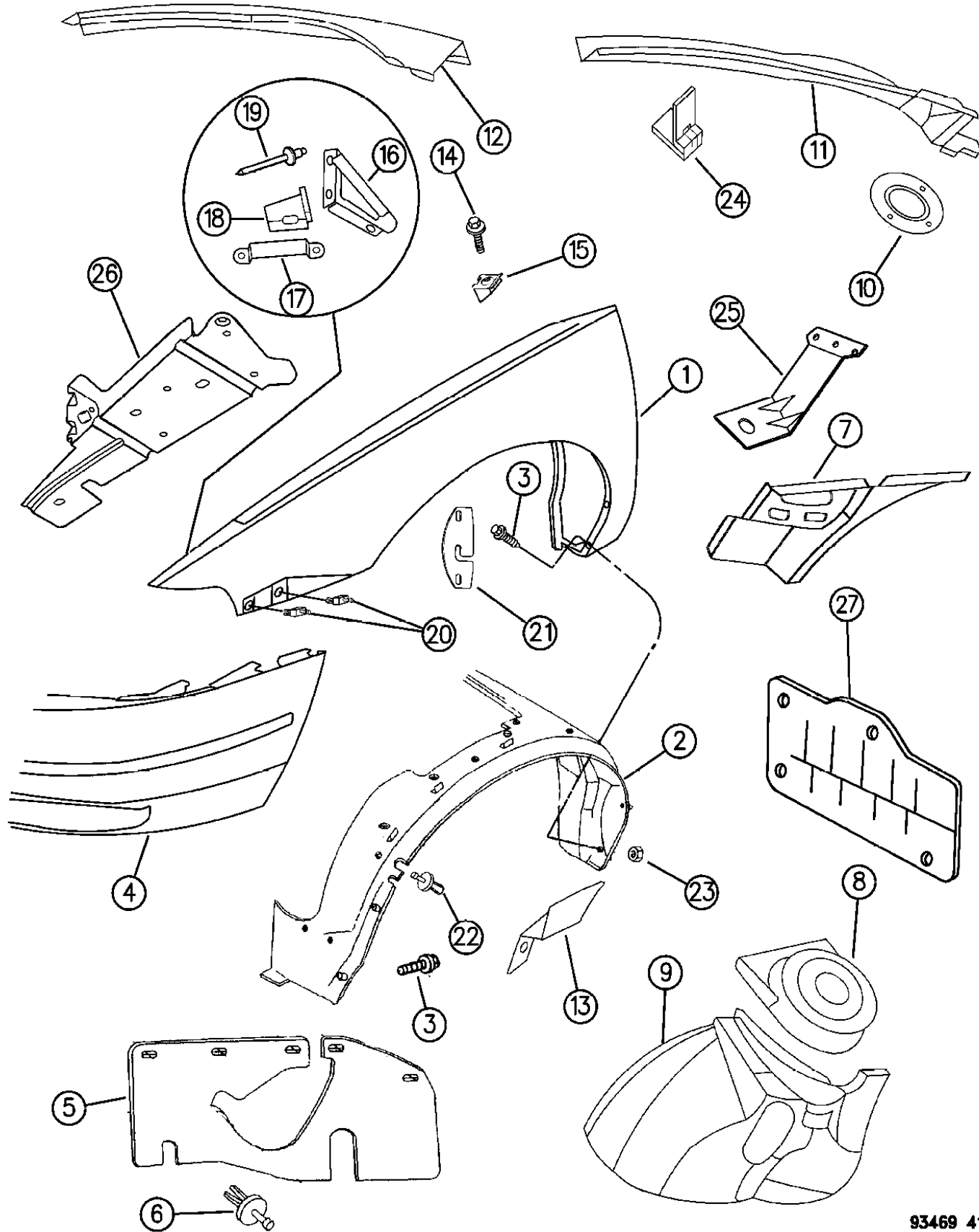
BODY STYLES:

41 = 4 - Door Sedan ENGINE: 3.3L (EGB)
3.5L (EGE) 24 Valve

AR = Use as Required - = Non Illustrated Part P.A.R. = Paint as Required

FENDER AND SHIELD LH BODY
Figure 23A-410

23A-410D



93469 410

ITEM	PART NUMBER	QTY	BODY	MODEL	DESCRIPTION
When Ordering A Steel Fender For Model C Only, Order 4 of 4630253 Drive Pin and 1 Molding (Either 4756584-5 Chrome or LG723Trm)					
When Ordering A Steel Fender For L,X,D, Order 4 of 4630253 Drive Pin.					
When Replacing Plastic Fender With Steel, Front 2 Holes On Flange Will Have To Be Drilled. Use 6034703 Screw To Attach					
1					FENDER, Front
					1993-94-95-96 Steel
	4756 934	1	L,X		Right
	4756 935	1	L,X		Left
	4756 936	1	D		Right
	4756 937	1	D		Left
	4756 320	1	C		Right
	4756 321	1	C		Left
	4756 686	1	C		Right, Steel (Use After 1-30-95) EUROPEAN
	4756 687	1	C		Left, Steel (Use After 1-30-95) EUROPEAN
	4769 168	1	X		Right, 1996 (European)
	4769 169	1	X		Left, 1996 (European)
2					SHIELD, Front Fender Splash
	4624 720-1	1	D		
	4583 964-5	1	C,L,X		
	6501 925	14			PUSH PIN, Splash Shield Attach ***
3		AR			SCREW (Not Serviced) ***
4		1			FASCIA ASSEMBLY (Reference Only) ***
5					SHIELD, Front Rail Splash
	4646 006-7	1			(Use Up To 12-10-93)
	4756 550-1	1			(Use After 12-10-93)
	4756 550-1	1			1995-96
6	6030 441	8			RETAINER
7					PANEL, Front Fender Shield
	4583 096	1			Right, Up to 2-23-93
	4646 543	1			Left, Up to 2-23-93
	4696 574-5	1			After 2-23-93
	4696 574-5	1			1995-96
8	4583 098-9	1			CAP, Front Suspension Strut Mounting Panel
9	4583 100-1	1			PANEL, Front Suspension Strut Mounting
10	4646 004	2			PLATE, Front Suspension Strut Mounting
11	4624 510-1	1			BEAM ASSEMBLY, Upper Load Path, Inner ***
	4696 718-9	1			1995-96 - BEAM ASSY, Upper Load Path - Inner ***
	4696 169	2			RETAINER, Load Beam Inner Cavity
12	4624 514-5	1			BEAM ASSEMBLY, Upper Load Path, Outer ***
13	4646 046-7	1			BRACKET, Front Fender to Hinge Pillar
	4756 426-7	1			1995 ***
14	6034 703	AR			SCREW & WASHER, Front Fender Attach ***

MODEL CODES:

Chrysler = (CH41 = New Yorker, CP41 = LHS, DH41 = Intrepid(Canada), DP41 = Intrepid ES(Canada), LP41 = Concorde)
DODGE = (DH41 = Intrepid(USA), DP41 = Intrepid ES(USA))
EAGLE = (XP41 = Vision ESI, XS41 = Vision TSI)

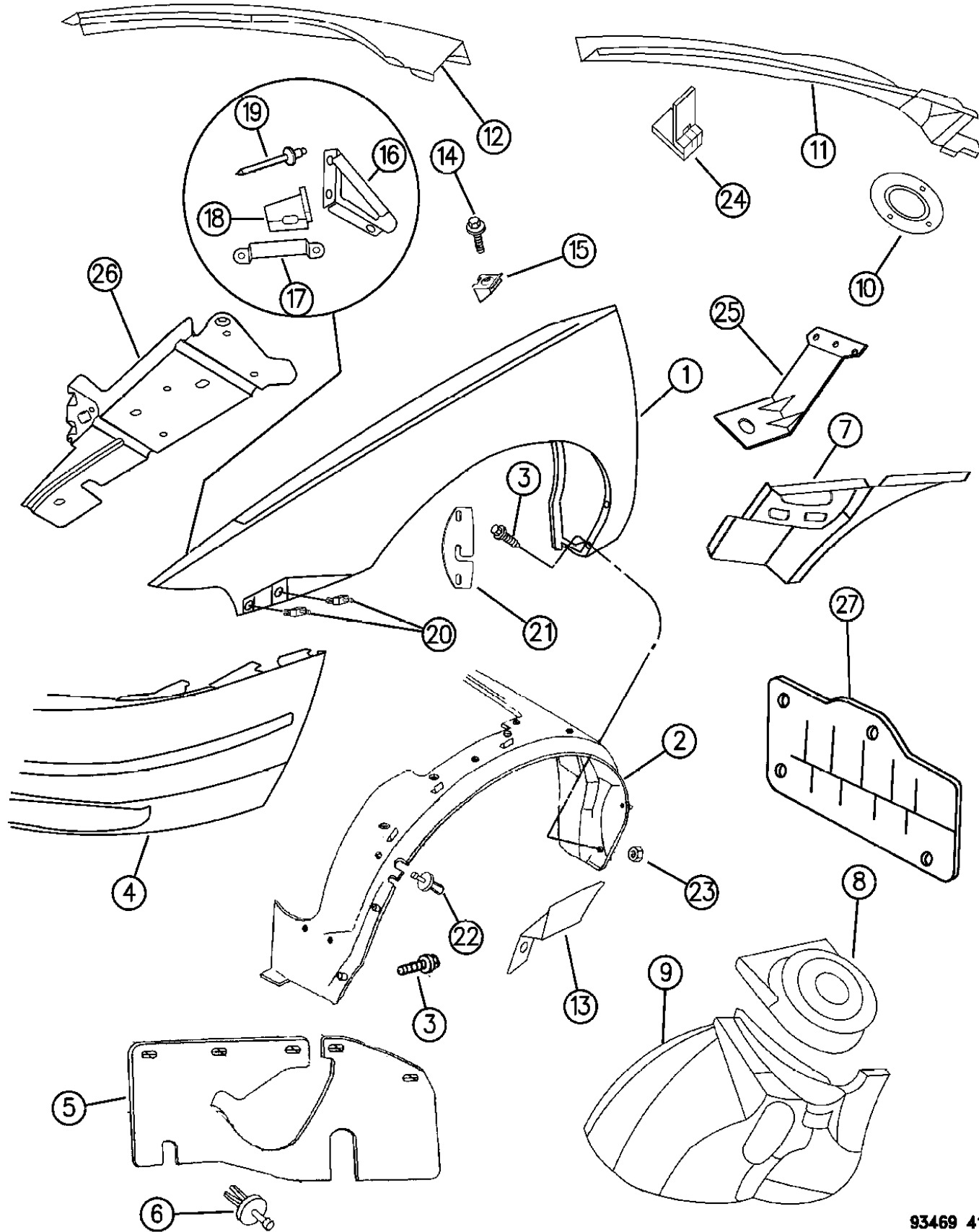
BODY STYLES:

41 = 4 - Door Sedan ENGINE: 3.3L (EGB)
3.5L (EGE) 24 Valve

AR = Use as Required - = Non Illustrated Part P.A.R. = Paint as Required

FENDER AND SHIELD LH BODY
Figure 23A-410

23A-410D



93469 410

ITEM	PART NUMBER	QTY	BODY	MODEL	DESCRIPTION
15	6502 461	4			RETAINER, Fender Attach, (Black Plastic)
16	4696 520-1	1		L,X	BRACKET, Fender And Fascia Support
	4696 522-3	1		D	
	4696 524-5	1		C	
17	4696 519	2			STRAP, Fender Nose
18	4696 526-7	1		L,X	BRACKET, Fender Nose
	4696 536-7	1		D	
	4756 084-5	1		C	1993-94 ***
	4696 904-5	1		C	1995-96 ***
19	6035 071	4			RIVET, Fender Nose Strap
20	4630 253	4			DRIVEPIN, Fender to Fender Side Shield ***
21	4696 492	AR			SHIM, Fender Adjust
22	6501 925	AR			PUSH PIN, Splash Shield Attaching ***
23	6034 432	6			NUT, Front Fender Splash Shield Attaching
24	4696 170	2			SEAL ASSY., Load Path Inner Cavity ***
25	4696 956-7	1			BRACKET, Front Fender Dogleg Reinforcement
26	4696 902-3	1		C	BRACKET, Front Fender Fascia Shelf, (Used With Steel Fender Only)
	4756 950-1	1		L-X	
	4756 952-3	1		D	
27	4696 284-5	1			SHIELD, Tie Rod Splash

MODEL CODES:

Chrysler = (CH41 = New Yorker, CP41 = LHS, DH41 = Intrepid(Canada), DP41 = Intrepid ES(Canada), LP41 = Concorde)
DODGE = (DH41 = Intrepid(USA), DP41 = Intrepid ES(USA))
EAGLE = (XP41 = Vision ESI, XS41 = Vision TSI)

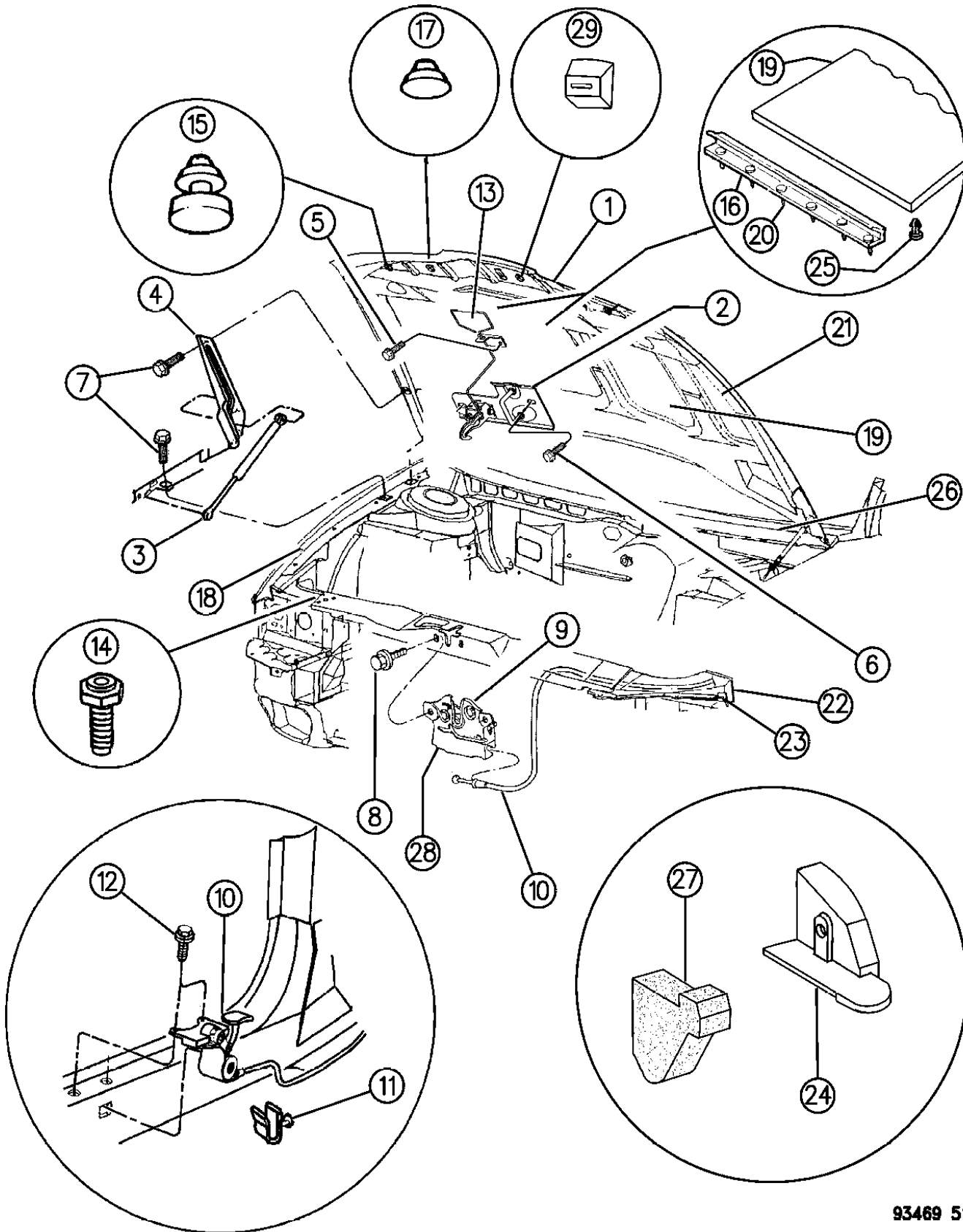
BODY STYLES:

41 = 4 - Door Sedan ENGINE: 3.3L (EGB)
3.5L (EGE) 24 Valve

AR = Use as Required - = Non Illustrated Part P.A.R. = Paint as Required

HOOD AND HOOD RELEASE LH BODY
Figure 23A-510

23A-510E



93469 510

ITEM	PART NUMBER	QTY	BODY	MODEL	DESCRIPTION
1					HOOD
					w/o Holes (w/o Hood Mounted Washer Nozzles)
	4723 805	1	X		1993-96
	4723 818	1	D		1993
	4756 122	1	D		1994-96
	4723 819	1	L		1993-94
	4756 604	1	L		1995-96
	4723 820	1	C		1993-96
					w/Holes, (w/Hood Mounted Washers Nozzles)
					1996
	4874 449	1	X		1996
	4580 560	1	D		1996
	4580 561	1	L		1996
	4874 450	1	C		1996
2					STRIKER and SAFETY CATCH ASSEMBLY ***
	4624 418	1			1993
	4624 418	1	C,L,X		1994-96
	4756 314	1	D		1993-96
-	5257 479	1			RETAINER, Rod Left Angle
-	3882 762	1			RETAINER, Rod End
3	4624 415	2			PROP, Gas
4					HINGE ASSEMBLY
	4583 734-5	1		D-L-X	
	4584 454-5	1		C	(Use Up To 12-23-93)
	4756 556-7	1		C	(Use After 12-23-93)
	4756 556-7	1		C	1995-96
-	6503 978	8			NUT, Hood Hinge Attaching (M6x1.00)
5	6032 196	AR			SCREW, (M6x1x16)
6	6100 556	AR			SCREW and WASHER
7	6500 461	AR			SCREW and WASHER ASSEMBLY, (M6x1x16) ***
8		AR			SCREW, (M8x1.25x20) (Not Serv.)
9	4624 422	1			LATCH ASSEMBLY
10					CABLE and HANDLE ASSEMBLY, Release ***
	4624 523	1			1993
	4696 805	1			1994-95
	4580 531	1			1996
11	4646 042	2			CLIP, Cable
12		AR			SCREW, (#10x.625) Not Serviced
13					HANDLE, Hood Release
	4624 423	1		X	
	4646 051	1		D	
	4646 644	1		C,L	

MODEL CODES:

Chrysler = (CH41 = New Yorker, CP41 = LHS, DH41 = Intrepid(Canada), DP41 = Intrepid ES(Canada), LP41 = Concorde)
 DODGE = (DH41 = Intrepid(USA), DP41 = Intrepid ES(USA))
 EAGLE = (XP41 = Vision ESI, XS41 = Vision TSI)

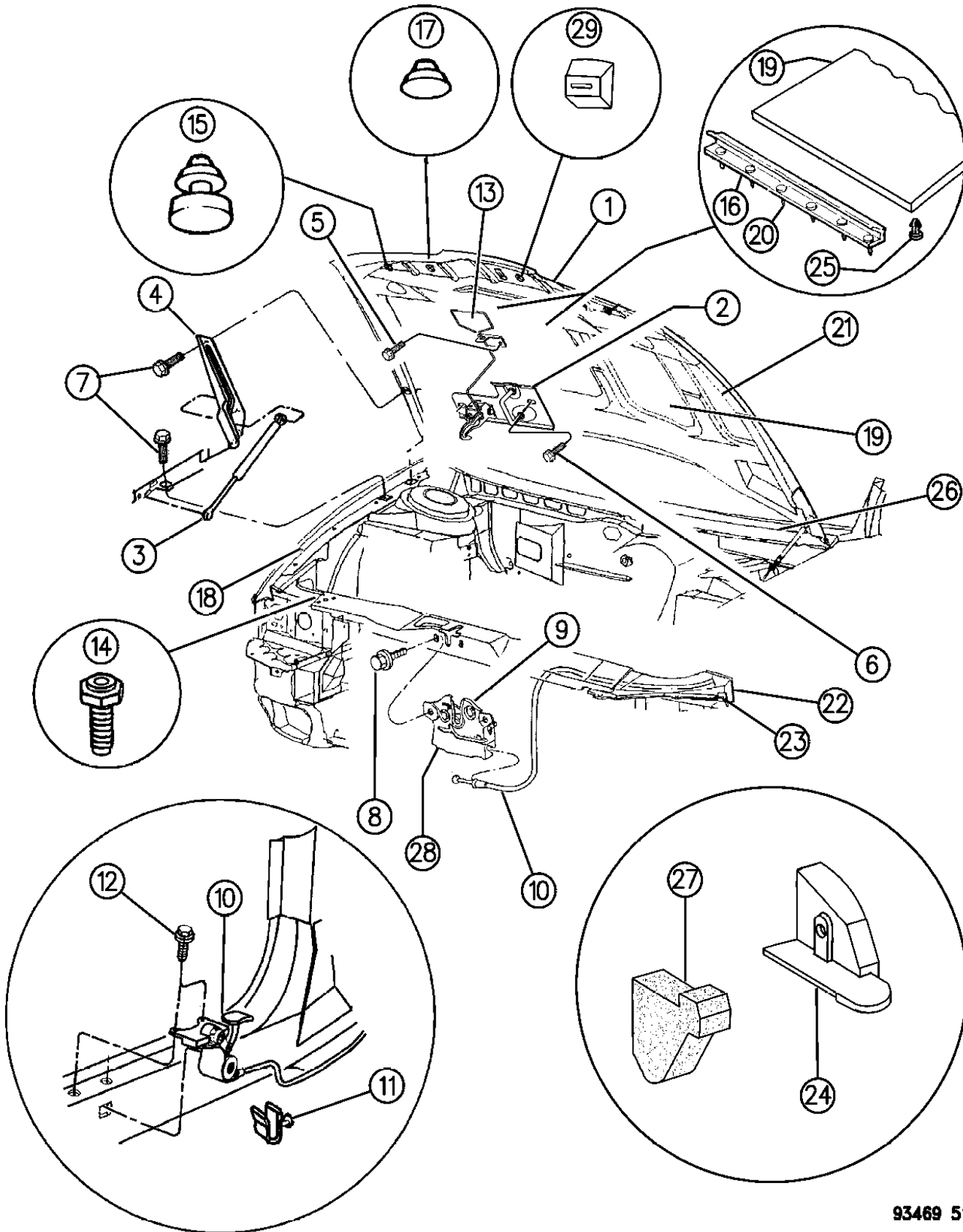
BODY STYLES:

41 = 4 - Door Sedan ENGINE: 3.3L (EGB)
 3.5L (EGE) 24 Valve

AR = Use as Required - = Non Illustrated Part P.A.R. = Paint as Required

HOOD AND HOOD RELEASE LH BODY
Figure 23A-510

23A-510E



93469 510

ITEM	PART NUMBER	QTY	BODY	MODEL	DESCRIPTION
14	4584 474	2			BUMPER, Hood Overslam Rubber Tip
15	5253 192	2			BUMPER, Hood
16	4624 754-5	1			BAFFLE, Hood Radiator, (Retainers Included)
17	4756 127	2		D	BUMPER, Hood to Fascia
18					SEAL, Hood Panel to Fender (Foam Tape)
	4646 626	1		C	
	4624 674	1		D-L-X	
19					SILENCER, Hood Inner Panel
	4584 465	1		C,D,L,X	w/3.3 and w/3.5 Except Dodge
	4584 461	1		D	w/3.5 Dodge Only
20	6502 842	14			RETAINER, Silencer
21	4206 515	AR			PLUG, Hood Inner
22	4696 310	1			LABEL, Air Bag Maintenance Warning
23	4596 179	1			DECAL, A/C System Spec. ***
24	4696 096-7	1			COVER, Hood Hinge
25	4756 039	2			CLIP, Hood Hinge Cover
26	4646 056	1			WEATHERSTRIP, Hood to Cowl
27					SEAL, Hood Panel to Fender
	4624 674	1		D,L,X	
	4646 626	1		ALL	1995
28	2583 429	1			BUSHING, Hood Safety Catch Release Handle to Bracket
29					BUMPER, Hood to Fascia Overslam, Center
	4584 477	2		L	Approx. 2"x2"
	4314 192	1		L	3/4x1", Used As Substitution FFor 4584477
	4584 459	1		D	

MODEL CODES:

Chrysler = (CH41 = New Yorker, CP41 = LHS, DH41 = Intrepid(Canada), DP41 = Intrepid ES(Canada), LP41 = Concorde)
 DODGE = (DH41 = Intrepid(USA), DP41 = Intrepid ES(USA))
 EAGLE = (XP41 = Vision ESI, XS41 = Vision TSI)

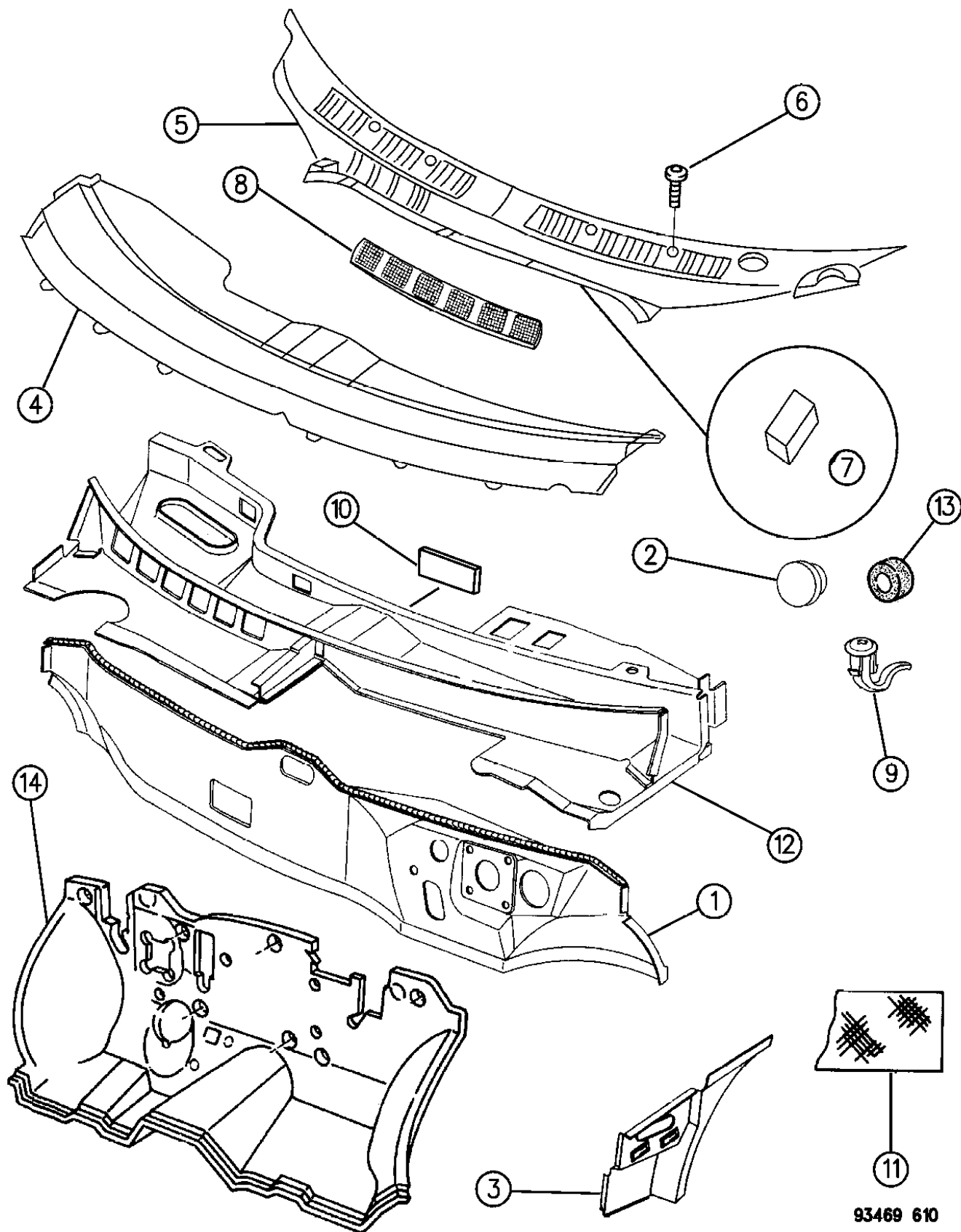
BODY STYLES:

41 = 4 - Door Sedan ENGINE: 3.3L (EGB)
 3.5L (EGE) 24 Valve

AR = Use as Required - = Non Illustrated Part P.A.R. = Paint as Required

COWL AND DASH PANEL LH BODY
Figure 23A-610

23A-610C



93469 610

ITEM	PART NUMBER	QTY	BODY	MODEL	DESCRIPTION
1	4583 416	1			PANEL, Dash
2	4475 385	1			PLUG
3	4583 402	1			PANEL, Cowl Side Right
	4583 401	1			Left
4	4583 175	1			PANEL, Cowl Plenum Upper (Panel By Itself)
-	4756 879	1			PANEL ASSEMBLY, Cowl Plenum Upper (2 Panels and 1 Deadner Make Up This Panel) ***
	4646 056	1			WEATHERSTRIP, Hood to Cowl
5					SCREEN ASSEMBLY, Cowl Top ***
	4583 807	1		L,X	
	4583 808	1		D	
	4696 691	1		C	
6	6502 573	6			RIVET, Drive Thread
7	4696 352	2		C-L-X	CLIP, Cowl Screen Attached
8	4624 506	1			SCREEN, Cowl Plenum
	4756 940	1			1996
9					CLIP
	4646 788	2		D	Cowl Screen Attaching (Also Serv. In Screen Assy)
	6034 365	4		ALL	Cowl Top Screen Attaching
10	4278 178	AR			TAPE, Plenum to Windshield Frame Inner
11					SILENCER, (Form Fitted Engine Side Of Fire Wall)
	4583 851	1			Dash Panel Engine Compartment
	4583 852	1			Cowl Plenum Panel Upper
	4595 541	1			1993
	4814 040	1			1994-95
	6501 910	5			1996
-					RETAINER, Silencer
12					PANEL, Cowl Plenum Lower
	4624 169	1			1993
	4696 564	1			1994-95
	4756 880	1			1996
13	5265 943	1			SEAL, I/P Panel to Plenum
14	4599 014	1			SILENCER, Dash and Cowl Sides
-	4798 479	1			PAD, Deadener (Black Paper Sticky On Both Sides)

MODEL CODES:

Chrysler = (CH41 = New Yorker, CP41 = LHS, DH41 = Intrepid(Canada), DP41 = Intrepid ES(Canada), LP41 = Concorde)
DODGE = (DH41 = Intrepid(USA), DP41 = Intrepid ES(USA))
EAGLE = (XP41 = Vision ESI, XS41 = Vision TSI)

BODY STYLES:

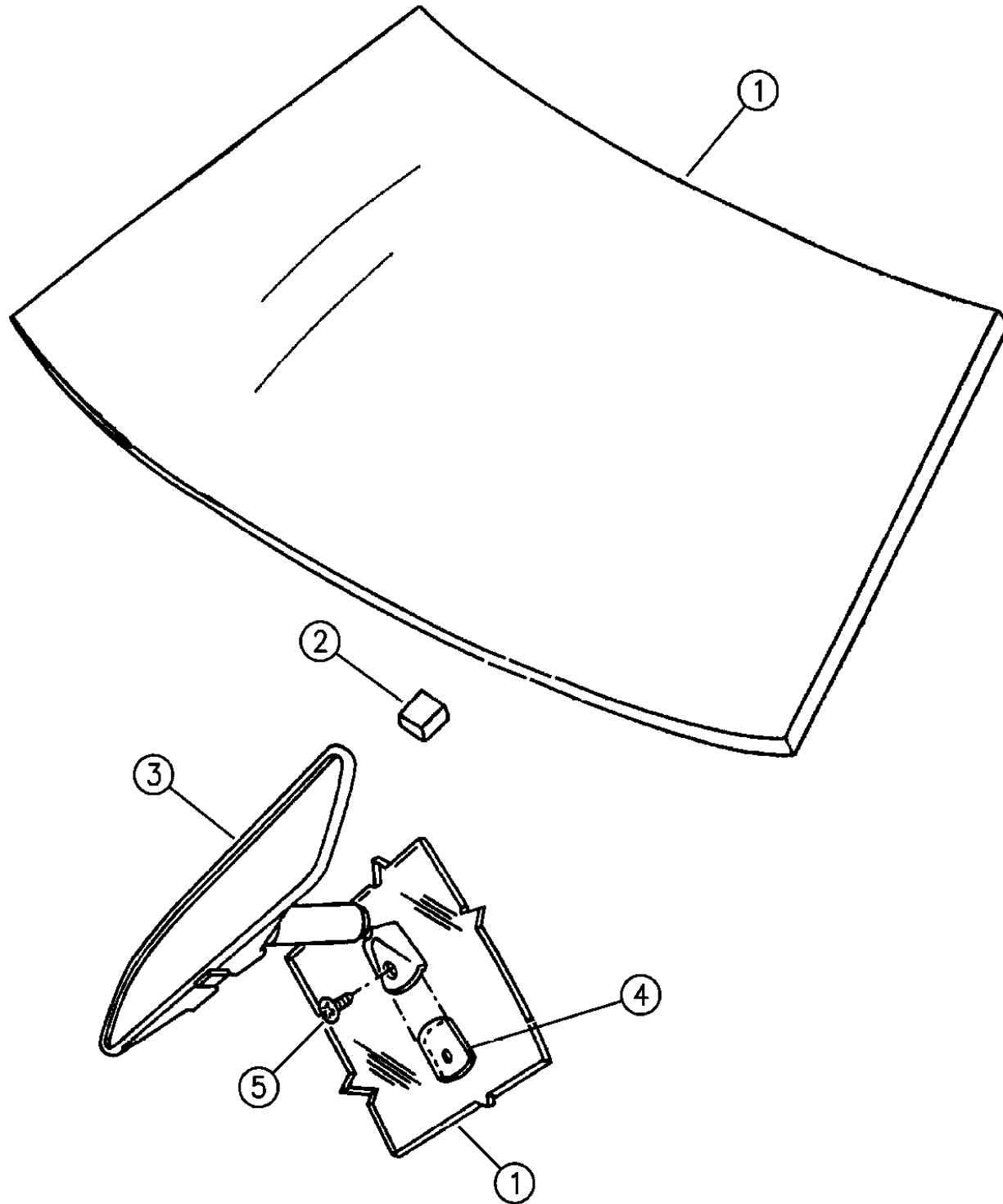
41 = 4 - Door Sedan ENGINE: 3.3L (EGB)
3.5L (EGE) 24 Valve

AR = Use as Required - = Non Illustrated Part P.A.R. = Paint as Required

GLASS WINDSHIELD AND MIRROR LH BODY
Figure 23A-710

23A-710

ITEM	PART NUMBER	QTY	BODY	MODEL	DESCRIPTION
1					GLASS, Windshield
	4583 812	1			Solar, 1993
	4696 800	1			Solar, 1994 Up to 8-24-93
	4696 880	1			Solar, 1994 After 8-24-93
	4696 880	1			1995, Up to 10-3-94
	4756 921	1			1995, After 10-3-94
	4756 921	1			1996
	4696 909	1			Solar, E Marked, Europe
	4756 925	1			1995, Solar E Marked, Europe w/Shadeband
	4756 925	1			1996, Solar E Marked, Europe w/Shadeband
2	4624 770	AR			SPACER
-	4756 773	1	C		CLIP, Glass Guide/Retainer
3					MIRROR, Rear View
	4696 545	1			Prismatic
	4696 682	1			Electrochromic, 1994
	4757 000	1			1995-96, Electrochromic
-					PACKAGE, Electrochromic Mirror Wire Cover
	4696 684	1			Use Up To 8-24-93
	5507 4840	1			Use After 8-24-93
	5507 4840	1			1996
4	4054 098	1			BUTTON
-	4293 039	1			ADHESIVE
5	6031 094	1			SCREW
PKG A	4267 906	1			PACKAGE, Windshield and Rear Window Repair Consists Of 1---- -Polyurethane, 11.5 oz. 1----Polyurethane, 11.5 oz. 1----Fence Primer, 1 oz. 1---- 1----Glass Wipe-Off Primer, 1 oz. 1----Glass Black-Out Primer, 1 oz. 3----Dabbers 1----Nozzle



93469 710

MODEL CODES:
Chrysler = (CH41 = New Yorker, CP41 = LHS, DH41 = Intrepid(Canada), DP41 = Intrepid ES(Canada), LP41 = Concorde)
DODGE = (DH41 = Intrepid(USA), DP41 = Intrepid ES(USA))
EAGLE = (XP41 = Vision ESI, XS41 = Vision TSI)

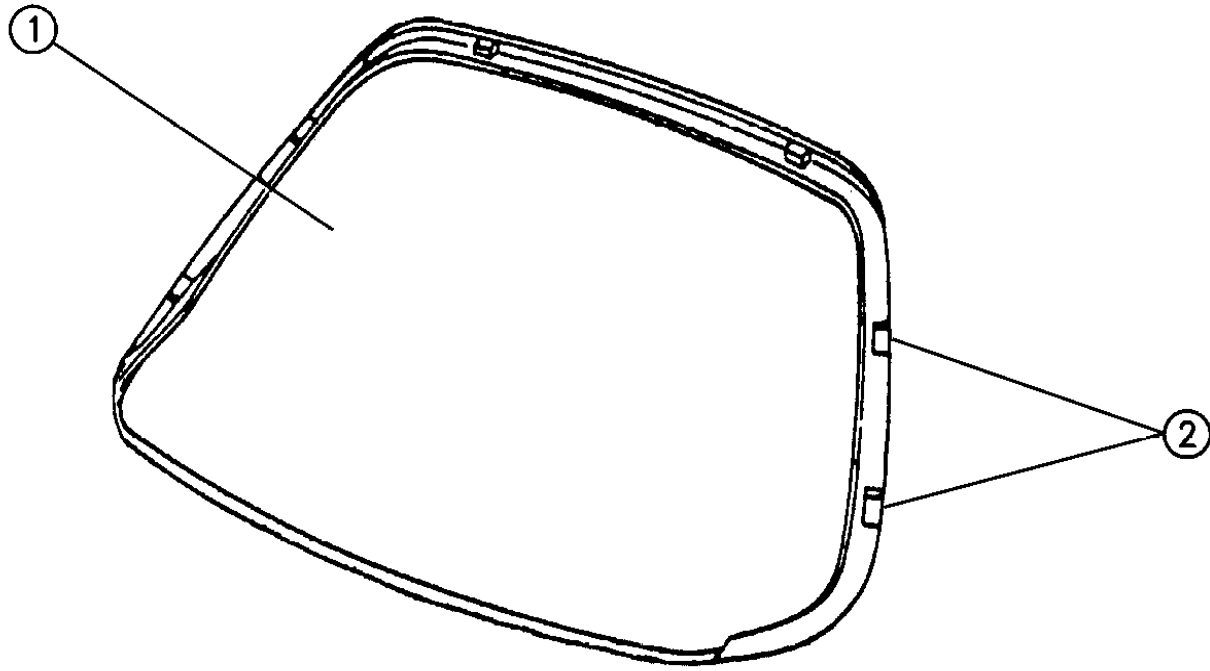
BODY STYLES:
41 = 4 - Door Sedan ENGINE: 3.3L (EGB)
3.5L (EGE) 24 Valve

AR = Use as Required - = Non Illustrated Part P.A.R. = Paint as Required

GLASS REAR WINDOW LH BODY
Figure 23A-720

23A-720

ITEM	PART NUMBER	QTY	BODY	MODEL	DESCRIPTION
1					GLASS ASSEMBLY, Heated
	4756 372	1		C	1993-95
	4756 696	1		C	1996
	4756 621	1		C	Solar, 'E' Marked, EUROPE
	4769 146	1		C	Solar, E Marked, EUROPE 1996
	4583 347	1		D	Tinted, 1993
	4696 509	1		D	Solar, 1994-95
	4769 119	1		D	1996
	4583 638	1		L-X	Tinted - 1993
	4696 511	1		L-X	Tinted - 1994-95
	4756 813	1		L-X	1996
	4696 511	1		L-X	Solar, E Marked
	4756 813	1		L-X	1996
2	4646 611	4			CLIP, Retainer



93469 720

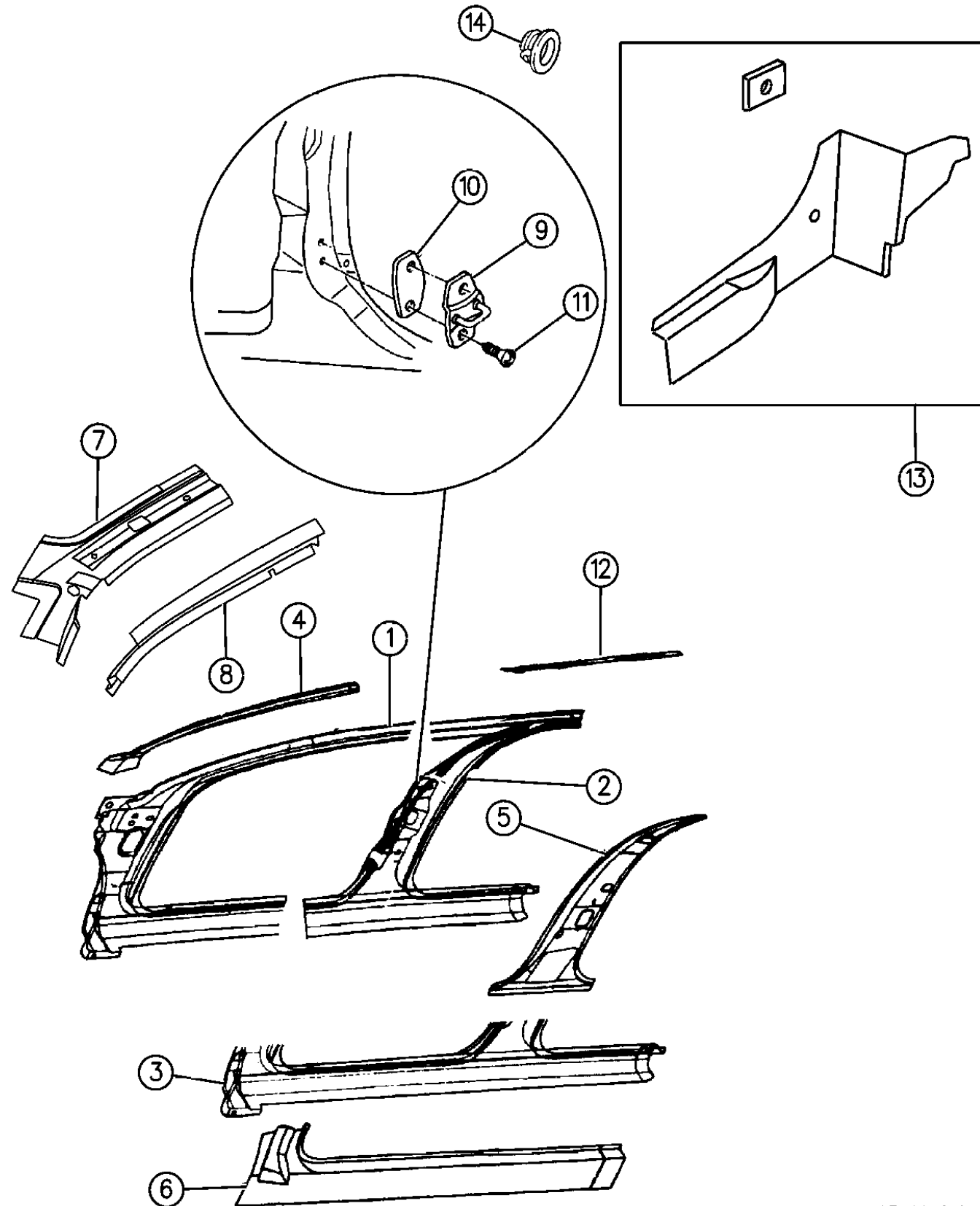
MODEL CODES: _____
 Chrysler = (CH41 = New Yorker, CP41 = LHS, DH41 = Intrepid(Canada), DP41 = Intrepid ES(Canada), LP41 = Concorde)
 DODGE = (DH41 = Intrepid(USA), DP41 = Intrepid ES(USA))
 EAGLE = (XP41 = Vision ESI, XS41 = Vision TSI)

BODY STYLES: _____
 41 = 4 - Door Sedan ENGINE: 3.3L (EGB)
 3.5L (EGE) 24 Valve

AR = Use as Required - = Non Illustrated Part P.A.R. = Paint as Required

APERTURE PANEL, PILLAR AND STRIKER LH BODY
Figure 23A-810

23A-810F



93469 810

ITEM	PART NUMBER	QTY	BODY	MODEL	DESCRIPTION
1	4723 372-3	1			PANEL, "A" Pillar/Sill 1993
	4746 968-9	1			1994-95
	4797 626-7	1			1996
2	4723 374-5	1			PANEL, "B" Pillar/Sill 1993
	4746 970-1	1			1994-95
	4797 648-9	1			1996
3	4723 376-7	1			PANEL, Side Sill Outer 1993
	4746 972-3	1			1994-95
	4797 634-5	1			1996
4	4583 242-3	1			PANEL, Windshield Frame Outer
5	4746 596-7	1			PILLAR ASSEMBLY, Body Center Inner ***
6	4723 686-7	1			SILL ASSEMBLY, Body Side Inner 1993
	4741 930-1	1			1994
	4798 600-1	1			1995-96
7		1			EXTENSION, Door Opening Aperture Quarter Panel
	4583 998-9	1	X,L		
	4624 040-1	1	D		
8	4624 042-3	1	C		
	4583 996-7	1	X,L		EXTENSION, Quarter Panel Rear Door Opening
	4624 036-7	1	D		
9	4624 038-9	1	C		
	4520 288	1			STRIKER, Front Door
	4520 289	AR			SPACER 3.75mm
10	5507 5483	AR			2.0/2.5mm
	6502 055	1			SCREW
11	4583 254-5	1			RAIL, Roof Side Inner
13					EXTENSION, Sill Inner, Rear
	4723 688-9	1			1993
	4741 928-9	1			1994-96
14					PLUG, Body Side Aperature
	2480 957	AR			Front, (.866 Dia.)
	4440 294	AR			Center, (.750x1.000)

MODEL CODES:

Chrysler = (CH41 = New Yorker, CP41 = LHS, DH41 = Intrepid(Canada), DP41 = Intrepid ES(Canada), LP41 = Concorde)
 DODGE = (DH41 = Intrepid(USA), DP41 = Intrepid ES(USA))
 EAGLE = (XP41 = Vision ESI, XS41 = Vision TSI)

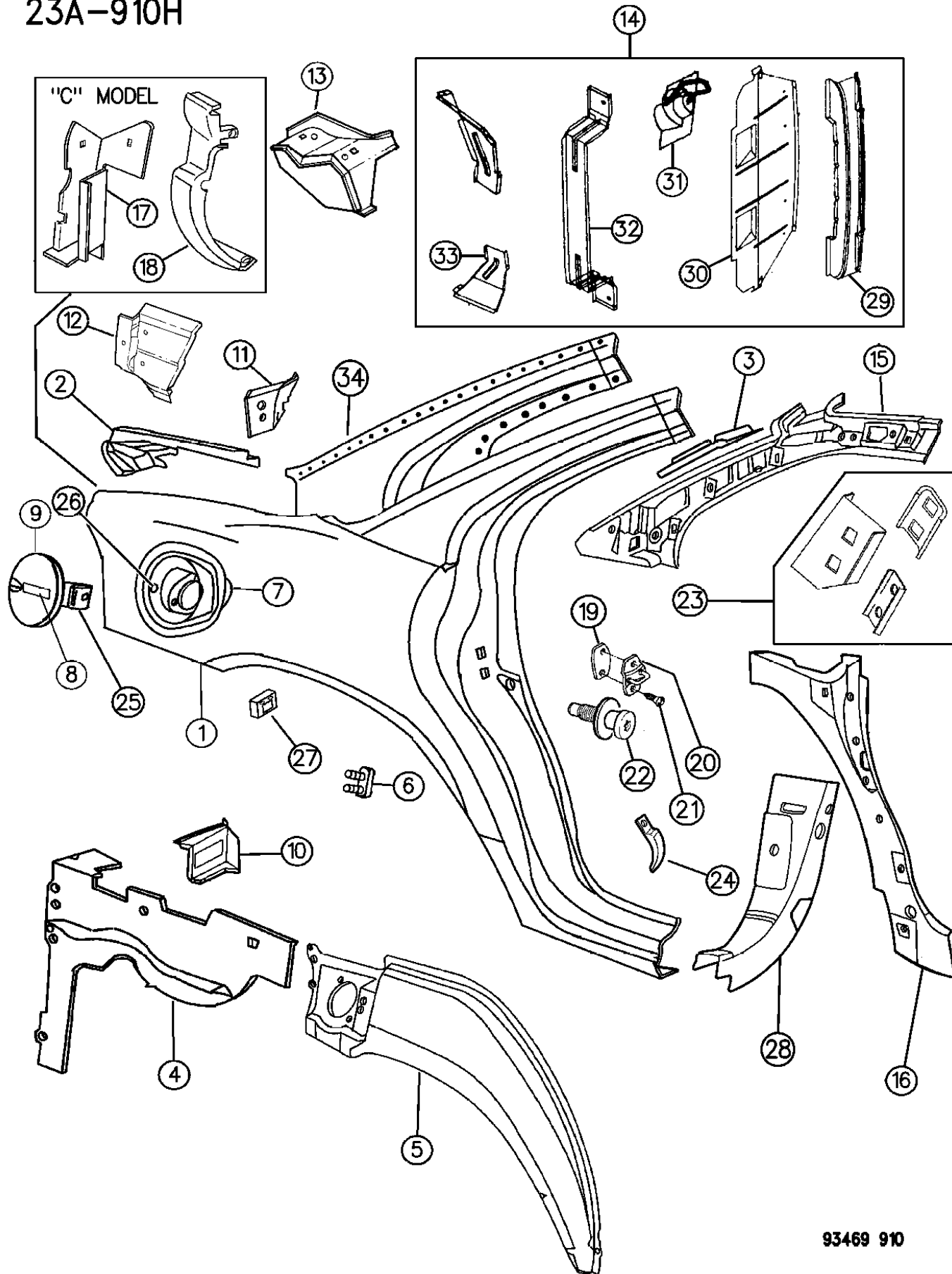
BODY STYLES:

41 = 4 - Door Sedan ENGINE: 3.3L (EGB)
 3.5L (EGE) 24 Valve

AR = Use as Required - = Non Illustrated Part P.A.R. = Paint as Required

QUARTER PANEL LH BODY
Figure 23A-910

23A-910H



93469 910

ITEM	PART NUMBER	QTY	BODY	MODEL	DESCRIPTION
1					PANEL, Quarter Outer
	4583 304-5	1	L-X		1993, (w/o Striker Item #22)
	4646 764-5	1	L-X		1994-96, (w/Striker Item #22)
	4646 186-7	1	D		1993, (w/o Striker Item #22)
	4646 768-9	1	D		1994-96, (w/Striker Item #22)
	4583 390-1	1	C		1993, (w/o Striker Item #22)
	4646 766-7	1	C		1994-95, (w/Striker Item #22)
	4769 154-5	1	C		1996
2					TROUGH, Filler Assembly (Body Side Aperture Drain)
	4646 034-5	1	L-X		
	4646 036-7	1	D		Use w/4723822 Deck Lid, Up to 3-19-93
	4756 010-1	1	D		After 3-19-93
	4756 010-1	1	D		1994-96
	4583 360-1	1	C		
3					REINFORCEMENT, Quarter Outer at Backlite
	4624 580-1	1	L-X		
	4624 582-3	1	D		
4					PANEL, Quarter Inner Lower Rear
	4646 082-3	1	D-L-X		
	4646 096-7	1	C		
Per item #4. Right side as illustrated. Left side has an 8x14" access hole.					
5					PANEL, Wheelhouse Outer
	4583 300-1	1	L-X		Up to 11-6-92
	4696 456-7	1	L,X		After 11-6-92
	4583 366-7	1	D		Up to 1-12-93
	4696 458-9	1	D		After 1-12-93
	4796 068-9	1	C		w/o Raised Box At Center Of Wheelhouse
	4583 368-9	1	C		w/Raised Box-At Center Of Wheelhouse
6	4696 543	1			PLATE and SCREW ASSY., Fuel Filler Door ***
7	4646 530	1			REINFORCEMENT, Quarter Outer Fuel Filler
8					LABEL, Fuel
	4206 059	1			UNLEADED FUEL ONLY
	4696 350	1			FLEX FUEL
	4696 555	1			UNLEADED FUEL-MIDGRADE (89)
	4696 556	1			UNLEADED FUEL_MIDGRADE (89), Bi Lingual
9					DOOR ASSY., Quarter Outer Panel Fuel ***
	4624 748	1	C-L-X		(Use Up To 3-15-95)
	4769 163	1	C-L-X		(Use After 3-15-95)
	4583 784	1	D		(Use Up To (3-15-95)
	4769 172	1	D		(Use After 3-15-95)
10					EXTENSION, Quarter Panel Lower
	4583 312-3	1	L-X		

MODEL CODES:

Chrysler = (CH41 = New Yorker, CP41 = LHS, DH41 = Intrepid(Canada), DP41 = Intrepid ES(Canada), LP41 = Concorde)
DODGE = (DH41 = Intrepid(USA), DP41 = Intrepid ES(USA))
EAGLE = (XP41 = Vision ESI, XS41 = Vision TSI)

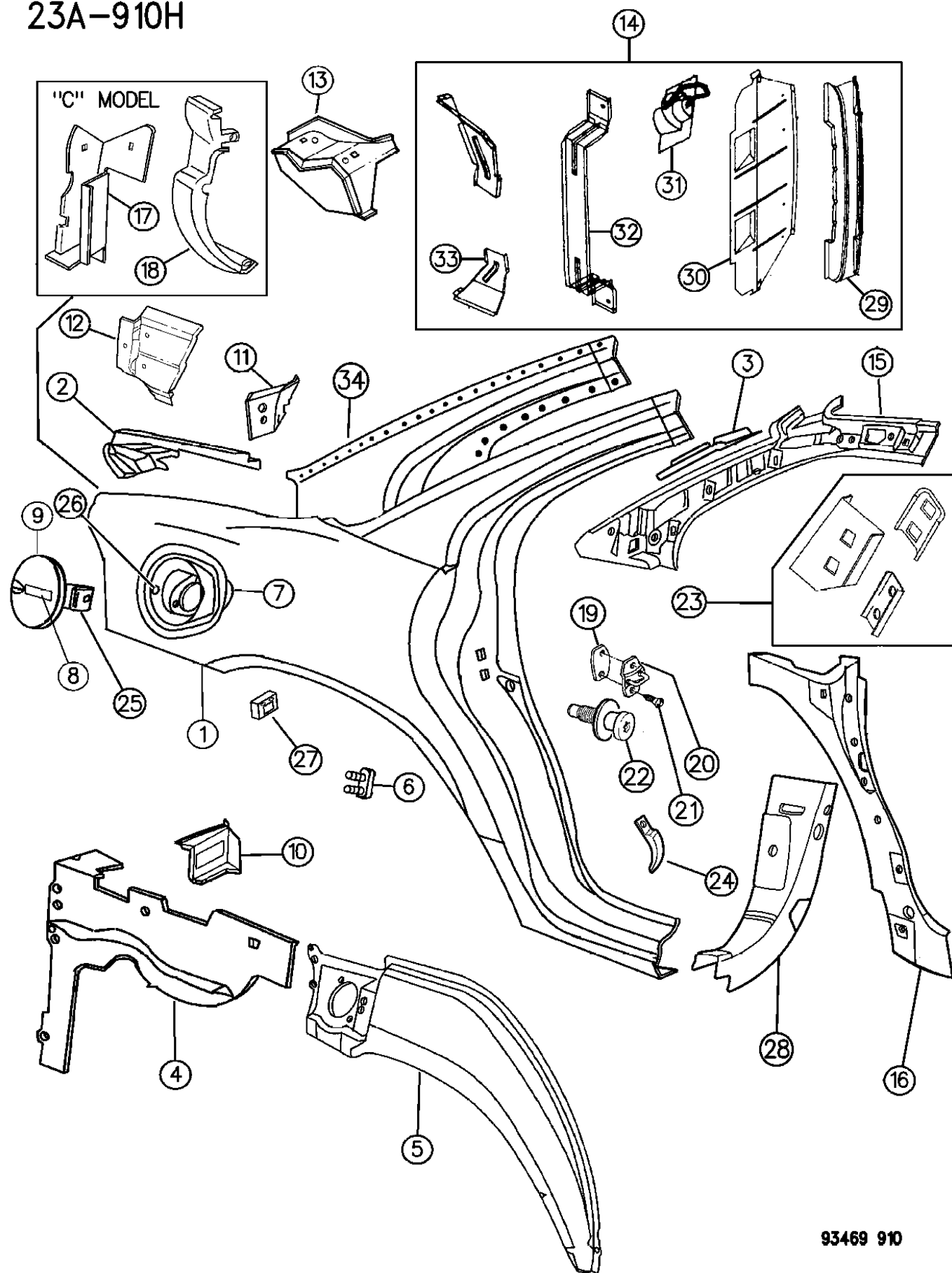
BODY STYLES:

41 = 4 - Door Sedan ENGINE: 3.3L (EGB)
3.5L (EGE) 24 Valve

AR = Use as Required - = Non Illustrated Part P.A.R. = Paint as Required

QUARTER PANEL LH BODY
Figure 23A-910

23A-910H



93469 910

ITEM	PART NUMBER	QTY	BODY	MODEL	DESCRIPTION
	4583 396-7	1		D	
	4583 398-9	1		C	
11	4646 008-9	1		D	FILLER, Quarter Extension Lower
12					FILLER, Quarter Panel to Extension (Pocket For Tail Lamp)
	4624 614-5	1		L-X	
	4624 768-9	1		D	
13					EXTENSION, Quarter Panel Rear
	4583 310-1	1		L-X	
	4583 376-7	1		D	Use w/4723822 Deck Lid, Up to 3-19-93
	4756 004-5	1		D	After 3-19-93
	4756 004-5	1		D	1994
	4583 378-9	1		C	1994
	4756 088-9	1		C	1995-96
14					PANEL ASSEMBLY, Deck Opening Lower, (See Ill.1300)
	4624 483	1		L-X	(Use Up To 3-30-94)
	4756 493	1		L,X	(Use After 3-30-94)
	4756 493	1		L,X	1995-96
	4624 484	1		D	(Use Up To 3-31-94)
	4756 492	1		D	(Use After 3-31-94)
	4756 492	1		D	1995-96
	4624 485	1		C	1994
	4756 559	1		C	1995
	4624 485	1		C	1996
15					PANEL, Quarter Inner Upper
	4583 420-1	1		L-X	
	4583 422-3	1		D	1993
	4696 484-5	1		D	1994-96
	4583 424-5	1		C	1994
	4696 696-7	1		C	1995
	4769 156-7	1		C	1996
16					PANEL, Quarter Inner Lower Front
	4646 080-1	1		L-X	1993-94
	4756 534-5	1		L,X	1995-96
	4646 080-1	1		D	1993
	4696 050-1	1		D	1994
	4756 534-5	1		D	1995-96
	4646 094-5	1		C	1993
	4696 052-3	1		C	1994
	4756 532-3	1		C	1995-96
17					REINFORCEMENT, Extension Quarter
	4646 364-5	1		C	1994
	4756 176-7	1		C	1995-96

MODEL CODES:

Chrysler = (CH41 = New Yorker, CP41 = LHS, DH41 = Intrepid(Canada), DP41 = Intrepid ES(Canada), LP41 = Concorde)
DODGE = (DH41 = Intrepid(USA), DP41 = Intrepid ES(USA))
EAGLE = (XP41 = Vision ESI, XS41 = Vision TSI)

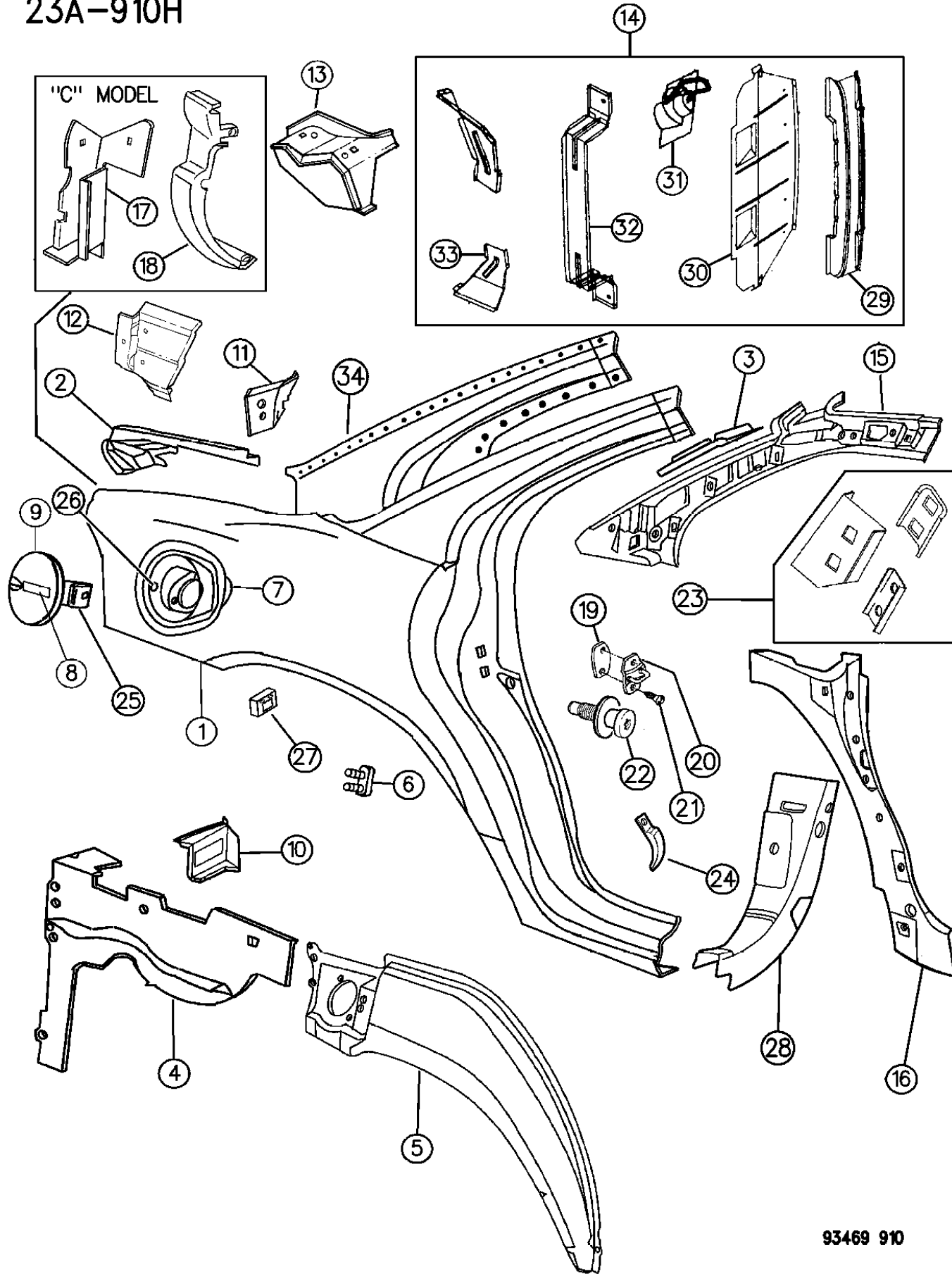
BODY STYLES:

41 = 4 - Door Sedan ENGINE: 3.3L (EGB)
3.5L (EGE) 24 Valve

AR = Use as Required - = Non Illustrated Part P.A.R. = Paint as Required

QUARTER PANEL LH BODY
Figure 23A-910

23A-910H



93469 910

ITEM	PART NUMBER	QTY	BODY	MODEL	DESCRIPTION
18	4646 628-9	1	C	1994	FILLER, Quarter Panel to Extension
	4756 108-9	1	C	1995-96	
19	4520 289	AR			SPACER 3.75mm
	5507 5483	AR			2.0/2.5mm
20	4520 288	1			STRIKER, Rear Door
21	6502 055	2			SCREW
22	4696 937	1			STRIKER, Rear Door Interlock
23	4624 548-9	1			STRIKER ASSEMBLY, Rear Door, Contains Reinf. & Tapping Plate & Retainer - Interlock ***
24	4630 636-7	1			BUMPER, Rear Door Closure
25	4646 925	1		1993	SPRING, Fuel Filler Door Manual
	4756 019	1		1994-96	
26	4416 406	1			BUMPER and SUPPORT, Fuel Filler Door ***
	6502 879	1			STUD and RETAINER, Repair-Fuel Filler Door ***
27	4624 179	2			EXHUSTER, Quarter Panel Lower ***
28	4646 772-3	1			REINFORCEMENT, Quarter Striker 1994-95
	4756 830-1	1		1996	
29	4583 287	1	X,L		REINFORCEMENT, Deck Opening Outer
	4583 319	1	D		
	4583 318	1	C		
30					PANEL, Deck Opening Lower (Serv. With Item 14 Only)
31	4646 079	1			STRIKER, Deck Lid Latch
	4756 483	1		1995-96	
32			C		EXTENSION, Rear Floor Pan (Serv. With Item 14 Only)
33			C		EXTENSION, Rear Floor Pan Outer (Serv. With Item 14 Only)
34	4624 288-9	1	X,L		REINFORCEMENT, Wheelhouse Quarter to Quarter Inner Upper Up To 11-3-92
	4696 460-1	1	X,L		After 11-3-92
	4696 460-1	1	X-L		1996
	4646 366-7	1	D		Up To 12-21-92
	4696 462-3	1	D		After 12-21-92
	4696 462-3	1	D		1996
	4624 296-7	1	C		1993-96

MODEL CODES:

Chrysler = (CH41 = New Yorker, CP41 = LHS, DH41 = Intrepid(Canada), DP41 = Intrepid ES(Canada), LP41 = Concorde)
DODGE = (DH41 = Intrepid(USA), DP41 = Intrepid ES(USA))
EAGLE = (XP41 = Vision ESI, XS41 = Vision TSI)

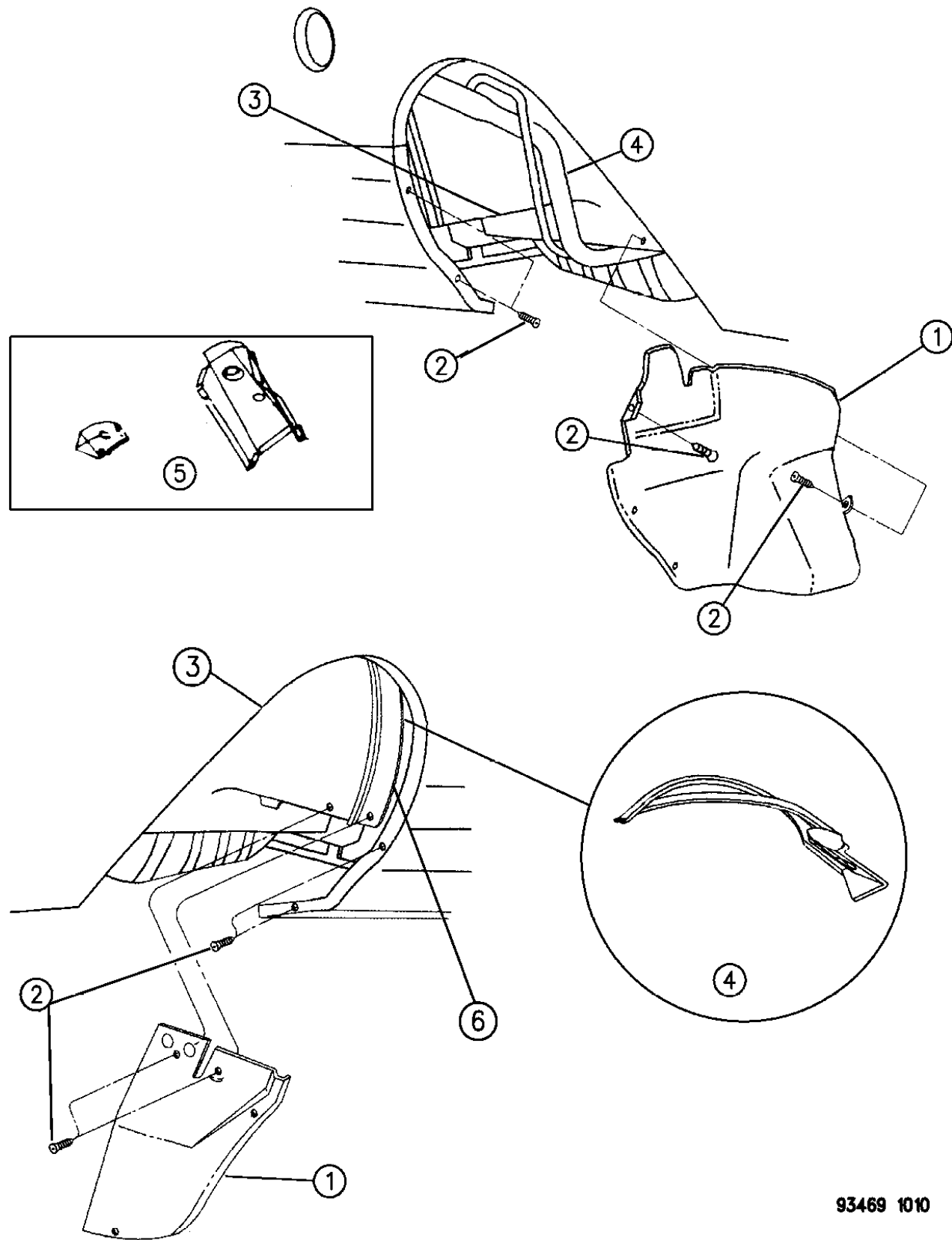
BODY STYLES:

41 = 4 - Door Sedan ENGINE: 3.3L (EGB)
3.5L (EGE) 24 Valve

AR = Use as Required - = Non Illustrated Part P.A.R. = Paint as Required

SPLASH SHIELD REAR LH BODY
Figure 23A-1010

23A-1010B



93469 1010

ITEM	PART NUMBER	QTY	BODY	MODEL	DESCRIPTION
1					SHIELD, Rear Wheelhouse Splash
	4624 174-5	1		X	
	4624 764-5	1		D	
	4646 926-7	1		L	
	4624 766-7	1		C	
2		4			SCREW, (Not Serviced)
3	4723 570-1	1			PANEL ASSEMBLY, Rear Wheelhouse Inner
4					PANEL, Rear Wheelhouse Outer
	4583 300-1	1		L,X	Up to 11-6-92
	4696 456-7	1		L,X	After 11-6-92
	4583 366-7	1		D	Up to 1-12-93
	4696 458-9	1		D	After 1-12-93
	4796 068-9	1		C	w/o Raised Box-At Center Of Wheelhouse
	4583 368-9	1		C	w/Raised Box-At Center Of Wheelhouse
5	4624 526-7	1			REINFORCEMENT and BRACKET, Shipping Tie Down ***
6	4758 004-5	1			SILENCER, Rear Wheelhouse (Molded)

MODEL CODES:

Chrysler = (CH41 = New Yorker, CP41 = LHS, DH41 = Intrepid(Canada), DP41 = Intrepid ES(Canada), LP41 = Concorde)
 DODGE = (DH41 = Intrepid(USA), DP41 = Intrepid ES(USA))
 EAGLE = (XP41 = Vision ESI, XS41 = Vision TSI)

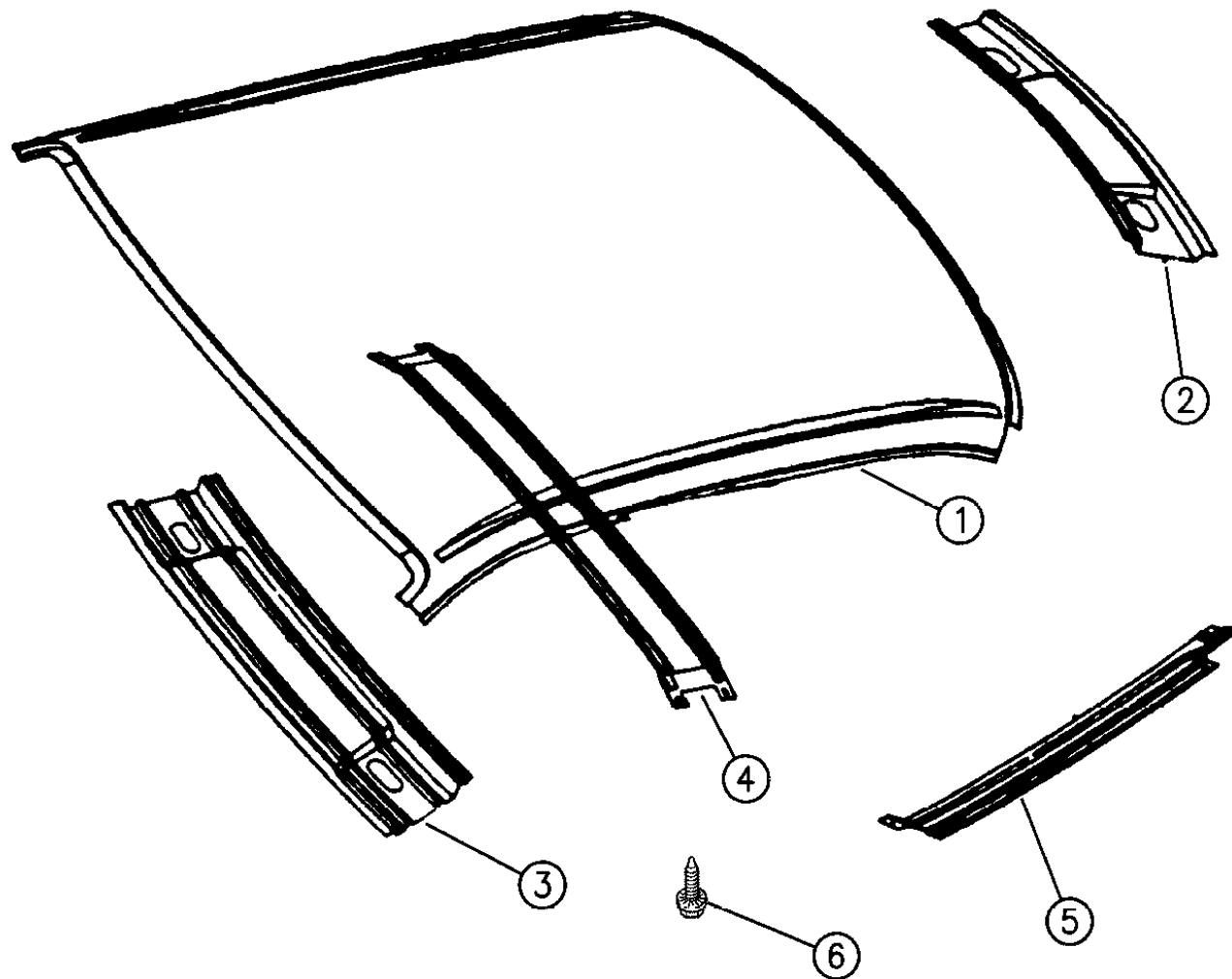
BODY STYLES:

41 = 4 - Door Sedan ENGINE: 3.3L (EGB)
 3.5L (EGE) 24 Valve

AR = Use as Required - = Non Illustrated Part P.A.R. = Paint as Required

ROOF PANEL LH BODY
Figure 23A-1110

23A-1110A



ITEM	PART NUMBER	QTY	BODY	MODEL	DESCRIPTION
1					ROOF *** w/o Sunroof
	4583 269	1		L,X	
	4583 278	1		C	
	4583 279	1		D	
					w/Sunroof
	4583 850	1		L,X	
	4646 043	1		D	
	4646 050	1		C	
2					HEADER, Rear Window Opening ***
	4583 266	1		L,X	
	4583 267	1		D	
	4583 268	1		C	
3					HEADER, Windshield Opening Upper ***
	4583 241	1			1993
	4696 713	1			1994-96
4					BOW, Roof
	4583 262	1			1993
	4696 125	1			1994-96
5	4583 374	1		C	BOW, Roof #2
6	6032 509	AR			SCREW and WASHER, Roof Bow to Rail

93469 1110

MODEL CODES:

Chrysler = (CH41 = New Yorker, CP41 = LHS, DH41 = Intrepid(Canada), DP41 = Intrepid ES(Canada), LP41 = Concorde)
DODGE = (DH41 = Intrepid(USA), DP41 = Intrepid ES(USA))
EAGLE = (XP41 = Vision ESI, XS41 = Vision TSI)

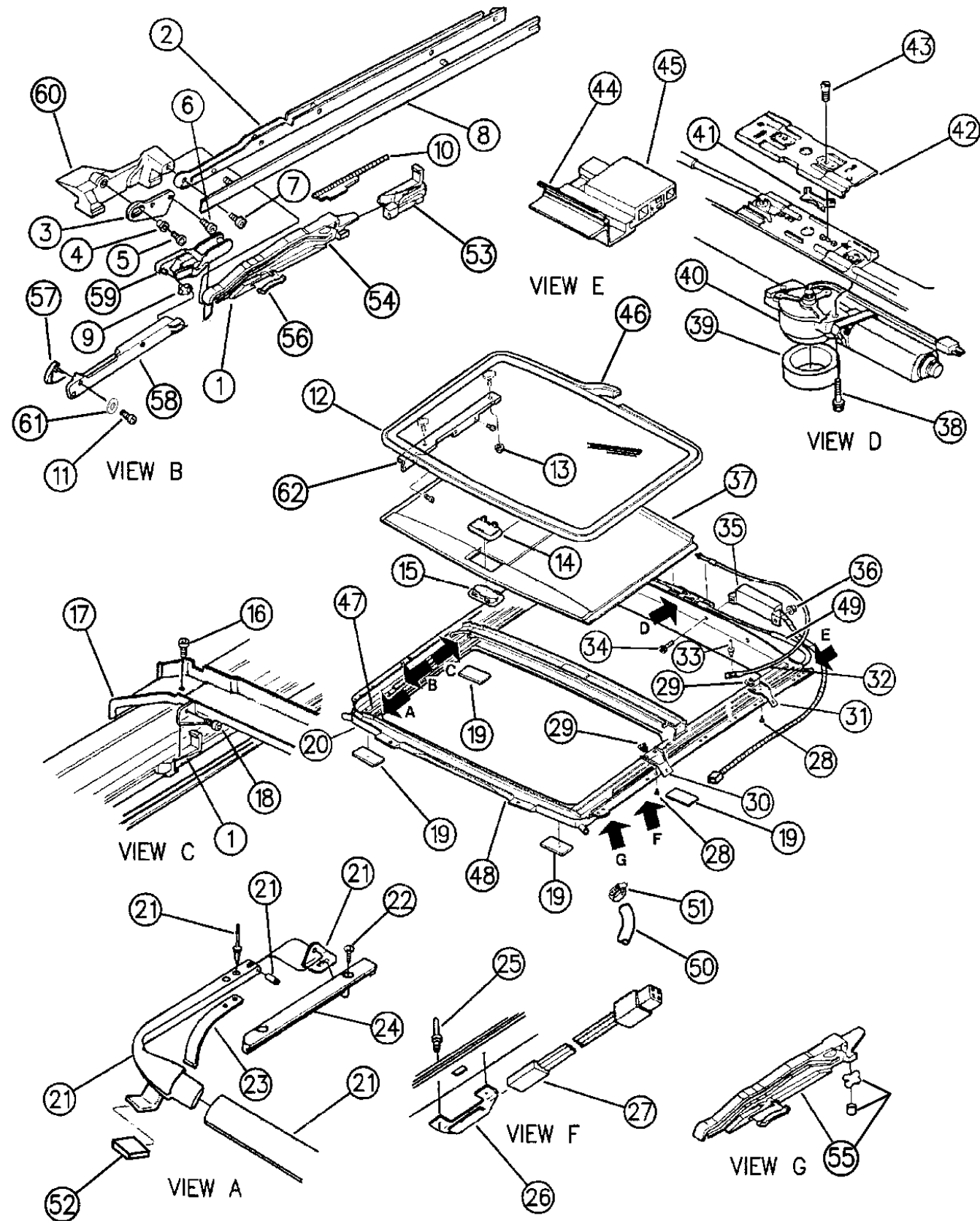
BODY STYLES:

41 = 4 - Door Sedan ENGINE: 3.3L (EGB)
3.5L (EGE) 24 Valve

AR = Use as Required - = Non Illustrated Part P.A.R. = Paint as Required

SUNROOF LH BODY
Figure 23A-1210

23A-1210E



ITEM	PART NUMBER	QTY	BODY	MODEL	DESCRIPTION
15	4741 911	1			HANDLE, Fingerwell, Sunscreen
16	4728 583	8			SCREW, 18x.375
	4856 086	1			1996
17	4728 440	1			TROUGH ASSY., Water w/Seal ***
-	4778 159	1			SEAL, Water Trough
18	4728 585	1			SCREW, M4x6
19	4773 001	4			RETAINER, Dual Lock 1"x1"
20	4728 438	1			HOUSING ASSY., Complete ***
	4856 084	1			1996
-	4778 155	2			SPACER, Housing Sunroof
21	4762 994	1			DEFLECTOR ASSY. ***
22	4728 586	1			SCREW, M4-0.7x10.0
	4798 695	1			1996
23	4728 534	1			SPRING, Wind Deflector
24					PLUG, Sunroof Track (Cover)
	4728 444	1			Right
	4728 445	1			Left
25	4728 587	1			RIVET, 1/8x.125
26	4728 441	1			RETAINER, Switch
27	4728 446	1			SWITCH ASSY.,Sensor ***
28	6503 015	2			SCREW, M6x1.0x16
29	5242 202	2			NUT, M6x1.00, "U" Type
30	4728 436	1			BRACKET, Front Support
31	4728 437	1			BRACKET, Rear Support
32	4728 524	1			TUBE, Return
33		1			RIVET, 3/16x.250, (Not Serviced)
34		1			STUD, M4x0.7x10, (Not Serviced)
35	4728 535	1			CONTROLLER, Sunroof Open/Vent ***
36	4762 999	1			RETAINER, M6x15
37					SUNSHADE ASSEMBLY ***
	4778 152	1			Natural
	4778 153	1			Quartz
38	4773 003	1			SCREW, M5-8x44
39		1			INSULATOR, (Not Serviced)
40	4728 447	1			DRIVE ASSEMBLY, Electric
41	4728 519	1			GUIDE, Cable Drive
42	4762 789	1			RETAINER, Tube (1994)
	4796 077	1			RETAINER, Tube (1995)
43	4728 588	1			SCREW, M4.2x9.5
44	4728 434-5	1			SEAL, Dust (Side and Rear) Right
-	4778 160	1			SEAL, Dust Rear
45	4762 249	1			RESTRICTOR, Glass Panel Sunshade ***

MODEL CODES:

Chrysler = (CH41 = New Yorker, CP41 = LHS, DH41 = Intrepid(Canada), DP41 = Intrepid ES(Canada), LP41 = Concorde)
DODGE = (DH41 = Intrepid(USA), DP41 = Intrepid ES(USA))
EAGLE = (XP41 = Vision ESI, XS41 = Vision TSI)

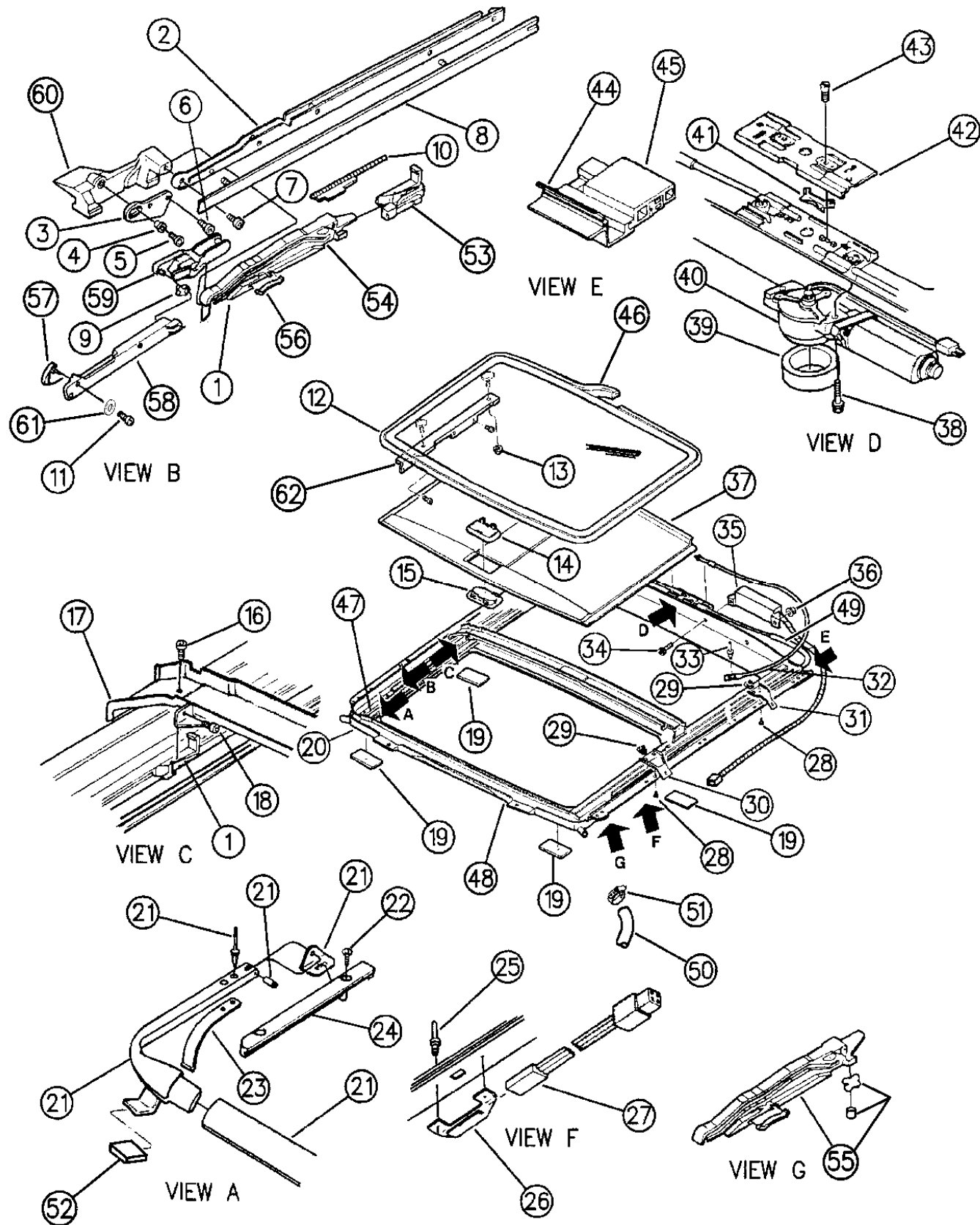
BODY STYLES:

41 = 4 - Door Sedan ENGINE: 3.3L (EGB)
3.5L (EGE) 24 Valve

AR = Use as Required - = Non Illustrated Part P.A.R. = Paint as Required

SUNROOF LH BODY
Figure 23A-1210

23A-1210E



ITEM	PART NUMBER	QTY	BODY	MODEL	DESCRIPTION
46	4728 551	1			SEAL, Panel
47	4740 794-5	1			SEAL, Plug to Track
48	4728 432	1			SEAL, Dust Front
49	4728 433	1			INSULATOR
50					TUBE, Drain
	4630 441	1			Front
	4630 446	1			Rear
51	J400 7354	1			CLAMP, Sunroof Drain
52	4763 000	1			ISOLATOR ***
53	4796 756-7	1			SHOE ASSEMBLY, Guide ***
54	4796 748	1			CAM-SLIDE, Right ***
55	4796 754	1			CAM-SLIDE, Left ***
-	4728 448	1			BUSHING, Slide
56	4796 749	1			SPRING, Cam
57	4796 766-7	1			RETAINER, Slide
58	4796 762-3	1			SLIDE, Glass Panel
59	4796 752-3	1			LINK, Sunroof
60	4796 736-7	1			GUIDE, Front
61	4761 529	8			WASHER, (M5.3x0.9x0.6)
62	4856 040-1	1			BRACKET, Guide

MODEL CODES:

Chrysler = (CH41 = New Yorker, CP41 = LHS, DH41 = Intrepid(Canada), DP41 = Intrepid ES(Canada), LP41 = Concorde)
 DODGE = (DH41 = Intrepid(USA), DP41 = Intrepid ES(USA))
 EAGLE = (XP41 = Vision ESI, XS41 = Vision TSI)

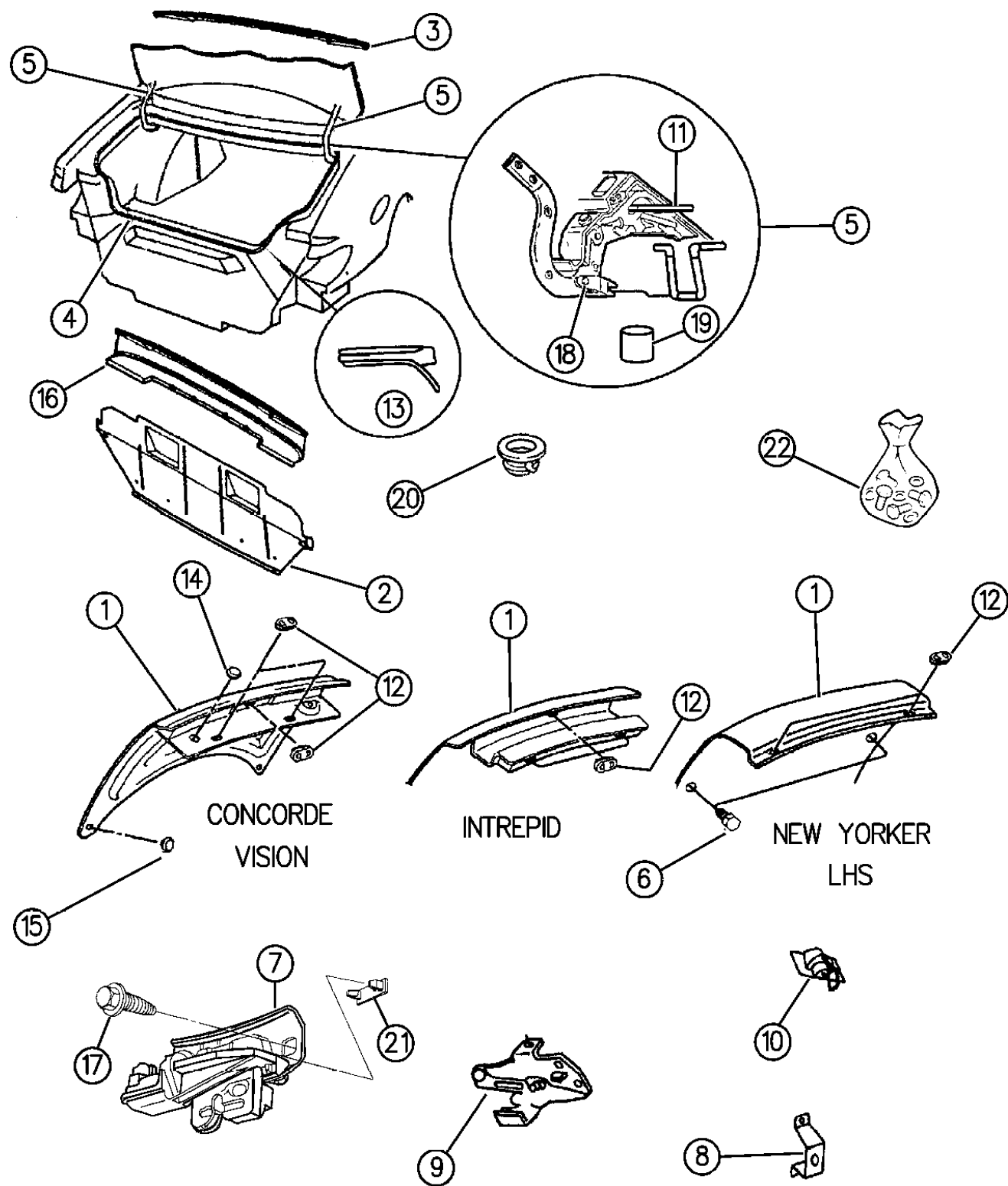
BODY STYLES:

41 = 4 - Door Sedan ENGINE: 3.3L (EGB)
 3.5L (EGE) 24 Valve

AR = Use as Required - = Non Illustrated Part P.A.R. = Paint as Required

DECK LID LH BODY
Figure 23A-1310

23A-1310



ITEM	PART NUMBER	QTY	BODY	MODEL	DESCRIPTION
1					DECK LID ASSEMBLY ***
	4723 821	1	L-X		1993-94
	4756 602	1	L-X		1995-96
					1993
	4723 822	1	D		Up to 3-19-93
	4756 103	1	D		After 3-19-93
	4773 837	1	D		1994-96
	4723 823	1	C		1993-94
	4778 189	1	C		1995
	4874 152	1	C		1996
	(The following weatherstrip and seals are only used with deck lid 4723822.)				
	4741 852	1	D		WEATHERSTRIP
	4741 853	2	D		FOAM SEAL, (Deck Lid Corners) ***
	4741 898	1	D		SEAL, Deck Lid, Front
2					PANEL ASSEMBLY, Deck Opening Lower
	4624 483	1	L,X		(Use Up To 3-30-94)
	4756 493	1	L,X		(Use After 3-30-94)
	4756 493	1	L,X		1995-96
	4624 484	1	D		(Use Up To 3-30-94)
	4756 492	1	D		(Use After 3-30-94)
	4756 492	1	D		1995-96
	4624 485	1	C		1994-96
3					PANEL, Deck Opening Upper
	4756 137	1			0.00mm Gap
	4756 697	1			1.00mm Gap
	4756 135	1			2.00mm Gap
4					WEATHERSTRIP ASSEMBLY, Deck Lid Opening ***
	4583 733	1	L,X		14.00mm
	4756 187	1	L,X		17.5 mm
	4756 692	1	L,X		1996
	4583 768	1	D		
	4756 014	1	D		Use w/4723822 Deck lid, (See Note Below)
	This is an alternate weatherseal with larger diameter bulb and corner stuffers. (Dodge Only)				
	4756 693	1	D		1996
	4583 769	1	C		
5					HINGE ASSEMBLY, Deck Lid
	4624 386-7	1	D		1993
	4696 318-9	1	D		1994-96
	4696 318-9	1	L,X		1993-96
	4756 522	1	C		Right, 1993-95
	4756 523	1	C		Left, 1993-95
	4769 164-5	1	C		1996, w/6mm Studs

MODEL CODES:

Chrysler = (CH41 = New Yorker, CP41 = LHS, DH41 = Intrepid(Canada), DP41 = Intrepid ES(Canada), LP41 = Concorde)
DODGE = (DH41 = Intrepid(USA), DP41 = Intrepid ES(USA))
EAGLE = (XP41 = Vision ESI, XS41 = Vision TSI)

BODY STYLES:

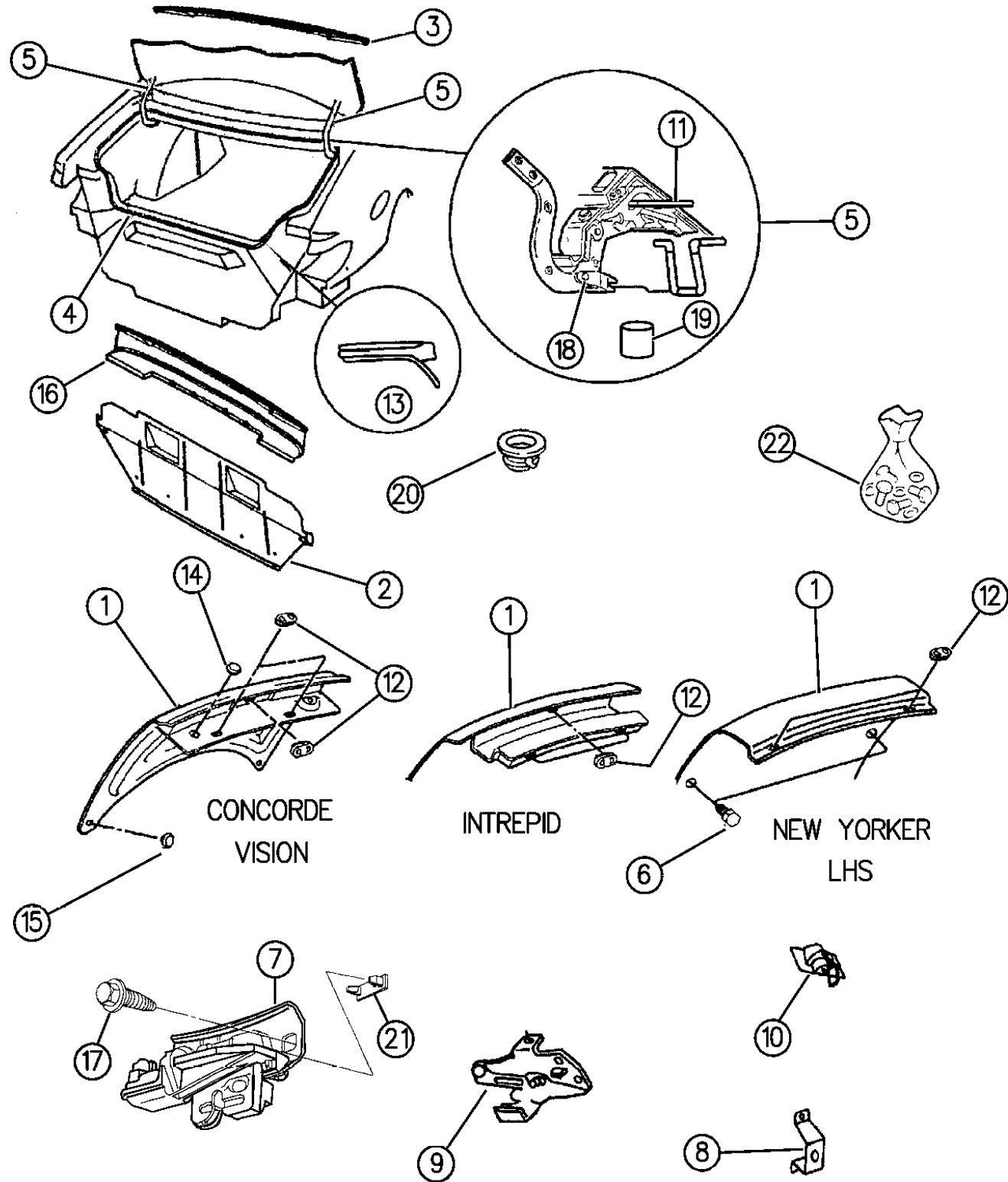
41 = 4 - Door Sedan ENGINE: 3.3L (EGB)
3.5L (EGE) 24 Valve

93469 1310

AR = Use as Required - = Non Illustrated Part P.A.R. = Paint as Required

DECK LID LH BODY
Figure 23A-1310

23A-1310



ITEM	PART NUMBER	QTY	BODY	MODEL	DESCRIPTION
	4575 552	1		C	1996, w/8mm Studs (Right)
	4575 553	1		C	1996, w/8mm Studs (Left)
-	6101 738	2			SCREW, Hinge To Deck Lid
-	4575 540	1			DEADNER, (1 1/2"x4" Goes On The end Of Deck Lid Hinge) ***
6	4646 609	2			BUMPER, Deck Lid Slam
	4416 513	2			1995 ***
7					LATCH ASSEMBLY
	4624 757	1		D,C	1993-1996, w/Electric Release and Actuator
	4624 758	1		D	w/o Electric Release, (w/o Actuator) Latch Only
	4624 390	1		L,X	w/Electric Release (Use Up To 2-7-94) (w/Latch, Cable and Actuator)
	4756 739	1		L,X	(Use After 2-7-94) w/Electric Release (w/Latch, Cable and Actuator)
	4378 281	1		L,X,D,C	(Latch Only - Manual)
-	6035 489	AR			SCREW, Deck Lid Latch Mounting
8					BRACKET, Deck Lid Cylinder Mounting
	4624 788	1		C	(Use Up To 6-16-93)
	4756 140	1		C	(Use After 6-16-93)
	4756 140	1		C	1995-96
9					ACTUATOR, Electric Deck Lid Latch
	4624 762	1		C,D	1993-96
	4646 853	1		C	BRACKET, Deck Lid Latch Retainer
10	4646 079	1			STRIKER ASSEMBLY, Deck Lid Latch ***
	4756 483	1		D,L,X	STRICKER, 1995 ***
11	4624 556-7	1		D,L,X	BAR and SLEEVE, Deck Lid Hinge ***
12	4646 527	1			PLUG, Deck Lid Lower Drain Hole
13	4583 360-1	1		C	TROUGH, Deck Opening Side
14	4646 855	1		L	PLUG
15					BUMPER, Support Stop
	4696 367	2		D,L,X	
	4696 370	2		C	
16					REINFORCEMENT, Deck Opening Outer
	4583 287	1		X,L	
	4583 319	1		D	
	4583 318	1		C	
17	6502 939	2			SCREW, Deck Lid Latch To Reinforcement
18	4134 807	2		D,L,X	PIN, Lid Hinge Pivot
19	4265 379	2			BUMPER, Hinge Upstop
20	3842 997	1			PLUG, w/o Electric Deck Lid (.750)
21	4604 551	1			CLIP, Decklid Latch Wire
22	4467 249	1			HARDWARE PACKAGE, (1 Clip, 1 Pin, 1 Lever, 2 Clips)

MODEL CODES:

Chrysler = (CH41 = New Yorker, CP41 = LHS, DH41 = Intrepid(Canada), DP41 = Intrepid ES(Canada), LP41 = Concorde)
DODGE = (DH41 = Intrepid(USA), DP41 = Intrepid ES(USA))
EAGLE = (XP41 = Vision ESI, XS41 = Vision TSI)

BODY STYLES:

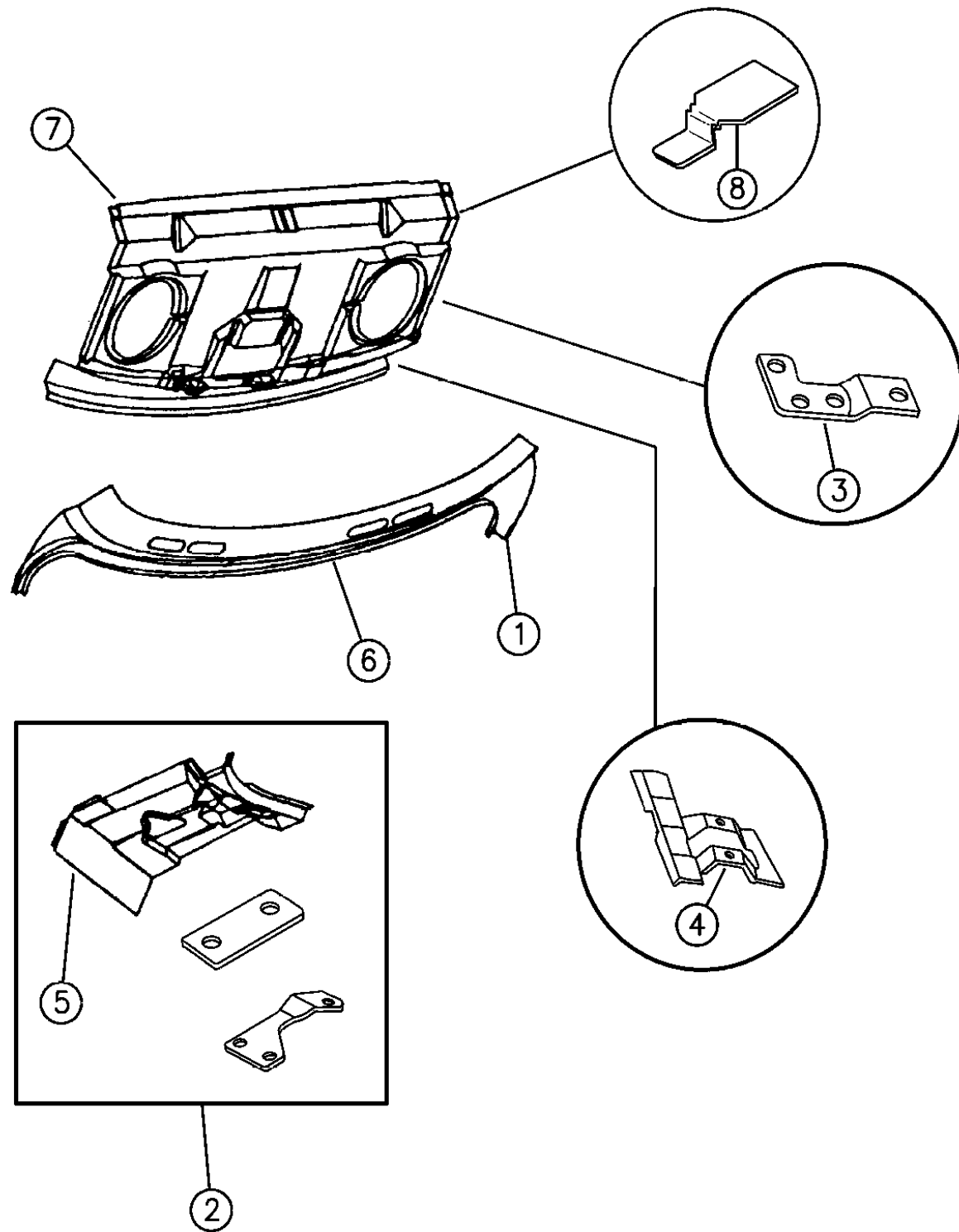
41 = 4 - Door Sedan ENGINE: 3.3L (EGB)
3.5L (EGE) 24 Valve

93469 1310

AR = Use as Required - = Non Illustrated Part P.A.R. = Paint as Required

REAR SHELF PANEL LH BODY
Figure 23A-1410

23A-1410B



ITEM	PART NUMBER	QTY	BODY	MODEL	DESCRIPTION
1		1			REINFORCEMENT, Rear Shelf Panel
	4583 344			X,L	
	4583 437			D	
	4583 440			C	1993-94
	4756 527	1		C	1995-96
2		1			EXTENSION ASSEMBLY, Shelf Panel ***
	4624 570-1			L,X	Up to 3-19-93
	4696 644-5			L,X	After 3-1-93
	4696 644-5	1		L,X	1995-96
	4624 572-3			D	1993
	4696 648-9			D	1994-96
	4624 574-5	1		C	1994
	4756 710-1	1		C	1995-96, (Use With 6mm Stud)
	4575 548-9	1		C	1996, (Use With 8mm Studs
-	6502 381	AR			RETAINER, Shelf Panel to Shelf Extension (M6.35x18.00)
3	4646 652-3	1		C	BRACKET, Rear Shelf Belt Retractor
-	4575 574-5	1			SHIELD, Rear Strut Sound
4		1			REINFORCEMENT, Rear Shelf Panel Extension (Served With 4624574 Item 2)
5		1			SILENCER, Shelf Extension to "C" Pillar Inner
	4646 665			D,L,X	
	4696 299			C	
6	4646 984	1		C	FILLER, Shelf Reinforcement at Center
7					SHELF PANEL ASSEMBLY ***
	4624 486	1		L,X	(Use Up To 11-28-94)
	4756 827	1		L,X	(Use After 11-28-94)
	4624 487	1		D	(Use Up To 12-21-94)
	4756 832	1		D	(Use After 12-21-94)
	4856 613	1		D	1995-96
	4756 464	1		C	1993-94
	4756 705	1		C	1995, (Use Up To 11-28-95)
	4756 833	1		C	(Use After 11-28-94)
8	4756 465	2		C	RETAINER, Rear Shelf

MODEL CODES:

Chrysler = (CH41 = New Yorker, CP41 = LHS, DH41 = Intrepid(Canada), DP41 = Intrepid ES(Canada), LP41 = Concorde)
 DODGE = (DH41 = Intrepid(USA), DP41 = Intrepid ES(USA))
 EAGLE = (XP41 = Vision ESI, XS41 = Vision TSI)

BODY STYLES:

41 = 4 - Door Sedan ENGINE: 3.3L (EGB)
 3.5L (EGE) 24 Valve

93469 1410

AR = Use as Required - = Non Illustrated Part P.A.R. = Paint as Required

GROUP-23C DOORS AND RELATED PARTS

GROUP 23C - BODY - DOORS AND RELATED PARTS

ILLUSTRATION TITLE

GROUP-FIG. NO.

DOOR, FRONT

- DOOR, FRONT SHELL AND HINGES LH BODY Fig. 23C-105
- DOOR, FRONT EXTERIOR HANDLE AND LINKS LH BODY Fig. 23C-110
- DOOR, FRONT GLASS AND REGULATORS LH BODY Fig. 23C-120
- DOOR, FRONT BEZELS AND SPEAKERS LH BODY Fig. 23C-130

DOOR, REAR

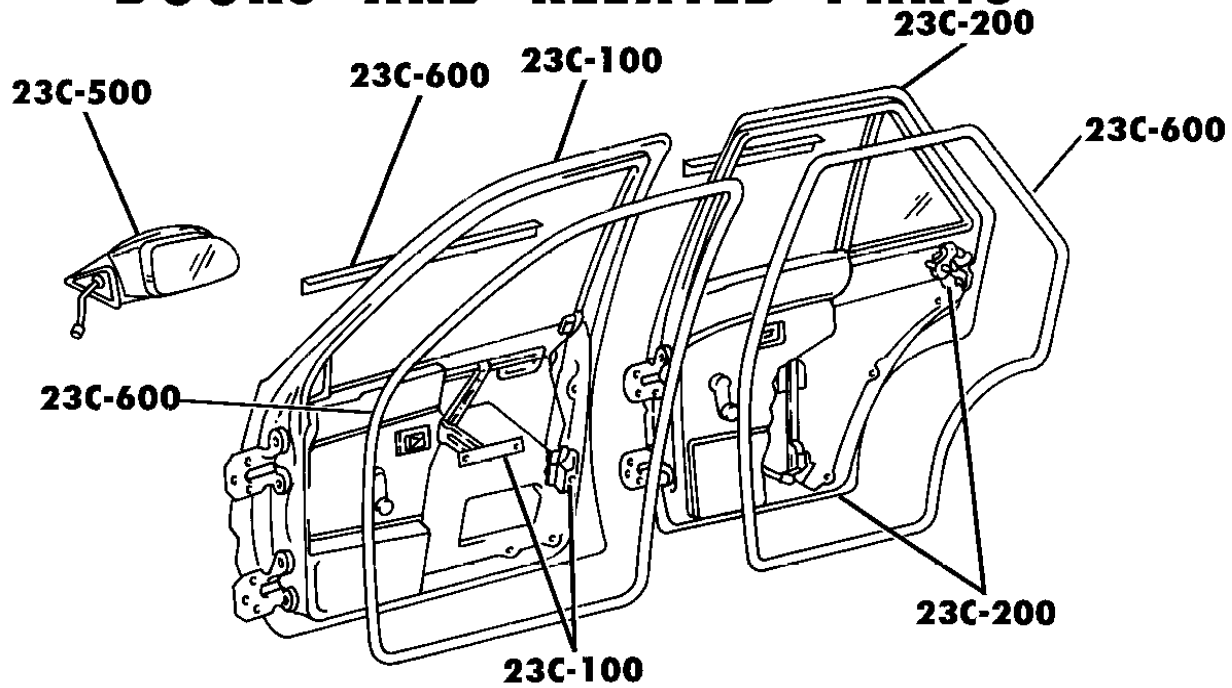
- DOOR, REAR SHELL AND HINGES LH BODY Fig. 23C-205
- DOOR, REAR EXTERIOR HANDLE AND LINKS LH BODY Fig. 23C-210
- DOOR, REAR GLASS AND REGULATORS LH BODY Fig. 23C-220
- DOOR, REAR REMOTE CONTROL, BEZELS AND MOULDINGS LH BODY Fig. 23C-230

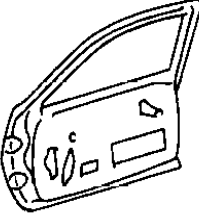
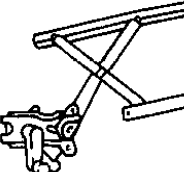
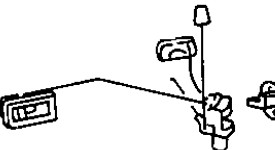
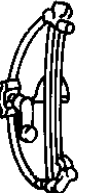
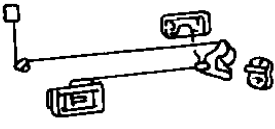
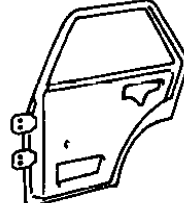
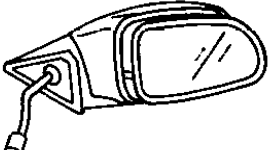
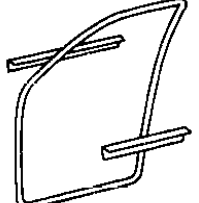
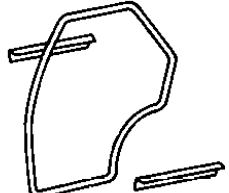
MIRROR, EXTERIOR

- MIRROR, EXTERIOR LH BODY Fig. 23C-505

WEATHERSTRIP AND RUNS, FRONT AND REAR DOOR

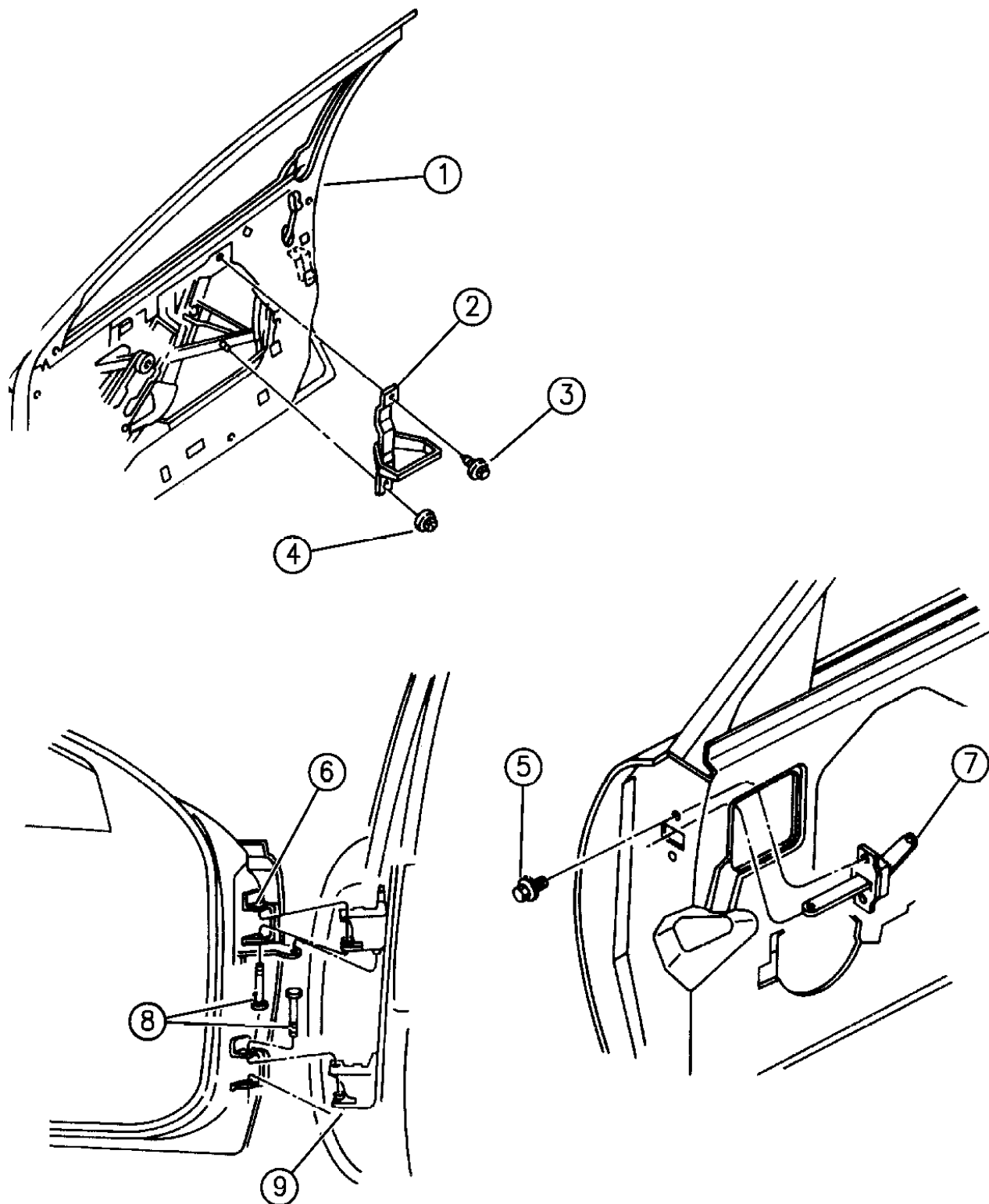
- WEATHERSTRIPS FRONT AND REAR DOOR LH BODY Fig. 23C-605



<p>23C-100 FRONT DOOR PANEL & GLASS</p> 	<p>23C-100 FRONT DOOR WINDOW REGULATOR</p> 	<p>23C-100 FRONT DOOR LOCKING</p> 	<p>23C-200 REAR DOOR WINDOW REGULATOR</p> 
<p>23C-200 REAR DOOR LOCKING</p> 	<p>23C-200 REAR DOOR PANEL & GLASS</p> 	<p>23C-500 OUTSIDE REAR VIEW MIRROR</p> 	<p>23C-600 WEATHERSTRIP & RUNS</p> 
<p>23C-600 WEATHERSTRIP & RUNS</p> 			

DOOR, FRONT SHELL AND HINGES LH BODY
Figure 23C-105

23C-105



ITEM	PART NUMBER	QTY	BODY	MODEL	DESCRIPTION
1					SHELL, Door
					1993
	4723 824-5	1		D,L,X	
	4723 826-7	1		C	
					1994
	4741 782-3	1		D,L,X	
	4741 784-5	1		C	
					1995
	4756 720-1	1		D,L,X	
	4796 458-9	1		C	
					1996
	4780 202-3	1		D,L,X	
	4856 128-9	1		C	
	4696 735	2			SILENCER, Front Door Flag
		1			LABEL, Certification (Order From Zone Office)
	3420 2863	2			PLUG, Round Push-in Drain
					PANEL, Repair
	4583 002-3	1		D,L,X	1993-94
	4756 854-5	1		D,L,X	1995-96
	4624 028-9	1		C	1993-94
	4756 856-7	1		C	1995-96
2	4599 928	2		D,L,X	BRACKET, Pull Handle
	4647 312-3	2		C	
3		AR			SCREW (DNS)
4	6100 047	AR			NUT, w/Washer
5	6501 350	AR			SCREW
6					HINGE, Body Half
	4756 276-7	1			Upper (1993-94)
	4816 000-1	1			Upper (1995-96)
	4756 278-9	1			Lower
	4696 638-9	1			REINFORCEMENT ASSEMBLY, Hinge ***
	6500 354	AR			BOLT, Hinge Mounting
7	4696 740-1	1			STRAP, Door Check
	4746 327	4			BUSHING, Check Arm
	6031 147	4			Spring Nut
	4741 879	AR			CLIP, Check Arm
	4756 546-7	1			CHECK Assembly 1995-96 (Includes 'L' Bracket) ***
	6504 590	2			SCREW, Tapping, Check Strap L-Arm (M8 x 1.25 x 25), Torx Head
	6502 064	AR			BOLT, Door Check
8					PIN
	4646 540	4			Hinge 1993-94

MODEL CODES:

Chrysler = (CH41 = New Yorker, CP41 = LHS, DH41 = Intrepid(Canada), DP41 = Intrepid ES(Canada), LP41 = Concorde)
 DODGE = (DH41 = Intrepid(USA), DP41 = Intrepid ES(USA))
 EAGLE = (XP41 = Vision ESI, XS41 = Vision TSI)

BODY STYLES:

41 = 4 - Door Sedan ENGINE: 3.3L (EGB)
 3.5L (EGE) 24 Valve

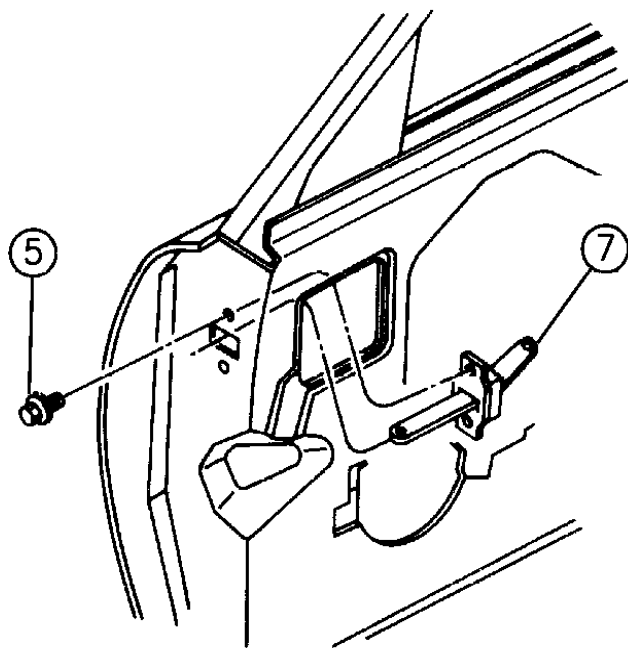
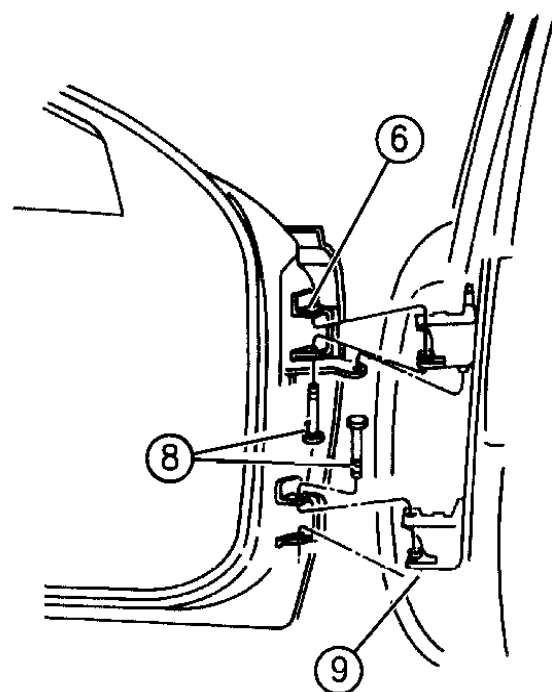
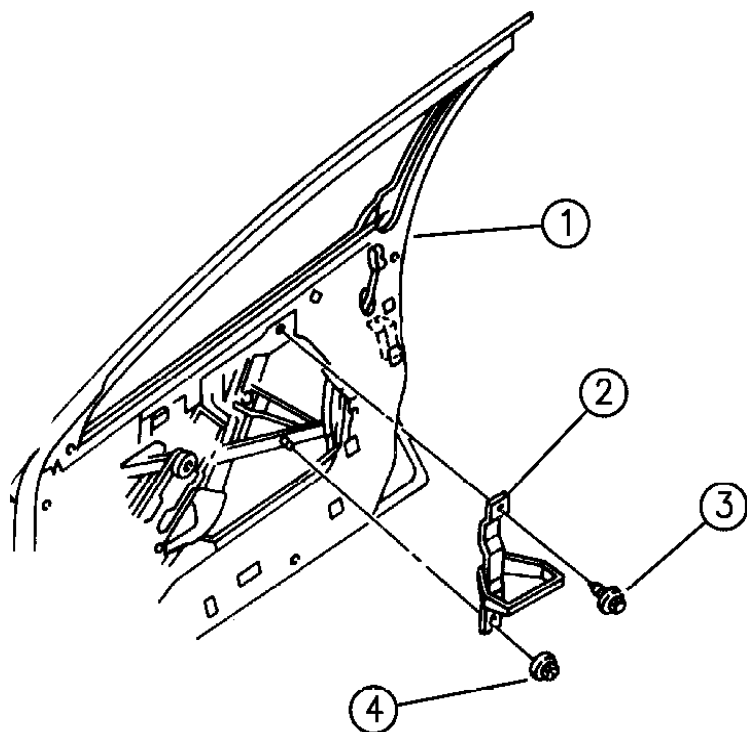
93471 105

AR = Use as Required - = Non Illustrated Part P.A.R. = Paint as Required

DOOR, FRONT SHELL AND HINGES LH BODY
Figure 23C-105

23C-105

ITEM	PART NUMBER	QTY	BODY	MODEL	DESCRIPTION
	4696 753	4			1995-96
	4646 959	4			Slave
	4646 542	4			RETAINER, Pin
9					HINGE, Door Half
	4756 264-5	1			Upper
	4756 268-9	1			Lower
	6500 354	AR			BOLT, Hinge Mounting
	6502 903	8			SCREW, Door Stop
-	6502 970	1			BOLT, Hinge Mounting



93471 105

MODEL CODES:

Chrysler = (CH41 = New Yorker, CP41 = LHS, DH41 = Intrepid(Canada), DP41 = Intrepid ES(Canada), LP41 = Concorde)
DODGE = (DH41 = Intrepid(USA), DP41 = Intrepid ES(USA))
EAGLE = (XP41 = Vision ESI, XS41 = Vision TSI)

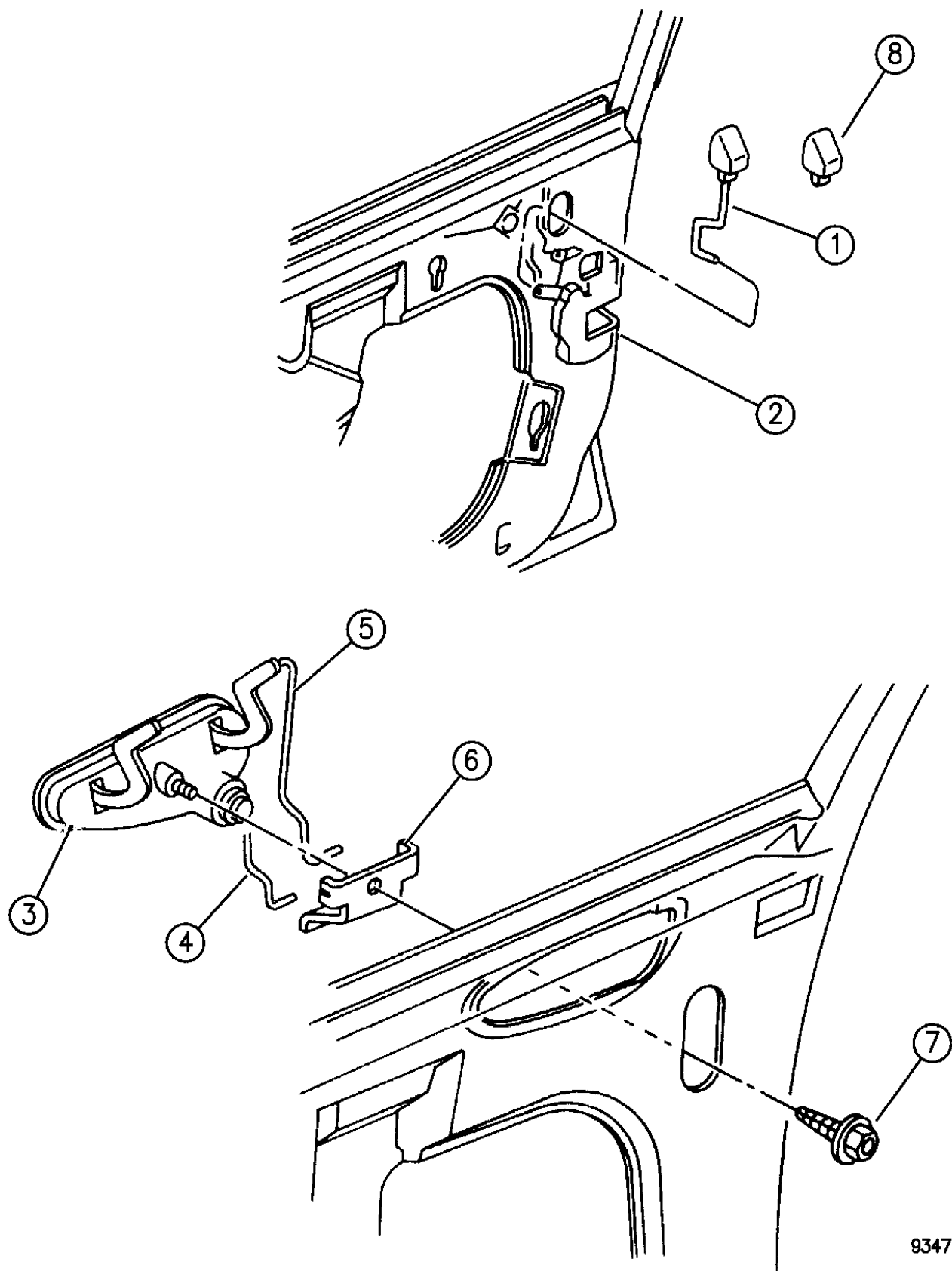
BODY STYLES:

41 = 4 - Door Sedan ENGINE: 3.3L (EGB)
3.5L (EGE) 24 Valve

AR = Use as Required - = Non Illustrated Part P.A.R. = Paint as Required

DOOR, FRONT EXTERIOR HANDLE AND LINKS LH BODY
Figure 23C-110

23C-110



93471 110

ITEM	PART NUMBER	QTY	BODY	MODEL	DESCRIPTION
1					KNOB, w/Link, Locking
					1993 ***
	HW34-5 MAZ	1	C		Agate
	HW34-5 MBR	1	C		Blue
	HW34-5 MF8	1	C		Driftwood
	FL60-1 MBR	1	D		Blue
	FL60-1 MF8	1	D		Driftwood
	FL60-1 MS6	1	D		Quartz
	FL66-7 MB7	1	X,L		Blue
	FL66-7 MF6	1	X,L		Driftwood
	FL66-7 MD5	1	X,L		Quartz
					1994-95-96 ***
	KL54-5 MAZ	1	C		Agate
	KL54-5 MBR	1	C		Dark Slate Blue
	KL54-5 MF8	1	C		Dark Driftwood
	KL54-5 RP8	1	C		Blue Spruce
	KN48-9 PBR	1	D		Dark Slate Blue
	KN48-9 PF8	1	D		Dark Driftwood
	KN48-9 PS6	1	D		Dark Quartz
	KN48-9 RP8	1	D		Blue Spruce
	KN56-7 PD5	1	L,X		Medium Quartz
	KN56-7 PF6	1	L,X		Medium Driftwood
	KN56-7 PB7	1	L,X		Slate Blue
	KN56-7 RP8	1	L,X		Blue Spruce
2					LATCH, Door
					1993
	4696 134-5	1			w/o Power Door Lock Solenoid
	4696 136-7	1			w/Power Door Lock Solenoid
					1994-96
	4696 776-7	1			w/o Power Door Lock Solenoid
	4696 778-9	1			w/Power Lock Solenoid
	3760 130	1			CLIP, Door Linkage Lever
	4615 346	1			CLIP, Door Outside Handle Assembly Link (Right)
	4615 347	2			CLIP, Door Outside Handle Assembly Link (Left)
	6033 876	AR			SCREW, Latch
3					HANDLE, Exterior
					Up to 3/15/93
	DJ70-1 MBF	1			Blue
	DJ70-1 MFA	1			Driftwood
	DJ70-1 MGF	1			Green
	DJ70-1 MJ8	1			Char/Gold
	DJ70-1 MM9	1			Black Cherry

MODEL CODES:

Chrysler = (CH41 = New Yorker, CP41 = LHS, DH41 = Intrepid(Canada), DP41 = Intrepid ES(Canada), LP41 = Concorde)
DODGE = (DH41 = Intrepid(USA), DP41 = Intrepid ES(USA))
EAGLE = (XP41 = Vision ESI, XS41 = Vision TSI)

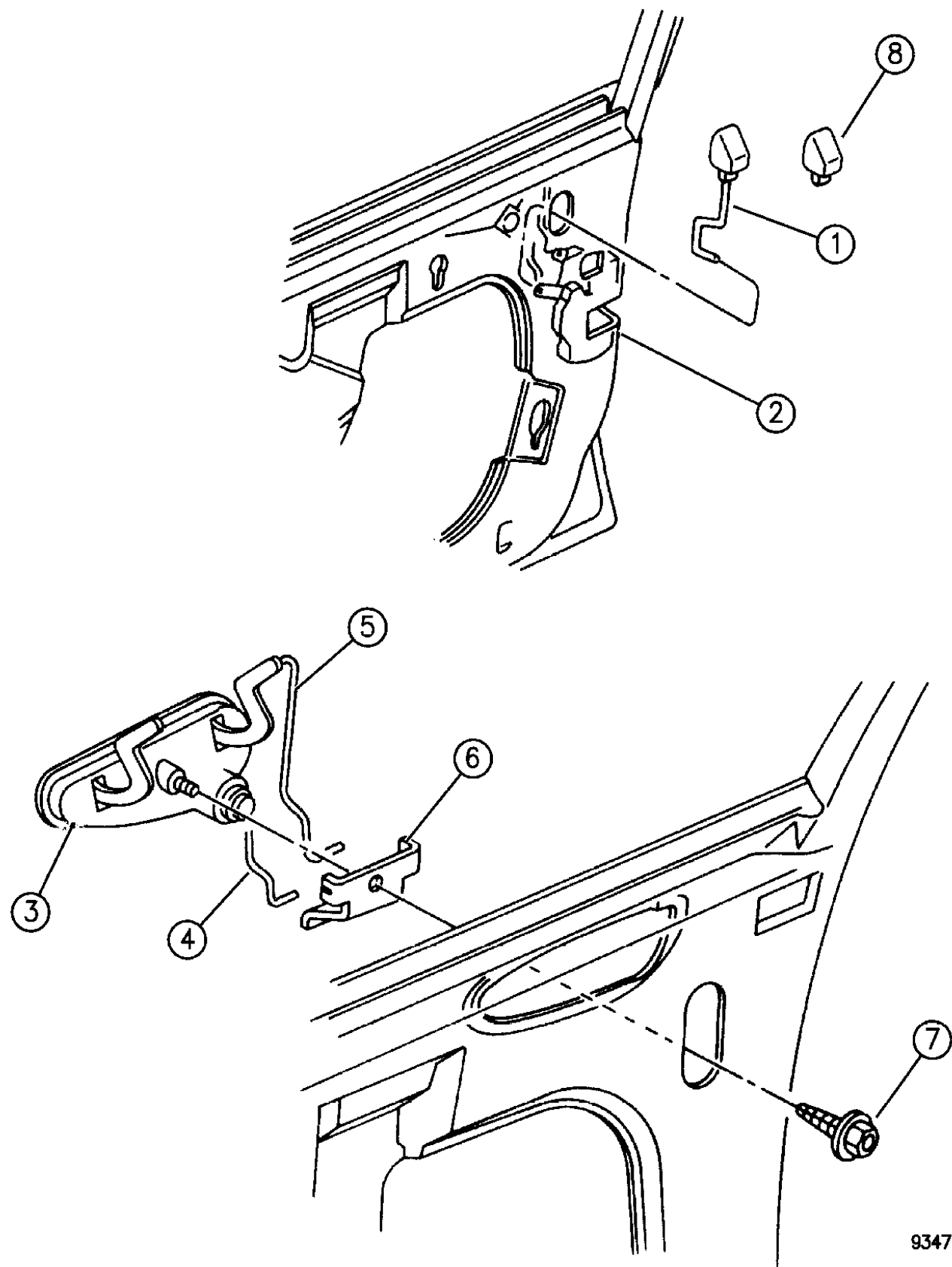
BODY STYLES:

41 = 4 - Door Sedan ENGINE: 3.3L (EGB)
3.5L (EGE) 24 Valve

AR = Use as Required - = Non Illustrated Part P.A.R. = Paint as Required

DOOR, FRONT EXTERIOR HANDLE AND LINKS LH BODY
Figure 23C-110

23C-110



93471 110

ITEM	PART NUMBER	QTY	BODY	MODEL	DESCRIPTION
	DJ70-1 MP5	1			Teal
	DJ70-1 MRB	1			Radiant Fire
	DJ70-1 MRF	1			Radiant Red
	DJ70-1 MS4	1			Silver
	DJ70-1 MW7	1			White
	DJ70-1 MX8	1			Black
	JS76-7 MBF	1			Blue
	JS76-7 MFA	1			Driftwood
	JS76-7 MGF	1			Emerald Green
	JS76-7 MJ8	1			Char/Gold
	JS76-7 MM9	1			Black Cherry
	JS76-7 MP5	1			Teal
	JS76-7 MRB	1			Radiant Fire
	JS76-7 MRF	1			Radiant Red
	JS76-7 MW7	1			White
	JS76-7 MX8	1			Black
	JS76-7 MS4	1			Silver
	JS76-7 RB3	1			Spinnaker Blue Metallic
	JS76-7 RMH	1			Wild Orchid
	JS76-7 RPE	1			Spruce
	JS76-7 RP6	1			Island Teal
	JS76-7 MMB	1			Wildberry
					1996
	KM10-1 RHC	1			Candy Apple Red
	KM10-1 RMB	1			Wildberry
	KM10-1 RFA	1			Light Driftwood
	KM10-1 RB3	1			Medium Blue
	KM10-1 RMH	1			Wild Orchid
	KM10-1 RRF	1			Radiant Red
	KM10-1 RPE	1			Spruce
	KM10-1 RP5	1			Teal
	KM10-1 RP6	1			Island Teal
	KM10-1 RS4	1			Warm Silver
	KM10-1 SW1	1			White
	KM10-1 SW4	1			Pearl White
	KM10-1 RW7	1			Bright White
	KM10-1 RX8	1			Black
	KM10-1 SYK	1			Drama Gold
	KM10-1 RJ8	1			Char-Gold
4	4624 466-7	1			LINK, Cylinder
5	4583 708-9	1			LINK, Handle to Latch

MODEL CODES:

Chrysler = (CH41 = New Yorker, CP41 = LHS, DH41 = Intrepid(Canada), DP41 = Intrepid ES(Canada), LP41 = Concorde)
DODGE = (DH41 = Intrepid(USA), DP41 = Intrepid ES(USA))
EAGLE = (XP41 = Vision ESI, XS41 = Vision TSI)

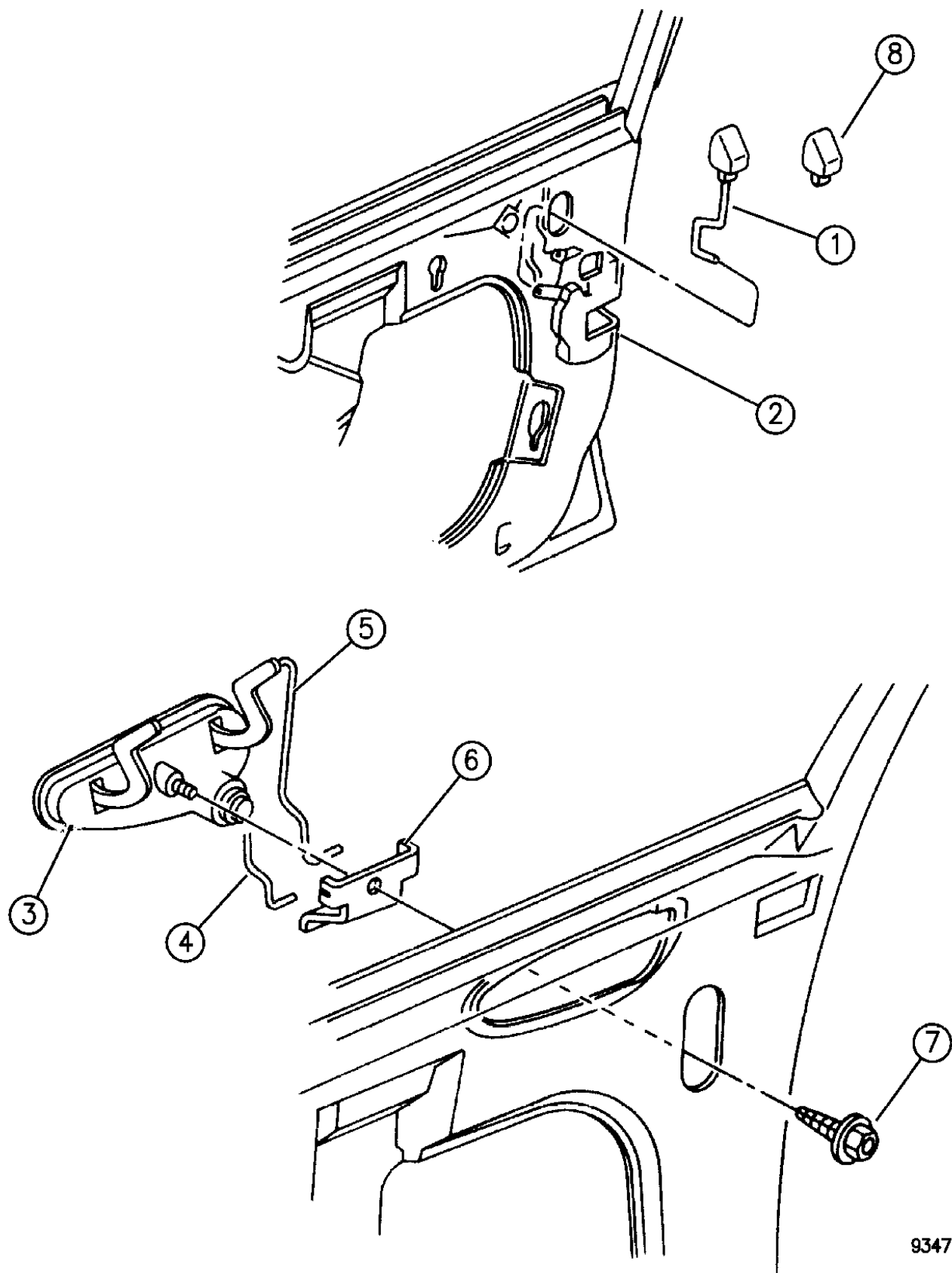
BODY STYLES:

41 = 4 - Door Sedan ENGINE: 3.3L (EGB)
3.5L (EGE) 24 Valve

AR = Use as Required - = Non Illustrated Part P.A.R. = Paint as Required

DOOR, FRONT EXTERIOR HANDLE AND LINKS LH BODY
Figure 23C-110

23C-110



93471 110

ITEM	PART NUMBER	QTY	BODY	MODEL	DESCRIPTION
					LINK, Inside Handle to Latch
	4624 462-3	1		X,L	
	4624 342-3	1		D	
	4624 592-3	1		C	
6	4646 088	2			BRACKET, Outside Door Handle Attaching
	4780 320	2			1996
7		2			SCREW (DNS)
8		2			KNOB, Door Locking
	FL04 MBR	2		L,D,X	Blue
	JS24 MF8	2		L,D,X	Driftwood
	JS24 MS6	2		L,D,X	Dark Quartz
	JS24 RP8	2		L,D,X	Blue Spruce
	FL04 MF6	2		L,D,X	Driftwood
	JS24 PD5	2		L,D,X	Quartz

MODEL CODES:

Chrysler = (CH41 = New Yorker, CP41 = LHS, DH41 = Intrepid(Canada), DP41 = Intrepid ES(Canada), LP41 = Concorde)
DODGE = (DH41 = Intrepid(USA), DP41 = Intrepid ES(USA))
EAGLE = (XP41 = Vision ESI, XS41 = Vision TSI)

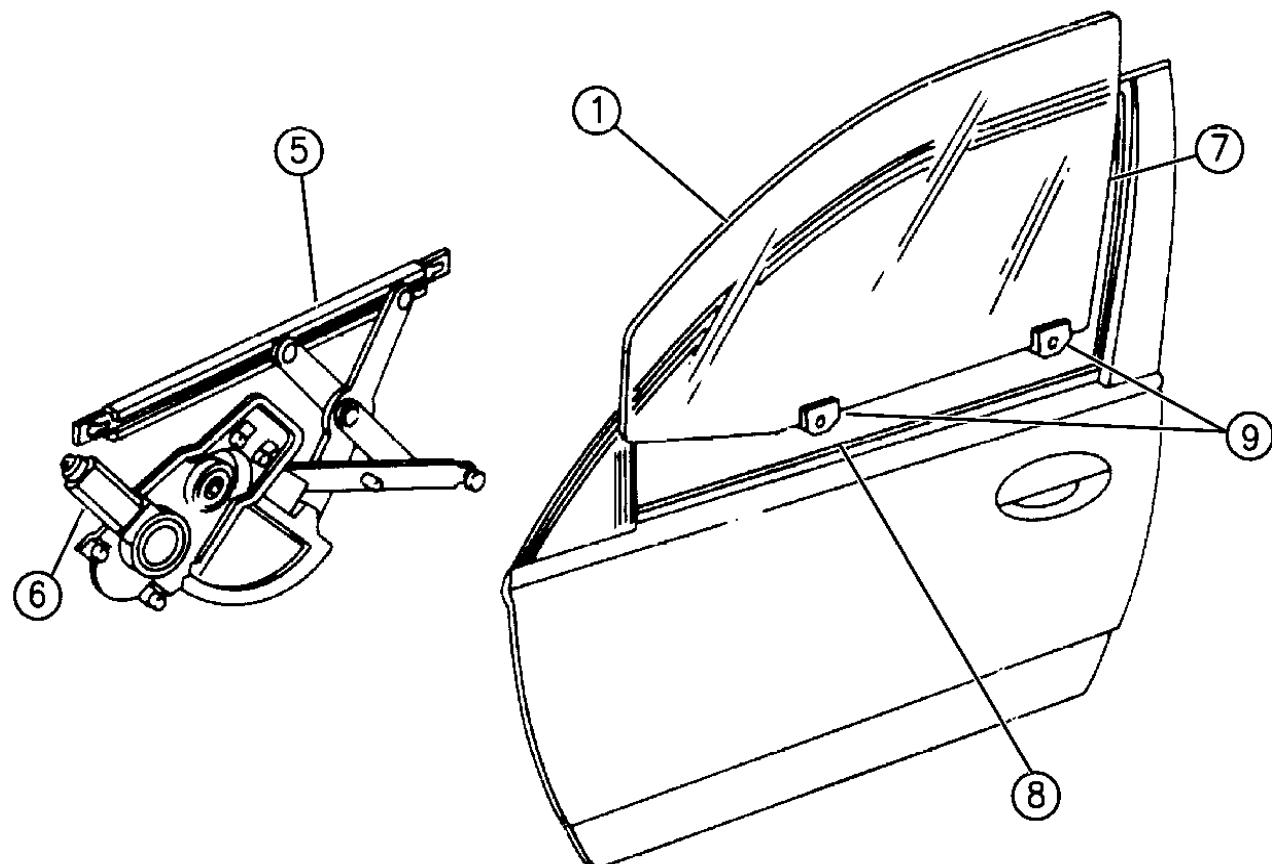
BODY STYLES:

41 = 4 - Door Sedan ENGINE: 3.3L (EGB)
3.5L (EGE) 24 Valve

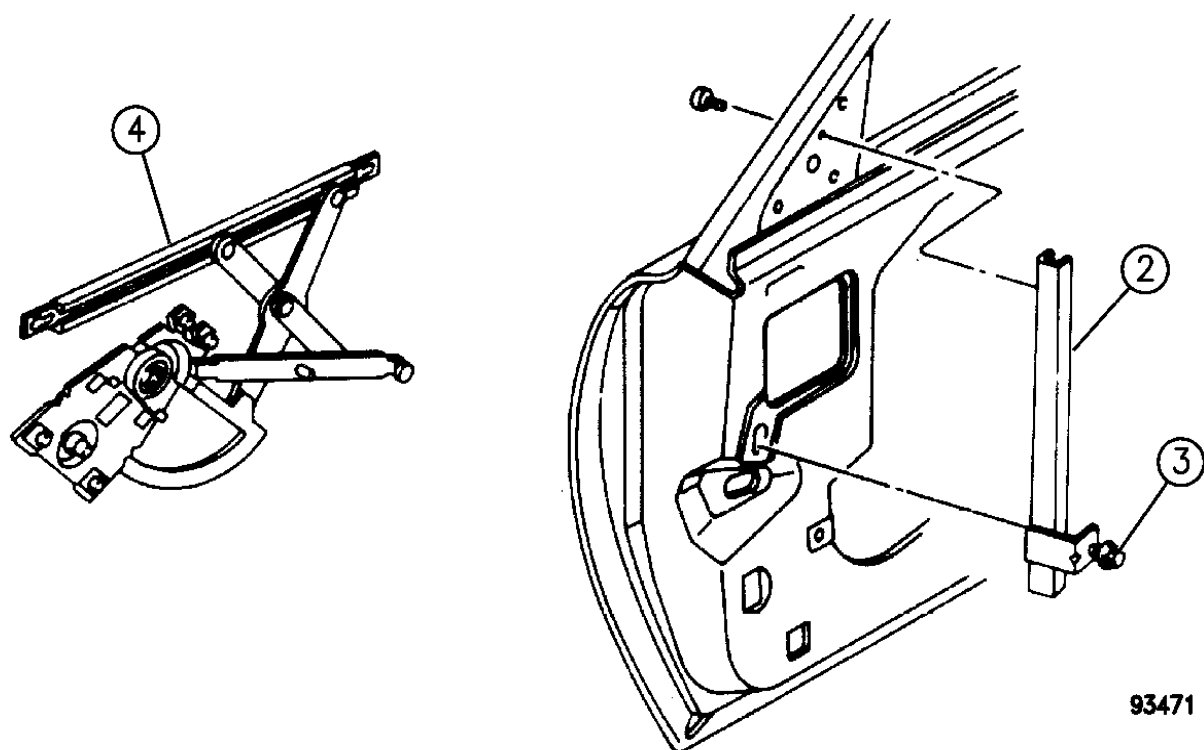
AR = Use as Required - = Non Illustrated Part P.A.R. = Paint as Required

DOOR, FRONT GLASS AND REGULATORS LH BODY
Figure 23C-120

23C-120B



ITEM	PART NUMBER	QTY	BODY	MODEL	DESCRIPTION
1					GLASS, Door, w/Liftplate
	4696 928-9	1		D,L,X	Tinted (Up to 11-25-94)
	4756 928-9	1		D,L,X	Tinted (After 11-25-94)
	4756 930-1	1		C	Solar (Up to 11-25-94)
	4769 930-1	1		C	Solar (After 11-25-94)
2					CHANNEL, Glass, Front Door -Front-(NOTE: For REAR Channel, Front Door See Group 023 Applique)
	4583 892	1			Right
	4583 893	1			Left
3		AR			SCREW (DNS)
4	4583 876-7	1			REGULATOR, Manual
	4756 438-9	1			1995
	4769 112-3	1			1996
	4696 411	2			STABILIZER, Door Glass, Front
	4339 301	AR			SLIDE, Window Regulator Arm
5	4728 576-7	1			REGULATOR, Electric
	4773 918-9	1			1995
	4769 114-5	1			1996
6	4624 624-5	1			MOTOR, Regulator
7	4583 750-1	1			RUN, Glass
8	4646 892-3	1			WEATHERSTRIP, Inner Belt
9	4756 744	2			LIFTPLATE ASSEMBLY, Glass ***



93471 120

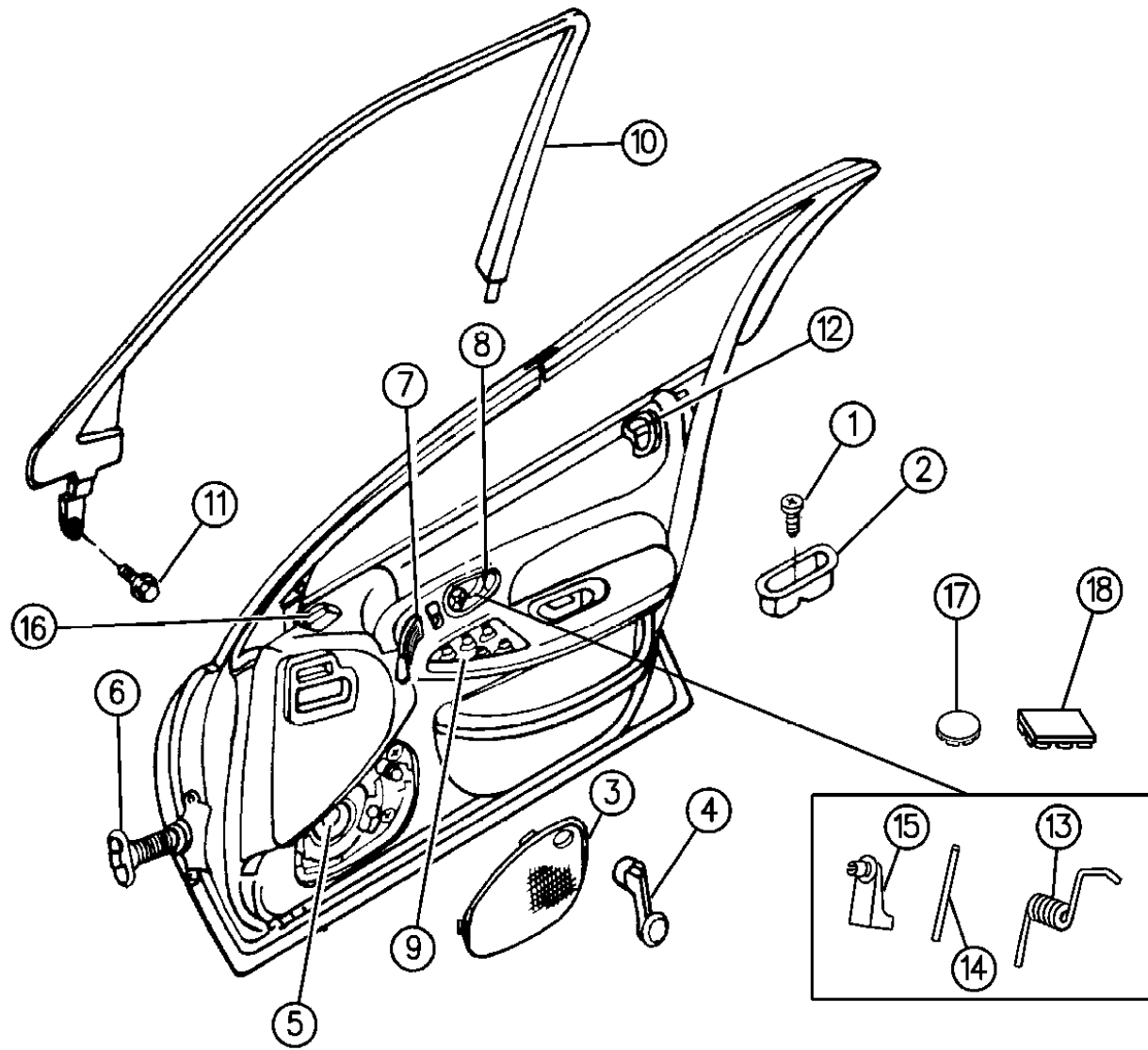
MODEL CODES: _____
Chrysler = (CH41 = New Yorker, CP41 = LHS, DH41 = Intrepid(Canada), DP41 = Intrepid ES(Canada), LP41 = Concorde)
DODGE = (DH41 = Intrepid(USA), DP41 = Intrepid ES(USA))
EAGLE = (XP41 = Vision ESI, XS41 = Vision TSI)

BODY STYLES: _____
41 = 4 - Door Sedan ENGINE: 3.3L (EGB)
3.5L (EGE) 24 Valve

AR = Use as Required - = Non Illustrated Part P.A.R. = Paint as Required

DOOR, FRONT BEZELS AND SPEAKERS LH BODY
Figure 23C-130

23C-130B



ITEM	PART NUMBER	QTY	BODY	MODEL	DESCRIPTION
	GD32 MD5	2			Quartz
	GD32 MF6	2			Medium Driftwood
	GD32 MF8	2			Dark Driftwood
	GD32 MS6	2			Dark Quartz
	GD32 RP8	2			Blue Spruce
	MH12 RAZ	2			w/Infinity Speakers Agate
	EN12 MBR	2			Dark Slate Blue
	MH12 RF8	2			Dark Driftwood
	MH12 RP8	2			Blue Spruce
	MH12 RD5	2			Quartz
	MH12 RAZ	2			Agate
	MH12 RD5	2			Quartz
	MH12 RF8	2			Driftwood
	MH12 RP8	2			Blue Spruce
13	4647 840-1	2		C,L,X	SPRING, Handle Return
14		2		C,L,X	PIN, Handle Pivot (Serviced in Bezel Assembly)
15	5257 478	2		C,L,X	CLIP, Retainer
16					GRILLE, Demister
	EW80-1 MBR	1			Blue
	EW80-1 MF8	1			Driftwood
	EW80-1 MS6	1			Quartz
	EW80-1 RP8	1			Blue Spruce
17					PLUG, Door Trim Screw Hole
	MC41 RAZ	4	C		Agate
	MC41 RDZ	4	C		Medium Quartz
	MC41 RFF	4	C		Driftwood
	MC41 RP8		C		Blue
18					PLUG, Trim Bezel, Rectangular
	MC40 RAZ	4	C		Agate
	MC40 RDZ	4	C		Medium Quartz
	MC40 RFF	4	C		Driftwood
	MC40 RP8	4	C		Blue

MODEL CODES:

Chrysler = (CH41 = New Yorker, CP41 = LHS, DH41 = Intrepid(Canada), DP41 = Intrepid ES(Canada), LP41 = Concorde)
 DODGE = (DH41 = Intrepid(USA), DP41 = Intrepid ES(USA))
 EAGLE = (XP41 = Vision ESI, XS41 = Vision TSI)

BODY STYLES:

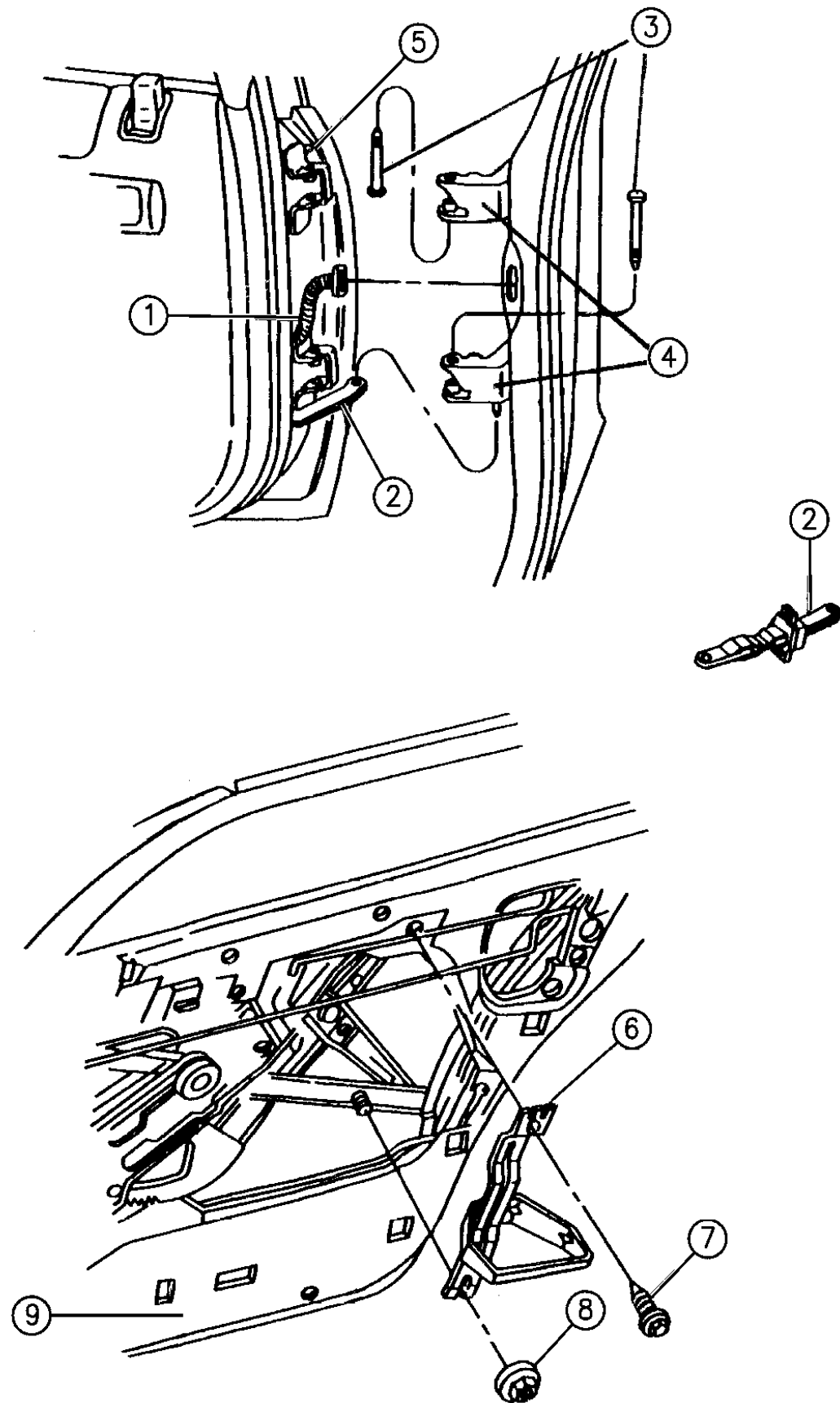
41 = 4 - Door Sedan ENGINE: 3.3L (EGB)
 3.5L (EGE) 24 Valve

93471 130

AR = Use as Required - = Non Illustrated Part P.A.R. = Paint as Required

DOOR, REAR SHELL AND HINGES LH BODY
Figure 23C-205

23C-205



93471 205

ITEM	PART NUMBER	QTY	BODY	MODEL	DESCRIPTION
1	4604 204	1			GROMMET, Wiring Harness
2	4696 742-3	1			STRAP, Door Check
	4756 548-9	1			1995-96 (Includes 'L' Bracket)
	6504 591	4			SCREW, Check Assembly
					CHECK ASSEMBLY, Rear Door ***
3	4780 260	1			Right
	4780 261	1			Left
	4746 327	1			BUSHING, Check Arm
	6031 147	1			Spring Nut
	6501 350	4			Screw, Door Check
4	4646 540	1			PIN, Hinge
	4696 753	1			Hinge 1993-94
	4646 959	1			Hinge 1995-96
5					Slave
					HINGE, Body Half
	4756 244-5	1			Upper
	4756 224-5	1			Lower 1993-94
6	4816 002-3	1			Lower 1995-96
					HINGE, Door Half
	4756 230-1	1			Upper
	4756 232-3	1			Lower 1993-94
	4816 012-3	1			Lower 1995-96
7	4696 640-1	1			REINFORCEMENT ASSEMBLY, Hinge ***
	6501 350	AR			Screw, Hinge
	4599 927	2			BRACKET, Pull Cup
8	6100 047	2			SCREW (Not Serviced) ***
9					NUT
					DOOR, Shell
					1993
	4723 830-1	1		D	
	4723 828-9	1		X,L	
	4723 832-3	1		C	
					1994
	4746 546-7	1		D	
	4746 532-3	1		X,L	
	4746 550-1	1		C	
					1995
	4756 388-9	1		D	
	4756 606-7	1		X,L	
	4796 460-1	1		C	
					1996
	4769 060-1	1		D	

MODEL CODES:

Chrysler = (CH41 = New Yorker, CP41 = LHS, DH41 = Intrepid(Canada), DP41 = Intrepid ES(Canada), LP41 = Concorde)
DODGE = (DH41 = Intrepid(USA), DP41 = Intrepid ES(USA))
EAGLE = (XP41 = Vision ESI, XS41 = Vision TSI)

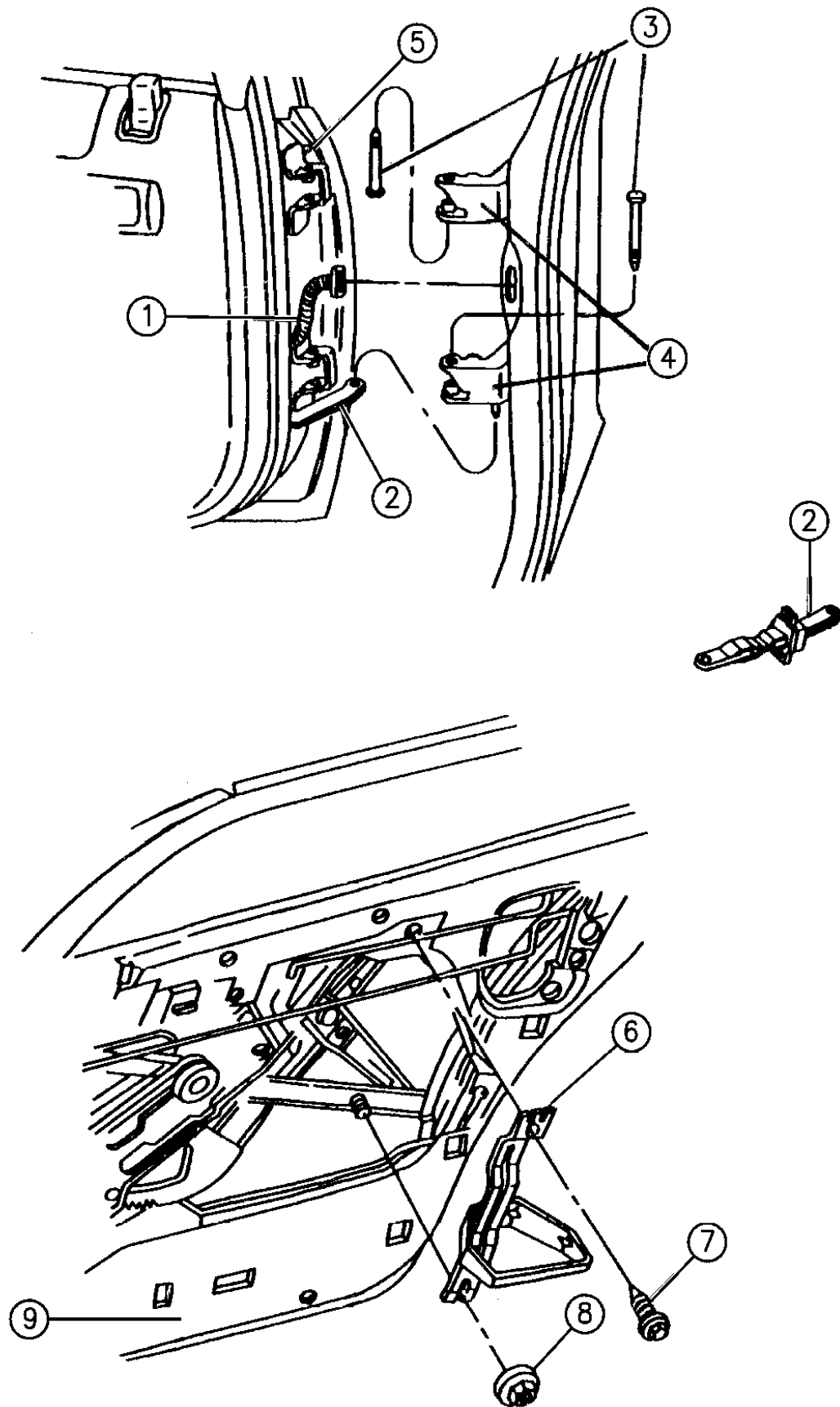
BODY STYLES:

41 = 4 - Door Sedan ENGINE: 3.3L (EGB)
3.5L (EGE) 24 Valve

AR = Use as Required - = Non Illustrated Part P.A.R. = Paint as Required

DOOR, REAR SHELL AND HINGES LH BODY
Figure 23C-205

23C-205



93471 205

ITEM	PART NUMBER	QTY	BODY	MODEL	DESCRIPTION
	4769 058-9	1		X,L	
	4798 142-3	1		C	
	3420 2863	2			PLUG, Push-in Drain PANEL, Repair
	4583 038-9	1		D,X,L	1993-94
	4756 288-9	1		D,X,L	1995
	4583 040-1	1		C	1993-94
	4756 290-1	1		C	1995
	4756 848-9	1		D,X,L	1996
	4756 852-3	1		C	1996
-	4756 424	2		C	BUMPER, Rear Door OverSlam

MODEL CODES:

Chrysler = (CH41 = New Yorker, CP41 = LHS, DH41 = Intrepid(Canada), DP41 = Intrepid ES(Canada), LP41 = Concorde)
DODGE = (DH41 = Intrepid(USA), DP41 = Intrepid ES(USA))
EAGLE = (XP41 = Vision ESI, XS41 = Vision TSI)

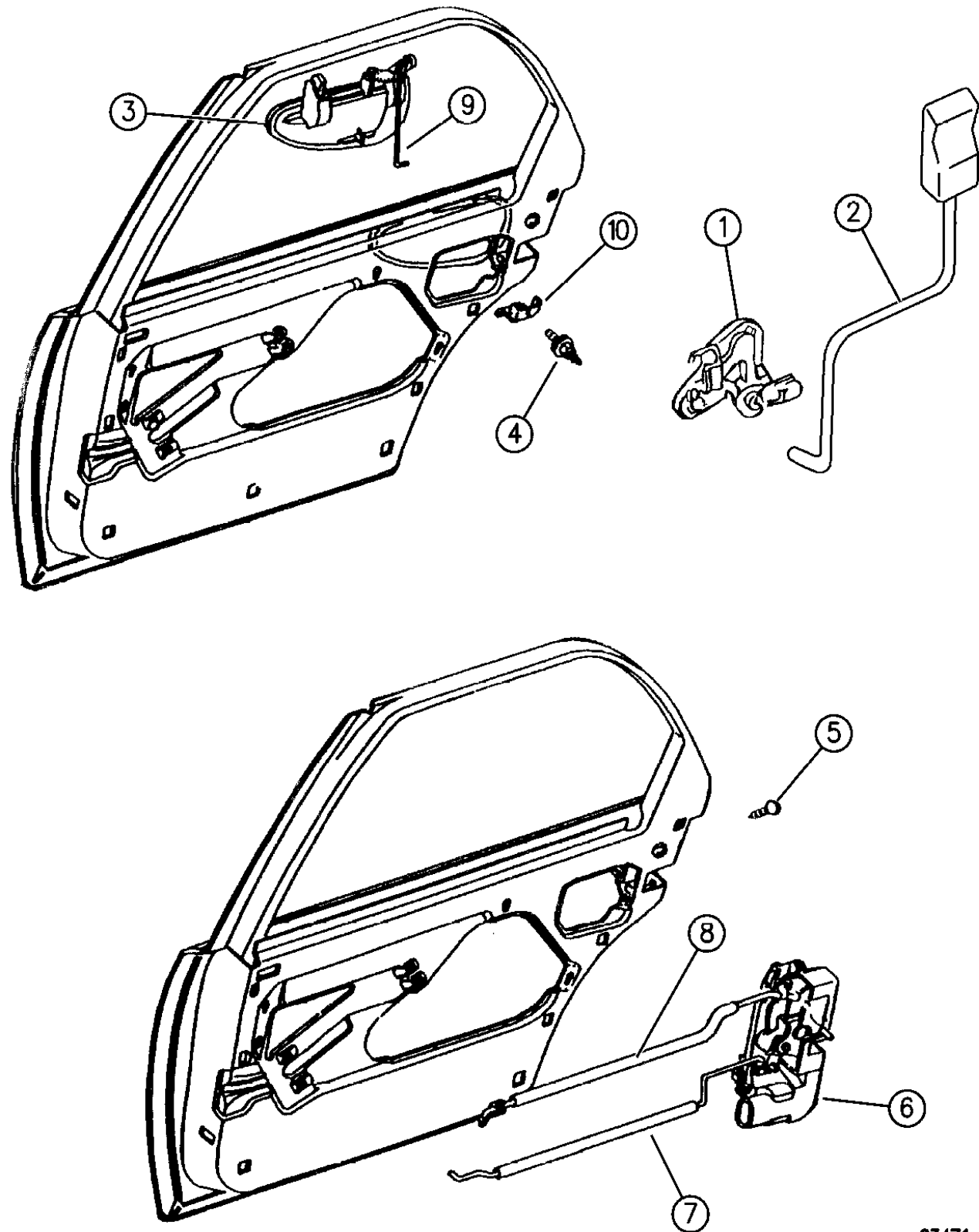
BODY STYLES:

41 = 4 - Door Sedan ENGINE: 3.3L (EGB)
3.5L (EGE) 24 Valve

AR = Use as Required - = Non Illustrated Part P.A.R. = Paint as Required

DOOR, REAR EXTERIOR HANDLE AND LINKS LH BODY
Figure 23C-210

23C-210



93471 210

ITEM	PART NUMBER	QTY	BODY	MODEL	DESCRIPTION
1	4624 630-1	1			LEVER, Link
2					KNOB, w/Link Locking
					1993
	FL68-9 MBR	1	D		Blue
	FL68-9 MF8	1	D		Driftwood
	FL68-9 MS6	1	D		Quartz
	FL70-1 MB7	1	L,X		Blue
	FL70-1 MD5	1	L,X		Quartz
	FL70-1 MF6	1	L,X		Driftwood
	FL64-5 MAZ	1	C		Agate
	FL64-5 MBR	1	C		Blue
	FL64-5 MF8	1	C		Driftwood
					1994
	JV20-1 MBR	1	D		Dark Slate Blue
	JV20-1 MF8	1	D		Dark Driftwood
	JV20-1 MS6	1	D		Dark Quartz
	JV18-9 MB7	1	L,X		Slate Blue
	JV18-9 MD5	1	L,X		Medium Quartz
	JV18-9 MF6	1	L,X		Medium Driftwood
	KL56-7 MAZ	1	C		Agate
	KL56-7 MBR	1	C		Dark Slate Blue
	KL56-7 MF8	1	C		Dark Driftwood
					1995-96
	KN54-5 PF8	1	D		Dark Driftwood
	KN54-5 PS6	1	D		Dark Quartz
	KN54-5 RP8	1	D		Blue Spruce
	KN58-9 PD5	1	L,X		Medium Quartz
	KN58-9 PF6	1	L,X		Medium Driftwood
	KN58-9 RP8	1	L,X		Blue Spruce
	KL56-7 RP8	1	C		Blue Spruce
	KL56-7 MAZ	1	C		Agate
	KL56-7 MF8	1	C		Dark Driftwood
3					HANDLE, Exterior
					1993
					Up to 3/15/93
	DJ66-7 MGF	1			Green
	DJ66-7 MBF	1			Blue
	DJ66-7 MFA	1			Driftwood
	DJ66-7 MJ8	1			Charcoal/Gold
	DJ66-7 MM9	1			Black Cherry
	DJ66-7 MRB	1			Radiant Fire
	DJ66-7 MRF	1			Radiant Red

MODEL CODES:

Chrysler = (CH41 = New Yorker, CP41 = LHS, DH41 = Intrepid(Canada), DP41 = Intrepid ES(Canada), LP41 = Concorde)
DODGE = (DH41 = Intrepid(USA), DP41 = Intrepid ES(USA))
EAGLE = (XP41 = Vision ESI, XS41 = Vision TSI)

BODY STYLES:

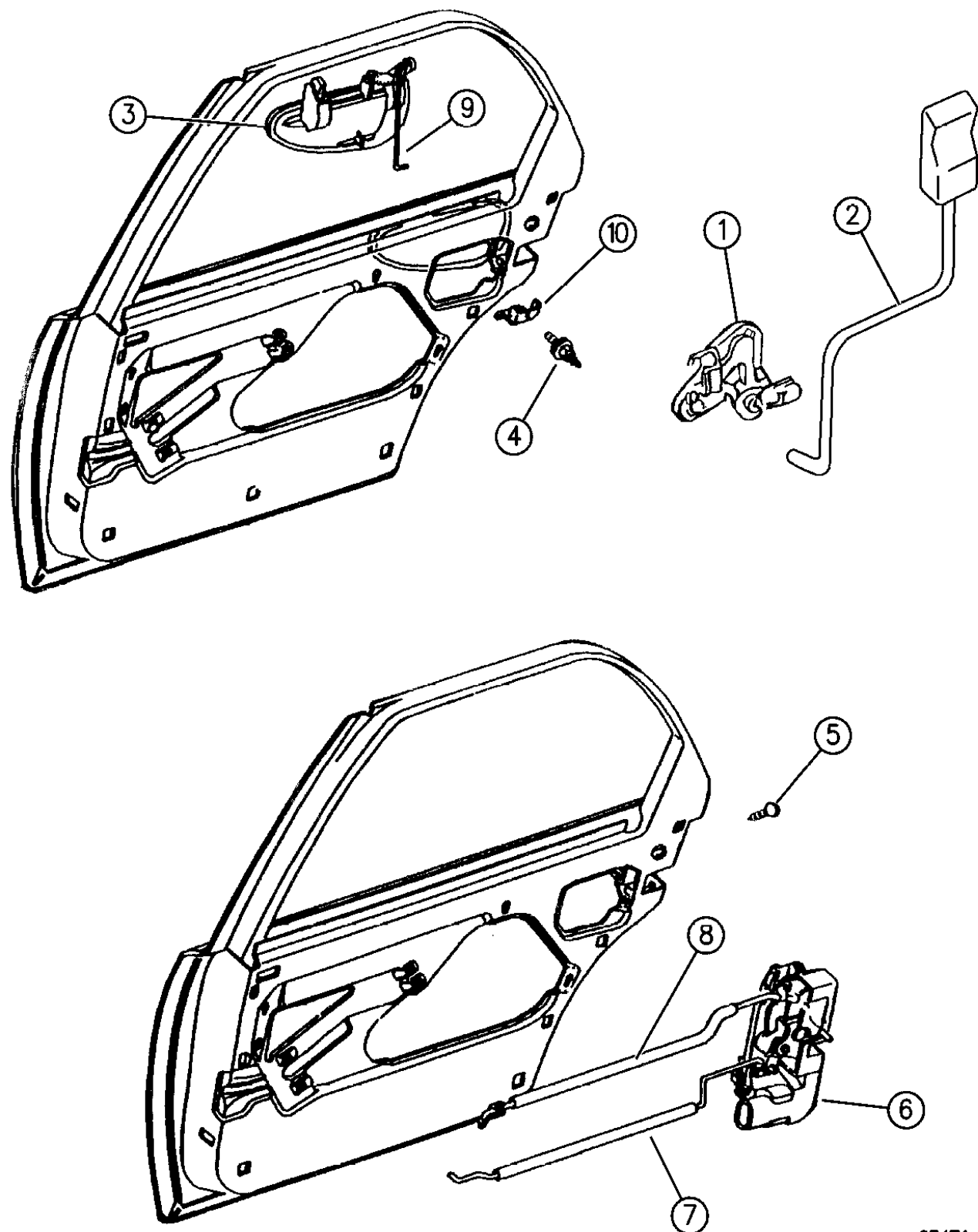
41 = 4 - Door Sedan ENGINE: 3.3L (EGB)
3.5L (EGE) 24 Valve

AR = Use as Required - = Non Illustrated Part P.A.R. = Paint as Required

DOOR, REAR EXTERIOR HANDLE AND LINKS LH BODY

Figure 23C-210

23C-210



93471 210

ITEM	PART NUMBER	QTY	BODY	MODEL	DESCRIPTION
	DJ66-7 MP5	1			Teal
	DJ66-7 MS4	1			Silver
	DJ66-7 MW7	1			White
	DJ66-7 MX8	1			Black
					After 3/15/93
	JS82-3 MBF	1			Blue
	JS82-3 MFA	1			Driftwood
	JS82-3 MGF	1			Emerald Green
	JS82-3 MJ8	1			Char/Gold
	JS82-3 MM9	1			Black Cherry
	JS82-3 MP5	1			Teal
	JS82-3 MRB	1			Radiant Fire
	JS82-3 MRF	1			Radiant Red
	JS82-3 MS4	1			Silver
	JS82-3 MW7	1			White
	JS82-3 MX8	1			Black
					1994-95
	KK62-3 MMB	1			Wildberry
	KK62-3 PBF	1			Medium Water Blue
	KK62-3 PFA	1			Light Driftwood
	KK62-3 PGF	1			Emerald Green
	KK62-3 PJ8	1			Char-Gold
	KK62-3 PM9	1			Black Cherry
	KK62-3 PP5	1			Teal
	KK62-3 PRB	1			Radiant Fire
	KK62-3 PRF	1			Radiant Red
	KK62-3 PS4	1			Warm Silver
	KK62-3 PW7	1			White
	KK62-3 PX8	1			Black
	KK62-3 RMH	1			Spinnaker Blue Metallic
	KK62-3 RPE	1			Spruce
	KK62-3 RP6	1			Island Teal
					1996
	KM16-7 RFA	1			Light Driftwood
	KM16-7 SYK	1			Drama Gold
	KM16-7 RMB	1			Wildberry
	KM16-7 RS4	1			Warm Silver
	KM16-7 SW1	1			White
	KM16-7 SW4	1			Pearl White
	KM16-7 RX8	1			Black
	KM16-7 RB3	1			Medium Blue
	KM16-7 RMH	1			Wild Orchid

MODEL CODES:

Chrysler = (CH41 = New Yorker, CP41 = LHS, DH41 = Intrepid(Canada), DP41 = Intrepid ES(Canada), LP41 = Concorde)
 DODGE = (DH41 = Intrepid(USA), DP41 = Intrepid ES(USA))
 EAGLE = (XP41 = Vision ESI, XS41 = Vision TSI)

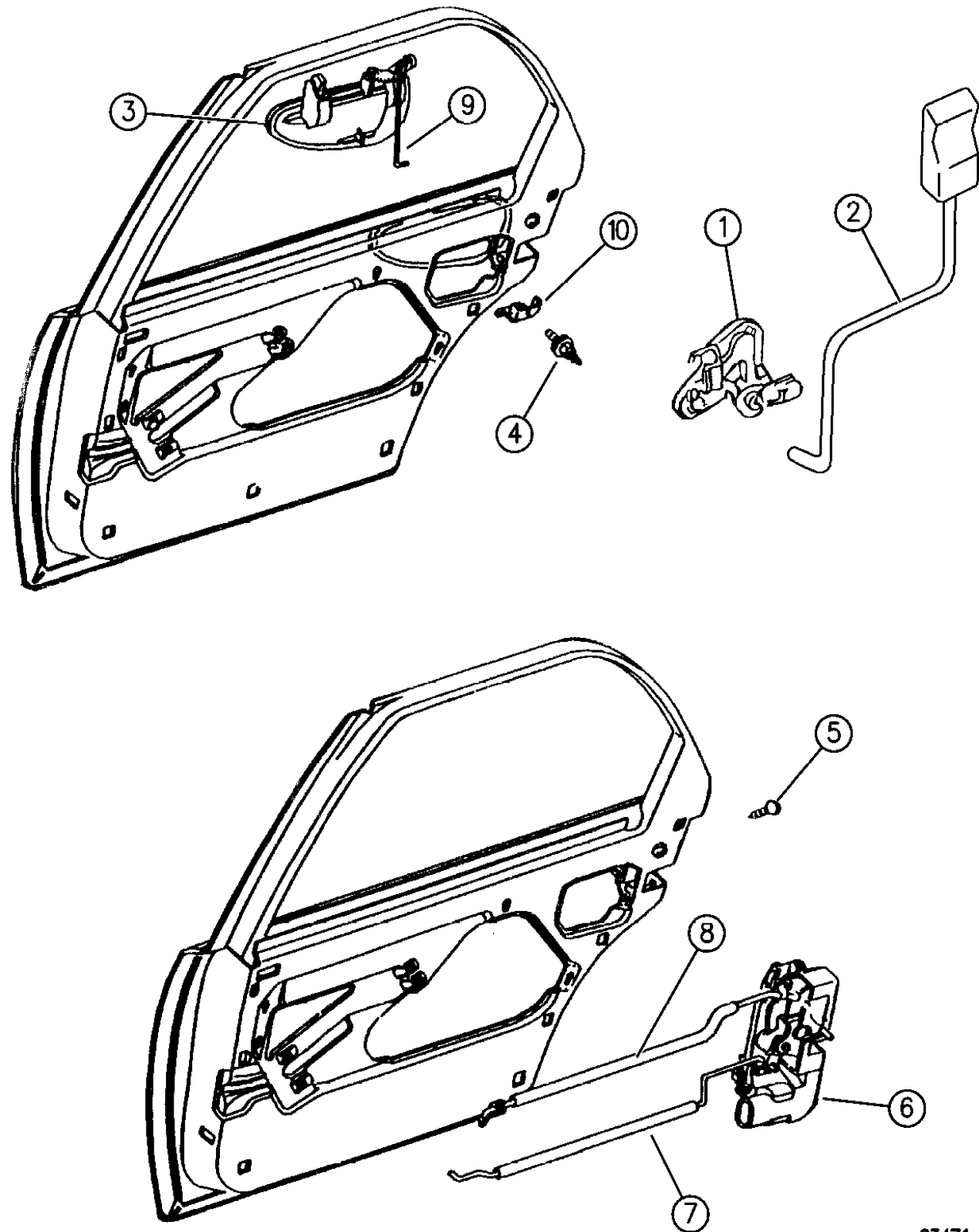
BODY STYLES:

41 = 4 - Door Sedan ENGINE: 3.3L (EGB)
 3.5L (EGE) 24 Valve

AR = Use as Required - = Non Illustrated Part P.A.R. = Paint as Required

DOOR, REAR EXTERIOR HANDLE AND LINKS LH BODY
Figure 23C-210

23C-210



ITEM	PART NUMBER	QTY	BODY	MODEL	DESCRIPTION
	KM16-7 RPE	1			Spruce
	KM16-7 RP5	1			Teal
	KM16-7 RRF	1			Radiant Red
	KM16 RHC	1			Candy Apple Red, Right
	KM17 RHC	1			Candy Apple Red, Left
4		2			SCREW (DNS)
5	6033 876	AR			SCREW, Latch Mtg.
6					LATCH, Door
					1993
	4696 138-9	1			w/o Power Door Lock Solenoid
	4696 140-1	1			w/Power Door Lock Solenoid
					1994-95
	4696 772-3	1			w/o Power Lock Solenoid
	4696 774-5	1			w/Power Lock Solenoid
					1996
	4769 068	1			Manual, w/Child Guard, w/Power Door Locks, Right
	4769 069	1			Manual, w/Child Guard, w/Power Door Locks, Left
	4769 070	1			Electric, w/Child Guard, w/Power Door Locks, Right
	4769 071	1			Electric, w/Child Guard, w/Power Door Locks, Left
					STRIKER, Rear Door
	4520 288	2			Door Latch
	4696 937	2			Interlock
	4756 260-1	1			COVER, Secondary Striker (Black Foam Pad w/Adhesive)
					LABEL, Child Guard
	4396 978	2			Rear Door Glass
	4615 722	2			Rear Door Post (English)
	4615 723	2			Rear Door Post (French)
7					LINK, Handle to Latch
	4624 602-3	1		D	
	4624 600-1	1		L,X	
	4624 358-9	1		C	
8	4624 596	2			LINK, Locking Control
	4696 371	2			FOAM PAD, Antirattle Rear Door Locking Control Link ***
9	4624 604-5	1			LINK, Handle to Latch
10	4646 088	2			BRACKET, Handle Attaching

93471 210

MODEL CODES:

Chrysler = (CH41 = New Yorker, CP41 = LHS, DH41 = Intrepid(Canada), DP41 = Intrepid ES(Canada), LP41 = Concorde)
DODGE = (DH41 = Intrepid(USA), DP41 = Intrepid ES(USA))
EAGLE = (XP41 = Vision ESI, XS41 = Vision TSI)

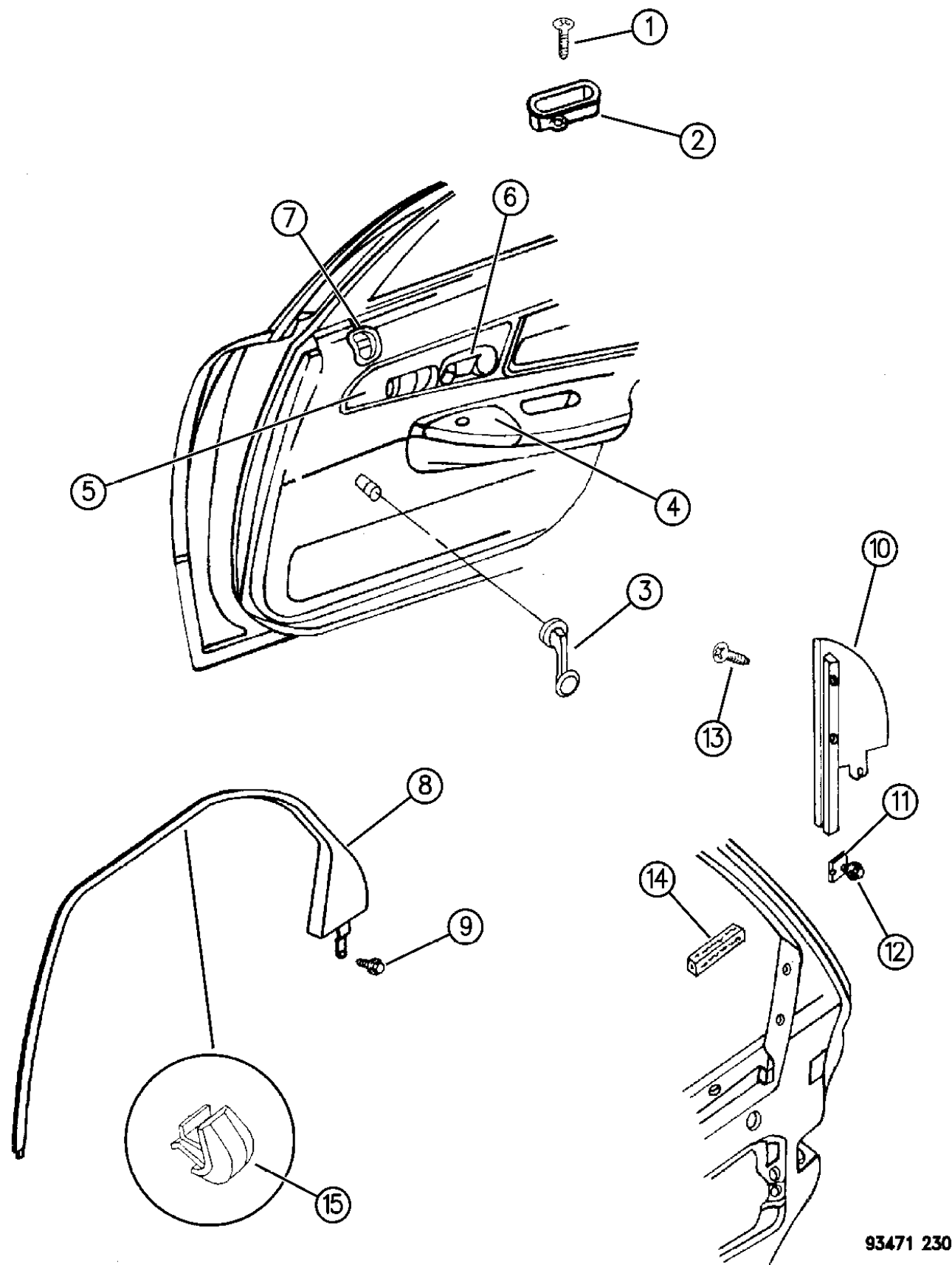
BODY STYLES:

41 = 4 - Door Sedan ENGINE: 3.3L (EGB)
3.5L (EGE) 24 Valve

AR = Use as Required - = Non Illustrated Part P.A.R. = Paint as Required

DOOR, REAR REMOTE CONTROL, BEZELS AND MOULDINGS LH BODY
Figure 23C-230

23C-230



93471 230

ITEM	PART NUMBER	QTY	BODY	MODEL	DESCRIPTION
	EX80-1 MAZ	1		D	Agate
	GB62-3 MKV	1		L	Woodgrain (See ITL for ash receiver)
	LH46-7 RNV	1			Woodgrain (1996) (See ITL for ash receiver)
	4773 119	AR			BUMPER
	4647 838	1			HANDLE, Inside
	4647 840	1			SPRING, Handle Return
	4624 202	2			PIN, Handle Pivot
	4658 676	1			CLIP, Door Lock Rod End
6					HANDLE, Remote Control
				D	Serviced in item #5
	GA32-3 MB7	1		X,L	Blue
	GA32-3 MD5	1		X,L	Quartz
	GA32-3 MF6	1		X,L	Driftwood
	GA32-3 MX8	1		X,L	Black
	GA32-3 RP8	1		L,X	Blue Spruce
	4647 838-9	1		C	
7					BEZEL, Locking Knob
					w/o Infinity Speakers
	GD32 MBR	2			Dark Blue
	GD32 MB7	2			Blue
	GD32 MD5	2			Quartz
	GD32 MS6	2			Dark Quartz
	GD32 MF6	2			Driftwood
	GD32 MF8	2			Dark Driftwood
	GD32 RP8	2			Blue Spruce
					w/Infinity Speakers
	MH12 RAZ	2			Agate
	MH12 RF8	2			Driftwood
	EN12 MBR	2			Dark Slate Blue
	MH12 RP8	2			Blue Spruce
	MH12 RD5	2			Quartz
					1995-96, w/Infinity Speakers, EUROPE
	MH12 RAZ	2			Agate
	MH12 RD5	2			Quartz
	MH12 RF8	2			Driftwood
	MH12 RP8	2			Blue Spruce
8					MOULDING, Door
	EG16-7 LAZ			D	Agate
	DF42-3 MAZ	1		L,X	Agate
	EM54-5 MAZ	1		C	Agate
9		2			SCREW (Not Serviced) ***
10	4696 442-3	1			APPLIQUE, Rear Door

MODEL CODES:

Chrysler = (CH41 = New Yorker, CP41 = LHS, DH41 = Intrepid(Canada), DP41 = Intrepid ES(Canada), LP41 = Concorde)
 DODGE = (DH41 = Intrepid(USA), DP41 = Intrepid ES(USA))
 EAGLE = (XP41 = Vision ESI, XS41 = Vision TSI)

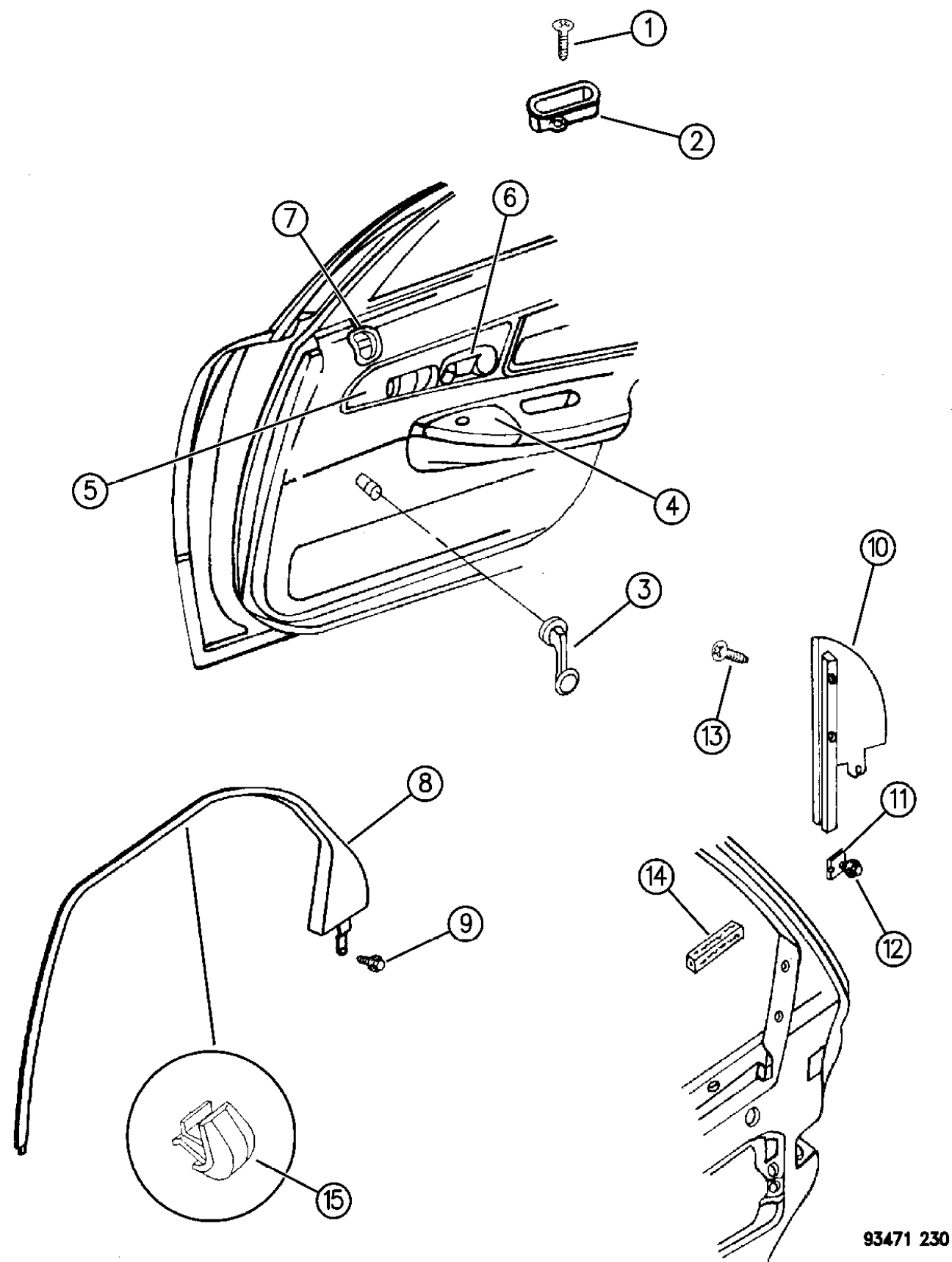
BODY STYLES:

41 = 4 - Door Sedan ENGINE: 3.3L (EGB)
 3.5L (EGE) 24 Valve

AR = Use as Required - = Non Illustrated Part P.A.R. = Paint as Required

DOOR, REAR REMOTE CONTROL, BEZELS AND MOULDINGS LH BODY
Figure 23C-230

23C-230



ITEM	PART NUMBER	QTY	BODY	MODEL	DESCRIPTION
11	6100 041	AR			U-NUT
12		AR			SCREW (Not Serviced) ***
13		AR			SCREW (Not Serviced) ***
14	4646 660	AR			GASKET, Applique
15	4646 935	2		L,D,X	GUIDE, Moulding Glass
	4756 259	2		C	CLIP, Glass Guide Retainer

93471 230

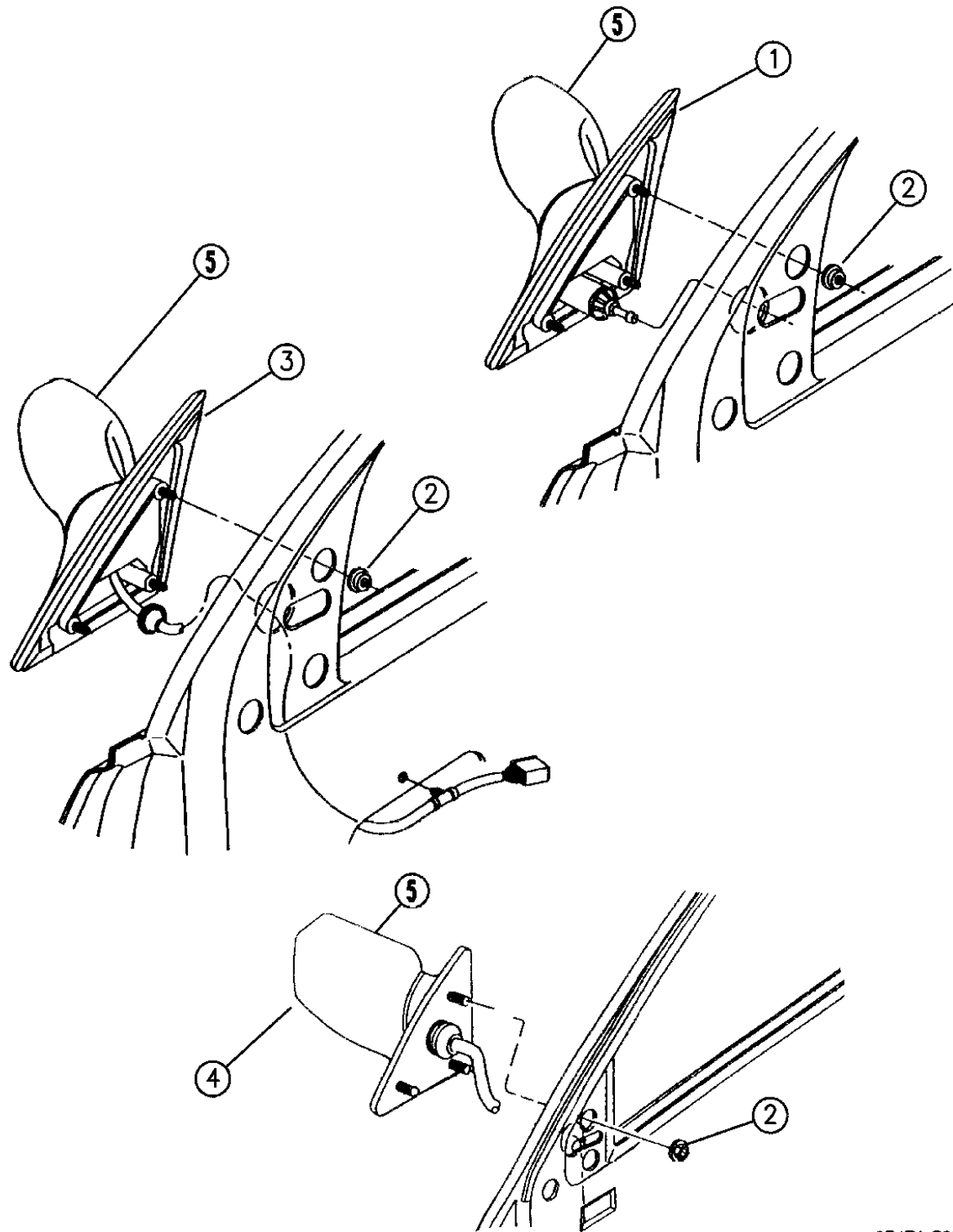
MODEL CODES:
 Chrysler = (CH41 = New Yorker, CP41 = LHS, DH41 = Intrepid(Canada), DP41 = Intrepid ES(Canada), LP41 = Concorde)
 DODGE = (DH41 = Intrepid(USA), DP41 = Intrepid ES(USA))
 EAGLE = (XP41 = Vision ESI, XS41 = Vision TSI)

BODY STYLES:
 41 = 4 - Door Sedan ENGINE: 3.3L (EGB)
 3.5L (EGE) 24 Valve

AR = Use as Required - = Non Illustrated Part P.A.R. = Paint as Required

MIRROR, EXTERIOR LH BODY
Figure 23C-505

23C-505



93471 505

ITEM	PART NUMBER	QTY	BODY	MODEL	DESCRIPTION
1	4624 008-9	1			MIRROR, Remote Control
2	6100 045	AR			NUT, Mirror Mounting
3					MIRROR, Electric
	4624 010-1	1			1993
	4696 850-1	1			1994-96
4					MIRROR, Electric Heated, Foldaway
	DV08-9 MBX	1			Blue/Black
	DV08-9 MFX	1			Driftwood/Black
	DV08-9 MGX	1			Green/Black
	DV08-9 MMX	1			Black Cherry/Black
	DV08-9 MRX	1			Red/Black
	DV08-9 MXR	1			Black/Red
	DV08-9 MPX	1			Teal/Black
	DV08-9 MSX	1			Gray/Black
	DV08-9 MX8	1			Black
	DV08-9 MWX	1			White
	DV08-9 MJX	1			Gold
	JF52 PX8	1			1993-96 (After 7-26-93) Black, Right (Paint as Required)
	JF53 PX8	1			Black, Left (Paint as Required)
					1994-96 (BUX) Export
	JF54-5 PBX	1			Blue/Black
	JF54-5 PFX	1			Driftwood/Black
	JF54-5 PGX	1			Green/Black
	JF54-5 PJX	1			Gold/Black
	JF54-5 PMX	1			Black Cherry/Black
	JF54-5 PRX	1			Red/Black
	JF54-5 PWX	1			White/Black
	JF54-5 PX8	1			Black
	JF54-5 RB3	1			Spinnaker Blue Metallic
	JF54-5 RMB	1			Wildberry
	JF54-5 SMH	1			Wild Orchid
	JF54-5 RPE	1			Spruce
	JF54-5 SS4	1			Warm Silver
	JF54-5 PSX	1			Platinum
	JF54-5 LRF	1			Radiant Red
	JF54-5 SW1	1			White
	JF54-5 SW4	1			Pearl White
		AR			PATCH, Mirror Attaching Holes ***
	4696 494-5	1			w/Power Mirrors
	4696 496-7	1			w/o Power Mirrors

MODEL CODES:

Chrysler = (CH41 = New Yorker, CP41 = LHS, DH41 = Intrepid(Canada), DP41 = Intrepid ES(Canada), LP41 = Concorde)
DODGE = (DH41 = Intrepid(USA), DP41 = Intrepid ES(USA))
EAGLE = (XP41 = Vision ESI, XS41 = Vision TSI)

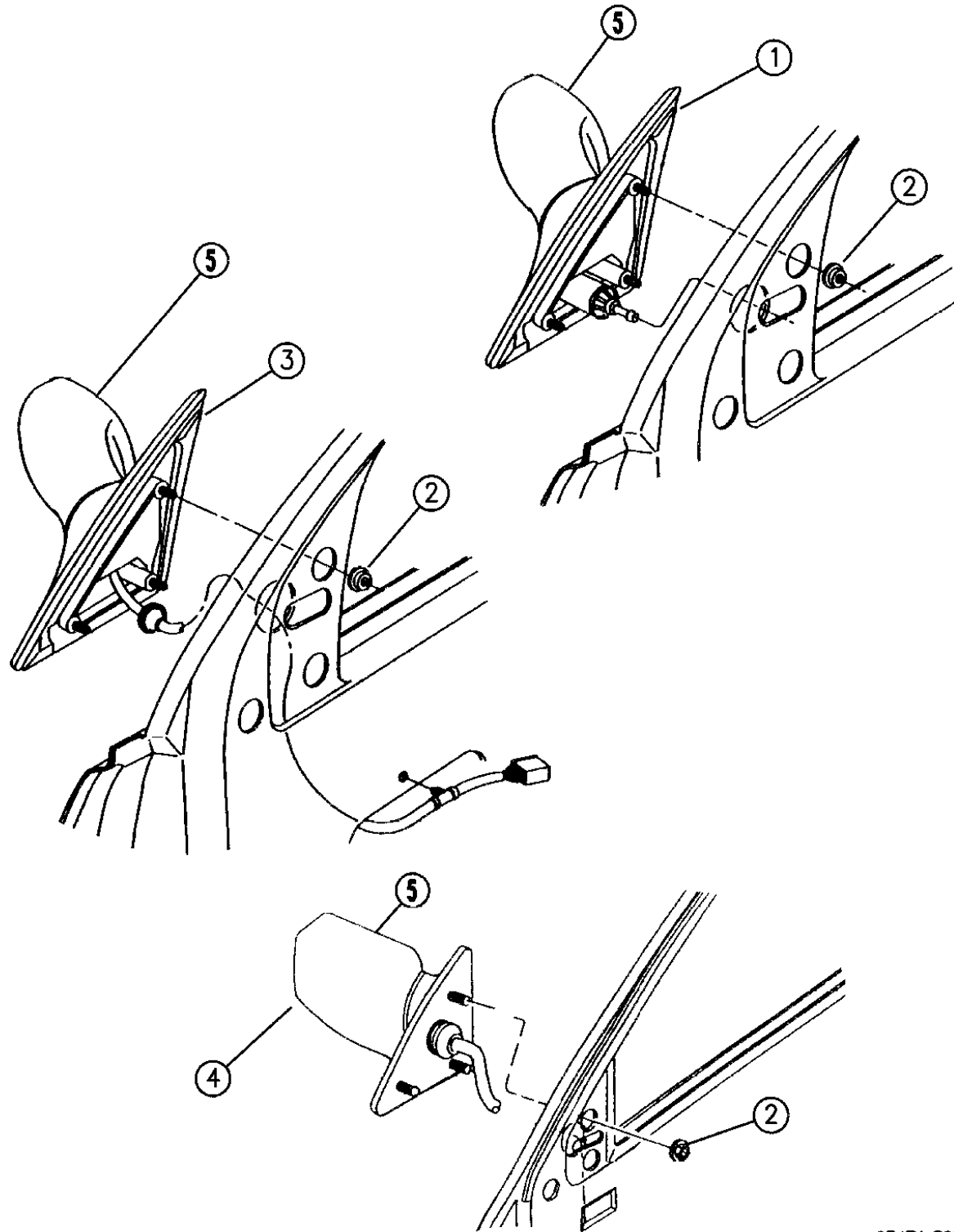
BODY STYLES:

41 = 4 - Door Sedan ENGINE: 3.3L (EGB)
3.5L (EGE) 24 Valve

AR = Use as Required - = Non Illustrated Part P.A.R. = Paint as Required

MIRROR, EXTERIOR LH BODY
Figure 23C-505

23C-505



93471 505

ITEM	PART NUMBER	QTY	BODY	MODEL	DESCRIPTION
	4696 827	2			BLOCKER, Mirror Flag ***
5					GLASS, Mirror Replacement
	4728 256-7	1			Electric Power Remote
	4728 258-9	1			Manual Remote
	4728 254-5	1			BUX

MODEL CODES:

Chrysler = (CH41 = New Yorker, CP41 = LHS, DH41 = Intrepid(Canada), DP41 = Intrepid ES(Canada), LP41 = Concorde)
DODGE = (DH41 = Intrepid(USA), DP41 = Intrepid ES(USA))
EAGLE = (XP41 = Vision ESI, XS41 = Vision TSI)

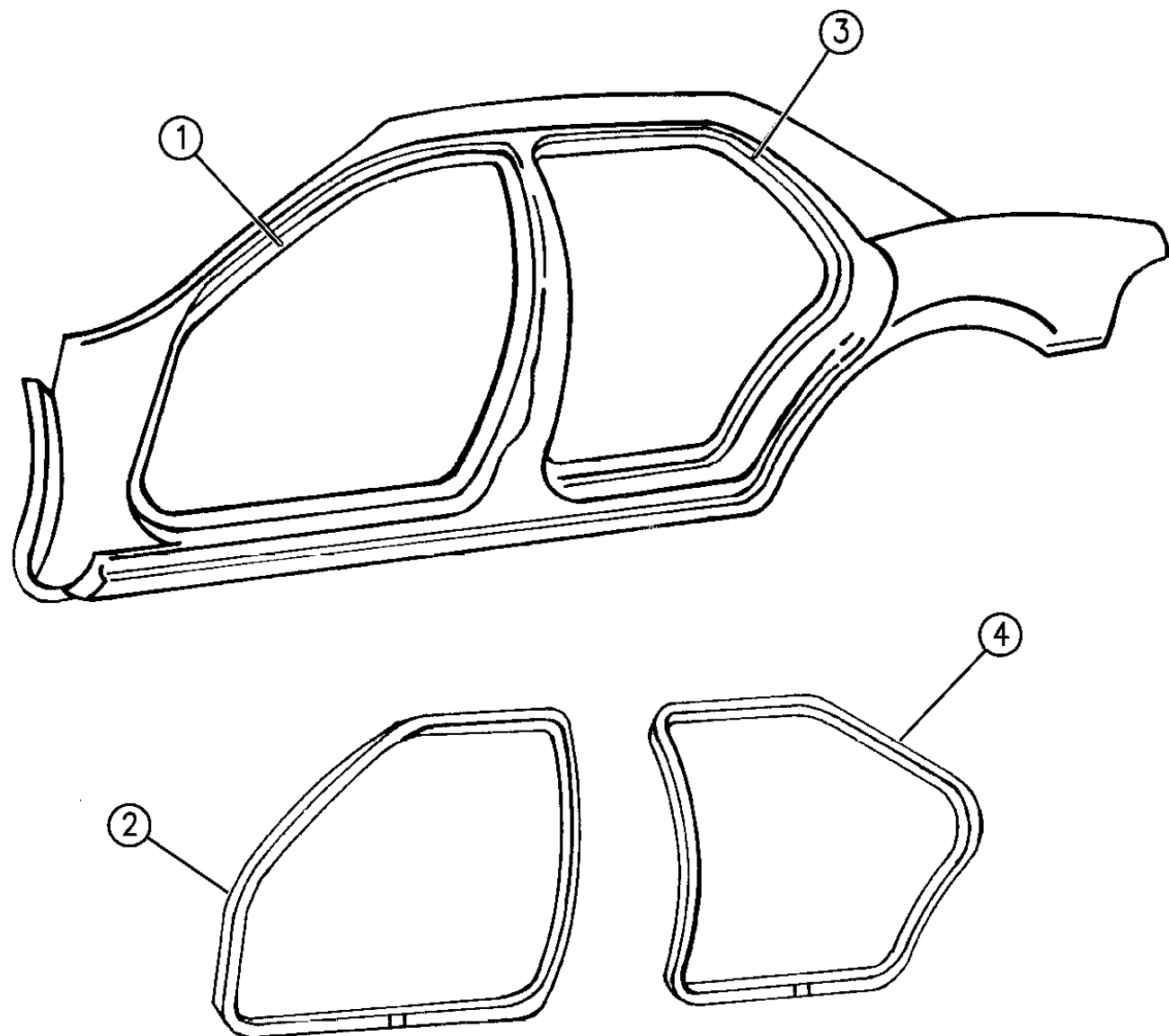
BODY STYLES:

41 = 4 - Door Sedan ENGINE: 3.3L (EGB)
3.5L (EGE) 24 Valve

AR = Use as Required - = Non Illustrated Part P.A.R. = Paint as Required

WEATHERSTRIPS FRONT AND REAR DOOR LH BODY
Figure 23C-605

23C-605



ITEM	PART NUMBER	QTY	BODY	MODEL	DESCRIPTION
1	4583 742-3	1			WEATHERSTRIP, Front Door Body Mounted
2	4583 736-7	1			WEATHERSTRIP, Front Door, Door Mounted
	4756 652-3	1			1993-94-95, Up to 3-15-95
	4696 129	AR			CLIP, Door Weatherstrip Attaching
	4646 892-3	1			WEATHERSTRIP, Front Door Inner Belt
	4583 750-1	1			WEATHERSTRIP, Front Door Flush Glass
3		1			WEATHERSTRIP, Rear Door Body Mounted
	4696 874	2		D,L,X	
	4696 875	2		C	
4					WEATHERSTRIP, Rear Door, Door Mounted
					1993-94-95, Up to 5-3-95
	4624 792-3	1		D	
	4583 738-9	1		L,X	
	4583 740-1	1		C	
					1995-96, After 5-3-95
	4756 658-9	1		D	
	4756 660-1	1		L,X	
	4756 662-3	1		C	
					WEATHERSTRIP, Rear Door, Flush Glass
	4780 418	1		C	Right
	4780 419	1		C	Left

93471 605

MODEL CODES:
 Chrysler = (CH41 = New Yorker, CP41 = LHS, DH41 = Intrepid(Canada), DP41 = Intrepid ES(Canada), LP41 = Concorde)
 DODGE = (DH41 = Intrepid(USA), DP41 = Intrepid ES(USA))
 EAGLE = (XP41 = Vision ESI, XS41 = Vision TSI)

BODY STYLES:
 41 = 4 - Door Sedan ENGINE: 3.3L (EGB)
 3.5L (EGE) 24 Valve

AR = Use as Required - = Non Illustrated Part P.A.R. = Paint as Required

GROUP-23D

CYLINDER & KEYS AND WASHES & WIPER SYSTEM

GROUP 23D - WIPER & WASHER AND CYLINDER & KEYS

ILLUSTRATION TITLE

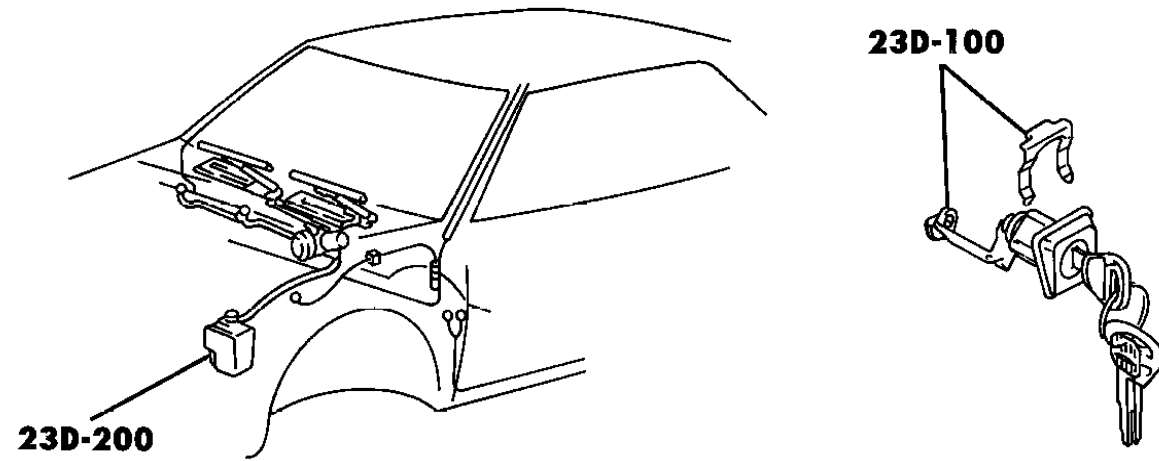
GROUP-FIG. NO.

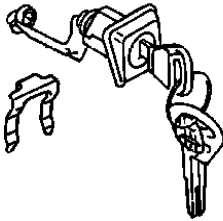
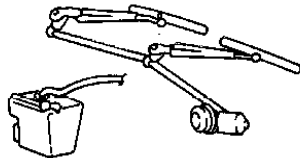
LOCK CYLINDER

LOCK CYLINDERS AND DOUBLE BITTED LOCK CYLINDER REPAIR COMPONENTS LH BODY Fig. 23D-110

WINDSHIELD WIPER AND WASHER SYSTEM

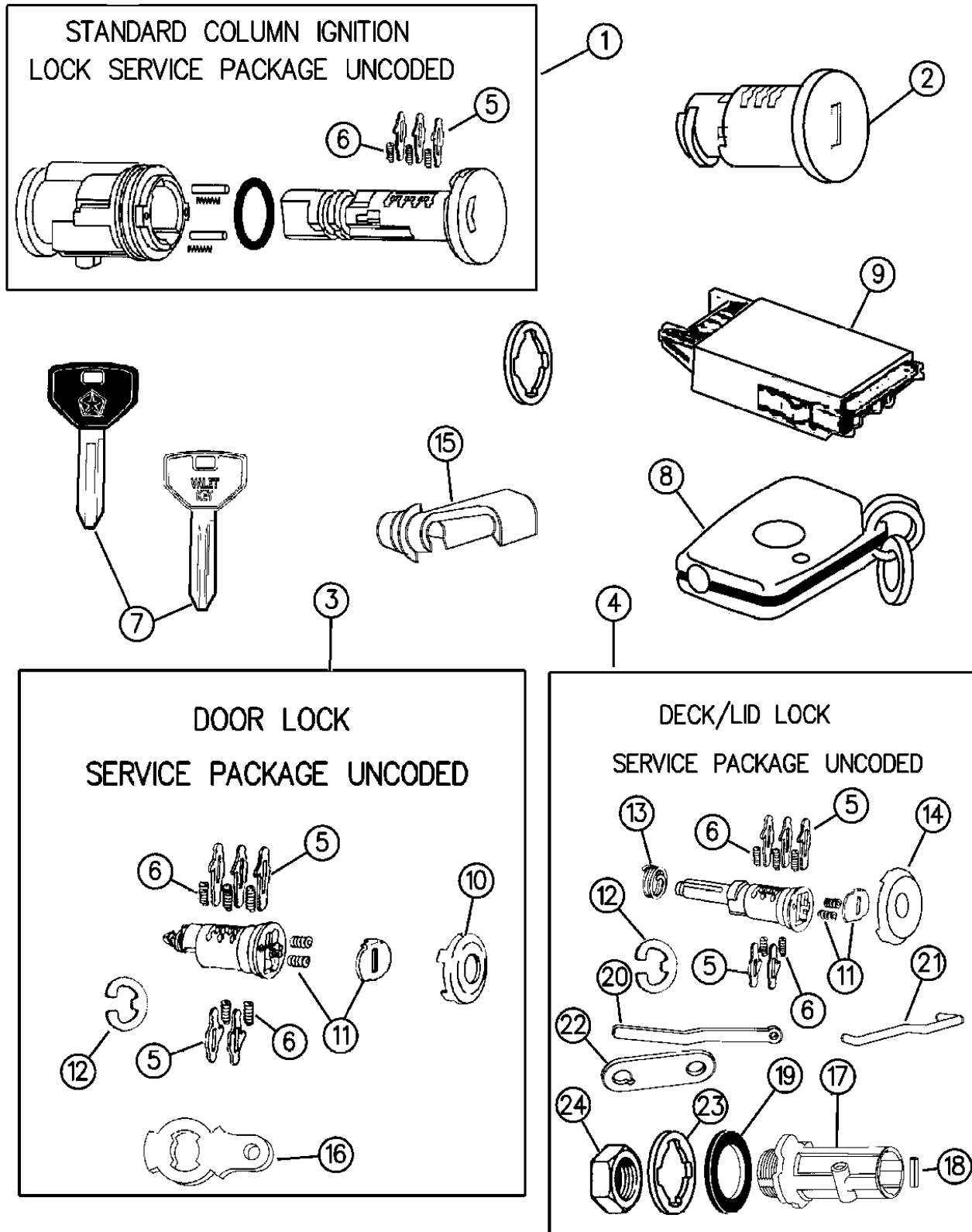
WINDSHIELD WIPER AND WASHER SYSTEM LH BODY Fig. 23D-210



<p>23D-100 CYL. & KEYS</p> 	<p>23D-200 WINDSHIELD WIPER & WASHER</p> 		
---	---	--	--

LOCK CYLINDERS AND DOUBLE BITTED LOCK CYLINDER REPAIR COMPONENTS LH BODY
Figure 23D-110

23D-110C



ITEM	PART NUMBER	QTY	BODY	MODEL	DESCRIPTION
------	-------------	-----	------	-------	-------------

NOTE: ALL LOCK CYLINDERS ARE UNCODED

1	4723 481	1			CYLINDER, Ignition 1993
	4746 666				1994-95-96
-	4607 003	1			LAMP ASSEMBLY, Ignition Halo ***
-	4740 757	1			CAP, Ignition Cylinder
2	4723 498	1			CYLINDER, Glove Box 1993
	4746 676				1994-95-96
3	4723 484	1			CYLINDER, Door 1993-94
	4778 125	1			1995-96 (Wide)
4	4723 492		D,X		CYLINDER, Deck Lid 1993
	4746 671		D,X		1994
	4778 147		D,X		1995-96
	4723 928		L		1993
	4746 670		L		1994
	4778 148		L		1995-96
	4723 927		C		1993
	4746 672		C		1994
	4778 145		C		1995
-	3695 321	1			GASKET, Deck Lid Lock Cylinder
-	6035 540	1			WASHER, Deck Lid Lock Cylinder
5		AR			TUMBLER, Cylinder 1993-94 ***
	5257 132				No.1
	5257 133				No.2
	5257 134				No.3
	5257 135				No.4
					TUMBLER, Cylinder 1995-96 (Wide) ***
	4778 117				No.1
	4778 118				No.2
	4778 119				No.3
	4778 120				No.4
6	4746 873				SPRING, Tumbler 1993-94
	4746 873	AR			1995-96 (Wide)
	4778 121	AR			
7		AR			KEY, 78 Groove Capsulated
	4723 480				1993
	5507 5487				1994-95-96 Valet

MODEL CODES:

Chrysler = (CH41 = New Yorker, CP41 = LHS, DH41 = Intrepid(Canada), DP41 = Intrepid ES(Canada), LP41 = Concorde)
 DODGE = (DH41 = Intrepid(USA), DP41 = Intrepid ES(USA))
 EAGLE = (XP41 = Vision ESI, XS41 = Vision TSI)

BODY STYLES:

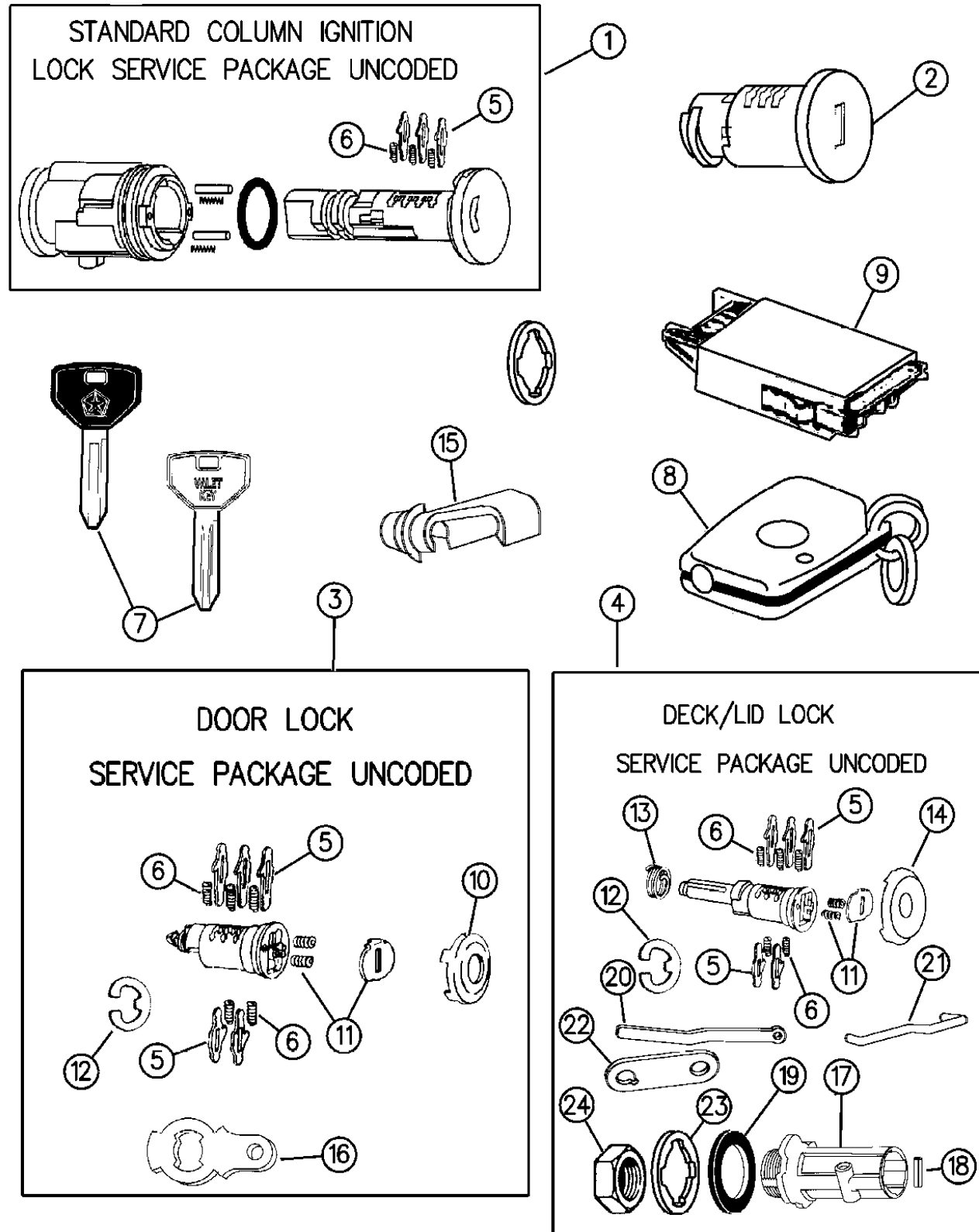
41 = 4 - Door Sedan ENGINE: 3.3L (EGB)
 3.5L (EGE) 24 Valve

93472 110

AR = Use as Required - = Non Illustrated Part P.A.R. = Paint as Required

LOCK CYLINDERS AND DOUBLE BITTED LOCK CYLINDER REPAIR COMPONENTS LH BODY
Figure 23D-110

23D-110C



93472 110

ITEM	PART NUMBER	QTY	BODY	MODEL	DESCRIPTION
	4723 479				1993
	5507 5488				1994-95-96
	4796 386				1995-96, EUROPE
8	4605 120	1			TRANSMITTER, Keyless Entry *** Type I (3 Button) EUROPE
	4469 341				1993-94 Type II (3 Button) USA
	4688 527	1			1995-96
	4759 021	2			1996 Type, 1GXM
-	8350 4802	1			BATTERY, Remote Transmitter (Stamp DL2016) ***
-	4605 132	1			TRIM RING, Infra Red Remote Keyless Entry ***
9	4605 119	1			MODULE, Keyless Entry Receiver Type I, EUROPE
	4759 220	1			1993-94 (USA) Type II
	4759 017	1			1995-96 (USA)
-	4605 121	1			DETECTOR, Keyless Entry (EUROPE) ***
10	4378 815	2			CAP, Door Cylinder 1993-94
	4778 149	2			1995
11		AR			SHUTTER *** Bright 1993-94
	4378 816	AR			1995
	4778 150	AR			Black 1993-94
	4378 791	AR			1995
	4778 151	AR			1995
12	6032 107	AR			CLIP, "C"
13	4378 793	AR			SPRING, Deck Lid Return
	5257 245		D		1995-96
14		1			CAP, Deck Lid Cylinder Bright (Large) 1993-94
	5257 163				1995-96
	4778 176		C		Bright (Small) 1994-95-96
	5257 152				Chrome (Small) 93-94
15	4723 925	AR		C	CLIP, Cylinder Link Blue (Door) Yellow (Door) White (Deck Lid)
	4723 487				RETAINER, Door Cylinder
	3760 131				LEVER, Door Cylinder
-	5257 478	AR			1993-94
16	4480 116	AR			1995-96
	4723 611	AR			1993-94
	5507 5824	AR			1995-96

MODEL CODES:

Chrysler = (CH41 = New Yorker, CP41 = LHS, DH41 = Intrepid(Canada), DP41 = Intrepid ES(Canada), LP41 = Concorde)
 DODGE = (DH41 = Intrepid(USA), DP41 = Intrepid ES(USA))
 EAGLE = (XP41 = Vision ESI, XS41 = Vision TSI)

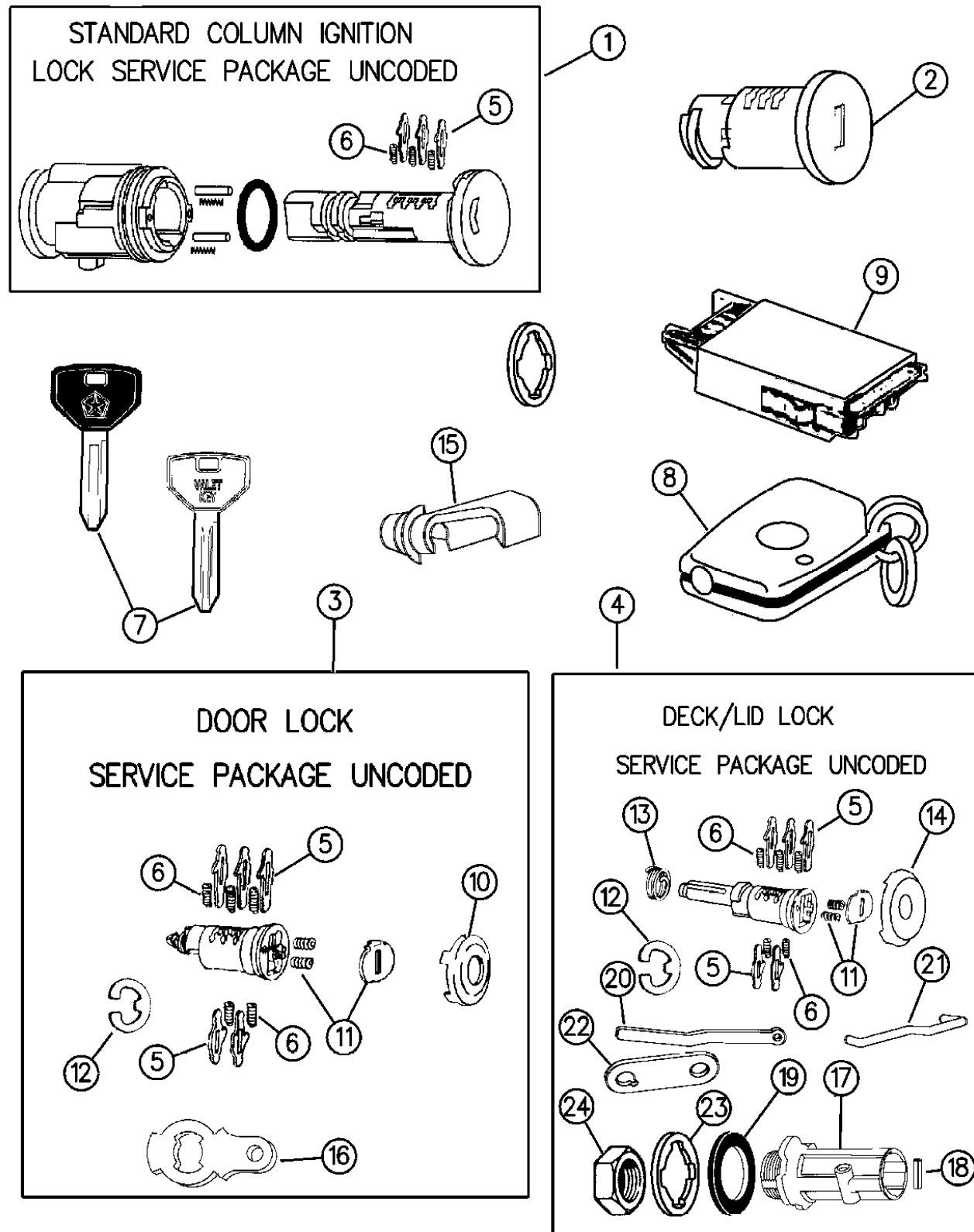
BODY STYLES:

41 = 4 - Door Sedan ENGINE: 3.3L (EGB)
 3.5L (EGE) 24 Valve

AR = Use as Required - = Non Illustrated Part P.A.R. = Paint as Required

LOCK CYLINDERS AND DOUBLE BITTED LOCK CYLINDER REPAIR COMPONENTS LH BODY
Figure 23D-110

23D-110C



93472 110

ITEM	PART NUMBER	QTY	BODY	MODEL	DESCRIPTION
17	4723 924	1			BRACKET, Deck Lid
18	6101 638	AR			PIN, Bracket Spiral
19	4378 346	AR			SPACER, Deck Lid Cylinder
20		1			SHAFT, Deck Lid Cylinder
	4723 496			D	
	4723 495			X	
	4723 923			L	
	4723 493			C	
21	4646 647	1		C	LINK, Deck Lid
22					LEVER, Deck Lid
	4723 983	1		C	1993, 1994
	4723 495	1		X	1993, 1994
-	6026 125	1			RETAINER, Deck Lid Cylinder Lever
23	4646 544	1			GASKET, Deck Lid Cylinder
24	4054 202	1			NUT, Lift Gate Lock Cylinder Retainer

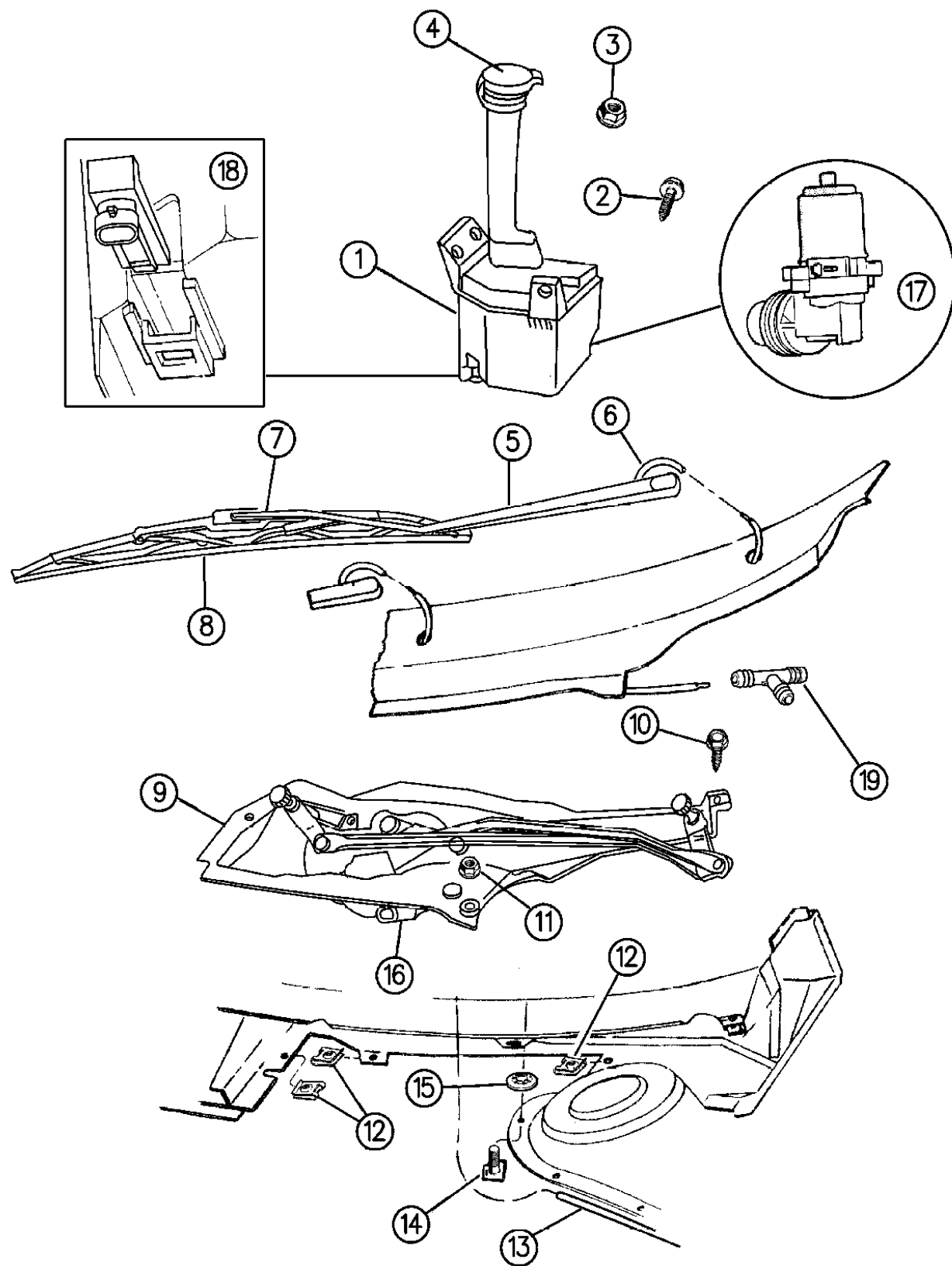
MODEL CODES: _____
 Chrysler = (CH41 = New Yorker, CP41 = LHS, DH41 = Intrepid(Canada), DP41 = Intrepid ES(Canada), LP41 = Concorde)
 DODGE = (DH41 = Intrepid(USA), DP41 = Intrepid ES(USA))
 EAGLE = (XP41 = Vision ESI, XS41 = Vision TSI)

BODY STYLES: _____
 41 = 4 - Door Sedan ENGINE: 3.3L (EGB)
 3.5L (EGE) 24 Valve

AR = Use as Required - = Non Illustrated Part P.A.R. = Paint as Required

WINDSHIELD WIPER AND WASHER SYSTEM LH BODY
Figure 23D-210

23D-210A



ITEM	PART NUMBER	QTY	BODY	MODEL	DESCRIPTION
1	4723 305	1			RESERVOIR (w/ or w/o Sensor) ***
	4864 585				1996
2	6502 644	AR			BOLT
3	6101 445	2			NUT
4	4756 656	1			CAP, Reservoir
5					ARM, Wiper
					1993
	4723 437	1			Left (Driver Side)
	4723 442	1			Right (Passenger Side)
					1994
	4761 773				Left (Driver Side)
4773 249	1				Left (BUX) w/Air Foil on Arm
	4761 774				Right (Passenger Side)
4769 016	1				1995-96
	4769 017	1			Right (Passenger Side)
4874 246					Left (Driver Side)
					1996, EUROPE
					Right, EUROPE
					Left, EUROPE
6					NOZZLE, w/Tube and Hose Guard
	4723 448	1			Right 1993-94
	4797 740				Right, 1995-96
	4723 447	1			Left 1993-94
	4798 863				Left, 1995-96
	4805 020		LH		Nozzle, Hood Mounted
4805 055		LHS		Nozzle, Hood Mounted	
-	4798 547				HOSE, w/Tubing
7					BLADE, Wiper
					1993-94
	4746 318	1			RIGHT (22")
	4723 444	1			LEFT (24")
4756 682	2				1995-96
					RIGHT/LEFT (24")
4762 843	2				Winter Blade (24") Rt/Lt
8					REFILL, Blade
	4746 171	1			RIGHT (22") 1993-94
	4723 445	1			LEFT (24") 1993-94
4756 366	2				RIGHT/LEFT (24") 1994-95-96
9	4746 068	1			CARRIER, w/o Linkage (w/Pivots)(Keyed Shaft) ***
	4723 416	1			LINKAGE, Upper Wiper ***
	4723 417	1			LINKAGE, w/Crank Arm, Lower ***
10		4			SCREW, (Not Serv.)

MODEL CODES:

Chrysler = (CH41 = New Yorker, CP41 = LHS, DH41 = Intrepid(Canada), DP41 = Intrepid ES(Canada), LP41 = Concorde)
 DODGE = (DH41 = Intrepid(USA), DP41 = Intrepid ES(USA))
 EAGLE = (XP41 = Vision ESI, XS41 = Vision TSI)

BODY STYLES:

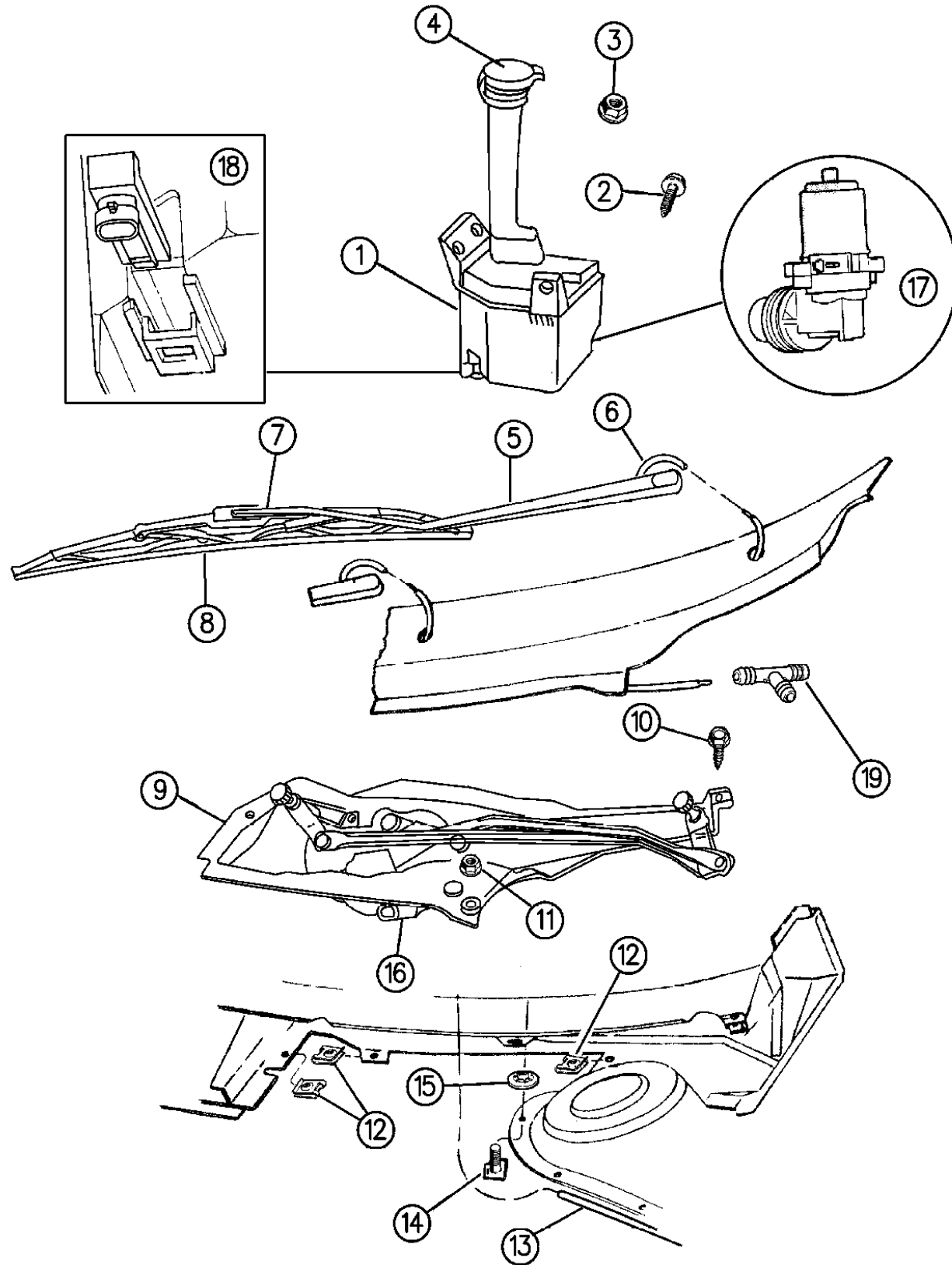
41 = 4 - Door Sedan ENGINE: 3.3L (EGB)
 3.5L (EGE) 24 Valve

94472 210

AR = Use as Required - = Non Illustrated Part P.A.R. = Paint as Required

WINDSHIELD WIPER AND WASHER SYSTEM LH BODY
Figure 23D-210

23D-210A



ITEM	PART NUMBER	QTY	BODY	MODEL	DESCRIPTION
11		AR			NUT, Not Serv.
12		3			U-NUT, Not Serv.
13	4630 459	AR		D-C	HOSE, Washer
	4630 128	AR		L-X	
	4630 434	AR			CLIP, Washer Hose & Hood Release Cable
14		AR			SCREW, Not Serv.
15	6100 840	AR			NUT, Push
16	4756 018	1			MOTOR, w/Bracket, Wiper
17	4723 306	1			PUMP ASSEMBLY, w/Seal Washer ***
18	4584 019	1			SENSOR, Reservoir
19	3799 721	1			CONNECTOR, "T" Washer Hose
-	4805 010				VALVE, Check, Washer Hose Assy.
-	4805 011	1			CONNECTOR, "F" Type Windshield Washer
-	4805 007	4			CLIP, Washer Hose

94472 210

MODEL CODES:

Chrysler = (CH41 = New Yorker, CP41 = LHS, DH41 = Intrepid(Canada), DP41 = Intrepid ES(Canada), LP41 = Concorde)
 DODGE = (DH41 = Intrepid(USA), DP41 = Intrepid ES(USA))
 EAGLE = (XP41 = Vision ESI, XS41 = Vision TSI)

BODY STYLES:

41 = 4 - Door Sedan ENGINE: 3.3L (EGB)
 3.5L (EGE) 24 Valve

AR = Use as Required - = Non Illustrated Part P.A.R. = Paint as Required

INTERIOR TRIM GROUP CONTENT

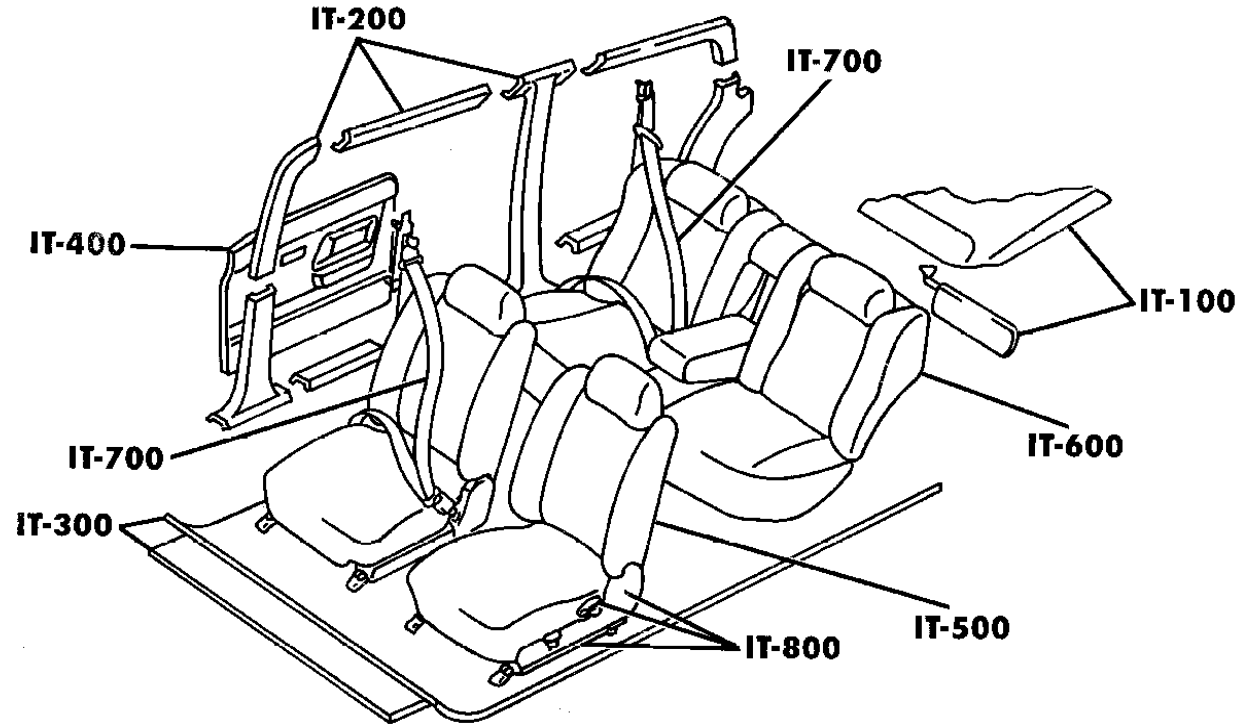
GROUP INF - TRIM LH

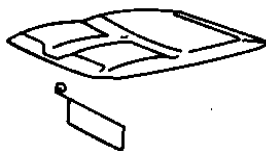
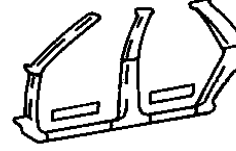
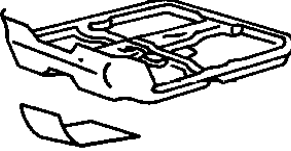
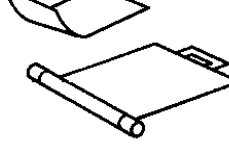
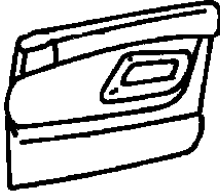

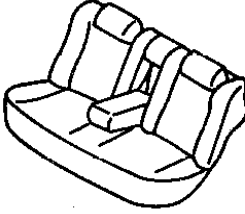
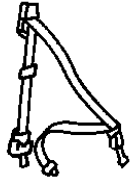
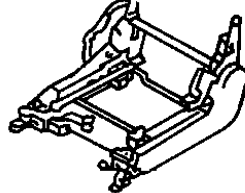
ILLUSTRATION TITLE

TRIM CODE DEFINED Fig. INF-110

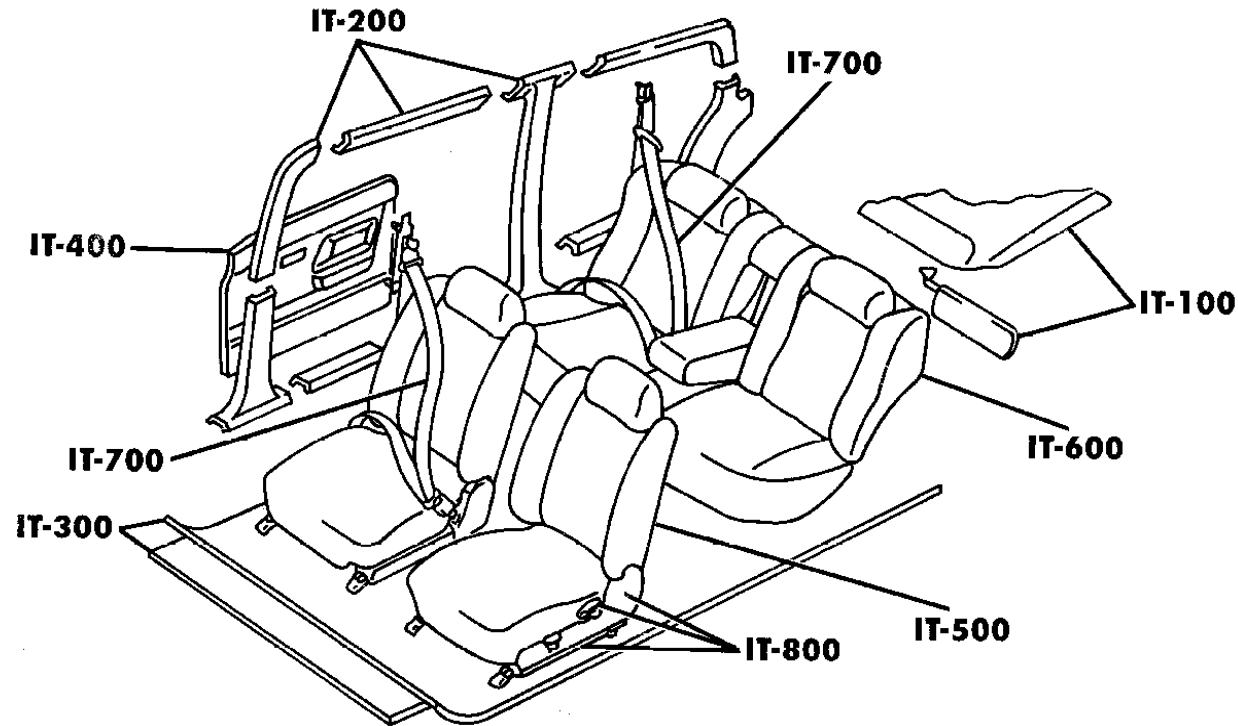
TRIM INFORMATION Fig. INF-210

GROUP-FIG. NO.



<p>IT-100 HEADLINING & VISORS</p> 	<p>IT-200 PANEL, MLDS. SCUFF PLATE</p> 	<p>IT-300 CARPET, MAT & INSULATION</p> 	<p>IT-300 FLOOR MAT & TONNEAU COVER</p> 
<p>IT-400 DOOR TRIM FRONT & REAR</p> 	<p>IT-500 FRONT SEAT</p> 	<p>IT-600 REAR SEAT</p> 	<p>IT-700 SEAT BELT FRT. & REAR</p> 
<p>IT-800 ADJ. SHIELDS & RECLINER</p> 			

INTERIOR TRIM GROUP CONTENT



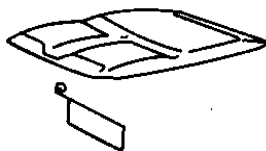
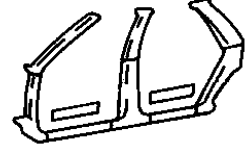
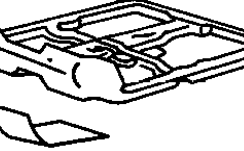
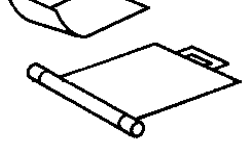
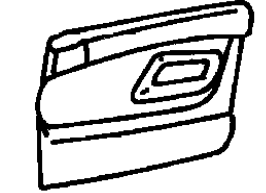
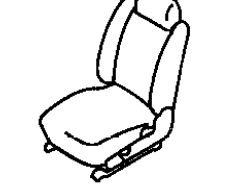
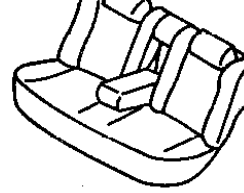
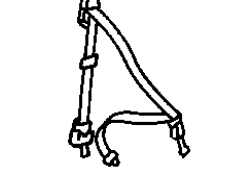
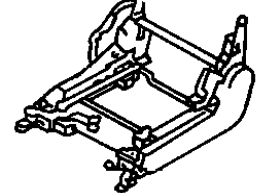
IT-100 HEADLINING & VISORS 	IT-200 PANEL,MLDS. SCUFF PLATE 	IT-300 CARPET,MAT & INSULATION 	IT-300 FLOOR MAT & TONNEAU COVER 
IT-400 DOOR TRIM FRONT & REAR 	IT-500 FRONT SEAT 	IT-600 REAR SEAT 	IT-700 SEAT BELT FRT. & REAR 
IT-800 ADJ. SHIELDS & RECLINER 			

ILLUSTRATION TITLE

GROUP-FIG. NO.

HEADLINERS, VISORS, ASSIST STRAPS, AND SHELF PANEL

HEADLINER, VISORS, ASSIST STRAPS AND SHELF PANEL LH MODEL Fig. ITL-110

COWL PANELS, SCUFF PLATES AND SILENCERS

COWL PANELS, SCUFF PLATE AND SILENCERS LH MODEL Fig. ITL-210
 SCUFF PLATES - FRONT AND REAR LH MODEL Fig. ITL-215
 MOULDING - A AND B PILLAR LH MODEL Fig. ITL-220
 QUARTER TRIM PANELS - UPPER AND LOWER LH MODEL Fig. ITL-230

CARPET AND SILENCERS

CARPET AND SILENCERS LH MODEL Fig. ITL-310
 CARPET LUGGAGE COMPARTMENT AND SILENCERS LH MODEL Fig. ITL-320

DOOR PANELS - FRONT

DOOR PANEL - FRONT LH MODEL - 1993 Fig. ITL-410
 DOOR PANEL - FRONT LH MODEL - 1994 Fig. ITL-415
 DOOR PANEL - FRONT LH MODEL - 1995 Fig. ITL-416
 DOOR PANEL - FRONT LH MODEL - 1996 Fig. ITL-417
 DOOR PANEL - REAR LH MODEL - 1993 Fig. ITL-420
 DOOR PANEL - REAR LH MODEL - 1994 Fig. ITL-425
 DOOR PANEL - REAR LH MODEL - 1995 Fig. ITL-426
 DOOR PANEL - REAR LH MODEL - 1996 Fig. ITL-427

SEATS - FRONT

SEAT--FRONT LH BODY TRIM CODES A7,BF,TF Fig. ITL-510
 SEAT--FRONT LH BODY TRIM CODES RF,YF,MP Fig. ITL-512
 SEAT - FRONT LH BODY TRIM CODES C7,ML Fig. ITL-520
 SEAT--FRONT LH BODY TRIM CODES L7,J7,Q7 Fig. ITL-522
 SEAT--FRONT LH BODY TRIM CODES FL,K7,TL Fig. ITL-530
 SEAT--FRONT LH BODY TRIM CODES E7,H7 Fig. ITL-540
 SEAT--FRONT LH BODY TRIM CODE JF Fig. ITL-550
 SEAT--FRONT LH BODY TRIM CODES G7,B7 Fig. ITL-560
 SEAT--FRONT LH BODY TRIM CODE JP,EF,NP Fig. ITL-570
 SEAT--FRONT LH BODY TRIM CODES DL-F7-JL Fig. ITL-580

SEATS - REAR

SEAT--REAR LH BODY TRIM CODES A7-BF Fig. ITL-610
 SEAT--REAR LH BODY TRIM CODES RF,YF Fig. ITL-612
 SEAT--REAR LH BODY TRIM CODES C7,ML,MP Fig. ITL-620
 SEAT--REAR LH BODY TRIM CODES J7,L7,Q7 Fig. ITL-622
 SEAT--REAR LH BODY TRIM CODES FL-K7-TF-TL Fig. ITL-630
 SEAT--REAR LH BODY TRIM CODES E7,H7 Fig. ITL-640
 SEAT--REAR LH BODY TRIM CODES JF Fig. ITL-650



GROUP ITL - TRIM LH

ILLUSTRATION TITLE

GROUP-FIG. NO.

SEATS - REAR (Continued)

SEAT--REAR LH BODY TRIM CODES JF	Fig. ITL-650
SEAT--REAR LH BODY TRIM CODES G7,B7	Fig. ITL-660
SEAT--REAR LH BODY TRIM CODES JP,EF,NP	Fig. ITL-670
SEAT--REAR LH BODY TRIM CODES DL-F7-JL	Fig. ITL-680

SEAT BELTS - FRONT AND REAR

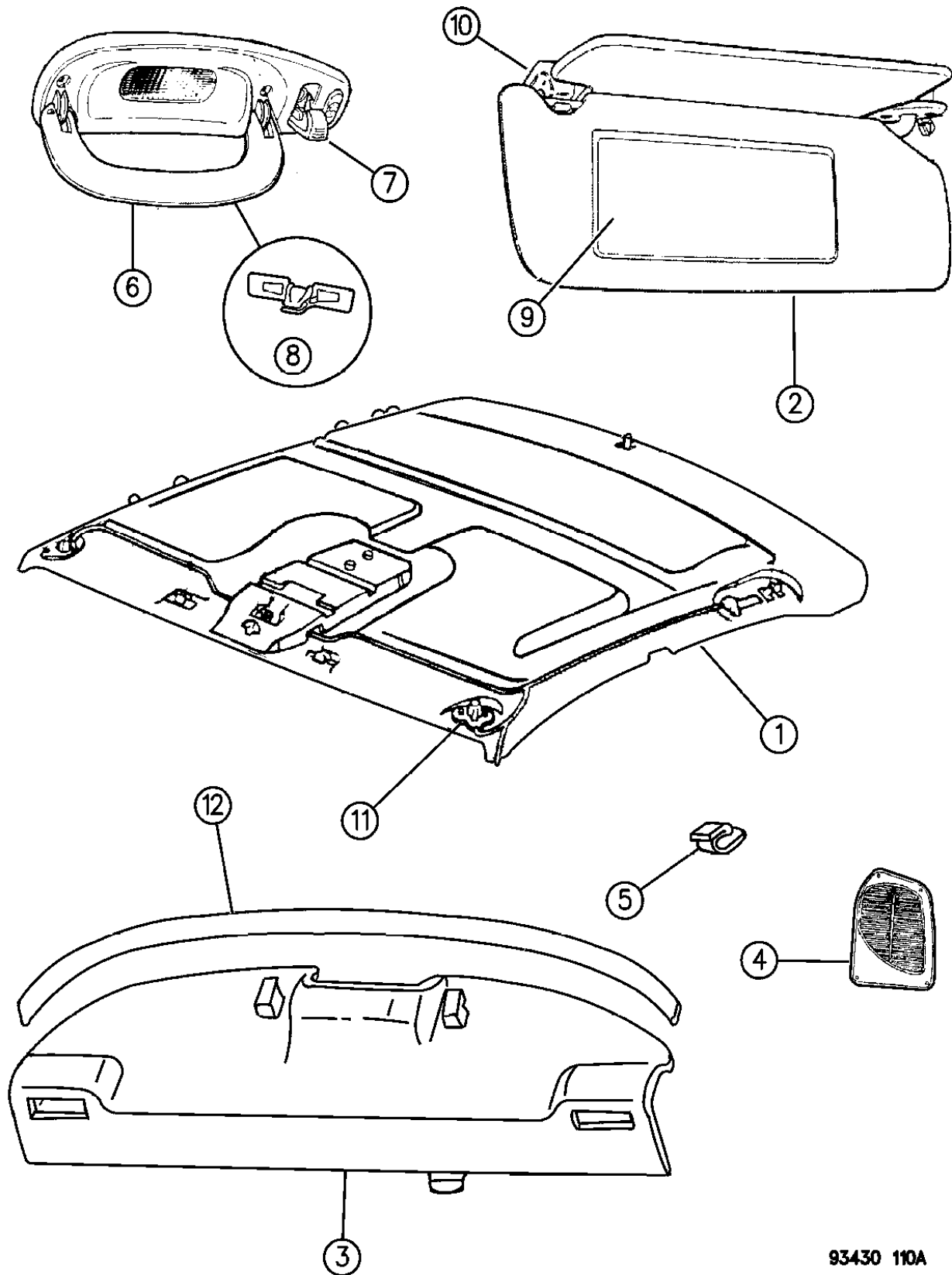
BELTS - FRONT SEAT LH MODEL	Fig. ITL-710
BELTS - REAR SEAT LH MODEL	Fig. ITL-720

ATTACHING PARTS - SEATS

SEATS - ATTACHING PARTS ARMREST, MANUAL RECLINER, LUMBAR LH BODY	Fig. ITL-810
SHIELD'S - ADJUSTERS, POWER AND MANUAL LH MODEL	Fig. ITL-820

HEADLINER, VISORS, ASSIST STRAPS AND SHELF PANEL LH MODEL
Figure ITL-110

ITL-110C



93430 110A

ITEM	PART NUMBER	QTY	BODY	MODEL	DESCRIPTION
1					HEADLINER
	DL01 MW8	1	C		w/Illuminated Mirror, w/o Overhead Console
	DL01 MF1	1	C		Quartz
	HR99 MW8	1	C		Neutral
	HR99 MF1	1	C		w/Overhead Console and Mini Trip Computer
	FH71 PW8	1	C		Quartz
	FH71 PF1	1	C		Neutral
	WW85 MW8	1	L-X		w/ or w/o Illuminated Mirror, w/o Console, w/o Assist Handles
	WW85 MF1	1	L-X		Quartz
	MB38 MF1	1	L-X		Neutral
	MB38 MW8	1	L-X		Quartz
	WW95 MW8	1	L-X		w/Assist Handles Holes, w/o Console
	WW95 MF1	1	L-X		Neutral
	FH70 PW8	1	L X		Quartz
	FH70 PF1	1	L X		Neutral
	DK71 MW8	1	D		w/Console and Assist Handles
	DK71 MF1	1	D		Quartz
	MB46 MF1	1	D		Neutral
	MB46 MW8	1	D		Quartz
	HR98 MW8	1	D		w/Assist Handle Holes, w/o Console
	HR98 MF1	1	D		Neutral
	DK72 MW8	1	D		w/Overhead Console (Type I Small Type-Sales Code CUD)
	DK72 MF1	1	D		1993-94
	FH69 PW8	1	D		Quartz
	FH69 PW1	1	D		Neutral
	DK72 MW8	1	D		Quartz
	DK72 MF1	1	D		Neutral
	FH69 PW8	1	D		w/SunRoof
	FH69 PW1	1	D		Quartz
2					VISOR, Complete (w/Illuminated Vanity Mirror)
	WW98-9 MF1	1			Neutral
	WW98-9 MW8	1			Quartz
	PS40-1 SF1	1			Neutral (European)

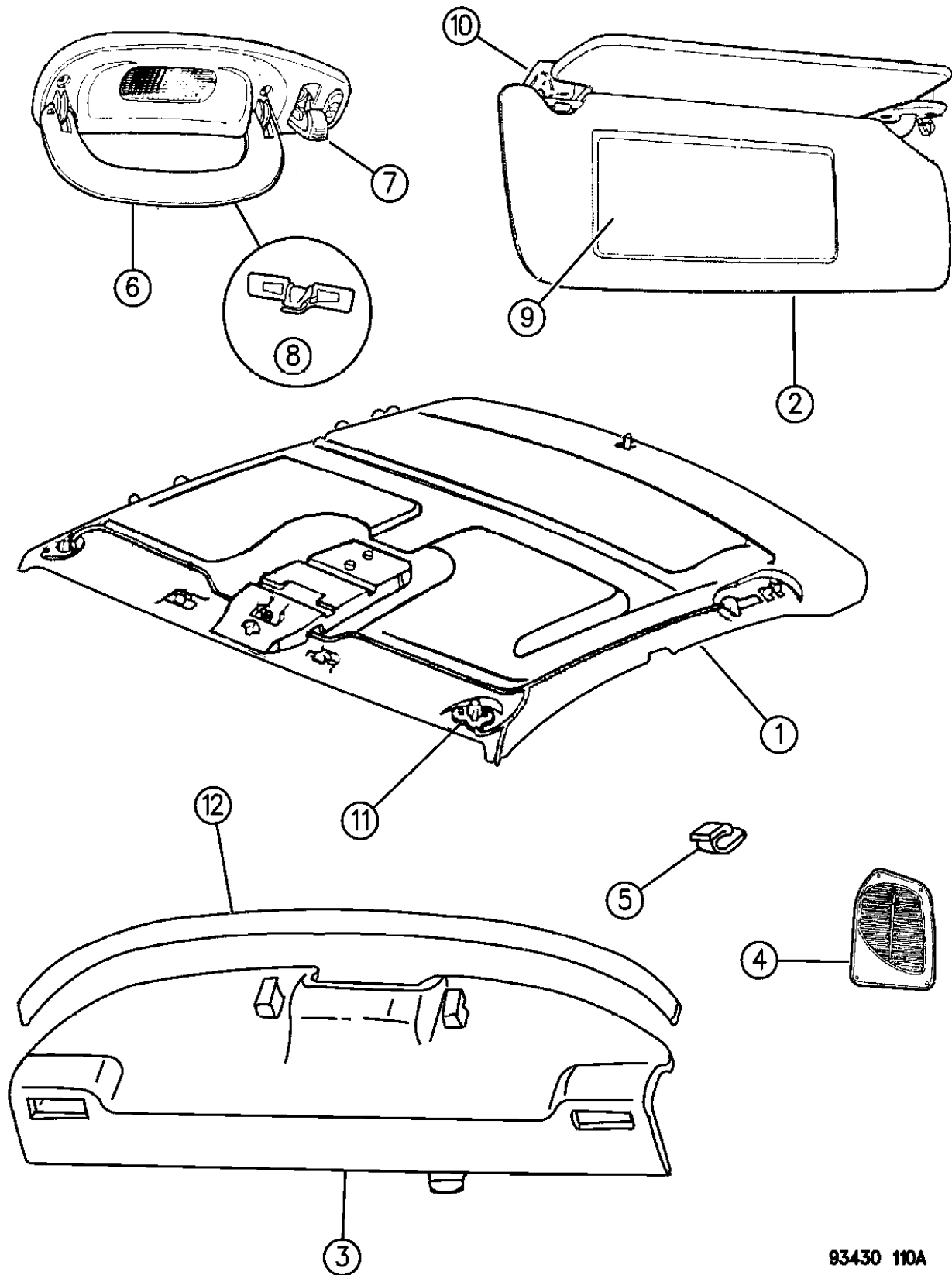
MODEL CODES:
 Chrysler = (CH41 = New Yorker, CP41 = LHS, DH41 = Intrepid(Canada), DP41 = Intrepid ES(Canada), LP41 = Concorde)
 DODGE = (DH41 = Intrepid(USA), DP41 = Intrepid ES(USA))
 EAGLE = (XP41 = Vision ESI, XS41 = Vision TSI)

BODY STYLES:
 41 = 4 - Door Sedan ENGINE: 3.3L (EGB)
 3.5L (EGE) 24 Valve

AR = Use as Required - = Non Illustrated Part P.A.R. = Paint as Required

HEADLINER, VISORS, ASSIST STRAPS AND SHELF PANEL LH MODEL
Figure ITL-110

ITL-110C



93430 110A

ITEM	PART NUMBER	QTY	BODY	MODEL	DESCRIPTION
	PH25 SF8	1		L-X	Driftwood
	PH25 SP8	1		L-X	Blue Spruce 1993-94-95
	DG61 MB7	1		D	Blue, 1993-94
	DG61 MF8	1		D	Driftwood
	DG61 MD5	1		D	Quartz
	DG61 RP8	1		D	Blue Spruce, 1995 1996
	MT81 RF8	1		D	Driftwood
	MT81 RP8	1		D	Blue Spruce
	MT81 RD5	1		D	Quartz EUROPEAN ONLY
	HM33 PB7	1		X	Blue
	HM33 PD5	1		X	Quartz
	HM33 PF8	1		X	Driftwood
	HM33 RP8	1		X	Blue Spruce, 1995 1996
	PF10 RD5	1		X	Quartz
	PF10 RF8	1		X	Driftwood
4					SPEAKER GRILLE, Serviced In Shelf Panel Only w/Speakers ***
5					RETAINER, Rear Shelf Attaching Clip
	4599 666	2		D-L-X	CLIP
	4758 122	2		C	PUSH-PIN, Self Panel
-	6502 381	AR			RETAINER, Shelf Panel to Shelf Extension (M6.35x18.00)
6					ASSIST STRAP ***
					Forward
	HR71 MW8	2			Quartz
	HR71 MF1	2			Neutral
					Rear, w/Reading Lamp
	HR78-9 MW8	1			Quartz
	HR78-9 MF1	1			Neutral
7					HOOK, Coat
	HR34 MF1	1			Neutral
	HR34 MW8	1			Quartz
8	4728 575	AR			CLIP, Pinch Top (Used w/Assist Handles, Visors and Overhead Console)
9					LABEL, Warning (English and French)
	4698 018	1			1993
	4758 052	1			1994-95
	4628 419	1			Visor Warning,(Bi-Lingual Small)
	4758 857	1			LABEL, Airbag-European
10					CLIP, Unlit or Lit Visor

MODEL CODES:

Chrysler = (CH41 = New Yorker, CP41 = LHS, DH41 = Intrepid(Canada), DP41 = Intrepid ES(Canada), LP41 = Concorde)
 DODGE = (DH41 = Intrepid(USA), DP41 = Intrepid ES(USA))
 EAGLE = (XP41 = Vision ESI, XS41 = Vision TSI)

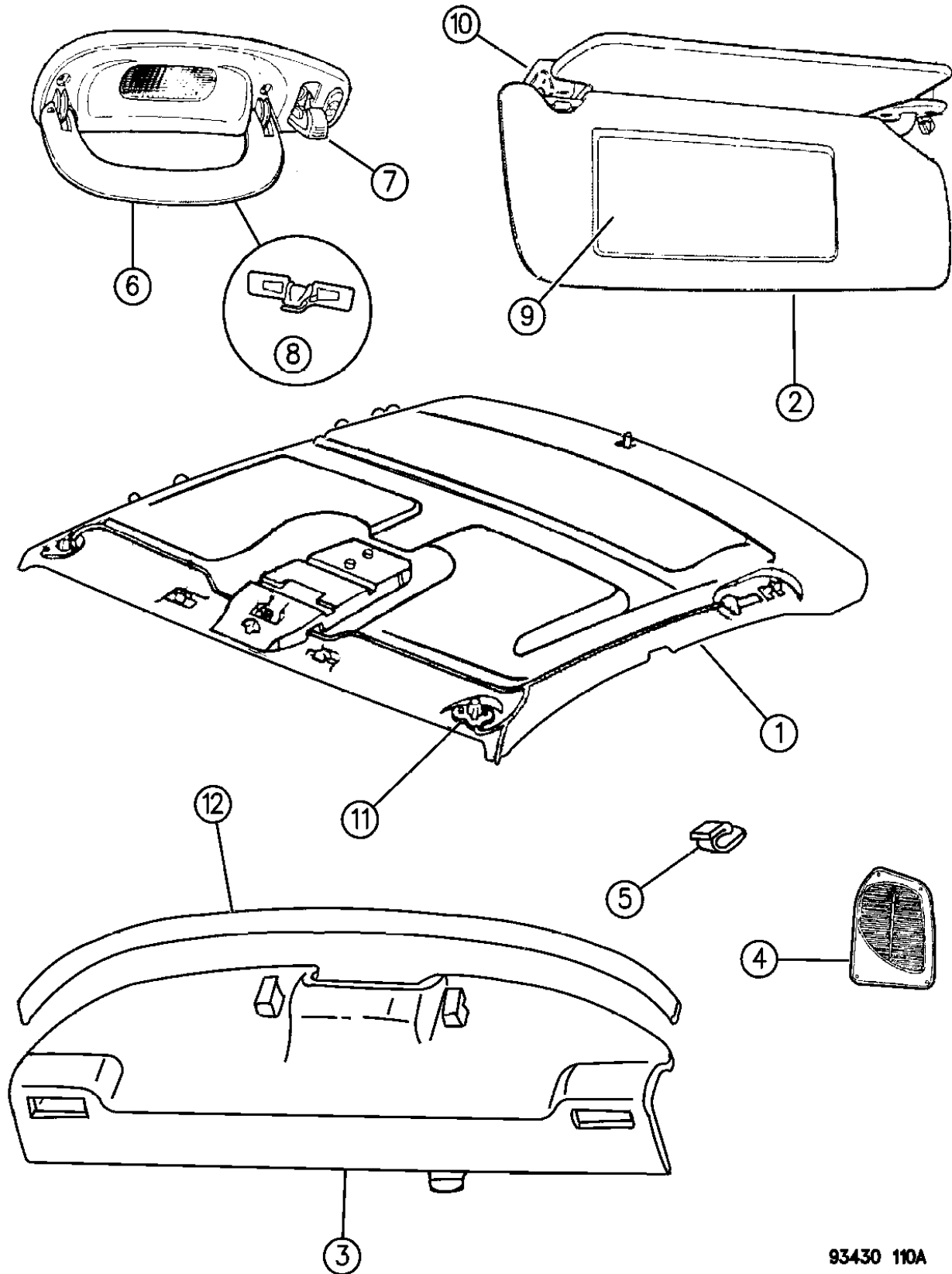
BODY STYLES:

41 = 4 - Door Sedan ENGINE: 3.3L (EGB)
 3.5L (EGE) 24 Valve

AR = Use as Required - = Non Illustrated Part P.A.R. = Paint as Required

HEADLINER, VISORS, ASSIST STRAPS AND SHELF PANEL LH MODEL
Figure ITL-110

ITL-110C



ITEM	PART NUMBER	QTY	BODY	MODEL	DESCRIPTION
	MH08 PF1	1			Neutral
	MH08 PW8	1			Quartz
11	4778 039	AR			RETAINER, Plastic Clip (Holds Visor In Headliner)
12		1	C		EXHUSTER, Shelf (Black Out Panel) (Not Serviced) ***

93430 110A

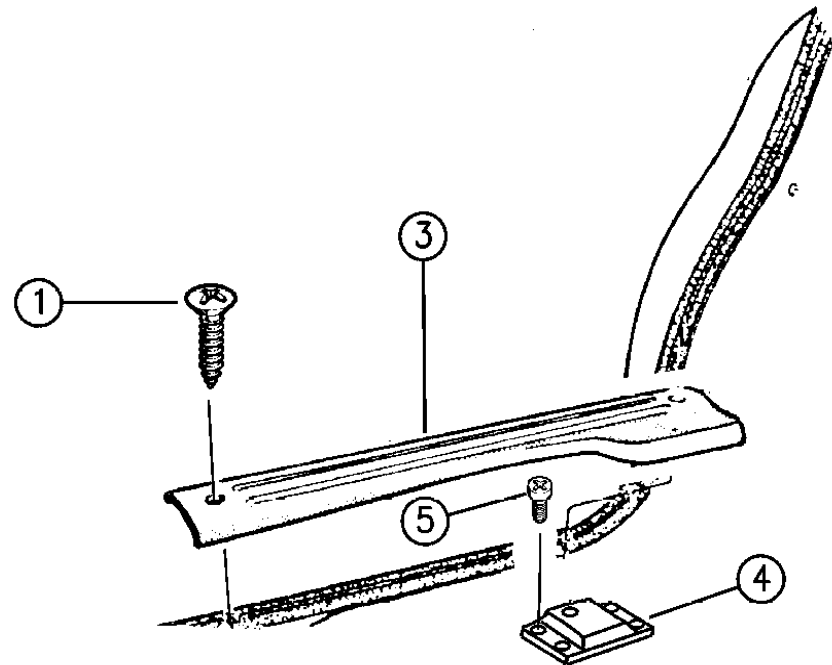
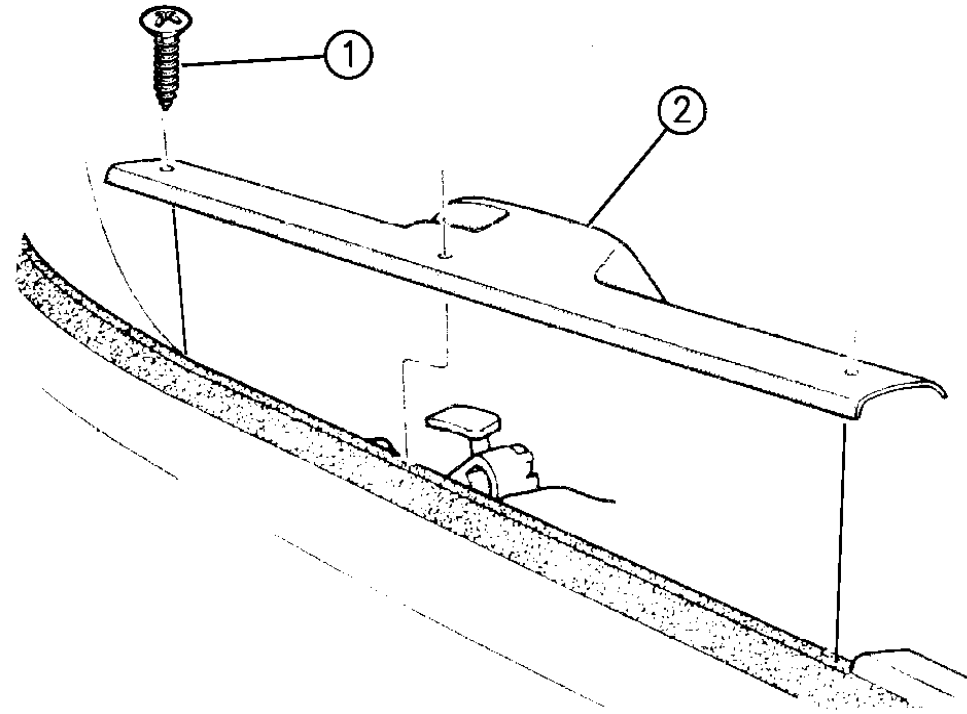
MODEL CODES:
 Chrysler = (CH41 = New Yorker, CP41 = LHS, DH41 = Intrepid(Canada), DP41 = Intrepid ES(Canada), LP41 = Concorde)
 DODGE = (DH41 = Intrepid(USA), DP41 = Intrepid ES(USA))
 EAGLE = (XP41 = Vision ESI, XS41 = Vision TSI)

BODY STYLES:
 41 = 4 - Door Sedan ENGINE: 3.3L (EGB)
 3.5L (EGE) 24 Valve

AR = Use as Required - = Non Illustrated Part P.A.R. = Paint as Required

SCUFF PLATES - FRONT AND REAR LH MODEL
Figure ITL-215

IT-215



93430 215

ITEM	PART NUMBER	QTY	BODY	MODEL	DESCRIPTION
1	6034 314	3			SCREW, Scuff Plate Attaching
2					SCUFF PLATE, Front
					Right
	ED74 MAZ	1			Agate
	ED74 MD5	1			Quartz
	ED74 MB7	1			Blue, 1993-94
	ED74 MF6	1			Driftwood
	ED74 RP8	1			Blue Spruce, 1995-96
					Left
	ED75 MAZ	1			Agate
	ED75 MD5	1			Quartz
	ED75 MB7	1			Blue, 1993-94
	ED75 MF6	1			Driftwood
	ED75 RP8	1			Blue Spruce, 1995-96
3					SCUFF PLATE, Rear
					Right
	WW08 MAZ	1			Agate
	WW08 MD5	1			Quartz
	WW08 MB7	1			Blue, 1993-94
	WW08 MF6	1			Driftwood
	WW08 RP8	1			Blue Spruce, 1995-96
					Left
	WW09 MAZ	1			Agate
	WW09 MD5	1			Quartz
	WW09 MB7	1			Blue, 1993-94
	WW09 MF6	1			Driftwood
	WW09 RP8	1			Blue Spruce, 1995-96
4	4599 944	2			BRACKET, Scuff Plate Mounting
5		AR			SCREW, (Not Serv.) (.164-15x.625)

MODEL CODES:

Chrysler = (CH41 = New Yorker, CP41 = LHS, DH41 = Intrepid(Canada), DP41 = Intrepid ES(Canada), LP41 = Concorde)
 DODGE = (DH41 = Intrepid(USA), DP41 = Intrepid ES(USA))
 EAGLE = (XP41 = Vision ESI, XS41 = Vision TSI)

BODY STYLES:

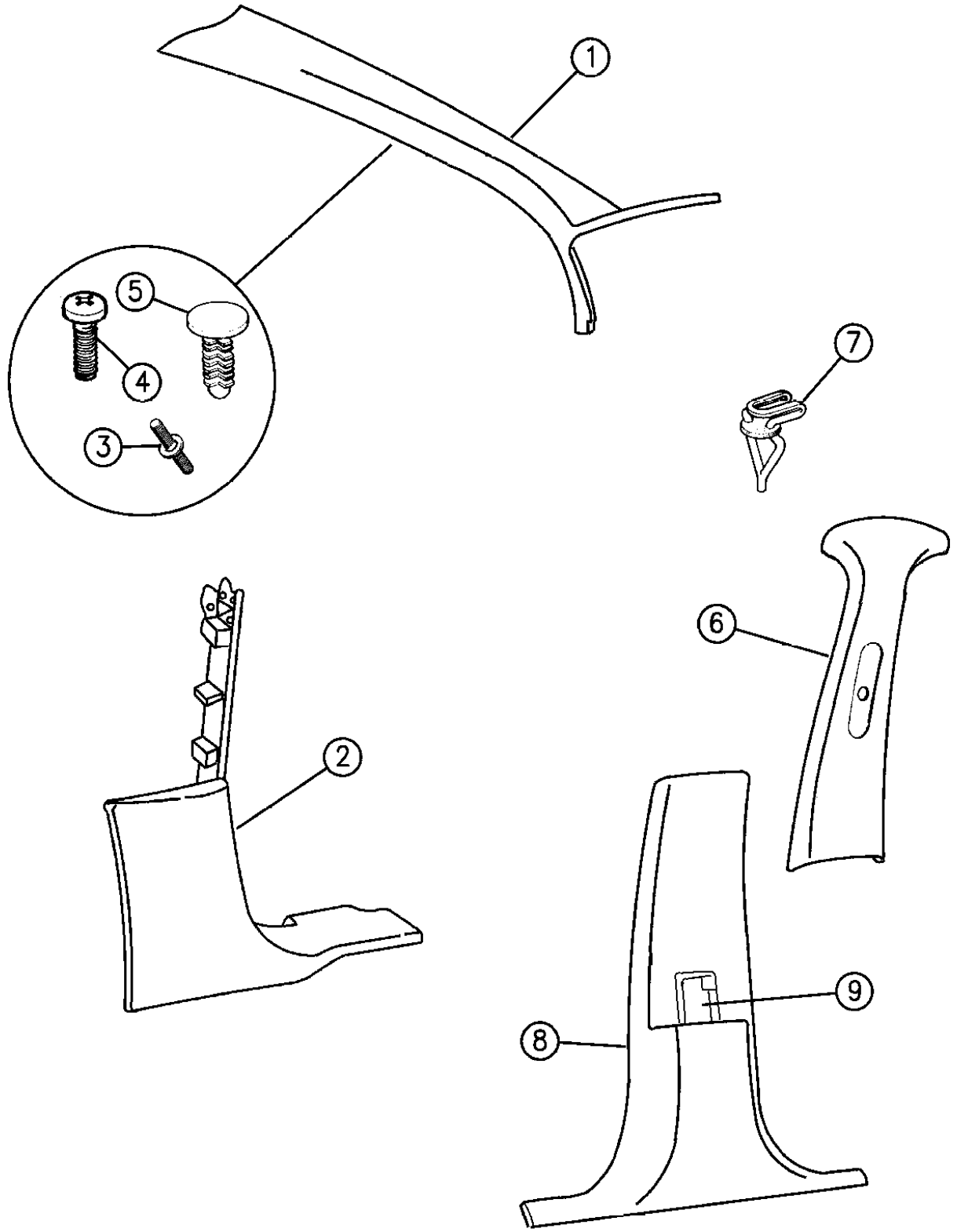
41 = 4 - Door Sedan ENGINE: 3.3L (EGB)
 3.5L (EGE) 24 Valve

AR = Use as Required - = Non Illustrated Part P.A.R. = Paint as Required

MOULDING - A AND B PILLAR LH MODEL
Figure ITL-220

IT-220A

ITEM	PART NUMBER	QTY	BODY	MODEL	DESCRIPTION
1					MOLDING, A Pillar Windshield Side ***
	WW14-5 MAZ	1			Agate
2					COWL PANEL, See Illustration 210 Item 1 ***
3	6034 188	2			STUD-COLLAR, Pierce Double End ***
4	6034 314	2			SCREW
5	5502 3950	3			CLIP
6					COVER, B-Pillar Upper, w/Adjustable Turn Loop
	WV82-3 MF1	1			Neutral
	WV82-3 MW8	1			Quartz
7	6501 724	AR			CLIP, B-Pillar Attaching
8					COVER, B-Pillar Lower (Use Up To 3-29-93)
	WV90-1 MD5	1			Quartz
	WV90-1 MB7	1			Blue
	WV90-1 MF6	1			Driftwood
	WV90-1 MAZ	1			Agate (Use After 3-29-93)
	HX90-1 MF6	1			Driftwood
	HX90-1 MD5	1			Quartz
	HX90-1 MAZ	1			Agate
	HX90-1 MB7	1			Blue, 1993-94
	HX90-1 RP8	1			Blue Spruce, 1995 1996
	HX90-1 MD5	1			Quartz
	HX90-1 MF6	1			Driftwood
	HX90-1 MAZ	1			Agate
	HX90-1 RP8	1			Blue Spruce
9					BEZEL, B/Pillar Cover
	DZ48 MD5	2			Quartz
	DZ48 MB7	2			Blue, 1993-94
	DZ48 MF6	2			Driftwood
	DZ48 MAZ	2			Agate
	DZ48 RP8	2			Blue Spruce, 1995



93430 220

MODEL CODES:

Chrysler = (CH41 = New Yorker, CP41 = LHS, DH41 = Intrepid(Canada), DP41 = Intrepid ES(Canada), LP41 = Concorde)
 DODGE = (DH41 = Intrepid(USA), DP41 = Intrepid ES(USA))
 EAGLE = (XP41 = Vision ESI, XS41 = Vision TSI)

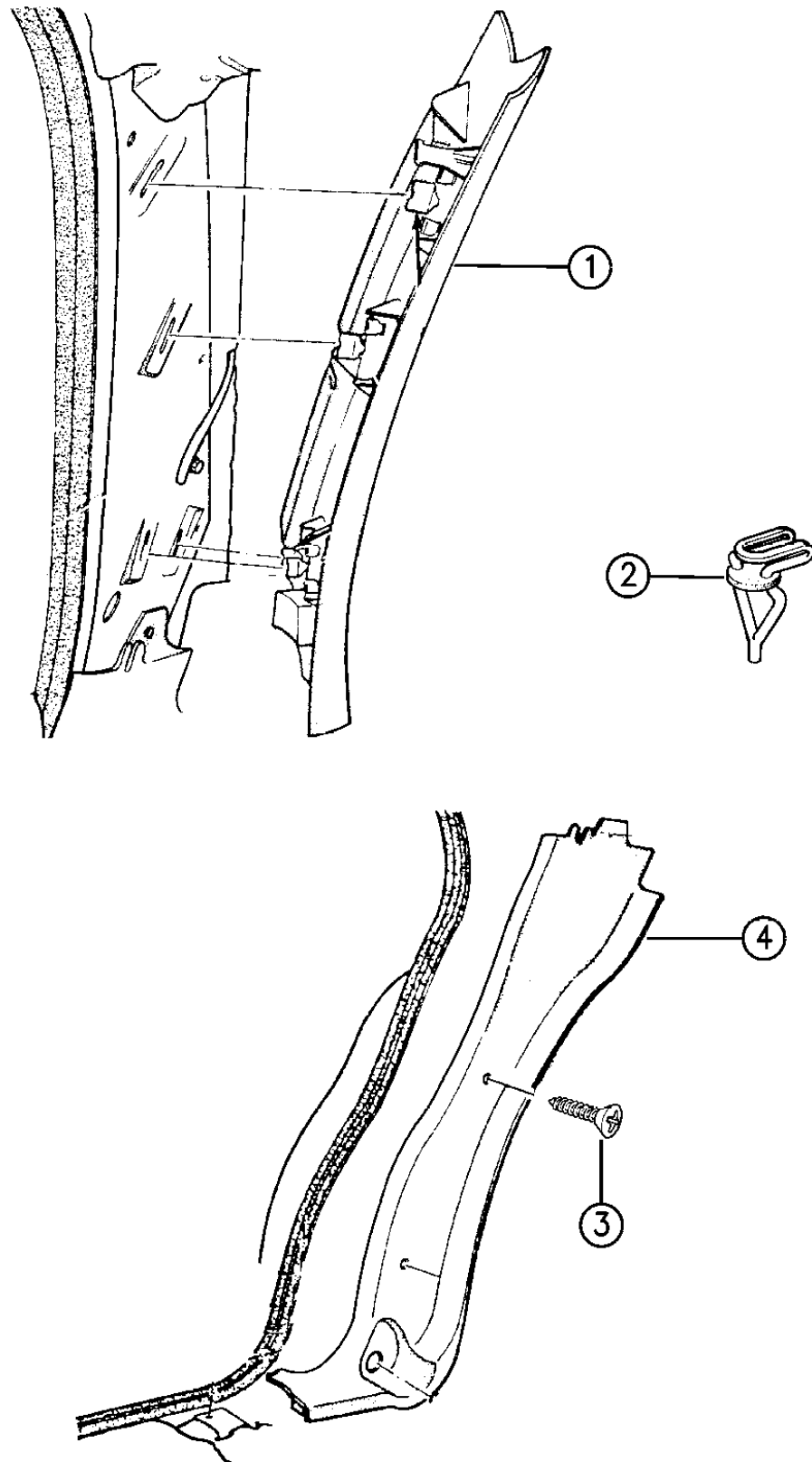
BODY STYLES:

41 = 4 - Door Sedan ENGINE: 3.3L (EGB)
 3.5L (EGE) 24 Valve

AR = Use as Required - = Non Illustrated Part P.A.R. = Paint as Required

QUARTER TRIM PANELS - UPPER AND LOWER LH MODEL
Figure ITL-230

IT-230



ITEM	PART NUMBER	QTY	BODY	MODEL	DESCRIPTION
1					PANEL, Quarter Trim - Upper
	WW40-1 MW8	1		L,X	1993-94-95 Quartz
	WW40-1 MF1	1		L,X	Neutral
					1996
	PC34-5 RW8	1		L,X	Quartz
	PC34-5 RF1	1		L,X	Neutral
					1993
	WW34-5 MW8	1		C-HP	Quartz
	WW34-5 MF1	1		C-HP	Neutral
					1994-95
	KK56-7 PW8	1		C-HP	Quartz
	KK56-7 PF1	1		C-HP	Neutral
					1996
	PC36-7 RW8	1		C-HP	Quartz
	PC36-7 RF1	1		C-HP	Neutral
					(Use Up To 3-29-93)
	WW38-9 MW8	1		D	Quartz
	WW38-9 MF1	1		D	Neutral
					(Use After 3-29-93)
	HX94-5 MW8	1		D	Quartz
	HX94-5 MF1	1		D	Neutral
					1994-95
	KL90-1 PF1	1		D	Neutral
	KL90-1 PW8	1		D	Quartz
					1996
	PC38-9 RF1	1		D	Quartz
	PC38-9 RW8	1		D	Neutral
2	6501 724	AR			CLIP, Quarter Panel Attaching
3	6034 314	AR			SCREW
4					QUARTER TRIM PANEL, Lower ***
					1993-94-95
	ED72-3 MB7	1		D-LX	Blue
	ED72-3 MF6	1		D-LX	Driftwood
	ED72-3 MD5	1		D-LX	Quartz
	ED72-3 RP8	1		D-LX	Blue Spruce, 1995
					1996
	PC32-3 RF6	1		D-LX	Driftwood
	PC32-3 RP8	1		D-LX	Blue Spruce
	PC32-3 RD5	1		D-LX	Quartz
					1993
	EM52-3 MD5	1		C-HP	Quartz

MODEL CODES:

Chrysler = (CH41 = New Yorker, CP41 = LHS, DH41 = Intrepid(Canada), DP41 = Intrepid ES(Canada), LP41 = Concorde)
DODGE = (DH41 = Intrepid(USA), DP41 = Intrepid ES(USA))
EAGLE = (XP41 = Vision ESI, XS41 = Vision TSI)

BODY STYLES:

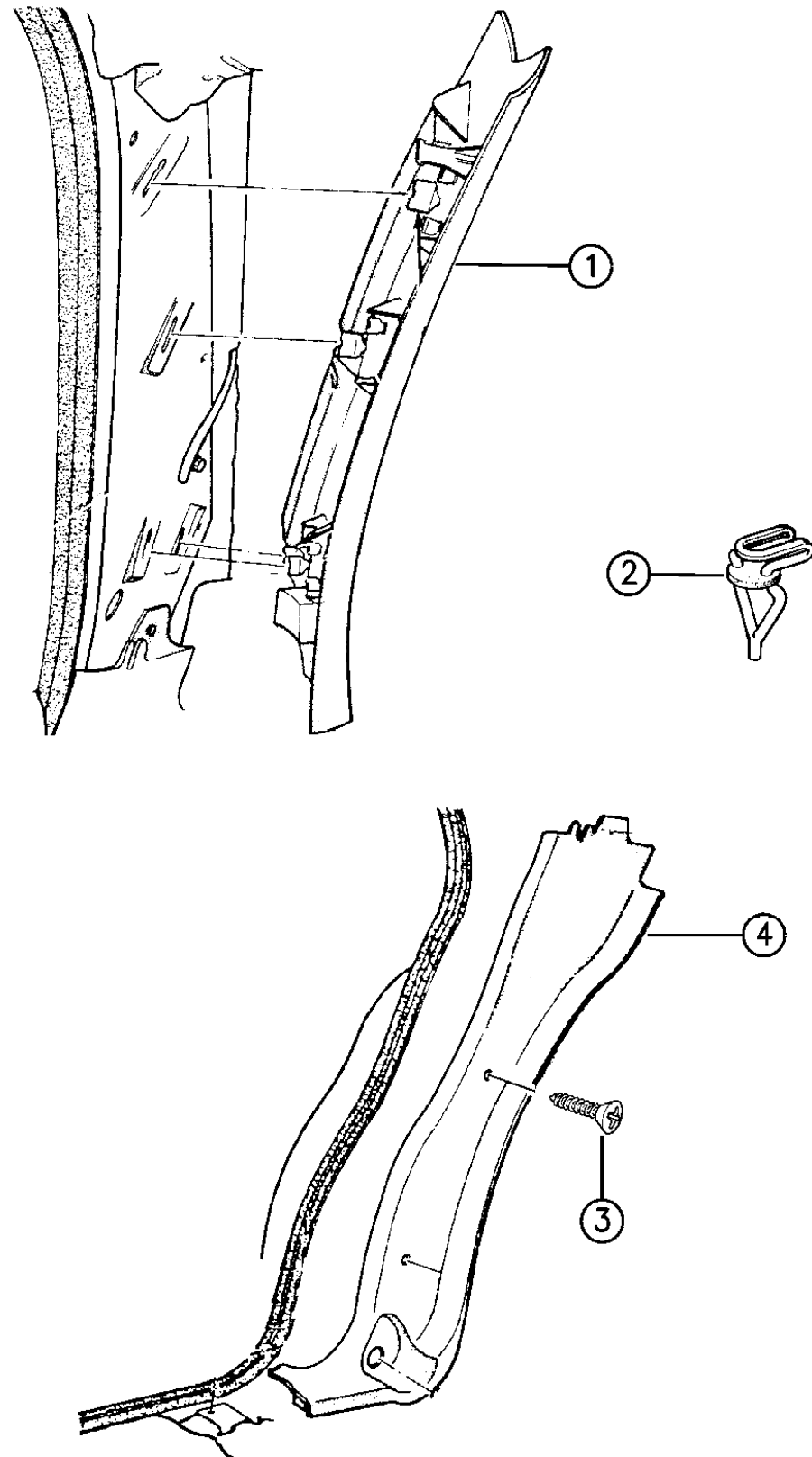
41 = 4 - Door Sedan ENGINE: 3.3L (EGB)
3.5L (EGE) 24 Valve

93430 230

AR = Use as Required - = Non Illustrated Part P.A.R. = Paint as Required

QUARTER TRIM PANELS - UPPER AND LOWER LH MODEL
Figure ITL-230

IT-230



ITEM	PART NUMBER	QTY	BODY	MODEL	DESCRIPTION
	EM52-3 MB7	1		C-HP	Blue
	EM52-3 MF6	1		C-HP	Driftwood
	EM52-3 MAZ	1		C-HP	Agate
					1994-95
	KM12-3 PD5	1		C-HP	Quartz
	KM12-3 PAZ	1		C-HP	Agate
	KM12-3 PB7	1		C-HP	Blue, 1994
	KM12-3 PF6	1		C-HP	Driftwood
	KM12-3 RP8	1		C-HP	Blue Spruce, 1995
					1996
	PC30-1 RD5	1		C	Quartz
	PC30-1 RAZ	1		C	Agate
	PC30-1 RF6	1		C	Driftwood
	PC30-1 RP8	1		C	Blue Spruce

93430 230

MODEL CODES:

Chrysler = (CH41 = New Yorker, CP41 = LHS, DH41 = Intrepid(Canada), DP41 = Intrepid ES(Canada), LP41 = Concorde)
DODGE = (DH41 = Intrepid(USA), DP41 = Intrepid ES(USA))
EAGLE = (XP41 = Vision ESI, XS41 = Vision TSI)

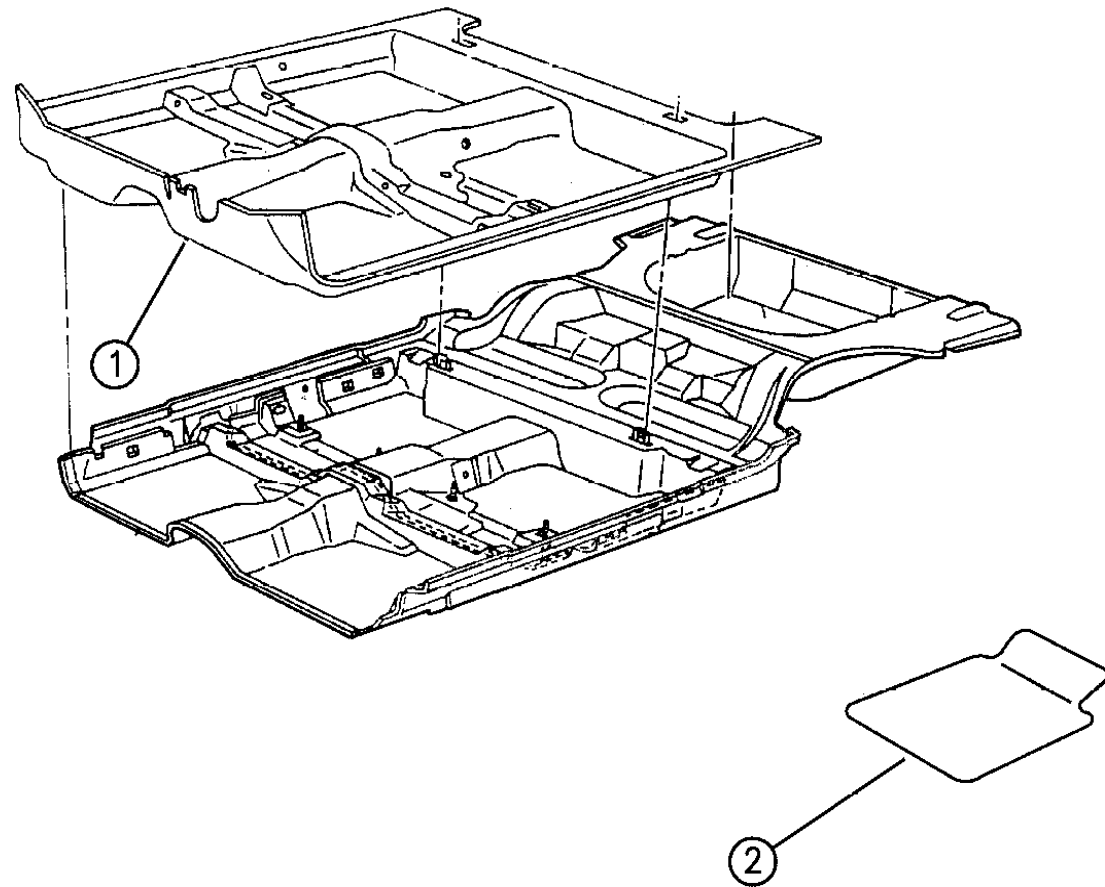
BODY STYLES:

41 = 4 - Door Sedan ENGINE: 3.3L (EGB)
3.5L (EGE) 24 Valve

AR = Use as Required - = Non Illustrated Part P.A.R. = Paint as Required

CARPET AND SILENCERS LH MODEL
Figure ITL-310

IT-310



ITEM	PART NUMBER	QTY	BODY	MODEL	DESCRIPTION
1					CARPET, Floor
					w/o CONSOLE w/o HEEL PAD
					1993
	GW36 MD5	1		D-C	Quartz
	GW36 MB7	1		D-C	Blue
	GW36 MF7	1		D	Driftwood
	GW36 MAZ	1		C	Agate
	GW36 MF6	1		C	Driftwood
					1994
	KH56 PB7	1		CH-D-L	Blue
	KH56 PF6	1		CH-D-L	Driftwood
	KH56 PD5	1		CH-D-L	Quartz
	KH56 PAZ	1		CH	Agate
					1995
	KH56 PDD	1		CH-D-L	Quartz
	KH56 PFF	1		Ch-D-L	Driftwood
	KH56 RPP	1		CH-D-L	Teal
	KH56 PAA	1		CH	Agate
					1996
	MC74 RDD	1		CH-D-L	Quartz
	MC74 RFF	1		Ch-D-L	Driftwood
	MC74 RPP	1		CH-D-L	Turquoise
	MC74 RAA	1		CH	Argent
					w/o CONSOLE w/HEEL PAD
					1993
	HD74 MB7	1		D	Blue
	HD74 MF7	1		D	Driftwood
	HD74 MD5	1		D	Quartz
					1994
	KH54 PB7	1		D	Blue
	KH54 PF6	1		D	Driftwood
	KH54 PD5	1		D	Quartz
					1994 Kh54 Carpets Also Fit New Yorker w/o Console s ARE NOT RETURNABLE.
					1995
	KH54 PFF	1		D	Driftwood
	KH54 RPP	1		D	Teal
	KH54 PDD	1		D	Quartz
					1996
	ME72 RFF	1		D	Driftwood
	ME72 RPP	1		D	Turquoise ***
	ME72 RDD	1		D	Quartz
					w/CONSOLE w/o HEEL PAD

MODEL CODES:

Chrysler = (CH41 = New Yorker, CP41 = LHS, DH41 = Intrepid(Canada), DP41 = Intrepid ES(Canada), LP41 = Concorde)
DODGE = (DH41 = Intrepid(USA), DP41 = Intrepid ES(USA))
EAGLE = (XP41 = Vision ESI, XS41 = Vision TSI)

BODY STYLES:

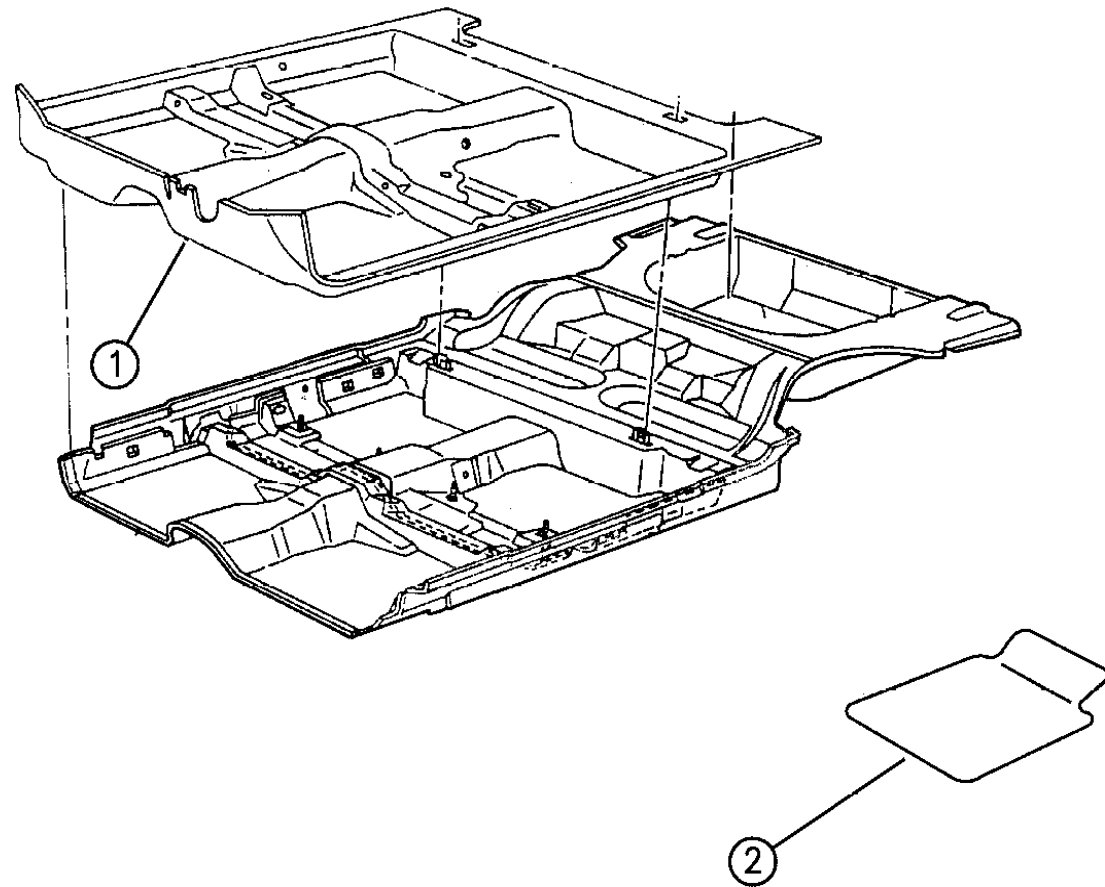
41 = 4 - Door Sedan ENGINE: 3.3L (EGB)
3.5L (EGE) 24 Valve

93430 310

AR = Use as Required - = Non Illustrated Part P.A.R. = Paint as Required

CARPET AND SILENCERS LH MODEL
Figure ITL-310

IT-310



ITEM	PART NUMBER	QTY	BODY	MODEL	DESCRIPTION
					1993
	HD91 MB7	1		D-LX-CH	Blue
	HD91 MF7	1		D-LX	Driftwood
	HD91 MD5	1		D-LX-CH	Quartz
	HD91 MAZ	1		CH	Agate
	HD91 PF6	1		CH	Driftwood
					1994
	KH55 PD5	1		CP-D-LX	Quartz
	KH55 PAZ	1		CP	Agate
	KH55 PB7	1		CP-D-LX	Blue
	KH55 PF6	1		CP-D-LX	Driftwood
					1995
	MJ43 RDD	1		CP-D-L,	Quartz
	MJ43 RFF	1		CP-D-L,	Driftwood
	MJ43 RPP	1		D-L,X	Turquoise
	MJ43 RAA	1		CP	Argent
					1996
	MC73 RDD	1		CP-D-LX	Quartz
	MC73 RFF	1		CP-D-LX	Driftwood
	MC73 RPP	1		D-LX	Turquoise
	MC73 RAA	1		CP	Argent
					w/CONSOLE, w/HEEL PAD
					1993
	HD85 MB7	1		D-L-C	Blue
	HD85 MF7	1		D-L	Driftwood
	HD85 MD5	1		D-L	Quartz
					1994
	KH53 PBB	1		D-L	Blue
	KH53 PFF	1		D-L	Driftwood
	KH53 PDD	1		D-L	Quartz
					1995
	MJ42 RFF	1		D-L	Driftwood
	MJ42 RPP	1		D-L	Turquoise
	MJ42 RDD	1		D-L	Quartz
					1996
	ME71 RFF	1		D-L	Driftwood
	ME71 RPP	1		D-L	Turquoise
	ME71 RDD	1		D-L	Quartz
2					FLOOR MATS
					Front
	8230 0138	1			Blue
	8230 0139	1			Quartz

93430 310

MODEL CODES:

Chrysler = (CH41 = New Yorker, CP41 = LHS, DH41 = Intrepid(Canada), DP41 = Intrepid ES(Canada), LP41 = Concorde)
 DODGE = (DH41 = Intrepid(USA), DP41 = Intrepid ES(USA))
 EAGLE = (XP41 = Vision ESI, XS41 = Vision TSI)

BODY STYLES:

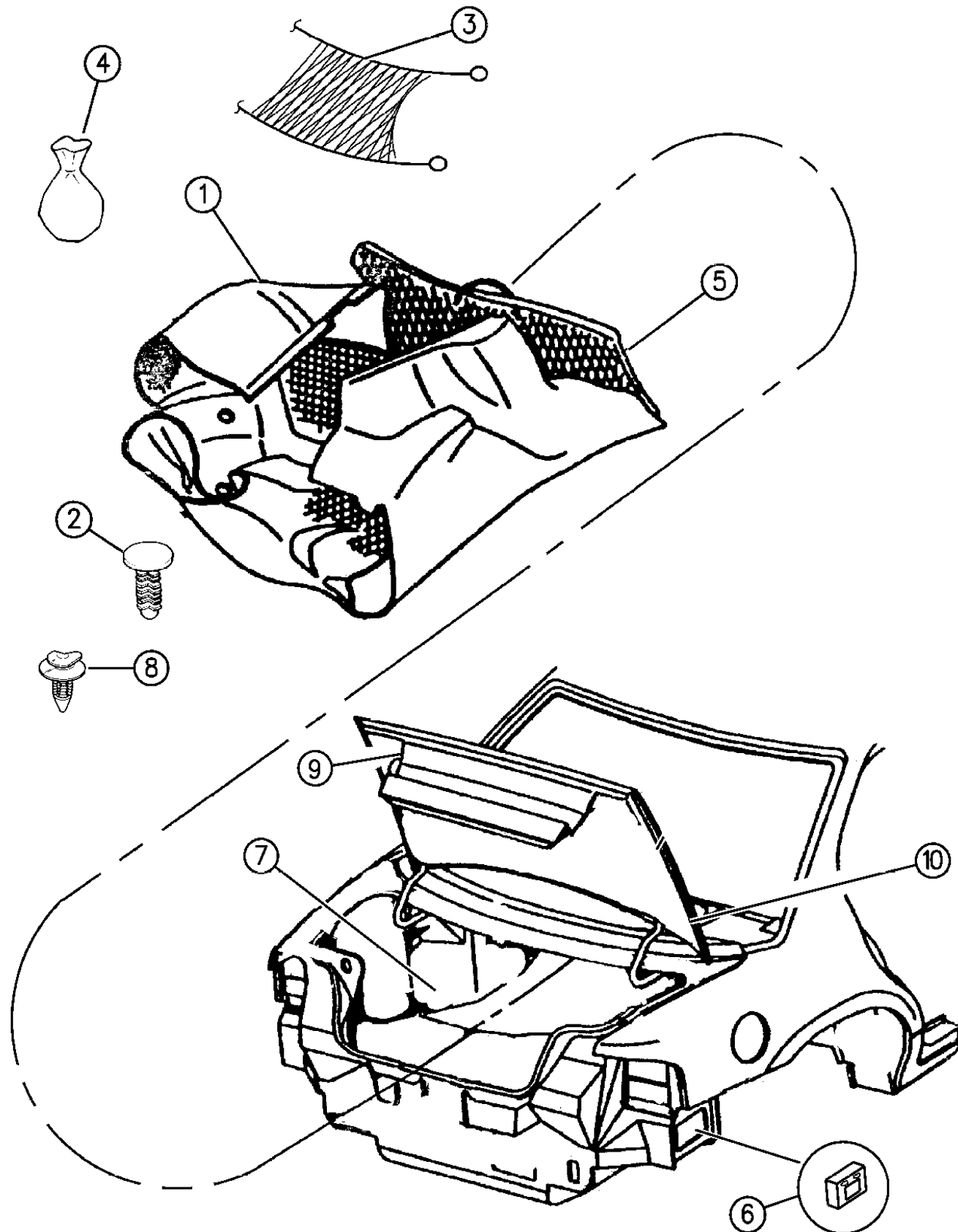
41 = 4 - Door Sedan ENGINE: 3.3L (EGB)
 3.5L (EGE) 24 Valve

AR = Use as Required - = Non Illustrated Part P.A.R. = Paint as Required

CARPET LUGGAGE COMPARTMENT AND SILENCERS LH MODEL

Figure ITL-320

ITL-320C



93430 320

ITEM	PART NUMBER	QTY	BODY	MODEL	DESCRIPTION
1					CARPET, Luggage Compartment
	4599 002	1	D		1993
	4758 071	1	D		1994-96
	4599 001	1	L-X		1993
	4758 070	1	L-X		1994-96
	4698 146	1	C		1993
	4758 062	1	C		1994-96
2	6030 441	2			RETAINER, Trunk Carpet
-	6033 167	AR			SCREW and WASHER, Luggage Compartment Carpet Trunk Trim
3	4728 205	1			NET, Cargo Retaining (Net Only)
4	4728 206	1			RETAINING PACKAGE, (Retainers Only) ***
	8230 0150	1			NET and HARDWARE PKG, Complete ***
5					SILENCER, Bulkhead and Under Rear Seat
	4647 126	1	C		
	4599 009	1	LX		
	4647 109	1	D		
					1996
	4758 760	1	C		
	4758 880	1	L,X		
	4758 879	1	D		
6	#4624 179	2			EXHUSTER, Quarter Panel Inner ***
7	4758 004-5	1			SILENCER, Wheelhouse
8	6030 441	AR			RETAINER, Decklid Cover
9	4758 235	1	C		COVER, Decklid (1993-95)
	4758 235	1	C		1995
10	6035 507	AR	C		PUSH-PIN, Decklid Liner ***

MODEL CODES:

Chrysler = (CH41 = New Yorker, CP41 = LHS, DH41 = Intrepid(Canada), DP41 = Intrepid ES(Canada), LP41 = Concorde)
 DODGE = (DH41 = Intrepid(USA), DP41 = Intrepid ES(USA))
 EAGLE = (XP41 = Vision ESI, XS41 = Vision TSI)

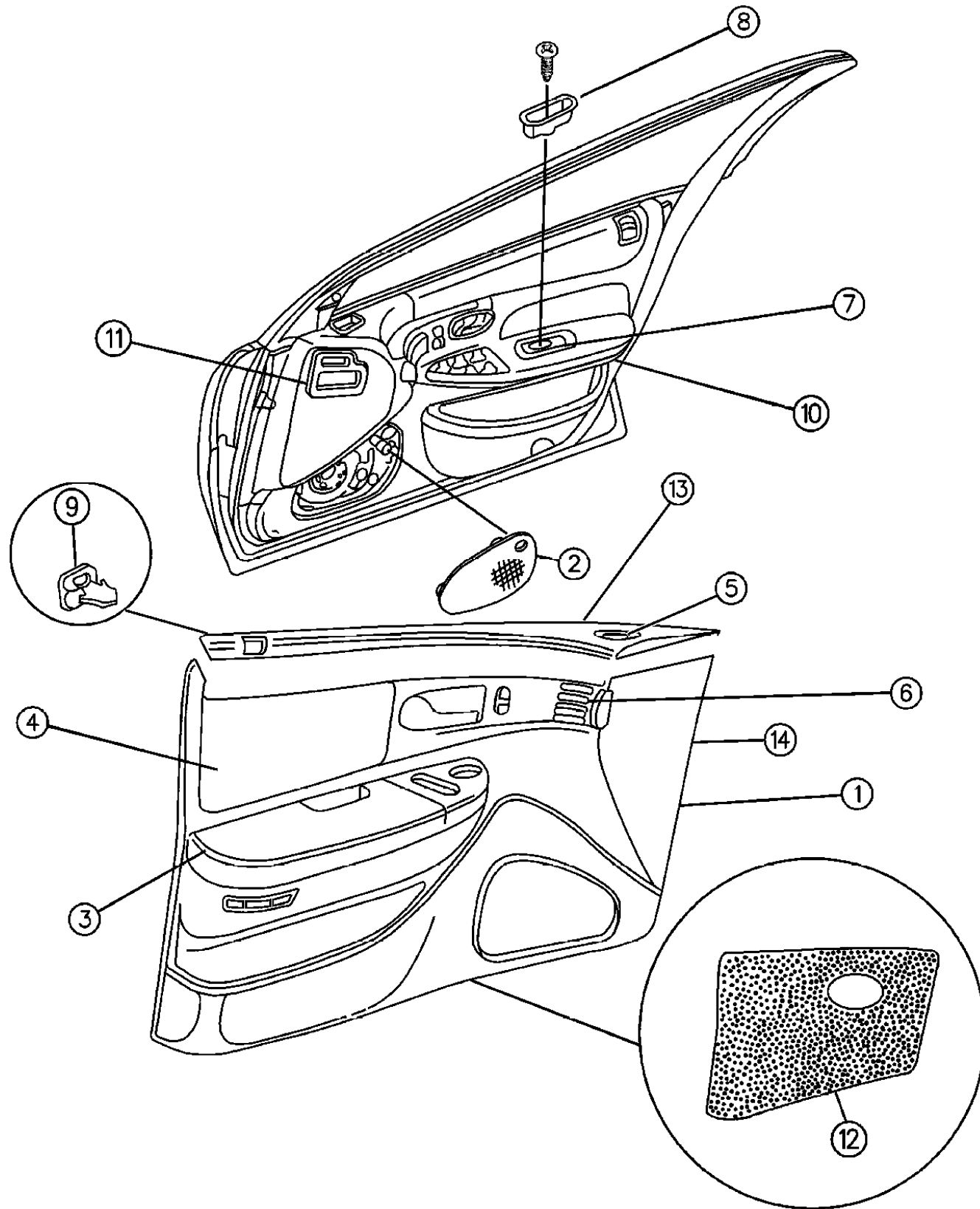
BODY STYLES:

41 = 4 - Door Sedan ENGINE: 3.3L (EGB)
 3.5L (EGE) 24 Valve

AR = Use as Required - = Non Illustrated Part P.A.R. = Paint as Required

DOOR PANEL - FRONT LH MODEL - 1993
Figure ITL-410

IT-410A



93430 410

ITEM	PART NUMBER	QTY	BODY	MODEL	DESCRIPTION
* BEFORE ORDERING DOOR PANEL, CHECK THE TRIM CODE s ARE NOT RETURNABLE.					
* Models L,X,D Use a 1 Piece Door Panel Item # 1 s ARE NOT RETURNABLE.					
* Model C Use a 2 Piece Door Panel Item 13 & 14 s ARE NOT RETURNABLE.					
1					PANEL, Door Trim w/Speakers and w/ or w/o Power Door Locks, w/o power Windows and , Mirrors
	HS00-1 MB7	1			Blue, (A7BB,BFBB)
	HS00-1 MF6	1			Driftwood, (A7FF,BFFF)
	HS00-1 MD5	1			Quartz, (A7SD,BFSD)
					w/Power Windows, w/Power Door Locks, w/Power Mirrors and Speakers
	HS12-3 MB7	1			Blue, (A7BB,BFBB)
	HS12-3 MF6	1			Driftwood, (A7FF,BFFF)
	HS12-3 MD5	1			Quartz, (A7SD,BFSD)
					w/o Power Mirrors, w/Power Door Locks w/Power Windows and Speakers
	HS06-7 MB7	1			Blue, (A7BB,BFBB)
	HS06-7 MD5	1			Quartz, (A7SD,BFSD)
	HS06-7 MF6	1			Driftwood, (A7FF,BFFF)
					w/Speakers, w/ or w/o Power Door Locks - w/o Electric Mirrors and Windows
	HS14-5 MB7	1			Blue, (C7BB)
	HS14-5 MF6	1			Driftwood, (C7FF)
	HS14-5 MD5	1			Quartz, (C7SD)
					RIGHT
					w/Power Windows, w/Power Mirrors, w/Power Door Locks and Speakers
	HS04 MB7	1			Blue, (C7BB)
	HS04 MF6	1			Driftwood, (C7FF)
	HS04 MD5	1			Quartz, (C7SD)
					LEFT
					w/o Power Mirrors, w/Power Windows, Door Locks and Speakers
	HS05 MB7	1			Blue, (C7BB)
	HS05 MF6	1			Driftwood, (C7FF)
	HS05 MD5	1			Quartz, (C7SD)
					LEFT
					w/Power Windows, Door Locks, Power Mirrors and Speakers
	HS17 MB7	1			Blue, (C7BB)
	HS17 MD5	1			Quartz, (C7SD)
	HS17 MF6	1			Driftwood, (C7FF)

MODEL CODES:

Chrysler = (CH41 = New Yorker, CP41 = LHS, DH41 = Intrepid(Canada), DP41 = Intrepid ES(Canada), LP41 = Concorde)
DODGE = (DH41 = Intrepid(USA), DP41 = Intrepid ES(USA))
EAGLE = (XP41 = Vision ESI, XS41 = Vision TSI)

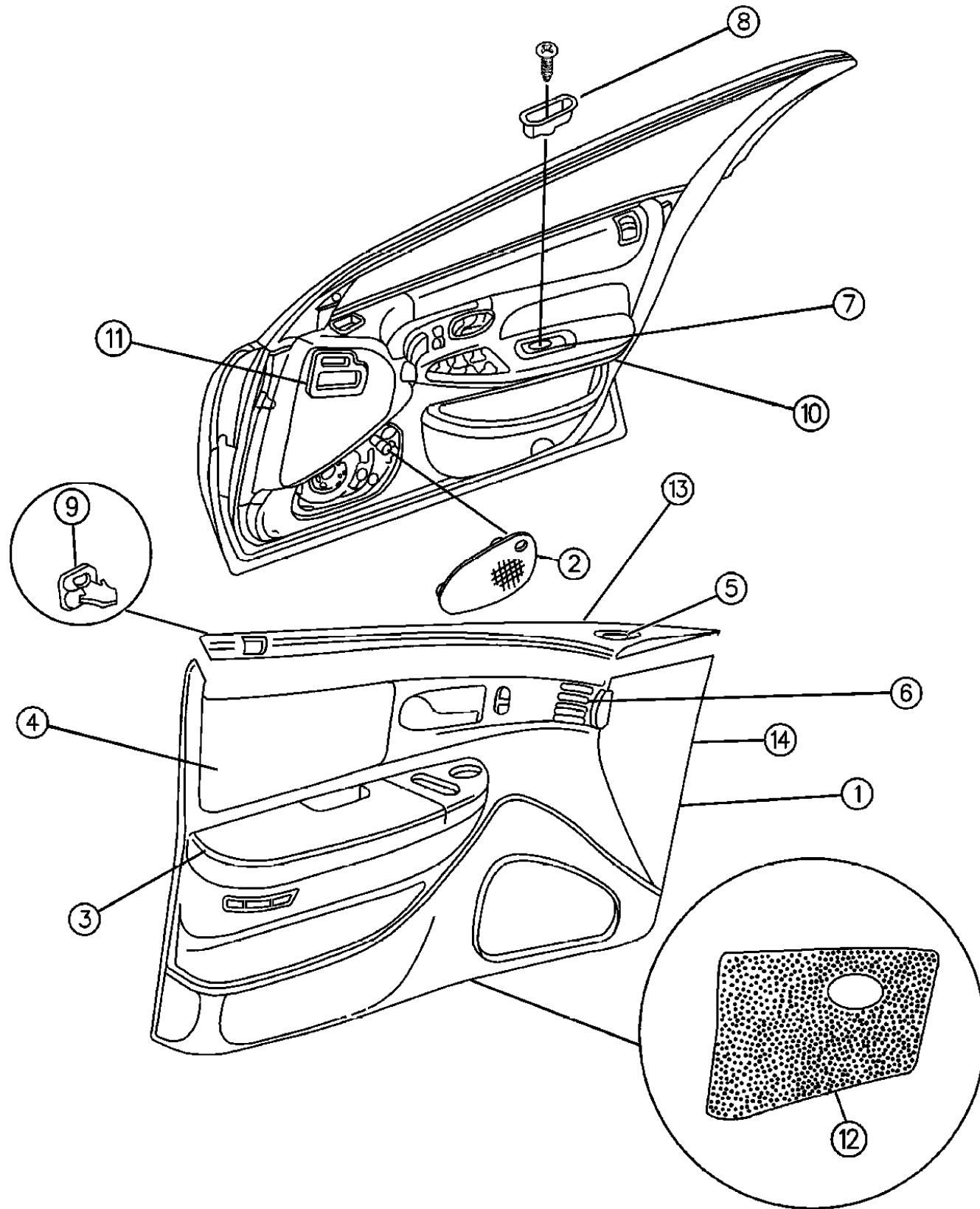
BODY STYLES:

41 = 4 - Door Sedan ENGINE: 3.3L (EGB)
3.5L (EGE) 24 Valve

AR = Use as Required - = Non Illustrated Part P.A.R. = Paint as Required

DOOR PANEL - FRONT LH MODEL - 1993
Figure ITL-410

IT-410A



93430 410

ITEM	PART NUMBER	QTY	BODY	MODEL	DESCRIPTION
					w/Power Mirrors, w/Power Windows, w/Power Door Locks and Speakers
	HS02-3 MB7	1			Blue, (MLBB)
	HS02-3 MF6	1			Driftwood, (MLFF)
	HS02-3 MD5	1			Quartz, (MLSD)
					w/Power Mirrors, w/Power Door Locks and Speakers, w/o Power Windows - Driver Control One Touch
	HS46-7 MB7	1			Blue, (G7AB)
	HS46-7 MD5	1			Quartz, (G7AD)
	HS46-7 MF6	1			Driftwood, (G7AF)
					w/Power Mirrors, w/Power Door Locks, w/Power Windows - Driver Control One Touch and Speakers
	HS44-5 MB7	1			Blue, (G7AB)
	HS44-5 MD5	1			Quartz, (G7AD)
	HS44-5 MF6	1			Driftwood, (G7AF)
					w/Power Mirrors, w/Power Windows-Driver Control One Touch, w/Power Door Locks and Speakers
	HS20-1 MB7	1		L	Blue, (TLAB)
	HS20-1 MD5	1		L	Quartz, (TLAD)
	HS20-1 MF6	1		L	Driftwood, (TLAF)
	HS28-9 MB7	1		X	Blue, (TLAB)
	HS28-9 MD5	1		X	Quartz, (TLAD,FLAD)
	HS28-9 MF6	1		X	Driftwood, (TLAF,FLAF)
					w/Power Mirrors, with or without Power Door locks and Speakers
	HS42-3 MB7	1			Blue, (E7AB)
	HS42-3 MDD	1			Quartz, (E7AD)
	HS42-3 MF7	1			Driftwood, (E7AF)
					w/Power Mirrors, Power Door Locks w/Power Windows - Driver Control One Touch and Speakers
	HS26-7 MB7	1			Blue, (E7AB)
	HS26-7 MDD	1			Quartz, (E7AD)
	HS26-7 MF7	1			Driftwood, (E7AF)
					w/Power Mirrors, w/Power Door Locks and Speakers w/o Power Windows
	HS24-5 MB7	1			Blue, (K7AB)
	HS24-5 MD5	1			Quartz, (K7AD)
	HS24-5 MF6	1			Driftwood, (K7AF)
					w/Power Mirrors, w/Power Door Locks, w/Power Windows - Driver Control One Touch and Speakers, With or Without Security Alarm
	HS22-3 MB7	1			Blue, (K7AB)

MODEL CODES:

Chrysler = (CH41 = New Yorker, CP41 = LHS, DH41 = Intrepid(Canada), DP41 = Intrepid ES(Canada), LP41 = Concorde)
 DODGE = (DH41 = Intrepid(USA), DP41 = Intrepid ES(USA))
 EAGLE = (XP41 = Vision ESI, XS41 = Vision TSI)

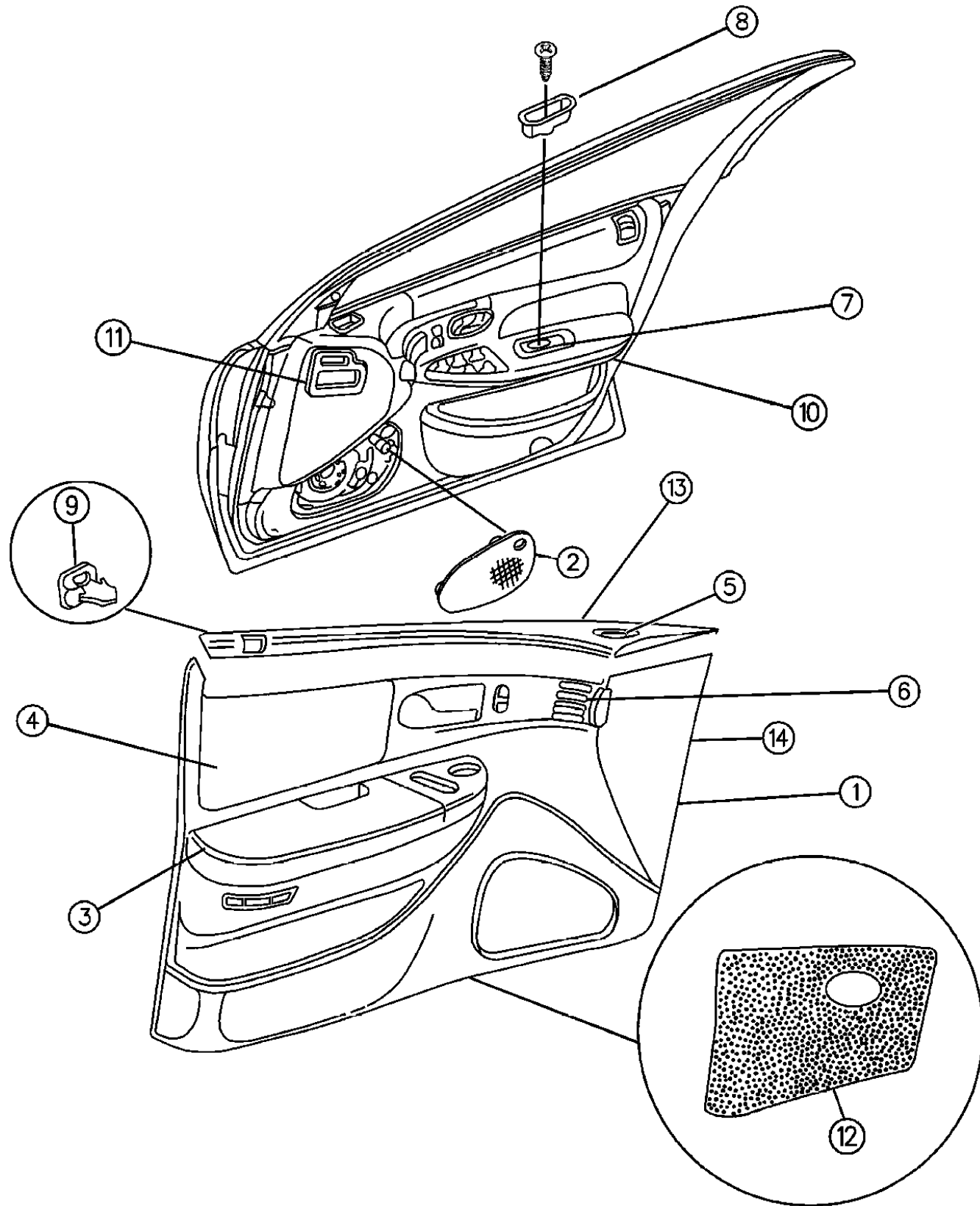
BODY STYLES:

41 = 4 - Door Sedan ENGINE: 3.3L (EGB)
 3.5L (EGE) 24 Valve

AR = Use as Required - = Non Illustrated Part P.A.R. = Paint as Required

DOOR PANEL - FRONT LH MODEL - 1993
Figure ITL-410

IT-410A



93430 410

ITEM	PART NUMBER	QTY	BODY	MODEL	DESCRIPTION
	HS22-3 MD5	1			Quartz, (K7AD)
	HS22-3 MF6	1			Driftwood, (K7AF)
2					GRILLE, Door Speaker w/Manual Windows
	GE26-7 MB7	1			Blue
	GE26-7 MD5	1			Quartz
	GE26-7 MF6	1			Driftwood
					w/Power Windows
	GE22-3 MB7	1			Blue
	GE22-3 MD5	1			Quartz
	GE22-3 MF6	1			Driftwood
	GE22-3 MAZ	1			Agate
					Premium Grille, w/Power Mirrors, w/Power Windows, w/Power Door Locks and Speakers
	HG38-9 MB7	1			Blue
	HG38-9 MD5	1			Quartz
	HG38-9 MF6	1			Medium Driftwood
	HG38-9 MAZ	1			Agate
	HG38-9 MF8	1			Dark Driftwood
3					ARMREST, Door Panel w/o Switch and w/o Bezel For Power Window Switch
	FW70-1 MD5	1			Quartz, (JFAD,JPAD,F7AD,DLAD)
	FW70-1 MB7	1			Blue, (JFBB)
	FW70-1 MAZ	1			Agate, (JFAZ,JPAZ,F7AZ,DLAZ)
	FW70-1 MF6	1			Driftwood, (JFFF,JPFF,F7FF,DLAF)
					w/Switch and w/Bezel For Power Window Switch
	FZ00-1 MD5	1			Quartz, (JPAD,F7AD,DLAD,JFAD)
	FZ00-1 MAZ	1			Agate, (JPAZ,F7AZ,JFAZ,DLAZ)
	FZ00-1 MF6	1			Driftwood, (JFFF,DLAF,JPFF,F7FF)
	FZ00-1 MB7	1			Blue, (JFBB)
4					BOLSTER, Door Panel
	FW64-5 MD5	1			Quartz, (F7AD)
	FW64-5 MAZ	1			Blue, (F7AZ)
	FW64-5 MF6	1			Driftwood, (F7FF)
	FW62-3 MD5	1			Quartz, (JFAD)
	FW62-3 MB7	1			Blue, (JFBB)
	FW62-3 MF6	1			Driftwood, (JFFF)
	FW62-3 MAZ	1			Agate, (JFAZ)
	HR90-1 MAZ	1			Agate, (DLAZ)
	HR90-1 MF4	1			Driftwood, (DLAF)
	HR90-1 MW8	1			Quartz, (DLAD)
					w/Speakers, Power Windows and Power Door Locks

MODEL CODES:

Chrysler = (CH41 = New Yorker, CP41 = LHS, DH41 = Intrepid(Canada), DP41 = Intrepid ES(Canada), LP41 = Concorde)
DODGE = (DH41 = Intrepid(USA), DP41 = Intrepid ES(USA))
EAGLE = (XP41 = Vision ESI, XS41 = Vision TSI)

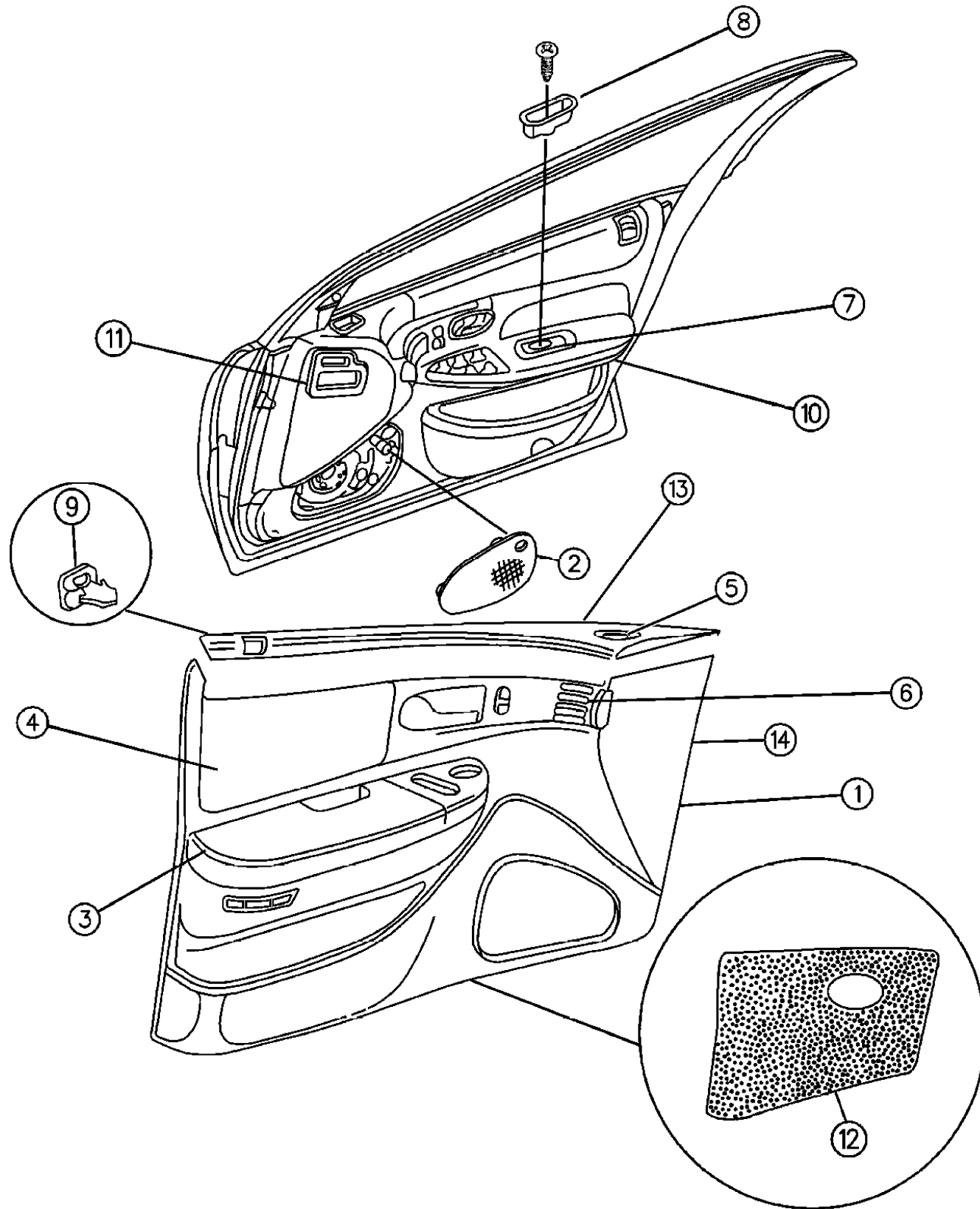
BODY STYLES:

41 = 4 - Door Sedan ENGINE: 3.3L (EGB)
3.5L (EGE) 24 Valve

AR = Use as Required - = Non Illustrated Part P.A.R. = Paint as Required

DOOR PANEL - FRONT LH MODEL - 1993
Figure ITL-410

IT-410A



93430 410

ITEM	PART NUMBER	QTY	BODY	MODEL	DESCRIPTION
	HD50-1 MD5	1			Quartz, (JPAD)
	HD50-1 MF6	1			Driftwood, (JPFF)
	HD50-1 MAZ	1			Agate, (JPAZ)
	HD52-3 MD5	1			Quartz, (JPAD)
	HD52-3 MAZ	1			Agate, (JPAZ)
	HD52-3 MF6	1			Driftwood, (JPFF)
					Bolster For ML Trim Code Serv. In The Assy
5					GRILLE, Side Window Demister
	EW80-1 MBR	1			Blue, (A7BB,BFBB,C7BB,MLBB)
	EW80-1 MF8	1			Driftwood, (A7FF,BFFF,C7FF,MLFF)
	EW80-1 MS6	1			Quartz, (A7SD,BFSD,C7SD,MLSD)
	EN46-7 MAZ	1			Agate, (JPAD,JPAZ,F7AZ,DLAD,JFAD,DLAZ,F7AD,JFAZ)
	EN46-7 MBR	1			Blue, (JFBB)
	EN46-7 MF8	1			Driftwood, (JPFF,F7FF,JFFF,DLAF)
6					BEZEL, Air Outlet (See Group 23C)
7					BRACKET, Door Pull Cup Support (See 23c Ill. 105)
8					CUP, Door Pull ***
	HE36 MBR	2			Dark Slate Blue
	HE36 MB7	2			Slate Blue
	HE36 MD5	2			Quartz
	HE36 MF6	2			Medium Driftwood
	HE36 MF8	2			Dark Driftwood
	HE36 MS6	2			Dark Quartz
9	6034 812	AR			CLIP, Door Panel Attaching
	6034 336	AR			CLIP - 1994 ***
10					BRACKET, Arm Rest Support (See 23c Ill. 105)
11	#4647 070-1	1			SEAL, Demister Inlet
12					SILENCER, Door Panel
	4647 028-9	1		L-D-X	
	4599 924-5	1		C	
13					PANEL, Upper
					w/Power Windows - Driver Control One Touch and Power
					Locks and Speakers
	FY92-3 MBB	1			Blue, (JFBB)
	FY92-3 MAZ	1			Agate, (JFAZ,JPAZ,F7AZ,DLAZ)
	FY92-3 MFF	1			Driftwood, (JFFF,F7FF,DLAF,JPFF)
	FY92-3 MDZ	1			Agate/Quartz, (JPAD,F7AD,DLAD,JFAD)
14					PANEL, Lower
					w/Power Windows - Driver Control One Touch, Power Door
					Locks and Speakers
	HX38-9 MDZ	1			Agate/Medium Quartz, (JPAD,JFAD)

MODEL CODES:

Chrysler = (CH41 = New Yorker, CP41 = LHS, DH41 = Intrepid(Canada), DP41 = Intrepid ES(Canada), LP41 = Concorde)
DODGE = (DH41 = Intrepid(USA), DP41 = Intrepid ES(USA))
EAGLE = (XP41 = Vision ESI, XS41 = Vision TSI)

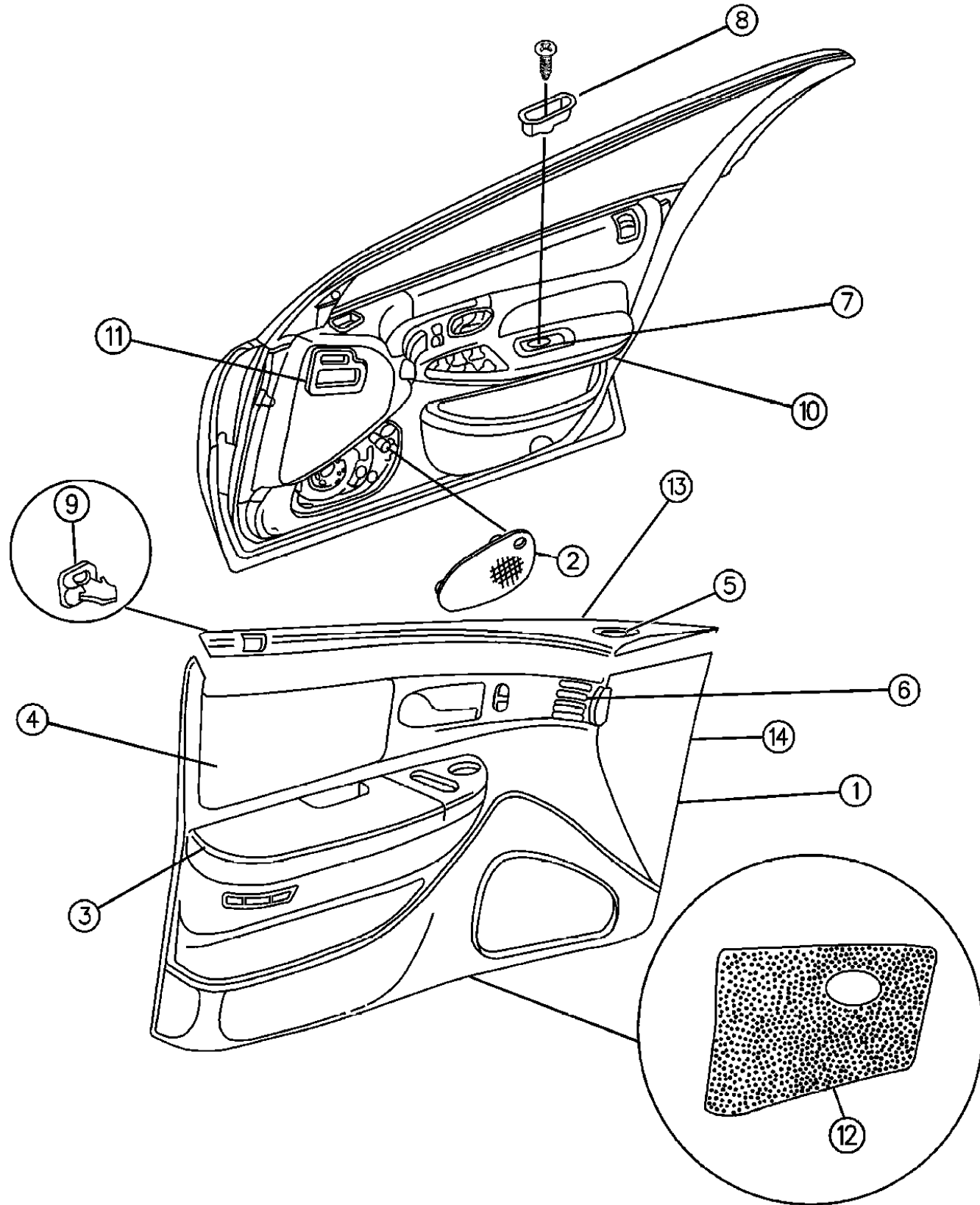
BODY STYLES:

41 = 4 - Door Sedan ENGINE: 3.3L (EGB)
3.5L (EGE) 24 Valve

AR = Use as Required - = Non Illustrated Part P.A.R. = Paint as Required

DOOR PANEL - FRONT LH MODEL - 1993
Figure ITL-410

IT-410A



93430 410

ITEM	PART NUMBER	QTY	BODY	MODEL	DESCRIPTION
	HX38-9 MBB	1			Blue, (JFBB)
	HX38-9 MAZ	1			Agate, (JFAZ,JPAZ)
	HX38-9 MFF	1			Driftwood, (JFFF,JPFF)
					w/Power Windows - Driver Control One Touch, Power Door Locks and Speakers
	HX36-7 MAZ	1			Agate, (F7AZ,DLAZ)
	HX36-7 MDW	1			Quartz, (DLAD)
	HX36-7 MDZ	1			Agate/Quartz, (F7AD)
	HX36-7 MFF	1			Driftwood, (F7FF,DLAF)
-	#4758 008	2		C	BRACKET, Armrest Support

MODEL CODES:

Chrysler = (CH41 = New Yorker, CP41 = LHS, DH41 = Intrepid(Canada), DP41 = Intrepid ES(Canada), LP41 = Concorde)
DODGE = (DH41 = Intrepid(USA), DP41 = Intrepid ES(USA))
EAGLE = (XP41 = Vision ESI, XS41 = Vision TSI)

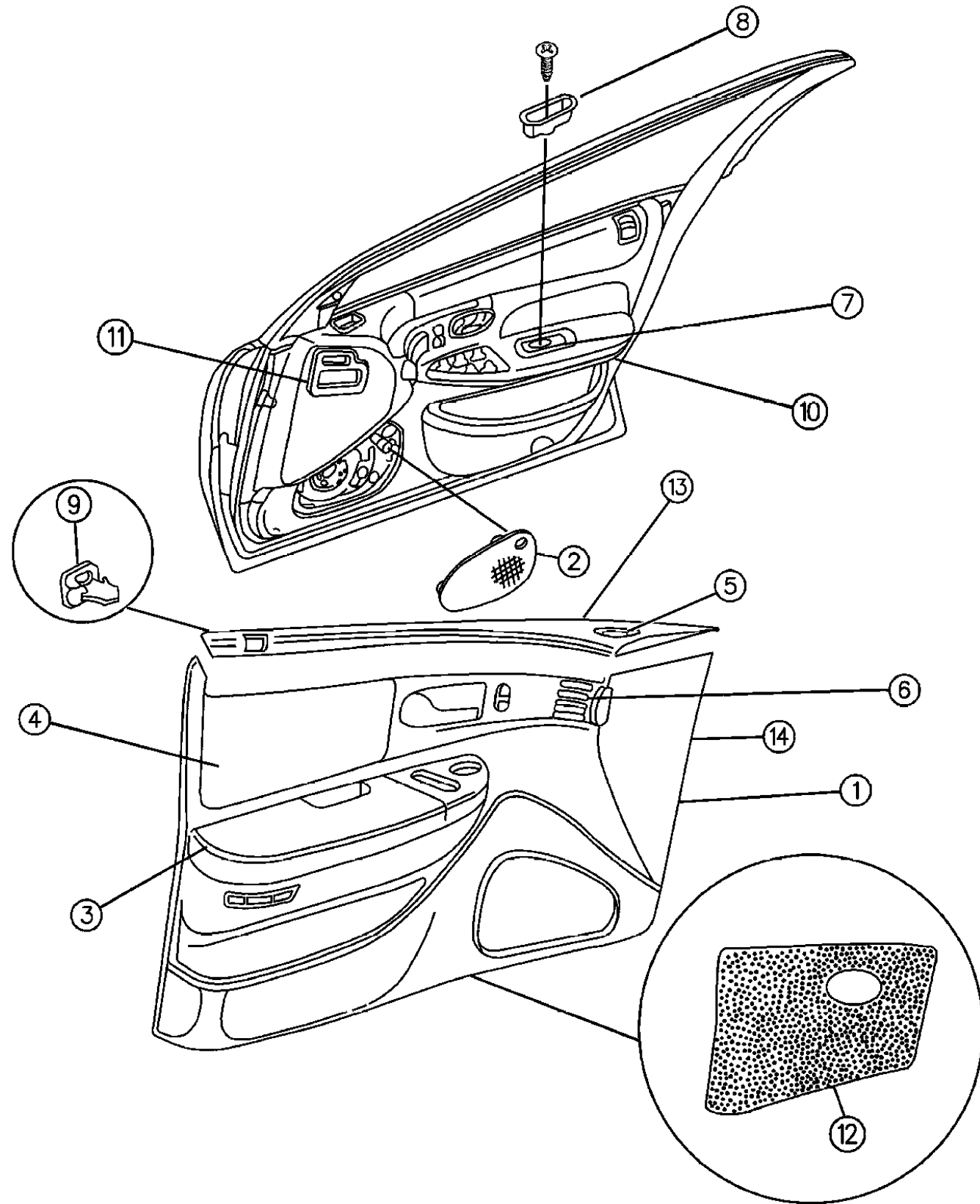
BODY STYLES:

41 = 4 - Door Sedan ENGINE: 3.3L (EGB)
3.5L (EGE) 24 Valve

AR = Use as Required - = Non Illustrated Part P.A.R. = Paint as Required

DOOR PANEL - FRONT LH MODEL - 1994
Figure ITL-415

ITL-415



93430 415
93430 416

ITEM	PART NUMBER	QTY	BODY	MODEL	DESCRIPTION
* BEFORE ORDERING DOOR PANEL, CHECK THE TRIM CODE s ARE NOT RETURNABLE.					
* Models L,D,X Use a 1 Piece Door Panel Item #1 * Model C Use A 2 Piece Door Panel Item # 13 & 14 s ARE NOT RETURNABLE.					
*WOODGRAIN MOULDING FOR 1994 LHS: COMES WITH LOWER DOOR PANEL ONLY s ARE NOT RETURNABLE.					
1					PANEL, Door Trim
					w/Speakers and w/ or w/o Power Door Locks, w/o power Windows and , Mirrors
	HS00-1 MB7	1			Blue, (A7BB,BFBB)
	HS00-1 MF6	1			Driftwood, (A7FF,BFFF)
	HS00-1 MD5	1			Quartz, (A7SD,BFSD)
					w/Power Windows, w/Power Door Locks, w/Power Mirrors and Speakers
	HS12-3 MB7	1			Blue, (A7BB,BFBB)
	HS12-3 MF6	1			Driftwood, (A7FF,BFFF)
	HS12-3 MD5	1			Quartz, (A7SD,BFSD)
					w/o Power Mirrors, w/Power Door Locks w/Power Windows and Speakers
	HS06-7 MB7	1			Blue, (A7BB,BFBB)
	HS06-7 MD5	1			Quartz, (A7SD,BFSD)
	HS06-7 MF6	1			Driftwood, (A7FF,BFFF)
					w/Speakers, w/o Power Windows, w/o Door Locks and Mirrors
	HS14-5 MB7	1			Blue, (C7BB)
	HS14-5 MF6	1			Driftwood, (C7FF)
	HS14-5 MD5	1			Quartz, (C7SD)
					RIGHT
					w/Power Windows, w/Power Door Locks, w/Speakers and with or w/o Power Mirrors
	HS04 MB7	1			Blue, (C7BB)
	HS04 MF6	1			Driftwood, (C7FF)
	HS04 MD5	1			Quartz, (C7SD)
					LEFT
					w/Power Windows Driver Control One touch, Door locks, Speakers and Power Mirrors
	HS17 MB7	1			Blue, (C7BB)
	HS17 MD5	1			Quartz, (C7SD)
	HS17 MF6	1			Driftwood, (C7FF)
					w/Power Mirrors, w/Power Windows-Driver Control One Touch, w/Power Door Locks and Speakers
	KP80-1 PD5	1			Quartz, (MLSD)
	KP80-1 PF6	1			Driftwood, (MLFF)
					w/Power Mirrors, w/Power Door Locks and Speakers, w/o Power Windows - Driver Control One Touch

MODEL CODES:

Chrysler = (CH41 = New Yorker, CP41 = LHS, DH41 = Intrepid(Canada), DP41 = Intrepid ES(Canada), LP41 = Concorde)
DODGE = (DH41 = Intrepid(USA), DP41 = Intrepid ES(USA))
EAGLE = (XP41 = Vision ESI, XS41 = Vision TSI)

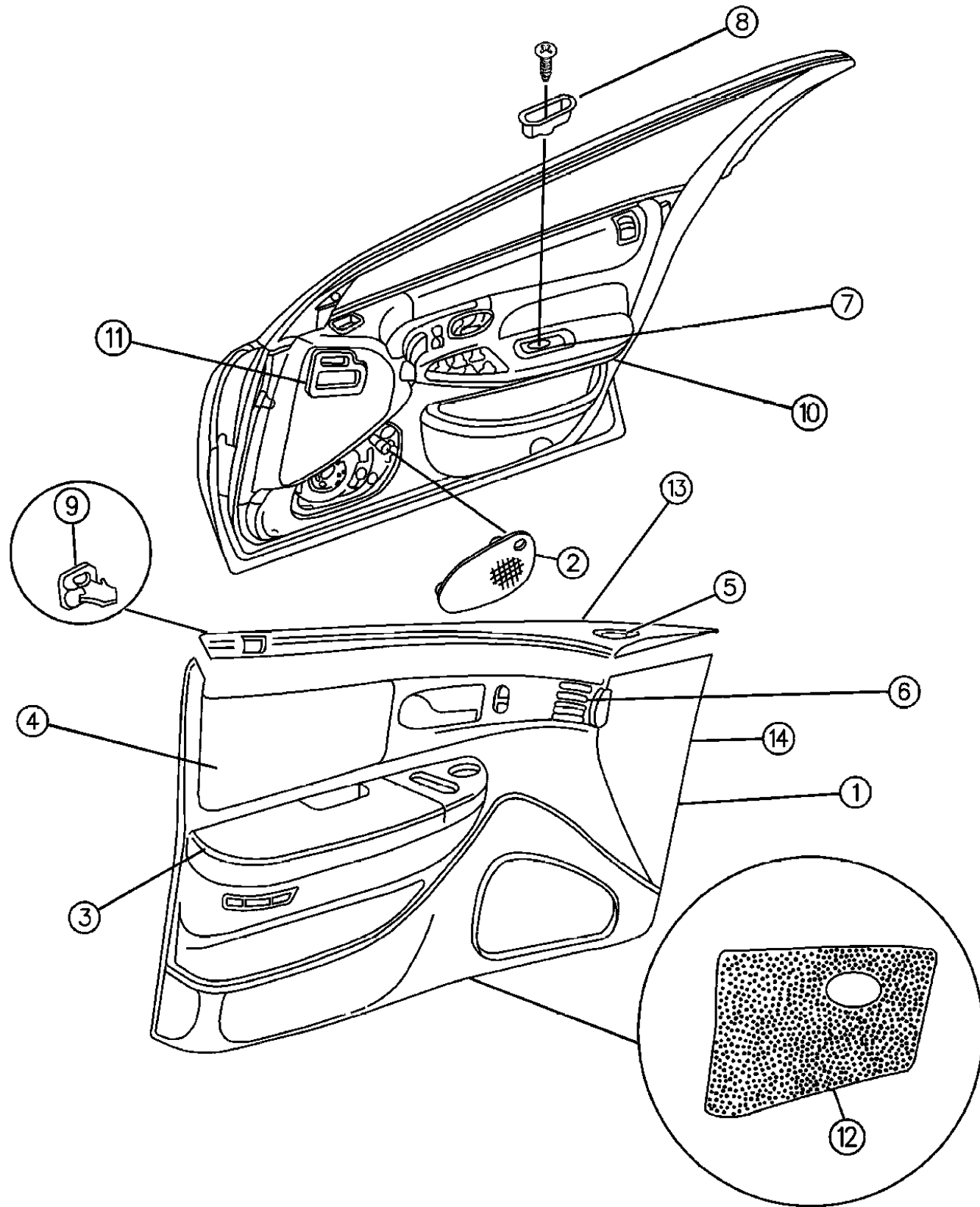
BODY STYLES:

41 = 4 - Door Sedan ENGINE: 3.3L (EGB)
3.5L (EGE) 24 Valve

AR = Use as Required - = Non Illustrated Part P.A.R. = Paint as Required

DOOR PANEL - FRONT LH MODEL - 1994
Figure ITL-415

ITL-415



93430 415
 93430 416

ITEM	PART NUMBER	QTY	BODY	MODEL	DESCRIPTION
	HS46-7 MB7	1			Blue, (G7AB)
	HS46-7 MD5	1			Quartz, (G7AD)
	HS46-7 MF6	1			Driftwood, (G7AF) w/Power Mirrors, w/Power Door Locks, w/Power Windows - Driver Control One Touch and Speakers
	HS44-5 MB7	1			Blue, (G7AB)
	HS44-5 MD5	1			Quartz, (G7AD)
	HS44-5 MF6	1			Driftwood, (G7AF) w/Power Windows-Driver Control One Touch, w/Power Door Locks and Mirrors, Speakers w/ or w/o Security Alarm
	HS22-3 MB7	1	L		Blue, (TLAB)
	HS22-3 MD5	1	L		Quartz, (TLAD)
	HS22-3 PF6	1	L		Driftwood, (TLAF)
	HS44-5 MB7	1	X		Blue, (TLAB)
	HS44-5 MD5	1	X		Quartz, (TLAD)
	HS44-5 MF6	1	X		Driftwood, (TLAF) w/Power Mirrors, with or without Power Door locks and Speakers
	HS42-3 MB7	1			Blue, (E7AB)
	HS42-3 MDD	1			Quartz, (E7AD)
	HS42-3 MF7	1			Driftwood, (E7AF) w/Power Mirrors, Power Door Locks w/Power Windows - Driver Control One Touch and Speakers
	HS26-7 MB7	1			Blue, (E7AB)
	HS26-7 MDD	1			Quartz, (E7AD)
	HS26-7 MF7	1			Driftwood, (E7AF) w/Door Locks and Speakers, w/o Power Windows
	HS24-5 MB7	1			Blue, (K7AB,TFAB)
	HS24-5 MD5	1			Quartz, (K7AD,TFAD)
	HS24-5 PF6	1			Driftwood, (K7AF,TFAF) w/Power Mirrors, w/Power Door Locks, w/Power Windows - Driver Control One Touch and Speakers, With or Without Security Alarm
	HS22-3 MB7	1			Blue, (K7AB,TFAB)
	HS22-3 MD5	1			Quartz, (K7AD,TFAD)
	HS22-3 PF6	1			Driftwood, (K7AF,TFAF) w/Power Windows-Driver Control One Touch, Door Locks and Speakers
	KS02-3 PD5	1			Quartz, (H7AD,FLAD)
	KS02-3 PF6	1			Driftwood, (H7AF,FLAF)
2					GRILLE, Door Speaker w/Manual Windows

MODEL CODES:

Chrysler = (CH41 = New Yorker, CP41 = LHS, DH41 = Intrepid(Canada), DP41 = Intrepid ES(Canada), LP41 = Concorde)
 DODGE = (DH41 = Intrepid(USA), DP41 = Intrepid ES(USA))
 EAGLE = (XP41 = Vision ESI, XS41 = Vision TSI)

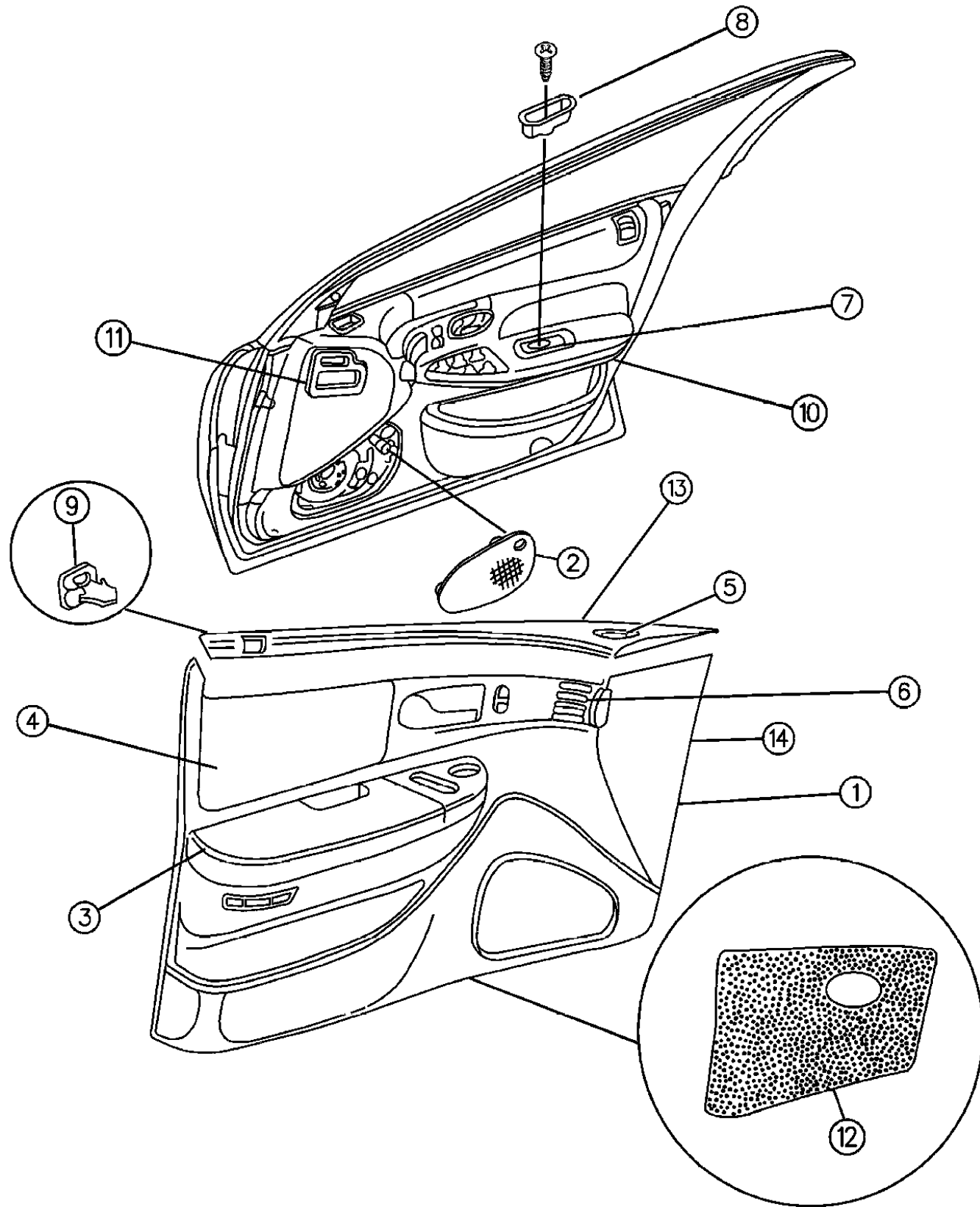
BODY STYLES:

41 = 4 - Door Sedan ENGINE: 3.3L (EGB)
 3.5L (EGE) 24 Valve

AR = Use as Required - = Non Illustrated Part P.A.R. = Paint as Required

DOOR PANEL - FRONT LH MODEL - 1994
Figure ITL-415

ITL-415



93430 415
93430 416

ITEM	PART NUMBER	QTY	BODY	MODEL	DESCRIPTION
	GE26-7 MB7	1			Blue
	GE26-7 MD5	1			Quartz
	GE26-7 MF6	1			Driftwood w/Power Windows
	GE22-3 MB7	1			Blue
	GE22-3 MD5	1			Quartz
	GE22-3 MF6	1			Driftwood
	GE22-3 MAZ	1			Agate Premium Grille, w/Power Mirrors, w/Power Windows, w/Power Door Locks and Speakers
	HG38-9 MB7	1			Blue
	HG38-9 MD5	1			Quartz
	HG38-9 MF6	1			Medium Driftwood
	HG38-9 MAZ	1			Agate
	HG38-9 MF8	1			Dark Driftwood
3					ARMREST, Door Panel w/o Switch and w/o Bezel For Power Window Switch
	FW70-1 MD5	1			Quartz, (JFAD,JPAD,F7AD,DLAD)
	FW70-1 MB7	1			Blue, (JFBB)
	FW70-1 MAZ	1			Agate, (JFAZ,JPAZ,F7AZ,DLAZ)
	FW70-1 MF6	1			Driftwood, (JFFF,JPFF,F7FF,DLAF)
	FZ00-1 MD5	1			w/Switch and w/Bezel For Power Window Switch Quartz, (JPAD,F7AD,DLAD,JFAD)
	FZ00-1 MAZ	1			Agate, (JPAZ,F7AZ,JFAZ,DLAZ)
	FZ00-1 MF6	1			Driftwood, (JFFF,DLAF,JPFF,F7FF)
	FZ00-1 MB7	1			Blue, (JFBB)
4					BOLSTER, Door Panel
	FW64-5 MD5	1			Quartz, (F7AD)
	FW64-5 MF6	1			Driftwood, (F7FF)
	FW62-3 MD5	1			Quartz, (JFAD)
	FW62-3 MB7	1			Blue, (JFBB)
	FW62-3 MF6	1			Driftwood, (JFFF)
	FW62-3 MAZ	1			Agate, (JFAZ)
	HR90-1 MAZ	1			Agate, (DLAZ)
	HR90-1 MF4	1			Driftwood, (DLAF)
	HR90-1 MW8	1			Quartz, (DLAD) w/Speakers, Power Windows and Power Door Locks
	HD50-1 MD5	1			Quartz, (JPAD)
	HD50-1 MF6	1			Driftwood, (JPFF)
	HD50-1 MAZ	1			Agate, (JPAZ) w/Power Windows and Power Door Locks
	HD52-3 MD5	1			Quartz, (JPAD)

MODEL CODES:

Chrysler = (CH41 = New Yorker, CP41 = LHS, DH41 = Intrepid(Canada), DP41 = Intrepid ES(Canada), LP41 = Concorde)
DODGE = (DH41 = Intrepid(USA), DP41 = Intrepid ES(USA))
EAGLE = (XP41 = Vision ESI, XS41 = Vision TSI)

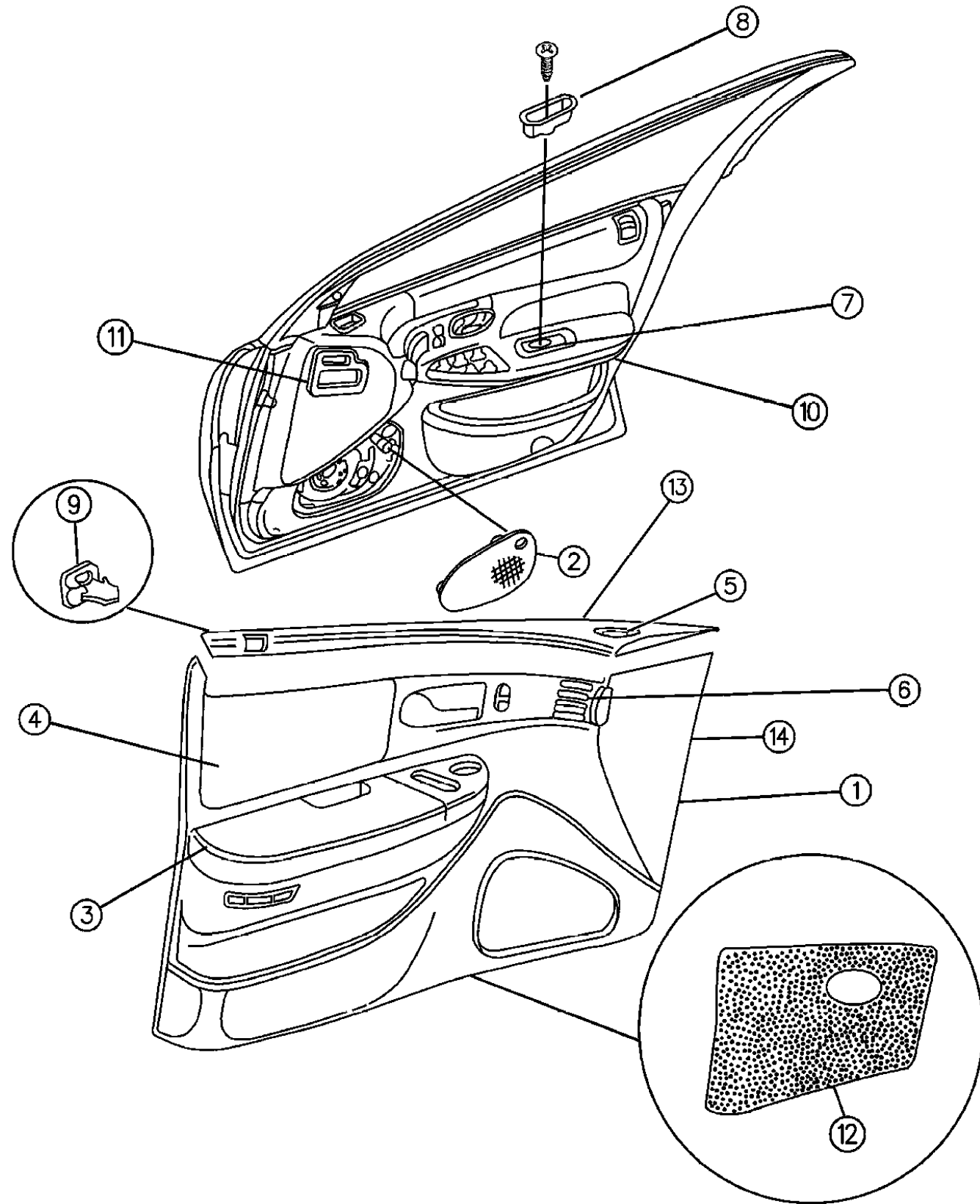
BODY STYLES:

41 = 4 - Door Sedan ENGINE: 3.3L (EGB)
3.5L (EGE) 24 Valve

AR = Use as Required - = Non Illustrated Part P.A.R. = Paint as Required

DOOR PANEL - FRONT LH MODEL - 1994
Figure ITL-415

ITL-415



93430 415
93430 416

ITEM	PART NUMBER	QTY	BODY	MODEL	DESCRIPTION
	HD52-3 MAZ	1			Agate, (JPAZ)
	HD52-3 MF6	1			Driftwood, (JPFF)
5					Bolster For ML Trim Code Serv. In The Assy GRILLE, Side Window Demister Blue, (A7BB,BFBB,C7BB,MLBB)
	EW80-1 MBR	1			Driftwood, (A7FF,BFFF,C7FF,MLFF)
	EW80-1 MF8	1			Quartz, (A7SD,BFSD,C7SD,MLSD)
	EN46-7 MAZ	1			Agate, (JPAD,JPAZ,F7AZ,DLAD,JFAD,DLAZ,F7AD,JFAZ)
	EN46-7 MBR	1			Blue, (JFBB)
	EN46-7 MF8	1			Driftwood, (JPFF,F7FF,JFFF,DLAF)
6					BEZEL, Air Outlet (See Group 23C)
7					BRACKET, Door Pull Cup Support (See 23C Ill. 105)
8					CUP, Door Pull ***
	HE36 MBR	2			Dark Slate Blue
	HE36 MB7	2			Slate Blue
	HE36 MD5	2			Quartz
	HE36 MF6	2			Medium Driftwood
	HE36 MF8	2			Dark Driftwood
	HE36 MS6	2			Dark Quartz
9	6034 812	AR			CLIP, Door Panel Attaching
	6034 336	AR			CLIP - 1994 ***
10					BRACKET, Arm Rest Support (See 23C Ill. 105)
11	#4647 070-1	1			SEAL, Demister Inlet
12					SILENCER, Door Panel
	4647 028-9	1		L-D-X	
	4599 924-5	1		C	
13					PANEL, Upper w/Power Windows - Driver Control One Touch and Power Locks and Speakers
	FY92-3 MBB	1			Blue, (JFBB)
	FY92-3 MAZ	1			Agate, (JFAZ,JPAZ,F7AZ,DLAZ)
	FY92-3 MFF	1			Driftwood, (JFFF,F7FF,DLAF,JPFF)
	FY92-3 MDZ	1			Agate/Quartz, (JPAD,F7AD,DLAD,JFAD)
14					PANEL, Lower w/Power Windows - Driver Control One Touch, Power Door Locks and Speakers
	HX38-9 MDZ	1			Agate/Medium Quartz, (JPAD,JFAD)
	HX38-9 MBB	1			Blue, (JFBB)
	HX38-9 MAZ	1			Agate, (JFAZ,JPAZ)
	HX38-9 MFF	1			Driftwood, (JFFF,JPFF)
					w/Power Windows - Driver Control One Touch, Power Door Locks and Speakers

MODEL CODES:

Chrysler = (CH41 = New Yorker, CP41 = LHS, DH41 = Intrepid(Canada), DP41 = Intrepid ES(Canada), LP41 = Concorde)
DODGE = (DH41 = Intrepid(USA), DP41 = Intrepid ES(USA))
EAGLE = (XP41 = Vision ESI, XS41 = Vision TSI)

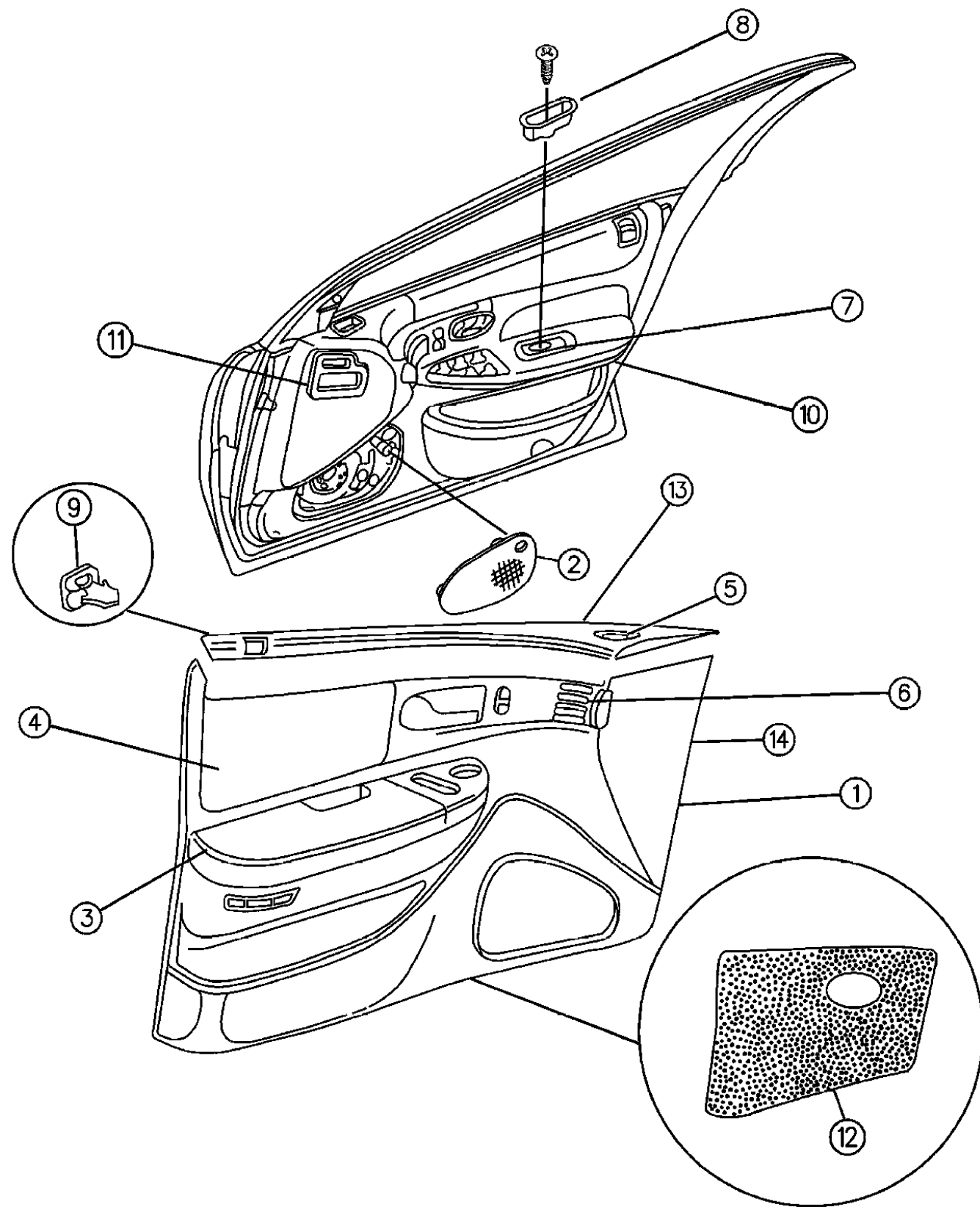
BODY STYLES:

41 = 4 - Door Sedan ENGINE: 3.3L (EGB)
3.5L (EGE) 24 Valve

AR = Use as Required - = Non Illustrated Part P.A.R. = Paint as Required

DOOR PANEL - FRONT LH MODEL - 1994
Figure ITL-415

ITL-415



ITEM	PART NUMBER	QTY	BODY	MODEL	DESCRIPTION
	HX36-7 PAZ	1			Agate, (DLAZ,F7AZ)
	HX36-7 PFZ	1			Agate/Driftwood, (DLAF)
	HX36-7 PWD	1			White/Quartz, (DLAD)
	HX36-7 PDZ	1			Agate/Quartz, (F7AD)
	HX36-7 PFF	1			Driftwood, (F7FF)
-	#4758 008	2	C		BRACKET, Armrest Support

93430 415
93430 416

MODEL CODES:

Chrysler = (CH41 = New Yorker, CP41 = LHS, DH41 = Intrepid(Canada), DP41 = Intrepid ES(Canada), LP41 = Concorde)
DODGE = (DH41 = Intrepid(USA), DP41 = Intrepid ES(USA))
EAGLE = (XP41 = Vision ESI, XS41 = Vision TSI)

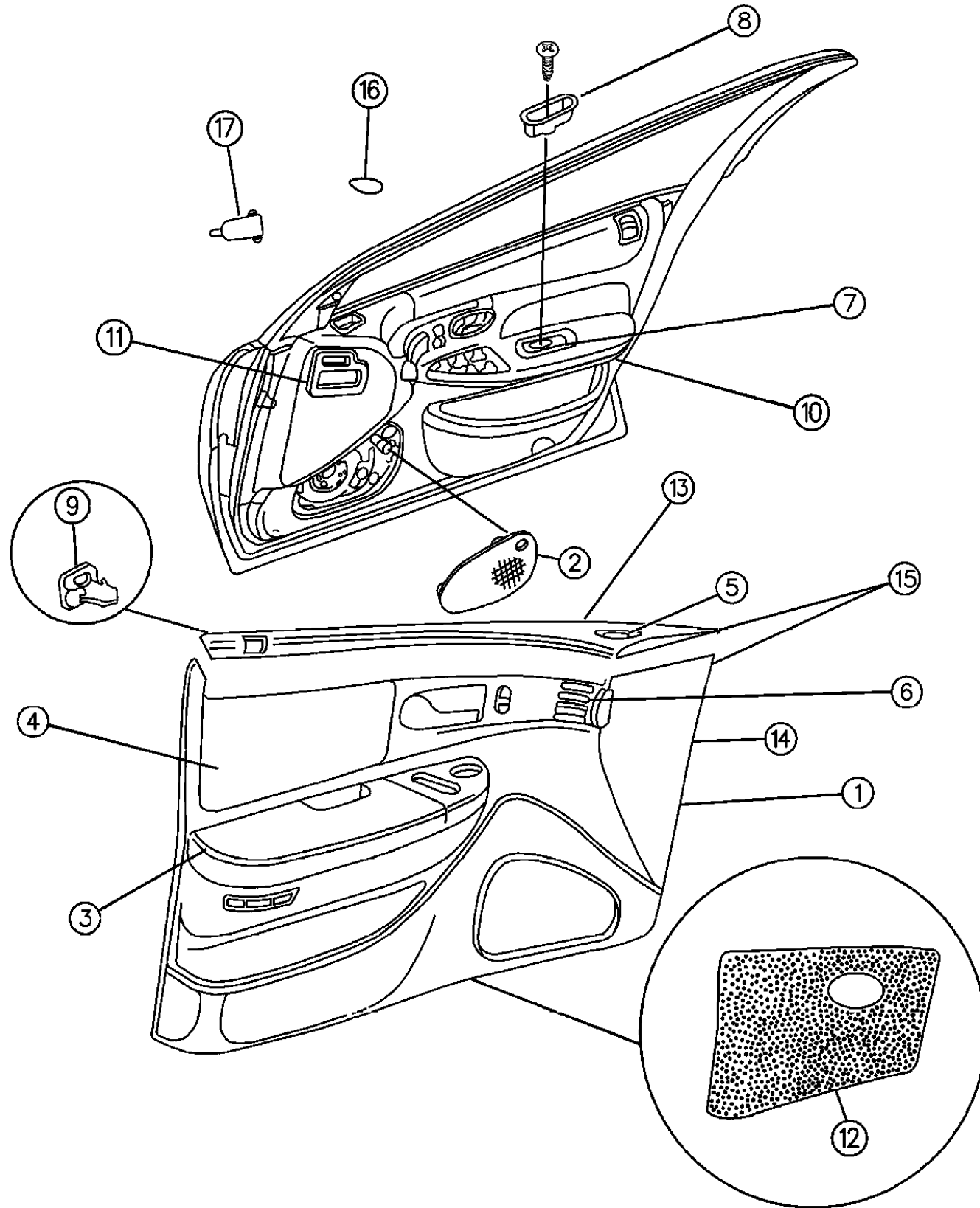
BODY STYLES:

41 = 4 - Door Sedan ENGINE: 3.3L (EGB)
3.5L (EGE) 24 Valve

AR = Use as Required - = Non Illustrated Part P.A.R. = Paint as Required

DOOR PANEL - FRONT LH MODEL - 1995
Figure ITL-416

ITL-416B



93430 415
93430 416

ITEM	PART NUMBER	QTY	BODY	MODEL	DESCRIPTION
* BEFORE ORDERING DOOR PANEL, CHECK THE TRIM CODE s ARE NOT RETURNABLE.					
* Models L,X,D Use a 1 Piece Door Panel Item # 1 s ARE NOT RETURNABLE.					
*Model C Use A 2 Piece Panel Item 13 & 14 (Use Up To 11-27-94) s ARE NOT RETURNABLE.					
Model C Use a 1 Piece Panel Item # 15 (Use After 11-27-94 s ARE NOT RETURNABLE.					
*WOODGRAIN MOULDING FOR 1995 LHS: COMES WITH LOWER DOOR PANEL ONLY s ARE NOT RETURNABLE.					
1					PANEL, Door Trim w/Power Windows-Driver Control One Touch, Door Locks, Power Mirrors and Speakers
	HS12-3 RP8	1			Blue, (A7P8,BFP8)
	HS12-3 MF6	1			Driftwood, (A7FF,BFFF)
	HS12-3 MD5	1			Quartz, (A7SD,BFSD) w/o Power Windows, w/Power Mirrors and Speakers, w/ or w/o Power Door Locks
	ML18-9 RDD	1			Quartz, (BFSD)
	ML18-9 RFF	1			Driftwood, (BFFF)
	ML18-9 RP8	1			Blue Spruce, (BFP8) w/Power Mirrors and Speakers, w/o Power Windows and w/o Door Locks
	ML18-9 RDD	1			Quartz, (A7SD)
	ML18-9 RFF	1			Driftwood, (A7FF)
	ML18-9 RP8	1			Blue Spruce, (A7P8)
					RIGHT
					w/Power Mirrors, Power Windows-Driver Control One Touch - w/ or w/o Security Alarm
	HS04 MD5	1			Quartz, (C7SD)
	HS04 MF6	1			Driftwood, (C7FF)
	HS04 RP8	1			Blue Spruce, (C7P8)
					LEFT
					w/Power Windows, Door Locks, Speakers w/Power Mirrors and Security Alarm
	HS17 RPA	1			Blue Spruce, (C7P8)
	HS17 MDD	1			Quartz, (C7SD)
	HS17 MFF	1			Driftwood, (C7FF)
					w/Power Mirrors, w/Power Windows-Driver Control One Touch, w/Power Door Locks and Speakers
	KP80-1 PD5	1			Quartz, (MLSD)
	KP80-1 PF6	1			Driftwood, (MLFF)
	KP80-1 RP8	1			Blue Spruce, (MLP8) w/Power Mirrors, w/Power Door Locks, w/Power Windows - Driver Control One Touch and Speakers
	HS44-5 RP8	1			Blue Spruce, (G7AP)
	HS44-5 MD5	1			Quartz, (G7AD)

MODEL CODES:

Chrysler = (CH41 = New Yorker, CP41 = LHS, DH41 = Intrepid(Canada), DP41 = Intrepid ES(Canada), LP41 = Concorde)
DODGE = (DH41 = Intrepid(USA), DP41 = Intrepid ES(USA))
EAGLE = (XP41 = Vision ESI, XS41 = Vision TSI)

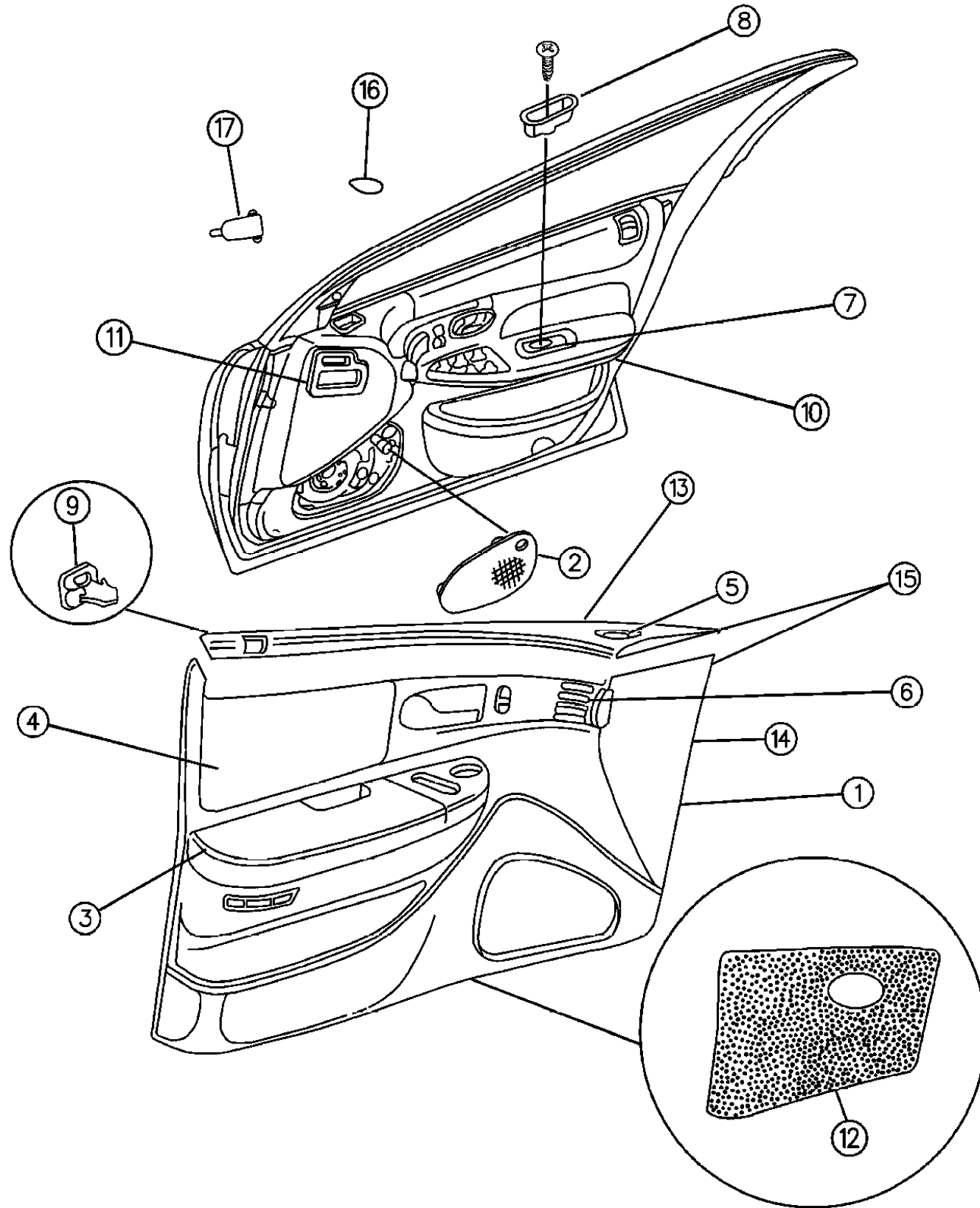
BODY STYLES:

41 = 4 - Door Sedan ENGINE: 3.3L (EGB)
3.5L (EGE) 24 Valve

AR = Use as Required - = Non Illustrated Part P.A.R. = Paint as Required

DOOR PANEL - FRONT LH MODEL - 1995
Figure ITL-416

ITL-416B



93430 415
93430 416

ITEM	PART NUMBER	QTY	BODY	MODEL	DESCRIPTION
	HS44-5 MF6	1			Driftwood, (G7AF) w/Power Windows-Driver Control One Touch, w/Power Door Locks and Mirrors, Speakers w/ or w/o Security Alarm
	HS22-3 RP8	1	L		Blue Spruce, (TLAP)
	HS22-3 MD5	1	L		Quartz, (TLAD)
	HS22-3 PF6	1	L		Driftwood, (TLAF)
	HS44-5 RP8	1	X		Blue Spruce, (TLAP)
	HS44-5 MD5	1	X		Quartz, (TLAD)
	HS44-5 MF6	1	X		Driftwood, (TLAF)
					w/Power Mirrors, w/Power Door Locks, w/Power Windows - Driver Control One Touch and Speakers, With or Without Security Alarm
	HS22-3 RP8	1			Blue Spruce, (K7AP,TFAP)
	HS22-3 MD5	1			Quartz, (K7AD,TFAD)
	HS22-3 PF6	1			Driftwood, (K7AF,TFAF)
					w/Power Windows-Driver Control One Touch, Door Locks and Speakers
	KS02-3 PD5	1			Quartz, (H7AD,FLAD)
	KS02-3 PF6	1			Driftwood, (H7AF,FLAF)
2					GRILLE, Door Speaker w/Manual Windows
	GE26-7 RP8	1			Blue Spruce
	GE26-7 MD5	1			Quartz
	GE26-7 MF6	1			Driftwood w/Power Windows
	GE22-3 RP8	1			Blue Spruce
	GE22-3 MD5	1			Quartz
	GE22-3 MF6	1			Driftwood Premium Grille, w/Power Mirrors, w/Power Windows, w/Power Door Locks and Speakers
	HG38-9 RP8	1			Blue Spruce
	HG38-9 MD5	1			Quartz
	HG38-9 MF6	1			Medium Driftwood
	HG38-9 MAZ	1			Agate
3					ARMREST, Door Panel w/o Switch and w/o Bezel For Power Window Switch
	FW70-1 MD5	1			Quartz, (JFAD,JPAD,F7AD,DLAD)
	FW70-1 RP8	1			Blue Spruce, (EFP8)
	FW70-1 MAZ	1			Agate, (JFAZ,JPAZ,F7AZ,DLAZ)
	FW70-1 MF6	1			Driftwood, (JFFF,JPFF,F7FF,DLAF) w/Switch and w/Bezel For Power Window Switch
	FZ00-1 MD5	1			Quartz, (JPAD,DLAD,EFAD)

MODEL CODES:

Chrysler = (CH41 = New Yorker, CP41 = LHS, DH41 = Intrepid(Canada), DP41 = Intrepid ES(Canada), LP41 = Concorde)
DODGE = (DH41 = Intrepid(USA), DP41 = Intrepid ES(USA))
EAGLE = (XP41 = Vision ESI, XS41 = Vision TSI)

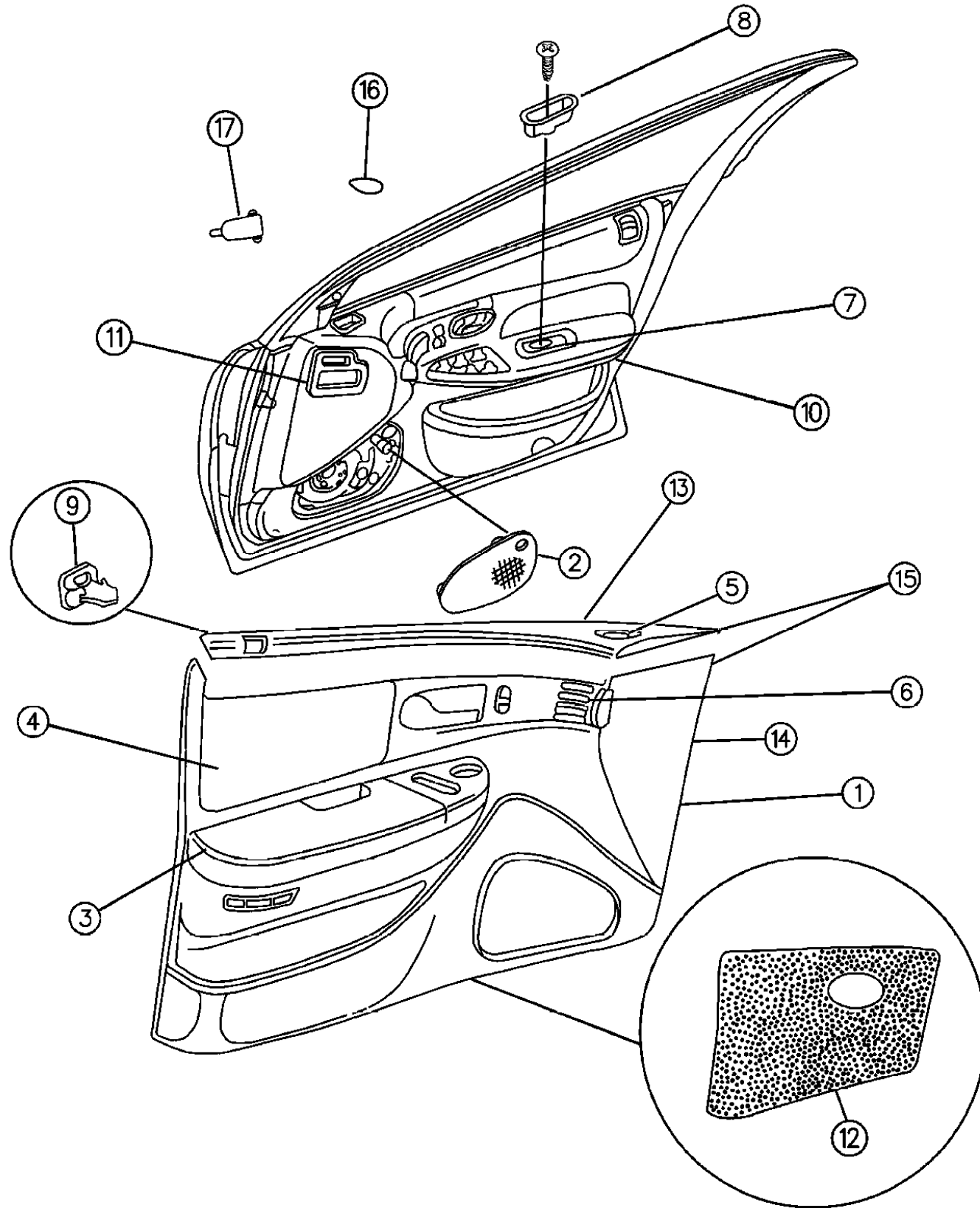
BODY STYLES:

41 = 4 - Door Sedan ENGINE: 3.3L (EGB)
3.5L (EGE) 24 Valve

AR = Use as Required - = Non Illustrated Part P.A.R. = Paint as Required

DOOR PANEL - FRONT LH MODEL - 1995
Figure ITL-416

ITL-416B



93430 415
93430 416

ITEM	PART NUMBER	QTY	BODY	MODEL	DESCRIPTION
	FZ00-1 MAZ	1			Agate, (JPAZ,DLAZ,JLAZ)
	FZ00-1 MF6	1			Driftwood, (DLAF,JPFF,JLAF)
	FZ00-1 RP8	1			Blue Spruce, (EFP8)
4					BOLSTER, Door Panel
	FW64-5 MD5	1			Quartz, (F7AD)
	FW64-5 MAZ	1			Blue, (F7AZ)
	FW64-5 MF6	1			Driftwood, (F7FF)
	FW62-3 MD5	1			Quartz, (EFAD)
	FW62-3 RP8	1			Blue Spruce, (EFP8)
	FW62-3 MF6	1			Driftwood, (EFFF)
	FW62-3 MAZ	1			Agate, (EFAZ)
	HR90-1 MAZ	1			Agate, (DLAZ,JLAZ)
	HR90-1 MF4	1			Driftwood, (DLAF,JLAF)
	HR90-1 MW8	1			Quartz, (DLAD) w/Speakers, Power Windows and Power Door Locks
	HD50-1 MD5	1			Quartz, (JPAD)
	HD50-1 MF6	1			Driftwood, (JPFF)
	HD50-1 MAZ	1			Agate, (JPAZ) w/Power Windows and Power Door Locks
	HD52-3 MD5	1			Quartz, (JPAD,EFAD)
	HD52-3 MAZ	1			Agate, (JPAZ,EFAZ)
	HD52-3 MF6	1			Driftwood, (JPFF,EFFF)
5					Bolster For ML Trim Code Serv. In The Assy GRILLE, Side Window Demister
	EW80-1 RP8	1			Blue, (A7P8,BFP8,C7P8,MLP8)
	EW80-1 MF8	1			Driftwood, (A7FF,BFFF,C7FF,MLFF)
	EW80-1 MS6	1			Quartz, (A7SD,BFSD,C7SD,MLSD)
	EN46-7 MAZ	1			Agate, (JPAZ,DLAZ,EFAZ,JLAZ)
	EN46-7 MBR	1			Blue, (EFAD,JPAD,DLAD)
	EN46-7 MF8	1			Driftwood, (JPFF,EFFF,JLAF,DLAF)
	EN46-7 RP8	1			Blue Spruce, (EFP8)
6					BEZEL, Air Outlet (See Group 23C)
7					BRACKET, Door Pull Cup Support (See 23C Ill. 105)
8					CUP, Door Pull ***
	HE36 RP8	2			Blue Spruce
	HE36 MD5	2			Quartz
	HE36 MF6	2			Medium Driftwood
	HE36 MF8	2			Dark Driftwood
	HE36 MS6	2			Dark Quartz
9	6034 812	AR			CLIP, Door Panel Attaching
	6034 336	AR			CLIP, (.164-7.5)
10					BRACKET, Arm Rest Support (See 23C Ill. 105)

MODEL CODES:

Chrysler = (CH41 = New Yorker, CP41 = LHS, DH41 = Intrepid(Canada), DP41 = Intrepid ES(Canada), LP41 = Concorde)
DODGE = (DH41 = Intrepid(USA), DP41 = Intrepid ES(USA))
EAGLE = (XP41 = Vision ESI, XS41 = Vision TSI)

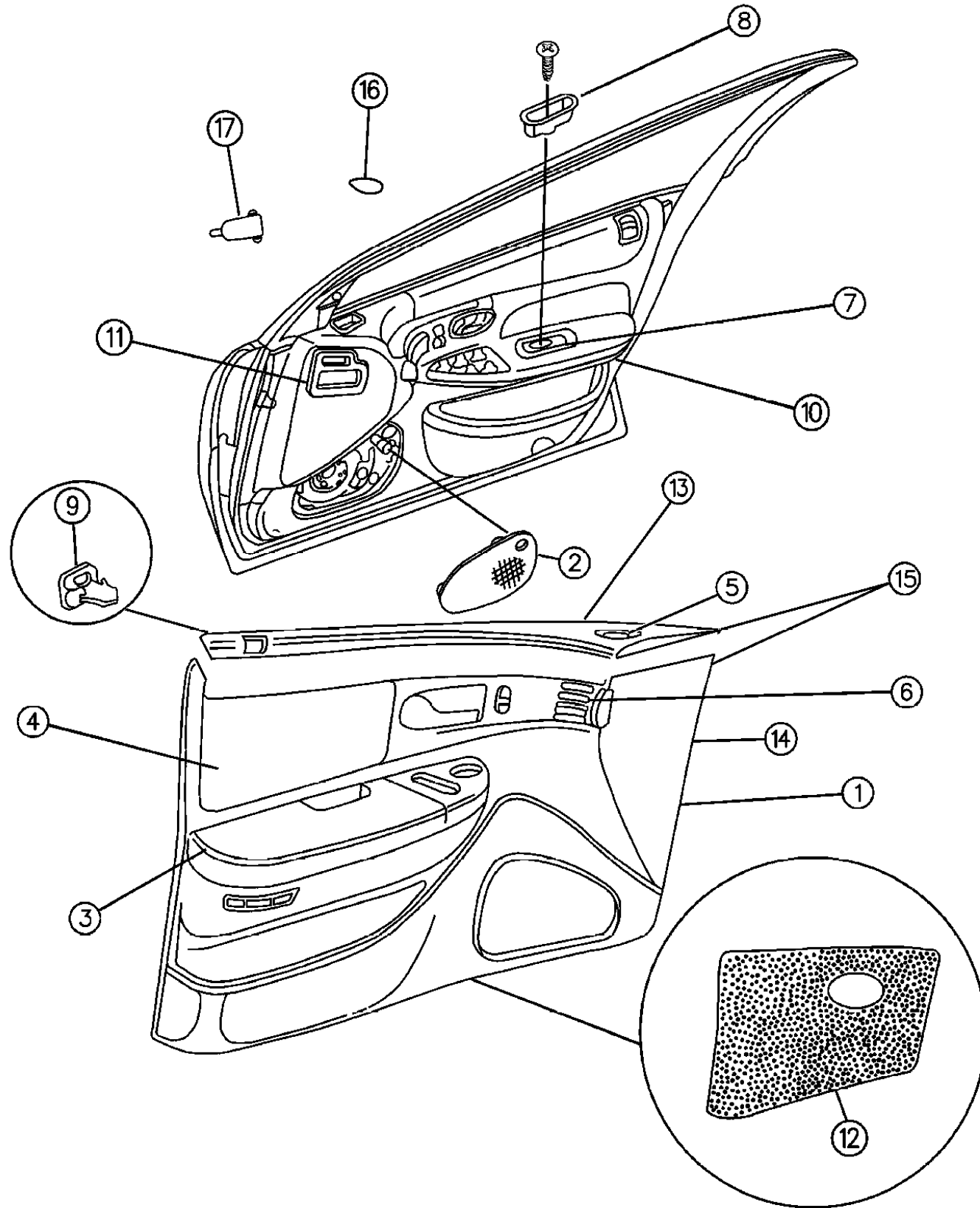
BODY STYLES:

41 = 4 - Door Sedan ENGINE: 3.3L (EGB)
3.5L (EGE) 24 Valve

AR = Use as Required - = Non Illustrated Part P.A.R. = Paint as Required

DOOR PANEL - FRONT LH MODEL - 1995
Figure ITL-416

ITL-416B



93430 415
93430 416

ITEM	PART NUMBER	QTY	BODY	MODEL	DESCRIPTION
11	#4647 070-1	1			SEAL, Demister Inlet
12	4647 028-9	1		L-D-X	SILENCER, Door Panel
	4599 924-5	1		C	
13					PANEL, Upper
					(Use Up To 11-27-94) After 11-27-94 Use Complete Door Panel Only, See Item 15
					w/Power Windows - Driver Control One Touch and Power Locks and Speakers
	FY92-3 MAZ	1			Agate, (JPAZ,DLAZ,JLAZ)
	FY92-3 MFF	1			Driftwood, (DLAF,JPFF,JLFF)
	FY92-3 MDZ	1			Agate/Quartz, (JPAD,DLAD,EFAD)
	FY92-3 RP8	1			Blue Spruce, (EFP8)
14					PANEL, Lower
					(Use Up To 11-27-94) After Use Complete Door Panel Only, See Item 15
					w/Power Windows - Driver Control One Touch, Power Door Locks and Speakers
	ML14-5 RAZ	1			Agate, (JPAZ,DLAZ,EFMZ,JLAZ)
	ML14-5 RDZ	1			Agate/Quartz, (JPAD,DLAD,EFAD)
	ML14-5 RP8	1			Blue Spruce, (EFP8)
	ML14-5 RFF	1			Driftwood, (JPFF,DLAF,EFFF,JLFF)
-	#4758 008	2		C	BRACKET, Armrest Support
15					PANEL, Front Door Complete (Use After 11-27-94)
					w/Power Windows-One Touch, Power Door Locks and Speakers
	MB94-5 RDZ	1			Agate/Quartz, (EFAD)
	MB94-5 RFF	1			Driftwood, (EFFF)
	MB94-5 RP8	1			Blue Spruce, (EFP8)
					w/Power Windows-One Touch, Power Door Locks, Security Alarm and Speakers
	MC98-9 RDZ	1			Agate/Quartz, (EFAD)
	MC98-9 RFF	1			Driftwood, (EFFF)
	MC98-9 RP8	1			Blue Spruce, (EFP8)
					w/Power Windows-One Touch, Power Door Locks, Speakers and Security Alarm
	MH16-7 RDZ	1			Agate/Quartz, (JPAD)
	MH16-7 RAZ	1			Agate, (JPAZ)
	MH16-7 RFF	1			Driftwood, (JPFF)
					w/Power Windows-One Touch, Power Door Locks, Speakers and Security Alarm
	MJ40-1 RWD	1			White/Quartz, (DLAD)

MODEL CODES:

Chrysler = (CH41 = New Yorker, CP41 = LHS, DH41 = Intrepid(Canada), DP41 = Intrepid ES(Canada), LP41 = Concorde)
DODGE = (DH41 = Intrepid(USA), DP41 = Intrepid ES(USA))
EAGLE = (XP41 = Vision ESI, XS41 = Vision TSI)

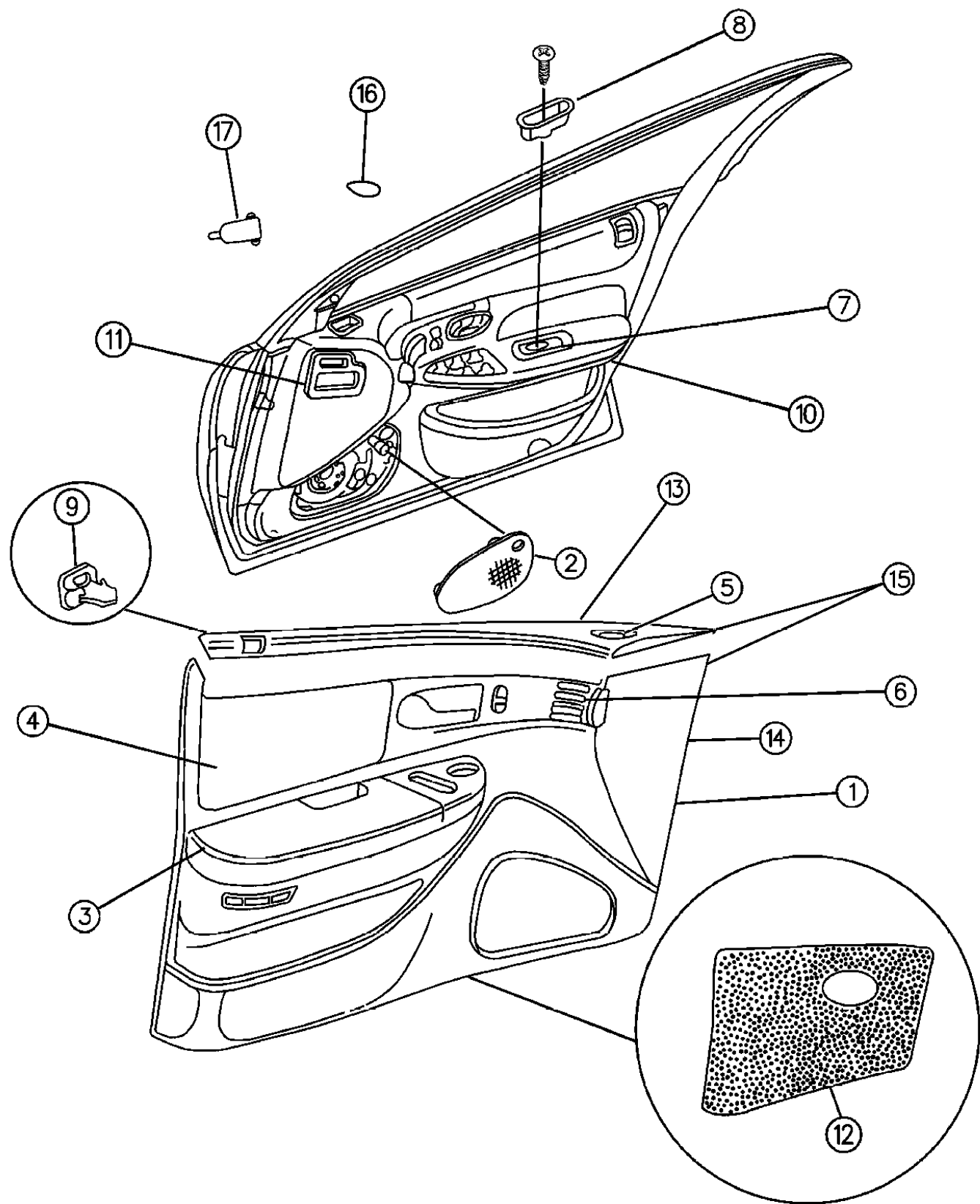
BODY STYLES:

41 = 4 - Door Sedan ENGINE: 3.3L (EGB)
3.5L (EGE) 24 Valve

AR = Use as Required - = Non Illustrated Part P.A.R. = Paint as Required

DOOR PANEL - FRONT LH MODEL - 1995
Figure ITL-416

ITL-416B



ITEM	PART NUMBER	QTY	BODY	MODEL	DESCRIPTION
	MJ40-1 RFZ	1			Agate/Quartz, (DLAF,JLAF)
	MJ40-1 RAZ	1			Agate, (DLAZ,JLAZ)
16					PLUG, Door Panel (Rectangular) To Cover Up Screw Holes on LHS
	MC41 RDZ	AR			Agate/Quartz
	MC41 RFZ	AR			Agate/Driftwood
	MC41 RAZ	AR			Agate
	MC41 RFF	AR			Driftwood
	MC41 RP8	AR			Blue Spruce
17					PLUG, Rectangular
	MC40 RDZ	2			Agate/Quartz
	MC40 RAZ	2			Agate
	MC40 RFF	2			Driftwood
	MC40 RP8	2			Blue Spruce

MODEL CODES:

Chrysler = (CH41 = New Yorker, CP41 = LHS, DH41 = Intrepid(Canada), DP41 = Intrepid ES(Canada), LP41 = Concorde)
 DODGE = (DH41 = Intrepid(USA), DP41 = Intrepid ES(USA))
 EAGLE = (XP41 = Vision ESI, XS41 = Vision TSI)

BODY STYLES:

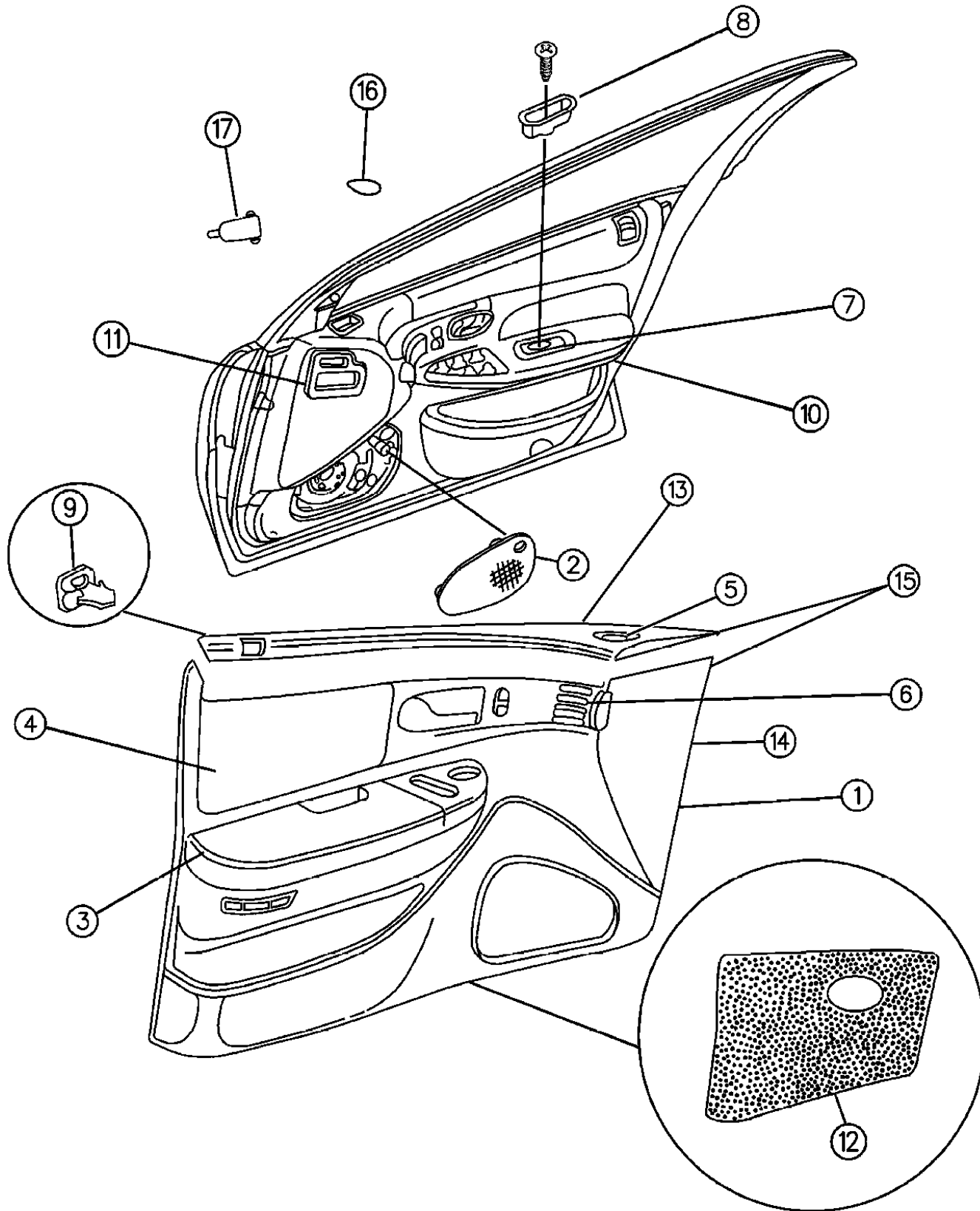
41 = 4 - Door Sedan ENGINE: 3.3L (EGB)
 3.5L (EGE) 24 Valve

93430 415
93430 416

AR = Use as Required - = Non Illustrated Part P.A.R. = Paint as Required

DOOR PANEL - FRONT LH MODEL - 1996
Figure ITL-417

ITL-417



93430 415
93430 416
93430 417

ITEM	PART NUMBER	QTY	BODY	MODEL	DESCRIPTION
* BEFORE ORDERING DOOR PANEL, CHECK THE TRIM CODE s ARE NOT RETURNABLE.					
* Models L,X,D Door Panel Use Item #1 * Model C Door Panel Use Item # 15 s ARE NOT RETURNABLE.					
1					PANEL, Door Trim w/Dual Electric Mirrors, w/ or w/o Power Door Locks, w/ Speakers, w/o Power Windows
	PD98-9 SP8	1			Blue, (L7P8,RFP8)
	PD98-9 SF6	1			Driftwood, (RFFF)
	PD98-9 SD5	1			Quartz, (L7SD,RFSD) w/Power Windows One Touch, Power Door Locks, w/Speakers and w/Dual Mirrors
	PD96-7 SD5	1			Quartz, (L7SD,RFSD)
	PD96-7 SF6	1			Driftwood, (L7FF,RFFF)
	PD96-7 SP8	1			Blue Spruce, (L7P8,RFP8) w/Power Windows One Touch, w/Power Door Locks, w/Dual Mirrors and Speakers, w/ or w/o Security Alarm
	PE00-1 SD5	1			Quartz, (C7SD)
	PE00-1 SF6	1			Driftwood, (C7FF)
	PE00-1 SP8	1			Blue Spruce, (C7P8) w/Power Windows-Driver Control One Touch, w/Power Door Locks and Speakers
	PE06-7 SD5	1			Quartz, (FLAD,Q7AD)
	PE06-7 SF6	1			Driftwood, (FLAF,Q7AF) w/Power Windows-Driver Control One Touch, w/Power Door Locks and Speakers, w/ or w/o Security Alarm
	PE08-9 SD5	1			Quartz, (B7AD)
	PE08-9 SF6	1			Driftwood, (B7AF)
	PE08-9 SP8	1			Blue Spruce, (B7AP) w/Power Windows-Driver Control One Touch, w/Power Door Locks and Speakers, w/ or w/o Security Alarm
	PE08-9 SD5	1		X	Quartz, (TLAD)
	PE08-9 SF6	1		X	Driftwood, (TLAF)
	PE08-9 SP8	1		X	Blue Spruce, (TLAP) w/Power Windows-Driver Control One Touch, w/Power Door Locks and Speakers, w/ or w/o Security Alarm
	PE12 SD5	1			Right Quartz, (YFAD,J7AD,MPAD)
	PE12 SF6	1			Driftwood, (YFAF,J7AF,MPAF)
	PE12 SP8	1			Blue Spruce, (YFAP,J7AP)
	PE13 SD5	1			Left Quartz, (YFAD,J7AD,MPAD)
	PE13 SF6	1			Driftwood, (YFAF,J7AF,MPAF)
	PE13 SP8	1			Blue Spruce, (YFAP,J7AP)

MODEL CODES:

Chrysler = (CH41 = New Yorker, CP41 = LHS, DH41 = Intrepid(Canada), DP41 = Intrepid ES(Canada), LP41 = Concorde)
DODGE = (DH41 = Intrepid(USA), DP41 = Intrepid ES(USA))
EAGLE = (XP41 = Vision ESI, XS41 = Vision TSI)

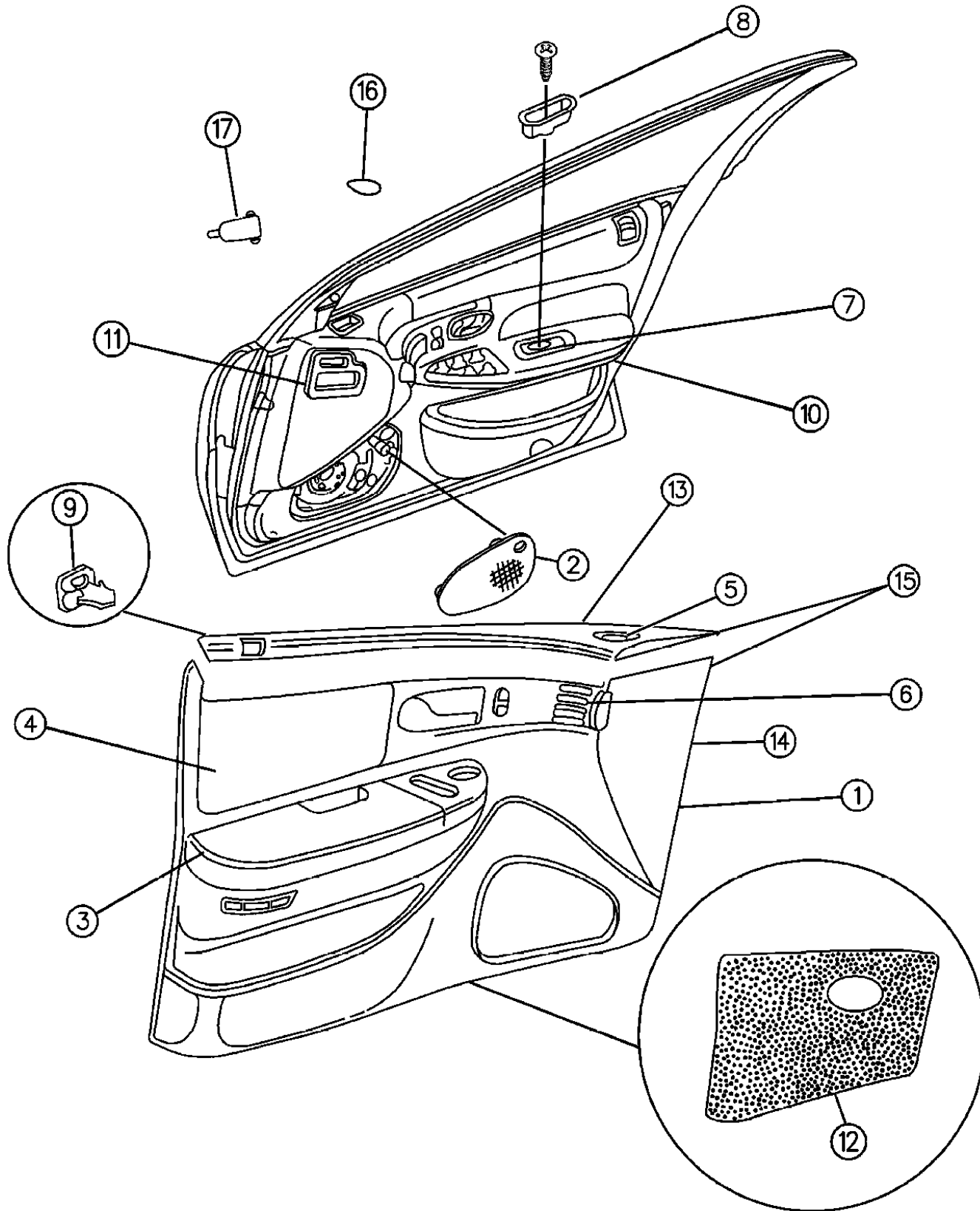
BODY STYLES:

41 = 4 - Door Sedan ENGINE: 3.3L (EGB)
3.5L (EGE) 24 Valve

AR = Use as Required - = Non Illustrated Part P.A.R. = Paint as Required

DOOR PANEL - FRONT LH MODEL - 1996
Figure ITL-417

ITL-417



93430 415
 93430 416
 93430 417

ITEM	PART NUMBER	QTY	BODY	MODEL	DESCRIPTION
					w/Power Windows-Driver Control One Touch, w/Power Door Locks and Speakers, w/ or w/o Security Alarm
				Right	
	PE12 SD5	1	L		Quartz, (TLAD)
	PE12 SF6	1	L		Driftwood, (TLAF)
	PE12 SP8	1	L		Blue Spruce, (TLAP)
				Left	
	PE13 SD5	1	L		Quartz, (TLAD)
	PE13 SF6	1	L		Driftwood, (TLAF)
	PE13 SP8	1	L		Blue Spruce, (TLAP)
					w/Power Windows One Touch, Power Door Locks and Speakers
	PE00-1 SD5	1			Quartz, (MLSD)
	PE00-1 SF6	1			Driftwood, (MLFF)
	PE00-1 SP8	1			Blue Spruce, (MLP8)
2					GRILLE, Door Speaker w/Manual Windows
	GE26-7 RP8	1			Blue Spruce
	GE26-7 MD5	1			Quartz
	GE26-7 MF6	1			Driftwood
					w/Power Windows
	GE22-3 RP8	1			Blue Spruce
	GE22-3 MD5	1			Quartz
	GE22-3 MF6	1			Driftwood
					Premium Grille, w/Power Mirrors, w/Power Windows, w/Power Door Locks and Speakers
	HG38-9 RP8	1			Blue Spruce
	HG38-9 MD5	1			Quartz
	HG38-9 MF6	1			Medium Driftwood
	HG38-9 MAZ	1			Agate
3					ARMREST, Door Panel w/o Switch and w/o Bezel For Power Window Switch
	FW70-1 MD5	1			Quartz, (JPAD,DLAD,EFAD)
	FW70-1 RP8	1			Blue Spruce, (EFP8)
	FW70-1 MAZ	1			Agate, (JPAZ,DLAZ,JLAZ)
	FW70-1 MF6	1			Driftwood, (JPFF,DLAF,EFFF,JLAF)
					w/Switch and w/Bezel For Power Window Switch
	FZ00-1 MD5	1			Quartz, (JPAD,DLAD,EFAD)
	FZ00-1 MAZ	1			Agate, (JPAZ,JLAZ,DLAZ)
	FZ00-1 MF6	1			Driftwood, (DLAF,JPFF,JLAF,EFFF)
	FZ00-1 RP8	1			Blue Spruce, (EFP8)
4					BOLSTER, Door Panel

MODEL CODES:

Chrysler = (CH41 = New Yorker, CP41 = LHS, DH41 = Intrepid(Canada), DP41 = Intrepid ES(Canada), LP41 = Concorde)
 DODGE = (DH41 = Intrepid(USA), DP41 = Intrepid ES(USA))
 EAGLE = (XP41 = Vision ESI, XS41 = Vision TSI)

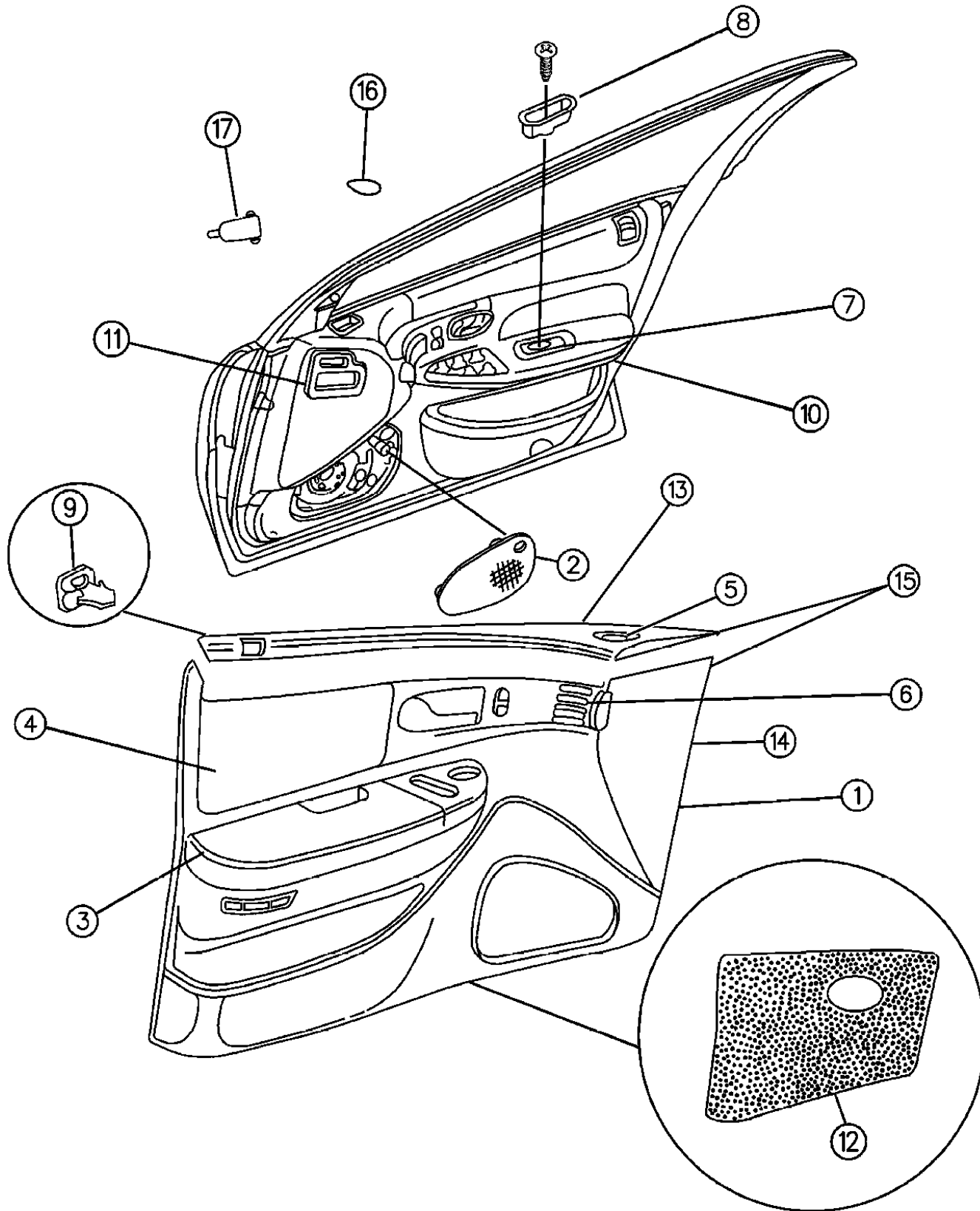
BODY STYLES:

41 = 4 - Door Sedan ENGINE: 3.3L (EGB)
 3.5L (EGE) 24 Valve

AR = Use as Required - = Non Illustrated Part P.A.R. = Paint as Required

DOOR PANEL - FRONT LH MODEL - 1996
Figure ITL-417

ITL-417



93430 415
93430 416
93430 417

ITEM	PART NUMBER	QTY	BODY	MODEL	DESCRIPTION
	FW62-3 MD5	1			Quartz, (EFAD)
	FW62-3 RP8	1			Blue Spruce, (EFP8)
	FW62-3 MF6	1			Driftwood, (EFFF)
	HR90-1 MAZ	1			Agate, (DLAZ,JLAZ)
	HR90-1 MF4	1			Driftwood, (DLAF,JLAF)
	HR90-1 MW8	1			Quartz, (DLAD) w/Speakers, Power Windows and Power Door Locks
	HD50-1 MD5	1			Quartz, (JPAD)
	HD50-1 MF6	1			Driftwood, (JPFF)
	HD50-1 MAZ	1			Agate, (JPAZ) w/Power Windows and Power Door Locks
	HD52-3 MD5	1			Quartz, (JPAD,EFAD)
	HD52-3 MAZ	1			Agate, (JPAZ)
	HD52-3 MF6	1			Driftwood, (JPFF,EFFF)
	HD52-3 SP8	1			Blue Spruce, (EFP8)
5					GRILLE, Side Window Demister Blue, (C7P8,MLP8,L7P8,RFP8)
	EW80-1 RP8	1			Blue, (C7P8,MLP8,L7P8,RFP8)
	EW80-1 MF8	1			Driftwood, (C7FF,MLFF,L7FF,RFFF)
	EW80-1 MS6	1			Quartz, (C7SD,MLSD,L7SD,RFSD)
	EN46-7 MAZ	1			Agate, (JPAZ,DLAZ,JLAZ)
	EN46-7 MBR	1			Blue, (EFAD,JPAD,DLAD)
	EN46-7 MF8	1			Driftwood, (JPFF,EFFF,JLAF,DLAF)
	EN46-7 RP8	1			Blue Spruce, (EFP8)
6					BEZEL, Air Outlet (See Group 23C)
7					BRACKET, Door Pull Cup Support (See 23C Ill. 105)
8					CUP, Door Pull ***
	HE36 RP8	2			Blue Spruce
	HE36 MD5	2			Quartz
	HE36 MF6	2			Medium Driftwood
	HE36 MF8	2			Dark Driftwood
	HE36 MS6	2			Dark Quartz
9	6034 812	AR			CLIP, Door Panel Attaching
	6034 336	AR			CLIP, (.164-7.5)
10					BRACKET, Arm Rest Support (See 23C Ill. 105)
11	#4647 070-1	1			SEAL, Demister Inlet
12					SILENCER, Door Panel
	4758 816-7	1		L-D-X	
	4758 592-3	1		C	
13					PANEL, Upper (See Item 15 Complete Panel Only)
14					PANEL, Lower (See Item 15 Complete Panel Only)
-	#4758 008	2		C	BRACKET, Armrest Support
15					PANEL, Front Door Complete

MODEL CODES:

Chrysler = (CH41 = New Yorker, CP41 = LHS, DH41 = Intrepid(Canada), DP41 = Intrepid ES(Canada), LP41 = Concorde)
DODGE = (DH41 = Intrepid(USA), DP41 = Intrepid ES(USA))
EAGLE = (XP41 = Vision ESI, XS41 = Vision TSI)

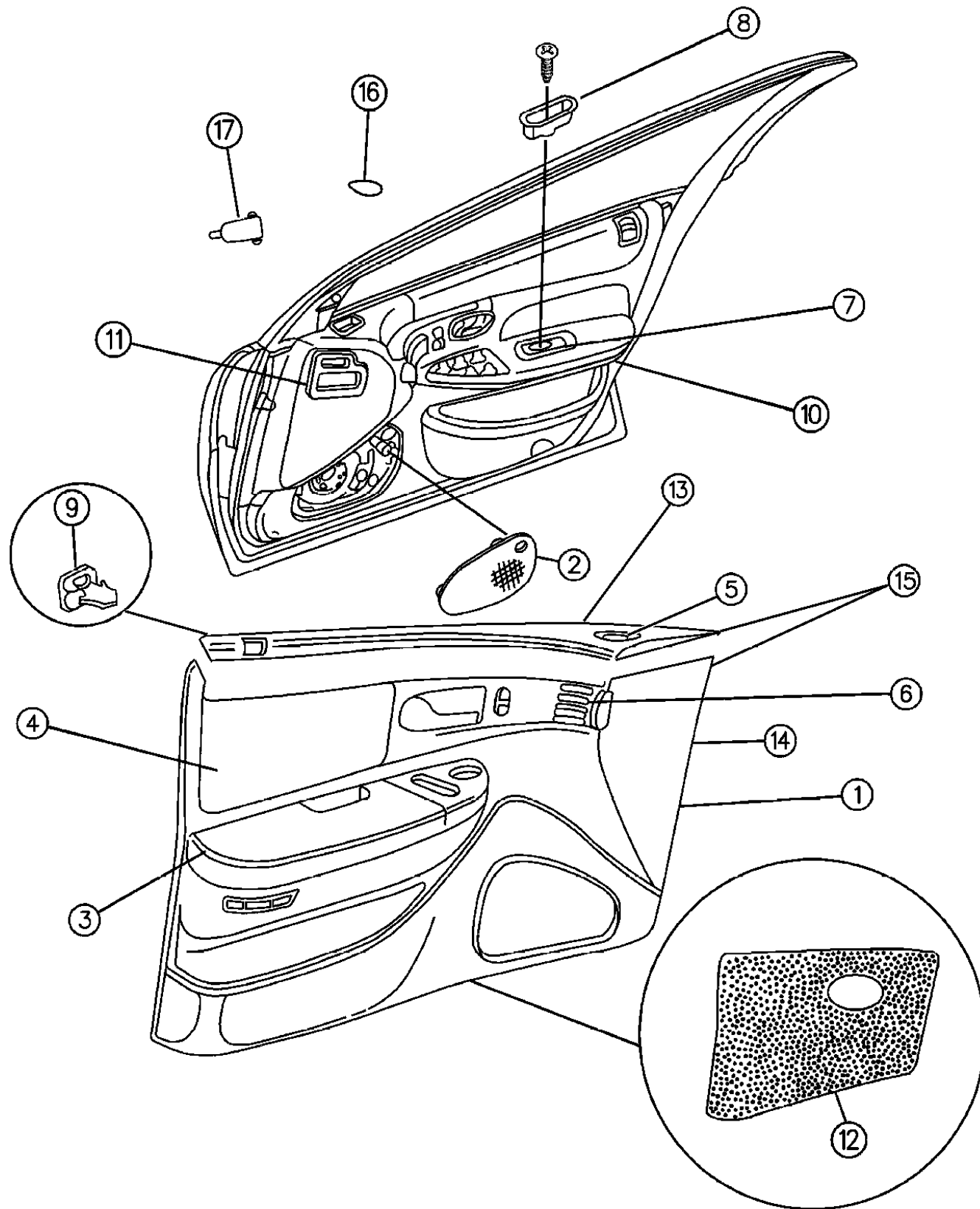
BODY STYLES:

41 = 4 - Door Sedan ENGINE: 3.3L (EGB)
3.5L (EGE) 24 Valve

AR = Use as Required - = Non Illustrated Part P.A.R. = Paint as Required

DOOR PANEL - FRONT LH MODEL - 1996
Figure ITL-417

ITL-417



93430 415
93430 416
93430 417

ITEM	PART NUMBER	QTY	BODY	MODEL	DESCRIPTION
					w/Power Windows-One Touch, Power Door Locks, Security Alarm and Speakers
	MC98-9 RDZ	1			Agate/Quartz, (EFAD)
	MC98-9 RFF	1			Driftwood, (EFFF)
	MC98-9 RP8	1			Blue Spruce, (EFP8)
					w/Power Windows-One Touch, Power Door Locks, Speakers and Security Alarm
	MH16-7 RDZ	1			Agate/Quartz, (JPAD)
	MH16-7 RAZ	1			Agate, (JPAZ)
	MH16-7 RFF	1			Driftwood, (JPFF)
					w/Power Windows-One Touch, Power Door Locks, Speakers and Security Alarm (Use Up To 4-3-96)
					Right
	MJ40 RWD	1			White/Quartz, (DLAD,NPAD)
	MJ40 RFZ	1			Agate/Quartz, (DLAF,JLAF,NPAF)
	MJ40 RAZ	1			Agate, (DLAZ,JLAZ)
					Left
	MJ41 RWD	1			White/Quartz, (DLAD,NPAD)
	MJ41 RFZ	1			Agate/Quartz, (DLAF,JLAF,NPAF)
	MJ41 RAZ	1			Agate, (DLAZ,JLAZ)
					(Use After 4-3-96)
					Right
	PV50 SAZ	1			Agate, (DLAZ,JLAZ)
	PV50 SFZ	1			Agate/Driftwood, (DLAF,JLAF,NPAF)
	PV50 SWD	1			White/Quartz, (DLAD,NPAD)
					Left
	PV51 SAZ	1			Agate, (DLAZ,JLAZ)
	PV51 SFZ	1			Agate/Driftwood, (DLAF,JLAF,NPAF)
	PV51 SWD	1			White/Quartz, (DLAD,NPAD)
16					PLUG, Door Panel (Rectangular) To Cover Up Screw Holes on LHS
	MC41 RDZ	AR			Agate/Quartz
	MC41 RAZ	AR			Agate
	MC41 RFF	AR			Driftwood
	MC41 RP8	AR			Blue Spruce
17					PLUG, Rectangular
	MC40 RDZ	2			Agate/Quartz
	MC40 RAZ	2			Agate
	MC40 RFF	2			Driftwood
	MC40 RP8	2			Blue Spruce

MODEL CODES:

Chrysler = (CH41 = New Yorker, CP41 = LHS, DH41 = Intrepid(Canada), DP41 = Intrepid ES(Canada), LP41 = Concorde)
 DODGE = (DH41 = Intrepid(USA), DP41 = Intrepid ES(USA))
 EAGLE = (XP41 = Vision ESI, XS41 = Vision TSI)

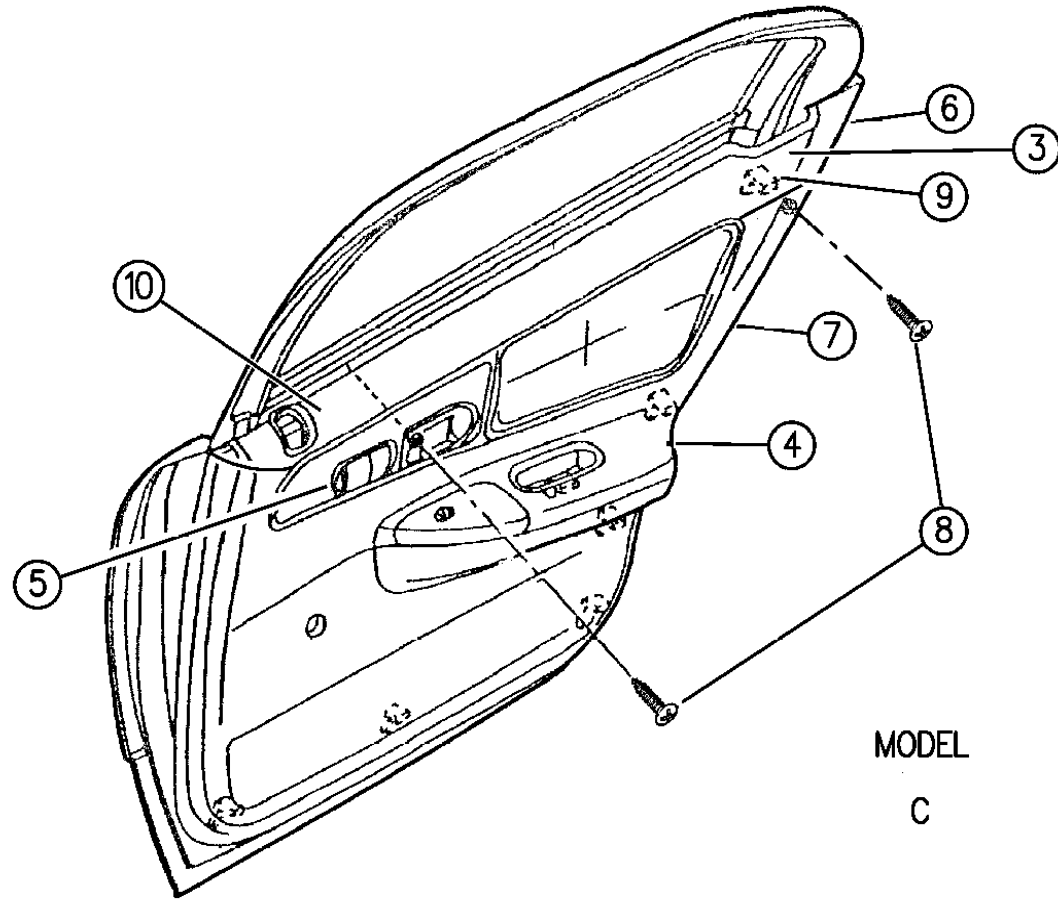
BODY STYLES:

41 = 4 - Door Sedan ENGINE: 3.3L (EGB)
 3.5L (EGE) 24 Valve

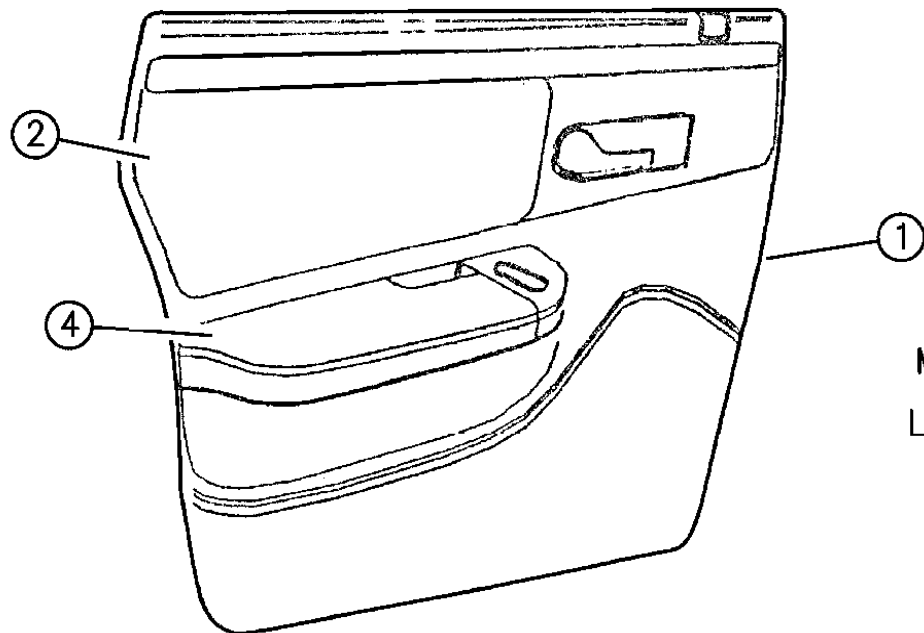
AR = Use as Required - = Non Illustrated Part P.A.R. = Paint as Required

DOOR PANEL - REAR LH MODEL - 1993
Figure ITL-420

ITL-420C



MODEL
C



MODEL
L-D-X-

ITEM	PART NUMBER	QTY	BODY	MODEL	DESCRIPTION
1					PANEL, Door Trim
	EB42-3 MB7	1			Blue, (A7BB,B7BB)
	EB42-3 MF6	1			Driftwood, (A7FF,BFFF)
	EB42-3 MD5	1			Quartz, (A7SD,BFSD)
					w/o Power Windows - Driver Control One Touch
	GB52-3 MB7	1			Blue, (K7AB)
	GB52-3 MD5	1			Quartz, (K7AD)
	GB52-3 MF6	1			Driftwood, (K7AF)
					w/Power Door Locks
	EB56-7 MB7	1			Blue, (E7AB)
	EB56-7 MDD	1			Quartz, (E7AD)
	EB56-7 MF7	1			Driftwood, (E7AF)
					w/o Power Windows
	EB50-1 MB7	1			Blue, (C7BB)
	EB50-1 MF6	1			Driftwood, (C7FF)
	EB50-1 MD5	1			Quartz, (C7SD)
					w/Power Windows
	EB52-3 MB7	1			Blue, (C7BB)
	EB52-3 MF6	1			Driftwood, (C7FF)
	EB52-3 MD5	1			Quartz, (C7SD)
					w/Power Windows and Power Door Locks
	EB46-7 MB7	1			Blue, (A7BB,BFBB)
	EB46-7 MF6	1			Driftwood, (A7FF,BFFF)
	EB46-7 MD5	1			Quartz, (A7SD,BFSD)
					w/Power Windows and Door Locks
	EB54-5 MB7	1			Blue, (MLBB)
	EB54-5 MF6	1			Driftwood, (MLFF)
	EB54-5 MD5	1			Quartz, (MLSD)
					w/Power Windows - Driver Control One Touch and w/Power Door Locks
	EB60-1 MB7	1			Blue, (E7AB)
	EB60-1 MDD	1			Quartz, (E7AD)
	EB60-1 MF7	1			Driftwood, (E7AF)
					w/Power Door Locks, w/o Power Windows - Driver Control One Touch
	EB62-3 MB7	1			Blue, (G7AB)
	EB62-3 MD5	1			Quartz, (G7AD)
	EB62-3 MF6	1			Driftwood, (G7AF)
					w/ Power Windows - Driver Control One Touch and w/Power Door Locks
	EB66-7 MB7	1		X	Blue, (TLAB)
	EB66-7 MD5	1		X	Quartz, (TLAD)

MODEL CODES:

Chrysler = (CH41 = New Yorker, CP41 = LHS, DH41 = Intrepid(Canada), DP41 = Intrepid ES(Canada), LP41 = Concorde)
DODGE = (DH41 = Intrepid(USA), DP41 = Intrepid ES(USA))
EAGLE = (XP41 = Vision ESI, XS41 = Vision TSI)

BODY STYLES:

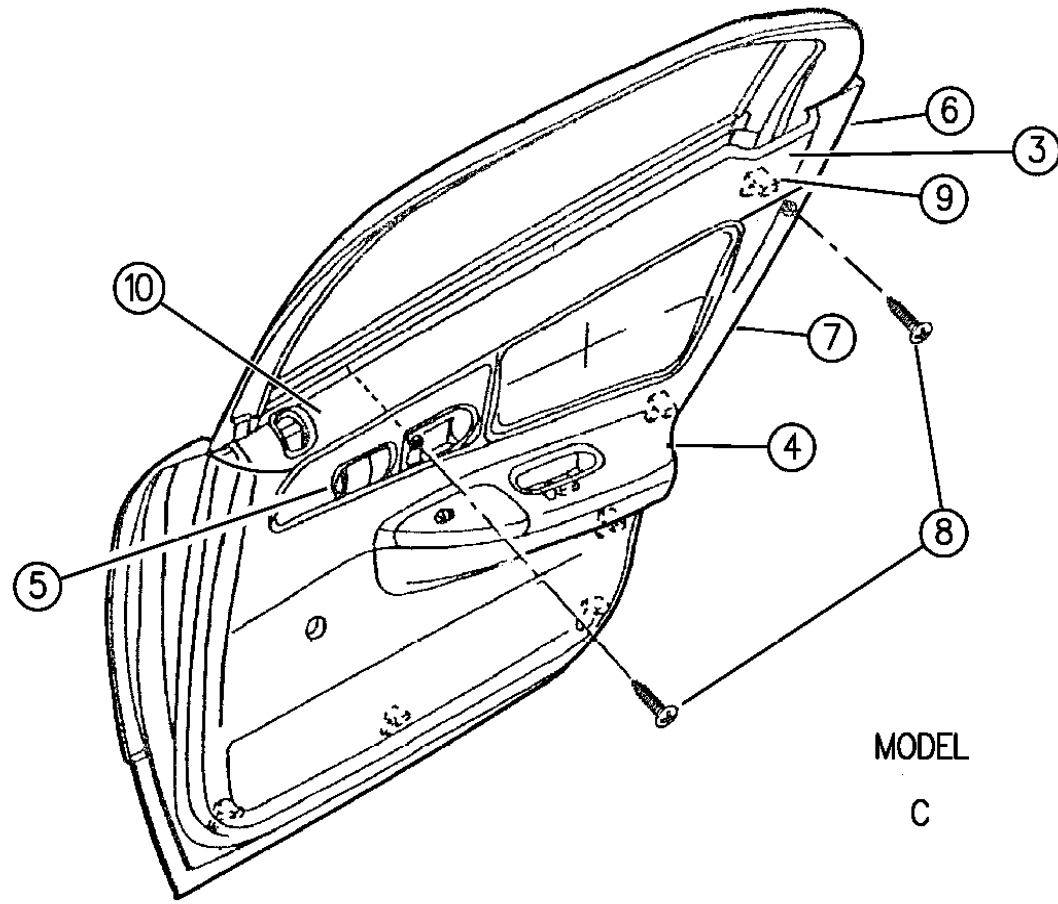
41 = 4 - Door Sedan ENGINE: 3.3L (EGB)
3.5L (EGE) 24 Valve

93430 420B

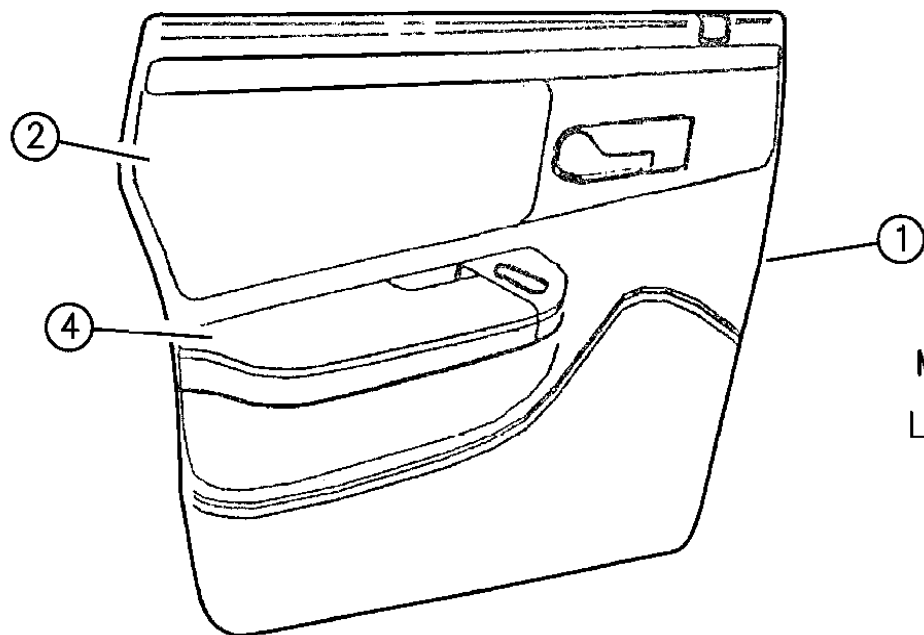
AR = Use as Required - = Non Illustrated Part P.A.R. = Paint as Required

DOOR PANEL - REAR LH MODEL - 1993
Figure ITL-420

ITL-420C



MODEL
C



MODEL
L-D-X-

ITEM	PART NUMBER	QTY	BODY	MODEL	DESCRIPTION
	EB66-7 MF6	1		X	Driftwood, (TLAF) w/Power Windows - Driver Control One Touch and w/Power Door Locks
	GB76-7 MB7	1		L	Blue, (TLAB)
	GB76-7 MD5	1		L	Quartz, (TLAD)
	GB76-7 MF6	1		L	Driftwood, (TLAF) w/Power Windows - Driver Control One Touch and w/Power Door Locks
	GB70-1 MB7	1			Blue, (K7AB)
	GB70-1 MD5	1			Quartz, (K7AD)
	GB70-1 MF6	1			Driftwood, (K7AF) 1993 w/Power Windows - Driver Control One Touch and w/Power Door Locks
	EB64-5 MB7	1			Blue, (G7AB)
	EB64-5 MD5	1			Quartz, (G7AD)
	EB64-5 MF6	1			Driftwood, (G7AF)
2					BOLSTER, Rear Door
	FW74-5 MD5	1			Quartz, (F7AD)
	FW74-5 MF6	1			Driftwood, (F7FF)
	FW74-5 MAZ	1			Agate, (F7AZ)
	HD52-3 MD5	1			Quartz, (JPAD)
	HD52-3 MAZ	1			Agate, (JPAZ)
	HD52-3 MF6	1			Driftwood, (JPFF)
	FW72-3 MD5	1			Quartz, (JFAD)
	FW72-3 MF6	1			Driftwood, (JFFF)
	FW72-3 MB7	1			Blue, (JFBB)
	FW72-3 MAZ	1			Agate, (JFAZ)
	HR92-3 MAZ	1			Agate, (DLAD)
	HR92-3 MF4	1			Driftwood, (DLAF)
	HR92-3 MW8	1			Quartz, (DLAD)
3	#6100 814	1			NUT, Panel Upper To Lower
4					ARMREST, Rear Door
	FZ10-1 MAZ	1			Agate, (DLAZ,JPAZ,JFAZ,F7AZ)
	FZ10-1 MB7	1			Blue, (DLBB,JPBB,JFBB,F7BB)
	FZ10-1 MD5	1			Quartz, (DLAD,JPAD,JFAD,F7AD)
	FZ10-1 MF6	1			Driftwood, (DLFF,JPFF,JFFF,F7FF,DLAF)
5					ASH RECEIVER, Rear Door
	FJ74-5 MD5	1			Quartz, (JPAD,JFAD,F7AD,DLAD)
	FJ74-5 MB7	1			Blue, (JFBB)
	FJ74-5 MF6	1			Driftwood, (JPFF,JFFF,F7FF,DLAF)
	FJ74-5 MAZ	1			Agate, (JFAZ,JPAZ,F7AZ,DLAZ)

MODEL CODES:

Chrysler = (CH41 = New Yorker, CP41 = LHS, DH41 = Intrepid(Canada), DP41 = Intrepid ES(Canada), LP41 = Concorde)
DODGE = (DH41 = Intrepid(USA), DP41 = Intrepid ES(USA))
EAGLE = (XP41 = Vision ESI, XS41 = Vision TSI)

BODY STYLES:

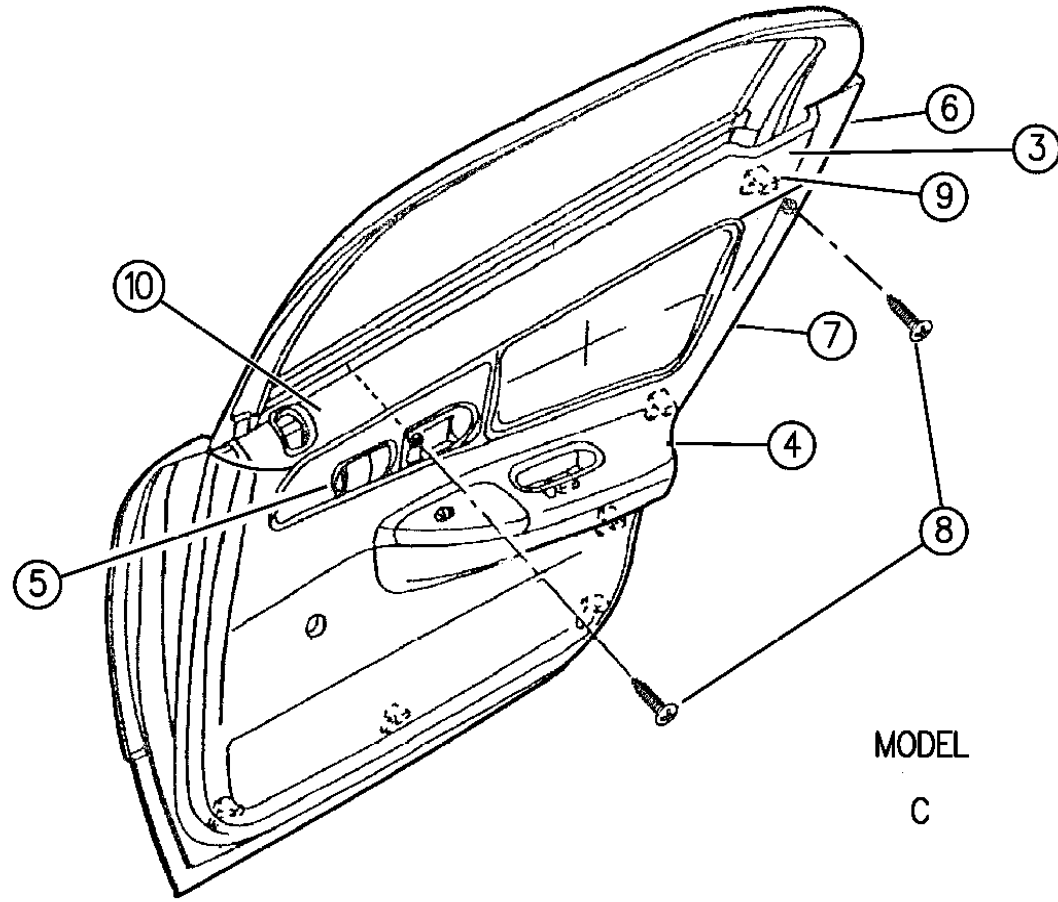
41 = 4 - Door Sedan ENGINE: 3.3L (EGB)
3.5L (EGE) 24 Valve

93430 420B

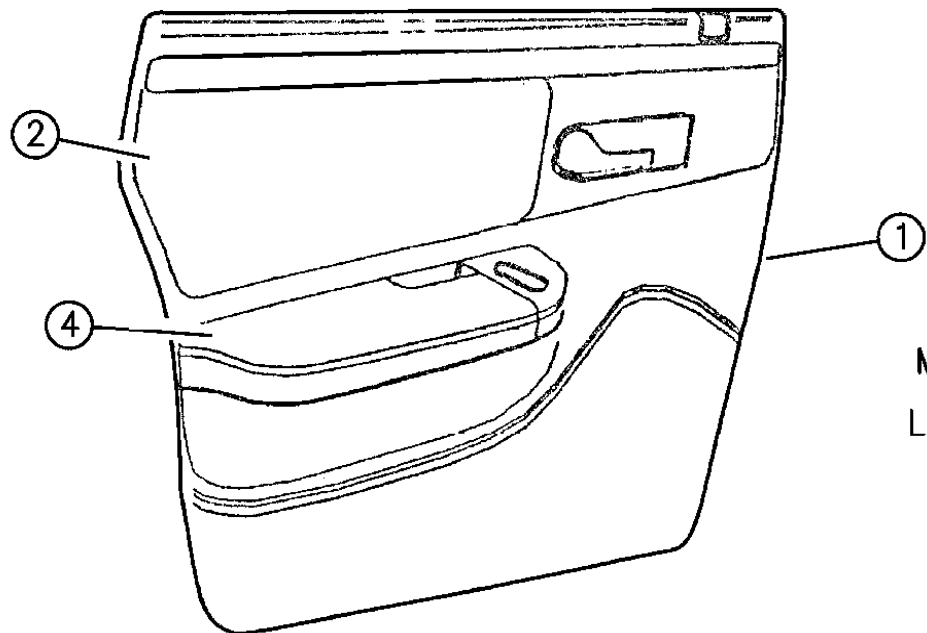
AR = Use as Required - = Non Illustrated Part P.A.R. = Paint as Required

DOOR PANEL - REAR LH MODEL - 1993
Figure ITL-420

ITL-420C



MODEL
C



MODEL
L-D-X-

ITEM	PART NUMBER	QTY	BODY	MODEL	DESCRIPTION
	EX78-9 MB7	1			Blue, (E7AB,K7AB,G7AB)
	EX78-9 MD5	1			Quartz, (E7AD,K7AD,G7AD)
	EX78-9 MF6	1			Driftwood, (E7AF,K7AF,G7AF)
	EX78-9 MX8	1			Black, (TLX8) (With TL Trim Code And Woodgrain Bezeel)
	EX84-5 MAZ	1			Agate, (C7,ML,A7,BF)
6					PANEL, Door (Upper)
	FZ02-3 MBB	1			Blue, (JFBB)
	FZ02-3 MFF	1			Driftwood, (JPFF,F7FF,JFFF,DLAF)
	FZ02-3 MAZ	1			Agate, (JFAD,JPAD,JFAZ,JPAZ,F7AZ,F7AD,DLAZ,DLAD)
7					PANEL, Door (Lower)
					(Use Up To 7-26-93)
	HX42-3 MAZ	1			Agate, (JFAZ,JPAZ)
	HX42-3 MBB	1			Blue, (JFBB)
	HX42-3 MDZ	1			Agate/Quartz, (JFAD,JPAD)
	HX42-3 MFF	1			Driftwood, (JPFF,JFFF)
	HX40-1 MAZ	1			Agate, (DLAZ)
	HX40-1 MDW	1			Quartz, (DLAD)
	HX40-1 MFF	1			Driftwood, (DLAF)
					(Use After 7-26-93)
	JX60-1 PAZ	1			Agate, (JPAZ,DLAZ,JFAZ,F7AZ)
	JX60-1 PF6	1			Driftwood, (JPFF,DLAF,JFFF,F7FF)
	JX60-1 PD5	1			Quartz, (JPAD,DLAD,JFAD,F7AD)
	JX60-1 PB7	1			Blue, (JFBB)
8	6032 723	AR			SCREW
9	#6034 812	AR			CLIP, Door Panel Attaching
10	4599 982-3	1			MOUDING, Woodgrain Upper ***

NOTE: For Cup Door Pull See Group 071 - Ill. 800 s ARE NOT RETURNABLE.

93430 420B

MODEL CODES:

Chrysler = (CH41 = New Yorker, CP41 = LHS, DH41 = Intrepid(Canada), DP41 = Intrepid ES(Canada), LP41 = Concorde)
DODGE = (DH41 = Intrepid(USA), DP41 = Intrepid ES(USA))
EAGLE = (XP41 = Vision ESI, XS41 = Vision TSI)

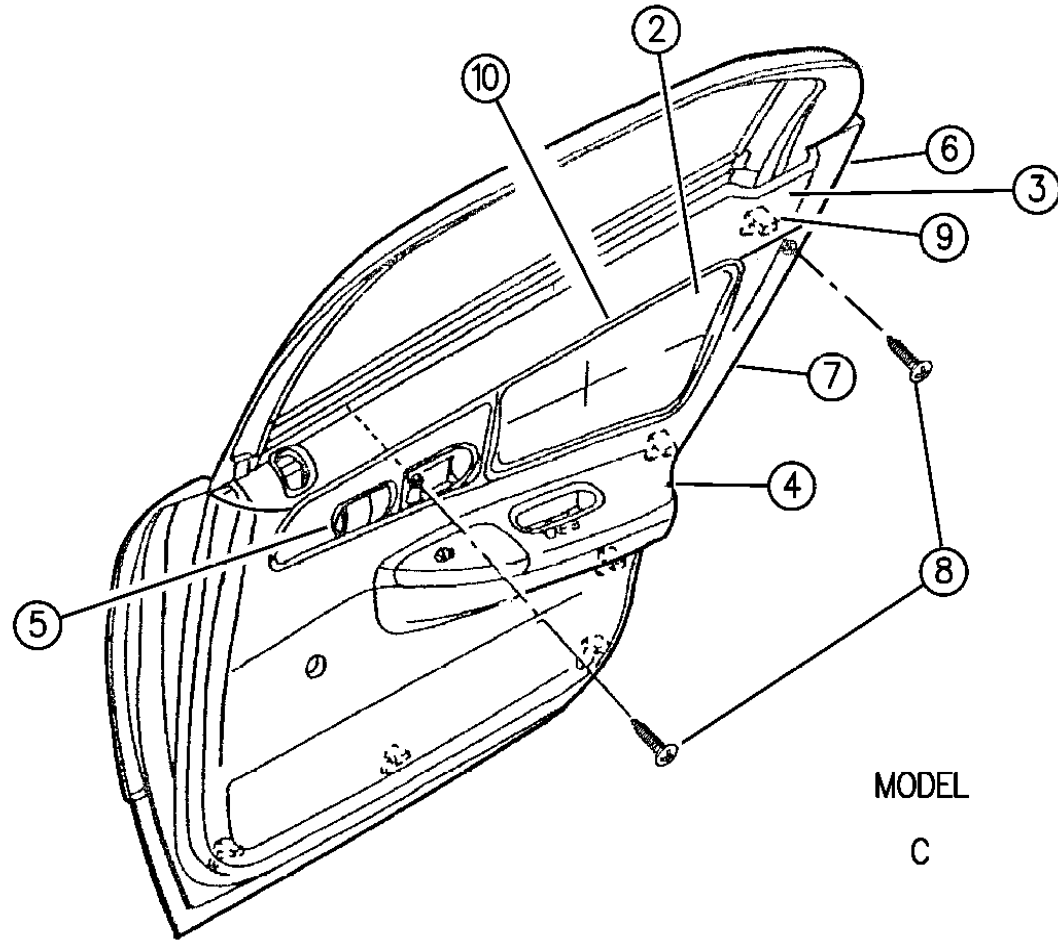
BODY STYLES:

41 = 4 - Door Sedan ENGINE: 3.3L (EGB)
3.5L (EGE) 24 Valve

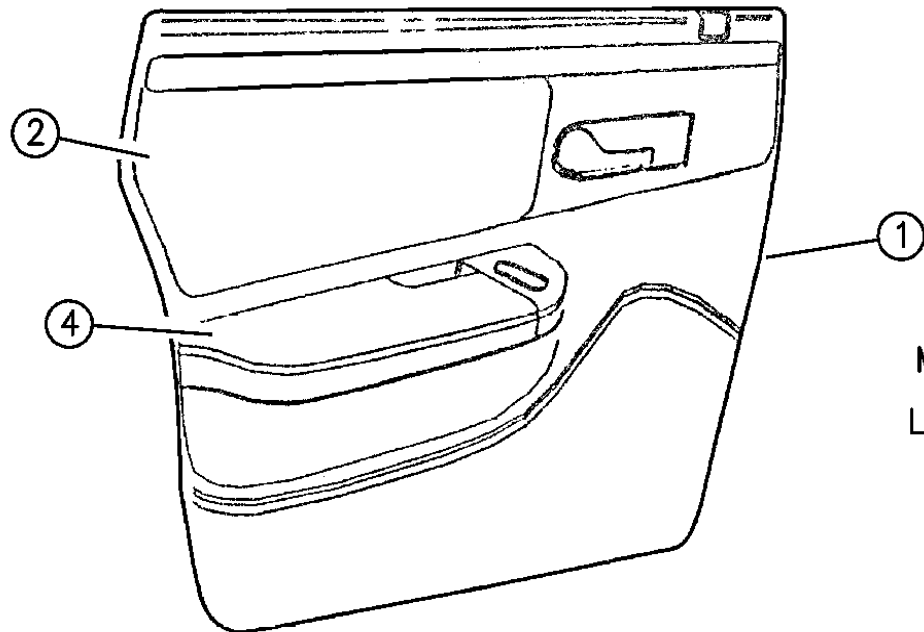
AR = Use as Required - = Non Illustrated Part P.A.R. = Paint as Required

DOOR PANEL - REAR LH MODEL - 1994
Figure ITL-425

ITL-425B



MODEL
C



MODEL
L-D-X

ITEM	PART NUMBER	QTY	BODY	MODEL	DESCRIPTION
1					PANEL, Door Trim
	JE40-1 PB7	1			w/o Power Windows, w/ or w/o Power Door Locks Blue, (BFBB,A7BB)
	JE40-1 PF6	1			Driftwood, (A7FF,BFFF)
	JE40-1 PD5	1			Quartz, (A7SD,BFSD)
	JE18-9 PB7	1			w/o Power Windows Blue, (K7AB,TFAB)
	JE18-9 PD5	1			Quartz, (K7AD,TFAD)
	JE18-9 PF6	1			Driftwood, (K7AF,TFAF)
	JE60-1 PB7	1			w/o Power Windows Blue, (C7BB)
	JE60-1 PF6	1			Driftwood, (C7FF)
	JE60-1 PD5	1			Quartz, (C7SD)
	JE62-3 PB7	1			w/Power Windows Blue, (C7BB)
	JE62-3 PF6	1			Driftwood, (C7FF)
	JE62-3 PD5	1			Quartz, (C7SD)
	JE50-1 PB7	1			w/Power Windows and Power Door Locks Blue, (A7BB,BFBB)
	JE50-1 PF6	1			Driftwood, (A7FF,BFFF)
	JE50-1 PD5	1			Quartz, (A7SD,BFSD)
	JE64-5 PB7	1			w/Power Windows and Door Locks Blue, (MLBB)
	JE64-5 PF6	1			Driftwood, (MLFF)
	JE64-5 PD5	1			Quartz, (MLSD)
	JE10-1 PB7	1			w/Power Windows - Driver Control One Touch and w/Power Door Locks Blue, (G7AB)
	JE10-1 PD5	1			Quartz, (G7AD)
	JE10-1 PF6	1			Driftwood, (G7AF)
	JE10-1 PB7	1		X	w/Power Windows-Driver Control One Touch and Power Door Locks Blue, (TLAB)
	JE10-1 PD5	1		X	Quartz, (TLAD)
	JE10-1 PF6	1		X	Driftwood, (TLAF)
	JE36-7 PB7	1			w/Power Windows - Driver Control One Touch and w/Power Door Locks Blue, (K7AB,TFAB)
	JE36-7 PD5	1			Quartz, (K7AD,TFAD)
	JE36-7 PF6	1			Driftwood, (K7AF,TFAF)
	JE36-7 PB7	1		L	Blue, (TLAB)
	JE36-7 PD5	1		L	Quartz, (TLAD)

MODEL CODES:

Chrysler = (CH41 = New Yorker, CP41 = LHS, DH41 = Intrepid(Canada), DP41 = Intrepid ES(Canada), LP41 = Concorde)
DODGE = (DH41 = Intrepid(USA), DP41 = Intrepid ES(USA))
EAGLE = (XP41 = Vision ESI, XS41 = Vision TSI)

BODY STYLES:

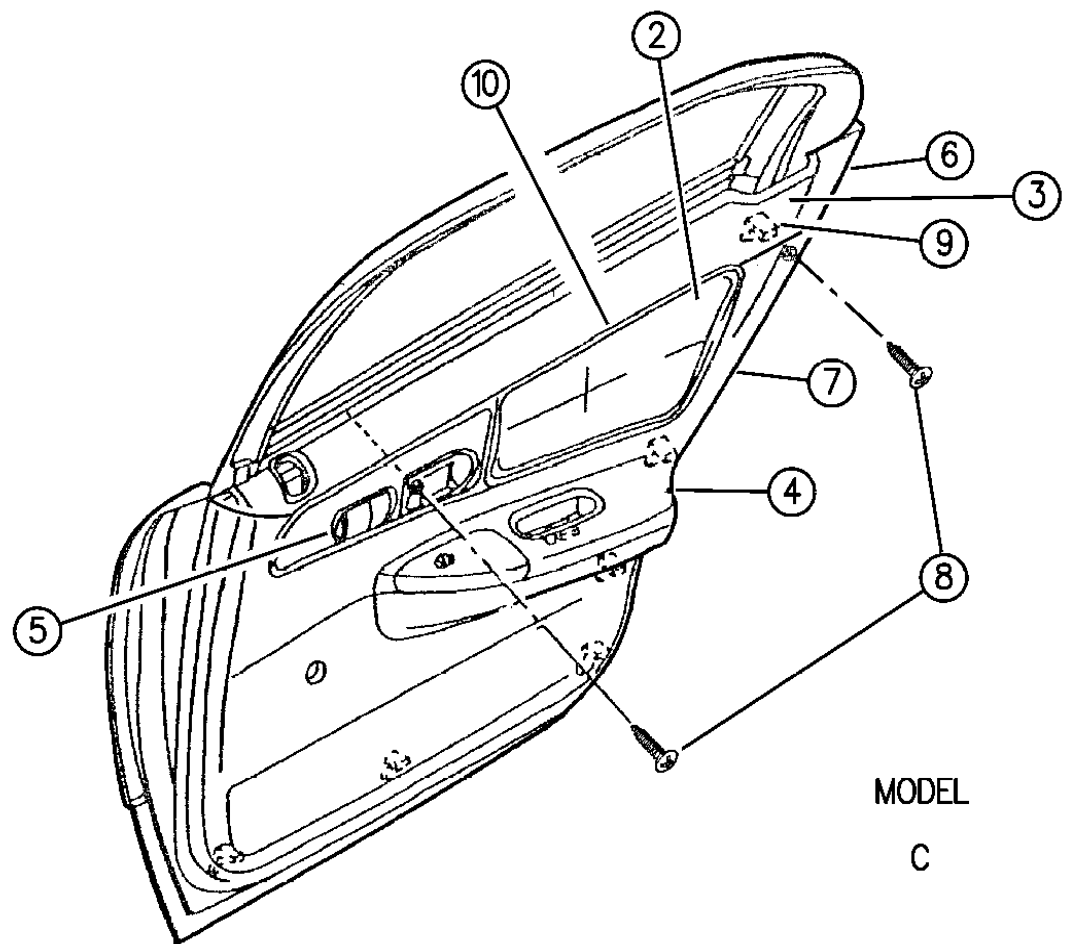
41 = 4 - Door Sedan ENGINE: 3.3L (EGB)
3.5L (EGE) 24 Valve

93430 425

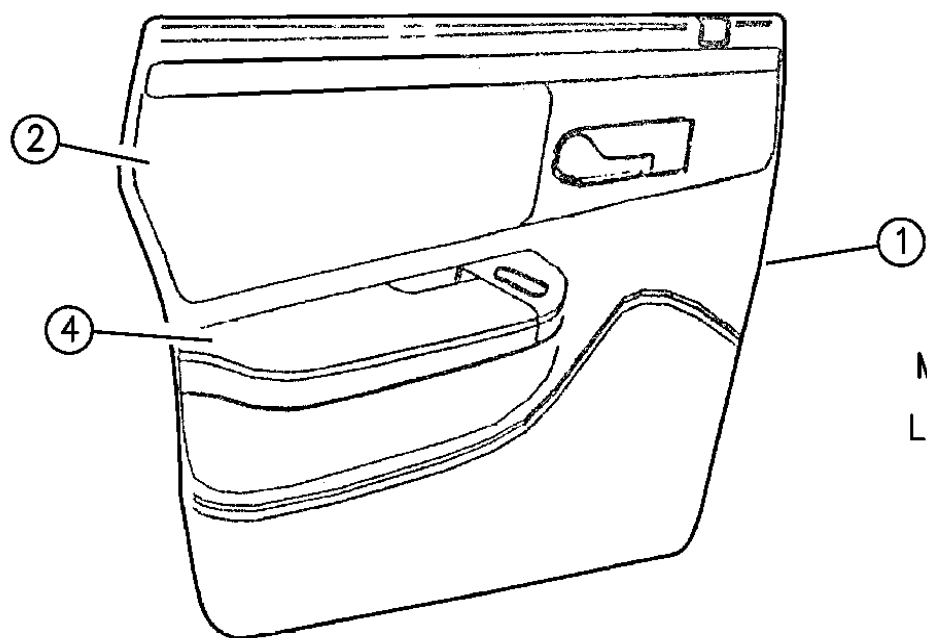
AR = Use as Required - = Non Illustrated Part P.A.R. = Paint as Required

DOOR PANEL - REAR LH MODEL - 1994
Figure ITL-425

ITL-425B



MODEL
C



MODEL
L-D-X

ITEM	PART NUMBER	QTY	BODY	MODEL	DESCRIPTION
	JE36-7 PF6	1		L	Driftwood, (TLAF) w/Power Windows - Driver Control One Touch and w/ Power Door Locks
	JE10-1 PB7	1			Blue, (G7AB)
	JE10-1 PD5	1			Quartz, (G7AD)
	JE10-1 PF6	1			Driftwood, (G7AF) w/Power Windows - Driver Control One Touch and w/Power Door Locks
	HG58-9 PD5	1			Quartz, (H7AD,FLAD)
	HG58-9 PF6	1			Driftwood, (H7AF,FLAF)
2					BOLSTER, Rear Door
	FW74-5 MD5	1			Quartz, (F7AD)
	FW74-5 MF6	1			Driftwood, (F7FF)
	FW74-5 MAZ	1			Agate, (F7AZ)
	HD52-3 MD5	1			Quartz, (JPAD)
	HD52-3 MAZ	1			Agate, (JPAZ)
	HD52-3 MF6	1			Driftwood, (JPFF)
	FW72-3 MD5	1			Quartz, (JFAD)
	FW72-3 MF6	1			Driftwood, (JFFF)
	FW72-3 MB7	1			Blue, (JFBB)
	FW72-3 MAZ	1			Agate, (JFAZ)
	HR92-3 MAZ	1			Agate, (DLAZ)
	HR92-3 MF4	1			Driftwood, (DLAF)
	HR92-3 MW8	1			Quartz, (DLAD)
3	#6100 814	1			NUT, Panel Upper To Lower
4					ARMREST, Rear Door
	FZ10-1 MAZ	1			Agate, (DLAZ,JPAZ,JFAZ,F7AZ)
	FZ10-1 MB7	1			Blue, (DLBB,JPBB,JFBB,F7BB)
	FZ10-1 MD5	1			Quartz, (DLAD,JPAD,JFAD,F7AD)
	FZ10-1 MF6	1			Driftwood, (DLFF,JPFF,JFFF,F7FF,DLAF)
5					ASH RECEIVER, Rear Door
	FJ74-5 MD5	1			Quartz, (JPAD,JFAD,F7AD,DLAD)
	FJ74-5 MB7	1			Blue, (JFBB)
	FJ74-5 MF6	1			Driftwood, (JPFF,JFFF,F7FF,DLAF)
	FJ74-5 MAZ	1			Agate, (JFAZ,JPAZ,F7AZ,DLAZ)
	EX78-9 MB7	1			Blue, (E7AB,K7AB,G7AB,TFAB,TLAB)
	EX78-9 MD5	1			Quartz, (E7AD,K7AD,G7AD,TFAD,TLAD,FLAD)
	EX78-9 MF6	1			Driftwood, (E7AF,K7AF,G7AF,TFAF,TLAF,FLAF)
	EX78-9 MX8	1			Black, (TLX8) (TL Trim Code Only With Woodgrain Bezel)
	EX84-5 MAZ	1			Agate, (A7,BF,C7,ML)
	JX44-5 PX8	1			Black, (H7X8) (European)
6					PANEL, Door (Upper)

MODEL CODES:

Chrysler = (CH41 = New Yorker, CP41 = LHS, DH41 = Intrepid(Canada), DP41 = Intrepid ES(Canada), LP41 = Concorde)
DODGE = (DH41 = Intrepid(USA), DP41 = Intrepid ES(USA))
EAGLE = (XP41 = Vision ESI, XS41 = Vision TSI)

BODY STYLES:

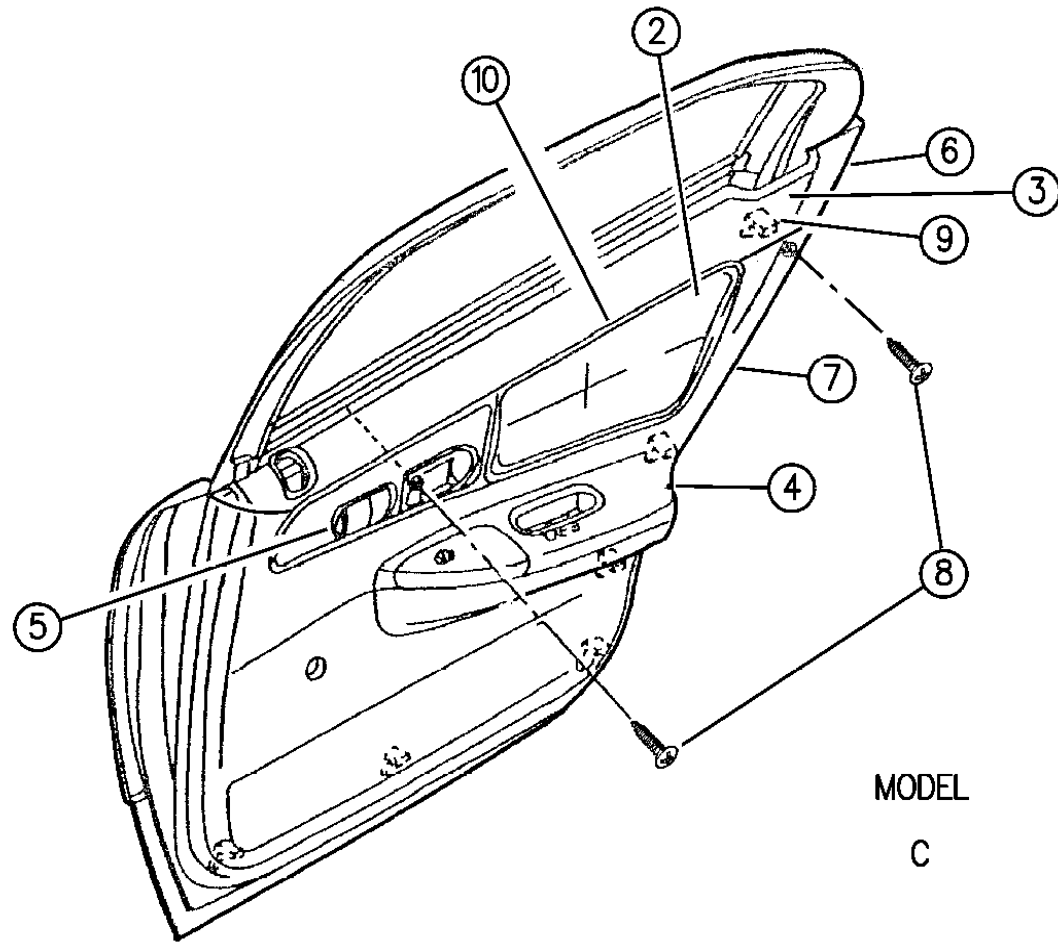
41 = 4 - Door Sedan ENGINE: 3.3L (EGB)
3.5L (EGE) 24 Valve

93430 425

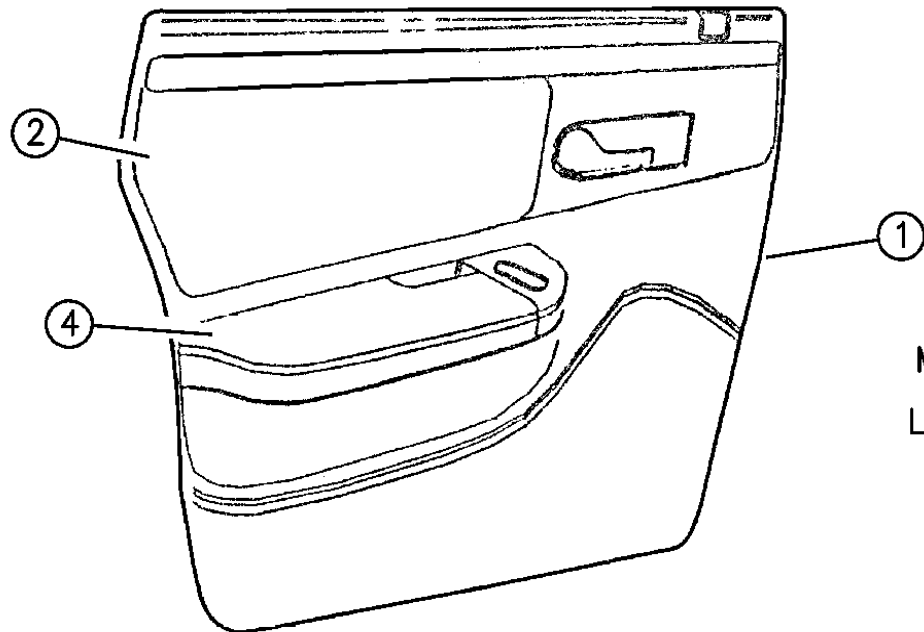
AR = Use as Required - = Non Illustrated Part P.A.R. = Paint as Required

DOOR PANEL - REAR LH MODEL - 1994
Figure ITL-425

ITL-425B



MODEL
C



MODEL
L-D-X

ITEM	PART NUMBER	QTY	BODY	MODEL	DESCRIPTION
	FZ02-3 MBB	1			Blue, (JFBB)
	FZ02-3 MFF	1			Driftwood, (JPFF,F7FF,JFFF,DLAF)
	FZ02-3 MAZ	1			Agate, (JFAD,JPAD,JFAZ,JPAZ,F7AZ,F7AD,DLAZ,DLAD)
7					PANEL, Door (Lower) (Use Up To 7-26-93)
	HX42-3 MAZ	1			Agate, (JFAZ,JPAZ)
	HX42-3 MBB	1			Blue, (JFBB)
	HX42-3 MDZ	1			Agate/Quartz, (JFAD,JPAD)
	HX42-3 MFF	1			Driftwood, (JPFF,JFFF)
	HX40-1 MAZ	1			Agate, (DLAZ)
	HX40-1 MDW	1			Quartz, (DLAD)
	HX40-1 MFF	1			Driftwood, (DLAF) (Use After 7-26-93)
	JX60-1 PAZ	1			Agate, (JPAZ,DLAZ,JFAZ,F7AZ)
	JX60-1 PF6	1			Driftwood, (JPFF,DLAF,JFFF,F7FF)
	JX60-1 PD5	1			Quartz, (JPAD,DLAD,JFAD,F7AD)
	JX60-1 PB7	1			Blue, (JFBB)
8	6032 723	AR			SCREW
9	#6034 812	AR			CLIP, Door Panel Attaching
	6034 336	AR			1994 ***
10	4599 982-3	1			MOLDING, Woodgrain Upper ***

NOTE: For Cup Door Pull See Group 071 - Ill. 800 s ARE NOT RETURNABLE.

MODEL CODES:
Chrysler = (CH41 = New Yorker, CP41 = LHS, DH41 = Intrepid(Canada), DP41 = Intrepid ES(Canada), LP41 = Concorde)
DODGE = (DH41 = Intrepid(USA), DP41 = Intrepid ES(USA))
EAGLE = (XP41 = Vision ESI, XS41 = Vision TSI)

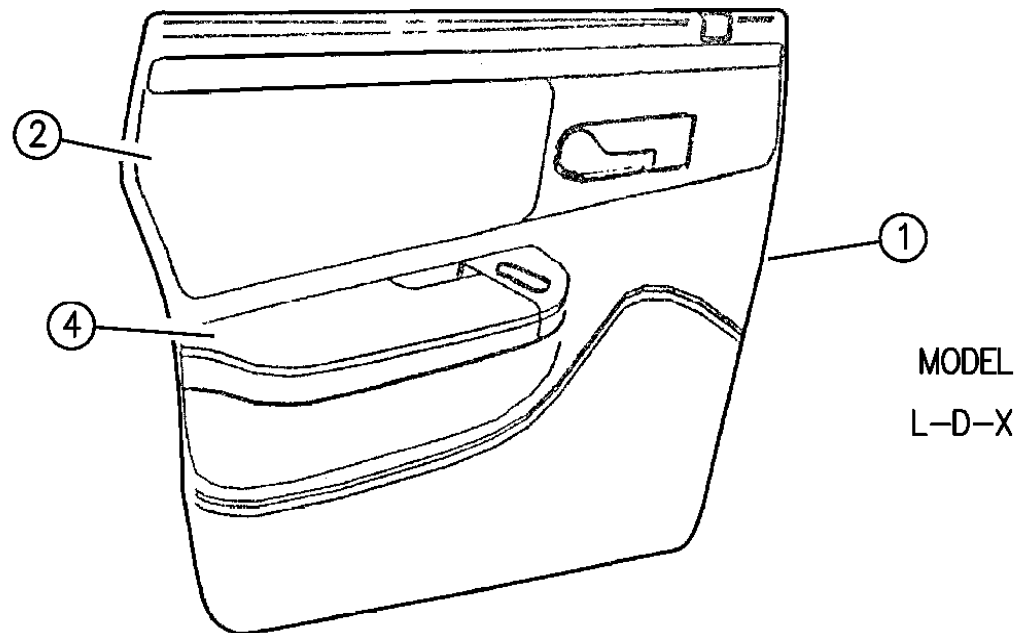
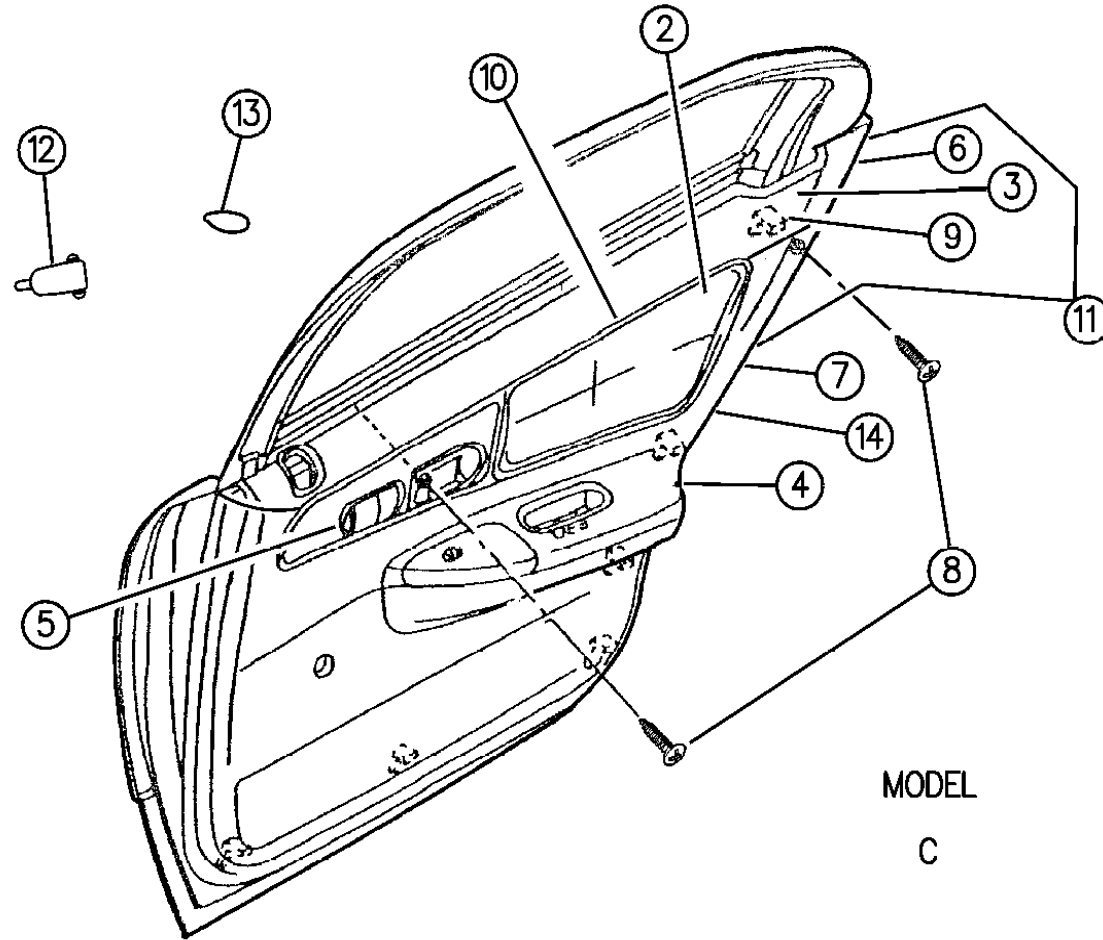
BODY STYLES:
41 = 4 - Door Sedan ENGINE: 3.3L (EGB)
3.5L (EGE) 24 Valve

93430 425

AR = Use as Required - = Non Illustrated Part P.A.R. = Paint as Required

DOOR PANEL - REAR LH MODEL - 1995
Figure ITL-426

ITL-426B



93430 425
93430 426

ITEM	PART NUMBER	QTY	BODY	MODEL	DESCRIPTION
1					PANEL, Door Trim
					w/o Power Windows, w/ or w/o Power Door Locks
	JE40-1 RP8	1			Blue Spruce, (BFP8,A7P8)
	JE40-1 PF6	1			Driftwood, (A7FF,BFFF)
	JE40-1 PD5	1			Quartz, (A7SD,BFSD)
					w/Power Windows
					Right
	JE62 RP8	1			Blue Spruce, (C7P8)
	JE62 PF6	1			Driftwood, (C7FF)
	JE62 PD5	1			Quartz, (C7SD)
					Left
	JE63 RP8	1			Blue Spruce, (C7P8)
	JE63 PF6	1			Driftwood, (C7FF)
	JE63 PD5	1			Quartz, (C7SD)
					w/Power Windows - One Touch Control and Power Door Locks
	JE50-1 RP8	1			Blue Spruce, A7P8,BFP8)
	JE50-1 PF6	1			Driftwood, (A7FF,BFFF)
	JE50-1 PD5	1			Quartz, (A7SD,BFSD)
					w/Power Windows and Door Locks
	JE64-5 RP8	1			Blue Spruce, (MLP8)
	JE64-5 PF6	1			Driftwood, (MLFF)
	JE64-5 PD5	1			Quartz, (MLSD)
					w/Power Windows - Driver Control One Touch and w/Power Door Locks
	JE10-1 RP8	1			Blue Spruce, (G7AP)
	JE10-1 PD5	1			Quartz, (G7AD)
	JE10-1 PF6	1			Driftwood, (G7AF)
					w/Power Windows-Driver Control One Touch and Power Door Locks
	JE10-1 PD5	1		X	Quartz, (TLAD)
	JE10-1 PF6	1		X	Driftwood, (TLAF)
					w/Power Windows - Driver Control One Touch and w/Power Door Locks
	JE36-7 RP8	1			Blue, (K7AP,TFAP)
	JE36-7 PD5	1			Quartz, (K7AD,TFAD)
	JE36-7 PF6	1			Driftwood, (K7AF,TFAF)
	JE36-7 RP8	1		L	Blue Spruce, (TLAP)
	JE36-7 PD5	1		L	Quartz, (TLAD)
	JE36-7 PF6	1		L	Driftwood, (TLAF)
					w/Power Windows - Driver Control One Touch and w/ Power Door Locks
	JE10-1 RP8	1			Blue Spruce, (G7AP)

MODEL CODES:

Chrysler = (CH41 = New Yorker, CP41 = LHS, DH41 = Intrepid(Canada), DP41 = Intrepid ES(Canada), LP41 = Concorde)
DODGE = (DH41 = Intrepid(USA), DP41 = Intrepid ES(USA))
EAGLE = (XP41 = Vision ESI, XS41 = Vision TSI)

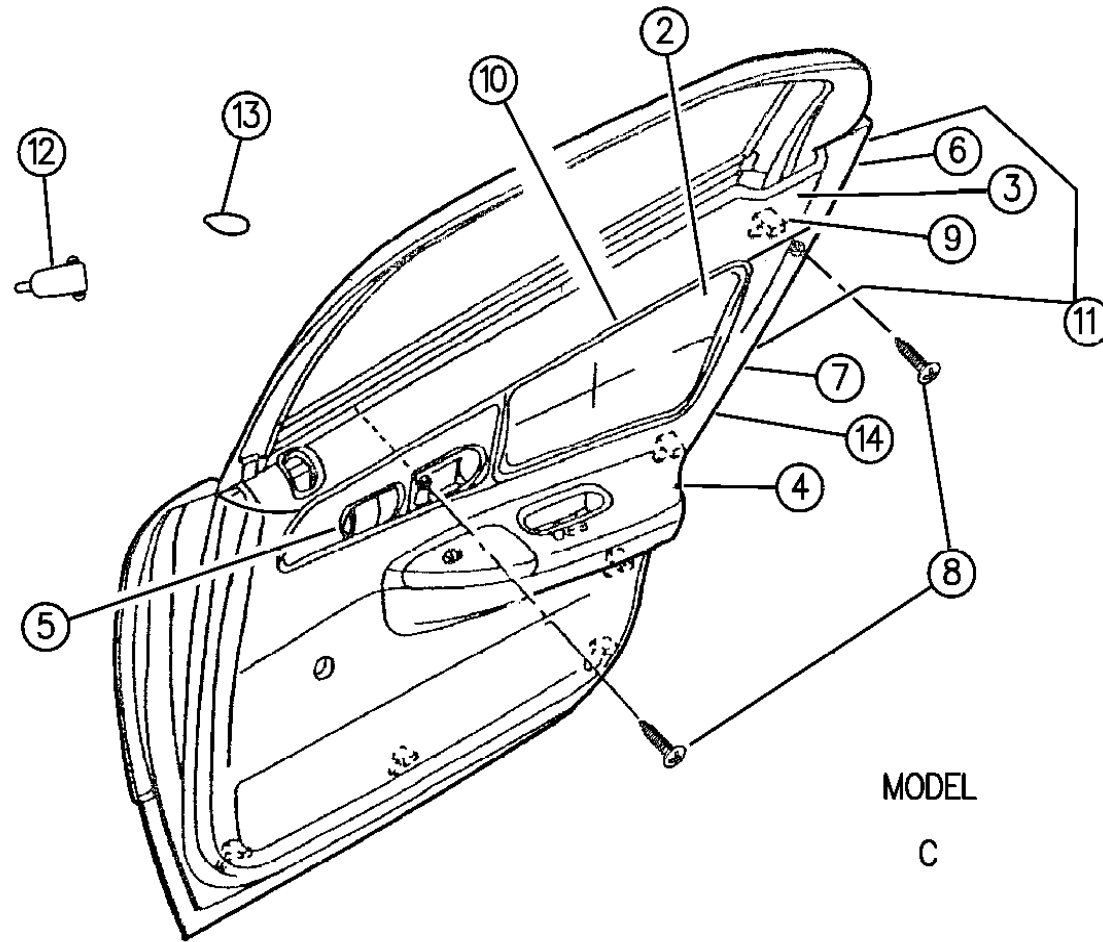
BODY STYLES:

41 = 4 - Door Sedan ENGINE: 3.3L (EGB)
3.5L (EGE) 24 Valve

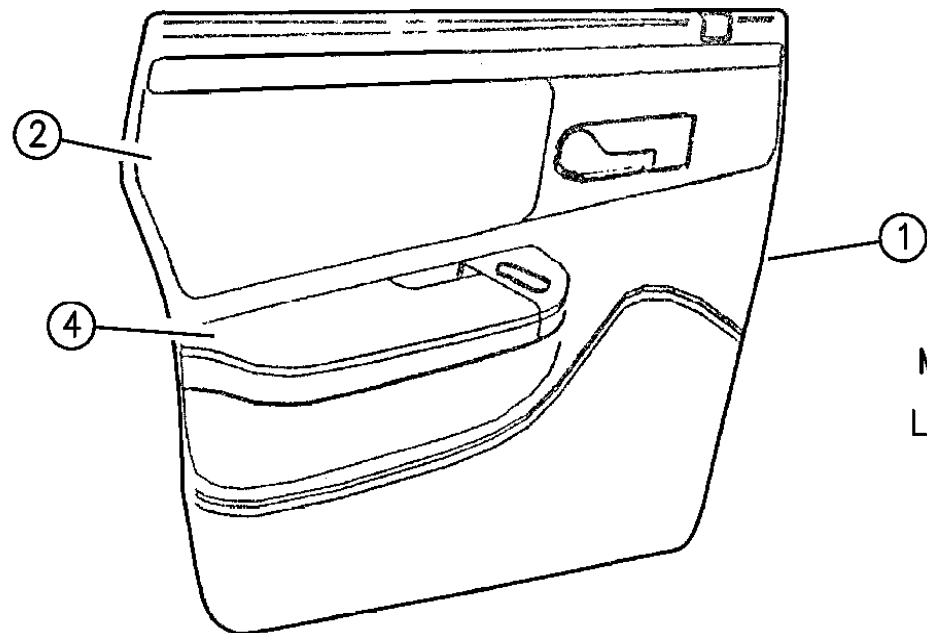
AR = Use as Required - = Non Illustrated Part P.A.R. = Paint as Required

DOOR PANEL - REAR LH MODEL - 1995
Figure ITL-426

ITL-426B



MODEL
C



MODEL
L-D-X

93430 425
93430 426

ITEM	PART NUMBER	QTY	BODY	MODEL	DESCRIPTION
	JE10-1 PD5	1			Quartz, (G7AD)
	JE10-1 PF6	1			Driftwood, (G7AF) w/Power Windows - Driver Control One Touch and w/Power Door Locks
	HG58-9 PD5	1			Quartz, (H7AD,FLAD)
	HG58-9 PF6	1			Driftwood, (H7AF,FLAF)
2					BOLSTER, Rear Door
	FW74-5 MD5	1			Quartz, (F7AD)
	FW74-5 MF6	1			Driftwood, (F7FF)
	FW74-5 MAZ	1			Agate, (F7AZ)
	FW72-3 MD5	1			Quartz, (EFAD)
	FW72-3 MF6	1			Driftwood, (EFFF)
	FW72-3 RP8	1			Blue Spruce, (EFP8)
	FW72-3 MAZ	1			Agate, (EFAZ)
	HR92-3 MAZ	1			Agate, (DLAZ,JLAZ)
	HR92-3 MF4	1			Driftwood, (DLAF,JLAF)
	HR92-3 MW8	1			Quartz, (DLAD,JPAD)
3	#6100 814	1			NUT, Panel Upper To Lower
4					ARMREST, Rear Door w/Switch Bezel
	FZ10-1 MAZ	1			Agate, (DLAZ,JPAZ,EFAZ,JLAZ)
	FZ10-1 RP8	1			Blue Spruce, (EFP8)
	FZ10-1 MD5	1			Quartz, (DLAD,JPAD,EFAD)
	FZ10-1 MF6	1			Driftwood, (DLFF,JPPF,EFFF,JLAF)
5					ASH RECEIVER, Rear Door
	FJ74-5 MD5	1			Quartz, (JPAD,EFAD,DLAD)
	FJ74-5 RP8	1			Blue Spruce, (EFP8)
	FJ74-5 MF6	1			Driftwood, (JPPF,EFFF,JLAF,DLAF)
	FJ74-5 MAZ	1			Agate, (EFAZ,JPAZ,JLAZ,DLAZ)
	EX78-9 MB7	1			Blue, (E7AB,K7AB,G7AB)
	EX78-9 MD5	1			Quartz, (TFAD,K7AD,G7AD,TLAD)
	EX78-9 MF6	1			Driftwood, (TFAF,K7AF,G7AF,TLAF)
	EX78-9 MX8	1			Black, (TLX8) (TL Trim Code Only With Woodgrain Bezel)
	EX84-5 MAZ	1			Agate, (A7,BF,C7,ML)
	JX44-5 PX8	1			Black, (H7X8)
6					PANEL, Door (Upper) (Use Up To 11-27-94) After Use Complete Door Panel, See Item 11
	FZ02-3 RP8	1			Blue Spruce, (EFP8)
	FZ02-3 MFF	1			Driftwood, (JPPF,EFFF,JLFF,DLAF)
	FZ02-3 MAZ	1			Agate, (EFAZ,JPAD,JLAZ,JPAZ,F7AZ,F7AD,DLAZ,DLAD)
7					PANEL, Door (Lower)

MODEL CODES:

Chrysler = (CH41 = New Yorker, CP41 = LHS, DH41 = Intrepid(Canada), DP41 = Intrepid ES(Canada), LP41 = Concorde)
DODGE = (DH41 = Intrepid(USA), DP41 = Intrepid ES(USA))
EAGLE = (XP41 = Vision ESI, XS41 = Vision TSI)

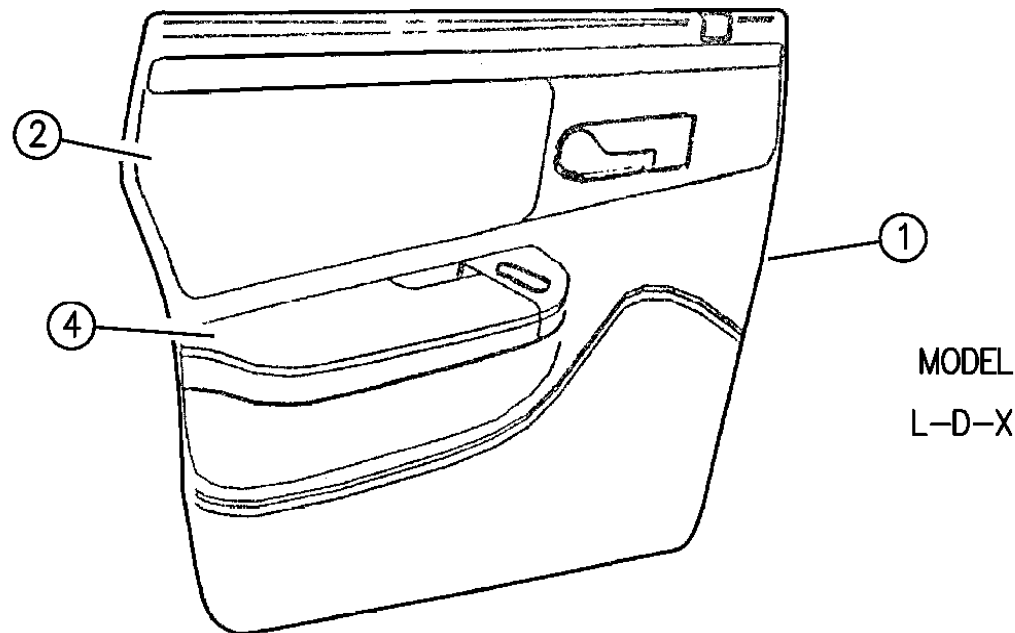
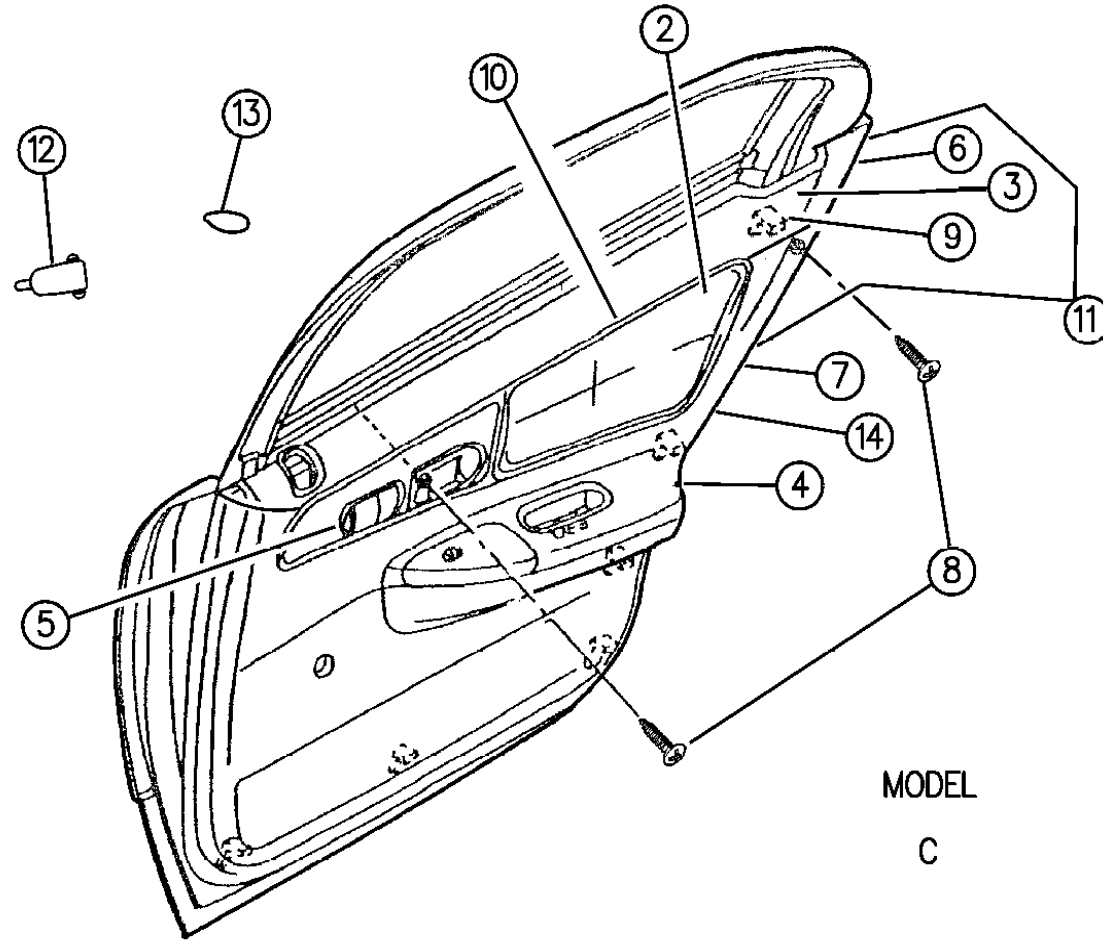
BODY STYLES:

41 = 4 - Door Sedan ENGINE: 3.3L (EGB)
3.5L (EGE) 24 Valve

AR = Use as Required - = Non Illustrated Part P.A.R. = Paint as Required

DOOR PANEL - REAR LH MODEL - 1995
Figure ITL-426

ITL-426B



93430 425
93430 426

ITEM	PART NUMBER	QTY	BODY	MODEL	DESCRIPTION
					(Use Up To 11-27-94) After Use Complete Door Panel See Item 11
	ML16-7 RAZ	1			Agate, (JPAZ,DLAZ,JLAZ,EFAZ)
	ML16-7 RF6	1			Driftwood, (JPFF,DLAF,JLAF,EFFF)
	ML16-7 RD5	1			Quartz, (JPAD,DLAD,EFAD)
	ML16-7 RP8	1			Blue Spruce, (EFP8)
8	6032 723	AR			SCREW
9	6034 336	AR			CLIP, Door Panel Attaching
10					MOLDING, Woodgrain Upper (Serv. In Door Panel Only) ***
11					PANEL, Door Complete (Use After 11-27-94) w/Power Windows-One Touch and Power Door Locks
	MH32-3 RDZ	1			Agate/Quartz, (EFAD)
	MH32-3 RFF	1			Driftwood, (EFFF)
	MH32-3 RP8	1			Blue Spruce, (EFP8) w/Power Windows-One Touch and Power Door Locks
	MH30-1 RDZ	1			Agate, (JPAD)
	MH30-1 RAZ	1			Agate/Quartz, (JPAZ)
	MH30-1 RFF	1			Driftwood, (JPFF) w/Power Windows-One Touch and Power Door Locks
	MH34-5 RWD	1			White/Quartz, (DLAD)
	MH34-5 RFZ	1			Agate/Driftwood, (DLAF,JLAF)
	MH34-5 RAZ	1			Agate, (DLAZ,JLAZ)
12	MC40 RDZ	AR	C		PLUG, Rectangular Agate/Quartz
	MC40 RAZ	AR			Agate
	MC40 RFF	AR			Driftwood
	MC40 RP8	AR			Blue Spruce
13			C		PLUG, Door Panel (Rectangular) To Cover Up Screw Holes on LHS
	MC41 RDZ	AR			Agate/Quartz
	MC41 RFZ	AR			Agate/Driftwood
	MC41 RAZ	AR			Agate
	MC41 RFF	AR			Driftwood
	MC41 RP8	AR			Blue Spruce
14	4758 590-1	1			SILENCER, Rear Door Panel

MODEL CODES:

Chrysler = (CH41 = New Yorker, CP41 = LHS, DH41 = Intrepid(Canada), DP41 = Intrepid ES(Canada), LP41 = Concorde)
DODGE = (DH41 = Intrepid(USA), DP41 = Intrepid ES(USA))
EAGLE = (XP41 = Vision ESI, XS41 = Vision TSI)

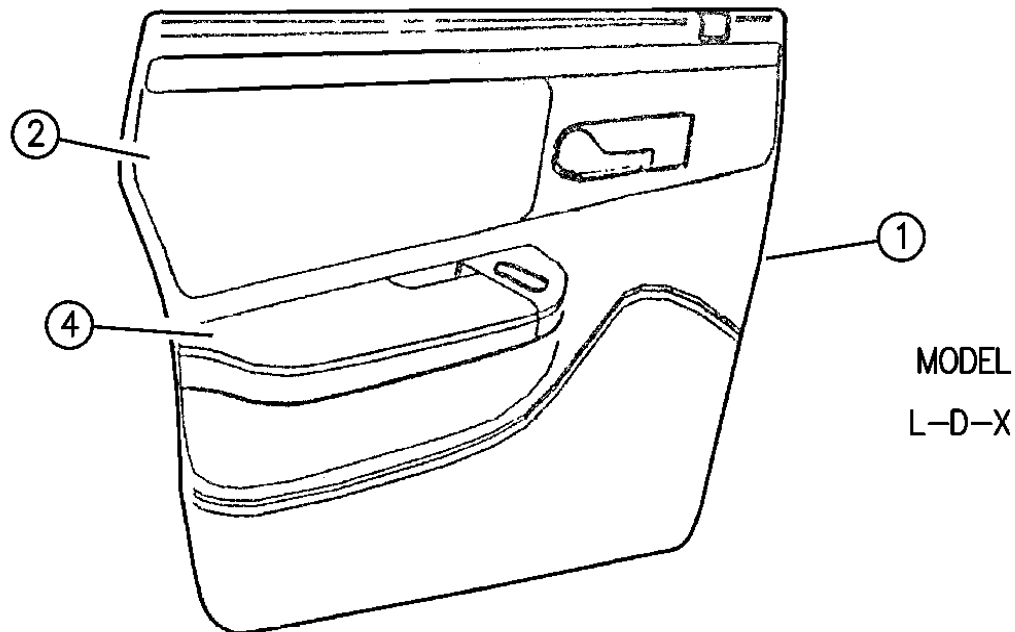
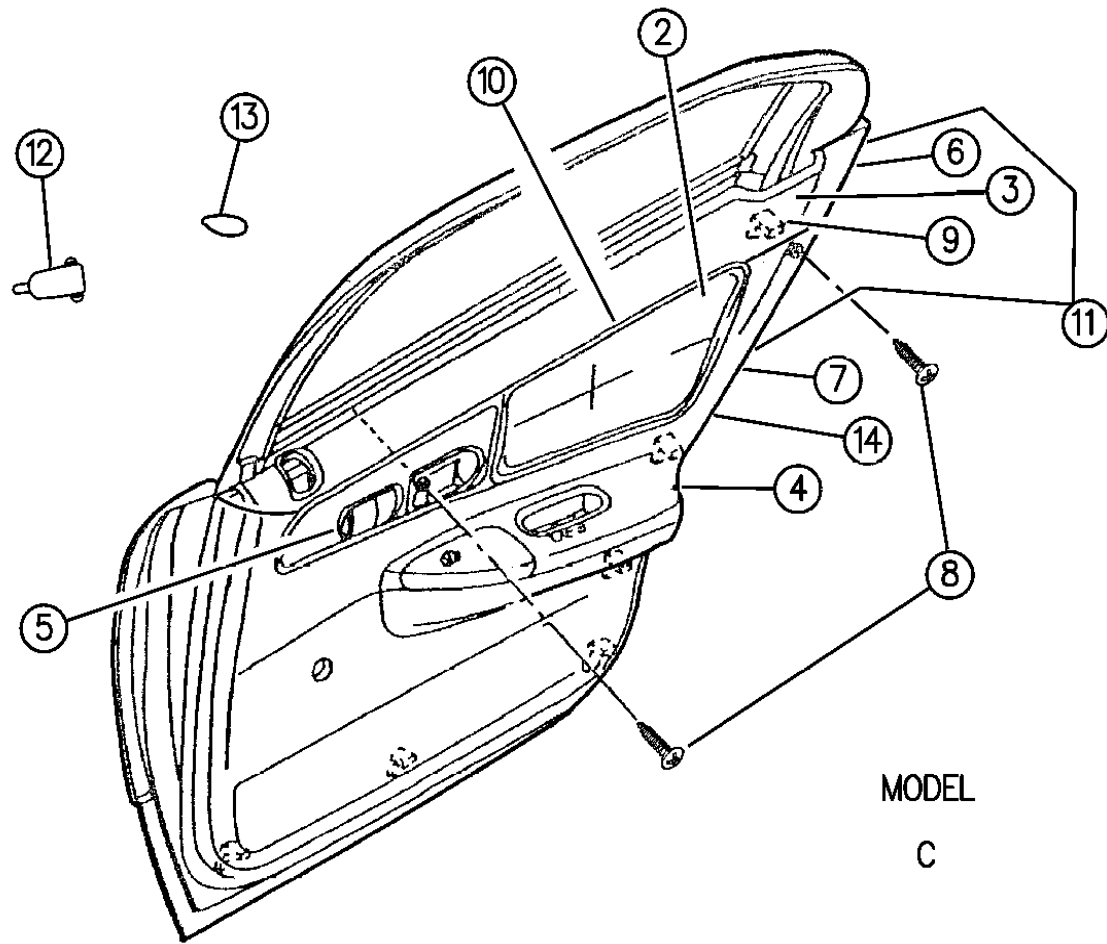
BODY STYLES:

41 = 4 - Door Sedan ENGINE: 3.3L (EGB)
3.5L (EGE) 24 Valve

AR = Use as Required - = Non Illustrated Part P.A.R. = Paint as Required

DOOR PANEL - REAR LH MODEL - 1996
Figure ITL-427

ITL-427



93430 425
93430 426
93430 427

ITEM	PART NUMBER	QTY	BODY	MODEL	DESCRIPTION
1					PANEL, Door Trim
	PE26-7 SP8	1		X	w/Power Windows and w/Power Door Locks Blue Spruce, (B7AP,TLAP)
	PE26-7 SF6	1		X	Driftwood, (B7AF,TLAF)
	PE26-7 SD5	1		X	Quartz, (B7AD,TLAD)
	PE36-7 SP8	1			w/ or w/o Power Door Locks, w/o Power Windows Blue Spruce, (L7P8,RFP8)
	PE36-7 SF6	1			Driftwood, (L7FF,RFFF)
	PE36-7 SD5	1			Quartz, (L7SD,RFSD)
	PE50-1 SP8	1			w/Power Windows and Power Door Locks Blue Spruce, (L7P8,RFP8)
	PE50-1 SF6	1			Driftwood, (L7FF,RFFF)
	PE50-1 SD5	1			Quartz, (L7SD,RFSD)
	PE62-3 SP8	1			w/Power Windows Blue Spruce, (C7P8,MLP8)
	PE62-3 SF6	1			Driftwood, (C7FF,MLFF)
	PE62-3 SD5	1			Quartz, (C7SD,MLSD)
	PE64 SP8	1			w/Power Windows and Door Locks Right Blue Spruce, (YFAP,J7AP)
	PE64 SD5	1			Quartz, (YFAD,J7AD,MPAD)
	PE64 SF6	1			Driftwood, (YFAF,J7AF,MPAF)
	PE65 SP8	1			Left Blue Spruce, (YFAP,J7AP)
	PE65 SD5	1			Quartz, (YFAD,J7AD,MPAD)
	PE65 SF6	1			Driftwood, (YFAF,J7AF,MPAF)
	PE64-5 SD5	1		L	w/Power Windows and Door Locks Quartz, (TLAD)
	PE64-5 SF6	1		L	Driftwood, (TLAF)
	PE64-5 SP8	1		L	Blue Spruce, (TLAP)
	PE66-7 SD5	1			w/Power Windows and Power Door Locks Quartz, (FLAD,Q7AD)
	PE66-7 SF6	1			Driftwood, (FLAF,Q7AF)
2	HR92-3 MAZ	1			BOLSTER, Rear Door Agate, (DLAZ,JLAZ)
	HR92-3 MF4	1			Driftwood, (DLAF,JLAF)
	HR92-3 MW8	1			Quartz, (DLAD)
3	#6100 814	1			NUT, Panel Upper To Lower
4	FZ10-1 MAZ	1			ARMREST, Rear Door Agate, (DLAZ,JPAZ,JLAZ)
	FZ10-1 RP8	1			Blue Spruce, (EFP8)
	FZ10-1 MD5	1			Quartz, (DLAD,JPAD,EFAD)

MODEL CODES:

Chrysler = (CH41 = New Yorker, CP41 = LHS, DH41 = Intrepid(Canada), DP41 = Intrepid ES(Canada), LP41 = Concorde)
DODGE = (DH41 = Intrepid(USA), DP41 = Intrepid ES(USA))
EAGLE = (XP41 = Vision ESI, XS41 = Vision TSI)

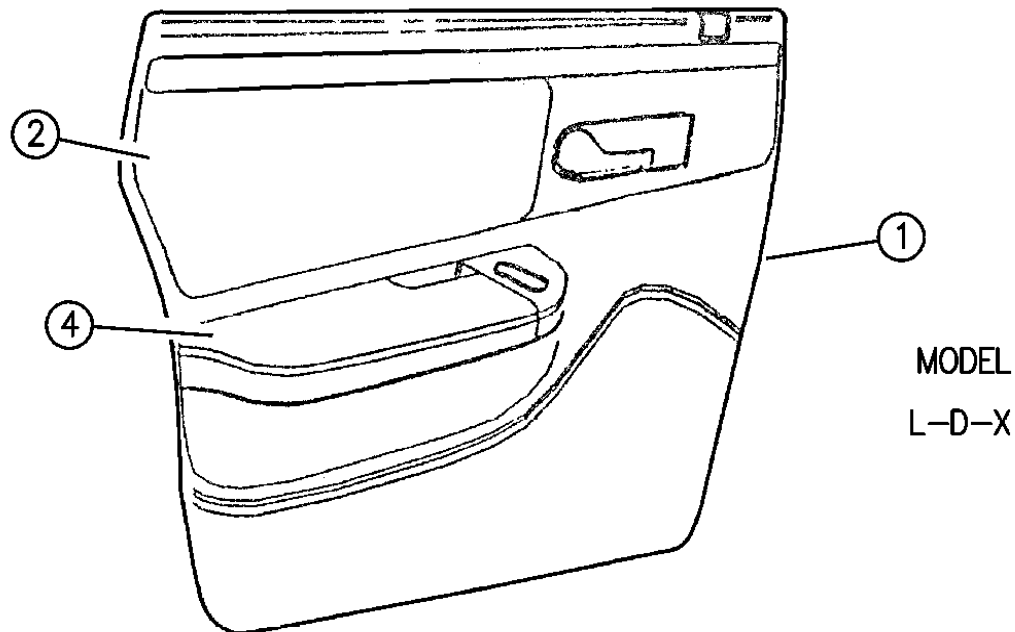
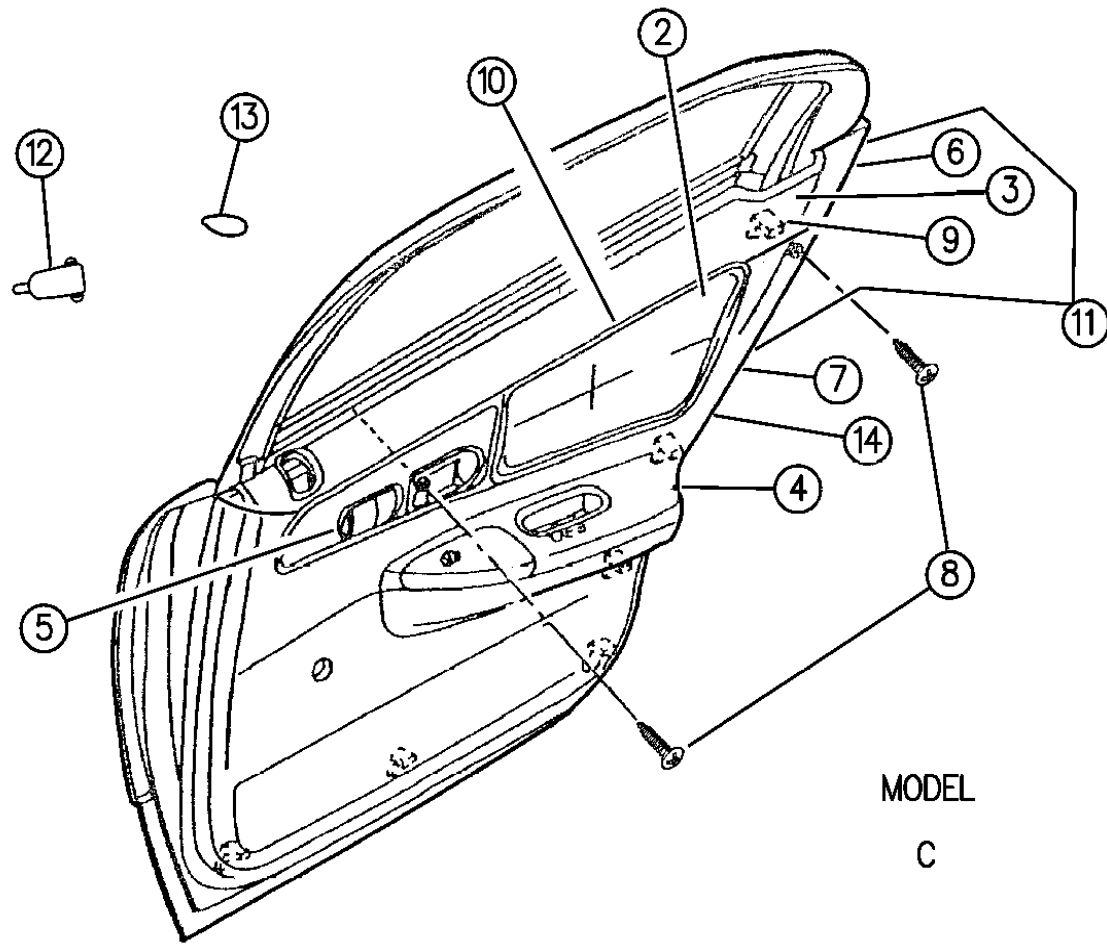
BODY STYLES:

41 = 4 - Door Sedan ENGINE: 3.3L (EGB)
3.5L (EGE) 24 Valve

AR = Use as Required - = Non Illustrated Part P.A.R. = Paint as Required

DOOR PANEL - REAR LH MODEL - 1996
Figure ITL-427

ITL-427



93430 425
 93430 426
 93430 427

ITEM	PART NUMBER	QTY	BODY	MODEL	DESCRIPTION
	FZ10-1 MF6	1			Driftwood, (DLFF,JPFF,EFFF,JLAF)
5					ASH RECEIVER, Rear Door Right
	FJ74 MD5	1			Quartz, (JPAD,EFAD,DLAD,NPAD)
	FJ74 RP8	1			Blue Spruce, (EFP8)
	FJ74 MF6	1			Driftwood, (JPFF,EFFF,JLAF,DLAF,NPAF)
	FJ74 MAZ	1			Agate, (JPAZ,JLAZ,DLAZ)
	EX78 MD5	1			Quartz, (YFAD,J7AD,B7AD,TLAD)
	EX78 MF6	1			Driftwood, (B7AF,J7AF,YFFF,TLAF)
	EX78 RP8	1			Blue Spruce, (J7AP,YFAP,TLAP,B7AP)
	EX84 MAZ	1			Agate, (L7,RF,C7,ML)
	PZ46 SX9	1			Black, (Used With Q7,FL Trim Code) Left
	FJ75 MD5	1			Quartz, (JPAD,EFAD,DLAD,NPAD)
	FJ75 RP8	1			Blue Spruce, (EFP8)
	FJ75 MF6	1			Driftwood, (JPFF,EFFF,JLAF,DLAF,NPAF)
	FJ75 MAZ	1			Agate, (JPAZ,JLAZ,DLAZ)
	EX79 MD5	1			Quartz, (YFAD,J7AD,B7AD,TLAD)
	EX79 MF6	1			Driftwood, (B7AF,J7AF,YFFF,TLAF)
	EX79 RP8	1			Blue Spruce, (J7AP,YFAP,TLAP,B7AP)
	EX85 MAZ	1			Agate, (L7,RF,C7,ML,)
	PZ47 SX9	1			Black, (Used With Q7,FI Trim Code) ***
6					PANEL, Door (Upper) See Item 11 Complete Door Panel Only
7					PANEL, Door (Lower) (See Item 11 Complete Door Panel Only
8	6032 723	AR			SCREW
9	6034 336	AR			CLIP, Door Panel Attaching
10					MOLDING, Woodgrain Upper (Serv. In Door Panel Only) ***
11					PANEL, Door Complete w/Power Windows-One Touch and Power Door Locks
	MH32-3 RDZ	1			Agate/Quartz, (EFAD)
	MH32-3 RFF	1			Driftwood, (EFFF)
	MH32-3 RP8	1			Blue Spruce, (EFP8) w/Power Windows-One Touch and Power Door Locks
	MH30-1 RDZ	1			Agate, (JPAD)
	MH30-1 RAZ	1			Agate/Quartz, (JPAZ)
	MH30-1 RFF	1			Driftwood, (JPFF) (Use Up To 4-3-96) w/Power Windows-One Touch and Power Door Locks
	MH34-5 RWD	1			White/Quartz, (DLAD)
	MH34-5 RFZ	1			Agate/Driftwood, (DLAF,JLAF)
	MH34-5 RAZ	1			Agate, (DLAZ,JLAZ) (Use After 4-3-96)

MODEL CODES:

Chrysler = (CH41 = New Yorker, CP41 = LHS, DH41 = Intrepid(Canada), DP41 = Intrepid ES(Canada), LP41 = Concorde)
 DODGE = (DH41 = Intrepid(USA), DP41 = Intrepid ES(USA))
 EAGLE = (XP41 = Vision ESI, XS41 = Vision TSI)

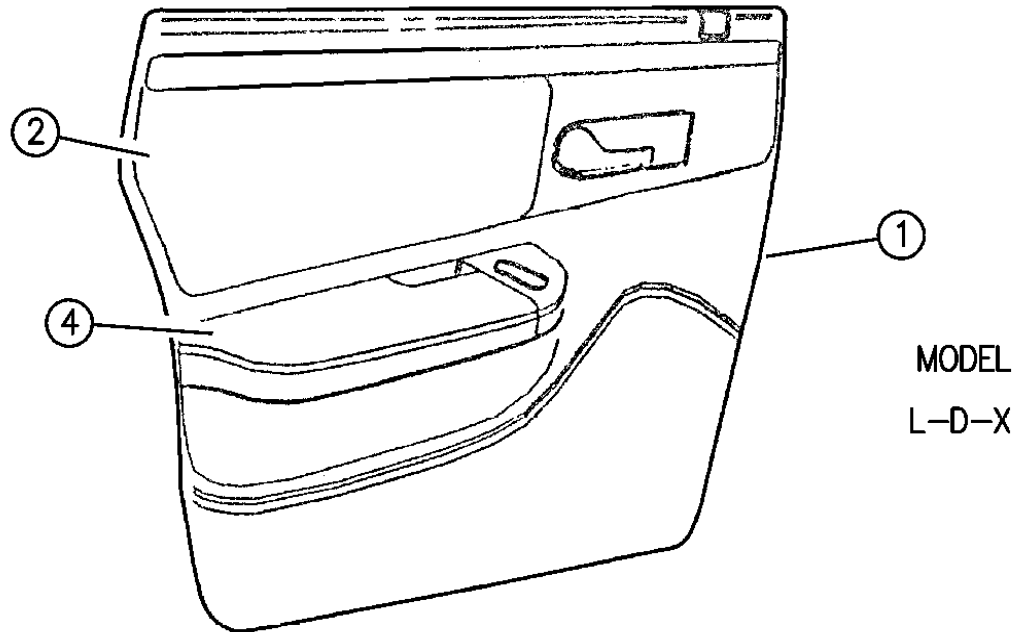
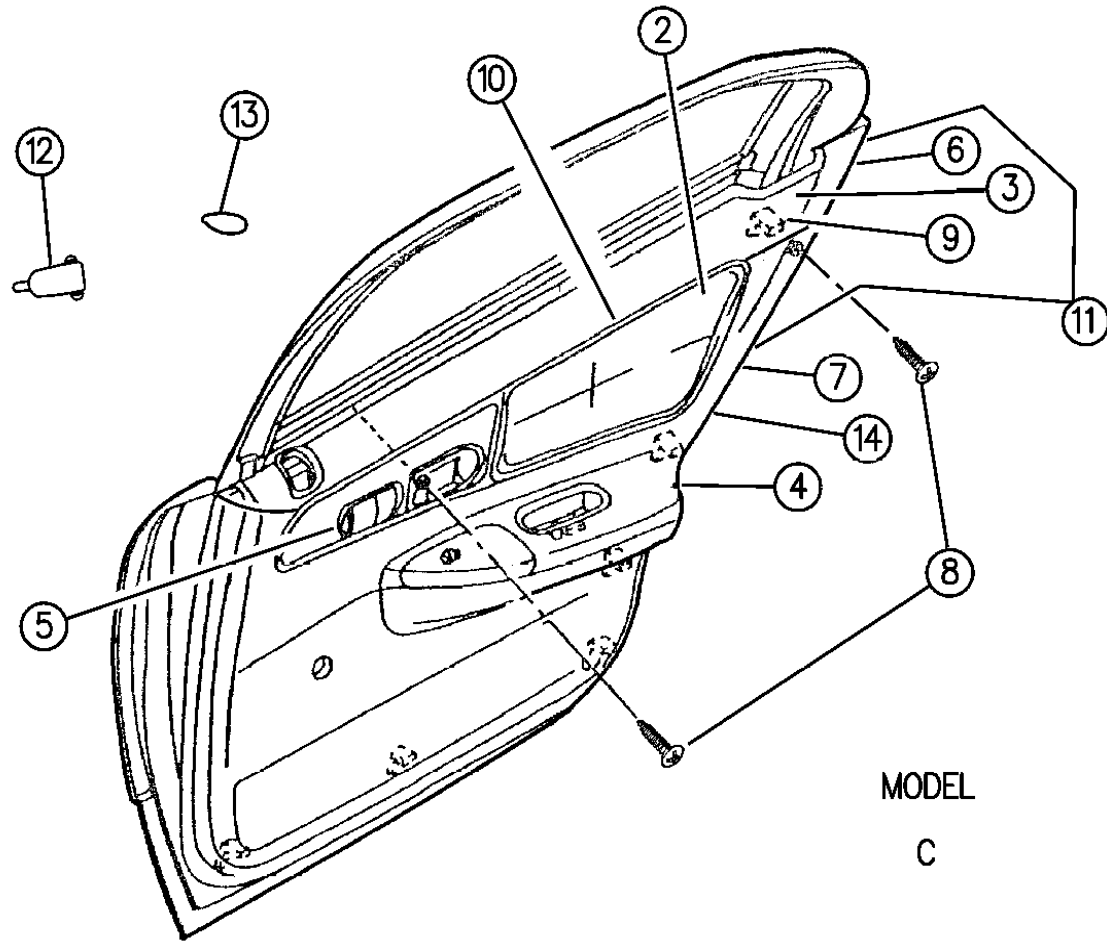
BODY STYLES:

41 = 4 - Door Sedan ENGINE: 3.3L (EGB)
 3.5L (EGE) 24 Valve

AR = Use as Required - = Non Illustrated Part P.A.R. = Paint as Required

DOOR PANEL - REAR LH MODEL - 1996
Figure ITL-427

ITL-427



93430 425
93430 426
93430 427

ITEM	PART NUMBER	QTY	BODY	MODEL	DESCRIPTION
					Right
	PX20 SFZ	1			Agate/Driftwood, (DLAF,NPAF)
	PX20 SWD	1			White/Quartz, (DLAD,JLAD,NPAD)
	PX20 SAZ	1			Agate, (JLAZ,DLAZ)
					Left
	PX21 SFZ	1			Agate/Driftwood, (DLAF,NPAF)
	PX21 SWD	1			White/Quartz, (DLAD,JLAD,NPAD)
	PX21 SAZ	1			Agate, (JLAZ,DLAZ)
12			C		PLUG, Rectangular
	MC40 RDZ	AR			Agate/Quartz
	MC40 RAZ	AR			Agate
	MC40 RFF	AR			Driftwood
	MC40 RP8	AR			Blue Spruce
13			C		PLUG, Door Panel (Rectangular) To Cover Up Screw Holes on LHS
	MC41 RDZ	AR			Agate/Quartz
	MC41 RAZ	AR			Agate
	MC41 RFF	AR			Driftwood
	MC41 RP8	AR			Blue Spruce
14	4758 590-1	1			SILENCER, Rear Door Panel

MODEL CODES:

Chrysler = (CH41 = New Yorker, CP41 = LHS, DH41 = Intrepid(Canada), DP41 = Intrepid ES(Canada), LP41 = Concorde)
DODGE = (DH41 = Intrepid(USA), DP41 = Intrepid ES(USA))
EAGLE = (XP41 = Vision ESI, XS41 = Vision TSI)

BODY STYLES:

41 = 4 - Door Sedan ENGINE: 3.3L (EGB)
3.5L (EGE) 24 Valve

AR = Use as Required - = Non Illustrated Part P.A.R. = Paint as Required

SEAT--FRONT LH BODY TRIM CODES A7,BF,TF
Figure ITL-510

IT-510

ITEM	PART NUMBER	QTY	BODY	MODEL	DESCRIPTION
1					CUSHION, w/Spring/Frame, Pad and Cover
	EV48-9 PB7	1			Cloth and Vinyl Blue, (BFBB)
	EV48-9 PF6	1			Driftwood, (BFFF)
	EV48-9 PD5	1			Quartz, (BFSD)
	EV48-9 RP8	1			Blue Spruce, (BFP8) 1995
	HW56 PB7	1			Blue, (A7BB)
	HW56 PF6	1			Driftwood, (A7FF)
	HW56 PD5	1			Quartz, (A7SD)
	HW56 RP8	1			Blue Spruce, (A7P8) 1995
	EV37 MB7	1			Blue, (A7BB)
	EV37 MF6	1			Driftwood, (A7FF)
	EV37 MD5	1			Quartz, (A7SD)
	EV37 RP8	1			Blue Spruce, (A7P8) 1995
	JN56-7 PB7	1			Cloth Blue, (TFAB)
	JN56-7 PD5	1			Quartz, (TFAD)
	JN56-7 PF6	1			Driftwood, (TFAF)
	JN56-7 RP8	1			Blue Spruce (TFAP) 1995
2					COVER, Cushion
	EV92-3 PB7	1			Cloth and Vinyl Blue, (BFBB)
	EV92-3 PF6	1			Driftwood, (BFFF)
	EV92-3 PD5	1			Quartz, (BFSD)
	EV92-3 RP8	1			Blue Spruce, (BFP8) 1995
	EV68 MB7	2			Blue, (A7BB)
	EV68 MF6	2			Driftwood, (A7FF)
	EV68 MD5	2			Quartz, (A7SD)
	EV68 RP8	2			Blue Spruce, (A7P8) 1995
	JP04-5 PB7	1			Cloth Blue, (TFAB)
	JP04-5 PD5	1			Quartz, (TFAD)
	JP04-5 PF6	1			Driftwood, (TFAF)
	JP04-5 RP8	1			Blue Spruce, (TFAP) 1995
3					BACK, w/Spring/Frame, Pad and Cover
	EV76-7 PB7	1			Cloth and Vinyl Blue, (BFBB)
	EV76-7 PF6	1			Driftwood, (BFFF)
	EV76-7 PD5	1			Quartz, (BFSD)
	EV76-7 RP8	1			Blue Spruce, (BFP8) 1995

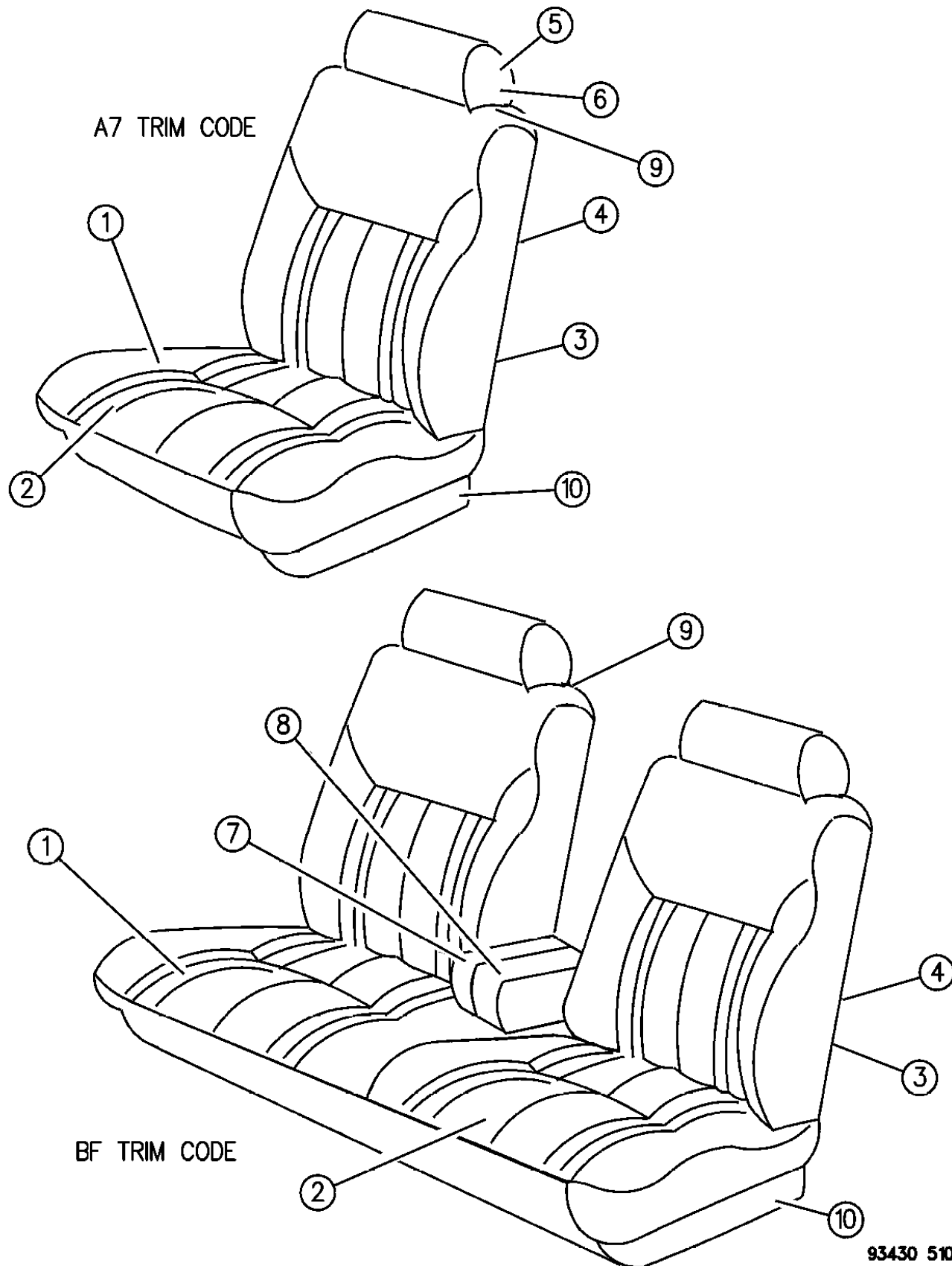
MODEL CODES:

Chrysler = (CH41 = New Yorker, CP41 = LHS, DH41 = Intrepid(Canada), DP41 = Intrepid ES(Canada), LP41 = Concorde)
DODGE = (DH41 = Intrepid(USA), DP41 = Intrepid ES(USA))
EAGLE = (XP41 = Vision ESI, XS41 = Vision TSI)

BODY STYLES:

41 = 4 - Door Sedan ENGINE: 3.3L (EGB)
3.5L (EGE) 24 Valve

AR = Use as Required - = Non Illustrated Part P.A.R. = Paint as Required



93430 510

SEAT--FRONT LH BODY TRIM CODES A7,BF,TF
Figure ITL-510

IT-510

ITEM	PART NUMBER	QTY	BODY	MODEL	DESCRIPTION
	EV64 MB7	2			Blue, (A7BB)
	EV64 MF6	2			Driftwood, (A7FF)
	EV64 MD5	2			Quartz, (A7SD)
	EV64 RP8	2			Blue Spruce, (A7P8) 1995
	JN58-9 PB7	1			Blue, (TFAB)
	JN58-9 PD5	1			Quartz, (TFAD)
	JN58-9 PF6	1			Driftwood, (TFAF)
	JN58-9 RP8	1			Blue Spruce, (TFAP) 1995
4					COVER, Back Cloth and Vinyl
	EV70 PB7	2			Blue, (A7BB,BFBB)
	EV70 PF6	2			Driftwood, (A7FF,BFFF)
	EV70 PD5	2			Quartz, (A7SD,BFSD)
	EV70 RP8	2			Blue Spruce, (A7P8,BFP8) 1995
	JN98 PB7	2			Blue, (TFAB)
	JN98 PD5	2			Quartz, (TFAD)
	JN98 PF6	2			Driftwood, (TFAF)
	KR34 PB7	2			Blue, (TFAB)
	KR34 PD5	2			Quartz, (TFAD)
	KR34 PF6	2			Driftwood, (TFAF)
	KR34 RP8	2			Blue Spruce, (TFAP) 1995
5					HEADREST and COVER 1993
	EW27 MB7	2			Blue, (A7BB,BFBB)
	EW27 MF6	2			Driftwood, (A7FF,BFFF)
	EW27 MD5	2			Quartz, (A7SD,BFSD)
	KN47 PB7	2			Blue, (A7BB,BFBB)
	KN47 PF6	2			Driftwood, (A7FF,BFFF)
	KN47 PD5	2			Quartz, (A7SD,BFSD)
	KN47 RP8	2			Blue Spruce, (A7P8,BFP8) 1995
	KN65 PB7	2			Blue, (TFAD)
	KN65 PF6	2			Driftwood, (TFAF)
	KN65 PD5	2			Quartz, (TFAD)
	KN65 RP8	2			Blue Spruce, (TFAP) 1995
6					COVER, Headrest (Not Serv.)
7					ARMREST and COVER
	EV74 MB7	2			Blue, (BFBB)

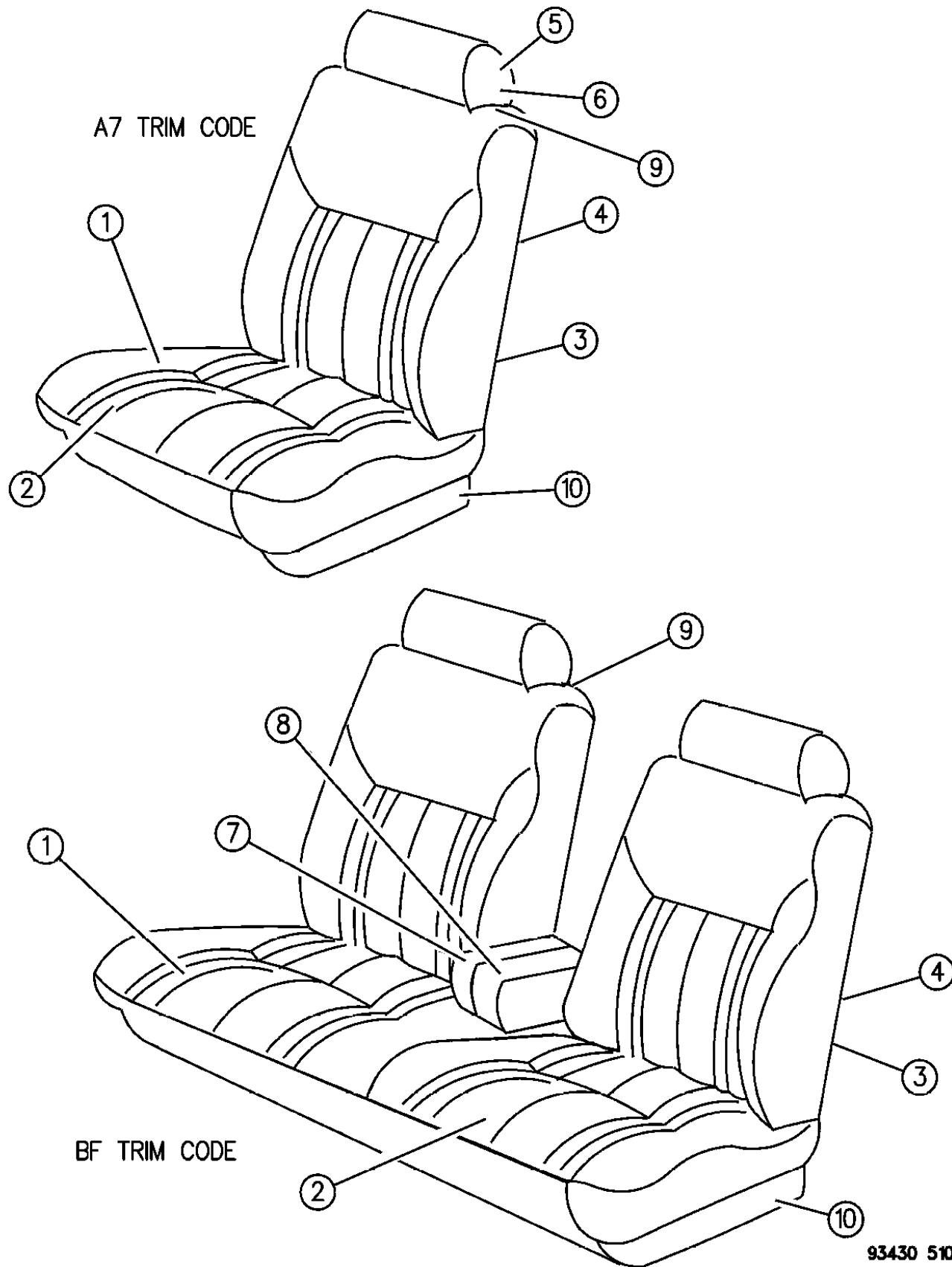
MODEL CODES:

Chrysler = (CH41 = New Yorker, CP41 = LHS, DH41 = Intrepid(Canada), DP41 = Intrepid ES(Canada), LP41 = Concorde)
DODGE = (DH41 = Intrepid(USA), DP41 = Intrepid ES(USA))
EAGLE = (XP41 = Vision ESI, XS41 = Vision TSI)

BODY STYLES:

41 = 4 - Door Sedan ENGINE: 3.3L (EGB)
3.5L (EGE) 24 Valve

AR = Use as Required - = Non Illustrated Part P.A.R. = Paint as Required

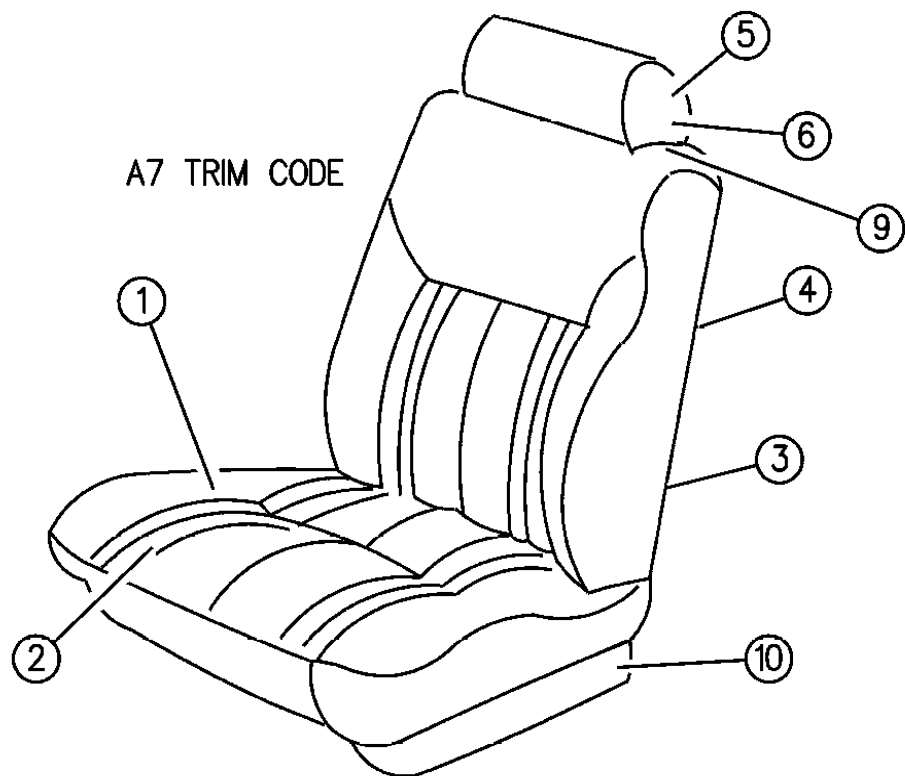


93430 510

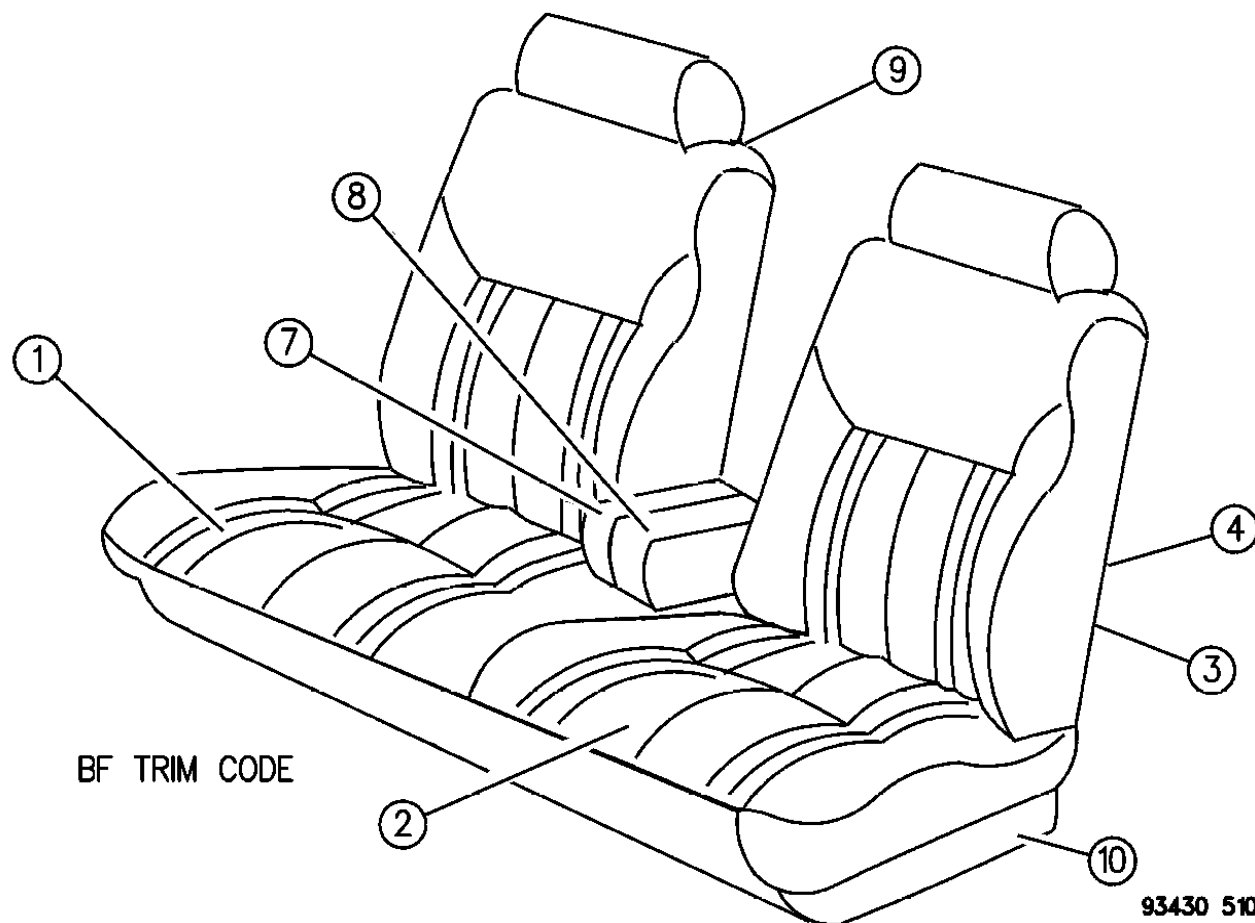
SEAT--FRONT LH BODY TRIM CODES A7,BF,TF
Figure ITL-510

IT-510

ITEM	PART NUMBER	QTY	BODY	MODEL	DESCRIPTION
	EV74 MF6	2			Driftwood, (BFFF)
	EV74 MD5	2			Quartz, (BFSD) w/Cup Holder
	JP12 PB7	2			Blue, (TFAB)
	JP12 PD5	2			Quartz, (TFAD)
	JP12 PF6	2			Driftwood, (TFAF)
	JP12 RP8	2			Blue Spruce, (TFAP) 1995 w/Cup Holder
	JH95 PB7	2			Blue, (BFBB)
	JH95 PD5	2			Quartz, (BFSD)
	JH95 PF6	2			Driftwood, (BFFF)
	JH95 RP8	2			Blue Spruce, (BFP8) 1995
-					CUP HOLDER ***
	QQ82 HD5	1			Quartz
	QQ82 KB7	1			Blue
	QQ82 KMA	1			Red
	QQ82 MF6	1			Driftwood
	QQ82 RP8	1			Blue Spruce
8					COVER, Armrest, (Not Serviced)
9					SLEEVE, Headrest (Not Serv.)
10					SHIELD, Cushion (Manual)
	EW22-3 MB7	1			Blue
	EW22-3 MF6	1			Driftwood
	EW22-3 MD5	1			Quartz
	EW22-3 RP8	1			Blue Spruce



A7 TRIM CODE



BF TRIM CODE

93430 510

MODEL CODES:

Chrysler = (CH41 = New Yorker, CP41 = LHS, DH41 = Intrepid(Canada), DP41 = Intrepid ES(Canada), LP41 = Concorde)
DODGE = (DH41 = Intrepid(USA), DP41 = Intrepid ES(USA))
EAGLE = (XP41 = Vision ESI, XS41 = Vision TSI)

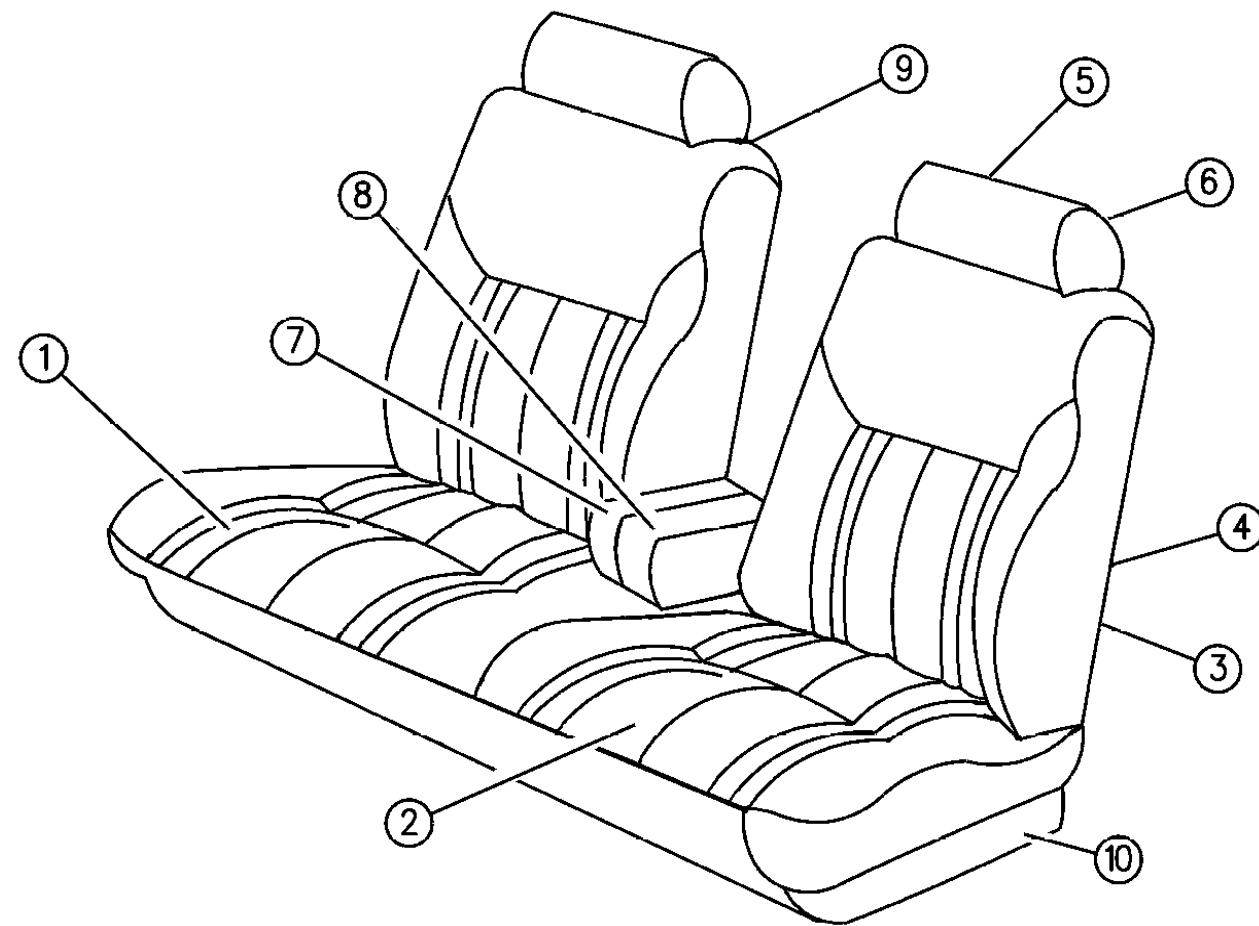
BODY STYLES:

41 = 4 - Door Sedan ENGINE: 3.3L (EGB)
3.5L (EGE) 24 Valve

AR = Use as Required - = Non Illustrated Part P.A.R. = Paint as Required

SEAT--FRONT LH BODY TRIM CODES RF,YF,MP
Figure ITL-512

ITL-512



ITEM	PART NUMBER	QTY	BODY	MODEL	DESCRIPTION
1					CUSHION, w/Spring/Frame, Pad and Cover
	PL00-1 SD5	1			Quartz, (RFSD)
	PL00-1 SF6	1			Driftwood, (RFFF)
	PL00-1 SP8	1			Blue Spruce, (RFP8)
	PL20-1 SD5	1			Quartz, (YFAD)
	PL20-1 SF6	1			Driftwood, (YFAF)
	PL20-1 SP8	1			Blue Spruce, (YFP8)
					Right
	QB52 SD5	1			Quartz, (MPAD)
	QB52 SF6	1			Driftwood, (MPAF)
					Left
	QB53 SD5	1			Quartz, (MPAD)
	QB53 SF6	1			Driftwood, (MPAF)
2					COVER, Cushion
	PL52-3 SD5	1			Quartz, (RFSD)
	PL52-3 SF6	1			Driftwood, (RFFF)
	PL52-3 SP8	1			Blue Spruce, (RFP8)
	PL56-7 SD5	1			Quartz, (YFAD)
	PL56-7 SF6	1			Driftwood, (YFAF)
	PL56-7 SP8	1			Blue Spruce, (YFP8)
					Right
	QB54 SD5	1			Quartz, (MPAD)
	QB54 SF6	1			Driftwood, (MPAF)
					Left
	QB55 SD5	1			Quartz, (MPAD)
	QB55 SF6	1			Driftwood, (MPAF)
3					BACK, w/Spring/Frame, Pad and Cover
	PK98-9 SD5	1			Quartz, (RFSD)
	PK98-9 SF6	1			Driftwood, (RFFF)
	PK98-9 SP8	1			Blue Spruce, (RFP8)
	PL18-9 SD5	1			Quartz, (YFAD)
	PL18-9 SF6	1			Driftwood, (YFAF)
	PL18-9 SP8	1			Blue Spruce, (YFP8)
					Right
	QB50 SD5	1			Quartz, (MPAD)
	QB50 SF6	1			Driftwood, (MPAF)
					Left
	QB51 SD5	1			Quartz, (MPAD)
	QB51 SF6	1			Driftwood, (MPAF)
4					COVER, Back
	PL28 SD5	2			Quartz, (RFSD)
	PL28 SF6	2			Driftwood, (RFFF)

MODEL CODES:

Chrysler = (CH41 = New Yorker, CP41 = LHS, DH41 = Intrepid(Canada), DP41 = Intrepid ES(Canada), LP41 = Concorde)
DODGE = (DH41 = Intrepid(USA), DP41 = Intrepid ES(USA))
EAGLE = (XP41 = Vision ESI, XS41 = Vision TSI)

BODY STYLES:

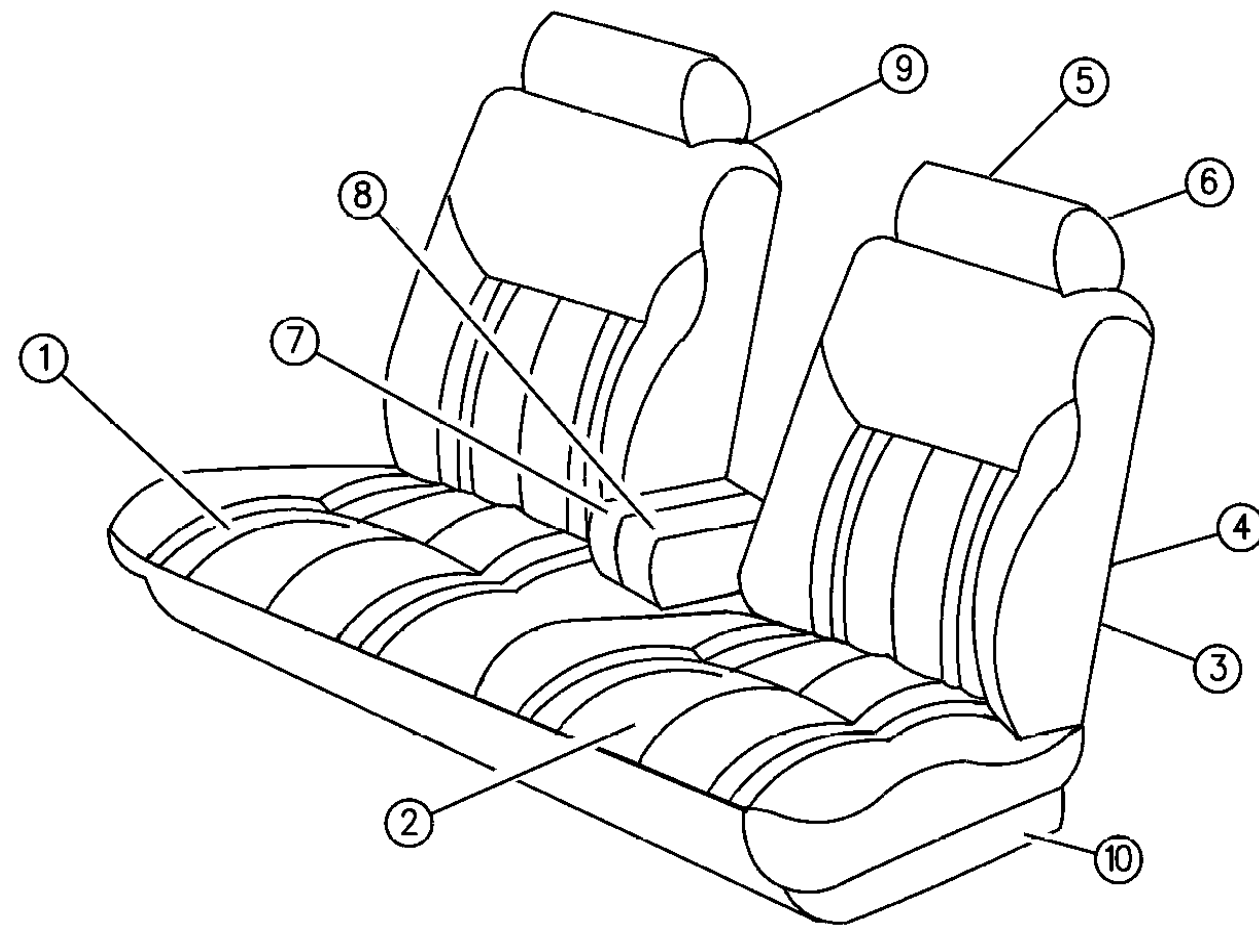
41 = 4 - Door Sedan ENGINE: 3.3L (EGB)
3.5L (EGE) 24 Valve

93430 512

AR = Use as Required - = Non Illustrated Part P.A.R. = Paint as Required

SEAT--FRONT LH BODY TRIM CODES RF,YF,MP
Figure ITL-512

ITL-512



ITEM	PART NUMBER	QTY	BODY	MODEL	DESCRIPTION
	PL28 SP8	2			Blue Spruce, (RFP8)
	PL44 SD5	2			Quartz, (YFAD)
	PL44 SF6	2			Driftwood, (YFAF)
	PL44 SP8	2			Blue Spruce, (YFP8)
	QB45 SD5	2			Quartz, (MPAD)
	QB45 SF6	2			Driftwood, (MPAF)
5					HEADREST and COVER
	PK90 SD5	2			Quartz, (RFSD)
	PK90 SF6	2			Driftwood, (RFFF)
	PK90 SP8	2			Blue Spruce, (RFP8)
	PK92 SD5	2			Quartz, (YFAD)
	PK92 SF6	2			Driftwood, (YFAF)
	PK92 SP8	2			Blue Spruce, (YFAP)
	KN63 PLD	2			Quartz, (MPAD)
	KN63 PLF	2			Driftwood, (MPAF)
6					COVER, Headrest (Not Serv.)
7					ARMREST and COVER
					w/Cupholder
	PL70 SD5	2			Quartz, (RFSD)
	PL70 SF6	2			Driftwood, (RFFF)
	PL70 SP8	2			Blue Spruce, (RFP8)
	PL71 SD5	2			Quartz, (YFAD)
	PL71 SF6	2			Driftwood, (YFAF)
	PL71 SP8	2			Blue Spruce, (YFAP)
	PY16 SD5	2			Quartz, (MPAD)
	PY16 SF6	2			Driftwood, (MPAF)
8					CUP HOLDER ***
	QQ82 HD5	1			Quartz
	QQ82 MF6	1			Driftwood
	QQ82 RP8	1			Blue Spruce
8					COVER, Armrest (Not Serv.)
9					SLEEVE, Headrest (Not Serv.)
10					SHIELD, Cushion
	EW22-3 MF6	1			Driftwood
	EW22-3 MD5	1			Quartz
	EW22-3 RP8	1			Blue Spruce

93430 512

MODEL CODES:

Chrysler = (CH41 = New Yorker, CP41 = LHS, DH41 = Intrepid(Canada), DP41 = Intrepid ES(Canada), LP41 = Concorde)
 DODGE = (DH41 = Intrepid(USA), DP41 = Intrepid ES(USA))
 EAGLE = (XP41 = Vision ESI, XS41 = Vision TSI)

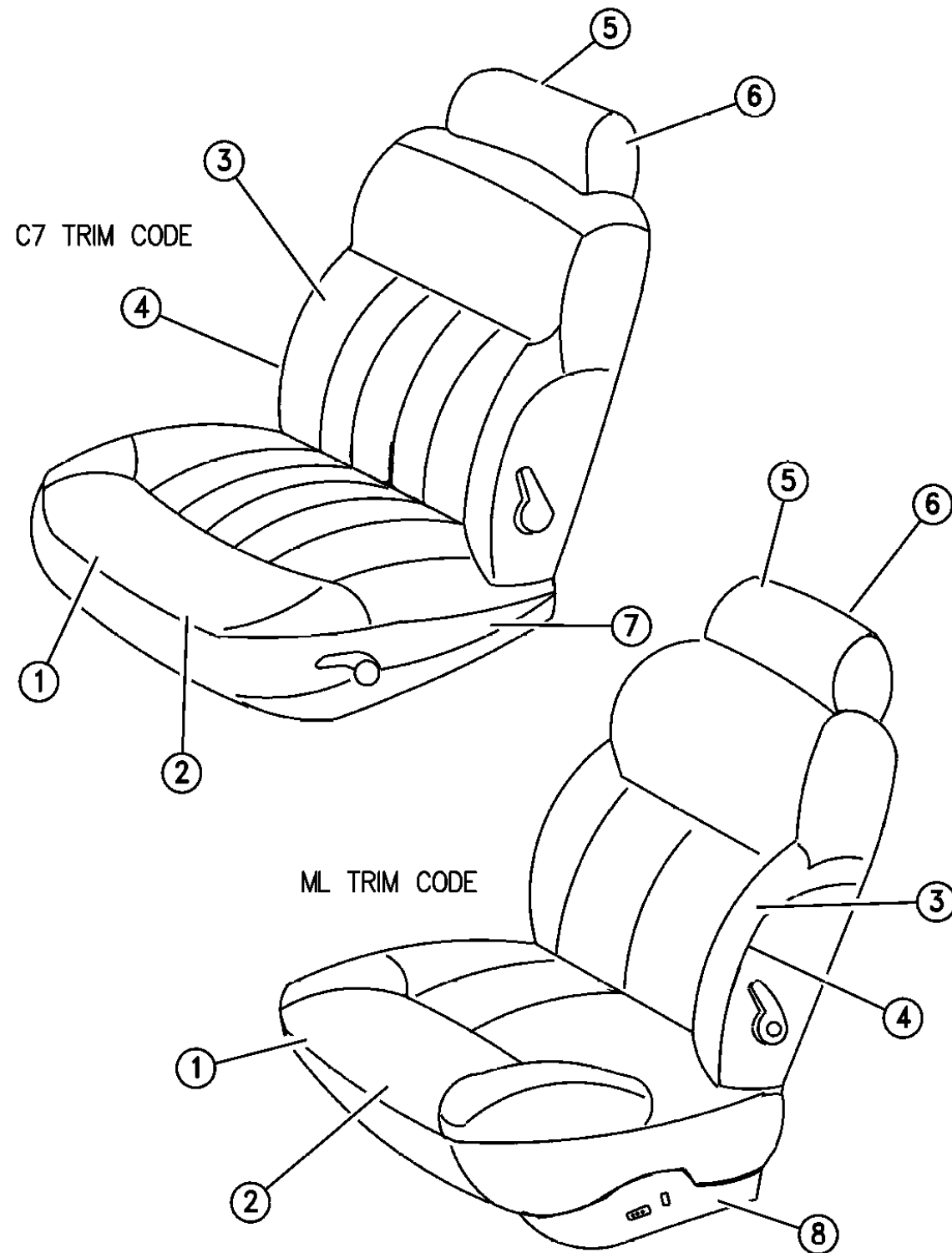
BODY STYLES:

41 = 4 - Door Sedan ENGINE: 3.3L (EGB)
 3.5L (EGE) 24 Valve

AR = Use as Required - = Non Illustrated Part P.A.R. = Paint as Required

SEAT - FRONT LH BODY TRIM CODES C7,ML
Figure ITL-520

IT-520



93430 520

ITEM	PART NUMBER	QTY	BODY	MODEL	DESCRIPTION
	EV94 MF6	2			Driftwood, (C7FF)
	EV94 MD5	2			Quartz, (C7SD)
	EV94 RP8	2			Blue, Spruce, (C7P8)
	EV94 SP9	2			Blue Spruce, (C7P8) Use After 1-31-96
	EW02 MB7	2			Leather - 1993
	EW02 MF6	2			Blue, (MLBB)
	EW02 MD5	2			Driftwood, (MLFF)
					Quartz, (MLSD)
					Leather - 1994-95-96
					(Use Up To 11-14-95)
	EW02 PLB	2			Blue, (MLBB)
	EW02 PLF	2			Driftwood, (MLFF)
	EW02 PLD	2			Quartz, (MLSD)
	EW02 RP8	2			Blue Spruce, (MLP8) 1995-96
					1996 - (Use After 11-14-95)
	QB32 SFF	2			Driftwood, (MLFF)
	QB32 SLD	2			Quartz, (MLSD)
	QB32 SPP	2			Turquoise, (MLP8)
3					BACK, w/Spring/Frame, Pad and Cover
					Cloth and Vinyl
					1993
	EV78-9 MB7	1			Blue, (C7BB)
	EV78-9 MF6	1			Driftwood, (C7FF)
	EV78-9 MD5	1			Quartz, (C7SD)
					1994-95-96
	KR74-5 PD5	1			Quartz, (C7SD)
	KR74-5 PF6	1			Driftwood, (C7FF)
	KR74-5 RP8	1			Blue Spruce, (C7P8)
	KR74-5 SP9	1			Med. Blue Spruce, (C7P8) Use After 1-30-96
					Leather
					1993
	EV82-3 MB7	1			Blue, (MLBB)
	EV82-3 MF6	1			Driftwood, (MLFF)
	EV82-3 MD5	1			Quartz, (MLSD)
					1994-95-96
					(Use Up To 11-14-95)
	KR04-5 PLD	1			Quartz, (MLSD)
	KR04-5 PLF	1			Driftwood, (MLFF)
	KR04-5 RP8	1			Blue Spruce, (MLP8) 1995-96
					1996 - (Use After 11-14-95)
	QB28-9 SFF	1			Driftwood, (MLFF)
	QB28-9 SLD	1			Quartz, (MLSD)

MODEL CODES:

Chrysler = (CH41 = New Yorker, CP41 = LHS, DH41 = Intrepid(Canada), DP41 = Intrepid ES(Canada), LP41 = Concorde)
 DODGE = (DH41 = Intrepid(USA), DP41 = Intrepid ES(USA))
 EAGLE = (XP41 = Vision ESI, XS41 = Vision TSI)

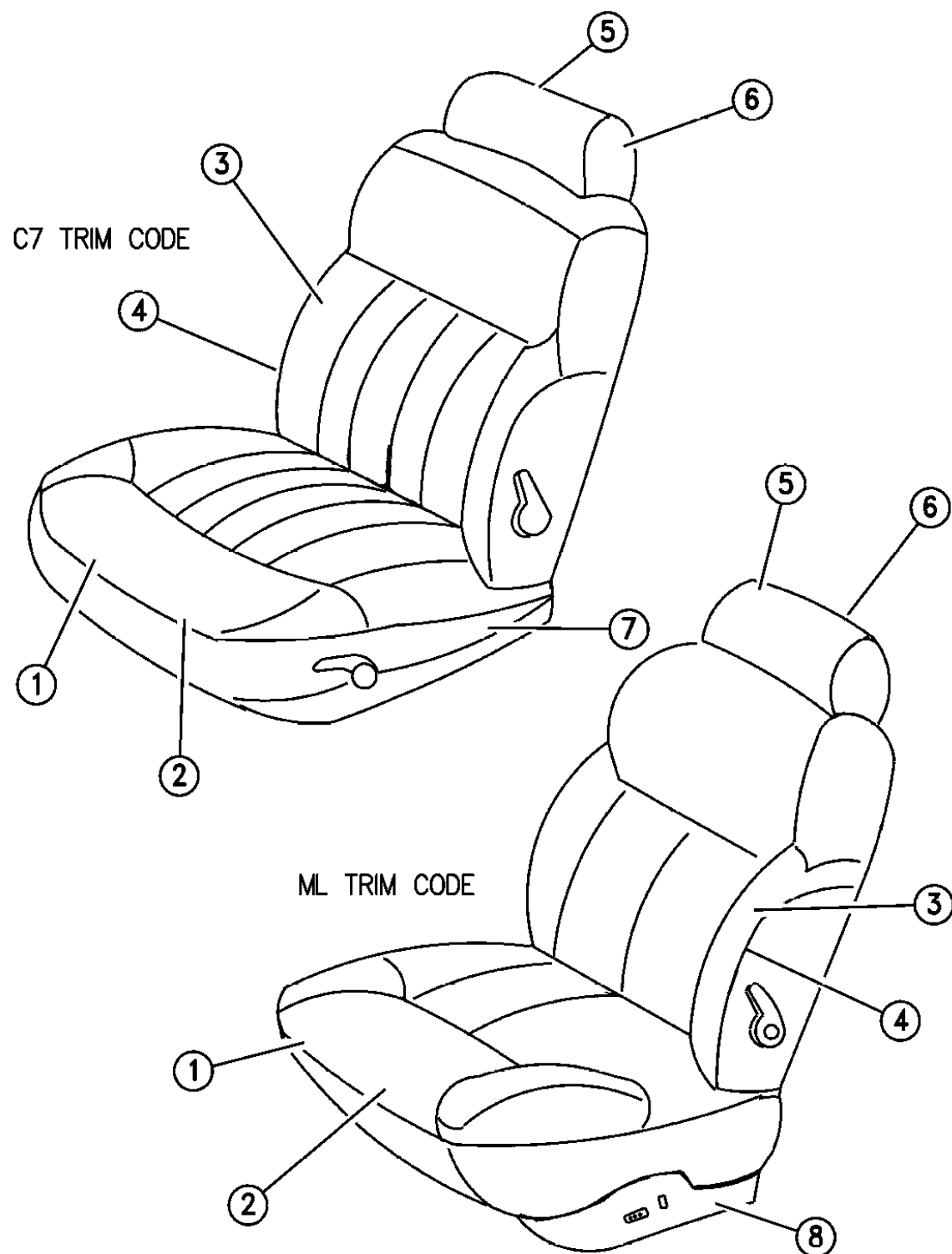
BODY STYLES:

41 = 4 - Door Sedan ENGINE: 3.3L (EGB)
 3.5L (EGE) 24 Valve

AR = Use as Required - = Non Illustrated Part P.A.R. = Paint as Required

SEAT - FRONT LH BODY TRIM CODES C7,ML
Figure ITL-520

IT-520



93430 520

ITEM	PART NUMBER	QTY	BODY	MODEL	DESCRIPTION
	QB28-9 SPP	1			Turquoise, (MLP8)
4					COVER, Back 1993 Cloth and Vinyl Blue, (C7BB)
	EV96 MB7	2			Driftwood, (C7FF)
	EV96 MF6	2			Quartz, (C7SD)
	EV96 MD5	2			1994-95-96 Quartz, (C7SD)
	KR07 PD5	2			Driftwood, (C7FF)
	KR07 PF6	2			Blue Spruce, (C7P8)
	KR07 RP8	2			Med. Blue Spruce, (C7P8) Use After 1-30-96
	KR07 SP9	1			Leather 1993 Blue, (MLBB)
	EW03 MB7	2			Driftwood, (MLFF)
	EW03 MF6	2			Quartz, (MLSD)
	EW03 MD5	2			1994-95-96 (Use Up To 11-14-95) Quartz, (MLSD)
	KR35 PLD	2			Driftwood, (MLFF)
	KR35 PLF	2			Blue Spruce, (MLP8) 1995
	KR35 RP8	2			1996 - (Use After 11-14-95)
	QB25 SFF	2			Driftwood, (MLFF)
	QB25 SLD	2			Quartz, (MLSD)
	QB25 SPP	2			Turquoise, (MLP8)
5					HEADREST and COVER Cloth and Vinyl 1993 Blue, (C7BB)
	EW28 MB7	2			Driftwood, (C7FF)
	EW28 MF6	2			Quartz, (C7SD)
	EW28 MD5	2			1994-95-96 Driftwood, (C7FF)
	KN61 PF6	2			Quartz, (C7SD)
	KN61 PD5	2			Blue Spruce, (C7P8)
	KN61 RP8	2			Med. Blue Spruce, (C7P8) Use After 1-30-96
	KN61 SP9	2			Leather 1993 Blue, (MLBB)
	EW30 MB7	2			Driftwood, (MLFF)
	EW30 MF6	2			Quartz, (MLSD)
	EW30 MD5	2			

MODEL CODES:

Chrysler = (CH41 = New Yorker, CP41 = LHS, DH41 = Intrepid(Canada), DP41 = Intrepid ES(Canada), LP41 = Concorde)
DODGE = (DH41 = Intrepid(USA), DP41 = Intrepid ES(USA))
EAGLE = (XP41 = Vision ESI, XS41 = Vision TSI)

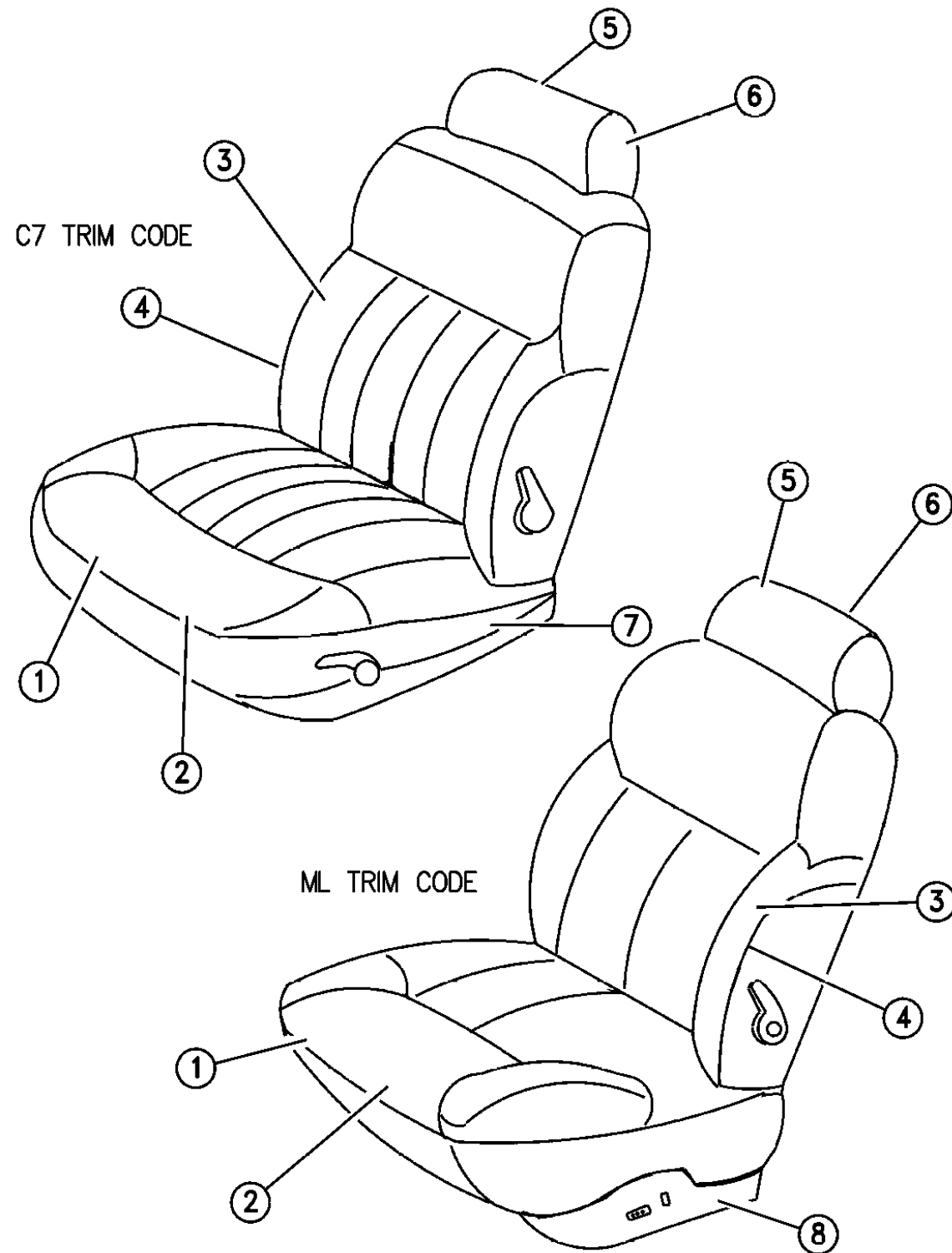
BODY STYLES:

41 = 4 - Door Sedan ENGINE: 3.3L (EGB)
3.5L (EGE) 24 Valve

AR = Use as Required - = Non Illustrated Part P.A.R. = Paint as Required

SEAT - FRONT LH BODY TRIM CODES C7,ML
Figure ITL-520

IT-520



93430 520

ITEM	PART NUMBER	QTY	BODY	MODEL	DESCRIPTION
					1994-95-96
	KN63 PLD	2			Quartz, (MLSD)
	KN63 PLF	2			Driftwood, (MLFF)
	KN63 RP8	2			Blue Spruce, (MLP8) 1995
6					COVER, Headrest (Not Serv.)
7					SHIELD, Cushion
	EW22-3 MB7	1			Blue, (C7BB)
	EW22-3 MF6	1			Driftwood, (C7FF)
	EW22-3 MD5	1			Quartz, (C7SD)
	EW22-3 RP8	1			Blue Spruce, (C7P8) 1995-96
8					SHIELD, Cushion (Power)
					Outboard - Passenger
	EW24 MB7	1			Blue, (MLBB)
	EW24 MF6	1			Driftwood, (MLFF)
	EW24 MD5	1			Quartz, (MLSD)
	EW24 RP8	1			Blue Spruce, (MLP8) 1995-96
					Outboard - Driver
	EW25 MB7	1			Blue, (C7BB,MLBB)
	EW25 MF6	1			Driftwood, (C7FF,MLFF)
	EW25 MD5	1			Quartz, (C7SD,MLSD)
	EW25 RP8	1			Blue Spruce, (C7P8,MLP8) 1995-96

MODEL CODES:

Chrysler = (CH41 = New Yorker, CP41 = LHS, DH41 = Intrepid(Canada), DP41 = Intrepid ES(Canada), LP41 = Concorde)
 DODGE = (DH41 = Intrepid(USA), DP41 = Intrepid ES(USA))
 EAGLE = (XP41 = Vision ESI, XS41 = Vision TSI)

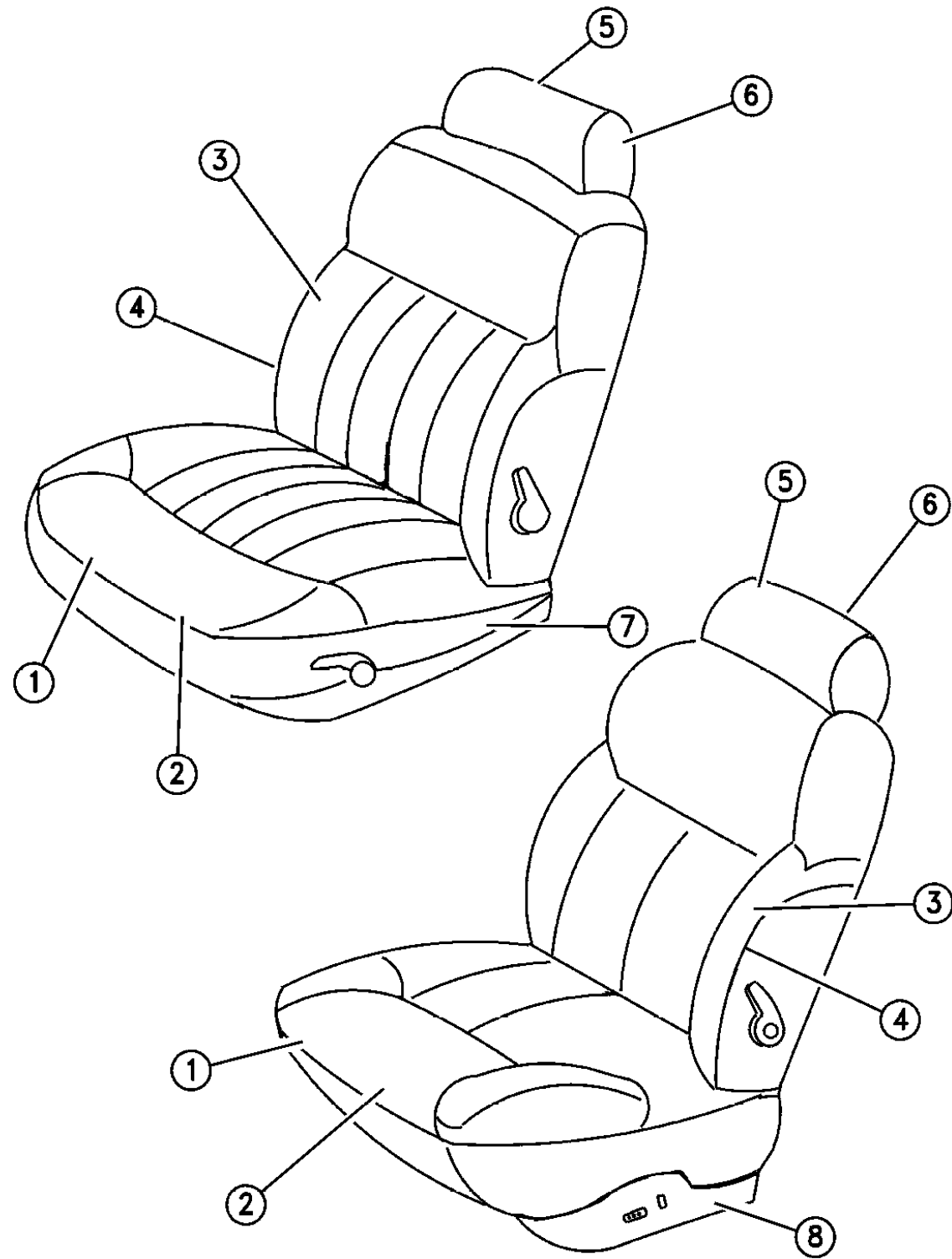
BODY STYLES:

41 = 4 - Door Sedan ENGINE: 3.3L (EGB)
 3.5L (EGE) 24 Valve

AR = Use as Required - = Non Illustrated Part P.A.R. = Paint as Required

SEAT--FRONT LH BODY TRIM CODES L7,J7,Q7
Figure ITL-522

ITL-522



ITEM	PART NUMBER	QTY	BODY	MODEL	DESCRIPTION
1	CUSHION, w/Spring/Frame, Pad and Cover				
	PK96-7 SD5	1			Quartz, (L7SD)
	PK96-7 SF6	1			Driftwood, (L7FF)
	PK96-7 SP8	1			Blue Spruce, (L7P8)
	PL04-5 SD5	1			Quartz, (Q7AD)
	PL04-5 SF6	1			Driftwood, (Q7FF)
	PL12-3 SD5	1			Quartz, (J7AD)
	PL12-3 SF6	1			Driftwood, (J7FF)
PL12-3 SP8	1			Blue Spruce, (J7AP)	
2	COVER, Cushion				
	PL31 SD5	2			Quartz, (L7SD)
	PL31 SF6	2			Driftwood, (L7FF)
	PL31 SP8	2			Blue Spruce, (L7P8)
	PL45 SD5	2			Quartz, (Q7AD)
	PL45 SF6	2			Driftwood, (Q7AF)
	PL43 SD5	2			Quartz, (J7AD)
	PL43 SF6	2			Driftwood, (J7AF)
PL43 SP8	2			Blue Spruce, (J7AP)	
3	BACK, w/Spring/Frame, Pad and Cover				
	PK94 SD5	2			Quartz, (L7SD)
	PK94 SF6	2			Driftwood, (L7FF)
	PK94 SP8	2			Blue Spruce, (L7P8)
	PL08-9 SD5	1			Quartz, (Q7SD)
	PL08-9 SF6	1			Driftwood, (Q7AF)
	PL10-1 SD5	1			Quartz, (J7AD)
	PL10-1 SF6	1			Driftwood, (J7AF)
PL10-1 SP8	1			Blue Spruce, (J7AP)	
4	COVER, Back				
	PL28 SD5	2			Quartz, (L7SD)
	PL28 SF6	2			Driftwood, (L7FF)
	PL28 SP8	2			Blue Spruce, (L7P8)
	PL47 SD5	2			Quartz, (Q7AD)
	PL47 SF6	2			Driftwood, (Q7AF)
	PL42 SD5	2			Quartz, (J7AD)
	PL42 SF6	2			Driftwood, (J7AF)
PL42 SP8	2			Blue Spruce, (J7AP)	
5	HEADREST and COVER				
	PK90 SD5	2			Quartz, (L7SD)
	PK90 SF6	2			Driftwood, (L7FF)
	PK90 SP8	2			Blue Spruce, (L7P8)
	PD12 SD5	2			Quartz, (Q7AD)
	PD12 SF6	2			Driftwood, (Q7AF)

MODEL CODES:

Chrysler = (CH41 = New Yorker, CP41 = LHS, DH41 = Intrepid(Canada), DP41 = Intrepid ES(Canada), LP41 = Concorde)
DODGE = (DH41 = Intrepid(USA), DP41 = Intrepid ES(USA))
EAGLE = (XP41 = Vision ESI, XS41 = Vision TSI)

BODY STYLES:

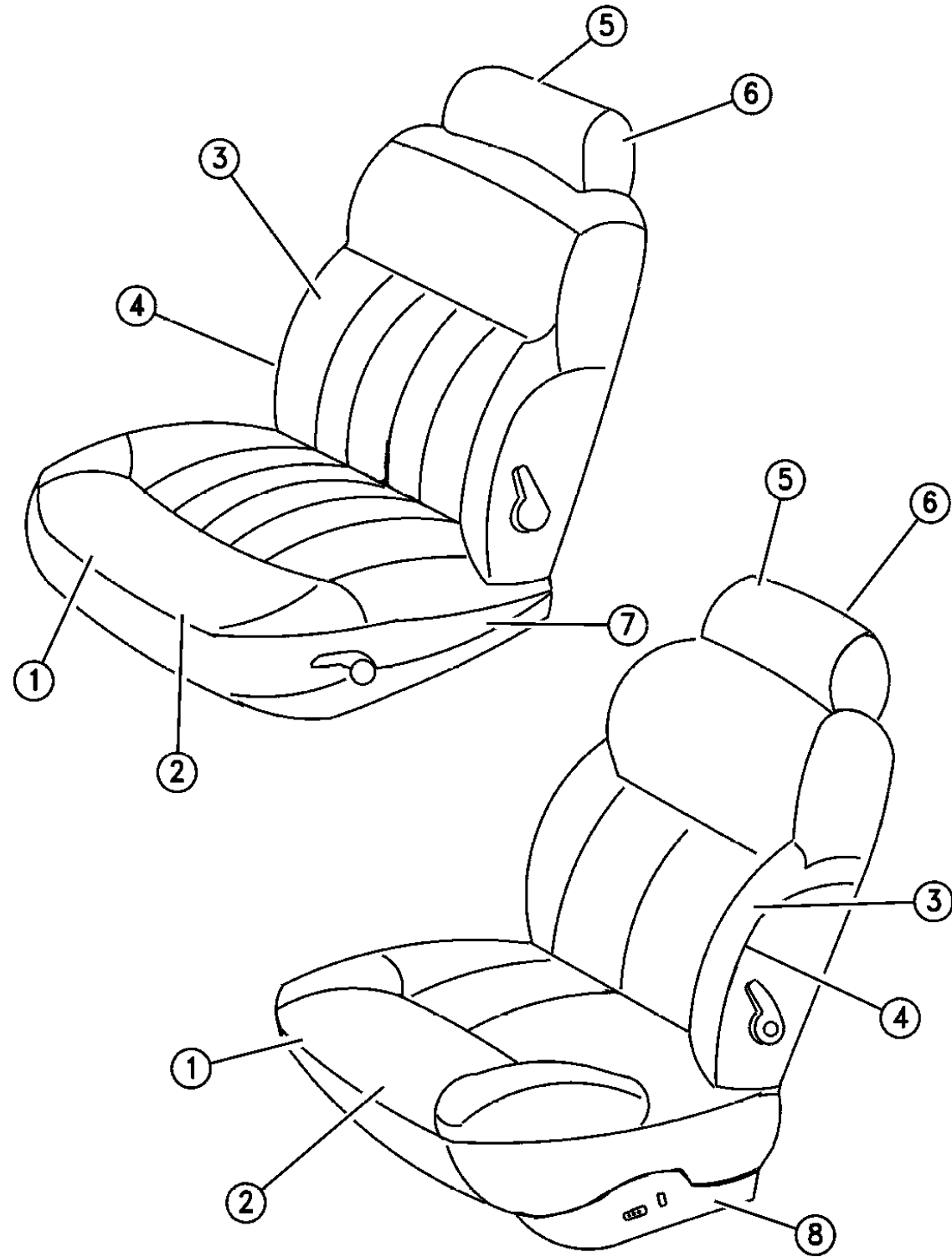
41 = 4 - Door Sedan ENGINE: 3.3L (EGB)
3.5L (EGE) 24 Valve

93430 522

AR = Use as Required - = Non Illustrated Part P.A.R. = Paint as Required

SEAT--FRONT LH BODY TRIM CODES L7,J7,Q7
Figure ITL-522

ITL-522



ITEM	PART NUMBER	QTY	BODY	MODEL	DESCRIPTION
	KN61 RP8	2			Blue Spruce, (C7P8)
	PK92 SD5	2			Quartz, (J7AD)
	PK92 SF6	2			Driftwood, (J7AF)
	PK92 SP8	2			Blue Spruce, (J7AP)
6					COVER, Headrest (Not Serv.)
7					SHIELD, Cushion
	EW22-3 MF6	1			Driftwood
	EW22-3 MD5	1			Quartz
	EW22-3 RP8	1			Blue Spruce
8					SHIELD, Cushion (POWER)
	EW24 MD5	1			Outboard - Passenger (P.A.R.)
					Outboard - Driver
	EW25 MF6	1			Driftwood
	EW25 MD5	1			Quartz
	EW25 RP8	1			Blue Spruce

MODEL CODES: _____
 Chrysler = (CH41 = New Yorker, CP41 = LHS, DH41 = Intrepid(Canada), DP41 = Intrepid ES(Canada), LP41 = Concorde)
 DODGE = (DH41 = Intrepid(USA), DP41 = Intrepid ES(USA))
 EAGLE = (XP41 = Vision ESI, XS41 = Vision TSI)

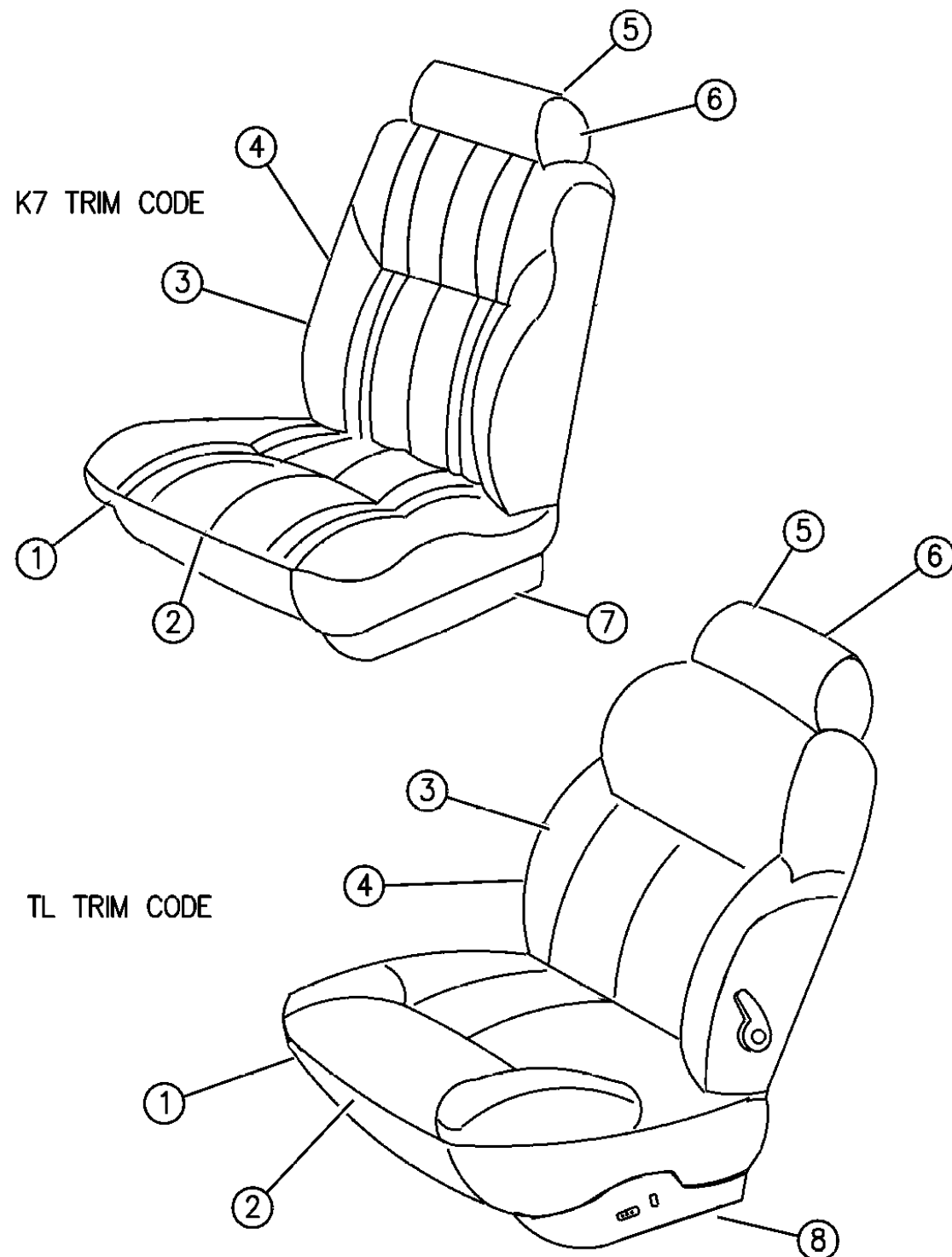
BODY STYLES: _____
 41 = 4 - Door Sedan ENGINE: 3.3L (EGB)
 3.5L (EGE) 24 Valve

93430 522

AR = Use as Required - = Non Illustrated Part P.A.R. = Paint as Required

SEAT--FRONT LH BODY TRIM CODES FL,K7,TL
Figure ITL-530

IT-530



ITEM	PART NUMBER	QTY	BODY	MODEL	DESCRIPTION
1					CUSHION, w/Spring/Frame, Pad and Cover
					Cloth
					Right
	HR16 MB7	1			Blue, (K7AB)
	HR16 MD5	1			Quartz, (K7AD)
	HR16 MF6	1			Driftwood, (K7AF) 1993
	HR16 PF6	1			Driftwood, (K7AF) 1994-95
	HR16 RP8	1			Blue Spruce, (K7AP) 1995
					Left
	HW79 MB7	1			Blue, (K7AB)
	HW79 MD5	1			Quartz, (K7AD)
	HW79 MF6	1			Driftwood, (K7AF) 1993
	HW79 PF6	1			Driftwood, (K7AF) 1994-95
	HW79 RP8	1			Blue Spruce, (K7AP) 1995
					Leather
					1993,94,95,96
	EV54 MB7	2			Blue, (TLAB)
	EV54 MF6	2			Driftwood, (TLAF)
	EV54 MD5	2			Quartz, (TLAD)
	EV54 RP8	2			Blue Spruce, (TLAP) 1995-96
					1996 - (Use After 11-14-95)
	QB30-1 SFF	1			Driftwood, (TLAF)
	QB30-1 SLD	1			Quartz, (TLAD)
	QB30-1 SPP	1			Turquoise, (TLAP)
					(Use Up To 11-14-95)
					Right
	JN45 PD5	1			Quartz, (FLAD)
	JN45 PF6	1			Driftwood, (FLAF)
					Left
	JN48 PD5	1			Quartz, (FLAD)
	JN48 PF6	1			Driftwood, (FLAF)
					(Use After 11-14-95)
	QB30-1 SFF	1			Driftwood, (FLAF)
	QB30-1 SLD	1			Quartz, (FLAD)
2					COVER, Cushion
					Cloth
	HR19 MB7	2			Blue, (K7AB)
	HR19 MD5	2			Quartz, (K7AD,FLAD)
	HR19 MF6	2			Driftwood, (FLAF) 1993-94
	HR19 MF6	2			Driftwood, (K7AF) 1993
	HR19 PF6	2			Driftwood, (K7AF) 1994-95
	HR19 RP8	2			Blue Spruce, (K7AP) 1995-96

MODEL CODES: _____
 Chrysler = (CH41 = New Yorker, CP41 = LHS, DH41 = Intrepid(Canada), DP41 = Intrepid ES(Canada), LP41 = Concorde)
 DODGE = (DH41 = Intrepid(USA), DP41 = Intrepid ES(USA))
 EAGLE = (XP41 = Vision ESI, XS41 = Vision TSI)

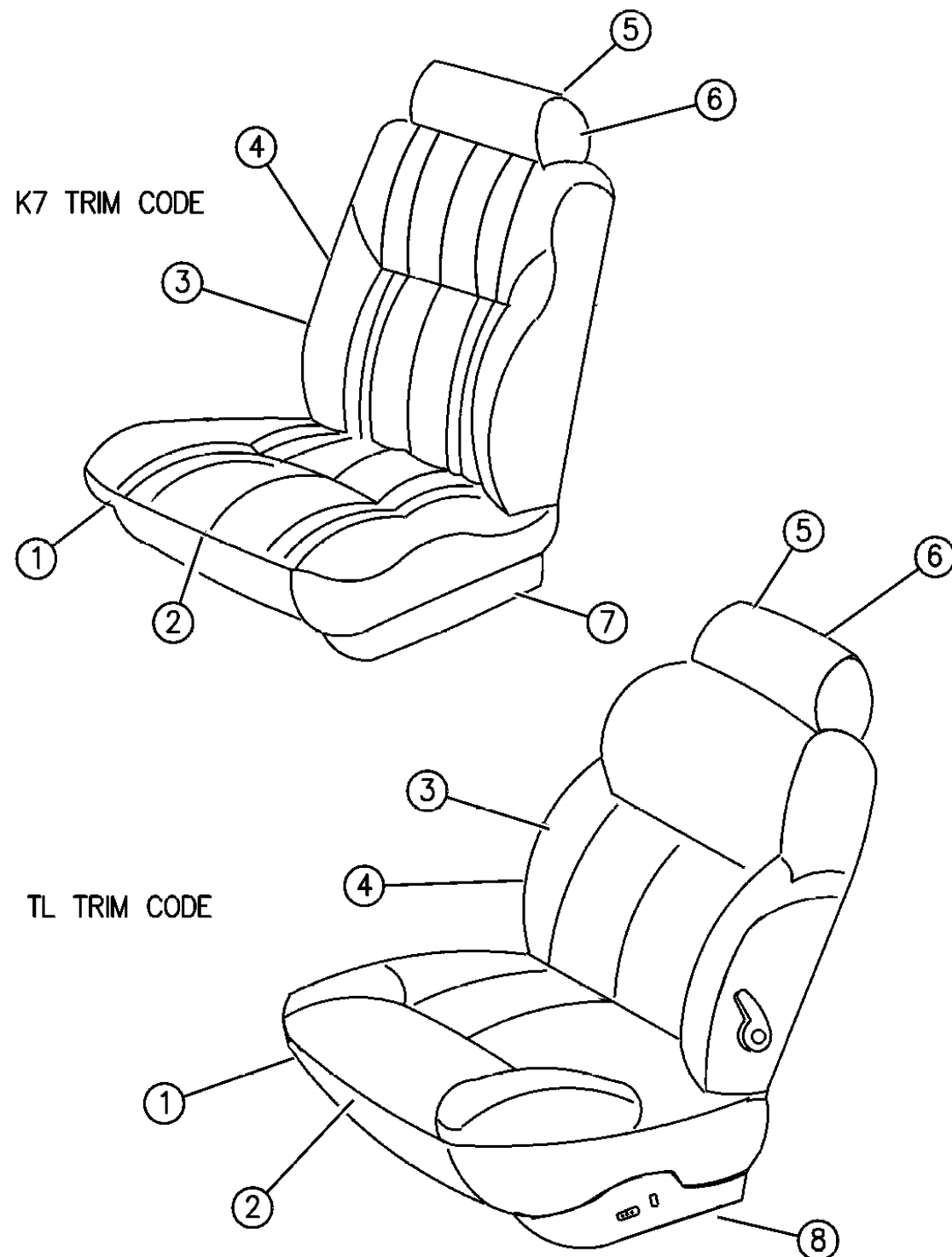
BODY STYLES: _____
 41 = 4 - Door Sedan ENGINE: 3.3L (EGB)
 3.5L (EGE) 24 Valve

93430 530

AR = Use as Required - = Non Illustrated Part P.A.R. = Paint as Required

SEAT--FRONT LH BODY TRIM CODES FL,K7,TL
Figure ITL-530

IT-530



ITEM	PART NUMBER	QTY	BODY	MODEL	DESCRIPTION
					Leather
					1993
	EW02 MB7	2			Blue, (TLAB)
	EW02 MF6	2			Driftwood, (TLAF,FLAF)
	EW02 MD5	2			Quartz, (TLAD,FLAD)
					1994-95-96 (Use Up To 11-14-95)
	EW02 PLB	2			Blue, (TLAB)
	EW02 PLF	2			Driftwood, (TLAF)
	EW02 PLD	2			Quartz, (TLAD)
	EW02 RP8	2			Blue Spruce, (TLAP) 1995-96 1996 - (Use After 11-14-95)
	QB32 SFF	2			Driftwood, (TLAF)
	QB32 SLD	2			Quartz, (TLAD)
	QB32 SPP	2			Turquoise, (TLAP) (Use Up To 11-14-95)
	EW02 PLD	2			Quartz, (FLAD)
	EW02 PLF	2			Driftwood, (FLAF) (Use After 11-14-95)
	QB32 SFF	2			Driftwood, (FLAF)
	QB32 SLD	2			Quartz, (FLAD)
3					BACK, w/Spring/Frame, Pad and Cover
					Cloth
					1993
					Right
	HR17 MB7	1			Blue, (K7AB)
	HR17 MD5	1			Quartz, (K7AD)
	HR17 MF6	1			Driftwood, (K7AF)
					Left
	HW01 MB7	1			Blue, (K7AB)
	HW01 MD5	1			Quartz, (K7AD)
	HW01 MF6	1			Driftwood, (K7AF)
					1994-95
	KR76-7 PB7	1			Blue, (K7AB)
	KR76-7 PD5	1			Quartz, (K7AD)
	KR76-7 PF6	1			Driftwood, (K7AF)
	KR76-7 RP8	1			Blue Spruce, (K7AP) 1995
					Leather
					1993
	EV82-3 MB7	1			Blue, (TLAB)
	EV82-3 MF6	1			Driftwood, (TLAF)
	EV82-3 MD5	1			Quartz, (TLAD)

MODEL CODES:

Chrysler = (CH41 = New Yorker, CP41 = LHS, DH41 = Intrepid(Canada), DP41 = Intrepid ES(Canada), LP41 = Concorde)
DODGE = (DH41 = Intrepid(USA), DP41 = Intrepid ES(USA))
EAGLE = (XP41 = Vision ESI, XS41 = Vision TSI)

BODY STYLES:

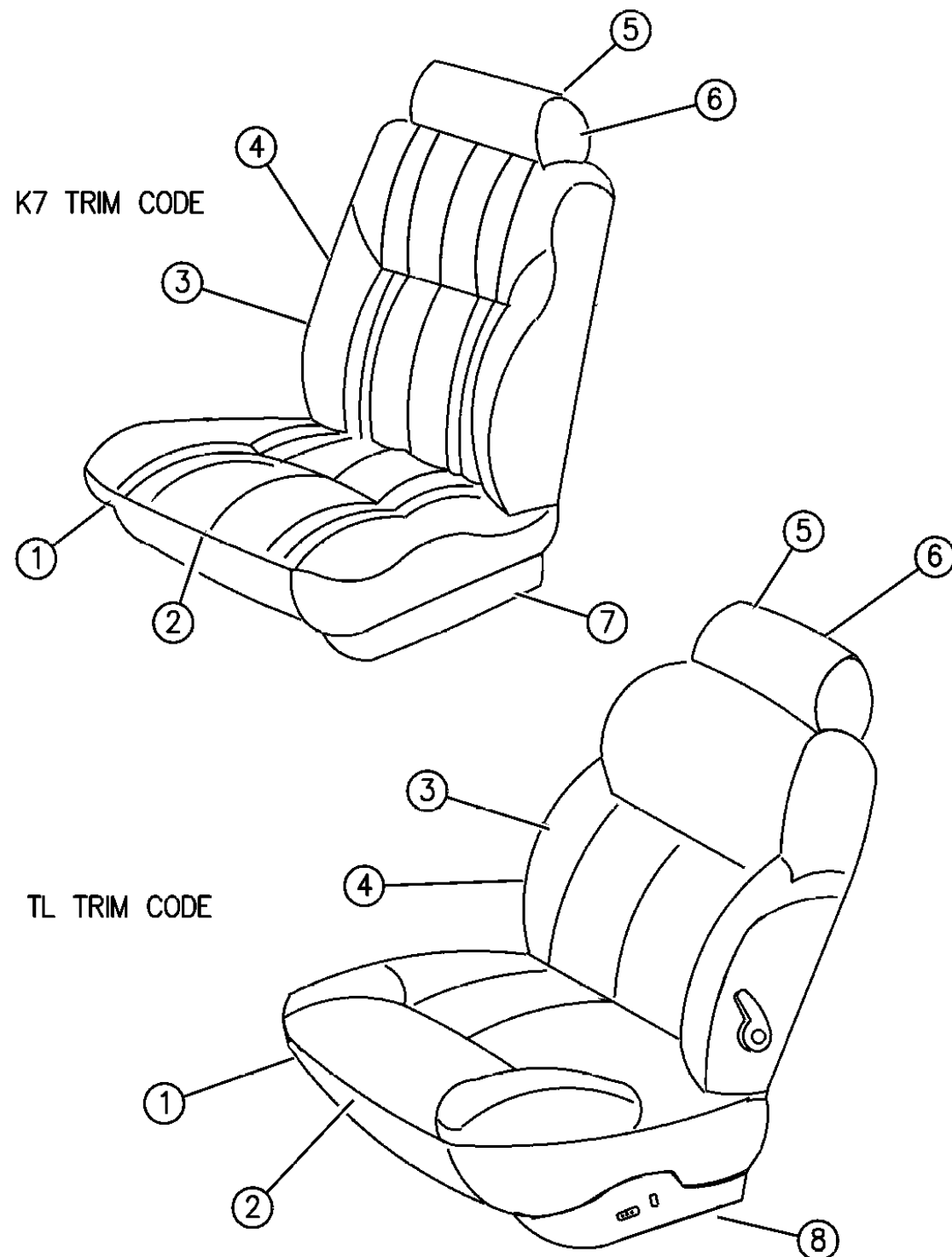
41 = 4 - Door Sedan ENGINE: 3.3L (EGB)
3.5L (EGE) 24 Valve

93430 530

AR = Use as Required - = Non Illustrated Part P.A.R. = Paint as Required

SEAT--FRONT LH BODY TRIM CODES FL,K7,TL
Figure ITL-530

IT-530



ITEM	PART NUMBER	QTY	BODY	MODEL	DESCRIPTION
					1994-95-96
					(Use Up To 11-14-95)
	KR04-5 PLB	1			Blue, (TLAB)
	KR04-5 PLD	1			Quartz, (TLAD)
	KR04-5 PLF	1			Driftwood, (TLAF)
	KR04-5 RP8	1			Blue Spruce, (TLAP) 1995-96 1996 - (Use After 11-14-95)
	QB28-9 SFF	1			Driftwood, (TLAF)
	QB28-9 SLD	1			Quartz, (TLAD)
	QB28-9 SPP	1			Turquoise, (TLAP) 1994-95-96 (Use Up To 11-14-95)
	KR04-5 PLF	1			Driftwood, (FLAF)
	KR04-5 PLD	1			Quartz, (FLAD) (Use After 11-14-95)
	QB46-7 SFF	1			Driftwood, (FLAF)
	QB46-7 SLD	1			Quartz, (FLAD)
4					COVER, Back 1993 Cloth
	HR20 MB7	2			Blue, (K7AB)
	HR20 MD5	2			Quartz, (K7AD)
	HR20 MF6	2			Driftwood, (K7AF) 1994-95
	KR11 PB7	2			Blue, (K7AB)
	KR11 PD5	2			Quartz, (K7AD)
	KR11 PF6	2			Driftwood, (K7AF)
	KR11 RP8	2			Blue Spruce, (K7AP) 1995
					LEATHER 1993
	EW03 MB7	2			Blue, (TLAB)
	EW03 MF6	2			Driftwood, (TLAF)
	EW03 MD5	2			Quartz, (TLAD)
					1994-95-96 (Use Up To 11-14-95)
	KR35 PLB	2			Blue, (TLAB)
	KR35 PLD	2			Quartz, (TLAD)
	KR35 PLF	2			Driftwood, (TLAF)
	KR35 RP8	2			Blue Spruce, (TLAP) 1995-96 1996 - (Use After 11-14-95)
	QB25 SFF	2			Driftwood, (TLAF)
	QB25 SLD	2			Quartz, (TLAD)

MODEL CODES:
Chrysler = (CH41 = New Yorker, CP41 = LHS, DH41 = Intrepid(Canada), DP41 = Intrepid ES(Canada), LP41 = Concorde)
DODGE = (DH41 = Intrepid(USA), DP41 = Intrepid ES(USA))
EAGLE = (XP41 = Vision ESI, XS41 = Vision TSI)

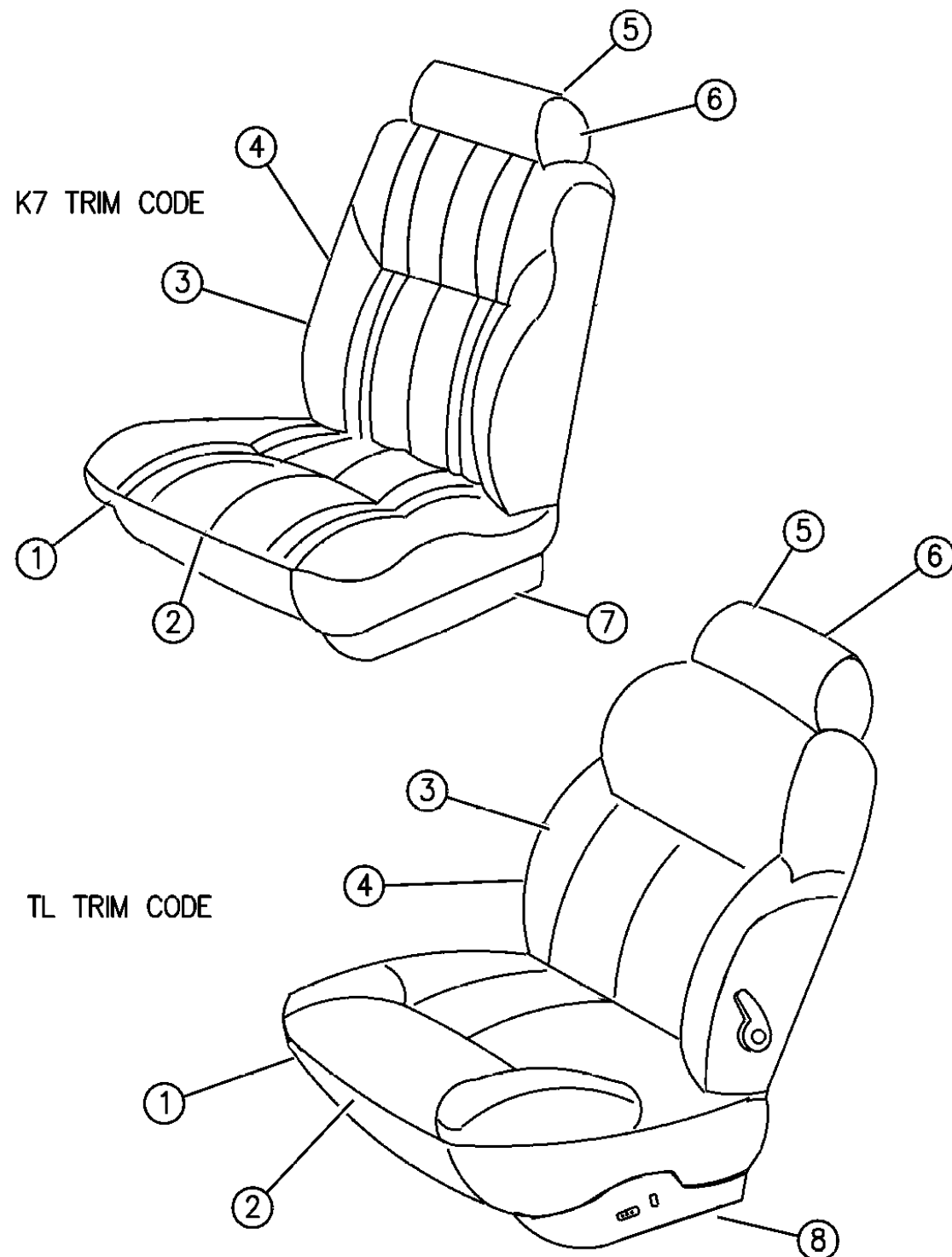
BODY STYLES:
41 = 4 - Door Sedan ENGINE: 3.3L (EGB)
3.5L (EGE) 24 Valve

93430 530

AR = Use as Required - = Non Illustrated Part P.A.R. = Paint as Required

SEAT--FRONT LH BODY TRIM CODES FL,K7,TL
Figure ITL-530

IT-530



ITEM	PART NUMBER	QTY	BODY	MODEL	DESCRIPTION
	QB25 SPP	2			Turquoise, (TLAP) 1994-95-96 (Use Up To 11-14-95)
	KH46-7 PLD	1			Quartz, (FLAD)
	KH46-7 PLF	1			Driftwood, (FLAF) (Use After 11-14-95)
	QB25 SFF	2			Driftwood, (FLAF)
	QB25 SLD	2			Quartz, (FLAD)
5					HEADREST and COVER
					Cloth 1993
	HR18 MB7	2			Blue, (K7AB)
	HR18 MD5	2			Quartz, (K7AD)
	HR18 MF6	2			Driftwood, (K7AF) 1994-95
	KN65 PB7	2			Blue, (K7AB)
	KN65 PD5	2			Quartz, (K7AD)
	KN65 PF6	2			Driftwood, (K7AF)
	KN65 RP8	2			Blue Spruce, (K7AP) 1995 Leather 1993
	EW30 MB7	2			Blue, (TLAB)
	EW30 MF6	2			Driftwood, (TLAF)
	EW30 MD5	2			Quartz, (TLAD) 1994-95-96
	KN63 PLB	2			Blue, (TLAB)
	KN63 PLF	2			Driftwood, (TLAF)
	KN63 PLD	2			Quartz, (TLAD)
	KN63 RP8	2			Blue Spruce, (TLAP) 1996
	JY15 PD5	2			Quartz, (FLAD)
	JY15 PF6	2			Driftwood, (FLAF)
6					COVER, Headrest (Not Serv.)
7					SHIELD, Cushion
	EW22-3 MB7	1			Blue, (K7AB)
	EW22-3 MF6	1			Driftwood, (K7AF)
	EW22-3 MD5	1			Quartz, (K7AD)
	EW22-3 RP8	1			Blue Spruce, (K7AP) 1995
8					SHIELD, Cushion Power Outboard - Passenger
	EW24 MB7	1			Blue, (TLAB)
	EW24 MF6	1			Driftwood, (TLAF)
	EW24 MD5	1			Quartz, (TLAD)

MODEL CODES:
 Chrysler = (CH41 = New Yorker, CP41 = LHS, DH41 = Intrepid(Canada), DP41 = Intrepid ES(Canada), LP41 = Concorde)
 DODGE = (DH41 = Intrepid(USA), DP41 = Intrepid ES(USA))
 EAGLE = (XP41 = Vision ESI, XS41 = Vision TSI)

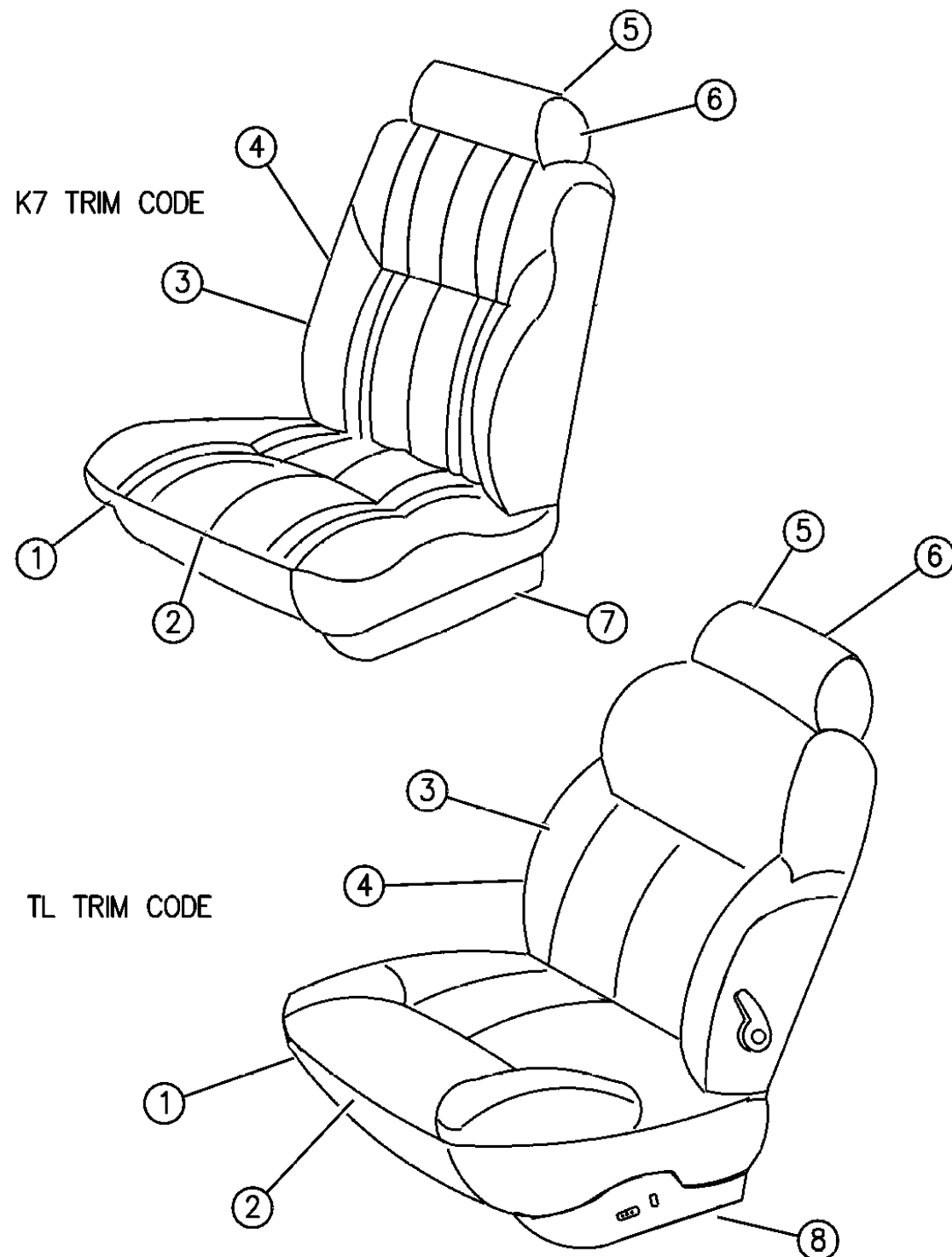
BODY STYLES:
 41 = 4 - Door Sedan ENGINE: 3.3L (EGB)
 3.5L (EGE) 24 Valve

93430 530

AR = Use as Required - = Non Illustrated Part P.A.R. = Paint as Required

SEAT--FRONT LH BODY TRIM CODES FL,K7,TL
Figure ITL-530

IT-530



ITEM	PART NUMBER	QTY	BODY	MODEL	DESCRIPTION
	EW24 RP8	1			Blue Spruce, (TLAP) 1995-96
	EW25 MB7	1			Outboard - Driver Blue, (K7AB,TLAB)
	EW25 MF6	1			Driftwood, (K7AF,TLAF)
	EW25 MD5	1			Quartz, (K7AD,TLAD)
	EW25 RP8	1			Blue Spruce, (K7AP,TLAP) 1995-96

MODEL CODES: _____
 Chrysler = (CH41 = New Yorker, CP41 = LHS, DH41 = Intrepid(Canada), DP41 = Intrepid ES(Canada), LP41 = Concorde)
 DODGE = (DH41 = Intrepid(USA), DP41 = Intrepid ES(USA))
 EAGLE = (XP41 = Vision ESI, XS41 = Vision TSI)

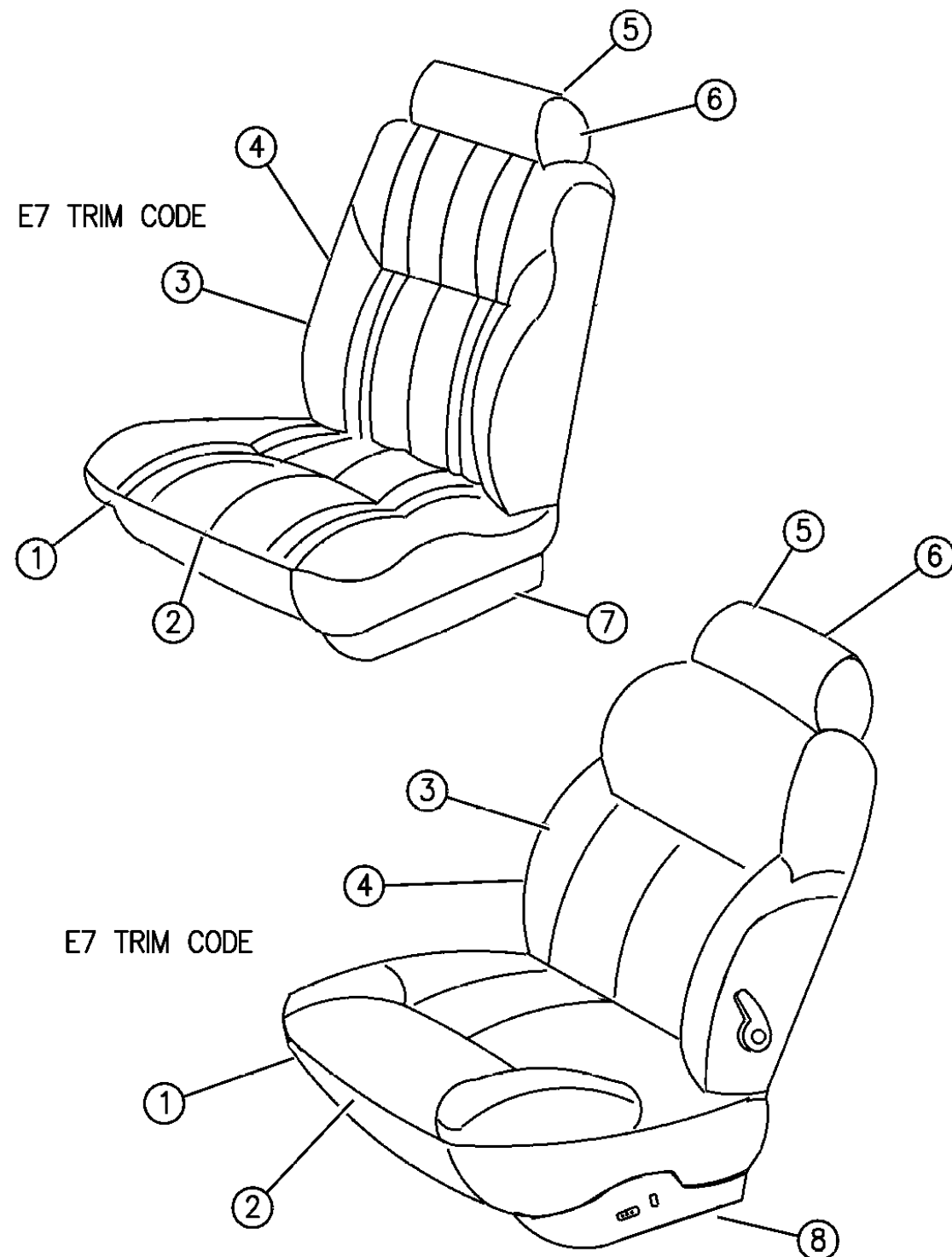
BODY STYLES: _____
 41 = 4 - Door Sedan ENGINE: 3.3L (EGB)
 3.5L (EGE) 24 Valve

93430 530

AR = Use as Required - = Non Illustrated Part P.A.R. = Paint as Required

SEAT--FRONT LH BODY TRIM CODES E7,H7
Figure ITL-540

IT-540



ITEM	PART NUMBER	QTY	BODY	MODEL	DESCRIPTION
1	CUSHION, w/Spring/Frame, Pad and Cover				
	Cloth				
	Right				
	HW58 MB7	1			Blue, (E7AB)
	HW58 MDD	1			Quartz, (E7AD)
	HW58 MF7	1			Driftwood, (E7AF)
	JN43 PD5	1			Quartz, (H7AD)
	JN43 PF6	1			Driftwood, (H7AF)
	Left				
	EV51 MB7	1			Blue, (E7AB)
EV51 MDD	1			Quartz, (E7AD)	
EV51 MF7	1			Driftwood, (E7AF)	
JN49 PD5	1			Quartz, (H7AD)	
JN49 PF6	1			Driftwood, (H7AF)	
2	COVER, Cushion				
	Cloth				
	EW00 MB7	2			Blue, (E7AB)
	EW00 MDD	2			Quartz, (E7AD)
	EW00 MF7	2			Driftwood, (E7AF)
	EW04 MD5	2			Quartz, (H7AD)
EW04 MF6	2			Driftwood, (H7AF)	
3	BACK, w/Spring/Frame, Pad and Cover				
	Cloth				
	Right				
	EV66 MB7	1			Blue, (E7AB)
	EV66 MDD	1			Quartz, (E7AD)
	EV66 MF7	1			Driftwood, (E7AF)
	Left				
	HV99 MB7	1			Blue, (E7AB)
	HV99 MDD	1			Quartz, (E7AD)
	HV99 MF7	1			Driftwood, (E7AF)
1994					
LD50-1 PD5	1			Quartz, (H7AD)	
LD50-1 PF6	1			Driftwood, (H7AF)	
4	COVER, Back				
	Cloth				
	EW01 MB7	2			Blue, (E7AB)
	EW01 MDD	2			Quartz, (E7AD)
	EW01 MF7	2			Driftwood, (E7AF)
	1993				
EW05 MD5	2			Quartz, (H7AD)	
EW05 MF6	2			Driftwood, (H7AF)	

MODEL CODES:

Chrysler = (CH41 = New Yorker, CP41 = LHS, DH41 = Intrepid(Canada), DP41 = Intrepid ES(Canada), LP41 = Concorde)
DODGE = (DH41 = Intrepid(USA), DP41 = Intrepid ES(USA))
EAGLE = (XP41 = Vision ESI, XS41 = Vision TSI)

BODY STYLES:

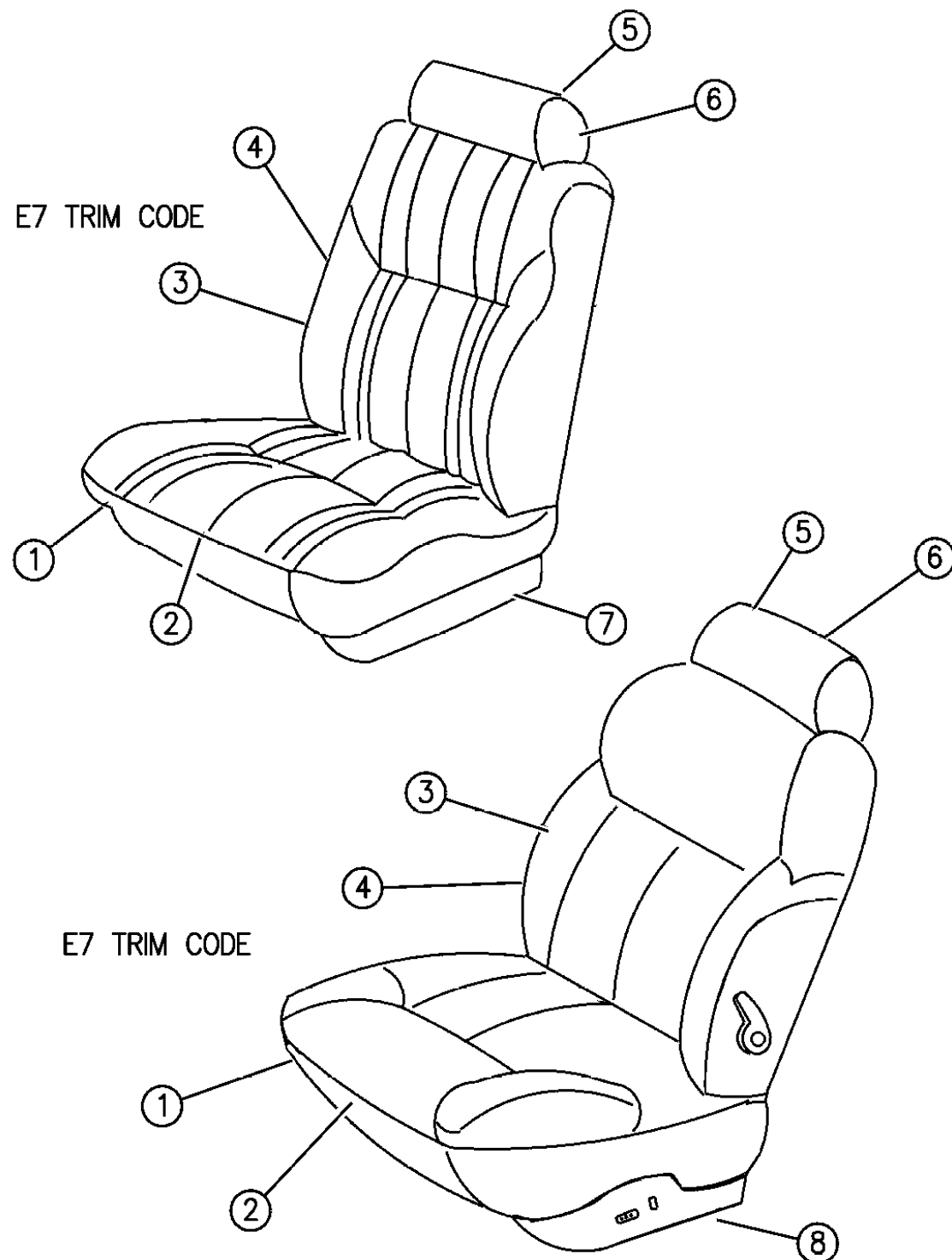
41 = 4 - Door Sedan ENGINE: 3.3L (EGB)
3.5L (EGE) 24 Valve

93430 540

AR = Use as Required - = Non Illustrated Part P.A.R. = Paint as Required

SEAT--FRONT LH BODY TRIM CODES E7,H7
Figure ITL-540

IT-540



ITEM	PART NUMBER	QTY	BODY	MODEL	DESCRIPTION
					1994
5	KR10 PD5	2			Quartz, (H7AD)
	KR10 PF6	2			Driftwood, (H7AF)
					HEADREST and COVER Cloth
					(Use Up To 6-21-93)
	EW29 MB7	2			Blue, (E7AB)
	EW29 MDD	2			Quartz, (E7AD)
	EW29 MF7	2			Driftwood, (E7AF)
					(Use After 6-21-93)
	KM86 MB7	2			Blue, (E7AB)
	KM86 MDD	2			Quartz, (E7AD)
	KM86 MF7	2			Driftwood, (E7AF)
6	JY18 PD5	2			Quartz, (H7AD)
	JY18 PF6	2			Driftwood, (H7AF)
					COVER, Headrest (Not Serv.)
7					SHIELD, Cushion (Manual)
8	EW22-3 MB7	1			Blue
	EW22-3 MF6	1			Driftwood
	EW22-3 MD5	1			Quartz
					SHIELD, Cushion Power
					Outboard - Driver
	EW25 MB7	1			Blue
	EW25 MF6	1			Driftwood
	EW25 MD5	1			Quartz

MODEL CODES: _____
 Chrysler = (CH41 = New Yorker, CP41 = LHS, DH41 = Intrepid(Canada), DP41 = Intrepid ES(Canada), LP41 = Concorde)
 DODGE = (DH41 = Intrepid(USA), DP41 = Intrepid ES(USA))
 EAGLE = (XP41 = Vision ESI, XS41 = Vision TSI)

BODY STYLES: _____
 41 = 4 - Door Sedan ENGINE: 3.3L (EGB)
 3.5L (EGE) 24 Valve

93430 540

AR = Use as Required - = Non Illustrated Part P.A.R. = Paint as Required

SEAT--FRONT LH BODY TRIM CODE JF
Figure ITL-550

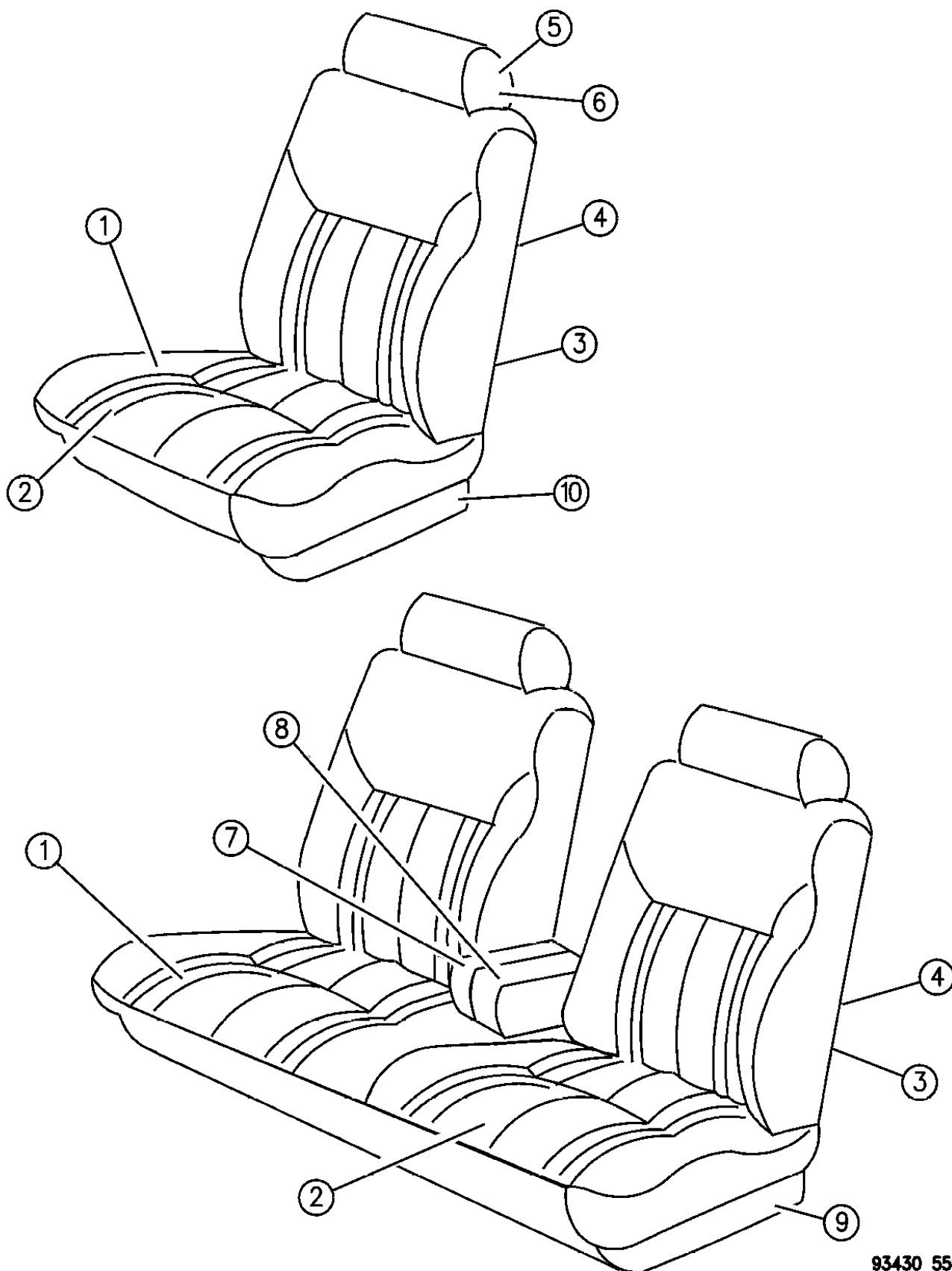
IT-550

ITEM	PART NUMBER	QTY	BODY	MODEL	DESCRIPTION	
1					CUSHION, w/Spring/Frame, Pad and Cover (Use Up To 7-26-93) Cloth and Vinyl Right	
	HV62 MD5	1			Quartz, (JFAD)	
	HV62 MB7	1			Blue, (JFBB)	
	HV62 MF6	1			Driftwood, (JFFF)	
	HV62 MAZ	1			Agate, (JFAZ) Left	
	HV69 MD5	1			Quartz, (JFAD)	
	HV69 MB7	1			Blue, (JFBB)	
	HV69 MF6	1			Champagne, (JFFF)	
	HV69 MAZ	1			Agate, (JFAZ)	
	KP94-5 PAZ	1			(Use After 7-26-93) Agate, (JFAZ)	
	KP94-5 PB7	1			Blue, (JFBB)	
	KP94-5 PD5	1			Quartz, (JFAD)	
	KP94-5 PF6	1			Driftwood, (JFFF)	
	2					COVER, Cushion (Use Up To 7-26-93) Cloth and Vinyl
		HV66-7 MD5	1			Quartz, (JFAD)
		HV66-7 MB7	1			Blue, (JFBB)
HV66-7 MF6		1			Driftwood, (JFFF)	
HV66-7 MAZ		1			Agate, (JFAZ)	
KP84-5 PAZ		1			(Use After 7-26-93) Agate, (JFAZ)	
KP84-5 PB7		1			Blue, (JFBB)	
KP84-5 PD5		1			Quartz, (JFAD)	
KP84-5 PF6		1			Driftwood, (JFFF)	
3						BACK, w/Spring/Frame, Pad and Cover (Use Up To 7-26-93) Cloth and Vinyl
		EV88-9 MD5	1			Quartz, (JFAD)
		EV88-9 MB7	1			Blue, (JFBB)
		EV88-9 MF6	1			Driftwood, (JFFF)
		EV88-9 MAZ	1			Agate, (JFAZ)
		KP92-3 PAZ	1			(Use After 7-26-93) Agate, (JFAZ)
		KP92-3 PB7	1			Blue, (JFBB)
	KP92-3 PD5	1			Quartz, (JFAD)	
	KP92-3 PF6	1			Driftwood, (JFFF)	

MODEL CODES:
Chrysler = (CH41 = New Yorker, CP41 = LHS, DH41 = Intrepid(Canada), DP41 = Intrepid ES(Canada), LP41 = Concorde)
DODGE = (DH41 = Intrepid(USA), DP41 = Intrepid ES(USA))
EAGLE = (XP41 = Vision ESI, XS41 = Vision TSI)

BODY STYLES:
41 = 4 - Door Sedan ENGINE: 3.3L (EGB)
3.5L (EGE) 24 Valve

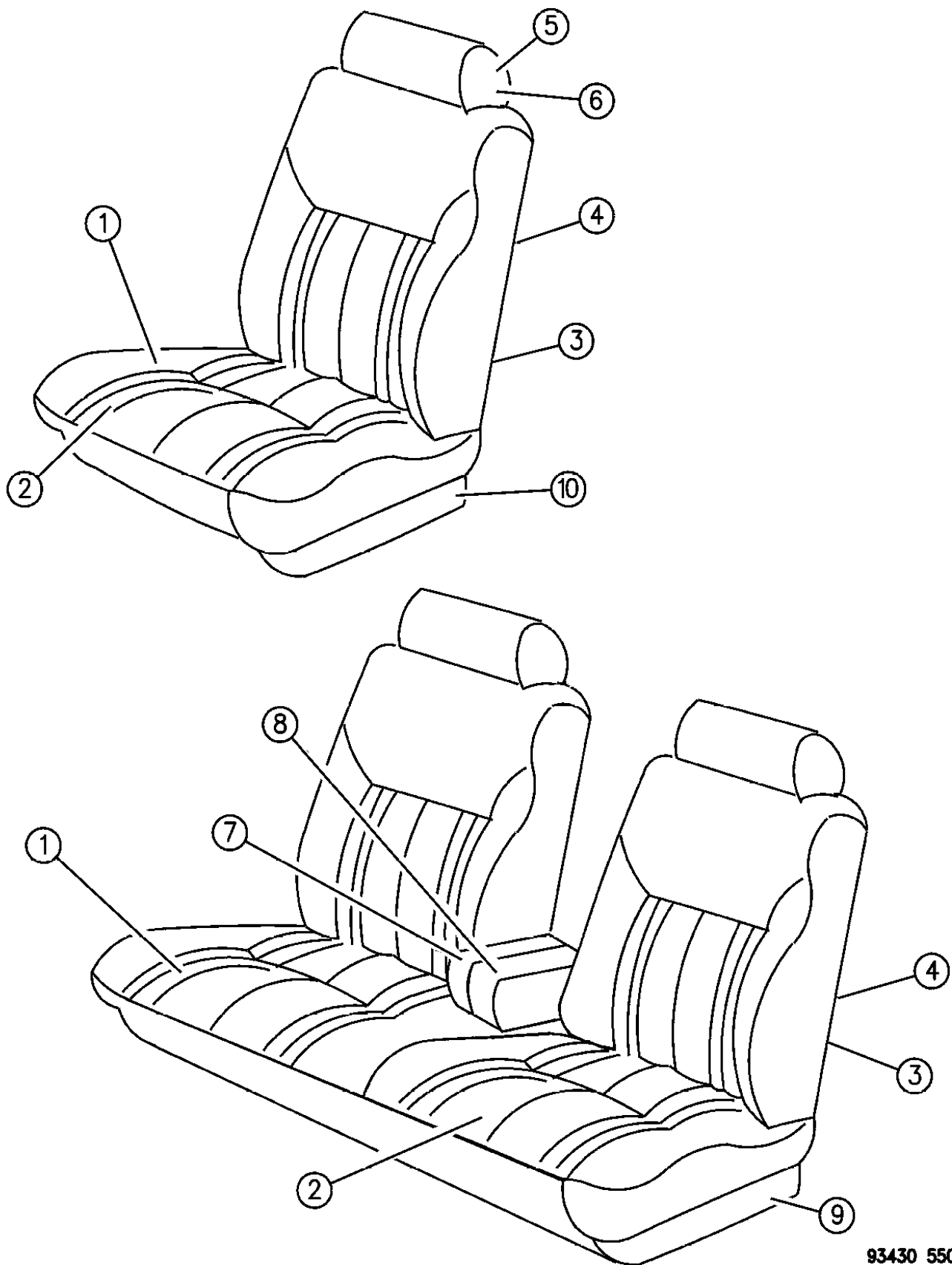
AR = Use as Required - = Non Illustrated Part P.A.R. = Paint as Required



93430 550

SEAT--FRONT LH BODY TRIM CODE JF
Figure ITL-550

IT-550



93430 550

ITEM	PART NUMBER	QTY	BODY	MODEL	DESCRIPTION
4					COVER, Back (Use Up To 7-26-93) Cloth and Vinyl Quartz, (JFAD) Blue, (JFBB)
	HV65 MD5	2			
	HV65 MB7	2			
	HV65 MF6	2			Driftwood, (JFFF)
	HV65 MAZ	2			Agate, (JFAZ) (Use After 7-26-93)
	KP87 PAZ	2			Agate, (JFAZ)
	KP87 PB7	2			Blue, (JFBB)
	KP87 PD5	2			Quartz, (JFAD)
	KP87 PF6	2			Driftwood, (JFFF)
5					HEADREST and COVER (Use Up To 6-21-93) Quartz, (JFAD) Blue, (JFBB) Driftwood, (JFFF)
	HV64 MD5	2			
	HV64 MB7	2			
	HV64 MF6	2			Driftwood, (JFFF)
	HV64 MAZ	2			Agate, (JFAZ) (Use Between 6-1-93) and 7-26-93)
	KG46 MD5	2			Quartz, (JFAD)
	KG46 MB7	2			Blue, (JFBB)
	KG46 MF6	2			Driftwood, (JFFF)
	KG46 MAZ	2			Agate, (JFAZ) (Use After 7-26-93)
	KN65 PD5	2			Quartz, (JFAD)
	KN65 PB7	2			Blue, (JFBB)
	KN65 PF6	2			Driftwood, (JFFF)
	KN65 PAZ	2			Agate, (JFAZ)
6					COVER, Headrest (Not Serv.)
7					ARMREST and COVER, w/Cupholder Quartz, (JFAD) Blue, (JFBB) Driftwood, (JFFF)
	HV68 MD5	2			
	HV68 MB7	2			
	HV68 MF6	2			Driftwood, (JFFF)
	HV68 MAZ	2			Agate, (JFAZ)
8					COVER, Armrest (Not Serv.)
9					SHIELD, Cushion (Manual) Blue
	EW22-3 MB7	1			
	EW22-3 MF6	1			Driftwood
	EW22-3 MAZ	1			Agate
	EW22-3 MD5	1			Quartz
10					SHIELD, Cushion Power Outboard - Driver

MODEL CODES:

Chrysler = (CH41 = New Yorker, CP41 = LHS, DH41 = Intrepid(Canada), DP41 = Intrepid ES(Canada), LP41 = Concorde)
DODGE = (DH41 = Intrepid(USA), DP41 = Intrepid ES(USA))
EAGLE = (XP41 = Vision ESI, XS41 = Vision TSI)

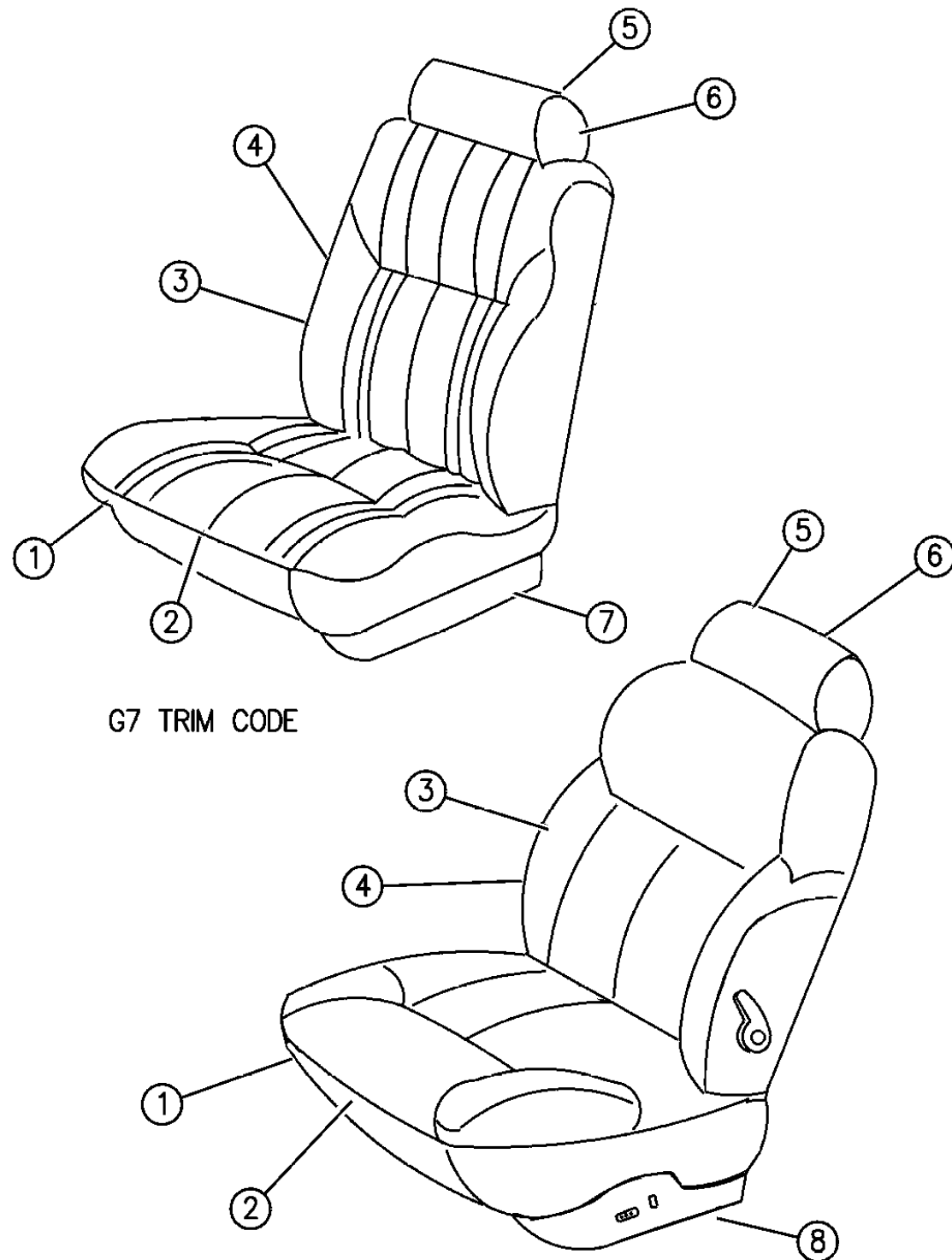
BODY STYLES:

41 = 4 - Door Sedan ENGINE: 3.3L (EGB)
3.5L (EGE) 24 Valve

AR = Use as Required - = Non Illustrated Part P.A.R. = Paint as Required

SEAT--FRONT LH BODY TRIM CODES G7,B7
Figure ITL-560

IT-560



ITEM	PART NUMBER	QTY	BODY	MODEL	DESCRIPTION
1					CUSHION, w/Spring/Frame, Pad and Cover
					Cloth
					Right
	HW78 PB7	1			Blue, (G7AB)
	HW78 PD5	1			Quartz, (G7AD)
	HW78 PF6	1			Driftwood, (G7AF)
	HW78 RP8	1			Blue Spruce, (G7AP) 1995
					Left
	EV55 MB7	1			Blue, (G7AB)
	EV55 MD5	1			Quartz, (G7AD)
	EV55 MF6	1			Driftwood, (G7AF)
	EV55 RP8	1			Blue Spruce, (G7AP) 1995
	PL04-5 SD5	1			Quartz, (B7AD)
	PL04-5 SF6	1			Driftwood, (B7AF)
	PL04-5 SP8	1			Blue Spruce, (B7AP)
2					COVER, Cushion
					Cloth
	EW04 MB7	2			Blue, (G7AB)
	EW04 MD5	2			Quartz, (G7AD)
	EW04 MF6	2			Driftwood, (G7AF)
	EWO4 RP8	2			Blue Spruce, (G7AP) 1995
	PL45 SD5	2			Quartz, (B7AD)
	PL45 SF6	2			Driftwood, (B7AF)
	PL45 SP8	1			Blue Spruce, (B7AP)
3					BACK, w/Spring/Frame, Pad and Cover
					1993
					Cloth
	EV84-5 MB7	1			Blue, (G7AB)
	EV84-5 MD5	1			Quartz, (G7AD)
	EV84-5 MF6	1			Driftwood, (G7AF)
					1994-95-96
	KR78-9 PD5	1			Quartz, (G7AD)
	KR78-9 PF6	1			Driftwood, (G7AF)
	KR78-9 RP8	1			Blue Spruce, (G7AP) 1995
	PL02-3 SD5	1			Quartz, (B7AD)
	PL02-3 SF6	1			Driftwood, (B7AF)
	PL02-3 SP8	1			Blue Spruce, (B7AP)
4					COVER, Back
					1993
					Cloth
	EW05 MB7	2			Blue, (G7AB)
	EW05 MD5	2			Quartz, (G7AD)

MODEL CODES:

Chrysler = (CH41 = New Yorker, CP41 = LHS, DH41 = Intrepid(Canada), DP41 = Intrepid ES(Canada), LP41 = Concorde)
DODGE = (DH41 = Intrepid(USA), DP41 = Intrepid ES(USA))
EAGLE = (XP41 = Vision ESI, XS41 = Vision TSI)

BODY STYLES:

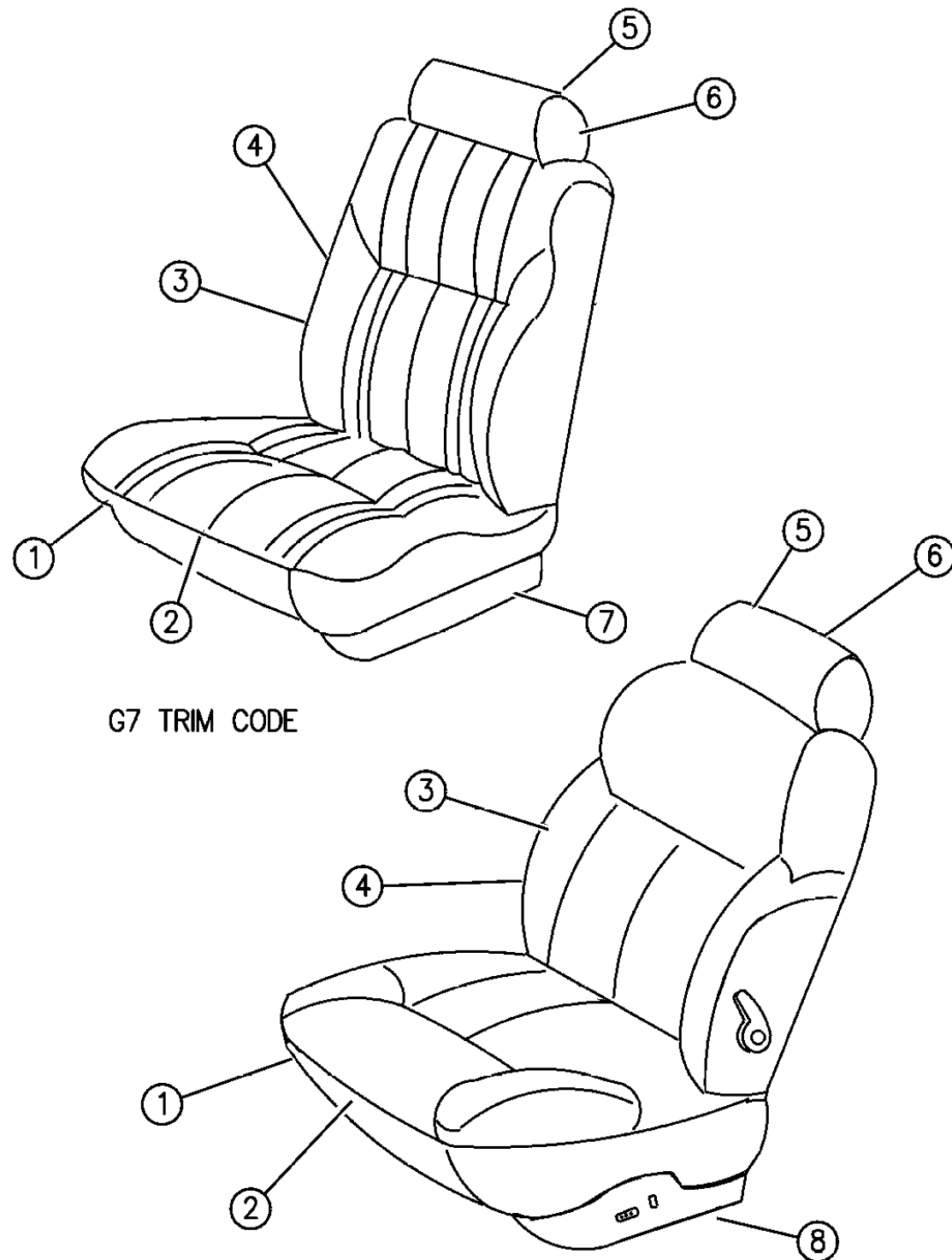
41 = 4 - Door Sedan ENGINE: 3.3L (EGB)
3.5L (EGE) 24 Valve

93430 560

AR = Use as Required - = Non Illustrated Part P.A.R. = Paint as Required

SEAT--FRONT LH BODY TRIM CODES G7,B7
Figure ITL-560

IT-560



ITEM	PART NUMBER	QTY	BODY	MODEL	DESCRIPTION
	EW05 MF6	2			Driftwood, (G7AF) 1994-95
	KR10 PD5	2			Quartz, (G7AD)
	KR10 PF6	2			Driftwood, (G7AF)
	KR10 RP8	2			Blue Spruce, (G7AP) 1995
	PL47 SD5	2			Quartz, (B7AD)
	PL47 SF6	2			Driftwood, (B7AF)
	PL47 SP8	2			Blue Spruce, (B7AP)
5					HEADREST and COVER Cloth 1993
	EW32 MB7	2			Blue, (G7AB)
	EW32 MD5	2			Quartz, (G7AD)
	EW32 MF6	2			Driftwood, (G7AF) 1994-95
	KN62 PD5	2			Quartz, (G7AD)
	KN62 PF6	2			Driftwood, (G7AF)
	KN62 RP8	2			Blue Spruce, (G7AP) 1995
	PK91 SD5	2			Quartz, (B7AD)
	PK91 SF6	2			Driftwood, (B7AF)
	PK91 SP8	2			Blue Spruce, (B7AP)
6					COVER, Headrest (Not Serv.)
7					SHIELD, Cushion (Manual) Blue
	EW22-3 MB7	1			Blue
	EW22-3 MF6	1			Driftwood
	EW22-3 MD5	1			Quartz
	EW22-3 RP8	1			Blue Spruce
8					SHIELD, Cushion (Power)
	EW24-5 MB7	1			Blue
	EW24-5 MF6	1			Driftwood
	EW24-5 MD5	1			Quartz
	EW24-5 RP8	1			Blue Spruce

MODEL CODES:
 Chrysler = (CH41 = New Yorker, CP41 = LHS, DH41 = Intrepid(Canada), DP41 = Intrepid ES(Canada), LP41 = Concorde)
 DODGE = (DH41 = Intrepid(USA), DP41 = Intrepid ES(USA))
 EAGLE = (XP41 = Vision ESI, XS41 = Vision TSI)

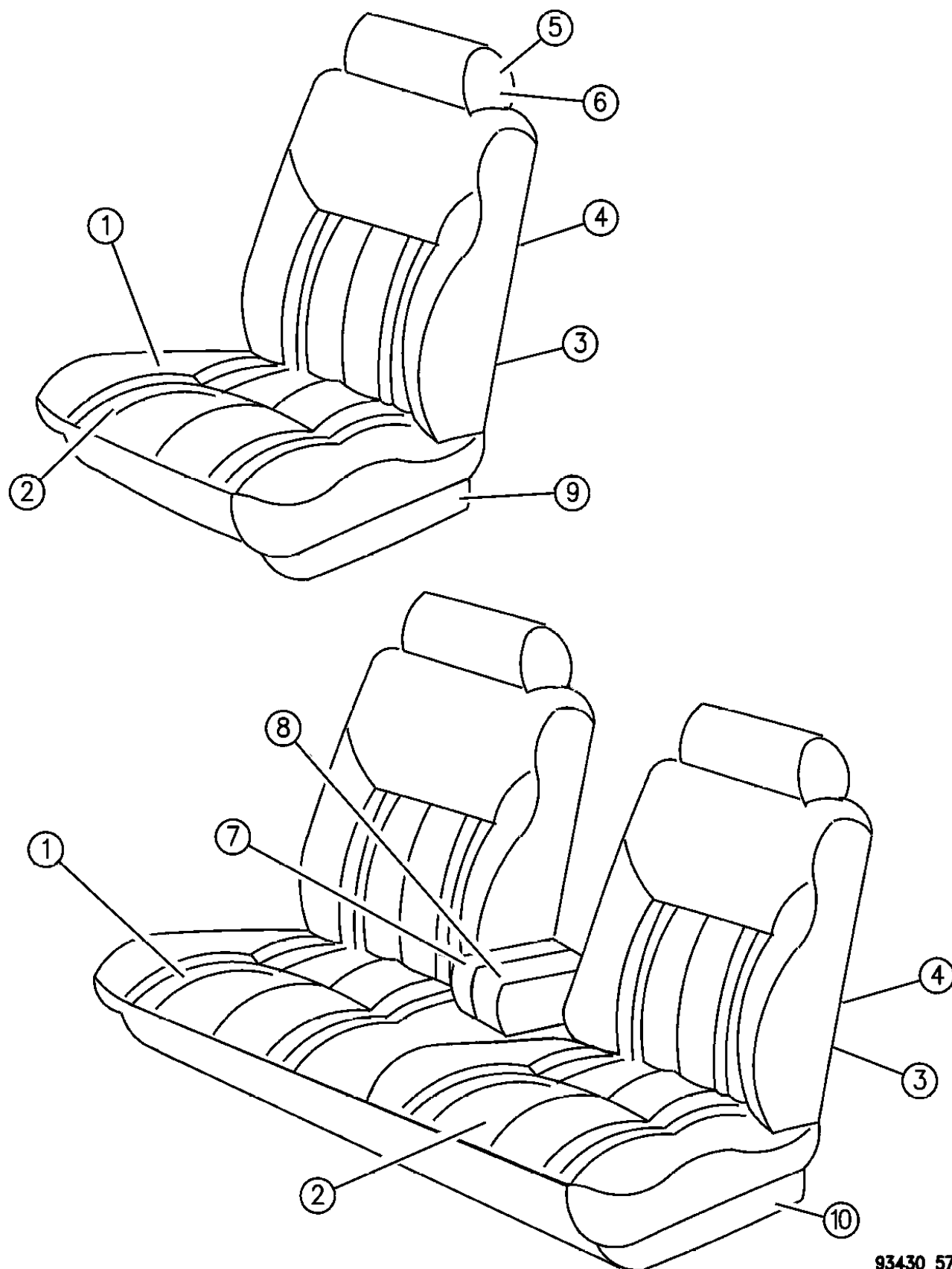
BODY STYLES:
 41 = 4 - Door Sedan ENGINE: 3.3L (EGB)
 3.5L (EGE) 24 Valve

93430 560

AR = Use as Required - = Non Illustrated Part P.A.R. = Paint as Required

SEAT--FRONT LH BODY TRIM CODE JP,EF,NP
Figure ITL-570

IT-570



93430 570

ITEM	PART NUMBER	QTY	BODY	MODEL	DESCRIPTION
1					CUSHION, w/Spring/Frame, Pad and Cover
					Leather
	EV60-1 MD5	1			Quartz, (JPAD)
	EV60-1 MAZ	1			Agate, (JPAZ)
	EV60-1 MF6	1			Driftwood, (JPFF)
					Cloth and Vinyl
	ME36-7 RD5	1			Quartz, (EFAD)
	ME36-7 RF6	1			Driftwood, (EFFF)
	ME36-7 RP8	1			Blue Spruce, (EFP8)
					Leather
	QB58-9 SF4	1			Driftwood, (NPAF)
	QB58-9 SW8	1			Quartz, (NPAD)
2					COVER, Cushion
					Leather
	EW16-7 MD5	1			Quartz, (JPAD)
	EW16-7 MAZ	1			Agate, (JPAZ)
	EW16-7 MF6	1			Driftwood, (JPF)
					Cloth and Vinyl
	ME38-9 RD5	1			Quartz, (EFAD)
	ME38-9 RF6	1			Driftwood, (EFFF)
	ME38-9 RP8	1			Blue Spruce, (EFP8)
					Leather
	QB62-3 SF4	1			Driftwood, (NPAF)
	QB62-3 SW8	1			Quartz, (NPAD)
3					BACK, w/Spring/Frame, Pad and Cover
					(Use Up To 7-26-93)
					Leather
	EV90-1 MD5	1			Quartz, (JPAD)
	EV90-1 MAZ	1			Agate, (JPAZ)
	EV90-1 MF6	1			Driftwood, (JPFF)
					(Use After 7-26-93)
	KR80-1 PAZ	1			Agate, (JPAZ)
	KR80-1 PD5	1			Quartz, (JPAD)
	KR80-1 PF6	1			Driftwood, (JPFF)
					Cloth and Vinyl
	ME46-7 RD5	1			Quartz, (EFAD)
	ME46-7 RF6	1			Driftwood, (EFFF)
	ME46-7 RP8	1			Blue Spruce, (EFP8)
					Leather
	QB56-7 SF4	1			Driftwood, (NPAF)
	QB56-7 SW8	1			Quartz, (NPAD)
4					COVER, Back

MODEL CODES:

Chrysler = (CH41 = New Yorker, CP41 = LHS, DH41 = Intrepid(Canada), DP41 = Intrepid ES(Canada), LP41 = Concorde)
DODGE = (DH41 = Intrepid(USA), DP41 = Intrepid ES(USA))
EAGLE = (XP41 = Vision ESI, XS41 = Vision TSI)

BODY STYLES:

41 = 4 - Door Sedan ENGINE: 3.3L (EGB)
3.5L (EGE) 24 Valve

AR = Use as Required - = Non Illustrated Part P.A.R. = Paint as Required

SEAT--FRONT LH BODY TRIM CODE JP,EF,NP
Figure ITL-570

IT-570

ITEM	PART NUMBER	QTY	BODY	MODEL	DESCRIPTION
					(Use Up To 7-26-93)
					Leather
	EW15 MD5	2			Quartz, (JPAD)
	EW15 MAZ	2			Agate, (JPAZ)
	EW15 MF6	2			Driftwood, (JPFF)
					(Use After 7-26-93)
	KR00 PAZ	2			Agate, (JPAZ)
	KR00 PD5	2			Quartz, (JPAD)
	KR00 PF6	2			Driftwood, (JPFF)
					Cloth and Vinyl
	ME40 RD5	2			Quartz, (EFAD)
	ME40 RF6	2			Driftwood, (EFFF)
	ME40 RP8	2			Blue Spruce, (EFP8)
					Leather
	QB60 SF4	2			Driftwood, (NPAF)
	QB60 SW8	2			Quartz, (NPAD)
5					HEADREST and COVER
					Leather
					(Use Up To 6-26-93)
	EW36 MD5	2			Quartz, (JPAD)
	EW36 MAZ	2			Agate, (JPAZ)
	EW36 MF6	2			Driftwood, (JPFF)
					(Use After 7-26-93)
	KN72 PD5	2			Quartz, (JPAD)
	KN72 PAZ	2			Agate, (JPAZ)
	KN72 PF6	2			Driftwood, (JPFF)
					Cloth and Vinyl
	ME45 RD5	2			Quartz, (EFAD)
	ME45 RF6	2			Driftwood, (EFFF)
	ME45 RP8	2			Blue Spruce, (EFP8)
					Leather
	KN74 MF4	2			Driftwood, (NPAF)
	KN74 MW8	2			Quartz, (NPAD)
6					COVER, Headrest (Not Serv.)
7					ARMREST and COVER, w/Cupholder
					Leather
	EW18 MD5	2			Quartz, (JPAD)
	EW18 MAZ	2			Agate, (JPAZ)
	EW18 MF6	2			Driftwood, (JPFF)
					Cloth and Vinyl
	HV68 MD5	2			Quartz, (EFAD)
	HV68 MF6	2			Driftwood, (EFFF)

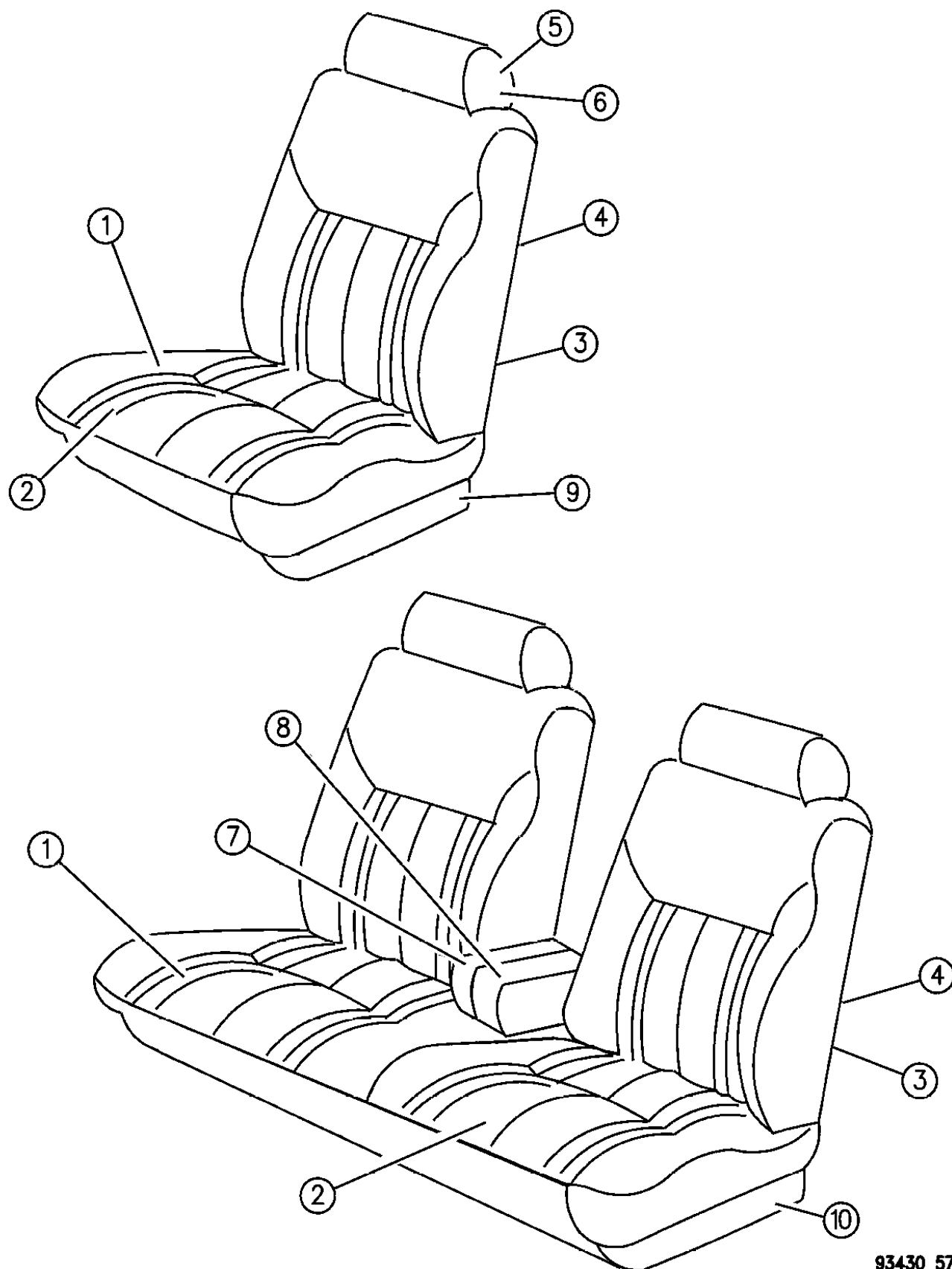
MODEL CODES:

Chrysler = (CH41 = New Yorker, CP41 = LHS, DH41 = Intrepid(Canada), DP41 = Intrepid ES(Canada), LP41 = Concorde)
DODGE = (DH41 = Intrepid(USA), DP41 = Intrepid ES(USA))
EAGLE = (XP41 = Vision ESI, XS41 = Vision TSI)

BODY STYLES:

41 = 4 - Door Sedan ENGINE: 3.3L (EGB)
3.5L (EGE) 24 Valve

AR = Use as Required - = Non Illustrated Part P.A.R. = Paint as Required

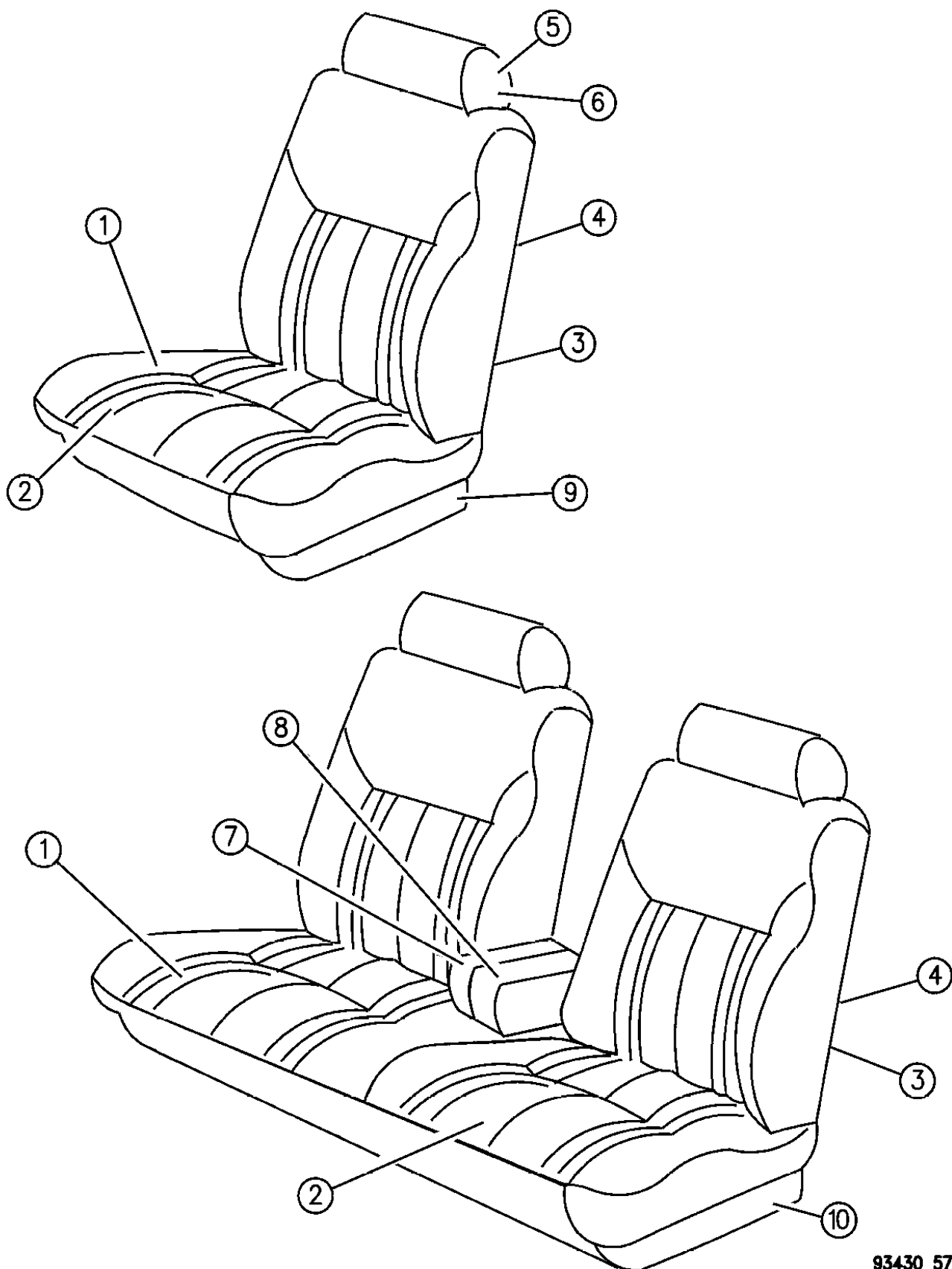


93430 570

SEAT--FRONT LH BODY TRIM CODE JP,EF,NP
Figure ITL-570

IT-570

ITEM	PART NUMBER	QTY	BODY	MODEL	DESCRIPTION
	HV68 RP8	2			Blue (EFP8)
					Leather
	PY16 SW8	2			Quartz, (NPAD)
	PY16 SF4	2			Driftwood, (NPAF)
8					COVER, Armrest (Not Serv.)
9					SHIELD, Cushion (Manual)
	EW22-3 MB7	1			Blue
	EW22-3 MF6	1			Driftwood
	EW22-3 MD5	1			Quartz
10					SHIELD, Cushion (Power)
					Outboard - Driver
	EW25 MB7	1			Blue
	EW25 MF6	1			Driftwood
	EW25 MD5	1			Quartz
					Outboard - Passenger
	EW24 MB7	1			Blue
	EW24 MF6	1			Driftwood
	EW24 MD5	1			Quartz



93430 570

MODEL CODES:

Chrysler = (CH41 = New Yorker, CP41 = LHS, DH41 = Intrepid(Canada), DP41 = Intrepid ES(Canada), LP41 = Concorde)
DODGE = (DH41 = Intrepid(USA), DP41 = Intrepid ES(USA))
EAGLE = (XP41 = Vision ESI, XS41 = Vision TSI)

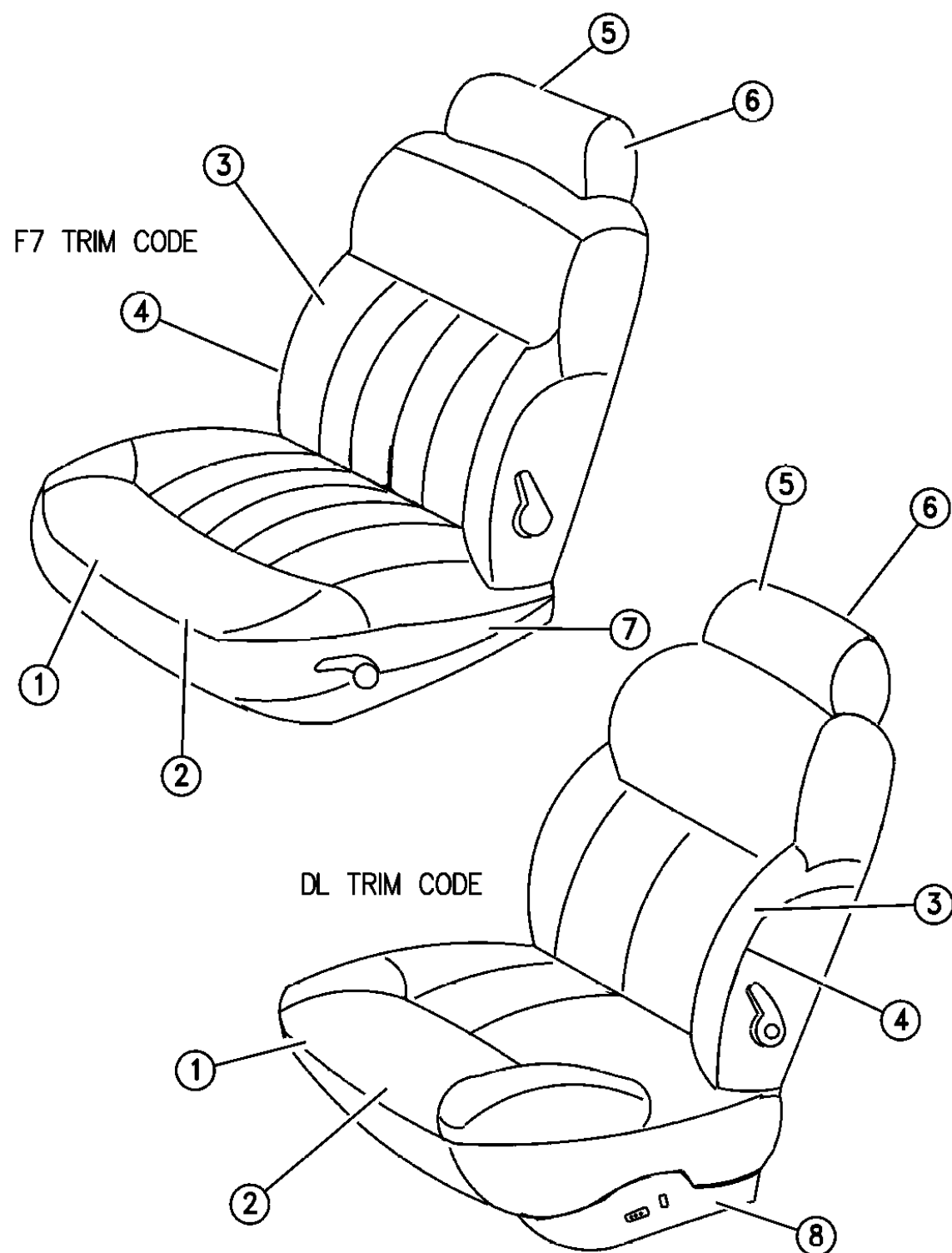
BODY STYLES:

41 = 4 - Door Sedan ENGINE: 3.3L (EGB)
3.5L (EGE) 24 Valve

AR = Use as Required - = Non Illustrated Part P.A.R. = Paint as Required

SEAT--FRONT LH BODY TRIM CODES DL-F7-JL
Figure ITL-580

IT-580



ITEM	PART NUMBER	QTY	BODY	MODEL	DESCRIPTION
1					CUSHION, w/Spring/Frame, Pad and Cover
					Leather (Use Up To 7-26-93)
	JW24-5 MAZ	1			Agate, (DLAZ)
	JW24-5 MF4	1			Driftwood, (DLAF)
	JW24-5 MW8	1			Quartz, (DLAD) (Use Between 7-26-93 and 11-14-95)
	KG40-1 MAZ	1			Agate, (DLAZ)
	KG40-1 MF4	1			Driftwood, (DLAF)
	KG40-1 MW8	1			Quartz, (DLAD) (Use After 11-14-95)
					Right
	QB38 SWW	1			Quartz/Frost White, (DLAD)
	QB38 SAZ	1			Agate, (DLAZ)
	QB38 SFF	1			Driftwood, (DLAF)
					Left
	QB39 SWW	1			Quartz/Frost White, (DLAD)
	QB39 SAZ	1			Agate, (DLAZ)
	QB39 SFF	1			Driftwood, (DLAF)
					Cloth and Vinyl
	JW28-9 MAZ	1			Agate, (F7AZ)
	JW28-9 MF6	1			Driftwood, (F7AF)
	JW28-9 MD5	1			Quartz, (F7D) 1995/96 - Leather(Up To 11-14-95)
	KG40-1 RAZ	1			Agate, (JLAZ)
	KG40-1 RF4	1			Driftwood, (JLAF) 1996, (Use After 11-14-95)
	QB38-9 SAZ	1			Agate, (JLAZ)
	QB38-9 SFF	1			Driftwood, (JLFF)
2					COVER, Cushion
					Leather (Use Up To 7-26-93)
	HV91 MAZ	2			Agate, (DLAZ)
	HV91 MF4	2			Driftwood, (DLAF)
	HV91 MW8	2			Quartz, (DLAD) (Use Between 7-26-93 and 11-14-95)
	KG30 MAZ	2			Agate, (DLAZ)
	KG30 MF4	2			Driftwood, (DLAF)
	KG30 MW8	2			Quartz, (DLAD) (Use After 11-14-95)
	QB41 SAZ	2			Agate, (DLAZ)
	QB41 SFF	2			Driftwood, (DLAF)

MODEL CODES:
 Chrysler = (CH41 = New Yorker, CP41 = LHS, DH41 = Intrepid(Canada), DP41 = Intrepid ES(Canada), LP41 = Concorde)
 DODGE = (DH41 = Intrepid(USA), DP41 = Intrepid ES(USA))
 EAGLE = (XP41 = Vision ESI, XS41 = Vision TSI)

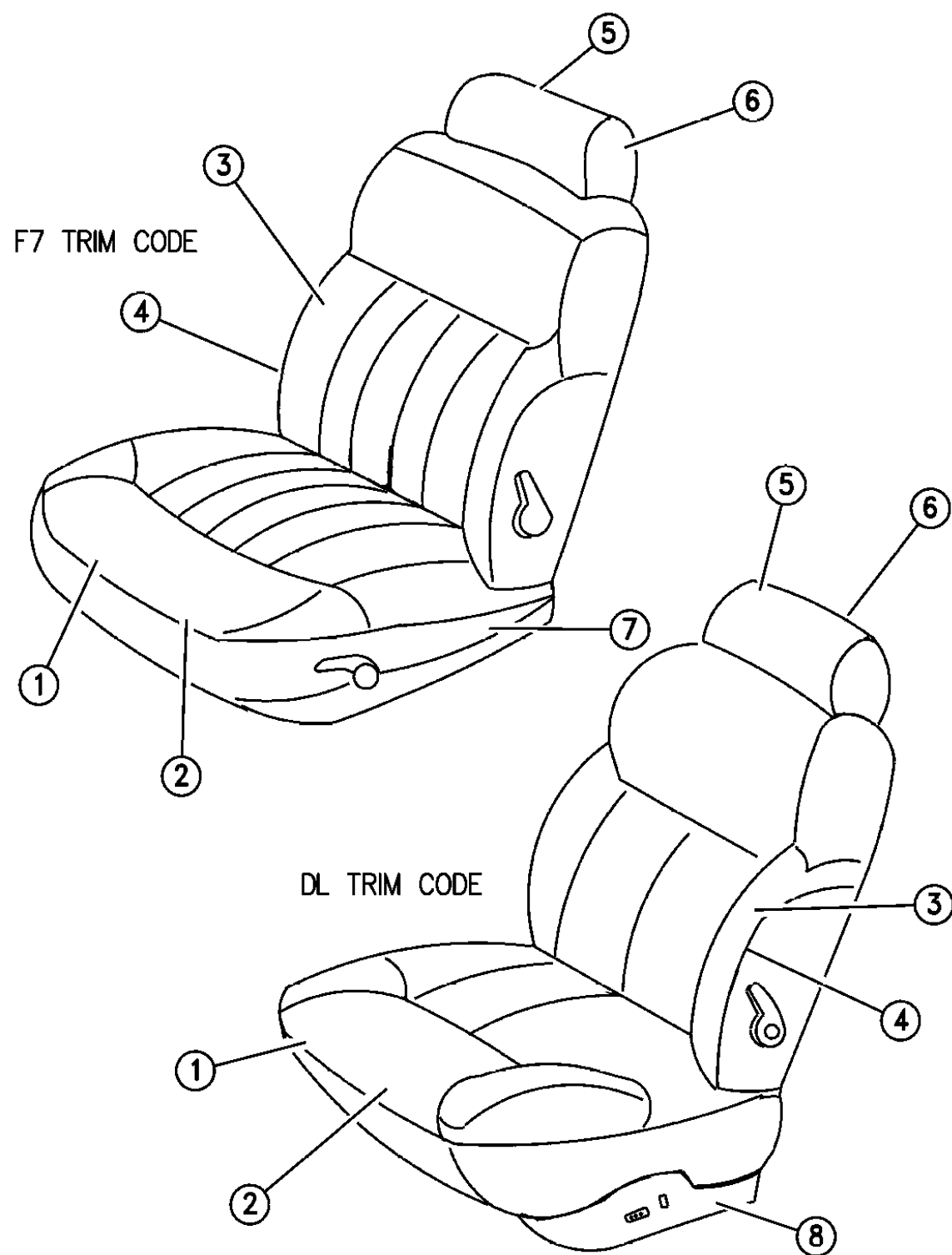
BODY STYLES:
 41 = 4 - Door Sedan ENGINE: 3.3L (EGB)
 3.5L (EGE) 24 Valve

93430 580

AR = Use as Required - = Non Illustrated Part P.A.R. = Paint as Required

SEAT--FRONT LH BODY TRIM CODES DL-F7-JL
Figure ITL-580

IT-580



ITEM	PART NUMBER	QTY	BODY	MODEL	DESCRIPTION
	QB41 SWW	2			Quartz/Frost White, (DLAD)
					Cloth and Vinyl
	HV82 MAZ	2			Agate, (F7AZ)
	HV82 MF6	2			Driftwood, (F7AF)
	HV82 MD5	2			Quartz, (F7AD)
					1995/96 Leather
	KG30 RAZ	2			Agate, (JLAZ)
	KG30 RF4	2			Driftwood, (JLAF)
					1996, (Use After 11-14-95)
	QB41 SAZ	2			Agate, (JLAZ)
	QB41 SFF	2			Driftwood, (JLFF)
3					BACK, w/Spring/Frame, Pad and Cover
					1993
					Leather
					(Use Up To 7-26-93)
	HV88-9 MAZ	1			Agate, (DLAZ)
	HV88-9 MF4	1			Driftwood, (DLAF)
	HV88-9 MW8	1			Quartz, (DLAD)
					(Use After 7-26-93)
	KG42-3 MAZ	1			Agate, (DLAZ)
	KG42-3 MF4	1			Driftwood, (DLAF)
	KG42-3 MW8	1			Quartz, (DLAD)
					1994-95-96 (Use Up To 11-14-95)
	KR82-3 PAZ	1			Agate, (DLAZ)
	KR82-3 PF4	1			Driftwood, (DLAF)
	KR82-3 PW8	1			Quartz, (DLAD)
					1996, (Use After 11-14-95)
	QB36-7 SAZ	1			Agate, (DLAZ)
	QB36-7 SFF	1			Driftwood, (DLFF)
	QB36-7 SWW	1			Quartz/Frost White, (DLAD)
					Cloth and Vinyl
					1993
	HV80-1 MAZ	1			Agate, (F7AZ)
	HV80-1 MF6	1			Driftwood, (F7AF)
	HV80-1 MD5	1			Quartz, (F7AD)
					1994
	KR84-5 PAZ	1			Agate, (F7AZ)
	KR84-5 PD5	1			Quartz, (F7AD)
	KR84-5 PF6	1			Driftwood, (F7FF)
					1995/96 Leather(Use Up To 11-14-95)
	MF78-9 RAZ	1			Agate, (JLAZ)
	MF78-9 RF4	1			Driftwood, (JLAF)

MODEL CODES:

Chrysler = (CH41 = New Yorker, CP41 = LHS, DH41 = Intrepid(Canada), DP41 = Intrepid ES(Canada), LP41 = Concorde)
DODGE = (DH41 = Intrepid(USA), DP41 = Intrepid ES(USA))
EAGLE = (XP41 = Vision ESI, XS41 = Vision TSI)

BODY STYLES:

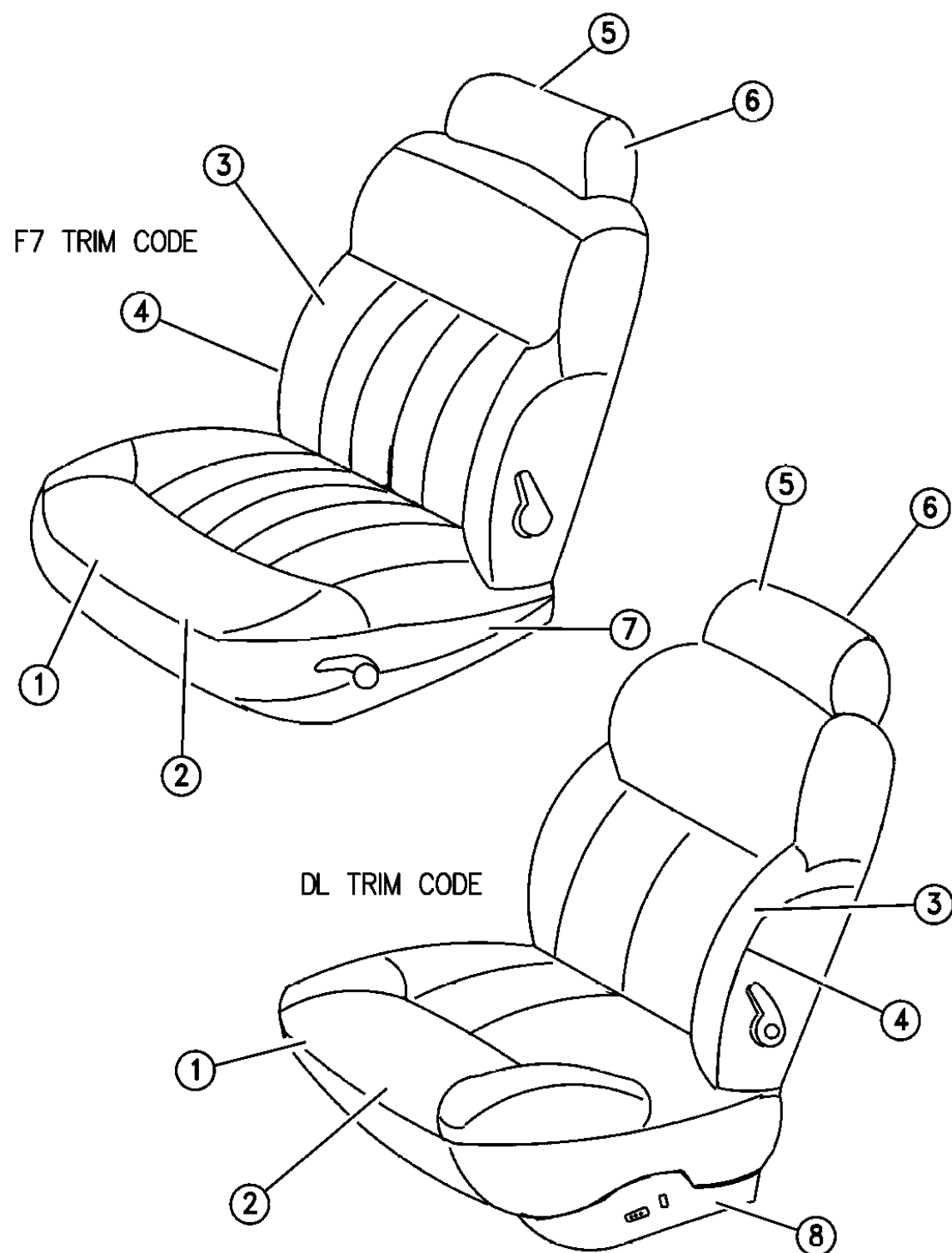
41 = 4 - Door Sedan ENGINE: 3.3L (EGB)
3.5L (EGE) 24 Valve

93430 580

AR = Use as Required - = Non Illustrated Part P.A.R. = Paint as Required

SEAT--FRONT LH BODY TRIM CODES DL-F7-JL
Figure ITL-580

IT-580



ITEM	PART NUMBER	QTY	BODY	MODEL	DESCRIPTION
					1996, (Use After 11-14-95)
	QB48-9 SAZ	1			Agate, (JLAZ)
	QB48-9 SFF	1			Driftwood, (JLFF)
4					COVER, Back 1993
					Leather (Use Up To 7-26-93)
	HV92 MAZ	2			Agate, (DLAZ)
	HV92 MF4	2			Driftwood, (DLAF)
	HV92 MW8	2			Quartz, (DLAD) (Use After 7-26-93)
	KG31 MAZ	2			Agate, (DLAZ)
	KG31 MF4	2			Driftwood, (DLAF)
	KG31 MW8	2			Quartz, (DLAD) 1994-95-96 (Use Up To 11-14-95)
	KP91 PAZ	2			Agate, (DLAZ)
	KP91 PF4	2			Driftwood, (DLAF)
	KP91 PW8	2			Quartz, (DLAD)
					1996, (Use After 11-14-95)
	QB35 SFF	2			Driftwood, (DLFF,DLAF)
	QB35 SAZ	2			Agate, (DLAZ)
	QB35 SWW	2			Quartz/Frost White, (DLAD) Cloth and Vinyl 1993
	HV83 MAZ	2			Agate, (F7AZ)
	HV83 MF6	2			Driftwood, (F7FF)
	HV83 MD5	2			Quartz, (F7AD) 1994
	KP89 PAZ	2			Agate, (F7AZ)
	KP89 PF6	2			Driftwood, (F7FF)
	KP89 PD5	2			Quartz, (F7AD)
					1995 - Leather
	KP91 RAZ	2			Agate, (JLAZ)
	KP91 RF4	2			Driftwood, (JLAF) 1996
	QB35 SFF	2			Driftwood, (JLFF)
	QB35 SAZ	2			Agate, (JLAZ)
5					HEADREST and COVER Leather (Use Up To 7-26-93)
	HV90 MAZ	2			Agate, (DLAZ)
	HV90 MF4	2			Driftwood, (DLAF)

MODEL CODES:

Chrysler = (CH41 = New Yorker, CP41 = LHS, DH41 = Intrepid(Canada), DP41 = Intrepid ES(Canada), LP41 = Concorde)
DODGE = (DH41 = Intrepid(USA), DP41 = Intrepid ES(USA))
EAGLE = (XP41 = Vision ESI, XS41 = Vision TSI)

BODY STYLES:

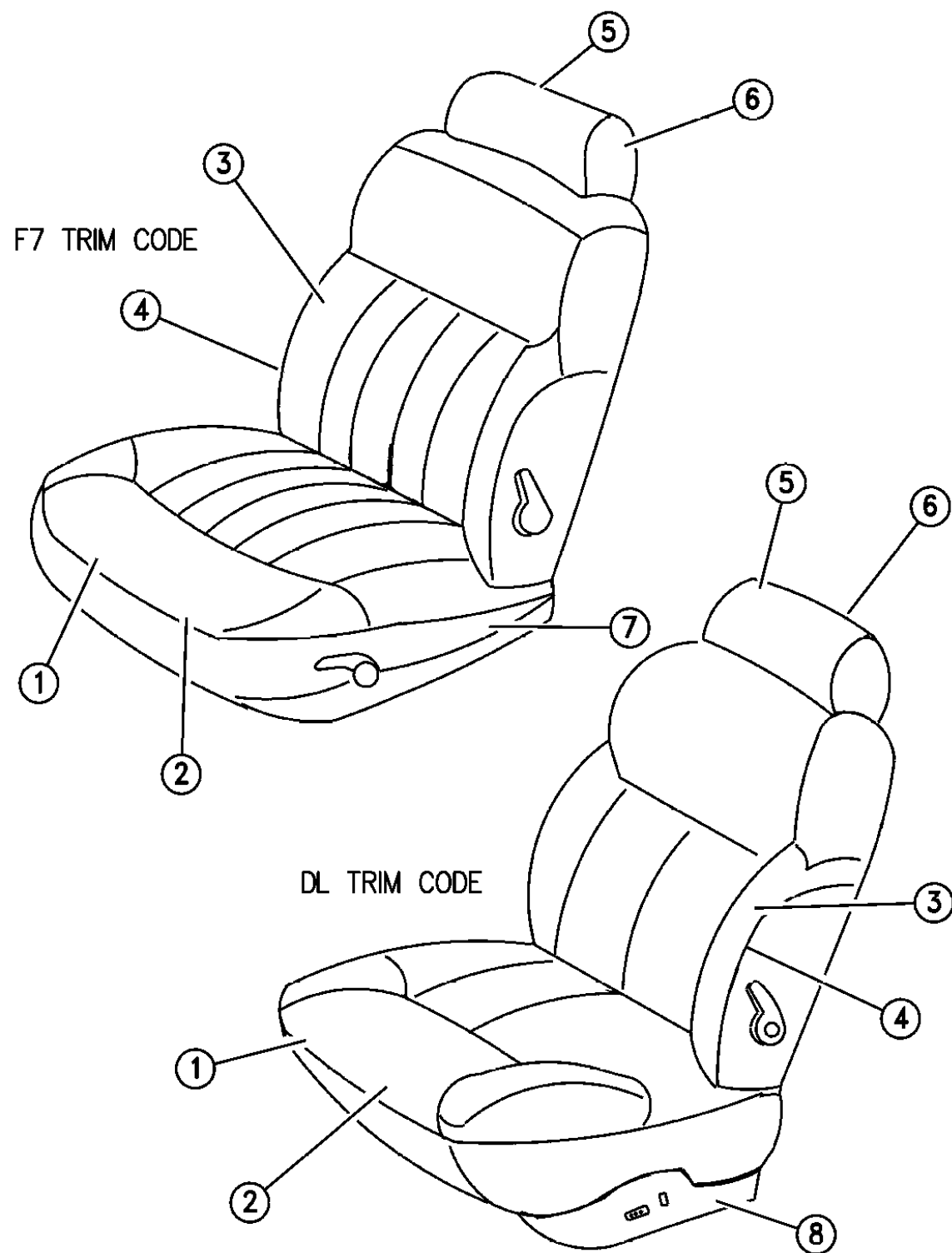
41 = 4 - Door Sedan ENGINE: 3.3L (EGB)
3.5L (EGE) 24 Valve

93430 580

AR = Use as Required - = Non Illustrated Part P.A.R. = Paint as Required

SEAT--FRONT LH BODY TRIM CODES DL-F7-JL
Figure ITL-580

IT-580



ITEM	PART NUMBER	QTY	BODY	MODEL	DESCRIPTION
	HV90 MW8	2			Quartz, (DLAD) (Use After 7-26-93)
	KG38 MAZ	2			Agate, (DLAZ)
	KG38 MF4	2			Driftwood, (DLAF)
	KG38 MW8	2			Quartz, (DLAD)
	KN74 PAZ	2		1994-96	Agate, (DLAZ)
	KN74 PF4	2			Driftwood, (DLAF)
	KN74 PW8	2			Quartz, (DLAD)
	HV79 MAZ	2			Cloth and Vinyl 1993 Agate, (F7AZ)
	HV79 MF6	2			Driftwood, (F7AF)
	HV79 MD5	2			Quartz, (F7AD)
	KN73 PAZ	2		1994	Agate, (F7AZ)
	KN73 PF6	2			Driftwood, (F7FF)
	KN73 PD5	2			Quartz, (F7AD)
	MF80 RAZ	2			1995-96 Leather Agate, (JLAZ)
	MF80 RF4	2			Driftwood, (JLAF)
6					COVER, Headrest (Not Serv.)
7					SHIELD, Cushion
	EW22-3 MAZ	1			Agate, (F7AZ)
	EW22-3 MF6	1			Driftwood, (F7AF)
	EW22-3 MD5	1			Quartz, (F7AD)
8					SHIELD, Cushion (Power)
	EW24 MAZ	1			Outboard - Passenger Agate, (DLAZ)
	EW24 MF6	1			Driftwood, (DLAF)
	EW24 MD5	1			Quartz, (DLAD)
	EW25 MAZ	1			Outboard - Driver Agate, (DLAZ)
	EW25 MF6	1			Driftwood, (DLAF)
	EW25 MD5	1			Quartz, (DLAD)

93430 580

MODEL CODES:

Chrysler = (CH41 = New Yorker, CP41 = LHS, DH41 = Intrepid(Canada), DP41 = Intrepid ES(Canada), LP41 = Concorde)
DODGE = (DH41 = Intrepid(USA), DP41 = Intrepid ES(USA))
EAGLE = (XP41 = Vision ESI, XS41 = Vision TSI)

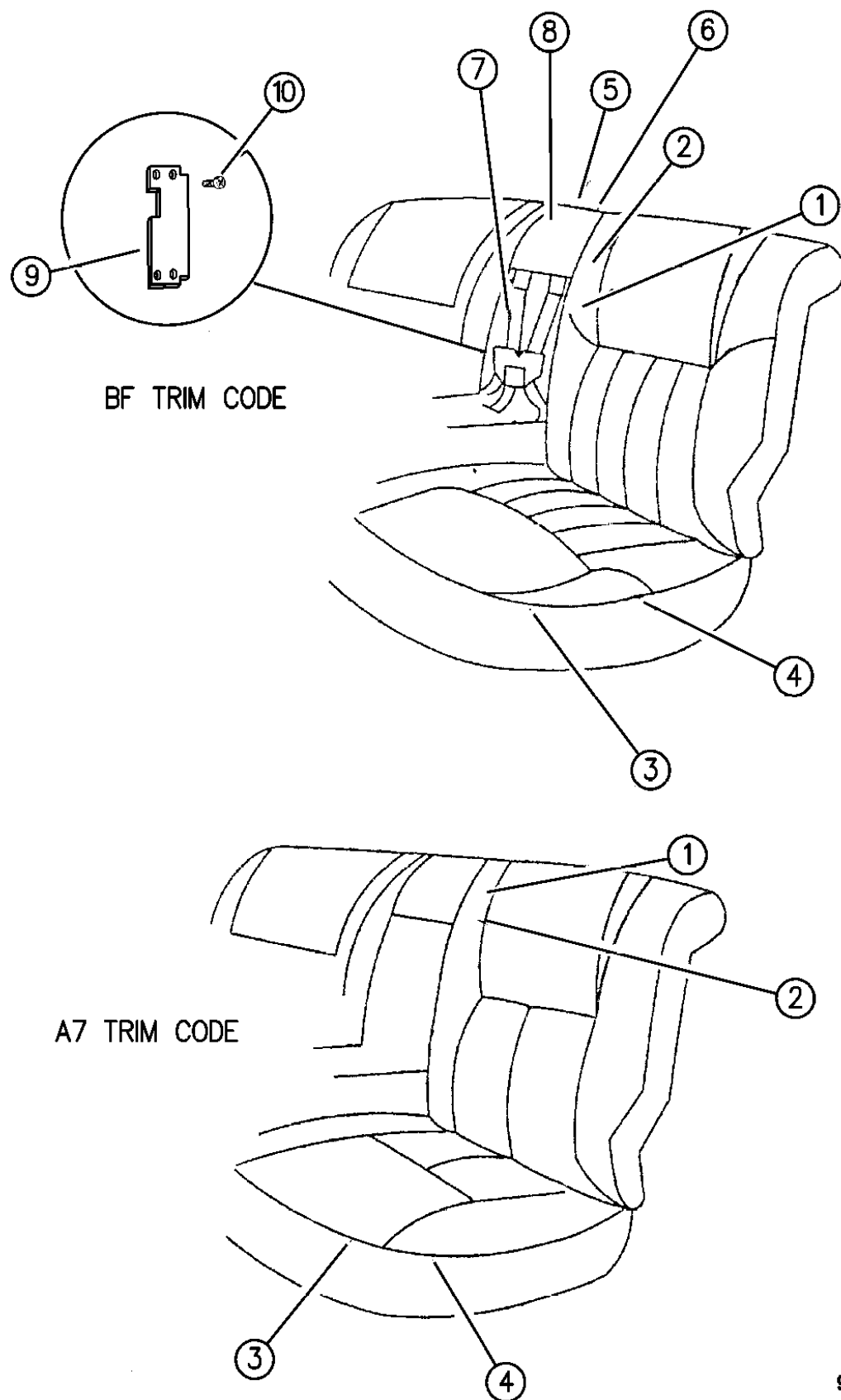
BODY STYLES:

41 = 4 - Door Sedan ENGINE: 3.3L (EGB)
3.5L (EGE) 24 Valve

AR = Use as Required - = Non Illustrated Part P.A.R. = Paint as Required

SEAT--REAR LH BODY TRIM CODES A7-BF
Figure ITL-610

IT-610



ITEM	PART NUMBER	QTY	BODY	MODEL	DESCRIPTION
1					BACK, w/Spring/Frame, Pad and Cover (Use Up To 9-20-93)
	WR82 MB7	1			Blue, (A7BB,BFBB)
	WR82 MF6	1			Driftwood, (A7FF,BFFF)
	WR82 MD5	1			Blue, (A7SD,BFSD)
					(Use After 9-20-93)
	LB27 PB7	1			Blue, (A7BB,BFBB)
	LB27 PF6	1			Driftwood, (A7FF,BFFF)
	LB27 PD5	1			Quartz, (A7SD,BFSD)
	LB27 RP8	1			Blue Spruce, (A7P8,BFP8) 1995 w/Child Seat (Use Up To 9-20-93)
	GF99 MF6	1			Driftwood, (A7FF,BFFF)
	GF99 MD5	1			Quartz, (A7SD,BFSD) (Use After 9-20-93)
	LB28 PD5	1			Quartz, (A7SD,BFSD) (Use Up To 9-20-93)
	HN90 PD5	1			Quartz, (A7SD,BFSD) (CANADA)
	HN90 PF6	1			Driftwood, (A7FF,BFFF) (CANADA) (Use After 9-20-93)
	LB29 PD5	1			Quartz, (A7SD,BFSD) (CANADA)
2					COVER, Back 1993
	DB56 MB7	1			Blue, (A7BB,BFBB)
	DB56 MF6	1			Driftwood, (A7FF,BFFF)
	DB56 MD5	1			Quartz, (A7SD,BFSD) 1994-95 (Use Up To 9-20-93)
	DB56 PB7	1			Blue, (A7BB,BFBB)
	DB56 PD5	1			Quartz, (A7SD,BFSD)
	DB56 PF6	1			Driftwood, (A7FF,BFFF) (Use After 9-20-93)
	LD70 PB7	1			Blue, (A7BB,BFBB)
	LD70 PD5	1			Quartz, (A7SD,BFSD)
	LD70 PF6	1			Driftwood, (A7FF,BFFF)
	LD70 RP8	1			Blue Spruce, (A7AP,BFP8) 1995 Used w/Child Seat (Use Up To 9-20-93)
	HK16-7 PD5	1			Quartz, (A7SD,BFSD)
	HK16-7 PF6	1			Driftwood, (A7FF,BFFF)
	HW02-3 MD5	1			Quartz, (A7SD,BFSD) (CANADA)
	HW02-3 MF6	1			Driftwood, (A7FF,BFFF) (CANADA)

MODEL CODES:
Chrysler = (CH41 = New Yorker, CP41 = LHS, DH41 = Intrepid(Canada), DP41 = Intrepid ES(Canada), LP41 = Concorde)
DODGE = (DH41 = Intrepid(USA), DP41 = Intrepid ES(USA))
EAGLE = (XP41 = Vision ESI, XS41 = Vision TSI)

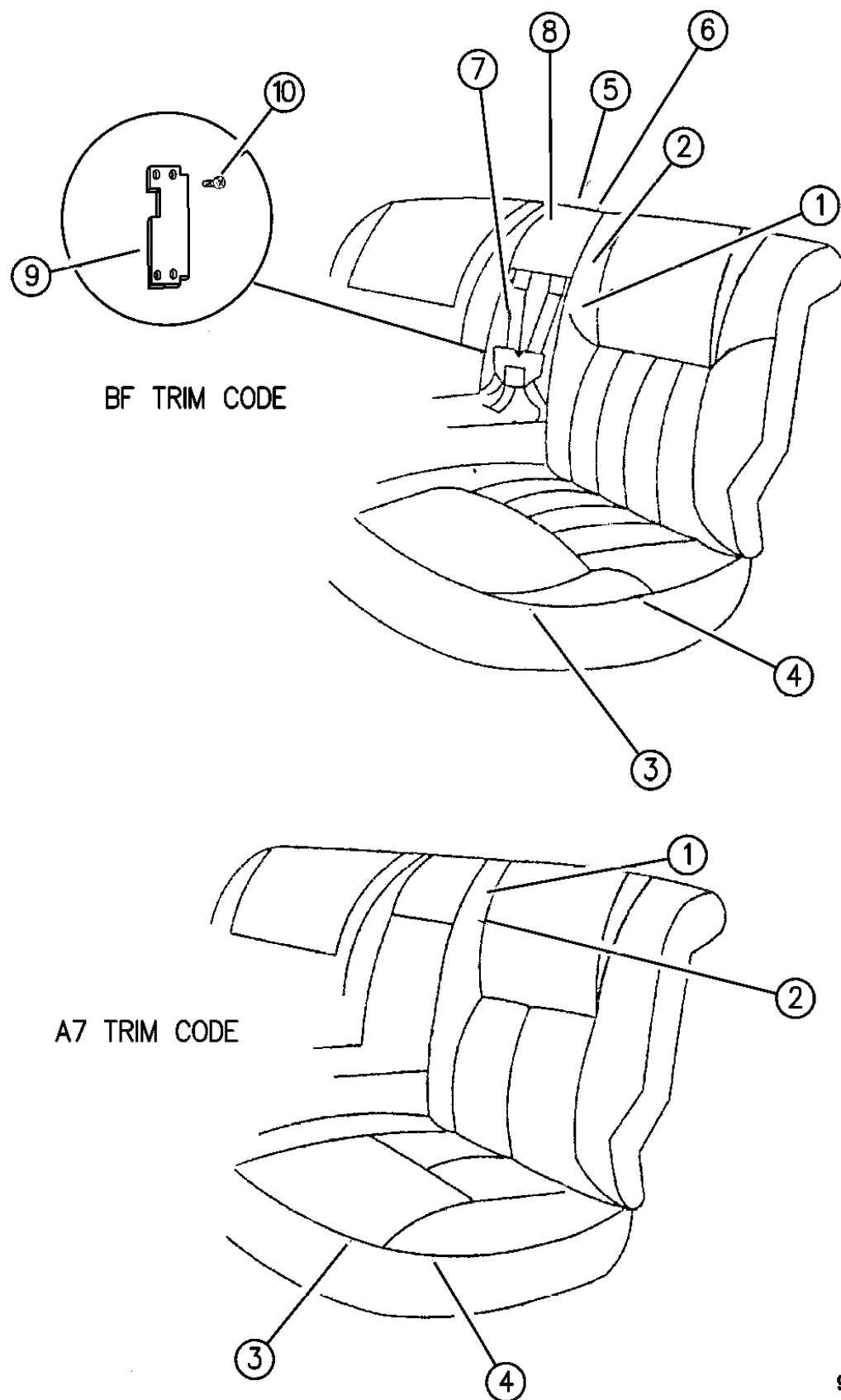
BODY STYLES:
41 = 4 - Door Sedan ENGINE: 3.3L (EGB)
3.5L (EGE) 24 Valve

93430 610

AR = Use as Required - = Non Illustrated Part P.A.R. = Paint as Required

SEAT--REAR LH BODY TRIM CODES A7-BF
Figure ITL-610

IT-610



ITEM	PART NUMBER	QTY	BODY	MODEL	DESCRIPTION
					(Use After 9-20-93)
3	LD82-3 PD5	1			Quartz, (A7SD,BFSD)
	WR75 MB7	1			CUSHION, w/Spring/Frame, Pad and Cover Blue, (A7BB,BFBB)
	WR75 MF6	1			Driftwood, (A7FF,BFFF)
4	WR75 MD5	1			Quartz, (A7SD,BFSD)
	WR75 RP8	1			Blue Spruce, (A7P8,BFP8) 1995
					COVER, Cushion
	DB82 PB7	1			Blue, (A7BB,BFBB)
	DB82 PF6	1			Driftwood, (A7FF,BFFF)
5	DB82 PD5	1			Quartz, (A7SD,BFSD)
	DB82 RP8	1			Blue Spruce, (A7AP,BFP8) 1995
					CHILD SEAT, Complete Module ***
	HF60 PD5	1			Quartz, (A7SD,BFSD)
	HF60 PF6	1			Driftwood, (A7FF,BFFF)
6	HV96 MD5	1			Quartz, (A7SD,BFSD) (CANADA)
	HV96 MF6	1			Driftwood, (A7FF,BFFF) (CANADA)
					PAD and COVER, Upper ***
	HM65 PD5	1			Quartz, (A7SD,BFSD)
	HM65 PF6	1			Driftwood, (A7FF,BFFF)
7	HW00 PD5	1			Quartz, (A7SD,BFSD) (CANADA)
	HW00 PF6	1			Driftwood, (A7FF,BFFF) (CANADA)
					PAD ASSEMBLY, Cushion and Back (Removable) ***
	JB82 MD5	1			Quartz, (A7SD,BFSD)
	JB82 MF6	1			Driftwood, (A7FF,BFFF)
8					PANEL, Upper Close Out
	HK68 MD5	1			Quartz, (A7SD,BFSD)
	HK68 MF6	1			Driftwood, (A7FF,BFFF)
-	4796 505	AR			RETAINER, Rear Armrest Close Off Panel
9	HV98 MD5	1			Quartz, (A7SD,BFSD) (CANADA)
	HV98 MF6	1			Driftwood, (A7FF,BFFF) (CANADA)
10	#4628 106	1			TRIM PLATE, Child Seat Attaching ***
-	#6101 371	2			SCREW and WASHER, Child Seat to Bulkhead
-	#6100 568	2			SCREW, Child Seat Attaching

MODEL CODES:
Chrysler = (CH41 = New Yorker, CP41 = LHS, DH41 = Intrepid(Canada), DP41 = Intrepid ES(Canada), LP41 = Concorde)
DODGE = (DH41 = Intrepid(USA), DP41 = Intrepid ES(USA))
EAGLE = (XP41 = Vision ESI, XS41 = Vision TSI)

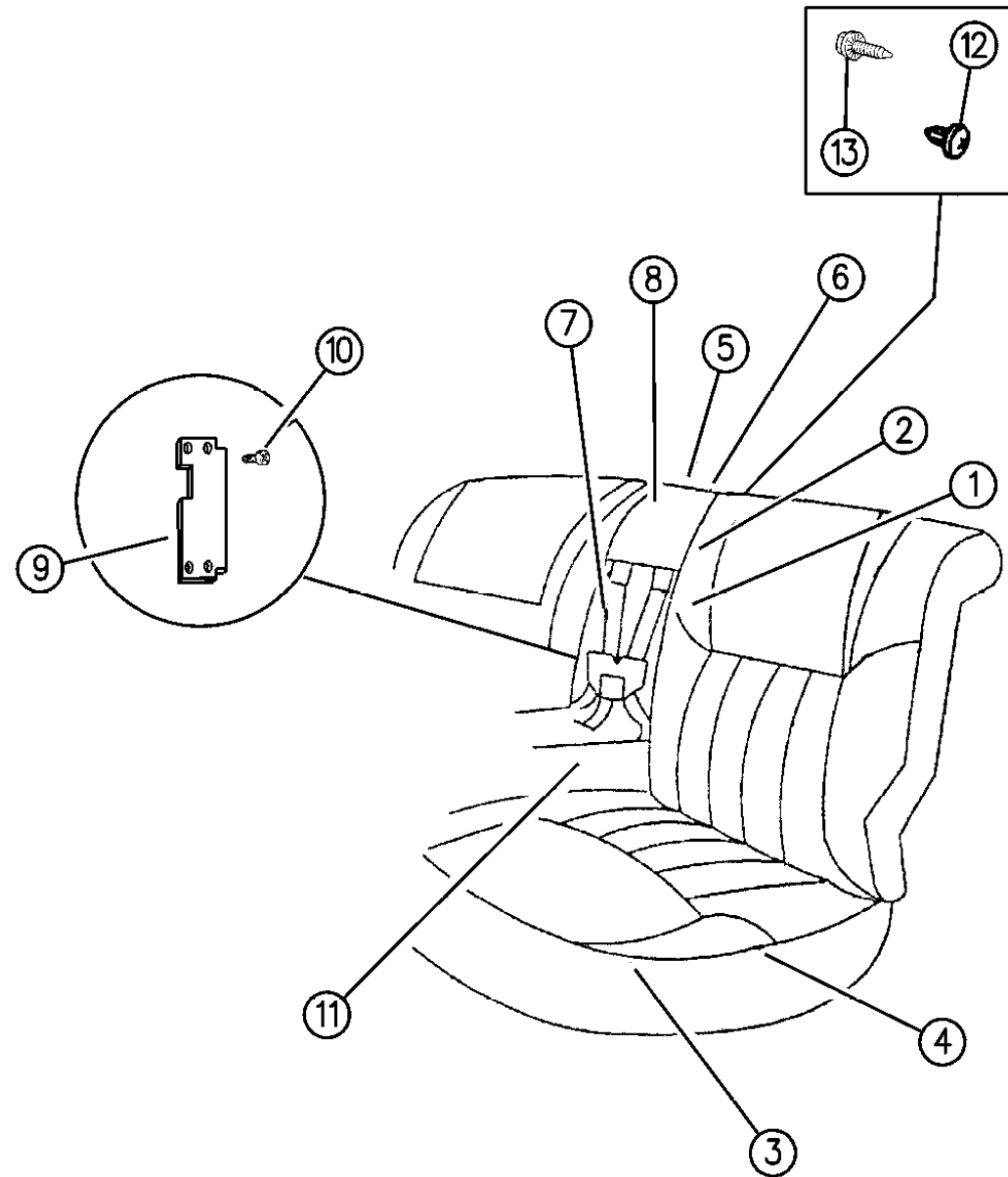
BODY STYLES:
41 = 4 - Door Sedan ENGINE: 3.3L (EGB)
3.5L (EGE) 24 Valve

93430 610

AR = Use as Required - = Non Illustrated Part P.A.R. = Paint as Required

SEAT--REAR LH BODY TRIM CODES RF,YF
Figure ITL-612

ITL-612



ITEM	PART NUMBER	QTY	BODY	MODEL	DESCRIPTION
1					BACK, w/Spring/Frame, Pad and Cover
	MR69 SF6	1			Driftwood, (RFFF)
	MR69 SP8	1			Blue Spruce, (RFP8)
	MR69 SD5	1			Quartz, (RFSD)
	MS17 SD5	1			Quartz, (YFAD)
	MS17 SF6	1			Driftwood, (YFAF)
	MS17 SP8	1			Blue Spruce, (YFAP)
	MR71 SD5	1			Quartz, (RFSD)
	MS19 SD5	1			Quartz, (YFAD)
2					COVER, Back
	PL38 SD5	1			Quartz, (RFSD)
	PL38 SF6	1			Driftwood, (RFFF)
	PL38 SP8	1			Blue Spruce, (RFP8)
	PL49 SD5	1			Quartz, (YFAD)
	PL49 SF6	1			Driftwood, (YFAF)
	PL49 SP8	1			Blue Spruce, (YFAP)
	PL32-3 SD5	1			Used w/Child Seat Quartz, (RFSD)
	PL32-3 SD5	1			Quartz, (YFAF)
3					CUSHION, w/Spring/Frame, Pad and Cover
	MR67 SF6	1			Driftwood, (RFFF)
	MR67 SP8	1			Blue Spruce, (RFP8)
	MR67 SD5	1			Quartz, (RFSD)
	MR96 SD5	1			Quartz, (YFAD)
	MR96 SF6	1			Driftwood, (YFAF)
	MR96 SP8	1			Blue Spruce, (YFAP)
4					COVER, Cushion
	PL40 SD5	1			Quartz, (RFSD)
	PL40 SF6	1			Driftwood, (RFFF)
	PL40 SP8	1			Blue, Spruce, (RFP8)
	PL51 SD5	1			Quartz, (YFAD)
	PL51 SF6	1			Driftwood, (YFAF)
	PL51 SP8	1			Blue Spruce, (YFAP)
5					CHILD SEAT, Complete Module ***
	PK75 SD5	1			Quartz, (RFSD)
	PK76 SD5	1			Quartz, (YFAD)
6					PAD and COVER, Upper ***
	PK89 SD5	1			Quartz, (RFSD)
	PK87 SD5	1			Quartz, (YFAD)
7					PAD ASSEMBLY, Cushion and Back (Removable) ***
	JB82 SD5	1			Quartz, (RFSD)

MODEL CODES:

Chrysler = (CH41 = New Yorker, CP41 = LHS, DH41 = Intrepid(Canada), DP41 = Intrepid ES(Canada), LP41 = Concorde)
 DODGE = (DH41 = Intrepid(USA), DP41 = Intrepid ES(USA))
 EAGLE = (XP41 = Vision ESI, XS41 = Vision TSI)

BODY STYLES:

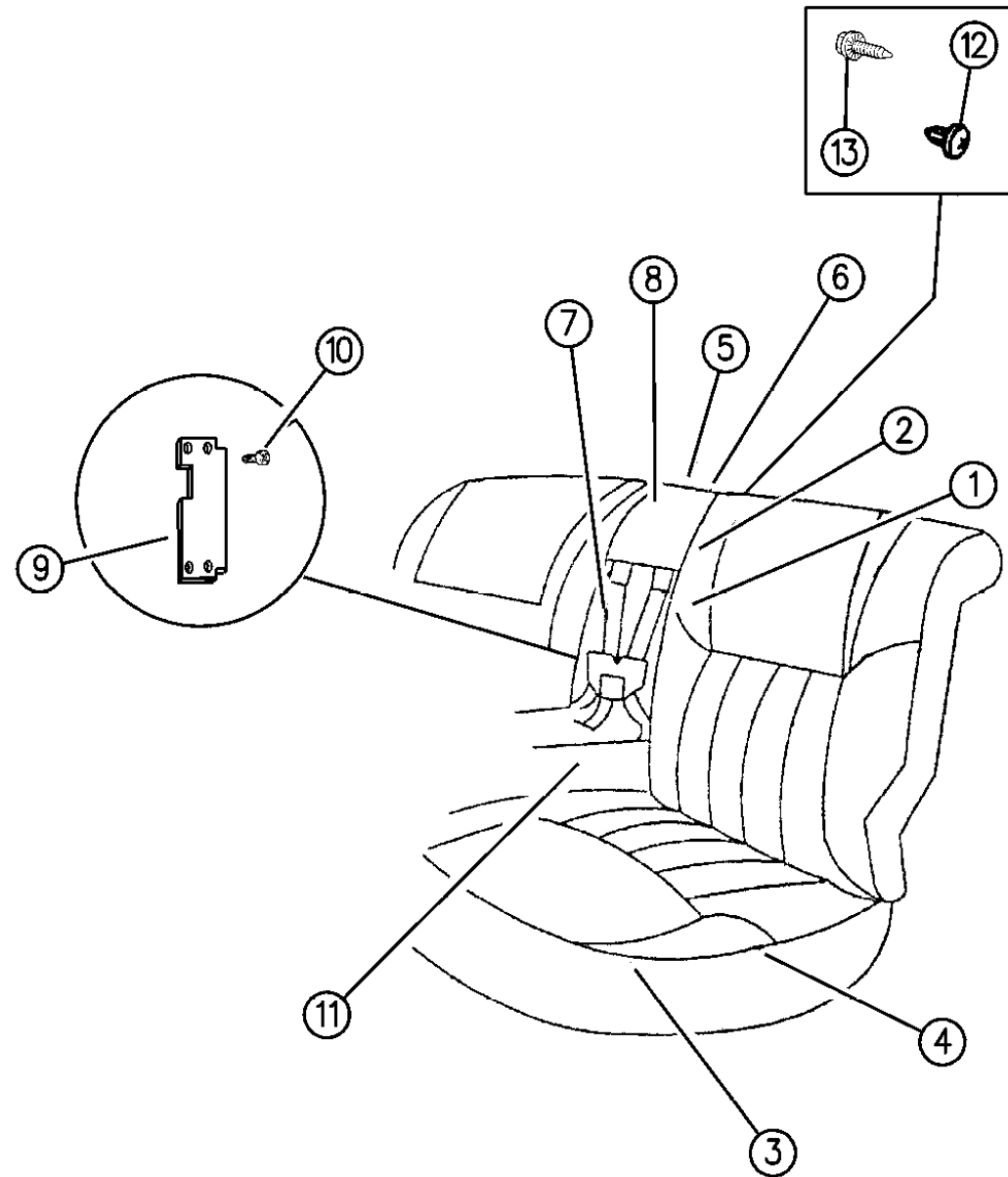
41 = 4 - Door Sedan ENGINE: 3.3L (EGB)
 3.5L (EGE) 24 Valve

93430 612

AR = Use as Required - = Non Illustrated Part P.A.R. = Paint as Required

SEAT--REAR LH BODY TRIM CODES RF,YF
Figure ITL-612

ITL-612



ITEM	PART NUMBER	QTY	BODY	MODEL	DESCRIPTION
	JB82 SD5	1			Quartz, (YFAD)
8	PM28 SD5	1			PANEL, Upper Close Out Quartz, (RFSD)
	PM30 SD5	1			Quartz, (YFAD)
9	#4628 106	1			TRIM PLATE, Child Seat Attaching ***
10	#6101 371	2			SCREW and WASHER, Child Seat to Bulkhead
11	PL14 SD5	1			ARMREST and COVER Quartz, (YFAD)
	PL14 SF6	1			Driftwood, (YFAF)
	PL14 SP8	1			Blue Spruce, (YFAP)
12	4796 505	AR			RETAINER, Rear Armrest Close Off Panel
13	6100 568	2			SCREW, Child Seat Attaching

MODEL CODES: _____
 Chrysler = (CH41 = New Yorker, CP41 = LHS, DH41 = Intrepid(Canada), DP41 = Intrepid ES(Canada), LP41 = Concorde)
 DODGE = (DH41 = Intrepid(USA), DP41 = Intrepid ES(USA))
 EAGLE = (XP41 = Vision ESI, XS41 = Vision TSI)

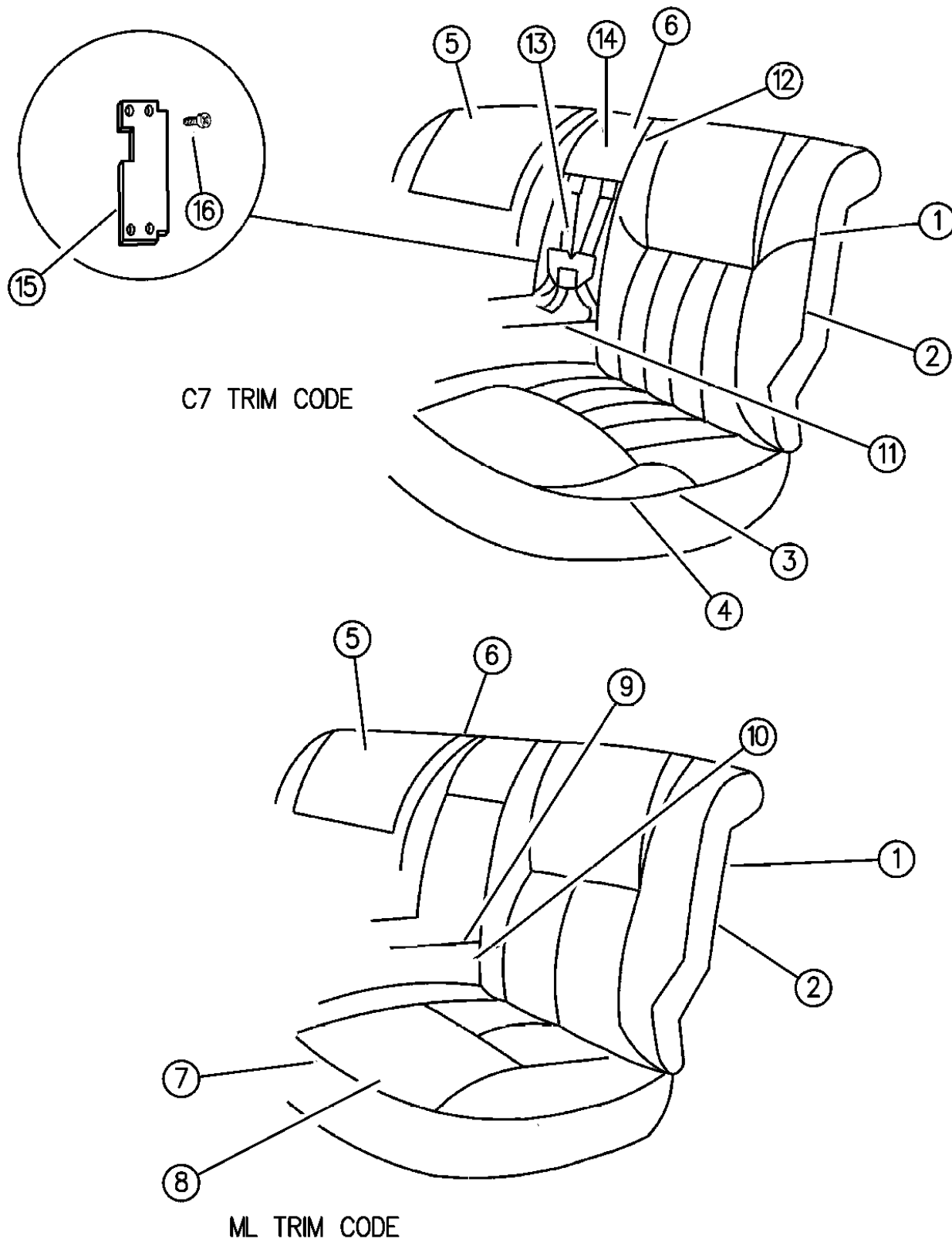
BODY STYLES: _____
 41 = 4 - Door Sedan ENGINE: 3.3L (EGB)
 3.5L (EGE) 24 Valve

93430 612

AR = Use as Required - = Non Illustrated Part P.A.R. = Paint as Required

SEAT--REAR LH BODY TRIM CODES C7,ML,MP
Figure ITL-620

ITL-620A



ITEM	PART NUMBER	QTY	BODY	MODEL	DESCRIPTION
1					BACK, w/Spring/Frame, Pad and Cover w/Center Armrest and Contour (Use Up To 9-20-93)
	DB83 MB7	1			Blue, (C7BB)
	DB83 MF6	1			Driftwood, (C7FF)
	DB83 MD5	1			Quartz, (C7SD) (Use After 9-20-93)
	LB30 PF6	1			Driftwood, (C7FF)
	LB30 PD5	1			Quartz, (C7SD)
	LB30 RP8	1			Blue Spruce, (C7P8)
	LB30 SP9	1			Med. Blue Spruce, (C7P8) Use After 1-30-96 w/Child Seat (Use Up To 9-20-93)
	GG18 MD5	1			Quartz, (C7SD)
	GG18 MF6	1			Driftwood, (C7FF) (Use After 9-20-93)
	LB31 PD5	1			Quartz, (C7SD) (Use Up To 9-20-93)
	HN94 MD5	1			Quartz, (C7SD) (CANADA)
	HN94 MF6	1			Driftwood, (C7FF) (CANADA) (Use After 9-20-93)
	LB32 PD5	1			Quartz, (C7SD)
2					COVER, Back Used w/Center Armrest and Contour (Use Up To 9-20-93)
	DB87 MB7	1			Blue, (C7BB)
	DB87 MF6	1			Driftwood, (C7FF)
	DB87 MD5	1			Quartz, (C7SD) (Use After 9-20-93)
	LD84 PD5	1			Quartz, (C7SD)
	LD84 PF6	1			Driftwood, (C7FF)
	LD84 RP8	1			Blue Spruce, (C7P8)
	LD84 SP9	1			Med. Blue Spruce, (C7P8) Use After 1-30-96 Used w/Child Seat (Use Up To 9-20-93)
	HK14-5 MD5	1			Quartz, (C7SD)
	HK14-5 MF6	1			Driftwood, (C7FF) (Use After 9-20-93)
	LD86-7 PD5	1			Quartz, (C7SD)
3					CUSHION, w/Spring/Frame, Pad and Cover
	DB93 MB7	1			Blue, (C7BB)
	DB93 MF6	1			Driftwood, (C7FF)

MODEL CODES:

Chrysler = (CH41 = New Yorker, CP41 = LHS, DH41 = Intrepid(Canada), DP41 = Intrepid ES(Canada), LP41 = Concorde)
DODGE = (DH41 = Intrepid(USA), DP41 = Intrepid ES(USA))
EAGLE = (XP41 = Vision ESI, XS41 = Vision TSI)

BODY STYLES:

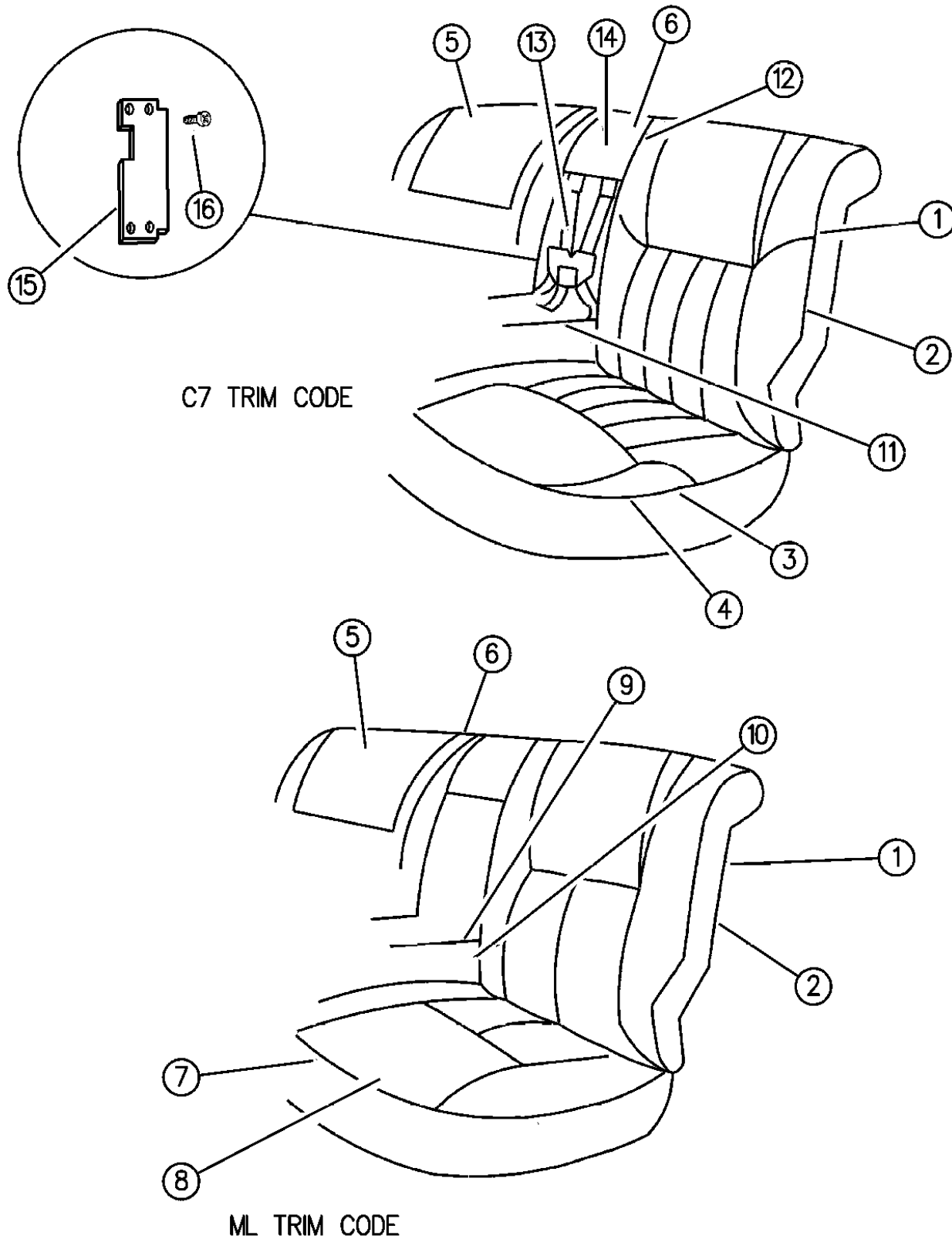
41 = 4 - Door Sedan ENGINE: 3.3L (EGB)
3.5L (EGE) 24 Valve

93430 620

AR = Use as Required - = Non Illustrated Part P.A.R. = Paint as Required

SEAT--REAR LH BODY TRIM CODES C7,ML,MP
Figure ITL-620

ITL-620A



ITEM	PART NUMBER	QTY	BODY	MODEL	DESCRIPTION
	DB93 MD5	1			Quartz, (C7SD)
	DB93 RP8	1			Blue Spruce, (C7P8) 1996
	MT45 RF6	1			Driftwood, (C7FF)
	MT45 RD5	1			Quartz, (C7SD)
	MT45 RP8	1			Blue Spruce, (C7P8)
	MT45 SP9	1			Med. Blue Spruce, (C7P8) Use After 1-30-96
4					COVER, Cushion
	DB94 MB7	1			Blue, (C7BB)
	DB94 MF6	1			Driftwood, (C7FF)
	DB94 MD5	1			Quartz, (C7SD)
	DB94 RP8	1			Blue Spruce, (C7P8)
	DB94 SP9	1			Med. Blue Spruce, (C7P8) Use After 1-30-96
5					BACK, w/Spring/Frame, Pad and Cover (w/Center Armrest and Contour) (Use Up To 9-20-93)
	DB95 MB7	1			Blue, (MLBB)
	DB95 MF6	1			Driftwood, (MLFF)
	DB95 MD5	1			Quartz, (MLSD) (Use After 9-20-93) and (Up To 11-15-95)
	LB33 PLF	1			Driftwood, (MLFF)
	LB33 PLD	1			Quartz, (MLSD)
	LB33 RP8	1			Blue Spruce, (MLP8) 1995 (Use After 11-15-95)
	PX54 SFF	1			Driftwood, (MLFF,MPAF)
	PX54 SLD	1			Quartz, (MLSD,MPAD)
	PX54 SPP	1			Turquoise, (MLP8)
6					COVER, Back (Used w/Center Armrest and Contour) (Use Up To 9-20-93)
	DP75 MB7	1			Blue, (MLBB)
	DP75 MF6	1			Driftwood, (MLFF)
	DP75 MD5	1			Quartz, (MLSD) (Use After 9-20-93) and (Up To 11-15-95)
	LD85 PLD	1			Quartz, (MLSD)
	LD85 PLF	1			Driftwood, (MLFF)
	LD85 RP8	1			Blue Spruce, (MLP8) 1995 (Use After 11-15-95)
	QB33 SFF	1			Driftwood, (MLFF,MPAF)
	QB33 SLD	1			Quartz, (MLSD,MPAD)
	QB33 SPP	1			Turquoise, (MLP8)
7					CUSHION, w/Spring/Frame, Pad and Cover 1993

MODEL CODES:

Chrysler = (CH41 = New Yorker, CP41 = LHS, DH41 = Intrepid(Canada), DP41 = Intrepid ES(Canada), LP41 = Concorde)
DODGE = (DH41 = Intrepid(USA), DP41 = Intrepid ES(USA))
EAGLE = (XP41 = Vision ESI, XS41 = Vision TSI)

BODY STYLES:

41 = 4 - Door Sedan ENGINE: 3.3L (EGB)
3.5L (EGE) 24 Valve

93430 620

AR = Use as Required - = Non Illustrated Part P.A.R. = Paint as Required

SEAT--REAR LH BODY TRIM CODES C7,ML,MP
Figure ITL-620

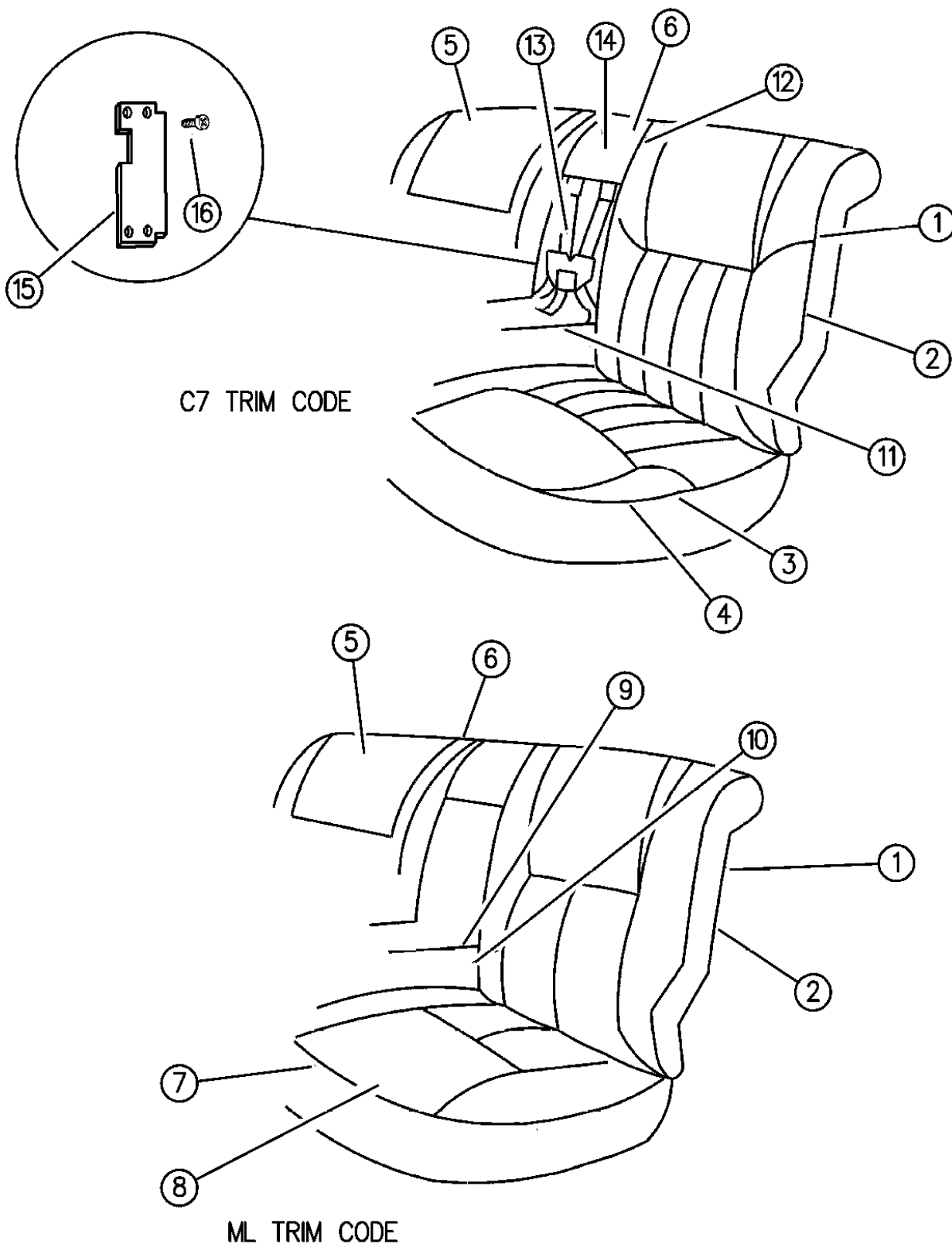
ITL-620A

ITEM	PART NUMBER	QTY	BODY	MODEL	DESCRIPTION
	DC02 MB7	1			Blue, (MLBB)
	DC02 MF6	1			Driftwood, (MLFF)
	DC02 MD5	1			Quartz, (MLSD) 1994-95-96
	DC02 PLD	1			Quartz, (MLSD)
	DC02 PLF	1			Driftwood, (MLFF)
	DC02 RP8	1			Blue Spruce, (MLP8) 1995 1996 - (Use After 11-15-95)
	PX43 SFF	1			Driftwood, (MLFF,MPAF)
	PX43 SLD	1			Quartz, (MLSD,MPAD)
	PX43 SPP	1			Turquoise, (MLP8)
8					COVER, Cushion 1993
	DC03 MB7	1			Blue, (MLBB)
	DC03 MF6	1			Driftwood, (MLFF)
	DC03 MD5	1			Quartz, (MLSD) 1994-95-96
	DC03 PLD	1			Quartz, (MLSD)
	DC03 PLF	1			Driftwood, (MLFF)
	DC03 RP8	1			Blue Spruce, (MLP8) 1995 1996 - (Use After 11-15-95)
	QB34 SFF	1			Driftwood, (MLFF,MPAF)
	QB34 SLD	1			Quartz, (MLSD,MPAD)
	QB34 SPP	1			Turquoise, (MLP8)
9					ARMREST and COVER
	DC38 MB7	1			Blue, (C7BB)
	DC38 MF6	1			Driftwood, (C7FF)
	DC38 MD5	1			Quartz, (C7SD)
	DC38 RP8	1			Blue Spruce, (C7P8)
	DC38 SP9	1			Med. Blue Spruce, (C7P8) Use After 1-30-96
	DC34 MB7	1			Blue, (MLBB)
	DC34 MF6	1			Driftwood, (MLFF,MPAF)
	DC34 MD5	1			Quartz, (MLSD,MPAD)
	DC34 RP8	1			Blue Spruce, (MLP8) 1995-96
10					COVER, Armrest (Not Serv.)
11					CHILD SEAT, Complete Module ***
	HF51 MD5	1			Quartz, (C7SD)
	HF51 MF6	1			Driftwood, (C7FF)
	HW17 MD5	1			Quartz, (C7SD) (CANADA)
	HW17 MF6	1			Driftwood, (C7FF) (CANADA)
12					PANEL, Upper Closeout
	HK64 MD5	1			Quartz, (C7SD)

MODEL CODES:
Chrysler = (CH41 = New Yorker, CP41 = LHS, DH41 = Intrepid(Canada), DP41 = Intrepid ES(Canada), LP41 = Concorde)
DODGE = (DH41 = Intrepid(USA), DP41 = Intrepid ES(USA))
EAGLE = (XP41 = Vision ESI, XS41 = Vision TSI)

BODY STYLES:
41 = 4 - Door Sedan ENGINE: 3.3L (EGB)
3.5L (EGE) 24 Valve

AR = Use as Required - = Non Illustrated Part P.A.R. = Paint as Required

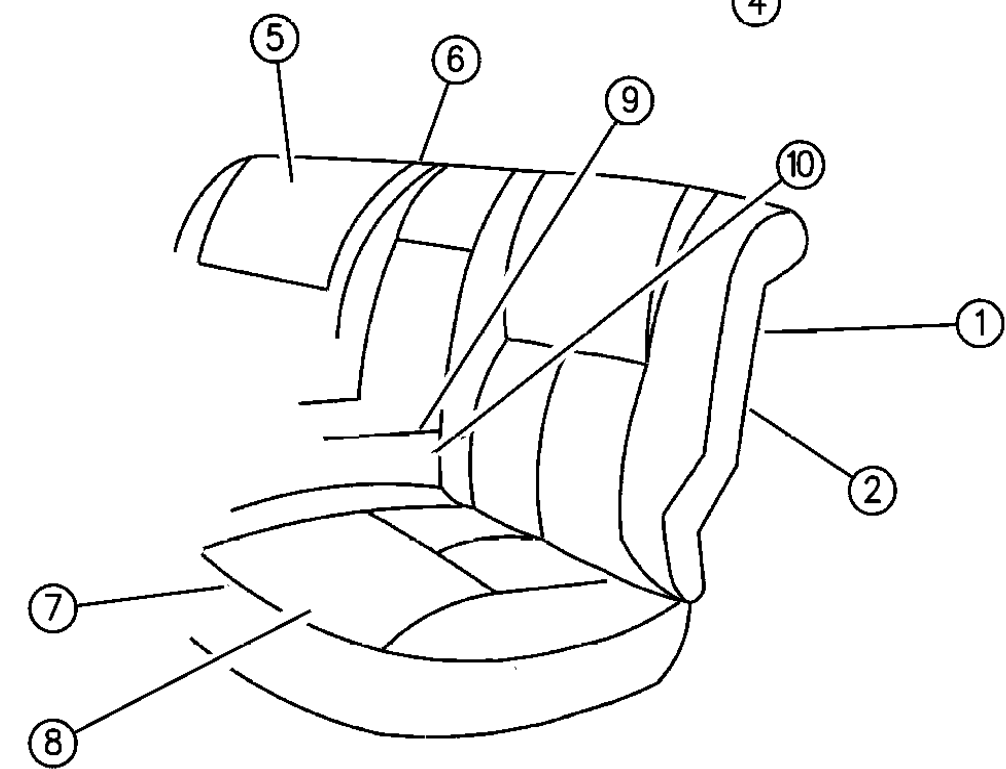
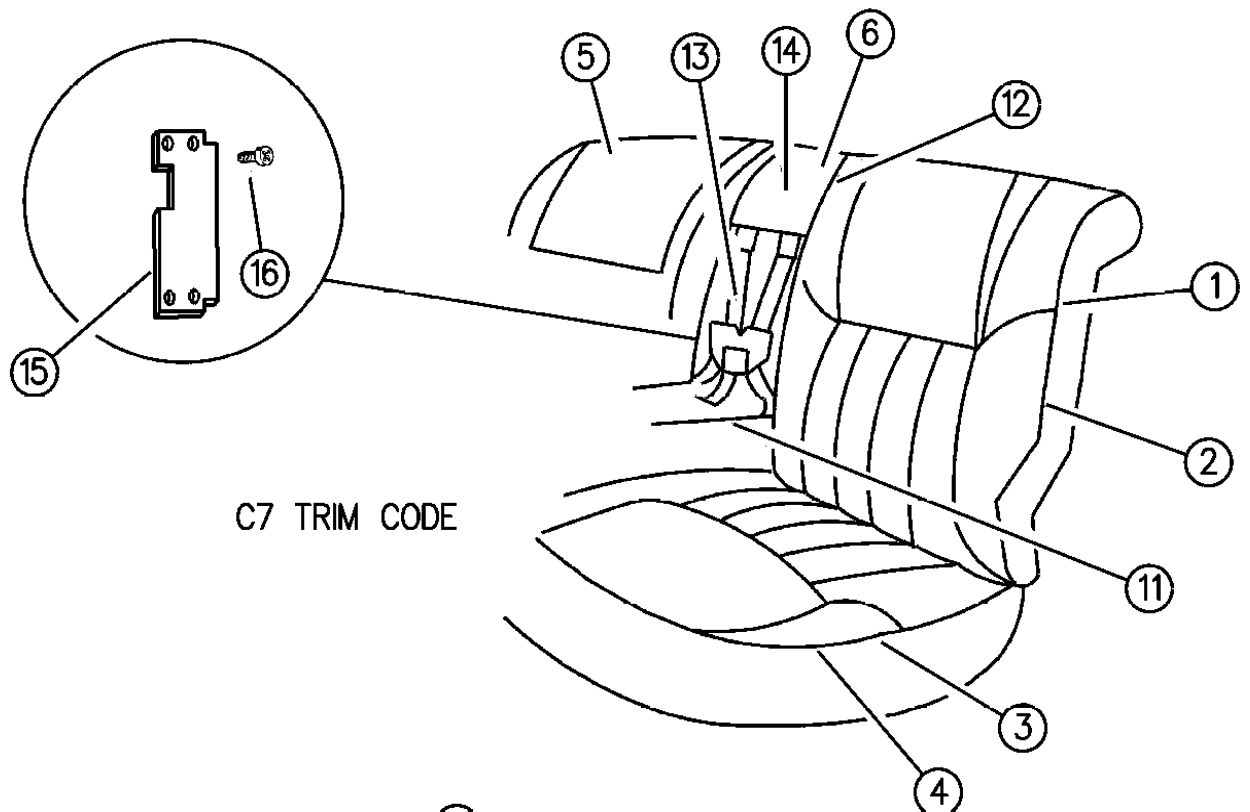


93430 620

SEAT--REAR LH BODY TRIM CODES C7,ML,MP
Figure ITL-620

ITL-620A

ITEM	PART NUMBER	QTY	BODY	MODEL	DESCRIPTION
	HK64 MF6	1			Driftwood, (C7FF)
-	4796 505	AR			RETAINER, Rear Armrest Close Off Panel
	HW22 MD5	1			Quartz, (C7DSD) (CANADA)
	HW22 MF6	1			Driftwood, (C7FF) (CANADA)
13					PAD, Cushion and Back (Removable)
	JB82 MD5	1			Quartz, (C7SD)
	JB82 MF6	1			Driftwood, (C7FF)
14					PAD and COVER, Upper ***
	HM69 MD5	1			Quartz, (C7SD)
	HM69 MF6	1			Driftwood, (C7FF)
	HW23 MD5	1			Quartz, (C7SD) (CANADA)
	HW23 MF6	1			Driftwood, (C7FF) (CANADA)
15	#4628 106	1			TRIM PLATE, Child Seat Attaching ***
16	#6101 371	2			SCREW and WASHER, Child Seat to Bulkhead
-	#6100 567	2			SCREW, Child Seat Attaching



93430 620

MODEL CODES: _____
 Chrysler = (CH41 = New Yorker, CP41 = LHS, DH41 = Intrepid(Canada), DP41 = Intrepid ES(Canada), LP41 = Concorde)
 DODGE = (DH41 = Intrepid(USA), DP41 = Intrepid ES(USA))
 EAGLE = (XP41 = Vision ESI, XS41 = Vision TSI)

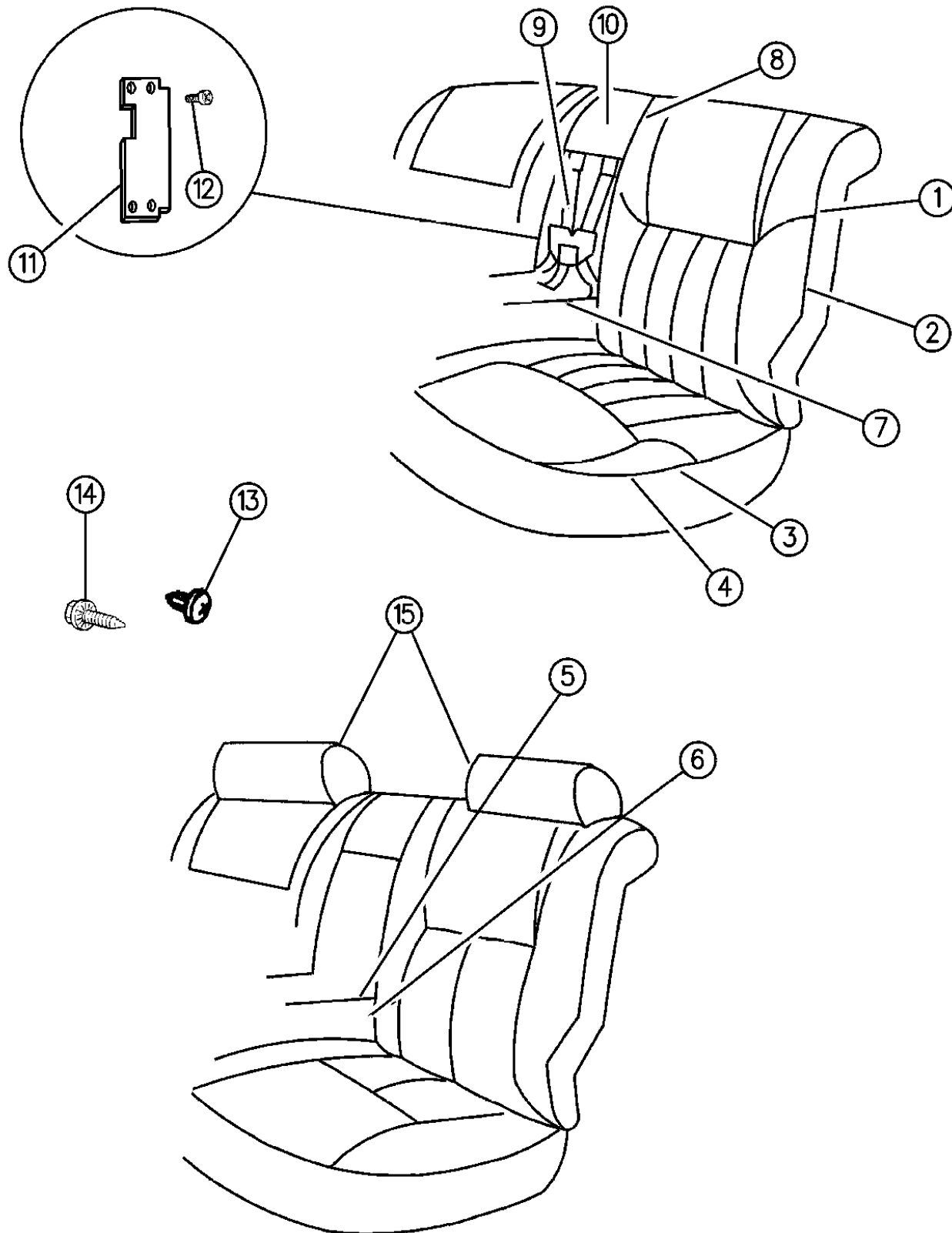
BODY STYLES: _____
 41 = 4 - Door Sedan ENGINE: 3.3L (EGB)
 3.5L (EGE) 24 Valve

AR = Use as Required - = Non Illustrated Part P.A.R. = Paint as Required

SEAT--REAR LH BODY TRIM CODES J7,L7,Q7

Figure ITL-622

ITL-622



ITEM	PART NUMBER	QTY	BODY	MODEL	DESCRIPTION
1					BACK, w/Spring/Frame, Pad and Cover
	MS17 SD5	1			Quartz, (J7AD)
	MS17 SF6	1			Driftwood, (J7AF)
	MS17 SP8	1			Blue Spruce, (J7AP)
	MR69 SF6	1			Driftwood, (L7FF)
	MR69 SP8	1			Blue Spruce, (L7P8)
	MR69 SD5	1			Quartz, (L7SD)
	MS12 SD5	1			Quartz, (Q7AD)
	MS12 SF6	1			Driftwood, (Q7AF)
					w/Child Seat
	MS19 SD5	1			Quartz, (J7AD)
	MR71 SD5	1			Quartz, (L7SD)
2					COVER, Back
	PL49 SD5	1			Quartz, (J7AD)
	PL49 SF6	1			Driftwood, (J7AF)
	PL49 SP8	1			Blue Spruce, (J7AF)
	PL38 SF6	1			Driftwood, (L7FF)
	PL38 SP8	1			Blue Spruce, (L7P8)
	PL38 SD5	1			Quartz, (L7SD)
	PL58 SD5	1			Quartz, (Q7AD)
	PL58 SF6	1			Driftwood, (Q7AF)
					Used w/Child Seat
	PL34-5 SD5	1			Quartz, (J7AD)
	PL32-3 SD5	1			Quartz, (L7SD)
3					CUSHION, w/Spring/Frame, Pad and Cover
	MR96 SD5	1			Quartz, (J7AD)
	MR96 SF6	1			Driftwood, (J7AF)
	MR96 SP8	1			Blue Spruce, (J7AP)
	MR74 SD5	1			Quartz, (Q7AD)
	MR74 SF6	1			Driftwood, (Q7AF)
	MR67 SD5	1			Quartz, (L7SD)
	MR67 SF6	1			Driftwood, (L7FF)
	MR67 SP8	1			Blue Spruce, (L7P8)
4					COVER, Cushion
	PL51 SD5	1			Quartz, (J7AAD)
	PL51 SF6	1			Driftwood, (J7AF)
	PL51 SP8	1			Blue Spruce, (J7AP)
	PL55 SD5	1			Quartz, (Q7AD)
	PL55 SF6	1			Driftwood, (Q7AF)
	PL40 SD5	1			Quartz, (L7SD)
	PL40 SF6	1			Driftwood, (L7FF)
	PL40 SP8	1			Blue Spruce, (L7P8)

MODEL CODES:

Chrysler = (CH41 = New Yorker, CP41 = LHS, DH41 = Intrepid(Canada), DP41 = Intrepid ES(Canada), LP41 = Concorde)
 DODGE = (DH41 = Intrepid(USA), DP41 = Intrepid ES(USA))
 EAGLE = (XP41 = Vision ESI, XS41 = Vision TSI)

BODY STYLES:

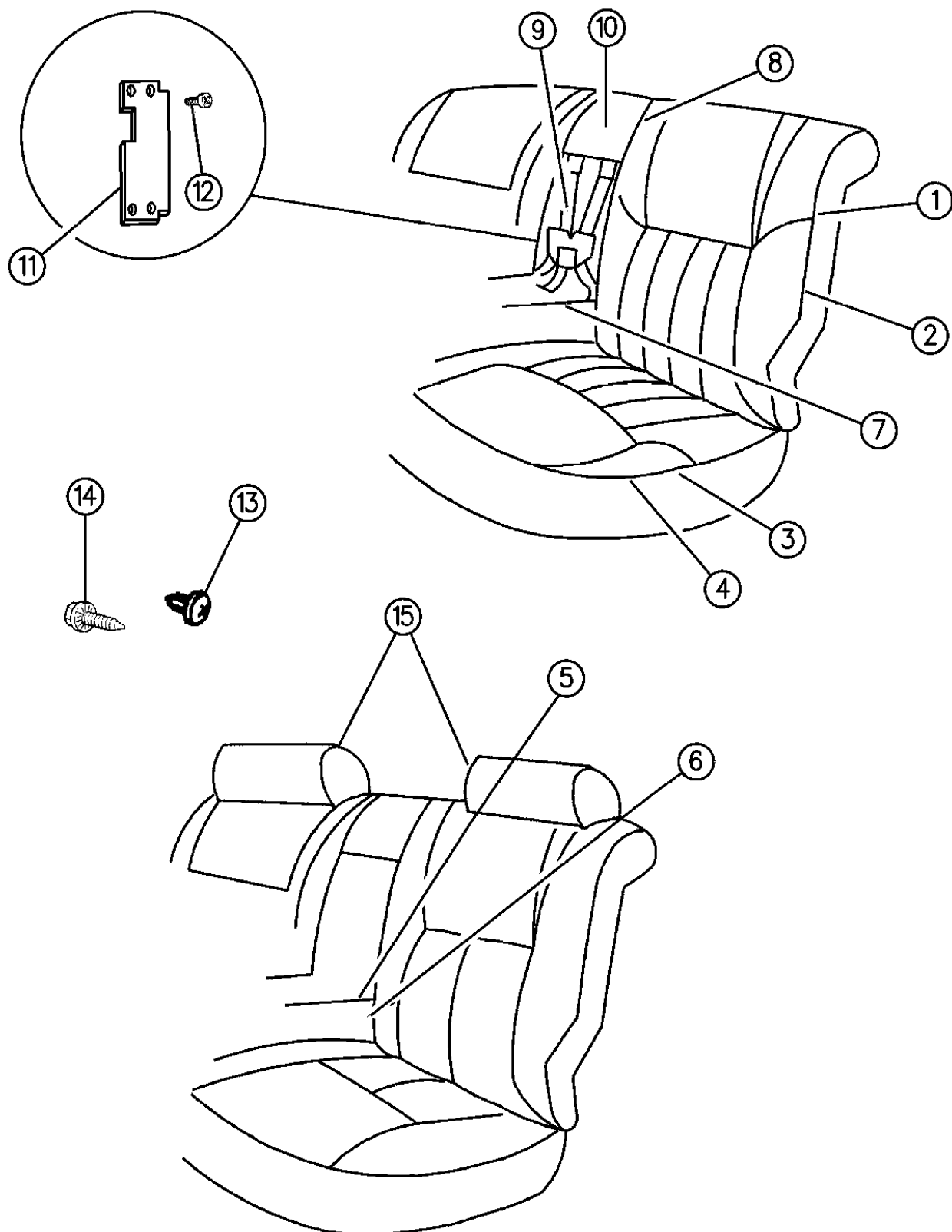
41 = 4 - Door Sedan ENGINE: 3.3L (EGB)
 3.5L (EGE) 24 Valve

93430 622

AR = Use as Required - = Non Illustrated Part P.A.R. = Paint as Required

SEAT--REAR LH BODY TRIM CODES J7,L7,Q7
Figure ITL-622

ITL-622



ITEM	PART NUMBER	QTY	BODY	MODEL	DESCRIPTION
5					ARMREST and COVER
	PL14 SD5	1			Quartz, (J7AD)
	PL14 SF6	1			Driftwood, (J7AF)
	PL14 SP8	1			Blue Spruce, (J7AP)
	PL07 SD5	1			Quartz, (Q7AD)
	PL07 SF6	1			Driftwood, (Q7AF)
6					COVER, Armrest (Not Serv.)
7					CHILD SEAT, Complete Module ***
	PK76 SD5	1			Quartz, (J7AD)
	PK75 SD5	1			Quartz, (L7SD)
8					PANEL, Upper Closeout
	PM30 SD5	1			Quartz, (J7AD)
	PM28 SD5	1			Quartz, (L7SD)
9					PAD, Cushion and Back (Removable)
	JB82 SD5	1			Quartz, (J7AD,L7SD)
10					PAD and COVER, Upper ***
	PK87 SD5	1			Quartz, (J7AD)
	PK89 SD5	1			Quartz, (L7SD)
11	#4628 106	1			TRIM PLATE, Child Seat Attaching ***
12	#6101 371	2			SCREW and WASHER, Child Seat to Bulkhead
13	4796 505	AR			RETAINER, Rear Armrest Close Off Panel Attaching
14	6100 567	2			SCREW, Child seat Attaching
15					HEADREST and COVER
	PL06 SD5	2			Quartz, (Q7AD)
	PL06 SF6	2			Driftwood, (Q7AF)

MODEL CODES:

Chrysler = (CH41 = New Yorker, CP41 = LHS, DH41 = Intrepid(Canada), DP41 = Intrepid ES(Canada), LP41 = Concorde)
DODGE = (DH41 = Intrepid(USA), DP41 = Intrepid ES(USA))
EAGLE = (XP41 = Vision ESI, XS41 = Vision TSI)

BODY STYLES:

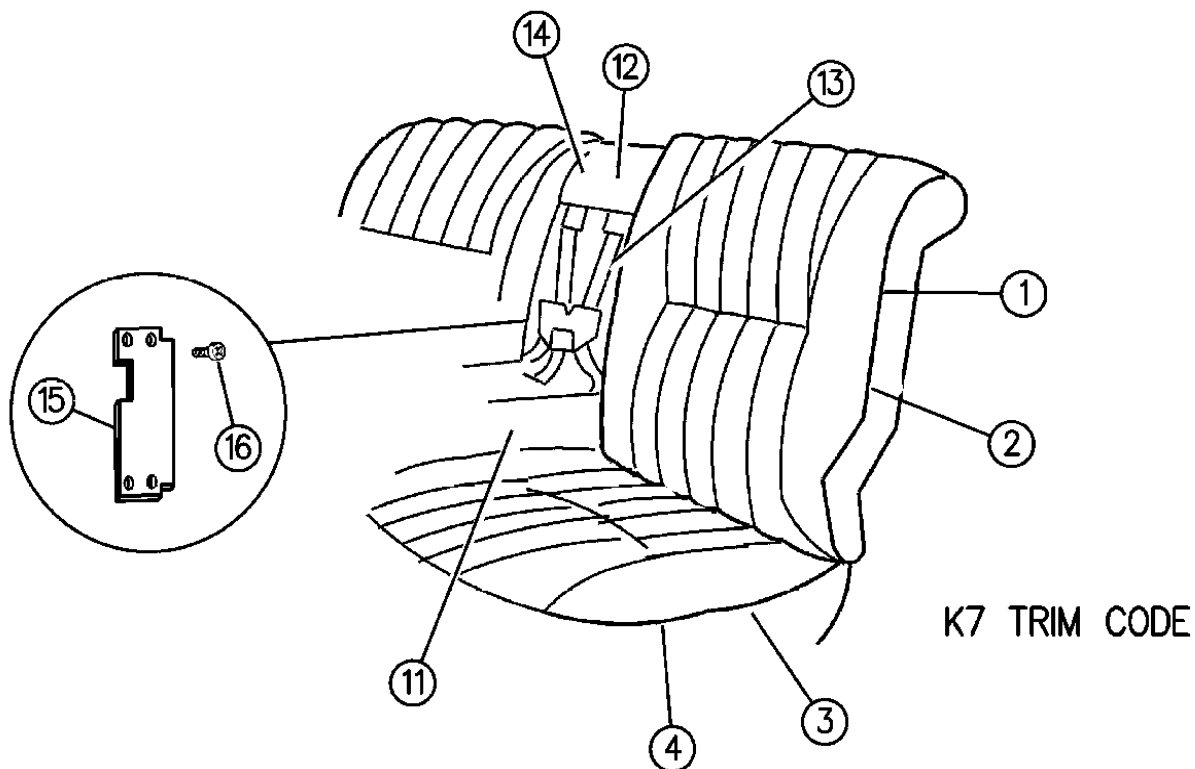
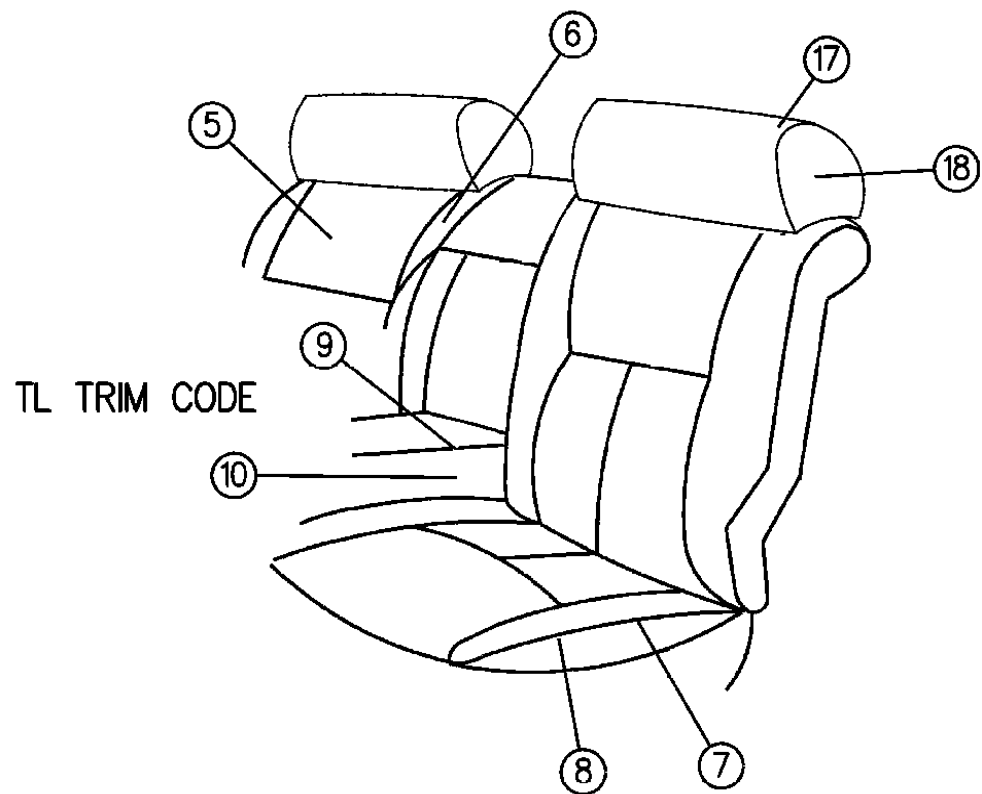
41 = 4 - Door Sedan ENGINE: 3.3L (EGB)
3.5L (EGE) 24 Valve

93430 622

AR = Use as Required - = Non Illustrated Part P.A.R. = Paint as Required

SEAT--REAR LH BODY TRIM CODES FL-K7-TF-TL
Figure ITL-630

IT-630



ITEM	PART NUMBER	QTY	BODY	MODEL	DESCRIPTION
1					BACK, w/Spring/Frame, Pad and Cover w/Center Armrest and Contour (Use Up To 9-20-93)
	GD91 MB7	1			Blue, (K7AB,TFAB)
	GD91 MD5	1			Quartz, (K7AD,TFAD)
	GD91 MF6	1			Driftwood, (K7AF,TFAF) (Use After 9-20-93)
	LB23 PB7	1			Blue, (K7AB,TFAB)
	LB23 PD5	1			Quartz, (K7AD,TFAD)
	LB23 PF6	1			Driftwood, (K7AF,TFAF)
	LB23 RP8	1			Blue Spruce, (K7AP,TFAP) 1995 w/Child Seat 1993
	GE54 MD5	1			Quartz, (K7AD)
	GE54 MF6	1			Driftwood, (K7AF)
	GE54 MB7	1			Blue, (K7AB)
	HP01 MD5	1			Quartz, (K7AD) (CANADA)
	HP01 MF6	1			Driftwood, (K7AF) (CANADA) 1994-95 (U.S.) (Use Up To 9-20-93)
	GE54 MD5	1			Quartz, (K7AD)
	GE54 MF6	1			Driftwood, (K7AF)
	GE54 MB7	1			Blue, (K7AB) (Use After 9-20-93)
	LB24 PD5	1			Quartz, (K7AD,TFAD) 1994-95, (Canada) (Use Up To 9-20-93)
	HP01 PF6	1			Driftwood, (TFAF) (Canada)
	HP01 PD5	1			Quartz, (TFAD,K7AD) Canada (Use After 9-20-93)
	LB25 PD5	1			Quartz, (TFAD,K7AD)
2					COVER, Back Used w/Center Armrest and Contour (Use Up To 9-20-93)
	HR23 MB7	1			Blue, (K7AB,TFAB)
	HR23 MD5	1			Quartz, (K7AD,TFAD)
	HR23 MF6	1			Driftwood, (K7AF,TFAF) (Use After 9-20-93)
	LD67 PB7	1			Blue, (K7AB,TFAB)
	LD67 PD5	1			Quartz, (K7AD,TFAD)
	LD67 PF6	1			Driftwood, (K7AF,TFAF)
	LD67 RP8	1			Blue Spruce, (K7AP,TFAP) 1995

MODEL CODES:

Chrysler = (CH41 = New Yorker, CP41 = LHS, DH41 = Intrepid(Canada), DP41 = Intrepid ES(Canada), LP41 = Concorde)
DODGE = (DH41 = Intrepid(USA), DP41 = Intrepid ES(USA))
EAGLE = (XP41 = Vision ESI, XS41 = Vision TSI)

BODY STYLES:

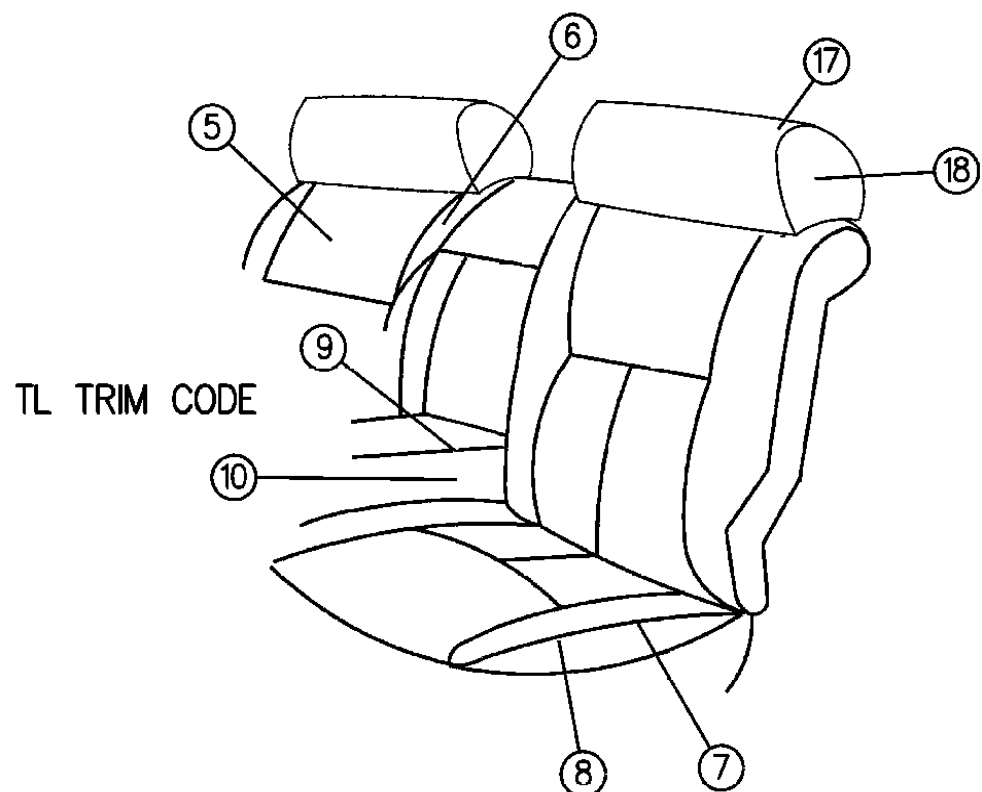
41 = 4 - Door Sedan ENGINE: 3.3L (EGB)
3.5L (EGE) 24 Valve

93430 630

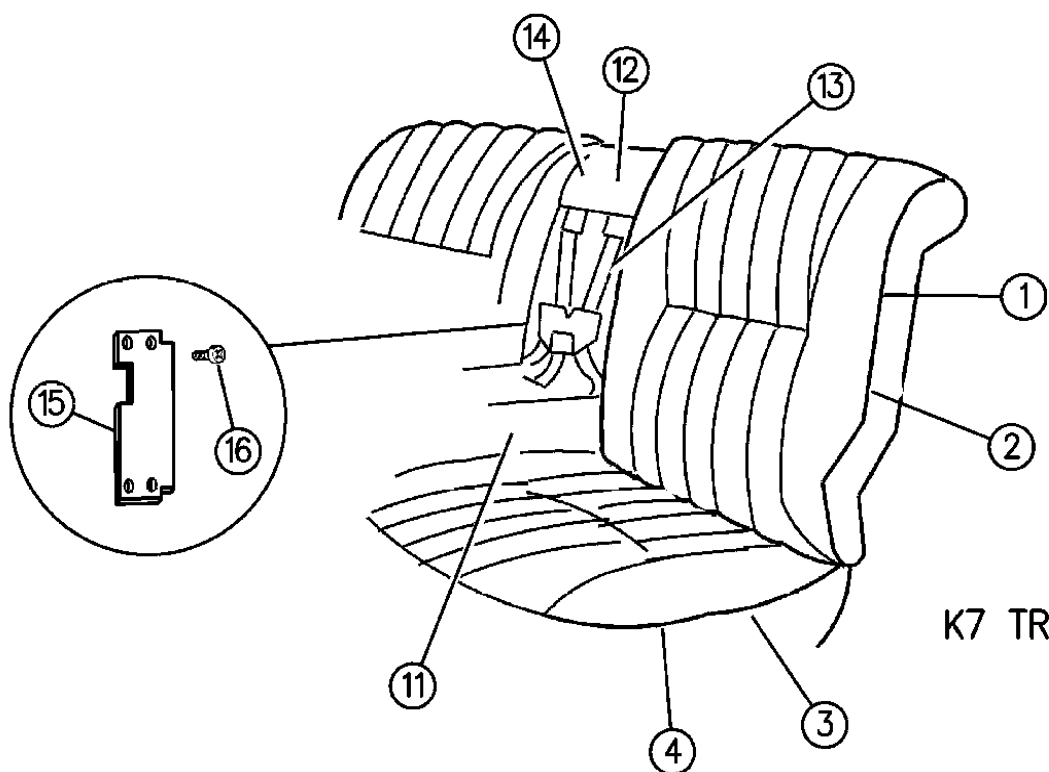
AR = Use as Required - = Non Illustrated Part P.A.R. = Paint as Required

SEAT--REAR LH BODY TRIM CODES FL-K7-TF-TL
Figure ITL-630

IT-630



TL TRIM CODE



K7 TRIM CODE

ITEM	PART NUMBER	QTY	BODY	MODEL	DESCRIPTION
					Used w/Child Seat
					(Use Up To 9-20-93)
	HK12-3 MD5	1			Quartz, (K7AD,TFAD)
	HK12-3 MF6	1			Driftwood, (K7AF)
					(Use After 9-020-93)
	LD80-1 PB7	1			Blue, (K7AB)
	LD80-1 PF6	1			Driftwood, (K7AF)
	LD80-1 PD5	1			Quartz, (K7AD,TFAD)
3					CUSHION, w/Spring/Frame, Pad and Cover
	GE40 MB7	1			Blue, (K7AB)
	GE40 MD5	1			Quartz, (K7AD)
	GE40 MF6	1			Driftwood, (K7AF)
	GE40 RP8	1			Blue Spruce, (K7AP) 1995
	GE40 PB7	1			Blue, (TFAB)
	GE40 PD5	1			Quartz, (TFAD)
	GE40 PF6	1			Driftwood, (TFAF)
	GE40 RP8	1			Blue Spruce, (TFAP) 1995
4					COVER, Cushion
	HR22 MB7	1			Blue, (K7AB)
	HR22 MD5	1			Quartz, (K7AD)
	HR22 MF6	1			Driftwood, (K7AF)
	HR22 RP8	1			Blue Spruce, (K7AP) 1995
	HR22 MB7	1			Blue, (TFAB)
	HR22 MD5	1			Quartz, (TFAD)
	HR22 MF6	1			Driftwood, (TFAF)
	HR22 RP8	1			Blue Spruce, (TFAP) 1995
5					BACK, w/Spring/Frame, Pad and Cover (w/CenterArmrest and Contour)
					1993
	DB95 MB7	1			Blue, (TLBB)
	DB95 MF6	1			Driftwood, (TLAF)
	DB95 MD5	1			Quartz, (TLAD)
					1994-95
					(Use Up To 9-20-93)
	DB95 PLB	1			Blue, (TLBB)
	DB95 PLF	1			Driftwood, (TLAF)
	DB95 PLD	1			Quartz, (TLAD)
					(Use After 9-20-93) and (Up To 11-15-95)
	LB33 PLF	1			Driftwood, (TLAF)
	LB33 PLD	1			Quartz, (TLAD)
	LB33 PLB	1			Blue, (TLAB)
	LB33 RP8	1			Blue Spruce, (TLAP) 1995

MODEL CODES:

Chrysler = (CH41 = New Yorker, CP41 = LHS, DH41 = Intrepid(Canada), DP41 = Intrepid ES(Canada), LP41 = Concorde)
DODGE = (DH41 = Intrepid(USA), DP41 = Intrepid ES(USA))
EAGLE = (XP41 = Vision ESI, XS41 = Vision TSI)

BODY STYLES:

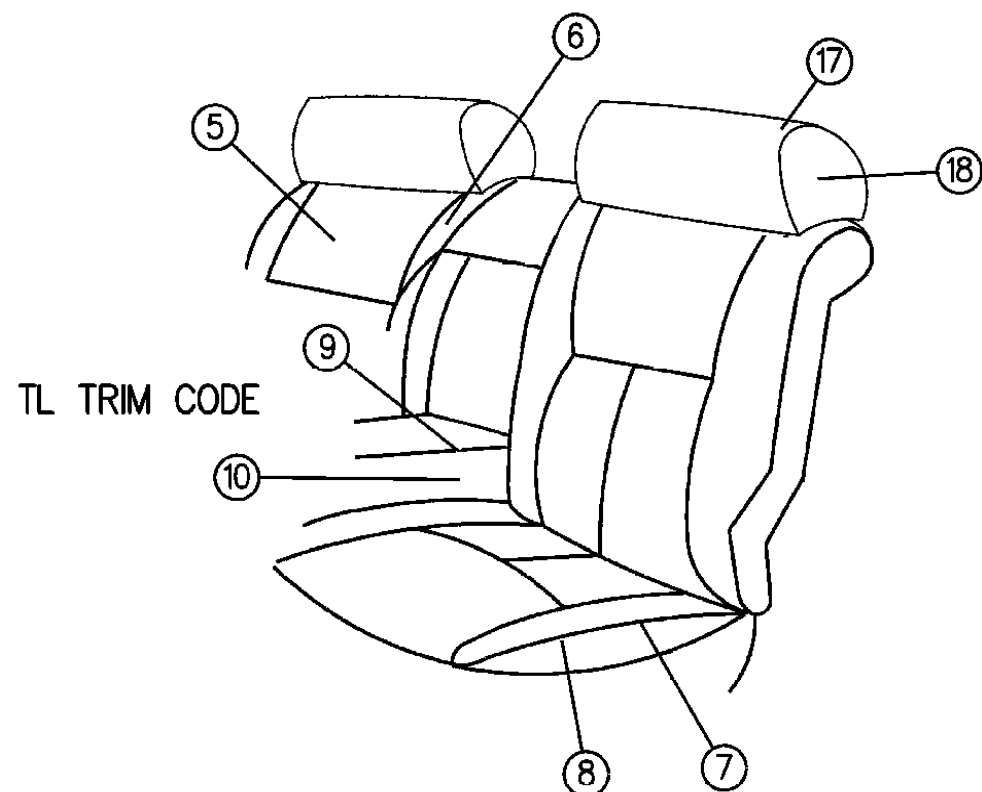
41 = 4 - Door Sedan ENGINE: 3.3L (EGB)
3.5L (EGE) 24 Valve

93430 630

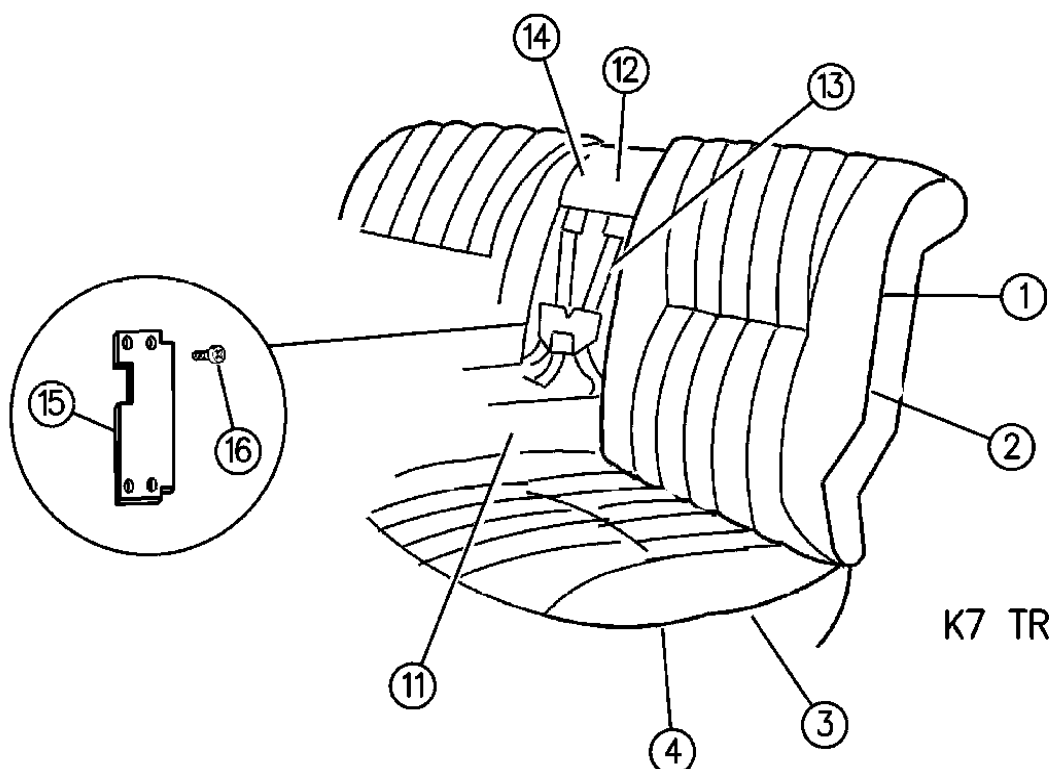
AR = Use as Required - = Non Illustrated Part P.A.R. = Paint as Required

SEAT--REAR LH BODY TRIM CODES FL-K7-TF-TL
Figure ITL-630

IT-630



TL TRIM CODE



K7 TRIM CODE

93430 630

ITEM	PART NUMBER	QTY	BODY	MODEL	DESCRIPTION
					(Use After 11-14-95)
	PX54 SFF	1			Driftwood, (TLAF)
	PX54 SLD	1			Quartz, (TLAD)
	PX54 SPP	1			Turquoise, (TLAP)
					(Use Up To 9-20-93)
	HV20 PD5	1			Quartz, (FLAD)
	HV20 PF6	1			Driftwood, (FLAF)
					(Use After 9-20-93) and (Up To 11-14-95)
	LB34 PLD	1			Quartz, (FLAD)
	LB34 PLF	1			Driftwood, (FLAF)
					(Use After 11-14-95)
	PX53 SFF	1			Driftwood, (FLAF)
	PX53 SLD	1			Quartz, (FLAD)
6					COVER, Back (Used w/Center Armrest and Contour) 1993
	DP75 MB7	1			Blue, (TLBB)
	DP75 MF6	1			Driftwood, (TLAF)
	DP75 MD5	1			Quartz, (TLAD)
					1994-95-96
	LD85 PLB	1			Blue, (TLAB)
	LD85 PLD	1			Quartz, (TLAD)
	LD85 PLF	1			Driftwood, (TLAF)
	LD85 RP8	1			Blue Spruce, (TLAP) 1995 1996 - (Use After 11-14-95)
	QB33 SFF	1			Driftwood, (TLAF)
	QB33 SLD	1			Quartz, (TLAD)
	QB33 SPP	1			Turquoise, (TLAP)
					1994-95-96
	LD85 PLD	1			Quartz, (FLAD)
	LD85 PLF	1			Driftwood, (FLAF)
					1996 - (Use After 11-14-95)
	QB33 SFF	1			Driftwood, (FLAF)
	QB33 SLD	1			Quartz, (FLAD)
7					CUSHION, w/Spring/Frame, Pad and Cover
	DC02 MB7	1			Blue, (TLAB)
	DC02 MF6	1			Driftwood, (TLAF,FLAF)
	DC02 MD5	1			Quartz, (TLAD,FLAD)
					1994-95-96
	DC02 PLD	1			Quartz, (FLAD)
	DC02 PLF	1			Driftwood, (FLAF)
	DC02 PLB	1			Blue, (TLAB)
	DC02 PLD	1			Quartz, (TLAD)

MODEL CODES:

Chrysler = (CH41 = New Yorker, CP41 = LHS, DH41 = Intrepid(Canada), DP41 = Intrepid ES(Canada), LP41 = Concorde)
DODGE = (DH41 = Intrepid(USA), DP41 = Intrepid ES(USA))
EAGLE = (XP41 = Vision ESI, XS41 = Vision TSI)

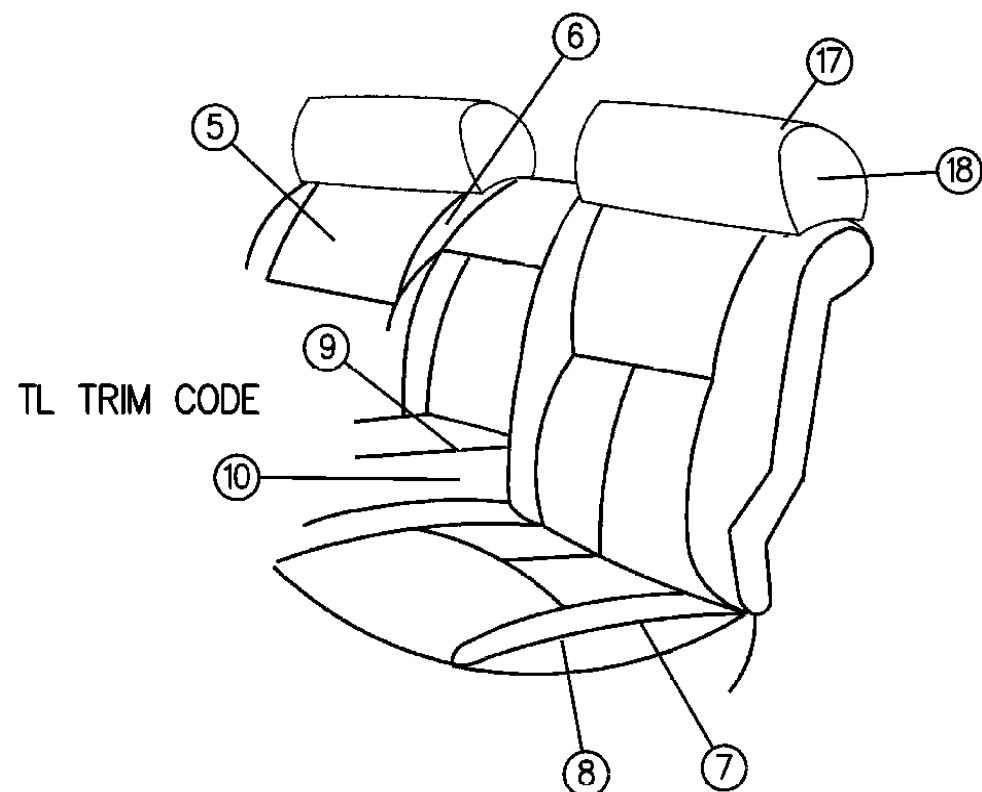
BODY STYLES:

41 = 4 - Door Sedan ENGINE: 3.3L (EGB)
3.5L (EGE) 24 Valve

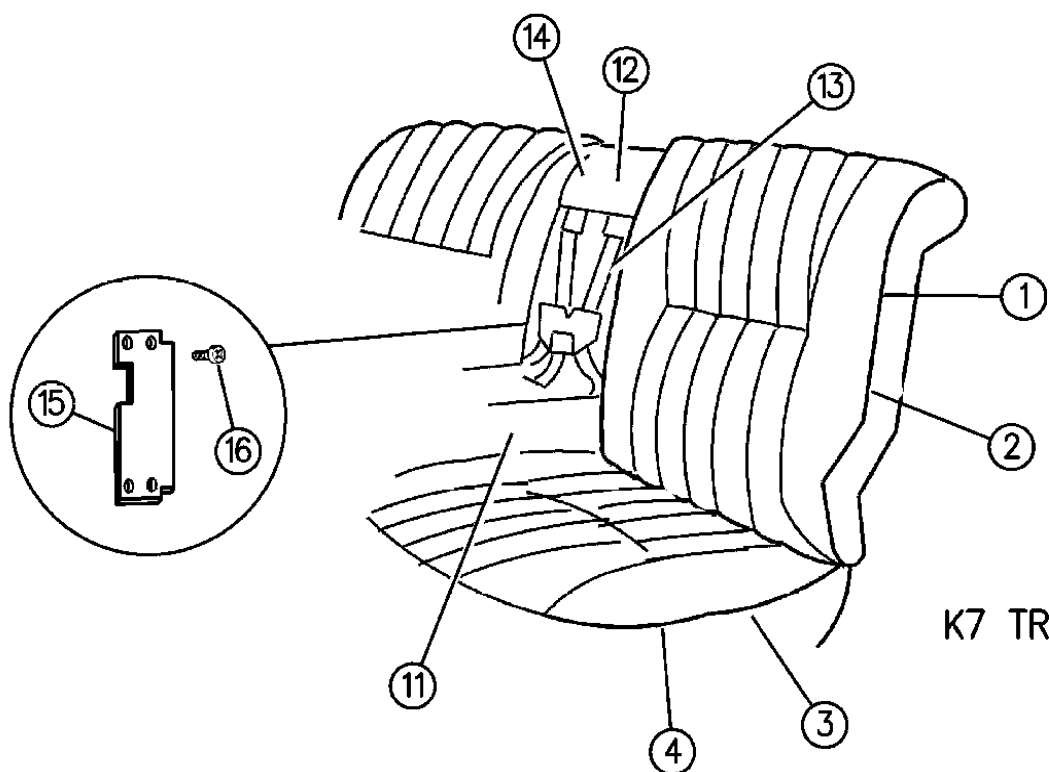
AR = Use as Required - = Non Illustrated Part P.A.R. = Paint as Required

SEAT--REAR LH BODY TRIM CODES FL-K7-TF-TL
Figure ITL-630

IT-630



TL TRIM CODE



K7 TRIM CODE

93430 630

ITEM	PART NUMBER	QTY	BODY	MODEL	DESCRIPTION
	DC02 PLF	1			Driftwood, (TLAF)
	DC02 RP8	1			Blue Spruce, (TLAP) 1995 1996 - (Use After 11-14-95)
	PX43 SFF	1			Driftwood, (TLAF,FLAF)
	PX43 SLD	1			Quartz, (TLAD,FLAD)
	PX43 SPP	1			Turquoise, (TLAP)
8					COVER, Cushion
	DC03 MB7	1			Blue, (TLAB)
	DC03 MF6	1			Driftwood, (TLAF)
	DC03 MD5	1			Quartz, (TLAD) 1994-95-96
	DC03 PD5	1			Quartz, (FLAD)
	DC03 PF6	1			Driftwood, (FLAF)
	DC03 PLB	1			Blue, (TLAB)
	DC03 PLD	1			Quartz, (TLAD)
	DC03 PLF	1			Driftwood, (TLAF)
	DC03 RP8	1			Blue Spruce, (TLAP) 1995 1996 - (Use After 11-14-95)
	QB34 SFF	1			Driftwood, (TLAF,FLAF)
	QB34 SLD	1			Quartz, (TLAD,FLAD)
	QB34 SPP	1			Turquoise, (TLAP)
9					ARMREST and COVER
	HR21 MB7	1			Blue, (K7AB)
	HR21 MD5	1			Quartz, (K7AD)
	HR21 MF6	1			Driftwood, (K7AF)
	HR21 RP8	1			Blue Spruce, (K7AP) 1995
	HR21 PB7	1			Blue, (TFAB)
	HR21 PD5	1			Quartz, (TFAD)
	HR21 PF6	1			Driftwood, (TFAF)
	HR21 RP8	1			Blue Spruce, (TFAP) 1995
	DC34 MB7	1			Blue, (TLBB)
	DC34 MF6	1			Driftwood, (TLFF)
	DC34 MD5	1			Quartz, (TLAD) 1994-95-96
	DC34 PLD	1			Quartz, (TLAD)
	DC34 PLF	1			Driftwood, (TLAF)
	DC34 PLB	1			Blue, (TLAB)
	DC34 RP8	1			Blue Spruce, (TLAP) 1995
	LD39 PLD	1			Quartz, (FLAD)
	LD39 PLF	1			Driftwood, (FLAD)
10					COVER, Armrest (Not Serv.)
11					CHILD SEAT, Complete Module ***

MODEL CODES:

Chrysler = (CH41 = New Yorker, CP41 = LHS, DH41 = Intrepid(Canada), DP41 = Intrepid ES(Canada), LP41 = Concorde)
DODGE = (DH41 = Intrepid(USA), DP41 = Intrepid ES(USA))
EAGLE = (XP41 = Vision ESI, XS41 = Vision TSI)

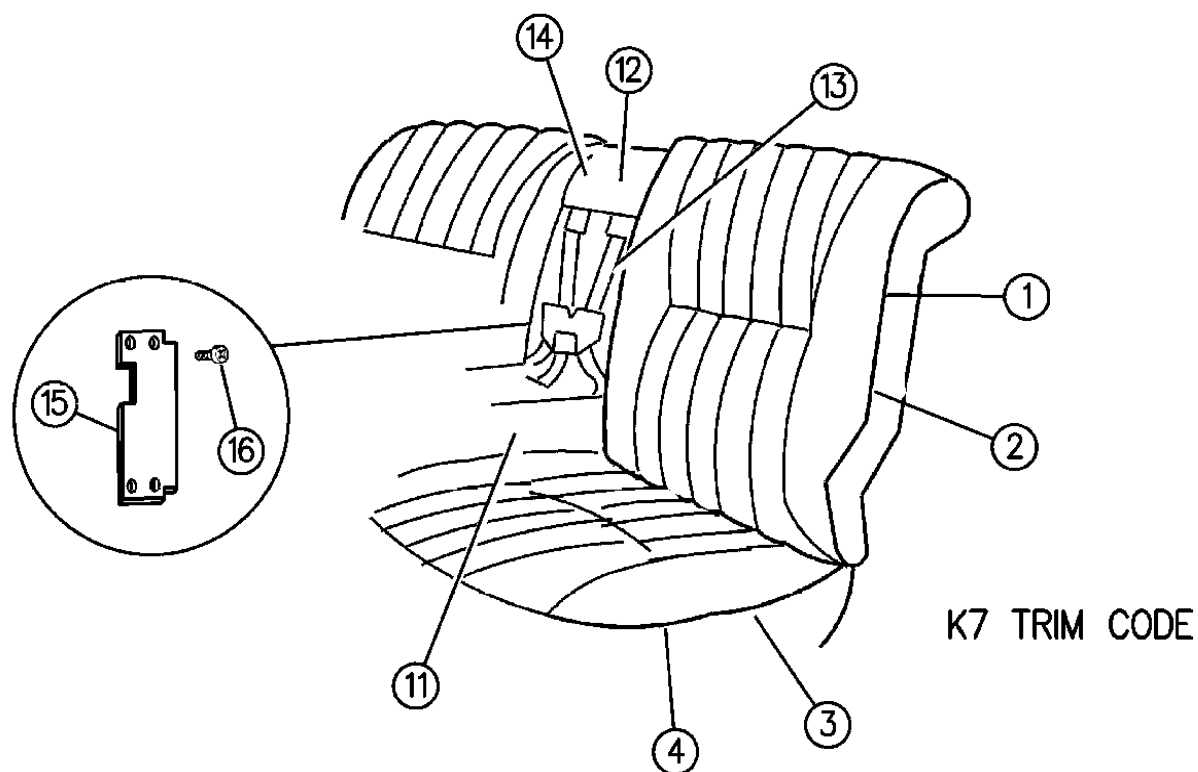
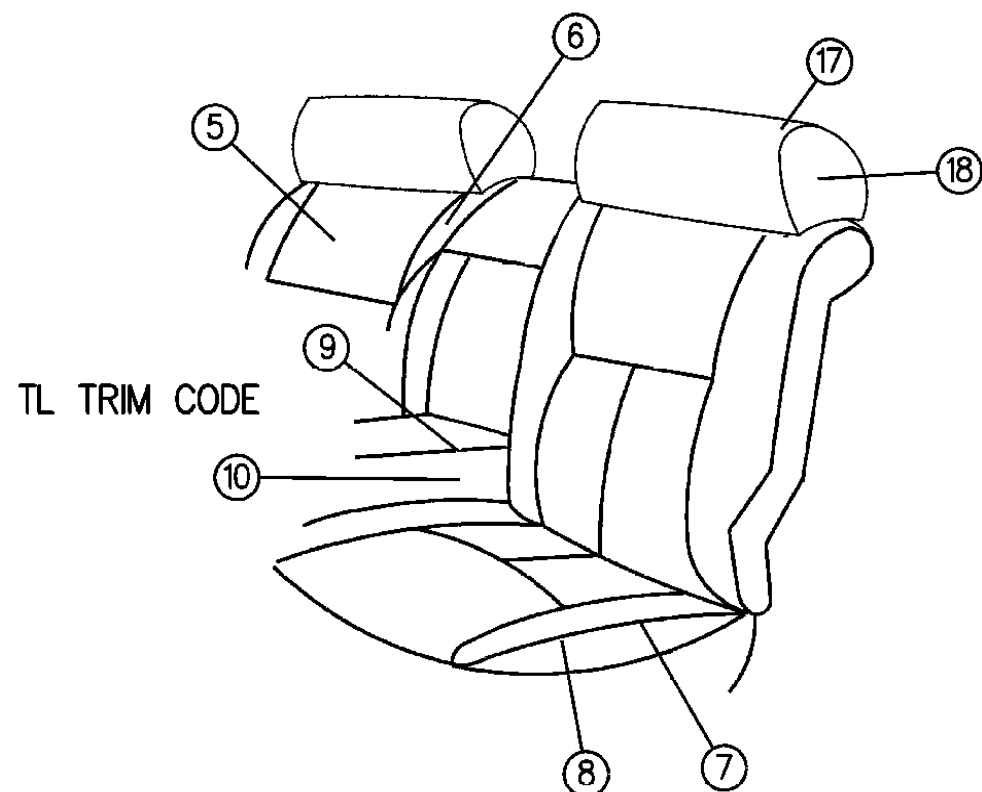
BODY STYLES:

41 = 4 - Door Sedan ENGINE: 3.3L (EGB)
3.5L (EGE) 24 Valve

AR = Use as Required - = Non Illustrated Part P.A.R. = Paint as Required

SEAT--REAR LH BODY TRIM CODES FL-K7-TF-TL
Figure ITL-630

IT-630



93430 630

ITEM	PART NUMBER	QTY	BODY	MODEL	DESCRIPTION
	HF62 MD5	1			Quartz, (K7AD)
	HF62 MF6	1			Driftwood, (K7AF)
	HW51 MD5	1			Quartz, (K7AD) (CANADA)
	HW51 MF6	1			Driftwood, (K7AF) (CANADA)
12					PANEL, Upper Closeout
	HK70 MD5	1			Quartz, (K7AD)
	HK70 MF6	1			Driftwood, (K7AF)
-	4796 505	AR			RETAINER, Rear Armrest Close Off Panel
	HW54 MD5	1			Quartz, (K7AD) (CANADA)
	HW54 MF6	1			Driftwood, (K7AF) (CANADA)
13					PAD, Cushion and Back (Removable)
	JB82 MD5	1			Quartz, (K7AD)
	JB82 MF6	1			Driftwood, (K7AF)
14					PAD and COVER, Upper ***
	HM61 MD5	1			Quartz, (K7AD)
	HM61 MF6	1			Driftwood, (K7AF)
	HW55 MD5	1			Quartz, (K7AD) (CANADA)
	HW55 MF6	1			Driftwood, (K7AF) (CANADA)
15	#4628 106	1			TRIM PLATE, Child Seat Attaching ***
16	#6101 371	2			SCREW and WASHER, Child Seat to Bulkhead
17					HEADREST, Rear Seat
	LR09 PLD	2			Quartz, (FLAD)
	LR09 PLF	2			Driftwood, (FLAF)
18					COVER, Headrest (Not Serv.)
-	#6100 568	2			SCREW, Child Seat Attaching

MODEL CODES:

Chrysler = (CH41 = New Yorker, CP41 = LHS, DH41 = Intrepid(Canada), DP41 = Intrepid ES(Canada), LP41 = Concorde)
DODGE = (DH41 = Intrepid(USA), DP41 = Intrepid ES(USA))
EAGLE = (XP41 = Vision ESI, XS41 = Vision TSI)

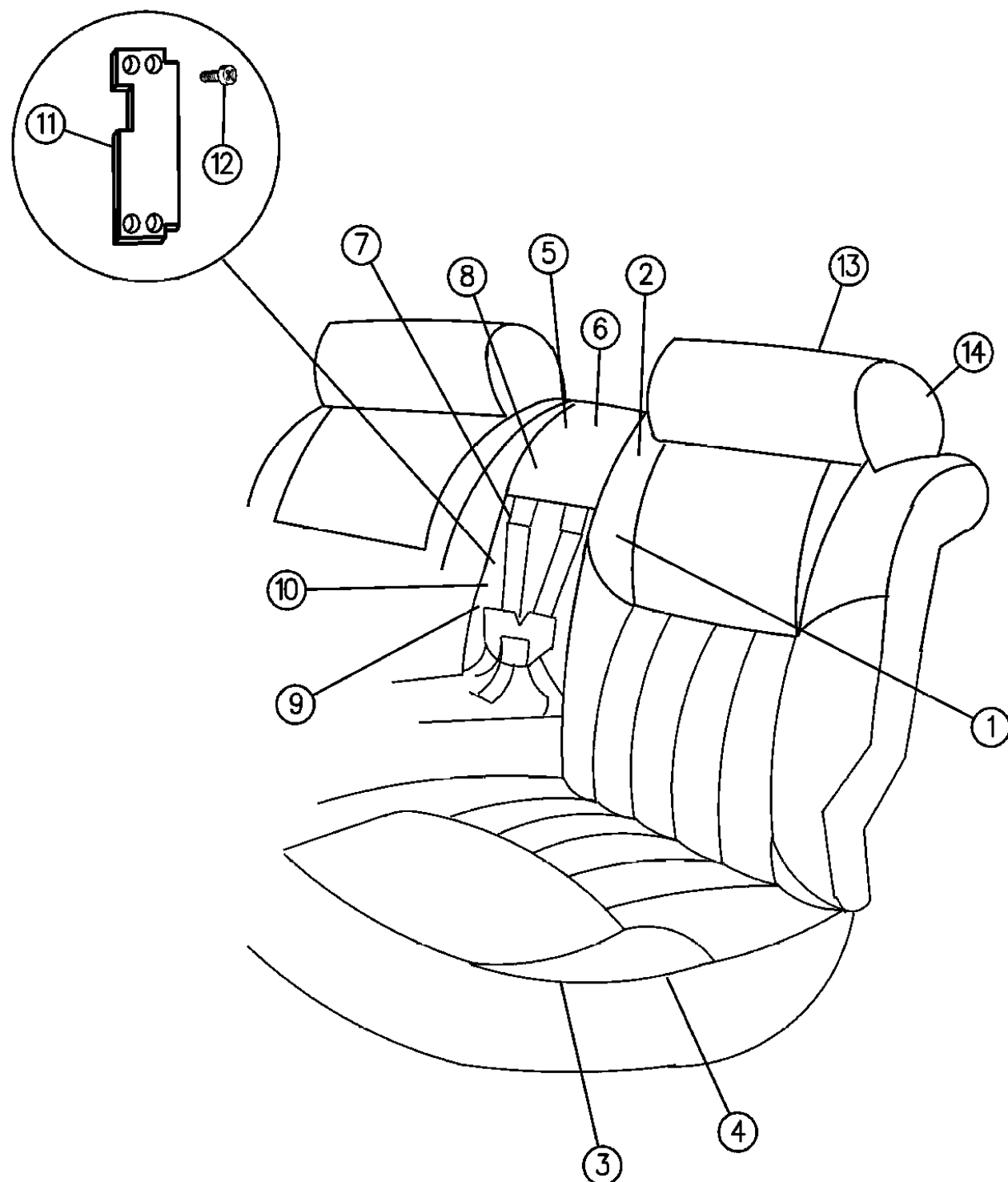
BODY STYLES:

41 = 4 - Door Sedan ENGINE: 3.3L (EGB)
3.5L (EGE) 24 Valve

AR = Use as Required - = Non Illustrated Part P.A.R. = Paint as Required

SEAT--REAR LH BODY TRIM CODES E7,H7
Figure ITL-640

IT-640



ITEM	PART NUMBER	QTY	BODY	MODEL	DESCRIPTION
1					BACK, w/Spring/Frame, Pad and Cover w/Center Armrest and Contour
	DC06 MB7	1			Blue, (E7AB)
	DC06 MDD	1			Quartz, (E7AD)
	DC06 MF7	1			Driftwood, (E7AF)
					(Use Up To 9-20-93)
	HV24 PD5	1			Quartz, (H7AD)
	HV24 PF6	1			Driftwood, (H7AF)
					(Use After 9-20-93)
	LB22 PD5	1			Quartz, (H7AD)
	LB22 PF6	1			Driftwood, (H7AF)
					w/Child Seat
	GG17 MDD	1			Quartz, (E7AD)
	GG17 MF7	1			Driftwood, (E7AF)
	HN96 MDD	1			Quartz, (E7AD) (CANADA)
	HN96 MF7	1			Driftwood, (E7AF) (CANADA)
2					COVER, Back
					Used w/Center Armrest and Contour
	DC11 MB7	1			Blue, (E7AB)
	DC11 MDD	1			Quartz, (E7AD)
	DC11 MF7	1			Driftwood, (E7AF)
					(Use Up To 9-20-93)
	DC82 PD5	1			Quartz, (H7AD)
	DC82 PF6	1			Driftwood, (H7AF)
					(Use After 9-20-93)
	LD88 PD5	1			Quartz, (H7AD)
	LD88 PF6	1			Driftwood, (H7AF)
					Used w/Child Seat
	HW26-7 MDD	1			Quartz, (E7AD)
	HW26-7 MF7	1			Driftwood, (E7AF)
	HW26-7 MDD	1			Quartz, (E7AD) (CANADA)
	HW26-7 MF7	1			Driftwood, (E7AF) (CANADA)
3					CUSHION, w/Spring/Frame, Pad and Cover
	DC18 MB7	1			Blue, (E7AB)
	DC18 MDD	1			Quartz, (E7AD)
	DC18 MF7	1			Driftwood, (E7AF)
	DD22 PD5	1			Quartz, (H7AD)
	DD22 PF6	1			Driftwood, (H7AF)
4					COVER, Cushion
	DC19 MB7	1			Blue, (E7AB)
	DC19 MDD	1			Quartz, (E7AD)
	DC19 MF7	1			Driftwood, (E7AF)

MODEL CODES:

Chrysler = (CH41 = New Yorker, CP41 = LHS, DH41 = Intrepid(Canada), DP41 = Intrepid ES(Canada), LP41 = Concorde)
DODGE = (DH41 = Intrepid(USA), DP41 = Intrepid ES(USA))
EAGLE = (XP41 = Vision ESI, XS41 = Vision TSI)

BODY STYLES:

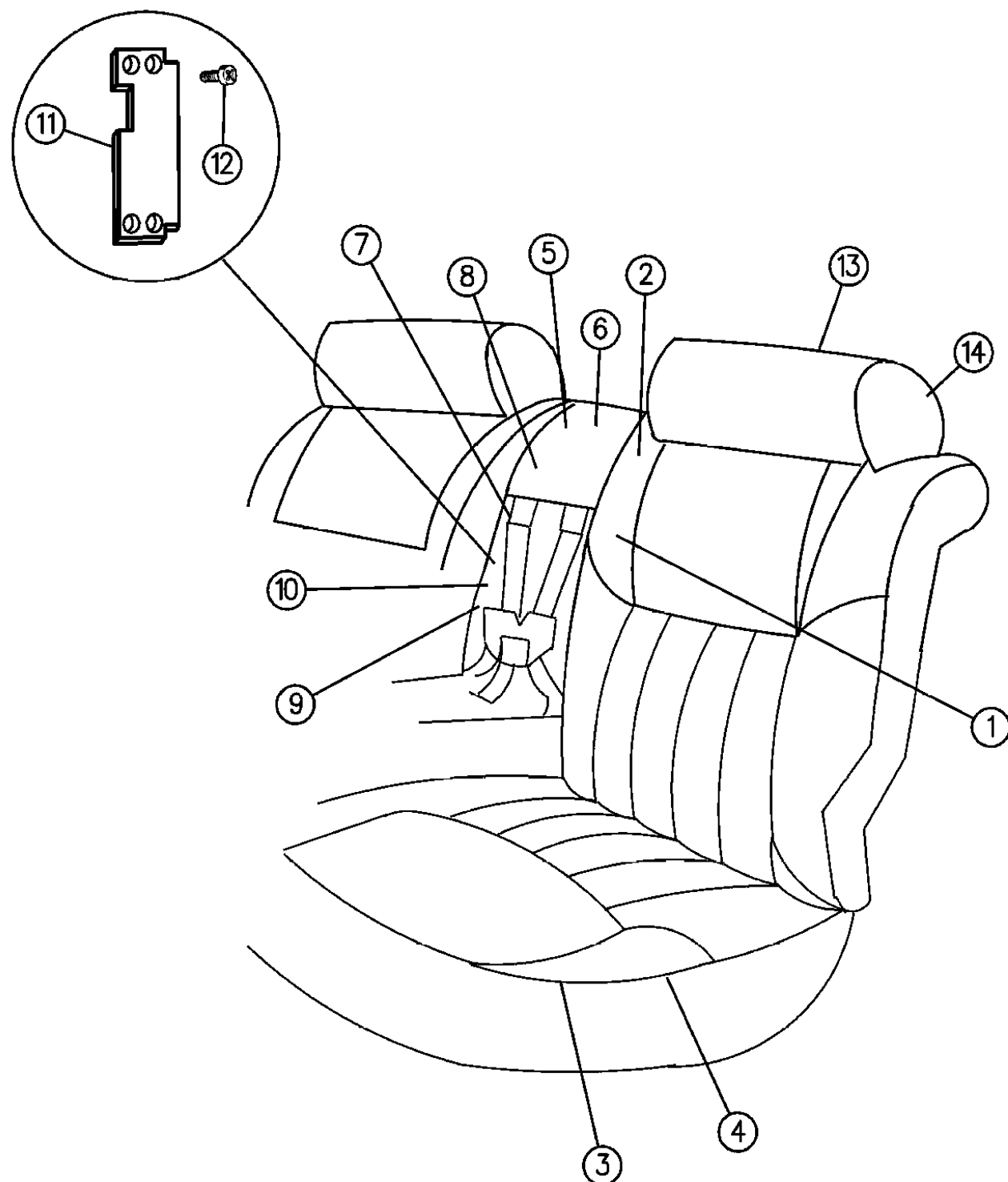
41 = 4 - Door Sedan ENGINE: 3.3L (EGB)
3.5L (EGE) 24 Valve

93430 640

AR = Use as Required - = Non Illustrated Part P.A.R. = Paint as Required

SEAT--REAR LH BODY TRIM CODES E7,H7
Figure ITL-640

IT-640



ITEM	PART NUMBER	QTY	BODY	MODEL	DESCRIPTION
	DD23 PD5	1			Quartz, (H7AD)
	DD23 PF6	1			Driftwood, (H7AF)
5	DC14 MB7	1			Blue, (E7AB)
	DC14 MDD	1			Quartz, (E7AD)
	DC14 MF7	1			Driftwood, (E7AF)
	LD38 PD5	1			Quartz, (H7AD)
	LD38 PF6	1			Driftwood, (H7AF)
6					COVER, Armrest (Not Serv.)
7					CHILD SEAT, Complete Module ***
	HF61 MDD	1			Quartz, (E7AD)
	HF61 MF7	1			Driftwood, (E7AF)
	HW25 MDD	1			Quartz, (E7AD) (CANADA)
	HW25 MF7	1			Driftwood, (E7AF) (CANADA)
8					PANEL, Upper Closeout
	HK66 MDD	1			Quartz, (E7AD)
	HK66 MF7	1			Driftwood, (E7AF)
9					PAD, Cushion and Back (Removable)
	JB82 MD5	1			Quartz, (E7AD)
	JB82 MF6	1			Driftwood, (E7AF)
10					PAD and COVER Upper ***
	HM63 MDD	1			Quartz, (E7AD)
	HM63 MF7	1			Driftwood, (E7AF)
	HW28 MDD	1			Quartz, (E7AD) (CANADA)
	HW28 MF7	1			Driftwood, (E7AF) (CANADA)
11	4628 106	1			TRIM PLATE, Child Seat Attaching ***
12	6101 371	2			SCREW and WASHER, Child Seat to Bulkhead
13					HEADREST, Rear Seat
	JY19 PD5	2			Quartz, (H7AD)
	JY19 PF6	2			Driftwood, (H7AF)
14					COVER, Armrest (Not Serv.)
-	6100 568	2			SCREW, Child Seat Attaching

MODEL CODES: _____
 Chrysler = (CH41 = New Yorker, CP41 = LHS, DH41 = Intrepid(Canada), DP41 = Intrepid ES(Canada), LP41 = Concorde)
 DODGE = (DH41 = Intrepid(USA), DP41 = Intrepid ES(USA))
 EAGLE = (XP41 = Vision ESI, XS41 = Vision TSI)

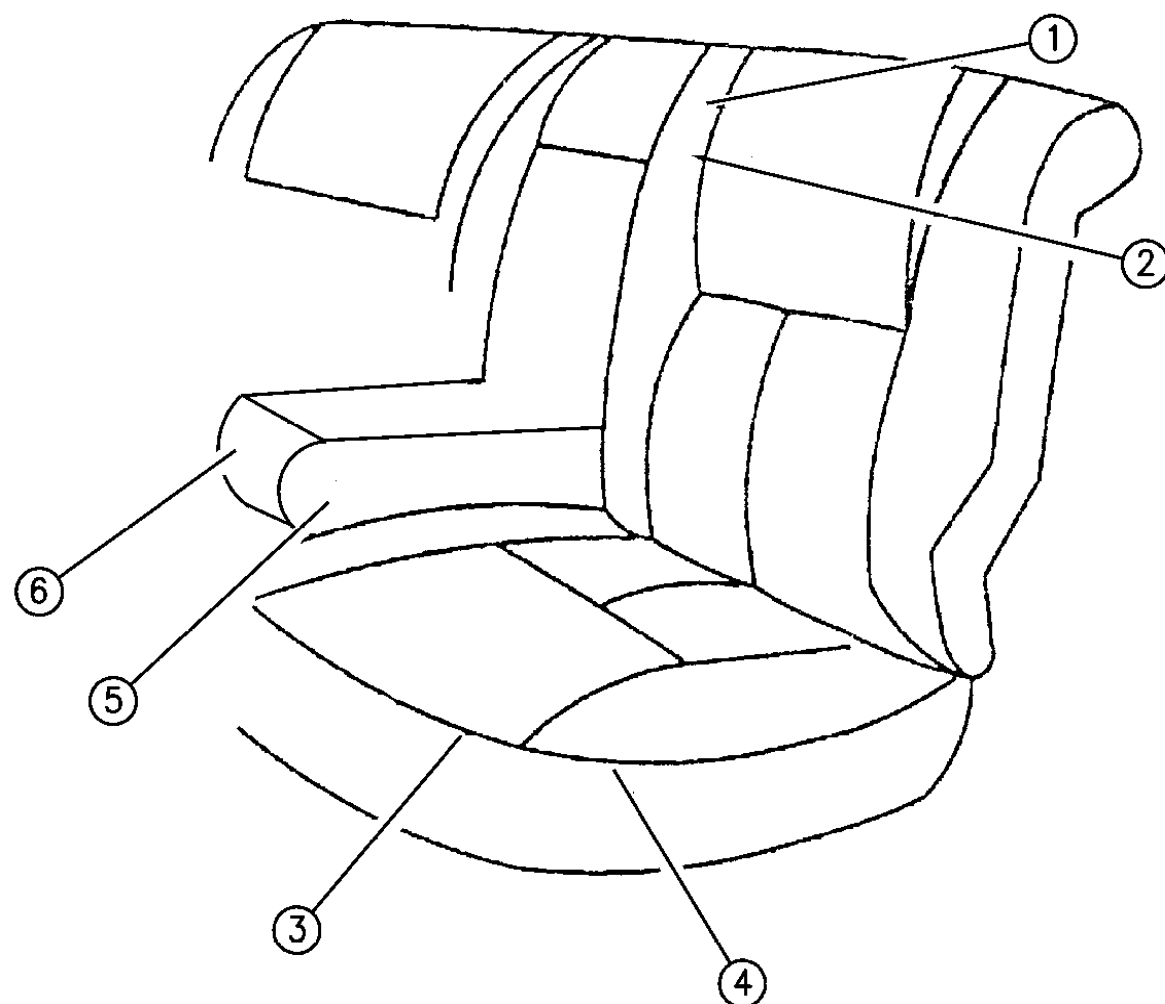
BODY STYLES: _____
 41 = 4 - Door Sedan ENGINE: 3.3L (EGB)
 3.5L (EGE) 24 Valve

93430 640

AR = Use as Required - = Non Illustrated Part P.A.R. = Paint as Required

SEAT--REAR LH BODY TRIM CODES JF
Figure ITL-650

IT-650



ITEM	PART NUMBER	QTY	BODY	MODEL	DESCRIPTION
1					BACK, w/Spring/Frame, Pad and Cover (Use Up To 7-26-93) w/Center Armrest
	HN97 MD5	1			Quartz, (JFAD)
	HN97 MB7	1			Blue, (JFBB)
	HN97 MF6	1			Driftwood, (JFFF)
	HN97 MAZ	1			Agate, (JFAZ) (Use After 7-26-93) w/Center Armrest
	KK96 PAZ	1			Agate, (JFAZ)
	KK96 PB7	1			Blue, (JFBB)
	KK96 PD5	1			Quartz, (JFAD)
	KK96 PF6	1			Driftwood, (JFFF)
2					COVER, Back (Use Up To 7-26-93) Used w/Center Armrest
	HV73 MD5	1			Quartz, (JFAD)
	HV73 MB7	1			Blue, (JFBB)
	HV73 MF6	1			Driftwood, (JFFF)
	HV73 MAZ	1			Agate, (JFAZ) (Use After 7-26-93)
	KP78 PAZ	1			Used w/Center Armrest Agate, (JFAZ)
	KP78 PB7	1			Blue, (JFBB)
	KP78 PD5	1			Quartz, (JFAD)
	KP78 PF6	1			Driftwood, (JFFF)
3					CUSHION, w/Spring/Frame, Pad and Cover (Use Up To 7-26-93)
	HN95 MD5	1			Quartz, (JFAD)
	HN95 MB7	1			Blue, (JFBB)
	HN95 MF6	1			Driftwood, (JFFF)
	HN95 MAZ	1			Agate, (JFAZ) (Use After 7-26-93)
	KK95 PAZ	1			Agate, (JFAZ)
	KK95 PB7	1			Blue, (JFBB)
	KK95 PD5	1			Quartz, (JFAD)
	KK95 PF6	1			Driftwood, (JFFF)
4					COVER, Cushion (Use Up To 7-26-93)
	HV71 MD5	1			Quartz, (JFAD)
	HV71 MB7	1			Blue, (JFBB)
	HV71 MF6	1			Driftwood, (JFFF)

MODEL CODES:

Chrysler = (CH41 = New Yorker, CP41 = LHS, DH41 = Intrepid(Canada), DP41 = Intrepid ES(Canada), LP41 = Concorde)
DODGE = (DH41 = Intrepid(USA), DP41 = Intrepid ES(USA))
EAGLE = (XP41 = Vision ESI, XS41 = Vision TSI)

BODY STYLES:

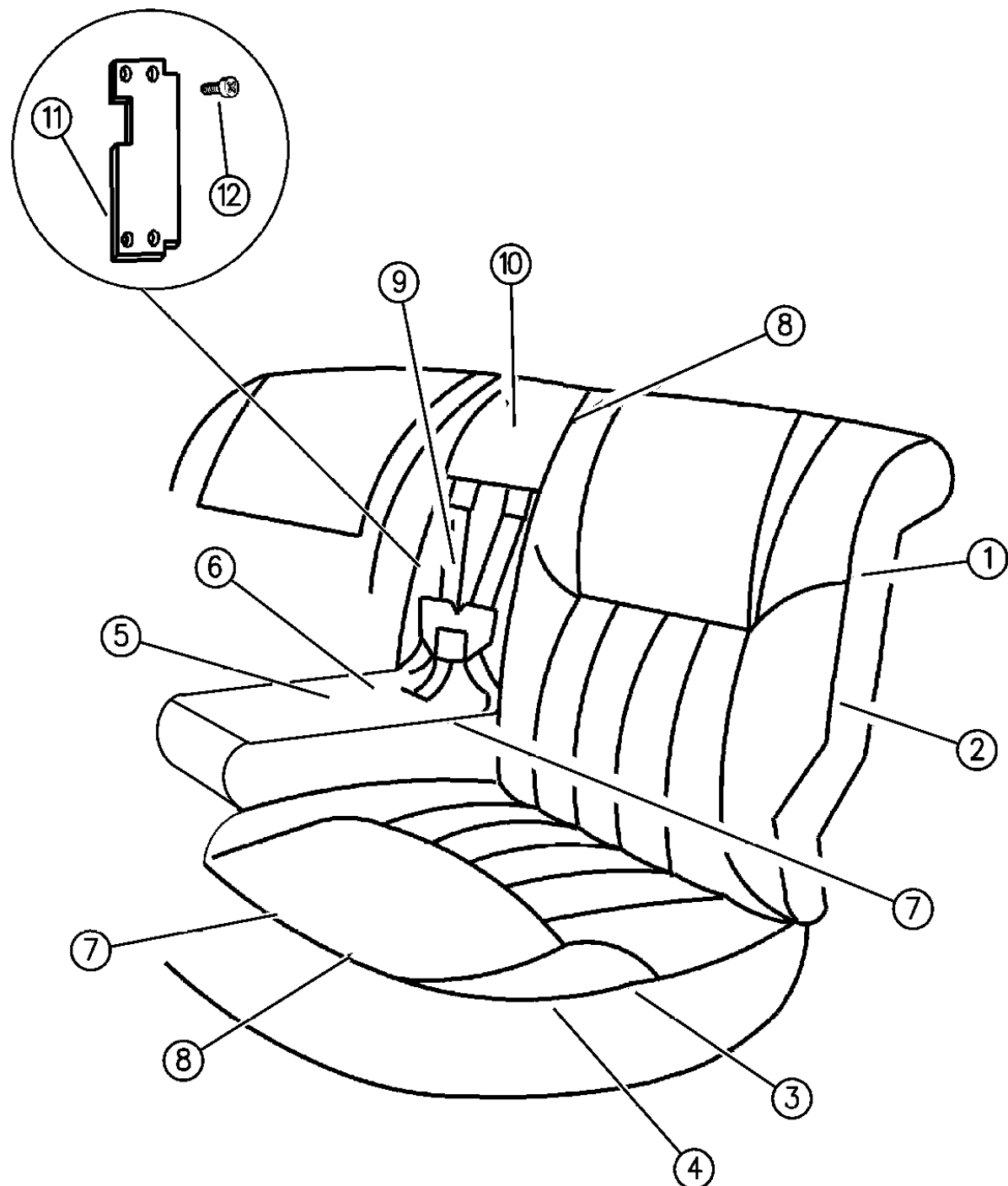
41 = 4 - Door Sedan ENGINE: 3.3L (EGB)
3.5L (EGE) 24 Valve

93430 650

AR = Use as Required - = Non Illustrated Part P.A.R. = Paint as Required

SEAT--REAR LH BODY TRIM CODES G7,B7
Figure ITL-660

IT-660



ITEM	PART NUMBER	QTY	BODY	MODEL	DESCRIPTION
1					BACK, w/Spring/Frame, Pad and Cover w/Center Armrest and Contour (Use Up To 9-20-93)
	DC64 PB7	1			Blue, (G7AB)
	DC64 PD5	1			Quartz, (G7AD)
	DC64 PF6	1			Driftwood, (G7AF) (Use After 9-20-93)
	LB35 PB7	1			Blue, (G7AB)
	LB35 PD5	1			Quartz, (G7AD)
	LB35 PF6	1			Driftwood, (G7AF)
	LB35 RP8	1			Blue Spruce, (G7AP) 1995
	MS15 SD5	1			Quartz, (B7AD)
	MS15 SF6	1			Driftwood, (B7AF)
	MS15 SP8	1			Blue Spruce, (B7AP) w/Child Seat (Use Up To 9-20-93)
	GF14 PD5	1			Quartz, (G7AD)
	GF14 PF6	1			Driftwood, (G7FF) (Use After 9-20-93)
	LB20 PD5	1			Quartz, (G7AD)
	MS13 SD5	1			Quartz, (B7AD)
	HN98 PD5	1			(Use Up To 9-20-93) Quartz, (G7AD) (CANADA)
	HN98 PF6	1			Driftwood, (G7AF) (CANADA) (Use After 9-20-93)
	LB21 PD5	1			Quartz, (G7AD) CANADA
2					COVER, Back Used w/Center Armrest and Contour (Use Up To 9-20-93)
	DC82 PB7	1			Blue, (G7AB)
	DC82 PD5	1			Quartz, (G7AD)
	DC82 PF6	1			Driftwood, (G7AF) (Use After 9-20-93)
	LD88 PB7	1			Blue, (G7AB)
	LD88 PD5	1			Quartz, (G7AD)
	LD88 PF6	1			Driftwood, (G7AF)
	LD88 RP8	1			Blue Spruce, (G7AP) 1995
	PL58 SD5	1			Quartz, (B7AD)
	PL58 SF6	1			Driftwood, (B7AF)
	PL58 SP8	1			Blue Spruce, (B7AP) Used w/Child Seat (Use Up To 9-20-93)

MODEL CODES:

Chrysler = (CH41 = New Yorker, CP41 = LHS, DH41 = Intrepid(Canada), DP41 = Intrepid ES(Canada), LP41 = Concorde)
DODGE = (DH41 = Intrepid(USA), DP41 = Intrepid ES(USA))
EAGLE = (XP41 = Vision ESI, XS41 = Vision TSI)

BODY STYLES:

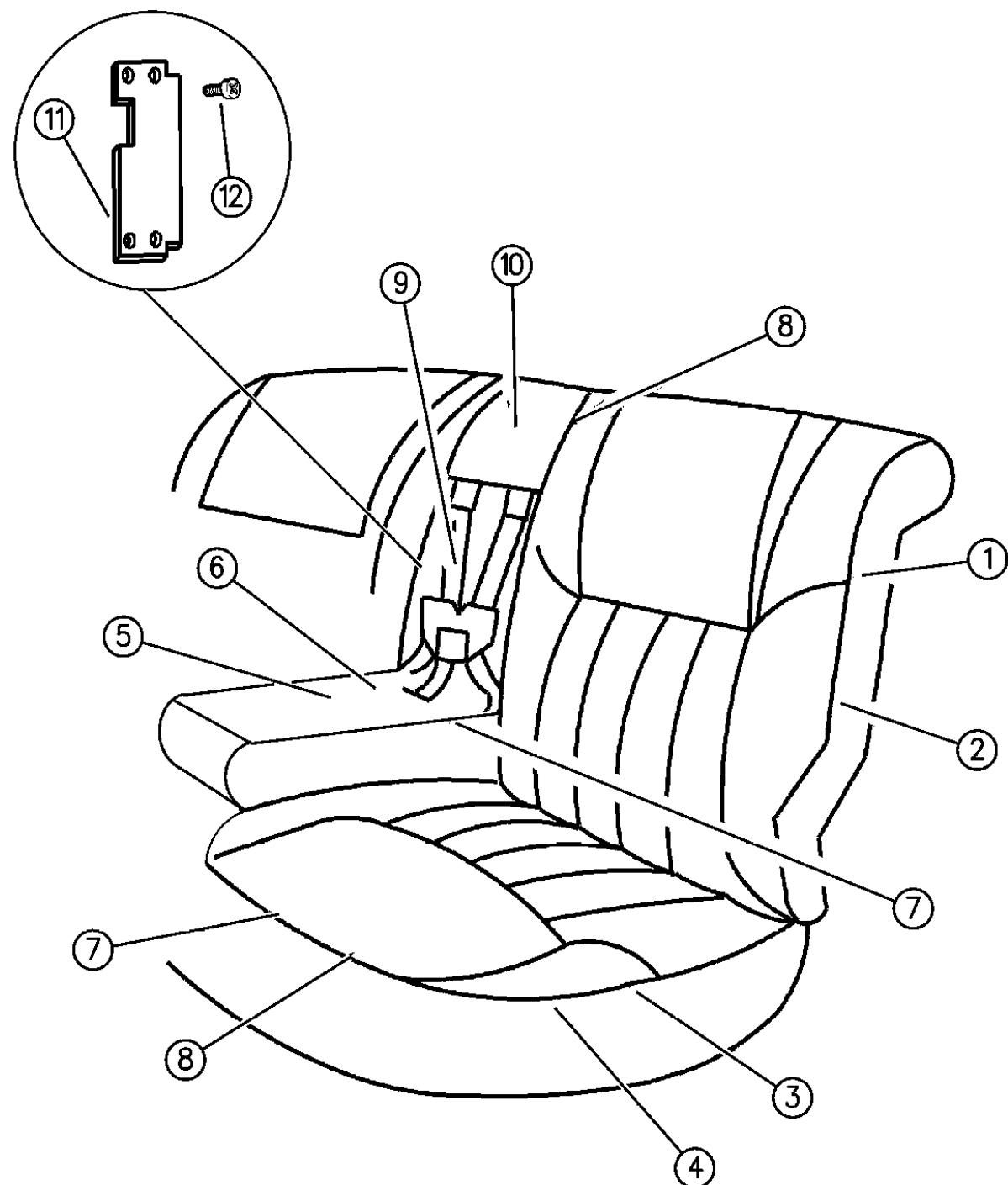
41 = 4 - Door Sedan ENGINE: 3.3L (EGB)
3.5L (EGE) 24 Valve

93430 660

AR = Use as Required - = Non Illustrated Part P.A.R. = Paint as Required

SEAT--REAR LH BODY TRIM CODES G7,B7
Figure ITL-660

IT-660



ITEM	PART NUMBER	QTY	BODY	MODEL	DESCRIPTION
	HK20-1 MD5	1			Quartz, (G7AD)
	HK20-1 MF6	1			Driftwood, (G7AF) (Use After 9-20-93)
	LD90-1 PD5	1			Quartz, (G7AD)
	PL36-7 SD5	1			Quartz, (B7AD)
3					CUSHION, w/Spring/Frame, Pad and Cover
	DD22 PB7	1			Blue, (G7AB)
	DD22 PD5	1			Quartz, (G7AD)
	DD22 PF6	1			Driftwood, (G7AF)
	DD22 RP8	1			Blue Spruce, (G7AP) 1995
	MR74 SD5	1			Quartz, (B7AD)
	MR74 SF6	1			Driftwood, (B7AF)
	MR74 SP8	1			Blue Spruce, (B7AP)
4					COVER, Cushion
	DD23 PB7	1			Blue, (G7AB)
	DD23 PD5	1			Quartz, (G7AD)
	DD23 PF6	1			Driftwood, (G7AF)
	DD23 RP8	1			Blue Spruce, (G7AP) 1995
	PL55 SD5	1			Quartz, (B7AD)
	PL55 SF6	1			Driftwood, (B7AF)
	PL55 SP8	1			Blue Spruce, (B7AP)
5					ARMREST and COVER
	DC77 PB7	1			Blue, (G7AB)
	DC77 PD5	1			Quartz, (G7AD)
	DC77 PF6	1			Driftwood, (G7AF)
	DC77 RP8	1			Blue Spruce, (G7AP) 1995
	PK95 SD5	1			Quartz, (B7AD)
	PK95 SF6	1			Driftwood, (B7AF)
	PK95 SP8	1			Blue Spruce, (B7AP)
6					COVER, Armrest (Not Serv.)
7					CHILD SEAT, Complete Module ***
	HF59 MD5	1			Quartz, (G7AD)
	HF59 MF6	1			Driftwood, (G7AF)
	PK77 SD5	1			Quartz, (B7AD)
	HW48 PD5	1			Quartz, (G7AD) (CANADA)
	HW48 PF6	1			Driftwood, (G7AF) (CANADA)
8					PANEL, Upper Closeout
	HK72 PD5	1			Quartz, (G7AD)
	HK72 PF6	1			Driftwood, (G7AF)
	PM29 SD5	1			Quartz, (B7AD)
-	4796 505	AR			RETAINER, Rear Armrest Close Off Panel
	HW49 MD5	1			Quartz, (G7AD) (CANADA)

MODEL CODES:

Chrysler = (CH41 = New Yorker, CP41 = LHS, DH41 = Intrepid(Canada), DP41 = Intrepid ES(Canada), LP41 = Concorde)
DODGE = (DH41 = Intrepid(USA), DP41 = Intrepid ES(USA))
EAGLE = (XP41 = Vision ESI, XS41 = Vision TSI)

BODY STYLES:

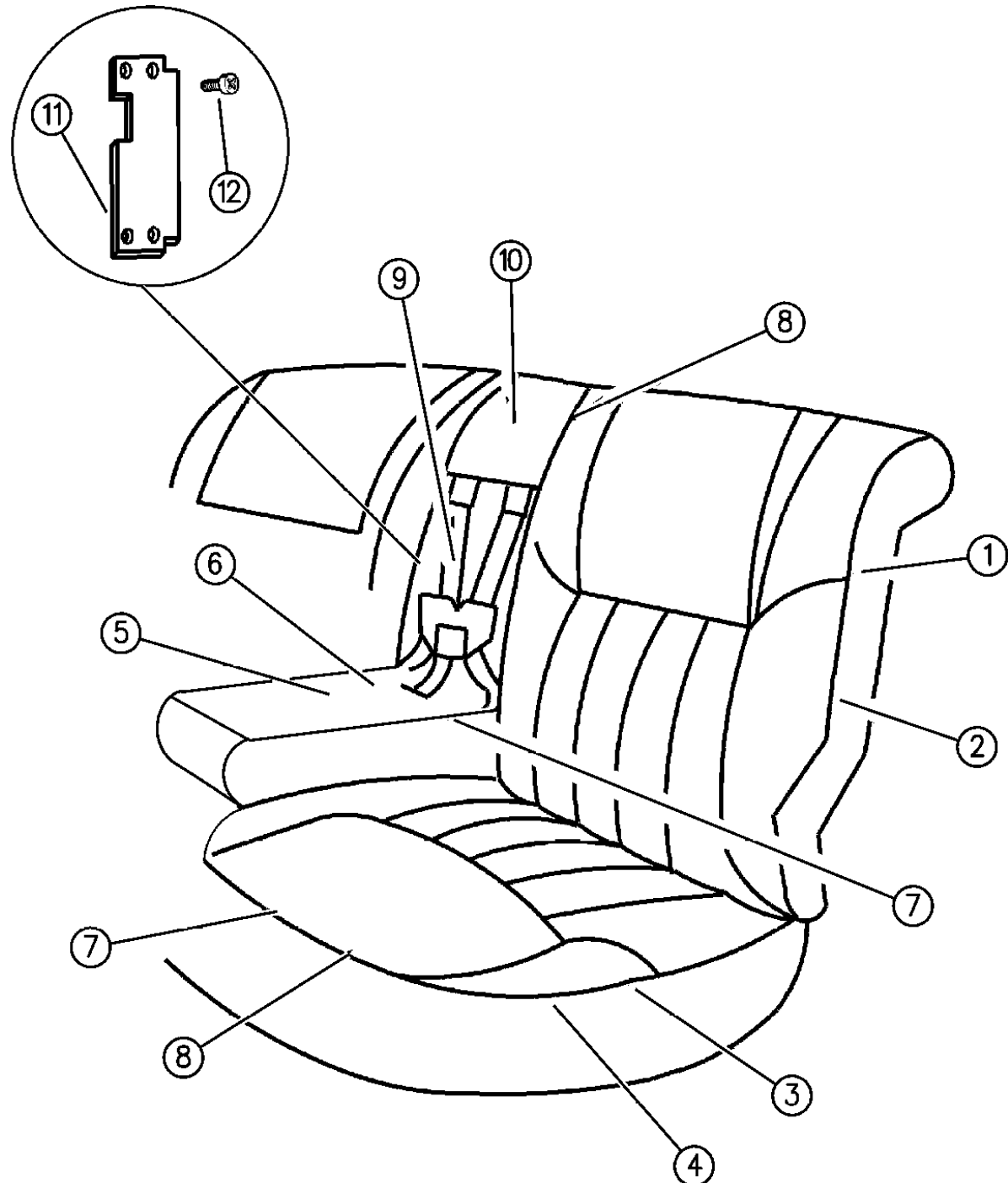
41 = 4 - Door Sedan ENGINE: 3.3L (EGB)
3.5L (EGE) 24 Valve

93430 660

AR = Use as Required - = Non Illustrated Part P.A.R. = Paint as Required

SEAT--REAR LH BODY TRIM CODES G7,B7
Figure ITL-660

IT-660



ITEM	PART NUMBER	QTY	BODY	MODEL	DESCRIPTION
	HW49 MF6	1			Driftwood, (G7AF) (CANADA)
9					PAD, Cushion and Back (Removable)
	JB82 MD5	1			Quartz, (G7AD)
	JB82 MF6	1			Driftwood, (G7AF)
	JB82 SD5	1			Quartz, (B7AD)
10					PAD and COVER, Upper ***
	HM78 MD5	1			Quartz, (G7AD)
	HM78 MF6	1			Driftwood, (G7AF)
	PK88 SD5	1			Quartz, (B7AD)
	HW50 MD5	1			Quartz, (G7AD) (CANADA)
	HW50 MF6	1			Driftwood, (G7AF) (CANADA)
11	4628 106	1			TRIM PLATE, Child Seat Attaching ***
12	6101 371	2			SCREW and WASHER, Child Seat to Bulkhead
-	6100 568	2			SCREW, Child Seat Attaching

MODEL CODES: _____
 Chrysler = (CH41 = New Yorker, CP41 = LHS, DH41 = Intrepid(Canada), DP41 = Intrepid ES(Canada), LP41 = Concorde)
 DODGE = (DH41 = Intrepid(USA), DP41 = Intrepid ES(USA))
 EAGLE = (XP41 = Vision ESI, XS41 = Vision TSI)

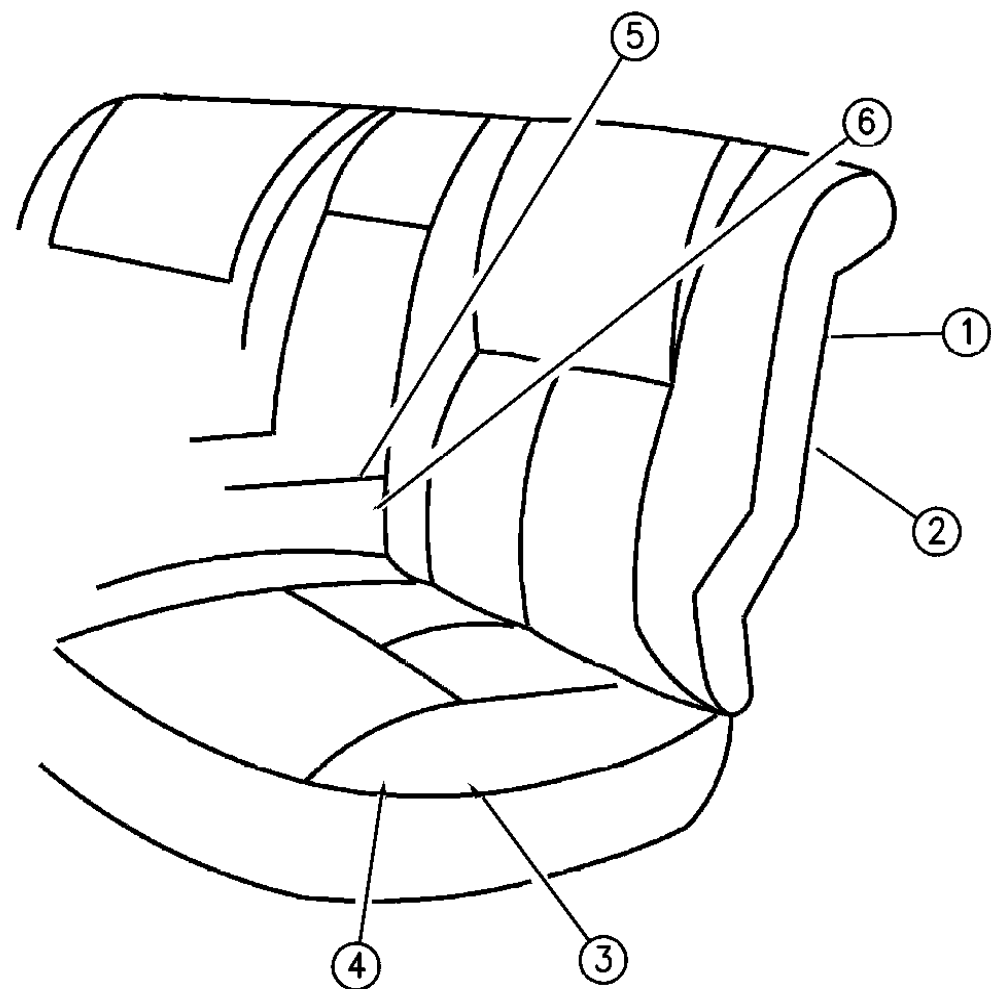
BODY STYLES: _____
 41 = 4 - Door Sedan ENGINE: 3.3L (EGB)
 3.5L (EGE) 24 Valve

93430 660

AR = Use as Required - = Non Illustrated Part P.A.R. = Paint as Required

SEAT--REAR LH BODY TRIM CODES JP,EF,NP
Figure ITL-670

IT-670



ITEM	PART NUMBER	QTY	BODY	MODEL	DESCRIPTION
1					BACK, w/Spring/Frame, Pad and Cover
					w/Center Armrest
	DC97 MD5	1			Quartz, (JPAD)
	DC97 MF6	1			Driftwood, (JPFF)
	DC97 MAZ	1			Agate, (JPAZ)
	LE30 RF6	1			Driftwood, (EFFF)
	LE30 RP8	1			Blue Spruce, (EFP8)
	LE30 RD5	1			Quartz, (EFAD)
	PX55 SFF	1			Driftwood, (NPAF)
	PX55 SWW	1			Quartz, (NPAD)
2					COVER, Back
					Used w/Center Armrest
	DC99 MD5	1			Quartz, (JPAD)
	DC99 MF6	1			Driftwood, (JPFF)
	DC99 MAZ	1			Agate, (JPAZ)
	ME48 RF6	1			Driftwood, (EFFF)
	ME48 RP8	1			Blue Spruce, (EFP8)
	ME48 RD5	1			Quartz, (EFAD)
	QB42 SFF	1			Driftwood, (NPAF)
	QB42 SWW	1			Quartz, (NPAD)
3					CUSHION, w/Spring/Frame, Pad and Cover
	DC94 MD5	1			Quartz, (JPAD)
	DC94 MF6	1			Driftwood, (JPFF)
	DC94 MAZ	1			Agate, (JPAZ)
	LE29 RF6	1			Driftwood, (EFFF)
	LE29 RP8	1			Blue, Spruce, (EFP8)
	LE29 RD5	1			Quartz, (EFAD)
	PX52 SFF	1			Driftwood, (NPAF)
	PX52 SWW	1			Quartz, (NPAD)
4					COVER, Cushion
	DC95 MD5	1			Quartz, (JPAD)
	DC95 MF6	1			Driftwood, (JPFF)
	DC95 MAZ	1			Agate, (JPAZ)
	ME49 RF6	1			Driftwood, (EFFF)
	ME49 RP8	1			Blue Spruce, (EFP8)
	ME49 RD5	1			Quartz, (EFAD)
	QB44 SFF	1			Driftwood, (NPAF)
	QB44 SWW	1			Quartz, (NPAD)
5					ARMREST and COVER
	DC98 MD5	1			Quartz, (JPAD)
	DC98 MF6	1			Driftwood, (JPFF)
	DC98 MAZ	1			Agate, (JPAZ)

MODEL CODES:

Chrysler = (CH41 = New Yorker, CP41 = LHS, DH41 = Intrepid(Canada), DP41 = Intrepid ES(Canada), LP41 = Concorde)
DODGE = (DH41 = Intrepid(USA), DP41 = Intrepid ES(USA))
EAGLE = (XP41 = Vision ESI, XS41 = Vision TSI)

BODY STYLES:

41 = 4 - Door Sedan ENGINE: 3.3L (EGB)
3.5L (EGE) 24 Valve

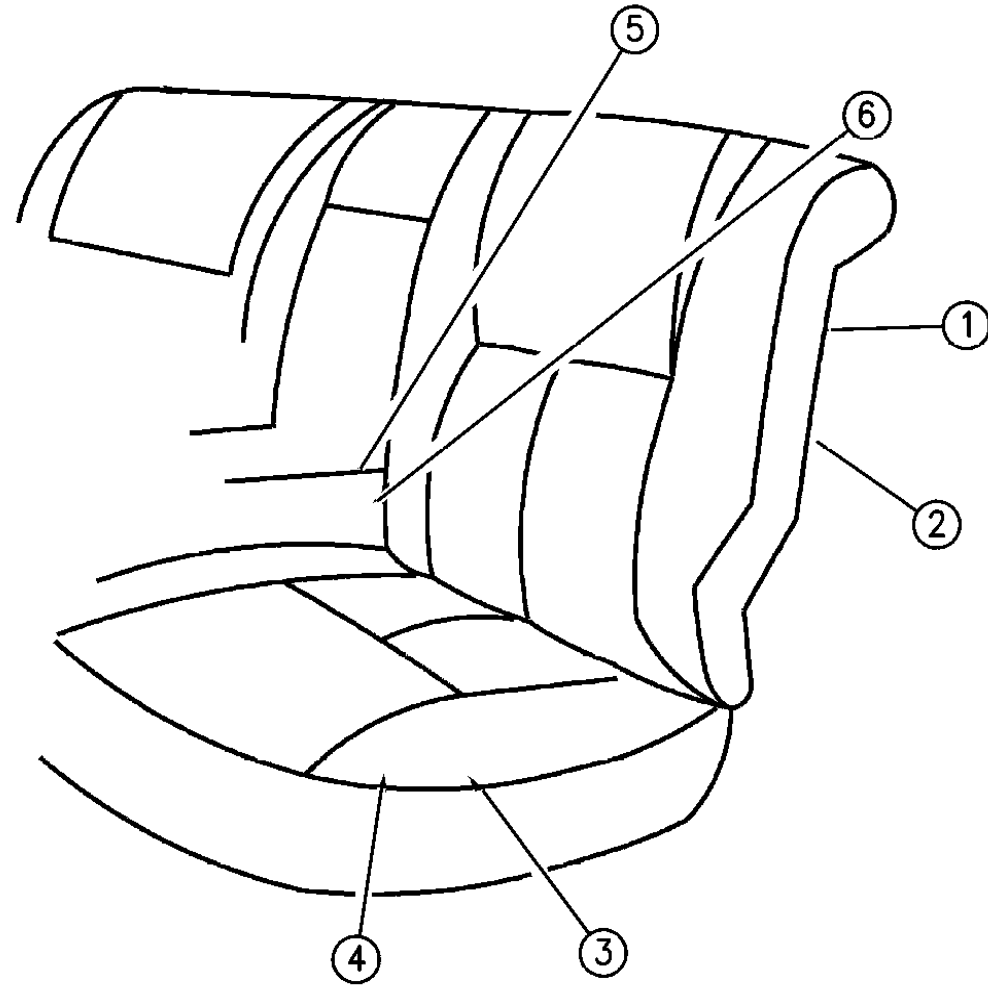
93430 670

AR = Use as Required - = Non Illustrated Part P.A.R. = Paint as Required

SEAT--REAR LH BODY TRIM CODES JP,EF,NP
Figure ITL-670

IT-670

ITEM	PART NUMBER	QTY	BODY	MODEL	DESCRIPTION
	HV72 MF6	1			Driftwood, (EFFF)
	HV72 RP8	1			Blue Spruce, (EFP8)
	HV72 MD5	1			Quartz, (EFAD)
	KG39 MF4	1			Driftwood, (NPAF)
	KG39 MW8	1			Quartz, (NPAD)
6					COVER, Armrest (Not Serv.)



MODEL CODES:
 Chrysler = (CH41 = New Yorker, CP41 = LHS, DH41 = Intrepid(Canada), DP41 = Intrepid ES(Canada), LP41 = Concorde)
 DODGE = (DH41 = Intrepid(USA), DP41 = Intrepid ES(USA))
 EAGLE = (XP41 = Vision ESI, XS41 = Vision TSI)

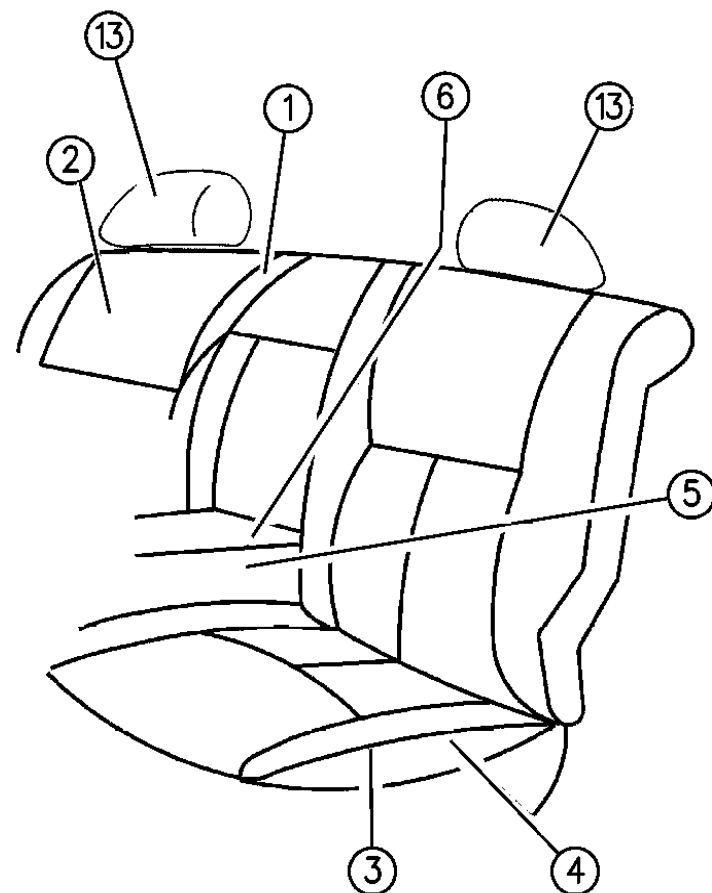
BODY STYLES:
 41 = 4 - Door Sedan ENGINE: 3.3L (EGB)
 3.5L (EGE) 24 Valve

93430 670

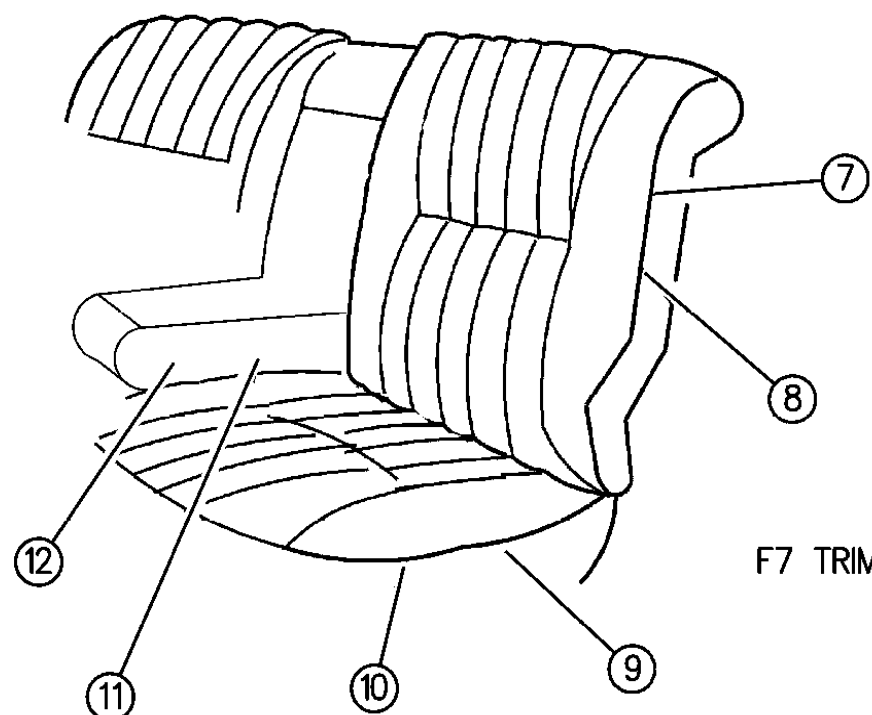
AR = Use as Required - = Non Illustrated Part P.A.R. = Paint as Required

SEAT--REAR LH BODY TRIM CODES DL-F7-JL
Figure ITL-680

IT-680A



DL TRIM CODE
JL TRIM CODE



F7 TRIM CODE

ITEM	PART NUMBER	QTY	BODY	MODEL	DESCRIPTION
1					BACK, w/Spring/Frame, Pad and Cover w/Center Armrest and Contour Leather (Use Up To 7-26-93)
	HP88 MAZ	1			Agate, (DLAZ)
	HP88 MF4	1			Driftwood, (DLAF)
	HP88 MW8	1			Quartz, (DLAD) (Use Between 7-26-93 and 11-14-95)
	KG54 MAZ	1			Agate, (DLAZ)
	KG54 MF4	1			Driftwood, (DLAF)
	KG54 MW8	1			Quartz, (DLAD) (Use After 11-14-95)
	PX55 SAZ	1			Agate, (DLAZ)
	PX55 SFF	1			Driftwood, (DLFF)
	PX55 SWW	1			Quartz/Frost White, (DLAD)
	LB41 RAZ	1			Leather - 1995-96 Agate, (JLAZ)
	LB41 RF4	1			Driftwood, (JLAF) (Use After 11-14-95)
	PX56 SAZ	1			Agate, (JLAZ)
	PX56 SFF	1			Driftwood, (JLAF)
2					COVER, Back Used w/Center Armrest and Contour Leather (Use Up To 7-26-93)
	HV95 MAZ	1			Agate, (DLAZ)
	HV95 MF4	1			Driftwood, (DLAF)
	HV95 MW8	1			Quartz, (DLAD) (Use Between 7-26-93 and 11-14-95)
	KG37 MAZ	1			Agate, (DLAZ)
	KG37 MF4	1			Driftwood, (DLAF)
	KG37 MW8	1			Quartz, (DLAD) (Use After 11-14-95)
	QB42 SWW	1			Quartz/Frost White, (DLAD)
	QB42 SAZ	1			Agate, (DLAZ)
	QB42 SFF	1			Driftwood, (DLFF) Leather - 1995-96
	KG37 RAZ	1			Agate, (JLAZ)
	KG37 RF4	1			Driftwood, (JLAF) (Use After 11-14-95)
	QB42 SAZ	1			Agate, (JLAZ)
	QB42 SFF	1			Driftwood, (JLFF)

MODEL CODES:

Chrysler = (CH41 = New Yorker, CP41 = LHS, DH41 = Intrepid(Canada), DP41 = Intrepid ES(Canada), LP41 = Concorde)
DODGE = (DH41 = Intrepid(USA), DP41 = Intrepid ES(USA))
EAGLE = (XP41 = Vision ESI, XS41 = Vision TSI)

BODY STYLES:

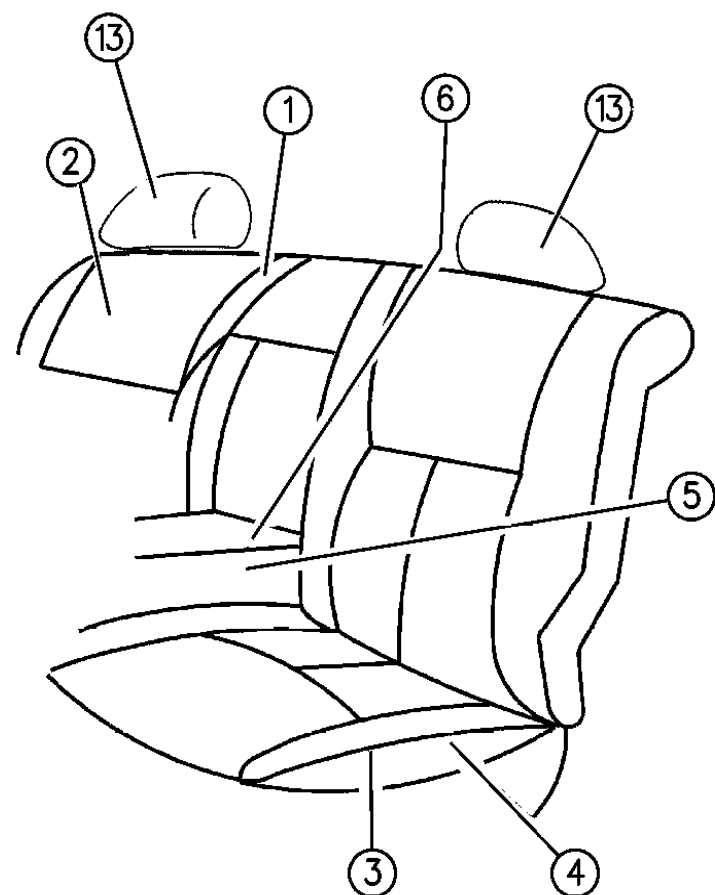
41 = 4 - Door Sedan ENGINE: 3.3L (EGB)
3.5L (EGE) 24 Valve

93430 680

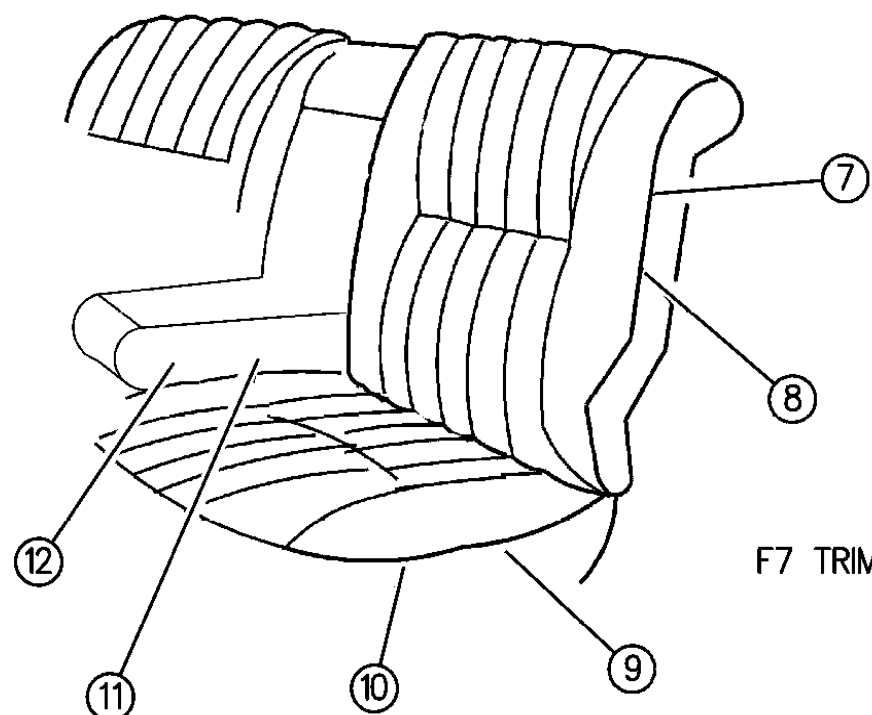
AR = Use as Required - = Non Illustrated Part P.A.R. = Paint as Required

SEAT--REAR LH BODY TRIM CODES DL-F7-JL
Figure ITL-680

IT-680A



DL TRIM CODE
JL TRIM CODE



F7 TRIM CODE

ITEM	PART NUMBER	QTY	BODY	MODEL	DESCRIPTION
3					CUSHION, w/Spring/Frame, Pad and Cover
					Leather (Use Up To 7-26-93)
	HP80 MAZ	1			Agate, (DLAZ)
	HP80 MF4	1			Driftwood, (DLAF)
	HP80 MW8	1			Quartz, (DLAD) (Use Between 7-26-93 and 11-14-95)
	KG53 MAZ	1			Agate, (DLAZ)
	KG53 MF4	1			Driftwood, (DLAF)
	KG53 MW8	1			Quartz, (DLAD) 1996, (Use After 11-14-95)
	PX52 SAZ	1			Agate, (DLAZ)
	PX52 SFF	1			Driftwood, (DLAF)
	PX52 SWW	1			Quartz/Mist White, (DLAD)
	MT39 RAZ	1			Leather - 1995-96 Agate, (JLAZ)
	MT39 RF4	1			Driftwood, (JLAF) (Use After 11-14-95)
	PX52 SFF	1			Driftwood, (JLAF)
	PX52 SAZ	1			Agate, (JLAZ)
4					COVER, Cushion
					Leather (Use Up To 7-26-93)
	HV93 MAZ	1			Agate, (DLAZ)
	HV93 MF4	1			Driftwood, (DLAF)
	HV93 MW8	1			Quartz, (DLAD) (Use Between 7-26-93 and 11-14-95)
	KG36 MAZ	1			Agate, (DLAZ)
	KG36 MF4	1			Driftwood, (DLAF)
	KG36 MW8	1			Quartz, (DLAD) (Use After 11-14-95)
	QB44 SWW	1			Quartz/Frost White, (DLAD)
	QB44 SAZ	1			Agate, (DLAZ)
	QB44 SFF	1			Driftwood, (DLAF)
	KG36 RAZ	1			Leather - 1995-96 Agate, (JLAZ)
	KG36 RF4	1			Driftwood, (JLAF) (Use After 11-14-95)
	QB44 SAZ	1			Agate, (JLAZ)
	QB44 SFF	1			Driftwood, (JLAF)
5					ARMREST and COVER (Use Up To 7-26-93)

MODEL CODES:

Chrysler = (CH41 = New Yorker, CP41 = LHS, DH41 = Intrepid(Canada), DP41 = Intrepid ES(Canada), LP41 = Concorde)
DODGE = (DH41 = Intrepid(USA), DP41 = Intrepid ES(USA))
EAGLE = (XP41 = Vision ESI, XS41 = Vision TSI)

BODY STYLES:

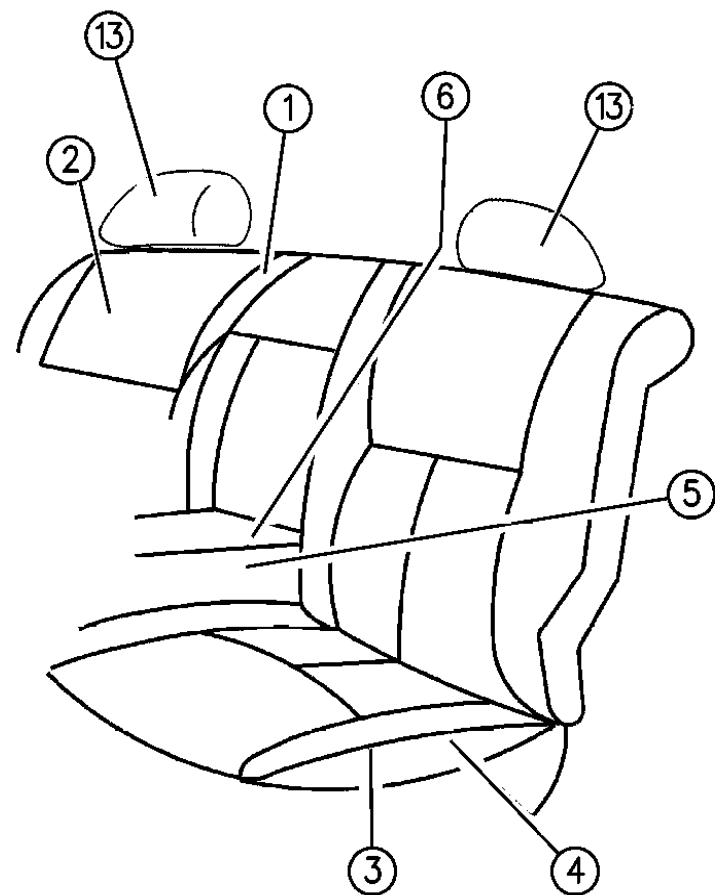
41 = 4 - Door Sedan ENGINE: 3.3L (EGB)
3.5L (EGE) 24 Valve

93430 680

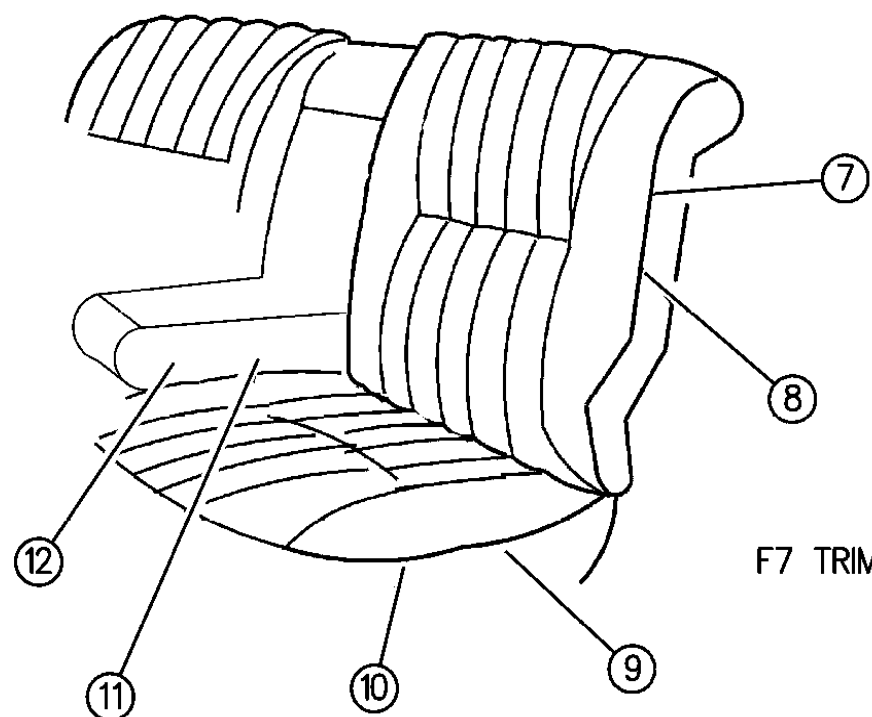
AR = Use as Required - = Non Illustrated Part P.A.R. = Paint as Required

SEAT--REAR LH BODY TRIM CODES DL-F7-JL
Figure ITL-680

IT-680A



DL TRIM CODE
JL TRIM CODE



F7 TRIM CODE

ITEM	PART NUMBER	QTY	BODY	MODEL	DESCRIPTION
	HV94 MAZ	1			Agate, (DLAZ)
	HV94 MF4	1			Driftwood, (DLAF)
	HV94 MW8	1			Quartz, (DLAD) (Use After 7-26-93)
	KG39 MAZ	1			Agate, (DLAZ)
	KG39 MF4	1			Driftwood, (DLAF)
	KG39 MW8	1			Quartz, (DLAD)
	MF82 RAZ	1			Leather - 1995-96 Agate, (JLAZ)
6	MF82 RF4	1			Driftwood, (JLAF)
7					COVER, Armrest (Not Serv.) BACK, w/Spring/Frame, Pad and Cover w/Center Armrest and Contour ***
	HP66 MAZ	1			Agate, (F7AZ)
	HP66 MD5	1			Quartz, (F7AD)
	HP66 MF6	1			Driftwood, (F7FF)
8					COVER, Back
	HV86 MAZ	1			Agate, (F7AZ)
	HV86 MD5	1			Quartz, (F7AD)
	HV86 MF6	1			Driftwood, (F7FF)
9					CUSHION, w/Spring/Frame, Pad and Cover
	HP02 MAZ	1			Agate, (F7AZ)
	HP02 MF6	1			Driftwood, (F7FF)
	HP02 MD5	1			Quartz, (F7AD)
10					COVER, Cushion
	HV84 MAZ	1			Agate, (F7AZ)
	HV84 MD5	1			Quartz, (F7AD)
	HV84 MF6	1			Driftwood, (F7FF)
11					ARMREST and COVER
	HV85 MAZ	1			Agate, (F7AZ)
	HV85 MD5	1			Quartz, (F7AD)
	HV85 MF6	1			Driftwood, (F7FF)
12					COVER, Armrest (Not Serv.)
13					HEADREST
	MF81 RAZ	2			Agate, (JLAZ)
	MF81 RF4	2			Driftwood, (JLAF)

MODEL CODES:

Chrysler = (CH41 = New Yorker, CP41 = LHS, DH41 = Intrepid(Canada), DP41 = Intrepid ES(Canada), LP41 = Concorde)
DODGE = (DH41 = Intrepid(USA), DP41 = Intrepid ES(USA))
EAGLE = (XP41 = Vision ESI, XS41 = Vision TSI)

BODY STYLES:

41 = 4 - Door Sedan ENGINE: 3.3L (EGB)
3.5L (EGE) 24 Valve

93430 680

AR = Use as Required - = Non Illustrated Part P.A.R. = Paint as Required

BELTS - FRONT SEAT LH MODEL
Figure ITL-710

IT-710A

ITEM	PART NUMBER	QTY	BODY	MODEL	DESCRIPTION
	HR89 PAZ	1			Agate, (European) (Use After 4-13-94)
	LE79 PD5	1			Quartz, (European)
	LE79 PF6	1			Driftwood, (European)
	LE79 RAZ	1			Agate, (European)
	MC79 RF6	1			1995 Label Number 4758429 Driftwood, (European)
	MC79 RAZ	1			Agate, (European)
	HR87 PB7	1			RIGHT (Use Up To 4-13-94) Label Number 4610058 Blue, (European)
	HR87 PF6	1			Driftwood, (European)
	HR87 PD5	1			Quartz, (European)
	HR87 PAZ	1			Agate, (European) (Use After 4-13-94)
	LE78 RAZ	1			Label Number 4758208 Agate, (European)
	LE78 PD5	1			Quartz, (European)
	LE78 PF6	1			Driftwood, (European)
	MC78 RAZ	1			1995 Label Number 4758428 Agate, (European)
	MC78 RF6	1			Driftwood, (European)
	KS50-1 RAZ	1			1996 - European Label Number 4758150-1 Agate, (European)
	KS50-1 RF6	1			Driftwood, (European)
2		AR			SCREW, (.437-20x1.95) Not Serv.
3					COVER, T/Loop Quartz Neutral
	FP20 MW8	2			
	FP20 MF1	2			
4		AR			SCREW and WASHER (.437-20x1.875) Not Serv. ***
5					SEAT BELT, Front (Center) *** w/BUCKET SEATS Label Number 4571482
	WR14 MB7	2			Blue
	WR14 MF6	2			Driftwood
	WR14 MD5	2			Quartz
	WR14 MAZ	2			Agate
					Label Number - 4758053

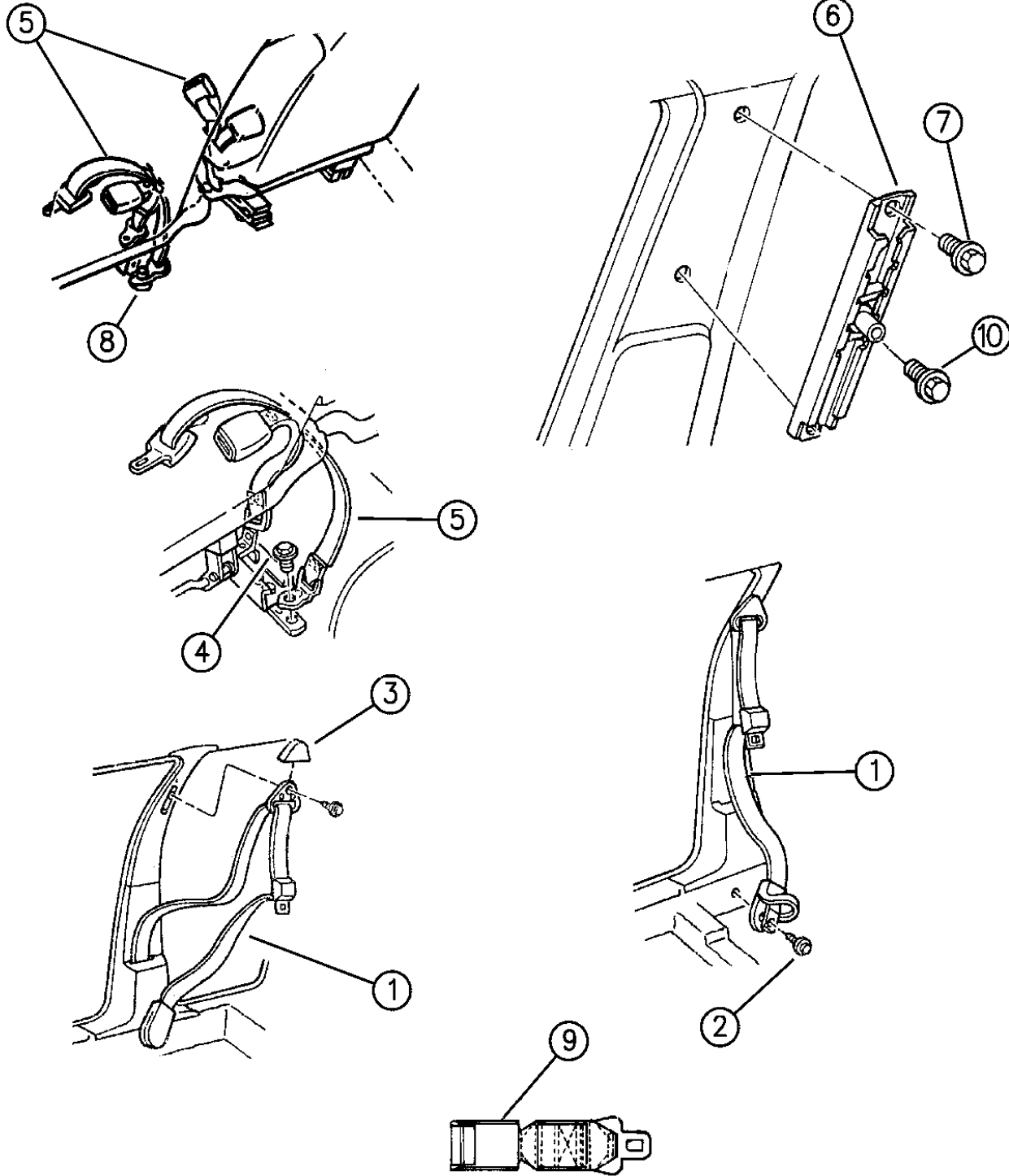
MODEL CODES:

Chrysler = (CH41 = New Yorker, CP41 = LHS, DH41 = Intrepid(Canada), DP41 = Intrepid ES(Canada), LP41 = Concorde)
DODGE = (DH41 = Intrepid(USA), DP41 = Intrepid ES(USA))
EAGLE = (XP41 = Vision ESI, XS41 = Vision TSI)

BODY STYLES:

41 = 4 - Door Sedan ENGINE: 3.3L (EGB)
3.5L (EGE) 24 Valve

AR = Use as Required - = Non Illustrated Part P.A.R. = Paint as Required

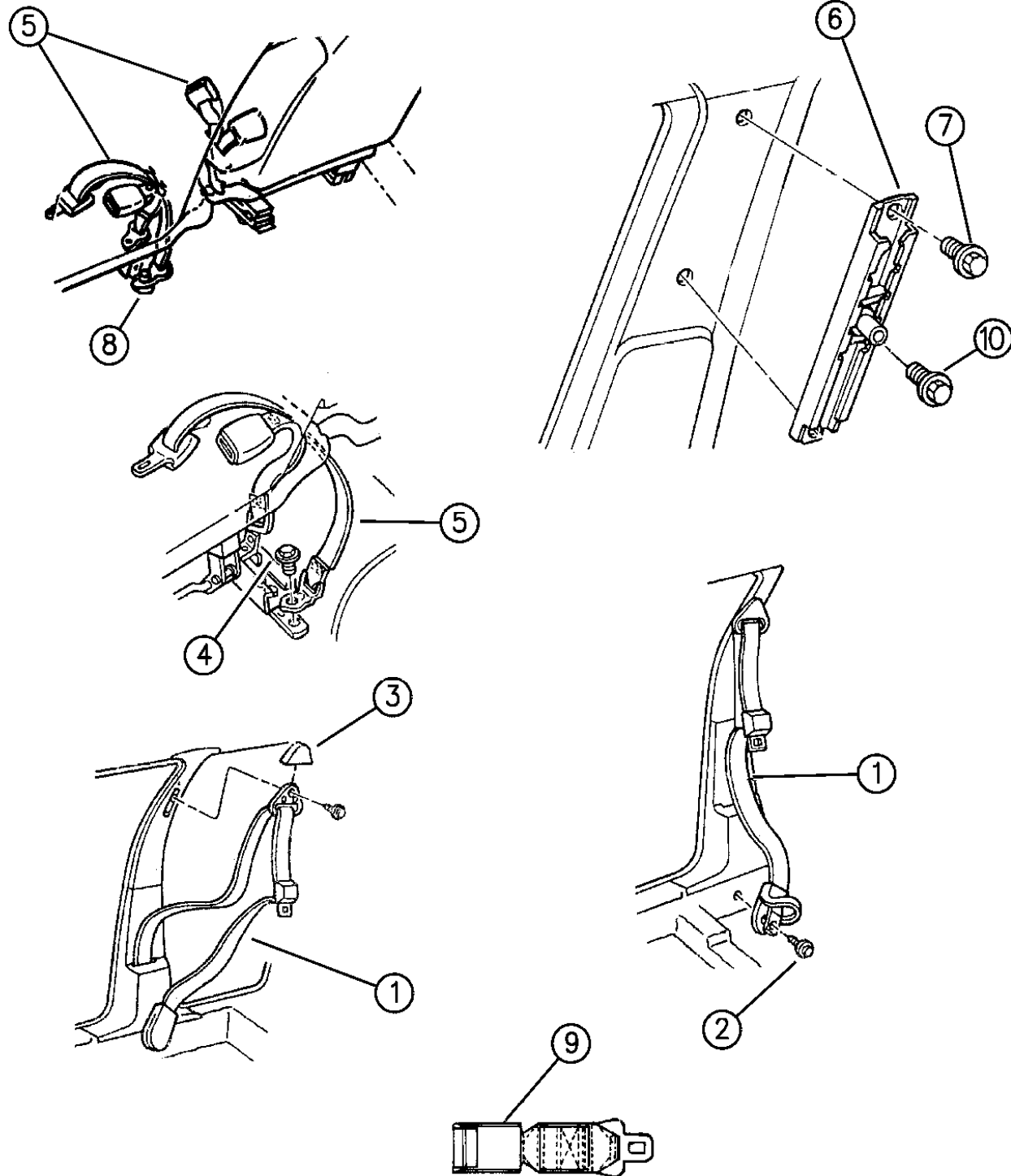


93430 710

BELTS - FRONT SEAT LH MODEL
Figure ITL-710

IT-710A

ITEM	PART NUMBER	QTY	BODY	MODEL	DESCRIPTION
	JX77 PD5	2			Quartz
	JX77 PF6	2			Driftwood
	JX77 PB7	2			Blue
	JX77 PAZ	2			Agate
	JX77 RP8	2			Blue Spruce
					w/50/50 SPLIT
					Label Number - 4571480 (w/Buckle)
	WR12 MB7	1			Blue
	WR12 MF6	1			Driftwood
	WR12 MD5	1			Quartz
	WR12 MAZ	1			Agate
	WR12 RP8	1			Blue Spruce
					Label Number - 4571481 (w/Tip)
	WR13 MB7	1			Blue
	WR13 MF6	1			Driftwood
	WR13 MD5	1			Quartz
	WR13 MAZ	1			Agate
	WR13 RP8	1			Blue Spruce
					LABEL NUMBER 4758053
	JX77 PD5	2			Quartz
	JX77 PF6	2			Driftwood
	JX77 PB7	2			Blue
	JX77 PAZ	2			Agate
	JX77 RP8	2			Blue Spruce
6	#4519 418	2			ADJUSTER, Seat Belt T/Loop
-	4773 968	AR			FILLER, Anti-Rattle Felt Tape
7	#6101 255	2			BOLT
8	#4761 234	1			BOLT, Attaching Seat Belt to Adjuster
9	#4740 415	1			EXTENDER, Seat Belt (Front and Rear)
10	6034 481	1			BOLT, Seat Belt T/Loop To Adjuster



93430 710

MODEL CODES:

Chrysler = (CH41 = New Yorker, CP41 = LHS, DH41 = Intrepid(Canada), DP41 = Intrepid ES(Canada), LP41 = Concorde)
 DODGE = (DH41 = Intrepid(USA), DP41 = Intrepid ES(USA))
 EAGLE = (XP41 = Vision ESI, XS41 = Vision TSI)

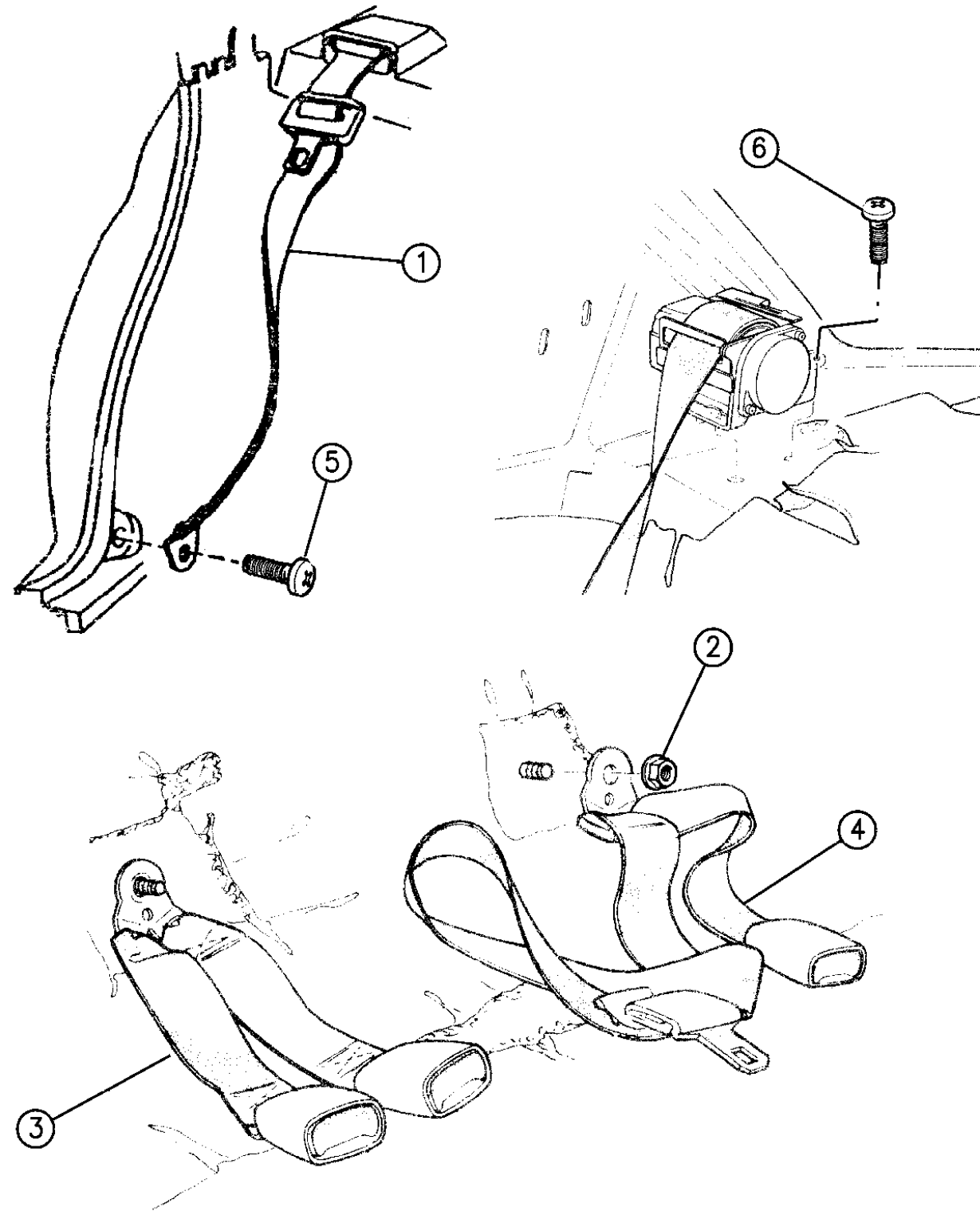
BODY STYLES:

41 = 4 - Door Sedan ENGINE: 3.3L (EGB)
 3.5L (EGE) 24 Valve

AR = Use as Required - = Non Illustrated Part P.A.R. = Paint as Required

BELTS - REAR SEAT LH MODEL
Figure ITL-720

IT-720



93430 720

ITEM	PART NUMBER	QTY	BODY	MODEL	DESCRIPTION
1					SEAT BELT, Outer ***
					Label Number 4571484
	WR16 MB7	2			Blue
	WR16 MF6	2			Driftwood
	WR16 MD5	2			Quartz
	WR16 MAZ	2			Agate
					1995-96
					Label Number 4758374
	LM60 RF6	2			Driftwood
	LM60 RP8	2			Blue Spruce
	LM60 RAZ	2			Agate
					EUROPEAN
					Label Number 4610060
	HR95 PB7	2			Blue
	HR95 PD5	2			Quartz
	HR95 PF6	2			Driftwood
					1995
					Label Number 4758375
	LM61 RAZ	2			Agate
	LM61 RF6	2			Driftwood
2	#6029 708	2			NUT, Seat Belt Attaching
3					SEAT BELT, Inner Right ***
					1993-96
					Label Number 4571486
	WR18 MB7	1			Blue
	WR18 MF6	1			Driftwood
	WR18 MD5	1			Quartz
	WR18 MAZ	1			Agate
	WR18 RP8	1			Blue Spruce, 1995
4					SEAT BELT, Inner Left ***
					(Use Up To 8-1-93)
					Label Number 4571487
	WR19 MB7	1			Blue
	WR19 MF6	1			Driftwood
	WR19 MD5	1			Quartz
	WR19 MAZ	1			Agate
					(Use After 8-1-93)
					Label Number 4758014
	JX20 PB7	1			Blue
	JX20 PF6	1			Driftwood
	JX20 PD5	1			Quartz
	JX20 PAZ	1			Agate

MODEL CODES:

Chrysler = (CH41 = New Yorker, CP41 = LHS, DH41 = Intrepid(Canada), DP41 = Intrepid ES(Canada), LP41 = Concorde)
 DODGE = (DH41 = Intrepid(USA), DP41 = Intrepid ES(USA))
 EAGLE = (XP41 = Vision ESI, XS41 = Vision TSI)

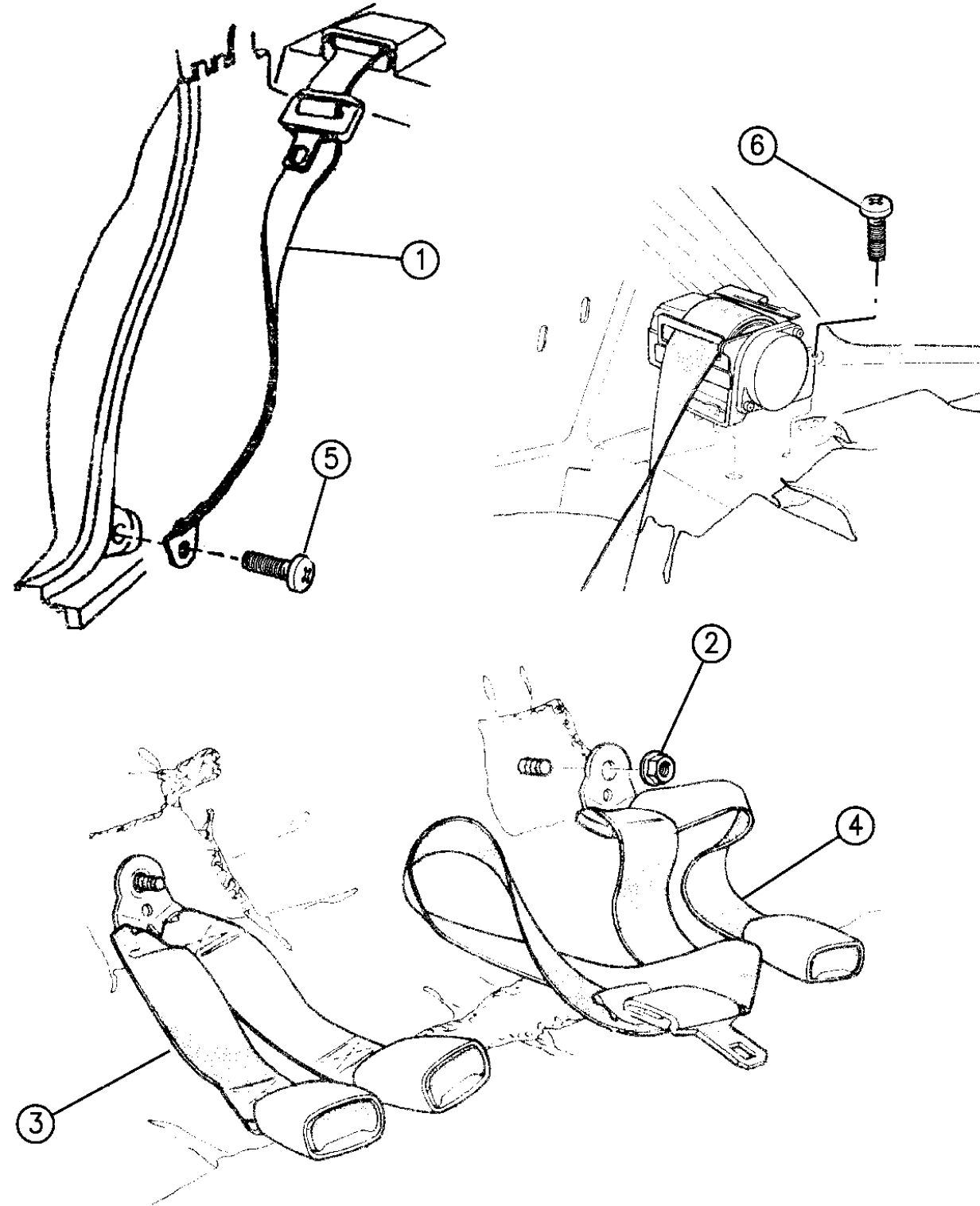
BODY STYLES:

41 = 4 - Door Sedan ENGINE: 3.3L (EGB)
 3.5L (EGE) 24 Valve

AR = Use as Required - = Non Illustrated Part P.A.R. = Paint as Required

BELTS - REAR SEAT LH MODEL
Figure ITL-720

IT-720



93430 720

ITEM	PART NUMBER	QTY	BODY	MODEL	DESCRIPTION
					1995-96
					Label Number 4758014
	JX20 PF6	1			Driftwood
	JX20 PAZ	1			Agate
	JX20 RP8	1			Blue Spruce
5	#6034 394	2			BOLT, Anchor Attaching
6		2			SCREW, Retractor Attaching (.437-20x.875) Not Serv.
	4519 077	AR			ANCHOR PACKAGE, Teather, Child Restraint ***
-	4856 660	AR			ANCHOR PACKAGE, Teather, Child Restraint Canada ***

MODEL CODES:

Chrysler = (CH41 = New Yorker, CP41 = LHS, DH41 = Intrepid(Canada), DP41 = Intrepid ES(Canada), LP41 = Concorde)
 DODGE = (DH41 = Intrepid(USA), DP41 = Intrepid ES(USA))
 EAGLE = (XP41 = Vision ESI, XS41 = Vision TSI)

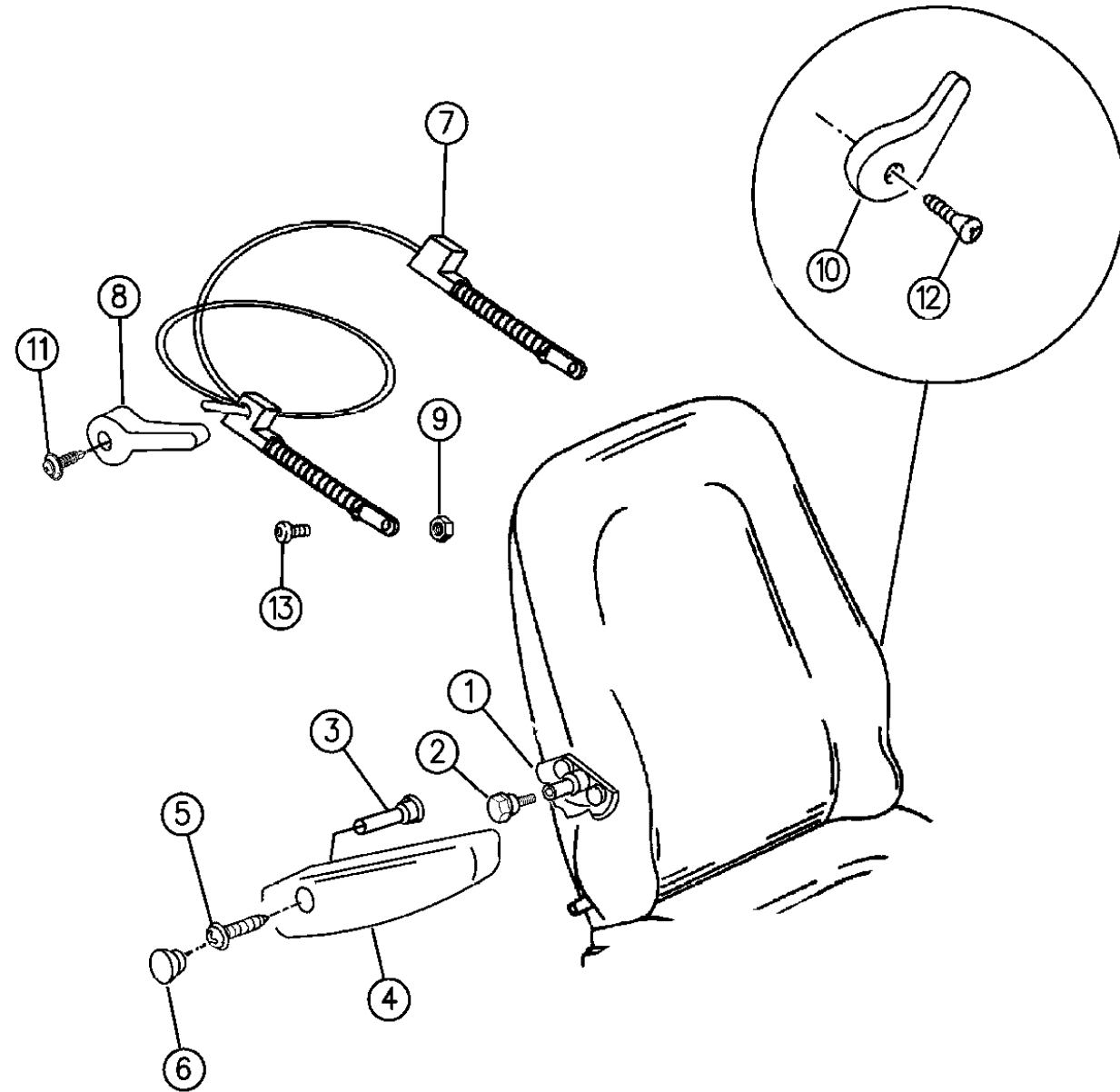
BODY STYLES:

41 = 4 - Door Sedan ENGINE: 3.3L (EGB)
 3.5L (EGE) 24 Valve

AR = Use as Required - = Non Illustrated Part P.A.R. = Paint as Required

SEATS - ATTACHING PARTS ARMREST, MANUAL RECLINER, LUMBAR LH BODY
Figure ITL-810

IT-810



ITEM	PART NUMBER	QTY	BODY	MODEL	DESCRIPTION
1		2			BRACKET, Armrest (Serv. In Seat Back)
2	#4761 282	2			SCREW, Armrest Bracket to Seat Back
3	#4761 283	1			SCREW, Armrest Stop
4		2			ARMREST, See Seat Illustration For Part Numbers
5	#6501 542	1			SCREW, Armrest Attaching
6					PLUG, Armrest
	WU50 MD5	2			Quartz
	WU50 MAZ	2			Agate
	WU50 MB7	2			Blue
	WU50 MF6	2			Driftwood
7	#4594 002-3	1			RECLINER, Manual Front Seat
8	#4477 472-3	1			HANDLE, Recliner (Manual)
9	6100 516	2			NUT, Hex Lock Manual Recliner to Adjuster
10	4420 701	1			LEVER, Lumbar
11	4761 261	1			SCREW, Manual Recliner Handle Attaching
12	4761 235	1			SCREW, Lumbar Handle Attaching
13	4746 562	AR			SCREW, Recliner Attaching

MODEL CODES: _____
 Chrysler = (CH41 = New Yorker, CP41 = LHS, DH41 = Intrepid(Canada), DP41 = Intrepid ES(Canada), LP41 = Concorde)
 DODGE = (DH41 = Intrepid(USA), DP41 = Intrepid ES(USA))
 EAGLE = (XP41 = Vision ESI, XS41 = Vision TSI)

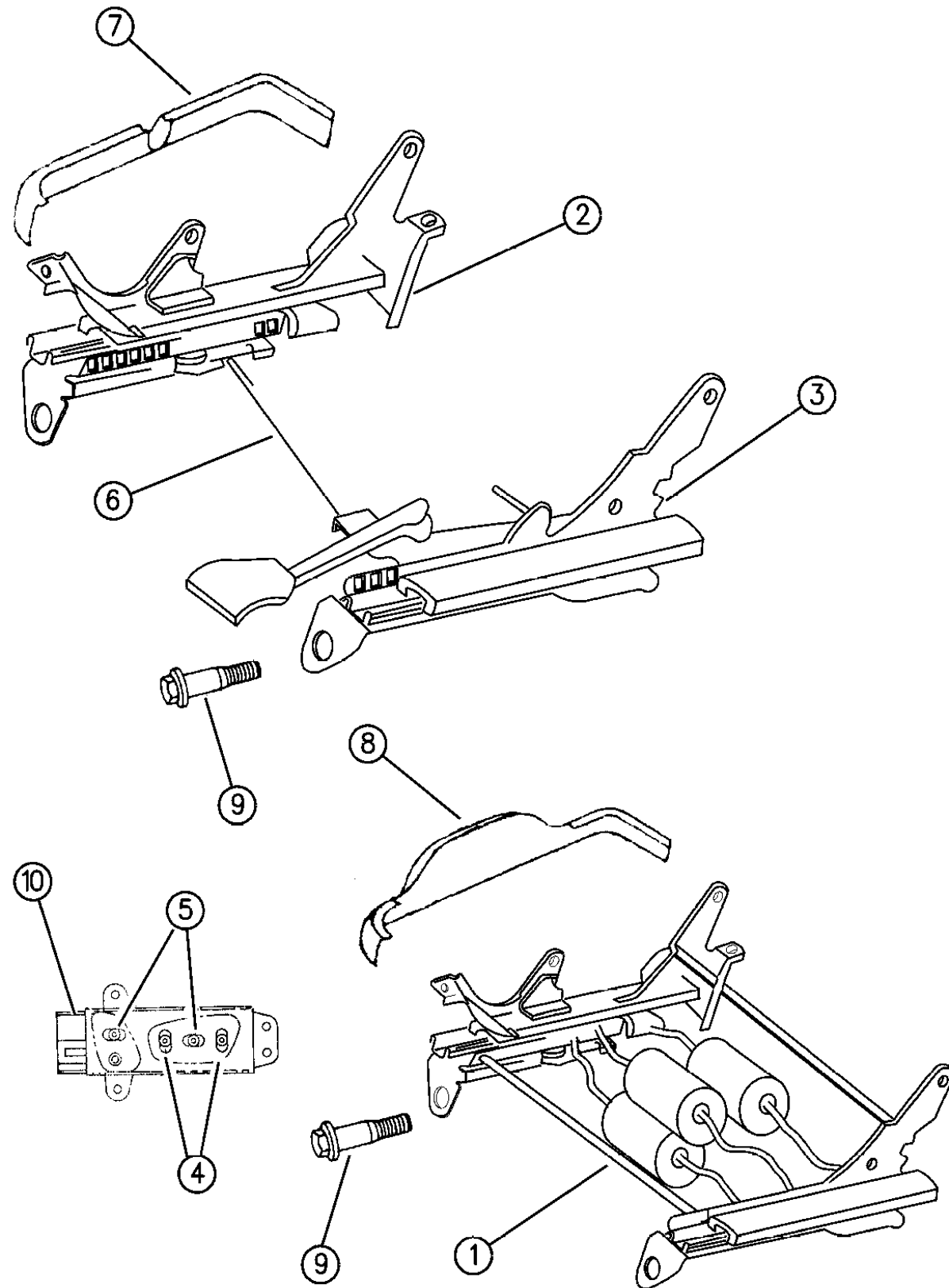
BODY STYLES: _____
 41 = 4 - Door Sedan ENGINE: 3.3L (EGB)
 3.5L (EGE) 24 Valve

93430 810

AR = Use as Required - = Non Illustrated Part P.A.R. = Paint as Required

SHIELD'S - ADJUSTERS, POWER AND MANUAL LH MODEL
Figure ITL-820

IT-820



93430 820

ITEM	PART NUMBER	QTY	BODY	MODEL	DESCRIPTION
1	#				ADJUSTER and RECLINER, Front Seat Power ***
	4796 882	1			Right
	4796 881	1			Left
2					ADJUSTER, Outer - Manual
	5260 364	1			Outer - Right - 1993
	4746 288	1			Outer - Right - 1994-96
	5260 365	1			Outer - Left - 1993
	4746 290	1			Outer - Left - 1994-96
3					ADJUSTER, Inner - Manual
	5260 362	1			Inner - Right - 1993
	4746 287	1			Inner - Right - 1994-96
	5260 363	1			Inner - Left - 1993
	4746 289	1			Inner - Left - 1994-96
-	4746 292	1			TOWEL BAR, Adjuster Handle ***
4	4607 042-3	1			KNOB, Power Seat
5	4607 044-5	1			KNOB, Power Recliner
6	4613 757	1			WIRE, Front Seat Manual Adjuster
7		1			SHIELD, Cushion (w/Manual)
	EW22-3 MB7	1			Blue
	EW22-3 MF6	1			Driftwood
	EW22-3 MD5	1			Quartz
	EW22-3 RP8	1			Blue Spruce, 1995
8					SHIELD, Cushion (w/Power)
	EW24-5 MB7	1			Blue
	EW24-5 MF6	1			Driftwood
	EW24-5 MD5	1			Quartz
	EW24-5 RP8	1			Blue Spruce, 1995
9	6101 086	8			SCREW and WASHER, Seat Attaching
10					SWITCH, Power Seat (See Group 8, Ill 200)
-	4761 224	4			BOLT, Cushion to Adjuster Attaching
-	4761 225	2			BOLT, Front Seat Back Pivot
-	4761 234	1			BOLT, Seat Belt to Adjuster
-	4746 562	AR			SCREW, Recliner to Adjuster

MODEL CODES:

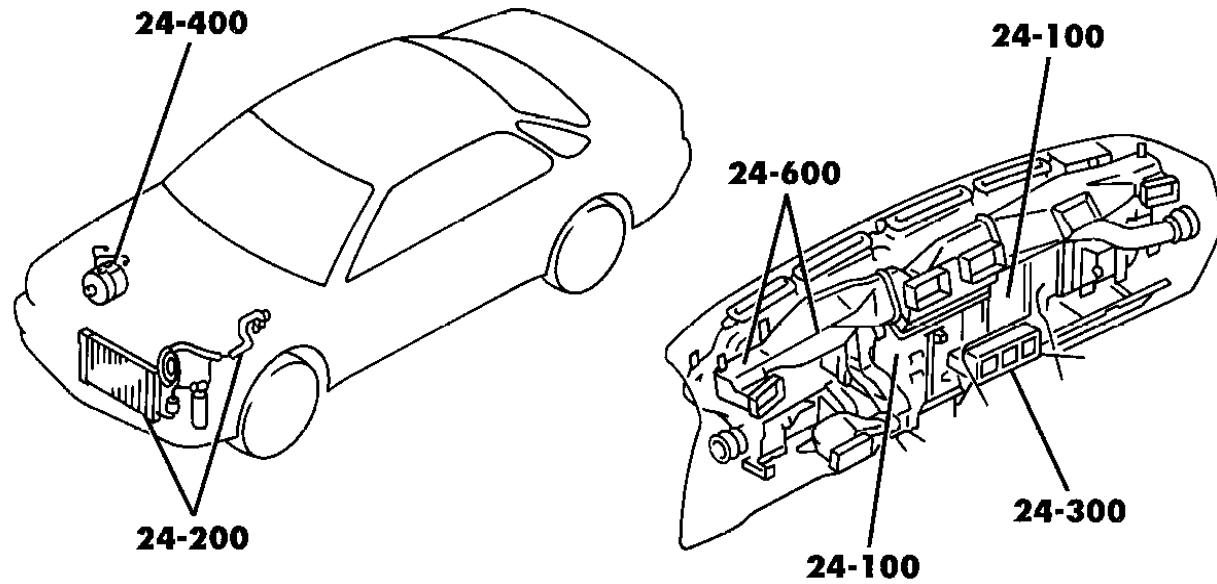
Chrysler = (CH41 = New Yorker, CP41 = LHS, DH41 = Intrepid(Canada), DP41 = Intrepid ES(Canada), LP41 = Concorde)
 DODGE = (DH41 = Intrepid(USA), DP41 = Intrepid ES(USA))
 EAGLE = (XP41 = Vision ESI, XS41 = Vision TSI)

BODY STYLES:

41 = 4 - Door Sedan ENGINE: 3.3L (EGB)
 3.5L (EGE) 24 Valve

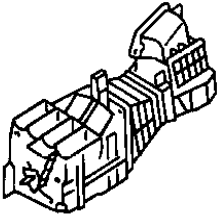
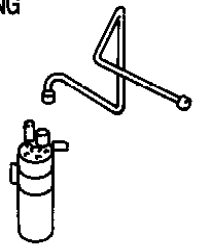
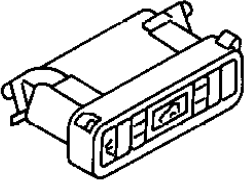
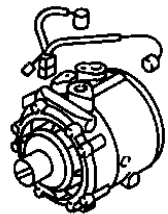
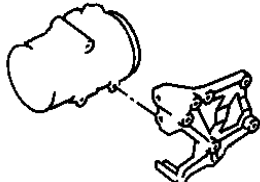
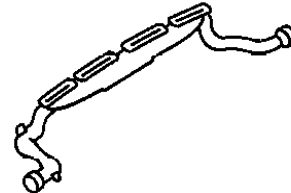
AR = Use as Required - = Non Illustrated Part P.A.R. = Paint as Required

GROUP-24 AIR CONDITIONING & HEATER



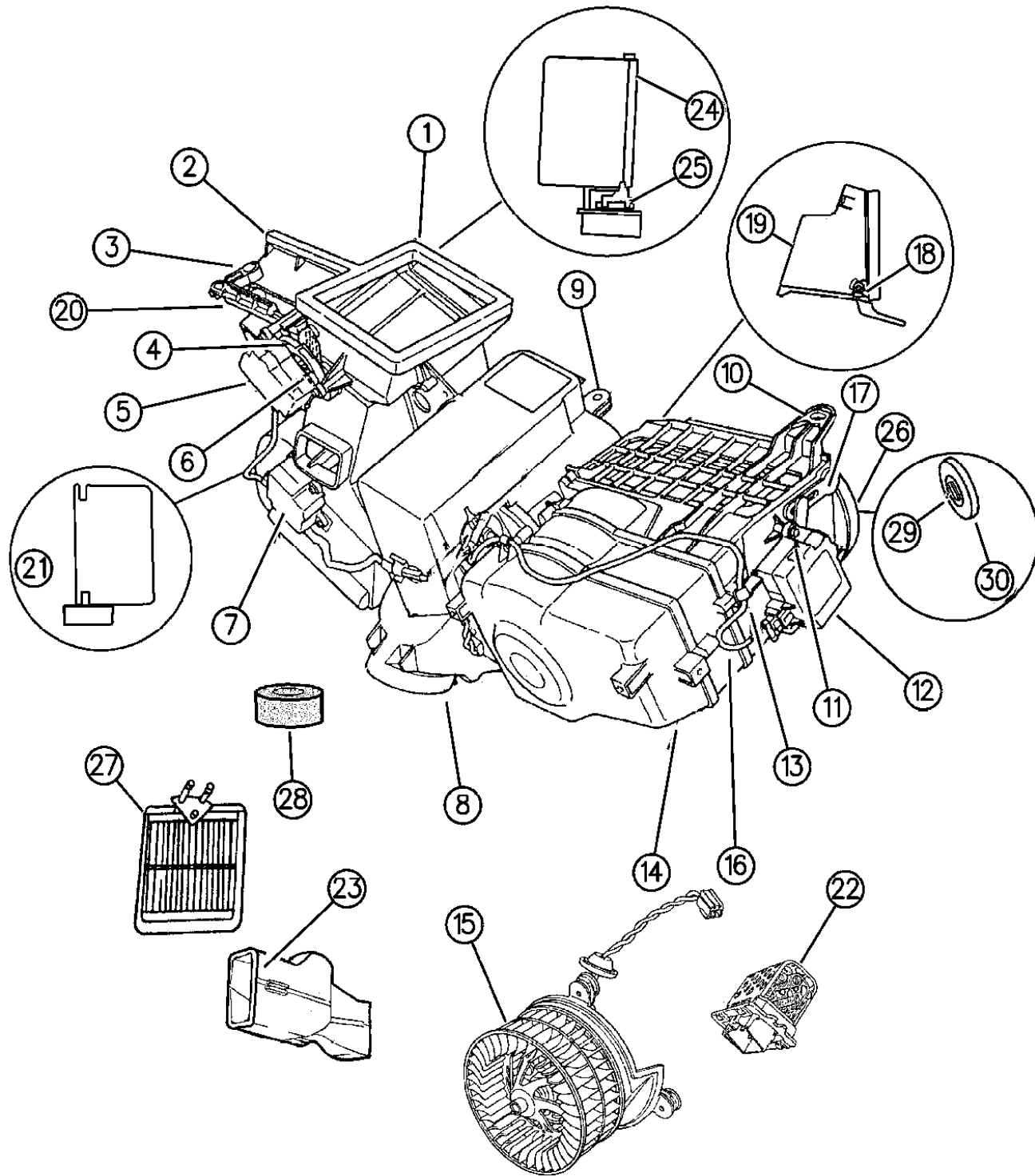
GROUP 24 - HEATER & AIR COND.

ILLUSTRATION TITLE	GROUP-FIG. NO.
AIR CONDITIONING AND HEATER UNIT	
HEATER UNIT LH BODY	Fig. 24-105
AIR CONDITIONING UNIT LH BODY	Fig. 24-110
ATC UNIT LH BODY	Fig. 24-120
PLUMBING, A/C AND HEATER	
HEATER PLUMBING LH BODY	Fig. 24-205
A/C PLUMBING LH BODY	Fig. 24-210
CONTROLS, A/C AND HEATER	
CONTROLS, AIR CONDITIONING AND HEATER LH BODY	Fig. 24-310
COMPRESSOR	
COMPRESSOR LH BODY	Fig. 24-405
COMPRESSOR MOUNTING	
COMPRESSOR MOUNTING LH BODY	Fig. 24-505
AIR DISTRIBUTION DUCTS AND OUTLETS	
AIR DISTRIBUTION DUCTS LH BODY	Fig. 24-605
AIR DISTRIBUTION OUTLETS LH BODY	Fig. 24-610

<p>24-100 HEATER UNIT & PIPING</p> 	<p>24-200 PLUMBING</p> 	<p>24-300 A/C & HEATER CONTROL</p> 	<p>24-400 COMPRESSOR</p> 
<p>24-500 COMPRESSOR MTG.</p> 	<p>24-600 DEFROSTER NOZZLE & DUCT</p> 		

HEATER UNIT LH BODY
Figure 24-105

24-105A



ITEM	PART NUMBER	QTY	BODY	MODEL	DESCRIPTION
1	4644 171	1			SEAL, Vent
2	4644 172	1			SEAL, Defrost
3	4644 170	1			DOOR, Defrost
4	4644 168	1			LEVER, Control
	4734 385	1			SCREW w/Washer, Control Lever ***
5	4596 052	1			ACTUATOR, Mode Door
6	4644 167	1			CAM ***
7	4596 012	1			ACTUATOR, Blend Air Door
8	4644 022	1			HOUSING, Lower (Vehicles built up to 1-1-95 also order 4644168-Lever and 4734385-Screw
9	4644 023	1			HOUSING, Upper
	4644 388	3			CLIP, Housing
	4644 225	3			STUD, Housing
10	4644 018	1			HOUSING, Air Inlet
11		AR			SCREW (Not Serviced)
12	4596 051	1			ACTUATOR, Recirc Door
13		3			CLIP (Not Serviced)
14	4644 177	1			COVER, Motor
15	4596 050	1			MOTOR, w/Wheel
	4644 173	1			MOTOR, Blower
	2837 680	1			CLIP, Motor
		AR			SCREW, Fastening (Not Serviced)
16	4604 585	1			HARNESS, Wiring
17	4644 020	1			CAM, Recirc. Door ***
18	4644 021	1			BEARING, Recirc Door
19	4644 019	1			DOOR, Recirc
20	4644 169	1			LINK, Defrost Door
21	4644 147	1			DOOR, Blend Air
22	4596 049	1			RESISTOR, Blower Motor
23	4596 092	1			DUCT, Floor
24	4644 148	1			DOOR, Vent
25	4644 149	1			LEVER, Vent Door
26	4596 016	1			SEAL, Air Inlet
27	4644 708	1			CORE, Heater
28	4596 013	1			GASKET, Drain Tube
29	4644 222	1			PLUG, Probe Opening
30	4644 221	1			GASKET, Plug

93424 105A

MODEL CODES:

Chrysler = (CH41 = New Yorker, CP41 = LHS, DH41 = Intrepid(Canada), DP41 = Intrepid ES(Canada), LP41 = Concorde)
DODGE = (DH41 = Intrepid(USA), DP41 = Intrepid ES(USA))
EAGLE = (XP41 = Vision ESI, XS41 = Vision TSI)

BODY STYLES:

41 = 4 - Door Sedan ENGINE: 3.3L (EGB)
3.5L (EGE) 24 Valve

AR = Use as Required - = Non Illustrated Part P.A.R. = Paint as Required

AIR CONDITIONING UNIT LH BODY

Figure 24-110

24-110

ITEM	PART NUMBER	QTY	BODY	MODEL	DESCRIPTION
1	4644 171	1			SEAL, Vent
2	4644 172	1			SEAL, Defrost
3	4644 170	1			DOOR, Defrost
4	4644 168	1			LEVER, Control
	4734 385	1			SCREW w/Washer, Control Lever ***
5	4596 052	1			ACTUATOR, Mode Door
6	4644 167	1			CAM ***
7	4596 012	1			ACTUATOR, Blend Air Door
8	4644 022	1			HOUSING, Lower (Vehicles built up to 1-1-95 also order 4644168-Lever and 4734385-Screw
9	4644 023	1			HOUSING, Upper
	4644 709	1			SEAL, End Plate, Header End
	6502 683	1			STUD, Unit Mounting
	4644 388	3			CLIP, Housing
	4644 225	3			STUD, Housing
					CLIP, Balancing
	4644 609	1			.08 Grams
	4644 608	1			.17 Grams
	4644 607	1			.26 Grams
	4644 606	1			.37 Grams
10	4644 018	1			HOUSING, Air Inlet
11		AR			SCREW (Not Serviced)
12	4596 051	1			ACTUATOR, Recirc Door
13		3			CLIP (Not Serviced)
14	4644 177	1			COVER, Motor
15	4596 050	1			MOTOR, w/Wheel
	4644 173	1			MOTOR, Blower
	4644 175	1			WHEEL, Motor
	2837 680	1			CLIP, Motor
		AR			SCREW, Fastening (Not Serviced)
16	4604 585	1			HARNESS, Wiring
	4644 400	2			CLIP, Harness
17	4644 020	1			CAM, Recirc. Door ***
18	4644 021	1			BEARING, Recirc Door
19	4644 019	1			DOOR, Recirc
	4644 384	1			SEAL, Recirc. Door
	4644 385	1			SEAL, Recirc. Door
20	4644 169	1			LINK, Defrost Door
21	4644 147	1			DOOR, Blend Air
22	4596 049	1			RESISTOR, Blower Motor
23	4596 092	1			DUCT, Floor
24	4644 148	1			DOOR, Vent

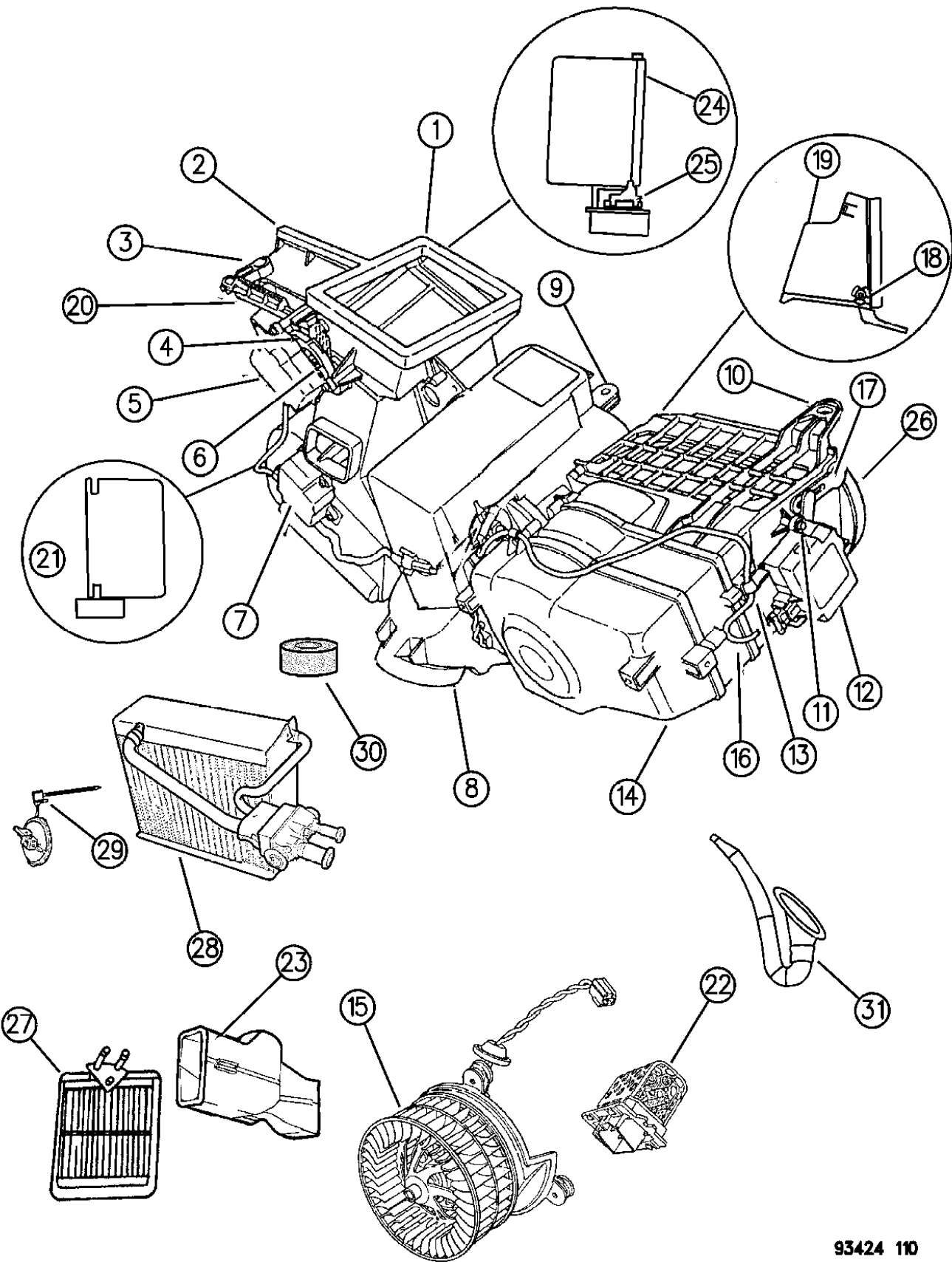
MODEL CODES:

Chrysler = (CH41 = New Yorker, CP41 = LHS, DH41 = Intrepid(Canada), DP41 = Intrepid ES(Canada), LP41 = Concorde)
 DODGE = (DH41 = Intrepid(USA), DP41 = Intrepid ES(USA))
 EAGLE = (XP41 = Vision ESI, XS41 = Vision TSI)

BODY STYLES:

41 = 4 - Door Sedan ENGINE: 3.3L (EGB)
 3.5L (EGE) 24 Valve

AR = Use as Required - = Non Illustrated Part P.A.R. = Paint as Required



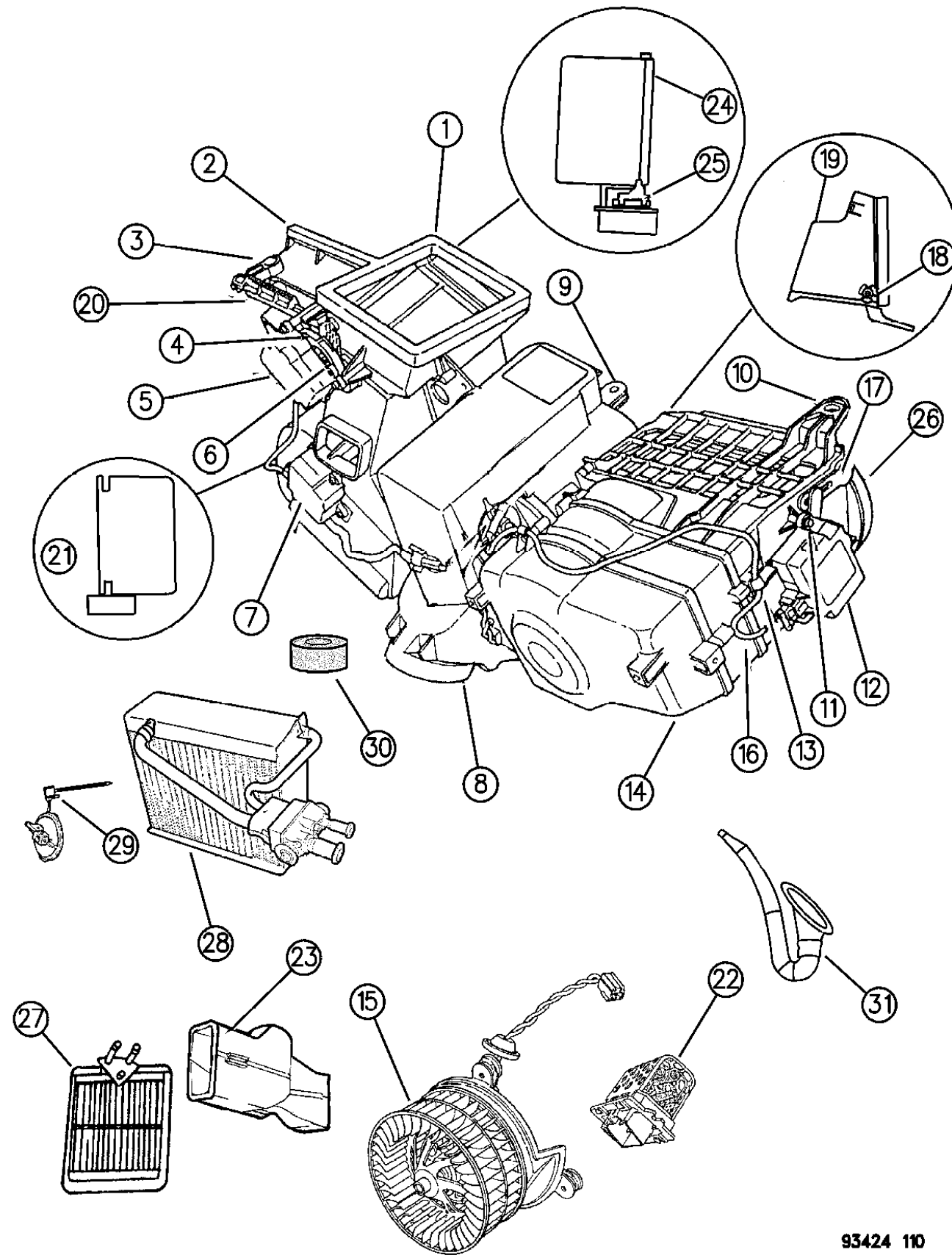
93424 110

AIR CONDITIONING UNIT LH BODY

Figure 24-110

24-110

ITEM	PART NUMBER	QTY	BODY	MODEL	DESCRIPTION
25	4644 149	1			LEVER, Vent Door
26	4596 016	1			SEAL, Air Inlet
27	4644 708	1			CORE, Heater
28	4797 129	1			EVAPORATOR ASSEMBLY ***
	4474 324-5	1			RING, Coil Braze
	4734 278	1			SEAL, Evaporator (11mm)
		1			LINER, Evaporator
	4644 593	1			Upper
	4644 594	1			Lower
29	4596 078	1			PROBE, Thermister ***
30	4596 013	1			GASKET, Drain Tube
31	4596 099	1			DRAIN ASSEMBLY, Evaporator ***
-	4596 179	1			LABEL, Hevac Assembly



93424 110

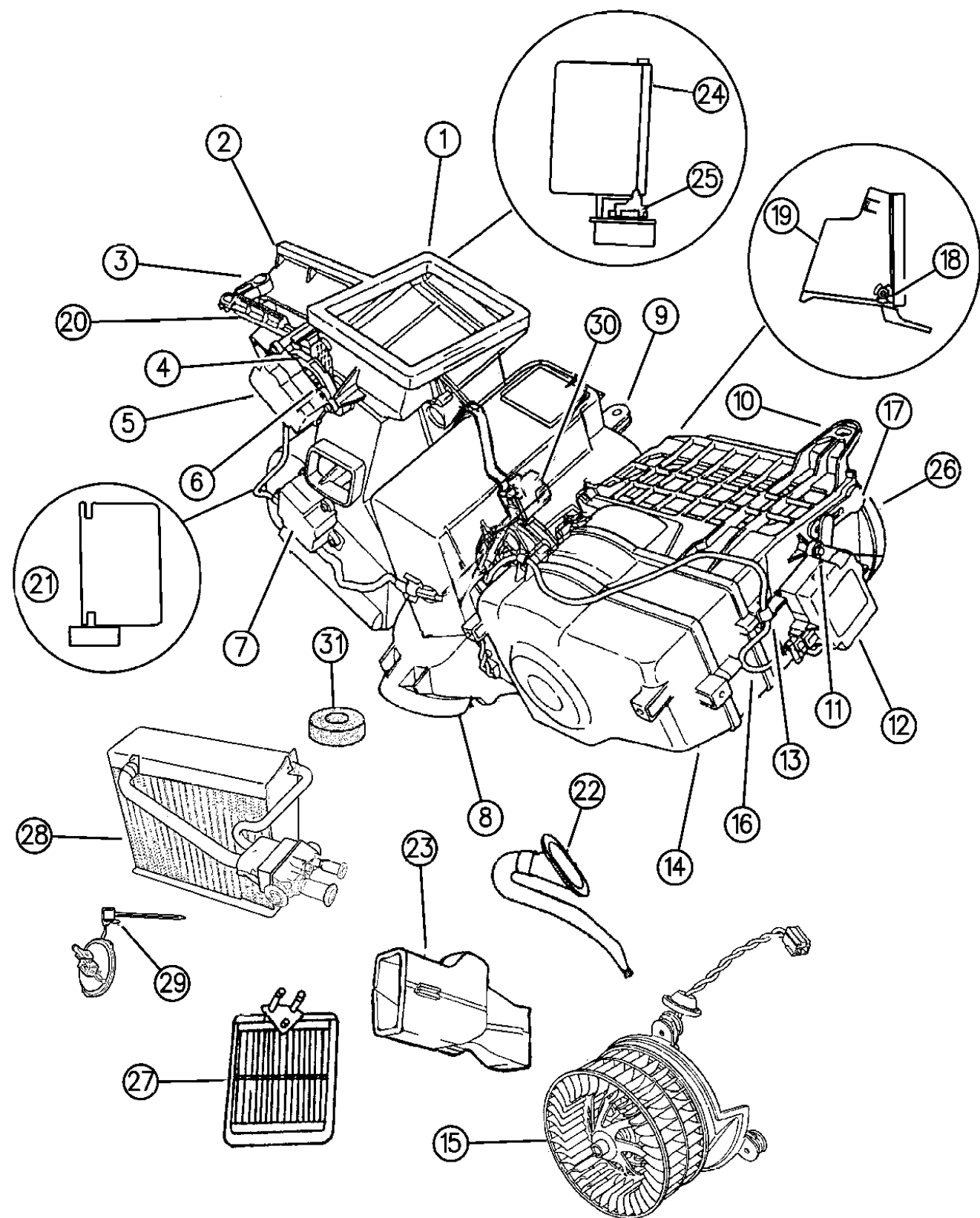
MODEL CODES: _____
 Chrysler = (CH41 = New Yorker, CP41 = LHS, DH41 = Intrepid(Canada), DP41 = Intrepid ES(Canada), LP41 = Concorde)
 DODGE = (DH41 = Intrepid(USA), DP41 = Intrepid ES(USA))
 EAGLE = (XP41 = Vision ESI, XS41 = Vision TSI)

BODY STYLES: _____
 41 = 4 - Door Sedan ENGINE: 3.3L (EGB)
 3.5L (EGE) 24 Valve

AR = Use as Required - = Non Illustrated Part P.A.R. = Paint as Required

ATC UNIT LH BODY
Figure 24-120

24-120B



ITEM	PART NUMBER	QTY	BODY	MODEL	DESCRIPTION
1	4644 171	1			SEAL, Vent
2	4644 172	1			SEAL, Defrost
3	4644 170	1			DOOR, Defrost
4	4644 168	1			LEVER, Control
	4734 385	1			SCREW w/WASHER, Control Lever ***
5	4596 052	1			ACTUATOR, Mode Door
6	4644 167	1			CAM ***
7	4596 012	1			ACTUATOR, Blend Air Door
8	4644 022	1			HOUSING, Lower (Vehicles built up to 1-1-95 also order 4644168-Lever and 4734385-Screw
	4644 594	1			LINER, A/C, Lower
9	4644 023	1			HOUSING, Upper
	4644 388	3			CLIP, Housing
	4644 225	3			STUD, Housing
10	4644 018	1			HOUSING, Air Inlet
11		AR			SCREW (Not Serviced)
12	4596 051	1			ACTUATOR, Recirc Door
13		3			CLIP (Not Serviced)
14	4644 177	1			COVER, Motor
15	4596 050	1			MOTOR, w/Wheel
	4644 173	1			MOTOR, Blower
	2837 680	1			CLIP, Motor
		AR			SCREW, Fastening (Not Serviced)
16	4604 585	1			HARNESS, Wiring
17	4644 020	1			CAM, Recirc. Door ***
18	4644 021	1			BEARING, Recirc Door
19	4644 019	1			DOOR, Recirc
20	4644 169	1			LINK, Defrost Door
21	4644 147	1			DOOR, Mode - Blend Air
22	4596 099	1			DRAIN ASSEMBLY, HVAC Unit ***
23	4596 092	1			DUCT, Floor
24	4644 148	1			DOOR, Vent
25	4644 149	1			LEVER, Vent Door
26	4596 016	1			SEAL, Air Inlet
27	4644 708	1			CORE, Heater
28	4882 864	1			EVAPORATOR ASSEMBLY ***
	4644 224	1			SEAL, Evaporator Tubes
	4644 593	1			LINER, Evaporator Upper
	4644 594	1			Lower
29	4596 078	1			PROBE, Thermister ***
30					MODULE, Blower Control (Resistor)

MODEL CODES:

Chrysler = (CH41 = New Yorker, CP41 = LHS, DH41 = Intrepid(Canada), DP41 = Intrepid ES(Canada), LP41 = Concorde)
DODGE = (DH41 = Intrepid(USA), DP41 = Intrepid ES(USA))
EAGLE = (XP41 = Vision ESI, XS41 = Vision TSI)

BODY STYLES:

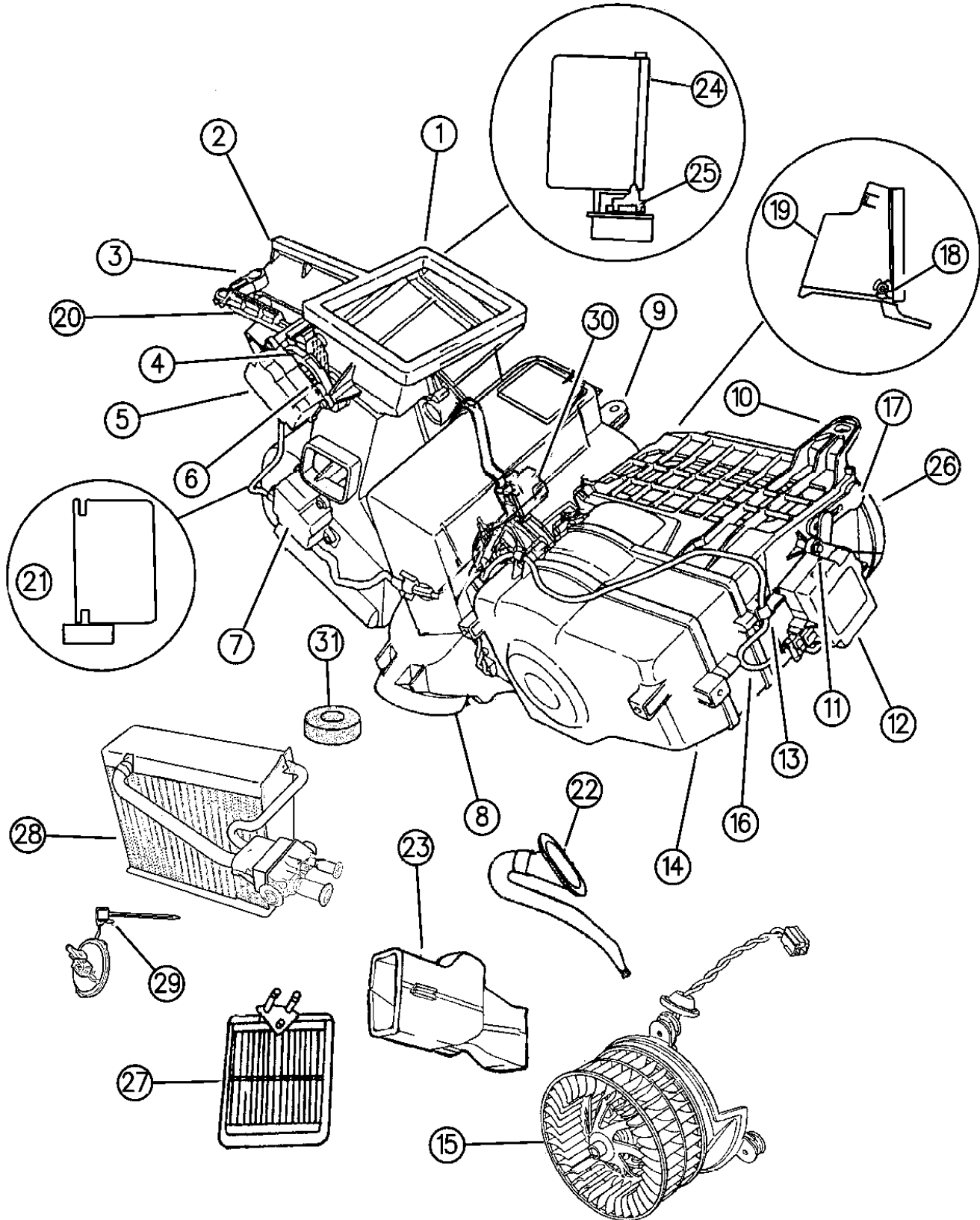
41 = 4 - Door Sedan ENGINE: 3.3L (EGB)
3.5L (EGE) 24 Valve

93424 120A

AR = Use as Required - = Non Illustrated Part P.A.R. = Paint as Required

ATC UNIT LH BODY
Figure 24-120

24-120B



ITEM	PART NUMBER	QTY	BODY	MODEL	DESCRIPTION
	4596 060	1			Stamped 73406302, 1993-5
	4734 913	1			1996
31	4596 013	1			GASKET, Drain Tube

MODEL CODES: _____
 Chrysler = (CH41 = New Yorker, CP41 = LHS, DH41 = Intrepid(Canada), DP41 = Intrepid ES(Canada), LP41 = Concorde)
 DODGE = (DH41 = Intrepid(USA), DP41 = Intrepid ES(USA))
 EAGLE = (XP41 = Vision ESI, XS41 = Vision TSI)

BODY STYLES: _____
 41 = 4 - Door Sedan ENGINE: 3.3L (EGB)
 3.5L (EGE) 24 Valve

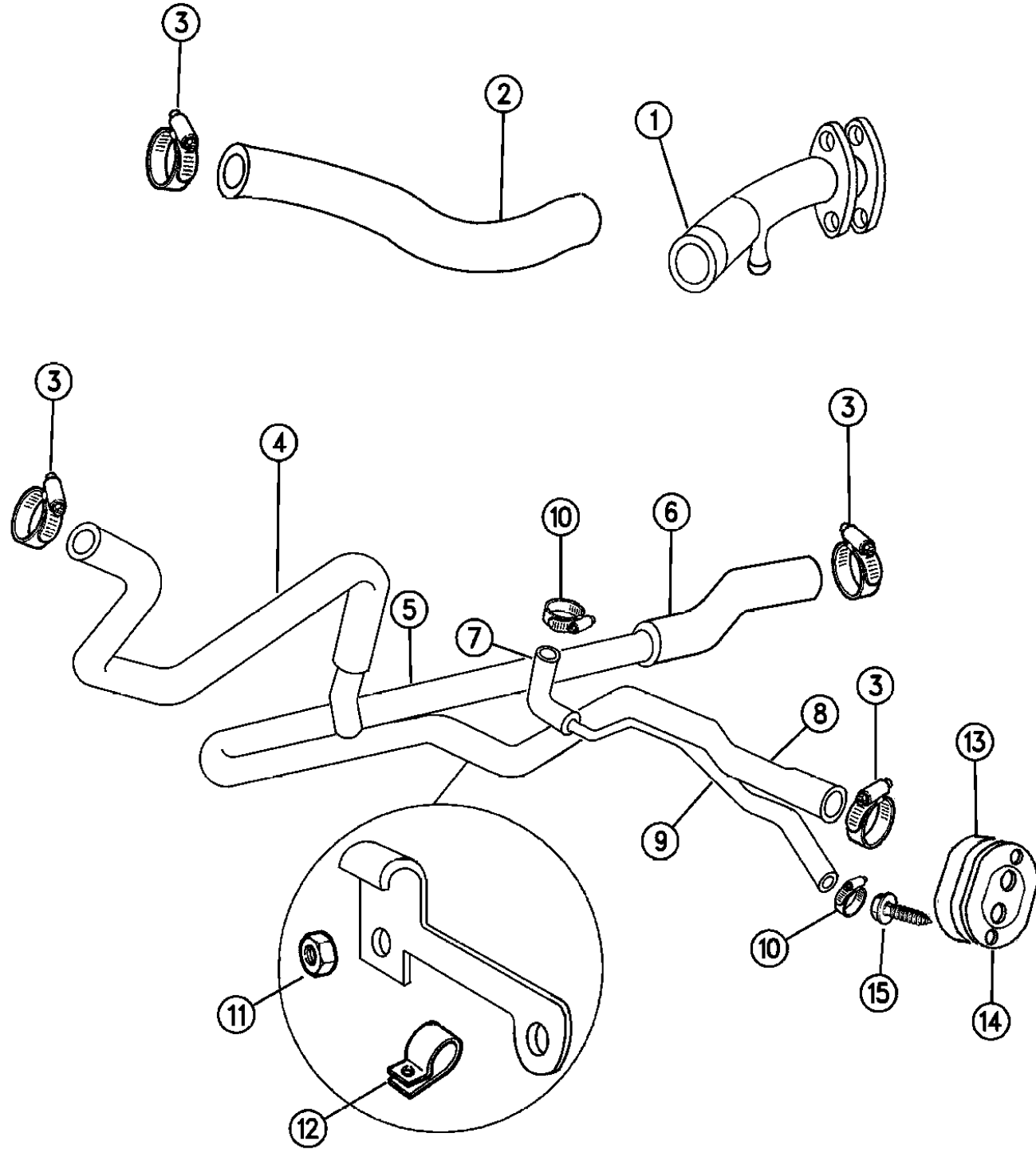
93424 120A

AR = Use as Required - = Non Illustrated Part P.A.R. = Paint as Required

HEATER PLUMBING LH BODY

Figure 24-205

24-205A



ITEM	PART NUMBER	QTY	BODY	MODEL	DESCRIPTION
1					TUBE, Outlet
	4663 375	1			3.3L Engine
	4663 379	1			3.5L Engine
	4448 852	1			GASKET, to Manifold
2					HOSE, Heater Supply
	4592 042	1			3.3L Engine
	4596 233	1			3.5L Engine
3	6502 018	AR			CLAMP
4	4592 107	1			HOSE, Heater Core, Return
5		1			TUBE and HOSE, Heater Return (with Bracket) ***
	4596 190	1			3.3L Engine
	4596 189	1			3.5L Engine
6					HOSE, Water Pump Return
	4592 111	1			3.3L Engine
	4592 105	1			3.5L Engine
7					HOSE, Supply Tube
	4592 043	1			3.3L Engine
	4592 110	1			3.5L Engine
8	4592 104	1			HOSE, Bottle Return
9	4592 124	1			HOSE, Bottle Supply
10	4592 126	1			CLAMP
11	6101 467	2			NUT
12	4604 609	1			CLIP
13	3501 3133	1			PLATE, Heater Hose Seal Backing
14	4596 103	1			SEAL, Heater Tubes
15	6032 360	2			SCREW

93424 205

MODEL CODES:

Chrysler = (CH41 = New Yorker, CP41 = LHS, DH41 = Intrepid(Canada), DP41 = Intrepid ES(Canada), LP41 = Concorde)
 DODGE = (DH41 = Intrepid(USA), DP41 = Intrepid ES(USA))
 EAGLE = (XP41 = Vision ESI, XS41 = Vision TSI)

BODY STYLES:

41 = 4 - Door Sedan ENGINE: 3.3L (EGB)
 3.5L (EGE) 24 Valve

AR = Use as Required - = Non Illustrated Part P.A.R. = Paint as Required

A/C PLUMBING LH BODY
Figure 24-210

24-210B

ITEM	PART NUMBER	QTY	BODY	MODEL	DESCRIPTION
1	4596 077	1			VALVE, Expansion, w/Gasket
-	6032 572	2			SCREW, Valve Mounting
-	4677 045	1			GASKET, Expansion Valve to Evap. Coil
-	4596 054	1			GASKET, H-Valve Fixation (H-Valve to Fire Wall), 6 x 4
2	4596 031	1			LINE ASSEMBLY, Liquid ***
-	4644 589	1			SLEEVE, Liquid Line
3					LINE ASSEMBLY, Suction ***
	4757 011	1			3.3L Engine
	4757 020	1			3.5L Engine
-	4644 013	1			SLEEVE, Suction Line
4					LINE ASSEMBLY, Discharge ***
	5011 528AA	1			3.3L Engine, w/Transducer, O-Rings and Fittings (1993-96)
	4610 070	1			1997
	4610 072	1			3.3L Engine (Transitory Level Emission Vehicle)
	5011 529AA	1			3.5L Engine, w/Transducer, O-Rings and Fittings (1993-96)
	4610 071	1			1997
-	4761 612	1			O-RING, Compressor to Condenser
5	4723 021	1			BRACKET, Isolator Rear
6	4723 020	1			BRACKET, Isolator Front
7	4796 563	1			TRANSDUCER ***
8	4723 029	1			VALVE, Fitting at Transducer
	4883 227	1			PIGTAIL KIT, Transducer ***
9	4596 188	1			CONDENSER
	4758 586	1			1996 (Valeo)
	5013 852AA	1			1996 (Modine)
	1150 3714	4			U-NUT, Condenser to Radiator Attaching
10	4592 056	1			DRIER and BRACKET ASSEMBLY ***
-	4720 747	1			GASKET, Drier
-					O-RING, Condenser to Drier
	4762 522	1			R-12
	4882 139	1			R-134 (Green)
11	4596 180	1			BRACKET, Condenser Inlet Tube
12					SPRING
	4723 398	1			Liquid Line
	4723 399	1			Suction Line
13					O-RING PACKAGE, Quick Disconnect (used on each end of Line) ***
	4723 019	2			Liquid Line
	4723 025	2			Suction Line
	4762 267	2			Discharge Line
14					O-RING, Line to Compressor
	4723 031	1			Suction Line, Black (3/4")

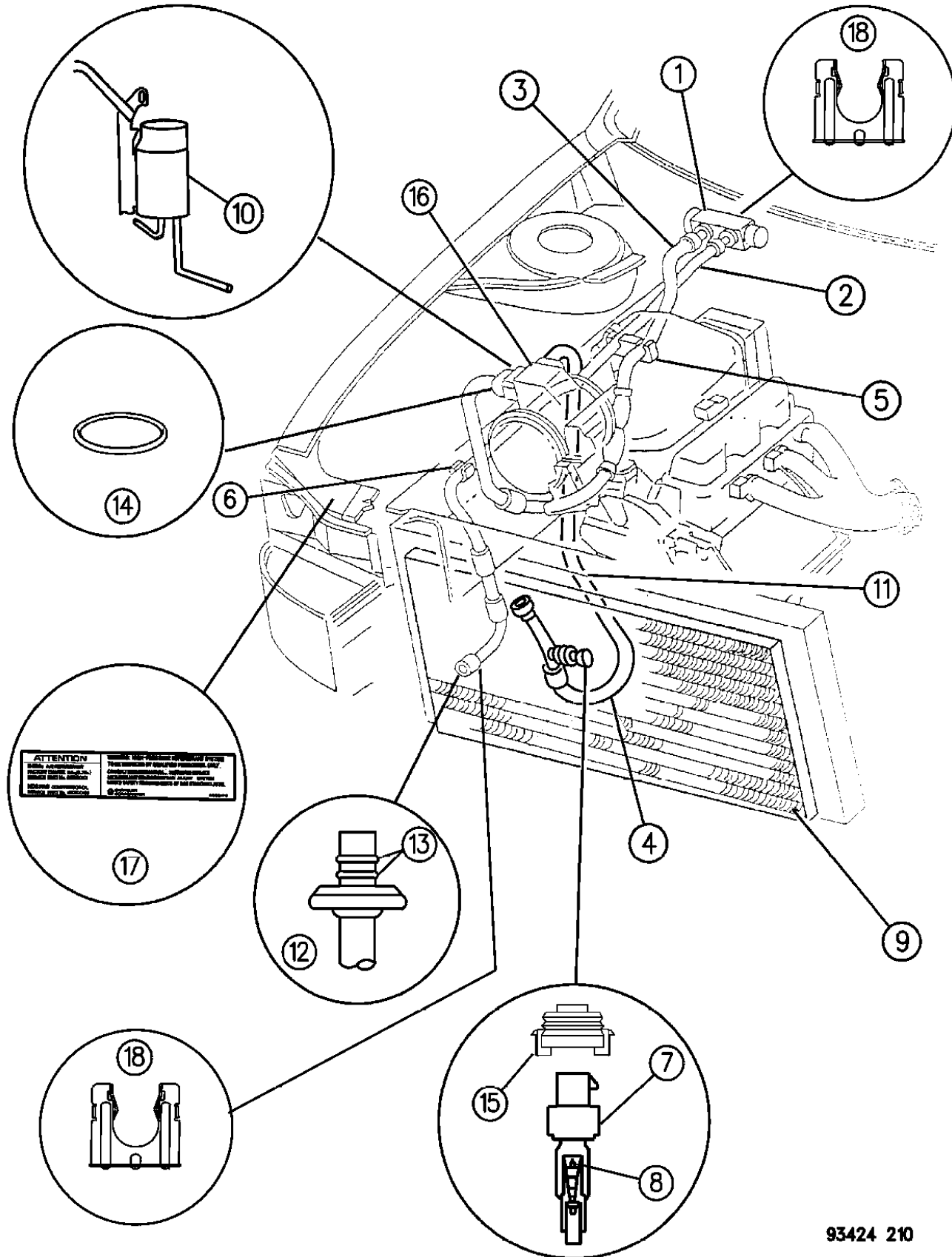
MODEL CODES:

Chrysler = (CH41 = New Yorker, CP41 = LHS, DH41 = Intrepid(Canada), DP41 = Intrepid ES(Canada), LP41 = Concorde)
DODGE = (DH41 = Intrepid(USA), DP41 = Intrepid ES(USA))
EAGLE = (XP41 = Vision ESI, XS41 = Vision TSI)

BODY STYLES:

41 = 4 - Door Sedan ENGINE: 3.3L (EGB)
3.5L (EGE) 24 Valve

AR = Use as Required - = Non Illustrated Part P.A.R. = Paint as Required

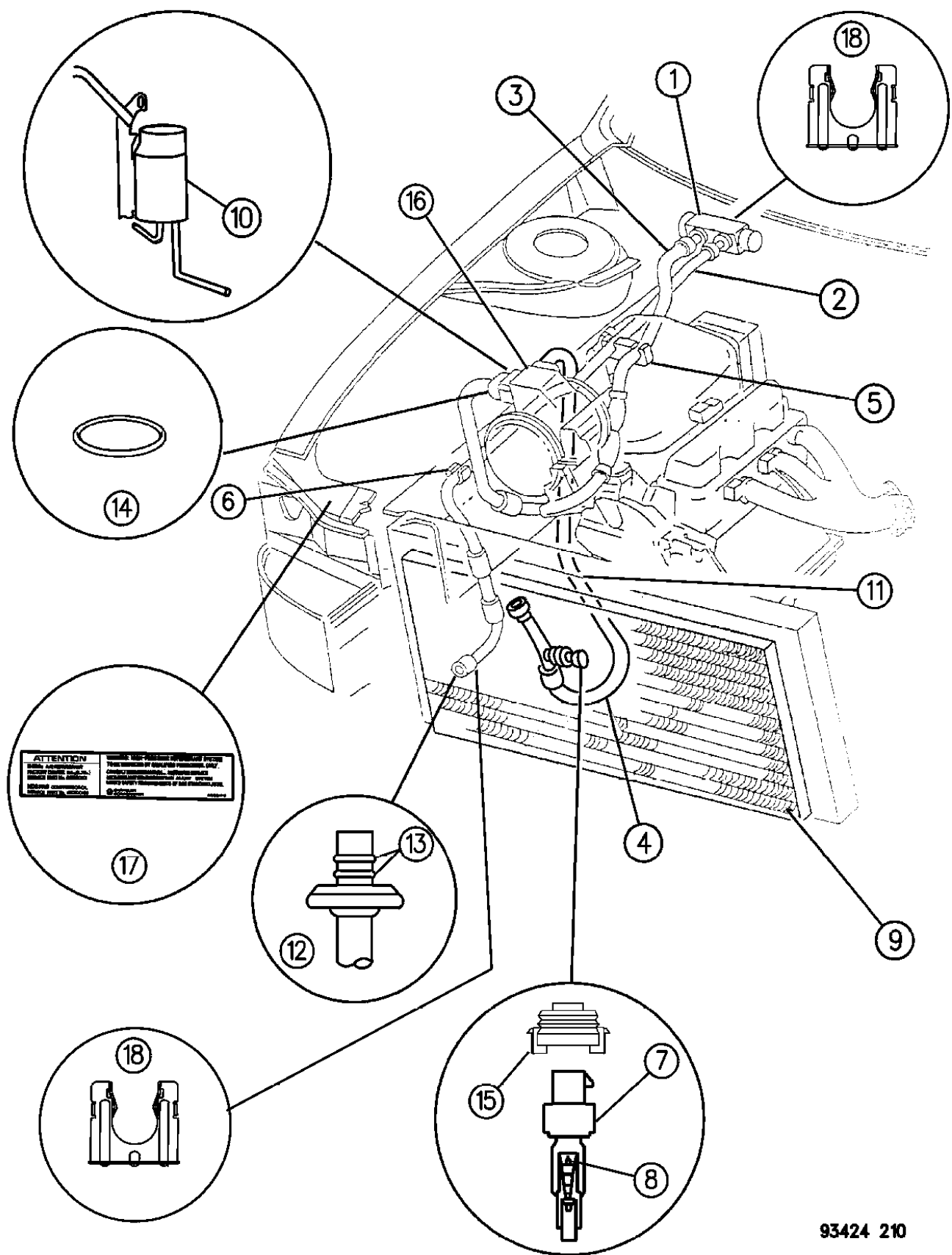


93424 210

A/C PLUMBING LH BODY
Figure 24-210

24-210B

ITEM	PART NUMBER	QTY	BODY	MODEL	DESCRIPTION
	4741 716	1			Discharge Line, Green (5/8")
15	4604 133	1			GROMMET ASSEMBLY, Transducer Connect ***
-	4728 323	1			WIRING ASSEMBLY, Transducer Connector Repair ***
16	4596 148	1			COMPRESSOR
17					DECAL, A/C System Spec.
	4596 179	1			(used with Valeo Condenser)
	5013 853AA	1			(used with Modine Condenser)
18					CLIP, Tube Lock Coupling, Quick Disconnect
	4596 151	1			Liquid Line
	4596 153	1			Suction Line
	4596 152	1			Discharge Line



MODEL CODES: _____
 Chrysler = (CH41 = New Yorker, CP41 = LHS, DH41 = Intrepid(Canada), DP41 = Intrepid ES(Canada), LP41 = Concorde)
 DODGE = (DH41 = Intrepid(USA), DP41 = Intrepid ES(USA))
 EAGLE = (XP41 = Vision ESI, XS41 = Vision TSI)

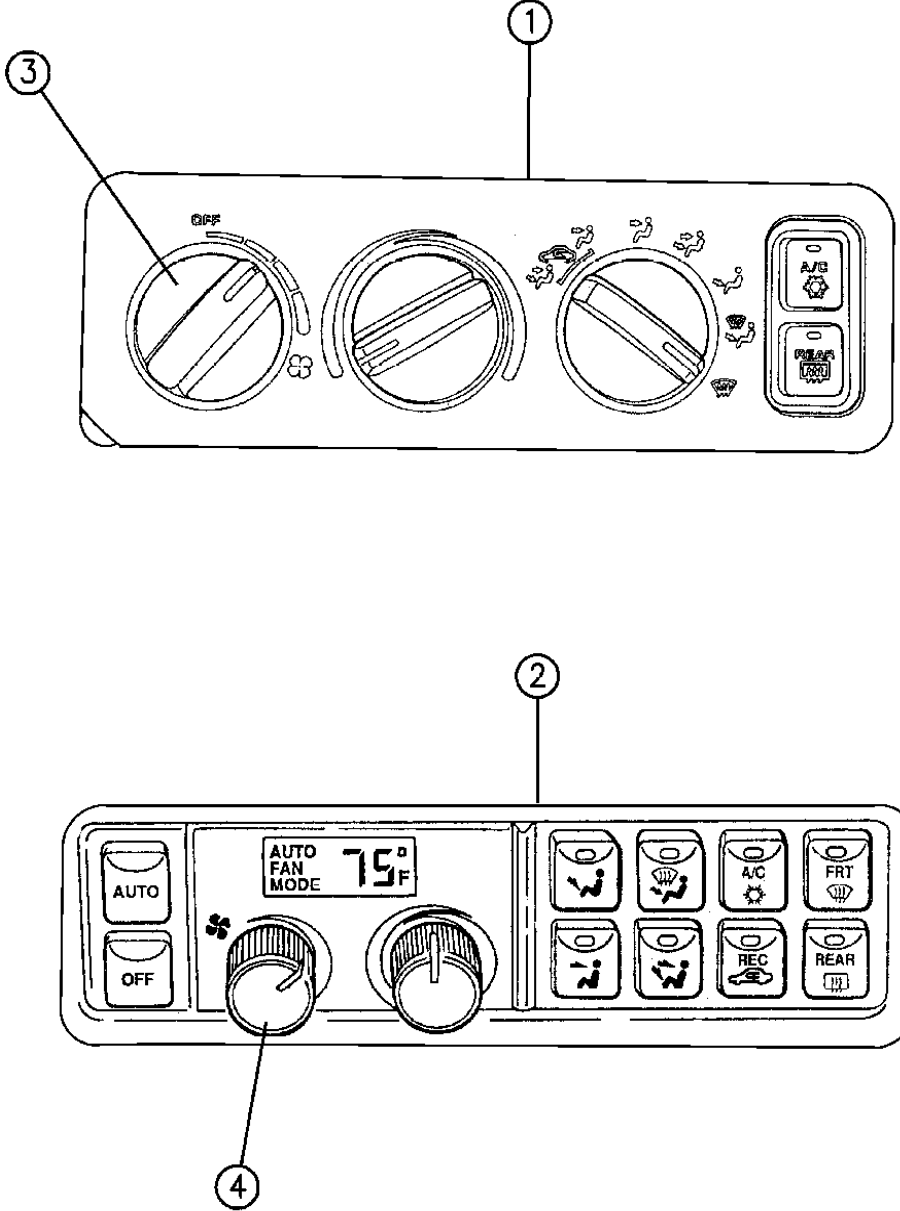
BODY STYLES: _____
 41 = 4 - Door Sedan ENGINE: 3.3L (EGB)
 3.5L (EGE) 24 Valve

93424 210

AR = Use as Required - = Non Illustrated Part P.A.R. = Paint as Required

CONTROLS, AIR CONDITIONING AND HEATER LH BODY
Figure 24-310

24-310



ITEM	PART NUMBER	QTY	BODY	MODEL	DESCRIPTION
1	4596 001	1			CONTROL, A/C and Heater
	4596 169	1			EUROPE
	4757 032	1			MID-EAST
2	4596 005	1			CONTROL, ATC
	4596 090	1			EUROPE
3	4761 018	3			KNOB, Control
4					KNOB, Control
	4761 019	2			A.T.C.
	4761 020	2			EUROPE
-	0154 077	4			BULB, Control #203, A/C Control
-	4874 516	4			BULB, Control ENW1-EW33112, ATC Control

MODEL CODES: _____
 Chrysler = (CH41 = New Yorker, CP41 = LHS, DH41 = Intrepid(Canada), DP41 = Intrepid ES(Canada), LP41 = Concorde)
 DODGE = (DH41 = Intrepid(USA), DP41 = Intrepid ES(USA))
 EAGLE = (XP41 = Vision ESI, XS41 = Vision TSI)

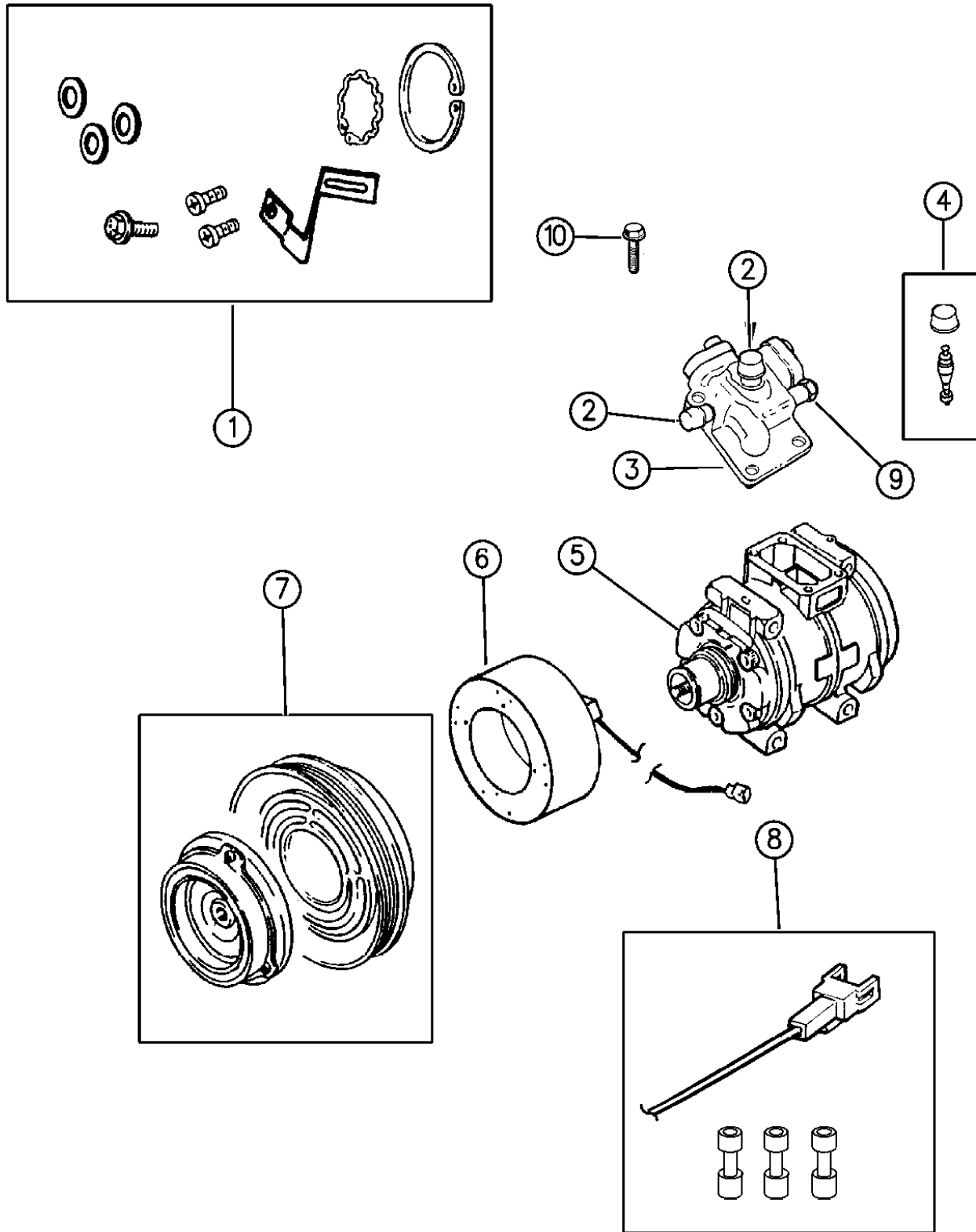
BODY STYLES: _____
 41 = 4 - Door Sedan ENGINE: 3.3L (EGB)
 3.5L (EGE) 24 Valve

93424 310

AR = Use as Required - = Non Illustrated Part P.A.R. = Paint as Required

COMPRESSOR LH BODY
Figure 24-405

24-405



93424 405

ITEM	PART NUMBER	QTY	BODY	MODEL	DESCRIPTION
1	4723 011	1			CLUTCH PACKAGE, Overhaul ***
2					CAP
	4723 017	1			"High Pressure"
	4723 018	1			"Low Pressure"
3	4723 010	1			MANIFOLD, w/Seal ***
	4728 854	1			SEAL, Manifold
	5264 457	1			BOLT PACKAGE, Manifold
4					VALVE PACKAGE, (Shrader), Valve Core and Cap ***
	4723 015	1			"High Pressure"
High pressure side marked with an "H". s ARE NOT RETURNABLE.					
	4723 016	1			"Low Pressure"
5	4596 148	1			COMPRESSOR, w/Manifold, w/o Clutch
	4758 900	1			1996 (Compressor Complete)
6	4723 013	1			COIL (1993-95) ***
7	4723 014	1			HUB PACKAGE ***
8	4728 321	1			WIRING PACKAGE ***
9		1			VALVE, Relief (Serviced in Manifold)
10	4723 033	1			BOLT, Plumbing Attaching

MODEL CODES:

Chrysler = (CH41 = New Yorker, CP41 = LHS, DH41 = Intrepid(Canada), DP41 = Intrepid ES(Canada), LP41 = Concorde)
DODGE = (DH41 = Intrepid(USA), DP41 = Intrepid ES(USA))
EAGLE = (XP41 = Vision ESI, XS41 = Vision TSI)

BODY STYLES:

41 = 4 - Door Sedan ENGINE: 3.3L (EGB)
3.5L (EGE) 24 Valve

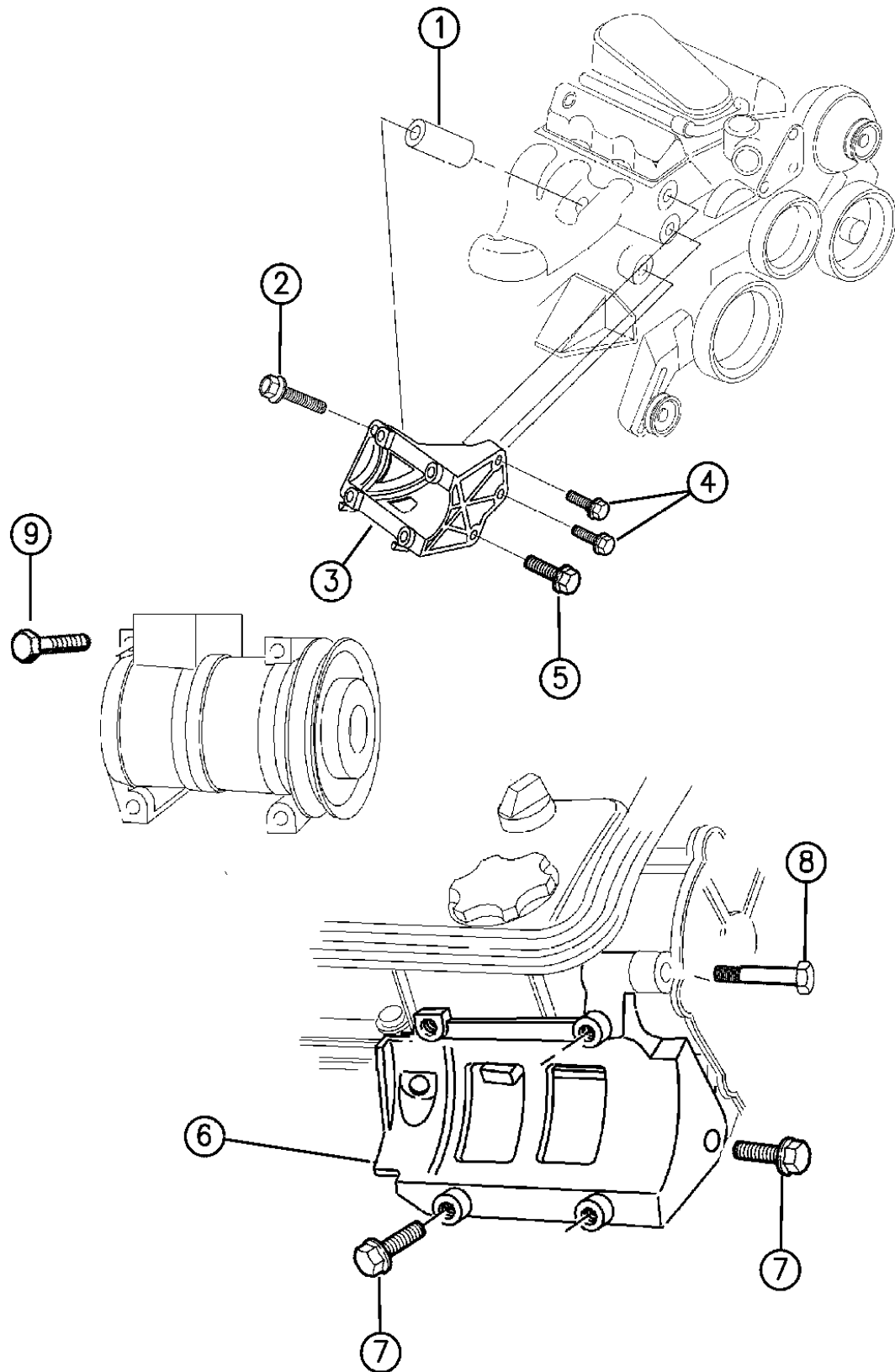
AR = Use as Required - = Non Illustrated Part P.A.R. = Paint as Required

COMPRESSOR MOUNTING LH BODY

Figure 24-505

24-505

ITEM	PART NUMBER	QTY	BODY	MODEL	DESCRIPTION
1	6502 512	1		1993-95	SPACER, Mounting Bracket to Exhaust Manifold
	4663 898	1		1996	
2	6101 700	1			SCREW and WASHER, Mounting
3	4573 201	1			BRACKET, Compressor Mounting, 3.3L Engine
4	6101 504	2			SCREW and WASHER, Bracket to Head
5		1			SCREW and WASHER (Not Serviced)
6	4573 256	1			BRACKET, Compressor Mounting, 3.5L Engine
7	6101 524	AR			SCREW and WASHER
8	6101 504	1			SCREW and WASHER, Bracket to Timing Cover
9	6502 425	4			SCREW and WASHER, Compressor to Mounting Bracket



93424 505

MODEL CODES:

Chrysler = (CH41 = New Yorker, CP41 = LHS, DH41 = Intrepid(Canada), DP41 = Intrepid ES(Canada), LP41 = Concorde)
 DODGE = (DH41 = Intrepid(USA), DP41 = Intrepid ES(USA))
 EAGLE = (XP41 = Vision ESI, XS41 = Vision TSI)

BODY STYLES:

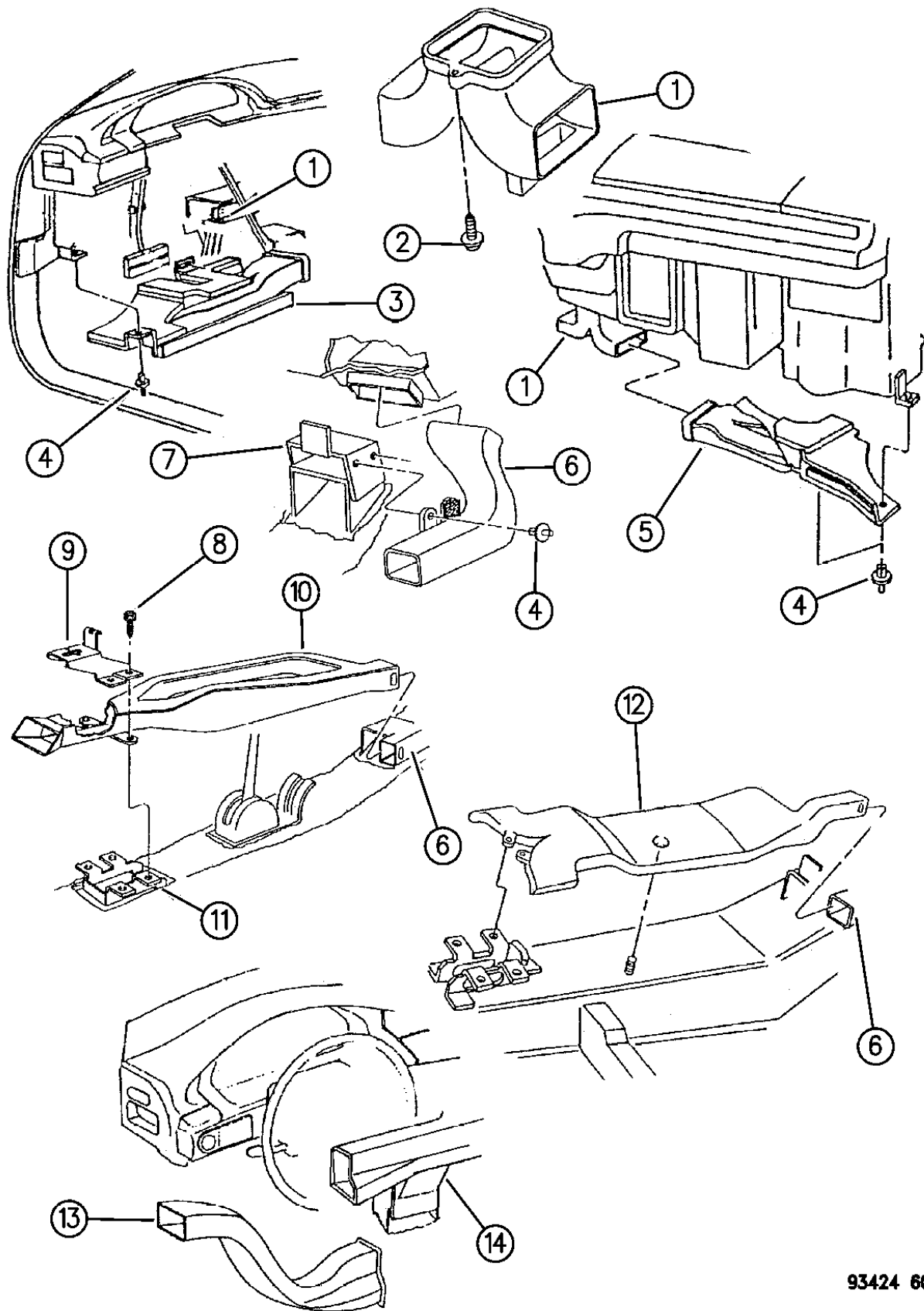
41 = 4 - Door Sedan ENGINE: 3.3L (EGB)
 3.5L (EGE) 24 Valve

AR = Use as Required - = Non Illustrated Part P.A.R. = Paint as Required

AIR DISTRIBUTION DUCTS LH BODY

Figure 24-605

24-605



ITEM	PART NUMBER	QTY	BODY	MODEL	DESCRIPTION
1	4596 092	1			DUCT, Heat Distribution, Center
2	6032 723	1			SCREW, Duct Mounting
3	4596 063	1			DUCT, Heat Distribution, Left
4	3420 1621	AR			RIVET, Duct Mounting
5	4596 062	1			DUCT, Distribution, Right
6	4758 924	1			1996
6	4596 064	1			DUCT, Floor Console, Front
7					BRACKET, Air Bag Module
8		4			SCREW (M6 x 1.0 x 15 10mm) (Not Serviced)
9	4599 956	1			BRACKET, Mounting, Upper
10	4596 061	1			DUCT, Floor Console, Center
11					BRACKET, Parking Brake Cable (Reference)
12	4596 066	1			DUCT, Front Carpet Module
13					DUCT, Spot Cooler
	4595 022	1			Right
	4595 411	1		D,L,X	Left
	4595 544	1		C	Left
	6032 723	AR			SCREW, Spot Cooler Duct Mounting
14					DUCT, Instrument Panel Distribution, Center
	4595 255	1		C	
	4595 020	1		D,L,X	
-	4596 158	1		D,L,X	SEAL, Center Outlet Duct
-	4595 163	1			DUCT, Defroster and Demister, Inst. Panel, Upper
-	4595 542	1			DEFLECTOR, Defroster

MODEL CODES:

Chrysler = (CH41 = New Yorker, CP41 = LHS, DH41 = Intrepid(Canada), DP41 = Intrepid ES(Canada), LP41 = Concorde)
 DODGE = (DH41 = Intrepid(USA), DP41 = Intrepid ES(USA))
 EAGLE = (XP41 = Vision ESI, XS41 = Vision TSI)

BODY STYLES:

41 = 4 - Door Sedan ENGINE: 3.3L (EGB)
 3.5L (EGE) 24 Valve

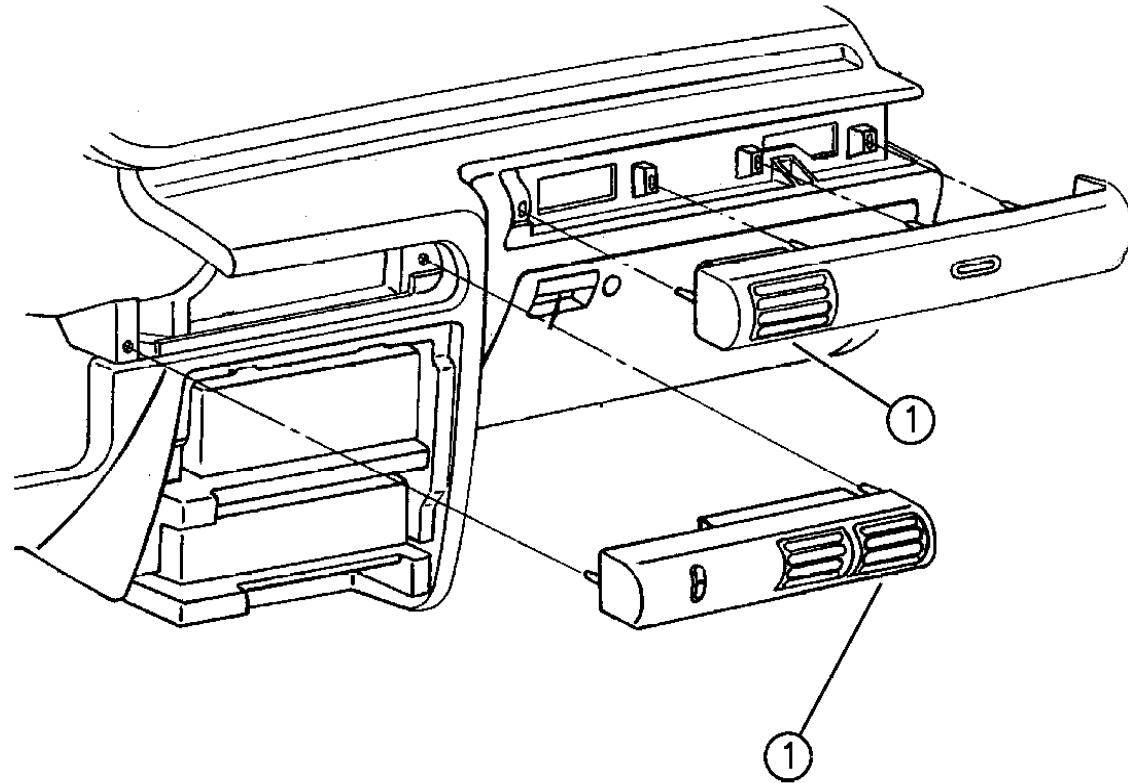
93424 605

AR = Use as Required - = Non Illustrated Part P.A.R. = Paint as Required

AIR DISTRIBUTION OUTLETS LH BODY

Figure 24-610

24-610



ITEM	PART NUMBER	QTY	BODY	MODEL	DESCRIPTION
1					OUTLET, Air Distribution
	4595 413	1		L	
	HT10 MF6	3		C	Medium Driftwood
	HT10 MD5	3		C	Silver Met./Medium Quartz
	HT10 MB7	3		C	Slate Blue
	HT10 RP8			C	Blue, 1995-96
	HT10 MAZ	3		C	Agate
	GA21 MAZ	3		X	Agate
	GA21 MF6	3		X	Medium Driftwood
	GA21 MD5	3		X	Silver Met./Medium Quartz
	GA21 MB7	3		X	Slate Blue
	4595 413	1		X	EXPORT

MODEL CODES:
 Chrysler = (CH41 = New Yorker, CP41 = LHS, DH41 = Intrepid(Canada), DP41 = Intrepid ES(Canada), LP41 = Concorde)
 DODGE = (DH41 = Intrepid(USA), DP41 = Intrepid ES(USA))
 EAGLE = (XP41 = Vision ESI, XS41 = Vision TSI)

BODY STYLES:
 41 = 4 - Door Sedan ENGINE: 3.3L (EGB)
 3.5L (EGE) 24 Valve

93424 610

AR = Use as Required - = Non Illustrated Part P.A.R. = Paint as Required

GROUP-25 EMISSIONS

GROUP 25 - EMISSION SYSTEMS

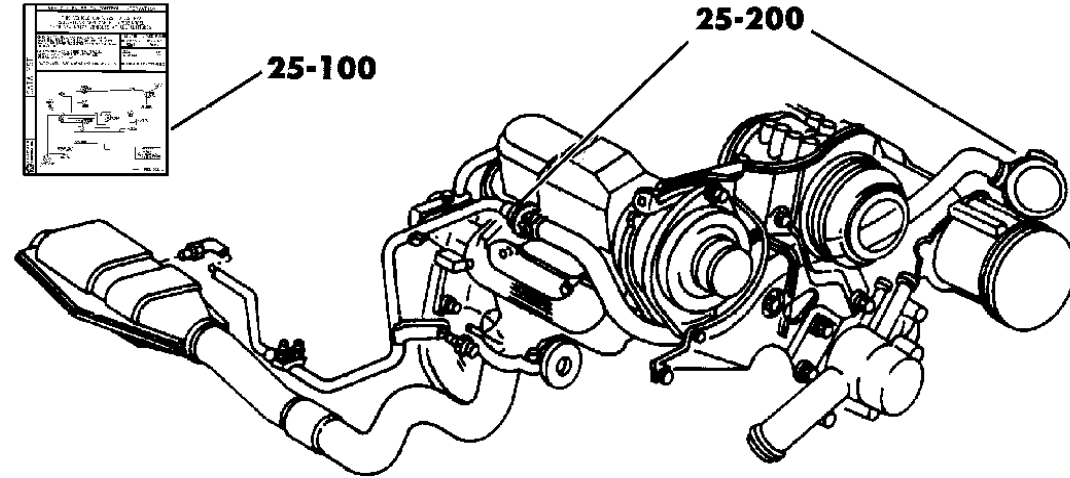


ILLUSTRATION TITLE

GROUP-FIG. NO.

EMISSION LABEL AND VAPOR CANISTER

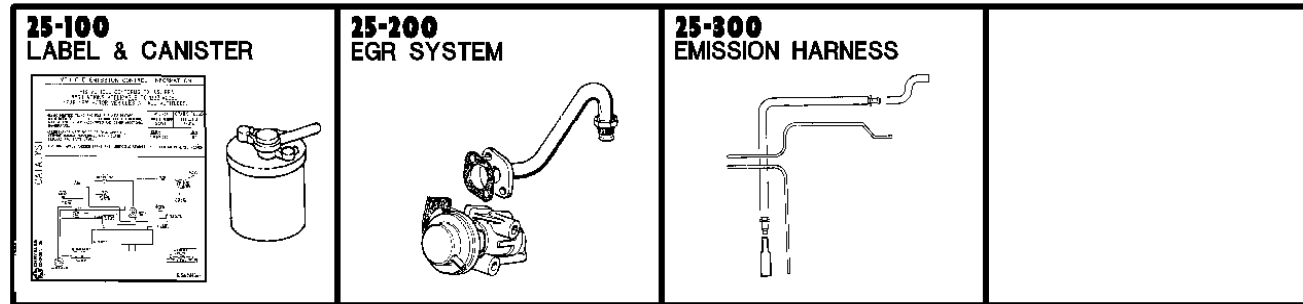
VAPOR CANISTER AND EMISSION LABEL LH BODY Fig. 25-110

EGR SYSTEM

EGR VALVE SYSTEM LH BODY Fig. 25-210

EMISSION HARNESS

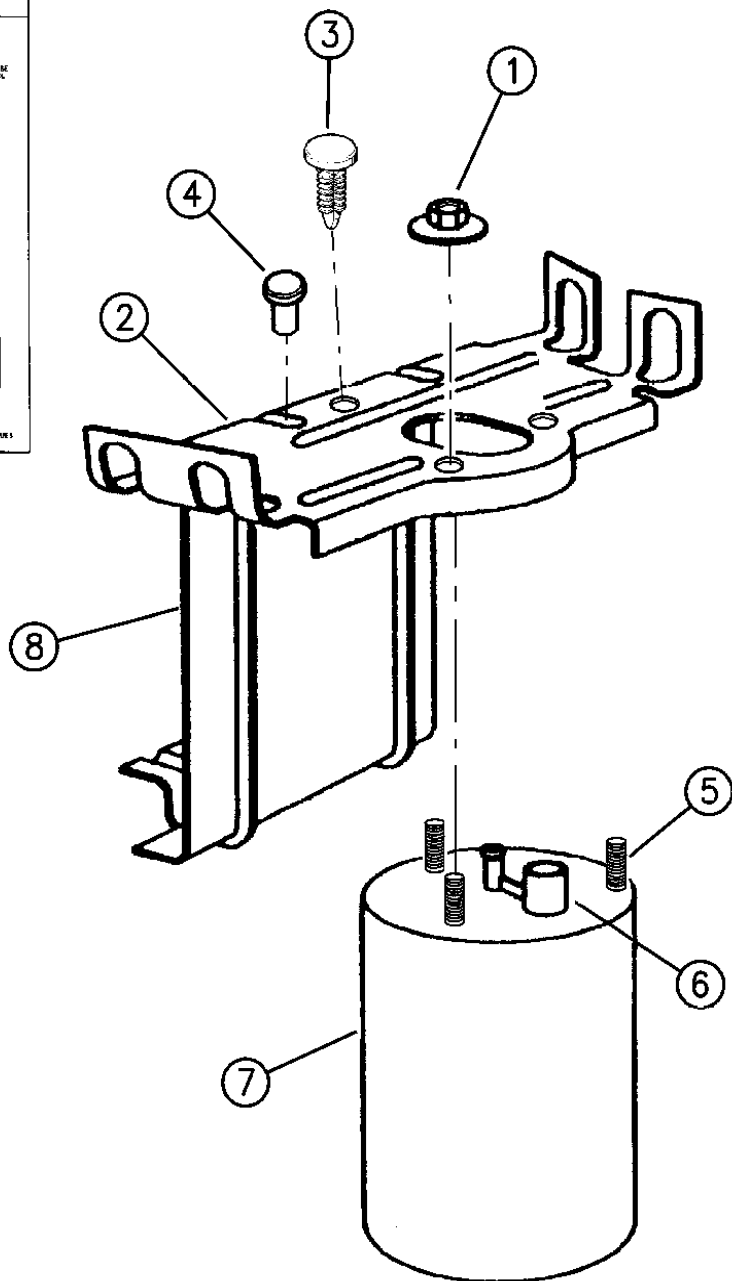
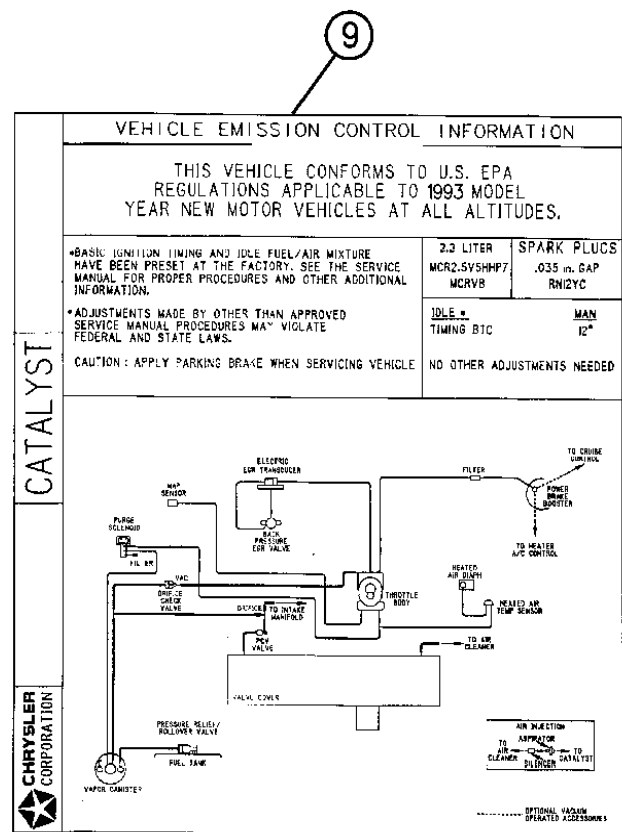
EMISSION HARNESS LH BODY Fig. 25-310



VAPOR CANISTER AND EMISSION LABEL LH BODY

Figure 25-110

25-110



93425 110

ITEM	PART NUMBER	QTY	BODY	MODEL	DESCRIPTION
1	6500 284	3			NUT, M6 x 1.00
2	4616 261	1			PLATE, Canister Bracket Att.
3	3759 944	1			RETAINER
4	6101 769	2			SCREW
5	6502 959	3			STUD
6	4192 074	1			CAP, Dust
7	4601 673	1			CANISTER, Vapor
8					BRACKET, Fuel Vapor Canister Mtg.
9	4582 800	1			1993-95
	4695 611	1			1996
					LABEL, Emissions
					-- 1993 --
	5277 588	1			3.3L Engine, U.S/Federal
	5277 587	1			3.3L Engine, California
	4663 691	1			3.5L Engine, Federal / High Altitude
	4663 690	1			3.5L Engine, California
	4663 082	1	C		3.5L Engine, California
					-- 1994 --
	4591 131	1			3.3L Engine, Federal / High Altitude
	4591 133	1			3.3L Engine, California
	4591 134	1			3.3L Flex Fuel Engine
	4591 718	1			3.5L Engine, California
	4591 040	1			3.5L Engine, High Altitude/ Federal
					-- 1995 --
	4591 110	1			3.3L Engine
	4591 112	1			3.5L Engine Federal / High Altitude (Up to 10-24-94)
	4663 307	1			3.5L Engine Federal / High Altitude (After 10-24-94)
	4591 114	1			3.5L Engine Federal for California (Up to 10-24-94)
	4663 309	1			3.5L Engine Federal for California (After 10-24-94)
	4663 304	1			3.3L Engine, Flex Fuel Federal / High Altitude
	4663 303	1			3.3L Engine, Flex Fuel California
					-- 1996 --
	4591 061	1			3.3L Engine, Federal
	4591 062	1			3.3L Engine, California
	4591 068	1			3.5L Engine Federal / High Altitude
	4591 070	1			3.5L Engine Federal for California
					-- 1997 --
	4591 395	1			3.3L Engine, Federal NAA
	4591 399	1			3.3L Engine, California NAE
	4591 397	1			3.5L Engine, Federal NAA
	4591 396	1			3.5L Engine, California NAE

MODEL CODES:

Chrysler = (CH41 = New Yorker, CP41 = LHS, DH41 = Intrepid(Canada), DP41 = Intrepid ES(Canada), LP41 = Concorde)
 DODGE = (DH41 = Intrepid(USA), DP41 = Intrepid ES(USA))
 EAGLE = (XP41 = Vision ESI, XS41 = Vision TSI)

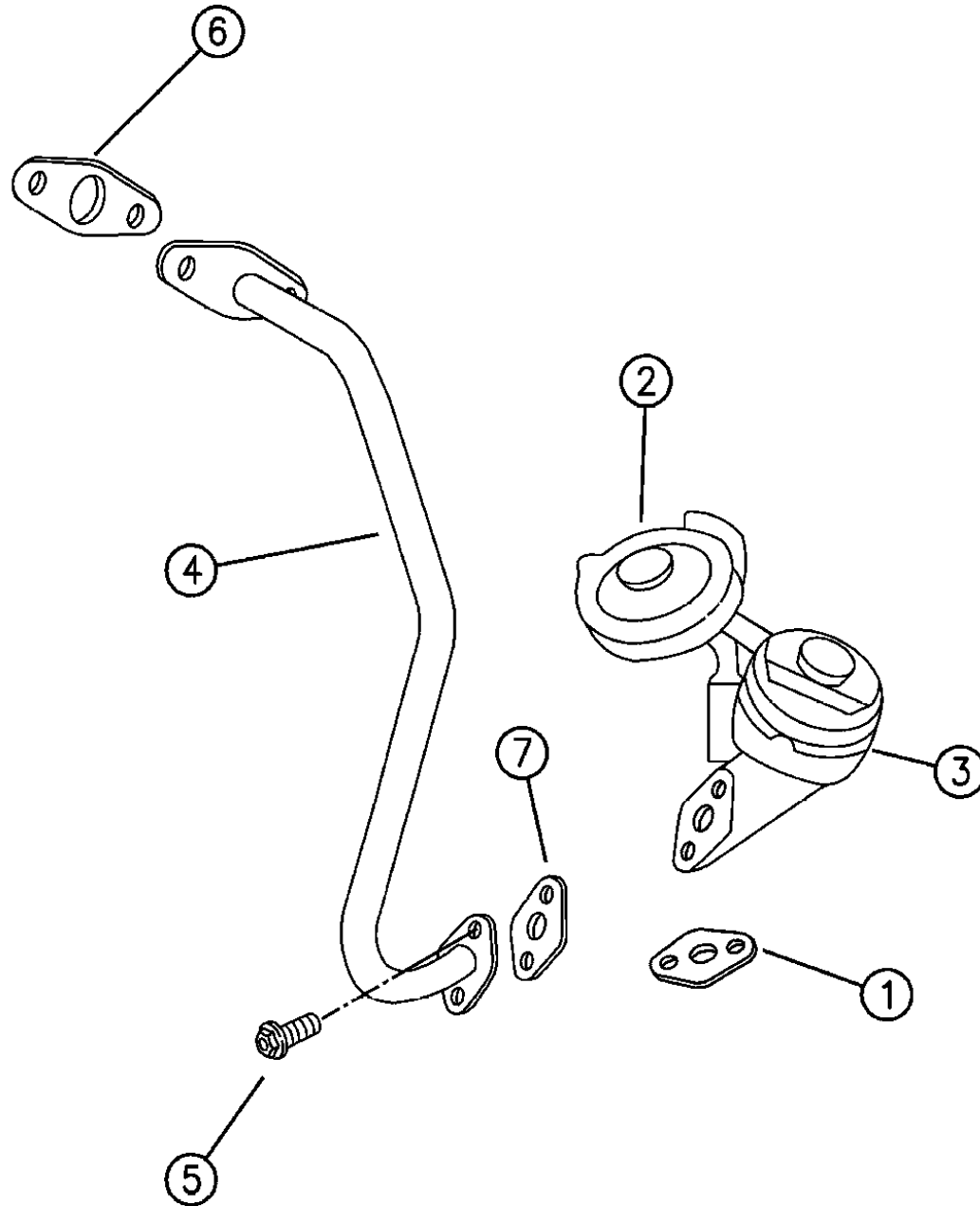
BODY STYLES:

41 = 4 - Door Sedan ENGINE: 3.3L (EGB)
 3.5L (EGE) 24 Valve

AR = Use as Required - = Non Illustrated Part P.A.R. = Paint as Required

EGR VALVE SYSTEM LH BODY
Figure 25-210

25-210



ITEM	PART NUMBER	QTY	BODY	MODEL	DESCRIPTION
1	4300 297	1			GASKET, EGR Valve Flange 3.3L Engine
	4663 247	1			3.5L Engine
	4663 005	1			CLIP, 3.5L Engine
2	4663 005	1			CLIP, 3.5L Engine
	4287 777	1			VALVE, EGR 3.3L Engine 1993-95
	4287 792	1			3.3L Engine 1996
	4663 229	1			3.5L Engine 1993-94
	4287 634	1			3.5L Engine 1995-96
3	4458 178	1			CLIP, Transducer Attaching
	5277 474	1			TUBE, Intake Manifold to EGR Valve 3.3L Engine
	4573 167	1			3.5L Engine
	4591 300	1			3.3L Engine 1996
4	6500 464	2			BOLT, EGR Tube Attach M6 x 1.00 x 16.00
	6101 232	2			M8 x 1.25 x 25.00
	5277 723	2			GASKET, EGR Tube Flange 3.3L Engine
5	4612 184	2			3.5L Engine
	5277 928	1			TLEV 1996
	5277 928	1			GASKET, EGR Tube to Valve, 3.5L Engine

MODEL CODES: _____
 Chrysler = (CH41 = New Yorker, CP41 = LHS, DH41 = Intrepid(Canada), DP41 = Intrepid ES(Canada), LP41 = Concorde)
 DODGE = (DH41 = Intrepid(USA), DP41 = Intrepid ES(USA))
 EAGLE = (XP41 = Vision ESI, XS41 = Vision TSI)

BODY STYLES: _____
 41 = 4 - Door Sedan ENGINE: 3.3L (EGB)
 3.5L (EGE) 24 Valve

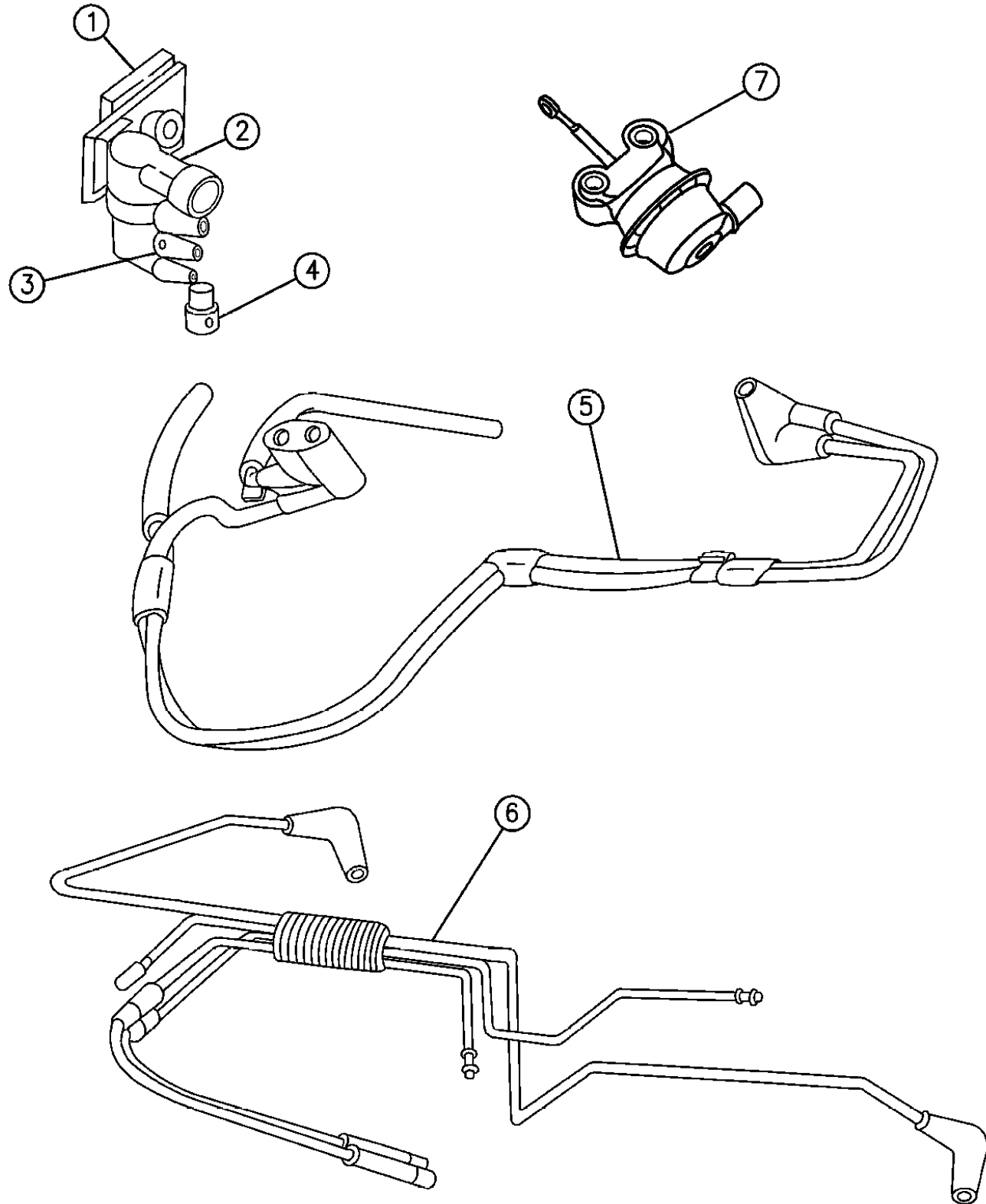
93425 210

AR = Use as Required - = Non Illustrated Part P.A.R. = Paint as Required

EMISSION HARNESS LH BODY

Figure 25-310

25-310A



93425 310

ITEM	PART NUMBER	QTY	BODY	MODEL	DESCRIPTION
1	4740 419	1			BRACKET, Duty Cycle Purge
2	4669 475	1			SOLENOID, Duty Cycle Purge
	4669 488	1			93-95 w/Out Flex Fuel
	4591 280	1			93-95 w/Flex Fuel
					1996, (Comes w/Mounting Bracket to Air Cleaner)
3	4663 028	1			CONNECTOR, Three Port
4	5234 283	1			FILTER, Solenoid
5	5283 584	1			HARNESS, Emission Control Vapor Tube
					1993-95
	4591 324	1			1996
	4663 075	1			HARNESS, Methanol Vapor, 3.3L Flex Fuel Engine
6	5283 582	1			HARNESS, Emission Control Vacuum, 3.5L Engine
-	4104 998	2			CONNECTOR, In-Line
7	5234 283	1			VALVE, Manifold Tuning
	5227 034	1			FILTER, Solenoid
	5234 217	1			BRACKET ASSY, Solenoid
	4612 717	1			SOLENOID, Vacuum
-	4612 717	1			MUFFLER, Sound, Purge Solenoid Outer ***
-	4612 718	1			MUFFLER, Sound, Purge Solenoid Inner ***

MODEL CODES:

Chrysler = (CH41 = New Yorker, CP41 = LHS, DH41 = Intrepid(Canada), DP41 = Intrepid ES(Canada), LP41 = Concorde)
 DODGE = (DH41 = Intrepid(USA), DP41 = Intrepid ES(USA))
 EAGLE = (XP41 = Vision ESI, XS41 = Vision TSI)

BODY STYLES:

41 = 4 - Door Sedan ENGINE: 3.3L (EGB)
 3.5L (EGE) 24 Valve