

## VIN PLATE DECODING INFORMATION

<b>1</b>	<b>2</b>	<b>3</b>	<b>4</b>	<b>5</b>	<b>6</b>	<b>7</b>	<b>8</b>	<b>9</b>	<b>10</b>	<b>11</b>	<b>12 thru 17</b>
<b>Country</b>	<b>Make</b>	<b>Vehicle Type</b>	<b>Other</b>	<b>Line</b>	<b>Series</b>	<b>Body Style</b>	<b>Engine</b>	<b>Check Digit</b>	<b>Model Year</b>	<b>Assy. Plant</b>	<b>Sequence No.</b>

The following table interprets the VIN Plate position shown above.

Position	Interpretation	Codes = Description
1	Country of Origin	2 = Manufactured By DaimlerChrysler Canada
2	Assembler	D = Dodge
3	Vehicle Type	3 = Passenger Car
4	GVWR & Pass. Safety	K = Restraint System Advanced Multistage Front Air Bags Sales Code (CG3) L = Restraint System Advanced Multistage Front Air Bags Sales Code (CG3) K = Without Side Air Bags Sales Code (CGS) L = With Side Air Bags Sales Code (CGS)
5	Vehicle Line	J = Challenger (RWD) (LHD) U.S., Canada, Mexico
6	Series	7 = Challenger SRT8 D-X-22 U.S., Canada, Mexico
7	Body Style	4 = 2DR Pillared Hardtop Body Style - 22
8	Engine	W = 6.1L 8 CYL Gasoline Non Turbo (ESF)
9	Check Digit	0 = Check Digit
10	Model Year	8 = 2008 Model Year
11	Assembly Plant	H = Brampton Assembly
12 thru 17	Vehicle Build Sequence	Model Year Assembly Sequence

# Group - 2

## Front Suspension

### Group - 2 Front Suspension

Illustration Title

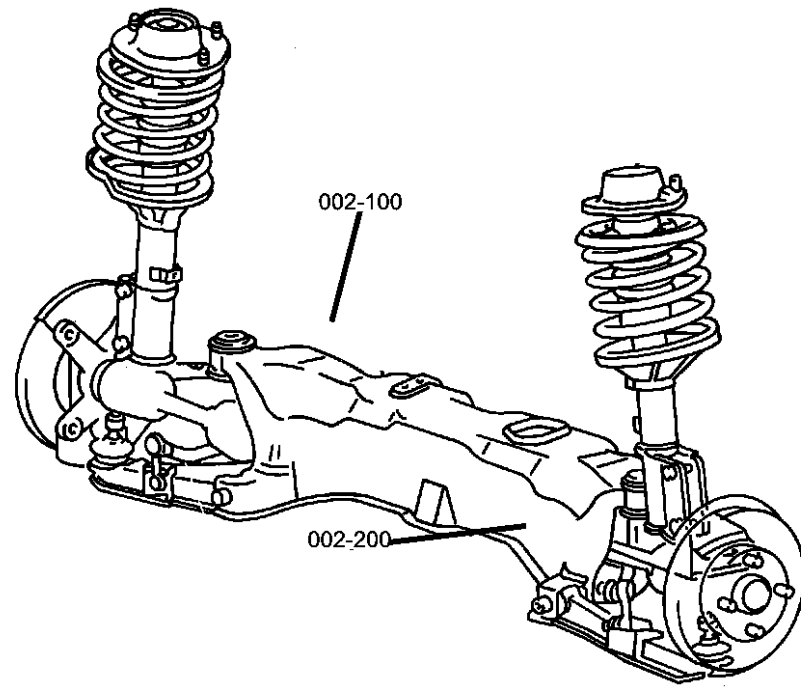
Group-Fig. No.

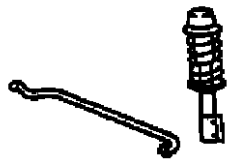
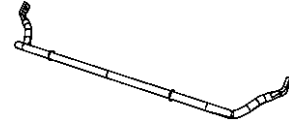
#### Front Suspension, Strut and Cradle

Suspension, Front [RWD] ..... Fig. 2 - 105

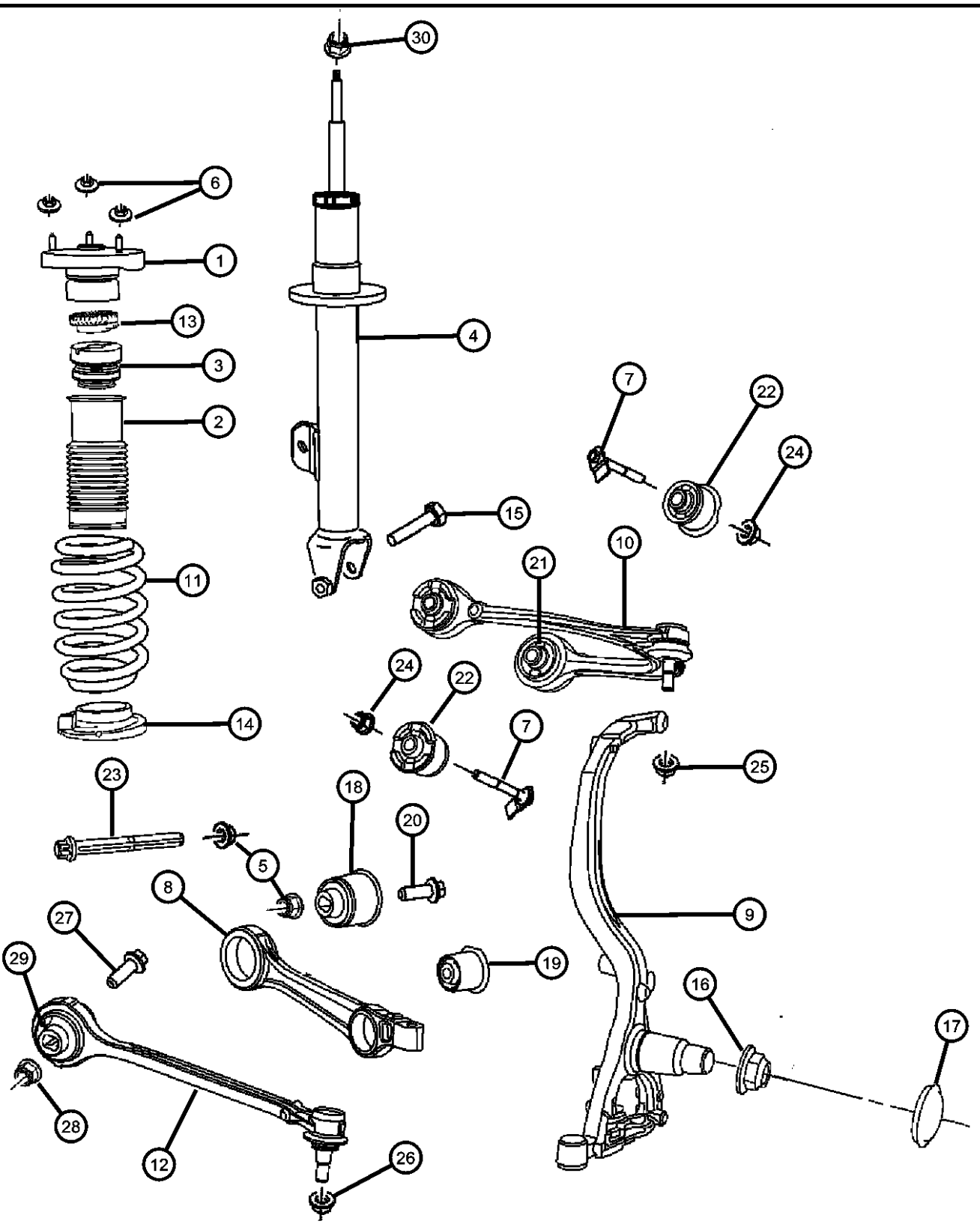
#### Front Stabilizer Bar

Stabilizer Bar, Front ..... Fig. 2 - 205



<p><b>002-100</b> Front Suspension, Strut and Cradle</p> 	<p><b>002-200</b> Front Stabilizer Bar</p> 		
--	--	--	--

**Suspension, Front [RWD]  
Figure 2-105**



ITEM	PART NUMBER	QTY	LINE	SERIES	BODY	ENGINE	TRANS	TRIM	DESCRIPTION
------	-------------	-----	------	--------	------	--------	-------	------	-------------

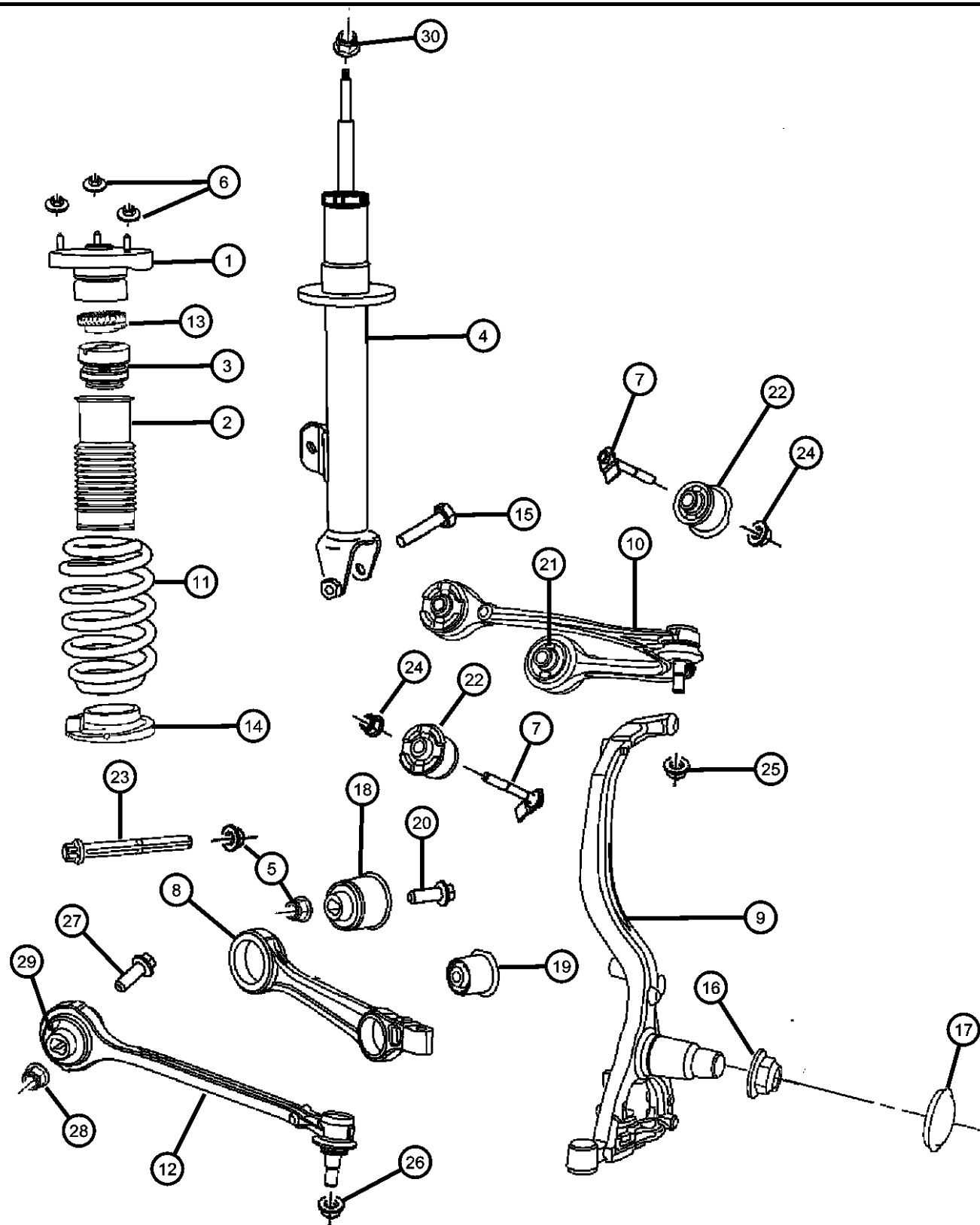
NOTE:Sales codes:  
 [BR3]=ANTI-LOCK 4-WHEEL DISC BRAKES  
 [BR4]=ANTI-LOCK 4-WHEEL DISC PERF BRAKES  
 [BR5]=ANTI-LOCK 4-WHEEL DISC PERF BRAKES  
 [BR8]=4-WHEEL DISC HEAVY DUTY BRAKES  
 [BRD]=4-WHEEL DISC BRAKES  
 [SDC]=SUSPENSION - TOURING  
 [SDG]=SUSPENSIO

1	04895412AC	1	D		22				MOUNT, Strut, Upper
2	04782629AA	1	D		22				SHIELD, Shock Absorber Dust
3	04895444AB	1	D		22				BUMPER, Jounce
4									SHOCK ABSORBER PACKAGE, Suspension
	05039355AB	2	D		22	ES0			[ESO]
	05181349AB	1	D		22				[ZVF]
	05181350AB	1	D		22				[ZGF]
5	06502502	2	D		22	ES0			NUT, Hex Flange Lock, M14x2
6	06506152AA	6	D		22				NUT AND WASHER, Hex Nut-Coned Washer, M8 x 1.25
7	06507711AA	4	D		22				BOLT
8	68002123AA	2	D		22	ES0			ARM, Control, Lower
9									KNUCKLE, Front
	05290539AB	1	D		22				Right
	05290547AB	1	D		22				Left
10	68002123AA	2	D		22	ES0			ARM, Control
11	05181354AA	1	D		22				SPRING, Coil, [ZGF,ZVF]
12									STRUT, Suspension, Tension
	05290828AA	1	D		22	ES0			Right
	05290829AA	1	D		22	ES0			Left
13	04895452AA	1	D		22				ISOLATOR, Front Suspension Spring
14	04895422AA	1	D		22				ISOLATOR, Front Suspension Spring
15	06507654AA	2	D		22				BOLT, Hex Flange Head, M14x2.00x90.00
16	06504007	1	D		22				NUT, Axle Hub
17	04779253AA	1	D		22				CAP, Wheel Bearing
18	04779253AA	1							BUSHING, Pivot, Serviced in item # 18, (NOT SERVICED)
19	04779253AA	1							BUSHING, Pivot, Serviced in item # 18, (NOT SERVICED)
20	06102382AA	1	D		22	ES0			SCREW, Cap

**DODGE CHALLENGER (LC)**  
 SERIES      LINE      BODY      ENGINE      TRANSMISSION  
 X = SPECIAL    D = DODGE    22 = 2-DR SEDAN TYPE #2    ESF = 6.1L SRT HEMI SMPI V8 Engine    DGJ = 5-Speed Auto W5A580 Transmission

AR = use ase required    - = Non illustrated part

Suspension, Front [RWD]  
Figure 2-105



ITEM	PART NUMBER	QTY	LINE	SERIES	BODY	ENGINE	TRANS	TRIM	DESCRIPTION
21	04895415AB	4	D		22	ES0			SPACER
22	04895415AB	4							BUSHING, Pivot, Serviced in item # 24, (NOT SERVICED)
23	06508238AA	2	D		22	ES0			SCREW, Hex Flange Head
24	06502502	2	D		22	ES0			NUT, Hex Flange Lock, M14x2
25	06507207AA	2	D		23				NUT, Hex Flange Lock, M12x1.75
26	06507838AA	2	D		22				NUT
27	06508238AA	2	D		22	ES0			SCREW, Hex Flange Head
28	06502502	2	D		22	ES0			NUT, Hex Flange Lock, M14x2
29	04895415AB	4	D		22	ES0			SPACER
30	06507207AA	1	D		23				NUT, Hex Flange Lock, M12x1.75

DODGE CHALLENGER (LC)  
SERIES LINE  
X = SPECIAL D = DODGE

BODY  
22 = 2-DR SEDAN TYPE #2

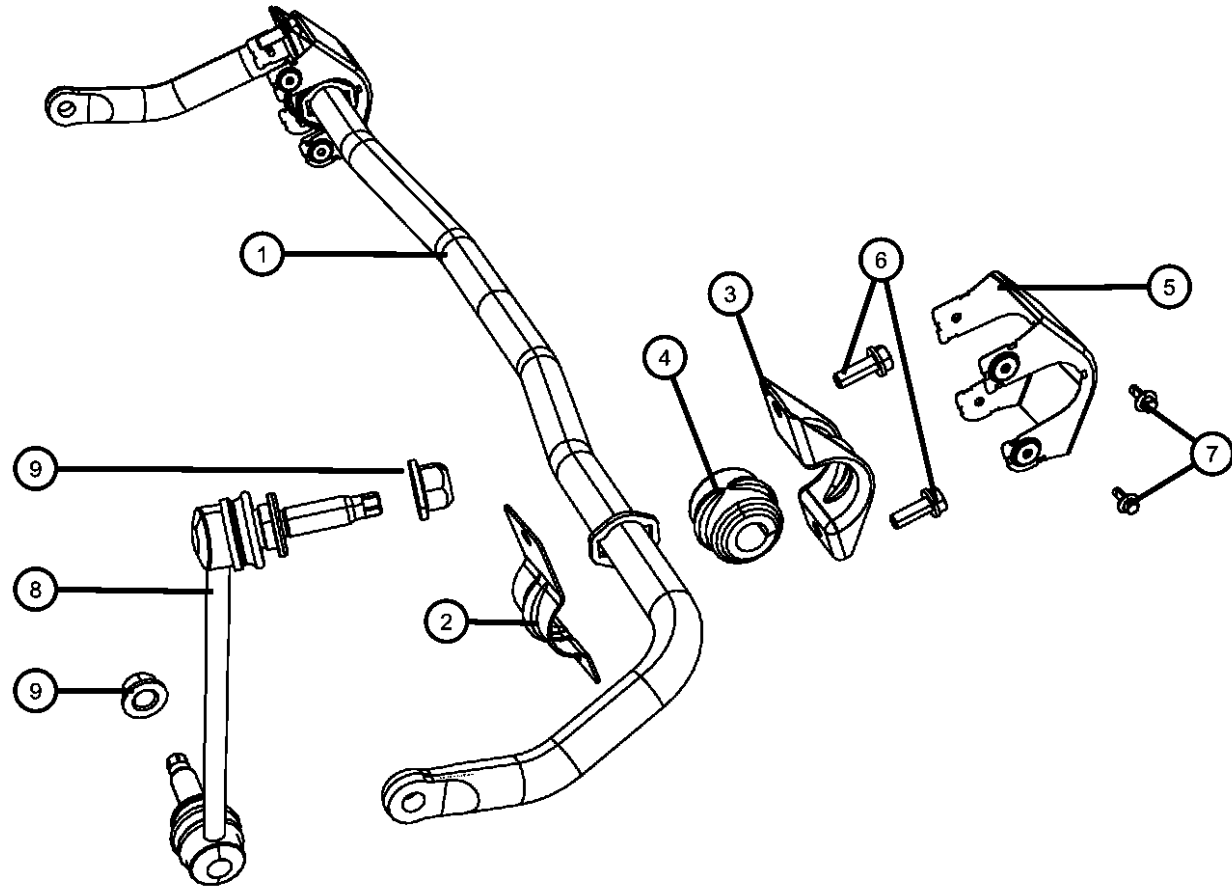
ENGINE  
ESF = 6.1L SRT HEMI SMPI V8 Engine

TRANSMISSION  
DGJ = 5-Speed Auto W5A580 Transmission

AR = use ase required - = Non illustrated part

2008 LC

**Stabilizer Bar, Front  
Figure 2-205**



ITEM	PART NUMBER	QTY	LINE	SERIES	BODY	ENGINE	TRANS	TRIM	DESCRIPTION
Note: Sales Codes [EEO]=ALL 2.7L V6 GAS [EGO]=ALL 3.5L V6 GAS [EZO]=ALL 5.7L 8CYL GAS [ES0]=All 6.1L 8CYL GAS [SDC]=TOURING [SDD]= PERFORMANCE [SDG]=4-WHL INDEPENDENT SUSPENSION									
1									BAR, Front Sway
	04782543AB	1	D		22	EG0			
	04782544AB	1	D		22	ES0			
2									CLAMP, Stabilizer Bar
	04782722AA	2	D		22	EG0			
		2	D		22	ES0			
3									CLAMP, Stabilizer Bar
	04782718AA	2	D		22	EG0			
		2	D		22	ES0			
4									CUSHION, Sway Eliminator
	04782684AB	2	D		22	ES0			
5									SHIELD, Heat
	04782817AA	2	D		22	EG0			
		2	D		22	ES0			
6									BOLT AND WASHER, Hex Head, M10x1.50x30.00
	06101848	4	D		22	EG0			
		4	D		22	ES0			
7									BOLT
	06507593AA	4	D		22	EG0			
		4	D		22	ES0			
8									LINK, Sway Eliminator
	04895482AB	1	D		22				Right
	04895483AB	1	D		22				Left
9									NUT, Hex Flange Lock, M14x2
	06502502	2	D		22				

**DODGE CHALLENGER (LC)**  
SERIES LINE  
X = SPECIAL D = DODGE

BODY ENGINE TRANSMISSION  
22 = 2-DR SEDAN TYPE #2 ESF = 6.1L SRT HEMI SMPI DGJ = 5-Speed Auto W5A580  
V8 Engine Transmission

AR = use ase required - = Non illustrated part

2008 LC

# Group - 0035ZV

## Rear Wheel Drive; Differential and Drive Line

## Group - 0035ZV Rear Wheel Drive; Differential and Drive Line

Illustration Title

Group-Fig. No.

### Drive Shaft

Shaft, Drive, Rear ..... Fig. 0035ZV - 601

### Rear Axle Assembly

Axle Assembly, Rear ..... Fig. 0035ZV - 710

### Rear Axle; Housing, Differential and Vent

Housing and Vent, Rear Axle ..... Fig. 0035ZV - 805

### Rear Axle Shafts

Shafts, Rear Axle, RWD ..... Fig. 0035ZV - 910

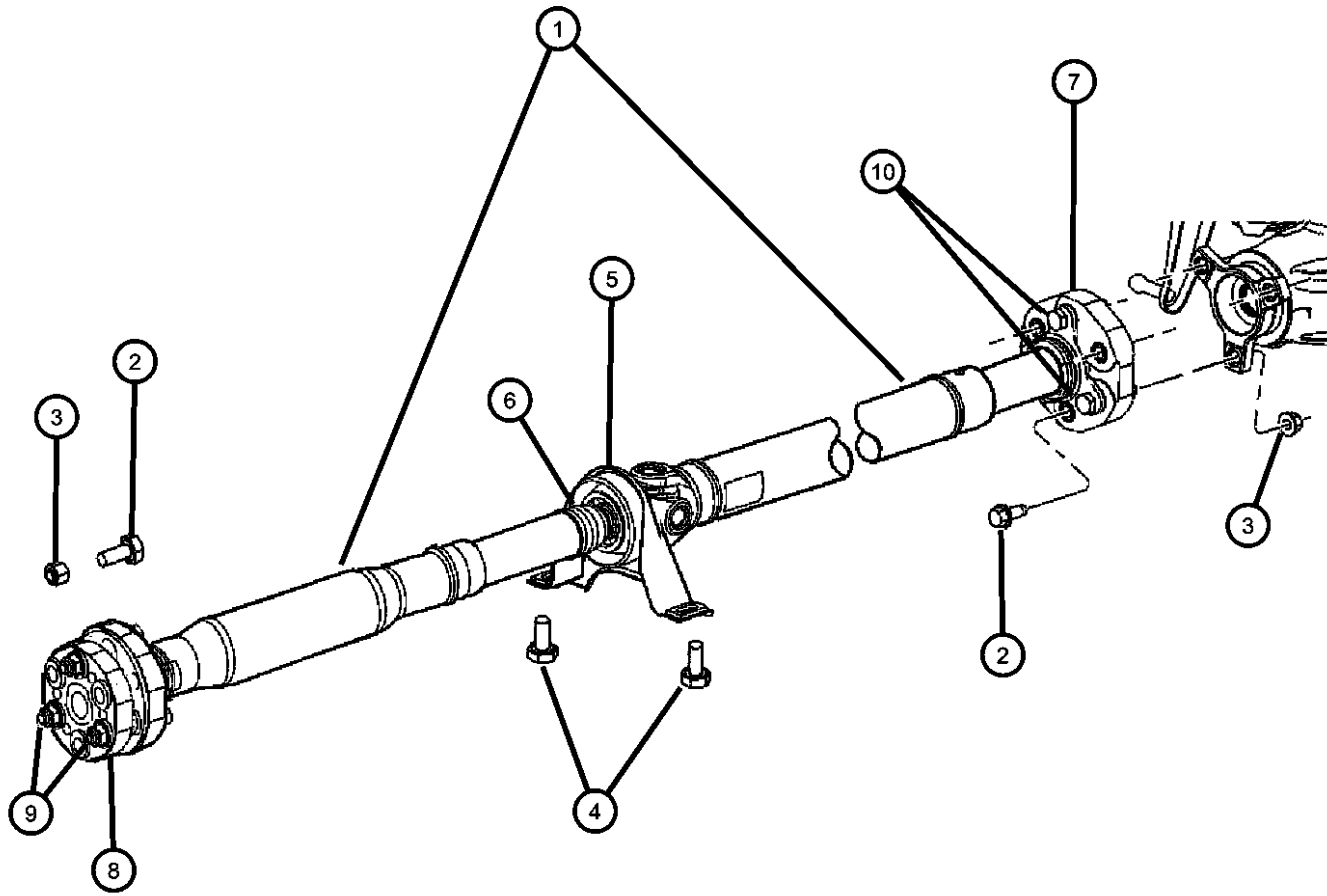
<b>0035ZV-600</b> Drive Shaft	<b>0035ZV-700</b> Rear Axle Assembly	<b>0035ZV-800</b> Rear Axle; Housing, Differential and Vent	<b>0035ZV-900</b> Rear Axle Shafts
----------------------------------	---	---	---------------------------------------

Shaft, Drive, Rear  
Figure 0035ZV-601

ITEM	PART NUMBER	QTY	LINE	SERIES	BODY	ENGINE	TRANS	TRIM	DESCRIPTION
------	-------------	-----	------	--------	------	--------	-------	------	-------------

Note: Sales Codes  
 [EEO]= ALL 2.5L OR 2.7L V6 GAS  
 [EGO]=ALL 3.3L,3.5L, & 3.8L 6CY  
 [ESF]=6.1L SRT HEMI SMPI V8  
 [EXL]=3.0L V6 TURBO DIESEL ENGINE  
 [EZO]=ALL 5.7L 8CYL GAS ENGINES

1	05038415AB	1	D		22				SHAFT, Drive, Rear 2-Piece
2	06508243AA	4	D		22				SCREW AND WASHER
3	06506823AA	8	D		22				NUT, Locking
4	06504179	2	D		22				SCREW AND WASHER, Hex Head, M8-1.25x40
5	68043376AA	1	D		22				BEARING, Drive Shaft
6	05127288AA	1	D		22				BOOT, Driveshaft
7	05142478AA	1	D		22				COUPLING PKG, Driveshaft
8	05170322AA	1	D		22				COUPLING PKG, Driveshaft
9	05170323AA	1	D		22				BOLT KIT, Front ShaftRear
10	05142479AA	1	D		22				BOLT KIT, Rear ShaftFront



**DODGE CHALLENGER (LC)**  
 SERIES LINE  
 X = SPECIAL D = DODGE

BODY  
 22 = 2-DR SEDAN TYPE #2

ENGINE  
 ESF = 6.1L SRT HEMI SMPI V8 Engine

TRANSMISSION  
 DGJ = 5-Speed Auto W5A580 Transmission

AR = use ase required - = Non illustrated part

2008 LC

**Axle Assembly, Rear**  
**Figure 0035ZV-710**

ITEM	PART NUMBER	QTY	LINE	SERIES	BODY	ENGINE	TRANS	TRIM	DESCRIPTION
------	-------------	-----	------	--------	------	--------	-------	------	-------------

Note: \*No Serviceable Parts For SRT8 Axles\*

Sales Codes

[BRD]= 4-WHEEL DISC

[BR3]=ANTI-LOCK 4-WHEEL DISC

[BR5]=ANTI-LOCK 4-WHEEL DISC, PERFORMANCE

[BR8]=4-WHEEL DISC HEAVY DUTY BRAKES

[EEO]= ALL 2.5L OR 2.7L V6 GAS

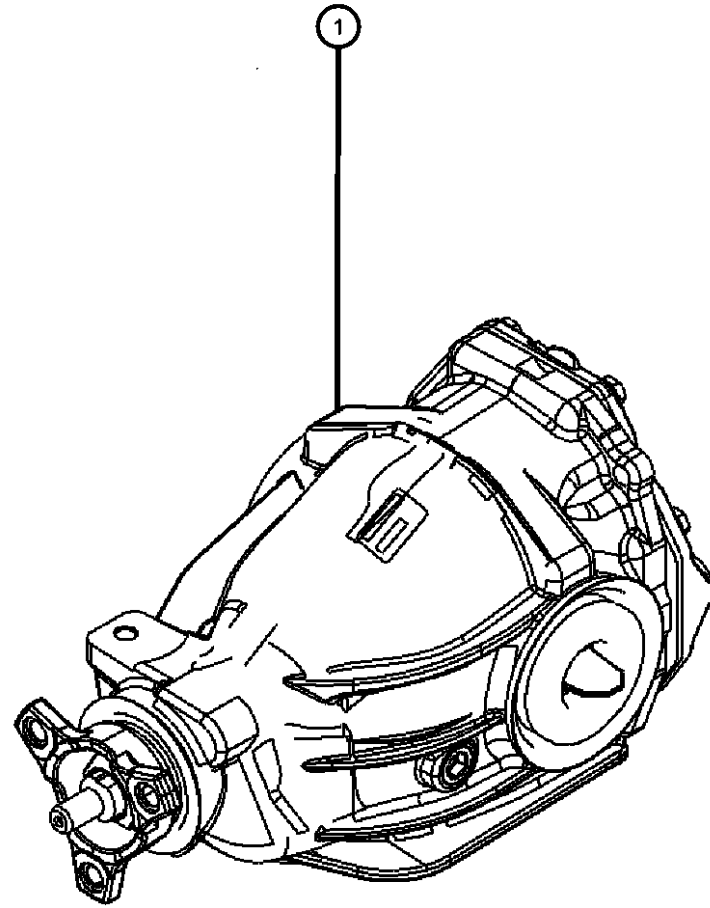
[EGO]= ALL 3.3L,3.5L, & 3.8L

1	05037799AC	1	D		22				
	04874469								
	68003055AA								

DIFFERENTIAL, Rear Axle, See Note

Mopar SAE 75W-140 Synthetic Gear and Axle Lube Quart

Mopar SAE 75W-140 Synthetic Gear and Axle Lube 16 Gallon Keg



**DODGE CHALLENGER (LC)**

SERIES LINE  
 X = SPECIAL D = DODGE

BODY  
 22 = 2-DR SEDAN TYPE #2

ENGINE  
 ESF = 6.1L SRT HEMI SMPI V8 Engine

TRANSMISSION  
 DGJ = 5-Speed Auto W5A580 Transmission

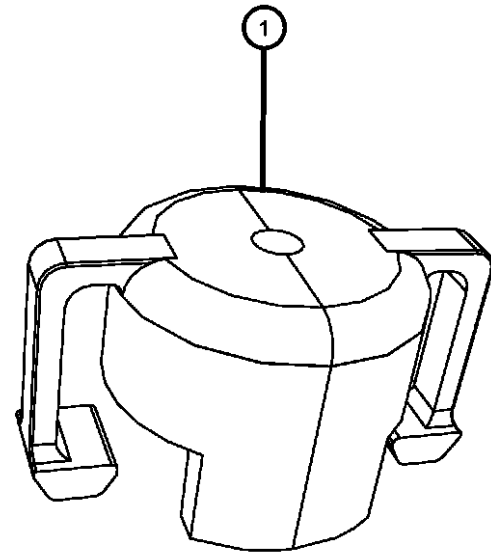
AR = use ase required - = Non illustrated part

2008 LC



Housing and Vent, Rear Axle  
Figure 0035ZV-805

ITEM	PART NUMBER	QTY	LINE	SERIES	BODY	ENGINE	TRANS	TRIM	DESCRIPTION
1	05175968AA	1	D		22				VENT PKG., Differential



**DODGE CHALLENGER (LC)**  
 SERIES            LINE  
 X = SPECIAL    D = DODGE

BODY  
 22 = 2-DR SEDAN TYPE #2

ENGINE  
 ESF = 6.1L SRT HEMI SMPI V8 Engine

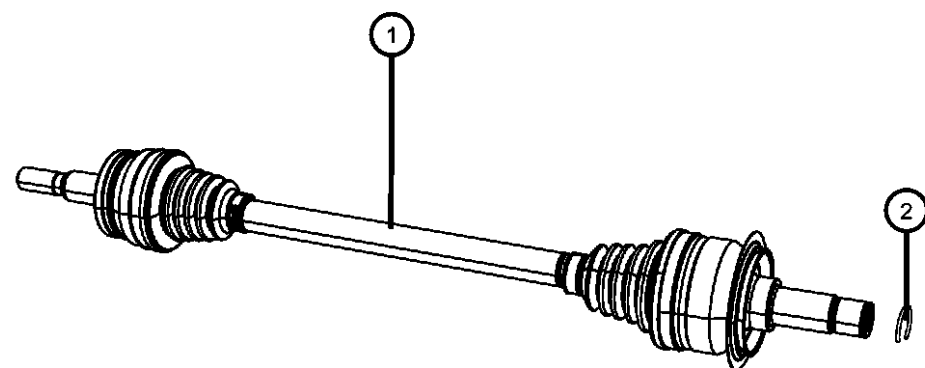
TRANSMISSION  
 DGJ = 5-Speed Auto W5A580 Transmission

AR = use ase required - = Non illustrated part

2008 LC

**Shafts,Rear Axle, RWD**  
**Figure 0035ZV-910**

ITEM	PART NUMBER	QTY	LINE	SERIES	BODY	ENGINE	TRANS	TRIM	DESCRIPTION
1									SHAFT, Axle Half
	05175228AC	1	D		22				Right
	05175229AC	1	D		22				Left
2	68037166AA	1	D		22				CIRCLIP, Half Shaft



**DODGE CHALLENGER (LC)**  
 SERIES      LINE  
 X = SPECIAL    D = DODGE

BODY  
 22 = 2-DR SEDAN TYPE #2

ENGINE  
 ESF = 6.1L SRT HEMI SMPI V8 Engine

TRANSMISSION  
 DGJ = 5-Speed Auto W5A580 Transmission

AR = use ase required    - = Non illustrated part

2008 LC

# Group - 5

## Brakes

### Group - 5 Brakes

Illustration Title	Group-Fig. No.
<b>Front Brakes</b>	
Brakes,Front,RWD .....	Fig. 5 - 105
<b>Rear Brakes</b>	
Brakes, Rear, Disc .....	Fig. 5 - 205
<b>Power Brake Booster</b>	
Booster,Vacuum Power Brake .....	Fig. 5 - 305
<b>Brake Master Cylinder</b>	
Master Cylinder.....	Fig. 5 - 405
<b>Hydraulic Control Unit, Brake Tubes and Hoses</b>	
HCU and Tubes, Front.....	Fig. 5 - 505
Brake Tubes,Rear.....	Fig. 5 - 520
<b>Brake Pedals</b>	
Pedal,Brake,Auto Trans .....	Fig. 5 - 605
<b>Parking Brake Lever, Cables, and Rear Disc Park Brake Assembly</b>	
Park Brake Lever and Cables.....	Fig. 5 - 705
Park Brake Assemby,Rear Disc.....	Fig. 5 - 725

<b>005-100</b> Front Brakes	<b>005-200</b> Rear Brakes	<b>005-300</b> Power Brake Booster	<b>005-400</b> Brake Master Cylinder
<b>005-500</b> Hydraulic Control Unit, Brake Tubes and Hoses	<b>005-600</b> Brake Pedals	<b>005-700</b> Parking Brake Lever, Cables, and Rear Disc Park Brake Assembly	

Brakes,Front,RWD  
Figure 5-105

ITEM	PART NUMBER	QTY	LINE	SERIES	BODY	ENGINE	TRANS	TRIM	DESCRIPTION
------	-------------	-----	------	--------	------	--------	-------	------	-------------

Note: To service Piston Kit or Adapter for sale code [BR4] need to service Caliper assembly

Note: Sale Codes

[BRD]=4-WHEEL DISC

[BR3]=ANTI-LOCK 4-WHEEL DISC

[BR4]=ANTI-LOCK 4-WHEEL DISC PERF BRAKES

[BR5]=ANTI-LOCK 4-WHEEL DISC, PERFORMANCE

[

1									CALIPER, Disc Brake
	05175106AB	1	D		22				Right
	05175107AB	1	D		22				Left
2	05174320AA	1	D		22				PIN KIT, Disc Brake, Contains 4 Pins for Both Calipers
3	05174319AA	1	D		22				SCREW, Bleeder
4	05174319AA	1							CAP, Bleeder, (NOT SERVICED)
5	05290537AB	1	D		22				ROTOR, Brake
6	04779199AA	1	D		22				HUB AND BEARING, Brake
7	06507915AA	5	D		22				STUD, Hub
8	06504007	1	D		22				NUT, Axle Hub
9	05174311AC	1	D		22				PAD KIT, Front Disc Brake, Contains 4 Pads
10	06104258AA	2	D		23				BOLT, Hex Flange Head, M14x1.50x45.00
11	05174321AA	1	D		22				CLIP, Brake Anti-Rattle
12	05174318AA	1	D		22				BOOT KIT, Disc brake, Contains 4 Boots for 1 Caliper
13	04779253AA	1	D		22				CAP, Wheel Bearing

DODGE CHALLENGER (LC)

SERIES LINE  
X = SPECIAL D = DODGE

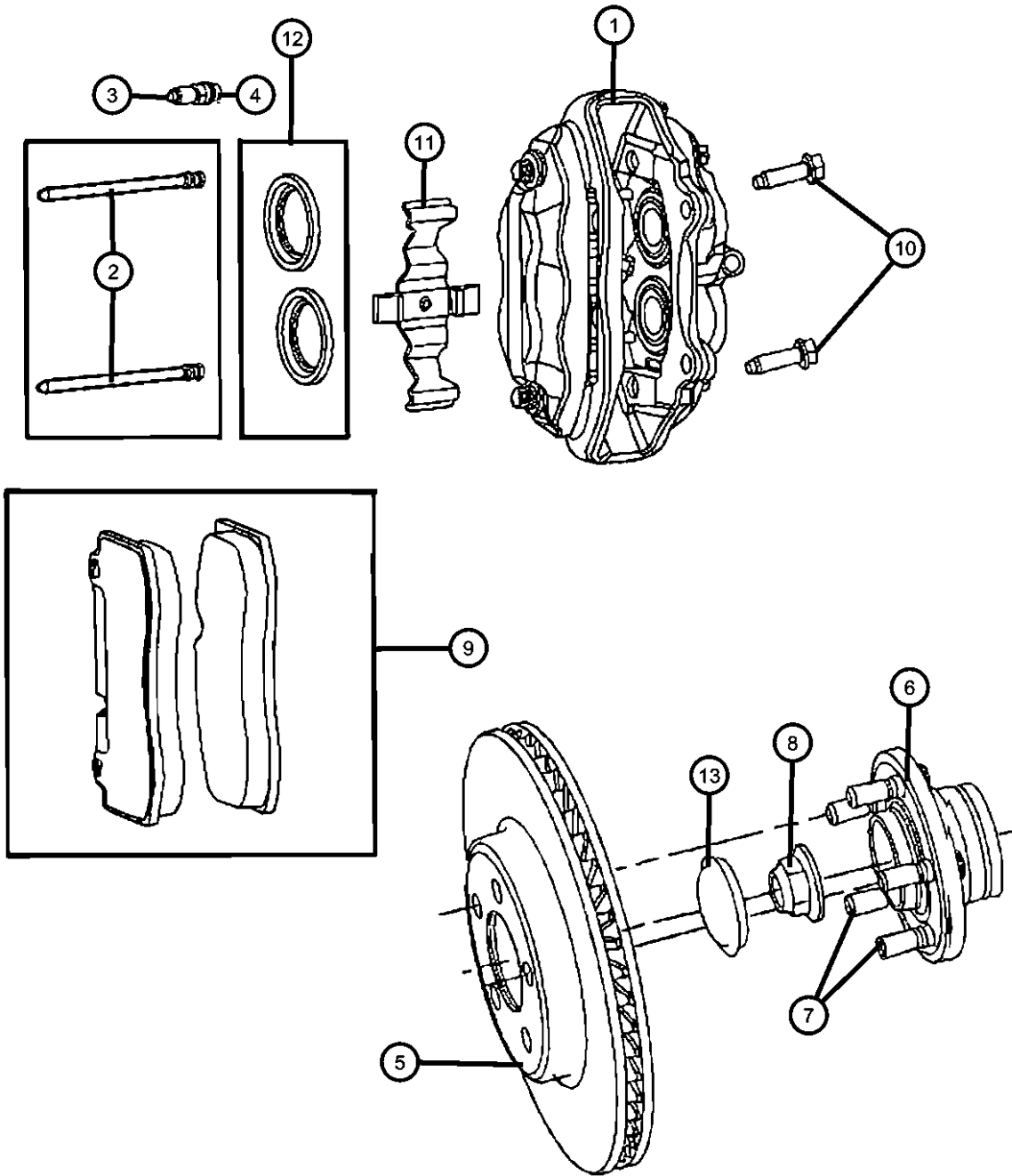
BODY  
22 = 2-DR SEDAN TYPE #2

ENGINE  
ESF = 6.1L SRT HEMI SMPI V8 Engine

TRANSMISSION  
DGJ = 5-Speed Auto W5A580 Transmission

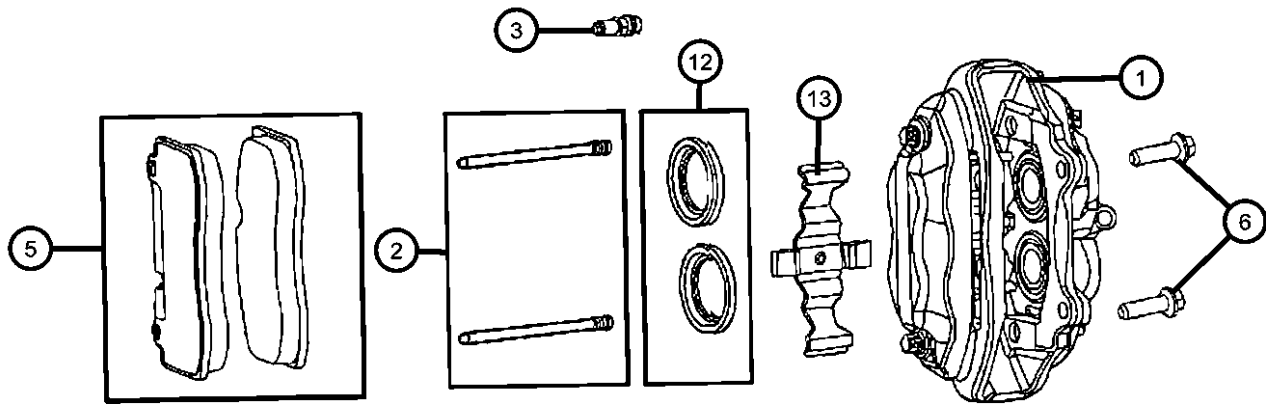
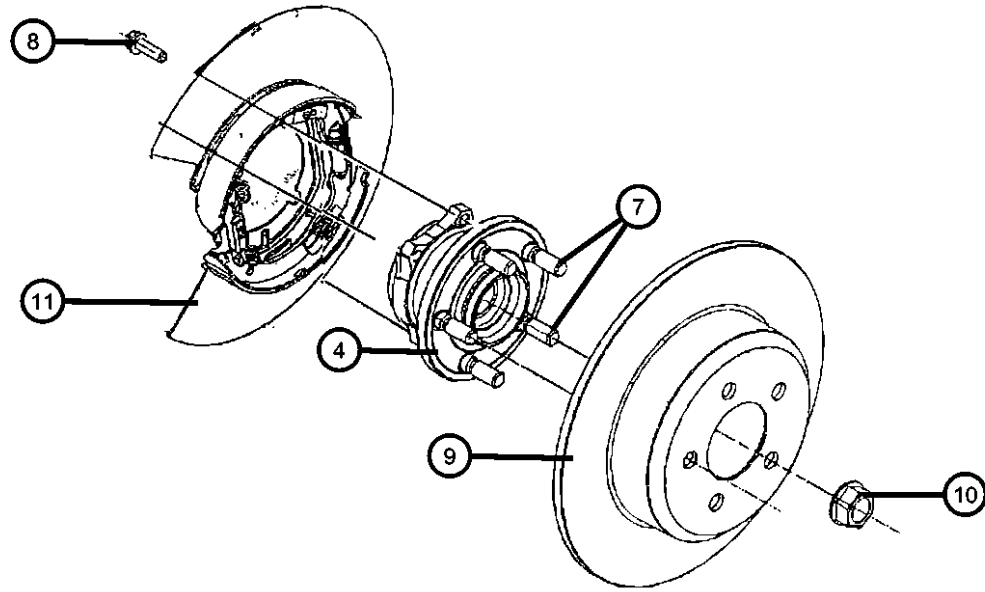
AR = use ase required - = Non illustrated part

2008 LC



Brakes, Rear, Disc  
Figure 5-205

ITEM	PART NUMBER	QTY	LINE	SERIES	BODY	ENGINE	TRANS	TRIM	DESCRIPTION
Note: To service Piston Kit or Adapter for sales code [BR4] need to service Caliper Assembly Note: Sales Codes [BR3]=ANTI-LOCK 4-WHEEL DISC BRAKES [BR4]=ANTI-LOCK 4-WHEEL DISC PERF BRAKES [BR5]=ANTI-LOCK 4-WHEEL DISC PERF BRAKES [BR8]=4-WHEEL DISC									
1									CALIPER ASSEMBLY, Disc Brake, Rear
	05175108AA	1	D		22				Right
	05175109AA	1	D		23				Left
2	05174332AA	1	D		22				PIN KIT, Disc Brake
3	05174331AA	1	D		23				SCREW, Bleeder
4	04779218AB	2	D		22				HUB AND BEARING, Brake
5	05174327AC	1	D		22				PAD KIT, Rear Disc Brake
6	06102016	4	D		22				BOLT, Hex Flange Head, M12x1.75x45
7	06507915AA	5	D		22				STUD, Hub
8	06507234AA	8	D		22				SCREW, 6 Lobed
9	05290538AB	2	D		22				ROTOR, Brake
10	06506263AA	2	D		22				NUT, Hex Flange Lock
11	06506263AA	2							PARKING BRAKE PACKAGE, See group 5 Illus. 725, (NOT SERVICED)
12	05174330AC	1	D		22				BOOT KIT, Disc brake
13	05174333AA	1	D		23				CLIP, Brake Anti-Rattle



DODGE CHALLENGER (LC)

SERIES	LINE	BODY	ENGINE	TRANSMISSION
X = SPECIAL	D = DODGE	22 = 2-DR SEDAN TYPE #2	ESF = 6.1L SRT HEMI SMPI V8 Engine	DGJ = 5-Speed Auto W5A580 Transmission

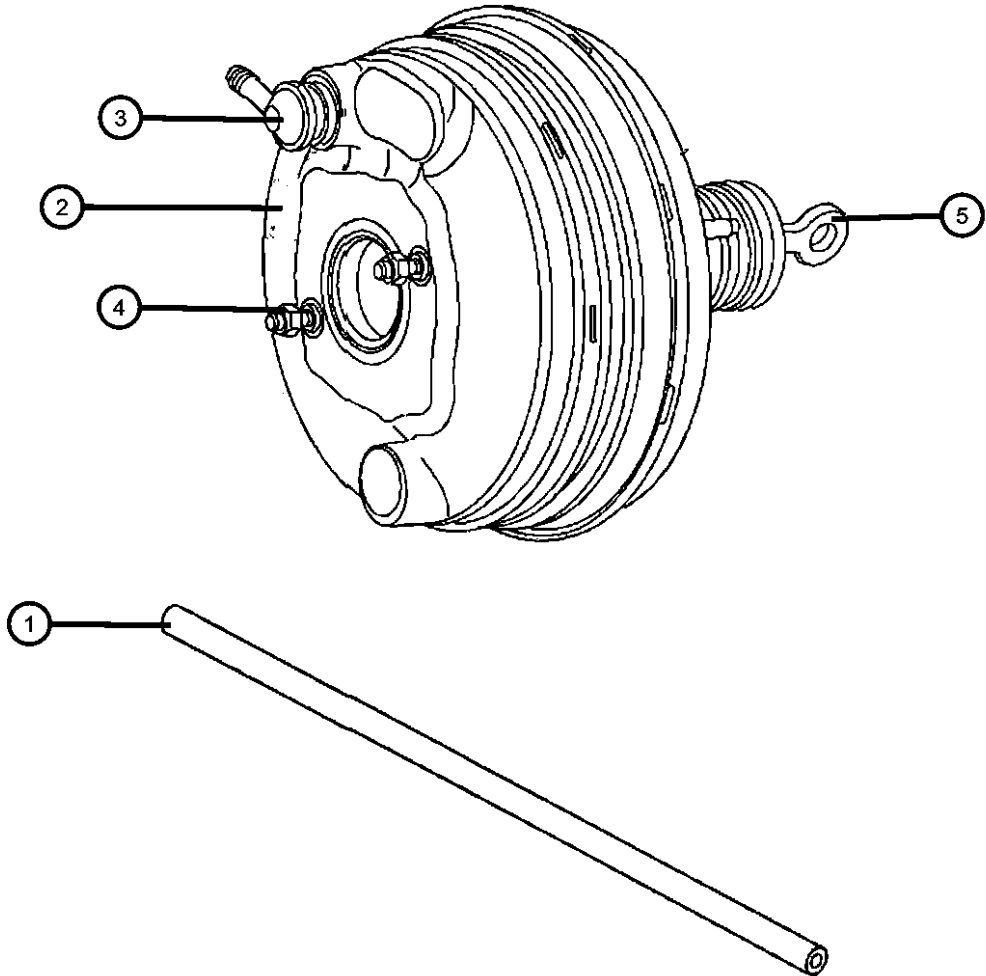
AR = use ase required - = Non illustrated part

**Booster,Vacuum Power Brake  
Figure 5-305**

ITEM	PART NUMBER	QTY	LINE	SERIES	BODY	ENGINE	TRANS	TRIM	DESCRIPTION
------	-------------	-----	------	--------	------	--------	-------	------	-------------

Note: Sale Codes  
 [EEO]=2.7L V6 GAS  
 [EGO]=3.8L 6CY  
 [EZO]= 5.7L 8CYL GAS

1	04779605AA	1	D		22				HOSE, Brake Booster Vacuum
2	68033785AA	1	D		22				BOOSTER, Power Brake
3	05139149AA	1	D		22				VALVE, Brake Booster Check
4	05183872AA	2	D		22				NUT, Hex Lock
5	05183872AA	2							ROD, Brake Booster, Serviced in Booster, (NOT SERVICED)



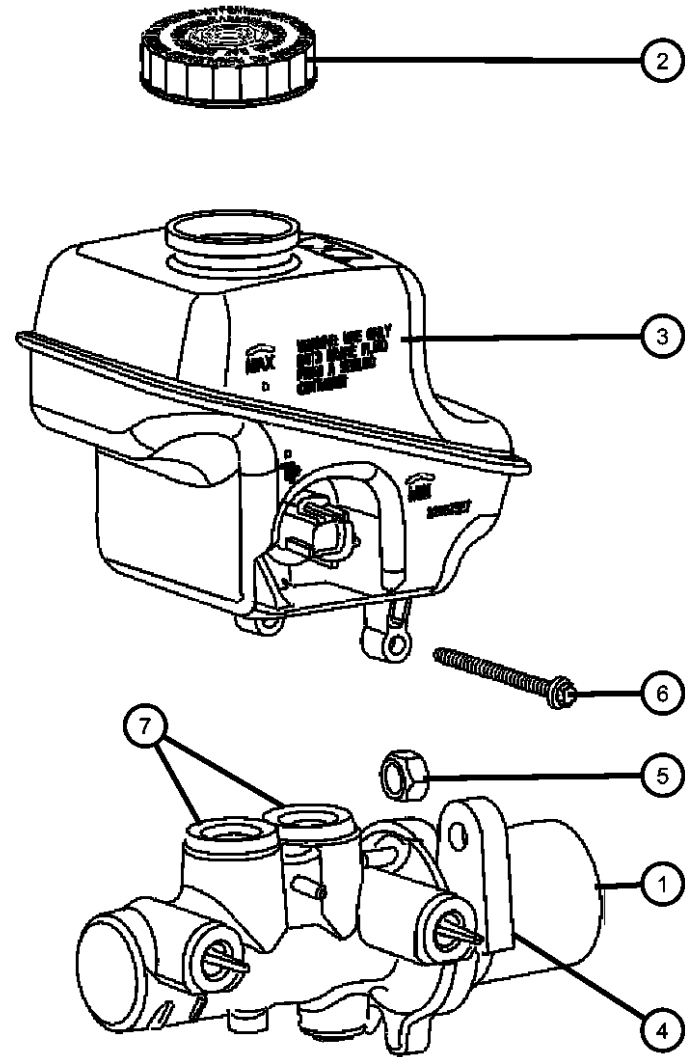
**DODGE CHALLENGER (LC)**

SERIES	LINE	BODY	ENGINE	TRANSMISSION
X = SPECIAL	D = DODGE	22 = 2-DR SEDAN TYPE #2	ESF = 6.1L SRT HEMI SMPI V8 Engine	DGJ = 5-Speed Auto W5A580 Transmission

AR = use ase required - = Non illustrated part

Master Cylinder  
Figure 5-405

ITEM	PART NUMBER	QTY	LINE	SERIES	BODY	ENGINE	TRANS	TRIM	DESCRIPTION
1	68033788AA	1	D		22				MASTER CYLINDER, Brake
2	05072525AA	1	D		22				CAP, Master Cylinder Reservoir
3	68033787AA	1	D		22				RESERVOIR, Brake Master Cylinder
4	68002156AA	1	D		22				SEAL, Master Cylinder To Booster
5	05183872AA	2	D		22				NUT, Hex Lock
6	05080890AA	1	D		22				SCREW, Master Cylinder to Reservoir
7	68003259AA	2	D		22				GROMMET KIT, Master Cylinder to Reservoir



DODGE CHALLENGER (LC)  
SERIES LINE  
X = SPECIAL D = DODGE

BODY  
22 = 2-DR SEDAN TYPE #2

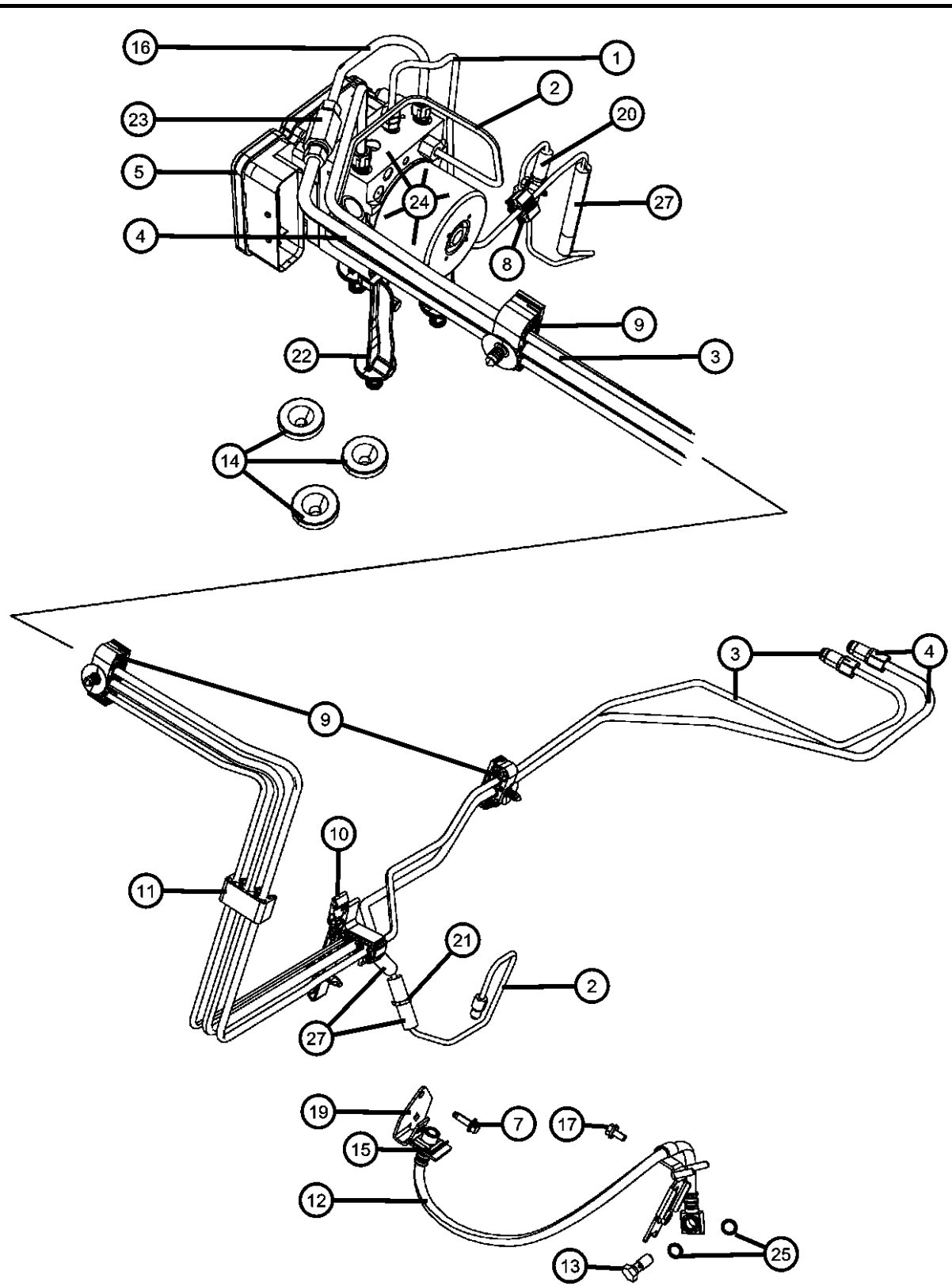
ENGINE  
ESF = 6.1L SRT HEMI SMPI V8 Engine

TRANSMISSION  
DGJ = 5-Speed Auto W5A580 Transmission

AR = use ase required - = Non illustrated part

2008 LC

HCU and Tubes, Front  
Figure 5-505



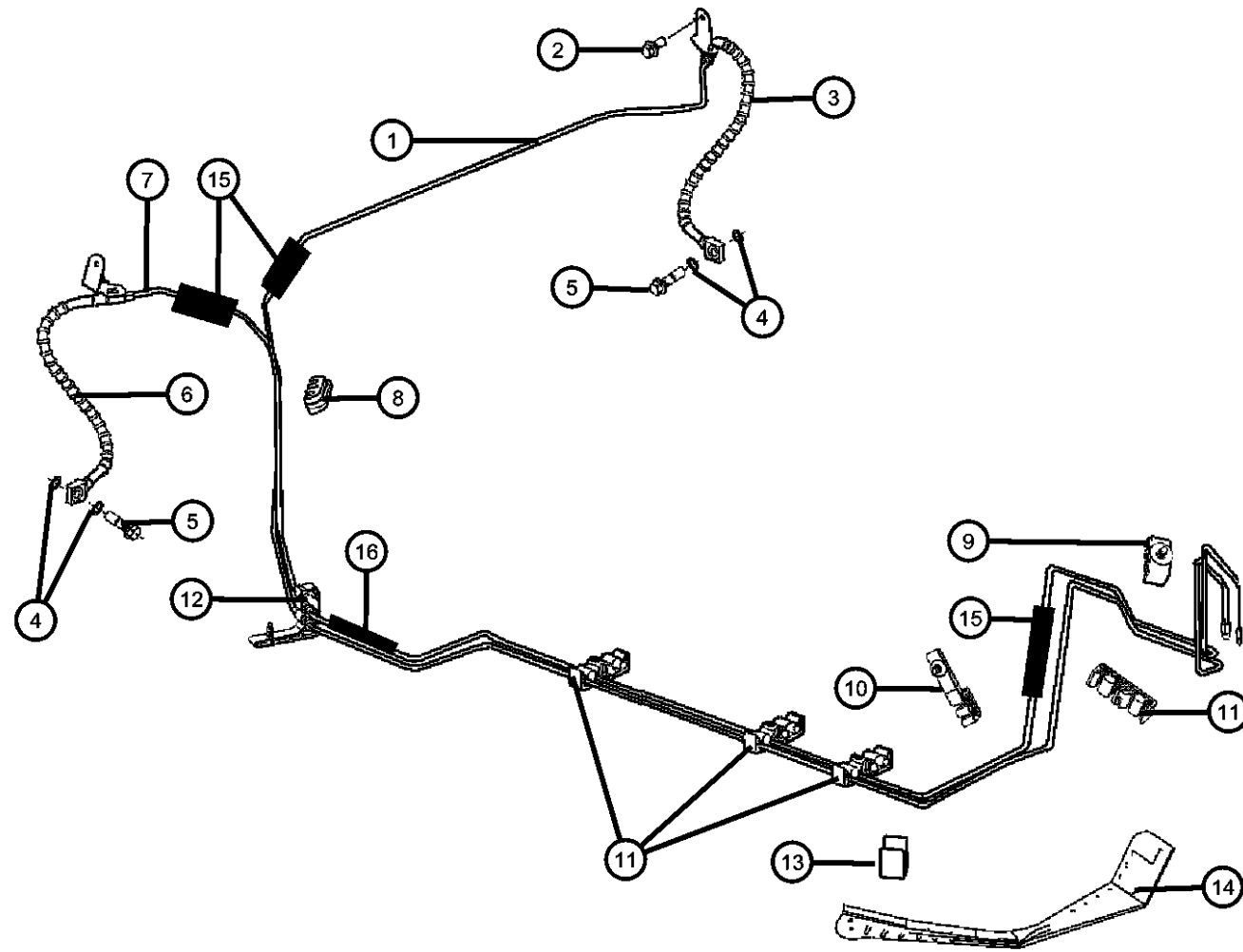
ITEM	PART NUMBER	QTY	LINE	SERIES	BODY	ENGINE	TRANS	TRIM	DESCRIPTION
1	05170763AA	1	D		22				TUBE, Brake, with Clips
2	05170762AA	1	D		22				TUBE, Brake, with Clips
3	68033790AA	1	D		22				TUBE, Brake
4	68033789AA	1	D		22				TUBE, Brake
5	68045682AA	1	D		22				MODULE, Anti-Lock Brake System
-6	05159024AA	1	D		22				O RING, PUMP TOWER O-RING
7	06105037AA	2	D		22				SCREW, Hex Flange Head, M6x1.00x20.00
8	32000404	2	D		22				CLIP, Brake Tube
9	68001853AA	3	D		22				CLIP, Brake Tube
10	68001853AA	1	D		22				CLIP, Brake Tube
11	68001854AA	1	D		22				CLIP, Brake Tube
12									HOSE, Brake
	05166552AA	1	D		22				Right
	05174067AA	1	D		22				Left
13	06505801AA	1	D		22				BOLT, Banjo
14	04779281AA	3	D		22				GROMMET
15	02208893	1	D		22				LOCK, Brake Hose
16	68001849AA	1	D		22				TUBE, Brake
17	05183964AA	2	D		22				BOLT, Hex Flange Head, M6x1.00x10.90
-18	68020717AA	12	D		22				SEAL, ECU Coil Seal
19	05140866AA	1	D		22				BRACKET, Brake Hose
20	68001858AA	1	D		22				SLEEVE, Rubber
21	68001857AA	1	D		22				TIE STRAP
22	05175604AA	1	D		22				BRACKET, Control Unit
23	68000901AA	1	D		22				UNION, Brake Tube
24	68028990AA	1	D		22				HYDRAULIC CONTROL UNIT, Anti-Lock Brake System
25	06502114	2	D		22				GASKET, Brake Hose To Caliper
-26	05189423AA	3	D		22				SCREW, Torx Head
27	05179053AA	3	D		22				SLEEVE, Rubber

**DODGE CHALLENGER (LC)**  
 SERIES LINE BODY ENGINE TRANSMISSION  
 X = SPECIAL D = DODGE 22 = 2-DR SEDAN TYPE #2 ESF = 6.1L SRT HEMI SMPI V8 Engine DGJ = 5-Speed Auto W5A580 Transmission

AR = use ase required - = Non illustrated part



**Brake Tubes,Rear**  
**Figure 5-520**



ITEM	PART NUMBER	QTY	LINE	SERIES	BODY	ENGINE	TRANS	TRIM	DESCRIPTION
1	68047021AA	1	D		22				TUBE, Brake, Left Rear
2	06102152AA	2	D		22				SCREW, Tapping Hex Flange Head, M6.3x1.81x20.00
3	04854455AD	1	D		22				HOSE, Brake
4	06502114	4	D		23				GASKET, Brake Hose To Caliper
5	06505801AA	2	D		22				BOLT, Banjo
6	04854454AD	1	D		22				HOSE, Brake
7	68046926AA	1	D		22				TUBE, Brake, Right Rear
8	04582074	2	D		22				CLIP, Fuel Bundle
9	05175876AA	1	D		22				CLIP, Fuel Tube
10	05137751AA	1	D		22				CLIP, Fuel Bundle
11	05137752AA	4	D		22				CLIP, Fuel Bundle
12	05137753AA	1	D		22				CLIP, Fuel Bundle
13	05137750AA	1	D		22				CLIP, Fuel Bundle
14	05137754AA	1	D		22				SHIELD, Fuel and Brake Bundle
15	05179053AA	3	D		22				SLEEVE, Rubber
16	05179054AA	1	D		22				SLEEVE, Rubber
-17	68001857AA	1	D		22				TIE STRAP

**DODGE CHALLENGER (LC)**  
 SERIES      LINE  
 X = SPECIAL    D = DODGE

BODY  
 22 = 2-DR SEDAN TYPE #2

ENGINE  
 ESF = 6.1L SRT HEMI SMPI V8 Engine

TRANSMISSION  
 DGJ = 5-Speed Auto W5A580 Transmission

AR = use ase required    - = Non illustrated part

2008 LC

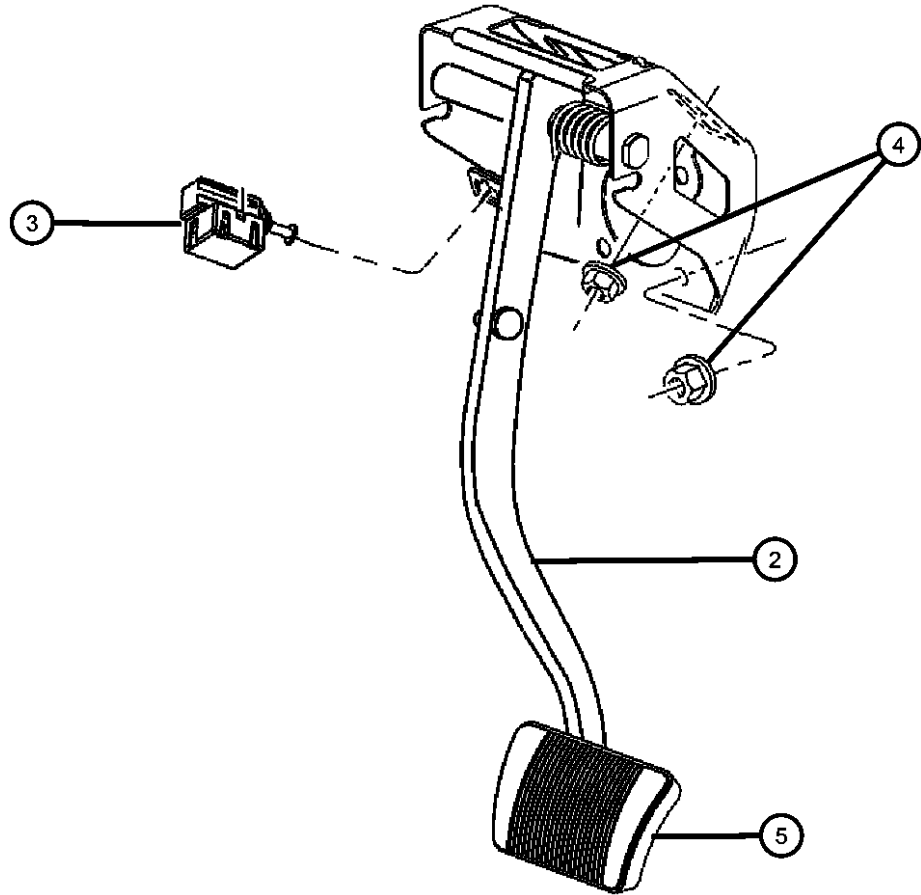
**Pedal, Brake, Auto Trans**  
**Figure 5-605**

ITEM	PART NUMBER	QTY	LINE	SERIES	BODY	ENGINE	TRANS	TRIM	DESCRIPTION
------	-------------	-----	------	--------	------	--------	-------	------	-------------

Sales Codes:

[AHV]=SPECIAL SERVICE GROUP

-1	04294036	1	D		23				CLIP, Master Cylinder Push Rod Pin
2	04779558AB	1	D		22				PEDAL AND PAD, Brake
3	04671336AB	1	D		22				SWITCH, Stop Lamp
4	06504572	6	D		22				NUT AND WASHER, Hex Nut-Coned Washer, M8 x 1.25
5	68031956AA	1	D		22				PAD, Brake Pedal



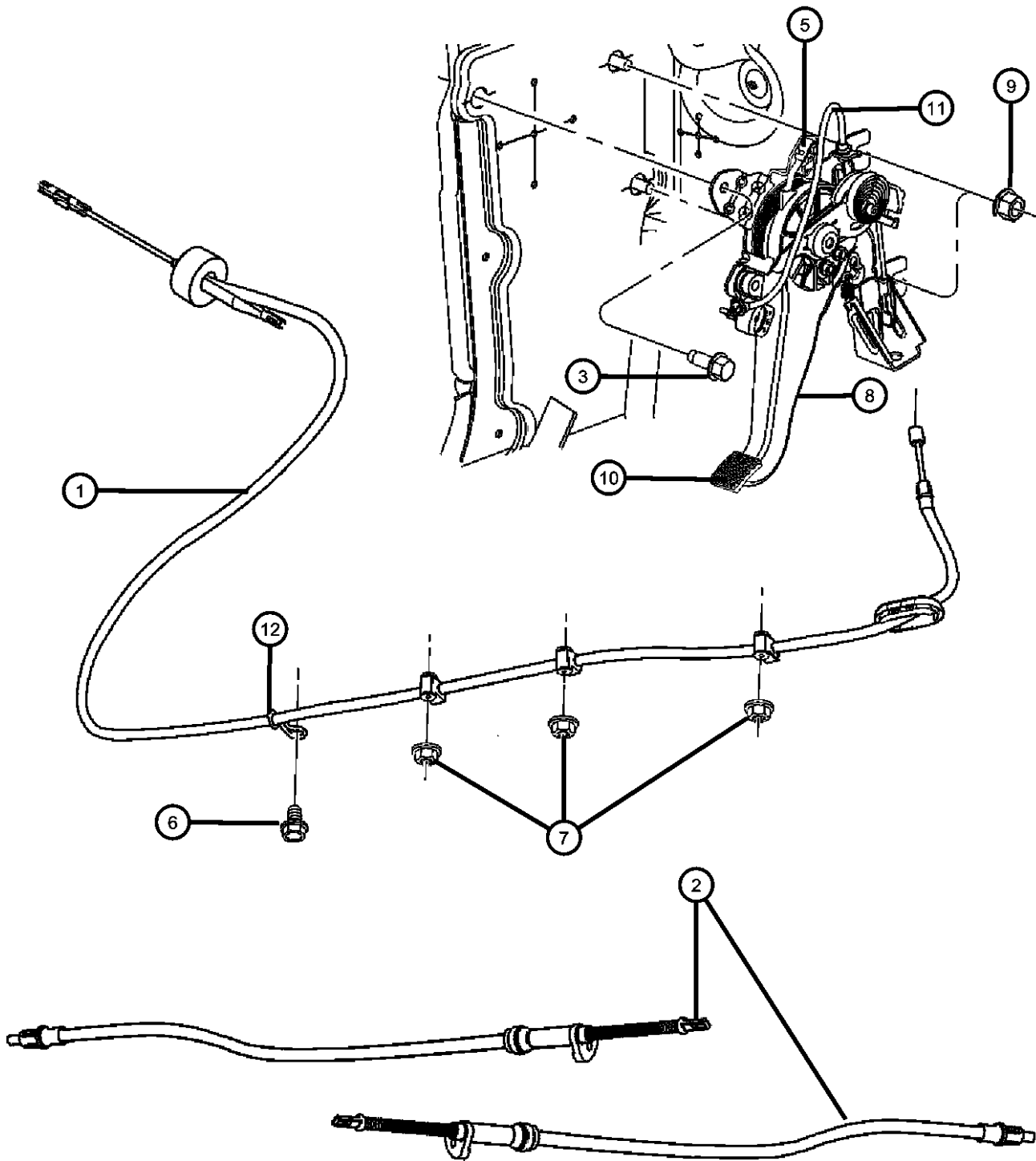
**DODGE CHALLENGER (LC)**

SERIES	LINE	BODY	ENGINE	TRANSMISSION
X = SPECIAL	D = DODGE	22 = 2-DR SEDAN TYPE #2	ESF = 6.1L SRT HEMI SMPI V8 Engine	DGJ = 5-Speed Auto W5A580 Transmission

AR = use ase required - = Non illustrated part

2008 LC

**Park Brake Lever and Cables**  
**Figure 5-705**



ITEM	PART NUMBER	QTY	LINE	SERIES	BODY	ENGINE	TRANS	TRIM	DESCRIPTION
------	-------------	-----	------	--------	------	--------	-------	------	-------------

Sale Codes:  
 [EEO]=ALL 2.5L OR 2.7L V6 GAS ENGINES  
 [EGO]=ALL 3.3L,3.5L,3.8L & 4.0L ENGINES  
 [ESO]=ALL 6 L ENGINES  
 [EXO]=ALL 3.0/3.1L TURBO DIESELS ENGINES  
 [EZO]=ALL 5.7L 8CYL GAS ENGINES

1	04779560AB	1	D		22				CABLE, Parking Brake
2	05290824AB	2	D		22				CABLE, Parking Brake
3	06505559AA	1	D		22				SCREW AND WASHER, Hex Head, M8x1.25x40
-4	06505559AA	1							HANDLE, Parking Brake, Serviced in Steering Column Cover [Group 08A], (NOT SERVICED)
5	05189366AB	1	D		22				SWITCH, Parking Brake
6	06504249	1	D		22				SCREW, Hex Head, M6x1x20
7	06505953AA	1	D		22				NUT AND WASHER, M6x1
8	04779478AD	1	D		22				LEVER, Parking Brake
9	06101445	2	D		22				NUT AND WASHER, Hex, M8x1.25
10	68044148AA	1	D		22				PAD, Parking Brake Pedal
11	68048099AA	1	D		22				CABLE, Parking Brake Release
12									BRACKET, Brake Cable Guide
	04779426AC	1	D		22				Wire Loop Brkt, Right
	04779427AC	1	D		22				Wire Loop Brkt, Left

**DODGE CHALLENGER (LC)**  
 SERIES      LINE  
 X = SPECIAL      D = DODGE

BODY      ENGINE      TRANSMISSION  
 22 = 2-DR SEDAN TYPE #2      ESF = 6.1L SRT HEMI SMPI V8 Engine      DGJ = 5-Speed Auto W5A580 Transmission

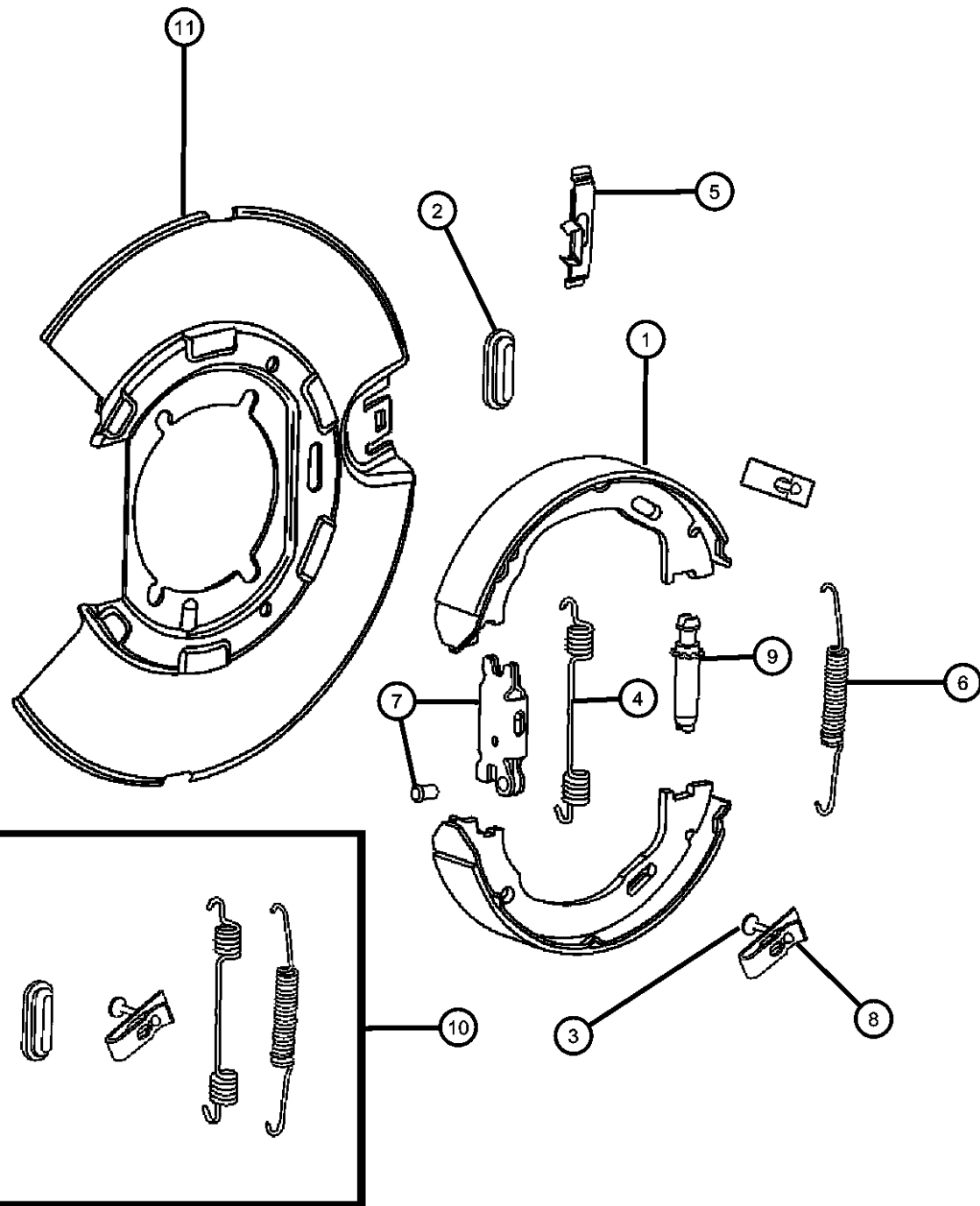
AR = use ase required    - = Non illustrated part

2008 LC

**Park Brake Assembly,Rear Disc  
Figure 5-725**

ITEM	PART NUMBER	QTY	LINE	SERIES	BODY	ENGINE	TRANS	TRIM	DESCRIPTION
------	-------------	-----	------	--------	------	--------	-------	------	-------------

Sale Codes:  
 [EEO]=ALL 2.5L OR 2.7L V6 GAS ENGINES  
 [EGO]=ALL 3.3L,3.5L,3.8L & 4.0L ENGINES  
 [ESO]=ALL 6 L ENGINES  
 [EXO]=ALL 3.0/3.1L TURBO DIESELS ENGINES  
 [EZO]=ALL 5.7L 8CYL GAS ENGINES



1	68020626AA	1	D		22				SHOE AND LINING PACKAGE, Brake, For Both Sides
2	04762121	1	D		23				PLUG, Brake Adjusting Hole
3	05179890AA	2	D		23				PIN, Brake Shoe Hold Down
4	05137622AA	1	D		23				SPRING, Brake Shoe Return
5	05290853AB	2	D		22				SHIM
6	04762116	1	D		22				SPRING, Lower Shoe Return
7	05103208AA	1	D		23				LEVER, Parking Brake Adjusting
8	05179889AA	2	D		23				CLIP, Parking Brake Hold Down
9	68020627AA	1	D		23				ADJUSTER, Parking Brake
10	05179890AA	1	D		22				PIN, Brake Shoe Hold Down
11									ADAPTER, Parking Brake
	05170481AA	1	D		22				Left
	05170482AA	1	D		22				Right

**DODGE CHALLENGER (LC)**  
 SERIES LINE  
 X = SPECIAL D = DODGE

BODY ENGINE TRANSMISSION  
 22 = 2-DR SEDAN TYPE #2 ESF = 6.1L SRT HEMI SMPI DGJ = 5-Speed Auto W5A580 V8 Engine Transmission

AR = use ase required - = Non illustrated part

2008 LC

# Group - 7

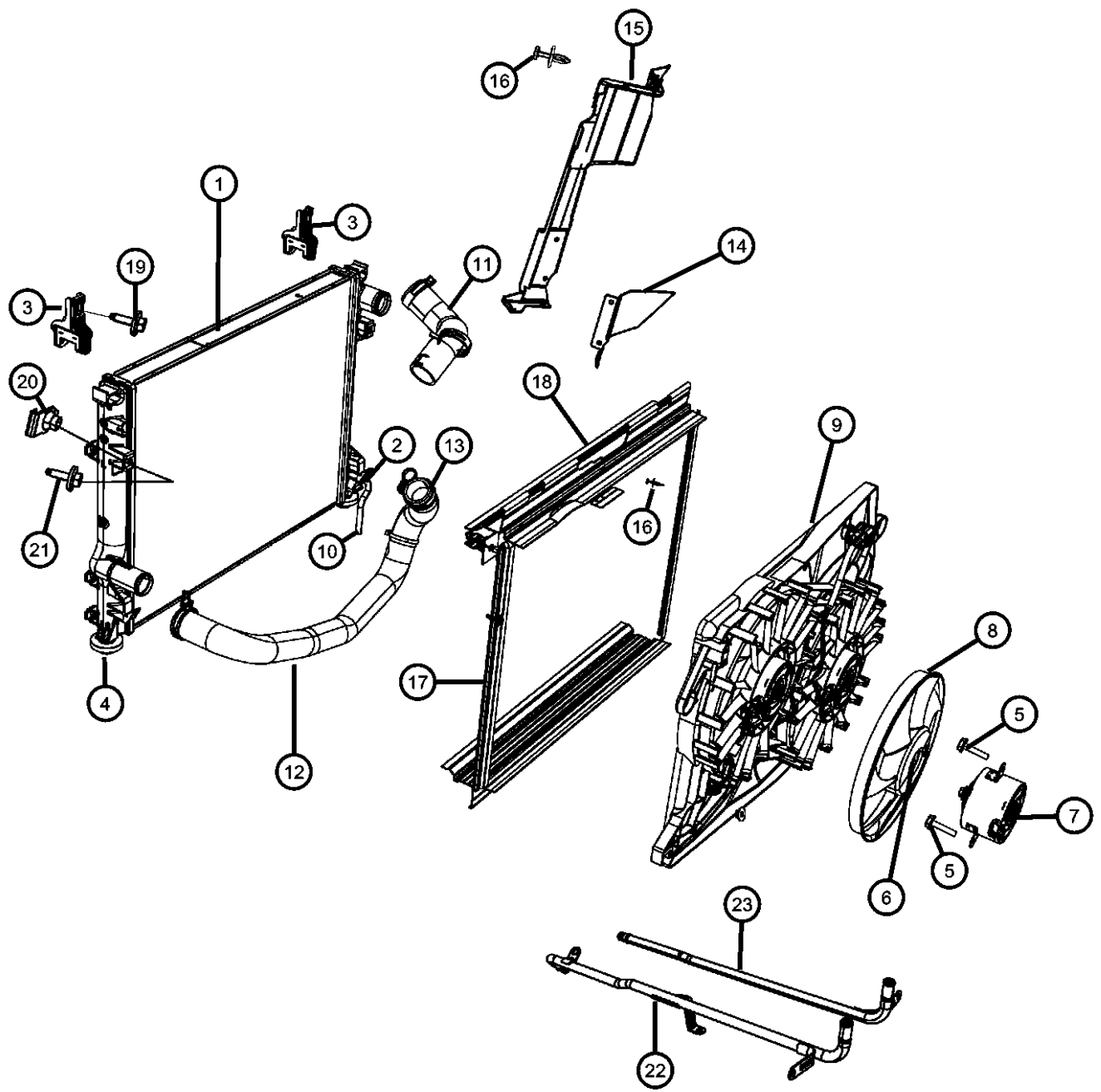
## Cooling

### Group - 7 Cooling

Illustration Title	Group-Fig. No.
<b>Radiator and Related Parts and Turbo Intercooler</b>	
Radiator and Related Parts Gas .....	Fig. 7 - 105
Radiator Support .....	Fig. 7 - 150
<b>Water Pump and Related Parts</b>	
Water Pump and Related Parts .....	Fig. 7 - 205
Thermostat and Related Parts .....	Fig. 7 - 260
<b>Engine Coolant Reservoir (Bottle)</b>	
Coolant Recovery Bottle .....	Fig. 7 - 305
<b>Pulleys and Related Parts</b>	
Pulleys and Related Parts .....	Fig. 7 - 405
<b>Drive Belts</b>	
Belts, Serpentine and V-Belts .....	Fig. 7 - 505
<b>Transmission Oil Cooler, and Lines</b>	
Transmission Oil Cooler and Lines .....	Fig. 7 - 605

<b>007-100</b> Radiator and Related Parts and Turbo Intercooler	<b>007-200</b> Water Pump and Related Parts	<b>007-300</b> Engine Coolant Reservoir (Bottle)	<b>007-400</b> Pulleys and Related Parts
<b>007-500</b> Drive Belts	<b>007-600</b> Transmission Oil Cooler, and Lines		

**Radiator and Related Parts Gas**  
**Figure 7-105**



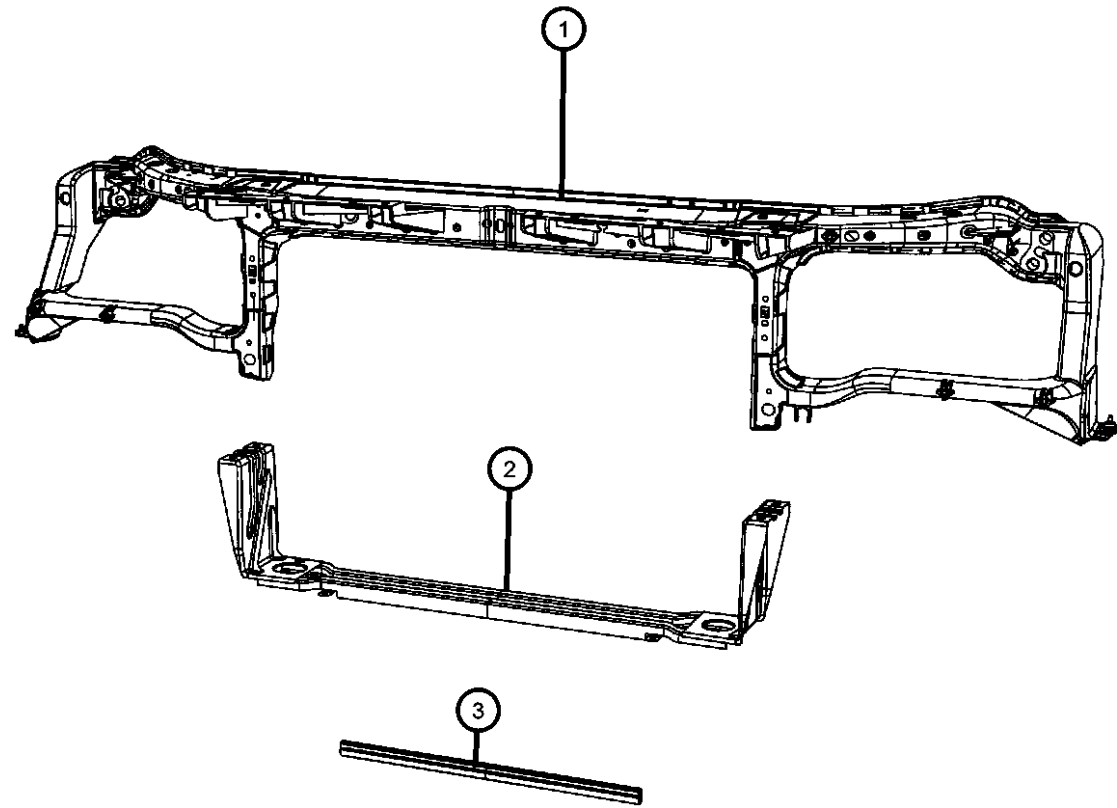
ITEM	PART NUMBER	QTY	LINE	SERIES	BODY	ENGINE	TRANS	TRIM	DESCRIPTION
NOTES: Sales Codes [NMX] = Maximum Duty Engine Cooling									
1	05170742AA 05066386AA	1	D		22				RADIATOR, Engine Cooling Mopar Coolant 5 Year/100,000 Mile Formula 1 Gallon
2	04644269	1	D		22				DRAINCOCK, Radiator
3	04596474AD	2	D		22				ISOLATOR, Cooling Module Mounting
4	68017994AA	2	D		22				ISOLATOR, Radiator, Lower
5	68029031AA	3	D		22				SCREW AND WASHER
6	05137718AA	2	D		22				NUT, Fan Module Retaining
7									MOTOR, Radiator Fan
	05072330AB	1	D		22				Right
	05137714AA	1	D		22				Left
8	05137713AA	2	D		22				FAN, Cooling
9	05137717AB	1	D		22				SHROUD, Fan
10	05137723AA	1	D		22				HOSE, Drain
11	05290488AB	1	D		22	ES0			HOSE, Radiator Inlet
12	05290489AD	1	D		22	ES0			HOSE, Radiator Outlet
13	55056415AA	1	D		22	ES0			CLAMP, Radiator Hose
14									SEAL, Radiator Side Air
	05028784AA	1	D		22				Right
	05028785AA	1	D		22				Left
15									SEAL, Radiator Side Air
	05028792AA	1	D		22				Right
	05028793AA	1	D		22				Left
16									PIN, Push In, M7.0x20.0
	06506132AA	4	D		22				Side Shield
		4	D		22				SIDE SHIELD LOWER TO SIDE SHIELD
17	05170747AA	2	D		22				SEAL, Radiator, Side
18	68026556AA	2	D		22				SEAL, RadiatorUpper or Lower
19	06104368AA	2	D		22				BOLT AND WASHER, Hex Head, M6X1.00X25.00, COOLING MODULE ISOLATOR ATTACH
20	68046824AA	2	D		22				U-NUT, SHROUD TO RADIATOR
21	68046823AA	2	D		22				SCREW, SHROUD TO RADIATOR
22	05037891AA	1	D		22	ESF			TUBE, Coolant inlet
23	04892346AD	1	D		22	ESF			TUBE, Coolant outlet

**DODGE CHALLENGER (LC)**  
 SERIES      LINE      BODY      ENGINE      TRANSMISSION  
 X = SPECIAL    D = DODGE      22 = 2-DR SEDAN TYPE #2      ESF = 6.1L SRT HEMI SMPI V8 Engine      DGJ = 5-Speed Auto W5A580 Transmission

AR = use ase required    - = Non illustrated part

**Radiator Support  
Figure 7-150**

ITEM	PART NUMBER	QTY	LINE	SERIES	BODY	ENGINE	TRANS	TRIM	DESCRIPTION
1	05028743AA	1	D		22				CROSSMEMBER, Front Support
2	05065240AE	1	D		22				CROSSMEMBER, Radiator
3	05112199AB	1	D		22				WEATHERSTRIP, Lower Radiator Crossmember



**DODGE CHALLENGER (LC)**  
 SERIES      LINE  
 X = SPECIAL    D = DODGE

BODY  
 22 = 2-DR SEDAN TYPE #2

ENGINE  
 ESF = 6.1L SRT HEMI SMPI V8 Engine

TRANSMISSION  
 DGJ = 5-Speed Auto W5A580 Transmission

AR = use ase required    - = Non illustrated part

2008 LC

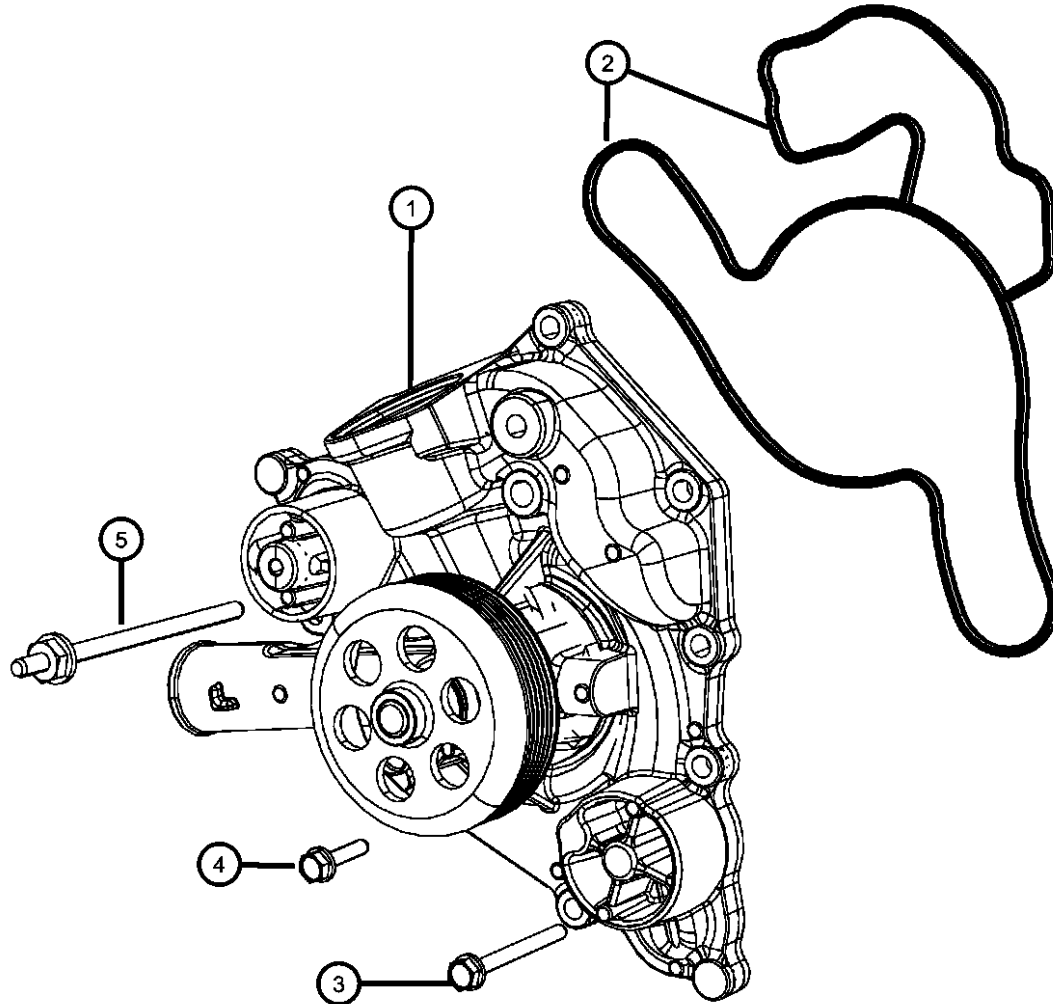
**Water Pump and Related Parts  
Figure 7-205**

ITEM	PART NUMBER	QTY	LINE	SERIES	BODY	ENGINE	TRANS	TRIM	DESCRIPTION
------	-------------	-----	------	--------	------	--------	-------	------	-------------

NOTES: Sales Codes:

[EZ0] = ALL 5.7L 8CYL GAS ENGINES

1	04792838AB	1	D		22	ESF			PUMP, Water
2	04792922AA	1	D		22	ESF			GASKET, Water Pump
3	06506270AA	5	D		22	ESF			BOLT AND CONED WASHER, Hex Head, M8X1.25X80.00, WATER PUMP TO CYL BLOCK
4	06506269AA	5	D		22	ESF			BOLT AND CONED WASHER, Hex Head, M8X1.25X35.00
5	06506684AA	1	D		22	ESF			STUD, WATER PUMP TO CYL BLOCK



**DODGE CHALLENGER (LC)**

SERIES	LINE	BODY	ENGINE	TRANSMISSION
X = SPECIAL	D = DODGE	22 = 2-DR SEDAN TYPE #2	ESF = 6.1L SRT HEMI SMPI V8 Engine	DGJ = 5-Speed Auto W5A580 Transmission

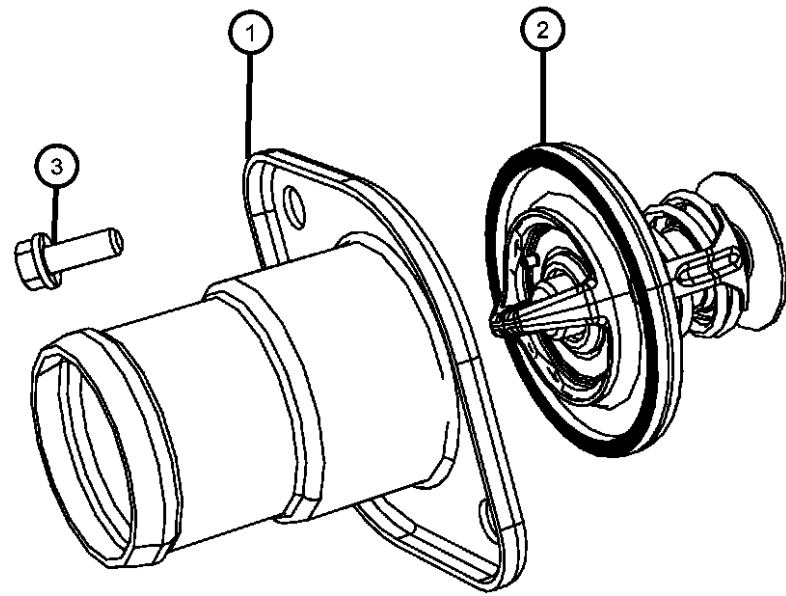
AR = use ase required - = Non illustrated part

2008 LC



**Thermostat and Related Parts**  
**Figure 7-260**

ITEM	PART NUMBER	QTY	LINE	SERIES	BODY	ENGINE	TRANS	TRIM	DESCRIPTION
1	53021536AC	1	D		22	ESF			HOUSING, Thermostat
2	52028898AE	1	D		22	ESF			THERMOSTAT
3	06507071AA	2	D		22	ESF			SCREW AND WASHER, Hex Head, M8X1.25X24.00



**DODGE CHALLENGER (LC)**  
 SERIES      LINE  
 X = SPECIAL    D = DODGE

BODY  
 22 = 2-DR SEDAN TYPE #2

ENGINE  
 ESF = 6.1L SRT HEMI SMPI V8 Engine

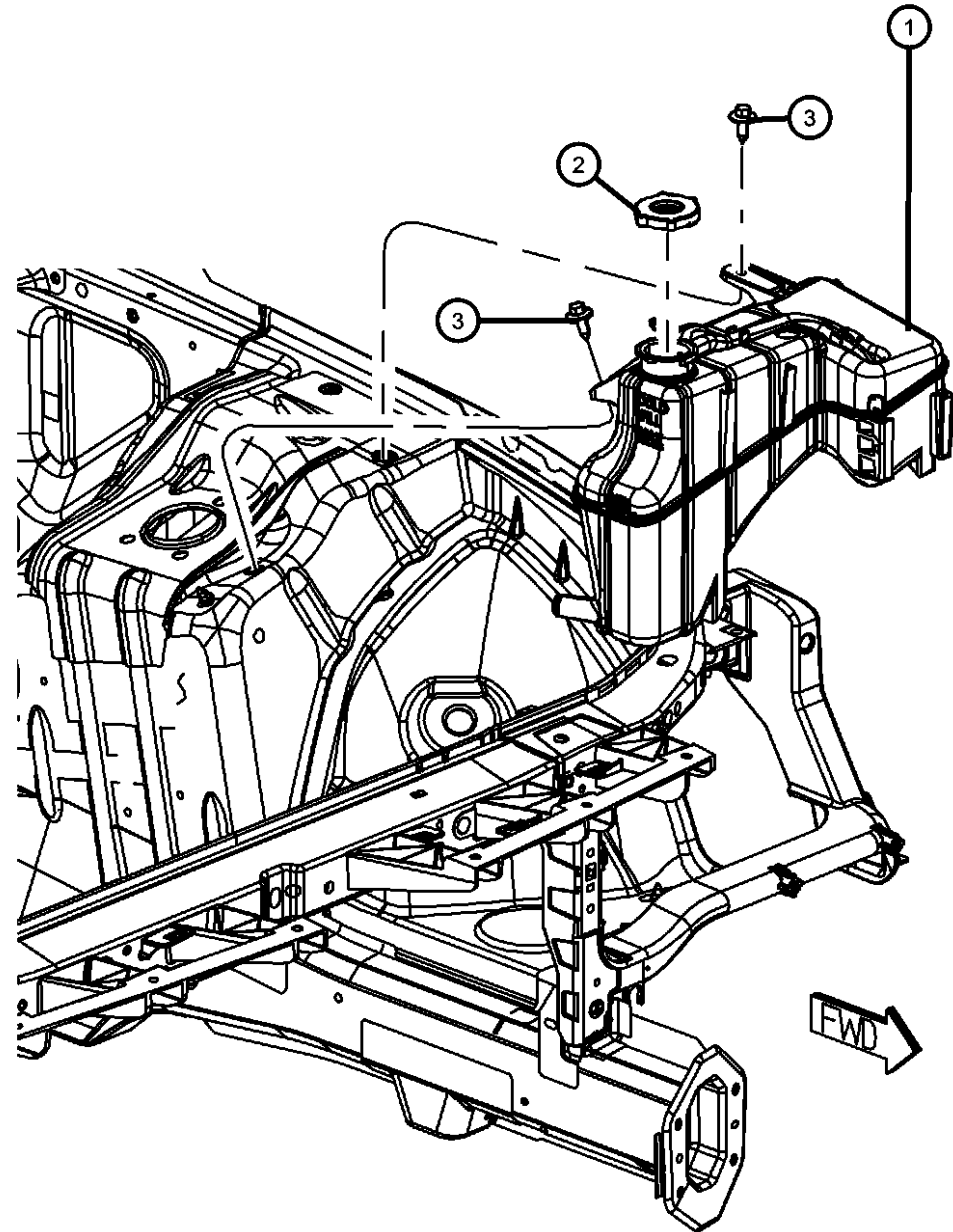
TRANSMISSION  
 DGJ = 5-Speed Auto W5A580 Transmission

AR = use ase required    - = Non illustrated part

2008 LC

**Coolant Recovery Bottle  
Figure 7-305**

ITEM	PART NUMBER	QTY	LINE	SERIES	BODY	ENGINE	TRANS	TRIM	DESCRIPTION
1	04596466AF	1	D		22				BOTTLE, Coolant Recovery
2	55116897AA	1	D		22				CAP, Radiator
3	06034716	2	D		22				SCREW AND WASHER, Hex Flange Head, .25-14x.875, COOLANT BOTTLE MOUNTING



**DODGE CHALLENGER (LC)**  
 SERIES      LINE  
 X = SPECIAL    D = DODGE

BODY  
 22 = 2-DR SEDAN TYPE #2

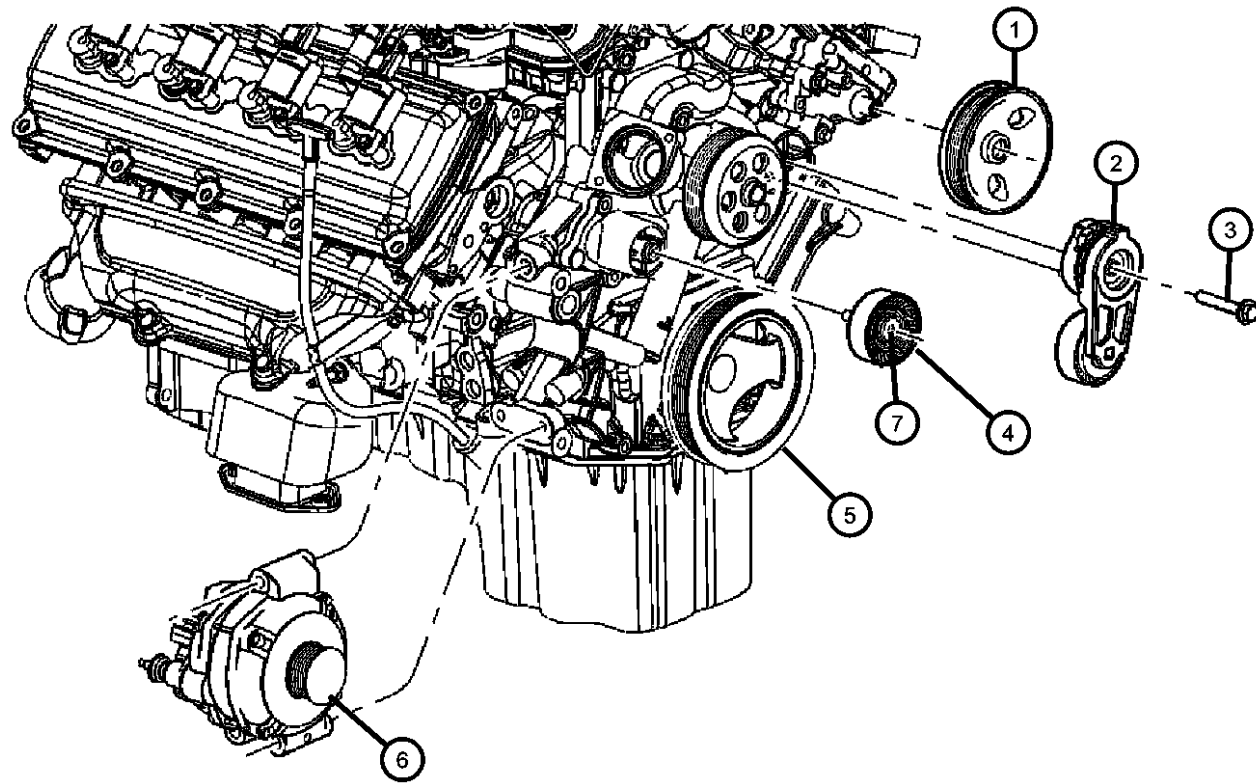
ENGINE  
 ESF = 6.1L SRT HEMI SMPI V8 Engine

TRANSMISSION  
 DGJ = 5-Speed Auto W5A580 Transmission

AR = use ase required    - = Non illustrated part

2008 LC

**Pulleys and Related Parts  
Figure 7-405**



ITEM	PART NUMBER	QTY	LINE	SERIES	BODY	ENGINE	TRANS	TRIM	DESCRIPTION
1	04892093AA	1	D		22	ESF			PULLEY, Power Steering Pump
2	04593817AB	1	D		22	ESF			TENSIONER, Belt
3	06102381AA	1	D		22	ESF			BOLT, Hex Flange Head, M10X1.50X62.00, Tensioner to Block
4	04891720AA	1	D		22	ESF			PULLEY, Idler
5	04891720AA	1							PULLEY, Crankshaft, Serviced with Damper, (NOT SERVICED)
6	04891720AA	1							PULLEY, Alternator, Serviced with Alternator, (NOT SERVICED)
7	06507929AA	1	D		22	ESF			SCREW, Shoulder Hex Flange Head, M10x1.50x40.00, BACKSIDE IDLER PULLEY TO WATER PUMP

**DODGE CHALLENGER (LC)**  
 SERIES      LINE  
 X = SPECIAL    D = DODGE

BODY  
 22 = 2-DR SEDAN TYPE #2

ENGINE  
 ESF = 6.1L SRT HEMI SMPI V8 Engine

TRANSMISSION  
 DGJ = 5-Speed Auto W5A580 Transmission

AR = use ase required    - = Non illustrated part

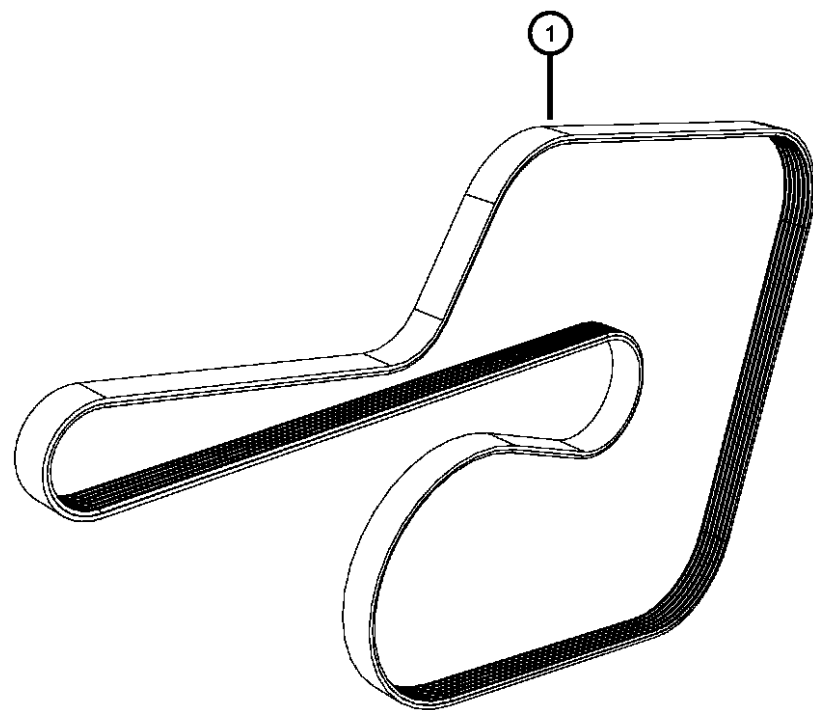
2008 LC

**Belts, Serpentine and V-Belts  
Figure 7-505**

ITEM	PART NUMBER	QTY	LINE	SERIES	BODY	ENGINE	TRANS	TRIM	DESCRIPTION
------	-------------	-----	------	--------	------	--------	-------	------	-------------

NOTE:Sales Codes:  
 [EER] = 2.7L V6 DOHC 24 VALVE MPI  
 [EGC] = 'MAGNUM' 3.5L V6 SOHC 24V  
 [EGG] = 3.5L HIGH OUTPUT V6 24V MPI  
 [EGJ] = 3.5L V6 SOHC 24 VALVE  
 [EGK] =3.5L HIGH OUTPUT V6 24V MPI

1	05037542AA	1	D		22	ESF			BELT, Serpentine
---	------------	---	---	--	----	-----	--	--	------------------



**DODGE CHALLENGER (LC)**  
 SERIES            LINE  
 X = SPECIAL    D = DODGE

BODY  
 22 = 2-DR SEDAN TYPE #2

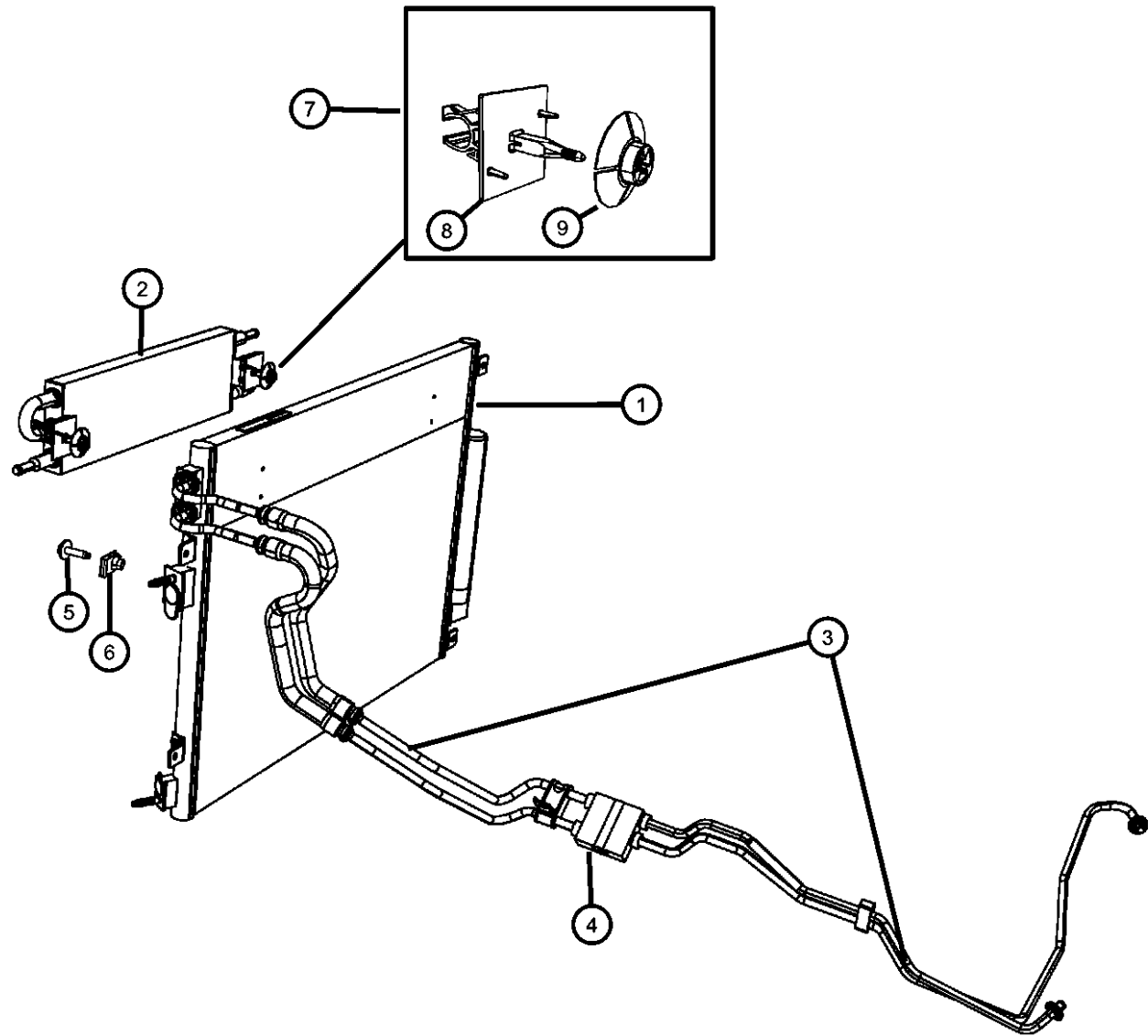
ENGINE  
 ESF = 6.1L SRT HEMI SMPI V8 Engine

TRANSMISSION  
 DGJ = 5-Speed Auto W5A580 Transmission

AR = use ase required - = Non illustrated part

2008 LC

**Transmission Oil Cooler and Lines**  
**Figure 7-605**



ITEM	PART NUMBER	QTY	LINE	SERIES	BODY	ENGINE	TRANS	TRIM	DESCRIPTION
------	-------------	-----	------	--------	------	--------	-------	------	-------------

NOTE:Sales Codes:  
 [EE0] = 2.7L V6 DOHC 24 VALVE MPI  
 [EG0] = 3.5L HIGH OUTPUT V6 24V MP  
 [EZ0] = 5.7L HEMI

1	05170743AA	1	D		22				COOLER, Condenser and Trans Cooler
2	68017995AA	1	D		22				COOLER, Power Steering
3	04598134AB	1	D		22	ESF	DGJ		TUBE AND HOSE, Oil Cooler
4	55111005AA	1	D		22	ESF	DGJ		VALVE, Cooler Bypass
5	68046823AA	6	D		22				SCREW
6	68046824AA	2	D		22				U-NUT
7	05137778AC	2	D		22				RETAINER PACKAGE, Power Steering Cooler
8	05183297AB	2	D		22				RETAINER, Power Steering Oil Cooler
9	05183297AB	2							CLIP, Locking, (NOT SERVICED)

**DODGE CHALLENGER (LC)**  
 SERIES LINE  
 X = SPECIAL D = DODGE

BODY  
 22 = 2-DR SEDAN TYPE #2

ENGINE  
 ESF = 6.1L SRT HEMI SMPI V8 Engine

TRANSMISSION  
 DGJ = 5-Speed Auto W5A580 Transmission

AR = use ase required - = Non illustrated part

2008 LC

# Group - 8

## Electrical

<b>008-1900</b> Ignition - Spark Plugs, Cables, Coils, and Glow Plugs	<b>008-200</b> Generators / Alternators	<b>008-2100</b> Instrument Panel Cluster	<b>008-2200</b> Radio, Antenna, Speakers, DVD, and Video systems
<b>008-2400</b> Navigation	<b>008-2500</b> Telecommunication	<b>008-2700</b> Speed Control	<b>008-300</b> Wiper and Washer System
<b>008-400</b> Keys, Modules and Engine Controllers	<b>008-500</b> Power Distribution Center, Fuse Block, Junction Block, Relays and Fuses	<b>008-600</b> Sensors	<b>008-800</b> Switches
<b>008-900</b> Horns			

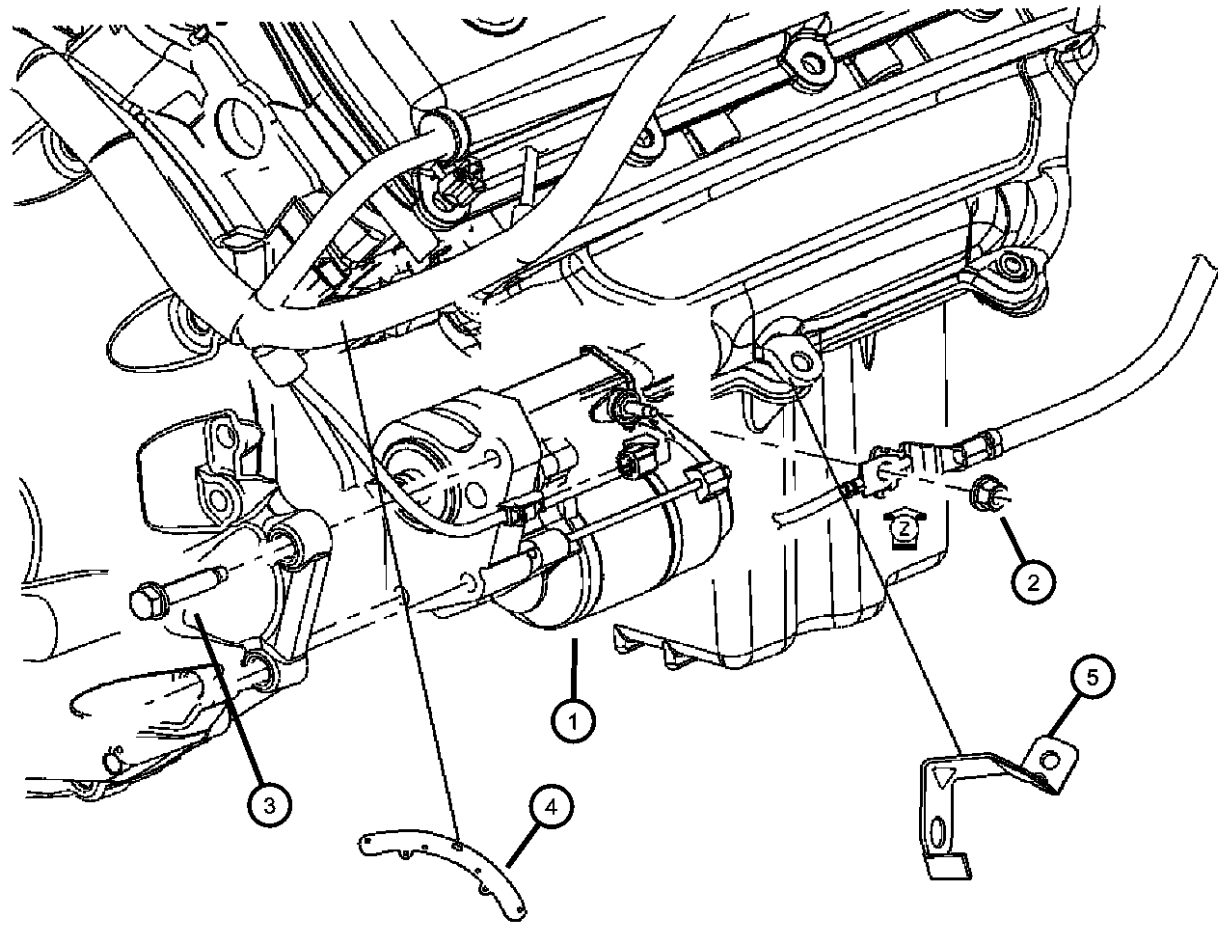
<b>008-100</b> Starters	<b>008-1000</b> Battery, Battery Tray and Cables	<b>008-1100</b> Lamps-Interior and Exterior	<b>008-1200</b> Wiring-Powertrain
<b>008-1300</b> Wiring-Headlamp to Dash	<b>008-1400</b> Wiring-Instrument Panel	<b>008-1500</b> Wiring-Body and Accessories	<b>008-1600</b> Wiring and Repair

## Group - 8 Electrical

Illustration Title	Group-Fig. No.		
<b>Starters</b>			
Starter and Related Parts.....	Fig. 8 - 105		
<b>Generators / Alternators</b>			
Generator/Alternator and Related Parts.....	Fig. 8 - 215		
<b>Wiper and Washer System</b>			
Front Wiper System.....	Fig. 8 - 305		
Front Washer System.....	Fig. 8 - 310		
<b>Keys, Modules and Engine Controllers</b>			
Modules Engine Compartment.....	Fig. 8 - 405		
Modules Instrument Panel.....	Fig. 8 - 410		
Modules Overhead.....	Fig. 8 - 415		
Modules Body.....	Fig. 8 - 420		
Modules Lighting.....	Fig. 8 - 425		
Modules Brakes, Suspension and Steering.....	Fig. 8 - 430		
Receiver Modules, Keys and Key FOBS.....	Fig. 8 - 435		
<b>Power Distribution Center, Fuse Block, Junction Block, Relays and Fuses</b>			
Power Distribution Center Front Under Hood.....	Fig. 8 - 505		
Power Distribution Center Rear Trunk Area.....	Fig. 8 - 506		
<b>Sensors</b>			
Sensors, Gas Engine.....	Fig. 8 - 605		
Sensors Oxygen Gas.....	Fig. 8 - 615		
Sensors Brakes.....	Fig. 8 - 625		
Sensors Suspension and Steering.....	Fig. 8 - 630		
Sensors Body.....	Fig. 8 - 635		
<b>Switches</b>			
Switches Instrument Panel.....	Fig. 8 - 805		
Switches Doors, Decklid, and Liftgate.....	Fig. 8 - 815		
Switches Seats.....	Fig. 8 - 825		
Switches Steering Column and Wheel.....	Fig. 8 - 830		
Switches Powertrain.....	Fig. 8 - 835		
Switches Heating and Air Conditioning.....	Fig. 8 - 840		
Switches Lighting.....	Fig. 8 - 845		
<b>Horns</b>			
Horns.....	Fig. 8 - 905		
<b>Battery, Battery Tray and Cables</b>			
Battery Tray and Support.....	Fig. 8 - 1005		
Battery Wiring.....	Fig. 8 - 1010		
<b>Lamps-Interior and Exterior</b>			
Lamps Front.....	Fig. 8 - 1105		
Lamps Rear.....	Fig. 8 - 1110		
<b>Wiring-Powertrain</b>			
Wiring Engine Gas.....	Fig. 8 - 1206		
Ground Straps.....	Fig. 8 - 1220		
<b>Wiring-Headlamp to Dash</b>			
Wiring Headlamp to Dash.....	Fig. 8 - 1305		
<b>Wiring-Instrument Panel</b>			
Wiring Instrument Panel.....	Fig. 8 - 1405		
<b>Wiring-Body and Accessories</b>			
Wiring Body.....	Fig. 8 - 1505		
Wiring Door, Deck Lid, and Liftgate.....	Fig. 8 - 1515		
Wiring Seats, Front.....	Fig. 8 - 1520		
Wiring Heater and Air Conditioning.....	Fig. 8 - 1530		
<b>Wiring and Repair</b>			
Wiring Repairs.....	Fig. 8 - 1605		
<b>Ignition - Spark Plugs, Cables, Coils, and Glow Plugs</b>			
Spark Plugs and Ignition Coil.....	Fig. 8 - 1910		
<b>Instrument Panel Cluster</b>			
Instrument Panel Cluster.....	Fig. 8 - 2105		
<b>Radio, Antenna, Speakers, DVD, and Video systems</b>			
Radio.....	Fig. 8 - 2205		
Antenna.....	Fig. 8 - 2210		
Satellite Radio System.....	Fig. 8 - 2215		
Speakers and Amplifiers.....	Fig. 8 - 2220		
<b>Navigation</b>			
Navigation System.....	Fig. 8 - 2405		
<b>Telecommunication</b>			
Telecommunications.....	Fig. 8 - 2505		
<b>Speed Control</b>			
Speed Control.....	Fig. 8 - 2705		

**Starter and Related Parts  
Figure 8-105**

ITEM	PART NUMBER	QTY	LINE	SERIES	BODY	ENGINE	TRANS	TRIM	DESCRIPTION
1	05030076AC	1	D		22	ESF			STARTER, Engine
2	06101809	1	D		22	ESF			NUT AND WASHER, Hex, M8x1.25
3	06502717	1	D		22	ESF			BOLT AND WASHER, Hex Head, M10x1.50x50.00
4	04608997AB	1	D		22				BRACKET, Wiring Harness
5	04607124AA	1	D		22				BRACKET, Wiring



**DODGE CHALLENGER (LC)**  
 SERIES      LINE  
 X = SPECIAL    D = DODGE

BODY  
 22 = 2-DR SEDAN TYPE #2

ENGINE  
 ESF = 6.1L SRT HEMI SMPI V8 Engine

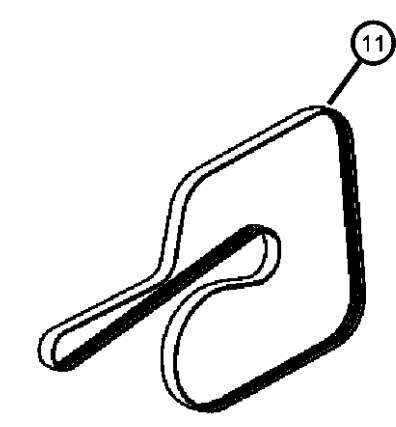
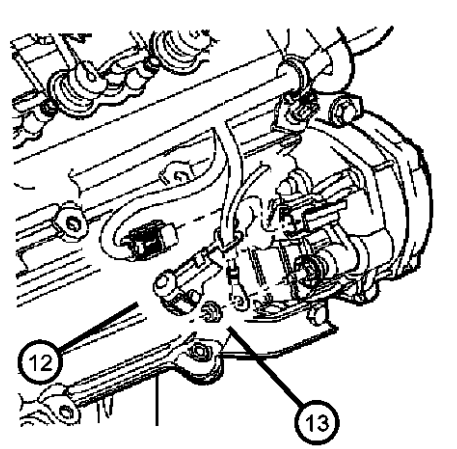
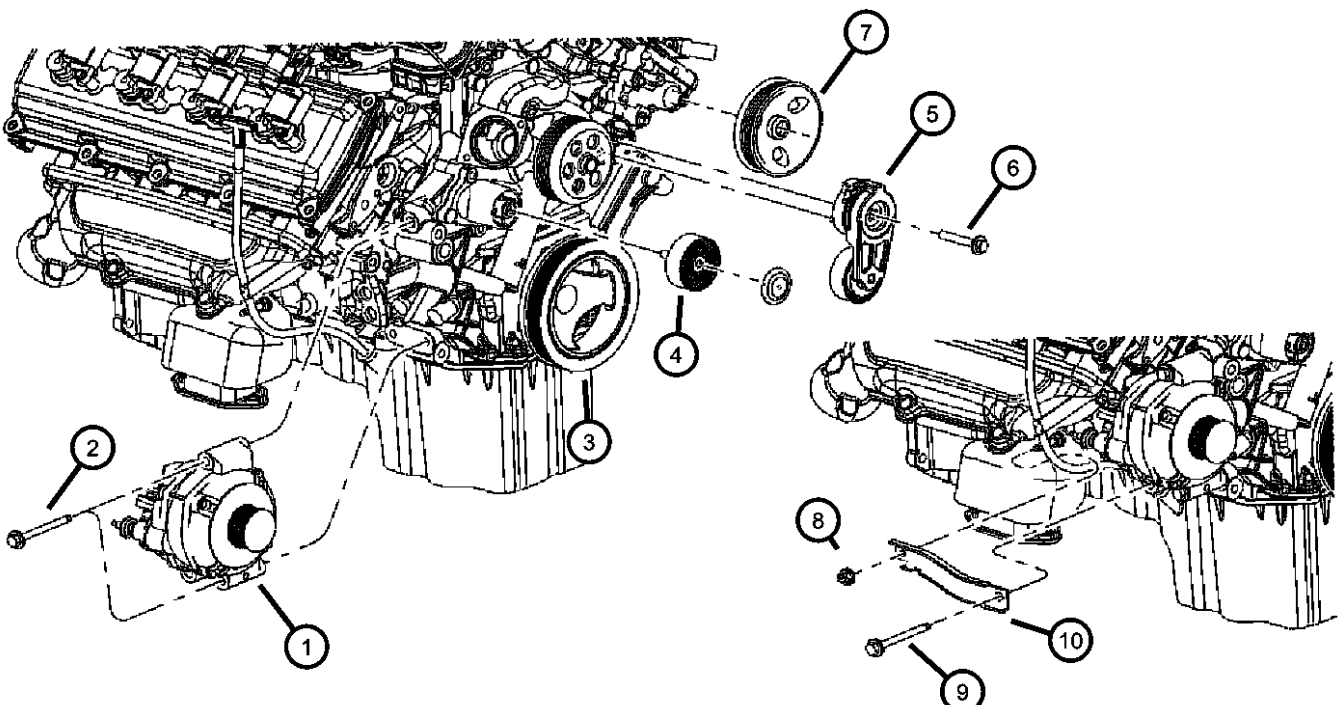
TRANSMISSION  
 DGJ = 5-Speed Auto W5A580 Transmission

AR = use ase required    - = Non illustrated part



**Generator/Alternator and Related Parts**  
**Figure 8-215**

ITEM	PART NUMBER	QTY	LINE	SERIES	BODY	ENGINE	TRANS	TRIM	DESCRIPTION
1	04896805AD	1	D		22	ESF			ALTERNATOR, Engine
2	06507394AA	3	D		22				SCREW, Alternator
3	05037394AA	1	D		22	ESF			DAMPER, Crankshaft
4	04891720AA	1	D		22	ESF			PULLEY, Idler
5	04593817AB	1	D		22	ESF			TENSIONER, Belt
6	06507479AA	3	D		22	ESF			BOLT AND WASHER, Hex Head, M8x1.25x20.00
7	04892093AA	1	D		22	ESF			PULLEY, Power Steering Pump
8	06101695	1	D		22	ESF			NUT, Hex Flange Lock, M8X1.25
9	06507394AA	3	D		22				SCREW, Alternator
10	04892047AA	1	D		22	ESF			STRUT, Alternator Bracket
11	05037542AA	1	D		22	ESF			BELT, Serpentine
12	05037542AA	1							CAP, Serviced in Engine Harness only, (NOT SERVICED)
13	06502720	1	D		22				NUT, Hex Flange Lock, M8x1.25



**DODGE CHALLENGER (LC)**  
 SERIES            LINE  
 X = SPECIAL    D = DODGE

BODY  
 22 = 2-DR SEDAN TYPE #2

ENGINE  
 ESF = 6.1L SRT HEMI SMPI V8 Engine

TRANSMISSION  
 DGJ = 5-Speed Auto W5A580 Transmission

AR = use ase required    - = Non illustrated part

2008 LC

**Front Wiper System  
Figure 8-305**

ITEM	PART NUMBER	QTY	LINE	SERIES	BODY	ENGINE	TRANS	TRIM	DESCRIPTION
1	68044160AA	1	D		22				ARM, Front WiperRight
2	68044161AA	1	D		22				ARM, Front WiperLeft
3									BLADE, Front Wiper
	68044162AA	1	D		22				Right
	68044163AA	1	D		22				Left
4	06504954AA	2	D		22				NUT AND WASHER, Hex, M10X1.25
5	04630783	2	D		22				CAP, Wiper Arm
6	68044165AA	1	D		22				PIVOT AND LINKAGE, Wiper
7	68044164AA	1	D		22				MOTOR KIT, Windshield Wiper
8	06507942AA	1	D		22				SCREW, Hex Head, M6X1X31
9	06507943AA	1	D		22				SCREW, Hex Head, M6X1X31
10	05028757AA	1	D		22				SCREEN, Cowl Top
11	06506293AA	6	D		22				PIN, Push
12	05112056AA	1	D		22				BRACKET, Wiper Motor
13	06508265AA	2	D		22				SCREW AND WASHER, Self Tapping, M6x1x22

**DODGE CHALLENGER (LC)**

SERIES      LINE  
X = SPECIAL    D = DODGE

BODY  
22 = 2-DR SEDAN TYPE #2

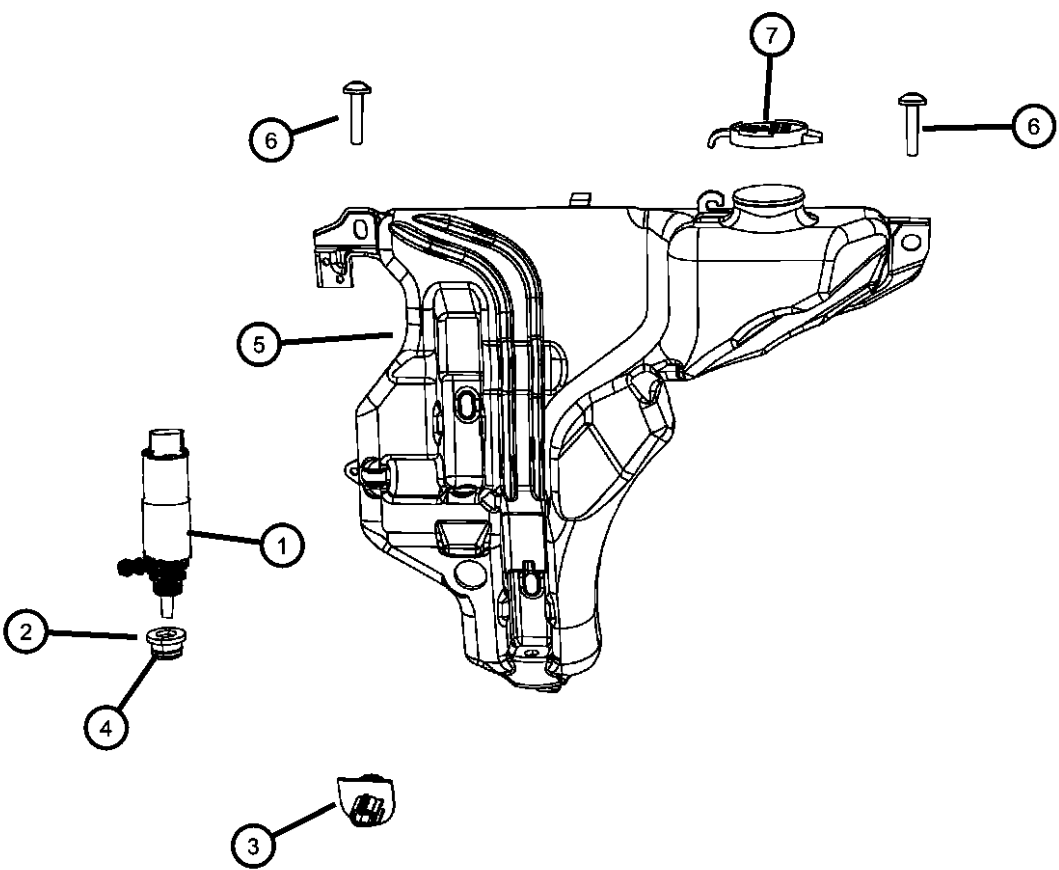
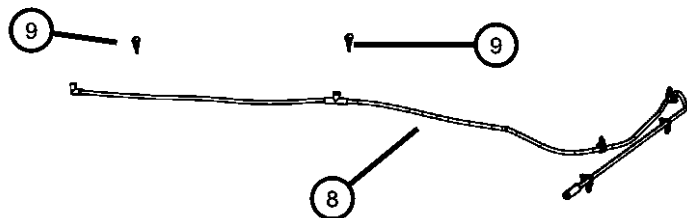
ENGINE  
ESF = 6.1L SRT HEMI SMPI V8 Engine

TRANSMISSION  
DGJ = 5-Speed Auto W5A580 Transmission

AR = use ase required    - = Non illustrated part

**Front Washer System  
Figure 8-310**

ITEM	PART NUMBER	QTY	LINE	SERIES	BODY	ENGINE	TRANS	TRIM	DESCRIPTION
1	05139113AA	1	D		22				PUMP, Windshield Washer, Single Outlet
2	05102254AA	1	D		22				GROMMET, Washer Pump
3	05139115AA	1	D		22				SENSOR, Washer Fluid Level
4	05139116AA	1	D		22				GROMMET, Washer Level Sensor
5	05170706AA	1	D		22				RESERVOIR, Windshield Washer
6	06034716	3	D		22				SCREW AND WASHER, Hex Flange Head, .25-14x.875
7	05096347AA	1	D		22				CAP, Washer Reservoir
8	04805741AE	1	D		22				HOSE AND CONNECTOR, Windshield Washer
9	68024312AB	2	D	X	22				NOZZLE, Windshield washer



**DODGE CHALLENGER (LC)**  
 SERIES      LINE  
 X = SPECIAL    D = DODGE

BODY  
 22 = 2-DR SEDAN TYPE #2

ENGINE  
 ESF = 6.1L SRT HEMI SMPI V8 Engine

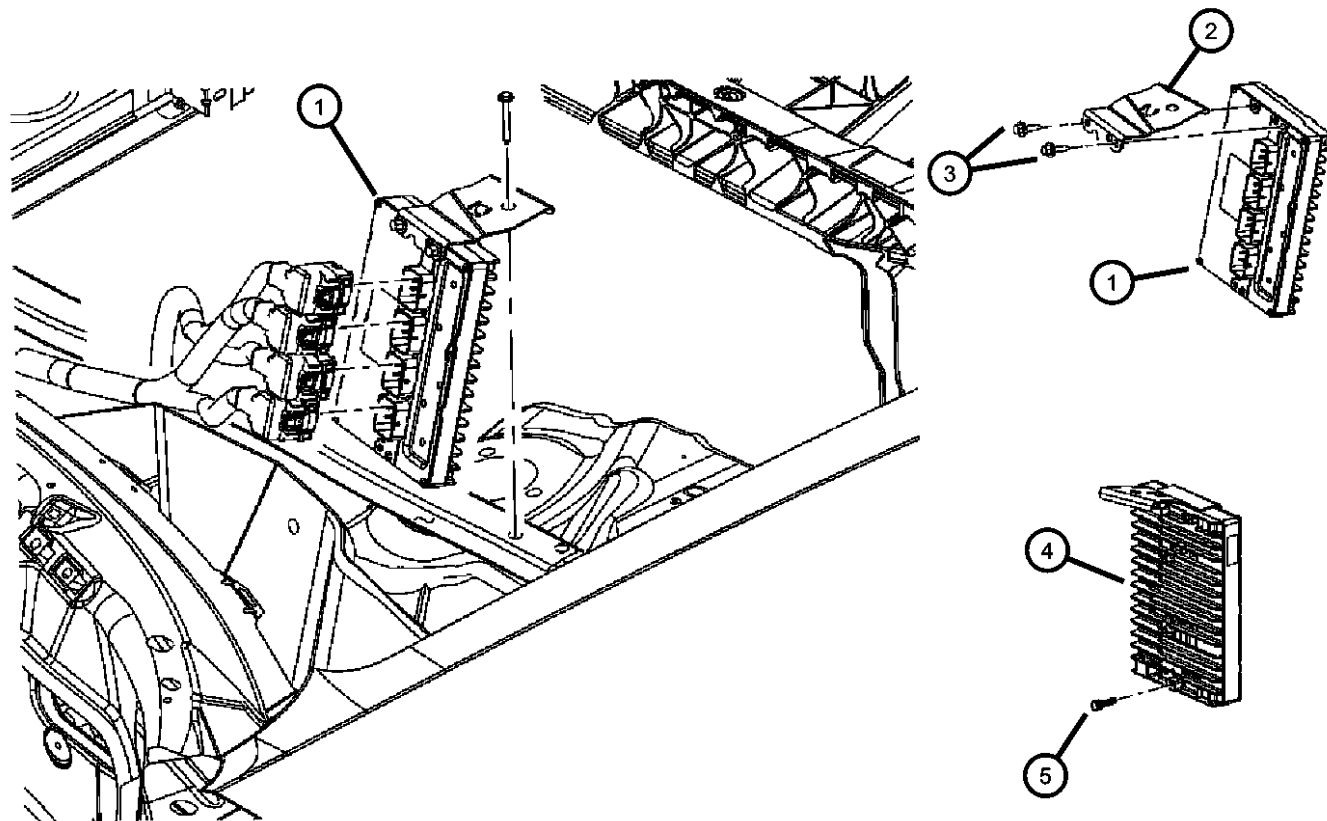
TRANSMISSION  
 DGJ = 5-Speed Auto W5A580 Transmission

AR = use ase required    - = Non illustrated part

2008 LC

**Modules Engine Compartment  
Figure 8-405**

ITEM	PART NUMBER	QTY	LINE	SERIES	BODY	ENGINE	TRANS	TRIM	DESCRIPTION
1	05150310AC	1	D		22	ESF	DGJ		MODULE, Powertrain Control, Generic
2	04606696AB	1	D		22	ESF			BRACKET, Powertrain Control Module
3	06102141AA	2	D		22				SCREW, Hex Head, M6X1.00X25.00
4	05150186AE	1	D		22		DGJ		MODULE, Transmission Control
5	05187883AA	1	D		22				PLUG
-6									COVER, Wiring Protector
	05037534AB	1	D		22	ESF			Right
	05037535AB	1	D		22	ESF			Left



**DODGE CHALLENGER (LC)**  
 SERIES      LINE  
 X = SPECIAL    D = DODGE

BODY  
 22 = 2-DR SEDAN TYPE #2

ENGINE  
 ESF = 6.1L SRT HEMI SMPI V8 Engine

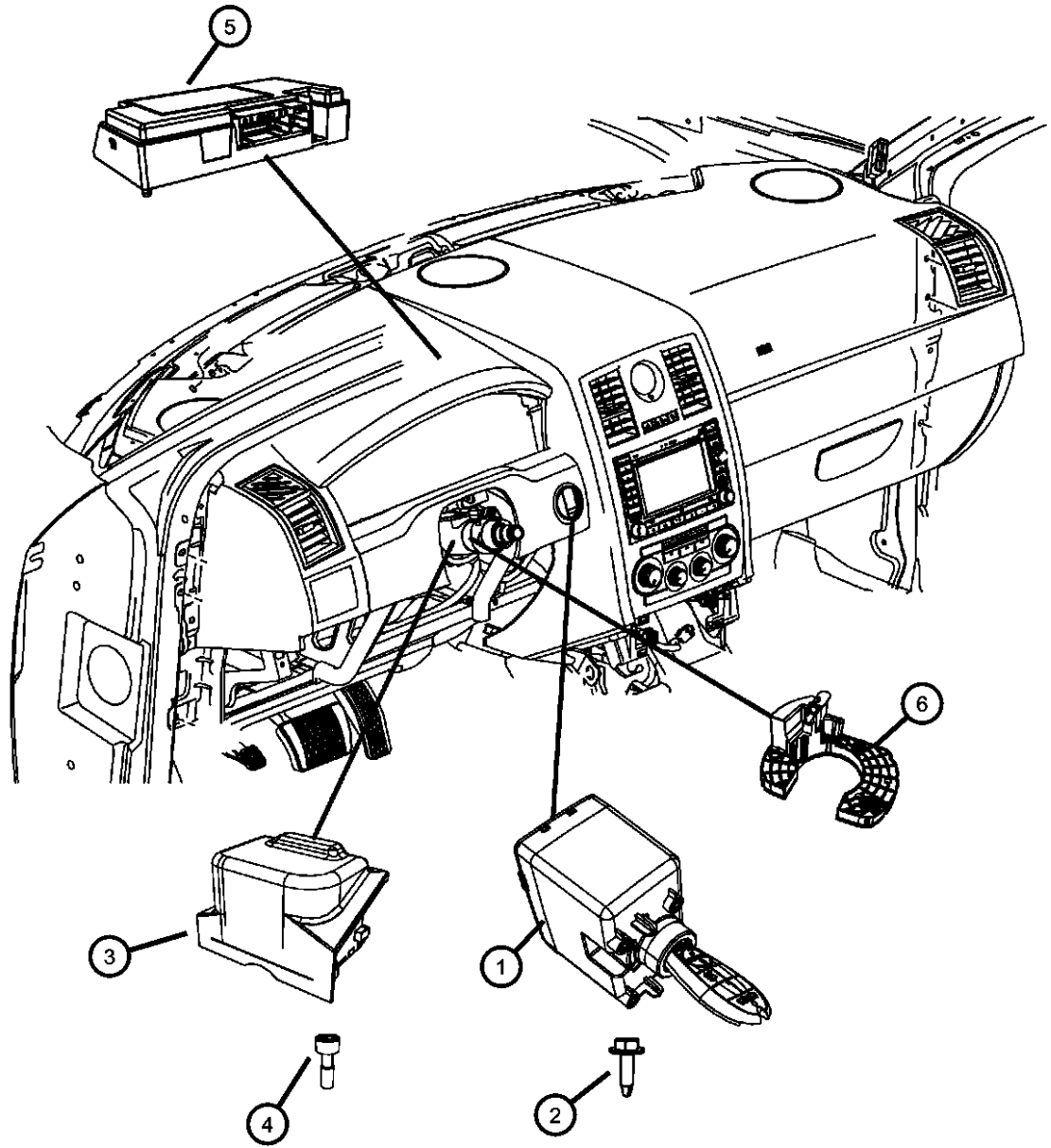
TRANSMISSION  
 DGJ = 5-Speed Auto W5A580 Transmission

AR = use ase required    - = Non illustrated part

2008 LC

Modules Instrument Panel  
Figure 8-410

ITEM	PART NUMBER	QTY	LINE	SERIES	BODY	ENGINE	TRANS	TRIM	DESCRIPTION
1	05026364AB	1	D		22				RECEIVER, Wireless Ignition Node
2	06101945	4	D		23				SCREW, Hex Flange Head, M4.2X1.70X15.00
3	05026443AB	1	D		22				MODULE, Passive Entry
4	05026443AB	1							SCREW, Cap Head, M5X0.8X16.25, (NOT SERVICED)
5	05064448AE	1	D		22				MODULE, Telematics
6	68034920AA	1	D		22				MODULE, INTERFACE



**DODGE CHALLENGER (LC)**  
 SERIES      LINE  
 X = SPECIAL    D = DODGE

BODY  
 22 = 2-DR SEDAN TYPE #2

ENGINE  
 ESF = 6.1L SRT HEMI SMPI V8 Engine

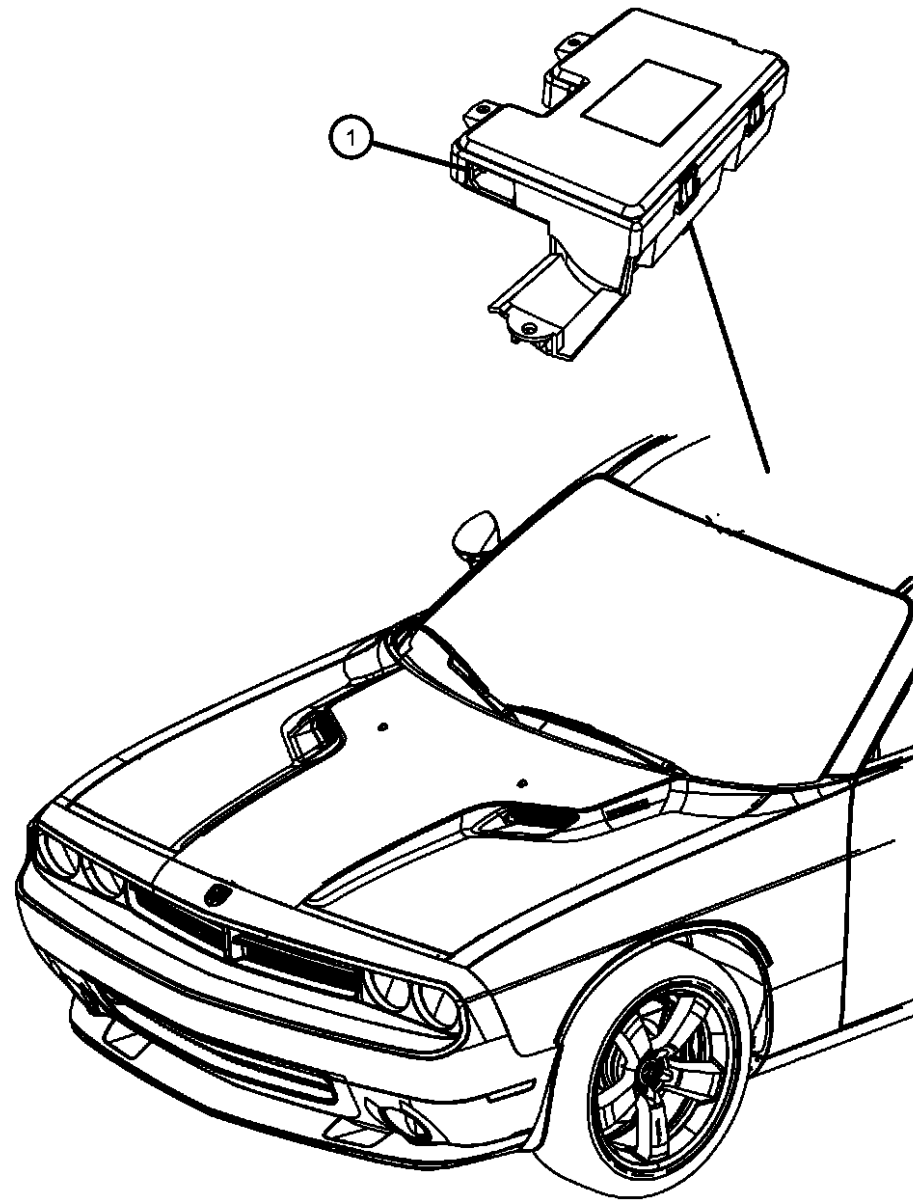
TRANSMISSION  
 DGJ = 5-Speed Auto W5A580 Transmission

AR = use ase required    - = Non illustrated part

2008 LC

Modules Overhead  
Figure 8-415

ITEM	PART NUMBER	QTY	LINE	SERIES	BODY	ENGINE	TRANS	TRIM	DESCRIPTION
1	1HT94XDVAA	1	D		22				MODULE, Compass Temperature, W/Garage Door Opener



**DODGE CHALLENGER (LC)**  
 SERIES LINE  
 X = SPECIAL D = DODGE

BODY  
 22 = 2-DR SEDAN TYPE #2

ENGINE  
 ESF = 6.1L SRT HEMI SMPI V8 Engine

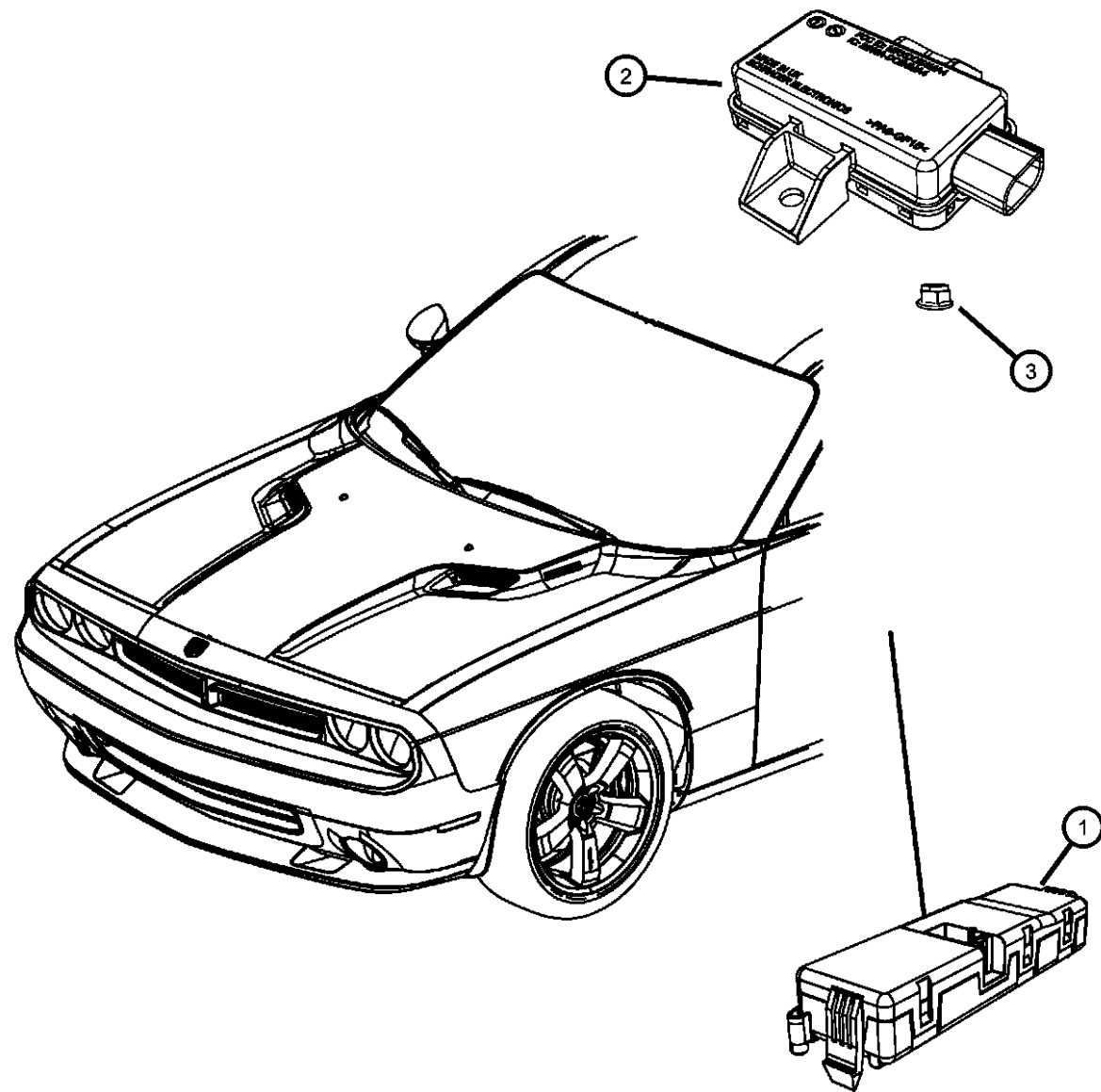
TRANSMISSION  
 DGJ = 5-Speed Auto W5A580 Transmission

AR = use ase required - = Non illustrated part

2008 LC

Modules Body  
Figure 8-420

ITEM	PART NUMBER	QTY	LINE	SERIES	BODY	ENGINE	TRANS	TRIM	DESCRIPTION
1	04602670AD	1	D		22				MODULE, Heated Seat Control
2	56029467AB	1	D		22				MODULE, Low Tire Pressure Warning
3	06104715AA	2	D		23				NUT, Hex Flange Lock, M6X1.00



**DODGE CHALLENGER (LC)**  
 SERIES      LINE  
 X = SPECIAL    D = DODGE

BODY  
 22 = 2-DR SEDAN TYPE #2

ENGINE  
 ESF = 6.1L SRT HEMI SMPI V8 Engine

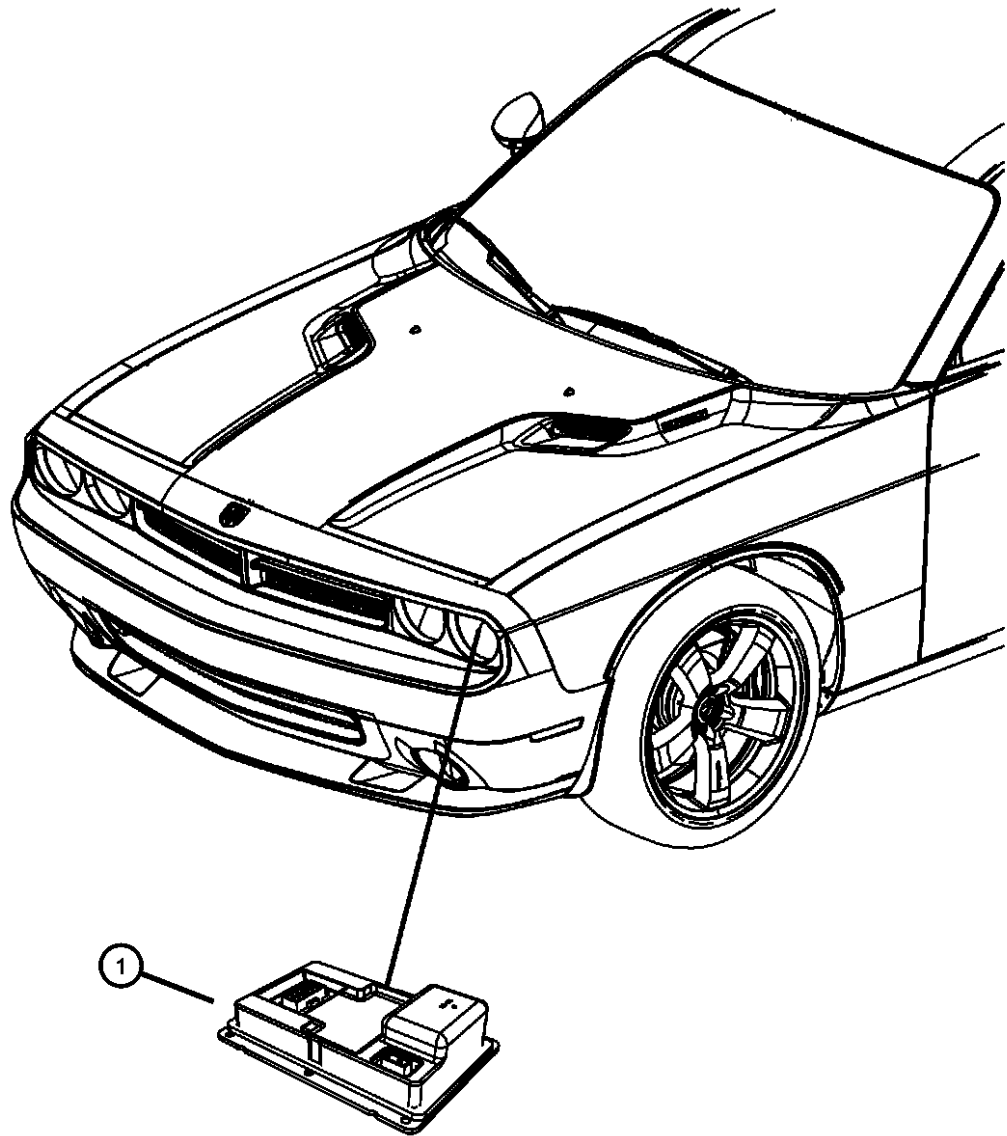
TRANSMISSION  
 DGJ = 5-Speed Auto W5A580 Transmission

AR = use ase required - = Non illustrated part

2008 LC

Modules Lighting  
Figure 8-425

ITEM	PART NUMBER	QTY	LINE	SERIES	BODY	ENGINE	TRANS	TRIM	DESCRIPTION
1	68033739AA	1	D		22				MODULE, HID Ballast



**DODGE CHALLENGER (LC)**  
 SERIES            LINE  
 X = SPECIAL    D = DODGE

BODY  
 22 = 2-DR SEDAN TYPE #2

ENGINE  
 ESF = 6.1L SRT HEMI SMPI  
 V8 Engine

TRANSMISSION  
 DGJ = 5-Speed Auto W5A580  
 Transmission

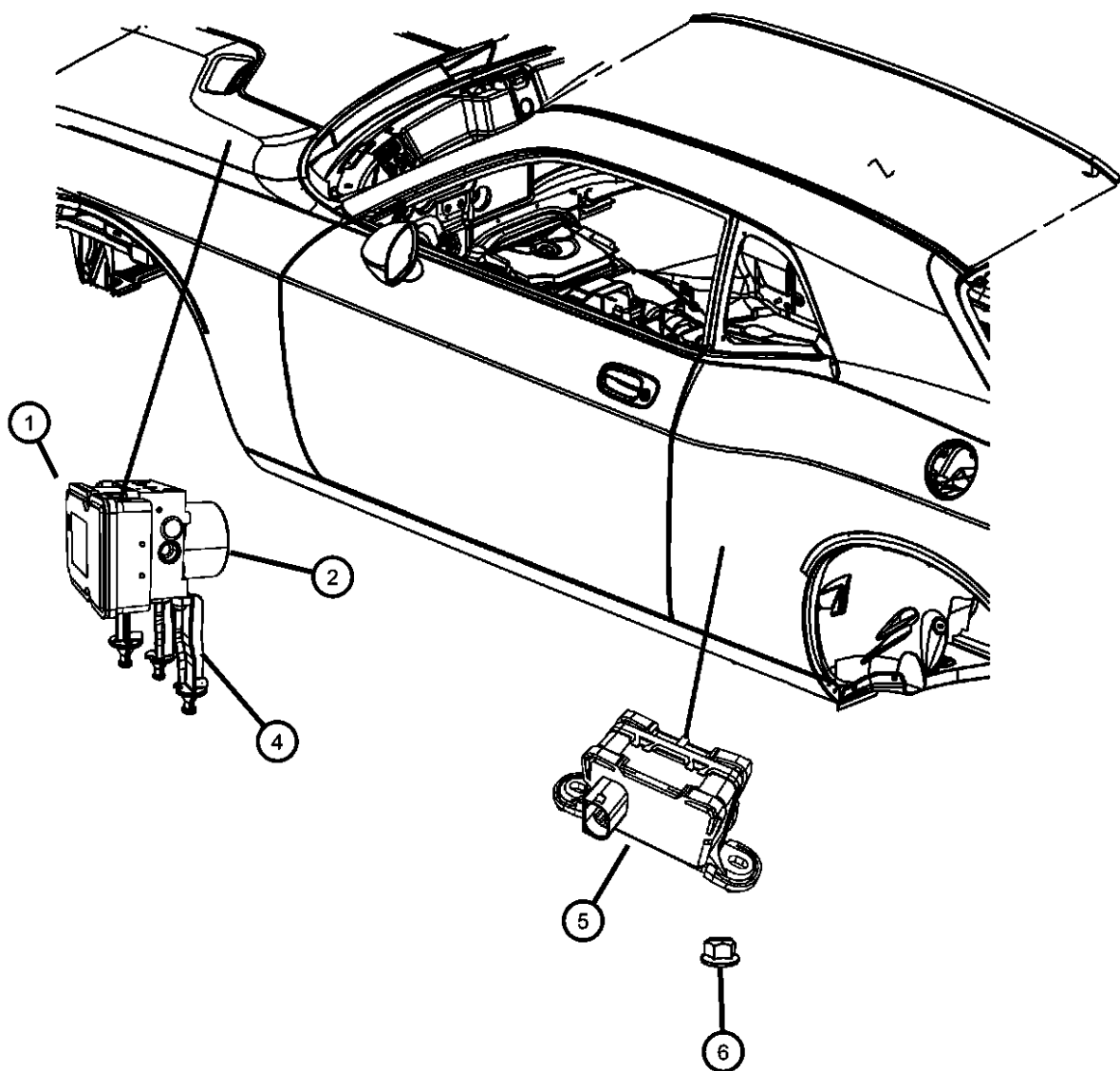
AR = use ase required - = Non illustrated part

2008 LC



**Modules Brakes, Suspension and Steering**  
**Figure 8-430**

ITEM	PART NUMBER	QTY	LINE	SERIES	BODY	ENGINE	TRANS	TRIM	DESCRIPTION
1	68045682AA	1	D		22	ES0	DGJ		MODULE, Anti-Lock Brake System
2	68028990AA	1	D		22				HYDRAULIC CONTROL UNIT, Anti-Lock Brake System
-3	68020717AA	12	D		22				SEAL, ECU Coil Seal
4	05175604AA	1	D		22				BRACKET, Control Unit
5	56029328AB	1	D		23				MODULE, Electronic Stability
6	06101447	2	D		22				NUT AND WASHER, M6x1.00



**DODGE CHALLENGER (LC)**  
 SERIES      LINE  
 X = SPECIAL    D = DODGE

BODY  
 22 = 2-DR SEDAN TYPE #2

ENGINE  
 ESF = 6.1L SRT HEMI SMPI V8 Engine

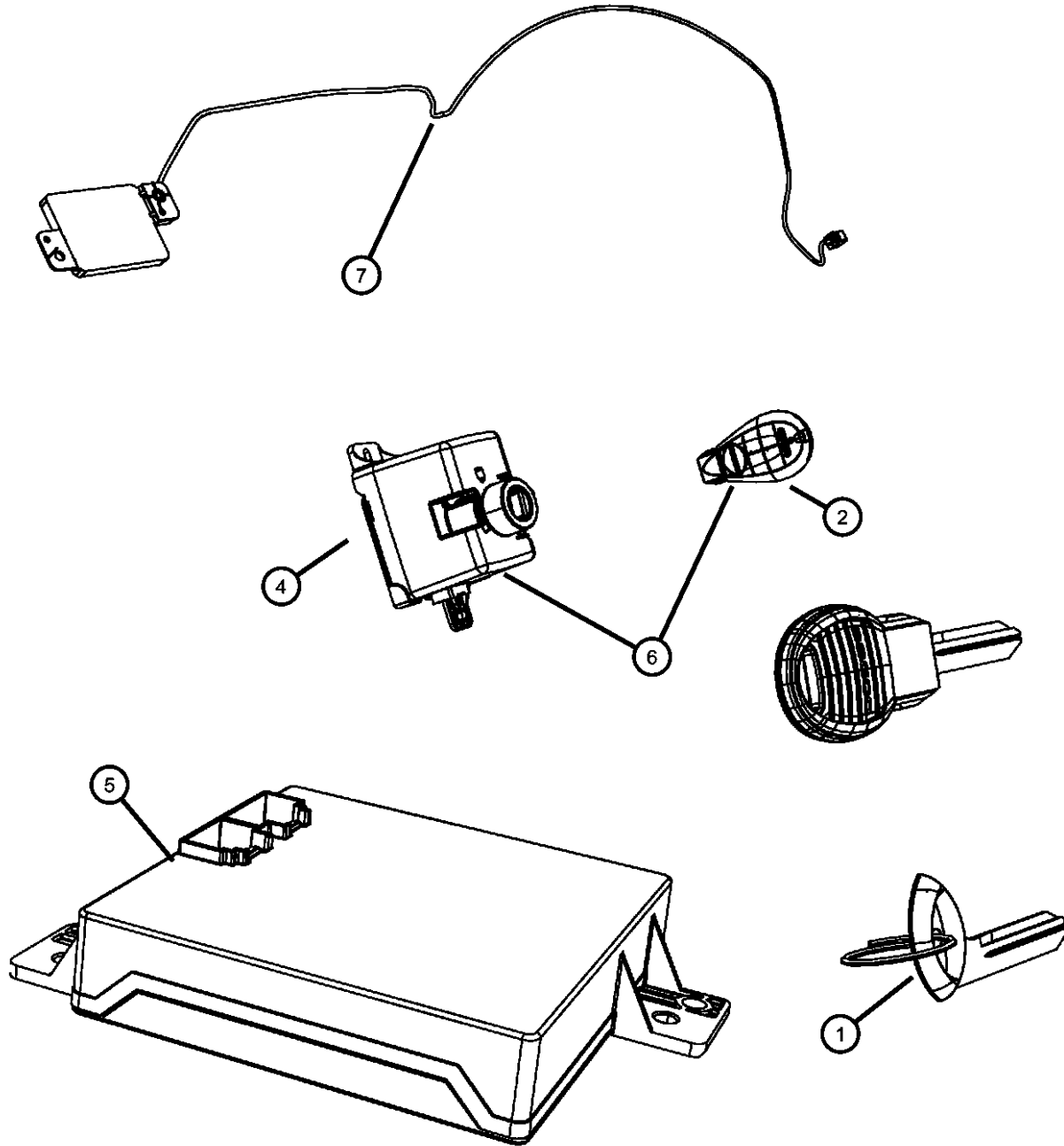
TRANSMISSION  
 DGJ = 5-Speed Auto W5A580 Transmission

AR = use ase required    - = Non illustrated part

2008 LC

**Receiver Modules, Keys and Key FOBS**  
**Figure 8-435**

ITEM	PART NUMBER	QTY	LINE	SERIES	BODY	ENGINE	TRANS	TRIM	DESCRIPTION
1	68029829AA	2	D		22				KEY, Blank
2	05026567AB	2	D		22				TRANSMITTER, Integrated Key FOB
-3	05066241AA	2	D		22				BATTERY, Transmitter
4	05026364AB	1	D		22				RECEIVER, Wireless Ignition Node
5	05026443AB	1	D		22				MODULE, Passive Entry
6	68044078AA	2	D		22				TRANSMITTER KIT, Integrated Key FOB
7	05026444AA	1	D		22				ANTENNA, Keyless Entry



**DODGE CHALLENGER (LC)**  
 SERIES      LINE  
 X = SPECIAL    D = DODGE

BODY  
 22 = 2-DR SEDAN TYPE #2

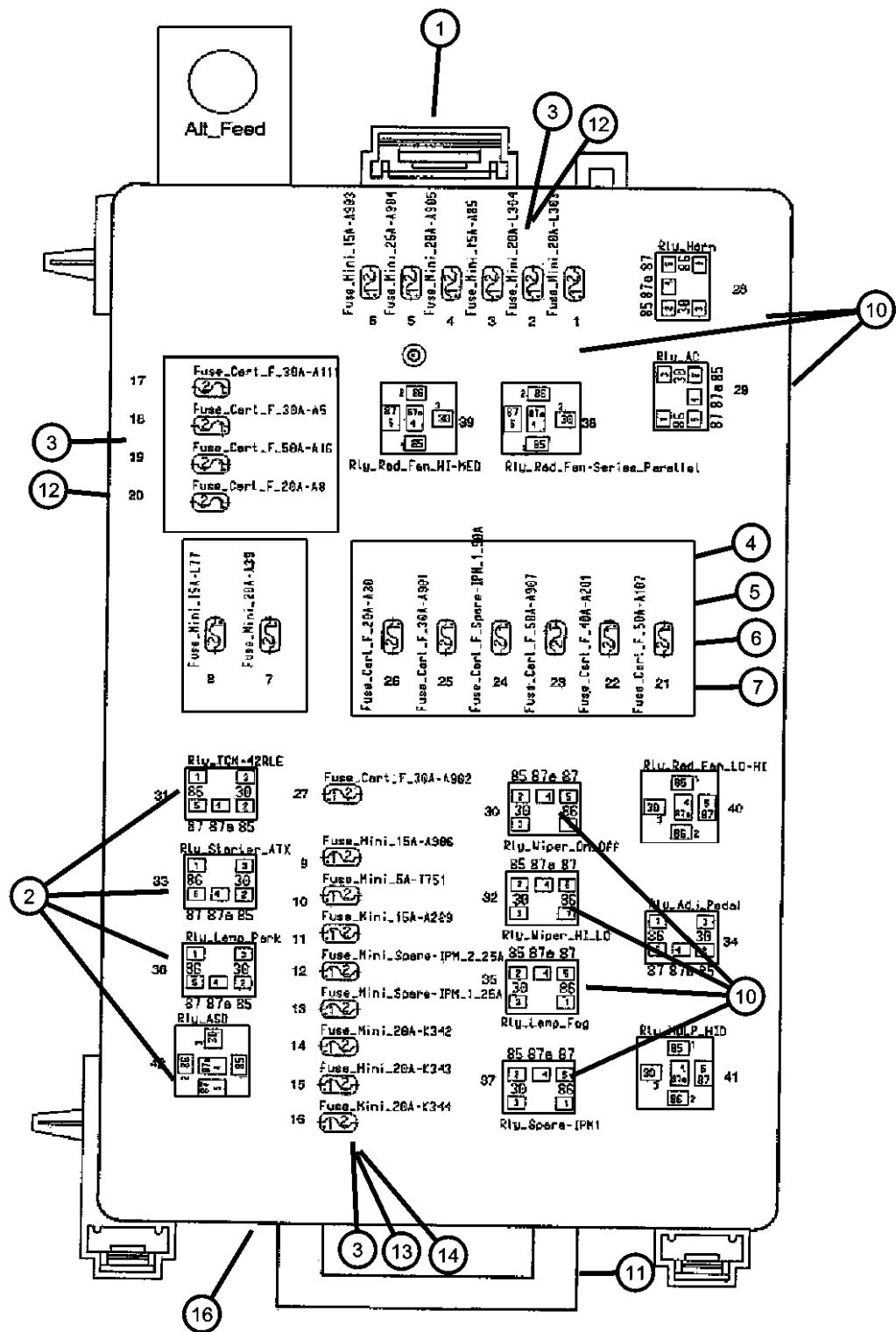
ENGINE  
 ESF = 6.1L SRT HEMI SMPI V8 Engine

TRANSMISSION  
 DGJ = 5-Speed Auto W5A580 Transmission

AR = use ase required    - = Non illustrated part

2008 LC

Power Distribution Center Front Under Hood  
Figure 8-505



ITEM	PART NUMBER	QTY	LINE	SERIES	BODY	ENGINE	TRANS	TRIM	DESCRIPTION
1	04692270AD	1	D		22				BLOCK, Fuse
2	04727370AA	1	D		22				RELAY, Mini
3	000ATM20	5	D		22				FUSE, Mini, 20 AMP, Yellow
4	04868007AA	1	D		22				FUSE CARTRIDGE, 30 Amp
5	04868008AA	1	D		22				FUSE CARTRIDGE, 40 Amp
6	04868009AA	1	D		22				FUSE CARTRIDGE, 50 Amp
7	06102075AA	2	D		22				FUSE CARTRIDGE, 20 Amp
-8	04607125AB	1	D		22				BRACKET, Power Distribution Center
-9	68044658AA	1	D		22				COVER, Fuseblock
10	05269988AA	1	D		22				RELAY, Mini
11	05269988AA	1	D		22				MODULE, Front Control, (NOT SERVICED)
12	05269988AA	1	D		22				FUSE, Mini, 25 Amp, Natural, (NOT SERVICED)
13	0000ATM5	3	D		22				FUSE, Mini, 5 Amp, Tan
14	0000ATM10	2	D		22				FUSE, Mini, 10 AMP, Red
-15	68049183AA	1	D		22				COVER, Power Distribution Center
16	04692170AE	1	D		22				POWER DISTRIBUTION CENTER

DODGE CHALLENGER (LC)  
SERIES LINE  
X = SPECIAL D = DODGE

BODY  
22 = 2-DR SEDAN TYPE #2

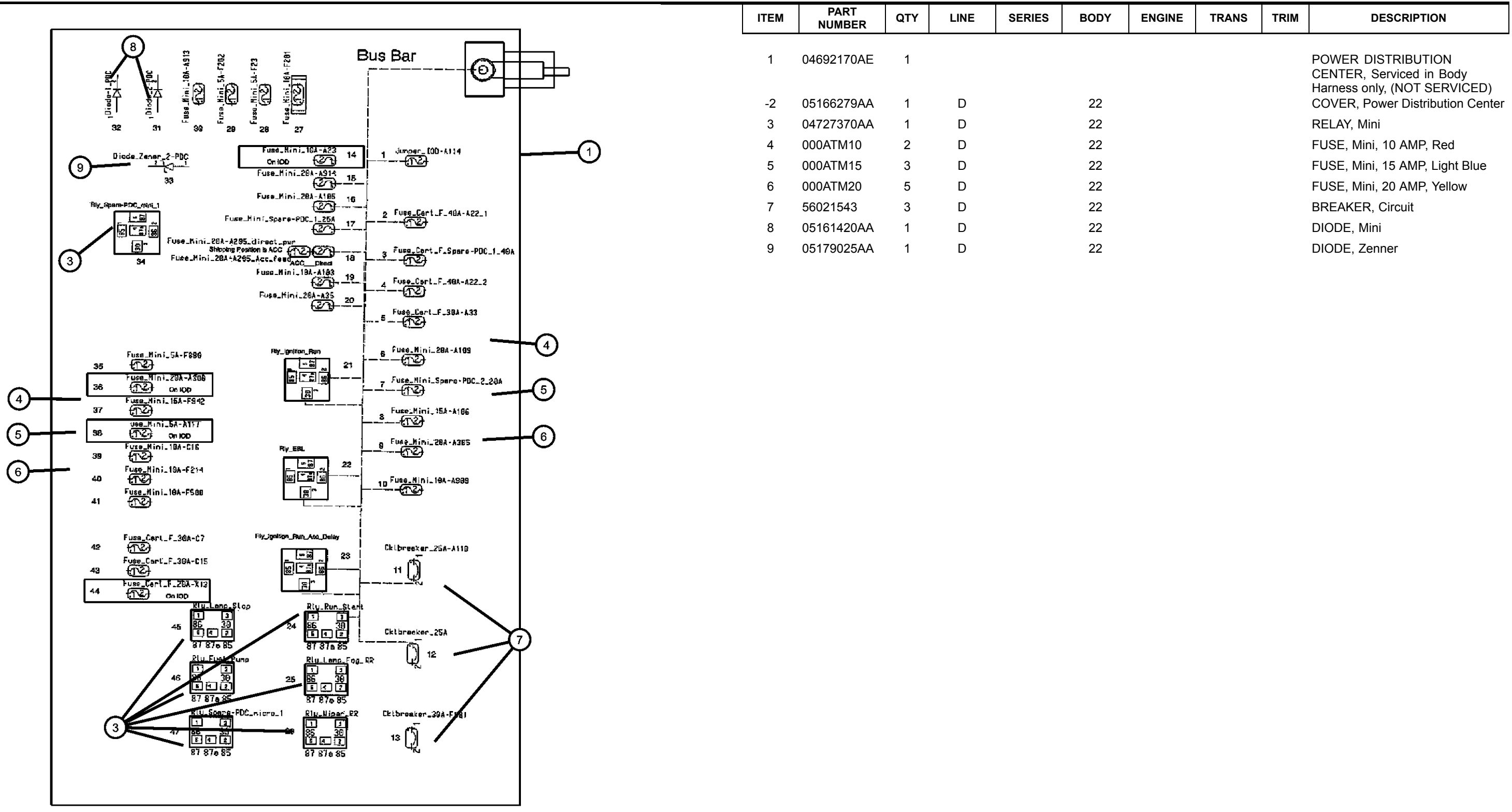
ENGINE  
ESF = 6.1L SRT HEMI SMPI V8 Engine

TRANSMISSION  
DGJ = 5-Speed Auto W5A580 Transmission

AR = use ase required - = Non illustrated part

2008 LC

**Power Distribution Center Rear Trunk Area**  
**Figure 8-506**



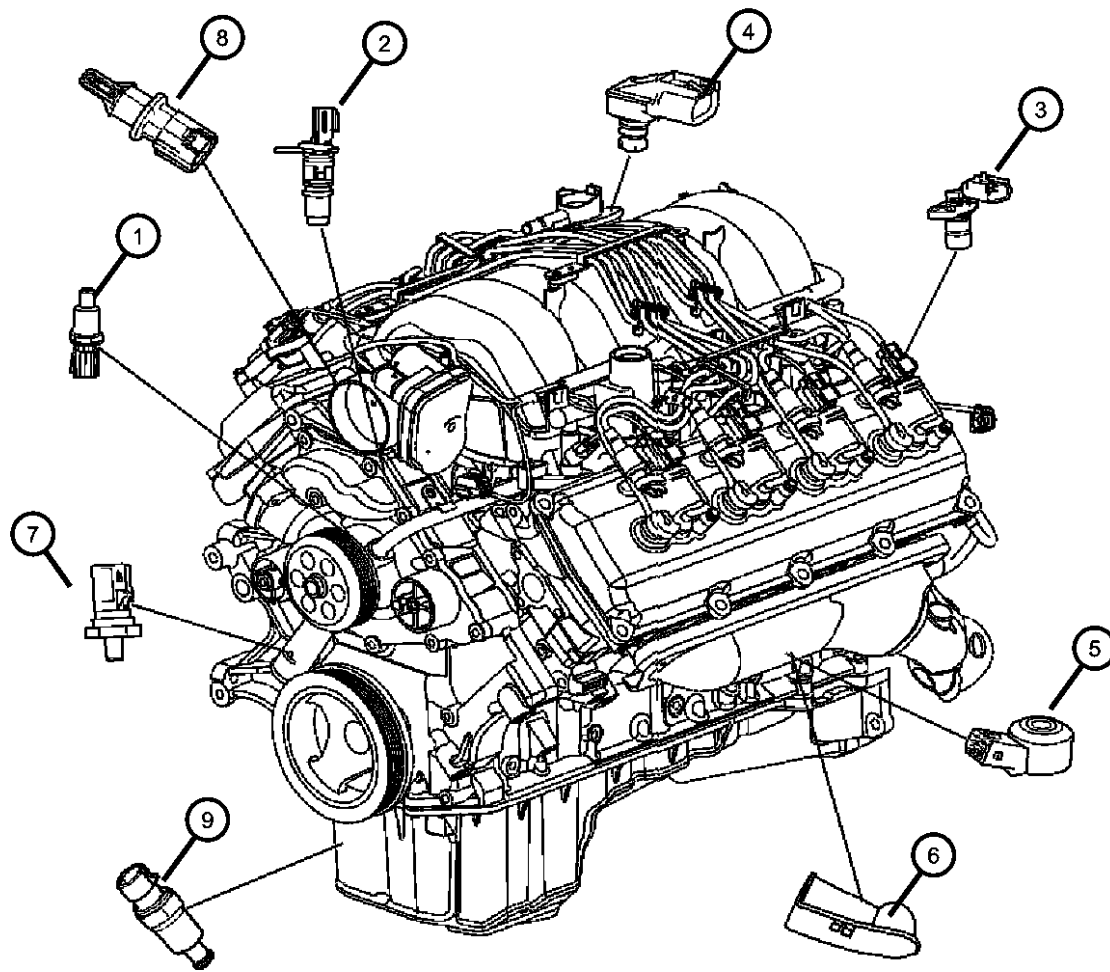
ITEM	PART NUMBER	QTY	LINE	SERIES	BODY	ENGINE	TRANS	TRIM	DESCRIPTION
1	04692170AE	1							POWER DISTRIBUTION CENTER, Serviced in Body Harness only, (NOT SERVICED) COVER, Power Distribution Center
-2	05166279AA	1	D		22				RELAY, Mini
3	04727370AA	1	D		22				FUSE, Mini, 10 AMP, Red
4	000ATM10	2	D		22				FUSE, Mini, 15 AMP, Light Blue
5	000ATM15	3	D		22				FUSE, Mini, 20 AMP, Yellow
6	000ATM20	5	D		22				BREAKER, Circuit
7	56021543	3	D		22				DIODE, Mini
8	05161420AA	1	D		22				DIODE, Zenner
9	05179025AA	1	D		22				

**DODGE CHALLENGER (LC)**  
 SERIES LINE BODY ENGINE TRANSMISSION  
 X = SPECIAL D = DODGE 22 = 2-DR SEDAN TYPE #2 ESF = 6.1L SRT HEMI SMPI V8 Engine DGJ = 5-Speed Auto W5A580 Transmission

AR = use ase required - = Non illustrated part

**Sensors, Gas Engine**  
**Figure 8-605**

ITEM	PART NUMBER	QTY	LINE	SERIES	BODY	ENGINE	TRANS	TRIM	DESCRIPTION
1	05149077AB	1	D		22	ESF			SENSOR, Coolant Temperature, Engine coolant temp
2	05149054AA	1	D		22	ESF			SENSOR, Camshaft
3									SENSOR, Crankshaft Position
	05149009AA	1	D		22	ESF			Up to 06/16/08
	05149009AB	1	D		22	ESF			After 06/16/08
4	56041018AD	1	D		22	ESF			SENSOR, MAP
5	05033316AA	2	D		22	ESF			SENSOR, Knock
6	05094164AB	2	D		22	ESF			SHIELD, Heat
7	05149062AA	1	D		22	ESF			SENDING UNIT, Oil Pressure
8	04606487AB	1	D		22	ESF			SENSOR, Charge Air Temp
9	05149077AB	1	D		22	ESF			SENSOR, Coolant Temperature, Engine oil temp



**DODGE CHALLENGER (LC)**  
 SERIES      LINE  
 X = SPECIAL    D = DODGE

BODY  
 22 = 2-DR SEDAN TYPE #2

ENGINE  
 ESF = 6.1L SRT HEMI SMPI V8 Engine

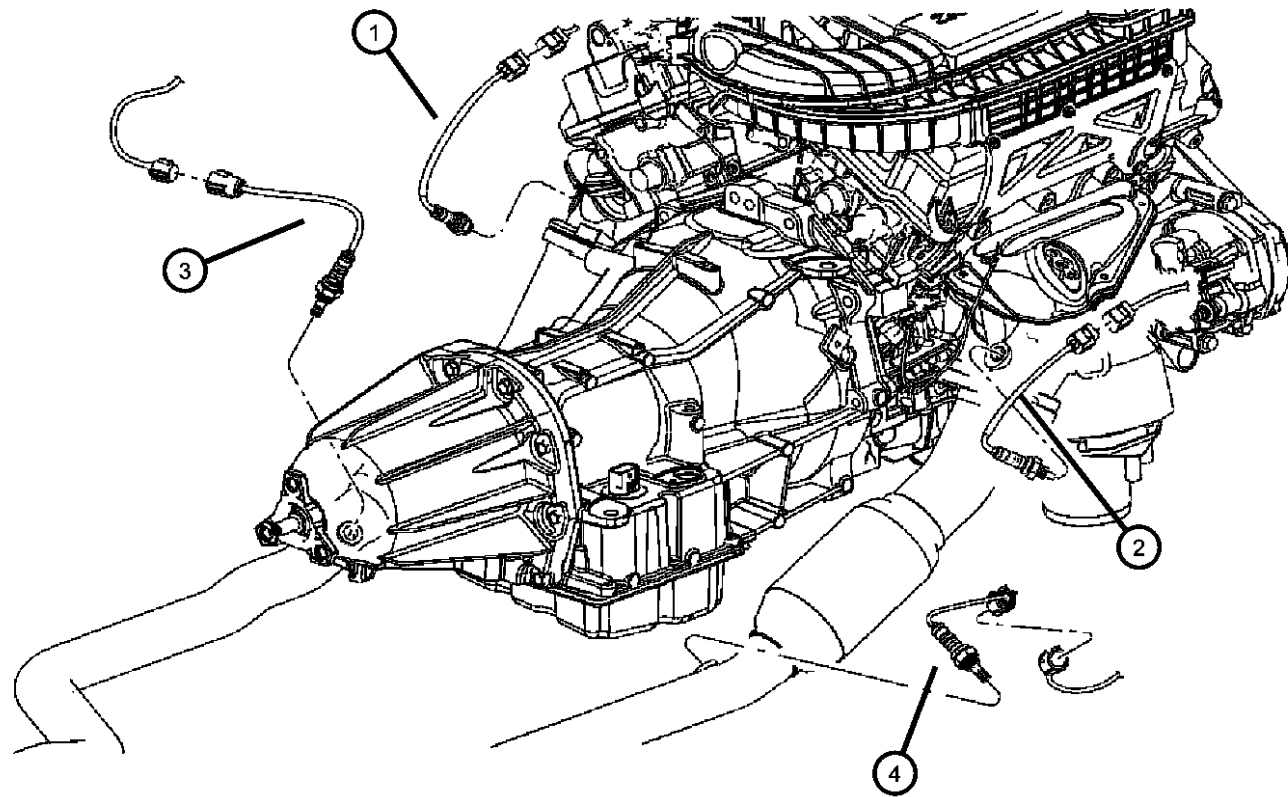
TRANSMISSION  
 DGJ = 5-Speed Auto W5A580 Transmission

AR = use ase required    - = Non illustrated part

2008 LC

**Sensors Oxygen Gas**  
**Figure 8-615**

ITEM	PART NUMBER	QTY	LINE	SERIES	BODY	ENGINE	TRANS	TRIM	DESCRIPTION
1	56029049AA	1	D		22	ESF			SENSOR, OxygenLeft, Before Catalyst
2	56029049AA	1	D		22	ESF			SENSOR, OxygenRight, Before Catalyst
3	56029049AA	1	D		22	ESF			SENSOR, OxygenLeft, After Catalyst
4	56029049AA	1	D		22	ESF			SENSOR, OxygenRight, After Catalyst



**DODGE CHALLENGER (LC)**  
 SERIES      LINE  
 X = SPECIAL    D = DODGE

BODY  
 22 = 2-DR SEDAN TYPE #2

ENGINE  
 ESF = 6.1L SRT HEMI SMPI V8 Engine

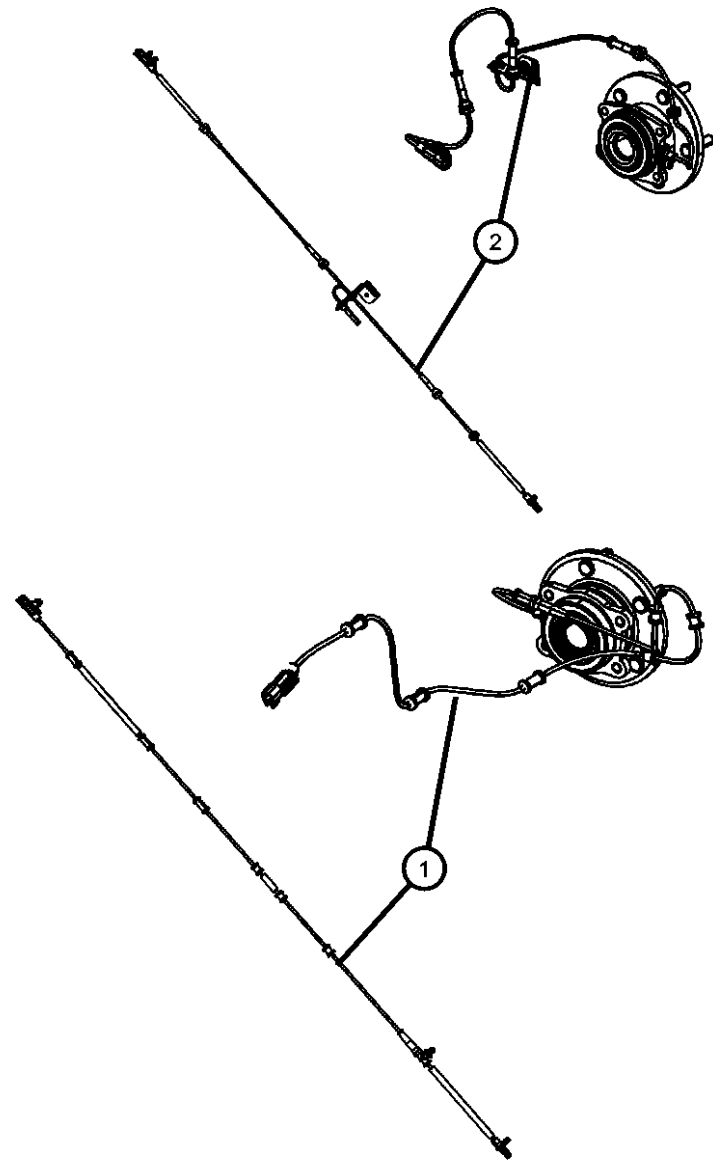
TRANSMISSION  
 DGJ = 5-Speed Auto W5A580 Transmission

AR = use ase required    - = Non illustrated part

2008 LC

Sensors Brakes  
Figure 8-625

ITEM	PART NUMBER	QTY	LINE	SERIES	BODY	ENGINE	TRANS	TRIM	DESCRIPTION
1	04779244AD	2	D		22				SENSOR, Anti-Lock BrakesFront
2	04779456AB	1	D		22	ES0			SENSOR, Anti-Lock Brakes Right Rear
	04779457AB	1	D		22	ES0			Left Rear



DODGE CHALLENGER (LC)  
SERIES LINE  
X = SPECIAL D = DODGE

BODY  
22 = 2-DR SEDAN TYPE #2

ENGINE  
ESF = 6.1L SRT HEMI SMPI V8 Engine

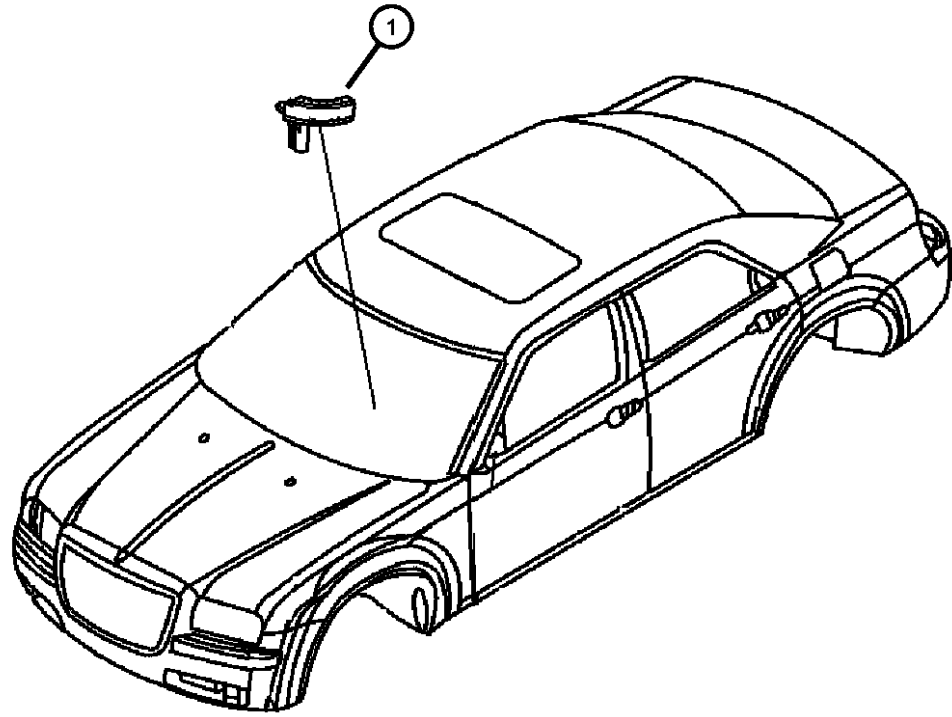
TRANSMISSION  
DGJ = 5-Speed Auto W5A580 Transmission

AR = use ase required - = Non illustrated part

2008 LC

Sensors Suspension and Steering  
Figure 8-630

ITEM	PART NUMBER	QTY	LINE	SERIES	BODY	ENGINE	TRANS	TRIM	DESCRIPTION
1	05135969AA	1	D		22				SENSOR, Steering Wheel Angle



**DODGE CHALLENGER (LC)**  
 SERIES      LINE  
 X = SPECIAL    D = DODGE

BODY  
 22 = 2-DR SEDAN TYPE #2

ENGINE  
 ESF = 6.1L SRT HEMI SMPI V8 Engine

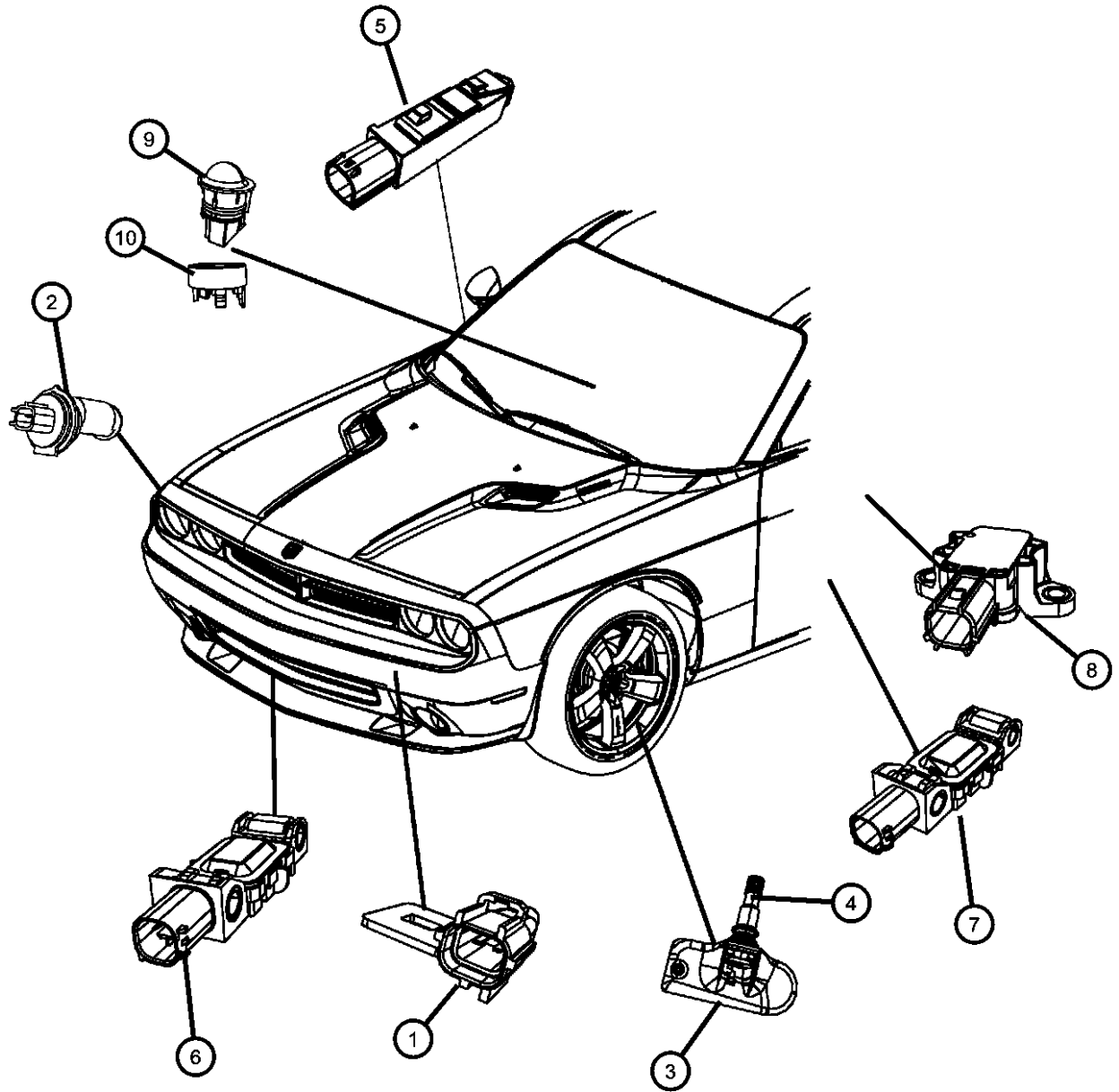
TRANSMISSION  
 DGJ = 5-Speed Auto W5A580 Transmission

AR = use ase required - = Non illustrated part

2008 LC



Sensors Body  
Figure 8-635



ITEM	PART NUMBER	QTY	LINE	SERIES	BODY	ENGINE	TRANS	TRIM	DESCRIPTION
1	56042395	1	D		22				SENSOR, Ambient Temperature
2	05139115AA	1	D		22				SENSOR, Washer Fluid Level
3	56029400AB	2	D		22				SENSOR, Tire Pressure
4	68020719AA	2	D		22				HARDWARE KIT, Mounting NUT, TPM RETAINING WASHER, SEAL SUPPORT CAP, VALVE STEM, BLACK CAP, VALVE STEM, GREY SEAL, TPM TO WHEEL RIM, VALVE CORE
	68020722AA	2	D		22				CAP, VALVE STEM, BLACKCAP, VALVE STEM, GREY VALVE CORE, TPM INSTRUCTION SHEET
	68020724AA	2	D		22				VALVE STEM SEAL, TPM TO WHEEL RIM, VALVE CORE, TPM INSTRUCTION SHEET
5	56054036AA	2	D	X	22				SENSOR, Seat Position
6	04896173AA	2	D		22				SENSOR, ImpactFront
7	04671779AC	2	D		22				SENSOR, ImpactSide
8	04896086AA	2	D		22				SENSOR, Air Bag, Side Impact
9	55111903AB	1	D		22				SENSOR, Sun
10	1EJ31XDVAC	1	D		22				BEZEL, Sensor

DODGE CHALLENGER (LC)  
SERIES LINE  
X = SPECIAL D = DODGE

BODY  
22 = 2-DR SEDAN TYPE #2

ENGINE  
ESF = 6.1L SRT HEMI SMPI  
V8 Engine

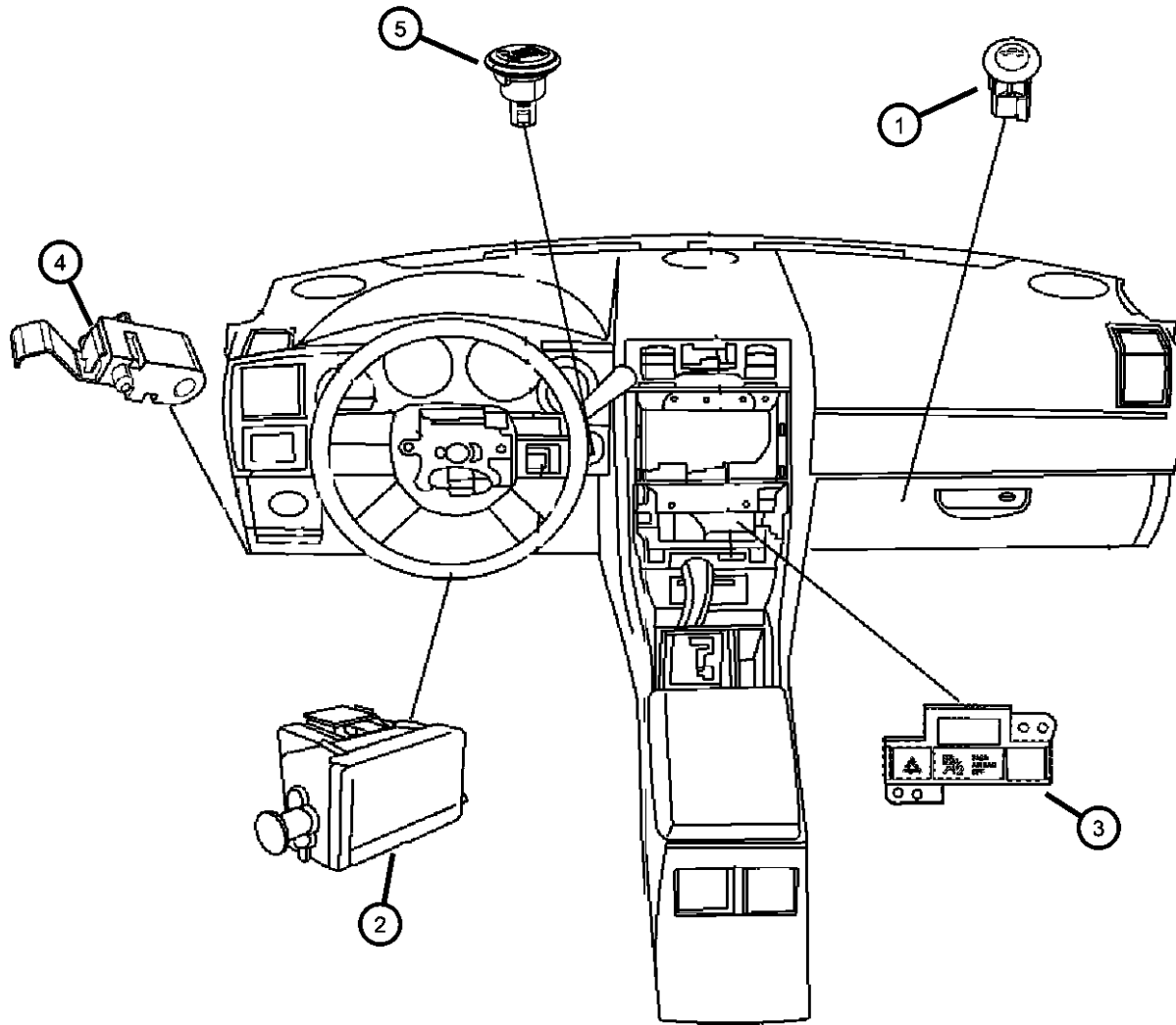
TRANSMISSION  
DGJ = 5-Speed Auto W5A580  
Transmission

AR = use ase required - = Non illustrated part

2008 LC

**Switches Instrument Panel**  
**Figure 8-805**

ITEM	PART NUMBER	QTY	LINE	SERIES	BODY	ENGINE	TRANS	TRIM	DESCRIPTION
1	04760847AC	1	D		22				SWITCH, Deck Lid Release
2	04671336AB	1	D		22				SWITCH, Stop Lamp
3									SWITCH, Instrument Panel
	04602453AG	1	D		22				[BNP]
	04602454AG	1	D		22				[BNB]
	04602455AG	1	D		22				[BNB]
4	05189366AB	1	D		22				SWITCH, Parking Brake
5	1FU931X9AB	1	D		22				SWITCH, Ignition



**DODGE CHALLENGER (LC)**  
 SERIES      LINE  
 X = SPECIAL    D = DODGE

BODY  
 22 = 2-DR SEDAN TYPE #2

ENGINE  
 ESF = 6.1L SRT HEMI SMPI V8 Engine

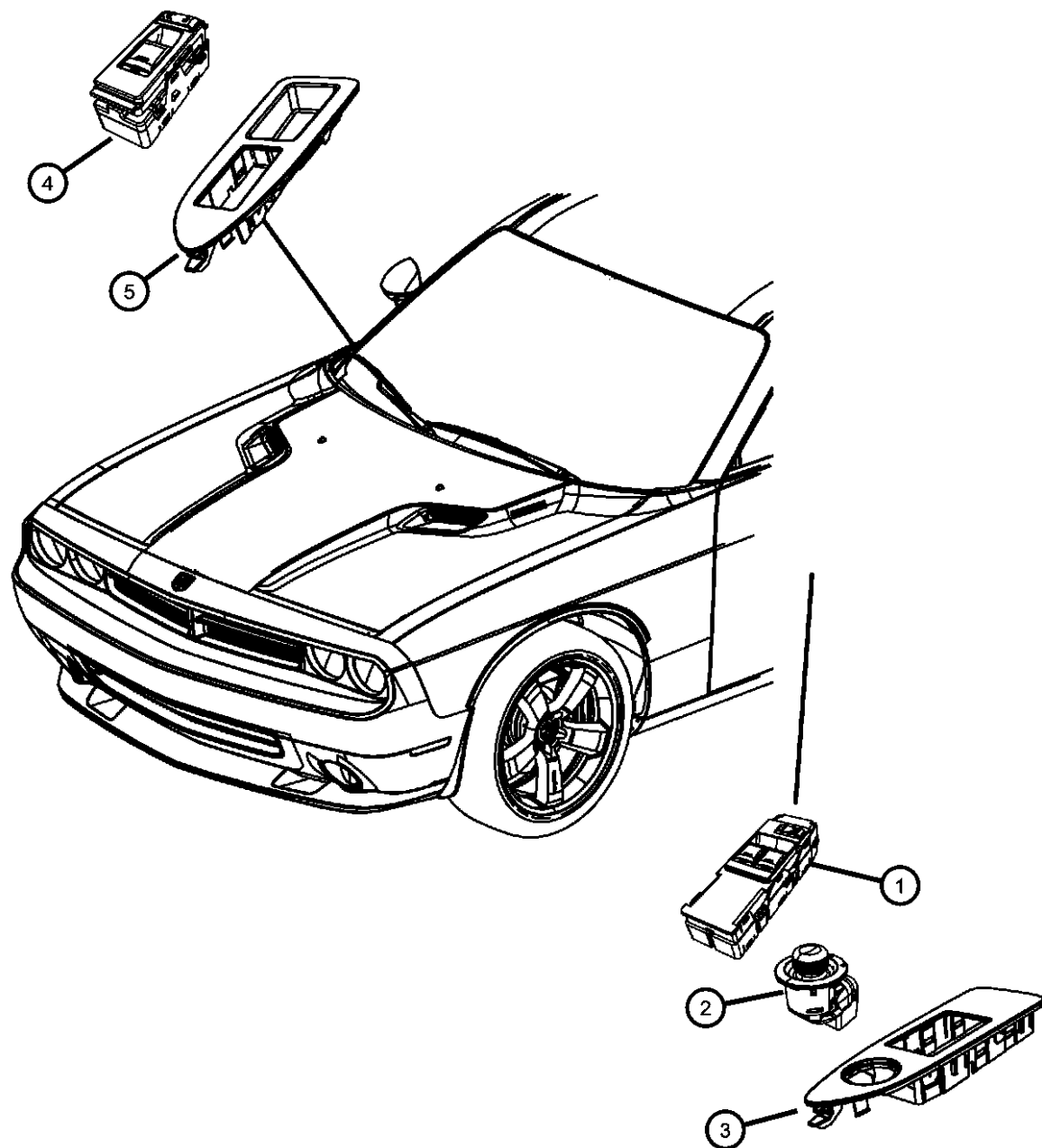
TRANSMISSION  
 DGJ = 5-Speed Auto W5A580 Transmission

AR = use ase required    - = Non illustrated part

2008 LC

**Switches Doors, Decklid, and Liftgate  
Figure 8-815**

ITEM	PART NUMBER	QTY	LINE	SERIES	BODY	ENGINE	TRANS	TRIM	DESCRIPTION
1	04602784AA	1	D	X	22				SWITCH, Window and Door Lock
2	04602788AA V7700007AA	1	D	X	22				SWITCH, Mirror Mopar Alternative Switch
3	1MV651DVAA	1	D	X	22				BEZEL, SwitchLeft
4	68025161AA	1	D	X	22				SWITCH, Power Window
5	1MV641DVAA	1	D	X	22				BEZEL, SwitchRight



**DODGE CHALLENGER (LC)**  
 SERIES      LINE  
 X = SPECIAL    D = DODGE

BODY  
 22 = 2-DR SEDAN TYPE #2

ENGINE  
 ESF = 6.1L SRT HEMI SMPI  
 V8 Engine

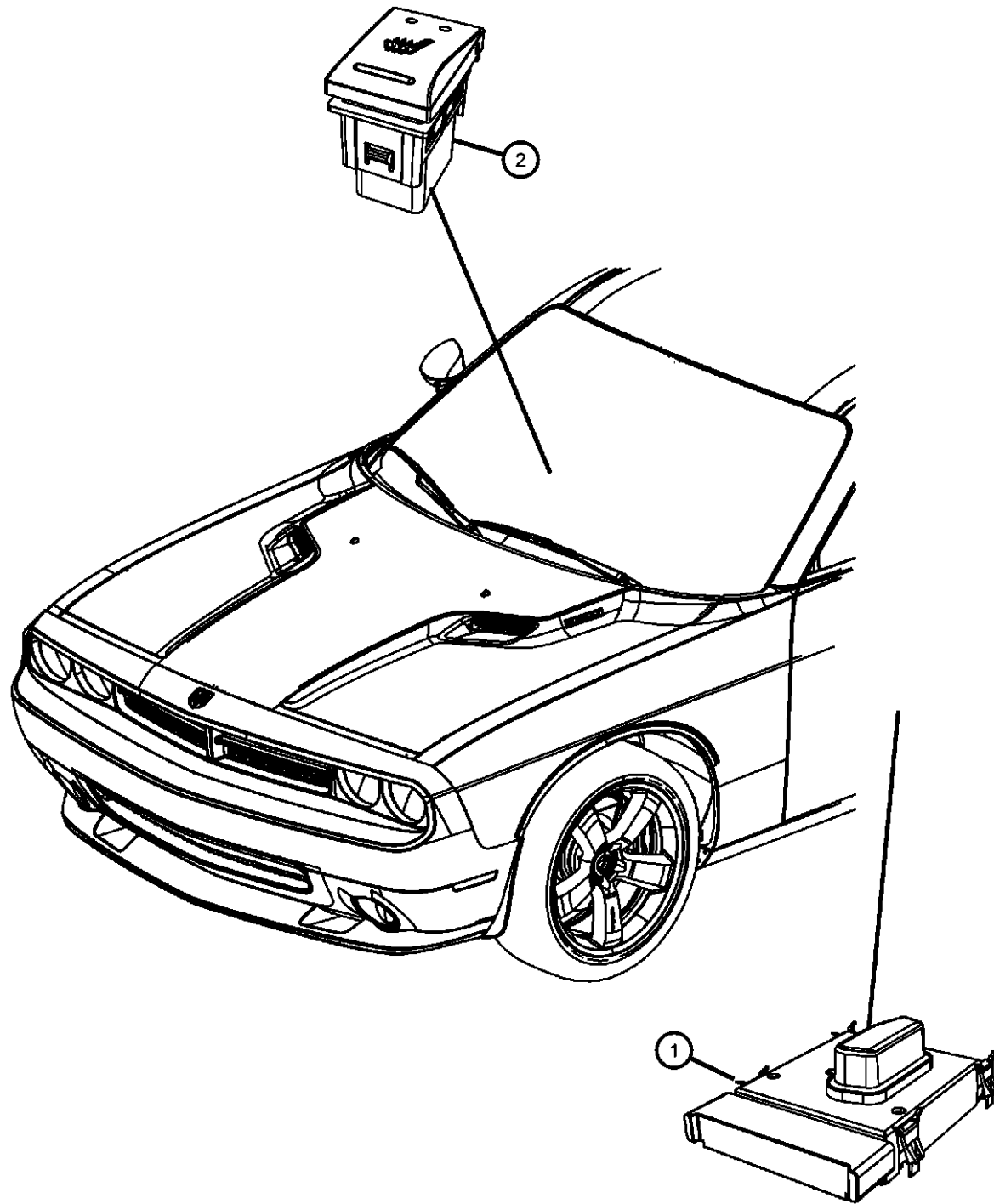
TRANSMISSION  
 DGJ = 5-Speed Auto W5A580  
 Transmission

AR = use ase required    - = Non illustrated part

2008 LC

Switches Seats  
Figure 8-825

ITEM	PART NUMBER	QTY	LINE	SERIES	BODY	ENGINE	TRANS	TRIM	DESCRIPTION
1	56049429AE	1	D	X	22				SWITCH, Power Seat [JPM]
	56049431AE	1	D		22				
2	04602970AA	2	D		22				SWITCH, Heated Seat



DODGE CHALLENGER (LC)  
SERIES LINE  
X = SPECIAL D = DODGE

BODY  
22 = 2-DR SEDAN TYPE #2

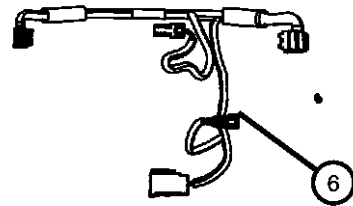
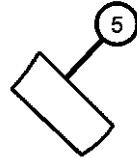
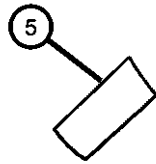
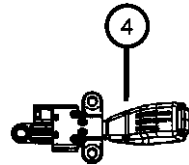
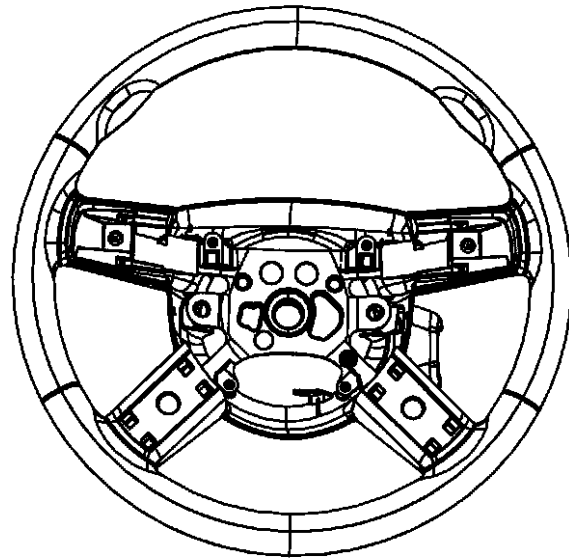
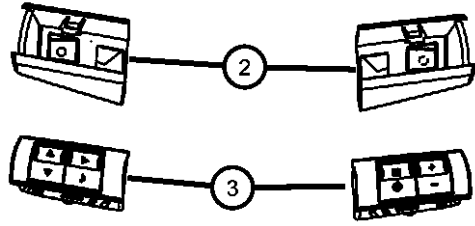
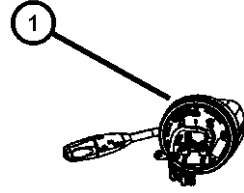
ENGINE  
ESF = 6.1L SRT HEMI SMPI V8 Engine

TRANSMISSION  
DGJ = 5-Speed Auto W5A580 Transmission

AR = use ase required - = Non illustrated part

2008 LC

**Switches Steering Column and Wheel**  
**Figure 8-830**



ITEM	PART NUMBER	QTY	LINE	SERIES	BODY	ENGINE	TRANS	TRIM	DESCRIPTION
1	68034897AA	1	D		22				SWITCH, Multifunction
2									BEZEL, Steering Wheel Switch
	1CJ941DVAA	1	D		22				Right
	1CJ951DVAA	1	D		22				Left
3									SWITCH, Steering Wheel, Reconfigurable
	0UZ561ZAAD	1	D		22				Right
	0UZ571ZAAD	1	D		22				Left
4	56046079AB	1	D		22				SWITCH, Speed Control
5									COVER, Switch Opening
	0ZL50XZAAA	1	D		22				Right
	0ZL51XZAAA	1	D		22				Left
6	68039387AA	1	D		22				WIRING, Steering Wheel

**DODGE CHALLENGER (LC)**  
 SERIES      LINE  
 X = SPECIAL    D = DODGE

BODY  
 22 = 2-DR SEDAN TYPE #2

ENGINE  
 ESF = 6.1L SRT HEMI SMPI V8 Engine

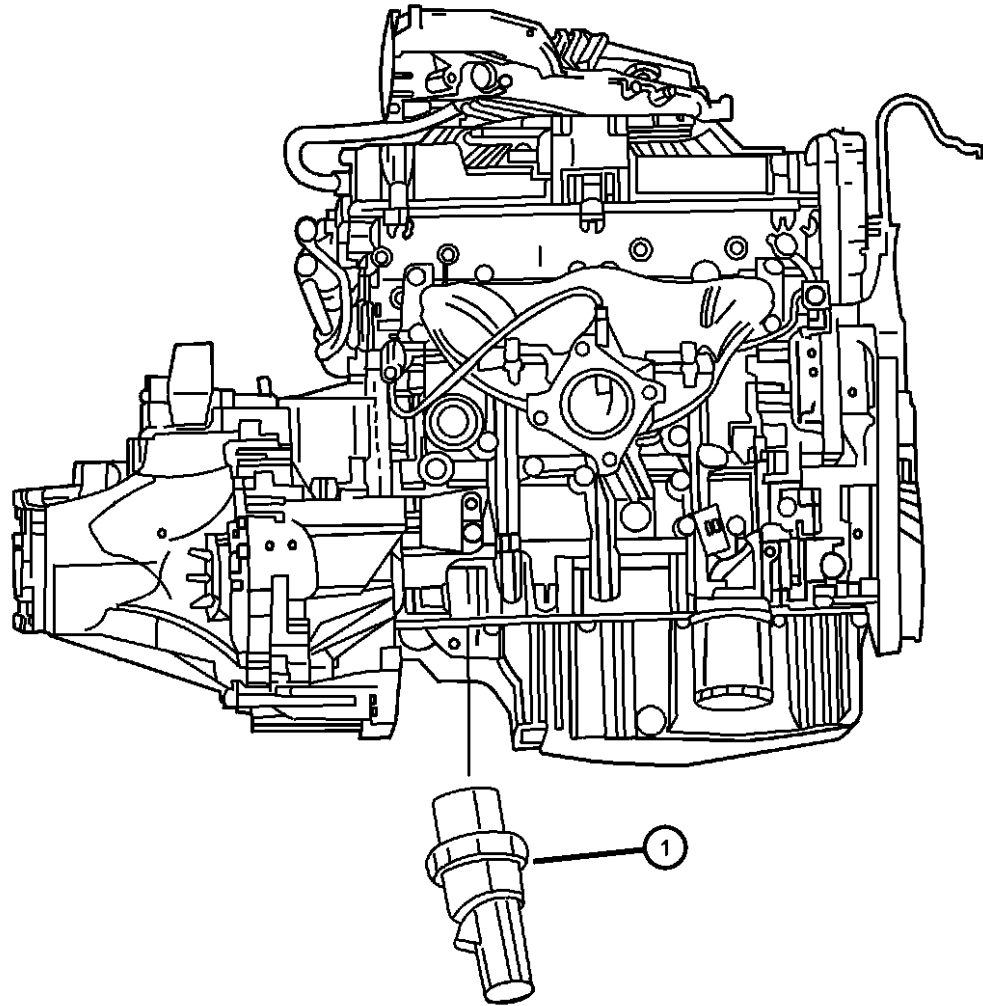
TRANSMISSION  
 DGJ = 5-Speed Auto W5A580 Transmission

AR = use ase required    - = Non illustrated part

2008 LC

**Switches Powertrain  
Figure 8-835**

ITEM	PART NUMBER	QTY	LINE	SERIES	BODY	ENGINE	TRANS	TRIM	DESCRIPTION
1	05149062AA	1	D		22	ESF			SENDING UNIT, Oil Pressure



**DODGE CHALLENGER (LC)**  
 SERIES            LINE  
 X = SPECIAL    D = DODGE

BODY  
 22 = 2-DR SEDAN TYPE #2

ENGINE  
 ESF = 6.1L SRT HEMI SMPI V8 Engine

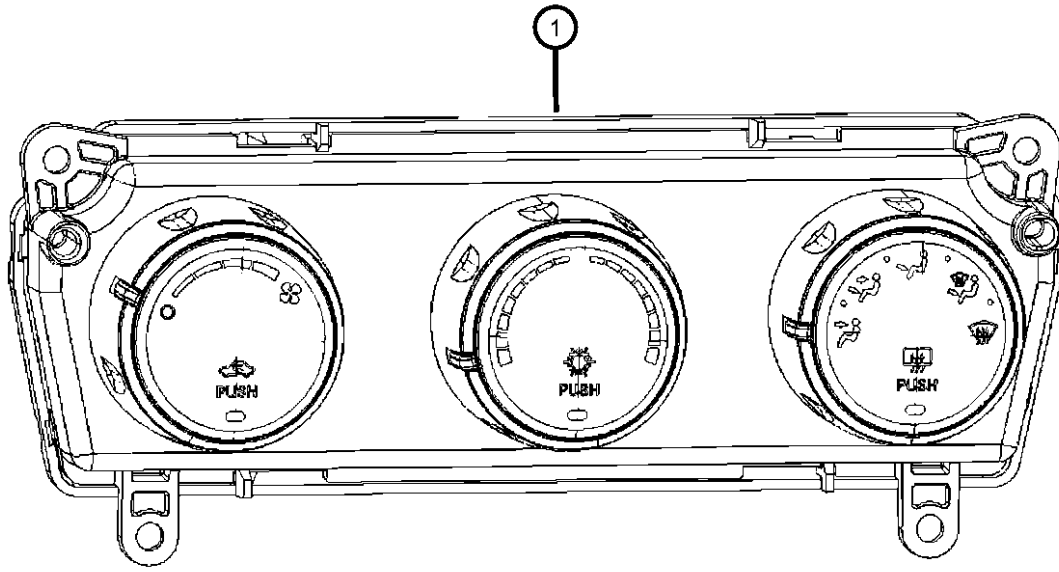
TRANSMISSION  
 DGJ = 5-Speed Auto W5A580 Transmission

AR = use ase required - = Non illustrated part

2008 LC

**Switches Heating and Air Conditioning  
Figure 8-840**

ITEM	PART NUMBER	QTY	LINE	SERIES	BODY	ENGINE	TRANS	TRIM	DESCRIPTION
1	55111904AD	1	D		22				CONTROL, A/C And Heater



**DODGE CHALLENGER (LC)**  
 SERIES            LINE  
 X = SPECIAL    D = DODGE

BODY  
 22 = 2-DR SEDAN TYPE #2

ENGINE  
 ESF = 6.1L SRT HEMI SMPI V8 Engine

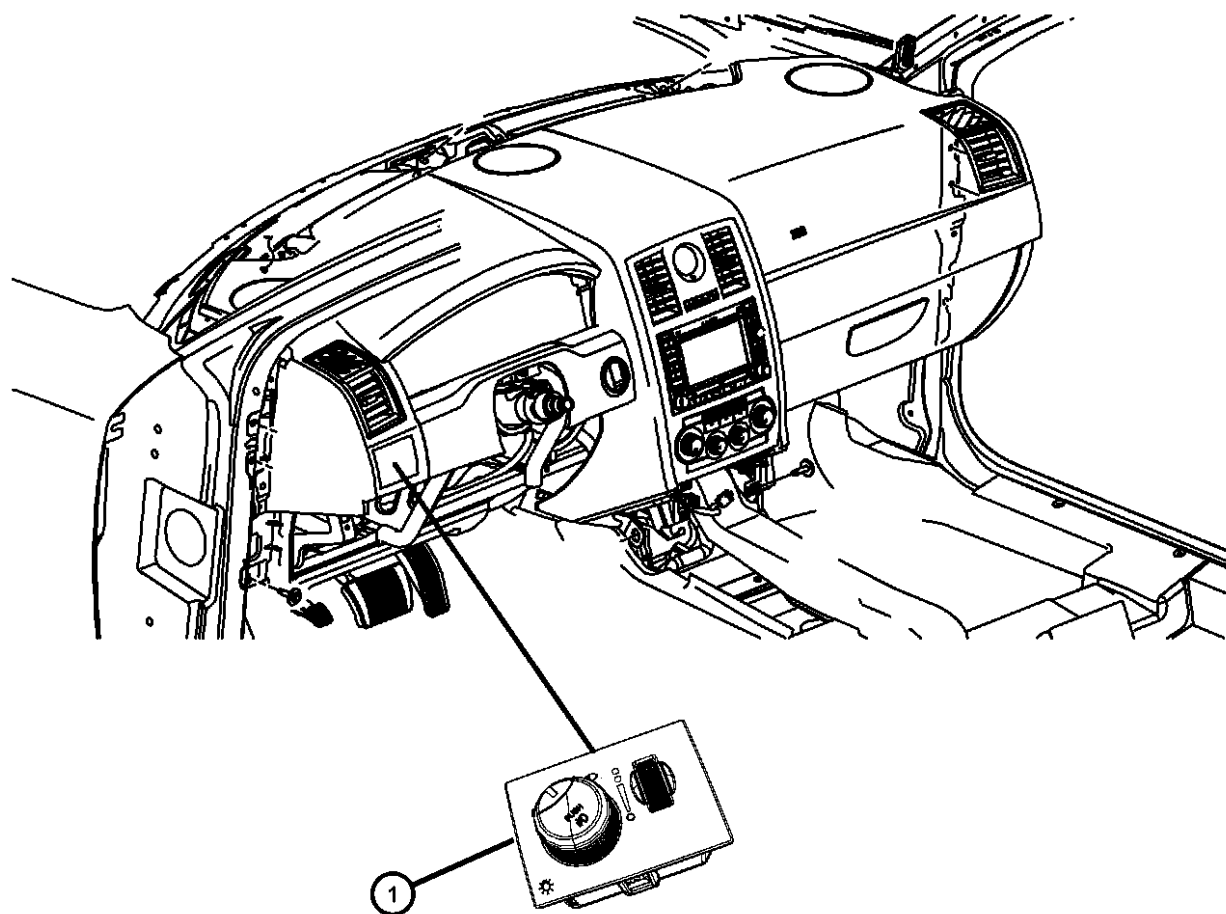
TRANSMISSION  
 DGJ = 5-Speed Auto W5A580 Transmission

AR = use ase required - = Non illustrated part

2008 LC

**Switches Lighting  
Figure 8-845**

ITEM	PART NUMBER	QTY	LINE	SERIES	BODY	ENGINE	TRANS	TRIM	DESCRIPTION
1									SWITCH, Headlamp
	68019567AC	1	D		22				
	68019678AC	1	D		22				[LNJ]
	68019789AC	1	D		22				[LMG][LNJ]
-2	05137535AA	2	D		22				SWITCH, Map Light



**DODGE CHALLENGER (LC)**  
 SERIES      LINE  
 X = SPECIAL    D = DODGE

BODY  
 22 = 2-DR SEDAN TYPE #2

ENGINE  
 ESF = 6.1L SRT HEMI SMPI V8 Engine

TRANSMISSION  
 DGJ = 5-Speed Auto W5A580 Transmission

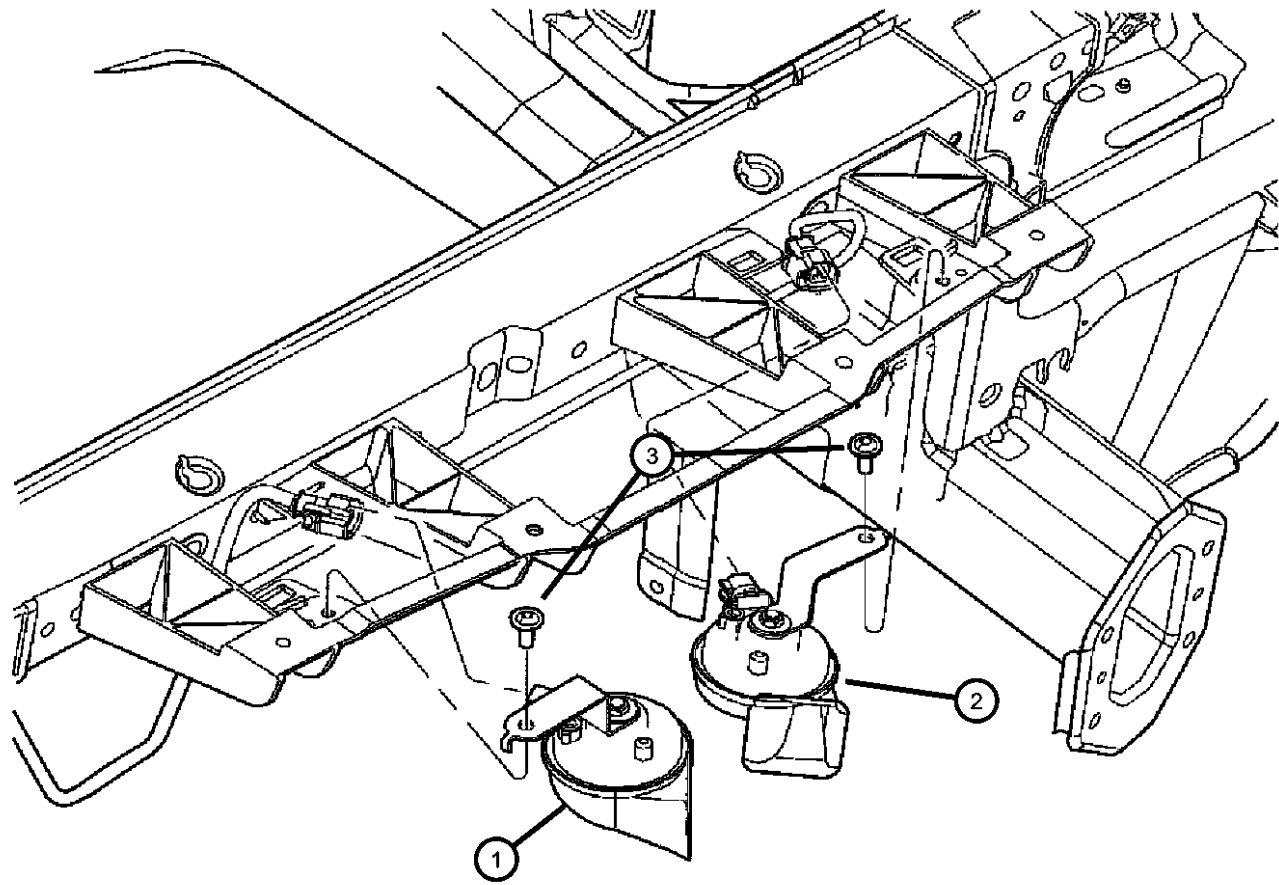
AR = use ase required    - = Non illustrated part

2008 LC



Horns  
Figure 8-905

ITEM	PART NUMBER	QTY	LINE	SERIES	BODY	ENGINE	TRANS	TRIM	DESCRIPTION
1	05026212AD	1	D		22				HORN AND BRACKET, Low Note
2	05026213AC	1	D		22				HORN AND BRACKET, High Note
3	06505903AA	2	D		22				SCREW AND WASHER, Self Tapping, M6x1x22



**DODGE CHALLENGER (LC)**  
 SERIES      LINE  
 X = SPECIAL    D = DODGE

BODY  
 22 = 2-DR SEDAN TYPE #2

ENGINE  
 ESF = 6.1L SRT HEMI SMPI V8 Engine

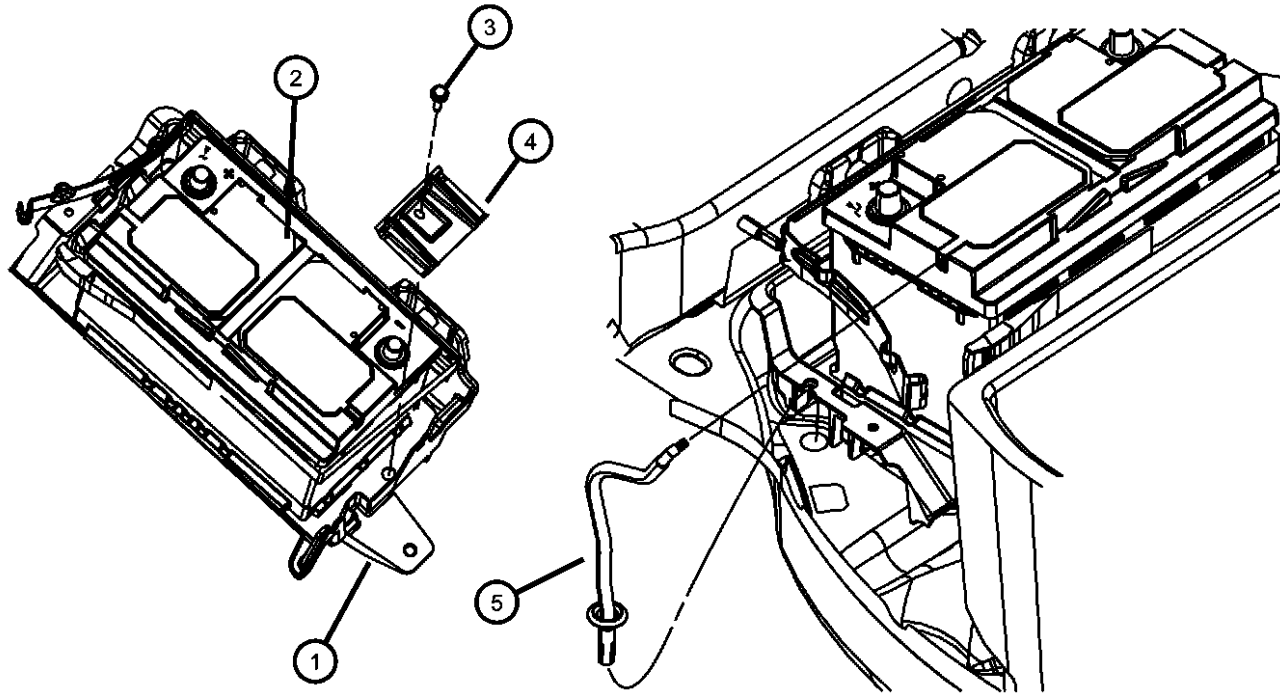
TRANSMISSION  
 DGJ = 5-Speed Auto W5A580 Transmission

AR = use ase required    - = Non illustrated part

2008 LC

**Battery Tray and Support**  
**Figure 8-1005**

ITEM	PART NUMBER	QTY	LINE	SERIES	BODY	ENGINE	TRANS	TRIM	DESCRIPTION
1	05065355AJ	1	D		22				TRAY, Battery
2	04608719AD	1	D		22				BATTERY
3	06508065AA	1	D		22				BOLT AND CONED WASHER, Hex Head, M6X1.00X23.00
4	04780789AC	1	D		22				BRACKET, Battery
5	04608914AA	1	D		22				HOSE, Battery Vent



**DODGE CHALLENGER (LC)**  
 SERIES      LINE  
 X = SPECIAL    D = DODGE

BODY  
 22 = 2-DR SEDAN TYPE #2

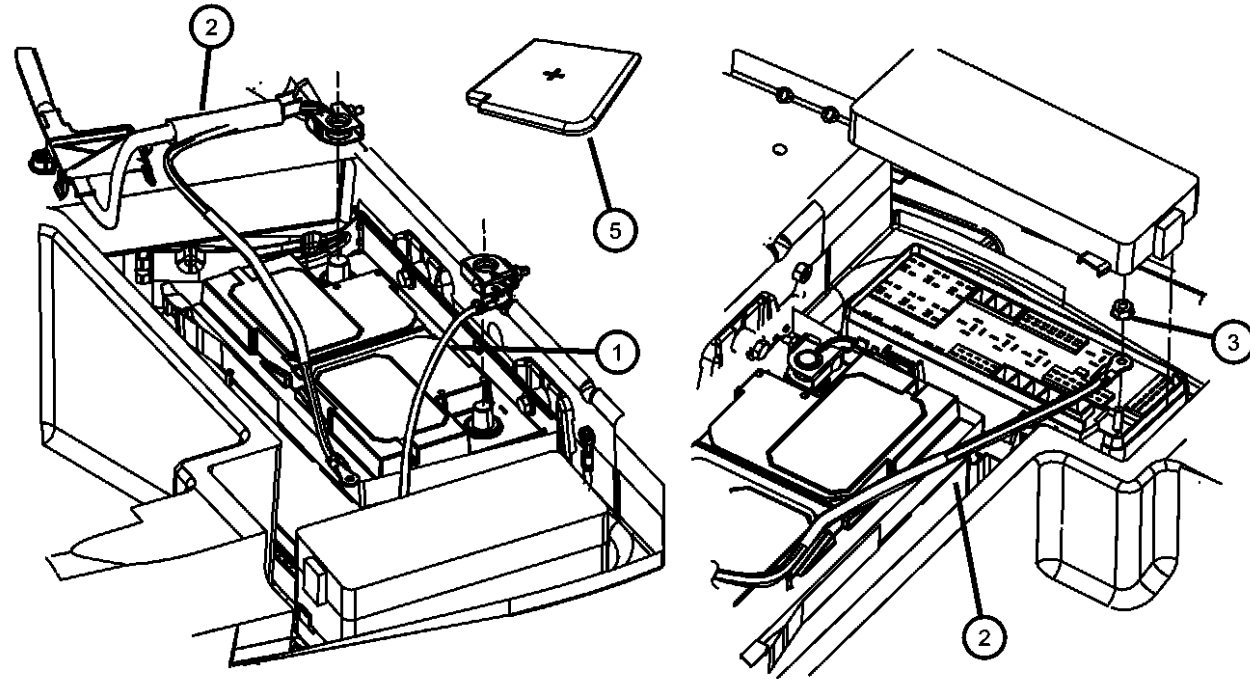
ENGINE  
 ESF = 6.1L SRT HEMI SMPI  
 V8 Engine

TRANSMISSION  
 DGJ = 5-Speed Auto W5A580  
 Transmission

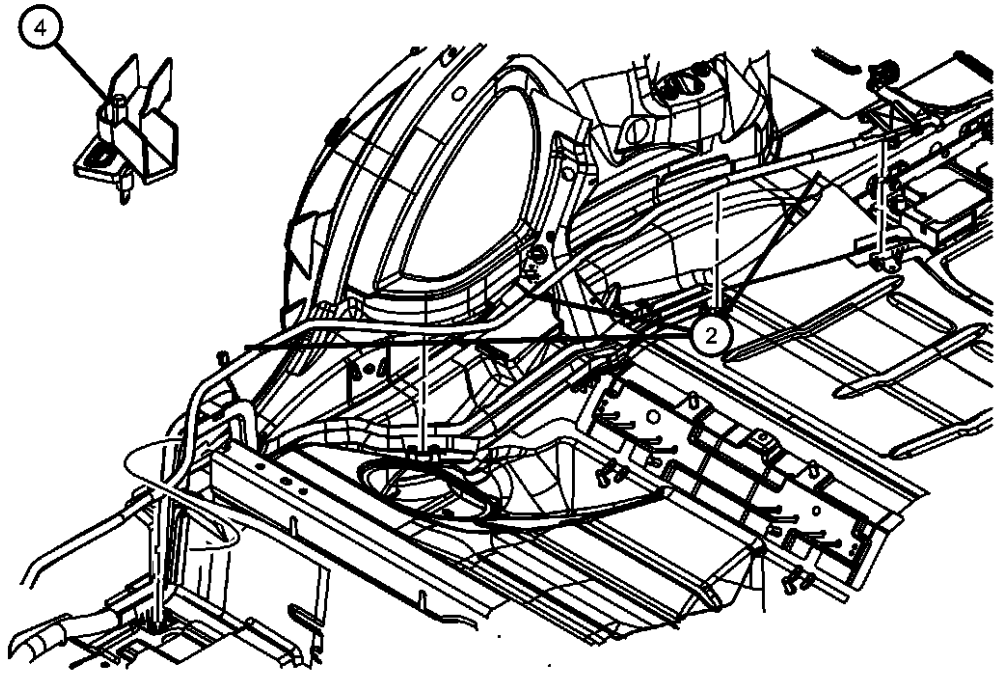
AR = use ase required    - = Non illustrated part

2008 LC

**Battery Wiring  
Figure 8-1010**



ITEM	PART NUMBER	QTY	LINE	SERIES	BODY	ENGINE	TRANS	TRIM	DESCRIPTION
1	04607550AA	1	D		22				WIRING, Battery Negative
2	04607677AA	1	D		22				WIRING, Battery Positive
3	06101802	1	D		22				NUT AND WASHER, Hex, M6X1.00
4	05059113AC	1	D		22				ISOLATOR, Battery Positive
5	04606858AA	1	D		22				COVER, Battery TerminalPositive Battery Cable



**DODGE CHALLENGER (LC)**  
 SERIES LINE  
 X = SPECIAL D = DODGE

BODY  
 22 = 2-DR SEDAN TYPE #2

ENGINE  
 ESF = 6.1L SRT HEMI SMPI V8 Engine

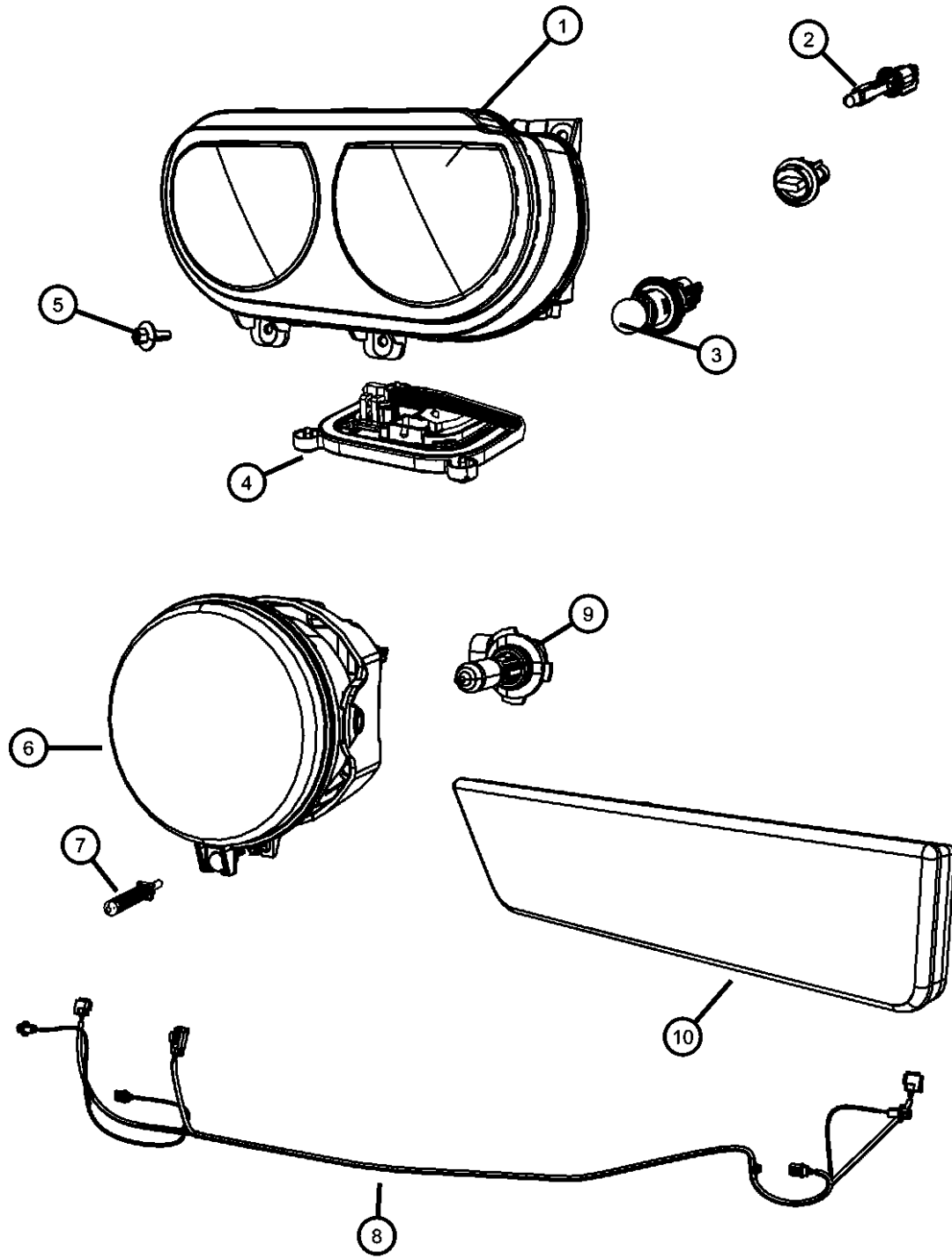
TRANSMISSION  
 DGJ = 5-Speed Auto W5A580 Transmission

AR = use ase required - = Non illustrated part

2008 LC

Lamps Front  
Figure 8-1105

ITEM	PART NUMBER	QTY	LINE	SERIES	BODY	ENGINE	TRANS	TRIM	DESCRIPTION
1									HEADLAMP
	05028776AA	1	D		22				[LMB], Right
	05028777AA	1	D		22				[LMB], Left
	05028778AA	1	D		22				[LMP], Right
	05028779AA	1	D		22				[LMP], Left
2									BULB, Headlamp
	04865941AC	1	D		22				[LMP]
	L0000H13	1	D		22				[LMB]
3	L004157NAK	1	D		22				BULB, 4157 NAK
4	68033739AA	1	D		22				MODULE, HID Ballast
5	06507843AA	6	D		22				SCREW, Headlamp Mounting
6	04805857AB	2	D	X	22	ES0			LAMP, Front Fog
7	06506579AA	2	D	X	22	ES0			SCREW, Tapping, M6X2.69X21.55
8	68043391AA	1	D	X	22	ES0			WIRING, Front End Lighting
9	L0009145	2	D	X	22	ES0			BULB, 9145
10									LAMP, Side Marker
	68043394AA	1	D	X	22	ES0			Right
	68043395AA	1	D	X	22	ES0			Left
-11	L0000168	1	D	X	22	ES0			BULB, 168



DODGE CHALLENGER (LC)  
 SERIES LINE  
 X = SPECIAL D = DODGE

BODY  
 22 = 2-DR SEDAN TYPE #2

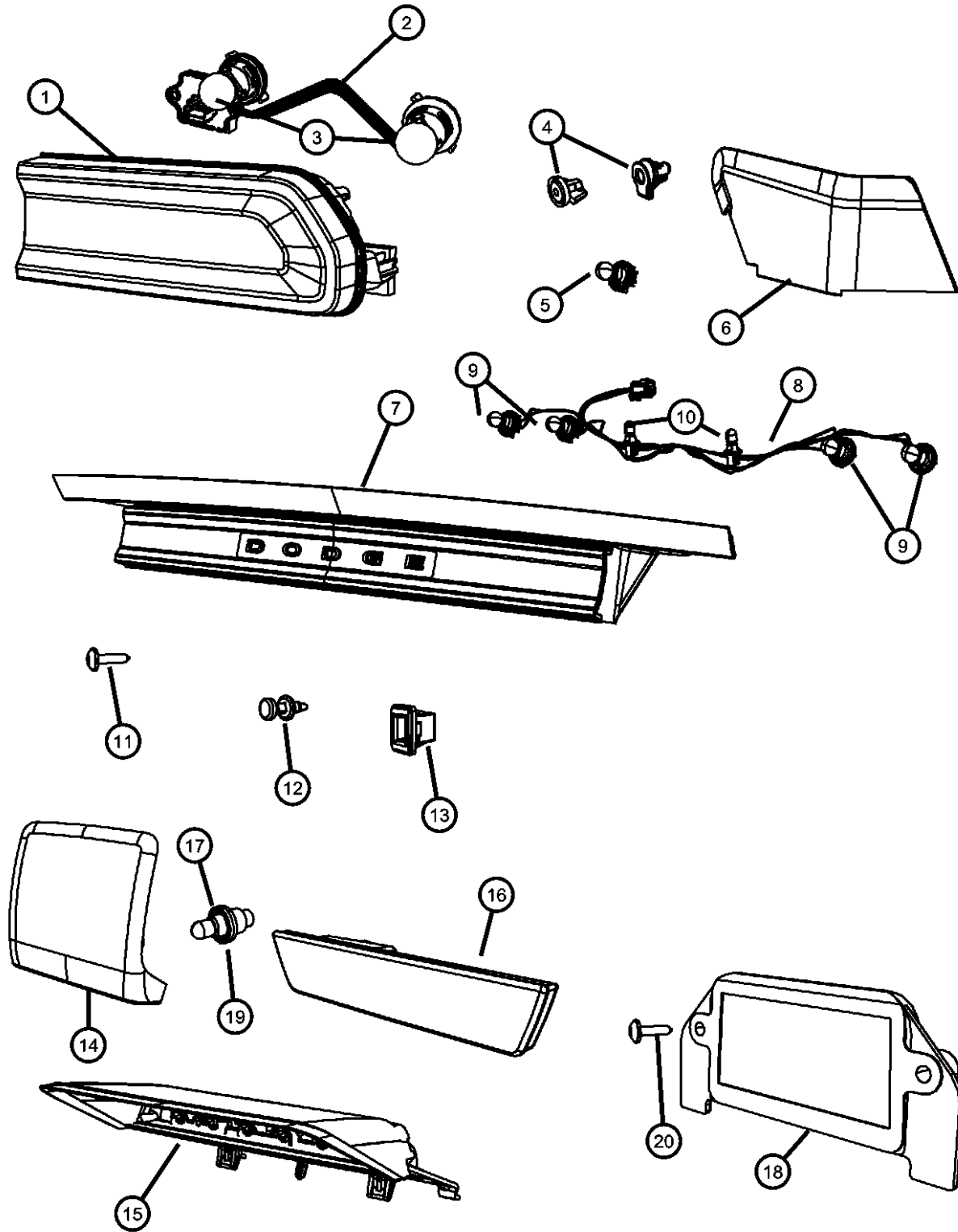
ENGINE  
 ESF = 6.1L SRT HEMI SMPI V8 Engine

TRANSMISSION  
 DGJ = 5-Speed Auto W5A580 Transmission

AR = use ase required - = Non illustrated part

2008 LC

Lamps Rear  
Figure 8-1110



ITEM	PART NUMBER	QTY	LINE	SERIES	BODY	ENGINE	TRANS	TRIM	DESCRIPTION
1	05028780AA	1	D		22				LAMP, Tail Stop Turn Right
	05028781AA	1	D		22				Left
2	68046862AA	1	D		22				WIRING, Tail Lamp Right
	68046863AA	1	D		22				Left
3	L0003057	2	D		22				BULB, 3057
4	06507357AA	8	D		22				NUT, Wing, M6x1
5	05113359AA	2	D		22				GROMMET, Tail Lamp
6	68040112AA	1	D		22				PANEL, Close out Tail lamp, Right
	68040113AA	1	D		22				Tail lamp, Left
7	05028775AA	1	D		22				LAMP, Tail Backup, Deck lid mounted
8	68046866AA	1	D		22				WIRING, Tail Lamp
9	L0003057	4	D		22				BULB, 3057
10	L000921E	2	D		22				BULB, 921
11	06104568AA	2	D		22				SCREW, Tapping Round Head, M4.2X1.4X19.0
12	04857345AA	2	D		22				FASTENER, Tail Lamp, .190-16 x .625
13	05113360AA	3	D		22				GROMMET, Tail Lamp
14	05028782AA	1	D		22				LAMP, Center High Mounted Stop
15	68048883AA	1	D		22				COVER, High Mounted Stop Lamp
16	68039504AA	1	D	X	22				LAMP, Side Marker Right
	68039505AA	1	D	X	22				Left
17	L0000168	1	D	X	22				BULB, 168
18	04805846AA	1	D	X	22				LAMP, Licence Plate
19	L002825W5W	1	D	X	22				BULB, W5W
20	06035204	2	D	X	22				SCREW, Tapping, .19-16x.75

DODGE CHALLENGER (LC)

SERIES LINE  
X = SPECIAL D = DODGE

BODY  
22 = 2-DR SEDAN TYPE #2

ENGINE  
ESF = 6.1L SRT HEMI SMPI V8 Engine

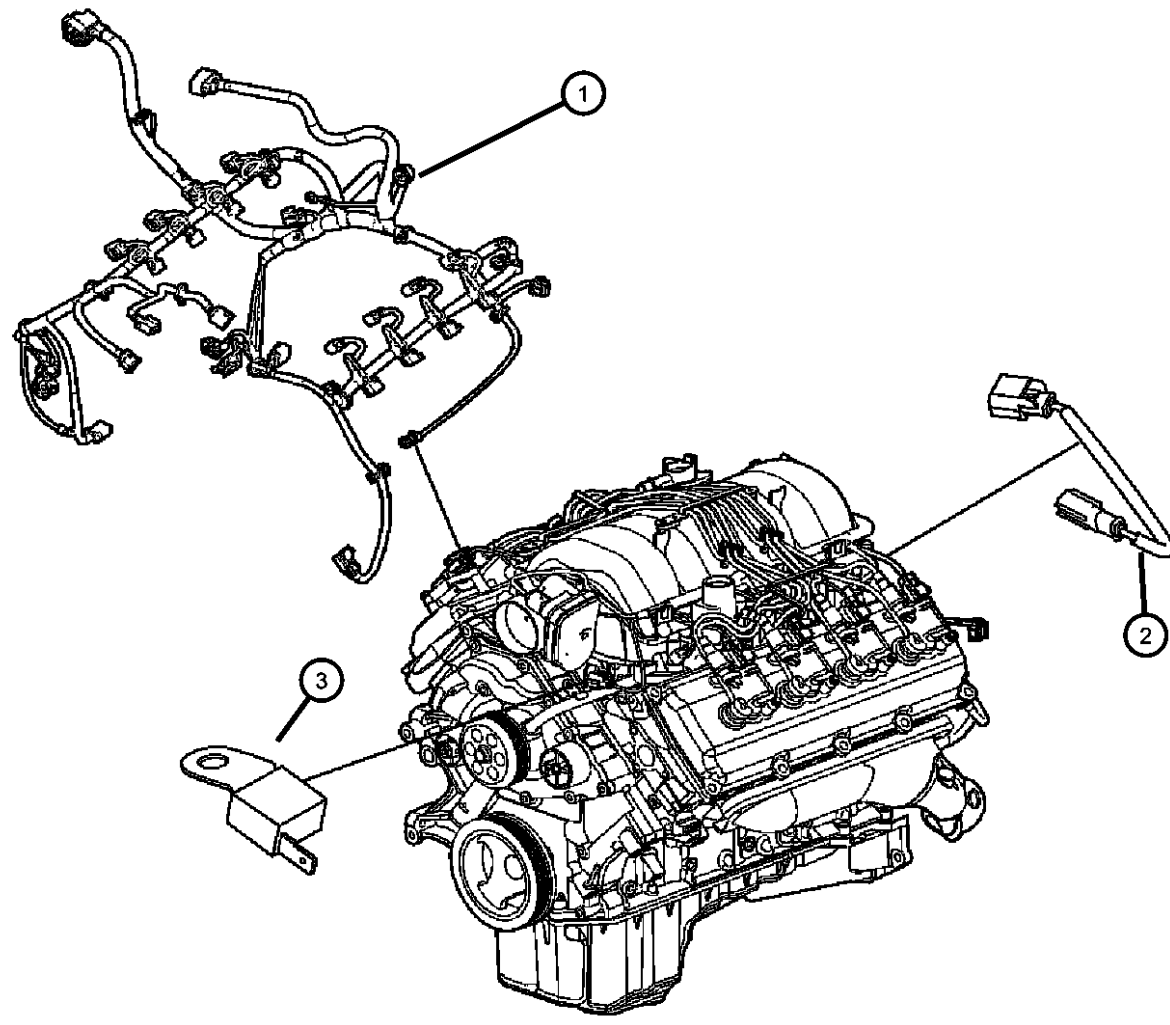
TRANSMISSION  
DGJ = 5-Speed Auto W5A580 Transmission

AR = use ase required - = Non illustrated part

2008 LC

**Wiring Engine Gas**  
**Figure 8-1206**

ITEM	PART NUMBER	QTY	LINE	SERIES	BODY	ENGINE	TRANS	TRIM	DESCRIPTION
1	05029768CE	1	D		22	ES0			WIRING, Engine
2	04801317AA	1	D		22				WIRING, Jumper, Ground
3	05149011AA	1	D		22	ESF			CAPACITOR, Ignition



**DODGE CHALLENGER (LC)**  
 SERIES      LINE  
 X = SPECIAL    D = DODGE

BODY  
 22 = 2-DR SEDAN TYPE #2

ENGINE  
 ESF = 6.1L SRT HEMI SMPI V8 Engine

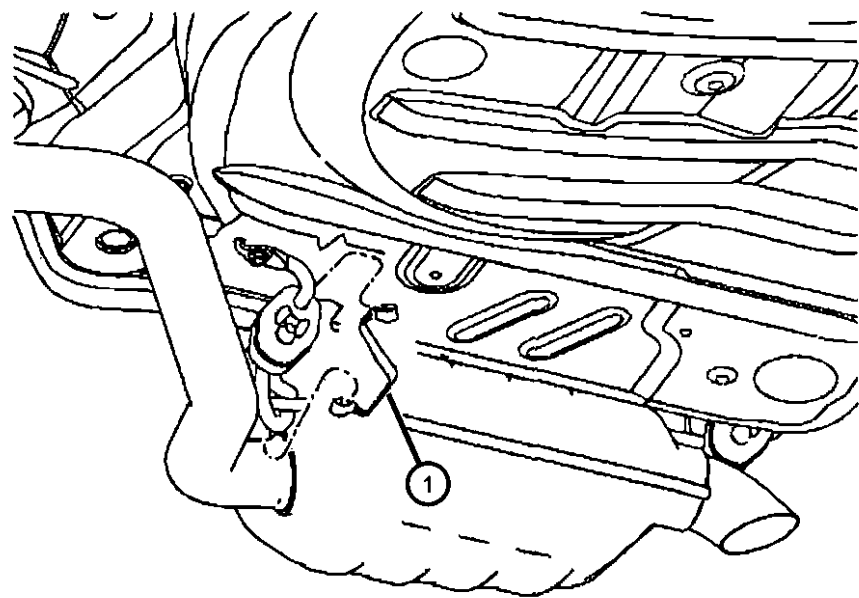
TRANSMISSION  
 DGJ = 5-Speed Auto W5A580 Transmission

AR = use ase required    - = Non illustrated part

2008 LC

**Ground Straps**  
**Figure 8-1220**

ITEM	PART NUMBER	QTY	LINE	SERIES	BODY	ENGINE	TRANS	TRIM	DESCRIPTION
1	05059001AC	1	D		22				STRAP, Ground



**DODGE CHALLENGER (LC)**  
 SERIES            LINE  
 X = SPECIAL    D = DODGE

BODY  
 22 = 2-DR SEDAN TYPE #2

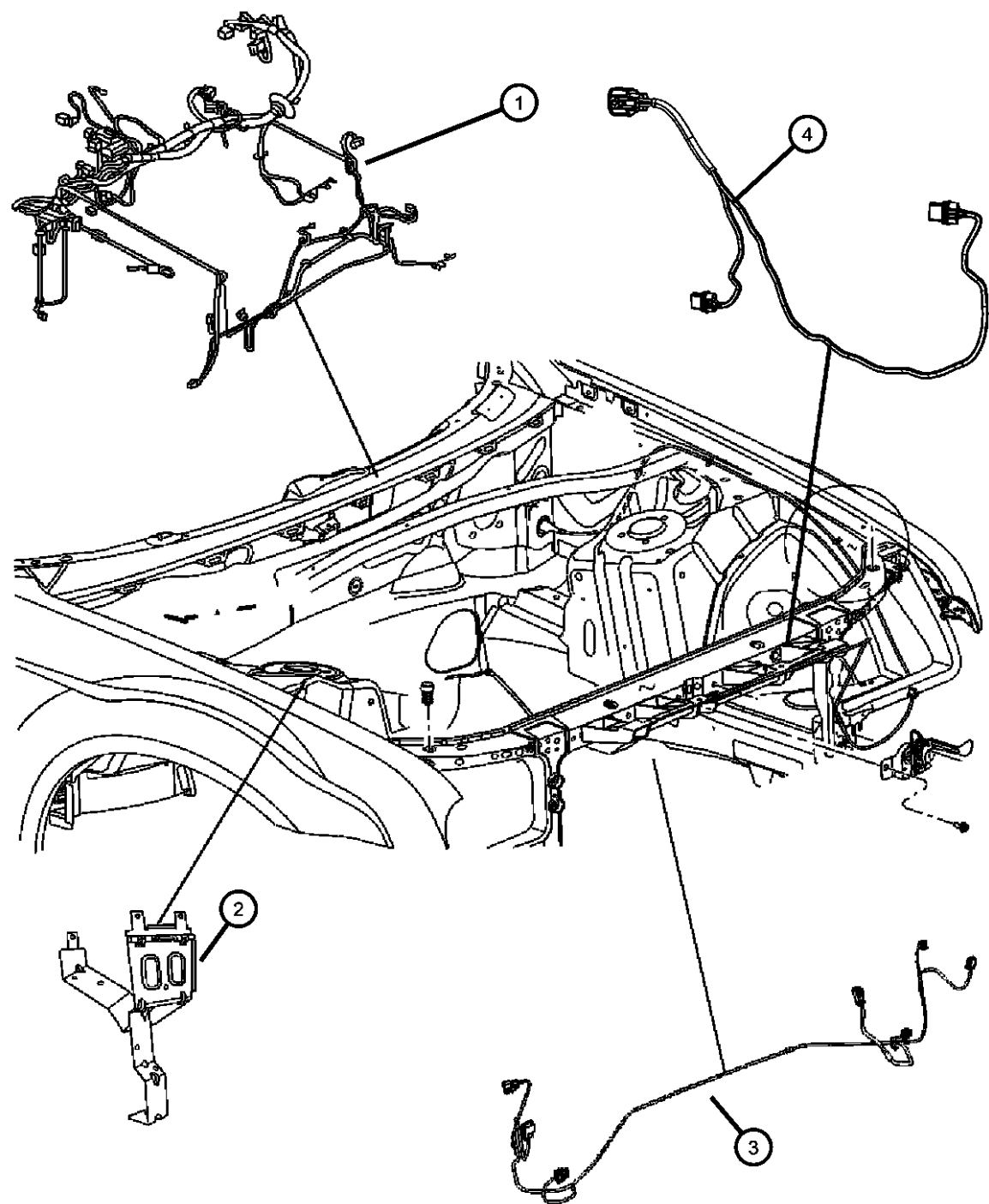
ENGINE  
 ESF = 6.1L SRT HEMI SMPI V8 Engine

TRANSMISSION  
 DGJ = 5-Speed Auto W5A580 Transmission

AR = use ase required - = Non illustrated part

2008 LC

**Wiring Headlamp to Dash**  
**Figure 8-1305**



ITEM	PART NUMBER	QTY	LINE	SERIES	BODY	ENGINE	TRANS	TRIM	DESCRIPTION
1	68003820AE	1	D		22				WIRING, Headlamp to Dash [LMB]
	68003821AE	1	D		22				[LMP]
2	04607125AB	1	D		22				BRACKET, Power Distribution Center
3	68043391AA	1	D	X	22	ES0			WIRING, Front End Lighting
4	05137716AB	1	D		22				WIRING, Fan Motor

**DODGE CHALLENGER (LC)**  
 SERIES      LINE  
 X = SPECIAL    D = DODGE

BODY  
 22 = 2-DR SEDAN TYPE #2

ENGINE  
 ESF = 6.1L SRT HEMI SMPI V8 Engine

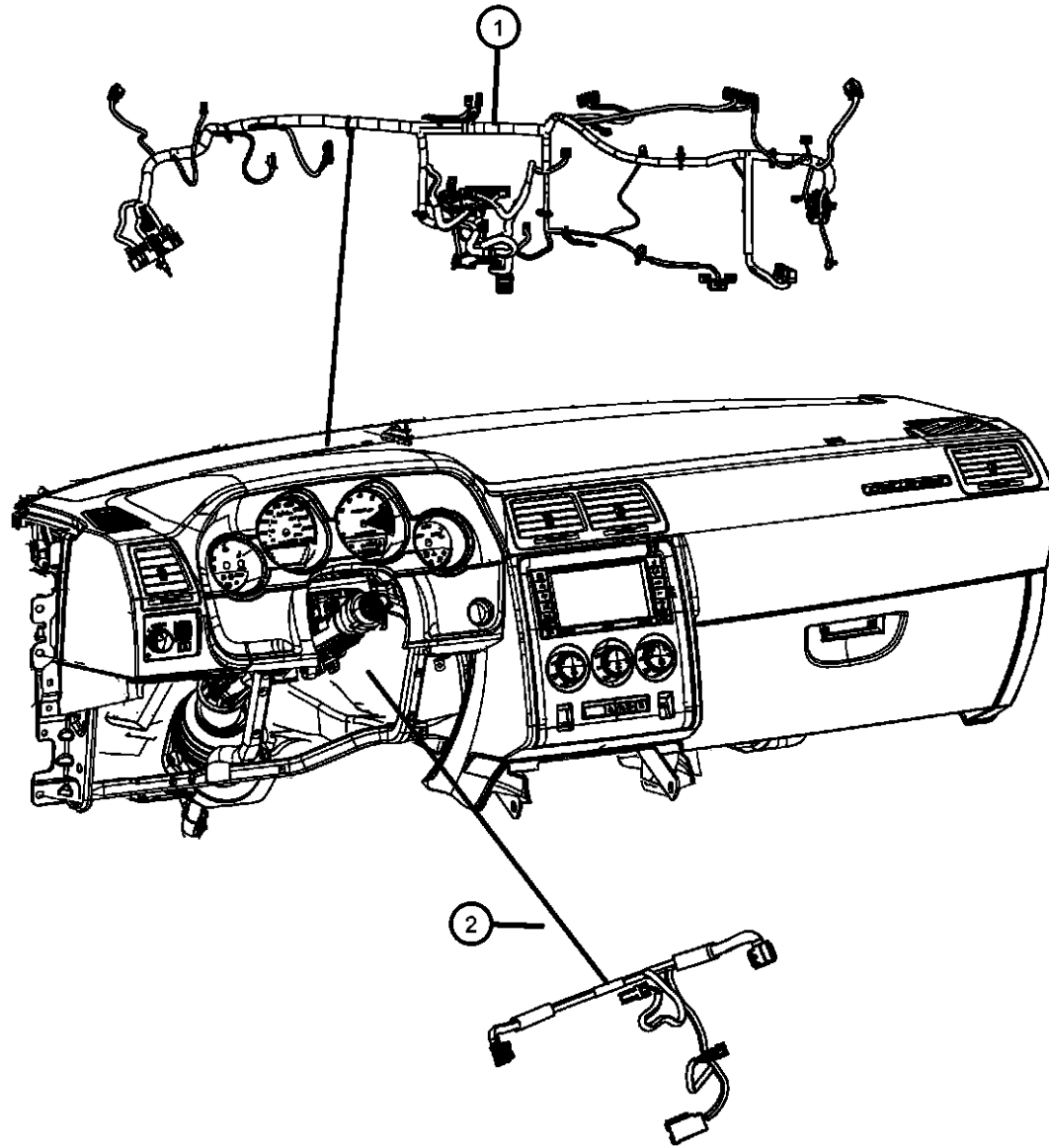
TRANSMISSION  
 DGJ = 5-Speed Auto W5A580 Transmission

AR = use ase required    - = Non illustrated part



**Wiring Instrument Panel  
Figure 8-1405**

ITEM	PART NUMBER	QTY	LINE	SERIES	BODY	ENGINE	TRANS	TRIM	DESCRIPTION
1									WIRING, Instrument Panel
	04607819AE	1	D		22				[RSP]
	04607822AE	1	D		22				
		1	D		22				[RER]
2	68039387AA	1	D		22				WIRING, Steering Wheel



**DODGE CHALLENGER (LC)**  
 SERIES      LINE  
 X = SPECIAL    D = DODGE

BODY  
 22 = 2-DR SEDAN TYPE #2

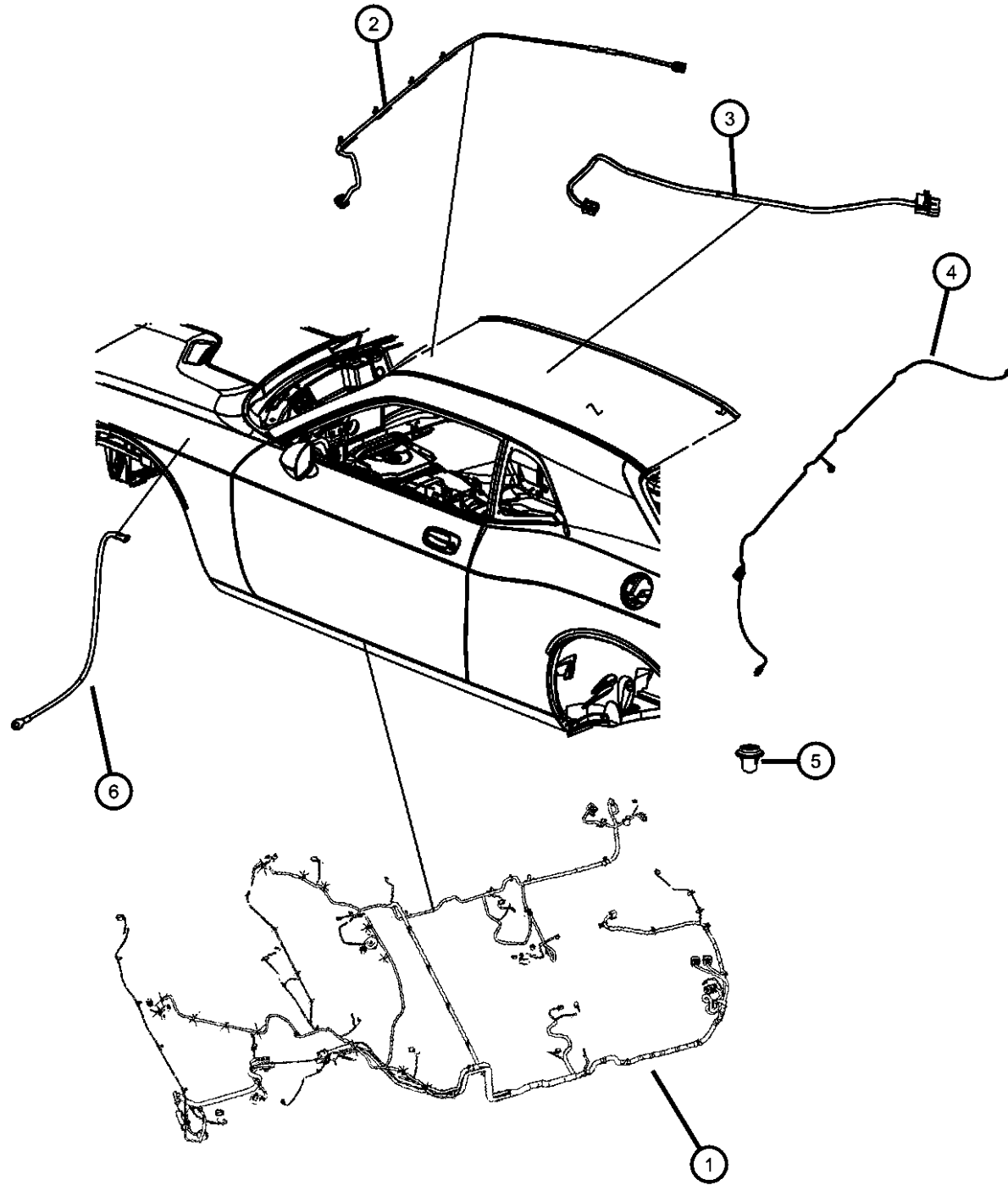
ENGINE  
 ESF = 6.1L SRT HEMI SMPI V8 Engine

TRANSMISSION  
 DGJ = 5-Speed Auto W5A580 Transmission

AR = use ase required    - = Non illustrated part

2008 LC

Wiring Body  
Figure 8-1505



ITEM	PART NUMBER	QTY	LINE	SERIES	BODY	ENGINE	TRANS	TRIM	DESCRIPTION
1									WIRING, Unified Body
	04607675AE	1	D	X	22				
	04607676AE	1	D	X	22				[RC5]
	05081733AD	1	D	X	22				[RC5,GWA]
2	04607680AA	1	D		22				WIRING, Mirror Jumper, [GN5]
3	68036051AA	1	D		22				WIRING, Sunroof
4	68039503AA	1	D	X	22				WIRING, Rear Fascia
5	04608717AA	1	D		22				GROMMET
6	04801317AA	1	D		22				WIRING, Jumper, Ground

**DODGE CHALLENGER (LC)**  
 SERIES LINE  
 X = SPECIAL D = DODGE

BODY  
 22 = 2-DR SEDAN TYPE #2

ENGINE  
 ESF = 6.1L SRT HEMI SMPI V8 Engine

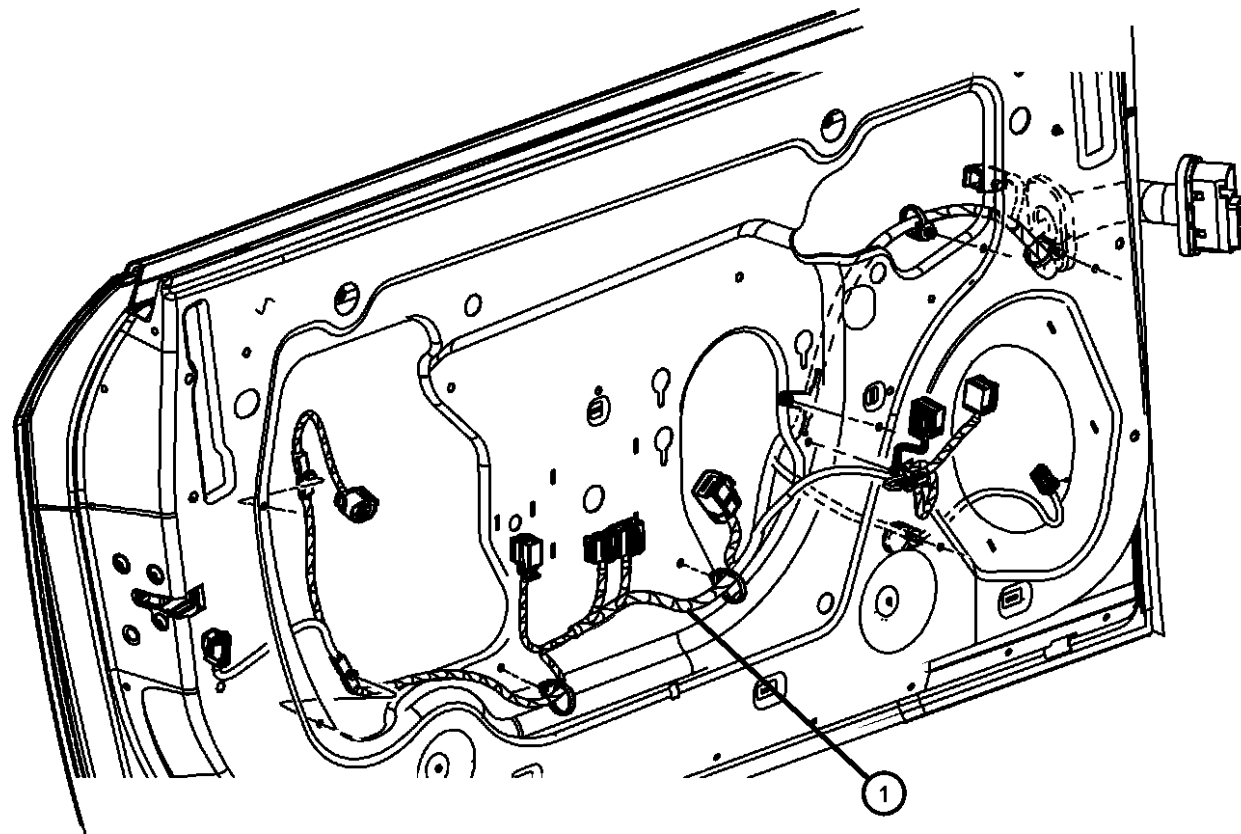
TRANSMISSION  
 DGJ = 5-Speed Auto W5A580 Transmission

AR = use ase required - = Non illustrated part

2008 LC

**Wiring Door, Deck Lid, and Liftgate  
Figure 8-1515**

ITEM	PART NUMBER	QTY	LINE	SERIES	BODY	ENGINE	TRANS	TRIM	DESCRIPTION
1									WIRING, Front Door
	04607678AE	1	D		22				Right
	04607679AE	1	D		22				Left



**DODGE CHALLENGER (LC)**  
 SERIES      LINE  
 X = SPECIAL    D = DODGE

BODY  
 22 = 2-DR SEDAN TYPE #2

ENGINE  
 ESF = 6.1L SRT HEMI SMPI V8 Engine

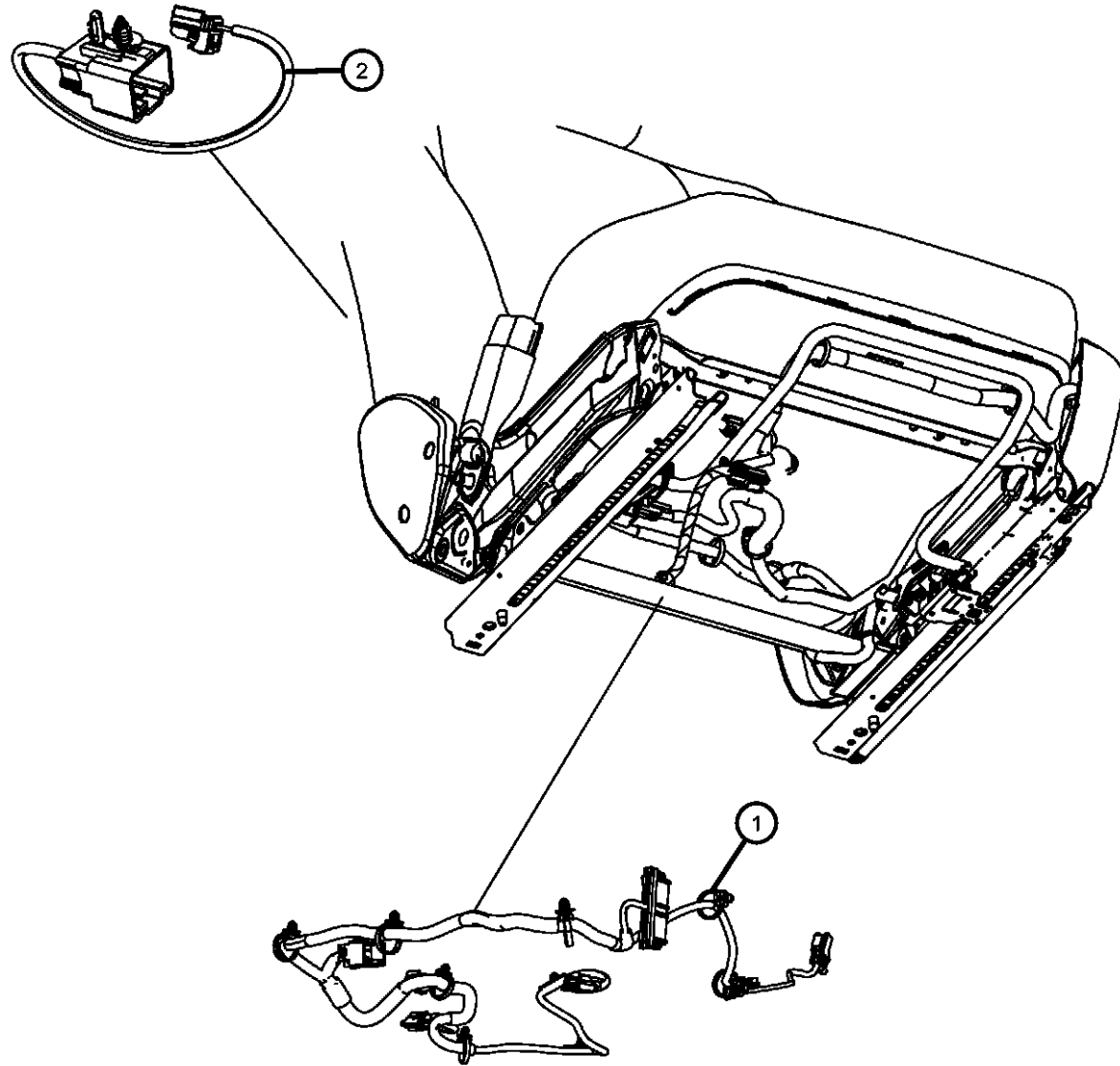
TRANSMISSION  
 DGJ = 5-Speed Auto W5A580 Transmission

AR = use ase required    - = Non illustrated part

2008 LC

**Wiring Seats, Front**  
**Figure 8-1520**

ITEM	PART NUMBER	QTY	LINE	SERIES	BODY	ENGINE	TRANS	TRIM	DESCRIPTION
1	04607582AA	1	D		23				WIRING, Seat
2	04607382AA	1	D		23				WIRING, Seat Back



**DODGE CHALLENGER (LC)**  
 SERIES      LINE  
 X = SPECIAL    D = DODGE

BODY  
 22 = 2-DR SEDAN TYPE #2

ENGINE  
 ESF = 6.1L SRT HEMI SMPI  
 V8 Engine

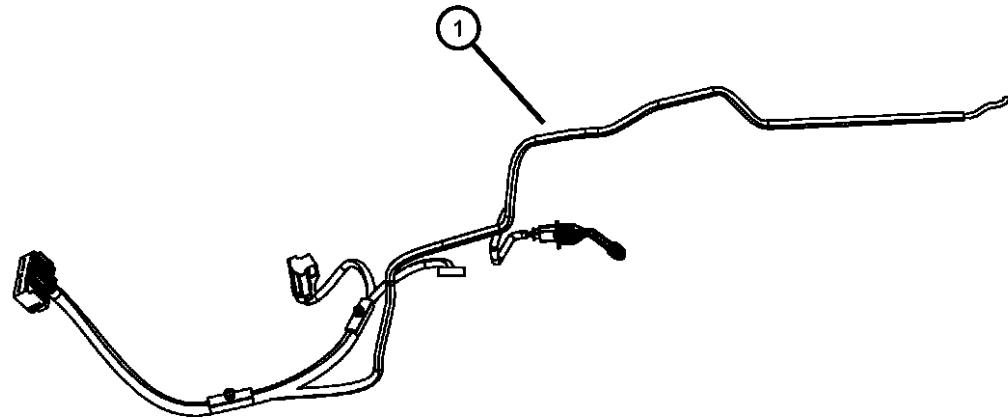
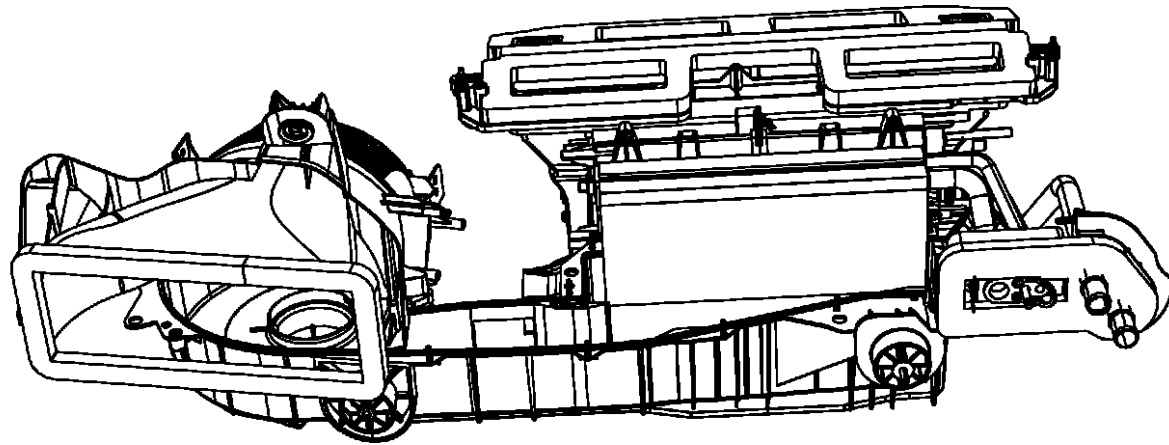
TRANSMISSION  
 DGJ = 5-Speed Auto W5A580  
 Transmission

AR = use ase required    - = Non illustrated part

2008 LC

**Wiring Heater and Air Conditioning**  
**Figure 8-1530**

ITEM	PART NUMBER	QTY	LINE	SERIES	BODY	ENGINE	TRANS	TRIM	DESCRIPTION
1	68037309AA	1	D		22				WIRING, A/C and HEATER



**DODGE CHALLENGER (LC)**

SERIES      LINE  
X = SPECIAL    D = DODGE

BODY  
22 = 2-DR SEDAN TYPE #2

ENGINE  
ESF = 6.1L SRT HEMI SMPI V8 Engine

TRANSMISSION  
DGJ = 5-Speed Auto W5A580 Transmission

AR = use ase required    - = Non illustrated part

2008 LC

**Wiring Repairs  
Figure 8-1605**

ITEM	PART NUMBER	QTY	LINE	SERIES	BODY	ENGINE	TRANS	TRIM	DESCRIPTION
-1	68037309AA	1							WIRING PACKAGE, Underhood Connector Repair, For Electrical Connector Repair Information visit the World Wide Web at <a href="http://dto.vftis.com/mopar/disclaimer.asp">http://dto.vftis.com/mopar/disclaimer.asp</a> , (NOT SERVICED)
-2	05073039AA	1	D		22				STRAP, Tie
-3	52108308AB	1	D		22	ESF	DGJ		CONNECTOR ASSEMBLY, Electrical
-4	04760770	1	D		22				TERMINAL, Male, Fuse block

For Electrical Connector Repair Information visit the World Wide Web at

<http://dto.vftis.com/mopar/disclaimer.asp>

**DODGE CHALLENGER (LC)**

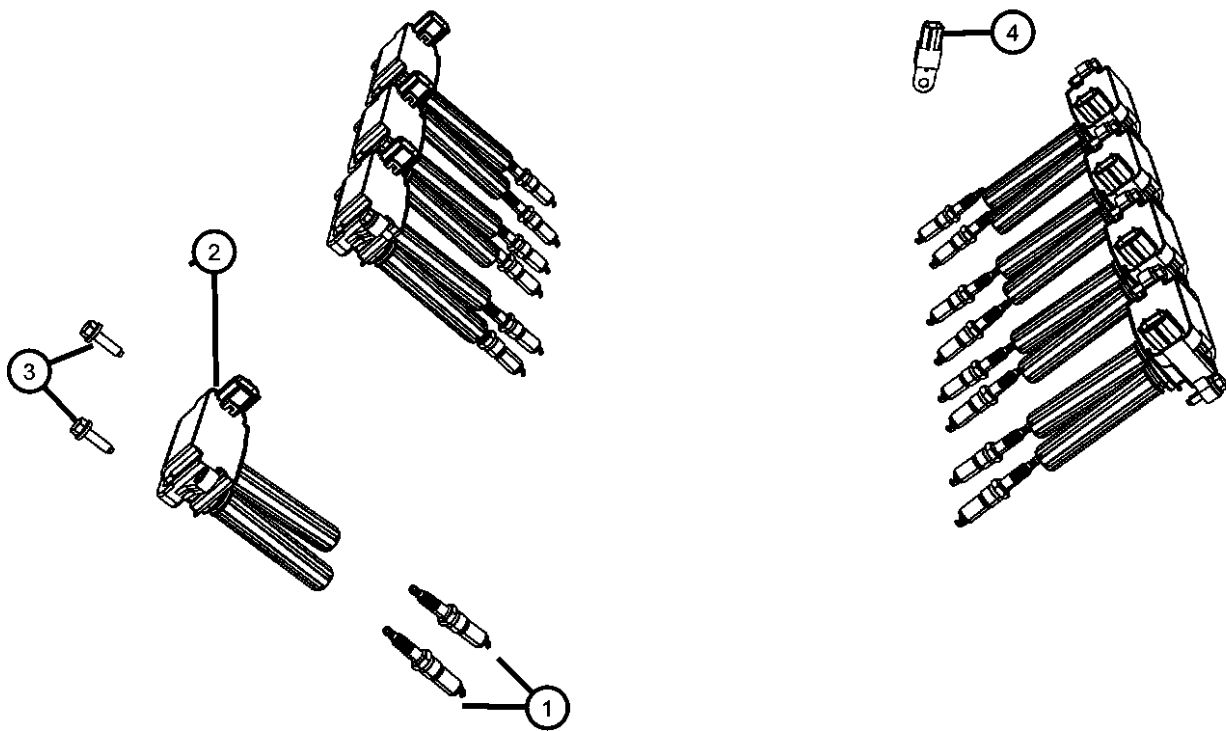
SERIES	LINE	BODY	ENGINE	TRANSMISSION
X = SPECIAL	D = DODGE	22 = 2-DR SEDAN TYPE #2	ESF = 6.1L SRT HEMI SMPI V8 Engine	DGJ = 5-Speed Auto W5A580 Transmission

AR = use ase required - = Non illustrated part

2008 LC

**Spark Plugs and Ignition Coil**  
**Figure 8-1910**

ITEM	PART NUMBER	QTY	LINE	SERIES	BODY	ENGINE	TRANS	TRIM	DESCRIPTION
1	SPLZTR5A13	16	D		22	ESF			SPARK PLUG
2	56029129AB	8	D		22	ESF			COIL, Ignition
3	06508513AA	16	D		22	ESF			SCREW AND WASHER, Hex Head, M6X1.00X24.75, Coil mounting
4	05149011AA	1	D		22	ESF			CAPACITOR, Ignition



**DODGE CHALLENGER (LC)**  
 SERIES      LINE  
 X = SPECIAL    D = DODGE

BODY  
 22 = 2-DR SEDAN TYPE #2

ENGINE  
 ESF = 6.1L SRT HEMI SMPI V8 Engine

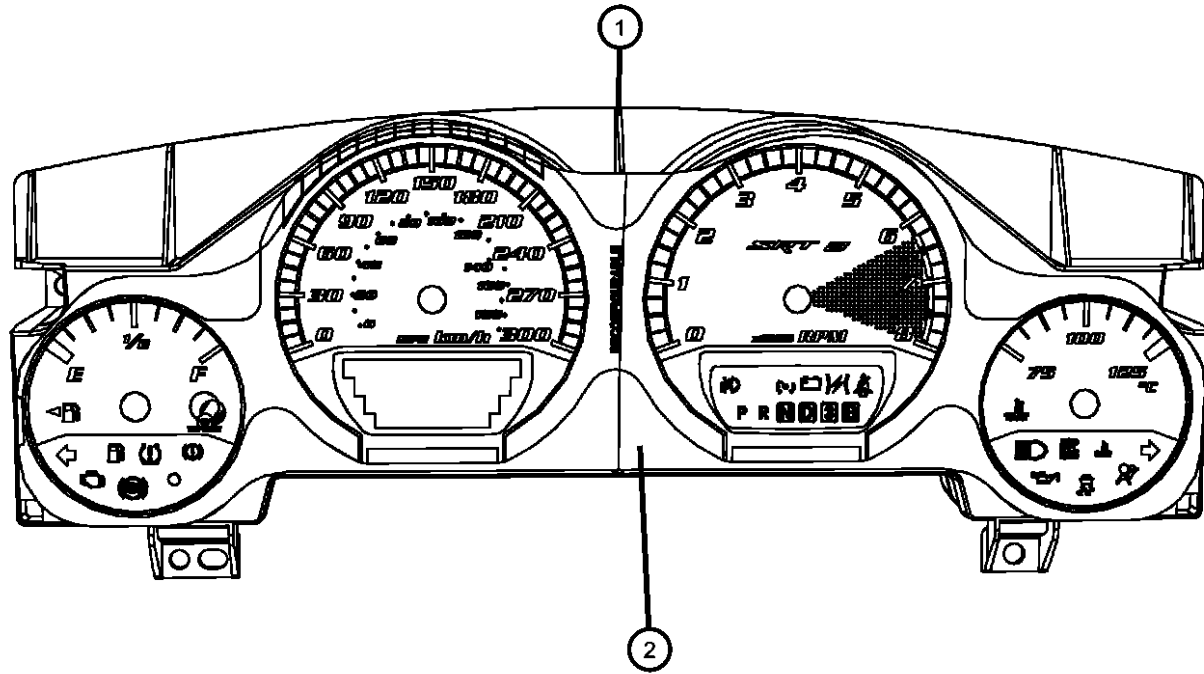
TRANSMISSION  
 DGJ = 5-Speed Auto W5A580 Transmission

AR = use ase required    - = Non illustrated part

2008 LC

**Instrument Panel Cluster  
Figure 8-2105**

ITEM	PART NUMBER	QTY	LINE	SERIES	BODY	ENGINE	TRANS	TRIM	DESCRIPTION
1									CLUSTER, Instrument Panel
	05172650AA	1	D		22				[JCG]
	05172651AA	1	D		22				[JDU]
2	68031296AA	1	D		22				MASK AND LENS, Instrument Cluster



**DODGE CHALLENGER (LC)**  
 SERIES      LINE  
 X = SPECIAL    D = DODGE

BODY  
 22 = 2-DR SEDAN TYPE #2

ENGINE  
 ESF = 6.1L SRT HEMI SMPI V8 Engine

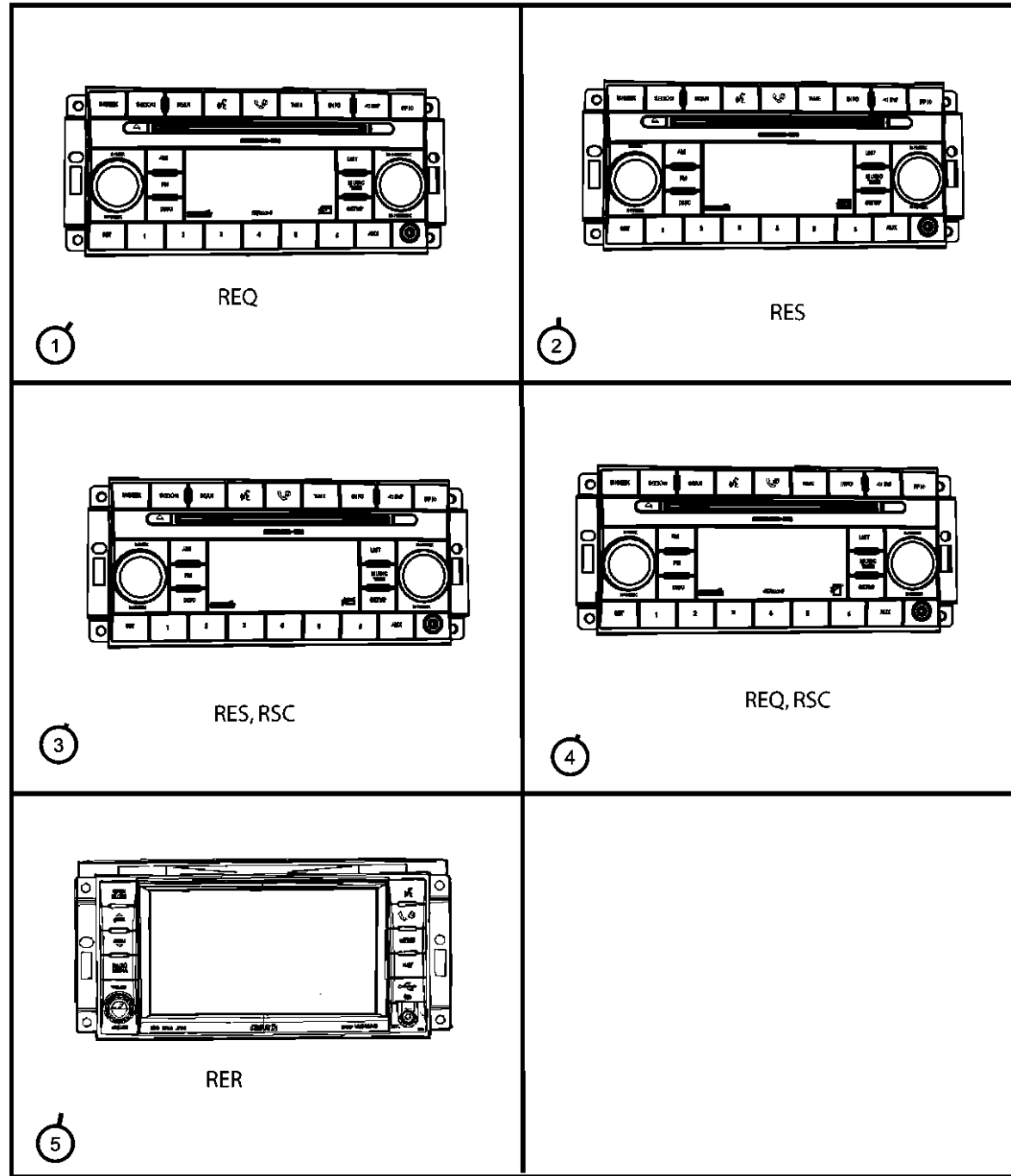
TRANSMISSION  
 DGJ = 5-Speed Auto W5A580 Transmission

AR = use ase required    - = Non illustrated part

2008 LC



Radio  
Figure 8-2205



ITEM	PART NUMBER	QTY	LINE	SERIES	BODY	ENGINE	TRANS	TRIM	DESCRIPTION
1	05064923AG	1	D		22				RADIO, AM/FM/6 DVD, [REQ]
2	05064410AF	1	D		22				RADIO, AM/FM with CD, [RES]
3	05064420AF	1	D		22				RADIO, AM/FM/CD/SDARS, [RES,RSC]
4	05064922AG	1	D		22				RADIO, AM/FM/6 DVD/SDARS, [REQ,RSC]
5	05064401AJ	1	D		22				RADIO, AM/FM/DVD/HDD/NAV/SDARS, [RER]

**DODGE CHALLENGER (LC)**  
 SERIES LINE  
 X = SPECIAL D = DODGE

BODY  
 22 = 2-DR SEDAN TYPE #2

ENGINE  
 ESF = 6.1L SRT HEMI SMPI V8 Engine

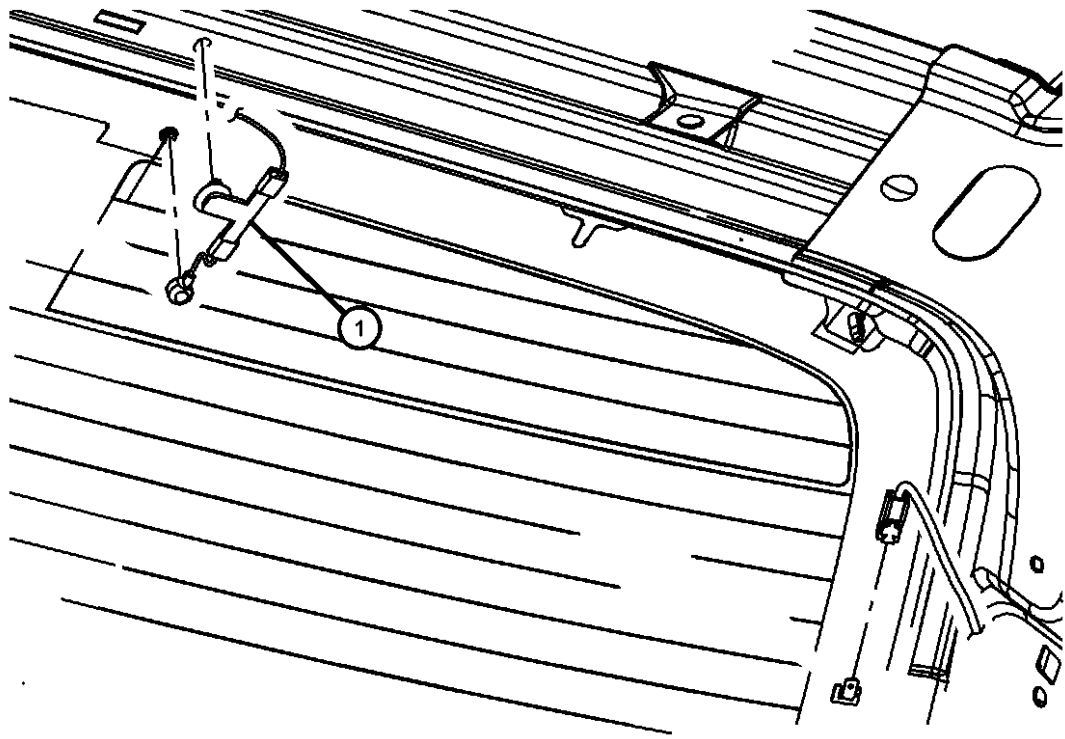
TRANSMISSION  
 DGJ = 5-Speed Auto W5A580 Transmission

AR = use ase required - = Non illustrated part

2008 LC

Antenna  
Figure 8-2210

ITEM	PART NUMBER	QTY	LINE	SERIES	BODY	ENGINE	TRANS	TRIM	DESCRIPTION
1	05064579AA	1	D		22				MODULE, Radio Antenna



**DODGE CHALLENGER (LC)**

SERIES      LINE  
X = SPECIAL    D = DODGE

BODY  
22 = 2-DR SEDAN TYPE #2

ENGINE  
ESF = 6.1L SRT HEMI SMPI V8 Engine

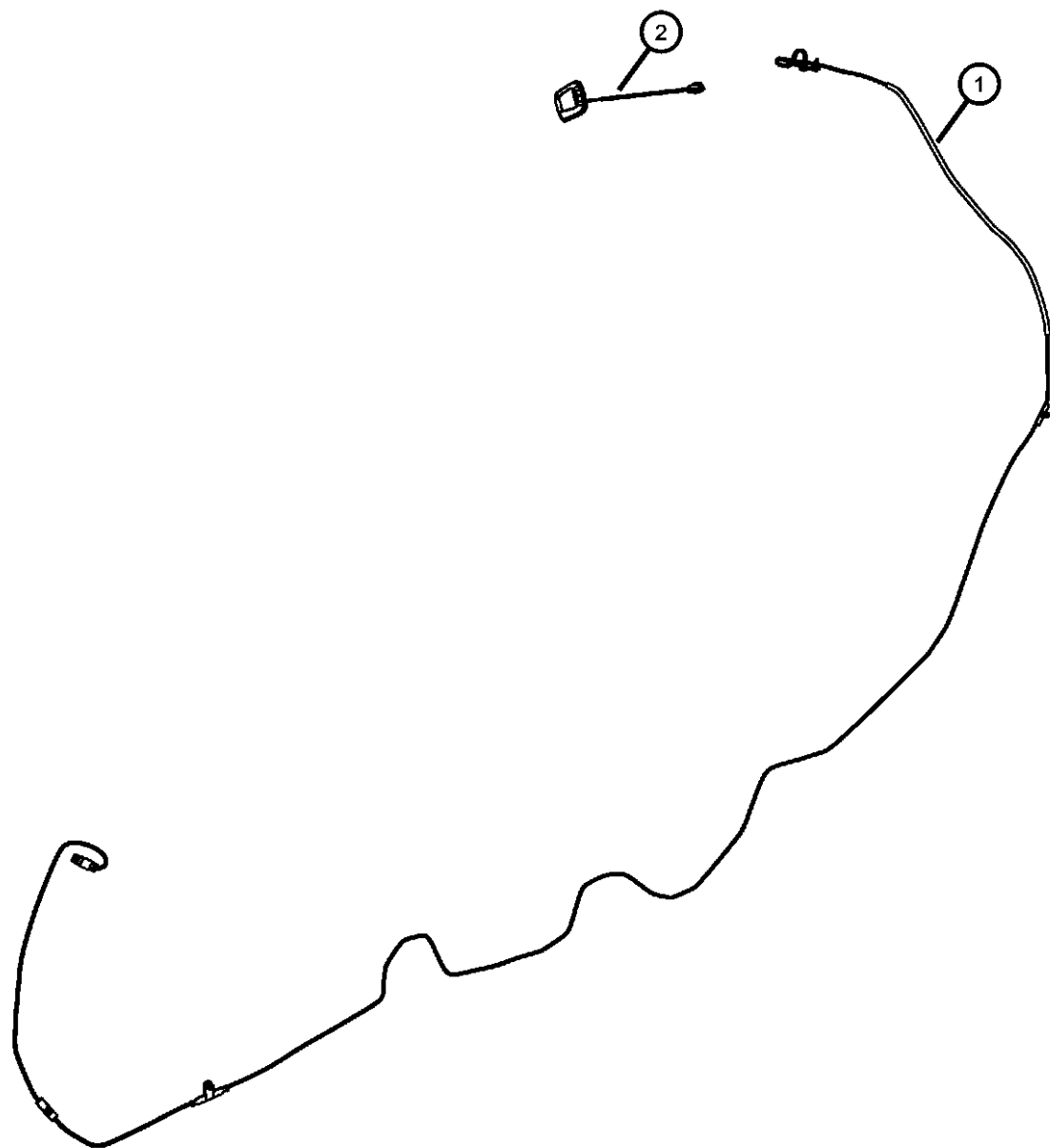
TRANSMISSION  
DGJ = 5-Speed Auto W5A580 Transmission

AR = use ase required    - = Non illustrated part

2008 LC

**Satellite Radio System  
Figure 8-2215**

ITEM	PART NUMBER	QTY	LINE	SERIES	BODY	ENGINE	TRANS	TRIM	DESCRIPTION
1	05064474AC	1	D		22				CABLE, Satellite Radio
2	05150048AB	1	D		22				ANTENNA, Satellite



**DODGE CHALLENGER (LC)**  
 SERIES      LINE  
 X = SPECIAL    D = DODGE

BODY  
 22 = 2-DR SEDAN TYPE #2

ENGINE  
 ESF = 6.1L SRT HEMI SMPI  
 V8 Engine

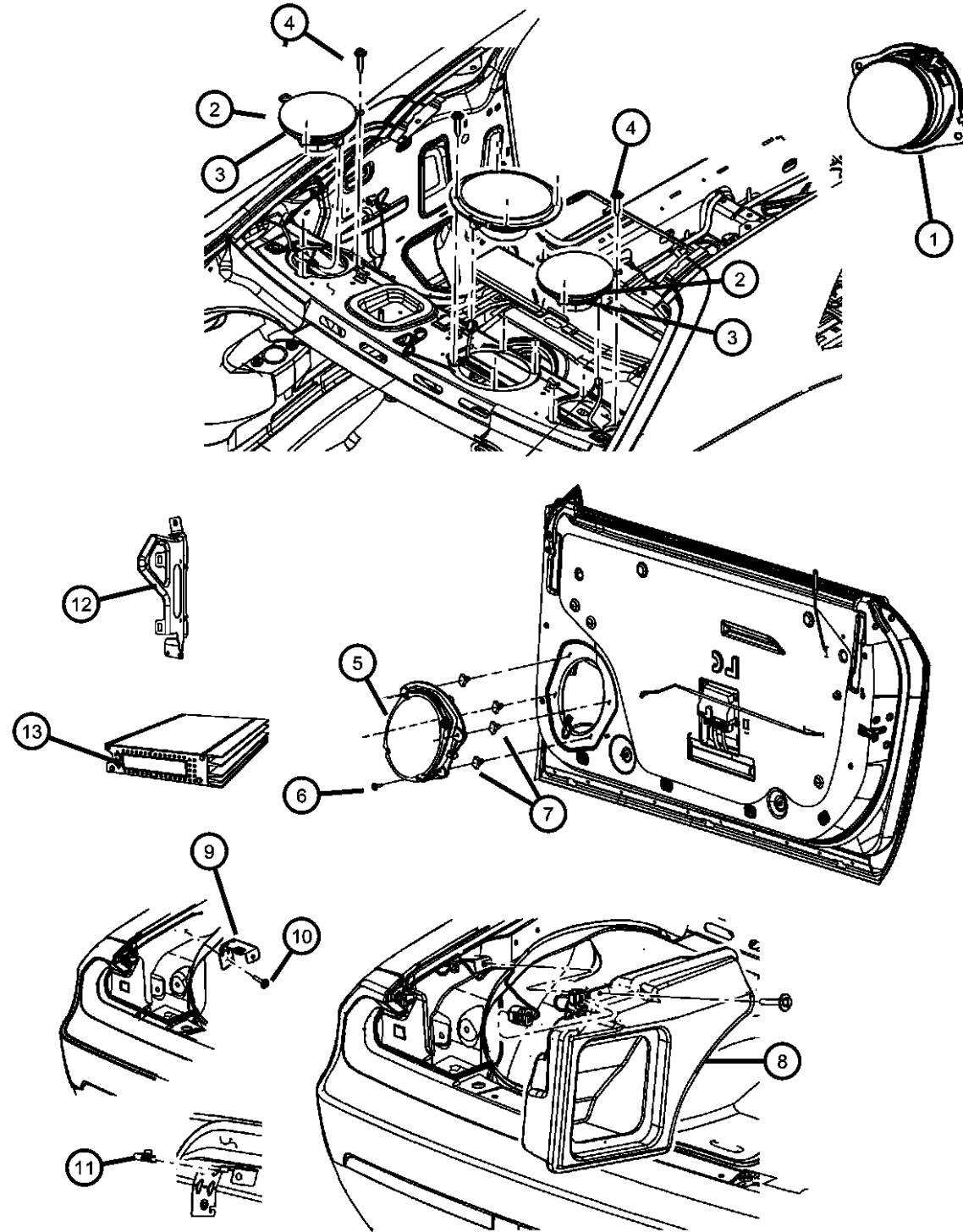
TRANSMISSION  
 DGJ = 5-Speed Auto W5A580  
 Transmission

AR = use ase required    - = Non illustrated part

2008 LC

**Speakers and Amplifiers**  
**Figure 8-2220**

ITEM	PART NUMBER	QTY	LINE	SERIES	BODY	ENGINE	TRANS	TRIM	DESCRIPTION
1	05029930AC	2	D		23				SPEAKER, Instrument Panel [RGB]
		3	D		22				[RC5]
	05059068AB	2	D		22				[RC6]
	05081670AB	1	D		22				SPEAKER, 6.5", [RC6]
3	68025300AA	1	D		22				SPEAKER, Woofer, [RC5]
4	68025300AA	1							SCREW, Tapping Hex Head, M4.2X1.70X22.00, (NOT SERVICED)
5	05030126AB	1	D		22				SPEAKER, Front Door [RC5]
	05059067AC	1	D		22				[RC6]
6	06032723	8	D		22				SCREW, Self Tapping, M4.2x1.69x19.05
7	06506878AA	8	D		22				NUT, Snap In
8	68021319AA	1	D		22				ENCLOSURE, Speaker
9	68038754AA	1	D		22				BRACKET, Speaker
10	06503929	1	D		22				SCREW AND WASHER, Coned Pilot, M6x1x30
11	06507559AA	1	D		22				U-NUT, M6 x 1.00, M6x1.00
12	05081027AA	1	D		22		DGJ		BRACKET, Amplifier
									AMPLIFIER
	05035022AC	1	D		22				[RFC]
	05064353AH	1	D		22				[RD7]
	68036703AB	1	D		22				[RFF]



**DODGE CHALLENGER (LC)**  
 SERIES      LINE  
 X = SPECIAL    D = DODGE

BODY  
 22 = 2-DR SEDAN TYPE #2

ENGINE  
 ESF = 6.1L SRT HEMI SMPI  
 V8 Engine

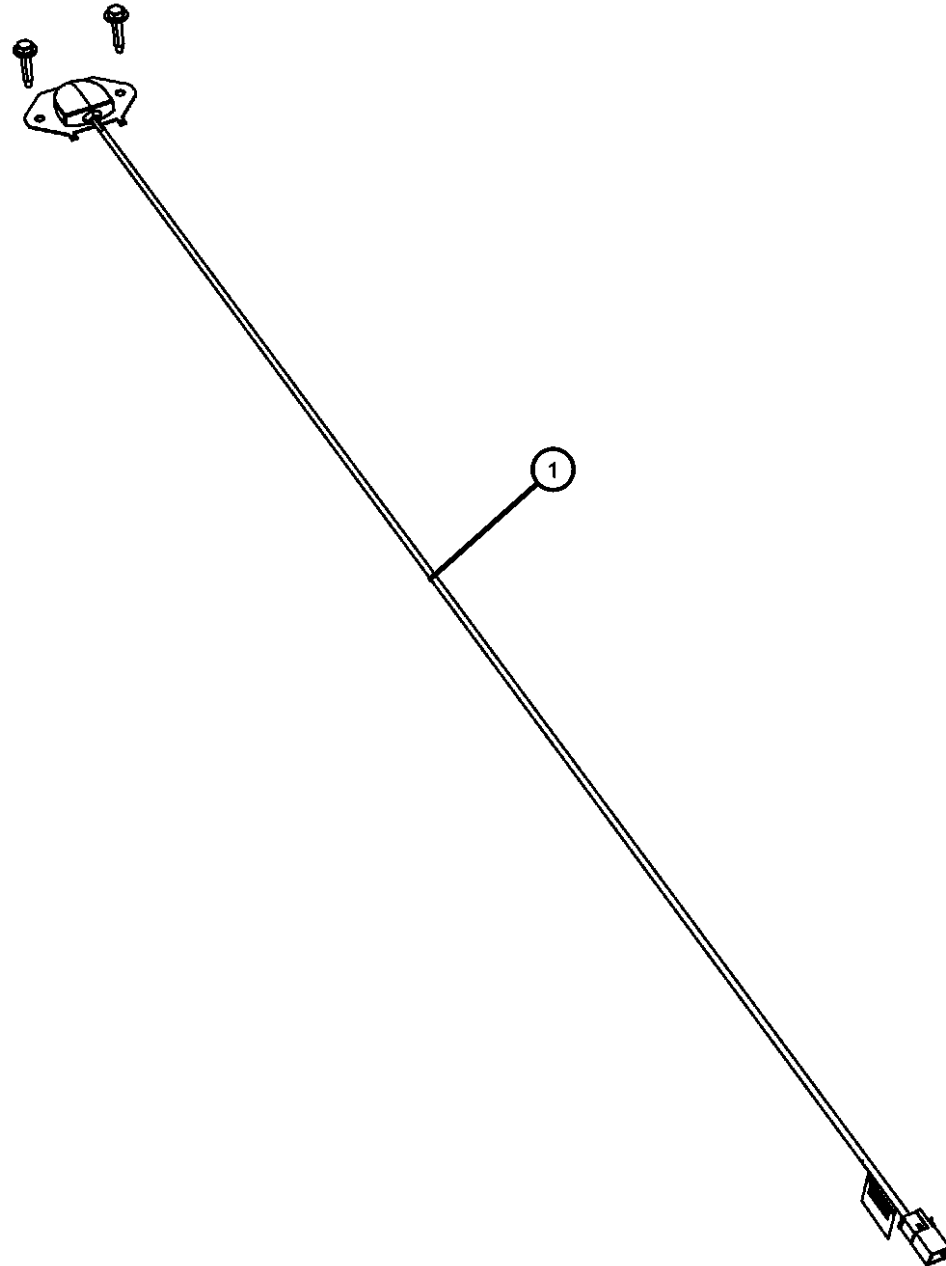
TRANSMISSION  
 DGJ = 5-Speed Auto W5A580  
 Transmission

AR = use ase required    - = Non illustrated part

2008 LC

Navigation System  
Figure 8-2405

ITEM	PART NUMBER	QTY	LINE	SERIES	BODY	ENGINE	TRANS	TRIM	DESCRIPTION
1									ANTENNA, Global Positioning
	05064186AA	1	D		22				
	05064187AA	1	D	X	23				
-2	68043349AB	1	D		22				DVD, RADIO SOFTWARE



**DODGE CHALLENGER (LC)**  
 SERIES LINE  
 X = SPECIAL D = DODGE

BODY  
 22 = 2-DR SEDAN TYPE #2

ENGINE  
 ESF = 6.1L SRT HEMI SMPI V8 Engine

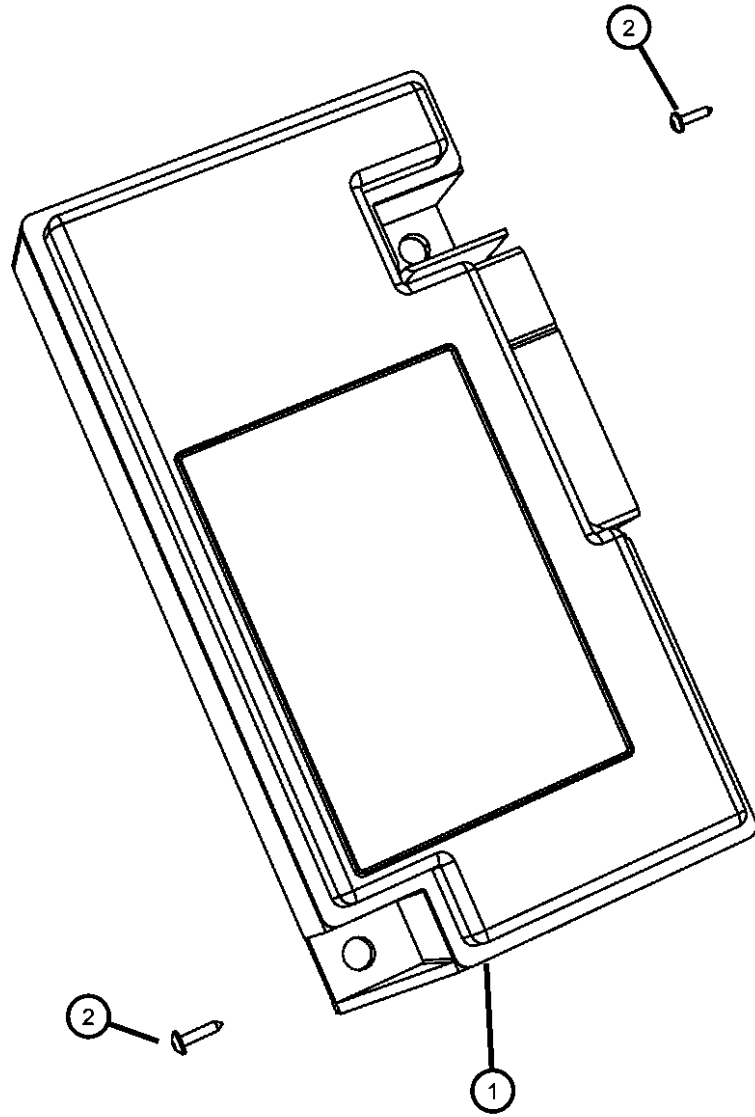
TRANSMISSION  
 DGJ = 5-Speed Auto W5A580 Transmission

AR = use ase required - = Non illustrated part

2008 LC

Telecommunications  
Figure 8-2505

ITEM	PART NUMBER	QTY	LINE	SERIES	BODY	ENGINE	TRANS	TRIM	DESCRIPTION
1	05064448AE	1	D		22				MODULE, Telematics
2	06034743	2	D		22				SCREW, Hex Flange Head Tapping, .164-15x.75



DODGE CHALLENGER (LC)  
SERIES LINE  
X = SPECIAL D = DODGE

BODY  
22 = 2-DR SEDAN TYPE #2

ENGINE  
ESF = 6.1L SRT HEMI SMPI V8 Engine

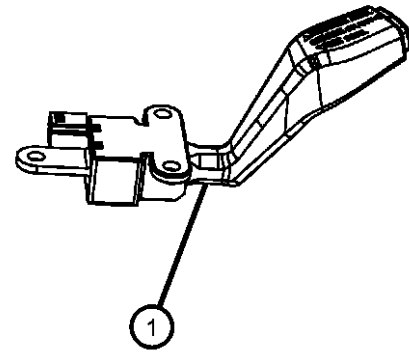
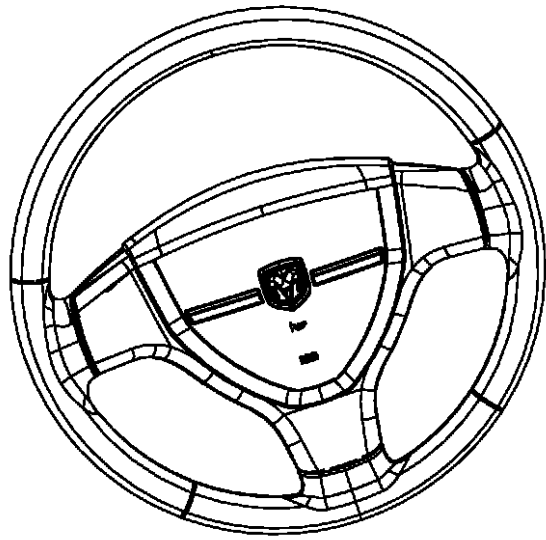
TRANSMISSION  
DGJ = 5-Speed Auto W5A580 Transmission

AR = use ase required - = Non illustrated part

2008 LC

**Speed Control  
Figure 8-2705**

ITEM	PART NUMBER	QTY	LINE	SERIES	BODY	ENGINE	TRANS	TRIM	DESCRIPTION
1	56046079AB	1	D		22				SWITCH, Speed Control



**DODGE CHALLENGER (LC)**  
 SERIES            LINE  
 X = SPECIAL    D = DODGE

BODY  
 22 = 2-DR SEDAN TYPE #2

ENGINE  
 ESF = 6.1L SRT HEMI SMPI V8 Engine

TRANSMISSION  
 DGJ = 5-Speed Auto W5A580 Transmission

AR = use ase required - = Non illustrated part

2008 LC

# Group - 009ESF

6.1L Gas; Engine

<b>009ESF-100</b> Engine Identification	<b>009ESF-1000</b> Manifolds and Vacuum Fittings	<b>009ESF-1100</b> Crankcase Ventilation	<b>009ESF-1200</b> Engine Mounting
<b>009ESF-200</b> Cylinder Head	<b>009ESF-300</b> Cylinder Block	<b>009ESF-400</b> Crankshaft, Piston, Drive Plate, Flywheel, and Damper	<b>009ESF-500</b> Camshaft and Valve
<b>009ESF-600</b> Timing Belt/Chain and Cover and Balance Shaft	<b>009ESF-700</b> Engine Oiling, Oil Pan and Indicator (Dipstick)		



---

## Group - 009ESF 6.1L Gas; Engine

Illustration Title	Group-Fig. No.
<b>Engine Identification</b>	
Engine Assembly And Identification 6.1L [ESF] .....	Fig. 009ESF - 105
Engine Covers And Related Parts 6.1L [ESF] .....	Fig. 009ESF - 125
Engine Gasket Packages 6.1L [ESF] .....	Fig. 009ESF - 145
<b>Cylinder Head</b>	
Cylinder Head Covers 6.1L [ESF] .....	Fig. 009ESF - 205
Cylinder Heads 6.1L [ESF] .....	Fig. 009ESF - 225
<b>Cylinder Block</b>	
Cylinder Block And Hardware 6.1L [ESF] .....	Fig. 009ESF - 305
<b>Crankshaft, Piston, Drive Plate, Flywheel, and Damper</b>	
Crankshaft, Crankshaft Bearings, Damper And Flexplate 6.1L [ESF] .....	Fig. 009ESF - 405
Pistons, Connecting Rods, And Connecting Rod Bearings 6.1L [ESF] .....	Fig. 009ESF - 425
<b>Camshaft and Valve</b>	
Camshaft And Valvetrain 6.1L [ESF] .....	Fig. 009ESF - 505
<b>Timing Belt/Chain and Cover and Balance Shaft</b>	
Timing Case Cover 6.1L [ESF] .....	Fig. 009ESF - 605
Timing System 6.1L [ESF] .....	Fig. 009ESF - 625
<b>Engine Oiling, Oil Pan and Indicator (Dipstick)</b>	
Engine Oiling Pump 6.1L [ESF] .....	Fig. 009ESF - 705
Engine Oil Pan, Engine Oil Level Indicator And Related Parts 6.1L [ESF] .....	Fig. 009ESF - 725
Engine Oil Filter And Engine Oil 6.1L [ESF] .....	Fig. 009ESF - 745
<b>Manifolds and Vacuum Fittings</b>	
Exhaust Manifolds 6.1L [ESF] .....	Fig. 009ESF - 1005
Intake Manifold 6.1L [ESF] .....	Fig. 009ESF - 1025
<b>Crankcase Ventilation</b>	
Crankcase Ventilation 6.1L [ESF] .....	Fig. 009ESF - 1105
<b>Engine Mounting</b>	
Engine Mounting Right Side RWD/2WD 6.1L [ESF] .....	Fig. 009ESF - 1230
Engine Mounting Left Side RWD/2WD 6.1L [ESF] .....	Fig. 009ESF - 1250

**Engine Assembly And Identification 6.1L [ESF]  
Figure 009ESF-105**

ITEM	PART NUMBER	QTY	LINE	SERIES	BODY	ENGINE	TRANS	TRIM	DESCRIPTION
------	-------------	-----	------	--------	------	--------	-------	------	-------------

**NOTE:**

The Engine Identification Label Contains: The Production Assembly Part Number And Displacement.

Sales Codes:

[DGJ]= 5-Speed Automatic W5A580 Transmission

[ESF]= 6.1L SRT Hemi V-8 Engine

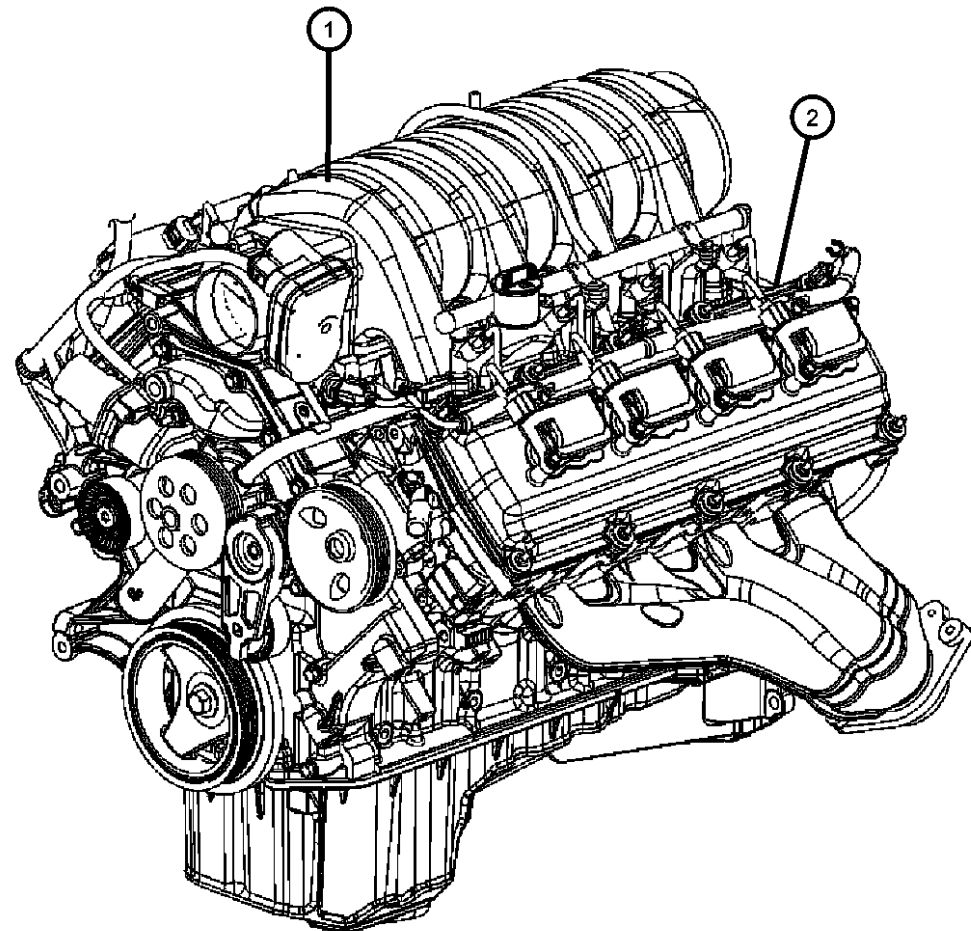
[NAA]= Federal Emissions

[NAE]= California Emissions

[NAM]= Mexico Emissions

[NAS]= 50 State Emissions

[NA1]= Export Emissions



1	56046079AB	1							
2	56046079AB	1							

ENGINE, Complete, Serviced  
By New Short Block Only, (NOT  
SERVICED)  
LABEL, Engine Identification, See  
Note, (NOT SERVICED)

**DODGE CHALLENGER (LC)**

SERIES      LINE  
X = SPECIAL    D = DODGE

BODY  
22 = 2-DR SEDAN TYPE #2

ENGINE  
ESF = 6.1L SRT HEMI SMPI  
V8 Engine

TRANSMISSION  
DGJ = 5-Speed Auto W5A580  
Transmission

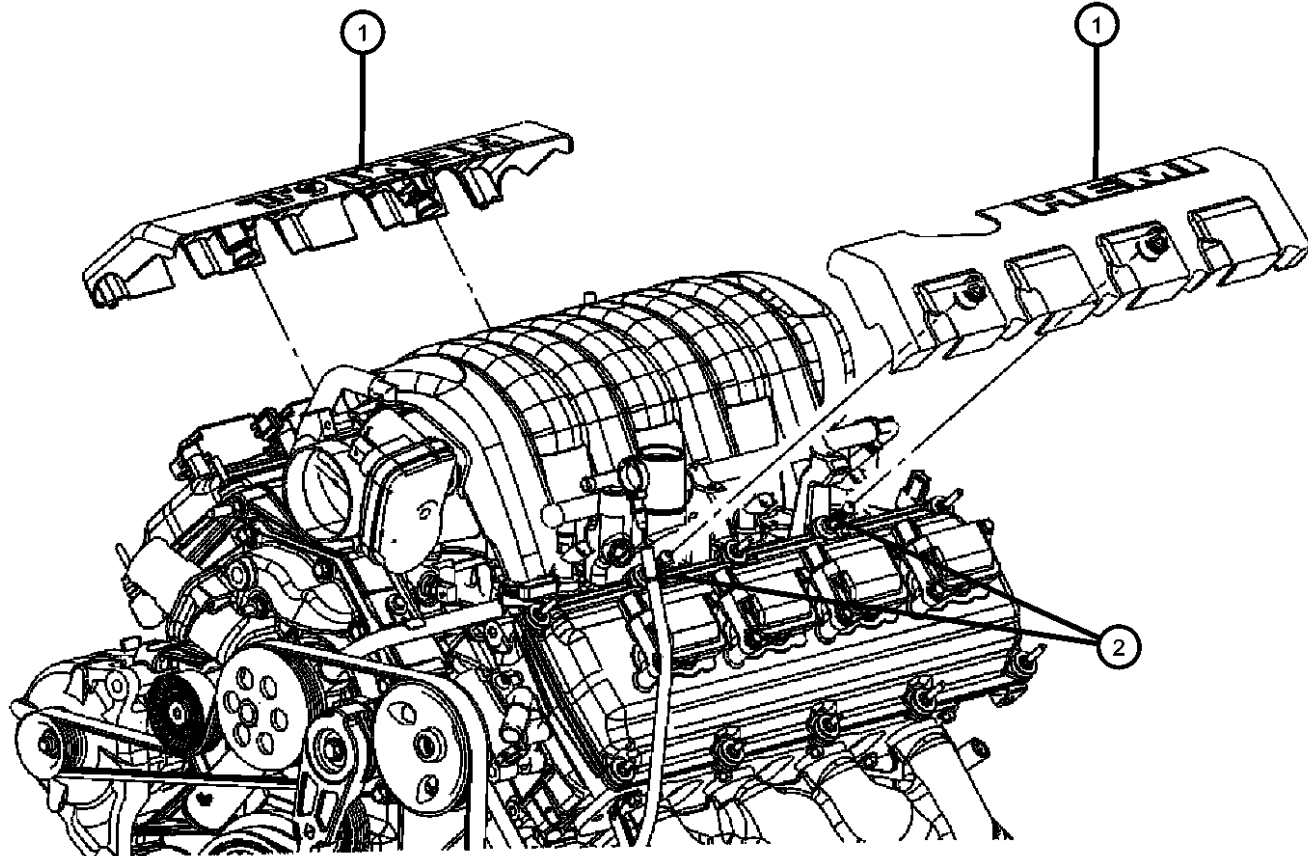
AR = use ase required    - = Non illustrated part

2008 LC

**Engine Covers And Related Parts 6.1L [ESF]  
Figure 009ESF-125**

ITEM	PART NUMBER	QTY	LINE	SERIES	BODY	ENGINE	TRANS	TRIM	DESCRIPTION
------	-------------	-----	------	--------	------	--------	-------	------	-------------

NOTE:  
Sales Codes:  
[DGJ]= 5-Speed Automatic W5A580 Transmission  
[ESF]= 6.1L SRT Hemi V-8 Engine  
[NAA]= Federal Emissions  
[NAE]= California Emissions  
[NAM]= Mexico Emissions  
[NAS]= 50 State Emissions  
[NA1]= Export Emissions



1									COVER, Wiring Protector
	05037534AB	1	D			ESF			With [Hemi 6.1L], Right
	05037535AB	1	D			ESF			With [Hemi], Left
2	05037581AB	4	D			ESF			BALL STUD, [42.04 MM], Wiring Retension Cover To Engine, Mounting

**DODGE CHALLENGER (LC)**  
SERIES      LINE  
X = SPECIAL      D = DODGE

BODY  
22 = 2-DR SEDAN TYPE #2

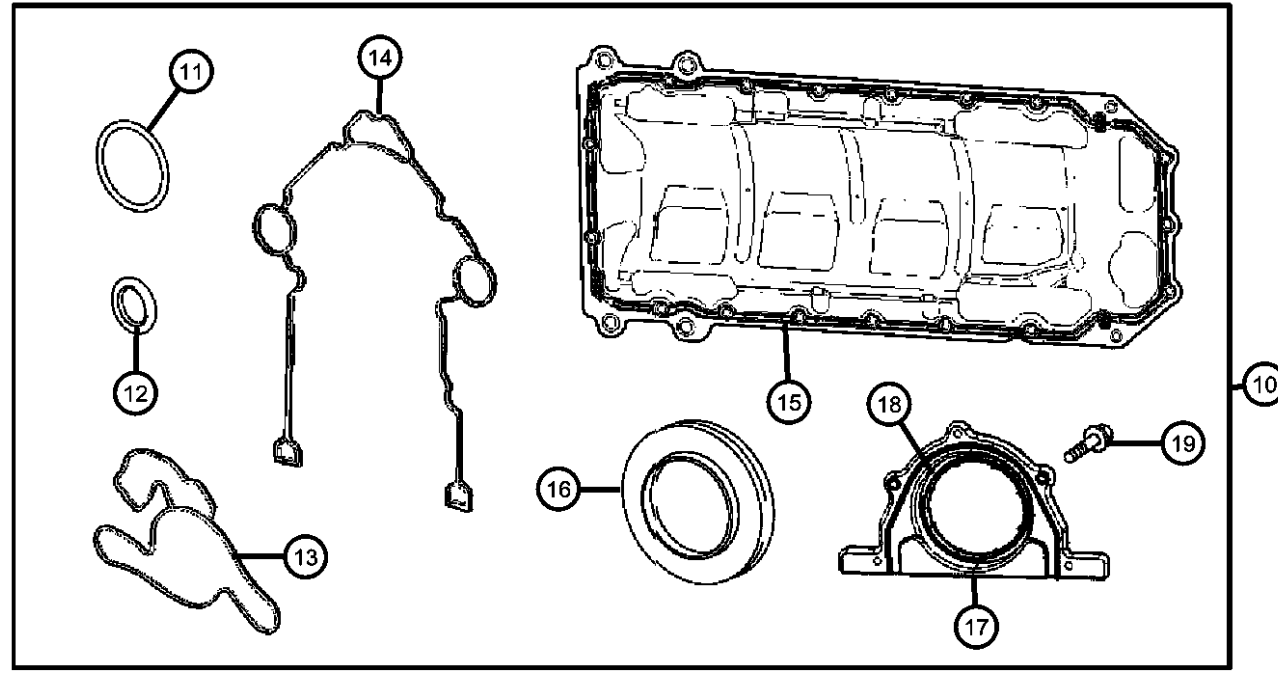
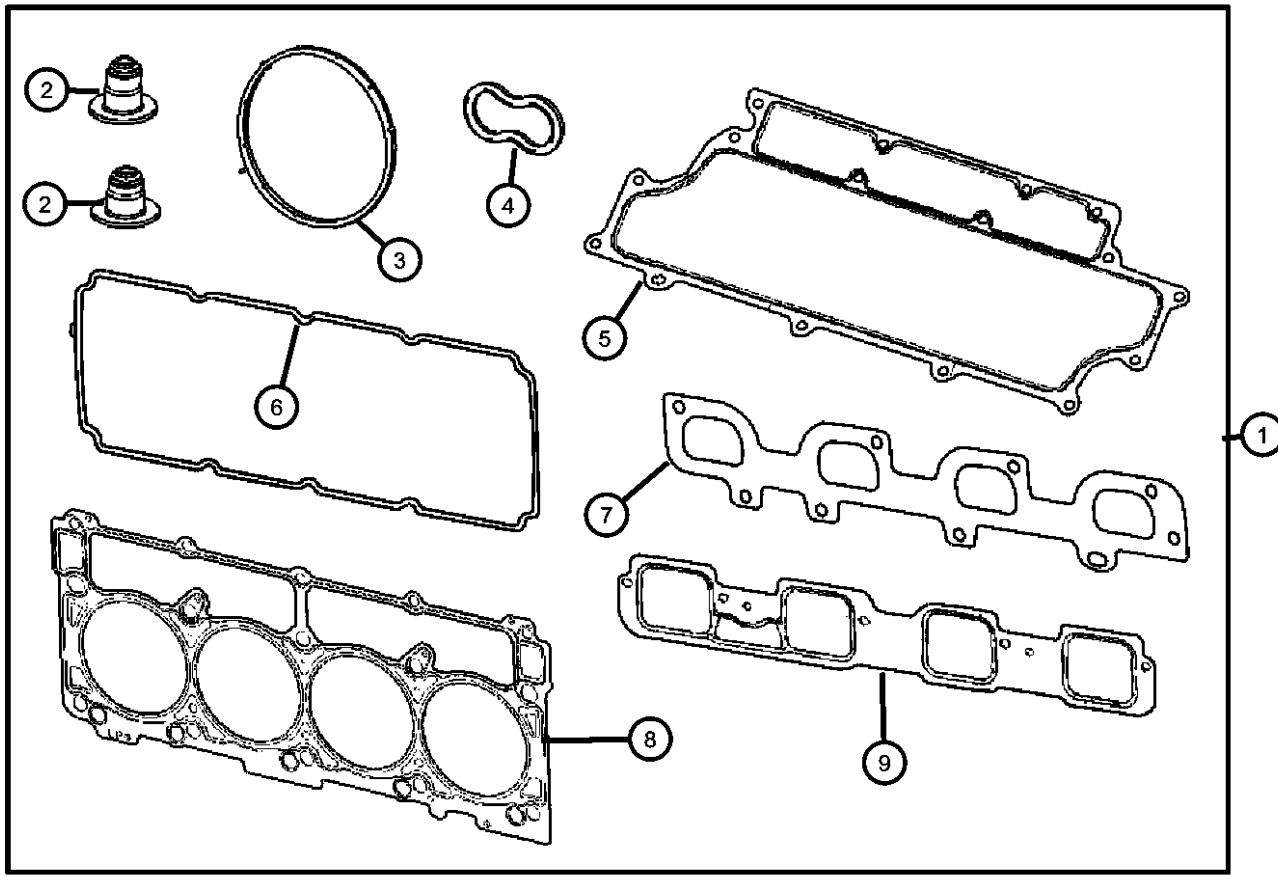
ENGINE  
ESF = 6.1L SRT HEMI SMPI V8 Engine

TRANSMISSION  
DGJ = 5-Speed Auto W5A580 Transmission

AR = use ase required    - = Non illustrated part

2008 LC

**Engine Gasket Packages 6.1L [ESF]  
Figure 009ESF-145**



ITEM	PART NUMBER	QTY	LINE	SERIES	BODY	ENGINE	TRANS	TRIM	DESCRIPTION
NOTE: Sales Codes: [DGJ]= 5-Speed Automatic W5A580 Transmission [ESF]= 6.1L SRT Hemi V-8 Engine [NAA]= Federal Emissions [NAE]= California Emissions [NAM]= Mexico Emissions [NAS]= 50 State Emissions [NA1]= Export Emissions									
1	05170961AB	1	D			ESF			GASKET PACKAGE, Engine Upper
2	05037798AA	8	D			ESF			SEAL, Valve Guide Intake
	53021578AA	8	D			ESF			Exhaust
3	53032383AB	1	D			ESF			SEAL, Throttle Body to Intake
4	53021569AD	8	D			ESF			GASKET, Spark Plug Well
5	05037555AA	1	D			ESF			GASKET, Intake Manifold Pan
6	05114179AB	2	D			ESF			GASKET KIT, Cylinder Head Cover Right And Left
7									GASKET, Exhaust Manifold Right
	05038098AA	1	D			ESF			Left
	05038099AA	1	D			ESF			
8	05037592AC	2	D			ESF			GASKET, Cylinder Head Right And Left
9	05037503AA	2	D			ESF			GASKET, Intake Manifold
10	05170861AC	1	D			ESF			GASKET PACKAGE, Engine Lower
11	53020861	1	D			ESF			SEAL, Oil Pick Up Tube
12	53021144AA	1	D			ESF			O RING, Engine Oil Indicator Tube
13	04792922AA	1	D			ESF			GASKET, Water Pump
14	05139933AB	1	D			ESF			GASKET PACKAGE, Front Cover
15	05037636AB	1	D			ESF			GASKET, Oil Pan
16	53021585AD	1	D			ESF			SEAL, Crankshaft Oil, Front
17	05140028AA	1	D			ESF			RETAINER PACKAGE, Crankshaft Rear Oil Seal, Includes Items 18,19
18	05140028AA	1							SEAL, Crankshaft Oil, Rear, Serviced With Item 17 Retainer, (NOT SERVICED)
19	06104005AA	5	D			ESF			BOLT, 6 Lobe External Head, M6X1.00X16.00, Rear Crankshaft Seal Retainer To Cylinder Block, Mounting

<b>DODGE CHALLENGER (LC)</b>				
SERIES	LINE	BODY	ENGINE	TRANSMISSION
X = SPECIAL	D = DODGE	22 = 2-DR SEDAN TYPE #2	ESF = 6.1L SRT HEMI SMPI V8 Engine	DGJ = 5-Speed Auto W5A580 Transmission

AR = use ase required - = Non illustrated part

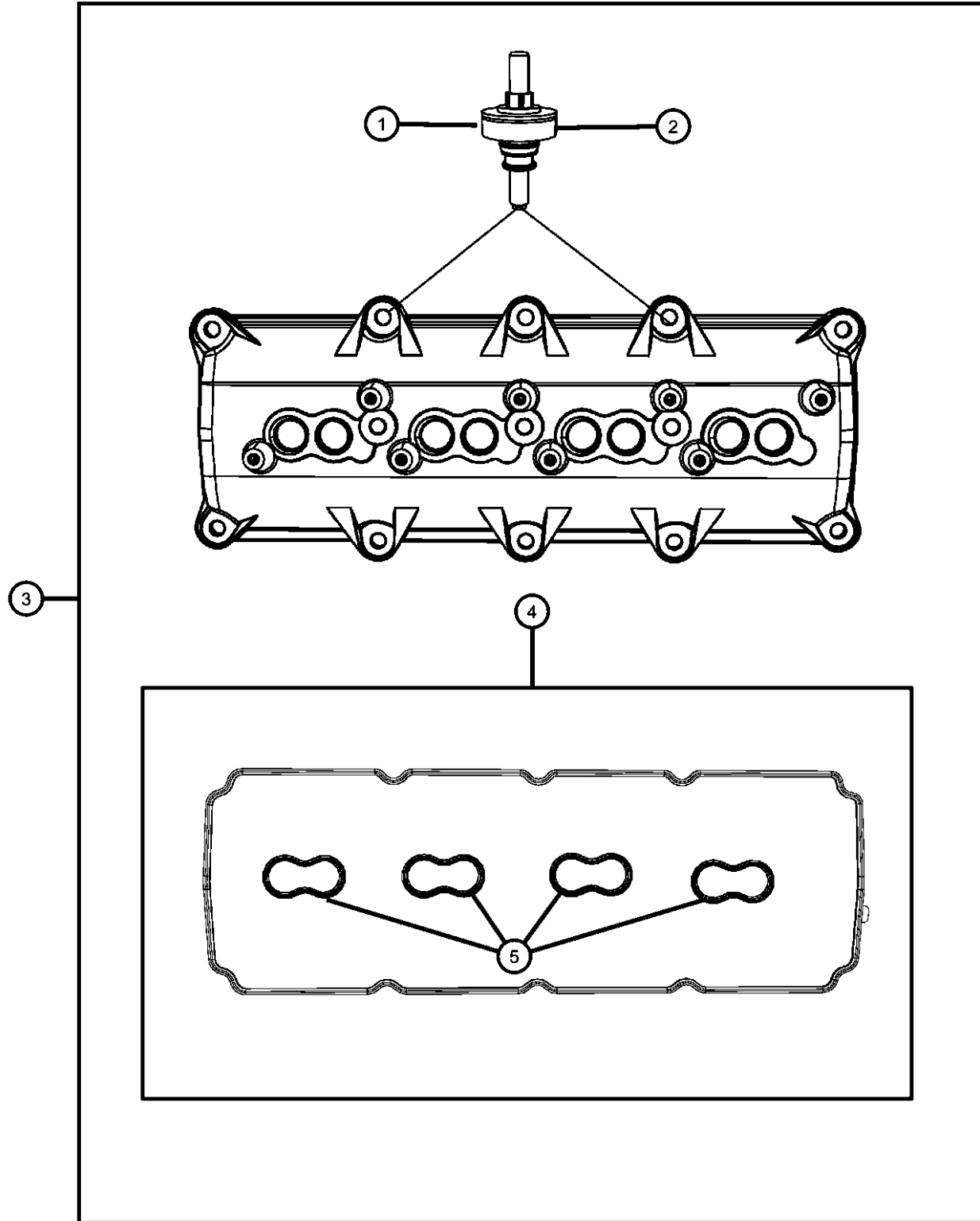
<< RETURN TO GROUP INDEX

**Cylinder Head Covers 6.1L [ESF]  
Figure 009ESF-205**

ITEM	PART NUMBER	QTY	LINE	SERIES	BODY	ENGINE	TRANS	TRIM	DESCRIPTION
------	-------------	-----	------	--------	------	--------	-------	------	-------------

NOTE:  
Sales Codes:  
[DGJ]= 5-Speed Automatic W5A580 Transmission  
[ESF]= 6.1L SRT Hemi V-8 Engine  
[NAA]= Federal Emissions  
[NAE]= California Emissions  
[NAM]= Mexico Emissions  
[NAS]= 50 State Emissions  
[NA1]= Export Emissions

1	06508861AA	12	D			ESF			STUD AND GROMMET, Special, M6X1.00X45.00, Cylinder Head Cover To Cylinder Head, Mounting
2	06508330AA	8	D			ESF			STUD AND GROMMET, Special, M6X1.00X80.00, Cylinder Head Cover To Cylinder Head, Mounting
3	05037531AC	2	D			ESF			COVER, Cylinder HeadRight And Left
4	05114179AB	2	D			ESF			GASKET KIT, Cylinder Head Cover, Also Includes Item 5Right And Left
5	53021569AD	8	D			ESF			GASKET, Spark Plug Well



**DODGE CHALLENGER (LC)**  
SERIES      LINE  
X = SPECIAL      D = DODGE

BODY  
22 = 2-DR SEDAN TYPE #2

ENGINE  
ESF = 6.1L SRT HEMI SMPI V8 Engine

TRANSMISSION  
DGJ = 5-Speed Auto W5A580 Transmission

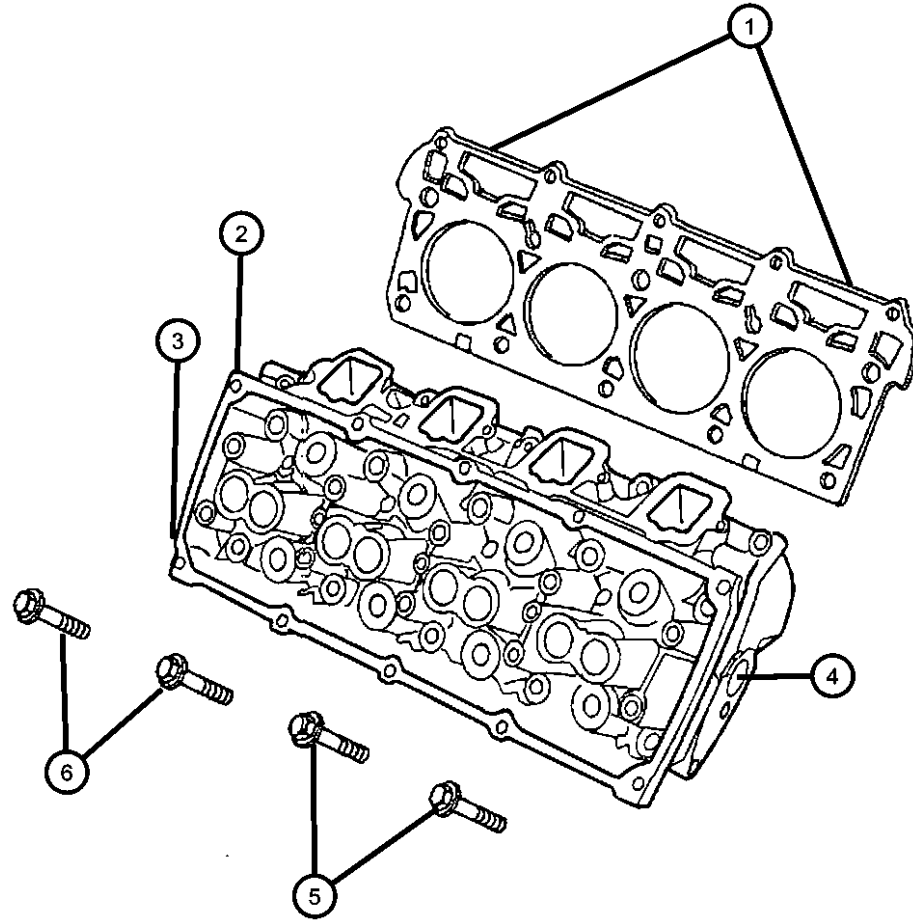
AR = use ase required    - = Non illustrated part

2008 LC

**Cylinder Heads 6.1L [ESF]  
Figure 009ESF-225**

ITEM	PART NUMBER	QTY	LINE	SERIES	BODY	ENGINE	TRANS	TRIM	DESCRIPTION
------	-------------	-----	------	--------	------	--------	-------	------	-------------

NOTE:  
Sales Codes:  
[DGJ]= 5-Speed Automatic W5A580 Transmission  
[ESF]= 6.1L SRT Hemi V-8 Engine  
[NAA]= Federal Emissions  
[NAE]= California Emissions  
[NAM]= Mexico Emissions  
[NAS]= 50 State Emissions  
[NA1]= Export Emissions



1	05037592AC	2	D			ESF			GASKET, Cylinder HeadRight And Left
2	05170620AA	1	D			ESF			HEAD, Cylinder, Right, Includes Valves And Springs
3	05170621AA	1	D			ESF			HEAD, Cylinder, Left, Includes Valves And Springs
4									PLUG, Core
	04556020AB	2	D			ESF			1 1/4, Right Cylinder Head
		2	D			ESF			1 1/4, Left Cylinder Head
	06036308AA	2	D			ESF			375-18X.475, Right Cylinder Head
		2	D			ESF			375-18X.475, Left Cylinder Head
5	06506334AA	10	D			ESF			BOLT, Hex Flange Head, M8X1.25X45.00, Cylinder Head To Cylinder Block, Mounting
6	06506694AA	20	D			ESF			BOLT AND CONED WASHER, Hex Head, M12X1.50X135.00, Cylinder Head To Cylinder Block, Mounting

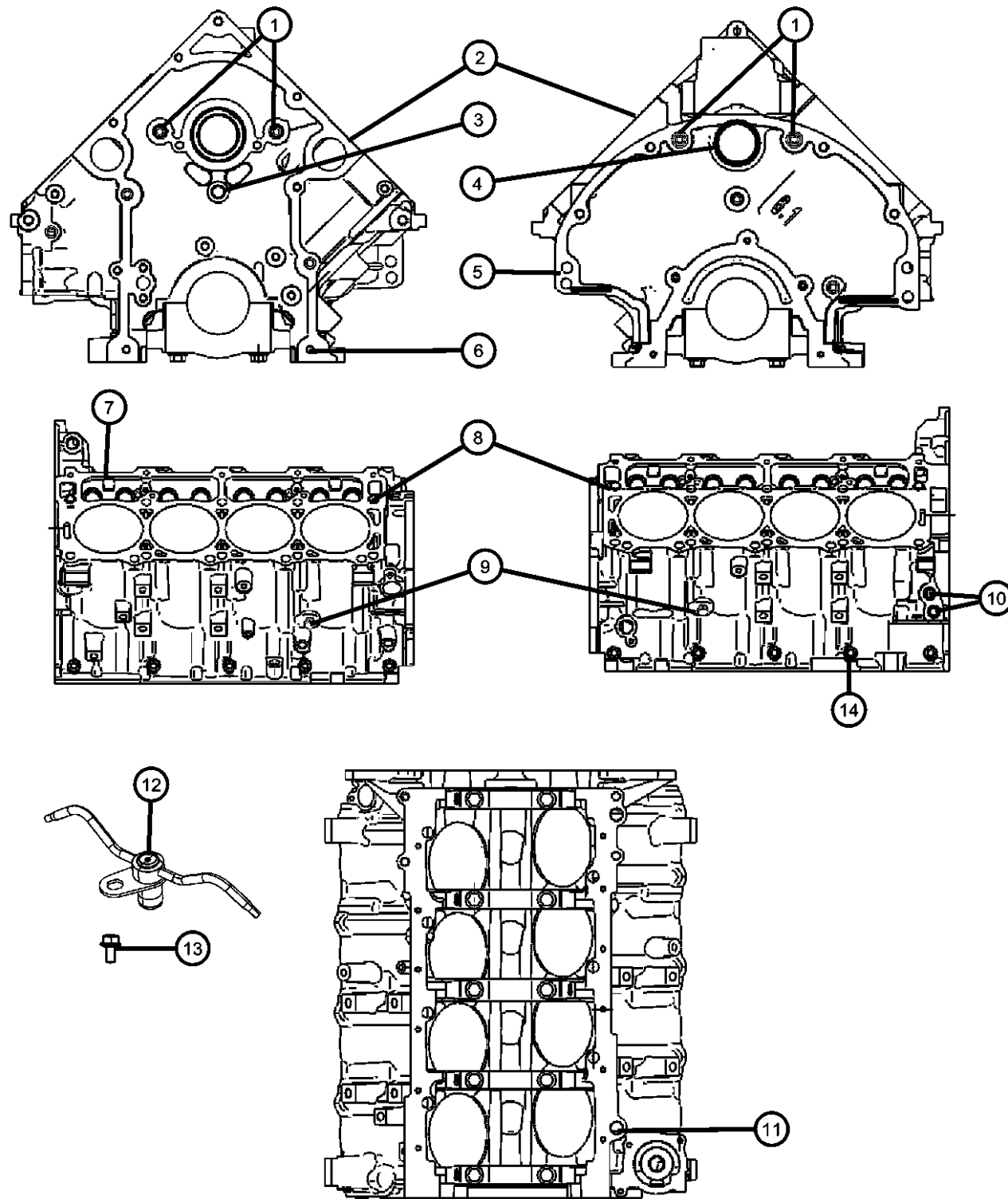
**DODGE CHALLENGER (LC)**  
SERIES      LINE  
X = SPECIAL    D = DODGE

BODY      ENGINE      TRANSMISSION  
22 = 2-DR SEDAN TYPE #2    ESF = 6.1L SRT HEMI SMPI V8 Engine    DGJ = 5-Speed Auto W5A580 Transmission

AR = use ase required    - = Non illustrated part

2008 LC

**Cylinder Block And Hardware 6.1L [ESF]  
Figure 009ESF-305**



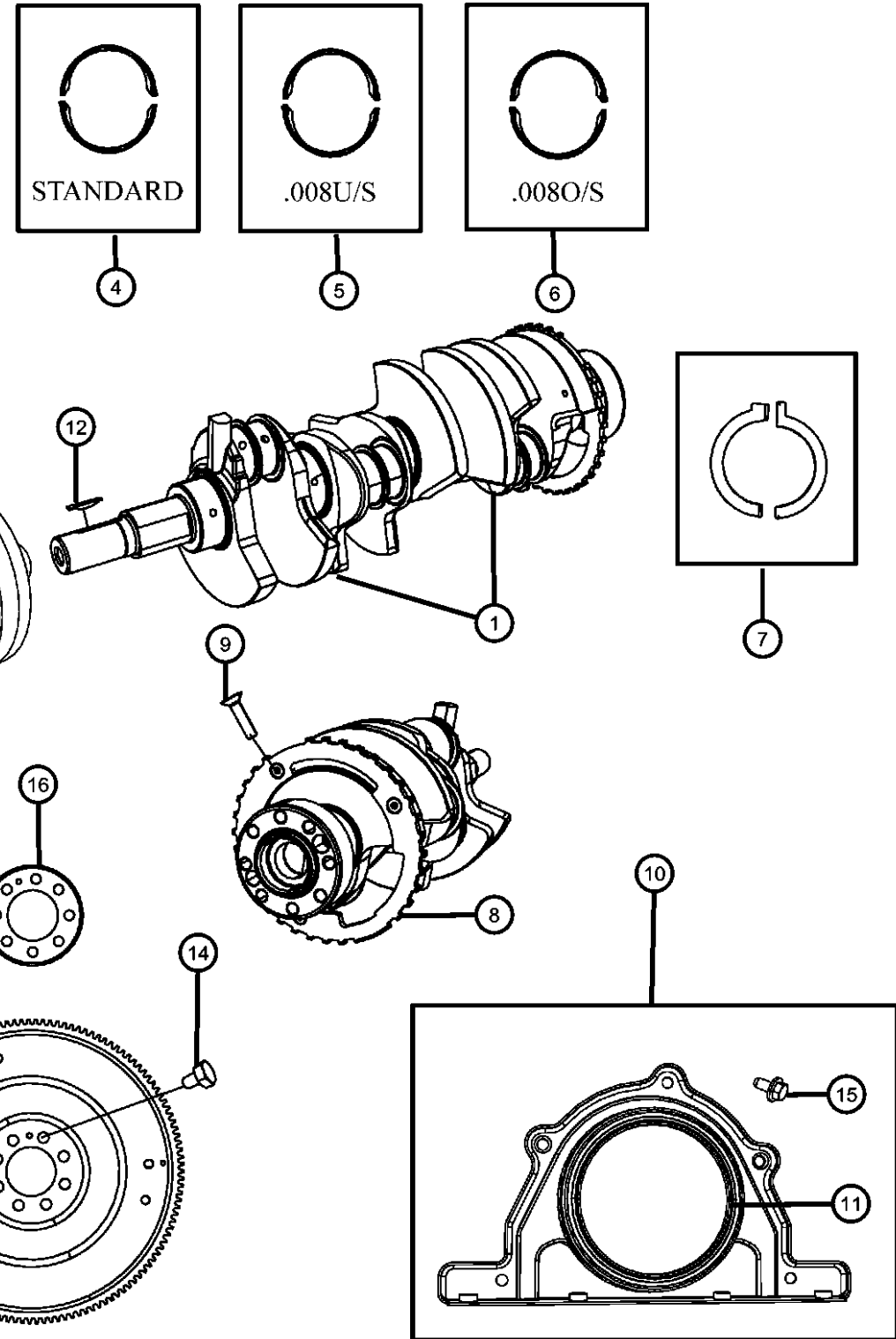
ITEM	PART NUMBER	QTY	LINE	SERIES	BODY	ENGINE	TRANS	TRIM	DESCRIPTION
1	06506694AA	20							PLUG, Cylinder Block, [.375-18X1.343] Serviced In Short Block, (NOT SERVICED) ENGINE, Short Block, See Note
2	05159561AC	1	D			ESF			PLUG, Cylinder Block, [.562x.280] Stainless, Oil Gallery
3	06036286AA	1	D			ESF			PLUG, Camshaft, [M47.93 OD 6.4 THK 51.5 FLG OD]
4	06507663AA	1	D			ESF			DOWEL, Block to Clutch Housing, 1/2X3/4
5	01122532	2	D			ESF			PIN, Dowel, [M8X10.0], Front Cover To Cylinder Block, Mounting
6	06506332AA	2	D			ESF			PLUG, Cylinder Block, Multiple Displacement Solenoid
7	53032221AA	4	D			ESF			DOWEL PIN, Cylinder Head To Cylinder Block, Mounting
8	05240849	4	D			ESF			PLUG, .250-18X.690, Cylinder Block Coolant Drain
9	06036592AA	2	D			ESF			PLUG, Hex Socket, 3/8-18NPTx.475
10	06034331	4	D			ESF			PLUG, Pipe, .250-18X.413, Oil Gallery Block Off
11	06036307AA	2	D			ESF			JET, Piston Oil Cooler
12	05037524AB	4	D			ESF			BOLT, Hex Flange Head, M6x1.00x12.00, Piston Oil Jet Cooler To Cylinder Block, Mounting
13	06104179AA	4	D			ESF			PLUG, Oil Indicator Tube
14	06036458AA	1	D			ESF			

NOTE:  
Shortblock Does Not Include Camshaft, Lifters, Oil Pump Or Oil Pan, But Does Include The Camshaft Bearings.  
Sales Codes:  
[DGJ]= 5-Speed Automatic W5A580 Transmission  
[ESF]= 6.1L SRT Hemi V-8 Engine  
[NAA]= Federal Emissions  
[NAE]= California Emissions  
[NAM]= Mexico Emissions  
[NAS]= 50 State Emissions  
[NA1]= Export Emissions

**DODGE CHALLENGER (LC)**  
 SERIES      LINE      BODY      ENGINE      TRANSMISSION  
 X = SPECIAL    D = DODGE    22 = 2-DR SEDAN TYPE #2    ESF = 6.1L SRT HEMI SMPI V8 Engine    DGJ = 5-Speed Auto W5A580 Transmission

AR = use ase required - = Non illustrated part

**Crankshaft, Crankshaft Bearings, Damper And Flexplate 6.1L [ESF]  
Figure 009ESF-405**



ITEM	PART NUMBER	QTY	LINE	SERIES	BODY	ENGINE	TRANS	TRIM	DESCRIPTION
------	-------------	-----	------	--------	------	--------	-------	------	-------------

NOTE: For Crankshaft Identification, Stamping Location And Bearing Information Refer To The Service Manual.  
For Bearing Selection Sizes Please Refer To Service Manual Group 9, Bearings Crankshaft Main, [ Select Fit Identification]

Sales Codes:  
[DGJ]= 5-Speed Automatic W5A580 Transmission  
[ESF]= 6.1L SRT Hemi V-8 Engine  
[NAA]= Federal Emissions  
[NAE]= California Emissions  
[NAM]= Mexico Emissions  
[NAS]= 50 State Emissions  
[NA1]= Export Emissions

1	05037458AA	1	D			ESF			CRANKSHAFT, See Note
2	05037394AA	1	D			ESF			DAMPER, Crankshaft
3	06508400AA	1	D			ESF			BOLT AND CONED WASHER, Hex Head, M14X1.5X102.00, Damper To Crankshaft, Mounting
4	05174003AA	5	D			ESF			BEARING KIT, Crankshaft, Standard
5	05174004AB	5	D			ESF			BEARING KIT, Crankshaft, .008mm U/S
6	05174002AB	5	D			ESF			BEARING KIT, Crankshaft, .008mm O/S
7	05083979AA	1	D			ESF			THRUST WASHER PACKAGE, Crankshaft
8	05083979AA	1							TONE RING, Sensor, Serviced With Crankshaft, (NOT SERVICED)
9	05083979AA	1							SCREW, M6x1x25, Serviced With Crankshaft, (NOT SERVICED)
10	05140028AA	1	D			ESF			RETAINER PACKAGE, Crankshaft Rear Oil Seal
11	05140028AA	1							SEAL, Crankshaft Oil, Rear, Serviced In Rear Retainer Package, (NOT SERVICED)
12	06506397AA	1	D			ESF			KEY, Woodruff
13	04752455AA	1	D			ESF			PLATE, Torque Converter Drive
14	06503465	8	D			ESF			BOLT, Hex Head Lock, M10X1.00X18.00, Torque Converter Drive Plate To Crankshaft, Mounting
15	06104005AA	5	D			ESF			BOLT, 6 Lobe External Head, M6X1.00X16.00, Rear Crankshaft Oil Seal Retainer To Cylinder Block, Mounting
16	04736613AA	1	D			ESF			PLATE, Flexplate or Flywheel Backing
17	06507095AA	6	D			ESF	DGJ		BOLT, Hex Head, M8x1.25x18.00, Drive Plate To Torque Converter, Mounting

**DODGE CHALLENGER (LC)**  
SERIES      LINE  
X = SPECIAL      D = DODGE

BODY  
22 = 2-DR SEDAN TYPE #2

ENGINE  
ESF = 6.1L SRT HEMI SMPI V8 Engine

TRANSMISSION  
DGJ = 5-Speed Auto W5A580 Transmission

AR = use ase required    - = Non illustrated part

2008 LC

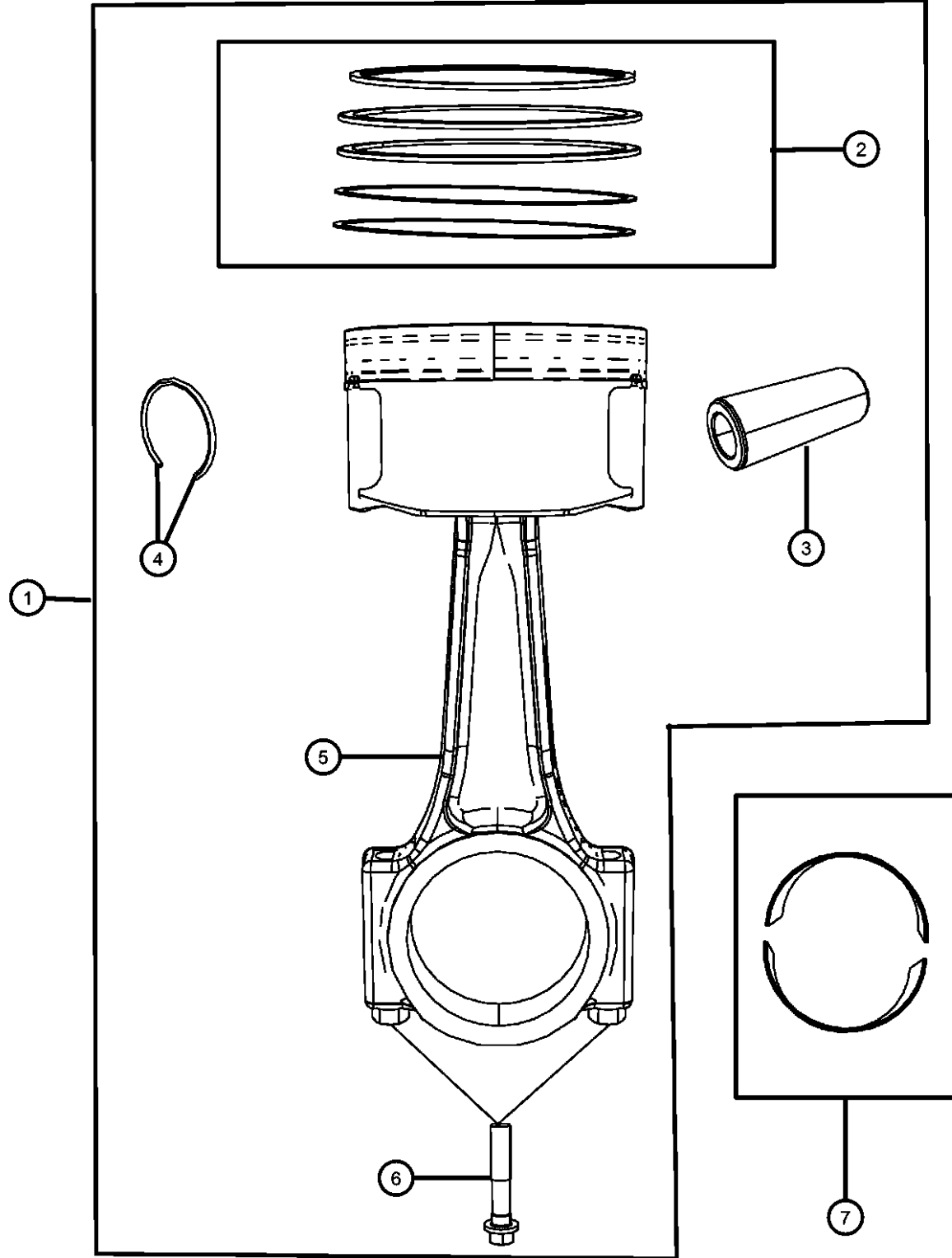


**Pistons, Connecting Rods, And Connecting Rod Bearings 6.1L [ESF]  
Figure 009ESF-425**

ITEM	PART NUMBER	QTY	LINE	SERIES	BODY	ENGINE	TRANS	TRIM	DESCRIPTION
------	-------------	-----	------	--------	------	--------	-------	------	-------------

NOTE: For Crankshaft Identification, Stamping Location And Bearing Information Refer To The Service Manual.  
For Bearing Selection Sizes Please Refer To Service Manual Group 9, Bearings Crankshaft Main, [ Select Fit Identification]

Sales Codes:  
[DGJ]= 5-Speed Automatic W5A580 Transmission  
[ESF]= 6.1L SRT Hemi V-8 Engine  
[NAA]= Federal Emissions  
[NAE]= California Emissions  
[NAM]= Mexico Emissions  
[NAS]= 50 State Emissions  
[NA1]= Export Emissions



1									PISTON PIN AND ROD, STD
	05037490AC	4	D			ESF			Cylinders 2,4,6,8, Right Side, Passenger Side
	05037491AC	4	D			ESF			Cylinders 1,3,5,7, Left Side, Driver Side
2	05159661AA	1	D			ESF			RING PACKAGE, Piston, Standard Size, One [1] Package Services The Complete Engine
3	05159661AA	1							PIN, Piston, Serviced With Piston Package, (NOT SERVICED)
4	05159661AA	1							RING, Piston Pin, Serviced With Piston Package, (NOT SERVICED)
5	05159661AA	1							ROD, Connecting, Serviced With Piston Package, (NOT SERVICED)
6									BOLT, Connecting Rod
	06508245AA	8	D			ESF			Cylinders 2,4,6,8, Right Side, Passenger Side
		8	D			ESF			Cylinders 1,3,5,7, Left Side, Driver Side
7	05086003AB	16	D			ESF			BEARING PACKAGE, Connecting Rod, Standard, See Note

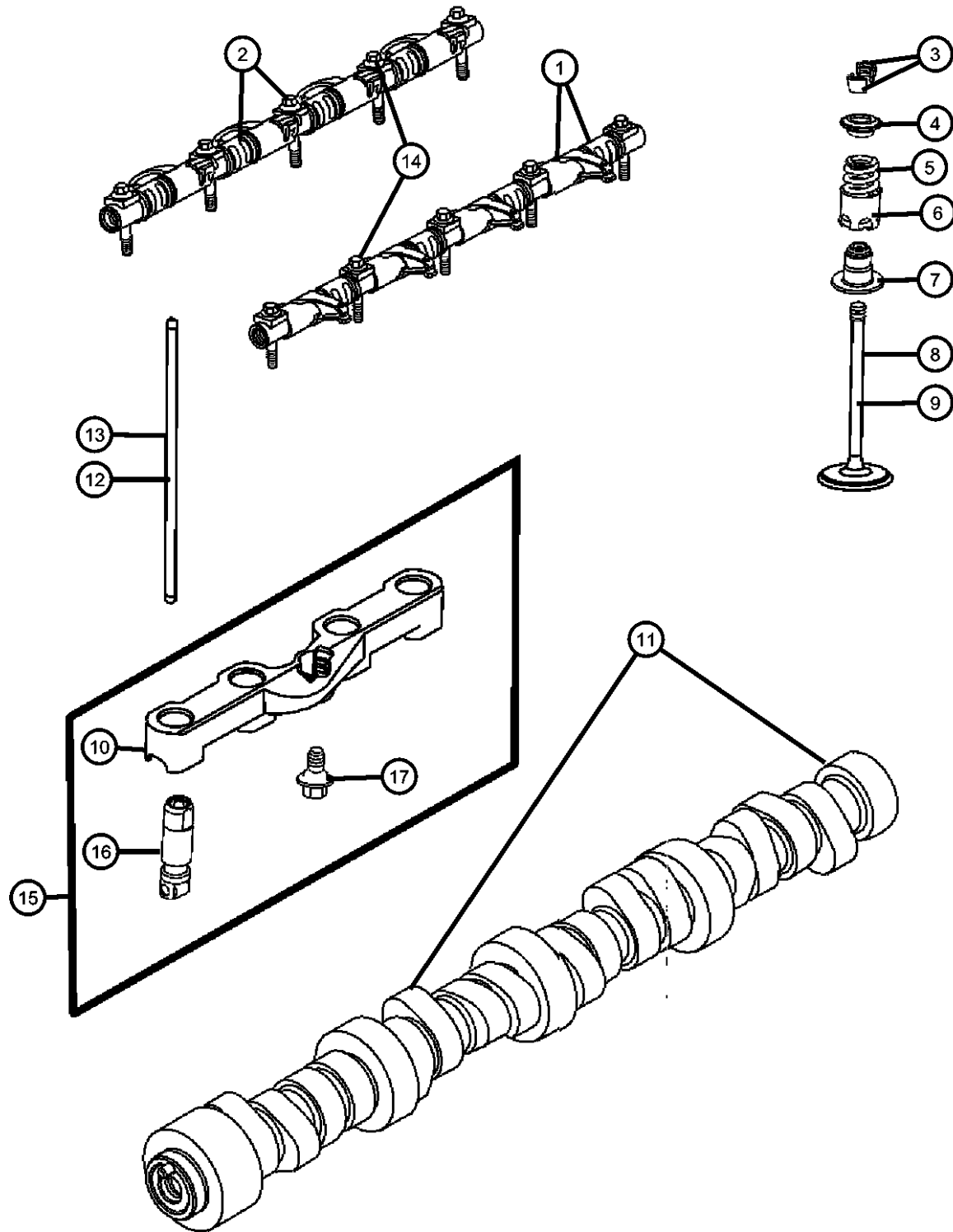
**DODGE CHALLENGER (LC)**  
SERIES      LINE  
X = SPECIAL    D = DODGE

BODY      ENGINE      TRANSMISSION  
22 = 2-DR SEDAN TYPE #2    ESF = 6.1L SRT HEMI SMPI V8 Engine    DGJ = 5-Speed Auto W5A580 Transmission

AR = use ase required    - = Non illustrated part

2008 LC

**Camshaft And Valvetrain 6.1L [ESF]  
Figure 009ESF-505**

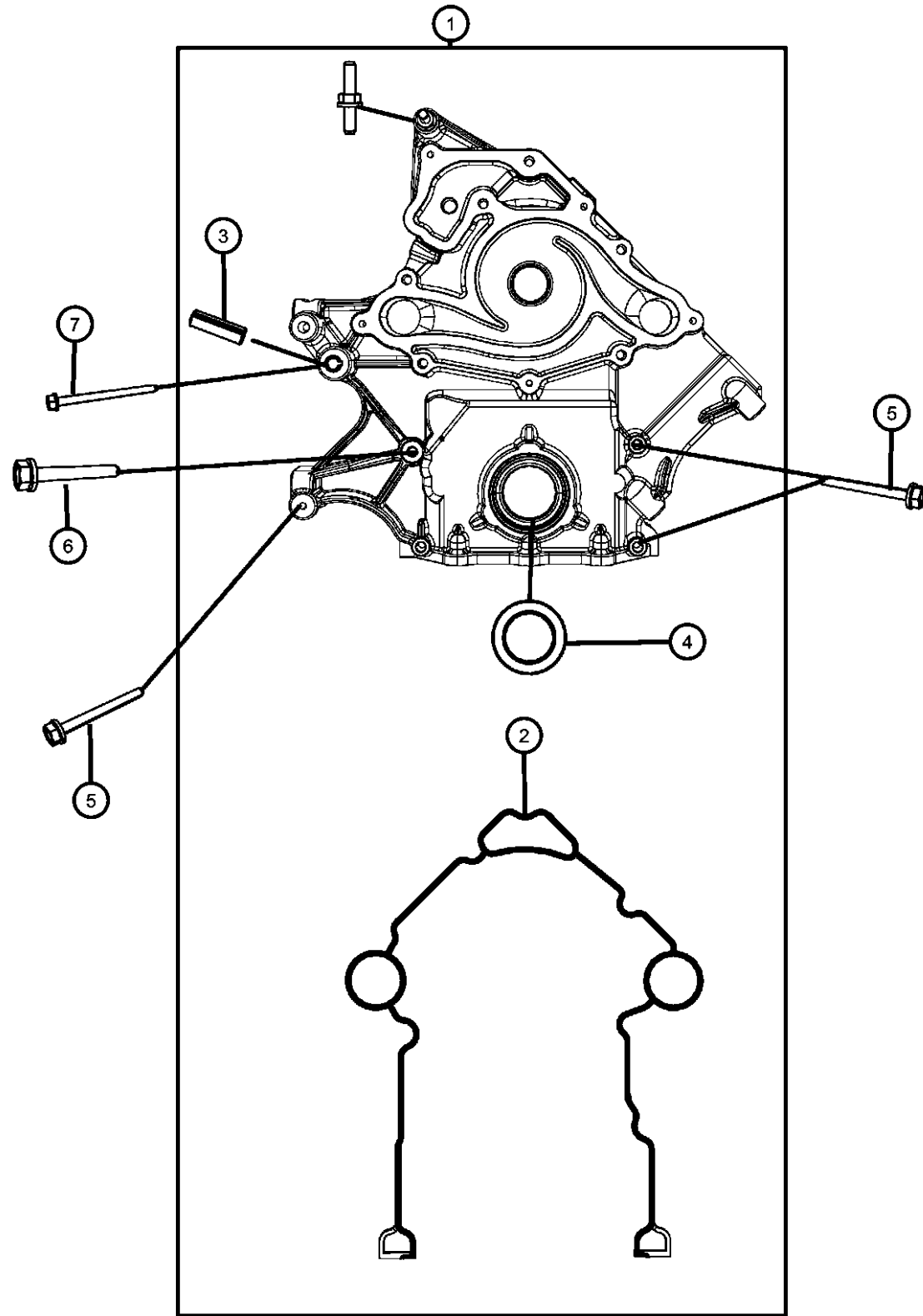


ITEM	PART NUMBER	QTY	LINE	SERIES	BODY	ENGINE	TRANS	TRIM	DESCRIPTION
NOTE: Sales Codes: [DGJ]= 5-Speed Automatic W5A580 Transmission [ESF]= 6.1L SRT Hemi V-8 Engine [NAA]= Federal Emissions [NAE]= California Emissions [NAM]= Mexico Emissions [NAS]= 50 State Emissions [NA1]= Export Emissions									
1	53021553AA	2	D			ESF			ROCKER ARM, Exhaust, Includes Four [4] Rocker Arms And Shaft, Right And Left
2	53021552AA	2	D			ESF			ROCKER ARM, Intake, Includes Four [4] Rocker Arms And Shaft, Right And Left
3	53010515AA	32	D			ESF			LOCK, Valve Spring Retainer
4	53021676AB	16	D			ESF			RETAINER, Valve Spring
5	05037382AC	8	D			ESF			SPRING, Intake Valve
6	05037477AC	8	D			ESF			SPRING, Exhaust Valve
7									SEAL, Valve Guide
	05037798AA	8	D			ESF			Intake
	53021578AA	8	D			ESF			Exhaust
8	05037372AB	8	D			ESF			VALVE, Intake, Standard
9	05037373AB	8	D			ESF			VALVE, Exhaust, Standard
10	53021721AA	4	D			ESF			YOKE, Tappet Aligning
11	05037379AC	1	D			ESF			CAMSHAFT, Engine
12	05037476AB	8	D			ESF			PUSH ROD, Intake Valve
13	05037475AB	8	D			ESF			PUSH ROD, Exhaust Valve
14	06507072AA	10	D			ESF			BOLT, Hex Flange Head, M8X1.25X50.00, Rocker Arm Shaft To Cylinder Head, Mounting
15	53021720AC	4	D			ESF			LIFTERS AND YOKE, Hydraulic, Engine
16	53021720AC	4							TAPPET, Hyd. Roller, Serviced In Item 15, (NOT SERVICED)
17	06509208AA	4	D			ESF			BOLT, Hex Flange Head, M6x1.00x14.00, Lifter Guide To Cylinder Block, Mounting

**DODGE CHALLENGER (LC)**  
 SERIES      LINE      BODY      ENGINE      TRANSMISSION  
 X = SPECIAL    D = DODGE      22 = 2-DR SEDAN TYPE #2    ESF = 6.1L SRT HEMI SMPI V8 Engine    DGJ = 5-Speed Auto W5A580 Transmission

AR = use ase required    - = Non illustrated part

Timing Case Cover 6.1L [ESF]  
Figure 009ESF-605



ITEM	PART NUMBER	QTY	LINE	SERIES	BODY	ENGINE	TRANS	TRIM	DESCRIPTION
------	-------------	-----	------	--------	------	--------	-------	------	-------------

NOTE:  
Sales Codes:  
[DGJ]= 5-Speed Automatic W5A580 Transmission  
[ESF]= 6.1L SRT Hemi V-8 Engine  
[NAA]= Federal Emissions  
[NAE]= California Emissions  
[NAM]= Mexico Emissions  
[NAS]= 50 State Emissions  
[NA1]= Export Emissions

1	04792795AD	1	D			ESF			COVER, Timing Case, Includes Gasket, Bushing And Front Crankshaft Seal
2	05139933AB	1	D			ESF			GASKET PACKAGE, Front Cover
3	06506697AA	2	D			ESF			BUSHING, Timing Cover
4	53021585AD	1	D			ESF			SEAL, Crankshaft Oil, Front
5	06506270AA	3	D			ESF			BOLT AND CONED WASHER, Hex Head, M8X1.25X80.00, Front Timing Case Cover To Cylinder Block, Mounting
6	06102157AA	1	D			ESF			BOLT AND CONED WASHER, Hex Head, M8X1.25X58.00, Front Timing Case Cover To Cylinder Block, Mounting
7	06502929	1	D			ESF			BOLT, Hex Head Locking, M8X1.25X119.00, Front Timing Case Cover To Cylinder And Slide Bushing Block, Mounting

**DODGE CHALLENGER (LC)**  
SERIES LINE  
X = SPECIAL D = DODGE

BODY ENGINE TRANSMISSION  
22 = 2-DR SEDAN TYPE #2 ESF = 6.1L SRT HEMI SMPI V8 Engine DGJ = 5-Speed Auto W5A580 Transmission

AR = use ase required - = Non illustrated part

2008 LC

Timing System 6.1L [ESF]  
Figure 009ESF-625

ITEM	PART NUMBER	QTY	LINE	SERIES	BODY	ENGINE	TRANS	TRIM	DESCRIPTION
------	-------------	-----	------	--------	------	--------	-------	------	-------------

NOTE:

Sales Codes:

[DGJ]= 5-Speed Automatic W5A580 Transmission

[ESF]= 6.1L SRT Hemi V-8 Engine

[NAA]= Federal Emissions

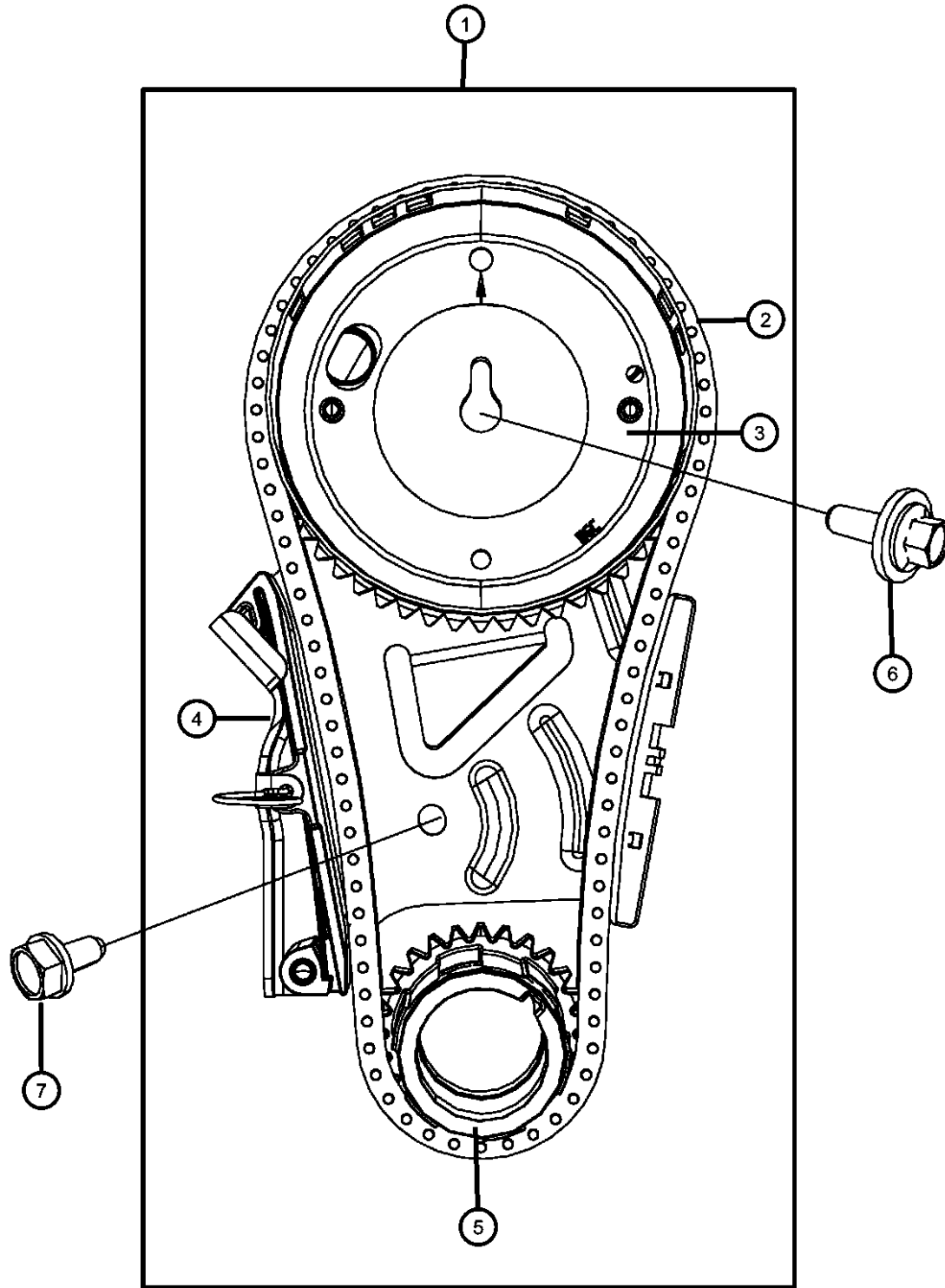
[NAE]= California Emissions

[NAM]= Mexico Emissions

[NAS]= 50 State Emissions

[NA1]= Export Emissions

1	05037579AB	1	D			ESF			TIMING DRIVE KIT, Engine
2	05037579AB	1							CHAIN, Timing, Serviced in Kit, (NOT SERVICED)
3	05037579AB	1							SPROCKET, Camshaft, Serviced In Kit, (NOT SERVICED)
4	05037593AB	1	D			ESF			TENSIONER, Chain, Also Serviced In Kit
5	05037593AB	1							SPROCKET, Crankshaft, Serviced In Kit, (NOT SERVICED)
6	06507480AA	1	D			ESF			BOLT, Hex Flange Head, M12X1.75X37.00, Sprocket To Camshaft, Mounting
7	06507479AA	3	D			ESF			BOLT AND WASHER, Hex Head, M8x1.25x20.00, Tensioner To Cylinder Block, Mounting



DODGE CHALLENGER (LC)

SERIES LINE  
X = SPECIAL D = DODGE

BODY  
22 = 2-DR SEDAN TYPE #2

ENGINE  
ESF = 6.1L SRT HEMI SMPI V8 Engine

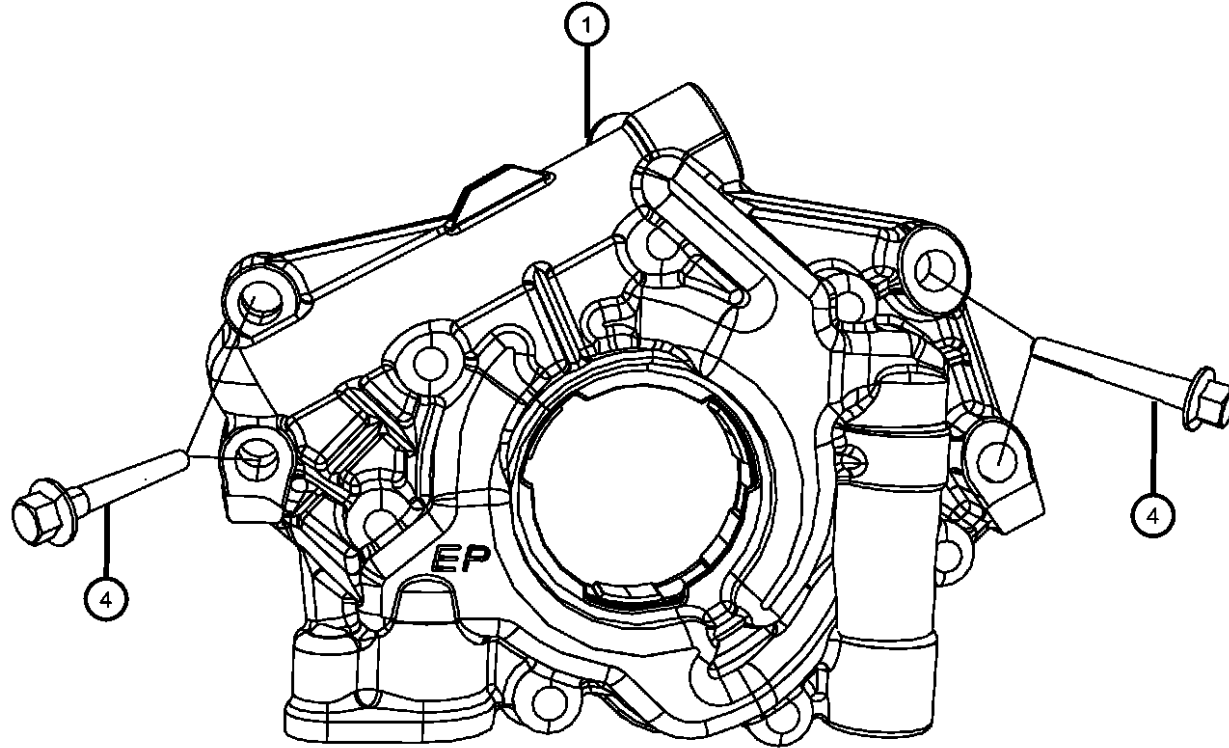
TRANSMISSION  
DGJ = 5-Speed Auto W5A580 Transmission

AR = use ase required - = Non illustrated part

2008 LC

**Engine Oiling Pump 6.1L [ESF]  
Figure 009ESF-705**

ITEM	PART NUMBER	QTY	LINE	SERIES	BODY	ENGINE	TRANS	TRIM	DESCRIPTION
------	-------------	-----	------	--------	------	--------	-------	------	-------------



**NOTE:**

Sales Codes:

[DGJ]= 5-Speed Automatic W5A580 Transmission

[ESF]= 6.1L SRT Hemi V-8 Engine

[NAA]= Federal Emissions

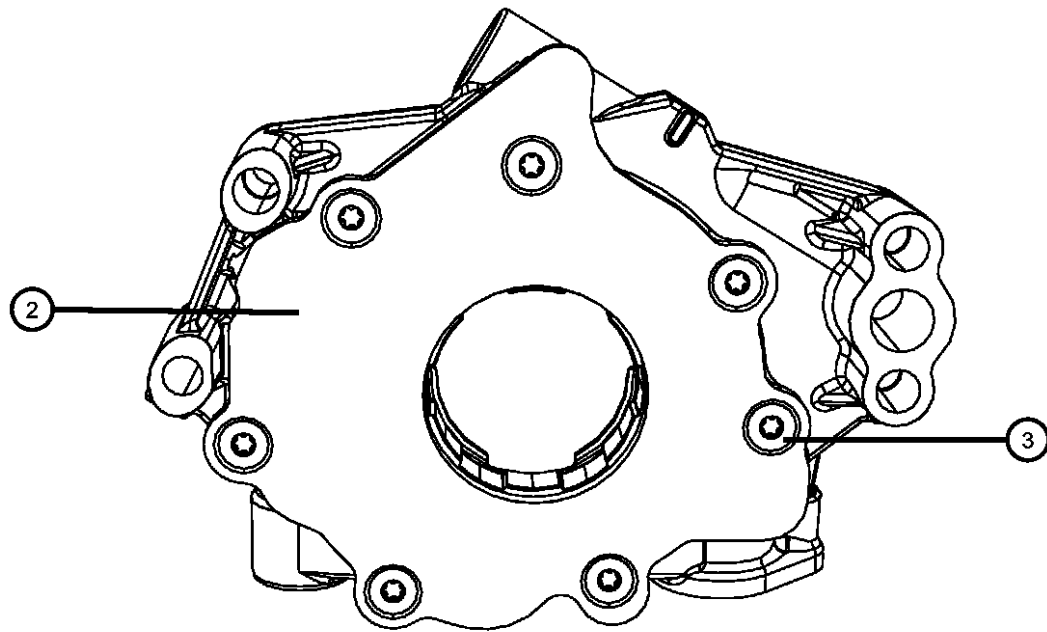
[NAE]= California Emissions

[NAM]= Mexico Emissions

[NAS]= 50 State Emissions

[NA1]= Export Emissions

1	05037687AB	1	D			ESF			PUMP, Engine Oil
2	05037687AB	1							COVER, Engine Oil Pump, Serviced With Oil Pump, (NOT SERVICED)
3	05037687AB	1							SCREW, Torx Head, Serviced With Oil Pump, (NOT SERVICED)
4	06101383	4	D			ESF			BOLT AND CONED WASHER, Hex Head, M8X1.25X55.00, Oil Pump To Cylinder Block, Mounting



**DODGE CHALLENGER (LC)**

SERIES      LINE  
X = SPECIAL    D = DODGE

BODY  
22 = 2-DR SEDAN TYPE #2

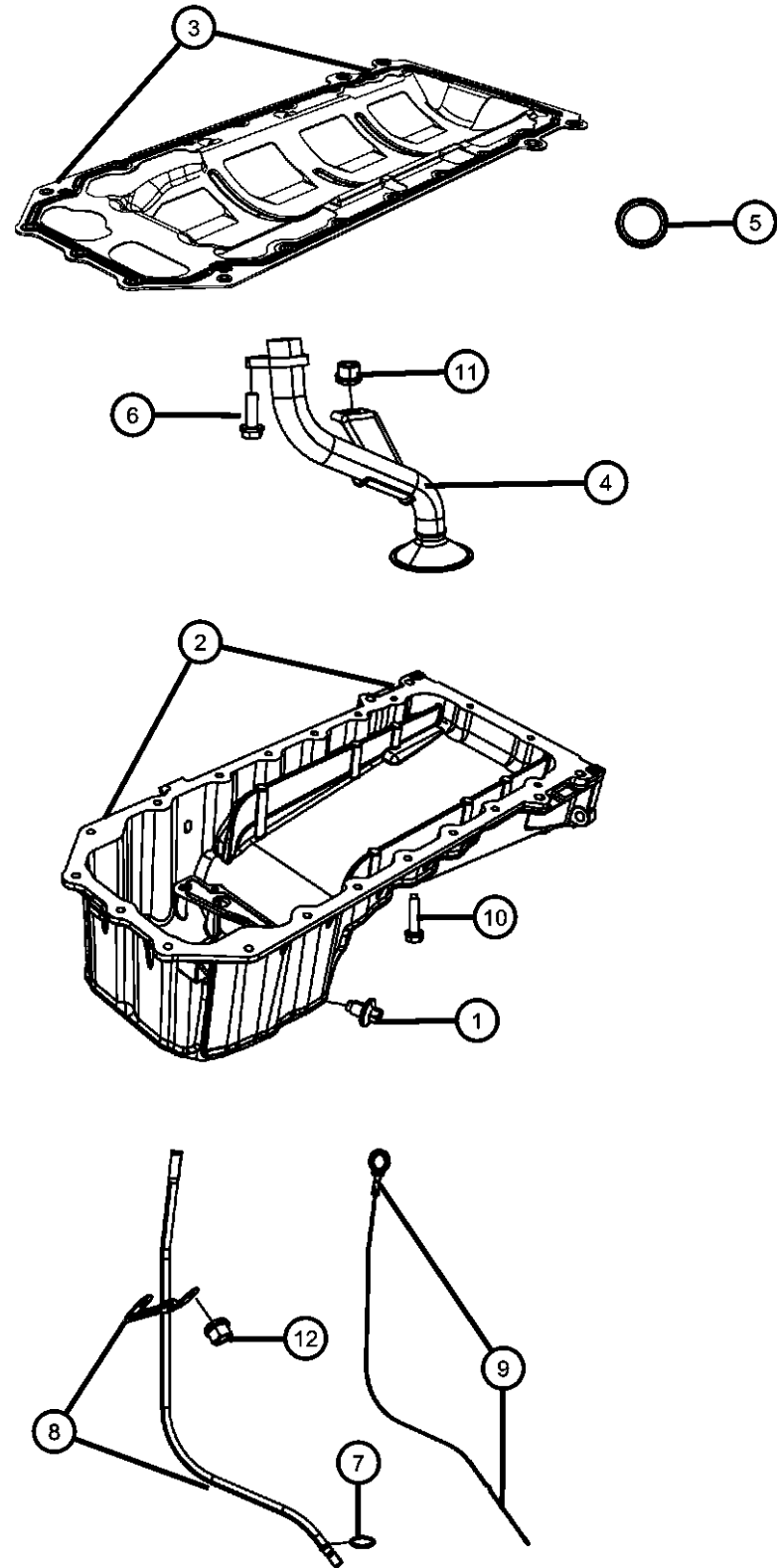
ENGINE  
ESF = 6.1L SRT HEMI SMPI V8 Engine

TRANSMISSION  
DGJ = 5-Speed Auto W5A580 Transmission

AR = use ase required    - = Non illustrated part

2008 LC

**Engine Oil Pan, Engine Oil Level Indicator And Related Parts 6.1L [ESF]  
Figure 009ESF-725**



ITEM	PART NUMBER	QTY	LINE	SERIES	BODY	ENGINE	TRANS	TRIM	DESCRIPTION
NOTE: Sales Codes: [DGJ]= 5-Speed Automatic W5A580 Transmission [ESF]= 6.1L SRT Hemi V-8 Engine [NAA]= Federal Emissions [NAE]= California Emissions [NAM]= Mexico Emissions [NAS]= 50 State Emissions [NA1]= Export Emissions									
1	06507741AA	1	D			ESF			PLUG, Oil Drain
2	05037634AA	1	D			ESF			PAN, Engine Oil
3	05037636AB	1	D			ESF			GASKET, Oil Pan
4	05037837AC	1	D			ESF			TUBE, Oil Pickup
5	53020861	1	D			ESF			SEAL, Oil Pick Up Tube
6	06102046AA	1	D			ESF			BOLT AND CONED WASHER, Hex Head, M8X1.25X27.00, Oil Pickup Tube To Cylinder Block, Mounting
7	53021144AA	1	D			ESF			O RING, Engine Oil Indicator Tube
8	05037660AC	1	D			ESF			TUBE, Engine Oil Indicator
9	05037739AA	1	D			ESF			INDICATOR, Engine Oil Level
10	06508448AA	19	D			ESF			BOLT AND CONED WASHER, Hex Head, M6X1.00X25.00, Oil Pan To Cylinder Block, Mounting
11	06502756	1	D			ESF			NUT, Hex Lock, M8x1.25, Oil Pickup Tube To Cylinder Block, Mounting
12	06104715AA	2	D			ESF			NUT, Hex Flange Lock, M6X1.00, Engine Oil Indicator Tube, Mounting

**DODGE CHALLENGER (LC)**  
 SERIES      LINE  
 X = SPECIAL    D = DODGE

BODY                      ENGINE                      TRANSMISSION  
 22 = 2-DR SEDAN TYPE #2    ESF = 6.1L SRT HEMI SMPI V8 Engine    DGJ = 5-Speed Auto W5A580 Transmission

AR = use ase required    - = Non illustrated part

2008 LC

**Engine Oil Filter And Engine Oil 6.1L [ESF]  
Figure 009ESF-745**

ITEM	PART NUMBER	QTY	LINE	SERIES	BODY	ENGINE	TRANS	TRIM	DESCRIPTION
------	-------------	-----	------	--------	------	--------	-------	------	-------------

NOTE:

Sales Codes:

[DGJ]= 5-Speed Automatic W5A580 Transmission

[ESF]= 6.1L SRT Hemi V-8 Engine

[NAA]= Federal Emissions

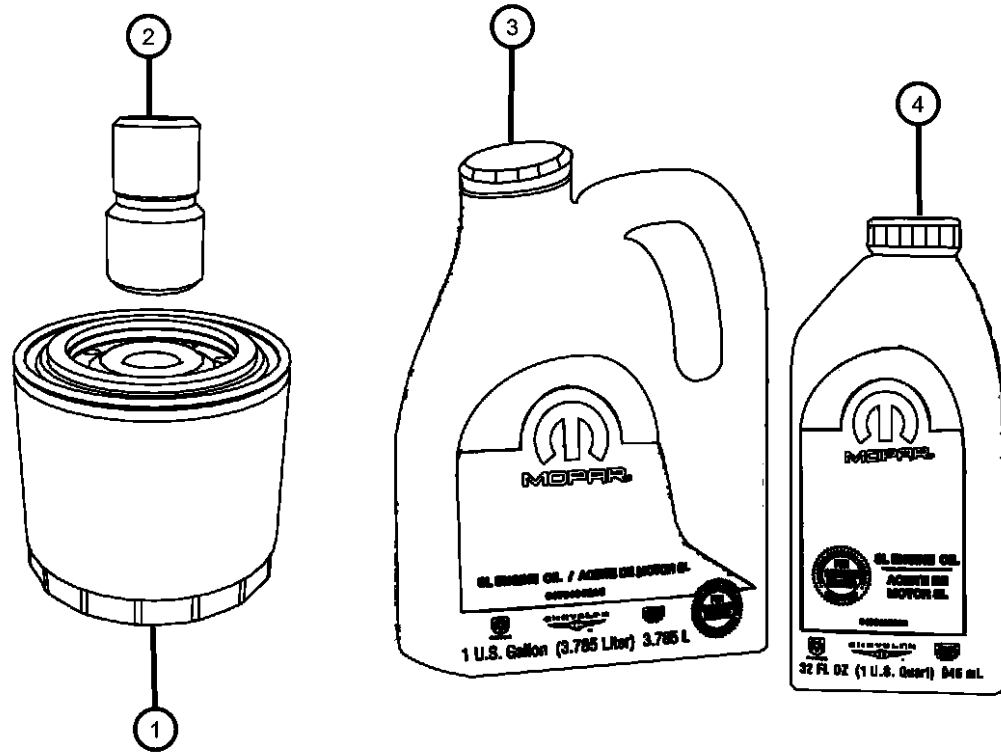
[NAE]= California Emissions

[NAM]= Mexico Emissions

[NAS]= 50 State Emissions

[NA1]= Export Emissions

1	04884899AB	1	D			ESF			FILTER, Engine Oil, [22MM]
2	04892338AA	1	D			ESF			CONNECTOR, Oil Filter, [22MM]
3	04892338AA	1							OIL, (NOT SERVICED)
4	04892338AA	1							OIL, (NOT SERVICED)



**DODGE CHALLENGER (LC)**

SERIES      LINE  
X = SPECIAL    D = DODGE

BODY  
22 = 2-DR SEDAN TYPE #2

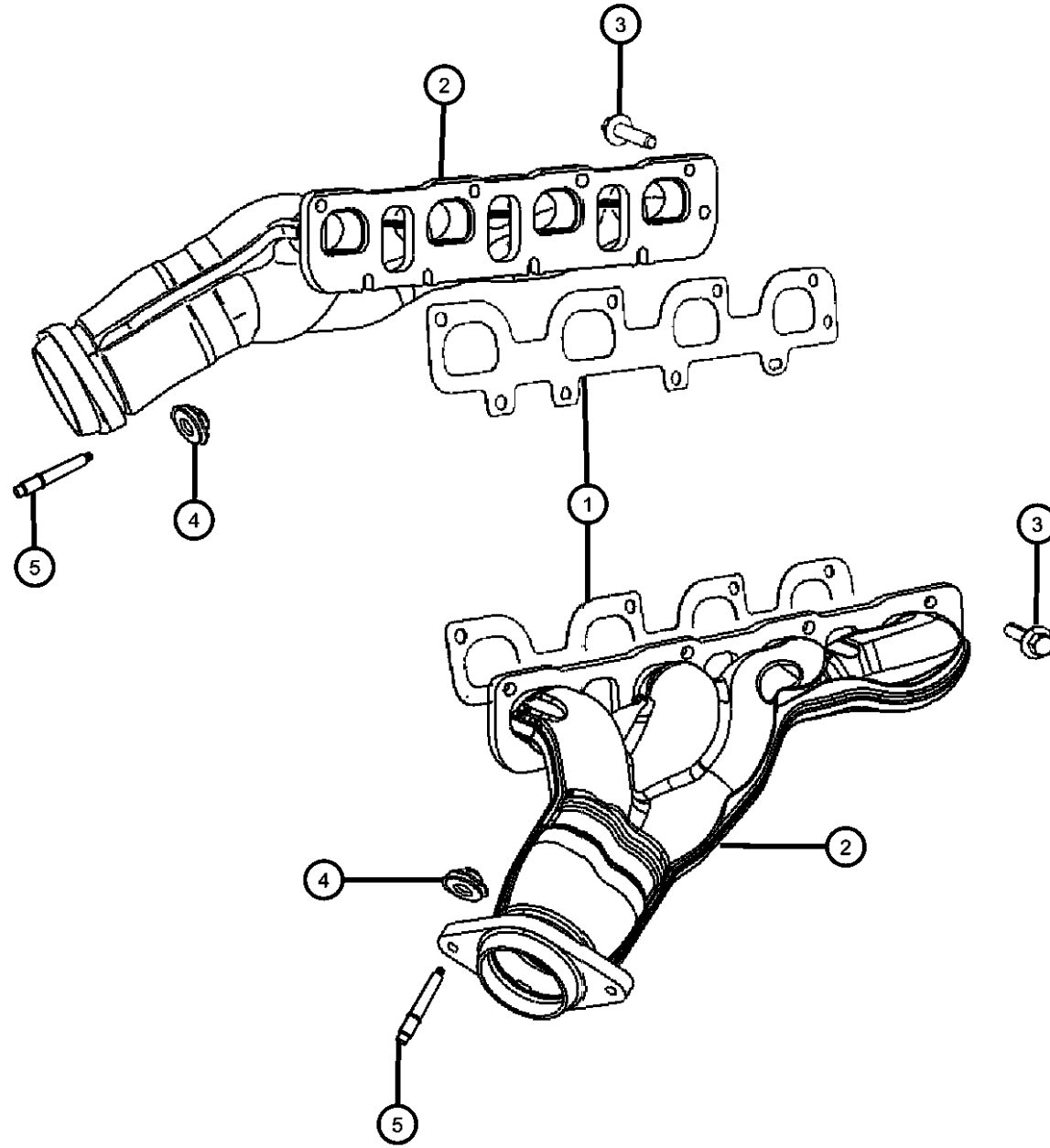
ENGINE  
ESF = 6.1L SRT HEMI SMPI V8 Engine

TRANSMISSION  
DGJ = 5-Speed Auto W5A580 Transmission

AR = use ase required    - = Non illustrated part

2008 LC

**Exhaust Manifolds 6.1L [ESF]  
Figure 009ESF-1005**



ITEM	PART NUMBER	QTY	LINE	SERIES	BODY	ENGINE	TRANS	TRIM	DESCRIPTION
------	-------------	-----	------	--------	------	--------	-------	------	-------------

NOTE:  
Sales Codes:  
[DGJ]= 5-Speed Automatic W5A580 Transmission  
[ESF]= 6.1L SRT Hemi V-8 Engine  
[NAA]= Federal Emissions  
[NAE]= California Emissions  
[NAM]= Mexico Emissions  
[NAS]= 50 State Emissions  
[NA1]= Export Emissions

1									GASKET, Exhaust Manifold
	05038098AA	1	D			ESF			Right
	05038099AA	1	D			ESF			Left
2									MANIFOLD, Exhaust
	05037632AF	1	D			ESF			Right
	05037633AF	1	D			ESF			Left
3									BOLT, Hex Flange Head, M8x1.25x30
	06503131	6	D			ESF			Exhaust Manifold To Cylinder Head, Mounting, Lower
		10	D			ESF			Exhaust Manifold To Cylinder Head, Mounting, Upper
4	06104717AA	4	D			ES0			NUT, Hex Flange Lock, M10x1.50, Mounting Front Exhaust Pipe To Exhaust Manifold, Mounting
5	06507880AA	4	D			ESF			STUD, Double Ended, [M10X1.50X77.74], Mounting Exhaust Manifold To Front Exhaust Pipe, Mounting

**DODGE CHALLENGER (LC)**  
SERIES      LINE  
X = SPECIAL      D = DODGE

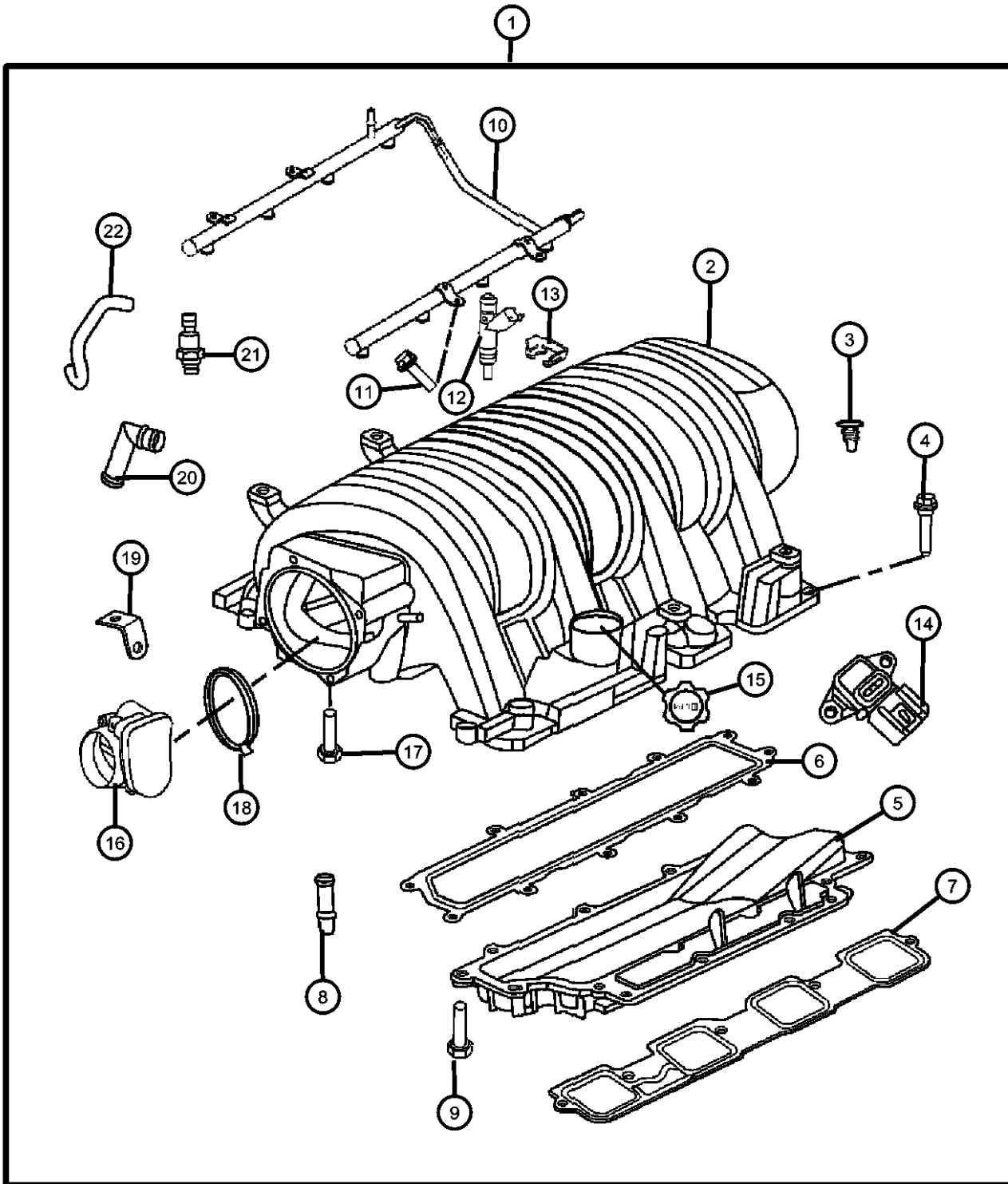
BODY      ENGINE      TRANSMISSION  
22 = 2-DR SEDAN TYPE #2      ESF = 6.1L SRT HEMI SMPI V8 Engine      DGJ = 5-Speed Auto W5A580 Transmission

AR = use ase required    - = Non illustrated part

2008 LC



**Intake Manifold 6.1L [ESF]  
Figure 009ESF-1025**



ITEM	PART NUMBER	QTY	LINE	SERIES	BODY	ENGINE	TRANS	TRIM	DESCRIPTION
NOTE: Sales Codes: [DGJ]= 5-Speed Automatic W5A580 Transmission [ESF]= 6.1L SRT Hemi V-8 Engine [NAA]= Federal Emissions [NAE]= California Emissions [NAM]= Mexico Emissions [NAS]= 50 State Emissions [NA1]= Export Emissions									
1	05037510AI	1	D			ESF			MANIFOLD, Intake, This Package Contains All Parts Listed Below
2	05037510AI	1							MANIFOLD, Engine Intake, Seved In Item 1 Package Only, (NOT SERVICED)
3	05037510AI	1							RIVET, Seved In Item 1 Package Only, (NOT SERVICED)
4	06509098AA	10	D			ESF			BOLT, Hex Flange Head, M6X1.00X35.00, Intake Manifold To Cylinder Head, Mounting
5	06509098AA	10							PAN, Intake Manifold, Seved In Item 1 Package Only, (NOT SERVICED)
6	05037555AA	1	D			ESF			GASKET, Intake Manifold Pan
7	05037503AA	2	D			ESF			GASKET, Intake Manifold
8	05037503AA	2							NIPPLE, Intake Manifold, For Power Brake Booster, Seved In Item 1 Package Only, (NOT SERVICED)
9	06101451	16	D			ESF			BOLT AND WASHER, Hex Head, M6X1.00X25.00, Valley Pan To Intake Manifold, Mounting
10	05037480AA	1	D			ESF			RAIL, Fuel
11	05133476AB	4	D			ESF			BOLT, Hex Flange Head, M6X1.00X20.00, Fuel Rail To Intake Manifold, Mounting
12	05037479AA	8	D			ESF			INJECTOR, Fuel
13	53030058AC	8	D			ESF			CLIP, Fuel Injector
14	56041018AD	1	D			ESF			SENSOR, MAP
15	05037665AA	1	D			ESF			CAP, Oil Filler
16	04591847AC	1	D			ESF			THROTTLE BODY
17	06104186AA	4	D			ESF			BOLT, Hex Flange Head, M6X1.00X45.00, Throttle Body To Intake Manifold, Mounting
18	53032383AB	1	D			ESF			SEAL, Throttle Body to Intake
19	05037679AA	1	D			ESF			BRACKET, Wire Harness

**DODGE CHALLENGER (LC)**  
SERIES      LINE  
X = SPECIAL      D = DODGE

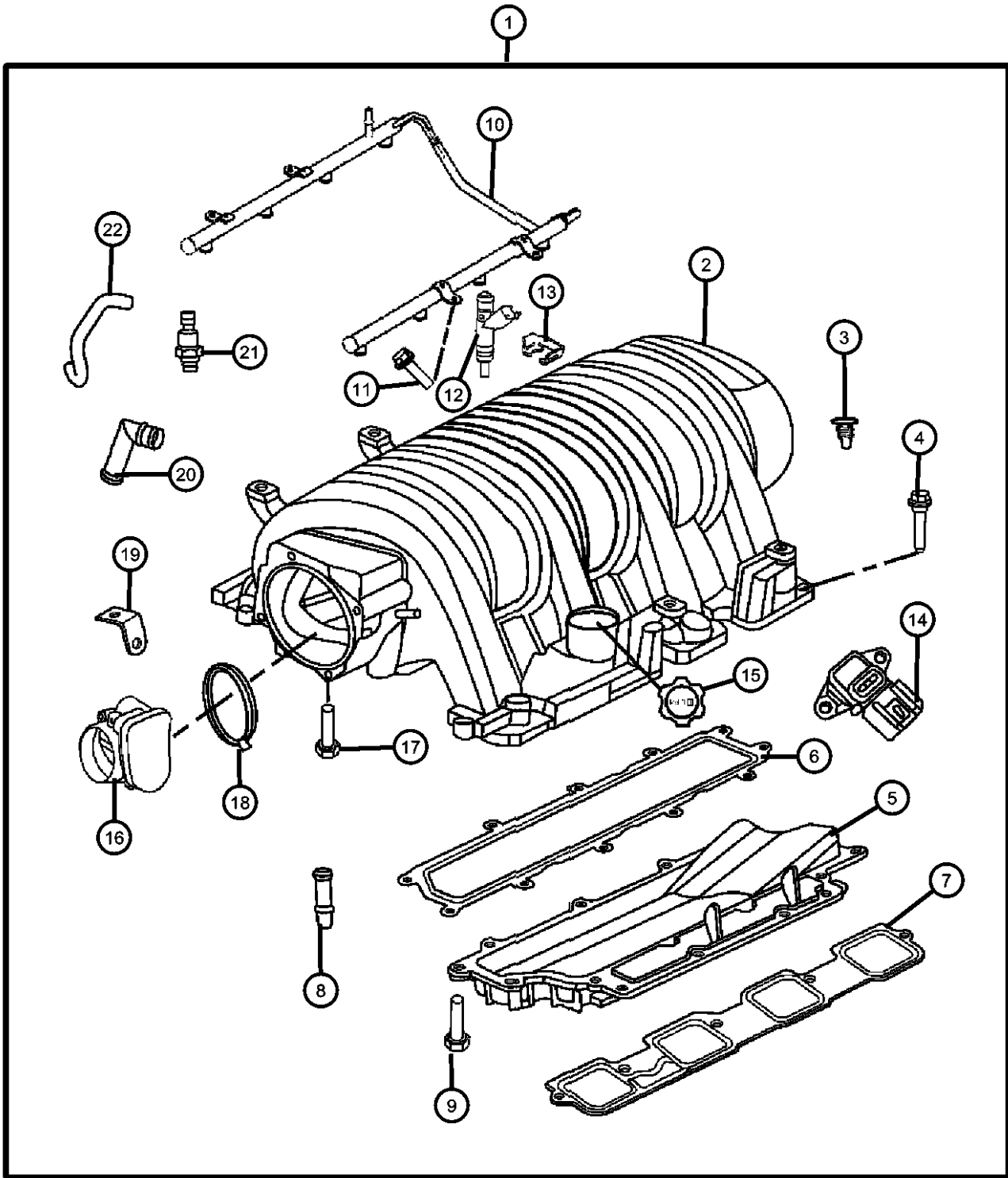
BODY      ENGINE      TRANSMISSION  
22 = 2-DR SEDAN TYPE #2      ESF = 6.1L SRT HEMI SMPI V8 Engine      DGJ = 5-Speed Auto W5A580 Transmission

AR = use ase required    - = Non illustrated part

2008 LC

Intake Manifold 6.1L [ESF]  
Figure 009ESF-1025

ITEM	PART NUMBER	QTY	LINE	SERIES	BODY	ENGINE	TRANS	TRIM	DESCRIPTION
------	-------------	-----	------	--------	------	--------	-------	------	-------------



20	05037679AA	1							NIPPLE, Crankcase Vent, Sevised In Item 1 Package Only, (NOT SERVICED)
21	05037831AA	1	D			ESF			VALVE, PCV
22	05037515AA	1	D			ESF			HOSE, PCV Valve To intake Manifold

DODGE CHALLENGER (LC)  
SERIES LINE  
X = SPECIAL D = DODGE

BODY  
22 = 2-DR SEDAN TYPE #2

ENGINE  
ESF = 6.1L SRT HEMI SMPI V8 Engine

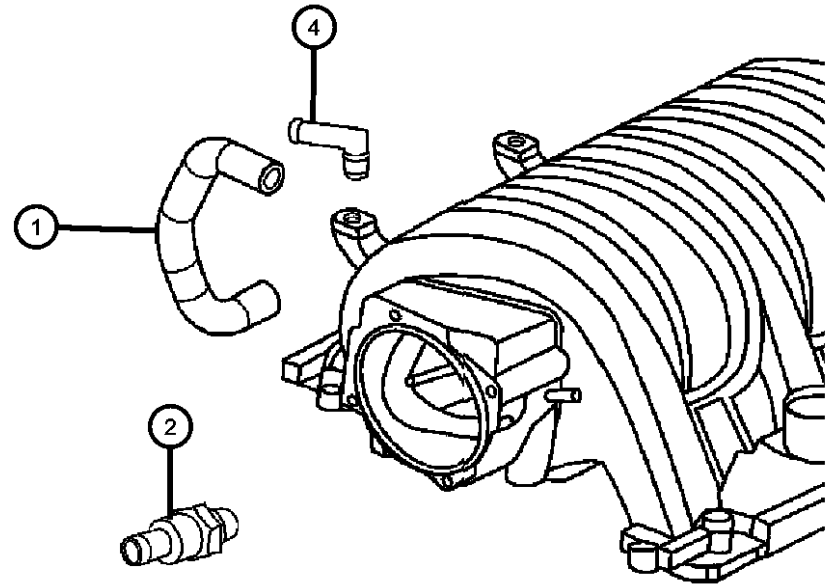
TRANSMISSION  
DGJ = 5-Speed Auto W5A580 Transmission

AR = use ase required - = Non illustrated part

2008 LC

**Crankcase Ventilation 6.1L [ESF]  
Figure 009ESF-1105**

ITEM	PART NUMBER	QTY	LINE	SERIES	BODY	ENGINE	TRANS	TRIM	DESCRIPTION
------	-------------	-----	------	--------	------	--------	-------	------	-------------



**NOTE:**

Sales Codes:

[DGJ]= 5-Speed Automatic W5A580 Transmission

[ESF]= 6.1L SRT Hemi V-8 Engine

[NAA]= Federal Emissions

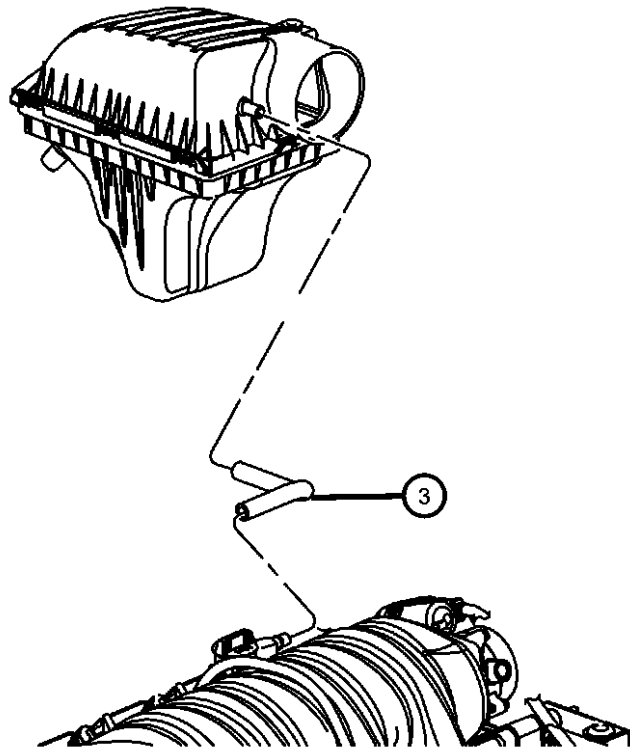
[NAE]= California Emissions

[NAM]= Mexico Emissions

[NAS]= 50 State Emissions

[NA1]= Export Emissions

1	05037515AA	1	D			ESF			HOSE, PCV Valve To intake Manifold
2	05037831AA	1	D			ESF			VALVE, PCV
3	05037554AC	1	D			ESF			HOSE, Make Up Air
4	05037554AC	1							NIPPLE, Intake Manifold, Serviced With Intake Manifold, (NOT SERVICED)



**DODGE CHALLENGER (LC)**

SERIES      LINE  
X = SPECIAL    D = DODGE

BODY  
22 = 2-DR SEDAN TYPE #2

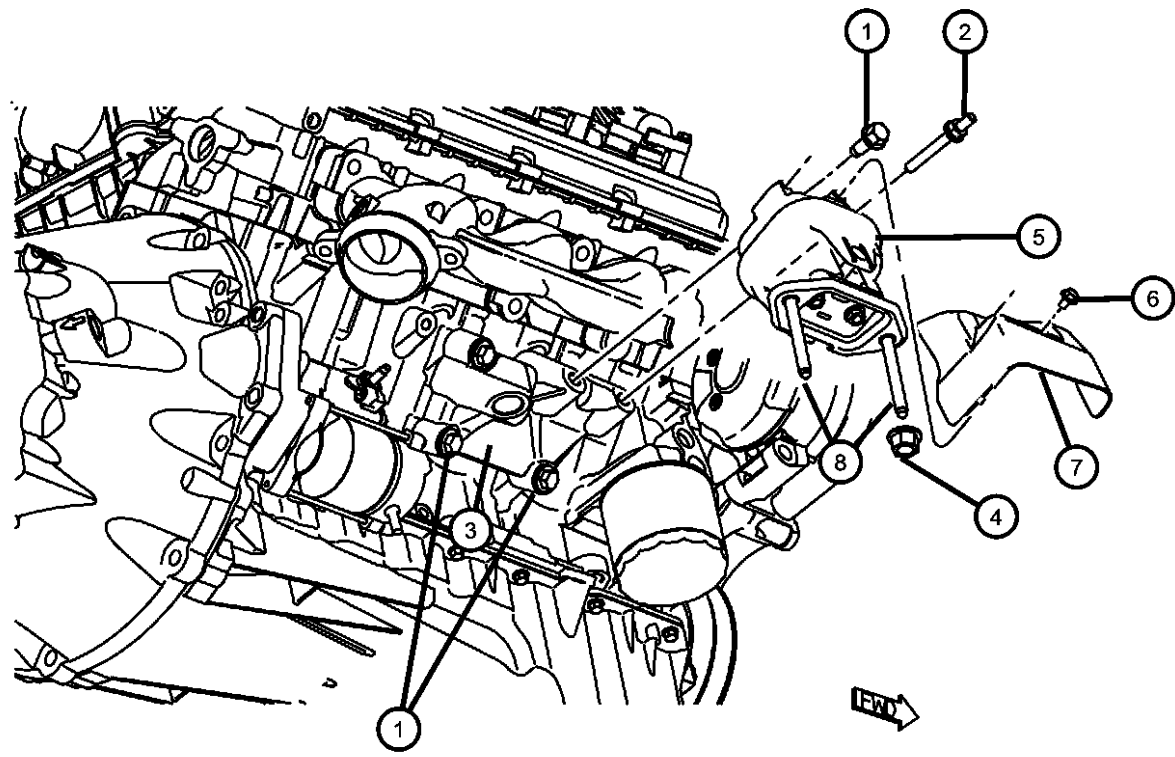
ENGINE  
ESF = 6.1L SRT HEMI SMPI V8 Engine

TRANSMISSION  
DGJ = 5-Speed Auto W5A580 Transmission

AR = use ase required    - = Non illustrated part

2008 LC

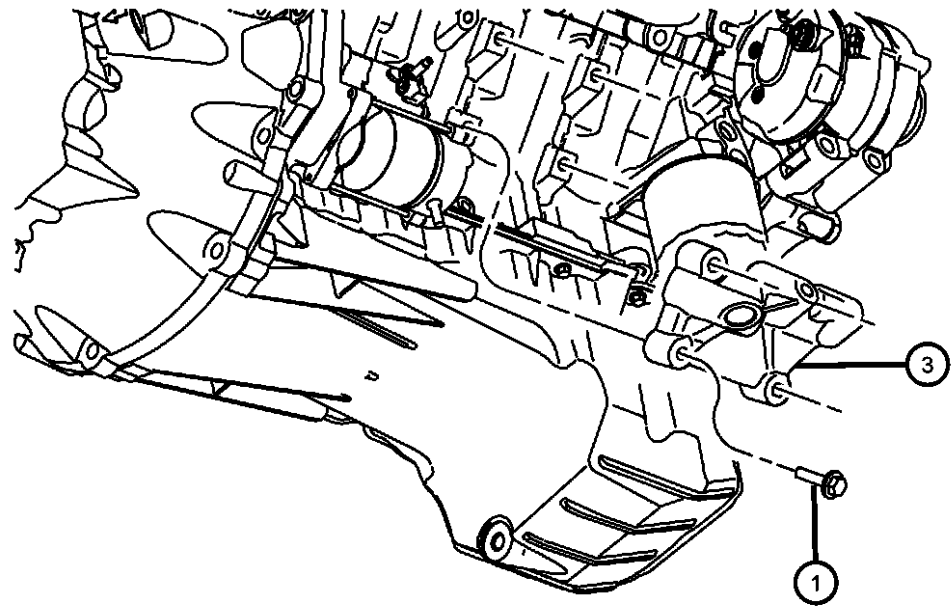
**Engine Mounting Right Side RWD/2WD 6.1L [ESF]  
Figure 009ESF-1230**



ITEM	PART NUMBER	QTY	LINE	SERIES	BODY	ENGINE	TRANS	TRIM	DESCRIPTION
------	-------------	-----	------	--------	------	--------	-------	------	-------------

NOTE:  
Sales Codes:  
[DGJ]= 5-Speed Automatic W5A580 Transmission  
[ESF]= 6.1L SRT Hemi V-8 Engine  
[NAA]= Federal Emissions  
[NAE]= California Emissions  
[NAM]= Mexico Emissions  
[NAS]= 50 State Emissions  
[NA1]= Export Emissions

1									BOLT, Hex Flange Head, M10X1.50X55.00
	06101622	8	D			ES0			Engine Mount Bracket To Cylinder Block, Mounting
		3	D			ES0			Engine Mount To Engine Bracket, Mounting
2	06508787AA	1	D			ES0			STUD, [M10X1.50X86.63], Engine Mount To Engine Mount Bracket, Mounting
3	04578052AB	1	D			ES0			BRACKET, Engine Mount
4	06508120AA	4	D						NUT, M10x1.50, Engine Mount To Cradle, Mounting
5	05037794AB	1	D			ESF			CUSHION, Engine Support
6	06507210AA	4	D						BOLT, Hex Head, M6X1.00X11.00, Heat Shield To Engine Mount, Mounting
7	04578349AA	1	D			EE0, EG0, ES0, EZ0			SHIELD, Heat
8	06508025AA	4	D			ES0			STUD, Double Ended, [M10X1.5X110.0], Engine Mount To Cradle, Mounting



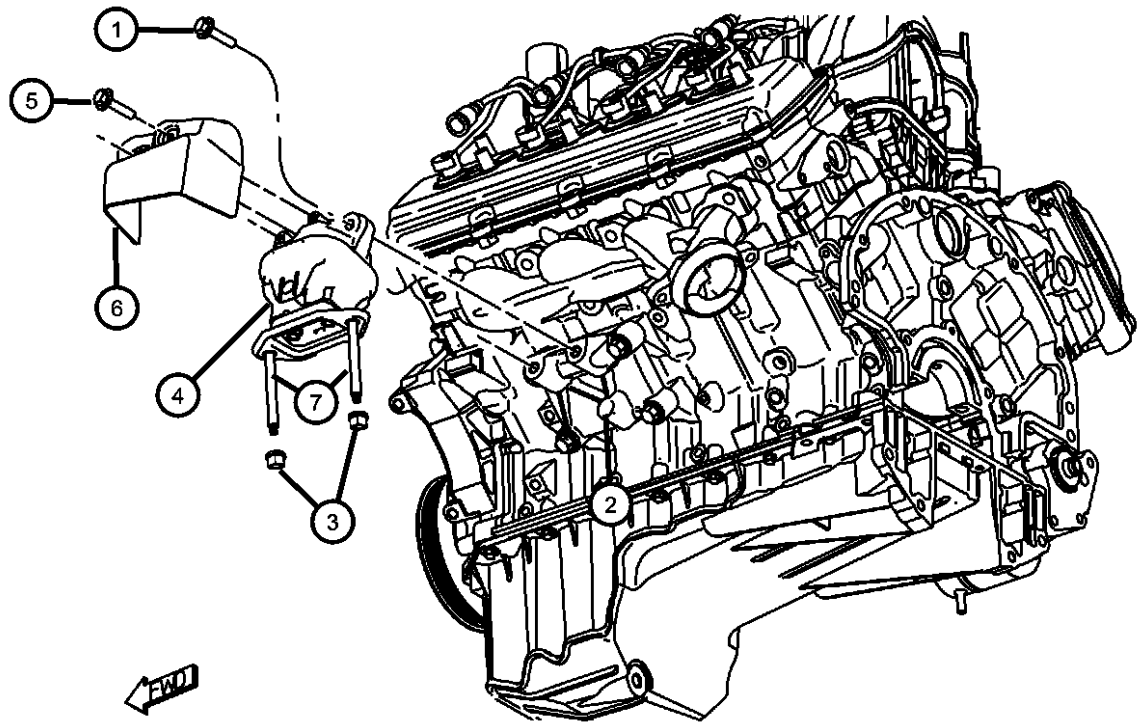
**DODGE CHALLENGER (LC)**  
SERIES      LINE  
X = SPECIAL    D = DODGE

BODY      ENGINE      TRANSMISSION  
22 = 2-DR SEDAN TYPE #2    ESF = 6.1L SRT HEMI SMPI V8 Engine    DGJ = 5-Speed Auto W5A580 Transmission

AR = use ase required    - = Non illustrated part

2008 LC

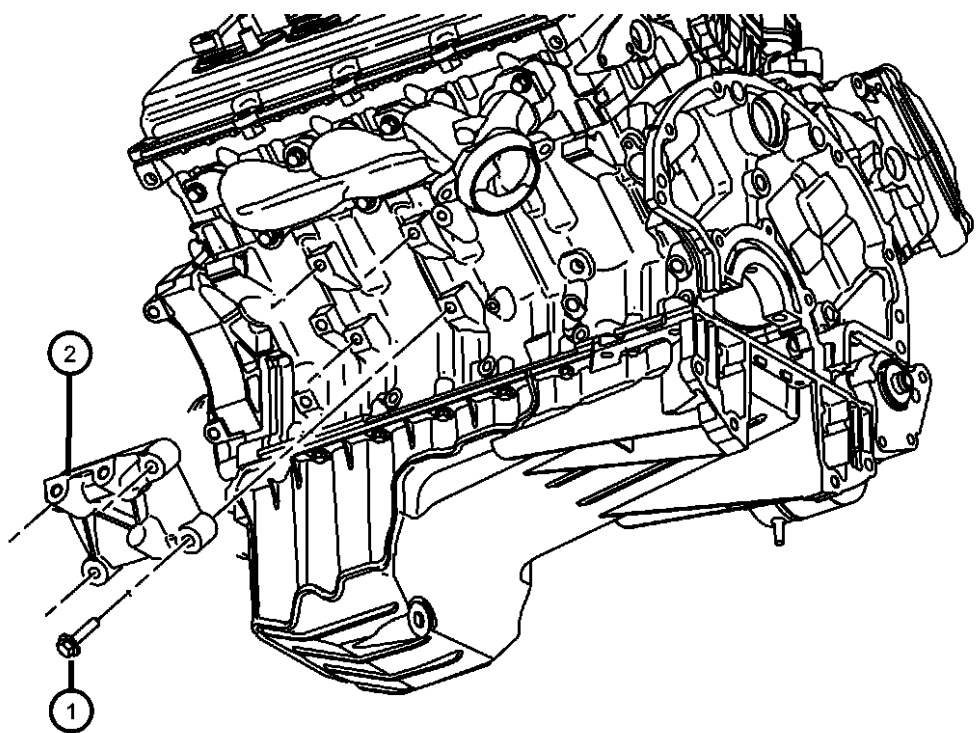
**Engine Mounting Left Side RWD/2WD 6.1L [ESF]  
Figure 009ESF-1250**



ITEM	PART NUMBER	QTY	LINE	SERIES	BODY	ENGINE	TRANS	TRIM	DESCRIPTION
------	-------------	-----	------	--------	------	--------	-------	------	-------------

NOTE:  
Sales Codes:  
[DGJ]= 5-Speed Automatic W5A580 Transmission  
[ESF]= 6.1L SRT Hemi V-8 Engine  
[NAA]= Federal Emissions  
[NAE]= California Emissions  
[NAM]= Mexico Emissions  
[NAS]= 50 State Emissions  
[NA1]= Export Emissions

1									BOLT, Hex Flange Head, M10X1.50X55.00
	06101622	8	D			ES0			Engine Mount Bracket To Cylinder Block, Mounting
		3	D			ES0			Engine Mount To Engine Bracket, Mounting
2	04578053AC	1	D			ES0			BRACKET, Engine Mount
3	06508120AA	4	D						NUT, M10x1.50, Engine Mount To Cradle, Mounting
4	05037794AB	1	D			ESF			CUSHION, Engine Support
5	06507210AA	4	D						BOLT, Hex Head, M6X1.00X11.00, Heat Shield To Engine Mount, Mounting
6	04854539AA	1	D			ES0			SHIELD, Heat
7	06508025AA	4	D			ES0			STUD, Double Ended, [M10X1.5X110.0], Engine Mount To Cradle, Mounting



**DODGE CHALLENGER (LC)**  
 SERIES      LINE      BODY      ENGINE      TRANSMISSION  
 X = SPECIAL    D = DODGE      22 = 2-DR SEDAN TYPE #2    ESF = 6.1L SRT HEMI SMPI V8 Engine    DGJ = 5-Speed Auto W5A580 Transmission

AR = use ase required    - = Non illustrated part

2008 LC

# Group - 10

## Restraints

### Group - 10 Restraints

Illustration Title

Group-Fig. No.

#### Air Bags

Air Bag Modules, Impact Sensor and Clock Springs .....Fig. 10 - 205

Air Bags Front .....Fig. 10 - 210

Air Bag Side .....Fig. 10 - 215

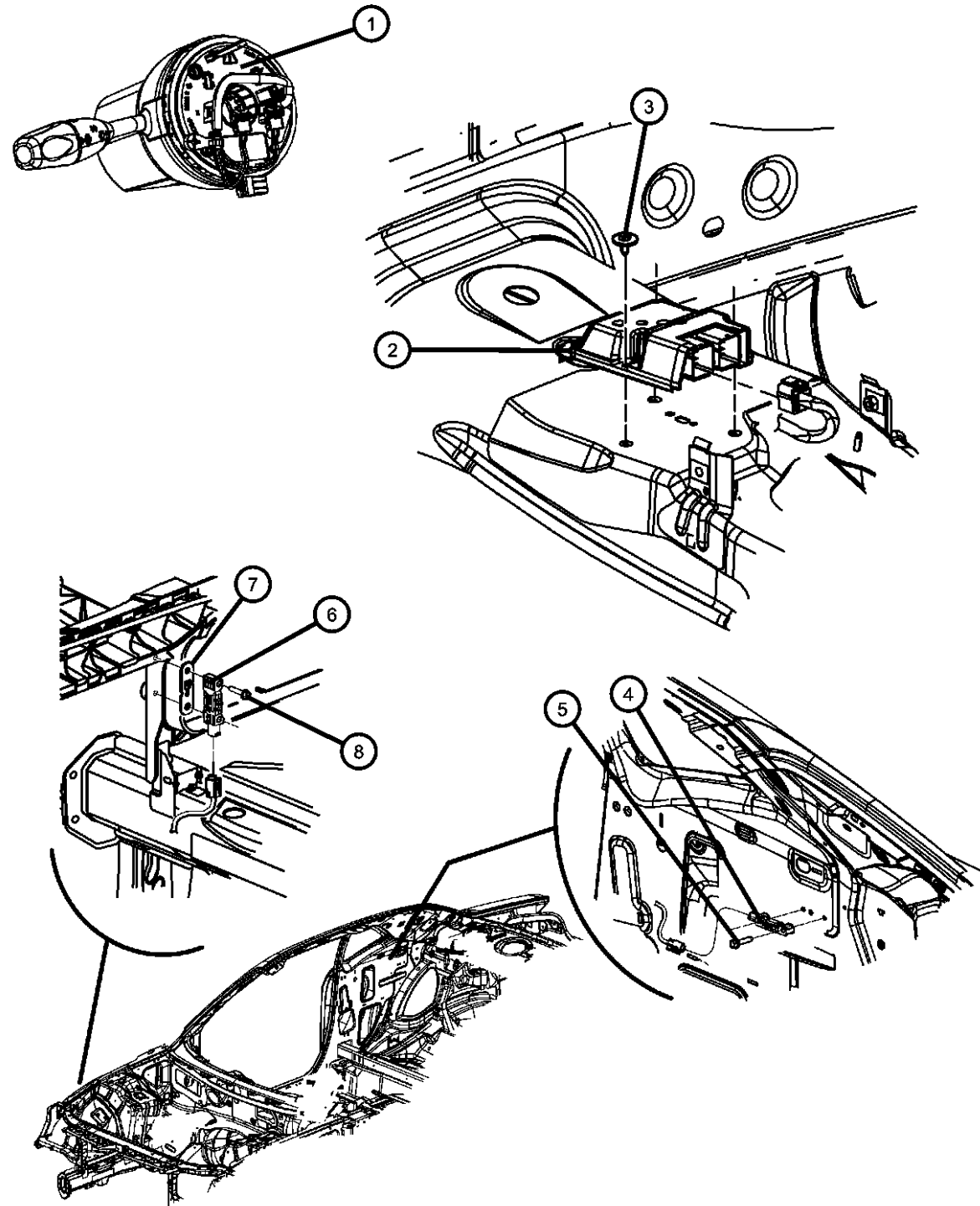
#### Seat Belts

Seat Belts, Front Row.....Fig. 10 - 305

Seat Belt, Second Row .....Fig. 10 - 310

<b>010-200</b> Air Bags	<b>010-300</b> Seat Belts		
----------------------------	------------------------------	--	--

**Air Bag Modules, Impact Sensor and Clock Springs**  
**Figure 10-205**



ITEM	PART NUMBER	QTY	LINE	SERIES	BODY	ENGINE	TRANS	TRIM	DESCRIPTION
1	68034898AA	1	D		22			*00	CLOCKSPRING, Steering Column Control Module
2	56054679AD	1	D		22				MODULE, Occupant Restraint
3	06504341	3	D		22				SCREW, Tapping, M6x1.00x15.00
4	04671779AC	2	D		22				SENSOR, Impact
5	06104183AA	4	D		22				BOLT, Hex Flange Head, M6X1.0X30.00
6	04896173AA	2	D		22				SENSOR, Impact
7	05081049AB	2	D		22				TAPPING PLATE
8	06104183AA	4	D		22				BOLT, Hex Flange Head, M6X1.0X30.00

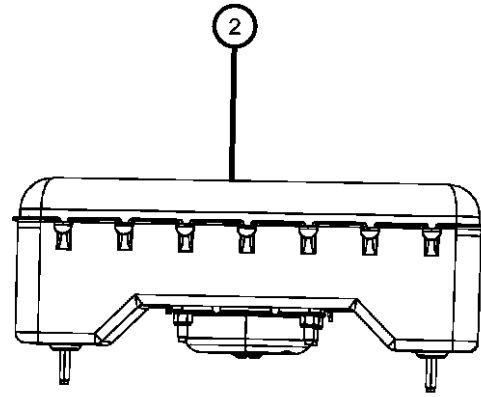
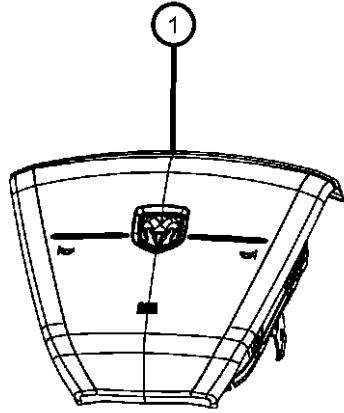
**DODGE CHALLENGER (LC)**  
 SERIES      LINE  
 X = SPECIAL    D = DODGE

BODY	ENGINE	TRANSMISSION
22 = 2-DR SEDAN TYPE #2	ESF = 6.1L SRT HEMI SMPI V8 Engine	DGJ = 5-Speed Auto W5A580 Transmission

AR = use ase required    - = Non illustrated part

**Air Bags Front**  
**Figure 10-210**

ITEM	PART NUMBER	QTY	LINE	SERIES	BODY	ENGINE	TRANS	TRIM	DESCRIPTION
1	0UW70XD-VAG	1	D		22			*O0	MODULE, Air Bag, Driver
2	05108873AA	1	D		22				AIR BAG, Passenger



**DODGE CHALLENGER (LC)**  
 SERIES LINE  
 X = SPECIAL D = DODGE

BODY  
 22 = 2-DR SEDAN TYPE #2

ENGINE  
 ESF = 6.1L SRT HEMI SMPI V8 Engine

TRANSMISSION  
 DGJ = 5-Speed Auto W5A580 Transmission

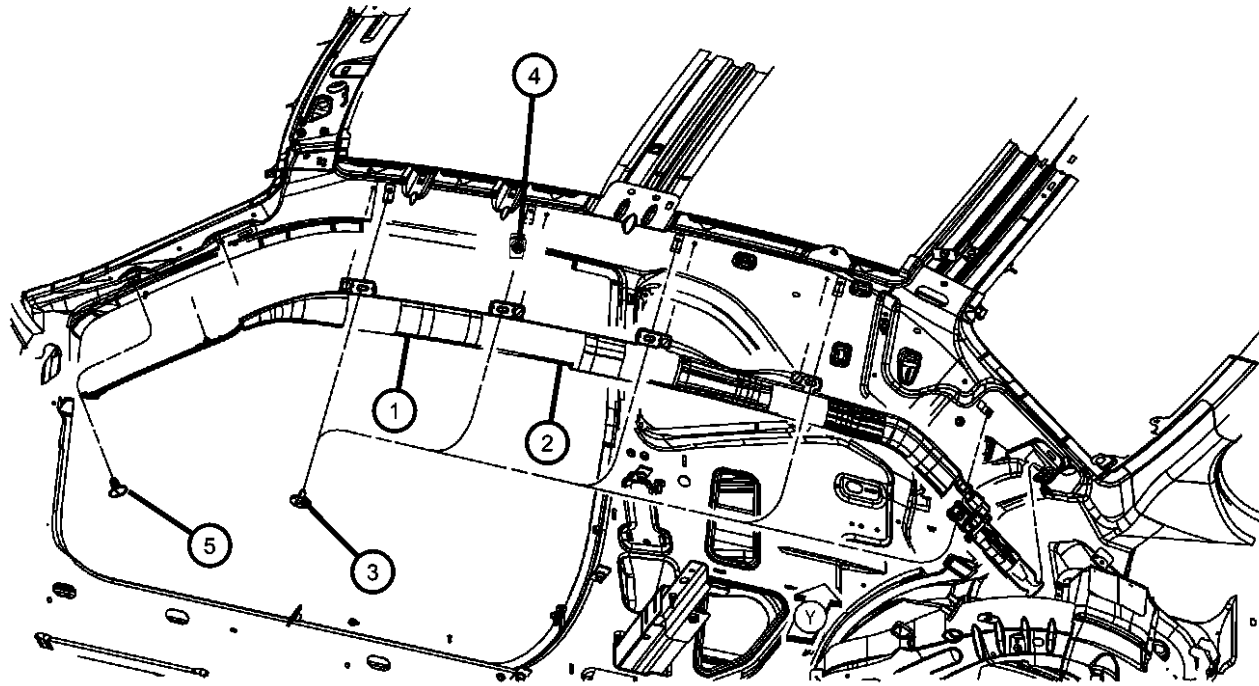
AR = use ase required - = Non illustrated part

2008 LC



**Air Bag Side  
Figure 10-215**

ITEM	PART NUMBER	QTY	LINE	SERIES	BODY	ENGINE	TRANS	TRIM	DESCRIPTION
1	05108016AA	1	D		22				AIR BAG, Right Side With [CJ1]
	05108016AE	1	D		22				With [CJ2]
2	05108017AA	1	D		22				AIR BAG, Left Side With [CJ1]
	05108017AE	1	D		22				With [CJ2]
3	06508182AA	10	D		22				SCREW
4	06507559AA	10	D		22				U-NUT, M6 x 1.00, M6x1.00
5	06030441	2	D		22				PIN, Retainer
-6	04662045AC	1	D		22				SUPPORT, Side Air Bag Left
	04662048AC	1	D		22				Right



**DODGE CHALLENGER (LC)**  
 SERIES      LINE  
 X = SPECIAL    D = DODGE

BODY  
 22 = 2-DR SEDAN TYPE #2

ENGINE  
 ESF = 6.1L SRT HEMI SMPI V8 Engine

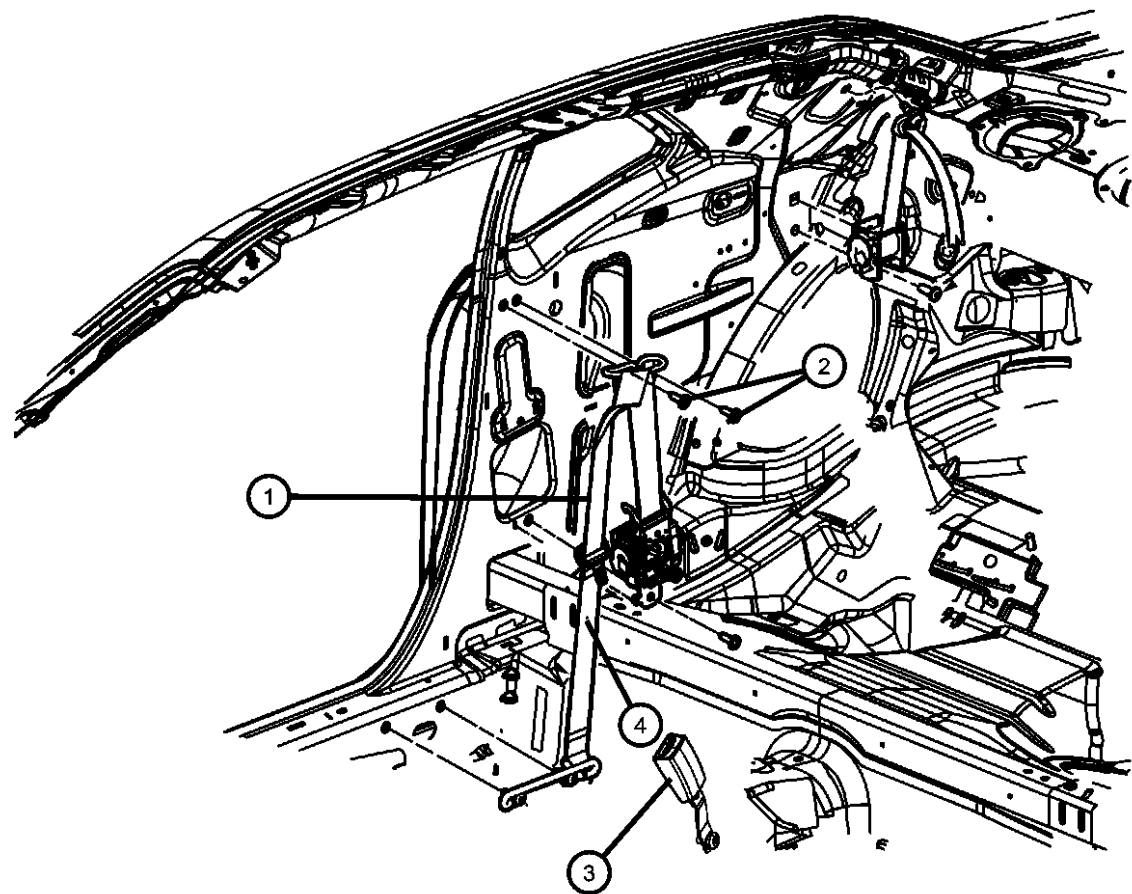
TRANSMISSION  
 DGJ = 5-Speed Auto W5A580 Transmission

AR = use ase required    - = Non illustrated part

2008 LC

**Seat Belts, Front Row**  
**Figure 10-305**

ITEM	PART NUMBER	QTY	LINE	SERIES	BODY	ENGINE	TRANS	TRIM	DESCRIPTION
1	1GN421DVAB	1	D	X	22			*O0	SEAT BELT, Front Outer Right
	1GN431DVAB	1	D	X	22			*O0	Left
2	06036187AA	2	D		22				SCREW, Pan Head
3	1BX251DVAB	1	D	X	22			*UL	SEAT BELT, Front Inner Left
	1JZ721DVAA	1	D	X	22			*UL	Right
4	05093280AC	1	D		22			*O0	BUTTON, BELT WEBBING
-5	00153634	2	D		22				SCREW



**DODGE CHALLENGER (LC)**

SERIES      LINE

X = SPECIAL      D = DODGE

BODY

22 = 2-DR SEDAN TYPE #2

ENGINE

ESF = 6.1L SRT HEMI SMPI  
V8 Engine

TRANSMISSION

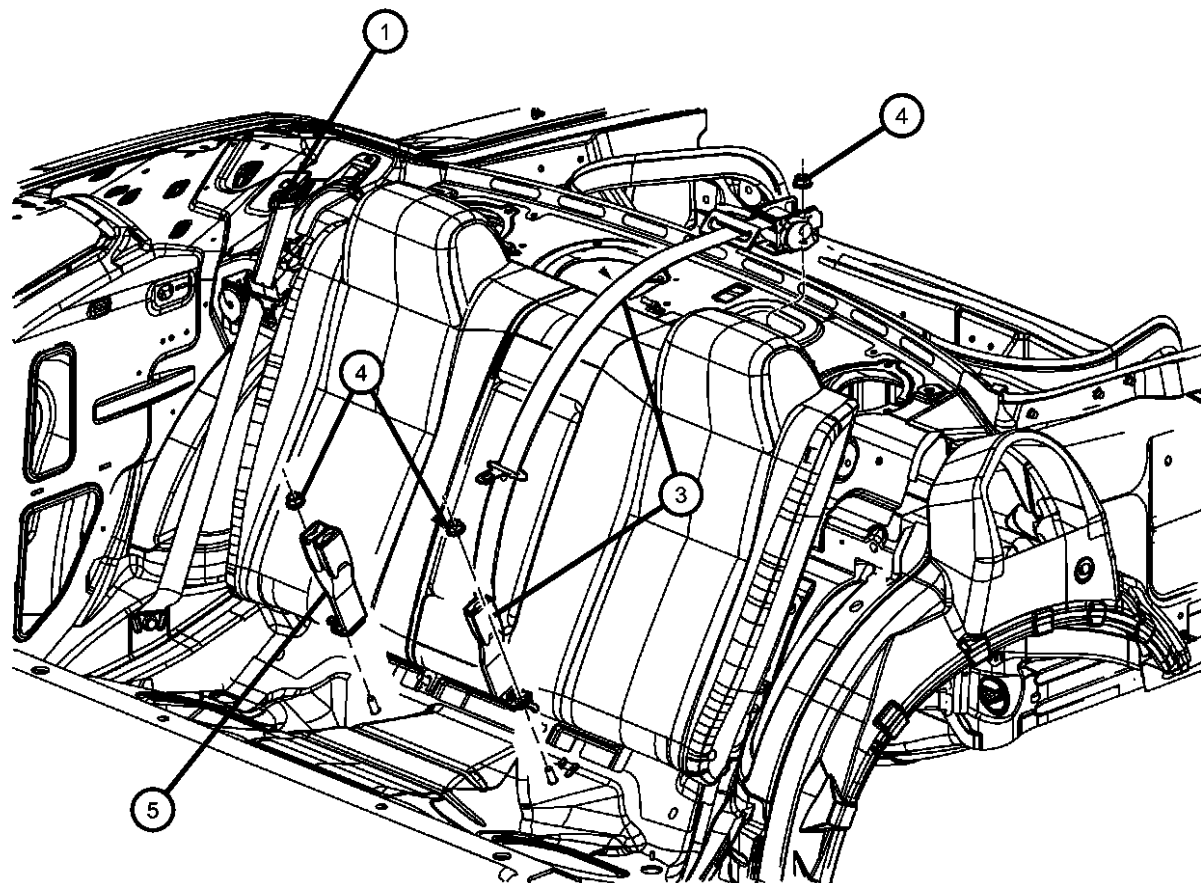
DGJ = 5-Speed Auto W5A580  
Transmission

AR = use ase required    - = Non illustrated part

2008 LC

**Seat Belt, Second Row**  
**Figure 10-310**

ITEM	PART NUMBER	QTY	LINE	SERIES	BODY	ENGINE	TRANS	TRIM	DESCRIPTION
1	0UX54XDVAE	1	D		22			*00	SEAT BELT, Rear Outer Left
		1	D		22			*00	Right
-2	06036187AA	2	D		22				SCREW, Pan Head
3	1BY501DVAC	1	D	X	22			*00	SEAT BELT, Rear Inner
4	06504537	2	D		22				NUT, Flange Locking, M12x1.75
5	1BY491DVAA	1	D		22			*00	SEAT BELT, Rear Inner



**DODGE CHALLENGER (LC)**  
 SERIES      LINE  
 X = SPECIAL    D = DODGE

BODY  
 22 = 2-DR SEDAN TYPE #2

ENGINE  
 ESF = 6.1L SRT HEMI SMPI V8 Engine

TRANSMISSION  
 DGJ = 5-Speed Auto W5A580 Transmission

AR = use ase required    - = Non illustrated part

2008 LC

# Group - 11

## Exhaust

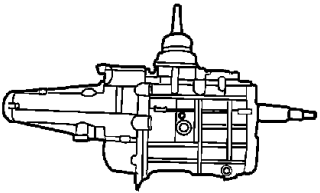
### Group - 11 Exhaust

Illustration Title

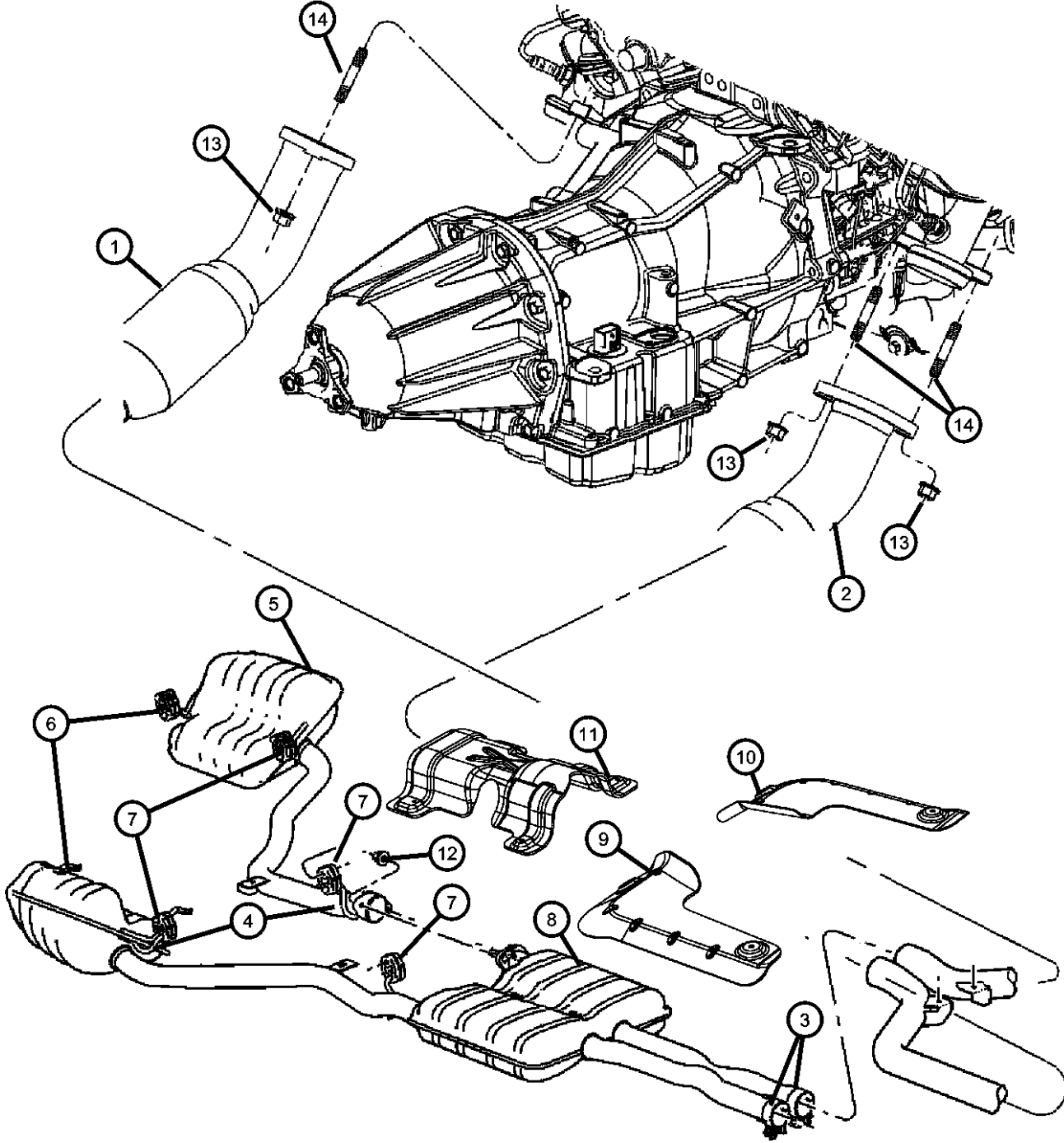
Group-Fig. No.

### Exhaust System

Exhaust System ..... Fig. 11 - 105

<p><b>011-100</b> Exhaust System</p> 			
---	--	--	--

**Exhaust System  
Figure 11-105**



ITEM	PART NUMBER	QTY	LINE	SERIES	BODY	ENGINE	TRANS	TRIM	DESCRIPTION
Note Sale Codes; [ES0] = All 6.1L 8 Cylinder Gas engines									
1	05290593AC	1	D		22	ES0			PIPE AND CONVERTER, ExhaustLeft
2	05290594AC	1	D		22	ES0			PIPE AND CONVERTER, ExhaustRight
3	05290531AA	2	D		22	ES0			CLAMP, Exhaust
4									BRACKET, Exhaust Right
	04581722AB	2	D		22	ES0			Left
	04854575AA	2	D		22	ES0			Right
5	05181355AB	1	D		22	ES0			RESONATOR AND PIPE, Exhaust
6	04578340AA	1	D		22	ES0			ISOLATOR, Exhaust Support
7	04581790AB	2	D		22	ES0			ISOLATOR, Exhaust Support
8	05181358AA	1	D		22	ES0			MUFFLER AND RESONATOR, Exhaust
9	04780854AC	1	D		22				SHIELD, HeatRight
10	04780855AC	1	D		22				SHIELD, HeatLeft
11	04780892AC	1	D		22				SHIELD, Underbody Heat
12	04578604AA	2	D		22	ES0			NUT, Spring
13	06104717AA	2	D		23	ES0			NUT, Hex Flange Lock, M10x1.50
14	06508025AA	4	D		22	ES0			STUD, Double Ended

**DODGE CHALLENGER (LC)**  
 SERIES      LINE      BODY      ENGINE      TRANSMISSION  
 X = SPECIAL    D = DODGE      22 = 2-DR SEDAN TYPE #2    ESF = 6.1L SRT HEMI SMPI V8 Engine    DGJ = 5-Speed Auto W5A580 Transmission

AR = use ase required    - = Non illustrated part

# Group - 13

## Frame, Bumper, and Fascia

### Group - 13 Frame, Bumper, and Fascia

Illustration Title

Group-Fig. No.

#### Frames

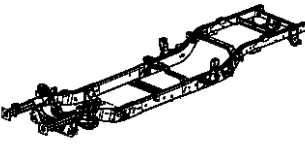
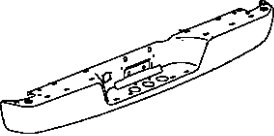
Frame Complete .....Fig. 13 - 105

#### Front Bumper and Fascia

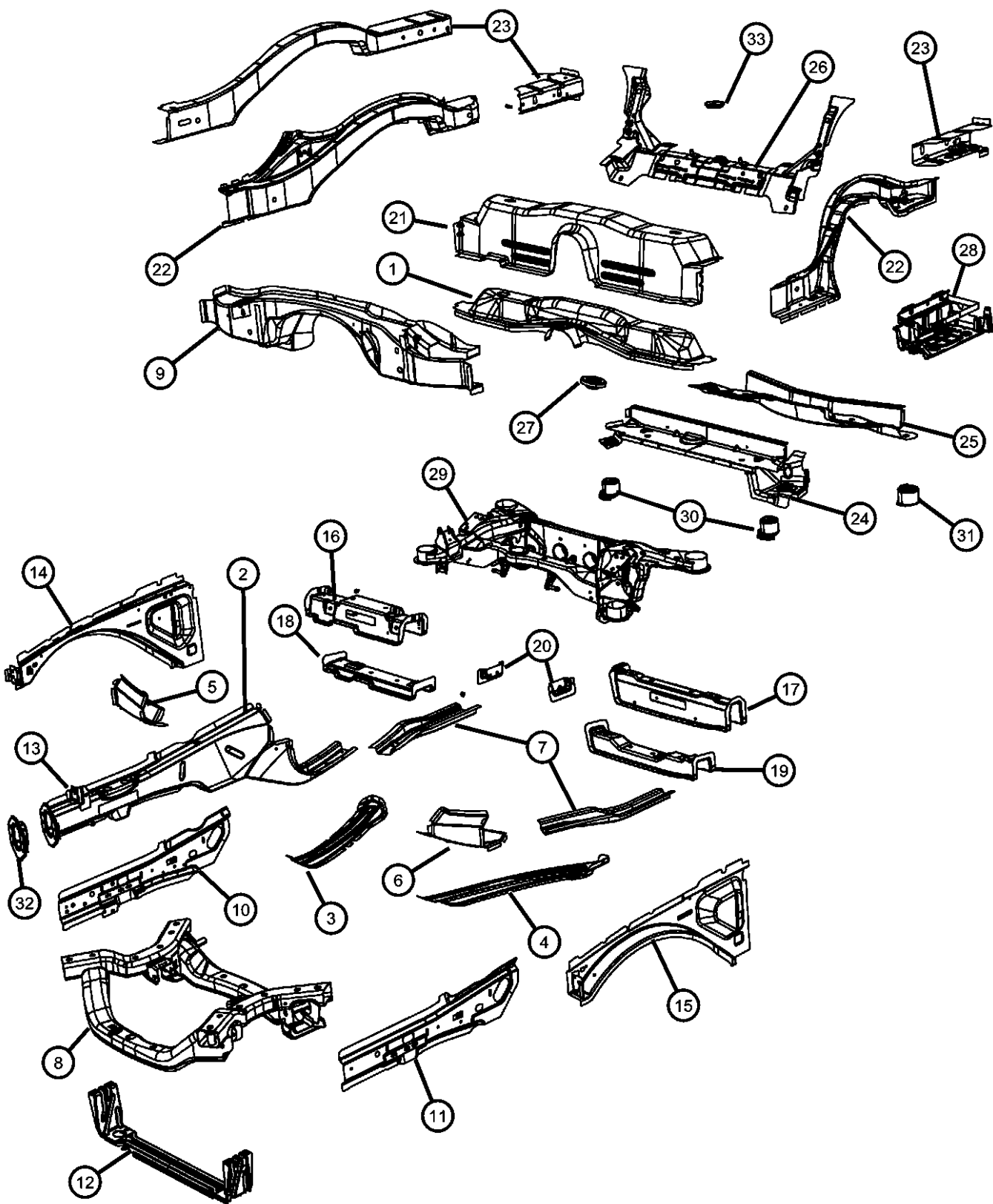
Fascia, Front.....Fig. 13 - 205

#### Rear Bumper and Fascia

Fascia, Rear .....Fig. 13 - 305

<p><b>013-100</b> Frames</p> 	<p><b>013-200</b> Front Bumper and Fascia</p>	<p><b>013-300</b> Rear Bumper and Fascia</p> 	
---	---	---	--

Frame Complete  
Figure 13-105

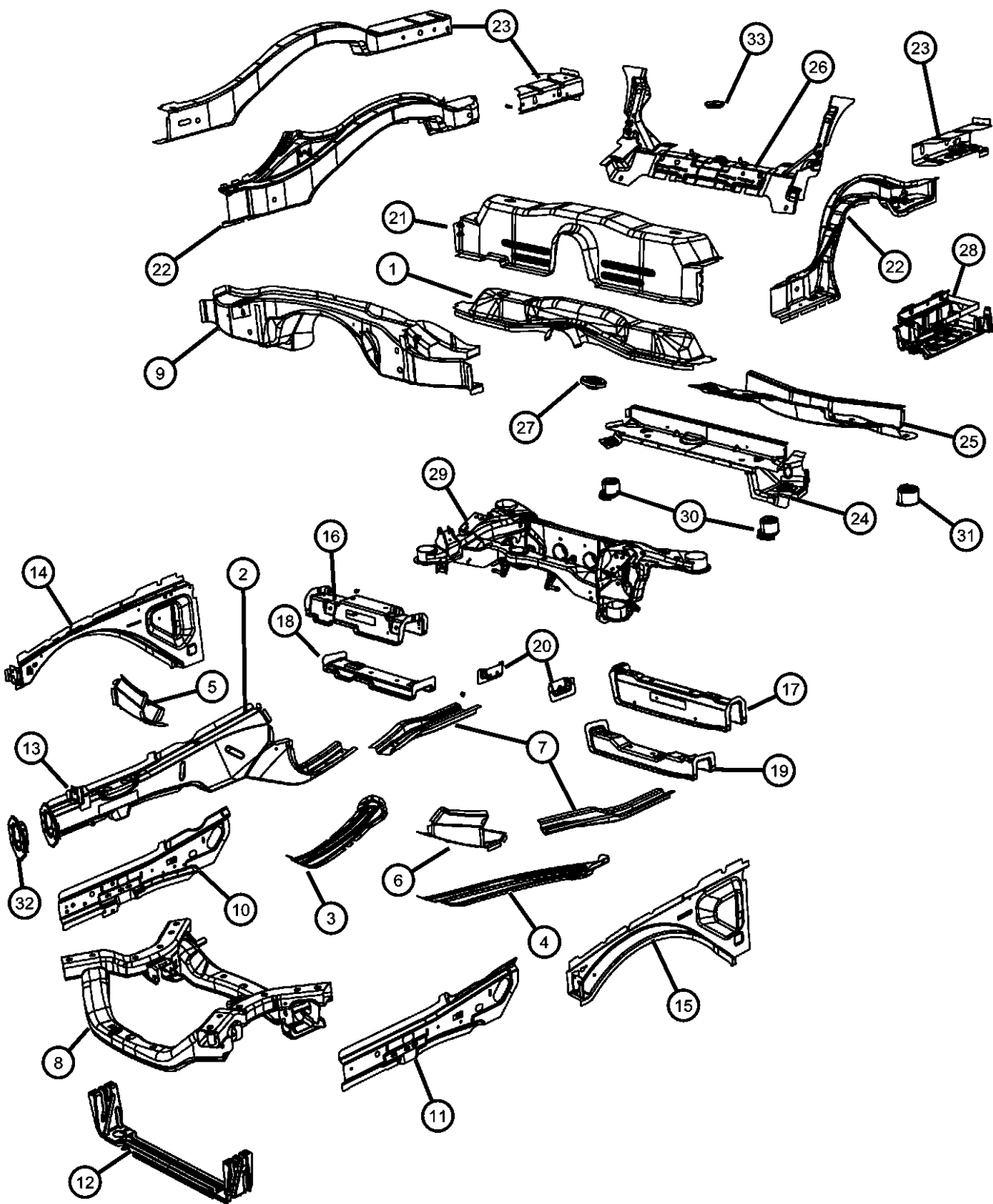


ITEM	PART NUMBER	QTY	LINE	SERIES	BODY	ENGINE	TRANS	TRIM	DESCRIPTION
1	04780792AD	1	D		22				REINFORCEMENT, Crossmember, Kick-Up
2	04780768AH	1	D		22				RAIL, Front Side Rail Front Right
	04780769AH	1	D		22				Left
3	04780832AA	1	D		22				EXTENSION, Front Side Rail, Right
4	04780833AA	1	D		22				EXTENSION, Front Side Rail, Left
5	04780912AB	1	D		22				EXTENSION, Front Side Rail, To Sill, Right
6	04780913AB	1	D		22				EXTENSION, Front Side Rail, To Sill, Left
7	05112076AA	1	D		22				REINFORCEMENT, Side Rail Right
	05112077AA	1	D		22				Left
8	04782700AD	1	D		22				CROSSMEMBER, Front Suspension
9	04780841AD	1	D		22				CROSSMEMBER, Floor Pan, Toeboard
10	68030786AA	1	D		22				PANEL, Underbody Front, Rail Cover, Right
11	68030787AA	1	D		22				PANEL, Underbody Front, Rail Cover, Left
12	05065240AE	1	D		22				CROSSMEMBER, Radiator, Radiator, Lower
13	05065532AB	1	D		22				BRACKET, Headlamp Mounting Right
	05065533AB	1	D		22				Left
14	05065504AD	1	D		22				BEAM, Upper Load Path, Right
15	05065505AD	1	D		22				BEAM, Upper Load Path, Left
16	05112696AA	1	D		22				CROSSMEMBER, Front Floor, Front Seat, Front, Right
17	05112697AA	1	D		22				CROSSMEMBER, Front Floor, Front Seat, Front, Left
18	05112702AA	1	D		22				CROSSMEMBER, Front Floor, Front Seat, Rear, Right
19	05112703AA	1	D		22				CROSSMEMBER, Front Floor, Front Seat, Rear, Left
20	05065210AA	1	D		22				BRACKET, Drive Shaft Center Bearing Right
	05065211AA	1	D		22				Left
21	04780800AA	1	D		22				CROSSMEMBER, Floor Pan, Rear Kick-Up
22									RAIL, Rear, Outer

**DODGE CHALLENGER (LC)**  
 SERIES LINE BODY ENGINE TRANSMISSION  
 X = SPECIAL D = DODGE 22 = 2-DR SEDAN TYPE #2 ESF = 6.1L SRT HEMI SMPI V8 Engine DGJ = 5-Speed Auto W5A580 Transmission

AR = use ase required - = Non illustrated part

Frame Complete  
Figure 13-105



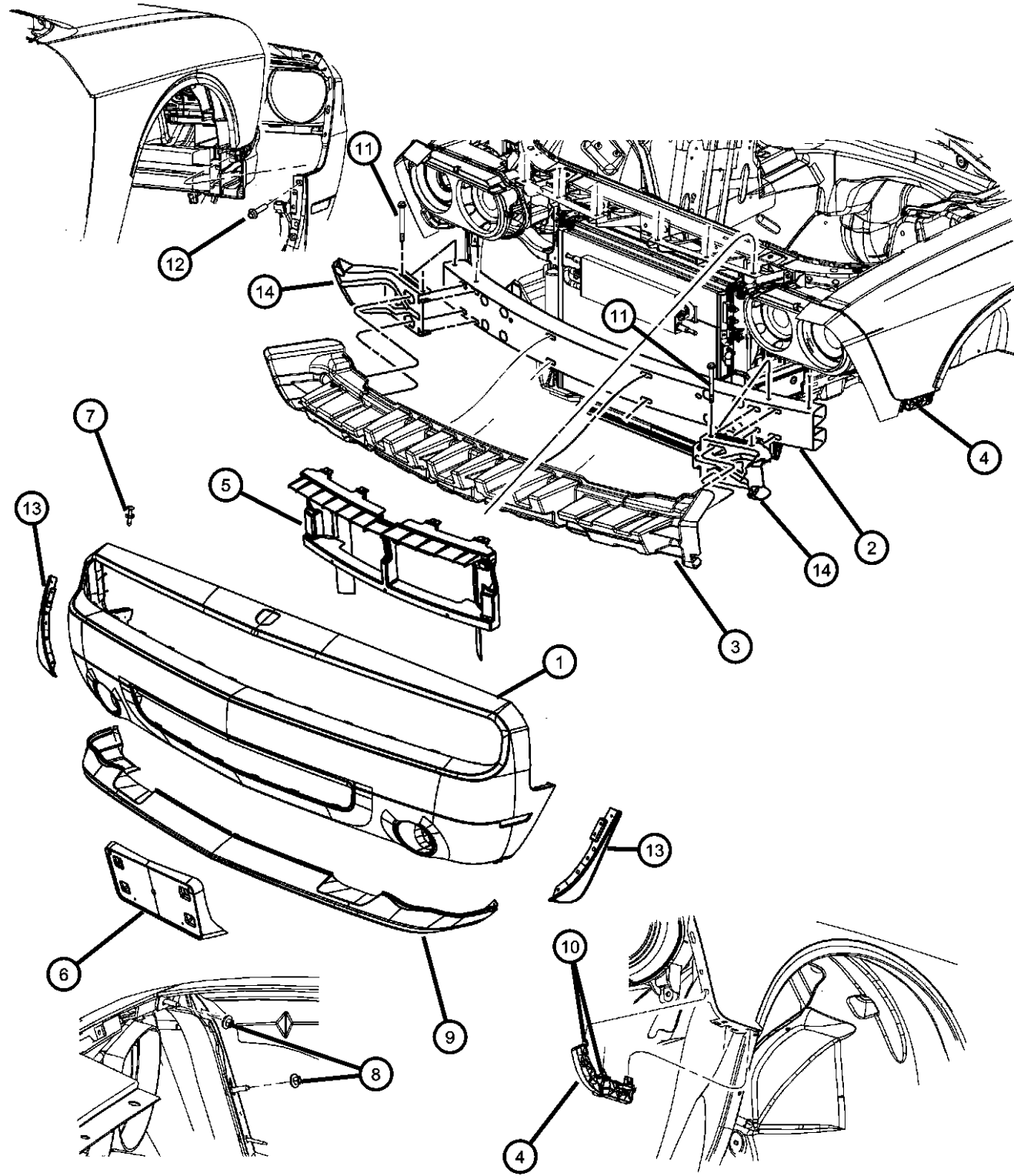
ITEM	PART NUMBER	QTY	LINE	SERIES	BODY	ENGINE	TRANS	TRIM	DESCRIPTION
	68026048AA	1	D		22				Right
	68026049AA	1	D		22				Left
23									RAIL, Rear, Inner
	68020264AA	1	D		22				Right
	68020265AA	1	D		22				Left
24	68030677AA	1	D		22				CROSSMEMBER, Rear Suspension, Front
25	04780812AC	1	D		22				CROSSMEMBER, Rear Suspension, Rear
26	04780840AJ	1	D		22				CROSSMEMBER, Floor Pan, ISO Fix
27	04780826AB	2	D		22				REINFORCEMENT, Jounce Bumper
28	05065355AJ	1	D		22				TRAY, Battery
29	04782324AG	1	D		22				SUBFRAME, Rear axle
30									ISOLATOR, Crossmember, Front
	04895488AB	1	D		22				Right
	04895489AB	1	D		22				Left
31	04782861AA	2	D		22				ISOLATOR, Crossmember, Rear
32									REINFORCEMENT, Front Bumper
	05065268AB	1	D		22				Right
	05065269AB	1	D		22				Left
33	04578296AA	1	D		22				CAP, Dust Shield

**DODGE CHALLENGER (LC)**  
 SERIES      LINE      BODY      ENGINE      TRANSMISSION  
 X = SPECIAL    D = DODGE    22 = 2-DR SEDAN TYPE #2    ESF = 6.1L SRT HEMI SMPI V8 Engine    DGJ = 5-Speed Auto W5A580 Transmission

AR = use ase required    - = Non illustrated part



Fascia, Front  
Figure 13-205



ITEM	PART NUMBER	QTY	LINE	SERIES	BODY	ENGINE	TRANS	TRIM	DESCRIPTION
1	68043387AA	1	D	X	22				FASCIA, Front, Primed
2	04805726AC	1	D		22				BEAM, Front Bumper
3	05028810AA	1	D		22				ABSORBER, Front Energy
4									BRACKET, Fascia Support
	68024342AA	1	D		22				Right
	68024343AA	1	D		22				Left
5	68043965AA	1	D		22				SUPPORT, Front Fascia
6	68027815AA	1	D		22				LICENSE PLATE KIT
7	05160260AA	6	D		22				PIN, Push
8	06506456AA	4	D		22				NUT AND WASHER, Hex, M6x1.0, Fascia to Fender
9	68043390AA	1	D	X	22				PANEL, Lower Fascia
10	06507238AA	2	D		22				SCREW, Hex Flange Head Tapping, M4.2x1.7x25
11	06509235AA	2	D		22				SCREW AND WASHER, Hex Head, M6x1.00x135.00
12	06503929	2	D		22				SCREW AND WASHER, Coned Pilot, M6x1x30, Fascia to Fender Bracket
13									EXTENSION, Fender
	68043398AA	1	D	X	22				Right
	68043399AA	1	D	X	22				Left
14									EXTENSION, Bumper
	68032706AA	1	D		22				Right
	68032707AA	1	D		22				Left

**DODGE CHALLENGER (LC)**  
 SERIES LINE  
 X = SPECIAL D = DODGE

BODY  
 22 = 2-DR SEDAN TYPE #2

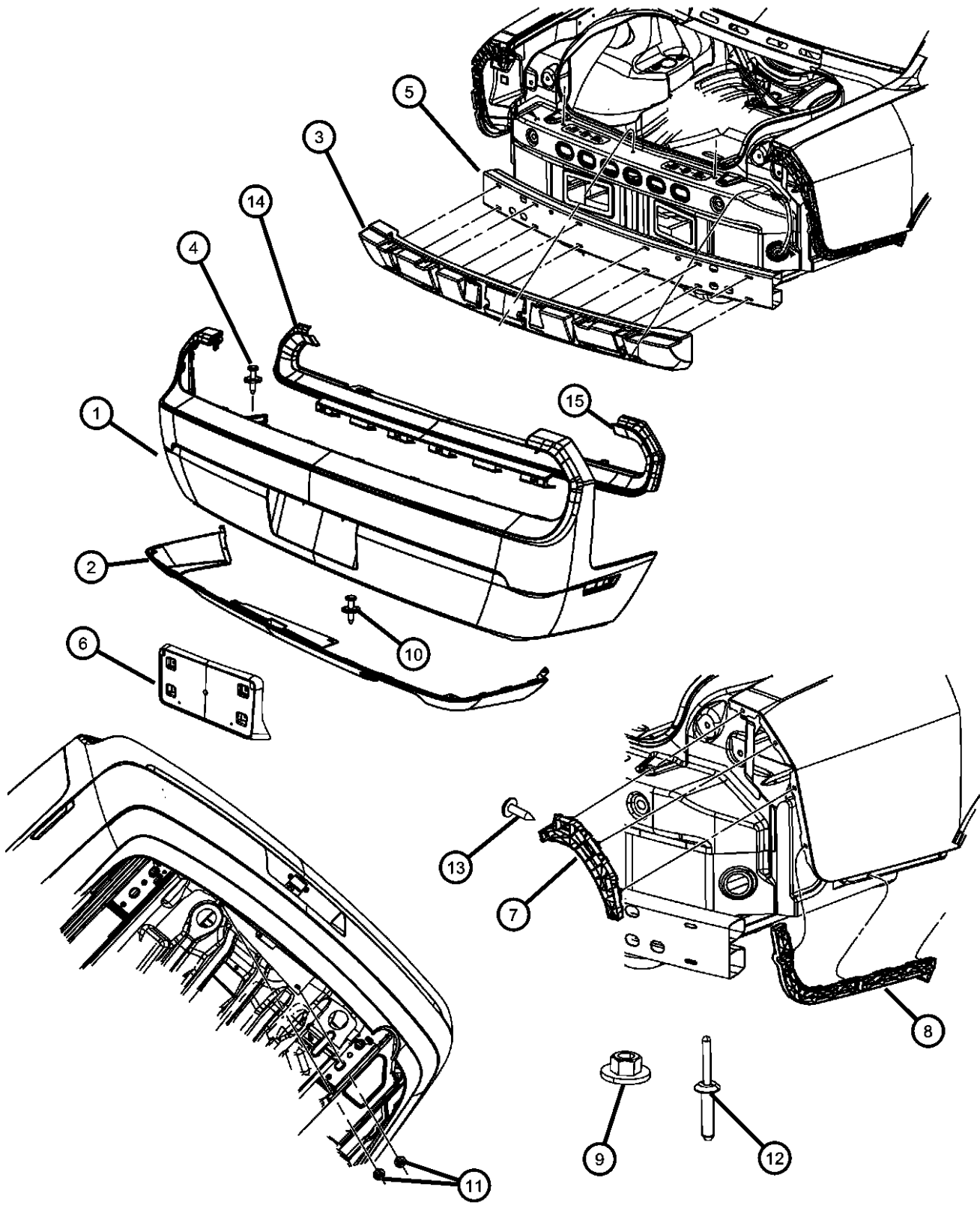
ENGINE  
 ESF = 6.1L SRT HEMI SMPI  
 V8 Engine

TRANSMISSION  
 DGJ = 5-Speed Auto W5A580  
 Transmission

AR = use ase required - = Non illustrated part

2008 LC

Fascia, Rear  
Figure 13-305



ITEM	PART NUMBER	QTY	LINE	SERIES	BODY	ENGINE	TRANS	TRIM	DESCRIPTION
1	68039500AB	1	D	X	22				FASCIA, Rear
2	68039501AA	1	D	X	22				FASCIA, Rear Lower
3	68020697AA	1	D		22				ABSORBER, Rear Energy
4	05160260AA	5	D		22				PIN, Push, Fascia to Deck Opening
5	68020711AA	1	D		22				REINFORCEMENT, Rear Bumper
6	04805956AA	1	D		22				LICENSE PLATE, Package
7									BRACKET, Fascia Support
	68026644AB	1	D		22				Right
	68026645AB	1	D		22				Left
8									BRACKET, Fascia Support
	68024340AA	1	D		22				Right
	68024341AA	1	D		22				Left
9	06101446	6	D		22				NUT AND WASHER, Bumper to Rail
10	06500859	2	D	X	22				RIVET, Lower Fascia to Upper Fascia
11	05097674AA	2	D		23				NUT, Hex, Fascia to Tire Tub
12	06504737	6	D		22				RIVET, Plastic, Fascia to Splash Shield
13	06035204	2	D		22				SCREW, Tapping, .19-16x.75, To Upper Fascia Bracket
14	68039502AA	1	D	X	22				SURROUND
15									BRACKET, Fascia
	68049488AA	1	D	X	22				Right
	68049489AA	1	D	X	22				Left
-16	68049495AA	4	D	X	22				RIVET, Surround Bracket Mounting

DODGE CHALLENGER (LC)  
SERIES LINE  
X = SPECIAL D = DODGE

BODY  
22 = 2-DR SEDAN TYPE #2

ENGINE  
ESF = 6.1L SRT HEMI SMPI V8 Engine

TRANSMISSION  
DGJ = 5-Speed Auto W5A580 Transmission

AR = use ase required - = Non illustrated part

2008 LC

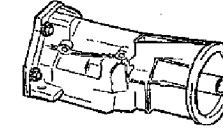
# Group - 14

## Fuel

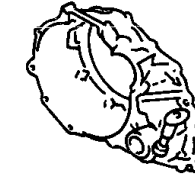
**014-100**  
Fuel Tank



**014-1000**  
Accelerator Pedal



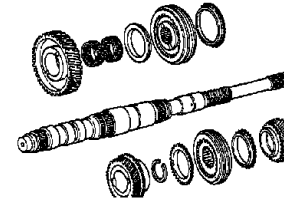
**014-200**  
Fuel Tank Filler Tube



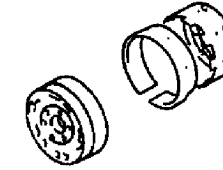
**014-300**  
Fuel Lines



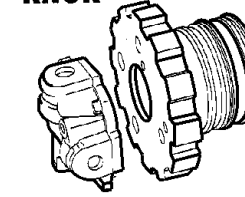
**014-400**  
Fuel Rail and Injectors



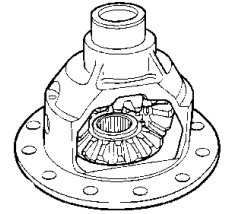
**014-500**  
Fuel Pump and Sending Unit



**014-600**  
Throttle Body



**014-800**  
Air Cleaner



---

## Group - 14 Fuel

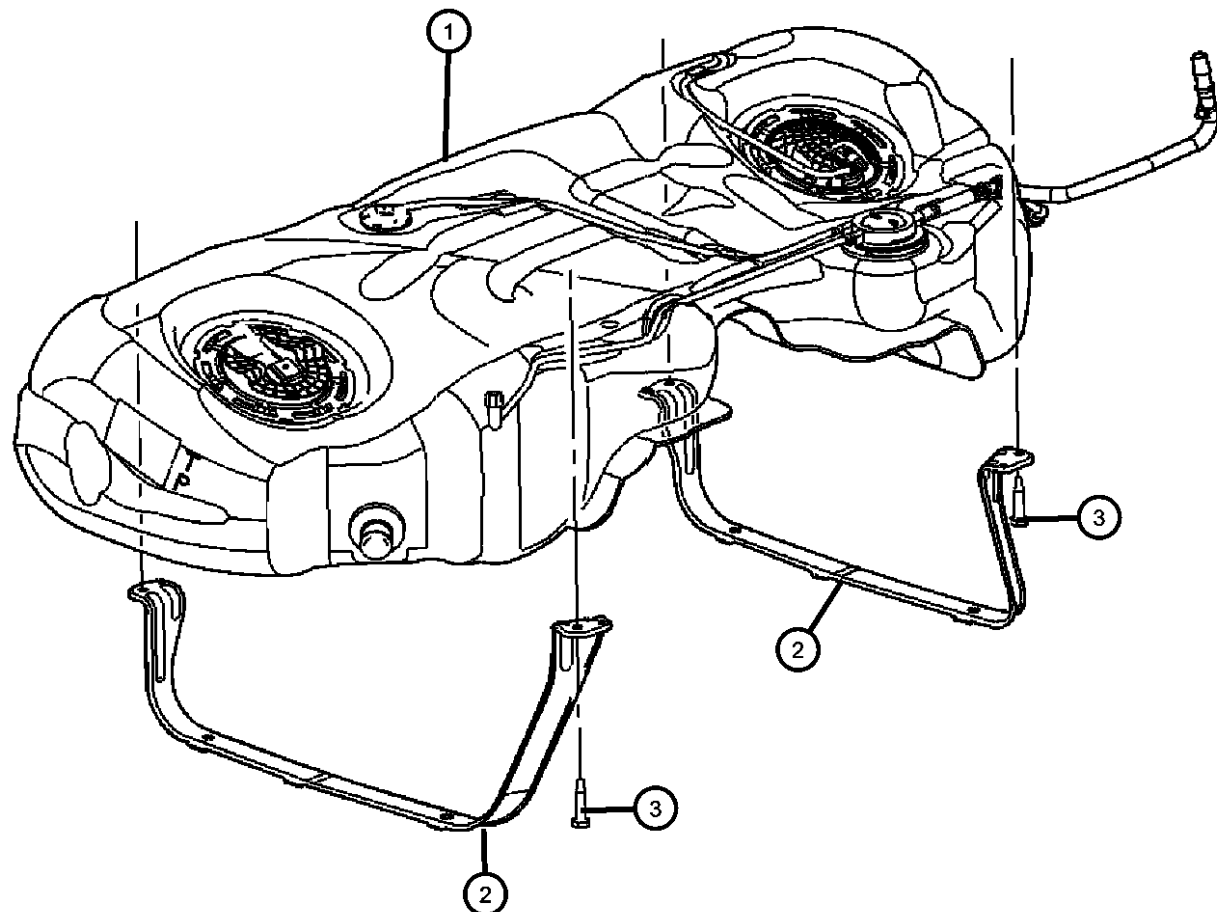
Illustration Title	Group-Fig. No.
<b>Fuel Tank</b>	
Fuel Tank and Related .....	Fig. 14 - 105
<b>Fuel Tank Filler Tube</b>	
Fuel Filler Tube and Related .....	Fig. 14 - 205
<b>Fuel Lines</b>	
Fuel Lines and Related .....	Fig. 14 - 305
<b>Fuel Rail and Injectors</b>	
Fuel Rail and Related .....	Fig. 14 - 405
<b>Fuel Pump and Sending Unit</b>	
Fuel Pump Module .....	Fig. 14 - 505
<b>Throttle Body</b>	
Throttle Body and Related .....	Fig. 14 - 605
<b>Air Cleaner</b>	
Air Cleaner and Related .....	Fig. 14 - 810
<b>Accelerator Pedal</b>	
Accelerator Pedal and Related .....	Fig. 14 - 1005

Fuel Tank and Related  
Figure 14-105

ITEM	PART NUMBER	QTY	LINE	SERIES	BODY	ENGINE	TRANS	TRIM	DESCRIPTION
------	-------------	-----	------	--------	------	--------	-------	------	-------------

Note; Sales Codes;  
[NFK] = 19 Gallon Tank With Tether

1	05135172AD	1	D		22	ES0			TANK, Fuel
2									STRAP, Fuel Tank Mounting
	04581413AC	1	D		22				Left
	04581414AB	1	D		22				Right
3	06504179	4	D		22				SCREW AND WASHER, Hex Head, M8-1.25x40
-4	04578294AA	6	D		22	ES0			RETAINER, Fuel Tank Heat Shield



**DODGE CHALLENGER (LC)**  
SERIES LINE  
X = SPECIAL D = DODGE

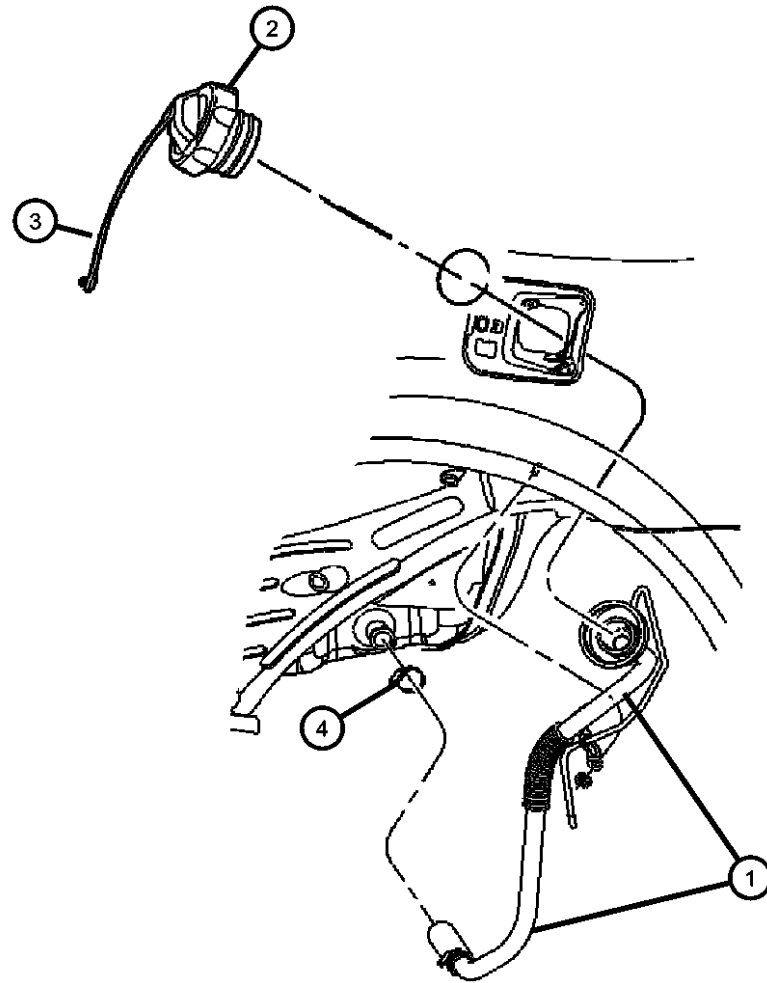
BODY ENGINE TRANSMISSION  
22 = 2-DR SEDAN TYPE #2 ESF = 6.1L SRT HEMI SMPI V8 Engine DGJ = 5-Speed Auto W5A580 Transmission

AR = use ase required - = Non illustrated part

2008 LC

**Fuel Filler Tube and Related  
Figure 14-205**

ITEM	PART NUMBER	QTY	LINE	SERIES	BODY	ENGINE	TRANS	TRIM	DESCRIPTION
1	04578999AA	1	D		22	ES0			TUBE, Fuel Filler
2	05278632AG	1	D		22				CAP, Fuel Filler
3	04682676	1	D		22				TETHER, Fuel Filler Cap
4	04682676	1							CLAMP, Hose, (NOT SERVICED)



**DODGE CHALLENGER (LC)**  
 SERIES      LINE  
 X = SPECIAL    D = DODGE

BODY  
 22 = 2-DR SEDAN TYPE #2

ENGINE  
 ESF = 6.1L SRT HEMI SMPI V8 Engine

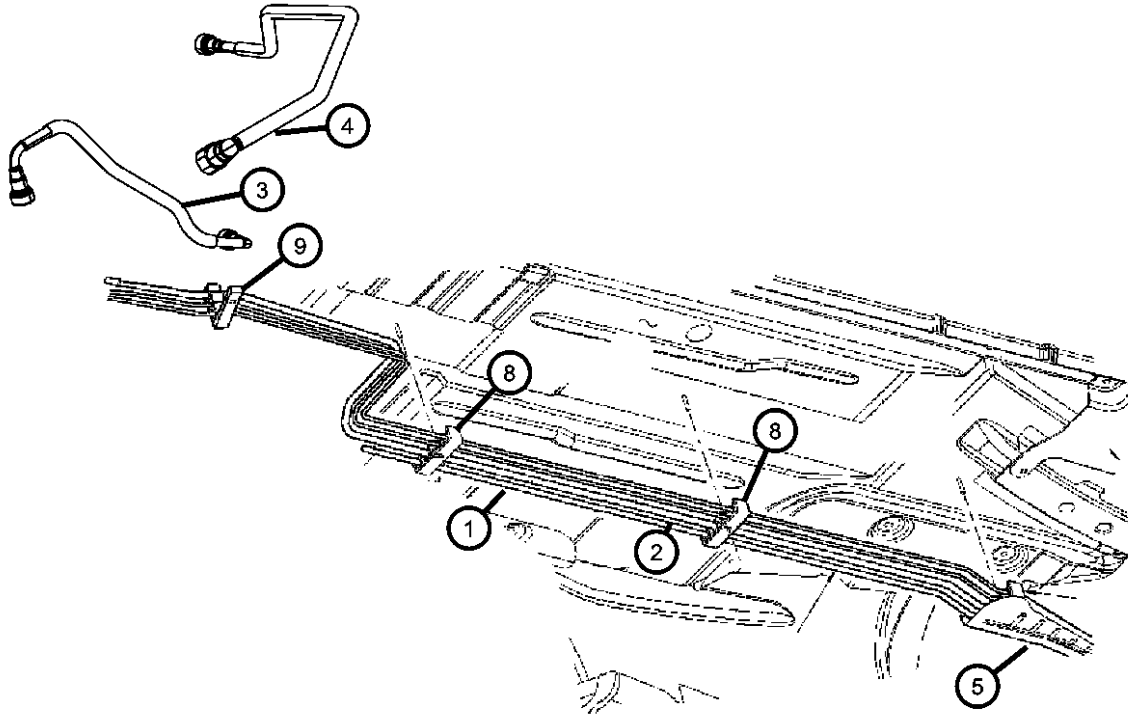
TRANSMISSION  
 DGJ = 5-Speed Auto W5A580 Transmission

AR = use ase required    - = Non illustrated part

2008 LC

**Fuel Lines and Related  
Figure 14-305**

ITEM	PART NUMBER	QTY	LINE	SERIES	BODY	ENGINE	TRANS	TRIM	DESCRIPTION
Note; Sales Codes; [NFK] = 19 Gallon Tank									
1	68047022AA	1	D		22	ES0			TUBE, Fuel Supply
2	04578655AA	1	D		22				TUBE, Vapor
3	04578198AC	1	D		22	ES0			TUBE, Fuel Supply
4	04581407AC	1	D		22	ES0			TUBE, Fuel Supply
5	05137754AA	1	D		22	ES0			SHIELD, Fuel and Brake Bundle
-6	05137752AA	4	D		22	ES0			CLIP, Fuel Bundle
-7	05137751AA	1	D		22	ES0			CLIP, Fuel Bundle
8	05137753AA	1	D		22	ES0			CLIP, Fuel Bundle
9	04582074	2	D		22	ES0			CLIP, Fuel Bundle



**DODGE CHALLENGER (LC)**  
 SERIES      LINE  
 X = SPECIAL    D = DODGE

BODY                      ENGINE                      TRANSMISSION  
 22 = 2-DR SEDAN TYPE #2    ESF = 6.1L SRT HEMI SMPI V8 Engine    DGJ = 5-Speed Auto W5A580 Transmission

AR = use ase required    - = Non illustrated part

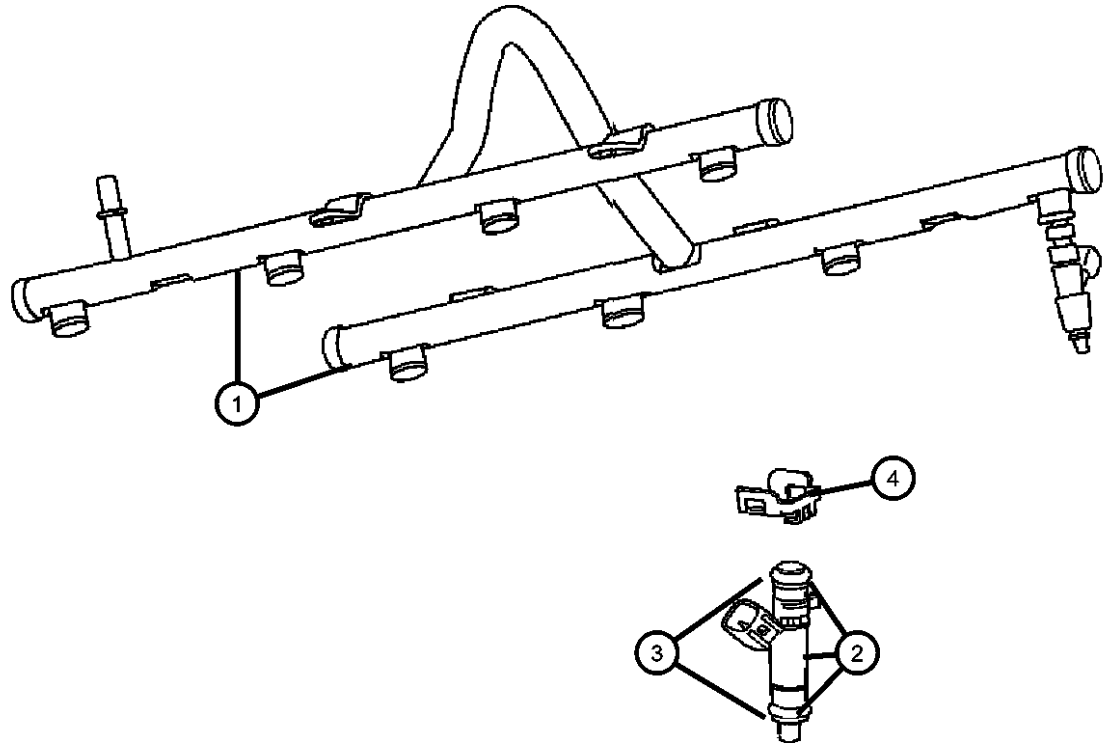
2008 LC

**Fuel Rail and Related  
Figure 14-405**

ITEM	PART NUMBER	QTY	LINE	SERIES	BODY	ENGINE	TRANS	TRIM	DESCRIPTION
------	-------------	-----	------	--------	------	--------	-------	------	-------------

Note; Sales Codes;  
[ESF] = 6.1L SRT Hemi SMPI V-8 Engine

1	05037480AA	1	D		22	ESF			RAIL, Fuel
2	05037479AA	8	D		22	ESF			INJECTOR, Fuel
3	04897125AA	1	D		22	ESF			O RING KIT, Fuel Injector
4	53030058AC	8	D		22	ESF			CLIP, Fuel Injector



<b>DODGE CHALLENGER (LC)</b>				
SERIES	LINE	BODY	ENGINE	TRANSMISSION
X = SPECIAL	D = DODGE	22 = 2-DR SEDAN TYPE #2	ESF = 6.1L SRT HEMI SMPI V8 Engine	DGJ = 5-Speed Auto W5A580 Transmission

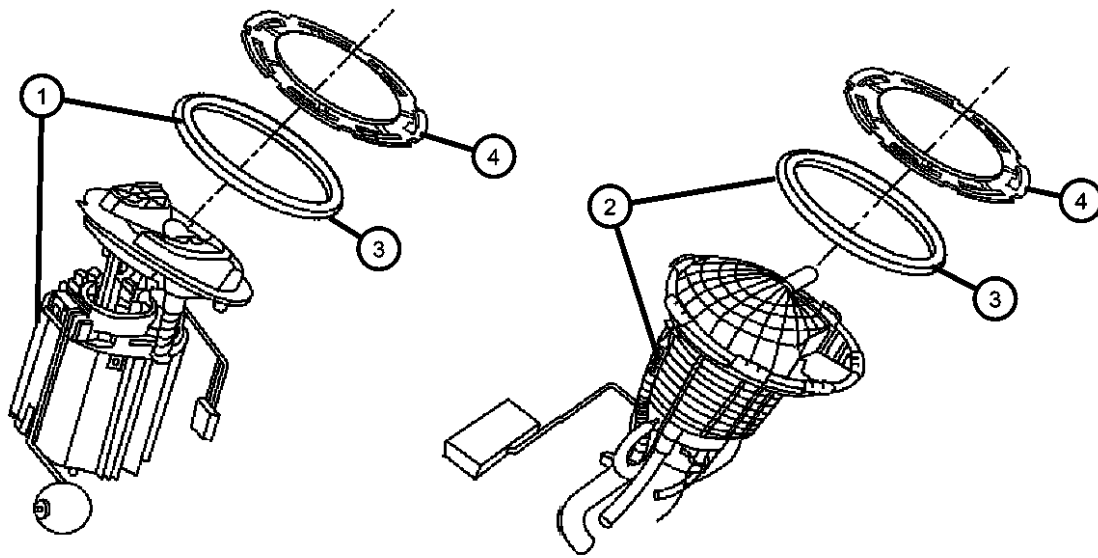
AR = use ase required - = Non illustrated part

2008 LC



**Fuel Pump Module  
Figure 14-505**

ITEM	PART NUMBER	QTY	LINE	SERIES	BODY	ENGINE	TRANS	TRIM	DESCRIPTION
Note; Sales Codes; [NFK] = 19 Gallon Tank With Tether									
1	05161808AD	1	D		22	ES0			MODULE PACKAGE, Fuel Pump/Level Unit
2	05161808AD	1	D		22	ES0			MODULE PACKAGE, Fuel Pump/Level Unit
3	55366298AA	2	D		22	ES0			O RING, Fuel Pump and Level Unit
4	52110282AA	2	D		22	ES0			RING, Lock, Fuel Module



**DODGE CHALLENGER (LC)**  
 SERIES      LINE  
 X = SPECIAL    D = DODGE

BODY  
 22 = 2-DR SEDAN TYPE #2

ENGINE  
 ESF = 6.1L SRT HEMI SMPI V8 Engine

TRANSMISSION  
 DGJ = 5-Speed Auto W5A580 Transmission

AR = use ase required    - = Non illustrated part

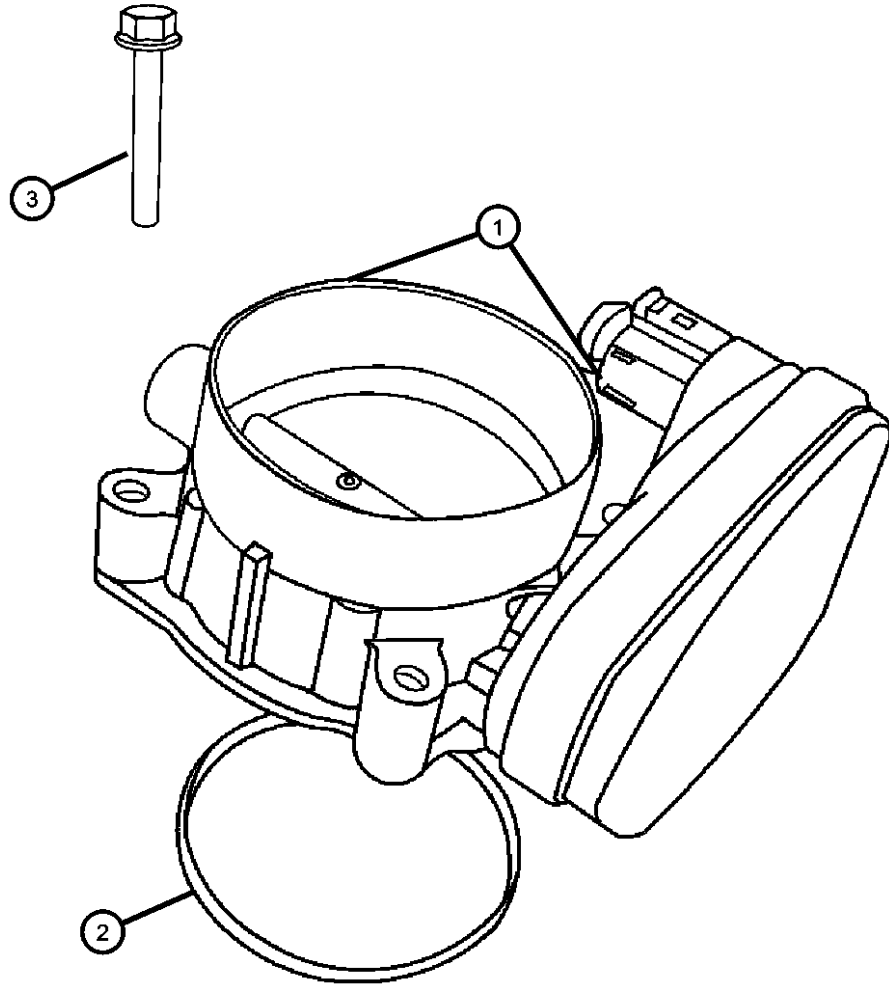
2008 LC

**Throttle Body and Related  
Figure 14-605**

ITEM	PART NUMBER	QTY	LINE	SERIES	BODY	ENGINE	TRANS	TRIM	DESCRIPTION
------	-------------	-----	------	--------	------	--------	-------	------	-------------

Note; Sales Codes;  
[ESF] = 6.1L SRT Hemi SMPI V-8 Engine

1	04591847AC	1	D		22	ESF			THROTTLE BODY
2	53032383AB	1	D		22	ESF			SEAL, Throttle Body to Intake
3	06104186AA	4	D		22	ESF			BOLT, Hex Flange Head, M6X1.00X45.00



**DODGE CHALLENGER (LC)**  
SERIES      LINE  
X = SPECIAL      D = DODGE

BODY  
22 = 2-DR SEDAN TYPE #2

ENGINE  
ESF = 6.1L SRT HEMI SMPI V8 Engine

TRANSMISSION  
DGJ = 5-Speed Auto W5A580 Transmission

AR = use ase required    - = Non illustrated part

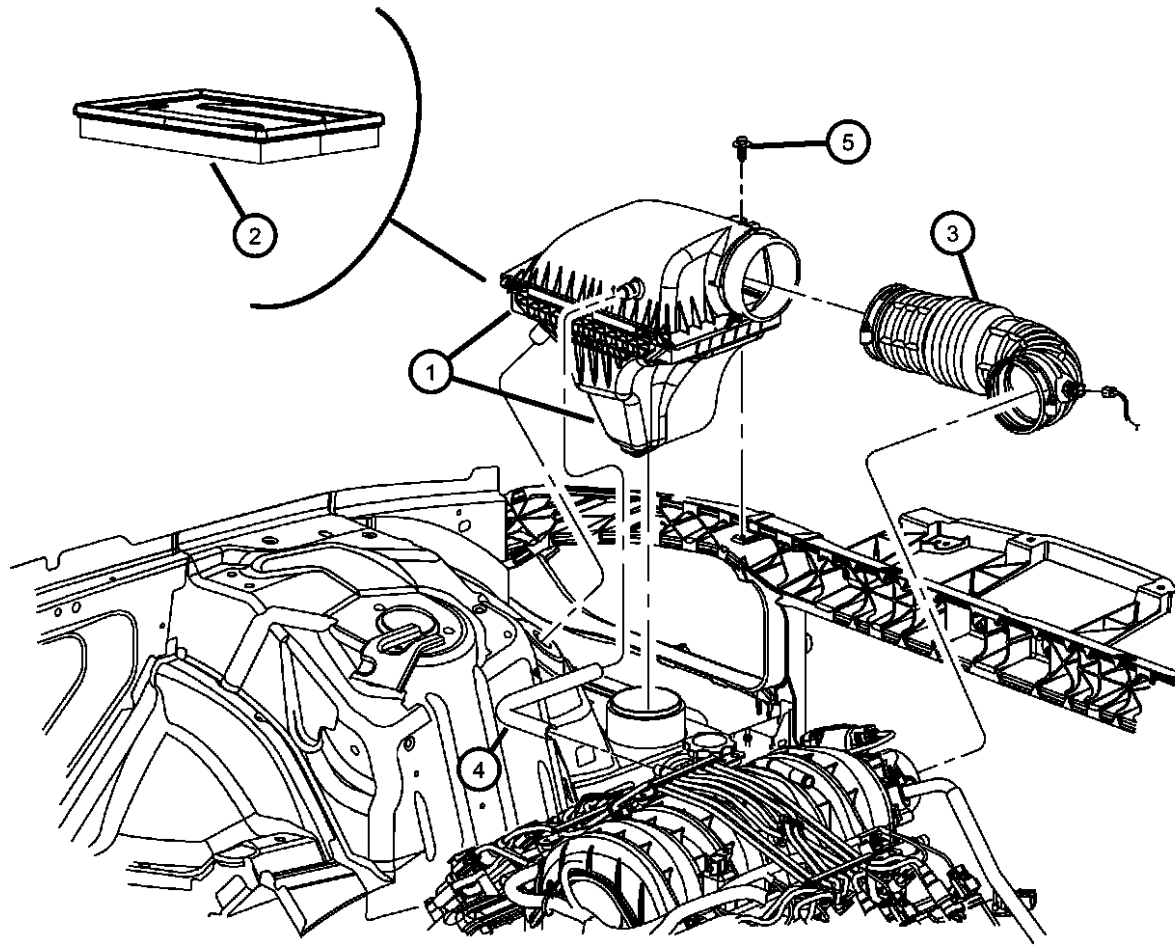
2008 LC

**Air Cleaner and Related  
Figure 14-810**

ITEM	PART NUMBER	QTY	LINE	SERIES	BODY	ENGINE	TRANS	TRIM	DESCRIPTION
------	-------------	-----	------	--------	------	--------	-------	------	-------------

Note; Sales Codes;  
[ESF] = 6.1L SRT Hemi SMPI V-8 Engine

1	05038040AA	1	D		22	ESF			AIR CLEANER
2	05037615AA	1	D		22	ESF			FILTER, Air
	77060006								Performance Cold Air System, LX, 2005-2006, 6.1L
3	04593798AA	1	D		22	ESF			DUCT, Clean Air
4	05037554AC	1	D		22	ESF			HOSE, Make Up Air
5	06504289	1	D		22				SCREW, Hex Head



**DODGE CHALLENGER (LC)**  
SERIES      LINE  
X = SPECIAL    D = DODGE

BODY      ENGINE      TRANSMISSION  
22 = 2-DR SEDAN TYPE #2    ESF = 6.1L SRT HEMI SMPI V8 Engine    DGJ = 5-Speed Auto W5A580 Transmission

AR = use ase required    - = Non illustrated part

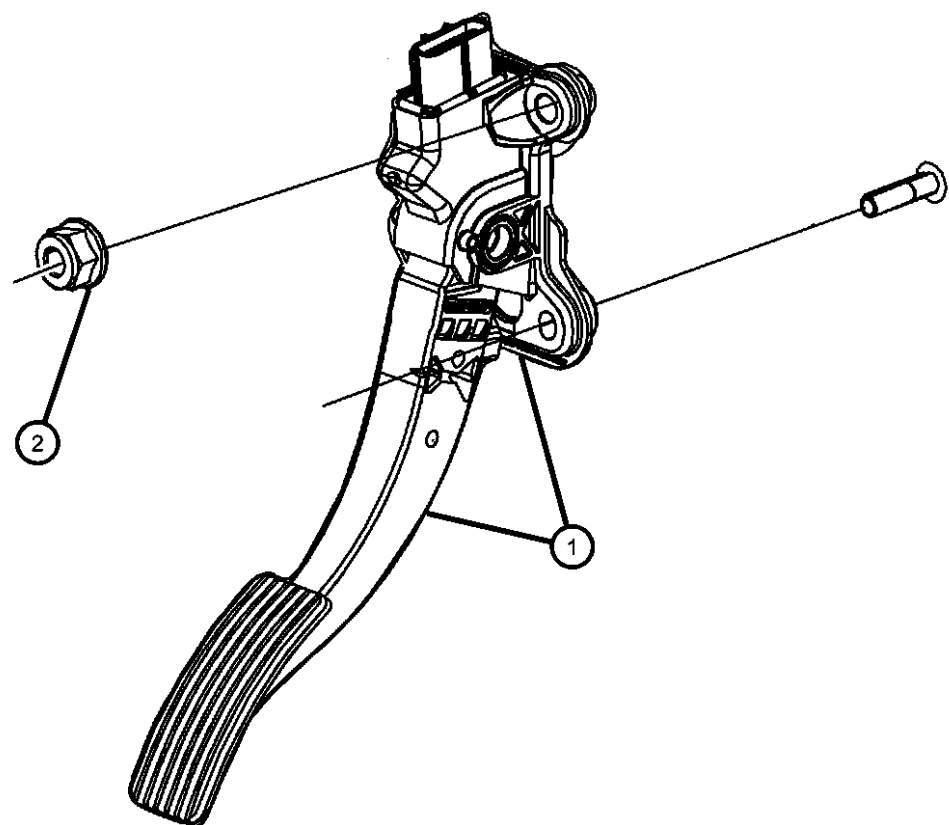
2008 LC

**Accelerator Pedal and Related  
Figure 14-1005**

ITEM	PART NUMBER	QTY	LINE	SERIES	BODY	ENGINE	TRANS	TRIM	DESCRIPTION
------	-------------	-----	------	--------	------	--------	-------	------	-------------

Note; Sales Codes;  
[XAM] = Power Adjustable  
[XAP] = Power Adjustable With Memory  
[XA8] = Non Adjustable

1	04861714AB	1	D		22				PEDAL, Accelerator
2	06502756	3	D		22				NUT, Hex Lock, M8x1.25



**DODGE CHALLENGER (LC)**  
SERIES      LINE  
X = SPECIAL      D = DODGE

BODY  
22 = 2-DR SEDAN TYPE #2

ENGINE  
ESF = 6.1L SRT HEMI SMPI V8 Engine

TRANSMISSION  
DGJ = 5-Speed Auto W5A580 Transmission

AR = use ase required    - = Non illustrated part

2008 LC

# Group - 17

## Rear Suspension

### Group - 17 Rear Suspension

Illustration Title

Group-Fig. No.

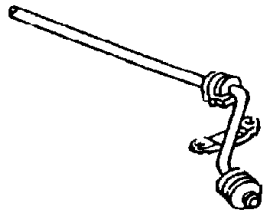
#### Rear Suspension and Cradle

Suspension,Rear Links,Knuckles .....Fig. 17 - 105

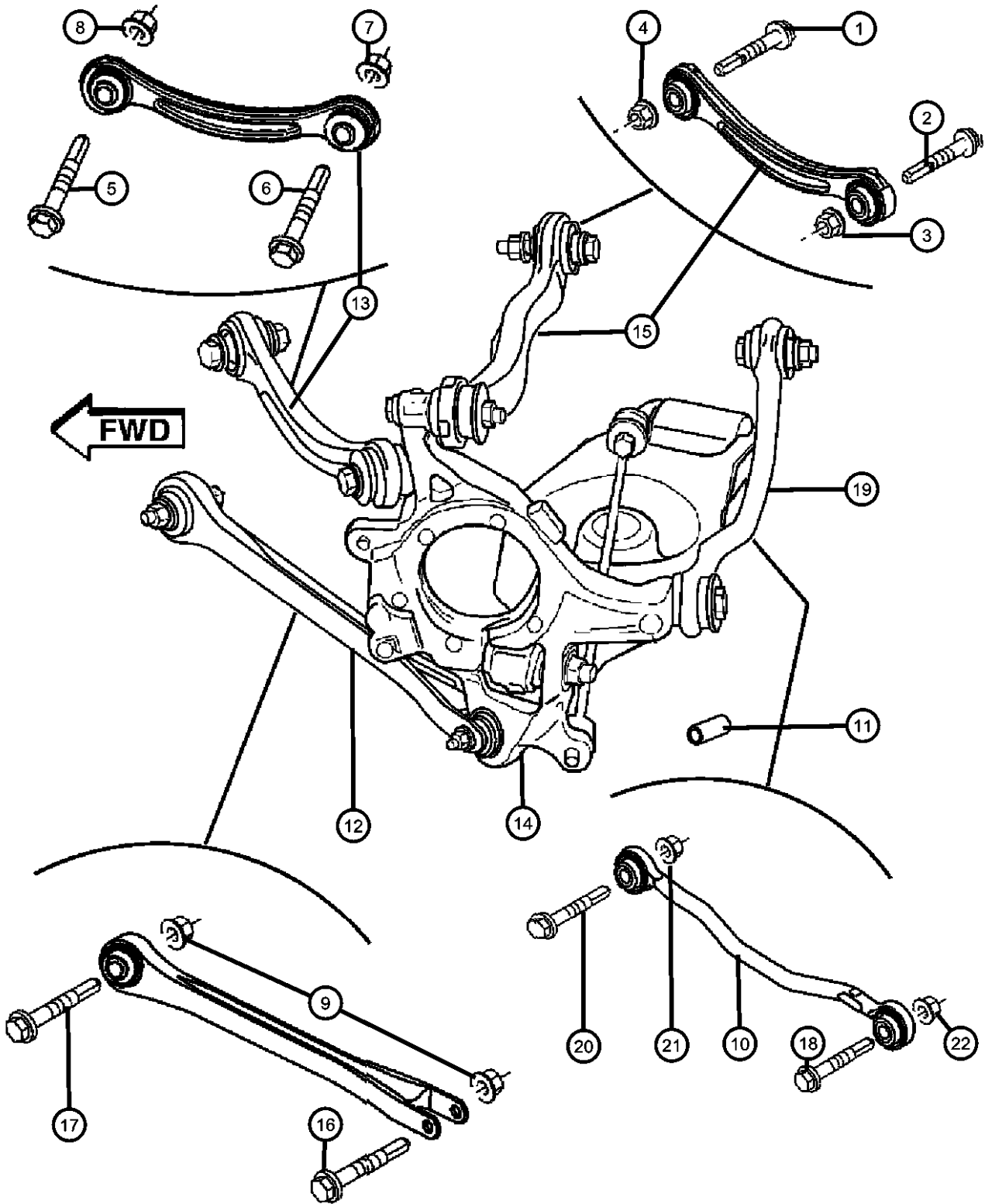
Rear Shocks, Spring Link .....Fig. 17 - 107

#### Rear Stabilizer

Stabilizer Bar,Rear .....Fig. 17 - 205

<b>017-100</b> Rear Suspension and Cradle	<b>017-200</b> Rear Stabilizer 		
--	--	--	--

**Suspension,Rear Links,Knuckles**  
**Figure 17-105**



ITEM	PART NUMBER	QTY	LINE	SERIES	BODY	ENGINE	TRANS	TRIM	DESCRIPTION
------	-------------	-----	------	--------	------	--------	-------	------	-------------

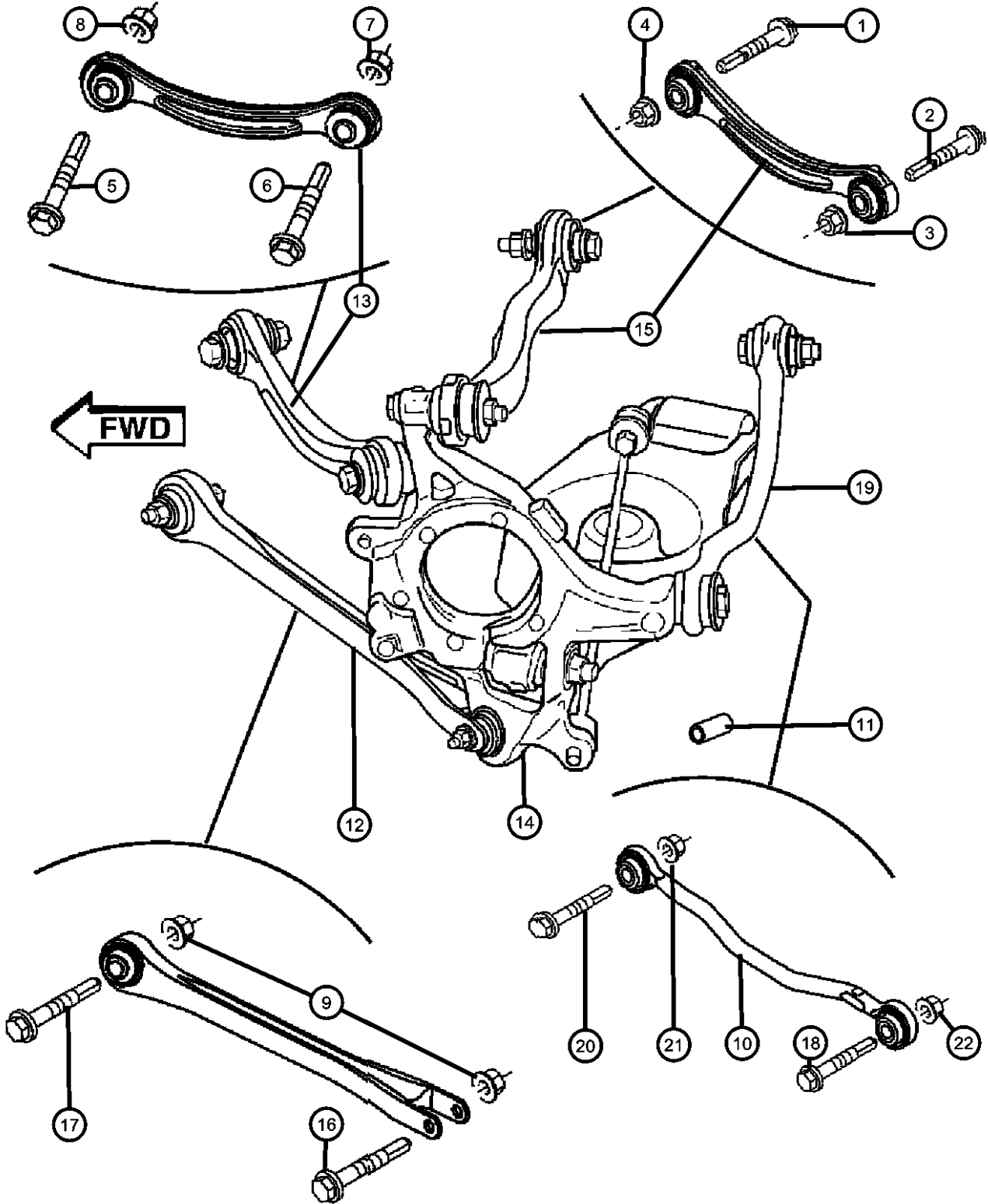
NOTE:Sales codes  
 [EE0]=2.5L OR 2.7L V6 GAS  
 [EG0]=3.3L,3.5L, & 3.8L 6CY  
 [ES0]=ALL 6 L ENGINES  
 [EX0]=ALL 3.0/3.1L TURBO DIESELS ENGINES  
 [EZ0]= 5.7L 8CYL GAS  
 [SDC]=TOURING SUSPENSION  
 [SDD]=PERFORMANCE SUSPENSION

1	06507097AA	2				ES0			BOLT AND WASHER, Hex Head, M12X1.75X70.00
2	06507099AA	2				ES0			BOLT AND WASHER, Hex Head, M12x1.75x85.00
3	06507108AA	2				ES0			NUT AND WASHER, Hex, M12x1.75
4	06502835	2				ES0			NUT, Hex Flange Lock, M12x1.75
5	06507097AA	2				ES0			BOLT AND WASHER, Hex Head, M12X1.75X70.00
6	06507099AA	2				ES0			BOLT AND WASHER, Hex Head, M12x1.75x85.00
7	06507108AA	2				ES0			NUT AND WASHER, Hex, M12x1.75
8	06502835	2				ES0			NUT, Hex Flange Lock, M12x1.75
9	06502835	2				ES0			NUT, Hex Flange Lock, M12x1.75
10	06507539AA	2				ES0			WASHER, Flat
11	04743263AA	1				ES0			SLEEVE
12	05180480AB	2				ES0			LINK ASSEMBLY, Compression
13	04782745AB	2				ES0			TENSION LINK
14									KNUCKLE, Rear
	04854458AC	1				ES0			Right
	04854459AC	1				ES0			Left
15									CAMBER LINK
	04782536AB	1				ES0			Right
	04782537AB	1				ES0			Left
	04782738AB	AR							Repair Plus 1 mm, Right
	04782739AB	AR							Repair Plus 1 mm, Left
	04895546AA	AR							Repair Minus 1 mm, Right
	04895547AA	AR							Repair Minus 1 mm, Left
16	06507098AA	2				ES0			BOLT AND WASHER, Hex Head, M12x1.75x75.00
17	06507097AA	2				ES0			BOLT AND WASHER, Hex Head, M12X1.75X70.00
18	06507107AA	2				ES0			BOLT AND WASHER, Hex Head, M12x1.75x75.00
19									TOE LINK

**DODGE CHALLENGER (LC)**  
 SERIES      LINE      BODY      ENGINE      TRANSMISSION  
 X = SPECIAL      D = DODGE      22 = 2-DR SEDAN TYPE #2      ESF = 6.1L SRT HEMI SMPI V8 Engine      DGJ = 5-Speed Auto W5A580 Transmission

AR = use ase required    - = Non illustrated part

Suspension,Rear Links,Knuckles  
Figure 17-105



ITEM	PART NUMBER	QTY	LINE	SERIES	BODY	ENGINE	TRANS	TRIM	DESCRIPTION
	04782936AA	1				ES0			Right
	04782937AA	1				ES0			Left
20	06507538AA	2				ES0			BOLT AND WASHER, Hex Head, M12x1.75x123.00
21	06507207AA	2				ES0			NUT, Hex Flange Lock, M12x1.75
22	06502835	2				ES0			NUT, Hex Flange Lock, M12x1.75

**DODGE CHALLENGER (LC)**  
 SERIES      LINE  
 X = SPECIAL    D = DODGE

BODY  
 22 = 2-DR SEDAN TYPE #2

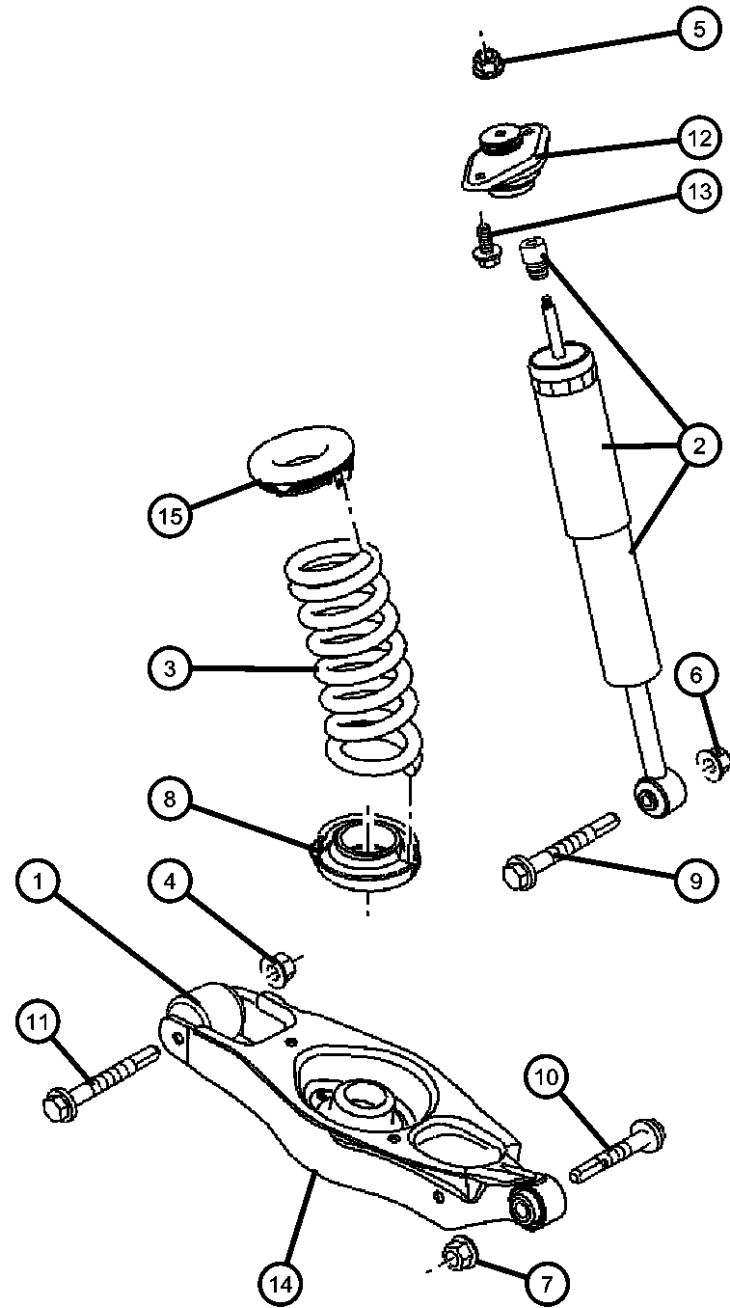
ENGINE  
 ESF = 6.1L SRT HEMI SMPI V8 Engine

TRANSMISSION  
 DGJ = 5-Speed Auto W5A580 Transmission

AR = use ase required    - = Non illustrated part

2008 LC

### Rear Shocks, Spring Link Figure 17-107



ITEM	PART NUMBER	QTY	LINE	SERIES	BODY	ENGINE	TRANS	TRIM	DESCRIPTION
NOTE: Sales codes [SDC]=Touring Suspension [SDD]=Performance Suspension [SDG]=4-Wheel Independent Suspension [SDX]=High Performance Suspension [EE0]=2.5L or 2.7L V6 Gas [EG0]=Engines - All 3.3L, 3.5L, & 3.8L 6 Cylinder [ES0]=Engines - All 6 L									
1	04895235AA	2				ES0			BUSHING, Spring Link
2	05039355AD	2				ES0			SHOCK ABSORBER PACKAGE, Suspension
3									SPRING, Coil
	05181369AB	1							[ZXX]
4	06502835	2				ES0			NUT, Hex Flange Lock, M12x1.75
5	06502337	2				ES0			NUT AND WASHER, Hex Locking, M10x1.50
6	06502697	2							NUT, Hex Flange Lock, M12x1.75
7	06502502	2				ES0			NUT, Hex Flange Lock, M14x2
8	04895382AA	2							ISOLATOR, Spring
9	06504863AA	2							BOLT, Hex Flange Head, M12x1.75x89.50
10	06507089AA	2				ES0			BOLT, Hex Head, M14x2.00x120.00
11	06506021AA	2				ES0			BOLT, Hex Flange Head Lock, M12x1.75x110.00
12	04782924AB	2				ES0			MOUNT, Strut
13	06104424AA	4							BOLT AND WASHER, Hex Head, M10x1.50x55.00
14	04782598AE	2				ES0			SPRING LINK
15	04895372AA	2							ISOLATOR, Spring

**DODGE CHALLENGER (LC)**  
 SERIES      LINE  
 X = SPECIAL    D = DODGE

BODY  
 22 = 2-DR SEDAN TYPE #2

ENGINE  
 ESF = 6.1L SRT HEMI SMPI V8 Engine

TRANSMISSION  
 DGJ = 5-Speed Auto W5A580 Transmission

AR = use ase required    - = Non illustrated part

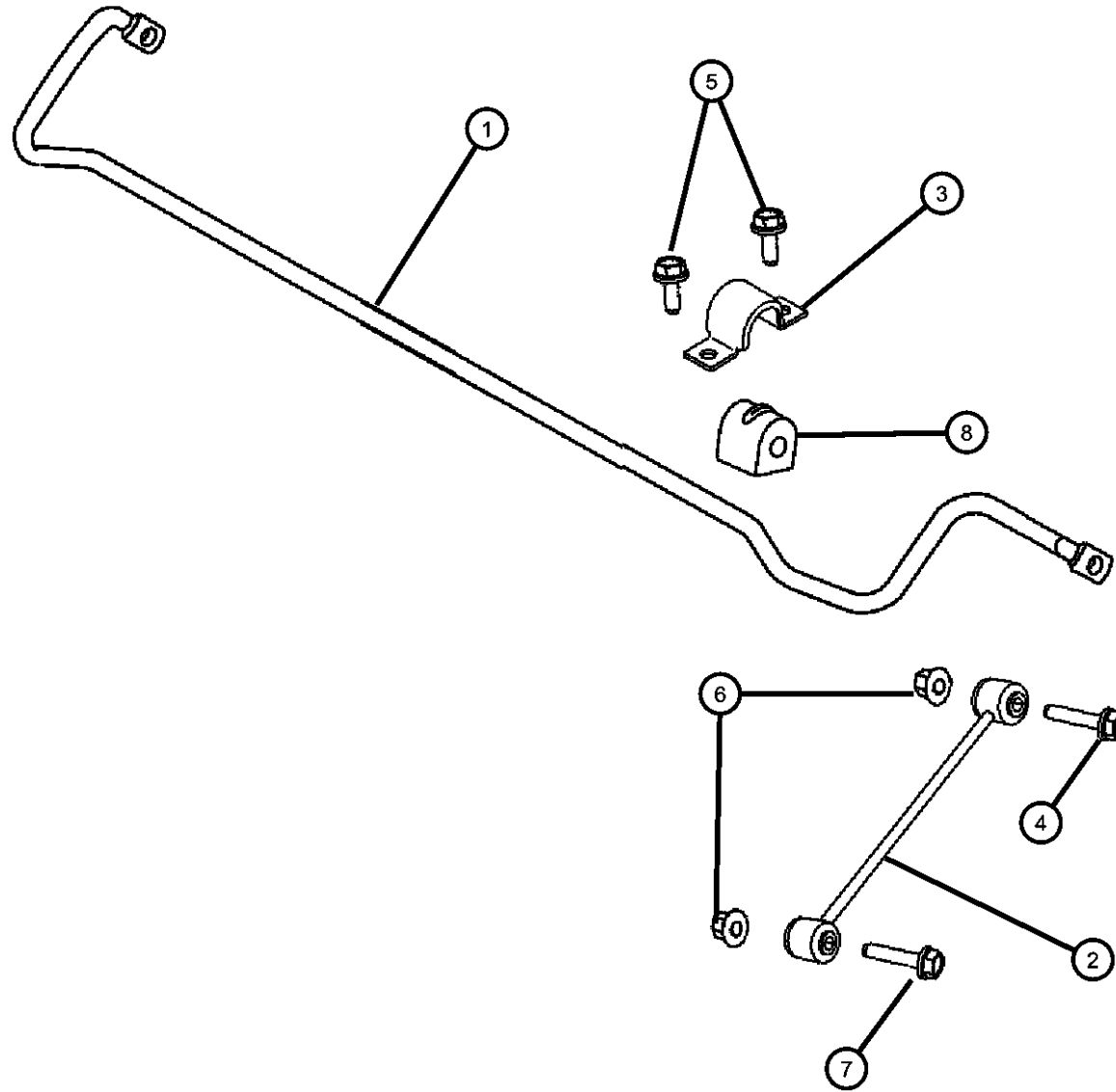
2008 LC



**Stabilizer Bar,Rear  
Figure 17-205**

ITEM	PART NUMBER	QTY	LINE	SERIES	BODY	ENGINE	TRANS	TRIM	DESCRIPTION
------	-------------	-----	------	--------	------	--------	-------	------	-------------

Note: Sales Codes  
 [EEO]=2.5L OR 2.7L V6 GAS  
 [EGO]=3.3L,3.5L, & 3.8L 6CY  
 [ESO]=ALL 6 L ENGINES  
 [EXO]=ALL 3.0/3.1L TURBO DIESELS ENGINES  
 [BR3]=ANTI-LOCK 4-WHEEL DISC BRAKES  
 [BR5]=ANTI-LOCK 4-WHEEL DISC PERF BRAKES  
 [BR8]=4-WHEEL DISC HEAVY DUTY BRA



1	04782872AB	1				ES0			STABILIZER BAR, Rear Suspension
2	04766866AA	2				ES0			LINK, Sway Eliminator
3	04228786	2				ES0			BRACKET, Stabilizer Bar
4	06102239AA	2				ES0			SCREW AND WASHER, Hex Head, Link to Stabilizer Bar
5	06500399	4				ES0			BOLT, Hex Head, M10x1.5x20, Sway Bar to Frame
6	06104717AA	2				ES0			NUT, Hex Flange Lock, M10x1.50
7	06102222AA	2				ES0			SCREW AND WASHER, Hex Head, M10x1.5x75, Link to Knuckle
8	04782892AB	2				ES0			ISOLATOR

**DODGE CHALLENGER (LC)**  
 SERIES      LINE  
 X = SPECIAL      D = DODGE

BODY      ENGINE      TRANSMISSION  
 22 = 2-DR SEDAN TYPE #2      ESF = 6.1L SRT HEMI SMPI V8 Engine      DGJ = 5-Speed Auto W5A580 Transmission

AR = use ase required    - = Non illustrated part

2008 LC

# Group - 19

## Steering

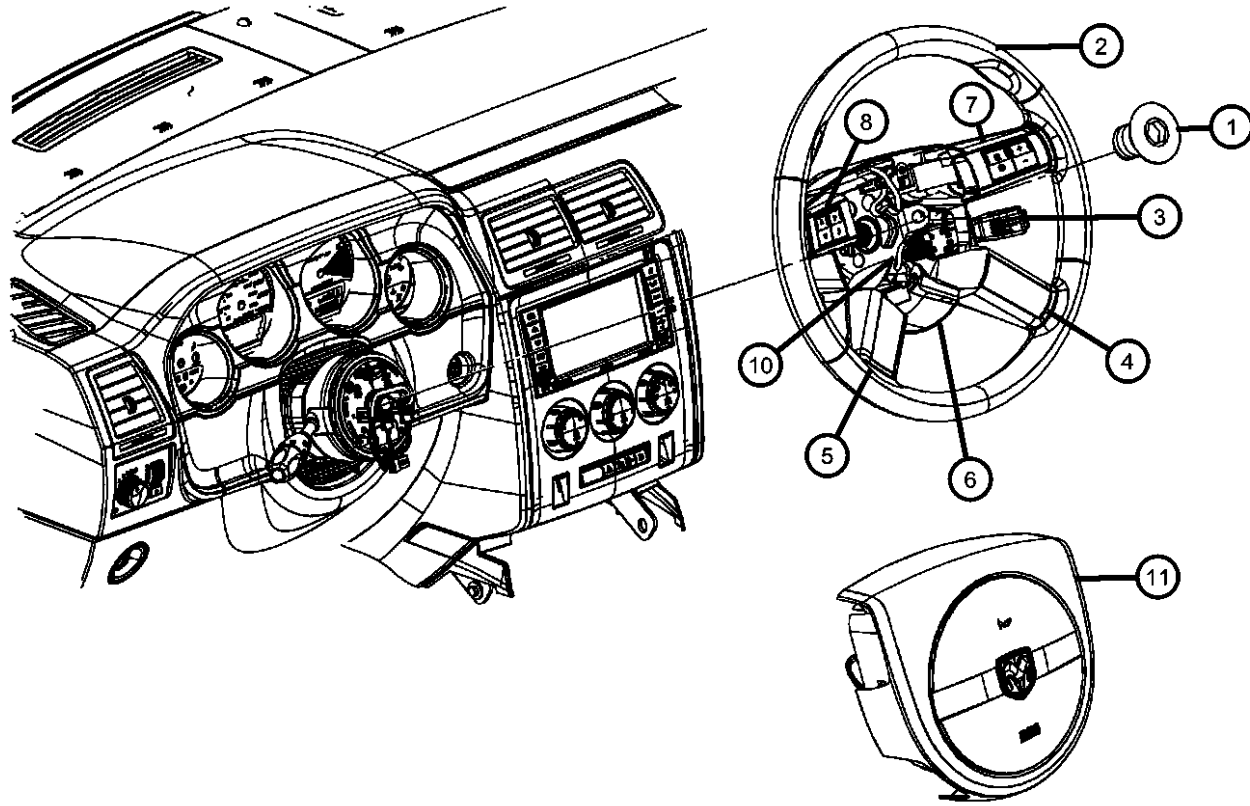
### Group - 19 Steering

Illustration Title	Group-Fig. No.
<b>Steering Wheel</b>	
Steering Wheel Assembly .....	Fig. 19 - 105
<b>Steering Column and Intermediate Shaft</b>	
Steering Column .....	Fig. 19 - 205
<b>Steering Gear</b>	
Steering Gear - and Related Parts .....	Fig. 19 - 305
<b>Power Steering Pump</b>	
Power Steering Pump .....	Fig. 19 - 505
<b>Power Steering Hoses</b>	
Hoses, Power Steering .....	Fig. 19 - 605

<b>019-100</b> Steering Wheel	<b>019-200</b> Steering Column and Intermediate Shaft	<b>019-300</b> Steering Gear	<b>019-500</b> Power Steering Pump
<b>019-600</b> Power Steering Hoses			

**Steering Wheel Assembly  
Figure 19-105**

ITEM	PART NUMBER	QTY	LINE	SERIES	BODY	ENGINE	TRANS	TRIM	DESCRIPTION
NOTES: Sales Codes: For Clockspring Refer to Group 008 [NHM] = Speed Control [SCC] = Performance Tutone Leather Wrapped Steering Wheel									
1	04649132AA	1	D		22				BOLT, BOLT, Steering Wheel Mounting
2	1CE781DVAB	1	D		22				WHEEL, Steering, [DV] [SCC] Performance Tutone Leather Steering Wheel with [NHM] Speed Control
3	56046079AB	1	D		22				SWITCH, Speed Control
4	0ZL50XZAAA	1	D		22				COVER, Switch OpeningRight
5	0ZL51XZAAA	1	D		22				COVER, Switch OpeningLeft
6	1KS031DVAA	1	D		22				COVER, Steering Wheel Back
7	0UZ561ZAAD	1	D		22				SWITCH, Steering Wheel, ReconfigurableRight
8	0UZ571ZAAD	1	D		22				SWITCH, Steering Wheel, ReconfigurableLeft
-9									BEZEL, Steering Wheel Switch
	1CJ941DVAA	1	D		22				Right
	1CJ951DVAA	1	D		22				Left
10	68039387AA	1	D		22				WIRING, Steering Wheel, See Group 008 Electrical
11	0UW70XD-VAG	1	D		22				MODULE, Air Bag, Driver, See Group 10 Restraints, [DV]
-12	06507294AA	2	D		22				BOLT, Hex Flange Head, M6x1.00x22.00, See Group 10 Restraints, Air Bag Module to Steering Wheel



**DODGE CHALLENGER (LC)**  
 SERIES      LINE  
 X = SPECIAL    D = DODGE

BODY  
 22 = 2-DR SEDAN TYPE #2

ENGINE  
 ESF = 6.1L SRT HEMI SMPI V8 Engine

TRANSMISSION  
 DGJ = 5-Speed Auto W5A580 Transmission

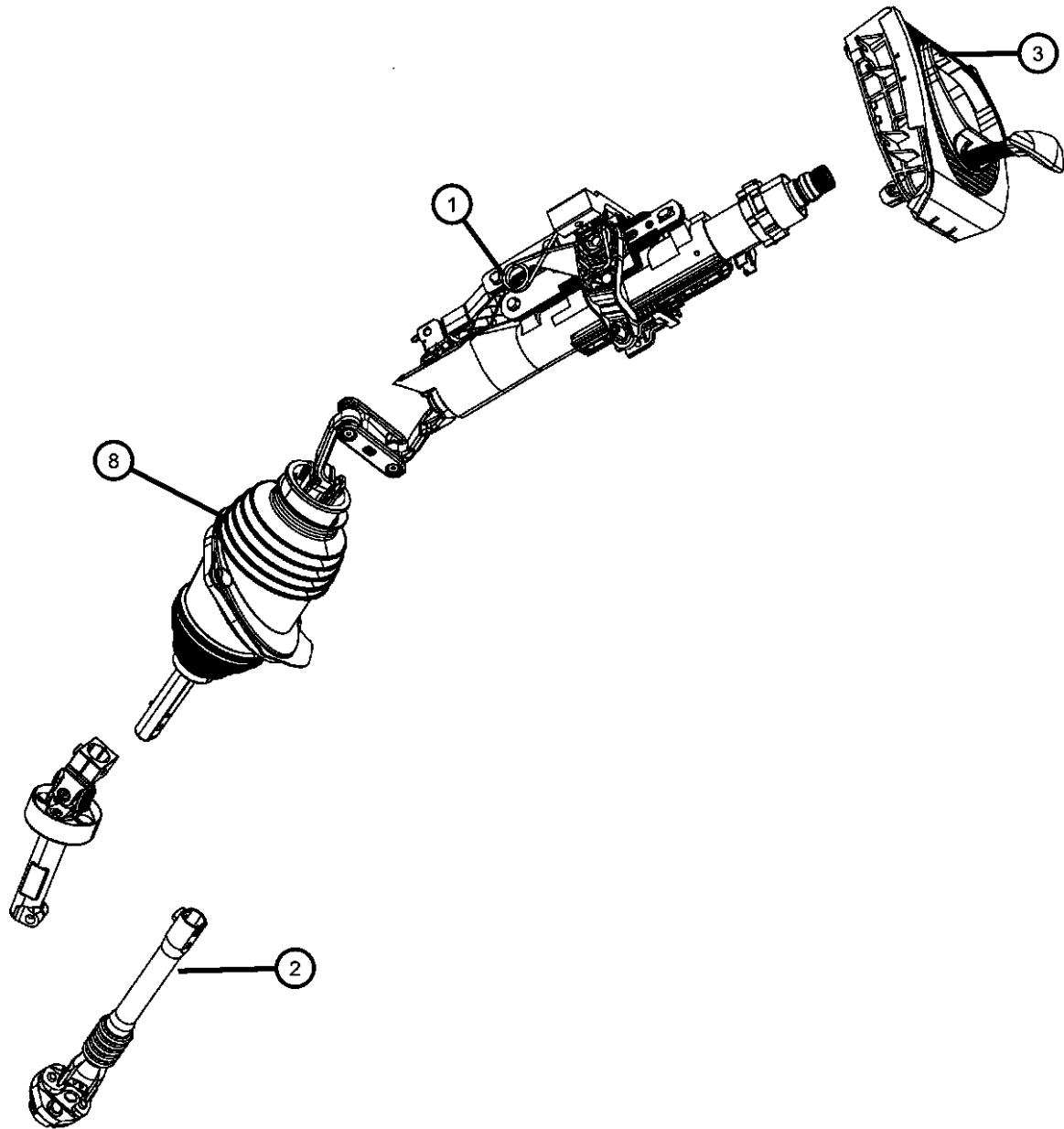
AR = use ase required    - = Non illustrated part

2008 LC

Steering Column  
Figure 19-205

ITEM	PART NUMBER	QTY	LINE	SERIES	BODY	ENGINE	TRANS	TRIM	DESCRIPTION
------	-------------	-----	------	--------	------	--------	-------	------	-------------

Note; Sales Codes;  
[SUD] = Manual Tilt and Telescoping



1	05057471AC	1	D		22				COLUMN, Steering, [SUD] Tilt/Telescope Steering Column
2	04649123AF	1	D		22				COUPLING, Steering
3	0JU28XXXAD	1	D		22				SHROUD, Steering Column
-4	06507656AA	1	D		22				SCREW, Hex Flange Head, M8x1.25x40, Steering Column to Instrument Panel
-5	06101695	1	D		22				NUT, Hex Flange Lock, M8X1.25, Steering Column to IP Beam
-6	05097674AA	2	D		22				NUT, Hex, Steering Column Dash Seal
-7	06507338AA	1	D		22				BOLT, Hex Flange Head Locking, M10x1.50x42.00
8	05170263AB	1	D		22				BOOT PACKAGE, Steering Column

**DODGE CHALLENGER (LC)**  
SERIES LINE  
X = SPECIAL D = DODGE

BODY  
22 = 2-DR SEDAN TYPE #2

ENGINE  
ESF = 6.1L SRT HEMI SMPI V8 Engine

TRANSMISSION  
DGJ = 5-Speed Auto W5A580 Transmission

AR = use ase required - = Non illustrated part

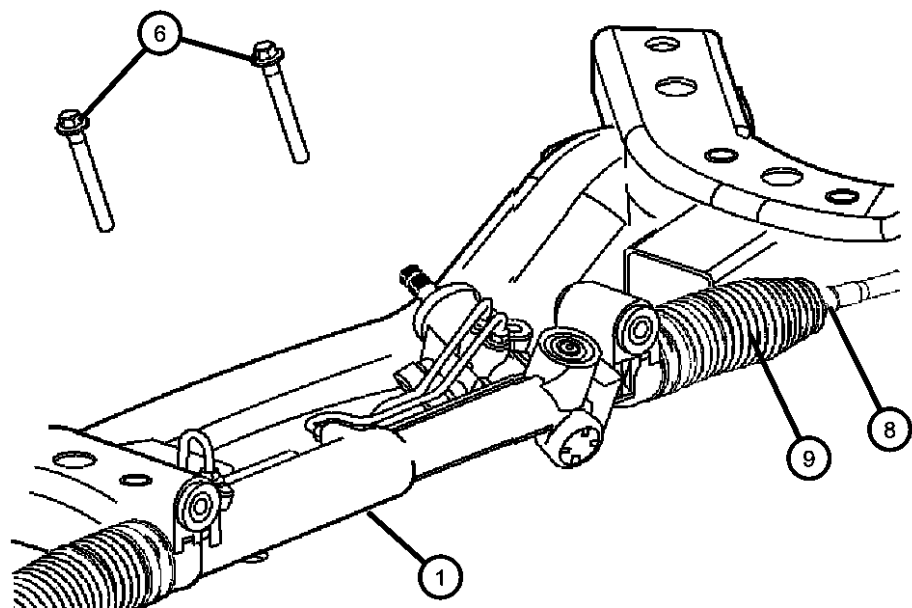
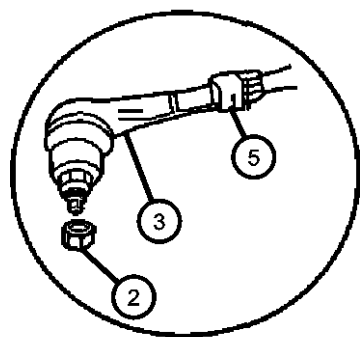
2008 LC

**Steering Gear - and Related Parts**  
**Figure 19-305**

ITEM	PART NUMBER	QTY	LINE	SERIES	BODY	ENGINE	TRANS	TRIM	DESCRIPTION
------	-------------	-----	------	--------	------	--------	-------	------	-------------

NOTES: Sales Codes:  
 [ES0] = All V8 Engines  
 [SDX] = High Performance Suspension

1	04854551AD	1	D		22	ES0			GEAR, Power Steering, [SDX] High Performance Suspension
2	06505623AA	2	D		23				NUT, Hex Lock, M14x1.50
3	52013468AB	2	D		22	ES0			TIE ROD END, Outer
-4	68028831AB	1	D		22	ES0			TIE ROD PACKAGE, Inner tie rod end
5	06507287AA	2	D		22	ES0			NUT, Steering Gear Lock
6	06102378AA	2	D		22	ES0			BOLT, Hex Flange Head, M12x1.75x100.00
-7	04782817AA	2	D		22	ES0			SHIELD, Heat
8	68028823AA	1	D		22	ES0			CLAMP, SMALL BELLOW CLAMP
9	05170263AB	1	D		22				BOOT PACKAGE, Steering Column



**DODGE CHALLENGER (LC)**  
 SERIES      LINE  
 X = SPECIAL    D = DODGE

BODY  
 22 = 2-DR SEDAN TYPE #2

ENGINE  
 ESF = 6.1L SRT HEMI SMPI V8 Engine

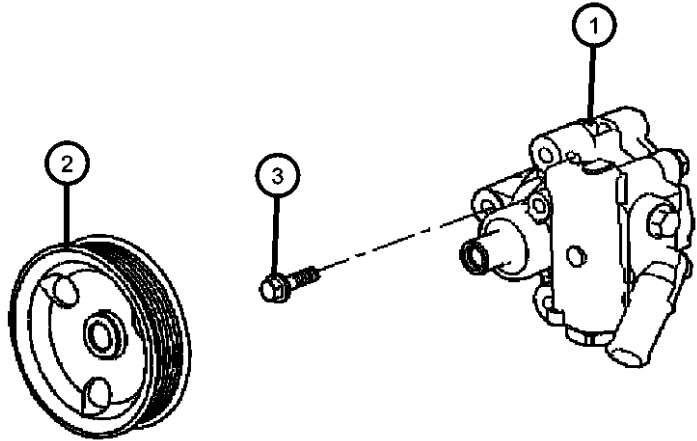
TRANSMISSION  
 DGJ = 5-Speed Auto W5A580 Transmission

AR = use ase required    - = Non illustrated part

2008 LC

**Power Steering Pump  
Figure 19-505**

ITEM	PART NUMBER	QTY	LINE	SERIES	BODY	ENGINE	TRANS	TRIM	DESCRIPTION
Note; Sales Codes; [ES0] = All 6.1L 8 Cylinder Gas Engines									
1	05290845AB	1	D		22	ES0			PUMP, Power Steering
2	04892093AA	1	D		22	ESF			PULLEY, Power Steering Pump
3	04892093AA	1							SCREW, M8x1.25x75.00, (NOT SERVICED)

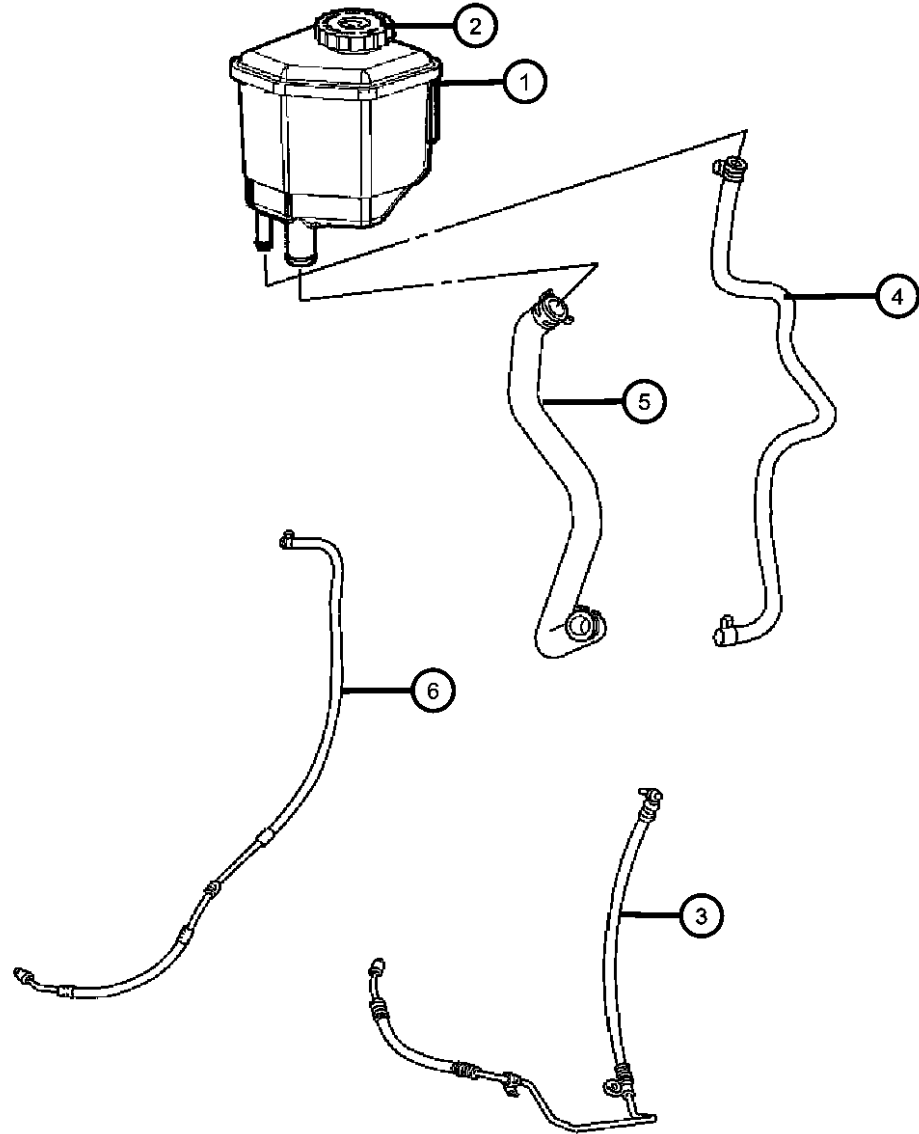


<b>DODGE CHALLENGER (LC)</b>				
SERIES	LINE	BODY	ENGINE	TRANSMISSION
X = SPECIAL	D = DODGE	22 = 2-DR SEDAN TYPE #2	ESF = 6.1L SRT HEMI SMPI V8 Engine	DGJ = 5-Speed Auto W5A580 Transmission

AR = use ase required - = Non illustrated part

Hoses, Power Steering  
Figure 19-605

ITEM	PART NUMBER	QTY	LINE	SERIES	BODY	ENGINE	TRANS	TRIM	DESCRIPTION
Note; Sales Codes; [ES0] = All V8 Engines									
1	04782345AC	1	D		22				RESERVOIR, Power Steering Pump
2	04782345AC	1							CAP, Power Steering Reservoir, Serviced With Reservoir, (NOT SERVICED)
3	04782518AF	1	D		22	ES0			HOSE, Power Steering Pressure
4	04854545AA	1	D		22	ES0			HOSE, Power Steering Return, Cooler to Reservoir
5	04782350AC	1	D		22	ES0			HOSE, Power Steering Supply, Pressure
6	04782363AD	1	D		22	ES0			HOSE, Power Steering Return, Gear to Cooler
-7	06102142AA	1	D		22				SCREW, Hex Head, M6x1x15



**DODGE CHALLENGER (LC)**  
 SERIES      LINE  
 X = SPECIAL    D = DODGE

BODY  
 22 = 2-DR SEDAN TYPE #2

ENGINE  
 ESF = 6.1L SRT HEMI SMPI V8 Engine

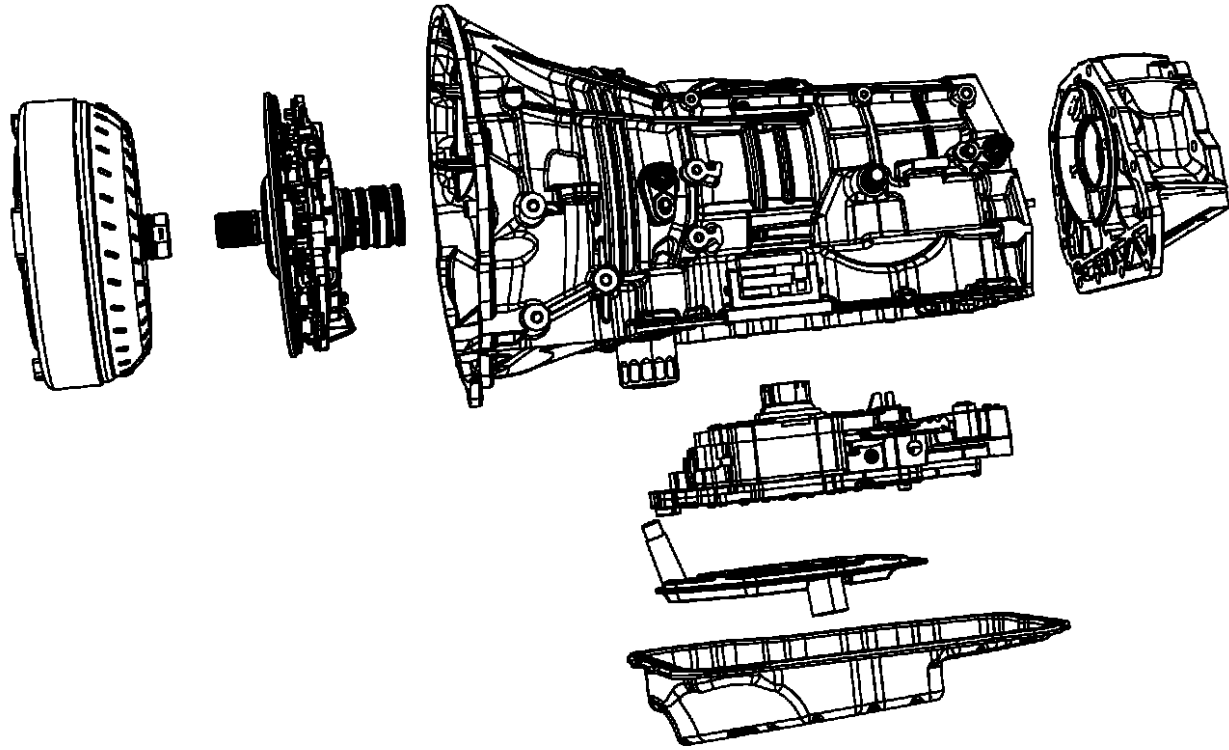
TRANSMISSION  
 DGJ = 5-Speed Auto W5A580 Transmission

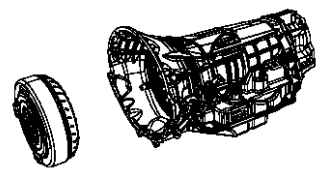
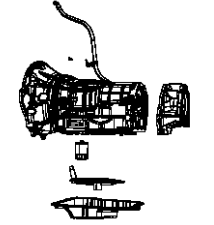
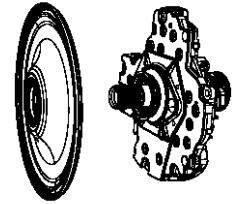

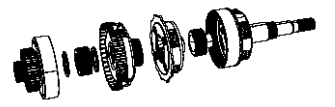
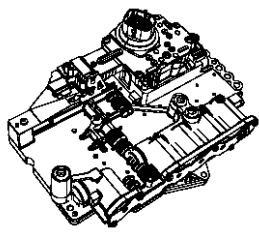
AR = use ase required    - = Non illustrated part

2008 LC

# Group - 021DGJ

NAG1; W5A580; 5-Speed; Automatic Transmission



<p><b>021DGJ-100</b> Automatic Transmission / Transaxle and Torque Converter</p> 	<p><b>021DGJ-1100</b> Gearshift Controls and Related Parts</p>	<p><b>021DGJ-1200</b> Mounting and Skid Plate</p>	<p><b>021DGJ-200</b> Case, Extension, Oil Pan, and Indicator (Dipstick)</p> 
<p><b>021DGJ-300</b> Seal and Shim Packages</p>	<p><b>021DGJ-400</b> Oil Pump</p> 	<p><b>021DGJ-500</b> Clutches</p> 	<p><b>021DGJ-600</b> Gear Train</p> 
<p><b>021DGJ-800</b> Valve Body, Accumulator, Solenoid and Parking Sprag</p> 			



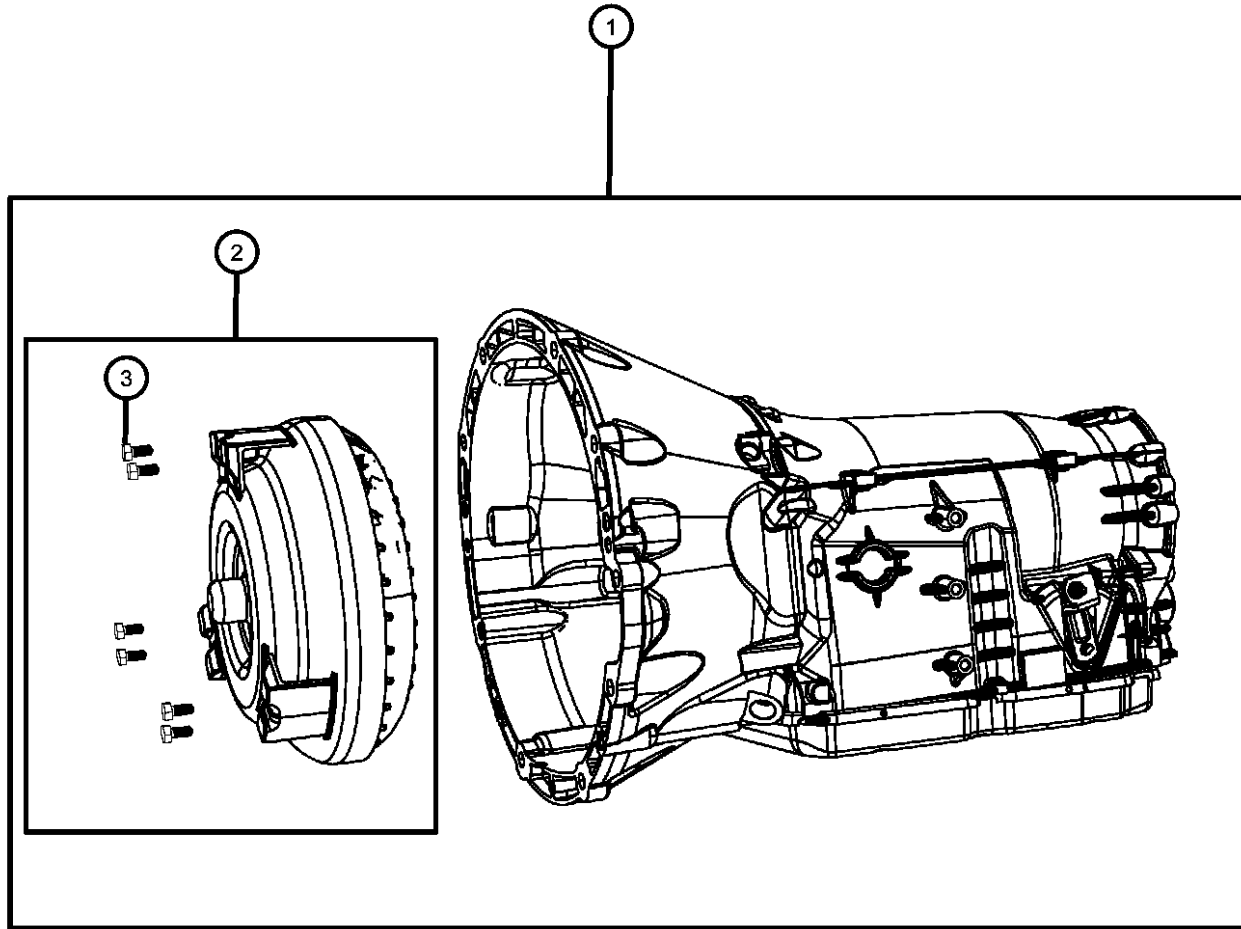
---

## Group - 021DGJ NAG1; W5A580; 5-Speed; Automatic Transmission

Illustration Title	Group-Fig. No.
<b>Automatic Transmission / Transaxle and Torque Converter</b>	
Transmission / Transaxle Assembly .....	Fig. 021DGJ - 105
Torque Converter.....	Fig. 021DGJ - 110
<b>Case, Extension, Oil Pan, and Indicator (Dipstick)</b>	
Case.....	Fig. 021DGJ - 210
Extension RWD .....	Fig. 021DGJ - 222
Oil Fill Tube And Related Parts .....	Fig. 021DGJ - 225
Oil Pan, Cover And Related Parts .....	Fig. 021DGJ - 230
Filters.....	Fig. 021DGJ - 235
Sensors, Vents And Quick Connectors.....	Fig. 021DGJ - 240
<b>Seal and Shim Packages</b>	
Seal And Shim Packages.....	Fig. 021DGJ - 305
<b>Oil Pump</b>	
Oil Pump and Related Parts.....	Fig. 021DGJ - 420
<b>Clutches</b>	
B1 Brake Clutch .....	Fig. 021DGJ - 526
K1 Clutch Assembly.....	Fig. 021DGJ - 527
K2 Clutch Assembly.....	Fig. 021DGJ - 528
K3 Clutch Assembly.....	Fig. 021DGJ - 529
B3 Clutch Assembly.....	Fig. 021DGJ - 530
B2 Clutch Assembly.....	Fig. 021DGJ - 531
B2 Clutch Assembly.....	Fig. 021DGJ - 532
<b>Gear Train</b>	
Front Planetary Carrier .....	Fig. 021DGJ - 611
Output Shaft With Center And Rear Planetary Gear Sets .....	Fig. 021DGJ - 612
<b>Valve Body, Accumulator, Solenoid and Parking Sprag</b>	
Valve Body And Related Parts .....	Fig. 021DGJ - 825
Parking Sprag And Related Parts.....	Fig. 021DGJ - 860
<b>Gearshift Controls and Related Parts</b>	
Gearshift Controls.....	Fig. 021DGJ - 1105
Gearshift Lever, Cable and Bracket.....	Fig. 021DGJ - 1115
<b>Mounting and Skid Plate</b>	
Mounting Covers And Shields.....	Fig. 021DGJ - 1205
Structural Collar .....	Fig. 021DGJ - 1210
Mounting Bolts.....	Fig. 021DGJ - 1215

**Transmission / Transaxle Assembly  
Figure 021DGJ-105**

ITEM	PART NUMBER	QTY	LINE	SERIES	BODY	ENGINE	TRANS	TRIM	DESCRIPTION
1	68003115AB	1	D			ESF	DGJ		TRANSMISSION PACKAGE, With Torque Converter
2	68004096AA	1	D			ESF	DGJ		CONVERTER PACKAGE, Torque
3	06507095AA	6	D			ESF	DGJ		BOLT, Hex Head, M8x1.25x18.00



**DODGE CHALLENGER (LC)**  
 SERIES      LINE  
 X = SPECIAL    D = DODGE

BODY  
 22 = 2-DR SEDAN TYPE #2

ENGINE  
 ESF = 6.1L SRT HEMI SMPI V8 Engine

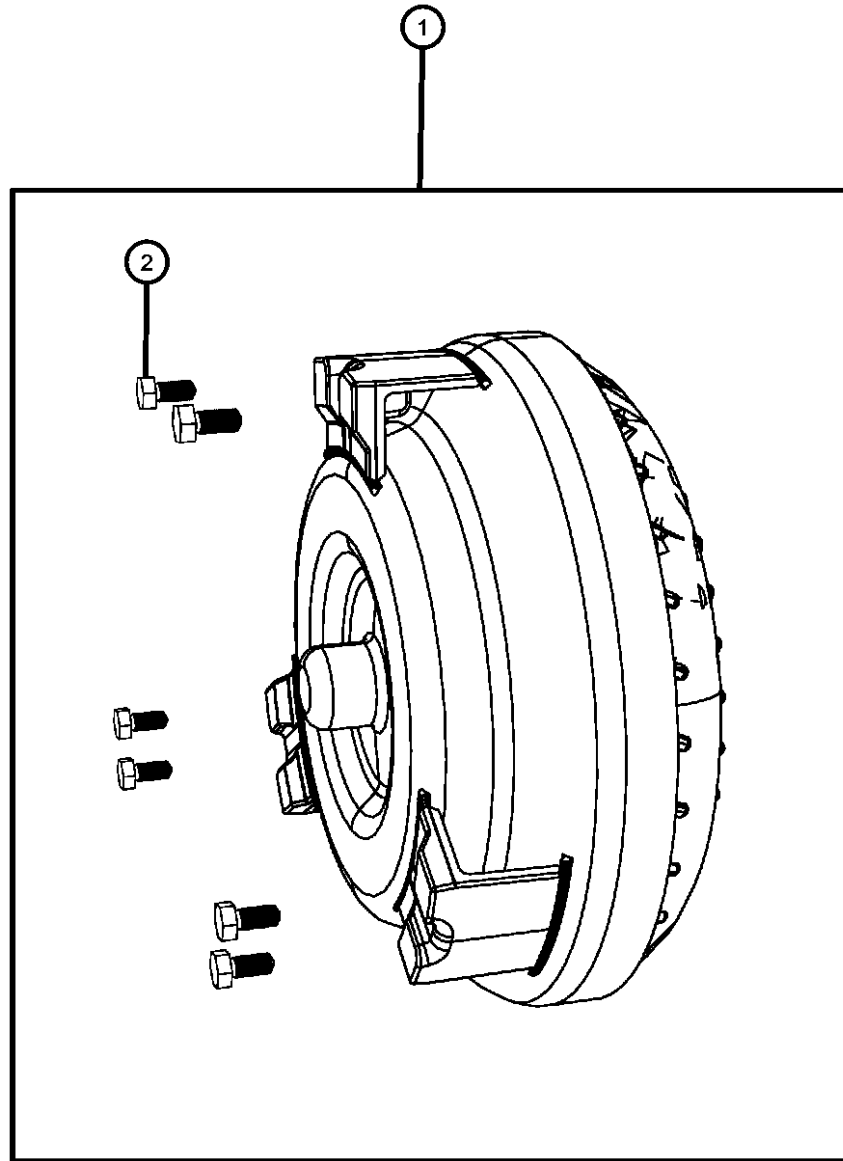
TRANSMISSION  
 DGJ = 5-Speed Auto W5A580 Transmission

AR = use ase required    - = Non illustrated part

2008 LC

**Torque Converter  
Figure 021DGJ-110**

ITEM	PART NUMBER	QTY	LINE	SERIES	BODY	ENGINE	TRANS	TRIM	DESCRIPTION
1	68004096AA	1	D			ESF	DGJ		CONVERTER PACKAGE, Torque
2	06507095AA	6	D			ESF	DGJ		BOLT, Hex Head, M8x1.25x18.00



**DODGE CHALLENGER (LC)**  
 SERIES LINE  
 X = SPECIAL D = DODGE

BODY  
 22 = 2-DR SEDAN TYPE #2

ENGINE  
 ESF = 6.1L SRT HEMI SMPI V8 Engine

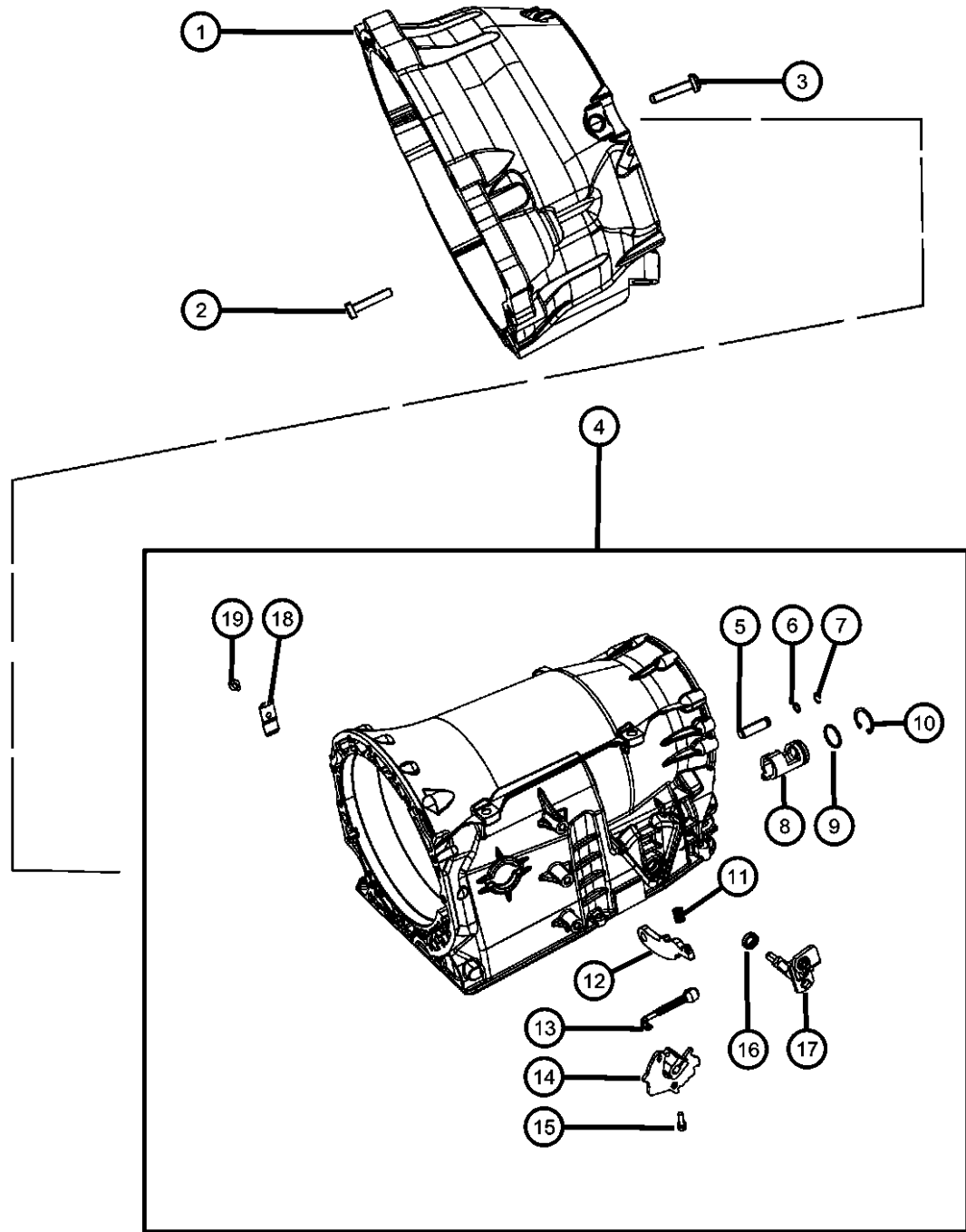
TRANSMISSION  
 DGJ = 5-Speed Auto W5A580 Transmission

AR = use ase required - = Non illustrated part

2008 LC

Case  
Figure 021DGJ-210

ITEM	PART NUMBER	QTY	LINE	SERIES	BODY	ENGINE	TRANS	TRIM	DESCRIPTION
1	52107911AA	1	D			ESF	DGJ		HOUSING, Torque Converter
2	52108206AA	15	D			ESF	DGJ		BOLT, Socket Head, M8x40
3	06104158AA	2	D			ESF	DGJ		BOLT, Torx Head, M8x1.25x40, Case to Bell Housing
4	52108099AA	1	D			ESF	DGJ		CASE, Transmission
5	52108155AA	1	D			ESF	DGJ		SHAFT, Parking Pawl
6	52108156AB	1	D			ESF	DGJ		O RING
7	52107975AA	1	D			ESF	DGJ		SNAP RING
8	52108176AA	1	D			ESF	DGJ		GUIDE
9	52108177AA	1	D			ESF	DGJ		O RING
10	52107976AA	1	D			ESF	DGJ		SNAP RING
11	52108157AA	1	D			ESF	DGJ		SPRING
12	52108154AA	1	D			ESF	DGJ		PAWL, Parking Sprag
13	52108166AA	1	D			ESF	DGJ		LINKAGE, Transmission
14	52108349AA	1	D			ESF	DGJ		DETENT, Gearshift
15	52108178AA	1	D			ESF	DGJ		BOLT, Torx Head, M6x20
16	05134933AA	1	D			ESF	DGJ		SEAL, Transmission
17	52108172AA	1	D			ESF	DGJ		SHAFT, Shift Lever
18	52108179AA	1	D			ESF	DGJ		SPRING
19	52108179AA	1							SCREW AND WASHER, Hex Head, M6x1x14, (NOT SERVICED)



DODGE CHALLENGER (LC)  
SERIES LINE  
X = SPECIAL D = DODGE

BODY  
22 = 2-DR SEDAN TYPE #2

ENGINE  
ESF = 6.1L SRT HEMI SMPI V8 Engine

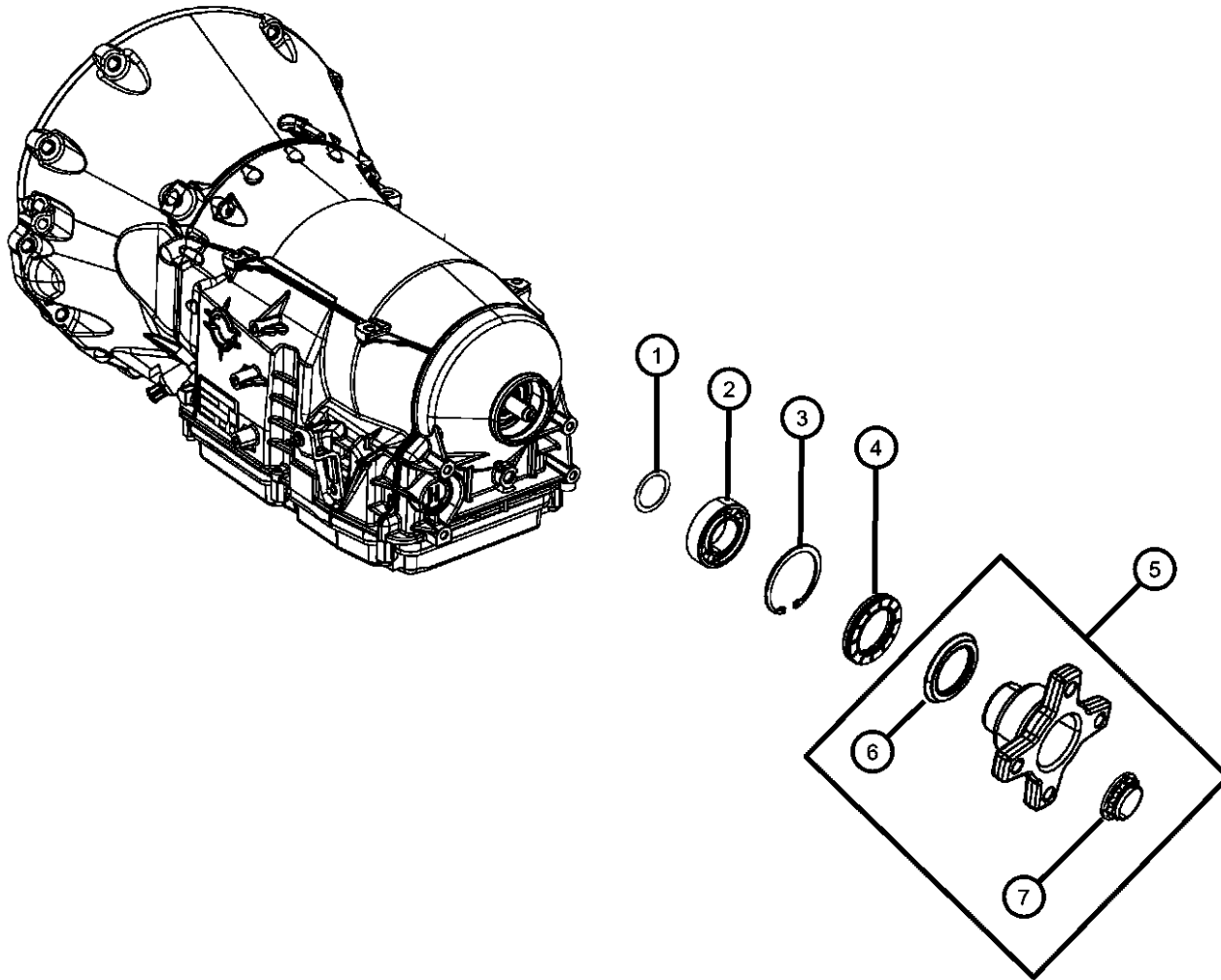
TRANSMISSION  
DGJ = 5-Speed Auto W5A580 Transmission

AR = use ase required - = Non illustrated part

2008 LC

Extension RWD  
Figure 021DGJ-222

ITEM	PART NUMBER	QTY	LINE	SERIES	BODY	ENGINE	TRANS	TRIM	DESCRIPTION
1	68001917AA	1	D			ESF	DGJ		SHIM PACKAGE, Park & output bearing
2	52108207AA	1	D			ESF	DGJ		BEARING, Output Shaft
3	68008210AA	1	D			ESF	DGJ		SNAP RING PACKAGE, Transmission
4	52108428AA	1	D			ESF	DGJ		SEAL, Output Shaft
5	05170003AB	1	D			ESF	DGJ		FLANGE PACKAGE, Drive Shaft
6	52108626AA	1	D			ESF	DGJ		SLINGER, Output Shaft Seal
7	52108234AA	1	D			ESF	DGJ		NUT, Flange to Output Shaft, M26x1.5



**DODGE CHALLENGER (LC)**  
 SERIES LINE  
 X = SPECIAL D = DODGE

BODY  
 22 = 2-DR SEDAN TYPE #2

ENGINE  
 ESF = 6.1L SRT HEMI SMPI V8 Engine

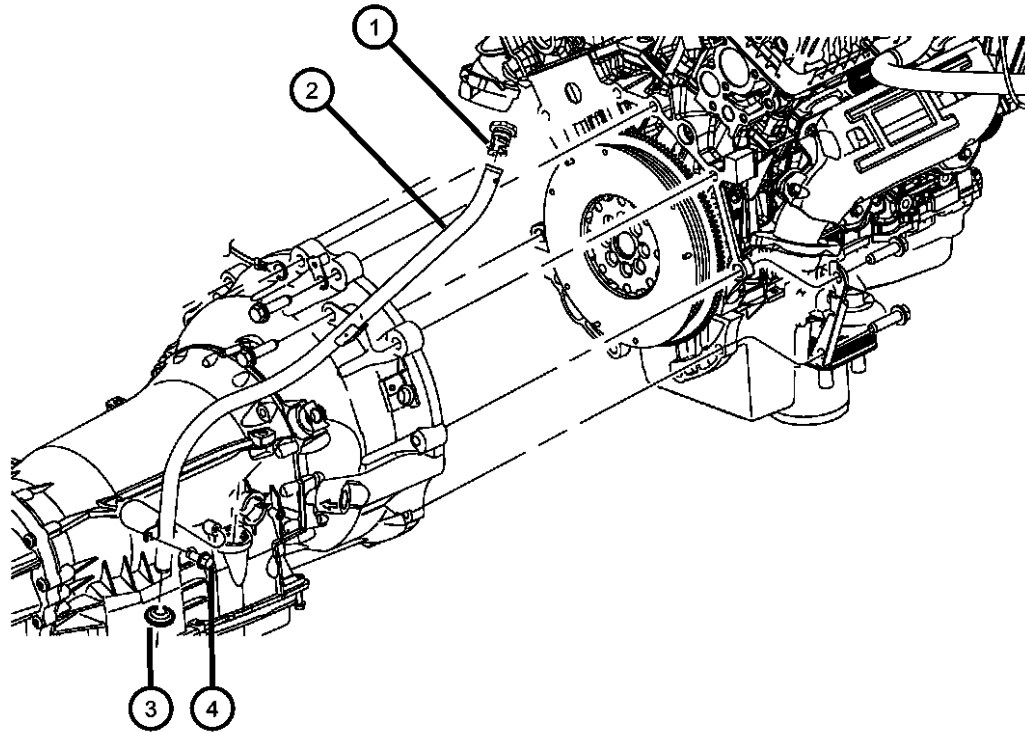
TRANSMISSION  
 DGJ = 5-Speed Auto W5A580 Transmission

AR = use ase required - = Non illustrated part

2008 LC

**Oil Fill Tube And Related Parts  
Figure 021DGJ-225**

ITEM	PART NUMBER	QTY	LINE	SERIES	BODY	ENGINE	TRANS	TRIM	DESCRIPTION
1	04591959AA	1	D			ES0	DGJ		CAP, Oil Filler
2	05037793AC	1	D			ES0	DGJ		TUBE, Transmission Oil Filler
3	04810021AB	1	D			ESF	DGJ		GROMMET
4	06101221	1	D			ES0			SCREW AND WASHER, Hex Head, M6x1x12



**DODGE CHALLENGER (LC)**  
 SERIES      LINE  
 X = SPECIAL    D = DODGE

BODY  
 22 = 2-DR SEDAN TYPE #2

ENGINE  
 ESF = 6.1L SRT HEMI SMPI V8 Engine

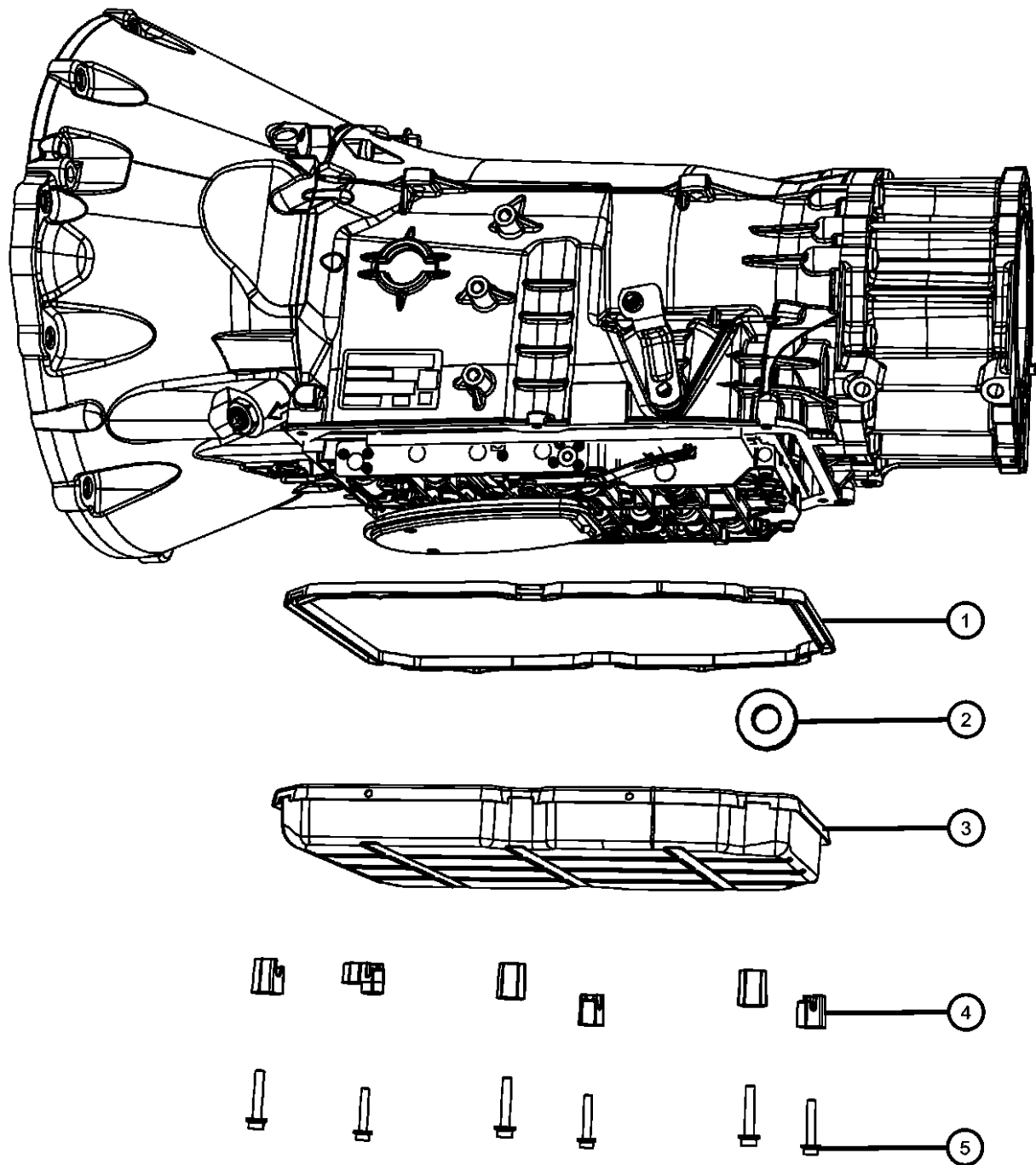
TRANSMISSION  
 DGJ = 5-Speed Auto W5A580 Transmission

AR = use ase required    - = Non illustrated part

2008 LC

**Oil Pan, Cover And Related Parts  
Figure 021DGJ-230**

ITEM	PART NUMBER	QTY	LINE	SERIES	BODY	ENGINE	TRANS	TRIM	DESCRIPTION
1	52108332AA	1	D			ESF	DGJ		GASKET, Oil Pan
2	03681601	1	D			ESF	DGJ		MAGNET, Transmission
3	52108327AA	1	D			ESF	DGJ		PAN, Transmission Oil
4	52108334AA	6	D			ESF	DGJ		CLAMP, Oil Pan
5	52108270AA	6	D			ESF	DGJ		BOLT, Torx Head, M6x32



**DODGE CHALLENGER (LC)**  
 SERIES      LINE  
 X = SPECIAL    D = DODGE

BODY  
 22 = 2-DR SEDAN TYPE #2

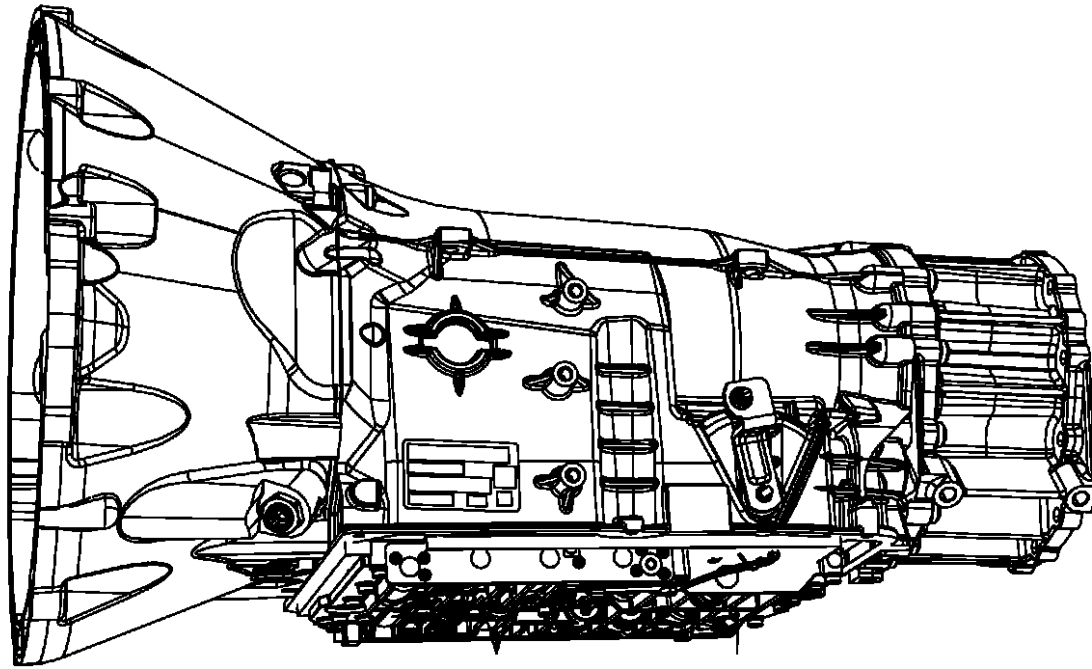
ENGINE  
 ESF = 6.1L SRT HEMI SMPI V8 Engine

TRANSMISSION  
 DGJ = 5-Speed Auto W5A580 Transmission

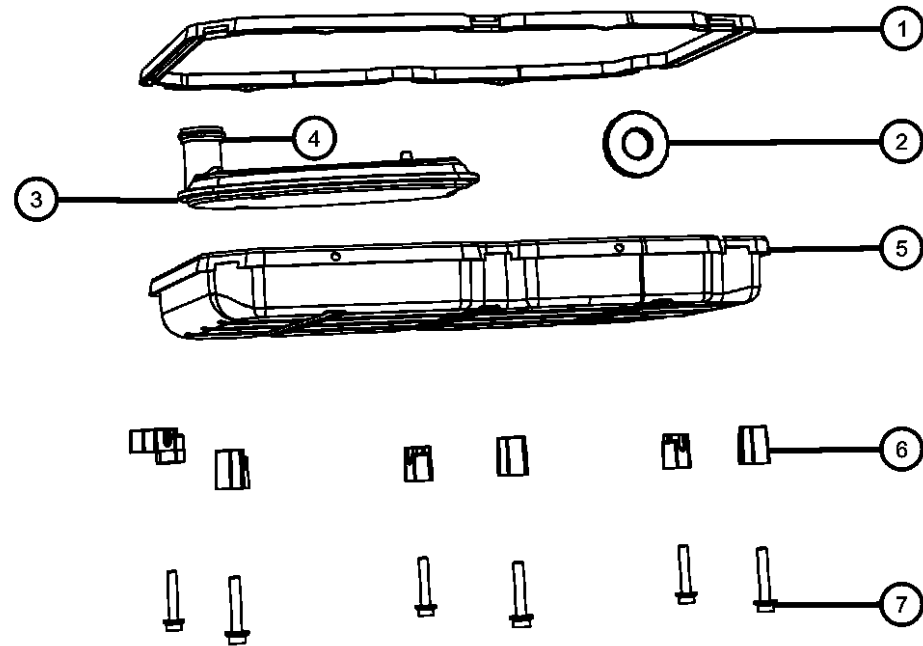
AR = use ase required    - = Non illustrated part

2008 LC

Filters  
Figure 021DGJ-235



ITEM	PART NUMBER	QTY	LINE	SERIES	BODY	ENGINE	TRANS	TRIM	DESCRIPTION
1	52108332AA	1	D			ESF	DGJ		GASKET, Oil Pan
2	03681601	1	D			ESF	DGJ		MAGNET, Transmission
3	52108325AA	1	D			ESF	DGJ		FILTER, Transmission Oil
4	52108325AA	1							O RING, (NOT SERVICED)
5	52108327AA	1	D			ESF	DGJ		PAN, Transmission Oil
6	52108334AA	6	D			ESF	DGJ		CLAMP, Oil Pan
7	52108270AA	6	D			ESF	DGJ		BOLT, Torx Head, M6x32



**DODGE CHALLENGER (LC)**  
 SERIES LINE  
 X = SPECIAL D = DODGE

BODY  
 22 = 2-DR SEDAN TYPE #2

ENGINE  
 ESF = 6.1L SRT HEMI SMPI V8 Engine

TRANSMISSION  
 DGJ = 5-Speed Auto W5A580 Transmission

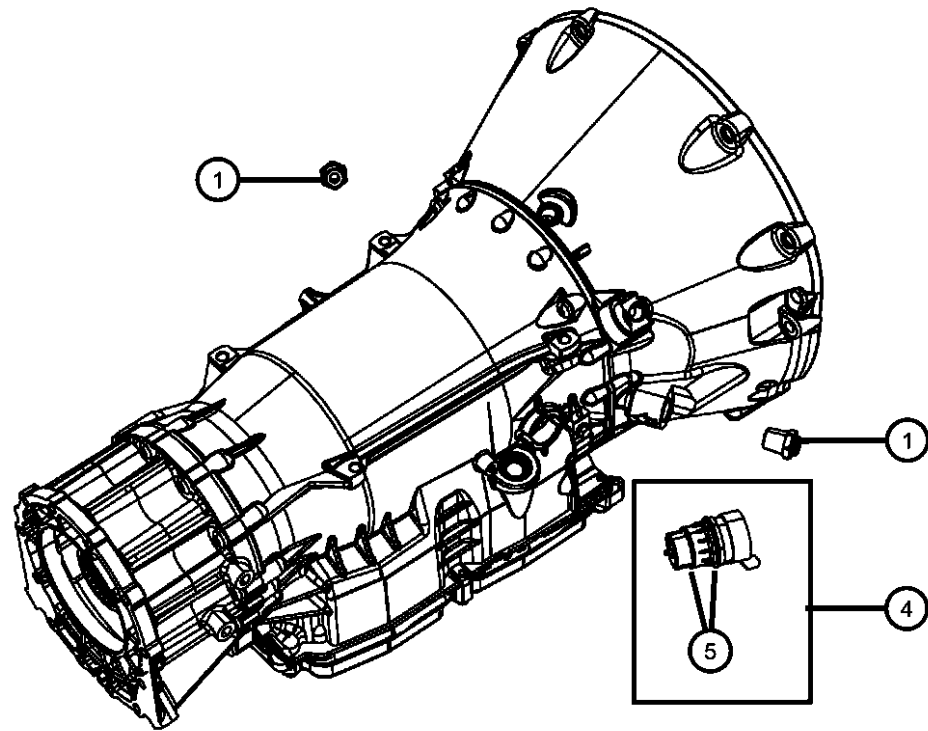
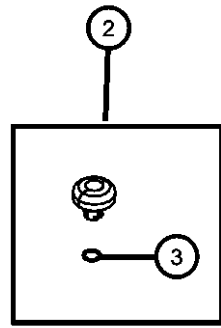
AR = use ase required - = Non illustrated part

2008 LC



Sensors, Vents And Quick Connectors  
Figure 021DGJ-240

ITEM	PART NUMBER	QTY	LINE	SERIES	BODY	ENGINE	TRANS	TRIM	DESCRIPTION
1	52119547AA	2	D			ESF	DGJ		FITTING, Quick Connect
2	52108364AA	1	D			ESF	DGJ		BREATHER, Transmission
3	52108367AA	1	D			ESF	DGJ		O RING
4	05189122AA	1	D			ESF	DGJ		PLUG, Adapter
5									O RING, Adapter Plug
	68001278AA	1	D			ESF	DGJ		Large
	68001279AA	1	D			ESF	DGJ		Small



**DODGE CHALLENGER (LC)**  
 SERIES      LINE  
 X = SPECIAL    D = DODGE

BODY  
 22 = 2-DR SEDAN TYPE #2

ENGINE  
 ESF = 6.1L SRT HEMI SMPI V8 Engine

TRANSMISSION  
 DGJ = 5-Speed Auto W5A580 Transmission

AR = use ase required - = Non illustrated part

2008 LC

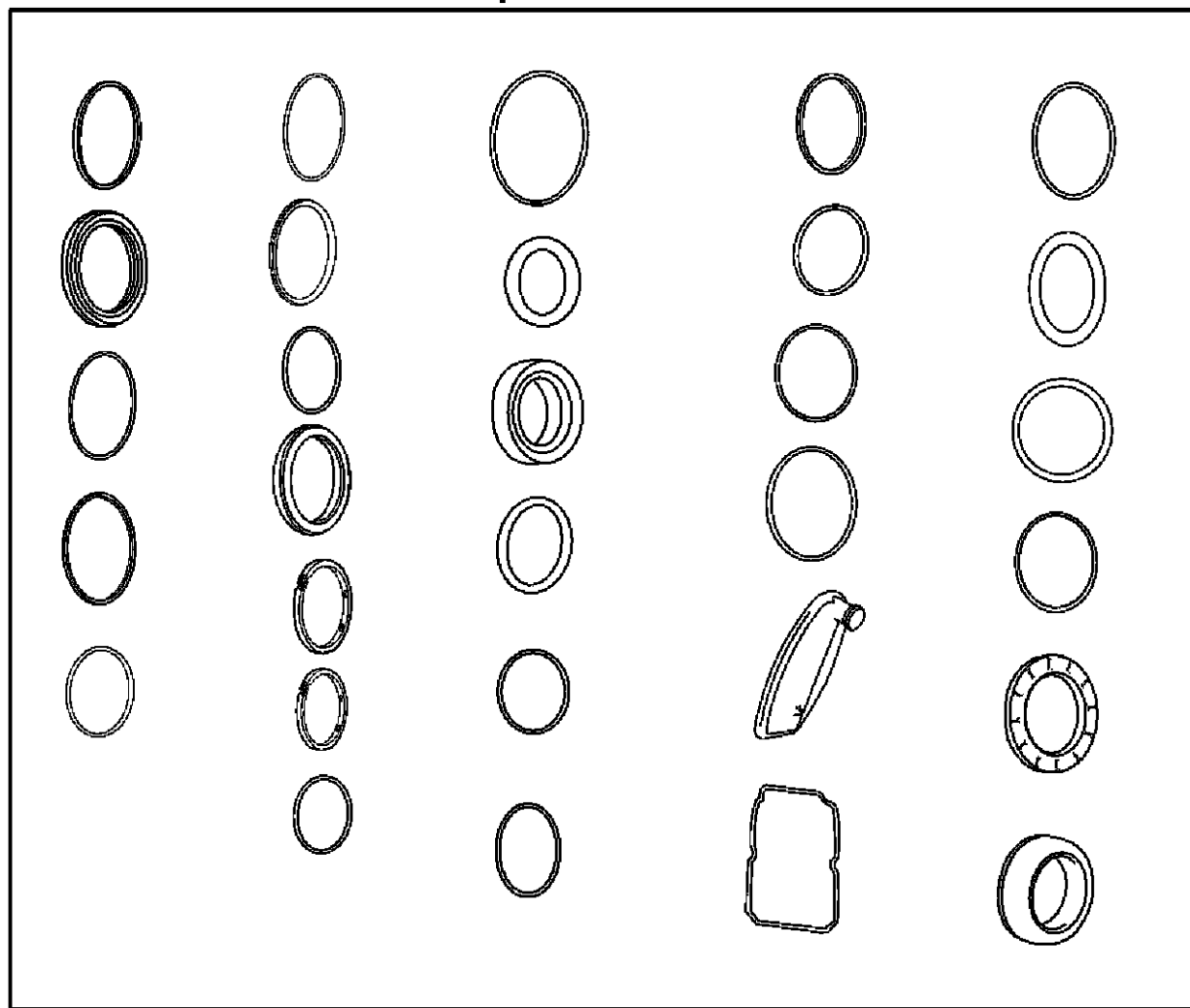
**Seal And Shim Packages  
Figure 021DGJ-305**

ITEM	PART NUMBER	QTY	LINE	SERIES	BODY	ENGINE	TRANS	TRIM	DESCRIPTION
------	-------------	-----	------	--------	------	--------	-------	------	-------------

NOTE: PARTS ILLUSTRATED ARE NOT IN SCALE OR IN CORRECT SIZE. THIS IS A GASKET AND SEAL PACKAGE. IT DOES NOT INCLUDE

1	05139580AI	1	D			ESF	DGJ		SEAL AND GASKET PACKAGE, Transmission, See Note:
---	------------	---	---	--	--	-----	-----	--	--

①



**DODGE CHALLENGER (LC)**  
 SERIES      LINE  
 X = SPECIAL    D = DODGE

BODY  
 22 = 2-DR SEDAN TYPE #2

ENGINE  
 ESF = 6.1L SRT HEMI SMPI V8 Engine

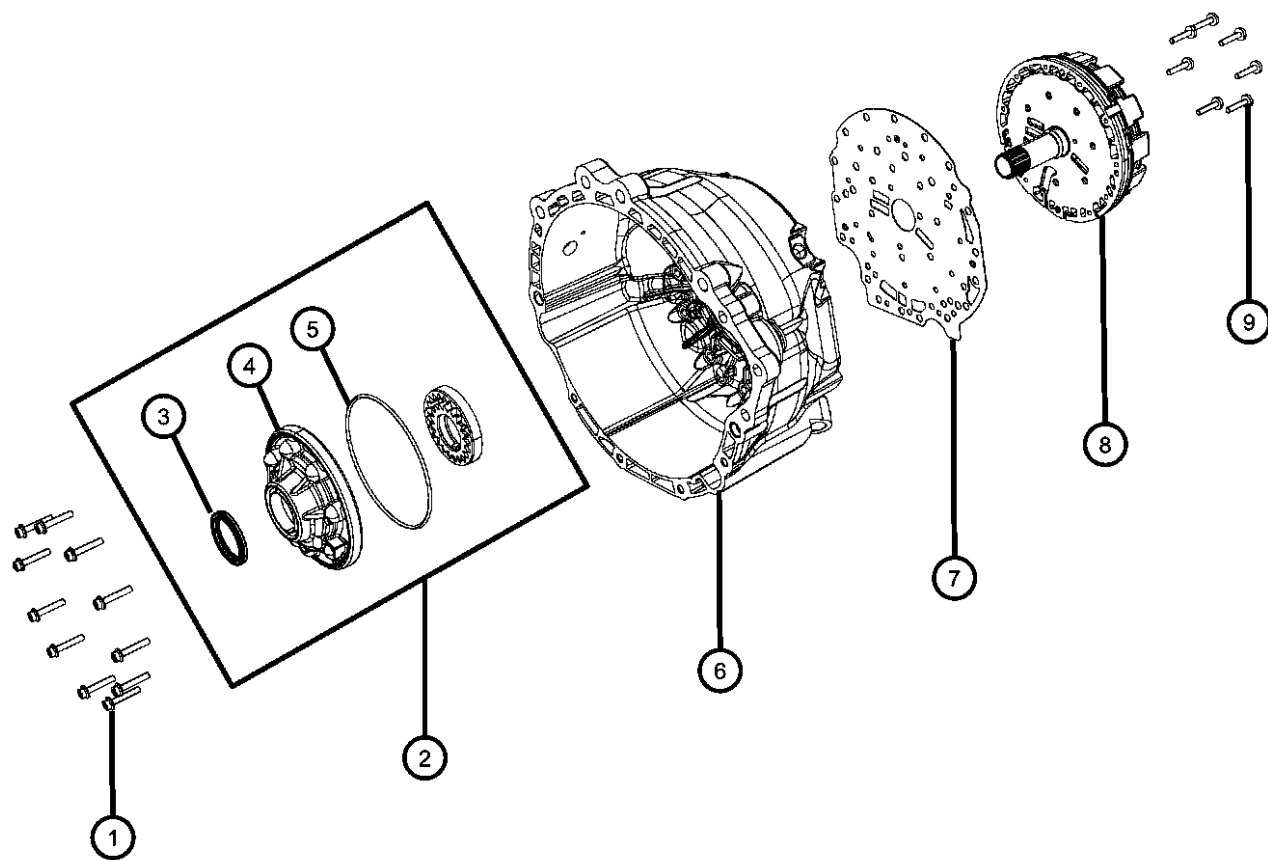
TRANSMISSION  
 DGJ = 5-Speed Auto W5A580 Transmission

AR = use ase required    - = Non illustrated part

2008 LC

**Oil Pump and Related Parts  
Figure 021DGJ-420**

ITEM	PART NUMBER	QTY	LINE	SERIES	BODY	ENGINE	TRANS	TRIM	DESCRIPTION
1	52107934AA	11	D			ESF	DGJ		BOLT, Torx Head, M6x32
2	05080070AA	1	D			ESF	DGJ		PUMP, Transmission Oil
3	52108424AA	1	D			ESF	DGJ		SEAL
4	52107892AA	1	D			ESF	DGJ		HOUSING, Transmission Oil Pump
5	52107900AA	1	D			ESF	DGJ		O RING, Transmission Oil Pump
6	52107911AA	1	D			ESF	DGJ		HOUSING, Torque Converter
7	52108147AA	1	D			ESF	DGJ		PLATE, Intermediate
8	52108539AC	1	D			ESF	DGJ		HOLDING CLUTCH, Outer carrier, B1
9	52107933AA	7	D			ESF	DGJ		BOLT, Torx Head, M8x35



**DODGE CHALLENGER (LC)**  
 SERIES      LINE  
 X = SPECIAL    D = DODGE

BODY  
 22 = 2-DR SEDAN TYPE #2

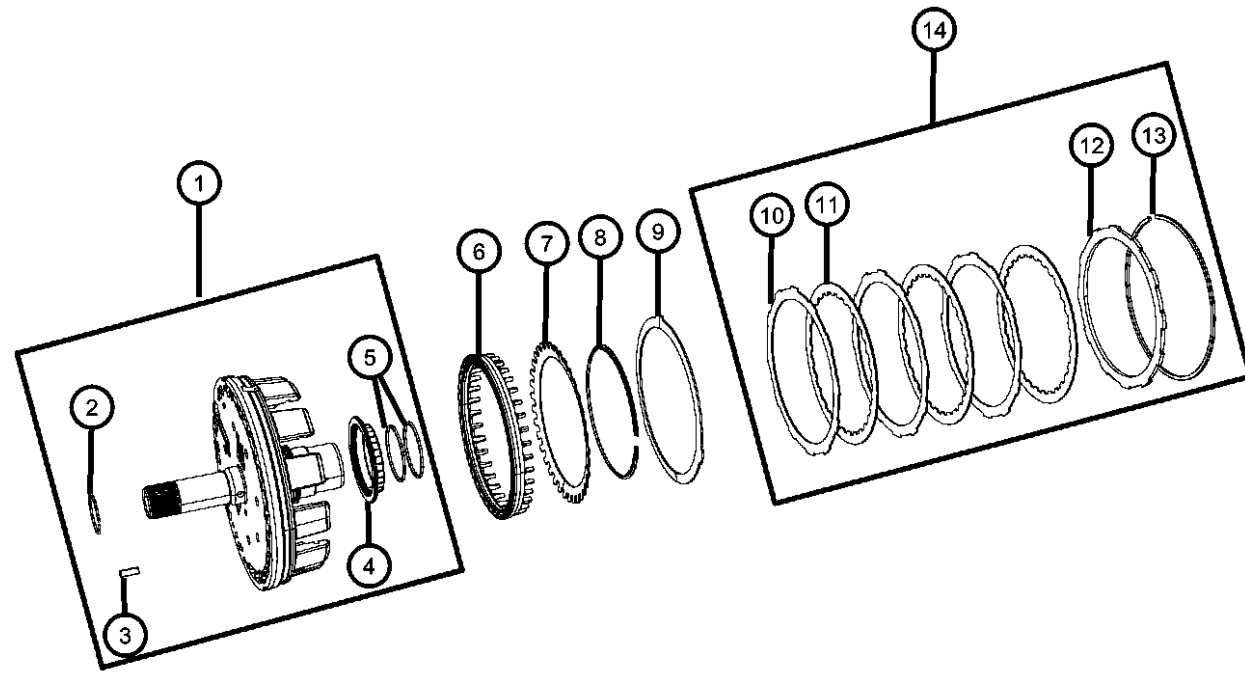
ENGINE  
 ESF = 6.1L SRT HEMI SMPI V8 Engine

TRANSMISSION  
 DGJ = 5-Speed Auto W5A580 Transmission

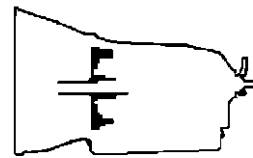
AR = use ase required    - = Non illustrated part

2008 LC

**B1 Brake Clutch  
Figure 021DGJ-526**



ITEM	PART NUMBER	QTY	LINE	SERIES	BODY	ENGINE	TRANS	TRIM	DESCRIPTION
1	52108539AC	1	D			ESF	DGJ		HOLDING CLUTCH, Outer carrier, B1
2	52107948AA	1	D			ESF	DGJ		SNAP RING
3	06507381AA	1	D			ESF	DGJ		DOWEL
4	06507381AA	1							BEARING, Needle, (NOT SERVICED)
5	52108028AA	2	D			ESF	DGJ		SEAL, Transmission
6	52108506AA	1	D			ESF	DGJ		PISTON, B1 Clutch
7	52108023AA	1	D			ESF	DGJ		SPRING, Piston Return
8	52107936AA	1	D			ESF	DGJ		SNAP RING
9	52108024AA	1	D			ESF	DGJ		DISC, Spring
10	52108508AA	4	D			ESF	DGJ		DISC, Outer
11	52108507AA	4	D			ESF	DGJ		DISC, Inner
12	52107994AB	1	D			ESF	DGJ		PLATE, Transmission Clutch Reaction
13									SNAP RING
	52107949AA	AR	D			ESF	DGJ		[2.6MM]
	52107950AA	AR	D			ESF	DGJ		[2.9MM]
	52107951AA	AR	D			ESF	DGJ		[3.2MM]
	52107952AA	AR	D			ESF	DGJ		[3.5MM]
14	68028659AA	1	D			ESF	DGJ		CLUTCH PACKAGE, B1 Brake Clutch



**DODGE CHALLENGER (LC)**  
 SERIES LINE  
 X = SPECIAL D = DODGE

BODY  
 22 = 2-DR SEDAN TYPE #2

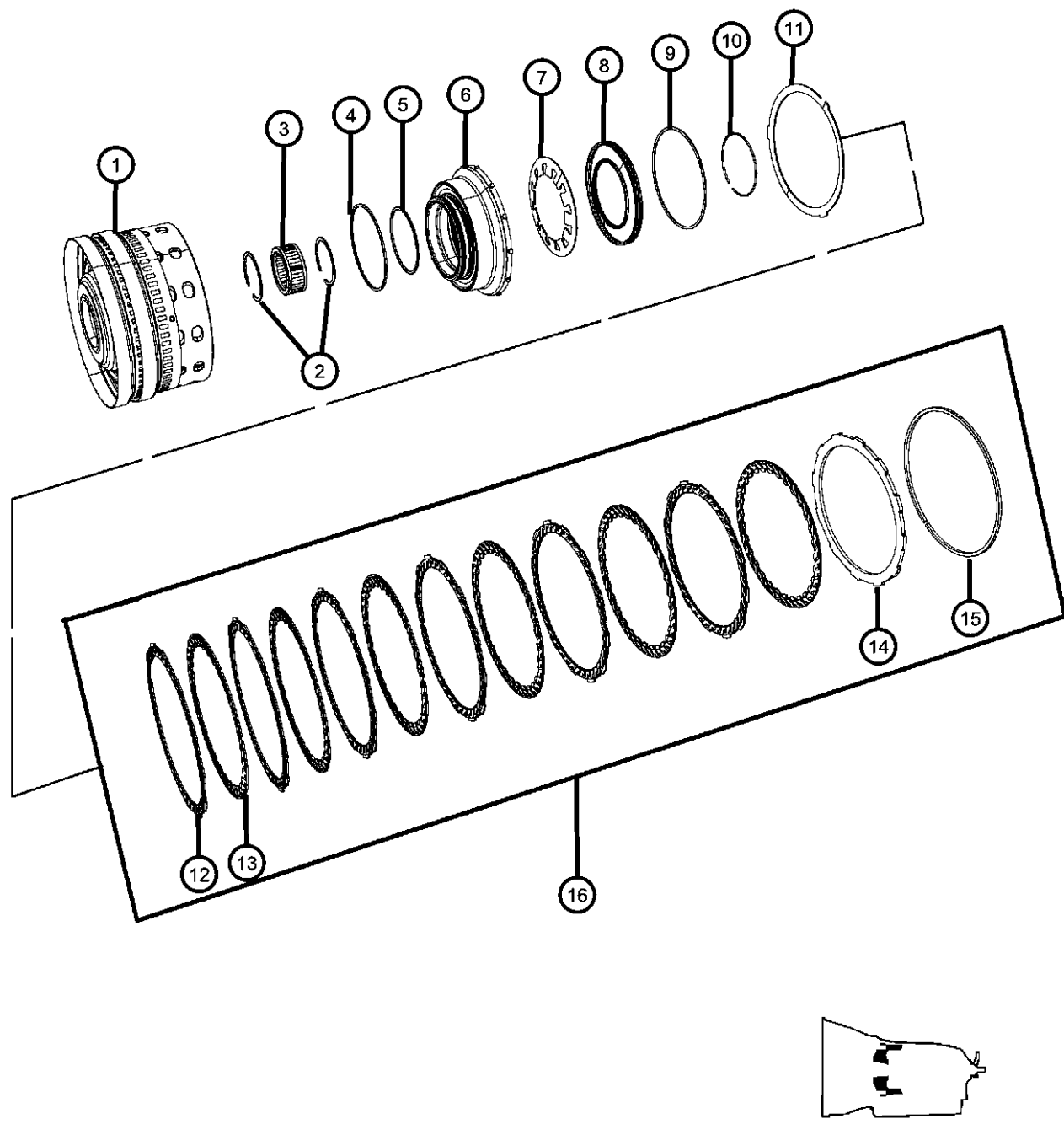
ENGINE  
 ESF = 6.1L SRT HEMI SMPI V8 Engine

TRANSMISSION  
 DGJ = 5-Speed Auto W5A580 Transmission

AR = use ase required - = Non illustrated part

2008 LC

**K1 Clutch Assembly**  
**Figure 021DGJ-527**

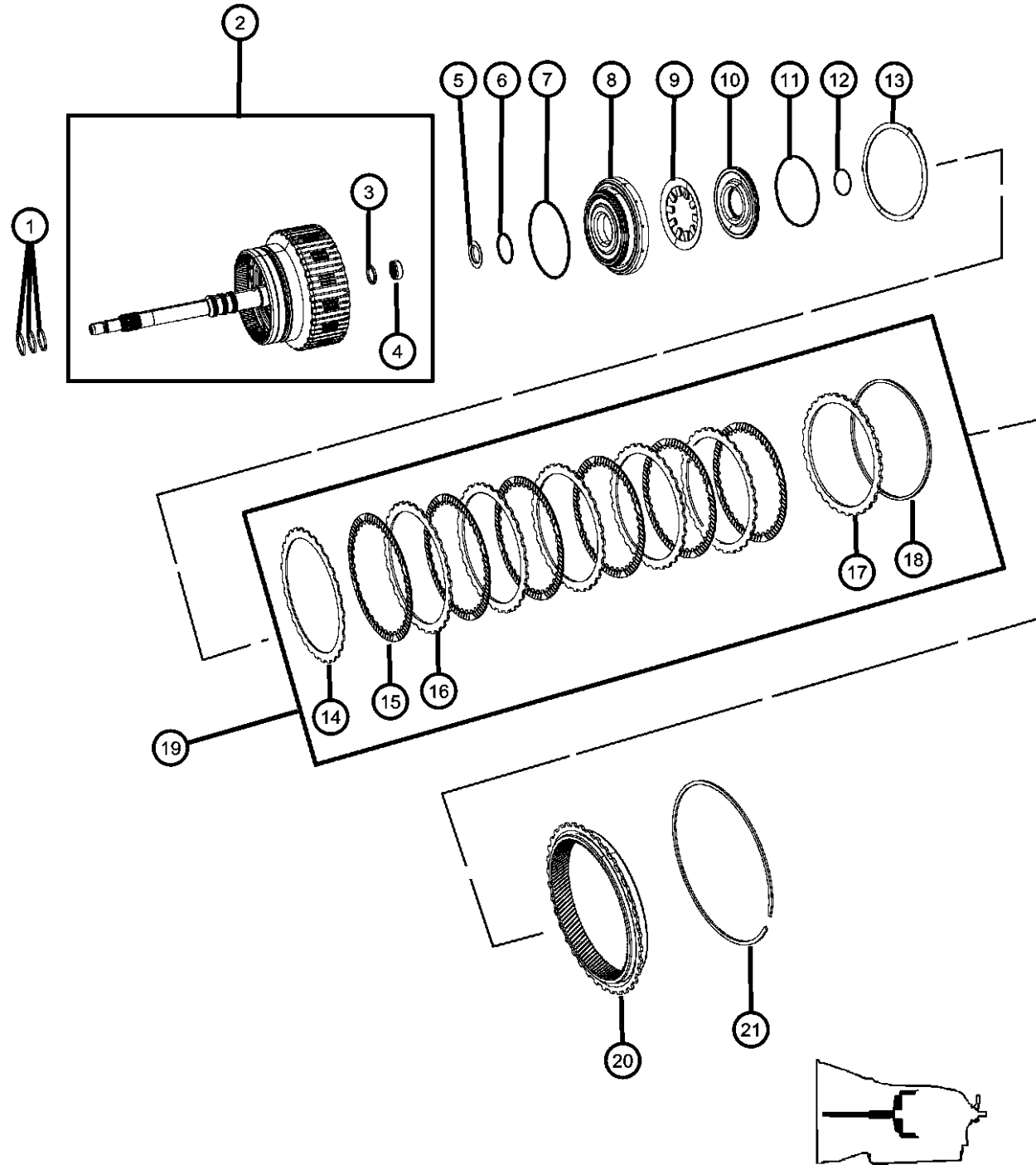


ITEM	PART NUMBER	QTY	LINE	SERIES	BODY	ENGINE	TRANS	TRIM	DESCRIPTION
1	52108541AC	1	D			ESF	DGJ		RETAINER, K1 Clutch
2	52107955AA	2	D			ESF	DGJ		SNAP RING
3	52108342AB	1	D			ESF	DGJ		CLUTCH, Front Sun Gear Sprag
4	52107939AA	1	D			ESF	DGJ		SEAL, Transmission, Large
5	52107938AA	1	D			ESF	DGJ		SEAL, Transmission, Small
6	52108059AA	1	D			ESF	DGJ		PISTON, K1 Clutch
7	52108057AA	1	D			ESF	DGJ		SPRING, Piston Return
8	52108058AA	1	D			ESF	DGJ		RETAINER, Spring
9	52107941AA	1	D			ESF	DGJ		O RING
10	52107954AA	1	D			ESF	DGJ		SNAP RING
11	52108024AA	1	D			ESF	DGJ		DISC, Spring
12	52108508AA	6	D			ESF	DGJ		DISC, Outer
13	52108507AA	6	D			ESF	DGJ		DISC, Inner
14	52107994AB	1	D			ESF	DGJ		PLATE, Transmission Clutch Reaction
15	52107949AA	AR	D			ESF	DGJ		SNAP RING [2.6MM]
	52107950AA	AR	D			ESF	DGJ		[2.9MM]
	52107951AA	AR	D			ESF	DGJ		[3.2MM]
	52107952AA	AR	D			ESF	DGJ		[3.5MM]
	52108373AA	AR	D			ESF	DGJ		[3.8MM]
16	68027270AA	1	D			ESF	DGJ		CLUTCH PACKAGE, K1 Input Clutch

**DODGE CHALLENGER (LC)**  
 SERIES LINE BODY ENGINE TRANSMISSION  
 X = SPECIAL D = DODGE 22 = 2-DR SEDAN TYPE #2 ESF = 6.1L SRT HEMI SMPI V8 Engine DGJ = 5-Speed Auto W5A580 Transmission

AR = use ase required - = Non illustrated part

**K2 Clutch Assembly  
Figure 021DGJ-528**



ITEM	PART NUMBER	QTY	LINE	SERIES	BODY	ENGINE	TRANS	TRIM	DESCRIPTION
1	05179366AA	3	D			ESF	DGJ		SEAL, Transmission
2	52108044AA	1	D			ESF	DGJ		SHAFT, Input
3	52108127AA	1	D			ESF	DGJ		SEAL, Transmission
4	52108126AA	1	D			ESF	DGJ		NEEDLE BEARING
5	52107928AA	1	D			ESF	DGJ		RETAINER, Bearing
6	52108134AA	1	D			ESF	DGJ		SEAL, Transmission
7	52108135AA	1	D			ESF	DGJ		SEAL, Input Shaft
8	52108136AA	1	D			ESF	DGJ		PISTON, K2 Clutch
9	52108137AA	1	D			ESF	DGJ		SPRING, Piston Return
10	52108138AB	1	D			ESF	DGJ		RETAINER, Spring
11	52108140AA	1	D			ESF	DGJ		O RING
12	52108533AA	1	D			ESF	DGJ		SNAP RING
13	52108346AA	1	D			ESF	DGJ		DISC, Spring
14	52107996AA	1	D			ESF	DGJ		DISC, Outer
15	52108141AB	6	D			ESF	DGJ		DISC, Inner
16	52107997AA	5	D			ESF	DGJ		DISC, Outer
17	52107998AA	1	D			ESF	DGJ		DISC, Outer
18									SNAP RING
	52107958AA	AR	D			ESF	DGJ		[2.3 MM]
	52107959AA	AR	D			ESF	DGJ		[2.6 MM]
	52107960AA	AR	D			ESF	DGJ		[2.9 MM]
	52107961AA	AR	D			ESF	DGJ		[3.2 MM]
	52107962AA	AR	D			ESF	DGJ		[3.5 MM]
19	68028565AA	1	D			ESF	DGJ		CLUTCH PACKAGE, K2 Input Clutch
20	52107922AA	1	D			ESF	DGJ		GEAR, Rear Annulus
21	52107926AA	1	D			ESF	DGJ		SNAP RING

**DODGE CHALLENGER (LC)**  
 SERIES LINE  
 X = SPECIAL D = DODGE

BODY  
 22 = 2-DR SEDAN TYPE #2

ENGINE  
 ESF = 6.1L SRT HEMI SMPI V8 Engine

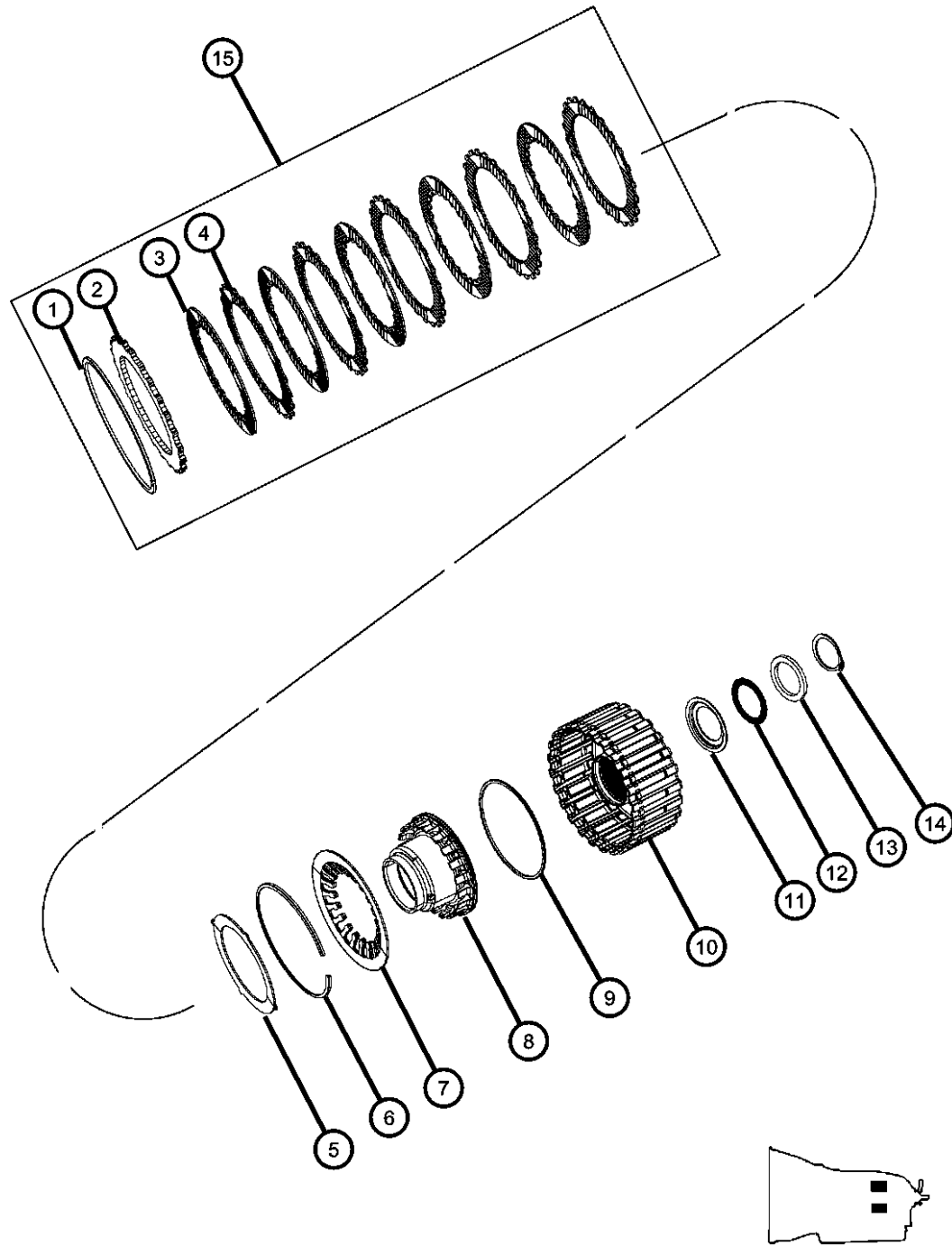
TRANSMISSION  
 DGJ = 5-Speed Auto W5A580 Transmission

AR = use ase required - = Non illustrated part

2008 LC

**K3 Clutch Assembly  
Figure 021DGJ-529**

ITEM	PART NUMBER	QTY	LINE	SERIES	BODY	ENGINE	TRANS	TRIM	DESCRIPTION
1	52107970AA	AR	D			ESF	DGJ		SNAP RING [2.3 MM]
	52107971AA	AR	D			ESF	DGJ		[2.6 MM]
	52107972AA	AR	D			ESF	DGJ		[2.9 MM]
	52107974AA	AR	D			ESF	DGJ		[2.0 MM]
2	52108011AA	1	D			ESF	DGJ		DISC, Outer
3	52108528AA	5	D			ESF	DGJ		DISC, Inner
4	52108529AA	5	D			ESF	DGJ		DISC, Outer
5	52108096AA	1	D			ESF	DGJ		DISC, Spring
6	52107968AA	1	D			ESF	DGJ		SNAP RING
7	52108095AA	1	D			ESF	DGJ		SPRING, Piston Return
8	52108094AA	1	D			ESF	DGJ		PISTON, K3 Clutch
9	52108093AA	1	D			ESF	DGJ		SEAL, Transmission
10	52108548AB	1	D			ESF	DGJ		RETAINER, K3 Clutch
11	52108148AA	1	D			ESF	DGJ		RETAINER, Bearing
12	52108152AA	1	D			ESF	DGJ		NEEDLE BEARING
13									SPACER
	52108149AA	AR	D			ESF	DGJ		[3.7 MM]
	52108150AA	AR	D			ESF	DGJ		[3.1 MM]
	52108151AA	AR	D			ESF	DGJ		[3.4 MM]
14	06507358AA	1	D			ESF	DGJ		SNAP RING, M35x2.5x1.5
15	68028572AA	1	D			ESF	DGJ		CLUTCH PACKAGE, K3 Input Clutch



**DODGE CHALLENGER (LC)**

SERIES LINE  
X = SPECIAL D = DODGE

BODY  
22 = 2-DR SEDAN TYPE #2

ENGINE  
ESF = 6.1L SRT HEMI SMPI V8 Engine

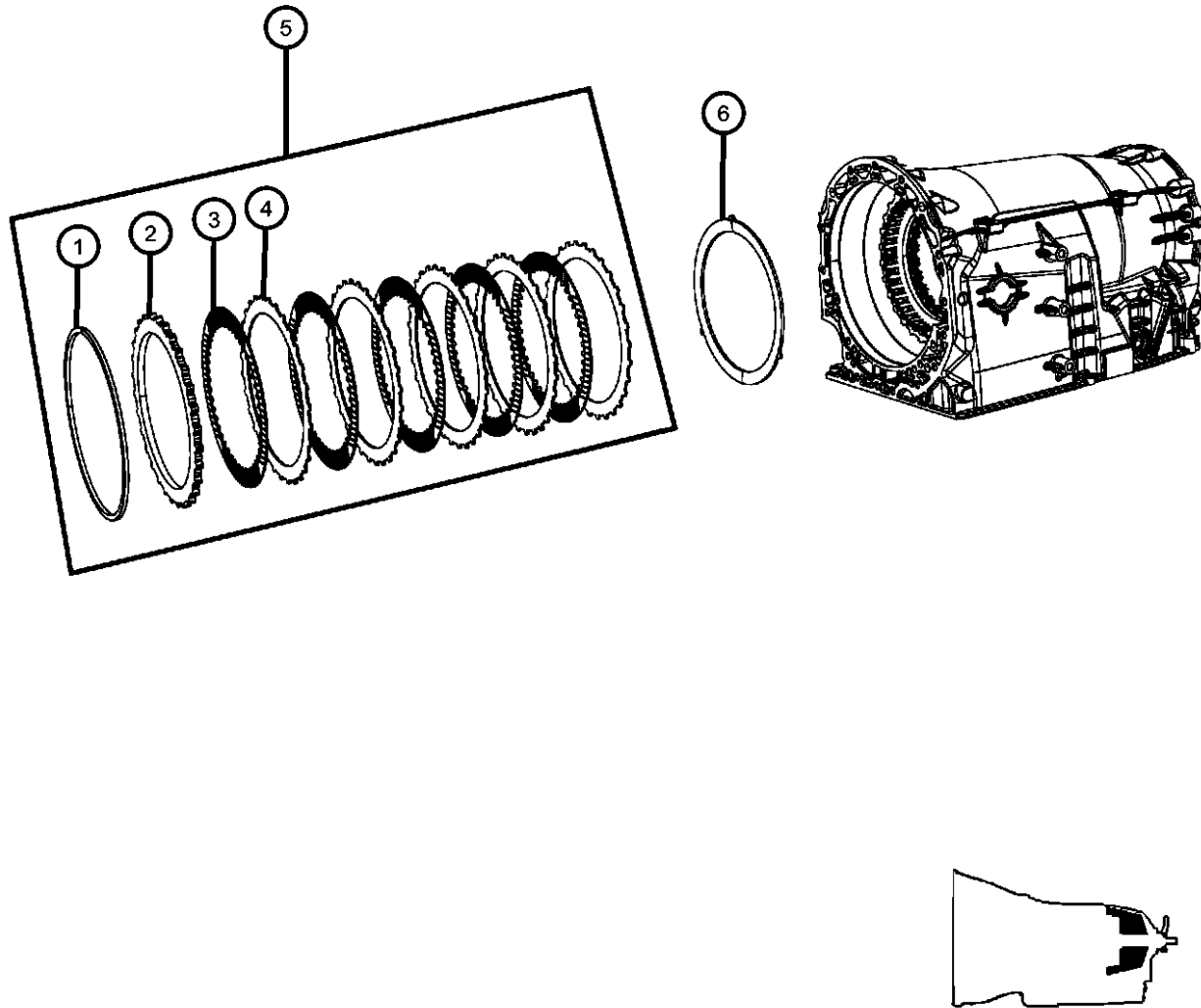
TRANSMISSION  
DGJ = 5-Speed Auto W5A580 Transmission

AR = use ase required - = Non illustrated part

2008 LC

**B3 Clutch Assembly**  
**Figure 021DGJ-530**

ITEM	PART NUMBER	QTY	LINE	SERIES	BODY	ENGINE	TRANS	TRIM	DESCRIPTION
1									SNAP RING
	52107985AA	AR	D			ESF	DGJ		[3.2 MM]
	52107986AA	AR	D			ESF	DGJ		[3.5 MM]
	52107987AA	AR	D			ESF	DGJ		[3.8 MM]
	52107988AA	AR	D			ESF	DGJ		[4.1 MM]
	52107989AA	AR	D			ESF	DGJ		[4.4 MM]
	52107990AA	AR	D			ESF	DGJ		[4.8 MM]
2	52108018AA	1	D			ESF	DGJ		DISC, Outer
3	52108573AA	5	D			ESF	DGJ		DISC, Inner
4	52108017AA	5	D			ESF	DGJ		DISC, Outer
5	68028661AA	1	D			ESF	DGJ		CLUTCH PACKAGE, B3 Brake Clutch Stack Up
6	52108356AA	1	D			ESF	DGJ		DISC, Spring



**DODGE CHALLENGER (LC)**

SERIES LINE  
 X = SPECIAL D = DODGE

BODY  
 22 = 2-DR SEDAN TYPE #2

ENGINE  
 ESF = 6.1L SRT HEMI SMPI  
 V8 Engine

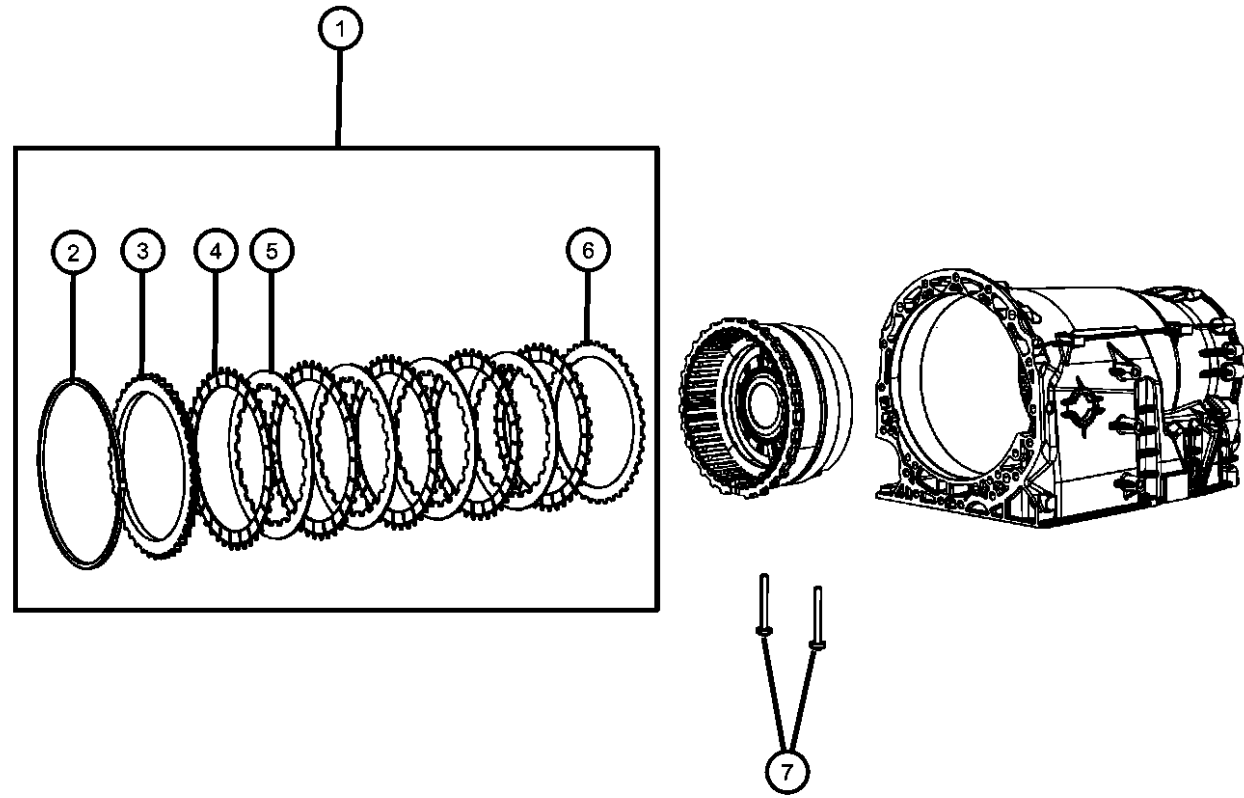
TRANSMISSION  
 DGJ = 5-Speed Auto W5A580  
 Transmission

AR = use ase required - = Non illustrated part

2008 LC



**B2 Clutch Assembly**  
**Figure 021DGJ-531**



ITEM	PART NUMBER	QTY	LINE	SERIES	BODY	ENGINE	TRANS	TRIM	DESCRIPTION
1	68028660AA	1	D			ESF	DGJ		CLUTCH PACKAGE, B2 Brake Clutch Stack Up
2	52107979AA	AR	D			ESF	DGJ		SNAP RING [4.1 MM]
	52107980AA	AR	D			ESF	DGJ		[3.8 MM]
	52107981AA	AR	D			ESF	DGJ		[3.5 MM]
	52107982AA	AR	D			ESF	DGJ		[3.2 MM]
	52107983AA	AR	D			ESF	DGJ		[2.9 MM]
3	52108014AA	1	D			ESF	DGJ		DISC, Outer
4	52108572AA	5	D			ESF	DGJ		DISC, Outer
5	52108015AA	4	D			ESF	DGJ		DISC, Inner
6	52108013AA	1	D			ESF	DGJ		DISC, Outer
7	52108205AA	2	D			ESF	DGJ		BOLT, Torx Head, M8x60



**DODGE CHALLENGER (LC)**  
 SERIES LINE  
 X = SPECIAL D = DODGE

BODY  
 22 = 2-DR SEDAN TYPE #2

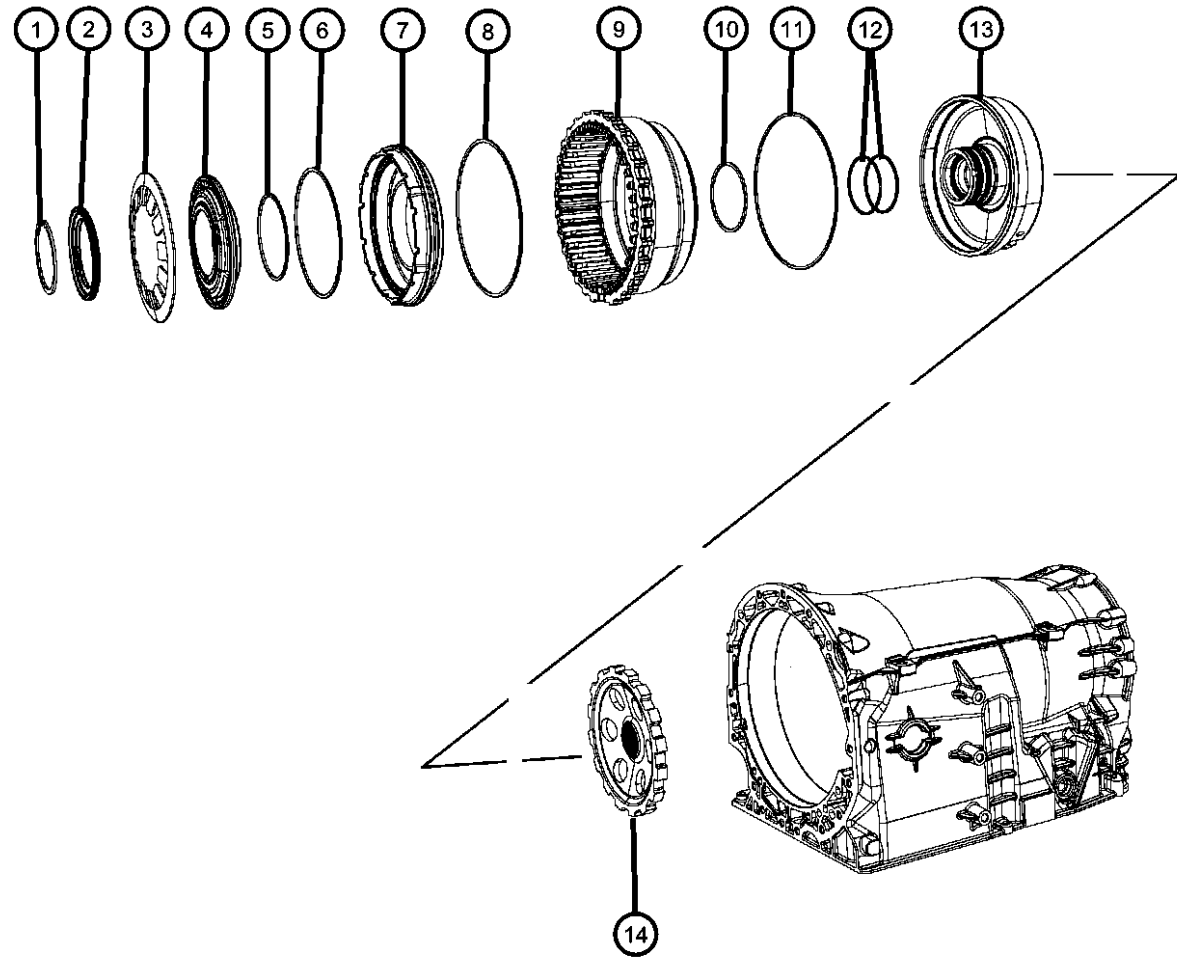
ENGINE  
 ESF = 6.1L SRT HEMI SMPI V8 Engine

TRANSMISSION  
 DGJ = 5-Speed Auto W5A580 Transmission

AR = use ase required - = Non illustrated part

2008 LC

**B2 Clutch Assembly**  
**Figure 021DGJ-532**



ITEM	PART NUMBER	QTY	LINE	SERIES	BODY	ENGINE	TRANS	TRIM	DESCRIPTION
1	52107977AA	1	D			ESF	DGJ		SNAP RING
2	52108203AA	1	D			ESF	DGJ		RETAINER, Spring
3	52108202AA	1	D			ESF	DGJ		SPRING, Piston Return
4	52108351AA	1	D			ESF	DGJ		RING ASSEMBLY, Piston guide
5	52108201AA	1	D			ESF	DGJ		SEAL, Transmission
6	52108200AA	1	D			ESF	DGJ		SEAL, Transmission
7	52108191AA	1	D			ESF	DGJ		PISTON, B2 Clutch
8	52108199AA	1	D			ESF	DGJ		SEAL, Transmission
9	52108395AA	1	D			ESF	DGJ		RETAINER, Clutch
10	52108189AA	1	D			ESF	DGJ		SEAL, Transmission
11	52108188AA	1	D			ESF	DGJ		SEAL, Transmission
12	52108185AA	2	D			ESF	DGJ		O RING
13	52108182AA	1	D			ESF	DGJ		PLUNGER
14	52108180AA	1	D			ESF	DGJ		SPRAG, Transmission Parking

**DODGE CHALLENGER (LC)**  
 SERIES LINE  
 X = SPECIAL D = DODGE

BODY  
 22 = 2-DR SEDAN TYPE #2

ENGINE  
 ESF = 6.1L SRT HEMI SMPI V8 Engine

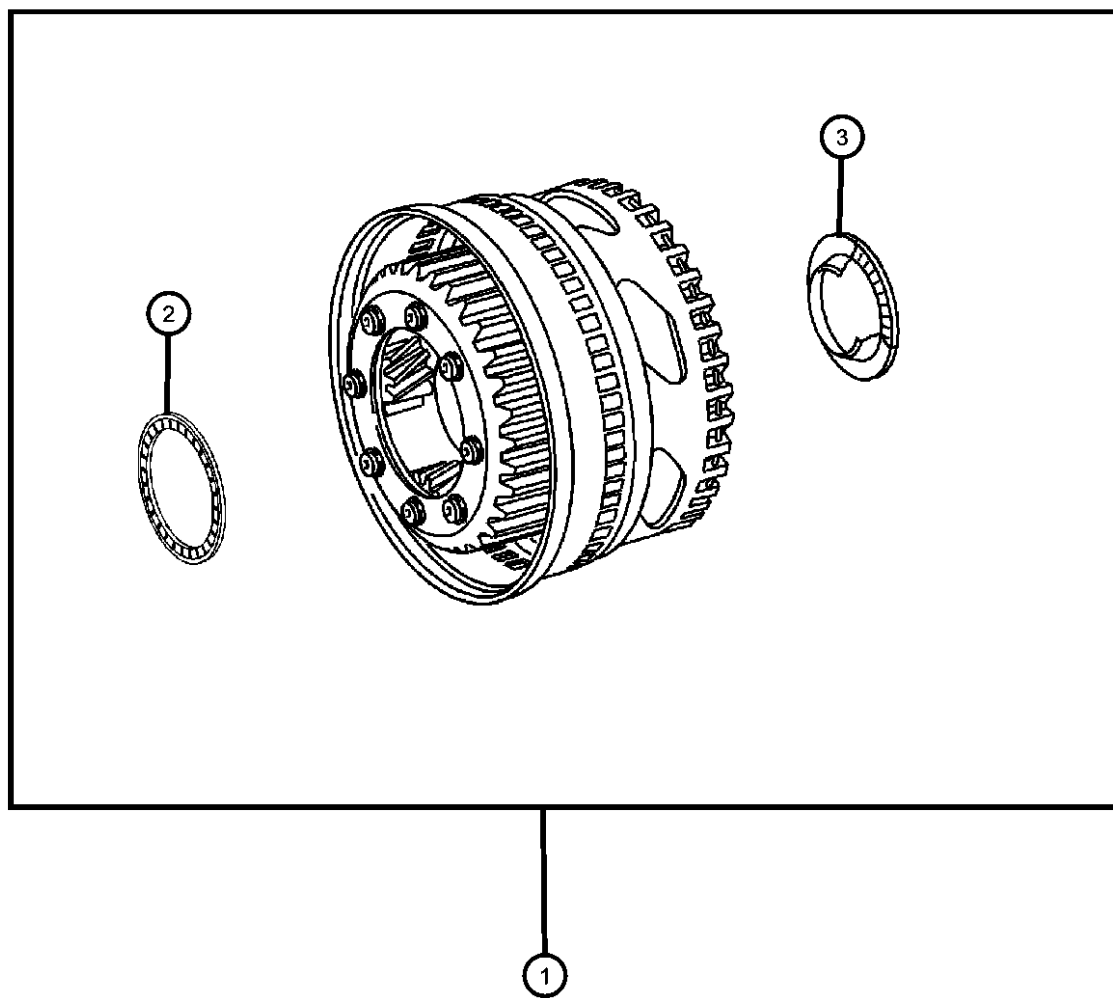
TRANSMISSION  
 DGJ = 5-Speed Auto W5A580 Transmission

AR = use ase required - = Non illustrated part

2008 LC

Front Planetary Carrier  
Figure 021DGJ-611

ITEM	PART NUMBER	QTY	LINE	SERIES	BODY	ENGINE	TRANS	TRIM	DESCRIPTION
1	52108513AA	1	D			ESF	DGJ		CARRIER, Planetary
2	52108122AA	1	D			ESF	DGJ		NEEDLE BEARING
3	52108123AA	1	D			ESF	DGJ		NEEDLE BEARING



**DODGE CHALLENGER (LC)**  
 SERIES      LINE  
 X = SPECIAL    D = DODGE

BODY  
 22 = 2-DR SEDAN TYPE #2

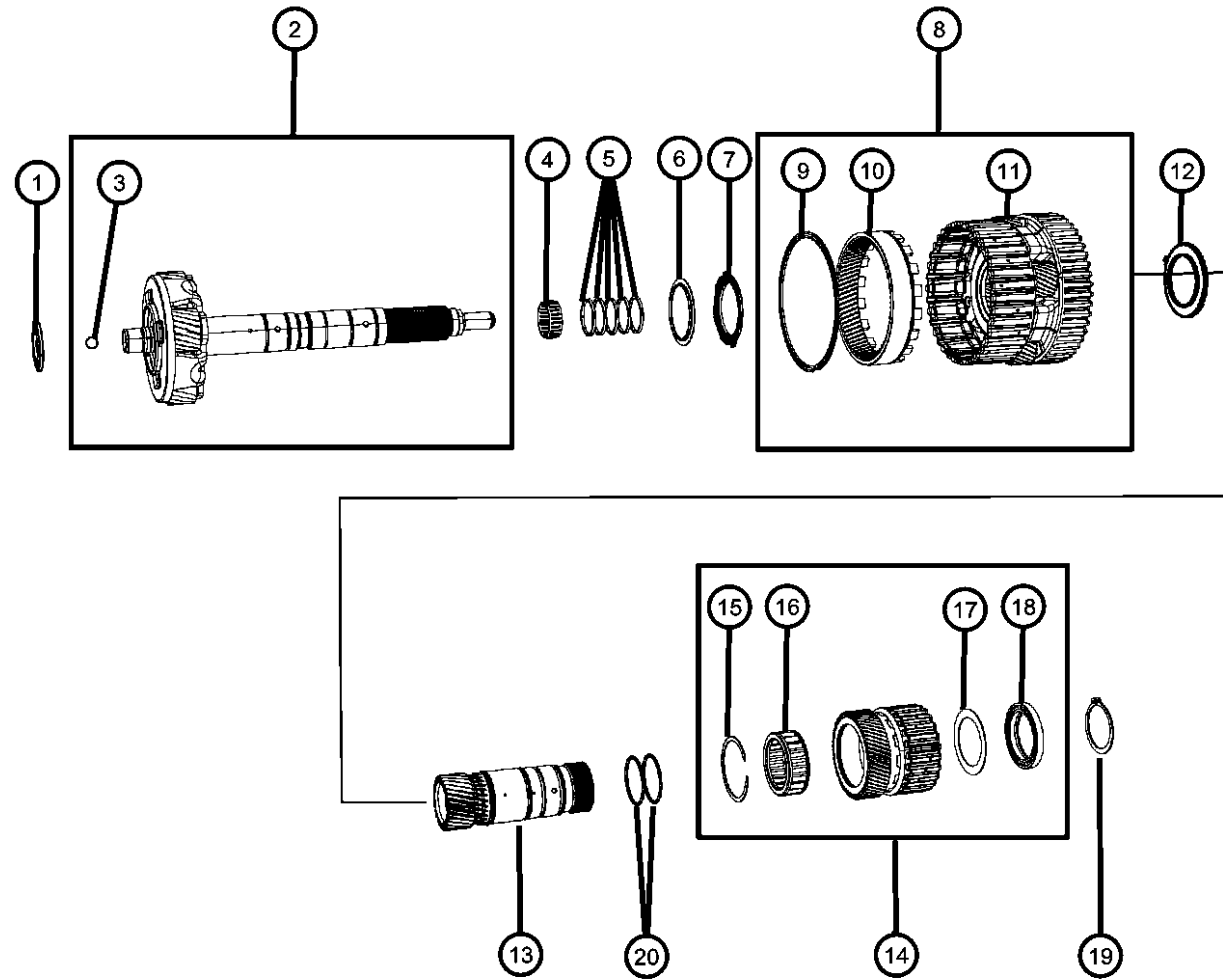
ENGINE  
 ESF = 6.1L SRT HEMI SMPI V8 Engine

TRANSMISSION  
 DGJ = 5-Speed Auto W5A580 Transmission

AR = use ase required    - = Non illustrated part

2008 LC

**Output Shaft With Center And Rear Planetary Gear Sets**  
**Figure 021DGJ-612**



ITEM	PART NUMBER	QTY	LINE	SERIES	BODY	ENGINE	TRANS	TRIM	DESCRIPTION
1	52107927AA	1	D			ESF	DGJ		NEEDLE BEARING
2	52107929AA	1	D			ESF	DGJ		SHAFT, Output
3	52108390AA	1	D			ESF	DGJ		BALL, Check
4	52108069AA	1	D			ESF	DGJ		NEEDLE BEARING
5	05179367AA	5	D			ESF	DGJ		SEAL, Transmission
6	52108070AA	1	D			ESF	DGJ		RETAINER, Bearing
7	52107931AA	1	D			ESF	DGJ		NEEDLE BEARING
8	52108071AA	1	D			ESF	DGJ		CARRIER ASSEMBLY, Planetary
9	52108374AA	1	D			ESF	DGJ		SNAP RING
10	52108376AA	1	D			ESF	DGJ		GEAR, Annulus
11	52108072AA	1	D			ESF	DGJ		CARRIER, Planetary
12	52107932AA	1	D			ESF	DGJ		NEEDLE BEARING
13	52108078AA	1	D			ESF	DGJ		GEAR, Sun
14	52108519AA	1	D			ESF	DGJ		SUN GEAR ASSEMBLY
15	52107966AA	1	D			ESF	DGJ		SNAP RING
16	52108522AA	1	D			ESF	DGJ		CLUTCH, One Way
17	52108379AA	1	D			ESF	DGJ		SPACER
18	52108084AA	1	D			ESF	DGJ		BEARING, Ball
19	52107967AA	1	D			ESF	DGJ		SNAP RING
20	52108085AA	2	D			ESF	DGJ		O RING

**DODGE CHALLENGER (LC)**  
 SERIES      LINE  
 X = SPECIAL    D = DODGE

BODY  
 22 = 2-DR SEDAN TYPE #2

ENGINE  
 ESF = 6.1L SRT HEMI SMPI V8 Engine

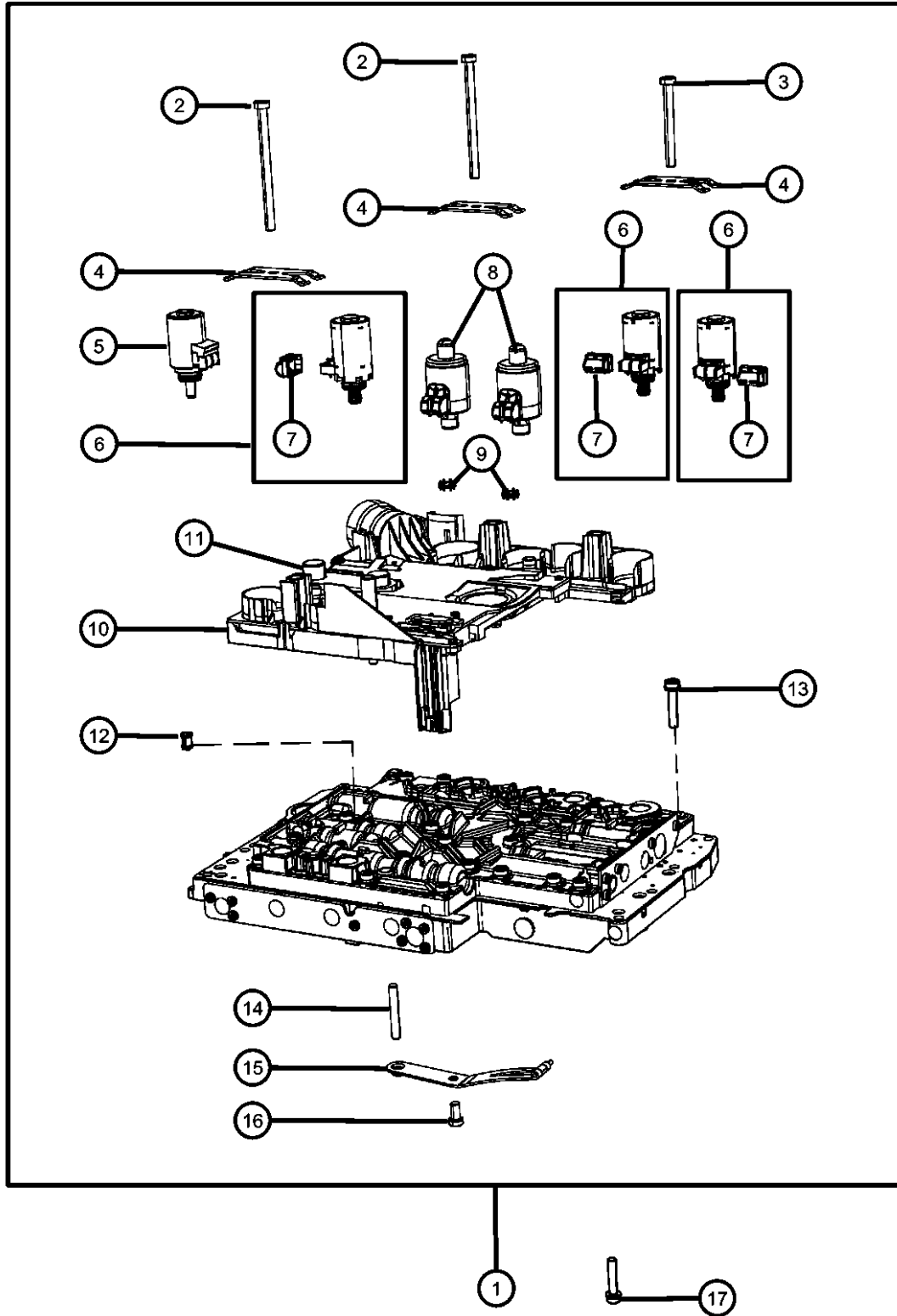
TRANSMISSION  
 DGJ = 5-Speed Auto W5A580 Transmission

AR = use ase required    - = Non illustrated part

2008 LC

Valve Body And Related Parts  
Figure 021DGJ-825

ITEM	PART NUMBER	QTY	LINE	SERIES	BODY	ENGINE	TRANS	TRIM	DESCRIPTION
1	52108213AA	1	D			ESF	DGJ		VALVE BODY, Complete
2	52108268AA	2	D			ESF	DGJ		BOLT, Torx Head, M6x80
3	52108269AA	1	D			ESF	DGJ		BOLT, Torx Head, M6x55
4	52108315AA	3	D			ESF	DGJ		PLATE
5	52108314AA	1	D			ESF	DGJ		SOLENOID, Transmission, Torque Converter Clutch
6	05189057AA	3	D			ESF	DGJ		SOLENOID, Transmission, Shift ON/OFF
7	05134761AA	3	D			ESF	DGJ		CAP, Solenoid
8	05138838AA	2	D			ESF	DGJ		SOLENOID, Transmission, Shift Pressure
9	52108316AA	2	D			ESF	DGJ		FILTER, Transmission Oil
10	52108308AB	1	D			ESF	DGJ		CONNECTOR ASSEMBLY, Electrical
11	52108308AB	1							SENSOR, Speed, (NOT SERVICED)
12	52108304AA	2	D			ESF	DGJ		FILTER, Transmission Oil
13	52108267AA	29	D			ESF	DGJ		BOLT, Torx Head, M6x30
14	05098951AA	1	D			ESF	DGJ		DOWEL
15	52108258AA	1	D			ESF	DGJ		DETENT, Valve Body
16	52108266AB	1	D			ESF	DGJ		BOLT, Torx Head, M6x12
17	52108267AA	10	D			ESF	DGJ		BOLT, Torx Head, M6x30



**DODGE CHALLENGER (LC)**  
 SERIES LINE  
 X = SPECIAL D = DODGE

BODY  
 22 = 2-DR SEDAN TYPE #2

ENGINE  
 ESF = 6.1L SRT HEMI SMPI V8 Engine

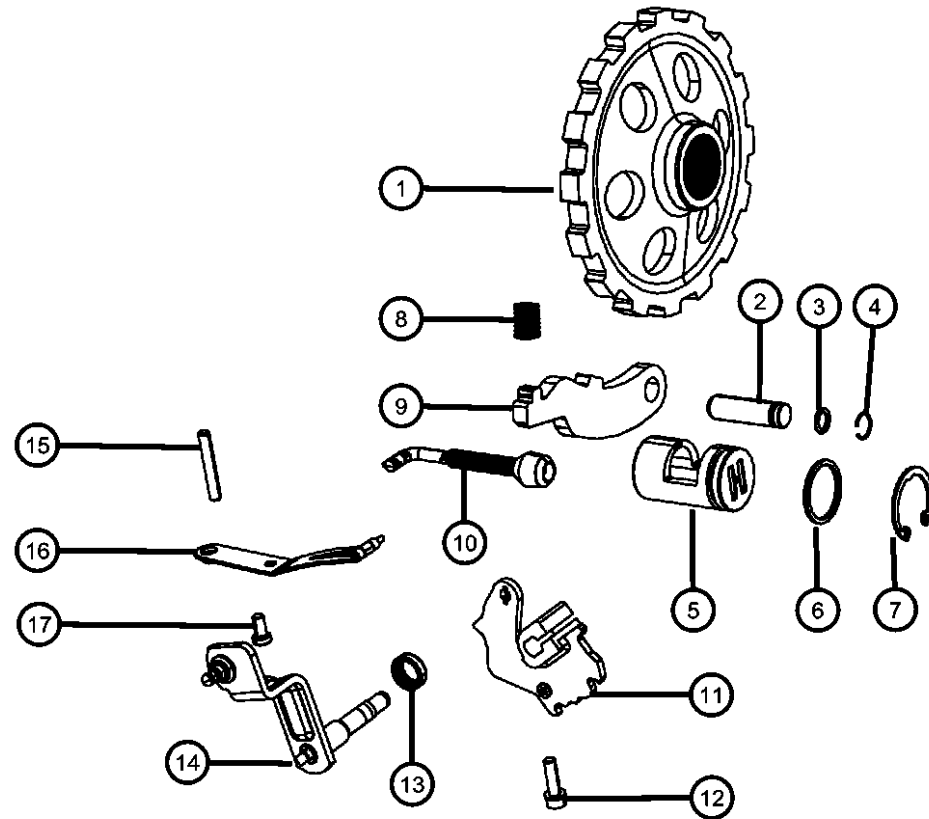
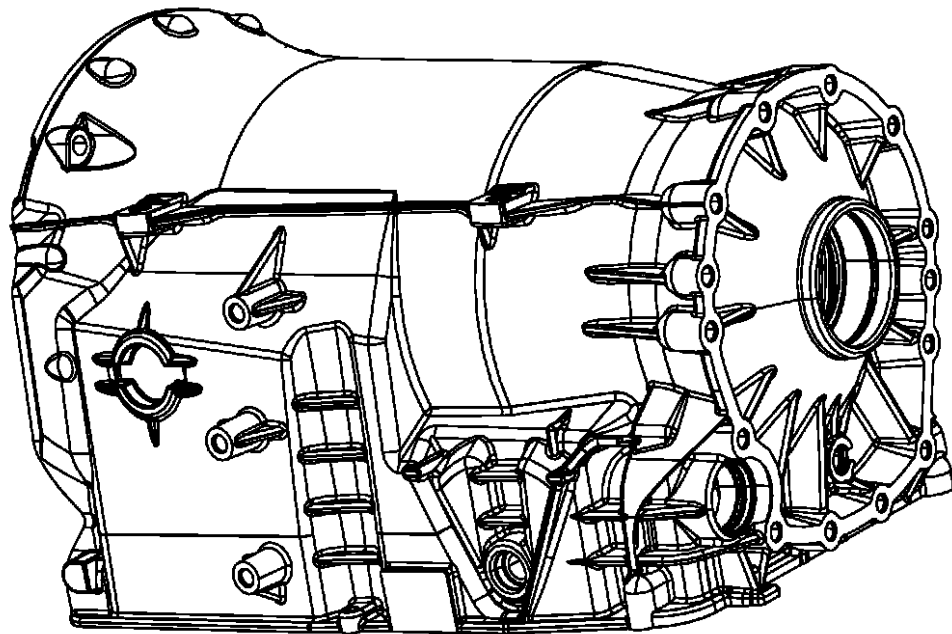
TRANSMISSION  
 DGJ = 5-Speed Auto W5A580 Transmission

AR = use ase required - = Non illustrated part

2008 LC

**Parking Sprag And Related Parts  
Figure 021DGJ-860**

ITEM	PART NUMBER	QTY	LINE	SERIES	BODY	ENGINE	TRANS	TRIM	DESCRIPTION
1	52108180AA	1	D			ESF	DGJ		SPRAG, Transmission Parking
2	52108155AA	1	D			ESF	DGJ		SHAFT, Parking Pawl
3	52108156AB	1	D			ESF	DGJ		O RING
4	52107975AA	1	D			ESF	DGJ		SNAP RING
5	52108176AA	1	D			ESF	DGJ		GUIDE
6	52108177AA	1	D			ESF	DGJ		O RING
7	52107976AA	1	D			ESF	DGJ		SNAP RING
8	52108157AA	1	D			ESF	DGJ		SPRING
9	52108154AA	1	D			ESF	DGJ		PAWL, Parking Sprag
10	52108166AA	1	D			ESF	DGJ		LINKAGE, Transmission
11	52108349AA	1	D			ESF	DGJ		DETENT, Gearshift
12	52108178AA	1	D			ESF	DGJ		BOLT, Torx Head, M6x20
13	05134933AA	1	D			ESF	DGJ		SEAL, Transmission
14	52108172AA	1	D			ESF	DGJ		SHAFT, Shift Lever
15	05098951AA	1	D			ESF	DGJ		DOWEL
16	52108258AA	1	D			ESF	DGJ		DETENT, Valve Body
17	52108266AB	1	D			ESF	DGJ		BOLT, Torx Head, M6x12



**DODGE CHALLENGER (LC)**  
 SERIES      LINE  
 X = SPECIAL    D = DODGE

BODY  
 22 = 2-DR SEDAN TYPE #2

ENGINE  
 ESF = 6.1L SRT HEMI SMPI V8 Engine

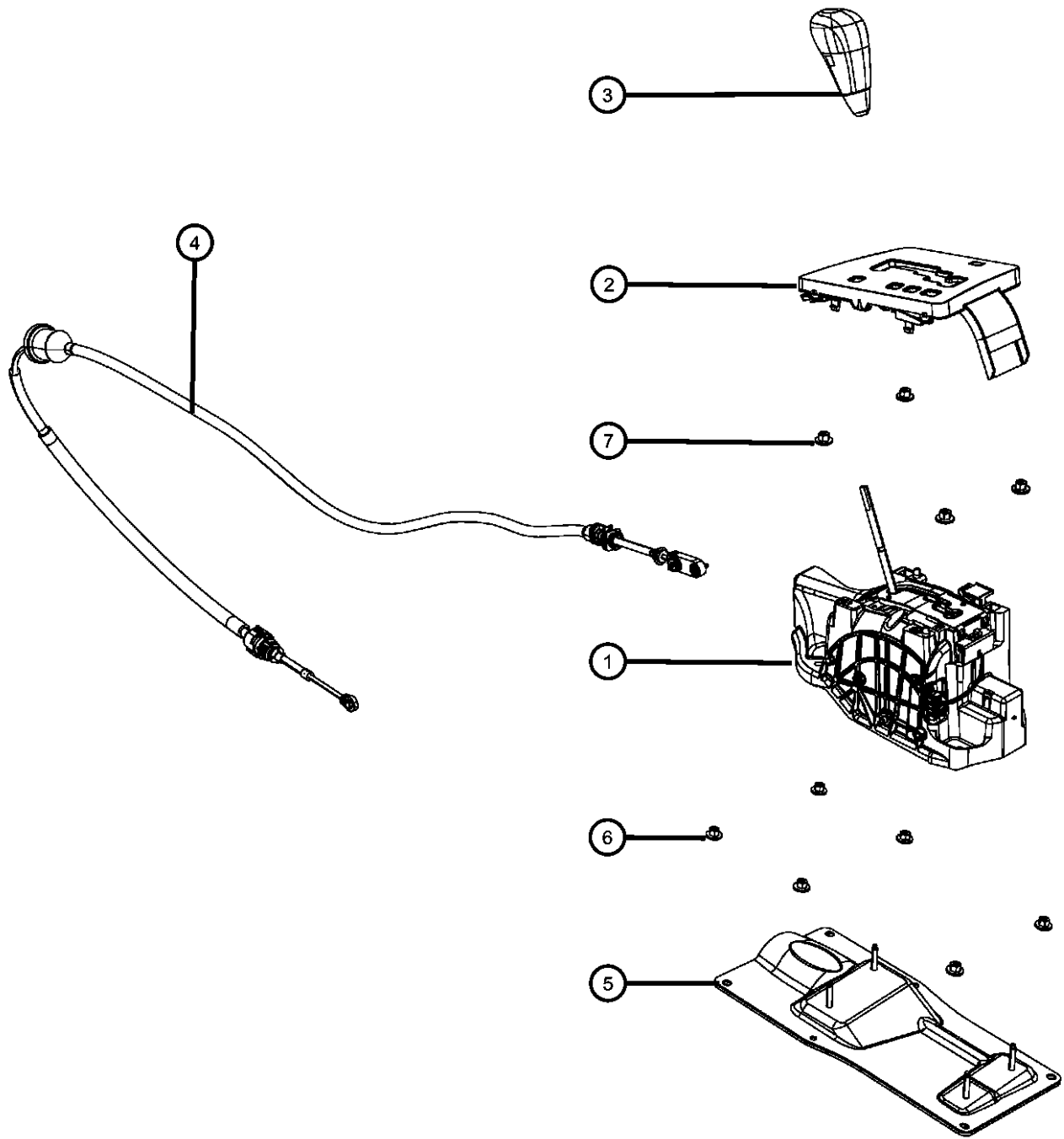
TRANSMISSION  
 DGJ = 5-Speed Auto W5A580 Transmission

AR = use ase required    - = Non illustrated part

2008 LC

**Gearshift Controls**  
**Figure 021DGJ-1105**

ITEM	PART NUMBER	QTY	LINE	SERIES	BODY	ENGINE	TRANS	TRIM	DESCRIPTION
1	04578584AC	1	D						SHIFTER, Transmission
2	04578633AA	1	D						BEZEL, Console PRNDL
3	04578692AA	1	D						KNOB, Gearshift
4	04578758AA	1	D						CABLE, Gear Selector
5	04779565AB	1	D						BRACKET, Cable Mounting
6	06506456AA	6	D						NUT AND WASHER, Hex, M6x1.0
7	06506456AA	4	D						NUT AND WASHER, Hex, M6x1.0



**DODGE CHALLENGER (LC)**  
 SERIES LINE  
 X = SPECIAL D = DODGE

BODY  
 22 = 2-DR SEDAN TYPE #2

ENGINE  
 ESF = 6.1L SRT HEMI SMPI V8 Engine

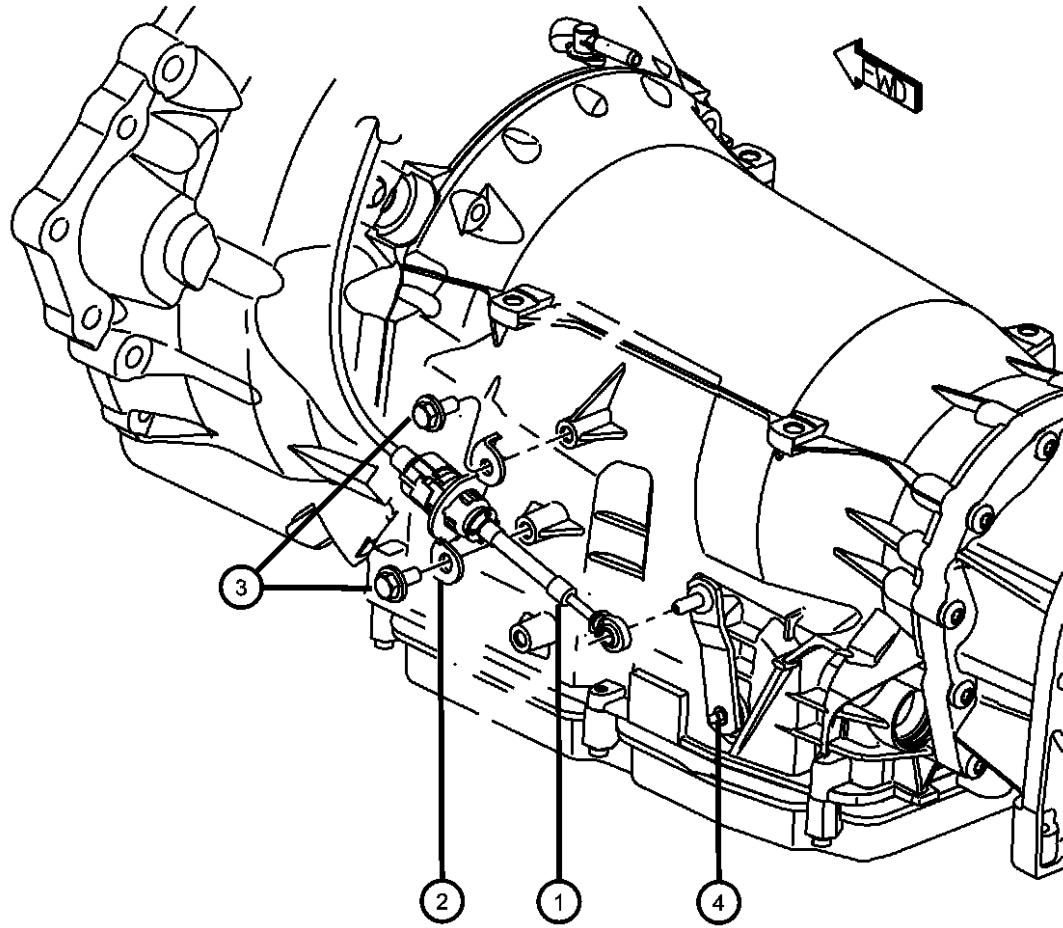
TRANSMISSION  
 DGJ = 5-Speed Auto W5A580 Transmission

AR = use ase required - = Non illustrated part

2008 LC

**Gearshift Lever, Cable and Bracket  
Figure 021DGJ-1115**

ITEM	PART NUMBER	QTY	LINE	SERIES	BODY	ENGINE	TRANS	TRIM	DESCRIPTION
1	04578758AA	1	D						CABLE, Gear Selector
2	04578071AA	1	D						BRACKET, Cable Mounting
3	06503692	2	D				DGJ		SCREW, M8-1.25
4	52108172AA	1	D			ESF	DGJ		SHAFT, Shift Lever



**DODGE CHALLENGER (LC)**  
 SERIES      LINE  
 X = SPECIAL    D = DODGE

BODY  
 22 = 2-DR SEDAN TYPE #2

ENGINE  
 ESF = 6.1L SRT HEMI SMPI V8 Engine

TRANSMISSION  
 DGJ = 5-Speed Auto W5A580 Transmission

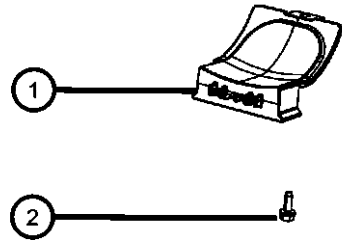
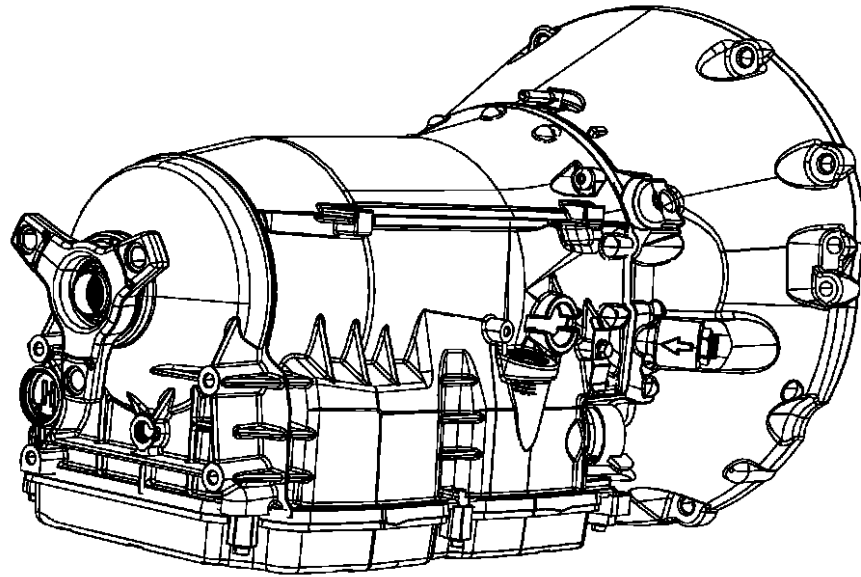
AR = use ase required    - = Non illustrated part

2008 LC



**Mounting Covers And Shields**  
**Figure 021DGJ-1205**

ITEM	PART NUMBER	QTY	LINE	SERIES	BODY	ENGINE	TRANS	TRIM	DESCRIPTION
1	04792978AB	1	D			ESF	DGJ		COVER, Transmission Dust
2	06504810AA	1	D			ES0			BOLT AND CONED WASHER, Hex head, M6X1.00X20.00



**DODGE CHALLENGER (LC)**  
 SERIES      LINE  
 X = SPECIAL    D = DODGE

BODY  
 22 = 2-DR SEDAN TYPE #2

ENGINE  
 ESF = 6.1L SRT HEMI SMPI  
 V8 Engine

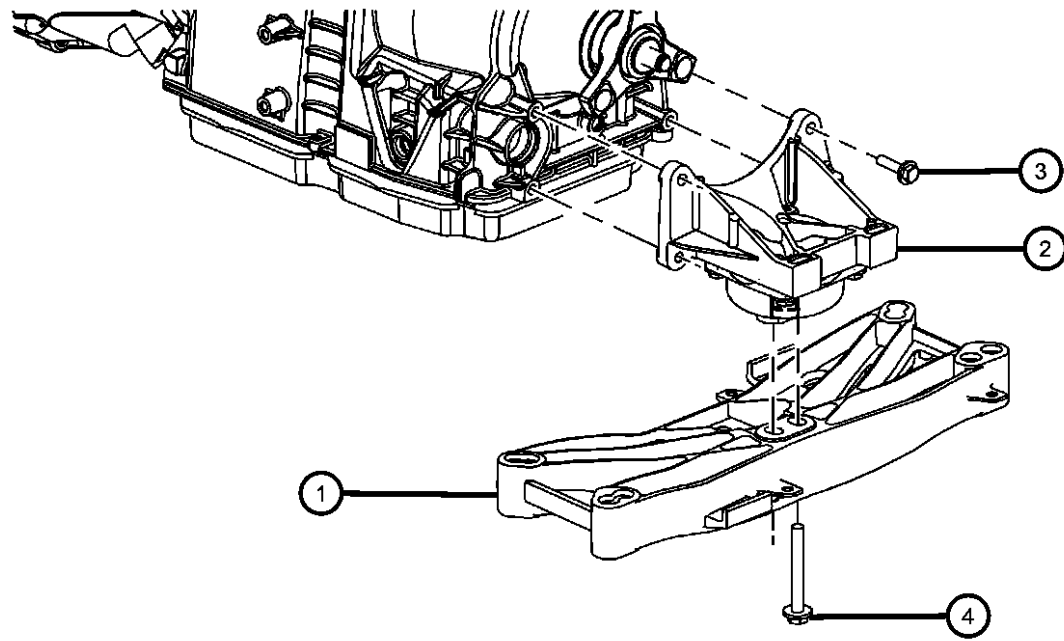
TRANSMISSION  
 DGJ = 5-Speed Auto W5A580  
 Transmission

AR = use ase required    - = Non illustrated part

2008 LC

**Structural Collar  
Figure 021DGJ-1210**

ITEM	PART NUMBER	QTY	LINE	SERIES	BODY	ENGINE	TRANS	TRIM	DESCRIPTION
1	04578062AC	1	D				DGJ		BRACKET, Transmission Mount
2	04578061AE	1	D			ES0			MOUNT, Transmission
3	06101759	4	D				DGJ		SCREW AND WASHER, Hex Head, M8x1.25x35
4	06101553	2	D						BOLT AND WASHER, Hex Head, M10x1.50x80



**DODGE CHALLENGER (LC)**  
 SERIES      LINE  
 X = SPECIAL    D = DODGE

BODY  
 22 = 2-DR SEDAN TYPE #2

ENGINE  
 ESF = 6.1L SRT HEMI SMPI V8 Engine

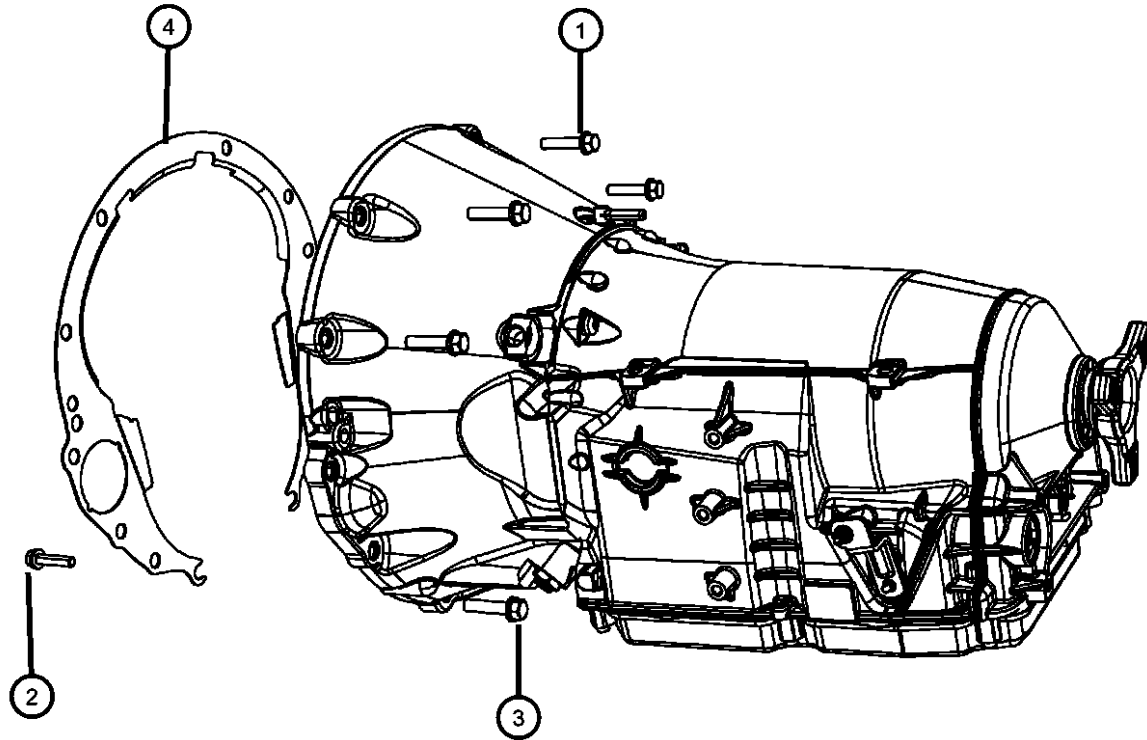
TRANSMISSION  
 DGJ = 5-Speed Auto W5A580 Transmission

AR = use ase required    - = Non illustrated part

2008 LC

**Mounting Bolts  
Figure 021DGJ-1215**

ITEM	PART NUMBER	QTY	LINE	SERIES	BODY	ENGINE	TRANS	TRIM	DESCRIPTION
1	06507890AA	4	D			ESF	DGJ		STUD, Double Ended
2	06036385AA	1	D			ESF	DGJ		BOLT AND WASHER, Hex Head Lock, 0.437-14x2.00
3	06504810AA	1	D			ES0			BOLT AND CONED WASHER, Hex head, M6X1.00X20.00
4	04591910AA	1	D			ESF	DGJ		COVER, Transmission Dust



**DODGE CHALLENGER (LC)**  
 SERIES      LINE  
 X = SPECIAL    D = DODGE

BODY  
 22 = 2-DR SEDAN TYPE #2

ENGINE  
 ESF = 6.1L SRT HEMI SMPI V8 Engine

TRANSMISSION  
 DGJ = 5-Speed Auto W5A580 Transmission

AR = use ase required    - = Non illustrated part

2008 LC

# Group - 22

## Wheels

### Group - 22 Wheels

Illustration Title

Group-Fig. No.

#### **Wheels, Tires and Hardware**

Wheels and Hardware .....Fig. 22 - 105

#### **Wheel Covers and Center Caps**

Wheel Covers and Center Caps .....Fig. 22 - 205

#### **Jack Stowage**

Jack Assembly .....Fig. 22 - 305

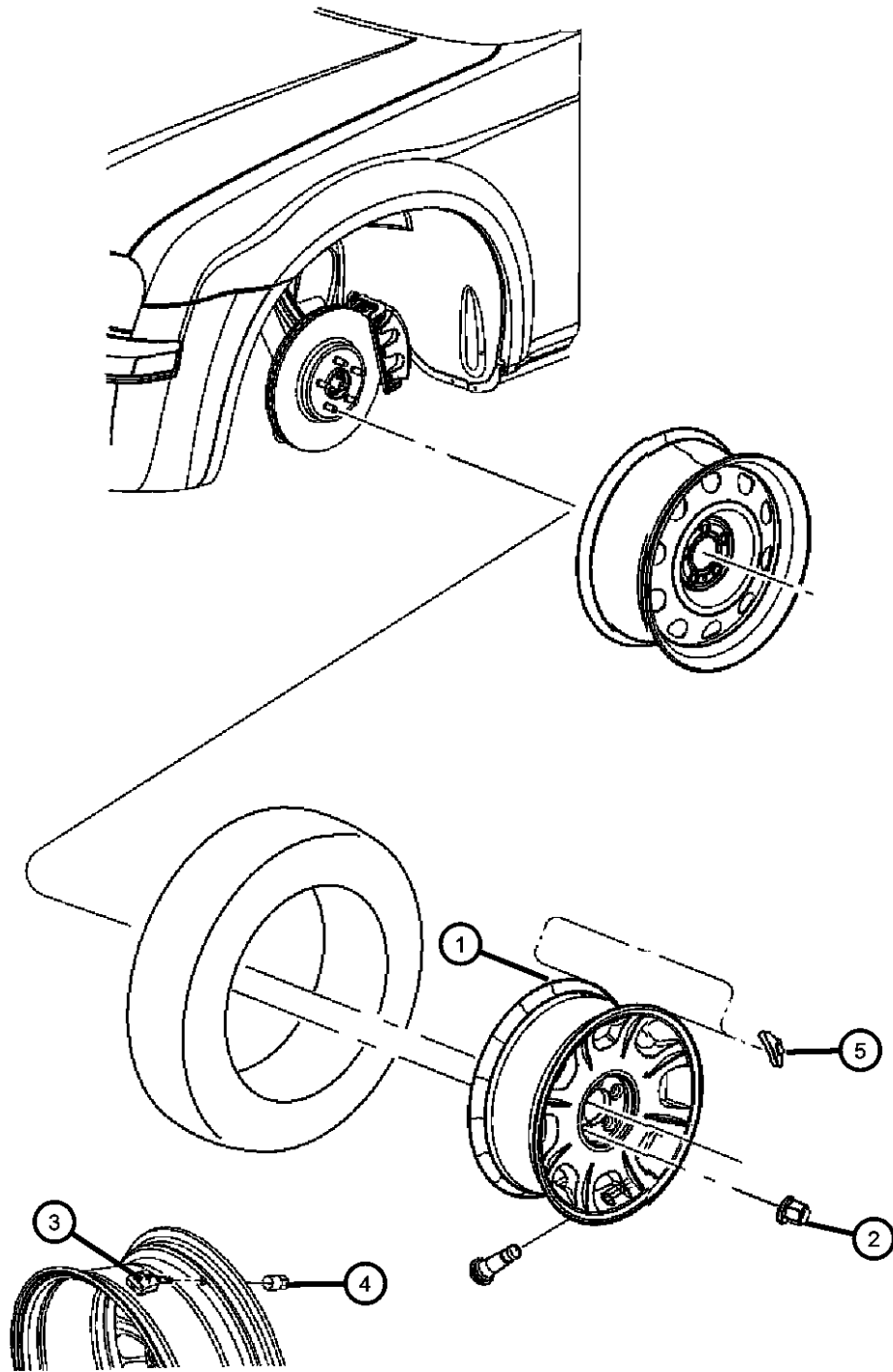
<b>022-100</b> Wheels, Tires and Hardware	<b>022-200</b> Wheel Covers and Center Caps	<b>022-300</b> Jack Stowage	
--	--	--------------------------------	--

**Wheels and Hardware**  
**Figure 22-105**

ITEM	PART NUMBER	QTY	LINE	SERIES	BODY	ENGINE	TRANS	TRIM	DESCRIPTION
------	-------------	-----	------	--------	------	--------	-------	------	-------------

NOTES: Sales Code  
 [TBC] = Compact Spare Tire  
 [TBG] = Compact Spare Tire  
 [TBS] = Full Size Restricted Use Spare Wheel  
 [TBW] = Full Size Matching Spare Wheel  
 [WEA] = 17x7.5 Steel Wheel  
 [WEJ] = 18X7.5 Steel Wheel  
 [WF3] = 20x9.0 Aluminum Polished Wheel

1	05181849AB	2	D		22				WHEEL, Aluminum, Front
2	06507826AA	20	D		22				NUT, Wheel
3	56029400AB	2	D		22				SENSOR, Tire Pressure, See Sensors Group 008
4	56053037AA	2	D		22				NUT, Tire Pressure Sensor, Serviced with Package
5	56053037AA	2							WEIGHT, Wheel Balance Tape, (NOT SERVICED)
-6	68023890AA	2	D		22				CAP KIT, Valve Stem, Grey



**DODGE CHALLENGER (LC)**  
 SERIES LINE  
 X = SPECIAL D = DODGE

BODY  
 22 = 2-DR SEDAN TYPE #2

ENGINE  
 ESF = 6.1L SRT HEMI SMPI V8 Engine

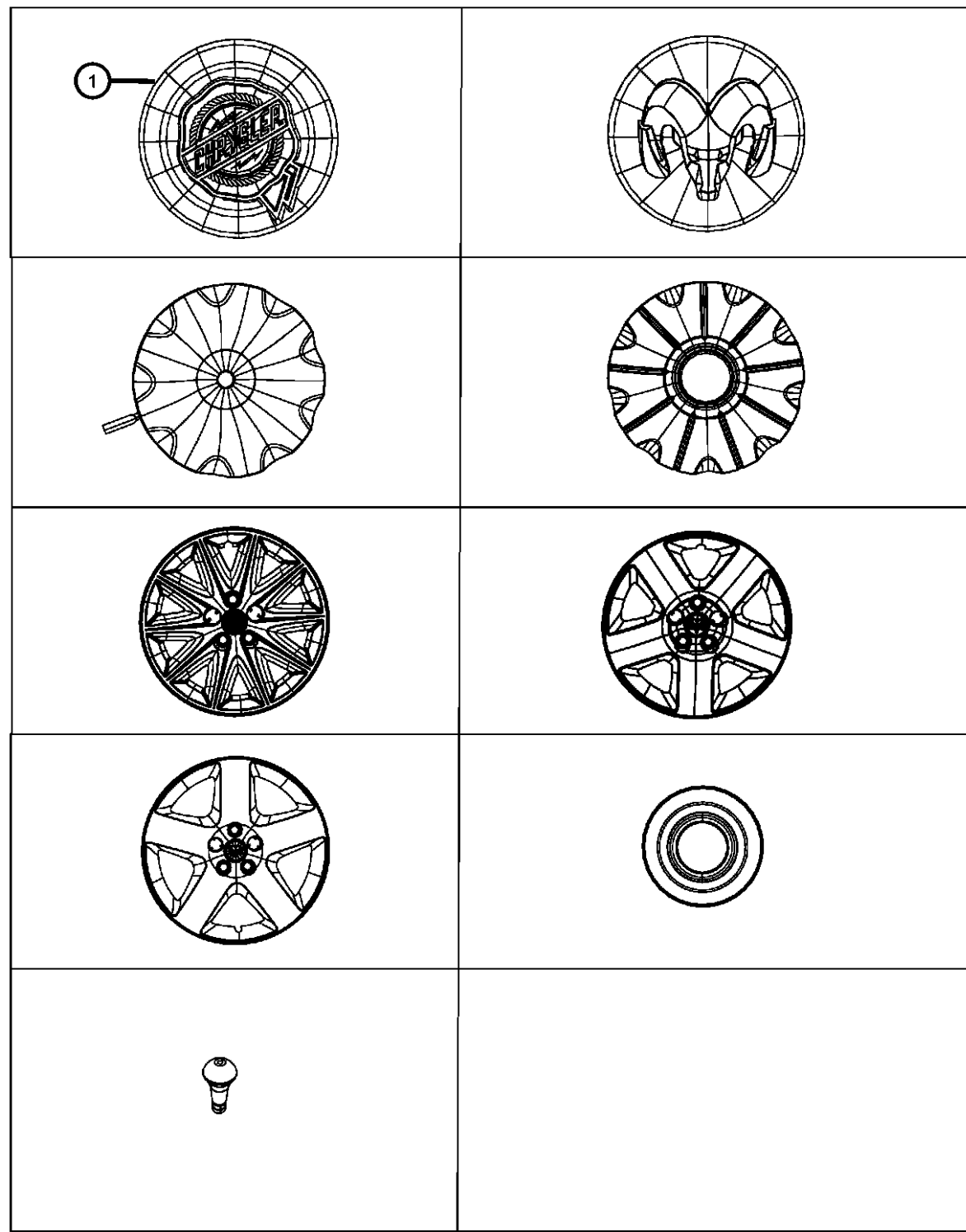
TRANSMISSION  
 DGJ = 5-Speed Auto W5A580 Transmission

AR = use ase required - = Non illustrated part

2008 LC

**Wheel Covers and Center Caps**  
**Figure 22-205**

ITEM	PART NUMBER	QTY	LINE	SERIES	BODY	ENGINE	TRANS	TRIM	DESCRIPTION
<p>NOTES: Sales Codes:            [WF3] = 20x9.0 Ultra Bright SRT Wheel            [WF4] = 17x7.5 Machined Cast Wheel            [WF6] = 17x8.0 Aluminum Wheel            [WGN] = 17x7.0 Aluminum Wheel            [WMH] = Bright Hub Caps            [WPA] = 20x9.0 Aluminum Wheel            [WPC] = 18X7.5 Aluminum Polished Wheel            [</p>									
1	04895900AA	4	D		22				CAP, Wheel Center



**DODGE CHALLENGER (LC)**  
 SERIES      LINE  
 X = SPECIAL    D = DODGE

BODY  
 22 = 2-DR SEDAN TYPE #2

ENGINE  
 ESF = 6.1L SRT HEMI SMPI V8 Engine

TRANSMISSION  
 DGJ = 5-Speed Auto W5A580 Transmission

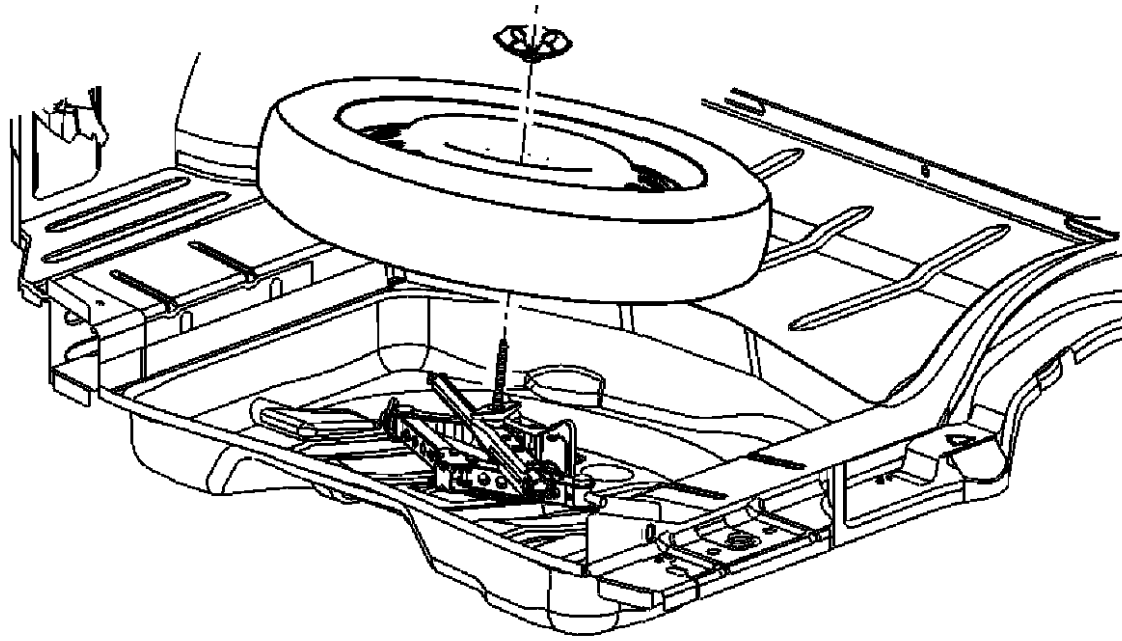
AR = use ase required    - = Non illustrated part

**Jack Assembly  
Figure 22-305**

ITEM	PART NUMBER	QTY	LINE	SERIES	BODY	ENGINE	TRANS	TRIM	DESCRIPTION
------	-------------	-----	------	--------	------	--------	-------	------	-------------

NOTES: Sales Codes:  
[XLB] = Arabic Language  
[XLR] = French/Canadian Language

-1	68042190AA	1	D		22				COMPRESSOR, Tire
-2	68042191AA	1	D		22				SEALANT, Tire
-3	05181361AB	1	D		22				INFLATOR KIT, Tire



**DODGE CHALLENGER (LC)**  
SERIES      LINE  
X = SPECIAL      D = DODGE

BODY  
22 = 2-DR SEDAN TYPE #2

ENGINE  
ESF = 6.1L SRT HEMI SMPI V8 Engine

TRANSMISSION  
DGJ = 5-Speed Auto W5A580 Transmission

AR = use ase required    - = Non illustrated part

2008 LC

# Group - 24

## Air Conditioners and Heaters

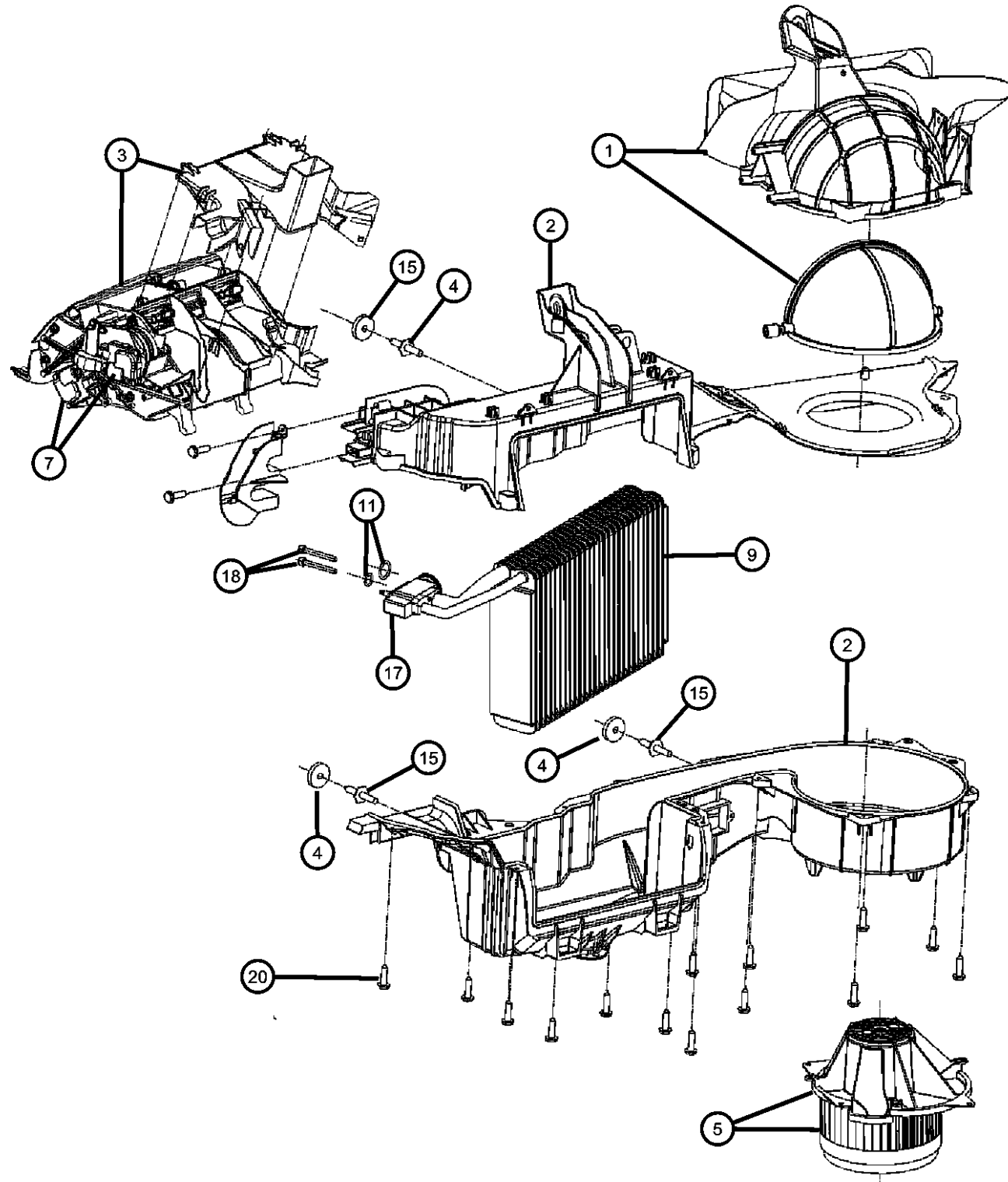
### Group - 24 Air Conditioners and Heaters

Illustration Title	Group-Fig. No.
<b>Air Conditioner and Heater Units</b>	
A/C and Heater Unit.....	Fig. 24 - 120
<b>Air Conditioner and Heater Plumbing</b>	
Heater Plumbing 6.1L [ESF].....	Fig. 24 - 205
A/C Plumbing.....	Fig. 24 - 220
<b>Air Conditioner and Heater Controls</b>	
A/C and Heater Controls.....	Fig. 24 - 310
<b>Air Conditioner Compressor and Mounting</b>	
A/C Compressor.....	Fig. 24 - 405
A/C Compressor Mounting.....	Fig. 24 - 440
<b>Air Ducts and Outlets</b>	
Ducts and Outlets.....	Fig. 24 - 505

<b>024-100</b> Air Conditioner and Heater Units	<b>024-200</b> Air Conditioner and Heater Plumbing	<b>024-300</b> Air Conditioner and Heater Controls	<b>024-400</b> Air Conditioner Compressor and Mounting
<b>024-500</b> Air Ducts and Outlets			



**A/C and Heater Unit  
Figure 24-120**



ITEM	PART NUMBER	QTY	LINE	SERIES	BODY	ENGINE	TRANS	TRIM	DESCRIPTION
1	68037360AA	1	D		22				HOUSING, Air Inlet, Includes: Door and Actuator
2	68037340AA	1	D		22				HOUSING, A/C And Heater, Includes: Heater Tube Clamp, and Studs.
3	68044273AA	1	D		22				HOUSING, Distribution, Includes Doors, Links and Levers
4	68044273AA	1							STUD, A/C and Heater Housing Mtg., Serviced with Blower Housing, (NOT SERVICED)
5	68037308AA	1	D		22				MOTOR, Blower with Wheel
-6	68037310AA	1	D		22				RESISTOR, Blower Motor
7	68033337AA	3	D		22				ACTUATOR, A/C and Heater
-8	68037320AA	1	D		22				CORE, Heater
9	05061585AA	1	D		22				EVAPORATOR, Air Conditioning, With Tubes and Seal
-10	68040532AA	1	D		22				PROBE, Air Conditioning
11	68040532AA	1							O RING, Expansion Valve, Serviced with Expansion Valve, (NOT SERVICED)
-12	04596511AA	1	D		22				TUBE, Drain
-13	68037370AA	1	D		22				SEAL KIT, A/C And Heater Unit, Includes: Evaporator to Dash, Air Inlet, Defrost and Unit Mounting Washers
-14	68037309AA	1	D		22				WIRING, A/C and HEATER
15	68037309AA	1							WASHER, A/C Unit Mounting Stud, Serviced with Blower Housing, (NOT SERVICED)
-16	68037309AA	1							O RING, Heater Core, Serviced with Heater Core, (NOT SERVICED)
17	05139687AA	1	D		22				VALVE, Expansion
18	05139687AA	1							SCREW, Expansion Valve Mounting, Serviced with Expansion Valve, (NOT SERVICED)
-19	68031980AA	1	D		22				CLAMP KIT, Heater Core Tubes
20	04734227	51	D		22				SCREW, Hex Head, M4.8-1.59x19

**DODGE CHALLENGER (LC)**  
 SERIES      LINE  
 X = SPECIAL    D = DODGE

BODY  
 22 = 2-DR SEDAN TYPE #2

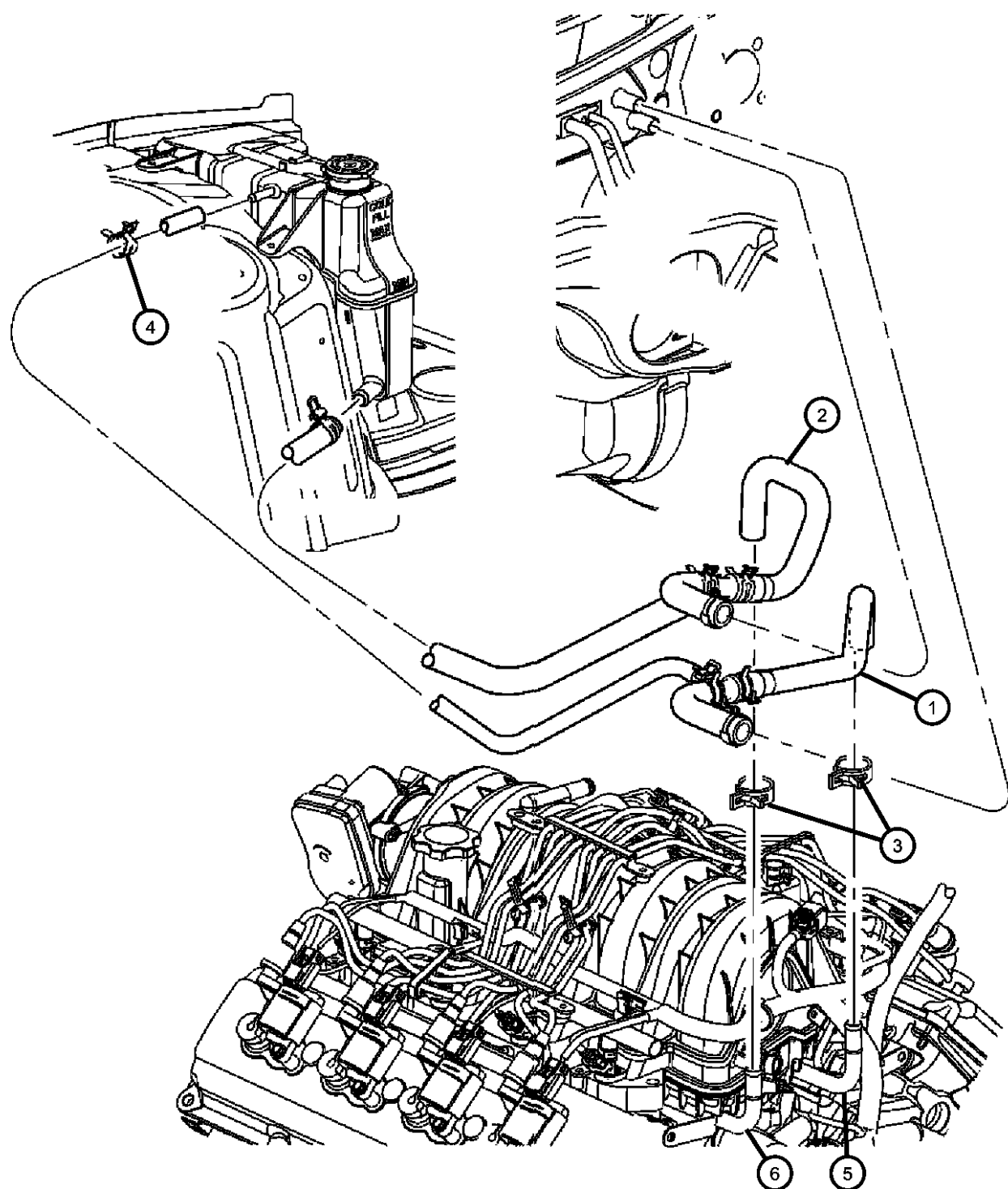
ENGINE  
 ESF = 6.1L SRT HEMI SMPI V8 Engine

TRANSMISSION  
 DGJ = 5-Speed Auto W5A580 Transmission

AR = use ase required    - = Non illustrated part

2008 LC

**Heater Plumbing 6.1L [ESF]  
Figure 24-205**



ITEM	PART NUMBER	QTY	LINE	SERIES	BODY	ENGINE	TRANS	TRIM	DESCRIPTION
------	-------------	-----	------	--------	------	--------	-------	------	-------------

Sales Code:  
[ES0] = All 6.1L Hemi Engines

1	55038134AA	1	D		22	ES0			HOSE, Heater Supply
2	55038133AA	1	D		22	ES0			HOSE, Heater Return
3	06502017	1	D		22	ES0			CLAMP, Hose, 24X15
4	52029091AA	1	D		22	ES0			CLAMP, Hose, 19X15
5	04892346AD	1	D		22	ESF			TUBE, Coolant outlet
6	05037891AA	1	D		22	ESF			TUBE, Coolant inlet
-7	53013736AA	2	D		22	ESF			O RING, Heater Line
-8	06101651	1	D		22	ESF			SCREW, Hex Head, M6x1x16, Tube to front Cover

**DODGE CHALLENGER (LC)**  
SERIES      LINE  
X = SPECIAL    D = DODGE

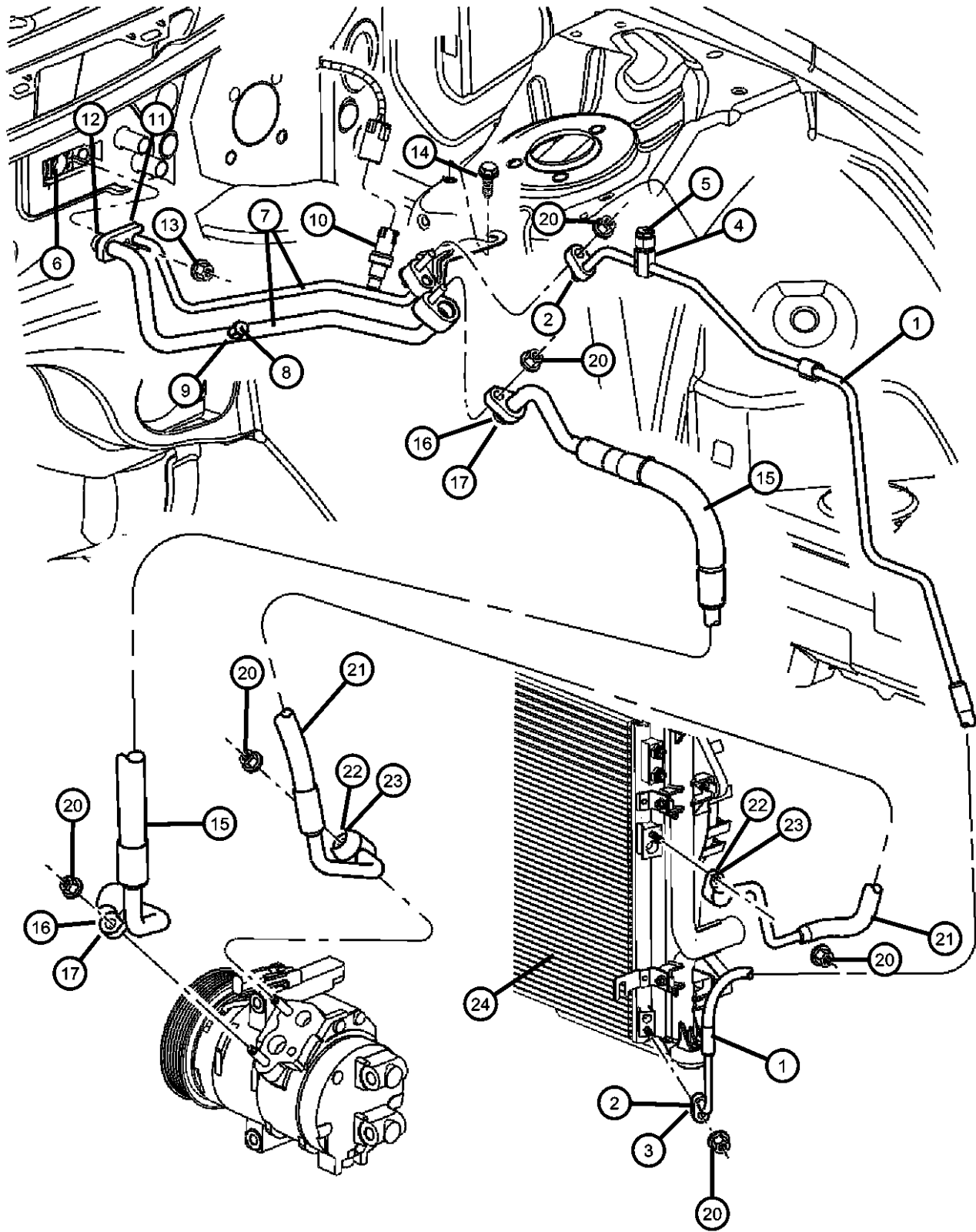
BODY  
22 = 2-DR SEDAN TYPE #2

ENGINE  
ESF = 6.1L SRT HEMI SMPI V8 Engine

TRANSMISSION  
DGJ = 5-Speed Auto W5A580 Transmission

AR = use ase required    - = Non illustrated part

A/C Plumbing  
Figure 24-220



ITEM	PART NUMBER	QTY	LINE	SERIES	BODY	ENGINE	TRANS	TRIM	DESCRIPTION
Sales Codes: [ES0] = All 6.1L Hemi Engines									
1	04596889AB	1	D		22				LINE, A/C Liquid
2	68035280AA	2	D		22				GASKET, A/C Line
3	68035281AA	2	D		22				O RING, A/C Line
4	05179284AA	1	D		22				VALVE, Charging
5	05179285AA	1	D		22				CAP, A/C Check Valve
6	05139687AA	1	D		22				VALVE, Expansion
7	04596887AA	1	D		22				LINE, A/C Suction And Liquid
8	05003461AA	1	D		22				VALVE, A/C Discharge Line Check
9	05179285AA	1	D		22				CAP, A/C Check Valve
10	05174039AB	1	D		22				VALVE, A/C pressure Transducer
11	04882136	1	D		22				O RING, A/C Line
12	05136091AA	1	D		22				O RING, A/C Line 3/8
13	06104715AA	2	D		23				NUT, Hex Flange Lock, M6X1.00
14	06104715AA	2							SCREW, Hex Head, M6x1x20, (NOT SERVICED)
15	04596897AA	1	D		22				LINE, A/C Suction
16	05127373AB	1	D		22				GASKET, A/C Compressor
17	05093526AB	1	D		22				O RING
-18	05003461AA	1	D		22				VALVE, A/C Discharge Line Check
-19	05073260AA	1	D		22				CAP
20	06101445	1	D		22				NUT AND WASHER, Hex, M8x1.25
21	04596893AA	1	D		22				LINE, A/C Discharge
22	05073612AB	2	D		22				SEAL
23	05093527AB	2	D		22				O RING
24	05170743AA	1	D		22				COOLER, Condenser and Trans Cooler, With Drier
-25	68026799AA	4	D		22				O RING, Receiver Drier

**DODGE CHALLENGER (LC)**  
SERIES LINE  
X = SPECIAL D = DODGE

BODY  
22 = 2-DR SEDAN TYPE #2

ENGINE  
ESF = 6.1L SRT HEMI SMPI  
V8 Engine

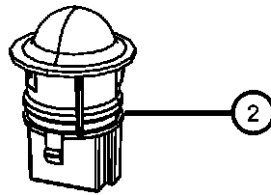
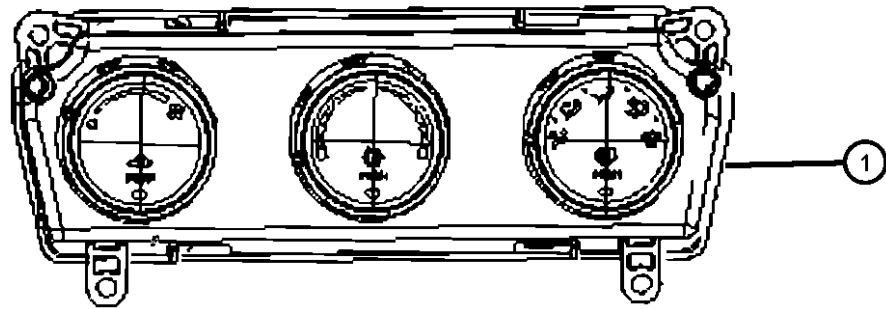
TRANSMISSION  
DGJ = 5-Speed Auto W5A580  
Transmission

AR = use ase required - = Non illustrated part

2008 LC

A/C and Heater Controls  
Figure 24-310

ITEM	PART NUMBER	QTY	LINE	SERIES	BODY	ENGINE	TRANS	TRIM	DESCRIPTION
1	55111904AD	1	D		22				CONTROL, A/C And Heater
2	55111903AB	1	D		22				SENSOR, Sun



DODGE CHALLENGER (LC)  
SERIES LINE  
X = SPECIAL D = DODGE

BODY  
22 = 2-DR SEDAN TYPE #2

ENGINE  
ESF = 6.1L SRT HEMI SMPI V8 Engine

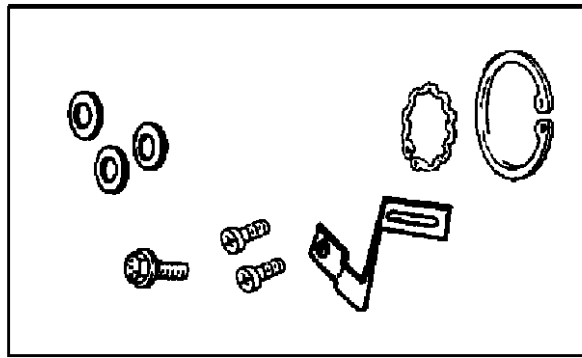
TRANSMISSION  
DGJ = 5-Speed Auto W5A580 Transmission

AR = use ase required - = Non illustrated part

2008 LC

A/C Compressor  
Figure 24-405

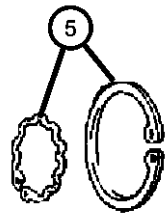
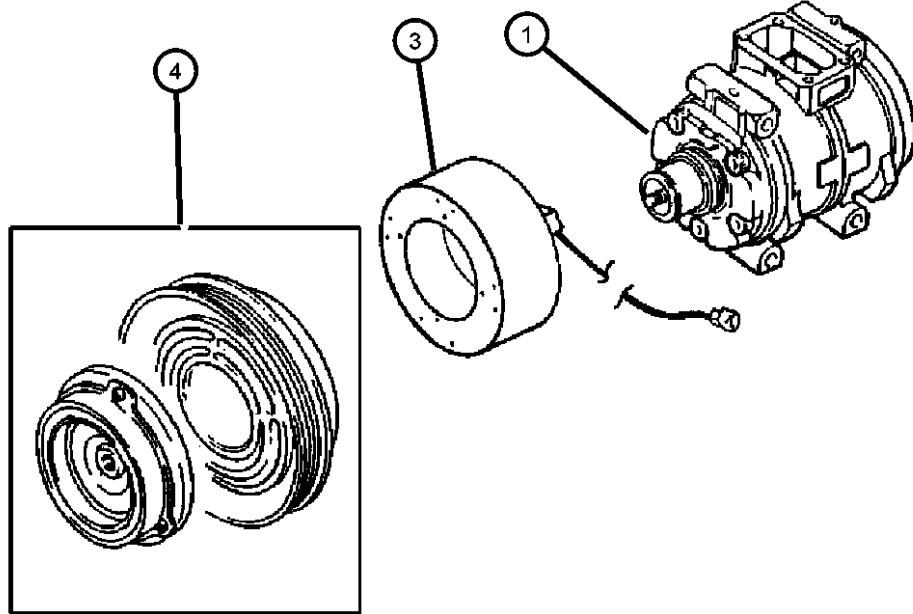
ITEM	PART NUMBER	QTY	LINE	SERIES	BODY	ENGINE	TRANS	TRIM	DESCRIPTION
------	-------------	-----	------	--------	------	--------	-------	------	-------------



2

Sales Codes:  
[ES0] = All 6.1L Engines

1	04596492AC	1	D		22				COMPRESSOR, Air Conditioning, Complete
2	05140428AA	1	D		22				CLUTCH OVERHAUL KIT, A/C Compressor
3	05003681AA	1	D		22				COIL, Air Conditioning Clutch
4	05140426AA	1	D		22				PULLEY HUB KIT, A/C Compressor
5	05264454	1	D		22				SNAP RING KIT, A/C Clutch
-6	82300102	1	D		22				LUBRICANT, A/C Compressor, 250ml



**DODGE CHALLENGER (LC)**  
SERIES LINE  
X = SPECIAL D = DODGE

BODY  
22 = 2-DR SEDAN TYPE #2

ENGINE  
ESF = 6.1L SRT HEMI SMPI V8 Engine

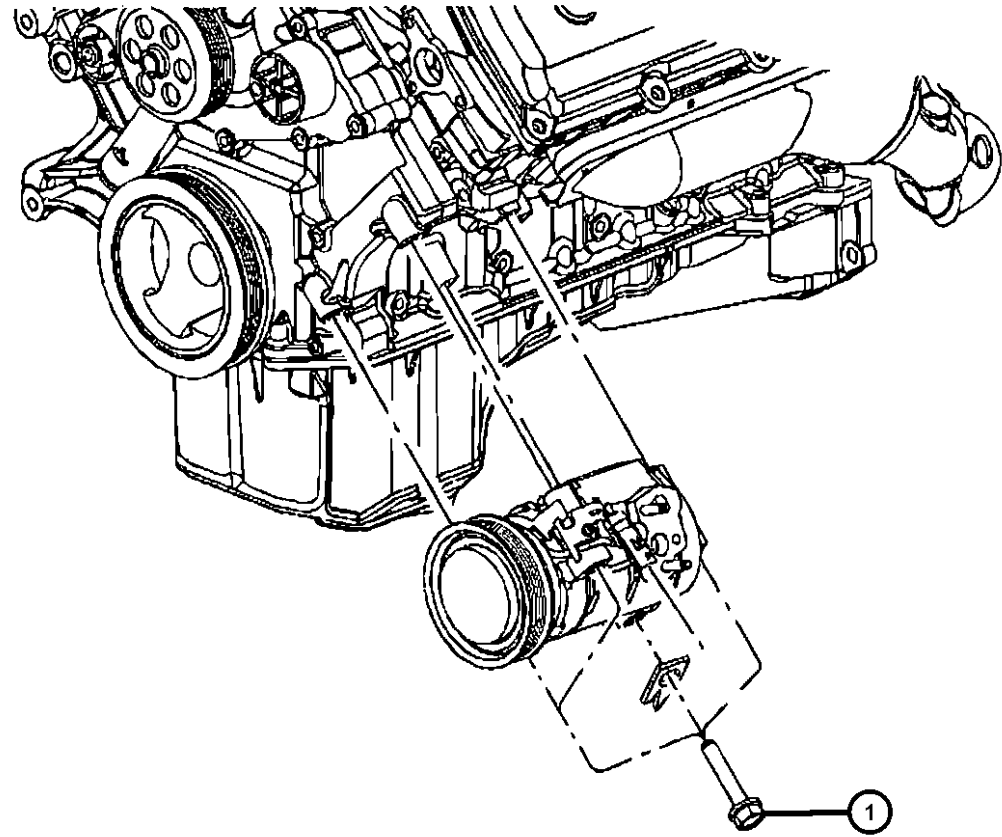
TRANSMISSION  
DGJ = 5-Speed Auto W5A580 Transmission

AR = use ase required - = Non illustrated part

2008 LC

**A/C Compressor Mounting  
Figure 24-440**

ITEM	PART NUMBER	QTY	LINE	SERIES	BODY	ENGINE	TRANS	TRIM	DESCRIPTION
1	06503703	4	D		22				BOLT, Hex Head, M10x1.50x100



**DODGE CHALLENGER (LC)**  
 SERIES      LINE  
 X = SPECIAL    D = DODGE

BODY  
 22 = 2-DR SEDAN TYPE #2

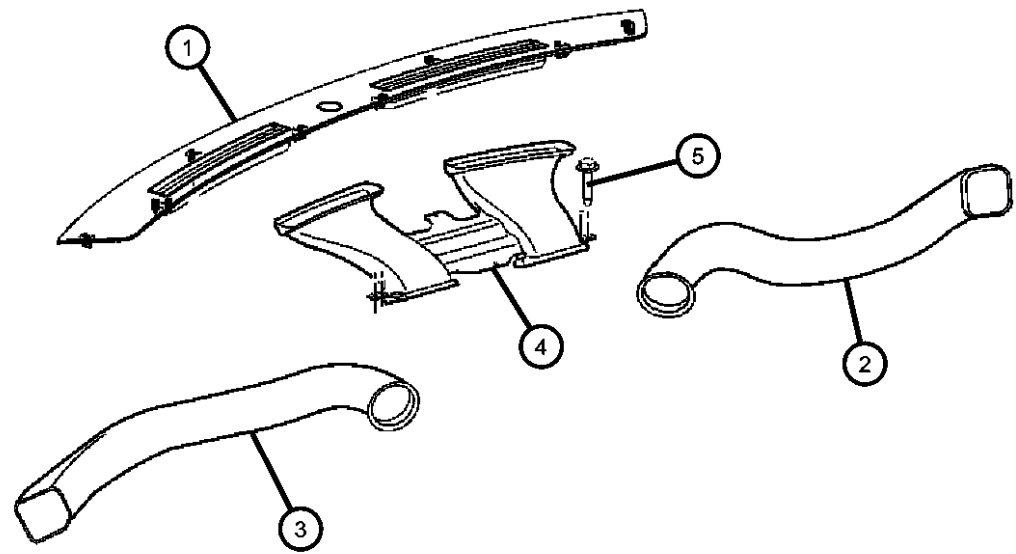
ENGINE  
 ESF = 6.1L SRT HEMI SMPI V8 Engine

TRANSMISSION  
 DGJ = 5-Speed Auto W5A580 Transmission

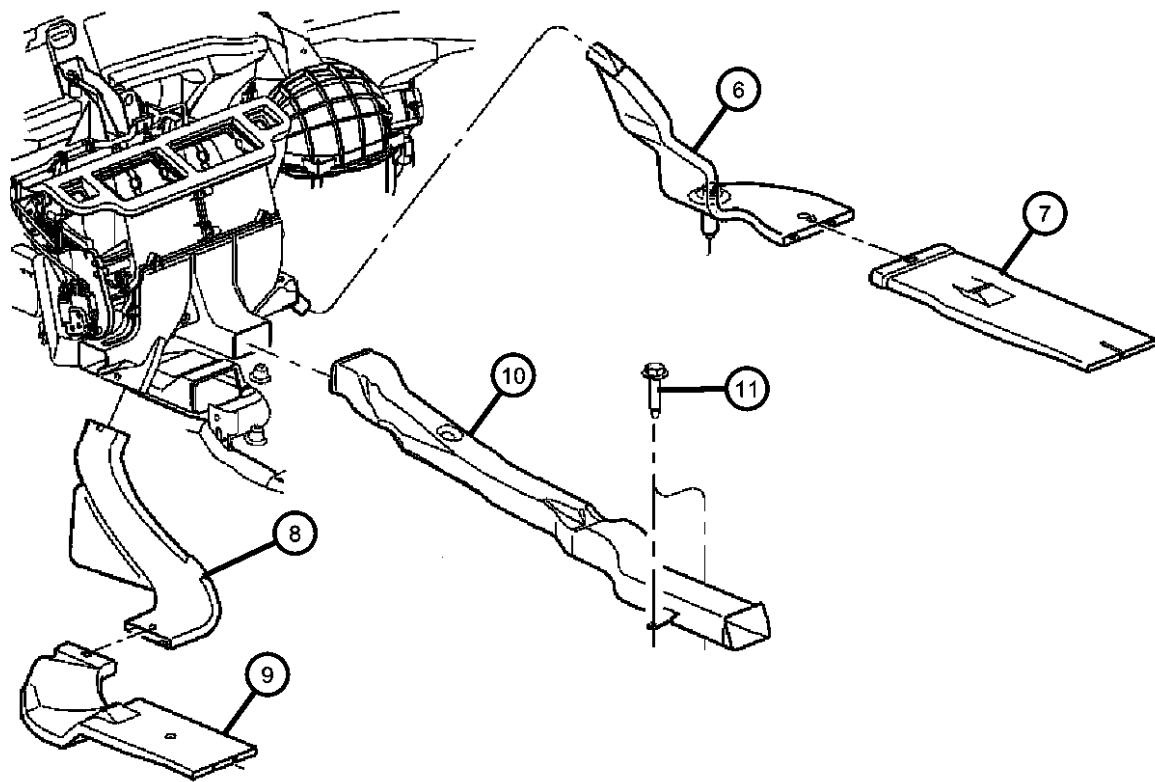
AR = use ase required    - = Non illustrated part

2008 LC

Ducts and Outlets  
Figure 24-505



ITEM	PART NUMBER	QTY	LINE	SERIES	BODY	ENGINE	TRANS	TRIM	DESCRIPTION
1	1FT36XDVAC	1	D		22				GRILLE, Defroster
2	1FT36XDVAC	1							DUCT, Air Distribution, Serviced in Instrument Panel, (NOT SERVICED)
3	1FT36XDVAC	1							DUCT, Air Distribution, Serviced in Instrument Panel, (NOT SERVICED)
4	04662049AA	1	D		22				DUCT, Defroster
5	06101946	4	D		22				SCREW, Tapping Hex Head, M4.2X1.70X20.00, Defroster Duct
6	04596504AB	1	D		22				DUCT, Heater And A/C, With Push PinRight
7	04596540AB	1	D		22				DUCT, Heater And A/C, Rear Floor Under Seat
8	04596505AB	1	D		22				DUCT, Heater And A/C, Rear FloorLeft
9	04596539AC	1	D		22				DUCT, Heater And A/CLeft
10	04662041AC	1	D		22				DUCT, Floor Console
11	06101946	4	D		22				SCREW, Tapping Hex Head, M4.2X1.70X20.00, Console Duct



DODGE CHALLENGER (LC)  
SERIES LINE  
X = SPECIAL D = DODGE

BODY  
22 = 2-DR SEDAN TYPE #2

ENGINE  
ESF = 6.1L SRT HEMI SMPI V8 Engine

TRANSMISSION  
DGJ = 5-Speed Auto W5A580 Transmission

AR = use ase required - = Non illustrated part

2008 LC

# Group - 25

## Emission Controls

### Group - 25 Emission Controls

Illustration Title

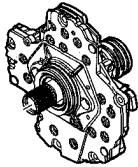
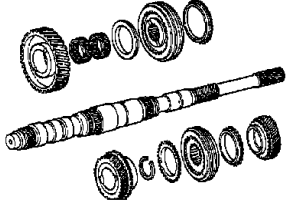
Group-Fig. No.

#### Vacuum Canister/Leak Detection Pump

Vapor Canister and Leak Detection Pump .....Fig. 25 - 305

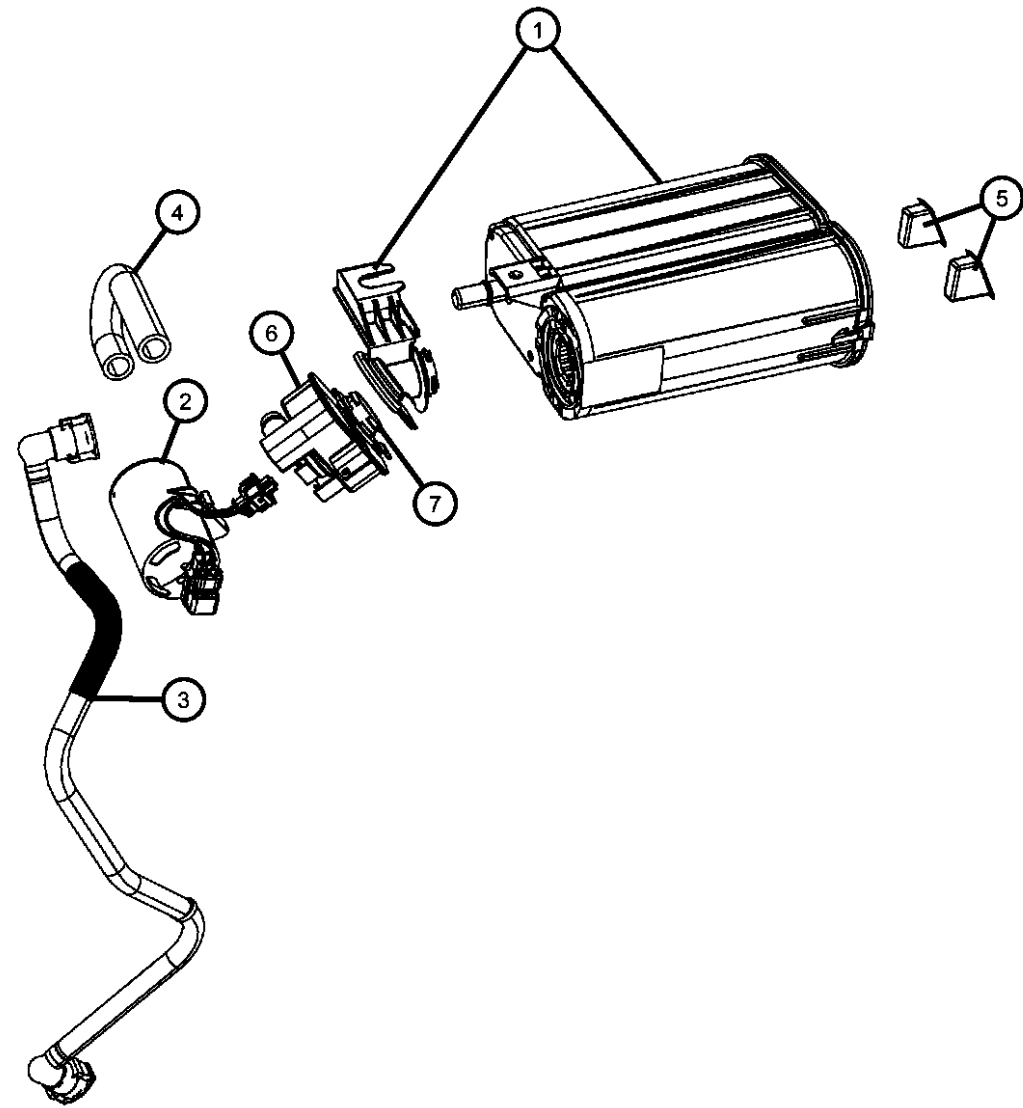
#### Emission Harness

Emission Control Vacuum Harness .....Fig. 25 - 405

<p><b>025-300</b> Vacuum Canister/Leak Detection Pump</p> 	<p><b>025-400</b> Emission Harness</p> 		
---	--	--	--



Vapor Canister and Leak Detection Pump  
Figure 25-305



ITEM	PART NUMBER	QTY	LINE	SERIES	BODY	ENGINE	TRANS	TRIM	DESCRIPTION
1	04578587AC	1	D		22				CANISTER, Vapor
2	04891564AC	1	D		22				FILTER, Leak Detection Pump
3	04578655AA	1	D		22				TUBE, Vapor
4	04578654AA	1	D		22				HOSE, Canister to Filter
5	04578656AA	1	D		22				GROMMET, Vapor Canister Mounting
6	04891685AA	1	D		22				DETECTOR, Evaporative System Integrity Module
7	52129436AA	1	D		22				SEAL, Vapor canister, Seal

**DODGE CHALLENGER (LC)**  
 SERIES LINE  
 X = SPECIAL D = DODGE

BODY  
 22 = 2-DR SEDAN TYPE #2

ENGINE  
 ESF = 6.1L SRT HEMI SMPI V8 Engine

TRANSMISSION  
 DGJ = 5-Speed Auto W5A580 Transmission

AR = use ase required - = Non illustrated part

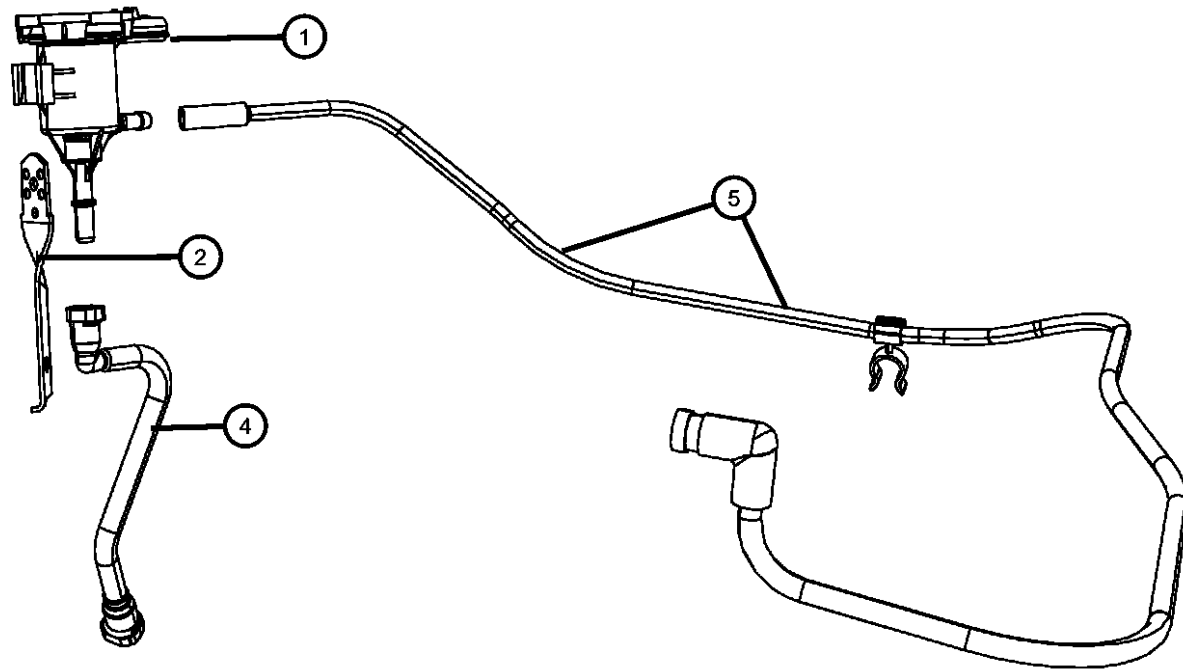
2008 LC

**Emission Control Vacuum Harness  
Figure 25-405**

ITEM	PART NUMBER	QTY	LINE	SERIES	BODY	ENGINE	TRANS	TRIM	DESCRIPTION
------	-------------	-----	------	--------	------	--------	-------	------	-------------

Note; Sales Codes;  
[ESF] = 6.1L V-8 Gas Engines

1	04891738AA	1	D		22	ESF			VALVE, Linear Purge
2	04578419AB	1	D		22				BRACKET, Proportional Purge Solenoid
-3	06102142AA	1	D		22				SCREW, Hex Head, M6x1x15
4	04578630AB	1	D		22	ESF			HOSE
5	05038086AA	1	D		22	ES0			HARNESS, Vacuum Vapor



**DODGE CHALLENGER (LC)**  
SERIES      LINE  
X = SPECIAL    D = DODGE

BODY  
22 = 2-DR SEDAN TYPE #2

ENGINE  
ESF = 6.1L SRT HEMI SMPI V8 Engine

TRANSMISSION  
DGJ = 5-Speed Auto W5A580 Transmission

AR = use ase required    - = Non illustrated part

2008 LC

# Group - 26

## Labels

## Group - 26 Labels

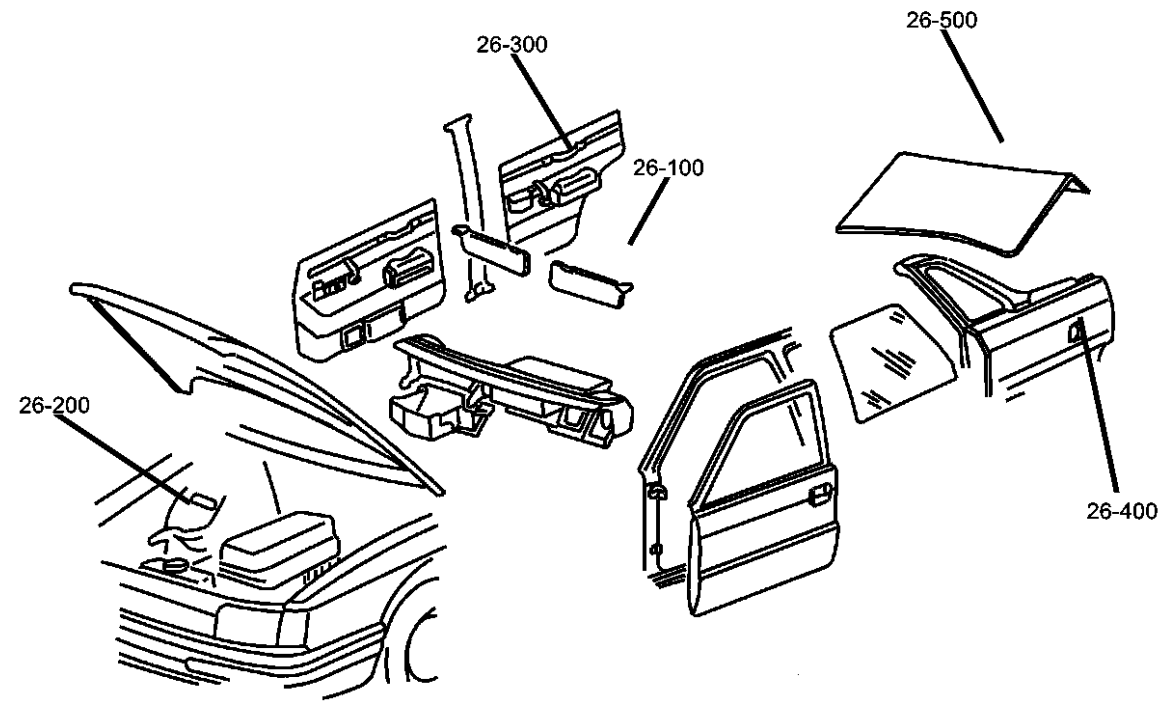


Illustration Title

Group-Fig. No.

### Interior

Instrument Panel ..... Fig. 26 - 105  
 Visor ..... Fig. 26 - 110

### Under Hood

Engine Department ..... Fig. 26 - 205

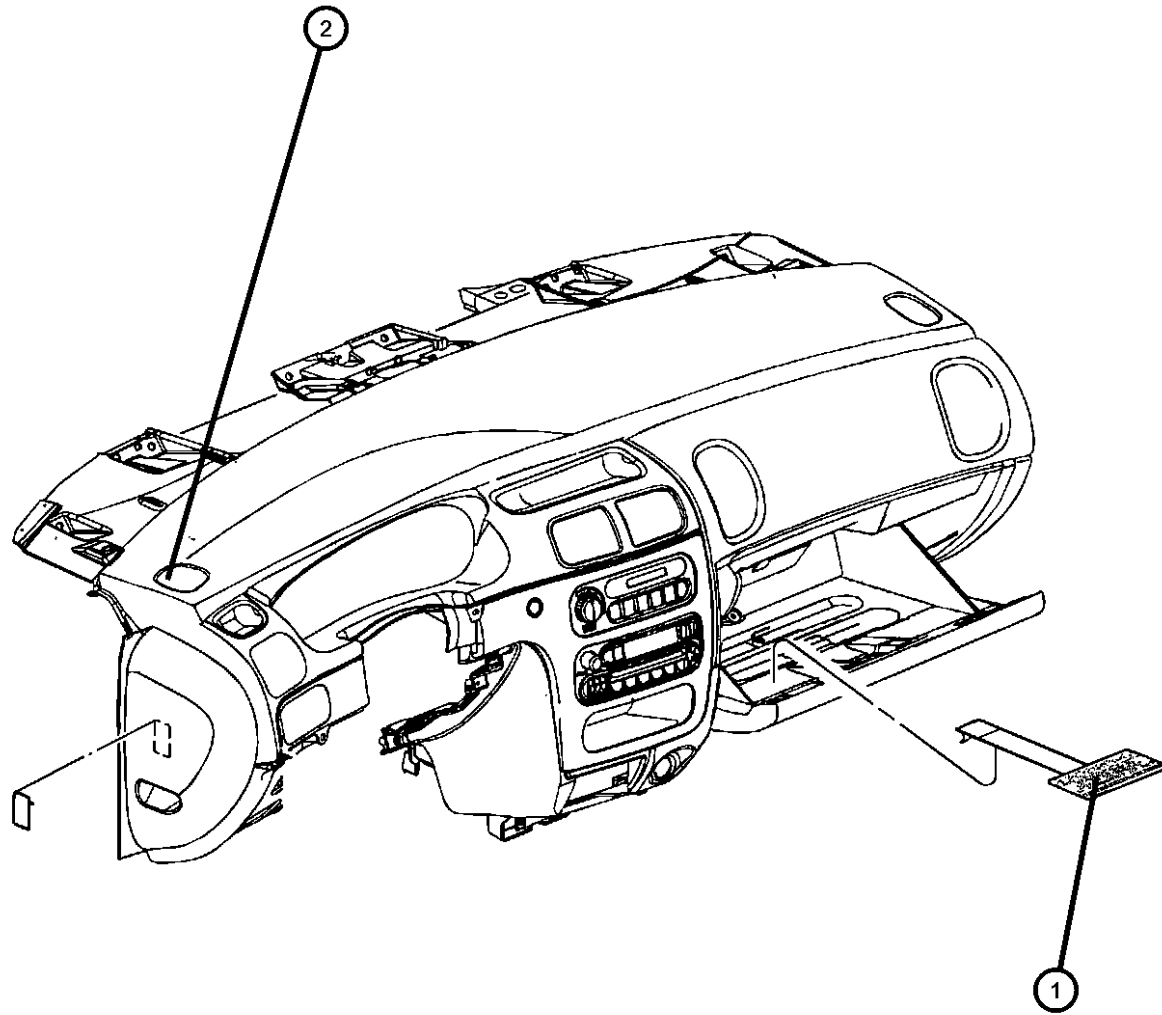
### Doors

Front and Rear Door Labels ..... Fig. 26 - 310  
 Fuel Door ..... Fig. 26 - 315

<b>026-100</b> Interior	<b>026-200</b> Under Hood	<b>026-300</b> Doors	
----------------------------	------------------------------	-------------------------	--

Instrument Panel  
Figure 26-105

ITEM	PART NUMBER	QTY	LINE	SERIES	BODY	ENGINE	TRANS	TRIM	DESCRIPTION
1	05108001AB	1			22				LABEL, Air Bag Warning Dangle Label - English
	05108002AB	1			22				Dangle Label French
2	05288120	1		X	22	ES0			LABEL



**DODGE CHALLENGER (LC)**  
 SERIES      LINE  
 X = SPECIAL    D = DODGE

BODY  
 22 = 2-DR SEDAN TYPE #2

ENGINE  
 ESF = 6.1L SRT HEMI SMPI  
 V8 Engine

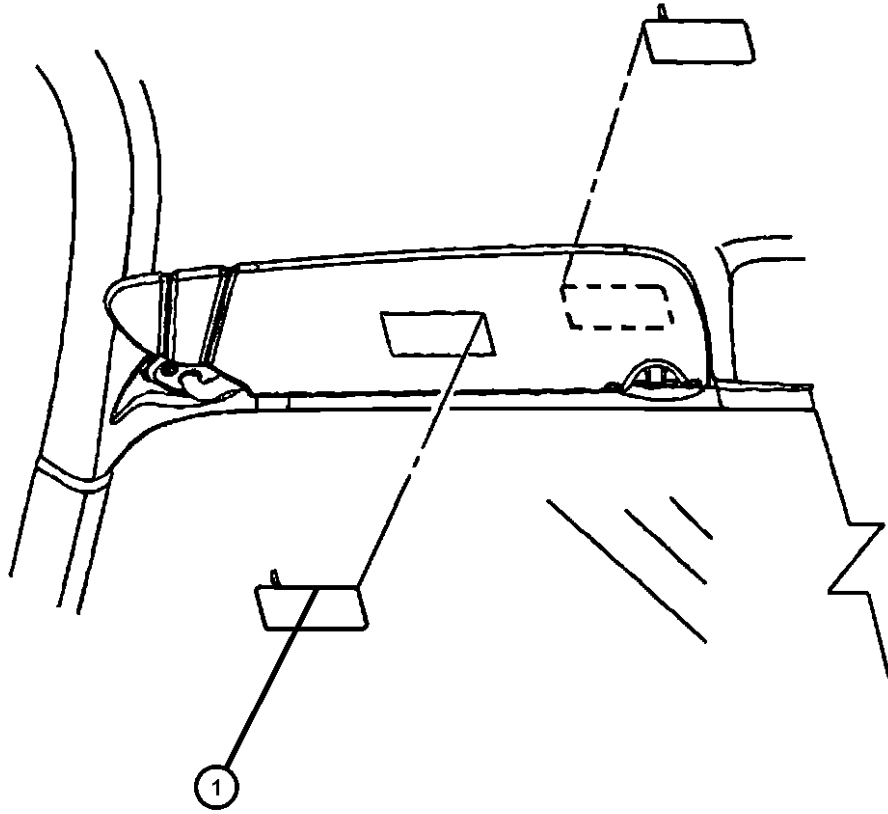
TRANSMISSION  
 DGJ = 5-Speed Auto W5A580  
 Transmission

AR = use ase required - = Non illustrated part

2008 LC

Visor  
Figure 26-110

ITEM	PART NUMBER	QTY	LINE	SERIES	BODY	ENGINE	TRANS	TRIM	DESCRIPTION
1	05108000AA	2			22				LABEL, Air Bag Warning, Visor



**DODGE CHALLENGER (LC)**  
 SERIES      LINE  
 X = SPECIAL    D = DODGE

BODY  
 22 = 2-DR SEDAN TYPE #2

ENGINE  
 ESF = 6.1L SRT HEMI SMPI V8 Engine

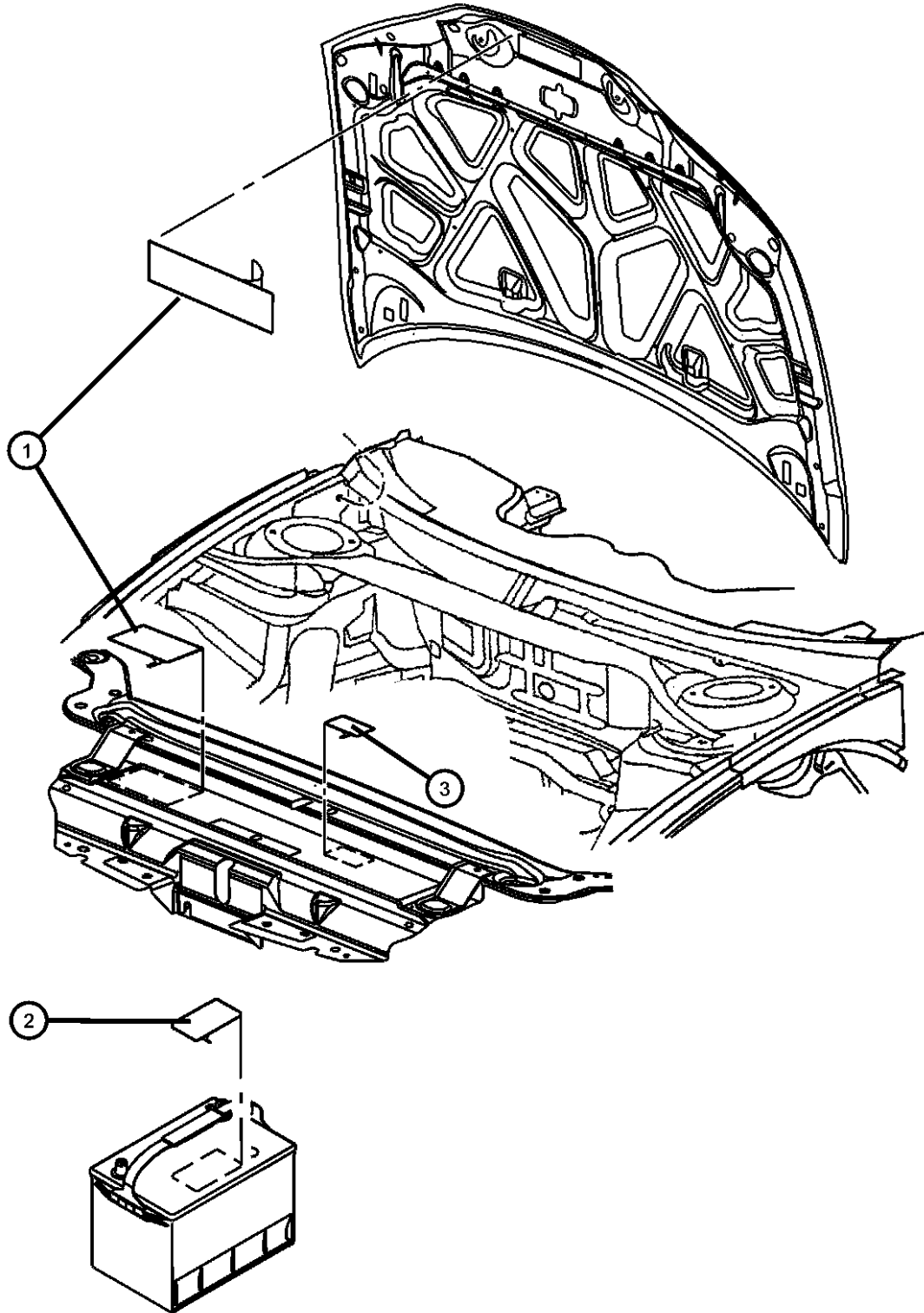
TRANSMISSION  
 DGJ = 5-Speed Auto W5A580 Transmission

AR = use ase required    - = Non illustrated part

2008 LC

Engine Department  
Figure 26-205

ITEM	PART NUMBER	QTY	LINE	SERIES	BODY	ENGINE	TRANS	TRIM	DESCRIPTION
1	05038342AA	1			22	ESF			LABEL, Emission
2	04606799AA	1			22				LABEL, Battery
3	04596521AC	1			22				LABEL, Fan Caution, A/C Spec & Belt Rtg.



**DODGE CHALLENGER (LC)**  
 SERIES      LINE  
 X = SPECIAL    D = DODGE

BODY  
 22 = 2-DR SEDAN TYPE #2

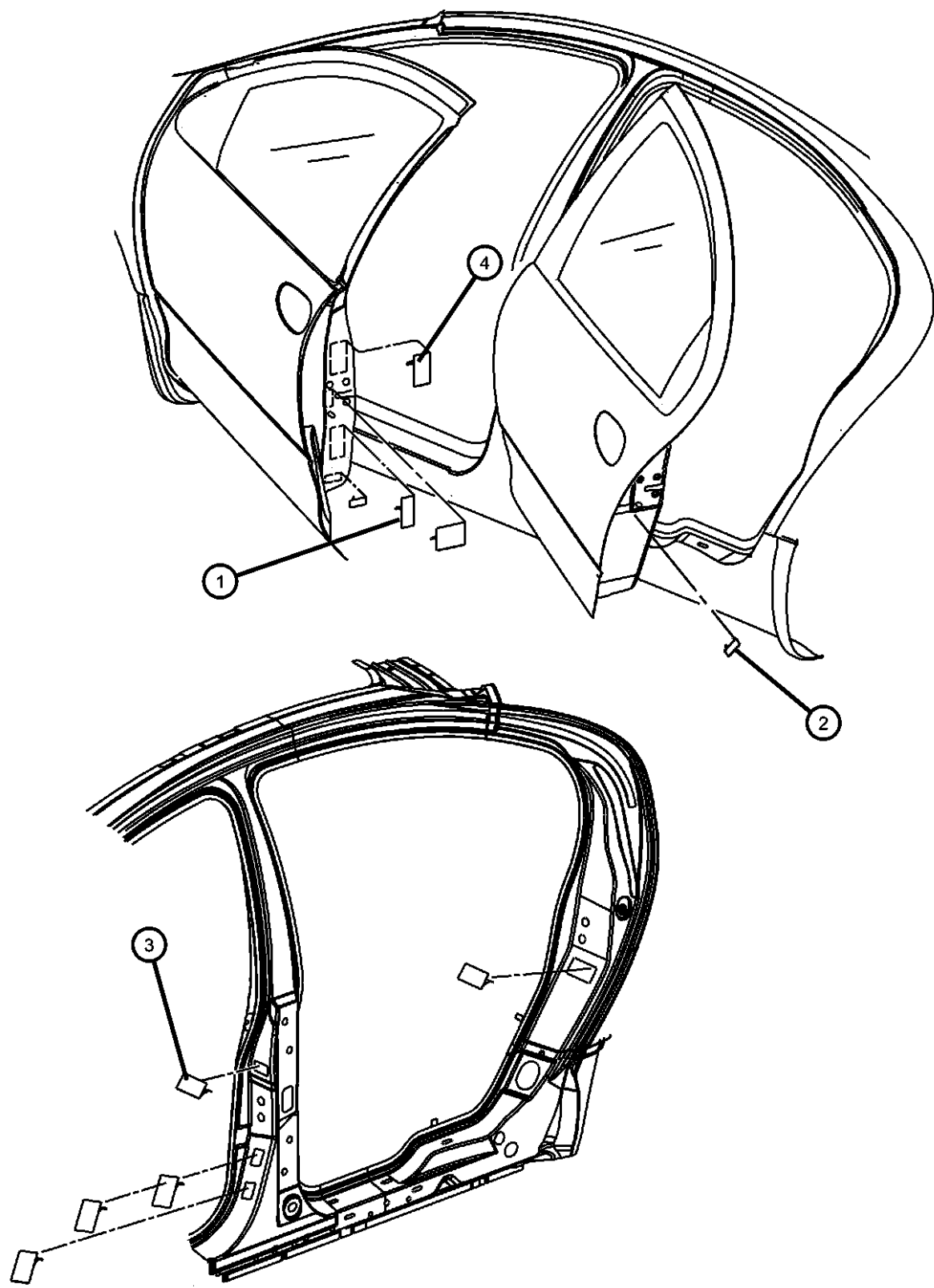
ENGINE  
 ESF = 6.1L SRT HEMI SMPI V8 Engine

TRANSMISSION  
 DGJ = 5-Speed Auto W5A580 Transmission

AR = use ase required    - = Non illustrated part

2008 LC

**Front and Rear Door Labels  
Figure 26-310**



ITEM	PART NUMBER	QTY	LINE	SERIES	BODY	ENGINE	TRANS	TRIM	DESCRIPTION
-1	05056245AB	1			22				LABEL, Tire Pressure
2	05056245AB	1							LABEL, Child Protection Lock, French, English and French, (NOT SERVICED)
3	05020527AB	1			22				LABEL, Mercury Warning With JAT%JLN%LMP%RER%REN
	05020533AB	1			22				Without JAT and REN
4	04680556AB	1			22				DECAL, Seat Belt Safety

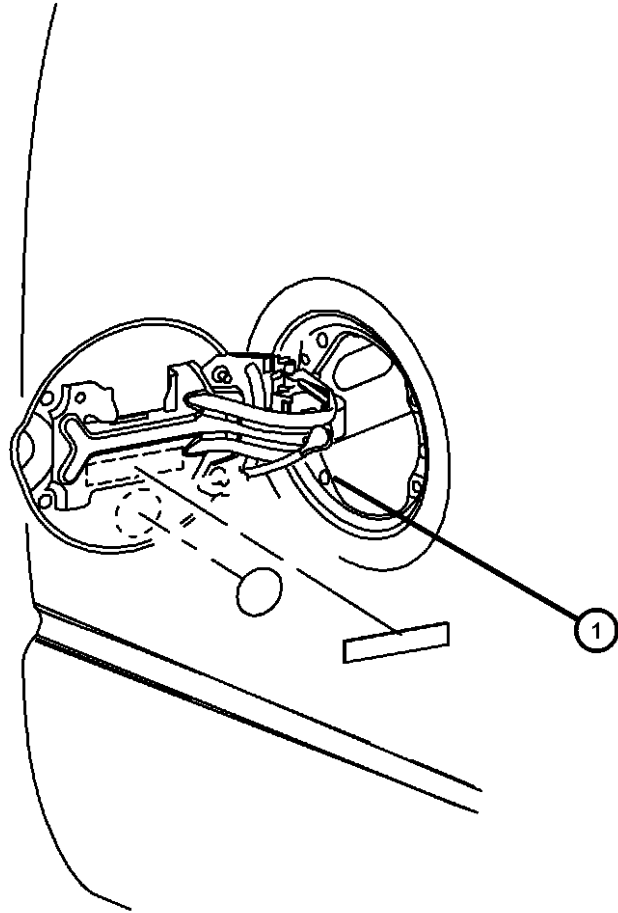
**DODGE CHALLENGER (LC)**  
 SERIES      LINE  
 X = SPECIAL    D = DODGE

BODY                      ENGINE                      TRANSMISSION  
 22 = 2-DR SEDAN TYPE #2    ESF = 6.1L SRT HEMI SMPI V8 Engine    DGJ = 5-Speed Auto W5A580 Transmission

AR = use ase required    - = Non illustrated part

Fuel Door  
Figure 26-315

ITEM	PART NUMBER	QTY	LINE	SERIES	BODY	ENGINE	TRANS	TRIM	DESCRIPTION
1	05152042AA	1			22	EG0, EZ0			LABEL, Fuel Door



**DODGE CHALLENGER (LC)**  
 SERIES      LINE  
 X = SPECIAL    D = DODGE

BODY  
 22 = 2-DR SEDAN TYPE #2

ENGINE  
 ESF = 6.1L SRT HEMI SMPI V8 Engine

TRANSMISSION  
 DGJ = 5-Speed Auto W5A580 Transmission

AR = use ase required    - = Non illustrated part

2008 LC



---

# Group - 27

## Glass

### Group - 27 Glass

Illustration Title

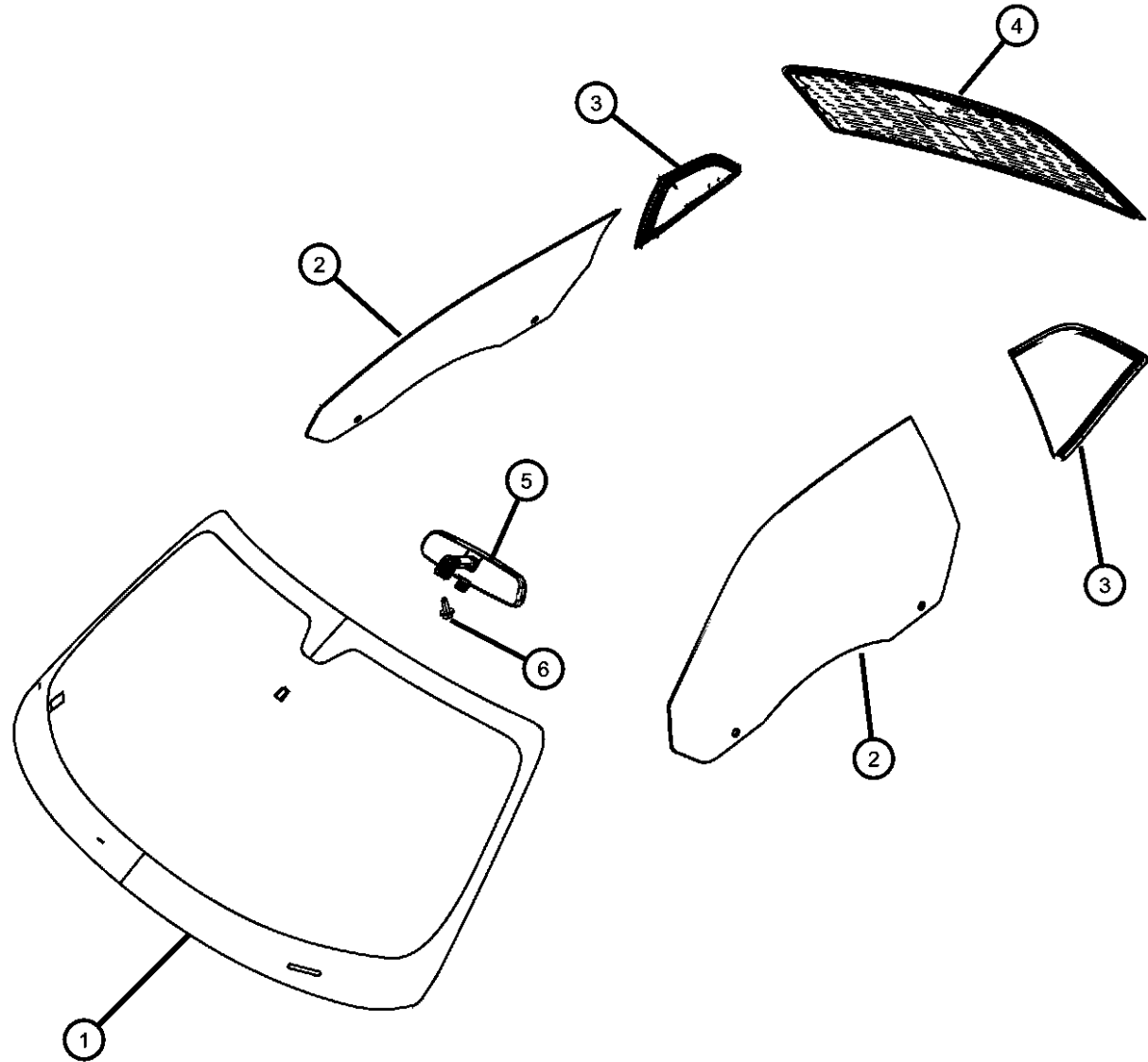
Group-Fig. No.

#### Glass and Interior Rear View Mirror

Glass, Glass Hardware & Interior Mirrors .....Fig. 27 - 105

<b>027-100</b> Glass and Interior Rear View Mirror			
--	--	--	--

**Glass, Glass Hardware & Interior Mirrors**  
**Figure 27-105**



ITEM	PART NUMBER	QTY	LINE	SERIES	BODY	ENGINE	TRANS	TRIM	DESCRIPTION
1	05112807AA	1	D		22				WINDSHIELD
2									GLASS, Front Door
	04816142AB	1	D		22				Right
	04816143AB	1	D		22				Left
3									GLASS, Quarter Window
	04816144AB	1	D		22				Right
	04816145AB	1	D		22				Left
4	05112803AC	1	D		22				BACKLITE
5									MIRROR, Inside Rear View
	55156172AA	1	D		22				With Sales Code [GNA]
	68020439AA	1	D		22				With Sales Code [GN5]
6	06036548AA	1	D		22				SCREW, Tapping Pan Head, .190-24x.375

**DODGE CHALLENGER (LC)**  
 SERIES      LINE  
 X = SPECIAL    D = DODGE

BODY  
 22 = 2-DR SEDAN TYPE #2

ENGINE  
 ESF = 6.1L SRT HEMI SMPI  
 V8 Engine

TRANSMISSION  
 DGJ = 5-Speed Auto W5A580  
 Transmission

AR = use ase required    - = Non illustrated part

2008 LC

# Group - 30

## Doors, Door Mirrors and Related Parts

### Group - 30 Doors, Door Mirrors and Related Parts

Illustration Title

Group-Fig. No.

#### Front Door

Front Door, Shell and Hinges.....Fig. 30 - 105

Front Door, Hardware Components.....Fig. 30 - 125

Exterior Door Lock Cylinders.....Fig. 30 - 150

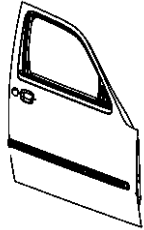
#### Exterior Mirror

Exterior Mirror .....Fig. 30 - 505

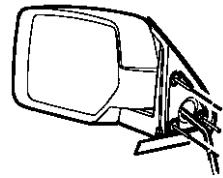
#### Weatherstrips and Seals

Weatherstrips, Front Door .....Fig. 30 - 605

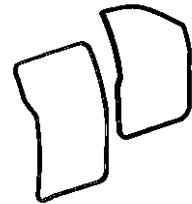
**030-100**  
Front Door



**030-500**  
Exterior Mirror

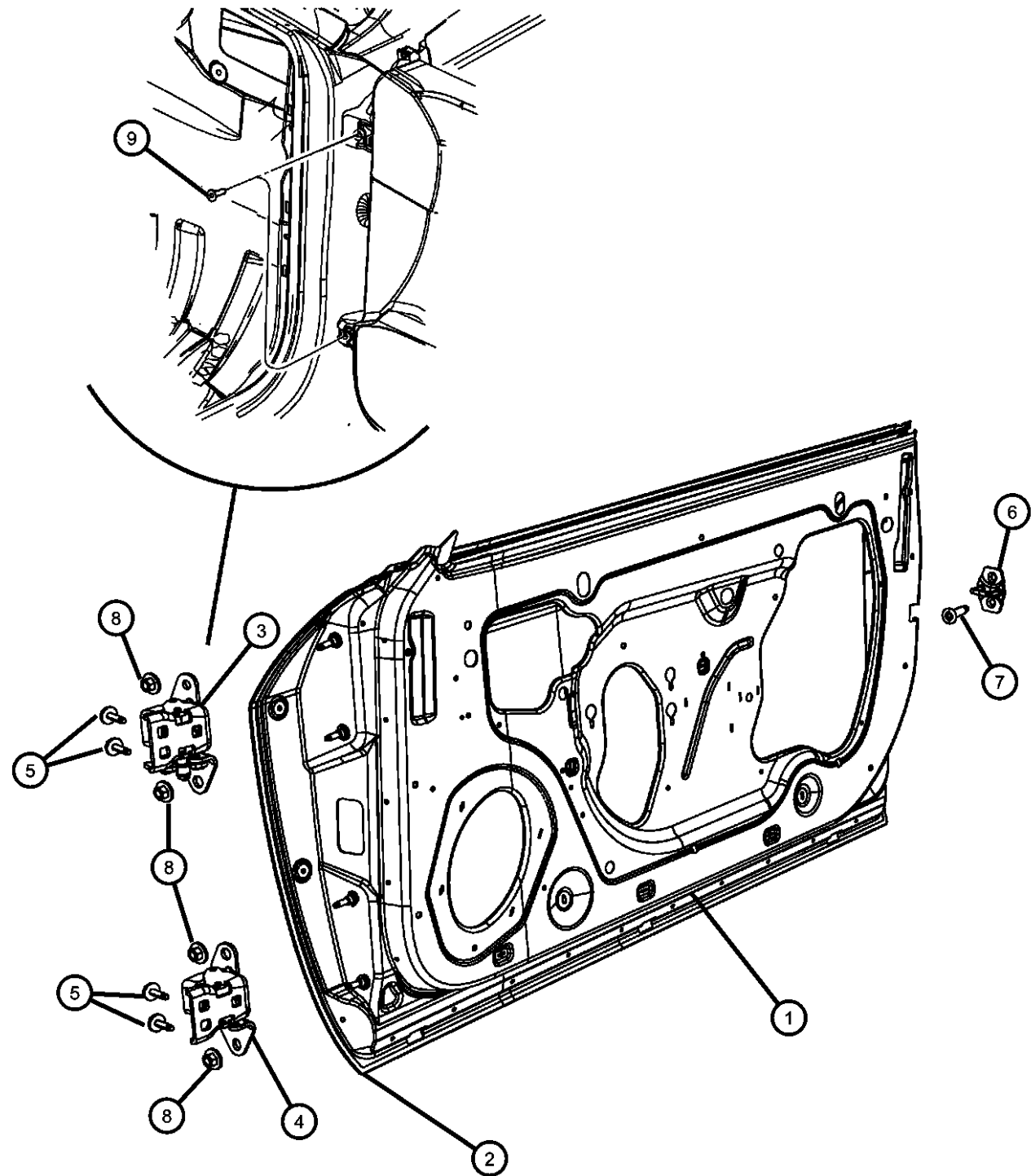


**030-600**  
Weatherstrips and Seals



**Front Door, Shell and Hinges**  
**Figure 30-105**

ITEM	PART NUMBER	QTY	LINE	SERIES	BODY	ENGINE	TRANS	TRIM	DESCRIPTION
1									DOOR, Front
	68044222AA	1	D		22				Right
	68044223AA	1	D		22				Left
2									PANEL, Door Outer
	04816156AA	1	D		22				Right
	04816157AA	1	D		22				Left
3									HINGE, Front Door Upper
	68024106AC	1	D		22				Right
	68024107AC	1	D		22				Left
4									HINGE, Front Door Lower
	68026642AB	1	D		22				Right
	68026643AB	1	D		22				Left
5	06507742AA	8	D		22				SCREW AND WASHER, Hex Head, M8x1.25x33, Hinge to Body
6	04780259AD	2	D		22				STRIKER, Door Latch
7	06508312AA	4	D		22				SCREW, Torx Head, M8X1.25X34
8	06101446	8	D		22				NUT AND WASHER, Door to Hinge
9	06504443	4	D		22				SCREW



**DODGE CHALLENGER (LC)**  
 SERIES      LINE  
 X = SPECIAL    D = DODGE

BODY  
 22 = 2-DR SEDAN TYPE #2

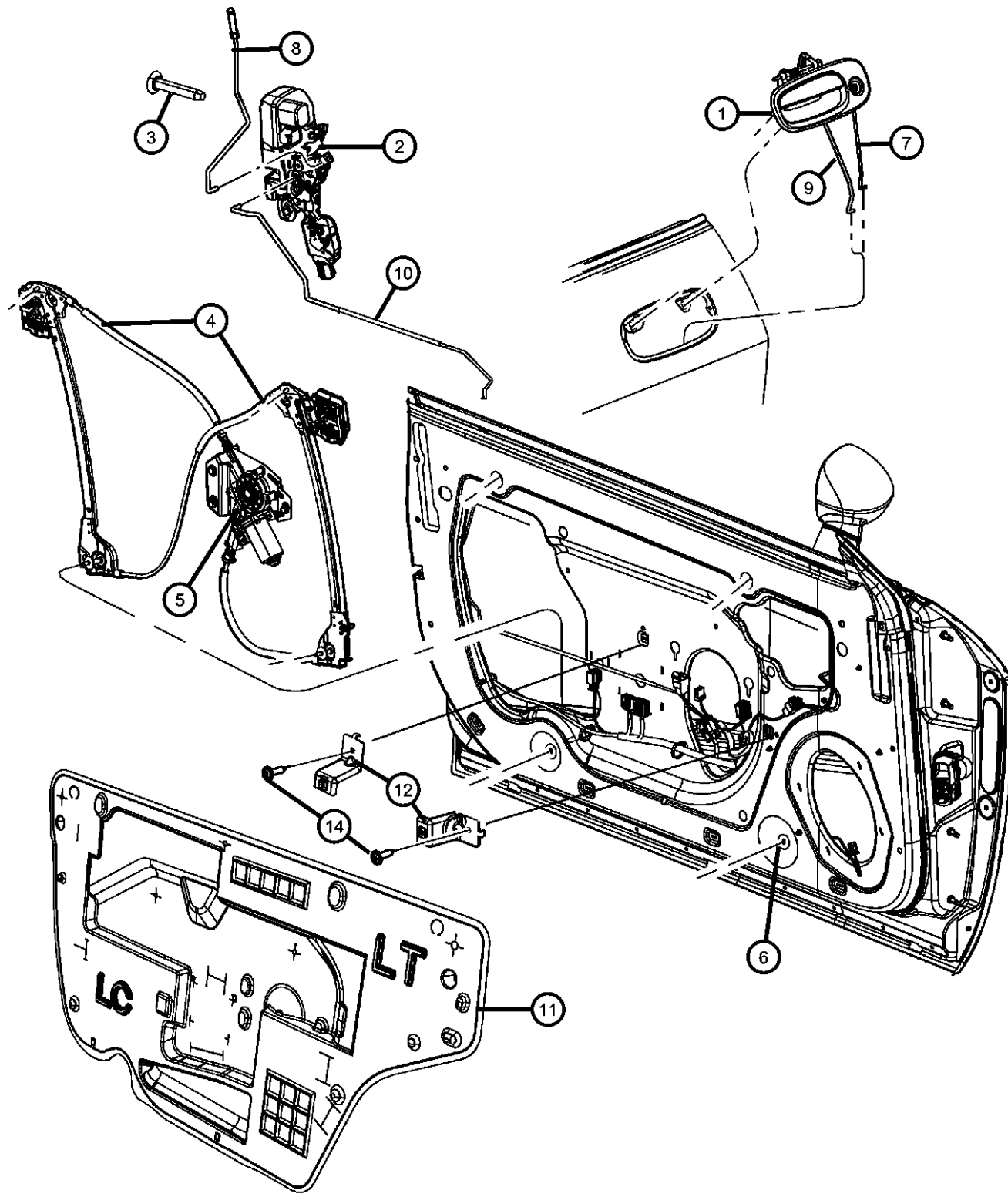
ENGINE  
 ESF = 6.1L SRT HEMI SMPI V8 Engine

TRANSMISSION  
 DGJ = 5-Speed Auto W5A580 Transmission

AR = use ase required    - = Non illustrated part

2008 LC

Front Door, Hardware Components  
Figure 30-125



ITEM	PART NUMBER	QTY	LINE	SERIES	BODY	ENGINE	TRANS	TRIM	DESCRIPTION
1	0YS87AXRAF	1	D		22				HANDLE, Exterior Door [XR], Left
	0YS87FLCAF	1	D		22				[LC], Left
	0YS87WS2AF	1	D		22				[S2], Left
	0YS88AXRAF	1	D		22				[XR], Right
	0YS88FLCAF	1	D		22				[LC], Right
	0YS88WS2AF	1	D		22				[S2], Right
2	04589602AB	1	D		22				LATCH, Front Door Right
	04589603AB	1	D		22				Left
3	06036651AA	6	D		22				SCREW, Tapping
4	68043884AA	1	D		22				REGULATOR, Front Door Window Right
	68043885AA	1	D		22				Left
5	68043882AA	1	D		22				MOTOR, Window Regulator, Front Door Right
	68043883AA	1	D		22				Left
6	06104725AA	8	D		22				NUT AND WASHER, Hex, M6X1.00
7	04816133AB	1	D		22				LINK, Key Cylinder To Latch
8	1GD94SZ6AB	1	D		22				KNOB AND LINK, Door Latch Right
	1GD95SZ6AB	1	D		22				Left
9	04816138AA	1	D		22				LINK, Door Latch Outside Handle to Latch, Right
	04816139AA	1	D		22				Outside Handle to Latch, Left
10	04816140AA	1	D		22				LINK, Door Latch Inside Handle to Latch, Right
	04816141AA	1	D		22				Inside Handle to Latch, Left
11	55399132AB	1	D		22				WATERSHIELD, Front Door Right
	55399133AB	1	D		22				Left
12	04662037AC	1	D		22				BRACKET, Door Pull Cup Left
		1	D		22				Right
-13	1MV561DVAA	1	D	X	22				HANDLE, Inside Release Right

DODGE CHALLENGER (LC)  
SERIES LINE  
X = SPECIAL D = DODGE

BODY  
22 = 2-DR SEDAN TYPE #2

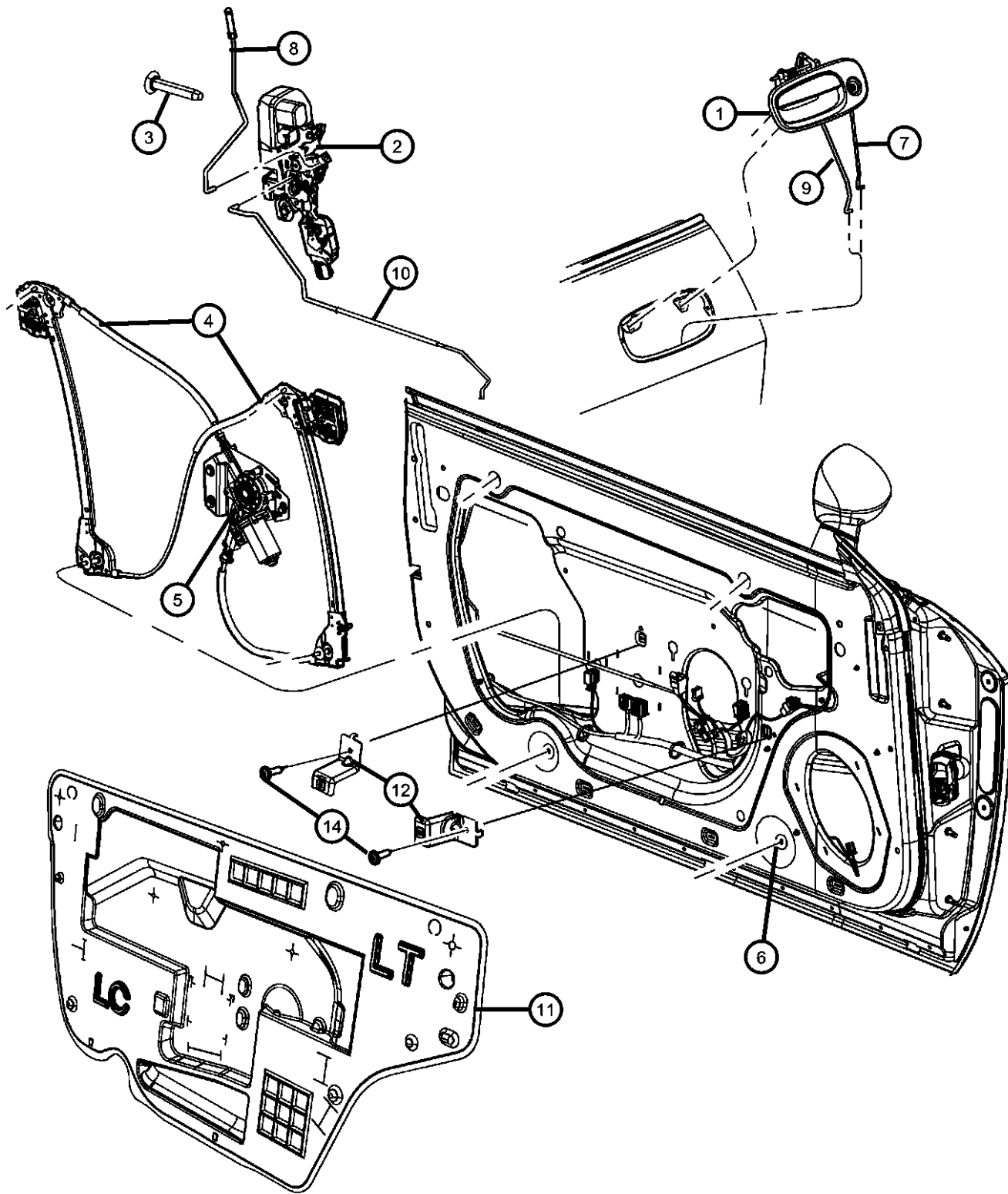
ENGINE  
ESF = 6.1L SRT HEMI SMPI V8 Engine

TRANSMISSION  
DGJ = 5-Speed Auto W5A580 Transmission

AR = use ase required - = Non illustrated part

2008 LC

**Front Door, Hardware Components**  
**Figure 30-125**



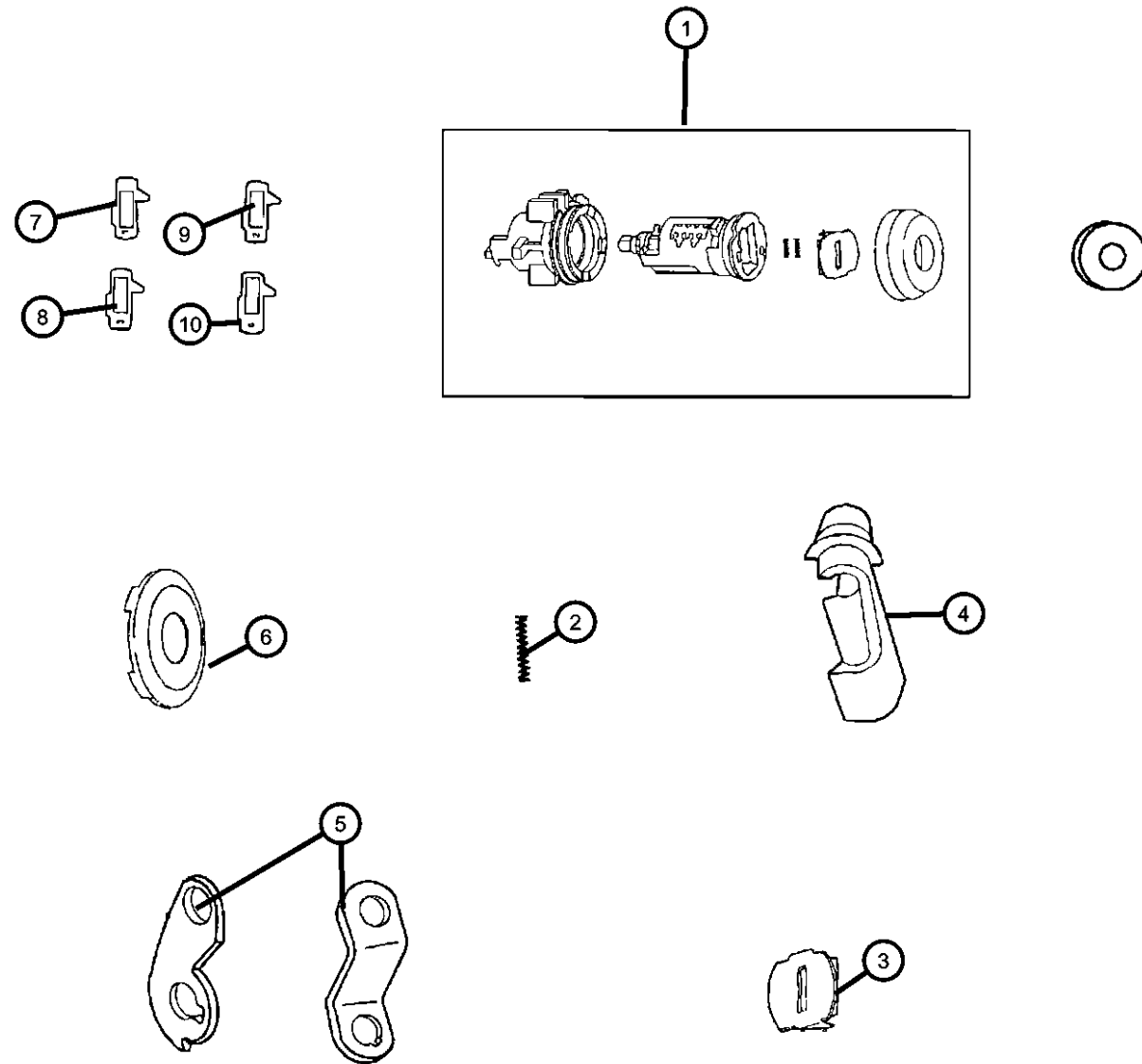
ITEM	PART NUMBER	QTY	LINE	SERIES	BODY	ENGINE	TRANS	TRIM	DESCRIPTION
	1MV571DVAA	1	D	X	22				Left
14	06032723	4	D		22				SCREW, Self Tapping, M4.2x1.69x19.05

**DODGE CHALLENGER (LC)**

SERIES	LINE	BODY	ENGINE	TRANSMISSION
X = SPECIAL	D = DODGE	22 = 2-DR SEDAN TYPE #2	ESF = 6.1L SRT HEMI SMPI V8 Engine	DGJ = 5-Speed Auto W5A580 Transmission

AR = use ase required - = Non illustrated part

**Exterior Door Lock Cylinders  
Figure 30-150**



ITEM	PART NUMBER	QTY	LINE	SERIES	BODY	ENGINE	TRANS	TRIM	DESCRIPTION
NOTE: ALL LOCK CYLINDERS ARE UNCODED									
1	05139099AA	1	D		22				CYLINDER, Door Lock
2	04778121	1	D		22				SPRING, Tumbler
3	05019605AA	1	D		22				SHUTTER, Lock Cylinder
4	04658445	1	D		22				CLIP, Latch Link, Orange
5	04796390	1	D		22				LEVER, Sliding DoorLock Cylinder
6	05102456AA	1	D		22				CAP, Door Lock Cylinder
7	05257132AB	1	D		22				TUMBLER, Number 1
8	05257133AB	1	D		22				TUMBLER, Number 2
9	05257134AB	1	D		22				TUMBLER, Number 3
10	05257135AB	1	D		22				TUMBLER, Number 4

**DODGE CHALLENGER (LC)**  
 SERIES      LINE  
 X = SPECIAL    D = DODGE

BODY  
 22 = 2-DR SEDAN TYPE #2

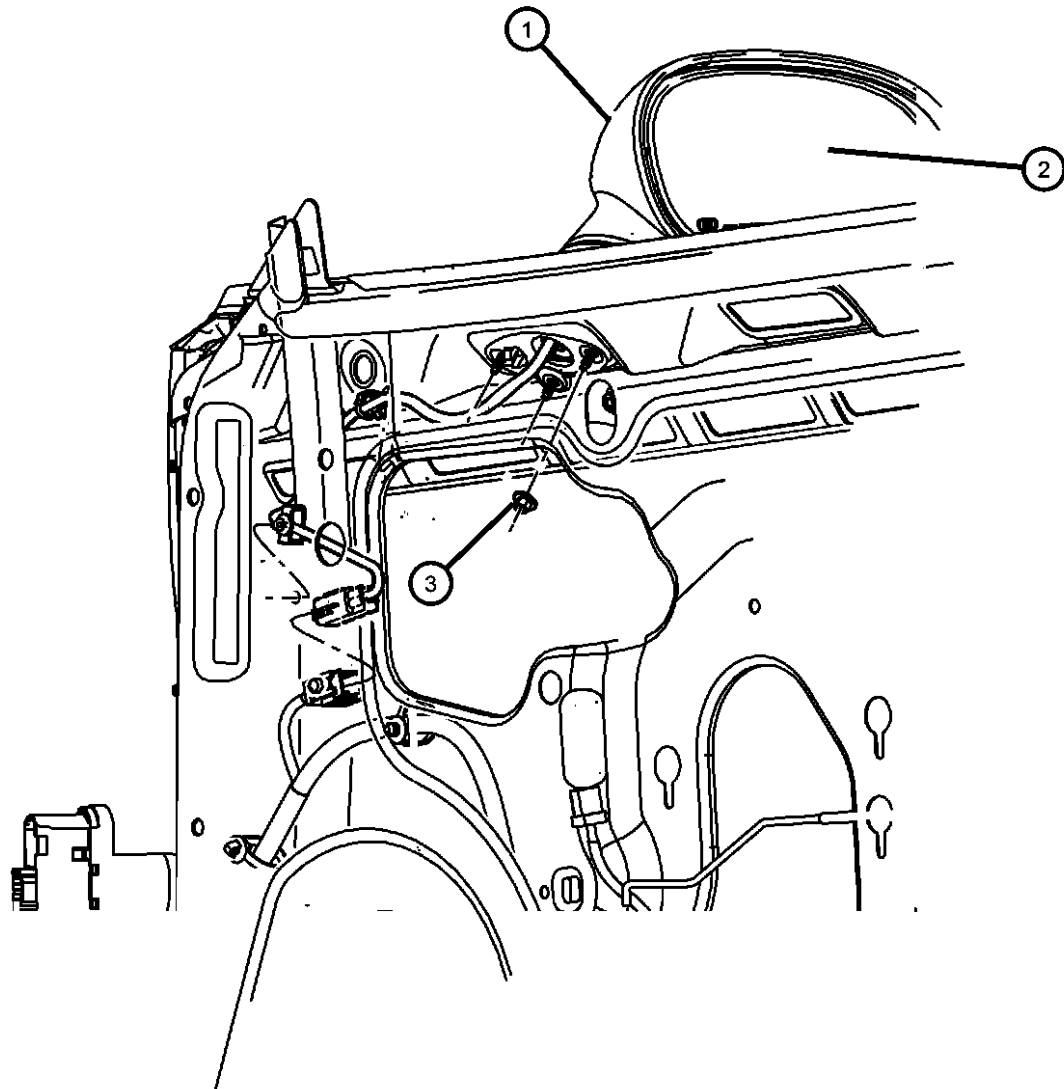
ENGINE  
 ESF = 6.1L SRT HEMI SMPI V8 Engine

TRANSMISSION  
 DGJ = 5-Speed Auto W5A580 Transmission

AR = use ase required    - = Non illustrated part

2008 LC

Exterior Mirror  
Figure 30-505



ITEM	PART NUMBER	QTY	LINE	SERIES	BODY	ENGINE	TRANS	TRIM	DESCRIPTION
1									MIRROR, Outside, Rearview, Electric, Heated
	1GE18AXRAC	1	D		22				[XR], Right
	1GE18FLCAC	1	D		22				[LC], Right
	1GE18WS2AC	1	D		22				[S2], Right
	1GE19AXRAC	1	D		22				[XR], Left
	1GE19FLCAC	1	D		22				[LC], Left
	1GE19WS2AC	1	D		22				[S2], Left
2									GLASS, Mirror Replacement
	68048446AA	1	D		22				Right
	68048447AA	1	D		22				Left
3	06101443	6	D		22				NUT AND WASHER, Hex, M5x.80

DODGE CHALLENGER (LC)  
 SERIES LINE  
 X = SPECIAL D = DODGE

BODY  
 22 = 2-DR SEDAN TYPE #2

ENGINE  
 ESF = 6.1L SRT HEMI SMPI V8 Engine

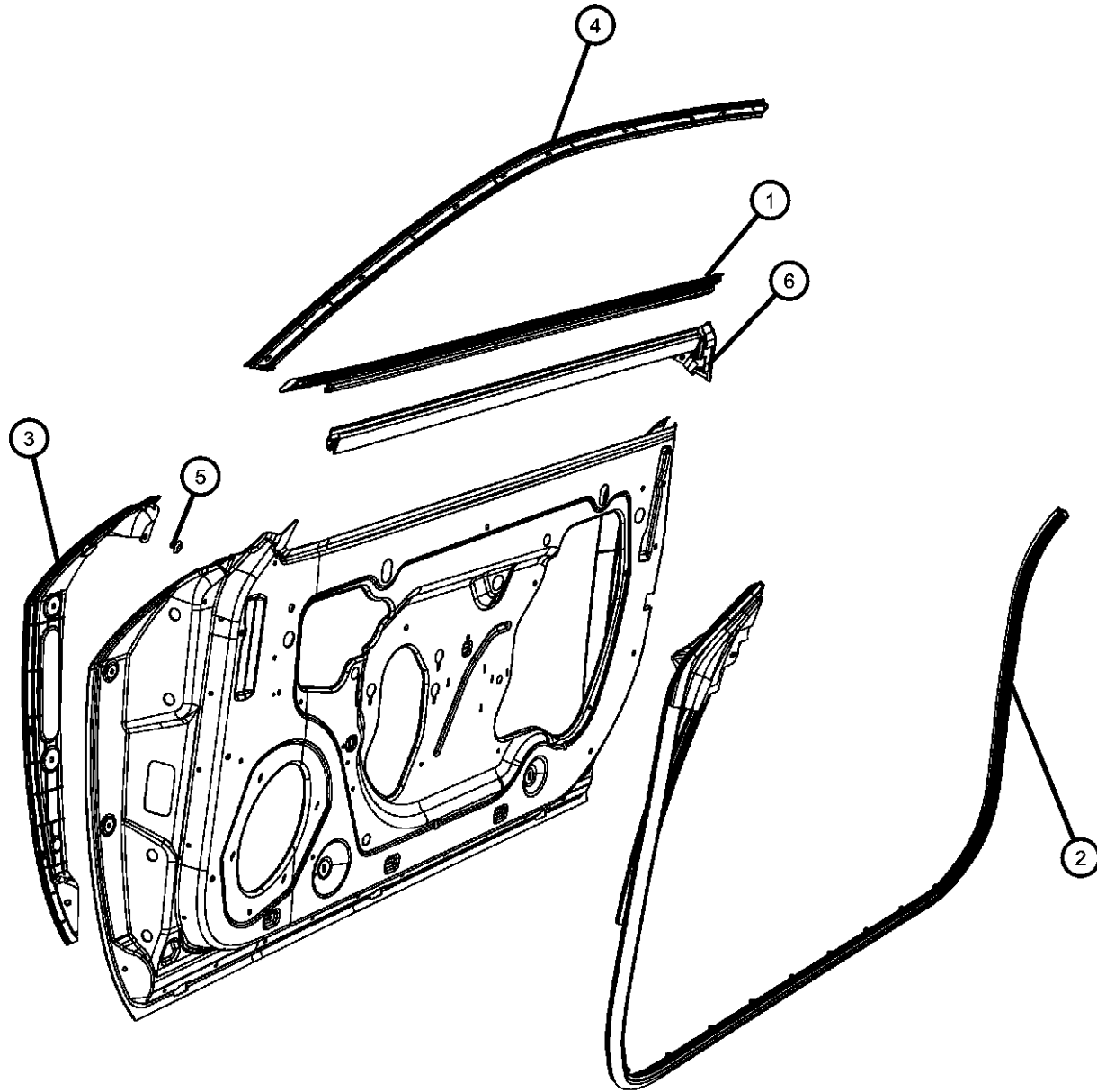
TRANSMISSION  
 DGJ = 5-Speed Auto W5A580 Transmission

AR = use ase required - = Non illustrated part

2008 LC



**Weatherstrips, Front Door**  
**Figure 30-605**



ITEM	PART NUMBER	QTY	LINE	SERIES	BODY	ENGINE	TRANS	TRIM	DESCRIPTION
1	55399122AA	1	D		22				WEATHERSTRIP, Front Door Belt Right
	55399123AA	1	D		22				Left
2	04575888AA	1	D		22				WEATHERSTRIP, Front Door Mounted Right
	04575889AA	1	D		22				Left
3	55399152AA	1	D		22				WEATHERSTRIP, Front Door Mounted Right
	55399153AA	1	D		22				Left
4	04575902AA	1	D		22				SEAL Right
	04575903AA	1	D		22				Left
5	05061472AA	8	D		22				PIN, Push
6	04575884AA	1	D		22				WEATHERSTRIP, Front Door Belt Right
	04575885AA	1	D		22				Left

**DODGE CHALLENGER (LC)**  
 SERIES      LINE  
 X = SPECIAL    D = DODGE

BODY  
 22 = 2-DR SEDAN TYPE #2

ENGINE  
 ESF = 6.1L SRT HEMI SMPI  
 V8 Engine

TRANSMISSION  
 DGJ = 5-Speed Auto W5A580  
 Transmission

AR = use ase required    - = Non illustrated part

2008 LC

# Group - 40

## Exterior Ornamentation

### Group - 40 Exterior Ornamentation

Illustration Title

Group-Fig. No.

#### Nameplates

Nameplates, Emblems & Medallions .....Fig. 40 - 105

#### Moldings and Ornamentation

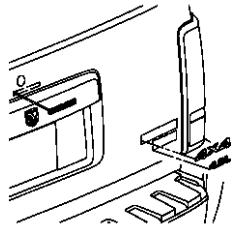
Exterior Ornamentation .....Fig. 40 - 205

Spoilers .....Fig. 40 - 245

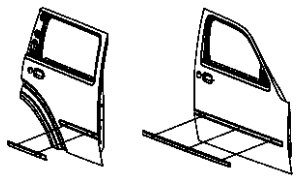
#### Grilles

Grilles .....Fig. 40 - 405

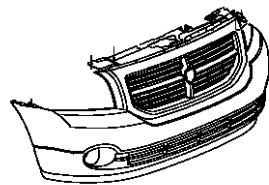
**040-100**  
Nameplates



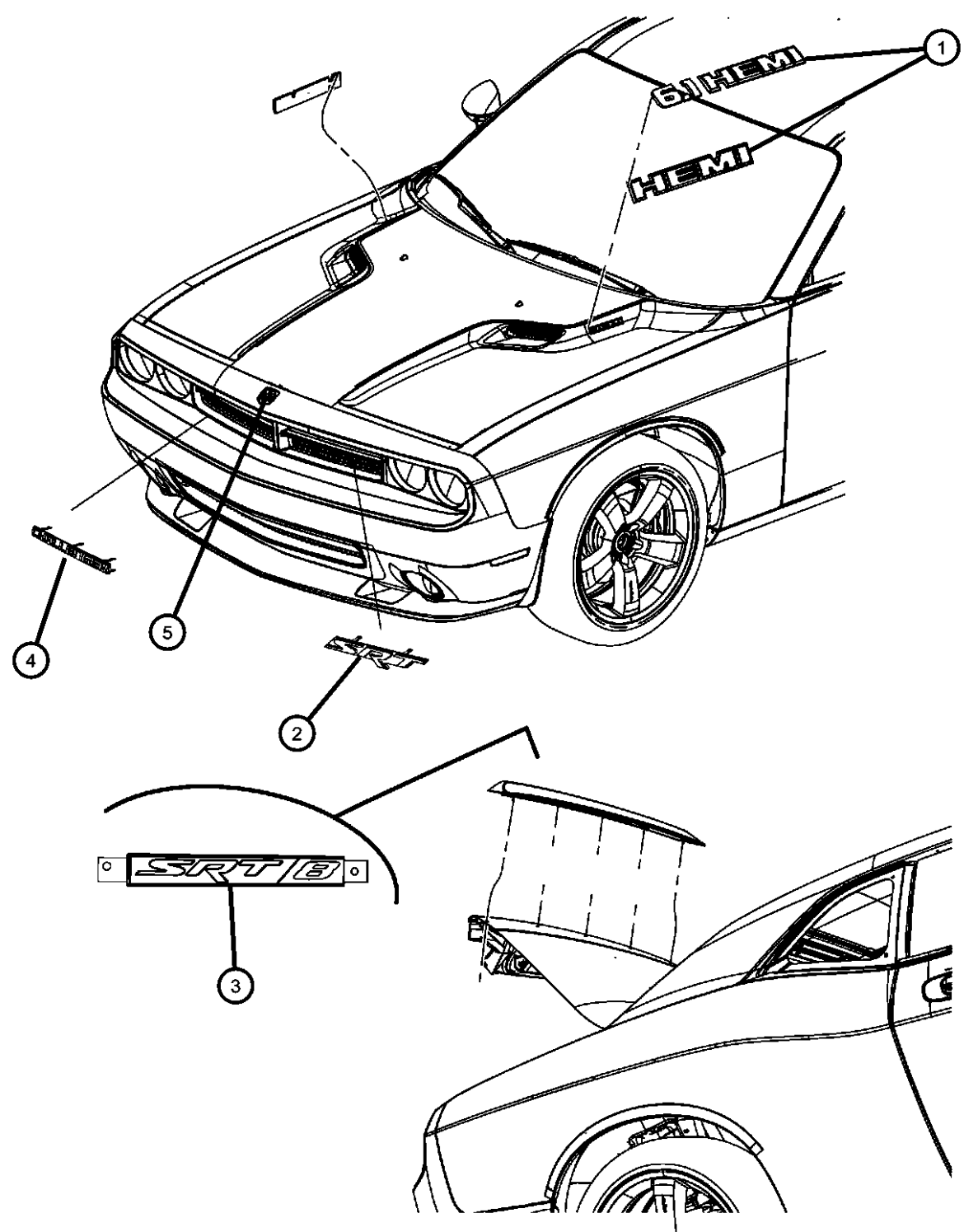
**040-200**  
Moldings and Ornamentation



**040-400**  
Grilles



**Nameplates, Emblems & Medallions  
Figure 40-105**



ITEM	PART NUMBER	QTY	LINE	SERIES	BODY	ENGINE	TRANS	TRIM	DESCRIPTION
1	68029274AA	2	D		22				NAMEPLATE, [6.1 HEMI]
2	05030355AB	1	D	X	22				NAMEPLATE, [SRT]
3	05029893AB	1	D		22				NAMEPLATE, [SRT8]
4	68047939AA	1	D	X	22				NAMEPLATE, [CHALLENGER]
5	04805899AB	1	D	X	22				MEDALLION, Ram Head

**DODGE CHALLENGER (LC)**  
 SERIES            LINE  
 X = SPECIAL    D = DODGE

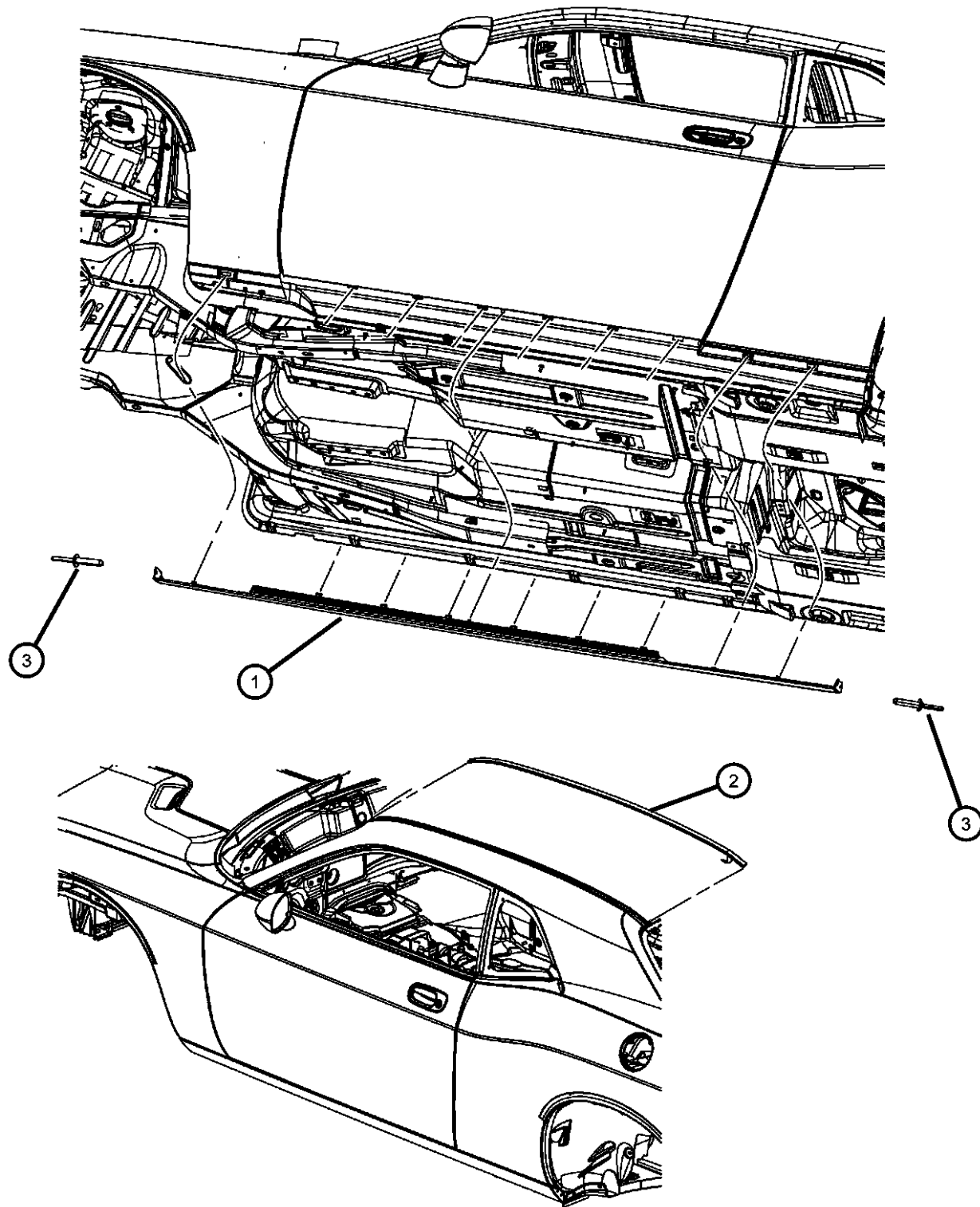
BODY  
 22 = 2-DR SEDAN TYPE #2

ENGINE  
 ESF = 6.1L SRT HEMI SMPI V8 Engine

TRANSMISSION  
 DGJ = 5-Speed Auto W5A580 Transmission

AR = use ase required    - = Non illustrated part

Exterior Ornamentation  
Figure 40-205



ITEM	PART NUMBER	QTY	LINE	SERIES	BODY	ENGINE	TRANS	TRIM	DESCRIPTION
1	05028798AA	1	D		22				CLADDING, Front Door Right
	05028799AA	1	D		22				Left
2	1GD40AXRAC	1	D		22				MOLDING, Roof [XR], Right
	1GD40FLCAC	1	D		22				[LC], Right
	1GD40WS2AC	1	D		22				[S2], Right
	1GD41AXRAC	1	D		22				[XR], Left
	1GD41FLCAC	1	D		22				[LC], Left
	1GD41WS2AC	1	D		22				[S2], Left
3	06504737	4	D		22				RIVET, Plastic Cladding to Rear Body Side
		4	D		22				Cladding to Front Fender

DODGE CHALLENGER (LC)  
SERIES LINE  
X = SPECIAL D = DODGE

BODY  
22 = 2-DR SEDAN TYPE #2

ENGINE  
ESF = 6.1L SRT HEMI SMPI V8 Engine

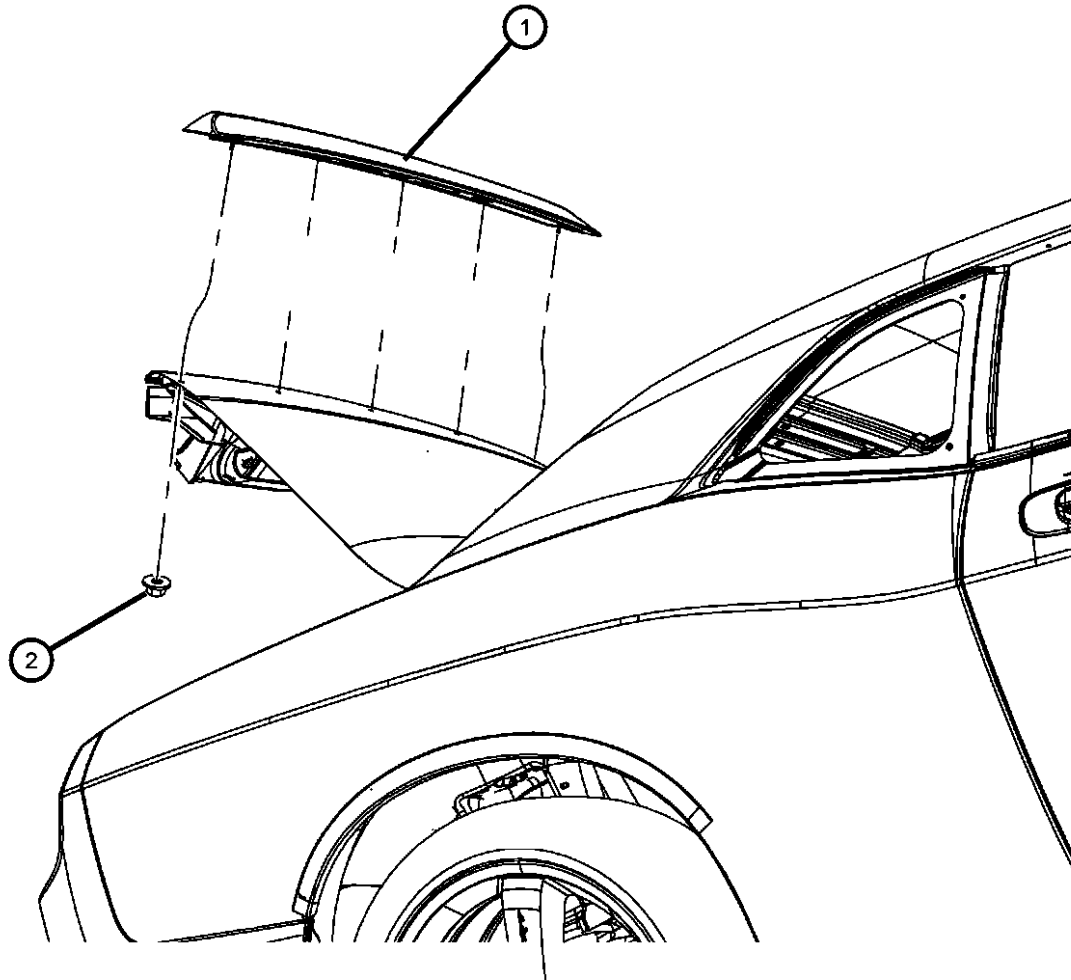
TRANSMISSION  
DGJ = 5-Speed Auto W5A580 Transmission

AR = use ase required - = Non illustrated part

2008 LC

**Spoilers  
Figure 40-245**

ITEM	PART NUMBER	QTY	LINE	SERIES	BODY	ENGINE	TRANS	TRIM	DESCRIPTION
1	1GL20RXFAA	1	D		22				SPOILER, Rear, With [SRT8] Nameplate
2	34201358	2	D		22				NUT AND WASHER, Hex Nut-Sealing Washer, M6 x 1.00



**DODGE CHALLENGER (LC)**  
 SERIES      LINE  
 X = SPECIAL    D = DODGE

BODY  
 22 = 2-DR SEDAN TYPE #2

ENGINE  
 ESF = 6.1L SRT HEMI SMPI V8 Engine

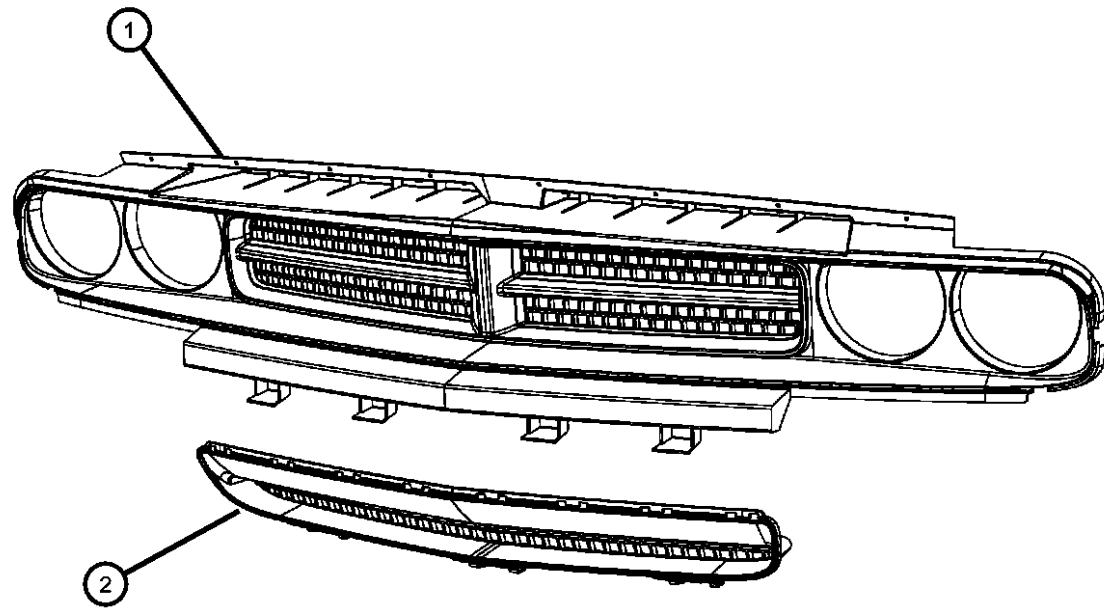
TRANSMISSION  
 DGJ = 5-Speed Auto W5A580 Transmission

AR = use ase required    - = Non illustrated part

2008 LC

**Grilles  
Figure 40-405**

ITEM	PART NUMBER	QTY	LINE	SERIES	BODY	ENGINE	TRANS	TRIM	DESCRIPTION
1	68043388AA	1	D	X	22				GRILLE, Radiator
2	68043389AA	1	D	X	22				GRILLE, Lower



**DODGE CHALLENGER (LC)**  
 SERIES      LINE  
 X = SPECIAL    D = DODGE

BODY  
 22 = 2-DR SEDAN TYPE #2

ENGINE  
 ESF = 6.1L SRT HEMI SMPI V8 Engine


TRANSMISSION  
 DGJ = 5-Speed Auto W5A580 Transmission

AR = use ase required    - = Non illustrated part

2008 LC

# Group - 50

## Interior Trim

<p><b>050-100</b> Headliners-Visors-Assist Straps</p>	<p><b>050-1000</b> Rear Seats - Second Row - Adjusters, Recliners, Shields and Risers</p>	<p><b>050-1600</b> Consoles</p>	<p><b>050-1700</b> Instrument Panel</p> 
<p><b>050-200</b> Panels-Moldings-Scuff Plates, Pillar, Cowl, 1/4 Panel Trim and Cargo Covers</p>	<p><b>050-300</b> Carpets, Floor Mats, Load Floor, and Silencers</p>	<p><b>050-400</b> Door Trim Panels-Front and Rear</p>	<p><b>050-500</b> Front Seats - First Row</p>
<p><b>050-600</b> Rear Seats - Second Row</p>	<p><b>050-900</b> Front Seats - Adjusters, Recliners, Shields and Risers</p>		

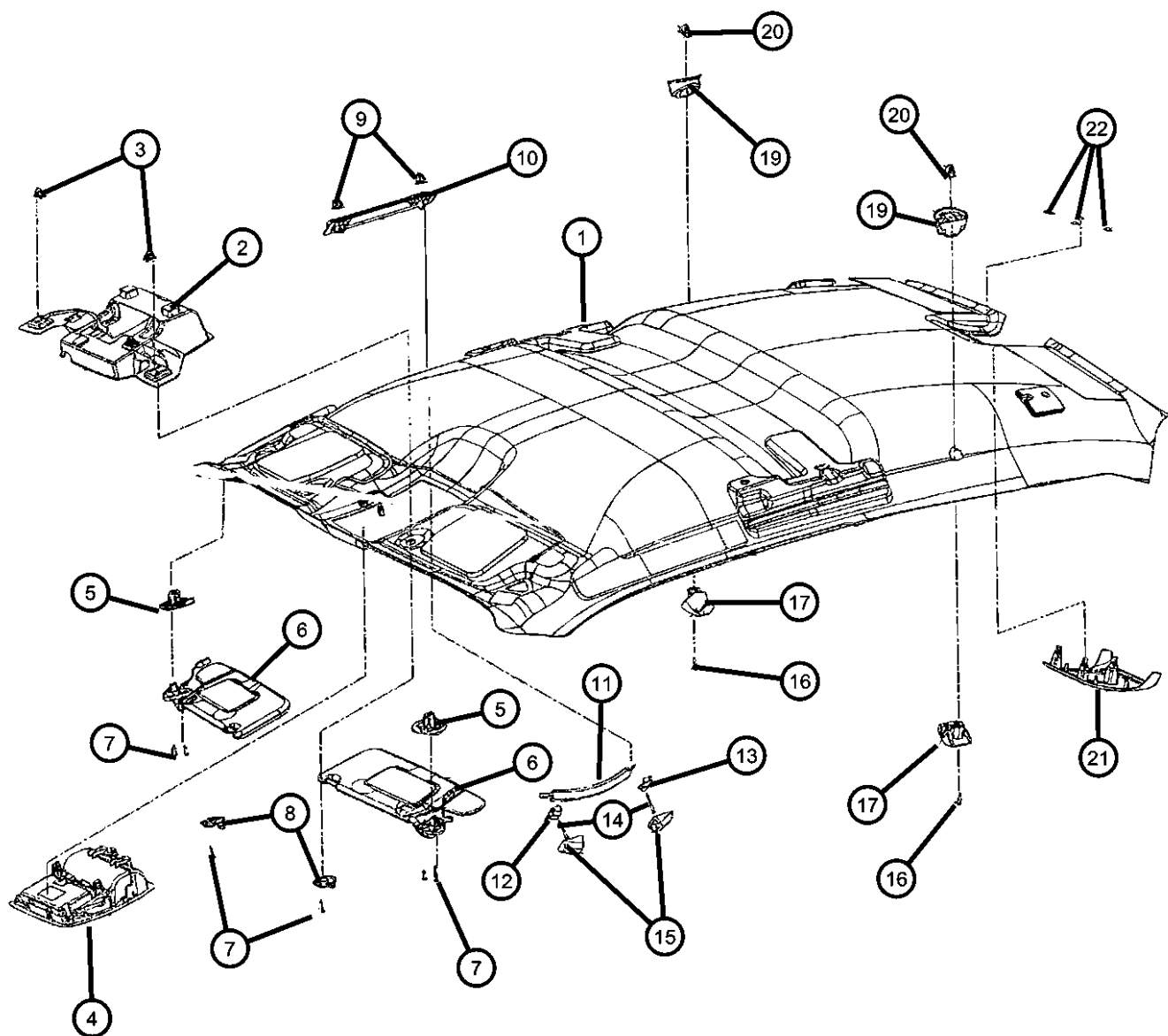
---

## Group - 50 Interior Trim

Illustration Title	Group-Fig. No.
<b>Headliners-Visors-Assist Straps</b>	
Headliners and Visors .....	Fig. 50 - 105
Rear Shelf Panel .....	Fig. 50 - 165
<b>Panels-Moldings-Scuff Plates, Pillar, Cowl, 1/4 Panel Trim and Cargo Covers</b>	
Interior Moldings and Pillars - A Pillar .....	Fig. 50 - 205
Interior Moldings and Pillars - C Pillar .....	Fig. 50 - 220
Cowl Side Panel and Scuff Plates .....	Fig. 50 - 225
Quarter Trim Panel.....	Fig. 50 - 235
<b>Carpets, Floor Mats, Load Floor, and Silencers</b>	
Carpet, Front .....	Fig. 50 - 325
Carpet, Rear.....	Fig. 50 - 335
Footrest .....	Fig. 50 - 345
Carpet Luggage Compartment.....	Fig. 50 - 360
Silencers .....	Fig. 50 - 385
<b>Door Trim Panels-Front and Rear</b>	
Front Door Trim Panels.....	Fig. 50 - 405
<b>Front Seats - First Row</b>	
Front Seat - Bucket -Trim Code [UL] .....	Fig. 50 - 502
<b>Rear Seats - Second Row</b>	
Rear Seat - 60/40 - Trim Code [UL].....	Fig. 50 - 640
<b>Front Seats - Adjusters, Recliners, Shields and Risers</b>	
Adjusters , Recliners and Shields - Driver Seat - Power .....	Fig. 50 - 905
Adjusters, Recliners and Shields Passenger Seat Manual .....	Fig. 50 - 920
<b>Rear Seats - Second Row - Adjusters, Recliners, Shields and Risers</b>	
Second Row - 60/40 .....	Fig. 50 - 1030
<b>Consoles</b>	
Floor Console Front.....	Fig. 50 - 1605
Overhead Console .....	Fig. 50 - 1620
<b>Instrument Panel</b>	
Instrument Panel and Structure.....	Fig. 50 - 1705



### Headliners and Visors Figure 50-105



ITEM	PART NUMBER	QTY	LINE	SERIES	BODY	ENGINE	TRANS	TRIM	DESCRIPTION
------	-------------	-----	------	--------	------	--------	-------	------	-------------

NOTE : Sales Codes  
 [GNC] = Illuminated Sunvisor  
 [GWA] = Sunroof  
 [JFJ] = Gauge - Temperature & Compass  
 [XAA] = Park Assist - Park Sensors  
 [XGD] = Garage Door Opener

1									HEADLINER
	1MQ88XD-VAA	1	D		22			*00	Without [GWA]
	1NC471DVAA	1	D		22			*00	With [GWA]
2	68048870AA	1	D		22			*00	RETAINER, Overhead Console
3	68045964AA	4	D		22			*00	CLIP, Z-Axis
4									CONSOLE, Overhead
	1AR29XDVAB	1	D		22			*00	Without [GWA]
	1AR301DVAB	1	D		22			*00	With [GWA]
5	68044426AA	2	D		22			*00	CLIP, Visor
6									VISOR, Illuminated
	1MA00XD-VAA	1	D		22			*00	Right
	1MA01XD-VAA	1	D		22			*00	Left
7	68048880AA	10	D		22			*00	SCREW, M4.2x1.41x22
8	1AL251DVAA	1	D		22			*00	SUPPORT, Visor
9	68045964AA	4	D		22			*00	CLIP, Z-Axis
10	68048881AA	1	D		22			*00	RETAINER, Assist Strap
11	1EG751DVAA	1	D		22			*00	STRAP, Assist
12	68048878AA	1	D		22			*00	BLOCK, Assist Strap, Front
13	68048879AA	1	D		22			*00	BLOCK, Assist Strap, Rear
14	05096275AA	2	D		22			*00	SCREW, M4.2x1.4x40
15	1EG781DVAA	1	D		22			*00	END CAP
16	68048880AA	10	D		22			*00	SCREW, M4.2x1.41x22
17	1MQ891DVAA	1	D		22			*00	HOOK, Coat
-18	05000080AA	1	D		22				BRACKET, Coat Hook
19	68048868AA	2	D		22			*00	RETAINER, Coat Hook
20									CLIP, Z-Axis
	04746232	2	D		22			*00	With [GWA]
	68045964AA	4	D		22			*00	
21	68048883AA	1	D		22			*00	COVER
22	68048882AA	5	D		22			*00	NUT, Rear Window
-23	06507559AA	4	D		22				U-NUT, M6 x 1.00, M6x1.00

**DODGE CHALLENGER (LC)**  
 SERIES      LINE      BODY      ENGINE      TRANSMISSION  
 X = SPECIAL      D = DODGE      22 = 2-DR SEDAN TYPE #2      ESF = 6.1L SRT HEMI SMPI V8 Engine      DGJ = 5-Speed Auto W5A580 Transmission

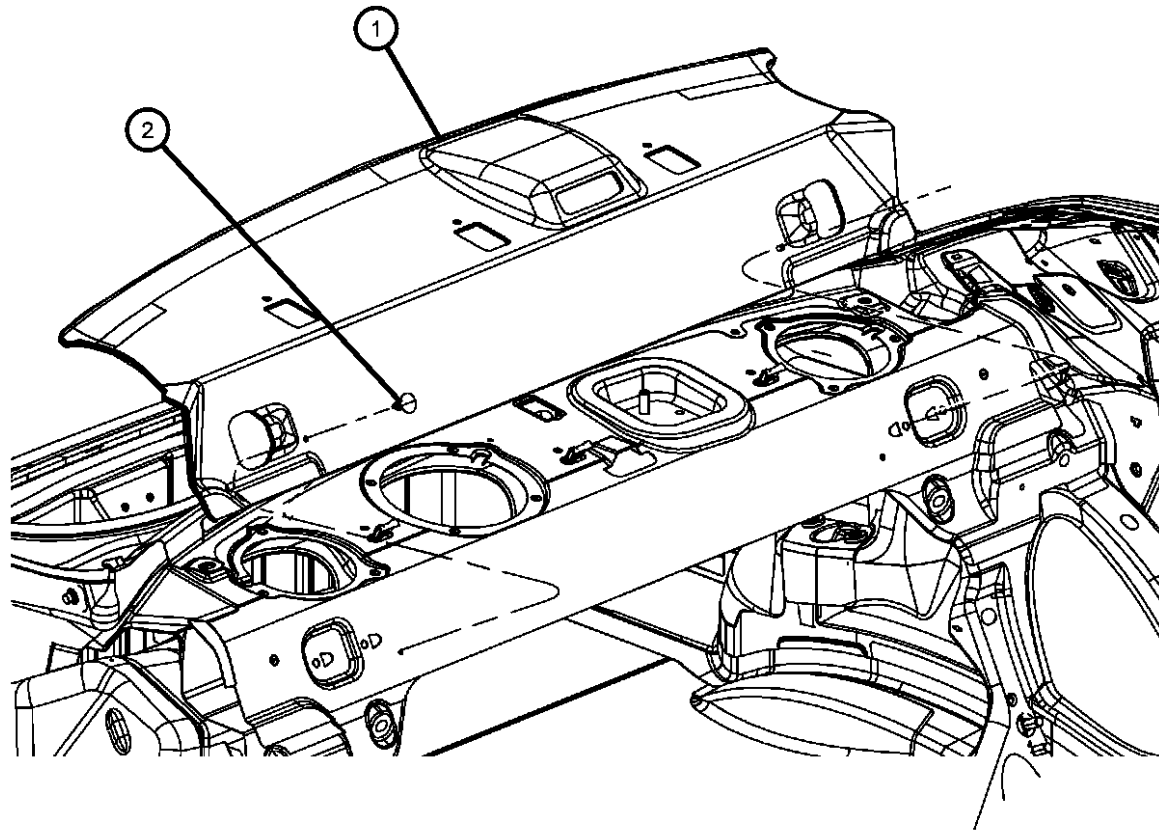
AR = use ase required    - = Non illustrated part

**Rear Shelf Panel**  
**Figure 50-165**

ITEM	PART NUMBER	QTY	LINE	SERIES	BODY	ENGINE	TRANS	TRIM	DESCRIPTION
------	-------------	-----	------	--------	------	--------	-------	------	-------------

NOTE : Sales Codes  
 [GNC] = Illuminated Sunvisor  
 [GWA] = Sunroof  
 [JFJ] = Gauge - Temperature & Compass  
 [XAA] = Park Assist - Park Sensors  
 [XGD] = Garage Door Opener

1	1FQ55XDVAB	1	D	X	22			*O0	PANEL, Rear Shelf
2	06505411AA	1	D		22				PIN, Push



**DODGE CHALLENGER (LC)**

SERIES	LINE	BODY	ENGINE	TRANSMISSION
X = SPECIAL	D = DODGE	22 = 2-DR SEDAN TYPE #2	ESF = 6.1L SRT HEMI SMPI V8 Engine	DGJ = 5-Speed Auto W5A580 Transmission

AR = use ase required - = Non illustrated part

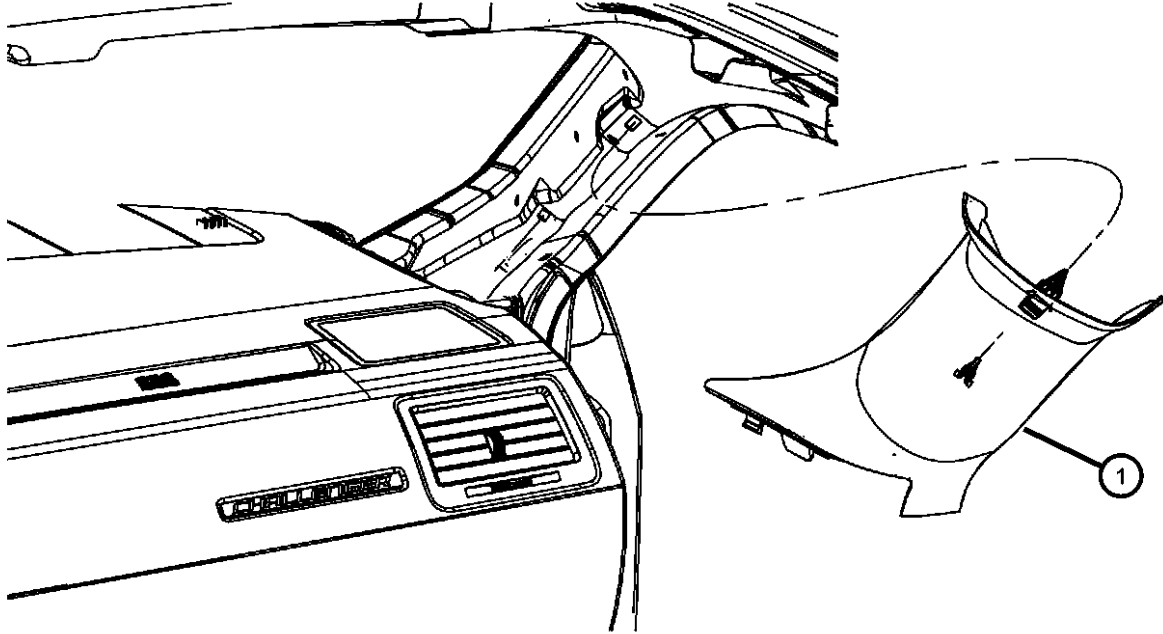
2008 LC

**Interior Moldings and Pillars - A Pillar  
Figure 50-205**

ITEM	PART NUMBER	QTY	LINE	SERIES	BODY	ENGINE	TRANS	TRIM	DESCRIPTION
------	-------------	-----	------	--------	------	--------	-------	------	-------------

Sales Codes  
 [LNA] = Matching Right Spot Lamp  
 [LNF] = Black Left Spot Lamp  
 [LNH] = Chrome Left Spot Lamp

1									MOLDING, Windshield
	1FW53XD-VAC	1	D		22			*00	Left
	1FW58XD-VAC	1	D		22			*00	Right
-2	55315143AA	1	D		22			*00	CLIP



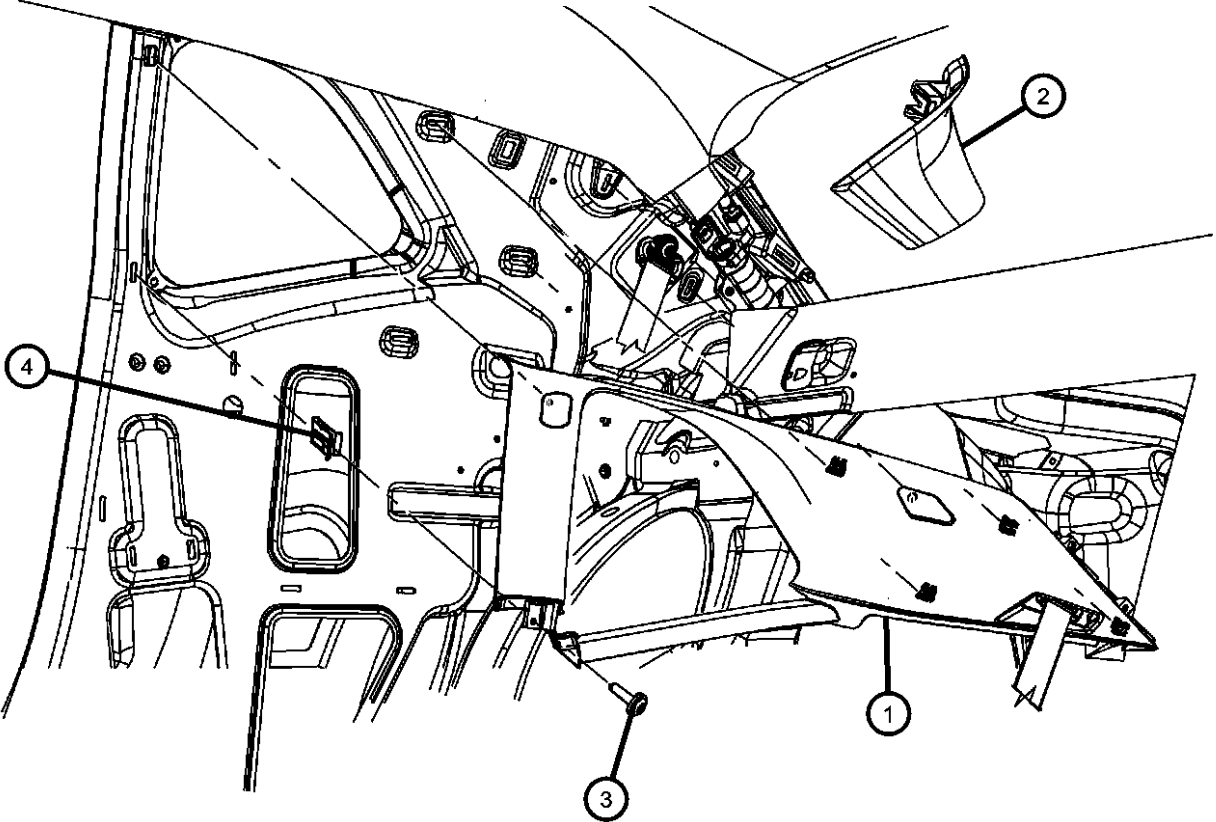
<b>DODGE CHALLENGER (LC)</b>				
SERIES	LINE	BODY	ENGINE	TRANSMISSION
X = SPECIAL	D = DODGE	22 = 2-DR SEDAN TYPE #2	ESF = 6.1L SRT HEMI SMPI V8 Engine	DGJ = 5-Speed Auto W5A580 Transmission

AR = use ase required - = Non illustrated part

2008 LC

**Interior Moldings and Pillars - C Pillar**  
**Figure 50-220**

ITEM	PART NUMBER	QTY	LINE	SERIES	BODY	ENGINE	TRANS	TRIM	DESCRIPTION
1	1FQ58XDVAD	1	D		22			*00	Right
	1FQ59XDVAD	1	D		22			*00	Left
2	1HP72XDVAB	1	D		22			*00	Right
	1HP73XDVAB	1	D		22			*00	Left
3	06032723	12	D		22				SCREW, Self Tapping, M4.2x1.69x19.05
4	06036042AA	1	D		22				NUT/SPRING, Snap In, .164-18



**DODGE CHALLENGER (LC)**  
 SERIES      LINE  
 X = SPECIAL    D = DODGE

BODY  
 22 = 2-DR SEDAN TYPE #2

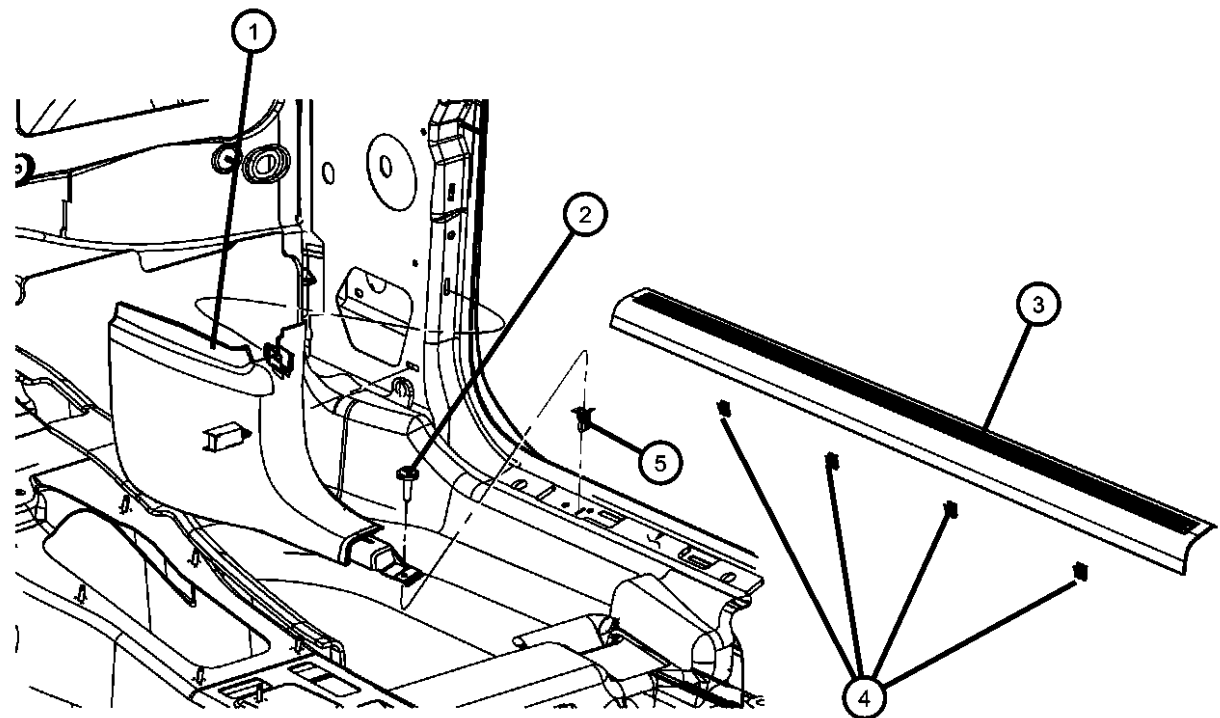
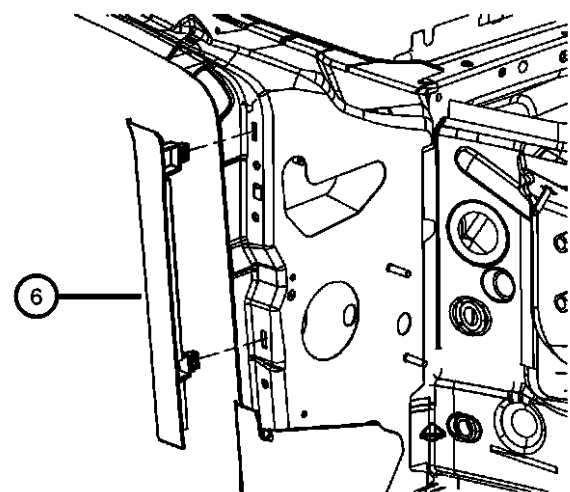
ENGINE  
 ESF = 6.1L SRT HEMI SMPI  
 V8 Engine

TRANSMISSION  
 DGJ = 5-Speed Auto W5A580  
 Transmission

AR = use ase required    - = Non illustrated part

2008 LC

**Cowl Side Panel and Scuff Plates**  
**Figure 50-225**



ITEM	PART NUMBER	QTY	LINE	SERIES	BODY	ENGINE	TRANS	TRIM	DESCRIPTION
1									PANEL, Cowl Side Trim
	1FT54XDVAB	1	D		22			*00	Right
	1FT55XDVAB	1	D		22			*00	Left
2	06032723	8	D		22				SCREW, Self Tapping, M4.2x1.69x19.05
3									PLATE, Scuff
	1FS98XDVAC	1	D		22			*00	Right
	1FS99XDVAC	1	D		22			*00	Left
4	06506540AA	8	D		22				RETAINER, Scuff Plate
5	06036042AA	1	D		22				NUT/SPRING, Snap In, .164-18
6									EXTENSION, Cowl
	1GN27XDVAB	1	D		22			*00	Left
	1GN28XDVAB	1	D		22			*00	Right

**DODGE CHALLENGER (LC)**  
 SERIES      LINE  
 X = SPECIAL    D = DODGE

BODY  
 22 = 2-DR SEDAN TYPE #2

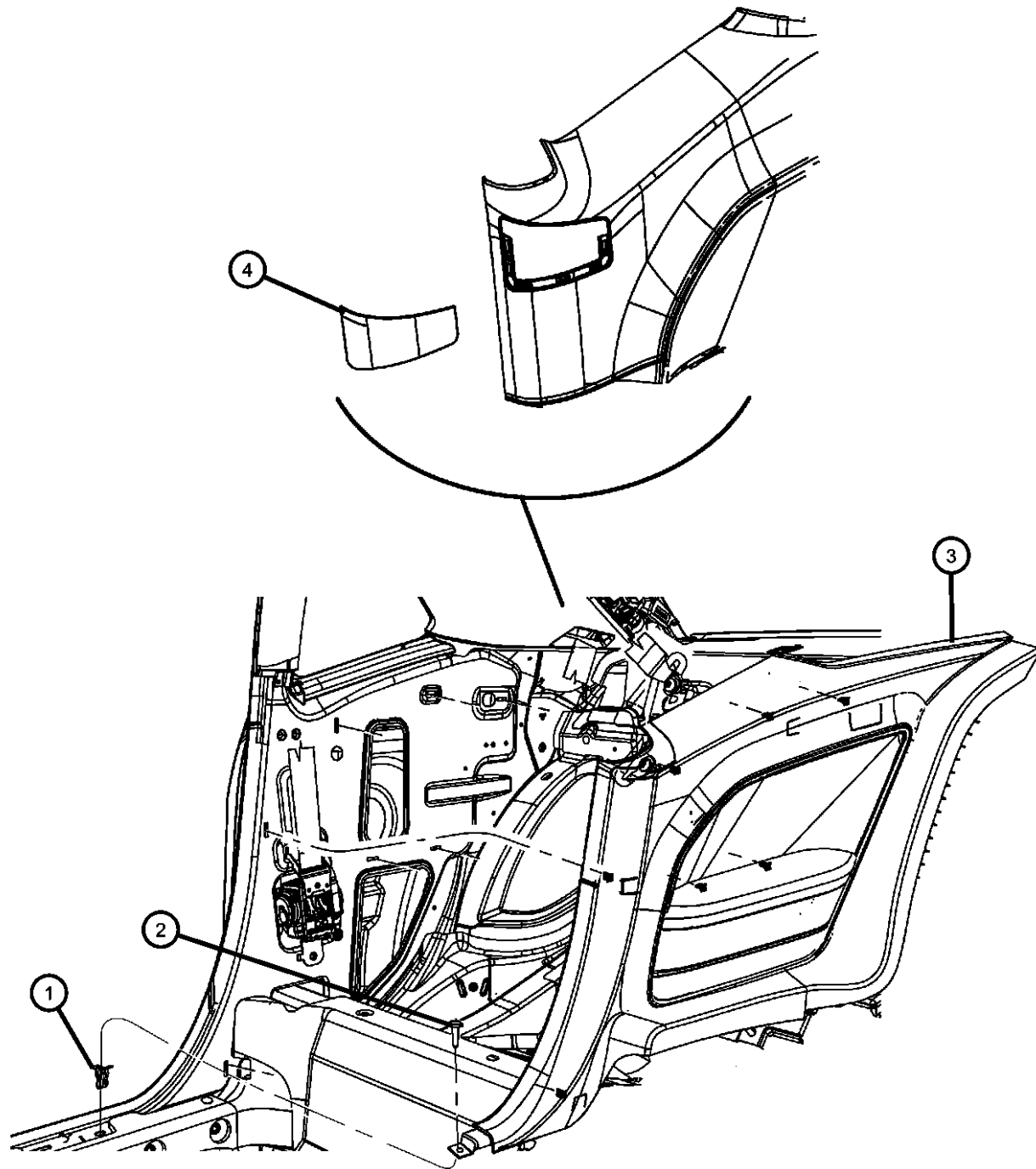
ENGINE  
 ESF = 6.1L SRT HEMI SMPI  
 V8 Engine

TRANSMISSION  
 DGJ = 5-Speed Auto W5A580  
 Transmission

AR = use ase required    - = Non illustrated part

2008 LC

Quarter Trim Panel  
Figure 50-235



ITEM	PART NUMBER	QTY	LINE	SERIES	BODY	ENGINE	TRANS	TRIM	DESCRIPTION
1	06036042AA	1	D		22				NUT/SPRING, Snap In, .164-18
2	06032723	8	D		22				SCREW, Self Tapping, M4.2x1.69x19.05
3									PANEL, Quarter Trim
	1FT00XDVAE	1	D		22			*00	Right
	1FT01XDVAE	1	D		22			*00	Left
4									BEZEL, Seat Belt Quarter Trim
	1HP01XDVAC	1	D		22			*00	Left
	1HP00XDVAC	1	D		22			*00	Right

DODGE CHALLENGER (LC)  
SERIES LINE  
X = SPECIAL D = DODGE

BODY  
22 = 2-DR SEDAN TYPE #2

ENGINE  
ESF = 6.1L SRT HEMI SMPI V8 Engine

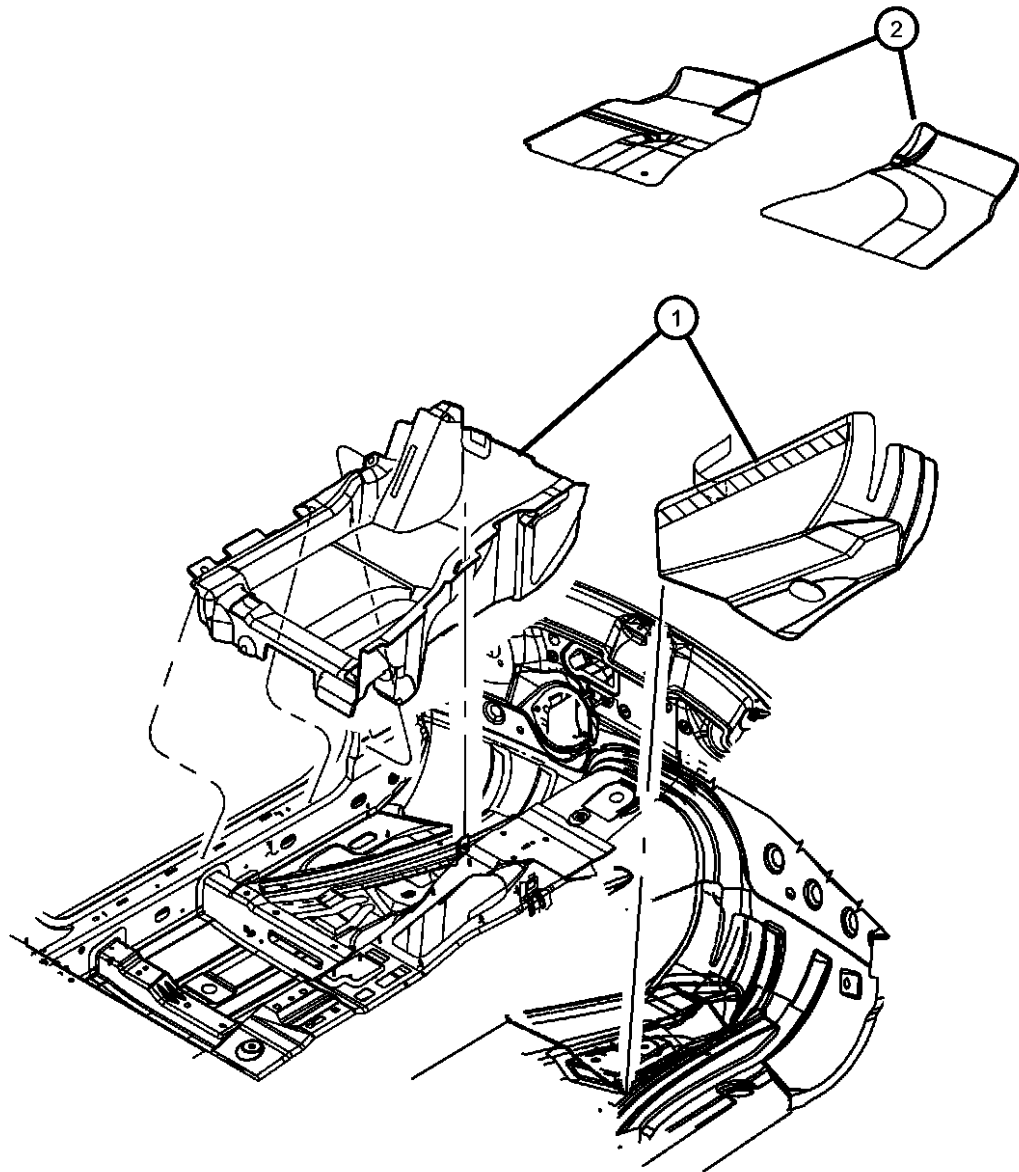
TRANSMISSION  
DGJ = 5-Speed Auto W5A580 Transmission

AR = use ase required - = Non illustrated part

2008 LC

Carpet, Front  
Figure 50-325

ITEM	PART NUMBER	QTY	LINE	SERIES	BODY	ENGINE	TRANS	TRIM	DESCRIPTION
1									CARPET, Floor Console
	1FV86XDVAC	1	D		22			*00	Right
	1FV87XDVAC	1	D		22			*00	Left
2	1FS531DVAA	1	D		22			*00	MAT KIT, Floor



**DODGE CHALLENGER (LC)**  
 SERIES LINE  
 X = SPECIAL D = DODGE

BODY  
 22 = 2-DR SEDAN TYPE #2

ENGINE  
 ESF = 6.1L SRT HEMI SMPI V8 Engine

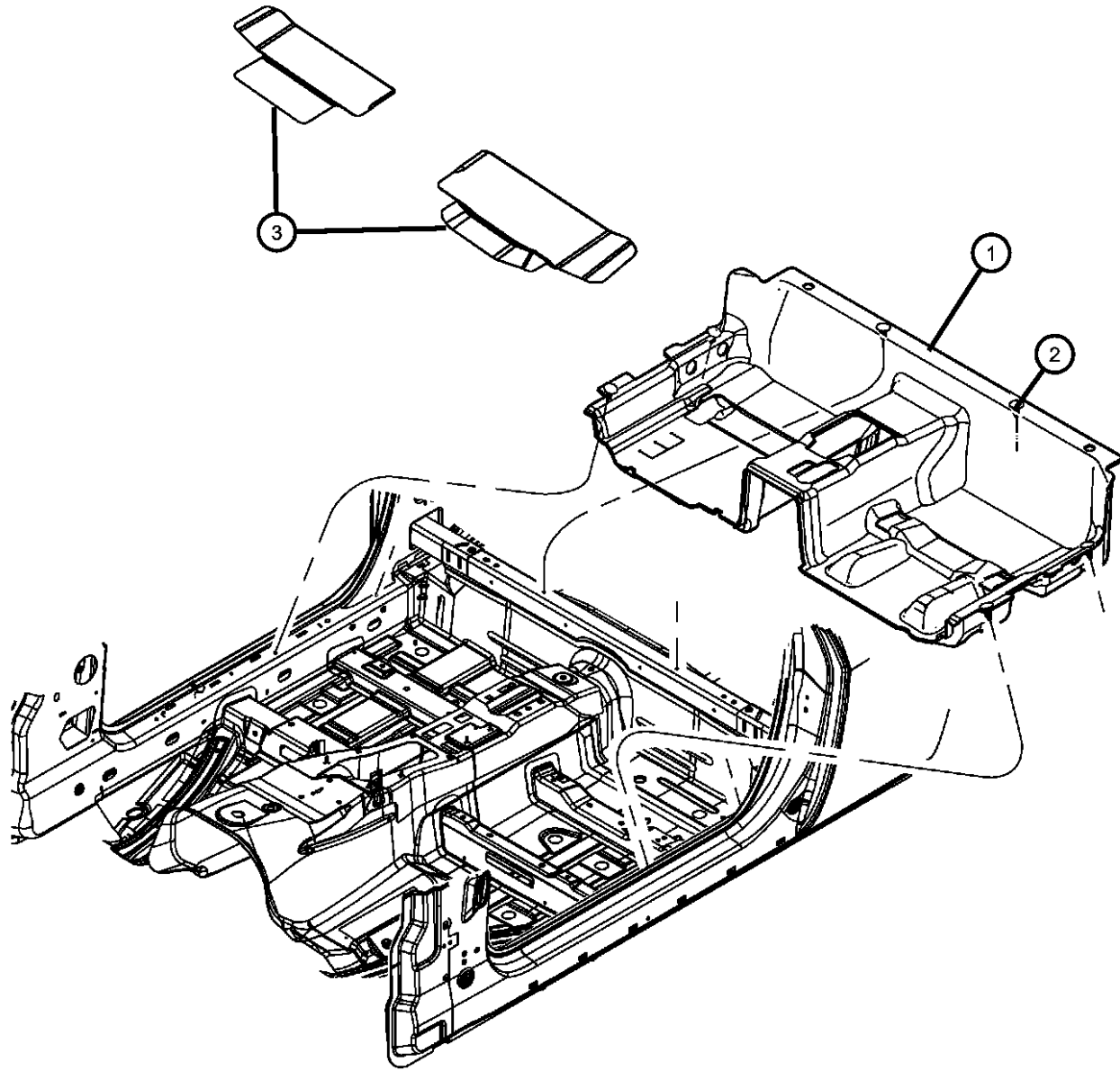
TRANSMISSION  
 DGJ = 5-Speed Auto W5A580 Transmission

AR = use ase required - = Non illustrated part

2008 LC

**Carpet, Rear**  
**Figure 50-335**

ITEM	PART NUMBER	QTY	LINE	SERIES	BODY	ENGINE	TRANS	TRIM	DESCRIPTION
1	1FQ52XDVAC	1	D		22			*O0	CARPET, Floor Console, Rear Floor
2	06505667AA	8	D		22				PIN
3	1FS531DVAA	1	D		22			*O0	MAT KIT, Floor



**DODGE CHALLENGER (LC)**  
 SERIES      LINE  
 X = SPECIAL    D = DODGE

BODY  
 22 = 2-DR SEDAN TYPE #2

ENGINE  
 ESF = 6.1L SRT HEMI SMPI V8 Engine

TRANSMISSION  
 DGJ = 5-Speed Auto W5A580 Transmission

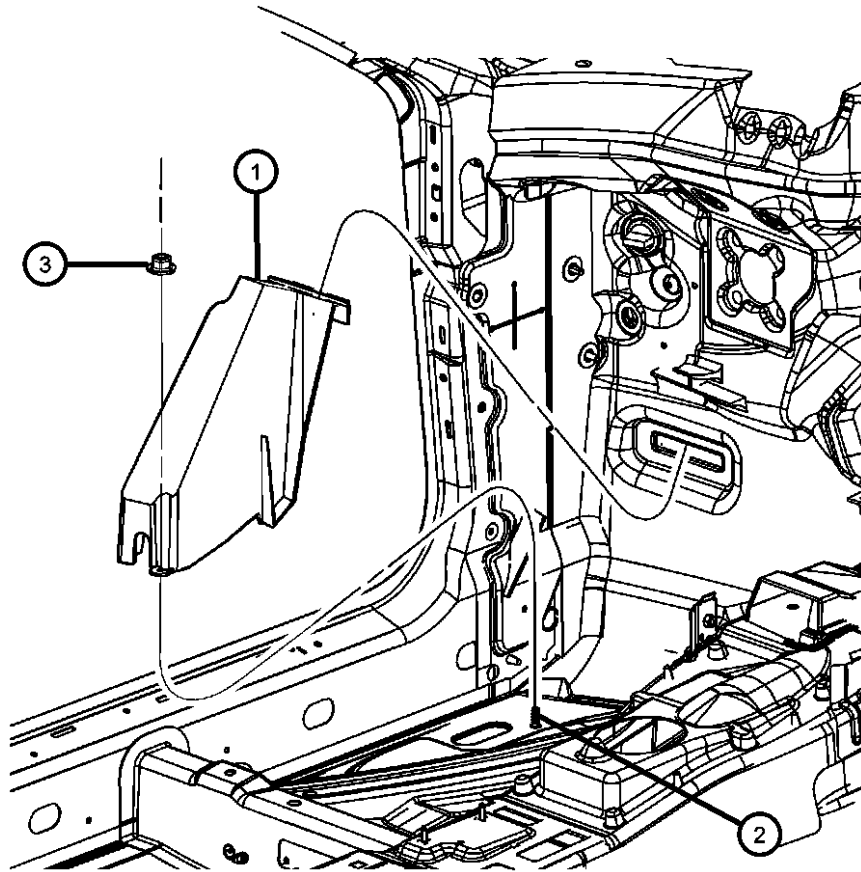
AR = use ase required    - = Non illustrated part

2008 LC



**Footrest  
Figure 50-345**

ITEM	PART NUMBER	QTY	LINE	SERIES	BODY	ENGINE	TRANS	TRIM	DESCRIPTION
1	04662051AA	1	D		22				SUPPORT, Footrest
2	04662051AA	1							STUD, Floor Pan, (NOT SERVICED)
3	06505297AA	1	D		22				NUT, Hex Flange, M5-1.6



**DODGE CHALLENGER (LC)**  
 SERIES      LINE  
 X = SPECIAL    D = DODGE

BODY  
 22 = 2-DR SEDAN TYPE #2

ENGINE  
 ESF = 6.1L SRT HEMI SMPI V8 Engine

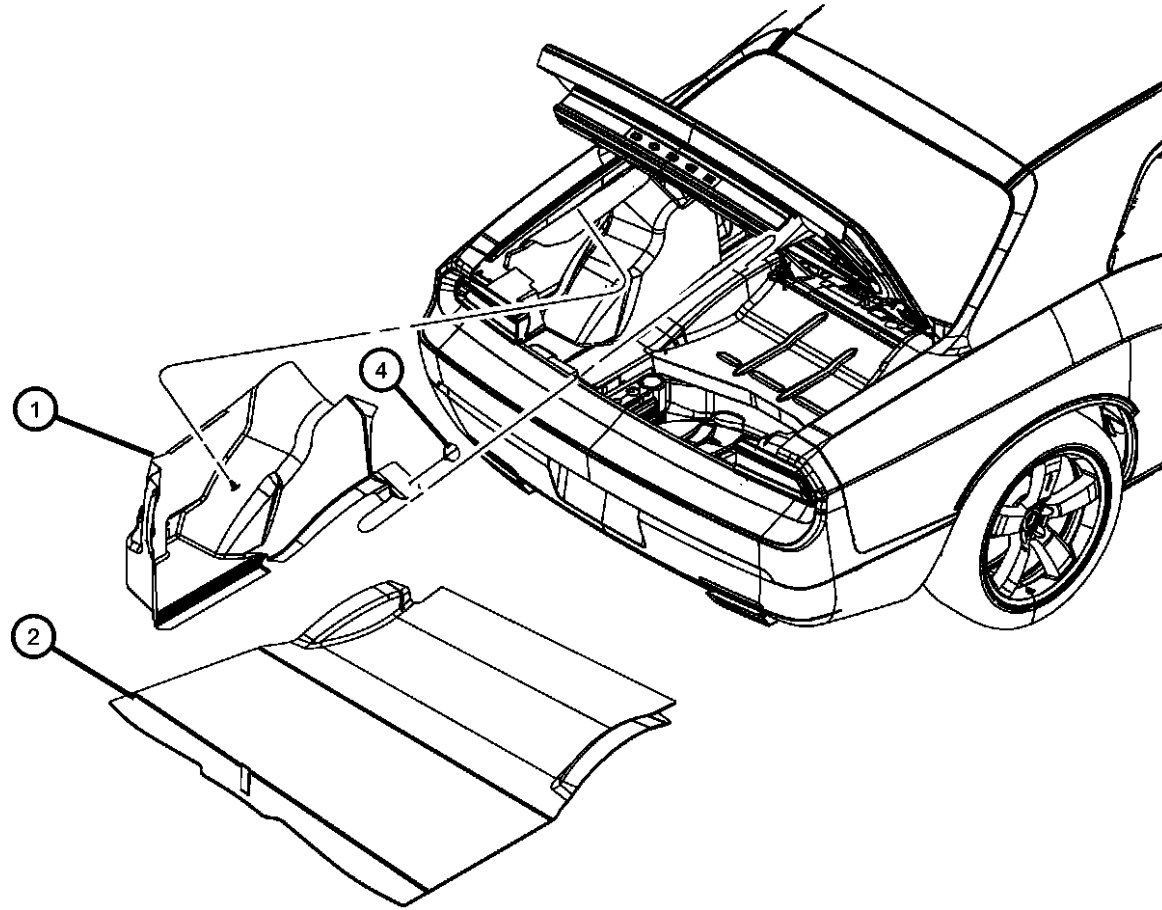
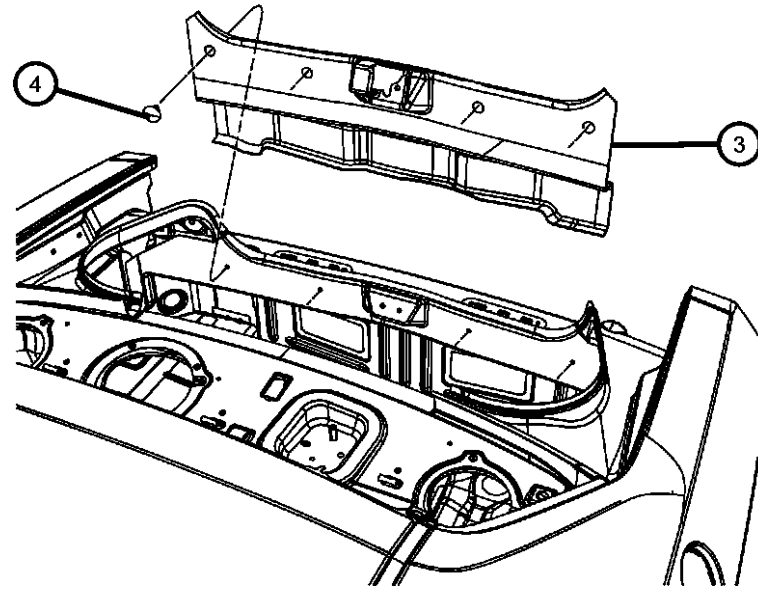
TRANSMISSION  
 DGJ = 5-Speed Auto W5A580 Transmission

AR = use ase required    - = Non illustrated part

2008 LC

**Carpet Luggage Compartment  
Figure 50-360**

ITEM	PART NUMBER	QTY	LINE	SERIES	BODY	ENGINE	TRANS	TRIM	DESCRIPTION
1	04662031AA	1	D		22				CARPET, Luggage Compartment Left
	04662032AA	1	D		22				Right
2	04662033AB	1	D		22				CARPET, Luggage Compartment
3	04662030AB	1	D		22				CARPET, Trunk
4	06505403AA	2	D		22				PIN, Push



**DODGE CHALLENGER (LC)**  
 SERIES      LINE  
 X = SPECIAL    D = DODGE

BODY  
 22 = 2-DR SEDAN TYPE #2

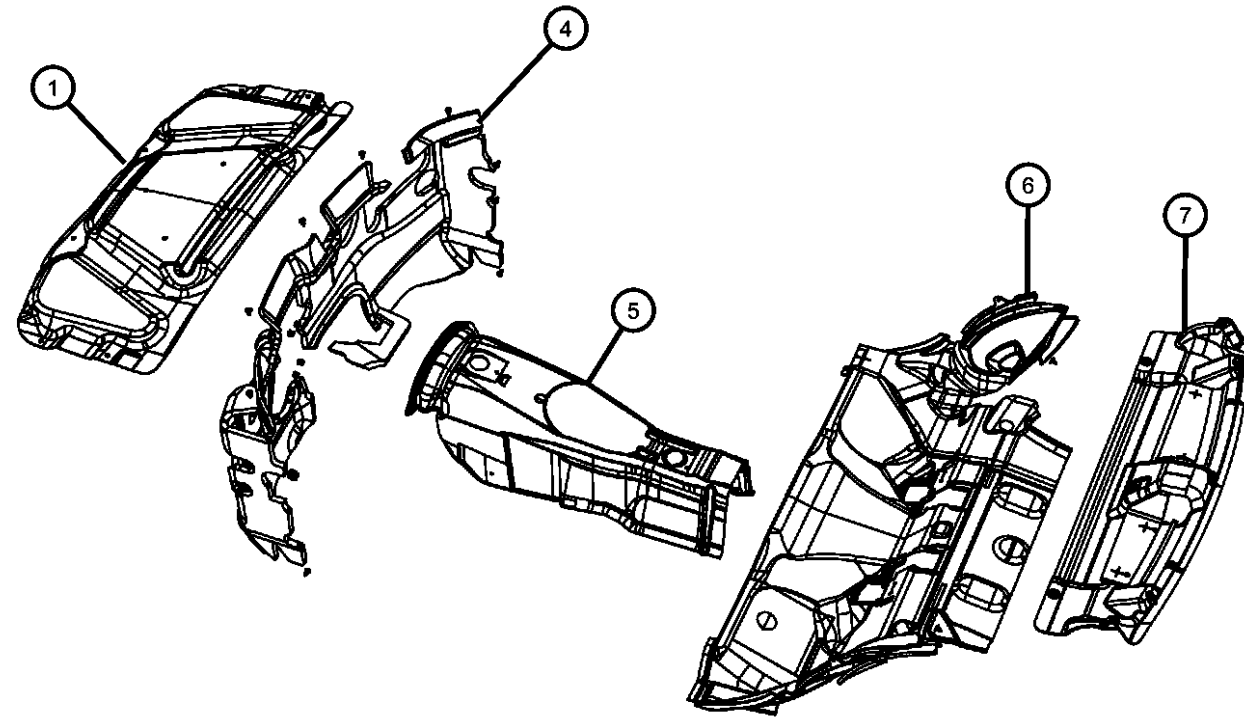
ENGINE  
 ESF = 6.1L SRT HEMI SMPI  
 V8 Engine

TRANSMISSION  
 DGJ = 5-Speed Auto W5A580  
 Transmission

AR = use ase required    - = Non illustrated part

2008 LC

**Silencers**  
**Figure 50-385**



ITEM	PART NUMBER	QTY	LINE	SERIES	BODY	ENGINE	TRANS	TRIM	DESCRIPTION
1	05112970AB	1	D	X	22				SILENCER, Hood
-2	04878883AA	9	D		22				PIN, Push
-3	04780785AG	1	D		22				SILENCER, Dash Panel, Engine Side
4	04628926AK	1	D		22				SILENCER, Dash And Cowl Sides
5									SILENCER, Tunnel
	05000075AC	1	D		22				Manual
	05000077AC	1	D		22				Auto
6	05000004AG	1	D		22				SILENCER, Floor Pan
7	04662035AA	1	D		22				SILENCER, Rear Shelf
-8	06508563AA	6	D		22				PIN, Push
-9									SILENCER, Wheelhouse
	68043304AA	1	D		22				Right Front
	68043305AA	1	D		22				Left Front
	68043306AA	1	D		22				Right Rear
	68043307AA	1	D		22				Left Rear

**DODGE CHALLENGER (LC)**  
 SERIES      LINE  
 X = SPECIAL    D = DODGE

BODY  
 22 = 2-DR SEDAN TYPE #2

ENGINE  
 ESF = 6.1L SRT HEMI SMPI V8 Engine

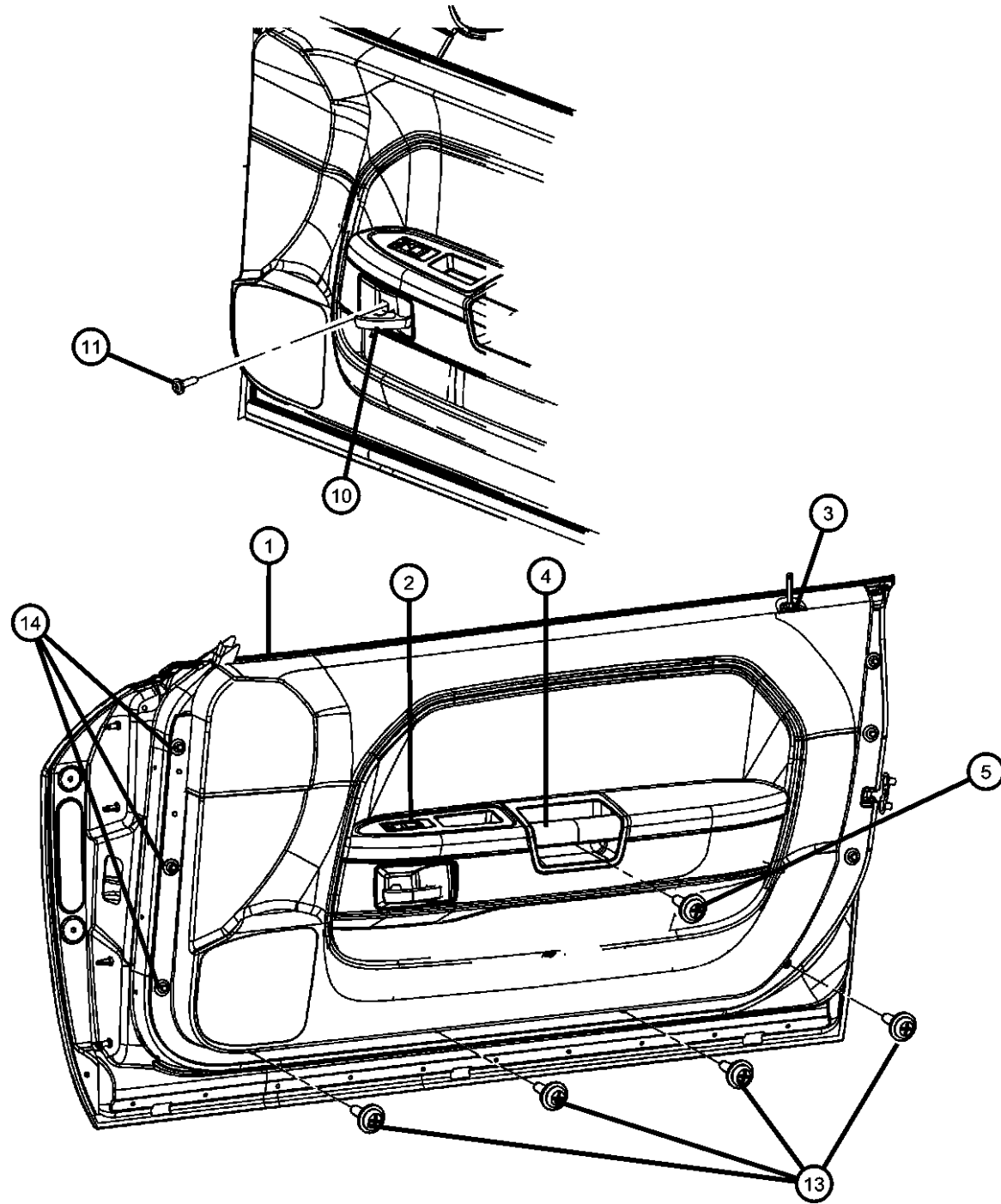
TRANSMISSION  
 DGJ = 5-Speed Auto W5A580 Transmission

AR = use ase required    - = Non illustrated part

2008 LC

**Front Door Trim Panels**  
**Figure 50-405**

ITEM	PART NUMBER	QTY	LINE	SERIES	BODY	ENGINE	TRANS	TRIM	DESCRIPTION
Sales Codes [MVM] = Badge - Boston Acoustic									
1									PANEL, Door Trim
	1ML521DVAA	1	D	X	22			*UL	With [LPP], Right
	1ML531DVAA	1	D	X	22			*UL	With [LPP], Left
	1ML541DVAA	1	D	X	22			*UL	Without [LPP], Right
	1ML551DVAA	1	D	X	22			*UL	Without [LPP], Left
2									BEZEL, Switch
	1MV651DVAA	1	D	X	22			*UL	Left
	1MV641DVAA	1	D	X	22			*UL	Right
3	1MV671DVAA	1	D	X	22			*UL	BEZEL, Lock Knob
4	68042200AA	1	D	X	22			*UL	HANDLE, Door Pull
5	68042205AA	2	D	X	22			*UL	SCREW, Door Pull Handle
-6	1MV591DVAA	1	D	X	22			*UL	CAP, Pull Cup Screw Cover
-7	04662037AC	1	D		22				BRACKET, Door Pull Cup
-8	68046499AA	1	D	X	22			*UL	REFLECTOR, Door Trim Panel
-9	06035807	4	D		22				NUT, Door Trim, Pull Cup Support
10									HANDLE, Inside Release
	1MV561DVAA	1	D	X	22			*UL	Right
	1MV571DVAA	1	D	X	22			*UL	Left
11	68042206AA	1	D	X	22			*UL	SCREW, Inside Release Handle
-12	1MV581DVAA	1	D	X	22			*UL	CAP, Screw Cover, Realese Handle
13	06032723	8	D		22				SCREW, Self Tapping, M4.2x1.69x19.05
14	0WX68XD-VAA	12	D		22			*O0	RIVET
-15	06506878AA	6	D		22				NUT, Snap In
-16	04784018AA	4	D		22				PLUG
-17	04784033AA	2	D		22				PLUG, Door Trim Panel, Large



**DODGE CHALLENGER (LC)**

SERIES      LINE  
X = SPECIAL    D = DODGE

BODY  
22 = 2-DR SEDAN TYPE #2

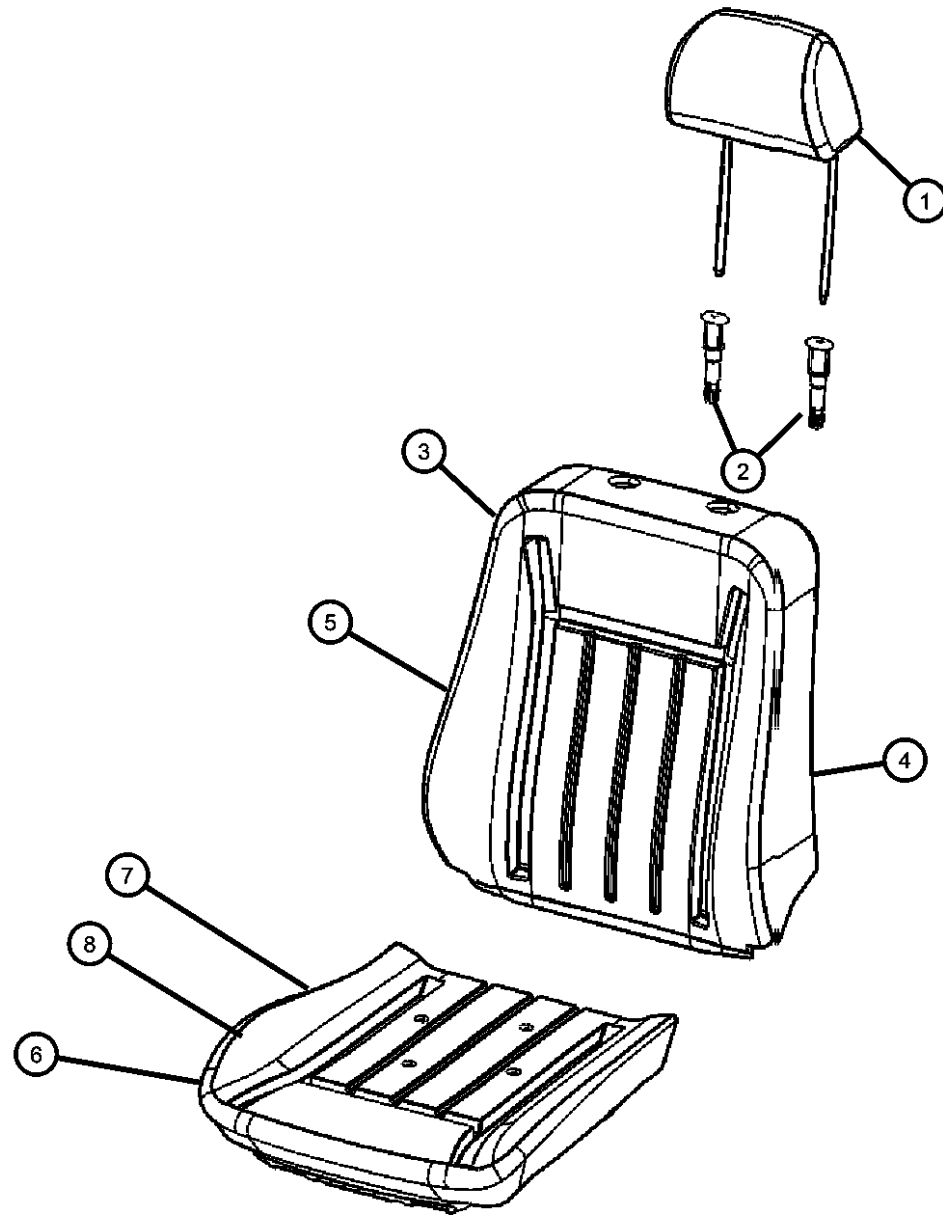
ENGINE  
ESF = 6.1L SRT HEMI SMPI  
V8 Engine

TRANSMISSION  
DGJ = 5-Speed Auto W5A580  
Transmission

AR = use ase required    - = Non illustrated part

2008 LC

**Front Seat - Bucket -Trim Code [UL]  
Figure 50-502**



ITEM	PART NUMBER	QTY	LINE	SERIES	BODY	ENGINE	TRANS	TRIM	DESCRIPTION
[CJ1] =Front Seat Side Air Bags									
1	1ME471DVAA	2	D	X	22			*UL	HEADREST, Front
2	1AN471DVAA	1	D	X	22			*UL	SLEEVE, Headrest
	1AN481DVAA	2	D	X	22			*UL	Locking
3	1ME431DVAA	1	D	X	22			*UL	Slave Cylinder
	1ME441DVAA	1	D	X	22			*UL	COVER, Front Seat Back
4	1ME431DVAA	1	D	X	22			*UL	Left
	1ME441DVAA	1	D	X	22			*UL	Right
	68044598AA	1	D	X	22			*UL	FOAM, Seat Back
	68044601AA	1	D	X	22			*UL	Left
5	68044601AA	1	D	X	22			*UL	Right
	68048285AA	1	D	X	22			*UL	FRAME, Front Seat Back
	68048286AA	1	D	X	22			*UL	Left
6	68048286AA	1	D	X	22			*UL	Right
	1ME451DVAA	1	D	X	22			*UL	COVER, Front Seat Cushion
	1ME461DVAA	1	D	X	22			*UL	Left
7	1ME461DVAA	1	D	X	22			*UL	Right
	68044420AA	1	D	X	22			*UL	FOAM, Seat Cushion
	68044583AA	2	D	X	22			*UL	Right
8	68044583AA	2	D	X	22			*UL	Left
-9	05139950AA	1	D	X	22			*UL	PAN, SEAT CUSHION
-10	05000021AA	1	D	X	22			*UL	PAD, Heater, Cushion
-11	05000022AA	1	D	X	22			*UL	PAD, Heater, Seat Back
	05142302AA	1	D	X	22			*UL	STOP, Track

**DODGE CHALLENGER (LC)**  
 SERIES      LINE  
 X = SPECIAL    D = DODGE

BODY  
 22 = 2-DR SEDAN TYPE #2

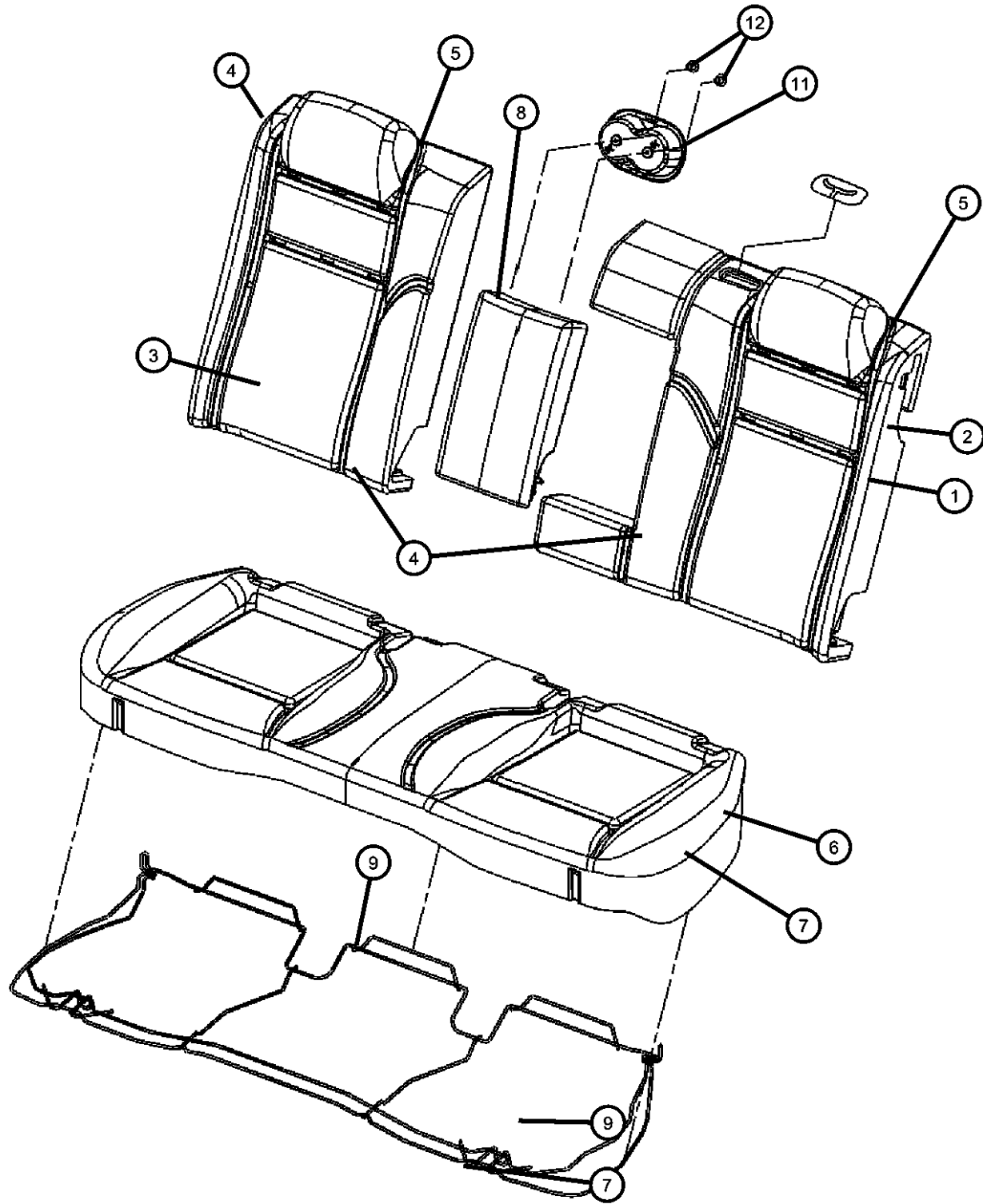
ENGINE  
 ESF = 6.1L SRT HEMI SMPI V8 Engine

TRANSMISSION  
 DGJ = 5-Speed Auto W5A580 Transmission

AR = use ase required    - = Non illustrated part

2008 LC

Rear Seat - 60/40 - Trim Code [UL]  
Figure 50-640



ITEM	PART NUMBER	QTY	LINE	SERIES	BODY	ENGINE	TRANS	TRIM	DESCRIPTION
1	1ME521DVAA	1	D	X	22			*UL	COVER, Rear Seat Back, 60 % Side
2	68044579AA	1	D	X	22			*UL	FOAM, Seat Back, 60 % Side
3	1ME491DVAA	1	D	X	22			*UL	COVER, Rear Seat Back, 40 % Side
4	68044580AA	1	D	X	22			*UL	FOAM, Seat Back, 40 % Side
5									PANEL, Rear Seat Back
	68044581AA	1	D	X	22			*UL	60%
	68044582AA	1	D	X	22			*UL	40%
6	68044420AA	1	D	X	22			*UL	FOAM, Seat Cushion
7	1ME481DVAA	1	D	X	22			*UL	COVER, Rear Seat Cushion
8	1ME531DVAA	1	D	X	22			*UL	ARMREST, Rear Seat Center
9	68044421AA	1	D	X	22			*UL	FRAME, Rear Seat Cushion
-10									RETAINER, Arm Rest
	05139654AB	1	D	X	22			*UL	Right
	05139655AB	1	D	X	22			*UL	Left
11	1AW791DVAA	1	D	X	22			*UL	CUP HOLDER, Rear Seat, Serviced with the arm rest
12	1AT221DVAA	1	D	X	22			*UL	CLIP
-13									BOLSTER, Seat
	05174654AA	2	D	X	22			*UL	Right
	05174655AA	2	D	X	22			*UL	Left

DODGE CHALLENGER (LC)  
SERIES LINE  
X = SPECIAL D = DODGE

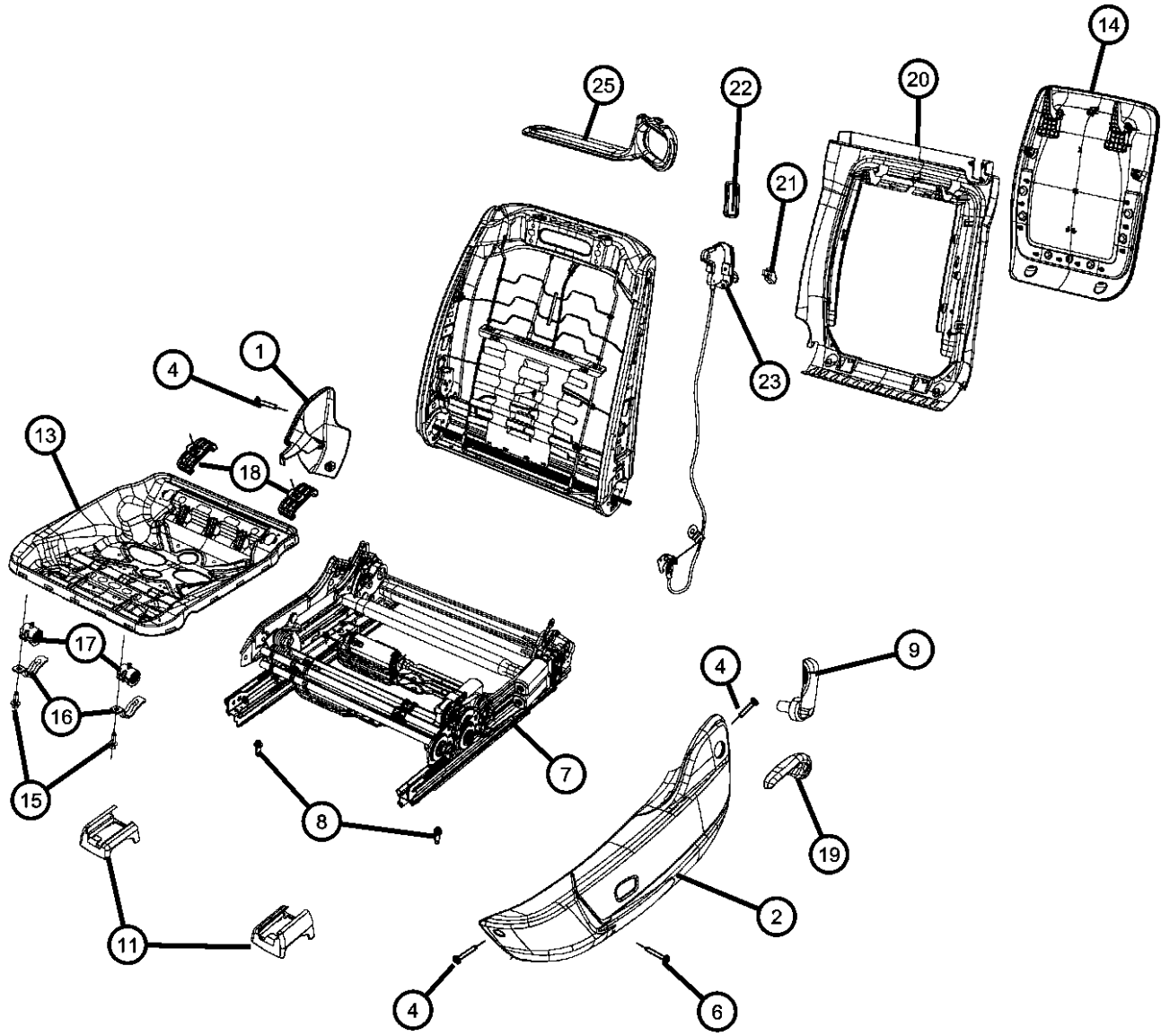
BODY ENGINE TRANSMISSION  
22 = 2-DR SEDAN TYPE #2 ESF = 6.1L SRT HEMI SMPI V8 Engine DGJ = 5-Speed Auto W5A580 Transmission

AR = use ase required - = Non illustrated part

2008 LC

**Adjusters , Recliners and Shields - Driver Seat - Power**  
**Figure 50-905**

ITEM	PART NUMBER	QTY	LINE	SERIES	BODY	ENGINE	TRANS	TRIM	DESCRIPTION
NOTE									
Sales Codes : XAM = Pedal - Power Adjustable with Memory									
1	1ME251DVAA	1	D	X	22				*UL SHIELD, Driver Inboard
2	1ME411DVAA	1	D	X	22				*UL SHIELD, Driver Outboard
-3	05139643AA	1	D	X	22				*UL BRACKET
4	05139631AA	48	D	X	22				*UL SCREW, Seat
-5	05139641AA	1	D	X	22				*UL BRACKET, Seat
6	05170948AA	3	D	X	22				*UL SCREW
7	68020712AA	1	D	X	22				*UL ADJUSTER, Power Seat
8	68020712AA	1							BOLT, (NOT SERVICED)
9	1AR671DVAA	1	D	X	22				*UL HANDLE, Lumbar
-10	68033526AA	2	D	X	22				*UL SCREW
11									COVER, Track, Front
	1AN491DVAA	1	D	X	22				*UL Left
	1AN501DVAA	1	D	X	22				*UL Right
-12									COVER, Seat Track, Rear
	1MY421DBAA	1	D	X	22				*UL [DB], Outboard
	1MY421DVAA	1	D	X	22				*UL [DV], Outboard
	1MY431DBAA	1	D	X	22				*UL [DB], Inboard
	1MY431DVAA	1	D	X	22				*UL [DV], Inboard
13	04610213AA	1	D	X	22				*UL FRAME, Front Seat Cushion
14	1ME421DVAA	1	D	X	22				*UL PANEL, Front Seat Back
15	05139628AA	4	D	X	22				*UL BOLT
16	05139657AA	2	D	X	22				*UL CLAMP, Seat
17	05139656AA	2	D	X	22				*UL SPACER, Hinge
18	05139663AA	4	D	X	22				*UL BUMPER PAD, Seat Cushion
19	1AN721DVAA	1	D	X	22				*UL HANDLE, Recliner
20	68044591AA	1	D	X	22				*UL BRACKET, Seat
21	1ME041DVAA	2	D	X	22				*UL KNOB
22	1ME031DVAA	2	D	X	22				*UL BEZEL, Seat Release
23	68044589AA	2	D	X	22				*UL LATCH, Seat
-24	68044593AA	1	D	X	22				*UL BRACKET, Seat, Dump Cable Bracket
25	1ME061DVAA	1	D	X	22				*UL GUIDE, Seat Belt
-26	05139661AA	1	D	X	22				*UL LIMITER, Seat Track Travel
-27									BELLCRANK, Latch



**DODGE CHALLENGER (LC)**  
 SERIES LINE  
 X = SPECIAL D = DODGE

BODY  
 22 = 2-DR SEDAN TYPE #2

ENGINE  
 ESF = 6.1L SRT HEMI SMPI V8 Engine

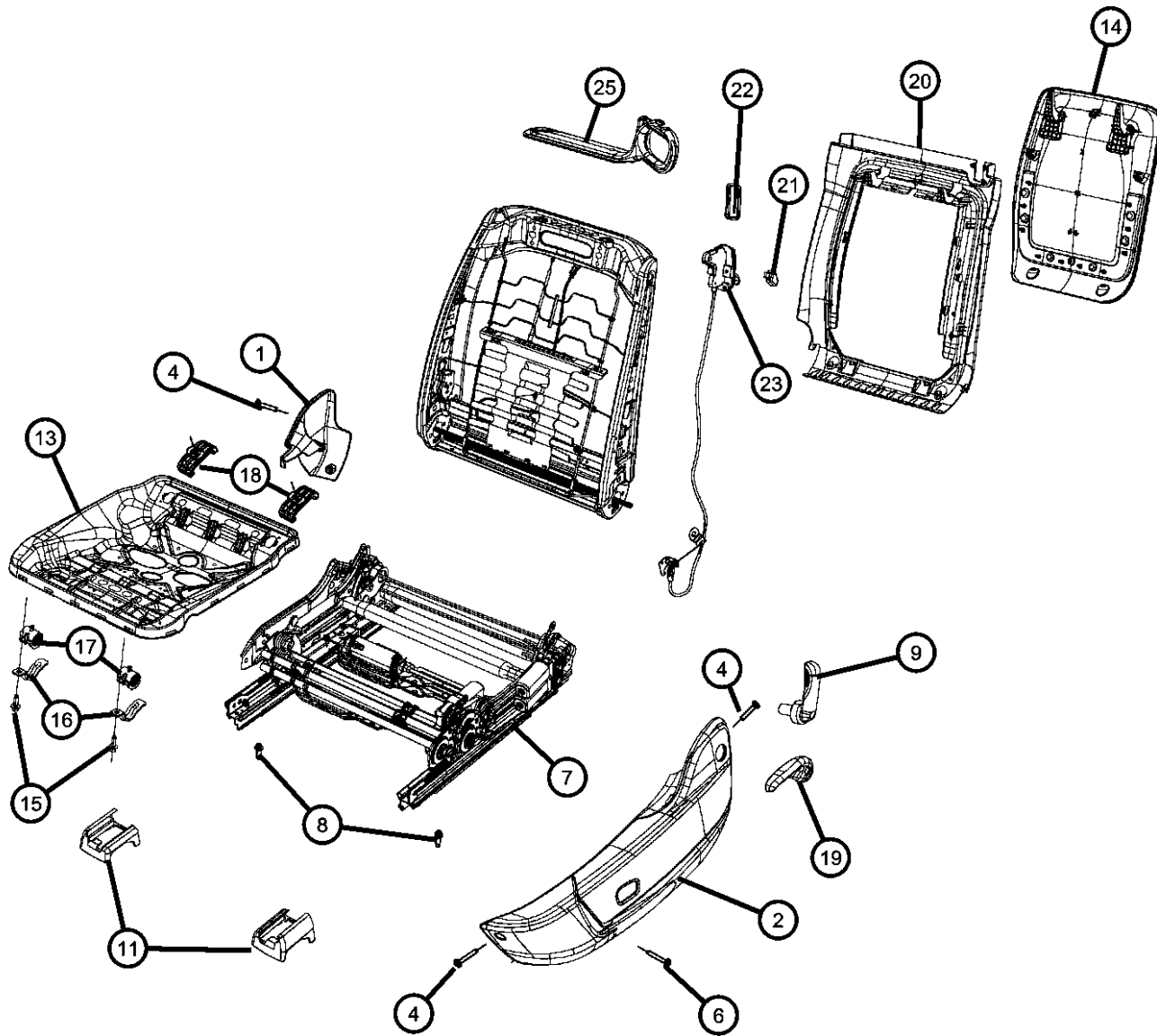
TRANSMISSION  
 DGJ = 5-Speed Auto W5A580 Transmission

AR = use ase required - = Non illustrated part

2008 LC

**Adjusters , Recliners and Shields - Driver Seat - Power**  
**Figure 50-905**

ITEM	PART NUMBER	QTY	LINE	SERIES	BODY	ENGINE	TRANS	TRIM	DESCRIPTION
	68044587AA	1	D	X	22			*UL	Left
	68044588AA	1	D	X	22			*UL	Right



**DODGE CHALLENGER (LC)**  
 SERIES      LINE  
 X = SPECIAL    D = DODGE

BODY  
 22 = 2-DR SEDAN TYPE #2

ENGINE  
 ESF = 6.1L SRT HEMI SMPI V8 Engine

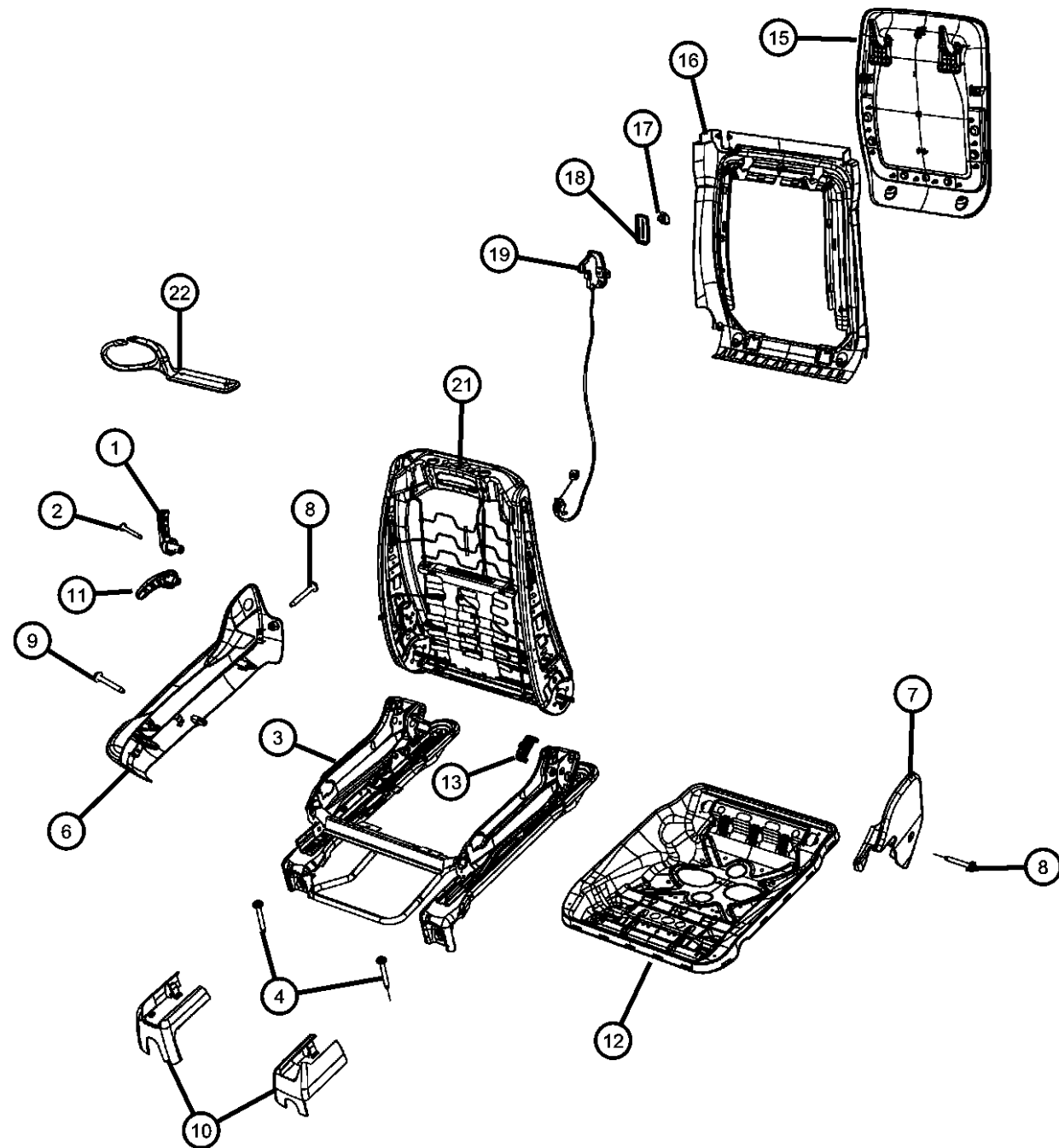
TRANSMISSION  
 DGJ = 5-Speed Auto W5A580 Transmission

AR = use ase required    - = Non illustrated part

2008 LC



**Adjusters, Recliners and Shields Passenger Seat Manual**  
**Figure 50-920**



ITEM	PART NUMBER	QTY	LINE	SERIES	BODY	ENGINE	TRANS	TRIM	DESCRIPTION
1	1AT211DVAA	1	D	X	22			*UL	HANDLE, Lumbar
2	68033526AA	2	D	X	22			*UL	SCREW
3	68033526AA	2							ADJUSTER, Manual Seat, (NOT SERVICED)
4	68033526AA	2							BOLT, (NOT SERVICED)
-5	05139639AA	4	D	X	22			*UL	NUT
6	1ME291DVAA	1	D	X	22			*UL	SHIELD, Passenger Outboard
7	1ME261DVAA	1	D	X	22			*UL	SHIELD, Passenger Inboard
8	05139631AA	48	D	X	22			*UL	SCREW, Seat
9	05170948AA	3	D	X	22			*UL	SCREW
10									COVER, Seat Track
	1ME281DVAA	1	D	X	22			*UL	Left Front
	1MY381DBAA	1	D	X	22			*UL	[DB], Right Rear
	1MY381DVAA	1	D	X	22			*UL	[DV], Right Rear
	1MY391DBAA	1	D	X	22			*UL	[DB], Left Rear
	1MY391DVAA	1	D	X	22			*UL	[DV], Left Rear
	1ME271DVAA	1	D	X	22			*UL	Right Front
11	1AN631DVAA	1	D	X	22			*UL	HANDLE, Recliner
12	05139950AA	1	D	X	22			*UL	PAN, SEAT CUSHION
13	05139663AA	4	D	X	22			*UL	BUMPER PAD, Seat Cushion
-14	05139642AA	1	D	X	22			*UL	BRACKET
15	1ME241DVAA	1	D	X	22			*UL	PANEL, Front Seat Back
16	1ME301DVAA	1	D	X	22			*UL	BRACKET, Seat
17	1ME041DVAA	2	D	X	22			*UL	KNOB
18	1ME031DVAA	2	D	X	22			*UL	BEZEL, Seat Release
19	68044589AA	2	D	X	22			*UL	LATCH, Seat, Includes Cable
-20	68044594AA	1	D	X	22			*UL	BRACKET, Seat, For Dump Cable
21	68044594AA	1							FRAME, Front Seat Back, (NOT SERVICED)
22	1ME071DVAA	1	D	X	22			*UL	GUIDE, Seat Belt
-23	05170576AA	2	D	X	22			*UL	NUT, Seat Belt Buckle

**DODGE CHALLENGER (LC)**  
 SERIES      LINE  
 X = SPECIAL    D = DODGE

BODY  
 22 = 2-DR SEDAN TYPE #2

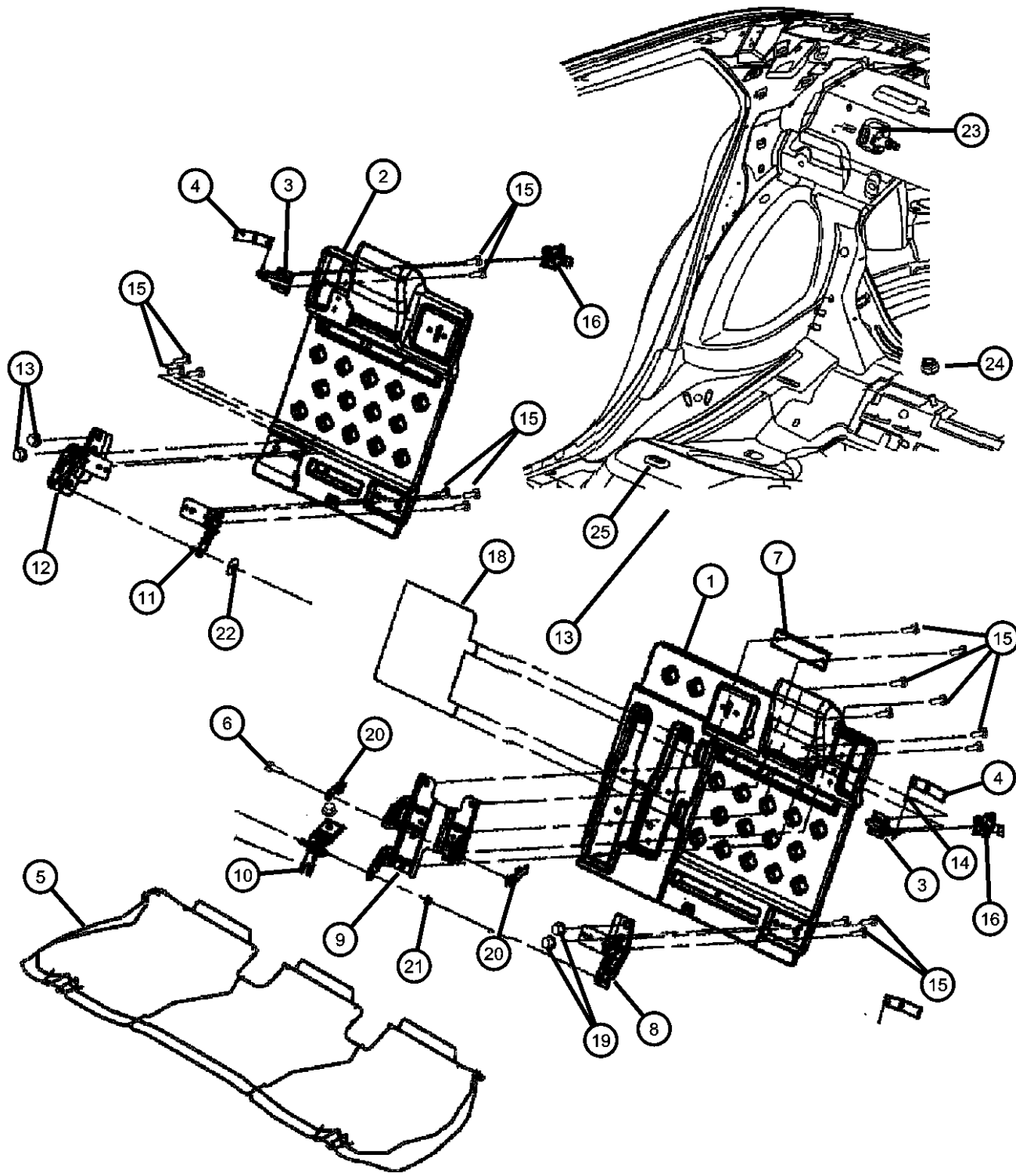
ENGINE  
 ESF = 6.1L SRT HEMI SMPI V8 Engine

TRANSMISSION  
 DGJ = 5-Speed Auto W5A580 Transmission

AR = use ase required    - = Non illustrated part

2008 LC

Second Row - 60/40  
Figure 50-1030



ITEM	PART NUMBER	QTY	LINE	SERIES	BODY	ENGINE	TRANS	TRIM	DESCRIPTION
1	68044581AA	1	D	X	22			*UL	PANEL, Rear Seat Back
2	68044582AA	1	D	X	22			*UL	PANEL, Rear Seat Back
3	05102172AA	2	D	X	22			*UL	LATCH, Seat
4	1ME021DVAA	2	D	X	22			*UL	STRAP, Seat release
5	68044421AA	1	D	X	22			*UL	FRAME, Rear Seat Cushion
6	05139635AA	1	D	X	22			*UL	BOLT
7	05140652AA	1	D	X	22			*UL	BRACKET
8	05139682AA	1	D	X	22			*UL	BRACKET
9	05140653AA	1	D	X	22			*UL	BRACKET
10	05139647AA	1	D	X	22			*UL	BRACKET
11	05174062AA	1	D	X	22			*UL	BRACKET
12	05139680AA	1	D	X	22			*UL	BRACKET
13	05139629AA	8	D	X	22			*UL	BOLT, Seat
14	68044596AA	1	D	X	22			*UL	CABLE, Seat Back Release
15	05139496AB	18	D	X	22			*UL	SCREW, Trim
16	04628848AB	2	D		22				STRIKER, Seat Back Latch
-17	06101712	4	D		22				NUT, U, M6x1.00
18	05140656AA	1	D	X	22			*UL	PANEL
19	06504537	2	D		22				NUT, Flange Locking, M12x1.75
20									RETAINER, Arm Rest
	05139654AB	1	D	X	22			*UL	Right
	05139655AB	1	D	X	22			*UL	Left
21	05139638AB	1	D	X	22			*UL	NUT
22	05174063AA	1	D	X	22			*UL	BUSHING
23	04628848AB	2	D		22				STRIKER, Seat Back Latch
24	06504537	2	D		22				NUT, Flange Locking, M12x1.75
25	04645939AB	2	D		22				RETAINER, Seat Cushion

DODGE CHALLENGER (LC)  
SERIES LINE  
X = SPECIAL D = DODGE

BODY  
22 = 2-DR SEDAN TYPE #2

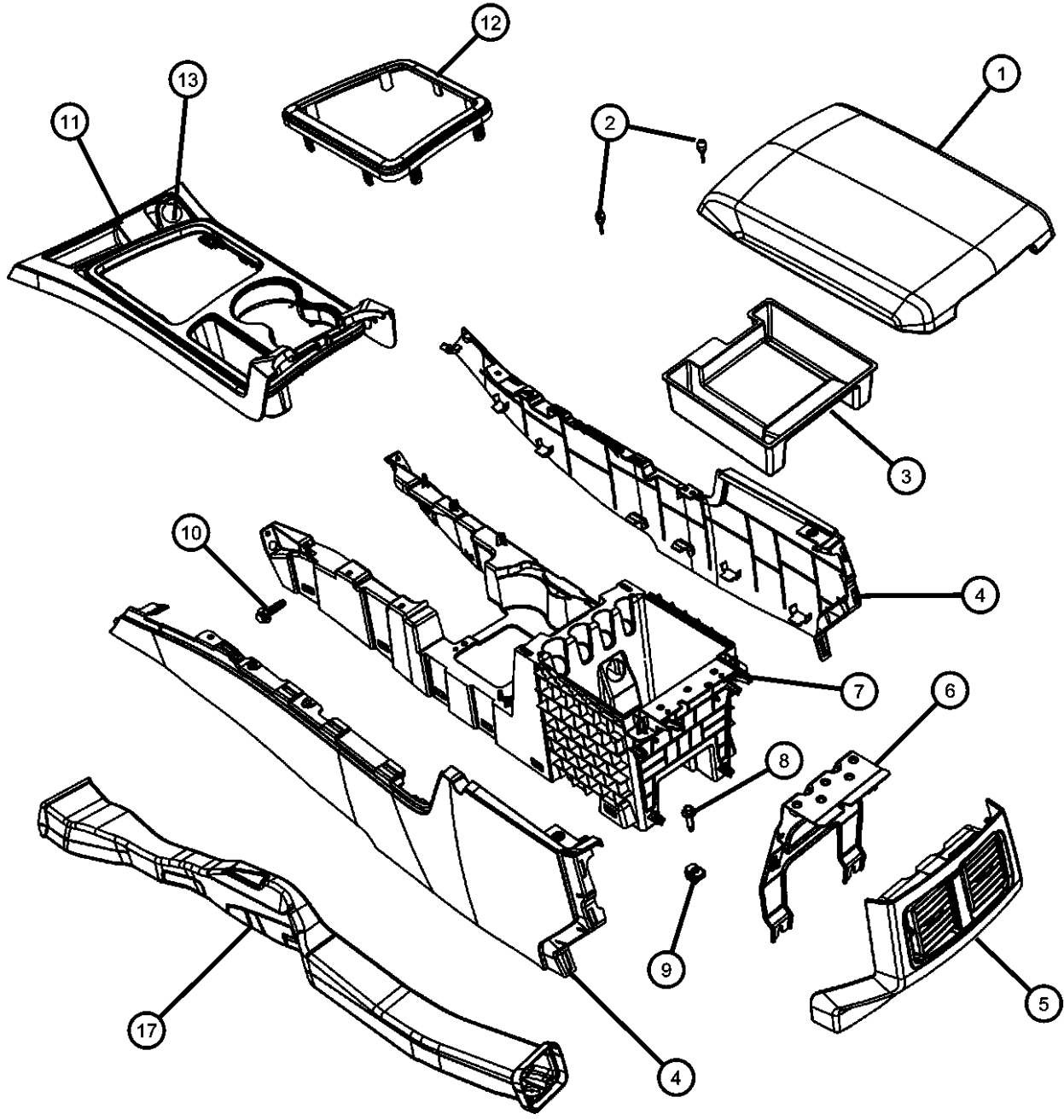
ENGINE  
ESF = 6.1L SRT HEMI SMPI V8 Engine

TRANSMISSION  
DGJ = 5-Speed Auto W5A580 Transmission

AR = use ase required - = Non illustrated part

2008 LC

Floor Console Front  
Figure 50-1605



ITEM	PART NUMBER	QTY	LINE	SERIES	BODY	ENGINE	TRANS	TRIM	DESCRIPTION
1	1NB28XDVAA	1	D		22			*00	ARMREST, Console
2	04662055AB	1	D		22				MAT, Floor Console
3	68048515AA	2	D	H, P	22			*00	BUMPER, Armrest Lid
4	1MZ60XDVAA	1	D		22			*00	PANEL, Console
	1MZ59XDVAA	1	D		22			*00	Right
	1MZ59XDVAA	1	D		22			*00	Left
5	68048361AA	1	D		22			*00	CAP, Floor Console End
6	68048359AA	1	D		22			*00	BRACKET, Console
7	68048518AA	1	D	H, P	22			*00	CONSOLE, Base
		1	D	X	22			*00	
8	06505601AA	4	D		22				SCREW, Tapping Hex Flange Head, M6.3X1.81X25.00
9	06035550	4	D		22				NUT, Spring Snap In, .250-14
10	06101946	4	D		22				SCREW, Tapping Hex Head, M4.2X1.70X20.00
11	1FS551AAAD	1	D		22			*00	BEZEL, Floor Console
	1FS551Z2AD	1	D		22			*00	Argent
12	1GA35SZ6AA	1	D		22			*00	RING, Trim
13	05026362AA	1	D		23				BASE, Cigar Lighter
-14	04685370	1	D		22				KNOB AND ELEMENT, Cigar Lighter
-15	04793555AB	1	D		23				RING, Cigar Lighter Mounting
-16	56010621AA	1	D		22				CAP, Power Outlet
17	68048360AA	1	D		22			*00	DUCT, AIR

DODGE CHALLENGER (LC)  
SERIES LINE  
X = SPECIAL D = DODGE

BODY  
22 = 2-DR SEDAN TYPE #2

ENGINE  
ESF = 6.1L SRT HEMI SMPI V8 Engine

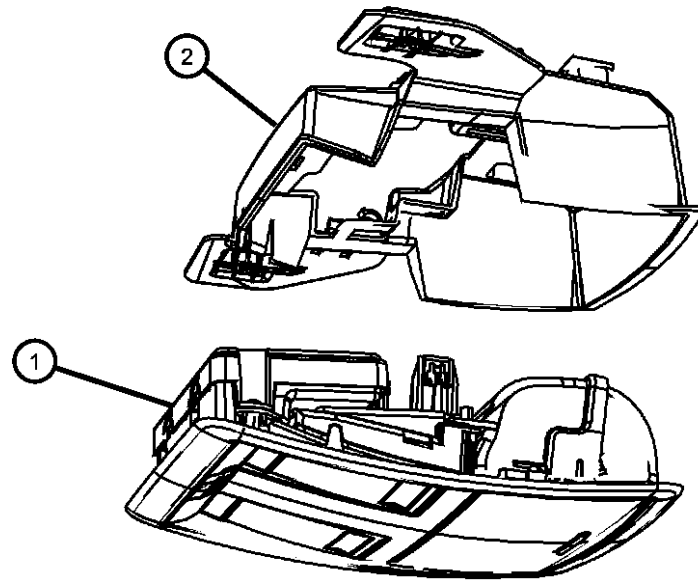
TRANSMISSION  
DGJ = 5-Speed Auto W5A580 Transmission

AR = use ase required - = Non illustrated part

2008 LC

**Overhead Console  
Figure 50-1620**

ITEM	PART NUMBER	QTY	LINE	SERIES	BODY	ENGINE	TRANS	TRIM	DESCRIPTION
1									CONSOLE, Overhead
	1AR29XDVAB	1	D		22			*O0	Without [GWA]
	1AR301DVAB	1	D		22			*O0	With [GWA]
2	68048870AA	1	D		22			*O0	RETAINER, Overhead Console
-3	68043540AA	1	D		22			*O0	FOLLOWER, Sunglass Bin



**DODGE CHALLENGER (LC)**  
 SERIES      LINE  
 X = SPECIAL    D = DODGE

BODY  
 22 = 2-DR SEDAN TYPE #2

ENGINE  
 ESF = 6.1L SRT HEMI SMPI V8 Engine

TRANSMISSION  
 DGJ = 5-Speed Auto W5A580 Transmission

AR = use ase required    - = Non illustrated part

2008 LC

**Instrument Panel and Structure**  
**Figure 50-1705**

ITEM	PART NUMBER	QTY	LINE	SERIES	BODY	ENGINE	TRANS	TRIM	DESCRIPTION
1	68049185AA	1	D	X	22			*00	REINFORCEMENT, Beam
2	1EJ31XDVAC	1	D		22			*00	BEZEL, Sensor
3									GRILLE, Defroster
	1FT34XDVAC	1	D	X	22			*00	
	1FT36XDVAC	1	D	X	22			*00	With [LMG]
4	1NE951DVAA	1	D	X	22			*00	PANEL, Instrument Panel
5									GRILLE, Demister
	1NJ601DVAA	1	D	X	22			*00	Right
	1NJ611DVAA	1	D	X	22			*00	Left
6									OUTLET, Air
	1NF041DVAA	1	D	X	22			*00	Right
	1NF051DVAA	1	D	X	22			*00	Left
7	1NF031DVAA	1	D	X	22			*00	OUTLET, Center
8	1NJ491DVAA	1	D	X	22			*00	BADGE, SRT8
9	0UZ801DVAD	1	D	X	22			*00	DOOR, Glove Box
10	1MD791DVAA	1	D	X	22			*00	LATCH, Glovebox Door
-11	05189856AA	1	D	X	22			*00	STRIKER, Glove Box Door Latch
12									BEZEL, Instrument Panel, Center
	68049184AA	1	D	X	22			*00	
	68049191AA	1	D	X	22			*00	With Heat Switch
13	1NF071DVAA	1	D	X	22			*00	BEZEL, Instrument Cluster
14									PANEL, Instrument Panel Closeout
	04595903AC	1	D	X	22			*00	Manual Trans
	04662056AA	1	D	X	22			*00	
15	04595892AA	1	D	X	22			*00	REINFORCEMENT, Steering Column Cover
16	04595902AC	1	D		22				PANEL, Instrument Panel Closeout
17									COVER, Steering Column
	1DE80XDVAC	1	D	X	22			*00	
	1DK30XDVAA	1	D		22			*00	With [JPC]

**DODGE CHALLENGER (LC)**  
 SERIES      LINE  
 X = SPECIAL    D = DODGE

BODY  
 22 = 2-DR SEDAN TYPE #2

ENGINE  
 ESF = 6.1L SRT HEMI SMPI V8 Engine

TRANSMISSION  
 DGJ = 5-Speed Auto W5A580 Transmission

AR = use ase required    - = Non illustrated part

2008 LC

# Group - 60

## Body Sheet Metal Except Doors

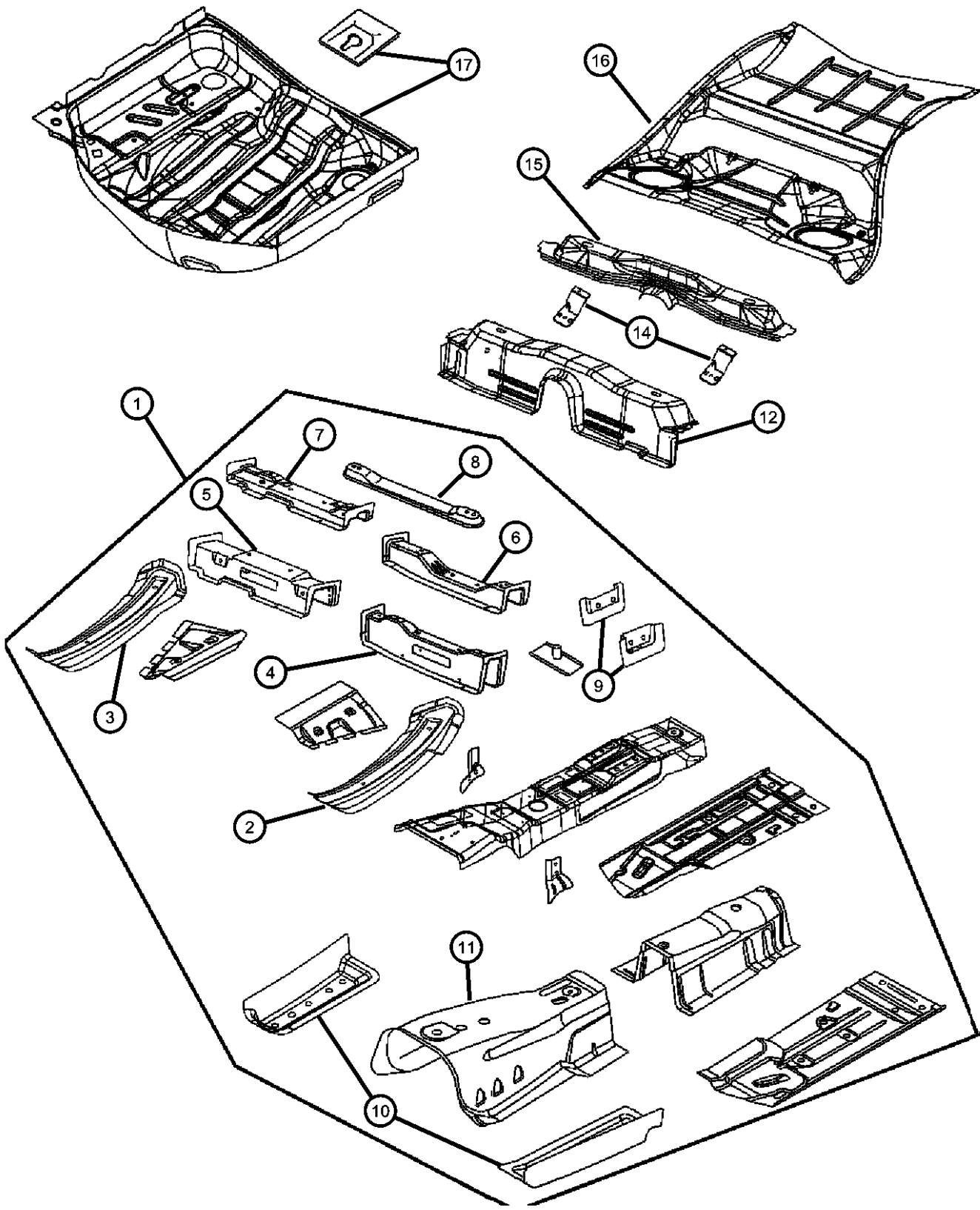
<b>060-100</b> Floor Pans	<b>060-1000</b> Sunroof	<b>060-1100</b> Deck Lid	<b>060-1200</b> Shelf Panel
<b>060-200</b> Plugs	<b>060-300</b> Fenders	<b>060-400</b> Hood and Hood Release	<b>060-500</b> Cowl and Dash Panel
<b>060-600</b> Aperture Panel and Pillar Supports	<b>060-800</b> Body Structure Welds, Weatherstrips, Seals, Sealers and Adhesives	<b>060-900</b> Roof	

---

## Group - 60 Body Sheet Metal Except Doors

Illustration Title	Group-Fig. No.
<b>Floor Pans</b>	
Front, Center & Rear Floor Pan.....	Fig. 60 - 110
Pan, Torque Box .....	Fig. 60 - 176
Underbody Shields and Skidplates .....	Fig. 60 - 180
<b>Plugs</b>	
Body Plugs and Exhauster .....	Fig. 60 - 205
<b>Fenders</b>	
Front Fender.....	Fig. 60 - 305
Front Fender Shields.....	Fig. 60 - 350
<b>Hood and Hood Release</b>	
Hood and Related Parts .....	Fig. 60 - 405
Hood Release and Latch .....	Fig. 60 - 410
<b>Cowl and Dash Panel</b>	
Cowl, Dash Panel, & Related Parts.....	Fig. 60 - 505
<b>Aperture Panel and Pillar Supports</b>	
Front Aperture Panel.....	Fig. 60 - 605
Fuel Filler Housing and Door.....	Fig. 60 - 611
Rear Aperture (Quarter) Panel.....	Fig. 60 - 650
Rear Wheelhouse Shields.....	Fig. 60 - 655
<b>Body Structure Welds, Weatherstrips, Seals, Sealers and Adhesives</b>	
Body Weatherstrips and Seals .....	Fig. 60 - 805
<b>Roof</b>	
Roof Panel.....	Fig. 60 - 905
<b>Sunroof</b>	
Sunroof Glass and Component Parts.....	Fig. 60 - 1005
<b>Deck Lid</b>	
Deck Lid and Related Parts .....	Fig. 60 - 1105
<b>Shelf Panel</b>	
Rear Shelf Panel .....	Fig. 60 - 1205

Front, Center & Rear Floor Pan  
Figure 60-110



ITEM	PART NUMBER	QTY	LINE	SERIES	BODY	ENGINE	TRANS	TRIM	DESCRIPTION
1	05112731AD	1	D		22				PAN, Front Floor
2	04780833AA	1	D		22				EXTENSION, Front Side Rail
3	04780832AA	1	D		22				EXTENSION, Front Side Rail
4	05112697AA	1	D		22				CROSSMEMBER, Front Floor, Front Seat, Front, Left
5	05112696AA	1	D		22				CROSSMEMBER, Front Floor, Front Seat, Front, Right
6	05112703AA	1	D		22				CROSSMEMBER, Front Floor, Front Seat, Rear, Left
7	05112702AA	1	D		22				CROSSMEMBER, Front Floor, Front Seat, Rear, Right
8	04780889AB	1	D						REINFORCEMENT, Tunnel
9									BRACKET, Drive Shaft Center Bearing Right
	05065210AA	1	D		22				Left
10	05065211AA	1	D		22				BRACKET, Transmission Mount Right
	05065208AB	1	D		22				Left
	05065209AB	1	D		22				EXTENSION, Floor Pan
11	05112691AB	1	D		22				CROSSMEMBER, Floor Pan
12	05112809AD	1	D		22				CROSSMEMBER, Rear SuspensionRear
-13	04780812AC	1	D		22				REINFORCEMENT, Seat Belt Anchor
14	05065678AC	2	D		22				REINFORCEMENT, Crossmember
15	04780792AD	1	D		22				PAN, Floor
16	05065311AB	1	D		22				PAN, Rear Floor
17	04780793AJ	1	D		22				REINFORCEMENT, Battery Tray Attaching
-18	55235004	2	D		22				

DODGE CHALLENGER (LC)  
SERIES LINE  
X = SPECIAL D = DODGE

BODY  
22 = 2-DR SEDAN TYPE #2

ENGINE  
ESF = 6.1L SRT HEMI SMPI V8 Engine

TRANSMISSION  
DGJ = 5-Speed Auto W5A580 Transmission

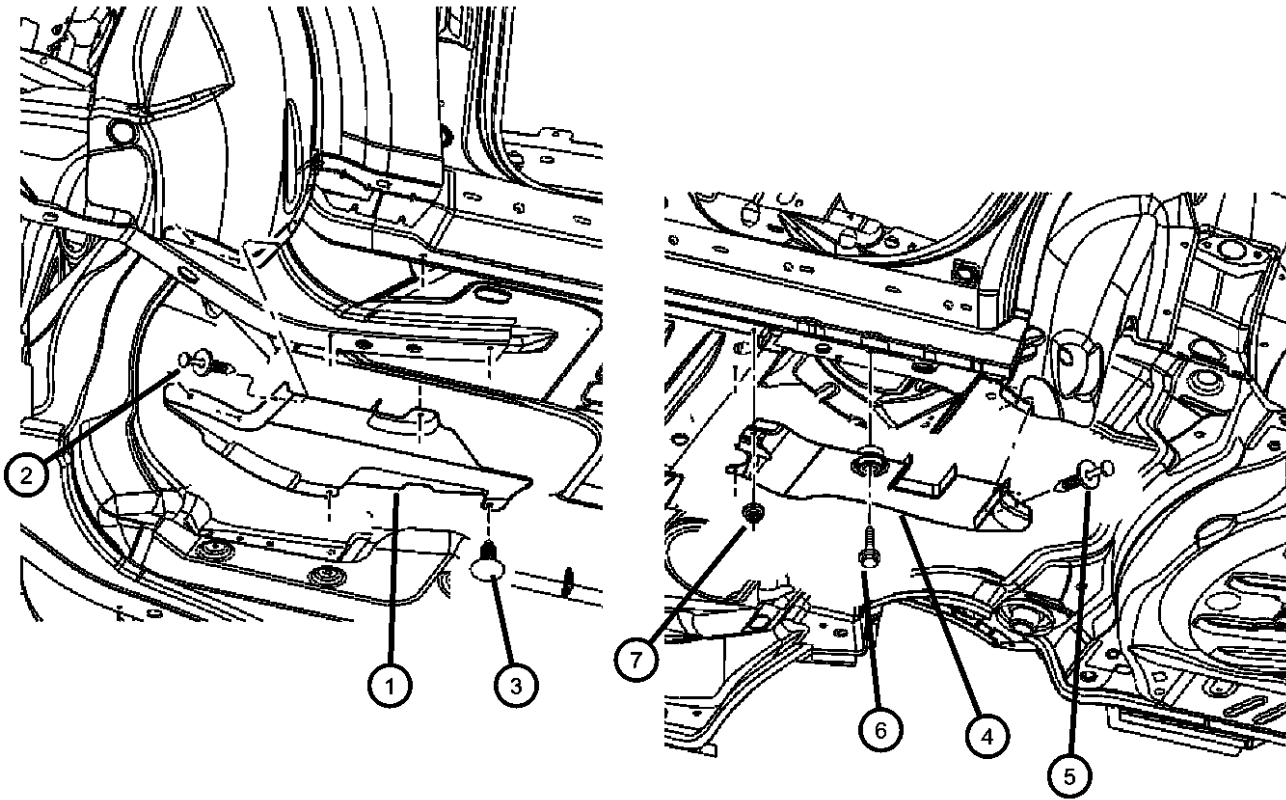
AR = use ase required - = Non illustrated part

2008 LC



Pan, Torque Box  
Figure 60-176

ITEM	PART NUMBER	QTY	LINE	SERIES	BODY	ENGINE	TRANS	TRIM	DESCRIPTION
1	05065236AB	1	D		22				COVER, Torque Box Right
	05065237AB	1	D		22				Left
2	06506132AA	6	D		22				PIN, Push In, M7.0x20.0
3	06506132AA	6	D		22				PIN, Push In, M7.0x20.0
4	04780808AD	1	D		22				SHIELD, Torque Box Right
	04780809AD	1	D		22				Left
5	06506132AA	4	D		22				PIN, Push In, M7.0x20.0
6	06504179	2	D		22				SCREW AND WASHER, Hex Head, M8-1.25x40
7	06503825	10	D		22				NUT



**DODGE CHALLENGER (LC)**  
 SERIES LINE  
 X = SPECIAL D = DODGE

BODY  
 22 = 2-DR SEDAN TYPE #2

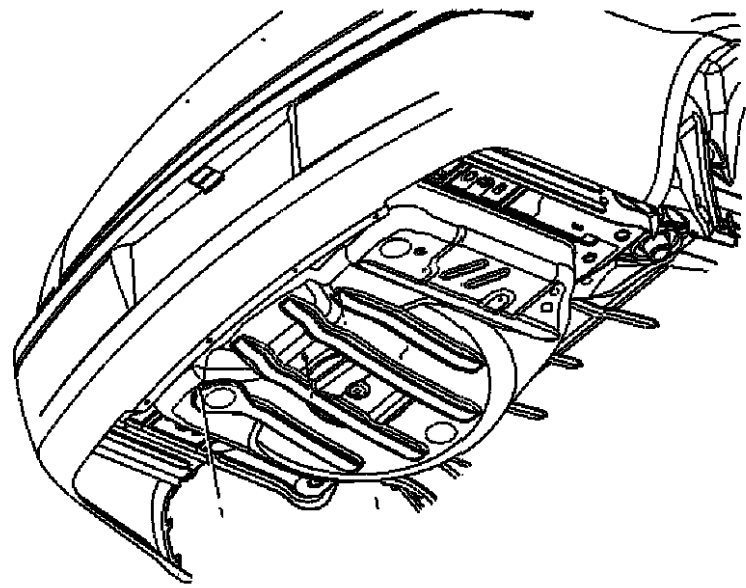
ENGINE  
 ESF = 6.1L SRT HEMI SMPI  
 V8 Engine

TRANSMISSION  
 DGJ = 5-Speed Auto W5A580  
 Transmission

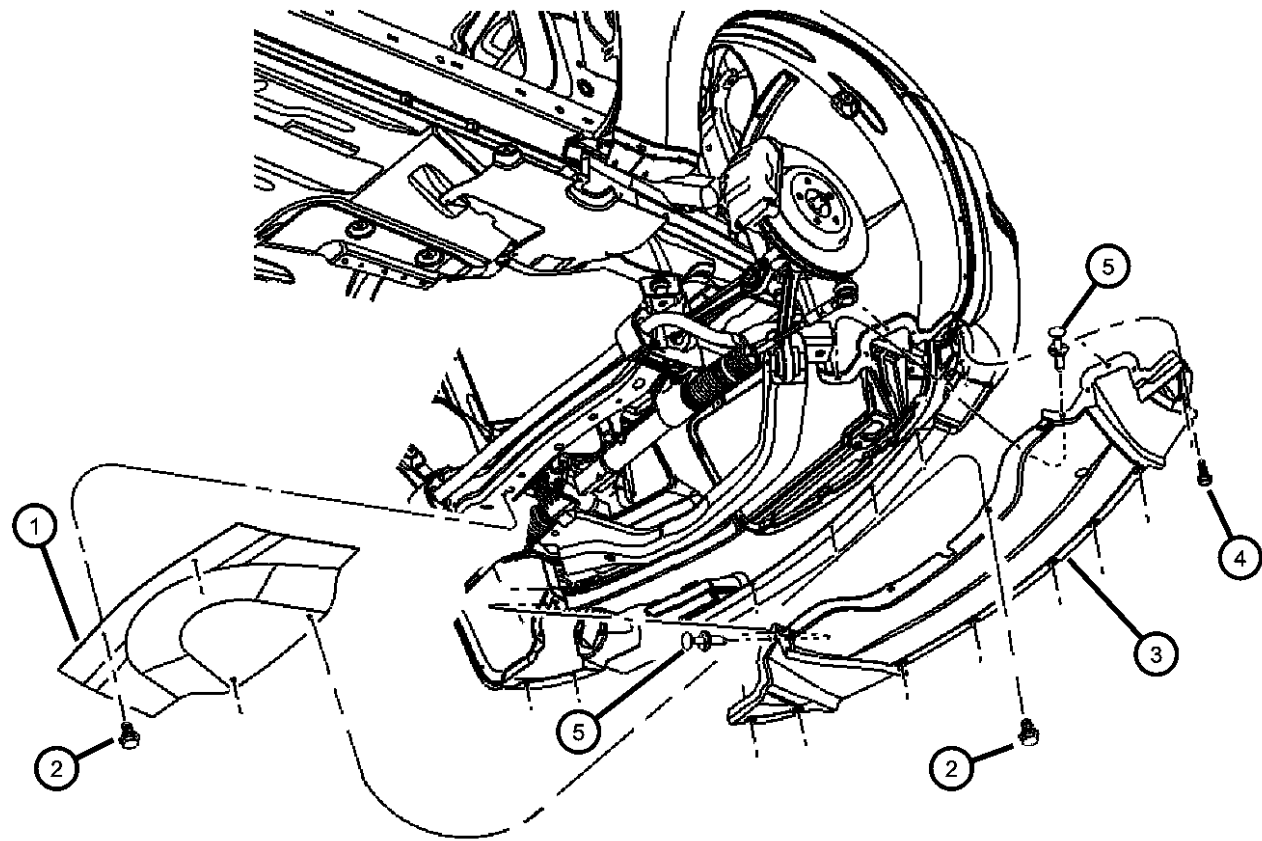
AR = use ase required - = Non illustrated part

2008 LC

**Underbody Shields and Skidplates**  
**Figure 60-180**



ITEM	PART NUMBER	QTY	LINE	SERIES	BODY	ENGINE	TRANS	TRIM	DESCRIPTION
1	04806074AH	1	D		22				BELLY PAN, Front
2	06508332AA	4	D		22				SCREW
3	05030943AA	1	D		22				BELLY PAN, Front
4	06506161AA	10	D		22				SCREW AND WASHER, Tapping Hex Head, M4.2x1.41x20
5	06506132AA	4	D		22				PIN, Push In, M7.0x20.0
-6	04780894AG	1	D		22				SILENCER, Tunnel
-7	06101956	4	D		23				NUT, U, M6x1.00



**DODGE CHALLENGER (LC)**  
 SERIES      LINE  
 X = SPECIAL    D = DODGE

BODY  
 22 = 2-DR SEDAN TYPE #2

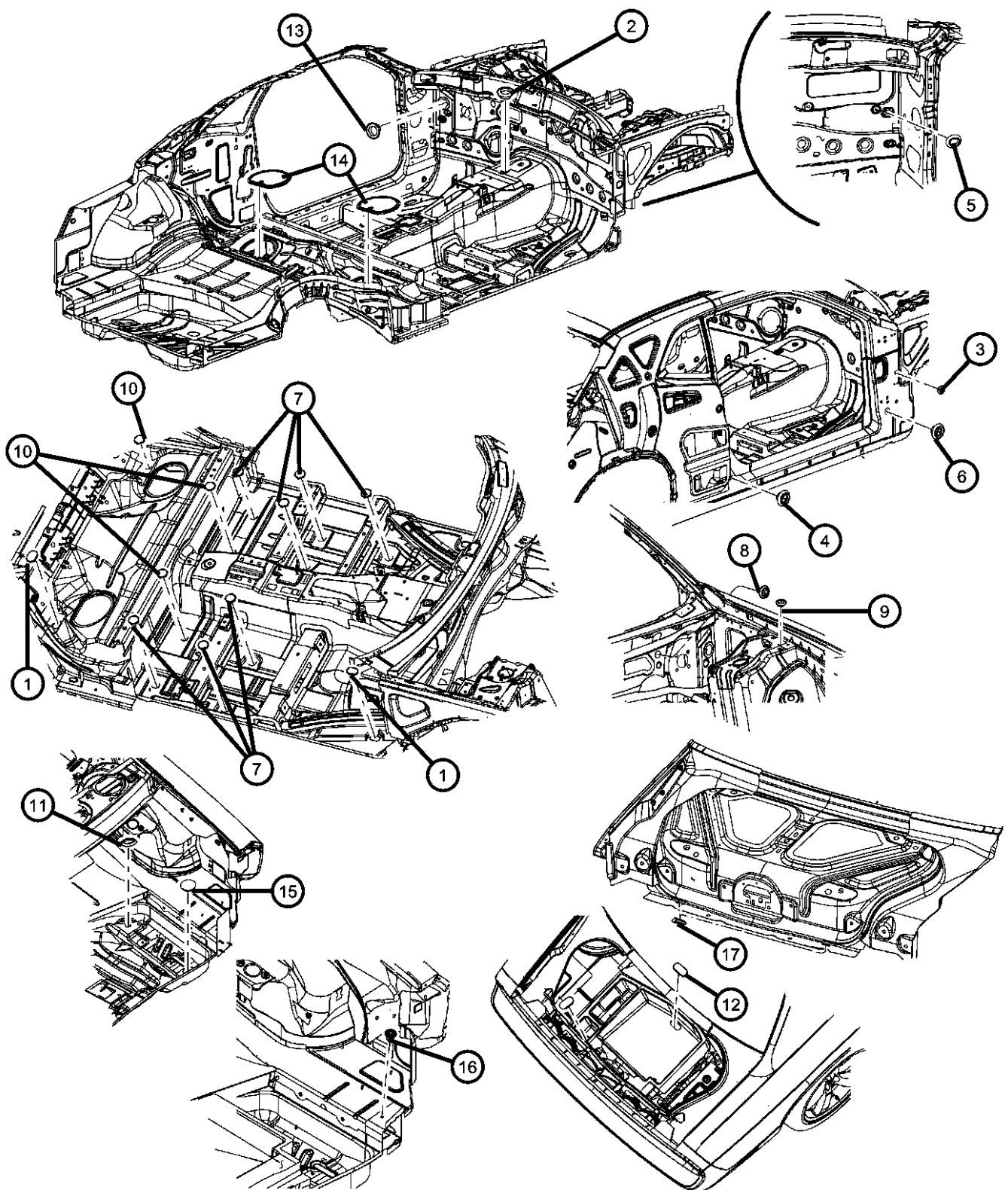
ENGINE  
 ESF = 6.1L SRT HEMI SMPI  
 V8 Engine

TRANSMISSION  
 DGJ = 5-Speed Auto W5A580  
 Transmission

AR = use ase required    - = Non illustrated part

2008 LC

**Body Plugs and Exhauster**  
Figure 60-205

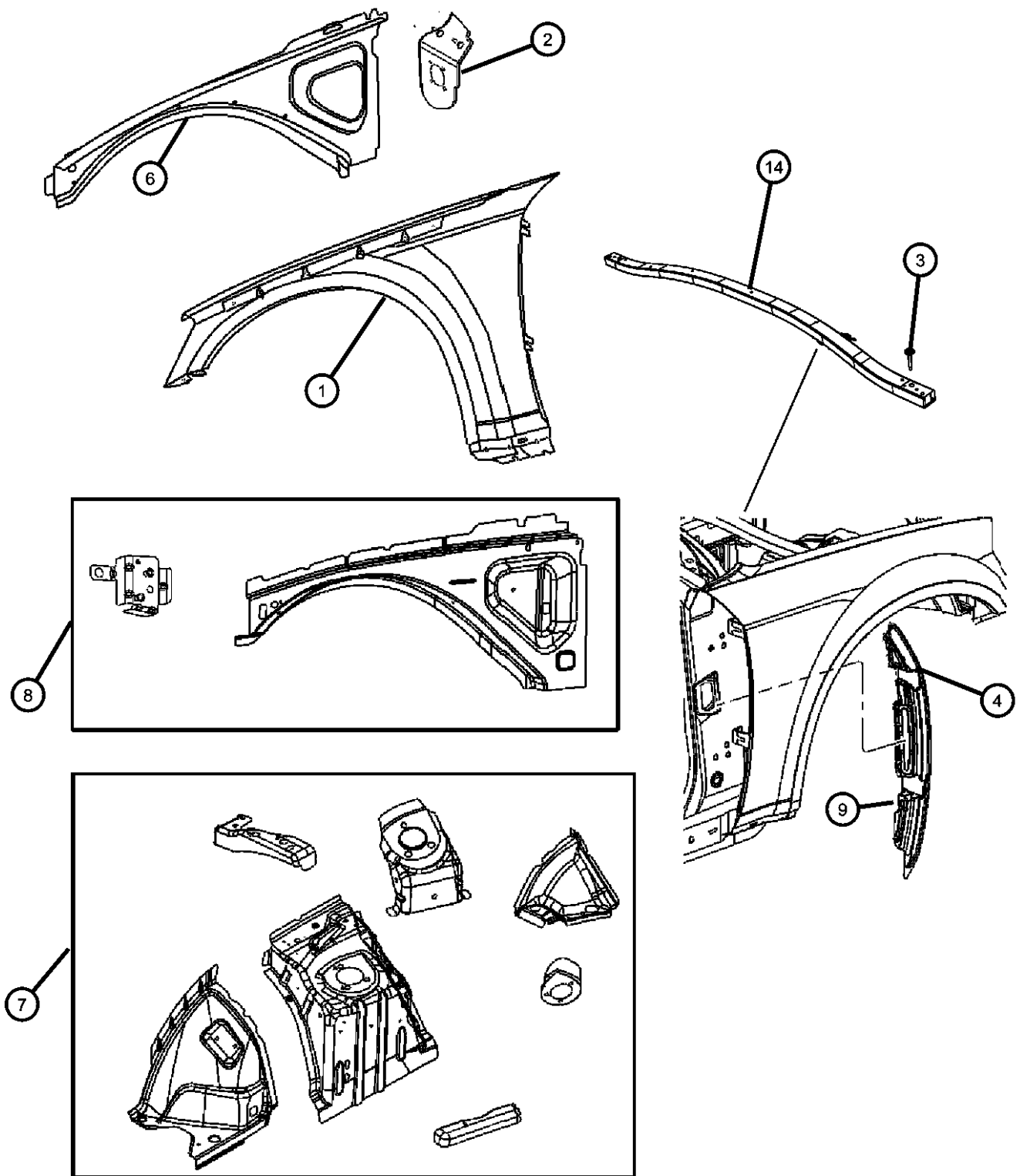


ITEM	PART NUMBER	QTY	LINE	SERIES	BODY	ENGINE	TRANS	TRIM	DESCRIPTION
1	55360966AA	1	D		22				PLUG, Floor Pan
2	04780615AB	1	D		22				PLUG, Body, .75 Diameter
3	04440294	2	D		22				PLUG, Body
4	04440294	2	D		22				PLUG, Body
5	05112208AA	1	D		22				PLUG
6	55257380AD	2	D		22				PLUG
7	04589535AA	8	D		22				PLUG
8	04670088	1	D		22				PLUG, Dash Panel, 35mm Diameter
9	04860223	2	D		22				PLUG, Body
10	04780521AB	5	D		22				PLUG, Top Seal
11	55176729AA	1	D		22				PLUG
12	05030289AA	2	D		22				PLUG
13	05030289AA	2							PLUG, Floor, 50mm, Not used for SRT, (NOT SERVICED)
14									COVER, Fuel Tank Access
	04780796AB	1	D		22				Right
	04780797AB	1	D		22				Left
15	04780520AA	3	D		22				PLUG, Top Seal
16	04608717AA	1	D		22				GROMMET
17	04814648	2	D		22				PLUG, Deck Lid

**DODGE CHALLENGER (LC)**  
 SERIES      LINE      BODY      ENGINE      TRANSMISSION  
 X = SPECIAL    D = DODGE    22 = 2-DR SEDAN TYPE #2    ESF = 6.1L SRT HEMI SMPI V8 Engine    DGJ = 5-Speed Auto W5A580 Transmission

AR = use ase required    - = Non illustrated part

Front Fender  
Figure 60-305



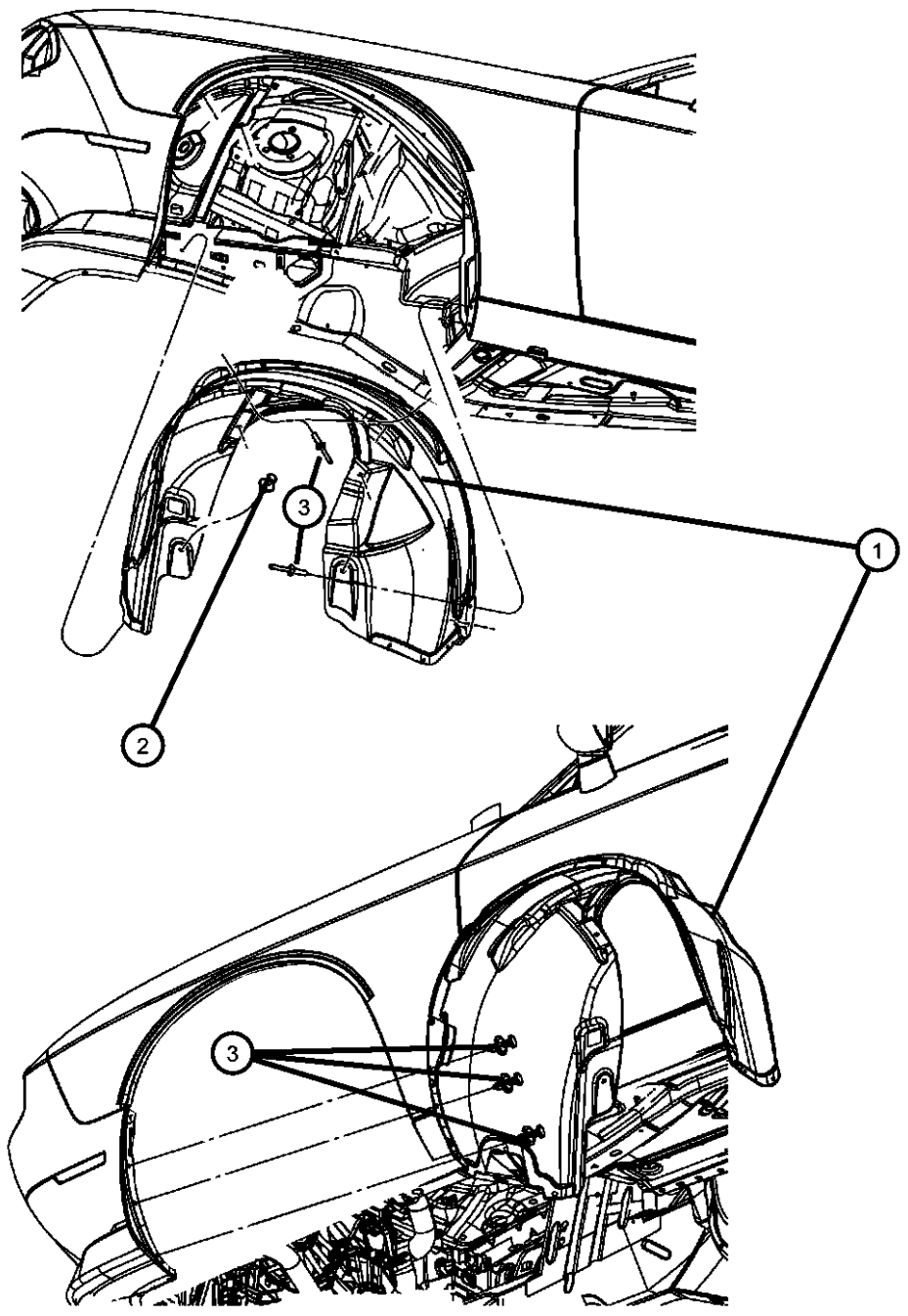
ITEM	PART NUMBER	QTY	LINE	SERIES	BODY	ENGINE	TRANS	TRIM	DESCRIPTION
1	04816164AB	1	D		22				FENDER, Front Right
	04816165AB	1	D		22				Left
2	05065320AC	4	D		22				BRACKET, Fender Dog Leg
3	06507733AA	4	D		22				SCREW
4	05112924AA	1	D		22				FOAM, Blocker Right
	05112925AA	1	D		22				Left
-5	06101712	4	D		22				NUT, U, M6x1.00
6	04780930AB	1	D		22				REINFORCEMENT, Body Side To Fender Right
	04780931AB	1	D		22				Left
7	05136778AK	1	D		22				PANEL, Front Wheelhouse Right
	05136779AK	1	D		22				Left
8	05065504AD	1	D		22				BEAM, Upper Load Path Right
	05065505AD	1	D		22				Left
9	55399152AA	1	D		22				WEATHERSTRIP, Front Door Mounted, Door to Fender Right
	55399153AA	1	D		22				Left
-10	05112056AA	1	D		22				BRACKET, Wiper Motor
-11	06505223AA	4	D		22				NUT, Spring, M6, Fender to Headlamp Mounting Bracket
-12	06505702AA	4	D		22				SCREW AND WASHER, Hex Head, M6x1x24.5, Fender to Fender Mounting Bracket
-13	06101308	2	D		22				NUT, U, M6x1.00
14	05065304AC	1	D		22				BRACE, Wheelhouse, Front Shock Tower Brace

**DODGE CHALLENGER (LC)**  
 SERIES LINE BODY ENGINE TRANSMISSION  
 X = SPECIAL D = DODGE 22 = 2-DR SEDAN TYPE #2 ESF = 6.1L SRT HEMI SMPI V8 Engine DGJ = 5-Speed Auto W5A580 Transmission

AR = use ase required - = Non illustrated part

**Front Fender Shields**  
Figure 60-350

ITEM	PART NUMBER	QTY	LINE	SERIES	BODY	ENGINE	TRANS	TRIM	DESCRIPTION
1									SHIELD, Splash
	05028750AA	1	D		22				Right
	05028751AA	1	D		22				Left
2	06506132AA	12	D		22				PIN, Push In, M7.0x20.0
3	06504737	4	D		22				RIVET, Plastic



**DODGE CHALLENGER (LC)**  
 SERIES      LINE  
 X = SPECIAL    D = DODGE

BODY  
 22 = 2-DR SEDAN TYPE #2

ENGINE  
 ESF = 6.1L SRT HEMI SMPI V8 Engine

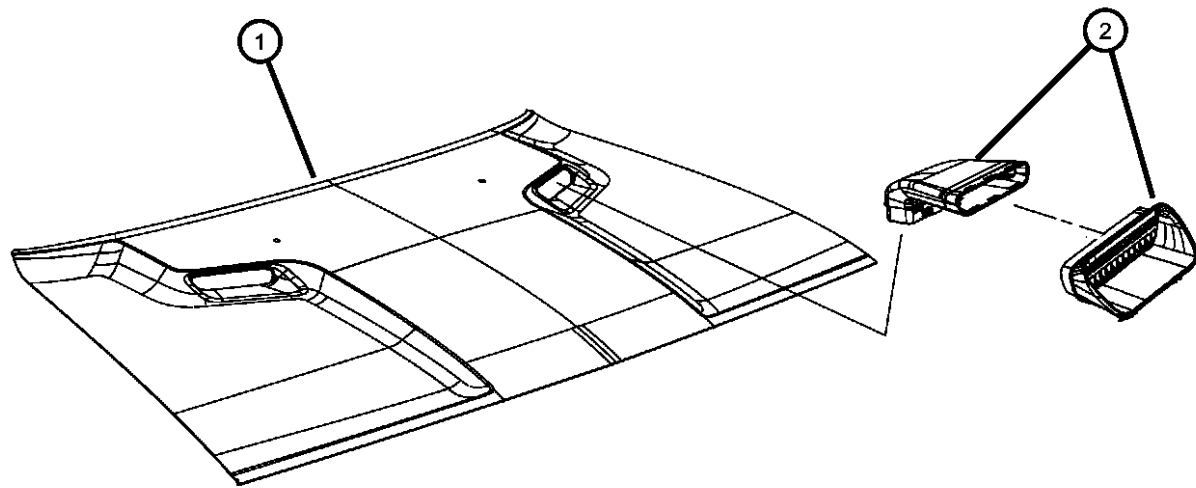
TRANSMISSION  
 DGJ = 5-Speed Auto W5A580 Transmission

AR = use ase required    - = Non illustrated part

2008 LC

Hood and Related Parts  
Figure 60-405

ITEM	PART NUMBER	QTY	LINE	SERIES	BODY	ENGINE	TRANS	TRIM	DESCRIPTION
1	68044225AA	1	D		22				HOOD
2									BEZEL, Hood
	55399338AA	1	D		22				Right
	55399339AA	1	D		22				Left



**DODGE CHALLENGER (LC)**  
 SERIES LINE  
 X = SPECIAL D = DODGE

BODY  
 22 = 2-DR SEDAN TYPE #2

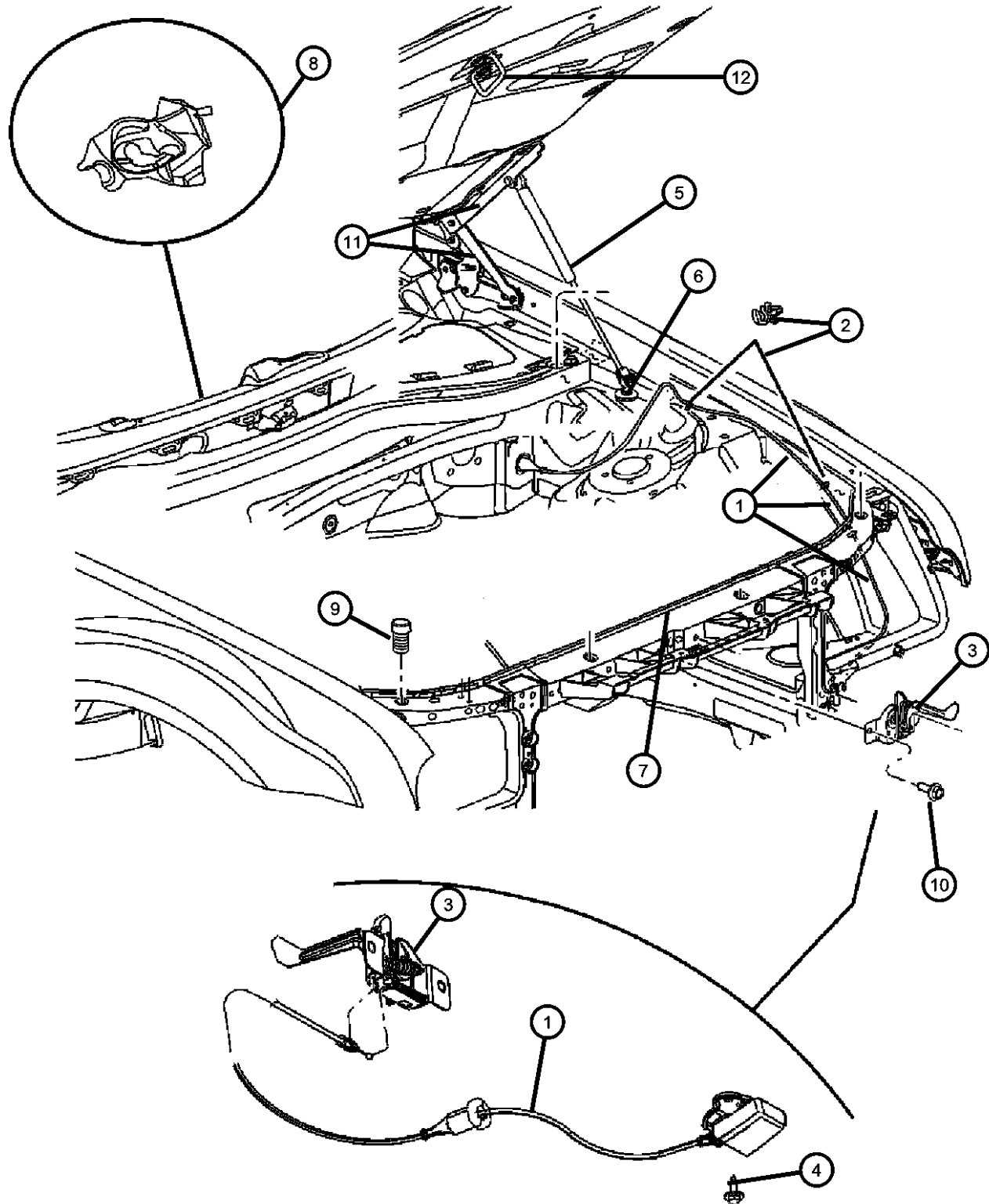
ENGINE  
 ESF = 6.1L SRT HEMI SMPI V8 Engine

TRANSMISSION  
 DGJ = 5-Speed Auto W5A580 Transmission

AR = use ase required - = Non illustrated part

2008 LC

Hood Release and Latch  
Figure 60-410



ITEM	PART NUMBER	QTY	LINE	SERIES	BODY	ENGINE	TRANS	TRIM	DESCRIPTION
1	05065522AE	1	D		22				RELEASE, Hood Latch
2	04814094	3	D		22				CLIP, Hood Latch Release
3	04816182AA	1	D		22				LATCH, Hood
4	06104599AA	2	D		22				SCREW, Tapping
5									PROP, Gas
	68035556AA	1	D		22				Right
	68035557AA	1	D		22				Left
6	06507889AA	2	D		22				STUD, M8x
7	05028743AA	1	D		22				CROSSMEMBER, Front Support
8	05065963AB	1	D		22				SEAL, Cowl
9	04696592	2	D		22				BUMPER
10	06506077AA	2	D		22				SCREW AND WASHER, Hex Head
11									HINGE, Hood
	05065264AJ	1	D		22				Right
	05065265AJ	1	D		22				Left
12	05065256AA	1	D		22				STRIKER, Hood Latch

DODGE CHALLENGER (LC)  
SERIES LINE  
X = SPECIAL D = DODGE

BODY  
22 = 2-DR SEDAN TYPE #2

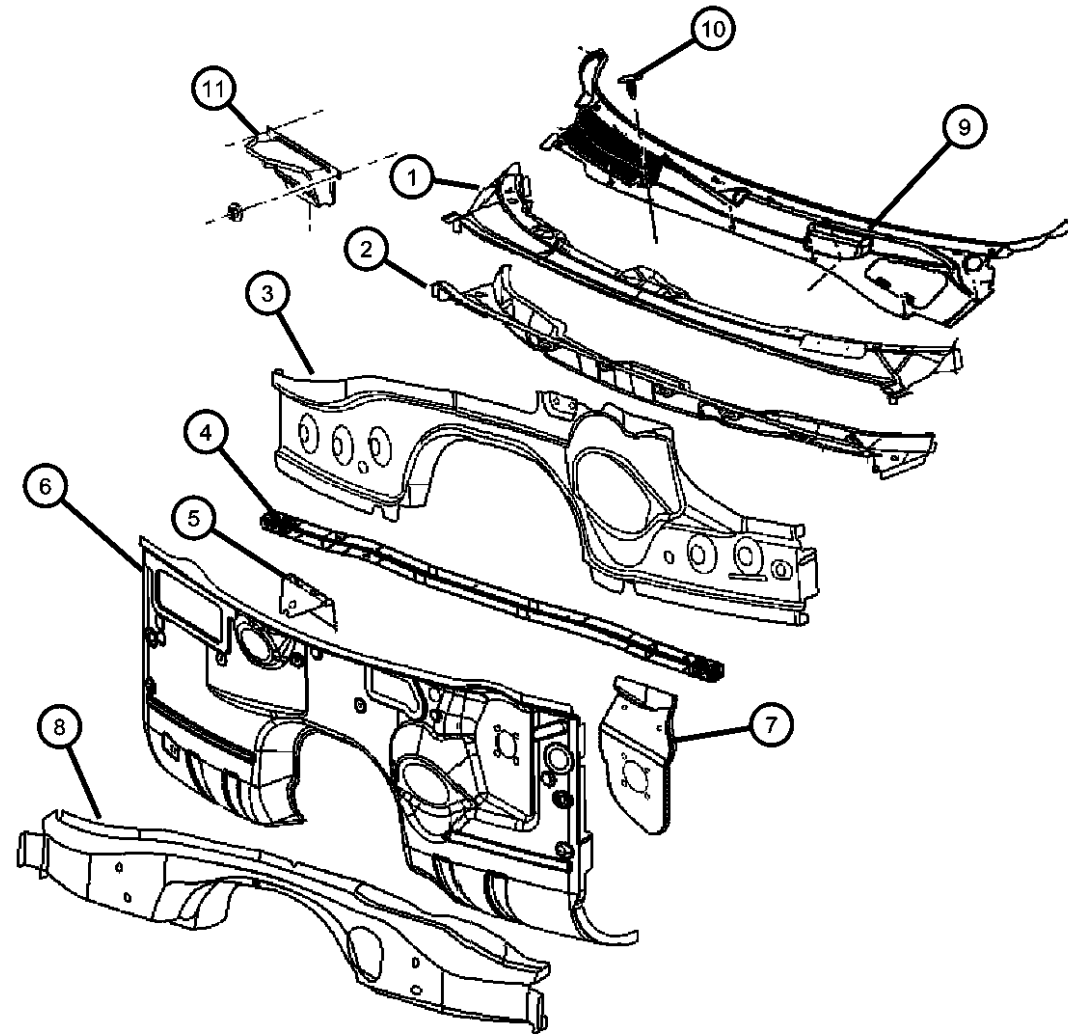
ENGINE  
ESF = 6.1L SRT HEMI SMPI V8 Engine

TRANSMISSION  
DGJ = 5-Speed Auto W5A580 Transmission

AR = use ase required - = Non illustrated part

2008 LC

**Cowl, Dash Panel, & Related Parts  
Figure 60-505**



ITEM	PART NUMBER	QTY	LINE	SERIES	BODY	ENGINE	TRANS	TRIM	DESCRIPTION
1	05112871AA	1	D		22				PANEL, Cowl Plenum Upper
2	04780784AC	1	D		22				PANEL, Cowl Plenum Lower
3	04780921AC	1	D		22				REINFORCEMENT, Instrument Panel
4	05065304AC	1	D		22				BRACE, Wheelhouse
5	05065361AA	1	D		22				BRACKET, Wiper
6	05112745AA	1	D		22				PANEL, Dash
7	05112746AB	1	D		22				REINFORCEMENT, Brake Booster
8	04780841AD	1	D		22				CROSSMEMBER, Floor Pan
9	05028757AA	1	D		22				SCREEN, Cowl Top, Includes Access Doors
10	06506293AA	6	D		22				PIN, Push
11	04806293AB	1	D		22				PLENUM, Fresh Air Inlet
-12	55364097AB	2	D		22				TAPE, Upper Cowl Panel

**DODGE CHALLENGER (LC)**

SERIES      LINE  
X = SPECIAL    D = DODGE

BODY  
22 = 2-DR SEDAN TYPE #2

ENGINE  
ESF = 6.1L SRT HEMI SMPI V8 Engine

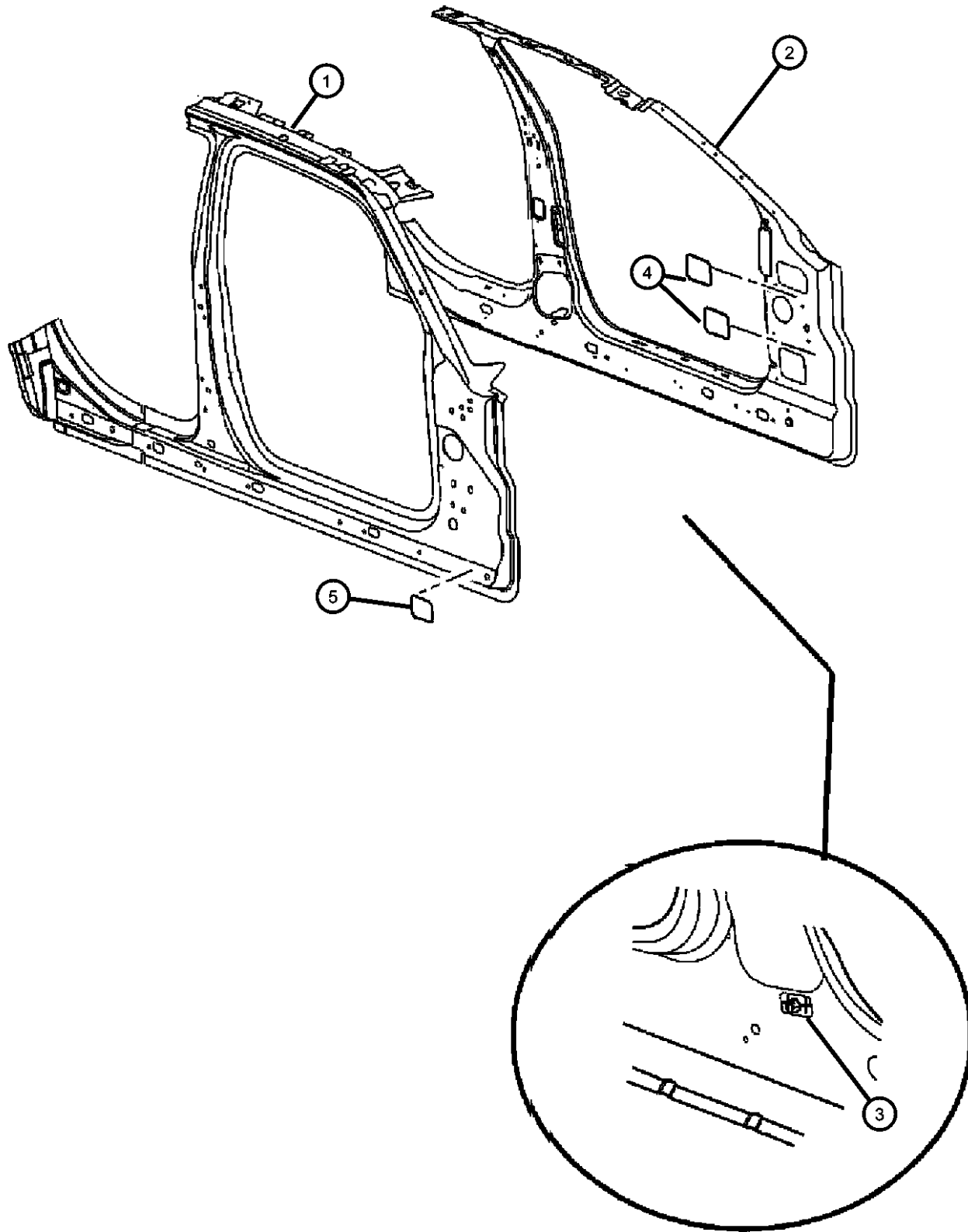
TRANSMISSION  
DGJ = 5-Speed Auto W5A580 Transmission

AR = use ase required    - = Non illustrated part

2008 LC



Front Aperture Panel  
Figure 60-605



ITEM	PART NUMBER	QTY	LINE	SERIES	BODY	ENGINE	TRANS	TRIM	DESCRIPTION
1	68043534AA	1	D		22				PANEL, Body Side Aperture Front, Outer Right
	68043535AA	1	D		22				Left
2	68044190AA	1	D		22				REINFORCEMENT, Body Side Aperture Front, Inner, Inner Right
	68044191AA	1	D		22				Left
3	06033150	3	D		22				NUT PLATE, .25-20
4	05065785AB	2	D		22				TAPE
5	55364097AB	2	D		22				TAPE

DODGE CHALLENGER (LC)  
SERIES LINE  
X = SPECIAL D = DODGE

BODY  
22 = 2-DR SEDAN TYPE #2

ENGINE  
ESF = 6.1L SRT HEMI SMPI V8 Engine

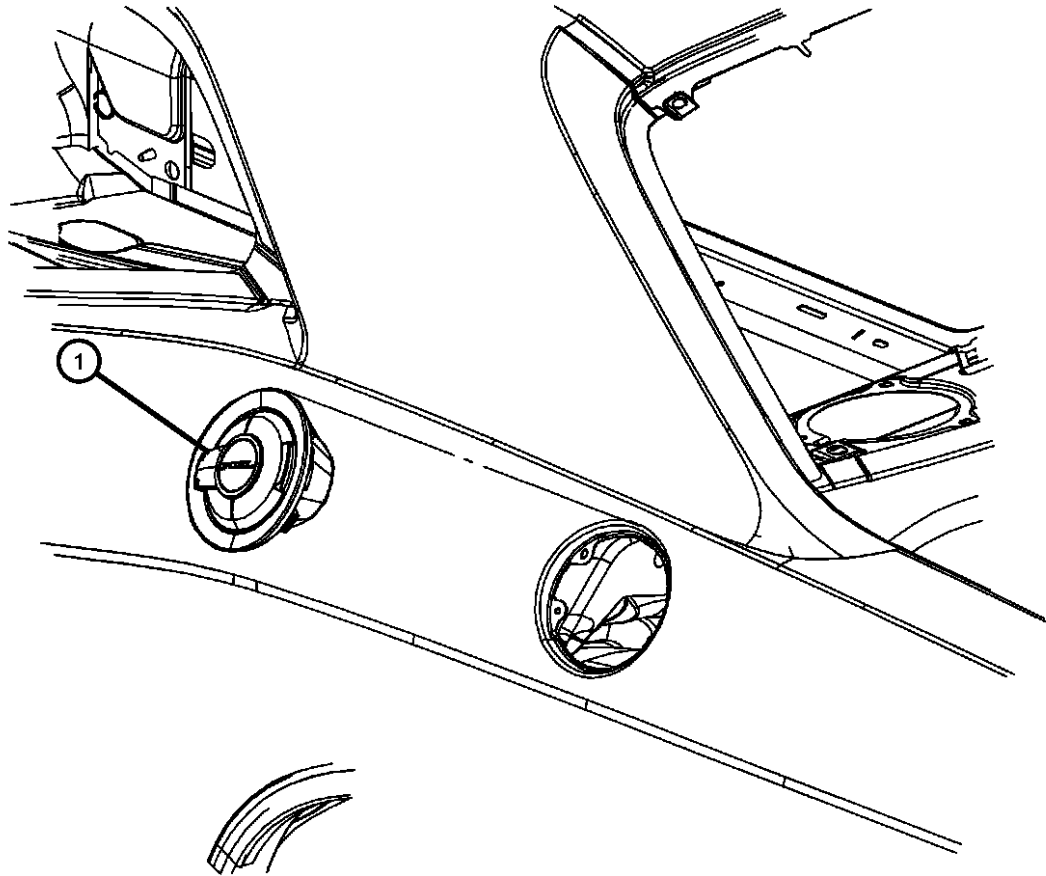
TRANSMISSION  
DGJ = 5-Speed Auto W5A580 Transmission

AR = use ase required - = Non illustrated part

2008 LC

Fuel Filler Housing and Door  
Figure 60-611

ITEM	PART NUMBER	QTY	LINE	SERIES	BODY	ENGINE	TRANS	TRIM	DESCRIPTION
1	05112873AA	1	D		22				DOOR, Fuel Fill



**DODGE CHALLENGER (LC)**  
 SERIES      LINE  
 X = SPECIAL    D = DODGE

BODY  
 22 = 2-DR SEDAN TYPE #2

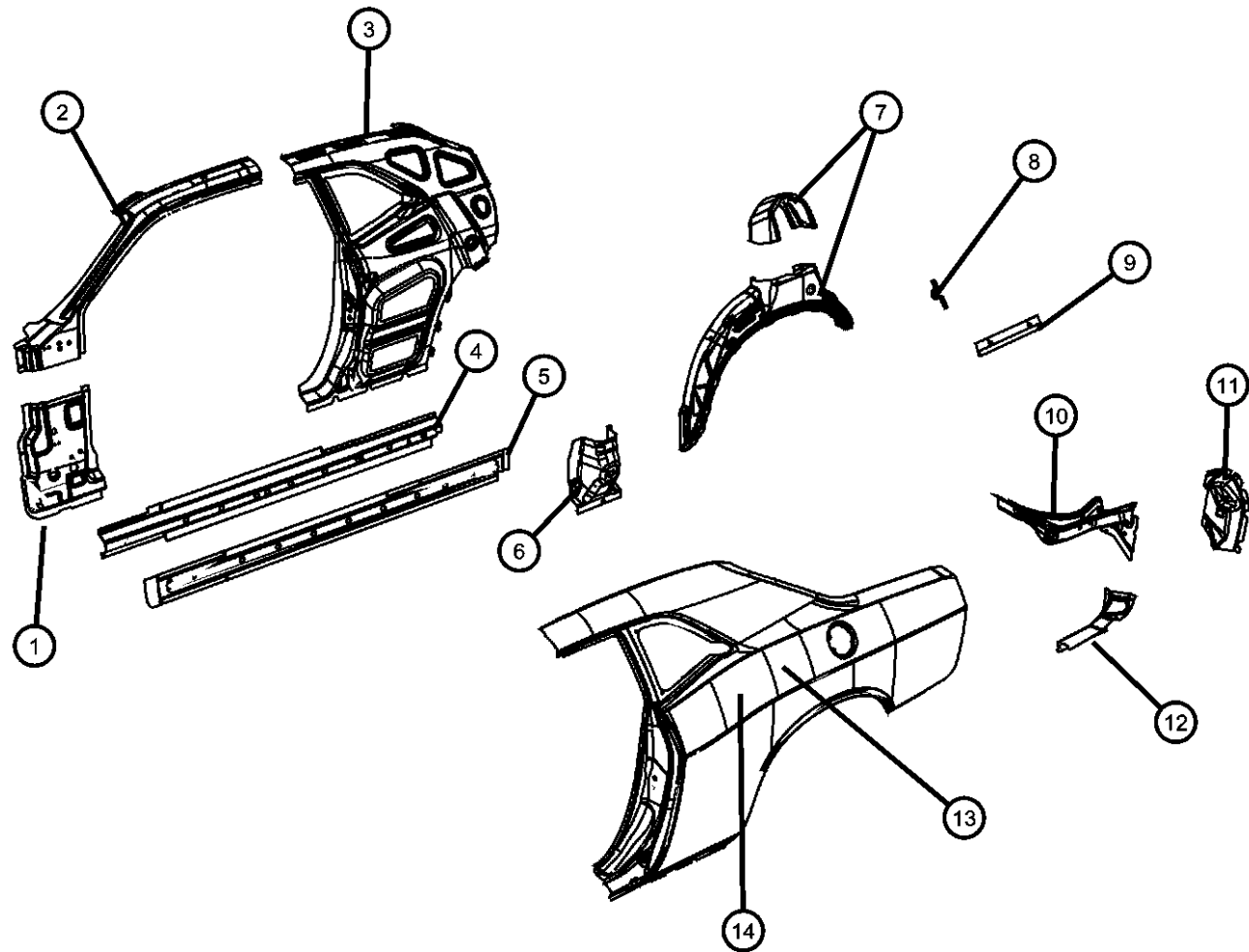
ENGINE  
 ESF = 6.1L SRT HEMI SMPI V8 Engine

TRANSMISSION  
 DGJ = 5-Speed Auto W5A580 Transmission

AR = use ase required    - = Non illustrated part

2008 LC

**Rear Aperture (Quarter) Panel  
Figure 60-650**



ITEM	PART NUMBER	QTY	LINE	SERIES	BODY	ENGINE	TRANS	TRIM	DESCRIPTION
1	05112900AB	1	D		22				REINFORCEMENT, A-Pillar, Lower Right
	05112901AB	1	D		22				Left
2	05112828AB	1	D		22				REINFORCEMENT, A-Pillar, Upper Right
	05112829AB	1	D		22				Left
3	05112890AB	1	D		22				REINFORCEMENT, C-Pillar Right
	05112891AB	1	D		22				Left
4	05112874AA	1	D		22				REINFORCEMENT, Sill Right
	05112875AA	1	D		22				Left
5	05112896AA	1	D		22				REINFORCEMENT, Sill Right
	05112897AA	1	D		22				Left
6	05112898AB	1	D		22				GUSSET, Body Side Sill Right
	05112899AB	1	D		22				Left
7	05112892AA	1	D		22				PANEL, Wheelhouse Right
	05112893AA	1	D		22				Left
8	55399144AA	1	D		22				BAFFLE, B Pillar
9	55399140AA	1	D		22				BAFFLE, A Pillar
10	05112884AA	1	D		22				TROUGH, Deck Opening Right
	05112885AA	1	D		22				Left
11	05112886AB	1	D		22				PANEL, Taillamp Mounting Right
	05112887AB	1	D		22				Left
12	05112888AA	1	D		22				REINFORCEMENT, Quarter Inner Right
	05112889AA	1	D		22				Left
13	68043536AA	1	D		22				PANEL, Body Side Aperture Rear Right
	68043537AA	1	D		22				Left
14									REINFORCEMENT, Body Side Aperture Rear, Inner

**DODGE CHALLENGER (LC)**  
 SERIES      LINE  
 X = SPECIAL    D = DODGE

BODY  
 22 = 2-DR SEDAN TYPE #2

ENGINE  
 ESF = 6.1L SRT HEMI SMPI V8 Engine

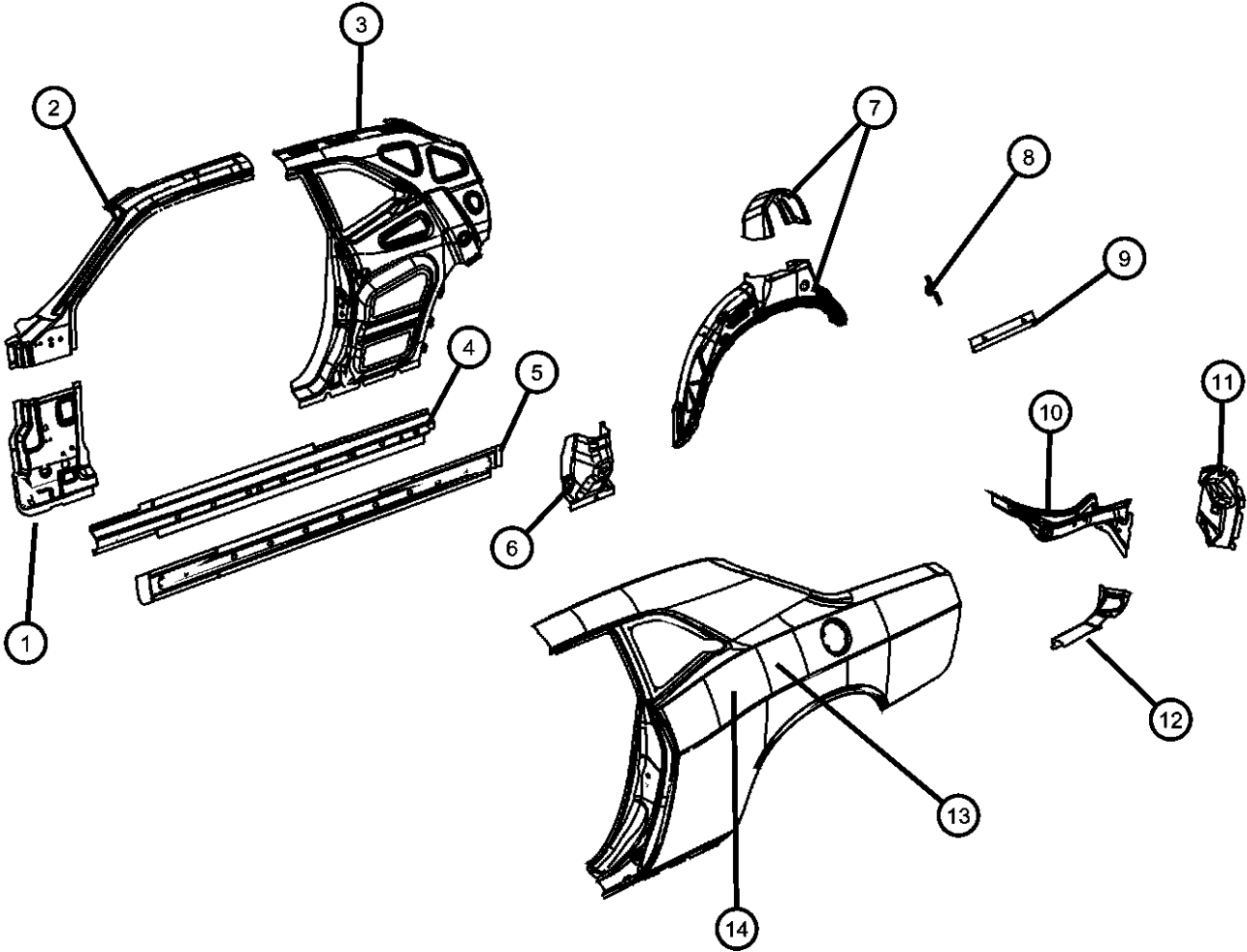
TRANSMISSION  
 DGJ = 5-Speed Auto W5A580 Transmission

AR = use ase required    - = Non illustrated part

2008 LC

Rear Aperture (Quarter) Panel  
Figure 60-650

ITEM	PART NUMBER	QTY	LINE	SERIES	BODY	ENGINE	TRANS	TRIM	DESCRIPTION
	68044192AA	1	D		22				Right
	68044193AA	1	D		22				Left



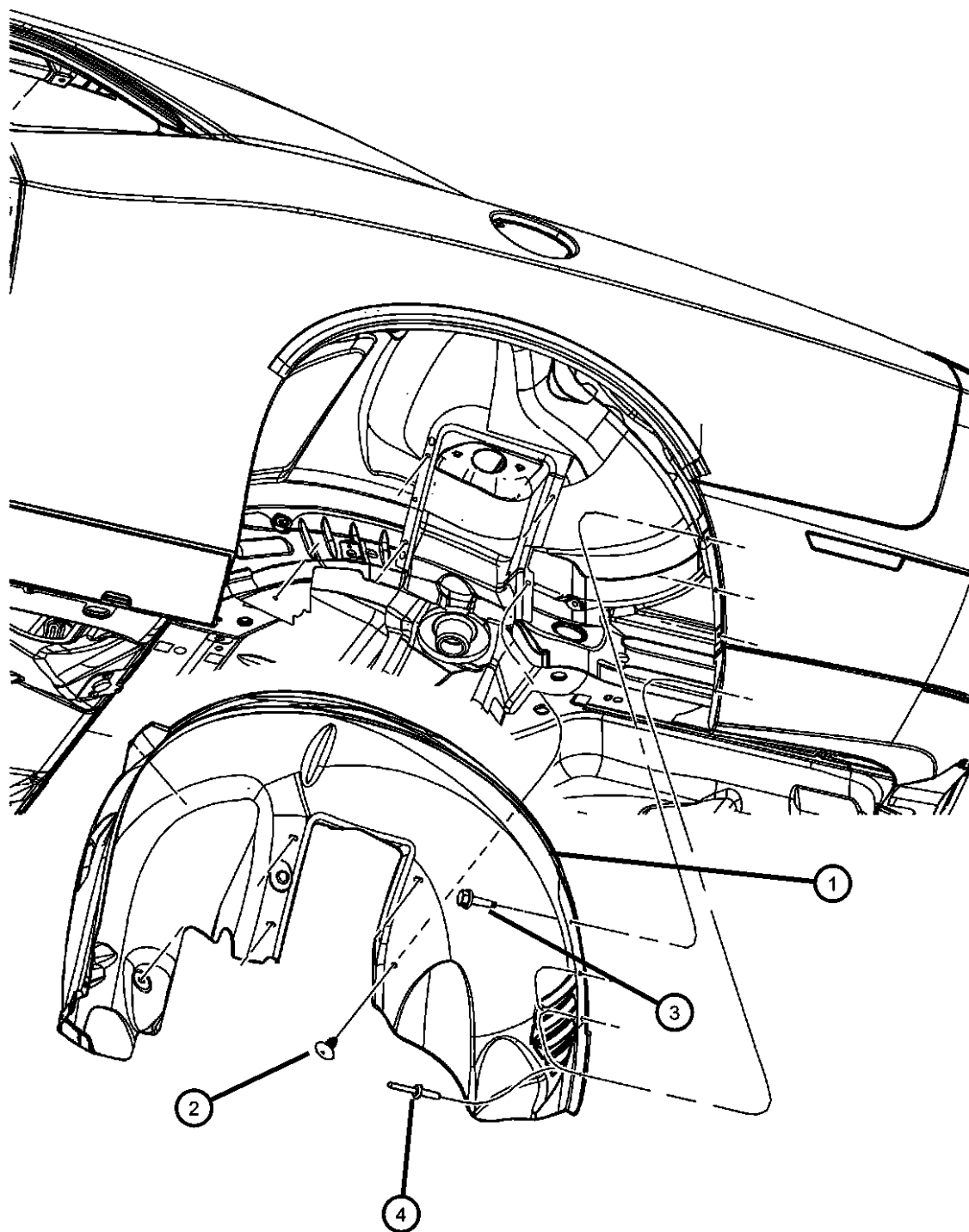
**DODGE CHALLENGER (LC)**  
 SERIES LINE BODY ENGINE TRANSMISSION  
 X = SPECIAL D = DODGE 22 = 2-DR SEDAN TYPE #2 ESF = 6.1L SRT HEMI SMPI V8 Engine DGJ = 5-Speed Auto W5A580 Transmission

AR = use ase required - = Non illustrated part

2008 LC

**Rear Wheelhouse Shields**  
**Figure 60-655**

ITEM	PART NUMBER	QTY	LINE	SERIES	BODY	ENGINE	TRANS	TRIM	DESCRIPTION
1									SHIELD, Wheelhouse
	05028746AA	1	D		22				Right
	05028747AA	1	D		22				Left
2	04860379AA	12	D		22				PIN, Push In, M8 X 1.25 X 20
3	06503929	2	D		22				SCREW AND WASHER, Coned Pilot, M6x1x30
4	06504737	4	D		22				RIVET, Plastic



**DODGE CHALLENGER (LC)**  
 SERIES      LINE  
 X = SPECIAL    D = DODGE

BODY  
 22 = 2-DR SEDAN TYPE #2

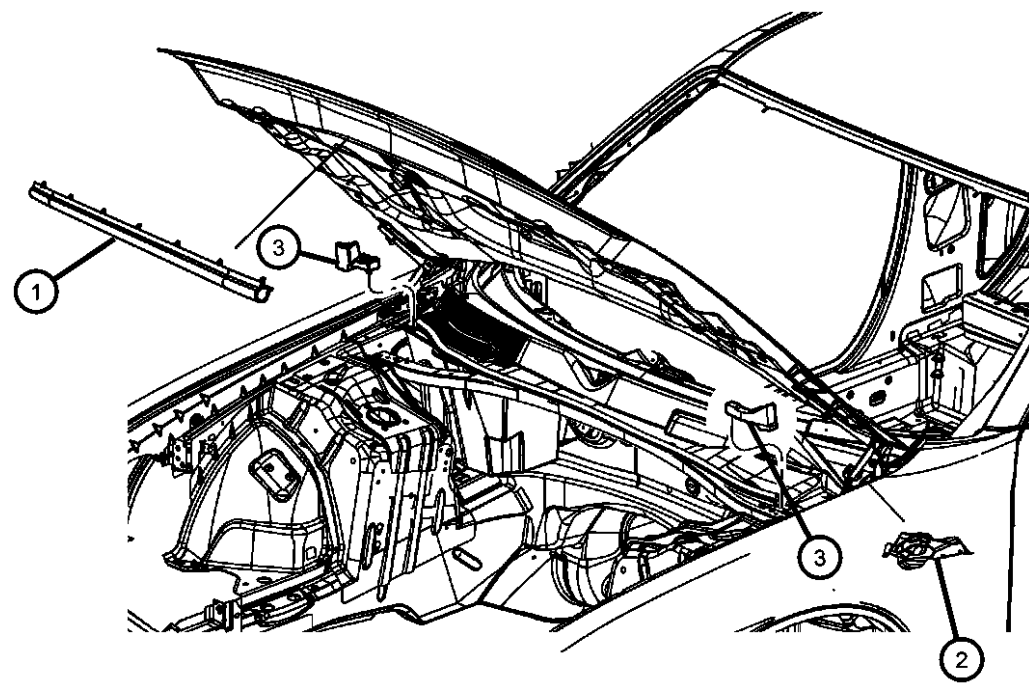
ENGINE  
 ESF = 6.1L SRT HEMI SMPI V8 Engine

TRANSMISSION  
 DGJ = 5-Speed Auto W5A580 Transmission

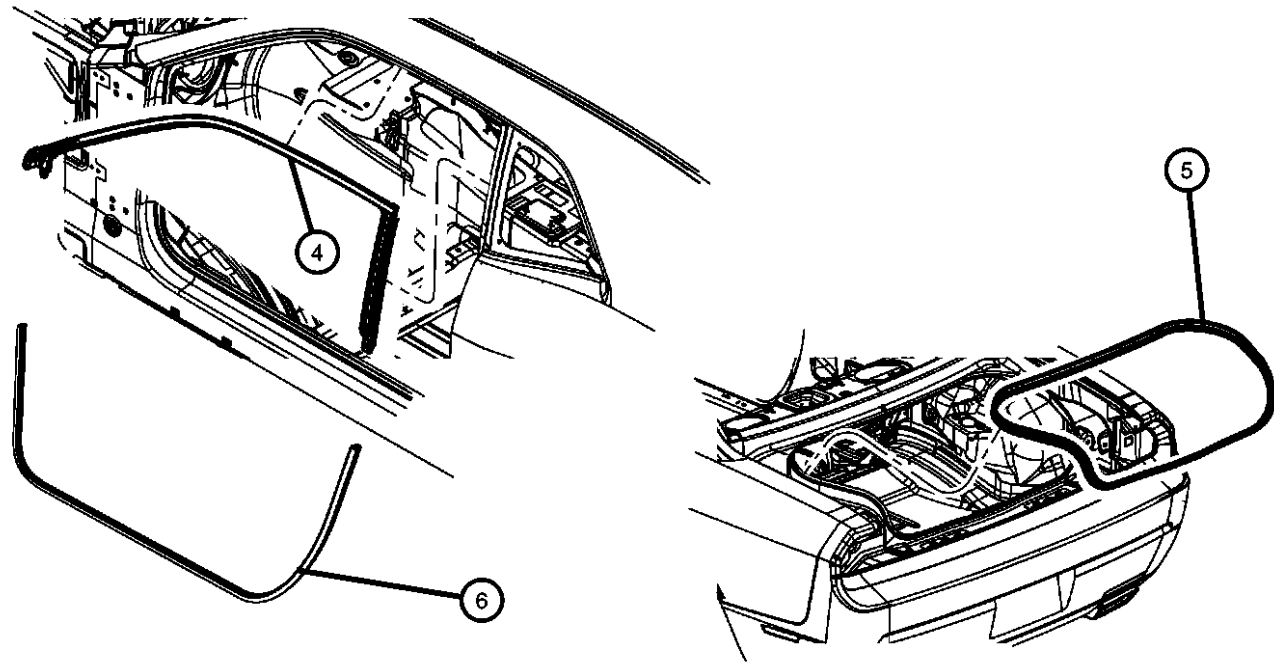
AR = use ase required    - = Non illustrated part

2008 LC

**Body Weatherstrips and Seals  
Figure 60-805**



ITEM	PART NUMBER	QTY	LINE	SERIES	BODY	ENGINE	TRANS	TRIM	DESCRIPTION
1	05065322AC	1	D		22				WEATHERSTRIP, Hood to Radiator
2	05065963AB	1	D		22				SEAL, Cowl
3									SEAL, Fender To Cowl
	55399148AA	1	D		22				Right
	55399149AA	1	D		22				Left
4									RUN, Front Door Glass
	04575890AA	1	D		22				Right
	04575891AA	1	D		22				Left
5	04575880AA	1	D		22				WEATHERSTRIP, Decklid
6	05160346AA	2	D		22				WEATHERSTRIP, Body Side



**DODGE CHALLENGER (LC)**  
 SERIES      LINE  
 X = SPECIAL    D = DODGE

BODY  
 22 = 2-DR SEDAN TYPE #2

ENGINE  
 ESF = 6.1L SRT HEMI SMPI V8 Engine

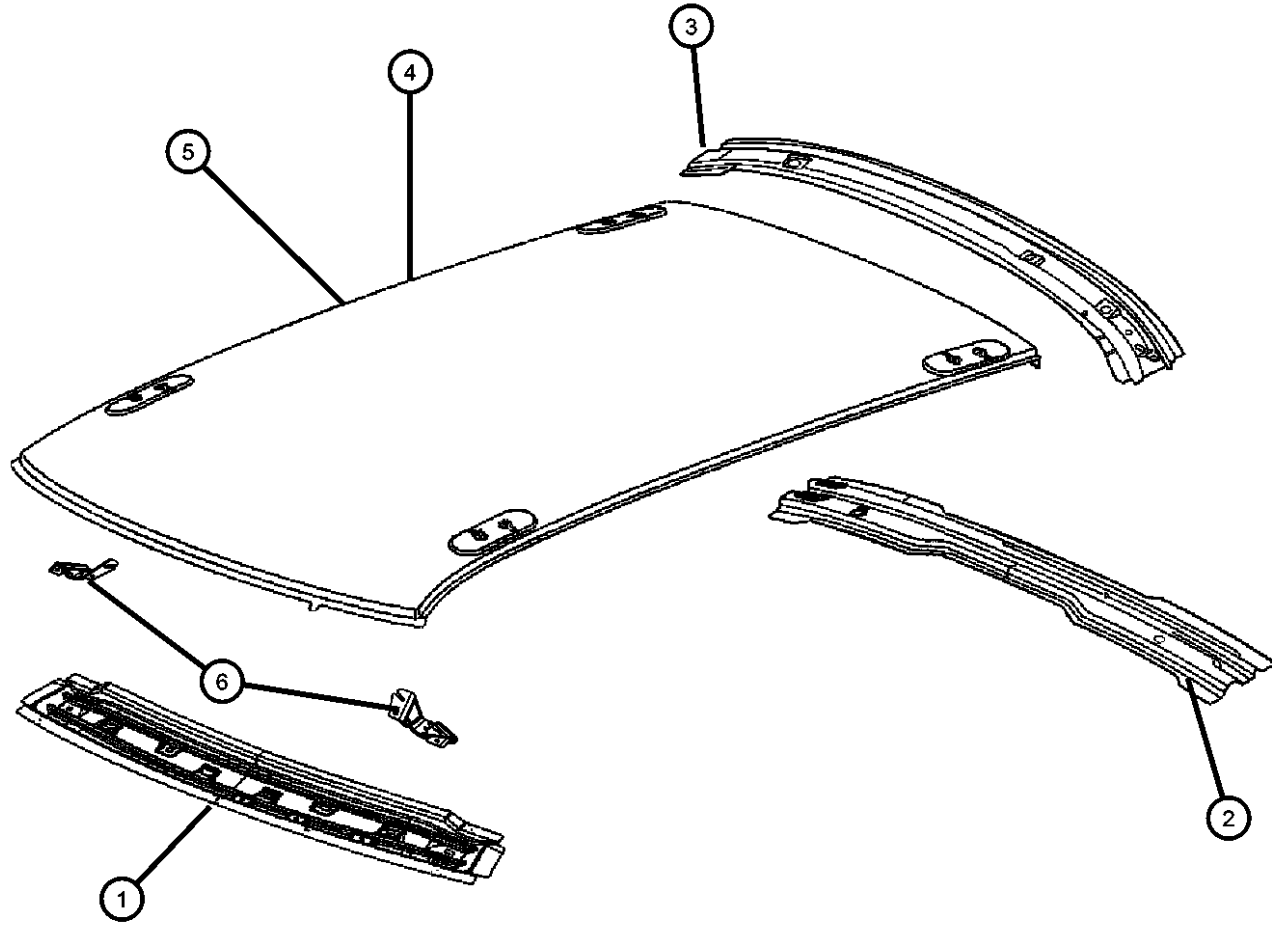
TRANSMISSION  
 DGJ = 5-Speed Auto W5A580 Transmission

AR = use ase required    - = Non illustrated part

2008 LC

Roof Panel  
Figure 60-905

ITEM	PART NUMBER	QTY	LINE	SERIES	BODY	ENGINE	TRANS	TRIM	DESCRIPTION
1	68019564AA	1	D		22				HEADER, Roof Front
2	05112801AA	1	D		22				BOW, Roof, Center
3	05112800AB	1	D		22				HEADER, Roof Rear
4	05112795AA	1	D		22				PANEL, Roof, Without Sunroof Opening
5	05112796AA	1	D		22				PANEL, Roof, With Sunroof Opening
6									REINFORCEMENT, Sun Visor
	05112918AA	1	D		22				Right
	05112919AA	1	D		22				Left



**DODGE CHALLENGER (LC)**  
 SERIES      LINE  
 X = SPECIAL    D = DODGE

BODY  
 22 = 2-DR SEDAN TYPE #2

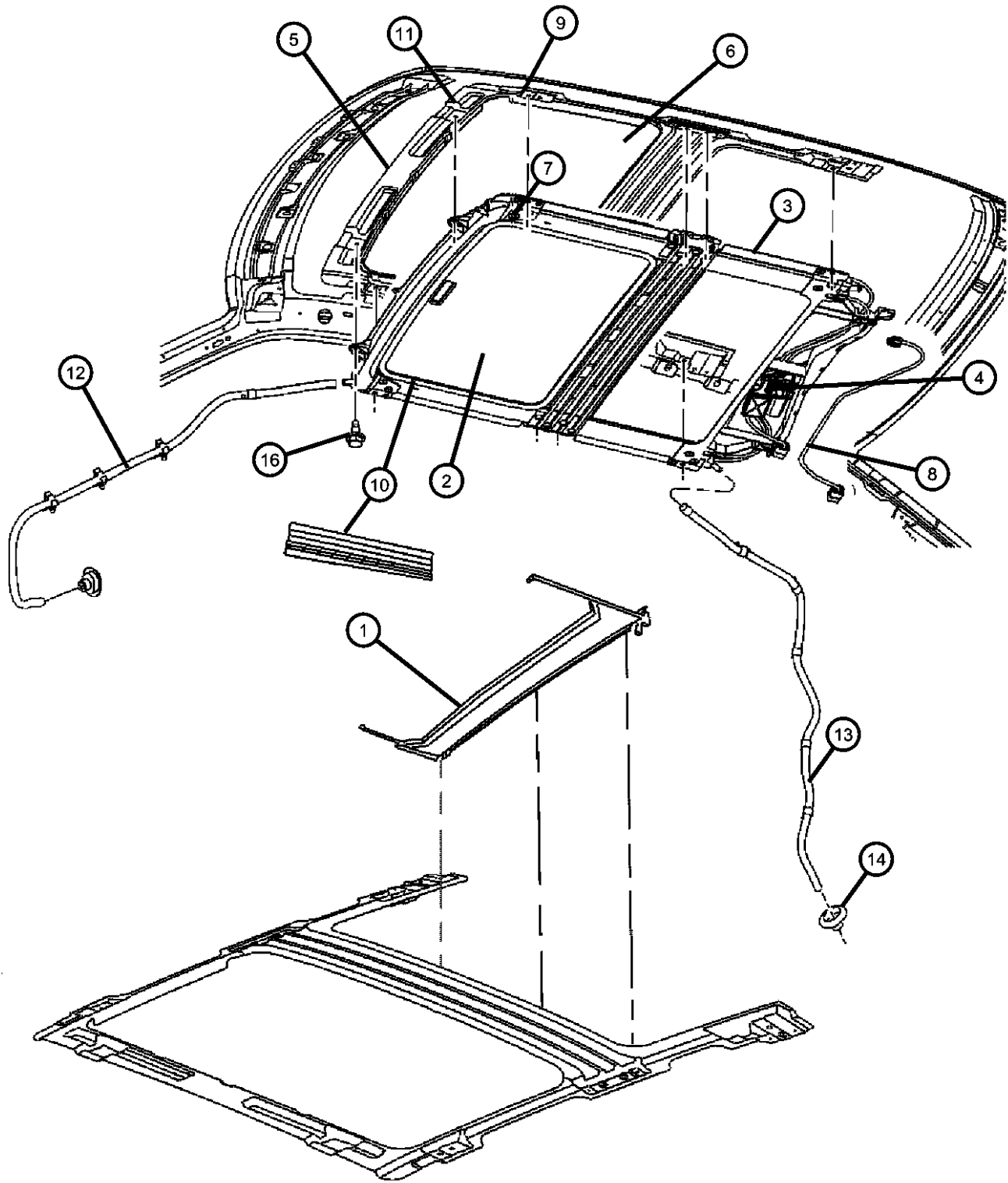
ENGINE  
 ESF = 6.1L SRT HEMI SMPI V8 Engine

TRANSMISSION  
 DGJ = 5-Speed Auto W5A580 Transmission

AR = use ase required    - = Non illustrated part

2008 LC

**Sunroof Glass and Component Parts**  
**Figure 60-1005**



ITEM	PART NUMBER	QTY	LINE	SERIES	BODY	ENGINE	TRANS	TRIM	DESCRIPTION
1	05137559AD	1	D		22				CHANNEL, Sunroof Drain, Includes Foam Weatherstrip
2	1JY39XDVAA	1	D		22				SUNSHADE, Sunroof
3	68036050AA	1	D		22				FRAME, Sunroof
4	05137557AF	1	D		22				MOTOR/MODULE, Sunroof
5	05137554AC	1	D		22				DEFLECTOR, Sunroof Wind
6	68036052AA	1	D		22				GLASS, Sunroof
7	06508405AA	4	D		22				SCREW
8	68036051AA	1	D		22				WIRING, Sunroof
9	1JY42XDVAA	1	D		22				TRIM LACE, Sunroof
10	05137558AB	2	D		22				COVER, Sunroof Mechanism, Pkg contains 2-covers
11									GUIDE, Sunroof Glass
	05139814AA	1	D		22				Right
	05139815AA	1	D		22				Left
12									TUBE, Sunroof Drain
	05112804AA	1	D		22				Front, Right
	05112805AA	1	D		22				Front, Left
13	05112806AA	2	D		22				TUBE, Sunroof Drain
14	04814215	2	D		22				GROMMET, Tube
-15	06101694	4	D		22				NUT, M6x1.00
16	06101694	4							SCREW AND WASHER, Hex Head, M6x1x20, Sunroof to Roof Reinforcement, (NOT SERVICED)
-17	68003812AA	2	D		22				CONDUIT, Sunroof Actuator Cable, Rear

**DODGE CHALLENGER (LC)**  
 SERIES LINE  
 X = SPECIAL D = DODGE

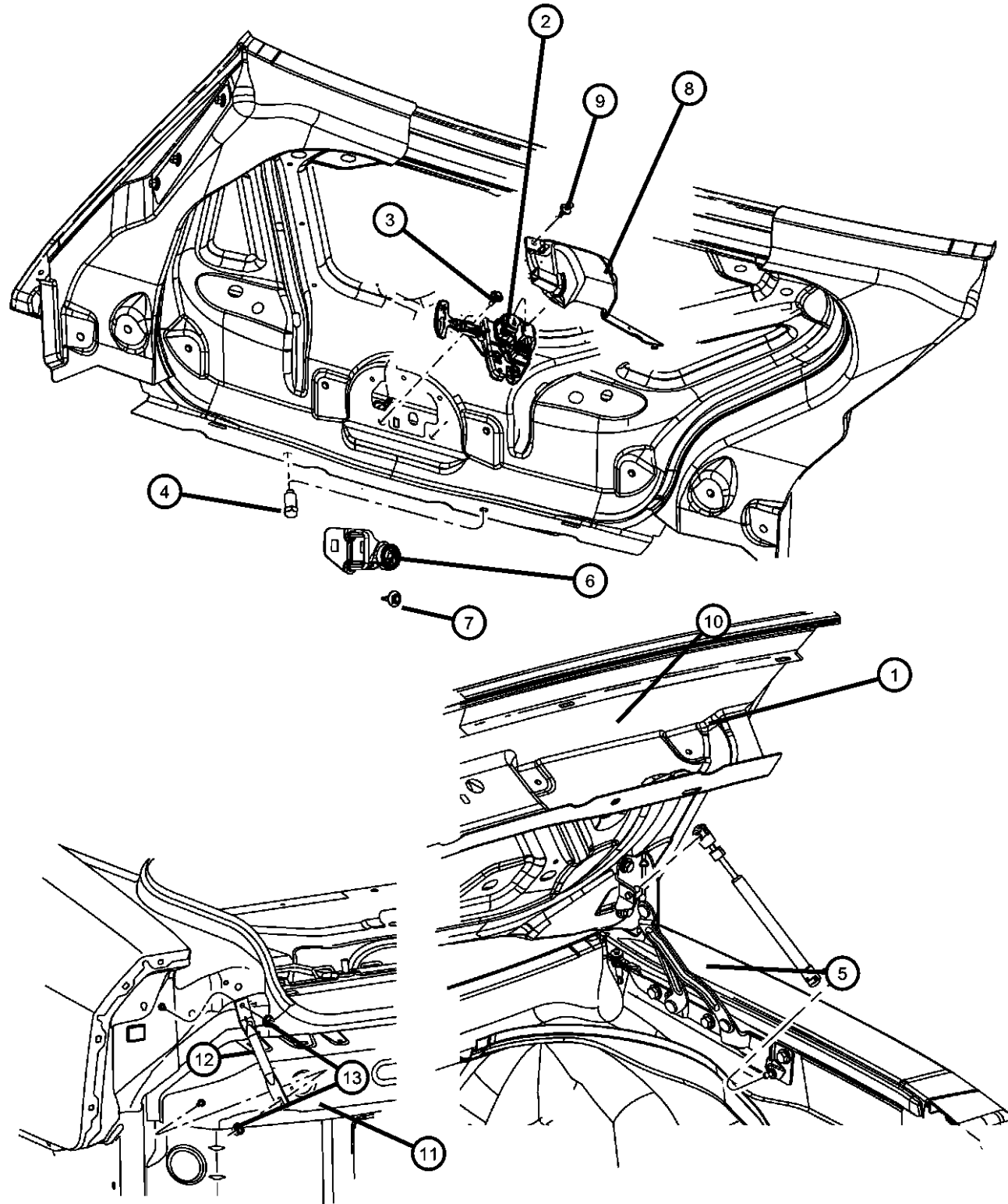
BODY ENGINE TRANSMISSION  
 22 = 2-DR SEDAN TYPE #2 ESF = 6.1L SRT HEMI SMPI DGJ = 5-Speed Auto W5A580  
 V8 Engine Transmission

AR = use ase required - = Non illustrated part

2008 LC



**Deck Lid and Related Parts  
Figure 60-1105**



ITEM	PART NUMBER	QTY	LINE	SERIES	BODY	ENGINE	TRANS	TRIM	DESCRIPTION
1	68044234AA	1	D		22				DECKLID
2	04589217AA	1	D		22				LATCH, Decklid
3	06104368AA	2	D		22				BOLT AND WASHER, Hex Head, M6X1.00X25.00
4	04696592	2	D		22				BUMPER
5	04589645AA	2	D		22				PROP, Gas
6	04589653AA	1	D		22				STRIKER, Decklid Latch
7	06507648AA	2	D		22				SCREW AND WASHER, Hex Head, M6x1.00x24.50
8	05065661AF	1	D		22				COVER, Deck Lid Latch
9	06506132AA	2	D		22				PIN, Push In, M7.0x20.0
10	04575880AA	1	D		22				WEATHERSTRIP, Decklid
11	05112799AD	1	D		22				PANEL, Deck Opening Lower
12									BRACE, Deck Opening Lower Panel
	68038112AA	1	D		22				Right
	68038113AA	1	D		22				Left
13	06104725AA	3	D		23				NUT AND WASHER, Hex, M6X1.00

**DODGE CHALLENGER (LC)**  
 SERIES      LINE  
 X = SPECIAL    D = DODGE

BODY  
 22 = 2-DR SEDAN TYPE #2

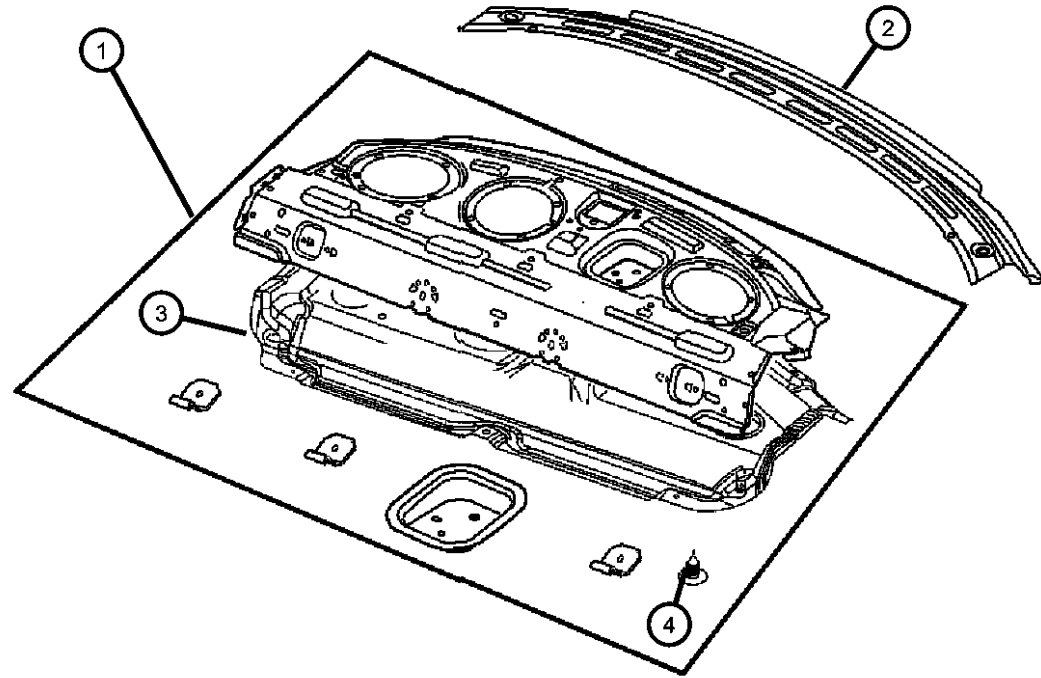
ENGINE  
 ESF = 6.1L SRT HEMI SMPI V8 Engine

TRANSMISSION  
 DGJ = 5-Speed Auto W5A580 Transmission

AR = use ase required    - = Non illustrated part

2008 LC

Rear Shelf Panel  
Figure 60-1205



ITEM	PART NUMBER	QTY	LINE	SERIES	BODY	ENGINE	TRANS	TRIM	DESCRIPTION
1	05112778AB	1	D		22				PANEL, Shelf
2	05112777AA	1	D		22				REINFORCEMENT, Shelf Panel
3	04662035AA	1	D		22				SILENCER, Rear Shelf
4	06506293AA	1	D		22				PIN, Push

**DODGE CHALLENGER (LC)**  
 SERIES      LINE  
 X = SPECIAL    D = DODGE

BODY  
 22 = 2-DR SEDAN TYPE #2

ENGINE  
 ESF = 6.1L SRT HEMI SMPI V8 Engine

TRANSMISSION  
 DGJ = 5-Speed Auto W5A580 Transmission

AR = use ase required - = Non illustrated part

2008 LC