



**OWNER'S MANUAL
MANUAL DEL PROPIETARIO
MANUAL DO PROPRIETÁRIO**



CBF1000/A

— — —

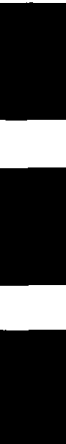
Honda CBF1000/A

OWNER'S MANUAL

MANUAL DEL PROPIETARIO

MANUAL DO PROPRIETÁRIO

© Honda Italia Industriale S.p.A. 2005



Honda CBF1000/A

OWNER'S MANUAL



© Honda Italia Industriale S.p.A. 2005

IMPORTANT INFORMATION

- **OPERATOR AND PASSENGER**

This motorcycle is designed to carry the operator and one passenger, never exceed the maximum weight capacity as shown on the accessories and loading label.

- **ON-ROAD USE**

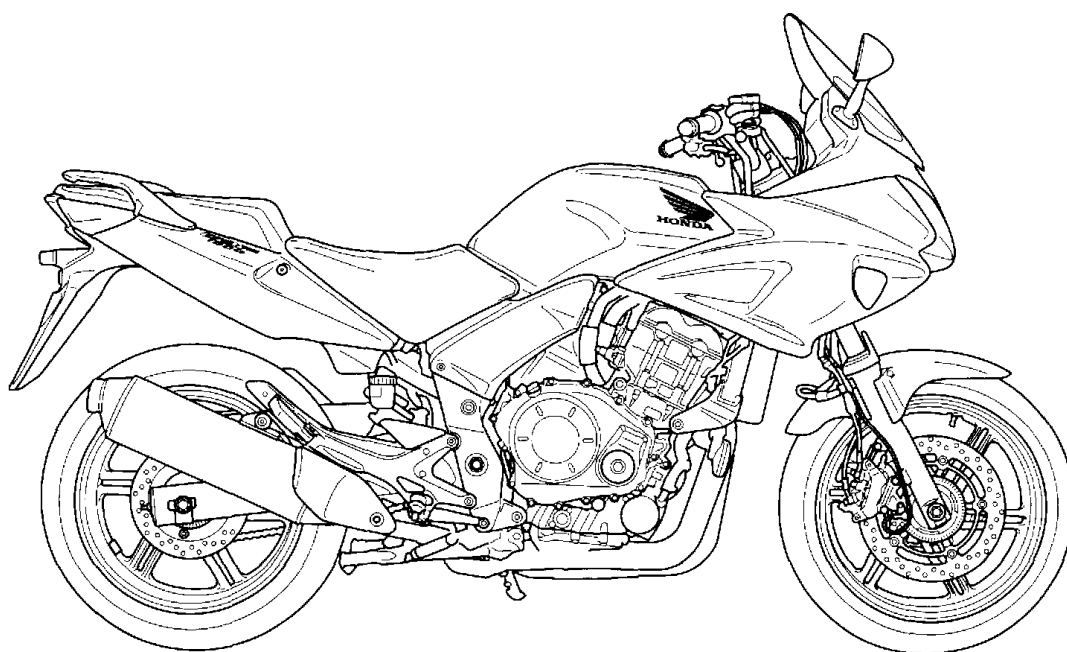
This motorcycle is designed to be used only on the road.

- **READ THIS OWNER'S MANUAL CAREFULLY**

Pay special attention to the safety messages that appear throughout the manual. These messages are fully explained in the “A Few Words About Safety” section which appears before the Contents page.

This manual should be considered a permanent part of the motorcycle and should remain with the motorcycle when resold.

Honda CBF1000/A OWNER'S MANUAL



All information in this publication is based on the latest production information available at the time of approval for printing. Honda Italia Industriale S.p.A. reserves the right to make changes at any time without notice and without incurring any obligation. No part of this publication may be reproduced without written permission.

WELCOME

The motorcycle presents you a challenge to master the machine, a challenge to adventure. You ride through the wind, linked to the road by a vehicle that responds to your commands as no other does. Unlike an automobile, there is no metal cage around you. Like an airplane, a pre-ride inspection and regular maintenance are essential to your safety. Your reward is freedom.

To meet the challenges safely, and to enjoy the adventure fully, you should become thoroughly familiar with this owner's manual **BEFORE YOU RIDE THE MOTORCYCLE**.

As you read this manual, you will find information that is preceded by a NOTICE symbol. This information is intended to help you avoid damage to your motorcycle, other property, or the environment.

When service is required, remember that your Honda dealer knows your motorcycle best. If you have the required mechanical "know-how" and tools, your dealer can supply you with an official Honda Service Manual to help you perform many maintenance and repair tasks.

Pleasant riding, and thank you for choosing a Honda!

-
- The illustrations herein are based on the CBF1000/A type.
 - Following codes in this manual indicate each country.

CBF1000/A	
E	UK
EK	Ireland
F	France, Belgium
ED	European direct sales

- The specifications may vary with each locale.

A FEW WORDS ABOUT SAFETY

Your safety, and the safety of others, is very important, and operating this motorcycle safely is an important responsibility.

To help you make informed decisions about safety, we have provided operating procedures and other information on labels and in this manual. This information alerts you to potential hazards that could hurt you or others.

Of course, it is not practical or possible to warn you about all hazards associated with operating or maintaining a motorcycle. You must use your own good judgment.

You will find important safety information in a variety of forms, including:

- **Safety Labels** - on the motorcycle.
- **Safety Messages** - preceded by a safety alert symbol ▲ and one of three signal words: **DANGER**, **WARNING** or **CAUTION**.

These signal words mean:

⚠ DANGER

You **WILL** be **KILLED** or **SERIOUSLY HURT** if you don't follow instructions.

⚠ WARNING

You **CAN** be **KILLED** or **SERIOUSLY HURT** if you don't follow instructions.

⚠ CAUTION

You **CAN** be **HURT** if you don't follow instructions.

- **Safety Headings** - such as Important Safety Reminders or Important Safety Precautions.
- **Safety Section** - such as Motorcycle Safety.
- **Instructions** - how to use this motorcycle correctly and safely.

This entire manual is filled with important safety information - please read it carefully.

OPERATION

Page

1 MOTORCYCLE SAFETY

- 1 Important safety information
- 2 Protective apparel
- 4 Load Limits and Guidelines

8 PARTS LOCATION

- 11 Instruments and Indicators

20 MAJOR COMPONENTS (Information you need to operate this motorcycle)

- 20 Suspension
- 21 Brakes
- 24 Clutch
- 26 Coolant
- 28 Fuel
- 31 Engine Oil
- 32 Tubeless Tyres

38 ESSENTIAL INDIVIDUAL COMPONENTS

- 38 Ignition Switch
- 39 Keys
- 41 Immobilizer System (HISS)
- 44 Right Handlebar Controls
- 46 Left Handlebar Controls

Page

47 FEATURES

(Not required for operation)

- 47 Steering lock
- 48 Windshield height adjustment
- 48 Handlebar adjustment
- 49 Helmet Holder
- 50 Seat
- 51 Adjusting the front seat height
- 51 Compartment to store a U-shaped anti-theft lock
- 52 Document Compartment
- 53 Side cover
- 54 Removal of half fairings
- 55 Removal of inner panel
- 56 Clip
- 57 Headlight aim vertical adjustment

58 OPERATION

- 58 Pre-ride Inspection
- 60 Starting the Engine
- 63 Running-in
- 64 Riding
- 65 Braking
- 69 Parking
- 70 Anti-theft Tips

MAINTENANCE

Page	
71	MAINTENANCE
71	The importance of Maintenance
72	Maintenance Safety
73	Safety precautions
74	Maintenance Schedule
77	Tool kit
78	Serial Numbers
79	Colour Label
80	Engine Oil
86	Crankcase Breather
87	Spark Plug
88	Throttle Operation
89	Idle Speed
90	Air Cleaner
91	Coolant
92	Drive Chain
97	Drive Chain Slider
98	Front and Rear Suspension Inspection
99	Side Stand
100	Wheel Removal
107	Brake Pad Wear

Page	
109	Battery
111	Fuse replacement
116	Brake light switch adjustment
117	Bulb replacement

124 CLEANING

128 STORAGE GUIDE

128	Storage
130	Removal from Storage

131 SPECIFICATIONS

135 CATALYTIC CONVERTER

—

—

—

—

MOTORCYCLE SAFETY

IMPORTANT SAFETY INFORMATION

Your motorcycle can provide many years of service and pleasure - if you take responsibility for your own safety and understand the challenges that you can meet on the road.

There is much that you can do to protect yourself when you ride. You'll find many helpful recommendations throughout this manual. Following are a few that we consider most important.

Always Wear a Helmet

It's a proven fact: Helmets significantly reduce the number and severity of head injuries. So always wear an approved motorcycle helmet and make sure your passenger does the same. We also recommend that you wear eye protection, sturdy boots, gloves and other protective gear (page 2).

Make Yourself Easy to See

Some drivers do not see motorcycles because they are not looking for them. To make yourself more visible, wear bright reflective clothing, position yourself so other drivers can see you, signal before turning or changing lanes, and use your horn when it will help others notice you.

Ride Within Your Limits

Pushing the limits is another major cause of motorcycle accidents. Never ride beyond your personal abilities or faster than conditions warrant. Remember that alcohol, drugs, fatigue and inattention can significantly reduce your ability to make good judgements and ride safety.

Keep Your Bike in Safe Condition

For safe riding, it's important to inspect your motorcycle before every ride and perform all recommended maintenance. Never exceed load limits, and only use accessories that have been approved by Honda for this motorcycle. See page 4 for more details.

Don't drink and ride

Alcohol and riding don't mix. Even one drink can reduce your ability to respond to changing conditions, and your reaction time gets worse with every additional drink. So don't drink and ride, and don't let your friends drink and ride either.

PROTECTIVE APPAREL

For your safety, we strongly recommend that you always wear an approved motorcycle helmet, eye protection, boots, gloves, long pants and a long-sleeved shirt or jacket whenever you ride. Although complete protection is not possible, wearing proper gear can reduce the chance of injury when you ride. Following are suggestions to help you choose proper gear.

⚠ WARNING

Not wearing a helmet increases the chance of serious injury or death in a crash.

Be sure you and your passenger always wear a helmet, eye protection and other protective apparel when you ride.

Helmets and Eye Protection

Your helmet is your most important piece of riding gear because it offers the best protection against head injuries. A helmet should fit your head comfortably and securely. A bright-coloured helmet can make you more noticeable in traffic, as can reflective strips.

An open-face helmet offers some protection but a full-face helmet offers more. Always wear a face shield or goggles to protect your eyes and help your vision.

Additional Riding Gear

In addition to a helmet and eye protection, we also recommend:

- Sturdy boots with non-slip soles to help protect your feet and ankles.
- Leather gloves to keep your hands warm and help prevent blisters, cuts, burns and bruises.
- A motorcycle riding suit or jacket for comfort as well as protection.

Bright-coloured and reflective clothing can help make you more noticeable in traffic. Be sure to avoid loose clothes that could get caught on any part of your motorcycle.

LOAD LIMITS AND GUIDELINES

Your motorcycle has been designed to carry you and one passenger. When you carry a passenger, you may feel some difference during acceleration and braking. But so long as you keep your motorcycle well maintained, with good tyres and brakes, you can safely carry loads within the given limits and guidelines.

However, exceeding the weight limit or carrying an unbalanced load can seriously affect your motorcycle's handling, braking and stability. Non-Honda accessories, improper modifications, and poor maintenance can also reduce your safety margin.

The following pages give more specific information on loading, accessories and modifications.

Loading

How much weight you put on your motorcycle, and how you load it, are important to your safety. Anytime you ride with a passenger or cargo you should be aware of the following information.

⚠ WARNING

Overloading or improper loading can cause a crash and you can be seriously hurt or killed.

Follow all load limits and other loading guidelines in this manual.

Load Limits

Following are the load limits for your motorcycle:

Maximum weight capacity:

195 kg (430 lbs)

Includes the weight of the rider, passenger, all cargo and all accessories.

Maximum cargo weight:

33 kg (73 lbs)

The weight of added accessories will reduce the maximum cargo weight you can carry.

Loading Guidelines

Your motorcycle is primarily intended for transporting you and a passenger. You may wish to secure a jacket or other small items to the seat when you are not riding with a passenger.

If you wish to carry more cargo, check with your Honda dealer for advice, and be sure to read the information regarding accessories on page 6.

Improperly loading your motorcycle can affect its stability and handling. Even if your motorcycle is properly loaded, you should ride at reduced speeds and never exceed 130 km/h (80 mph) when carrying cargo.

Follow these guidelines whenever you carry a passenger or cargo:

- Check that both tyres are properly inflated.
- If you change your normal load, you may need to adjust the rear suspension (page 20).
- To prevent loose items from creating a hazard, make sure that all cargo is securely tied down before you ride away.
- Place cargo weight as close to the center of the motorcycle as possible.
- Balance cargo weight evenly on both sides.

Accessories and Modifications

Modifying your motorcycle or using non-Honda accessories can make your motorcycle unsafe. Before you consider making any modifications or adding an accessory, be sure to read the following information.

⚠ WARNING

Improper accessories or modifications can cause a crash in which you can be seriously hurt or killed.

Follow all instructions in this owner's manual regarding accessories and modifications.

Accessories

We strongly recommend that you use only genuine Honda accessories that have been specifically designed and tested for your motorcycle. Because Honda cannot test all other accessories, you must be personally responsible for proper selection, installation and use of non-Honda accessories. Check with your dealer for assistance and always follow these guidelines:

- Make sure the accessory does not obscure any lights, reduce ground clearance and banking angle, limit suspension travel or steering travel, alter your riding position or interfere with operating any controls.
- Be sure electrical equipment does not exceed the motorcycle's electrical system capacity (page 134). A blown fuse can cause a loss of lights or engine power.

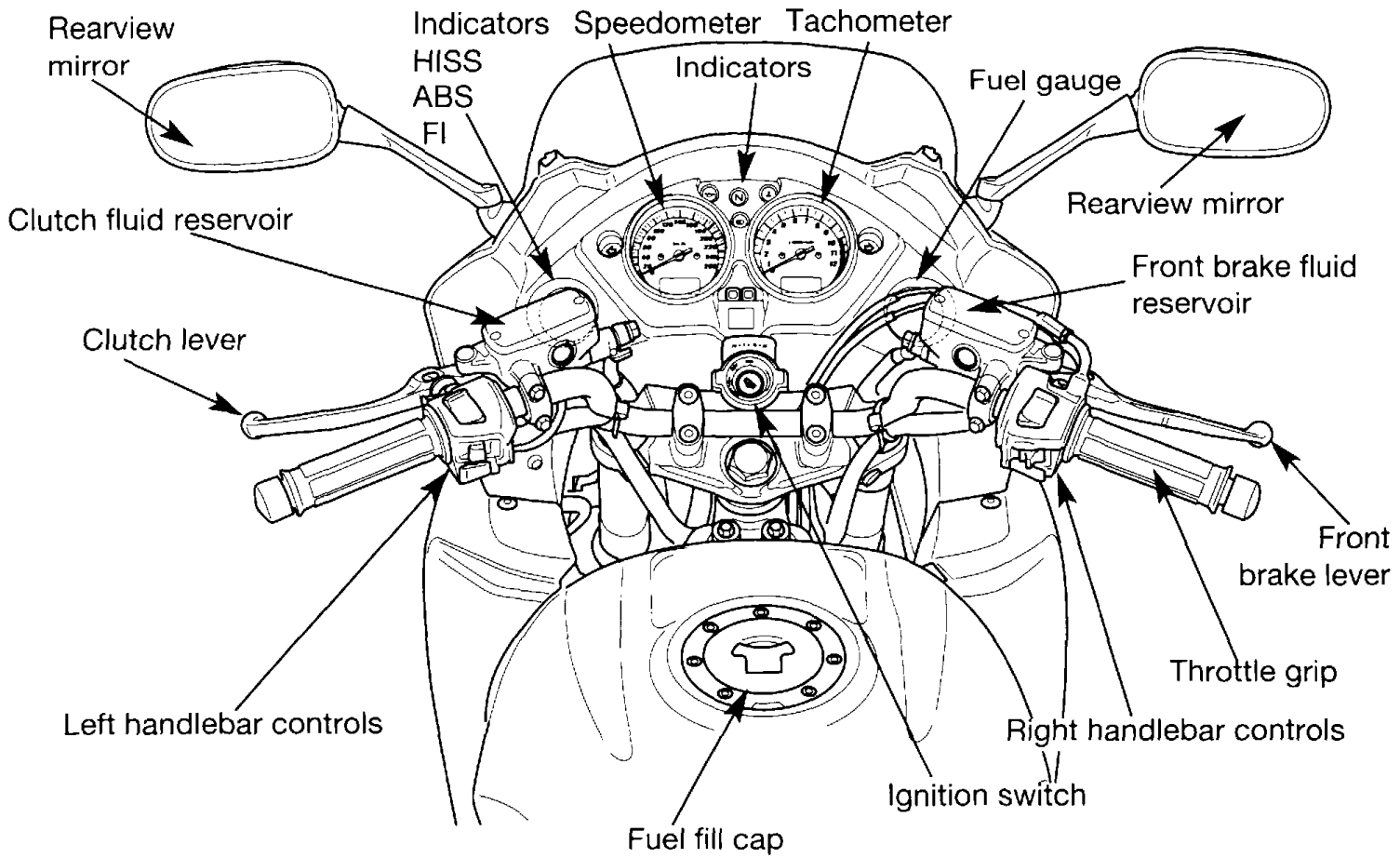
-
- Do not pull a trailer or sidecar with your motorcycle. This motorcycle was not designed for these attachments and their use can seriously impair your motorcycle's handling.

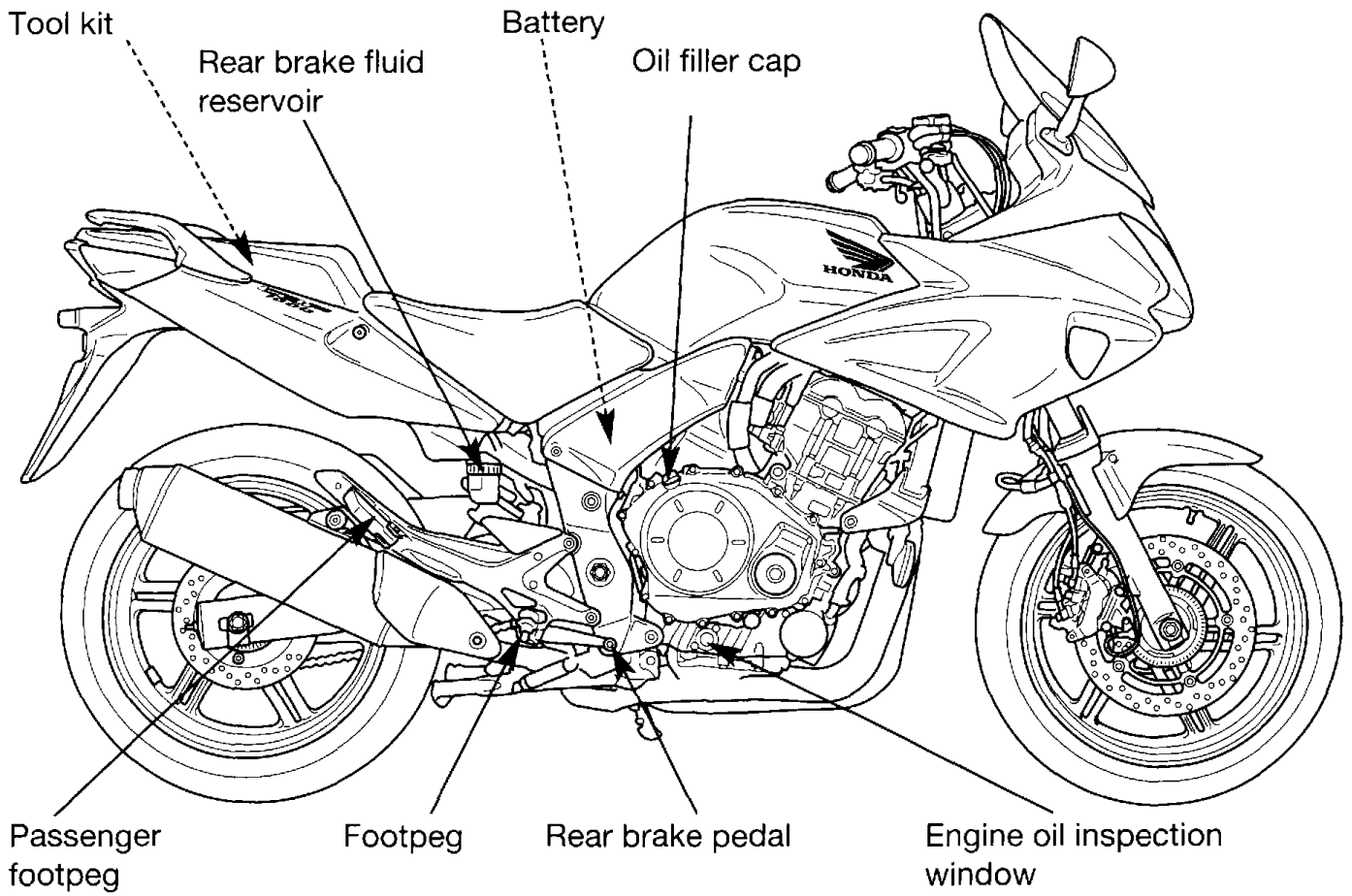
Modifications

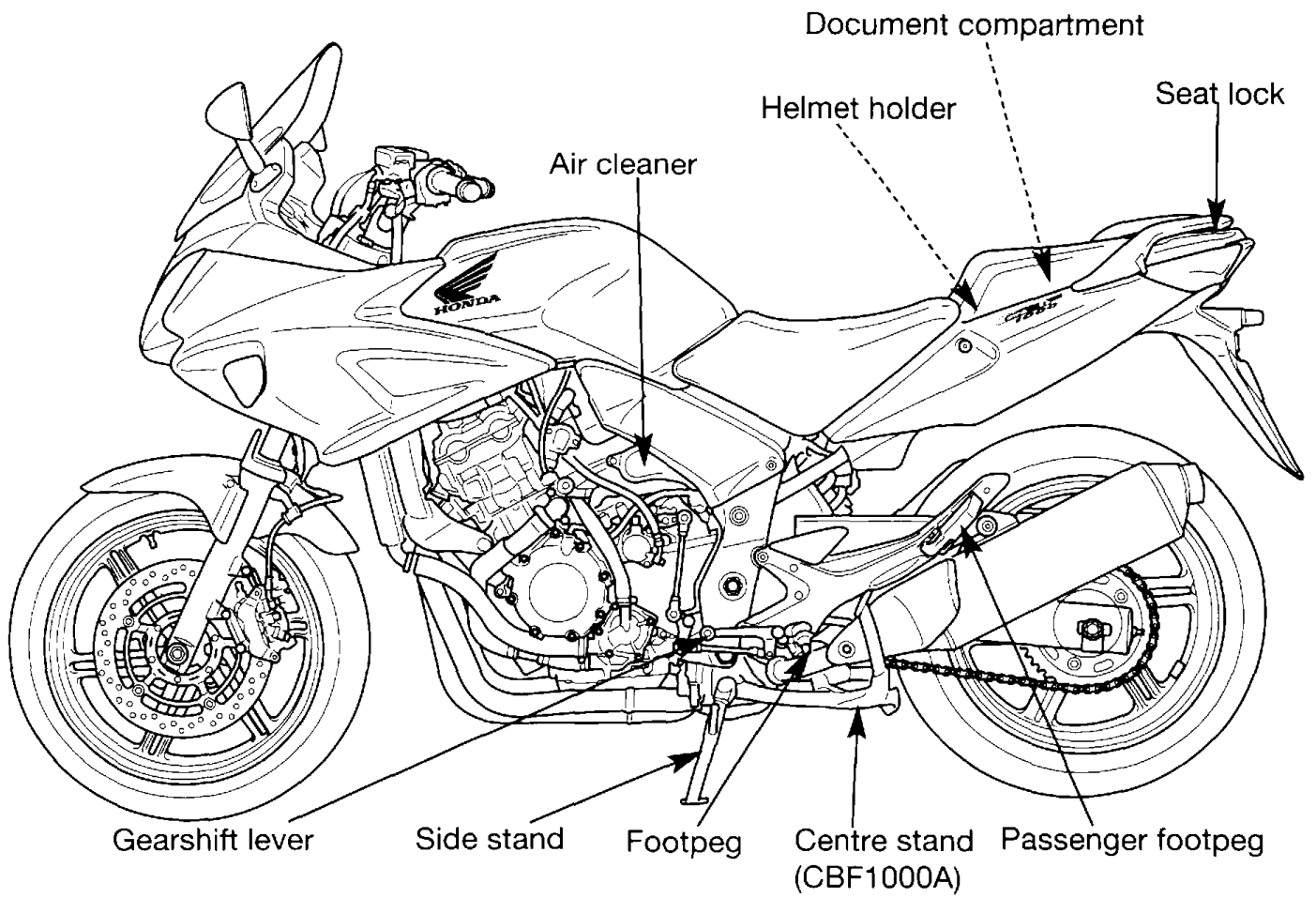
We strongly advise you not to remove any original equipment or modify your motorcycle in any way that would change its design or operation. Such changes could seriously impair your motorcycle's handling, stability and braking, making it unsafe to ride.

Removing or modifying your lights, mufflers, emission control system or other equipment can also make your motorcycle illegal.

PARTS LOCATION



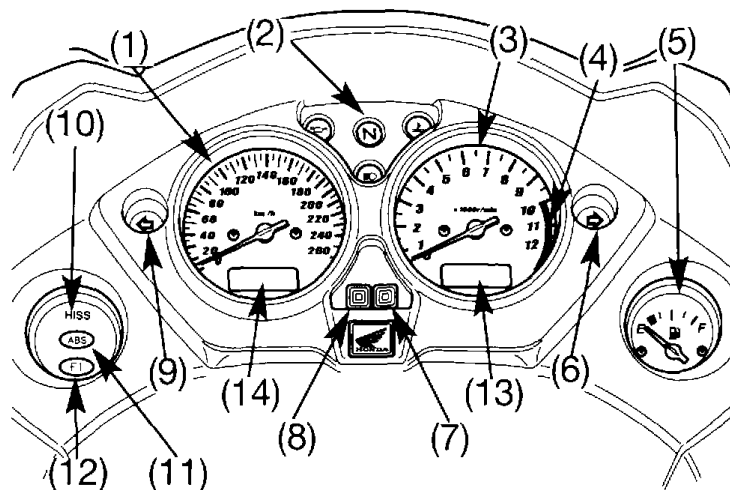




INSTRUMENTS AND INDICATORS

The indicators are contained in the instrument panel. Their functions are described in the tables on the following pages.


- (1) Speedometer
- (2) High beam indicator
- Low oil pressure indicator
- Neutral indicator
- (3) Tachometer
- (4) Tachometer red zone
- (5) Fuel gauge
- (6) Right turn signal indicator
- (7) Clock button
- (8) Odometer/tripmeter button
- (9) Left turn signal indicator
- (10) Immobilizer system (HISS) indicator
- (11) Anti-lock brake system (ABS) indicator (CBF1000A)
- (12) PGM-FI Malfunction indicator lamp
- (13) Clock display
- (14) Odometer/trip meter display




(Ref. Nr.) Description	Function
(1) Speedometer	Shows riding speed. Shows the speed in kilometers per hour (km/h) and/or miles per hour (mph) depending on the model.
(2) High beam indicator (blue)	Lights when the headlight is on high beam.
- Low oil pressure indicator (red)	Lights when the engine oil pressure is below normal operating range. Should light when ignition switch is ON and engine is not running. Should go out when the engine starts, except for occasional flickering at or near idling speed when engine is warm. NOTICE Running the engine with insufficient oil pressure may cause serious engine damage.
- Neutral indicator (green)	Lights when the transmission is in neutral.

(Ref. Nr.) Description	Function
- Coolant temperature indicator (red)	<p>It lights when the coolant is over the specified temperature. If the indicator goes on while riding, stop the engine and check the reserve tank coolant level. Read pages 26-27 and do not ride the motorcycle until the problem has been corrected.</p> <p>NOTICE</p> <p>Exceeding maximum running temperature may cause serious engine damage.</p>
(3) Tachometer	Shows engine revolutions per minute.
(4) Tachometer red zone	<p>Never allow the tachometer needle to enter the red zone, even after the engine has been broken in.</p> <p>NOTICE</p> <p>Running the engine beyond recommended maximum engine speed (the beginning of the tachometer red zone) can damage the engine.</p>
(5) Fuel gauge	Shows approximate fuel supply available (page 17).

(Ref. Nr.) Description	Function
(6) Right turn signal indicator(green)	Flashes when the right turn signal operates.
(7) Clock button	<p>With the ignition switch set to ON press this button for two seconds and the clock digital display (13) will start flashing to allow you to adjust the hour and minutes.</p> <p>To set the hour hold down button (7) until reaching the required setting;</p> <p>to set the minutes press button (7) repeatedly as many times as required to obtain the required setting.</p> <p>When the adjustment is terminated set the ignition key to OFF and leave it in this position for at least 30 seconds.</p>
(8) Odometer / Tripmeter button	This button is used to reset the tripmeter or to select the tripmeter or odometer (see page 18).
(9) Left turn signal indicator (green)	Flashes when the left turn signal operates.

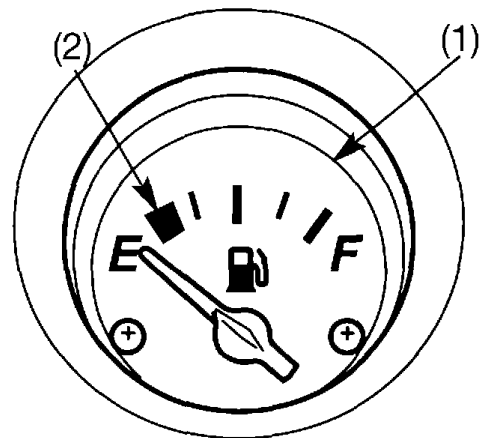
(Ref. Nr.) Description	Function
(10) Immobilizer system (HISS) indicator (red)	<p>This indicator lights for a few seconds when the ignition switch is turned ON and the engine stop switch is at  (RUN). It will go off if the properly-coded key has been inserted. If an improperly-coded key has been inserted, the indicator will remain on and the engine will not start (page 41).</p> <p>When the blinking function of this indicator is valid and the ignition switch is off, it keeps blinking for 24 hours (page 42).</p>
(11) Anti-lock brake system (ABS) indicator light (red) (CBF1000A)	<p>This indicator light normally illuminates when the ignition switch is set to ON and is extinguished when the motorcycle is ridden at a speed of more than 10 km/h (6 mph). In the event of problems with the ABS system this indicator flashes and remains on (see page 19).</p>

(Ref. Nr.) Description	Function
(12) PGM-FI Malfunction Indicator Lamp (red)	<p>Lights when there is any abnormality in the PGM-FI (Programmed Fuel Injection) system.</p> <p>It should also light for a few seconds and then go off when the ignition switch is turned ON and engine stop switch is at  (RUN).</p> <p>If it comes on at any other time, reduce speed and take the motorcycle to your Honda dealer as soon as possible.</p>
(13) Clock display	Shows the time in hours and minutes (see page 14)
(14) Odometer/trip meter display	<p>This display shows the following information:</p> <p>Odometer: total distance travelled by the motorcycle.</p> <p>Tripmeter: resettable distance of individual journeys.</p> <p>There are two tripmeters, tripmeters 1 and 2. You can switch between the display of tripmeter 1 and 2 by repeatedly pressing the left button(8).</p> <p>To reset the tripmeter hold down left button (8) while displaying tripmeter 1 or tripmeter 2 for a further two seconds.</p>

Fuel level indicator (1)

When the indicator needle enters the red zone (2), the fuel level is low and the tank should be refilled as soon as possible.

When the indicator needle enters the red reserve zone while keeping the motorcycle in the upright position, the available fuel quantity is about 4.0 litres.



(1) Fuel level indicator

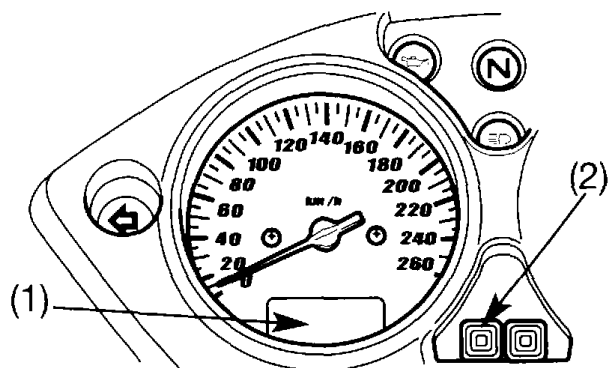
(2) Red zone

Odometer/Tripmeter Display

The display (1) shows two functions: odometer and two tripmeters.

Push the button (2) to select the "ODO" and "TRIP1", "TRIP2" mode.

To reset the tripmeter, push and hold the button (2) when the display is in the "TRIP1" or "TRIP2" mode.



(1) Odometer/Tripmeter display

(2) Odometer/Tripmeter select and reset button

Odometer

ODO
125

Tripmeter 1

TRIP 1
125.6

Tripmeter 2

TRIP 2
234.5

Tripmeter reset

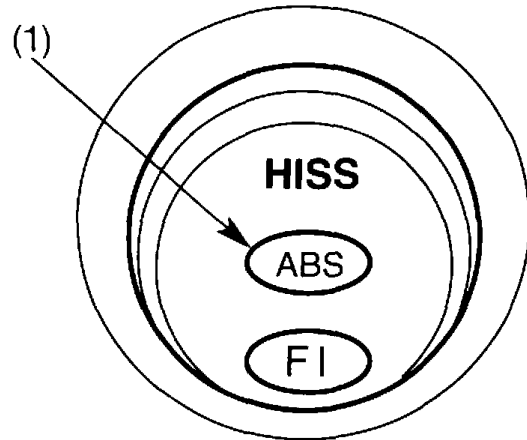
TRIP
125.6

TRIP
0.0

Anti-lock brake system (ABS) indicator (CBF1000A)

This indicator light normally illuminates when the ignition switch is set to ON and is extinguished when the motorcycle is ridden at a speed of more than 10 km/h (6 mph).

If there is a problem with the ABS system, this light flashes and remains on (see page 68).



(1) Anti-lock brake system (ABS) indicator

MAJOR COMPONENTS (Information you need to operate this motorcycle)

SUSPENSION

The rear shock absorber (1) has 7 adjustment positions for different load or riding conditions.

Use a pin spanner (2) and extension bar (3) to adjust the rear shock.

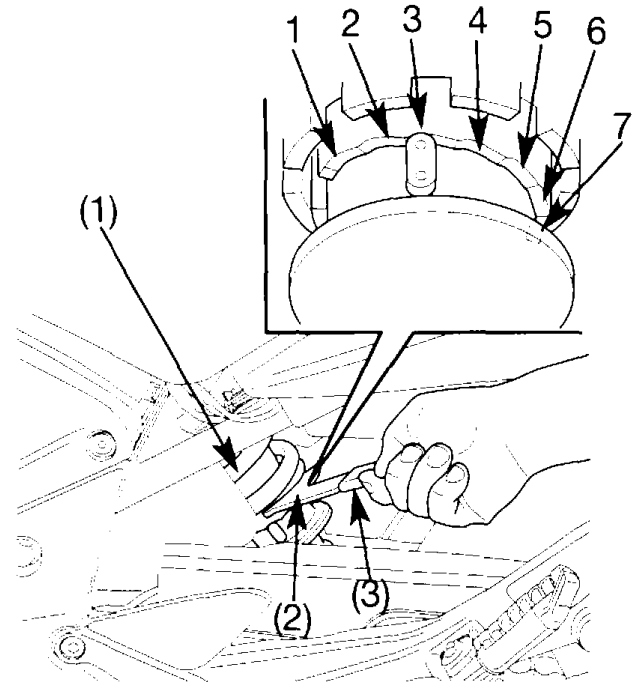
Position 1 and 2 are for light loads and smooth road conditions. Positions 4 to 7 increase spring preload for a stiffer rear suspension, and can be used when the motorcycle is heavily loaded.

Standard position: 3

The rear shock absorber assembly includes a damper unit that contains high pressure nitrogen gas. Do not attempt to disassemble or service the damper; it cannot be rebuilt and must be replaced when worn out. Disposal should only be done by your Honda dealer.

The instructions found in this owner's manual are limited to adjustment of the shock assembly only.

20



- (1) Shock absorber
- (2) Pin spanner
- (3) Extension bar

BRAKES

Both the front and rear brakes are the hydraulic disc types.

As the brake pads wear, the brake fluid level drops.

There are no adjustments to perform, but fluid level and pad wear must be inspected periodically. The system must be inspected frequently to ensure there are no fluid leaks. If the control lever or pedal free travel becomes excessive and the brake pads are not worn beyond the recommended limit (page 107), there is probably air in the brake system and it must be bled. See your Honda dealer for this service.

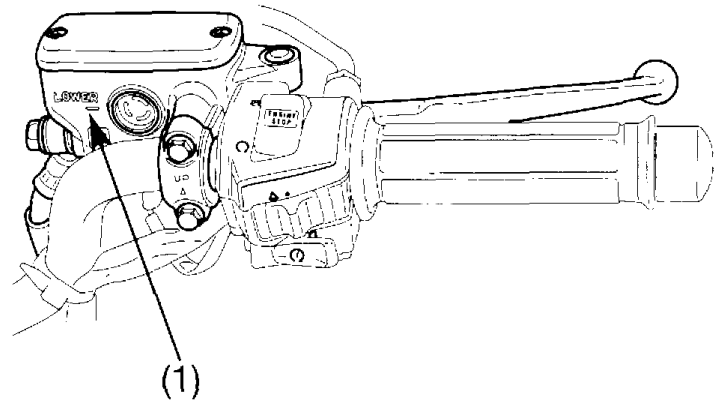
Front Brake Fluid Level:

With the motorcycle in an upright position check the fluid level. It should be above the LOWER level mark (1). If the level is at or below the LOWER level mark, check the brake pads for wear (page 107).

Worn pads should be replaced. If the pads are not worn, have your brake system inspected for leaks.

The recommended brake fluid is Honda DOT 4 brake fluid from a sealed container or an equivalent.

Front



(1) LOWER level mark

Front Brake Lever:

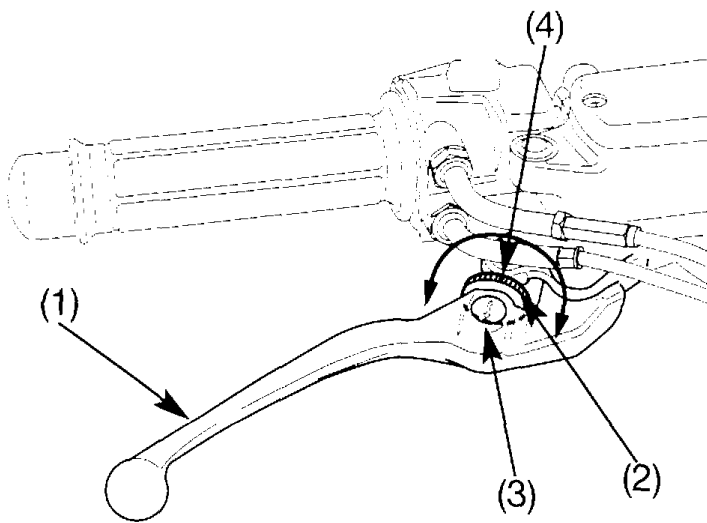
The distance between the tip of the brake lever (1) and the grip can be adjusted by turning the adjuster (2).

Align the arrow (3) on the brake lever with the index mark (4) on the adjuster.

Apply the brake several times and check for free wheel rotation after the brake lever is released.

Other Checks:

Make sure there are no fluid leaks. Check for deterioration or cracks in the hoses and fittings.



(1) Brake lever
(2) Adjuster

(3) Arrow
(4) Index mark

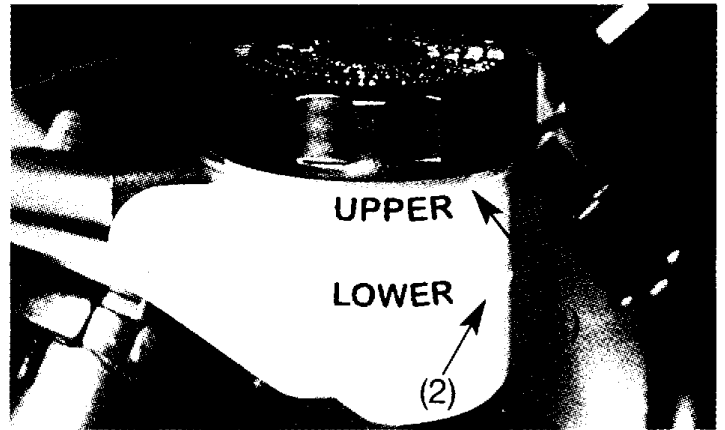
Rear Brake Fluid Level:

With the motorcycle in an upright position, check the fluid level. It should be between the UPPER (1) and LOWER (2) level marks. If the level is at or below the LOWER level mark (2), check the brake pads for wear (page 108).

Worn pads should be replaced. If the pads are not worn, have your brake system inspected for leaks.

The recommended brake fluid is Honda DOT 4 brake fluid from a sealed container, or an equivalent.

Rear



(1) UPPER level mark

(2) LOWER level mark

Other Checks:

Make sure there are no fluid leaks. Check for deterioration or cracks in the hoses and fittings.

CLUTCH

This motorcycle has a hydraulically actuated clutch. There are no adjustments to perform, but the clutch system must be inspected periodically for fluid level and leakage.

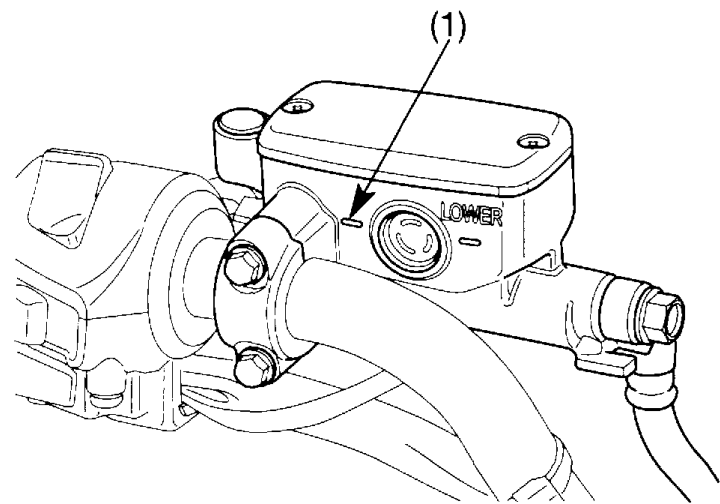
If the control lever freeplay becomes excessive and the motorcycle creeps or stalls when shifted into gear, or if the clutch slips, causing acceleration to lag behind engine speed, there is probably air in the engine system and it must be bled out. See your Honda dealer for this service.

Fluid level

Check that the fluid level is above the LOWER level mark (1) with the motorcycle in an upright position. If the fluid level is near the lower level line, it indicates fluid leakage. See your Honda dealer.

Other checks:

Make sure there are no fluid leaks. Check for deterioration or cracks in the hoses and fittings.

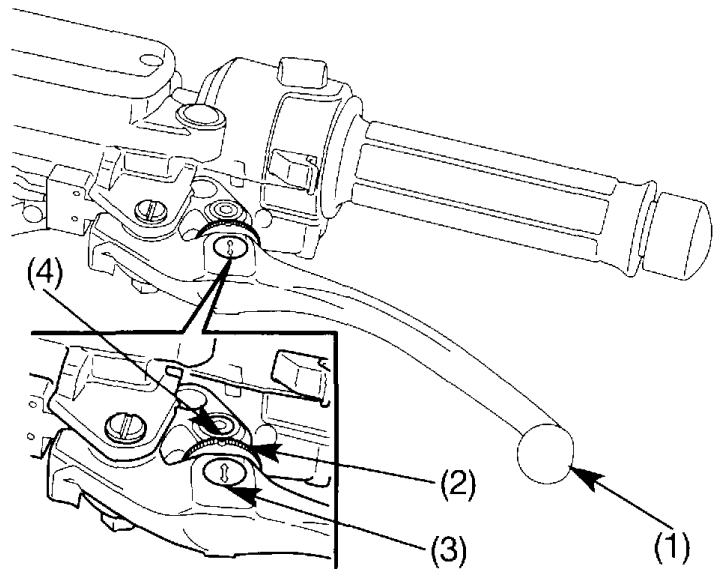


(1) LOWER level mark

Clutch lever:

The distance between the tip of the clutch lever (1) and the grip can be adjusted by turning the adjuster (2) while pushing the lever forward.

Align the arrow (3) on the clutch lever with the index mark (4) on the adjuster.



- (1) Clutch lever
- (2) Adjuster
- (3) Arrow
- (4) Index mark

COOLANT

Coolant Recommendation

The owner must properly maintain the coolant to prevent freezing, overheating, and corrosion. Use only high quality ethylene glycol antifreeze containing corrosion protection inhibitors specifically recommended for use in aluminum engines. (SEE ANTIFREEZE CONTAINER LABEL).

Use only low-mineral drinking water or distilled water as a part of the antifreeze solution. Water that is high in mineral content or salt may be harmful to the aluminum engine.

Using coolant with silicate inhibitors may cause premature wear of water pump seals or blockage of radiator passages.

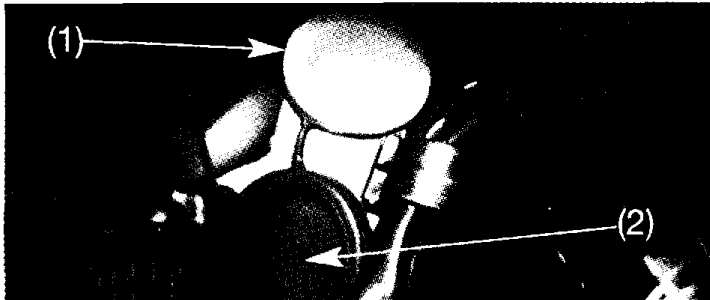
Using tap water may cause engine damage.

The factory provides a 50/50 solution of antifreeze and distilled water in this motorcycle. This coolant solution is recommended for most operating temperatures and provides good corrosion protection. A higher concentration of antifreeze decreases the cooling system performance and is recommended only when additional protection against freezing is needed. A concentration of less than 40/60 (40% antifreeze) will not provide proper corrosion protection. During freezing temperatures, check the cooling system frequently and add higher concentrations of antifreeze (up to a maximum of 60% antifreeze) if required.

Inspection

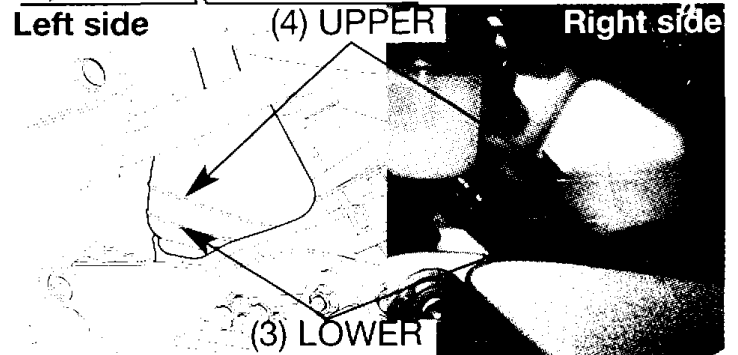
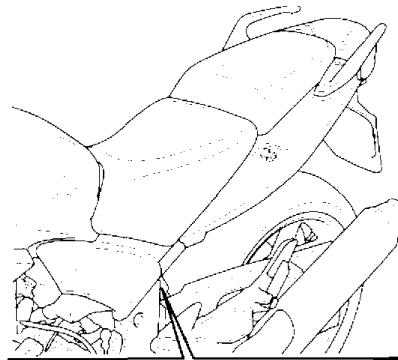
The reserve tank is below the seat, behind the left side cover.

Check the coolant level in the reserve tank (1) while the engine is at the normal operating temperature with the motorcycle in an upright position. If the coolant level is below the LOWER level mark (3), remove the reserve tank cap (2) and add coolant mixture until it reaches the UPPER level mark (4). Always add coolant to the reserve tank. Do not attempt to add coolant by removing the radiator cap.



(1) Reserve tank (2) Reserve tank cap

If the reserve tank is empty, or if coolant loss is excessive, check for leaks and see your Honda dealer for repair.



(3) LOWER level mark
(4) UPPER level mark

FUEL

Fuel tank

Fuel tank capacity inclusive of reserve capacity is:

19.3 ℓ

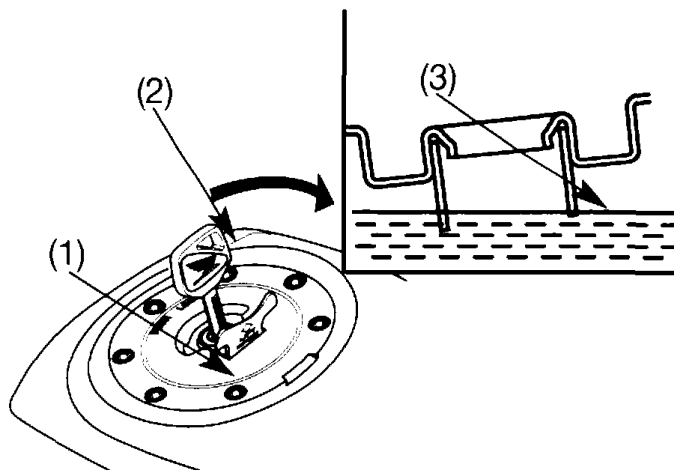
Reserve capacity is:

4.0 ℓ

To open the fuel fill cap (1), insert the ignition key (2) and turn it clockwise. The fuel fill cap will pop up and can be lifted off.

Do not overfill the tank. There should be no fuel in the filler neck (3).

After refueling, to close the fuel fill cap, push the fuel fill cap into the filler neck until it snaps closed and locks. Remove the key.



- (1) Fuel fill cap
- (2) Ignition key
- (3) Filler neck

⚠ WARNING

Petrol is highly flammable and explosive. You can be burned or seriously injured when handling fuel.

- Stop the engine and keep heat, sparks, and flame away.
- Refuel only outdoors.
- Wipe up spills immediately.

For E,F,EK,ED:

Use unleaded petrol with a research octane number of 91 or higher.

The use of leaded petrol will cause premature damage to the catalytic converter.

NOTICE

If “spark knock,” or “pinking” occurs at a steady engine speed under normal load, change brands of petrol. If spark knock or pinking persists, consult your Honda dealer. Failure to do so is considered misuse, and damage caused by misuse is not covered by Honda's Limited Warranty.

Petrol Containing Alcohol

If you decide to use a petrol containing alcohol (gasohol), be sure it's octane rating is at least as high as that recommended by Honda. There are two types of "gasohol": one containing ethanol, and the other containing methanol. Do not use petrol that contains more than 10% ethanol. Do not use petrol containing methanol (methyl or wood alcohol) that does not also contain cosolvents and corrosion inhibitors for methanol. Never use petrol containing more than 5 % methanol, even if it has cosolvents and corrosion inhibitors.

Fuel system damage or engine performance problems resulting from the use of fuels that contain alcohol is not covered under the warranty. Honda cannot endorse the use of fuels containing methanol since evidence of their suitability is as yet incomplete.

Before buying fuel from an unfamiliar station, try to find out if the fuel contains alcohol. If it does, confirm the type and percentage of alcohol used. If you notice any undesirable operating symptoms while using a petrol that contains alcohol or one that you think contains alcohol switch to a petrol that you know does not contain alcohol.

ENGINE OIL

Engine Oil Level Check

Check the engine oil level each day before riding the motorcycle.

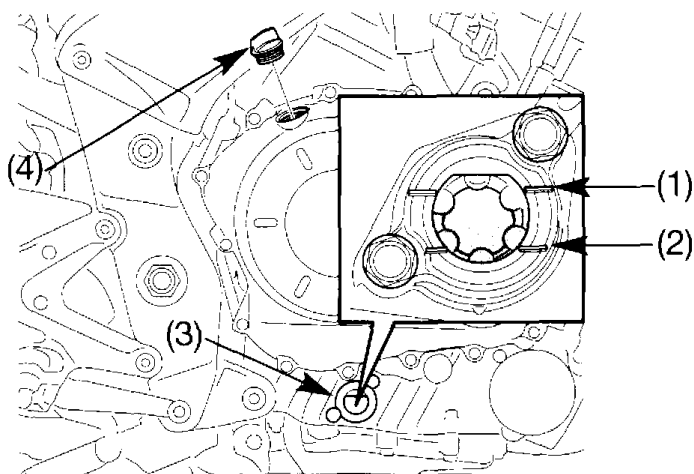
The level must be maintained between the upper (1) and lower (2) level marks in the inspection window (3).

1. Start the engine and let it idle for 3-5 minutes. Make sure the low oil pressure indicator goes off. If the indicator light remains on, stop the engine immediately.
2. Stop the engine and hold the motorcycle in an upright position on firm, level ground.
3. After 2-3 minutes, check that the oil level is between the upper and the lower level marks in the inspection window.
4. If required, remove the oil filler cap (4) and add the specified oil (page 80) up to the upper level mark. Do not overfill.

5. Reinstall the oil filler cap. Check for oil leaks.

NOTICE

Running the engine with insufficient oil pressure may cause serious engine damage.



- (1) Upper level mark
- (2) Lower level mark
- (3) Inspection window
- (4) Oil filler cap

TUBELESS TYRES

To safely operate your motorcycle, your tyres must be the proper type and size, in good condition with adequate tread, and correctly inflated for the load you are carrying. The following pages give more detailed information on how and when to check air pressure, how to inspect your tyres for damage, and what to do when your tyres need to be repaired or replaced,

WARNING

Using tyres that are excessively worn or improperly inflated can cause a crash in which you can be seriously hurt or killed.

Follow all instructions in this owner's manual regarding tyre inflation and maintenance.

Air Pressure

Keeping your tyres properly inflated provides the best combination of handling, tread life and riding comfort. Generally, underinflated tyres wear unevenly, adversely affect handling, and are more likely to fail from being overheated.

Overinflated tyres make your motorcycle ride more harshly, are more prone to damage from road hazards, and wear unevenly.

We recommend that you visually check your tyres before every ride and use a gauge to measure air pressure at least once a month or any time you think the tyres might be low. Tubeless tyres have some self-sealing ability if they are punctured. However, because leakage is often very slow, you should look closely for punctures whenever a tyre is not fully inflated.

Always check air pressure when your tyres are “cold”— when the motorcycle has been parked for at least three hours. If you check air pressure when your tyres are “warm” — when the motorcycle has been ridden for even a few miles — the readings will be higher than if the tyres were “cold”. This is normal, so do not let air out of the tyres to match the recommended cold air pressures given below. If you do, the tyres will be underinflated.

The recommended “cold” tyre pressures are:

Front	250 kPa (2.50 kgf/cm ² ,36 psi)
Rear	290 kPa (2.90 kgf/cm ² ,42 psi)

Inspection

Whenever you check the tyre pressures, you should also examine the tyre treads and sidewalls for wear, damage, and foreign objects:

Look for:

- Bumps or bulges in the side of the tyre or the tread. Replace the tyre if you find any bumps or bulges.
- Cuts, splits or cracks in the tyre. Replace the tyre if you can see fabric or cord.
- Excessive tread wear.

Also, if you hit a pothole or hard object, pull to the side of the road as soon as you safely can and carefully inspect the tyres for damage.

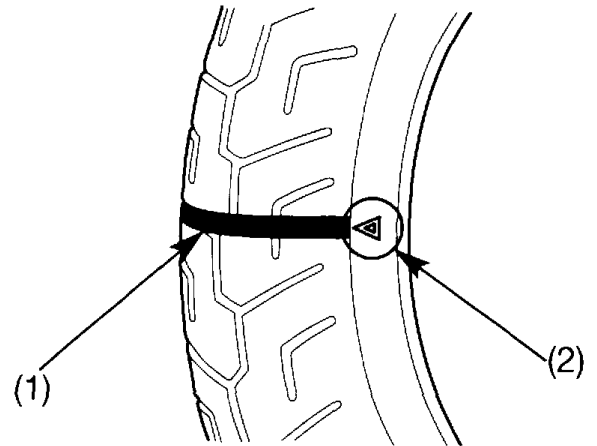
Tread Wear

Replace tyres before tread depth at the center of the tyre reaches the following limit:

Minimum tread depth	
Front	1,5 mm
Rear	2,0 mm

FOR GERMANY ONLY:

German law prohibits use of tyres whose tread depth is less than 1.6 mm.



- (1) Wear indicator
- (2) Wear indicator location mark

Tyre Repair

If a tyre is punctured or damaged, you should replace it, not repair it. As discussed below, a tyre that is repaired, either temporarily or permanently, will have lower speed and performance limits than a new tyre.

A temporary repair, such as an external tubeless tyre plug, may not be safe for normal speeds and riding conditions. If a temporary or emergency repair is made to a tyre, you should ride slowly and cautiously to a dealer and have the tyre replaced. If possible, you should not carry a passenger or cargo until a new tyre is installed.

Even if a tyre is professionally repaired with a permanent internal patch plug, it will not be as good as a new tyre. You should not exceed 80 km/h (50 mph) for the first 24 hours, or 130 km/h (80 mph) at any time thereafter. In addition, you may not be able to safely carry as much weight as with a new tyre. Therefore, we strongly recommend that you replace a damaged tyre. If you choose to have a tyre repaired be sure the wheel is balanced before you ride.

Tyre Replacement:

The tyres that came on your motorcycle were designed to match the performance capabilities of your motorcycle and provide the best combination of handling, braking, durability and comfort.

⚠ WARNING

Installing improper tyres on your motorcycle can affect handling and stability. This can cause a crash in which you can be seriously hurt or killed.

Always use the size and type of tyres recommended in this owner's manual.

The recommended tyres for your motorcycle are:

Front	120/70ZR17M/C(58W) BRIDGESTONE BT57F RADIAL U MICHELIN Pilot ROAD B
Rear	160/60ZR17M/C(69W) BRIDGESTONE BT57R RADIAL E MICHELIN Pilot ROAD A
Type	RADIAL - TUBELESS

Whenever you replace a tyre, use one that is equivalent to the original and be sure the wheel is balanced after the new tyre is installed.

Important Safety Reminders

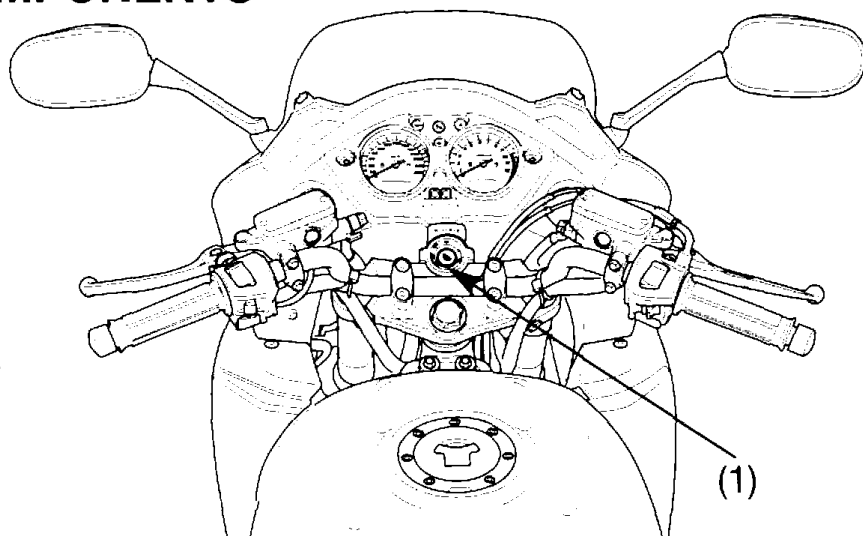
- Do not install a tube inside a tubeless tyre on this motorcycle. Excessive heat buildup can cause the tube to burst.
- Use only tubeless tyres on this motorcycle. The rims are designed for tubeless tyres, and during hard acceleration or braking, a tube-type tyre could slip on the rim and cause the tyre to rapidly deflate.
- When changing tyres, use only the type recommended (see page 36) and check the labels on the new tyres. Using other types of tyres in conjunction with the ABS system can cause damage to the operation of the system. The ABS system microprocessor operates by comparing the speed of the two wheels. Tyres of an unapproved type can affect the relative speed of the wheels and therefore cause incorrect readings by the ABS system.

ESSENTIAL INDIVIDUAL COMPONENTS

IGNITION SWITCH

The ignition switch (1) is below the indicator panel.

The headlight and taillights will come on whenever you turn the ignition switch ON. If your motorcycle is stopped with the ignition switch ON and the engine is not running, the headlights and taillights will still be on, resulting in battery discharge.

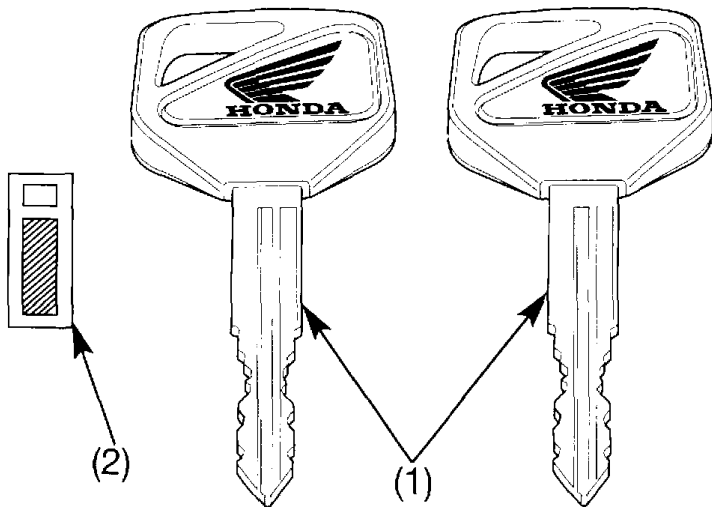


(1) Ignition switch

Key Position	Function	Key Removal
LOCK (steering lock)	Steering is locked. Engine and lights cannot be operated.	Key can be removed.
OFF	Engine and lights cannot be operated	Key can be removed.
ON	Engine and lights can be operated	Key cannot be removed.

KEYS

This motorcycle has two keys and a key number plate.



(1) Keys

(2) Key number plate

You will need the key number if you ever have to replace a key. Store the plate in a safe place.

To reproduce keys, bring all keys, key number plate and motorcycle to your Honda dealer.

Up to four keys can be registered with the immobilizer system (HISS), including the ones in hand.

If all keys are lost, the PGM-FI unit/ignition control module must be replaced. To avoid this possibility we recommend that if only one key is left, you immediately have it reproduced to ensure that a back up is available.


These keys contain electronic circuits that are activated by the immobilizer system (HISS). They will not work to start the engine if the circuits are damaged.

- Do not drop the keys or set heavy objects on them.
- Do not grind, drill or in any way alter the original shape of the keys.
- Keep the keys away from magnetic objects.

IMMOBILIZER SYSTEM (HISS)

HISS is the abbreviation of Honda Ignition Security System.

The immobilizer system (HISS) protects your motorcycle from theft. A properly-coded key must be used in the ignition switch for the engine to start. If an improperly-coded key (or other device) is used, the engine's starting circuit is disabled.

When the ignition switch is turned ON and the engine stop switch is at  (RUN), the immobilizer system (HISS) indicator lights for a few seconds, then goes off. If the indicator remains on, it means the system does not recognize the coding of the key. Turn the ignition switch to OFF, remove the key, reinsert and turn the switch ON again.

The immobilizer system (HISS) indicator can continue to flash every 2 seconds during 24 hours when the ignition switch is OFF. Once the time has elapsed, the indicator lamp switches off automatically.

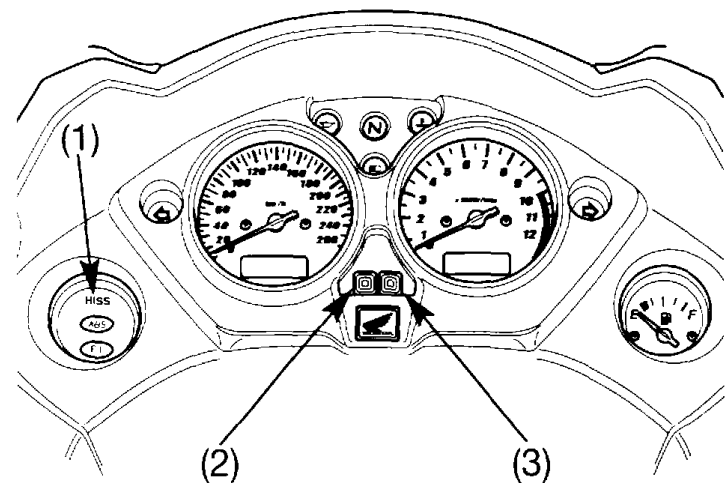
Indicator lamp flashing can be activated or deactivated.

To change the flashing setting, proceed as follows:

1. Set the ignition switch to ON and then back to OFF.
Leave the key inserted.
2. Press and hold down buttons (2) and (3) for more than two seconds. The immobilizer (HISS) indicator (1) will start flashing.
Remove the key.

When the ignition switch is turned ON, the indicator light function is deactivated.

If you removed the battery, after you have refitted it, turn the ON/OFF switch to ON. The HISS mode is automatically reactivated and the indicator light flashes.



(1) Immobilizer system (HISS) indicator
(2)(3) Buttons

If the system repeatedly does not recognize the coding of your key, contact your Honda dealer.

- The system may not recognize the key's coding if any other immobilizer key is near the ignition switch. To make sure the system recognizes the key code, keep each immobilizer key on a separate ring.
- Do not attempt to alter the immobilizer system (HISS) or add other devices to it. Electrical problems could result, making it impossible to start your motorcycle.
- If all keys are lost, the PGM-FI unit/ignition control module must be replaced.

EC Directives




This immobilizer system complies with the R & TTE (Radio equipment and telecommunications terminal equipment and the mutual recognition of their conformity) Directive.


CE 0891 !

The declaration of conformity to R & TTE Directive is provided to the owner at the time of purchase. The declaration of conformity should be kept at a safe place. When the declaration of conformity is lost or is not provided, contact your Honda dealer.

RIGHT HANDLEBAR CONTROLS


Engine Stop Switch

The engine stop switch (1) is next to the throttle grip. When the switch is in the  (RUN) position, the engine will operate. When the switch is in the  (OFF) position, the engine will not operate. This switch is intended primarily as a safety or emergency switch and should normally remain in the  (RUN) position.

If your motorcycle is stopped with the ignition switch ON and the engine stop switch  (OFF), the headlight and taillights will still be on, resulting in battery discharge.

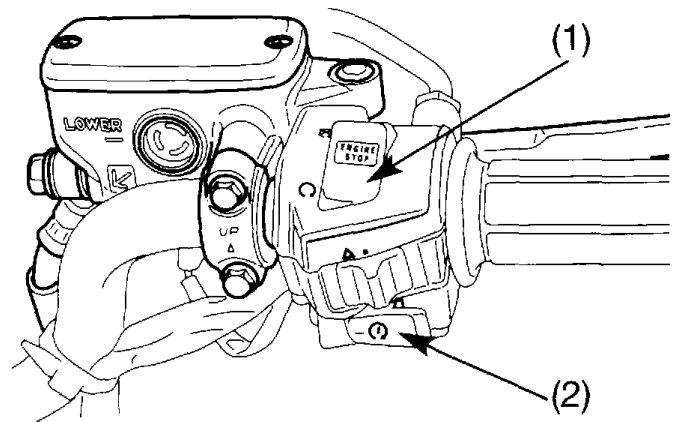
Starter Button

The starter button (2) is below the engine stop switch (1).

When the starter button is pressed, the starter motor cranks the engine. If the engine stop switch is in the  (OFF) position, the starter motor will not operate.


When the starter button is pressed, the headlight will automatically go out, but the taillight will stay on.

See page 60 for the starting procedure.

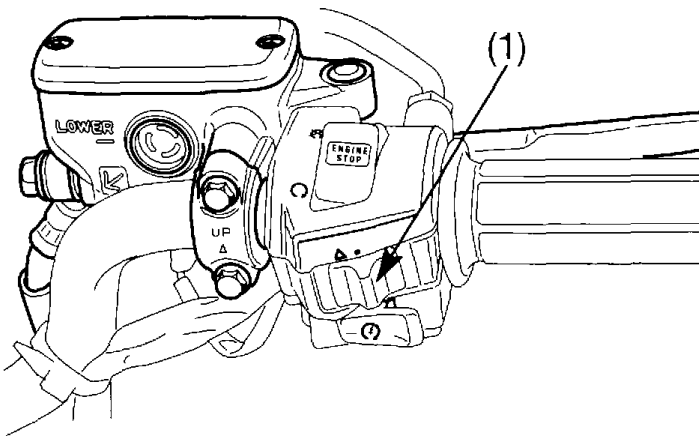


- (1) Engine stop switch
- (2) Starter button

Hazard switch

This system must be used only when your motorcycle is stopped in an emergency. To activate it set the ignition switch to ON and then press the  button. The front and rear turn signals will flash simultaneously.


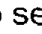
Set the switch to OFF if the hazard lights are no longer needed or if the turn signals are not working correctly and could cause confusion among other road users.



(1) Hazard switch

LEFT HANDLEBAR CONTROLS

Headlight Dimmer Switch (1)

Push the dimmer switch to  (HI) to select high beam or to  (LO) to select low beam.

Passing Light Control Switch (2)

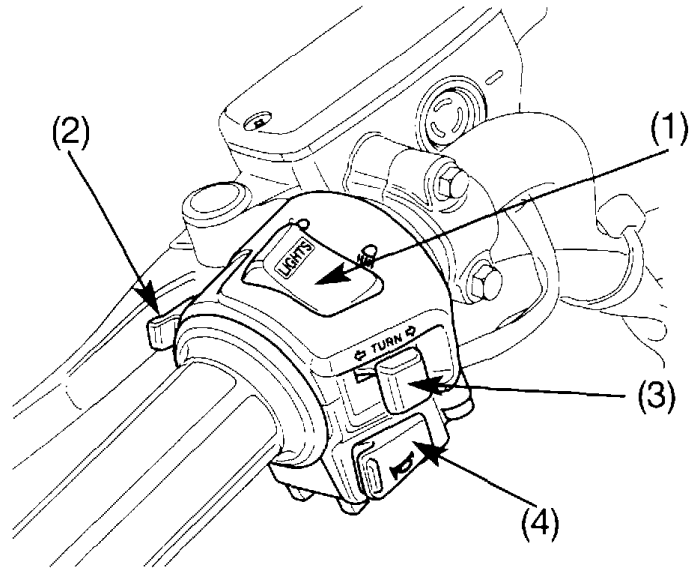
When this switch is pressed, the headlight flashes on to signal approaching cars or when passing.

Turn Signal Switch (3)

Move to  (L) to signal a left turn,  (R) to signal a right turn. Press to turn signal off.

Horn Button (4)

Press the button to sound the horn.



- (1) Headlight dimmer switch
- (2) Passing light control switch
- (3) Turn signal switch
- (4) Horn button

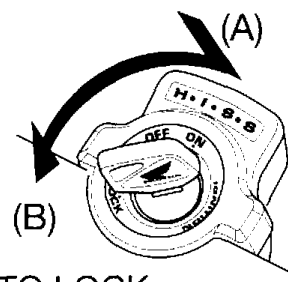
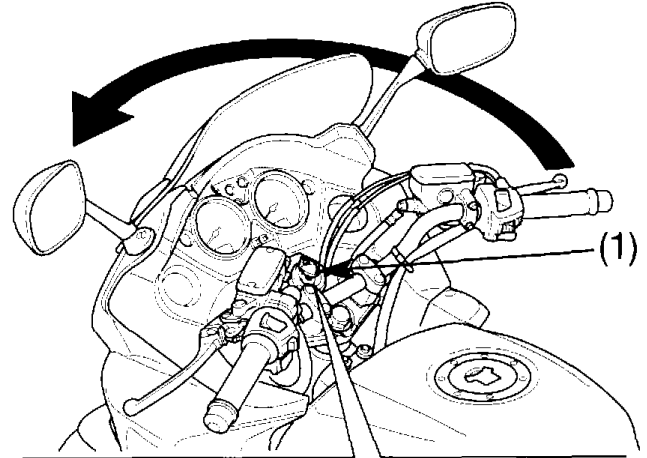
FEATURES

(Not required for operation)

STEERING LOCK

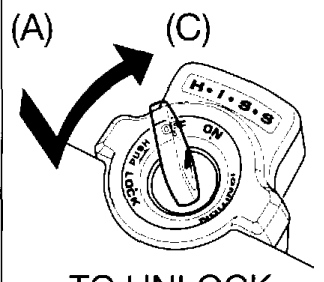
To lock the steering, turn the handlebars all the way to the left, turn the key (1) to LOCK while pushing in. Remove the key. To unlock the steering, turn the key to OFF while pushing in.

Do not turn the key to LOCK while riding the motorcycle; loss of vehicle control will result.



TO LOCK

(1) Ignition key



TO UNLOCK

(A) Push in
(B) Turn to LOCK
(C) Turn to OFF

WINDSHIELD HEIGHT ADJUSTMENT

This adjustment must be carried out by an authorized Honda dealer only.

HANDLEBAR ADJUSTMENT

This adjustment must be carried out by an authorized Honda dealer only.

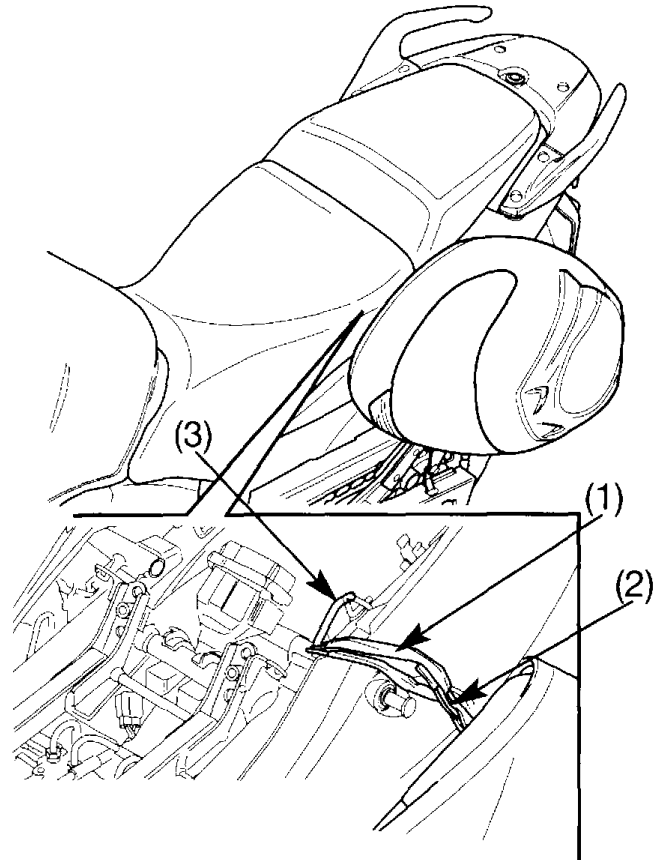
HELMET HOLDER

The helmet holder is located below the seat. Remove the pillion seat (see page 50). Route either end of the helmet holder cable (1) through the helmet's D-ring (2). Hook the loops of the wire onto the helmet holder (3) and lower the seat to lock. The helmet holder wire is furnished in the tool kit. Remove the helmet wire and store it in the tool bag when it is not used.

⚠ WARNING

Riding with a helmet attached to the holder can interfere with the rear wheel or suspension and could cause a crash in which you can be seriously hurt or killed.

Use the helmet holder only while parked. Do not ride with a helmet secured by the holder.



- (1) Helmet holder cable
- (2) D-ring
- (3) Helmet holder

SEAT

Removing the seat

To remove rear seat (1), insert the ignition key in the seat lock (2) and turn it clockwise. Pull the seat backwards and lift.

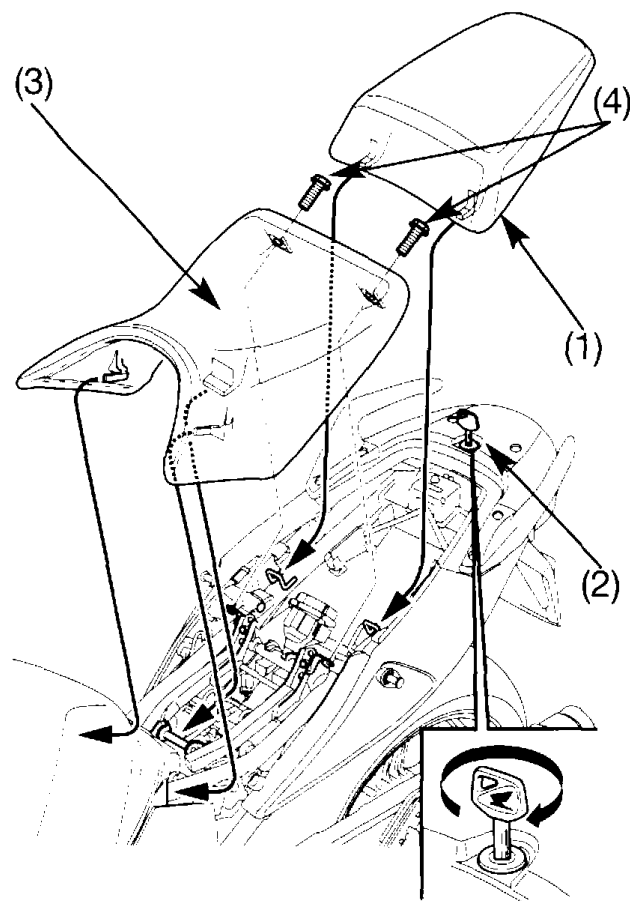
To remove the front seat (3), unscrew the two socket screws (4), pull the seat backwards and lift.

Fitting the seat

To install the front seat, insert the two front extensions at the sides under the fuel tank and the central protrusion in the location under the frame cross member. Now fit the two socket screws and tighten them fully.

To install the rear seat insert the two protrusions in the locations in the rear subframe and press the rear of the seat downwards.

After installing, check that the seat is securely locked in position.



(1) Rear seat
(2) Seat lock

(3) Front seat
(4) Socket screws

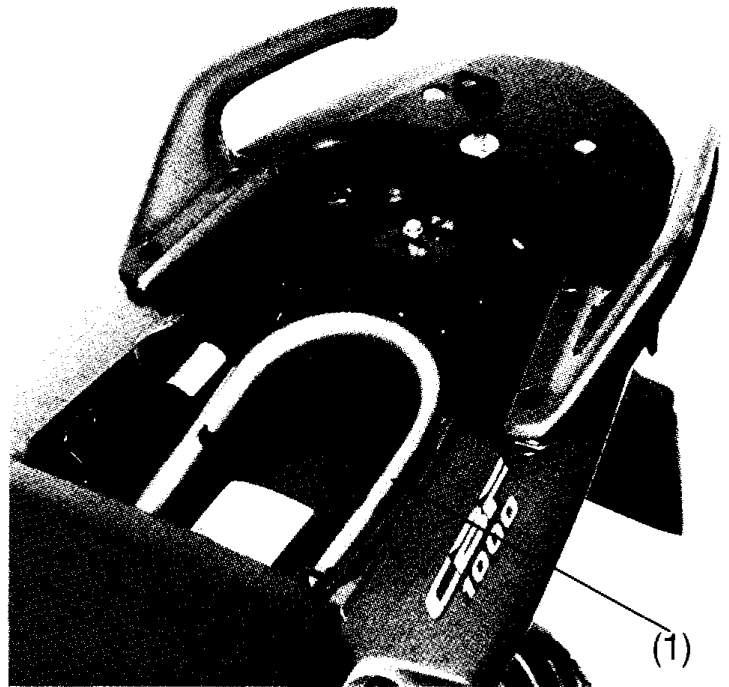
ADJUSTING THE FRONT SEAT HEIGHT

This adjustment must be carried out by an authorized Honda dealer only.

STORAGE COMPARTMENT FOR U-SHAPED ANTI-THEFT LOCK

The rear fender has a storage compartment to store a U-shaped anti-theft lock (1) under the seat.

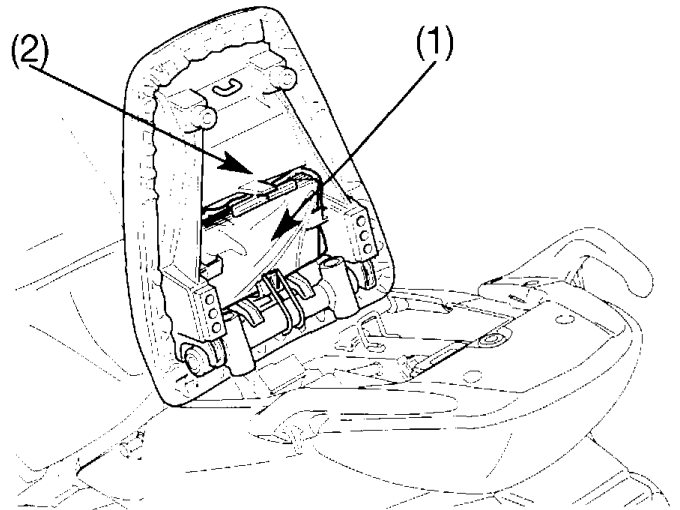
Some U-shaped locks may not be stored in the compartment due to their size or design.



(1) U-shaped anti-theft lock

DOCUMENT COMPARTMENT

The document bag (1) is in the document compartment (2), located under the rear seat. This owner's manual and other documents should be stored in this compartment. When washing your motorcycle, be careful not to flood this area with water.



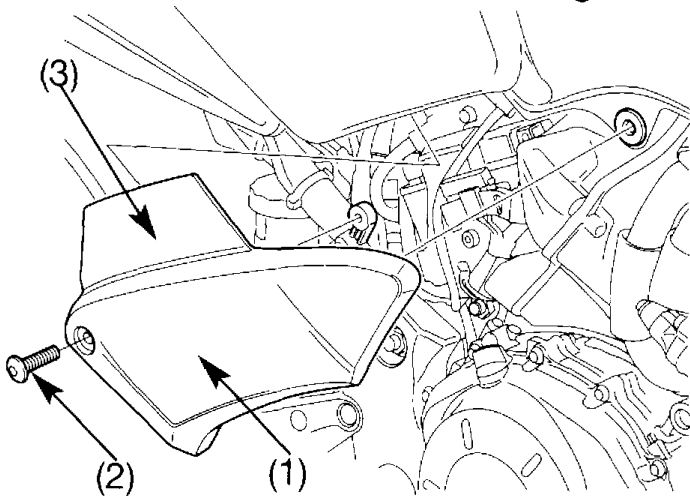
- (1) Document bag
- (2) Document compartment

SIDE COVERS

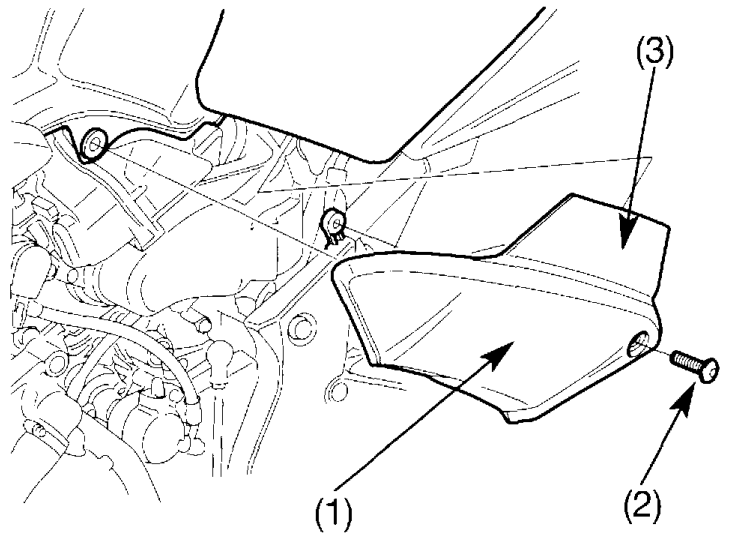
Side covers (1) must be removed in order to service the battery, the air cleaner element, and the rear shock absorber. To remove the left and right side covers:

1. Remove the mounting bolt (2).
2. Rotate the side cover downwards until the lip (3) under the seat is free.
3. Pull the side cover outwards.

Right side



Left side



- (1) Side covers
- (2) Bolt
- (3) Lip

REMOVING THE HALF FAIRINGS

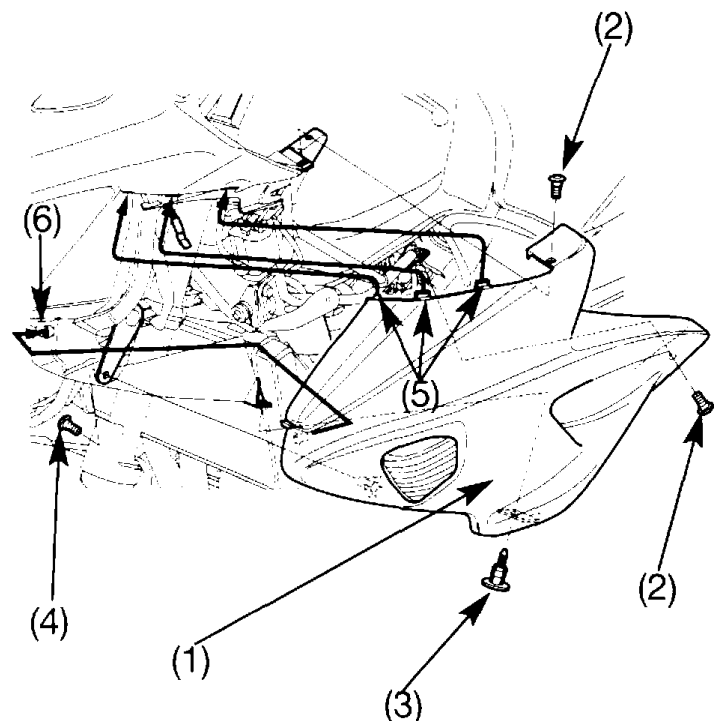
The side fairings (1) must be removed in order to perform maintenance in the area of the headlight unit.

Removal:

1. Remove the two upper and lower hex screws (2).
2. Remove the lower clip (3) from its seat by pressing it in the centre and then withdrawing it.
3. Remove the bolt (4).
4. Disengage the tabs (5) from their locations and slide the half-fairing forwards until it is freed from the front locking mechanism (6).
5. Disconnect the front turn signals cable connector.

Installation:

1. Reassemble the parts by following the removal procedure in reverse.



- | | |
|-----------------------|-----------------------------|
| (1) Left half fairing | (5) Tabs |
| (2) Socket screws | (6) Front locking mechanism |
| (3) Clip | |
| (4) Bolt | |

INNER PANEL REMOVAL

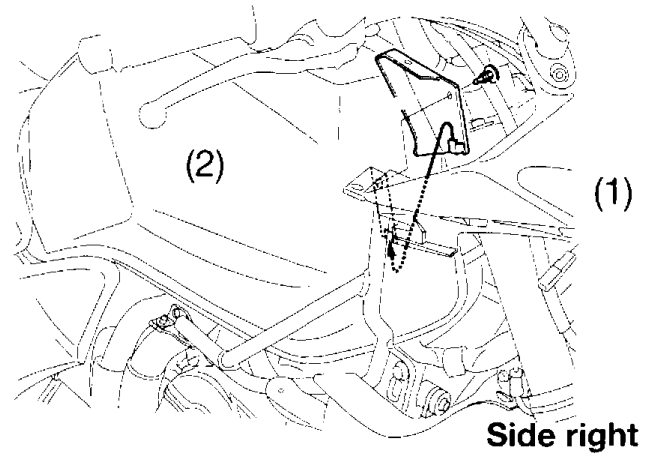
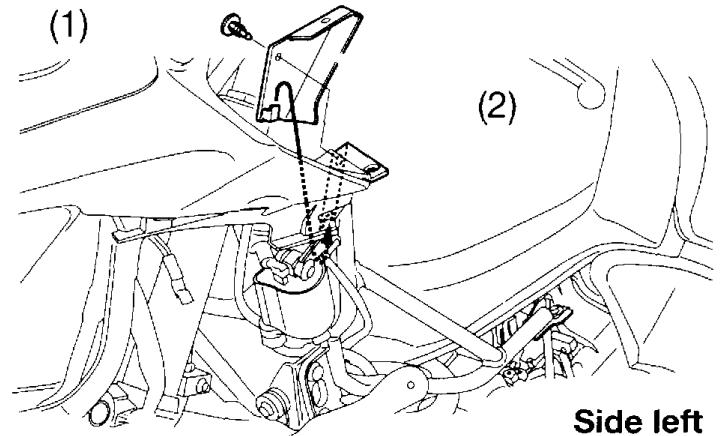
The right and left inner panels can be removed in the same manner in order to perform maintenance operations:

Removal:

1. Remove the clip (1) and take it out (see page 56).
2. Remove the inner panel (2).

Installation:

1. Installation can be done in the reverse order of removal.

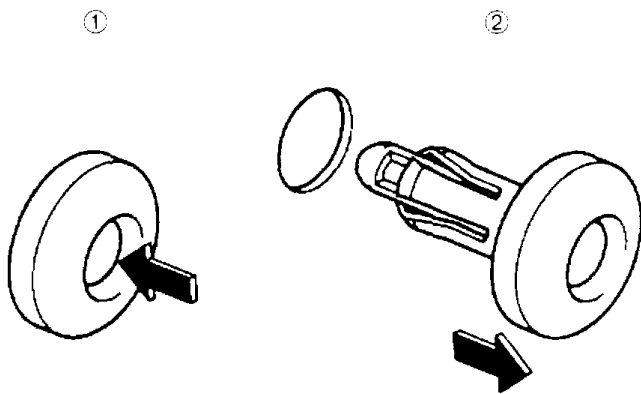


- (1) Clip
(2) Inner panel

Clip

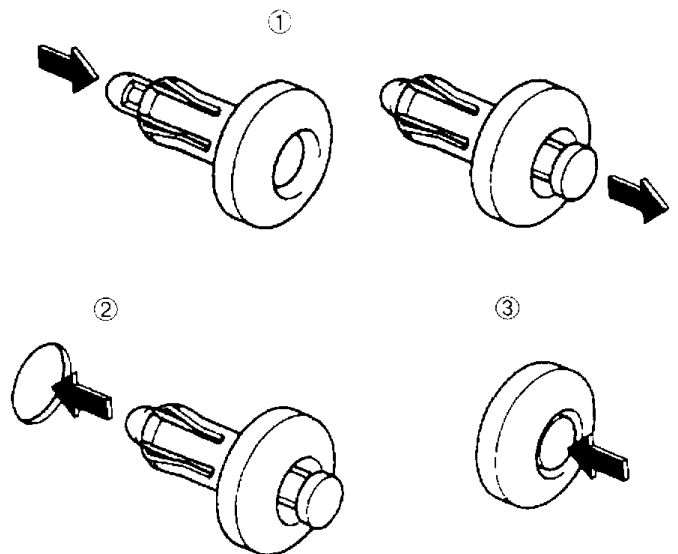
Removal

- ① Press down on the centre pin to release the lock.
- ② Pull out the clip from the hole.



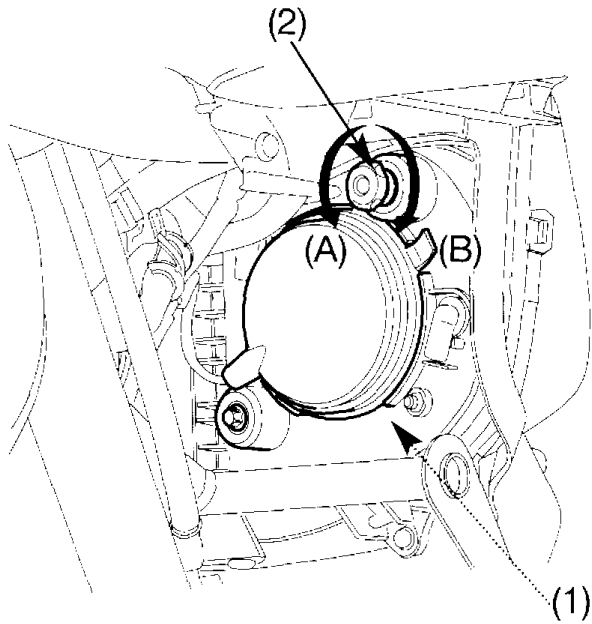
Installation

- ① Slightly open the retaining pawls and then push them out.
- ② Insert the clip into the hole.
- ③ Lightly press down on the centre pin to lock the clip.



HEADLIGHT AIM VERTICAL ADJUSTMENT

Vertical adjustment is possible by turning the knob (2) to move it up or down in accordance with requirements. Obey local laws and regulations.



(1) Headlight case

(2) Knob

(A) Down

(B) Up

OPERATION

PRE-RIDE INSPECTION

For your safety, it is very important to take a few moments before each ride to walk around your motorcycle and check its condition. If you detect any problem; be sure you take care of it, or have it corrected by your Honda dealer.

⚠ WARNING

Improperly maintaining this motorcycle or failing to correct a problem before riding can cause a crash in which you can be seriously hurt or killed.

Always perform a pre-ride inspection before every ride and correct any problems.

1. Engine oil level - add engine oil if required (page 31). Check for leaks.
2. Fuel level - fill fuel tank when necessary (page 28). Check for leaks.
3. Coolant level - add coolant if required. Check for leaks (pages 27).
4. Front and rear brakes check operation; make sure there is no brake fluid leakage (pages 21-23).
5. Tyres - check condition and pressure (page 32-37).
6. Drive chain - check condition and slack (page 92).
Adjust and lubricate if necessary.
7. Throttle - check for smooth opening and full closing in all steering positions.

-
8. Lights and horn - check that the headlight, tail/brake light, turn signals, indicators and horn function properly.
 9. Engine stop switch - check for proper function (page 44).
 10. Side stand ignition cut-off system-check for proper function (page 99).

STARTING THE ENGINE

Always follow the proper starting procedure described below.

This motorcycle is equipped with a side stand ignition cut-off system. The engine cannot be started if the side stand is down, unless the transmission is in neutral. If the side stand is up, the engine can be started in neutral or in gear with the clutch lever pulled in. After starting with the side stand down, the engine will shut off if the transmission is put in gear before raising the side stand.


To protect the catalytic converter in your motorcycle's exhaust system, avoid extending idling and the use of leaded petrol.

Your motorcycle's exhaust contains poisonous carbon monoxide gas. High levels of carbon monoxide can collect rapidly in enclosed areas such as a garage. Do not run the engine with the garage door closed. Even with the door open, run the engine only long enough to move your motorcycle out of the garage.

Do not use the electric starter for more than 5 seconds at a time. Release the starter button for approximately 10 seconds before pressing it again.

Preparation

Before starting, insert the key, turn the ignition switch ON and confirm the following:

- The transmission is in neutral.
(neutral indicator light ON).
- The engine stop switch is set to  (RUN).
- The low oil pressure indicator is ON.
- The PGM-FI indicator is off.
- The coolant temperature indicator is OFF.
- The Immobilizer System (HISS) indicator is OFF.
- The ABS indicator is ON (see page 19) (CBF1000A).

The low oil pressure indicator should go off a 2-3 seconds after the engine starts. If the light keeps flashing, stop the engine immediately and check the engine oil level.

NOTICE

Operating the engine with insufficient oil pressure can cause serious engine damage .

Starting procedure

This motorcycle has a fuel-injection engine with an automatic fast start system. Follow the procedure indicated below.

Any air temperature

- Press the starter button with the throttle completely closed.


The engine will not start if the throttle is fully open (because the electronic control module cuts off the fuel supply).

Even if the engine coolant stays below the specified temperature, the cooling fan sometimes starts up running when you rev up the engine, but this is normal.

Snapping the throttle or fast idling for more than about 5 minutes at normal air temperature may cause exhaust pipe discolouration.

Flooded engine

If the engine fails to start after repeated attempts, it may be flooded.

1. Leave the engine stop switch set to  (RUN).
2. Open throttle fully.
3. Press the start button for 5 seconds.
4. Follow the normal starting procedure.
5. If the engine starts with unstable idle, open the throttle slightly.

If the engine does not start, wait for 10 seconds, then follow steps 1-4 again.

Ignition cut-off

Your motorcycle is designed to automatically stop the engine and fuel pump if the motorcycle is over-turned (a banking sensor cuts off the ignition system). Before restarting the engine, you must turn the ignition switch to the OFF position and then back to ON.

RUNNING-IN

Help assure your motorcycle's future reliability and performance by paying extra attention to how you ride during the first 500 km (300 miles).

During this period, avoid full-throttle starts and rapid acceleration.

RIDING

Review Motorcycle Safety (pages 1- 7) before you ride.

Make sure you understand the function of the side stand mechanism.

(See MAINTENANCE SCHEDULE on page 74 and explanation for SIDE STAND on page 99).

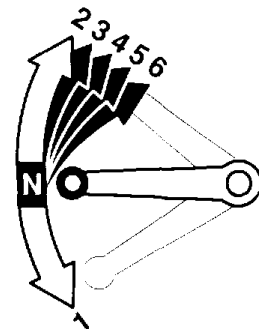
Make sure flammable materials such as dry grass or leaves do not come in contact with the exhaust system when riding, idling or parking your motorcycle.

1. After the engine has been warmed up, the motorcycle is ready for riding.
2. While the engine is idling, pull in the clutch lever and depress the gearshift pedal to shift into 1st (low) gear.
3. Slowly release the clutch lever and at the same time gradually increase engine speed by opening the throttle. Coordination of the throttle and clutch lever will assure a smooth positive start.

4. When the motorcycle attains a moderate speed, close the throttle, pull in the clutch lever and shift to 2nd gear by raising the gearshift pedal.

This sequence is repeated to progressively shift to 3rd, 4th, 5th and 6th (top) gear.

5. Coordinate the throttle and brakes for smooth deceleration.
6. Both front and rear brakes should be used at the same time and should not be applied strongly enough to lock the wheel, or braking effectiveness will be reduced and control of the motorcycle will become difficult.



BRAKING

The motorcycle CBF1000A is fitted with the Combined Brake System. When the front brake lever is pulled, the front brakes are applied. When the rear brake pedal is pressed, the front and rear brakes are both applied though with less pressure to the front. For effective braking, use both the brake lever and pedal at the same time as you would do on any other conventional braking system. (CBF1000A)

For normal braking, gradually apply both the front and rear brakes while downshifting to suit your road speed.

For maximum deceleration, close the throttle and apply the front and rear brakes firmly. Pull in the clutch lever before coming to a complete stop to prevent stalling the engine.

Important Safety Reminders:

- Independent use of only the front or rear brake reduces stopping performance.
- Extreme braking may cause either wheel to lock, reducing control of the motorcycle.
- When possible, reduce speed or brake before entering a turn; closing the throttle or braking in mid-turn may cause wheel slip. Wheel slip will reduce control of the motorcycle.
- When riding in wet or rainy conditions, or on loose surfaces, the ability to maneuver and stop will be reduced. All of your actions should be smooth under these conditions. Rapid acceleration, braking or turning may cause loss of control. For your safety, exercise extreme caution when braking, accelerating or turning.

- When descending a long, steep grade, use engine compression braking by downshifting, with intermittent use of both brakes. Continuous brake application can overheat the brakes and reduce their effectiveness.
- Riding with your foot resting on the brake pedal or your hands on the brake lever may actuate the brakelight, giving a false indication to other drivers. It may also overheat the brake, reducing effectiveness.

Anti-lock braking system (ABS) (CBF1000A)

This model is also equipped with an Anti-lock Braking System (ABS) designed to help prevent wheel lock-up following sudden braking on irregular or loose terrain while following a straight-line direction. Even though the wheels may not lock, braking suddenly on a bend may cause the motorcycle to skid resulting in loss of control.

In certain conditions, on uneven surfaces or loose terrain a motorcycle with ABS may have a longer stopping distance than a motorcycle without ABS.

The ABS system cannot compensate for road conditions, errors of judgement, or improper use of the brakes. It is always the responsibility of the rider to adopt a suitable road speed in relation to weather conditions, the road surface, and the traffic levels, while leaving an ample margin of safety.

The ABS system is self-regulating and always active.

- The ABS system may be engaged by sudden upward or downward level differences in the road surface.

Make sure you observe the prescriptions concerning tyres (page 32). The ABS computer acts on the basis of the comparative speeds of the front and rear wheel. The use of non-approved tyres can affect the speed of the wheels and supply confusing information to the ABS computer.

- The ABS system is not active at low speed (around 10 km/h (6 mph) or slower).
- The ABS system will not work if the battery is discharged.

Indicator (ABS)(CBF1000A)

This indicator normally illuminates when the ignition switch is set to ON and is extinguished when the motorcycle is ridden at a speed of more than 10 km/h (6 mph) .If there is a problem with the ABS system, this light flashes and remains on. When the indicator light is illuminated the ABS system is not operative.

If the ABS indicator illuminates while travelling, stop the motorcycle in a safe place and switch off the engine.

Return the ignition switch to ON. The indicator should illuminate and then switch off after the motorcycle has been ridden at a speed of more than 10 km/h (6 mph). If the indicator fails to switch off, this means the ABS system is not working, although the normal braking system will continue to work and supply the normal stopping power. In these conditions however the system should be checked over by an authorized Honda dealer as soon as possible.

68

The ABS indicator may illuminate if the rear wheel is driven at high speed for more than 30 seconds when the motorcycle is upright on the stand. This reaction is perfectly normal. Set the ignition switch to OFF and then return it to ON. The indicator light should illuminate and then switch off after the motorcycle has been ridden at a speed of more than 10 km/h (6 mph).

PARKING

1. After stopping the motorcycle, shift the transmission into neutral, turn the handlebar fully to the left, turn the ignition switch OFF and remove the key.
2. When parking, support the motorcycle on the side stand or centre stand.

Park the motorcycle on firm, level ground to prevent it from falling over.

If you must park on a slight incline, aim the front of the motorcycle uphill to reduce the possibility of rolling off the side stand or overturning.

3. Lock the steering to help prevent theft (page 47).

Make sure flammable materials such as dry grass or leaves do not come in contact with the exhaust system when parking your motorcycle.

ANTI-THEFT TIPS

1. Always lock the steering and never leave the key in the ignition switch. This sounds simple but people do forget.
2. Be sure the *registration information* for your motorcycle is accurate and current.
3. Park your motorcycle in a locked garage whenever possible.
4. Use an additional anti-theft device of good quality.
5. Put your name, address, and phone number in this Owner's Manual and keep it on your motorcycle at all times.

Many times stolen motorcycles are identified by information in the Owner's Manuals that are still with them.

NAME: _____

ADDRESS: _____

PHONE NO: _____

MAINTENANCE

THE IMPORTANCE OF MAINTENANCE

A well-maintained motorcycle is essential for safe, economical and trouble-free riding. It will also help reduce air pollution.

To help you properly care for your motorcycle, the following pages include a Maintenance Schedule and a Maintenance Record for regularly scheduled maintenance.

These instructions are based on the assumption that the motorcycle will be used exclusively for its designed purpose. Sustained high speed operation or operation in unusually wet or dusty conditions will require more frequent service than specified in the Maintenance Schedule. Consult your Honda dealer for recommendations applicable to your individual needs and use.

If your motorcycle overturns or becomes involved in a crash, be sure your Honda dealer inspects all major parts, even if you are able to make some repairs.

⚠ WARNING

Improperly maintaining this motorcycle or failing to correct a problem before you ride can cause a crash in which you can be seriously hurt or killed.

Always follow the inspection and maintenance recommendations and schedules in this owner's manual.

MAINTENANCE SAFETY

This section includes instructions on some important maintenance tasks. You can perform some of these tasks with the tools provided - if you have basic mechanical skills.

Other tasks that are more difficult and require special tools are best performed by professionals. Wheel removal should normally be handled only by a Honda technician or other qualified mechanic; instructions are included in this manual only to assist in emergency services.

Some of the most important safety precautions follow. However, we cannot warn you of every conceivable hazard that can arise when performing maintenance. Only you can decide whether or not you should perform a given task.

⚠ WARNING

Failure to properly follow maintenance instructions and precautions can cause you to be seriously hurt or killed.

Always follow the procedures and precautions in this owner's manual.

SAFETY PRECAUTIONS

- Make sure the engine is off before you begin any maintenance or repairs. This will help eliminate several potential hazards:
 - ***Carbon monoxide poisoning from engine exhaust.**
Be sure there is adequate ventilation whenever you operate the engine.
 - ***Burns from hot parts.**
Let the engine and exhaust system cool before touching.
 - ***Injury from moving parts.**
Do not run the engine unless instructed to do so.
- Read the instructions before you begin and make sure you have the tools and skills required.
- To help prevent the motorcycle from falling over, park it on a firm, level surface, using the center stand or a maintenance stand to provide support.
- To reduce the possibility of a fire or explosion, be careful when working around

petrol or batteries. Use only non-flammable solvent, not petrol, to clean parts. Keep cigarettes, sparks and flames away from the battery and all fuel-related parts.

Remember that your Honda dealer knows your motorcycle best and is fully equipped to maintain and repair it.

To ensure the best quality and reliability use only new genuine Honda parts or their equivalents for repair and replacement.

MAINTENANCE SCHEDULE

Perform the Pre-ride Inspection (page 58) at each scheduled maintenance period.

I: INSPECT AND CLEAN, ADJUST, LUBRICATE OR REPLACE IF NECESSARY C: CLEAN
R: REPLACE A: ADJUST L: LUBRICATE

The following Maintenance Schedule specifies all maintenance required to keep your motorcycle in peak operating condition. Maintenance work should be performed in accordance with standards and specifications of Honda by properly trained and equipped technicians. Your Honda dealer meets all of these requirements.

* Should be serviced by your Honda dealer, unless the owner has the proper tools and service data and is mechanically qualified. Refer to the Official Honda Shop Manual.

** In the interest of safety, we recommend these items be serviced only by your Honda dealer.

Honda recommends that your Honda dealer should road test your motorcycle after each periodic maintenance is carried out.

- NOTES:
- (1) At higher odometer readings, repeat at the frequency interval established here.
 - (2) Service more frequently if the motorcycle is ridden in unusually wet or dusty areas.
 - (3) Service more frequently when riding in rain or at full throttle.
 - (4) Replace every 2 years, or at the indicated odometer interval, whichever comes first.
Replacement requires mechanical skill.

ITEM	FREQUENCY	WHICHEVER COMES FIRST ↓ NOTE	ODOMETER READING [NOTE (1)]								REFER TO PAGE		
			→		x 1000 km	1	6	12	18	24		30	36
					x 1000 mi	0,6	4	8	12	16		20	24
					MONTHS		6	12	18	24		30	36
*	FUEL LINE					I		I		I	-		
*	THROTTLE OPERATION					I		I		I	88		
	AIR CLEANER	NOTE (2)					I			I	90		
	CRANKCASE BREATHER TUBE	NOTE (3)			C	C	C	C	C	C	86		
*	SPARK PLUG					I		R		I	87		
*	VALVE CLEARANCE							I			-		
	ENGINE OIL			R		R		R		R	80		
	ENGINE OIL FILTER			R		R		R		R	83		
	RADIATOR COOLANT	NOTE (4)				I		I		R	26		
*	COOLING SYSTEM					I		I		I	-		
*	SECONDARY AIR SUPPLY SYSTEM					I		I		I	-		
	DRIVE CHAIN				EVERY 1000 km (600mi) I, L						92		

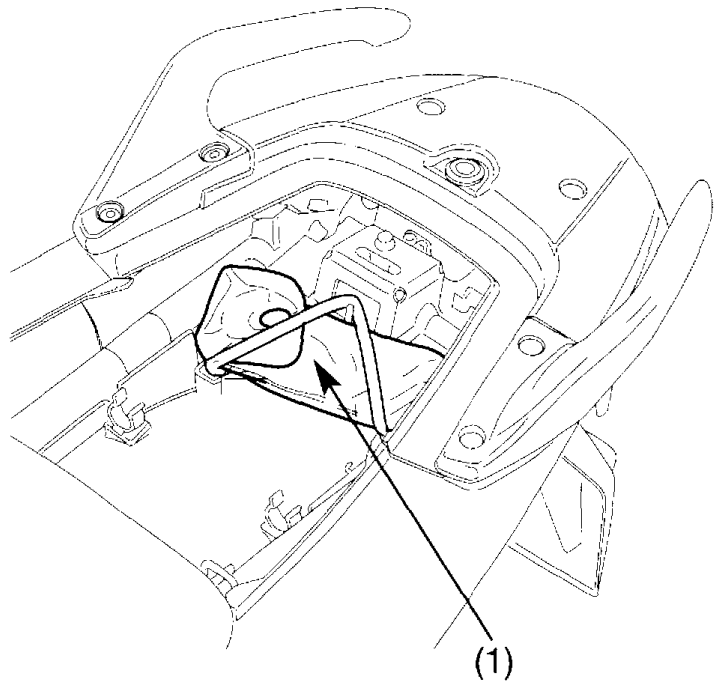
ITEM		FREQUENCY	WHICHEVER COMES FIRST ↓ NOTE	ODOMETER READING[NOTE (1)]							REFER TO PAGE
				→							
				x 1000 km	1	6	12	18	24	30	
	DRIVE CHAIN SLIDER									97	
	BRAKE FLUID		NOTE (4)				R			R	21
	BRAKE PADS WEAR										107
	BRAKE SYSTEM										21,107
*	BRAKE LIGHT SWITCH										-
*	HEADLIGHT AIM										-
	CLUTCH SYSTEM										24
	CLUTCH FLUID		NOTE (4)				R			R	24
	SIDE STAND										99
*	SUSPENSION										-
*	NUTS, BOLTS, FASTENERS										-
**	WHEEL/TYRES										-
**	STEERING HEAD BEARINGS										-

TOOL KIT

The tool kit (1) is in the tool box under the rear seat.

Some roadside repairs, minor adjustments and parts replacement can be performed with the tools contained in the kit.

- 8 x 10 mm Box end wrench
- 10 x 12 mm Box end wrench
- 14 x 17 mm Box end wrench
- Extension bar
- 27 mm hex end wrench
- 22 mm hex end wrench
- 5 mm hex wrench
- Spark plug wrench
- No. 2 screwdriver
- Screwdriver grip
- Pin spanner
- Helmet holder wire
- Fuse puller
- Tool bag



(1) Tool kit

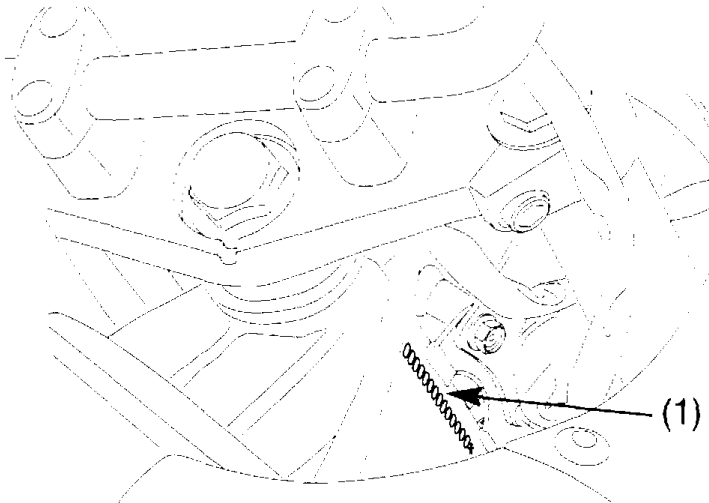
SERIAL NUMBERS

The frame and engine serial numbers are required when registering your motorcycle. They may also be required by your dealer when ordering replacement parts. Record the numbers here for your reference.

The frame number (1) is stamped on the right side of the steering head.

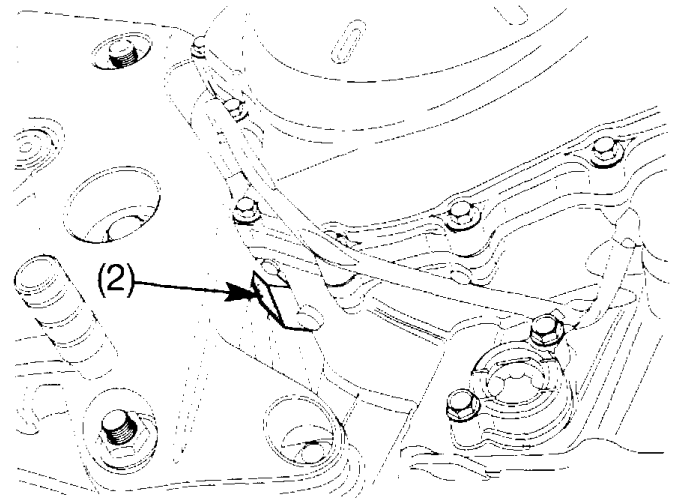
The engine number (2) is stamped on rear of the crankcase.

FRAME NO. _____



(1) Frame number

ENGINE NO. _____



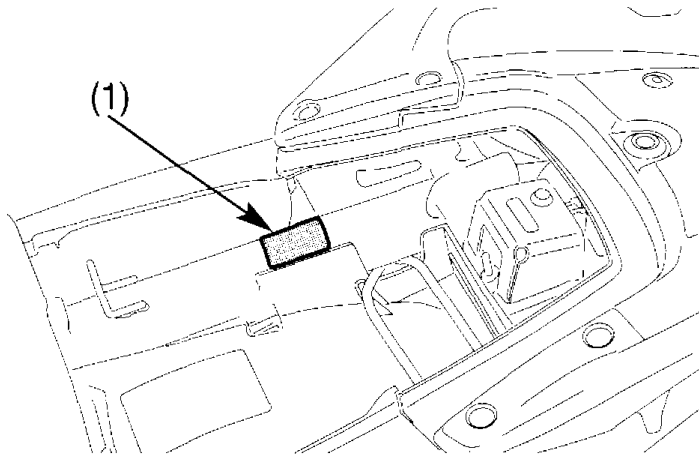
(2) Engine number

COLOUR LABEL

The colour label (1) is attached to the frame under the rear seat (page 50). It is helpful when ordering replacement parts. Record the colour and code here for your reference.

COLOUR _____

CODE _____



(1) Colour label

ENGINE OIL

Refer to the Safety Precautions on page 73.

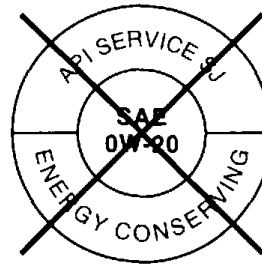
Oil Recommendation

API Classification	SG or higher except oils labeled as energy conserving on the circular API service label
Viscosity	SAE 10W-30
JASO T 903 Standard	MA
Suggested Oil	
Honda "4-STROKE MOTORCYCLE OIL" or equivalent.	

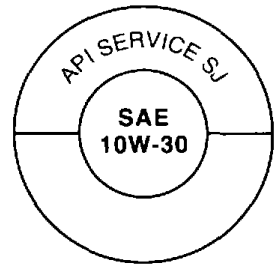
Your motorcycle does not need oil additives. Use the recommended oil.

Do not use oils with graphite or molybdenum additives. They may adversely affect clutch operation.

Do not use API SH or higher oils displaying a circular API "energy conserving" service label on the container. They may affect lubrication and clutch performance.



NOT RECOMMENDED

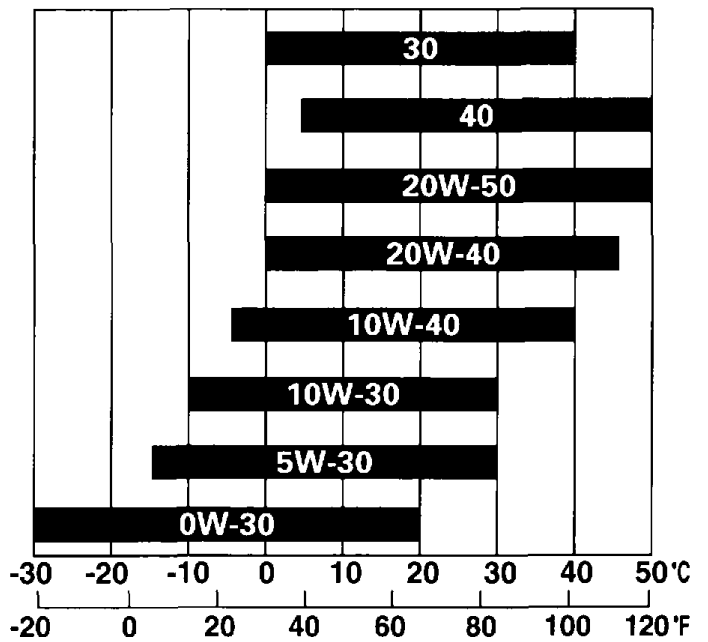


OK

Do not use non-detergent, vegetable or castor based racing oils.

Viscosity:

Viscosity grade of engine oil should be based on average atmospheric temperature in your riding area. The following provides a guide to the selection of the proper grade or viscosity of oil to be used at various atmospheric temperatures.

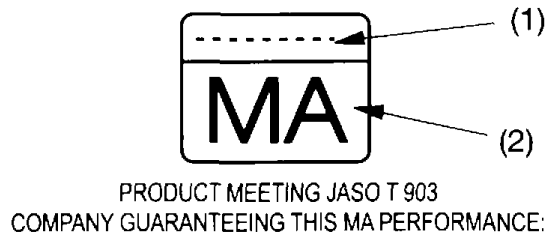


JASO T 903 standard

The JASO T 903 standard is an index for engine oils for 4-stroke motorcycle engines.

There are two classes: MA and MB.

Oil conforming to the standard is labeled on the oil container. For example, the following label shows the MA classification.



(1) Code number of the sales company of the oil

(2) Oil classification

Engine Oil and Filter

Engine oil quality is the chief factor affecting engine service life. Change the engine oil as specified in the maintenance schedule (page 75).

When running in very dusty conditions, oil changes should be performed more frequently than specified in the maintenance schedule.

Please dispose of used engine oil in a manner that is compatible with the environment. We suggest you take it in a sealed container to your local recycling center or service station for reclamation. Do not throw in the trash or pour it on the ground or down a drain.

Used engine oil may cause skin cancer if repeatedly left in contact with the skin for prolonged periods. Although this is unlikely unless you handle used oil on a daily basis, it is still advisable to thoroughly wash your hands with soap

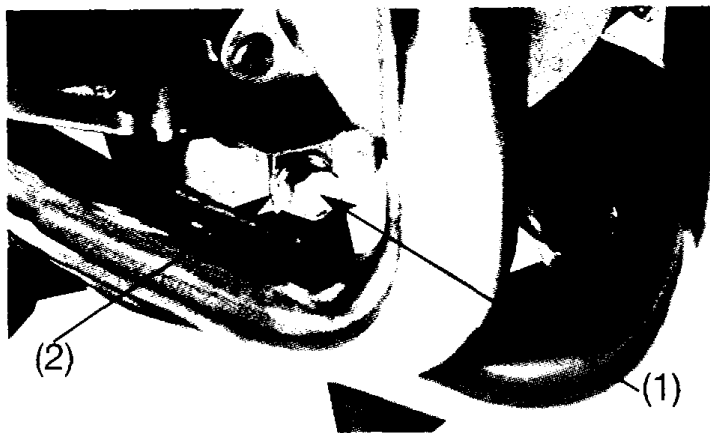
and water as soon as possible after handling used oil.

Changing the oil filter requires a special oil filter tool and a torque wrench. If you do not have these tools and the necessary skill, we recommend that you have your Honda dealer perform this service.

If a torque wrench is not used for this installation, see your Honda dealer as soon as possible to verify proper assembly.

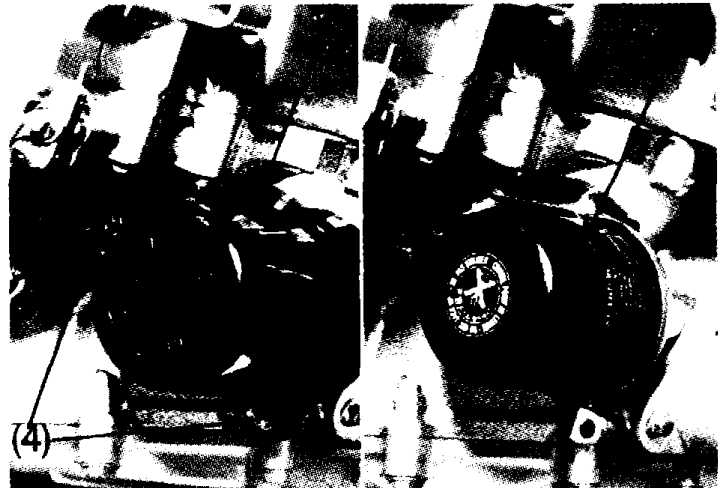
Change the engine oil with the engine at normal operating temperature and the motorcycle on its side stand to assure complete and rapid draining.

1. To drain the oil, remove the oil filler cap and crankcase oil drain plug (1) and sealing washer (2).



(1) Oil drain plug
(2) Sealing washer

2. Remove the oil filter cover (3) by undoing the two retaining bolts (4). Remove the oil filter (5) using a filter tool and dispose of any oil residue. Dispose of the old filter correctly.



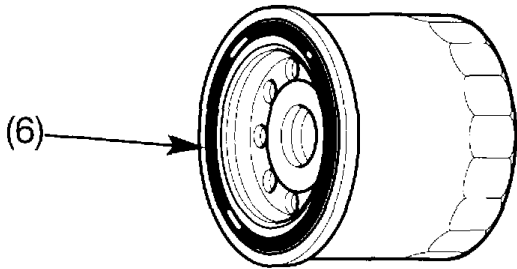
(3) Oil filter cover
(4) Bolts
(5) Oil filter

3. Apply a thin coat of engine oil to the new oil filter rubber seal (6).

4. Using a special tool and a torque wrench, install the new oil filter and tighten to a torque of:

26 N • m (2.7 kgf • m)

Use only the Honda genuine oil filter or a filter of equivalent quality specified for your model. Using the wrong Honda filter or a non-Honda filter which is not of equivalent quality may cause engine damage. Install the oil filter cover.



(6) Oil filter rubber seal

5. Check that the sealing washer on the drain plug is in good condition and install the plug. Replace the sealing washer every other time the oil is changed, or each time if necessary. Oil drain Plug Torque:

30 N • m (3.01 kgf • m)

6. Fill the crankcase with the recommended grade oil; approximately:

3.5 ℓ

7. Install the oil filler cap.

8. Start the engine and let it idle for 3-5 minutes.

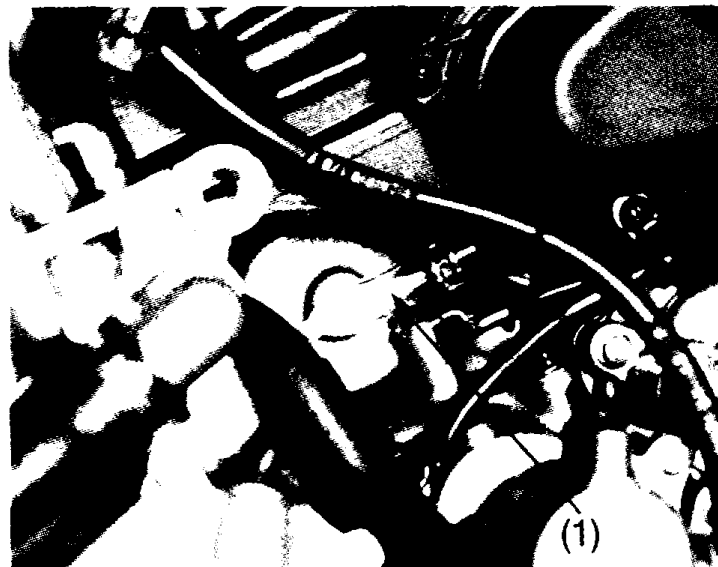
9. 2-3 minutes after stopping the engine, check that the oil level is at the upper level mark in the inspection window (page 31) with the motorcycle upright on firm, level ground. Make sure there are no oil leaks.

CRANKCASE BREATHER

Refer to the Safety Precautions on page 73.

1. Remove the drain tube (1), drain deposits into a suitable container.
2. Reinstall the drain tube.

Service more frequently when riding in rain, at full throttle, or after the motorcycle is washed or overturned. Service if the deposit level can be seen in the transparent section of the drain tube.



(1) Drain tube

SPARK PLUGS

Recommended plugs:

Standard

CR8EH-9 (NGK) o

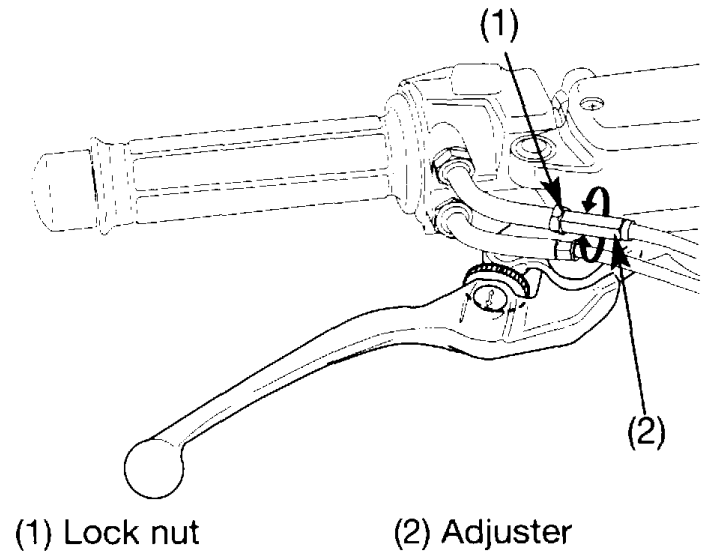
U24FER9 (DENSO)

This service operation may only be done by
an authorized Honda dealer.

THROTTLE OPERATION

Refer to the Safety Precautions on page 73.

1. Check for smooth rotation of the throttle grip from the fully open to the fully closed position at both full steering positions.
2. Measure the throttle grip freeplay at the throttle grip flange.
The standard freeplay should be approximately:
2.0–6.0 mm
To adjust the free play, loosen the lock nut (1) and turn the adjuster (2).



IDLE SPEED

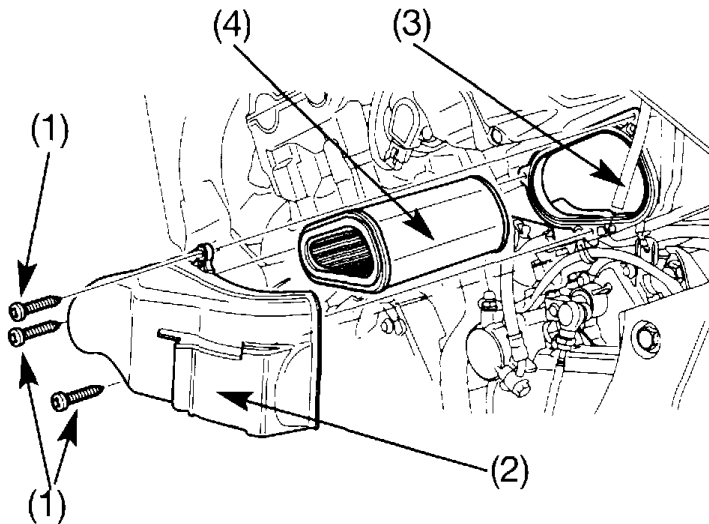
Idle speed adjustment is automatic and needs no adjustment.

Should there be any problems regarding irregular Idle speed, contact your Honda dealer.

AIR CLEANER

Refer to the Safety Precautions on page 73. The air cleaner should be serviced at regular intervals (page 75). Service more frequently when riding in unusually wet or dusty areas.

1. Remove the left side cover (page 53).



- | | |
|-----------------------|-----------------|
| (1) Fixing screws | (3) Small hose |
| (2) Air cleaner cover | (4) Air cleaner |

2. Remove the screws (1) and the air cleaner cover (2). Undo the small hose (3) connected to the shut-off valve behind the filter box.
3. Pull out the air cleaner (4) and clean the air cleaner using compressed air from the inside, or replace it if necessary.
4. Install a new air cleaner.
Use the Honda genuine air cleaner or an equivalent air cleaner specified for your model.
Using the wrong Honda air cleaner or a non-Honda air cleaner which is not of equivalent quality may cause premature engine wear or performance problems.
5. Install the removed parts in reverse order of removal.

COOLANT

Refer to the Safety Precautions on page 73.

Coolant Replacement

Coolant should be replaced by a Honda dealer, unless the owner has proper tools and service data and is mechanically qualified. Refer to an official Honda Shop Manual.

Always add coolant to the reserve tank. Do not attempt to add coolant by removing the radiator cap.

⚠ WARNING

Removing the radiator cap while the engine is hot can cause the coolant to spray out, seriously scalding you.

Always let the engine and radiator cool down before removing the radiator cap.

DRIVE CHAIN

Refer to the Safety Precautions on page 73.

The service life of the drive chain is dependent upon proper lubrication and adjustment. Poor maintenance can cause premature wear or damage to the drive chain and sprockets.

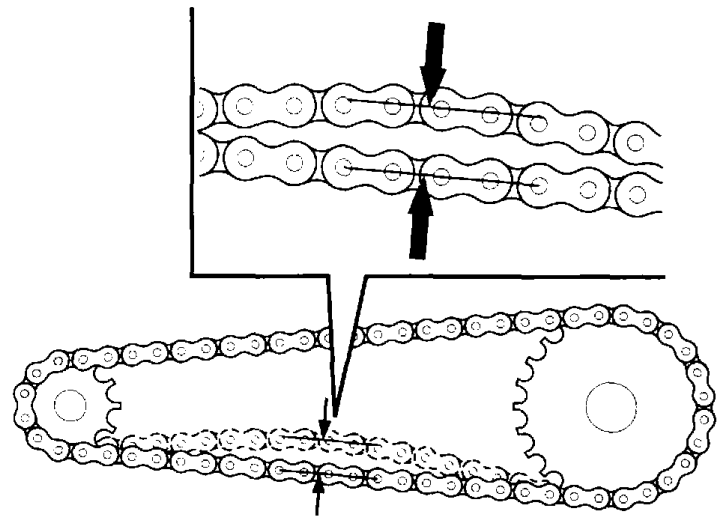
The drive chain should be checked and lubricated as part of the Pre-ride Inspection (page 58). Under severe usage, or when the motorcycle is ridden in unusually dusty or muddy areas, more frequent maintenance will be necessary.

Inspection:

1. Turn the engine off, place the motorcycle on its side stand and shift the transmission into neutral.
2. Check slack in the lower drive chain run midway between the sprockets.

Drive chain slack should be adjusted to allow the following vertical movement by hand:
20-30 mm

3. Rotate the rear wheel. Stop. Check the drive chain slack. Repeat this procedure several times. Drive chain slack should remain constant. If the chain is slack only in certain sections, some links are kinked and binding. Binding and kinking can frequently be eliminated by lubrication.



(1) Drive chain

4. Rotate the rear wheel slowly and inspect the drive chain and sprockets for any of the following conditions:

DRIVE CHAIN

- *Damaged Rollers
- *Loose Pins
- *Dry or Rusted Links
- *Kinked or Binding Links
- *Excessive Wear
- *Improper Adjustment
- *Damaged or Missing O-rings

SPROCKETS

- *Excessively Worn Teeth
- *Broken or Damaged Teeth

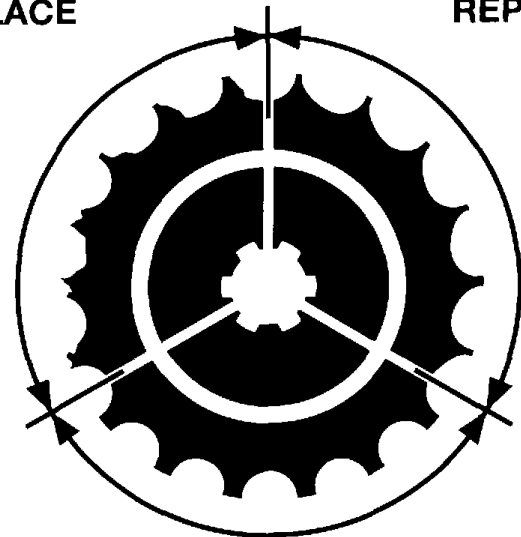
A drive chain with damaged rollers, loose pins, or missing O-rings must be replaced. A chain which appears dry, or shows signs of rust, requires supplementary lubrication. Kinked or binding links should be thoroughly lubricated and worked free. If links cannot be freed, the chain must be replaced.

Damaged Sprocket
Teeth

REPLACE

Worn Sprocket
Teeth

REPLACE

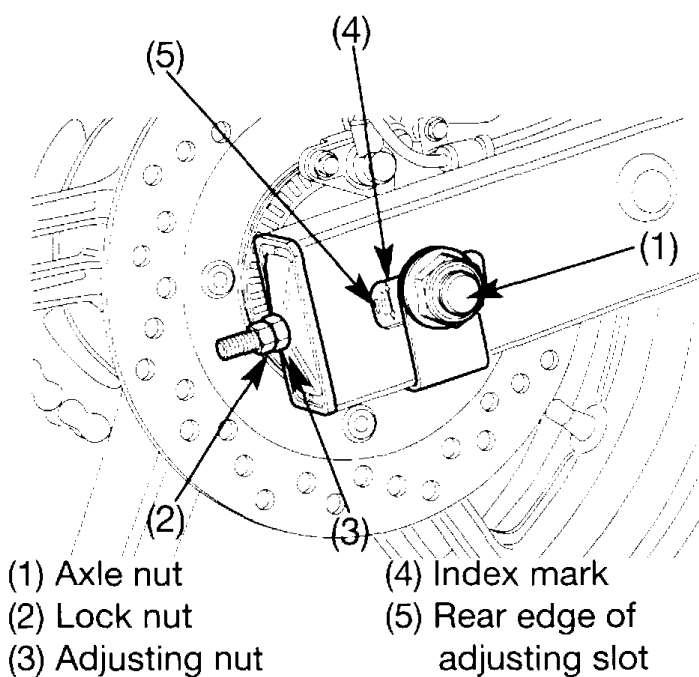


Normal Sprocket Teeth

GOOD

Adjustment:

Drive chain slack should be checked and adjusted, if necessary, every 1.000 km (600 miles). When operated at sustained high speeds or under conditions of frequent rapid acceleration, the chain may require more frequent adjustment.



If the drive chain requires adjustment, the procedure is as follows:

1. Place the motorcycle on its side stand with the transmission in neutral and the ignition switch off.
2. Loosen the axle nut (1).
3. Loosen the lock nuts (2) on both right and left swingarm.
4. Turn both adjusting nuts (3) an equal number of turns until the correct drive chain slack is obtained. Turn the adjusting nuts clockwise to tighten the chain, or counterclockwise to provide more slack. Check the chain slack at a point midway between the drive sprocket and the rear wheel sprocket. Rotate the rear wheel and recheck slack at other sections of the chain.

Chain slack should be:
20-30 mm

5. Check rear axle alignment by making sure the chain adjuster index marks (4) align with the rear edge (5) on the swingarm. Both left and right marks should correspond. If the axle is misaligned, turn the left or right adjusting nut until the marks correspond on the rear edge of the adjusting slots and recheck chain slack.

6. Tighten the axle nut to specified torque.
Axle nut torque:
98 N•m (10,0 kgf•m)

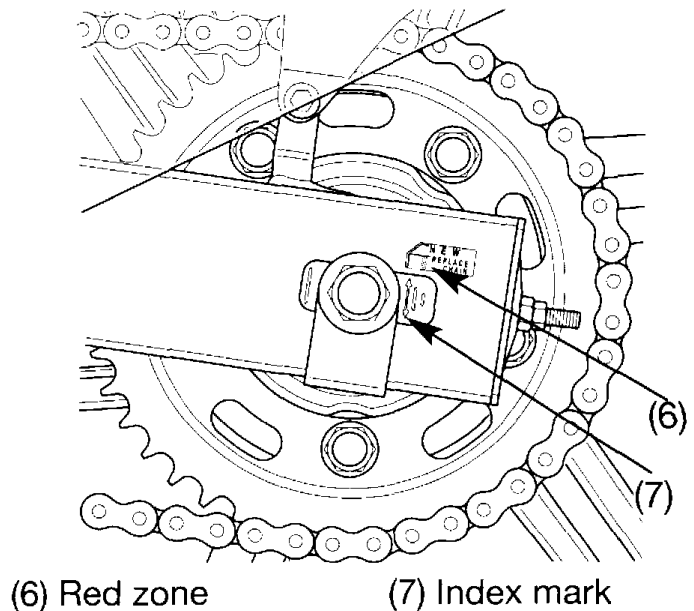
If a torque wrench is not used for this installation, see your Honda dealer as soon as possible to verify proper assembly.

7. Tighten the adjusting nuts lightly, then tighten the lock nuts by holding the adjusting nuts with a spanner.

8. Recheck chain slack.

Wear inspection:

Check the chain wear label when adjusting the chain. If the red zone (6) on the label aligns with the index mark (7) on the swingarm after the chain has been adjusted to the proper slack, the chain is excessively worn and must be replaced. The proper slack is: 20-30 mm

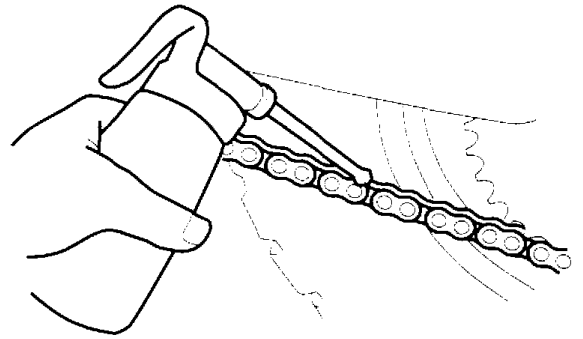


Lubrication and cleaning:

Lubricate every 1.000 km (600 miles) or sooner if chain appears dry.

The drive chain on this motorcycle is equipped with small O-rings between the link plates. These O-rings retain grease inside the chain to improve its service life.

The O-rings in this chain can be damaged by steam cleaning, high pressure washers, and certain solvents. Clean the side surfaces of the chain with a dry cloth. Do not brush the rubber O-rings. Brushing will damage them. Wipe dry and lubricate only with SAE 80 or 90 gear oil. Commercial chain lubricants may contain solvents which could damage the rubber O-rings.

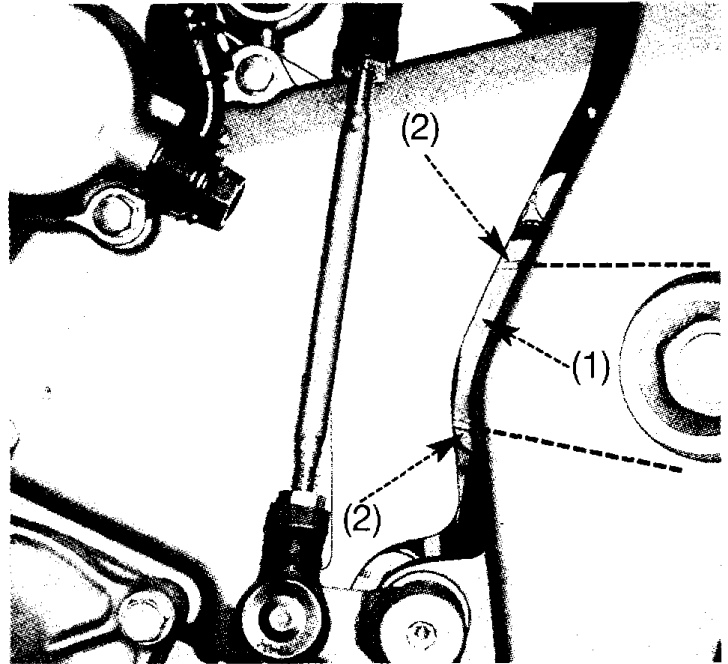


DRIVE CHAIN SLIDER

Refer to the Safety Precautions on page 73.

Check the chain slider (1) for wear. The chain slider must be replaced if it is worn to the wear limit line (2).

For replacement, see your Honda dealer.



(1) Chain slider

(2) Wear limit line

FRONT AND REAR SUSPENSION INSPECTION

Refer to the Safety Precautions on page 73.

1. Check the fork assembly by locking the front brake and pumping the fork up and down vigorously. Suspension action should be smooth and there must be no oil leakage.
2. Swingarm bearings should be checked by pushing hard against the side of the rear wheel while the motorcycle is on a support block. Free play indicates worn bearings.
3. Carefully inspect all front and rear suspension fasteners for tightness.

SIDE STAND

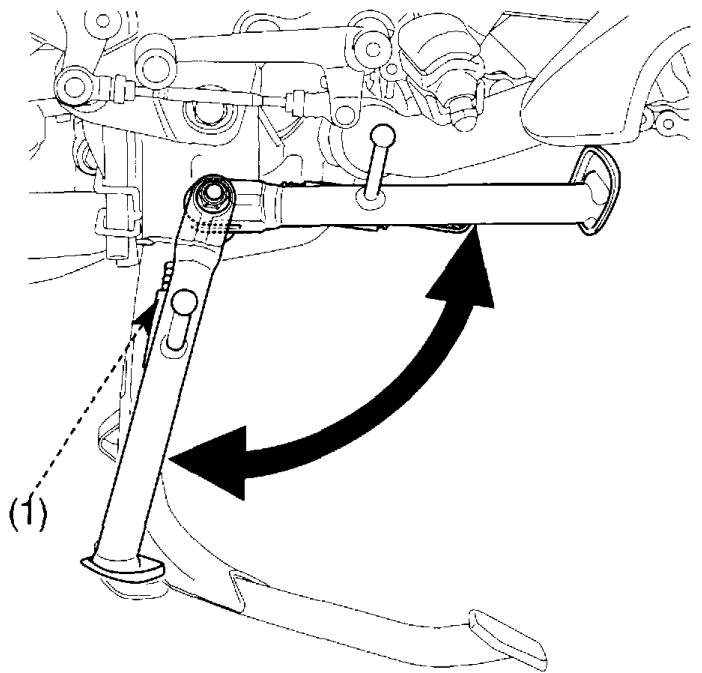
Refer to the Safety Precautions on page 73.

Perform the following maintenance in accordance with the maintenance schedule.

Functional Check:

- Check the side stand spring (1) for damage or loss of tension and the side stand assembly for freedom of movement.
- Check the side stand ignition cut-off system:
 1. Sit astride the motorcycle, put the side stand up and the transmission in neutral.
 2. Start the engine and with the clutch lever pulled in, shift the transmission into gear.
 3. Lower the side stand. The engine should stop as you put the side stand down.

If the side stand system does not operate as described, see your Honda dealer for service.



(1) Side stand spring

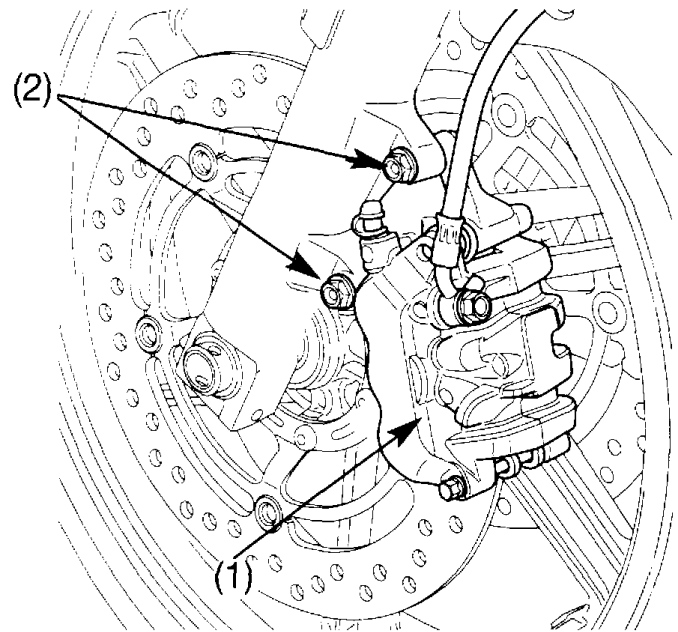
WHEEL REMOVAL

Refer to the Safety Precautions on page 73.

Front Wheel Removal

1. Raise the front wheel off the ground by placing a support block under the engine.
2. Remove the left caliper assembly (1) from the fork leg by removing the fixing bolts (2).
3. Remove the right caliper assembly proceeding as described for the left caliper and taking care not to damage the ABS sensor, if present. (CBF1000A)

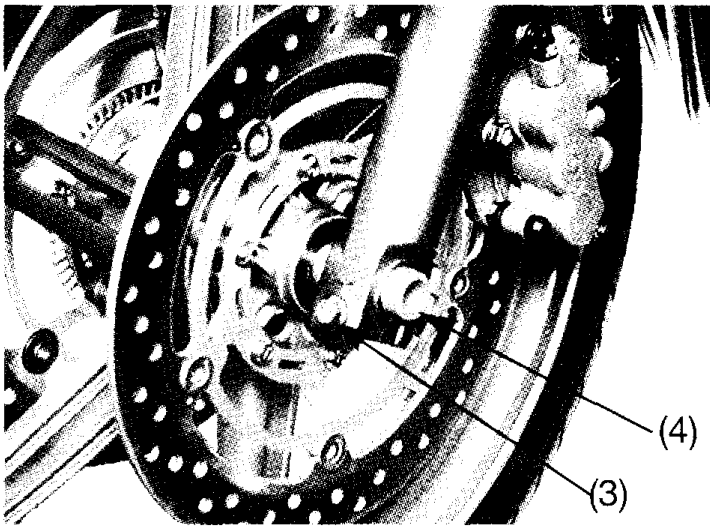
To avoid damage to the brake hose, support the caliper assembly so that it doesn't hang from the hose. Do not twist the brake hose.



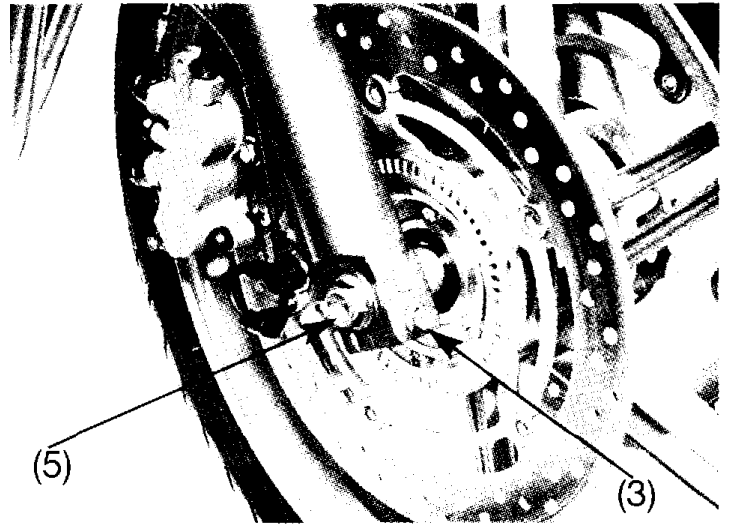
- (1) Brake caliper assembly
(2) Fixing bolts

Do not depress the brake lever when the wheel is off the motorcycle. The caliper piston will be forced out of the cylinder with subsequent loss of brake fluid. If this occurs, servicing of the brake system will be necessary. See your Honda dealer for this service.

4. Loosen the right and left axle pinch bolt (3), and remove the axle bolt (5).
5. Withdraw the front axle (4) and remove the front wheel.



(3) Axle pinch bolt
(4) Front axle



(5) Axle bolt

Installation:

1. Position the front wheel between the fork legs and insert the axle (4) from the left side through the left fork leg and wheel hub.
2. Align the index line (6) of the axle shaft with the surface (7) of fork leg.
3. Tighten the axle bolt (5) to the specified torque.

Front axle torque:

59 N•m (6,0 kgf•m)

4. Tighten the axle pinch bolt (3) on the right fork leg to the specified torque:

22 N•m (2,25 kgf•m)

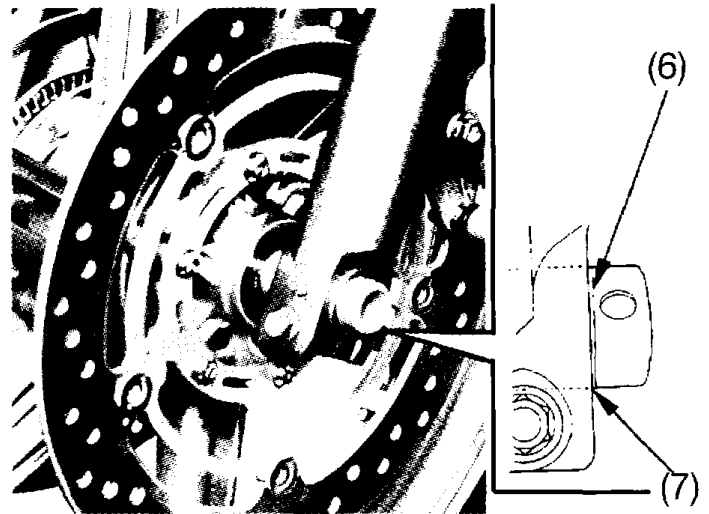
5. Install the right and left caliper assembly to the fork legs and tighten the fixing bolts (2) to the specified torque:

30 N•m(3,1 kgf•m)

To avoid damaging the brake pads while installing the caliper assembly, carefully fit both brake disks between the pads.

Take care not to damage the ABS sensor (if present) on the right caliper. (CBF1000A)

6. Temporarily tighten the axle pinch bolt (3) on the left fork leg until lightly seat.

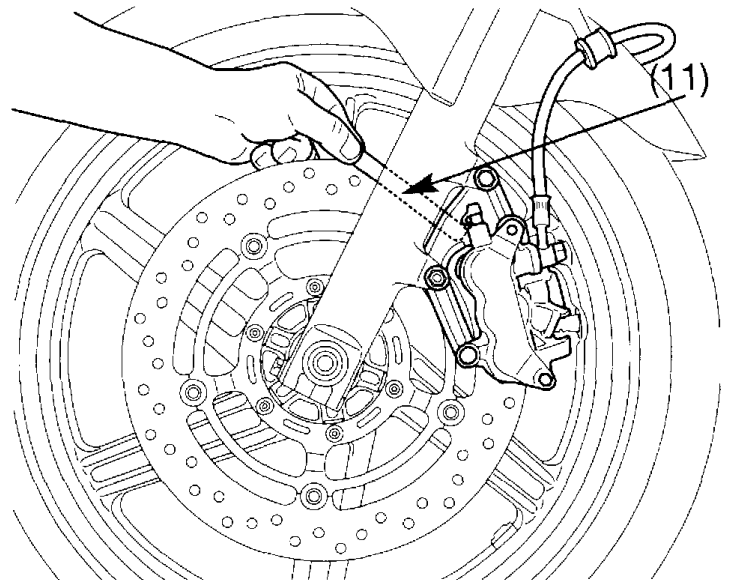
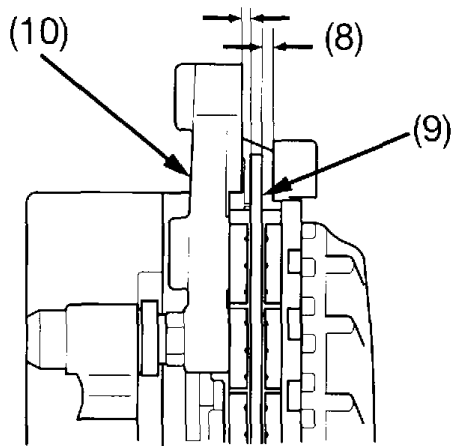


(6) Index line

(7) Surface

7. Operate the front brake and pump the fork several times.

8. Measure the clearance (8) between each surface of the left brake disc (9) and the left caliper holder (10) with a 0.7 mm feeler gauge (11) (see illustration).



- (8) Clearance
- (9) Brake disc
- (10) Caliper holder

(11) Feeler gauge

9. If the feeler gauge inserts easily, tighten the left axle pinch bolt (3) to the specified torque.

Axle pinch bolt torque:

22 N•m (2.25 kgf•m)

If the feeler gauge cannot be inserted easily pull the left fork outward or push inward to adjust the clearance. Then tighten the left axle pinch bolts to the specified torque.

10. After installing the wheel, apply the brakes several times, then recheck both discs for caliper holder to disc clearance. Do not operate the motorcycle without adequate clearance.

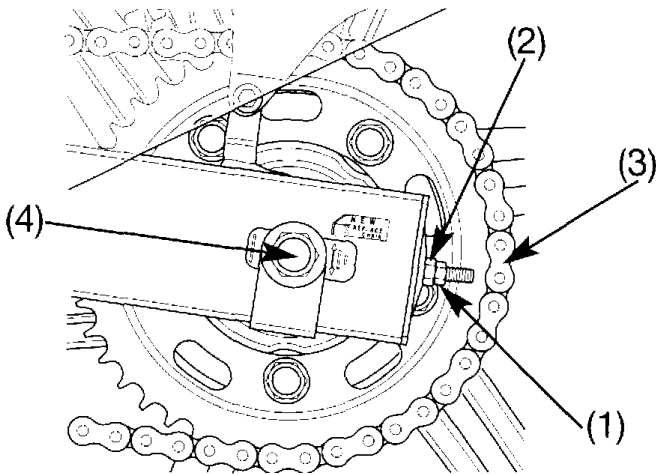
- Check for free wheel rotation after the brake lever is released. Recheck the wheel if the brake drags or if the wheel does not rotate freely.
- Verify proper brake operation before riding.

Failure to provide adequate disc to caliper holder clearance may damage the brake discs and impair braking efficiency.

If a torque wrench was not used for installation, see your Honda dealer as soon as possible to verify proper assembly. Improper assembly may lead to loss of braking capacity.

Rear Wheel Removal

1. Raise the rear wheel off the ground by placing a support block under the engine.
2. Loosen the drive chain adjusting nut lock nuts (1) and adjusting nuts (2).
3. Remove the rear axle nut.
4. Remove the drive chain (3) from the driven sprocket by pushing the rear wheel forward.



- | | |
|--------------------|-----------------|
| (1) Lock nuts | (3) Drive chain |
| (2) Adjusting nuts | (4) Axle shaft |

5. Remove the axle shaft (4), side collar and rear wheel from the swing arm.

Do not depress the brake pedal while the wheel is off the motorcycle. The caliper pistons will be forced out of the cylinders with subsequent loss of brake fluid. If this occurs, servicing of the brake system will be necessary. See your Honda dealer for this service.

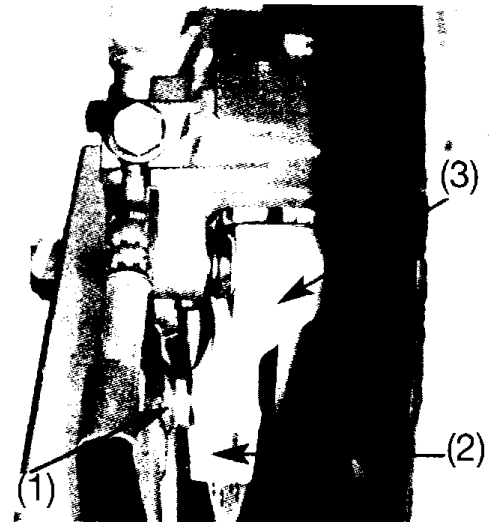
Installation Notes:

- To install the rear wheel, reverse the removal procedure.
- Make sure that the lug (1) on the swingarm is located in the slot (2) on the rear brake caliper holder (3).
- Torque the axle nut to the specified torque.
Axle nut torque:
98 N•m (10,0 kgf•m)
- Adjust the drive chain.

When installing the wheel insert the brake disc carefully between the pads, taking care not to damage them. Also take care not to damage the ABS sensor (if present) on the rear caliper. (CBF1000A)

After installing the wheel, apply the brake several times and then check if the wheel rotates freely. Recheck the wheel if the brake drags or if the wheel does not rotate freely.

If a torque wrench was not used for installation, see your Honda dealer as soon as possible to verify proper assembly. Improper assembly may lead to loss of braking capacity.



- (1) Lug
- (2) Slot
- (3) Rear brake caliper holder

BRAKE PAD WEAR

Refer to the Safety Precautions on page 73.

Brake pad wear depends upon the severity of usage, the type of riding, and road conditions. (Generally, the pads will wear faster on wet and dirty roads)

Inspect the pads at each regular maintenance interval (page 76).

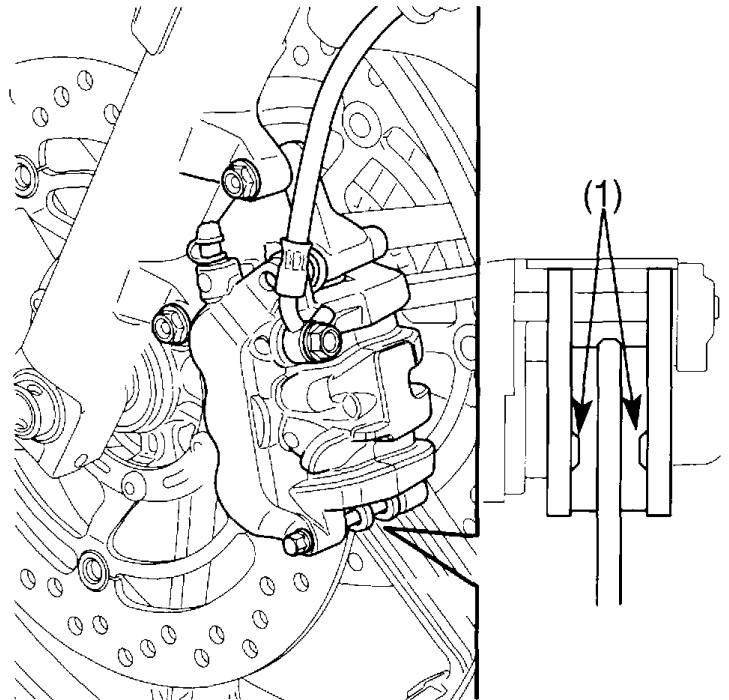
Front Brake

Always inspect each pad in both right and left brake calipers.

Check the cutouts (1) on each pad.

If either pad is worn to the cutouts, replace both pads as a set. See your Honda dealer for this service.

<FRONT BRAKE>

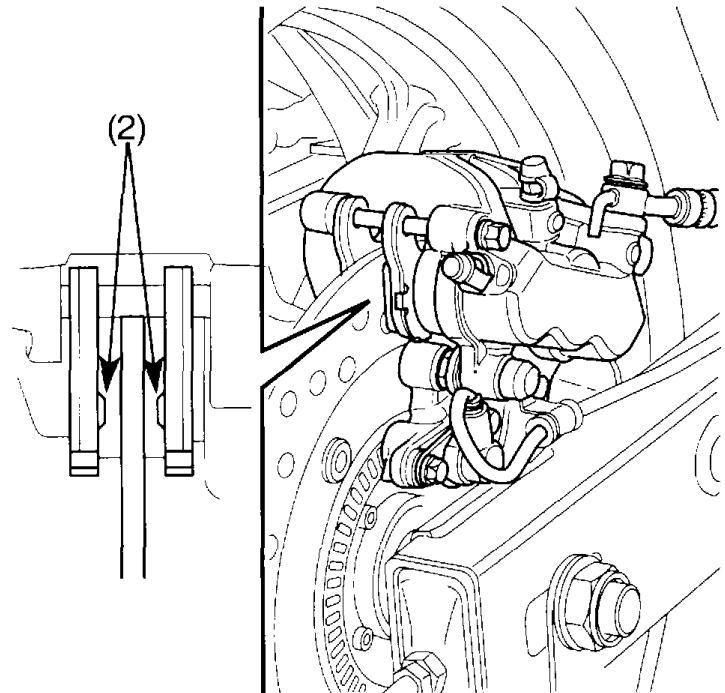


(1) Cutouts

Rear Brake

Check the cutouts (2) in each pad. If either pad is worn to the cutouts, replace both pads as a set. See your Honda dealer for this service.

<REAR BRAKE>



(2) Cutout

BATTERY

Refer to the Safety Precautions on page 73.

It is not necessary to check the battery electrolyte level or add distilled water as the battery is a maintenance-free (sealed) type. If your battery seems weak and/or is leaking electrolyte (causing hard starting or other electrical troubles), contact your Honda dealer.

NOTICE

Your battery is a maintenance-free type and can be permanently damaged if the cap strip is removed.

⚠ WARNING

The battery gives off explosive hydrogen gas during normal operation.

A spark or flame can cause the battery to explode with enough force to kill or seriously hurt you.

Wear protective clothing and a face shield, or have a skilled mechanic do the battery maintenance.

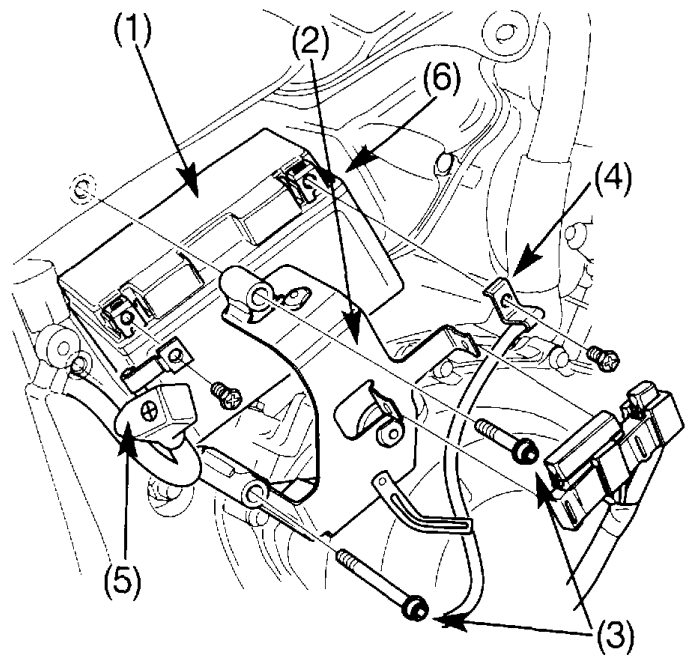
Battery Removal:

The battery (1) is in the battery box behind the right side cover.

1. Make sure the ignition switch is OFF.
2. Remove the right side cover (page 53).
3. Remove the metal battery support bracket (2) by undoing the two bolts (3).
4. First disconnect the negative (-) terminal lead (4) from the battery, then disconnect the positive (+) terminal lead (5).
5. Pull out the battery from the battery box (6).

Installation:

1. Reinstall in the reverse order of removal.
Be sure to connect the positive (+) terminal first, then the negative (-) terminal.
2. Check all bolts and other fasteners are secure.



- (1) Battery
- (2) Metal battery support bracket
- (3) Bolts
- (4) Negative (-) terminal lead
- (5) Positive (+) terminal lead
- (6) Battery box

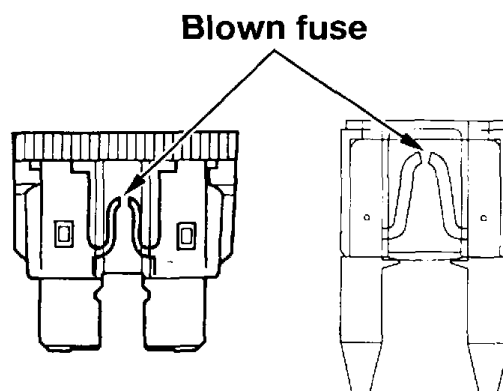
FUSE REPLACEMENT

Refer to the Safety Precautions on page 73.

When frequent fuse failure occurs, it usually indicates a short circuit or an overload in the electrical system. See your Honda dealer for repair.

NOTICE

Never use a fuse with a different rating from that specified. Serious damage to the electrical system or a fire may result, causing a dangerous loss of lights or engine power.

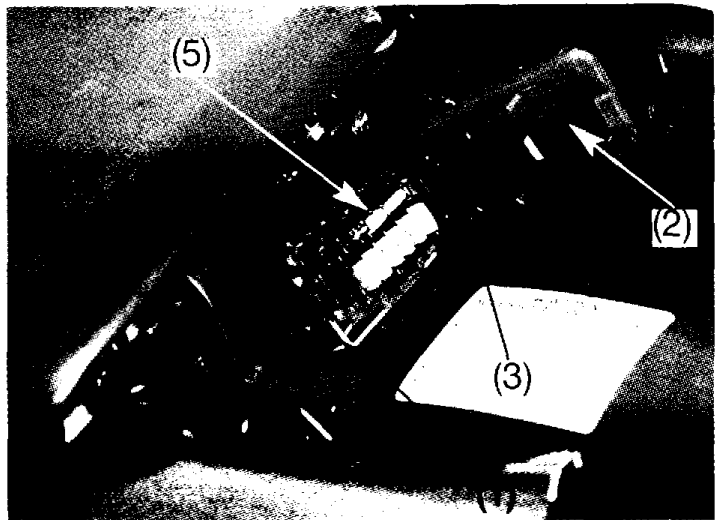


Fuse box:

The fuse box (1) is located under the rear seat. The fuses specified are as follows:

10A - 20A

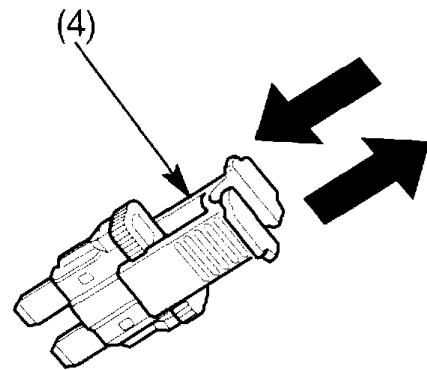
1. Remove the rear seat (page 50).
2. Open the fuse box protective cover (2).



- (1) Fuse box
- (2) Fuse box protective cover
- (3) Fuse box cover
- (4) Fuse puller
- (5) Spare fuse

112

3. Open the cover of the fuse box (3).
4. Extract the fuse using the fuse puller (4) supplied in the toolkit. If the fuse is burnt out, fit a replacement. The spare fuse (5) is located in the fuse box.
5. Close the fuse box covers, fuse box protective cover and refit the rear seat.

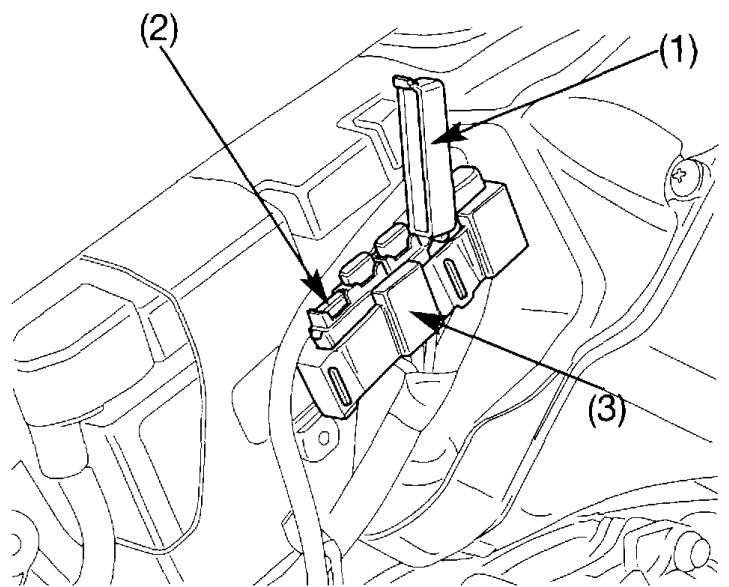


ABS type fuse box (CBF1000A):

The ABS fuse box is located behind the right side cover on the battery housing. The fuses specified are as follows:

30A

1. Remove the right side cover (page 53).
2. Open the fuse box cover (1).
3. Extract the fuse. If the fuse is burnt out, fit a replacement. The spare fuse (2) is located in the fuse box (3).
4. Close the fuse box cover.



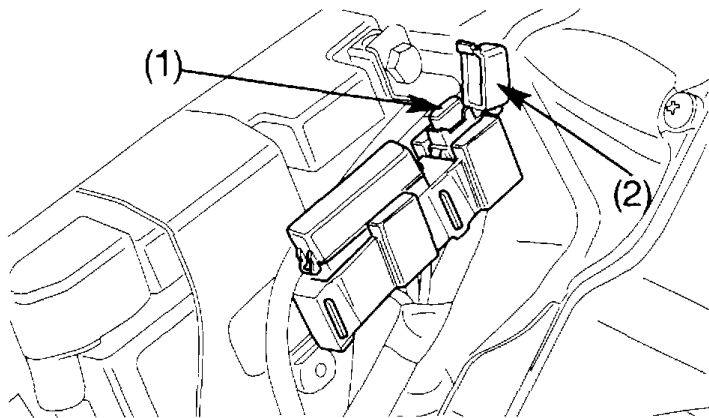
- (1) Fuse box cover
- (2) Spare fuse
- (3) ABS Fuse box

FI fuse (CBF1000A)

The FI fuse (1) is located behind the right side cover on the battery housing.

The fuse specified is : 20A

1. Remove the right side cover (page 53).
2. Open the cover of the FI fuse box (2).
3. Remove the FI fuse and replace it with a new one. The spare FI fuse is kept in the fuse box under the rear seat (page 112).
4. Close the fuse box cover and reinstall the side cover.



(1) FI Fuse (CBF1000A)

(2) FI fuse box cover

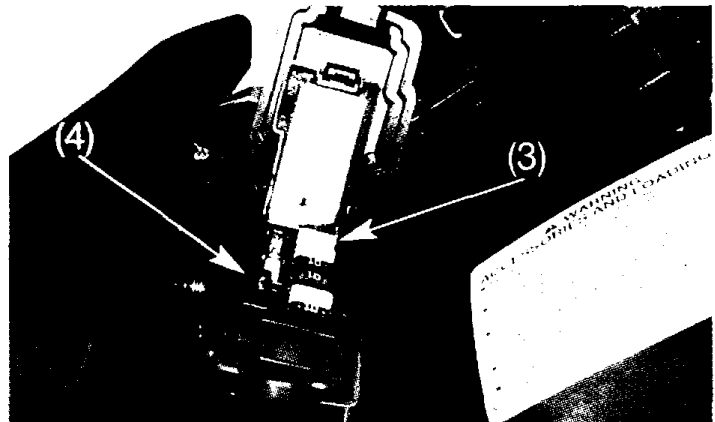
114

FI fuse (CBF1000)

The FI fuse (3) is located in the fuse box(4) under the rear seat (pag.112).

The fuse specified is : 20A

1. Remove the rear seat (page 50).
2. Open the fuse box cover (2).
3. Pull out the old FI fuse(3) and install a new fuse. The spare FI fuse is located in the fuse box.
4. Close the fuse box covers and reinstall the rear seat.



(3) FI Fuse (CBF1000)

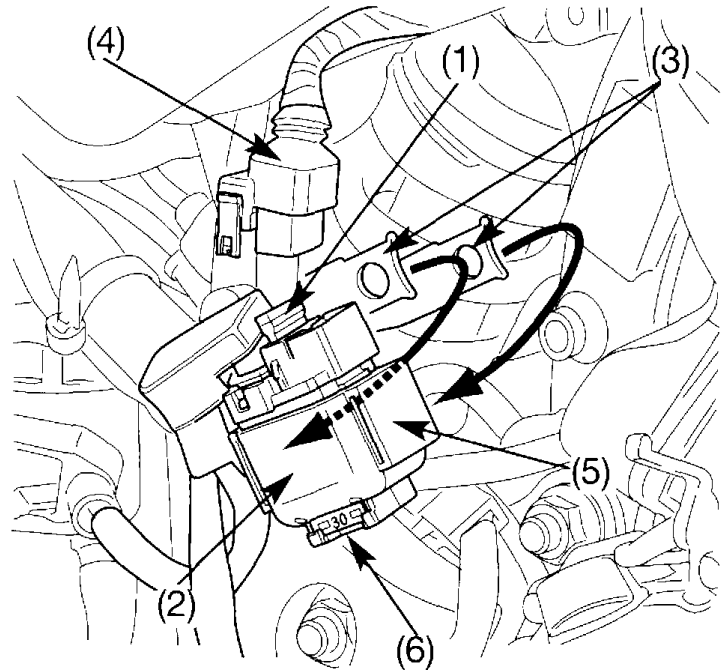
(4) Box fuse

Main fuse:

The main fuse (1) is located behind the right side cover next the battery housing. The fuse specified is as follows:

30A

1. Remove the right side cover (page 53).
2. Remove the battery (page 110).
3. Remove the starter relay block (2) from its housing (3).
4. Disconnect the connector cable (4) of the magnetic starter switch (5).
5. Extract the fuse. If the fuse is burnt out, fit a replacement. The spare main fuse (6) is located under the magnetic starter switch (5).
6. Reconnect the wire connector, attach the bracket and fuse holder then reinstall the battery and the right side cover.



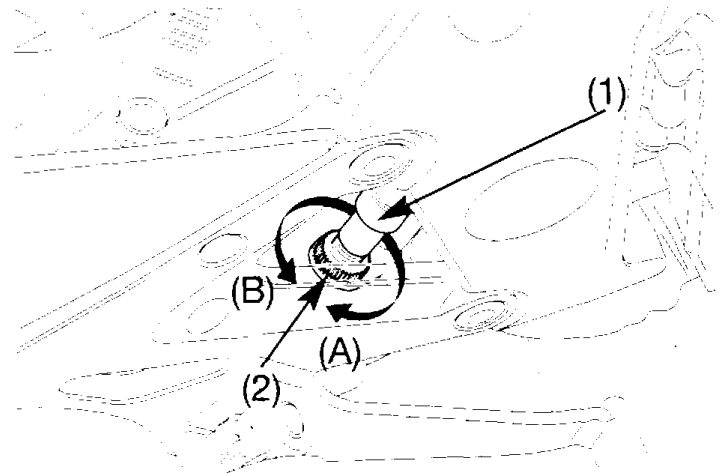
- (1) Main fuse
- (2) Starter relay block
- (3) Housing
- (4) Cable connector
- (5) Starter motor magnetic switch
- (6) Spare fuse

BRAKE LIGHTS SWITCH ADJUSTMENT

Refer to the Safety Precautions on page 73.

Check the operation of the brakelight switch (1) on the right side of the engine.

The switch can be adjusted by turning the adjusting nut (2). Turn the nut in direction (A) if operation of the brakelight switch is delayed, or in direction (B) if it is anticipated (too sensitive).



- (1) Brakelight switch
- (2) Adjusting nut

BULB REPLACEMENT

Refer to the Safety Precautions on page 73.

The light bulb becomes very hot while the light is ON, and remains hot for a while after it is turned OFF. Be sure to let it cool down before servicing.

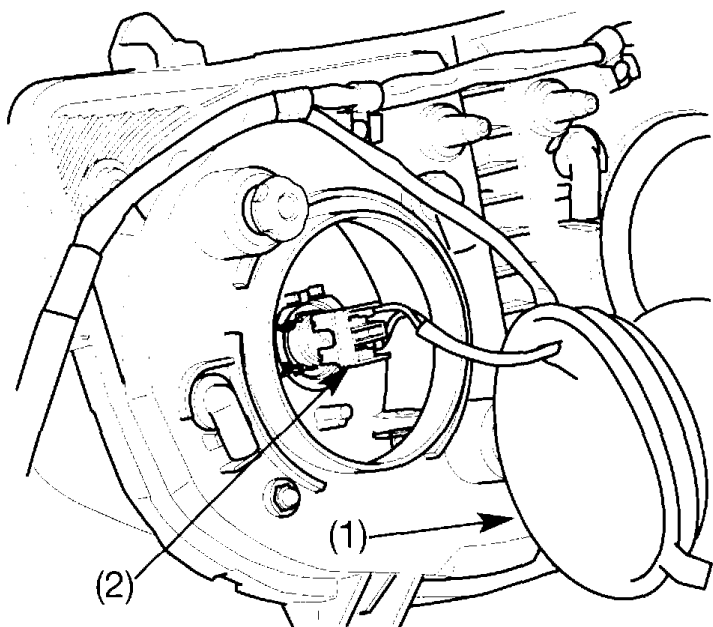
Do not put fingerprints on the headlight bulb, as they may create hot spots on the bulb and cause it to break.

Wear clean gloves while replacing the bulb. If you touch the bulb with your bare hands, clean it with a cloth moistened with alcohol to prevent its early failure.

- Be sure to turn the ignition switch OFF when replacing the bulb.
- Do not use bulbs other than those specified.
- After installing a new bulb, check that the light operates properly.

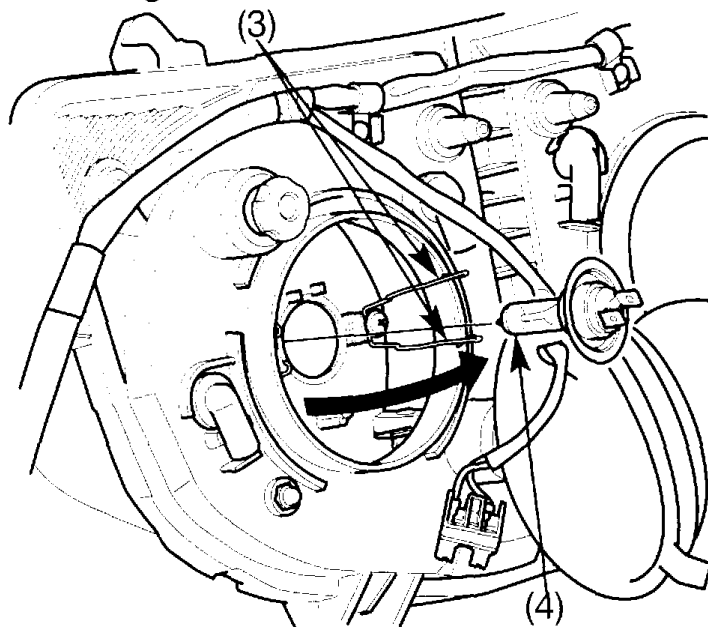
Headlight bulb

1. Remove the half fairing on the side on which the headlight bulb is to be replaced (page 54)
2. Remove the dust cover (1).



- (1) Dust cover
- (2) Headlight bulb socket

3. Remove the headlight bulb socket (2) without causing it to rotate.
4. Disengage and lift the two lateral bulb-holder clips (3).
5. Remove bulb (4) from the disassembled headlight.

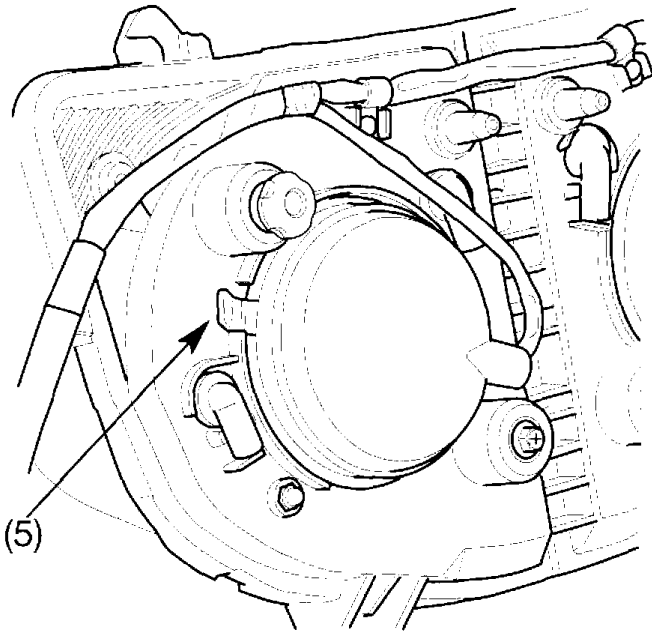


- (3) Bulb holder clips
- (4) Headlight bulb

6. Replace with a new bulb, following the removal procedure in reverse order.

NOTE:

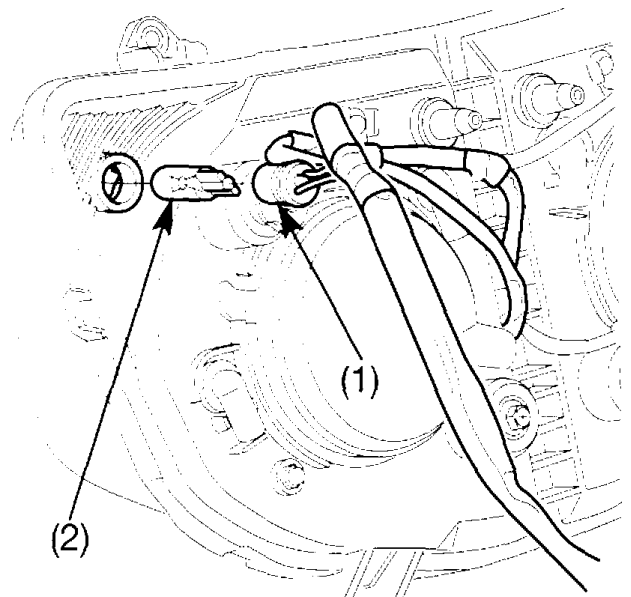
- Fit the dust cover ensuring the tab (5) is correctly aligned with its location.



(5) Dust cover tab

Position Light Bulb

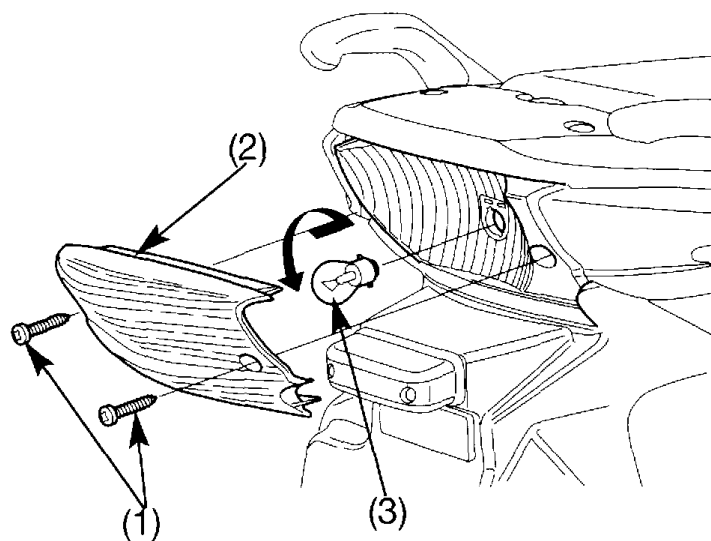
1. Remove the half fairing on the side on which the bulb is to be replaced (page 54)
2. Pull out the bulb socket (1).
3. Extract the bulb (2) without turning it.
4. Replace with a new bulb, following the removal procedure in reverse order.



- (1) Socket
(2) Position light bulb

Brake/Tail Light Bulb

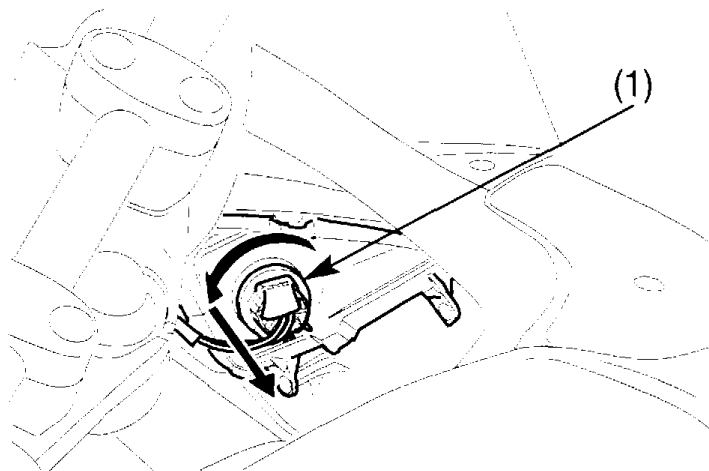
1. Remove the two screws (1).
2. Remove taillight lens (2).
3. Remove the bulb (3).
4. Install a new bulb in the reverse order of removal.



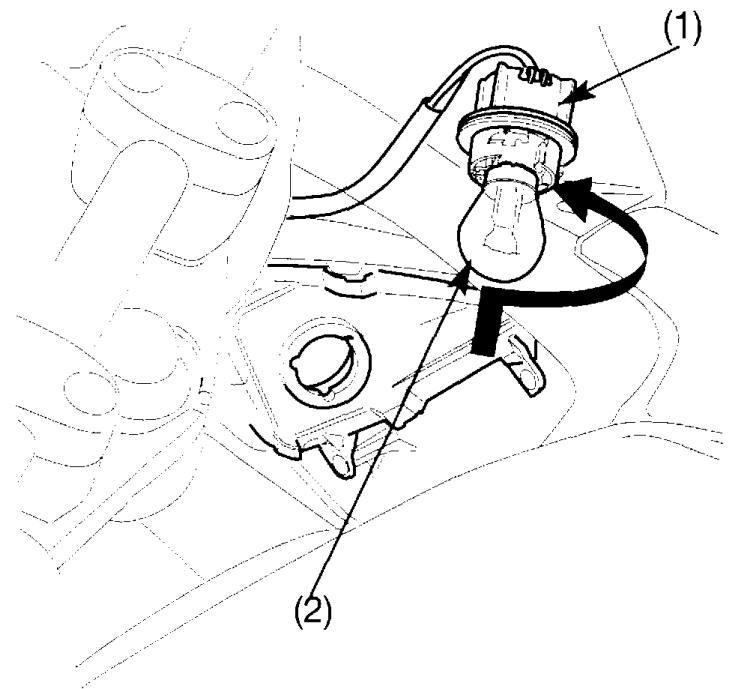
- (1) Screws
- (2) Taillight lens
- (3) Bulb

Front Turn Signal Bulb

1. Remove bulb socket (1) as shown in the figure.
2. Remove bulb (2) by pressing it and turning it counterclockwise.
3. Fit a new bulb by performing the removal procedure in reverse, and check that the turn signal is working properly.
 - Use only the amber bulb.

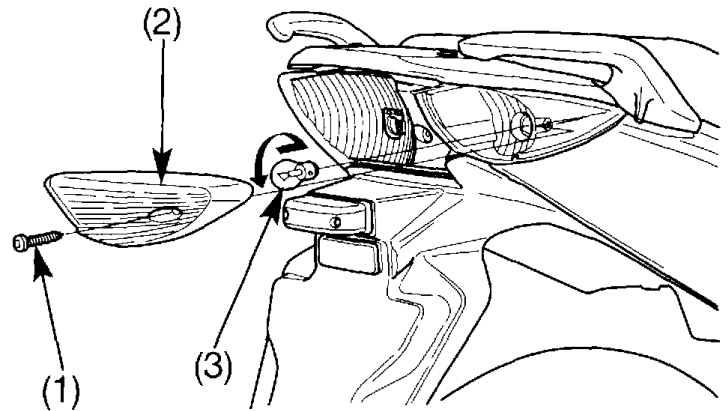


(1) Bulb socket
(2) Bulb



Rear Turn Signals Bulb

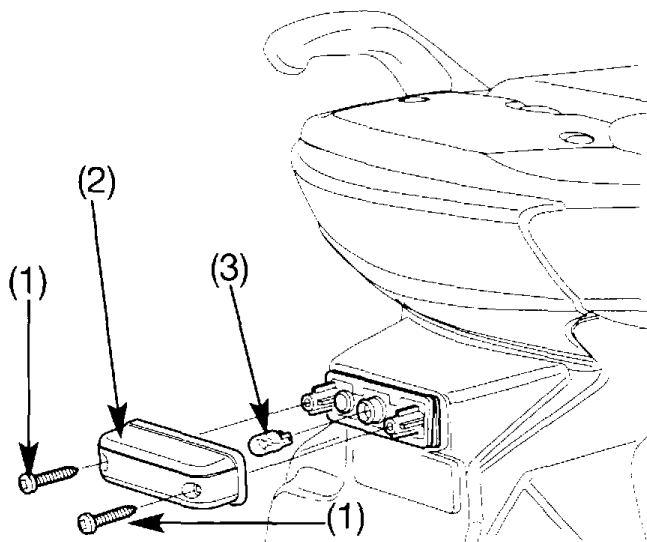
1. Remove the taillight lens (page 121).
2. Remove screw (1).
3. Remove the turn signal lens (2).
4. Remove bulb (3) by pressing it and turning it counterclockwise.
5. Fit a new bulb and check that the turn signal is working properly.
 - Use only the amber bulb.



- (1) Screw
- (2) Turn signal lens
- (3) Bulb

License Light Bulb

1. Remove the two screws (1).
2. Remove the license light bulb (2).
3. Remove the bulb (3) without turning it.
4. Install a new bulb in the reverse order of removal.



- (1) Screws
(2) License light bulb
(3) Bulb

124

CLEANING

Clean your motorcycle regularly to protect the surface finishes and inspect for damage wear, and oil or brake fluid leakage.

Avoid cleaning products that are not specifically designed for motorcycle or automobile surfaces.

They may contain harsh detergents or chemical solvents that could damage the metal, paint, and plastic on your motorcycle.

If your motorcycle is still warm from recent operation, give the engine and exhaust system time to cool off.

We recommend avoiding the use of high pressure water spray (typical in coin-operated car washes).

NOTICE

High pressure water (or air) can damage certain parts of the motorcycle.

Washing the motorcycle

1. Rinse the motorcycle thoroughly with cool water to remove loose dirt.
2. Clean the motorcycle with a sponge or soft cloth using cool water.
Avoid directing water at muffler outlets and electrical parts.
3. Clean the plastic parts using a cloth or sponge dampened with a solution of mild detergent and water. Rub the soiled area, gently rinsing it frequently with fresh water. Take care to keep brake fluid or chemical solvents off the motorcycle.
They will damage the plastic and painted surfaces.

The inside of the headlight lens may be clouded immediately after washing the motorcycle. Moisture condensation inside the headlight lens will disappear gradually by lighting the headlight in high beam. Run the engine while keeping the headlight on.

4. After cleaning rinse the motorcycle thoroughly with plenty of clean water. Strong detergent residue can corrode alloy parts.
5. Dry the motorcycle, start the engine, and let it run for several minutes.
6. Test the brakes before riding the motorcycle. Several applications may be necessary to restore normal braking performance.
7. Lubricate the drive chain immediately after washing and drying the motorcycle.

Braking efficiency may be temporarily impaired immediately after washing the motorcycle.

Anticipate longer stopping distance to avoid a possible accident.

Finishing Touches

After washing your motorcycle, consider using a commercially-available spray cleaner/polish or quality liquid or paste wax to finish the job. Use only a non-abrasive polish or wax made specifically for motorcycles or automobiles. Apply the polish or wax according to the instructions on the container.

Removing Road Salt

The salt contained in seawater and the road surface freezing prevention substance which roads are sprayed with in winter, causes rust. Wash your motorcycle following the points listed below when your motorcycle has been exposed to these conditions.

1. Clean the motorcycle using cool water (page 125).

Do not use warm water. This worsens the effect of the salt.

2. Dry the motorcycle and the metal surfaces protected with wax.

Painted Aluminum Wheel Maintenance

Aluminum may corrode from contact with dirt, mud, or road salt. Clean the wheels after riding through any of these substances. Use a wet sponge and mild detergent. Avoid stiff brushes, steel wool, or cleaners containing abrasives or chemical compounds.

After washing, rinse with plenty of water and dry with a clean cloth.

Apply touch-up paint to the wheels where damage has resulted.

Exhaust Pipe Maintenance

The exhaust pipe is stainless steel but may become stained by oil or mud. If necessary, remove heat stains with a liquid kitchen abrasive.

STORAGE GUIDE

Extended storage, such as for winter requires that you take certain steps to reduce the effects of deterioration from non-use of the motorcycle. In addition, necessary repairs should be made **BEFORE** storing the motorcycle - otherwise, these repairs may be forgotten by the time the motorcycle is removed from storage.

STORAGE

1. Change the engine oil and filter.
2. Make sure the cooling system is filled with a 50/50% antifreeze solution.
3. Empty the fuel tank into an approved petrol container using a commercially available hand siphon or an equivalent method. Spray the inside of the tank with an aerosol rust-inhibiting oil.
Reinstall the fuel fill cap on the tank.

WARNING

Petrol is highly flammable and explosive. You can be burned or seriously injured when handling fuel.

- Stop the engine and keep heat, sparks, and flame away.
- Refuel only outdoors.
- Wipe up spills immediately.

-
4. To prevent rusting in the cylinders, contact your Honda dealer.
 5. Remove the battery. Store in an area protected from freezing temperatures and direct sunlight. Slow charge the battery once a month.
 6. Wash and dry the motorcycle. Wax all painted surfaces. Coat chrome with rust inhibiting oil.
 7. Lubricate the drive chain (page 92).
 8. Inflate the tyres to their recommended pressures. Place the motorcycle on blocks to raise both tyres off the ground.
 9. Cover the motorcycle (don't use plastic or other coated materials) and store in an unheated area, free of dampness with a minimum of daily temperature variation. Do not store the motorcycle in direct sunlight.

REMOVAL FROM STORAGE

1. Uncover and clean the motorcycle.
2. Change the engine oil if more than 4 months have passed since the start of storage.
3. Charge the battery as required. Install the battery.
4. Drain any excess aerosol rust-inhibiting oil from the fuel tank. Fill the fuel tank with fresh petrol.
5. Perform all Pre-ride Inspection checks (page 58).
Test ride the motorcycle at low speeds in a safe riding area away from traffic.

SPECIFICATIONS

DIMENSIONS

Overall length	2.156 mm
Overall width	782 mm
Overall height	1.238 mm
Wheelbase	1.483 mm

WEIGHT

Dry weight	222 kg type CBF1000A
	220 kg type CBF1000

CAPACITIES

Engine oil	
After draining	2,7 <i>ℓ</i>
After draining and oil filter change	3,5 <i>ℓ</i>
After disassembly	3,6 <i>ℓ</i>
Fuel tank	19,3 <i>ℓ</i>
Fuel reserve	4,0 <i>ℓ</i>
Cooling system capacity	2,71 <i>ℓ</i>
Passenger capacity	Operator and one passenger
Maximum weight capacity	195 kg

ENGINE

Bore and stroke	75,0 x 56,5 mm
Compression ratio	11,0: 1
Displacement	998,4 cm ³
Spark plugs Standardi	CR8EH-9 (NGK) or U24FER9 (DENSO)
Spark plug gap	0,80 – 0,90 mm

CHASSIS AND SUSPENSION

Caster		26° 00'
Trail		111 mm
Tyre size, front		120/70ZR17M/C(58W) BRIDGESTONE BT57F RADIAL U MICHELIN Pilot ROAD B
Tyre size, rear		160/60ZR17M/C(69W) BRIDGESTONE BT57R RADIAL E MICHELIN Pilot ROAD A
Type		RADIAL - TUBELESS

POWER TRANSMISSION

Primary reduction		1,604
Gear ratio	1st	2,714
	2nd	1,941
	3rd	1,578
	4th	1,363
	5th	1,217
	6th	1,115
Final reduction		2,687

ELECTRICAL

Battery 12V – 8,6 Ah
Generator 0,371kW/5.000 min⁻¹ (rpm)

LIGHTS

Headlight		12V 55/55W
Brake/Tail light		12V – 21/5W
Turn signal light	Front	12V – 21W x 2
	Rear	12V – 21W x 2
Instrument lights		LED
Neutral indicator light		LED
Turn signal indicator light		LED
High beam indicator light		LED
Low oil pressure indicator light		LED
Position light		12V 5W x 2
License light		12V – 5W

FUSE

Main fuse	30A
Fuse ABS	10A - 30A (CBF1000A)
Fuse FI	20A
Other fuses	10A - 20A
Head Light fuse	20A

CATALYTIC CONVERTERS

This motorcycle is equipped with catalytic converters.

Each catalytic converter contains precious metals that serve as catalysts, promoting chemical reactions to convert the exhaust gasses without affecting the metals.

The catalytic converters act on HC, CO, and NOx. Replacement parts must be original Honda parts or equivalents.

The catalytic converters must operate at a high temperature for the chemical reactions to take place. They can set on fire any combustible materials that come near them. Park your motorcycle away from high grass, dry leaves, or other flammables.

Defective catalytic converters contribute to air pollution, and can impair your engine's performance. Follow these guidelines to protect your motorcycle's catalytic converters.

- Always use unleaded petrol. Even a small amount of leaded petrol can contaminate the catalyst metals, making the catalytic converters ineffective.
- Keep the engine tuned-up.
- Have your motorcycle diagnosed and repaired if it is misfiring, backfiring, stalling or otherwise not running properly.

