

COLOR CODES

N	Brown	LG	Light Green	G	Green
U	Blue	W	White	B	Black
R	Red	Y	Yellow	K	Pink
P	Purple	S	Slate	O	Orange

*These two switches are combined in one housing

DIAGRAM 1 - 62/64 MGB FROM BENTLEY A8753AW

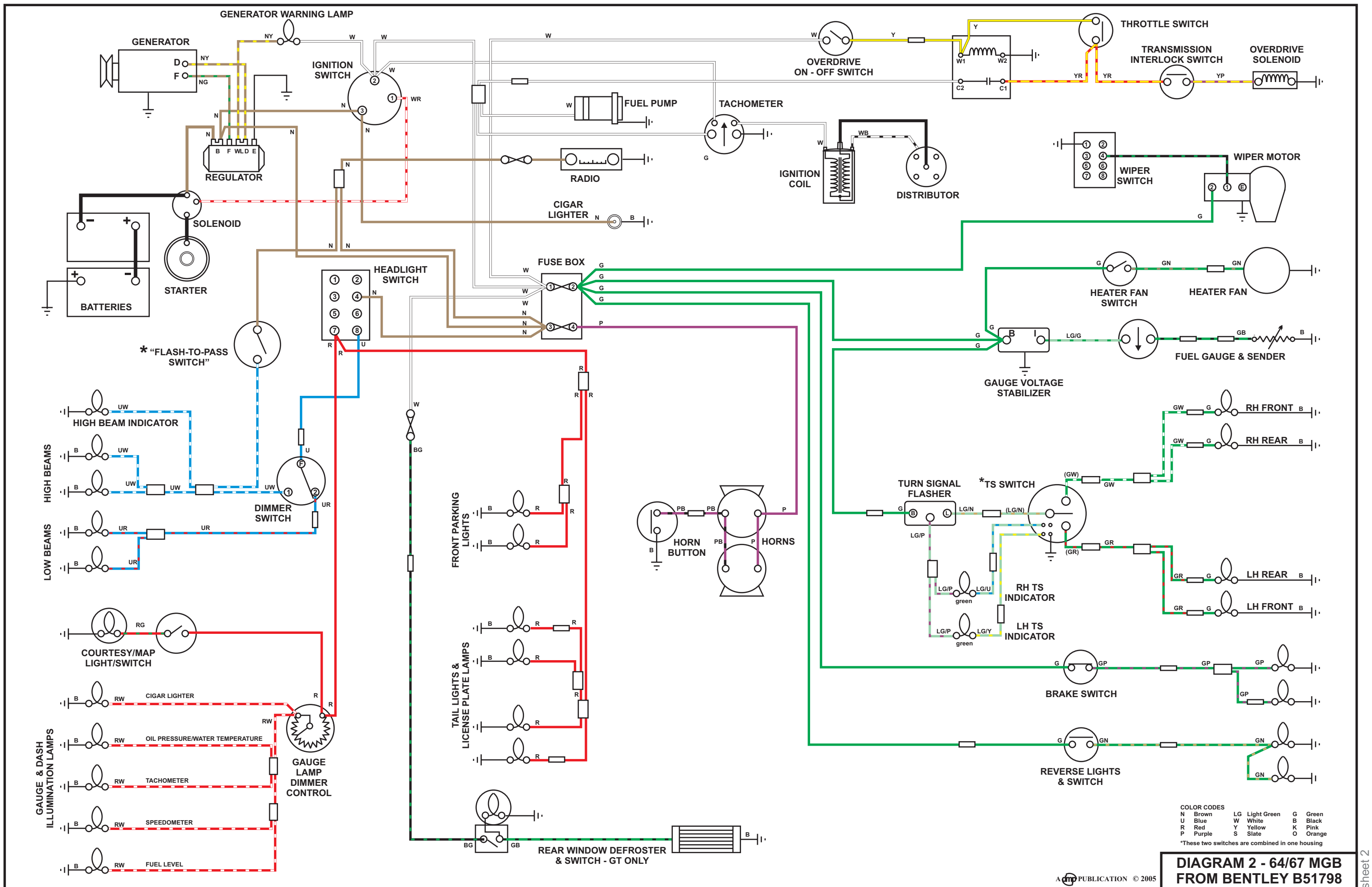
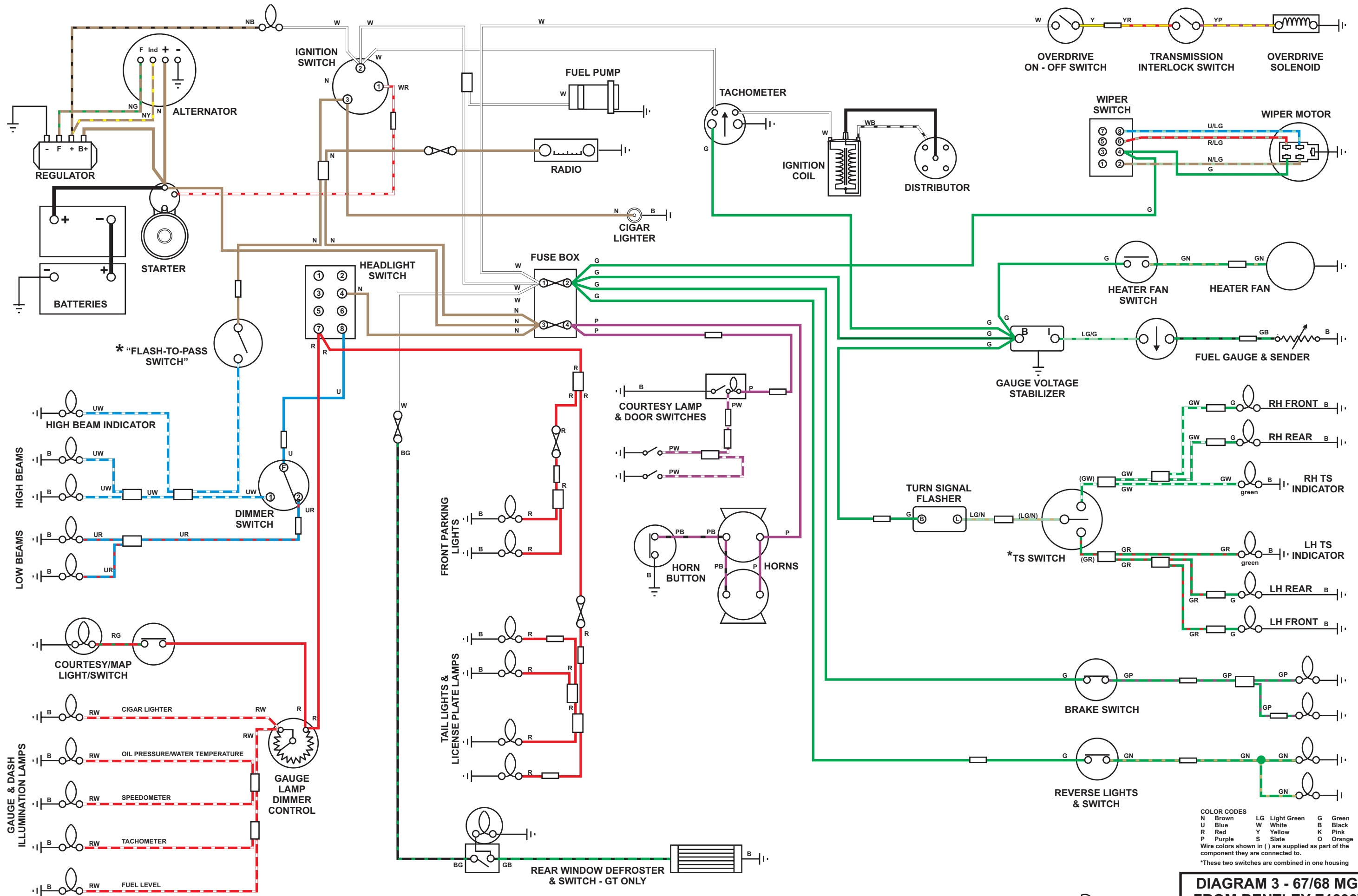
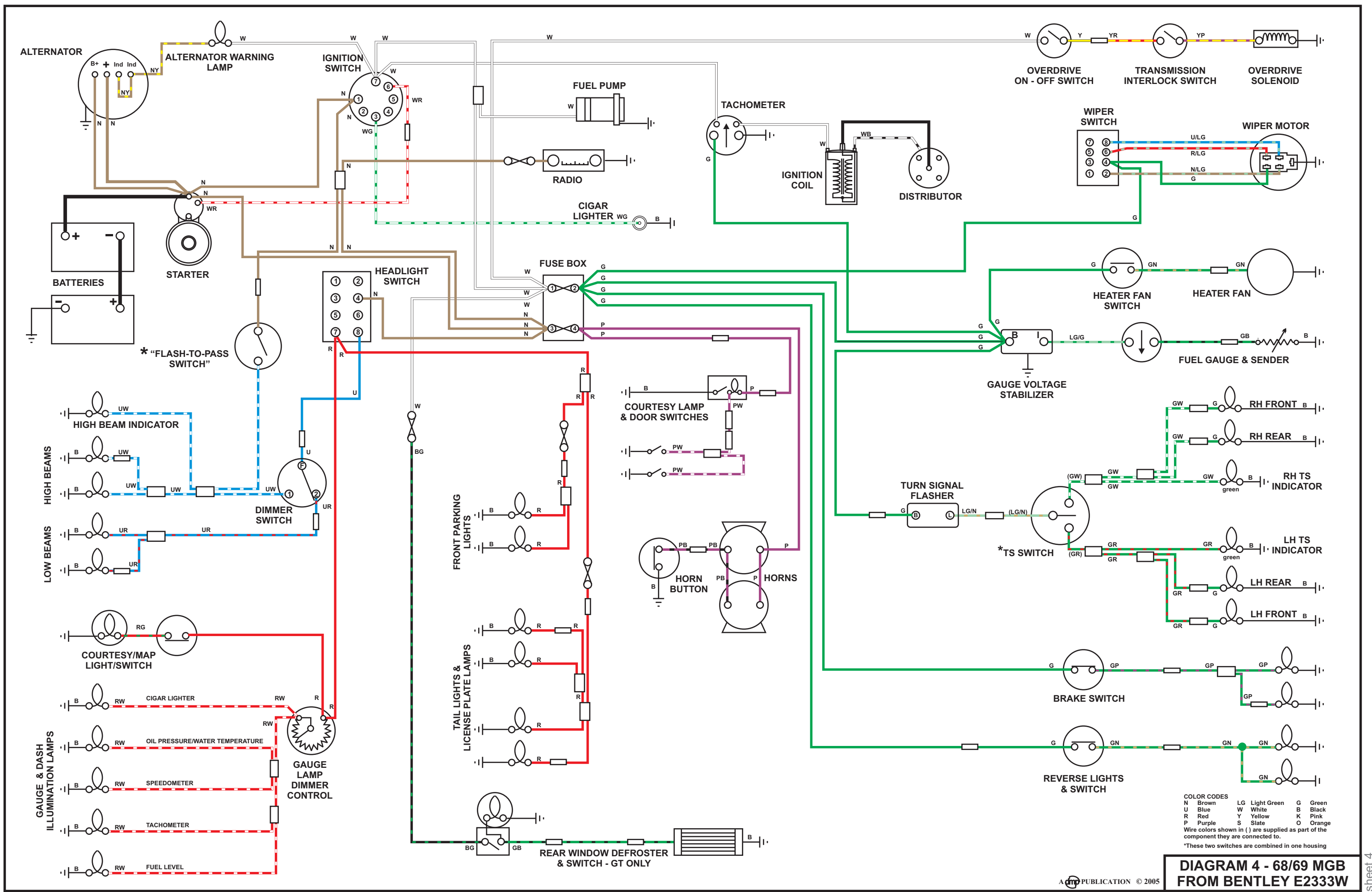


DIAGRAM 2 - 64/67 MGB FROM BENTLEY B51798



COLOR CODES
 N Brown LG Light Green G Green
 U Blue W White B Black
 R Red Y Yellow K Pink
 P Purple S Slate O Orange
 Wire colors shown in () are supplied as part of the component they are connected to.
 *These two switches are combined in one housing

DIAGRAM 3 - 67/68 MGB FROM BENTLEY E1898W



COLOR CODES
 N Brown LG Light Green G Green
 U Blue W White B Black
 R Red Y Yellow K Pink
 P Purple S Slate O Orange
 Wire colors shown in () are supplied as part of the component they are connected to.
 *These two switches are combined in one housing

DIAGRAM 4 - 68/69 MGB FROM BENTLEY E2333W

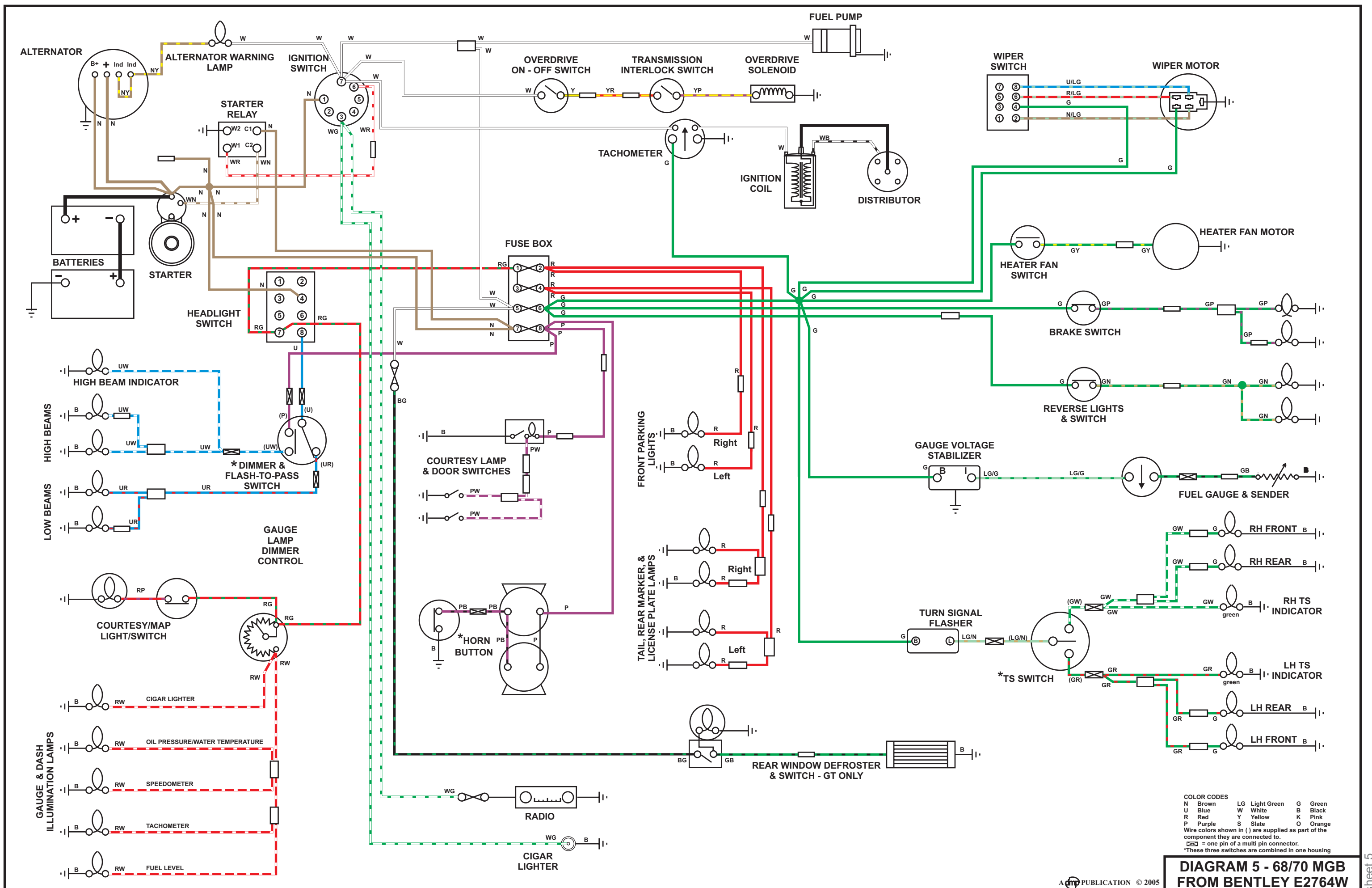
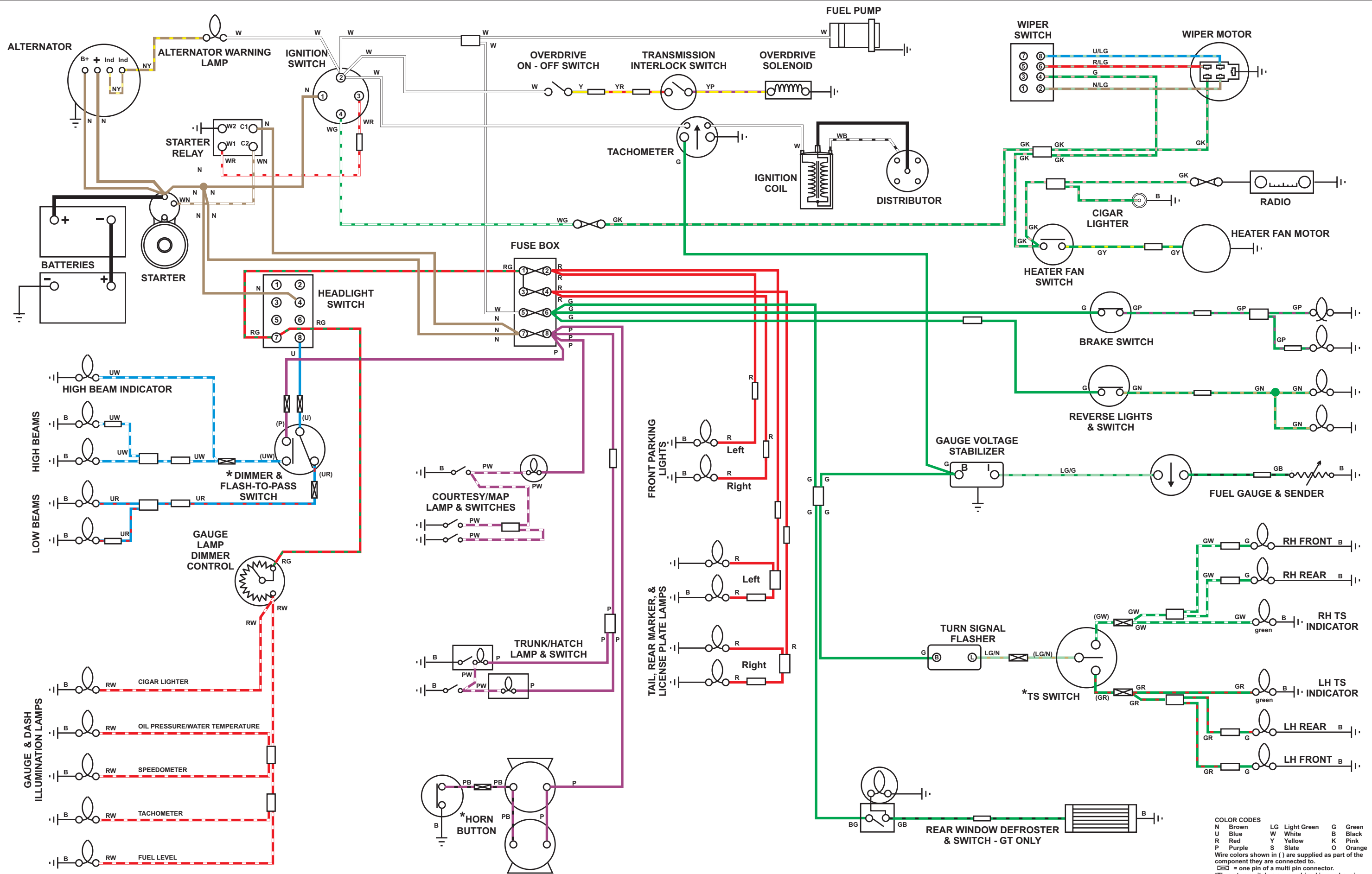


DIAGRAM 5 - 68/70 MGB FROM BENTLEY E2764W



COLOR CODES
 N Brown LG Light Green G Green
 U Blue W White B Black
 R Red Y Yellow K Pink
 P Purple S Slate O Orange
 Wire colors shown in () are supplied as part of the component they are connected to.
 ☒ = one pin of a multi pin connector.
 *These two switches are combined in one housing

DIAGRAM 6 - 70/71 MGB FROM BENTLEY E3212W

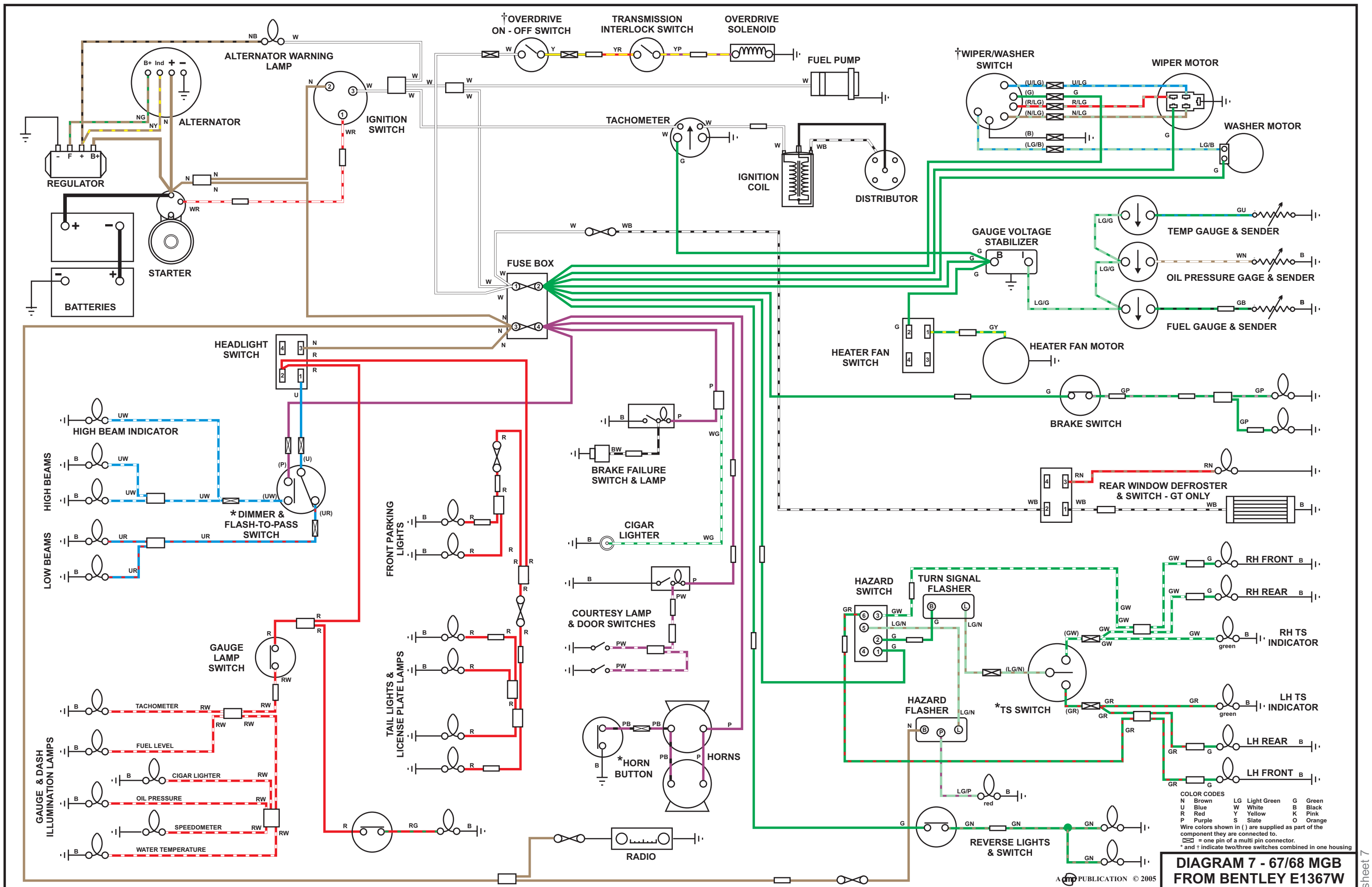


DIAGRAM 7 - 67/68 MGB FROM BENTLEY E1367W

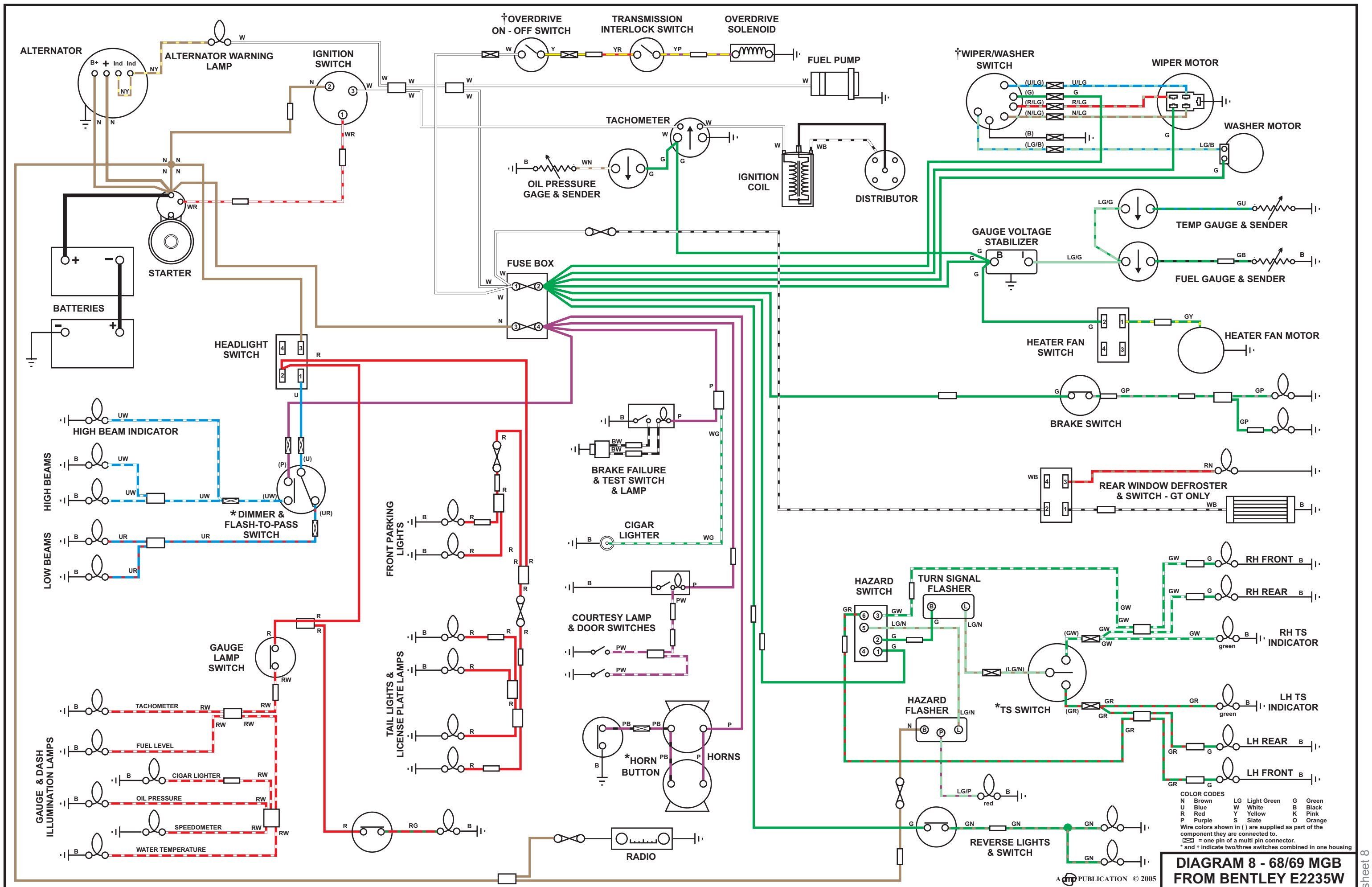


DIAGRAM 8 - 68/69 MGB FROM BENTLEY E2235W

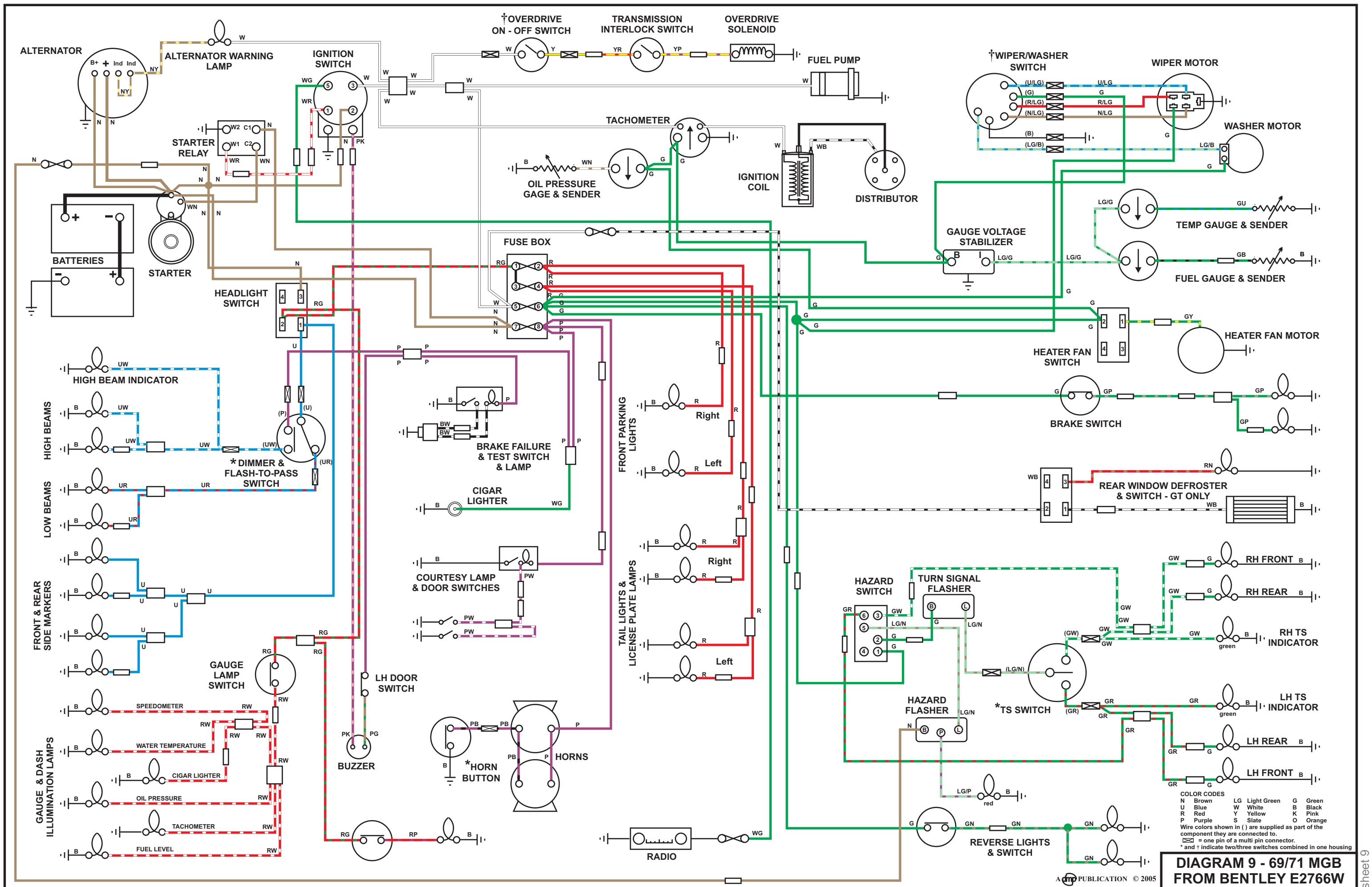


DIAGRAM 9 - 69/71 MGB FROM BENTLEY E2766W

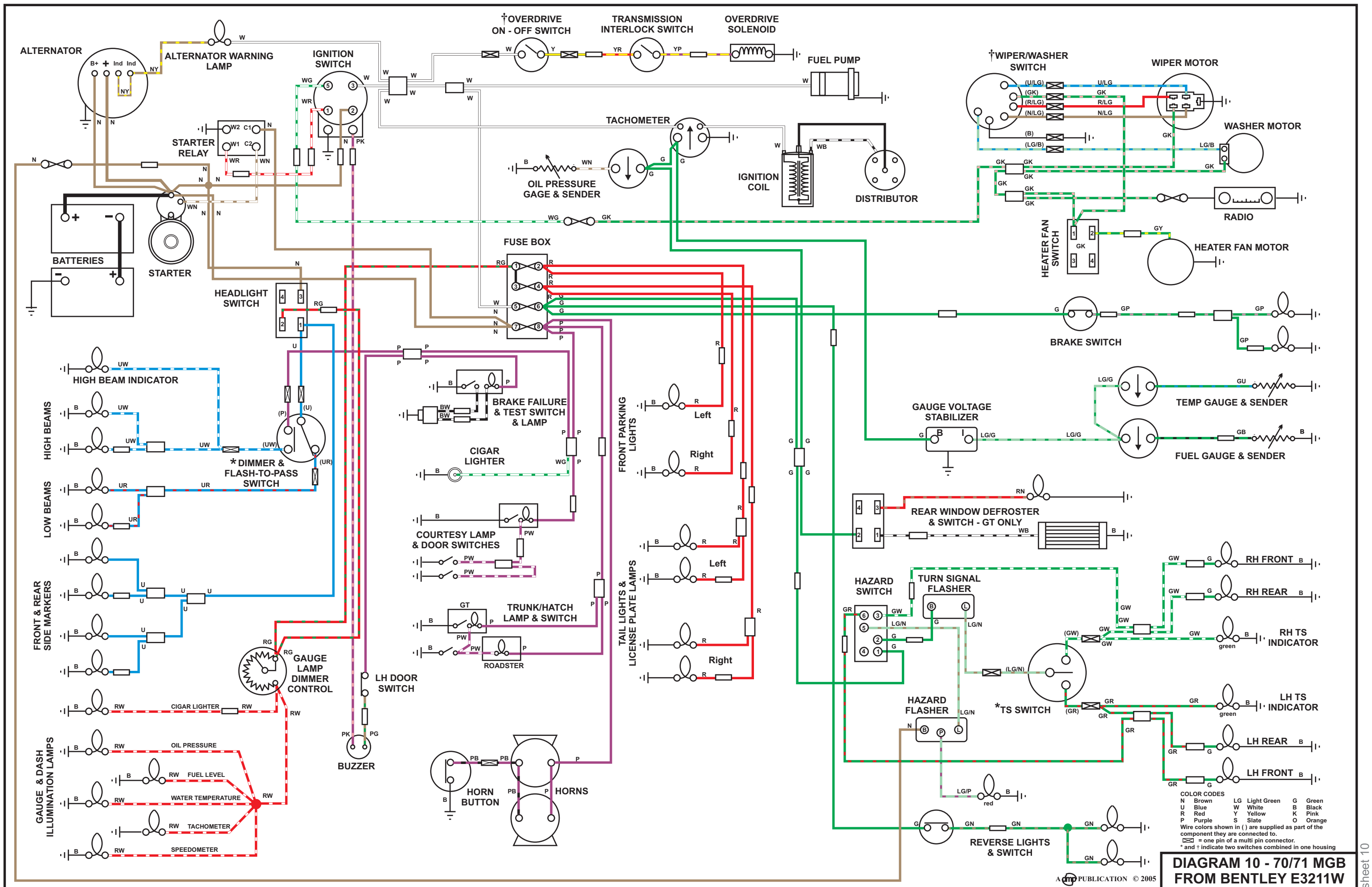


DIAGRAM 10 - 70/71 MGB FROM BENTLEY E3211W

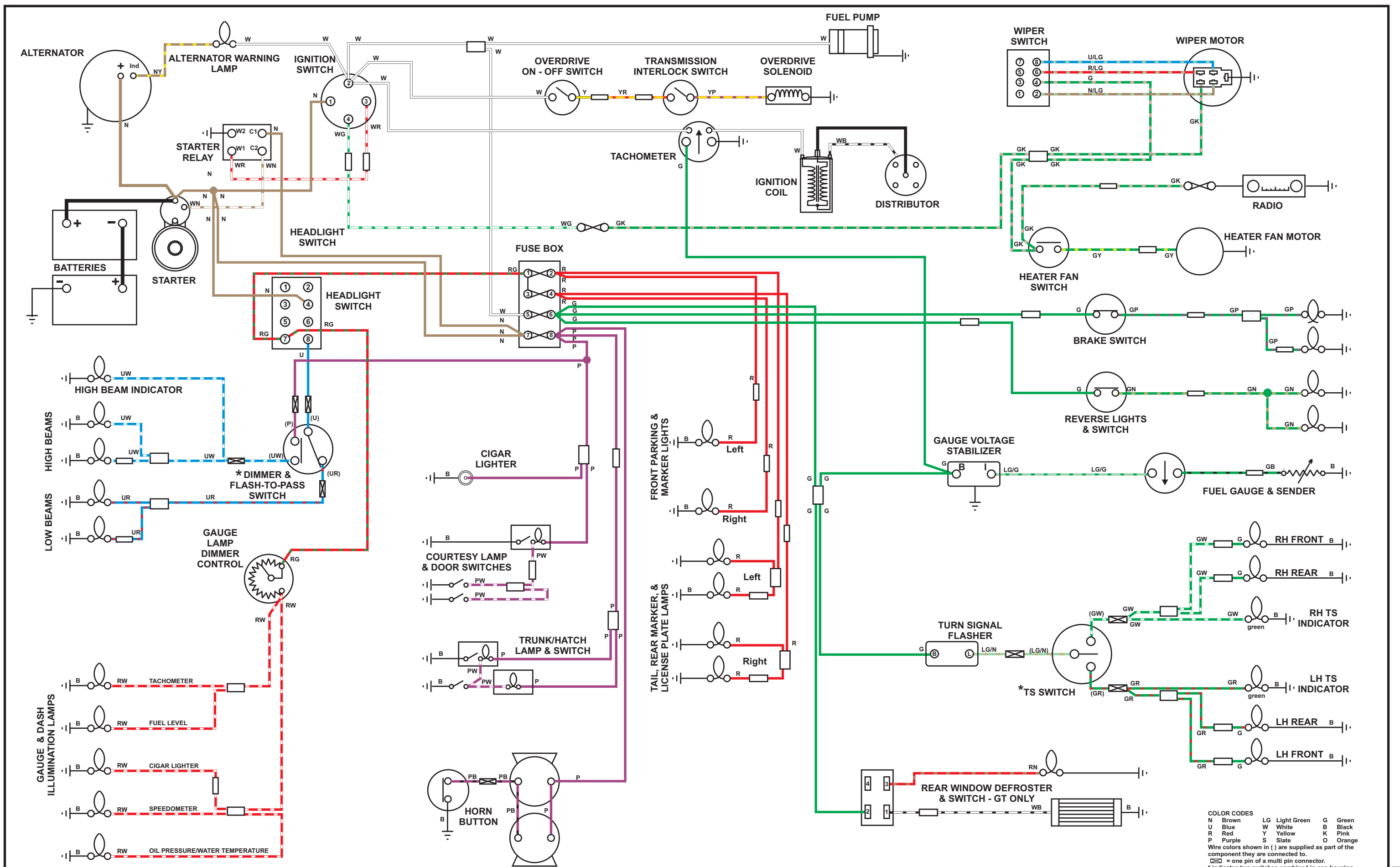


DIAGRAM 11 - 71/72 MGB FROM BENTLEY E3212AW

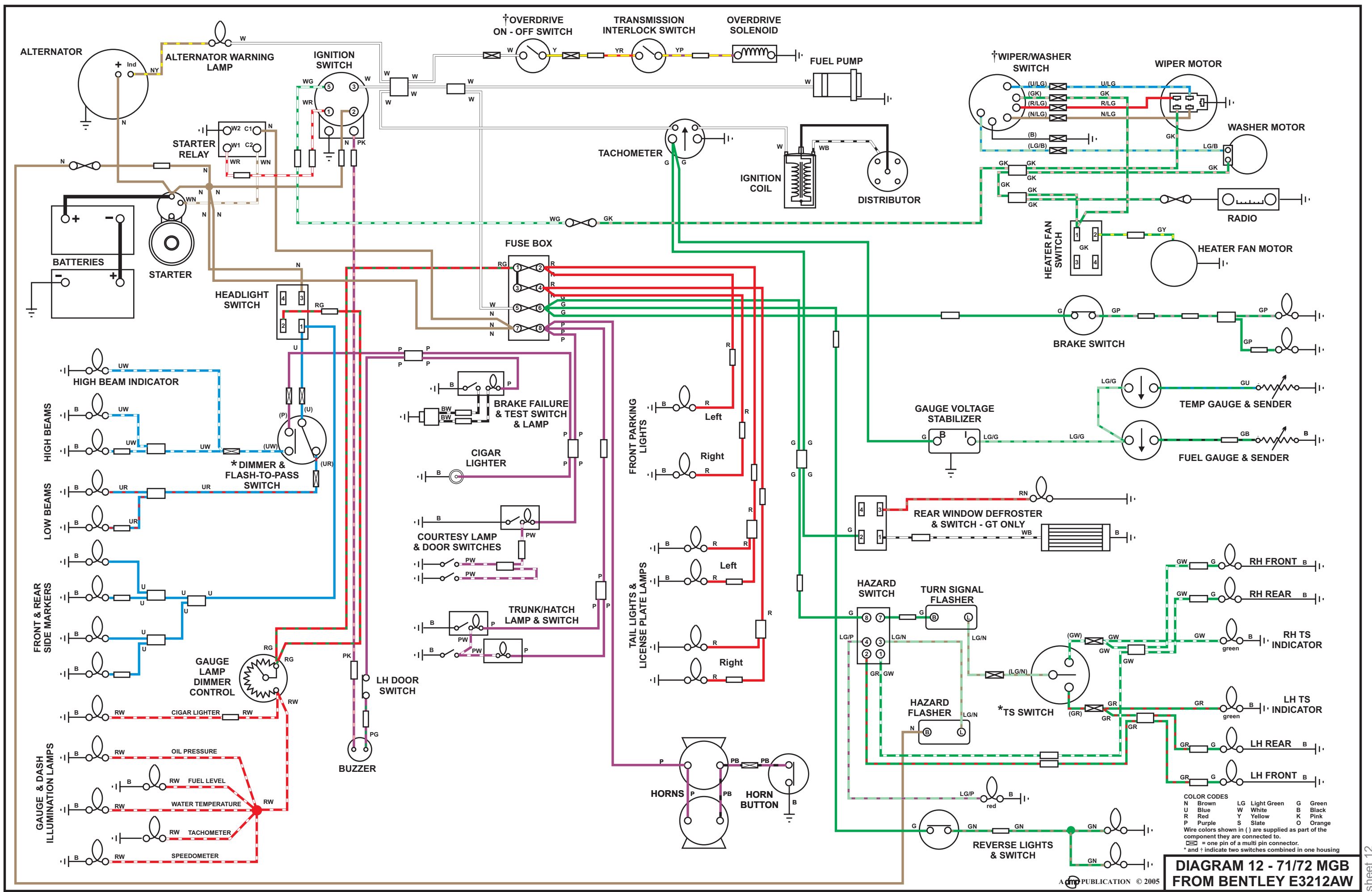
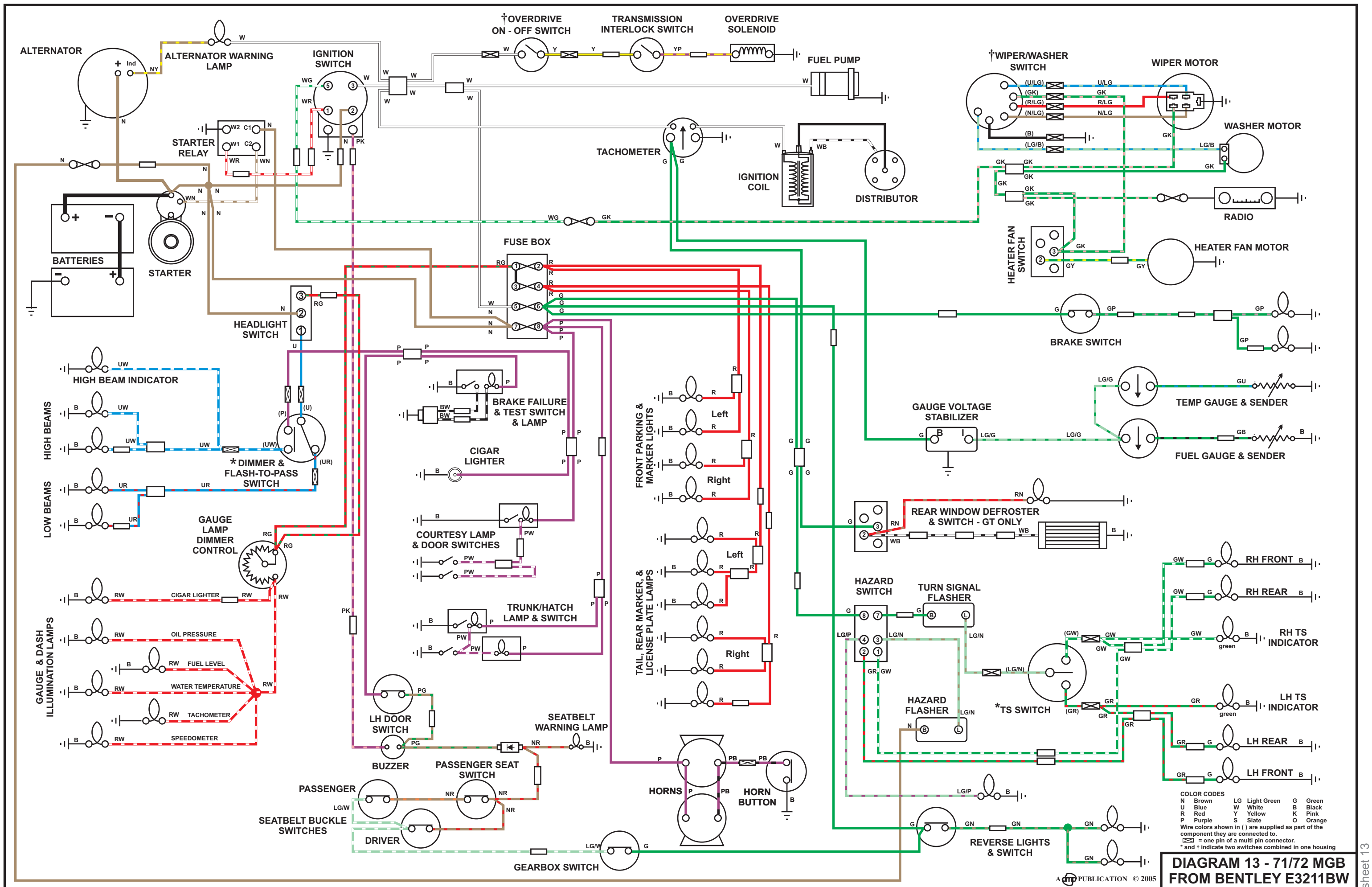


DIAGRAM 12 - 71/72 MGB FROM BENTLEY E3212AW



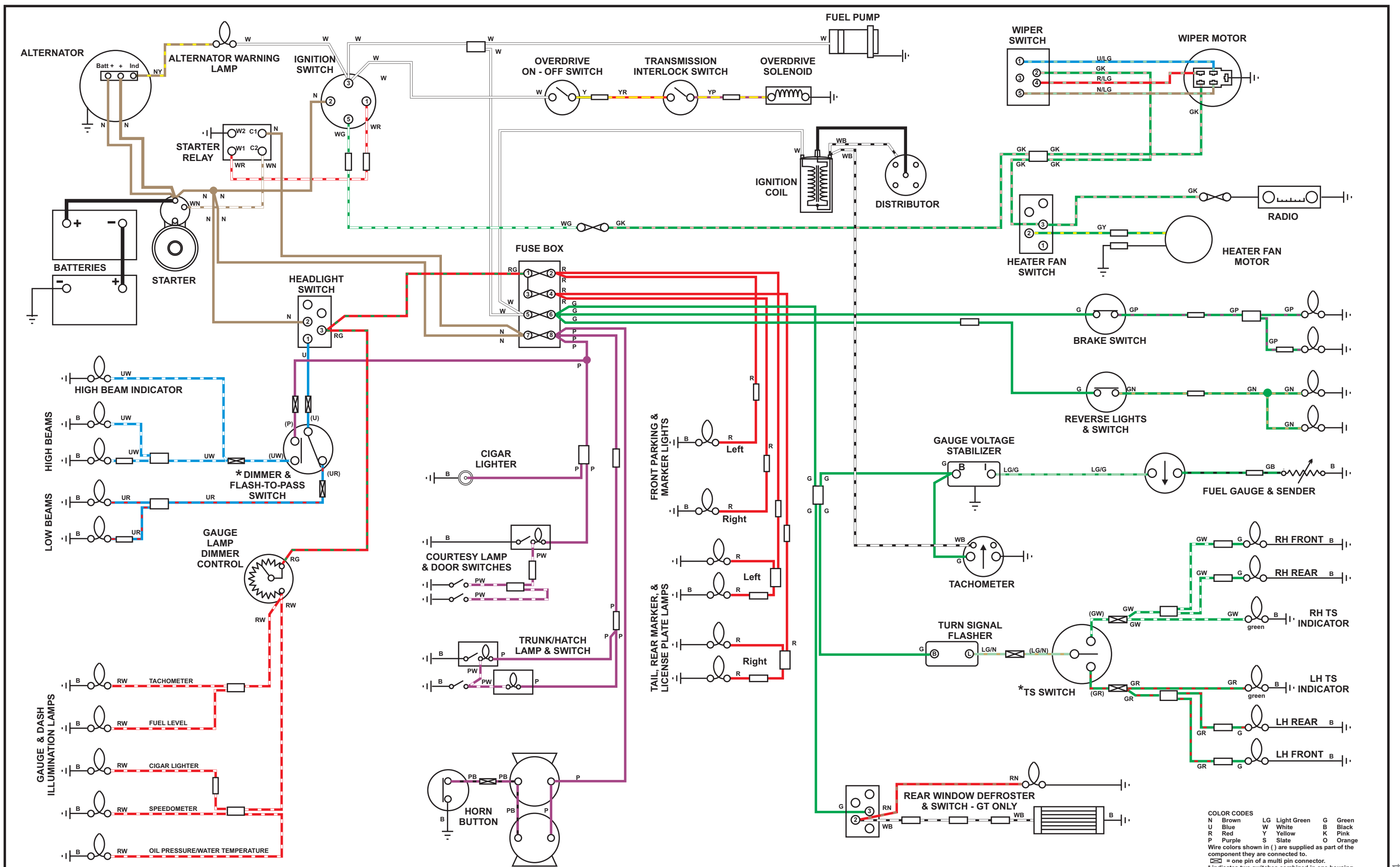


DIAGRAM 14 - 72/73 MGB FROM BENTLEY 3N064

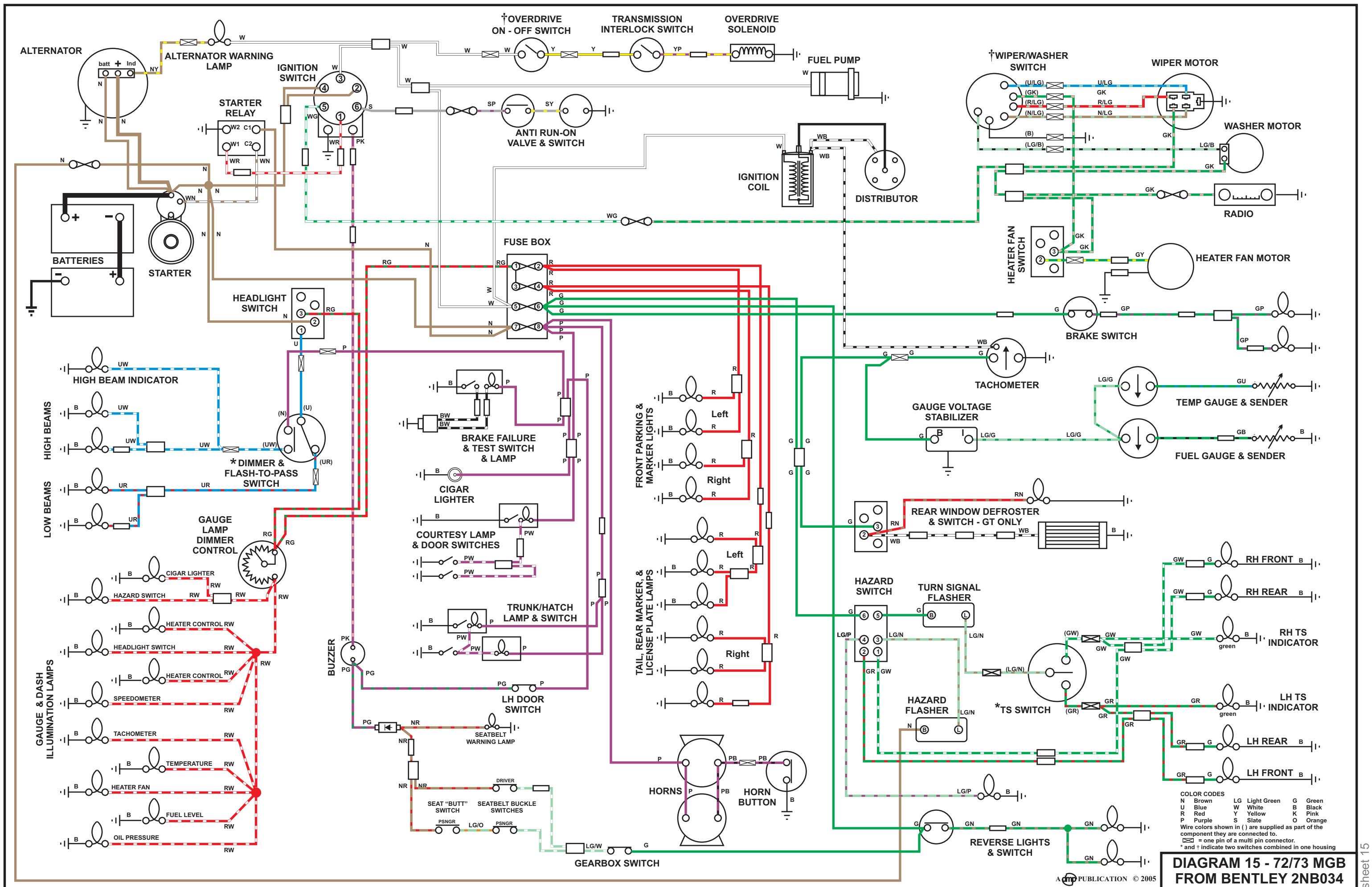


DIAGRAM 15 - 72/73 MGB FROM BENTLEY 2NB034

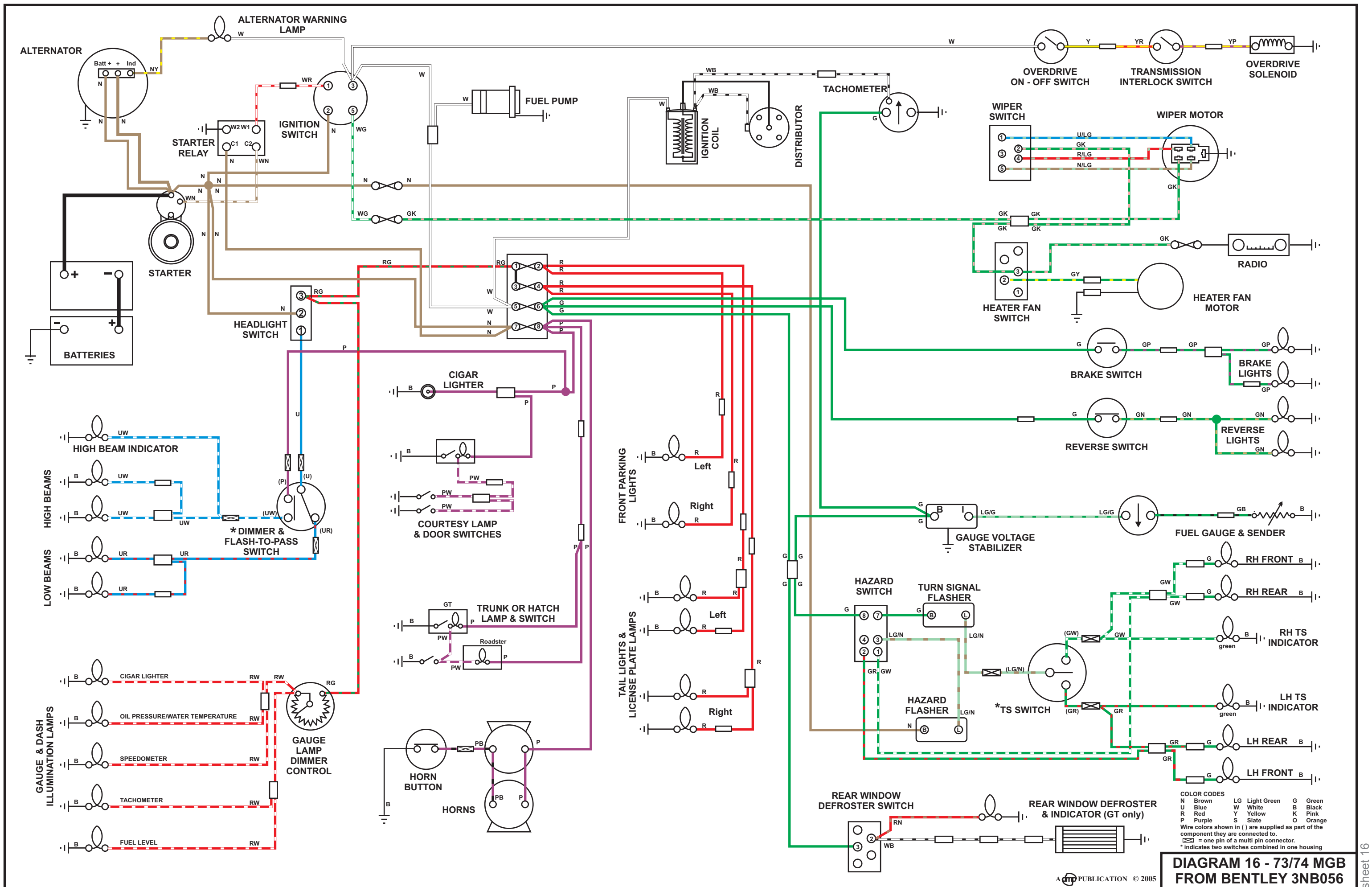


DIAGRAM 16 - 73/74 MGB FROM BENTLEY 3N/56

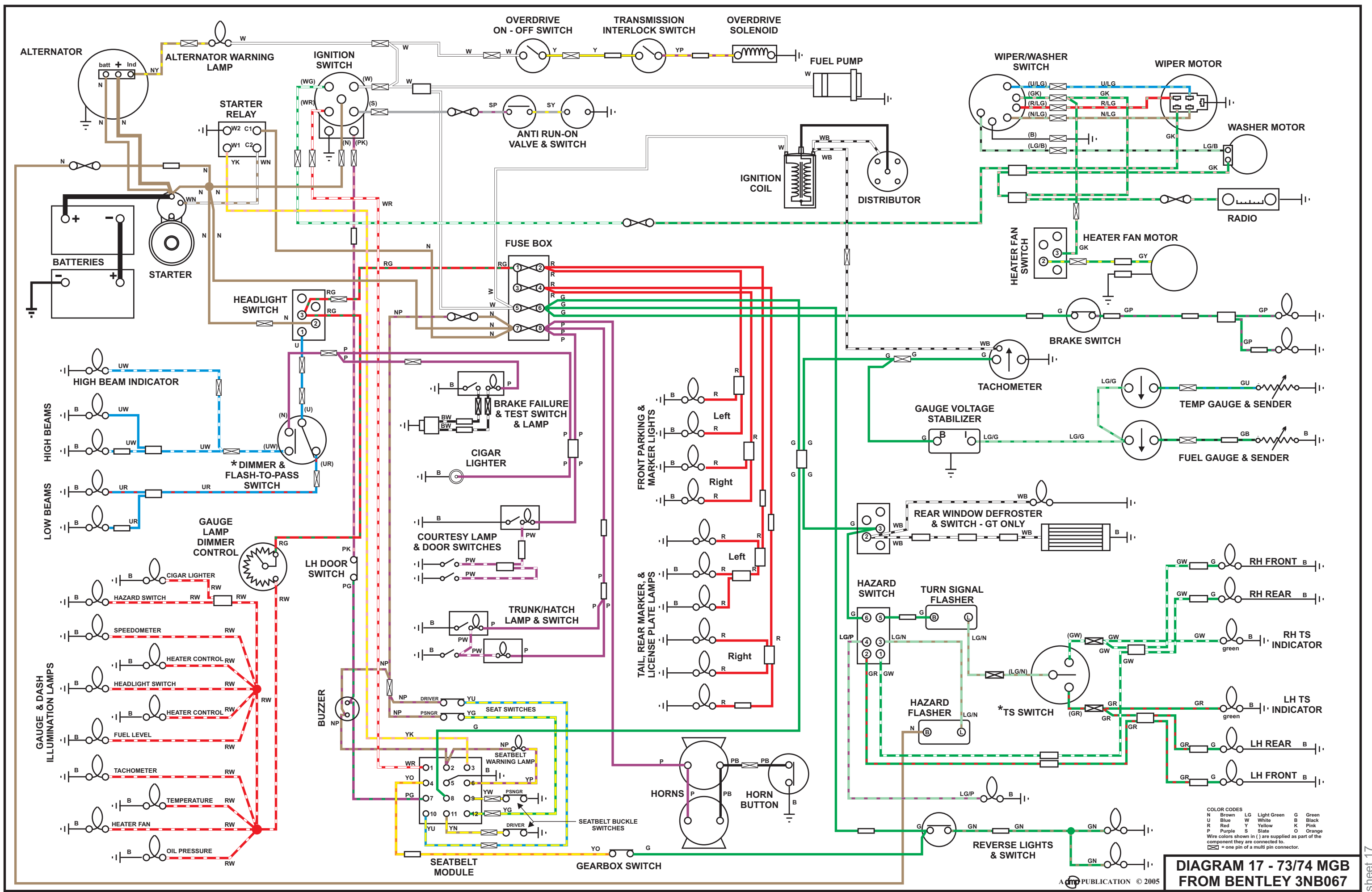


DIAGRAM 17 - 73/74 MGB FROM BENTLEY 3N B067

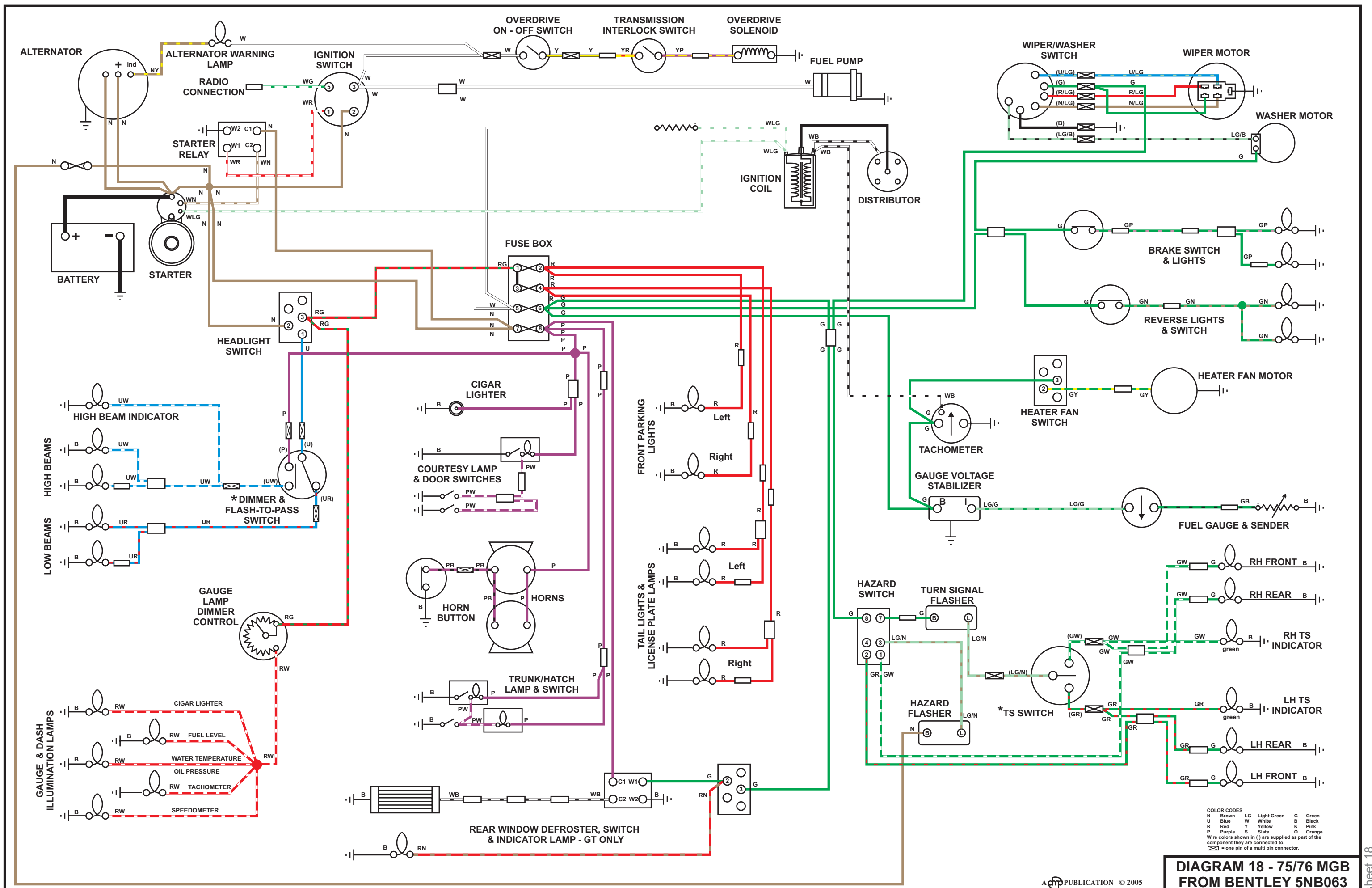
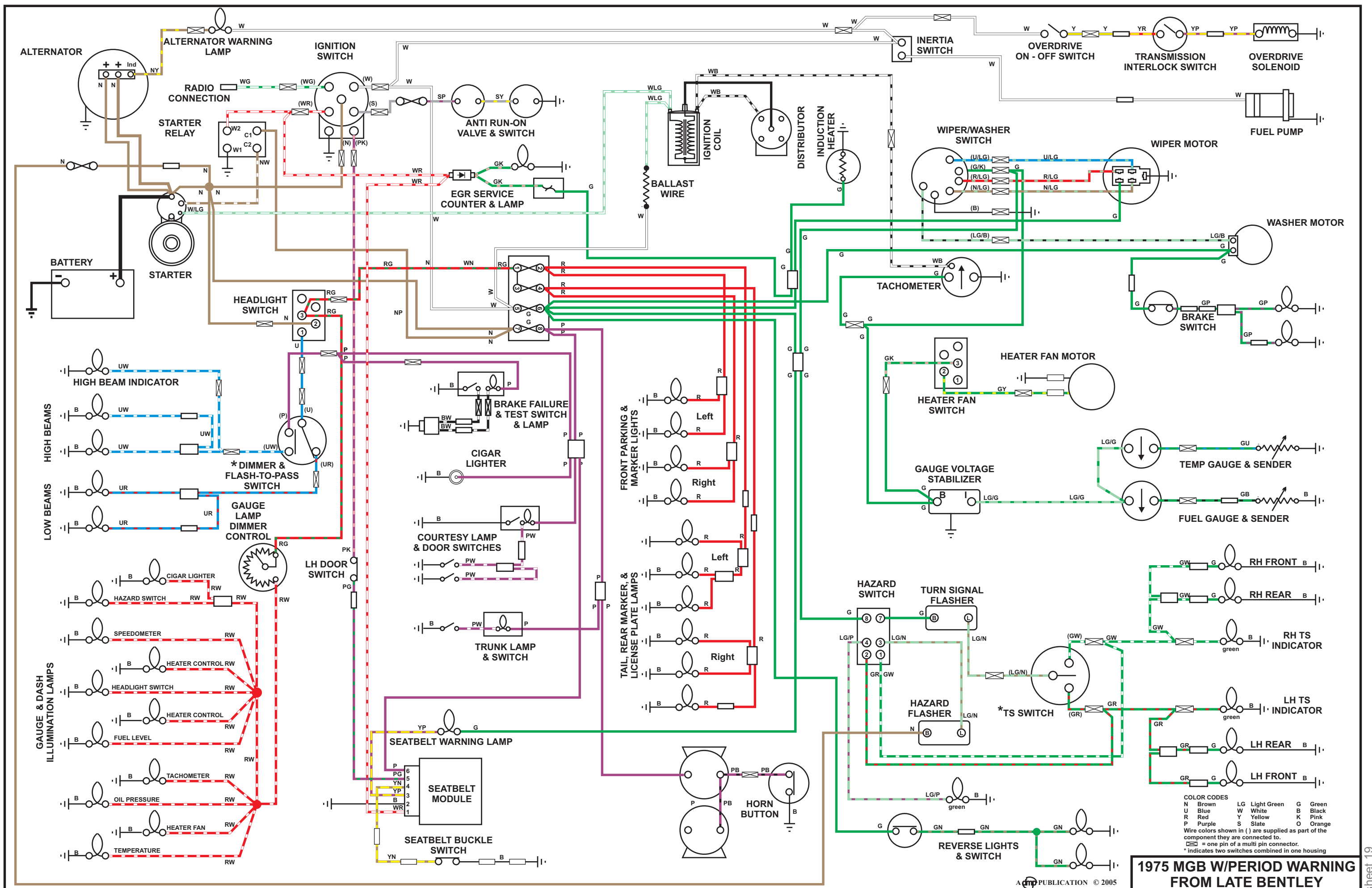


DIAGRAM 18 - 75/76 MGB FROM BENTLEY 5NB063

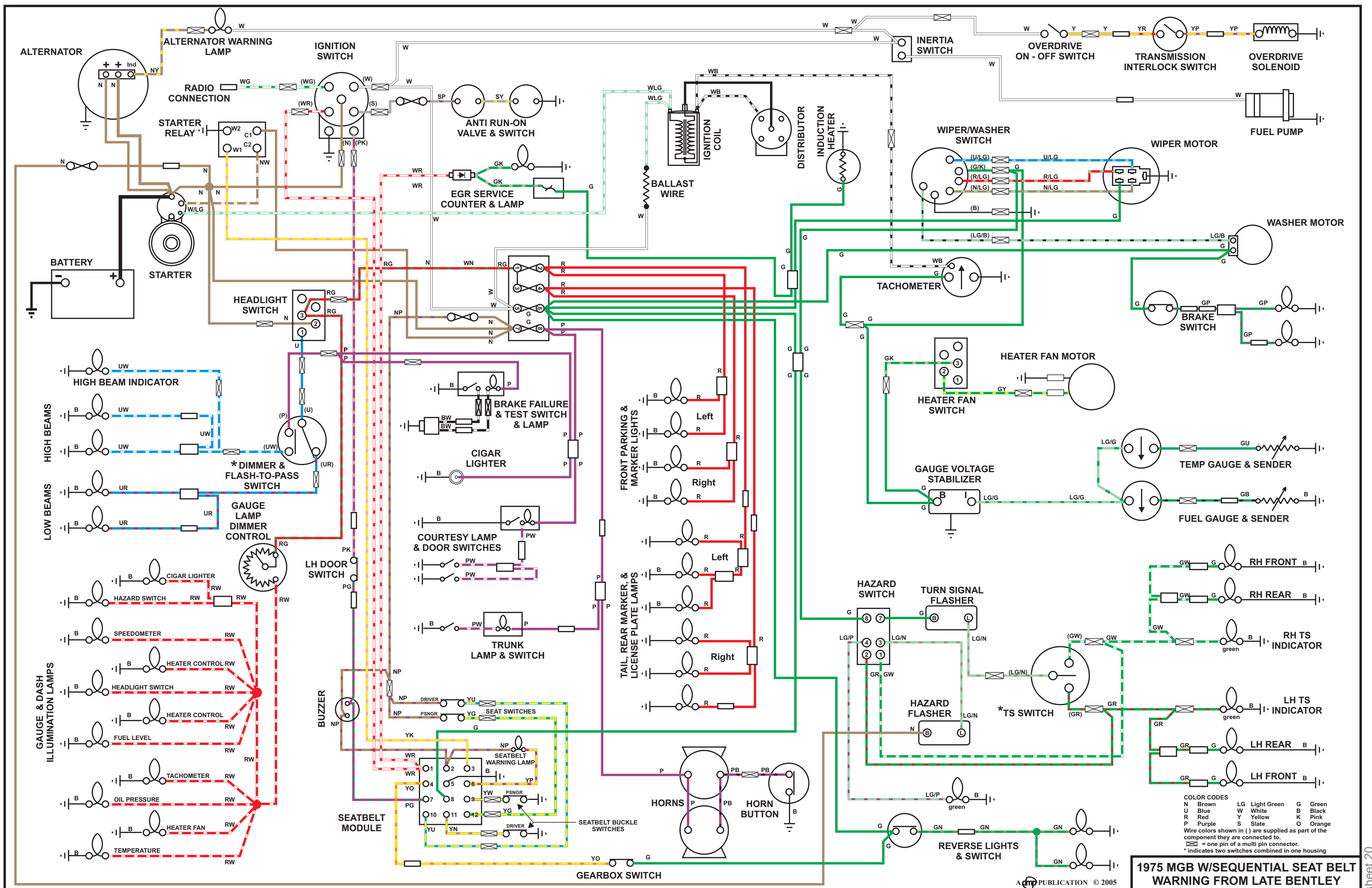


COLOR CODES

N	Brown	LG	Light Green	G	Green
U	Blue	W	White	B	Black
R	Red	Y	Yellow	K	Pink
P	Purple	S	State	O	Orange

Wire colors shown in () are supplied as part of the component they are connected to.
 ⊞ = one pin of a multi pin connector.
 * indicates two switches combined in one housing

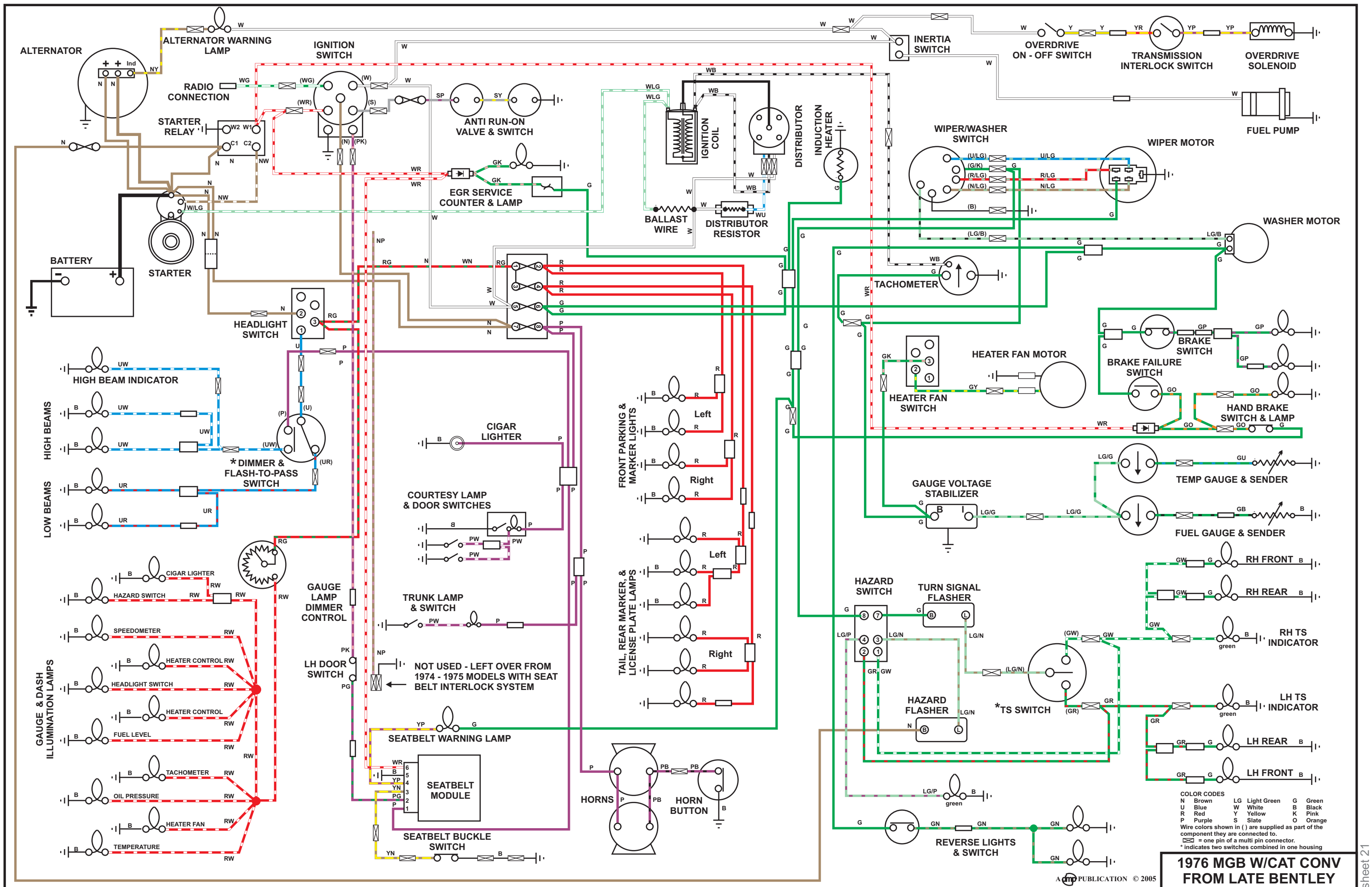
1975 MGB W/PERIOD WARNING FROM LATE BENTLEY



COLOR CODES
 N Brown LG Light Green G Green
 U Blue W White B Black
 R Red Y Yellow K Pink
 P Purple S Slate O Orange

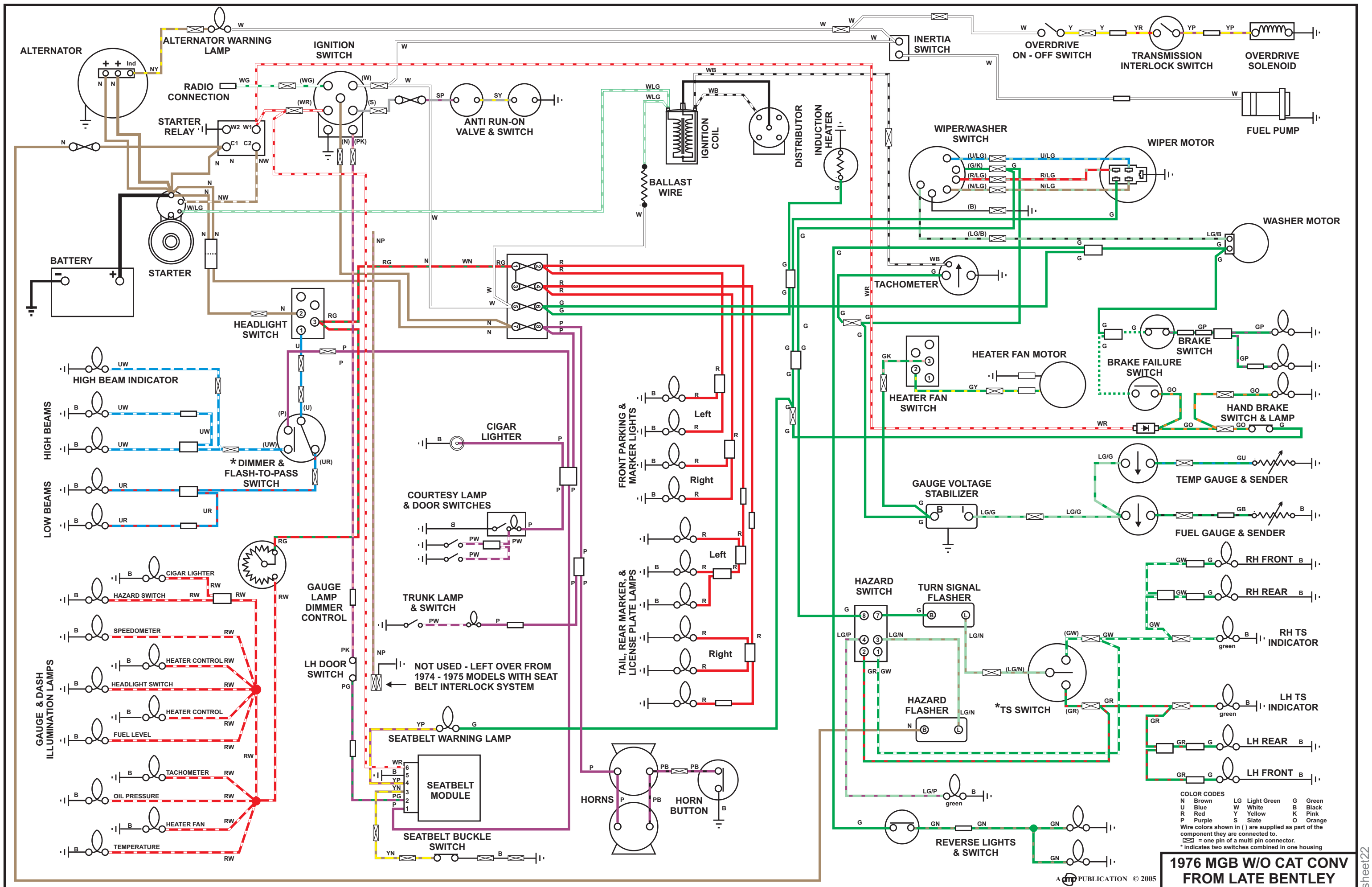
Wire colors shown in () are supplied as part of the component they are connected to.
 ⊞ = one pin of a multi pin connector.
 * indicates two switches combined in one housing

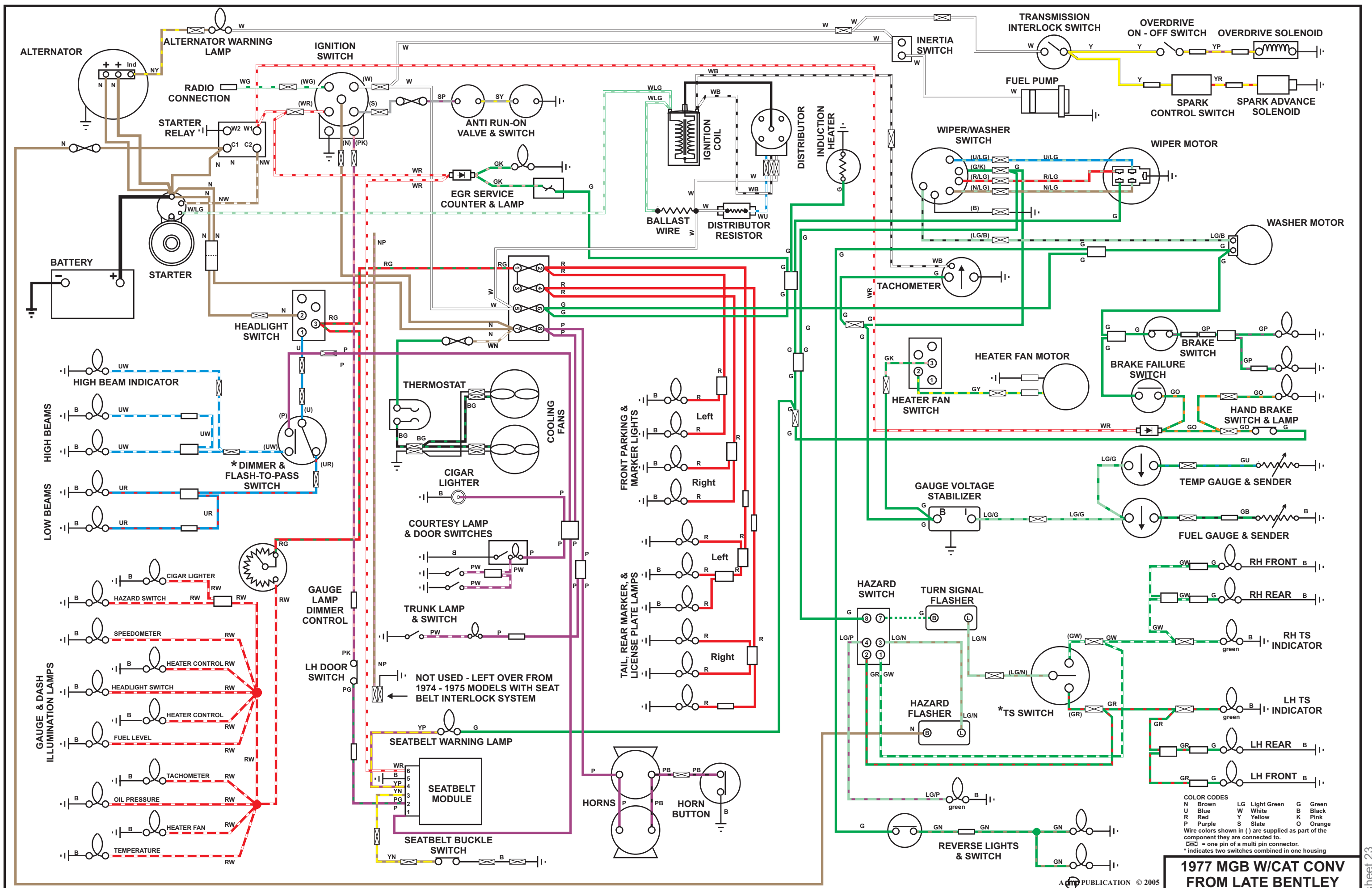
1975 MGB W/SEQUENTIAL SEAT BELT WARNING FROM LATE BENTLEY



COLOR CODES
 N Brown LG Light Green G Green
 U Blue W White B Black
 R Red Y Yellow K Pink
 P Purple S Slate O Orange
 Wire colors shown in () are supplied as part of the component they are connected to.
 ⊞ = one pin of a multi pin connector.
 * indicates two switches combined in one housing

1976 MGB W/CAT CONV FROM LATE BENTLEY



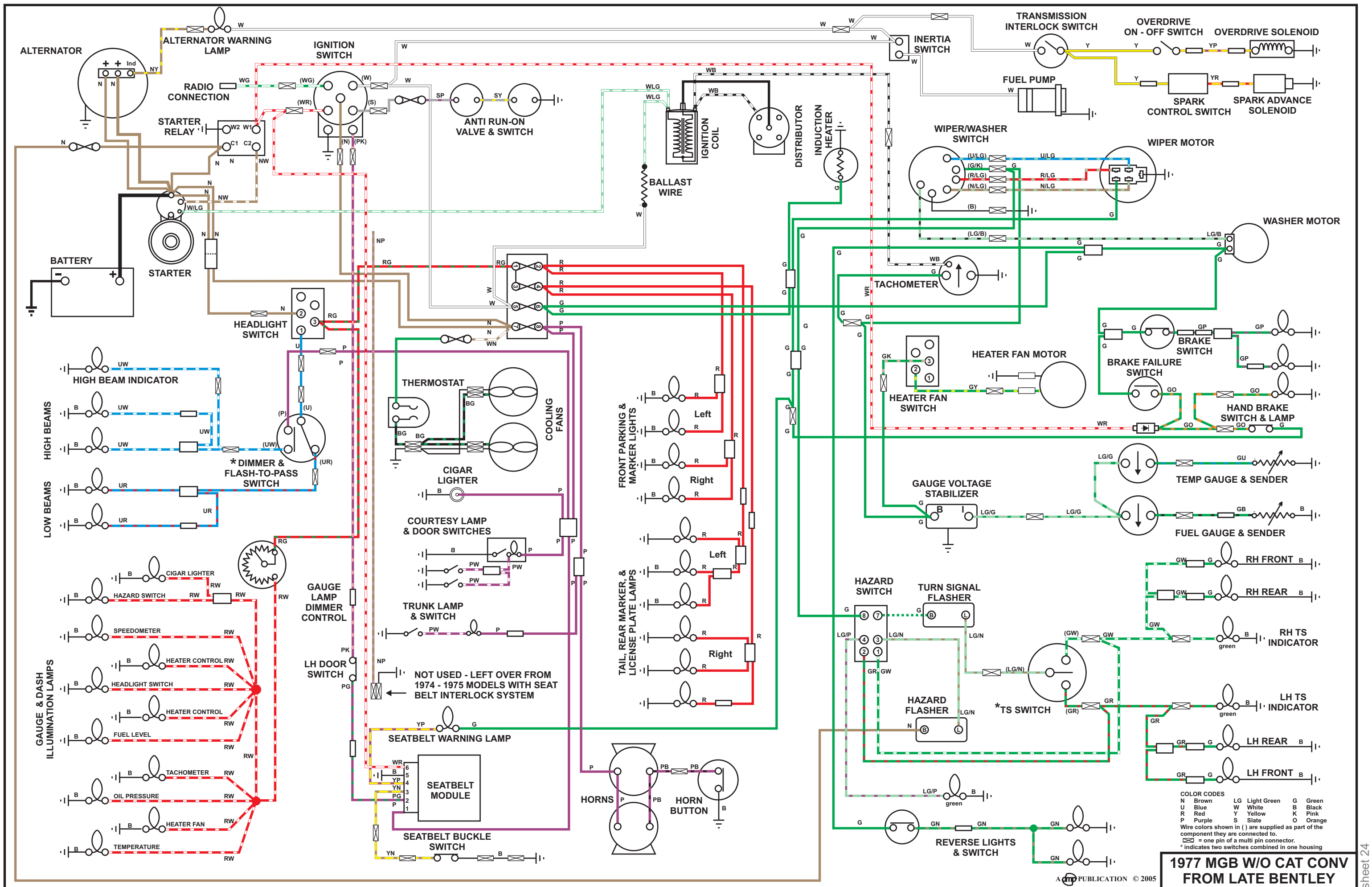


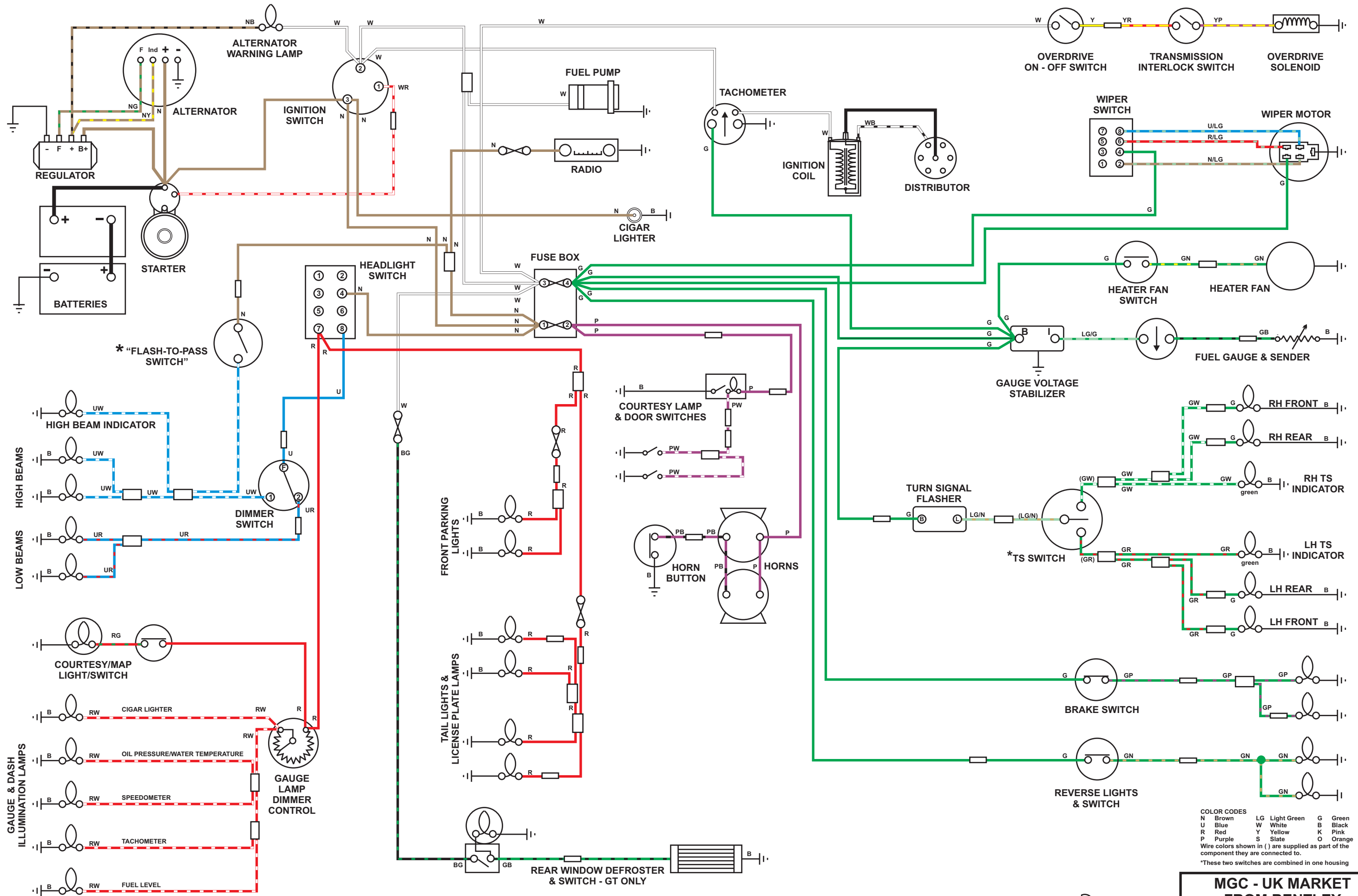
COLOR CODES

N	Brown	LG	Light Green	G	Green
U	Blue	W	White	B	Black
R	Red	Y	Yellow	K	Pink
P	Purple	S	State	O	Orange

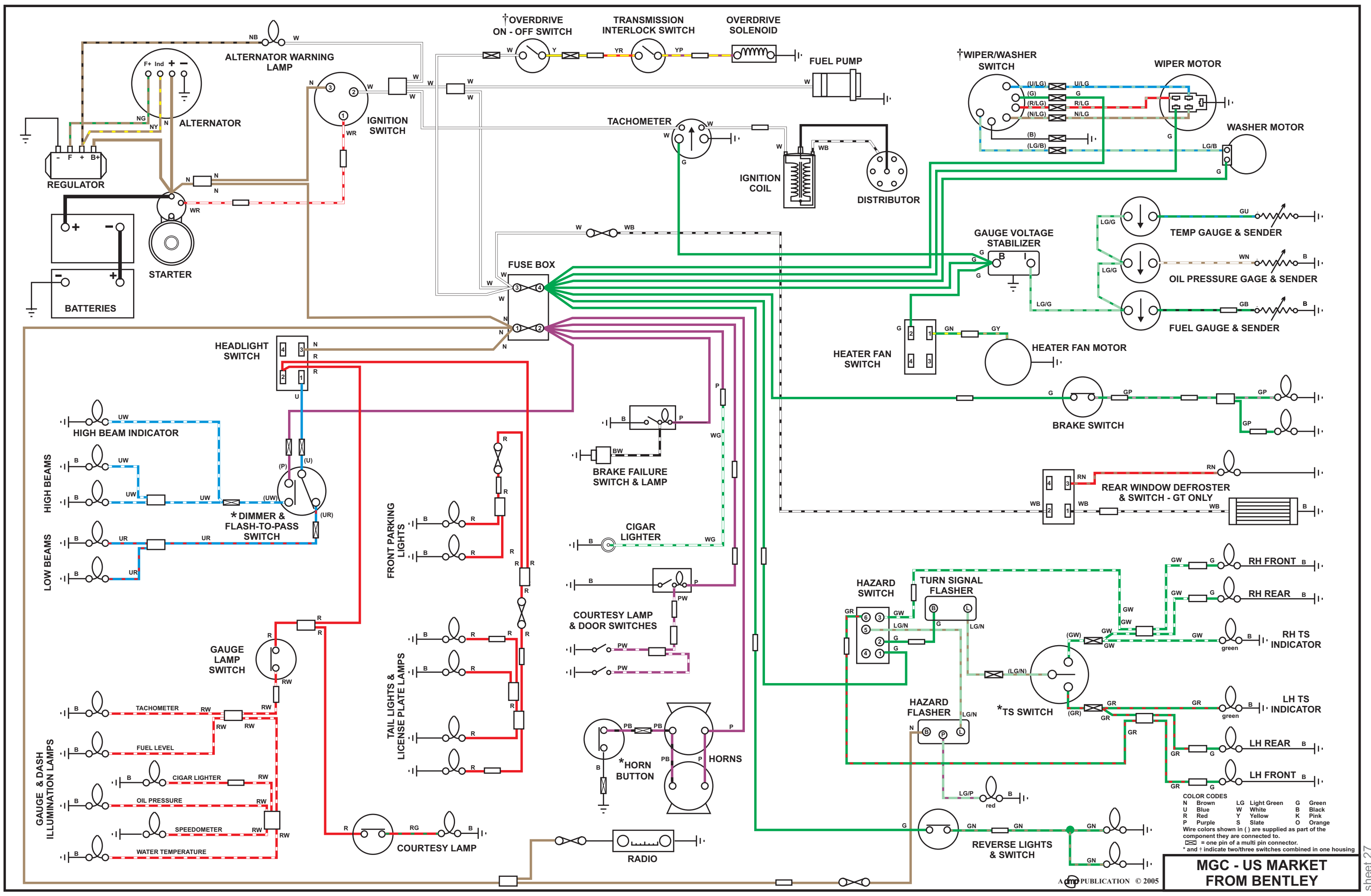
Wire colors shown in () are supplied as part of the component they are connected to.
 ⊞ = one pin of a multi pin connector.
 * indicates two switches combined in one housing

1977 MGB W/CAT CONV FROM LATE BENTLEY

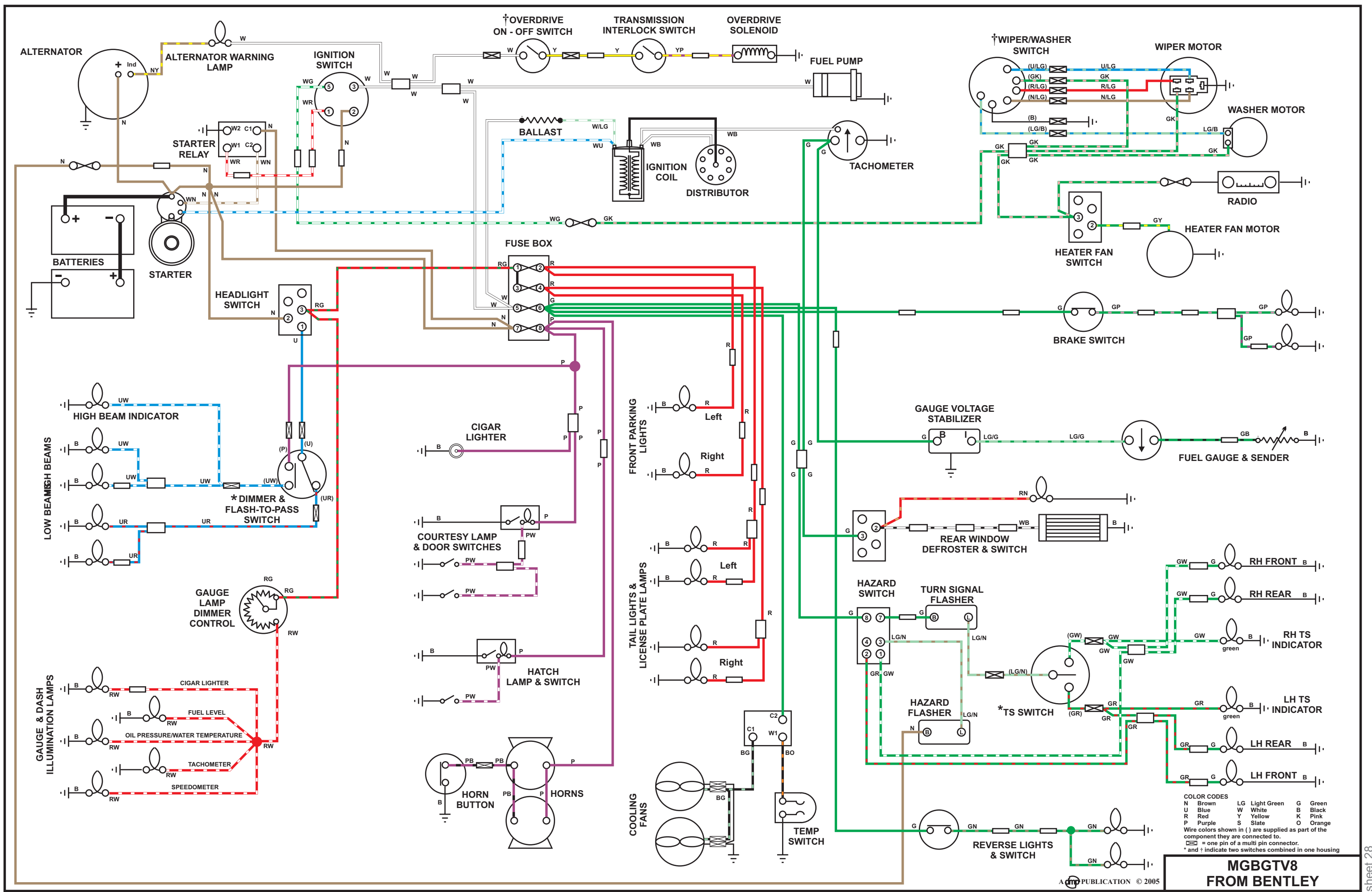




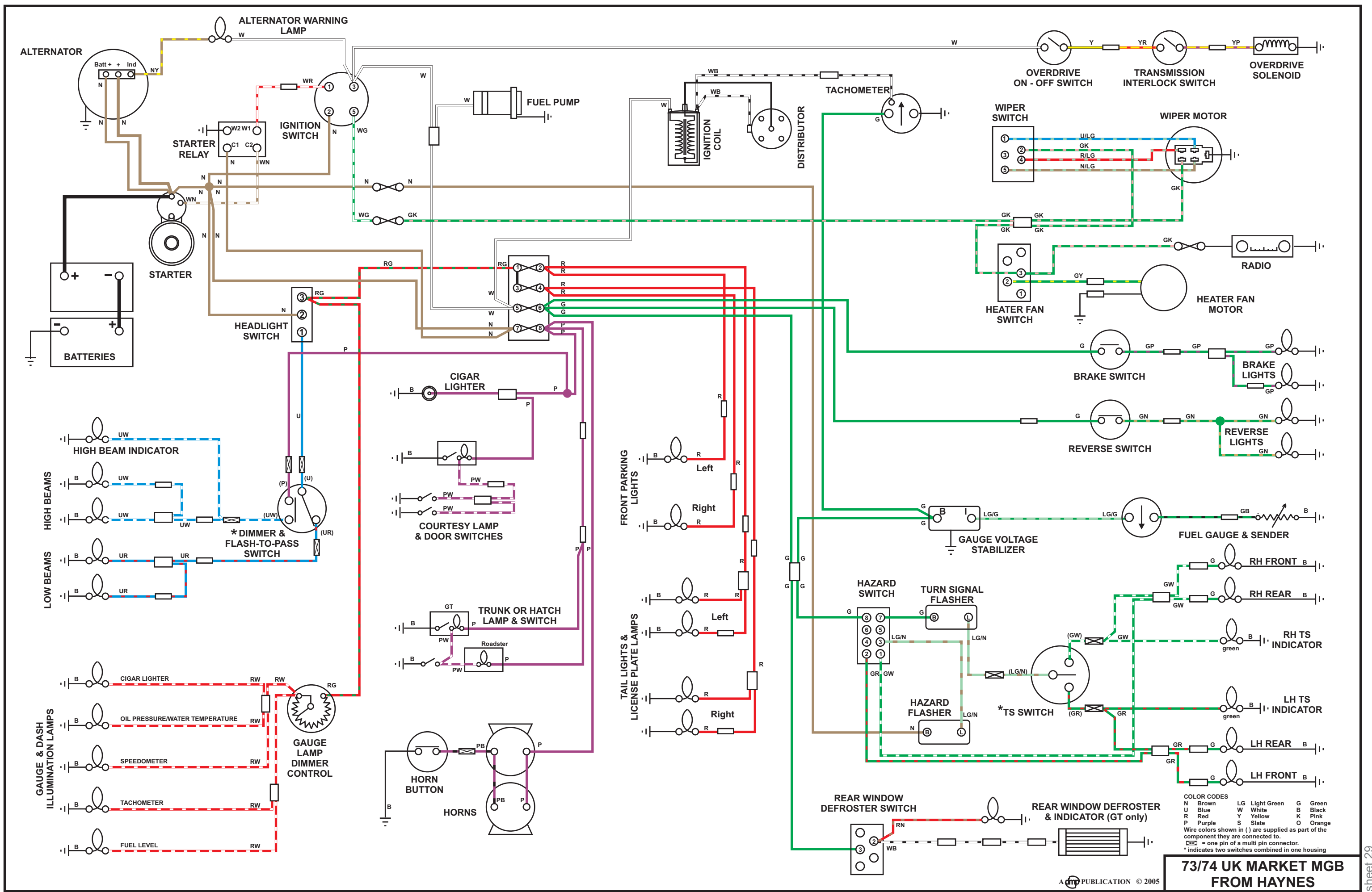
MGC - UK MARKET FROM BENTLEY



MGC - US MARKET FROM BENTLEY



**MGBGTV8
FROM BENTLEY**



COLOR CODES

N	Brown	LG	Light Green	G	Green
U	Blue	W	White	B	Black
R	Red	Y	Yellow	K	Pink
P	Purple	S	Slate	O	Orange

Wire colors shown in () are supplied as part of the component they are connected to.
 ⊞ = one pin of a multi pin connector.
 * indicates two switches combined in one housing

73/74 UK MARKET MGB FROM HAYNES

